

ELITALVA

CONNECTORS (2)

USB A TYPE CONNECTORS

USB B TYPE CONNECTORS

MINI USB CONNECTORS

MICROUSB CONNECTORS

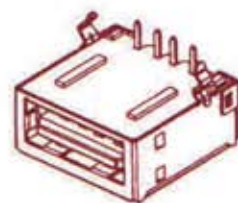
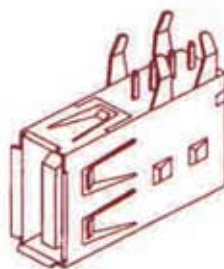
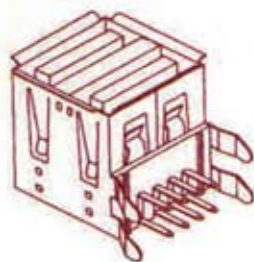
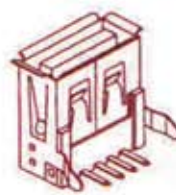
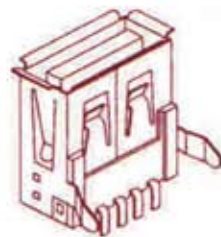
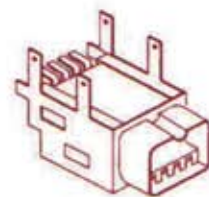
IEEE1394 CONNECTORS

DISPLAYPORT CONNECTORS

DVI CONNECTORS

HDMI CONNECTORS

V.35 CONNECTORS



CAT. CON-C-2

CAT. CON-C-2 (INDEX 1)

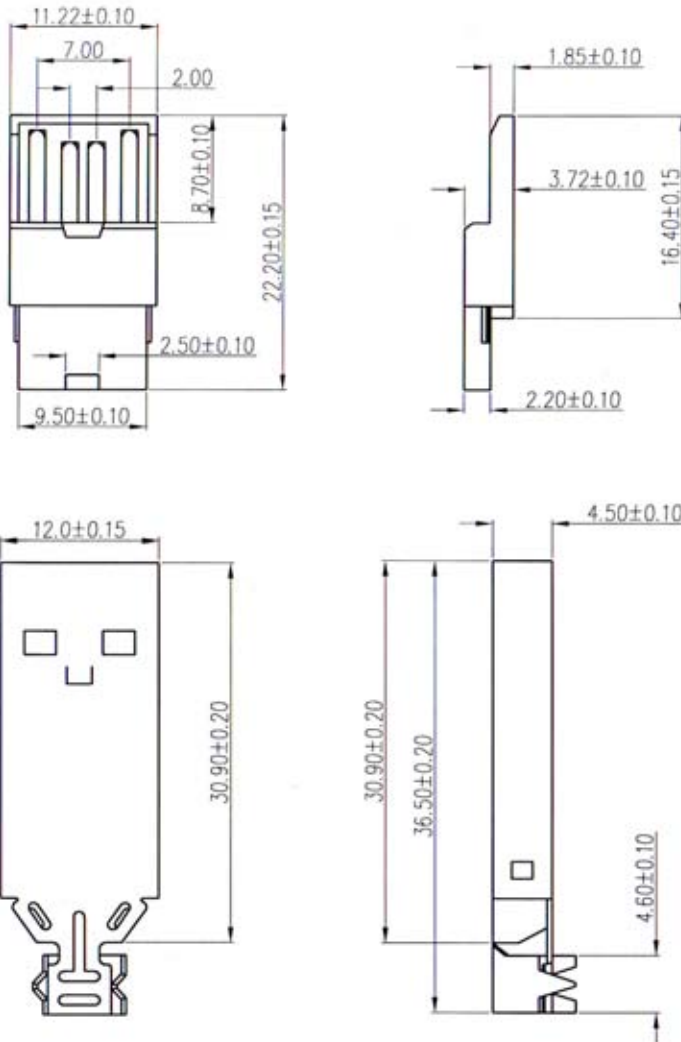
<u>DESCRIPTION</u>	<u>PAGE</u>
<u>USB A TYPE & POWER CONNECTORS</u>	
USB A TYPE CONNECTOR SOLDER TYPE-----	C1001~C1012
USB A TYPE CONNECTOR STRAIGHT PCB MOUNT TYPE-----	C1021~C1028
USB A TYPE CONNECTOR RIGHT ANGLE PCB MOUNT TYPE-----	C1041~C1084
USB A TYPE CONNECTOR SMT TYPE-----	C1101~C1127
USB 8 PIN POWER CONNECTOR-----	C1151
REVERSE MOUNT USB A TYPE CONNECTOR-----	C1161~C1172
USB 3.0 A TYPE FEMALE CONNECTOR-----	C1201
USB 3.0 A TYPE MALE CONNECTOR-----	C1241
USB DUAL A TYPE FEMALE TO MD6F OR HD15F CONNECTOR-----	C1281~C1282
<u>USB B TYPE & INTERNAL CONNECTORS</u>	
USB B TYPE CONNECTOR SOLDER TYPE-----	C1501~C1507
USB B TYPE CONNECTOR STRAIGHT PCB MOUNT TYPE-----	C1521~C1524
USB B TYPE CONNECTOR RIGHT ANGLE PCB MOUNT TYPE-----	C1541~C1548
USB B TYPE CONNECTOR SMT TYPE-----	C1561~C1563
INTERNAL USB 3.0 19 PIN CONNECTOR-----	C1651~C1652
<u>MINI USB CONNECTORS</u>	
MINI USB 4 PIN CONNECTOR ASSEMBLY & SOLDER TYPE-----	C2001~C2003
MINI USB 4 PIN CONNECTOR SMT TYPE-----	C2011~C2018
MINI USB 5 PIN CONNECTOR ASSEMBLY TYPE-----	C2031~C2038
MINI USB 5 PIN CONNECTOR STRAIGHT PCB MOUNT TYPE-----	C2051~C2055
MINI USB 5 PIN CONNECTOR RIGHT ANGLE PCB MOUNT TYPE-----	C2061~C2070
MINI USB 5 PIN CONNECTOR SMT TYPE-----	C2081~C2113
MINI USB 8 PIN CONNECTOR SOLDER TYPE-----	C2201~C2203
MINI USB 8 PIN CONNECTOR SMT TYPE-----	C2211~C2222
MINI USB 10 PIN CONNECTOR SOLDER TYPE-----	C2231~C2232
MINI USB 10 PIN CONNECTOR SMT TYPE-----	C2241~C2252
MINI USB 12 PIN CONNECTOR-----	C2261~C2264
MINI USB 13 PIN CONNECTOR-----	C2271
MINI USB 14 PIN CONNECTOR-----	C2281~C2284
MINI USB 16 PIN CONNECTOR-----	C2291~C2292
MINI USB 18 PIN CONNECTOR-----	C2301~C2303
MINI USB 20 PIN CONNECTOR-----	C2311~C2312
<u>MICRO USB CONNECTORS</u>	
MICRO USB 5 PIN CONNECTOR SOLDER TYPE-----	C2501~C2510
MICRO USB 5 PIN CONNECTOR SMT TYPE-----	C2521~C2548
MICRO USB 3.0 10 PIN FEMALE CONNECTOR-----	C2601~C2613
MICRO USB 3.0 10 PIN MALE CONNECTOR-----	C2681
<u>IEEE1394 CONNECTORS</u>	
IEEE1394 4 PIN CONNECTOR MOLDED & ASSEMBLY TYPE-----	C3001~C3003
IEEE1394 4 PIN CONNECTOR RIGHT ANGLE PCB MOUNT TYPE-----	C3011~C3015
IEEE1394 4 PIN CONNECTOR SMT TYPE-----	C3021~C3025
IEEE1394 6 PIN CONNECTOR SOLDER TYPE-----	C3051~C3053
IEEE1394 6 PIN CONNECTOR STRAIGHT PCB MOUNT TYPE-----	C3061~C3065
IEEE1394 6 PIN CONNECTOR RIGHT ANGLE PCB MOUNT TYPE-----	C3071~C3080
IEEE1394 6 PIN CONNECTOR SMT TYPE-----	C3091~C3095
IEEE1394b 9 PIN CONNECTOR SMT TYPE-----	C3101~C3106

CAT. CON-C-2 (INDEX 2)

<u>DESCRIPTION</u>	<u>PAGE</u>
<u>DISPLAYPORT CONNECTORS</u>	
DISPLAYPORT 20 PIN FEMALE CONNECTOR-----	C3501~C3508
DISPLAYPORT 20 PIN MALE CONNECTOR-----	C3531~C3537
MINI DISPLAYPORT 20 PIN FEMALE CONNECTOR-----	C3601~C3605
MINI DISPLAYPORT 20 PIN MALE CONNECTOR-----	C3631~C3632
<u>DVI CONNECTORS</u>	
DVI MALE CONNECTOR SOLDER TYPE-----	C4001
DVI FEMALE CONNECTOR STRAIGHT DIP TYPE-----	C4011~C4012
DVI FEMALE CONNECTOR RIGHT ANGLE PCB MOUNT TYPE-----	C4021~C4022
DVI DUAL PORT CONNECTOR RIGHT ANGLE PCB MOUNT TYPE-----	C4031~C4038
<u>HDMI CONNECTORS</u>	
HDMI VERSION 1.2A CONNECTOR-----	C4501~C4514
HDMI VERSION 1.3A & 1.3C CONNECTOR-----	C4531~C4561
MICRO HDMI D TYPE CONNECTOR-----	C4581~C4586
<u>V.35 CONNECTORS & OTHER CONNECTORS</u>	
V.35 CRIMPING HOUSING KIT & TERMINAL-----	C4901~C4902
V.35 STRAIGHT & R/A PCB MOUNT TYPE-----	C4903~C4905
IEEE488 CONNECTOR-----	C4951

- TECHNICAL ALTERATIONS ARE SUBJECT TO CHANGE WITHOUT NOTICE.
- ALL ARTICLES ARE RoHS & REACH/SVHC COMPLIANT.

USB A TYPE MALE CONNECTOR CABLE SOLDER TYPE WITH LONG SHELL



SPECIFICATIONS

Current Rating: 1.0 Amperes
Contact Resistance: 25mΩ Max.
Insulation Resistance: 1000MΩ Min. at 500V
Dielectric Voltage: 1000V at 1 Minute
Operating Temperature: -55°C to +105°C

MATERIALS

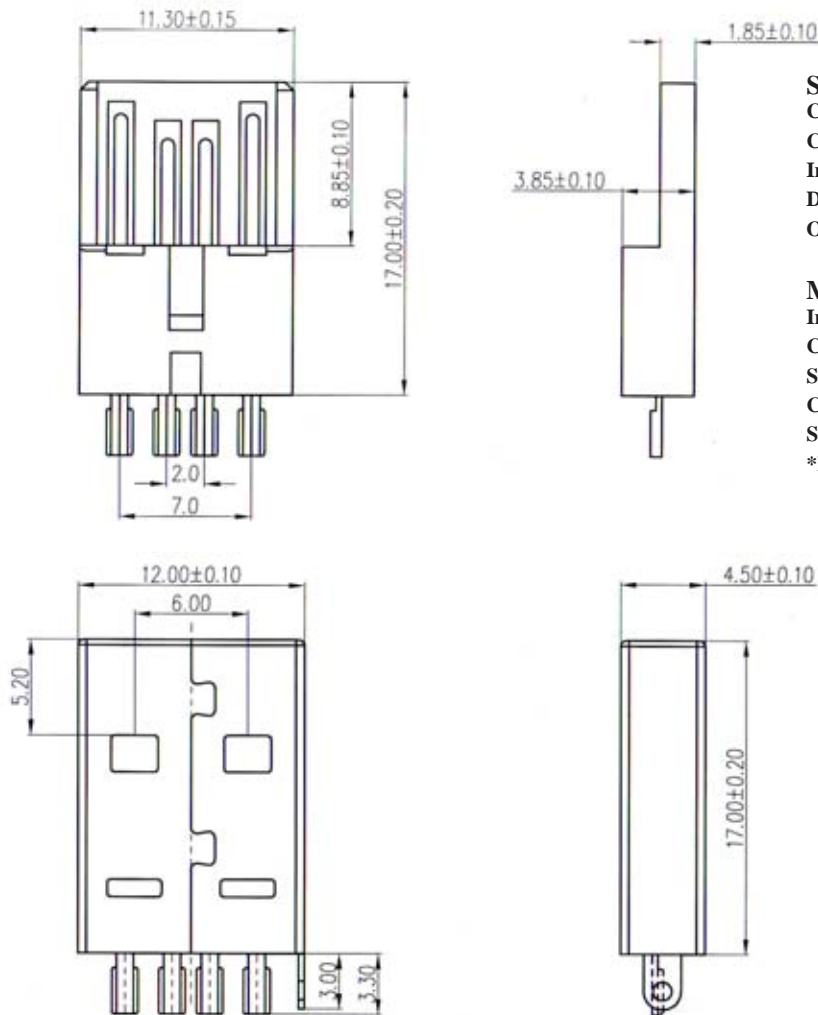
Insulator: PBT, UL94V-0 Rated
Contact: Brass
Shell: Brass, Steel
Contact Plating: Selective Gold Over Nickel Plated
Shell Plating: Tin Or Nickel Over Copper Plated
***RoHS & REACH compliant.**

ORDERING INFORMATION:

P/N U A 0 1 - 0 4 M W x x
1 2 3 4

1. NO. OF CONTACTS:
04
2. CONNECTOR TYPE:
"M" MALE
3. INSULATOR COLOR:
"W" WHITE
4. CONTACT FINISH:
"01" GOLD FLASH
"30" 30 MICROINCH GOLD

USB A TYPE MALE CONNECTOR CABLE SOLDER TYPE WITH SHORT SHELL



SPECIFICATIONS

Current Rating: 1.0 Amperes
Contact Resistance: 25m Ω Max.
Insulation Resistance: 1000M Ω Min. at 500V
Dielectric Voltage: 1000V at 1 Minute
Operating Temperature: -55 $^{\circ}$ c to +105 $^{\circ}$ c

MATERIALS

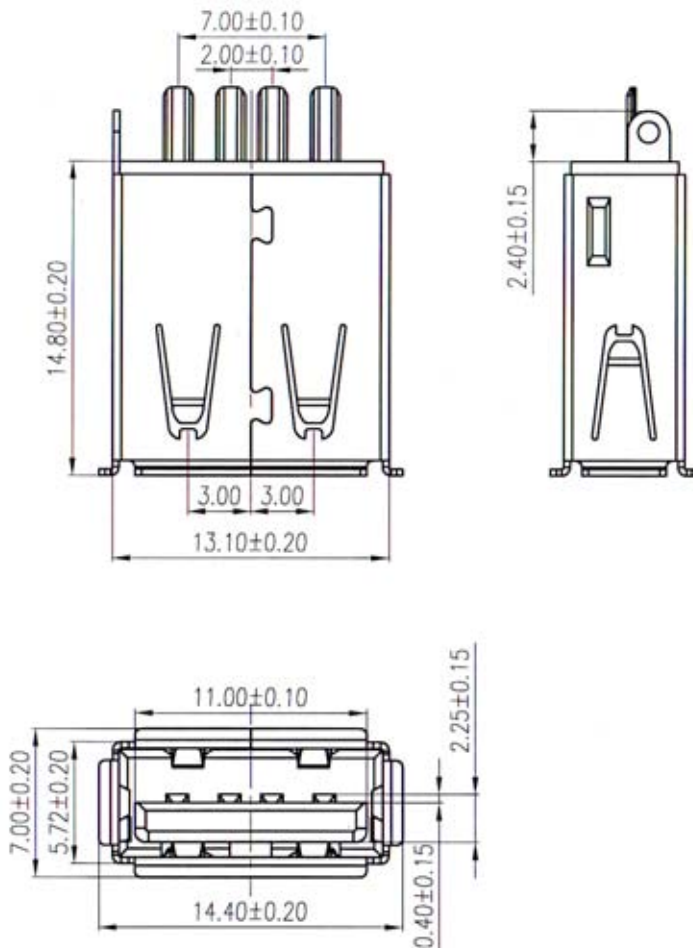
Insulator: PBT, UL94V-0 Rated
Contact: Brass
Shell: Brass, Steel
Contact Plating: Selective Gold Over Nickel Plated
Shell Plating: Tin Or Nickel Over Copper Plated
***RoHS & REACH compliant.**

ORDERING INFORMATION:

P/N U A 0 2 - 0 4 M W x x
1 2 3 4

1. NO. OF CONTACTS:
04
2. CONNECTOR TYPE:
"M" MALE
3. INSULATOR COLOR:
"W" WHITE
4. CONTACT FINISH:
"01" GOLD FLASH
"30" 30 MICROINCH GOLD

USB A TYPE FEMALE CONNECTOR CABLE SOLDER TYPE



SPECIFICATIONS

Current Rating: 1.0 Amperes

Contact Resistance: 25mΩ Max.

Insulation Resistance: 1000MΩ Min. at 500V

Dielectric Voltage: 1000V at 1 Minute

Operating Temperature: -55°C to +105°C

MATERIALS

Insulator: PBT, UL94V-0 Rated

Contact: Brass

Shell: Brass, Steel

Contact Plating: Selective Gold Over Nickel Plated

Shell Plating: Tin Or Nickel Over Copper Plated

***RoHS & REACH compliant.**

ORDERING INFORMATION:

P/N U A 0 3 - 0 4 F W x x
1 2 3 4

1. NO. OF CONTACTS:

04

2. CONNECTOR TYPE:

"F" FEMALE

3. INSULATOR COLOR:

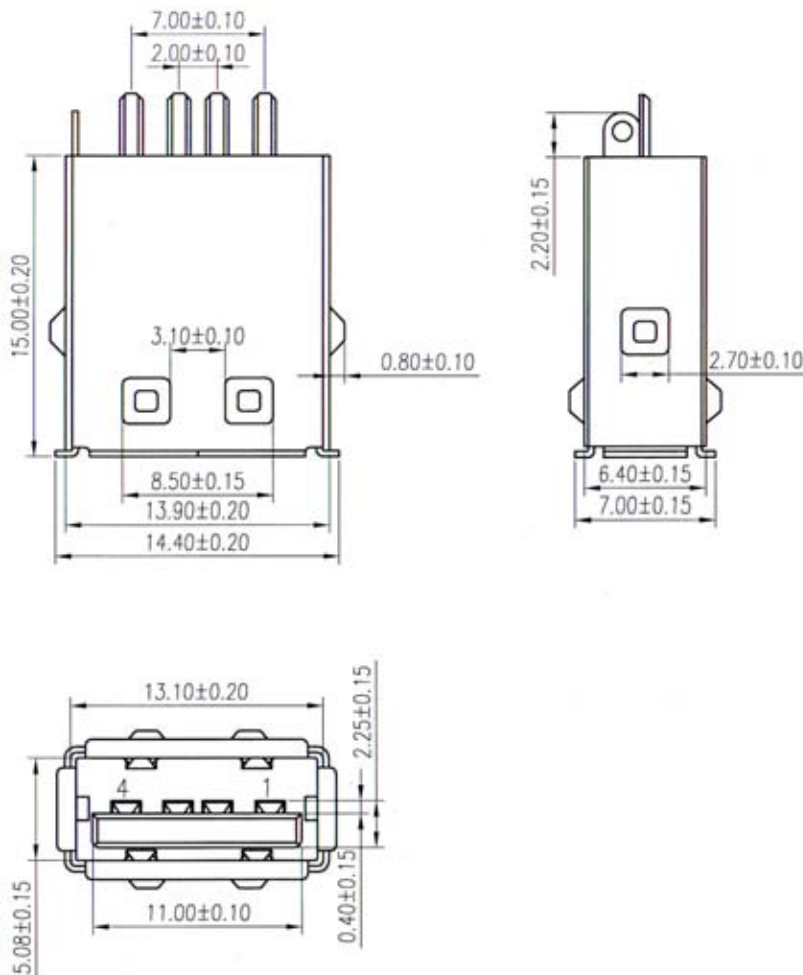
"W" WHITE

4. CONTACT FINISH:

"01" GOLD FLASH

"30" 30 MICROINCH GOLD

USB A TYPE FEMALE CONNECTOR SOLDER TYPE WITH HOOD



SPECIFICATIONS

Current Rating: 1.0 Amperes

Contact Resistance: 25mΩ Max.

Insulation Resistance: 1000MΩ Min. at 500V

Dielectric Voltage: 1000V at 1 Minute

Operating Temperature: -55°C to +105°C

MATERIALS

Insulator: PBT, UL94V-0 Rated

Contact: Brass

Shell: Brass, Steel

Contact Plating: Selective Gold Over Nickel Plated

Shell Plating: Tin Or Nickel Over Copper Plated

***RoHS & REACH compliant.**

ORDERING INFORMATION:

P/N U A 0 7 - 0 4 F W x x
1 2 3 4

1. NO. OF CONTACTS:

04

2. CONNECTOR TYPE:

"F" FEMALE

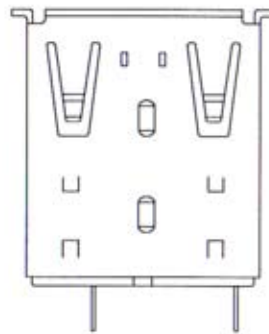
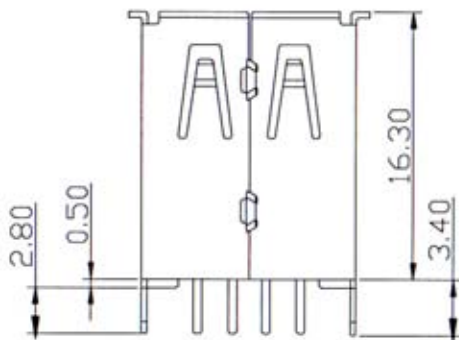
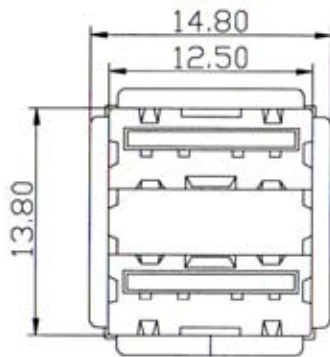
3. INSULATOR COLOR:

"W" WHITE

4. CONTACT FINISH:

"01" GOLD FLASH

USB A TYPE DUAL PORT FEMALE CONNECTOR CABLE SOLDER TYPE



SPECIFICATIONS

Current Rating: 1.0 Amperes

Contact Resistance: 25mΩ Max.

Insulation Resistance: 1000MΩ Min. at 500V

Dielectric Voltage: 1000V at 1 Minute

Operating Temperature: -55°C to +105°C

MATERIALS

Insulator: PBT, UL94V-0 Rated

Contact: Brass

Shell: Brass, Steel

Contact Plating: Selective Gold Over Nickel Plated

Shell Plating: Tin Or Nickel Over Copper Plated

***RoHS & REACH compliant.**

ORDERING INFORMATION:

P/N U A 1 0 - 0 8 F W x x
1 2 3 4

1. NO. OF CONTACTS:

08

2. CONNECTOR TYPE:

"F" FEMALE

3. INSULATOR COLOR:

"W" WHITE

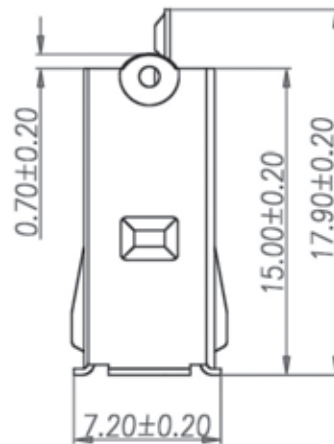
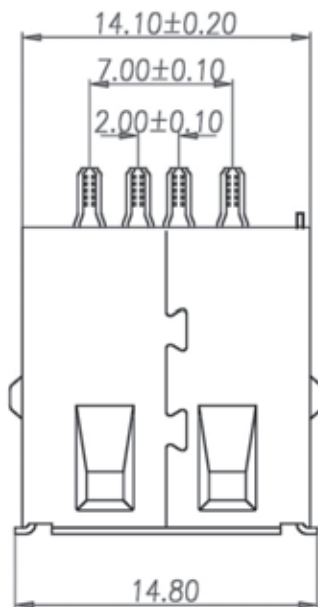
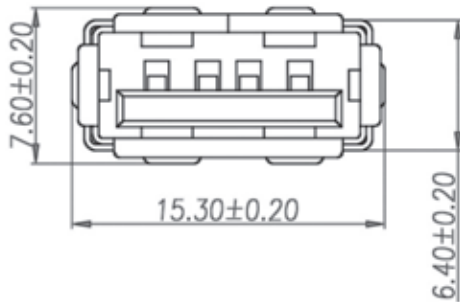
4. CONTACT FINISH:

"01" GOLD FLASH

"15" 15 MICROINCH GOLD

"30" 30 MICROINCH GOLD

USB A TYPE FEMALE CONNECTOR CABLE SOLDER TYPE



SPECIFICATIONS

Current Rating: 1.0 Amperes
Contact Resistance: 25mΩ Max.
Insulation Resistance: 1000MΩ Min. at 500V
Dielectric Voltage: 1000V at 1 Minute
Operating Temperature: -55°C to +105°C

MATERIALS

Insulator: PBT, UL94V-0 Rated
Contact: Brass
Shell: Brass, Steel
Contact Plating: Selective Gold Over Nickel Plated
Shell Plating: Tin Or Nickel Over Copper Plated
***RoHS & REACH compliant.**

ORDERING INFORMATION:

P/N U A 0 4 - 0 4 F B x x
1 2 3 4

1. NO. OF CONTACTS:
04
2. CONNECTOR TYPE:
"F" FEMALE
3. INSULATOR COLOR:
"B" BLACK
4. CONTACT FINISH:
"01" GOLD FLASH
"05" 05 MICROINCH GOLD

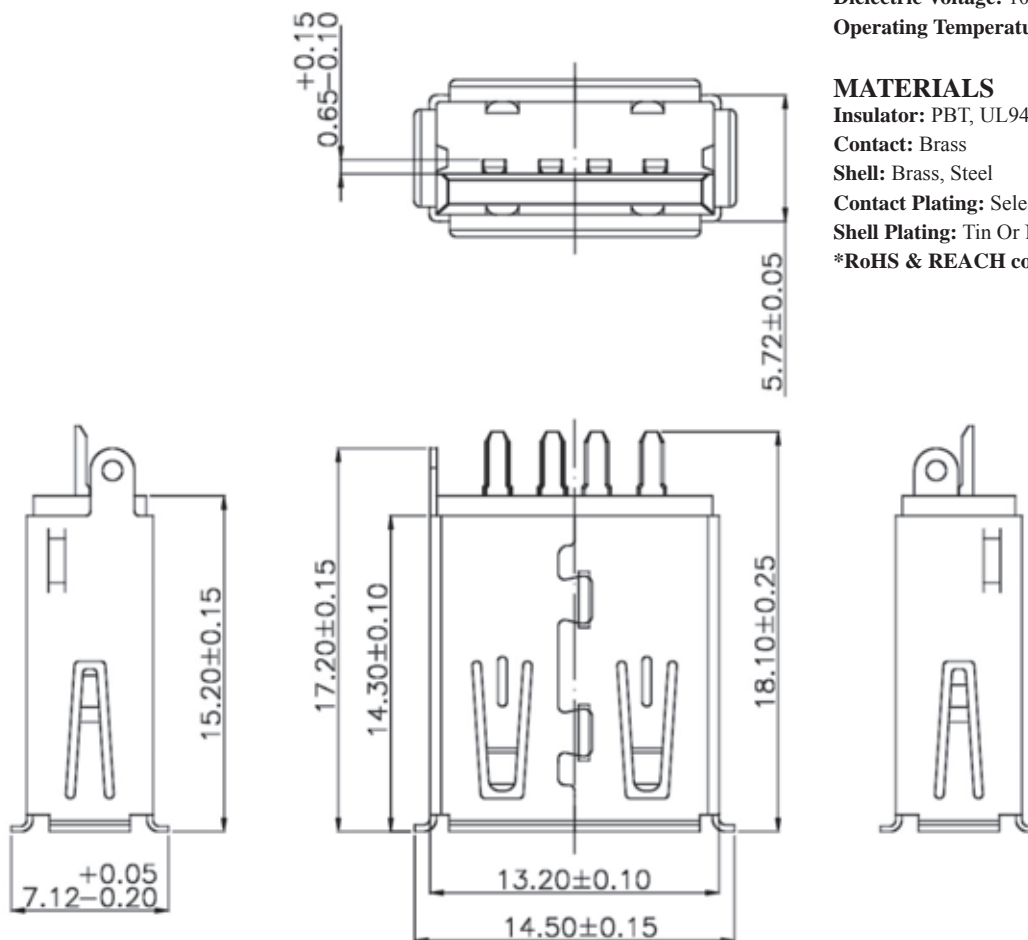
USB A TYPE FEMALE CONNECTOR CABLE SOLDER TYPE

SPECIFICATIONS

Current Rating: 1.0 Amperes
Contact Resistance: 25mΩ Max.
Insulation Resistance: 1000MΩ Min. at 500V
Dielectric Voltage: 1000V at 1 Minute
Operating Temperature: -55°C to +105°C

MATERIALS

Insulator: PBT, UL94V-0 Rated
Contact: Brass
Shell: Brass, Steel
Contact Plating: Selective Gold Over Nickel Plated
Shell Plating: Tin Or Nickel Over Copper Plated
***RoHS & REACH compliant.**

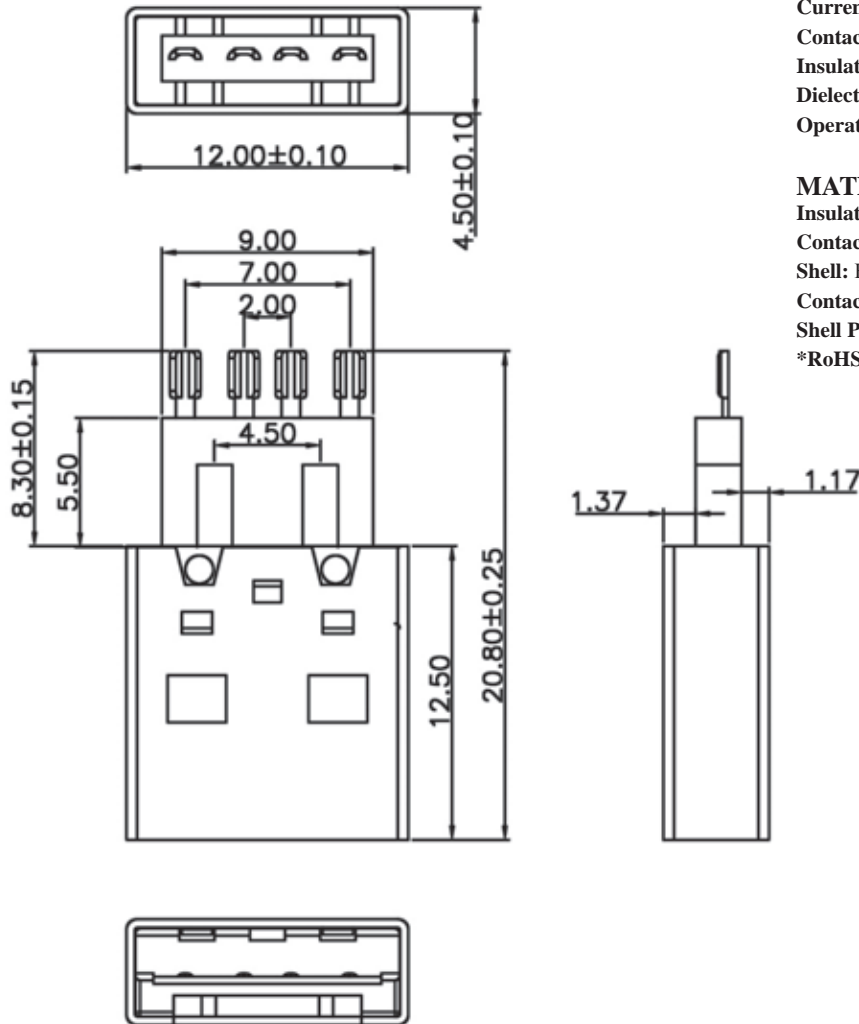


ORDERING INFORMATION:

P/N U A 6 B - 0 4 F x x x
 1 2 3 4

1. NO. OF CONTACTS:
04
2. CONNECTOR TYPE:
"F" FEMALE
3. INSULATOR COLOR:
"B" BLACK
"W" WHITE
4. CONTACT FINISH:
"01" GOLD FLASH
"03" 3 MICROINCH GOLD
"15" 15 MICROINCH GOLD
"30" 30 MICROINCH GOLD

USB A TYPE MALE CONNECTOR CABLE SOLDER TYPE



SPECIFICATIONS

Current Rating: 1.0 Amperes
Contact Resistance: 25m Ω Max.
Insulation Resistance: 1000M Ω Min. at 500V
Dielectric Voltage: 1000V at 1 Minute
Operating Temperature: -55 $^{\circ}$ c to +105 $^{\circ}$ c

MATERIALS

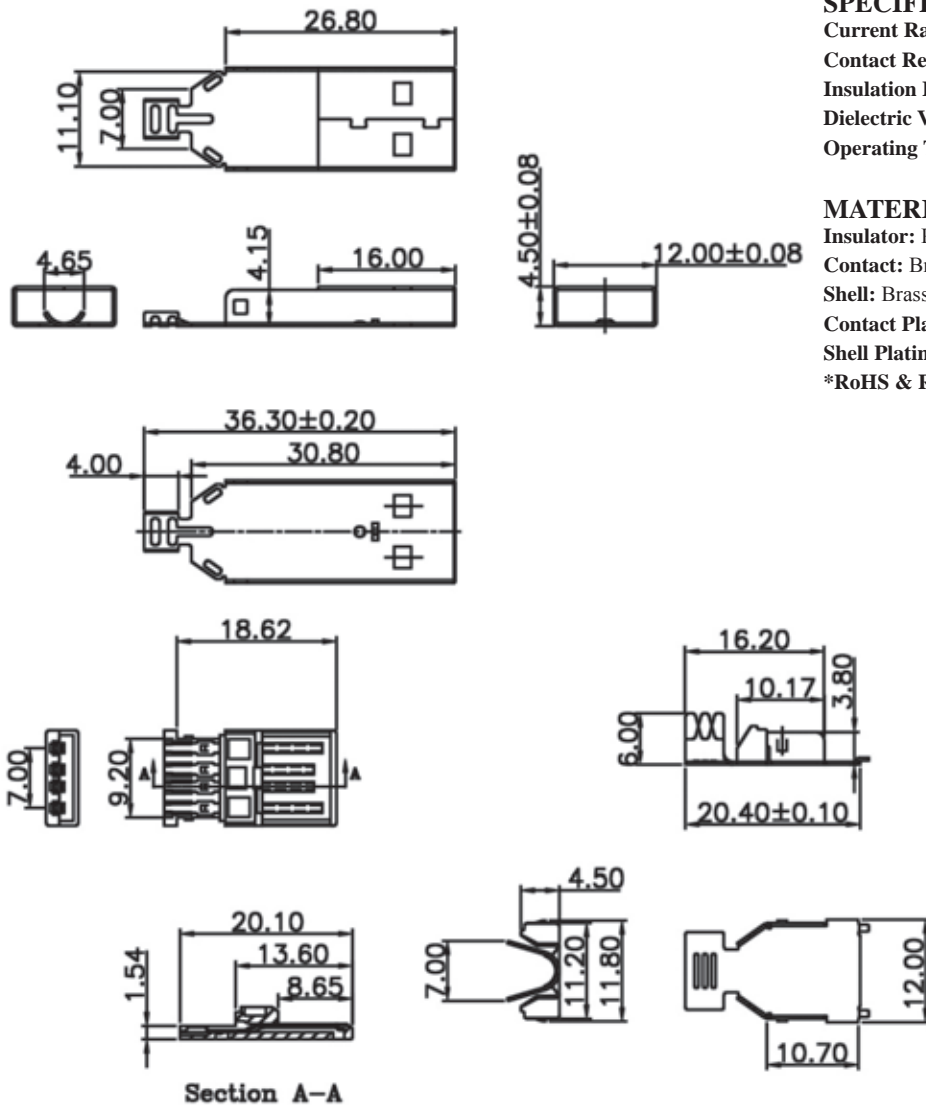
Insulator: PBT, UL94V-0 Rated
Contact: Brass
Shell: Brass, Steel
Contact Plating: Selective Gold Over Nickel Plated
Shell Plating: Tin Or Nickel Over Copper Plated
***RoHS & REACH compliant.**

ORDERING INFORMATION:

P/N U A 4 1 - 0 4 M W x x
1 2 3 4

1. NO. OF CONTACTS:
04
2. CONNECTOR TYPE:
"M" MALE
3. INSULATOR COLOR:
"W" WHITE
4. CONTACT FINISH:
"01" GOLD FLASH
"03" 3 MICROINCH GOLD
"15" 15 MICROINCH GOLD
"30" 30 MICROINCH GOLD

USB A TYPE MALE CONNECTOR CABLE SOLDER TYPE OD=4.0MM



SPECIFICATIONS

Current Rating: 1.0 Amperes
Contact Resistance: 25mΩ Max.
Insulation Resistance: 1000MΩ Min. at 500V
Dielectric Voltage: 1000V at 1 Minute
Operating Temperature: -55°C to +105°C

MATERIALS

Insulator: PBT, UL94V-0 Rated
Contact: Brass
Shell: Brass, Steel
Contact Plating: Selective Gold Over Nickel Plated
Shell Plating: Tin Or Nickel Over Copper Plated
***RoHS & REACH compliant.**

ORDERING INFORMATION:

P/N U A 6 D - 0 4 M x x x
 1 2 3 4

1. NO. OF CONTACTS:

04

2. CONNECTOR TYPE:

"M" MALE

3. INSULATOR COLOR:

"B" BLACK

"W" WHITE

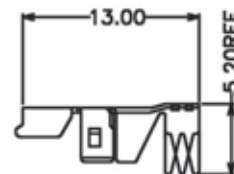
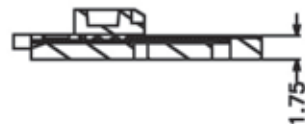
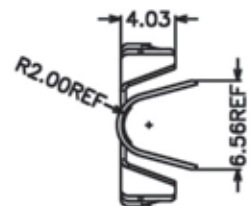
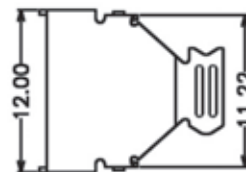
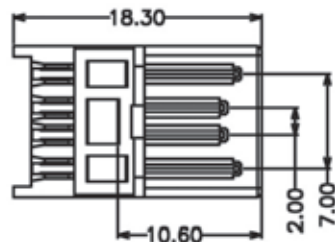
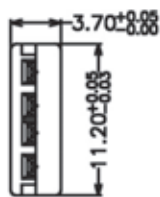
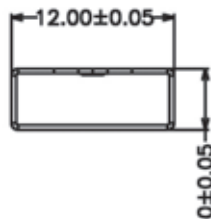
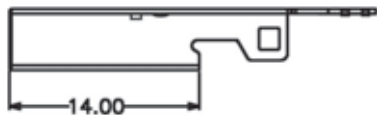
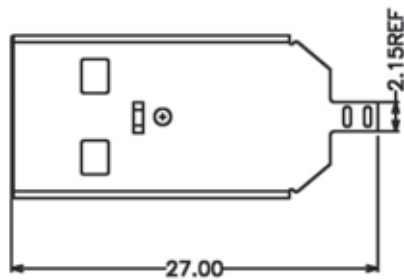
4. CONTACT FINISH:

"01" GOLD FLASH

"15" 15 MICROINCH GOLD

"30" 30 MICROINCH GOLD

USB A TYPE MALE CONNECTOR CABLE SOLDER TYPE OD=4.0MM



SPECIFICATIONS

Current Rating: 1.0 Amperes

Contact Resistance: 25mΩ Max.

Insulation Resistance: 1000MΩ Min. at 500V

Dielectric Voltage: 1000V at 1 Minute

Operating Temperature: -55°C to +105°C

MATERIALS

Insulator: PBT, UL94V-0 Rated

Contact: Brass

Shell: Brass, Steel

Contact Plating: Selective Gold Over Nickel Plated

Shell Plating: Tin Or Nickel Over Copper Plated

*RoHS & REACH compliant.

ORDERING INFORMATION:

P/N U A 6 E - 0 4 M x x x
1 2 3 4

1. NO. OF CONTACTS:

04

2. CONNECTOR TYPE:

"M" MALE

3. INSULATOR COLOR:

"B" BLACK

"W" WHITE

4. CONTACT FINISH:

"01" GOLD FLASH

"15" 15 MICROINCH GOLD

"30" 30 MICROINCH GOLD

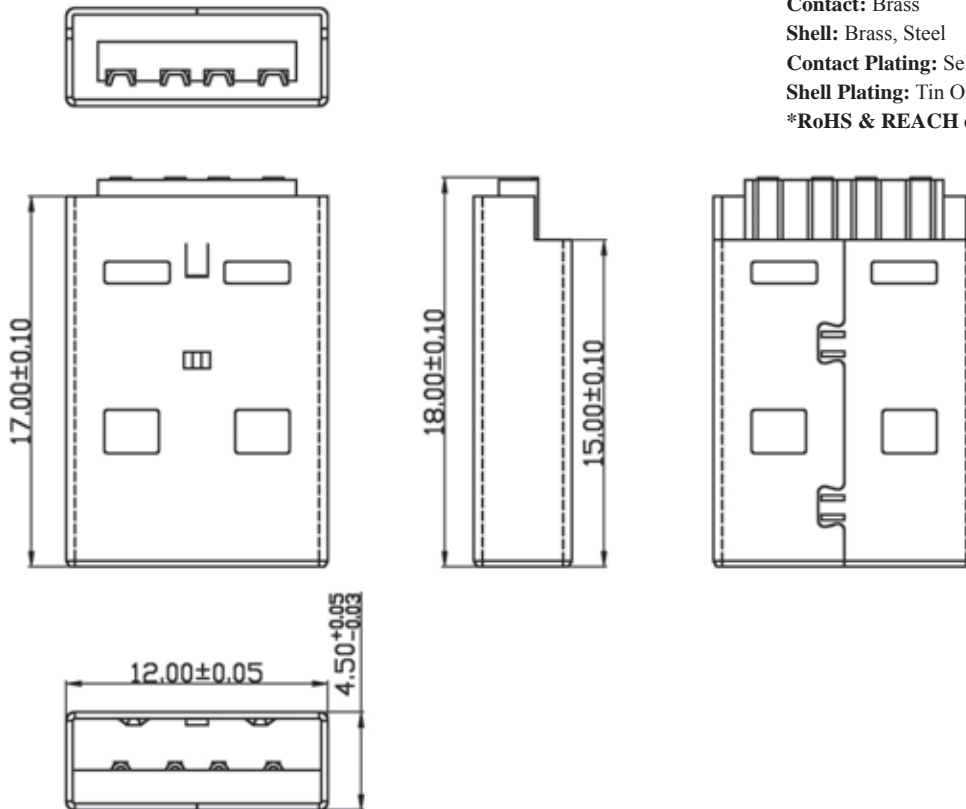
USB A TYPE MALE CONNECTOR CABLE SOLDER TYPE WITH SHORT BODY

SPECIFICATIONS

Current Rating: 1.0 Amperes
Contact Resistance: 25mΩ Max.
Insulation Resistance: 1000MΩ Min. at 500V
Dielectric Voltage: 1000V at 1 Minute
Operating Temperature: -55°C to +105°C

MATERIALS

Insulator: PBT, UL94V-0 Rated
Contact: Brass
Shell: Brass, Steel
Contact Plating: Selective Gold Over Nickel Plated
Shell Plating: Tin Or Nickel Over Copper Plated
***RoHS & REACH compliant.**

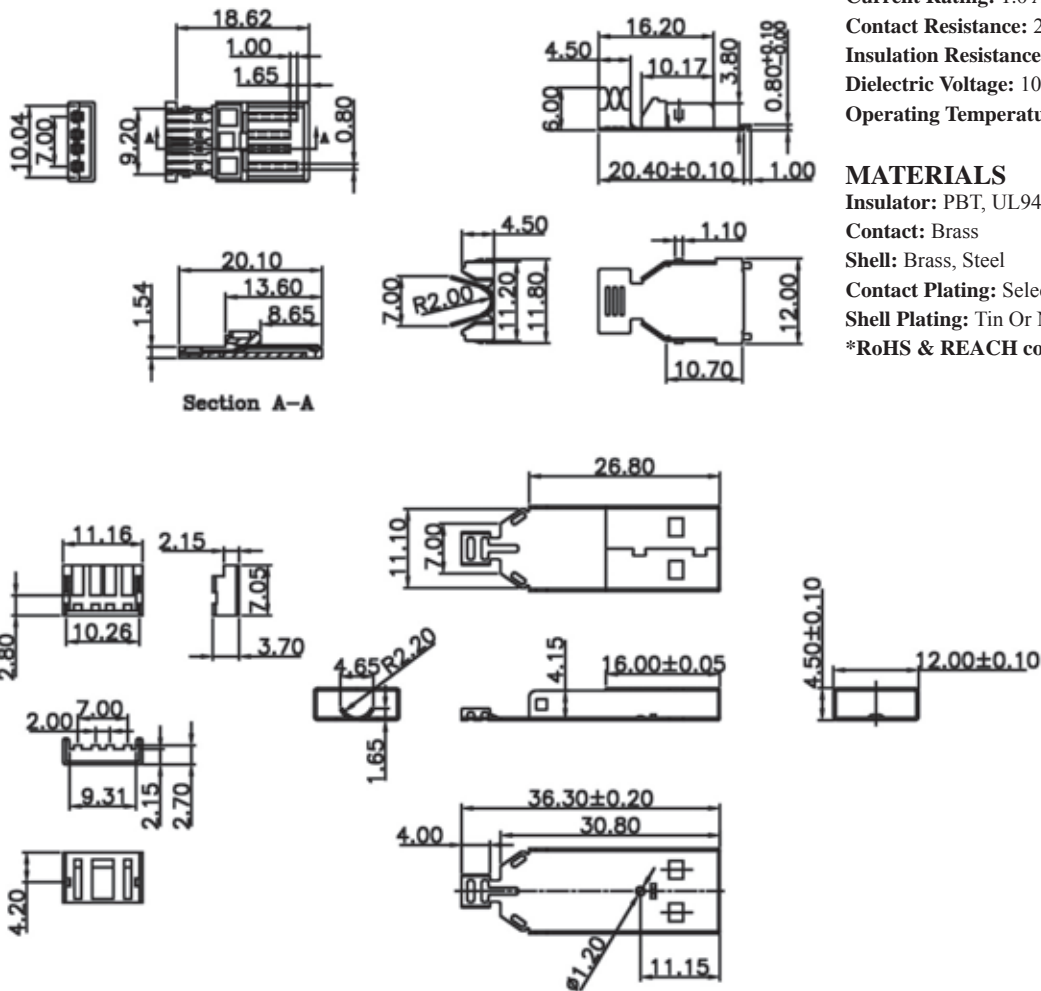


ORDERING INFORMATION:

P/N U A 6 C - 0 4 M W x x
 1 2 3 4

1. NO. OF CONTACTS:
04
2. CONNECTOR TYPE:
"M" MALE
3. INSULATOR COLOR:
"W" WHITE
4. CONTACT FINISH:
"01" GOLD FLASH
"30" 30 MICROINCH GOLD

USB A TYPE MALE CONNECTOR CABLE SOLDER TYPE



SPECIFICATIONS

Current Rating: 1.0 Amperes
Contact Resistance: 25mΩ Max.
Insulation Resistance: 1000MΩ Min. at 500V
Dielectric Voltage: 1000V at 1 Minute
Operating Temperature: -55°C to +105°C

MATERIALS

Insulator: PBT, UL94V-0 Rated
Contact: Brass
Shell: Brass, Steel
Contact Plating: Selective Gold Over Nickel Plated
Shell Plating: Tin Or Nickel Over Copper Plated
***RoHS & REACH compliant.**

ORDERING INFORMATION:

P/N U A 6 M - 0 4 M x x x x

1	2	3	4	5
---	---	---	---	---

1. NO. OF CONTACTS:

04

2. CONNECTOR TYPE:

"M" MALE

3. INSULATOR COLOR:

"B" BLACK

"W" WHITE

"V" BEIGE

4. CONTACT FINISH:

"01" GOLD FLASH

"03" 3 MICROINCH GOLD

"15" 15 MICROINCH GOLD

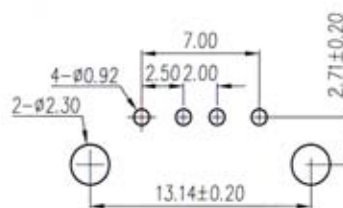
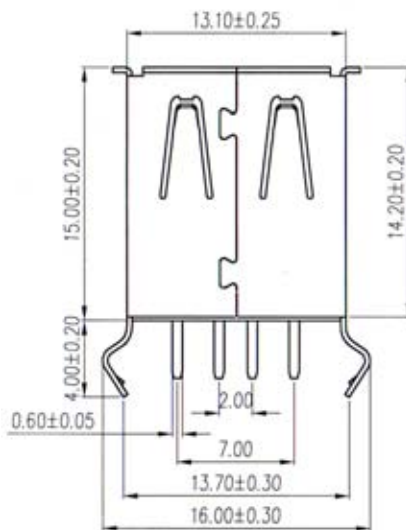
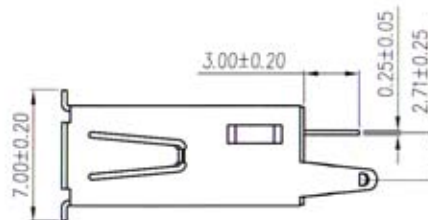
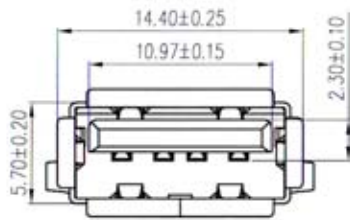
"30" 30 MICROINCH GOLD

5. SHELL FINISH:

" " NICKEL PLATED

"G" GOLD FLASH PLATED

USB A TYPE FEMALE CONNECTOR STRAIGHT PCB MOUNT TYPE



Recommended P.C.Board Layout

SPECIFICATIONS

Current Rating: 1.0 Amperes
Contact Resistance: 25mΩ Max.
Insulation Resistance: 1000MΩ Min. at 500V
Dielectric Voltage: 1000V at 1 Minute
Operating Temperature: -55°C to +105°C

MATERIALS

Insulator: PBT, UL94V-0 Rated
Contact: Brass
Shell: Brass, Steel
Contact Plating: Selective Gold Over Nickel Plated
Shell Plating: Tin Or Nickel Over Copper Plated
***RoHS & REACH compliant.**

ORDERING INFORMATION:

P/N U A 1 1 - 0 4 F W x x
 1 2 3 4

1. NO. OF CONTACTS:
04
2. CONNECTOR TYPE:
"F" FEMALE
3. INSULATOR COLOR:
"B" BLACK
"W" WHITE
4. CONTACT FINISH:
"01" GOLD FLASH
"30" 30 MICROINCH GOLD

USB A TYPE DUAL PORT FEMALE CONNECTOR STRAIGHT PCB MOUNT TYPE

SPECIFICATIONS

Current Rating: 1.0 Amperes

Contact Resistance: 25mΩ Max.

Insulation Resistance: 1000MΩ Min. at 500V

Dielectric Voltage: 1000V at 1 Minute

Operating Temperature: -55°C to +105°C

MATERIALS

Insulator: PBT, UL94V-0 Rated

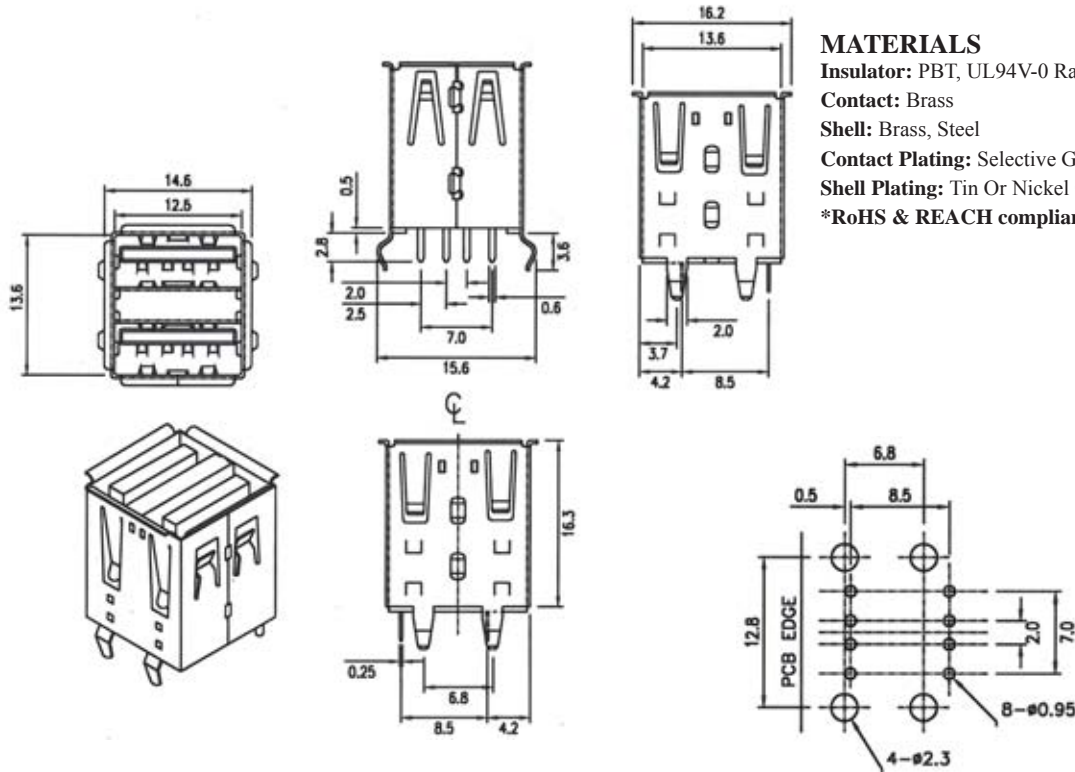
Contact: Brass

Shell: Brass, Steel

Contact Plating: Selective Gold Over Nickel Plated

Shell Plating: Tin Or Nickel Over Copper Plated

***RoHS & REACH compliant.**



Recommended P.C.Board Layout
(BOTTOM VIEW)

ORDERING INFORMATION:

P/N U A 1 2 - 0 8 F W x x
1 2 3 4

1. NO. OF CONTACTS:

08

2. CONNECTOR TYPE:

"F" FEMALE

3. INSULATOR COLOR:

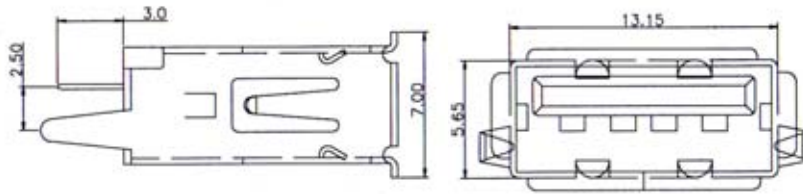
"W" WHITE

4. CONTACT FINISH:

"01" GOLD FLASH (REV. 1.1)

"30" 30 MICROINCH GOLD (REV. 2.0)

USB A TYPE FEMALE CONNECTOR STRAIGHT PCB MOUNT TYPE WITH SHORT HOUSING

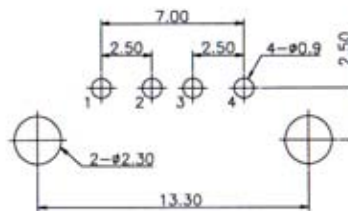
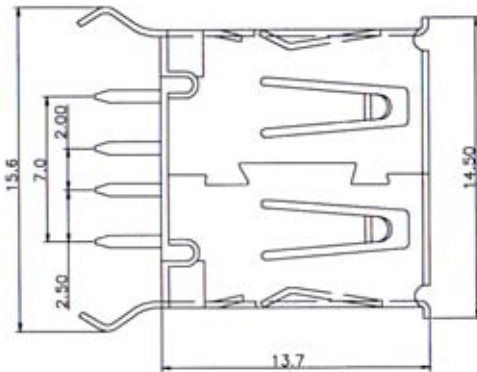


SPECIFICATIONS

Current Rating: 1.0 Amperes
Contact Resistance: 25mΩ Max.
Insulation Resistance: 1000MΩ Min. at 500V
Dielectric Voltage: 1000V at 1 Minute
Operating Temperature: -55°C to +105°C

MATERIALS

Insulator: PBT, UL94V-0 Rated
Contact: Brass
Shell: Brass, Steel
Contact Plating: Selective Gold Over Nickel Plated
Shell Plating: Tin Or Nickel Over Copper Plated
***RoHS & REACH compliant.**



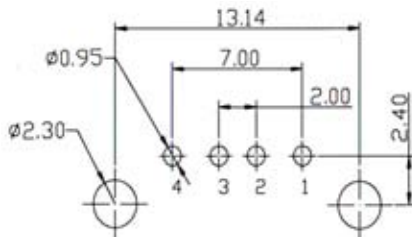
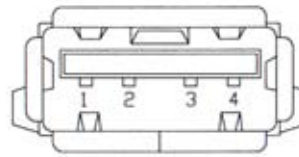
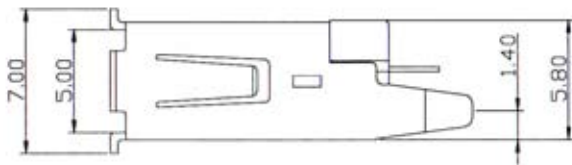
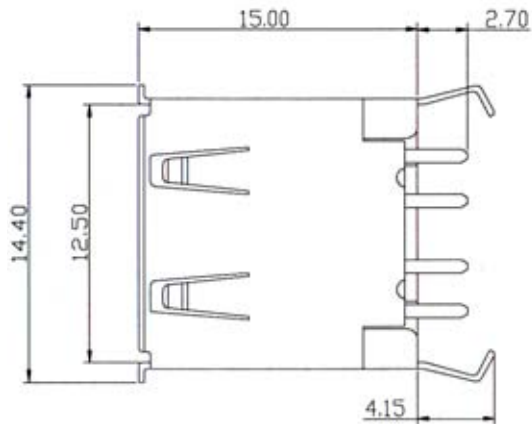
Recommended P.C.Board Layout
(TOP VIEW)

ORDERING INFORMATION:

P/N U A 1 8 - 0 4 F B x x
 1 2 3 4

1. NO. OF CONTACTS:
04
2. CONNECTOR TYPE:
"F" FEMALE
3. INSULATOR COLOR:
"B" BLACK
4. CONTACT FINISH:
"01" GOLD FLASH
"30" 30 MICROINCH GOLD

USB A TYPE FEMALE CONNECTOR STRAIGHT PCB MOUNT TYPE



Recommended P.C.Board Layout
(TOP VIEW)

SPECIFICATIONS

- Current Rating:** 1.0 Amperes
- Contact Resistance:** 25mΩ Max.
- Insulation Resistance:** 1000MΩ Min. at 500V
- Dielectric Voltage:** 1000V at 1 Minute
- Operating Temperature:** -55°C to +105°C

MATERIALS

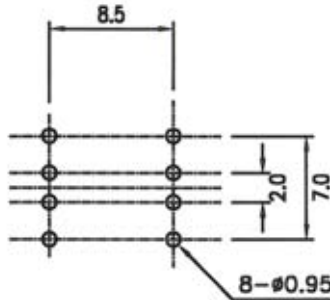
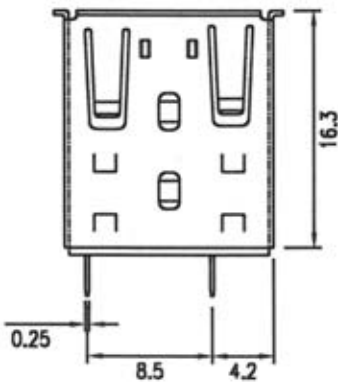
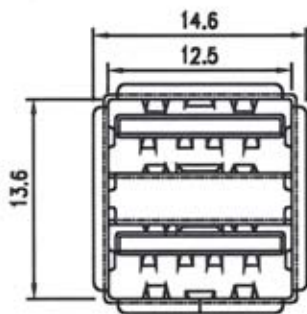
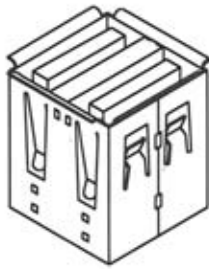
- Insulator:** PBT, UL94V-0 Rated
- Contact:** Brass
- Shell:** Brass, Steel
- Contact Plating:** Selective Gold Over Nickel Plated
- Shell Plating:** Tin Or Nickel Over Copper Plated
- *RoHS & REACH compliant.**

ORDERING INFORMATION:

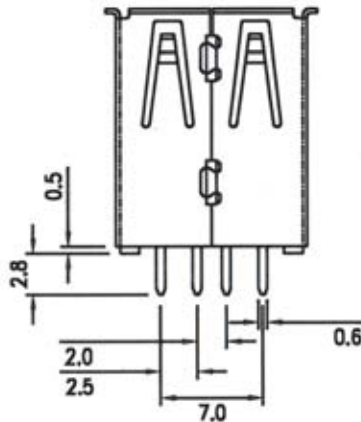
P/N U A 1 9 - 0 4 F W x x
1 2 3 4

1. NO. OF CONTACTS:
04
2. CONNECTOR TYPE:
"F" FEMALE
3. INSULATOR COLOR:
"W" WHITE
4. CONTACT FINISH:
"01" GOLD FLASH
"15" 15 MICROINCH GOLD
"30" 30 MICROINCH GOLD

USB A TYPE DUAL PORT FEMALE CONNECTOR STRAIGHT DIP TYPE W/O HOOK



Recommended P.C. Board Layout

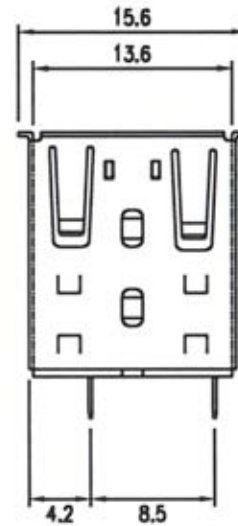


SPECIFICATIONS

Current Rating: 1.0 Amperes
Contact Resistance: 25mΩ Max.
Insulation Resistance: 1000MΩ Min. at 500V
Dielectric Voltage: 1000V at 1 Minute
Operating Temperature: -55°C to +105°C

MATERIALS

Insulator: PBT, UL94V-0 Rated
Contact: Brass
Shell: Brass, Steel
Contact Plating: Selective Gold Over Nickel Plated
Shell Plating: Tin Or Nickel Over Copper Plated
***RoHS & REACH compliant.**

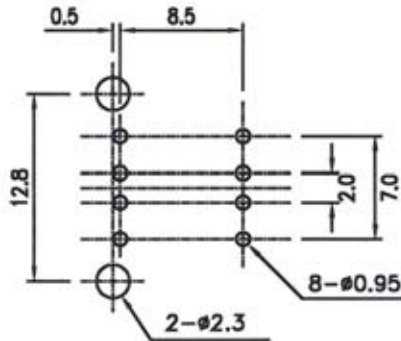
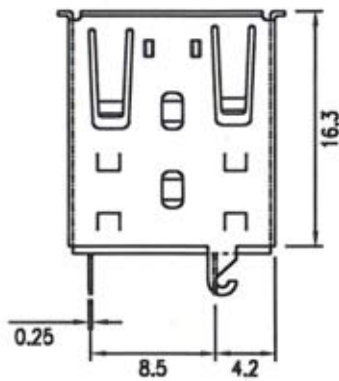
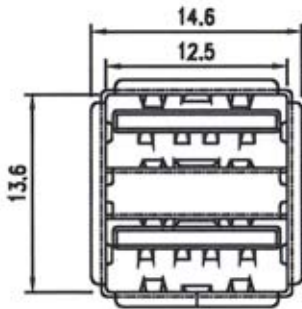
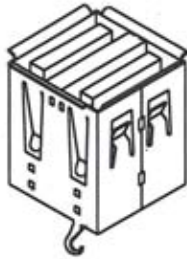


ORDERING INFORMATION:

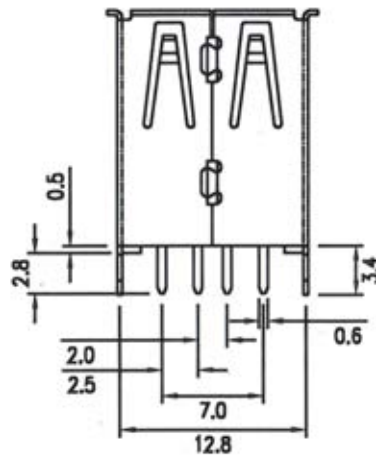
P/N U A 1 6 - 0 8 F W x x
 1 2 3 4

1. NO. OF CONTACTS:
08
2. CONNECTOR TYPE:
"F" FEMALE
3. INSULATOR COLOR:
"W" WHITE
4. CONTACT FINISH:
"01" GOLD FLASH (REV. 1.1)
"30" 30 MICROINCH GOLD (REV. 2.0)

USB A TYPE DUAL PORT FEMALE CONNECTOR STRAIGHT DIP TYPE WITH HOOK



Recommended P.C.Board Layout

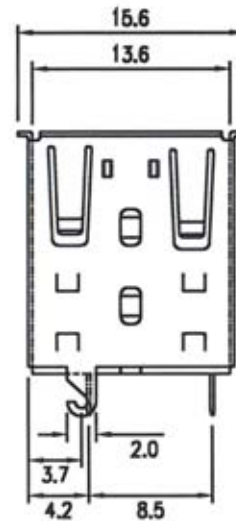


SPECIFICATIONS

Current Rating: 1.0 Amperes
Contact Resistance: 25mΩ Max.
Insulation Resistance: 1000MΩ Min. at 500V
Dielectric Voltage: 1000V at 1 Minute
Operating Temperature: -55°C to +105°C

MATERIALS

Insulator: PBT, UL94V-0 Rated
Contact: Brass
Shell: Brass, Steel
Contact Plating: Selective Gold Over Nickel Plated
Shell Plating: Tin Or Nickel Over Copper Plated
***RoHS & REACH compliant.**

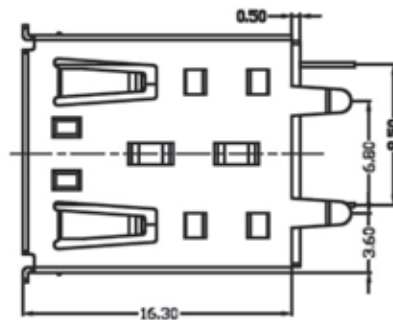
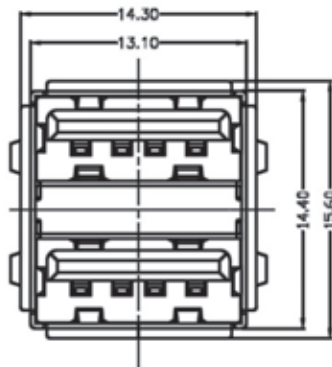
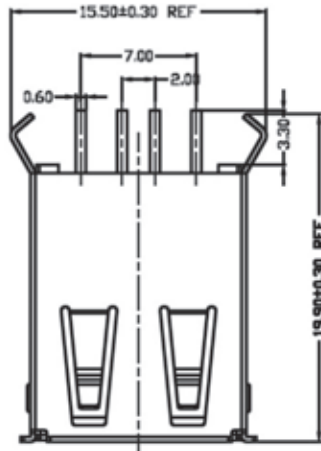


ORDERING INFORMATION:

P/N U A 1 7 - 0 8 F W x x
 1 2 3 4

1. NO. OF CONTACTS:
08
2. CONNECTOR TYPE:
"F" FEMALE
3. INSULATOR COLOR:
"W" WHITE
4. CONTACT FINISH:
"01" GOLD FLASH (REV. 1.1)
"30" 30 MICROINCH GOLD (REV. 2.0)

USB A TYPE DUAL PORT FEMALE CONNECTOR STRAIGHT DIP TYPE W=12.80MM

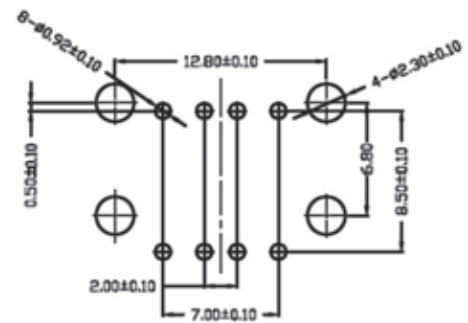


SPECIFICATIONS

Current Rating: 1.0 Amperes
Contact Resistance: 25mΩ Max.
Insulation Resistance: 1000MΩ Min. at 500V
Dielectric Voltage: 1000V at 1 Minute
Operating Temperature: -55°C to +105°C

MATERIALS

Insulator: PBT, UL94V-0 Rated
Contact: Brass
Shell: Brass, Steel
Contact Plating: Selective Gold Over Nickel Plated
Shell Plating: Tin Or Nickel Over Copper Plated
***RoHS & REACH compliant.**



Recommended P.C.Board Layout

ORDERING INFORMATION:

P/N U A 6 Y - 0 8 F x x x
 1 2 3 4

1. NO. OF CONTACTS:
08
2. CONNECTOR TYPE:
"F" FEMALE
3. INSULATOR COLOR:
"B" BLACK
"W" WHITE
4. CONTACT FINISH:
"01" GOLD FLASH

USB A TYPE MALE CONNECTOR ROTATIONAL STRAIGHT TYPE

SPECIFICATIONS

Current Rating: 1.0 Amperes

Contact Resistance: 25mΩ Max.

Insulation Resistance: 1000MΩ Min. at 500V

Dielectric Voltage: 1000V at 1 Minute

Operating Temperature: -55°C to +105°C

MATERIALS

Insulator: PBT, UL94V-0 Rated

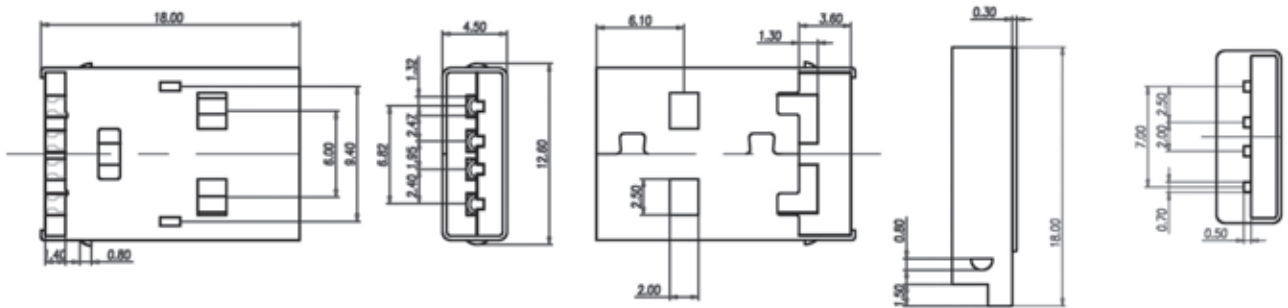
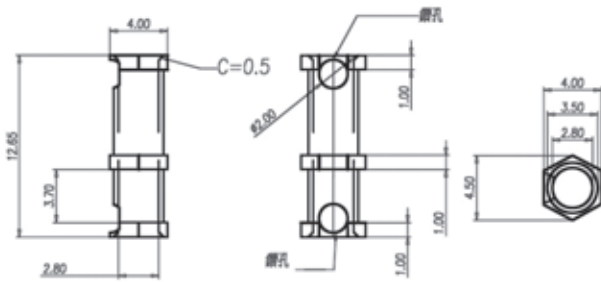
Contact: Brass

Shell: Brass, Steel

Contact Plating: Selective Gold Over Nickel Plated

Shell Plating: Tin Or Nickel Over Copper Plated

***RoHS & REACH compliant.**

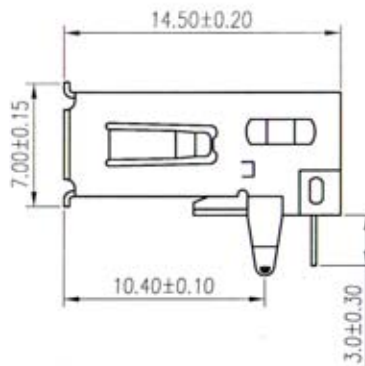
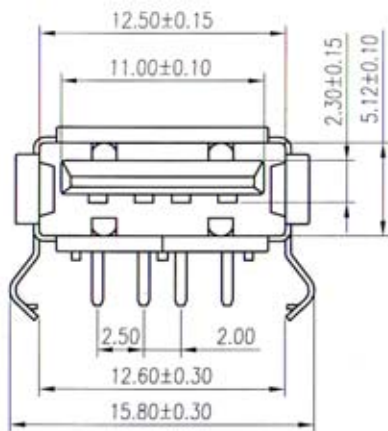


ORDERING INFORMATION:

P/N U A 6 G - $\frac{0}{1} \frac{4}{2} \frac{M}{3} \frac{B}{4} \times \times$

1. NO. OF CONTACTS:
04
2. CONNECTOR TYPE:
"M" MALE
3. INSULATOR COLOR:
"B" BLACK
4. CONTACT FINISH:
"01" GOLD FLASH

USB A TYPE FEMALE CONNECTOR RIGHT ANGLE DIP TYPE

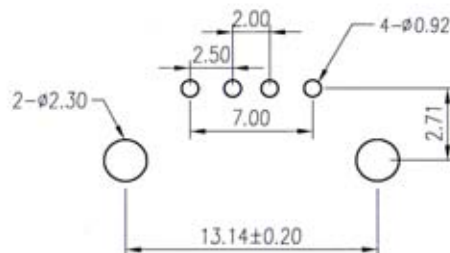
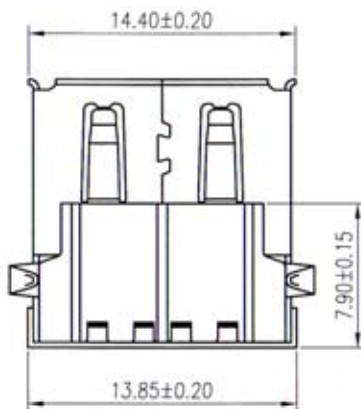


SPECIFICATIONS

Current Rating: 1.0 Amperes
Contact Resistance: 25mΩ Max.
Insulation Resistance: 1000MΩ Min. at 500V
Dielectric Voltage: 1000V at 1 Minute
Operating Temperature: -55°C to +105°C

MATERIALS

Insulator: PBT, UL94V-0 Rated
Contact: Brass
Shell: Brass, Steel
Contact Plating: Selective Gold Over Nickel Plated
Shell Plating: Tin Or Nickel Over Copper Plated
 *RoHS & REACH compliant.



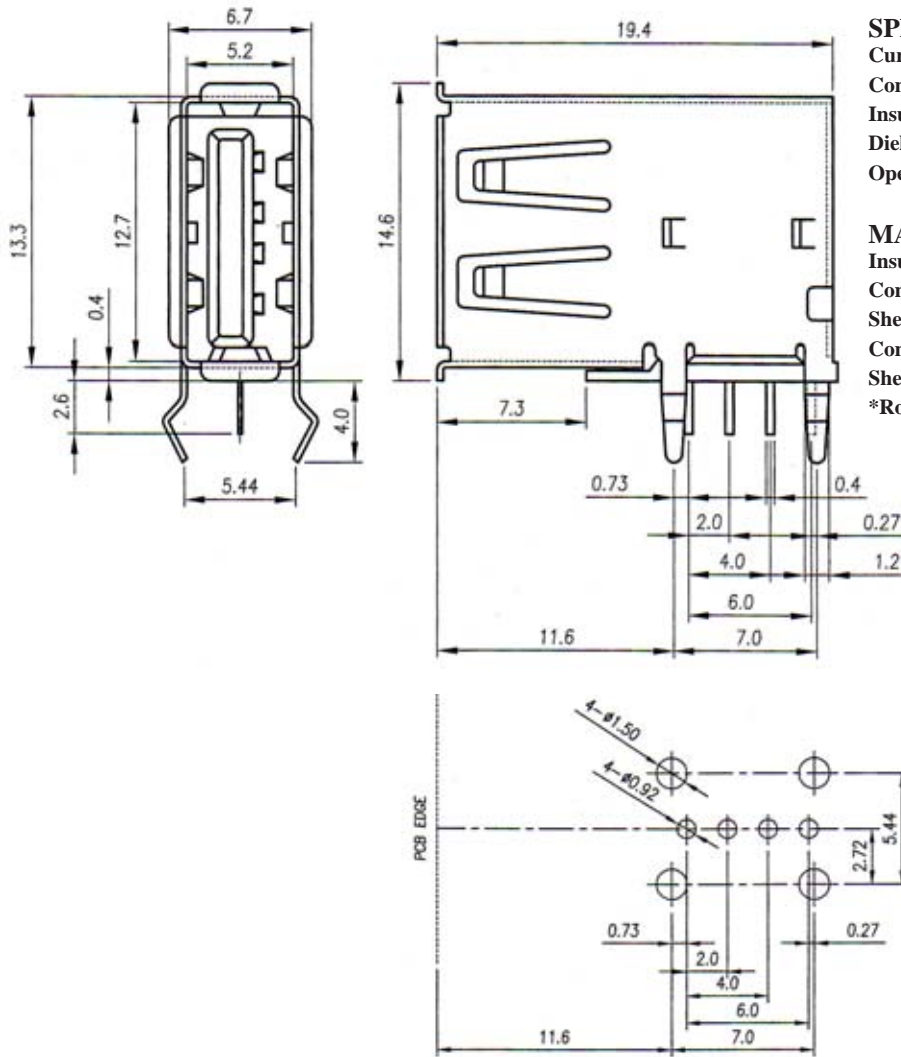
Recommended P.C. Board Layout

ORDERING INFORMATION:

P/N U A 2 1 - 0 4 F x x x
 1 2 3 4

1. NO. OF CONTACTS:
04
2. CONNECTOR TYPE:
"F" FEMALE
3. INSULATOR COLOR:
"B" BLACK
"W" WHITE
4. CONTACT FINISH:
"01" GOLD FLASH
"30" 30 MICROINCH GOLD

USB A TYPE FEMALE CONNECTOR UP RIGHT ANGLE DIP TYPE



Recommended P.C.Board Layout
(BOTTOM VIEW)

SPECIFICATIONS

Current Rating: 1.0 Amperes
Contact Resistance: 25mΩ Max.
Insulation Resistance: 1000MΩ Min. at 500V
Dielectric Voltage: 1000V at 1 Minute
Operating Temperature: -55°C to +105°C

MATERIALS

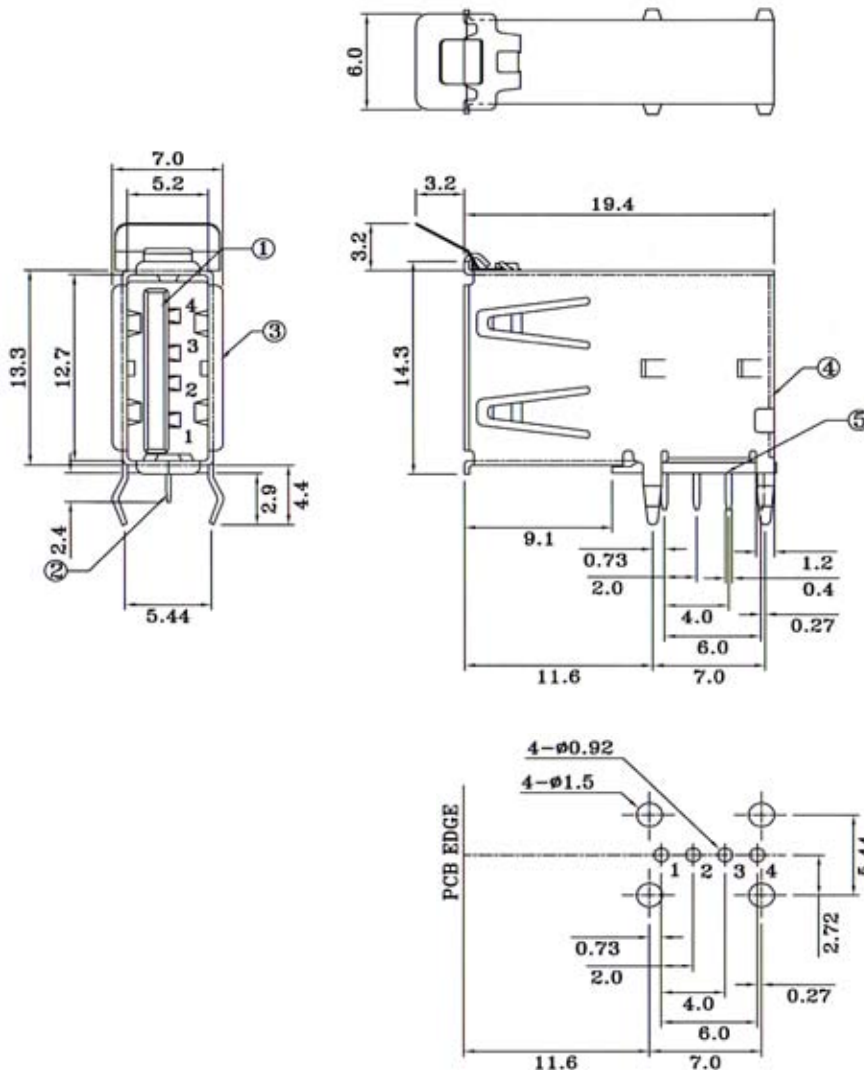
Insulator: PBT, UL94V-0 Rated
Contact: Brass
Shell: Brass, Steel
Contact Plating: Selective Gold Over Nickel Plated
Shell Plating: Tin Or Nickel Over Copper Plated
 *RoHS & REACH compliant.

ORDERING INFORMATION:

P/N U A 3 0 - 0 4 F W x x
 I 2 3 4

1. NO. OF CONTACTS:
04
2. CONNECTOR TYPE:
"F" FEMALE
3. INSULATOR COLOR:
"W" WHITE
4. CONTACT FINISH:
"01" GOLD FLASH
"30" 30 MICROINCH GOLD

USB A TYPE FEMALE CONNECTOR UP RIGHT ANGLE DIP TYPE WITH SPRING SHIELD



SPECIFICATIONS

Current Rating: 1.0 Amperes
 Contact Resistance: 25mΩ Max.
 Insulation Resistance: 1000MΩ Min. at 500V
 Dielectric Voltage: 1000V at 1 Minute
 Operating Temperature: -55°C to +105°C

MATERIALS

Insulator: PBT, UL94V-0 Rated
 Contact: Brass
 Shell: Brass, Steel
 Contact Plating: Selective Gold Over Nickel Plated
 Shell Plating: Tin Or Nickel Over Copper Plated
 *RoHS & REACH compliant.

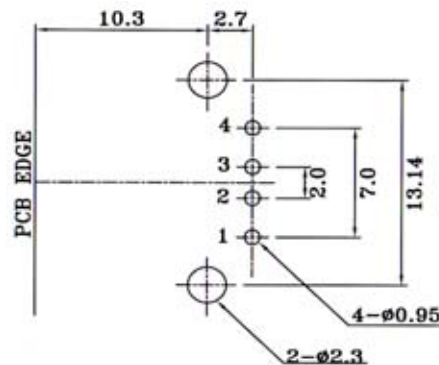
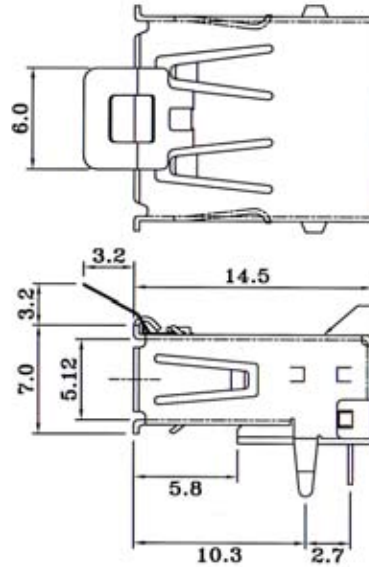
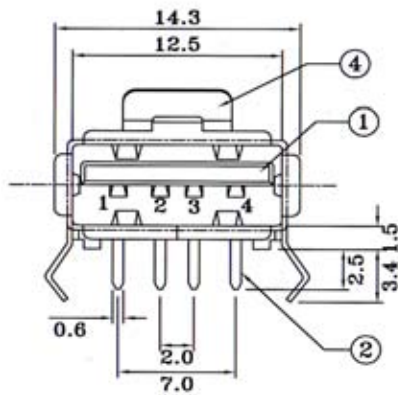
Recommended P.C.Board Layout
(BOTTOM VIEW)

ORDERING INFORMATION:

P/N U A 3 1 - 0 4 F B x x
 I 2 3 4

1. NO. OF CONTACTS:
04
2. CONNECTOR TYPE:
"F" FEMALE
3. INSULATOR COLOR:
"B" BLACK
4. CONTACT FINISH:
"01" GOLD FLASH
"30" 30 MICROINCH GOLD

USB A TYPE FEMALE CONNECTOR RIGHT ANGLE DIP TYPE WITH SPRING SHIELD



Recommended P.C.Board Layout
(BOTTOM VIEW)

SPECIFICATIONS

Current Rating: 1.0 Amperes
Contact Resistance: 25mΩ Max.
Insulation Resistance: 1000MΩ Min. at 500V
Dielectric Voltage: 1000V at 1 Minute
Operating Temperature: -55°C to +105°C

MATERIALS

Insulator: PBT, UL94V-0 Rated
Contact: Brass
Shell: Brass, Steel
Contact Plating: Selective Gold Over Nickel Plated
Shell Plating: Tin Or Nickel Over Copper Plated
 *RoHS & REACH compliant.

ORDERING INFORMATION:

P/N U A 3 2 - 0 4 F B x x
 I 2 3 4

1. NO. OF CONTACTS:
04
2. CONNECTOR TYPE:
"F" FEMALE
3. INSULATOR COLOR:
"B" BLACK
4. CONTACT FINISH:
"01" GOLD FLASH
"30" 30 MICROINCH GOLD

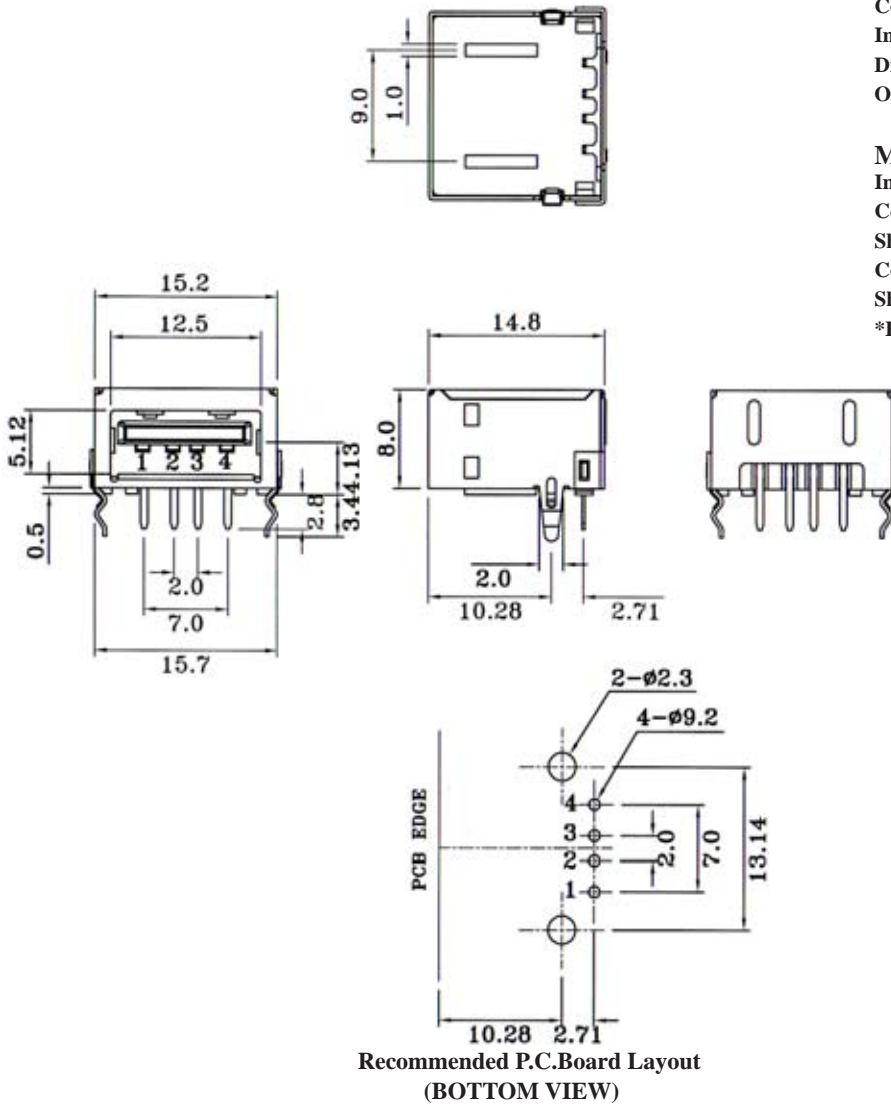
USB A TYPE FEMALE CONNECTOR RIGHT ANGLE DIP TYPE

SPECIFICATIONS

Current Rating: 1.0 Amperes
Contact Resistance: 25mΩ Max.
Insulation Resistance: 1000MΩ Min. at 500V
Dielectric Voltage: 1000V at 1 Minute
Operating Temperature: -55°C to +105°C

MATERIALS

Insulator: PBT, UL94V-0 Rated
Contact: Brass
Shell: Brass, Steel
Contact Plating: Selective Gold Over Nickel Plated
Shell Plating: Tin Or Nickel Over Copper Plated
***RoHS & REACH compliant.**



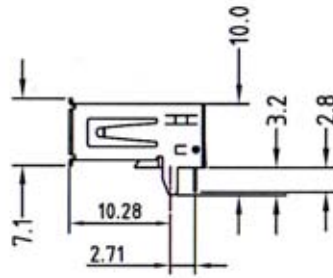
Recommended P.C.Board Layout
(BOTTOM VIEW)

ORDERING INFORMATION:

P/N U A 3 3 - 0 4 F B x x
I 2 3 4

1. NO. OF CONTACTS:
04
2. CONNECTOR TYPE:
"F" FEMALE
3. INSULATOR COLOR:
"B" BLACK
4. CONTACT FINISH:
"01" GOLD FLASH
"30" 30 MICROINCH GOLD

USB A TYPE FEMALE CONNECTOR RIGHT ANGLE DIP TYPE WITH LINE SHELL

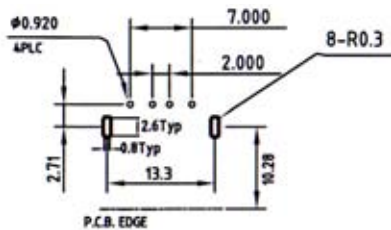
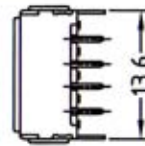
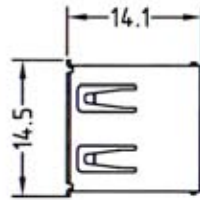
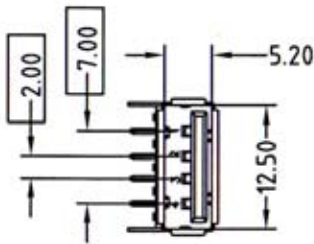


SPECIFICATIONS

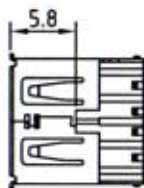
Current Rating: 1.0 Amperes
Contact Resistance: 25mΩ Max.
Insulation Resistance: 1000MΩ Min. at 500V
Dielectric Voltage: 1000V at 1 Minute
Operating Temperature: -55°C to +105°C

MATERIALS

Insulator: PBT, UL94V-0 Rated
Contact: Brass
Shell: Brass, Steel
Contact Plating: Selective Gold Over Nickel Plated
Shell Plating: Tin Or Nickel Over Copper Plated
 *RoHS & REACH compliant.



Recommended P.C. Board Layout

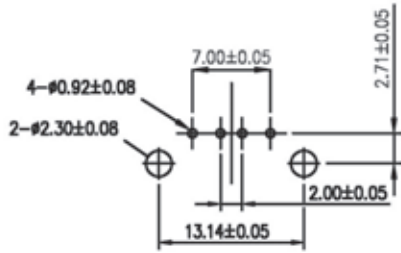


ORDERING INFORMATION:

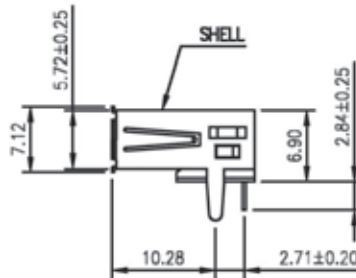
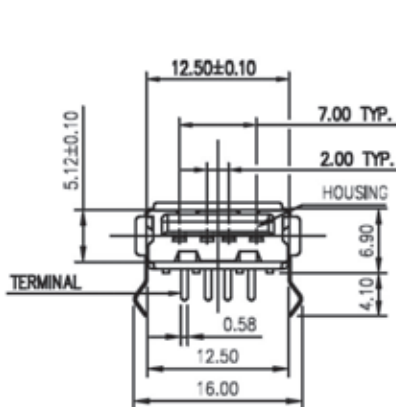
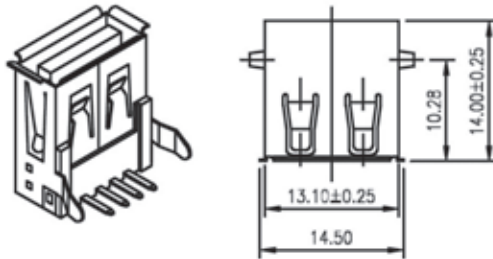
P/N U A 7 0 - 0 4 F W x x
 1 2 3 4

1. NO. OF CONTACTS:
04
2. CONNECTOR TYPE:
"F" FEMALE
3. INSULATOR COLOR:
"W" WHITE
4. CONTACT FINISH:
"01" GOLD FLASH
"30" 30 MICROINCH GOLD

USB A TYPE FEMALE CONNECTOR RIGHT ANGLE DIP TYPE



Recommended P.C.Board Layout



SPECIFICATIONS

Current Rating: 1.0 Amperes
Contact Resistance: 25mΩ Max.
Insulation Resistance: 1000MΩ Min. at 500V
Dielectric Voltage: 1000V at 1 Minute
Operating Temperature: -55°C to +105°C

MATERIALS

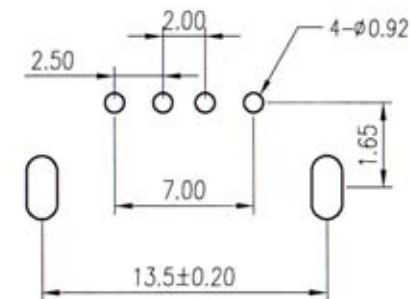
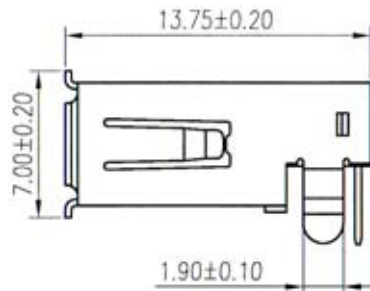
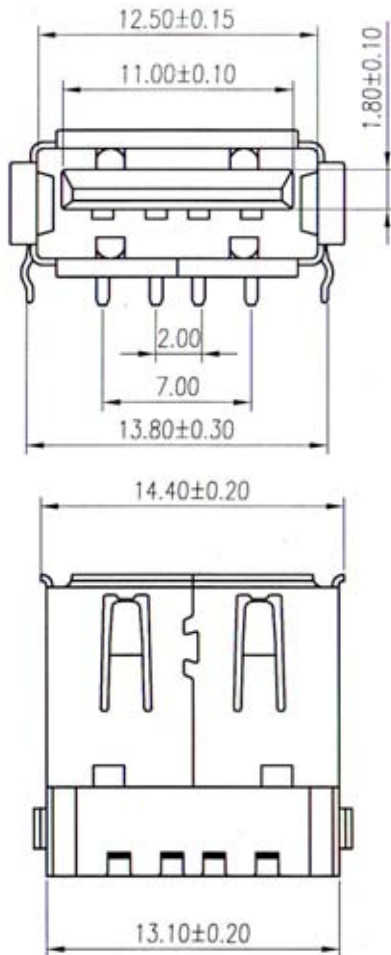
Insulator: PBT, UL94V-0 Rated
Contact: Brass
Shell: Brass, Steel
Contact Plating: Selective Gold Over Nickel Plated
Shell Plating: Tin Or Nickel Over Copper Plated
***RoHS & REACH compliant.**

ORDERING INFORMATION:

P/N U A 4 5 - 0 4 F x x x
 I 2 3 4

1. NO. OF CONTACTS:
04
2. CONNECTOR TYPE:
"F" FEMALE
3. INSULATOR COLOR:
"B" BLACK
"W" WHITE
4. CONTACT FINISH:
"01" GOLD FLASH
"30" 30 MICRINCH GOLD

USB A TYPE FEMALE CONNECTOR RIGHT ANGLE DIP TYPE



Recommended P.C.Board Layout

SPECIFICATIONS

Current Rating: 1.0 Amperes
Contact Resistance: 25mΩ Max.
Insulation Resistance: 1000MΩ Min. at 500V
Dielectric Voltage: 1000V at 1 Minute
Operating Temperature: -55°C to +105°C

MATERIALS

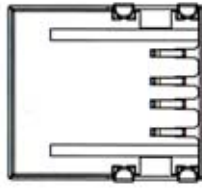
Insulator: PBT, UL94V-0 Rated
Contact: Brass
Shell: Brass, Steel
Contact Plating: Selective Gold Over Nickel Plated
Shell Plating: Tin Or Nickel Over Copper Plated
***RoHS & REACH compliant.**

ORDERING INFORMATION:

P/N U A 4 9 - 0 4 F x x x
I 2 3 4

1. NO. OF CONTACTS:
04
2. CONNECTOR TYPE:
"F" FEMALE
3. INSULATOR COLOR:
"B" BLACK
"W" WHITE
4. CONTACT FINISH:
"01" GOLD FLASH
"30" 30 MICROINCH GOLD

USB A TYPE DUAL PORT FEMALE CONNECTOR RIGHT ANGLE DIP TYPE

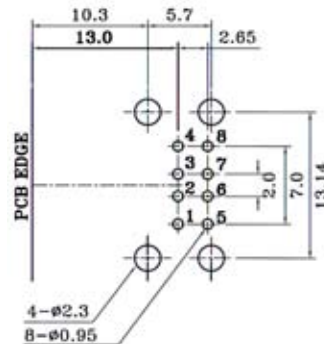
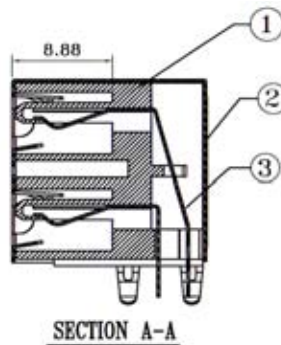
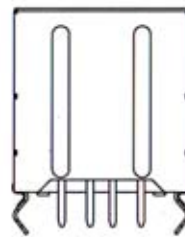
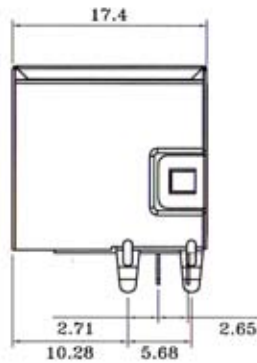
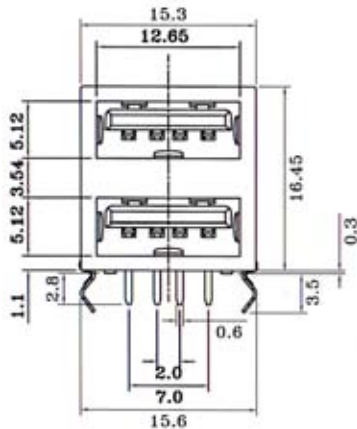


SPECIFICATIONS

Current Rating: 1.0 Amperes
Contact Resistance: 25mΩ Max.
Insulation Resistance: 1000MΩ Min. at 500V
Dielectric Voltage: 1000V at 1 Minute
Operating Temperature: -55°C to +105°C

MATERIALS

Insulator: PBT, UL94V-0 Rated
Contact: Brass
Shell: Brass, Steel
Contact Plating: Selective Gold Over Nickel Plated
Shell Plating: Tin Or Nickel Over Copper Plated
***RoHS & REACH compliant.**



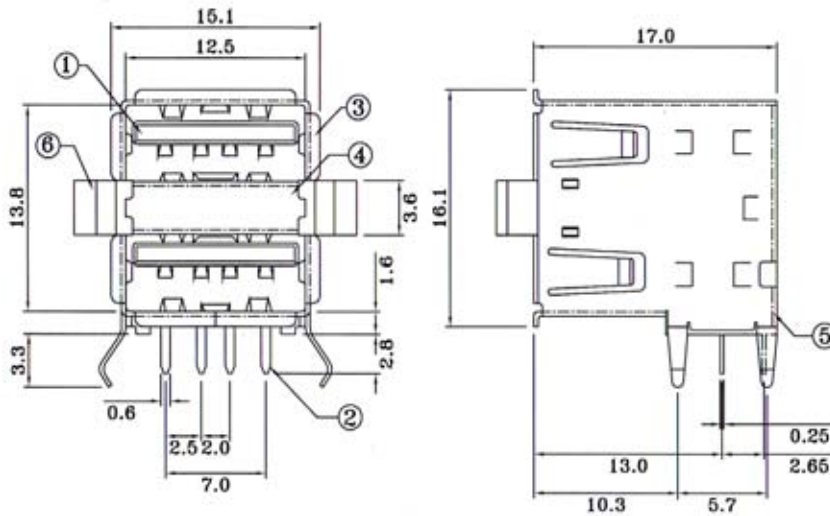
Recommended P.C. Board Layout
(BOTTOM VIEW)

ORDERING INFORMATION:

P/N U A 3 4 - 0 8 F B x x
 1 2 3 4

1. NO. OF CONTACTS:
08
2. CONNECTOR TYPE:
"F" FEMALE
3. INSULATOR COLOR:
"B" BLACK
4. CONTACT FINISH:
"01" GOLD FLASH
"30" 30 MICROINCH GOLD

USB A TYPE DUAL PORT FEMALE CONNECTOR RIGHT ANGLE TYPE

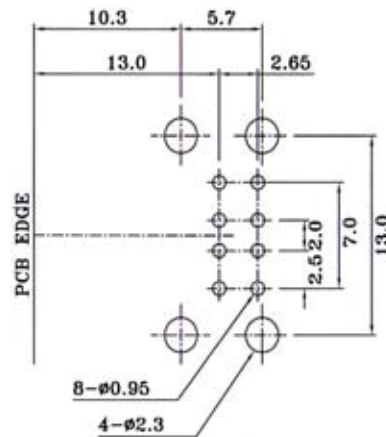


SPECIFICATIONS

Current Rating: 1.0 Amperes
Contact Resistance: 25mΩ Max.
Insulation Resistance: 1000MΩ Min. at 500V
Dielectric Voltage: 1000V at 1 Minute
Operating Temperature: -55°C to +105°C

MATERIALS

Insulator: PBT, UL94V-0 Rated
Contact: Brass
Shell: Brass, Steel
Contact Plating: Selective Gold Over Nickel Plated
Shell Plating: Tin Or Nickel Over Copper Plated
 *RoHS & REACH compliant.



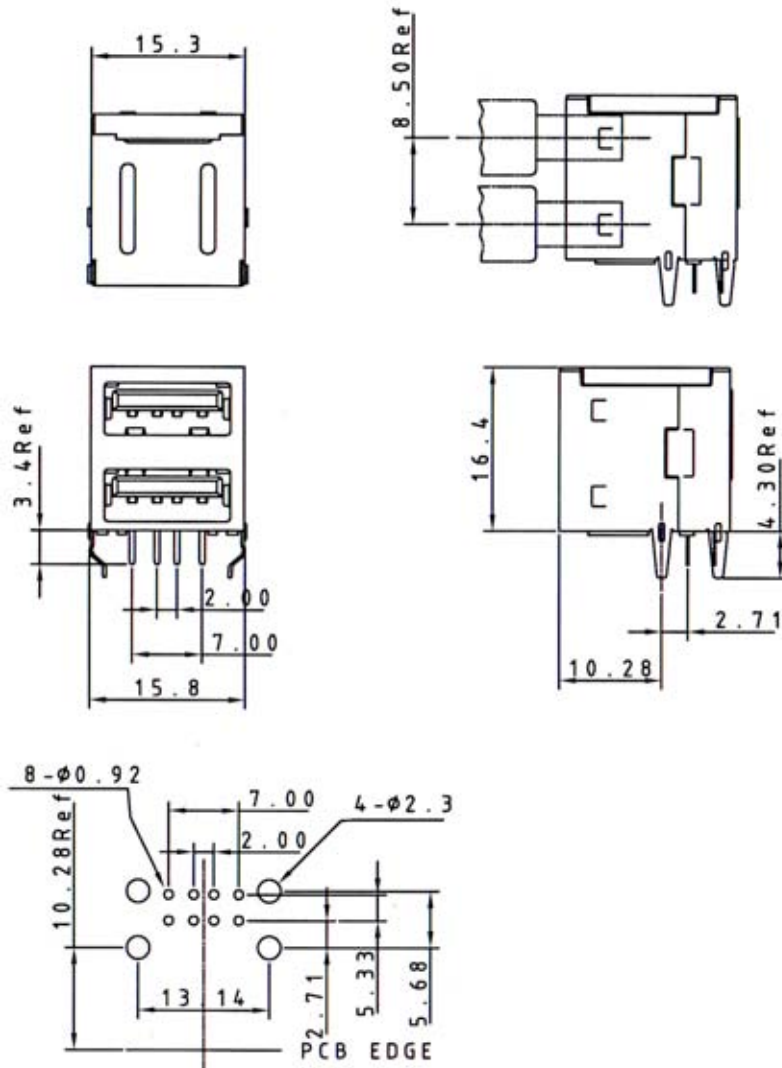
Recommended P.C.Board Layout
(BOTTOM VIEW)

ORDERING INFORMATION:

P/N U A 3 5 - 0 8 F B x x
I 2 3 4

1. NO. OF CONTACTS:
08
2. CONNECTOR TYPE:
"F" FEMALE
3. INSULATOR COLOR:
"B" BLACK
4. CONTACT FINISH:
"01" GOLD FLASH
"30" 30 MICROINCH GOLD

USB A TYPE DUAL PORT FEMALE CONNECTOR RIGHT ANGLE DIP TYPE



Recommended P.C.Board Layout

SPECIFICATIONS

Current Rating: 1.0 Amperes
Contact Resistance: 25mΩ Max.
Insulation Resistance: 1000MΩ Min. at 500V
Dielectric Voltage: 1000V at 1 Minute
Operating Temperature: -55°C to +105°C

MATERIALS

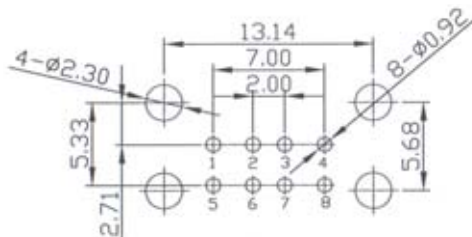
Insulator: PBT, UL94V-0 Rated
Contact: Brass
Shell: Brass, Steel
Contact Plating: Selective Gold Over Nickel Plated
Shell Plating: Tin Or Nickel Over Copper Plated
***RoHS & REACH compliant.**

ORDERING INFORMATION:

P/N U A 3 7 - 0 8 F B x x
 1 2 3 4

1. NO. OF CONTACTS:
08
2. CONNECTOR TYPE:
"F" FEMALE
3. INSULATOR COLOR:
"B" BLACK
4. CONTACT FINISH:
"01" GOLD FLASH
"30" 30 MICROINCH GOLD

USB A TYPE DUAL PORT FEMALE CONNECTOR RIGHT ANGLE DIP TYPE WITH SPRINGY GROUND



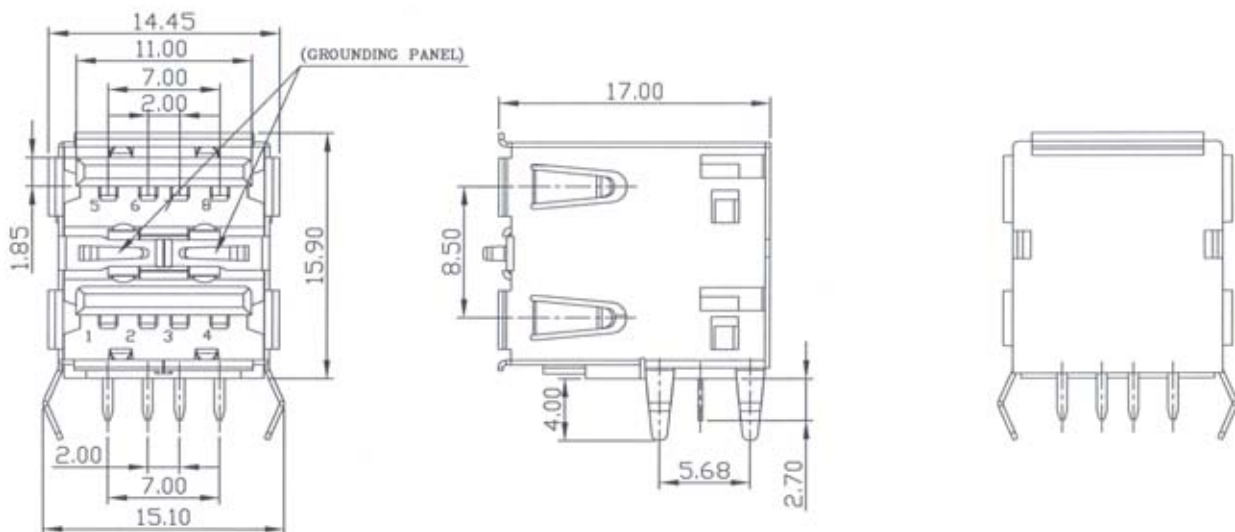
Recommended P.C.Board Layout
(BOTTOM VIEW)

SPECIFICATIONS

Current Rating: 1.0 Amperes
Contact Resistance: 25mΩ Max.
Insulation Resistance: 1000MΩ Min. at 500V
Dielectric Voltage: 1000V at 1 Minute
Operating Temperature: -55°C to +105°C

MATERIALS

Insulator: PBT, UL94V-0 Rated
Contact: Brass
Shell: Brass, Steel
Contact Plating: Selective Gold Over Nickel Plated
Shell Plating: Tin Or Nickel Over Copper Plated
***RoHS & REACH compliant.**



ORDERING INFORMATION:

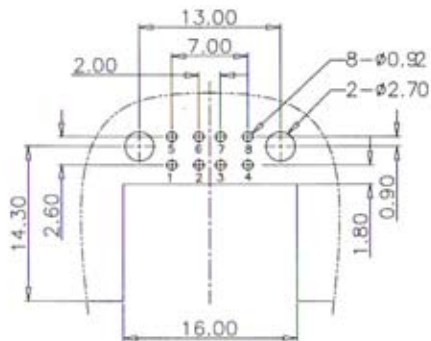
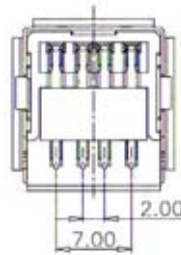
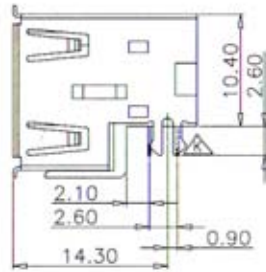
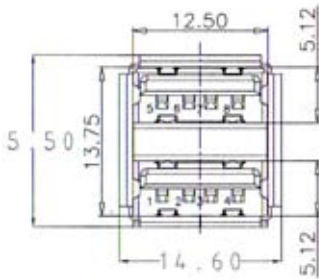
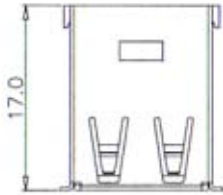
P/N **U A 4 0 - 0 8 F B x x**
I 2 3 4

1. NO. OF CONTACTS:
08
2. CONNECTOR TYPE:
"F" FEMALE
3. INSULATOR COLOR:
"B" BLACK
4. CONTACT FINISH:
"03" 3 MICROINCH GOLD

DRAWING REVISED

P/N REVISED

USB A TYPE DUAL PORT FEMALE CONNECTOR RIGHT ANGLE DIP TYPE



Recommended P.C.Board Layout
(TOP VIEW)

SPECIFICATIONS

Current Rating: 1.0 Amperes
Contact Resistance: 25mΩ Max.
Insulation Resistance: 1000MΩ Min. at 500V
Dielectric Voltage: 1000V at 1 Minute
Operating Temperature: -55°C to +105°C

MATERIALS

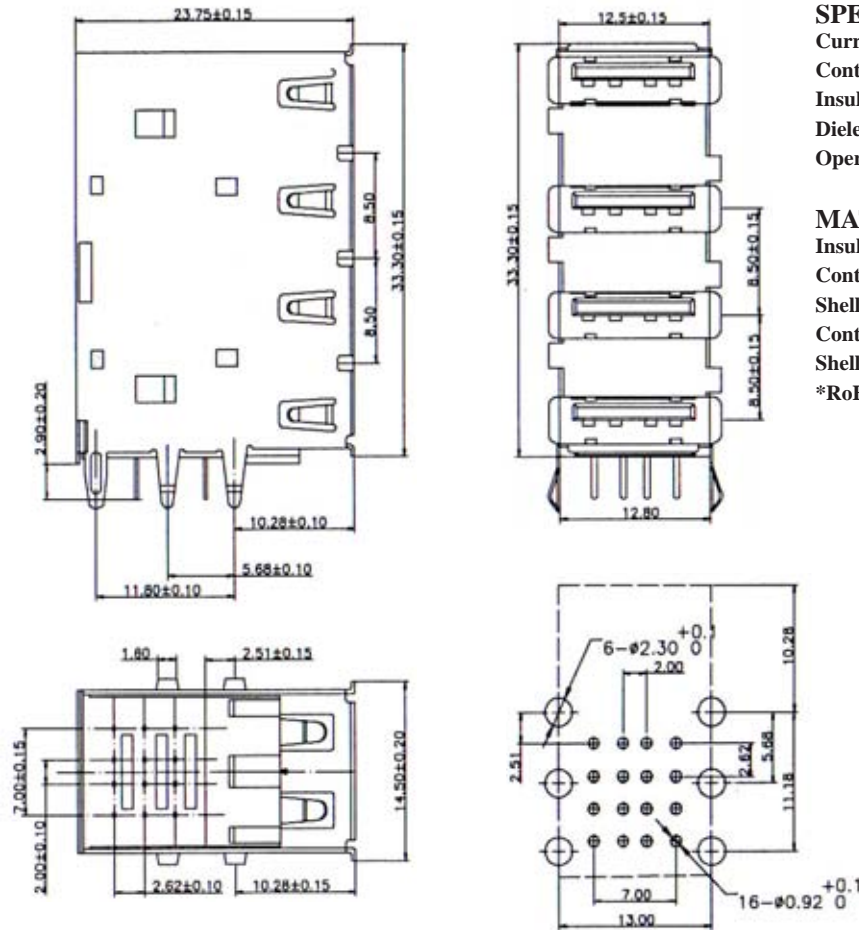
Insulator: PBT, UL94V-0 Rated
Contact: Brass
Shell: Brass, Steel
Contact Plating: Selective Gold Over Nickel Plated
Shell Plating: Tin Or Nickel Over Copper Plated
***RoHS & REACH compliant.**

ORDERING INFORMATION:

P/N U A 4 7 - 0 8 F B x x
1 2 3 4

1. NO. OF CONTACTS:
08
2. CONNECTOR TYPE:
"F" FEMALE
3. INSULATOR COLOR:
"B" BLACK
4. CONTACT FINISH:
"01" GOLD FLASH
"30" 30 MICROINCH GOLD

USB A TYPE QUAD PORT FEMALE CONNECTOR RIGHT ANGLE DIP TYPE



Recommended P.C.Board Layout
(TOP VIEW)

SPECIFICATIONS

Current Rating: 1.0 Amperes
Contact Resistance: 25mΩ Max.
Insulation Resistance: 1000MΩ Min. at 500V
Dielectric Voltage: 1000V at 1 Minute
Operating Temperature: -55°C to +105°C

MATERIALS

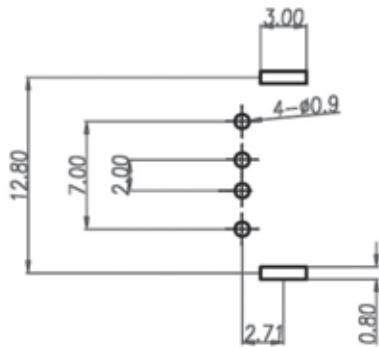
Insulator: PBT, UL94V-0 Rated
Contact: Brass
Shell: Brass, Steel
Contact Plating: Selective Gold Over Nickel Plated
Shell Plating: Tin Or Nickel Over Copper Plated
***RoHS & REACH compliant.**

ORDERING INFORMATION:

P/N U A 4 6 - $\frac{16}{1}$ $\frac{F}{2}$ $\frac{B}{3}$ $\frac{x}{4}$

1. NO. OF CONTACTS:
16
2. CONNECTOR TYPE:
"F" FEMALE
3. INSULATOR COLOR:
"B" BLACK
4. CONTACT FINISH:
"01" GOLD FLASH
"30" 30 MICROINCH GOLD

USB A TYPE FEMALE CONNECTOR RIGHT ANGLE DIP TYPE WITH FORK LOCK



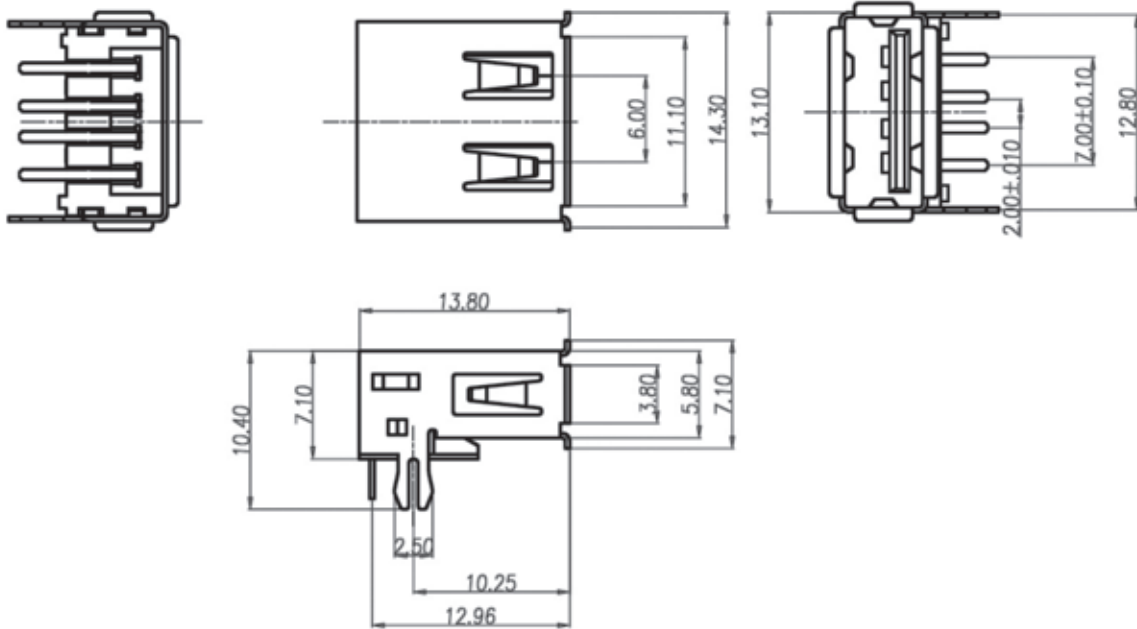
Recommended P.C.Board Layout

SPECIFICATIONS

Current Rating: 1.0 Amperes
Contact Resistance: 25mΩ Max.
Insulation Resistance: 1000MΩ Min. at 500V
Dielectric Voltage: 1000V at 1 Minute
Operating Temperature: -55°C to +105°C

MATERIALS

Insulator: PBT, UL94V-0 Rated
Contact: Brass
Shell: Brass, Steel
Contact Plating: Selective Gold Over Nickel Plated
Shell Plating: Tin Or Nickel Over Copper Plated
***RoHS & REACH compliant.**



ORDERING INFORMATION:

P/N U A 7 3 - 0 4 F x x x
1 2 3 4

1. NO. OF CONTACTS:
04
2. CONNECTOR TYPE:
"F" FEMALE
3. INSULATOR COLOR:
"B" BLACK
"W" WHITE
4. CONTACT FINISH:
"01" GOLD FLASH (REV. 1.1)

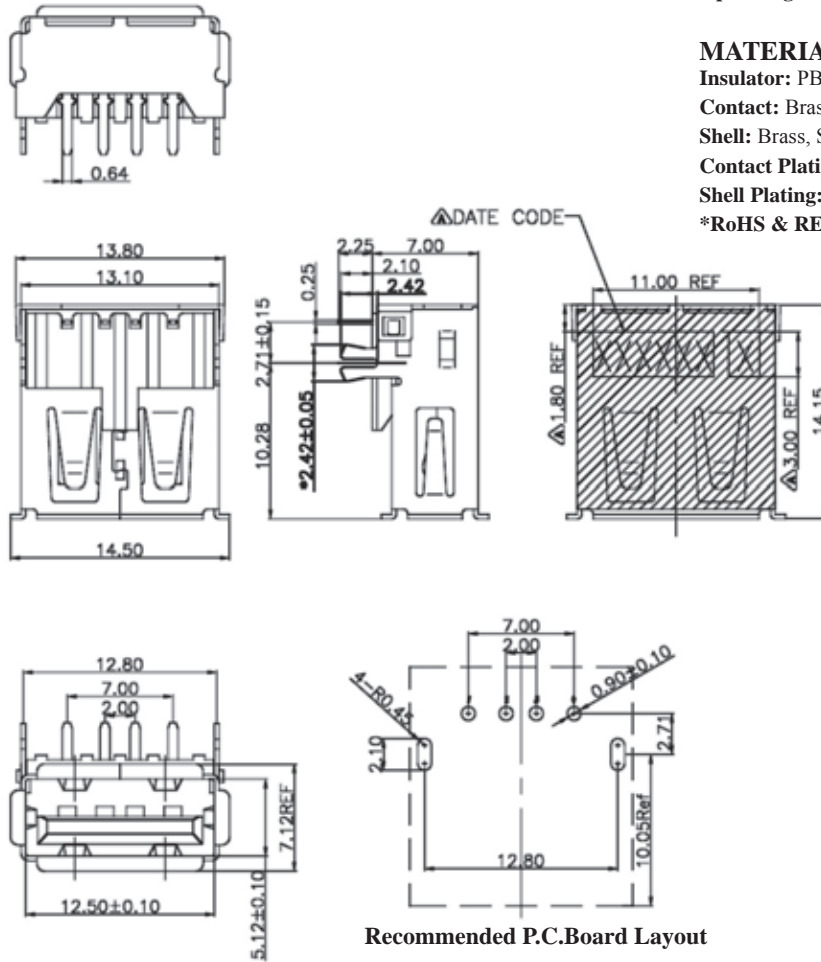
USB A TYPE FEMALE CONNECTOR RIGHT ANGLE DIP TYPE W=2.42MM

SPECIFICATIONS

Current Rating: 1.0 Amperes
Contact Resistance: 25mΩ Max.
Insulation Resistance: 1000MΩ Min. at 500V
Dielectric Voltage: 1000V at 1 Minute
Operating Temperature: -55°C to +105°C

MATERIALS

Insulator: PBT, UL94V-0 Rated
Contact: Brass
Shell: Brass, Steel
Contact Plating: Selective Gold Over Nickel Plated
Shell Plating: Tin Or Nickel Over Copper Plated
***RoHS & REACH compliant.**



Recommended P.C.Board Layout

ORDERING INFORMATION:

P/N U A 6 4 - 0 4 F B x x
 1 2 3 4

1. NO. OF CONTACTS:
04
2. CONNECTOR TYPE:
"F" FEMALE
3. INSULATOR COLOR:
"B" BLACK
4. CONTACT FINISH:
"01" GOLD FLASH
"15" 15 MICROINCH GOLD
"30" 30 MICROINCH GOLD

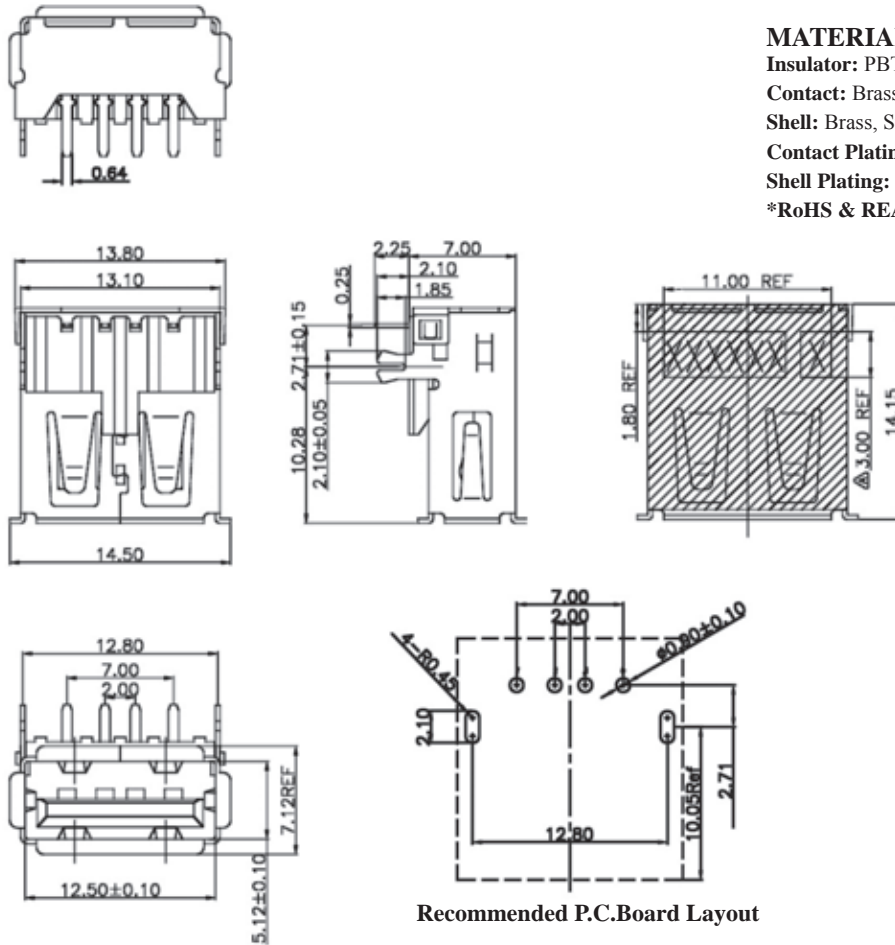
USB A TYPE FEMALE CONNECTOR RIGHT ANGLE DIP TYPE W=2.10MM

SPECIFICATIONS

Current Rating: 1.0 Amperes
Contact Resistance: 25mΩ Max.
Insulation Resistance: 1000MΩ Min. at 500V
Dielectric Voltage: 1000V at 1 Minute
Operating Temperature: -55°C to +105°C

MATERIALS

Insulator: PBT, UL94V-0 Rated
Contact: Brass
Shell: Brass, Steel
Contact Plating: Selective Gold Over Nickel Plated
Shell Plating: Tin Or Nickel Over Copper Plated
***RoHS & REACH compliant.**



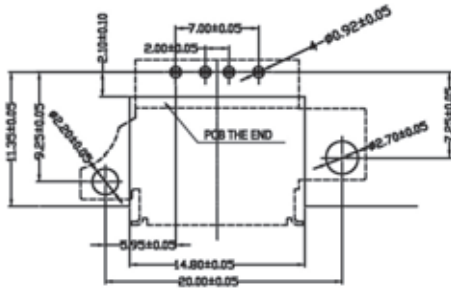
Recommended P.C.Board Layout

ORDERING INFORMATION:

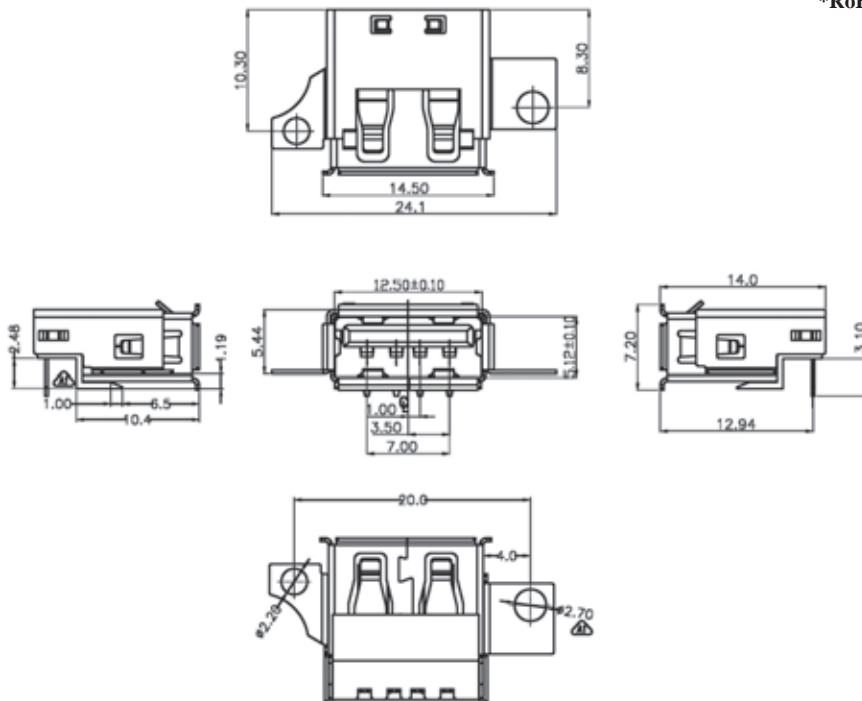
P/N U A 6 0 - 0 4 F B x x
 1 2 3 4

1. NO. OF CONTACTS:
04
2. CONNECTOR TYPE:
"F" FEMALE
3. INSULATOR COLOR:
"B" BLACK
4. CONTACT FINISH:
"01" GOLD FLASH
"15" 15 MICROINCH GOLD
"30" 30 MICROINCH GOLD

USB A TYPE FEMALE CONNECTOR RIGHT ANGLE DIP TYPE



Recommended P.C.Board Layout



SPECIFICATIONS

Current Rating: 1.0 Amperes
Contact Resistance: 25mΩ Max.
Insulation Resistance: 1000MΩ Min. at 500V
Dielectric Voltage: 1000V at 1 Minute
Operating Temperature: -55°C to +105°C

MATERIALS

Insulator: PBT, UL94V-0 Rated
Contact: Brass
Shell: Brass, Steel
Contact Plating: Selective Gold Over Nickel Plated
Shell Plating: Tin Or Nickel Over Copper Plated
***RoHS & REACH compliant.**

ORDERING INFORMATION:

P/N U A 9 7 - 0 4 F B x x
1 2 3 4

1. NO. OF CONTACTS:
04
2. CONNECTOR TYPE:
"F" FEMALE
3. INSULATOR COLOR:
"B" BLACK
4. CONTACT FINISH:
"01" GOLD FLASH
"15" 15 MICROINCH GOLD
"30" 30 MICROINCH GOLD

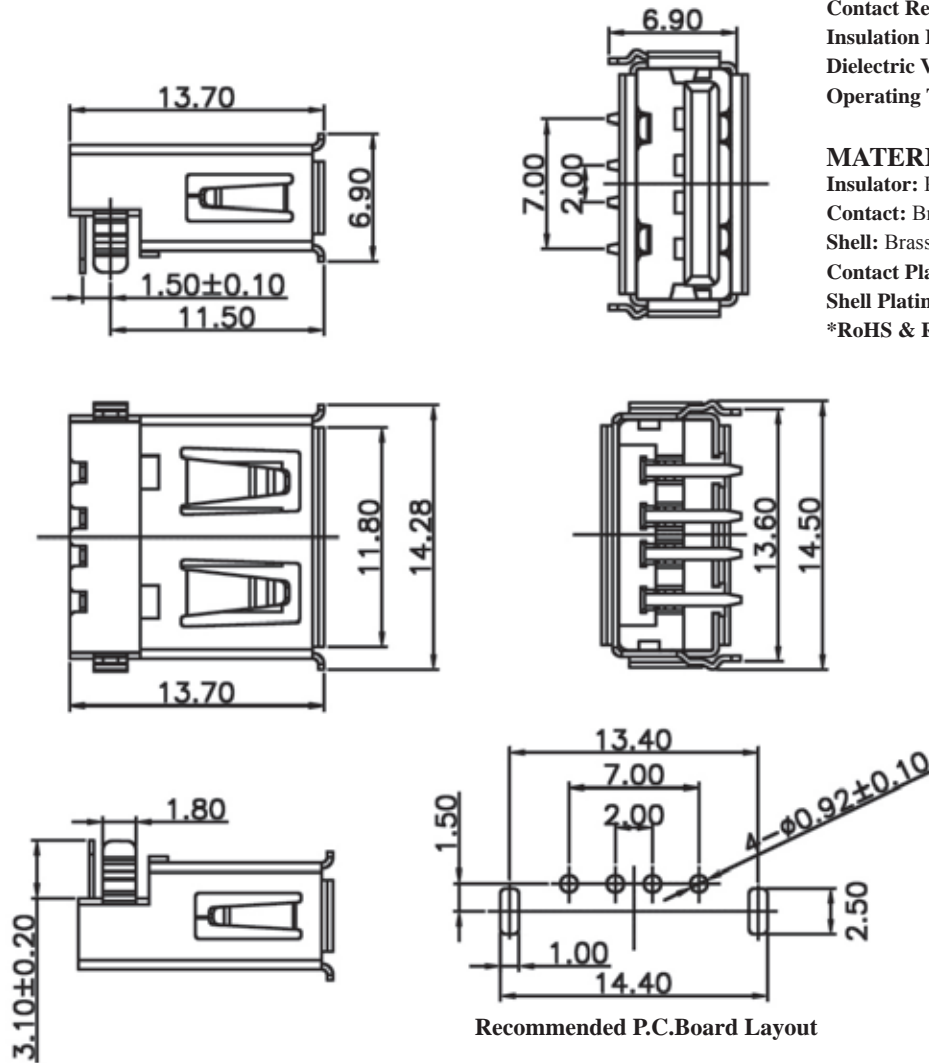
USB A TYPE FEMALE CONNECTOR RIGHT ANGLE DIP TYPE

SPECIFICATIONS

Current Rating: 1.0 Amperes
Contact Resistance: 25mΩ Max.
Insulation Resistance: 1000MΩ Min. at 500V
Dielectric Voltage: 1000V at 1 Minute
Operating Temperature: -55°C to +105°C

MATERIALS

Insulator: PBT, UL94V-0 Rated
Contact: Brass
Shell: Brass, Steel
Contact Plating: Selective Gold Over Nickel Plated
Shell Plating: Tin Or Nickel Over Copper Plated
***RoHS & REACH compliant.**

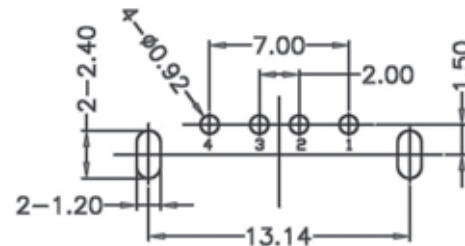
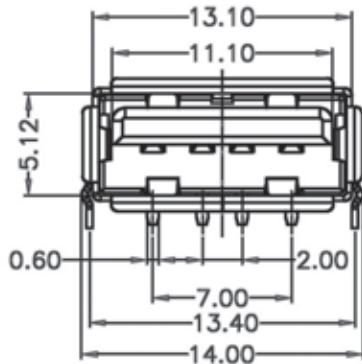
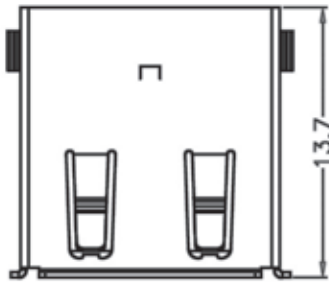
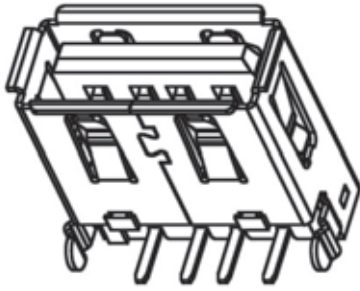


ORDERING INFORMATION:

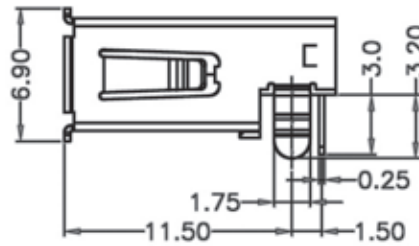
P/N U A 8 9 - 0 4 F x x x
I 2 3 4

1. NO. OF CONTACTS:
04
2. CONNECTOR TYPE:
"F" FEMALE
3. INSULATOR COLOR:
"B" BLACK
"W" WHITE
4. CONTACT FINISH:
"01" GOLD FLASH
"15" 15 MICROINCH GOLD
"30" 30 MICROINCH GOLD

USB A TYPE FEMALE CONNECTOR RIGHT ANGLE DIP TYPE D=1.50MM



Recommended P.C.Board Layout



ORDERING INFORMATION:

P/N U A 2 8 - 0 4 F x x x
I 2 3 4

1. NO. OF CONTACTS:

04

2. CONNECTOR TYPE:

"F" FEMALE

3. INSULATOR COLOR:

"B" BLACK

"W" WHITE

4. CONTACT FINISH:

"01" GOLD FLASH

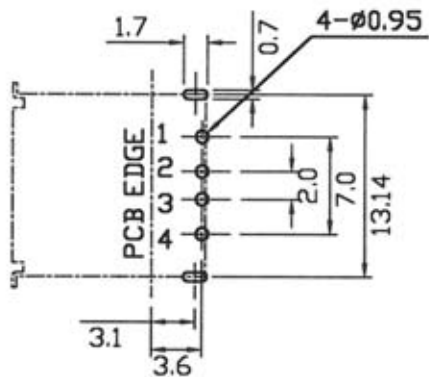
"05" 5 MICROINCH GOLD

"10" 10 MICROINCH GOLD

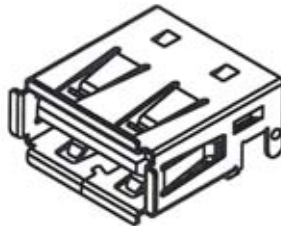
"15" 15 MICROINCH GOLD

"30" 30 MICROINCH GOLD

USB A TYPE FEMALE CONNECTOR FLAT DIP TYPE



Recommended P.C.Board Layout

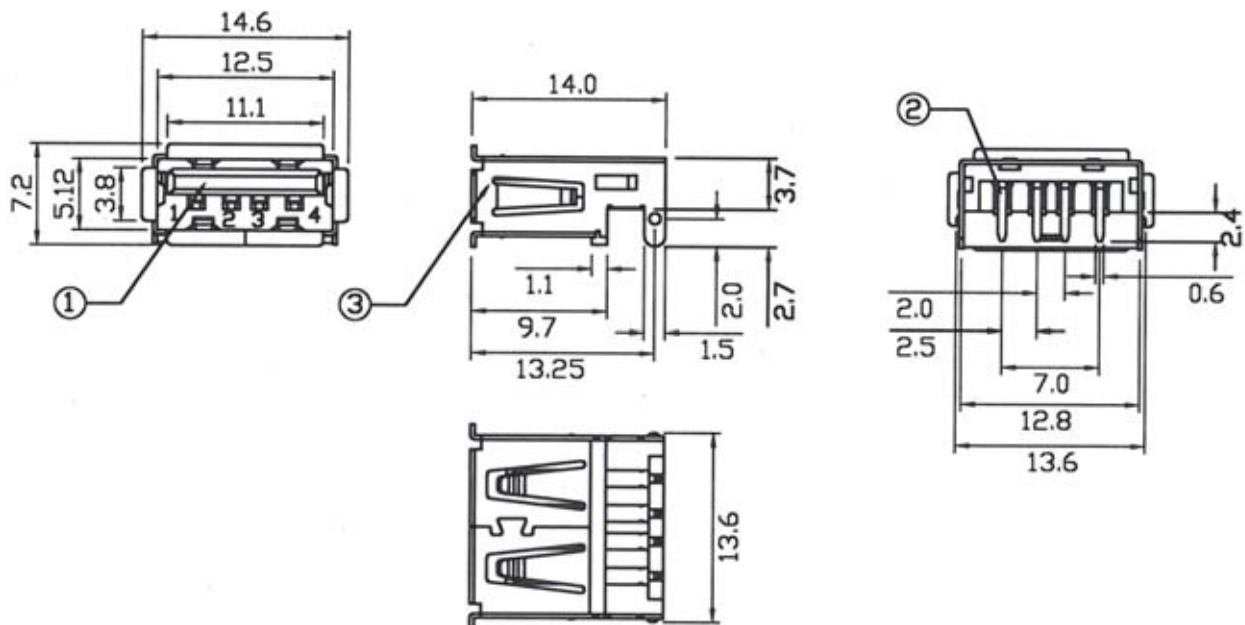


SPECIFICATIONS

Current Rating: 1.0 Amperes
Contact Resistance: 25mΩ Max.
Insulation Resistance: 1000MΩ Min. at 500V
Dielectric Voltage: 1000V at 1 Minute
Operating Temperature: -55°C to +105°C

MATERIALS

Insulator: PBT, UL94V-0 Rated
Contact: Brass
Shell: Brass, Steel
Contact Plating: Selective Gold Over Nickel Plated
Shell Plating: Tin Or Nickel Over Copper Plated
***RoHS & REACH compliant.**

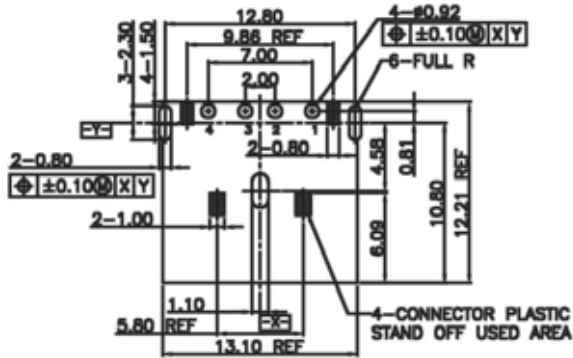


ORDERING INFORMATION:

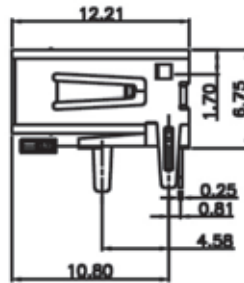
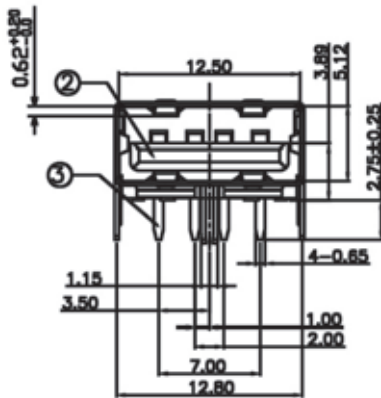
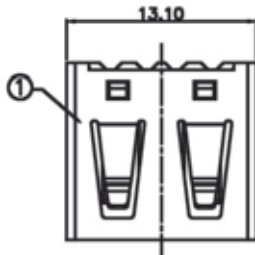
P/N U A 7 2 - 0 4 F B x x
 1 2 3 4

1. NO. OF CONTACTS:
04
2. CONNECTOR TYPE:
"F" FEMALE
3. INSULATOR COLOR:
"B" BLACK
4. CONTACT FINISH:
"01" GOLD FLASH (REV. 1.1)
"30" 30 MICROINCH GOLD (REV. 2.0)

USB A TYPE FEMALE CONNECTOR RIGHT ANGLE DIP TYPE W=12.21MM



Recommended P.C.Board Layout



SPECIFICATIONS

Current Rating: 1.0 Amperes
Contact Resistance: 25mΩ Max.
Insulation Resistance: 1000MΩ Min. at 500V
Dielectric Voltage: 1000V at 1 Minute
Operating Temperature: -55°C to +105°C

MATERIALS

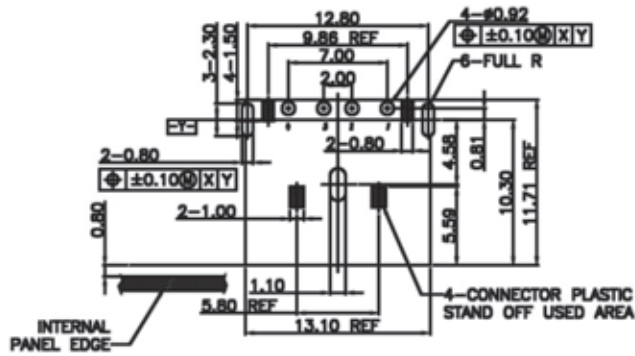
Insulator: PBT, UL94V-0 Rated
Contact: Brass
Shell: Brass, Steel
Contact Plating: Selective Gold Over Nickel Plated
Shell Plating: Tin Or Nickel Over Copper Plated
***RoHS & REACH compliant.**

ORDERING INFORMATION:

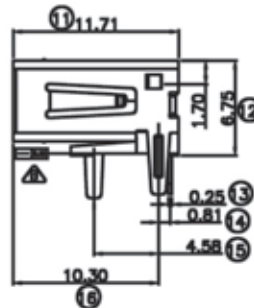
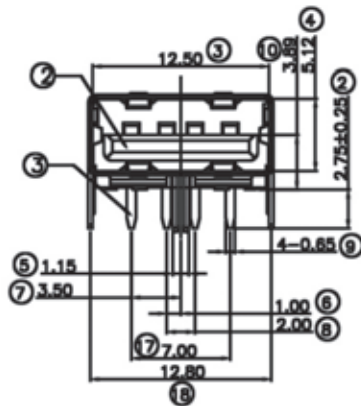
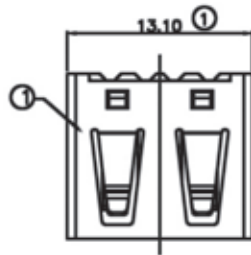
P/N U A 9 5 - 0 4 F x x x
 I 2 3 4

1. NO. OF CONTACTS:
04
2. CONNECTOR TYPE:
"F" FEMALE
3. INSULATOR COLOR:
"B" BLACK
"W" WHITE
4. CONTACT FINISH:
"01" GOLD FLASH
"03" 3 MICROINCH GOLD
"15" 15 MICROINCH GOLD
"30" 30 MICROINCH GOLD

USB A TYPE FEMALE CONNECTOR RIGHT ANGLE DIP TYPE W=11.71MM



Recommended P.C.Board Layout



SPECIFICATIONS

Current Rating: 1.0 Amperes
 Contact Resistance: 25mΩ Max.
 Insulation Resistance: 1000MΩ Min. at 500V
 Dielectric Voltage: 1000V at 1 Minute
 Operating Temperature: -55°C to +105°C

MATERIALS

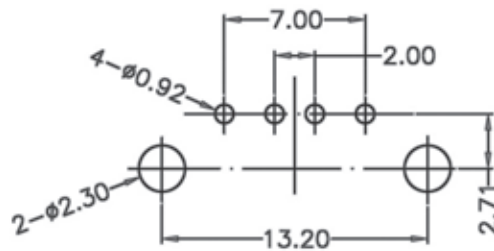
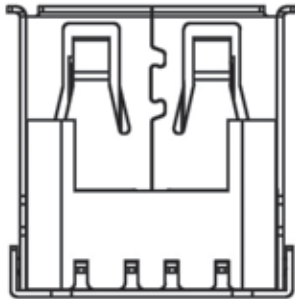
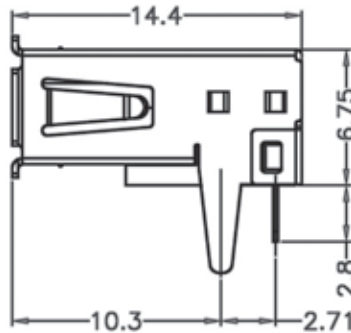
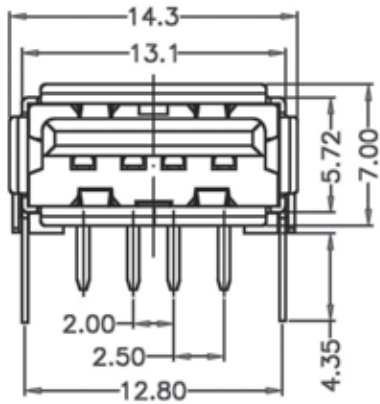
Insulator: PBT, UL94V-0 Rated
 Contact: Brass
 Shell: Brass, Steel
 Contact Plating: Selective Gold Over Nickel Plated
 Shell Plating: Tin Or Nickel Over Copper Plated
 *RoHS & REACH compliant.

ORDERING INFORMATION:

P/N U A 9 4 - 0 4 F x x x
 I 2 3 4

1. NO. OF CONTACTS:
04
2. CONNECTOR TYPE:
"F" FEMALE
3. INSULATOR COLOR:
"B" BLACK
"W" WHITE
4. CONTACT FINISH:
"01" GOLD FLASH
"03" 3 MICROINCH GOLD
"15" 15 MICROINCH GOLD
"30" 30 MICROINCH GOLD

USB A TYPE FEMALE CONNECTOR RIGHT ANGLE DIP TYPE W=13.20MM



Recommended P.C.Board Layout

SPECIFICATIONS

Current Rating: 1.0 Amperes
Contact Resistance: 25mΩ Max.
Insulation Resistance: 1000MΩ Min. at 500V
Dielectric Voltage: 1000V at 1 Minute
Operating Temperature: -55°C to +105°C

MATERIALS

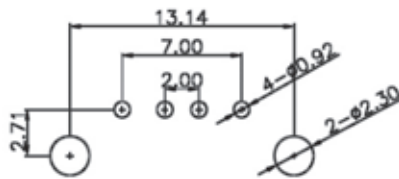
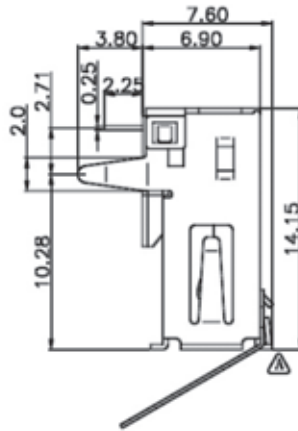
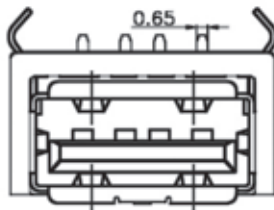
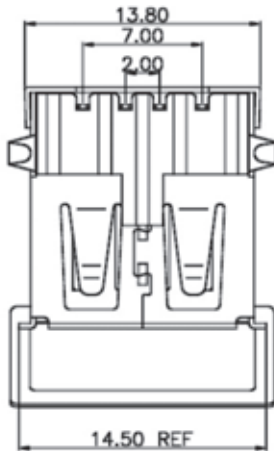
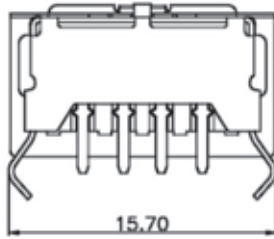
Insulator: PBT, UL94V-0 Rated
Contact: Brass
Shell: Brass, Steel
Contact Plating: Selective Gold Over Nickel Plated
Shell Plating: Tin Or Nickel Over Copper Plated
***RoHS & REACH compliant.**

ORDERING INFORMATION:

P/N U A 6 F - 0 4 F B x x
1 2 3 4

1. NO. OF CONTACTS:
04
2. CONNECTOR TYPE:
"F" FEMALE
3. INSULATOR COLOR:
"B" BLACK
4. CONTACT FINISH:
"01" GOLD FLASH
"05" 5 MICROINCH GOLD
"10" 10 MICROINCH GOLD
"15" 15 MICROINCH GOLD
"30" 30 MICROINCH GOLD

USB A TYPE FEMALE CONNECTOR RIGHT ANGLE DIP TYPE WITH SPRING



Recommended P.C.Board Layout

SPECIFICATIONS

Current Rating: 1.0 Amperes

Contact Resistance: 25mΩ Max.

Insulation Resistance: 1000MΩ Min. at 500V

Dielectric Voltage: 1000V at 1 Minute

Operating Temperature: -55°C to +105°C

MATERIALS

Insulator: PBT, UL94V-0 Rated

Contact: Brass

Shell: Brass, Steel

Contact Plating: Selective Gold Over Nickel Plated

Shell Plating: Tin Or Nickel Over Copper Plated

***RoHS & REACH compliant.**

ORDERING INFORMATION:

P/N U A 9 0 - 0 4 F x x x
I 2 3 4

1. NO. OF CONTACTS:

04

2. CONNECTOR TYPE:

"F" FEMALE

3. INSULATOR COLOR:

"B" BLACK

"W" WHITE

4. CONTACT FINISH:

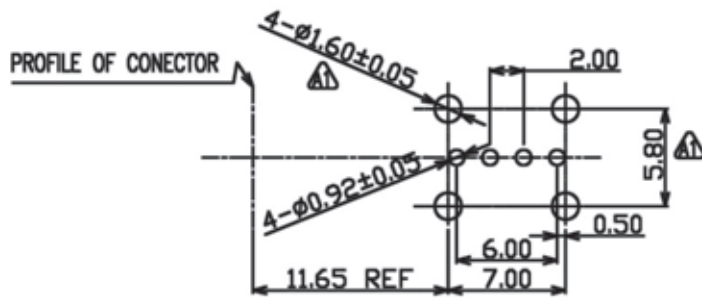
"01" GOLD FLASH

"03" 3 MICROINCH GOLD

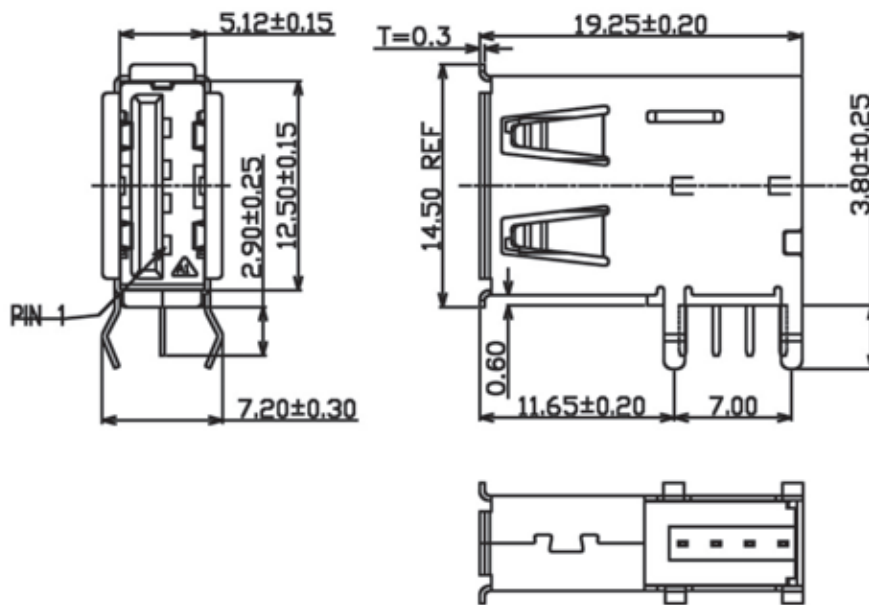
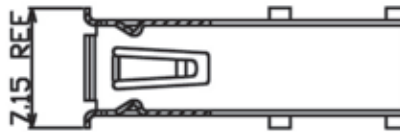
"15" 15 MICROINCH GOLD

"30" 30 MICROINCH GOLD

USB A TYPE FEMALE CONNECTOR UP RIGHT ANGLE DIP TYPE



Recommended P.C.Board Layout



SPECIFICATIONS

Current Rating: 1.0 Amperes
Contact Resistance: 25mΩ Max.
Insulation Resistance: 1000MΩ Min. at 500V
Dielectric Voltage: 1000V at 1 Minute
Operating Temperature: -55°C to +105°C

MATERIALS

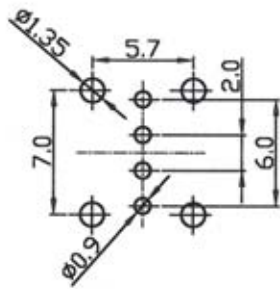
Insulator: PBT, UL94V-0 Rated
Contact: Brass
Shell: Brass, Steel
Contact Plating: Selective Gold Over Nickel Plated
Shell Plating: Tin Or Nickel Over Copper Plated
 *RoHS & REACH compliant.

ORDERING INFORMATION:

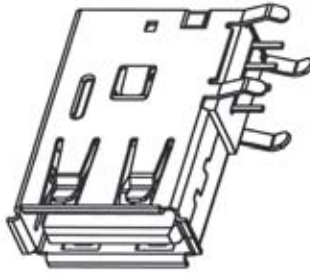
P/N U A 9 3 - 0 4 F x x x
 T 2 3 4

1. NO. OF CONTACTS:
04
2. CONNECTOR TYPE:
"F" FEMALE
3. INSULATOR COLOR:
"B" BLACK
"W" WHITE
"U" BLUE
4. CONTACT FINISH:
"01" GOLD FLASH
"03" 3 MICROINCH GOLD
"15" 15 MICROINCH GOLD
"30" 30 MICROINCH GOLD

USB A TYPE FEMALE CONNECTOR UP RIGHT ANGLE DIP TYPE



Recommended P.C.Board Layout

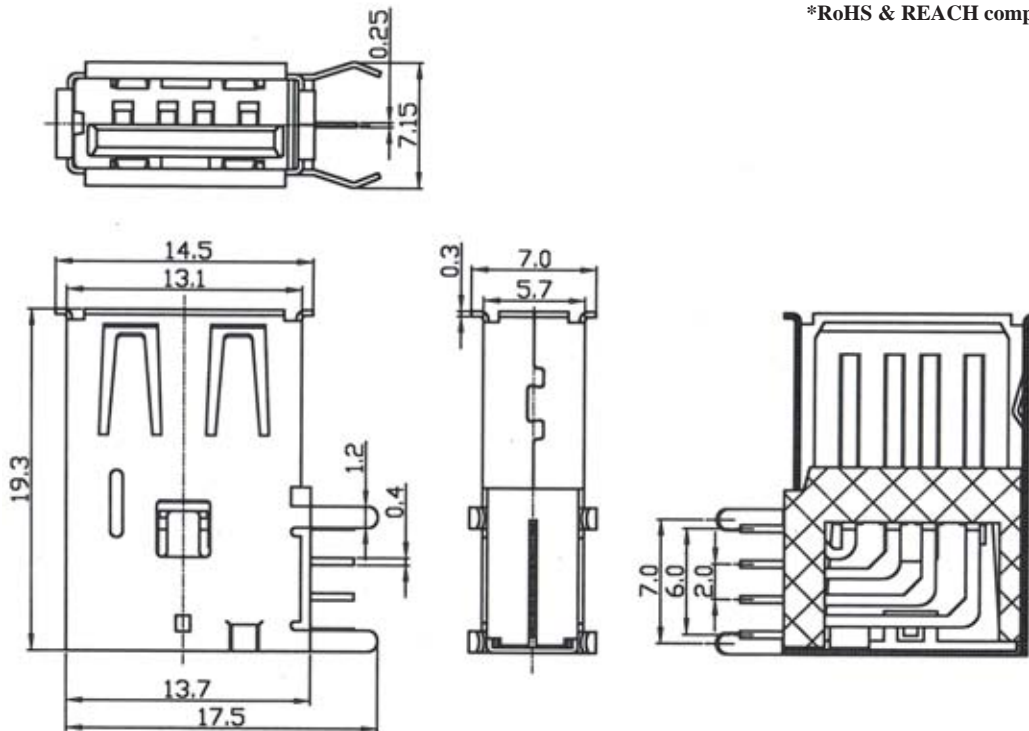


SPECIFICATIONS

Current Rating: 1.0 Amperes
Contact Resistance: 25mΩ Max.
Insulation Resistance: 1000MΩ Min. at 500V
Dielectric Voltage: 1000V at 1 Minute
Operating Temperature: -55°C to +105°C

MATERIALS

Insulator: PBT, UL94V-0 Rated
Contact: Brass
Shell: Brass, Steel
Contact Plating: Selective Gold Over Nickel Plated
Shell Plating: Tin Or Nickel Over Copper Plated
***RoHS & REACH compliant.**



ORDERING INFORMATION:

P/N U A 2 0 - 0 4 F W x x
1 2 3 4

1. NO. OF CONTACTS:
04
2. CONNECTOR TYPE:
"F" FEMALE
3. INSULATOR COLOR:
"W" WHITE
4. CONTACT FINISH:
"01" GOLD FLASH

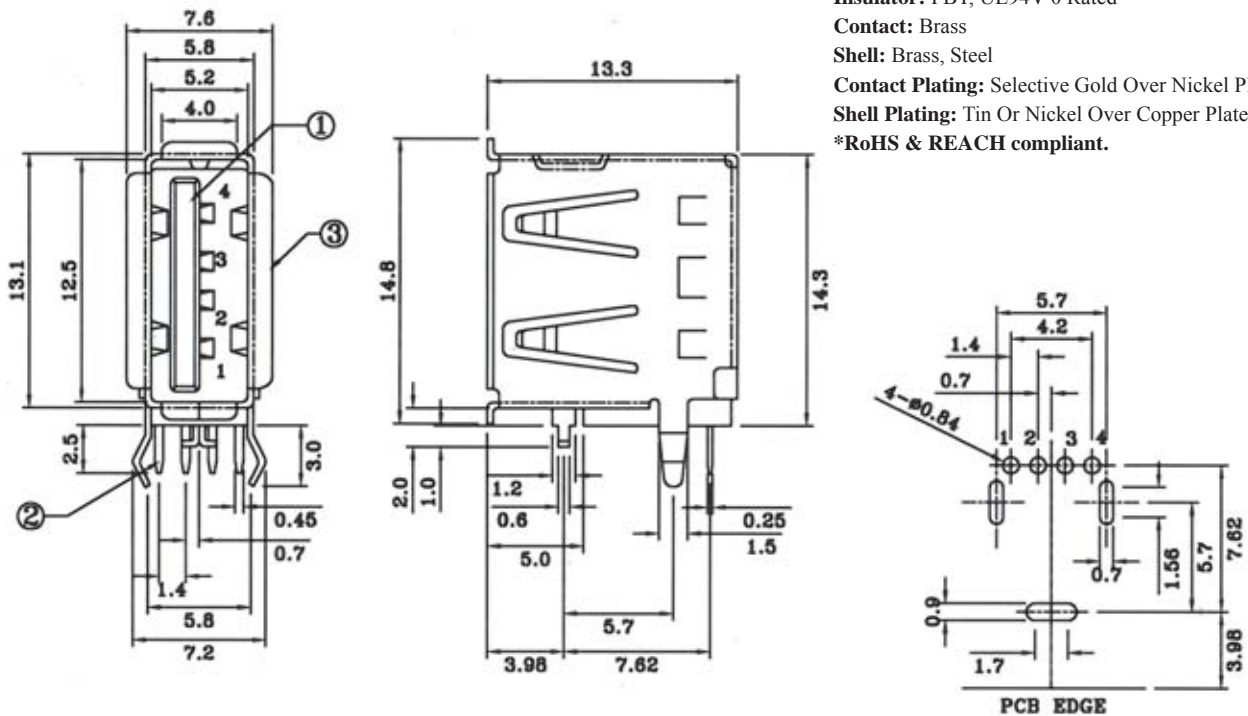
USB A TYPE FEMALE CONNECTOR UP RIGHT ANGLE DIP TYPE

SPECIFICATIONS

Current Rating: 1.0 Amperes
Contact Resistance: 25mΩ Max.
Insulation Resistance: 1000MΩ Min. at 500V
Dielectric Voltage: 1000V at 1 Minute
Operating Temperature: -55°C to +105°C

MATERIALS

Insulator: PBT, UL94V-0 Rated
Contact: Brass
Shell: Brass, Steel
Contact Plating: Selective Gold Over Nickel Plated
Shell Plating: Tin Or Nickel Over Copper Plated
***RoHS & REACH compliant.**



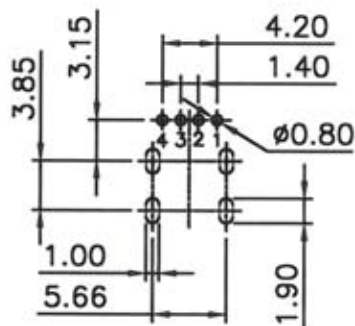
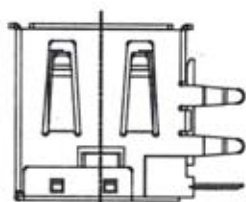
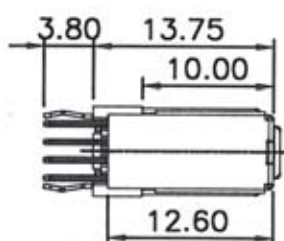
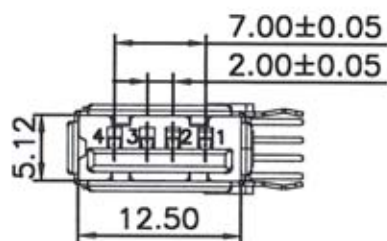
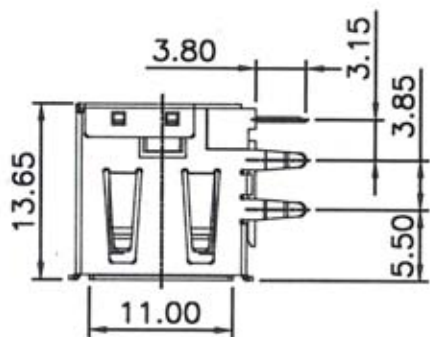
Recommended P.C.Board Layout

ORDERING INFORMATION:

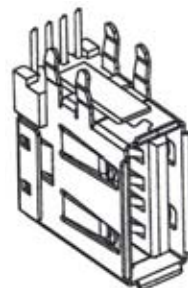
P/N U A 3 8 - 0 4 F W x x
I 2 3 4

1. NO. OF CONTACTS:
04
2. CONNECTOR TYPE:
"F" FEMALE
3. INSULATOR COLOR:
"W" WHITE
4. CONTACT FINISH:
"01" GOLD FLASH (REV. 1.1)
"30" 30 MICROINCH GOLD (REV. 2.0)

USB A TYPE FEMALE CONNECTOR UP RIGHT ANGLE DIP TYPE



Recommended P.C.Board Layout



SPECIFICATIONS

Current Rating: 1.0 Amperes
Contact Resistance: 25mΩ Max.
Insulation Resistance: 1000MΩ Min. at 500V
Dielectric Voltage: 1000V at 1 Minute
Operating Temperature: -55°C to +105°C

MATERIALS

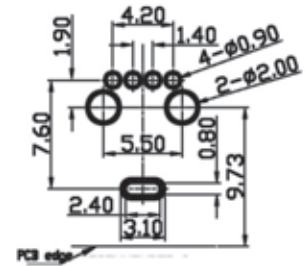
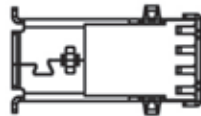
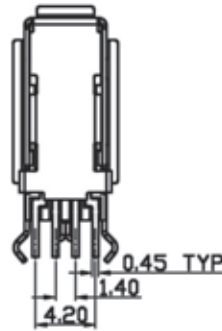
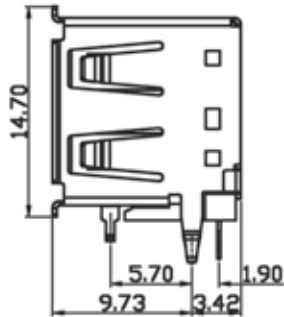
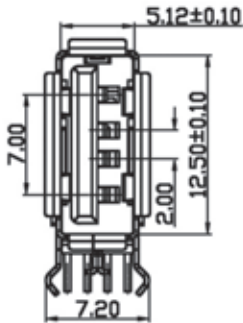
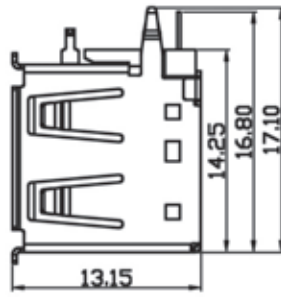
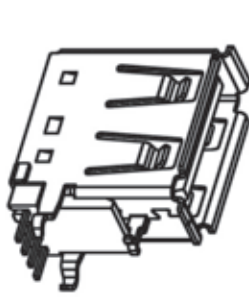
Insulator: PBT, UL94V-0 Rated
Contact: Brass
Shell: Brass, Steel
Contact Plating: Selective Gold Over Nickel Plated
Shell Plating: Tin Or Nickel Over Copper Plated
 *RoHS & REACH compliant.

ORDERING INFORMATION:

P/N U A 6 K - 0 4 F x x x
 1 2 3 4

1. NO. OF CONTACTS:
04
2. CONNECTOR TYPE:
"F" FEMALE
3. INSULATOR COLOR:
"B" BLACK
"W" WHITE
4. CONTACT FINISH:
"01" GOLD FLASH (REV. 1.1)
"30" 30 MICROINCH GOLD (REV. 2.0)

USB A TYPE FEMALE CONNECTOR UP RIGHT ANGLE DIP TYPE



Recommended P.C.Board Layout

SPECIFICATIONS

Current Rating: 1.0 Amperes
Contact Resistance: 25mΩ Max.
Insulation Resistance: 1000MΩ Min. at 500V
Dielectric Voltage: 1000V at 1 Minute
Operating Temperature: -55°C to +105°C

MATERIALS

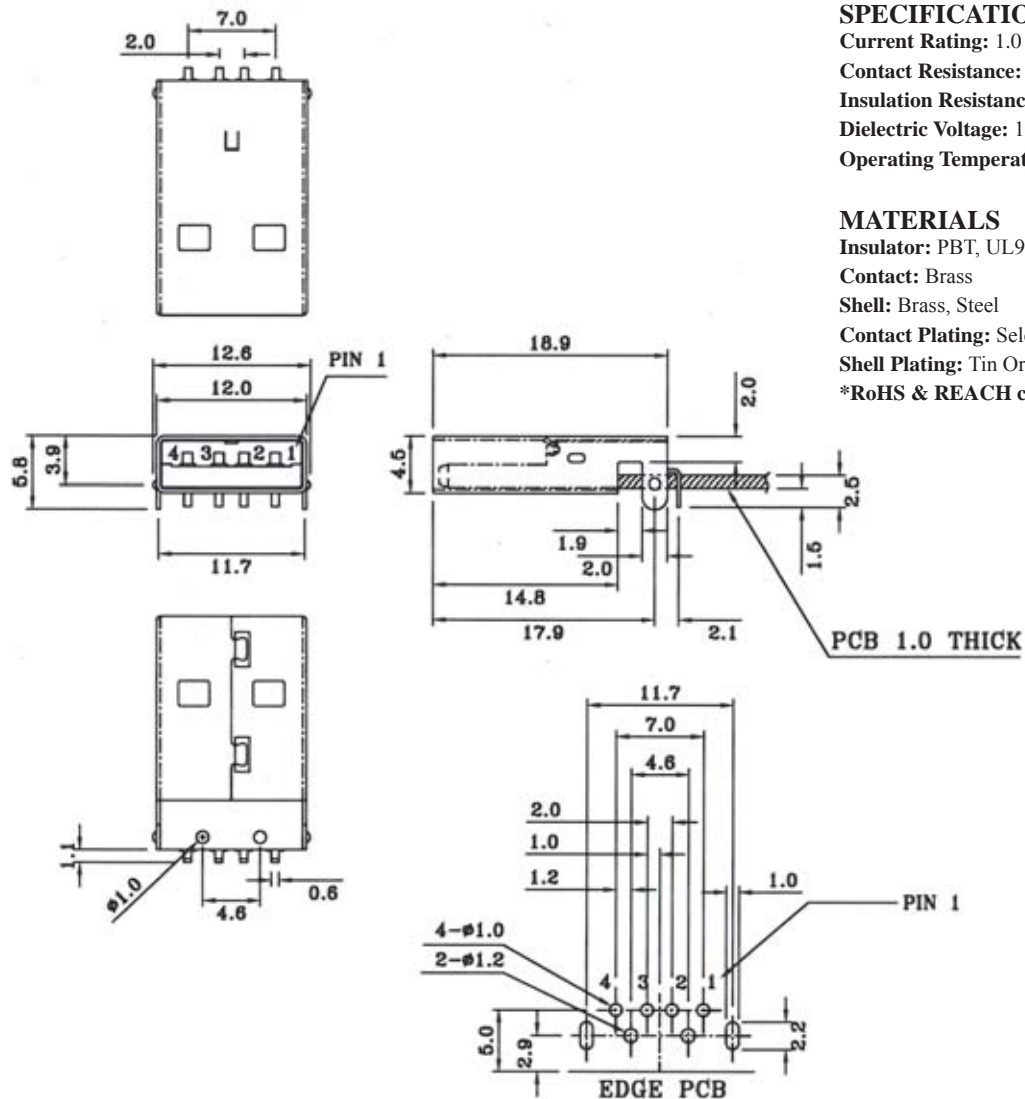
Insulator: PBT, UL94V-0 Rated
Contact: Brass
Shell: Brass, Steel
Contact Plating: Selective Gold Over Nickel Plated
Shell Plating: Tin Or Nickel Over Copper Plated
***RoHS & REACH compliant.**

ORDERING INFORMATION:

P/N U A 9 6 - 0 4 F x x x
 I 2 3 4

1. NO. OF CONTACTS:
04
2. CONNECTOR TYPE:
"F" FEMALE
3. INSULATOR COLOR:
"B" BLACK
"W" WHITE
4. CONTACT FINISH:
"01" GOLD FLASH
"15" 15 MICROINCH GOLD
"30" 30 MICROINCH GOLD

USB A TYPE MALE CONNECTOR FLAT RIGHT ANGLE DIP TYPE W=11.70MM



Recommended P.C.Board Layout

SPECIFICATIONS

Current Rating: 1.0 Amperes
Contact Resistance: 25mΩ Max.
Insulation Resistance: 1000MΩ Min. at 500V
Dielectric Voltage: 1000V at 1 Minute
Operating Temperature: -55°C to +105°C

MATERIALS

Insulator: PBT, UL94V-0 Rated
Contact: Brass
Shell: Brass, Steel
Contact Plating: Selective Gold Over Nickel Plated
Shell Plating: Tin Or Nickel Over Copper Plated
***RoHS & REACH compliant.**

ORDERING INFORMATION:

P/N U A 2 6 - 0 4 M B x x
 I 2 3 4

1. NO. OF CONTACTS:
04
2. CONNECTOR TYPE:
"M" MALE
3. INSULATOR COLOR:
"B" BLACK
4. CONTACT FINISH:
"01" GOLD FLASH (REV. 1.1)
"30" 30 MICROINCH GOLD (REV. 2.0)

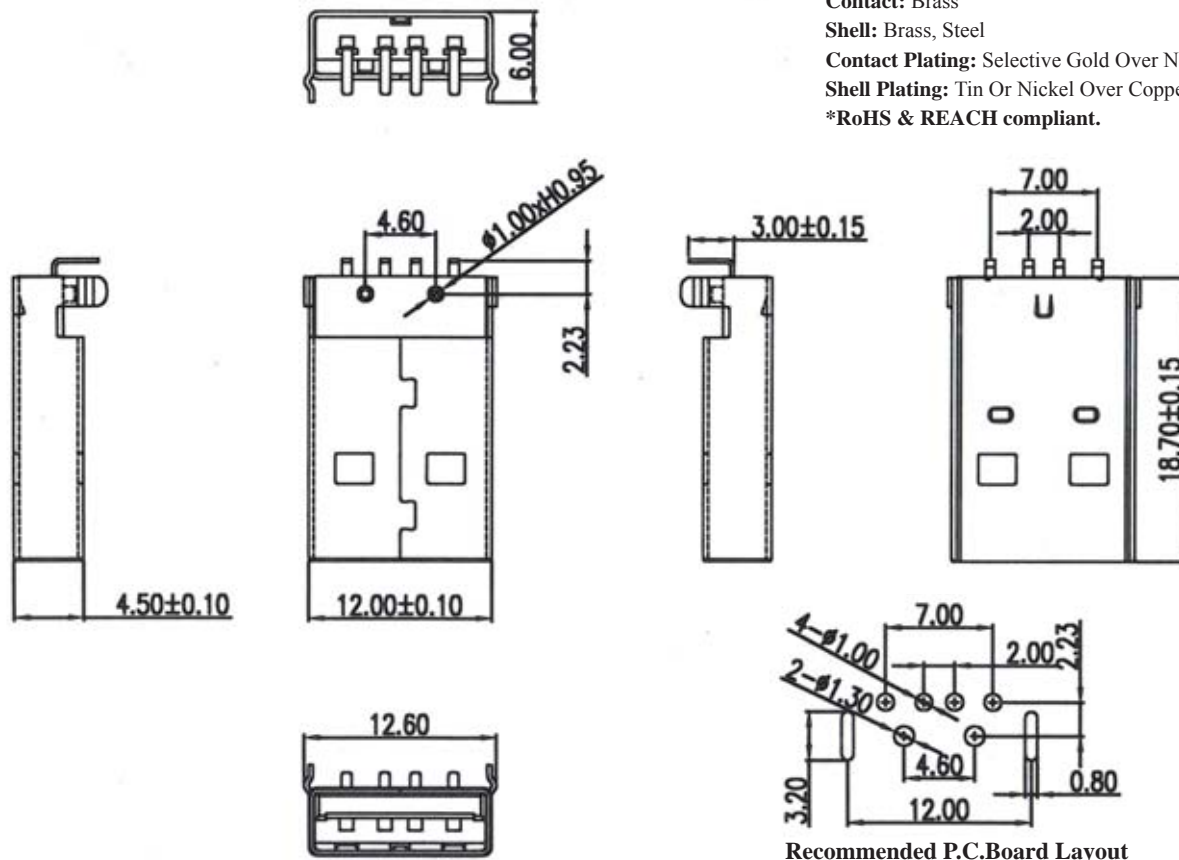
USB A TYPE MALE CONNECTOR FLAT RIGHT ANGLE DIP TYPE W=12.00MM

SPECIFICATIONS

Current Rating: 1.0 Amperes
Contact Resistance: 25mΩ Max.
Insulation Resistance: 1000MΩ Min. at 500V
Dielectric Voltage: 1000V at 1 Minute
Operating Temperature: -55°C to +105°C

MATERIALS

Insulator: PBT, UL94V-0 Rated
Contact: Brass
Shell: Brass, Steel
Contact Plating: Selective Gold Over Nickel Plated
Shell Plating: Tin Or Nickel Over Copper Plated
 *RoHS & REACH compliant.



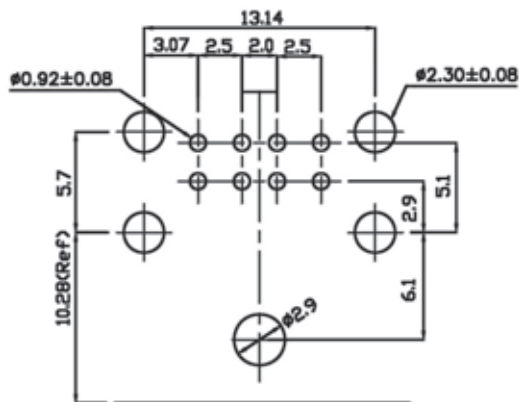
Recommended P.C.Board Layout

ORDERING INFORMATION:

P/N U A 6 Z - 0 4 M x x x
 1 2 3 4

1. NO. OF CONTACTS:
04
2. CONNECTOR TYPE:
"M" MALE
3. INSULATOR COLOR:
"B" BLACK
"W" WHITE
4. CONTACT FINISH:
"01" GOLD FLASH
"15" 15 MICROINCH GOLD
"30" 30 MICROINCH GOLD

USB A TYPE DUAL PORT FEMALE CONNECTOR RIGHT ANGLE DIP TYPE



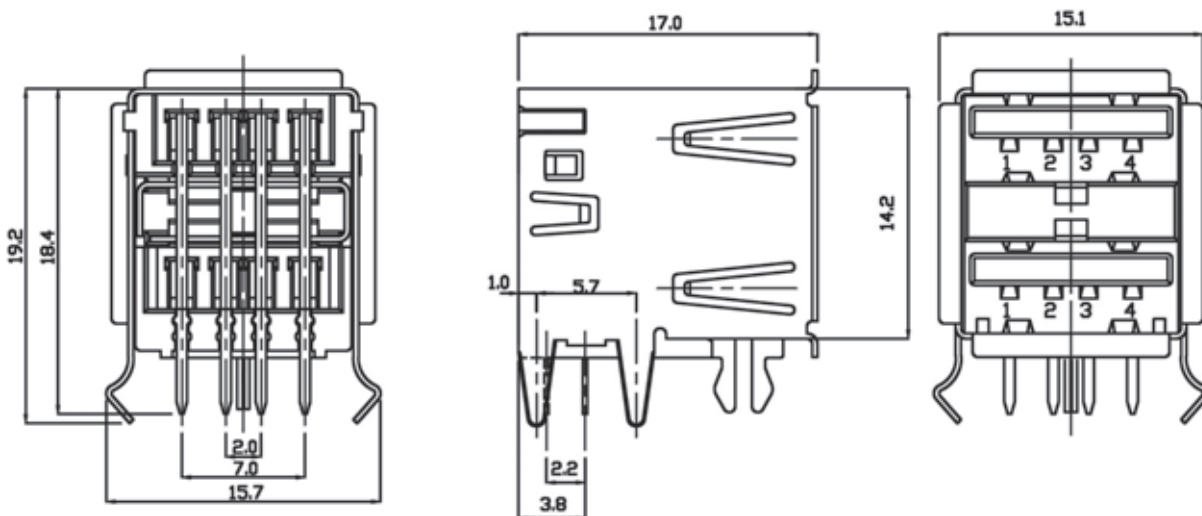
FRONT EDGE OF CONNECTOR
Recommended P.C.Board Layout

SPECIFICATIONS

Current Rating: 1.0 Amperes
Contact Resistance: 25mΩ Max.
Insulation Resistance: 1000MΩ Min. at 500V
Dielectric Voltage: 1000V at 1 Minute
Operating Temperature: -55°C to +105°C

MATERIALS

Insulator: PBT, UL94V-0 Rated
Contact: Brass
Shell: Brass, Steel
Contact Plating: Selective Gold Over Nickel Plated
Shell Plating: Tin Or Nickel Over Copper Plated
***RoHS & REACH compliant.**

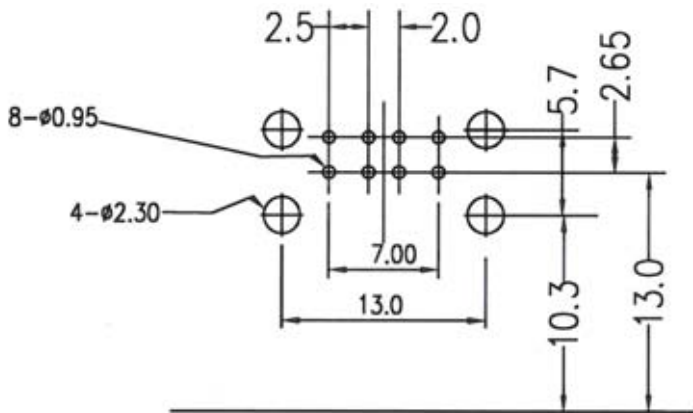


ORDERING INFORMATION:

P/N U A 4 2 - 0 8 F B x x
 1 2 3 4

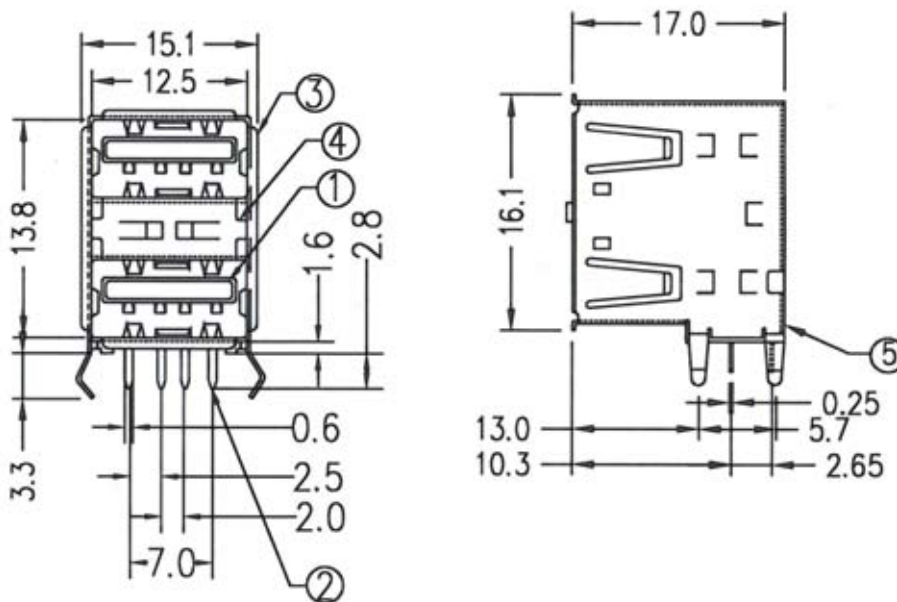
1. NO. OF CONTACTS:
08
2. CONNECTOR TYPE:
"F" FEMALE
3. INSULATOR COLOR:
"B" BLACK
"W" WHITE
4. CONTACT FINISH:
"01" GOLD FLASH

USB A TYPE DUAL PORT FEMALE CONNECTOR RIGHT ANGLE DIP TYPE W=13.00MM



PCB EDGE

Recommended P.C.Board Layout



SPECIFICATIONS

Current Rating: 1.0 Amperes
Contact Resistance: 25mΩ Max.
Insulation Resistance: 1000MΩ Min. at 500V
Dielectric Voltage: 1000V at 1 Minute
Operating Temperature: -55°C to +105°C

MATERIALS

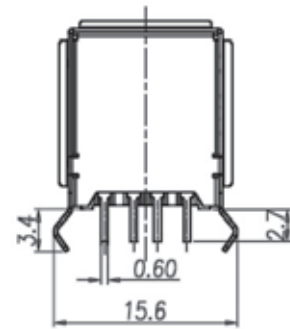
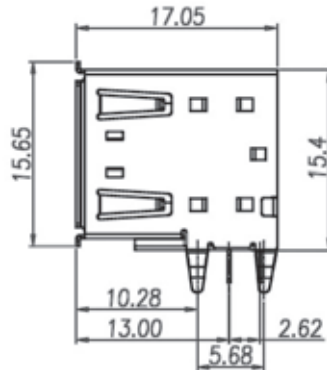
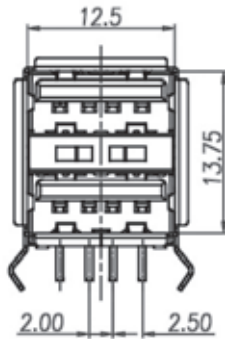
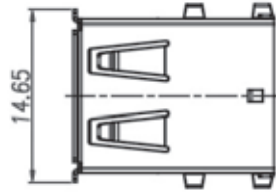
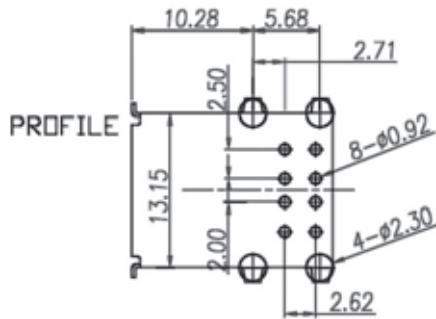
Insulator: PBT, UL94V-0 Rated
Contact: Brass
Shell: Brass, Steel
Contact Plating: Selective Gold Over Nickel Plated
Shell Plating: Tin Or Nickel Over Copper Plated
***RoHS & REACH compliant.**

ORDERING INFORMATION:

P/N U A 3 9 - 0 8 F W x x
 1 2 3 4

1. NO. OF CONTACTS:
08
2. CONNECTOR TYPE:
"F" FEMALE
3. INSULATOR COLOR:
"W" WHITE
4. CONTACT FINISH:
"01" GOLD FLASH (REV. 1.1)
"30" 30 MICROINCH GOLD (REV. 2.0)

USB A TYPE DUAL PORT FEMALE CONNECTOR RIGHT ANGLE DIP TYPE



SPECIFICATIONS

Current Rating: 1.0 Amperes

Contact Resistance: 25mΩ Max.

Insulation Resistance: 1000MΩ Min. at 500V

Dielectric Voltage: 1000V at 1 Minute

Operating Temperature: -55°C to +105°C

MATERIALS

Insulator: PBT, UL94V-0 Rated

Contact: Brass

Shell: Brass, Steel

Contact Plating: Selective Gold Over Nickel Plated

Shell Plating: Tin Or Nickel Over Copper Plated

***RoHS & REACH compliant.**

ORDERING INFORMATION:

P/N U A 6 H - 0 8 F x x x
 1 2 3 4

1. NO. OF CONTACTS:

08

2. CONNECTOR TYPE:

"F" FEMALE

3. INSULATOR COLOR:

"B" BLACK

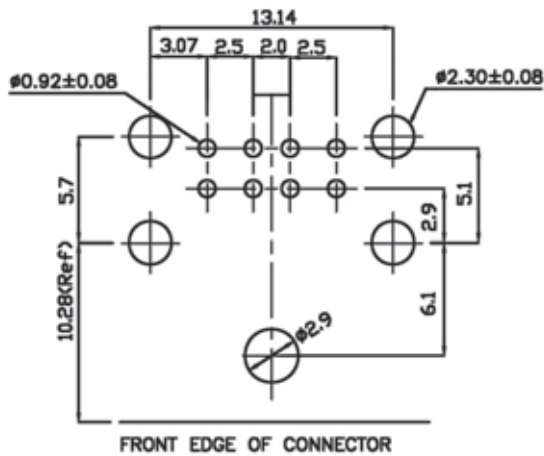
"W" WHITE

4. CONTACT FINISH:

"01" GOLD FLASH

"30" 30 MICROINCH GOLD

USB A TYPE DUAL PORT FEMALE CONNECTOR RIGHT ANGLE DIP TYPE WITH FORK LOCK



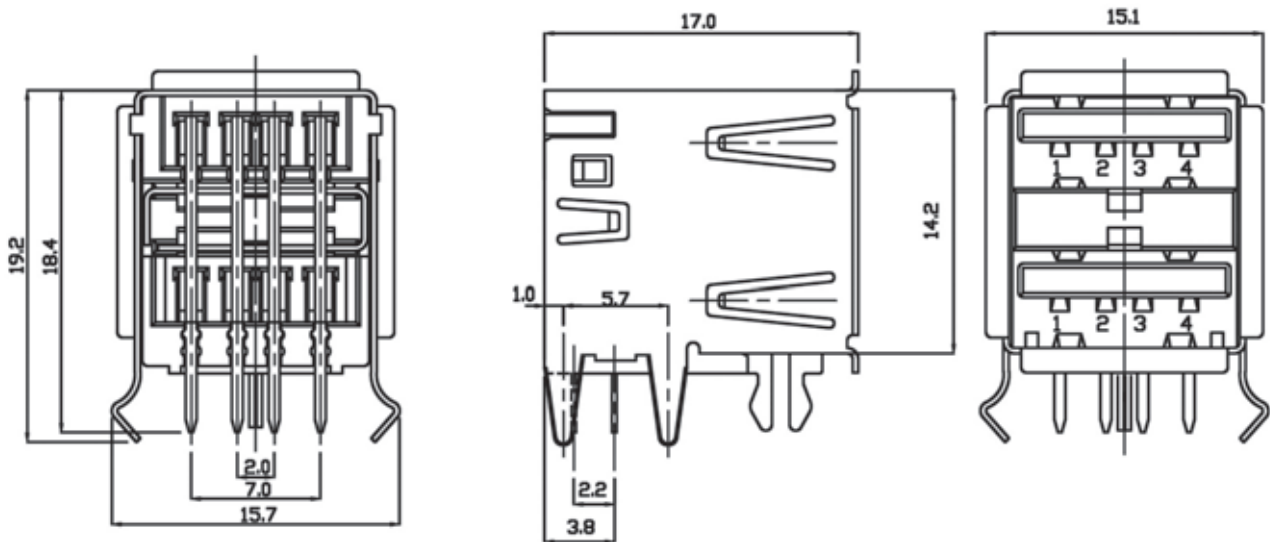
Recommended P.C.Board Layout

SPECIFICATIONS

- Current Rating:** 1.0 Amperes
- Contact Resistance:** 25mΩ Max.
- Insulation Resistance:** 1000MΩ Min. at 500V
- Dielectric Voltage:** 1000V at 1 Minute
- Operating Temperature:** -55°C to +105°C

MATERIALS

- Insulator:** PBT, UL94V-0 Rated
- Contact:** Brass
- Shell:** Brass, Steel
- Contact Plating:** Selective Gold Over Nickel Plated
- Shell Plating:** Tin Or Nickel Over Copper Plated
- *RoHS & REACH compliant.**

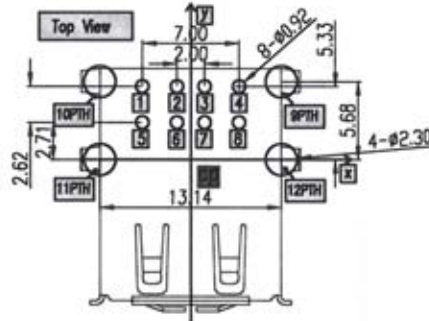
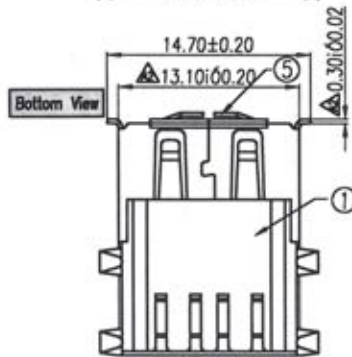
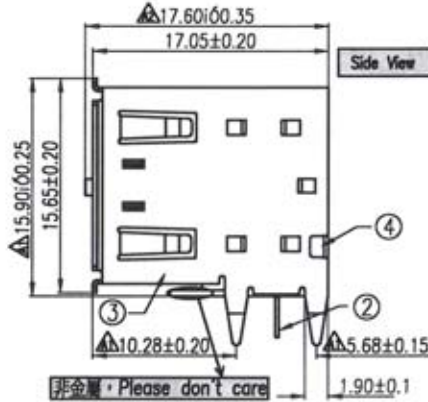
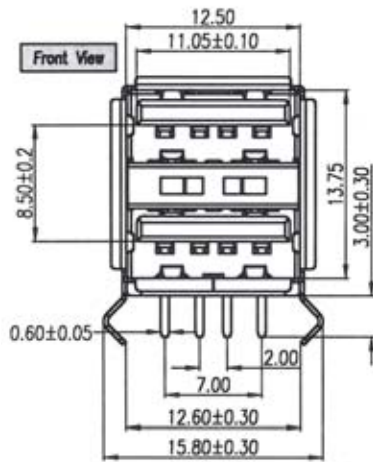


ORDERING INFORMATION:

P/N U A 7 4 - 0 8 F x x x
1 2 3 4

1. NO. OF CONTACTS:
08
2. CONNECTOR TYPE:
"F" FEMALE
3. INSULATOR COLOR:
"B" BLACK
"W" WHITE
4. CONTACT FINISH:
"01" GOLD FLASH (REV. 1.1)
"30" 30 MICROINCH GOLD (REV. 2.0)

USB A TYPE DUAL PORT FEMALE CONNECTOR RIGHT ANGLE DIP TYPE WITH SPRING GROUND



Recommended P.C.Board Layout

SPECIFICATIONS

- Current Rating: 1.0 Amperes
- Contact Resistance: 25mΩ Max.
- Insulation Resistance: 1000MΩ Min. at 500V
- Dielectric Voltage: 1000V at 1 Minute
- Operating Temperature: -55°C to +105°C

MATERIALS

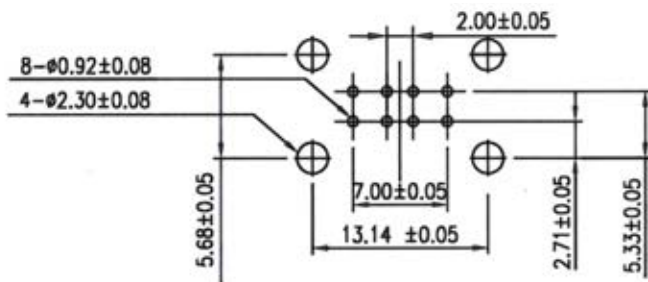
- Insulator: PBT, UL94V-0 Rated
- Contact: Brass
- Shell: Brass, Steel
- Contact Plating: Selective Gold Over Nickel Plated
- Shell Plating: Tin Or Nickel Over Copper Plated
- *RoHS & REACH compliant.

ORDERING INFORMATION:

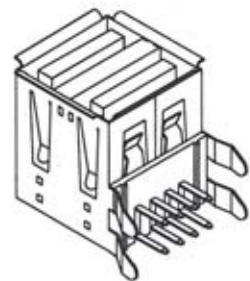
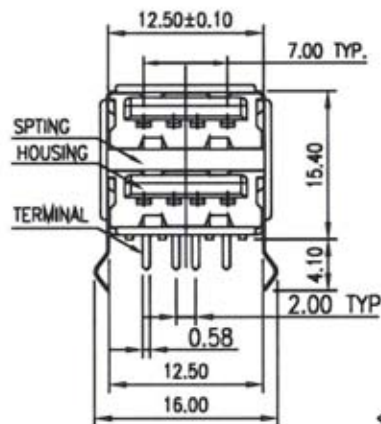
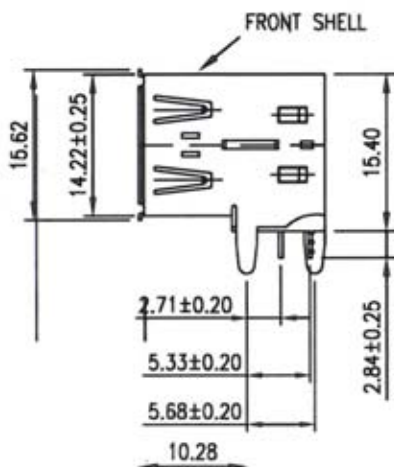
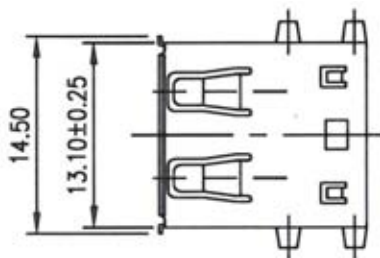
P/N U A 7 7 - 0 8 F x x x
1 2 3 4

- 1. NO. OF CONTACTS:
08
- 2. CONNECTOR TYPE:
"F" FEMALE
- 3. INSULATOR COLOR:
"B" BLACK
"W" WHITE
- 4. CONTACT FINISH:
"01" GOLD FLASH (REV. 1.1)
"30" 30 MICROINCH GOLD (REV. 2.0)

USB A TYPE DUAL PORT FEMALE CONNECTOR RIGHT ANGLE DIP TYPE



Recommended P.C.Board Layout



SPECIFICATIONS

Current Rating: 1.0 Amperes
Contact Resistance: 25mΩ Max.
Insulation Resistance: 1000MΩ Min. at 500V
Dielectric Voltage: 1000V at 1 Minute
Operating Temperature: -55°C to +105°C

MATERIALS

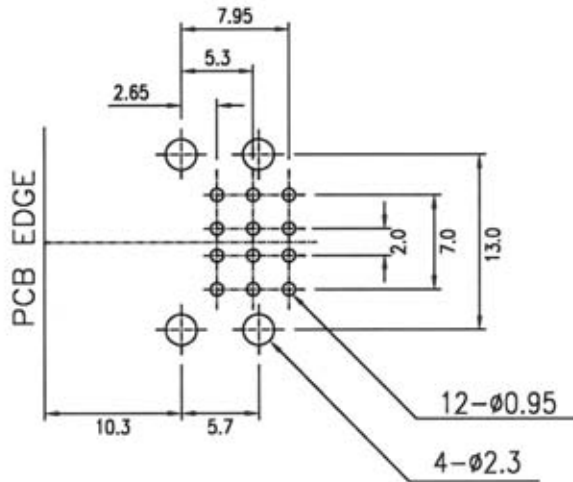
Insulator: PBT, UL94V-0 Rated
Contact: Brass
Shell: Brass, Steel
Contact Plating: Selective Gold Over Nickel Plated
Shell Plating: Tin Or Nickel Over Copper Plated
 *RoHS & REACH compliant.

ORDERING INFORMATION:

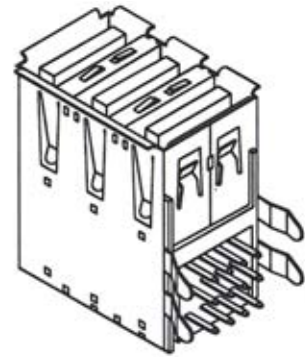
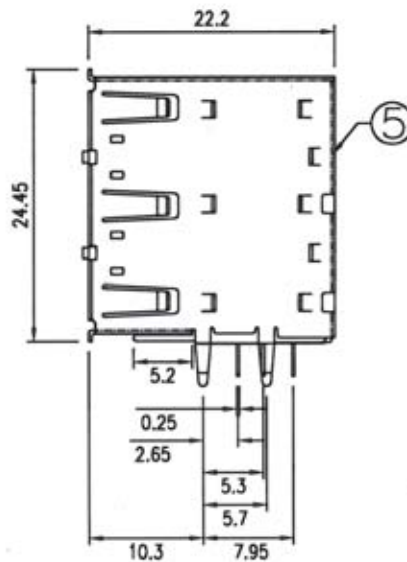
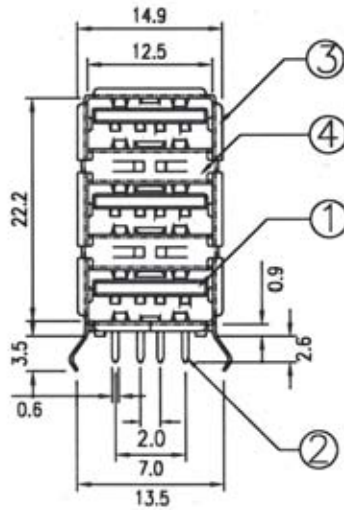
P/N U A 3 6 - 0 8 F W x x
 I 2 3 4

1. NO. OF CONTACTS:
08
2. CONNECTOR TYPE:
"F" FEMALE
3. INSULATOR COLOR:
"W" WHITE
4. CONTACT FINISH:
"01" GOLD FLASH (REV. 1.1)
"30" 30 MICROINCH GOLD (REV. 2.0)

USB A TYPE TRIPLE PORT FEMALE CONNECTOR RIGHT ANGLE DIP TYPE



Recommended P.C. Board Layout



SPECIFICATIONS

Current Rating: 1.0 Amperes
Contact Resistance: 25mΩ Max.
Insulation Resistance: 1000MΩ Min. at 500V
Dielectric Voltage: 1000V at 1 Minute
Operating Temperature: -55°C to +105°C

MATERIALS

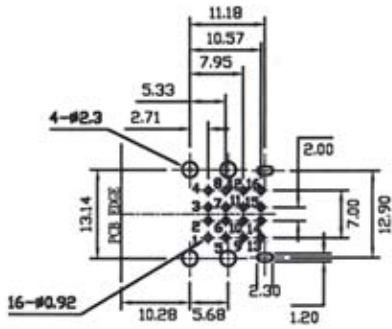
Insulator: PBT, UL94V-0 Rated
Contact: Brass
Shell: Brass, Steel
Contact Plating: Selective Gold Over Nickel Plated
Shell Plating: Tin Or Nickel Over Copper Plated
***RoHS & REACH compliant.**

ORDERING INFORMATION:

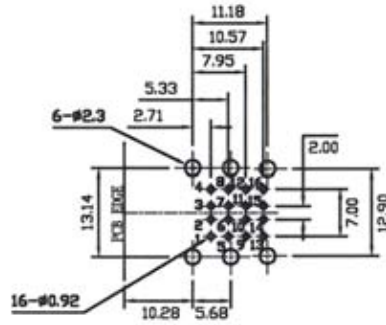
P/N U A 5 0 - $\frac{12}{1}$ $\frac{F}{2}$ $\frac{B}{3}$ $\frac{x}{4}$ x

1. NO. OF CONTACTS:
12
2. CONNECTOR TYPE:
"F" FEMALE
3. INSULATOR COLOR:
"B" BLACK
4. CONTACT FINISH:
"01" GOLD FLASH (REV. 1.1)
"30" 30 MICROINCH GOLD (REV. 2.0)

USB A TYPE QUADRUPLE FEMALE CONNECTOR RIGHT ANGLE DIP TYPE



Recommended P.C.Board Layout A
Bottom View



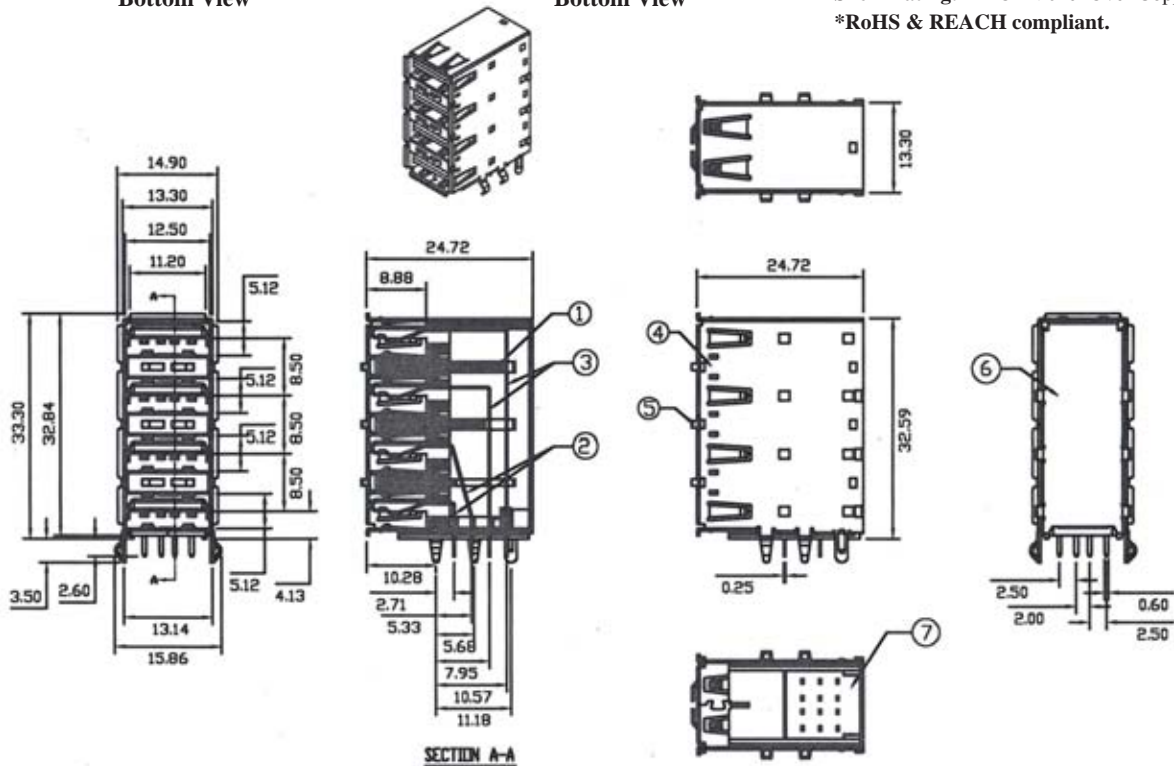
Recommended P.C.Board Layout B
Bottom View

SPECIFICATIONS

- Current Rating:** 1.0 Amperes
- Contact Resistance:** 25mΩ Max.
- Insulation Resistance:** 1000MΩ Min. at 500V
- Dielectric Voltage:** 1000V at 1 Minute
- Operating Temperature:** -55°C to +105°C

MATERIALS

- Insulator:** PBT, UL94V-0 Rated
- Contact:** Brass
- Shell:** Brass, Steel
- Contact Plating:** Selective Gold Over Nickel Plated
- Shell Plating:** Tin Or Nickel Over Copper Plated
- *RoHS & REACH compliant.**

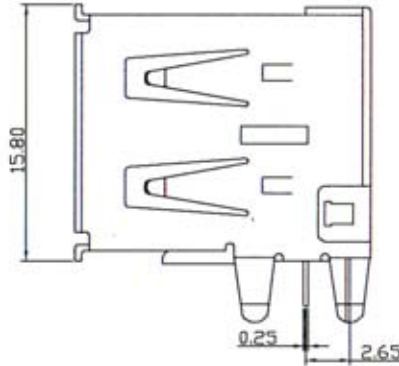
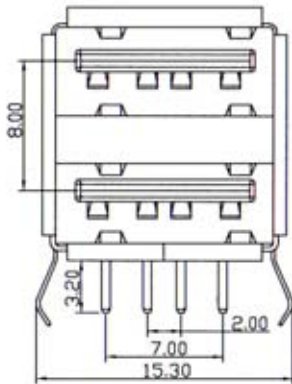


ORDERING INFORMATION:

P/N U A 4 8 - $\frac{16}{1} \frac{F}{2} \frac{B}{3} \frac{x}{4} x$

1. NO. OF CONTACTS:
16
2. CONNECTOR TYPE:
"F" FEMALE
3. INSULATOR COLOR:
"B" BLACK
4. CONTACT FINISH:
"01" GOLD FLASH (REV. 1.1)
"30" 30 MICROINCH GOLD (REV. 2.0)

USB A TYPE DUAL PORT FEMALE CONNECTOR RIGHT ANGLE DIP TYPE

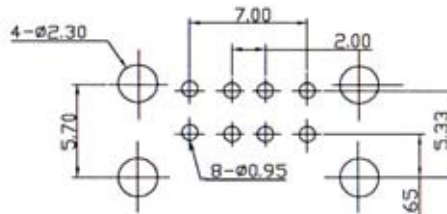
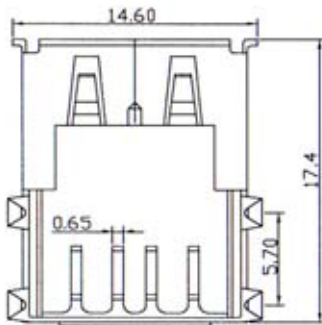


SPECIFICATIONS

Current Rating: 1.0 Amperes
Contact Resistance: 25mΩ Max.
Insulation Resistance: 1000MΩ Min. at 500V
Dielectric Voltage: 1000V at 1 Minute
Operating Temperature: -55°C to +105°C

MATERIALS

Insulator: PBT, UL94V-0 Rated
Contact: Brass
Shell: Brass, Steel
Contact Plating: Selective Gold Over Nickel Plated
Shell Plating: Tin Or Nickel Over Copper Plated
***RoHS & REACH compliant.**



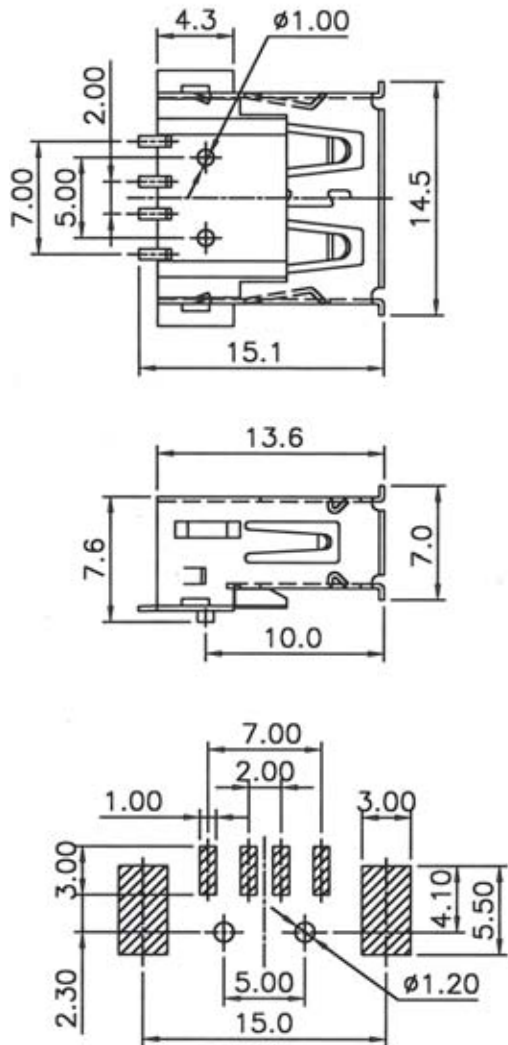
Recommended P.C.Board Layout
(TOP VIEW)

ORDERING INFORMATION:

P/N U A 2 9 - 0 8 F B x x
 1 2 3 4

1. NO. OF CONTACTS:
08
2. CONNECTOR TYPE:
"F" FEMALE
3. INSULATOR COLOR:
"B" BLACK
4. CONTACT FINISH:
"01" GOLD FLASH (REV. 1.1)
"30" 30 MICROINCH GOLD (REV. 2.0)

USB A TYPE FEMALE CONNECTOR SMT TYPE



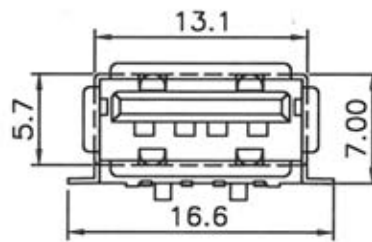
Recommended P.C.Board Layout

SPECIFICATIONS

Current Rating: 1.0 Amperes
Contact Resistance: 25mΩ Max.
Insulation Resistance: 1000MΩ Min. at 500V
Dielectric Voltage: 1000V at 1 Minute
Operating Temperature: -55°C to +105°C

MATERIALS

Insulator: PBT, UL94V-0 Rated
Contact: Brass
Shell: Brass, Steel
Contact Plating: Selective Gold Over Nickel Plated
Shell Plating: Tin Or Nickel Over Copper Plated
***RoHS & REACH compliant.**



ORDERING INFORMATION:

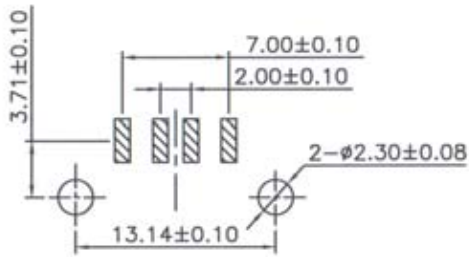
P/N U A 5 1 - 0 4 F x x x
I 2 3 4

DRAWING REVISED

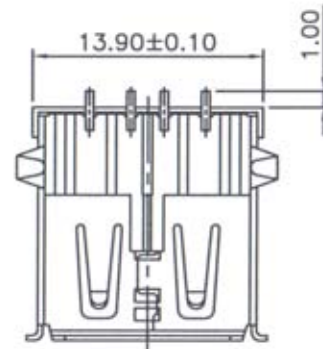
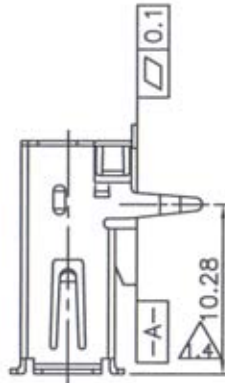
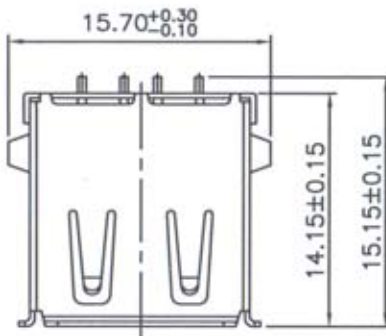
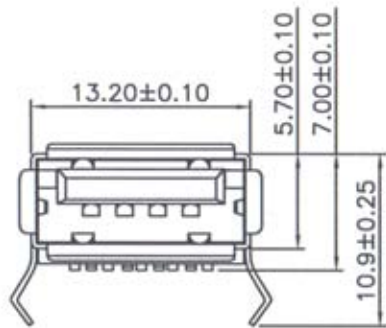
P/N REVISED

1. NO. OF CONTACTS:
04
2. CONNECTOR TYPE:
"F" FEMALE
3. INSULATOR COLOR:
"B" BLACK
"W" WHITE
4. CONTACT FINISH:
"01" GOLD FLASH (REV. 1.1)
"30" 30 MICROINCH GOLD (REV. 2.0)

USB A TYPE FEMALE CONNECTOR SMT TYPE



Recommended P.C.Board Layout



SPECIFICATIONS

Current Rating: 1.0 Amperes
Contact Resistance: 25mΩ Max.
Insulation Resistance: 1000MΩ Min. at 500V
Dielectric Voltage: 1000V at 1 Minute
Operating Temperature: -55°C to +105°C

MATERIALS

Insulator: PBT, UL94V-0 Rated
Contact: Brass
Shell: Brass, Steel
Contact Plating: Selective Gold Over Nickel Plated
Shell Plating: Tin Or Nickel Over Copper Plated
***RoHS & REACH compliant.**

ORDERING INFORMATION:

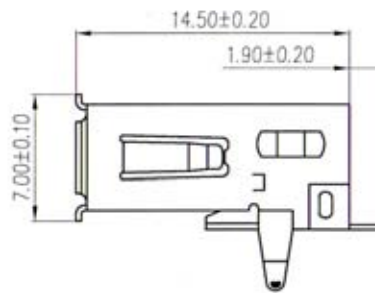
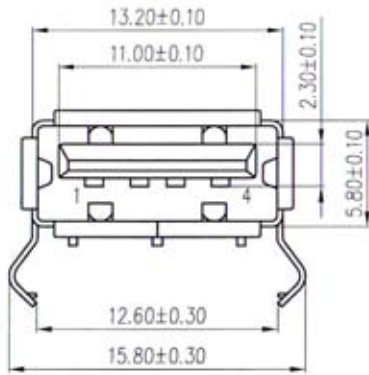
P/N U A 6 2 - 0 4 F x x x - x
 1 2 3 4 5

1. NO. OF CONTACTS:
04
2. CONNECTOR TYPE:
"F" FEMALE
3. INSULATOR COLOR:
"B" BLACK
"W" WHITE
4. CONTACT FINISH:
"01" GOLD FLASH
"30" 30 MICROINCH GOLD (REV. 2.0)
5. PACKAGE OPTION:
" " TRAY
"R" TAPE & REEL

DRAWING REVISED

P/N REVISED

USB A TYPE FEMALE CONNECTOR SMT TYPE

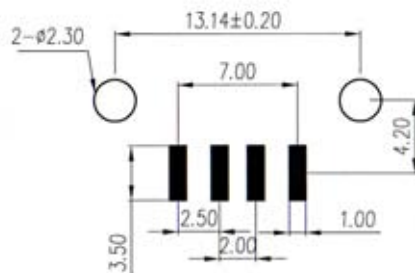
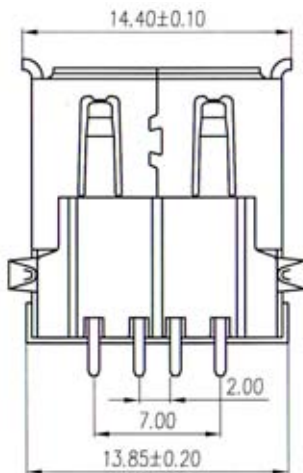


SPECIFICATIONS

Current Rating: 1.0 Amperes
Contact Resistance: 25mΩ Max.
Insulation Resistance: 1000MΩ Min. at 500V
Dielectric Voltage: 1000V at 1 Minute
Operating Temperature: -55°C to +105°C

MATERIALS

Insulator: PBT, UL94V-0 Rated
Contact: Brass
Shell: Brass, Steel
Contact Plating: Selective Gold Over Nickel Plated
Shell Plating: Tin Or Nickel Over Copper Plated
***RoHS & REACH compliant.**



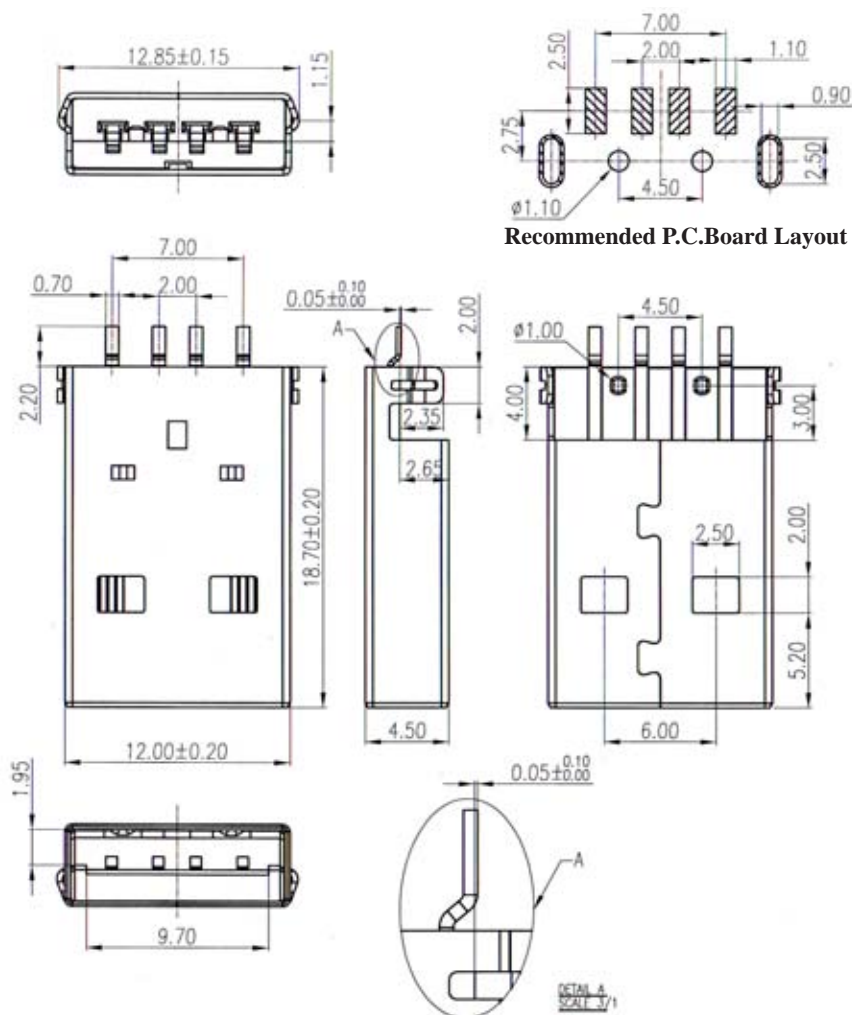
Recommended P.C.Board Layout

ORDERING INFORMATION:

P/N U A 6 8 - 0 4 F x x x
I 2 3 4

1. NO. OF CONTACTS:
04
2. CONNECTOR TYPE:
"F" FEMALE
3. INSULATOR COLOR:
"B" BLACK
"W" WHITE
4. CONTACT FINISH:
"01" GOLD FLASH
"30" 30 MICROINCH GOLD

USB A TYPE MALE CONNECTOR SMT TYPE



SPECIFICATIONS

Current Rating: 1.0 Amperes
Contact Resistance: 25mΩ Max.
Insulation Resistance: 1000MΩ Min. at 500V
Dielectric Voltage: 1000V at 1 Minute
Operating Temperature: -55°C to +105°C

MATERIALS

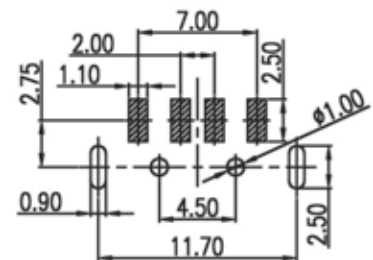
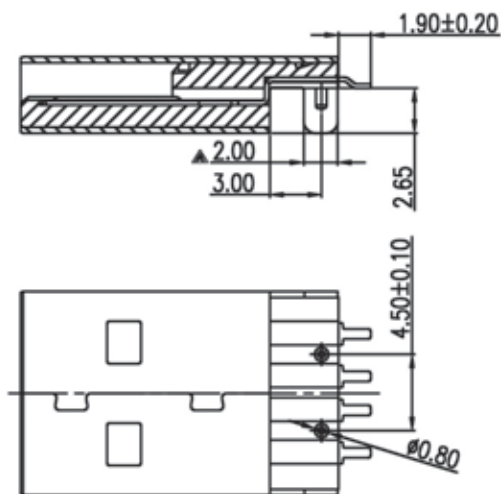
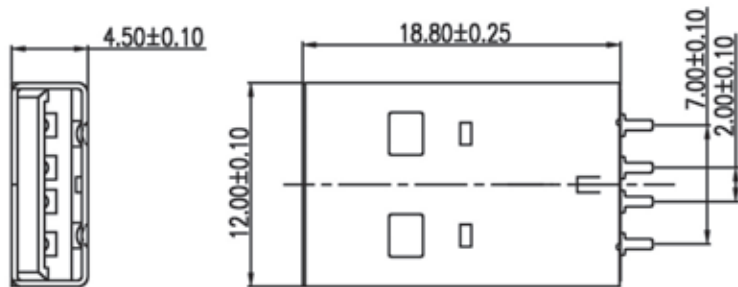
Insulator: PBT, UL94V-0 Rated
Contact: Brass
Shell: Brass, Steel
Contact Plating: Selective Gold Over Nickel Plated
Shell Plating: Tin Or Nickel Over Copper Plated
***RoHS & REACH compliant.**

ORDERING INFORMATION:

P/N U A 6 9 - 0 4 M B x x
1 2 3 4

1. NO. OF CONTACTS:
04
2. CONNECTOR TYPE:
"M" MALE
3. INSULATOR COLOR:
"B" BLACK
4. CONTACT FINISH:
"01" GOLD FLASH
"30" 30 MICROINCH GOLD

USB A TYPE MALE CONNECTOR BOARD CUT SMT TYPE



Recommended P.C.Board Layout

SPECIFICATIONS

Current Rating: 1.0 Amperes

Contact Resistance: 25mΩ Max.

Insulation Resistance: 1000MΩ Min. at 500V

Dielectric Voltage: 1000V at 1 Minute

Operating Temperature: -55°C to +105°C

MATERIALS

Insulator: PBT, UL94V-0 Rated

Contact: Brass

Shell: Brass, Steel

Contact Plating: Selective Gold Over Nickel Plated

Shell Plating: Tin Or Nickel Over Copper Plated

***RoHS & REACH compliant.**

ORDERING INFORMATION:

P/N U A 5 2 - 0 4 M B x x
 1 2 3 4

1. NO. OF CONTACTS:

04

2. CONNECTOR TYPE:

"M" MALE

3. INSULATOR COLOR:

"B" BLACK

4. CONTACT FINISH:

"01" GOLD FLASH

"15" 15 MICROINCH GOLD

"30" 30 MICROINCH GOLD

DRAWING REVISED

P/N REVISED

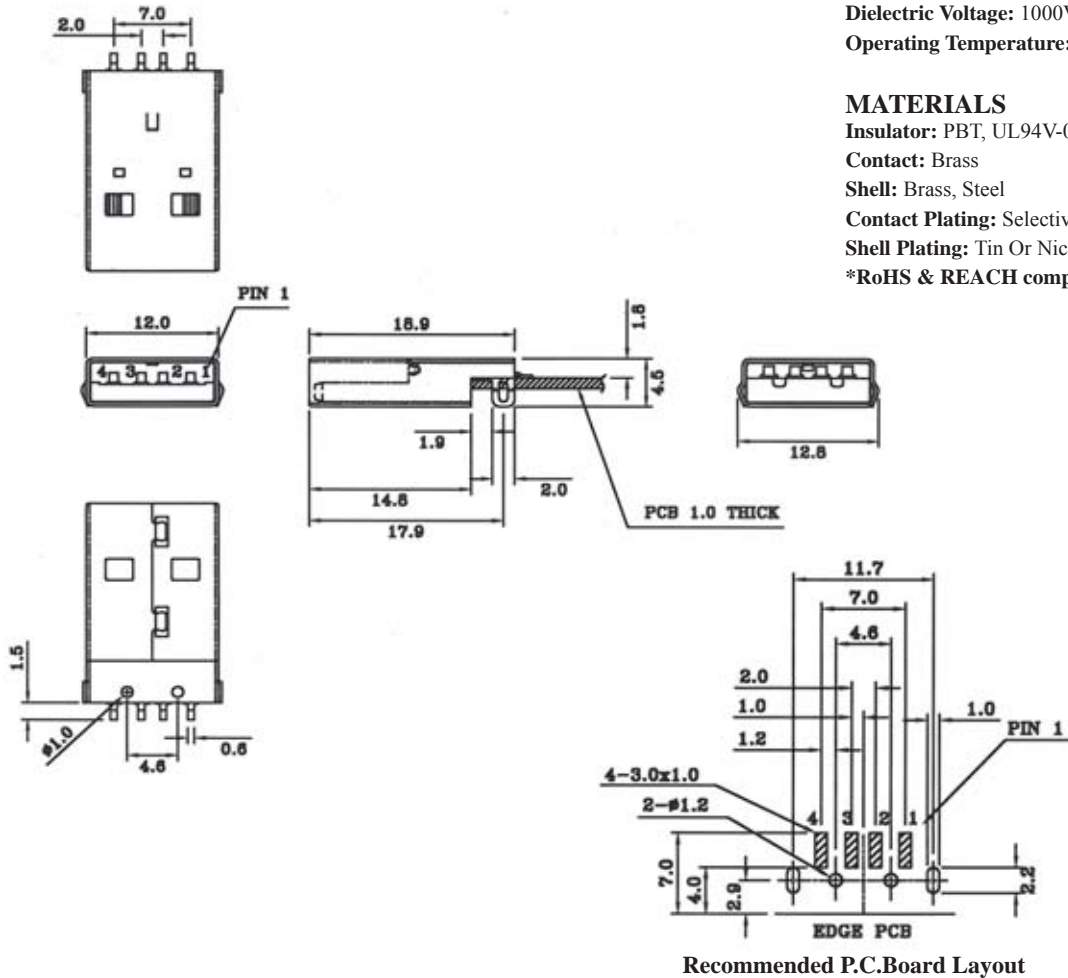
USB A TYPE MALE CONNECTOR SMT TYPE

SPECIFICATIONS

Current Rating: 1.0 Amperes
Contact Resistance: 25mΩ Max.
Insulation Resistance: 1000MΩ Min. at 500V
Dielectric Voltage: 1000V at 1 Minute
Operating Temperature: -55°C to +105°C

MATERIALS

Insulator: PBT, UL94V-0 Rated
Contact: Brass
Shell: Brass, Steel
Contact Plating: Selective Gold Over Nickel Plated
Shell Plating: Tin Or Nickel Over Copper Plated
***RoHS & REACH compliant.**



Recommended P.C.Board Layout

ORDERING INFORMATION:

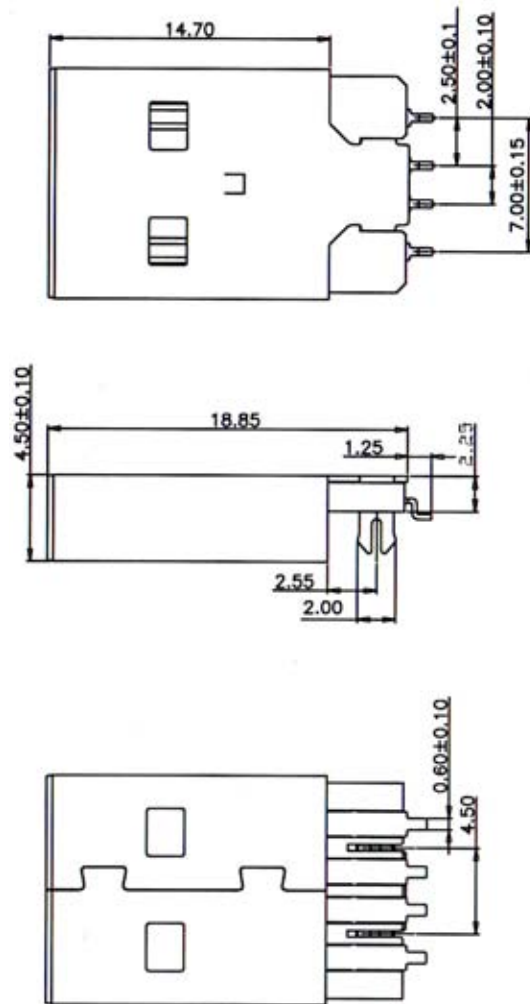
P/N U A 6 5 - 0 4 M B x x
 1 2 3 4

DRAWING REVISED

P/N REVISED

1. NO. OF CONTACTS:
04
2. CONNECTOR TYPE:
"M" MALE
3. INSULATOR COLOR:
"B" BLACK
4. CONTACT FINISH:
"01" GOLD FLASH (REV. 1.1)
"30" 30 MICROINCH GOLD (REV. 2.0)

USB A TYPE MALE CONNECTOR SMT TYPE

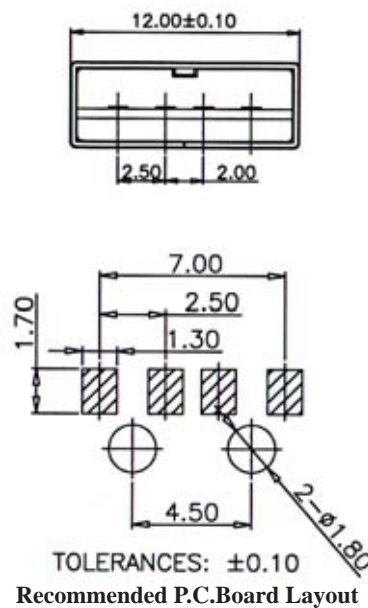


SPECIFICATIONS

Current Rating: 1.0 Amperes
Contact Resistance: 25mΩ Max.
Insulation Resistance: 1000MΩ Min. at 500V
Dielectric Voltage: 1000V at 1 Minute
Operating Temperature: -55°C to +105°C

MATERIALS

Insulator: PBT, UL94V-0 Rated
Contact: Brass
Shell: Brass, Steel
Contact Plating: Selective Gold Over Nickel Plated
Shell Plating: Tin Or Nickel Over Copper Plated
***RoHS & REACH compliant.**

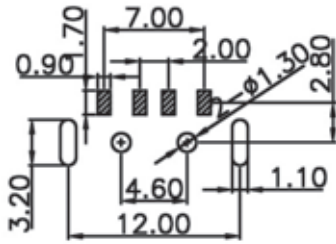


ORDERING INFORMATION:

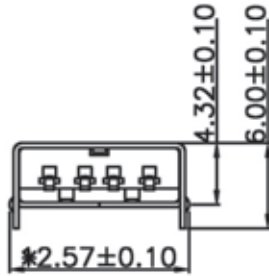
P/N U A 7 1 - 0 4 M B x x
1 2 3 4

1. NO. OF CONTACTS:
04
2. CONNECTOR TYPE:
"M" MALE
3. INSULATOR COLOR:
"B" BLACK
4. CONTACT FINISH:
"01" GOLD FLASH
"30" 30 MICROINCH GOLD

USB A TYPE MALE CONNECTOR SMT TYPE SPACING=12.00MM



Recommended P.C.Board Layout

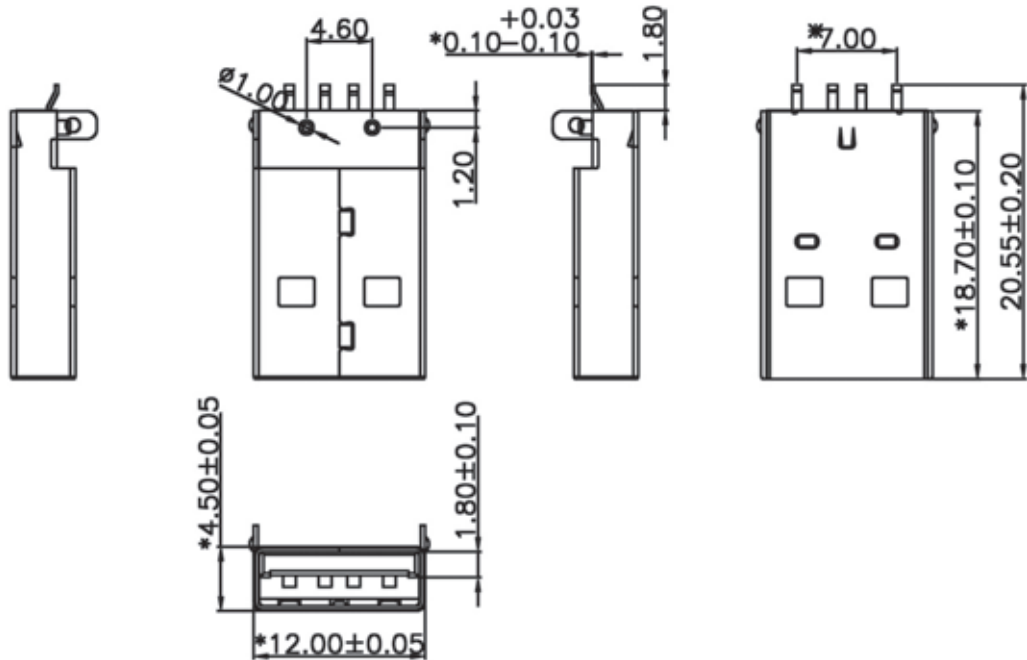


SPECIFICATIONS

Current Rating: 1.0 Amperes
Contact Resistance: 25mΩ Max.
Insulation Resistance: 1000MΩ Min. at 500V
Dielectric Voltage: 1000V at 1 Minute
Operating Temperature: -55°C to +105°C

MATERIALS

Insulator: PBT, UL94V-0 Rated
Contact: Brass
Shell: Brass, Steel
Contact Plating: Selective Gold Over Nickel Plated
Shell Plating: Tin Or Nickel Over Copper Plated
 *RoHS & REACH compliant.

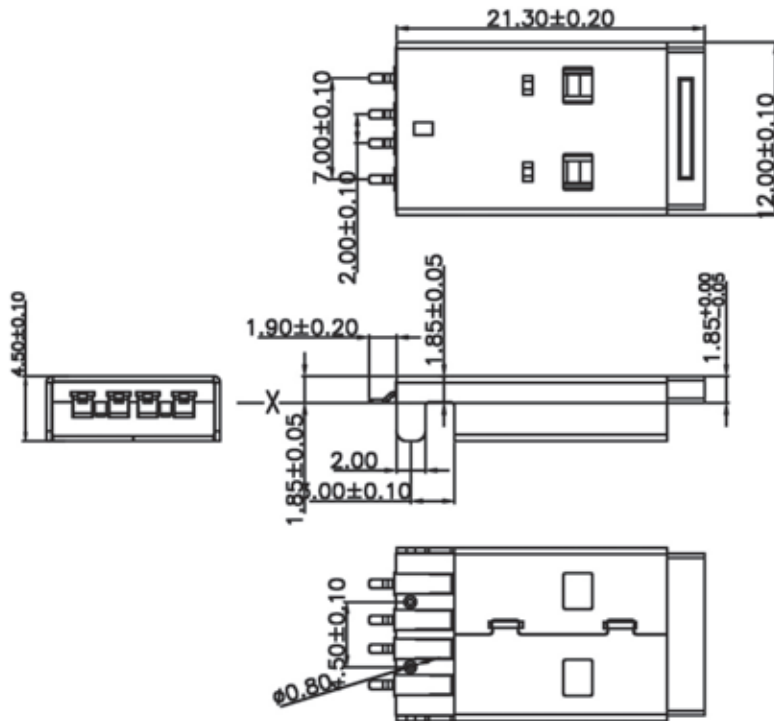
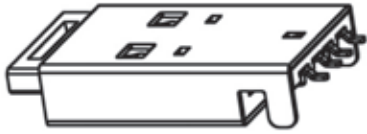


ORDERING INFORMATION:

P/N U A 8 2 - 0 4 M x x x
 1 2 3 4

1. NO. OF CONTACTS:
04
2. CONNECTOR TYPE:
"M" MALE
3. INSULATOR COLOR:
"B" BLACK
"W" WHITE
4. CONTACT FINISH:
"01" GOLD FLASH
"03" 3 MICROINCH GOLD
"15" 15 MICROINCH GOLD
"30" 30 MICROINCH GOLD

USB A TYPE MALE CONNECTOR SMT TYPE

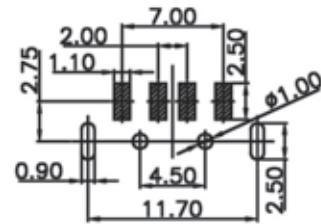


SPECIFICATIONS

Current Rating: 1.0 Amperes
Contact Resistance: 25mΩ Max.
Insulation Resistance: 1000MΩ Min. at 500V
Dielectric Voltage: 1000V at 1 Minute
Operating Temperature: -55°C to +105°C

MATERIALS

Insulator: PBT, UL94V-0 Rated
Contact: Brass
Shell: Brass, Steel
Contact Plating: Selective Gold Over Nickel Plated
Shell Plating: Tin Or Nickel Over Copper Plated
***RoHS & REACH compliant.**



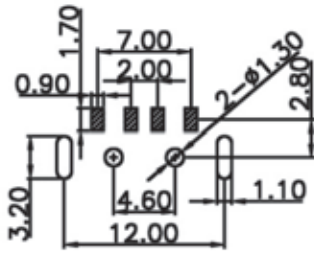
Recommended P.C.Board Layout

ORDERING INFORMATION:

P/N U A 8 7 - 0 4 M B x x
1 2 3 4

1. NO. OF CONTACTS:
04
2. CONNECTOR TYPE:
"M" MALE
3. INSULATOR COLOR:
"B" BLACK
4. CONTACT FINISH:
"01" GOLD FLASH

USB A TYPE MALE CONNECTOR SMT TYPE SPACING=12.00MM



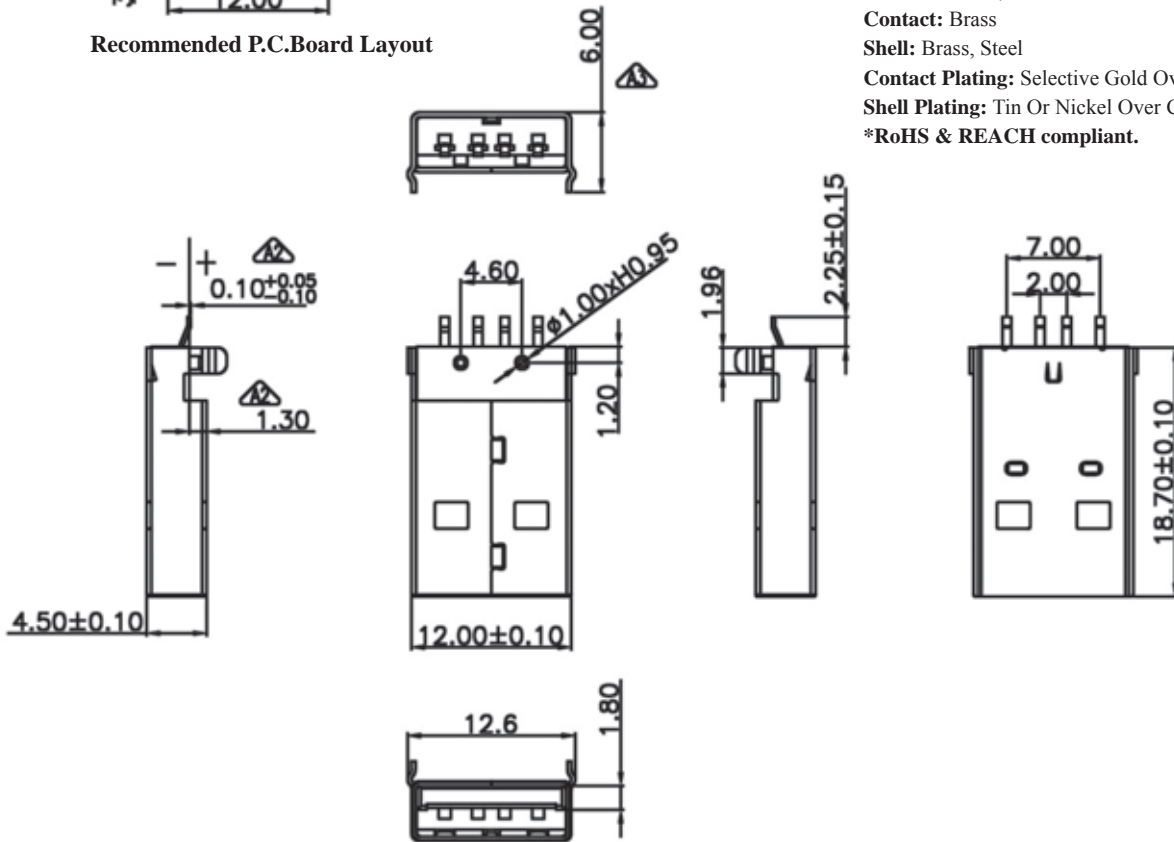
Recommended P.C.Board Layout

SPECIFICATIONS

Current Rating: 1.0 Amperes
Contact Resistance: 25mΩ Max.
Insulation Resistance: 1000MΩ Min. at 500V
Dielectric Voltage: 1000V at 1 Minute
Operating Temperature: -55°C to +105°C

MATERIALS

Insulator: PBT, UL94V-0 Rated
Contact: Brass
Shell: Brass, Steel
Contact Plating: Selective Gold Over Nickel Plated
Shell Plating: Tin Or Nickel Over Copper Plated
 *RoHS & REACH compliant.

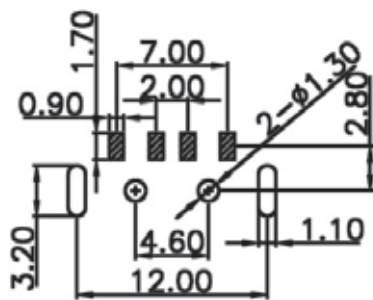


ORDERING INFORMATION:

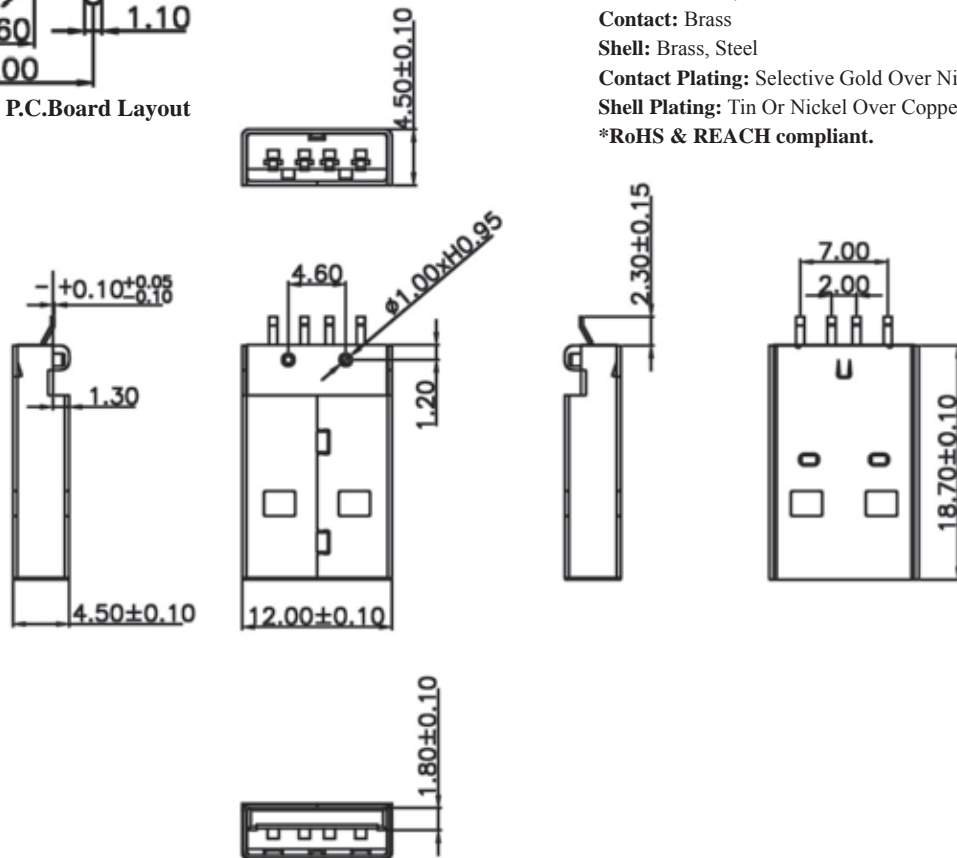
P/N U A 8 1 - 0 4 M x x x
 1 2 3 4

1. NO. OF CONTACTS:
04
2. CONNECTOR TYPE:
"M" MALE
3. INSULATOR COLOR:
"B" BLACK
"W" WHITE
4. CONTACT FINISH:
"01" GOLD FLASH
"03" 3 MICROINCH GOLD
"15" 15 MICROINCH GOLD
"30" 30 MICROINCH GOLD

USB A TYPE MALE CONNECTOR SMT TYPE WITH SHORT FOOT SPACING=12.00MM



Recommended P.C.Board Layout



SPECIFICATIONS

Current Rating: 1.0 Amperes
Contact Resistance: 25mΩ Max.
Insulation Resistance: 1000MΩ Min. at 500V
Dielectric Voltage: 1000V at 1 Minute
Operating Temperature: -55°C to +105°C

MATERIALS

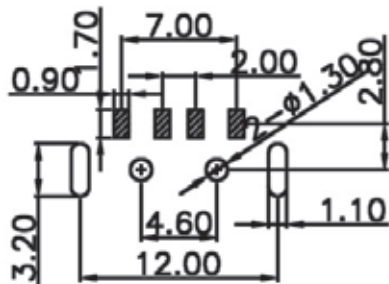
Insulator: PBT, UL94V-0 Rated
Contact: Brass
Shell: Brass, Steel
Contact Plating: Selective Gold Over Nickel Plated
Shell Plating: Tin Or Nickel Over Copper Plated
 *RoHS & REACH compliant.

ORDERING INFORMATION:

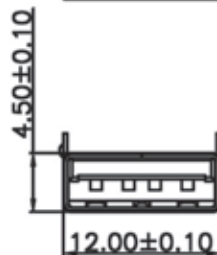
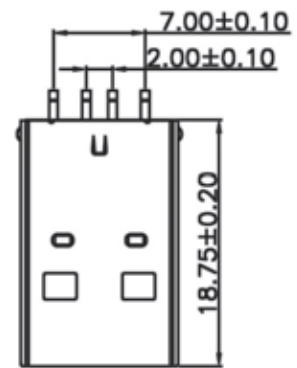
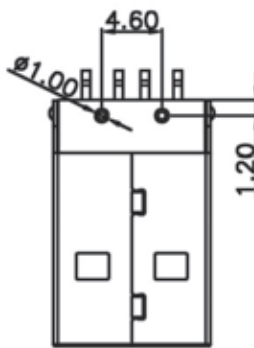
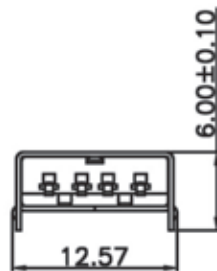
P/N U A 8 4 - 0 4 M B x x
 1 2 3 4

1. NO. OF CONTACTS:
04
2. CONNECTOR TYPE:
"M" MALE
3. INSULATOR COLOR:
"B" BLACK
4. CONTACT FINISH:
"01" GOLD FLASH
"03" 3 MICROINCH GOLD
"15" 15 MICROINCH GOLD
"30" 30 MICROINCH GOLD

USB A TYPE MALE CONNECTOR SMT TYPE L=2.25MM SPACING=12.00MM



Recommended P.C.Board Layout



SPECIFICATIONS

Current Rating: 1.0 Amperes
Contact Resistance: 25mΩ Max.
Insulation Resistance: 1000MΩ Min. at 500V
Dielectric Voltage: 1000V at 1 Minute
Operating Temperature: -55°C to +105°C

MATERIALS

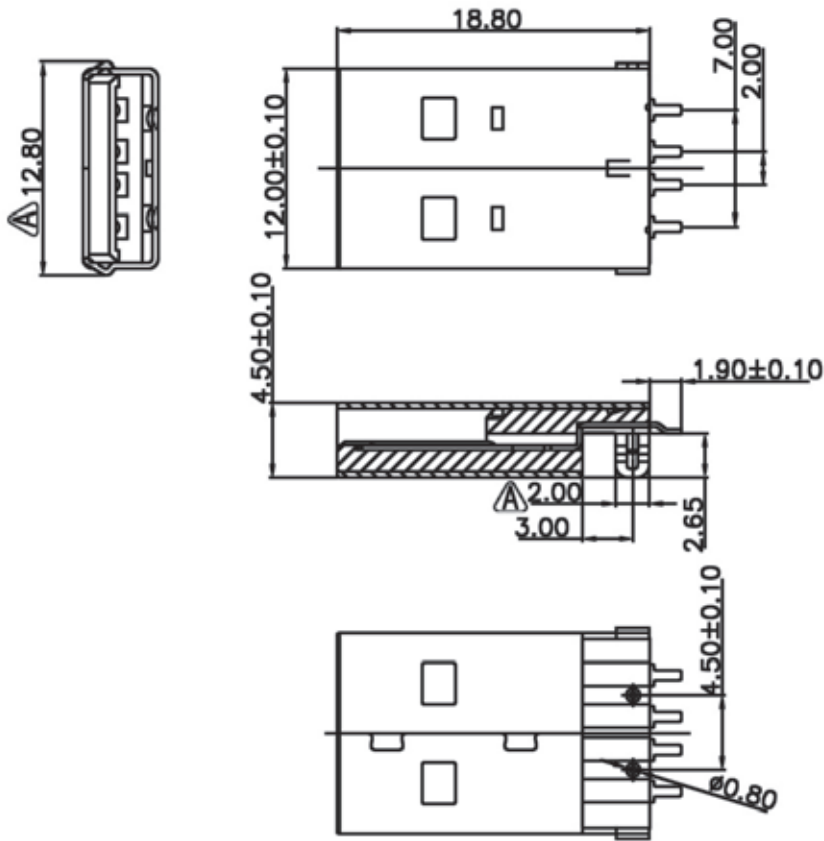
Insulator: PBT, UL94V-0 Rated
Contact: Brass
Shell: Brass, Steel
Contact Plating: Selective Gold Over Nickel Plated
Shell Plating: Tin Or Nickel Over Copper Plated
 *RoHS & REACH compliant.

ORDERING INFORMATION:

P/N U A 8 3 - 0 4 M x x x
 1 2 3 4

1. NO. OF CONTACTS:
04
2. CONNECTOR TYPE:
"M" MALE
3. INSULATOR COLOR:
"B" BLACK
"W" WHITE
4. CONTACT FINISH:
"01" GOLD FLASH
"15" 15 MICROINCH GOLD
"30" 30 MICROINCH GOLD

USB A TYPE MALE CONNECTOR SMT TYPE W=12.80MM

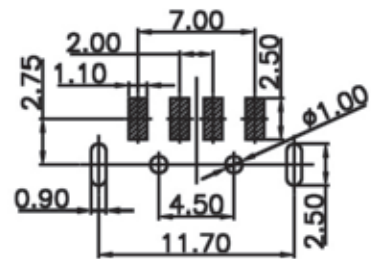


SPECIFICATIONS

Current Rating: 1.0 Amperes
Contact Resistance: 25mΩ Max.
Insulation Resistance: 1000MΩ Min. at 500V
Dielectric Voltage: 1000V at 1 Minute
Operating Temperature: -55°C to +105°C

MATERIALS

Insulator: PBT, UL94V-0 Rated
Contact: Brass
Shell: Brass, Steel
Contact Plating: Selective Gold Over Nickel Plated
Shell Plating: Tin Or Nickel Over Copper Plated
***RoHS & REACH compliant.**



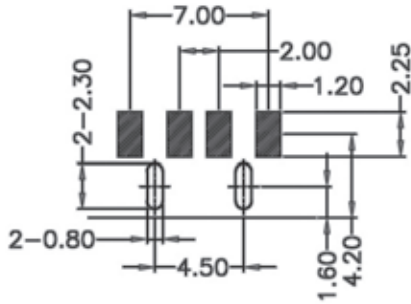
Recommended P.C.Board Layout

ORDERING INFORMATION:

P/N U A 8 6 - 0 4 M B x x
1 2 3 4

1. NO. OF CONTACTS:
04
2. CONNECTOR TYPE:
"M" MALE
3. INSULATOR COLOR:
"B" BLACK
4. CONTACT FINISH:
"01" GOLD FLASH
"15" 15 MICROINCH GOLD
"30" 30 MICROINCH GOLD

USB A TYPE MALE CONNECTOR RIGHT ANGLE SMT TYPE WITH BOARDLOCK



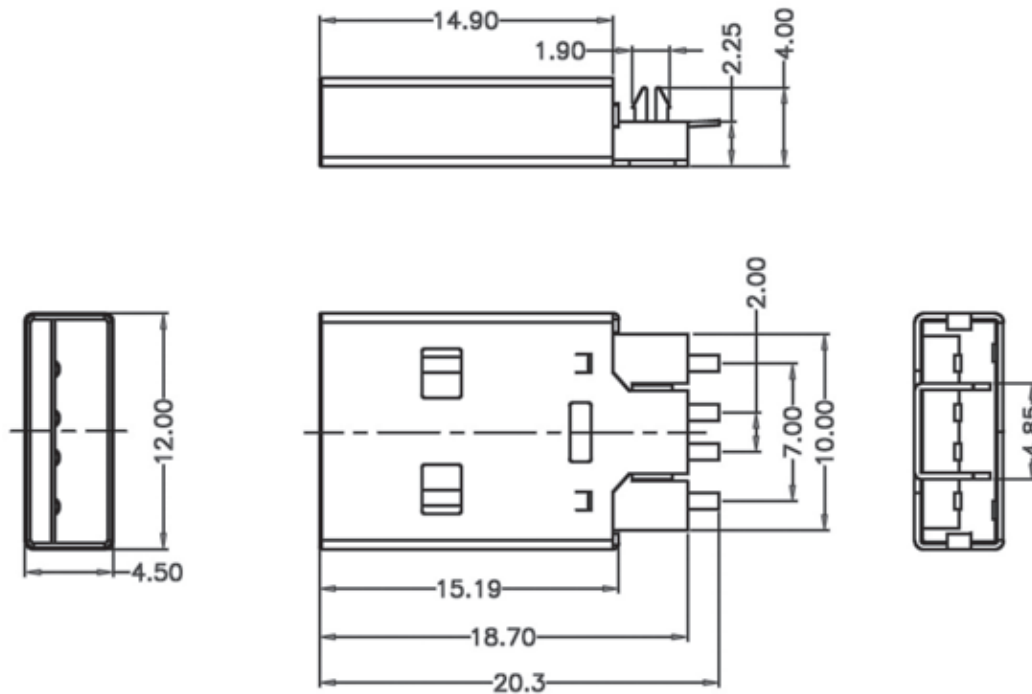
Recommended P.C. Board Layout

SPECIFICATIONS

Current Rating: 1.0 Amperes
Contact Resistance: 25mΩ Max.
Insulation Resistance: 1000MΩ Min. at 500V
Dielectric Voltage: 1000V at 1 Minute
Operating Temperature: -55°C to +105°C

MATERIALS

Insulator: PBT, UL94V-0 Rated
Contact: Brass
Shell: Brass, Steel
Contact Plating: Selective Gold Over Nickel Plated
Shell Plating: Tin Or Nickel Over Copper Plated
***RoHS & REACH compliant.**

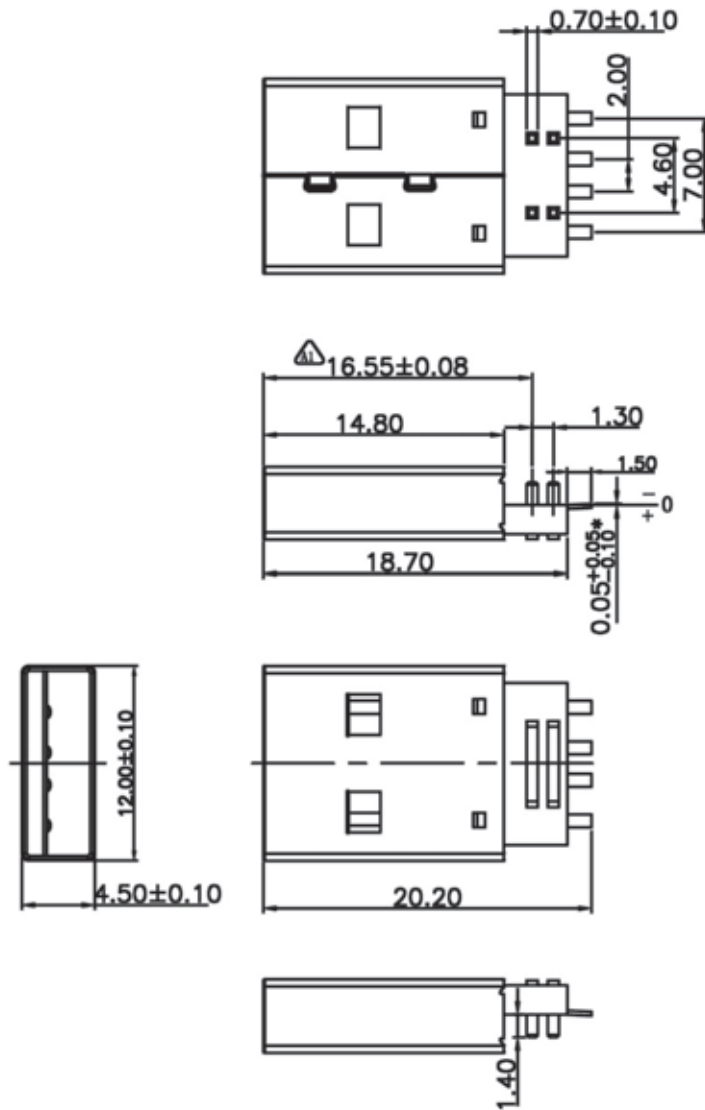


ORDERING INFORMATION:

P/N U A 9 9 - 0 4 M B x x
1 2 3 4

1. NO. OF CONTACTS:
04
2. CONNECTOR TYPE:
"M" MALE
3. INSULATOR COLOR:
"B" BLACK
4. CONTACT FINISH:
"01" GOLD FLASH
"05" 5 MICROINCH GOLD
"10" 10 MICROINCH GOLD
"15" 15 MICROINCH GOLD
"30" 30 MICROINCH GOLD

USB A TYPE MALE CONNECTOR SMT TYPE WITH 4 LOCATING PEGS

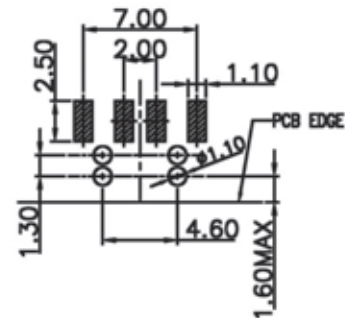


SPECIFICATIONS

Current Rating: 1.0 Amperes
Contact Resistance: 25mΩ Max.
Insulation Resistance: 1000MΩ Min. at 500V
Dielectric Voltage: 1000V at 1 Minute
Operating Temperature: -55°C to +105°C

MATERIALS

Insulator: PBT, UL94V-0 Rated
Contact: Brass
Shell: Brass, Steel
Contact Plating: Selective Gold Over Nickel Plated
Shell Plating: Tin Or Nickel Over Copper Plated
***RoHS & REACH compliant.**



Recommended P.C.Board Layout

ORDERING INFORMATION:

P/N U A 8 8 - 0 4 M x x x
 1 2 3 4

1. NO. OF CONTACTS:
04
2. CONNECTOR TYPE:
"M" MALE
3. INSULATOR COLOR:
"B" BLACK
"W" WHITE
4. CONTACT FINISH:
"01" GOLD FLASH
"15" 15 MICROINCH GOLD
"30" 30 MICROINCH GOLD

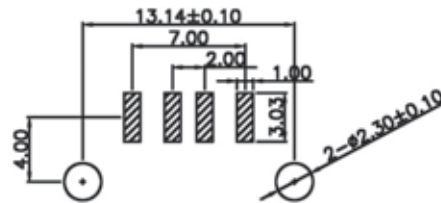
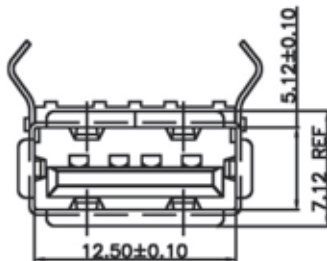
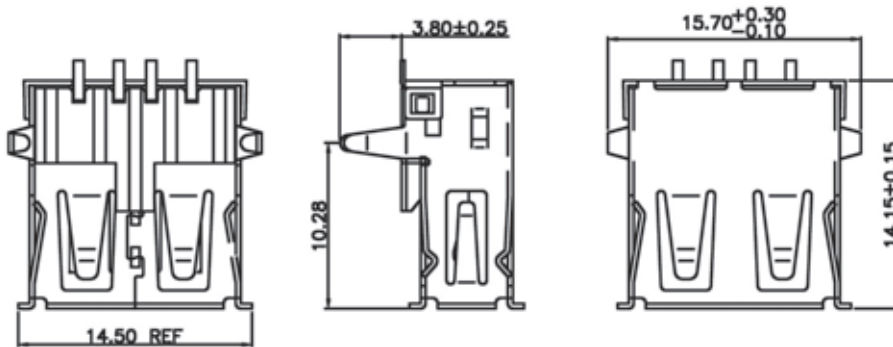
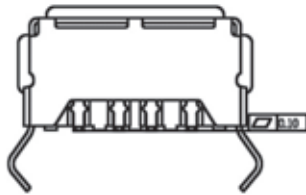
USB A TYPE FEMALE CONNECTOR SMT TYPE

SPECIFICATIONS

Current Rating: 1.0 Amperes
Contact Resistance: 25mΩ Max.
Insulation Resistance: 1000MΩ Min. at 500V
Dielectric Voltage: 1000V at 1 Minute
Operating Temperature: -55°C to +105°C

MATERIALS

Insulator: PBT, UL94V-0 Rated
Contact: Brass
Shell: Brass, Steel
Contact Plating: Selective Gold Over Nickel Plated
Shell Plating: Tin Or Nickel Over Copper Plated
***RoHS & REACH compliant.**



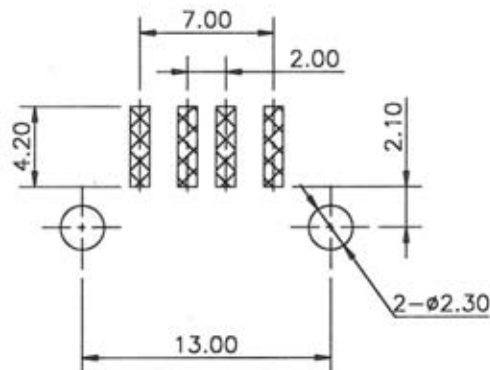
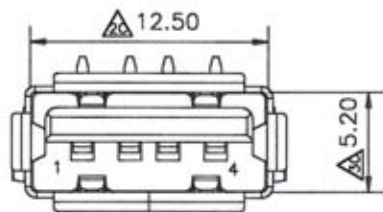
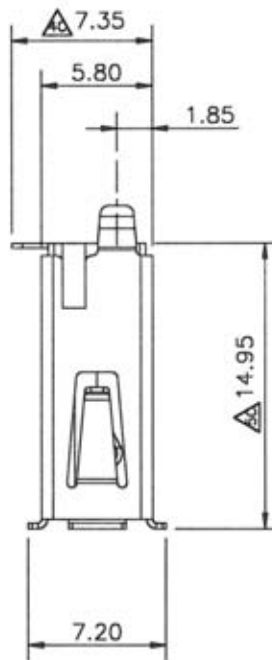
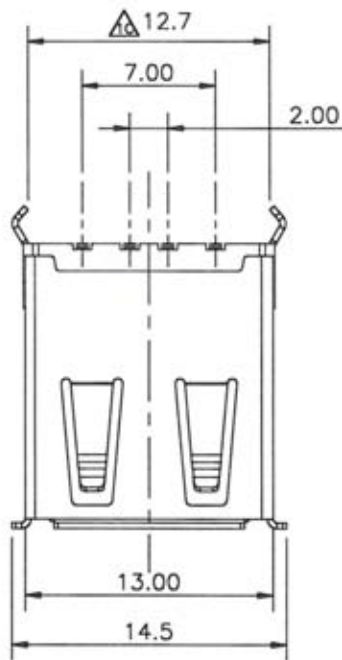
Recommended P.C.Board Layout

ORDERING INFORMATION:

P/N U A 6 1 - 0 4 F x x x
I 2 3 4

1. NO. OF CONTACTS:
04
2. CONNECTOR TYPE:
"F" FEMALE
3. INSULATOR COLOR:
"B" BLACK
"W" WHITE
4. CONTACT FINISH:
"01" GOLD FLASH
"03" 3 MICROINCH GOLD
"15" 15 MICROINCH GOLD
"30" 30 MICROINCH GOLD

USB A TYPE FEMALE CONNECTOR STRAIGHT PCB MOUNT SMT TYPE



Recommended P.C.Board Layout

SPECIFICATIONS

Current Rating: 1.0 Amperes
Contact Resistance: 25mΩ Max.
Insulation Resistance: 1000MΩ Min. at 500V
Dielectric Voltage: 1000V at 1 Minute
Operating Temperature: -55°C to +105°C

MATERIALS

Insulator: PBT, UL94V-0 Rated
Contact: Brass
Shell: Brass, Steel
Contact Plating: Selective Gold Over Nickel Plated
Shell Plating: Tin Or Nickel Over Copper Plated
***RoHS & REACH compliant.**

ORDERING INFORMATION:

P/N U A 7 8 - 0 4 F B x x
 1 2 3 4

1. NO. OF CONTACTS:
04
2. CONNECTOR TYPE:
"F" FEMALE
3. INSULATOR COLOR:
"B" BLACK
4. CONTACT FINISH:
"01" GOLD FLASH (REV. 1.1)
"06" 6 MICROINCH GOLD
"30" 30 MICROINCH GOLD (REV. 2.0)

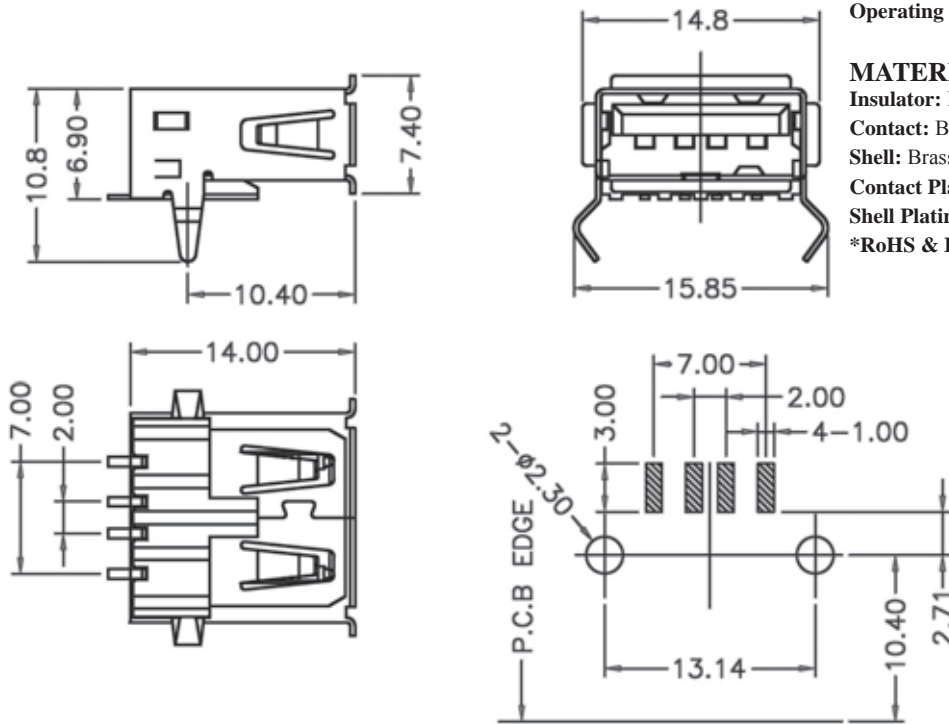
USB A TYPE FEMALE CONNECTOR SMT TYPE WITH SHORT BODY

SPECIFICATIONS

Current Rating: 1.0 Amperes
Contact Resistance: 25mΩ Max.
Insulation Resistance: 1000MΩ Min. at 500V
Dielectric Voltage: 1000V at 1 Minute
Operating Temperature: -55°C to +105°C

MATERIALS

Insulator: PBT, UL94V-0 Rated
Contact: Brass
Shell: Brass, Steel
Contact Plating: Selective Gold Over Nickel Plated
Shell Plating: Tin Or Nickel Over Copper Plated
***RoHS & REACH compliant.**



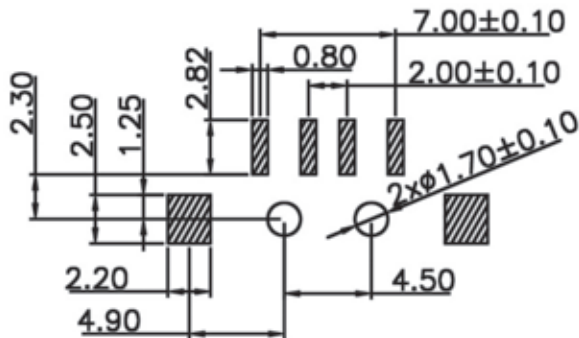
Recommended P.C.Board Layout

ORDERING INFORMATION:

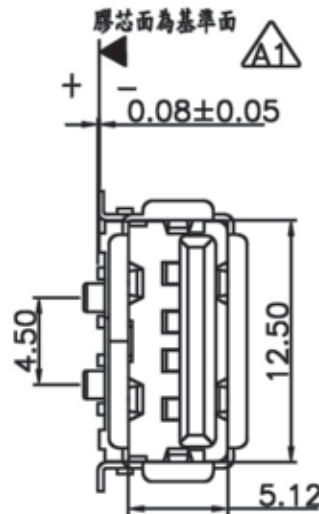
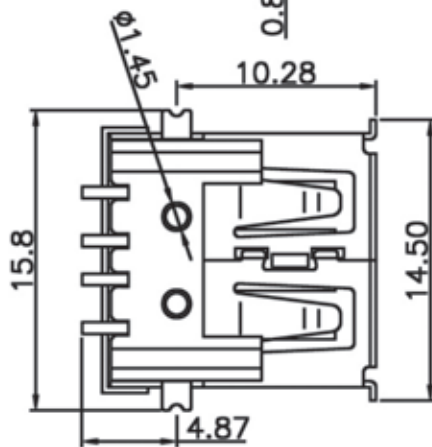
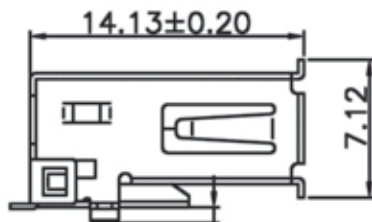
P/N U A 6 J - 0 4 F B x x
1 2 3 4

1. NO. OF CONTACTS:
04
2. CONNECTOR TYPE:
"F" FEMALE
3. INSULATOR COLOR:
"B" BLACK
4. CONTACT FINISH:
"01" GOLD FLASH
"30" 30 MICROINCH GOLD

USB A TYPE FEMALE CONNECTOR SMT TYPE WITH POSTS



Recommended P.C.Board Layout



SPECIFICATIONS

Current Rating: 1.0 Amperes
Contact Resistance: 25mΩ Max.
Insulation Resistance: 1000MΩ Min. at 500V
Dielectric Voltage: 1000V at 1 Minute
Operating Temperature: -55°C to +105°C

MATERIALS

Insulator: PBT, UL94V-0 Rated
Contact: Brass
Shell: Brass, Steel
Contact Plating: Selective Gold Over Nickel Plated
Shell Plating: Tin Or Nickel Over Copper Plated
***RoHS & REACH compliant.**

ORDERING INFORMATION:

P/N U A 5 5 - 0 4 F x x x
 I 2 3 4

1. NO. OF CONTACTS:
04
2. CONNECTOR TYPE:
"F" FEMALE
3. INSULATOR COLOR:
"B" BLACK
"W" WHITE
4. CONTACT FINISH:
"01" GOLD FLASH
"15" 15 MICROINCH GOLD
"30" 30 MICROINCH GOLD

USB A TYPE FEMALE CONNECTOR BOARD CUT SMT TYPE

SPECIFICATIONS

Current Rating: 1.0 Amperes

Contact Resistance: 25mΩ Max.

Insulation Resistance: 1000MΩ Min. at 500V

Dielectric Voltage: 1000V at 1 Minute

Operating Temperature: -55°C to +105°C

MATERIALS

Insulator: PBT, UL94V-0 Rated

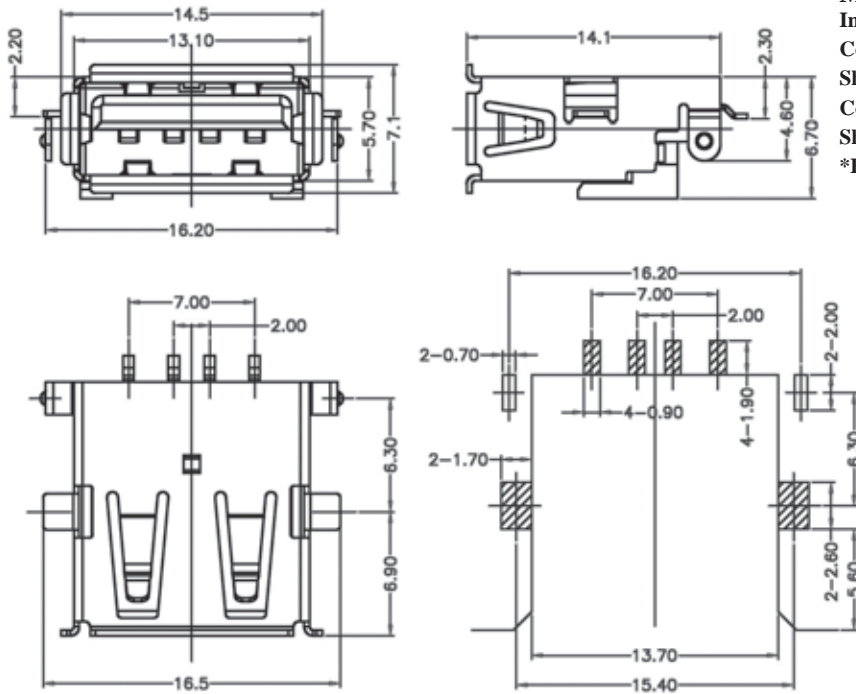
Contact: Brass

Shell: Brass, Steel

Contact Plating: Selective Gold Over Nickel Plated

Shell Plating: Tin Or Nickel Over Copper Plated

***RoHS & REACH compliant.**



Recommended P.C.Board Layout

ORDERING INFORMATION:

P/N U A 5 3 - 0 4 F x x x
I 2 3 4

1. NO. OF CONTACTS:

04

2. CONNECTOR TYPE:

"F" FEMALE

3. INSULATOR COLOR:

"B" BLACK

"W" WHITE

4. CONTACT FINISH:

"01" GOLD FLASH

"30" 30 MICROINCH GOLD

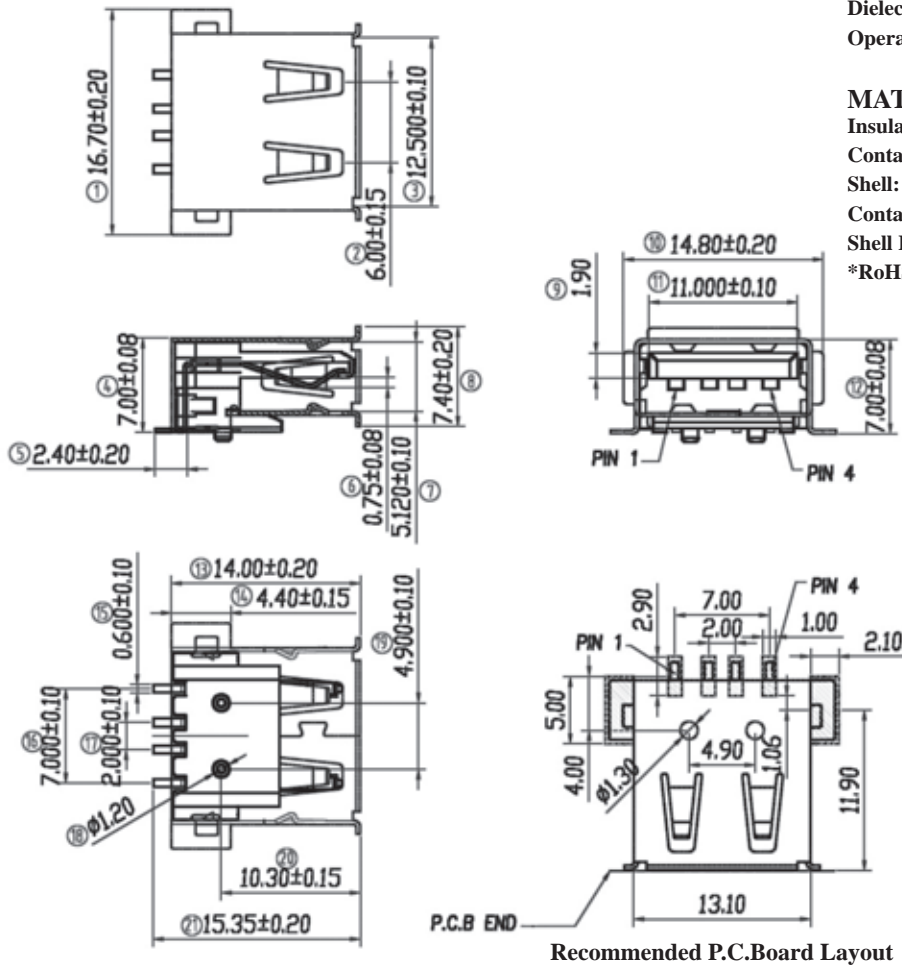
USB A TYPE FEMALE CONNECTOR SMT TYPE

SPECIFICATIONS

Current Rating: 1.0 Amperes
Contact Resistance: 25mΩ Max.
Insulation Resistance: 1000MΩ Min. at 500V
Dielectric Voltage: 1000V at 1 Minute
Operating Temperature: -55°C to +105°C

MATERIALS

Insulator: PBT, UL94V-0 Rated
Contact: Brass
Shell: Brass, Steel
Contact Plating: Selective Gold Over Nickel Plated
Shell Plating: Tin Or Nickel Over Copper Plated
***RoHS & REACH compliant.**



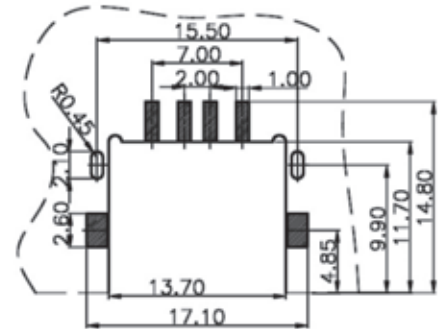
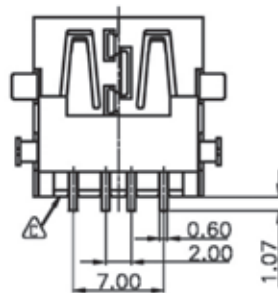
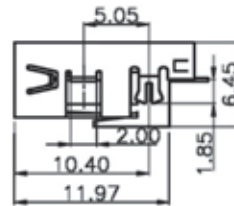
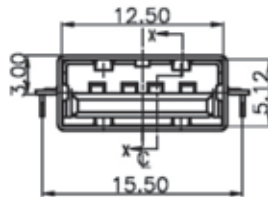
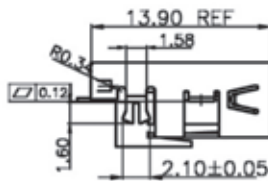
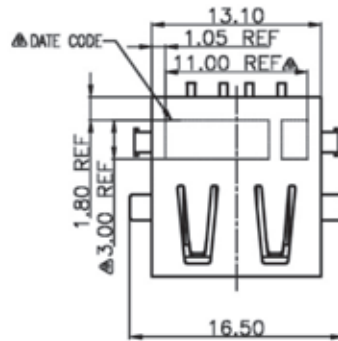
Recommended P.C.Board Layout

ORDERING INFORMATION:

P/N U A 7 5 - 0 4 F x x x
 1 2 3 4

1. NO. OF CONTACTS:
04
2. CONNECTOR TYPE:
"F" FEMALE
3. INSULATOR COLOR:
"B" BLACK
"W" WHITE
4. CONTACT FINISH:
"01" GOLD FLASH (REV. 1.1)
"30" 30 MICROINCH GOLD (REV. 2.0)

USB A TYPE FEMALE CONNECTOR SMT TYPE WITH LATCHES



Recommended P.C.Board Layout

SPECIFICATIONS

Current Rating: 1.0 Amperes
Contact Resistance: 25mΩ Max.
Insulation Resistance: 1000MΩ Min. at 500V
Dielectric Voltage: 1000V at 1 Minute
Operating Temperature: -55°C to +105°C

MATERIALS

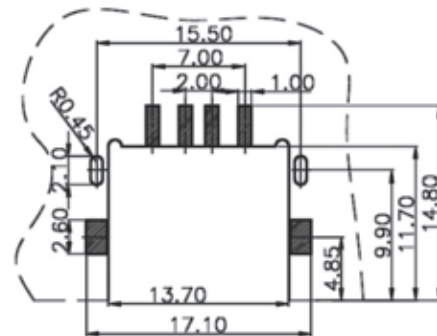
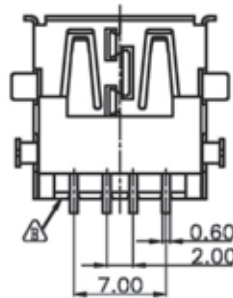
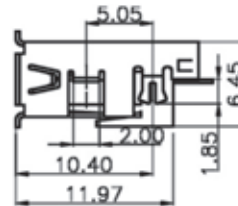
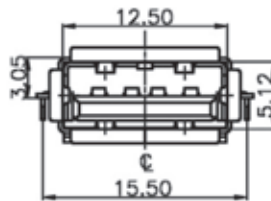
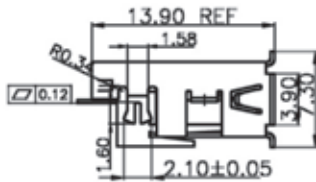
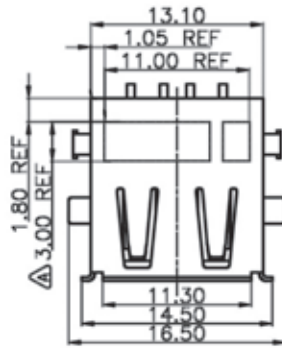
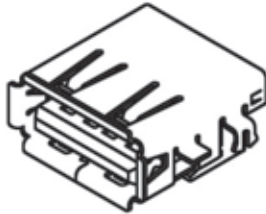
Insulator: PBT, UL94V-0 Rated
Contact: Brass
Shell: Brass, Steel
Contact Plating: Selective Gold Over Nickel Plated
Shell Plating: Tin Or Nickel Over Copper Plated
***RoHS & REACH compliant.**

ORDERING INFORMATION:

P/N U A 5 7 - 0 4 F B x x
 1 2 3 4

1. NO. OF CONTACTS:
04
2. CONNECTOR TYPE:
"F" FEMALE
3. INSULATOR COLOR:
"B" BLACK
4. CONTACT FINISH:
"01" GOLD FLASH
"05" 5 MICROINCH GOLD
"15" 15 MICROINCH GOLD
"30" 30 MICROINCH GOLD

USB A TYPE FEMALE CONNECTOR SMT TYPE WITH LATCHES



Recommended P.C.Board Layout

SPECIFICATIONS

Current Rating: 1.0 Amperes
Contact Resistance: 25mΩ Max.
Insulation Resistance: 1000MΩ Min. at 500V
Dielectric Voltage: 1000V at 1 Minute
Operating Temperature: -55°C to +105°C

MATERIALS

Insulator: PBT, UL94V-0 Rated
Contact: Brass
Shell: Brass, Steel
Contact Plating: Selective Gold Over Nickel Plated
Shell Plating: Tin Or Nickel Over Copper Plated
***RoHS & REACH compliant.**

ORDERING INFORMATION:

P/N U A 9 8 - 0 4 F B x x
 1 2 3 4

1. NO. OF CONTACTS:
04
2. CONNECTOR TYPE:
"F" FEMALE
3. INSULATOR COLOR:
"B" BLACK
4. CONTACT FINISH:
"01" GOLD FLASH
"15" 15 MICROINCH GOLD
"30" 30 MICROINCH GOLD

USB A TYPE FEMALE CONNECTOR SMT TYPE

SPECIFICATIONS

Current Rating: 1.0 Amperes

Contact Resistance: 25mΩ Max.

Insulation Resistance: 1000MΩ Min. at 500V

Dielectric Voltage: 1000V at 1 Minute

Operating Temperature: -55°C to +105°C

MATERIALS

Insulator: PBT, UL94V-0 Rated

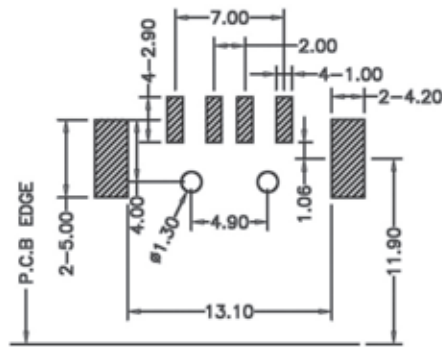
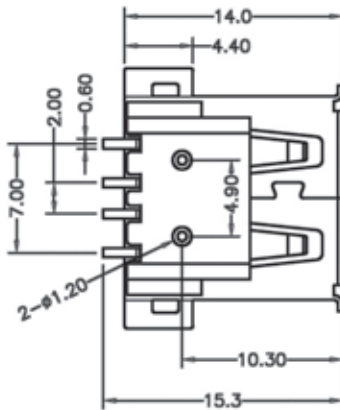
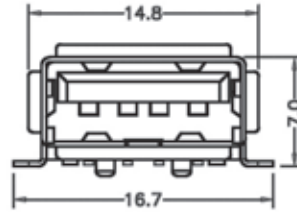
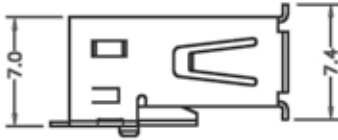
Contact: Brass

Shell: Brass, Steel

Contact Plating: Selective Gold Over Nickel Plated

Shell Plating: Tin Or Nickel Over Copper Plated

***RoHS & REACH compliant.**



Recommended P.C.Board Layout

ORDERING INFORMATION:

P/N U A 0 5 - 0 4 F B x x
1 2 3 4

1. NO. OF CONTACTS:

04

2. CONNECTOR TYPE:

"F" FEMALE

3. INSULATOR COLOR:

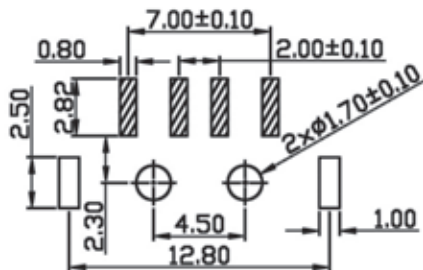
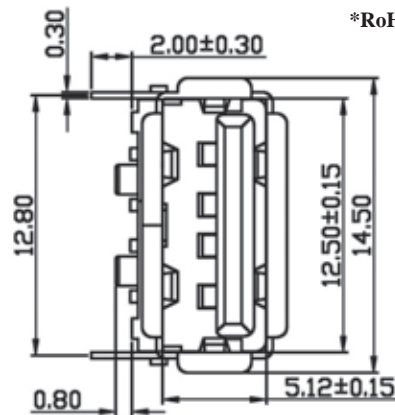
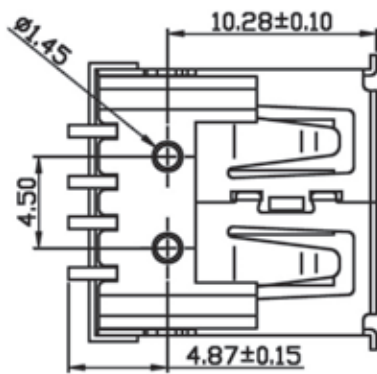
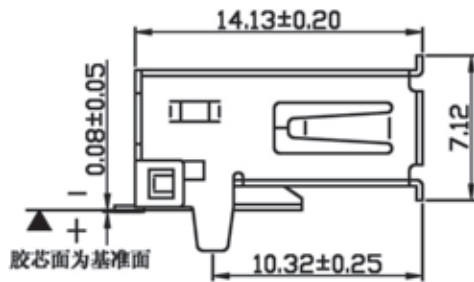
"B" BLACK

4. CONTACT FINISH:

"01" GOLD FLASH

"30" 30 MICROINCH GOLD

USB A TYPE FEMALE CONNECTOR SMT TYPE WITH POSTS



Recommended P.C.Board Layout

SPECIFICATIONS

Current Rating: 1.0 Amperes
Contact Resistance: 25mΩ Max.
Insulation Resistance: 1000MΩ Min. at 500V
Dielectric Voltage: 1000V at 1 Minute
Operating Temperature: -55°C to +105°C

MATERIALS

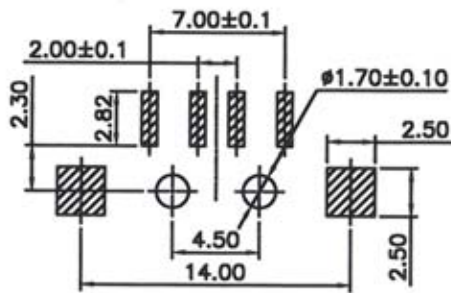
Insulator: PBT, UL94V-0 Rated
Contact: Brass
Shell: Brass, Steel
Contact Plating: Selective Gold Over Nickel Plated
Shell Plating: Tin Or Nickel Over Copper Plated
 *RoHS & REACH compliant.

ORDERING INFORMATION:

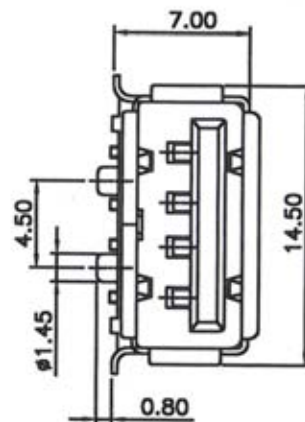
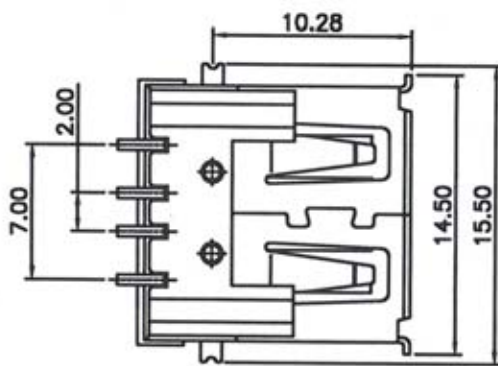
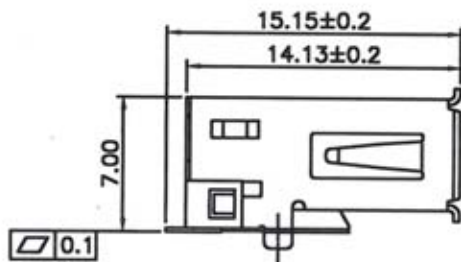
P/N U A 5 6 - 0 4 F x x x
 I 2 3 4

1. NO. OF CONTACTS:
04
2. CONNECTOR TYPE:
"F" FEMALE
3. INSULATOR COLOR:
"B" BLACK
"W" WHITE
4. CONTACT FINISH:
"01" GOLD FLASH
"15" 15 MICROINCH GOLD
"30" 30 MICROINCH GOLD

USB A TYPE FEMALE CONNECTOR SMT TYPE



Recommended P.C.Board Layout



SPECIFICATIONS

Current Rating: 1.0 Amperes
Contact Resistance: 25mΩ Max.
Insulation Resistance: 1000MΩ Min. at 500V
Dielectric Voltage: 1000V at 1 Minute
Operating Temperature: -55°C to +105°C

MATERIALS

Insulator: PBT, UL94V-0 Rated
Contact: Brass
Shell: Brass, Steel
Contact Plating: Selective Gold Over Nickel Plated
Shell Plating: Tin Or Nickel Over Copper Plated
***RoHS & REACH compliant.**

ORDERING INFORMATION:

P/N U A 9 M - 0 4 F x x x - x
 1 2 3 4 5

1. NO. OF CONTACTS:
04
2. CONNECTOR TYPE:
"F" FEMALE
3. INSULATOR COLOR:
"B" BLACK
"W" WHITE
4. CONTACT FINISH:
"01" GOLD FLASH (REV. 1.1)
"30" 30 MICROINCH GOLD (REV. 2.0)
5. PACKAGE OPTION:
" " TRAY
"G" WITH FILM IN TAPE & REEL

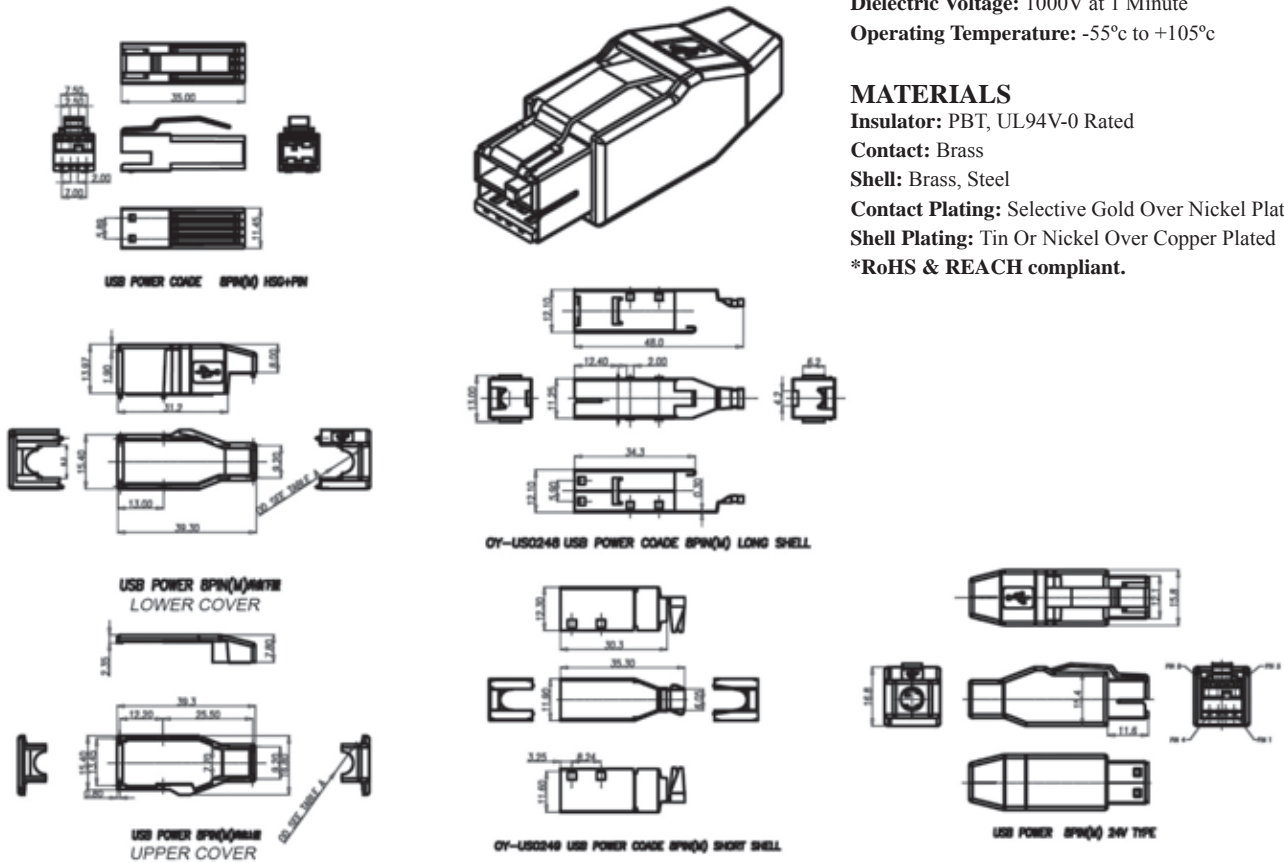
USB + POWER MALE 8 PIN CONNECTOR 24V RATED CABLE ASSEMBLY TYPE

SPECIFICATIONS

Current Rating: 1.0 Amperes
Contact Resistance: 25mΩ Max.
Insulation Resistance: 1000MΩ Min. at 500V
Dielectric Voltage: 1000V at 1 Minute
Operating Temperature: -55°C to +105°C

MATERIALS

Insulator: PBT, UL94V-0 Rated
Contact: Brass
Shell: Brass, Steel
Contact Plating: Selective Gold Over Nickel Plated
Shell Plating: Tin Or Nickel Over Copper Plated
***RoHS & REACH compliant.**

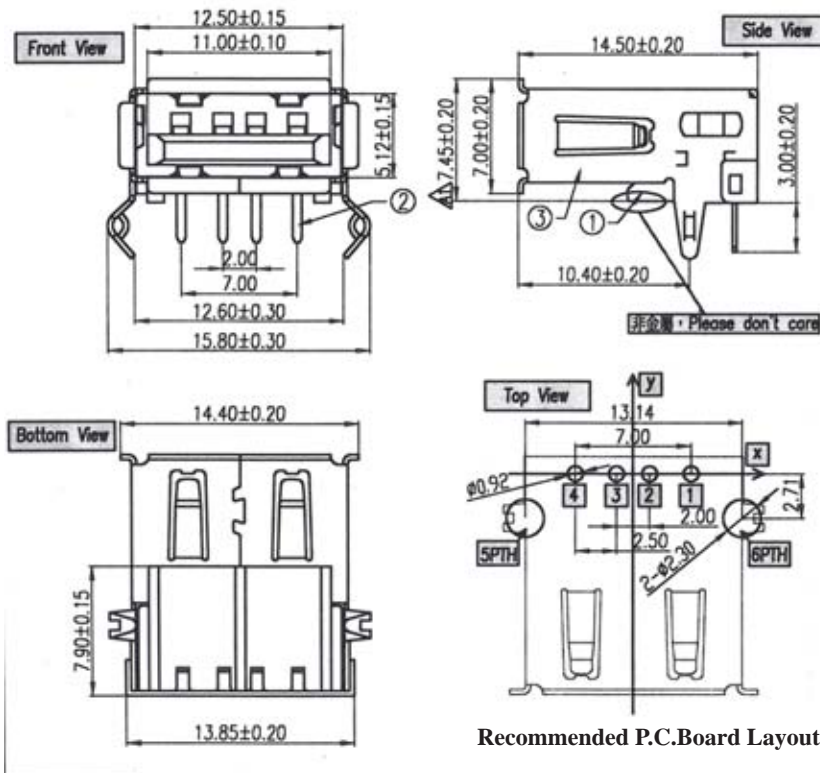
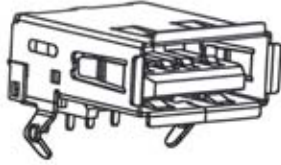


ORDERING INFORMATION:

P/N U P $\frac{x}{1}$ x - 0 8 M $\frac{x}{2}$ $\frac{10}{3}$

1. SHELL TYPE & OUTER DIAMETER:
 "10" SHORT SHELL & OD=4.5MM
 "11" LONG SHELL & OD=4.5MM
 "12" LONG SHELL & OD=6.5MM
2. HOUSING COLOR:
 "B" BLACK
 "V" BIEGE
3. CONTACT FINISH:
 "10" 10 MICROINCH GOLD

REVERSE USB A TYPE FEMALE CONNECTOR RIGHT ANGLE PCB MOUNT DIP TYPE



Recommended P.C.Board Layout

SPECIFICATIONS

Current Rating: 1.0 Amperes
Contact Resistance: 25mΩ Max.
Insulation Resistance: 1000MΩ Min. at 500V
Dielectric Voltage: 1000V at 1 Minute
Operating Temperature: -55°C to +105°C

MATERIALS

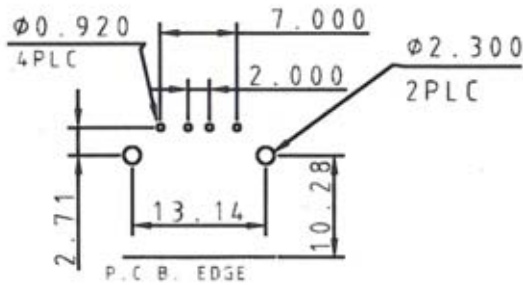
Insulator: PBT, UL94V-0 Rated
Contact: Brass
Shell: Brass, Steel
Contact Plating: Selective Gold Over Nickel Plated
Shell Plating: Tin Or Nickel Over Copper Plated
***RoHS & REACH compliant.**

ORDERING INFORMATION:

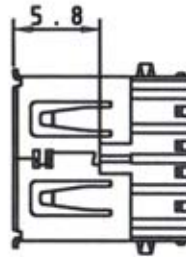
P/N U A R 1 - 0 4 F B 0 1
 1 2 3 4

1. NO. OF CONTACTS:
04
2. CONNECTOR TYPE:
"F" FEMALE
3. INSULATOR COLOR:
"B" BLACK
4. CONTACT FINISH:
"01" GOLD FLASH

REVERSE USB A TYPE FEMALE CONNECTOR RIGHT ANGLE PCB MOUNT DIP TYPE



Recommended P.C.Board Layout

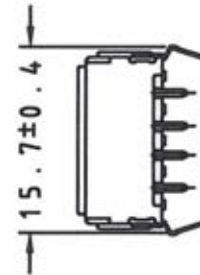
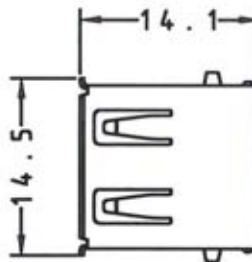
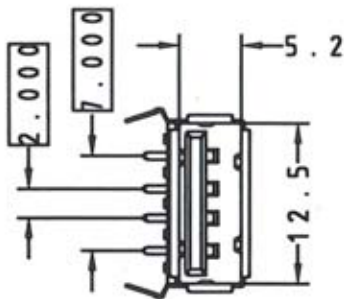
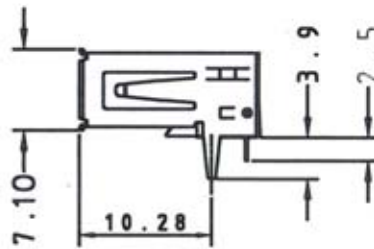


SPECIFICATIONS

Current Rating: 1.0 Amperes
Contact Resistance: 25mΩ Max.
Insulation Resistance: 1000MΩ Min. at 500V
Dielectric Voltage: 1000V at 1 Minute
Operating Temperature: -55°C to +105°C

MATERIALS

Insulator: PBT, UL94V-0 Rated
Contact: Brass
Shell: Brass, Steel
Contact Plating: Selective Gold Over Nickel Plated
Shell Plating: Tin Or Nickel Over Copper Plated
***RoHS & REACH compliant.**

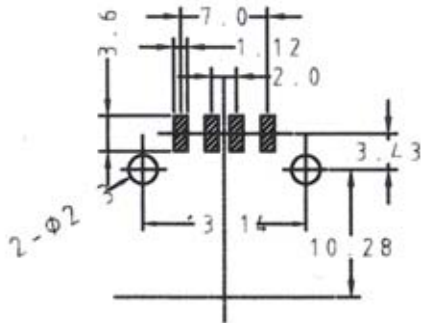


ORDERING INFORMATION:

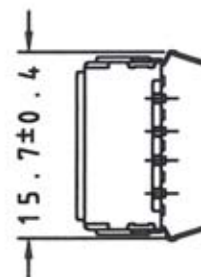
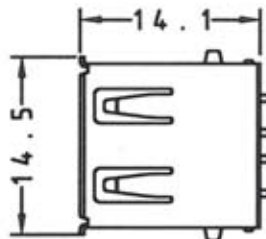
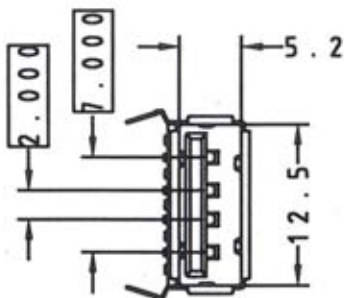
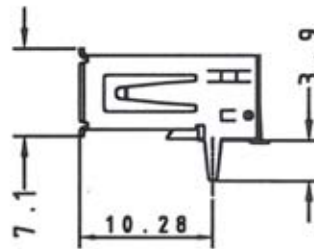
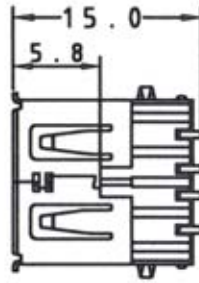
P/N U A R 2 - 0 4 F B x x
 1 2 3 4

1. NO. OF CONTACTS:
04
2. CONNECTOR TYPE:
"F" FEMALE
3. INSULATOR COLOR:
"B" BLACK
4. CONTACT FINISH:
"01" GOLD FLASH (REV. 1.1)
"30" 30 MICROINCH GOLD (REV. 2.0)

REVERSE USB A TYPE FEMALE CONNECTOR SMT TYPE



Recommended P.C.Board Layout



SPECIFICATIONS

Current Rating: 1.0 Amperes
Contact Resistance: 25mΩ Max.
Insulation Resistance: 1000MΩ Min. at 500V
Dielectric Voltage: 1000V at 1 Minute
Operating Temperature: -55°C to +105°C

MATERIALS

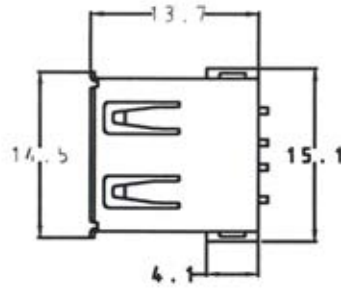
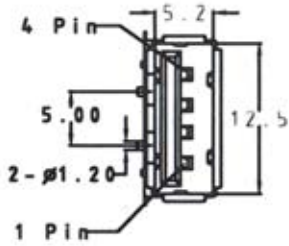
Insulator: PBT, UL94V-0 Rated
Contact: Brass
Shell: Brass, Steel
Contact Plating: Selective Gold Over Nickel Plated
Shell Plating: Tin Or Nickel Over Copper Plated
***RoHS & REACH compliant.**

ORDERING INFORMATION:

P/N U A R 3 - 0 4 F B x x
 1 2 3 4

1. NO. OF CONTACTS:
04
2. CONNECTOR TYPE:
"F" FEMALE
3. INSULATOR COLOR:
"B" BLACK
4. CONTACT FINISH:
"01" GOLD FLASH (REV. 1.1)
"30" 30 MICROINCH GOLD (REV. 2.0)

REVERSE USB A TYPE FEMALE CONNECTOR SMT TYPE

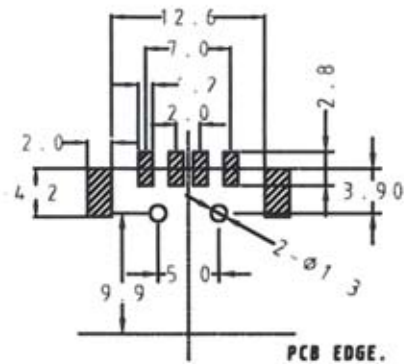


SPECIFICATIONS

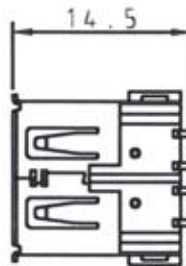
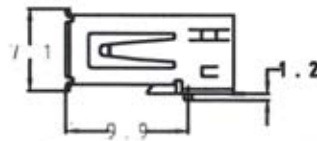
Current Rating: 1.0 Amperes
Contact Resistance: 25mΩ Max.
Insulation Resistance: 1000MΩ Min. at 500V
Dielectric Voltage: 1000V at 1 Minute
Operating Temperature: -55°C to +105°C

MATERIALS

Insulator: PBT, UL94V-0 Rated
Contact: Brass
Shell: Brass, Steel
Contact Plating: Selective Gold Over Nickel Plated
Shell Plating: Tin Or Nickel Over Copper Plated
***RoHS & REACH compliant.**



Recommended P.C.Board Layout



ORDERING INFORMATION:

P/N U A R 4 - 0 4 F B x x
 1 2 3 4

1. NO. OF CONTACTS:
04
2. CONNECTOR TYPE:
"F" FEMALE
3. INSULATOR COLOR:
"B" BLACK
4. CONTACT FINISH:
"01" GOLD FLASH (REV. 1.1)
"30" 30 MICROINCH GOLD (REV. 2.0)

REVERSE USB A TYPE MALE CONNECTOR SMT TYPE

SPECIFICATIONS

Current Rating: 1.0 Amperes

Contact Resistance: 25mΩ Max.

Insulation Resistance: 1000MΩ Min. at 500V

Dielectric Voltage: 1000V at 1 Minute

Operating Temperature: -55°C to +105°C

MATERIALS

Insulator: PBT, UL94V-0 Rated

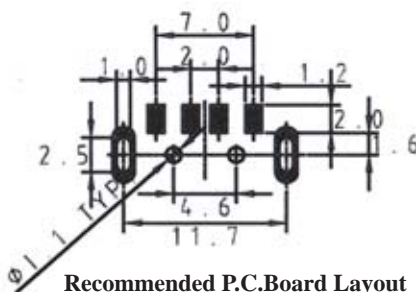
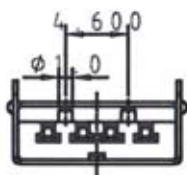
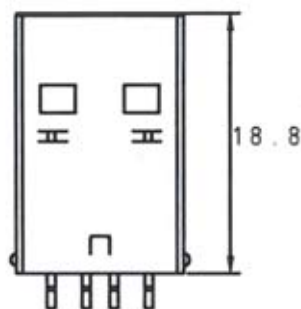
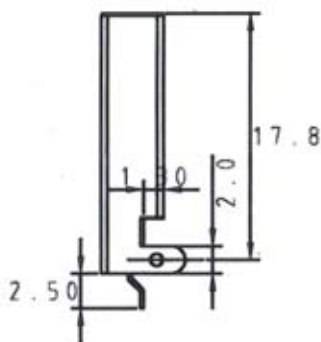
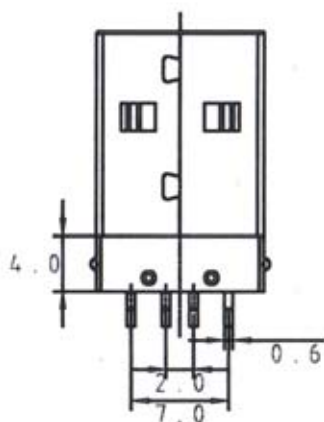
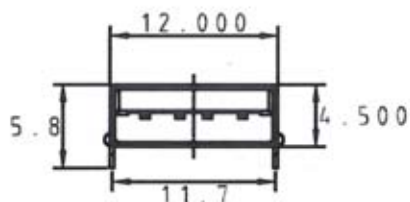
Contact: Brass

Shell: Brass, Steel

Contact Plating: Selective Gold Over Nickel Plated

Shell Plating: Tin Or Nickel Over Copper Plated

***RoHS & REACH compliant.**



Recommended P.C.Board Layout

ORDERING INFORMATION:

P/N U A R 5 - 0 4 M B x x
1 2 3 4

1. NO. OF CONTACTS:

04

2. CONNECTOR TYPE:

"M" MALE

3. INSULATOR COLOR:

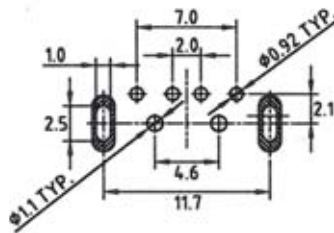
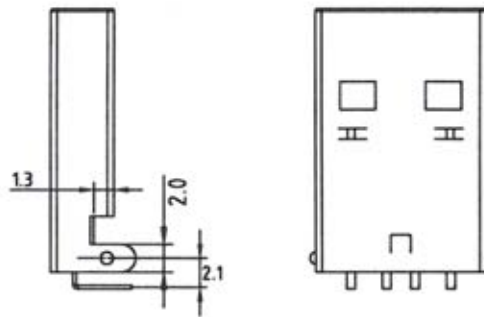
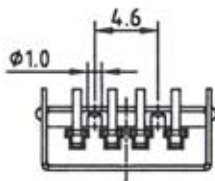
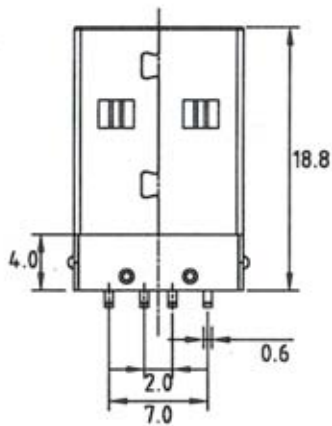
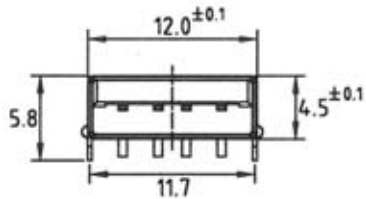
"B" BLACK

4. CONTACT FINISH:

"01" GOLD FLASH (REV. 1.1)

"30" 30 MICROINCH GOLD (REV. 2.0)

REVERSE USB A TYPE MALE CONNECTOR RIGHT ANGLE PCB MOUNT DIP TYPE



Recommended P.C.Board Layout

SPECIFICATIONS

Current Rating: 1.0 Amperes
Contact Resistance: 25mΩ Max.
Insulation Resistance: 1000MΩ Min. at 500V
Dielectric Voltage: 1000V at 1 Minute
Operating Temperature: -55°C to +105°C

MATERIALS

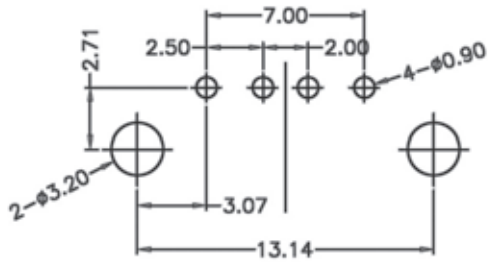
Insulator: PBT, UL94V-0 Rated
Contact: Brass
Shell: Brass, Steel
Contact Plating: Selective Gold Over Nickel Plated
Shell Plating: Tin Or Nickel Over Copper Plated
***RoHS & REACH compliant.**

ORDERING INFORMATION:

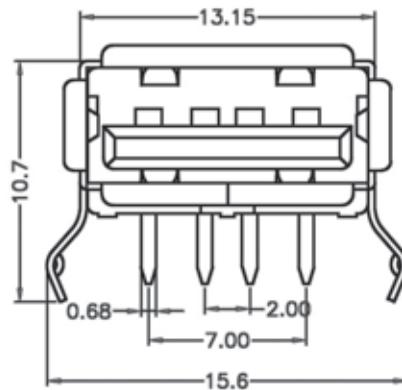
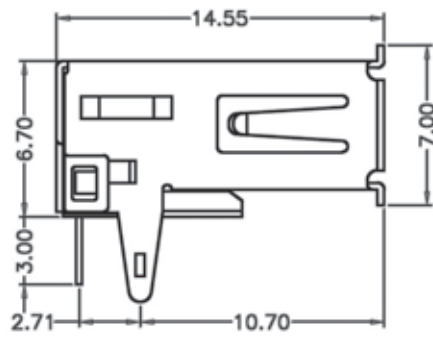
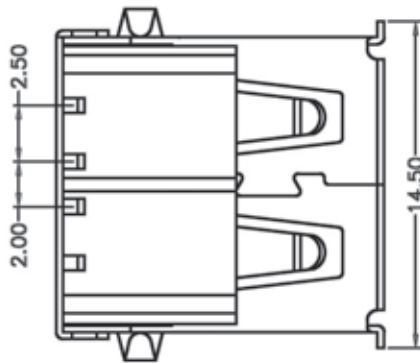
P/N U A R 6 - 0 4 M B x x
 1 2 3 4

1. NO. OF CONTACTS:
04
2. CONNECTOR TYPE:
"M" MALE
3. INSULATOR COLOR:
"B" BLACK
4. CONTACT FINISH:
"01" GOLD FLASH (REV. 1.1)
"30" 30 MICROINCH GOLD (REV. 2.0)

REVERSE USB A TYPE FEMALE CONNECTOR RIGHT ANGLE DIP TYPE



Recommended P.C.Board Layout



SPECIFICATIONS

Current Rating: 1.0 Amperes
Contact Resistance: 25mΩ Max.
Insulation Resistance: 1000MΩ Min. at 500V
Dielectric Voltage: 1000V at 1 Minute
Operating Temperature: -55°C to +105°C

MATERIALS

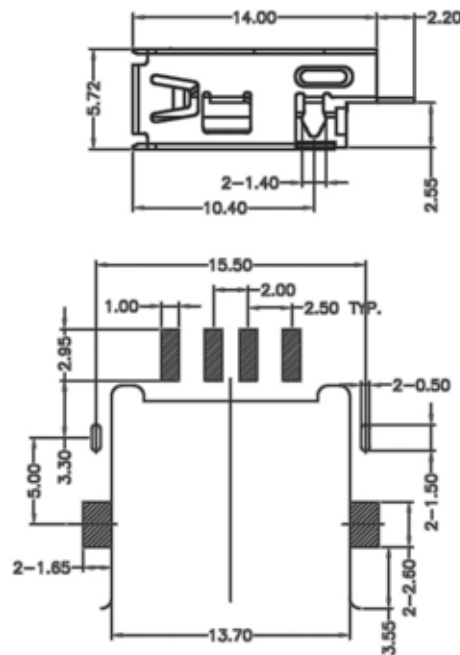
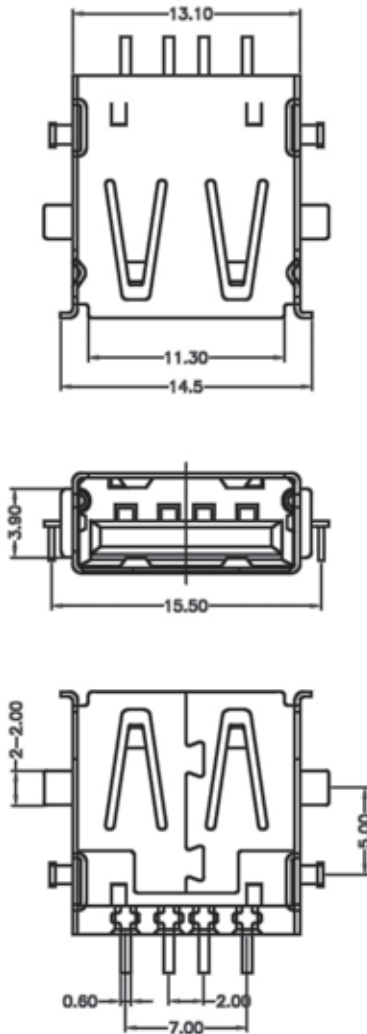
Insulator: PBT, UL94V-0 Rated
Contact: Brass
Shell: Brass, Steel
Contact Plating: Selective Gold Over Nickel Plated
Shell Plating: Tin Or Nickel Over Copper Plated
***RoHS & REACH compliant.**

ORDERING INFORMATION:

P/N U A R 7 - 0 4 F B x x
1 2 3 4

1. NO. OF CONTACTS:
04
2. CONNECTOR TYPE:
"F" FEMALE
3. INSULATOR COLOR:
"B" BLACK
4. CONTACT FINISH:
"01" GOLD FLASH
"15" 15 MICROINCH GOLD
"30" 30 MICROINCH GOLD

REVERSE USB A TYPE FEMALE CONNECTOR SMT TYPE



Recommended P.C.Board Layout

SPECIFICATIONS

Current Rating: 1.0 Amperes
Contact Resistance: 25mΩ Max.
Insulation Resistance: 1000MΩ Min. at 500V
Dielectric Voltage: 1000V at 1 Minute
Operating Temperature: -55°C to +105°C

MATERIALS

Insulator: PBT, UL94V-0 Rated
Contact: Brass
Shell: Brass, Steel
Contact Plating: Selective Gold Over Nickel Plated
Shell Plating: Tin Or Nickel Over Copper Plated
***RoHS & REACH compliant.**

ORDERING INFORMATION:

P/N U A R 8 - 0 4 F x x x
 T 2 3 4

1. NO. OF CONTACTS:
04
2. CONNECTOR TYPE:
"F" FEMALE
3. INSULATOR COLOR:
"B" BLACK
"W" WHITE
4. CONTACT FINISH:
"01" GOLD FLASH
"15" 15 MICROINCH GOLD
"30" 30 MICROINCH GOLD

REVERSE USB A TYPE MALE CONNECTOR SMT TYPE

SPECIFICATIONS

Current Rating: 1.0 Amperes

Contact Resistance: 25mΩ Max.

Insulation Resistance: 1000MΩ Min. at 500V

Dielectric Voltage: 1000V at 1 Minute

Operating Temperature: -55°C to +105°C

MATERIALS

Insulator: PBT, UL94V-0 Rated

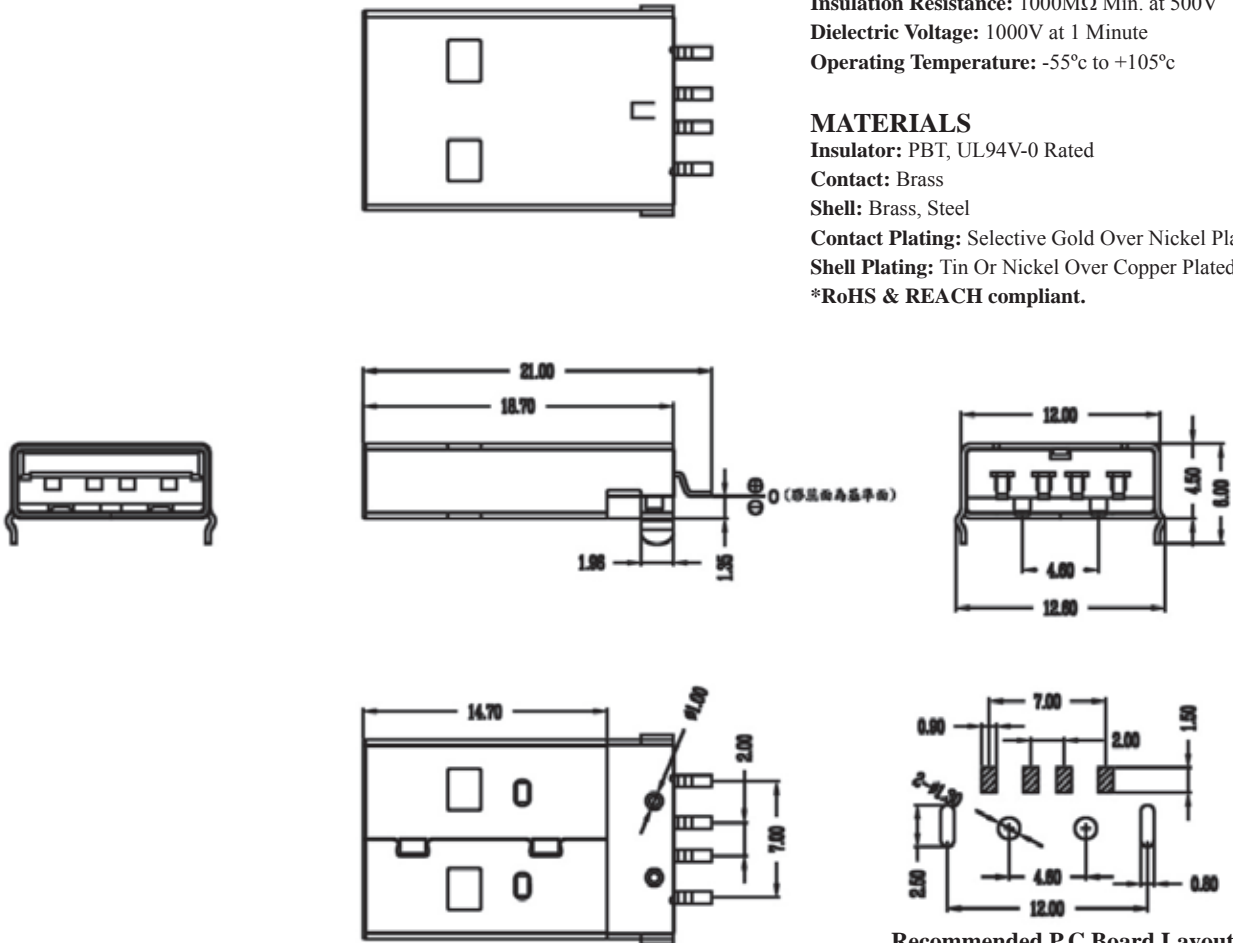
Contact: Brass

Shell: Brass, Steel

Contact Plating: Selective Gold Over Nickel Plated

Shell Plating: Tin Or Nickel Over Copper Plated

*RoHS & REACH compliant.



Recommended P.C.Board Layout

ORDERING INFORMATION:

P/N U A R 9 - 0 4 M x x x
 1 2 3 4

1. NO. OF CONTACTS:

04

2. CONNECTOR TYPE:

"M" MALE

3. INSULATOR COLOR:

"B" BLACK

"W" WHITE

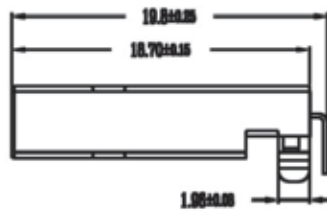
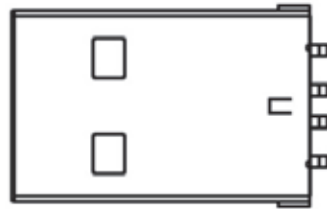
4. CONTACT FINISH:

"01" GOLD FLASH

"15" 15 MICROINCH GOLD

"30" 30 MICROINCH GOLD

REVERSE USB A TYPE MALE CONNECTOR RIGHT ANGLE DIP TYPE FOR 1.6MM PCB

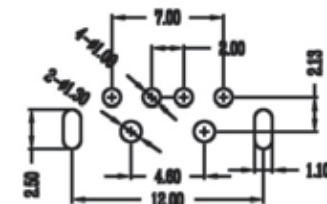
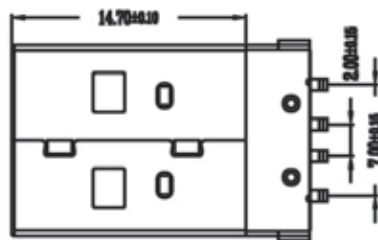
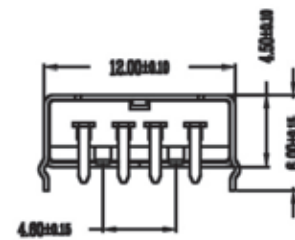


SPECIFICATIONS

Current Rating: 1.0 Amperes
Contact Resistance: 25mΩ Max.
Insulation Resistance: 1000MΩ Min. at 500V
Dielectric Voltage: 1000V at 1 Minute
Operating Temperature: -55°C to +105°C

MATERIALS

Insulator: PBT, UL94V-0 Rated
Contact: Brass
Shell: Brass, Steel
Contact Plating: Selective Gold Over Nickel Plated
Shell Plating: Tin Or Nickel Over Copper Plated
 *RoHS & REACH compliant.



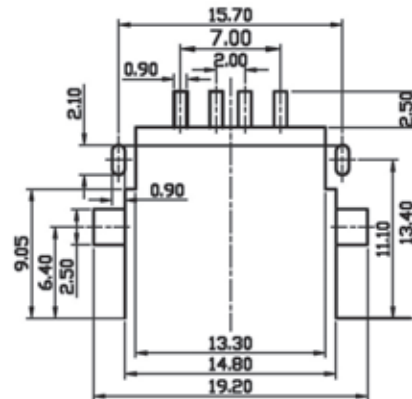
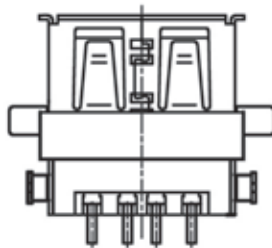
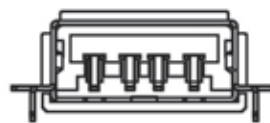
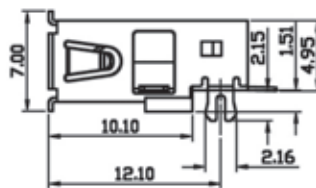
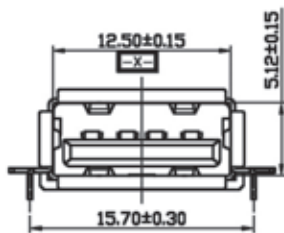
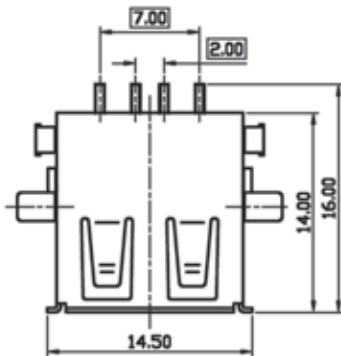
Recommended P.C.Board Layout

ORDERING INFORMATION:

P/N U A R A - $\frac{0}{1} \frac{4}{2} \frac{M}{3} \frac{B}{4} \frac{x}{x}$

1. NO. OF CONTACTS:
04
2. CONNECTOR TYPE:
"M" MALE
3. INSULATOR COLOR:
"B" BLACK
4. CONTACT FINISH:
"01" GOLD FLASH
"15" 15 MICROINCH GOLD
"30" 30 MICROINCH GOLD

REVERSE USB A TYPE FEMALE CONNECTOR RIGHT ANGLE SMT TYPE



Recommended P.C.Board Layout

SPECIFICATIONS

Current Rating: 1.0 Amperes
Contact Resistance: 25mΩ Max.
Insulation Resistance: 1000MΩ Min. at 500V
Dielectric Voltage: 1000V at 1 Minute
Operating Temperature: -55°C to +105°C

MATERIALS

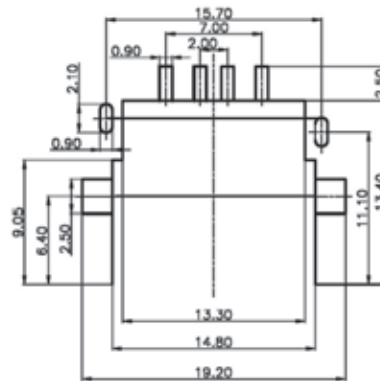
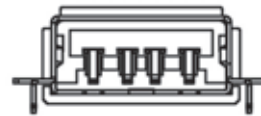
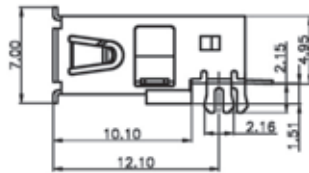
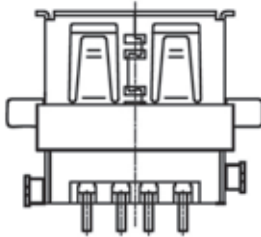
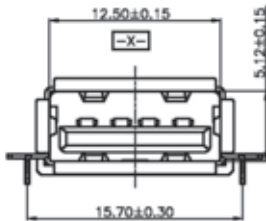
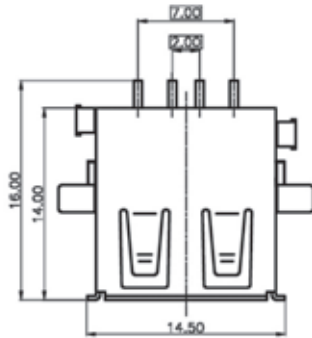
Insulator: PBT, UL94V-0 Rated
Contact: Brass
Shell: Brass, Steel
Contact Plating: Selective Gold Over Nickel Plated
Shell Plating: Tin Or Nickel Over Copper Plated
***RoHS & REACH compliant.**

ORDERING INFORMATION:

P/N U A R B - 0 4 F B x x
1 2 3 4

1. NO. OF CONTACTS:
04
2. CONNECTOR TYPE:
"F" FEMALE
3. INSULATOR COLOR:
"B" BLACK
4. CONTACT FINISH:
"01" GOLD FLASH
"15" 15 MICROINCH GOLD
"30" 30 MICROINCH GOLD

REVERSE USB A TYPE FEMALE CONNECTOR RIGHT ANGLE SMT TYPE



Recommended P.C.Board Layout

SPECIFICATIONS

Current Rating: 1.0 Amperes
Contact Resistance: 25mΩ Max.
Insulation Resistance: 1000MΩ Min. at 500V
Dielectric Voltage: 1000V at 1 Minute
Operating Temperature: -55°C to +105°C

MATERIALS

Insulator: PBT, UL94V-0 Rated
Contact: Brass
Shell: Brass, Steel
Contact Plating: Selective Gold Over Nickel Plated
Shell Plating: Tin Or Nickel Over Copper Plated
***RoHS & REACH compliant.**

ORDERING INFORMATION:

P/N U A R C - 0 4 F B x x
 1 2 3 4

1. NO. OF CONTACTS:
04
2. CONNECTOR TYPE:
"F" FEMALE
3. INSULATOR COLOR:
"B" BLACK
4. CONTACT FINISH:
"01" GOLD FLASH
"15" 15 MICROINCH GOLD
"30" 30 MICROINCH GOLD

USB 3.0 A TYPE 9 PIN FEMALE CONNECTOR RIGHT ANGLE DIP TYPE

SPECIFICATIONS

Current: 1.8 Amperes Maximum.

Voltage: 30V Max.

Withstanding Voltage: 100V AC

Contact Resistance: 30mΩ Max.

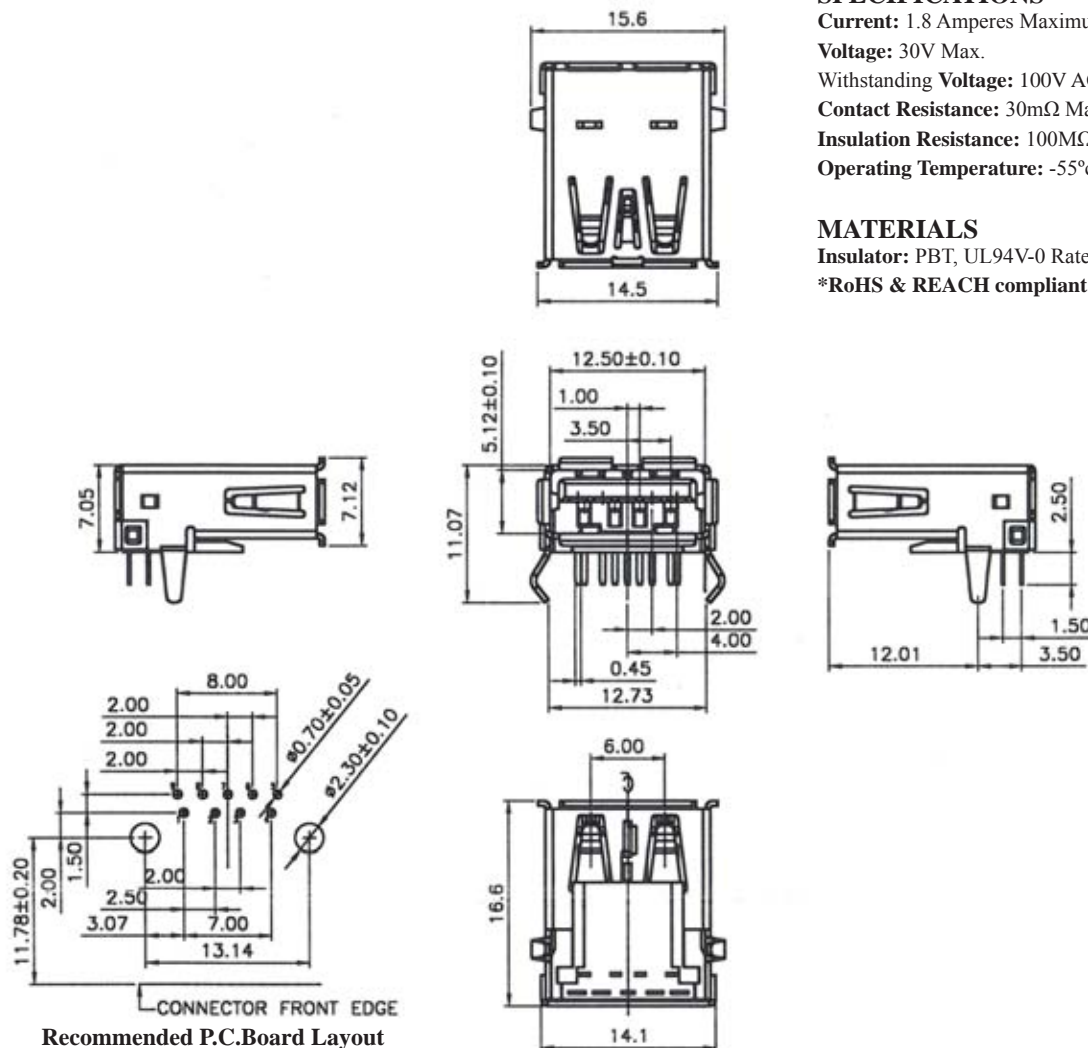
Insulation Resistance: 100MΩ Min.

Operating Temperature: -55°C to +85°C

MATERIALS

Insulator: PBT, UL94V-0 Rated

***RoHS & REACH compliant.**



ORDERING INFORMATION:

P/N U A 3 F R - 0 9 F U x x
I 2 3

1. CONNECTOR TYPE:

"F" FEMALE

2. HOUSING COLOR:

"U" BLUE

3. CONTACT FINISH:

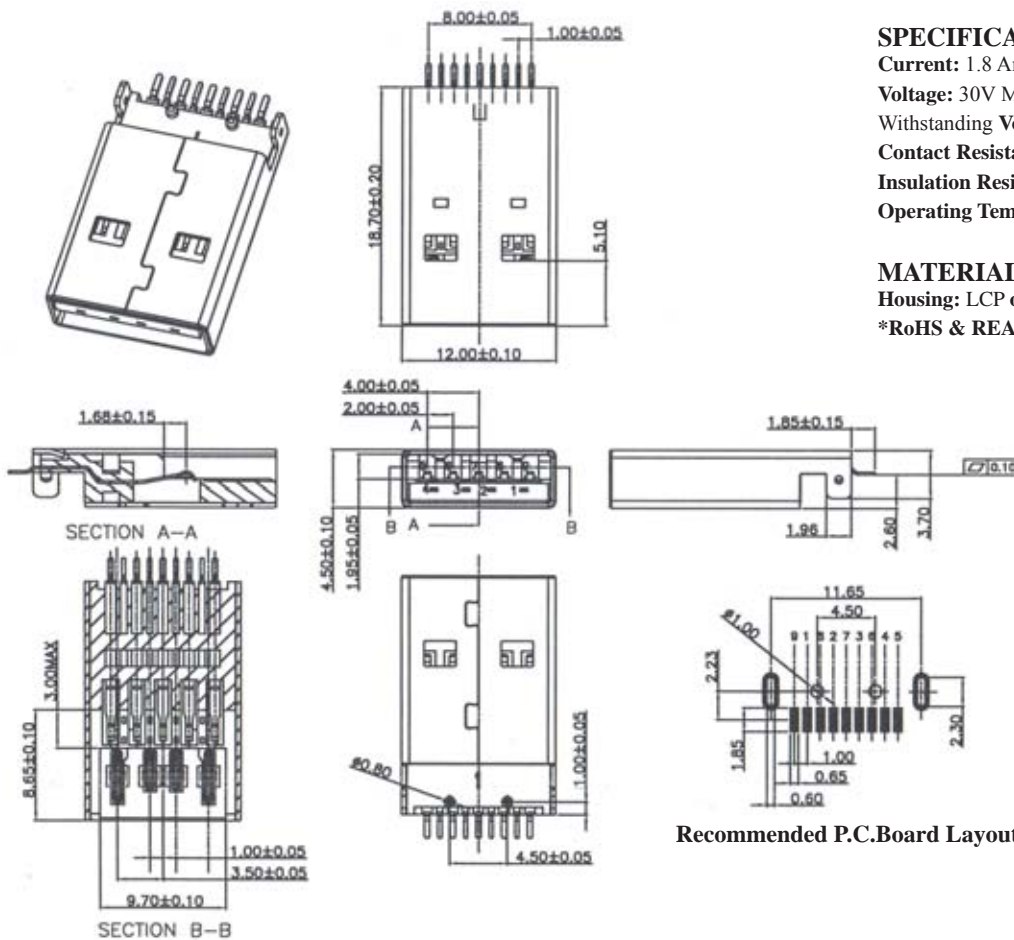
"30" 30 MICROINCH GOLD

"15" 15 MICROINCH GOLD

"05" 5 MICROINCH GOLD

"01" GOLD FLASH

USB 3.0 A TYPE 9 PIN MALE CONNECTOR SMT TYPE WITH POSTS



SPECIFICATIONS

Current: 1.8 Amperes Maximum.
Voltage: 30V Max.
Withstanding Voltage: 100V AC
Contact Resistance: 30mΩ Max.
Insulation Resistance: 100MΩ Min.
Operating Temperature: -55°C to +85°C

MATERIALS

Housing: LCP or Nylon 46, UL94V-0
***RoHS & REACH compliant.**

Recommended P.C.Board Layout

ORDERING INFORMATION:

P/N U A 3 M T - 0 9 $\frac{M}{1}$ $\frac{U}{2}$ $\frac{xx}{3}$

1. CONNECTOR TYPE:
"M" MALE
2. HOUSING COLOR:
"U" BLUE
3. CONTACT FINISH:
"01" GOLD FLASH
"05" 5 MICROINCH GOLD
"15" 15 MICROINCH GOLD
"30" 30 MICROINCH GOLD

STACKED USB A TYPE FEMALE CONNECTOR R/A TYPE WITH MINI DIN 6 PIN SOCKET

USB Connector Termination Assignment

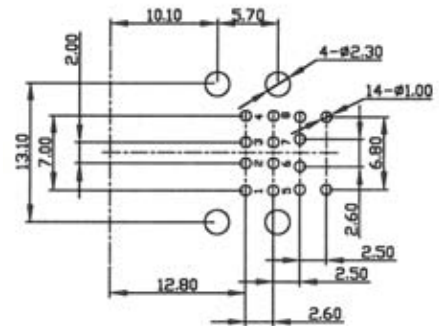
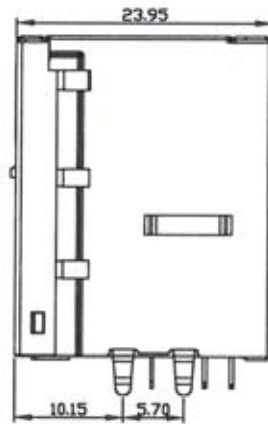
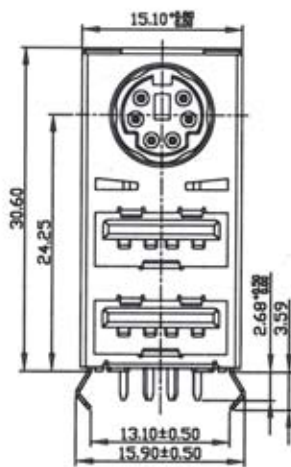
CONTACT NUMBER	SIGNAL NAME
1,5	VBUS
2,6	D-
3,7	D+
4,8	GND
SHELL	SHIELD

SPECIFICATIONS

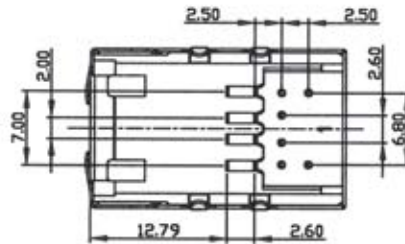
Current Rating: 1.0 Amperes
Contact Resistance: 25mΩ Max.
Insulation Resistance: 1000MΩ Min. at 500V
Dielectric Voltage: 1000V at 1 Minute
Operating Temperature: -55°C to +105°C

MATERIALS

Insulator: PBT, UL94V-0 Rated
Contact: Brass
Shell: Brass, Steel
Contact Plating: Selective Gold Over Nickel Plated
Shell Plating: Tin Or Nickel Over Copper Plated
***RoHS & REACH compliant.**



Recommended P.C.Board Layout

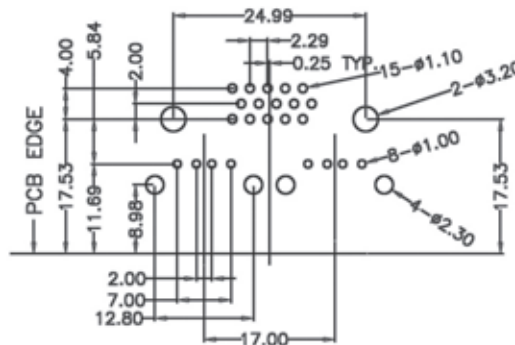
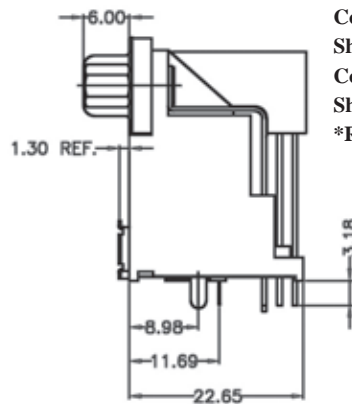
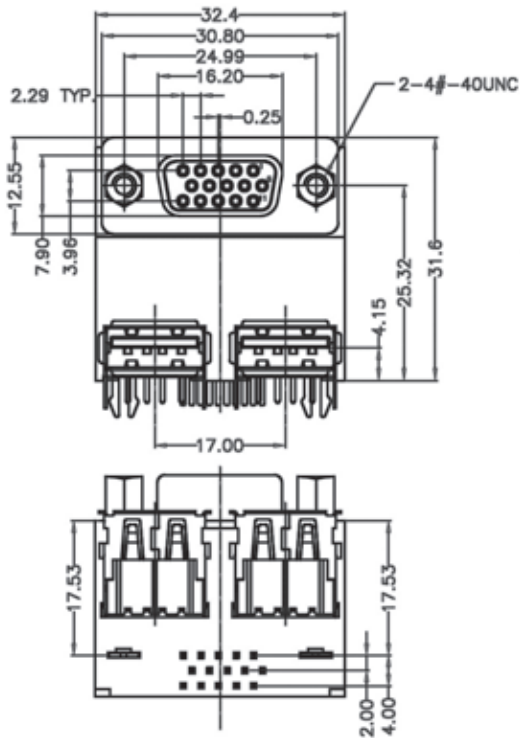


ORDERING INFORMATION:

P/N U A 6 7 - 1 4 F B x x
 I 2 3 4

1. NO. OF CONTACTS:
"14" USB DUAL A TYPE FEMALE TO MD6F
2. CONNECTOR TYPE:
"F" FEMALE
3. INSULATOR COLOR:
"B" BLACK
4. CONTACT FINISH:
"03" 3 MICROINCH GOLD

USB A TYPE DOUBLE FEMALE + HIGH DENSITY D-SUB. 15 PIN FEMALE CONNECTOR RIGHT ANGLE DIP TYPE



Recommended P.C.Board Layout

SPECIFICATIONS

Current Rating: 1.0 Amperes
Contact Resistance: 25mΩ Max.
Insulation Resistance: 1000MΩ Min. at 500V
Dielectric Voltage: 1000V at 1 Minute
Operating Temperature: -55°C to +105°C

MATERIALS

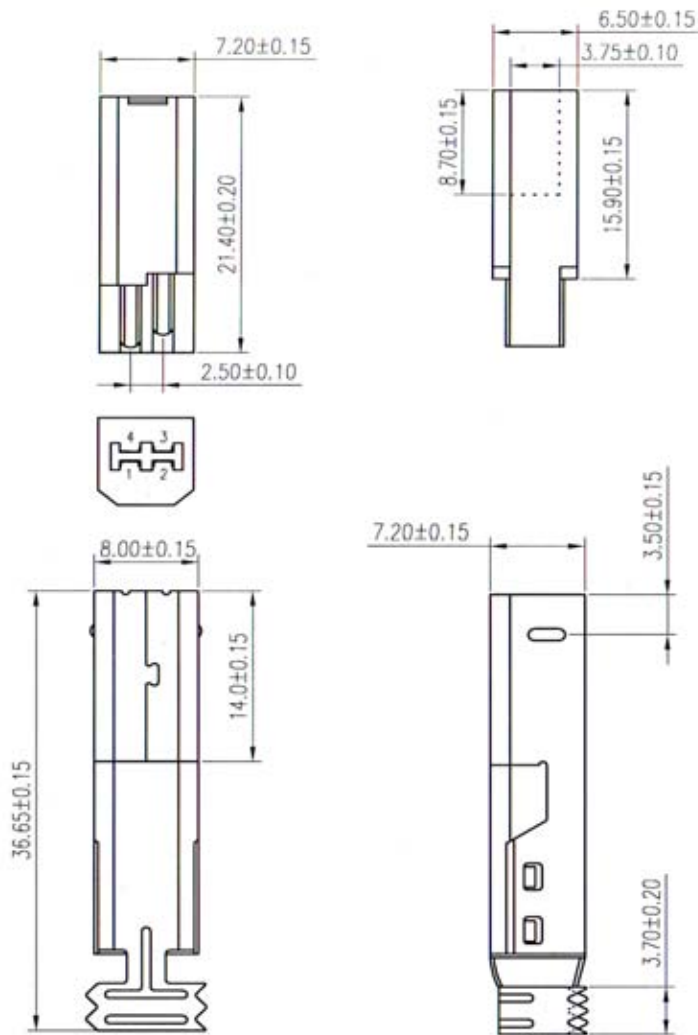
Insulator: PBT, UL94V-0 Rated
Contact: Brass
Shell: Brass, Steel
Contact Plating: Selective Gold Over Nickel Plated
Shell Plating: Tin Or Nickel Over Copper Plated
***RoHS & REACH compliant.**

ORDERING INFORMATION:

P/N U A H D - $\frac{23}{1}$ F x $\frac{01}{23}$

1. NO. OF CONTACTS:
"23" USB DUAL A TYPE FEMALE TO HD15F
2. HD15F HOUSING COLOR:
"U" BLUE
"B" BLACK
4. CONTACT FINISH:
"01" GOLD FLASH PLATED

USB B TYPE MALE CONNECTOR CABLE SOLDER TYPE WITH LONG SHELL



SPECIFICATIONS

Current Rating: 1.0 Amperes
Contact Resistance: 25mΩ Max.
Insulation Resistance: 1000MΩ Min. at 500V
Dielectric Voltage: 1000V at 1 Minute
Operating Temperature: -55°C to +105°C

MATERIALS

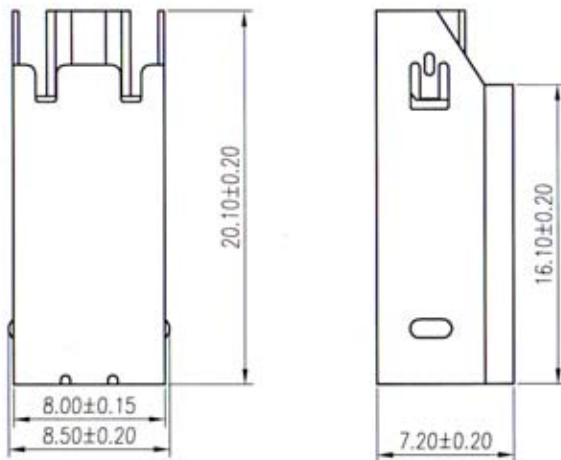
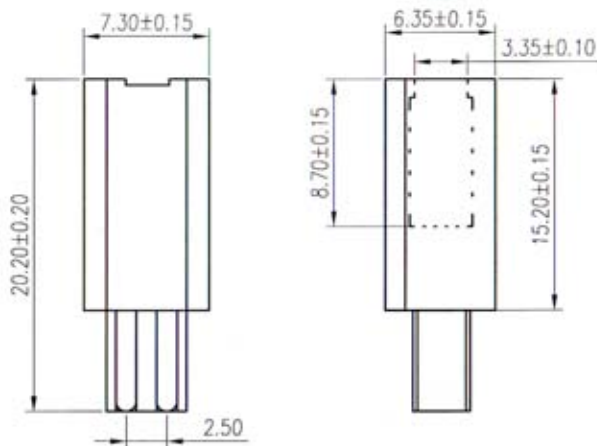
Insulator: PBT, UL94V-0 Rated
Contact: Brass
Shell: Brass, Steel
Contact Plating: Selective Gold Over Nickel Plated
Shell Plating: Tin Or Nickel Over Copper Plated
***RoHS & REACH compliant.**

ORDERING INFORMATION:

P/N U B 0 1 - $\frac{0}{1}$ $\frac{4}{2}$ $\frac{M}{3}$ $\frac{W}{4}$ x x

1. NO. OF CONTACTS:
04
2. CONNECTOR TYPE:
"M" MALE
3. INSULATOR COLOR:
"W" WHITE
4. CONTACT FINISH:
"01" GOLD FLASH
"30" 30 MICROINCH GOLD

USB B TYPE MALE CONNECTOR CABLE SOLDER TYPE WITH SHORT SHELL



SPECIFICATIONS

Current Rating: 1.0 Amperes
Contact Resistance: 25m Ω Max.
Insulation Resistance: 1000M Ω Min. at 500V
Dielectric Voltage: 1000V at 1 Minute
Operating Temperature: -55 $^{\circ}$ c to +105 $^{\circ}$ c

MATERIALS

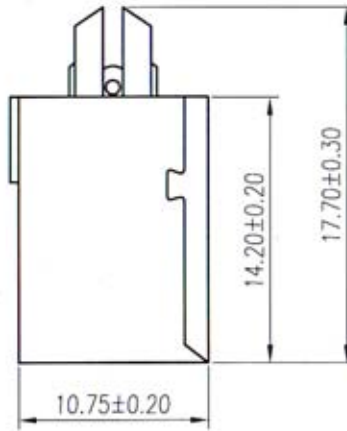
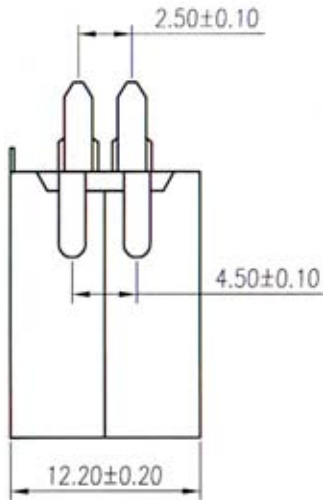
Insulator: PBT, UL94V-0 Rated
Contact: Brass
Shell: Brass, Steel
Contact Plating: Selective Gold Over Nickel Plated
Shell Plating: Tin Or Nickel Over Copper Plated
***RoHS & REACH compliant.**

ORDERING INFORMATION:

P/N U B 0 2 - $\frac{0}{1}$ $\frac{4}{2}$ $\frac{M}{3}$ $\frac{W}{4}$ x x

1. NO. OF CONTACTS:
04
2. CONNECTOR TYPE:
"M" MALE
3. INSULATOR COLOR:
"W" WHITE
4. CONTACT FINISH:
"01" GOLD FLASH
"30" 30 MICROINCH GOLD

USB B TYPE FEMALE CONNECTOR CABLE SOLDER TYPE

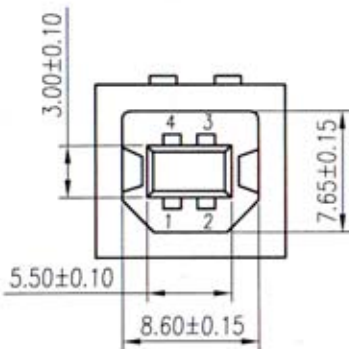


SPECIFICATIONS

Current Rating: 1.0 Amperes
Contact Resistance: 25mΩ Max.
Insulation Resistance: 1000MΩ Min. at 500V
Dielectric Voltage: 1000V at 1 Minute
Operating Temperature: -55°C to +105°C

MATERIALS

Insulator: PBT, UL94V-0 Rated
Contact: Brass
Shell: Brass, Steel
Contact Plating: Selective Gold Over Nickel Plated
Shell Plating: Tin Or Nickel Over Copper Plated
***RoHS & REACH compliant.**

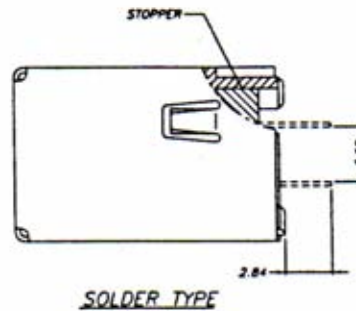
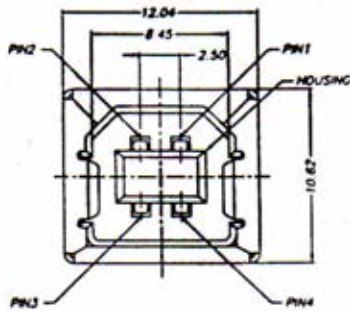
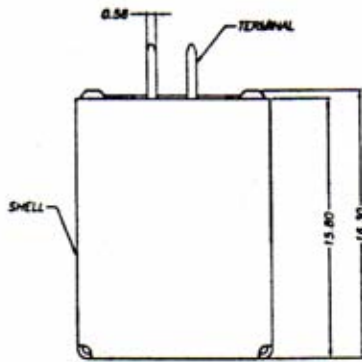


ORDERING INFORMATION:

P/N U B 03 - 04 F W x x
1 2 3 4

1. NO. OF CONTACTS:
04
2. CONNECTOR TYPE:
"F" FEMALE
3. INSULATOR COLOR:
"W" WHITE
4. CONTACT FINISH:
"01" GOLD FLASH
"30" 30 MICROINCH GOLD

USB B TYPE FEMALE CONNECTOR CABLE SOLDER TYPE



SPECIFICATIONS

Current Rating: 1.0 Amperes
Contact Resistance: 25mΩ Max.
Insulation Resistance: 1000MΩ Min. at 500V
Dielectric Voltage: 1000V at 1 Minute
Operating Temperature: -55°C to +105°C

MATERIALS

Insulator: PBT, UL94V-0 Rated
Contact: Brass
Shell: Brass, Steel
Contact Plating: Selective Gold Over Nickel Plated
Shell Plating: Tin Or Nickel Over Copper Plated
***RoHS & REACH compliant.**

ORDERING INFORMATION:

P/N U B 0 4 - $\frac{0}{1}$ $\frac{4}{2}$ $\frac{F}{3}$ $\frac{B}{4}$ x x

1. NO. OF CONTACTS:
04
2. CONNECTOR TYPE:
"F" FEMALE
3. INSULATOR COLOR:
"B" BLACK
4. CONTACT FINISH:
"30" 30 MICROINCH GOLD

USB B TYPE MALE CONNECTOR CABLE SOLDER TYPE

SPECIFICATIONS

Current Rating: 1.0 Amperes

Contact Resistance: 25mΩ Max.

Insulation Resistance: 1000MΩ Min. at 500V

Dielectric Voltage: 1000V at 1 Minute

Operating Temperature: -55°C to +105°C

MATERIALS

Insulator: PBT, UL94V-0 Rated

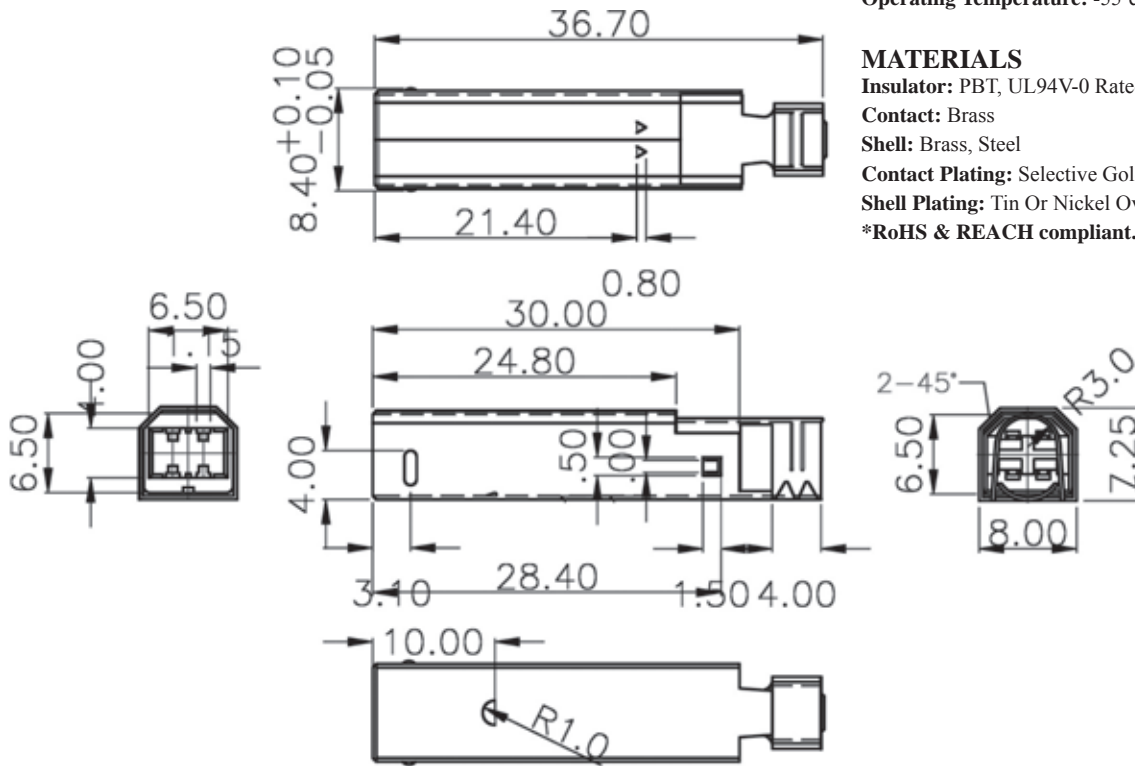
Contact: Brass

Shell: Brass, Steel

Contact Plating: Selective Gold Over Nickel Plated

Shell Plating: Tin Or Nickel Over Copper Plated

*RoHS & REACH compliant.



ORDERING INFORMATION:

P/N U B 0 5 - 0 4 M x x x
1 2 3 4

1. NO. OF POSITIONS:

04

2. CONNECTOR TYPE:

"M" MALE

3. INSULATOR COLOR:

"B" BLACK

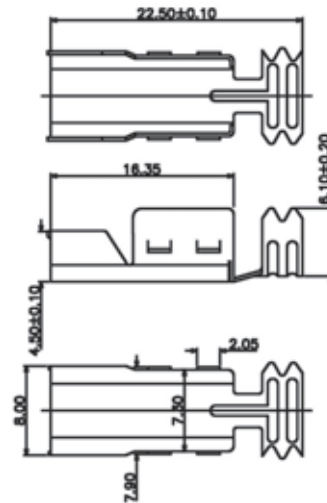
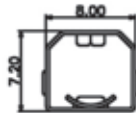
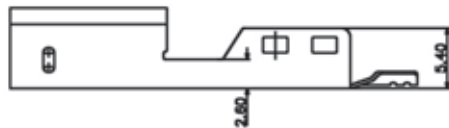
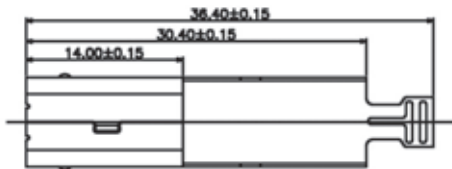
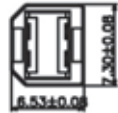
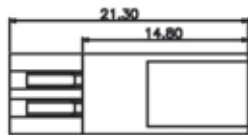
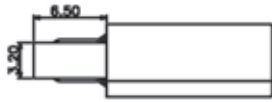
"W" WHITE

4. CONTACT FINISH:

"01" GOLD FLASH

"30" 30 MICROINCH GOLD

USB B TYPE MALE CONNECTOR CABLE SOLDER TYPE



SPECIFICATIONS

Current Rating: 1.0 Amperes

Contact Resistance: 25mΩ Max.

Insulation Resistance: 1000MΩ Min. at 500V

Dielectric Voltage: 1000V at 1 Minute

Operating Temperature: -55°C to +105°C

MATERIALS

Insulator: PBT, UL94V-0 Rated

Contact: Brass

Shell: Brass, Steel

Contact Plating: Selective Gold Over Nickel Plated

Shell Plating: Tin Or Nickel Over Copper Plated

*RoHS & REACH compliant.

ORDERING INFORMATION:

P/N U B 0 7 - 0 4 M x x x
1 2 3 4

1. NO. OF POSITIONS:

04

2. CONNECTOR TYPE:

"M" MALE

3. INSULATOR COLOR:

"B" BLACK

"W" WHITE

4. CONTACT FINISH:

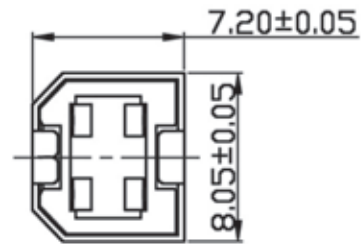
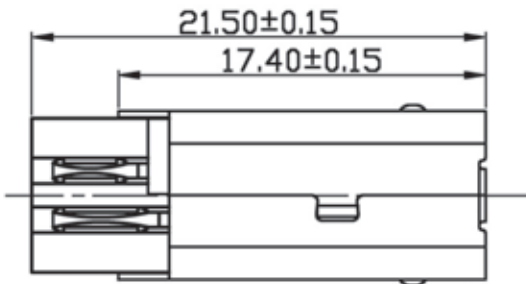
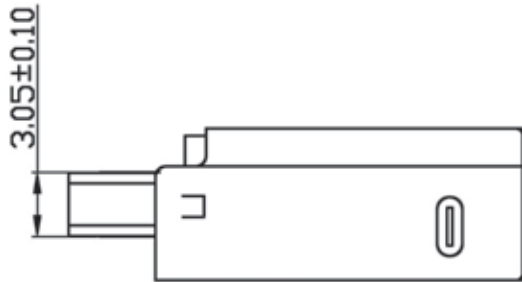
"01" GOLD FLASH

"03" 3 MICRINCH GOLD

"15" 15 MICRINCH GOLD

"30" 30 MICRINCH GOLD

USB B TYPE MALE CONNECTOR CABLE SOLDER TYPE



SPECIFICATIONS

Current Rating: 1.0 Amperes

Contact Resistance: 25mΩ Max.

Insulation Resistance: 1000MΩ Min. at 500V

Dielectric Voltage: 1000V at 1 Minute

Operating Temperature: -55°C to +105°C

MATERIALS

Insulator: PBT, UL94V-0 Rated

Contact: Brass

Shell: Brass, Steel

Contact Plating: Selective Gold Over Nickel Plated

Shell Plating: Tin Or Nickel Over Copper Plated

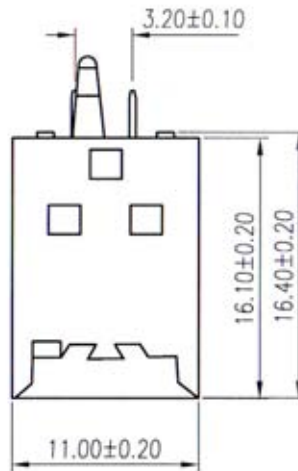
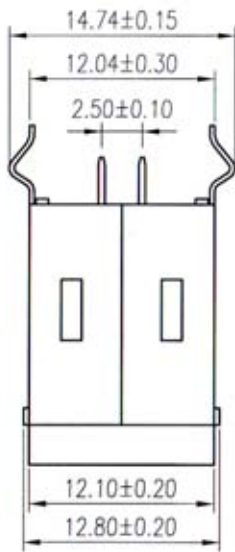
***RoHS & REACH compliant.**

ORDERING INFORMATION:

P/N U B 0 9 - $\frac{0}{1}$ $\frac{4}{2}$ $\frac{M}{3}$ $\frac{W}{4}$ $\frac{x}{x}$

1. NO. OF POSITIONS:
04
2. CONNECTOR TYPE:
"M" MALE
3. INSULATOR COLOR:
"W" WHITE
4. CONTACT FINISH:
"01" GOLD FLASH

USB B TYPE FEMALE CONNECTOR STRAIGHT PCB MOUNT TYPE

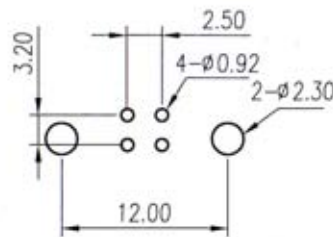
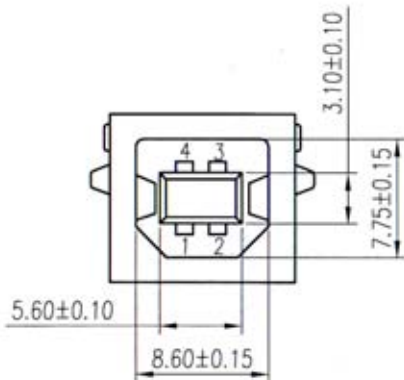


SPECIFICATIONS

Current Rating: 1.0 Amperes
Contact Resistance: 25mΩ Max.
Insulation Resistance: 1000MΩ Min. at 500V
Dielectric Voltage: 1000V at 1 Minute
Operating Temperature: -55°C to +105°C

MATERIALS

Insulator: PBT, UL94V-0 Rated
Contact: Brass
Shell: Brass, Steel
Contact Plating: Selective Gold Over Nickel Plated
Shell Plating: Tin Or Nickel Over Copper Plated
***RoHS & REACH compliant.**



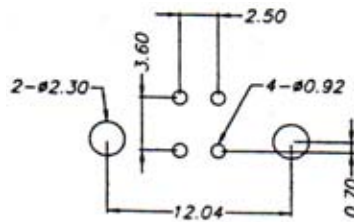
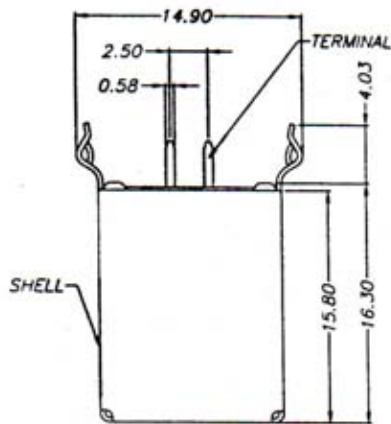
Recommended P.C.Board Layout

ORDERING INFORMATION:

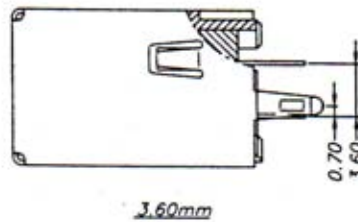
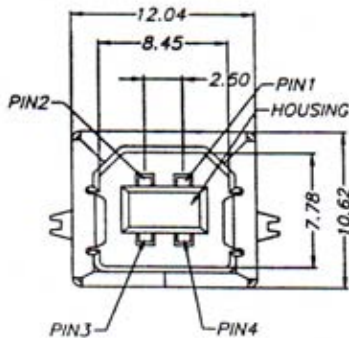
P/N **U B 1 1 - 0 4 F x x x**
1 2 3 4

1. NO. OF POSITIONS:
04
2. CONNECTOR TYPE:
"F" FEMALE
3. INSULATOR COLOR:
"B" BLACK
"W" WHITE
4. CONTACT FINISH:
"01" GOLD FLASH
"30" 30 MICROINCH GOLD

USB B TYPE FEMALE CONNECTOR STRAIGHT PCB MOUNT TYPE SPACIG=3.60MM



Recommended P.C.Board Layout



SPECIFICATIONS

Current Rating: 1.0 Amperes
Contact Resistance: 25mΩ Max.
Insulation Resistance: 1000MΩ Min. at 500V
Dielectric Voltage: 1000V at 1 Minute
Operating Temperature: -55°C to +105°C

MATERIALS

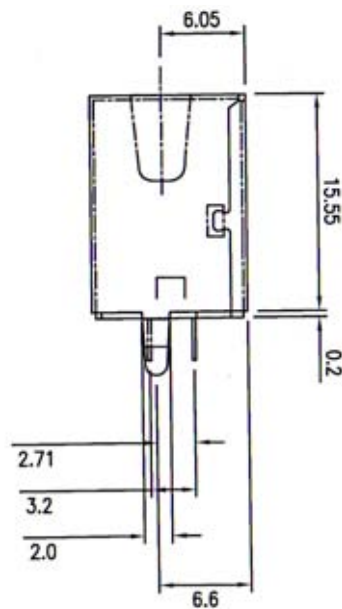
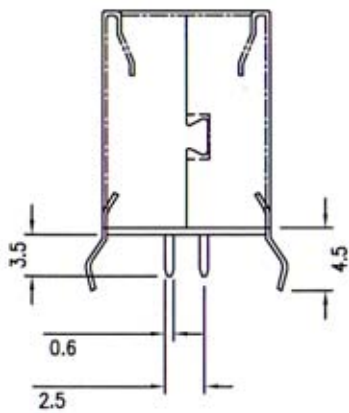
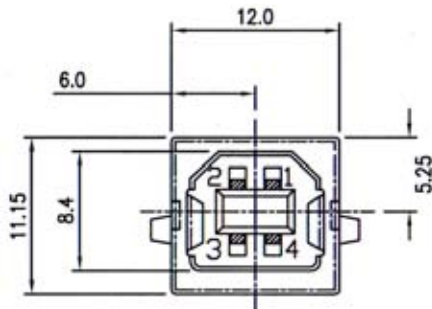
Insulator: PBT, UL94V-0 Rated
Contact: Brass
Shell: Brass, Steel
Contact Plating: Selective Gold Over Nickel Plated
Shell Plating: Tin Or Nickel Over Copper Plated
 *RoHS & REACH compliant.

ORDERING INFORMATION:

P/N U B 1 3 - $\frac{0}{1}$ $\frac{4}{2}$ $\frac{F}{3}$ $\frac{B}{4}$ x x

1. NO. OF POSITIONS:
04
2. CONNECTOR TYPE:
"F" FEMALE
3. INSULATOR COLOR:
"B" BLACK
4. CONTACT FINISH:
"30" 30 MICROINCH GOLD

USB B TYPE FEMALE CONNECTOR STRAIGHT PCB MOUNT TYPE

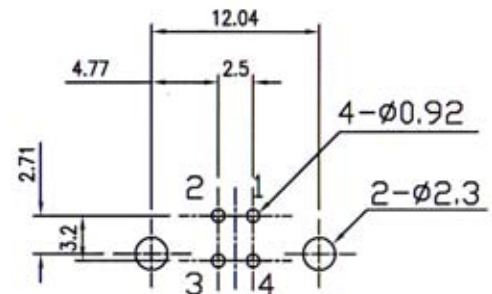


SPECIFICATIONS

Current Rating: 1.0 Amperes
Contact Resistance: 25mΩ Max.
Insulation Resistance: 1000MΩ Min. at 500V
Dielectric Voltage: 1000V at 1 Minute
Operating Temperature: -55°C to +105°C

MATERIALS

Insulator: PBT, UL94V-0 Rated
Contact: Brass
Shell: Brass, Steel
Contact Plating: Selective Gold Over Nickel Plated
Shell Plating: Tin Or Nickel Over Copper Plated
 *RoHS & REACH compliant.



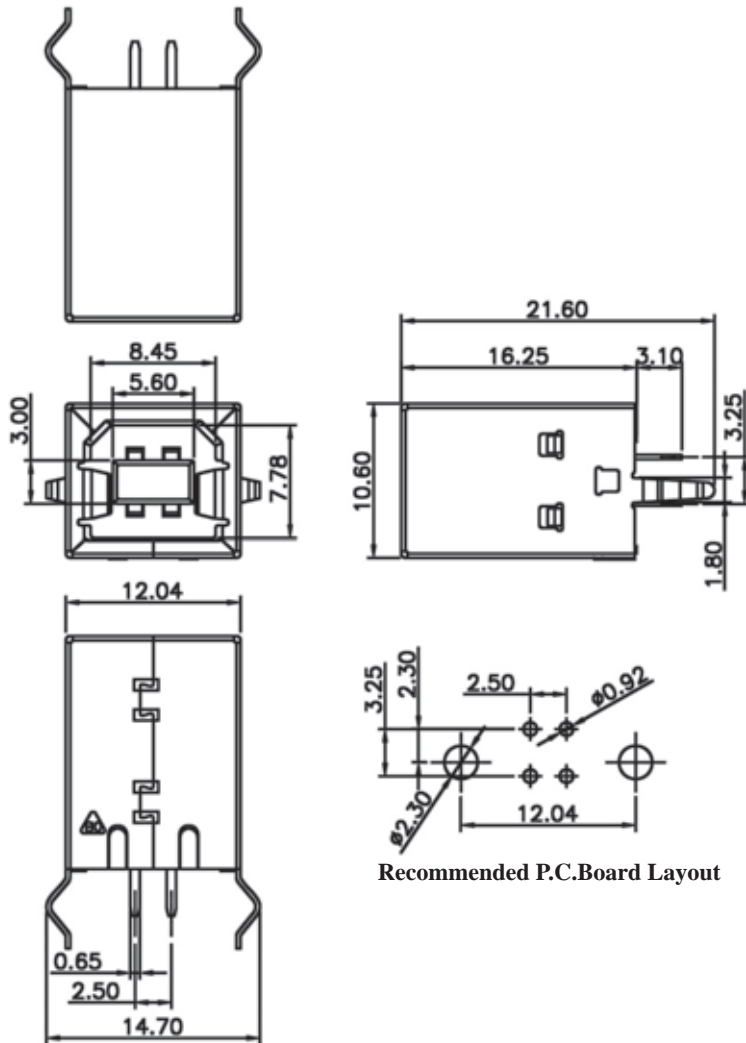
Recommended P.C.Board Layout
(COMPONENT SIDE)

ORDERING INFORMATION:

P/N U B 1 4 - $\frac{0}{1}$ $\frac{4}{2}$ $\frac{F}{3}$ $\frac{W}{4}$ x x

1. NO. OF POSITIONS:
04
2. CONNECTOR TYPE:
"F" FEMALE
3. INSULATOR COLOR:
"W" WHITE
4. CONTACT FINISH:
"01" GOLD FLASH
"03" 3 MICROINCH GOLD
"30" 30 MICROINCH GOLD

USB B TYPE FEMALE CONNECTOR STRAIGHT PCB MOUNT TYPE



SPECIFICATIONS

Current Rating: 1.0 Amperes
Contact Resistance: 25mΩ Max.
Insulation Resistance: 1000MΩ Min. at 500V
Dielectric Voltage: 1000V at 1 Minute
Operating Temperature: -55°C to +105°C

MATERIALS

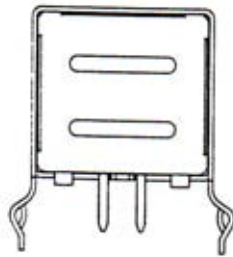
Insulator: PBT, UL94V-0 Rated
Contact: Brass
Shell: Brass, Steel
Contact Plating: Selective Gold Over Nickel Plated
Shell Plating: Tin Or Nickel Over Copper Plated
***RoHS & REACH compliant.**

ORDERING INFORMATION:

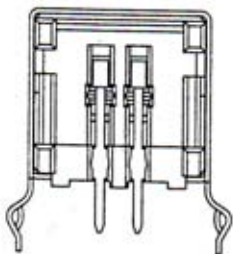
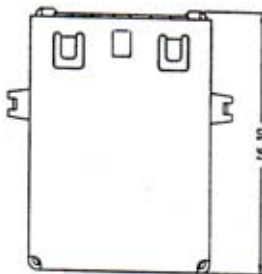
P/N U B 1 2 - $\frac{0}{1}$ $\frac{4}{2}$ $\frac{F}{3}$ $\frac{x}{4}$ $\frac{x}{x}$

1. NO. OF POSITIONS:
04
2. CONNECTOR TYPE:
"F" FEMALE
3. INSULATOR COLOR:
"B" BLACK
"W" WHITE
4. CONTACT FINISH:
"01" GOLD FLASH
"15" 15 MICROINCH GOLD
"30" 30 MICROINCH GOLD

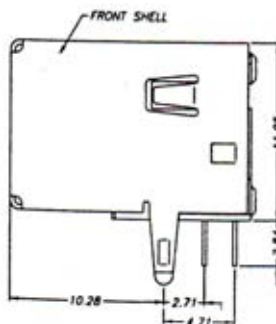
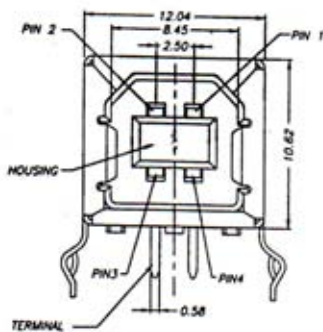
USB B TYPE FEMALE CONNECTOR RIGHT ANGLE DIP TYPE



WITH REAR SHELL



WITHOUT REAR SHELL

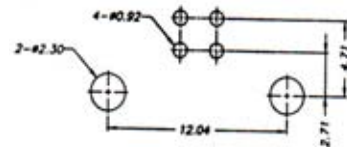


SPECIFICATIONS

Current Rating: 1.0 Amperes
Contact Resistance: 25mΩ Max.
Insulation Resistance: 1000MΩ Min. at 500V
Dielectric Voltage: 1000V at 1 Minute
Operating Temperature: -55°C to +105°C

MATERIALS

Insulator: PBT, UL94V-0 Rated
Contact: Brass
Shell: Brass, Steel
Contact Plating: Selective Gold Over Nickel Plated
Shell Plating: Tin Or Nickel Over Copper Plated
***RoHS & REACH compliant.**



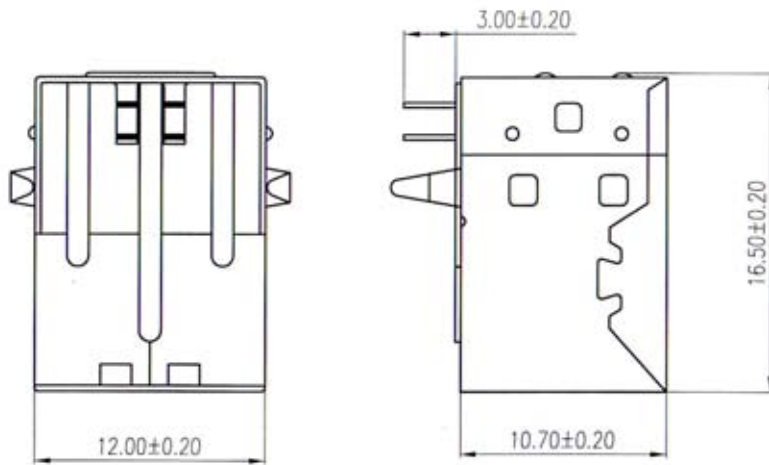
Recommended P.C.Board Layout

ORDERING INFORMATION:

P/N U B $\frac{xx}{1}$ - 0 4 $\frac{F}{2}$ $\frac{xx}{3}$ $\frac{xx}{4}$

1. REAR SHELL OPTION:
 "21" WITHOUT REAR SHELL
 "22" WITH REAR SHELL
2. CONNECTOR TYPE:
 "F" FEMALE
3. INSULATOR COLOR:
 "B" BLACK
 "W" WHITE
4. CONTACT FINISH:
 "30" 30 MICROINCH GOLD

USB B TYPE FEMALE CONNECTOR RIGHT ANGLE DIP TYPE

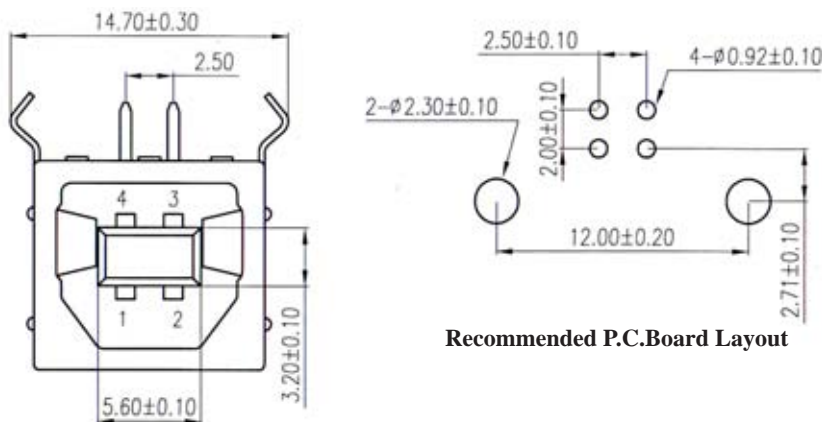


SPECIFICATIONS

Current Rating: 1.0 Amperes
Contact Resistance: 25mΩ Max.
Insulation Resistance: 1000MΩ Min. at 500V
Dielectric Voltage: 1000V at 1 Minute
Operating Temperature: -55°C to +105°C

MATERIALS

Insulator: PBT, UL94V-0 Rated
Contact: Brass
Shell: Brass, Steel
Contact Plating: Selective Gold Over Nickel Plated
Shell Plating: Tin Or Nickel Over Copper Plated
***RoHS & REACH compliant.**



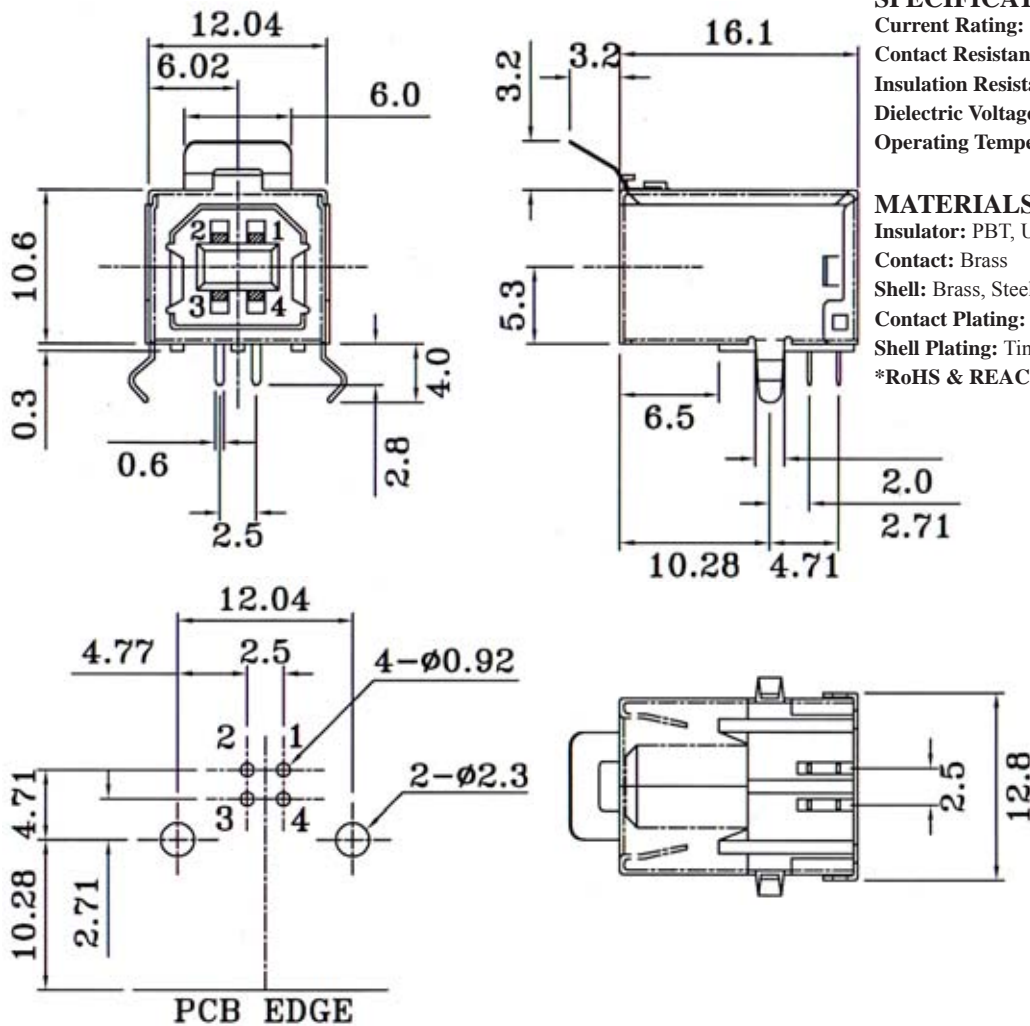
Recommended P.C.Board Layout

ORDERING INFORMATION:

P/N U B 2 3 - $\frac{0}{1}$ $\frac{4}{2}$ $\frac{F}{3}$ $\frac{W}{4}$ x x

1. NO. OF CONTACTS:
04
2. CONNECTOR TYPE:
"F" FEMALE
3. INSULATOR COLOR:
"B" BLACK
"W" WHITE
4. CONTACT FINISH:
"01" GOLD FLASH
"30" 30 MICROINCH GOLD

USB B TYPE FEMALE CONNECTOR RIGHT ANGLE DIP TYPE WITH SPRING SHIELD



Recommended P.C.Board Layout
(COMPONENT SIDE)

SPECIFICATIONS

Current Rating: 1.0 Amperes
Contact Resistance: 25m Ω Max.
Insulation Resistance: 1000M Ω Min. at 500V
Dielectric Voltage: 1000V at 1 Minute
Operating Temperature: -55 $^{\circ}$ c to +105 $^{\circ}$ c

MATERIALS

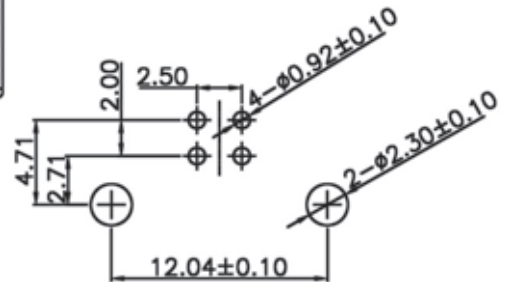
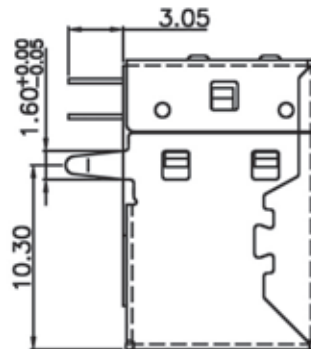
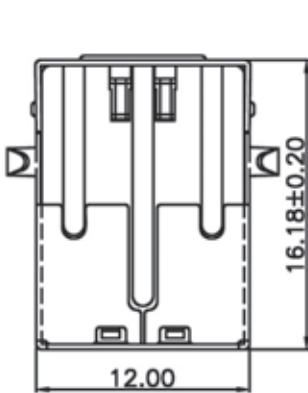
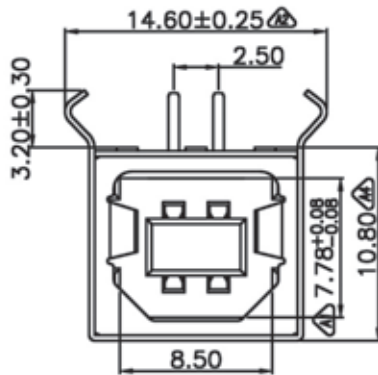
Insulator: PBT, UL94V-0 Rated
Contact: Brass
Shell: Brass, Steel
Contact Plating: Selective Gold Over Nickel Plated
Shell Plating: Tin Or Nickel Over Copper Plated
 *RoHS & REACH compliant.

ORDERING INFORMATION:

P/N U B 2 4 - $\frac{0}{1}$ $\frac{4}{2}$ $\frac{F}{3}$ $\frac{W}{4}$ x x

1. NO. OF CONTACTS:
04
2. CONNECTOR TYPE:
"F" FEMALE
3. INSULATOR COLOR:
"W" WHITE
4. CONTACT FINISH:
"01" GOLD FLASH
"03" 3 MICROINCH GOLD
"30" 30 MICROINCH GOLD

USB B TYPE FEMALE CONNECTOR RIGHT ANGLE DIP TYPE



Recommended P.C.Board Layout

SPECIFICATIONS

Current Rating: 1.0 Amperes
Contact Resistance: 25mΩ Max.
Insulation Resistance: 1000MΩ Min. at 500V
Dielectric Voltage: 1000V at 1 Minute
Operating Temperature: -55°C to +105°C

MATERIALS

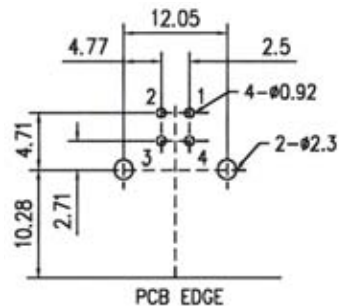
Insulator: PBT, UL94V-0 Rated
Contact: Brass
Shell: Brass, Steel
Contact Plating: Selective Gold Over Nickel Plated
Shell Plating: Tin Or Nickel Over Copper Plated
 *RoHS & REACH compliant.

ORDERING INFORMATION:

P/N U B 2 5 - 0 4 F x x x
 1 2 3 4

1. NO. OF POSITIONS:
04
2. CONNECTOR TYPE:
"F" FEMALE
3. INSULATOR COLOR:
"B" BLACK
"W" WHITE
4. CONTACT FINISH:
"01" GOLD FLASH
"15" 15 MICROINCH GOLD
"30" 30 MICROINCH GOLD

USB B TYPE FEMALE CONNECTOR RIGHT ANGLE DIP TYPE



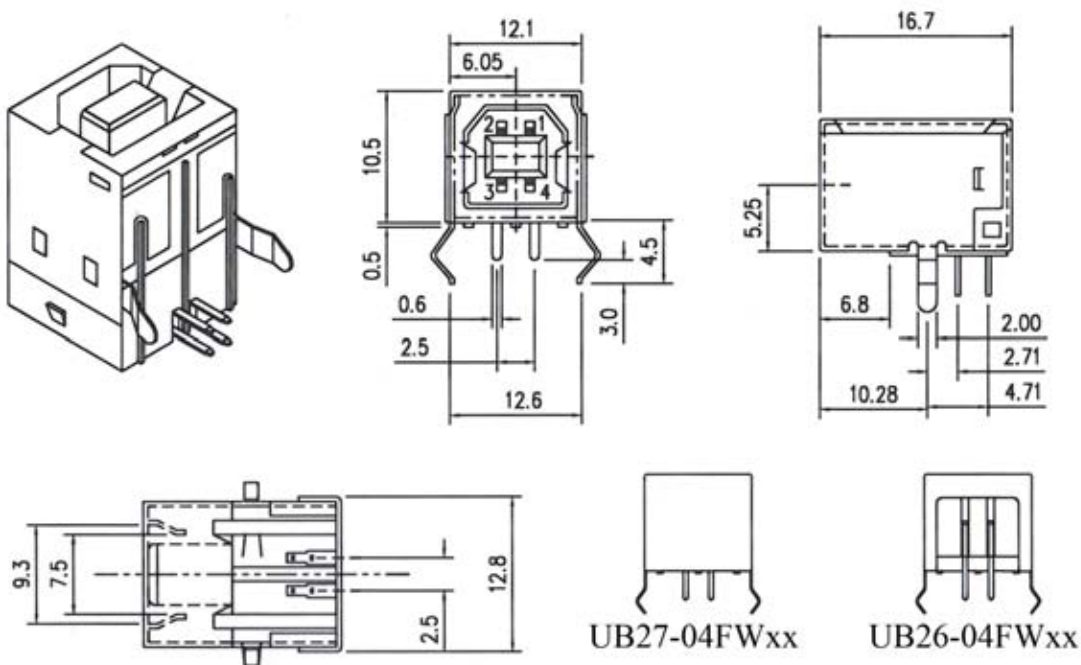
Recommended P.C.Board Layout

SPECIFICATIONS

Current Rating: 1.0 Amperes
Contact Resistance: 25mΩ Max.
Insulation Resistance: 1000MΩ Min. at 500V
Dielectric Voltage: 1000V at 1 Minute
Operating Temperature: -55°C to +105°C

MATERIALS

Insulator: PBT, UL94V-0 Rated
Contact: Brass
Shell: Brass, Steel
Contact Plating: Selective Gold Over Nickel Plated
Shell Plating: Tin Or Nickel Over Copper Plated
 *RoHS & REACH compliant.

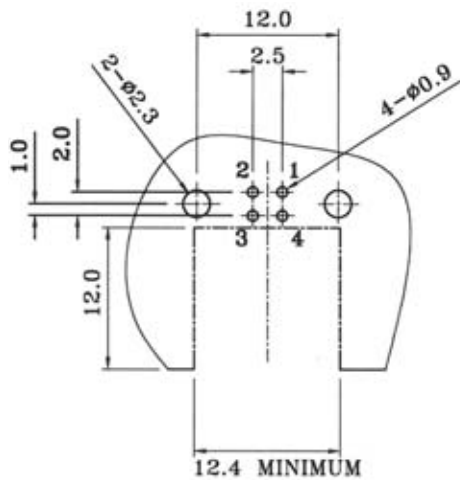


ORDERING INFORMATION:

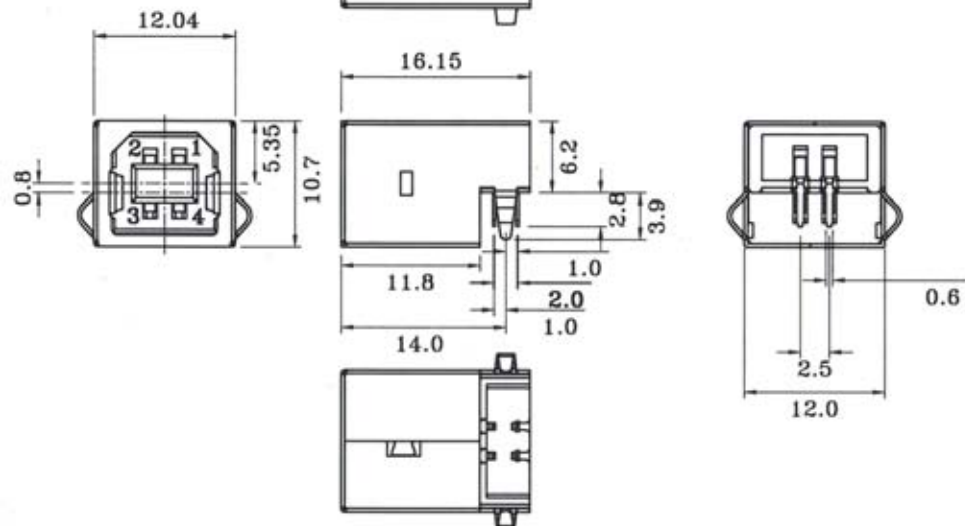
P/N U B $\frac{xx}{1}$ - 0 4 $\frac{F}{2}$ $\frac{W}{3}$ $\frac{xx}{4}$

1. REAR SHELL OPTION:
 "26" WITHOUT REAR SHELL
 "27" WITH REAR SHELL
2. CONNECTOR TYPE:
 "F" FEMALE
3. HOUSING COLOR:
 "W" WHITE
4. CONTACT FINISH:
 "01" GOLD FLASH (REV 1.1)
 "30" 30 MICROINCH GOLD (REV 2.0)

USB B TYPE FEMALE CONNECTOR RIGHT ANGLE DIP TYPE



Recommended P.C.Board Layout



SPECIFICATIONS

Current Rating: 1.0 Amperes
Contact Resistance: 25mΩ Max.
Insulation Resistance: 1000MΩ Min. at 500V
Dielectric Voltage: 1000V at 1 Minute
Operating Temperature: -55°C to +105°C

MATERIALS

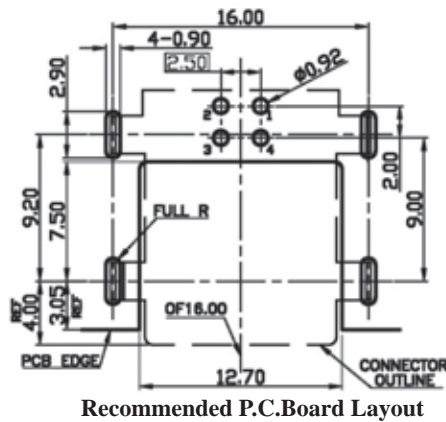
Insulator: PBT, UL94V-0 Rated
Contact: Brass
Shell: Brass, Steel
Contact Plating: Selective Gold Over Nickel Plated
Shell Plating: Tin Or Nickel Over Copper Plated
 *RoHS & REACH compliant.

ORDERING INFORMATION:

P/N U B 2 8 - $\frac{04}{1}$ $\frac{F}{2}$ $\frac{W}{3}$ $\frac{x}{4}$ x x

1. NO. OF POSITIONS:
04
2. CONNECTOR TYPE:
"F" FEMALE
3. INSULATOR COLOR:
"W" WHITE
4. CONTACT FINISH:
"01" GOLD FLASH (REV 1.1)
"30" 30 MICROINCH GOLD (REV 2.0)

USB B TYPE FEMALE CONNECTOR RIGHT ANGLE DIP TYPE

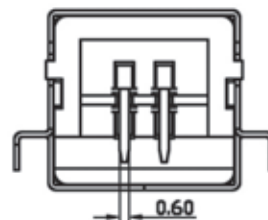
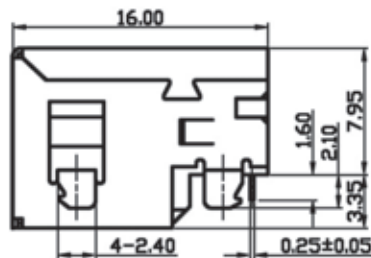
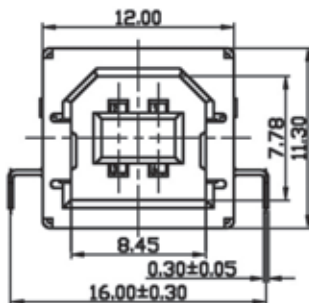
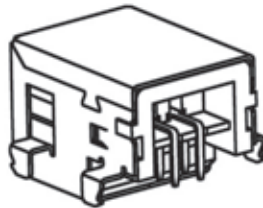
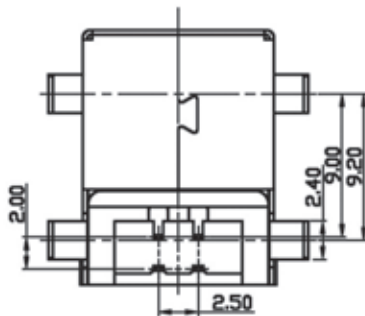


SPECIFICATIONS

Current Rating: 1.0 Amperes
 Contact Resistance: 25mΩ Max.
 Insulation Resistance: 1000MΩ Min. at 500V
 Dielectric Voltage: 1000V at 1 Minute
 Operating Temperature: -55°C to +105°C

MATERIALS

Insulator: PBT, UL94V-0 Rated
 Contact: Brass
 Shell: Brass, Steel
 Contact Plating: Selective Gold Over Nickel Plated
 Shell Plating: Tin Or Nickel Over Copper Plated
 *RoHS & REACH compliant.

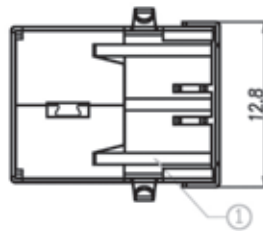
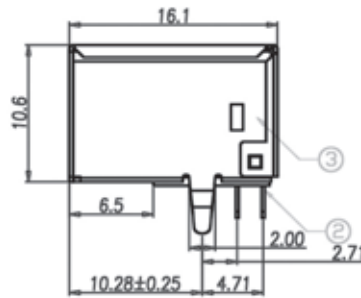
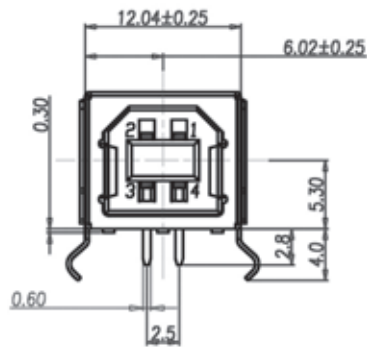


ORDERING INFORMATION:

P/N U B 2 9 - $\frac{0}{1}$ $\frac{4}{2}$ $\frac{F}{3}$ $\frac{B}{4}$ x x

1. NO. OF POSITIONS:
04
2. CONNECTOR TYPE:
"F" FEMALE
3. INSULATOR COLOR:
"B" BLACK
4. CONTACT FINISH:
"30" 30 MICROINCH GOLD

USB B TYPE FEMALE CONNECTOR RIGHT ANGLE DIP TYPE

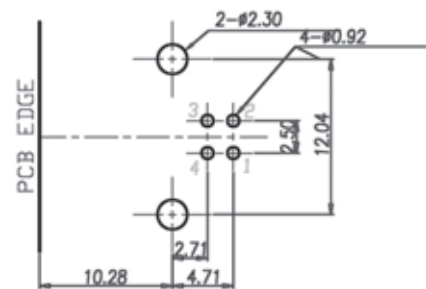


SPECIFICATIONS

Current Rating: 1.0 Amperes
Contact Resistance: 25mΩ Max.
Insulation Resistance: 1000MΩ Min. at 500V
Dielectric Voltage: 1000V at 1 Minute
Operating Temperature: -55°C to +105°C

MATERIALS

Insulator: PBT, UL94V-0 Rated
Contact: Brass
Shell: Brass, Steel
Contact Plating: Selective Gold Over Nickel Plated
Shell Plating: Tin Or Nickel Over Copper Plated
 *RoHS & REACH compliant.



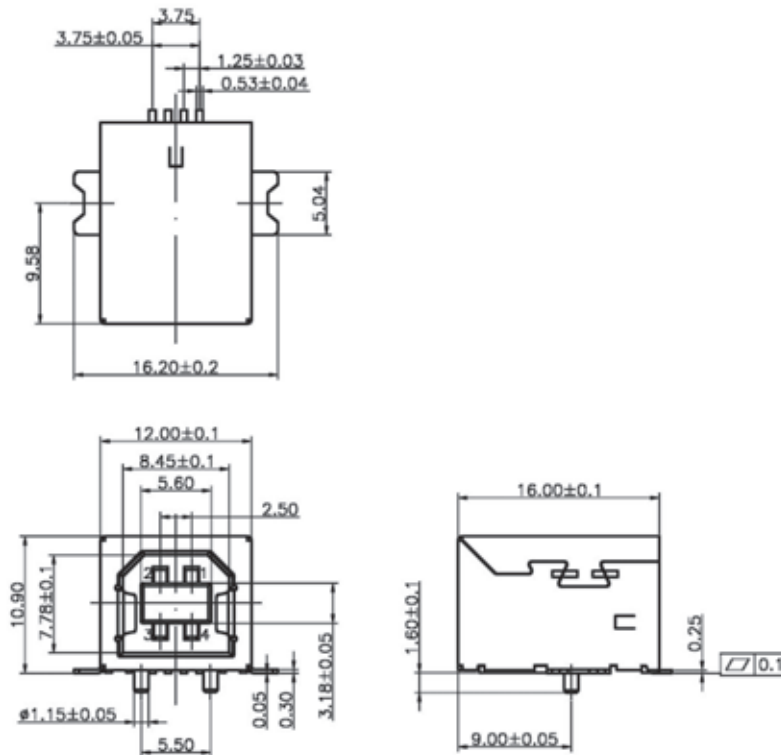
Recommended P.C.Board Layout

ORDERING INFORMATION:

P/N U B 3 1 - $\frac{0}{1}$ $\frac{4}{2}$ $\frac{F}{3}$ $\frac{W}{4}$ x x

1. NO. OF POSITIONS:
04
2. CONNECTOR TYPE:
"F" FEMALE
3. INSULATOR COLOR:
"W" WHITE
4. CONTACT FINISH:
"01" GOLD FLASH

USB B TYPE FEMALE CONNECTOR SMT TYPE



SPECIFICATIONS

Voltage Current Rating: 1A 30V AC

Contact Resistance: 30mΩ Max.

Insulation Resistance: 1000MΩ Min.

Dielectric Voltage: AC 500V for 1 Minute

Operating Temperature: -55°C to +105°C

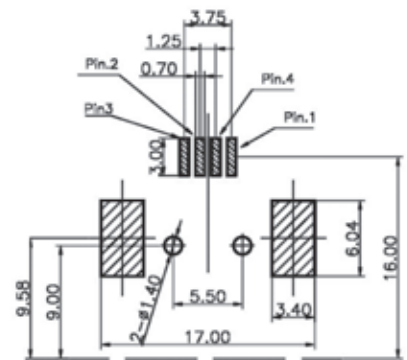
MATERIALS

Housing: High Temperature Thermoplastic

Contact: Copper Alloy

Shell: Copper Alloy

***RoHS & REACH compliant.**



Recommended P.C.Board Layout
(TOP VIEW)

ORDERING INFORMATION:

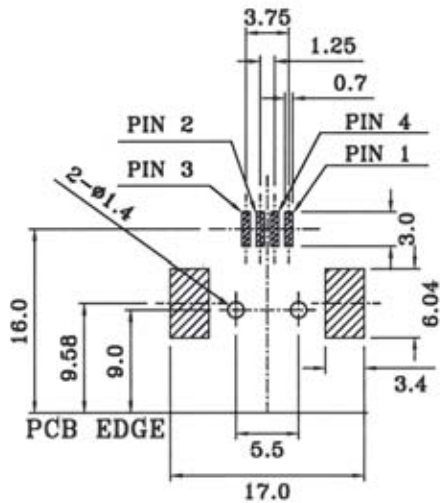
P/N U B 5 5 - 0 4 F W x x
1 2 3 4

DRAWING REVISED

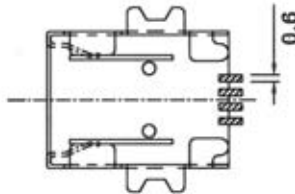
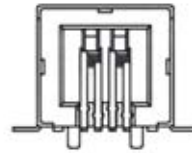
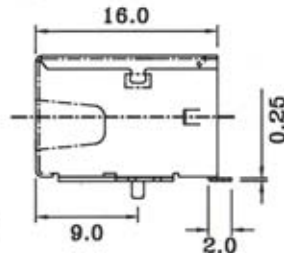
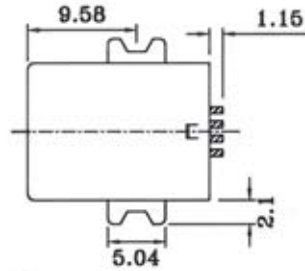
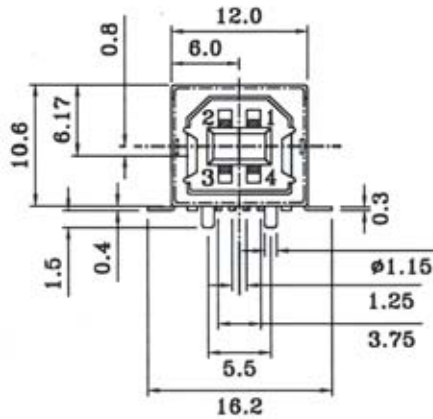
1. NO. OF CONTACTS:
04
2. CONNECTOR TYPE:
"F" FEMALE
3. INSULATOR COLOR:
"W" WHITE
"B" BLACK
4. CONTACT FINISH:
"01" GOLD FLASH (REVISION 1.1)
"30" 30 MICROINCH GOLD (REVISION 2.0)

NOTE: PIN# 3, 2, 4, 1

USB B TYPE FEMALE CONNECTOR FLAT SMT TYPE



Recommended P.C.Board Layout



SPECIFICATIONS

Current Rating: 1.0 Amperes
Contact Resistance: 25mΩ Max.
Insulation Resistance: 1000MΩ Min. at 500V
Dielectric Voltage: 1000V at 1 Minute
Operating Temperature: -55°C to +105°C

MATERIALS

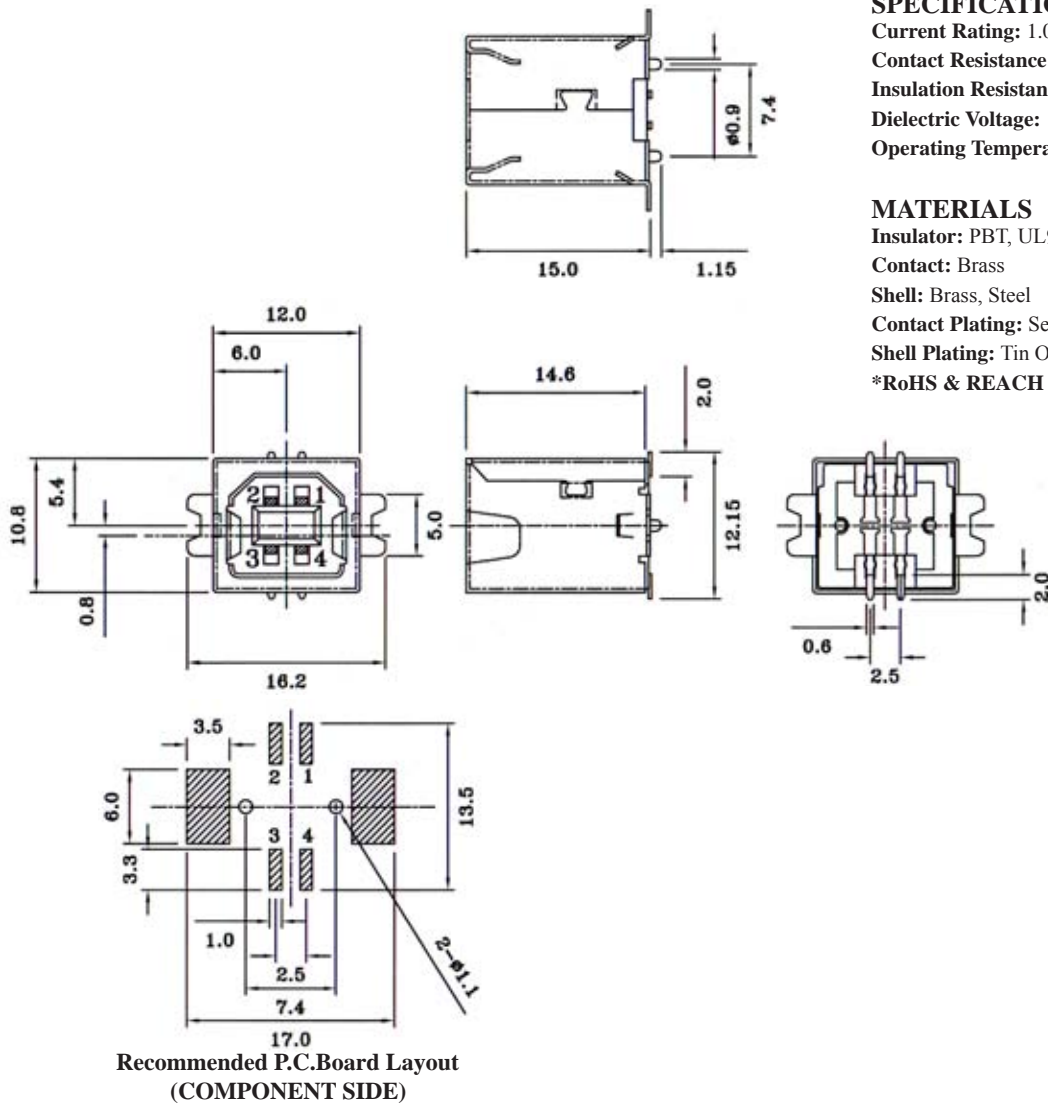
Insulator: PBT, UL94V-0 Rated
Contact: Brass
Shell: Brass, Steel
Contact Plating: Selective Gold Over Nickel Plated
Shell Plating: Tin Or Nickel Over Copper Plated
 *RoHS & REACH compliant.

ORDERING INFORMATION:

P/N U B 5 2 - 0 4 F W x x - x
 1 2 3 4 5

1. NO. OF POSITIONS:
04
2. CONNECTOR TYPE:
"F" FEMALE
3. INSULATOR COLOR:
"W" WHITE
4. CONTACT FINISH:
"01" GOLD FLASH (REV 1.1)
"30" 30 MICROINCH GOLD (REV 2.0)
5. PACKAGE OPTION:
" " TRAY
"R" TAPE & REEL

USB B TYPE FEMALE CONNECTOR STRAIGHT SMT TYPE



SPECIFICATIONS

Current Rating: 1.0 Amperes
Contact Resistance: 25mΩ Max.
Insulation Resistance: 1000MΩ Min. at 500V
Dielectric Voltage: 1000V at 1 Minute
Operating Temperature: -55°C to +105°C

MATERIALS

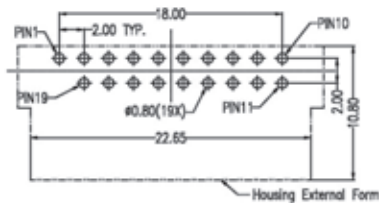
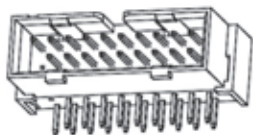
Insulator: PBT, UL94V-0 Rated
Contact: Brass
Shell: Brass, Steel
Contact Plating: Selective Gold Over Nickel Plated
Shell Plating: Tin Or Nickel Over Copper Plated
***RoHS & REACH compliant.**

ORDERING INFORMATION:

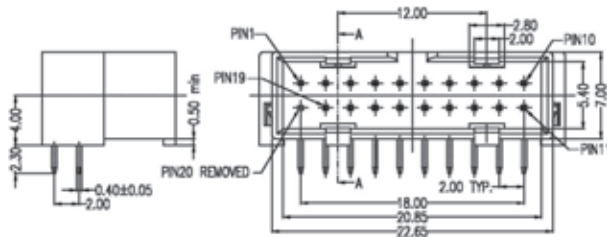
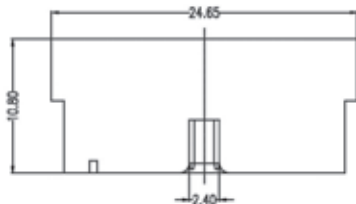
P/N U B 5 4 - $\frac{0}{1}$ $\frac{4}{2}$ $\frac{F}{3}$ $\frac{W}{4}$ X X

1. NO. OF CONTACTS:
04
2. CONNECTOR TYPE:
"F" FEMALE
3. INSULATOR COLOR:
"W" WHITE
4. CONTACT FINISH:
"01" GOLD FLASH
"03" 3 MICROINCH GOLD
"30" 30 MICROINCH GOLD

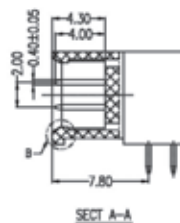
INTERNAL USB 3.0 19 PIN BOX HEADER RIGHT ANGLE DIP TYPE



Recommended P.C.Board Layout
Component Side (T=1.60mm)



PIN NO.	SIGNAL	DESCRIPTION
1	VBUS	Power
2	DM ⁺	USB 3.0 EC Port1 SuperSpeed Rx-
3	DM ⁻	USB 3.0 EC Port1 SuperSpeed Rx+
4	DND	DND
5	DM ⁺	USB 3.0 EC Port1 SuperSpeed Tx-
6	DM ⁻	USB 3.0 EC Port1 SuperSpeed Tx+
7	DND	DND
8	PP ⁻	USB 3.0 EC Port1 D+(500 Signal D-)
9	PP ⁺	USB 3.0 EC Port1 D-(500 Signal D+)
10	ID	Over Current Protection
11	PP ⁺	USB 3.0 EC Port1 D+(500 Signal D+)
12	PP ⁻	USB 3.0 EC Port1 D-(500 Signal D-)
13	DND	DND
14	PP ⁺	USB 3.0 EC Port1 SuperSpeed Tx+
15	PP ⁻	USB 3.0 EC Port1 SuperSpeed Tx-
16	DND	DND
17	PP ⁺	USB 3.0 EC Port2 SuperSpeed Rx+
18	PP ⁻	USB 3.0 EC Port2 SuperSpeed Rx-
19	VBUS	Power



SPECIFICATIONS

- Current Rating: 0.5 Amperes
- Insulation Resistance: 100MΩ Min
- Dielectric Withstanding: 500V AC
- Contact Resistance: 30mΩ Max.
- Operating Temperature: -55°C to +85°C

MATERIALS

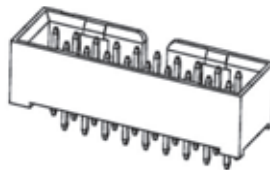
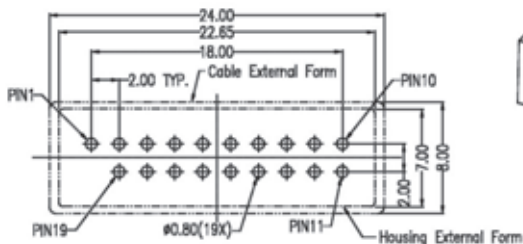
- Housing: Nylon 46, UL94V-0
- Contact: Brass
- Plating: Au Plating on Contact Area; Ni (50u" Min.) Underplating overall
- *RoHS & REACH compliant.

ORDERING INFORMATION:

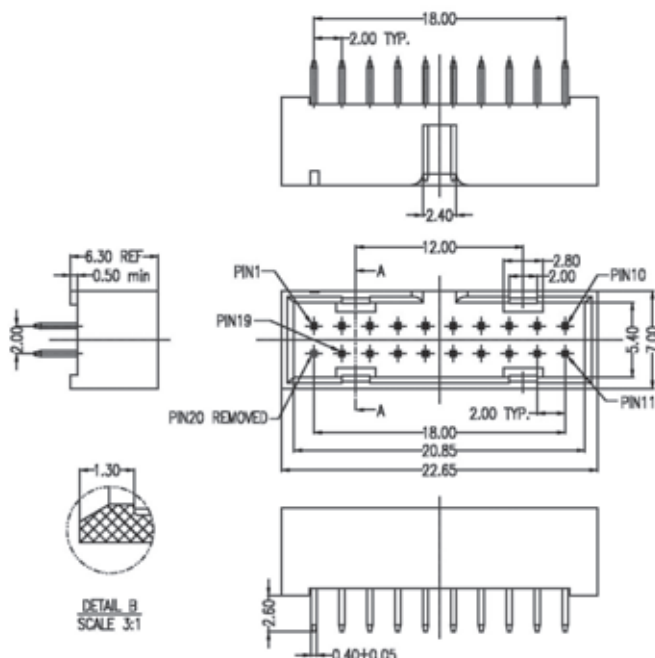
P/N U I 3 M R - 1 9 $\frac{M}{T} \frac{x}{2} \frac{x}{3}$

- CONNECTOR TYPE:
"M" MALE
- HOUSING COLOR:
"U" BLUE
"B" BLACK
- CONTACT FINISH:
"30" 30 MICROINCH GOLD
"15" 15 MICROINCH GOLD
"01" GOLD FLASH

INTERNAL USB 3.0 19 PIN BOX HEADER STRAIGHT DIP TYPE



Recommended P.C. Board Layout
Component Side (T=1.60mm)



PIN NO.	SEWAL	DESCRIPTION
1	Mbus	Power
2	InA_P1_SSR0-	USB 3 EIC Part1 SuperSpeed Re-
3	InA_P1_SSR0+	USB 3 EIC Part1 SuperSpeed Re+
4	DND	DND
5	InA_P1_SSR1-	USB 3 EIC Part1 SuperSpeed Tr-
6	InA_P1_SSR1+	USB 3 EIC Part1 SuperSpeed Tr+
7	DND	DND
8	InA_P2_D-	USB 3 EIC Part2 D-(USBD Signal D-)
9	InA_P2_D+	USB 3 EIC Part2 D+(USBD Signal D+)
10	D	Over Current Protection
11	InA_P2_D+	USB 3 EIC Part2 D+(USBD Signal D+)
12	InA_P2_D-	USB 3 EIC Part2 D-(USBD Signal D-)
13	DND	DND
14	InA_P2_SSR0+	USB 3 EIC Part2 SuperSpeed Tr+
15	InA_P2_SSR0-	USB 3 EIC Part2 SuperSpeed Tr-
16	DND	DND
17	InA_P2_SSR1+	USB 3 EIC Part2 SuperSpeed Re+
18	InA_P2_SSR1-	USB 3 EIC Part2 SuperSpeed Re-
19	Mbus	Power

SPECIFICATIONS

Current Rating: 0.5 Amperes
Insulation Resistance: 100MΩ Min
Dielectric Withstanding: 500V AC
Contact Resistance: 30mΩ Max.
Operating Temperature: -55°C to +85°C

MATERIALS

Housing: Nylon 46, UL94V-0
Contact: Brass
Plating: Au Plating on Contact Area;
Ni (50u" Min.) Underplating
overall

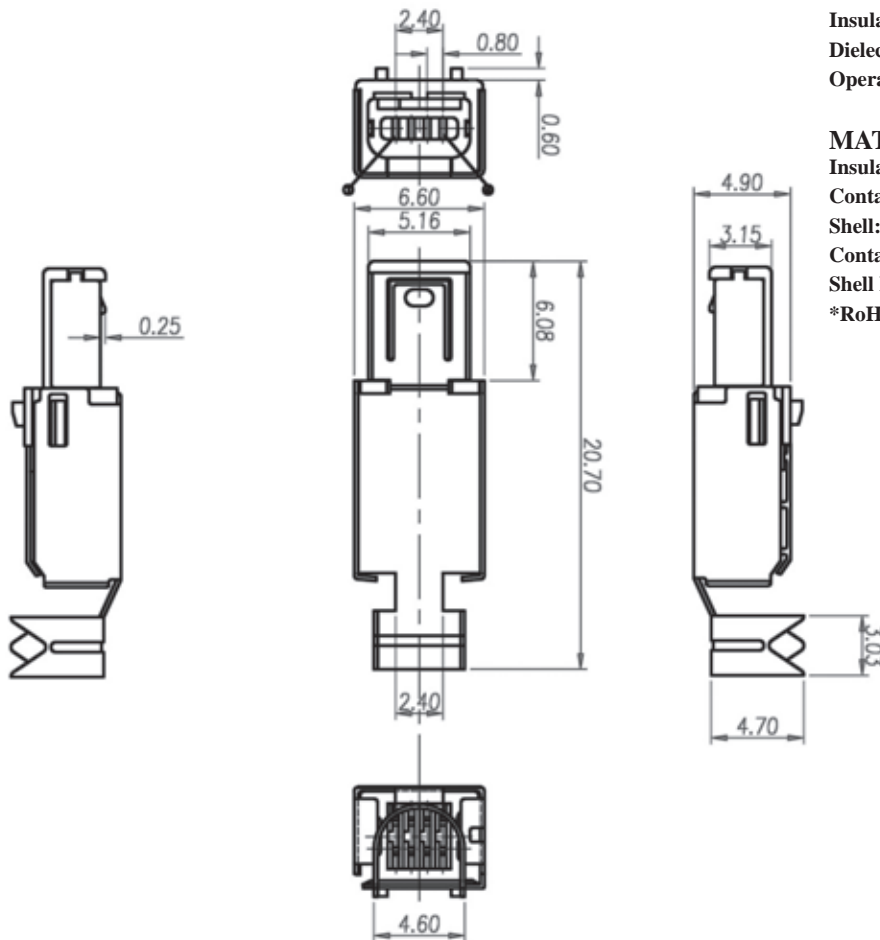
*RoHS & REACH compliant.

ORDERING INFORMATION:

P/N U I 3 M S - 1 9 $\frac{M}{T}$ $\frac{x}{2}$ $\frac{x}{3}$

- CONNECTOR TYPE:
"M" MALE
- HOUSING COLOR:
"U" BLUE
"B" BLACK
- CONTACT FINISH:
"30" 30 MICROINCH GOLD
"15" 15 MICROINCH GOLD
"01" GOLD FLASH

MINI USB 4 PIN B TYPE MALE CONNECTOR FOR CABLE ASSEMBLY



SPECIFICATIONS

Current Rating: 1.0 Amp

Contact Resistance: 25 Milliohm Max.

Insulation Resistance: 1000 Megohm Min. At 500V

Dielectric Withstanding: 1000V At 1 Minute

Operating Temperature: -55°C to +105°C

MATERIALS

Insulator: THERMOPLASTIC, UL94V-0 RATED

Contact: Brass

Shell: Brass, Steel

Contact Plating: Selective Gold Over Nickel Plated

Shell Plating: Tin Or Nickel Over Copper Plated

*RoHS & REACH compliant.

ORDERING INFORMATION:

P/N U M 0 2 - 0 4 M B 1 0
1 2 3 4

DRAWING REVISED

1. NO. OF CONTACTS:

04

2. CONNECTOR TYPE:

"M" MALE

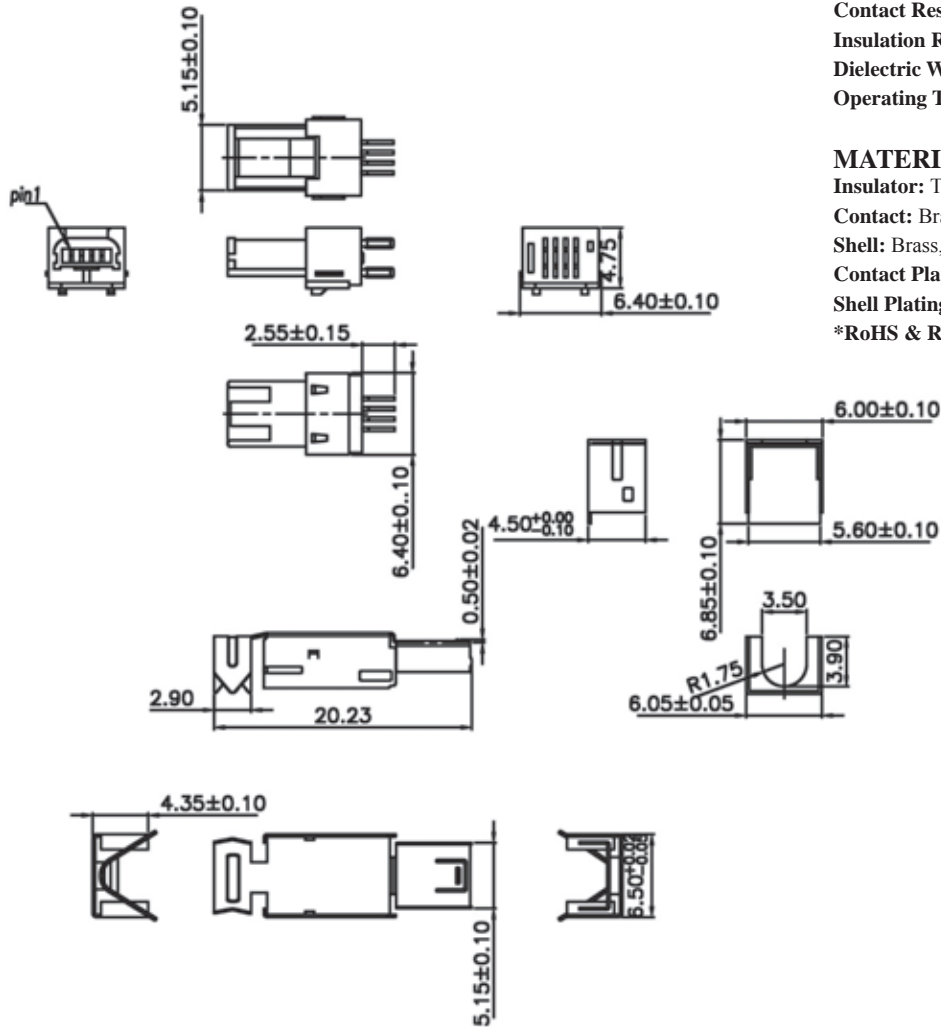
3. INSULATOR COLOR:

"B" BLACK

4. CONTACT FINISH:

"10" 10 MICROINCH GOLD

MINI USB A TYPE 4 PIN MALE CONNECTOR CABLE SOLDER TYPE



SPECIFICATIONS

Current Rating: 1.0 Amp

Contact Resistance: 25 Milliohm Max.

Insulation Resistance: 1000 Megohm Min. At 500V

Dielectric Withstanding: 1000V At 1 Minute

Operating Temperature: -55°C to +105°C

MATERIALS

Insulator: Thermoplastic, UL94V-0 Rated

Contact: Brass

Shell: Brass, Steel

Contact Plating: Selective Gold Over Nickel Plated

Shell Plating: Tin Or Nickel Over Copper Plated

***RoHS & REACH compliant.**

ORDERING INFORMATION:

P/N U M 1 6 - 0 4 M x x x
1 2 3 4

1. NO. OF CONTACTS:

04

2. CONNECTOR TYPE:

"M" MALE

3. INSULATOR COLOR:

"B" BLACK

"W" WHITE

4. CONTACT FINISH:

"03" 3 MICROINCH GOLD

"15" 15 MICROINCH GOLD

"30" 30 MICROINCH GOLD

"01" GOLD FLASH

MINI USB 4 PIN A TYPE MALE CONNECTOR FOR CABLE ASSEMBLY

SPECIFICATIONS

Current Rating: 1.0 Amp

Contact Resistance: 25 Milliohm Max.

Insulation Resistance: 1000 Megohm Min. At 500V

Dielectric Withstanding: 1000V At 1 Minute

Operating Temperature: -55°C to +105°C

MATERIALS

Insulator: THERMOPLASTIC, UL94V-0 RATED

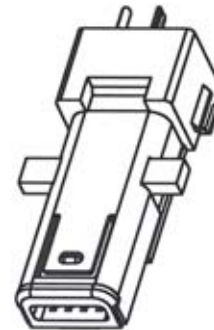
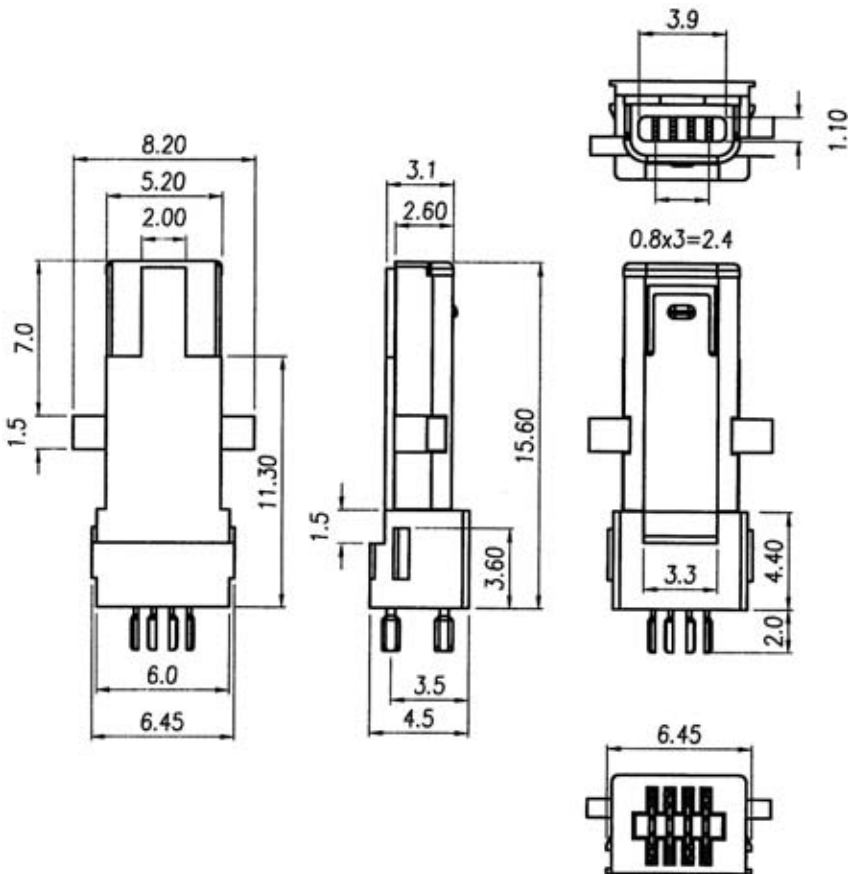
Contact: Brass

Shell: Brass, Steel

Contact Plating: Selective Gold Over Nickel Plated

Shell Plating: Tin Or Nickel Over Copper Plated

*RoHS & REACH compliant.



ORDERING INFORMATION:

P/N U M 1 7 - 0 4 M B 1 0
1 2 3 4

1. NO. OF CONTACTS:

04

2. CONNECTOR TYPE:

"M" MALE

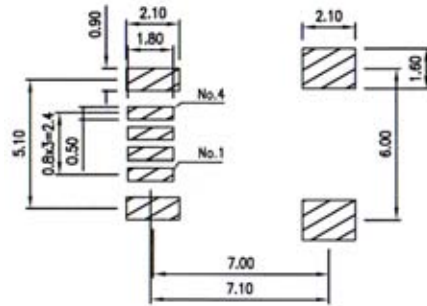
3. INSULATOR COLOR:

"B" BLACK

4. CONTACT FINISH:

"10" 10 MICROINCH GOLD

MINI USB B TYPE 4 PIN FEMALE CONNECTOR SMT TYPE



Recommended P.C.Board Layout

SPECIFICATIONS

Current Rating: 1.0 Amp

Contact Resistance: 25 Milliohm Max.

Insulation Resistance: 1000 Megohm Min. At 500V

Dielectric Withstanding: 1000V At 1 Minute

Operating Temperature: -55°C to +105°C

MATERIALS

Insulator: Thermoplastic, UL94V-0 Rated

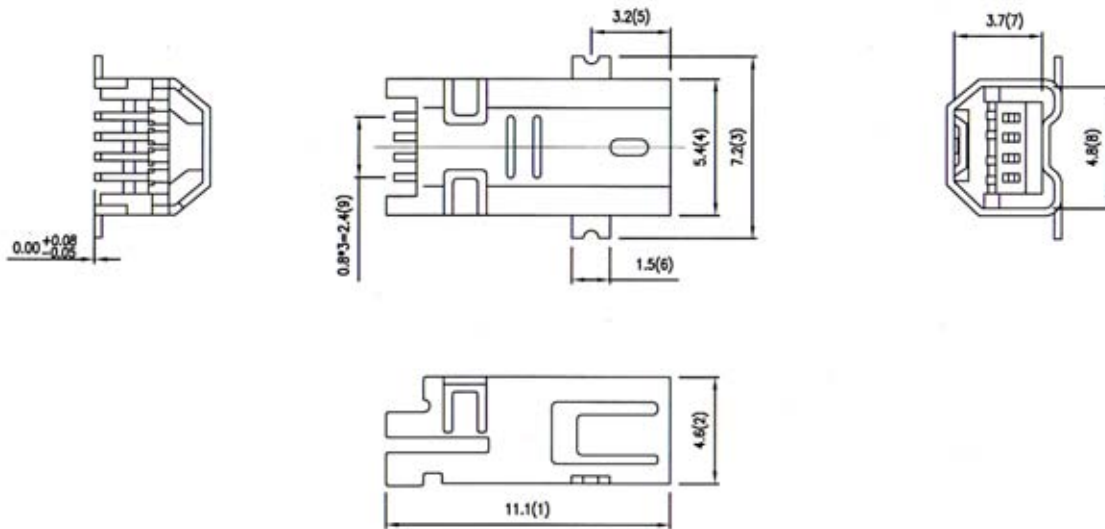
Contact: Brass

Shell: Brass, Steel

Contact Plating: Selective Gold Over Nickel Plated

Shell Plating: Tin Or Nickel Over Copper Plated

*RoHS & REACH compliant.



ORDERING INFORMATION:

P/N U M 5 1 - 0 4 F B x x
 1 2 3 4

1. NO. OF CONTACTS:

04

2. CONNECTOR TYPE:

"F" FEMALE

3. INSULATOR COLOR:

"B" BLACK

4. CONTACT FINISH:

"01" GOLD FLASH

"03" 3 MICROINCH GOLD

"15" 15 MICROINCH GOLD

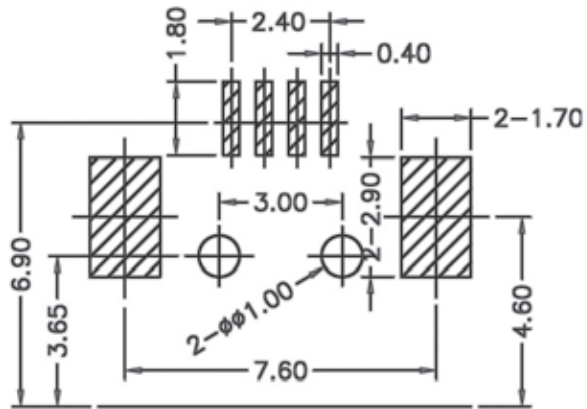
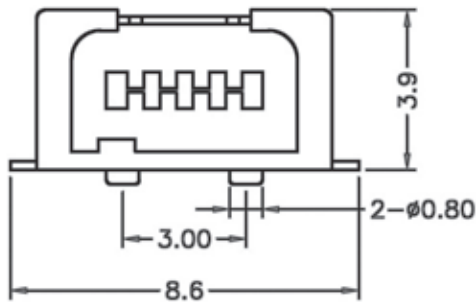
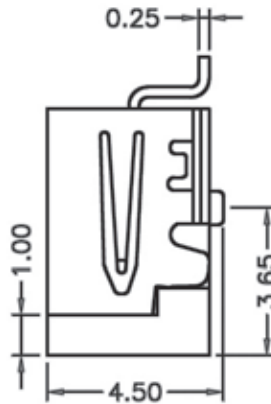
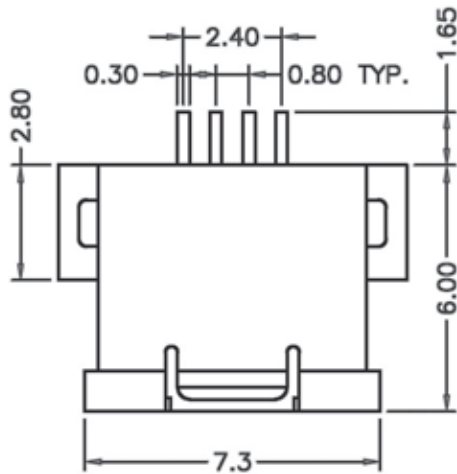
"30" 30 MICROINCH GOLD

NOTE: PACKAGE= TAPE & REEL

DRAWING REVISED

P/N REVISED

MINI USB A TYPE 4 PIN FEMALE CONNECTOR SMT TYPE



Recommended P.C.Board Layout

SPECIFICATIONS

Current Rating: 1.0 Amp

Contact Resistance: 25 Milliohm Max.

Insulation Resistance: 1000 Megohm Min. At 500V

Dielectric Withstanding: 1000V At 1 Minute

Operating Temperature: -55°C to +105°C

MATERIALS

Insulator: Thermoplastic, UL94V-0 Rated

Contact: Brass

Shell: Brass, Steel

Contact Plating: Selective Gold Over Nickel Plated

Shell Plating: Tin Or Nickel Over Copper Plated

*RoHS & REACH compliant.

ORDERING INFORMATION:

P/N U M 5 4 - 0 4 F B x x
 1 2 3 4

DRAWING REVISED

P/N REVISED

1. NO. OF CONTACTS:

04

2. CONNECTOR TYPE:

"F" FEMALE

3. INSULATOR COLOR:

"B" BLACK

4. CONTACT FINISH:

"01" GOLD FLASH

"05" 5 MICROINCH GOLD

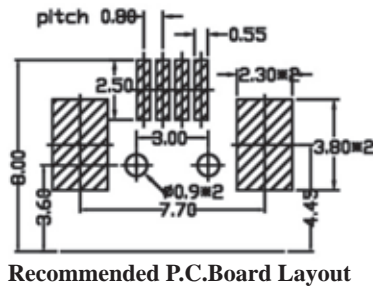
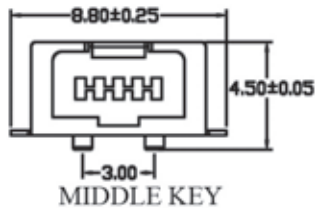
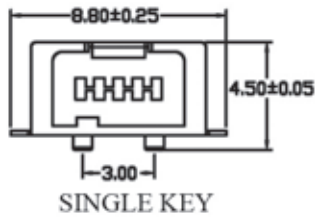
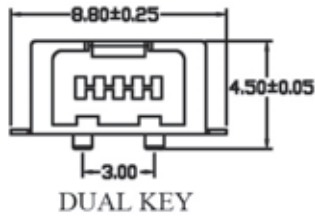
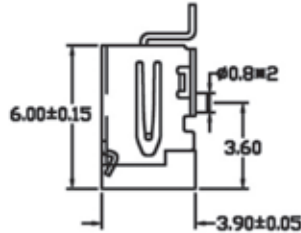
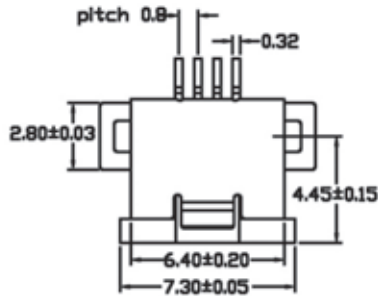
"10" 10 MICROINCH GOLD

"15" 15 MICROINCH GOLD

"30" 30 MICROINCH GOLD

NOTE: PACKAGE= TAPE & REEL

MINI USB A TYPE 4 PIN FEMALE CONNECTOR SMT TYPE



SPECIFICATIONS

Current Rating: 1.0 Amp

Contact Resistance: 25 Milliohm Max.

Insulation Resistance: 1000 Megohm Min. At 500V

Dielectric Withstanding: 1000V At 1 Minute

Operating Temperature: -55°C to +105°C

MATERIALS

Insulator: Thermoplastic, UL94V-0 Rated

Contact: Brass

Shell: Brass, Steel

Contact Plating: Selective Gold Over Nickel Plated

Shell Plating: Tin Or Nickel Over Copper Plated

*RoHS & REACH compliant.

ORDERING INFORMATION:

P/N U M $\frac{x}{1}$ $\frac{x}{2}$ - 0 4 $\frac{F}{3}$ $\frac{x}{4}$ $\frac{x}{5}$

1. KEY TYPE OPTION:

"61" SINGLE KEY

"62" DUAL KEY

"63" MIDDLE KEY

2. CONNECTOR TYPE:

"F" FEMALE

3. INSULATOR COLOR:

"B" BLACK

"W" WHITE

"U" BLUE

4. CONTACT FINISH:

"01" GOLD FLASH

"03" 03 MICROINCH GOLD

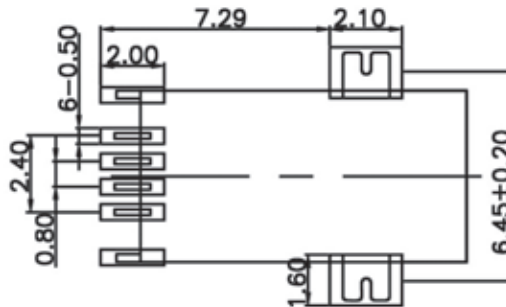
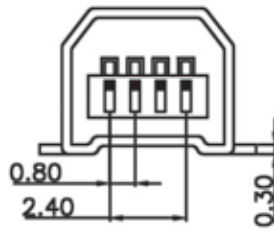
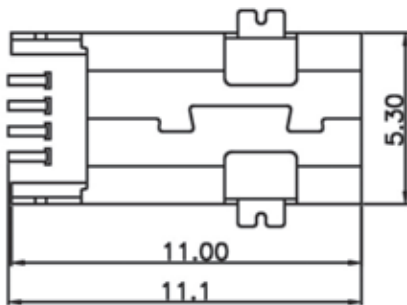
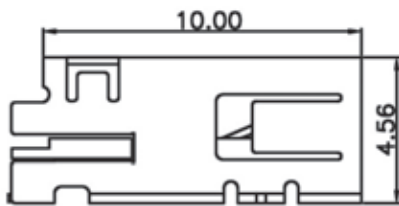
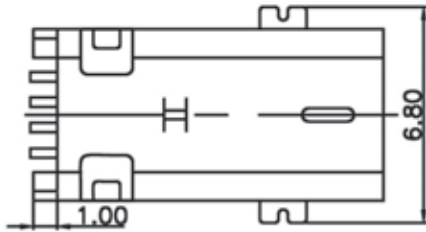
"15" 15 MICROINCH GOLD

"30" 30 MICROINCH GOLD

DRAWING REVISED

P/N REVISED

MINI USB MITSUMI TYPE 4 PIN FEMALE CONNECTOR SMT TYPE



Recommended P.C.Board Layout

SPECIFICATIONS

Current Rating: 1.0 Amp

Contact Resistance: 25 Milliohm Max.

Insulation Resistance: 1000 Megohm Min. At 500V

Dielectric Withstanding: 1000V At 1 Minute

Operating Temperature: -55°C to +105°C

MATERIALS

Insulator: THERMOPLASTIC, UL94V-0 RATED

Contact: Brass

Shell: Brass, Steel

Contact Plating: Selective Gold Over Nickel Plated

Shell Plating: Tin Or Nickel Over Copper Plated

***RoHS & REACH compliant.**

ORDERING INFORMATION:

P/N U M 7 0 - 0 4 F B x x
1 2 3 4

1. NO. OF CONTACTS:

04

2. CONNECTOR TYPE:

"F" FEMALE

3. INSULATOR COLOR:

"B" BLACK

4. CONTACT FINISH:

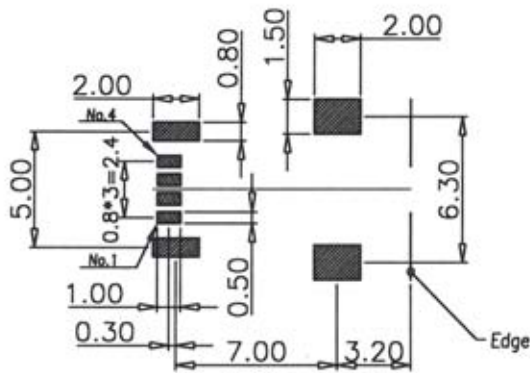
"15" 15 MICROINCH GOLD

"30" 30 MICROINCH GOLD

DRAWING REVISED

P/N REVISED

MINI USB B TYPE 4 PIN FEMALE CONNECTOR SMT TYPE



Recommended P.C.Board Layout

SPECIFICATIONS

Current Rating: 1.0 Amp

Contact Resistance: 25 Milliohm Max.

Insulation Resistance: 1000 Megohm Min. At 500V

Dielectric Withstanding: 1000V At 1 Minute

Operating Temperature: -55°C to +105°C

MATERIALS

Insulator: THERMOPLASTIC, UL94V-0 RATED

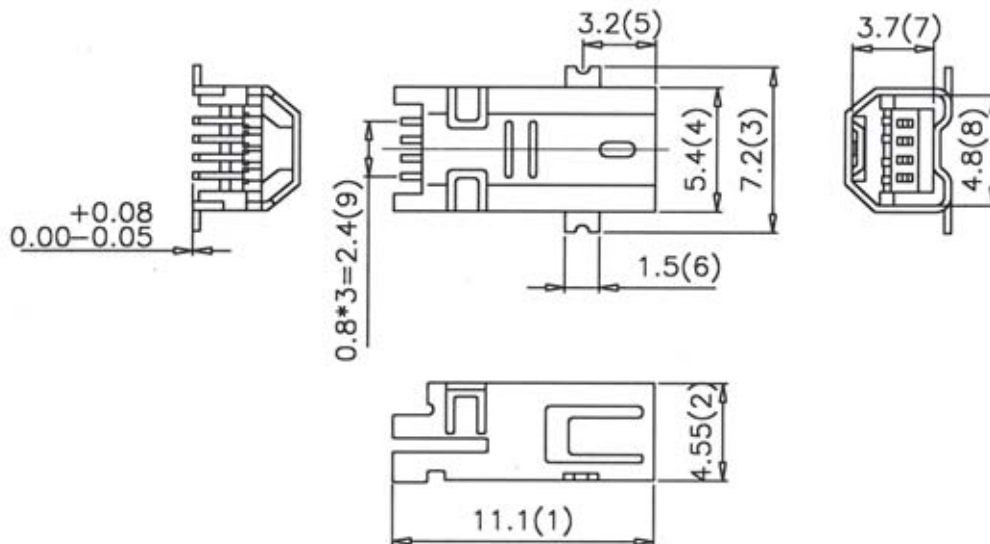
Contact: Brass

Shell: Brass, Steel

Contact Plating: Selective Gold Over Nickel Plated

Shell Plating: Tin Or Nickel Over Copper Plated

*RoHS & REACH compliant.



ORDERING INFORMATION:

P/N U M 5 0 - 0 4 F B x x
 1 2 3 4

1. NO. OF CONTACTS:

04

2. CONNECTOR TYPE:

"F" FEMALE

3. INSULATOR COLOR:

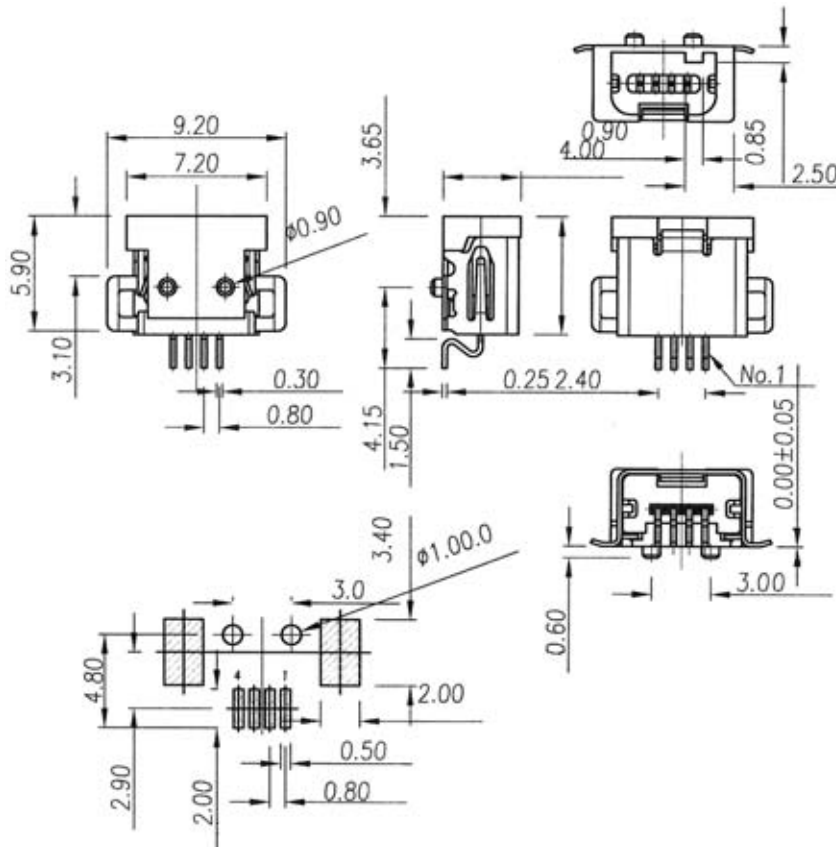
"B" BLACK

4. CONTACT FINISH:

"15" 15 MICROINCH GOLD

"30" 30 MICROINCH GOLD

MINI USB A TYPE 4 PIN FEMALE CONNECTOR SMT TYPE



Recommended P.C.Board Layout

SPECIFICATIONS

Current Rating: 1.0 Amp

Contact Resistance: 25 Milliohm Max.

Insulation Resistance: 1000 Megohm Min. At 500V

Dielectric Withstanding: 1000V At 1 Minute

Operating Temperature: -55°C to +105°C

MATERIALS

Insulator: THERMOPLASTIC, UL94V-0 RATED

Contact: Brass

Shell: Brass, Steel

Contact Plating: Selective Gold Over Nickel Plated

Shell Plating: Tin Or Nickel Over Copper Plated

*RoHS & REACH compliant.

ORDERING INFORMATION:

P/N U M 1 1 - 0 4 F x x x
1 2 3 4

1. NO. OF CONTACTS:

04

2. CONNECTOR TYPE:

"F" FEMALE

3. INSULATOR COLOR:

"B" BLACK

"W" WHITE

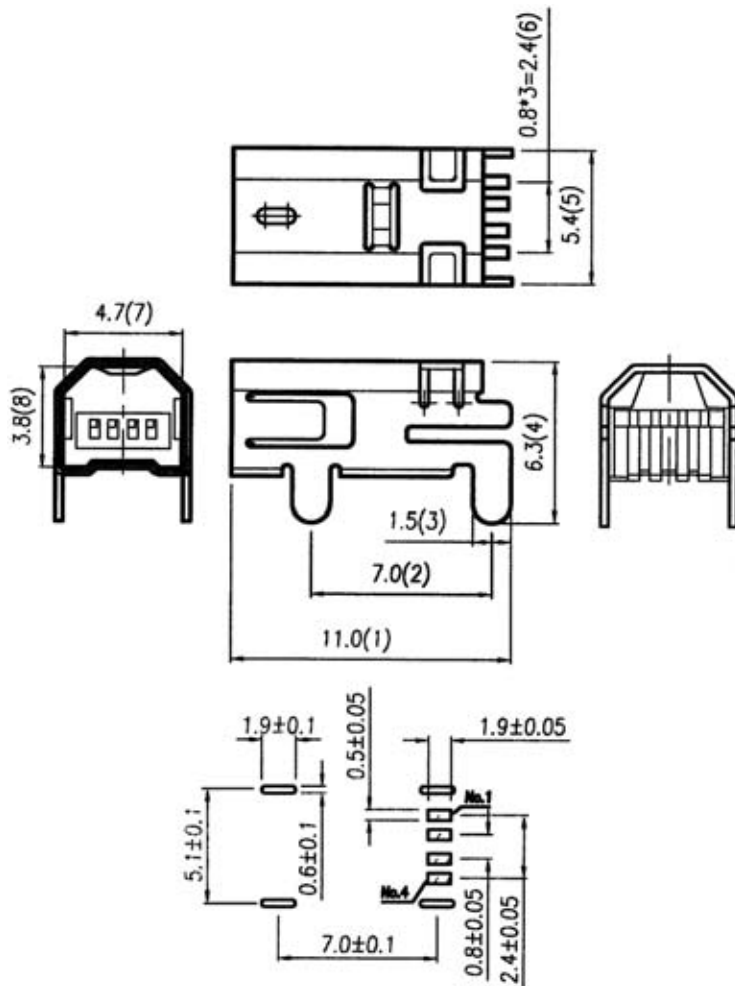
4. CONTACT FINISH:

"10" 10 MICROINCH GOLD

"15" 15 MICROINCH GOLD

"30" 30 MICROINCH GOLD

MINI USB B TYPE 4 PIN FEMALE CONNECTOR SMT TYPE



Recommended P.C.Board Layout

SPECIFICATIONS

Current Rating: 1.0 Amp

Contact Resistance: 25 Milliohm Max.

Insulation Resistance: 1000 Megohm Min. At 500V

Dielectric Withstanding: 1000V At 1 Minute

Operating Temperature: -55°C to +105°C

MATERIALS

Insulator: THERMOPLASTIC, UL94V-0 RATED

Contact: Brass

Shell: Brass, Steel

Contact Plating: Selective Gold Over Nickel Plated

Shell Plating: Tin Or Nickel Over Copper Plated

*RoHS & REACH compliant.

ORDERING INFORMATION:

P/N U M 4 0 - 0 4 F B 1 5
1 2 3 4

1. NO. OF CONTACTS:

04

2. CONNECTOR TYPE:

"F" FEMALE

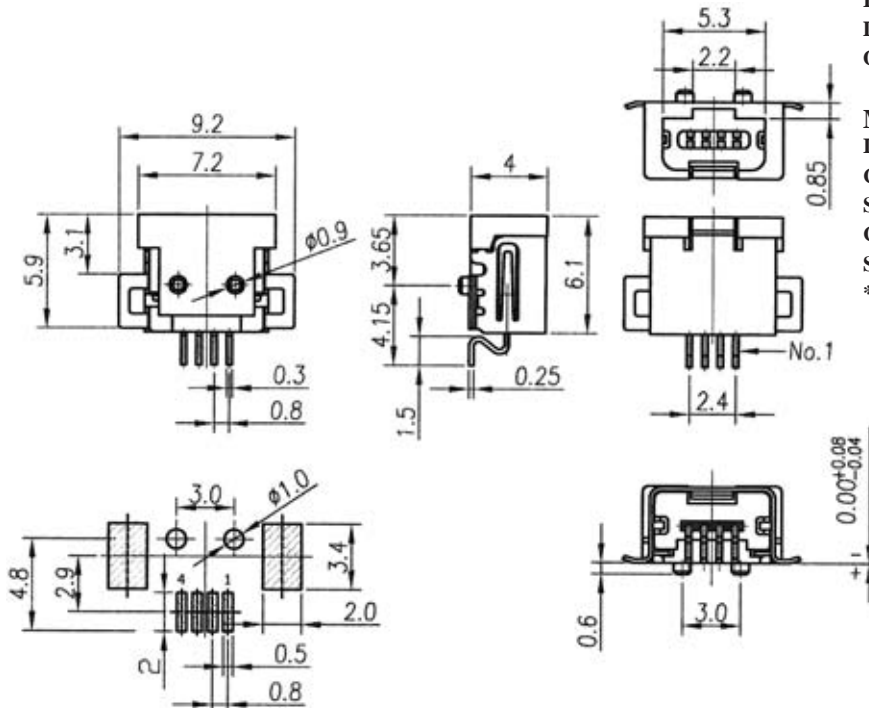
3. INSULATOR COLOR:

"B" BLACK

4. CONTACT FINISH:

"15" 15 MICROINCH GOLD

MINI USB A TYPE 4 PIN FEMALE CONNECTOR SMT TYPE



Recommended P.C.Board Layout

SPECIFICATIONS

Current Rating: 1.0 Amp

Contact Resistance: 25 Milliohm Max.

Insulation Resistance: 1000 Megohm Min. At 500V

Dielectric Withstanding: 1000V At 1 Minute

Operating Temperature: -55°C to +105°C

MATERIALS

Insulator: THERMOPLASTIC, UL94V-0 RATED

Contact: Brass

Shell: Brass, Steel

Contact Plating: Selective Gold Over Nickel Plated

Shell Plating: Tin Or Nickel Over Copper Plated

*RoHS & REACH compliant.

ORDERING INFORMATION:

P/N U M 1 2 - 0 4 F x x x
1 2 3 4

1. NO. OF CONTACTS:

04

2. CONNECTOR TYPE:

"F" FEMALE

3. INSULATOR COLOR:

"B" BLACK

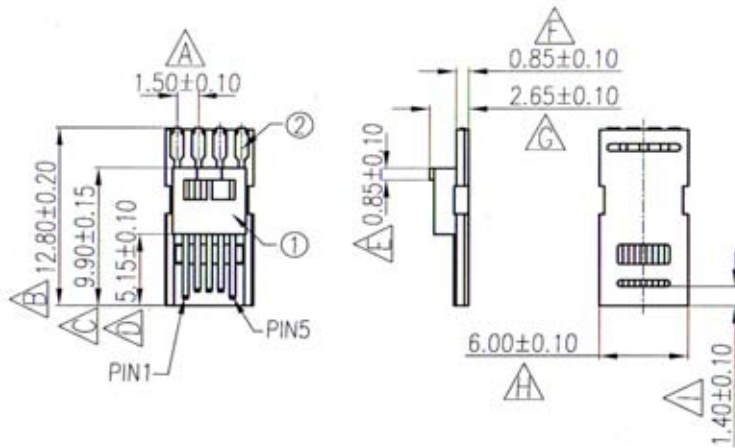
"W" WHITE

4. CONTACT FINISH:

"10" 10 MICROINCH GOLD

"30" 30 MICROINCH GOLD

MINI USB B TYPE 5 PIN MALE CONNECTOR CABLE ASSEMBLY TYPE



SPECIFICATIONS

Current Rating: 1.0 Amp

Contact Resistance: 25 Milliohm Max.

Insulation Resistance: 1000 Megohm Min. At 500V

Dielectric Withstanding: 1000V At 1 Minute

Operating Temperature: -55°C to +105°C

MATERIALS

Insulator: THERMOPLASTIC, UL94V-0 RATED

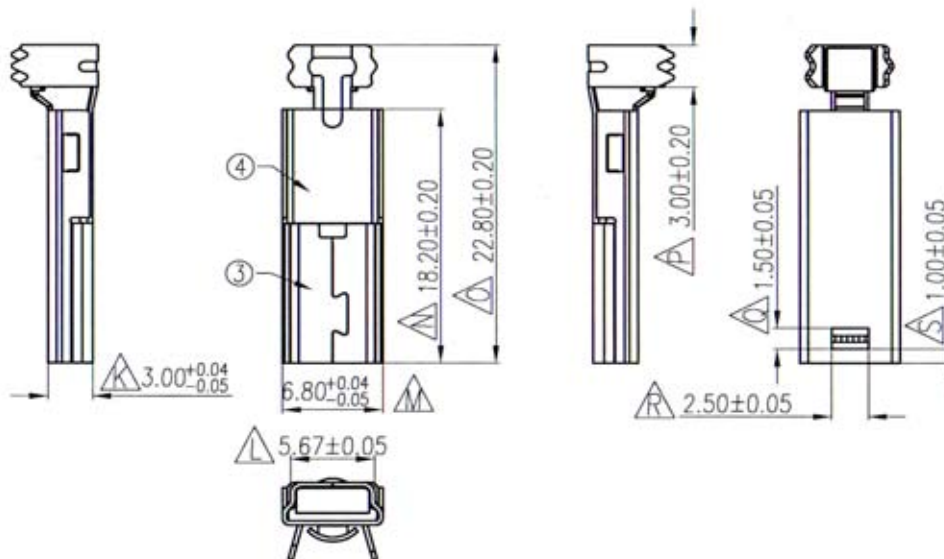
Contact: Brass

Shell: Brass, Steel

Contact Plating: Selective Gold Over Nickel Plated

Shell Plating: Tin Or Nickel Over Copper Plated

*RoHS & REACH compliant.



ORDERING INFORMATION:

P/N U M 0 3 - 0 5 M B x x
 1 2 3 4

1. NO. OF CONTACTS:

05

2. CONNECTOR TYPE:

"M" MALE

3. INSULATOR COLOR:

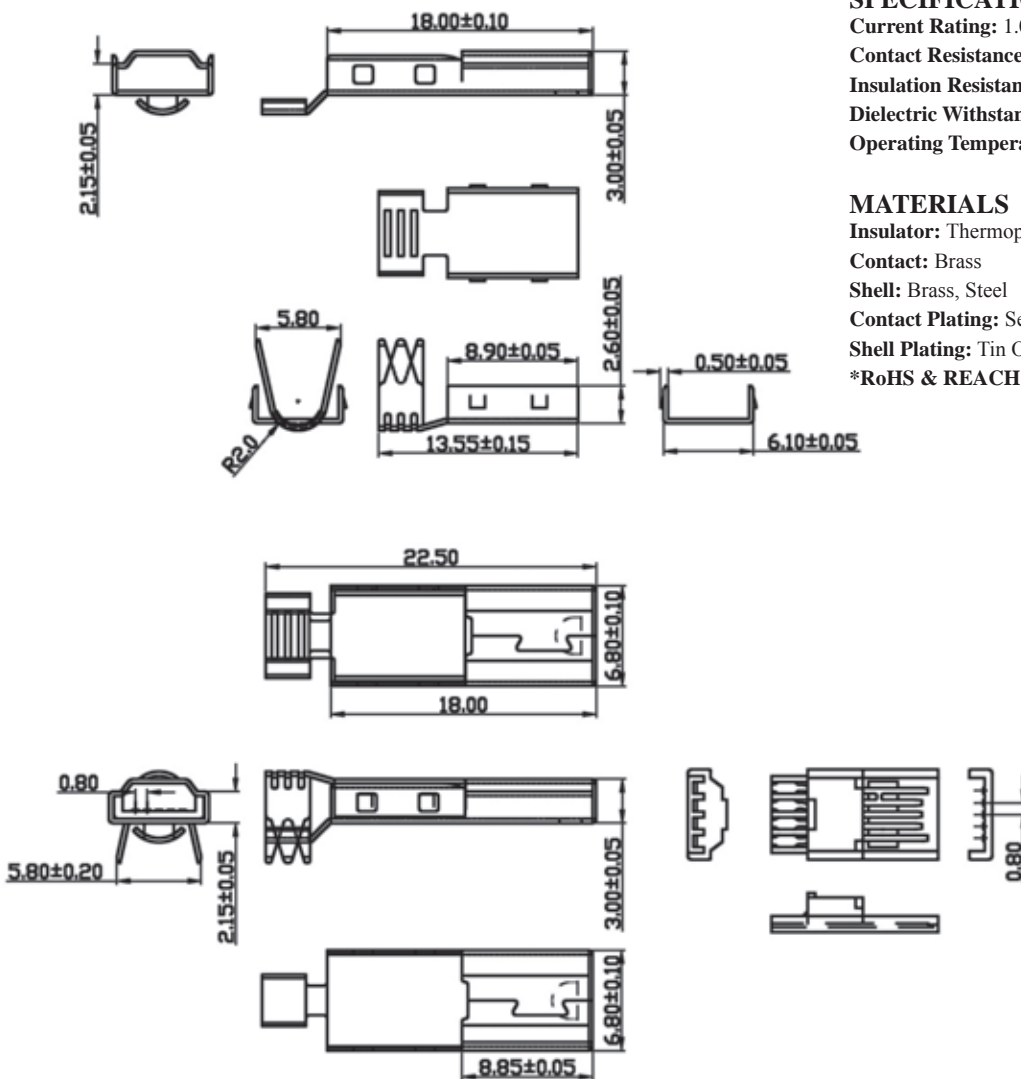
"B" BLACK

4. CONTACT FINISH:

"15" 15 MICROINCH GOLD

"30" 30 MICROINCH GOLD

MINI USB A TYPE 5 PIN MALE CONNECTOR CABLE SOLDER TYPE



SPECIFICATIONS

Current Rating: 1.0 Amp

Contact Resistance: 25 Milliohm Max.

Insulation Resistance: 1000 Megohm Min. At 500V

Dielectric Withstanding: 1000V At 1 Minute

Operating Temperature: -55°C to +105°C

MATERIALS

Insulator: Thermoplastic, UL94V-0 Rated

Contact: Brass

Shell: Brass, Steel

Contact Plating: Selective Gold Over Nickel Plated

Shell Plating: Tin Or Nickel Over Copper Plated

*RoHS & REACH compliant.

ORDERING INFORMATION:

P/N U M 0 4 - 0 5 M x x x
 1 2 3 4

1. NO. OF CONTACTS:

05

2. CONNECTOR TYPE:

"M" MALE

3. INSULATOR COLOR:

"B" BLACK

"W" WHITE

4. CONTACT FINISH:

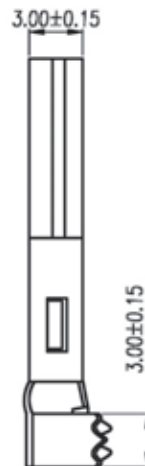
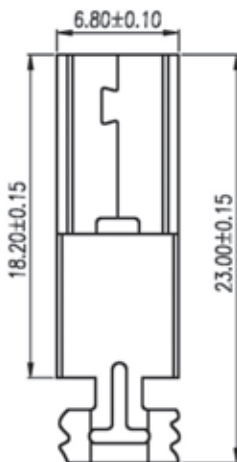
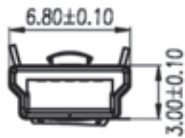
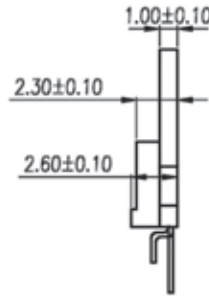
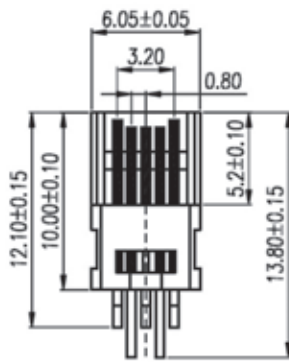
"03" 3 MICROINCH GOLD

"15" 15 MICROINCH GOLD

"30" 30 MICROINCH GOLD

"01" GOLD FLASH

MINI USB B TYPE 5 PIN MALE CONNECTOR CABLE SOLDER TYPE



SPECIFICATIONS

Current Rating: 1.0 Amp

Contact Resistance: 25 Milliohm Max.

Insulation Resistance: 1000 Megohm Min. At 500V

Dielectric Withstanding: 1000V At 1 Minute

Operating Temperature: -55°C to +105°C

MATERIALS

Insulator: Thermoplastic, UL94V-0 Rated

Contact: Brass

Shell: Brass, Steel

Contact Plating: Selective Gold Over Nickel Plated

Shell Plating: Tin Or Nickel Over Copper Plated

***RoHS & REACH compliant.**

ORDERING INFORMATION:

P/N U M 0 5 - 0 5 M B x x
1 2 3 4

1. NO. OF CONTACTS:

05

2. CONNECTOR TYPE:

"M" MALE

3. INSULATOR COLOR:

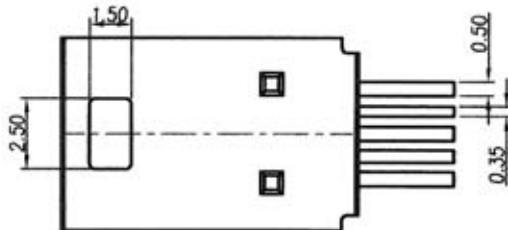
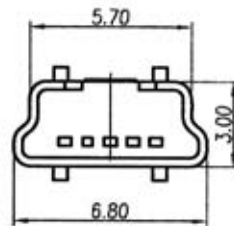
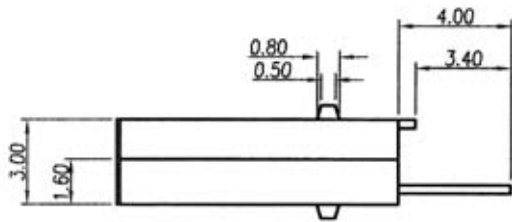
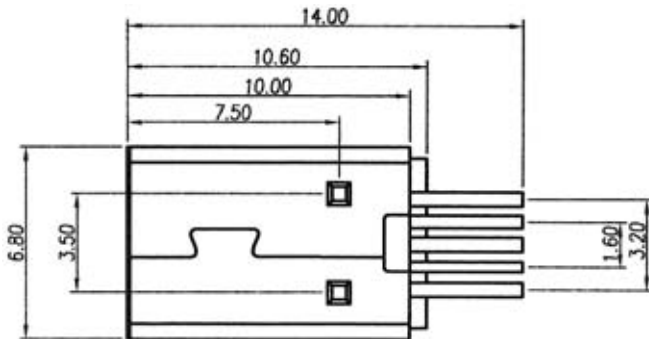
"B" BLACK

4. CONTACT FINISH:

"01" GOLD FLASH

"30" 30 MICROINCH GOLD

MINI USB B TYPE 5 PIN MALE CONNECTOR FOR CABLE ASSEMBLY



SPECIFICATIONS

Current Rating: 1.0 Amp

Contact Resistance: 25 Milliohm Max.

Insulation Resistance: 1000 Megohm Min. At 500V

Dielectric Withstanding: 1000V At 1 Minute

Operating Temperature: -55°C to +105°C

MATERIALS

Insulator: THERMOPLASTIC, UL94V-0 RATED

Contact: Brass

Shell: Brass, Steel

Contact Plating: Selective Gold Over Nickel Plated

Shell Plating: Tin Or Nickel Over Copper Plated

*RoHS & REACH compliant.

ORDERING INFORMATION:

P/N U M 4 5 - 0 5 M B 1 0
1 2 3 4

1. NO. OF CONTACTS:

05

2. CONNECTOR TYPE:

"M" MALE

3. INSULATOR COLOR:

"B" BLACK

4. CONTACT FINISH:

"10" 10 MICROINCH GOLD

MINI USB B TYPE 5 PIN MALE CONNECTOR CABLE SOLDER TYPE OD=4.0MM

SPECIFICATIONS

Current Rating: 1.0 Amp

Contact Resistance: 25 Milliohm Max.

Insulation Resistance: 1000 Megohm Min. At 500V

Dielectric Withstanding: 1000V At 1 Minute

Operating Temperature: -55°C to +105°C

MATERIALS

Insulator: Thermoplastic, UL94V-0 Rated

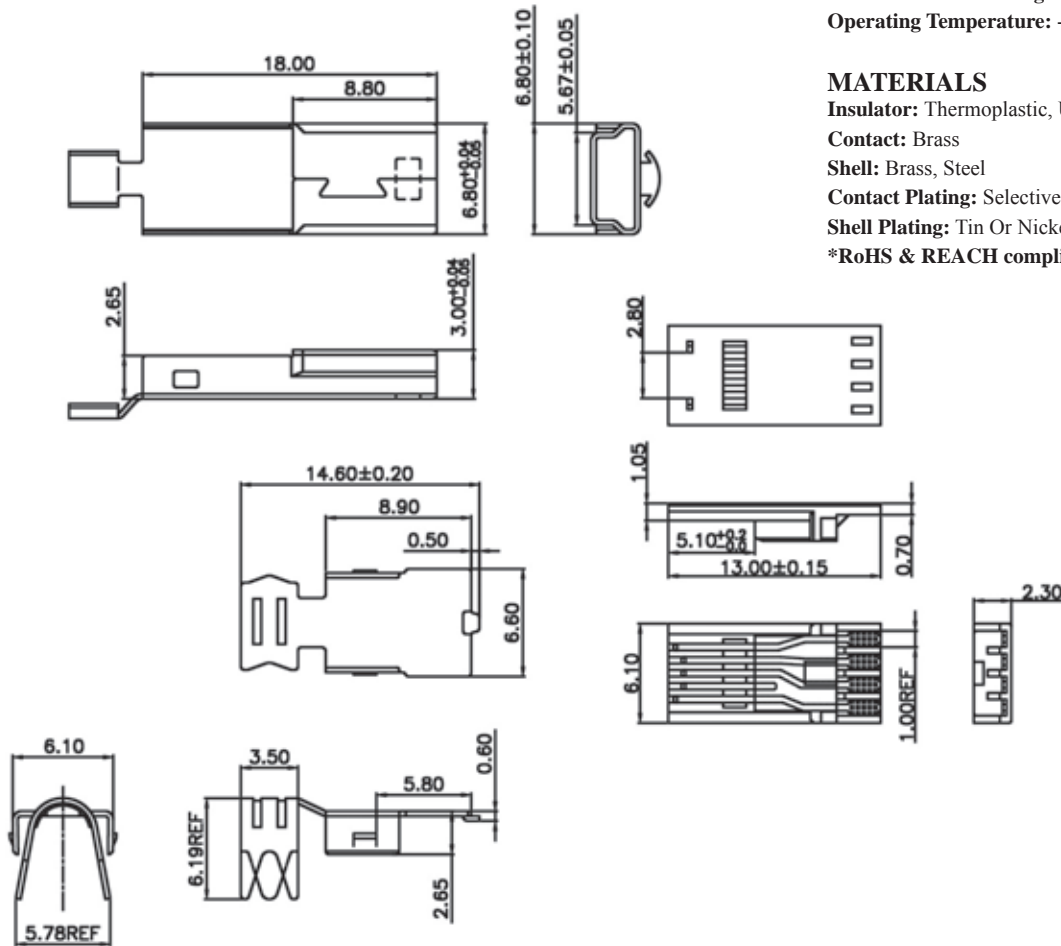
Contact: Brass

Shell: Brass, Steel

Contact Plating: Selective Gold Over Nickel Plated

Shell Plating: Tin Or Nickel Over Copper Plated

*RoHS & REACH compliant.



ORDERING INFORMATION:

P/N U M 4 6 - 0 5 M B x x
 1 2 3 4

1. NO. OF CONTACTS:

05

2. CONNECTOR TYPE:

"M" MALE

3. INSULATOR COLOR:

"B" BLACK

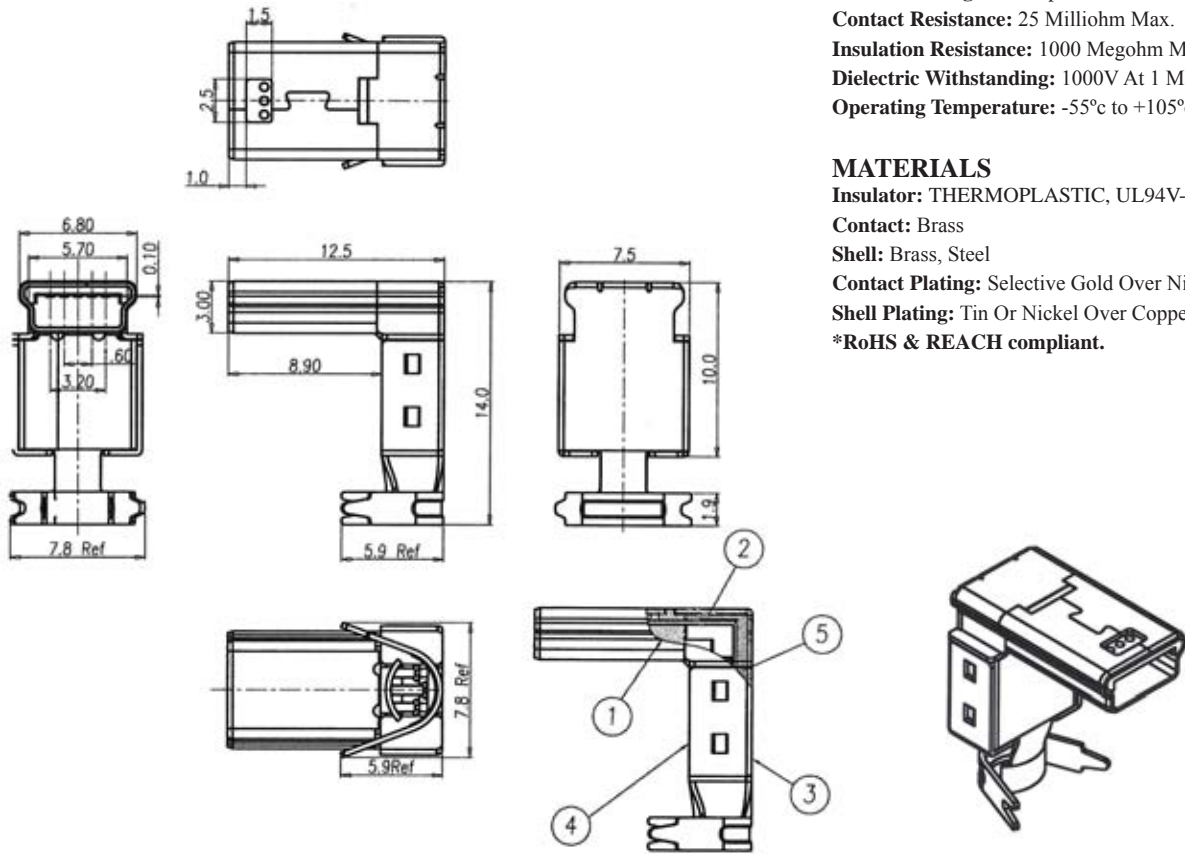
4. CONTACT FINISH:

"01" GOLD FLASH

"15" 15 MICROINCH GOLD

"30" 30 MICROINCH GOLD

MINI USB B TYPE 5 PIN MALE CONNECTOR RIGHT ANGLE TYPE FOR CABLE ASSEMBLY



SPECIFICATIONS

Current Rating: 1.0 Amp

Contact Resistance: 25 Milliohm Max.

Insulation Resistance: 1000 Megohm Min. At 500V

Dielectric Withstanding: 1000V At 1 Minute

Operating Temperature: -55°C to +105°C

MATERIALS

Insulator: THERMOPLASTIC, UL94V-0 RATED

Contact: Brass

Shell: Brass, Steel

Contact Plating: Selective Gold Over Nickel Plated

Shell Plating: Tin Or Nickel Over Copper Plated

*RoHS & REACH compliant.

ORDERING INFORMATION:

P/N U M 3 6 - 0 5 M B 0 5
 1 2 3 4

1. NO. OF CONTACTS:

05

2. CONNECTOR TYPE:

"M" MALE

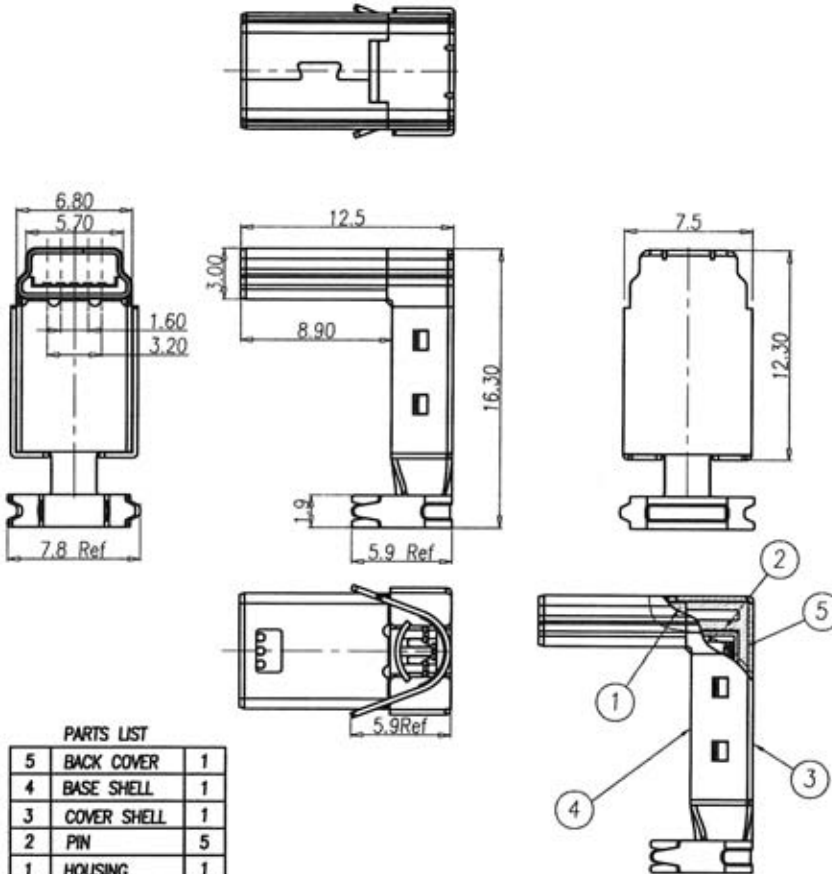
3. INSULATOR COLOR:

"B" BLACK

4. CONTACT FINISH:

"05" 5 MICROINCH GOLD

MINI USB B TYPE 5 PIN MALE CONNECTOR RIGHT ANGLE TYPE FOR CABLE ASSEMBLY



PARTS LIST

NO.	DESCRIPTION	Q'TY
5	BACK COVER	1
4	BASE SHELL	1
3	COVER SHELL	1
2	PIN	5
1	HOUSING	1

SPECIFICATIONS

Current Rating: 1.0 Amp

Contact Resistance: 25 Milliohm Max.

Insulation Resistance: 1000 Megohm Min. At 500V

Dielectric Withstanding: 1000V At 1 Minute

Operating Temperature: -55°C to +105°C

MATERIALS

Insulator: THERMOPLASTIC, UL94V-0 RATED

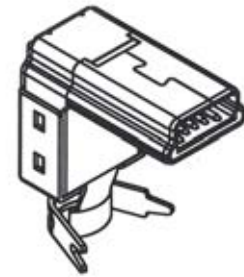
Contact: Brass

Shell: Brass, Steel

Contact Plating: Selective Gold Over Nickel Plated

Shell Plating: Tin Or Nickel Over Copper Plated

*RoHS & REACH compliant.



ORDERING INFORMATION:

P/N U M 3 7 - 0 5 M B 0 5
1 2 3 4

1. NO. OF CONTACTS:

05

2. CONNECTOR TYPE:

"M" MALE

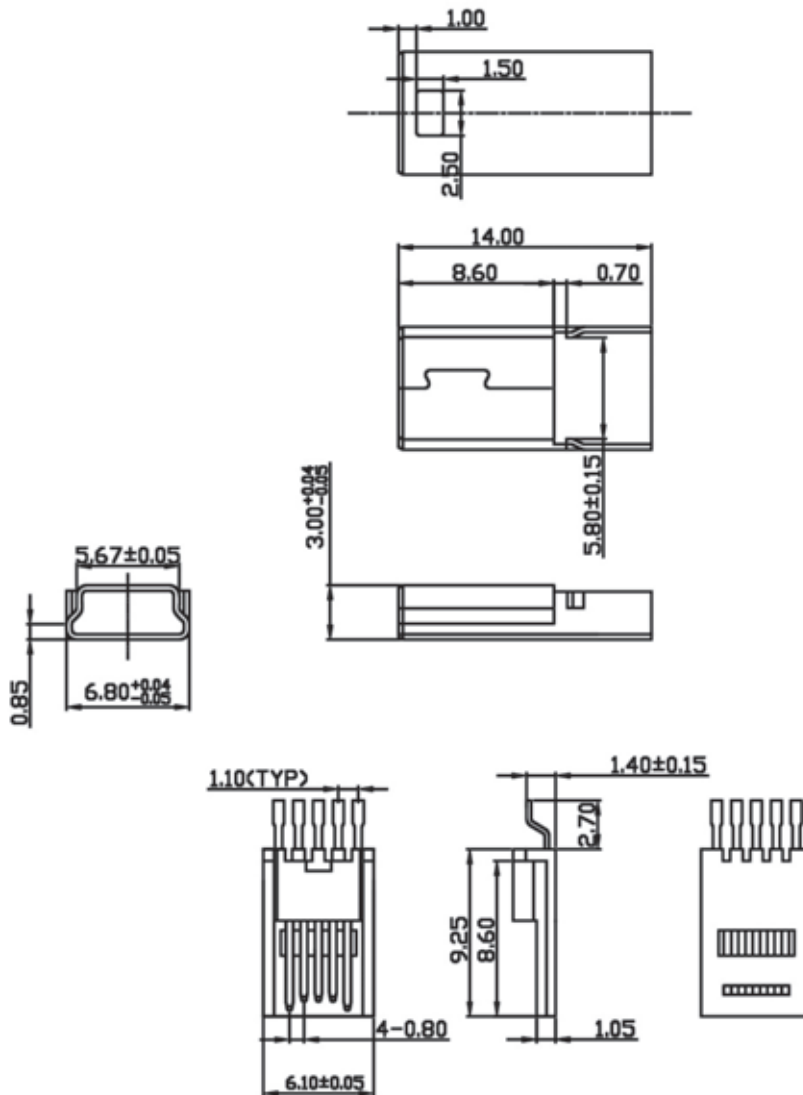
3. INSULATOR COLOR:

"B" BLACK

4. CONTACT FINISH:

"05" 5 MICROINCH GOLD

MINI USB B TYPE 5 PIN MALE CONNECTOR CABLE SOLDER TYPE



SPECIFICATIONS

Current Rating: 1.0 Amp

Contact Resistance: 25 Milliohm Max.

Insulation Resistance: 1000 Megohm Min. At 500V

Dielectric Withstanding: 1000V At 1 Minute

Operating Temperature: -55°C to +105°C

MATERIALS

Insulator: Thermoplastic, UL94V-0 Rated

Contact: Brass

Shell: Brass, Steel

Contact Plating: Selective Gold Over Nickel Plated

Shell Plating: Tin Or Nickel Over Copper Plated

***RoHS & REACH compliant.**

ORDERING INFORMATION:

P/N U M 7 8 - $\frac{0}{1}$ $\frac{5}{2}$ $\frac{M}{3}$ $\frac{B}{4}$ x x

1. NO. OF CONTACTS:

05

2. CONNECTOR TYPE:

"M" MALE

3. INSULATOR COLOR:

"B" BLACK

4. CONTACT FINISH:

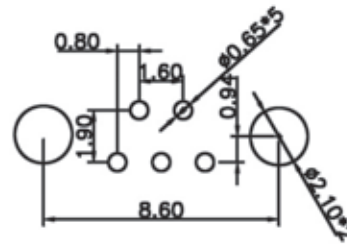
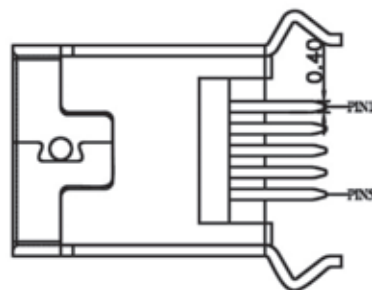
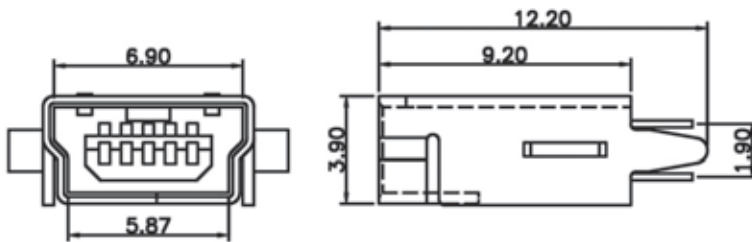
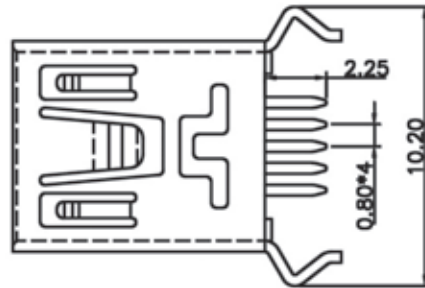
"03" 3 MICROINCH GOLD

"15" 15 MICROINCH GOLD

"30" 30 MICROINCH GOLD

"01" GOLD FLASH

MINI USB B TYPE 5 PIN FEMALE CONNECTOR STRAIGHT DIP TYPE



Recommended P.C.Board Layout

SPECIFICATIONS

Current Rating: 1.0 Amp

Contact Resistance: 25 Milliohm Max.

Insulation Resistance: 1000 Megohm Min. At 500V

Dielectric Withstanding: 1000V At 1 Minute

Operating Temperature: -55°C to +105°C

MATERIALS

Insulator: Thermoplastic, UL94V-0 Rated

Contact: Brass

Shell: Brass, Steel

Contact Plating: Selective Gold Over Nickel Plated

Shell Plating: Tin Or Nickel Over Copper Plated

***RoHS & REACH compliant.**

ORDERING INFORMATION:

P/N U M 1 9 - 0 5 F B x x
1 2 3 4

1. NO. OF CONTACTS:

05

2. CONNECTOR TYPE:

"F" FEMALE

3. INSULATOR COLOR:

"B" BLACK

4. CONTACT FINISH:

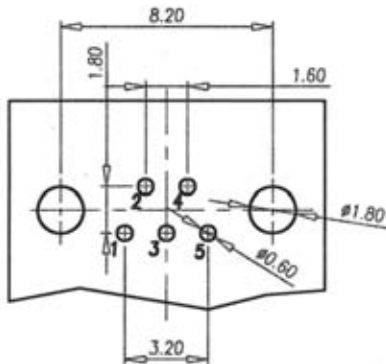
"03" 3 MICROINCH GOLD

"15" 15 MICROINCH GOLD

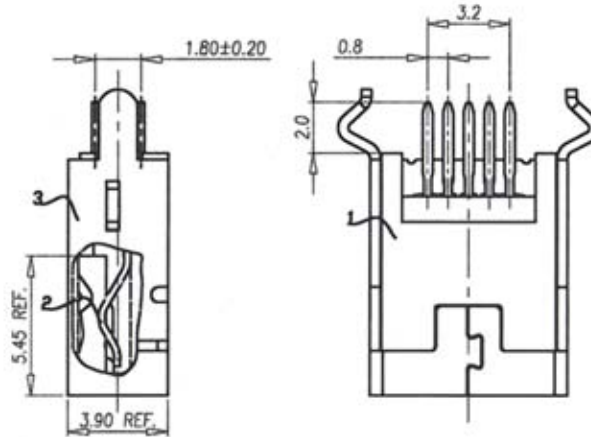
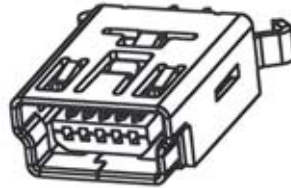
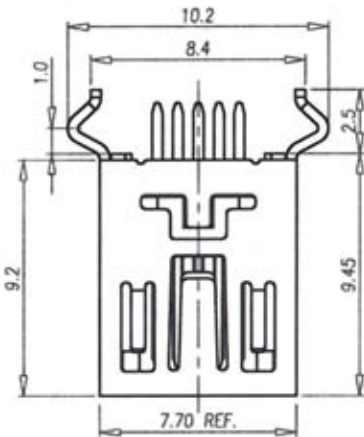
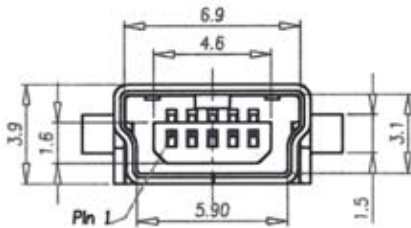
"30" 30 MICROINCH GOLD

"01" GOLD FLASH

MINI USB B TYPE 5 PIN FEMALE CONNECTOR STRAIGHT DIP TYPE



Recommended P.C. Board Layout



SPECIFICATIONS

Current Rating: 1.0 Amp

Contact Resistance: 25 Milliohm Max.

Insulation Resistance: 1000 Megohm Min. At 500V

Dielectric Withstanding: 1000V At 1 Minute

Operating Temperature: -55°C to +105°C

MATERIALS

Insulator: Thermoplastic, UL94V-0 Rated

Contact: Brass

Shell: Brass, Steel

Contact Plating: Selective Gold Over Nickel Plated

Shell Plating: Tin Or Nickel Over Copper Plated

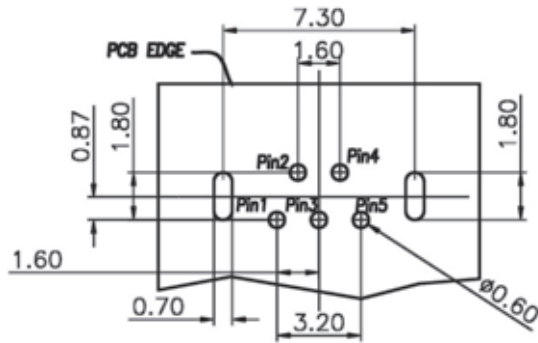
*RoHS & REACH compliant.

ORDERING INFORMATION:

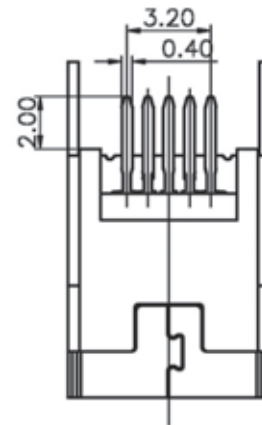
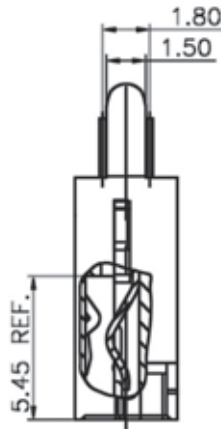
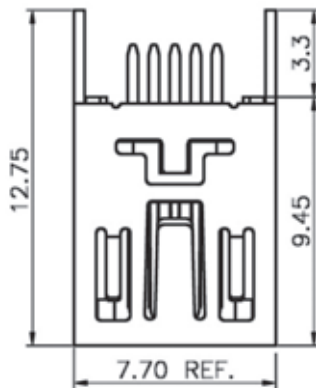
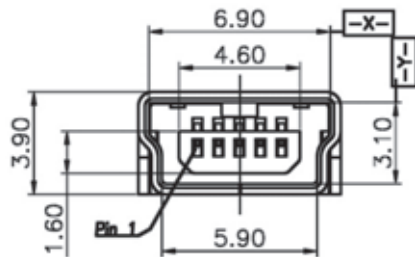
P/N U M 1 0 - 0 5 F B x x
1 2 3 4

1. NO. OF CONTACTS:
05
2. CONNECTOR TYPE:
"F" FEMALE
3. INSULATOR COLOR:
"B" BLACK
4. CONTACT FINISH:
"01" GOLD FLASH

MINI USB B TYPE 5 PIN FEMALE CONNECTOR STRAIGHT DIP TYPE



Recommended P.C.Board Layout



SPECIFICATIONS

Current Rating: 1.0 Amp

Contact Resistance: 25 Milliohm Max.

Insulation Resistance: 1000 Megohm Min. At 500V

Dielectric Withstanding: 1000V At 1 Minute

Operating Temperature: -55°C to +105°C

MATERIALS

Insulator: Thermoplastic, UL94V-0 Rated

Contact: Brass

Shell: Brass, Steel

Contact Plating: Selective Gold Over Nickel Plated

Shell Plating: Tin Or Nickel Over Copper Plated

*RoHS & REACH compliant.

ORDERING INFORMATION:

P/N U M 4 8 - 0 5 F B x x
 1 2 3 4

1. NO. OF CONTACTS:

05

2. CONNECTOR TYPE:

"F" FEMALE

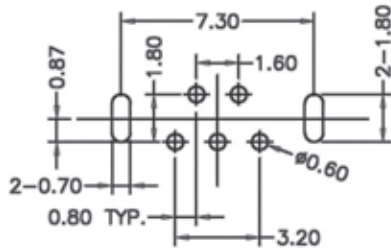
3. INSULATOR COLOR:

"B" BLACK

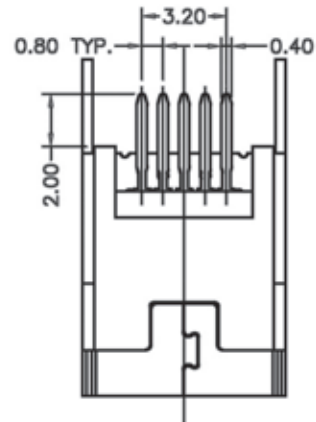
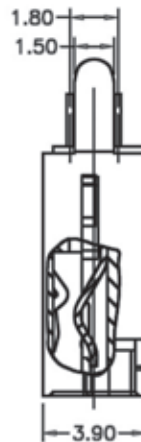
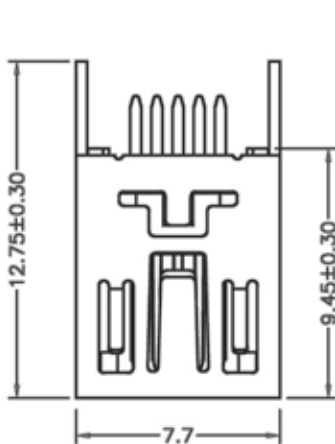
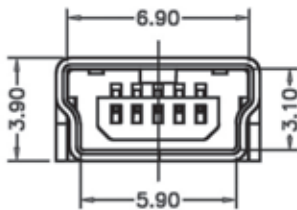
4. CONTACT FINISH:

"01" GOLD FLASH

MINI USB B TYPE 5 PIN FEMALE CONNECTOR STRAIGHT DIP TYPE



Recommended P.C.Board Layout



SPECIFICATIONS

Current Rating: 1.0 Amp

Contact Resistance: 25 Milliohm Max.

Insulation Resistance: 1000 Megohm Min. At 500V

Dielectric Withstanding: 1000V At 1 Minute

Operating Temperature: -55°C to +105°C

MATERIALS

Insulator: Thermoplastic, UL94V-0 Rated

Contact: Brass

Shell: Brass, Steel

Contact Plating: Selective Gold Over Nickel Plated

Shell Plating: Tin Or Nickel Over Copper Plated

*RoHS & REACH compliant.

ORDERING INFORMATION:

P/N U M 1 8 - 0 5 F B x x
1 2 3 4

1. NO. OF CONTACTS:

05

2. CONNECTOR TYPE:

"F" FEMALE

3. INSULATOR COLOR:

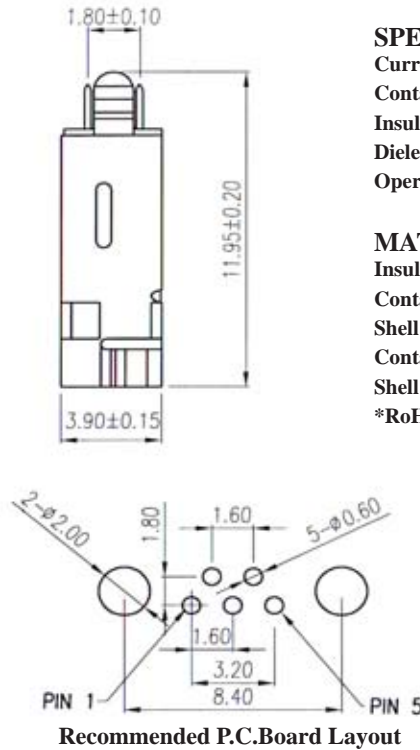
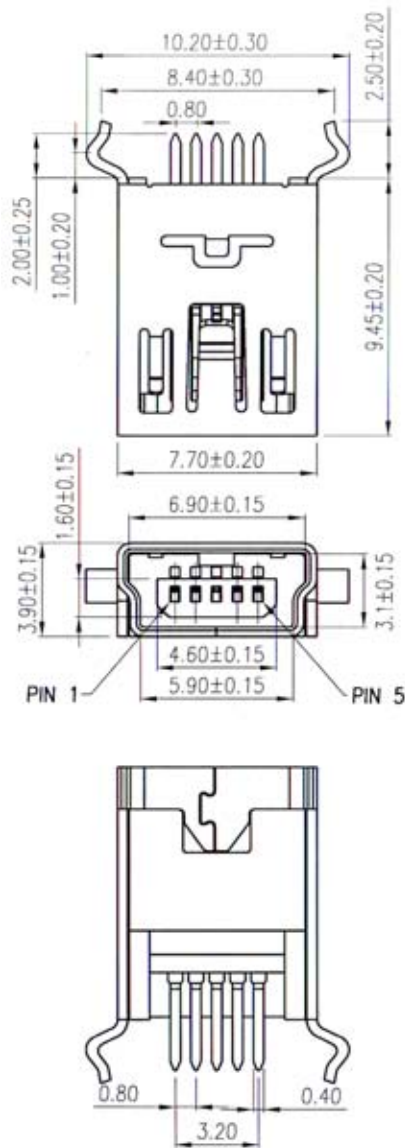
"B" BLACK

4. CONTACT FINISH:

"30" 30 MICROINCH GOLD

"01" GOLD FLASH

MINI USB B TYPE 5 PIN FEMALE CONNECTOR STRAIGHT PCB MOUNT TYPE



Recommended P.C.Board Layout

SPECIFICATIONS

Current Rating: 1.0 Amp

Contact Resistance: 25 Milliohm Max.

Insulation Resistance: 1000 Megohm Min. At 500V

Dielectric Withstanding: 1000V At 1 Minute

Operating Temperature: -55°C to +105°C

MATERIALS

Insulator: THERMOPLASTIC, UL94V-0 RATED

Contact: Brass

Shell: Brass, Steel

Contact Plating: Selective Gold Over Nickel Plated

Shell Plating: Tin Or Nickel Over Copper Plated

***RoHS & REACH compliant.**

ORDERING INFORMATION:

P/N U M 1 5 - 0 5 F B x x
 1 2 3 4

1. NO. OF CONTACTS:

05

2. CONNECTOR TYPE:

"F" FEMALE

3. INSULATOR COLOR:

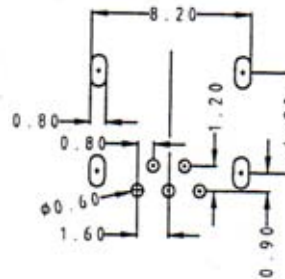
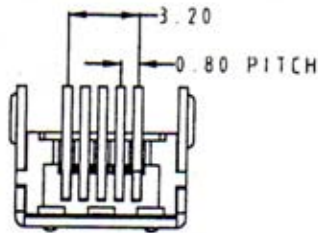
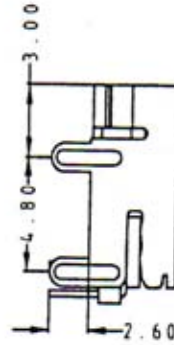
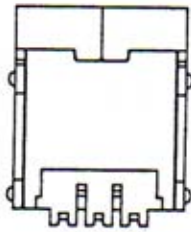
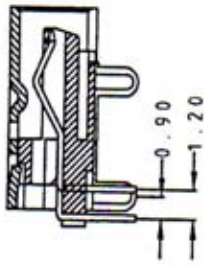
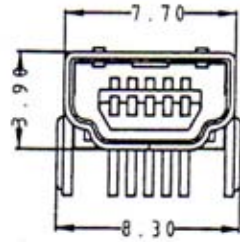
"B" BLACK

4. CONTACT FINISH:

"15" 15 MICROINCH GOLD

"30" 30 MICROINCH GOLD

MINI USB A TYPE 5 PIN FEMALE CONNECTOR RIGHT ANGLE DIP TYPE



Recommended P.C.Board Layout

SPECIFICATIONS

Current Rating: 1.0 Amp

Contact Resistance: 25 Milliohm Max.

Insulation Resistance: 1000 Megohm Min. At 500V

Dielectric Withstanding: 1000V At 1 Minute

Operating Temperature: -55°C to +105°C

MATERIALS

Insulator: THERMOPLASTIC, UL94V-0 RATED

Contact: Brass

Shell: Brass, Steel

Contact Plating: Selective Gold Over Nickel Plated

Shell Plating: Tin Or Nickel Over Copper Plated

***RoHS & REACH compliant.**

ORDERING INFORMATION:

P/N U M 2 3 - 0 5 F B 3 0
1 2 3 4

1. NO. OF CONTACTS:

05

2. CONNECTOR TYPE:

"F" FEMALE

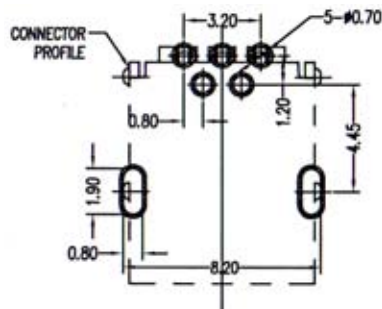
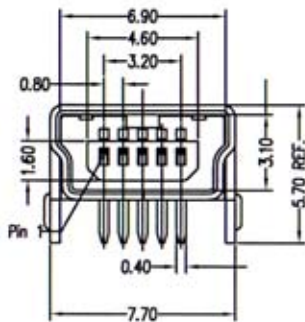
3. INSULATOR COLOR:

"B" BLACK

4. CONTACT FINISH:

"30" 30 MICROINCH GOLD

MINI USB B TYPE 5 PIN FEMALE CONNECTOR RIGHT ANGLE DIP TYPE



Recommended P.C.Board Layout

SPECIFICATIONS

Current Rating: 1.0 Amp

Contact Resistance: 25 Milliohm Max.

Insulation Resistance: 1000 Megohm Min. At 500V

Dielectric Withstanding: 1000V At 1 Minute

Operating Temperature: -55°C to +105°C

MATERIALS

Insulator: THERMOPLASTIC, UL94V-0 RATED

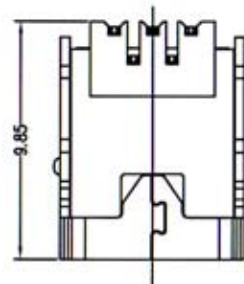
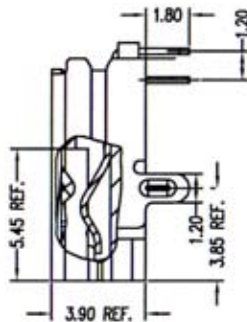
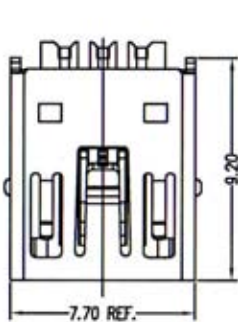
Contact: Brass

Shell: Brass, Steel

Contact Plating: Selective Gold Over Nickel Plated

Shell Plating: Tin Or Nickel Over Copper Plated

***RoHS & REACH compliant.**



ORDERING INFORMATION:

P/N U M 2 4 - 0 5 F B 3 0
1 2 3 4

1. NO. OF CONTACTS:

05

2. CONNECTOR TYPE:

"F" FEMALE

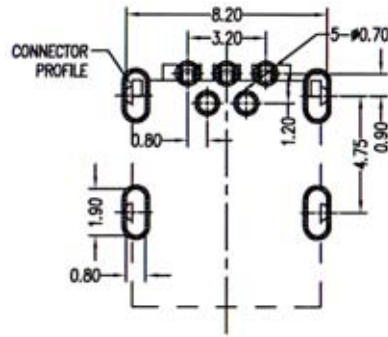
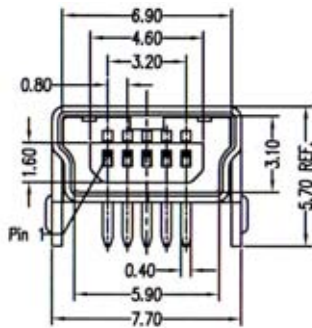
3. INSULATOR COLOR:

"B" BLACK

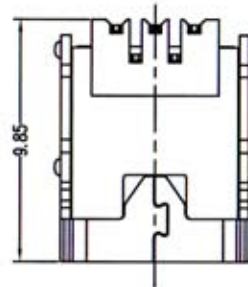
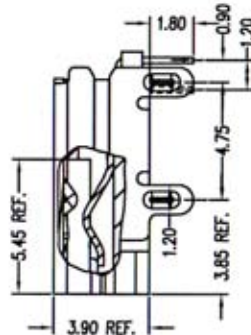
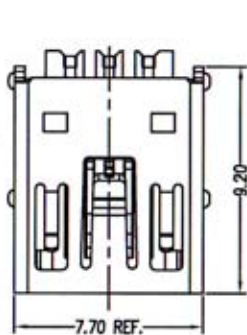
4. CONTACT FINISH:

"30" 30 MICROINCH GOLD

MINI USB B TYPE 5 PIN FEMALE CONNECTOR RIGHT ANGLE DIP TYPE



Recommended P.C.Board Layout



SPECIFICATIONS

Current Rating: 1.0 Amp

Contact Resistance: 25 Milliohm Max.

Insulation Resistance: 1000 Megohm Min. At 500V

Dielectric Withstanding: 1000V At 1 Minute

Operating Temperature: -55°C to +105°C

MATERIALS

Insulator: THERMOPLASTIC, UL94V-0 RATED

Contact: Brass

Shell: Brass, Steel

Contact Plating: Selective Gold Over Nickel Plated

Shell Plating: Tin Or Nickel Over Copper Plated

*RoHS & REACH compliant.

ORDERING INFORMATION:

P/N U M 2 5 - 0 5 F B 3 0
 1 2 3 4

1. NO. OF CONTACTS:

05

2. CONNECTOR TYPE:

"F" FEMALE

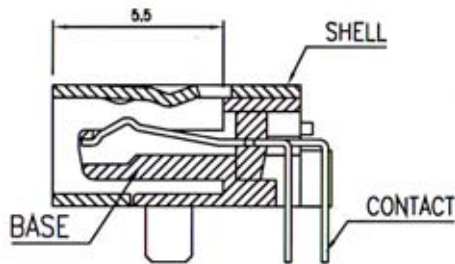
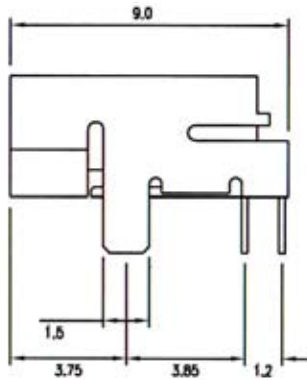
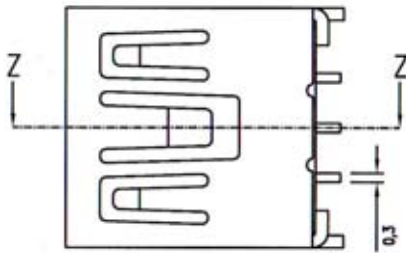
3. INSULATOR COLOR:

"B" BLACK

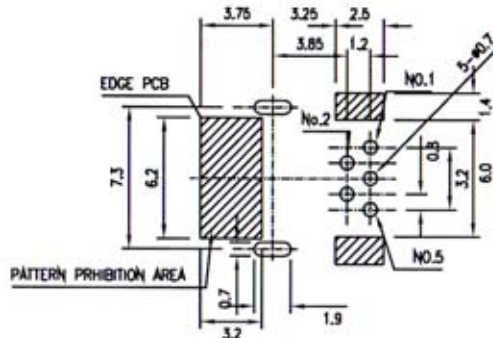
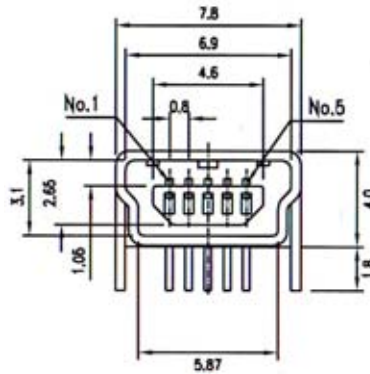
4. CONTACT FINISH:

"30" 30 MICROINCH GOLD

MINI USB B TYPE 5 PIN FEMALE CONNECTOR RIGHT ANGLE DIP TYPE



SECTION Z-Z



Recommended P.C.Board Pattern Layout

SPECIFICATIONS

Current Rating: 1.0 Amp

Contact Resistance: 25 Milliohm Max.

Insulation Resistance: 1000 Megohm Min. At 500V

Dielectric Withstanding: 1000V At 1 Minute

Operating Temperature: -55°C to +105°C

MATERIALS

Insulator: THERMOPLASTIC, UL94V-0 RATED

Contact: Brass

Shell: Brass, Steel

Contact Plating: Selective Gold Over Nickel Plated

Shell Plating: Tin Or Nickel Over Copper Plated

*RoHS & REACH compliant.

ORDERING INFORMATION:

P/N U M 2 7 - 0 5 F B 3 0
1 2 3 4

1. NO. OF CONTACTS:

05

2. CONNECTOR TYPE:

"F" FEMALE

3. INSULATOR COLOR:

"B" BLACK

4. CONTACT FINISH:

"30" 30 MICROINCH GOLD

MINI USB B TYPE 5 PIN FEMALE CONNECTOR RIGHT ANGLE DIP TYPE

SPECIFICATIONS

Current Rating: 1.0 Amp

Contact Resistance: 25 Milliohm Max.

Insulation Resistance: 1000 Megohm Min. At 500V

Dielectric Withstanding: 1000V At 1 Minute

Operating Temperature: -55°C to +105°C

MATERIALS

Insulator: Thermoplastic, UL94V-0 Rated

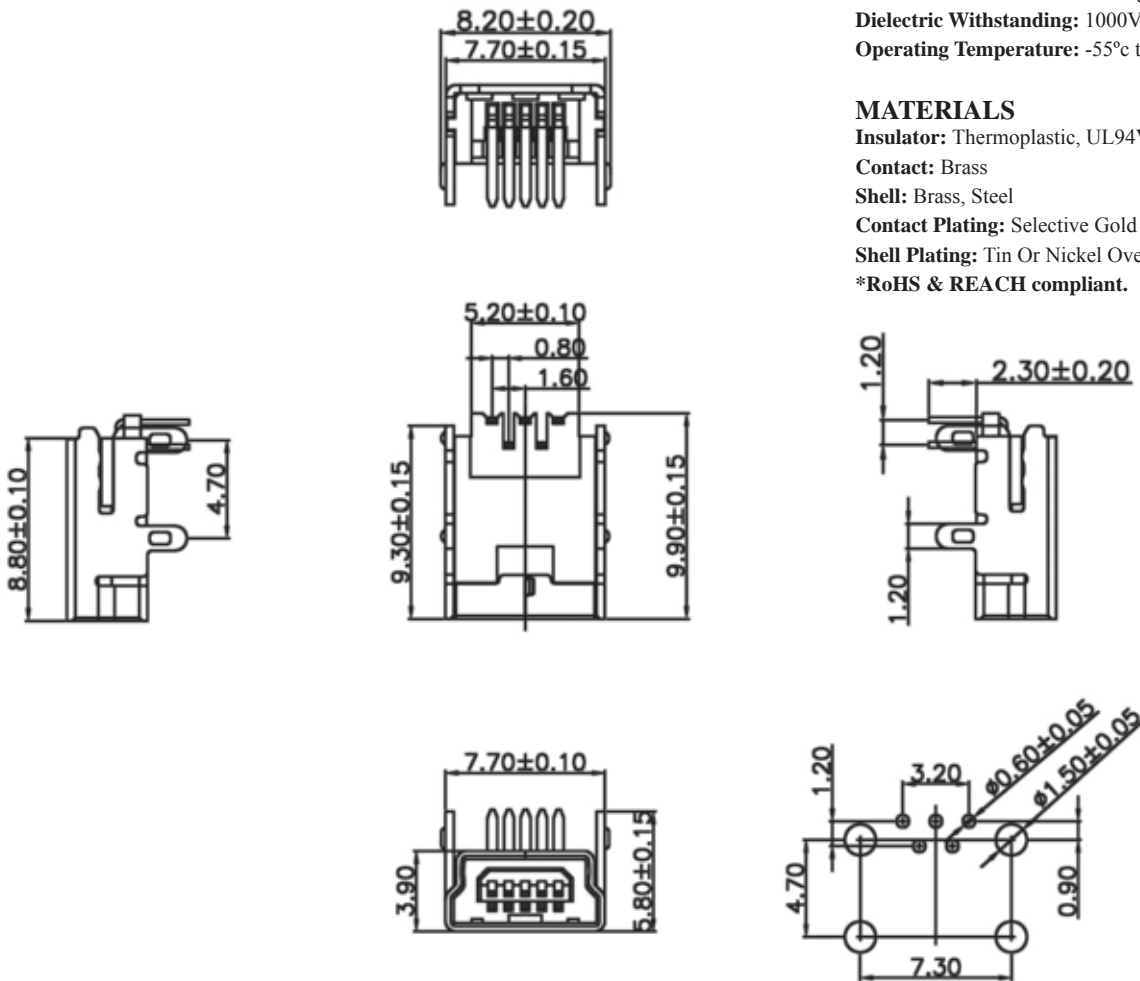
Contact: Brass

Shell: Brass, Steel

Contact Plating: Selective Gold Over Nickel Plated

Shell Plating: Tin Or Nickel Over Copper Plated

*RoHS & REACH compliant.



Recommended P.C. Board Layout

ORDERING INFORMATION:

P/N U M 2 9 - 0 5 F B x x
 1 2 3 4

1. NO. OF CONTACTS:

05

2. CONNECTOR TYPE:

"F" FEMALE

3. INSULATOR COLOR:

"B" BLACK

4. CONTACT FINISH:

"03" 3 MICROINCH GOLD

"15" 15 MICROINCH GOLD

"30" 30 MICROINCH GOLD

"01" GOLD FLASH

MINI USB B TYPE 5 PIN FEMALE CONNECTOR RIGHT ANGLE DIP TYPE

SPECIFICATIONS

Current Rating: 1.0 Amp

Contact Resistance: 25 Milliohm Max.

Insulation Resistance: 1000 Megohm Min. At 500V

Dielectric Withstanding: 1000V At 1 Minute

Operating Temperature: -55°C to +105°C

MATERIALS

Insulator: Thermoplastic, UL94V-0 Rated

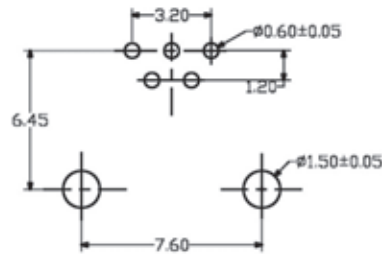
Contact: Brass

Shell: Brass, Steel

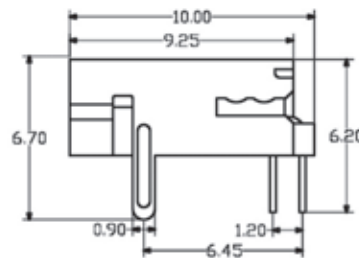
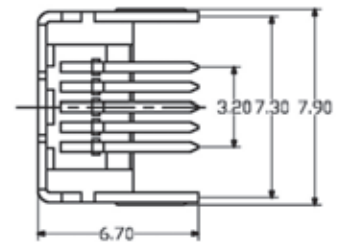
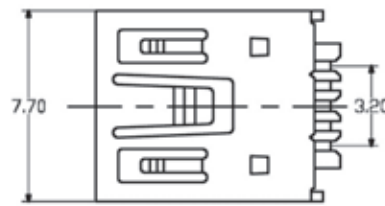
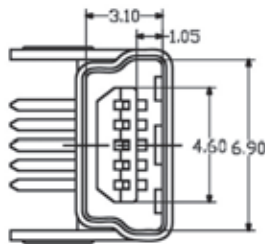
Contact Plating: Selective Gold Over Nickel Plated

Shell Plating: Tin Or Nickel Over Copper Plated

*RoHS & REACH compliant.



Recommended P.C.Board Layout



ORDERING INFORMATION:

P/N U M 2 8 - 0 5 F B x x
1 2 3 4

1. NO. OF CONTACTS:

05

2. CONNECTOR TYPE:

"F" FEMALE

3. INSULATOR COLOR:

"B" BLACK

4. CONTACT FINISH:

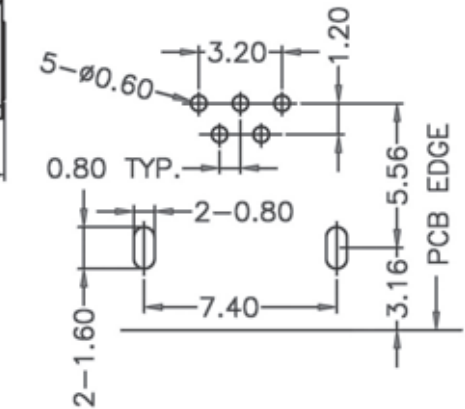
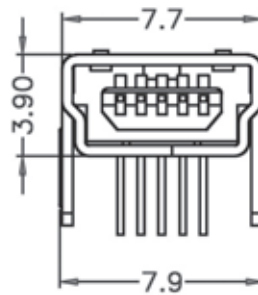
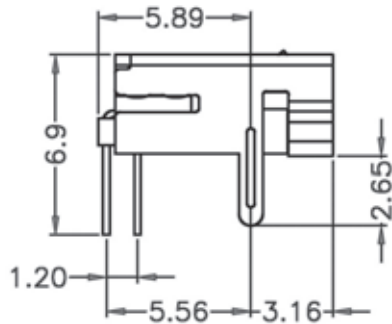
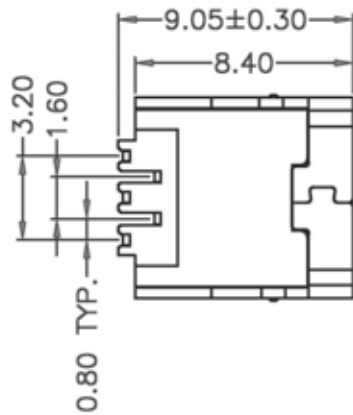
"03" 3 MICROINCH GOLD

"15" 15 MICROINCH GOLD

"30" 30 MICROINCH GOLD

"01" GOLD FLASH

MINI USB B TYPE 5 PIN FEMALE CONNECTOR RIGHT ANGLE DIP TYPE



Recommended P.C.Board Layout

SPECIFICATIONS

Current Rating: 1.0 Amp

Contact Resistance: 25 Milliohm Max.

Insulation Resistance: 1000 Megohm Min. At 500V

Dielectric Withstanding: 1000V At 1 Minute

Operating Temperature: -55°C to +105°C

MATERIALS

Insulator: Thermoplastic, UL94V-0 Rated

Contact: Brass

Shell: Brass, Steel

Contact Plating: Selective Gold Over Nickel Plated

Shell Plating: Tin Or Nickel Over Copper Plated

*RoHS & REACH compliant.

ORDERING INFORMATION:

P/N U M 2 0 - 0 5 F B x x
 1 2 3 4

1. NO. OF CONTACTS:

05

2. CONNECTOR TYPE:

"F" FEMALE

3. INSULATOR COLOR:

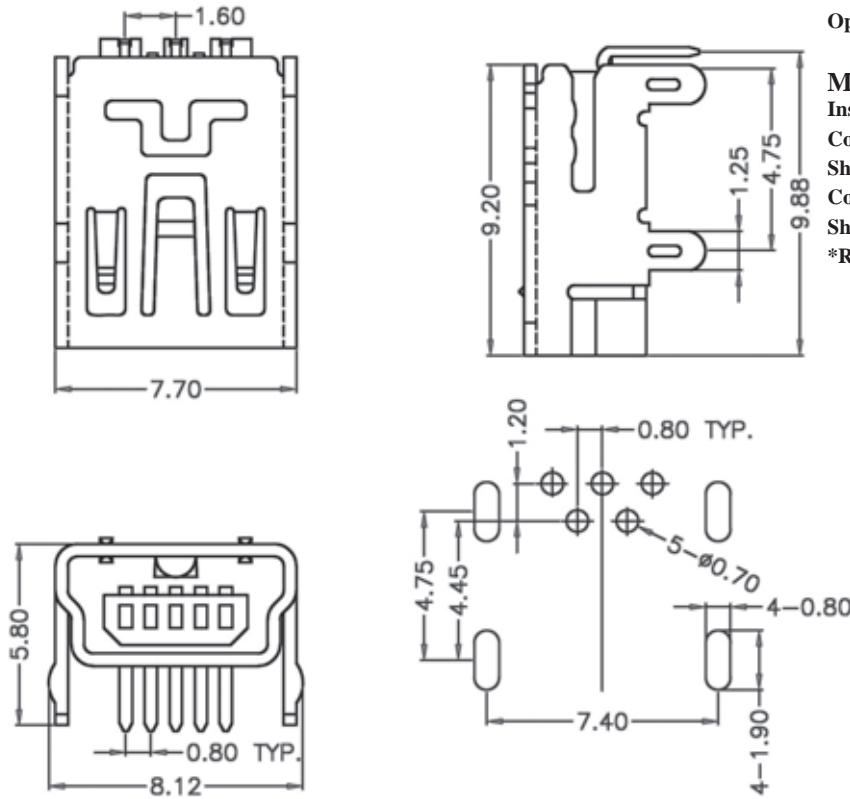
"B" BLACK

4. CONTACT FINISH:

"30" 30 MICROINCH GOLD

"01" GOLD FLASH

MINI USB B TYPE 5 PIN FEMALE CONNECTOR RIGHT ANGLE DIP TYPE



SPECIFICATIONS

Current Rating: 1.0 Amp

Contact Resistance: 25 Milliohm Max.

Insulation Resistance: 1000 Megohm Min. At 500V

Dielectric Withstanding: 1000V At 1 Minute

Operating Temperature: -55°C to +105°C

MATERIALS

Insulator: Thermoplastic, UL94V-0 Rated

Contact: Brass

Shell: Brass, Steel

Contact Plating: Selective Gold Over Nickel Plated

Shell Plating: Tin Or Nickel Over Copper Plated

***RoHS & REACH compliant.**

Recommended P.C.Board Layout

ORDERING INFORMATION:

P/N U M 2 1 - 0 5 F B x x
1 2 3 4

1. NO. OF CONTACTS:

05

2. CONNECTOR TYPE:

"F" FEMALE

3. INSULATOR COLOR:

"B" BLACK

4. CONTACT FINISH:

"05" 5 MICROINCH GOLD

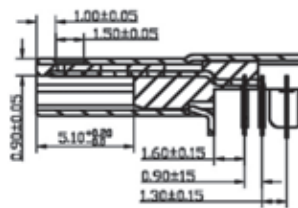
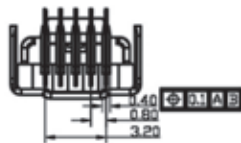
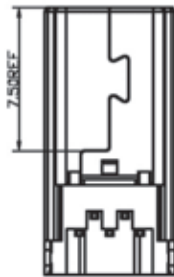
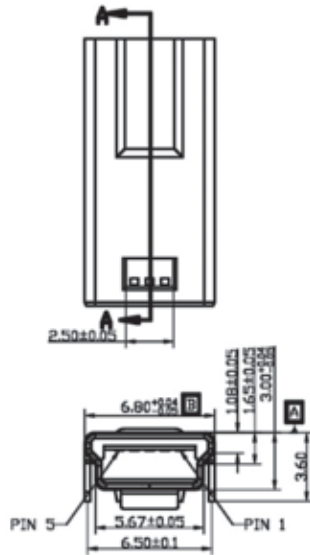
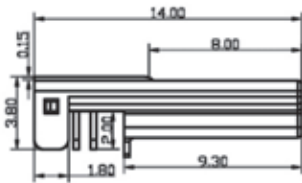
"10" 10 MICROINCH GOLD

"15" 15 MICROINCH GOLD

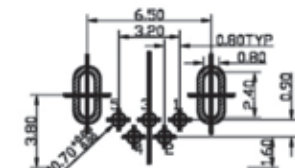
"30" 30 MICROINCH GOLD

"01" GOLD FLASH

MINI USB B TYPE 5 PIN MALE CONNECTOR RIGHT ANGLE DIP TYPE



SECTION:A-A



Recommended P.C.Board Layout

SPECIFICATIONS

Current Rating: 1.0 Amp

Contact Resistance: 25 Milliohm Max.

Insulation Resistance: 1000 Megohm Min. At 500V

Dielectric Withstanding: 1000V At 1 Minute

Operating Temperature: -55°C to +105°C

MATERIALS

Insulator: Thermoplastic, UL94V-0 Rated

Contact: Brass

Shell: Brass, Steel

Contact Plating: Selective Gold Over Nickel Plated

Shell Plating: Tin Or Nickel Over Copper Plated

***RoHS & REACH compliant.**

ORDERING INFORMATION:

P/N U M 7 7 - 0 5 M B x x
1 2 3 4

1. NO. OF CONTACTS:

05

2. CONNECTOR TYPE:

"M" MALE

3. INSULATOR COLOR:

"B" BLACK

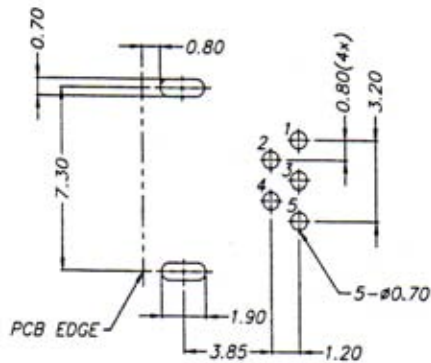
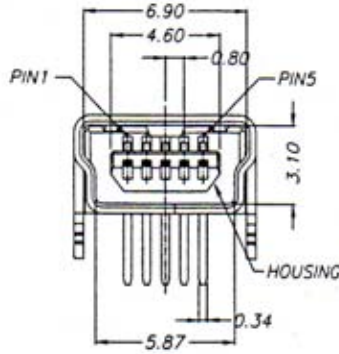
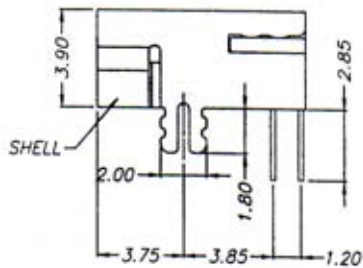
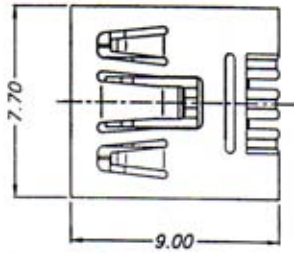
4. CONTACT FINISH:

"15" 15 MICROINCH GOLD

"30" 30 MICROINCH GOLD

"01" GOLD FLASH

MINI USB B TYPE 5 PIN FEMALE CONNECTOR RIGHT ANGLE DIP TYPE



Recommended P.C.Board Layout
(PCB T= 1.4~1.6mm)

SPECIFICATIONS

Current Rating: 1.0 Amp

Contact Resistance: 25 Milliohm Max.

Insulation Resistance: 1000 Megohm Min. At 500V

Dielectric Withstanding: 1000V At 1 Minute

Operating Temperature: -55°C to +105°C

MATERIALS

Insulator: THERMOPLASTIC, UL94V-0 RATED

Contact: Brass

Shell: Brass, Steel

Contact Plating: Selective Gold Over Nickel Plated

Shell Plating: Tin Or Nickel Over Copper Plated

*RoHS & REACH compliant.

ORDERING INFORMATION:

P/N U M 2 2 - 0 5 F B 3 0
1 2 3 4

1. NO. OF CONTACTS:

05

2. CONNECTOR TYPE:

"F" FEMALE

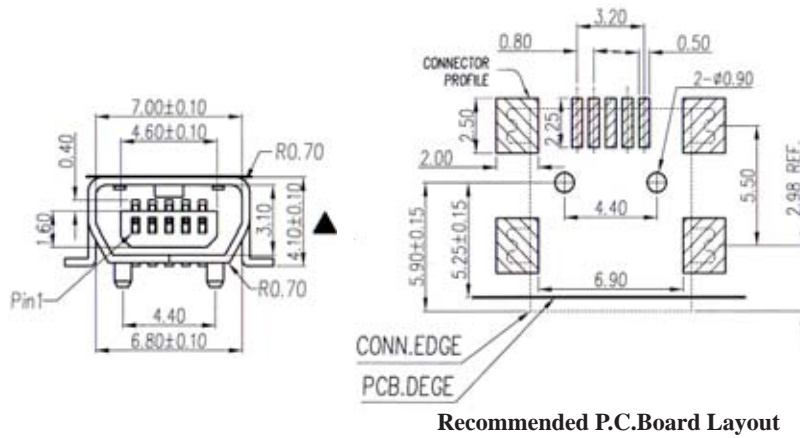
3. INSULATOR COLOR:

"B" BLACK

4. CONTACT FINISH:

"30" 30 MICROINCH GOLD

MINI USB AB TYPE 5 PIN FEMALE CONNECTOR SMT TYPE



SPECIFICATIONS

Current Rating: 1.0 Amp

Contact Resistance: 25 Milliohm Max.

Insulation Resistance: 1000 Megohm Min. At 500V

Dielectric Withstanding: 1000V At 1 Minute

Operating Temperature: -55°C to +105°C

MATERIALS

Insulator: THERMOPLASTIC, UL94V-0 RATED

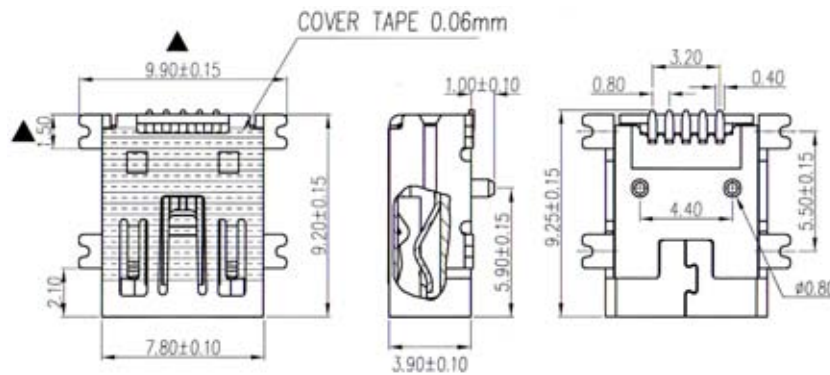
Contact: Brass

Shell: Brass, Steel

Contact Plating: Selective Gold Over Nickel Plated

Shell Plating: Tin Or Nickel Over Copper Plated

*RoHS & REACH compliant.



ORDERING INFORMATION:

P/N U M 5 2 - 0 5 F B x x
1 2 3 4

1. NO. OF CONTACTS:

05

2. CONNECTOR TYPE:

"F" FEMALE

3. INSULATOR COLOR:

"B" BLACK

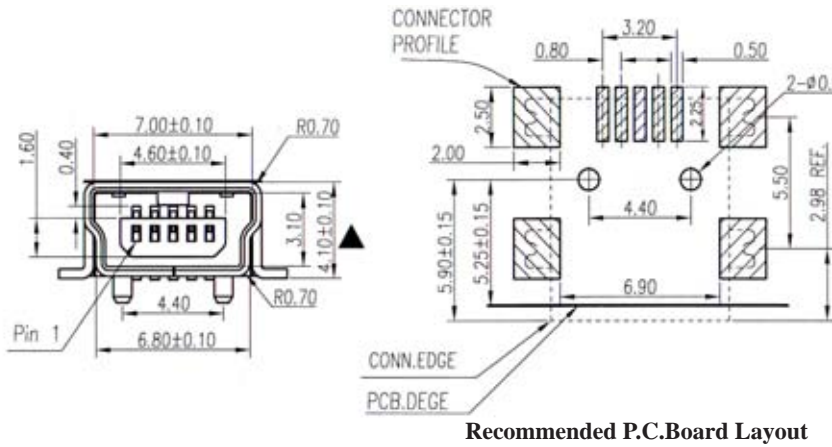
4. CONTACT FINISH:

"15" 15 MICROINCH GOLD

"30" 30 MICROINCH GOLD

NOTE: PACKAGE= TAPE & REEL

MINI USB B TYPE 5 PIN FEMALE CONNECTOR SMT TYPE



SPECIFICATIONS

Current Rating: 1.0 Amp

Contact Resistance: 25 Milliohm Max.

Insulation Resistance: 1000 Megohm Min. At 500V

Dielectric Withstanding: 1000V At 1 Minute

Operating Temperature: -55°C to +105°C

MATERIALS

Insulator: THERMOPLASTIC, UL94V-0 RATED

Contact: Brass

Shell: Brass, Steel

Contact Plating: Selective Gold Over Nickel Plated

Shell Plating: Tin Or Nickel Over Copper Plated

***RoHS & REACH compliant.**

ORDERING INFORMATION:

P/N U M 5 3 - 0 5 F B x x
 1 2 3 4

1. NO. OF CONTACTS:

05

2. CONNECTOR TYPE:

"F" FEMALE

3. INSULATOR COLOR:

"B" BLACK

4. CONTACT FINISH:

"15" 15 MICROINCH GOLD

"30" 30 MICROINCH GOLD

NOTE: PACKAGE= TAPE & REEL

MINI USB AB TYPE 5 PIN FEMALE CONNECTOR SMT+DIP TYPE WITH SHORT BODY

SPECIFICATIONS

Current Rating: 1.0 Amp

Contact Resistance: 25 Milliohm Max.

Insulation Resistance: 1000 Megohm Min. At 500V

Dielectric Withstanding: 1000V At 1 Minute

Operating Temperature: -55°C to +105°C

MATERIALS

Insulator: Thermoplastic, UL94V-0 Rated

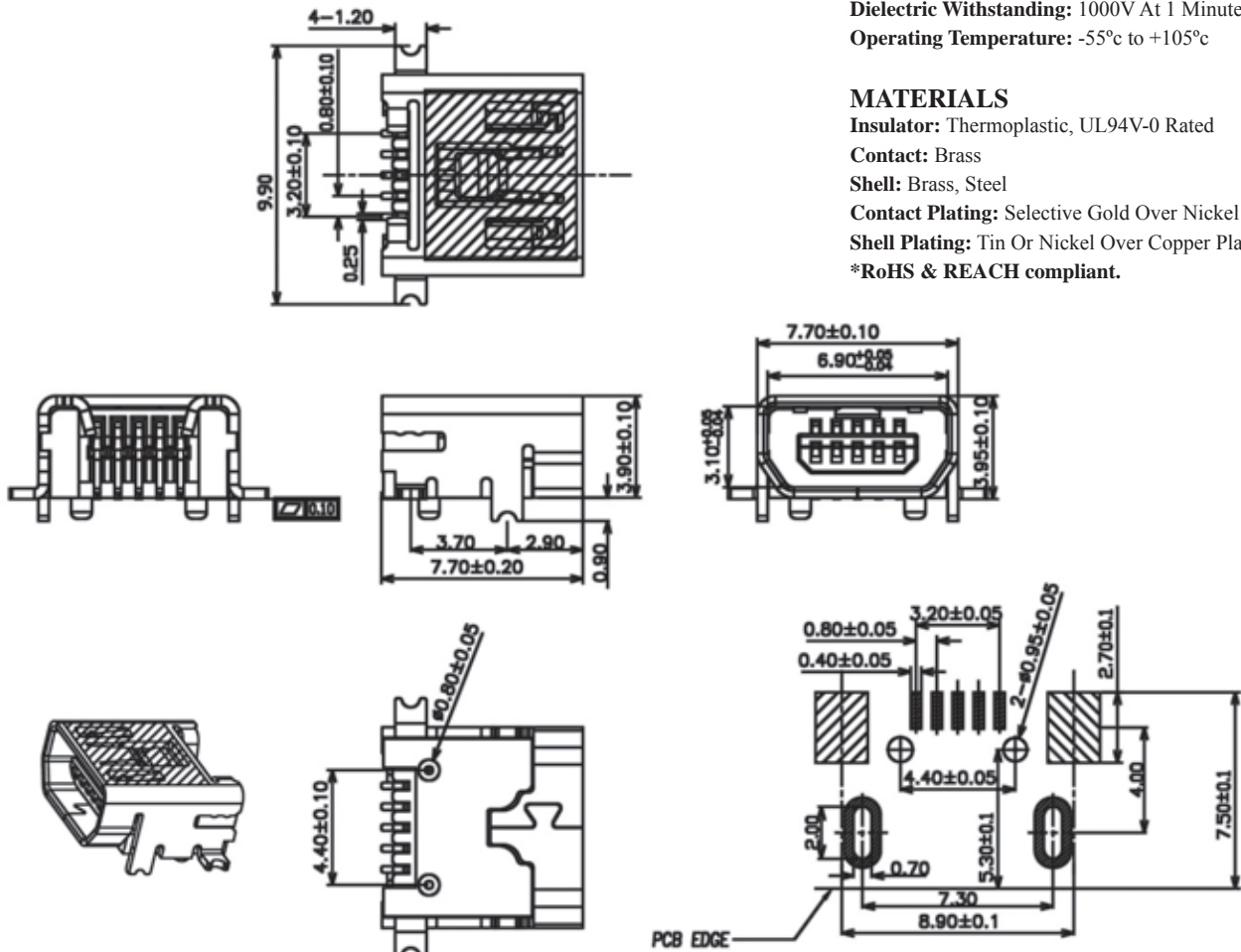
Contact: Brass

Shell: Brass, Steel

Contact Plating: Selective Gold Over Nickel Plated

Shell Plating: Tin Or Nickel Over Copper Plated

*RoHS & REACH compliant.



Recommended P.C.Board Layout

ORDERING INFORMATION:

P/N U M 7 9 - 0 5 F B x x
 1 2 3 4

1. NO. OF CONTACTS:

05

2. CONNECTOR TYPE:

"F" FEMALE

3. INSULATOR COLOR:

"B" BLACK

4. CONTACT FINISH:

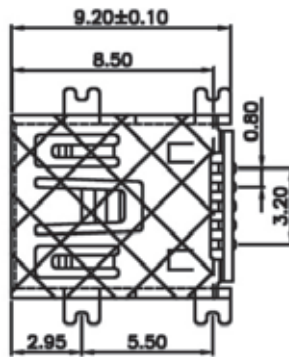
"03" 3 MICROINCH GOLD

"15" 15 MICROINCH GOLD

"30" 30 MICROINCH GOLD

"01" GOLD FLASH

MINI USB B TYPE 5 PIN FEMALE CONNECTOR SMT TYPE



SPECIFICATIONS

Current Rating: 1.0 Amp

Contact Resistance: 25 Milliohm Max.

Insulation Resistance: 1000 Megohm Min. At 500V

Dielectric Withstanding: 1000V At 1 Minute

Operating Temperature: -55°C to +105°C

MATERIALS

Insulator: Thermoplastic, UL94V-0 Rated

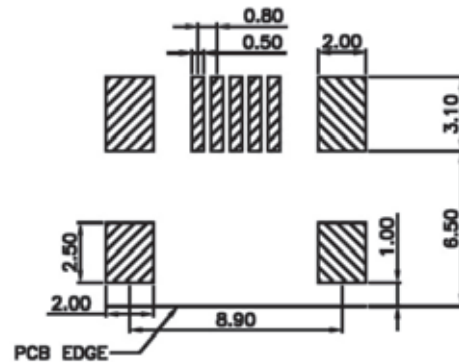
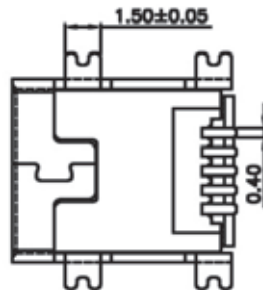
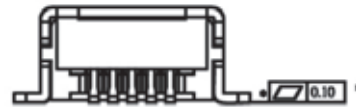
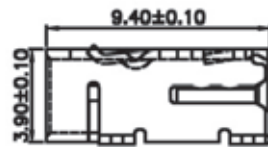
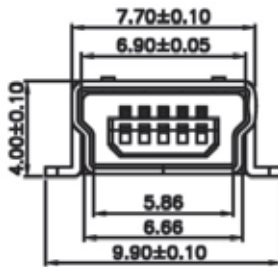
Contact: Brass

Shell: Brass, Steel

Contact Plating: Selective Gold Over Nickel Plated

Shell Plating: Tin Or Nickel Over Copper Plated

*RoHS & REACH compliant.



Recommended P.C.Board Layout

ORDERING INFORMATION:

P/N U M 6 6 - 0 5 F B x x
 1 2 3 4

1. NO. OF CONTACTS:

05

2. CONNECTOR TYPE:

"F" FEMALE

3. INSULATOR COLOR:

"B" BLACK

4. CONTACT FINISH:

"01" GOLD FLASH

"03" 3 MICROINCH GOLD

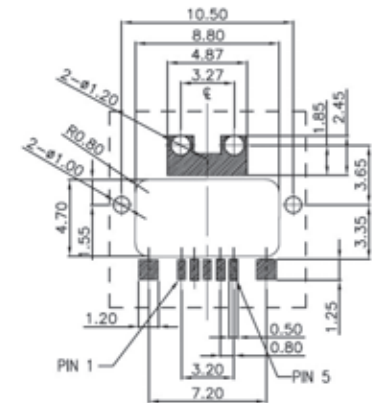
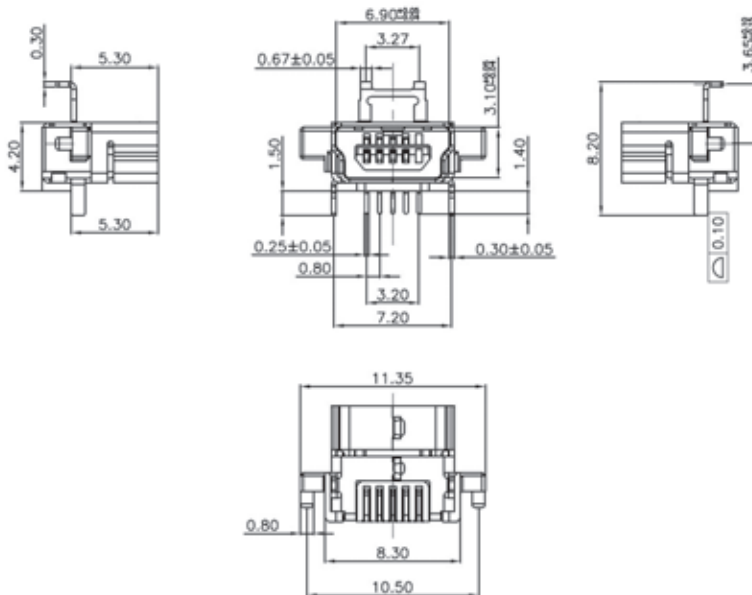
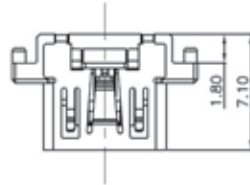
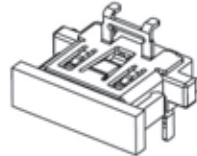
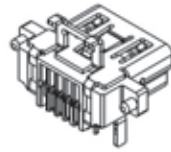
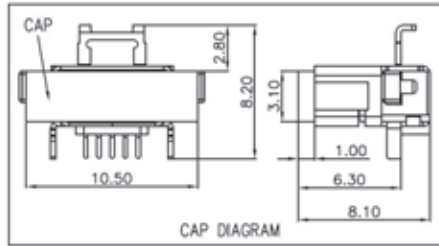
"15" 15 MICROINCH GOLD

"30" 30 MICROINCH GOLD

DRAWING REVISED

P/N REVISED

MINI USB B TYPE 5 PIN FEMALE CONNECTOR BOARD CUT SMT TYPE



Recommended P.C.Board Layout
(TOLERANCES: ± 0.05)

SPECIFICATIONS

Current Rating: 1.0 Amp

Contact Resistance: 25 Milliohm Max.

Insulation Resistance: 1000 Megohm Min. At 500V

Dielectric Withstanding: 1000V At 1 Minute

Operating Temperature: -55°C to +105°C

MATERIALS

Insulator: THERMOPLASTIC, UL94V-0 RATED

Contact: Brass

Shell: Brass, Steel

Contact Plating: Selective Gold Over Nickel Plated

Shell Plating: Tin Or Nickel Over Copper Plated

*RoHS & REACH compliant.

ORDERING INFORMATION:

P/N U M 9 G - 0 5 F B x x
1 2 3 4

1. NO. OF CONTACTS:

05

2. CONNECTOR TYPE:

"F" FEMALE

3. INSULATOR COLOR:

"B" BLACK

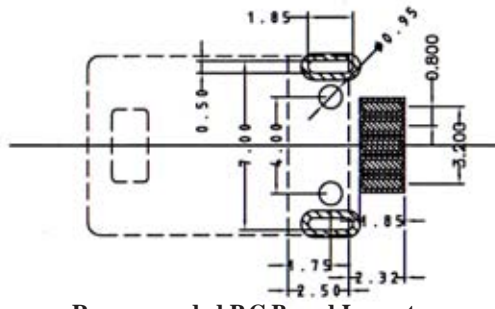
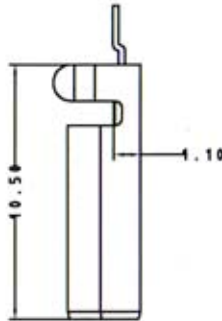
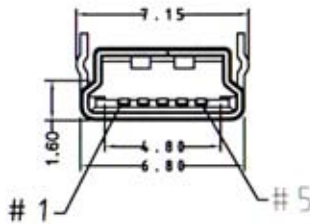
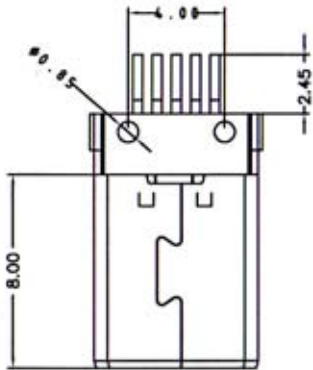
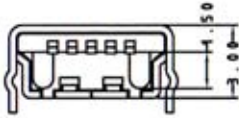
4. CONTACT FINISH:

"01" GOLD FLASH

"15" 15 MICROINCH GOLD

"30" 30 MICROINCH GOLD

MINI USB B TYPE 5 PIN MALE CONNECTOR SMT TYPE



Recommended P.C.Board Layout
(TOLERANCE: ± 0.10)

SPECIFICATIONS

Current Rating: 1.0 Amp

Contact Resistance: 25 Milliohm Max.

Insulation Resistance: 1000 Megohm Min. At 500V

Dielectric Withstanding: 1000V At 1 Minute

Operating Temperature: -55°C to +105°C

MATERIALS

Insulator: THERMOPLASTIC, UL94V-0 RATED

Contact: Brass

Shell: Brass, Steel

Contact Plating: Selective Gold Over Nickel Plated

Shell Plating: Tin Or Nickel Over Copper Plated

*RoHS & REACH compliant.

ORDERING INFORMATION:

P/N U M 7 1 - 0 5 M B x x
1 2 3 4

1. NO. OF CONTACTS:

05

2. CONNECTOR TYPE:

"M" MALE

3. INSULATOR COLOR:

"B" BLACK

4. CONTACT FINISH:

"03" 3 MICROINCH GOLD

"30" 30 MICROINCH GOLD

MINI USB AB TYPE 5 PIN FEMALE CONNECTOR SMT TYPE

SPECIFICATIONS

Current Rating: 1.0 Amp

Contact Resistance: 25 Milliohm Max.

Insulation Resistance: 1000 Megohm Min. At 500V

Dielectric Withstanding: 1000V At 1 Minute

Operating Temperature: -55°C to +105°C

MATERIALS

Insulator: THERMOPLASTIC, UL94V-0 RATED

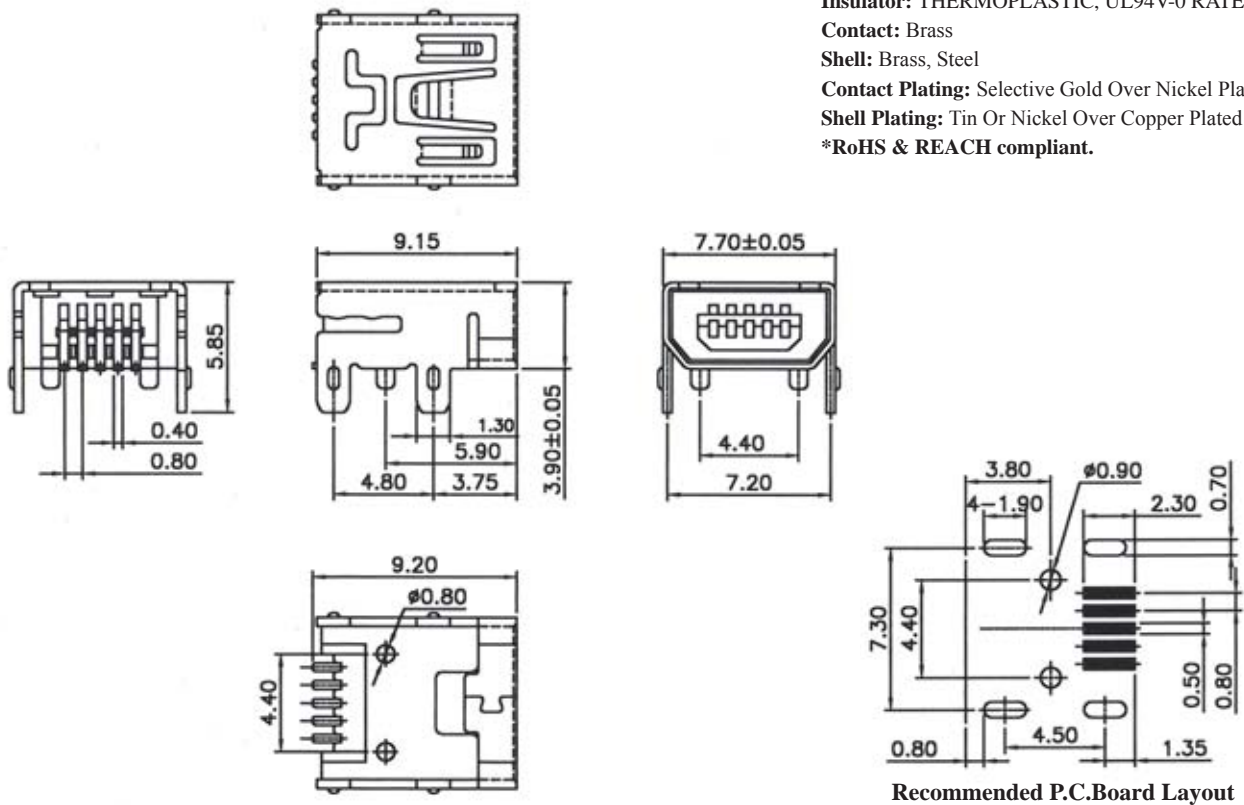
Contact: Brass

Shell: Brass, Steel

Contact Plating: Selective Gold Over Nickel Plated

Shell Plating: Tin Or Nickel Over Copper Plated

*RoHS & REACH compliant.



ORDERING INFORMATION:

P/N U M 7 2 - 0 5 F B x x
1 2 3 4

1. NO. OF CONTACTS:

05

2. CONNECTOR TYPE:

"F" FEMALE

3. INSULATOR COLOR:

"B" BLACK

4. CONTACT FINISH:

"01" GOLD FLASH

"05" 5 MICROINCH GOLD

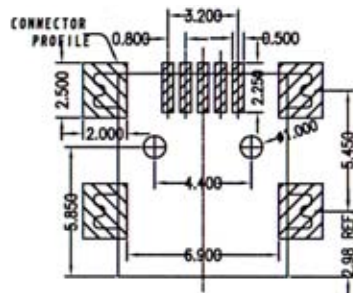
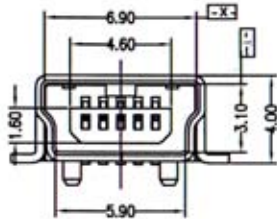
"15" 15 MICROINCH GOLD

"30" 30 MICROINCH GOLD

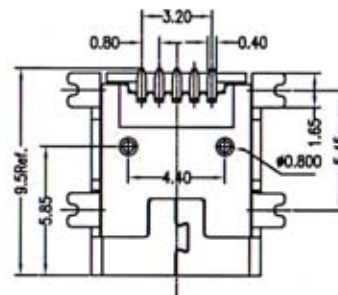
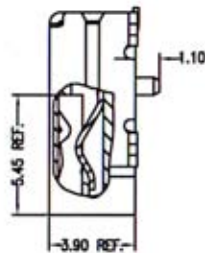
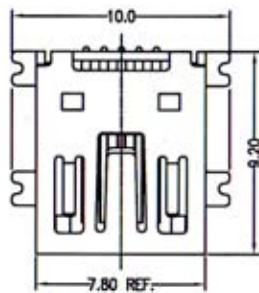
DRAWING REVISED

P/N REVISED

MINI USB B TYPE 5 PIN FEMALE CONNECTOR SMT TYPE



Recommended P.C.Board Layout
(TOLERANCES: ± 0.10)



SPECIFICATIONS

Current Rating: 1.0 Amp

Contact Resistance: 25 Milliohm Max.

Insulation Resistance: 1000 Megohm Min. At 500V

Dielectric Withstanding: 1000V At 1 Minute

Operating Temperature: -55°C to +105°C

MATERIALS

Insulator: THERMOPLASTIC, UL94V-0 RATED

Contact: Brass

Shell: Brass, Steel

Contact Plating: Selective Gold Over Nickel Plated

Shell Plating: Tin Or Nickel Over Copper Plated

*RoHS & REACH compliant.

ORDERING INFORMATION:

P/N U M 7 3 - 0 5 F B x x
1 2 3 4

1. NO. OF CONTACTS:

05

2. CONNECTOR TYPE:

"F" FEMALE

3. INSULATOR COLOR:

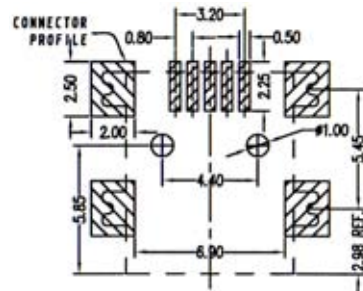
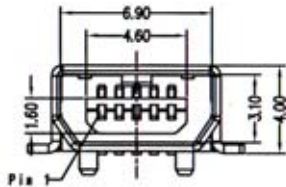
"B" BLACK

4. CONTACT FINISH:

"03" 3 MICROINCH GOLD

"30" 30 MICROINCH GOLD

MINI USB AB TYPE 5 PIN FEMALE CONNECTOR SMT TYPE



Recommended P.C.Board Layout

SPECIFICATIONS

Current Rating: 1.0 Amp

Contact Resistance: 25 Milliohm Max.

Insulation Resistance: 1000 Megohm Min. At 500V

Dielectric Withstanding: 1000V At 1 Minute

Operating Temperature: -55°C to +105°C

MATERIALS

Insulator: THERMOPLASTIC, UL94V-0 RATED

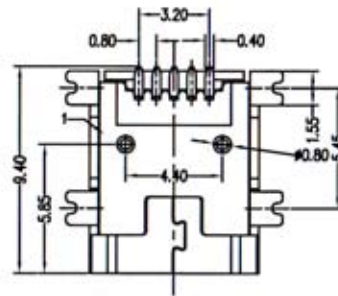
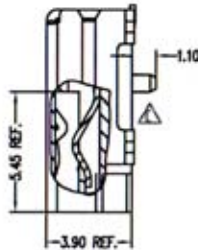
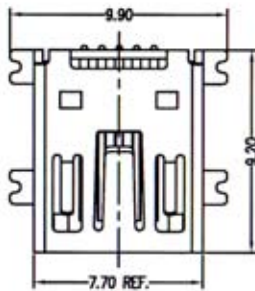
Contact: Brass

Shell: Brass, Steel

Contact Plating: Selective Gold Over Nickel Plated

Shell Plating: Tin Or Nickel Over Copper Plated

*RoHS & REACH compliant.



ORDERING INFORMATION:

P/N U M 7 4 - 0 5 F B x x
 1 2 3 4

1. NO. OF CONTACTS:

05

2. CONNECTOR TYPE:

"F" FEMALE

3. INSULATOR COLOR:

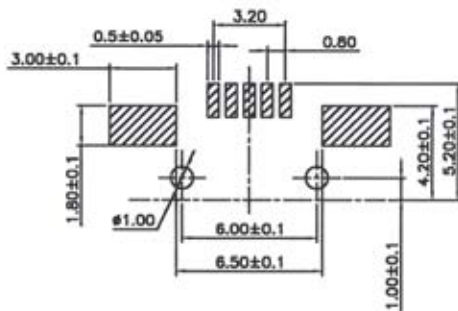
"B" BLACK

4. CONTACT FINISH:

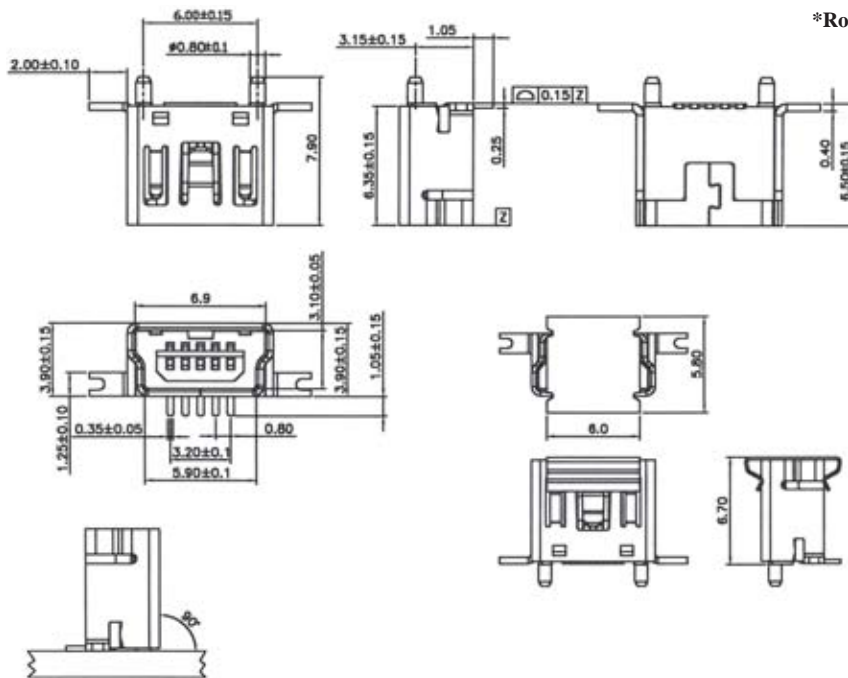
"03" 3 MICROINCH GOLD

"30" 30 MICROINCH GOLD

MINI USB B TYPE 5 PIN FEMALE CONNECTOR SMT TYPE



Recommended P.C.Board Layout



SPECIFICATIONS

Current Rating: 1.0 Amp

Contact Resistance: 25 Milliohm Max.

Insulation Resistance: 1000 Megohm Min. At 500V

Dielectric Withstanding: 1000V At 1 Minute

Operating Temperature: -55°C to +105°C

MATERIALS

Insulator: THERMOPLASTIC, UL94V-0 RATED

Contact: Brass

Shell: Brass, Steel

Contact Plating: Selective Gold Over Nickel Plated

Shell Plating: Tin Or Nickel Over Copper Plated

*RoHS & REACH compliant.

ORDERING INFORMATION:

P/N U M 7 5 - 0 5 F B 3 0
 1 2 3 4

DRAWING REVISED

P/N REVISED

1. NO. OF CONTACTS:

05

2. CONNECTOR TYPE:

"F" FEMALE

3. INSULATOR COLOR:

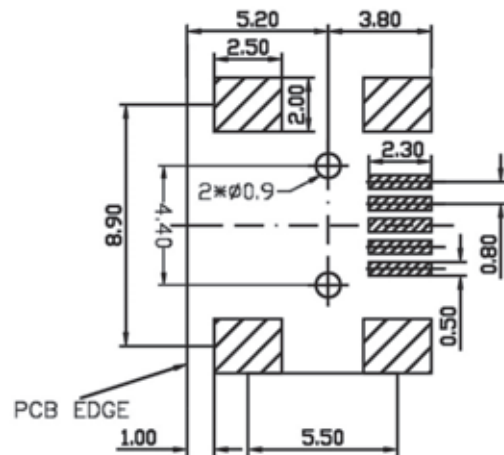
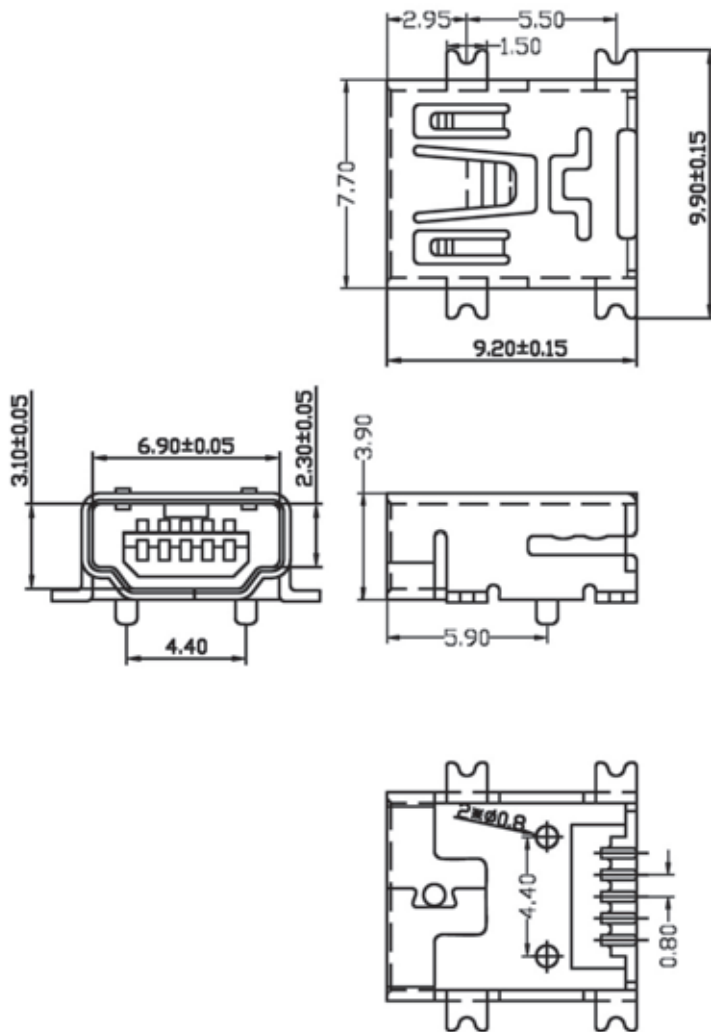
"B" BLACK

4. CONTACT FINISH:

"01" GOLD FLASH

"15" 15 MICROINCH GOLD

MINI USB A TYPE 5 PIN FEMALE CONNECTOR SMT TYPE



Recommended P.C.Board Layout

SPECIFICATIONS

Current Rating: 1.0 Amp

Contact Resistance: 25 Milliohm Max.

Insulation Resistance: 1000 Megohm Min. At 500V

Dielectric Withstanding: 1000V At 1 Minute

Operating Temperature: -55°C to +105°C

MATERIALS

Insulator: Thermoplastic, UL94V-0 Rated

Contact: Brass

Shell: Brass, Steel

Contact Plating: Selective Gold Over Nickel Plated

Shell Plating: Tin Or Nickel Over Copper Plated

*RoHS & REACH compliant.

ORDERING INFORMATION:

P/N U M 3 1 - 0 5 F B x x
 1 2 3 4

1. NO. OF CONTACTS:

05

2. CONNECTOR TYPE:

"F" FEMALE

3. INSULATOR COLOR:

"B" BLACK

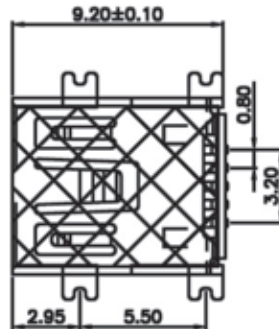
4. CONTACT FINISH:

"15" 15 MICROINCH GOLD

"30" 30 MICROINCH GOLD

"01" GOLD FLASH

MINI USB B TYPE 5 PIN FEMALE CONNECTOR SMT TYPE WITH POSTS



SPECIFICATIONS

Current Rating: 1.0 Amp

Contact Resistance: 25 Milliohm Max.

Insulation Resistance: 1000 Megohm Min. At 500V

Dielectric Withstanding: 1000V At 1 Minute

Operating Temperature: -55°C to +105°C

MATERIALS

Insulator: Thermoplastic, UL94V-0 Rated

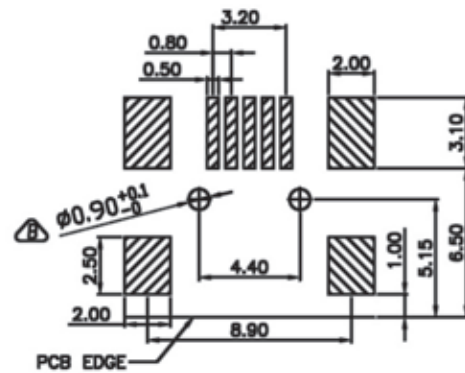
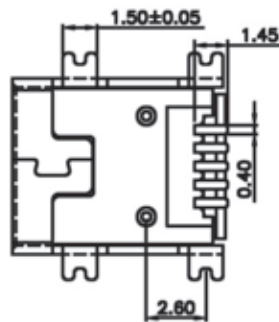
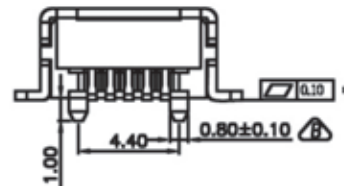
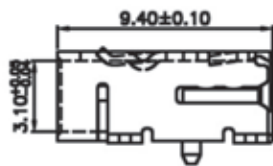
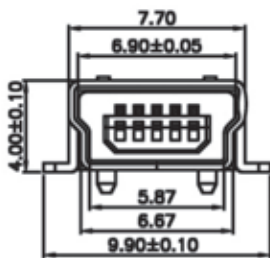
Contact: Brass

Shell: Brass, Steel

Contact Plating: Selective Gold Over Nickel Plated

Shell Plating: Tin Or Nickel Over Copper Plated

*RoHS & REACH compliant.



Recommended P.C.Board Layout

ORDERING INFORMATION:

P/N U M 6 4 - 0 5 F B x x
 1 2 3 4

1. NO. OF CONTACTS:

05

2. CONNECTOR TYPE:

"F" FEMALE

3. INSULATOR COLOR:

"B" BLACK

4. CONTACT FINISH:

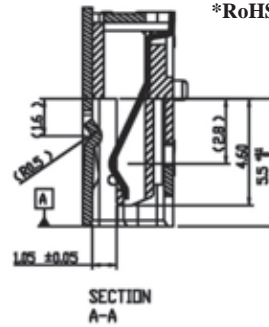
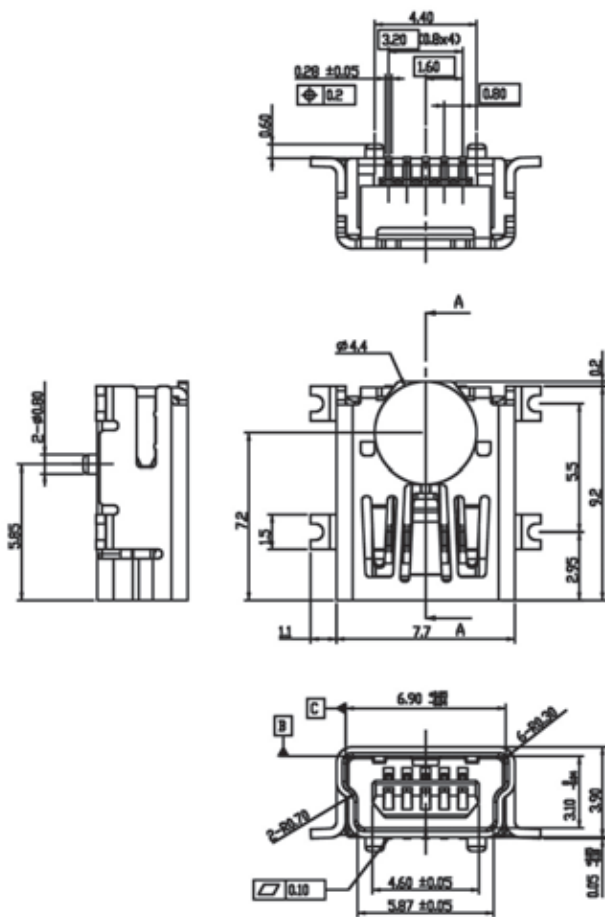
"03" 3 MICROINCH GOLD

"15" 15 MICROINCH GOLD

"30" 30 MICROINCH GOLD

"01" GOLD FLASH

MINI USB B TYPE 5 PIN FEMALE CONNECTOR SMT TYPE



SPECIFICATIONS

Current Rating: 1.0 Amp

Contact Resistance: 25 Milliohm Max.

Insulation Resistance: 1000 Megohm Min. At 500V

Dielectric Withstanding: 1000V At 1 Minute

Operating Temperature: -55°C to +105°C

MATERIALS

Insulator: Thermoplastic, UL94V-0 Rated

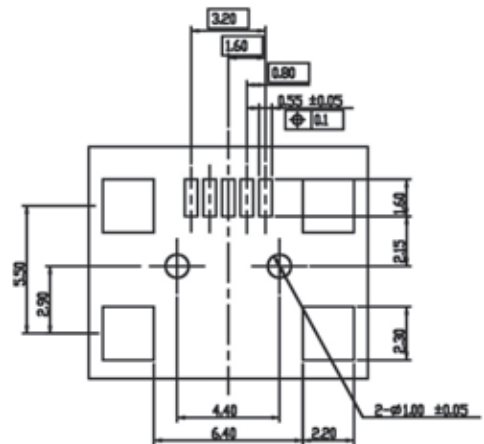
Contact: Brass

Shell: Brass, Steel

Contact Plating: Selective Gold Over Nickel Plated

Shell Plating: Tin Or Nickel Over Copper Plated

*RoHS & REACH compliant.



Recommended P.C.Board Layout

ORDERING INFORMATION:

P/N U M 6 5 - 0 5 F B x x
1 2 3 4

1. NO. OF CONTACTS:

05

2. CONNECTOR TYPE:

"F" FEMALE

3. INSULATOR COLOR:

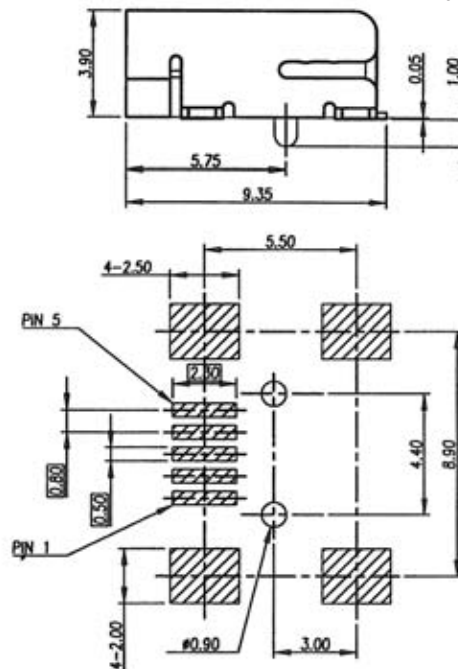
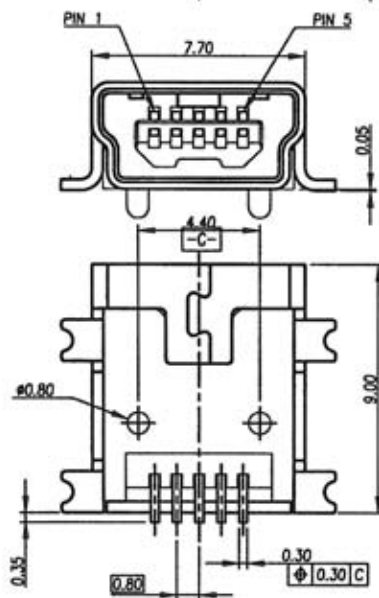
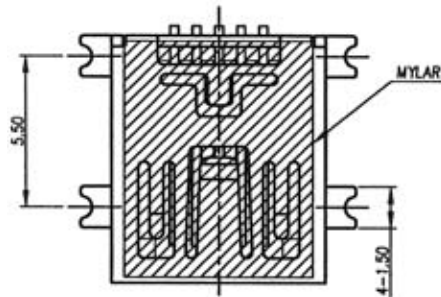
"B" BLACK

4. CONTACT FINISH:

"30" 30 MICROINCH GOLD

"01" GOLD FLASH

MINI USB B TYPE 5 PIN FEMALE CONNECTOR SMT TYPE



Recommended P.C.Board Layout

SPECIFICATIONS

Current Rating: 1.0 Amp

Contact Resistance: 25 Milliohm Max.

Insulation Resistance: 1000 Megohm Min. At 500V

Dielectric Withstanding: 1000V At 1 Minute

Operating Temperature: -55°C to +105°C

MATERIALS

Insulator: THERMOPLASTIC, UL94V-0 RATED

Contact: Brass

Shell: Brass, Steel

Contact Plating: Selective Gold Over Nickel Plated

Shell Plating: Tin Or Nickel Over Copper Plated

*RoHS & REACH compliant.

ORDERING INFORMATION:

P/N U M $\frac{xx}{1}$ - 0 5 F B $\frac{xx}{2}$

1. POST & PACKAGE OPTION:

"56" W/O POST & PACKING: TUBE

"57" W/O POST & PACKING: REEL

"58" WITH POST & PACKING: TUBE

"59" WITH POST & PACKING: REEL

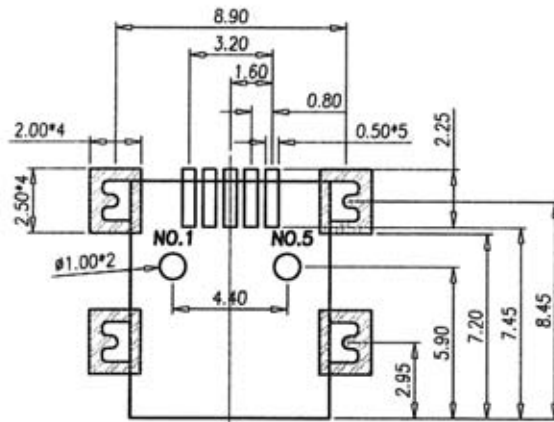
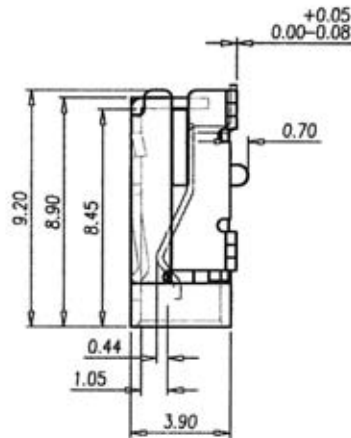
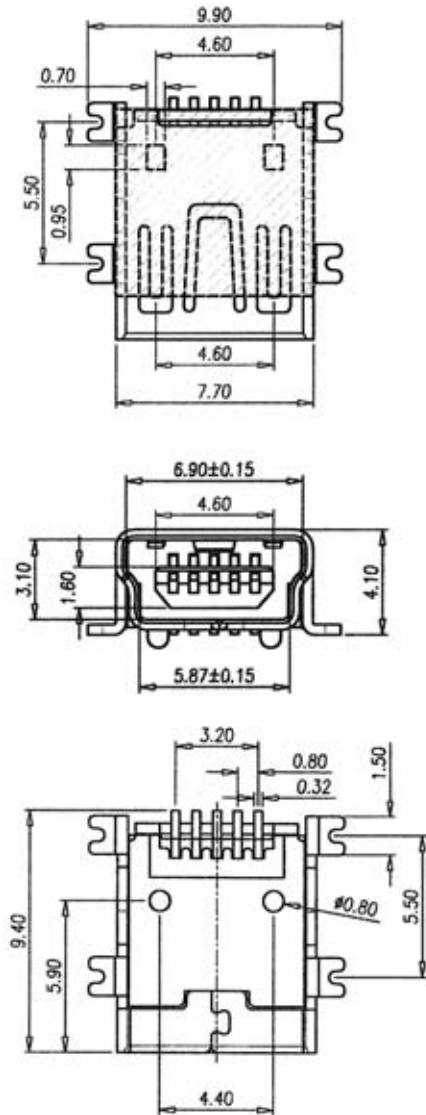
2. CONTACT FINISH:

"01" GOLD FLASH

"15" 15 MICROINCH GOLD

"30" 30 MICROINCH GOLD

MINI USB B TYPE 5 PIN FEMALE CONNECTOR SMT TYPE



Recommended P.C.Board Layout

SPECIFICATIONS

Current Rating: 1.0 Amp

Contact Resistance: 25 Milliohm Max.

Insulation Resistance: 1000 Megohm Min. At 500V

Dielectric Withstanding: 1000V At 1 Minute

Operating Temperature: -55°C to +105°C

MATERIALS

Insulator: THERMOPLASTIC, UL94V-0 RATED

Contact: Brass

Shell: Brass, Steel

Contact Plating: Selective Gold Over Nickel Plated

Shell Plating: Tin Or Nickel Over Copper Plated

*RoHS & REACH compliant.

ORDERING INFORMATION:

P/N U M 1 4 - 0 5 F B x x
 1 2 3 4

1. NO. OF CONTACTS:

05

2. CONNECTOR TYPE:

"F" FEMALE

3. INSULATOR COLOR:

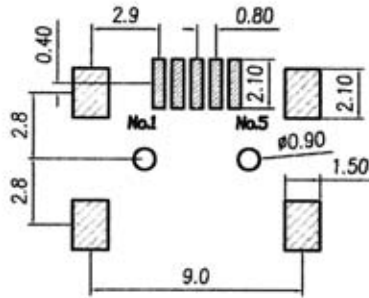
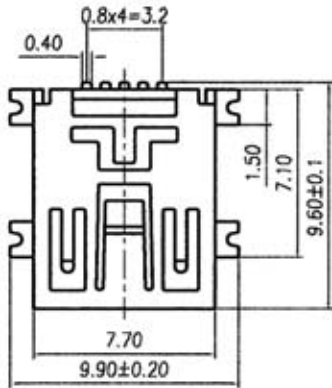
"B" BLACK

4. CONTACT FINISH:

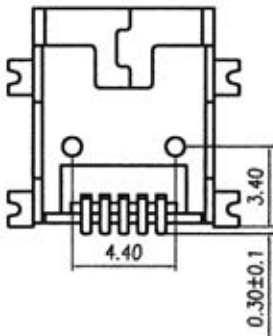
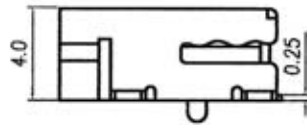
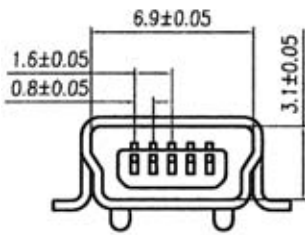
"01" GOLD FLASH

"30" 30 MICROINCH GOLD

MINI USB B TYPE 5 PIN FEMALE CONNECTOR SMT TYPE



Recommended P.C.Board Layout



SPECIFICATIONS

Current Rating: 1.0 Amp

Contact Resistance: 25 Milliohm Max.

Insulation Resistance: 1000 Megohm Min. At 500V

Dielectric Withstanding: 1000V At 1 Minute

Operating Temperature: -55°C to +105°C

MATERIALS

Insulator: THERMOPLASTIC, UL94V-0 RATED

Contact: Brass

Shell: Brass, Steel

Contact Plating: Selective Gold Over Nickel Plated

Shell Plating: Tin Or Nickel Over Copper Plated

*RoHS & REACH compliant.

ORDERING INFORMATION:

P/N U M 1 3 - 0 5 F B x x
 1 2 3 4

1. NO. OF CONTACTS:

05

2. CONNECTOR TYPE:

"F" FEMALE

3. INSULATOR COLOR:

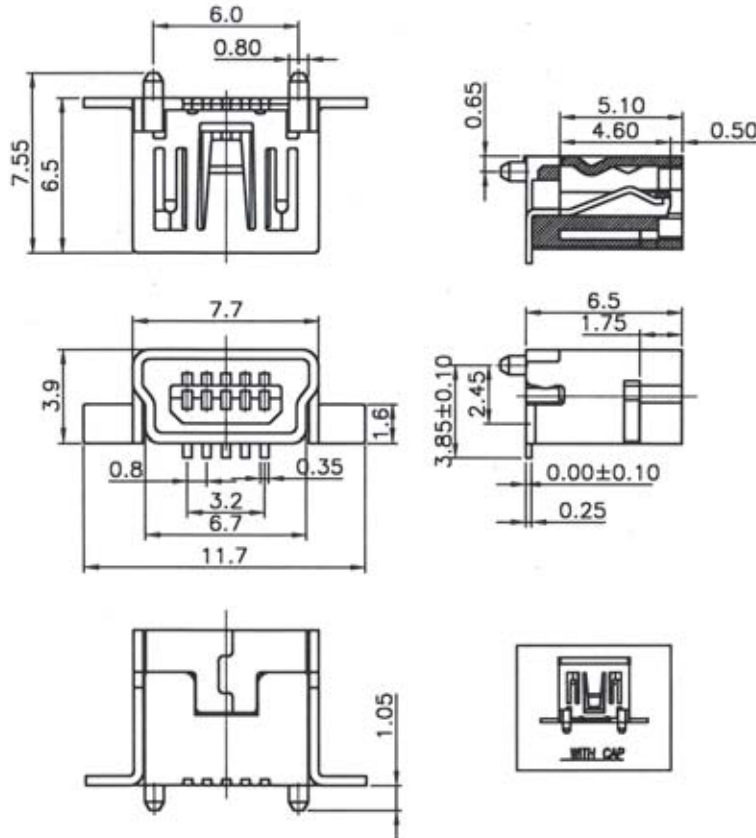
"B" BLACK

4. CONTACT FINISH:

"10" 10 MICROINCH GOLD

"30" 30 MICROINCH GOLD

MINI USB B TYPE 5 PIN FEMALE CONNECTOR SMT TYPE



SPECIFICATIONS

Current Rating: 1.0 Amp

Contact Resistance: 25 Milliohm Max.

Insulation Resistance: 1000 Megohm Min. At 500V

Dielectric Withstanding: 1000V At 1 Minute

Operating Temperature: -55°C to +105°C

MATERIALS

Insulator: THERMOPLASTIC, UL94V-0 RATED

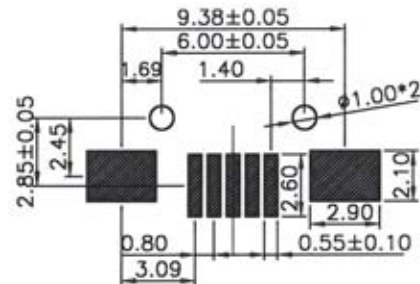
Contact: Brass

Shell: Brass, Steel

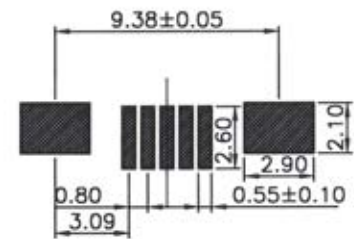
Contact Plating: Selective Gold Over Nickel Plated

Shell Plating: Tin Or Nickel Over Copper Plated

*RoHS & REACH compliant.



Recommended P.C.Board Layout



Recommended P.C.Board Layout Without Post

ORDERING INFORMATION:

P/N U M $\frac{xx}{1}$ - 05 F B $\frac{xx}{5}$

1. POST OPTION:

"41" WITH POSTS

"42" WITHOUT POSTS

2. CONNECTOR TYPE:

"F" FEMALE

3. INSULATOR COLOR:

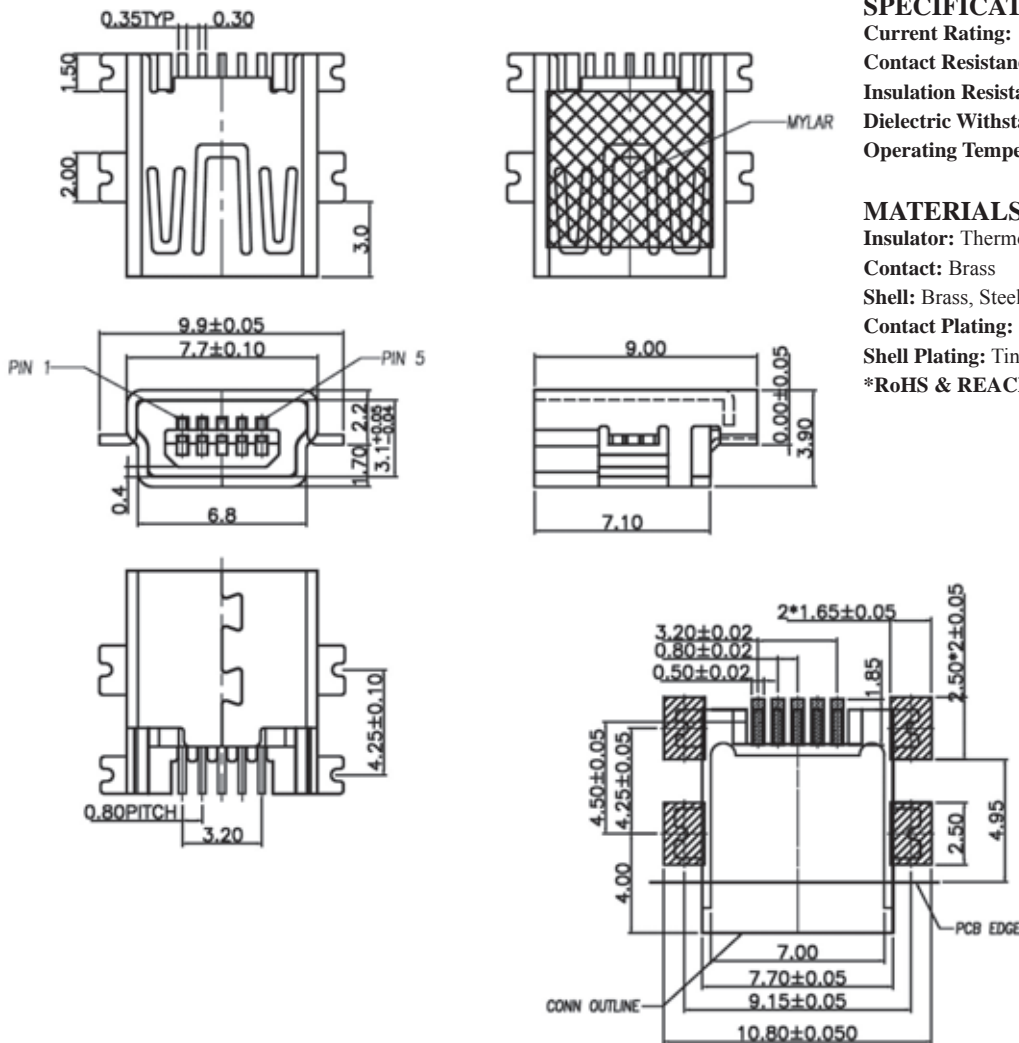
"B" BLACK

4. CONTACT FINISH:

"10" 10 MICROINCH GOLD

"30" 30 MICROINCH GOLD

MINI USB B TYPE 5 PIN FEMALE CONNECTOR BOARD CUT SMT TYPE



Recommended P.C.Board Layout

SPECIFICATIONS

Current Rating: 1.0 Amp

Contact Resistance: 25 Milliohm Max.

Insulation Resistance: 1000 Megohm Min. At 500V

Dielectric Withstanding: 1000V At 1 Minute

Operating Temperature: -55°C to +105°C

MATERIALS

Insulator: Thermoplastic, UL94V-0 Rated

Contact: Brass

Shell: Brass, Steel

Contact Plating: Selective Gold Over Nickel Plated

Shell Plating: Tin Or Nickel Over Copper Plated

***RoHS & REACH compliant.**

ORDERING INFORMATION:

P/N U M 4 9 - 0 5 F B x x
 1 2 3 4

1. NO. OF CONTACTS:

05

2. CONNECTOR TYPE:

"F" FEMALE

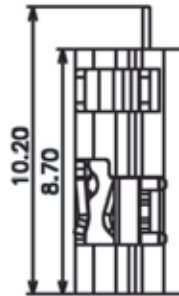
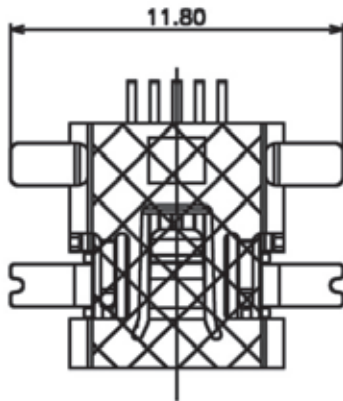
3. INSULATOR COLOR:

"B" BLACK

4. CONTACT FINISH:

"10" 10 MICROINCH GOLD

MINI USB B TYPE 5 PIN FEMALE CONNECTOR BOARD CUT SMT TYPE L=10.20MM



SPECIFICATIONS

Current Rating: 1.0 Amp

Contact Resistance: 25 Milliohm Max.

Insulation Resistance: 1000 Megohm Min. At 500V

Dielectric Withstanding: 1000V At 1 Minute

Operating Temperature: -55°C to +105°C

MATERIALS

Insulator: Thermoplastic, UL94V-0 Rated

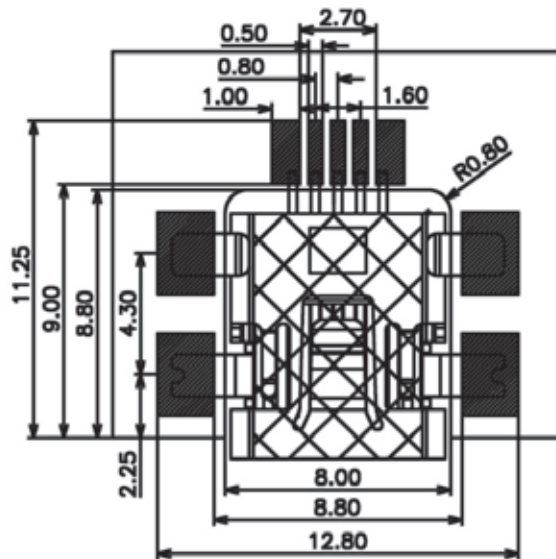
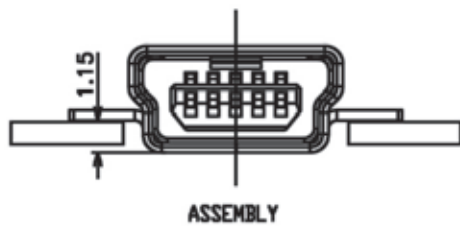
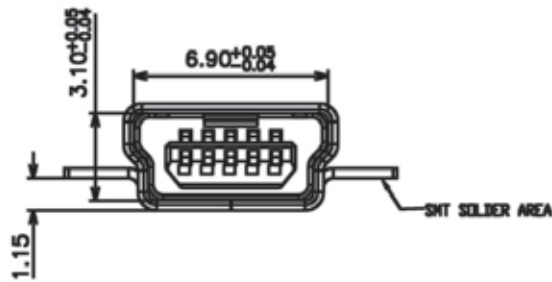
Contact: Brass

Shell: Brass, Steel

Contact Plating: Selective Gold Over Nickel Plated

Shell Plating: Tin Or Nickel Over Copper Plated

*RoHS & REACH compliant.



Recommended P.C.Board Layout

ORDERING INFORMATION:

P/N U M 3 4 - 0 5 F B x x
 1 2 3 4

1. NO. OF CONTACTS:

05

2. CONNECTOR TYPE:

"F" FEMALE

3. INSULATOR COLOR:

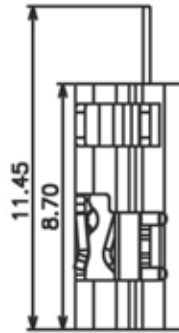
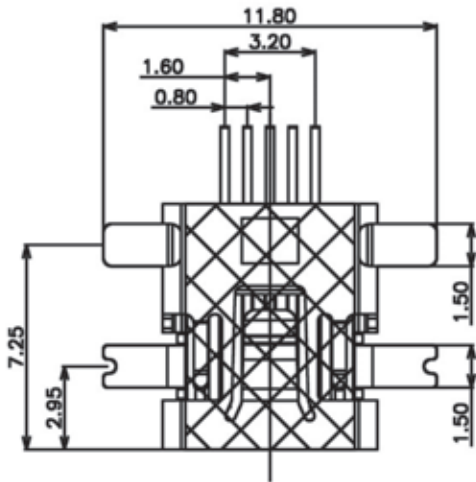
"B" BLACK

4. CONTACT FINISH:

"30" 30 MICROINCH GOLD

"01" GOLD FLASH

MINI USB B TYPE 5 PIN FEMALE CONNECTOR BOARD CUT SMT TYPE L=11.45MM



SPECIFICATIONS

Current Rating: 1.0 Amp

Contact Resistance: 25 Milliohm Max.

Insulation Resistance: 1000 Megohm Min. At 500V

Dielectric Withstanding: 1000V At 1 Minute

Operating Temperature: -55°C to +105°C

MATERIALS

Insulator: Thermoplastic, UL94V-0 Rated

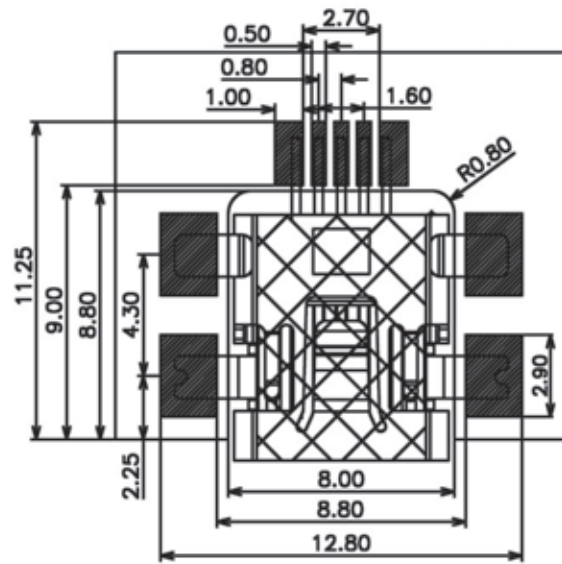
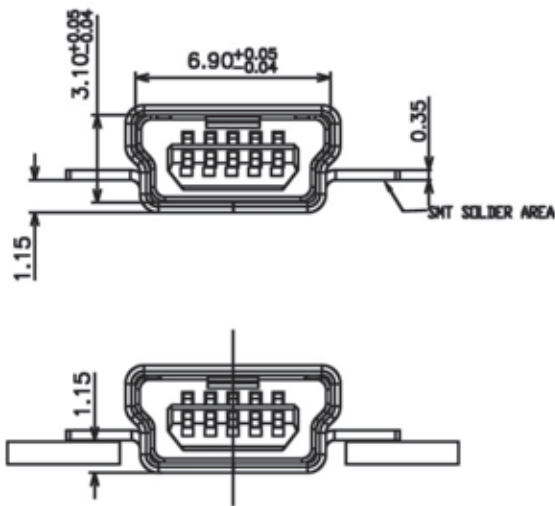
Contact: Brass

Shell: Brass, Steel

Contact Plating: Selective Gold Over Nickel Plated

Shell Plating: Tin Or Nickel Over Copper Plated

*RoHS & REACH compliant.



Recommended P.C.Board Layout

ORDERING INFORMATION:

P/N U M 3 3 - 0 5 F B x x
 1 2 3 4

1. NO. OF CONTACTS:

05

2. CONNECTOR TYPE:

"F" FEMALE

3. INSULATOR COLOR:

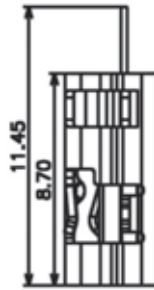
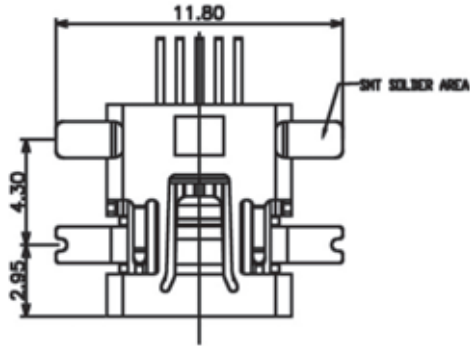
"B" BLACK

4. CONTACT FINISH:

"30" 30 MICROINCH GOLD

"01" GOLD FLASH

MINI USB B TYPE 5 PIN FEMALE CONNECTOR REVERSE MOUNT SMT TYPE



SPECIFICATIONS

Current Rating: 1.0 Amp

Contact Resistance: 25 Milliohm Max.

Insulation Resistance: 1000 Megohm Min. At 500V

Dielectric Withstanding: 1000V At 1 Minute

Operating Temperature: -55°C to +105°C

MATERIALS

Insulator: Thermoplastic, UL94V-0 Rated

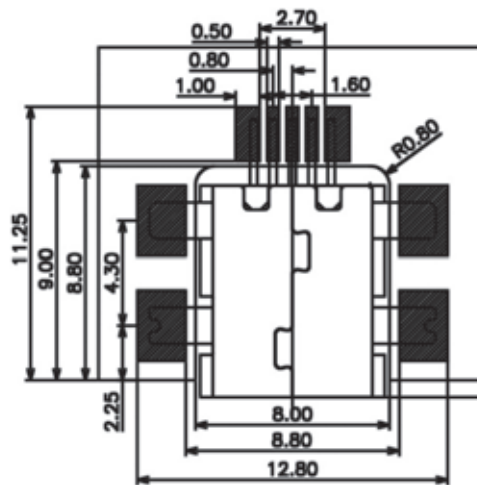
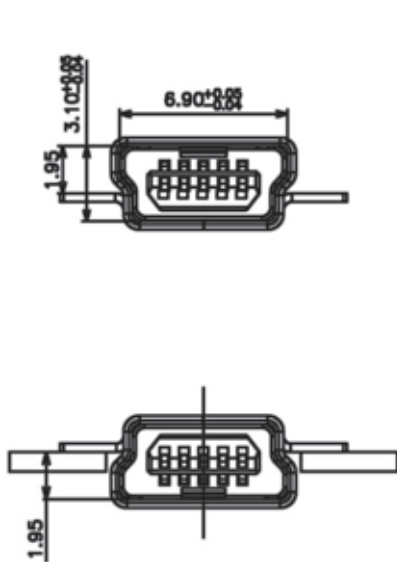
Contact: Brass

Shell: Brass, Steel

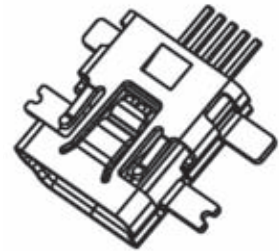
Contact Plating: Selective Gold Over Nickel Plated

Shell Plating: Tin Or Nickel Over Copper Plated

*RoHS & REACH compliant.



Recommended P.C.Board Layout



ORDERING INFORMATION:

P/N U M 3 5 - 0 5 F B x x
 1 2 3 4

1. NO. OF CONTACTS:

05

2. CONNECTOR TYPE:

"F" FEMALE

3. INSULATOR COLOR:

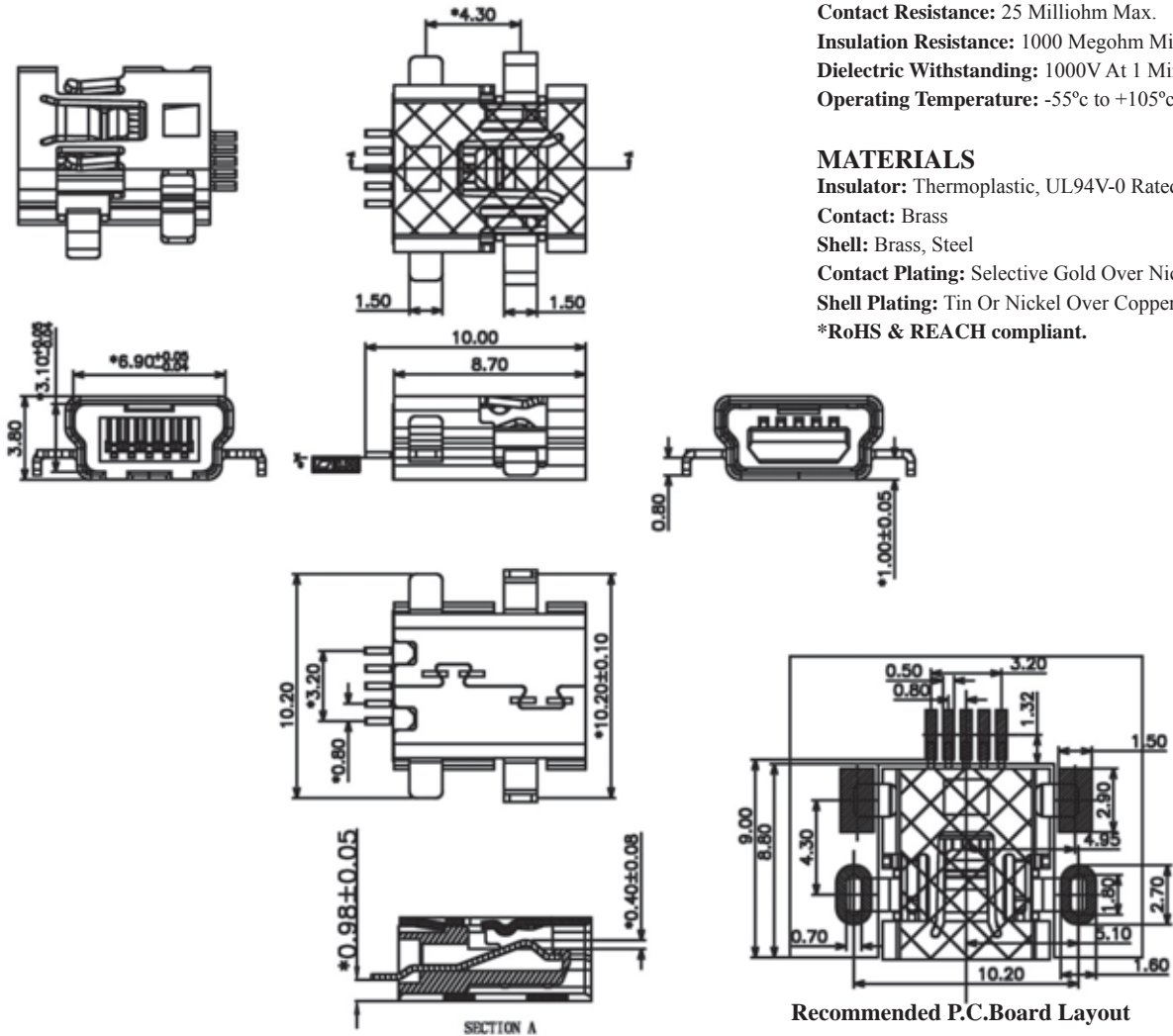
"B" BLACK

4. CONTACT FINISH:

"30" 30 MICROINCH GOLD

"01" GOLD FLASH

MINI USB B TYPE 5 PIN FEMALE CONNECTOR BOARD CUT SMT TYPE



SPECIFICATIONS

Current Rating: 1.0 Amp

Contact Resistance: 25 Milliohm Max.

Insulation Resistance: 1000 Megohm Min. At 500V

Dielectric Withstanding: 1000V At 1 Minute

Operating Temperature: -55°C to +105°C

MATERIALS

Insulator: Thermoplastic, UL94V-0 Rated

Contact: Brass

Shell: Brass, Steel

Contact Plating: Selective Gold Over Nickel Plated

Shell Plating: Tin Or Nickel Over Copper Plated

***RoHS & REACH compliant.**

ORDERING INFORMATION:

P/N U M 3 2 - 0 5 F B x x
 1 2 3 4

1. NO. OF CONTACTS:

05

2. CONNECTOR TYPE:

"F" FEMALE

3. INSULATOR COLOR:

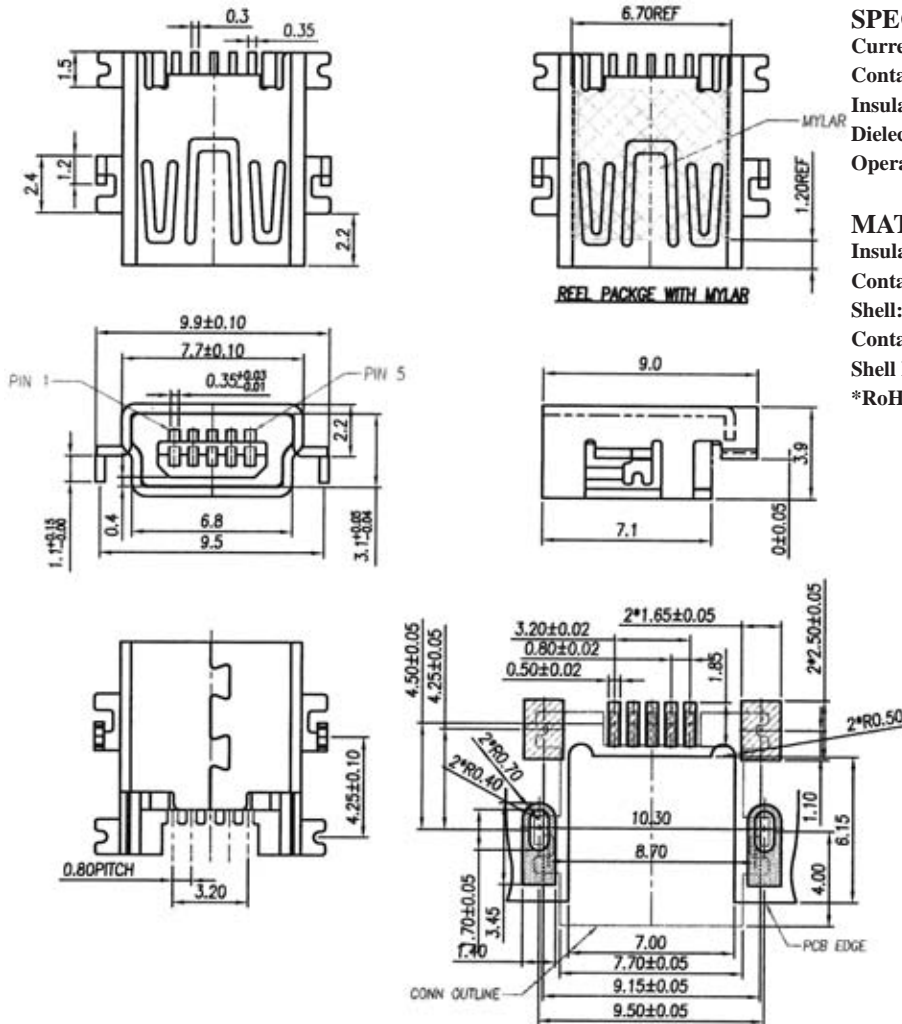
"B" BLACK

4. CONTACT FINISH:

"30" 30 MICROINCH GOLD

"01" GOLD FLASH

MINI USB B TYPE 5 PIN FEMALE CONNECTOR SMT TYPE



Recommended P.C.Board Layout

SPECIFICATIONS

Current Rating: 1.0 Amp

Contact Resistance: 25 Milliohm Max.

Insulation Resistance: 1000 Megohm Min. At 500V

Dielectric Withstanding: 1000V At 1 Minute

Operating Temperature: -55°C to +105°C

MATERIALS

Insulator: THERMOPLASTIC, UL94V-0 RATED

Contact: Brass

Shell: Brass, Steel

Contact Plating: Selective Gold Over Nickel Plated

Shell Plating: Tin Or Nickel Over Copper Plated

*RoHS & REACH compliant.

ORDERING INFORMATION:

P/N U M 4 3 - 0 5 F B 1 0
 1 2 3 4

1. NO. OF CONTACTS:

05

2. CONNECTOR TYPE:

"F" FEMALE

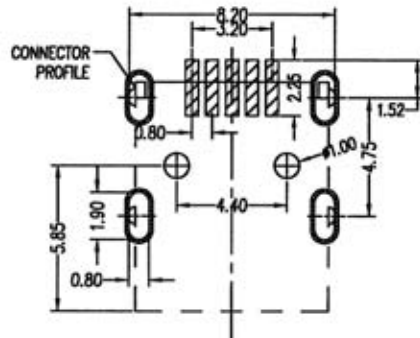
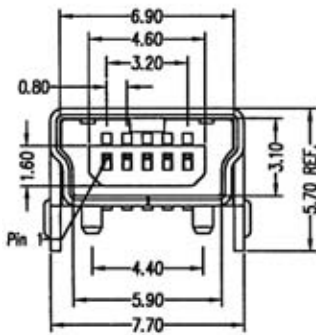
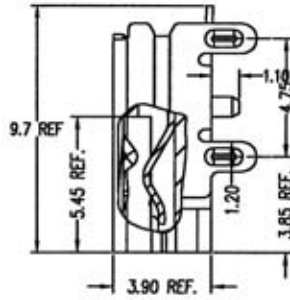
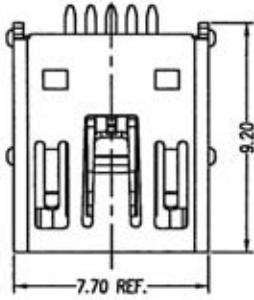
3. INSULATOR COLOR:

"B" BLACK

4. CONTACT FINISH:

"10" 10 MICROINCH GOLD

MINI USB B TYPE 5 PIN FEMALE CONNECTOR SMT TYPE



Recommended P.C.Board Layout

SPECIFICATIONS

Current Rating: 1.0 Amp

Contact Resistance: 25 Milliohm Max.

Insulation Resistance: 1000 Megohm Min. At 500V

Dielectric Withstanding: 1000V At 1 Minute

Operating Temperature: -55°C to +105°C

MATERIALS

Insulator: THERMOPLASTIC, UL94V-0 RATED

Contact: Brass

Shell: Brass, Steel

Contact Plating: Selective Gold Over Nickel Plated

Shell Plating: Tin Or Nickel Over Copper Plated

*RoHS & REACH compliant.

ORDERING INFORMATION:

P/N U M 7 6 - 0 5 F B x x
1 2 3 4

1. NO. OF CONTACTS:

05

2. CONNECTOR TYPE:

"F" FEMALE

3. INSULATOR COLOR:

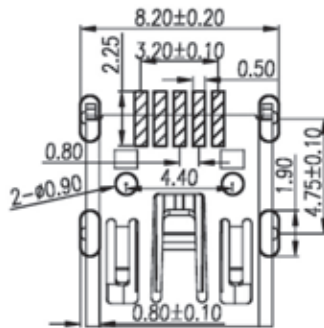
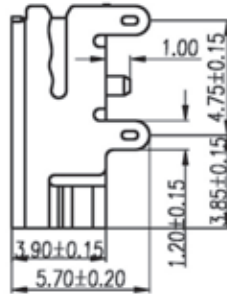
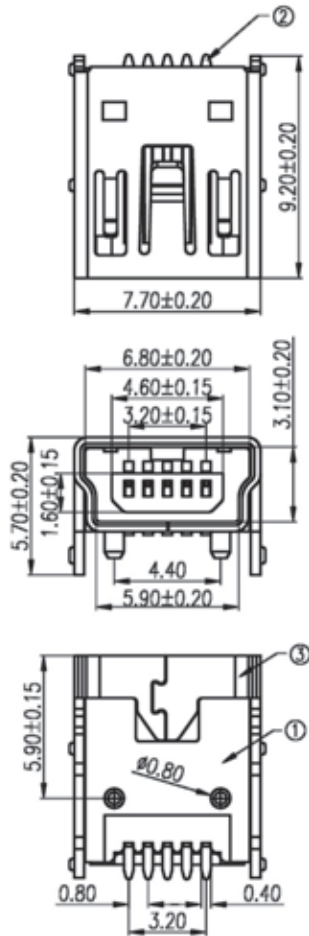
"B" BLACK

4. CONTACT FINISH:

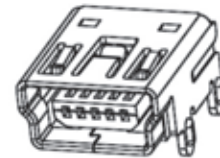
"03" 3 MICROINCH GOLD

"30" 30 MICROINCH GOLD

MINI USB B TYPE 5 PIN FEMALE CONNECTOR SMT TYPE WITH POSTS



Recommended P.C.Board Layout



SPECIFICATIONS

Current Rating: 1.0 Amp

Contact Resistance: 25 Milliohm Max.

Insulation Resistance: 1000 Megohm Min. At 500V

Dielectric Withstanding: 1000V At 1 Minute

Operating Temperature: -55°C to +105°C

MATERIALS

Insulator: Thermoplastic, UL94V-0 Rated

Contact: Brass

Shell: Brass, Steel

Contact Plating: Selective Gold Over Nickel Plated

Shell Plating: Tin Or Nickel Over Copper Plated

*RoHS & REACH compliant.

ORDERING INFORMATION:

P/N U M 9 A - 0 5 F B x x
 1 2 3 4

1. NO. OF CONTACTS:

05

2. CONNECTOR TYPE:

"F" FEMALE

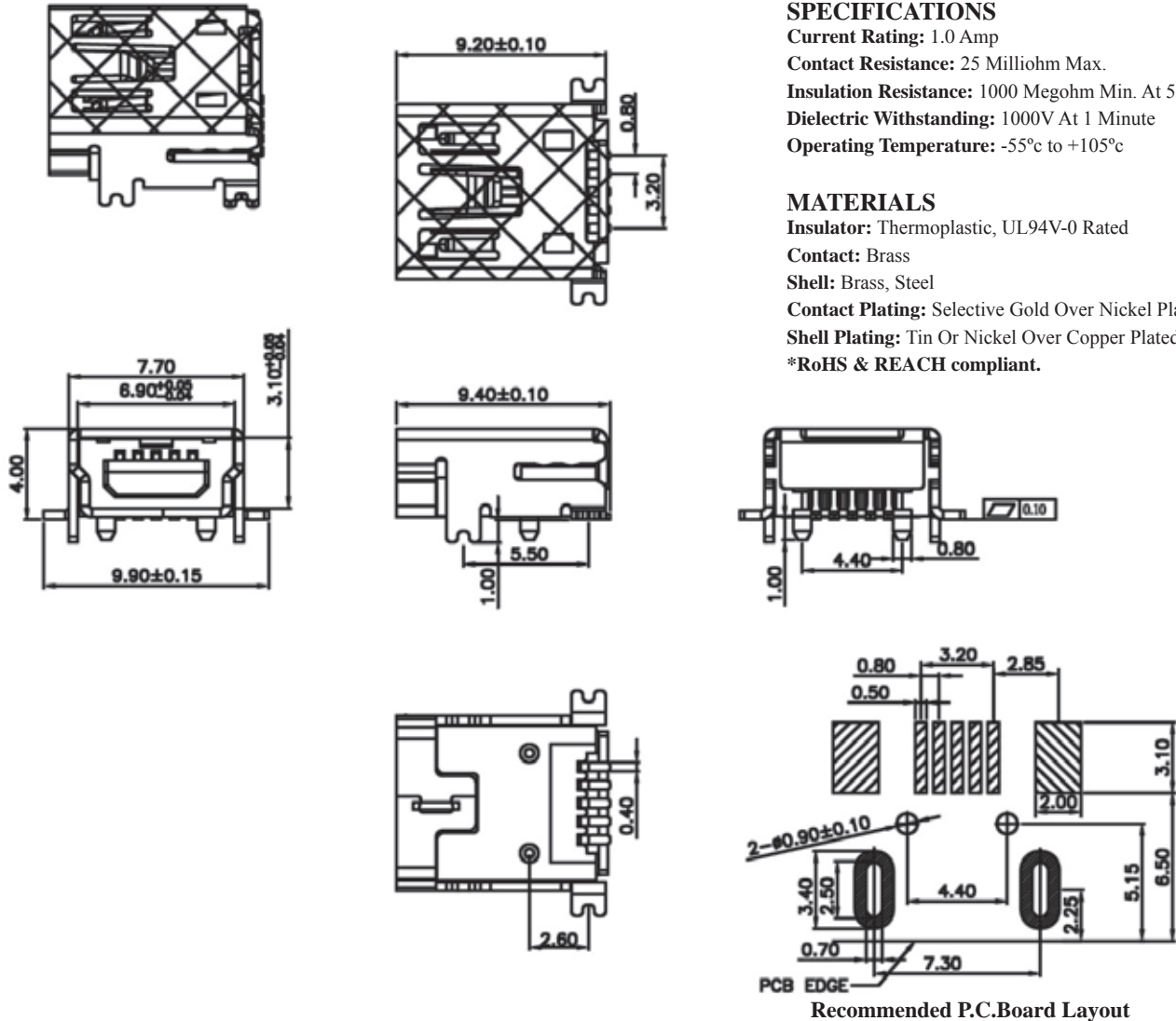
3. INSULATOR COLOR:

"B" BLACK

4. CONTACT FINISH:

"01" GOLD FLASH

MINI USB B TYPE 5 PIN FEMALE CONNECTOR SMT+DIP TYPE



SPECIFICATIONS

Current Rating: 1.0 Amp

Contact Resistance: 25 Milliohm Max.

Insulation Resistance: 1000 Megohm Min. At 500V

Dielectric Withstanding: 1000V At 1 Minute

Operating Temperature: -55°C to +105°C

MATERIALS

Insulator: Thermoplastic, UL94V-0 Rated

Contact: Brass

Shell: Brass, Steel

Contact Plating: Selective Gold Over Nickel Plated

Shell Plating: Tin Or Nickel Over Copper Plated

*RoHS & REACH compliant.

ORDERING INFORMATION:

P/N U M 3 0 - 0 5 F B x x
 1 2 3 4

1. NO. OF CONTACTS:

05

2. CONNECTOR TYPE:

"F" FEMALE

3. INSULATOR COLOR:

"B" BLACK

4. CONTACT FINISH:

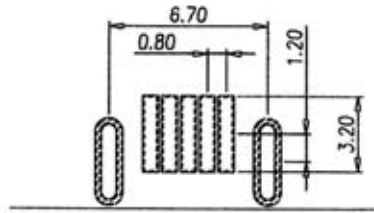
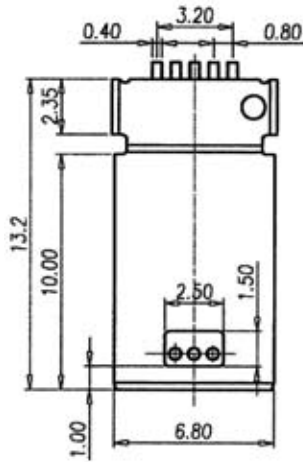
"03" 3 MICROINCH GOLD

"15" 15 MICROINCH GOLD

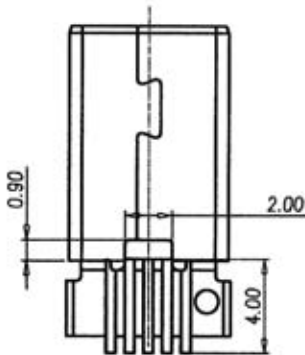
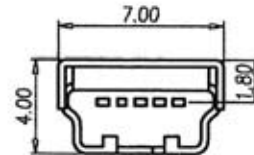
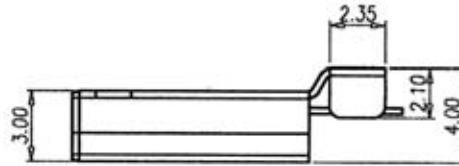
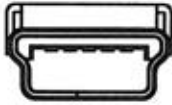
"30" 30 MICROINCH GOLD

"01" GOLD FLASH

MINI USB B TYPE 5 PIN MALE CONNECTOR SMT TYPE



Recommended P.C.Board Layout



SPECIFICATIONS

Current Rating: 1.0 Amp

Contact Resistance: 25 Milliohm Max.

Insulation Resistance: 1000 Megohm Min. At 500V

Dielectric Withstanding: 1000V At 1 Minute

Operating Temperature: -55°C to +105°C

MATERIALS

Insulator: THERMOPLASTIC, UL94V-0 RATED

Contact: Brass

Shell: Brass, Steel

Contact Plating: Selective Gold Over Nickel Plated

Shell Plating: Tin Or Nickel Over Copper Plated

*RoHS & REACH compliant.

ORDERING INFORMATION:

P/N U M 4 4 - 0 5 M B 1 0
1 2 3 4

1. NO. OF CONTACTS:

05

2. CONNECTOR TYPE:

"M" MALE

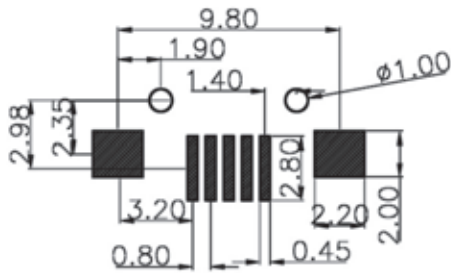
3. INSULATOR COLOR:

"B" BLACK

4. CONTACT FINISH:

"10" 10 MICROINCH GOLD

MINI USB AB TYPE 5 PIN FEMALE CONNECTOR SMT TYPE



Recommended P.C.Board Layout

SPECIFICATIONS

Current Rating: 1.0 Amp

Contact Resistance: 25 Milliohm Max.

Insulation Resistance: 1000 Megohm Min. At 500V

Dielectric Withstanding: 1000V At 1 Minute

Operating Temperature: -55°C to +105°C

MATERIALS

Insulator: Thermoplastic, UL94V-0 Rated

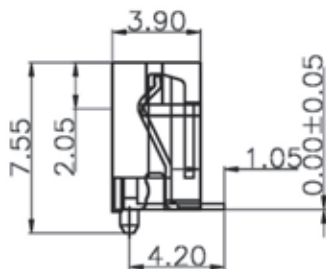
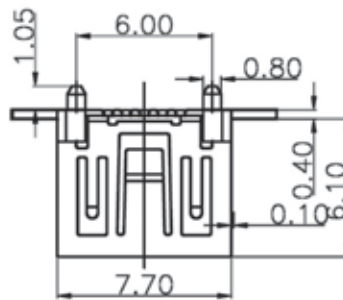
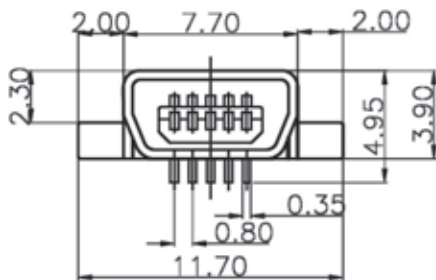
Contact: Brass

Shell: Brass, Steel

Contact Plating: Selective Gold Over Nickel Plated

Shell Plating: Tin Or Nickel Over Copper Plated

*RoHS & REACH compliant.



ORDERING INFORMATION:

P/N U M 0 9 - 0 5 F B x x
1 2 3 4

1. NO. OF CONTACTS:

05

2. CONNECTOR TYPE:

"F" FEMALE

3. INSULATOR COLOR:

"B" BLACK

4. CONTACT FINISH:

"10" 10 MICROINCH GOLD

MINI USB AB TYPE 5 PIN FEMALE CONNECTOR SMT TYPE

SPECIFICATIONS

Current Rating: 1.0 Amp

Contact Resistance: 25 Milliohm Max.

Insulation Resistance: 1000 Megohm Min. At 500V

Dielectric Withstanding: 1000V At 1 Minute

Operating Temperature: -55°C to +105°C

MATERIALS

Insulator: Thermoplastic, UL94V-0 Rated

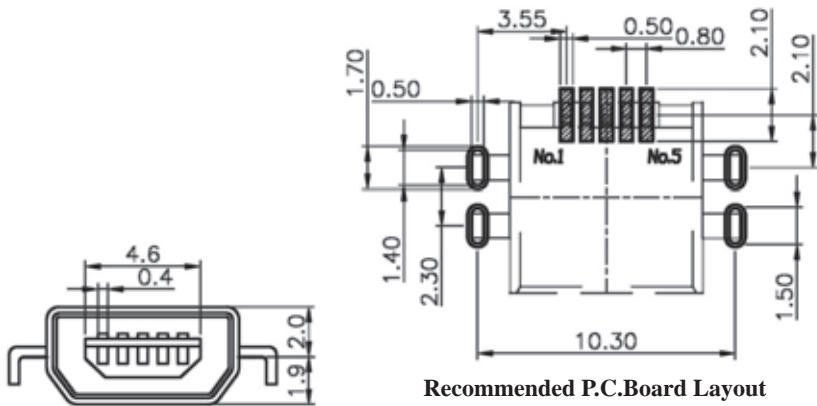
Contact: Brass

Shell: Brass, Steel

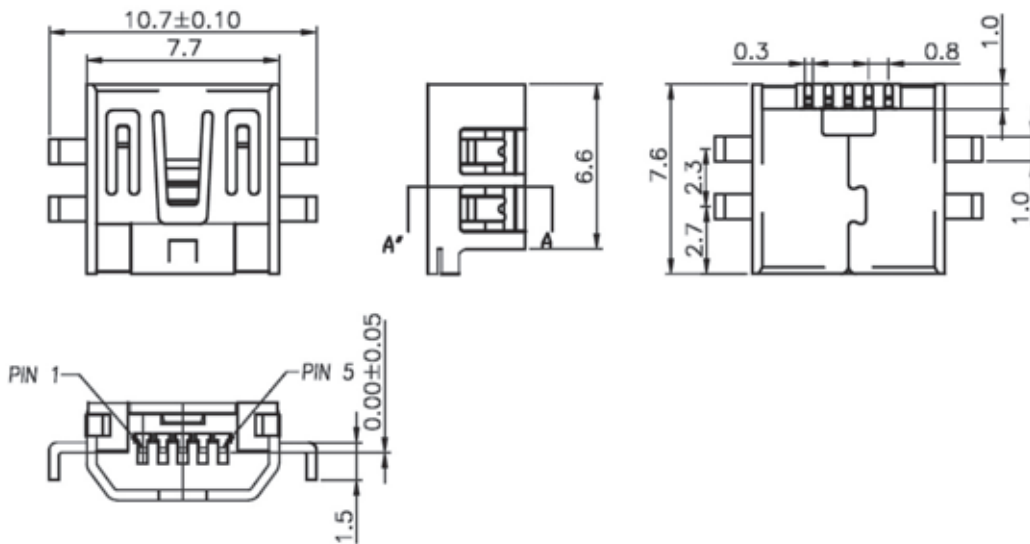
Contact Plating: Selective Gold Over Nickel Plated

Shell Plating: Tin Or Nickel Over Copper Plated

*RoHS & REACH compliant.



Recommended P.C.Board Layout



ORDERING INFORMATION:

P/N U M 0 8 - 0 5 F B x x
1 2 3 4

1. NO. OF CONTACTS:

05

2. CONNECTOR TYPE:

"F" FEMALE

3. INSULATOR COLOR:

"B" BLACK

4. CONTACT FINISH:

"10" 10 MICROINCH GOLD

MINI USB AB TYPE 5 PIN FEMALE CONNECTOR SMT TYPE

SPECIFICATIONS

Current Rating: 1.0 Amp

Contact Resistance: 25 Milliohm Max.

Insulation Resistance: 1000 Megohm Min. At 500V

Dielectric Withstanding: 1000V At 1 Minute

Operating Temperature: -55°C to +105°C

MATERIALS

Insulator: Thermoplastic, UL94V-0 Rated

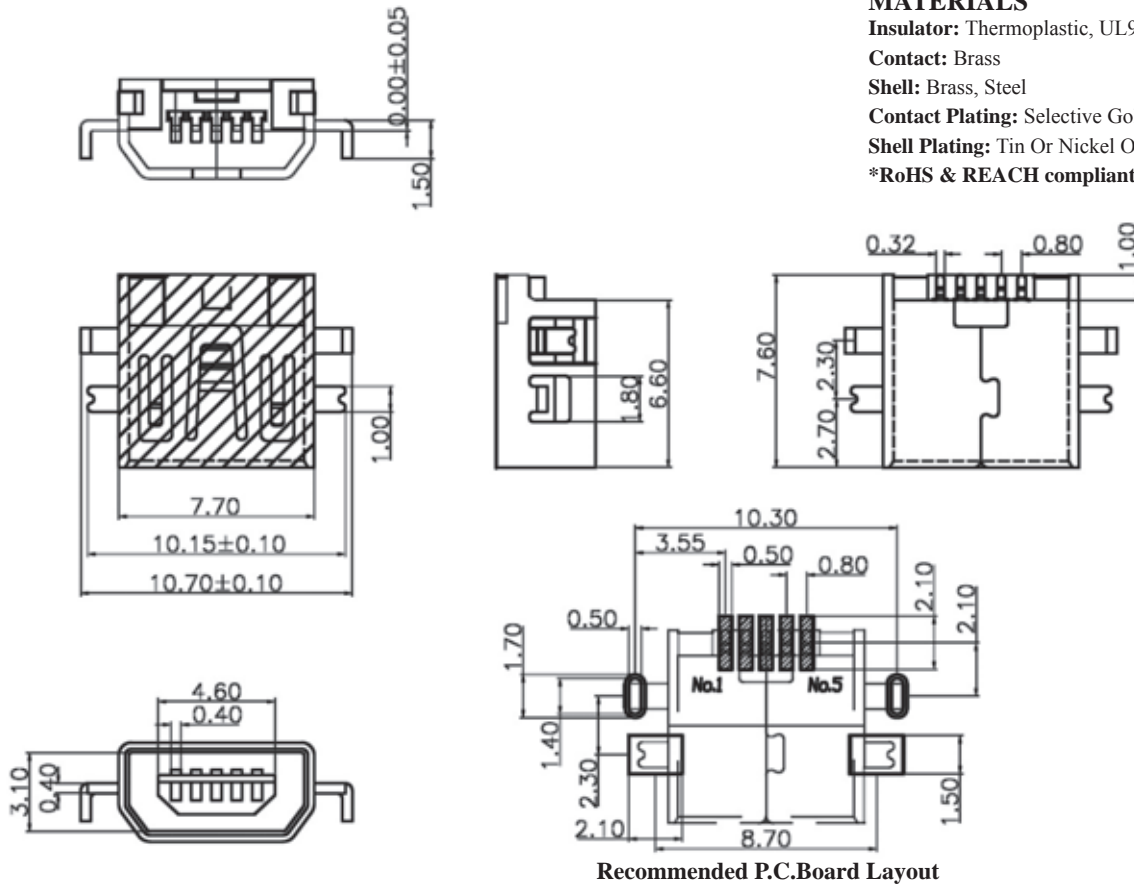
Contact: Brass

Shell: Brass, Steel

Contact Plating: Selective Gold Over Nickel Plated

Shell Plating: Tin Or Nickel Over Copper Plated

***RoHS & REACH compliant.**



ORDERING INFORMATION:

P/N U M 0 7 - 0 5 F B x x
1 2 3 4

1. NO. OF CONTACTS:

05

2. CONNECTOR TYPE:

"F" FEMALE

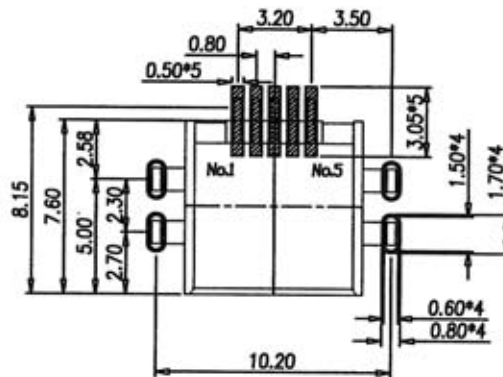
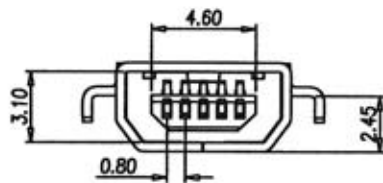
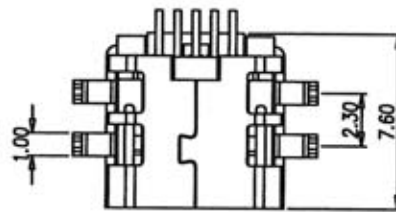
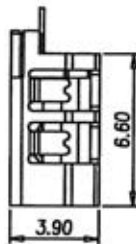
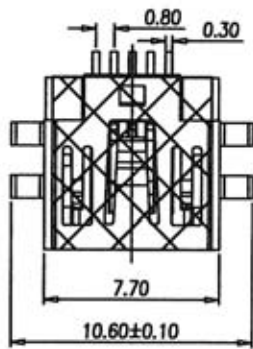
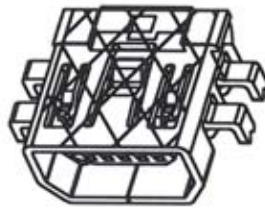
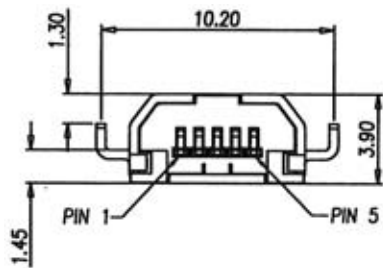
3. INSULATOR COLOR:

"B" BLACK

4. CONTACT FINISH:

"10" 10 MICROINCH GOLD

MINI USB AB TYPE 5 PIN FEMALE CONNECTOR SMT TYPE



Recommended P.C.Board Layout

SPECIFICATIONS

Current Rating: 1.0 Amp

Contact Resistance: 25 Milliohm Max.

Insulation Resistance: 1000 Megohm Min. At 500V

Dielectric Withstanding: 1000V At 1 Minute

Operating Temperature: -55°C to +105°C

MATERIALS

Insulator: THERMOPLASTIC, UL94V-0 RATED

Contact: Brass

Shell: Brass, Steel

Contact Plating: Selective Gold Over Nickel Plated

Shell Plating: Tin Or Nickel Over Copper Plated

*RoHS & REACH compliant.

ORDERING INFORMATION:

P/N U M 3 8 - 0 5 F B 1 0
1 2 3 4

1. NO. OF CONTACTS:

05

2. CONNECTOR TYPE:

"F" FEMALE

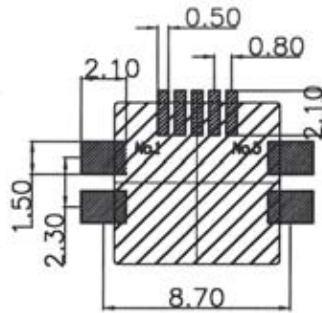
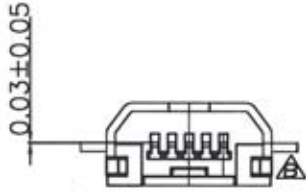
3. INSULATOR COLOR:

"B" BLACK

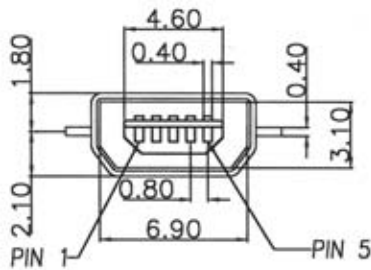
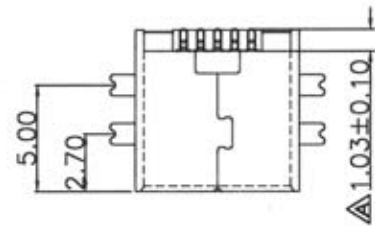
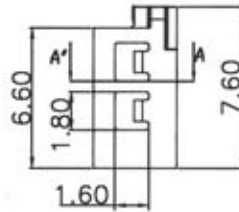
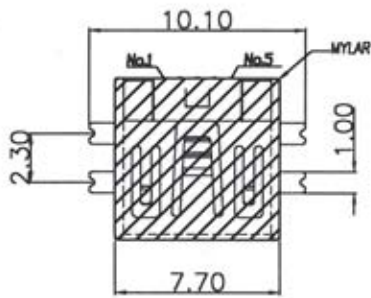
4. CONTACT FINISH:

"10" 10 MICROINCH GOLD

MINI USB AB TYPE 5 PIN FEMALE CONNECTOR SMT TYPE



Recommended P.C.Board Layout



SPECIFICATIONS

Current Rating: 1.0 Amp

Contact Resistance: 25 Milliohm Max.

Insulation Resistance: 1000 Megohm Min. At 500V

Dielectric Withstanding: 1000V At 1 Minute

Operating Temperature: -55°C to +105°C

MATERIALS

Insulator: THERMOPLASTIC, UL94V-0 RATED

Contact: Brass

Shell: Brass, Steel

Contact Plating: Selective Gold Over Nickel Plated

Shell Plating: Tin Or Nickel Over Copper Plated

*RoHS & REACH compliant.

ORDERING INFORMATION:

P/N U M 3 9 - 0 5 F B 10
 1 2 3 4

1. NO. OF CONTACTS:

05

2. CONNECTOR TYPE:

"F" FEMALE

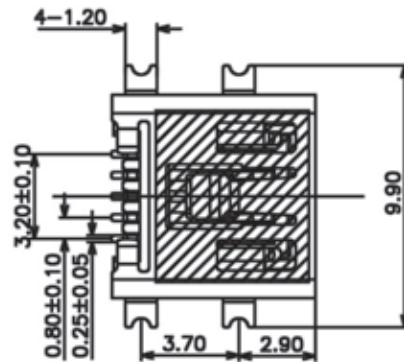
3. INSULATOR COLOR:

"B" BLACK

4. CONTACT FINISH:

"10" 10 MICROINCH GOLD

MINI USB AB TYPE 5 PIN FEMALE CONNECTOR SMT TYPE WITH SHORT BODY



SPECIFICATIONS

Current Rating: 1.0 Amp

Contact Resistance: 25 Milliohm Max.

Insulation Resistance: 1000 Megohm Min. At 500V

Dielectric Withstanding: 1000V At 1 Minute

Operating Temperature: -55°C to +105°C

MATERIALS

Insulator: Thermoplastic, UL94V-0 Rated

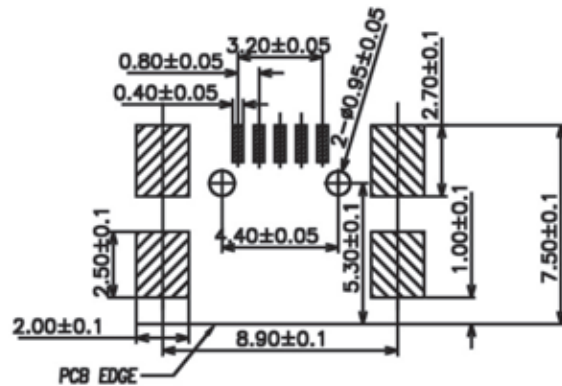
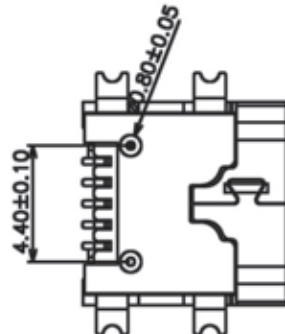
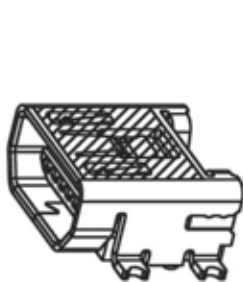
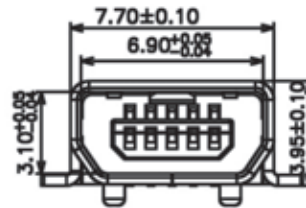
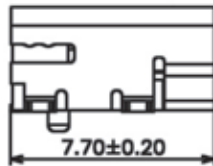
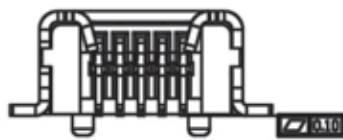
Contact: Brass

Shell: Brass, Steel

Contact Plating: Selective Gold Over Nickel Plated

Shell Plating: Tin Or Nickel Over Copper Plated

*RoHS & REACH compliant.



Recommended P.C. Board Layout

ORDERING INFORMATION:

P/N U M 6 8 - 0 5 F B x x
 1 2 3 4

1. NO. OF CONTACTS:

05

2. CONNECTOR TYPE:

"F" FEMALE

3. INSULATOR COLOR:

"B" BLACK

4. CONTACT FINISH:

"03" 3 MICROINCH GOLD

"15" 15 MICROINCH GOLD

"30" 30 MICROINCH GOLD

"01" GOLD FLASH

MINI USB 8 PIN MALE CONNECTOR CABLE SOLDER TYPE

SPECIFICATIONS

Current Rating: 1.0 Amp

Contact Resistance: 25 Milliohm Max.

Insulation Resistance: 1000 Megohm Min. At 500V

Dielectric Withstanding: 1000V At 1 Minute

Operating Temperature: -55°C to +105°C

MATERIALS

Insulator: Thermoplastic, UL94V-0 Rated

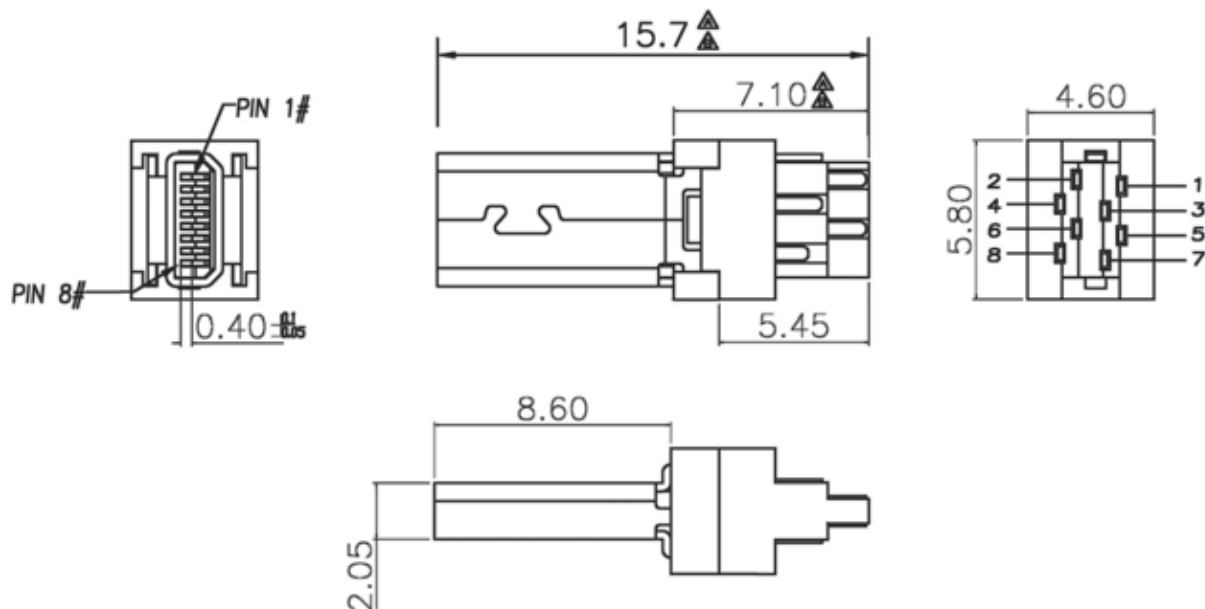
Contact: Brass

Shell: Brass, Steel

Contact Plating: Selective Gold Over Nickel Plated

Shell Plating: Tin Or Nickel Over Copper Plated

***RoHS & REACH compliant.**



ORDERING INFORMATION:

P/N U M 8 1 - 0 8 M B x x
1 2 3 4

DRAWING REVISED

1. NO. OF CONTACTS:

08

2. CONNECTOR TYPE:

"M" MALE

3. INSULATOR COLOR:

"B" BLACK

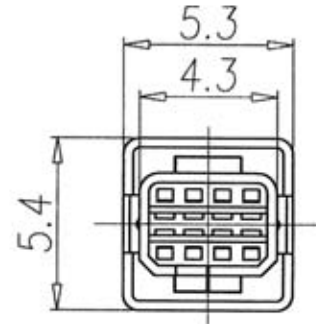
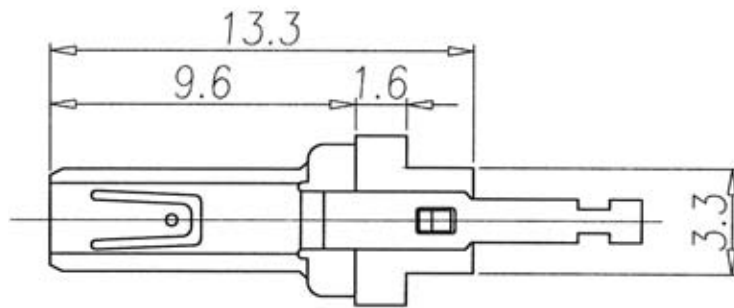
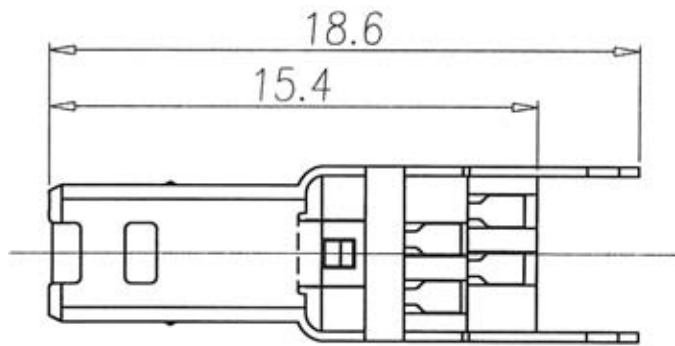
4. CONTACT FINISH:

"01" GOLD FLASH

"10" 10 MICROINCH GOLD

"30" 30 MICROINCH GOLD

MINI USB 8 PIN MALE CONNECTOR FOR CABLE ASSEMBLY



SPECIFICATIONS

Current Rating: 1.0 Amp

Contact Resistance: 25 Milliohm Max.

Insulation Resistance: 1000 Megohm Min. At 500V

Dielectric Withstanding: 1000V At 1 Minute

Operating Temperature: -55°C to +105°C

MATERIALS

Insulator: THERMOPLASTIC, UL94V-0 RATED

Contact: Brass

Shell: Brass, Steel

Contact Plating: Selective Gold Over Nickel Plated

Shell Plating: Tin Or Nickel Over Copper Plated

*RoHS & REACH compliant.

ORDERING INFORMATION:

P/N U M 8 3 - 0 8 M B 0 3
1 2 3 4

1. NO. OF CONTACTS:

08

2. CONNECTOR TYPE:

"M" MALE

3. INSULATOR COLOR:

"B" BLACK

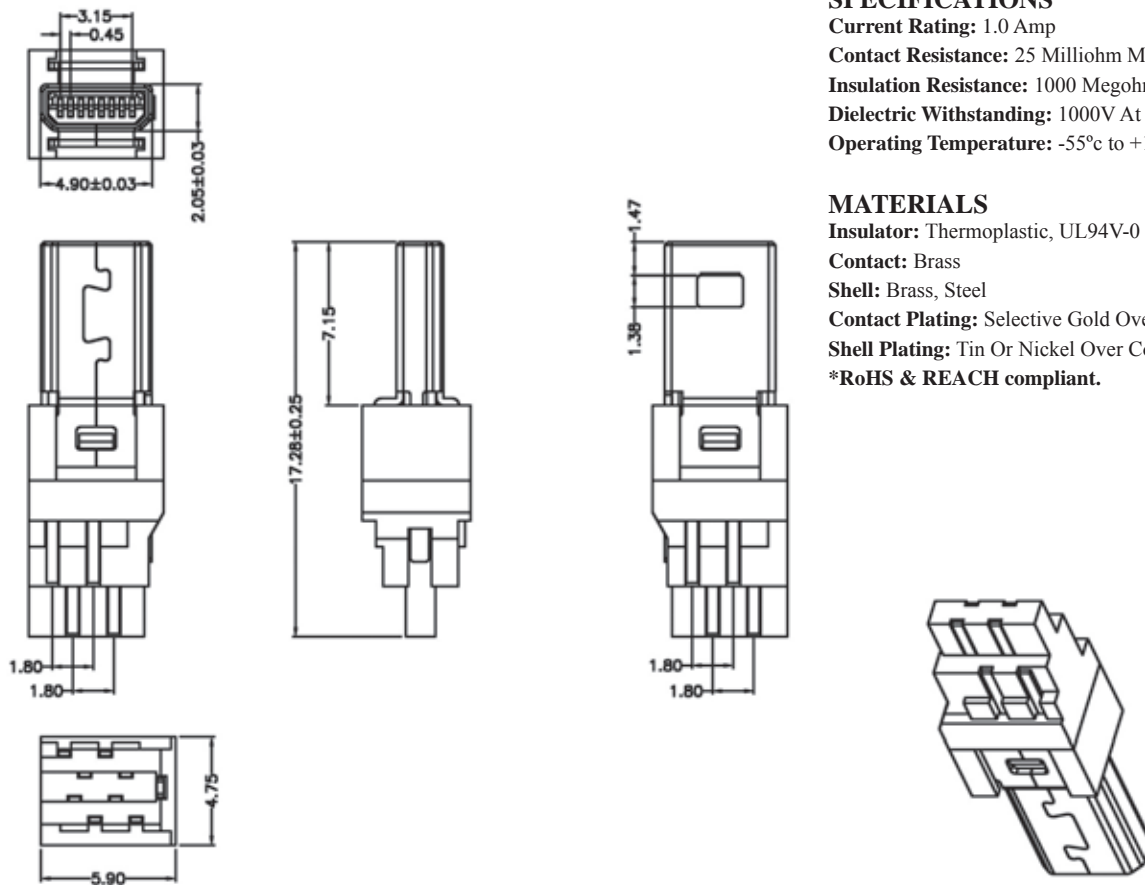
4. CONTACT FINISH:

"03" 3 MICRINCH GOLD

DRAWING REVISED

P/N REVISED

MINI USB 8 PIN MALE CONNECTOR CABLE SOLDER TYPE



SPECIFICATIONS

Current Rating: 1.0 Amp

Contact Resistance: 25 Milliohm Max.

Insulation Resistance: 1000 Megohm Min. At 500V

Dielectric Withstanding: 1000V At 1 Minute

Operating Temperature: -55°C to +105°C

MATERIALS

Insulator: Thermoplastic, UL94V-0 Rated

Contact: Brass

Shell: Brass, Steel

Contact Plating: Selective Gold Over Nickel Plated

Shell Plating: Tin Or Nickel Over Copper Plated

*RoHS & REACH compliant.

ORDERING INFORMATION:

P/N U M 5 5 - 0 8 M B x x
1 2 3 4

1. NO. OF CONTACTS:

08

2. CONNECTOR TYPE:

"M" MALE

3. INSULATOR COLOR:

"B" BLACK

4. CONTACT FINISH:

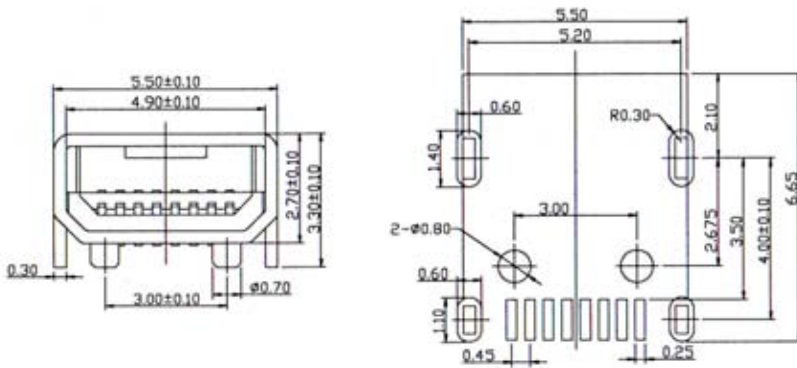
"01" GOLD FLASH

"03" 03 MICROINCH GOLD

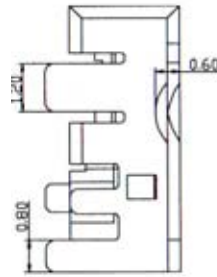
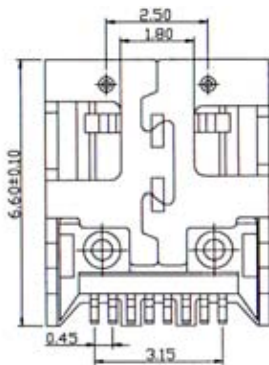
"15" 15 MICROINCH GOLD

"30" 30 MICROINCH GOLD

MINI USB 8 PIN FEMALE CONNECTOR SMT TYPE



Recommended P.C.Board Layout
(TOP VIEW)



SPECIFICATIONS

Current Rating: 1.0 Amp

Contact Resistance: 25 Milliohm Max.

Insulation Resistance: 1000 Megohm Min. At 500V

Dielectric Withstanding: 1000V At 1 Minute

Operating Temperature: -55°C to +105°C

MATERIALS

Insulator: THERMOPLASTIC, UL94V-0 RATED

Contact: Brass

Shell: Brass, Steel

Contact Plating: Selective Gold Over Nickel Plated

Shell Plating: Tin Or Nickel Over Copper Plated

*RoHS & REACH compliant.

ORDERING INFORMATION:

P/N U M 8 2 - 0 8 F B x x G
1 2 3 4 5

P/N REVISED

1. NO. OF CONTACTS:

08

2. CONNECTOR TYPE:

"F" FEMALE

3. INSULATOR COLOR:

"B" BLACK

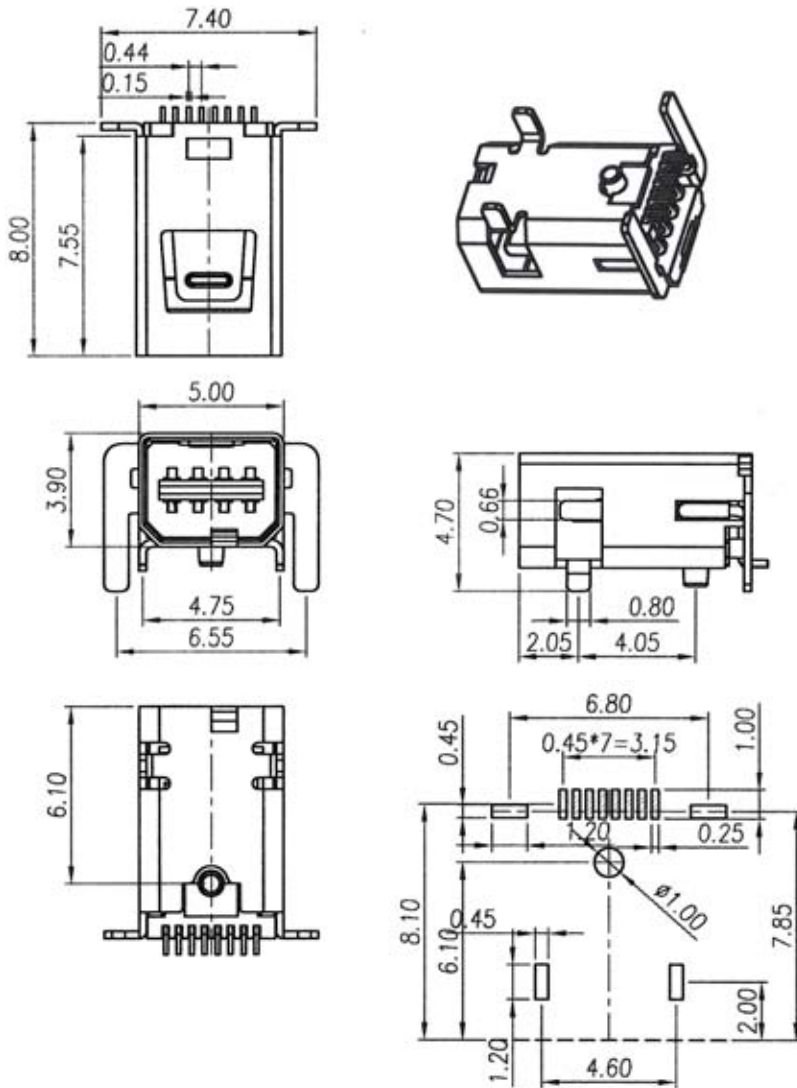
4. CONTACT FINISH:

"10" 10 MICROINCH GOLD

5. SHELL FINISH:

"G" GOLD FLASH

MINI USB 8 PIN FEMALE CONNECTOR SMT TYPE



Recommended P.C.Board Layout

SPECIFICATIONS

Current Rating: 1.0 Amp

Contact Resistance: 25 Milliohm Max.

Insulation Resistance: 1000 Megohm Min. At 500V

Dielectric Withstanding: 1000V At 1 Minute

Operating Temperature: -55°C to +105°C

MATERIALS

Insulator: THERMOPLASTIC, UL94V-0 RATED

Contact: Brass

Shell: Brass, Steel

Contact Plating: Selective Gold Over Nickel Plated

Shell Plating: Tin Or Nickel Over Copper Plated

*RoHS & REACH compliant.

ORDERING INFORMATION:

P/N U M 8 4 - 0 8 F B 0 3
1 2 3 4

1. NO. OF CONTACTS:

08

2. CONNECTOR TYPE:

"F" FEMALE

3. INSULATOR COLOR:

"B" BLACK

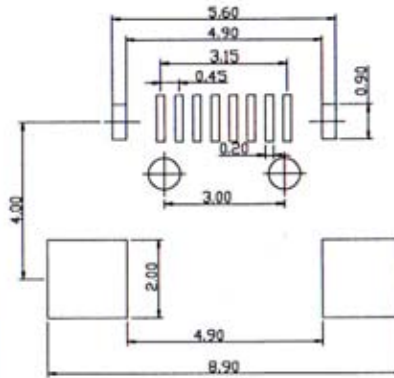
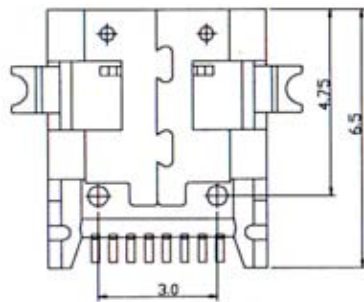
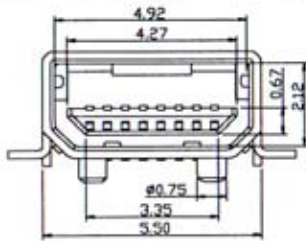
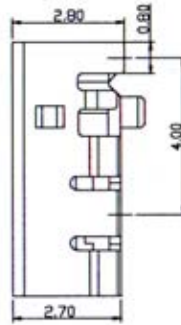
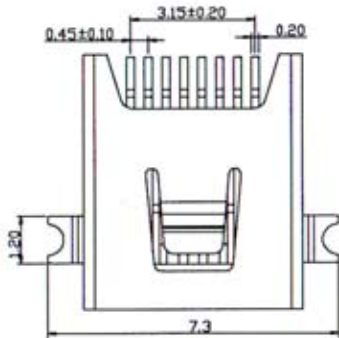
4. CONTACT FINISH:

"03" 3 MICROINCH GOLD

DRAWING REVISED

P/N REVISED

MINI USB 8 PIN FEMALE CONNECTOR SMT TYPE WITH GROUNDING PAD



Recommended P.C.Board Layout
(TOP VIEW)

SPECIFICATIONS

Current Rating: 1.0 Amp

Contact Resistance: 25 Milliohm Max.

Insulation Resistance: 1000 Megohm Min. At 500V

Dielectric Withstanding: 1000V At 1 Minute

Operating Temperature: -55°C to +105°C

MATERIALS

Insulator: THERMOPLASTIC, UL94V-0 RATED

Contact: Brass

Shell: Brass, Steel

Contact Plating: Selective Gold Over Nickel Plated

Shell Plating: Tin Or Nickel Over Copper Plated

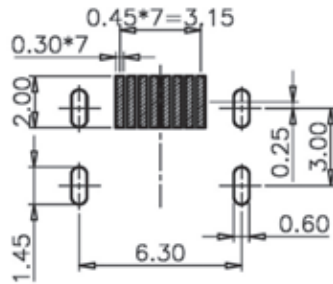
*RoHS & REACH compliant.

ORDERING INFORMATION:

P/N U M 8 7 - 0 8 F B x x
1 2 3 4

1. NO. OF CONTACTS:
08
2. CONNECTOR TYPE:
"F" FEMALE
3. INSULATOR COLOR:
"B" BLACK
4. CONTACT FINISH:
"01" GOLD FLASH

MINI USB 8 PIN MALE CONNECTOR REVERSE MOUNT SMT TYPE



Recommended P.C.Board Layout

SPECIFICATIONS

Current Rating: 1.0 Amp

Contact Resistance: 25 Milliohm Max.

Insulation Resistance: 1000 Megohm Min. At 500V

Dielectric Withstanding: 1000V At 1 Minute

Operating Temperature: -55°C to +105°C

MATERIALS

Insulator: Thermoplastic, UL94V-0 Rated

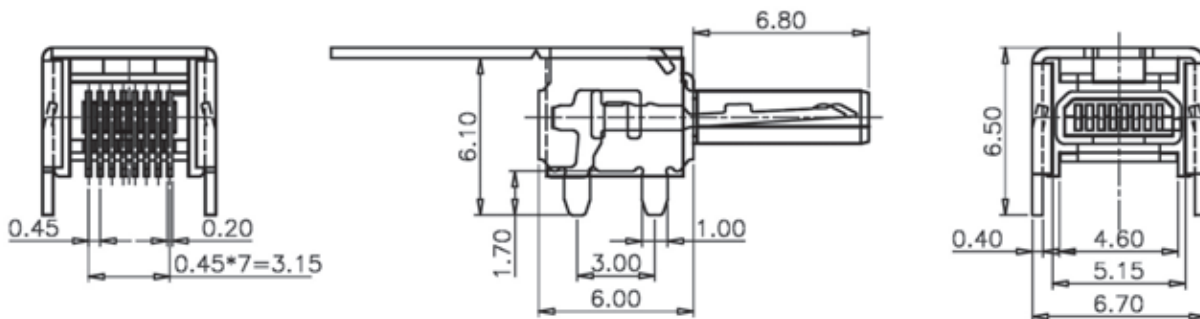
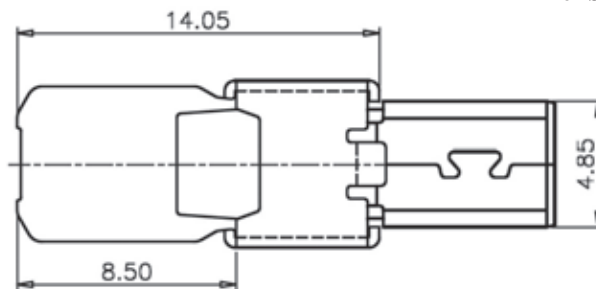
Contact: Brass

Shell: Brass, Steel

Contact Plating: Selective Gold Over Nickel Plated

Shell Plating: Tin Or Nickel Over Copper Plated

*RoHS & REACH compliant.



ORDERING INFORMATION:

P/N U M 8 A - 0 8 M B x x
1 2 3 4

1. NO. OF CONTACTS:

08

2. CONNECTOR TYPE:

"M" MALE

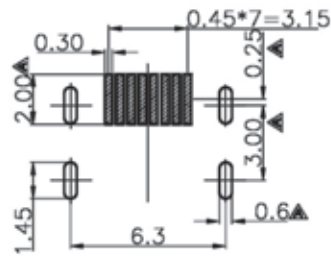
3. INSULATOR COLOR:

"B" BLACK

4. CONTACT FINISH:

"10" 10 MICROINCH GOLD

MINI USB 8 PIN MALE CONNECTOR REVERSE MOUNT SMT TYPE



Recommended P.C.Board Layout

SPECIFICATIONS

Current Rating: 1.0 Amp

Contact Resistance: 25 Milliohm Max.

Insulation Resistance: 1000 Megohm Min. At 500V

Dielectric Withstanding: 1000V At 1 Minute

Operating Temperature: -55°C to +105°C

MATERIALS

Insulator: Thermoplastic, UL94V-0 Rated

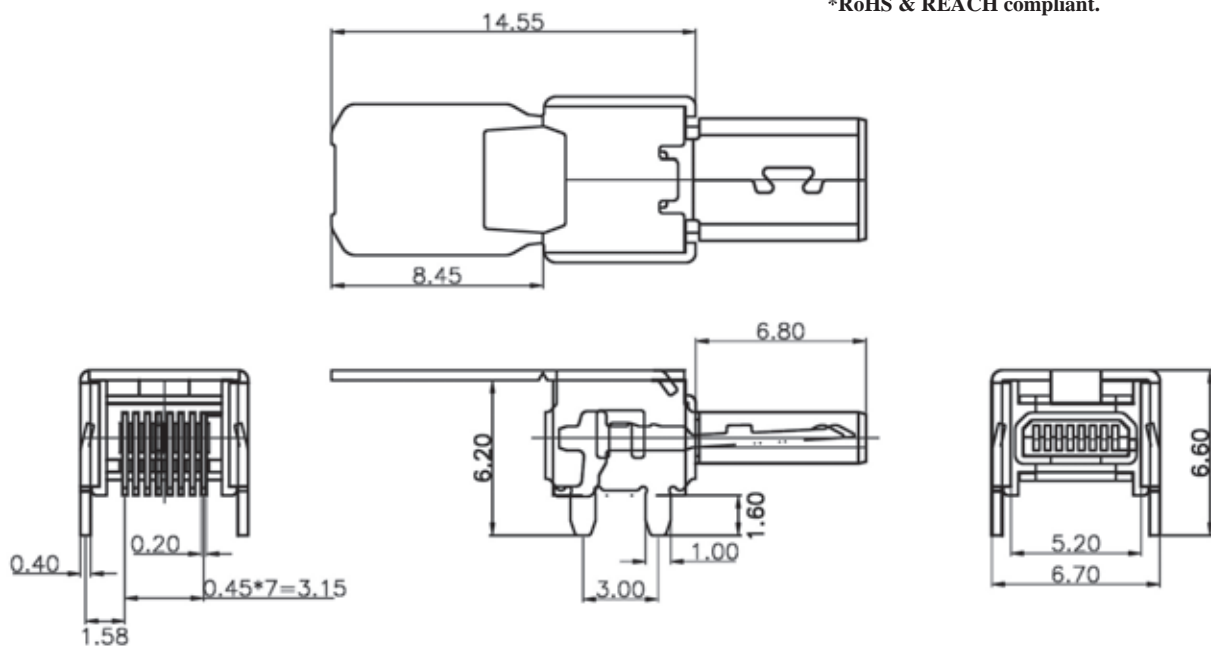
Contact: Brass

Shell: Brass, Steel

Contact Plating: Selective Gold Over Nickel Plated

Shell Plating: Tin Or Nickel Over Copper Plated

*RoHS & REACH compliant.



ORDERING INFORMATION:

P/N U M 8 L - 0 8 M B x x
1 2 3 4

1. NO. OF CONTACTS:

08

2. CONNECTOR TYPE:

"M" MALE

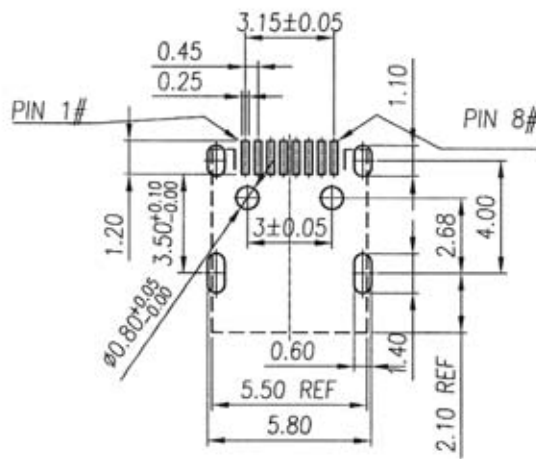
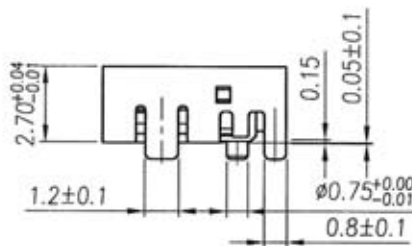
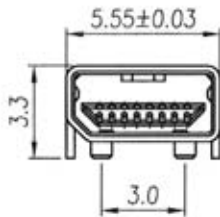
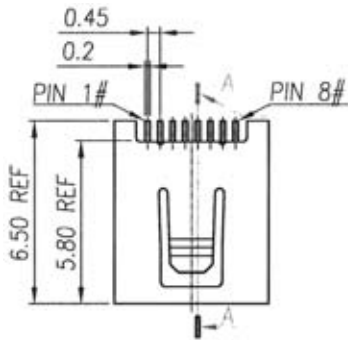
3. INSULATOR COLOR:

"B" BLACK

4. CONTACT FINISH:

"10" 10 MICROINCH GOLD

MINI USB 8 PIN FEMALE CONNECTOR SMT TYPE



Recommended P.C.Board Layout

SPECIFICATIONS

Current Rating: 1.0 Amp

Contact Resistance: 25 Milliohm Max.

Insulation Resistance: 1000 Megohm Min. At 500V

Dielectric Withstanding: 1000V At 1 Minute

Operating Temperature: -55°C to +105°C

MATERIALS

Insulator: THERMOPLASTIC, UL94V-0 RATED

Contact: Brass

Shell: Brass, Steel

Contact Plating: Selective Gold Over Nickel Plated

Shell Plating: Tin Or Nickel Over Copper Plated

*RoHS & REACH compliant.

ORDERING INFORMATION:

P/N U M 8 B - 0 8 F B 1 0 G
1 2 3 4 5

1. NO. OF CONTACTS:

08

2. CONNECTOR TYPE:

"F" FEMALE

3. INSULATOR COLOR:

"B" BLACK

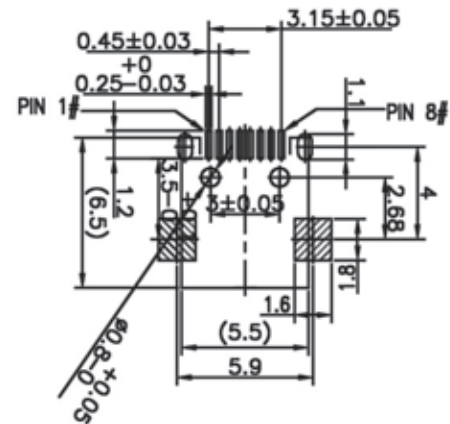
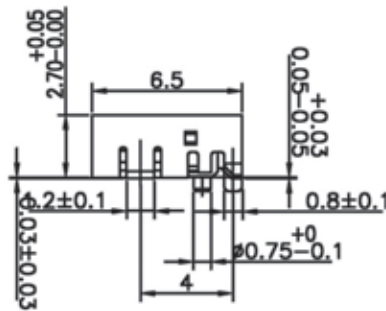
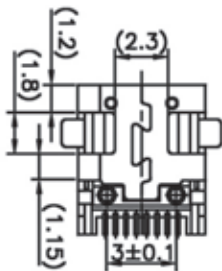
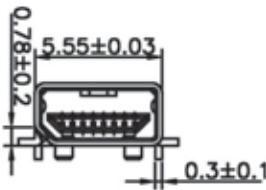
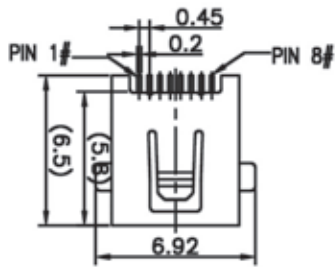
4. CONTACT FINISH:

"10" 10 MICROINCH GOLD

5. SHELL FINISH:

"G" GOLD FLASH

MINI USB 8 PIN FEMALE CONNECTOR SMT TYPE



Recommended P.C.Board Layout

SPECIFICATIONS

Current Rating: 1.0 Amp

Contact Resistance: 25 Milliohm Max.

Insulation Resistance: 1000 Megohm Min. At 500V

Dielectric Withstanding: 1000V At 1 Minute

Operating Temperature: -55°C to +105°C

MATERIALS

Insulator: Thermoplastic, UL94V-0 Rated

Contact: Brass

Shell: Brass, Steel

Contact Plating: Selective Gold Over Nickel Plated

Shell Plating: Tin Or Nickel Over Copper Plated

*RoHS & REACH compliant.

ORDERING INFORMATION:

P/N U M 8 C - 0 8 F B x x G
 1 2 3 4 5

1. NO. OF CONTACTS:

05

2. CONNECTOR TYPE:

"F" FEMALE

3. INSULATOR COLOR:

"B" BLACK

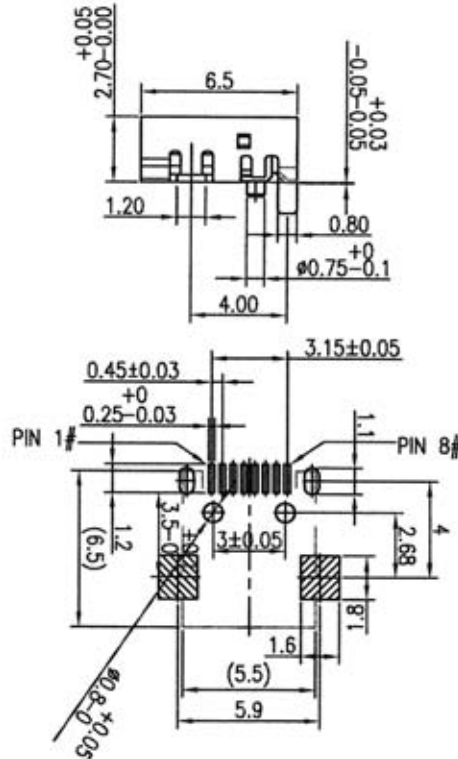
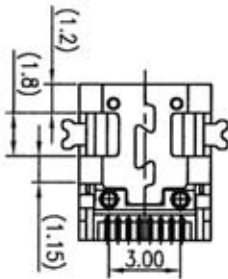
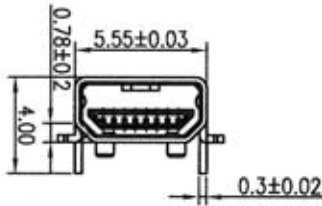
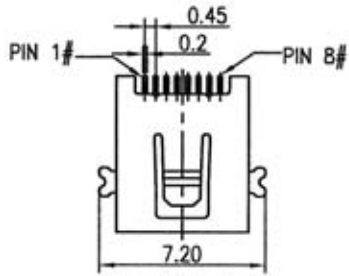
4. CONTACT FINISH:

"10" 10 MICROINCH GOLD

5. SHELL FINISH:

"G" GOLD PLATED

MINI USB 8 PIN FEMALE CONNECTOR SMT TYPE WITH LONG DIP



Recommended P.C.Board Layout

SPECIFICATIONS

Current Rating: 1.0 Amp

Contact Resistance: 25 Milliohm Max.

Insulation Resistance: 1000 Megohm Min. At 500V

Dielectric Withstanding: 1000V At 1 Minute

Operating Temperature: -55°C to +105°C

MATERIALS

Insulator: THERMOPLASTIC, UL94V-0 RATED

Contact: Brass

Shell: Brass, Steel

Contact Plating: Selective Gold Over Nickel Plated

Shell Plating: Tin Or Nickel Over Copper Plated

*RoHS & REACH compliant.

ORDERING INFORMATION:

P/N U M 8 D - 0 8 F B x x x
 1 2 3 4 5

1. NO. OF CONTACTS:

08

2. CONNECTOR TYPE:

"F" FEMALE

3. INSULATOR COLOR:

"B" BLACK

4. CONTACT FINISH:

"10" 10 MICROINCH GOLD

"15" 15 MICROINCH GOLD

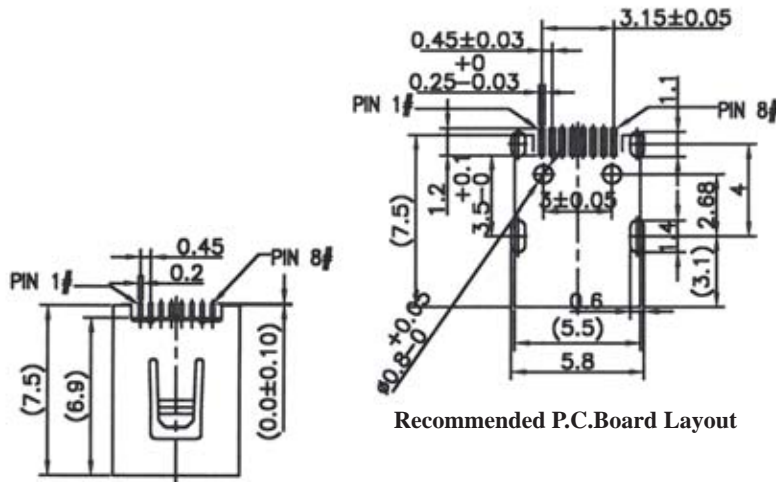
"30" 30 MICROINCH GOLD

5. SHELL FINISH:

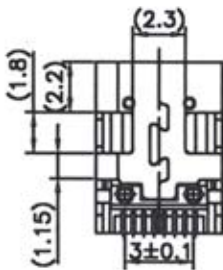
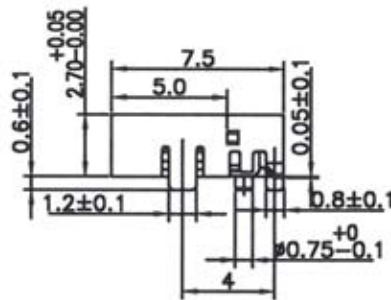
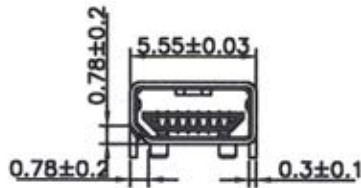
" " NICKEL PLATED

"G" GOLD FLASH

MINI USB 8 PIN FEMALE CONNECTOR SMT TYPE L=7.5MM



Recommended P.C.Board Layout



SPECIFICATIONS

Current Rating: 1.0 Amp

Contact Resistance: 25 Milliohm Max.

Insulation Resistance: 1000 Megohm Min. At 500V

Dielectric Withstanding: 1000V At 1 Minute

Operating Temperature: -55°C to +105°C

MATERIALS

Insulator: THERMOPLASTIC, UL94V-0 RATED

Contact: Brass

Shell: Brass, Steel

Contact Plating: Selective Gold Over Nickel Plated

Shell Plating: Tin Or Nickel Over Copper Plated

*RoHS & REACH compliant.

ORDERING INFORMATION:

P/N U M 8 E - 0 8 F B 1 0 G
1 2 3 4 5

1. NO. OF CONTACTS:

08

2. CONNECTOR TYPE:

"F" FEMALE

3. INSULATOR COLOR:

"B" BLACK

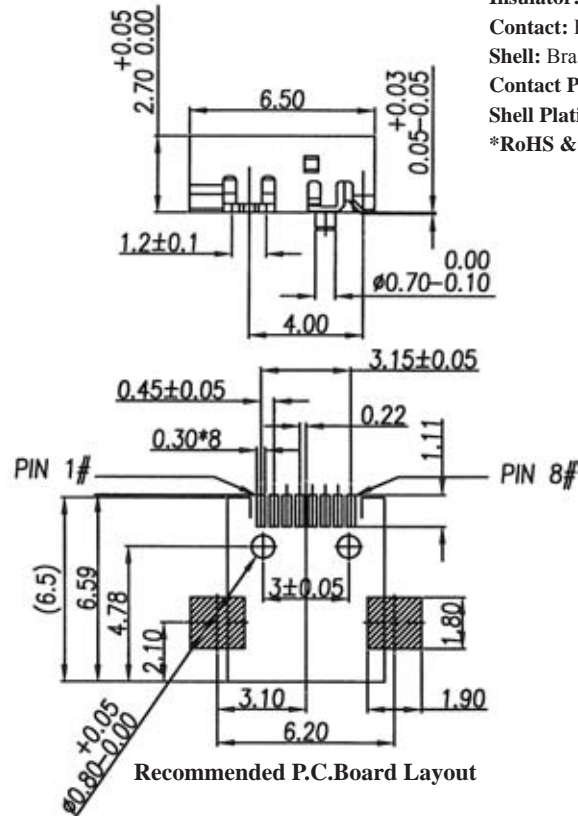
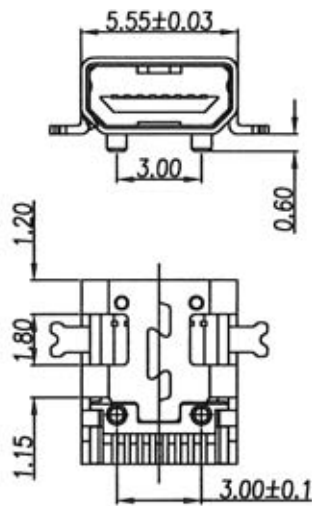
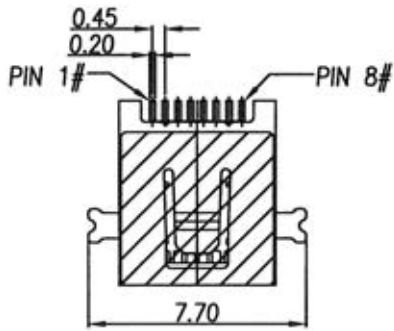
4. CONTACT FINISH:

"10" 10 MICROINCH GOLD

5. SHELL FINISH:

"G" GOLD FLASH

MINI USB 8 PIN FEMALE CONNECTOR MX SMT TYPE



SPECIFICATIONS

Current Rating: 1.0 Amp

Contact Resistance: 25 Milliohm Max.

Insulation Resistance: 1000 Megohm Min. At 500V

Dielectric Withstanding: 1000V At 1 Minute

Operating Temperature: -55°C to +105°C

MATERIALS

Insulator: THERMOPLASTIC, UL94V-0 RATED

Contact: Brass

Shell: Brass, Steel

Contact Plating: Selective Gold Over Nickel Plated

Shell Plating: Tin Or Nickel Over Copper Plated

*RoHS & REACH compliant.

ORDERING INFORMATION:

P/N U M 8 F - 0 8 F B 1 0
 1 2 3 4

1. NO. OF CONTACTS:

08

2. CONNECTOR TYPE:

"F" FEMALE

3. INSULATOR COLOR:

"B" BLACK

4. CONTACT FINISH:

"10" 10 MICROINCH GOLD

MINI USB 8 PIN FEMALE CONNECTOR SMT TYPE

SPECIFICATIONS

Current Rating: 1.0 Amp

Contact Resistance: 25 Milliohm Max.

Insulation Resistance: 1000 Megohm Min. At 500V

Dielectric Withstanding: 1000V At 1 Minute

Operating Temperature: -55°C to +105°C

MATERIALS

Insulator: Thermoplastic, UL94V-0 Rated

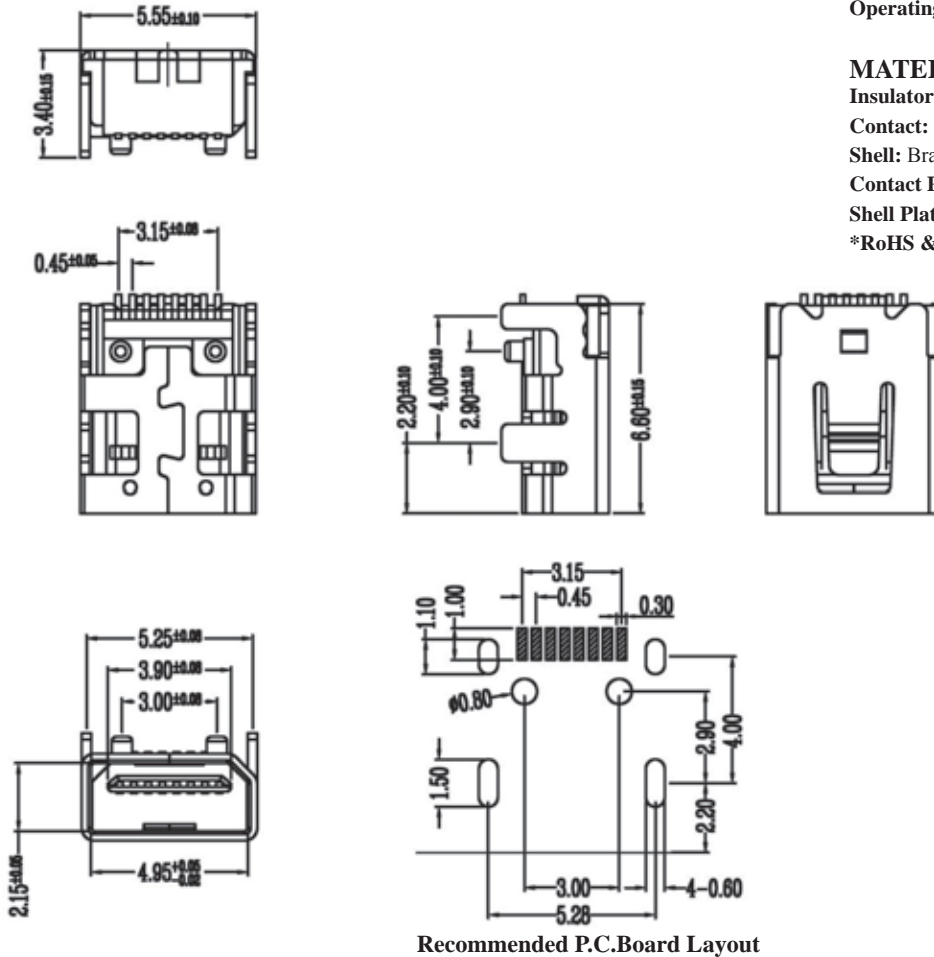
Contact: Brass

Shell: Brass, Steel

Contact Plating: Selective Gold Over Nickel Plated

Shell Plating: Tin Or Nickel Over Copper Plated

*RoHS & REACH compliant.



Recommended P.C.Board Layout

ORDERING INFORMATION:

P/N U M 8 S - 0 8 F B x x
1 2 3 4

1. NO. OF CONTACTS:

08

2. CONNECTOR TYPE:

"F" FEMALE

3. INSULATOR COLOR:

"B" BLACK

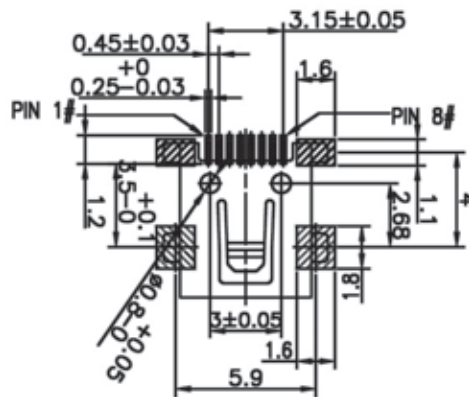
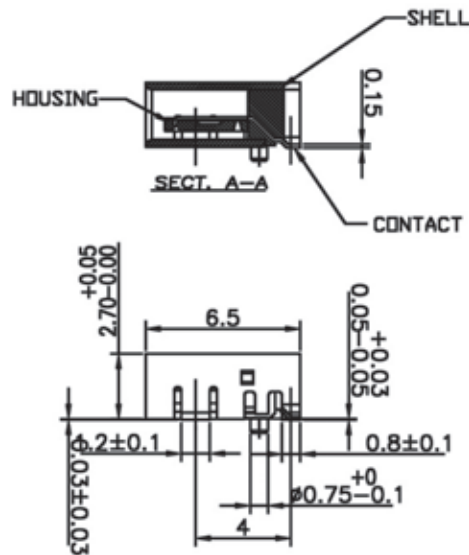
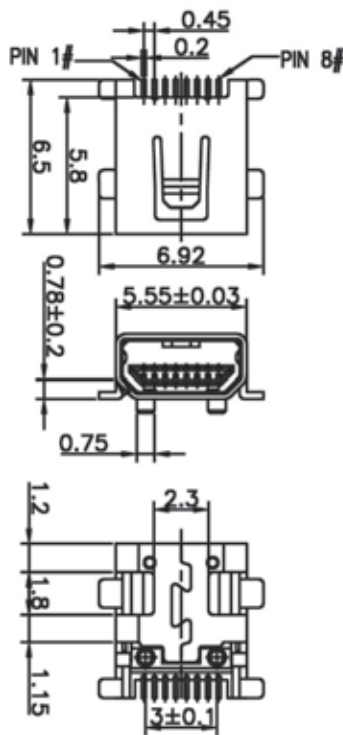
4. CONTACT FINISH:

"03" 3 MICROINCH GOLD

"15" 15 MICROINCH GOLD

"30" 30 MICROINCH GOLD

MINI USB 8 PIN FEMALE CONNECTOR SMT TYPE



Recommended P.C.Board Layout

SPECIFICATIONS

Current Rating: 1.0 Amp

Contact Resistance: 25 Milliohm Max.

Insulation Resistance: 1000 Megohm Min. At 500V

Dielectric Withstanding: 1000V At 1 Minute

Operating Temperature: -55°C to +105°C

MATERIALS

Insulator: Thermoplastic, UL94V-0 Rated

Contact: Brass

Shell: Brass, Steel

Contact Plating: Selective Gold Over Nickel Plated

Shell Plating: Tin Or Nickel Over Copper Plated

*RoHS & REACH compliant.

ORDERING INFORMATION:

P/N U M 8 Z - 0 8 F B x x G
1 2 3 4 5

1. NO. OF CONTACTS:

08

2. CONNECTOR TYPE:

"F" FEMALE

3. INSULATOR COLOR:

"B" BLACK

4. CONTACT FINISH:

"10" 10 MICROINCH GOLD

5. SHELL FINISH:

"G" GOLD PLATED

MINI USB 10 PIN MALE CONNECTOR CABLE SOLDER TYPE

SPECIFICATIONS

Current Rating: 1.0 Amperes

Contact Resistance: 25mΩ Max.

Insulation Resistance: 1000MΩ Min. at 500V

Dielectric Voltage: 1000V at 1 Minute

Operating Temperature: -55°C to +105°C

MATERIALS

Insulator: THERMOPLASTIC, UL94V-0 Rated

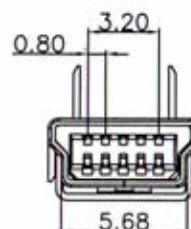
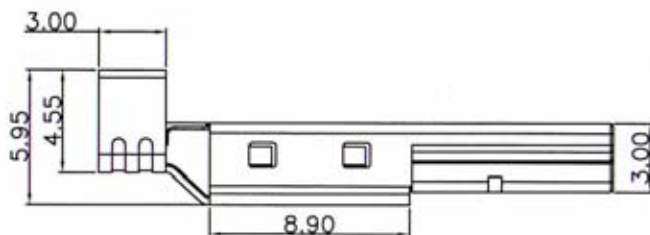
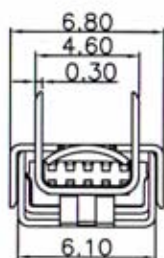
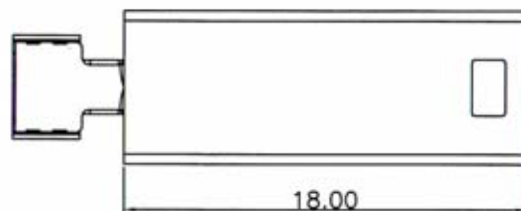
Contact: Brass

Shell: Brass, Steel

Contact Plating: Selective Gold Over Nickel Plated

Shell Plating: Tin or Nickel Over Copper Plated

***RoHS & REACH compliant.**



ORDERING INFORMATION:

P/N U M 8 0 - $\frac{1}{1}$ $\frac{0}{2}$ $\frac{M}{3}$ $\frac{B}{4}$ x x

1. NO. OF CONTACTS:

10

2. CONNECTOR TYPE:

"M" MALE

3. INSULATOR COLOR:

"B" BLACK

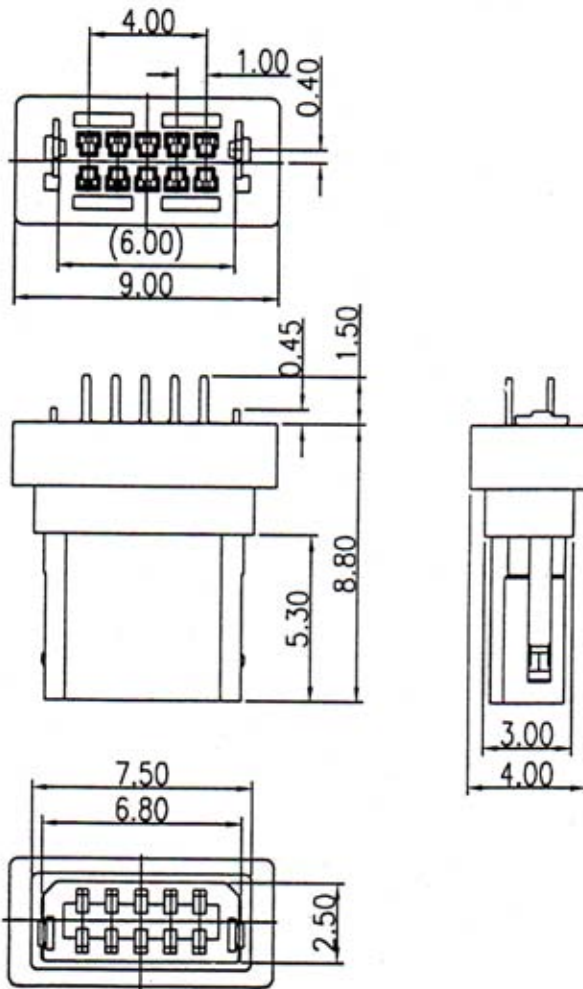
4. CONTACT FINISH:

"10" 10 MICROINCH GOLD

"30" 30 MICROINCH GOLD

NOTE: MATES WITH UM94, UM95, UM96,
UM97, UM98 & UM99

MINI USB 10 PIN MALE CONNECTOR CABLE SOLDER TYPE



SPECIFICATIONS

Current Rating: 1.0 Amp

Contact Resistance: 25 Milliohm Max.

Insulation Resistance: 1000 Megohm Min. At 500V

Dielectric Withstanding: 1000V At 1 Minute

Operating Temperature: -55°C to +105°C

MATERIALS

Insulator: THERMOPLASTIC, UL94V-0 RATED

Contact: Brass

Shell: Brass, Steel

Contact Plating: Selective Gold Over Nickel Plated

Shell Plating: Tin Or Nickel Over Copper Plated

*RoHS & REACH compliant.

ORDERING INFORMATION:

P/N U M 9 1 - $\frac{1}{1}$ $\frac{0}{2}$ $\frac{M}{3}$ $\frac{B}{4}$ x x

P/N REVISED

1. NO. OF CONTACTS:

10

2. CONNECTOR TYPE:

"M" MALE

3. INSULATOR COLOR:

"B" BLACK

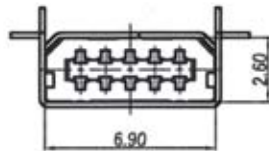
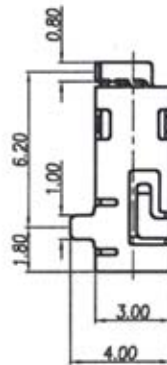
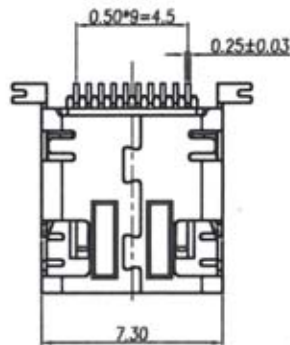
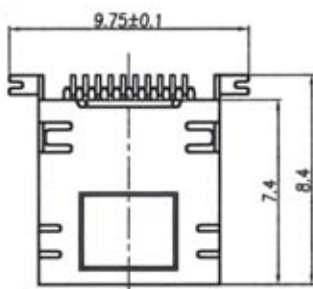
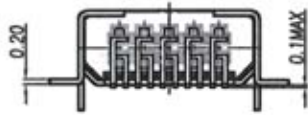
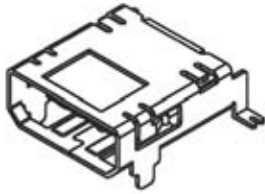
4. CONTACT FINISH:

"05" 5 MICROINCH GOLD

"10" 10 MICROINCH GOLD

"30" 30 MICROINCH GOLD

MINI USB 10 PIN FEMALE CONNECTOR SMT TYPE



SPECIFICATIONS

Current Rating: 1.0 Amp

Contact Resistance: 25 Milliohm Max.

Insulation Resistance: 1000 Megohm Min. At 500V

Dielectric Withstanding: 1000V At 1 Minute

Operating Temperature: -55°C to +105°C

MATERIALS

Insulator: Thermoplastic, UL94V-0 Rated

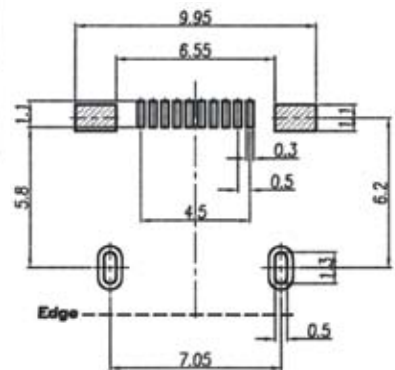
Contact: Brass

Shell: Brass, Steel

Contact Plating: Selective Gold Over Nickel Plated

Shell Plating: Tin Or Nickel Over Copper Plated

*RoHS & REACH compliant.



Recommended P.C.Board Layout

ORDERING INFORMATION:

P/N U M 9 2 - $\frac{10}{1}$ $\frac{F}{2}$ $\frac{B}{3}$ $\frac{x}{4}$ x

1. NO. OF CONTACTS:

10

2. CONNECTOR TYPE:

"F" FEMALE

3. INSULATOR COLOR:

"B" BLACK

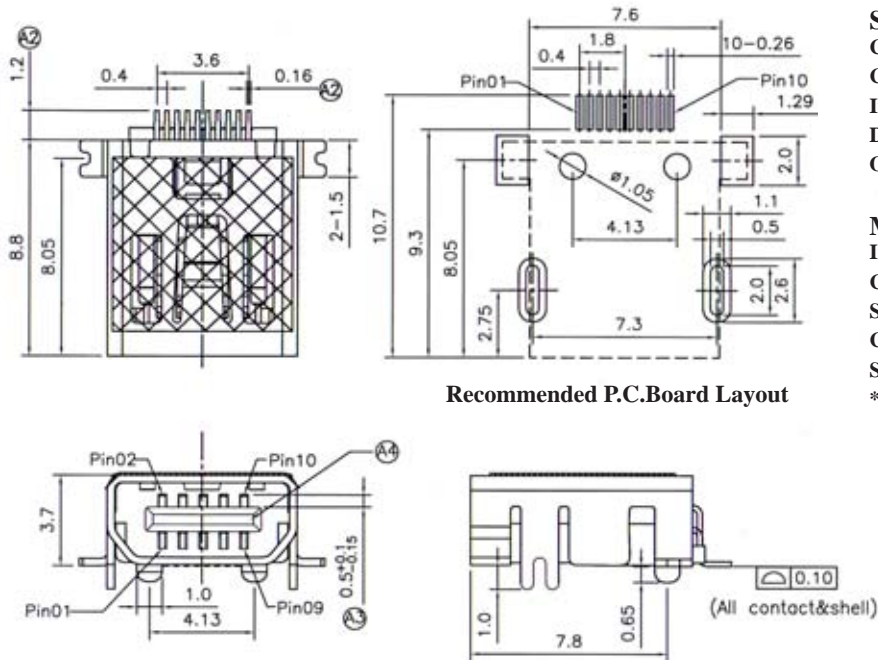
4. CONTACT FINISH:

"05" 5 MICROINCH GOLD

DRAWING REVISED

P/N REVISED

MINI USB 10 PIN FEMALE CONNECTOR SMT TYPE



Recommended P.C.Board Layout

SPECIFICATIONS

Current Rating: 1.0 Amperes

Contact Resistance: 25mΩ Max.

Insulation Resistance: 1000MΩ Min. at 500V

Dielectric Voltage: 1000V at 1 Minute

Operating Temperature: -55°C to +105°C

MATERIALS

Insulator: THERMOPLASTIC, UL94V-0 Rated

Contact: Brass

Shell: Brass, Steel

Contact Plating: Selective Gold Over Nickel Plated

Shell Plating: Tin or Nickel Over Copper Plated

*RoHS & REACH compliant.

ORDERING INFORMATION:

P/N U M 9 4 - $\frac{1}{1}$ $\frac{0}{2}$ $\frac{F}{3}$ $\frac{B}{4}$ x x

1. NO. OF CONTACTS:

10

2. CONNECTOR TYPE:

"F" FEMALE

3. INSULATOR COLOR:

"B" BLACK

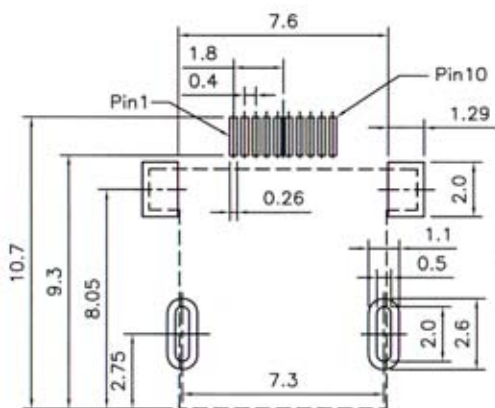
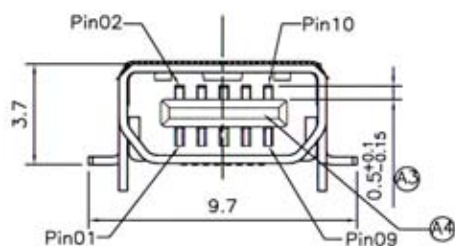
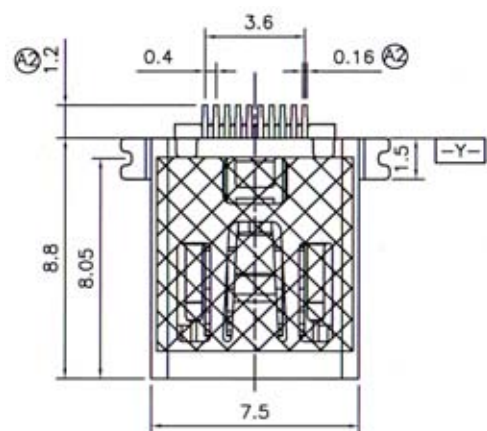
4. CONTACT FINISH:

"10" 10 MICROINCH GOLD

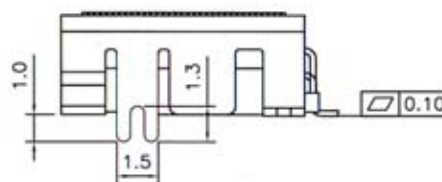
"30" 30 MICROINCH GOLD

NOTE: MATES WITH UM80-10MBxx

MINI USB 10 PIN FEMALE CONNECTOR SMT TYPE



Recommended P.C.Board Layout



SPECIFICATIONS

- Current Rating:** 1.0 Amperes
- Contact Resistance:** 25mΩ Max.
- Insulation Resistance:** 1000MΩ Min. at 500V
- Dielectric Voltage:** 1000V at 1 Minute
- Operating Temperature:** -55°C to +105°C

MATERIALS

- Insulator:** THERMOPLASTIC, UL94V-0 Rated
- Contact:** Brass
- Shell:** Brass, Steel
- Contact Plating:** Selective Gold Over Nickel Plated
- Shell Plating:** Tin or Nickel Over Copper Plated
- *RoHS & REACH compliant.**

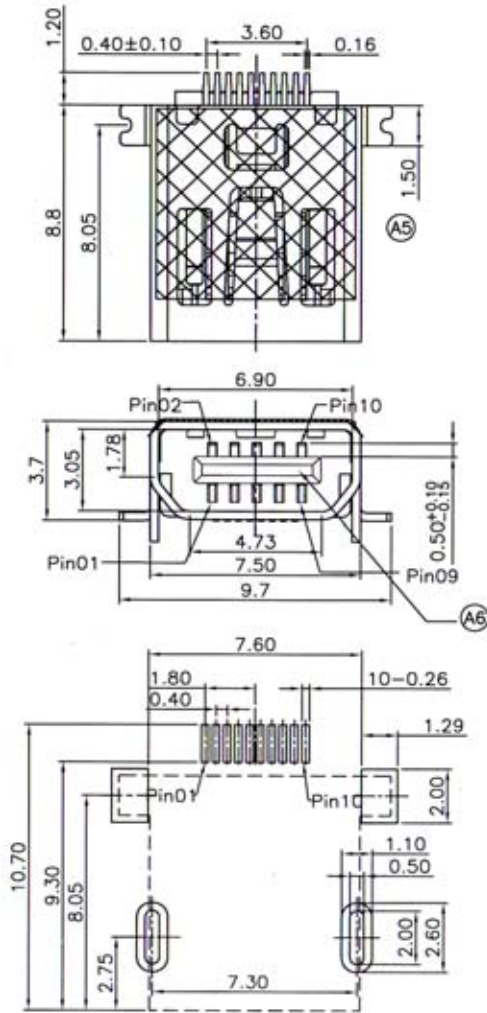
ORDERING INFORMATION:

P/N U M 9 5 - $\frac{10}{1}$ $\frac{F}{2}$ $\frac{B}{3}$ $\frac{x}{4}$ x

1. NO. OF CONTACTS:
10
2. CONNECTOR TYPE:
"F" FEMALE
3. INSULATOR COLOR:
"B" BLACK
4. CONTACT FINISH:
"10" 10 MICROINCH GOLD
"30" 30 MICROINCH GOLD

NOTE: MATES WITH UM80-10MBxx

MINI USB 10 PIN FEMALE CONNECTOR SMT TYPE



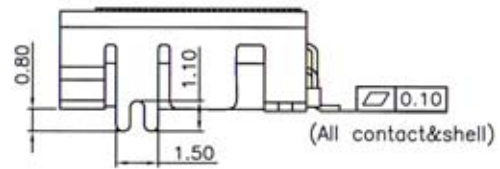
Recommended P.C.Board Layout

SPECIFICATIONS

Current Rating: 1.0 Amperes
Contact Resistance: 25mΩ Max.
Insulation Resistance: 1000MΩ Min. at 500V
Dielectric Voltage: 1000V at 1 Minute
Operating Temperature: -55°C to +105°C

MATERIALS

Insulator: THERMOPLASTIC, UL94V-0 Rated
Contact: Brass
Shell: Brass, Steel
Contact Plating: Selective Gold Over Nickel Plated
Shell Plating: Tin or Nickel Over Copper Plated
***RoHS & REACH compliant.**



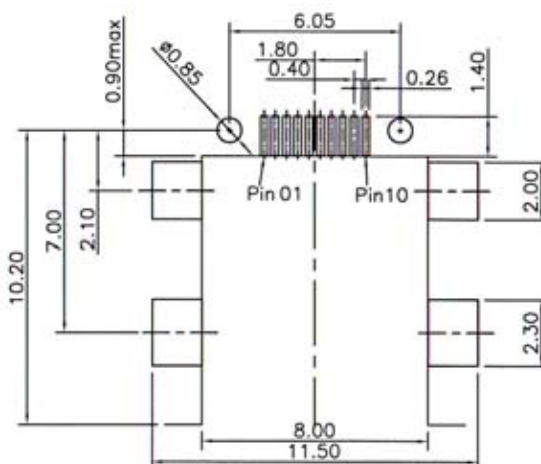
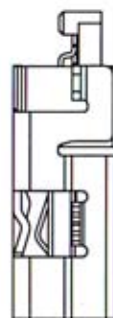
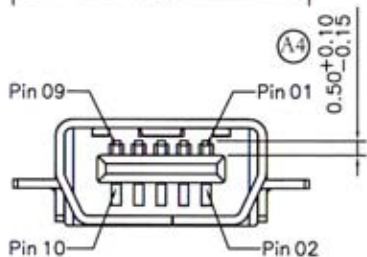
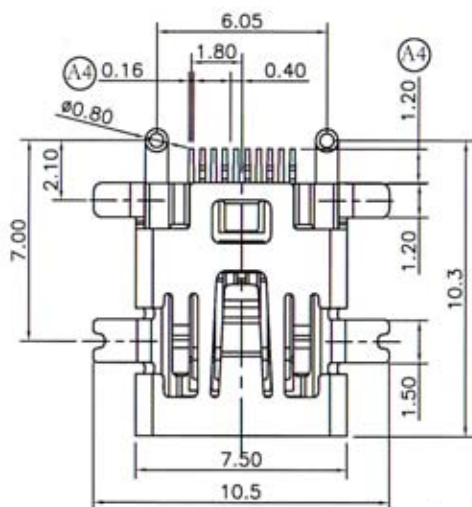
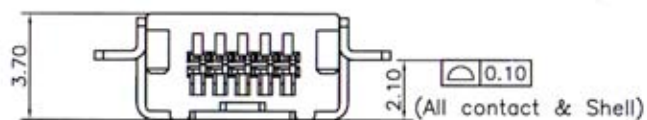
ORDERING INFORMATION:

P/N U M 9 6 - $\frac{1}{1}$ $\frac{F}{2}$ $\frac{B}{3}$ $\frac{x}{4}$ x x

1. NO. OF CONTACTS:
10
2. CONNECTOR TYPE:
"F" FEMALE
3. INSULATOR COLOR:
"B" BLACK
4. CONTACT FINISH:
"10" 10 MICROINCH GOLD
"30" 30 MICROINCH GOLD

NOTE: MATES WITH UM80-10MBxx

MINI USB 10 PIN FEMALE CONNECTOR SMT TYPE



Recommended P.C.Board Layout

SPECIFICATIONS

Current Rating: 1.0 Amperes
Contact Resistance: 25m Ω Max.
Insulation Resistance: 1000M Ω Min. at 500V
Dielectric Voltage: 1000V at 1 Minute
Operating Temperature: -55 $^{\circ}$ c to +105 $^{\circ}$ c

MATERIALS

Insulator: THERMOPLASTIC, UL94V-0 Rated
Contact: Brass
Shell: Brass, Steel
Contact Plating: Selective Gold Over Nickel Plated
Shell Plating: Tin or Nickel Over Copper Plated
 *RoHS & REACH compliant.

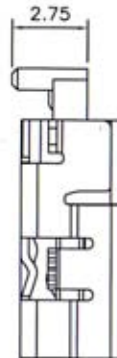
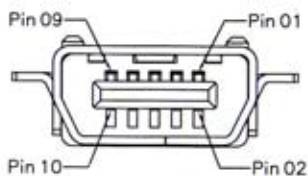
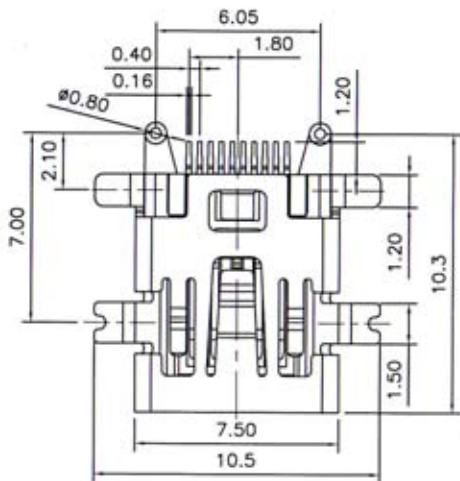
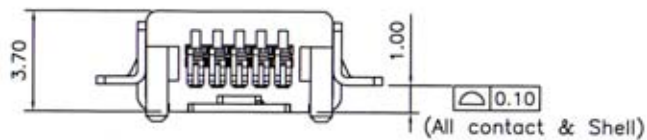
ORDERING INFORMATION:

P/N U M 9 7 - $\frac{10}{1}$ $\frac{F}{2}$ $\frac{B}{3}$ $\frac{x}{4}$ x x

1. NO. OF CONTACTS:
10
2. CONNECTOR TYPE:
"F" FEMALE
3. INSULATOR COLOR:
"B" BLACK
4. CONTACT FINISH:
"10" 10 MICROINCH GOLD
"30" 30 MICROINCH GOLD

NOTE: MATES WITH UM80-10MBxx

MINI USB 10 PIN FEMALE CONNECTOR SMT TYPE

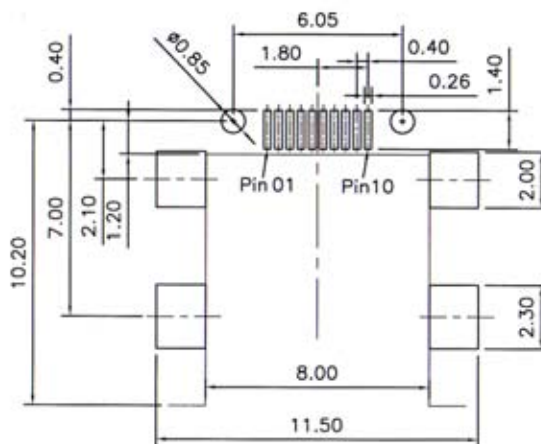


SPECIFICATIONS

Current Rating: 1.0 Amperes
Contact Resistance: 25mΩ Max.
Insulation Resistance: 1000MΩ Min. at 500V
Dielectric Voltage: 1000V at 1 Minute
Operating Temperature: -55°C to +105°C

MATERIALS

Insulator: THERMOPLASTIC, UL94V-0 Rated
Contact: Brass
Shell: Brass, Steel
Contact Plating: Selective Gold Over Nickel Plated
Shell Plating: Tin or Nickel Over Copper Plated
***RoHS & REACH compliant.**



Recommended P.C.Board Layout

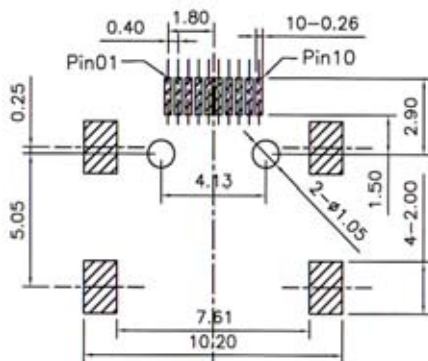
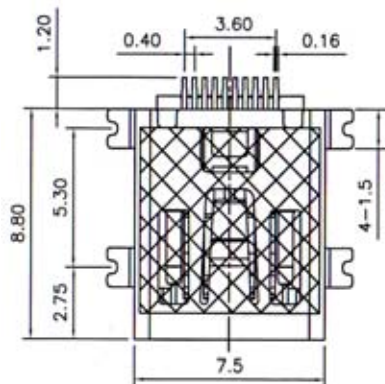
ORDERING INFORMATION:

P/N U M 9 8 - $\frac{10}{1} \frac{F}{2} \frac{B}{3} \frac{x}{4} x$

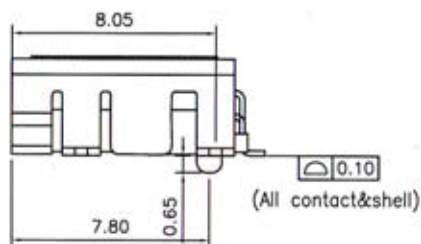
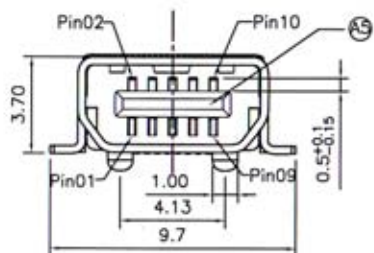
1. NO. OF CONTACTS:
10
2. CONNECTOR TYPE:
"F" FEMALE
3. INSULATOR COLOR:
"B" BLACK
4. CONTACT FINISH:
"10" 10 MICROINCH GOLD
"30" 30 MICROINCH GOLD

NOTE: MATES WITH UM80-10MBxx

MINI USB 10 PIN FEMALE CONNECTOR SMT TYPE



Recommended P.C.Board Layout



SPECIFICATIONS

Current Rating: 1.0 Amperes

Contact Resistance: 25mΩ Max.

Insulation Resistance: 1000MΩ Min. at 500V

Dielectric Voltage: 1000V at 1 Minute

Operating Temperature: -55°C to +105°C

MATERIALS

Insulator: THERMOPLASTIC, UL94V-0 Rated

Contact: Brass

Shell: Brass, Steel

Contact Plating: Selective Gold Over Nickel Plated

Shell Plating: Tin or Nickel Over Copper Plated

*RoHS & REACH compliant.

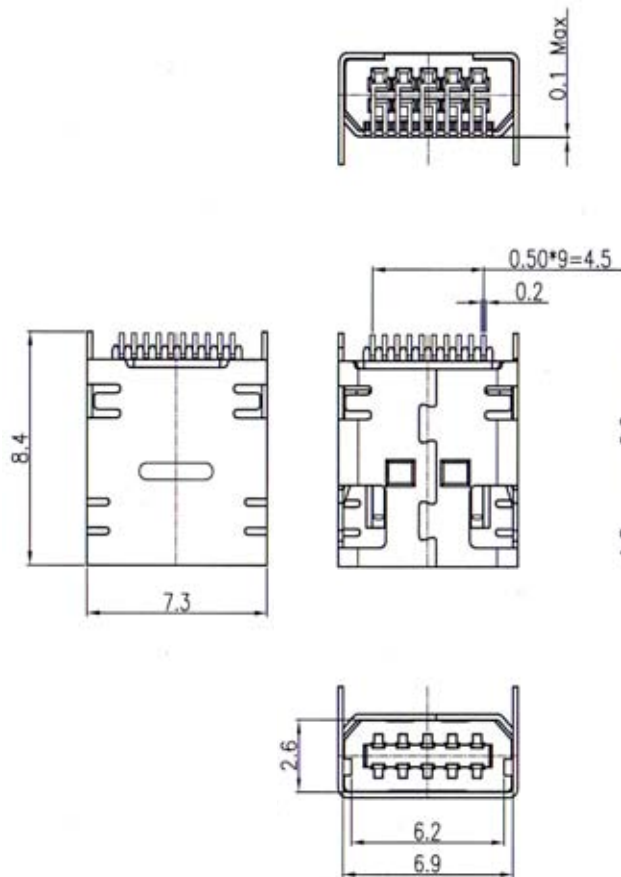
ORDERING INFORMATION:

P/N U M $\frac{xx}{1}$ - 10 $\frac{FB}{234}$ $\frac{xx}{4}$

1. LOCATING PEG OPTION:
"99" WITH LOCATING PEGS
"00" W/O LOCATING PEGS
2. CONNECTOR TYPE:
"F" FEMALE
3. INSULATOR COLOR:
"B" BLACK
4. CONTACT FINISH:
"10" 10 MICROINCH GOLD
"30" 30 MICROINCH GOLD

NOTE: MATES WITH UM80-10MBxx

MINI USB 10 PIN FEMALE CONNECTOR SMT TYPE



SPECIFICATIONS

Current Rating: 1.0 Amp

Contact Resistance: 25 Milliohm Max.

Insulation Resistance: 1000 Megohm Min. At 500V

Dielectric Withstanding: 1000V At 1 Minute

Operating Temperature: -55°C to +105°C

MATERIALS

Insulator: THERMOPLASTIC, UL94V-0 RATED

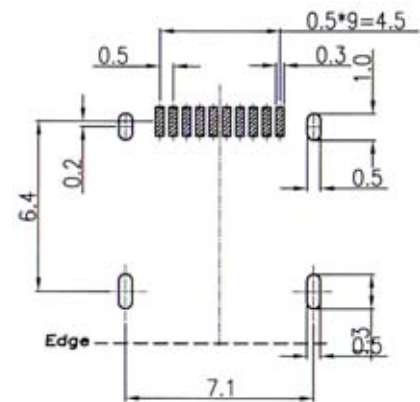
Contact: Brass

Shell: Brass, Steel

Contact Plating: Selective Gold Over Nickel Plated

Shell Plating: Tin Or Nickel Over Copper Plated

*RoHS & REACH compliant.



Recommended P.C.Board Layout

ORDERING INFORMATION:

P/N U M 8 8 - 1 0 F B x x
 1 2 3 4

1. NO. OF CONTACTS:

10

2. CONNECTOR TYPE:

"F" FEMALE

3. INSULATOR COLOR:

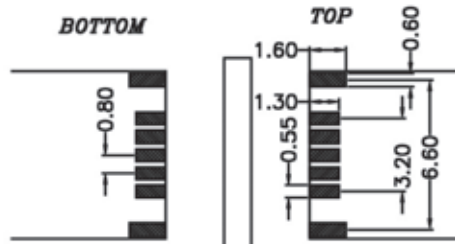
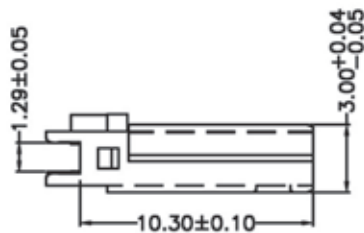
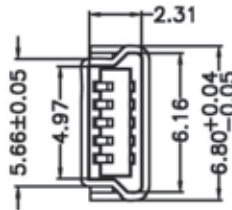
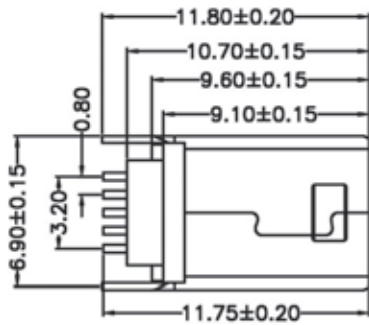
"B" BLACK

4. CONTACT FINISH:

"10" 10 MICROINCH GOLD

"30" 30 MICROINCH GOLD

MINI USB 10 PIN MALE CONNECTOR SMT TYPE



Recommended P.C.Board Layout

SPECIFICATIONS

Current Rating: 1.0 Amp

Contact Resistance: 25 Milliohm Max.

Insulation Resistance: 1000 Megohm Min. At 500V

Dielectric Withstanding: 1000V At 1 Minute

Operating Temperature: -55°C to +105°C

MATERIALS

Insulator: Thermoplastic, UL94V-0 Rated

Contact: Brass

Shell: Brass, Steel

Contact Plating: Selective Gold Over Nickel Plated

Shell Plating: Tin Or Nickel Over Copper Plated

*RoHS & REACH compliant.

ORDERING INFORMATION:

P/N U M 6 9 - $\frac{1}{1}$ $\frac{0}{2}$ $\frac{M}{3}$ $\frac{B}{4}$ x x

1. NO. OF CONTACTS:

10

2. CONNECTOR TYPE:

"M" MALE

3. INSULATOR COLOR:

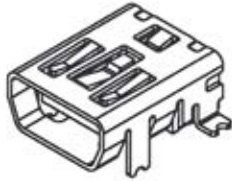
"B" BLACK

4. CONTACT FINISH:

"01" GOLD FLASH

"30" 30 MICROINCH GOLD

MINI USB AB TYPE 10 PIN FEMALE CONNECTOR DIP & SMT TYPE



SPECIFICATIONS

Current Rating: 1.0 Amp

Contact Resistance: 25 Milliohm Max.

Insulation Resistance: 1000 Megohm Min. At 500V

Dielectric Withstanding: 1000V At 1 Minute

Operating Temperature: -55°C to +105°C

MATERIALS

Insulator: THERMOPLASTIC, UL94V-0 RATED

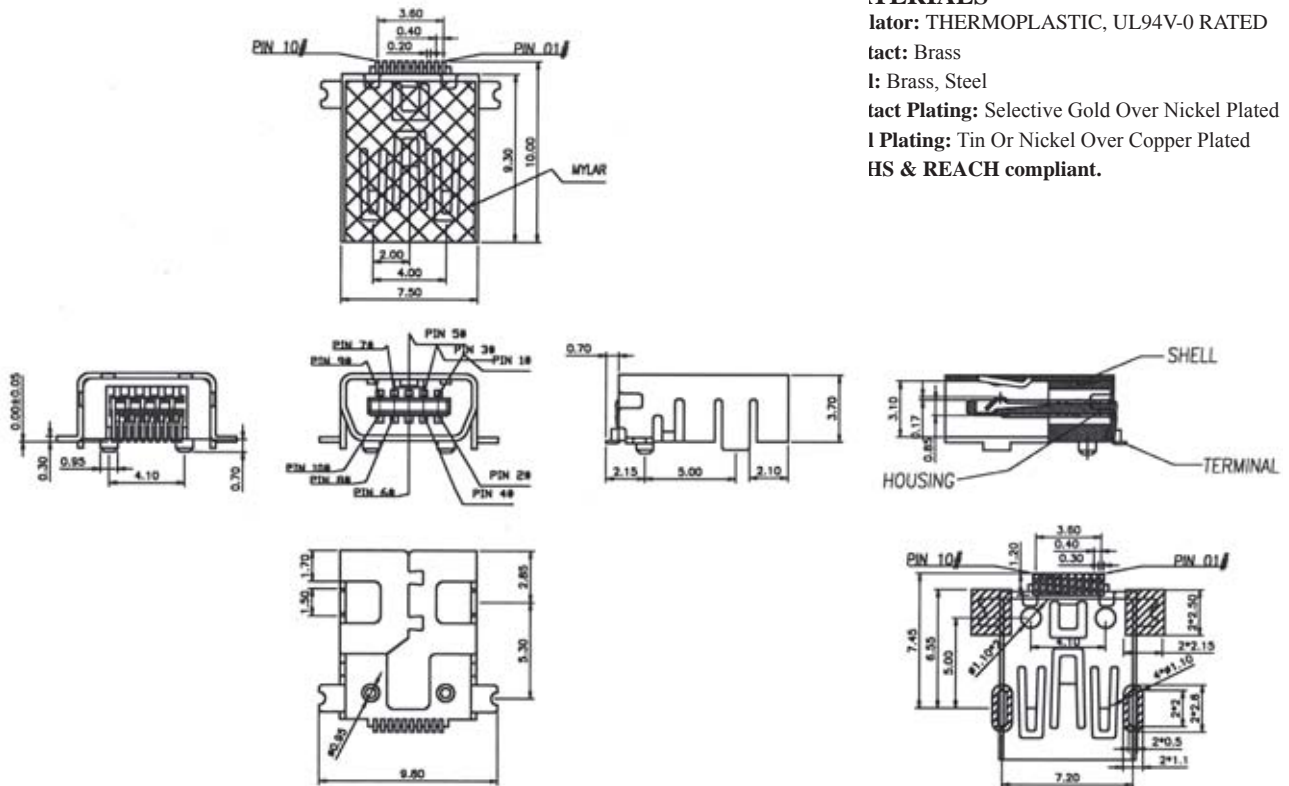
Contact: Brass

Shell: Brass, Steel

Contact Plating: Selective Gold Over Nickel Plated

Shell Plating: Tin Or Nickel Over Copper Plated

HS & REACH compliant.



Recommended P.C.Board Layout

ORDERING INFORMATION:

P/N U M 8 J - 1 0 F B x x G
1 2 3 4 5

1. NO. OF CONTACTS:

10

2. CONNECTOR TYPE:

"F" FEMALE

3. INSULATOR COLOR:

"B" BLACK

4. CONTACT FINISH:

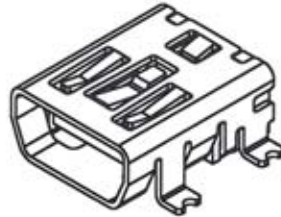
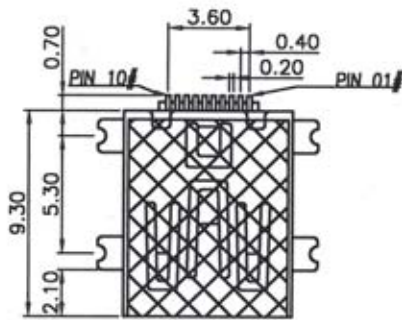
"10" 10 MICROINCH GOLD

"15" 15 MICROINCH GOLD

5. SHELL FINISH:

"G" GOLD FLASH

MINI USB 10 PIN FEMALE CONNECTOR SMT TYPE



SPECIFICATIONS

Current Rating: 1.0 Amp

Contact Resistance: 25 Milliohm Max.

Insulation Resistance: 1000 Megohm Min. At 500V

Dielectric Withstanding: 1000V At 1 Minute

Operating Temperature: -55°C to +105°C

MATERIALS

Insulator: THERMOPLASTIC, UL94V-0 RATED

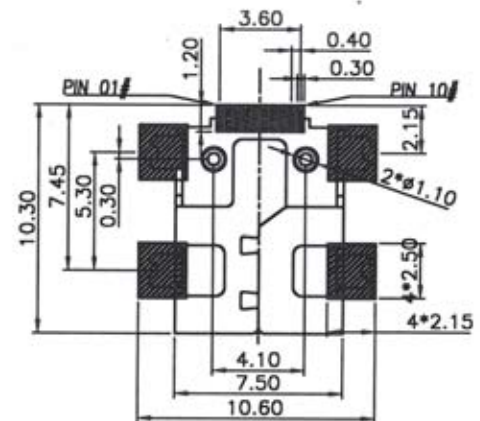
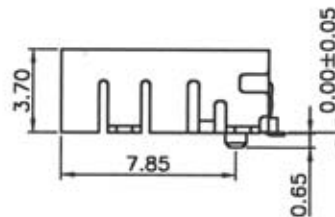
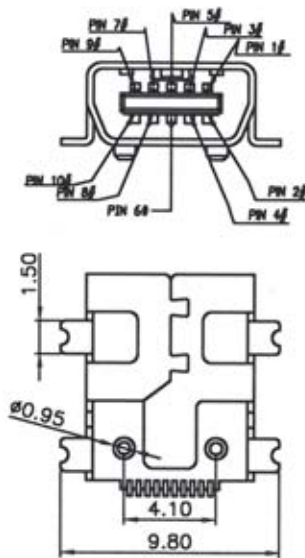
Contact: Brass

Shell: Brass, Steel

Contact Plating: Selective Gold Over Nickel Plated

Shell Plating: Tin Or Nickel Over Copper Plated

*RoHS & REACH compliant.



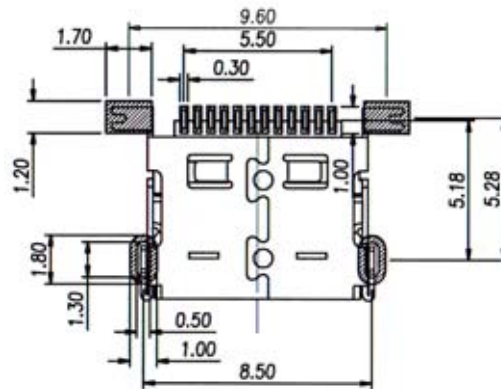
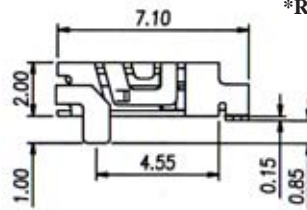
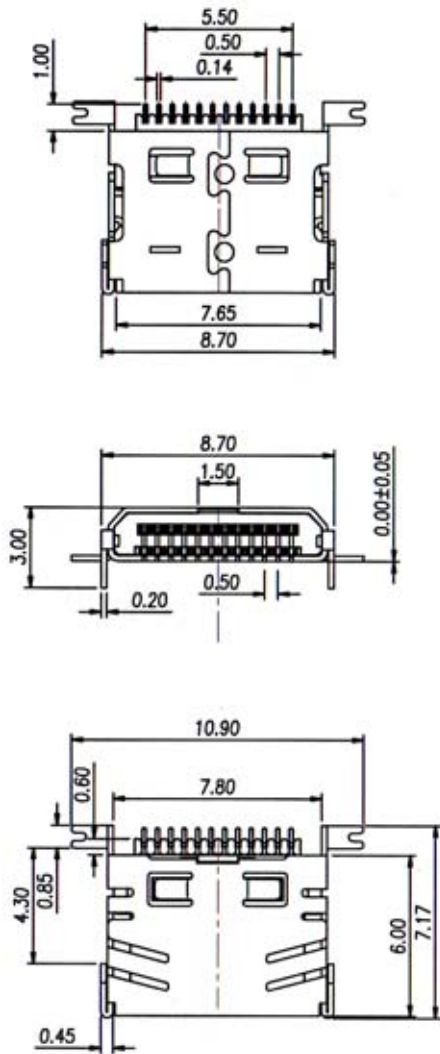
Recommended P.C.Board Layout

ORDERING INFORMATION:

P/N U M 8 H - 10 F B 10
1 2 3 4

1. NO. OF CONTACTS:
10
2. CONNECTOR TYPE:
"F" FEMALE
3. INSULATOR COLOR:
"B" BLACK
4. CONTACT FINISH:
"10" 10 MICROINCH GOLD

MINI USB 12 PIN FEMALE CONNECTOR SMT TYPE



Recommended P.C.Board Layout

SPECIFICATIONS

Current Rating: 1.0 Amp

Contact Resistance: 25 Milliohm Max.

Insulation Resistance: 1000 Megohm Min. At 500V

Dielectric Withstanding: 1000V At 1 Minute

Operating Temperature: -55°C to +105°C

MATERIALS

Insulator: THERMOPLASTIC, UL94V-0 RATED

Contact: Brass

Shell: Brass, Steel

Contact Plating: Selective Gold Over Nickel Plated

Shell Plating: Tin Or Nickel Over Copper Plated

*RoHS & REACH compliant.

ORDERING INFORMATION:

P/N U M 8 9 - $\frac{12}{1}$ $\frac{F}{2}$ $\frac{B}{3}$ $\frac{x}{4}$ x

1. NO. OF CONTACTS:

12

2. CONNECTOR TYPE:

"F" FEMALE

3. INSULATOR COLOR:

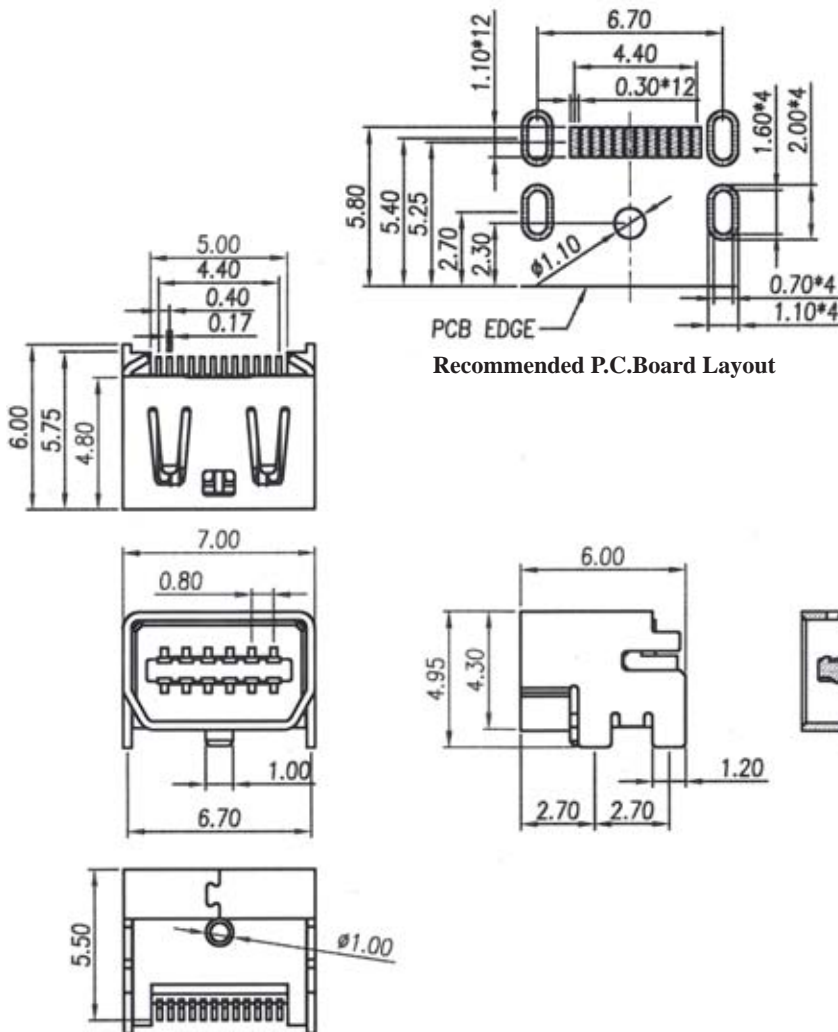
"B" BLACK

4. CONTACT FINISH:

"10" 10 MICROINCH GOLD

"30" 30 MICROINCH GOLD

MINI USB 12 PIN FEMALE CONNECTOR SMT TYPE



SPECIFICATIONS

Current Rating: 1.0 Amp

Contact Resistance: 25 Milliohm Max.

Insulation Resistance: 1000 Megohm Min. At 500V

Dielectric Withstanding: 1000V At 1 Minute

Operating Temperature: -55°C to +105°C

MATERIALS

Insulator: Thermoplastic, UL94V-0 Rated

Contact: Brass

Shell: Brass, Steel

Contact Plating: Selective Gold Over Nickel Plated

Shell Plating: Tin Or Nickel Over Copper Plated

*RoHS & REACH compliant.

ORDERING INFORMATION:

P/N U M 9 F - $\frac{1}{2}$ $\frac{3}{4}$ F B x x

1. NO. OF CONTACTS:

12

2. CONNECTOR TYPE:

"F" FEMALE

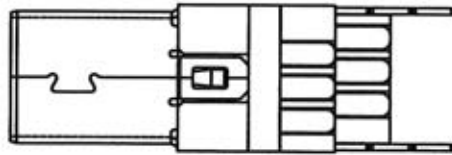
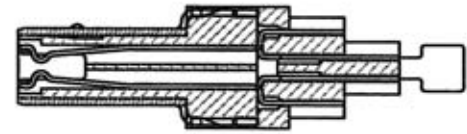
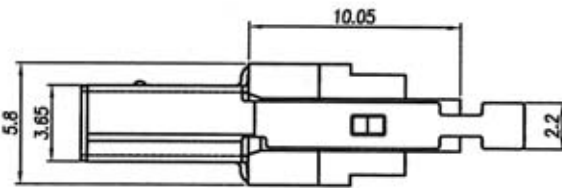
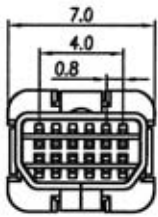
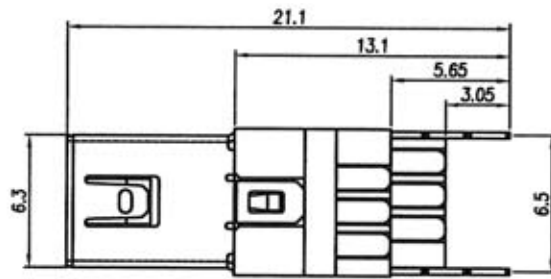
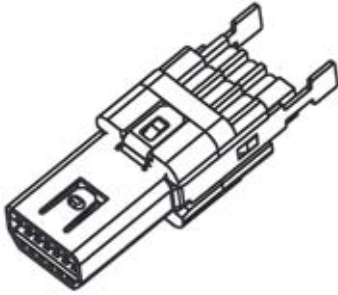
3. INSULATOR COLOR:

"B" BLACK

4. CONTACT FINISH:

"10" 10 MICROINCH GOLD

MINI USB 12 PIN MALE CONNECTOR FOR CABLE ASSEMBLY



SPECIFICATIONS

Current Rating: 1.0 Amp

Contact Resistance: 25 Milliohm Max.

Insulation Resistance: 1000 Megohm Min. At 500V

Dielectric Withstanding: 1000V At 1 Minute

Operating Temperature: -55°C to +105°C

MATERIALS

Insulator: THERMOPLASTIC, UL94V-0 RATED

Contact: Brass

Shell: Brass, Steel

Contact Plating: Selective Gold Over Nickel Plated

Shell Plating: Tin Or Nickel Over Copper Plated

*RoHS & REACH compliant.

ORDERING INFORMATION:

P/N U M 8 X - $\frac{1}{2}$ $\frac{3}{4}$ $\frac{1}{2}$ $\frac{1}{4}$

1. NO. OF CONTACTS:

12

2. CONNECTOR TYPE:

"M" MALE

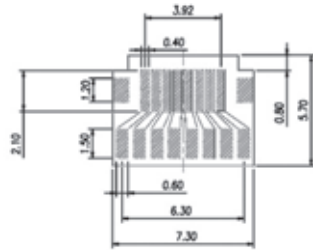
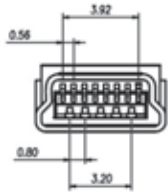
3. INSULATOR COLOR:

"B" BLACK

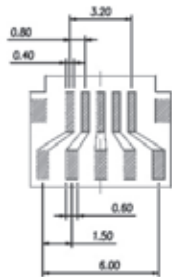
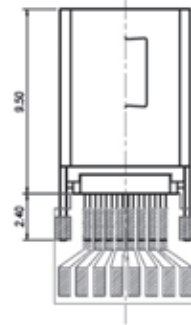
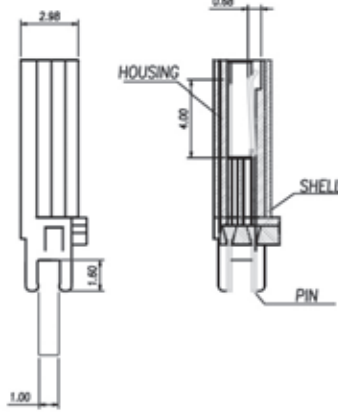
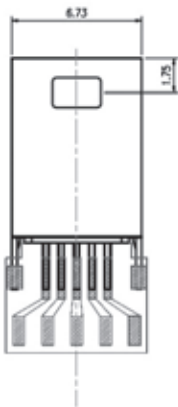
4. CONTACT FINISH:

"10" 10 MICROINCH GOLD

MINI USB 13 PIN MALE CONNECTOR FOR CABLE ASSEMBLY



Recommended P.C.Board Layout



SPECIFICATIONS

Current Rating: 1.0 Amp

Contact Resistance: 25 Milliohm Max.

Insulation Resistance: 1000 Megohm Min. At 500V

Dielectric Withstanding: 1000V At 1 Minute

Operating Temperature: -55°C to +105°C

MATERIALS

Insulator: THERMOPLASTIC, UL94V-0 RATED

Contact: Brass

Shell: Brass, Steel

Contact Plating: Selective Gold Over Nickel Plated

Shell Plating: Tin Or Nickel Over Copper Plated

*RoHS & REACH compliant.

ORDERING INFORMATION:

P/N U M 8 T - 1 3 M B x x G
1 2 3 4 5

1. NO. OF CONTACTS:

13

2. CONNECTOR TYPE:

"M" MALE

3. INSULATOR COLOR:

"B" BLACK

4. CONTACT FINISH:

"10" 10 MICROINCH GOLD

5. SHELL FINISH:

"G" GOLD FLASH

MINI USB 13 PIN FEMALE CONNECTOR SMT TYPE

SPECIFICATIONS

Current Rating: 1.0 Amp

Contact Resistance: 25 Milliohm Max.

Insulation Resistance: 1000 Megohm Min. At 500V

Dielectric Withstanding: 1000V At 1 Minute

Operating Temperature: -55°C to +105°C

MATERIALS

Insulator: THERMOPLASTIC, UL94V-0 RATED

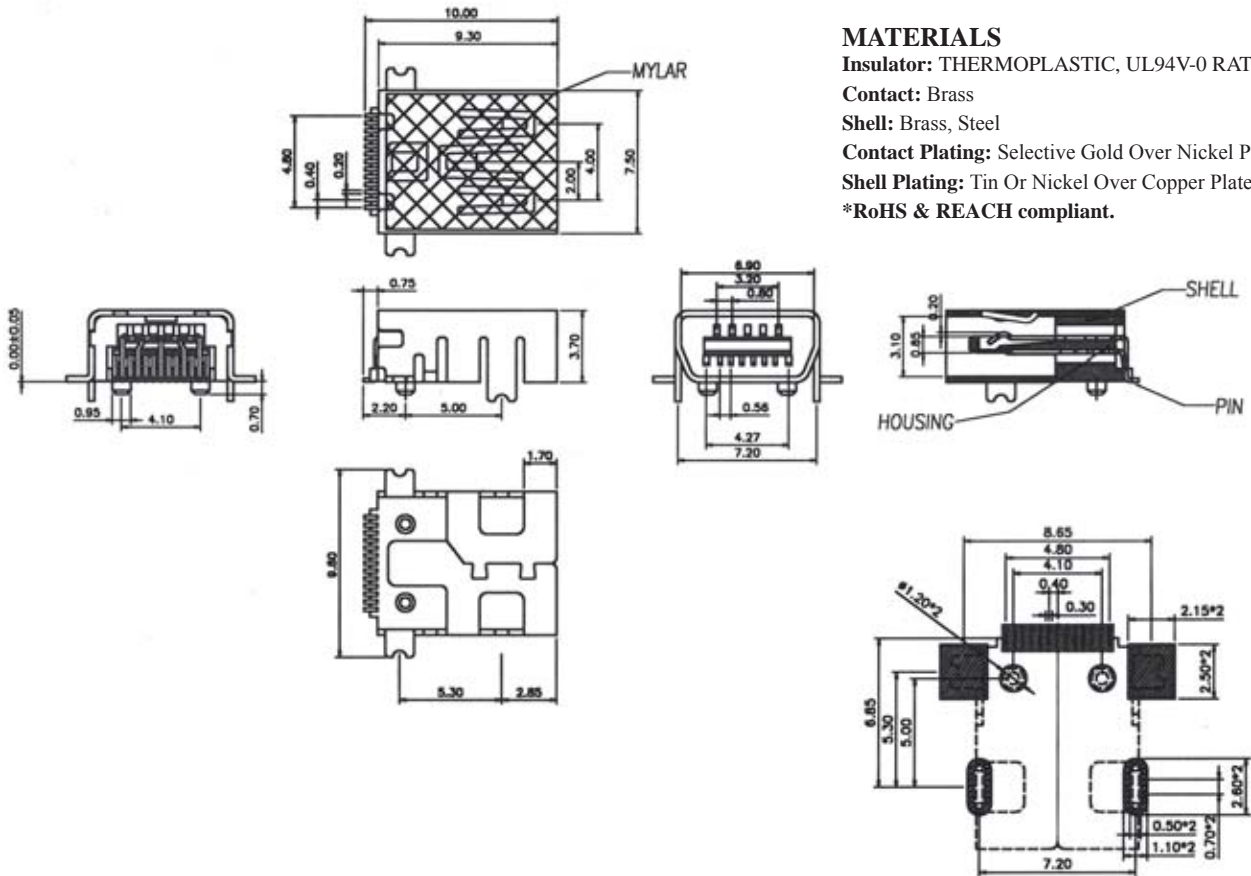
Contact: Brass

Shell: Brass, Steel

Contact Plating: Selective Gold Over Nickel Plated

Shell Plating: Tin Or Nickel Over Copper Plated

*RoHS & REACH compliant.



Recommended P.C.Board Layout

ORDERING INFORMATION:

P/N U M 8 K - $\frac{13}{1}$ $\frac{F}{2}$ $\frac{B}{3}$ $\frac{10}{4}$ $\frac{G}{5}$

1. NO. OF CONTACTS:

13

2. CONNECTOR TYPE:

"F" FEMALE

3. INSULATOR COLOR:

"B" BLACK

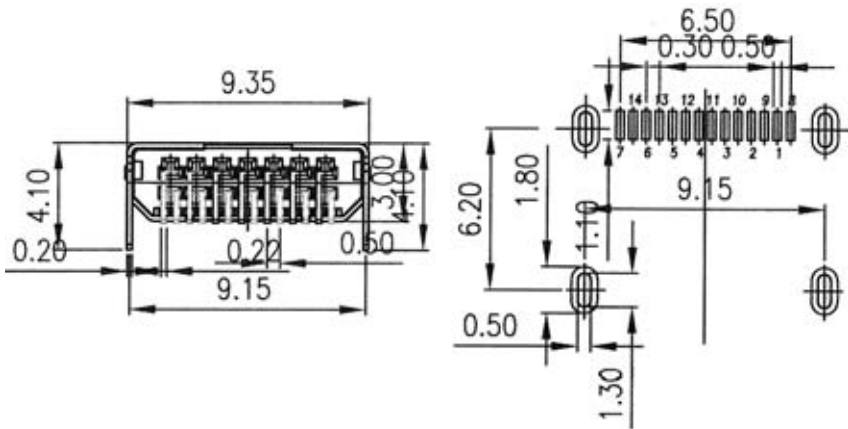
4. CONTACT FINISH:

"10" 10 MICROINCH GOLD

5. SHELL FINISH:

"G" GOLD FLASH

MINI USB 14 PIN FEMALE CONNECTOR SMT TYPE



SPECIFICATIONS

Current Rating: 1.0 Amp

Contact Resistance: 25 Milliohm Max.

Insulation Resistance: 1000 Megohm Min. At 500V

Dielectric Withstanding: 1000V At 1 Minute

Operating Temperature: -55°C to +105°C

MATERIALS

Insulator: THERMOPLASTIC, UL94V-0 RATED

Contact: Brass

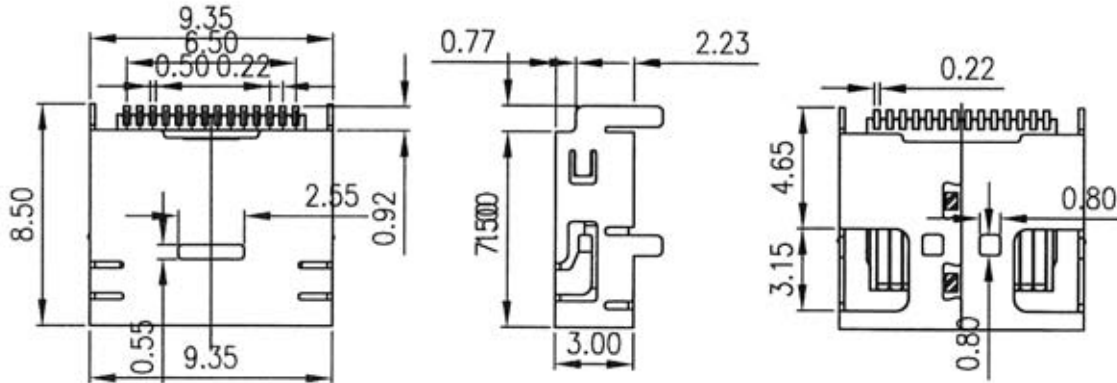
Shell: Brass, Steel

Contact Plating: Selective Gold Over Nickel Plated

Shell Plating: Tin Or Nickel Over Copper Plated

*RoHS & REACH compliant.

Recommended P.C.Board Layout



ORDERING INFORMATION:

P/N U M 9 0 - 14 F B 15
 1 2 3 4

1. NO. OF CONTACTS:

14

2. CONNECTOR TYPE:

"F" FEMALE

3. INSULATOR COLOR:

"B" BLACK

4. CONTACT FINISH:

"15" 15 MICROINCH GOLD

DRAWING REVISED

P/N REVISED

MINI USB 14 PIN FEMALE CONNECTOR SMT TYPE

SPECIFICATIONS

Current Rating: 1.0 Amp

Contact Resistance: 25 Milliohm Max.

Insulation Resistance: 1000 Megohm Min. At 500V

Dielectric Withstanding: 1000V At 1 Minute

Operating Temperature: -55°C to +105°C

MATERIALS

Insulator: THERMOPLASTIC, UL94V-0 RATED

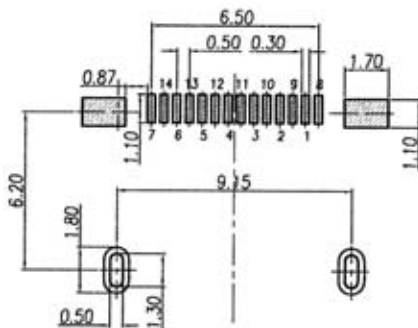
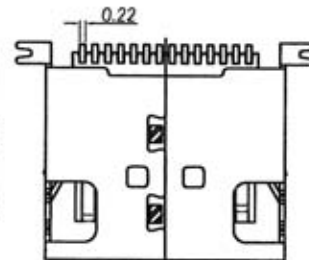
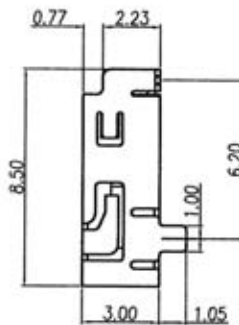
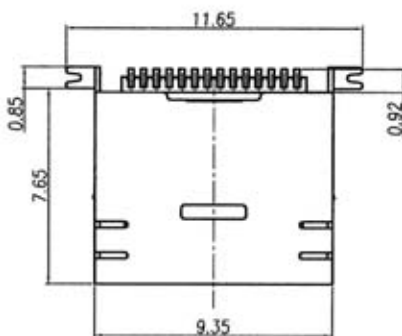
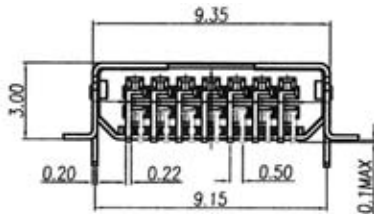
Contact: Brass

Shell: Brass, Steel

Contact Plating: Selective Gold Over Nickel Plated

Shell Plating: Tin Or Nickel Over Copper Plated

*RoHS & REACH compliant.



Recommended P.C.Board Layout

ORDERING INFORMATION:

P/N U M 8 M - $\frac{14}{1}$ $\frac{F}{2}$ $\frac{B}{3}$ $\frac{10}{4}$

1. NO. OF CONTACTS:

14

2. CONNECTOR TYPE:

"F" FEMALE

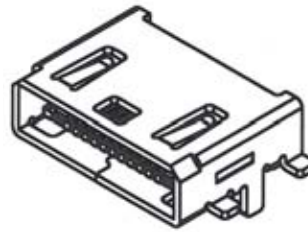
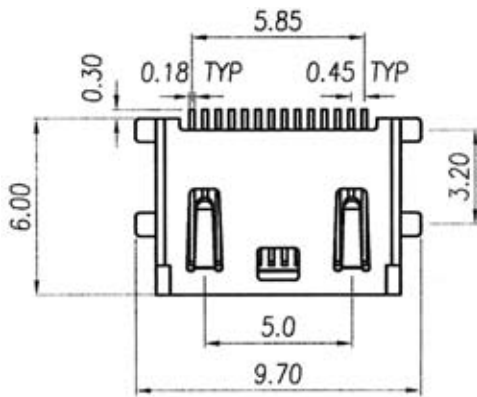
3. INSULATOR COLOR:

"B" BLACK

4. CONTACT FINISH:

"10" 10 MICROINCH GOLD

MINI USB 14 PIN FEMALE CONNECTOR SMT TYPE



SPECIFICATIONS

Current Rating: 1.0 Amp

Contact Resistance: 25 Milliohm Max.

Insulation Resistance: 1000 Megohm Min. At 500V

Dielectric Withstanding: 1000V At 1 Minute

Operating Temperature: -55°C to +105°C

MATERIALS

Insulator: THERMOPLASTIC, UL94V-0 RATED

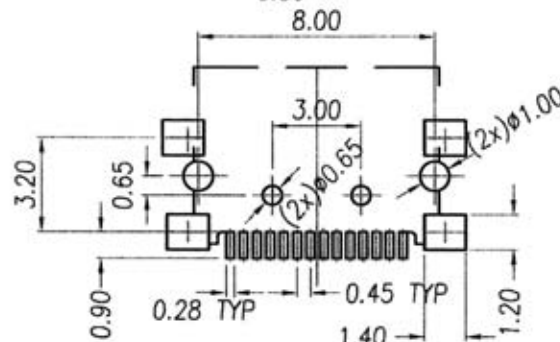
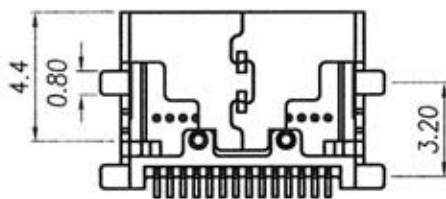
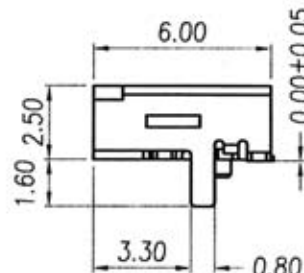
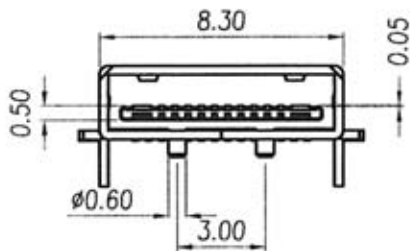
Contact: Brass

Shell: Brass, Steel

Contact Plating: Selective Gold Over Nickel Plated

Shell Plating: Tin Or Nickel Over Copper Plated

*RoHS & REACH compliant.



Recommended P.C.Board Layout

ORDERING INFORMATION:

P/N U M 8 N - 1 2 3 4 5 14 F B 10 G

1. NO. OF CONTACTS:

14

2. CONNECTOR TYPE:

"F" FEMALE

3. INSULATOR COLOR:

"B" BLACK

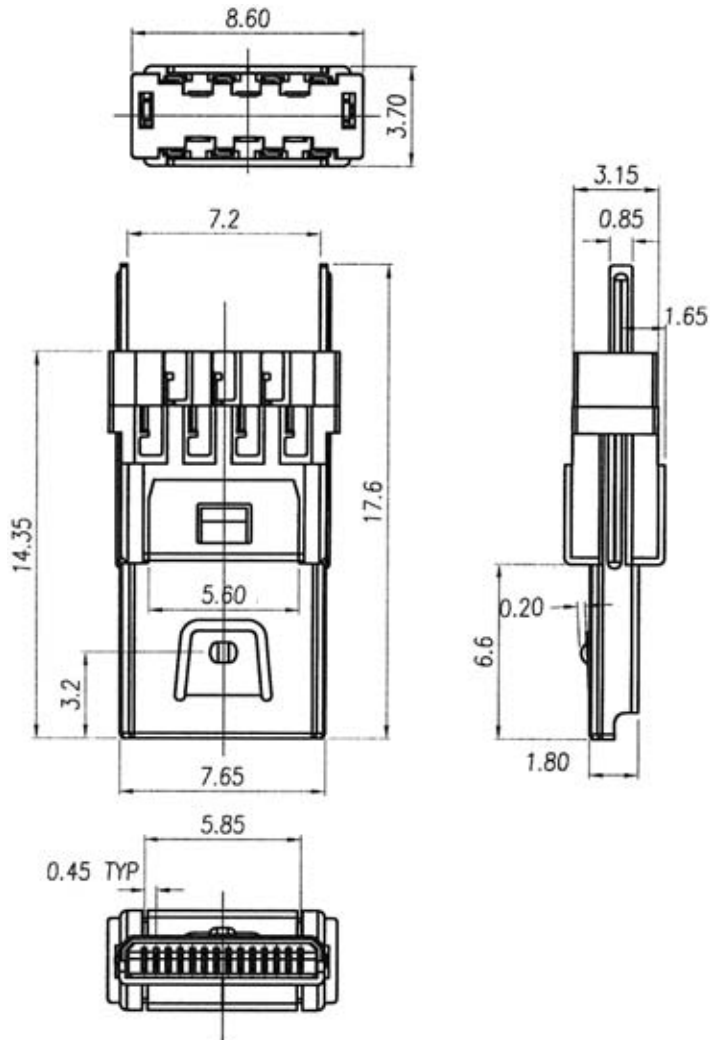
4. CONTACT FINISH:

"10" 10 MICROINCH GOLD

5. SHELL FINISH:

"G" GOLD FLASH

MINI USB 14 PIN MALE CONNECTOR FOR CABLE ASSEMBLY



SPECIFICATIONS

Current Rating: 1.0 Amp

Contact Resistance: 25 Milliohm Max.

Insulation Resistance: 1000 Megohm Min. At 500V

Dielectric Withstanding: 1000V At 1 Minute

Operating Temperature: -55°C to +105°C

MATERIALS

Insulator: THERMOPLASTIC, UL94V-0 RATED

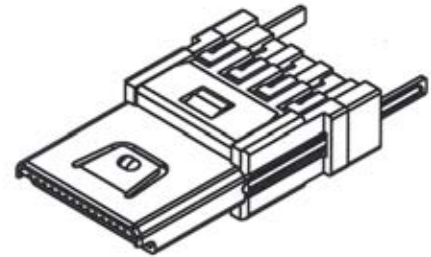
Contact: Brass

Shell: Brass, Steel

Contact Plating: Selective Gold Over Nickel Plated

Shell Plating: Tin Or Nickel Over Copper Plated

*RoHS & REACH compliant.



ORDERING INFORMATION:

P/N U M 8 U - 1 2 3 4 5 14 M B 10 G

1. NO. OF CONTACTS:

14

2. CONNECTOR TYPE:

"M" MALE

3. INSULATOR COLOR:

"B" BLACK

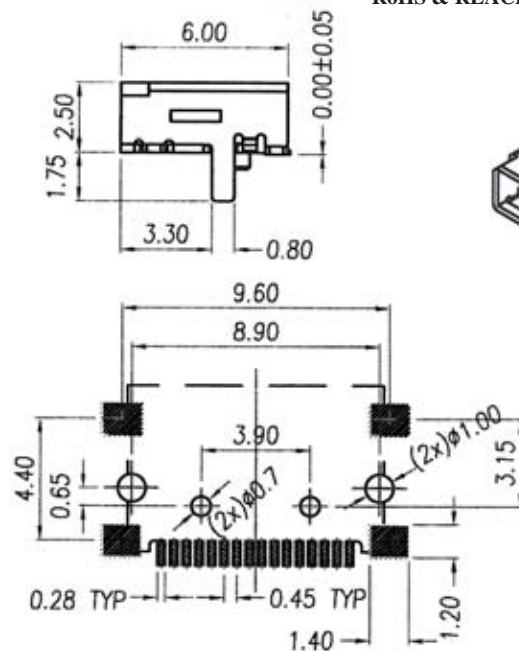
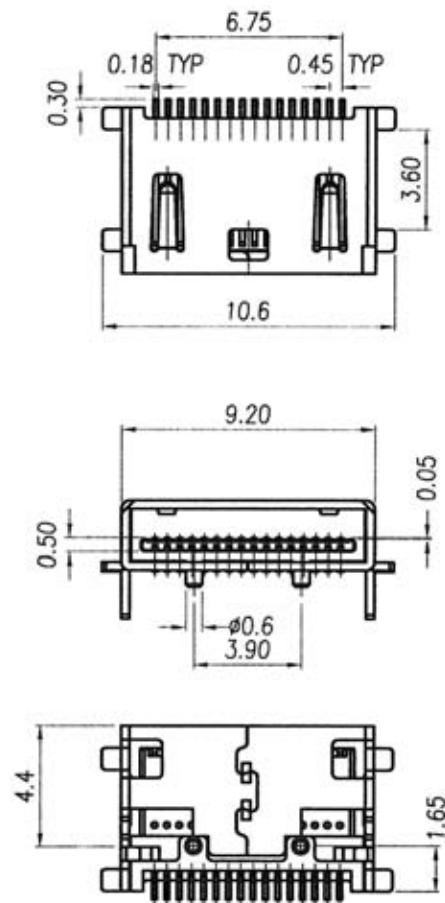
4. CONTACT FINISH:

"10" 10 MICROINCH GOLD

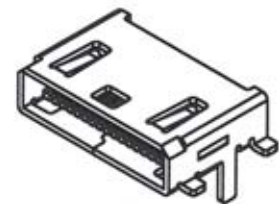
5. SHELL FINISH:

"G" GOLD FLASH

MINI USB 16 PIN FEMALE CONNECTOR SMT TYPE



Recommended P.C.Board Layout



SPECIFICATIONS

Current Rating: 1.0 Amp

Contact Resistance: 25 Milliohm Max.

Insulation Resistance: 1000 Megohm Min. At 500V

Dielectric Withstanding: 1000V At 1 Minute

Operating Temperature: -55°C to +105°C

MATERIALS

Insulator: THERMOPLASTIC, UL94V-0 RATED

Contact: Brass

Shell: Brass, Steel

Contact Plating: Selective Gold Over Nickel Plated

Shell Plating: Tin Or Nickel Over Copper Plated

*RoHS & REACH compliant.

ORDERING INFORMATION:

P/N U M 8 P - 1 6 F B 1 0 G
1 2 3 4 5

1. NO. OF CONTACTS:

16

2. CONNECTOR TYPE:

"F" FEMALE

3. INSULATOR COLOR:

"B" BLACK

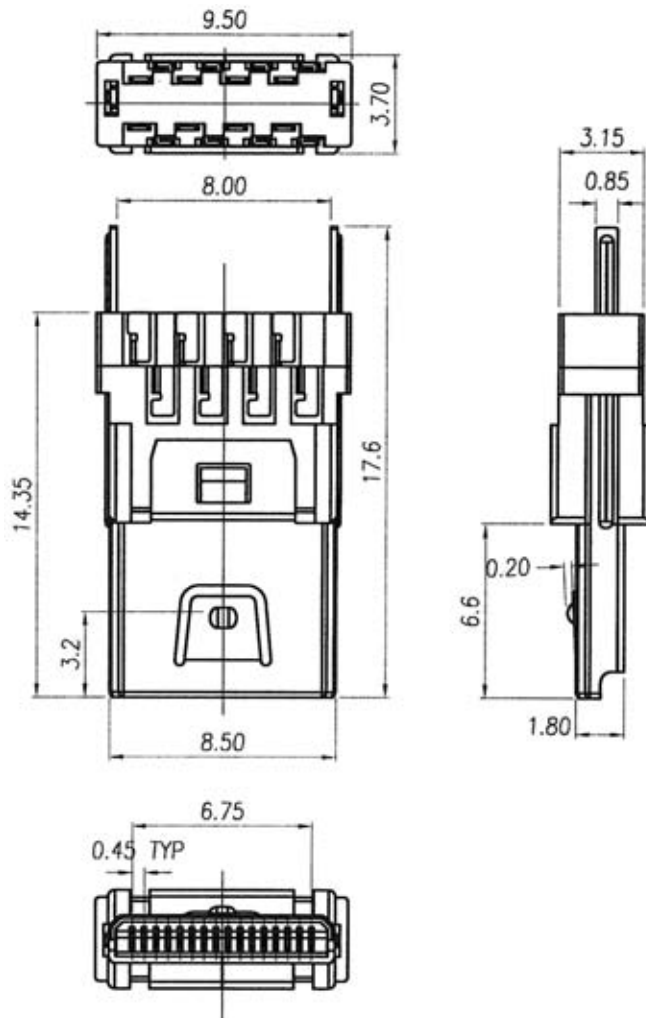
4. CONTACT FINISH:

"10" 10 MICROINCH GOLD

5. SHELL FINISH:

"G" GOLD FLASH

MINI USB 16 PIN MALE CONNECTOR Moulding Type For Cable Assembly



SPECIFICATIONS

Current Rating: 1.0 Amp

Contact Resistance: 25 Milliohm Max.

Insulation Resistance: 1000 Megohm Min. At 500V

Dielectric Withstanding: 1000V At 1 Minute

Operating Temperature: -55°C to +105°C

MATERIALS

Insulator: THERMOPLASTIC, UL94V-0 RATED

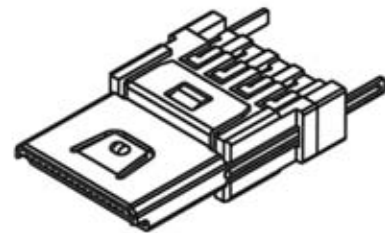
Contact: Brass

Shell: Brass, Steel

Contact Plating: Selective Gold Over Nickel Plated

Shell Plating: Tin Or Nickel Over Copper Plated

*RoHS & REACH compliant.



ORDERING INFORMATION:

P/N U M 8 V - 1 6 M B 1 0 G
1 2 3 4 5

1. NO. OF CONTACTS:

16

2. CONNECTOR TYPE:

"M" MALE

3. INSULATOR COLOR:

"B" BLACK

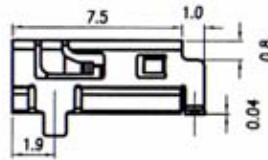
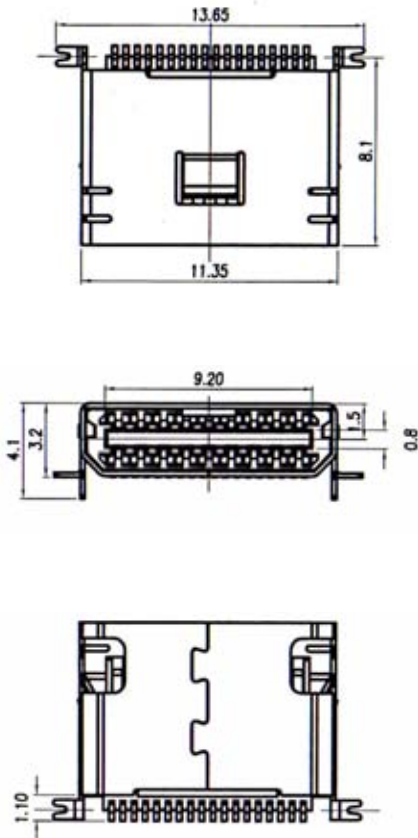
4. CONTACT FINISH:

"10" 10 MICROINCH GOLD

5. SHELL FINISH:

"G" GOLD FLASH

MINI USB 18 PIN FEMALE CONNECTOR SMT TYPE



SPECIFICATIONS

Current Rating: 1.0 Amp

Contact Resistance: 25 Milliohm Max.

Insulation Resistance: 1000 Megohm Min. At 500V

Dielectric Withstanding: 1000V At 1 Minute

Operating Temperature: -55°C to +105°C

MATERIALS

Insulator: THERMOPLASTIC, UL94V-0 RATED

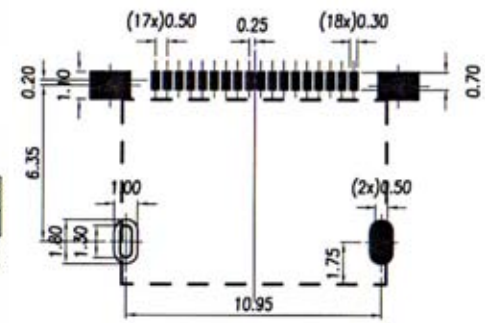
Contact: Brass

Shell: Brass, Steel

Contact Plating: Selective Gold Over Nickel Plated

Shell Plating: Tin Or Nickel Over Copper Plated

*RoHS & REACH compliant.



Recommended P.C. Board Layout

ORDERING INFORMATION:

P/N U M 9 3 - $\frac{18}{1}$ $\frac{F}{2}$ $\frac{B}{3}$ $\frac{x}{4}$

1. NO. OF CONTACTS:

18

2. CONNECTOR TYPE:

"F" FEMALE

3. INSULATOR COLOR:

"B" BLACK

4. CONTACT FINISH:

"10" 10 MICROINCH GOLD

"30" 30 MICROINCH GOLD

MINI USB 18 PIN FEMALE CONNECTOR SMT TYPE

SPECIFICATIONS

Current Rating: 1.0 Amp

Contact Resistance: 25 Milliohm Max.

Insulation Resistance: 1000 Megohm Min. At 500V

Dielectric Withstanding: 1000V At 1 Minute

Operating Temperature: -55°C to +105°C

MATERIALS

Insulator: THERMOPLASTIC, UL94V-0 RATED

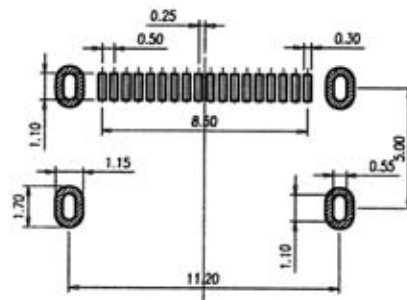
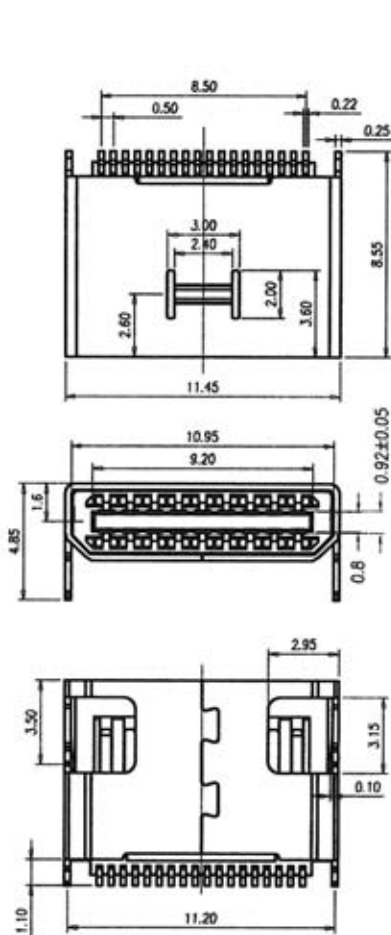
Contact: Brass

Shell: Brass, Steel

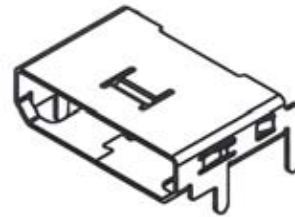
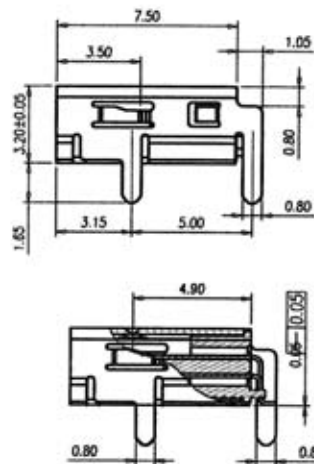
Contact Plating: Selective Gold Over Nickel Plated

Shell Plating: Tin Or Nickel Over Copper Plated

*RoHS & REACH compliant.



Recommended P.C.Board Layout



ORDERING INFORMATION:

P/N U M 8 Q - $\frac{18}{1}$ $\frac{F}{2}$ $\frac{B}{3}$ $\frac{10}{4}$ $\frac{x}{5}$

1. NO. OF CONTACTS:

18

2. CONNECTOR TYPE:

"F" FEMALE

3. INSULATOR COLOR:

"B" BLACK

4. CONTACT FINISH:

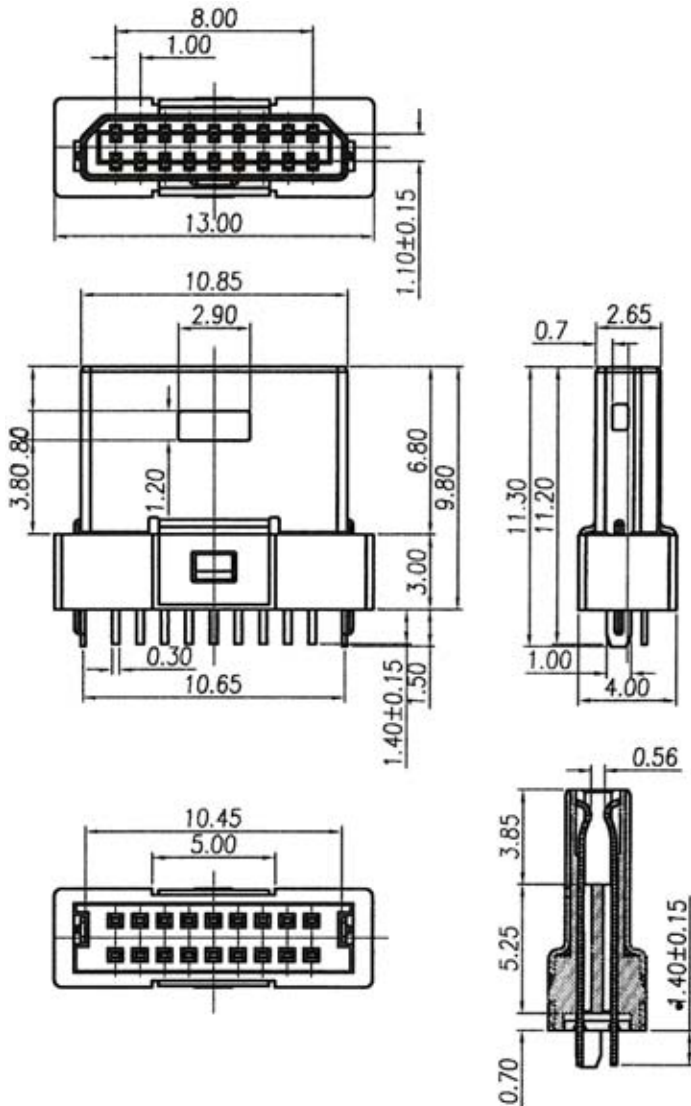
"10" 10 MICROINCH GOLD

5. SHELL FINISH:

" " NICKEL PLATED

"G" GOLD FLASH

MINI USB 18 PIN MALE CONNECTOR STRAIGHT DIP TYPE



SPECIFICATIONS

Current Rating: 1.0 Amp

Contact Resistance: 25 Milliohm Max.

Insulation Resistance: 1000 Megohm Min. At 500V

Dielectric Withstanding: 1000V At 1 Minute

Operating Temperature: -55°C to +105°C

MATERIALS

Insulator: THERMOPLASTIC, UL94V-0 RATED

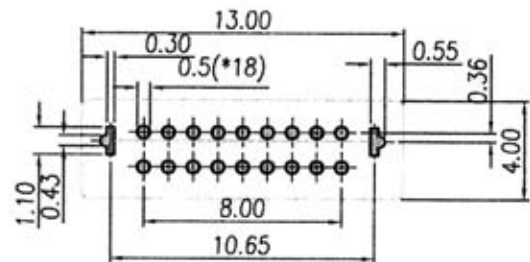
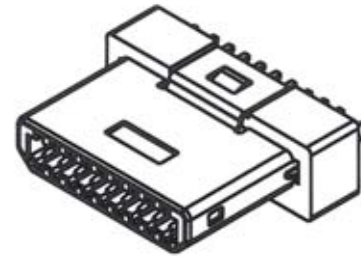
Contact: Brass

Shell: Brass, Steel

Contact Plating: Selective Gold Over Nickel Plated

Shell Plating: Tin Or Nickel Over Copper Plated

*RoHS & REACH compliant.



Recommended P.C.Board Layout

ORDERING INFORMATION:

P/N U M 8 W - $\frac{18}{1}$ $\frac{M}{2}$ $\frac{B}{3}$ $\frac{10}{4}$ $\frac{x}{5}$

1. NO. OF CONTACTS:

18

2. CONNECTOR TYPE:

"M" MALE

3. INSULATOR COLOR:

"B" BLACK

4. CONTACT FINISH:

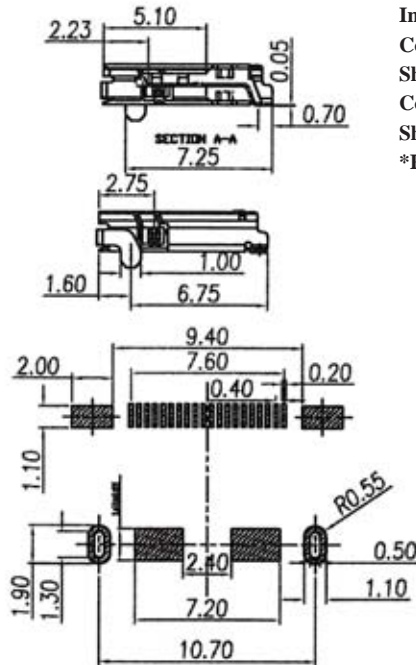
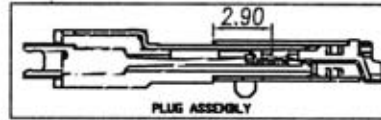
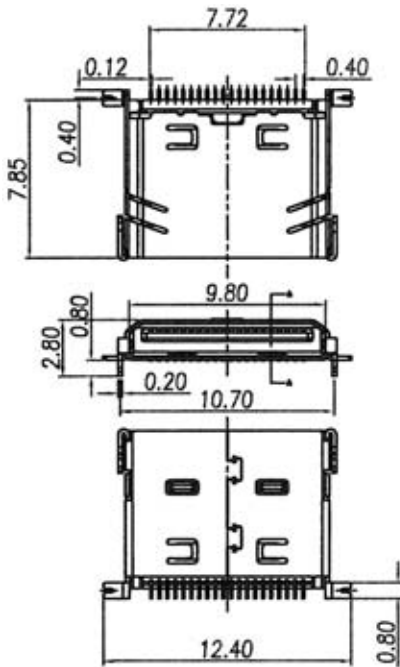
"10" 10 MICROINCH GOLD

5. SHELL FINISH:

" " NICKEL PLATED

"G" GOLD FLASH

MINI USB 20 PIN FEMALE CONNECTOR SMT TYPE



Recommended P.C.Board Layout

SPECIFICATIONS

Current Rating: 1.0 Amp

Contact Resistance: 25 Milliohm Max.

Insulation Resistance: 1000 Megohm Min. At 500V

Dielectric Withstanding: 1000V At 1 Minute

Operating Temperature: -55°C to +105°C

MATERIALS

Insulator: THERMOPLASTIC, UL94V-0 RATED

Contact: Brass

Shell: Brass, Steel

Contact Plating: Selective Gold Over Nickel Plated

Shell Plating: Tin Or Nickel Over Copper Plated

*RoHS & REACH compliant.

ORDERING INFORMATION:

P/N U M 8 R - 2 0 F B 0 5
1 2 3 4

1. NO. OF CONTACTS:

20

2. CONNECTOR TYPE:

"F" FEMALE

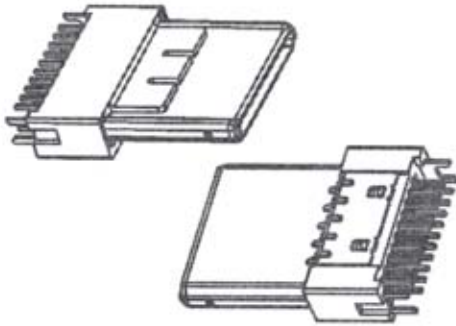
3. INSULATOR COLOR:

"B" BLACK

4. CONTACT FINISH:

"05" 5 MICRORINCH GOLD

MINI USB 20 PIN MALE CONNECTOR FOR CABLE ASSEMBLY



SPECIFICATIONS

Current Rating: 1.0 Amp

Contact Resistance: 25 Milliohm Max.

Insulation Resistance: 1000 Megohm Min. At 500V

Dielectric Withstanding: 1000V At 1 Minute

Operating Temperature: -55°C to +105°C

MATERIALS

Insulator: THERMOPLASTIC, UL94V-0 RATED

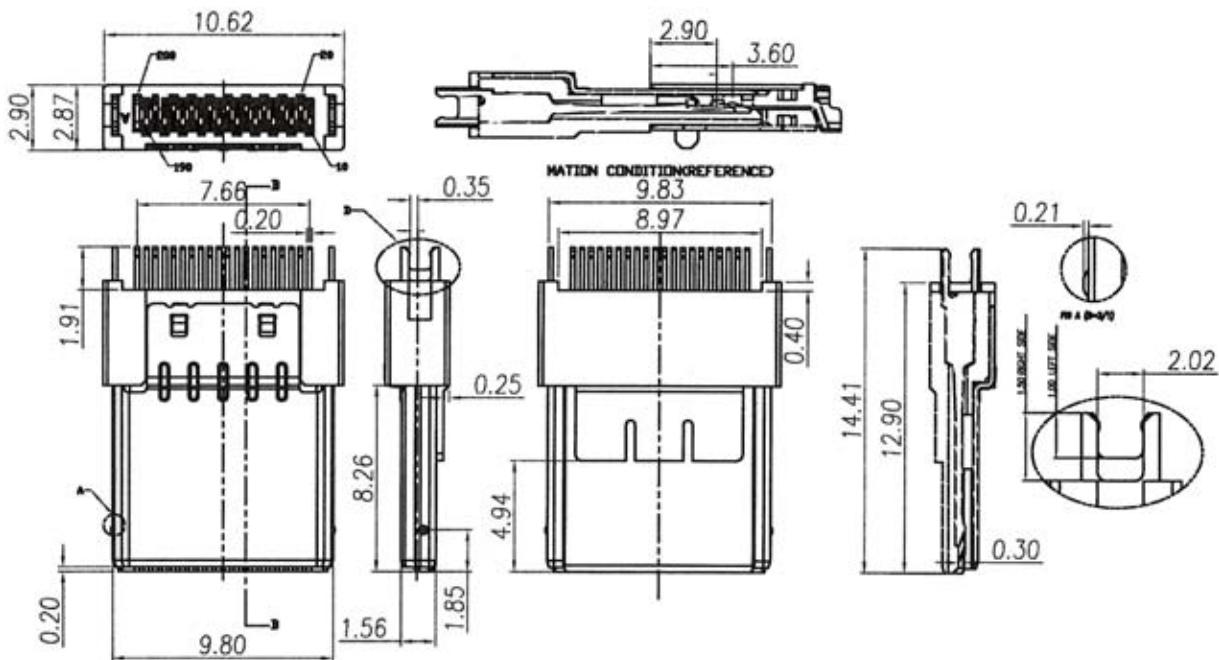
Contact: Brass

Shell: Brass, Steel

Contact Plating: Selective Gold Over Nickel Plated

Shell Plating: Tin Or Nickel Over Copper Plated

*RoHS & REACH compliant.



ORDERING INFORMATION:

P/N U M 8 Y - 2 0 M B 1 0
1 2 3 4

1. NO. OF CONTACTS:

20

2. CONNECTOR TYPE:

"M" MALE

3. INSULATOR COLOR:

"B" BLACK

4. CONTACT FINISH:

"10" 10 MICROINCH GOLD

MICRO USB A TYPE 5 PIN MALE CONNECTOR CABLE SOLDER TYPE

SPECIFICATIONS

Rating: 0.5A/250VAC

Insulation Resistance: 100MΩ Min

Dielectric Withstanding: 100VAC/1Minute

Contact Resistance: 30mΩ Max.

MATERIALS

Pin: Phosphor Bronze

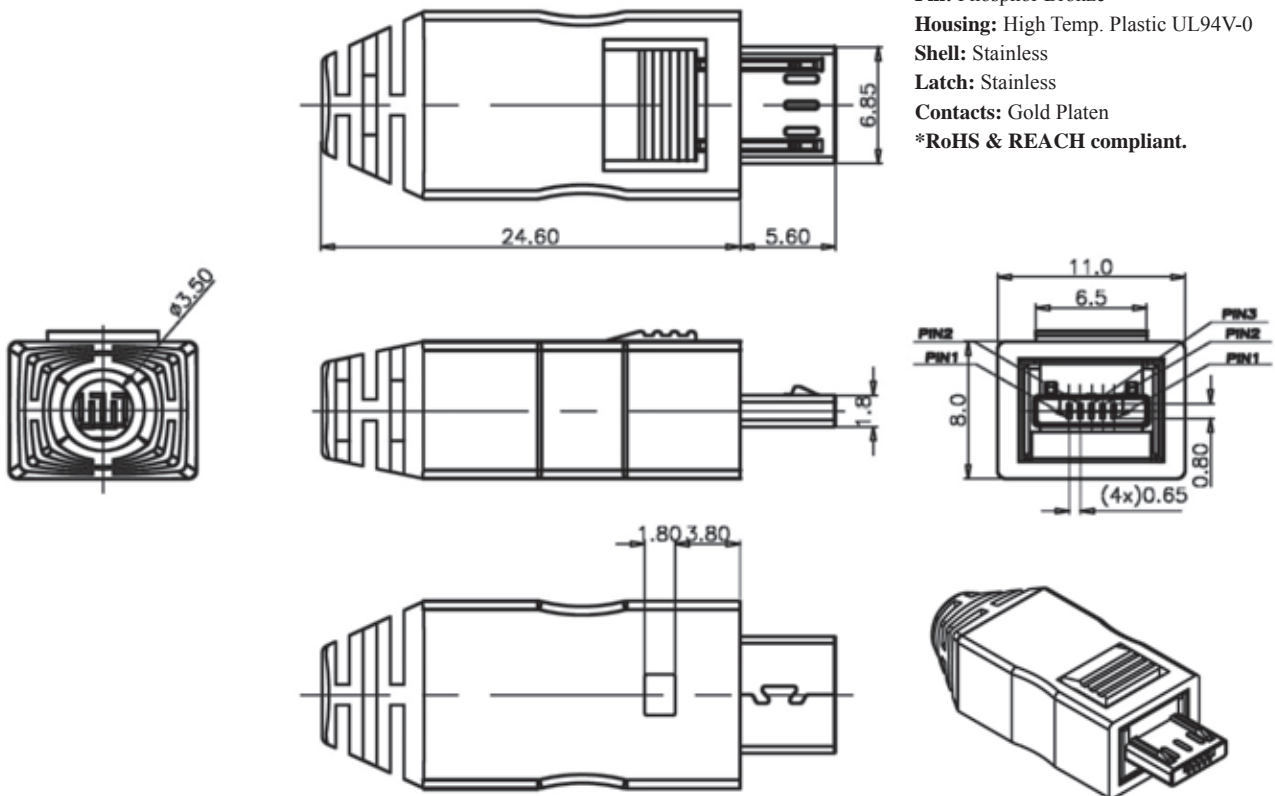
Housing: High Temp. Plastic UL94V-0

Shell: Stainless

Latch: Stainless

Contacts: Gold Platen

***RoHS & REACH compliant.**



ORDERING INFORMATION:

P/N U R 0 7 - 0 5 M x x x
1 2 3 4

1. NO. OF CONTACTS:

05

2. CONNECTOR TYPE:

"M" MALE

3. INSULATOR COLOR:

"B" BLACK

"W" WHITE

4. CONTACT FINISH:

"15" 15 MICROINCH GOLD

"30" 30 MICROINCH GOLD

MICRO USB A TYPE 5 PIN MALE CONNECTOR CABLE SOLDER TYPE WITH SHELL

SPECIFICATIONS

Rating: 0.5A/250VAC

Insulation Resistance: 100MΩ Min

Dielectric Withstanding: 100VAC/1Minute

Contact Resistance: 30mΩ Max.

MATERIALS

Pin: Phosphor Bronze

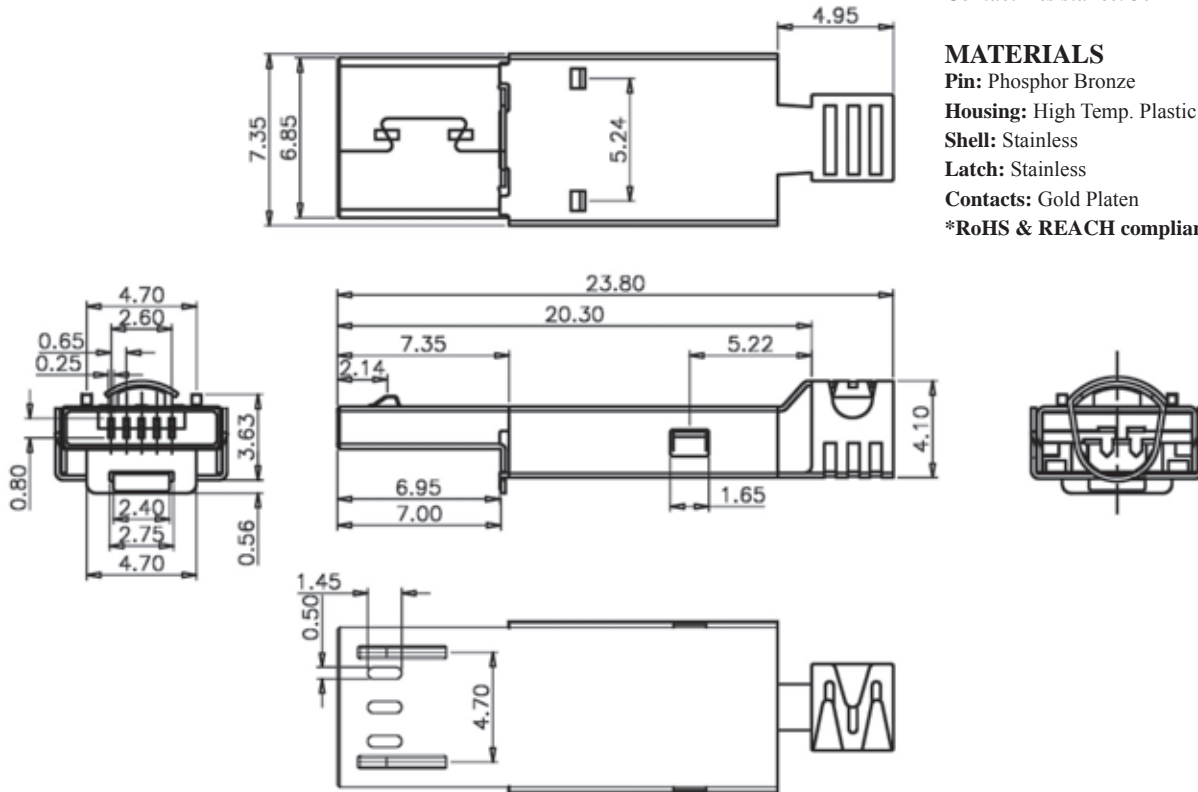
Housing: High Temp. Plastic UL94V-0

Shell: Stainless

Latch: Stainless

Contacts: Gold Platen

*RoHS & REACH compliant.



ORDERING INFORMATION:

P/N U R 2 7 - 0 5 M B x x
1 2 3 4

1. NO. OF CONTACTS:
05
2. CONNECTOR TYPE:
"M" MALE
3. INSULATOR COLOR:
"B" BLACK
4. CONTACT FINISH:
"01" GOLD FLASH

MICRO USB B TYPE 5 PIN MALE CONNECTOR CABLE SOLDER TYPE

SPECIFICATIONS

Rating: 0.5A/250VAC

Insulation Resistance: 100MΩ Min

Dielectric Withstanding: 100VAC/1Minute

Contact Resistance: 30mΩ Max.

MATERIALS

Pin: Phosphor Bronze

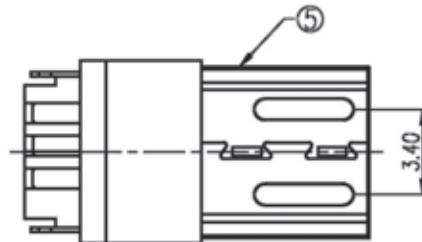
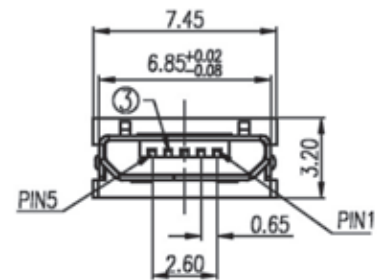
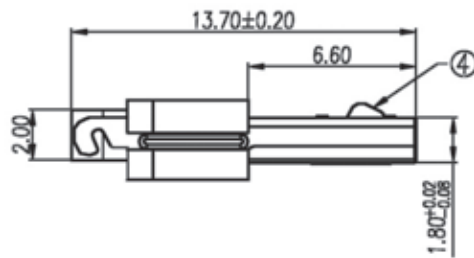
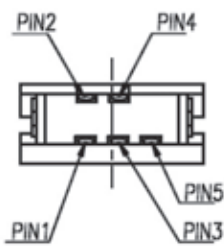
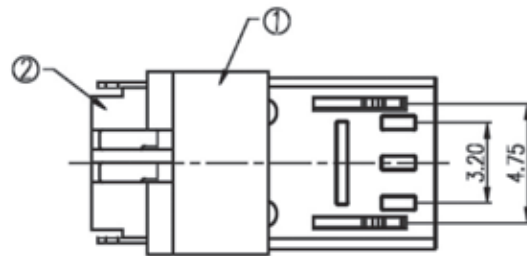
Housing: High Temp. Plastic UL94V-0

Shell: Stainless

Latch: Stainless

Contacts: Gold Platen

*RoHS & REACH compliant.



ORDERING INFORMATION:

P/N U R 0 5 - 0 5 M B x x
1 2 3 4

1. NO. OF CONTACTS:

05

2. CONNECTOR TYPE:

"M" MALE

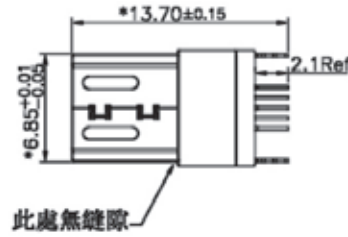
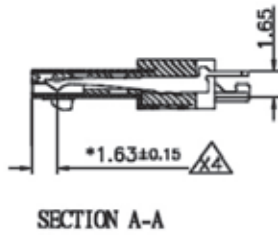
3. INSULATOR COLOR:

"B" BLACK

4. CONTACT FINISH:

"30" 30 MICROINCH GOLD

MICRO USB B TYPE 5 PIN MALE CONNECTOR CABLE SOLDER TYPE

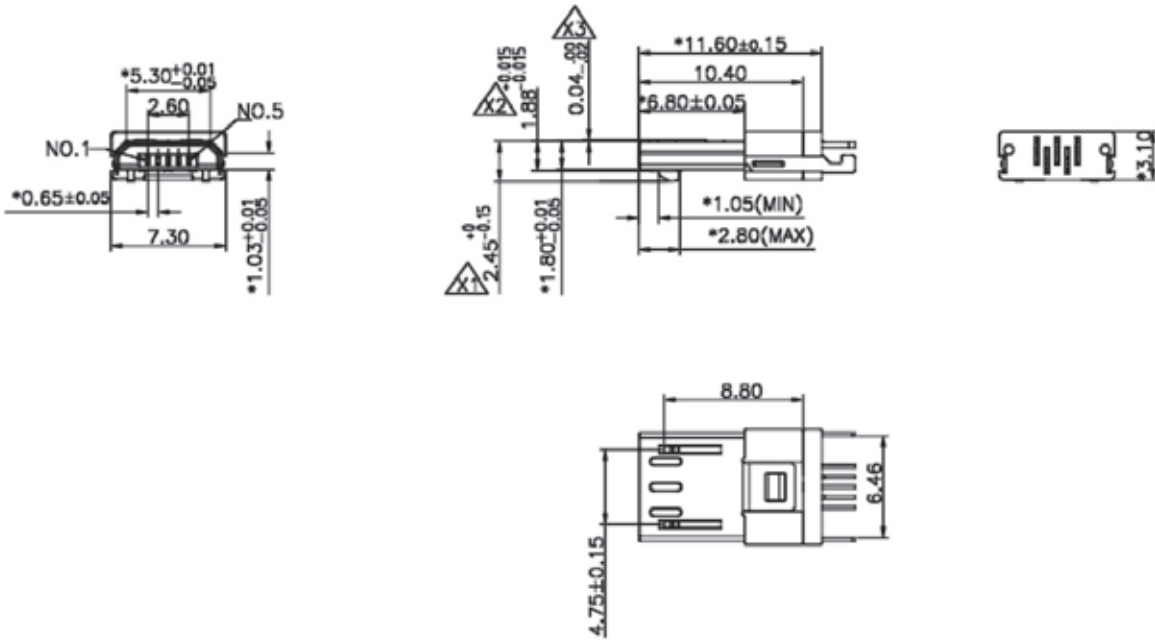


SPECIFICATIONS

Rating: 0.5A/250VAC
 Insulation Resistance: 100MΩ Min
 Dielectric Withstanding: 100VAC/1Minute
 Contact Resistance: 30mΩ Max.

MATERIALS

Pin: Phosphor Bronze
 Housing: High Temp. Plastic UL94V-0
 Shell: Stainless
 Latch: Stainless
 Contacts: Gold Platen
 *RoHS & REACH compliant.

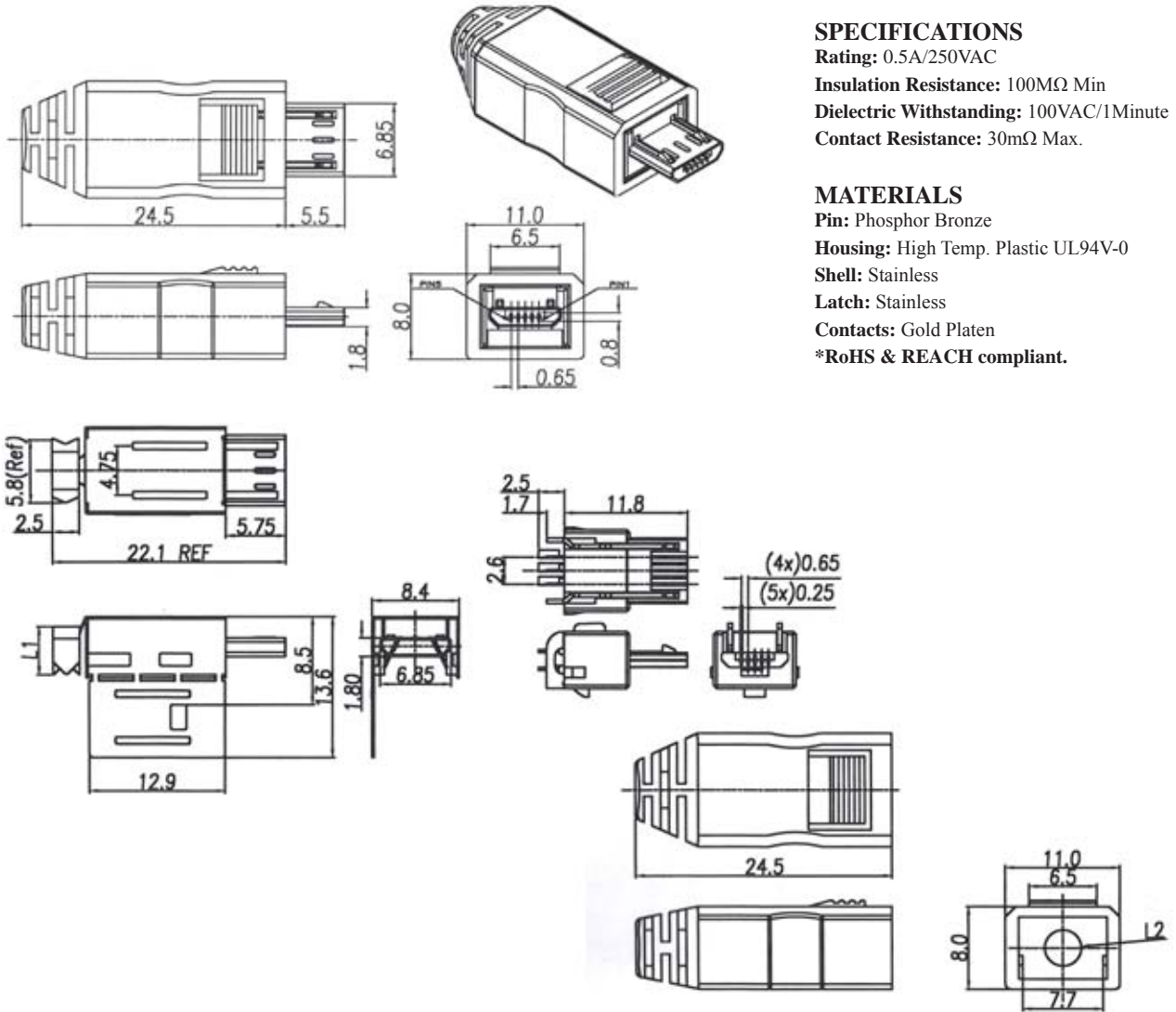


ORDERING INFORMATION:

P/N U R 1 3 - 0 5 M B x x
 1 2 3 4

1. NO. OF CONTACTS:
05
2. CONNECTOR TYPE:
"M" MALE
3. INSULATOR COLOR:
"B" BLACK
4. CONTACT FINISH:
"30" 30 MICROINCH GOLD
"01" GOLD FLASH

MICRO USB B TYPE 5 PIN MALE CONNECTOR CABLE SOLDER TYPE



SPECIFICATIONS

Rating: 0.5A/250VAC
Insulation Resistance: 100MΩ Min
Dielectric Withstanding: 100VAC/1Minute
Contact Resistance: 30mΩ Max.

MATERIALS

Pin: Phosphor Bronze
Housing: High Temp. Plastic UL94V-0
Shell: Stainless
Latch: Stainless
Contacts: Gold Platen
***RoHS & REACH compliant.**

ORDERING INFORMATION:

P/N U R 2 3 - 0 5 M B x x x x

1. NO. OF CONTACTS:
05
2. CONNECTOR TYPE:
"M" MALE
3. INSULATOR COLOR:
"B" BLACK
4. CONTACT FINISH:
"15" 15 MICROINCH GOLD
"30" 30 MICROINCH GOLD
5. SHELL FINISH:
" " OFF WITH GREASINESS
"G" GOLD FLASH

6. CABLE ENTRY DIAMETER:
" " L2=Ø3.5MM (STANDARD)
"1" L2=Ø4.7MM

MICRO USB B TYPE 5 PIN MALE CONNECTOR CABLE SOLDER TYPE

SPECIFICATIONS

Rating: 0.5A/250VAC

Insulation Resistance: 100MΩ Min

Dielectric Withstanding: 100VAC/1Minute

Contact Resistance: 30mΩ Max.

MATERIALS

Pin: Phosphor Bronze

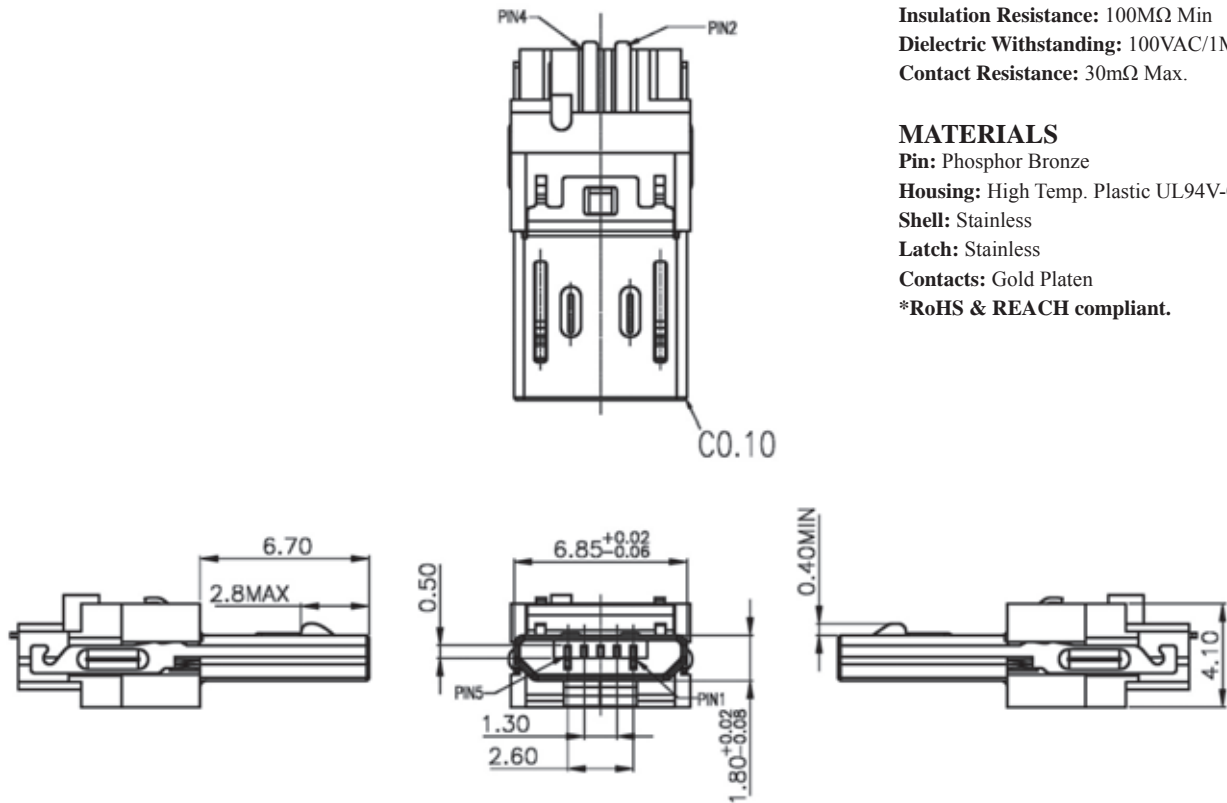
Housing: High Temp. Plastic UL94V-0

Shell: Stainless

Latch: Stainless

Contacts: Gold Platen

***RoHS & REACH compliant.**



ORDERING INFORMATION:

P/N U R 3 5 - 0 5 M B x x
1 2 3 4

1. NO. OF CONTACTS:

05

2. CONNECTOR TYPE:

"M" MALE

3. INSULATOR COLOR:

"B" BLACK

4. CONTACT FINISH:

"03" 3 MICROINCH GOLD

"06" 6 MICROINCH GOLD

"15" 15 MICROINCH GOLD

"30" 30 MICROINCH GOLD

"01" GOLD FLASH

MICRO USB B TYPE 5 PIN MALE CONNECTOR CABLE ASSEMBLY TYPE WITH SHELL

SPECIFICATIONS

Rating: 0.5A/250VAC

Insulation Resistance: 100MΩ Min

Dielectric Withstanding: 100VAC/1Minute

Contact Resistance: 30mΩ Max.

MATERIALS

Pin: Phosphor Bronze

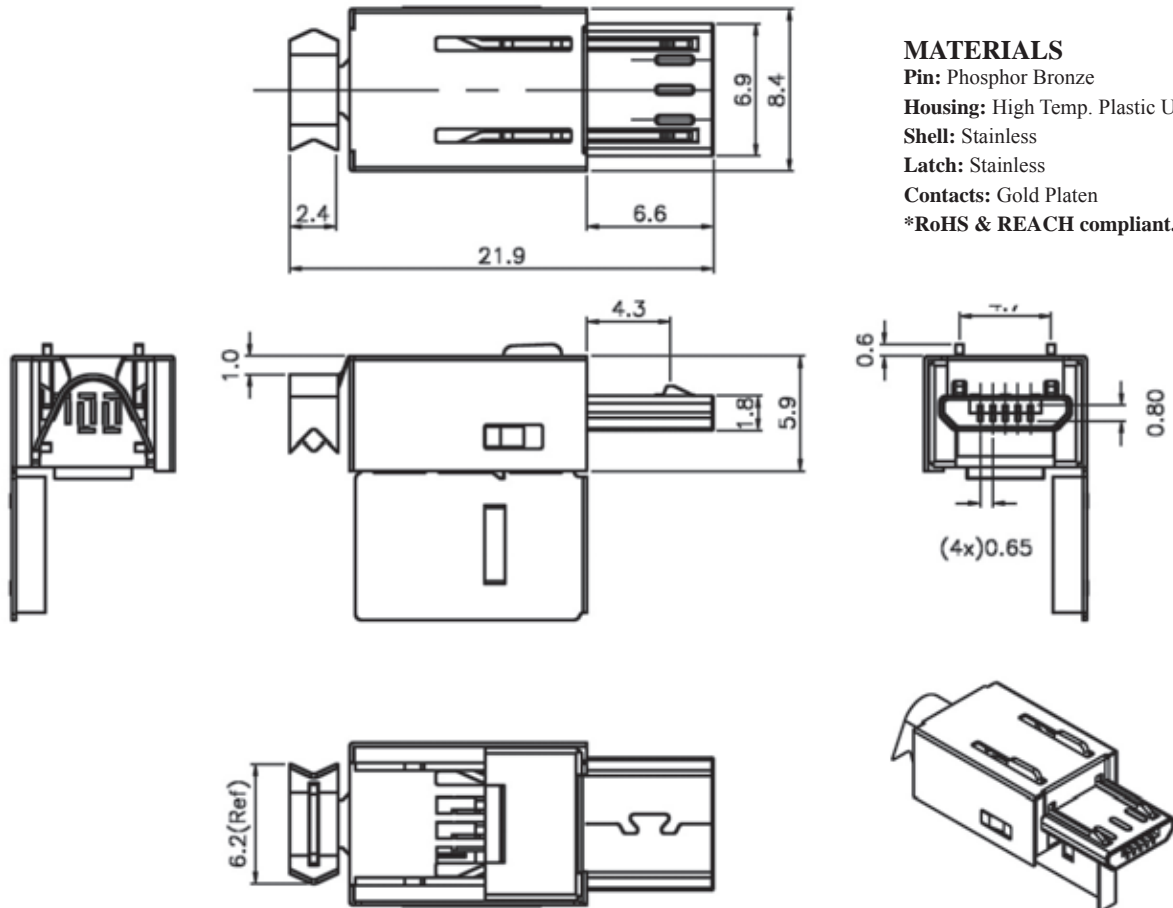
Housing: High Temp. Plastic UL94V-0

Shell: Stainless

Latch: Stainless

Contacts: Gold Platen

*RoHS & REACH compliant.



ORDERING INFORMATION:

P/N U R 4 2 - 0 5 M B x x
1 2 3 4

1. NO. OF CONTACTS:

05

2. CONNECTOR TYPE:

"M" MALE

3. INSULATOR COLOR:

"B" BLACK

4. CONTACT FINISH:

"30" 30 MICROINCH GOLD

MICRO USB B TYPE 5 PIN MALE CONNECTOR CABLE SOLDER TYPE WITH SHELL

SPECIFICATIONS

Rating: 0.5A/250VAC

Insulation Resistance: 100MΩ Min

Dielectric Withstanding: 100VAC/1Minute

Contact Resistance: 30mΩ Max.

MATERIALS

Pin: Phosphor Bronze

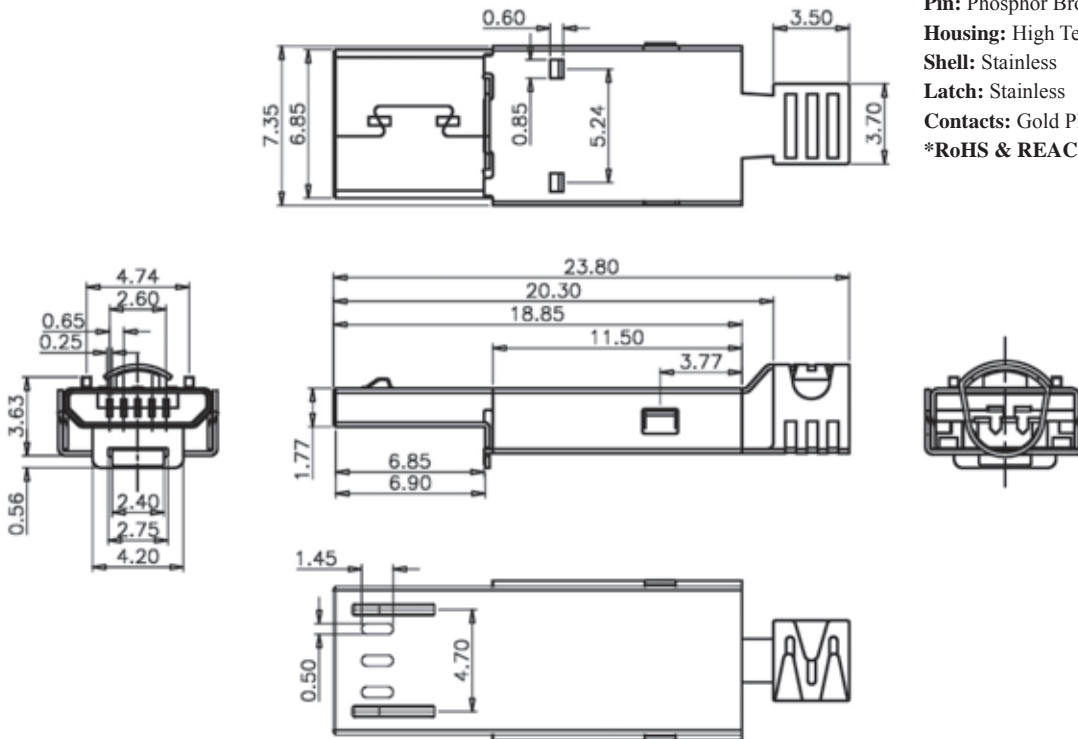
Housing: High Temp. Plastic UL94V-0

Shell: Stainless

Latch: Stainless

Contacts: Gold Platen

***RoHS & REACH compliant.**

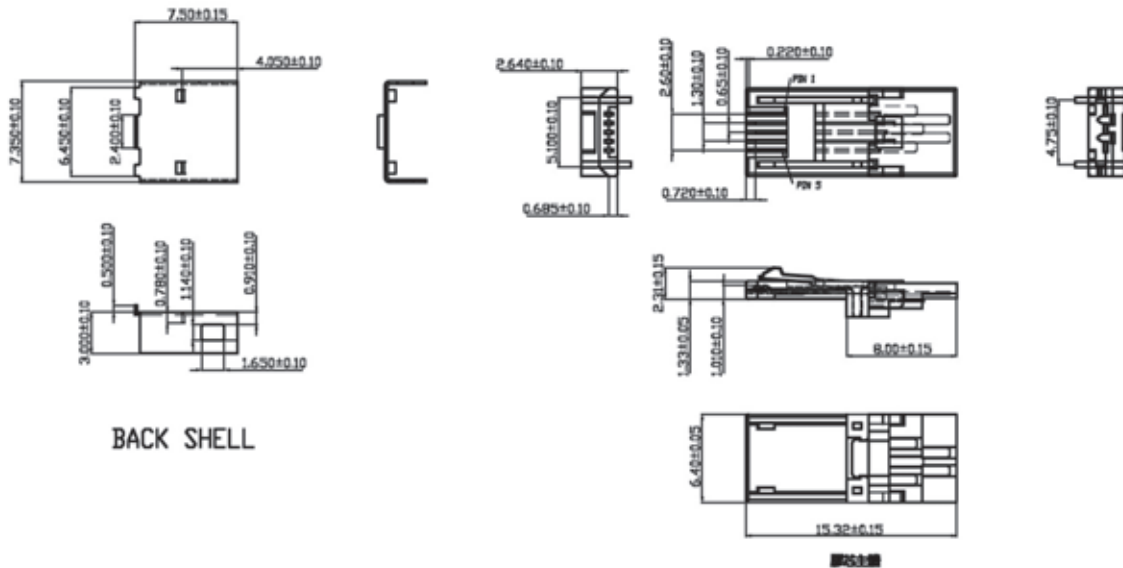
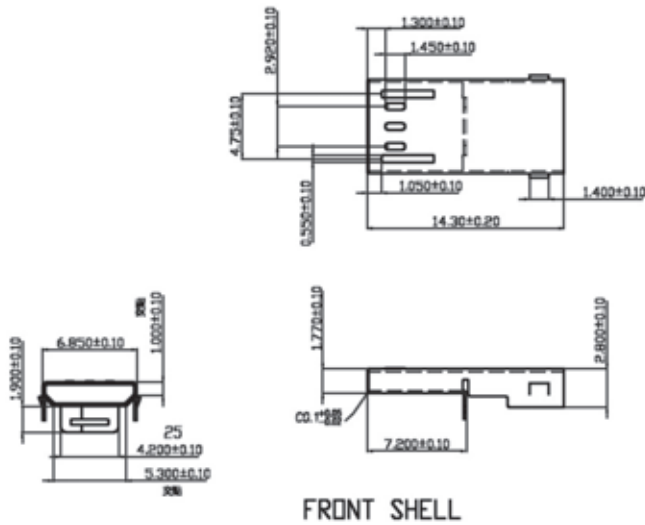


ORDERING INFORMATION:

P/N U R 3 6 - 0 5 M B x x
1 2 3 4

1. NO. OF CONTACTS:
05
2. CONNECTOR TYPE:
"M" MALE
3. INSULATOR COLOR:
"B" BLACK
4. CONTACT FINISH:
"01" GOLD FLASH

MICRO USB B TYPE 5 PIN MALE CONNECTOR CABLE SOLDER TYPE WITH SHELL



SPECIFICATIONS

Rating: 0.5A/250VAC

Insulation Resistance: 100MΩ Min

Dielectric Withstanding: 100VAC/1Minute

Contact Resistance: 30mΩ Max.

MATERIALS

Pin: Phosphor Bronze

Housing: High Temp. Plastic UL94V-0

Shell: Stainless

Latch: Stainless

Contacts: Gold Platen

*RoHS & REACH compliant.

ORDERING INFORMATION:

P/N U R 3 7 - 0 5 M B x x
1 2 3 4

1. NO. OF CONTACTS:

05

2. CONNECTOR TYPE:

"M" MALE

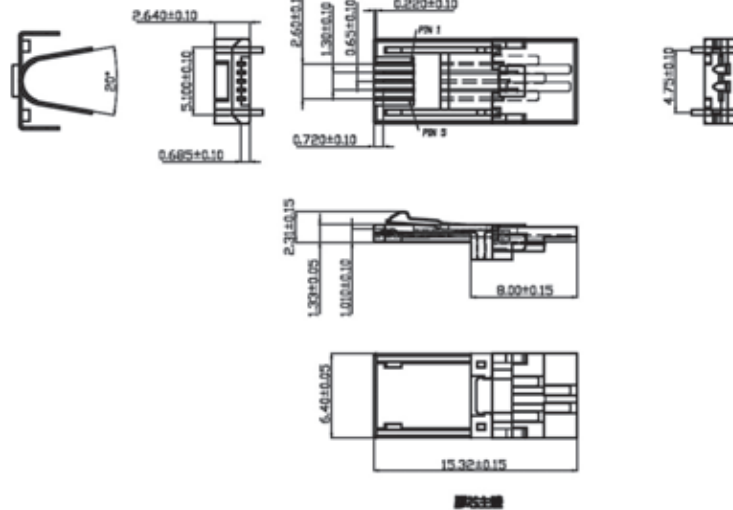
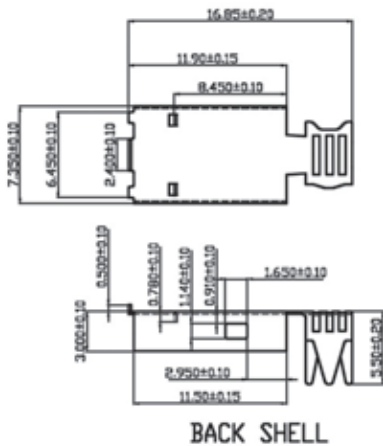
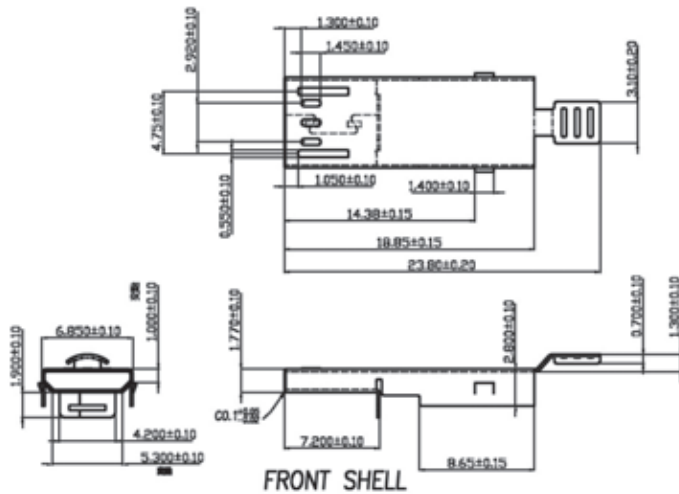
3. INSULATOR COLOR:

"B" BLACK

4. CONTACT FINISH:

"30" 30 MICROINCH GOLD

MICRO USB B TYPE 5 PIN MALE CONNECTOR CABLE SOLDER TYPE WITH SHELL



SPECIFICATIONS

Rating: 0.5A/250VAC

Insulation Resistance: 100MΩ Min

Dielectric Withstanding: 100VAC/1Minute

Contact Resistance: 30mΩ Max.

MATERIALS

Pin: Phosphor Bronze

Housing: High Temp. Plastic UL94V-0

Shell: Stainless

Latch: Stainless

Contacts: Gold Platen

***RoHS & REACH compliant.**

ORDERING INFORMATION:

P/N U R 4 3 - 0 5 M B x x
1 2 3 4

1. NO. OF CONTACTS:

05

2. CONNECTOR TYPE:

"M" MALE

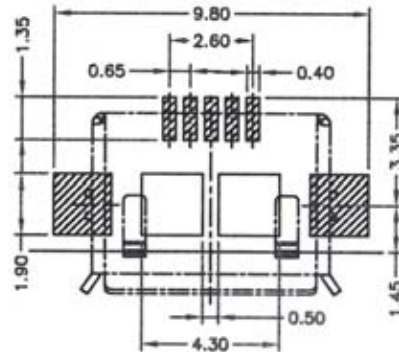
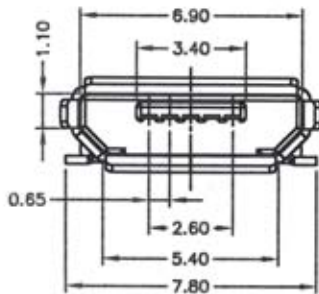
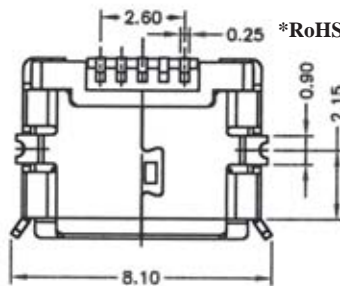
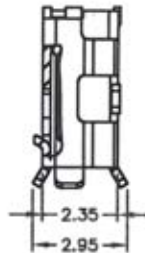
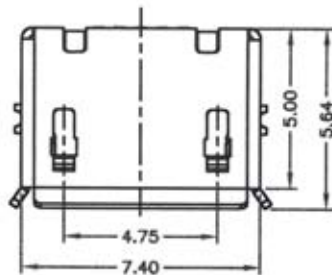
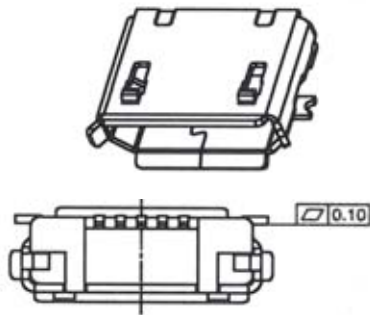
3. INSULATOR COLOR:

"B" BLACK

4. CONTACT FINISH:

"30" 30 MICROINCH GOLD

MICRO USB B TYPE 5 PIN FEMALE CONNECTOR SMT TYPE



Recommended P.C.Board Layout

SPECIFICATIONS

Current Rating: 1.8 AMP Max (Only Pin 1, 5)

Other 1 AMP Max

Insulation Resistance: 100MΩ Min at DC 500V

Dielectric Withstanding: 100V AC

Contact Resistance: 50mΩ Max.

Operating Temperature: -25°C to +105°C

MATERIALS

Housing: Hi-Temp. Plastic, UL94V-0

Shell: Copper Alloy, Tin Plating

Terminal: Copper Alloy, Gold Plated on Contact Area

Tin Plating on Solder Tail

*RoHS & REACH compliant.

ORDERING INFORMATION:

P/N UR14-05FBxx-R
1 2 3 4 5

1. NO. OF CONTACTS:

05

2. CONNECTOR TYPE:

"F" FEMALE

3. INSULATOR COLOR:

"B" BLACK

4. CONTACT FINISH:

"01" GOLD FLASH

"05" 5 MICROINCH GOLD

"10" 10 MICROINCH GOLD

"15" 15 MICROINCH GOLD

"30" 30 MICROINCH GOLD

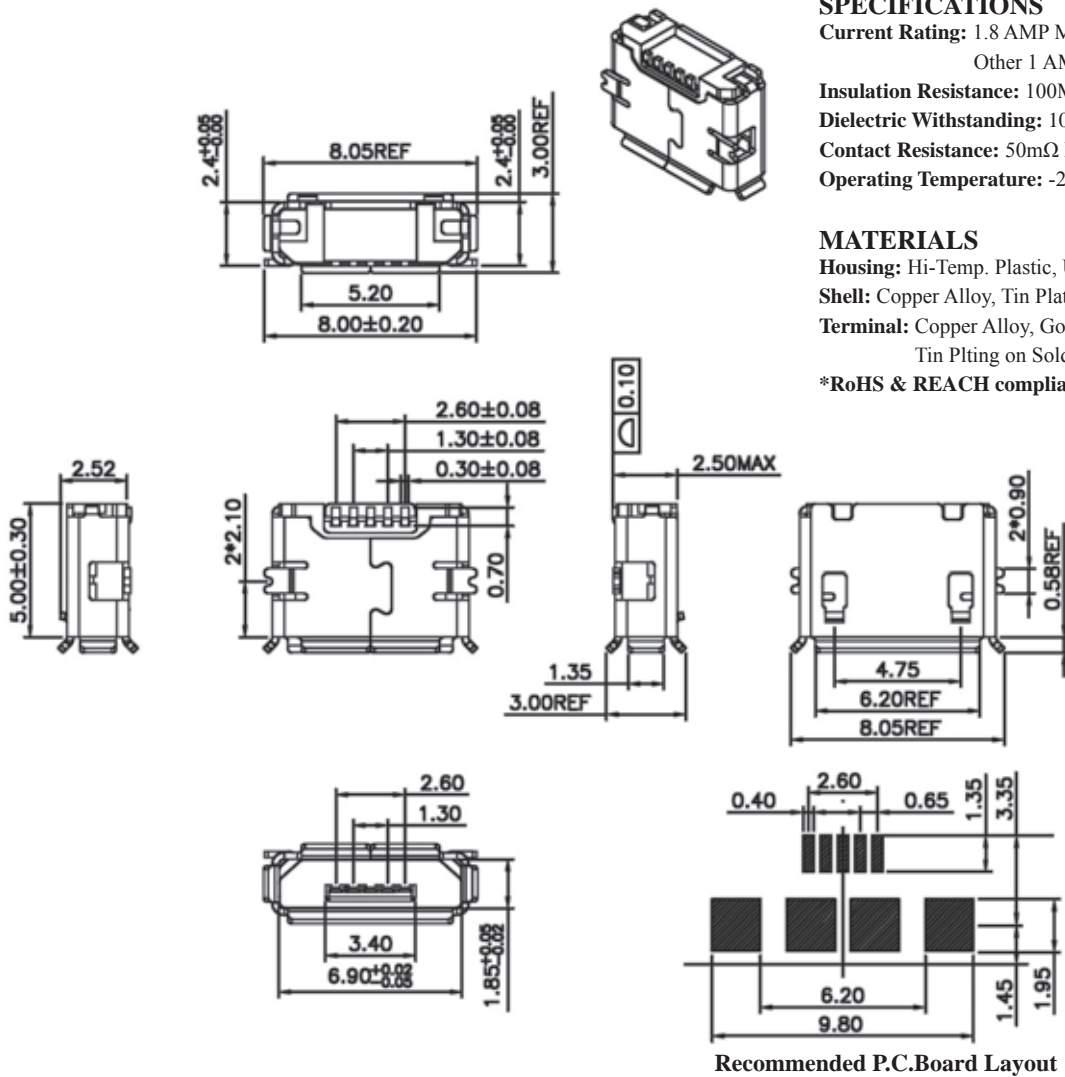
5. PACKAGE TYPE:

"R" TAPE & REEL

DRAWING REVISED

P/N REVISED

MICRO USB AB TYPE 5 PIN FEMALE CONNECTOR SMT TYPE



SPECIFICATIONS

Current Rating: 1.8 AMP Max (Only Pin 1, 5)
Other 1 AMP Max

Insulation Resistance: 100MΩ Min at DC 500V

Dielectric Withstanding: 100V AC

Contact Resistance: 50mΩ Max.

Operating Temperature: -25°C to +105°C

MATERIALS

Housing: Hi-Temp. Plastic, UL94V-0

Shell: Copper Alloy, Tin Plating

Terminal: Copper Alloy, Gold Plated on Contact Area
Tin Plating on Solder Tail

*RoHS & REACH compliant.

ORDERING INFORMATION:

P/N U R 1 0 - 0 5 F B x x - R
1 2 3 4 5

1. NO. OF CONTACTS:

05

2. CONNECTOR TYPE:

"F" FEMALE

3. INSULATOR COLOR:

"B" BLACK

4. CONTACT FINISH:

"03" 3 MICROINCH GOLD

"05" 5 MICROINCH GOLD

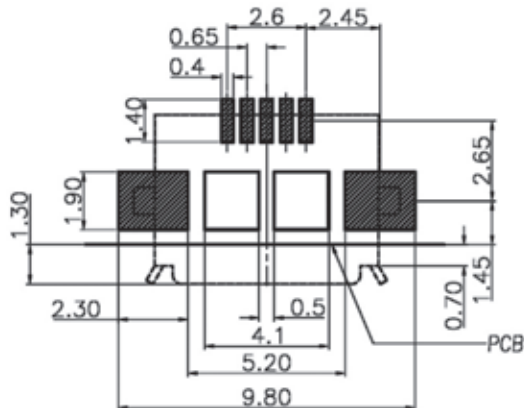
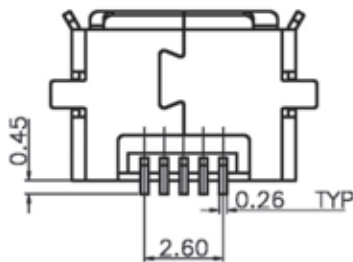
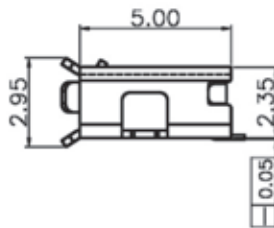
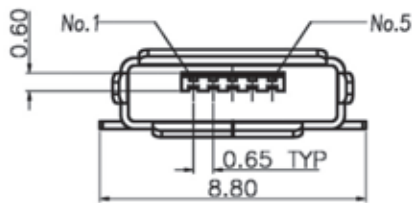
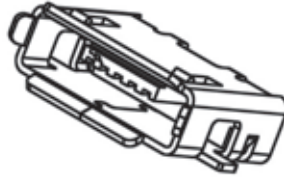
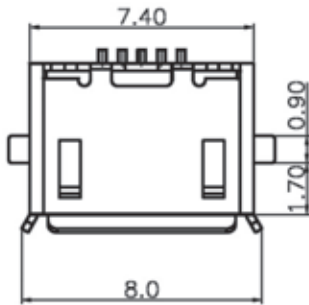
"15" 15 MICROINCH GOLD

"30" 30 MICROINCH GOLD

5. PACKAGE TYPE:

"R" TAPE & REEL

MICRO USB AB TYPE 5 PIN FEMALE CONNECTOR SMT TYPE



Recommended P.C.Board Layout

SPECIFICATIONS

Current Rating: 1.8 AMP Max (Only Pin 1, 5)

Other 1 AMP Max

Insulation Resistance: 100MΩ Min at DC 500V

Dielectric Withstanding: 100V AC

Contact Resistance: 50mΩ Max.

Operating Temperature: -25°C to +105°C

MATERIALS

Housing: Hi-Temp. Plastic, UL94V-0

Shell: Copper Alloy, Tin Plating

Terminal: Copper Alloy, Gold Plated on Contact Area

Tin Plating on Solder Tail

*RoHS & REACH compliant.

ORDERING INFORMATION:

P/N U R 1 2 - 0 5 F B x x - R
1 2 3 4 5

1. NO. OF CONTACTS:

05

2. CONNECTOR TYPE:

"F" FEMALE

3. INSULATOR COLOR:

"B" BLACK

4. CONTACT FINISH:

"10" 10 MICROINCH GOLD

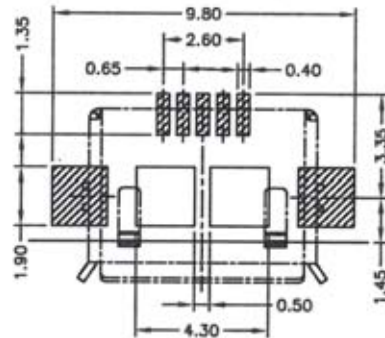
"15" 15 MICROINCH GOLD

"30" 30 MICROINCH GOLD

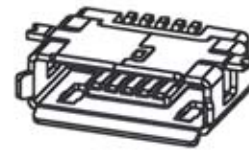
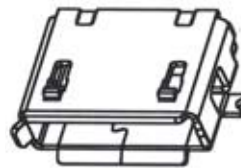
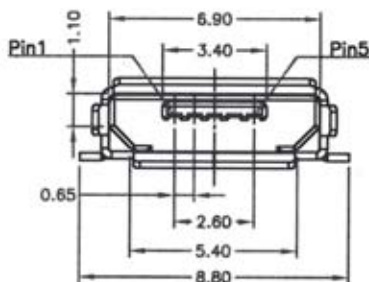
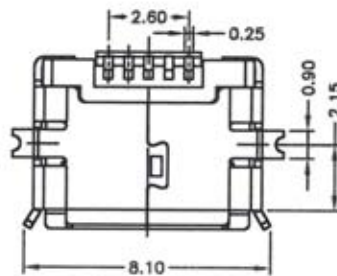
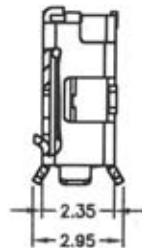
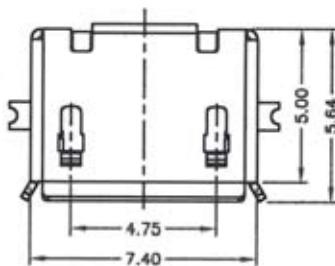
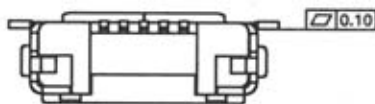
5. PACKAGE TYPE:

"R" TAPE & REEL

MICRO USB AB TYPE 5 PIN FEMALE CONNECTOR SMT TYPE



Recommended P.C.Board Layout



SPECIFICATIONS

Current Rating: 1.8 AMP Max (Only Pin 1, 5)

Other 1 AMP Max

Insulation Resistance: 100MΩ Min at DC 500V

Dielectric Withstanding: 100V AC

Contact Resistance: 50mΩ Max.

Operating Temperature: -25°C to +105°C

MATERIALS

Housing: Hi-Temp. Plastic, UL94V-0

Shell: Copper Alloy, Tin Plating

Terminal: Copper Alloy, Gold Plated on Contact Area

Tin Plating on Solder Tail

*RoHS & REACH compliant.

ORDERING INFORMATION:

P/N UR18-05FBxx-R
 $\frac{1}{1} \frac{2}{2} \frac{3}{3} \frac{4}{4} \frac{5}{5}$

1. NO. OF CONTACTS:

05

2. CONNECTOR TYPE:

"F" FEMALE

3. INSULATOR COLOR:

"B" BLACK

4. CONTACT FINISH:

"01" GOLD FLASH

"05" 5 MICROINCH GOLD

"10" 10 MICROINCH GOLD

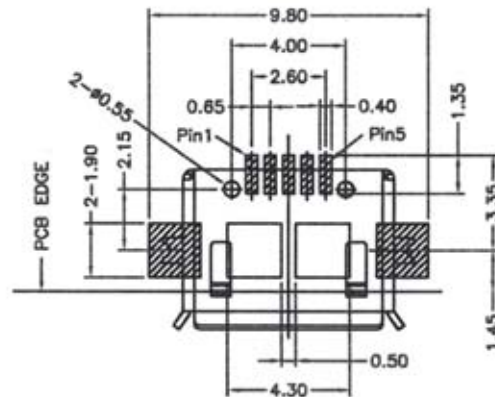
"15" 15 MICROINCH GOLD

"30" 30 MICROINCH GOLD

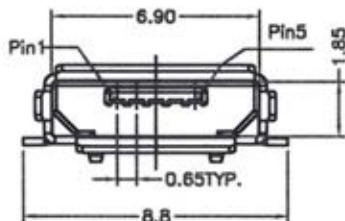
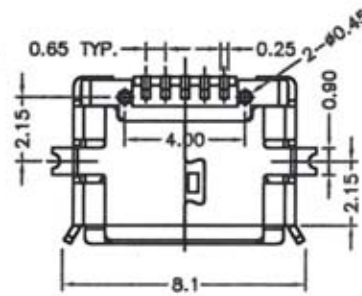
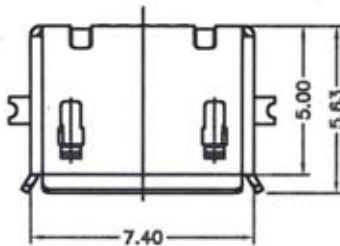
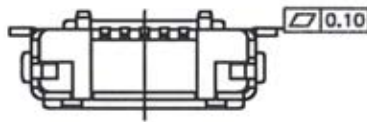
5. PACKAGE TYPE:

"R" TAPE & REEL

MICRO USB AB TYPE 5 PIN FEMALE CONNECTOR SMT TYPE WITH POSTS



Recommended P.C.Board Layout



SPECIFICATIONS

Current Rating: 1.8 AMP Max (Only Pin 1, 5)

Other 1 AMP Max

Insulation Resistance: 100MΩ Min at DC 500V

Dielectric Withstanding: 100V AC

Contact Resistance: 50mΩ Max.

Operating Temperature: -25°C to +105°C

MATERIALS

Housing: Hi-Temp. Plastic, UL94V-0

Shell: Copper Alloy, Tin Plating

Terminal: Copper Alloy, Gold Plated on Contact Area

Tin Plating on Solder Tail

*RoHS & REACH compliant.

ORDERING INFORMATION:

P/N U R 1 9 - 0 5 F B x x - R
1 2 3 4 5

1. NO. OF CONTACTS:

05

2. CONNECTOR TYPE:

"F" FEMALE

3. INSULATOR COLOR:

"B" BLACK

4. CONTACT FINISH:

"01" GOLD FLASH

"05" 5 MICROINCH GOLD

"10" 10 MICROINCH GOLD

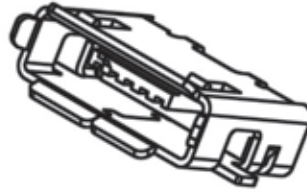
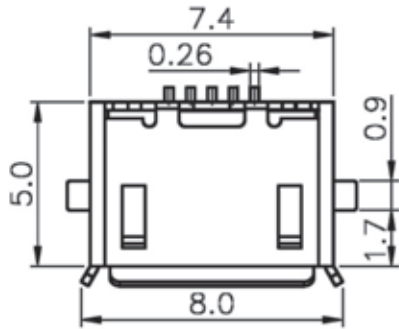
"15" 15 MICROINCH GOLD

"30" 30 MICROINCH GOLD

5. PACKAGE TYPE:

"R" TAPE & REEL

MICRO USB AB TYPE 5 PIN FEMALE CONNECTOR SMT TYPE



SPECIFICATIONS

Current Rating: 1.8 AMP Max (Only Pin 1, 5)

Other 1 AMP Max

Insulation Resistance: 100MΩ Min at DC 500V

Dielectric Withstanding: 100V AC

Contact Resistance: 50mΩ Max.

Operating Temperature: -25°C to +105°C

MATERIALS

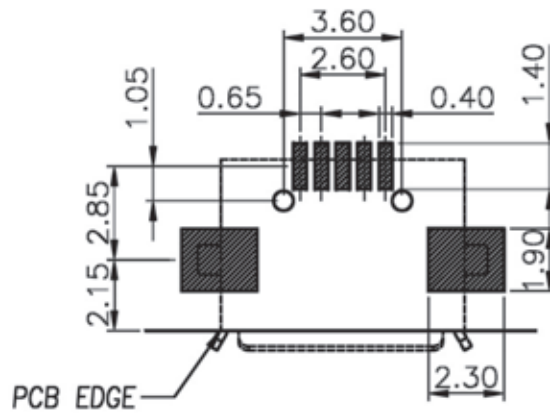
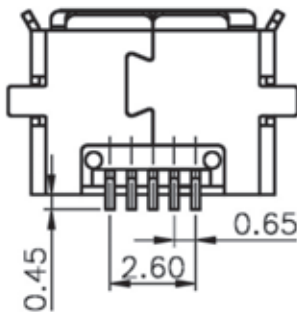
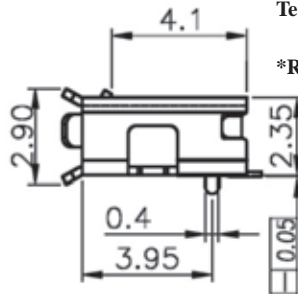
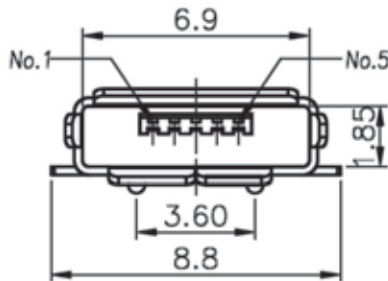
Housing: Hi-Temp. Plastic, UL94V-0

Shell: Copper Alloy, Tin Plating

Terminal: Copper Alloy, Gold Plated on Contact Area

Tin Plating on Solder Tail

*RoHS & REACH compliant.



Recommended P.C.Board Layout

ORDERING INFORMATION:

P/N U R 3 8 - 0 5 F B x x - R
1 2 3 4 5

1. NO. OF CONTACTS:

05

2. CONNECTOR TYPE:

"F" FEMALE

3. INSULATOR COLOR:

"B" BLACK

4. CONTACT FINISH:

"10" 10 MICROINCH GOLD

"15" 15 MICROINCH GOLD

"30" 30 MICROINCH GOLD

5. PACKAGE TYPE:

"R" TAPE & REEL

MICRO USB AB TYPE 5 PIN FEMALE CONNECTOR SMT TYPE WITH POSTS

SPECIFICATIONS

Current Rating: 1.8 AMP Max (Only Pin 1, 5)

Other 1 AMP Max

Insulation Resistance: 100MΩ Min at DC 500V

Dielectric Withstanding: 100V AC

Contact Resistance: 50mΩ Max.

Operating Temperature: -25°C to +105°C

MATERIALS

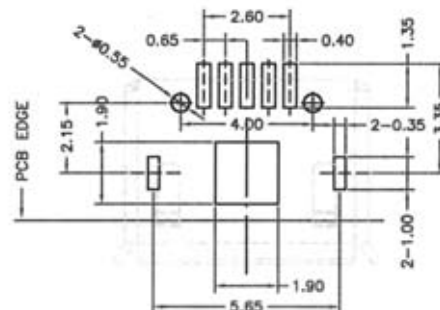
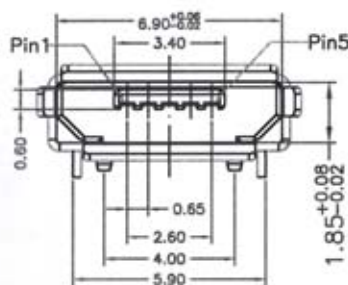
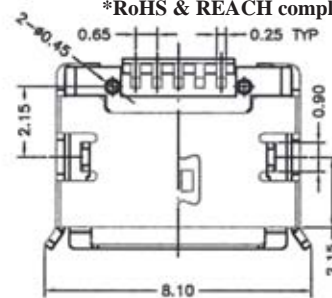
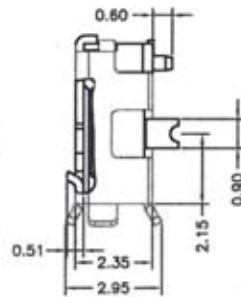
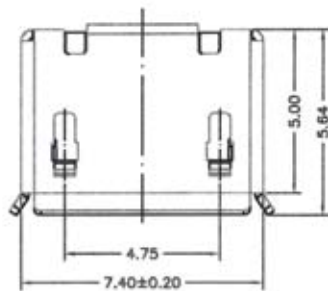
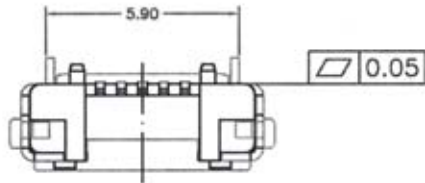
Housing: Hi-Temp. Plastic, UL94V-0

Shell: Copper Alloy, Tin Plating

Terminal: Copper Alloy, Gold Plated on Contact Area

Tin Plating on Solder Tail

***RoHS & REACH compliant.**



Recommended P.C. Board Layout

ORDERING INFORMATION:

P/N U R 2 0 - 0 5 F B x x - R
1 2 3 4 5

1. NO. OF CONTACTS:

05

2. CONNECTOR TYPE:

"F" FEMALE

3. INSULATOR COLOR:

"B" BLACK

4. CONTACT FINISH:

"01" GOLD FLASH

"05" 5 MICROINCH GOLD

"10" 10 MICROINCH GOLD

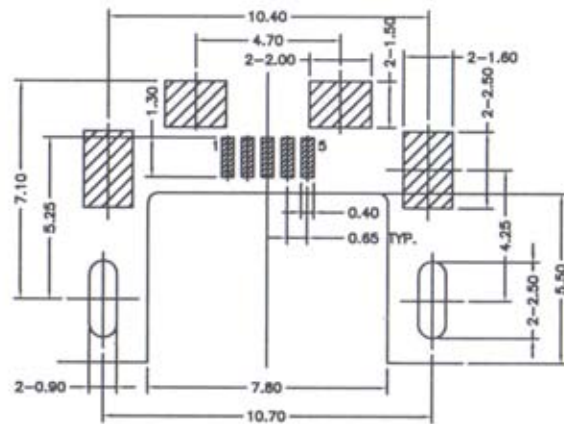
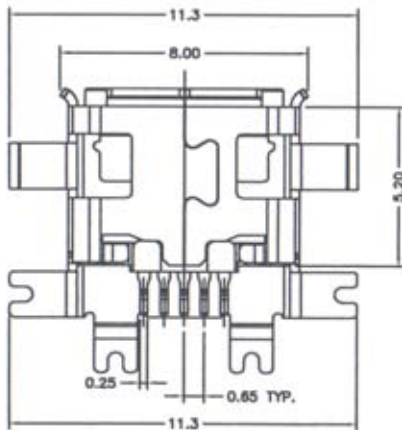
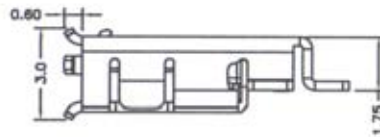
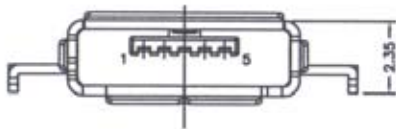
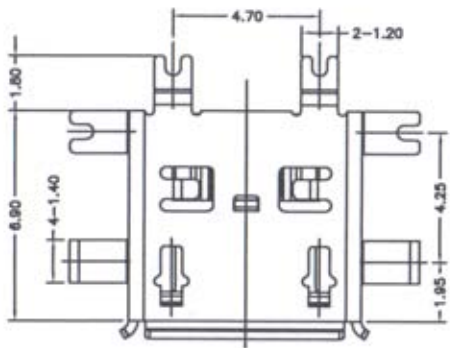
"15" 15 MICROINCH GOLD

"30" 30 MICROINCH GOLD

5. PACKAGE TYPE:

"R" TAPE & REEL

MICRO USB AB TYPE 5 PIN FEMALE CONNECTOR BOARD CUT SMT TYPE



Recommended P.C.Board Layout

SPECIFICATIONS

Current Rating: 1.8 AMP Max (Only Pin 1, 5)

Other 1 AMP Max

Insulation Resistance: 100MΩ Min at DC 500V

Dielectric Withstanding: 100V AC

Contact Resistance: 50mΩ Max.

Operating Temperature: -25°C to +105°C

MATERIALS

Housing: Hi-Temp. Plastic, UL94V-0

Shell: Copper Alloy, Tin Plating

Terminal: Copper Alloy, Gold Plated on Contact Area

Tin Plating on Solder Tail

*RoHS & REACH compliant.

ORDERING INFORMATION:

P/N U R 2 6 - 0 5 F B x x - x
1 2 3 4 5

1. NO. OF CONTACTS:

05

2. CONNECTOR TYPE:

"F" FEMALE

3. INSULATOR COLOR:

"B" BLACK

4. CONTACT FINISH:

"01" GOLD FLASH

"05" 5 MICROINCH GOLD

"10" 10 MICROINCH GOLD

"15" 15 MICROINCH GOLD

"30" 30 MICROINCH GOLD

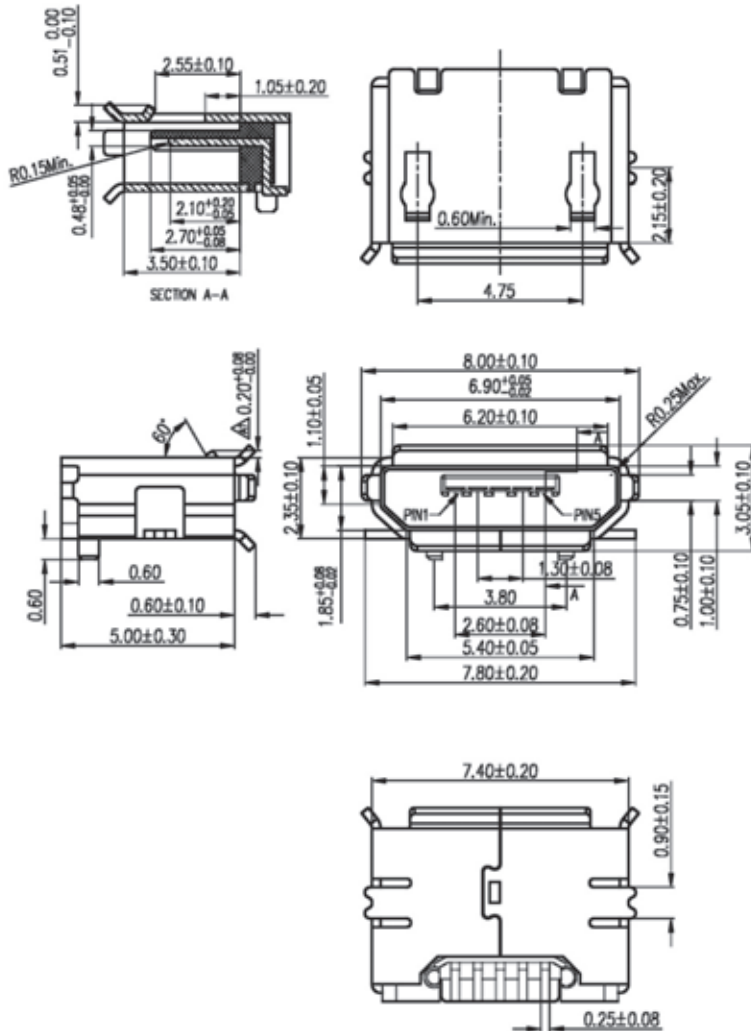
5. PACKAGE TYPE:

"R" TAPE & REEL

"T" TUBE

"0" BULK PACKAGE

MICRO USB B TYPE 5 PIN FEMALE CONNECTOR SMT TYPE



SPECIFICATIONS

Current Rating: 1.8 AMP Max (Only Pin 1, 5)

Other 1 AMP Max

Insulation Resistance: 100MΩ Min at DC 500V

Dielectric Withstanding: 100V AC

Contact Resistance: 50mΩ Max.

Operating Temperature: -25°C to +105°C

MATERIALS

Housing: Hi-Temp. Plastic, UL94V-0

Shell: Copper Alloy, Tin Plating

Terminal: Copper Alloy, Gold Plated on Contact Area

Tin Plating on Solder Tail

*RoHS & REACH compliant.

ORDERING INFORMATION:

P/N U R 0 6 - 0 5 F B x x - R
1 2 3 4 5

1. NO. OF CONTACTS:

05

2. CONNECTOR TYPE:

"F" FEMALE

3. INSULATOR COLOR:

"B" BLACK

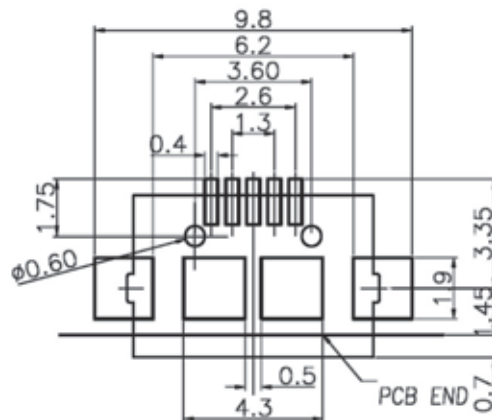
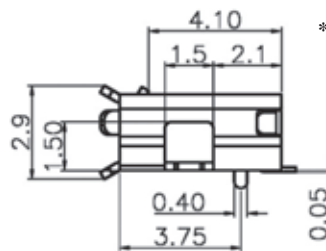
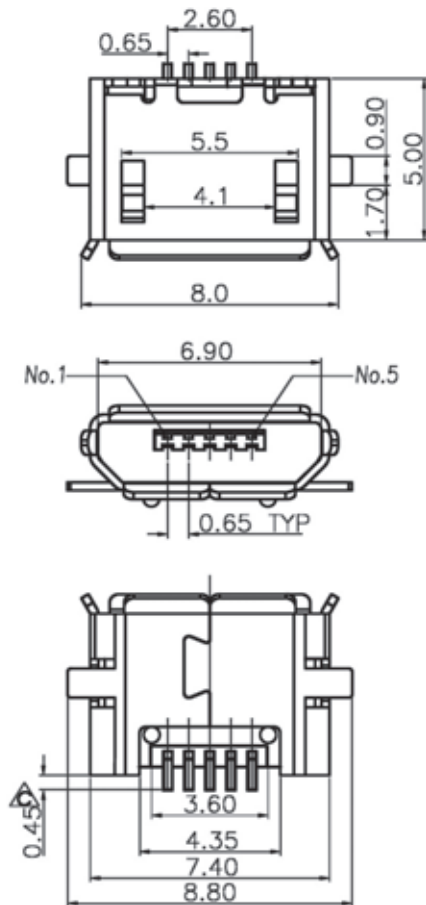
4. CONTACT FINISH:

"30" 30 MICROINCH GOLD

5. PACKAGE TYPE:

"R" TAPE & REEL

MICRO USB B TYPE 5 PIN FEMALE CONNECTOR SMT TYPE WITH POSTS



Recommended P.C.Board Layout

SPECIFICATIONS

Current Rating: 1.8 AMP Max (Only Pin 1, 5)

Other 1 AMP Max

Insulation Resistance: 100MΩ Min at DC 500V

Dielectric Withstanding: 100V AC

Contact Resistance: 50mΩ Max.

Operating Temperature: -25°C to +105°C

MATERIALS

Housing: Hi-Temp. Plastic, UL94V-0

Shell: Copper Alloy, Tin Plating

Terminal: Copper Alloy, Gold Plated on Contact Area

Tin Plating on Solder Tail

*RoHS & REACH compliant.

ORDERING INFORMATION:

P/N U R 0 8 - 0 5 F B x x - R
 1 2 3 4 5

1. NO. OF CONTACTS:

05

2. CONNECTOR TYPE:

"F" FEMALE

3. INSULATOR COLOR:

"B" BLACK

4. CONTACT FINISH:

"10" 10 MICROINCH GOLD

"15" 15 MICROINCH GOLD

"30" 30 MICROINCH GOLD

5. PACKAGE TYPE:

"R" TAPE & REEL

MICRO USB B TYPE 5 PIN FEMALE CONNECTOR SMT TYPE

SPECIFICATIONS

Current Rating: 1.8 AMP Max (Only Pin 1, 5)
Other 1 AMP Max

Insulation Resistance: 100MΩ Min at DC 500V

Dielectric Withstanding: 100V AC

Contact Resistance: 50mΩ Max.

Operating Temperature: -25°C to +105°C

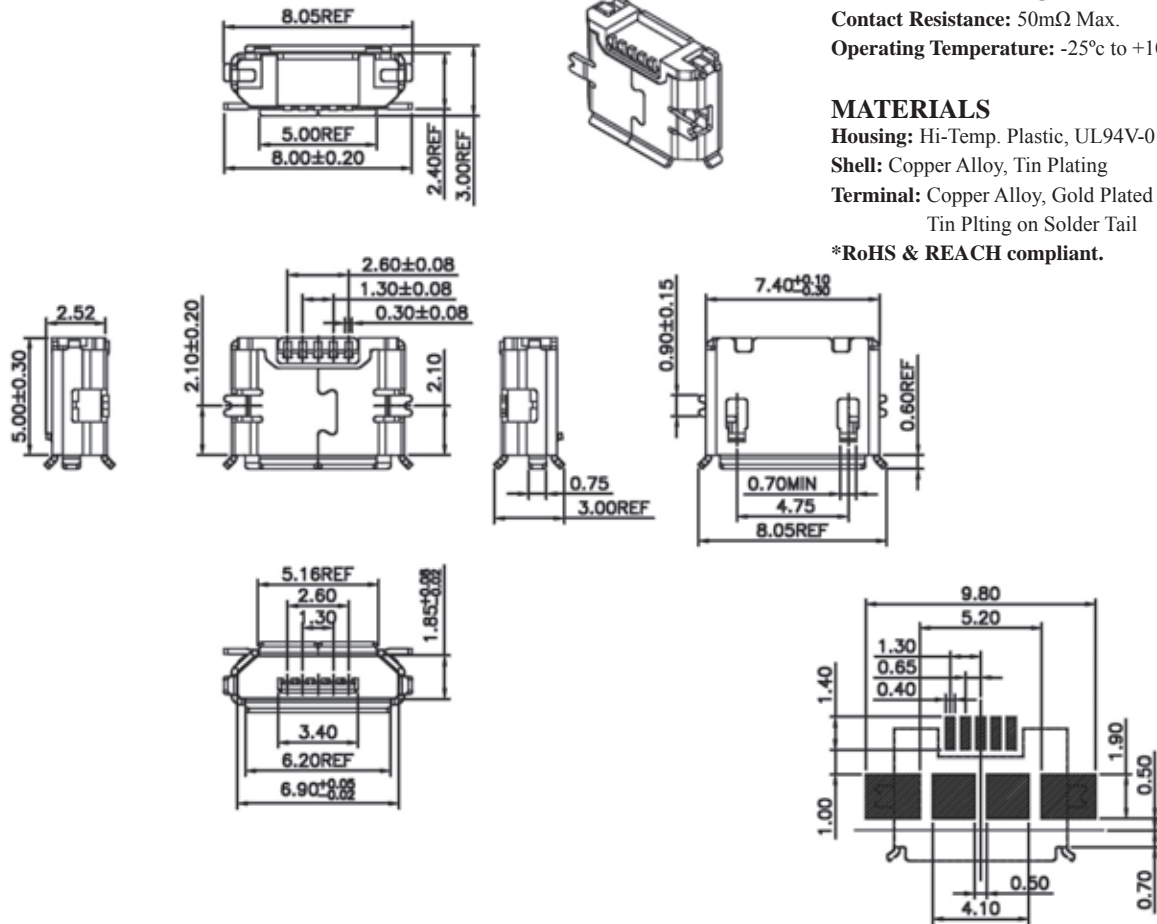
MATERIALS

Housing: Hi-Temp. Plastic, UL94V-0

Shell: Copper Alloy, Tin Plating

Terminal: Copper Alloy, Gold Plated on Contact Area
Tin Plating on Solder Tail

*RoHS & REACH compliant.



Recommended P.C.Board Layout

ORDERING INFORMATION:

P/N U R 0 9 - 0 5 F B x x - R
1 2 3 4 5

1. NO. OF CONTACTS:

05

2. CONNECTOR TYPE:

"F" FEMALE

3. INSULATOR COLOR:

"B" BLACK

4. CONTACT FINISH:

"03" 3 MICROINCH GOLD

"05" 5 MICROINCH GOLD

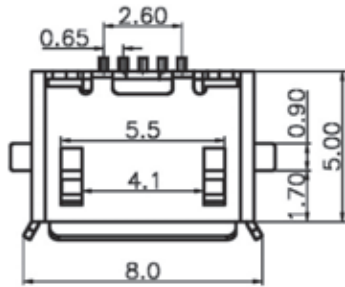
"15" 15 MICROINCH GOLD

"30" 30 MICROINCH GOLD

5. PACKAGE TYPE:

"R" TAPE & REEL

MICRO USB B TYPE 5 PIN FEMALE CONNECTOR SMT TYPE



SPECIFICATIONS

Current Rating: 1.8 AMP Max (Only Pin 1, 5)

Other 1 AMP Max

Insulation Resistance: 100MΩ Min at DC 500V

Dielectric Withstanding: 100V AC

Contact Resistance: 50mΩ Max.

Operating Temperature: -25°C to +105°C

MATERIALS

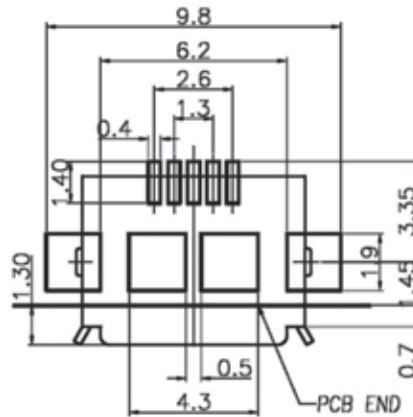
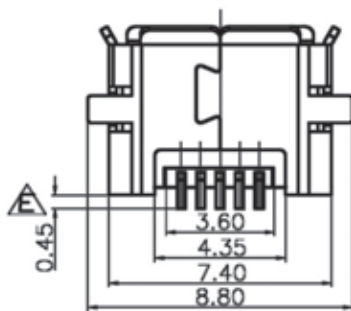
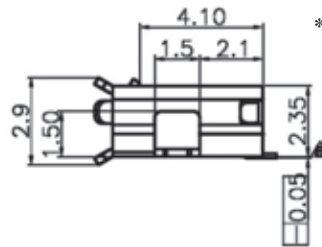
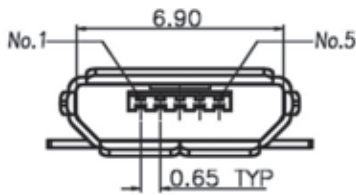
Housing: Hi-Temp. Plastic, UL94V-0

Shell: Copper Alloy, Tin Plating

Terminal: Copper Alloy, Gold Plated on Contact Area

Tin Plating on Solder Tail

*RoHS & REACH compliant.



Recommended P.C.Board Layout

ORDERING INFORMATION:

P/N UR11-05FBxx-R
 $\frac{1}{1} \frac{2}{2} \frac{3}{3} \frac{4}{4} \frac{5}{5}$

1. NO. OF CONTACTS:

05

2. CONNECTOR TYPE:

"F" FEMALE

3. INSULATOR COLOR:

"B" BLACK

4. CONTACT FINISH:

"10" 10 MICROINCH GOLD

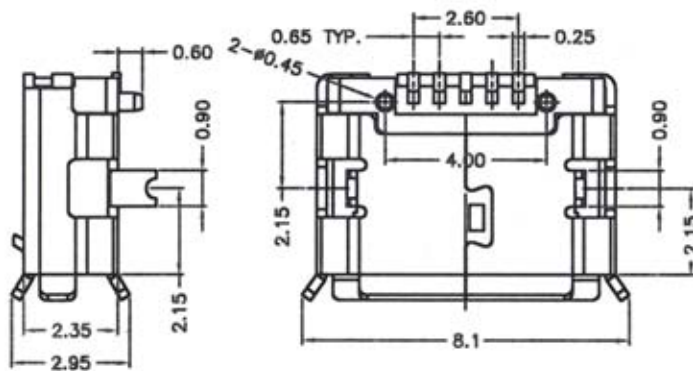
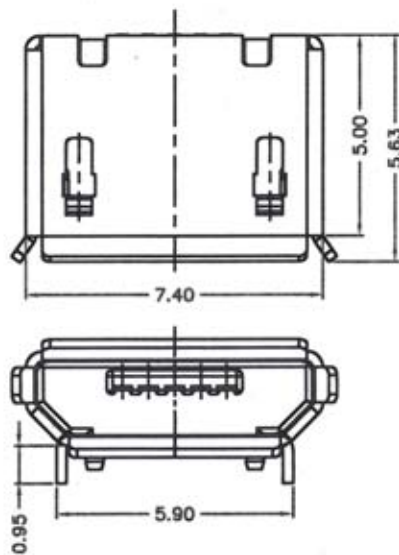
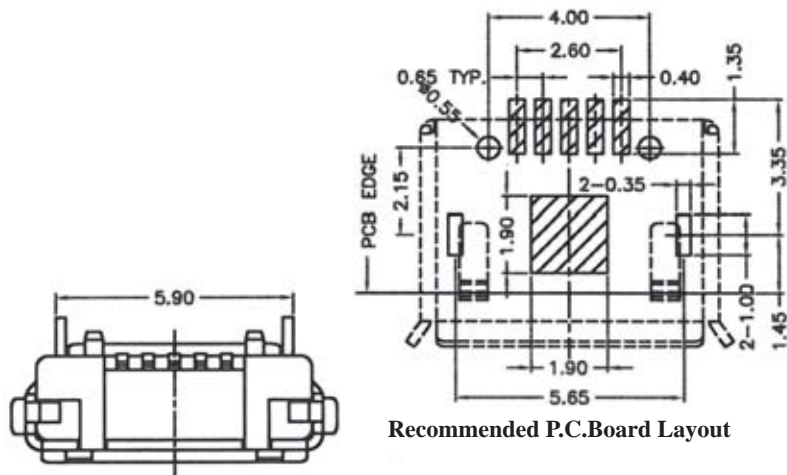
"15" 15 MICROINCH GOLD

"30" 30 MICROINCH GOLD

5. PACKAGE TYPE:

"R" TAPE & REEL

MICRO USB B TYPE 5 PIN FEMALE CONNECTOR SMT TYPE WITH POSTS



SPECIFICATIONS

Current Rating: 1.8 AMP Max (Only Pin 1, 5)

Other 1 AMP Max

Insulation Resistance: 100MΩ Min at DC 500V

Dielectric Withstanding: 100V AC

Contact Resistance: 50mΩ Max.

Operating Temperature: -25°C to +105°C

MATERIALS

Housing: Hi-Temp. Plastic, UL94V-0

Shell: Copper Alloy, Tin Plating

Terminal: Copper Alloy, Gold Plated on Contact Area

Tin Plating on Solder Tail

*RoHS & REACH compliant.

ORDERING INFORMATION:

P/N UR15-05FBxx-R
 $\frac{1}{1} \frac{2}{2} \frac{3}{3} \frac{4}{4} \frac{5}{5}$

1. NO. OF CONTACTS:

05

2. CONNECTOR TYPE:

"F" FEMALE

3. INSULATOR COLOR:

"B" BLACK

4. CONTACT FINISH:

"01" GOLD FLASH

"05" 5 MICROINCH GOLD

"10" 10 MICROINCH GOLD

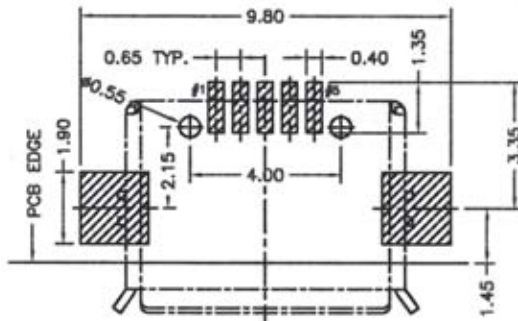
"15" 15 MICROINCH GOLD

"30" 30 MICROINCH GOLD

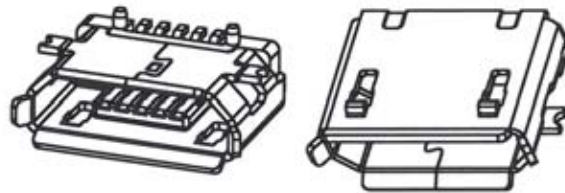
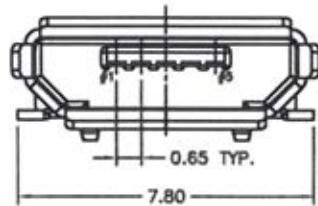
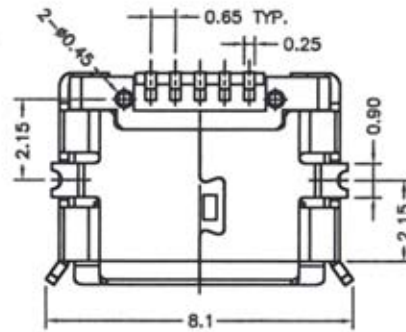
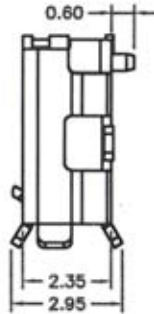
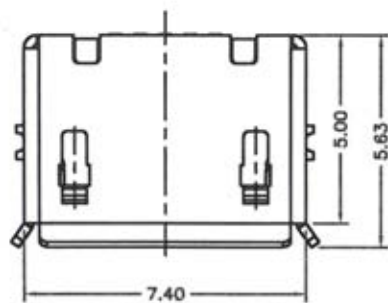
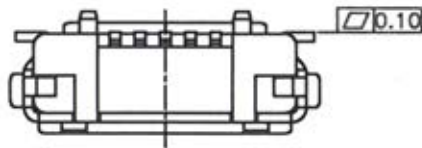
5. PACKAGE TYPE:

"R" TAPE & REEL

MICRO USB B TYPE 5 PIN FEMALE CONNECTOR SMT TYPE WITH POSTS



Recommended P.C.Board Layout



SPECIFICATIONS

Current Rating: 1.8 AMP Max (Only Pin 1, 5)

Other 1 AMP Max

Insulation Resistance: 100MΩ Min at DC 500V

Dielectric Withstanding: 100V AC

Contact Resistance: 50mΩ Max.

Operating Temperature: -25°C to +105°C

MATERIALS

Housing: Hi-Temp. Plastic, UL94V-0

Shell: Copper Alloy, Tin Plating

Terminal: Copper Alloy, Gold Plated on Contact Area

Tin Plating on Solder Tail

*RoHS & REACH compliant.

ORDERING INFORMATION:

P/N U R 1 6 - 0 5 F B x x - R
 1 2 3 4 5

1. NO. OF CONTACTS:

05

2. CONNECTOR TYPE:

"F" FEMALE

3. INSULATOR COLOR:

"B" BLACK

4. CONTACT FINISH:

"01" GOLD FLASH

"05" 5 MICROINCH GOLD

"10" 10 MICROINCH GOLD

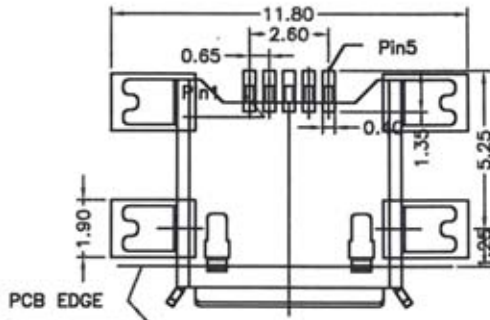
"15" 15 MICROINCH GOLD

"30" 30 MICROINCH GOLD

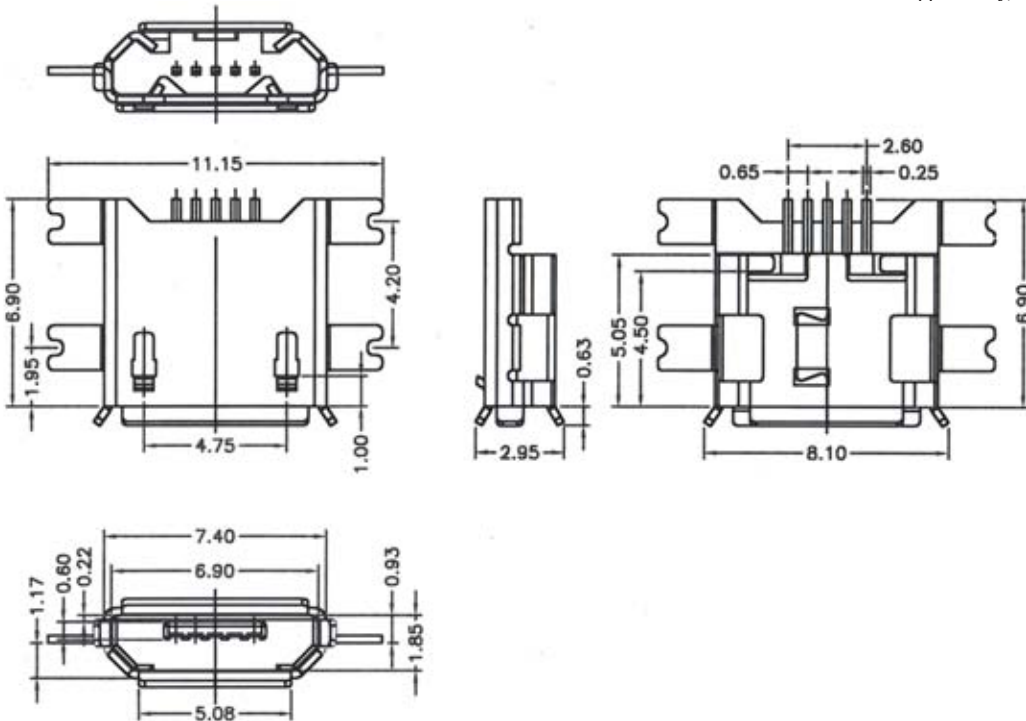
5. PACKAGE TYPE:

"R" TAPE & REEL

MICRO USB B TYPE 5 PIN FEMALE CONNECTOR BOARD CUT SMT TYPE



Recommended P.C.Board Layout



SPECIFICATIONS

Current Rating: 1.8 AMP Max (Only Pin 1, 5)

Other 1 AMP Max

Insulation Resistance: 100MΩ Min at DC 500V

Dielectric Withstanding: 100V AC

Contact Resistance: 50mΩ Max.

Operating Temperature: -25°C to +105°C

MATERIALS

Housing: Hi-Temp. Plastic, UL94V-0

Shell: Copper Alloy, Tin Plating

Terminal: Copper Alloy, Gold Plated on Contact Area
or Tail
at.

ORDERING INFORMATION:

P/N UR17-05FBxx-R
1 2 3 4 5

1. NO. OF CONTACTS:

05

2. CONNECTOR TYPE:

"F" FEMALE

3. INSULATOR COLOR:

"B" BLACK

4. CONTACT FINISH:

"01" GOLD FLASH

"05" 5 MICROINCH GOLD

"10" 10 MICROINCH GOLD

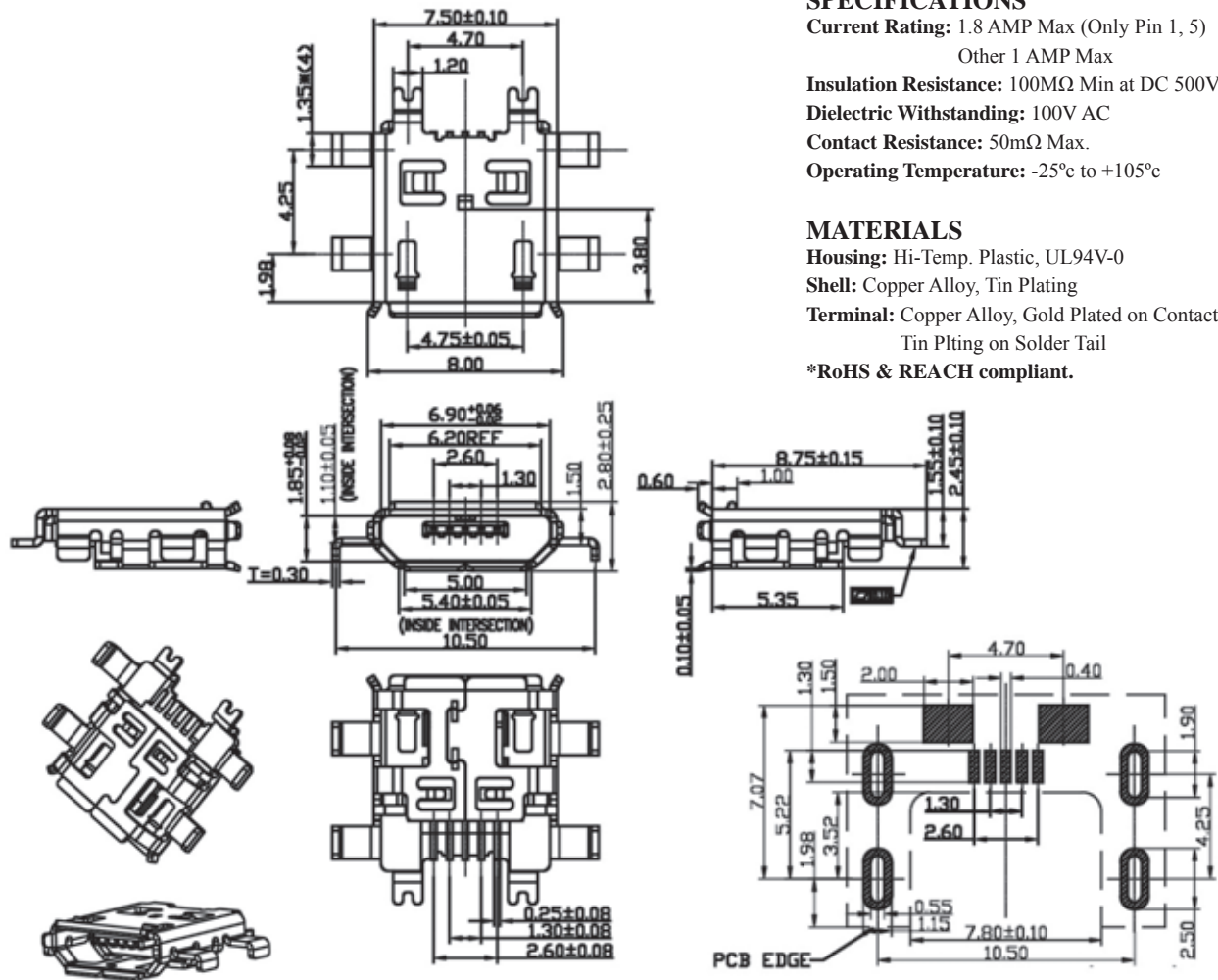
"15" 15 MICROINCH GOLD

"30" 30 MICROINCH GOLD

5. PACKAGE TYPE:

"R" TAPE & REEL

MICRO USB B TYPE 5 PIN FEMALE CONNECTOR SMT TYPE



SPECIFICATIONS

Current Rating: 1.8 AMP Max (Only Pin 1, 5)

Other 1 AMP Max

Insulation Resistance: 100MΩ Min at DC 500V

Dielectric Withstanding: 100V AC

Contact Resistance: 50mΩ Max.

Operating Temperature: -25°C to +105°C

MATERIALS

Housing: Hi-Temp. Plastic, UL94V-0

Shell: Copper Alloy, Tin Plating

Terminal: Copper Alloy, Gold Plated on Contact Area

Tin Plating on Solder Tail

*RoHS & REACH compliant.

ORDERING INFORMATION:

P/N U R 2 1 - 0 5 F B x x - R
1 2 3 4 5

1. NO. OF CONTACTS:

05

2. CONNECTOR TYPE:

"F" FEMALE

3. INSULATOR COLOR:

"B" BLACK

4. CONTACT FINISH:

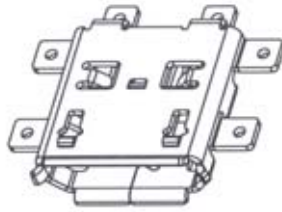
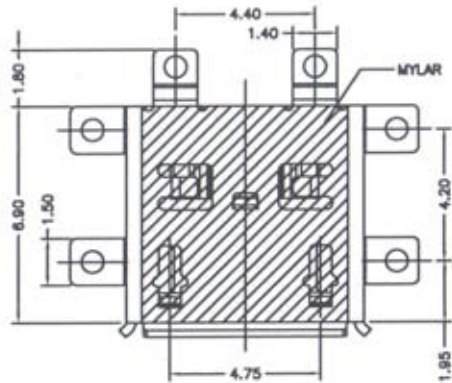
"15" 15 MICROINCH GOLD

"30" 30 MICROINCH GOLD

5. PACKAGE TYPE:

"R" TAPE & REEL

MICRO USB B TYPE 5 PIN FEMALE CONNECTOR BOARD CUT SMT TYPE



SPECIFICATIONS

Current Rating: 1.8 AMP Max (Only Pin 1, 5)

Other 1 AMP Max

Insulation Resistance: 100MΩ Min at DC 500V

Dielectric Withstanding: 100V AC

Contact Resistance: 50mΩ Max.

Operating Temperature: -25°C to +105°C

MATERIALS

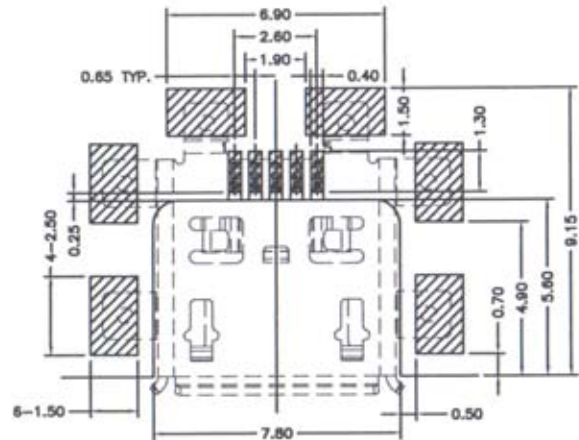
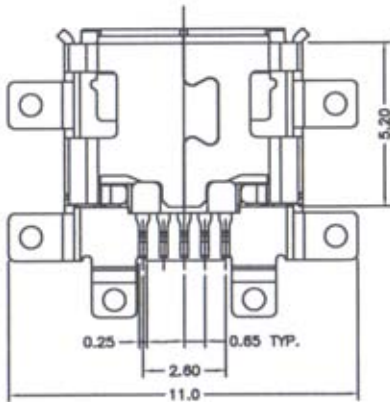
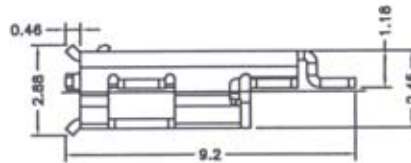
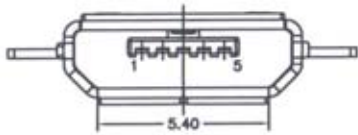
Housing: Hi-Temp. Plastic, UL94V-0

Shell: Copper Alloy, Tin Plating

Terminal: Copper Alloy, Gold Plated on Contact Area

Tin Plating on Solder Tail

*RoHS & REACH compliant.



Recommended P.C.Board Layout

ORDERING INFORMATION:

P/N U R 2 4 - 0 5 F B x x - x
1 2 3 4 5

1. NO. OF CONTACTS:

05

2. CONNECTOR TYPE:

"F" FEMALE

3. INSULATOR COLOR:

"B" BLACK

4. CONTACT FINISH:

"01" GOLD FLASH

"05" 5 MICROINCH GOLD

"10" 10 MICROINCH GOLD

"15" 15 MICROINCH GOLD

"30" 30 MICROINCH GOLD

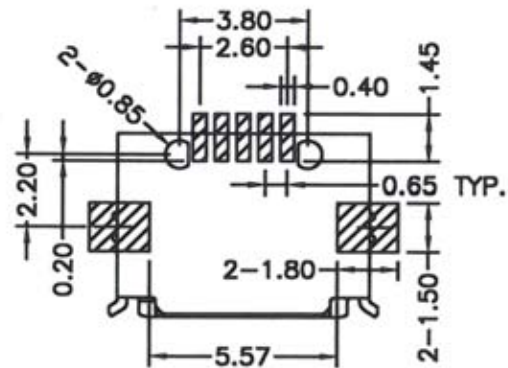
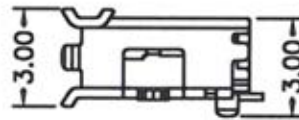
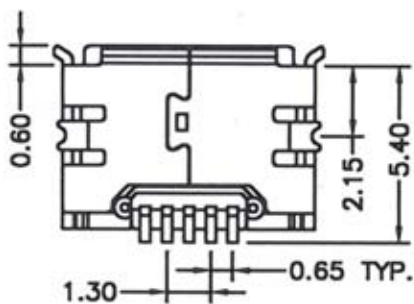
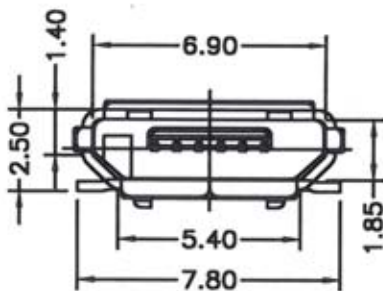
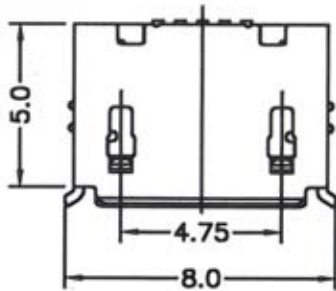
5. PACKAGE TYPE:

"R" TAPE & REEL

"G" WITH MYLAR IN TAPE & REEL

"0" TRAY

MICRO USB B TYPE 5 PIN FEMALE CONNECTOR SMT TYPE WITH POSTS



Recommended P.C.Board Layout

SPECIFICATIONS

Current Rating: 1.8 AMP Max (Only Pin 1, 5)
Other 1 AMP Max

Insulation Resistance: 100MΩ Min at DC 500V

Dielectric Withstanding: 100V AC

Contact Resistance: 50mΩ Max.

Operating Temperature: -25°C to +105°C

MATERIALS

Housing: Hi-Temp. Plastic, UL94V-0

Shell: Copper Alloy, Tin Plating

Terminal: Copper Alloy, Gold Plated on Contact Area
Tin Plating on Solder Tail

*RoHS & REACH compliant.

ORDERING INFORMATION:

P/N U R 2 5 - 0 5 F B x x - x
1 2 3 4 5

1. NO. OF CONTACTS:
05
2. CONNECTOR TYPE:
"F" FEMALE
3. INSULATOR COLOR:
"B" BLACK
4. CONTACT FINISH:
"30" 30 MICROINCH GOLD
"01" GOLD FLASH
5. PACKAGE TYPE:
"R" TAPE & REEL
"T" TUBE

MICRO USB B TYPE 5 PIN FEMALE CONNECTOR SMT TYPE WITH DIP SHELL

SPECIFICATIONS

Current Rating: 1.8 AMP Max (Only Pin 1, 5)

Other 1 AMP Max

Insulation Resistance: 100MΩ Min at DC 500V

Dielectric Withstanding: 100V AC

Contact Resistance: 50mΩ Max.

Operating Temperature: -25°C to +105°C

MATERIALS

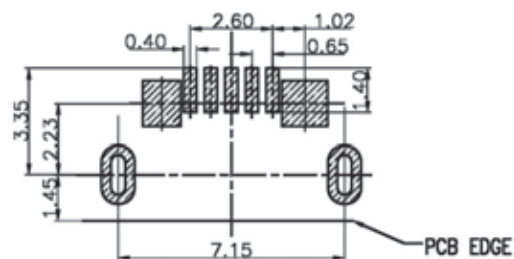
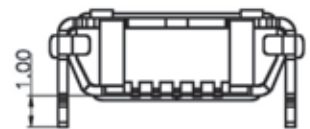
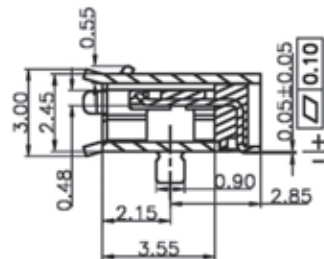
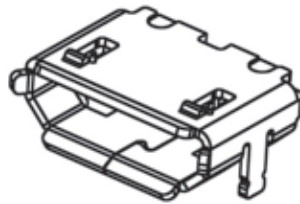
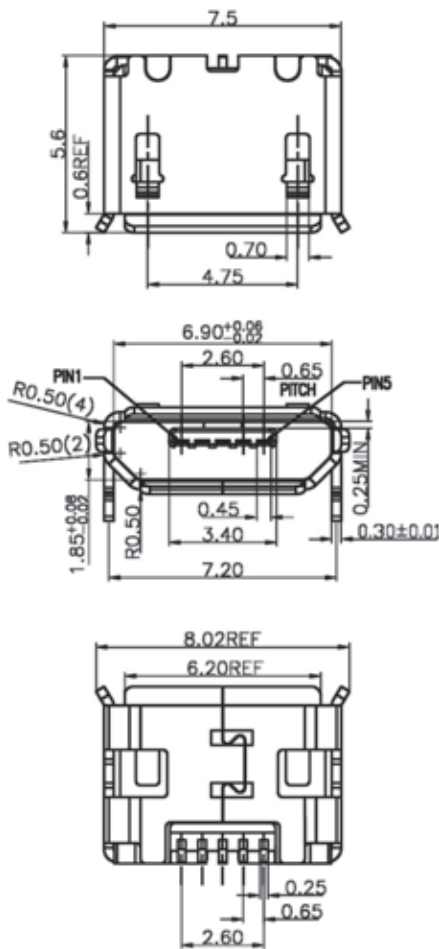
Housing: Hi-Temp. Plastic, UL94V-0

Shell: Copper Alloy, Tin Plating

Terminal: Copper Alloy, Gold Plated on Contact Area

Tin Plating on Solder Tail

*RoHS & REACH compliant.



Recommended P.C.Board Layout

ORDERING INFORMATION:

P/N UR 34 - 05 FB xx - R
1 2 3 4 5

1. NO. OF CONTACTS:

05

2. CONNECTOR TYPE:

"F" FEMALE

3. INSULATOR COLOR:

"B" BLACK

4. CONTACT FINISH:

"03" 3 MICROINCH GOLD

"15" 15 MICROINCH GOLD

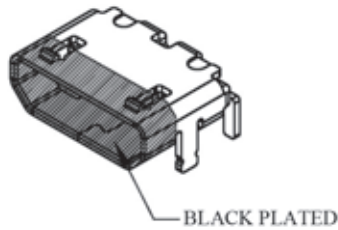
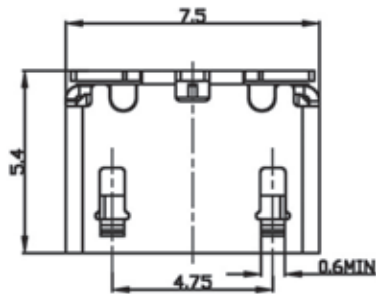
"30" 30 MICROINCH GOLD

"01" GOLD FLASH

5. PACKAGE TYPE:

"R" TAPE & REEL

MICRO USB B TYPE 5 PIN FEMALE CONNECTOR SMT TYPE WITH HALF BLACK PLATED SHELL



SPECIFICATIONS

Current Rating: 1.8 AMP Max (Only Pin 1, 5)

Other 1 AMP Max

Insulation Resistance: 100MΩ Min at DC 500V

Dielectric Withstanding: 100V AC

Contact Resistance: 50mΩ Max.

Operating Temperature: -25°C to +105°C

MATERIALS

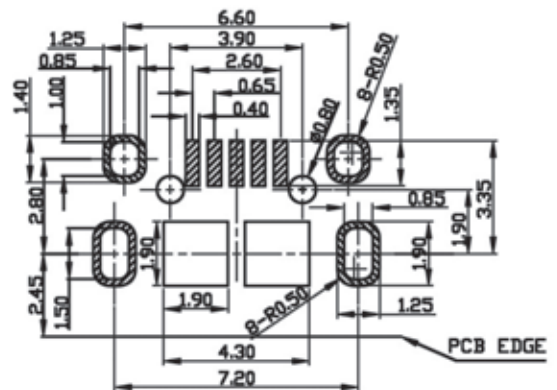
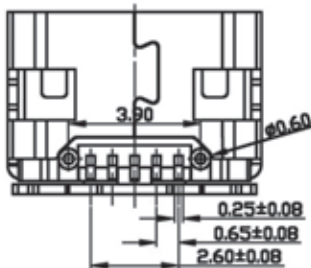
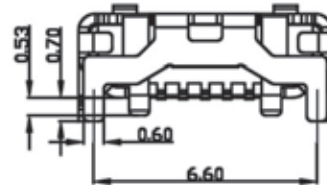
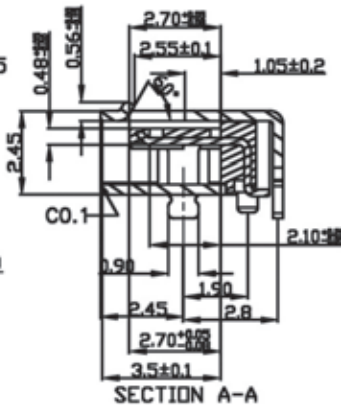
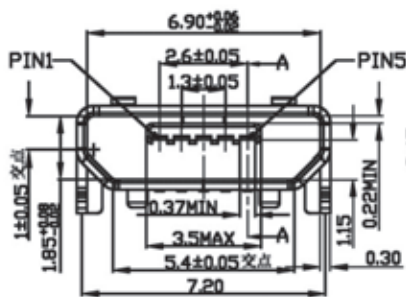
Housing: Hi-Temp. Plastic, UL94V-0

Shell: Copper Alloy, Tin Plating

Terminal: Copper Alloy, Gold Plated on Contact Area

Tin Plating on Solder Tail

*RoHS & REACH compliant.



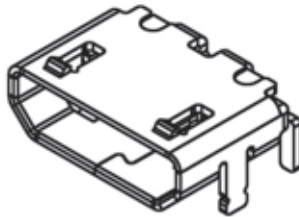
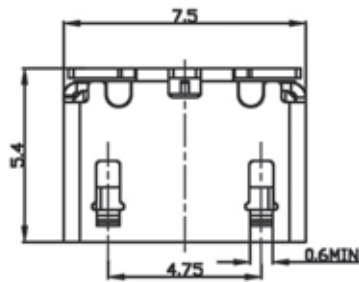
Recommended P.C.Board Layout

ORDERING INFORMATION:

P/N U R 3 3 - 0 5 F B x x - R
1 2 3 4 5

1. NO. OF CONTACTS:
05
2. CONNECTOR TYPE:
"F" FEMALE
3. INSULATOR COLOR:
"B" BLACK
4. CONTACT FINISH:
"10" 10 MICROINCH GOLD
5. PACKAGE TYPE:
"R" TAPE & REEL

MICRO USB B TYPE 5 PIN FEMALE CONNECTOR SMT TYPE WITH POSTS & DIP SHELL TYPE 2



SPECIFICATIONS

Current Rating: 1.8 AMP Max (Only Pin 1, 5)

Other 1 AMP Max

Insulation Resistance: 100MΩ Min at DC 500V

Dielectric Withstanding: 100V AC

Contact Resistance: 50mΩ Max.

Operating Temperature: -25°C to +105°C

MATERIALS

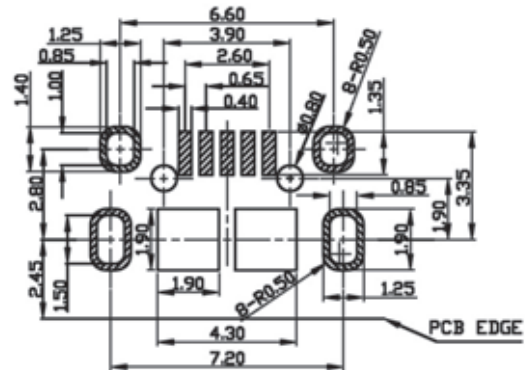
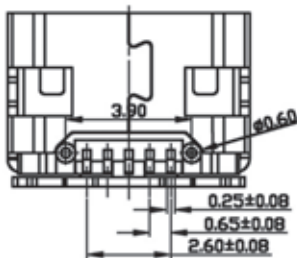
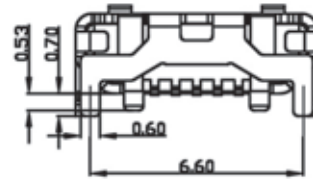
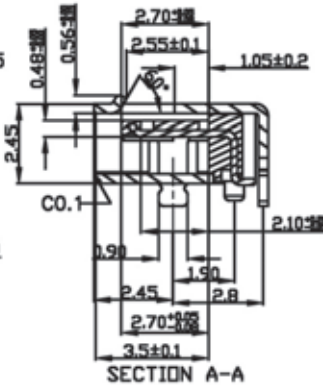
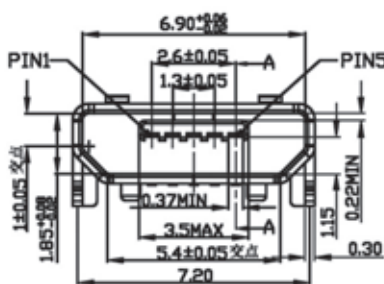
Housing: Hi-Temp. Plastic, UL94V-0

Shell: Copper Alloy, Tin Plating

Terminal: Copper Alloy, Gold Plated on Contact Area

Tin Plating on Solder Tail

*RoHS & REACH compliant.



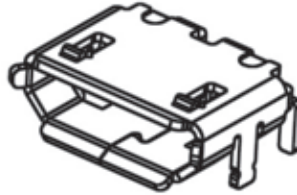
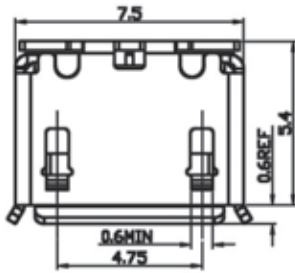
Recommended P.C.Board Layout

ORDERING INFORMATION:

P/N U R 3 2 - 0 5 F B x x - R
1 2 3 4 5

1. NO. OF CONTACTS:
05
2. CONNECTOR TYPE:
"F" FEMALE
3. INSULATOR COLOR:
"B" BLACK
4. CONTACT FINISH:
"10" 10 MICROINCH GOLD
5. PACKAGE TYPE:
"R" TAPE & REEL

MICRO USB B TYPE 5 PIN FEMALE CONNECTOR SMT TYPE WITH POSTS & DIP SHELL TYPE 1



SPECIFICATIONS

Current Rating: 1.8 AMP Max (Only Pin 1, 5)

Other 1 AMP Max

Insulation Resistance: 100MΩ Min at DC 500V

Dielectric Withstanding: 100V AC

Contact Resistance: 50mΩ Max.

Operating Temperature: -25°C to +105°C

MATERIALS

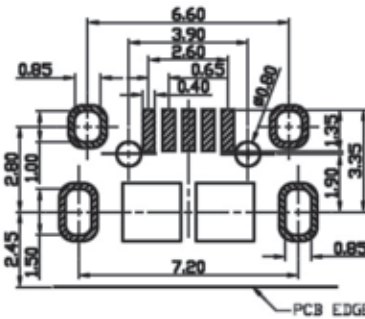
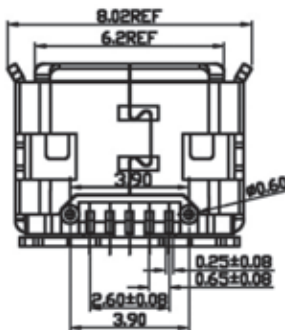
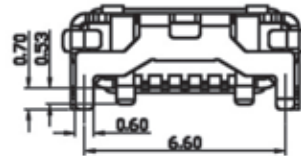
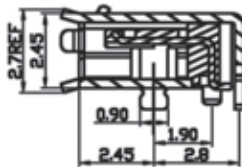
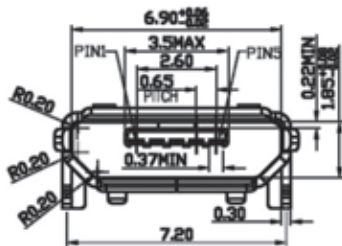
Housing: Hi-Temp. Plastic, UL94V-0

Shell: Copper Alloy, Tin Plating

Terminal: Copper Alloy, Gold Plated on Contact Area

Tin Plating on Solder Tail

*RoHS & REACH compliant.



Recommended P.C.Board Layout

ORDERING INFORMATION:

P/N U R 3 1 - 0 5 F B x x - R
1 2 3 4 5

1. NO. OF CONTACTS:

05

2. CONNECTOR TYPE:

"F" FEMALE

3. INSULATOR COLOR:

"B" BLACK

4. CONTACT FINISH:

"03" 3 MICROINCH GOLD

"15" 15 MICROINCH GOLD

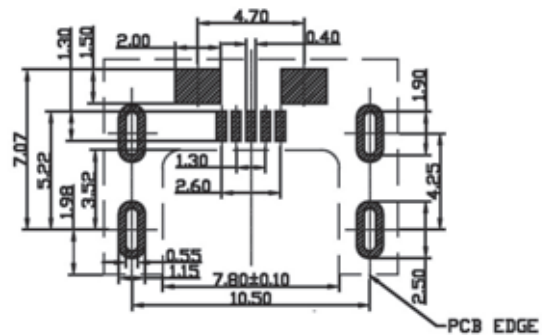
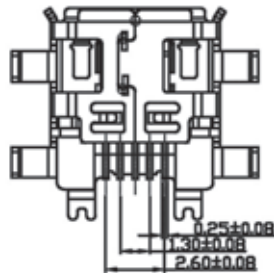
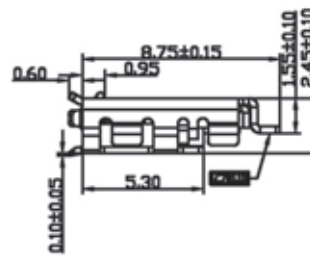
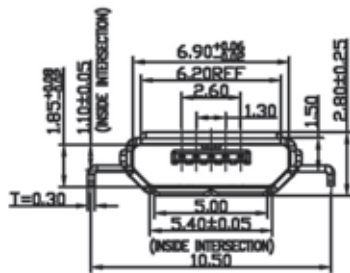
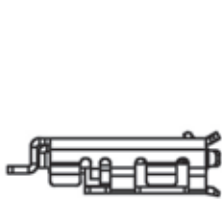
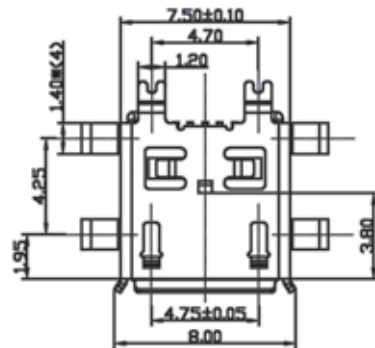
"30" 30 MICROINCH GOLD

"01" GOLD FLASH

5. PACKAGE TYPE:

"R" TAPE & REEL

MICRO USB B TYPE 5 PIN FEMALE CONNECTOR SMT TYPE



Recommended P.C.Board Layout

SPECIFICATIONS

Current Rating: 1.8 AMP Max (Only Pin 1, 5)

Other 1 AMP Max

Insulation Resistance: 100MΩ Min at DC 500V

Dielectric Withstanding: 100V AC

Contact Resistance: 50mΩ Max.

Operating Temperature: -25°C to +105°C

MATERIALS

Housing: Hi-Temp. Plastic, UL94V-0

Shell: Copper Alloy, Tin Plating

Terminal: Copper Alloy, Gold Plated on Contact Area

Tin Plating on Solder Tail

*RoHS & REACH compliant.

ORDERING INFORMATION:

P/N U R 3 0 - 0 5 F B x x - R
1 2 3 4 5

1. NO. OF CONTACTS:

05

2. CONNECTOR TYPE:

"F" FEMALE

3. INSULATOR COLOR:

"B" BLACK

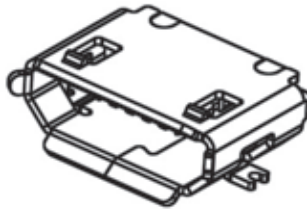
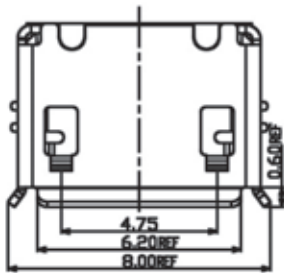
4. CONTACT FINISH:

"30" 30 MICROINCH GOLD

5. PACKAGE TYPE:

"R" TAPE & REEL

MICRO USB B TYPE 5 PIN FEMALE CONNECTOR SMT TYPE WITH POSTS



SPECIFICATIONS

Current Rating: 1.8 AMP Max (Only Pin 1, 5)

Other 1 AMP Max

Insulation Resistance: 100MΩ Min at DC 500V

Dielectric Withstanding: 100V AC

Contact Resistance: 50mΩ Max.

Operating Temperature: -25°C to +105°C

MATERIALS

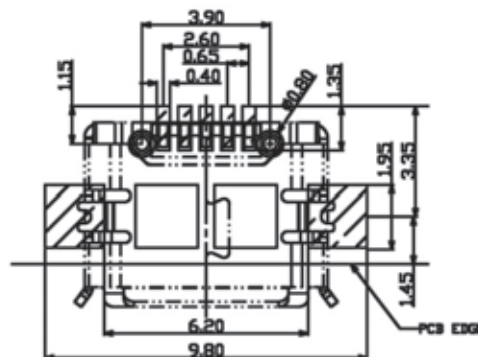
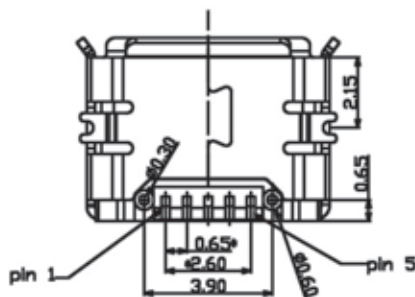
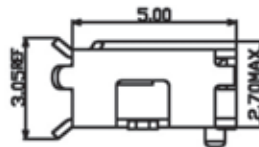
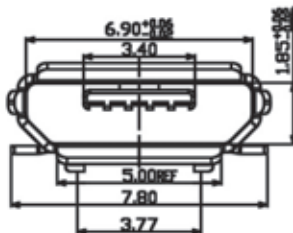
Housing: Hi-Temp. Plastic, UL94V-0

Shell: Copper Alloy, Tin Plating

Terminal: Copper Alloy, Gold Plated on Contact Area

Tin Plating on Solder Tail

*RoHS & REACH compliant.



Recommended P.C.Board Layout

ORDERING INFORMATION:

P/N U R 2 9 - 0 5 F B x x - R
1 2 3 4 5

1. NO. OF CONTACTS:

05

2. CONNECTOR TYPE:

"F" FEMALE

3. INSULATOR COLOR:

"B" BLACK

4. CONTACT FINISH:

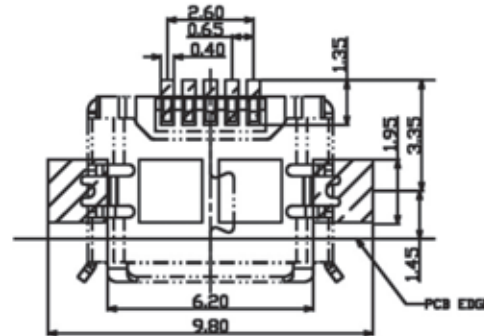
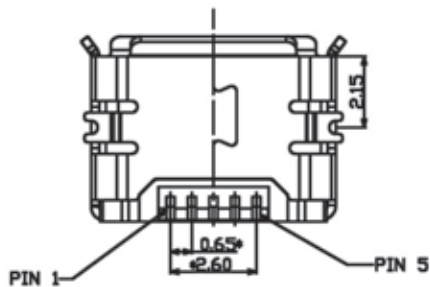
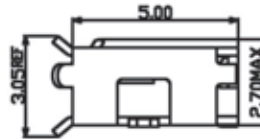
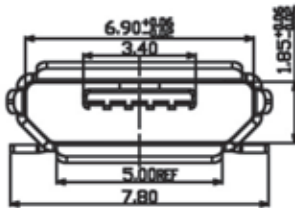
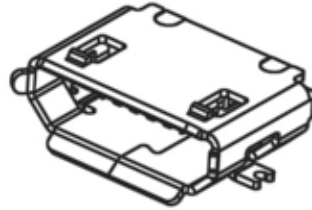
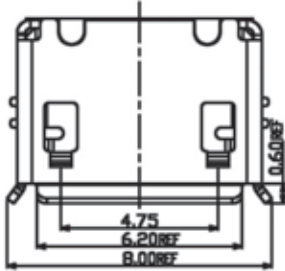
"03" 3 MICRON INCH GOLD

"30" 30 MICRON INCH GOLD

5. PACKAGE TYPE:

"R" TAPE & REEL

MICRO USB B TYPE 5 PIN FEMALE CONNECTOR SMT TYPE



Recommended P.C.Board Layout

SPECIFICATIONS

Current Rating: 1.8 AMP Max (Only Pin 1, 5)
Other 1 AMP Max

Insulation Resistance: 100MΩ Min at DC 500V

Dielectric Withstanding: 100V AC

Contact Resistance: 50mΩ Max.

Operating Temperature: -25°C to +105°C

MATERIALS

Housing: Hi-Temp. Plastic, UL94V-0

Shell: Copper Alloy, Tin Plating

Terminal: Copper Alloy, Gold Plated on Contact Area
Tin Plating on Solder Tail

*RoHS & REACH compliant.

ORDERING INFORMATION:

P/N U R 2 8 - 0 5 F B x x - R
1 2 3 4 5

1. NO. OF CONTACTS:

05

2. CONNECTOR TYPE:

"F" FEMALE

3. INSULATOR COLOR:

"B" BLACK

4. CONTACT FINISH:

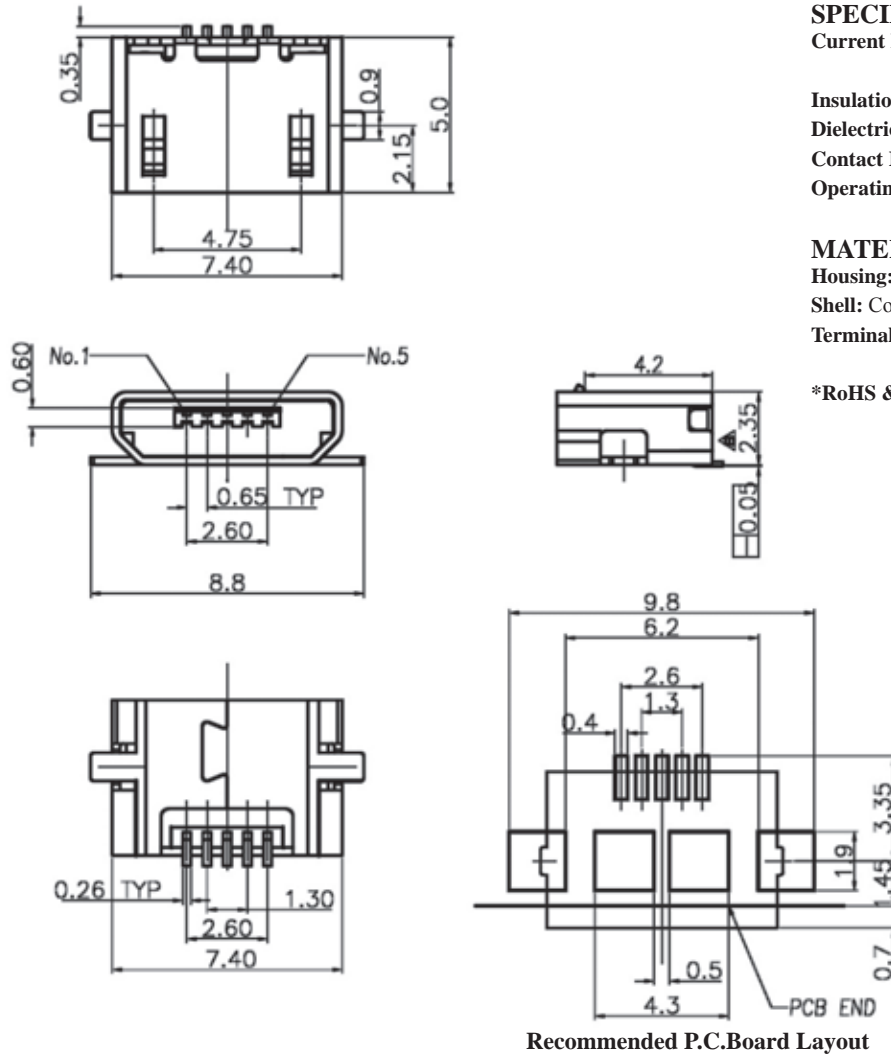
"03" 3 MICROINCH GOLD

"30" 30 MICROINCH GOLD

5. PACKAGE TYPE:

"R" TAPE & REEL

MICRO USB B TYPE 5 PIN FEMALE CONNECTOR SMT TYPE



SPECIFICATIONS

Current Rating: 1.8 AMP Max (Only Pin 1, 5)

Other 1 AMP Max

Insulation Resistance: 100MΩ Min at DC 500V

Dielectric Withstanding: 100V AC

Contact Resistance: 50mΩ Max.

Operating Temperature: -25°C to +105°C

MATERIALS

Housing: Hi-Temp. Plastic, UL94V-0

Shell: Copper Alloy, Tin Plating

Terminal: Copper Alloy, Gold Plated on Contact Area

Tin Plating on Solder Tail

*RoHS & REACH compliant.



ORDERING INFORMATION:

P/N U R 4 1 - 0 5 F B x x - R
 1 2 3 4 5

1. NO. OF CONTACTS:

05

2. CONNECTOR TYPE:

"F" FEMALE

3. INSULATOR COLOR:

"B" BLACK

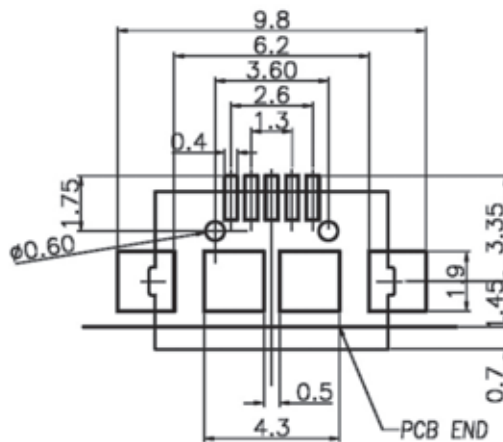
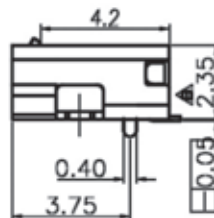
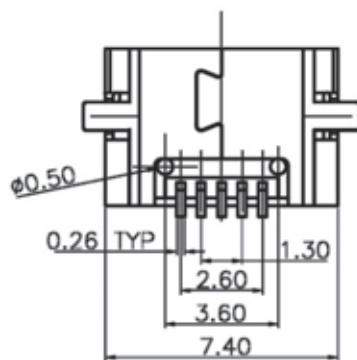
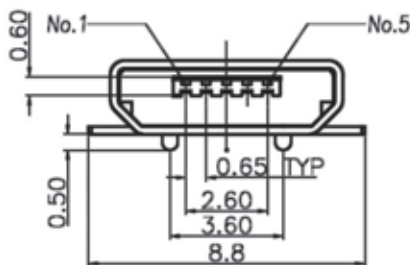
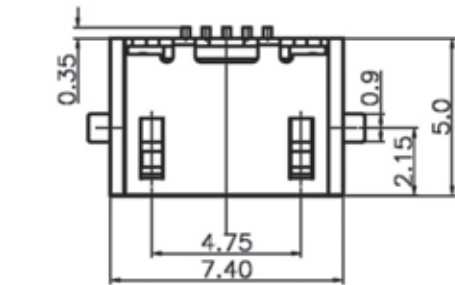
4. CONTACT FINISH:

"30" 30 MICROINCH GOLD

5. PACKAGE TYPE:

"R" TAPE & REEL

MICRO USB B TYPE 5 PIN FEMALE CONNECTOR SMT TYPE WITH POSTS



Recommended P.C.Board Layout



SPECIFICATIONS

Current Rating: 1.8 AMP Max (Only Pin 1, 5)

Other 1 AMP Max

Insulation Resistance: 100MΩ Min at DC 500V

Dielectric Withstanding: 100V AC

Contact Resistance: 50mΩ Max.

Operating Temperature: -25°C to +105°C

MATERIALS

Housing: Hi-Temp. Plastic, UL94V-0

Shell: Copper Alloy, Tin Plating

Terminal: Copper Alloy, Gold Plated on Contact Area

Tin Plating on Solder Tail

*RoHS & REACH compliant.

ORDERING INFORMATION:

P/N UR40-05FBxx-R
 $\frac{1}{1} \frac{2}{2} \frac{3}{3} \frac{4}{4} \frac{5}{5}$

1. NO. OF CONTACTS:

05

2. CONNECTOR TYPE:

"F" FEMALE

3. INSULATOR COLOR:

"B" BLACK

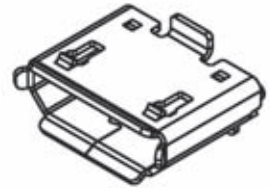
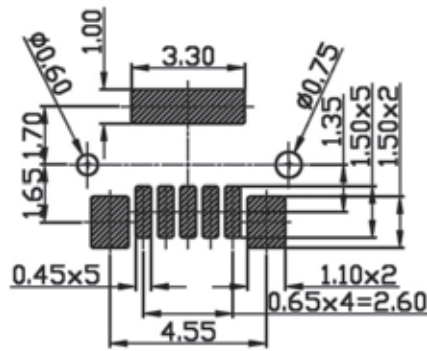
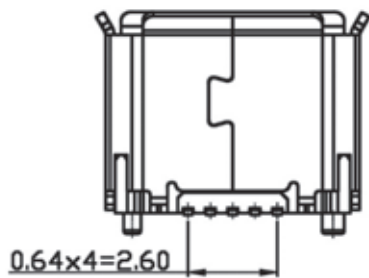
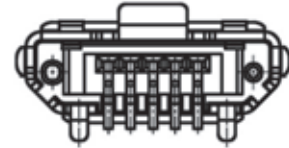
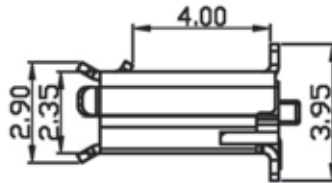
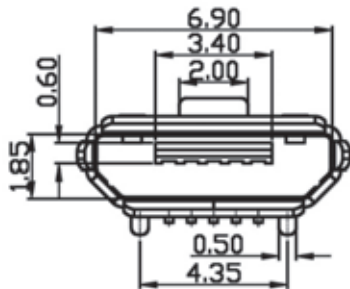
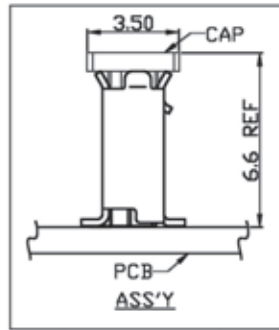
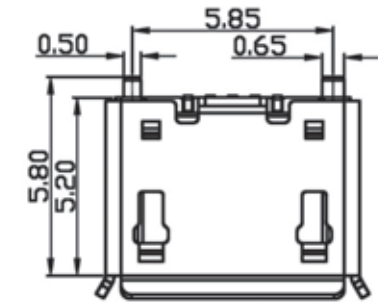
4. CONTACT FINISH:

"30" 30 MICROINCH GOLD

5. PACKAGE TYPE:

"R" TAPE & REEL

MICRO USB B TYPE 5 PIN FEMALE CONNECTOR STRAIGHT SMT TYPE



Recommended P.C.Board Layout

SPECIFICATIONS

Current Rating: 1.8 AMP Max (Only Pin 1, 5)
Other 1 AMP Max

Insulation Resistance: 100MΩ Min at DC 500V

Dielectric Withstanding: 100V AC

Contact Resistance: 50mΩ Max.

Operating Temperature: -25°C to +105°C

MATERIALS

Housing: Hi-Temp. Plastic, UL94V-0

Shell: Copper Alloy, Tin Plating

Terminal: Copper Alloy, Gold Plated on Contact Area
Tin Plating on Solder Tail

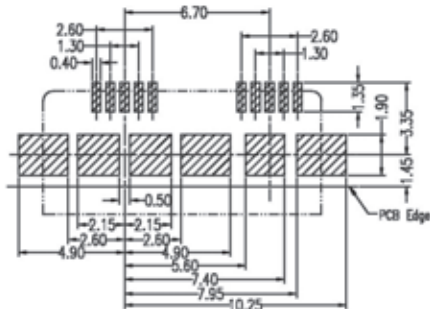
*RoHS & REACH compliant.

ORDERING INFORMATION:

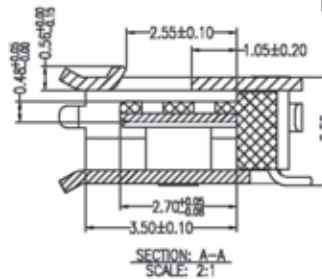
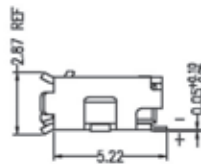
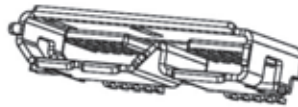
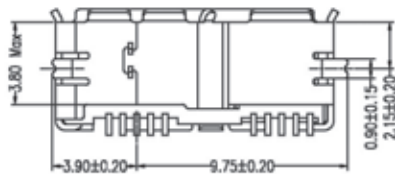
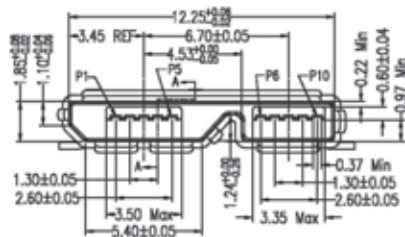
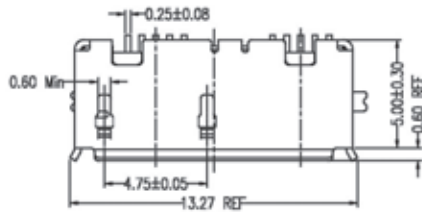
P/N U R 3 9 - 0 5 F B x x - R
1 2 3 4 5

1. NO. OF CONTACTS:
05
2. CONNECTOR TYPE:
"F" FEMALE
3. INSULATOR COLOR:
"B" BLACK
4. CONTACT FINISH:
"10" 10 MICROINCH GOLD
5. PACKAGE TYPE:
"R" TAPE & REEL

MICRO USB 3.0 B TYPE 10 PIN FEMALE CONNECTOR SMT TYPE WITH SMT SHELL



Recommended P.C.Board Layout
Component Side



Pin Number	Signal Name
1	VBUS
2	D-
3	D+
4	ID
5	GND
6	MicB_SSTX-
7	MicB_SSTX+
8	GND_DRAIN
9	MicB_SSRX-
10	MicB_SSRX+

SPECIFICATIONS

Current Rating: 1.8 Amperes

Insulation Resistance: 100MΩ Min

Dielectric Withstanding: 100V AC

Contact Resistance: 50mΩ Max.

Operating Temperature: -40°C to +85°C

MATERIALS

Housing: LCP, UL94V-0

Contact: Phosphor Bronze

Plating: Gold Plating over Nickel on

Contact Area; Gold Plating on

Solder Tail

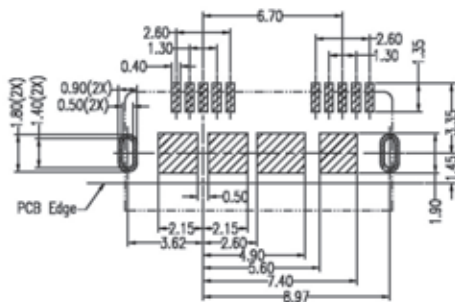
*RoHS & REACH compliant.

ORDERING INFORMATION:

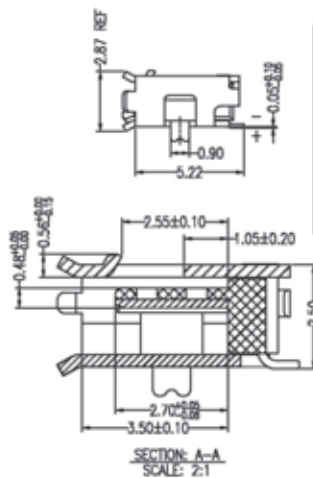
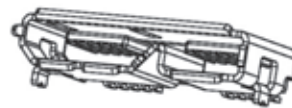
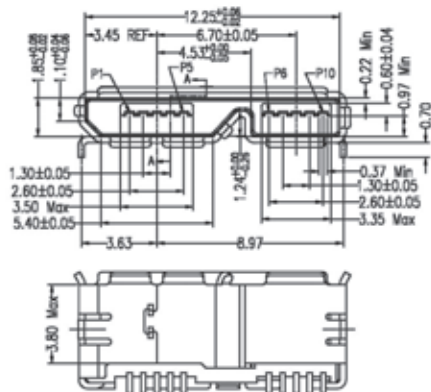
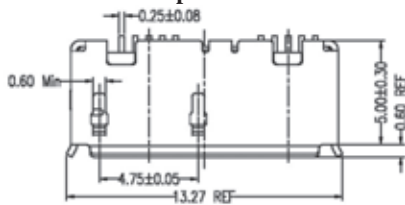
P/N U R 3 F A - 1 0 $\frac{F}{1}$ $\frac{B}{2}$ $\frac{x}{3}$ $\frac{x}{4}$ - R

- CONNECTOR TYPE:
"F" FEMALE
- HOUSING COLOR:
"B" BLACK
- CONTACT FINISH:
"30" 30 MICROINCH GOLD
"15" 15 MICROINCH GOLD
"01" GOLD FLASH
- PACKAGE TYPE:
"R" TAPE & REEL

MICRO USB 3.0 B TYPE 10 PIN FEMALE CONNECTOR SMT TYPE WITH DIP POSTS



Recommended P.C.Board Layout
Component Side



Pin Number	Signal Name
1	VBUS
2	D-
3	D+
4	ID
5	GND
6	WicL_SSTX-
7	WicL_SSTX+
8	GND_DRAIN
9	WicL_SSRX-
10	WicL_SSRX+

SPECIFICATIONS

Current Rating: 1.8 Amperes
Insulation Resistance: 100MΩ Min
Dielectric Withstanding: 100V AC
Contact Resistance: 50mΩ Max.
Operating Temperature: -40°C to +85°C

MATERIALS

Housing: LCP, UL94V-0
Contact: Phosphor Bronze
Plating: Gold Plating over Nickel on Contact Area; Gold Plating on Solder Tail

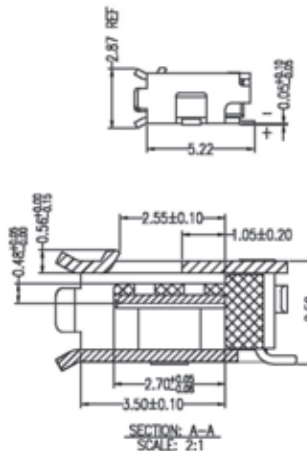
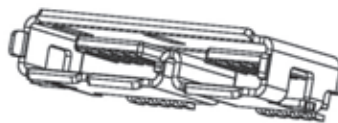
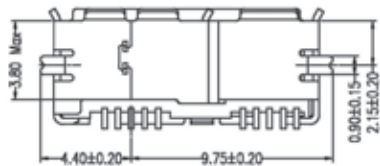
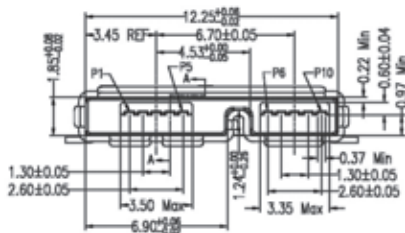
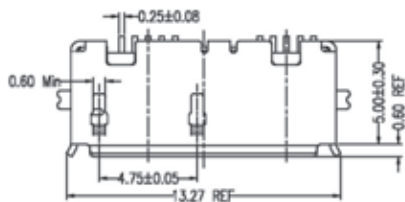
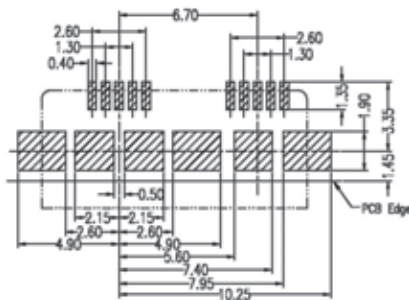
*RoHS & REACH compliant.

ORDERING INFORMATION:

P/N U R 3 F B - 1 0 $\frac{F}{1}$ $\frac{B}{2}$ $\frac{x}{3}$ $\frac{x}{4}$ - R

- CONNECTOR TYPE:
"F" FEMALE
- HOUSING COLOR:
"B" BLACK
- CONTACT FINISH:
"30" 30 MICROINCH GOLD
"15" 15 MICROINCH GOLD
"01" GOLD FLASH
- PACKAGE TYPE:
"R" TAPE & REEL

MICRO USB 3.0 AB TYPE 10 PIN FEMALE CONNECTOR SMT TYPE WITH SMT SHELL



SPECIFICATIONS

Current Rating: 1.8 Amperes
 Insulation Resistance: 100MΩ Min
 Dielectric Withstanding: 100V AC
 Contact Resistance: 50mΩ Max.
 Operating Temperature: -40°C to +85°C

MATERIALS

Housing: LCP, UL94V-0
 Contact: Phosphor Bronze
 Plating: Gold Plating over Nickel on Contact Area; Gold Plating on Solder Tail

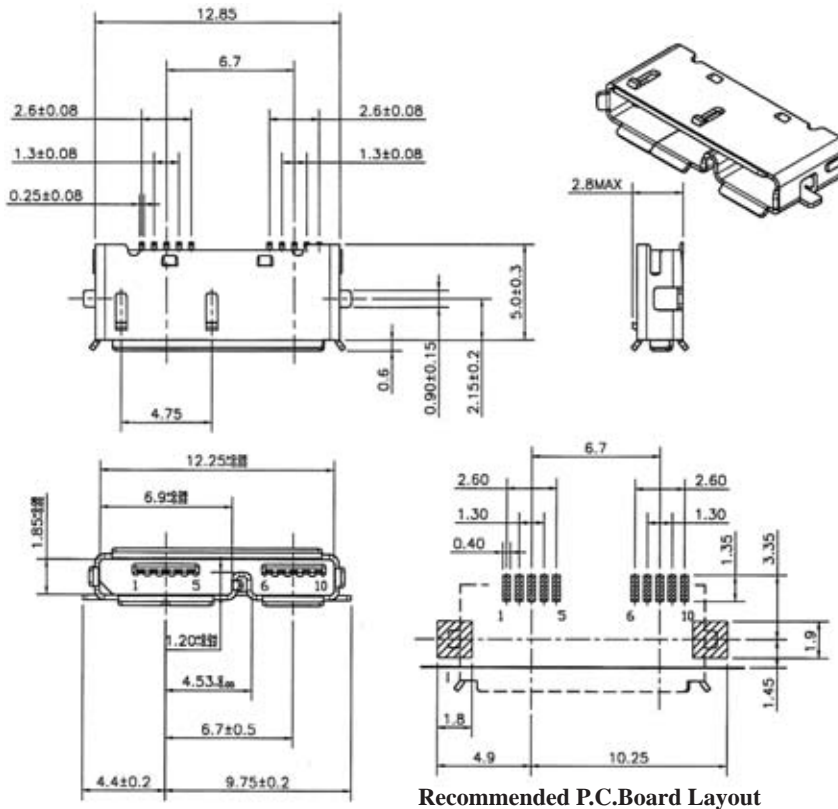
*RoHS & REACH compliant.

ORDERING INFORMATION:

P/N UR3FC-10 $\frac{F}{1}$ $\frac{B}{2}$ $\frac{xx}{3}$ - $\frac{R}{4}$

- CONNECTOR TYPE:
"F" FEMALE
- HOUSING COLOR:
"B" BLACK
- CONTACT FINISH:
"30" 30 MICROINCH GOLD
"15" 15 MICROINCH GOLD
"01" GOLD FLASH
- PACKAGE TYPE:
"R" TAPE & REEL

MICRO USB 3.0 AB TYPE FEMALE CONNECTOR PCB MOUNT SMT TYPE



SPECIFICATIONS

Voltage Rating: 30V AC

Current Rating: 1.8 Amp

Contact Resistance: 30 Milliohm Max.

Insulation Resistance: 1000 Megohm Min.

Dielectric Withstanding: 100V AC

Temperature Range: -55°C to +85°C

MATERIALS

Housing: THERMOPLASTIC, UL94V-0. Blue300C

Contact: Phosphor Bronze

Shield: Brass Plating Tin.(Matte Sn).

Plating: Gold Plating Over Nickel in Contact.

Tin Plating Over Nickel in Solder Area.

***RoHS & REACH compliant.**

ORDERING INFORMATION:

P/N UR3FD - $\frac{1}{1}$ $\frac{0}{2}$ $\frac{F}{3}$ $\frac{B}{4}$ $\frac{03}{5}$ - R

1. NO. OF CONTACTS:

10

2. CONNECTOR TYPE:

"F" FEMALE

3. INSULATOR COLOR:

"B" BLACK

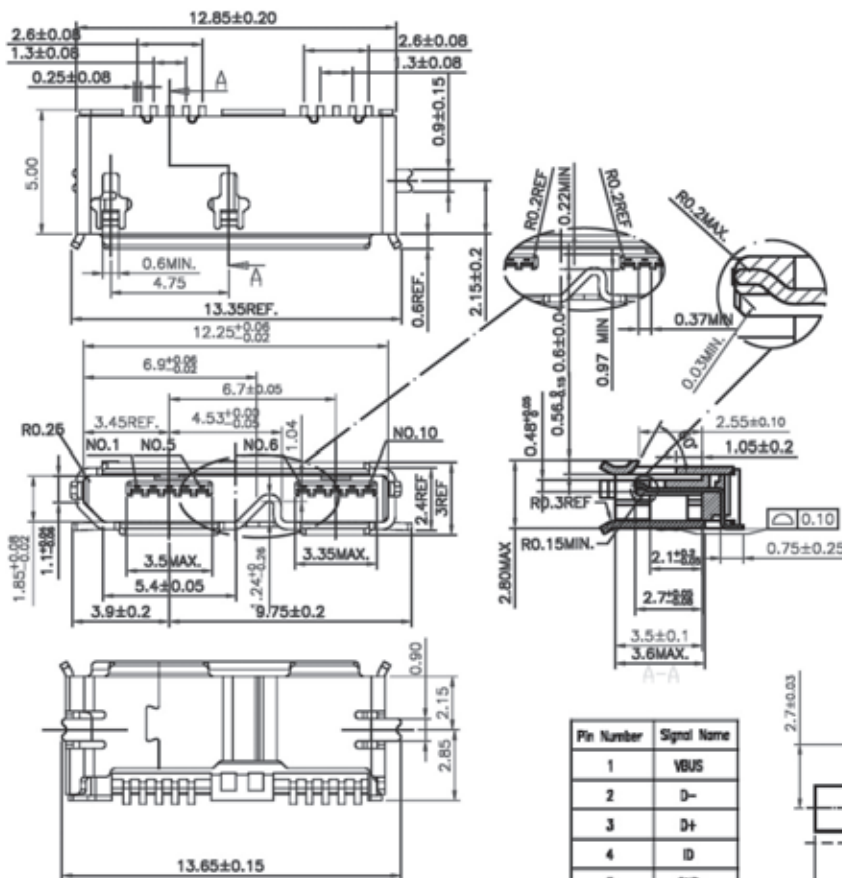
4. CONTACT FINISH:

"03" 03 MICROINCH GOLD

5. PACKAGE TYPE:

"R" TAPE & REEL

MICRO USB 3.0 B TYPE 10 PIN FEMALE CONNECTOR SMT TYPE WITH SMT SHELL



SPECIFICATIONS

Current Rating: 0.5 AMP Max (Only Pin 1, 5)

Other 1 AMP Max

Insulation Resistance: 100MΩ Min at DC 500V

Dielectric Withstanding: 100V AC

Contact Resistance: 30mΩ Max.

Operating Temperature: -25°C to +105°C

MATERIALS

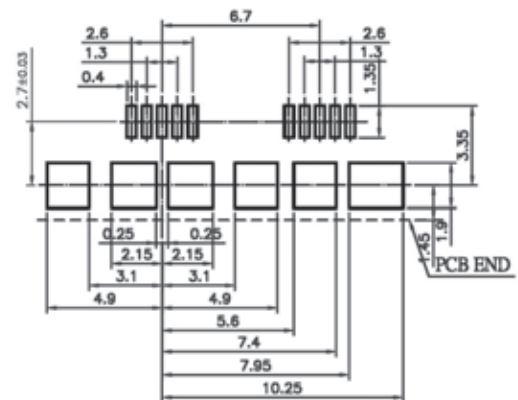
Housing: Hi-Temp. Plastic, UL94V-0

Shell: Stainless Steel, Gold Plating

Terminal: Copper Alloy, Gold Plated

*RoHS & REACH compliant.

Pin Number	Signal Name
1	VBUS
2	D-
3	D+
4	ID
5	GND
6	Wcll_SSTX-
7	Wcll_SSTX+
8	CND_DRAIN
9	Wcll_SSPX-
10	Wcll_SSPX+
Shell	Shield



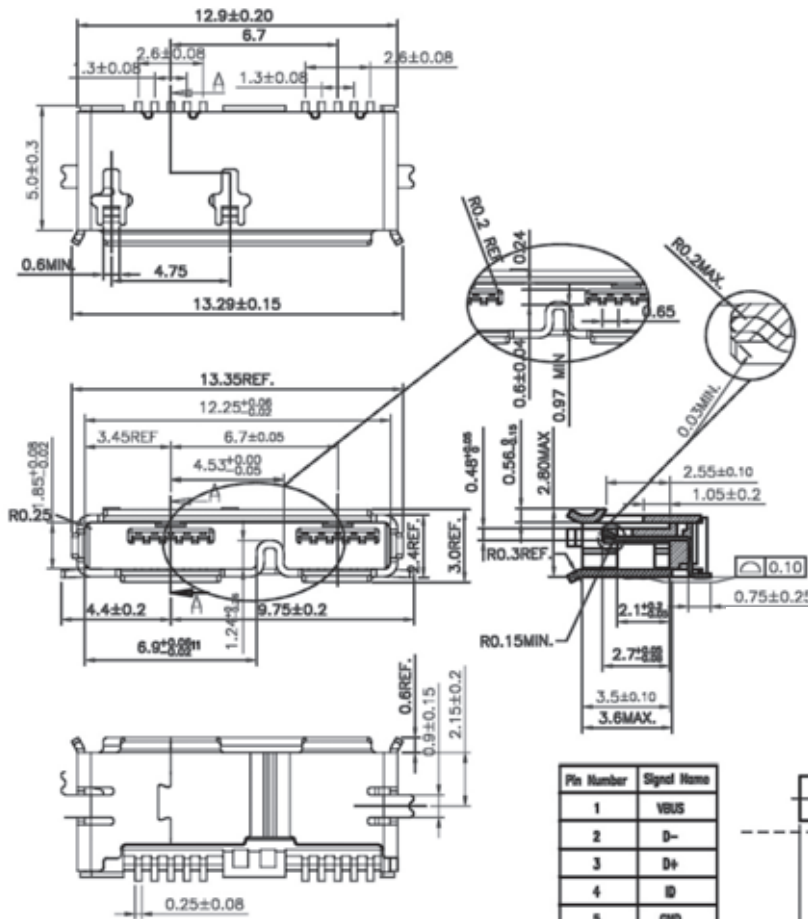
Recommended P.C.Board Layout

ORDERING INFORMATION:

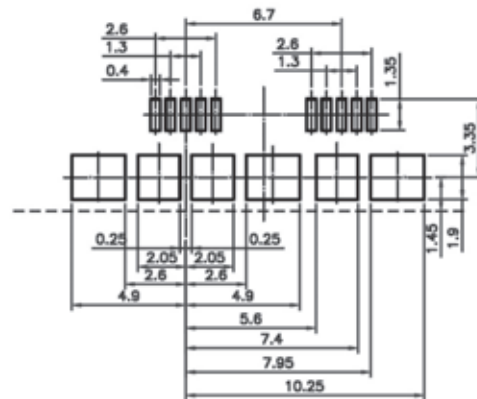
P/N UR3FF-10FBxx-R
1 2 3 4 5

- NO. OF CONTACTS:
10
- CONNECTOR TYPE:
"F" FEMALE
- INSULATOR COLOR:
"B" BLACK
- CONTACT FINISH:
"30" 30 MICROINCH GOLD
"15" 15 MICROINCH GOLD
- PACKAGE TYPE:
"R" TAPE & REEL

MICRO USB 3.0 AB TYPE 10 PIN FEMALE CONNECTOR SMT TYPE WITH SMT SHELL



Pin Number	Signal Name
1	VBUS
2	D-
3	D+
4	ID
5	GND
6	McB_SSDX-
7	McB_SSDX+
8	GND_DRN
9	McB_SSDX-
10	McB_SSDX+
Shell	Shield



Recommended P.C.Board Layout

SPECIFICATIONS

Current Rating: 0.5 AMP Max (Only Pin 1, 5)
Other 1 AMP Max

Insulation Resistance: 100MΩ Min at DC 500V

Dielectric Withstanding: 100V AC

Contact Resistance: 30mΩ Max.

Operating Temperature: -25°C to +105°C

MATERIALS

Housing: Hi-Temp. Plastic, UL94V-0

Shell: Stainless Steel, Gold Plating

Terminal: Copper Alloy, Gold Plated

*RoHS & REACH compliant.

ORDERING INFORMATION:

P/N UR3FG - $\frac{10}{1}$ $\frac{FB}{2}$ $\frac{xx}{3}$ - $\frac{R}{4}$ $\frac{5}{5}$

1. NO. OF CONTACTS:

10

2. CONNECTOR TYPE:

"F" FEMALE

3. INSULATOR COLOR:

"B" BLACK

4. CONTACT FINISH:

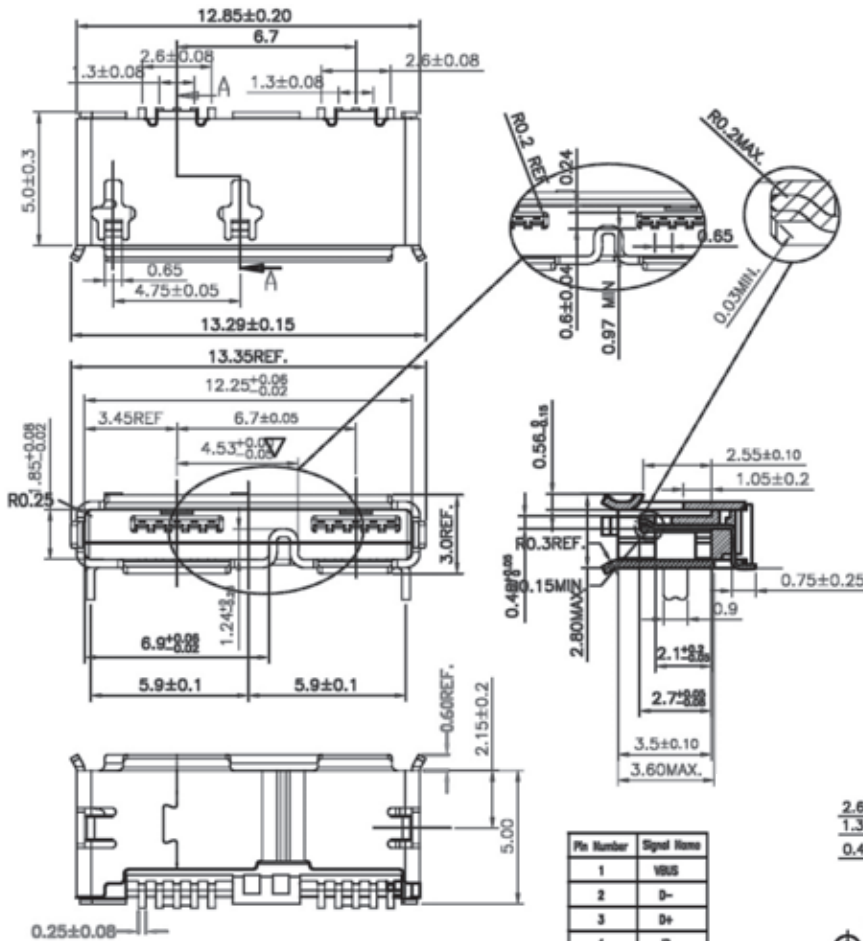
"30" 30 MICROINCH GOLD

"15" 15 MICROINCH GOLD

5. PACKAGE TYPE:

"R" TAPE & REEL

MICRO USB 3.0 AB TYPE 10 PIN FEMALE CONNECTOR SMT TYPE WITH DIP SHELL



SPECIFICATIONS

Current Rating: 0.5 AMP Max (Only Pin 1, 5)
Other 1 AMP Max

Insulation Resistance: 100MΩ Min at DC 500V

Dielectric Withstanding: 100V AC

Contact Resistance: 30mΩ Max.

Operating Temperature: -25°C to +105°C

MATERIALS

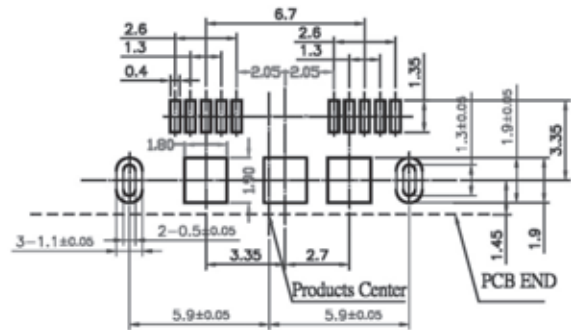
Housing: Hi-Temp. Plastic, UL94V-0

Shell: Stainless Steel, Gold Plating

Terminal: Copper Alloy, Gold Plated

*RoHS & REACH compliant.

Pin Number	Signal Name
1	VBUS
2	D-
3	D+
4	ID
5	GND
6	Shield_SSDV-
7	Shield_SSDV+
8	GND_SSHV
9	Shield_SSDV-
10	Shield_SSDV+
Shell	Shield



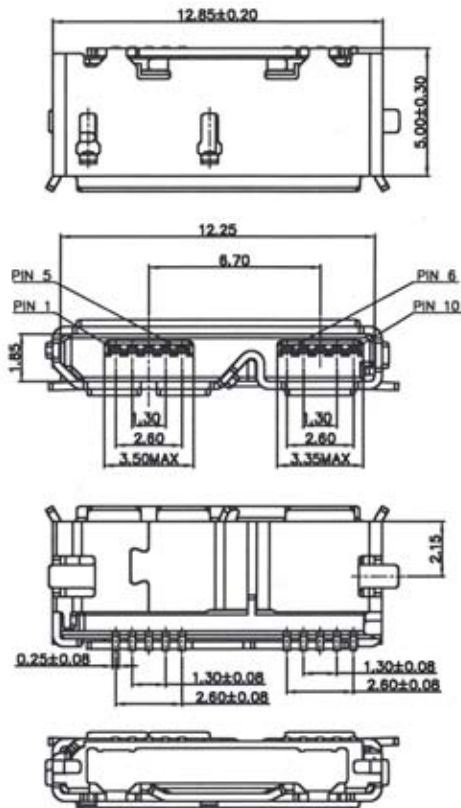
Recommended P.C.Board Layout

ORDERING INFORMATION:

P/N U R 3 F H - 10 F B x x - R
1 2 3 4 5

1. NO. OF CONTACTS:
10
2. CONNECTOR TYPE:
"F" FEMALE
3. INSULATOR COLOR:
"B" BLACK
4. CONTACT FINISH:
"30" 30 MICROINCH GOLD
"15" 15 MICROINCH GOLD
5. PACKAGE TYPE:
"R" TAPE & REEL

MICRO USB 3.0 B TYPE 10 PIN FEMALE CONNECTOR SMT TYPE WITH SMT SHELL



SPECIFICATIONS

Current Rating: 0.5 AMP Max (Only Pin 1, 5)
Other 1 AMP Max

Insulation Resistance: 100MΩ Min at DC 500V

Dielectric Withstanding: 100V AC

Contact Resistance: 30mΩ Max.

Operating Temperature: -25°C to +105°C

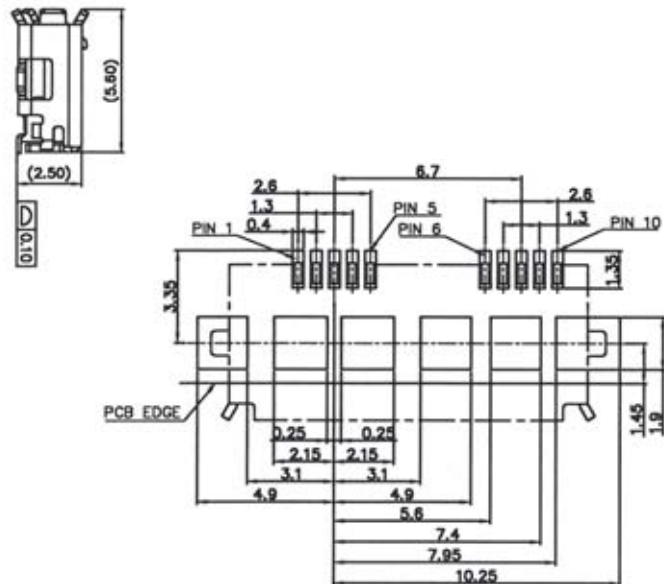
MATERIALS

Housing: Hi-Temp. Plastic, UL94V-0

Shell: Stainless Steel, Gold Plating

Terminal: Copper Alloy, Gold Plated

*RoHS & REACH compliant.



Recommended P.C.Board Layout

ORDERING INFORMATION:

P/N UR3FJ- $\frac{10}{1}$ $\frac{FB}{2}$ $\frac{xx}{3}$ $\frac{R}{4}$ $\frac{R}{5}$

1. NO. OF CONTACTS:

10

2. CONNECTOR TYPE:

"F" FEMALE

3. INSULATOR COLOR:

"B" BLACK

4. CONTACT FINISH:

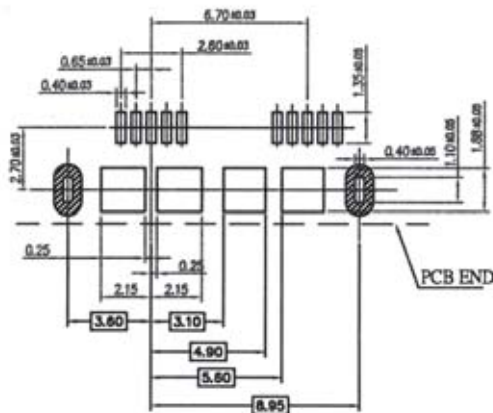
"30" 30 MICROINCH GOLD

"15" 15 MICROINCH GOLD

5. PACKAGE TYPE:

"R" TAPE & REEL

MICRO USB 3.0 B TYPE 10 PIN FEMALE CONNECTOR SMT TYPE WITH DIP SHELL



Recommended P.C.Board Layout

SPECIFICATIONS

Current Rating: 0.5 AMP Max (Only Pin 1, 5)

Other 1 AMP Max

Insulation Resistance: 100MΩ Min at DC 500V

Dielectric Withstanding: 100V AC

Contact Resistance: 30mΩ Max.

Operating Temperature: -25°C to +105°C

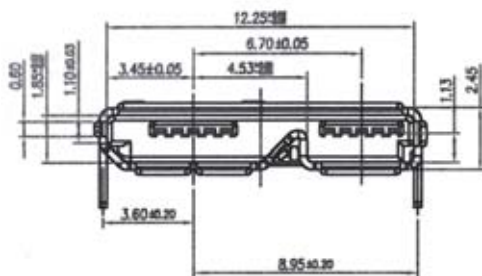
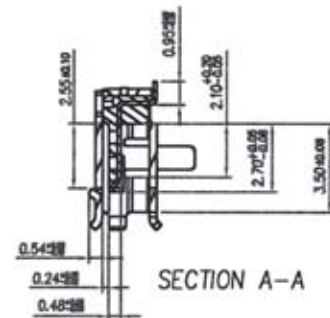
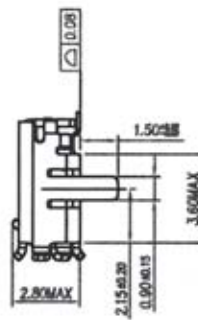
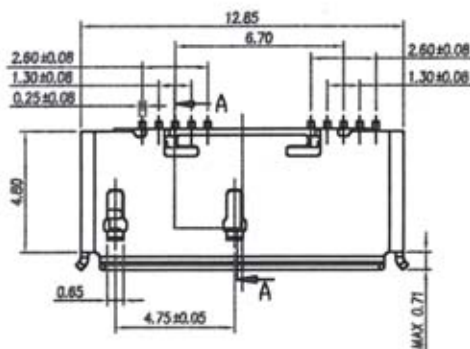
MATERIALS

Housing: Hi-Temp. Plastic, UL94V-0

Shell: Stainless Steel, Gold Plating

Terminal: Copper Alloy, Gold Plated

*RoHS & REACH compliant.

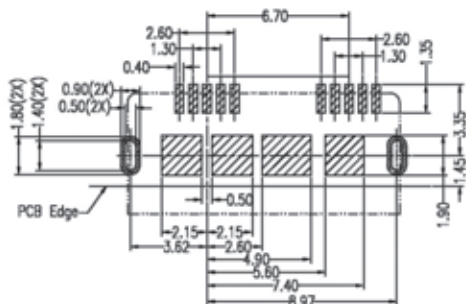


ORDERING INFORMATION:

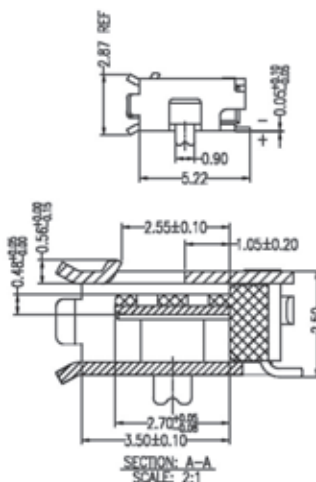
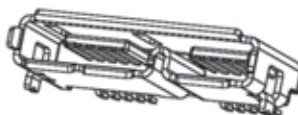
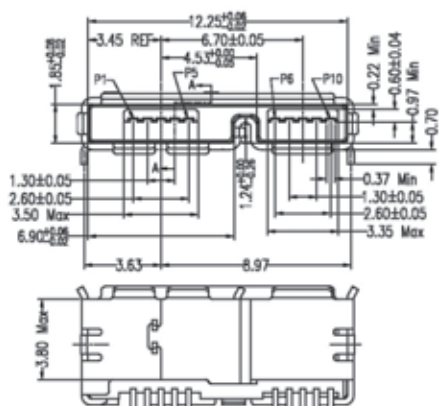
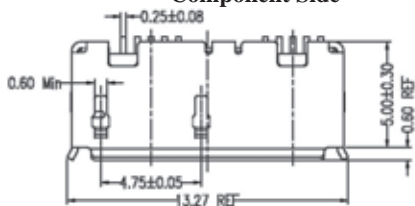
P/N U R 3 F K - $\frac{1}{T}$ $\frac{10}{2}$ $\frac{F}{3}$ $\frac{B}{4}$ $\frac{x}{5}$ - R

1. NO. OF CONTACTS:
10
2. CONNECTOR TYPE:
"F" FEMALE
3. INSULATOR COLOR:
"B" BLACK
4. CONTACT FINISH:
"30" 30 MICROINCH GOLD
"15" 15 MICROINCH GOLD
5. PACKAGE TYPE:
"R" TAPE & REEL

MICRO USB 3.0 AB TYPE 10 PIN FEMALE CONNECTOR SMT TYPE WITH DIP POSTS



Recommended P.C.Board Layout
Component Side



Pin Number	Signal Name
1	VBUS
2	D-
3	D+
4	ID
5	GND
6	MicA_SSIX-
7	MicA_SSIX+
8	GND_DRAIN
9	MicA_SSRX-
10	MicA_SSRX+

SPECIFICATIONS

Current Rating: 1.8 Amperes
Insulation Resistance: 100MΩ Min
Dielectric Withstanding: 100V AC
Contact Resistance: 50mΩ Max.
Operating Temperature: -40°C to +85°C

MATERIALS

Housing: LCP, UL94V-0
Contact: Phosphor Bronze
Plating: Gold Plating over Nickel on Contact Area; Gold Plating on Solder Tail

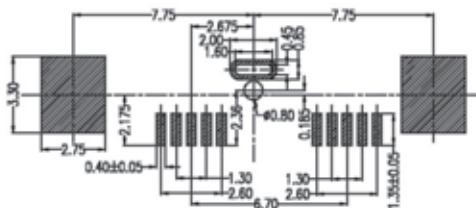
*RoHS & REACH compliant.

ORDERING INFORMATION:

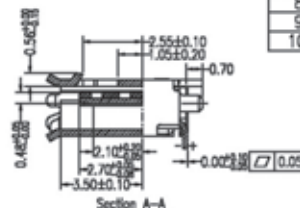
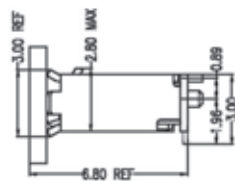
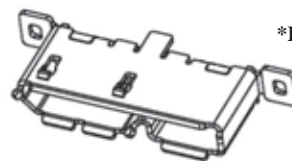
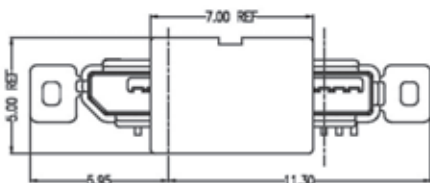
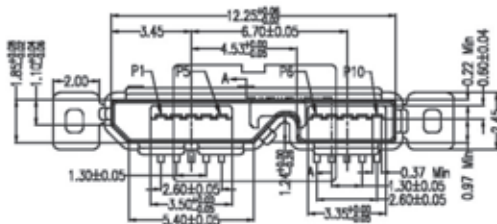
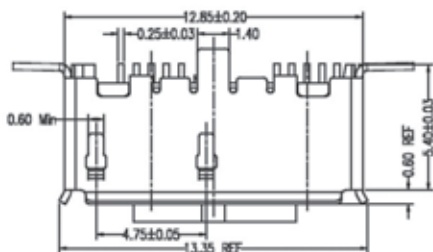
P/N U R 3 F M - 1 0 $\frac{F B}{1 2}$ $\frac{x x}{3}$ - $\frac{R}{4}$

- CONNECTOR TYPE:
"F" FEMALE
- HOUSING COLOR:
"B" BLACK
- CONTACT FINISH:
"30" 30 MICROINCH GOLD
"15" 15 MICROINCH GOLD
"01" GOLD FLASH
- PACKAGE TYPE:
"R" TAPE & REEL

MICRO USB 3.0 B TYPE 10 PIN FEMALE CONNECTOR SMT TYPE WITH WING



Recommended P.C. Board Layout
Component Side (T=1.00mm)



Pin No.	Signal Name
1	VBUS
2	D-
3	D+
4	ID
5	GND
6	MicB S5TX-
7	MicB S5TX+
8	GND DRAIN
9	MicB S5RX-
10	MicB S5RX+

SPECIFICATIONS

Current Rating: 1.8 Amperes
Insulation Resistance: 100MΩ Min
Dielectric Withstanding: 100V AC
Contact Resistance: 30mΩ Max.
Operating Temperature: -40°C to +85°C

MATERIALS

Housing: LCP, UL94V-0
Contact: Phosphor Bronze
Plating: Au Plating on Contact Area;
Au (Flash) Plating on Solder
Tail; Ni (50u" Min.) Underplating
overall

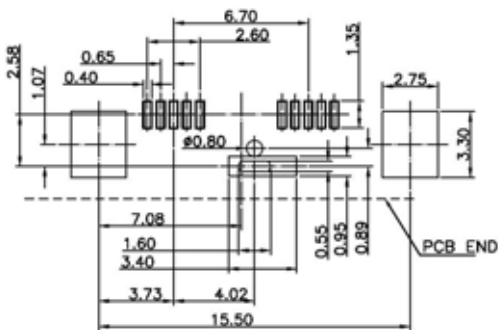
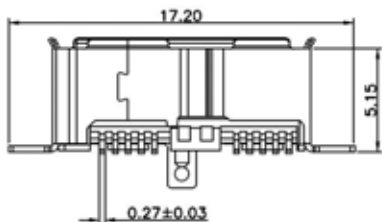
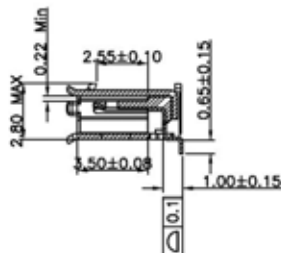
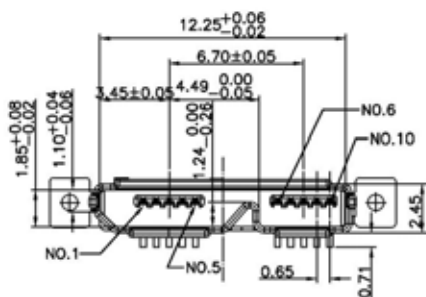
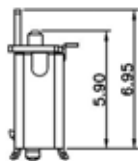
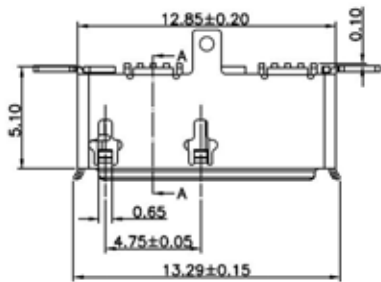
*RoHS & REACH compliant.

ORDERING INFORMATION:

P/N U R 3 F W - 1 0 $\frac{F}{1}$ $\frac{B}{2}$ $\frac{x}{3}$ - $\frac{R}{4}$

- CONNECTOR TYPE:
"F" FEMALE
- HOUSING COLOR:
"B" BLACK
- CONTACT FINISH:
"30" 30 MICROINCH GOLD
"15" 15 MICROINCH GOLD
"01" GOLD FLASH
- PACKAGE TYPE:
"R" TAPE & REEL

MICRO USB 3.0 B TYPE 10 PIN FEMALE CONNECTOR SMT TYPE WITH WING



Recommended P.C.Board Layout

SPECIFICATIONS

Current Rating: 1.8 Amperes
 Insulation Resistance: 100MΩ Min
 Dielectric Withstanding: 100V AC
 Contact Resistance: 30mΩ Max.
 Operating Temperature: -20°C to +105°C

MATERIALS

Housing: LCP, UL94V-0
 Contact: Brass
 Plating: Au Plating on Contact Area;
 Au (Flash) Plating on Solder Tail
 *RoHS & REACH compliant.

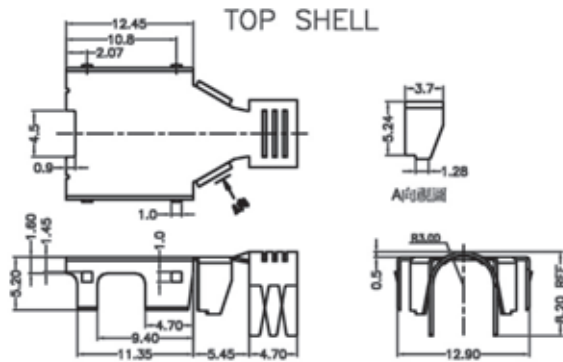
Pin Number	Signal Name
1	VBUS
2	D-
3	D+
4	D
5	GND
6	Mid_SSTX-
7	Mid_SSTX+
8	GND_SSHN
9	Mid_SSRX-
10	Mid_SSRX+
Shield	Shield

ORDERING INFORMATION:

P/N U R 3 F X - 1 0 $\frac{F}{1}$ $\frac{B}{2}$ $\frac{X}{3}$ X - $\frac{R}{4}$

- CONNECTOR TYPE:
"F" FEMALE
- HOUSING COLOR:
"B" BLACK
- CONTACT FINISH:
"01" GOLD FLASH
"05" 5 MICROINCH GOLD
"10" 10 MICROINCH GOLD
"15" 15 MICROINCH GOLD
"30" 30 MICROINCH GOLD
- PACKAGE TYPE:
"R" TAPE & REEL

MICRO USB 3.0 B TYPE 10 PIN MALE CONNECTOR CABLE SOLDER TYPE



SPECIFICATIONS

Current Rating: 1.8 AMP for Pin 1 & Pin 4

0.25 AMP for other Contacts

Voltage Rating: 30V

Insulation Resistance: 100MΩ Min

Dielectric Withstanding: 100V AC

Contact Resistance: 30mΩ Max for Pin 1 & Pin 4

50mΩ Max for Other Contact

Operating Temperature: -20°C to +85°C

MATERIALS

Housing & Cover: Thermopolymer, UL94V-0

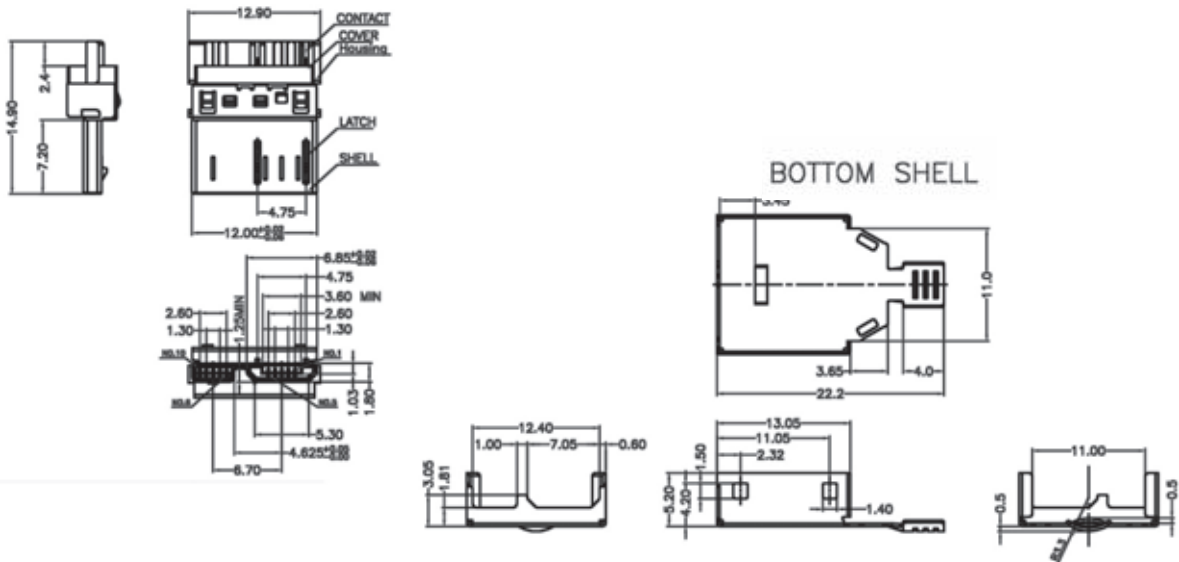
Shell & Latch: Stainless Steel

Contct: Copper Alloy, Gold Plating on Contact

Ti-Plating on Solder Tail Area

*RoHS & REACH compliant.

HOUSING & COVER & CONTACT & LATCH



ORDERING INFORMATION:

P/N U R 3 M B - $\frac{10 \text{ M B } \times \times}{1 \ 2 \ 3 \ 4}$

1. NO. OF CONTACTS:

10

2. CONNECTOR TYPE:

"M" MALE

3. INSULATOR COLOR:

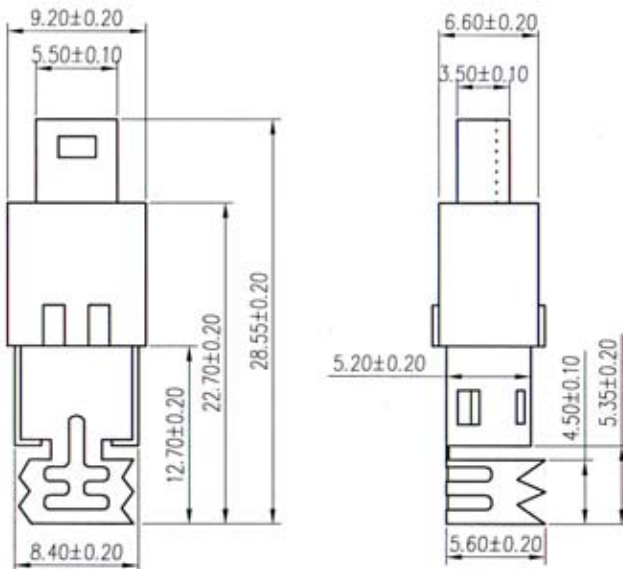
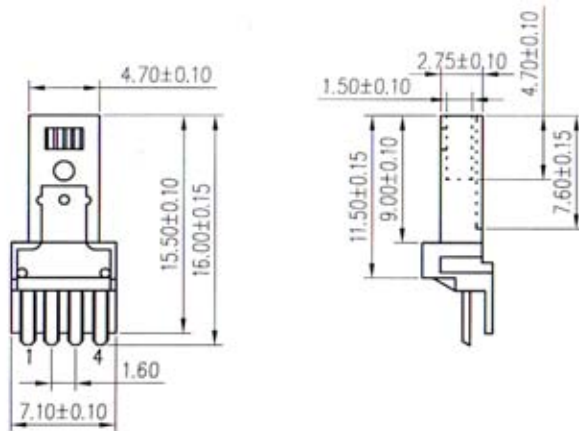
"B" BLACK

4. CONTACT FINISH:

"30" 30 MICROINCH GOLD

"15" 15 MICROINCH GOLD

IEEE1394 4 PIN MALE CONNECTOR CABLE MOLDED TYPE



SPECIFICATIONS

Current Rating: 1.0 Amperes
Contact Resistance: 25mΩ Max.
Insulation Resistance: 1000MΩ Min. at 500V
Dielectric Voltage: 1000V at 1 Minute
Operating Temperature: -55°C to +105°C

MATERIALS

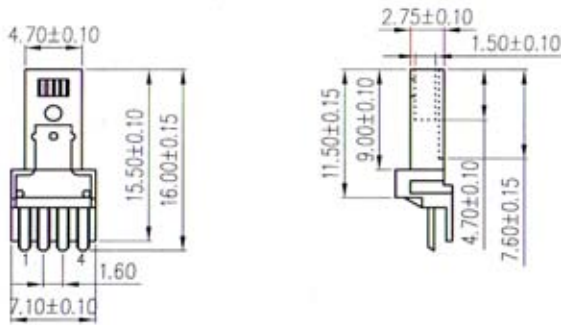
Insulator: PBT, UL94V-0 Rated
Contact: Brass
Shell: Brass, Steel
Contact Plating: Selective Gold Over Nickel Plated
Shell Plating: Tin Or Nickel Over Copper Plated
***RoHS & REACH compliant.**

ORDERING INFORMATION:

P/N F W 5 1 - $\frac{0}{1}$ $\frac{4}{2}$ $\frac{M}{3}$ $\frac{B}{4}$ $\frac{x}{x}$

1. NO. OF CONTACTS:
04
2. CONNECTOR TYPE:
"M" MALE
3. INSULATOR COLOR:
"B" BLACK
4. CONTACT FINISH:
"15" 15 MICROINCH GOLD
"30" 30 MICROINCH GOLD

IEEE1394 4 PIN MALE CONNECTOR CABLE ASSEMBLY TYPE

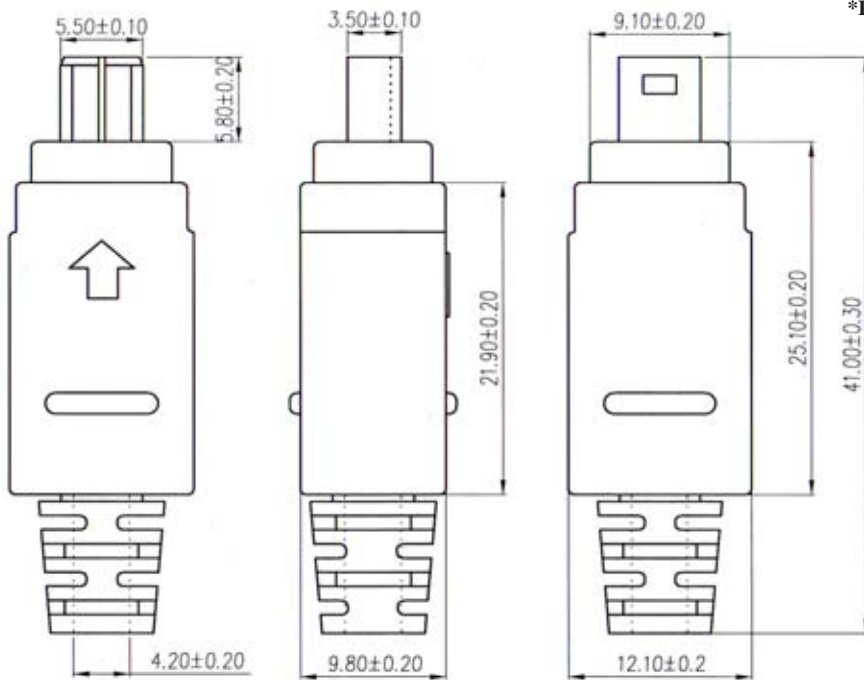


SPECIFICATIONS

Current Rating: 1.0 Amperes
Contact Resistance: 25mΩ Max.
Insulation Resistance: 1000MΩ Min. at 500V
Dielectric Voltage: 1000V at 1 Minute
Operating Temperature: -55°C to +105°C

MATERIALS

Insulator: PBT, UL94V-0 Rated
Contact: Brass
Shell: Brass, Steel
Contact Plating: Selective Gold Over Nickel Plated
Shell Plating: Tin Or Nickel Over Copper Plated
***RoHS & REACH compliant.**



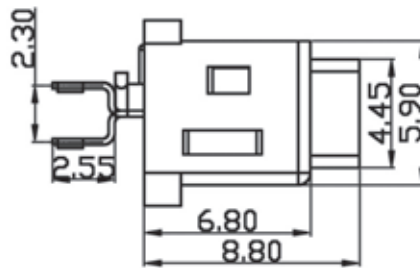
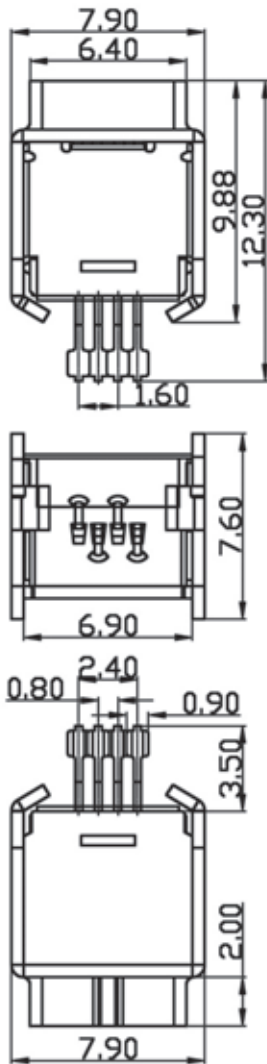
ORDERING INFORMATION:

P/N F W 5 2 - 0 4 M B x x
1 2 3 4

1. NO. OF CONTACTS:
04
2. CONNECTOR TYPE:
"M" MALE
3. INSULATOR COLOR:
"B" BLACK
4. CONTACT FINISH:
"15" 15 MICROINCH GOLD
"30" 30 MICROINCH GOLD

NOTE: STRAIN RELIEF O.D.= 4.2MM

IEEE1394 4 PIN FEMALE CONNECTOR CABLE SOLDER TYPE



SPECIFICATIONS

Current Rating: 1.0 Amperes
Contact Resistance: 25mΩ Max.
Insulation Resistance: 1000MΩ Min. at 500V
Dielectric Voltage: 1000V at 1 Minute
Operating Temperature: -55°C to +105°C

MATERIALS

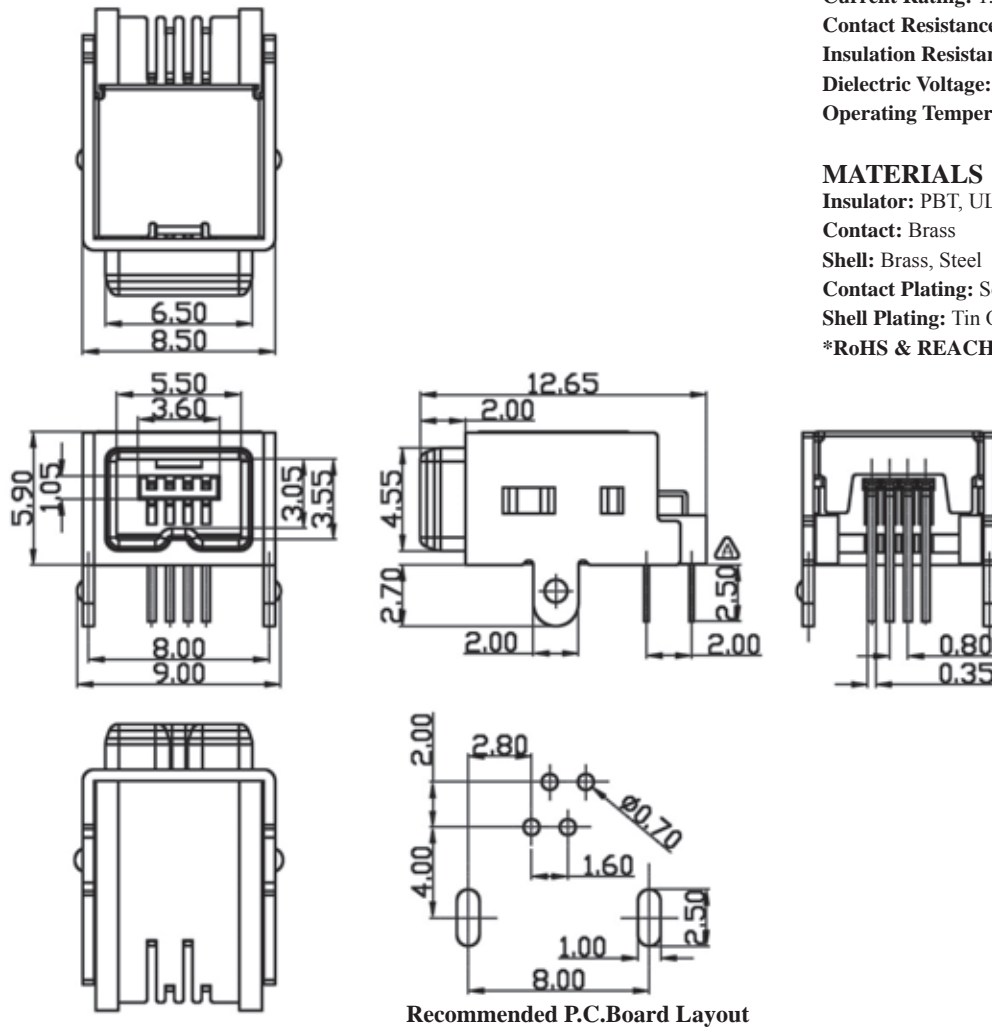
Insulator: PBT, UL94V-0 Rated
Contact: Brass
Shell: Brass, Steel
Contact Plating: Selective Gold Over Nickel Plated
Shell Plating: Tin Or Nickel Over Copper Plated
***RoHS & REACH compliant.**

ORDERING INFORMATION:

P/N F W 1 4 - $\frac{0}{1}$ $\frac{4}{2}$ $\frac{F}{3}$ $\frac{B}{4}$ $\frac{x}{x}$

1. NO. OF CONTACTS:
04
2. CONNECTOR TYPE:
"F" FEMALE
3. INSULATOR COLOR:
"B" BLACK
4. CONTACT FINISH:
"01" GOLD FLASH
"15" 15 MICROINCH GOLD
"30" 30 MICROINCH GOLD

IEEE1394 4 PIN FEMALE CONNECTOR RIGHT ANGLE DIP TYPE



SPECIFICATIONS

Current Rating: 1.0 Amperes
Contact Resistance: 25mΩ Max.
Insulation Resistance: 1000MΩ Min. at 500V
Dielectric Voltage: 1000V at 1 Minute
Operating Temperature: -55°C to +105°C

MATERIALS

Insulator: PBT, UL94V-0 Rated
Contact: Brass
Shell: Brass, Steel
Contact Plating: Selective Gold Over Nickel Plated
Shell Plating: Tin Or Nickel Over Copper Plated
***RoHS & REACH compliant.**

ORDERING INFORMATION:

P/N F W 4 7 - 0 4 F B x x
1 2 3 4

1. NO. OF CONTACTS:
04
2. CONNECTOR TYPE:
"F" FEMALE
3. INSULATOR COLOR:
"B" BLACK
4. CONTACT FINISH:
"01" GOLD FLASH
"15" 15 MICROINCH GOLD
"30" 30 MICROINCH GOLD

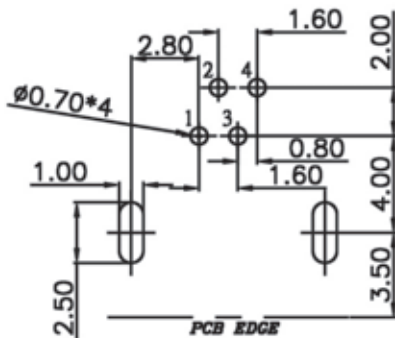
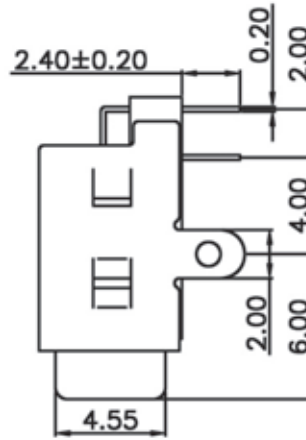
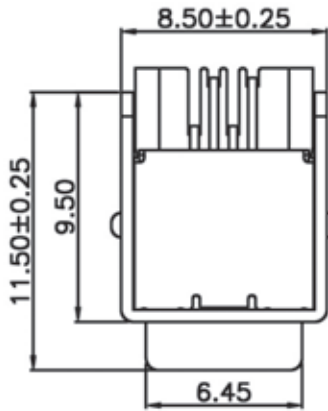
IEEE1394 4 PIN FEMALE CONNECTOR RIGHT ANGLE DIP TYPE

SPECIFICATIONS

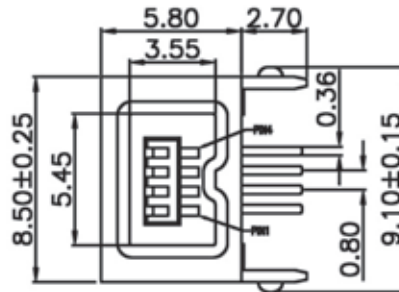
Current Rating: 1.0 Amperes
Contact Resistance: 25mΩ Max.
Insulation Resistance: 1000MΩ Min. at 500V
Dielectric Voltage: 1000V at 1 Minute
Operating Temperature: -55°C to +105°C

MATERIALS

Insulator: PBT, UL94V-0 Rated
Contact: Brass
Shell: Brass, Steel
Contact Plating: Selective Gold Over Nickel Plated
Shell Plating: Tin Or Nickel Over Copper Plated
***RoHS & REACH compliant.**



Recommended P.C.Board Layout

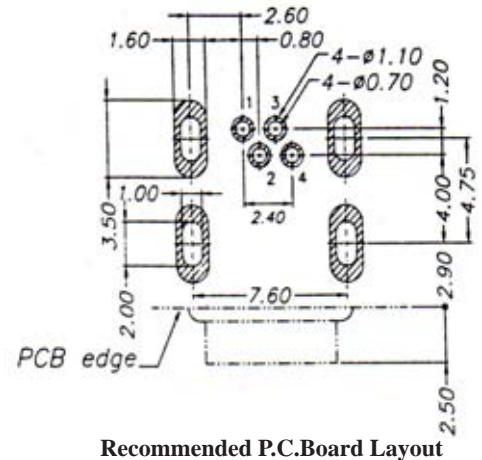
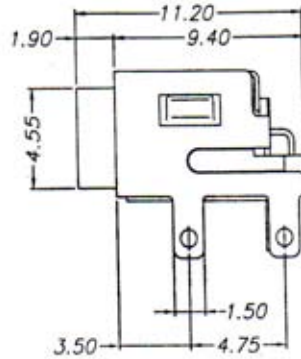
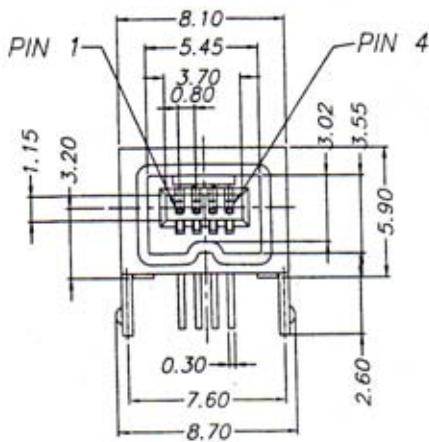
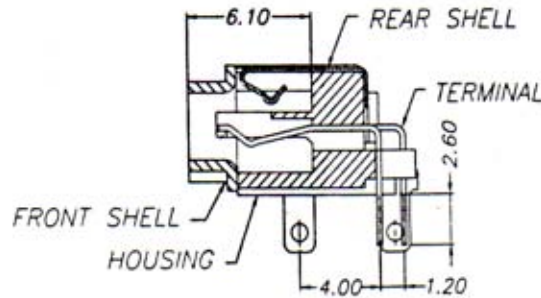
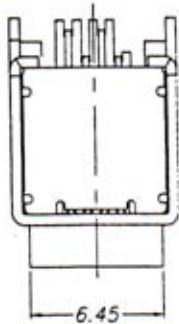


ORDERING INFORMATION:

P/N F W 3 1 - $\frac{04}{1}$ $\frac{F}{2}$ $\frac{x}{3}$ $\frac{x}{4}$

1. NO. OF CONTACTS:
04
2. CONNECTOR TYPE:
"F" FEMALE
3. INSULATOR COLOR:
"B" BLACK
"W" WHITE
4. CONTACT FINISH:
"01" GOLD FLASH
"15" 15 MICROINCH GOLD
"30" 30 MICROINCH GOLD

IEEE1394 4 PIN FEMALE CONNECTOR RIGHT ANGLE DIP TYPE



Recommended P.C.Board Layout

SPECIFICATIONS

Current Rating: 1.0 Amperes
Contact Resistance: 25mΩ Max.
Insulation Resistance: 1000MΩ Min. at 500V
Dielectric Voltage: 1000V at 1 Minute
Operating Temperature: -55°C to +105°C

MATERIALS

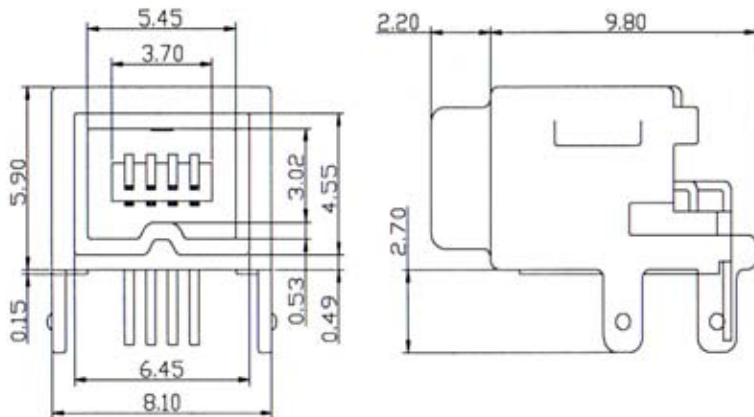
Insulator: PBT, UL94V-0 Rated
Contact: Brass
Shell: Brass, Steel
Contact Plating: Selective Gold Over Nickel Plated
Shell Plating: Tin Or Nickel Over Copper Plated
***RoHS & REACH compliant.**

ORDERING INFORMATION:

P/N F W 3 3 - 0 4 F B 3 0
1 2 3 4

1. NO. OF CONTACTS:
04
2. CONNECTOR TYPE:
"F" FEMALE
3. INSULATOR COLOR:
"B" BLACK
4. CONTACT FINISH:
"30" 30 MICRINCH GOLD

IEEE1394 4 PIN FEMALE CONNECTOR RIGHT ANGLE DIP TYPE

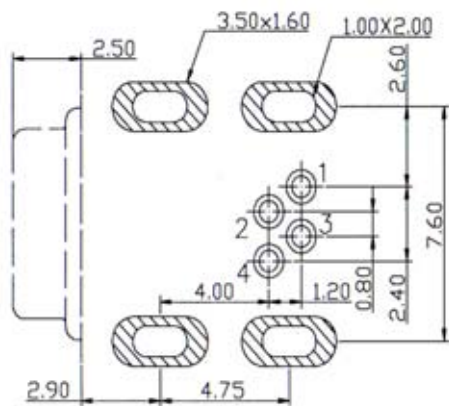


SPECIFICATIONS

Current Rating: 1.0 Amperes
Contact Resistance: 25mΩ Max.
Insulation Resistance: 1000MΩ Min. at 500V
Dielectric Voltage: 1000V at 1 Minute
Operating Temperature: -55°C to +105°C

MATERIALS

Insulator: PBT, UL94V-0 Rated
Contact: Brass
Shell: Brass, Steel
Contact Plating: Selective Gold Over Nickel Plated
Shell Plating: Tin Or Nickel Over Copper Plated
***RoHS & REACH compliant.**



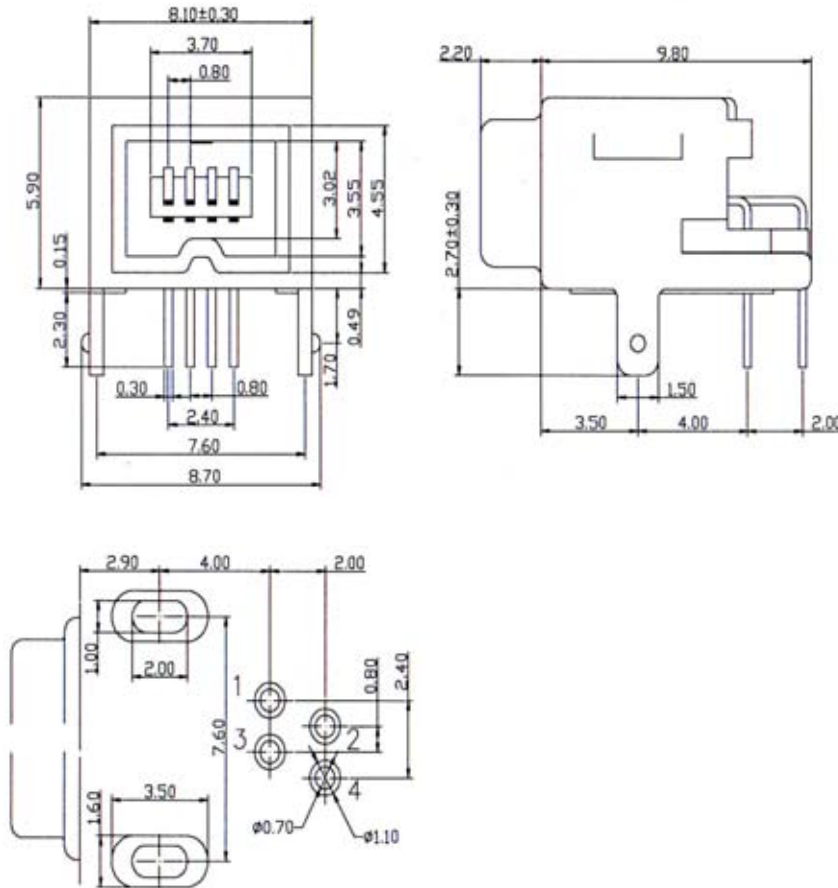
Recommended P.C.Board Layout
(TOP VIEW)

ORDERING INFORMATION:

P/N F W 7 4 - $\frac{0}{1}$ $\frac{4}{2}$ $\frac{F}{3}$ $\frac{B}{4}$ $\frac{3}{3}$ $\frac{0}{4}$

1. NO. OF CONTACTS:
04
2. CONNECTOR TYPE:
"F" FEMALE
3. INSULATOR COLOR:
"B" BLACK
4. CONTACT FINISH:
"30" 30 MICROINCH GOLD

IEEE1394 4 PIN FEMALE CONNECTOR RIGHT ANGLE DIP TYPE



Recommended P.C.Board Layout
(TOP VIEW)

SPECIFICATIONS

Current Rating: 1.0 Amperes
Contact Resistance: 25mΩ Max.
Insulation Resistance: 1000MΩ Min. at 500V
Dielectric Voltage: 1000V at 1 Minute
Operating Temperature: -55°C to +105°C

MATERIALS

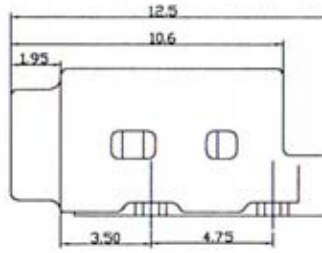
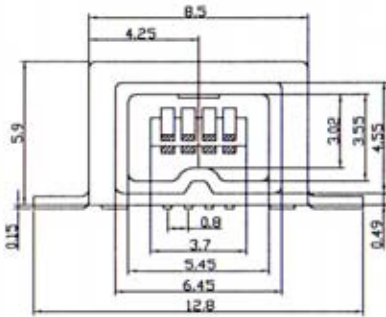
Insulator: PBT, UL94V-0 Rated
Contact: Brass
Shell: Brass, Steel
Contact Plating: Selective Gold Over Nickel Plated
Shell Plating: Tin Or Nickel Over Copper Plated
***RoHS & REACH compliant.**

ORDERING INFORMATION:

P/N F W 7 5 - 0 4 F B 3 0
 1 2 3 4

1. NO. OF CONTACTS:
04
2. CONNECTOR TYPE:
"F" FEMALE
3. INSULATOR COLOR:
"B" BLACK
4. CONTACT FINISH:
"30" 30 MICROINCH GOLD

IEEE1394 4 PIN FEMALE CONNECTOR SMT TYPE

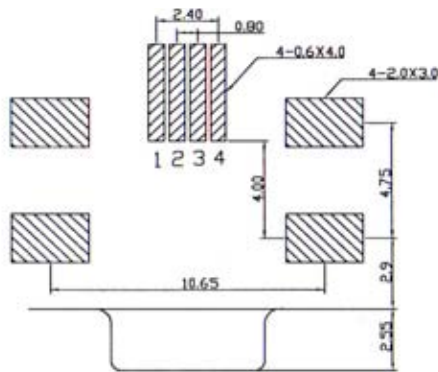


SPECIFICATIONS

Current Rating: 1.0 Amperes
Contact Resistance: 25mΩ Max.
Insulation Resistance: 1000MΩ Min. at 500V
Dielectric Voltage: 1000V at 1 Minute
Operating Temperature: -55°C to +105°C

MATERIALS

Insulator: PBT, UL94V-0 Rated
Contact: Brass
Shell: Brass, Steel
Contact Plating: Selective Gold Over Nickel Plated
Shell Plating: Tin Or Nickel Over Copper Plated
***RoHS & REACH compliant.**



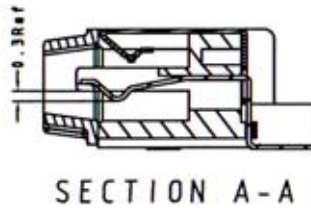
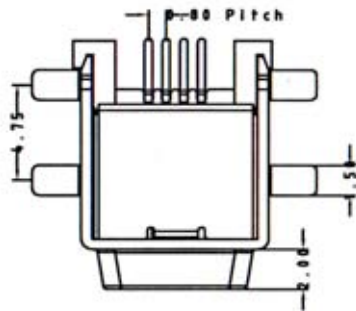
Recommended P.C.Board Layout
(TOP VIEW)

ORDERING INFORMATION:

P/N F W 9 8 - 0 4 F B 3 0
 1 2 3 4

1. NO. OF CONTACTS:
04
2. CONNECTOR TYPE:
"F" FEMALE
3. INSULATOR COLOR:
"B" BLACK
4. CONTACT FINISH:
"30" 30 MICRINCH GOLD

IEEE1394 4 PIN FEMALE CONNECTOR SMT TYPE

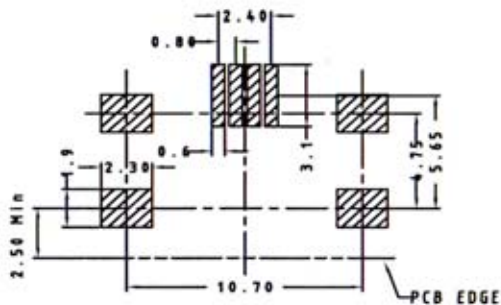
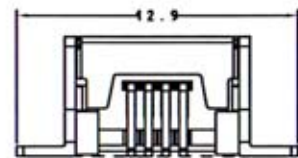
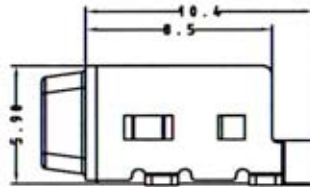
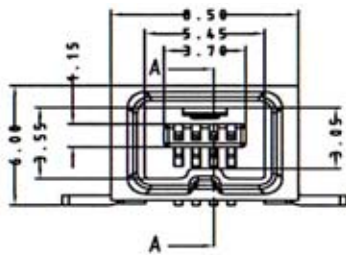


SPECIFICATIONS

Current Rating: 1.0 Amperes
Contact Resistance: 25mΩ Max.
Insulation Resistance: 1000MΩ Min. at 500V
Dielectric Voltage: 1000V at 1 Minute
Operating Temperature: -55°C to +105°C

MATERIALS

Insulator: PBT, UL94V-0 Rated
Contact: Brass
Shell: Brass, Steel
Contact Plating: Selective Gold Over Nickel Plated
Shell Plating: Tin Or Nickel Over Copper Plated
***RoHS & REACH compliant.**



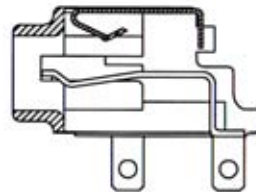
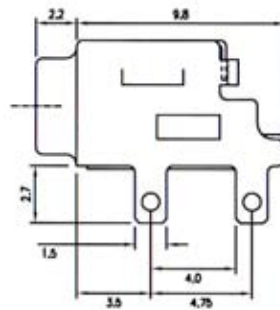
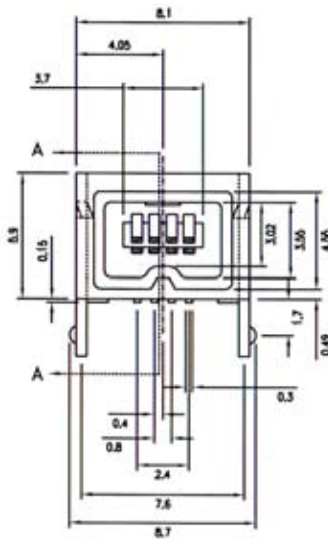
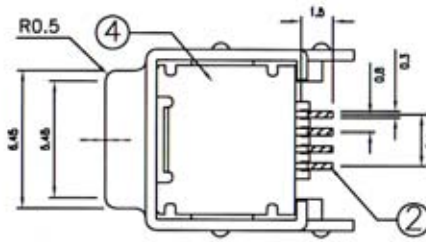
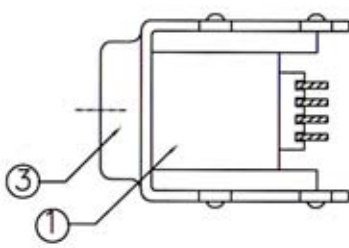
Recommended P.C.Board Layout

ORDERING INFORMATION:

P/N FW97-04FB30
1 2 3 4

1. NO. OF CONTACTS:
04
2. CONNECTOR TYPE:
"F" FEMALE
3. INSULATOR COLOR:
"B" BLACK
4. CONTACT FINISH:
"30" 30 MICROINCH GOLD

IEEE1394 4 PIN FEMALE CONNECTOR SMT TYPE



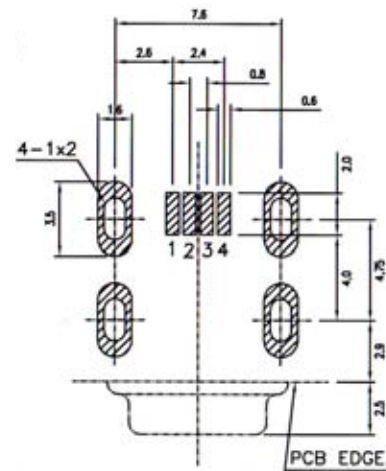
SECTION A-A

SPECIFICATIONS

Current Rating: 1.0 Amperes
Contact Resistance: 25mΩ Max.
Insulation Resistance: 1000MΩ Min. at 500V
Dielectric Voltage: 1000V at 1 Minute
Operating Temperature: -55°C to +105°C

MATERIALS

Insulator: PBT, UL94V-0 Rated
Contact: Brass
Shell: Brass, Steel
Contact Plating: Selective Gold Over Nickel Plated
Shell Plating: Tin Or Nickel Over Copper Plated
 *RoHS & REACH compliant.



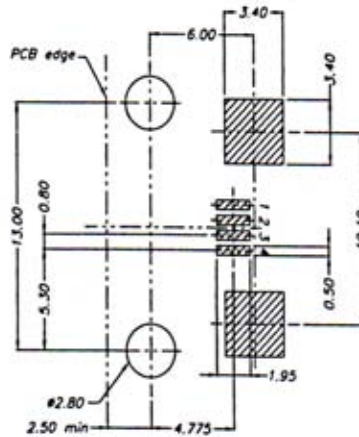
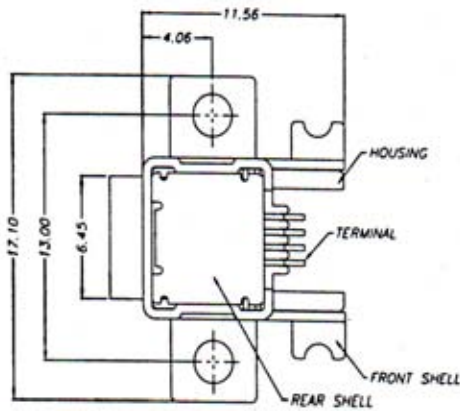
Recommended P.C.Board Layout
(COMPONENT SIDE)

ORDERING INFORMATION:

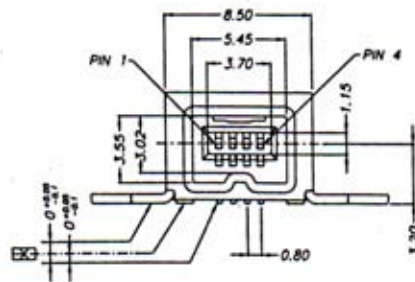
P/N **F W 9 3 - 0 4 F B 3 0**
 1 2 3 4

1. NO. OF CONTACTS:
04
2. CONNECTOR TYPE:
"F" FEMALE
3. INSULATOR COLOR:
"B" BLACK
4. CONTACT FINISH:
"30" 30 MICROINCH GOLD

IEEE1394 4 PIN FEMALE CONNECTOR SMT TYPE WITH FLANGE



Recommended P.C.Board Layout



SPECIFICATIONS

Current Rating: 1.0 Amperes
Contact Resistance: 25mΩ Max.
Insulation Resistance: 1000MΩ Min. at 500V
Dielectric Voltage: 1000V at 1 Minute
Operating Temperature: -55°C to +105°C

MATERIALS

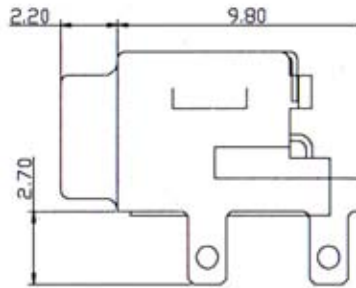
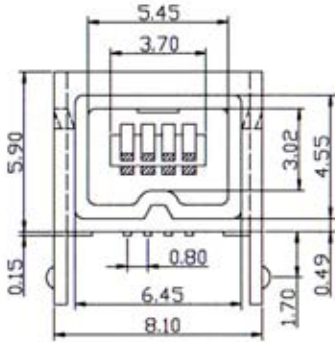
Insulator: PBT, UL94V-0 Rated
Contact: Brass
Shell: Brass, Steel
Contact Plating: Selective Gold Over Nickel Plated
Shell Plating: Tin Or Nickel Over Copper Plated
***RoHS & REACH compliant.**

ORDERING INFORMATION:

P/N F W 5 5 - $\frac{0}{1}$ $\frac{4}{2}$ $\frac{F}{3}$ $\frac{B}{4}$ $\frac{30}{4}$

1. NO. OF CONTACTS:
04
2. CONNECTOR TYPE:
"F" FEMALE
3. INSULATOR COLOR:
"B" BLACK
4. CONTACT FINISH:
"30" 30 MICRINCH GOLD

IEEE1394 4 PIN FEMALE CONNECTOR SMT TYPE

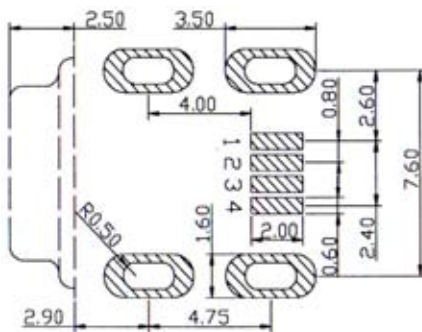


SPECIFICATIONS

Current Rating: 1.0 Amperes
Contact Resistance: 25mΩ Max.
Insulation Resistance: 1000MΩ Min. at 500V
Dielectric Voltage: 1000V at 1 Minute
Operating Temperature: -55°C to +105°C

MATERIALS

Insulator: PBT, UL94V-0 Rated
Contact: Brass
Shell: Brass, Steel
Contact Plating: Selective Gold Over Nickel Plated
Shell Plating: Tin Or Nickel Over Copper Plated
***RoHS & REACH compliant.**



Recommended P.C.Board Layout
(TOP VIEW)

ORDERING INFORMATION:

P/N F W 6 4 - $\frac{0}{1}$ $\frac{4}{2}$ $\frac{F}{3}$ $\frac{B}{4}$ $\frac{30}{4}$

1. NO. OF CONTACTS:
04
2. CONNECTOR TYPE:
"F" FEMALE
3. INSULATOR COLOR:
"B" BLACK
4. CONTACT FINISH:
"30" 30 MICROINCH GOLD

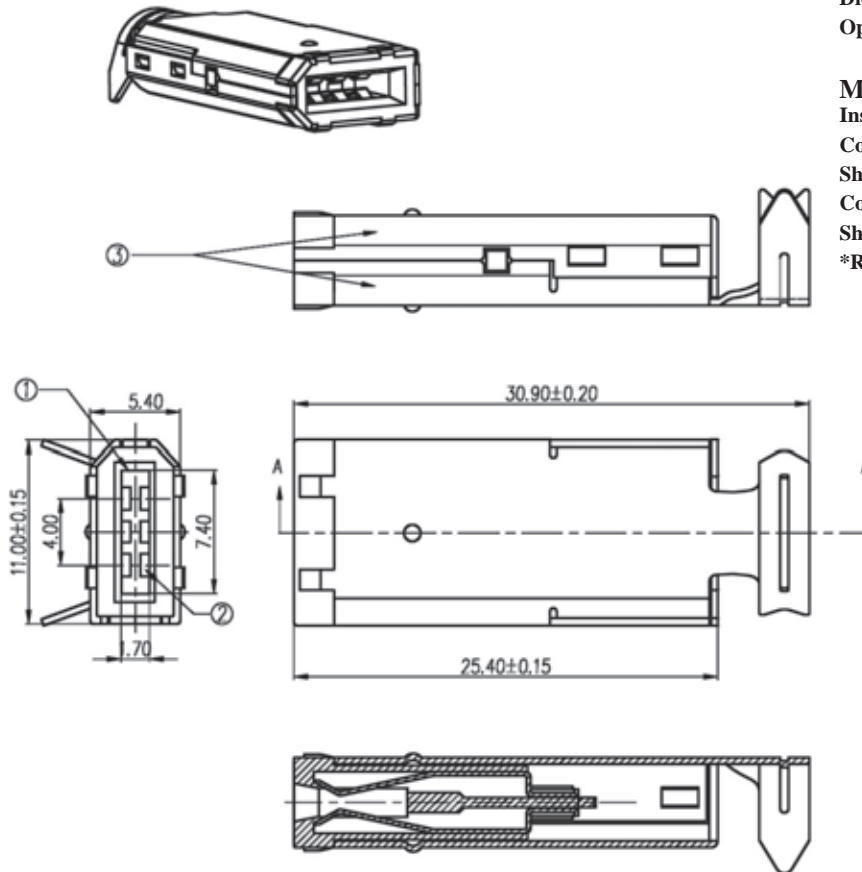
IEEE1394 6 PIN MALE CONNECTOR CABLE MOLDED TYPE

SPECIFICATIONS

Current Rating: 1.0 Amperes
Contact Resistance: 25mΩ Max.
Insulation Resistance: 1000MΩ Min. at 500V
Dielectric Voltage: 1000V at 1 Minute
Operating Temperature: -55°C to +105°C

MATERIALS

Insulator: PBT, UL94V-0 Rated
Contact: Brass
Shell: Brass, Steel
Contact Plating: Selective Gold Over Nickel Plated
Shell Plating: Tin Or Nickel Over Copper Plated
***RoHS & REACH compliant.**

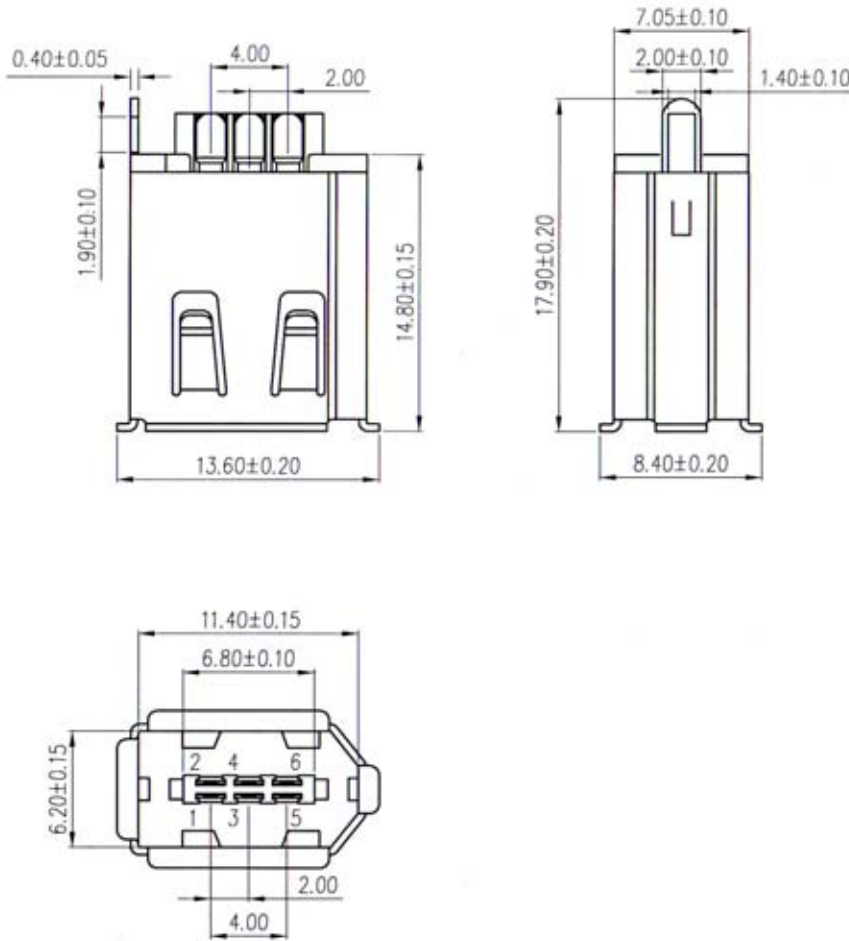


ORDERING INFORMATION:

P/N F W 5 3 - 0.6 M B x x
1 2 3 4

1. NO. OF CONTACTS:
06
2. CONNECTOR TYPE:
"M" MALE
3. INSULATOR COLOR:
"B" BLACK
4. CONTACT FINISH:
"03" 3 MICROINCH GOLD
"30" 30 MICROINCH GOLD

IEEE1394 6 PIN FEMALE CONNECTOR CABLE SOLDER TYPE



SPECIFICATIONS

Current Rating: 1.0 Amperes
Contact Resistance: 25mΩ Max.
Insulation Resistance: 1000MΩ Min. at 500V
Dielectric Voltage: 1000V at 1 Minute
Operating Temperature: -55°C to +105°C

MATERIALS

Insulator: PBT, UL94V-0 Rated
Contact: Brass
Shell: Brass, Steel
Contact Plating: Selective Gold Over Nickel Plated
Shell Plating: Tin Or Nickel Over Copper Plated
***RoHS & REACH compliant.**

ORDERING INFORMATION:

P/N F W 5 4 - $\frac{0}{1}$ $\frac{6}{2}$ $\frac{F}{3}$ $\frac{B}{4}$ $\frac{x}{x}$

1. NO. OF CONTACTS:
06
2. CONNECTOR TYPE:
"F" FEMALE
3. INSULATOR COLOR:
"B" BLACK
4. CONTACT FINISH:
"03" 3 MICROINCH GOLD
"30" 30 MICROINCH GOLD

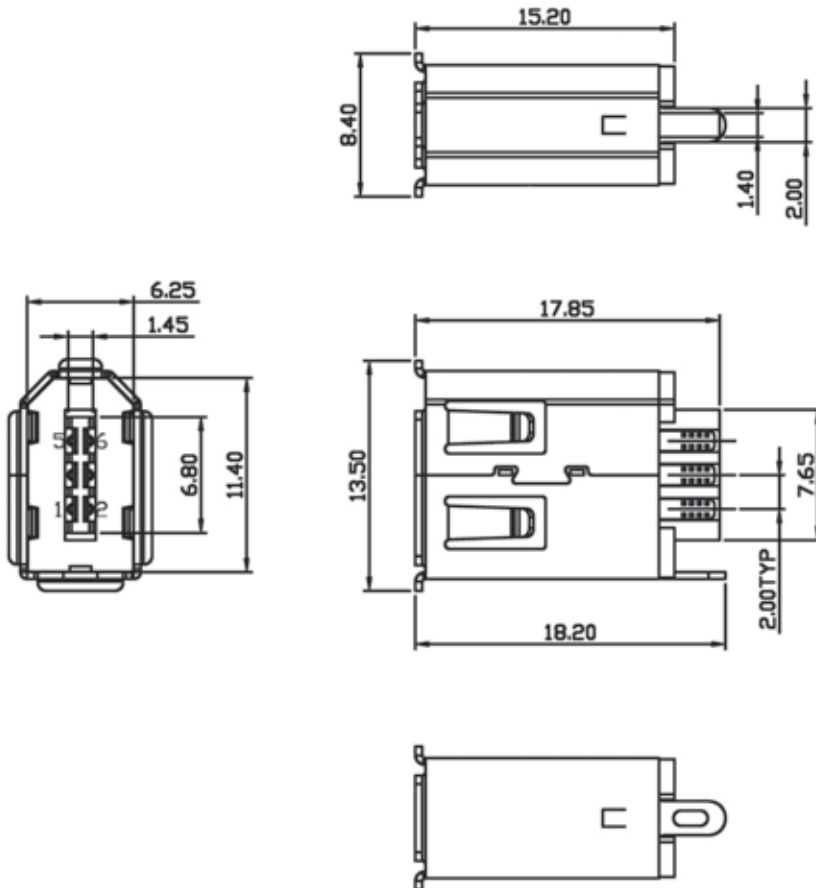
IEEE1394 6 PIN FEMALE CONNECTOR CABLE SOLDER TYPE

SPECIFICATIONS

Current Rating: 1.0 Amperes
Contact Resistance: 25mΩ Max.
Insulation Resistance: 1000MΩ Min. at 500V
Dielectric Voltage: 1000V at 1 Minute
Operating Temperature: -55°C to +105°C

MATERIALS

Insulator: PBT, UL94V-0 Rated
Contact: Brass
Shell: Brass, Steel
Contact Plating: Selective Gold Over Nickel Plated
Shell Plating: Tin Or Nickel Over Copper Plated
***RoHS & REACH compliant.**

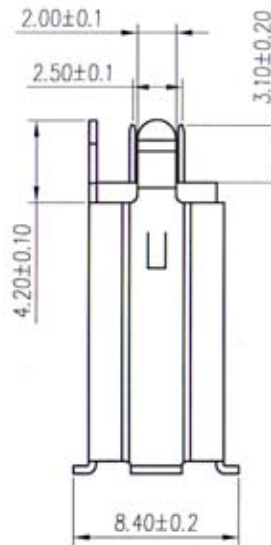
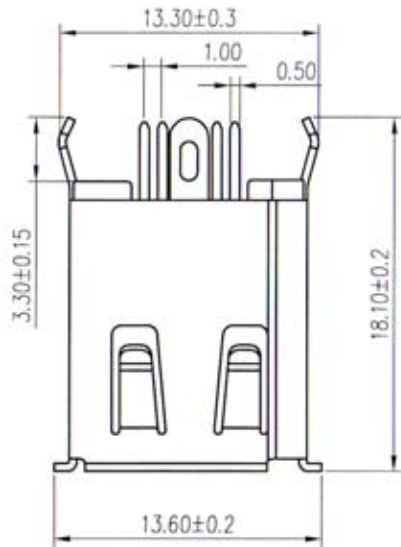


ORDERING INFORMATION:

P/N F W 4 8 - $\frac{0}{1}$ $\frac{6}{2}$ $\frac{F}{3}$ $\frac{x}{4}$ $\frac{x}{4}$

1. NO. OF CONTACTS:
06
2. CONNECTOR TYPE:
"F" FEMALE
3. INSULATOR COLOR:
"B" BLACK
"W" WHITE
4. CONTACT FINISH:
"01" GOLD FLASH
"15" 15 MICROINCH GOLD
"30" 30 MICROINCH GOLD

IEEE1394 6 PIN FEMALE CONNECTOR STRAIGHT PCB MOUNT TYPE

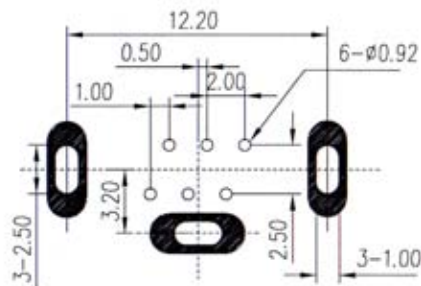
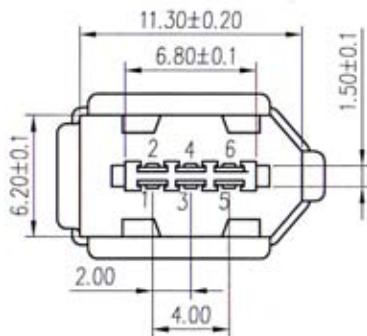


SPECIFICATIONS

Current Rating: 1.0 Amperes
Contact Resistance: 25mΩ Max.
Insulation Resistance: 1000MΩ Min. at 500V
Dielectric Voltage: 1000V at 1 Minute
Operating Temperature: -55°C to +105°C

MATERIALS

Insulator: PBT, UL94V-0 Rated
Contact: Brass
Shell: Brass, Steel
Contact Plating: Selective Gold Over Nickel Plated
Shell Plating: Tin Or Nickel Over Copper Plated
***RoHS & REACH compliant.**



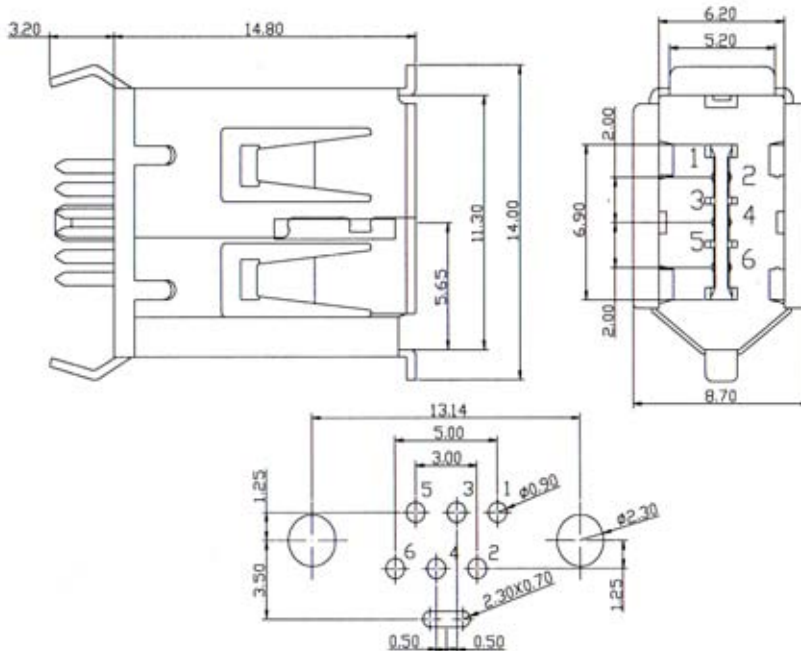
Recommended P.C.Board Layout

ORDERING INFORMATION:

P/N F W 6 2 - $\frac{0}{1} \frac{6}{2} \frac{F}{3} \frac{B}{4} \frac{x}{x}$

1. NO. OF CONTACTS:
06
2. CONNECTOR TYPE:
"F" FEMALE
3. INSULATOR COLOR:
"B" BLACK
4. CONTACT FINISH:
"03" 3 MICROINCH GOLD
"30" 30 MICROINCH GOLD

IEEE1394 6 PIN FEMALE CONNECTOR STRAIGHT PCB MOUNT TYPE



Recommended P.C.Board Layout

SPECIFICATIONS

Current Rating: 1.0 Amperes
Contact Resistance: 25mΩ Max.
Insulation Resistance: 1000MΩ Min. at 500V
Dielectric Voltage: 1000V at 1 Minute
Operating Temperature: -55°C to +105°C

MATERIALS

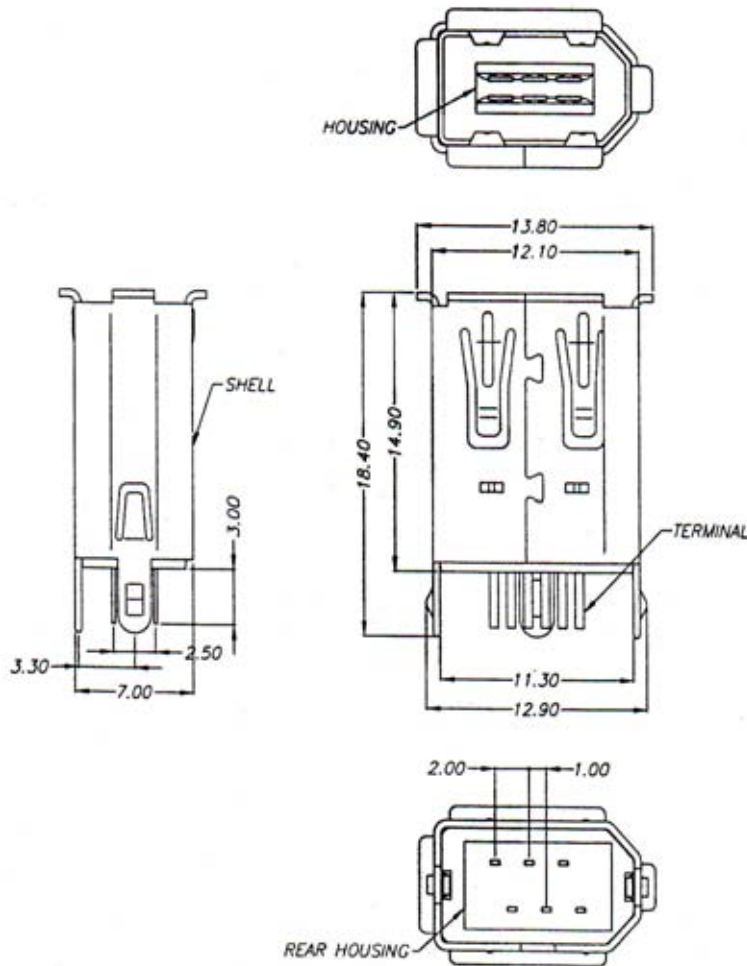
Insulator: PBT, UL94V-0 Rated
Contact: Brass
Shell: Brass, Steel
Contact Plating: Selective Gold Over Nickel Plated
Shell Plating: Tin Or Nickel Over Copper Plated
***RoHS & REACH compliant.**

ORDERING INFORMATION:

P/N F W 6 3 - $\frac{0}{1}$ $\frac{6}{2}$ $\frac{F}{3}$ $\frac{B}{4}$ $\frac{30}{4}$

1. NO. OF CONTACTS:
06
2. CONNECTOR TYPE:
"F" FEMALE
3. INSULATOR COLOR:
"B" BLACK
4. CONTACT FINISH:
"30" 30 MICROINCH GOLD

IEEE1394 6 PIN FEMALE CONNECTOR STRAIGHT PCB MOUNT TYPE

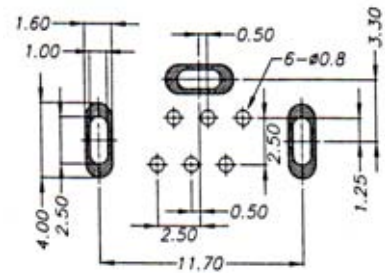


SPECIFICATIONS

Current Rating: 1.0 Amperes
Contact Resistance: 25mΩ Max.
Insulation Resistance: 1000MΩ Min. at 500V
Dielectric Voltage: 1000V at 1 Minute
Operating Temperature: -55°C to +105°C

MATERIALS

Insulator: PBT, UL94V-0 Rated
Contact: Brass
Shell: Brass, Steel
Contact Plating: Selective Gold Over Nickel Plated
Shell Plating: Tin Or Nickel Over Copper Plated
***RoHS & REACH compliant.**



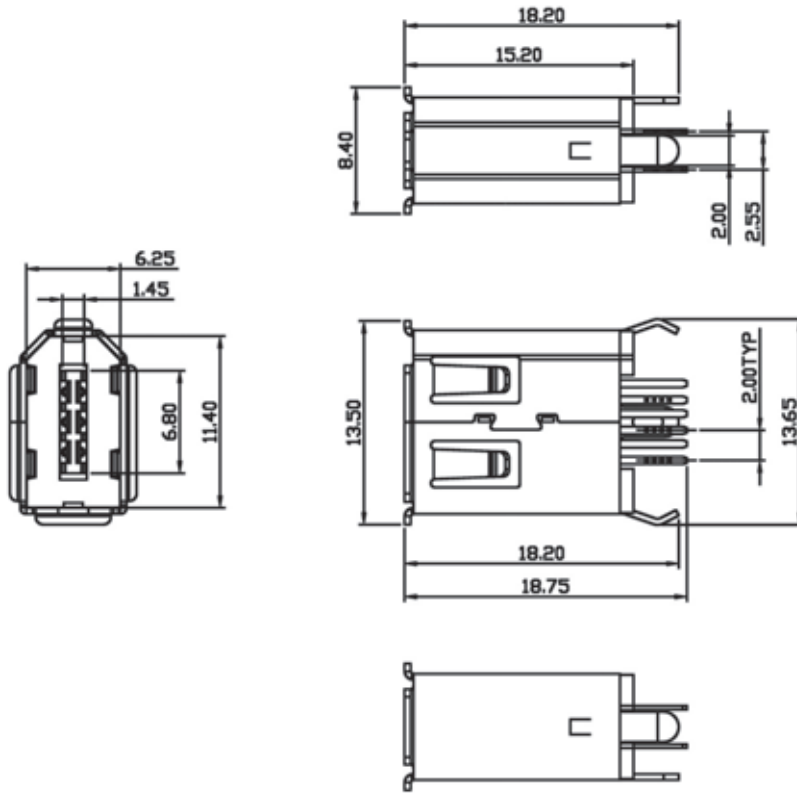
Recommended P.C.Board Layout

ORDERING INFORMATION:

P/N F W 1 3 - $\frac{0}{1}$ $\frac{6}{2}$ $\frac{F}{3}$ $\frac{B}{3}$ $\frac{30}{4}$

1. NO. OF CONTACTS:
06
2. CONNECTOR TYPE:
"F" FEMALE
3. INSULATOR COLOR:
"B" BLACK
4. CONTACT FINISH:
"30" 30 MICROINCH GOLD

IEEE1394 6 PIN FEMALE CONNECTOR STRAIGHT DIP TYPE

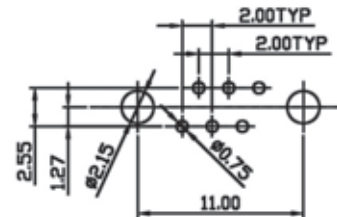


SPECIFICATIONS

Current Rating: 1.0 Amperes
Contact Resistance: 25mΩ Max.
Insulation Resistance: 1000MΩ Min. at 500V
Dielectric Voltage: 1000V at 1 Minute
Operating Temperature: -55°C to +105°C

MATERIALS

Insulator: PBT, UL94V-0 Rated
Contact: Brass
Shell: Brass, Steel
Contact Plating: Selective Gold Over Nickel Plated
Shell Plating: Tin Or Nickel Over Copper Plated
***RoHS & REACH compliant.**



Recommended P.C.Board Layout

ORDERING INFORMATION:

P/N F W 2 7 - 0 6 F x x x
1 2 3 4

1. NO. OF CONTACTS:
06
2. CONNECTOR TYPE:
"F" FEMALE
3. INSULATOR COLOR:
"B" BLACK
"W" WHITE
4. CONTACT FINISH:
"01" GOLD FLASH
"15" 15 MICROINCH GOLD
"30" 30 MICROINCH GOLD

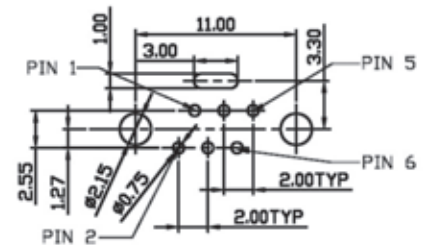
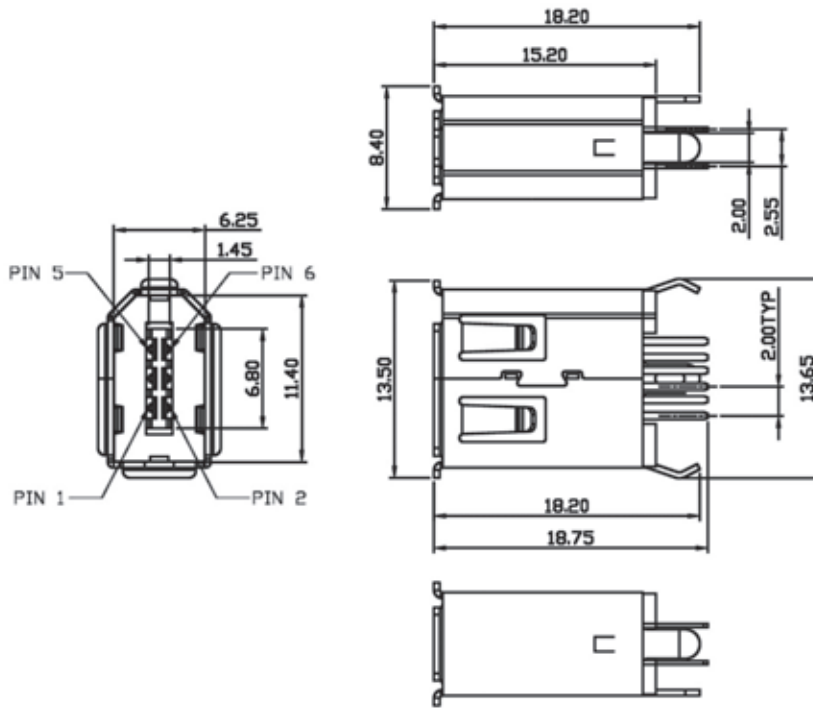
IEEE1394 6 PIN FEMALE CONNECTOR STRAIGHT DIP TYPE

SPECIFICATIONS

Current Rating: 1.0 Amperes
Contact Resistance: 25mΩ Max.
Insulation Resistance: 1000MΩ Min. at 500V
Dielectric Voltage: 1000V at 1 Minute
Operating Temperature: -55°C to +105°C

MATERIALS

Insulator: PBT, UL94V-0 Rated
Contact: Brass
Shell: Brass, Steel
Contact Plating: Selective Gold Over Nickel Plated
Shell Plating: Tin Or Nickel Over Copper Plated
***RoHS & REACH compliant.**



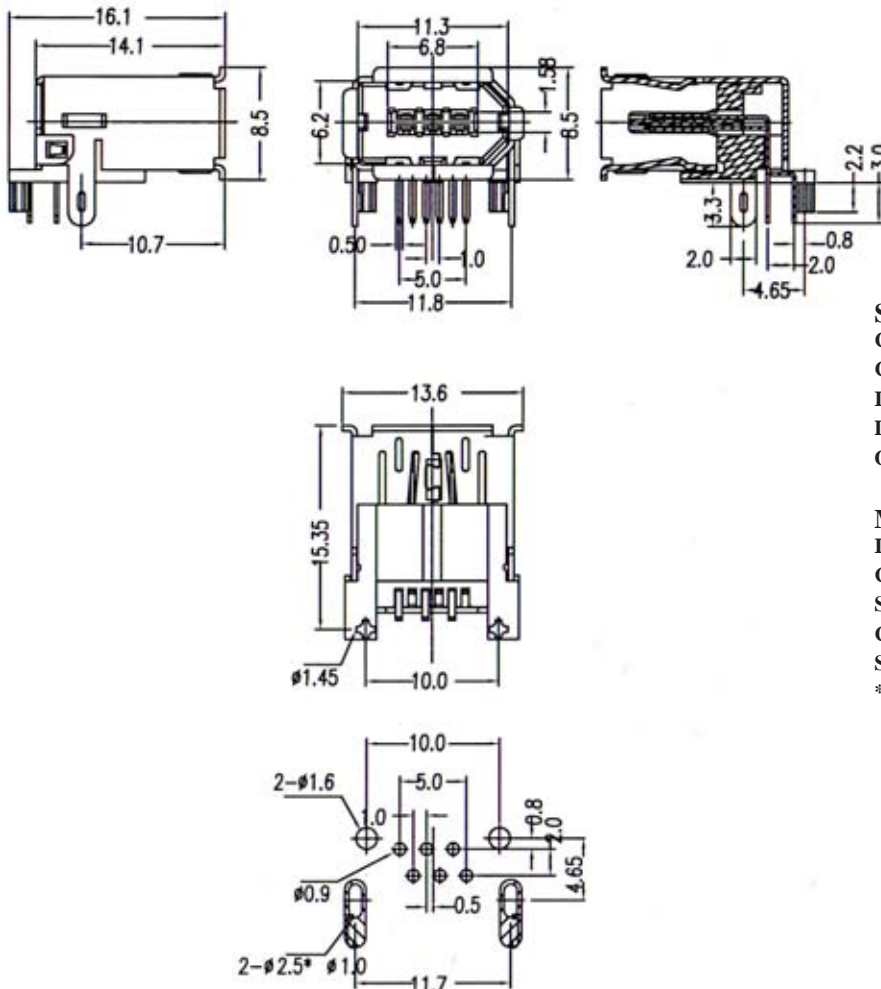
Recommended P.C.Board Layout

ORDERING INFORMATION:

P/N F W 2 8 - $\frac{0}{1}$ $\frac{6}{2}$ $\frac{F}{3}$ $\frac{x}{4}$ $\frac{x}{x}$

1. NO. OF CONTACTS:
06
2. CONNECTOR TYPE:
"F" FEMALE
3. INSULATOR COLOR:
"B" BLACK
"W" WHITE
4. CONTACT FINISH:
"01" GOLD FLASH
"15" 15 MICROINCH GOLD
"30" 30 MICROINCH GOLD

IEEE1394 6 PIN FEMALE CONNECTOR RIGHT ANGLE DIP TYPE



Recommended P.C.Board Layout

SPECIFICATIONS

Current Rating: 1.0 Amperes
Contact Resistance: 25mΩ Max.
Insulation Resistance: 1000MΩ Min. at 500V
Dielectric Voltage: 1000V at 1 Minute
Operating Temperature: -55°C to +105°C

MATERIALS

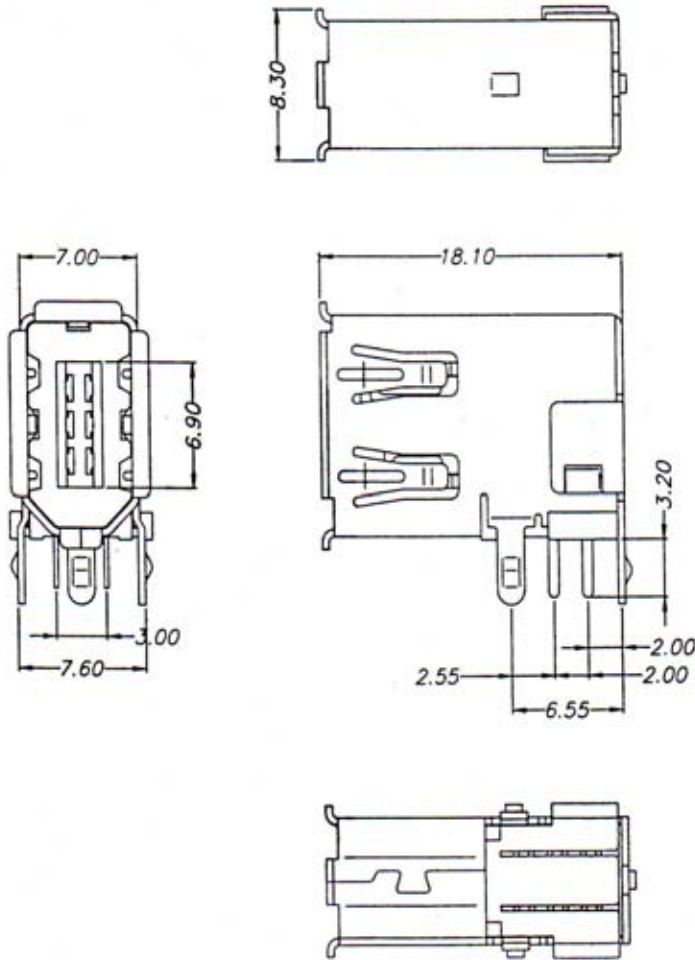
Insulator: PBT, UL94V-0 Rated
Contact: Brass
Shell: Brass, Steel
Contact Plating: Selective Gold Over Nickel Plated
Shell Plating: Tin Or Nickel Over Copper Plated
***RoHS & REACH compliant.**

ORDERING INFORMATION:

P/N F W 2 5 - $\frac{0}{1}$ $\frac{6}{2}$ $\frac{F}{3}$ $\frac{B}{4}$ $\frac{30}{4}$

1. NO. OF CONTACTS:
06
2. CONNECTOR TYPE:
"F" FEMALE
3. INSULATOR COLOR:
"B" BLACK
4. CONTACT FINISH:
"30" 30 MICROINCH GOLD

IEEE1394 6 PIN FEMALE CONNECTOR UP RIGHT ANGLE DIP TYPE

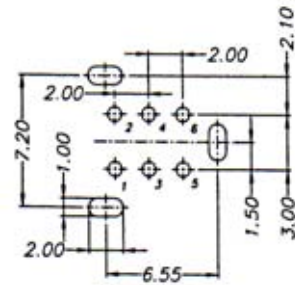


SPECIFICATIONS

Current Rating: 1.0 Amperes
Contact Resistance: 25mΩ Max.
Insulation Resistance: 1000MΩ Min. at 500V
Dielectric Voltage: 1000V at 1 Minute
Operating Temperature: -55°C to +105°C

MATERIALS

Insulator: PBT, UL94V-0 Rated
Contact: Brass
Shell: Brass, Steel
Contact Plating: Selective Gold Over Nickel Plated
Shell Plating: Tin Or Nickel Over Copper Plated
***RoHS & REACH compliant.**



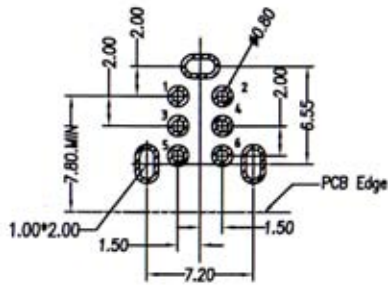
Recommended P.C.Board Layout

ORDERING INFORMATION:

P/N **F W 3 0 - 0 6 F B 3 0**
1 2 3 4

1. NO. OF CONTACTS:
06
2. CONNECTOR TYPE:
"F" FEMALE
3. INSULATOR COLOR:
"B" BLACK
4. CONTACT FINISH:
"30" 30 MICROINCH GOLD

IEEE1394 6 PIN FEMALE CONNECTOR UP RIGHT ANGLE DIP TYPE W/O SPRINGY GROUND



Recommended P.C.Board Layout

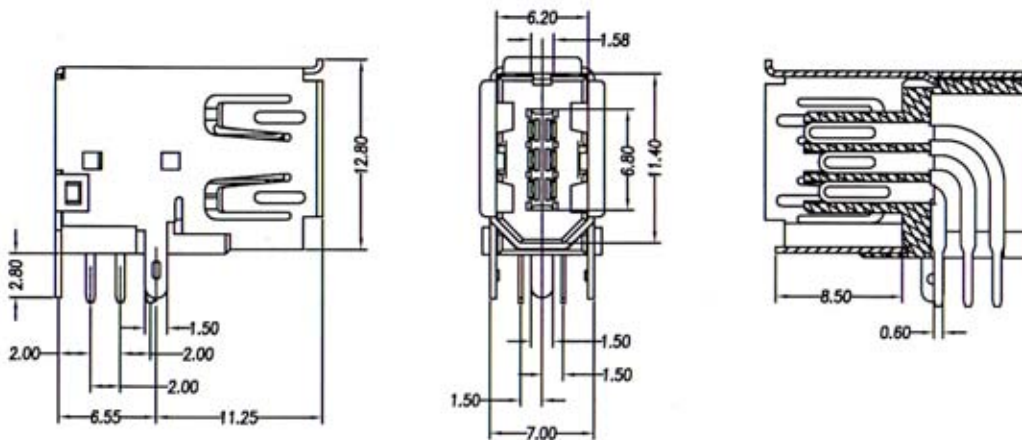


SPECIFICATIONS

Current Rating: 1.0 Amperes
Contact Resistance: 25mΩ Max.
Insulation Resistance: 1000MΩ Min. at 500V
Dielectric Voltage: 1000V at 1 Minute
Operating Temperature: -55°C to +105°C

MATERIALS

Insulator: PBT, UL94V-0 Rated
Contact: Brass
Shell: Brass, Steel
Contact Plating: Selective Gold Over Nickel Plated
Shell Plating: Tin Or Nickel Over Copper Plated
***RoHS & REACH compliant.**

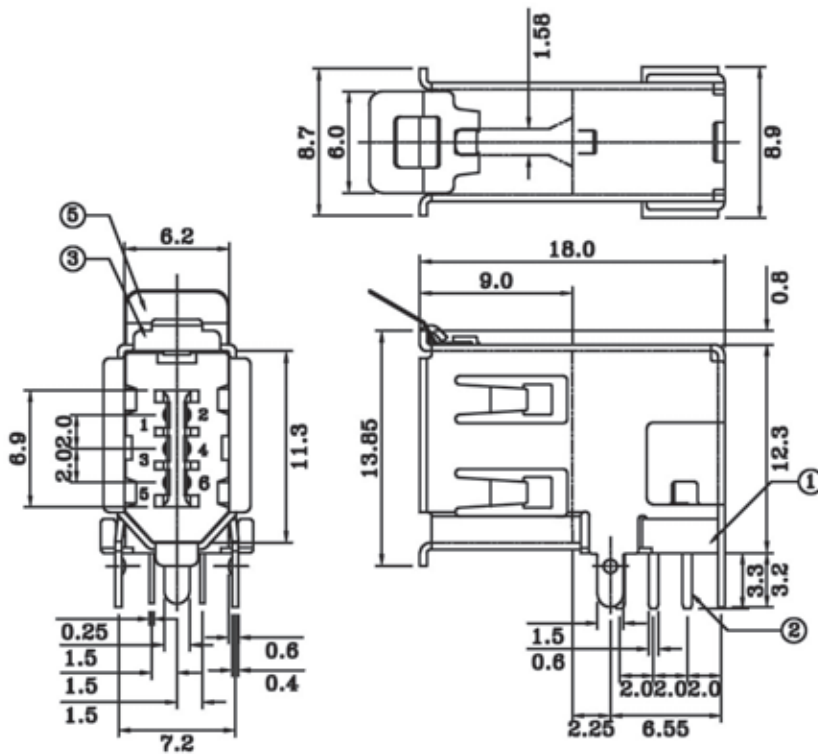


ORDERING INFORMATION:

P/N F W 4 3 - $\frac{0.6}{1}$ $\frac{F}{2}$ $\frac{B}{3}$ $\frac{30}{4}$

1. NO. OF CONTACTS:
06
2. CONNECTOR TYPE:
"F" FEMALE
3. INSULATOR COLOR:
"B" BLACK
4. CONTACT FINISH:
"30" 30 MICROINCH GOLD

IEEE1394 6 PIN FEMALE CONNECTOR UP RIGHT ANGLE DIP TYPE WITH SPRINGY GROUND

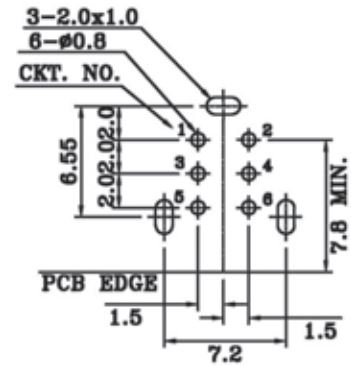


SPECIFICATIONS

Current Rating: 1.0 Amperes
Contact Resistance: 25mΩ Max.
Insulation Resistance: 1000MΩ Min. at 500V
Dielectric Voltage: 1000V at 1 Minute
Operating Temperature: -55°C to +105°C

MATERIALS

Insulator: PBT, UL94V-0 Rated
Contact: Brass
Shell: Brass, Steel
Contact Plating: Selective Gold Over Nickel Plated
Shell Plating: Tin Or Nickel Over Copper Plated
 *RoHS & REACH compliant.



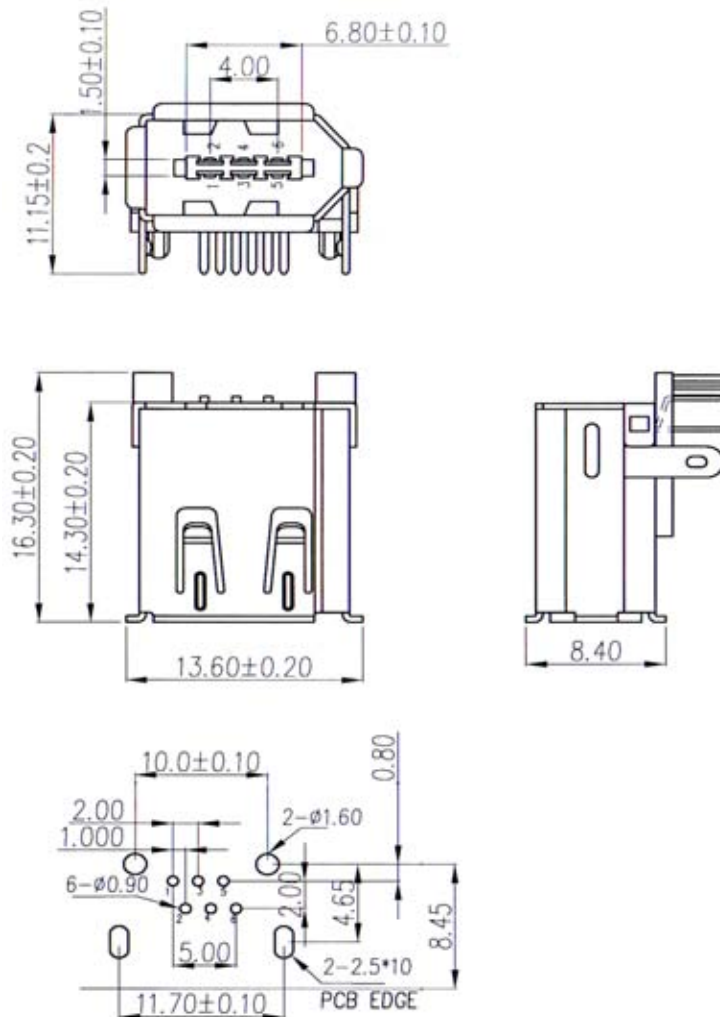
Recommended P.C. Board Layout
(Component Side View)

ORDERING INFORMATION:

P/N F W 4 4 - $\frac{0}{1}$ $\frac{6}{2}$ $\frac{F}{3}$ $\frac{B}{4}$ $\frac{30}{4}$

1. NO. OF CONTACTS:
06
2. CONNECTOR TYPE:
"F" FEMALE
3. INSULATOR COLOR:
"B" BLACK
4. CONTACT FINISH:
"30" 30 MICROINCH GOLD

IEEE1394 6 PIN FEMALE CONNECTOR RIGHT ANGLE DIP TYPE



Recommended P.C.Board Layout

SPECIFICATIONS

Current Rating: 1.0 Amperes
Contact Resistance: 25mΩ Max.
Insulation Resistance: 1000MΩ Min. at 500V
Dielectric Voltage: 1000V at 1 Minute
Operating Temperature: -55°C to +105°C

MATERIALS

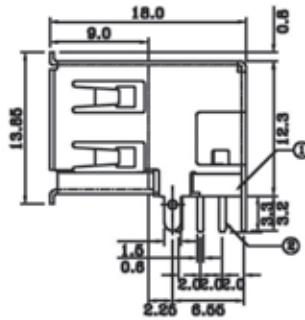
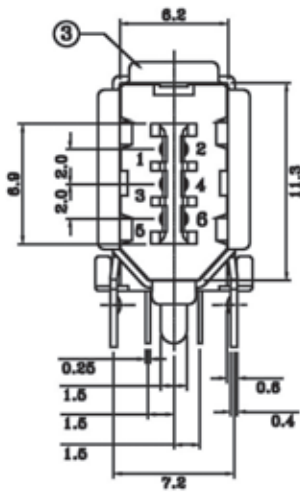
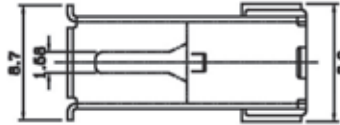
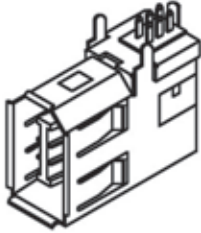
Insulator: PBT, UL94V-0 Rated
Contact: Brass
Shell: Brass, Steel
Contact Plating: Selective Gold Over Nickel Plated
Shell Plating: Tin Or Nickel Over Copper Plated
***RoHS & REACH compliant.**

ORDERING INFORMATION:

P/N F W 7 2 - $\frac{0.6}{1}$ $\frac{F}{2}$ $\frac{B}{3}$ $\frac{x}{4}$ x

1. NO. OF CONTACTS:
06
2. CONNECTOR TYPE:
"F" FEMALE
3. INSULATOR COLOR:
"B" BLACK
4. CONTACT FINISH:
"03" 3 MICROINCH GOLD
"30" 30 MICROINCH GOLD

IEEE1394 6 PIN FEMALE CONNECTOR RIGHT ANGLE DIP TYPE



SPECIFICATIONS

Current Rating: 1.0 Amperes

Contact Resistance: 25mΩ Max.

Insulation Resistance: 1000MΩ Min. at 500V

Dielectric Voltage: 1000V at 1 Minute

Operating Temperature: -55°C to +105°C

MATERIALS

Insulator: PBT, UL94V-0 Rated

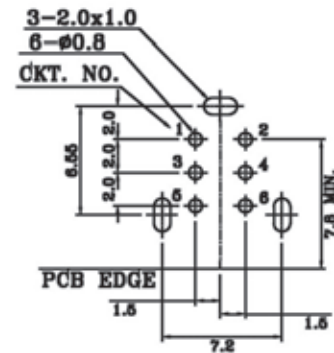
Contact: Brass

Shell: Brass, Steel

Contact Plating: Selective Gold Over Nickel Plated

Shell Plating: Tin Or Nickel Over Copper Plated

*RoHS & REACH compliant.



Recommended P.C. Board Layout
(Component Side View)

ORDERING INFORMATION:

P/N F W 7 3 - $\frac{0.6}{1}$ $\frac{F}{2}$ $\frac{B}{3}$ $\frac{x.x}{4}$

1. NO. OF CONTACTS:

06

2. CONNECTOR TYPE:

"F" FEMALE

3. INSULATOR COLOR:

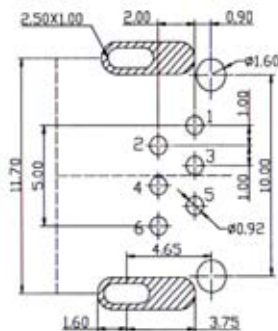
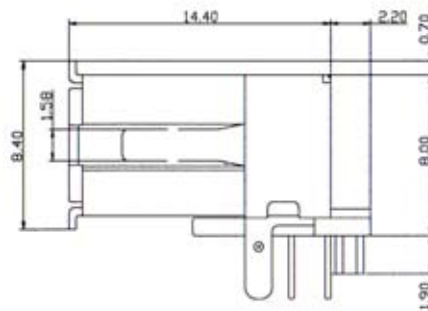
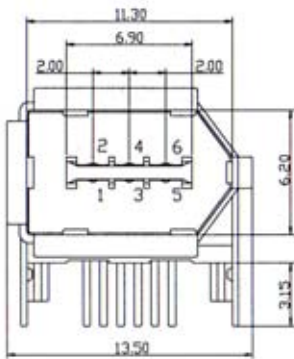
"B" BLACK

4. CONTACT FINISH:

"03" 3 MICROINCH GOLD

"30" 30 MICROINCH GOLD

IEEE1394 6 PIN FEMALE CONNECTOR RIGHT ANGLE DIP TYPE



Recommended P.C.Board Layout
(TOP VIEW)

SPECIFICATIONS

Current Rating: 1.0 Amperes
Contact Resistance: 25mΩ Max.
Insulation Resistance: 1000MΩ Min. at 500V
Dielectric Voltage: 1000V at 1 Minute
Operating Temperature: -55°C to +105°C

MATERIALS

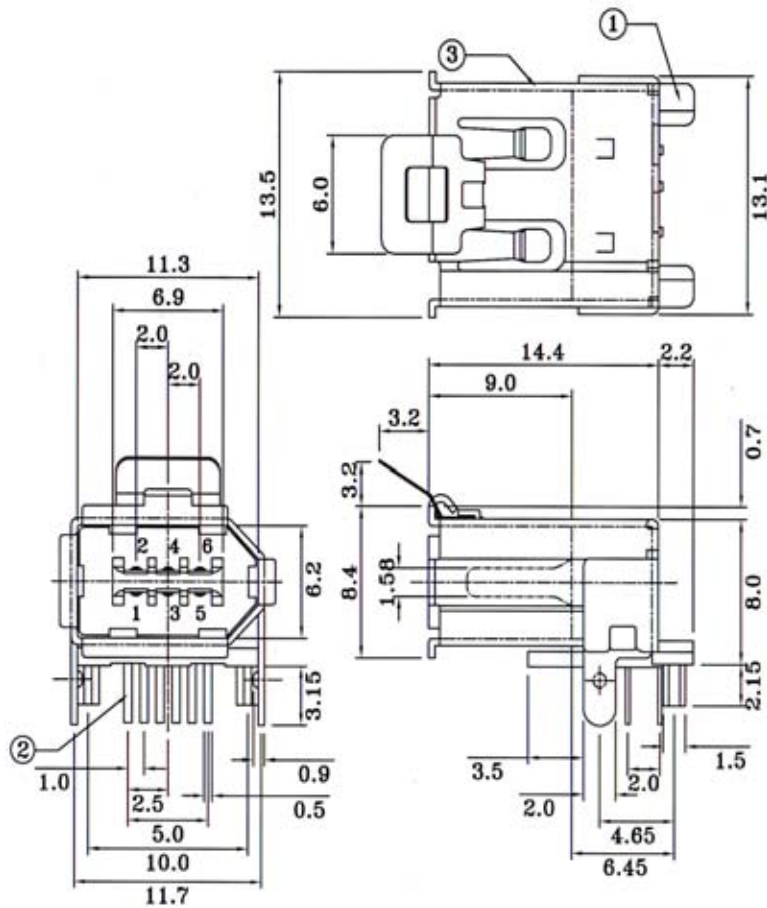
Insulator: PBT, UL94V-0 Rated
Contact: Brass
Shell: Brass, Steel
Contact Plating: Selective Gold Over Nickel Plated
Shell Plating: Tin Or Nickel Over Copper Plated
***RoHS & REACH compliant.**

ORDERING INFORMATION:

P/N F W 7 6 - 0 6 F B 3 0
1 2 3 4

1. NO. OF CONTACTS:
06
2. CONNECTOR TYPE:
"F" FEMALE
3. INSULATOR COLOR:
"B" BLACK
4. CONTACT FINISH:
"30" 30 MICROINCH GOLD

IEEE1394 6 PIN FEMALE CONNECTOR RIGHT ANGLE TYPE

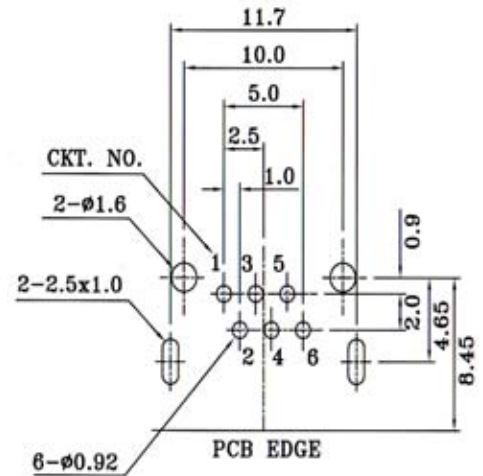


SPECIFICATIONS

Current Rating: 1.0 Amperes
Contact Resistance: 25mΩ Max.
Insulation Resistance: 1000MΩ Min. at 500V
Dielectric Voltage: 1000V at 1 Minute
Operating Temperature: -55°C to +105°C

MATERIALS

Insulator: PBT, UL94V-0 Rated
Contact: Brass
Shell: Brass, Steel
Contact Plating: Selective Gold Over Nickel Plated
Shell Plating: Tin Or Nickel Over Copper Plated
***RoHS & REACH compliant.**



Recommended P.C. Board Layout
(COMPONENT SIDE)

ORDERING INFORMATION:

P/N F W 7 7 - $\frac{0}{1} \frac{6}{2} \frac{F}{3} \frac{B}{4} \frac{3}{4}$

1. NO. OF CONTACTS:
06
2. CONNECTOR TYPE:
"F" FEMALE
3. INSULATOR COLOR:
"B" BLACK
4. CONTACT FINISH:
"30" 30 MICROINCH GOLD

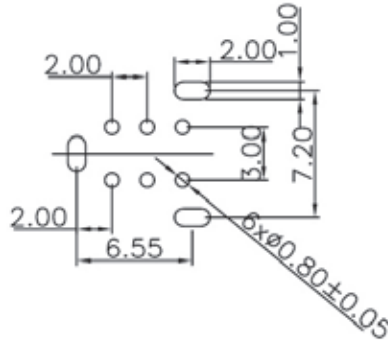
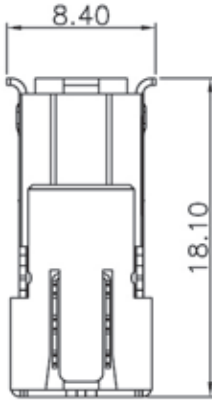
IEEE1394 6 PIN FEMALE CONNECTOR RIGHT ANGLE DIP TYPE

SPECIFICATIONS

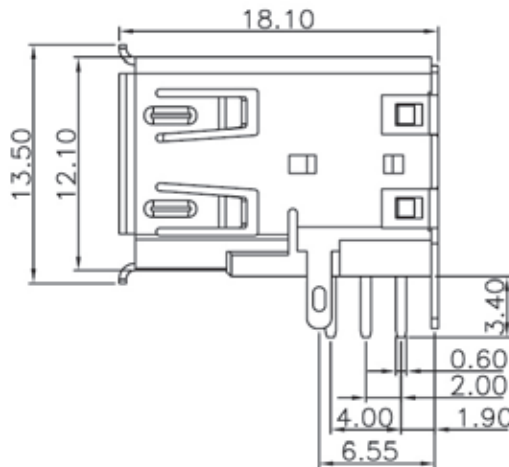
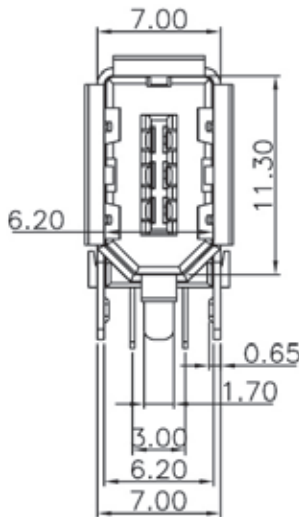
Current Rating: 1.0 Amperes
Contact Resistance: 25mΩ Max.
Insulation Resistance: 1000MΩ Min. at 500V
Dielectric Voltage: 1000V at 1 Minute
Operating Temperature: -55°C to +105°C

MATERIALS

Insulator: PBT, UL94V-0 Rated
Contact: Brass
Shell: Brass, Steel
Contact Plating: Selective Gold Over Nickel Plated
Shell Plating: Tin Or Nickel Over Copper Plated
***RoHS & REACH compliant.**



Recommended P.C.Board Layout



ORDERING INFORMATION:

P/N F W 2 9 - 0 6 F B x x
 1 2 3 4

1. NO. OF CONTACTS:
06
2. CONNECTOR TYPE:
"F" FEMALE
3. INSULATOR COLOR:
"B" BLACK
4. CONTACT FINISH:
"01" GOLD FLASH
"15" 15 MICROINCH GOLD
"30" 30 MICROINCH GOLD

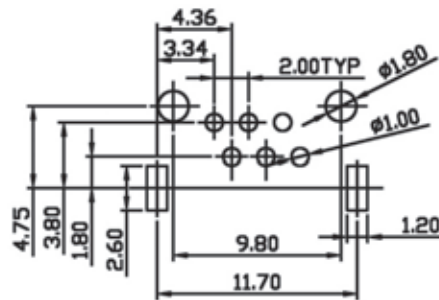
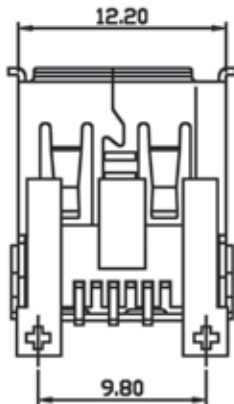
IEEE1394 6 PIN FEMALE CONNECTOR RIGHT ANGLE DIP TYPE

SPECIFICATIONS

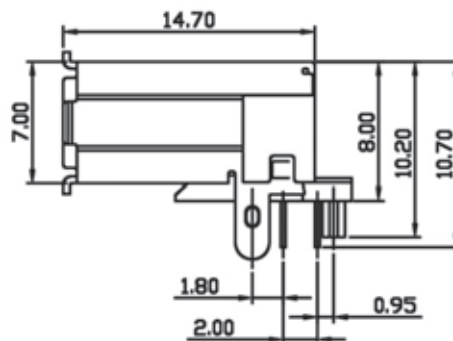
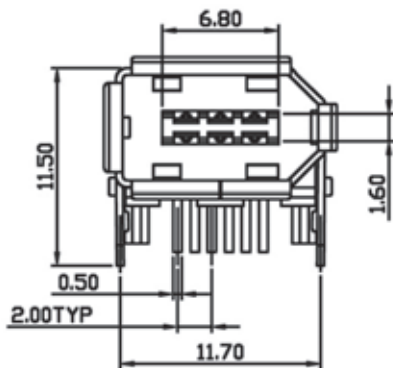
Current Rating: 1.0 Amperes
Contact Resistance: 25mΩ Max.
Insulation Resistance: 1000MΩ Min. at 500V
Dielectric Voltage: 1000V at 1 Minute
Operating Temperature: -55°C to +105°C

MATERIALS

Insulator: PBT, UL94V-0 Rated
Contact: Brass
Shell: Brass, Steel
Contact Plating: Selective Gold Over Nickel Plated
Shell Plating: Tin Or Nickel Over Copper Plated
***RoHS & REACH compliant.**



Recommended P.C.Board Layout

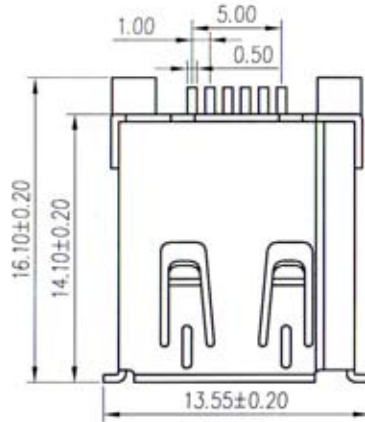


ORDERING INFORMATION:

P/N F W 2 6 - 0 6 F B x x
1 2 3 4

1. NO. OF CONTACTS:
06
2. CONNECTOR TYPE:
"F" FEMALE
3. INSULATOR COLOR:
"B" BLACK
4. CONTACT FINISH:
"01" GOLD FLASH
"15" 15 MICROINCH GOLD
"30" 30 MICROINCH GOLD

IEEE1394 6 PIN FEMALE CONNECTOR SMT TYPE

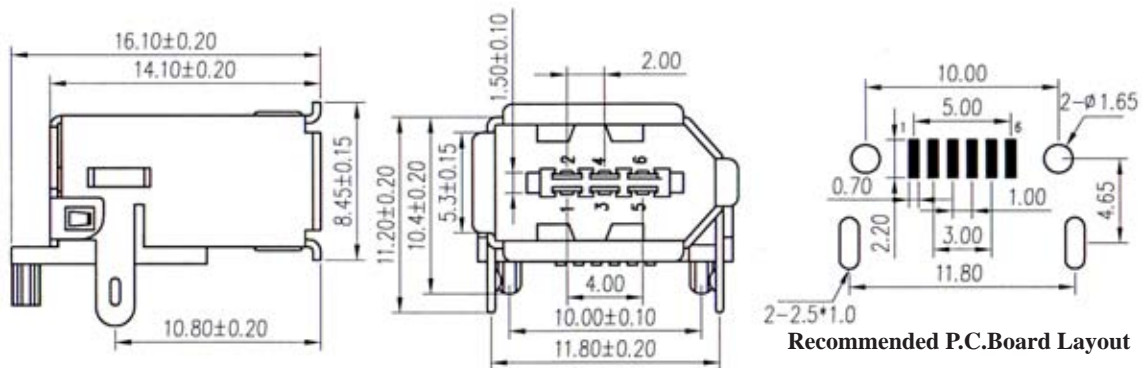


SPECIFICATIONS

Current Rating: 1.0 Amperes
Contact Resistance: 25mΩ Max.
Insulation Resistance: 1000MΩ Min. at 500V
Dielectric Voltage: 1000V at 1 Minute
Operating Temperature: -55°C to +105°C

MATERIALS

Insulator: PBT, UL94V-0 Rated
Contact: Brass
Shell: Brass, Steel
Contact Plating: Selective Gold Over Nickel Plated
Shell Plating: Tin Or Nickel Over Copper Plated
***RoHS & REACH compliant.**



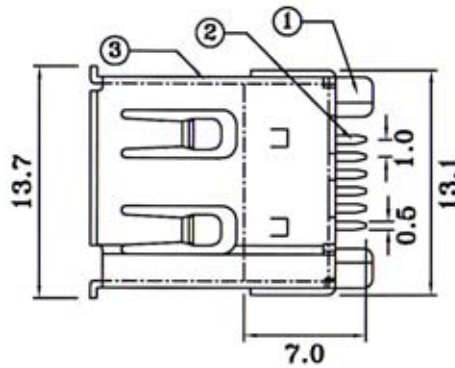
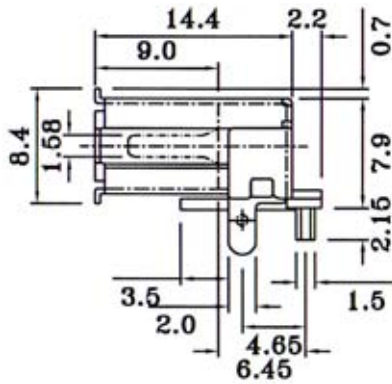
Recommended P.C.Board Layout

ORDERING INFORMATION:

P/N F W 9 2 - $\frac{0}{1}$ $\frac{6}{2}$ $\frac{F}{3}$ $\frac{B}{4}$ x x

1. NO. OF CONTACTS:
06
2. CONNECTOR TYPE:
"F" FEMALE
3. INSULATOR COLOR:
"B" BLACK
4. CONTACT FINISH:
"03" 3 MICROINCH GOLD
"30" 30 MICROINCH GOLD

IEEE1394 6 PIN FEMALE CONNECTOR SMT TYPE

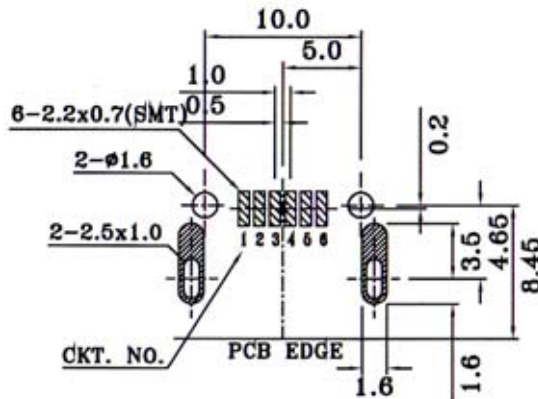
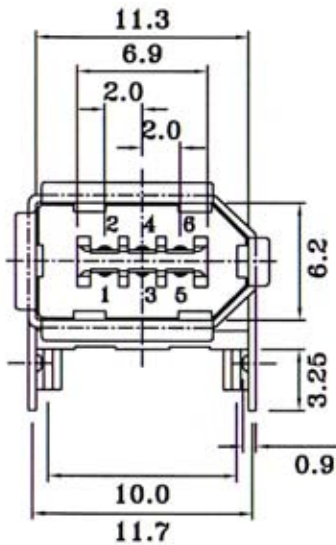


SPECIFICATIONS

Current Rating: 1.0 Amperes
 Contact Resistance: 25mΩ Max.
 Insulation Resistance: 1000MΩ Min. at 500V
 Dielectric Voltage: 1000V at 1 Minute
 Operating Temperature: -55°C to +105°C

MATERIALS

Insulator: PBT, UL94V-0 Rated
 Contact: Brass
 Shell: Brass, Steel
 Contact Plating: Selective Gold Over Nickel Plated
 Shell Plating: Tin Or Nickel Over Copper Plated
 *RoHS & REACH compliant.



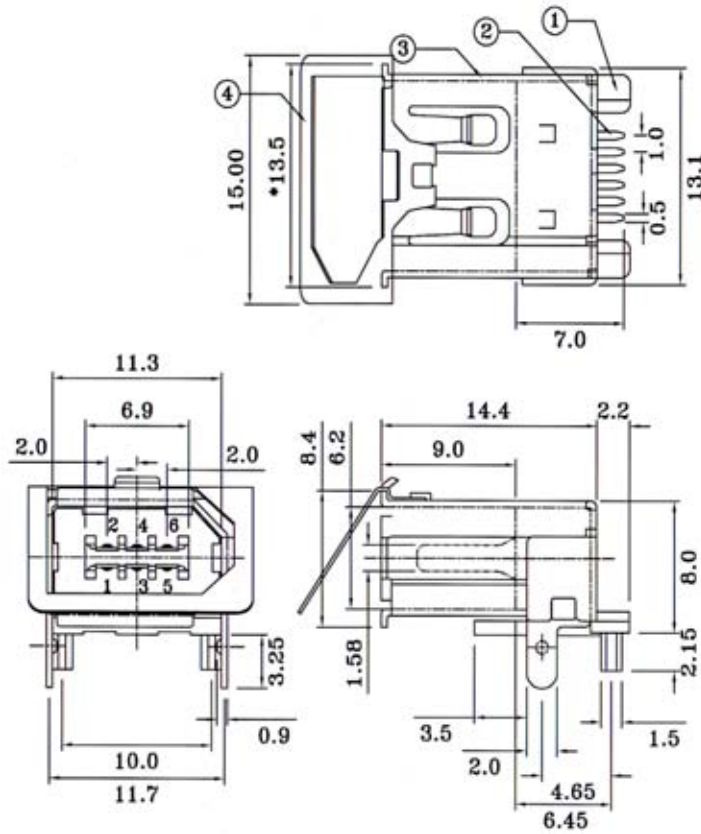
Recommended P.C. Board Layout
(COMPONENT SIDE)

ORDERING INFORMATION:

P/N F W 9 4 - 0 6 F B 3 0
 1 2 3 4

1. NO. OF CONTACTS:
06
2. CONNECTOR TYPE:
"F" FEMALE
3. INSULATOR COLOR:
"B" BLACK
4. CONTACT FINISH:
"30" 30 MICROINCH GOLD

IEEE1394 6 PIN FEMALE CONNECTOR SMT TYPE

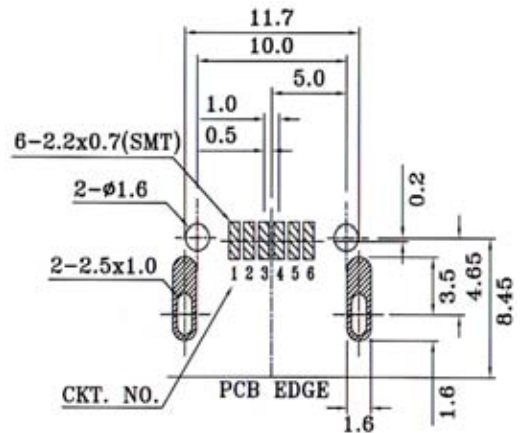


SPECIFICATIONS

Current Rating: 1.0 Amperes
Contact Resistance: 25mΩ Max.
Insulation Resistance: 1000MΩ Min. at 500V
Dielectric Voltage: 1000V at 1 Minute
Operating Temperature: -55°C to +105°C

MATERIALS

Insulator: PBT, UL94V-0 Rated
Contact: Brass
Shell: Brass, Steel
Contact Plating: Selective Gold Over Nickel Plated
Shell Plating: Tin Or Nickel Over Copper Plated
***RoHS & REACH compliant.**



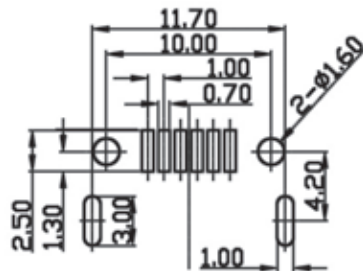
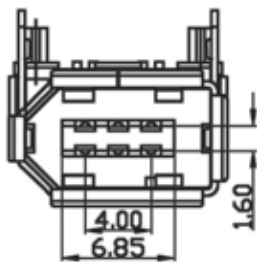
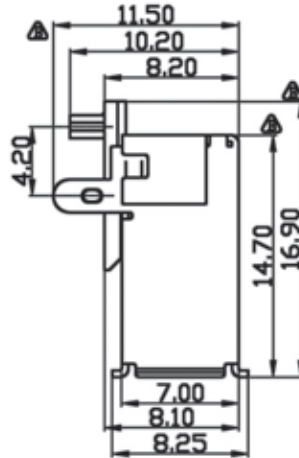
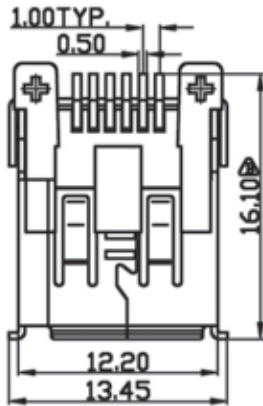
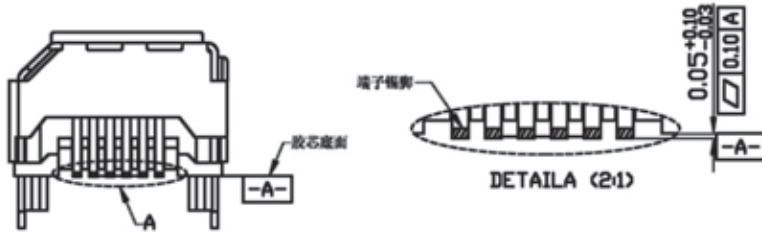
Recommended P.C.Board Layout
(COMPONENT SIDE)

ORDERING INFORMATION:

P/N **F W 9 9 - 0 6 F B 3 0**
 1 2 3 4

1. NO. OF CONTACTS:
06
2. CONNECTOR TYPE:
"F" FEMALE
3. INSULATOR COLOR:
"B" BLACK
4. CONTACT FINISH:
"30" 30 MICROINCH GOLD

IEEE1394 6 PIN FEMALE CONNECTOR RIGHT ANGLE SMT TYPE



Recommended P.C.Board Layout

SPECIFICATIONS

Current Rating: 1.0 Amperes
 Contact Resistance: 25mΩ Max.
 Insulation Resistance: 1000MΩ Min. at 500V
 Dielectric Voltage: 1000V at 1 Minute
 Operating Temperature: -55°C to +105°C

MATERIALS

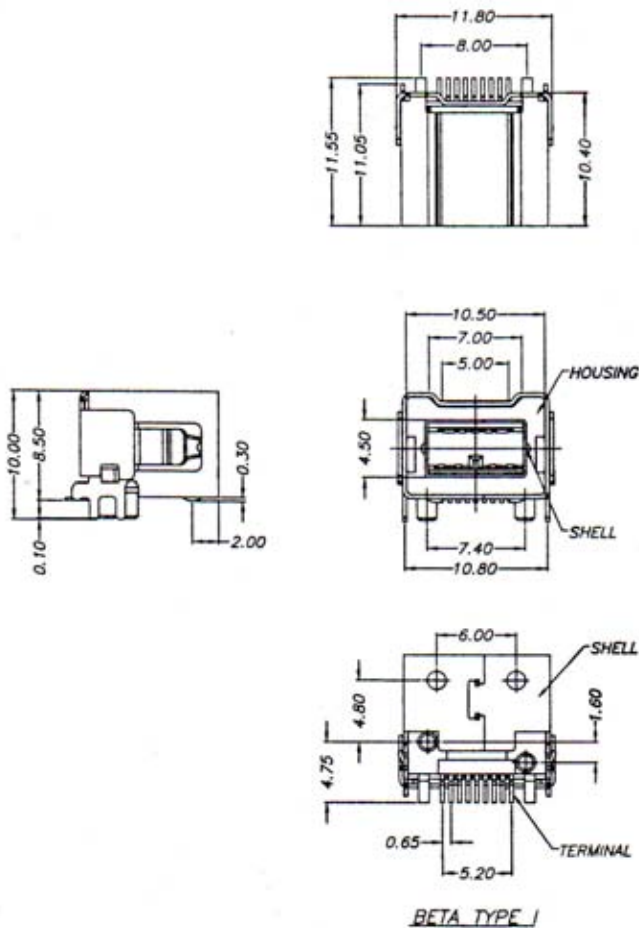
Insulator: PBT, UL94V-0 Rated
 Contact: Brass
 Shell: Brass, Steel
 Contact Plating: Selective Gold Over Nickel Plated
 Shell Plating: Tin Or Nickel Over Copper Plated
 *RoHS & REACH compliant.

ORDERING INFORMATION:

P/N F W 4 9 - $\frac{0}{1}$ $\frac{6}{2}$ $\frac{F}{3}$ $\frac{B}{4}$ $\frac{x}{x}$

1. NO. OF CONTACTS:
06
2. CONNECTOR TYPE:
"F" FEMALE
3. INSULATOR COLOR:
"B" BLACK
4. CONTACT FINISH:
"01" GOLD FLASH
"15" 15 MICROINCH GOLD
"30" 30 MICROINCH GOLD

IEEE1394b 9 PIN BETA FEMALE CONNECTOR SMT TYPE

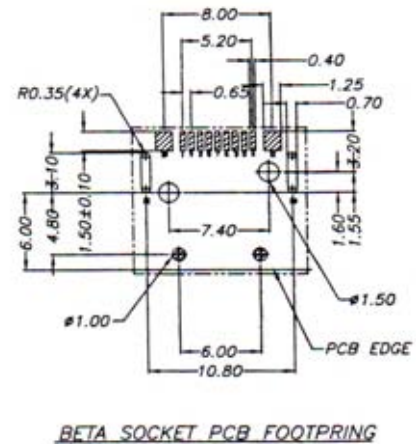


SPECIFICATIONS

Current Rating: 1.0 Amperes
Contact Resistance: 25mΩ Max.
Insulation Resistance: 1000MΩ Min. at 500V
Dielectric Voltage: 1000V at 1 Minute
Operating Temperature: -55°C to +105°C

MATERIALS

Insulator: PBT, UL94V-0 Rated
Contact: Brass
Shell: Brass, Steel
Contact Plating: Selective Gold Over Nickel Plated
Shell Plating: Tin Or Nickel Over Copper Plated
***RoHS & REACH compliant.**

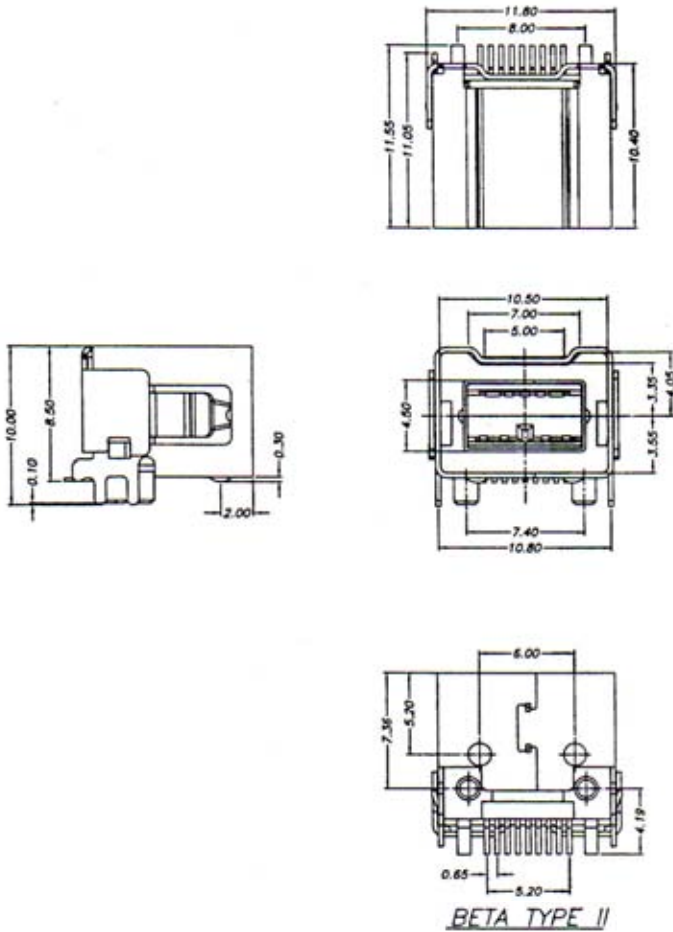


ORDERING INFORMATION:

P/N FW58-09FB30
 1 2 3 4

1. NO. OF CONTACTS:
09
2. CONNECTOR TYPE:
"F" FEMALE
3. INSULATOR COLOR:
"B" BLACK
4. CONTACT FINISH:
"30" 30 MICROINCH GOLD

IEEE1394b 9 PIN BETA FEMALE CONNECTOR SMT TYPE

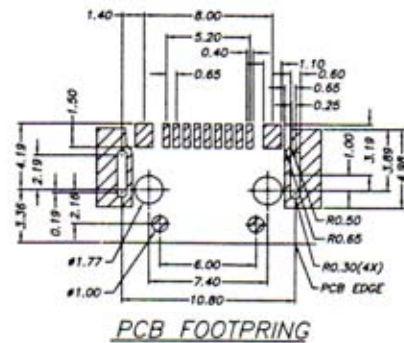


SPECIFICATIONS

Current Rating: 1.0 Amperes
Contact Resistance: 25mΩ Max.
Insulation Resistance: 1000MΩ Min. at 500V
Dielectric Voltage: 1000V at 1 Minute
Operating Temperature: -55°C to +105°C

MATERIALS

Insulator: PBT, UL94V-0 Rated
Contact: Brass
Shell: Brass, Steel
Contact Plating: Selective Gold Over Nickel Plated
Shell Plating: Tin Or Nickel Over Copper Plated
***RoHS & REACH compliant.**

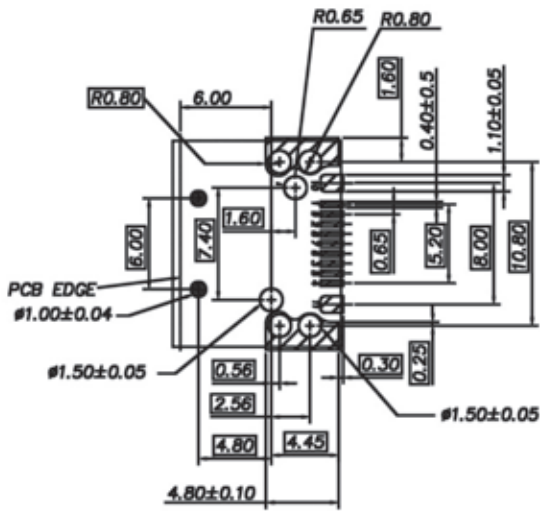


ORDERING INFORMATION:

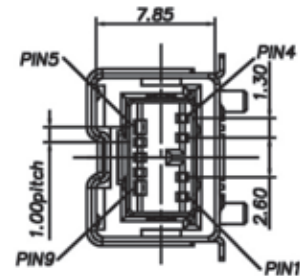
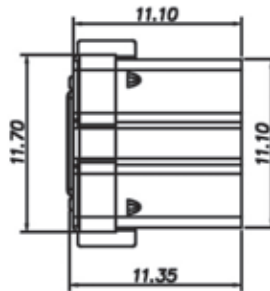
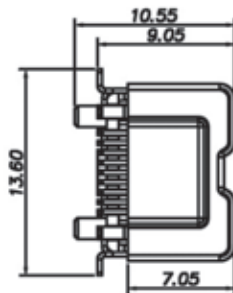
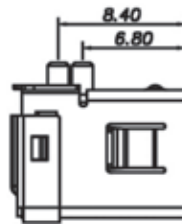
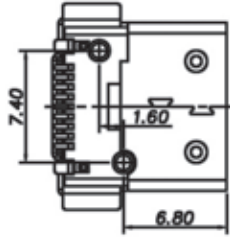
P/N **F W 6 0 - 0 9 F B 3 0**
1 2 3 4

1. NO. OF CONTACTS:
09
2. CONNECTOR TYPE:
"F" FEMALE
3. INSULATOR COLOR:
"B" BLACK
4. CONTACT FINISH:
"30" 30 MICROINCH GOLD

IEEE1394b 9 PIN BILINGUAL FEMALE CONNECTOR SMT TYPE



Recommended P.C.Board Layout



SPECIFICATIONS

Current Rating: 1.0 Amperes
 Contact Resistance: 25mΩ Max.
 Insulation Resistance: 1000MΩ Min. at 500V
 Dielectric Voltage: 1000V at 1 Minute
 Operating Temperature: -55°C to +105°C

MATERIALS

Insulator: PBT, UL94V-0 Rated
 Contact: Brass
 Shell: Brass, Steel
 Contact Plating: Selective Gold Over Nickel Plated
 Shell Plating: Tin Or Nickel Over Copper Plated
 *RoHS & REACH compliant.

ORDERING INFORMATION:

P/N FW42-09FB30
 1 2 3 4

1. NO. OF CONTACTS:
09
2. CONNECTOR TYPE:
"F" FEMALE
3. INSULATOR COLOR:
"B" BLACK
4. CONTACT FINISH:
"30" 30 MICROINCH GOLD

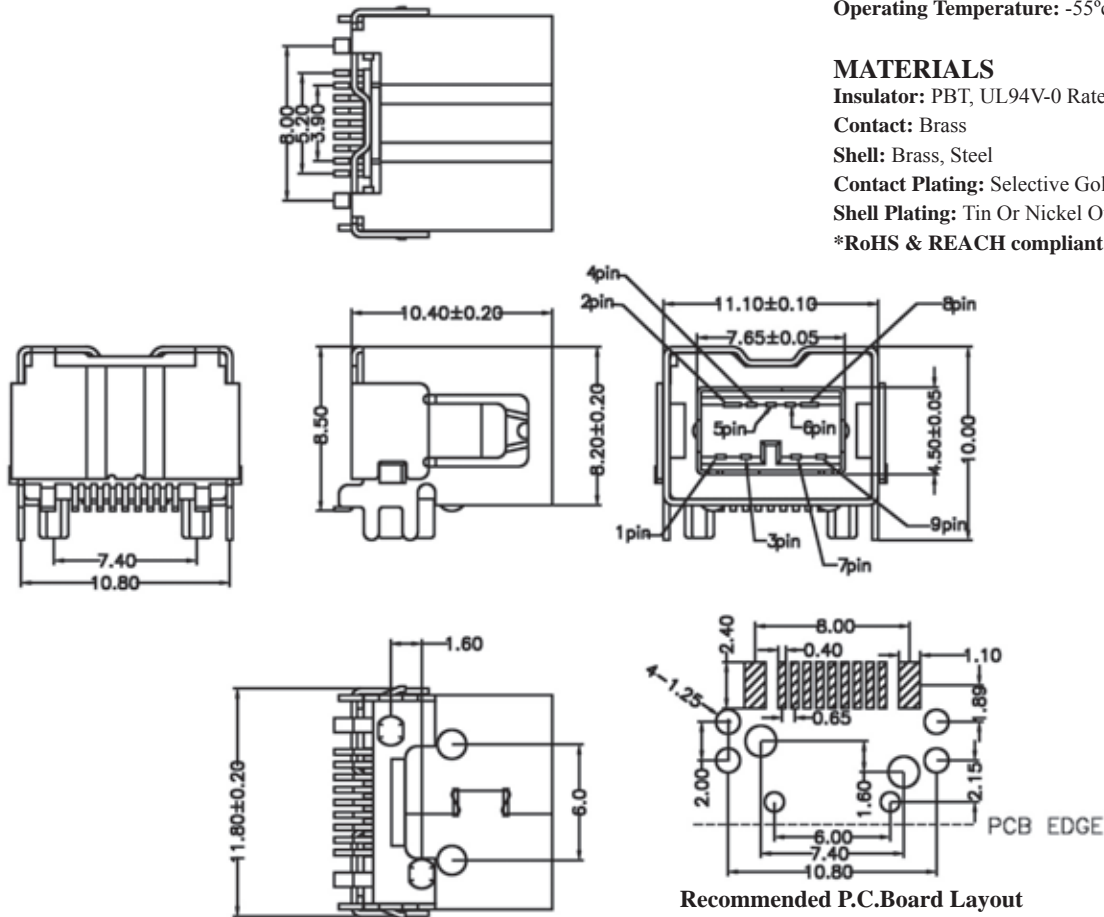
IEEE1394b 9 PIN BILINGUAL FEMALE CONNECTOR SMT TYPE

SPECIFICATIONS

Current Rating: 1.0 Amperes
Contact Resistance: 25mΩ Max.
Insulation Resistance: 1000MΩ Min. at 500V
Dielectric Voltage: 1000V at 1 Minute
Operating Temperature: -55°C to +105°C

MATERIALS

Insulator: PBT, UL94V-0 Rated
Contact: Brass
Shell: Brass, Steel
Contact Plating: Selective Gold Over Nickel Plated
Shell Plating: Tin Or Nickel Over Copper Plated
***RoHS & REACH compliant.**

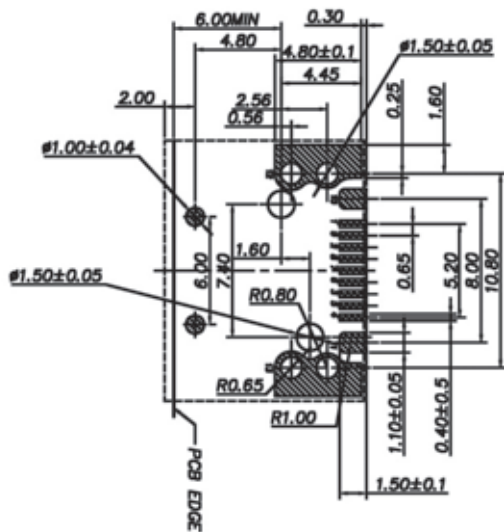


ORDERING INFORMATION:

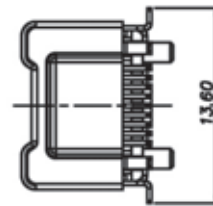
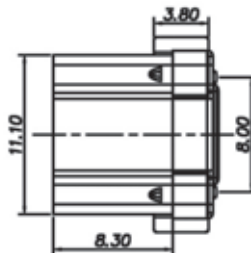
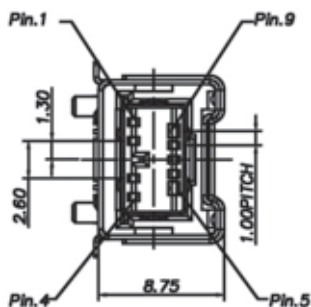
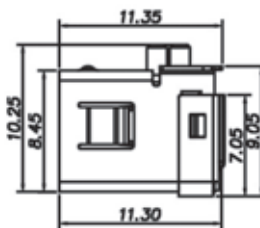
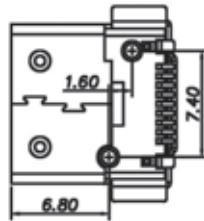
P/N F W 4 5 - $\frac{09}{1}$ $\frac{F}{2}$ $\frac{B}{3}$ $\frac{x}{4}$ x

1. NO. OF CONTACTS:
09
2. CONNECTOR TYPE:
"F" FEMALE
3. INSULATOR COLOR:
"B" BLACK
4. CONTACT FINISH:
"01" GOLD FLASH
"15" 15 MICROINCH GOLD
"30" 30 MICROINCH GOLD

IEEE1394b 9 PIN BETA FEMALE CONNECTOR SMT TYPE



Recommended P.C.Board Layout



SPECIFICATIONS

Current Rating: 1.0 Amperes
 Contact Resistance: 25mΩ Max.
 Insulation Resistance: 1000MΩ Min. at 500V
 Dielectric Voltage: 1000V at 1 Minute
 Operating Temperature: -55°C to +105°C

MATERIALS

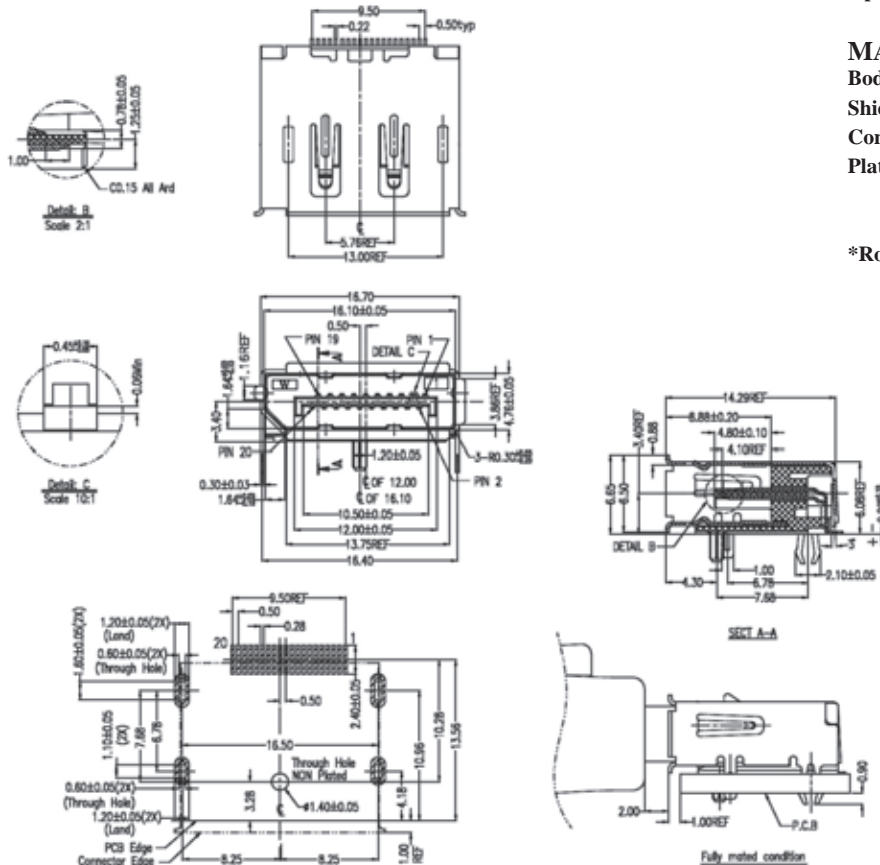
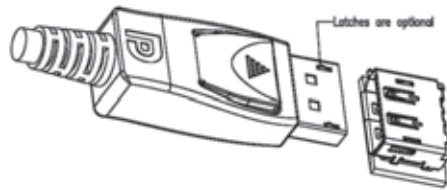
Insulator: PBT, UL94V-0 Rated
 Contact: Brass
 Shell: Brass, Steel
 Contact Plating: Selective Gold Over Nickel Plated
 Shell Plating: Tin Or Nickel Over Copper Plated
 *RoHS & REACH compliant.

ORDERING INFORMATION:

P/N F W 4 6 - $\frac{09}{1}$ $\frac{F}{2}$ $\frac{B}{3}$ $\frac{30}{4}$

1. NO. OF CONTACTS:
09
2. CONNECTOR TYPE:
"F" FEMALE
3. INSULATOR COLOR:
"B" BLACK
4. CONTACT FINISH:
"30" 30 MICROINCH GOLD

DISPLAYPORT 20 PIN EXTERNAL FEMALE CONNECTOR SMT TYPE



Recommended P.C.Board Layout

SPECIFICATIONS

Operating Voltage: 40 VAC Max.
 Current Rating: 0.5 Ampere Per Contact
 Contact Resistance: 30mΩ Max.
 Insulation Resistance: 100MΩ Min.
 Dielectric Voltage: 500V AC Min.
 Operating Temperature: -20°C to +85°C

MATERIALS

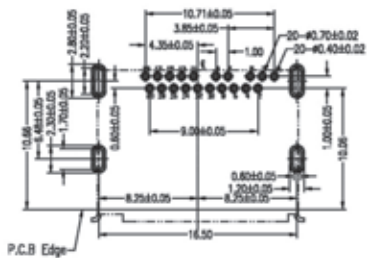
Body: LCP UL94V-0, Black
 Shield: Brass
 Contact: Brass
 Plating: Gold Plating Over Nickel(40~80u") On Contact Area, Tin(100~250u") Plating On Solder Tail
 *RoHS & REACH compliant.

ORDERING INFORMATION:

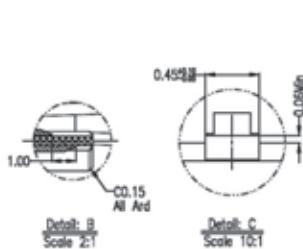
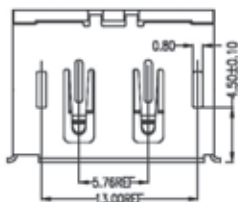
P/N D P P 0 3 - $\frac{2}{1}$ $\frac{F}{2}$ $\frac{B}{3}$ $\frac{x}{4}$ $\frac{x}{5}$

1. NO. OF CONTACTS:
20
2. CONNECTOR TYPE:
"F" FEMALE
3. INSULATOR COLOR:
"B" BLACK
4. CONTACT FINISH:
"15" 15 MICROINCH GOLD
"30" 30 MICROINCH GOLD
5. PACKAGE OPTION:
"0" TRAY
"R" TAPE & REEL

DISPLAYPORT 20 PIN FEMALE CONNECTOR RIGHT ANGLE DIP TYPE



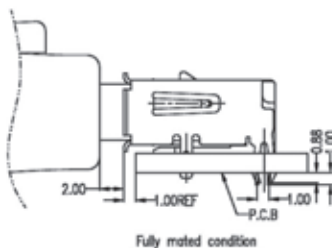
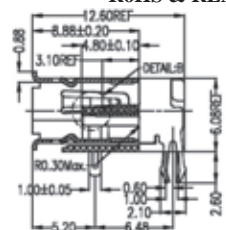
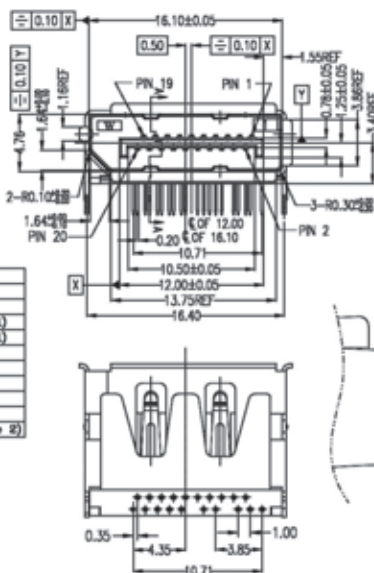
Recommended P.C.Board Layout
Component Side (T=1.60mm)



No.	Signal Type	No.	Signal Type
1	In	11	GND
2	GND	12	In
3	In	13	CONFIE (see note 1)
4	In	14	CONFIE (see note 1)
5	GND	15	I/O
6	In	16	GND
7	In	17	I/O
8	GND	18	Out
9	In	19	RTN
10	In	20	Power Out (see note 2)



Cable 3D



SPECIFICATIONS

- Operation Voltage: 40 VAC max.
- Current Rating: 0.5 Amperes
- Insulation Resistance: 100MΩ Min
- Dielectric Withstanding: 500V AC
- Contact Resistance: 30mΩ Max.
- Operating Temperature: -20°C to +85°C

MATERIALS

- Housing: LCP, UL94V-0
- Contact: Brass
- Plating: Au Plating on Contact Area; Sn (100u" Min.) Plating on Solder Tail; Ni (40u" Min.) Underplating overall

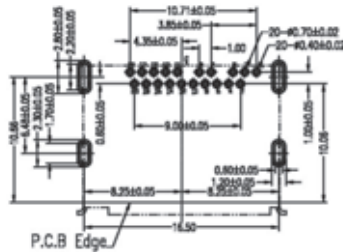
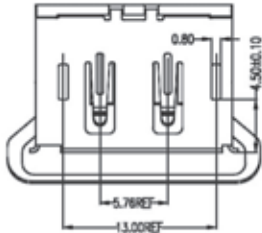
*RoHS & REACH compliant.

ORDERING INFORMATION:

P/N DPP06 - $\frac{20}{1} \frac{FB}{234} \frac{xx}{4}$

- NO. OF CONTACTS:
20
- CONNECTOR TYPE:
"F" FEMALE
- INSULATOR COLOR:
"B" BLACK
- CONTACT FINISH:
"01" GOLD FLASH
"15" 15 MICRINCH GOLD
"30" 30 MICRINCH GOLD

DISPLAYPORT 20 PIN FEMALE CONNECTOR RIGHT ANGLE DIP TYPE WITH EMI CLIP



Recommended P.C. Board Layout
Top View (T=1.60mm)

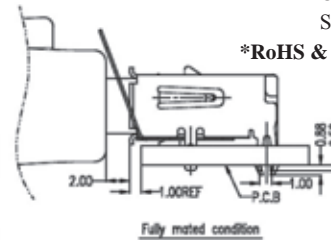
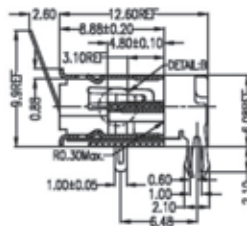
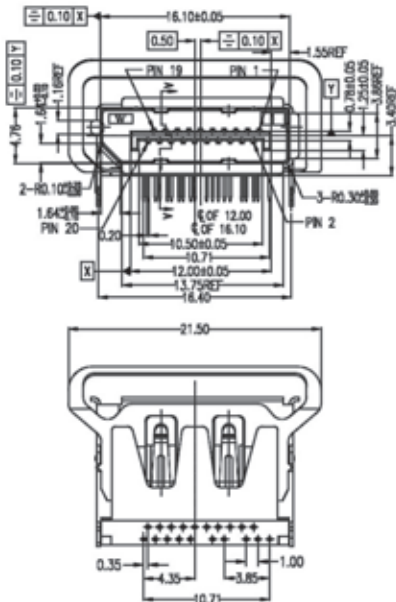
SPECIFICATIONS

- Operation Voltage: 40 VAC max.
- Current Rating: 0.5 Amperes
- Insulation Resistance: 100MΩ Min
- Dielectric Withstanding: 500V AC
- Contact Resistance: 30mΩ Max.
- Operating Temperature: -20°C to +85°C

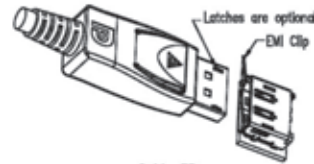
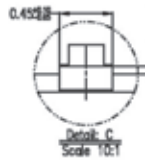
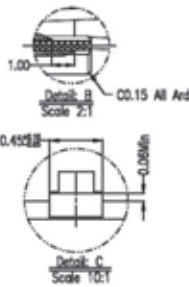
MATERIALS

- Housing: LCP, UL94V-0
- Contact: Brass
- Plating: Gold Plating over Nickel on Contact Area; Tin Plating on Solder Tail

*RoHS & REACH compliant.



Fully mated condition



Cable 3D

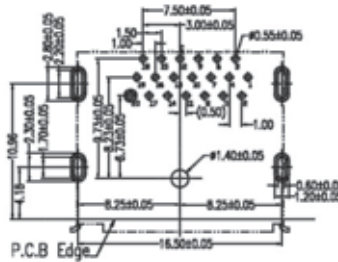
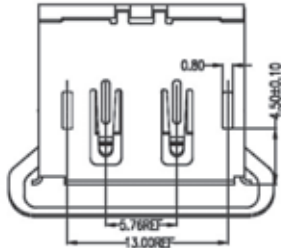
Pin No.	Signal Type	Pin No.	Signal Type
1	In	11	GND
2	GND	12	In
3	In	13	CONFIG (see note 1)
4	In	14	CONFIG (see note 1)
5	GND	15	I/O
6	In	16	GND
7	In	17	I/O
8	GND	18	Out
9	In	19	RTN
10	In	20	Power Out (see note 2)

ORDERING INFORMATION:

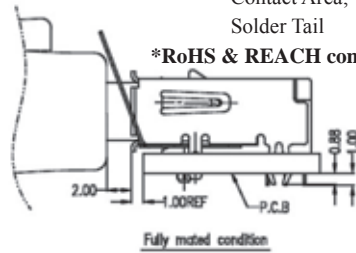
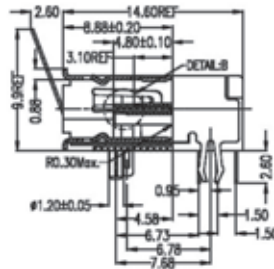
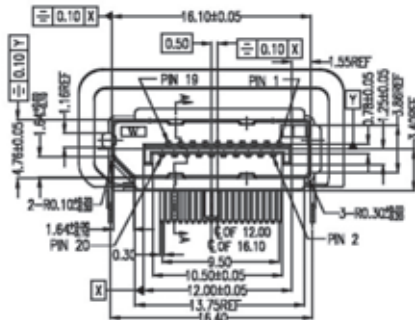
P/N DPP07 - $\frac{20}{1}$ $\frac{FB}{2}$ $\frac{XX}{3}$ $\frac{X}{4}$

- NO. OF CONTACTS:
20
- CONNECTOR TYPE:
"F" FEMALE
- INSULATOR COLOR:
"B" BLACK
- CONTACT FINISH:
"01" GOLD FLASH
"15" 15 MICRINCH GOLD
"30" 30 MICRINCH GOLD

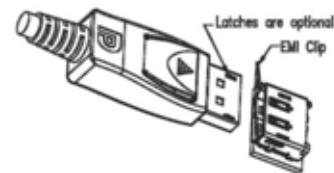
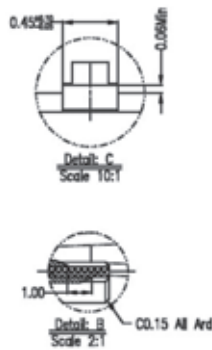
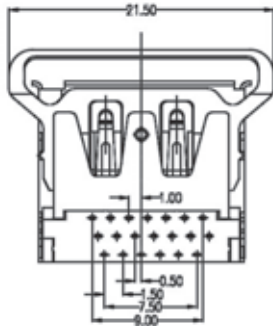
DISPLAYPORT 20 PIN FEMALE CONNECTOR RIGHT ANGLE DIP TYPE WITH EMI CLIP



Recommended P.C. Board Layout
Top View (T=1.60mm)



Fully mated condition



Cable 3D

Pin No.	Signal Type	Pin No.	Signal Type
1	In	11	GND
2	GND	12	In
3	In	13	CONFIG(see note 1)
4	In	14	CONFIG(see note 1)
5	GND	15	I/O
6	In	16	GND
7	In	17	I/O
8	GND	18	Out
9	In	19	RTN
10	In	20	Power Out(see note 2)

SPECIFICATIONS

Operation Voltage: 40 VAC max.

Current Rating: 0.5 Amperes

Insulation Resistance: 100MΩ Min

Dielectric Withstanding: 500V AC

Contact Resistance: 30mΩ Max.

Operating Temperature: -20°C to +85°C

MATERIALS

Housing: LCP, UL94V-0

Contact: Brass

Plating: Gold Plating over Nickel on

Contact Area; Tin Plating on

Solder Tail

*RoHS & REACH compliant.

ORDERING INFORMATION:

P/N DPP08 - $\frac{20}{T} \frac{FB}{234} \times \times$

1. NO. OF CONTACTS:

20

2. CONNECTOR TYPE:

"F" FEMALE

3. INSULATOR COLOR:

"B" BLACK

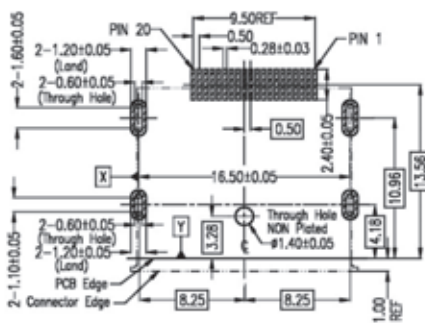
4. CONTACT FINISH:

"01" GOLD FLASH

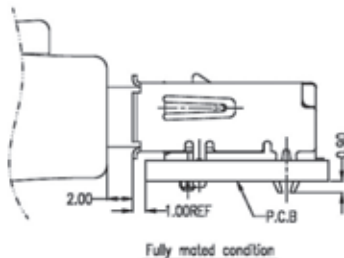
"15" 15 MICRINCH GOLD

"30" 30 MICRINCH GOLD

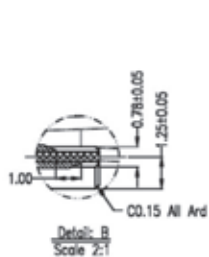
DISPLAYPORT 20 PIN FEMALE CONNECTOR SMT TYPE



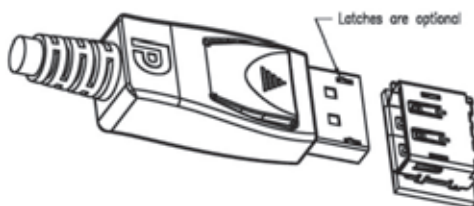
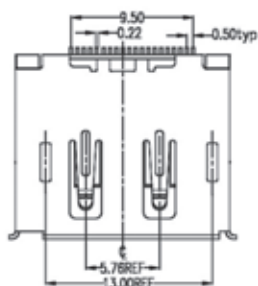
Recommended P.C. Board Layout
Top View (T=1.60mm)



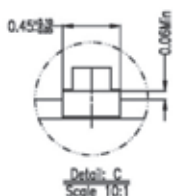
Fully mated condition



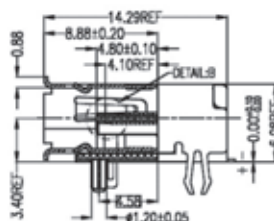
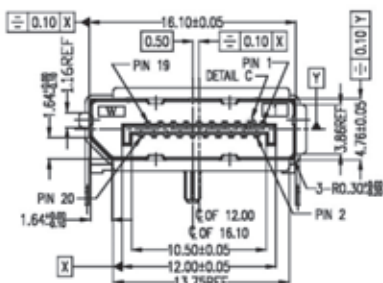
Detail B
Scale 2:1



Cable 3D



Detail C
Scale 10:1



ORDERING INFORMATION:

P/N D P P 0 9 - $\frac{2}{1}$ $\frac{F}{2}$ $\frac{B}{3}$ $\frac{x}{4}$ x

1. NO. OF CONTACTS:
20
2. CONNECTOR TYPE:
"F" FEMALE
3. INSULATOR COLOR:
"B" BLACK
4. CONTACT FINISH:
"01" GOLD FLASH
"05" 05 MICROINCH GOLD
"10" 10 MICROINCH GOLD
"15" 15 MICROINCH GOLD
"30" 30 MICROINCH GOLD

SPECIFICATIONS

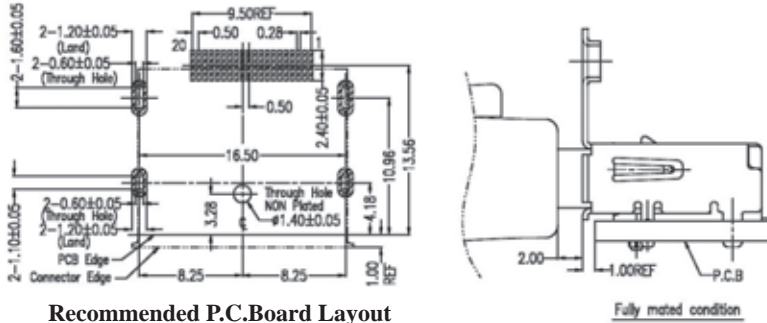
- Operation Voltage: 40 VAC max.
- Current Rating: 0.5 Amperes
- Insulation Resistance: 100MΩ Min
- Dielectric Withstanding: 500V AC
- Contact Resistance: 30mΩ Max.
- Operating Temperature: -20°C to +85°C

MATERIALS

- Housing: LCP, UL94V-0
- Contact: Brass
- Plating: Gold Plating over Nickel on Contact Area; Tin Plating on Solder Tail

*RoHS & REACH compliant.

DISPLAYPORT 20 PIN FEMALE CONNECTOR SMT TYPE WITH FLANGE



Recommended P.C. Board Layout
Component Side (T=1.60mm)

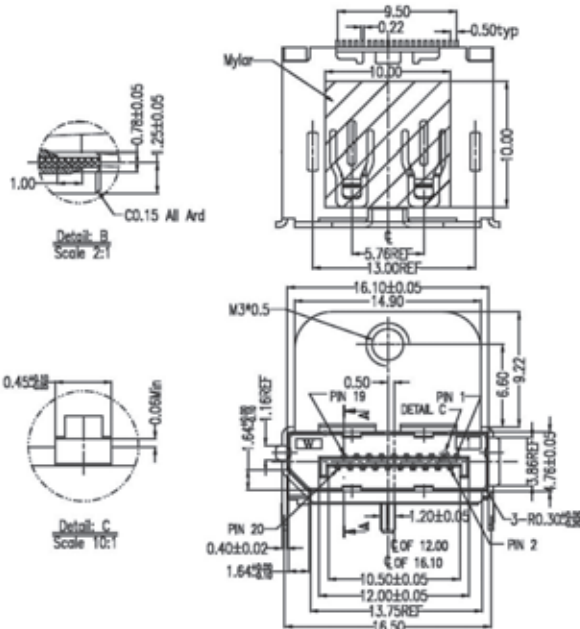
SPECIFICATIONS

Operation Voltage: 40 VAC max.
Current Rating: 0.5 Amperes
Insulation Resistance: 100MΩ Min
Dielectric Withstanding: 500V DC
Contact Resistance: 30mΩ Max.
Operating Temperature: -20°C to +85°C

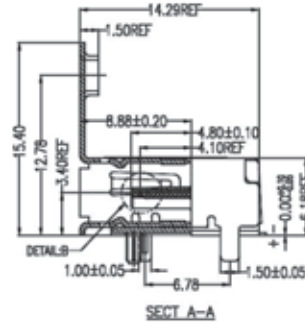
MATERIALS

Housing: LCP, UL94V-0
Contact: Brass
Plating: Gold Plating over Nickel on Contact Area; Tin Plating on Solder Tail

*RoHS & REACH compliant.



No.	Signal Type	No.	Signal Type
1	In	11	GND
2	GND	12	In
3	In	13	CONV0(see note 1)
4	In	14	CONV1(see note 1)
5	GND	15	I/O
6	In	16	GND
7	In	17	I/O
8	GND	18	Out
9	In	19	RTN
10	In	20	Power Out(see note 2)

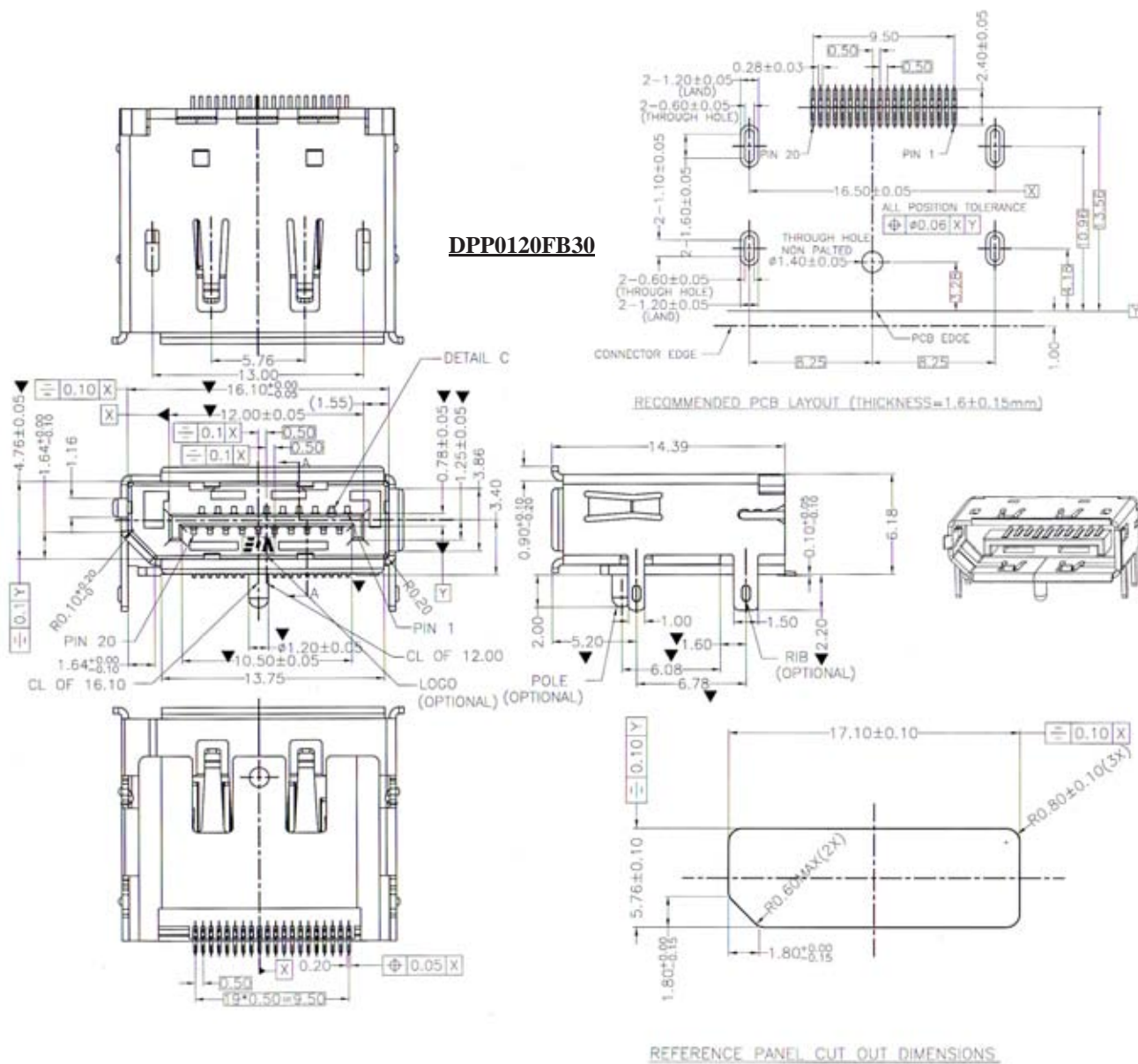


ORDERING INFORMATION:

P/N D P P 1 2 - $\frac{2}{1}$ $\frac{F}{2}$ $\frac{B}{3}$ $\frac{X}{4}$ $\frac{X}{5}$

1. NO. OF CONTACTS:
20
2. CONNECTOR TYPE:
"F" FEMALE
3. INSULATOR COLOR:
"B" BLACK
4. CONTACT FINISH:
"01" GOLD FLASH
"15" 15 MICROINCH GOLD
"30" 30 MICROINCH GOLD
5. PACKAGE OPTION:
"0" TRAY
"R" TAPE & REEL

DISPLAYPORT 20 PIN R/A SMT TYPE CONNECTOR



ORDERING INFORMATION:

P/N DPP01- $\frac{20}{1}$ $\frac{FB}{23}$ $\frac{30}{4}$

1. NO. OF CONTACTS:

20

2. CONNECTOR TYPE:

"F" FEMALE

3. INSULATOR COLOR:

"B" BLACK

4. CONTACT FINISH:

"30" 30 MICRINCH GOLD

DISPLAYPORT 20 PIN EXTERNAL MALE CONNECTOR DOUBLE ROW DIP TYPE

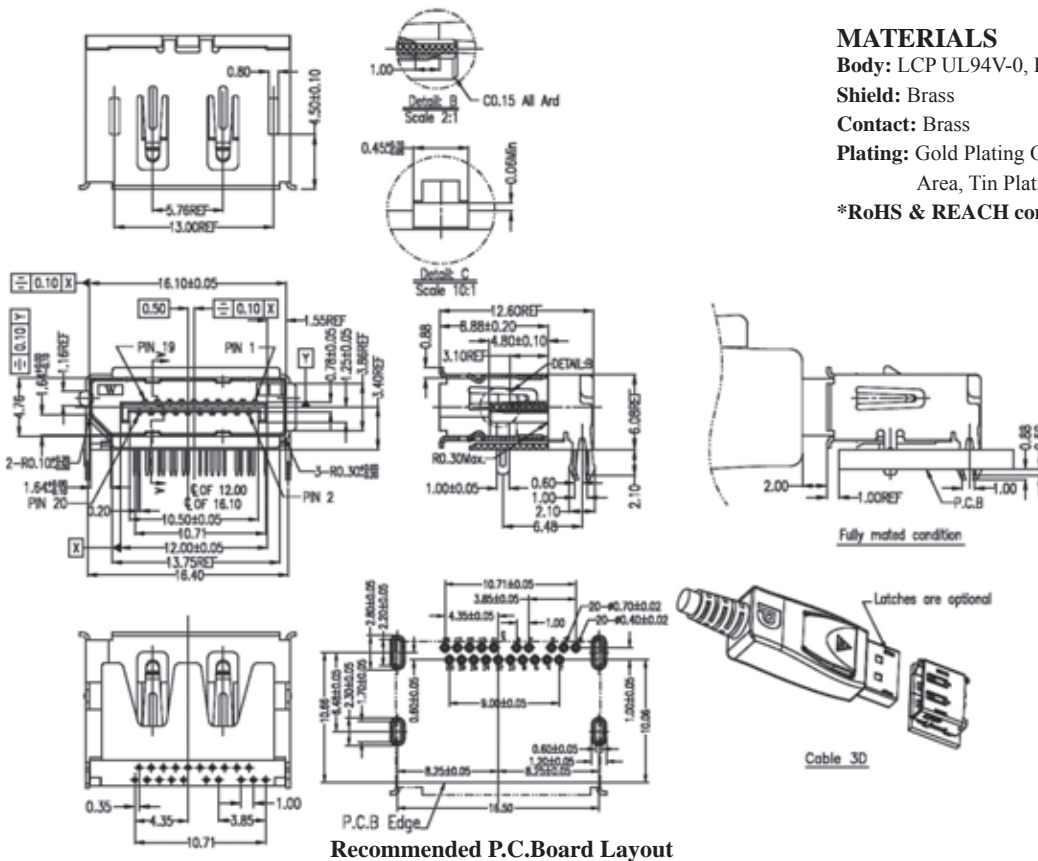
Pin No.	Signal Type	Pin No.	Signal Type
1	In	11	GND
2	GND	12	In
3	In	13	CONFRD(see note 1)
4	In	14	CONFRD(see note 1)
5	GND	15	I/O
6	In	16	GND
7	In	17	I/O
8	GND	18	Out
9	In	19	HTM
10	In	20	Power Out(see note 2)

SPECIFICATIONS

Operating Voltage: 40 VAC Max.
Current Rating: 0.5 Ampere Per Contact
Contact Resistance: 30mΩ Max.
Insulation Resistance: 100MΩ Min.
Dielectric Voltage: 500V AC Min.
Operating Temperature: -20°C to +85°C

MATERIALS

Body: LCP UL94V-0, Black
Shield: Brass
Contact: Brass
Plating: Gold Plating Over Nickel On Contact Area, Tin Plating On Solder Tail
***RoHS & REACH compliant.**



ORDERING INFORMATION:

P/N D P P 0 4 - $\frac{20}{1}$ $\frac{M}{2}$ $\frac{B}{3}$ $\frac{x}{4}$

- NO. OF CONTACTS:
20
- CONNECTOR TYPE:
"M" MALE
- INSULATOR COLOR:
"B" BLACK
- CONTACT FINISH:
"15" 15 MICRINCH GOLD
"30" 30 MICRINCH GOLD

DISPLAYPORT 20 PIN EXTERNAL MALE CONNECTOR TRIPLE ROW DIP TYPE

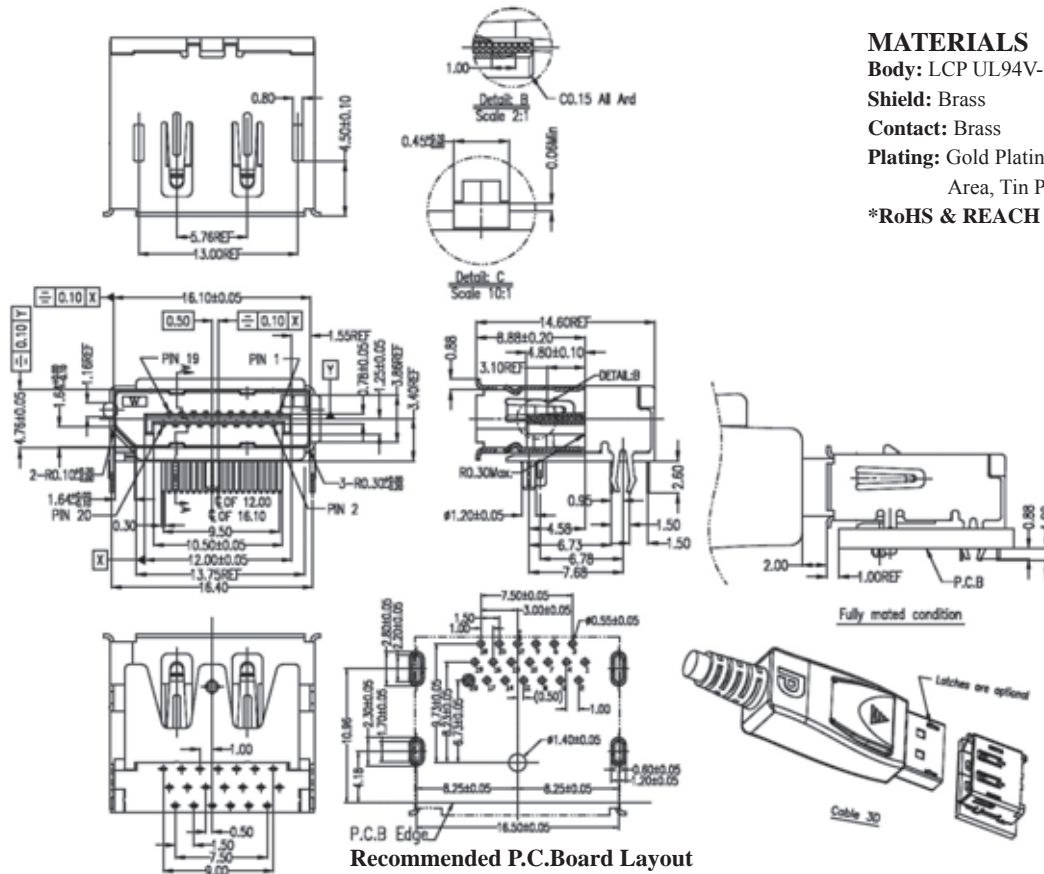
Pin No.	Signal Type	Pin No.	Signal Type
1	In	11	GND
2	GND	12	In
3	In	13	CONFG(see note 1)
4	In	14	CONFG(see note 1)
5	GND	15	I/O
6	In	16	GND
7	In	17	I/O
8	GND	18	Out
9	In	19	RTN
10	In	20	Power Out(see note 2)

SPECIFICATIONS

Operating Voltage: 40 VAC Max.
Current Rating: 0.5 Ampere Per Contact
Contact Resistance: 30mΩ Max.
Insulation Resistance: 100MΩ Min.
Dielectric Voltage: 500V AC Min.
Operating Temperature: -20°C to +85°C

MATERIALS

Body: LCP UL94V-0, Black
Shield: Brass
Contact: Brass
Plating: Gold Plating Over Nickel On Contact Area, Tin Plating On Solder Tail
***RoHS & REACH compliant.**

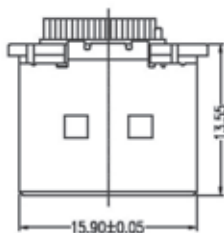
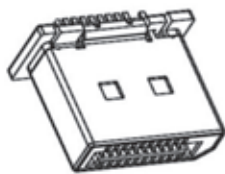


ORDERING INFORMATION:

P/N DPP05 - $\frac{20}{1}$ $\frac{MB}{2}$ $\frac{xx}{3}$ $\frac{xx}{4}$

- NO. OF CONTACTS:
20
- CONNECTOR TYPE:
"M" MALE
- INSULATOR COLOR:
"B" BLACK
- CONTACT FINISH:
"15" 15 MICROINCH GOLD
"30" 30 MICROINCH GOLD

DISPLAYPORT 20 PIN MALE CONNECTOR CABLE MOLDING TYPE



No.	Signal Type	No.	Signal Type
1	Out	11	GND
2	GND	12	Out
3	Out	13	CORFPG
4	Out	14	CORFPG
5	GND	15	I/O
6	Out	16	GND
7	Out	17	I/O
8	GND	18	In
9	Out	19	PWR RTN
10	Out	20	PWR Out

SPECIFICATIONS

Operation Voltage: 40 VAC max.

Current Rating: 0.5 Amperes

Insulation Resistance: 100MΩ Min

Dielectric Withstanding: 500V DC

Contact Resistance: 30mΩ Max.

Operating Temperature: -20°C to +85°C

MATERIALS

Housing: LCP, UL94V-0

Contact: Phosphor Bronze

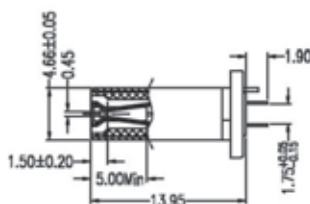
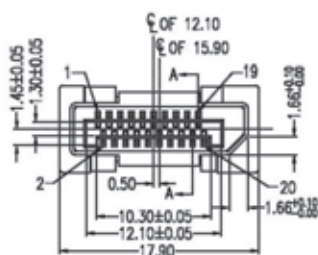
Plating: Au Plating on Contact Area;

Sn (100u" Min.) Plating on Solder

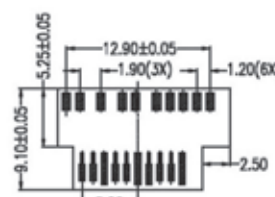
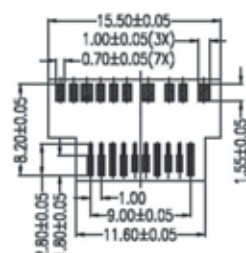
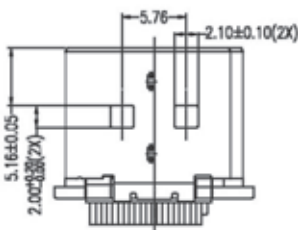
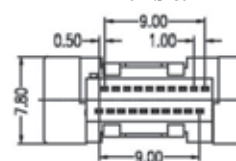
Tail; Ni (40u" Min.) Underplating

overall

*RoHS & REACH compliant.



Section A-A



(Back View)

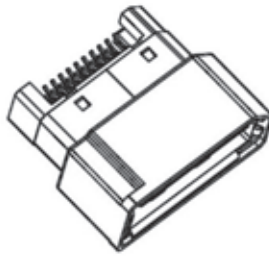
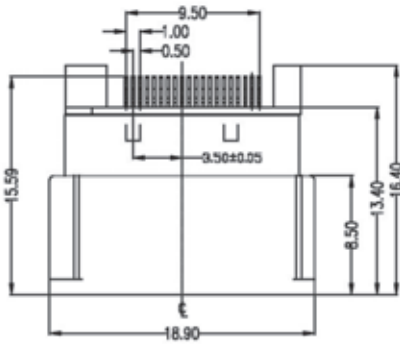
Recommended P.C.Board Layout
(Front View) T=1.60mm

ORDERING INFORMATION:

P/N DPP11 - $\frac{20}{1} \frac{M}{2} \frac{B}{3} \frac{XX}{4}$

1. NO. OF CONTACTS:
20
2. CONNECTOR TYPE:
"M" MALE
3. INSULATOR COLOR:
"B" BLACK
4. CONTACT FINISH:
"01" GOLD FLASH
"03" 3 MICROINCH GOLD

DISPLAYPORT 20 PIN MALE CONNECTOR EXTERNAL STRADDLE TYPE



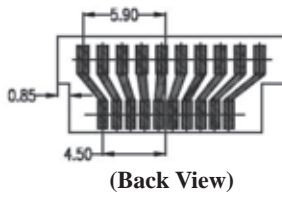
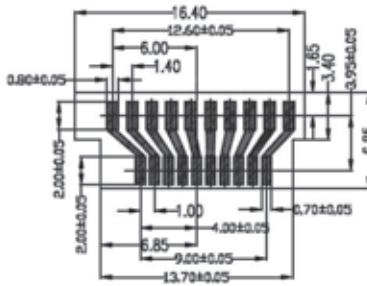
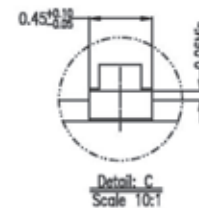
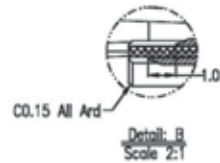
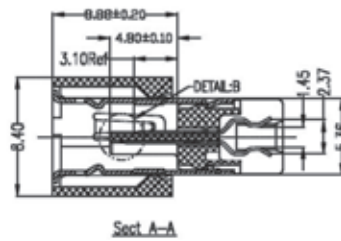
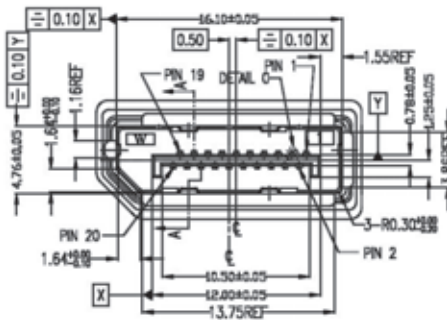
SPECIFICATIONS

Operation Voltage: 40 VAC max.
Current Rating: 0.5 Amperes
Insulation Resistance: 100MΩ Min
Dielectric Withstanding: 500V AC
Contact Resistance: 30mΩ Max.
Operating Temperature: -20°C to +85°C

MATERIALS

Housing: LCP, UL94V-0
Contact: Brass
Plating: Gold Plating over Nickel on Contact Area; Tin Plating on Solder Tail

*RoHS & REACH compliant.



(Back View)

Recommended P.C.Board Layout
(Front View) T=1.60mm

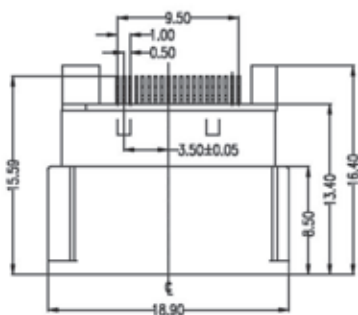
Pin No.	Signal Type	Pin No.	Signal Type
1	In	11	GND
2	GND	12	In
3	In	13	CONFIG(see note 1)
4	In	14	CONFIG(see note 1)
5	GND	15	I/O
6	In	16	GND
7	In	17	I/O
8	GND	18	Out
9	In	19	RTN
10	In	20	Power Out(see note 2)

ORDERING INFORMATION:

P/N D P P 1 3 - $\frac{2}{1}$ $\frac{M}{2}$ $\frac{B}{3}$ $\frac{x}{4}$ x x

1. NO. OF CONTACTS:
20
2. CONNECTOR TYPE:
"M" MALE
3. INSULATOR COLOR:
"B" BLACK
4. CONTACT FINISH:
"01" GOLD FLASH
"15" 15 MICROINCH GOLD
"30" 30 MICROINCH GOLD

DISPLAYPORT 20 PIN MALE CONNECTOR STRADDLE TYPE WITH PCB



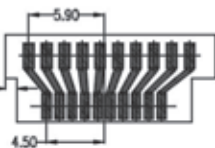
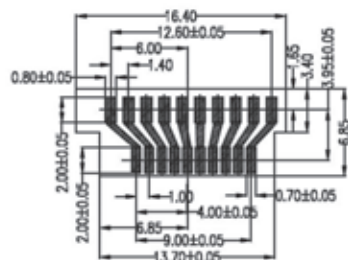
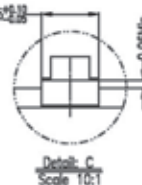
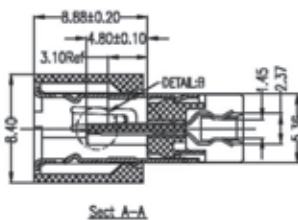
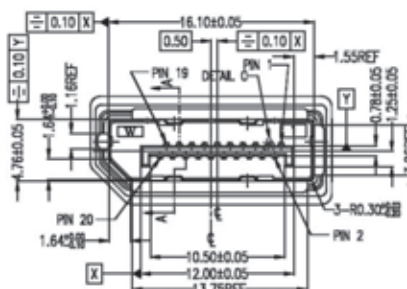
SPECIFICATIONS

- Operation Voltage: 40 VAC max.
- Current Rating: 0.5 Amperes
- Insulation Resistance: 100MΩ Min
- Dielectric Withstanding: 500V AC
- Contact Resistance: 30mΩ Max.
- Operating Temperature: -20°C to +85°C

MATERIALS

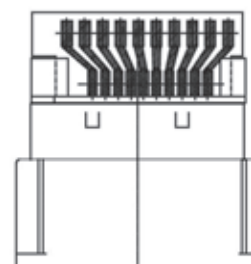
- Housing: LCP, UL94V-0
- Contact: Brass
- Plating: Gold Plating over Nickel on Contact Area; Tin Plating on Solder Tail

*RoHS & REACH compliant.



(Back View)

Pin No.	Signal Type	Pin No.	Signal Type
1	In	11	GRD
2	GRD	12	In
3	In	13	CONTR (see note 1)
4	In	14	CONTR (see note 2)
5	GRD	15	I/O
6	In	16	GRD
7	In	17	I/O
8	GRD	18	Out
9	In	19	STB
10	In	20	Power Out (see note 3)



PCB Assembly drawing

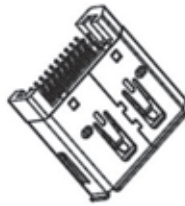
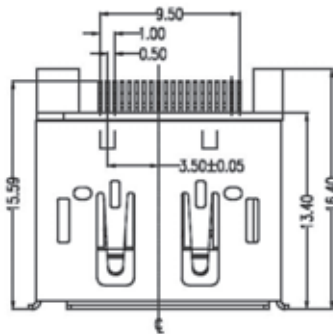
Recommended P.C.Board Layout
(Front View) T=1.60mm

ORDERING INFORMATION:

P/N D P P 1 4 - $\frac{20}{1}$ $\frac{M}{2}$ $\frac{B}{3}$ $\frac{x x}{4}$

1. NO. OF CONTACTS:
20
2. CONNECTOR TYPE:
"M" MALE
3. INSULATOR COLOR:
"B" BLACK
4. CONTACT FINISH:
"01" GOLD FLASH
"15" 15 MICRINCH GOLD
"30" 30 MICRINCH GOLD

DISPLAYPORT 20 PIN MALE CONNECTOR STRADDLE TYPE WITHOUT SHEATH

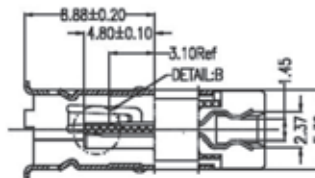
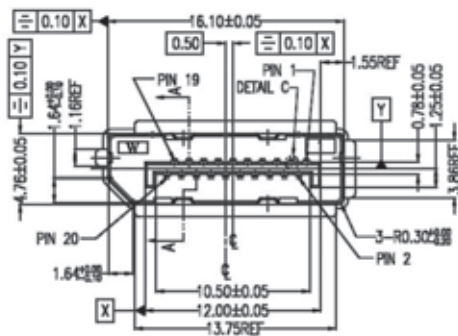


SPECIFICATIONS

- Operation Voltage: 40 VAC max.
- Current Rating: 0.5 Amperes
- Insulation Resistance: 100MΩ Min
- Dielectric Withstanding: 500V AC
- Contact Resistance: 30mΩ Max.
- Operating Temperature: -40°C to +85°C

MATERIALS

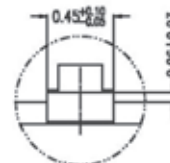
- Housing: LCP, UL94V-0
- Contact: Brass
- Plating: Au Plating on Contact Area;
Sn (100u" Min.) Plating on Solder
Tail; Ni (40u" Min.) Underplating
overall
- *RoHS & REACH compliant.



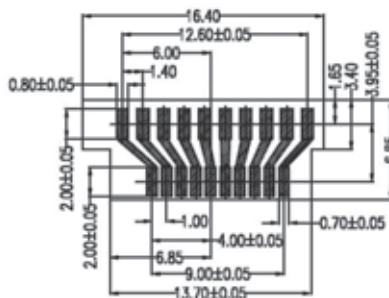
Sect A-A



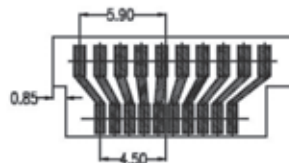
Detail: B
Scale 2:1



Detail: C
Scale 10:1



Recommended P.C. Board Layout
(Front View) T=1.60mm



(Back View)

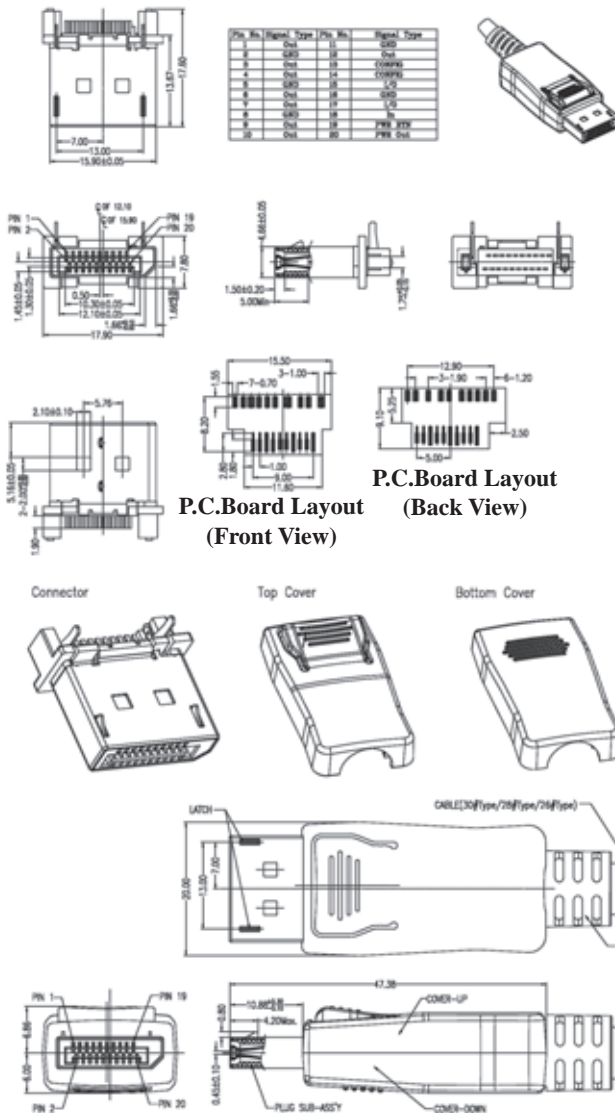
No.	Signal Type	No.	Signal Type
1	In	11	GND
2	GND	12	In
3	In	13	CONFIG(see note 1)
4	In	14	CONFIG(see note 1)
5	GND	15	I/O
6	In	16	GND
7	In	17	I/O
8	GND	18	Out
9	In	19	RTN
10	In	20	Power Out(see note 2)

ORDERING INFORMATION:

P/N D P P 15 - $\frac{2}{1}$ $\frac{M}{2}$ $\frac{B}{3}$ $\frac{x}{4}$ x x

- NO. OF CONTACTS:
20
- CONNECTOR TYPE:
"M" MALE
- INSULATOR COLOR:
"B" BLACK
- CONTACT FINISH:
"01" GOLD FLASH
"15" 15 MICROINCH GOLD
"30" 30 MICROINCH GOLD

DISPLAYPORT 20 PIN MALE CONNECTOR WITH COVER CABLE SOLDER TYPE



SPECIFICATIONS

Operating Voltage: 40 VAC Max.
Current Rating: 0.5 Ampere Per Contact
Contact Resistance: 30mΩ Max.
Insulation Resistance: 100MΩ Min.
Dielectric Voltage: 500V AC Min.
Operating Temperature: -20°C to +85°C

MATERIALS

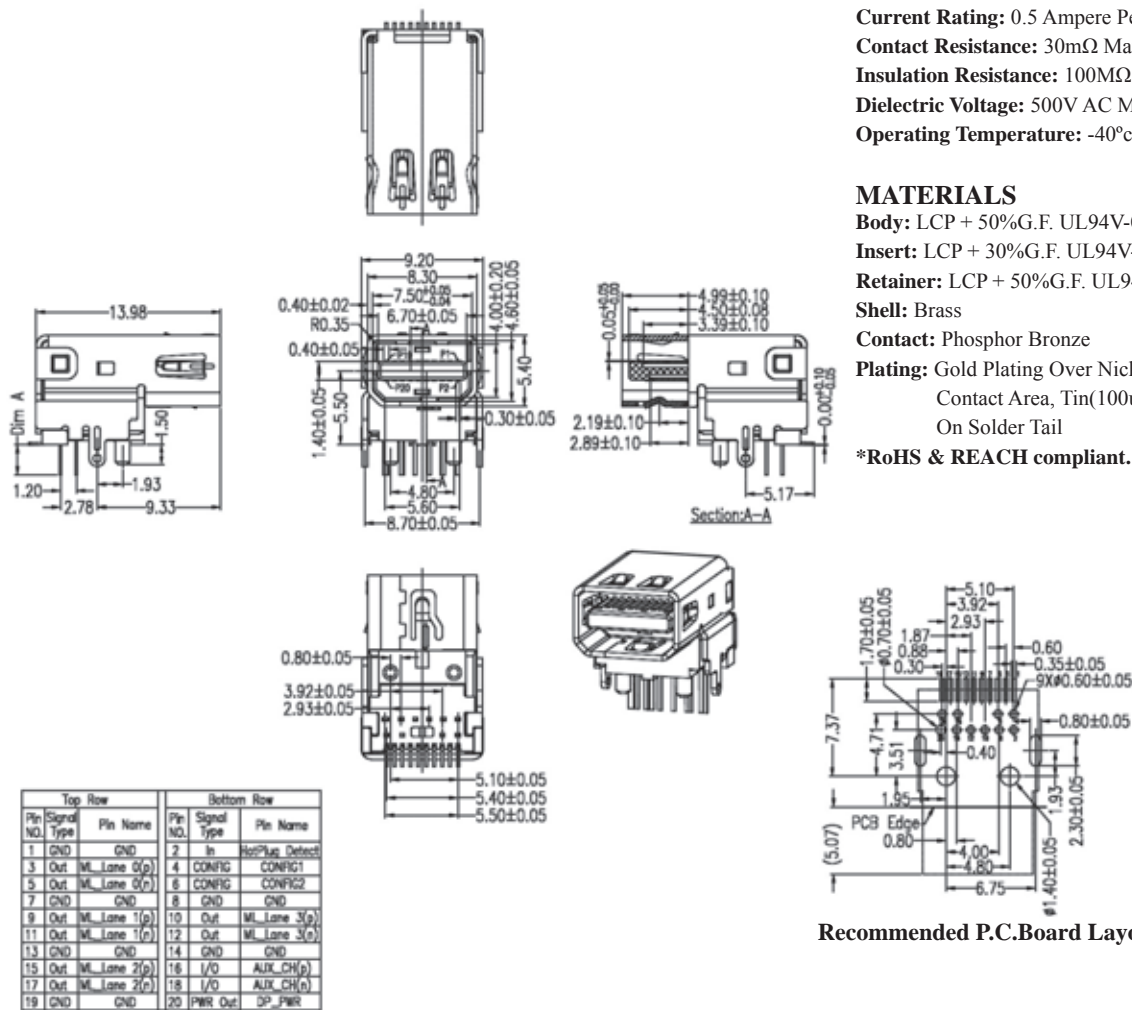
Body: LCP UL94V-0, Black
Shield: Brass
Contact: Phosphor Bronze
Plating: Gold Plating On Contact Area
 Tin(100u" Min) Plating On Solder Tail
 Nickel(40u" Min) Underplating Overall
Spring: Stainless Steel(SUS 304)
***RoHS & REACH compliant.**

ORDERING INFORMATION:

P/N DPP02 - $\frac{20}{1} \frac{M}{2} \frac{B}{3} \frac{X}{4}$

1. NO. OF CONTACTS:
20
2. CONNECTOR TYPE:
"M" MALE
3. INSULATOR COLOR:
"B" BLACK
4. CONTACT FINISH:
"01" GOLD FLASH
"03" 3 MICROINCH GOLD
"15" 15 MICROINCH GOLD
"30" 30 MICROINCH GOLD

MINI DISPLAYPORT 20 PIN FEMALE CONNECTOR RIGHT ANGLE DIP + SMT TYPE



SPECIFICATIONS

Current Rating: 0.5 Ampere Per Contact

Contact Resistance: 30mΩ Max.

Insulation Resistance: 100MΩ Min.

Dielectric Voltage: 500V AC Min.

Operating Temperature: -40°C to +85°C

MATERIALS

Body: LCP + 50%G.F. UL94V-0, Black

Insert: LCP + 30%G.F. UL94V-0, Black

Retainer: LCP + 50%G.F. UL94V-0, Black

Shell: Brass

Contact: Phosphor Bronze

Plating: Gold Plating Over Nickel(40~80u") On

Contact Area, Tin(100u" Min) Plating

On Solder Tail

***RoHS & REACH compliant.**

ORDERING INFORMATION:

P/N M D P $\frac{xx}{1}$ - 2 0 F B $\frac{xx}{2}$ $\frac{3}{3}$ $\frac{4}{4}$

1. DIP LENGTH OPTION:

"02" A=2.3MM FOR 1.20MM THICK PCB

"03" A=3.1MM FOR 1.60MM THICK PCB

2. CONNECTOR TYPE:

"F" FEMALE

3. INSULATOR COLOR:

"B" BLACK

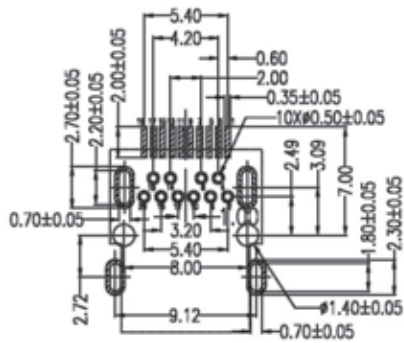
4. CONTACT FINISH:

"01" GOLD FLASH

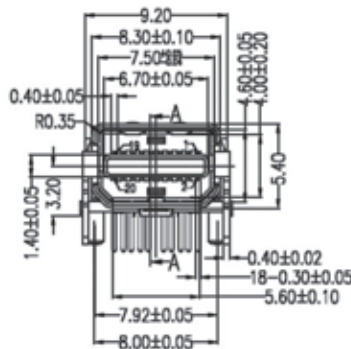
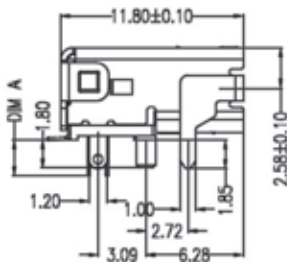
"15" 15 MICROINCH GOLD

"30" 30 MICROINCH GOLD

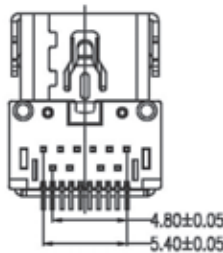
MINI DISPLAYPORT 20 PIN FEMALE CONNECTOR RIGHT ANGLE DIP+SMT TYPE



Recommended P.C.Board Layout
Component Side



Top Row			Bottom Row		
Pin Number	Signal Type	Pin Name	Pin Number	Signal Type	Pin Name
1	GND	GND	2	In	HotPlug Detect
3	Out	ML_Lane 0(p)	4	CONFIG	CONFIG1
5	Out	ML_Lane 0(n)	6	CONFIG	CONFIG2
7	GND	GND	8	GND	GND
9	Out	ML_Lane 1(p)	10	Out	ML_Lane 3(p)
11	Out	ML_Lane 1(n)	12	Out	ML_Lane 3(n)
13	GND	GND	14	GND	GND
15	Out	ML_Lane 2(p)	16	I/O	AUX_CH(p)
17	Out	ML_Lane 2(n)	18	I/O	AUX_CH(n)
19	GND	GND	20	PWR Out	DP_PWR



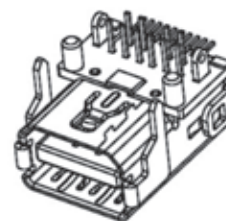
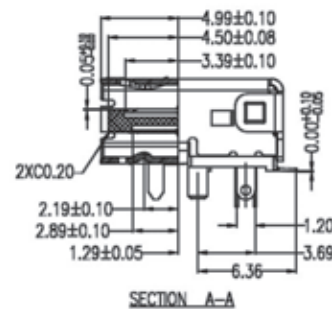
SPECIFICATIONS

Current Rating: 0.5 Amperes
 Insulation Resistance: 100MΩ Min
 Dielectric Withstanding: 500V AC
 Contact Resistance: 30mΩ Max.
 Operating Temperature: -40°C to +85°C

MATERIALS

Housing: LCP, UL94V-0
 Contact: C7025
 Plating: Gold Plating over Nickel on Contact Area; Tin Plating on Solder Tail

*RoHS & REACH compliant.

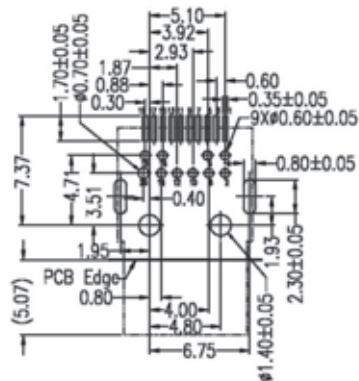


ORDERING INFORMATION:

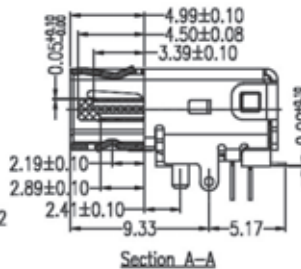
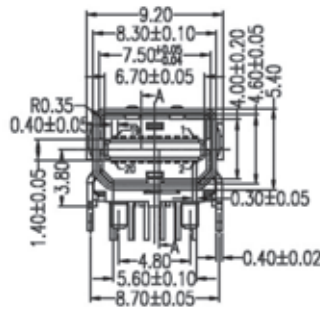
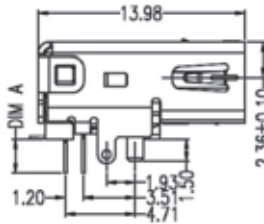
P/N M D P xx - 20 F B xx
 1 2 3 4 5

- DIP LENGTH:
 "04" DIM. A=2.30MM FOR 1.20MM THICK PCB
 "05" DIM. A=3.10MM FOR 1.60MM THICK PCB
- NO. OF CONTACTS:
 20
- CONNECTOR TYPE:
 "F" FEMALE
- INSULATOR COLOR:
 "B" BLACK
- CONTACT FINISH:
 "01" GOLD FLASH
 "15" 15 MICROINCH GOLD
 "30" 30 MICROINCH GOLD

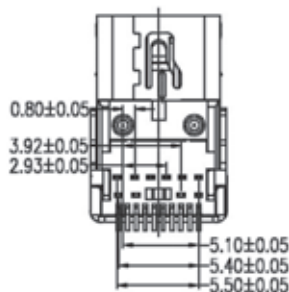
MINI DISPLAYPORT 20 PIN FEMALE CONNECTOR RIGHT ANGLE DIP+SMT TYPE



Recommended P.C.Board Layout
Component Side



Top Row			Bottom Row		
Pin No.	Signal Type	Pin Name	Pin No.	Signal Type	Pin Name
1	GND	GND	2	In	HotPlug Detect
3	Out	ML_Lane 0(p)	4	CONFIG	CONFIG1
5	Out	ML_Lane 0(n)	6	CONFIG	CONFIG2
7	GND	GND	8	GND	GND
9	Out	ML_Lane 1(p)	10	Out	ML_Lane 3(p)
11	Out	ML_Lane 1(n)	12	Out	ML_Lane 3(n)
13	GND	GND	14	GND	GND
15	Out	ML_Lane 2(p)	16	I/O	AUX_CH(p)
17	Out	ML_Lane 2(n)	18	I/O	AUX_CH(n)
19	GND	GND	20	PWR Out	DP_PWR



SPECIFICATIONS

Current Rating: 0.5 Amperes
 Insulation Resistance: 100MΩ Min
 Dielectric Withstanding: 500V AC
 Contact Resistance: 30mΩ Max.
 Operating Temperature: -40°C to +85°C

MATERIALS

Housing: LCP, UL94V-0
 Contact: Phosphor Bronze
 Plating: Gold Plating over Nickel on Contact Area; Tin Plating on Solder Tail

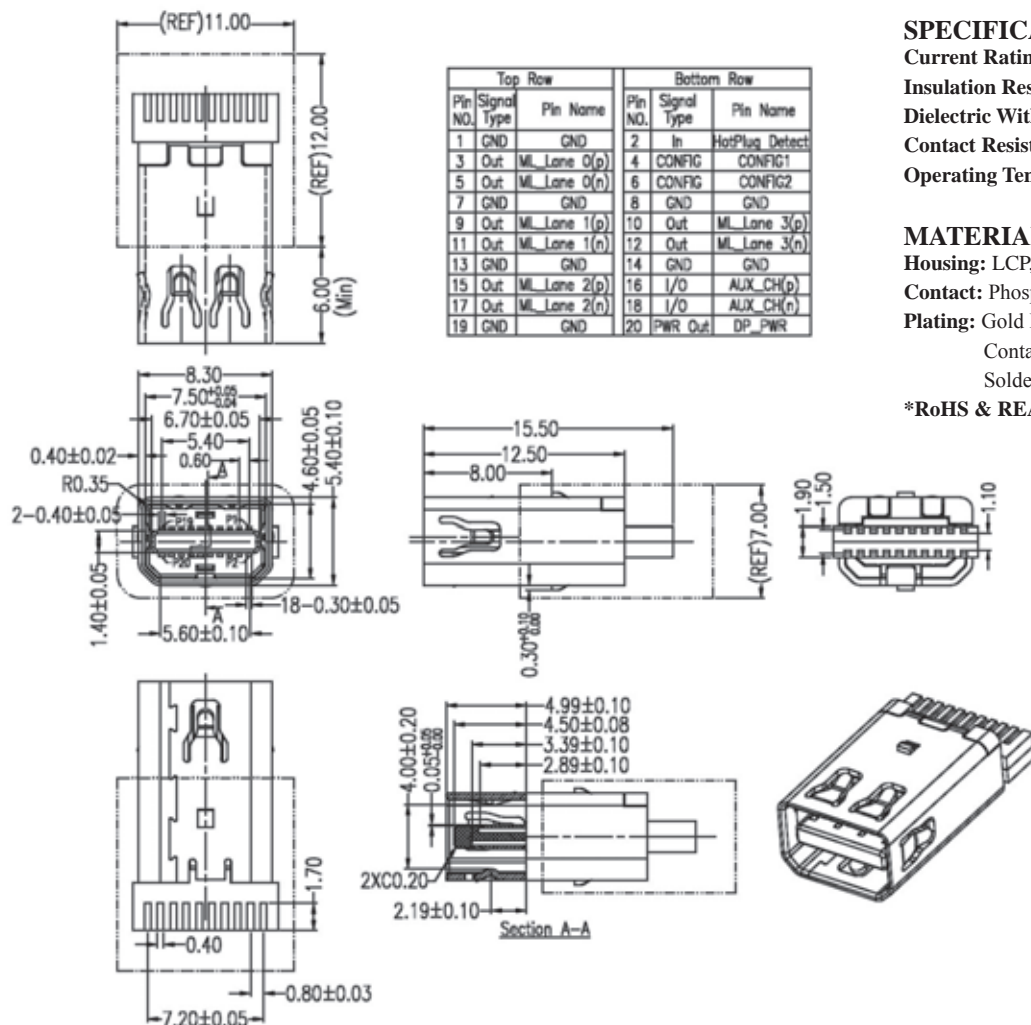
*RoHS & REACH compliant.

ORDERING INFORMATION:

P/N M D P $\frac{x}{1}$ $\frac{x}{2}$ - $\frac{2}{3}$ $\frac{0}{4}$ $\frac{F}{5}$ $\frac{x}{x}$ $\frac{x}{x}$

- DIP LENGTH:
 "06" DIM. A=2.30MM FOR 1.20MM THICK PCB
 "07" DIM. A=3.10MM FOR 1.60MM THICK PCB
- NO. OF CONTACTS:
 20
- CONNECTOR TYPE:
 "F" FEMALE
- INSULATOR COLOR:
 "B" BLACK
 "W" WHITE
- CONTACT FINISH:
 "01" GOLD FLASH
 "15" 15 MICROINCH GOLD
 "30" 30 MICROINCH GOLD

MINI DISPLAYPORT 20 PIN FEMALE CONNECTOR CABLE SOLDER TYPE



Top Row			Bottom Row		
Pin NO.	Signal Type	Pin Name	Pin NO.	Signal Type	Pin Name
1	GND	GND	2	In	HotPlug Detect
3	Out	ML_Lane 0(p)	4	CONFIG	CONFIG1
5	Out	ML_Lane 0(n)	6	CONFIG	CONFIG2
7	GND	GND	8	GND	GND
9	Out	ML_Lane 1(p)	10	Out	ML_Lane 3(p)
11	Out	ML_Lane 1(n)	12	Out	ML_Lane 3(n)
13	GND	GND	14	GND	GND
15	Out	ML_Lane 2(p)	16	I/O	AUX_CH(p)
17	Out	ML_Lane 2(n)	18	I/O	AUX_CH(n)
19	GND	GND	20	PWR Out	DP_PWR

SPECIFICATIONS

Current Rating: 0.5 Amperes
 Insulation Resistance: 100MΩ Min
 Dielectric Withstanding: 500V AC
 Contact Resistance: 30mΩ Max.
 Operating Temperature: -40°C to +85°C

MATERIALS

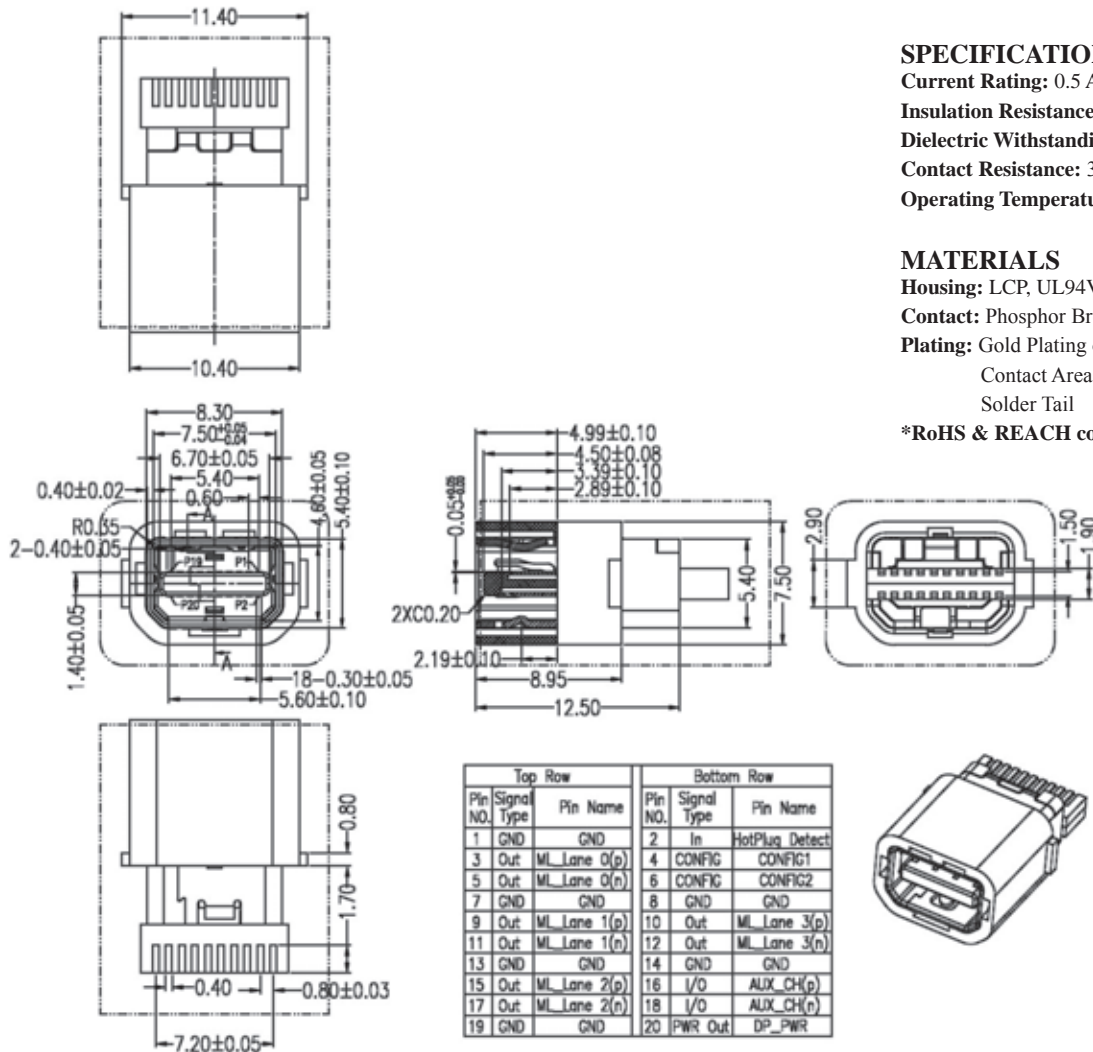
Housing: LCP, UL94V-0
 Contact: Phosphor Bronze
 Plating: Gold Plating over Nickel on Contact Area; Sn Plating on Solder Tail
 *RoHS & REACH compliant.

ORDERING INFORMATION:

P/N MDP09 - $\frac{20}{1} \frac{F}{2} \frac{B}{3} \frac{xx}{4}$

1. NO. OF CONTACTS:
20
2. CONNECTOR TYPE:
"F" FEMALE
3. INSULATOR COLOR:
"B" BLACK
4. CONTACT FINISH:
"01" GOLD FLASH
"15" 15 MICRINCH GOLD
"30" 30 MICRINCH GOLD

MINI DISPLAYPORT 20 PIN FEMALE CONNECTOR CABLE SOLDER TYPE WITH SHEATH



SPECIFICATIONS

Current Rating: 0.5 Amperes

Insulation Resistance: 100MΩ Min

Dielectric Withstanding: 500V AC

Contact Resistance: 30mΩ Max.

Operating Temperature: -40°C to +85°C

MATERIALS

Housing: LCP, UL94V-0

Contact: Phosphor Bronze

Plating: Gold Plating over Nickel on Contact Area; Tin Plating on Solder Tail

***RoHS & REACH compliant.**

ORDERING INFORMATION:

P/N MDP10 - $\frac{20}{1} \frac{F}{2} \frac{B}{3} \frac{xx}{4}$

1. NO. OF CONTACTS:

20

2. CONNECTOR TYPE:

"F" FEMALE

3. INSULATOR COLOR:

"B" BLACK

4. CONTACT FINISH:

"01" GOLD FLASH

"05" 5 MICROINCH GOLD

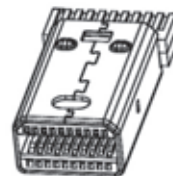
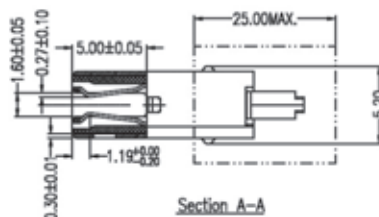
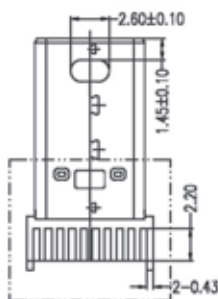
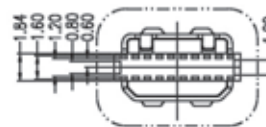
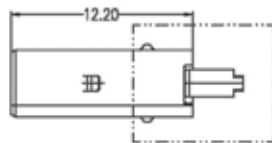
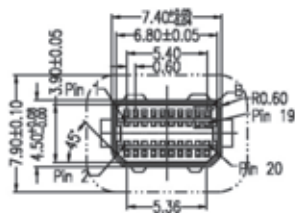
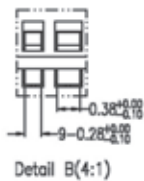
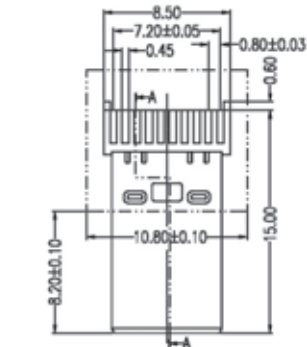
"10" 10 MICROINCH GOLD

"15" 15 MICROINCH GOLD

"30" 30 MICROINCH GOLD

MINI DISPLAYPORT 20 PIN MALE CONNECTOR CABLE SOLDER TYPE

Top Row			Bottom Row		
Pin No.	Signal Type	Pin Name	Pin No.	Signal Type	Pin Name
1	GND	GND	2	In	Hot Plug Detect
3	Out	ML Lane 3(a)	4	CONFIG	CONFIG1
5	Out	ML Lane 3(p)	6	CONFIG	CONFIG2
7	GND	GND	8	GND	GND
9	Out	ML Lane 2(a)	10	Out	ML Lane 2(p)
11	Out	ML Lane 2(a)	12	Out	ML Lane 2(p)
13	GND	GND	14	GND	GND
15	Out	ML Lane 1(a)	16	I/D	AUX_CH(A)
17	Out	ML Lane 1(p)	18	I/D	AUX_CH(N)
19	GND	GND	20	PWR Out	DP_PWR



SPECIFICATIONS

Current Rating: 0.5 Ampere Per Contact

Contact Resistance: 30mΩ Max.

Insulation Resistance: 100MΩ Min.

Dielectric Voltage: 500V AC Min.

Operating Temperature: -40°C to +85°C

MATERIALS

Body: LCP + 50%G.F. UL94V-0, White

Insert: LCP + 30%G.F. UL94V-0, Black

Retainer: LCP + 50%G.F. UL94V-0, Black

Shell: Brass, Nickel(40~80u") Plating

Contact: Phosphor Bronze

Plating: Gold Plating On Contact Area

Tin(100u" Min) Plating On Solder Tail

Nickel(40u" Min) Underplating Overall

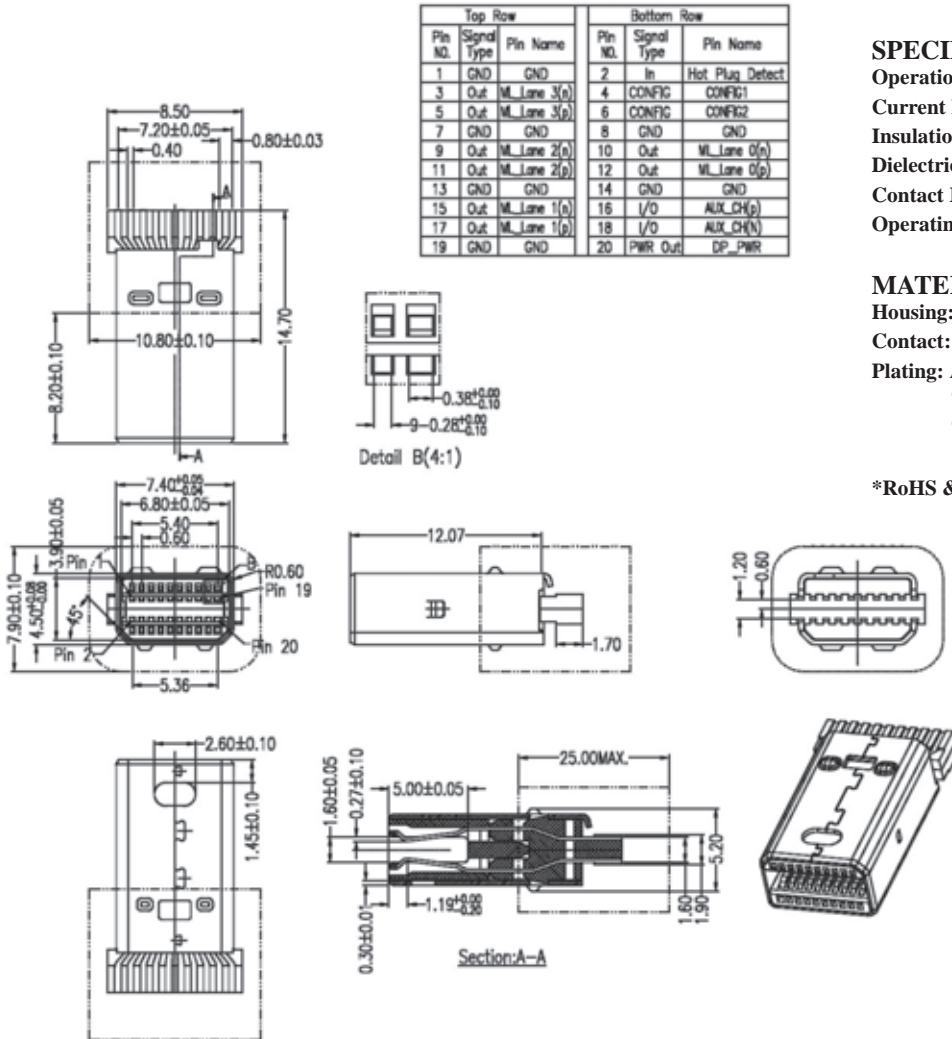
***RoHS & REACH compliant.**

ORDERING INFORMATION:

P/N MDP01 - $\frac{20}{1} \frac{M}{2} \frac{B}{3} \frac{XX}{4}$

- NO. OF CONTACTS:
20
- CONNECTOR TYPE:
"M" MALE
- INSULATOR COLOR:
"B" BLACK
- CONTACT FINISH:
"01" GOLD FLASH
"03" 3 MICROINCH GOLD
"15" 15 MICROINCH GOLD

MINI DISPLAYPORT 20 PIN MALE CONNECTOR CABLE SOLDER TYPE



SPECIFICATIONS

Operation Voltage: 30 VAC max.

Current Rating: 0.5 Amperes

Insulation Resistance: 100MΩ Min

Dielectric Withstanding: 500V AC

Contact Resistance: 30mΩ Max.

Operating Temperature: -40°C to +85°C

MATERIALS

Housing: LCP, UL94V-0

Contact: Phosphor Bronze

Plating: Au Plating on Contact Area;
Tin (100u" Min.) Plating on Solder
Tail; Ni (40u" Min.) Underplating
overall

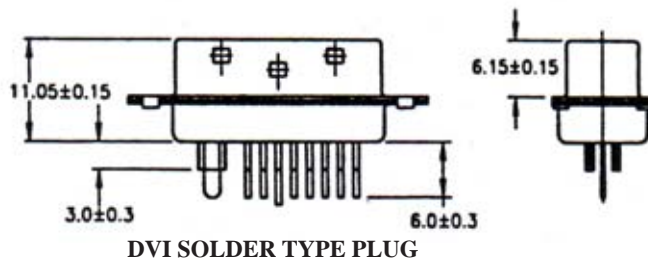
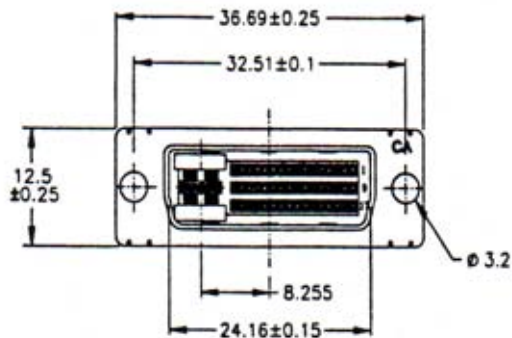
*RoHS & REACH compliant.

ORDERING INFORMATION:

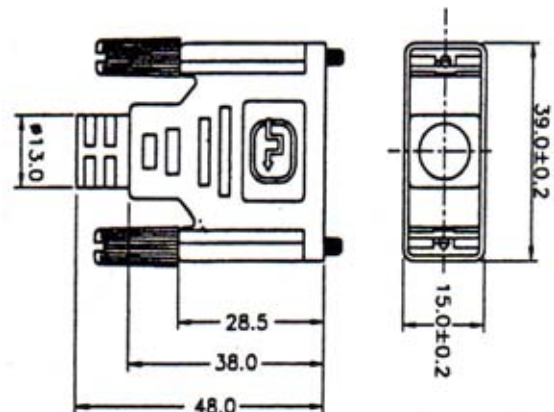
P/N MDP08 - $\frac{20}{1} \frac{M}{2} \frac{W}{3} \frac{xx}{4}$

1. NO. OF CONTACTS:
20
2. CONNECTOR TYPE:
"M" MALE
3. INSULATOR COLOR:
"W" WHITE
4. CONTACT FINISH:
"01" GOLD FLASH
"03" 3 MICRINCH GOLD
"05" 5 MICRINCH GOLD

DVI MALE CONNECTOR SET CABLE SOLDER & MOLDED TYPE



POSITION	TYPE
17= 12+4+1 (ANALOG)	A= ANALOG (17)
18= 18+KEY (DIGITAL)	D= DIGITAL (18 or 24)
23= 18+4+1 (INTEGRATED)	I= INTEGRATED (23 or 29)
24= 24+KEY (DIGITAL)	
29= 24+4+1 (INTEGRATED)	



**DVI PLASTIC BACKSHELL
&
METAL SHIELD**

SPECIFICATIONS

Current Rating: 1.5 Amperes
Contact Resistance: 20mΩ Max.
Insulation Resistance: 1000MΩ Min.
Dielectric Voltage: 500V DC
Operating Temperature: -20°C to +85°C

MATERIALS

Insulator: High Temperature Plastic, UL94V-0
Contact: Brass
 *RoHS & REACH compliant.

ORDERING INFORMATION:

P/N DVI - $\frac{X}{1} \frac{X}{2} \frac{X}{3} \frac{X}{4} X$

1. NO. OF CONTACTS:

"12" 12+KEY (DIGITAL)
 "17" 12+4+1 (ANALOG)
 "18" 18+KEY (DIGITAL)
 "23" 18+4+1 (INTEGRATED)
 "24" 24+KEY (DIGITAL)
 "29" 24+4+1 (INTEGRATED)

2. SET CONTENT:

"SET" INCLUDING ONE DVI SOLDER PLUG,
 ONE DVI PLASTIC BACKSHELL WITH
 THUMB SCREWS & ONE DVI METAL
 SHIELD (SOLDER TYPE)
 "MLD" INCLUDING ONE DVI SOLDER PLUG
 & ONE DVI METAL SHIELD
 (MOLDED TYPE)
 "ASSY" ASSEMBLY TYPE

3. FOR CABLE OUTER DIAMETER (Unit: mm):

4, 6, 7, 8, 10, 10.5

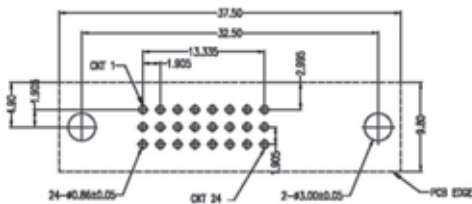
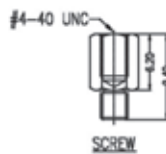
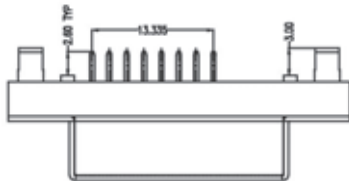
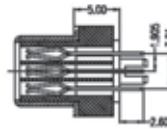
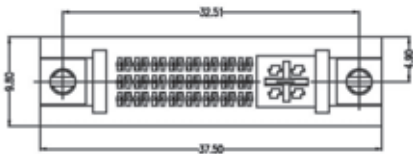
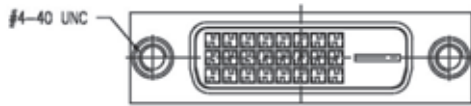
4. DVI BACKSHELL COLOR

(FOR ASSEMBLY TYPE ONLY):

"B" BLACK

"W" WHITE

DVI FEMALE CONNECTOR 24 PIN STRAIGHT PCB MOUNT TYPE



Recommended P.C.Board Layout

Signal Pin assignments Table

Pin	Signal Assignment	Pin	Signal Assignment	Pin	Signal Assignment
1	T.M.D.S.Data0-	9	T.M.D.S.Data1-	17	T.M.D.S.Data2-
2	T.M.D.S.Data0+	10	T.M.D.S.Data1+	18	T.M.D.S.Data2+
3	T.M.D.S.Data0/4 Shield	11	T.M.D.S.Data0/3 Shield	19	T.M.D.S.Data0/5 Shield
4	T.M.D.S.Data0-	12	T.M.D.S.Data0-	20	T.M.D.S.Data0-
5	T.M.D.S.Data0+	13	T.M.D.S.Data0+	21	T.M.D.S.Data0+
6	DDC Clock	14	+5V Power	22	T.M.D.S.Clock Shield
7	DDC Data	15	Ground/return for +5V (Mounting Vented)	23	T.M.D.S.Clock+
8	Analog Vertical Sync	16	Hot Plug Detect	24	T.M.D.S.Clock-

SPECIFICATIONS

Current Rating: 1.0 Amp

Contact Resistance: 25 Milliohm Max.

Insulation Resistance: 1000 Megohm Min. At 500V

Dielectric Withstanding: 1000V At 1 Minute

Operating Temperature: -55°C to +105°C

MATERIALS

Insulator: THERMOPLASTIC, UL94V-0 RATED

Contact: Brass

Shell: Brass, Steel

Contact Plating: Selective Gold Over Nickel Plated

Shell Plating: Tin Or Nickel Over Copper Plated

*RoHS & REACH compliant.

ORDERING INFORMATION:

P/N DVI - $\frac{24}{1}$ F $\frac{S}{2}$ D $\frac{x}{3}$ $\frac{4}{4}$

1. NO. OF CONTACTS:

24

2. TERMINAL TYPE:

"S" STRIAIGHT TYPE

3. PRODUCT TYPE:

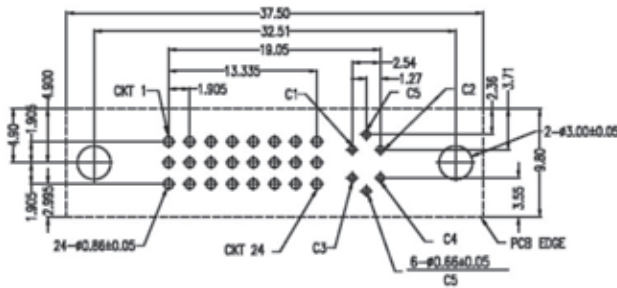
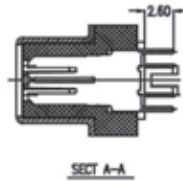
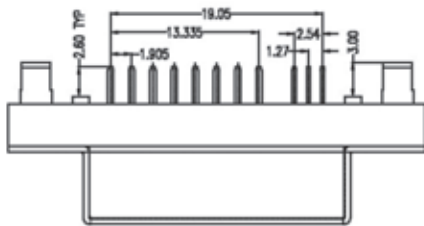
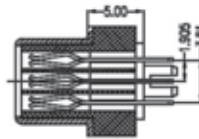
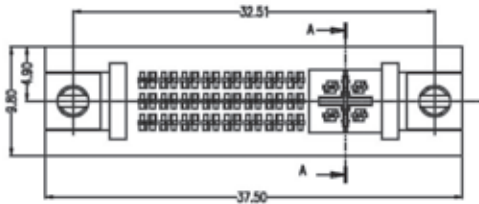
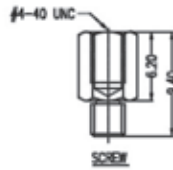
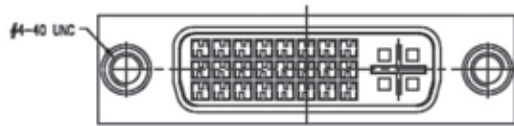
"D" DIGITAL

4. MOUNTING OPTION:

"1" WITHOUT SCREW

"2" WITH UNC4-40 SCREWS

DVI FEMALE CONNECTOR 24+5 PIN STRAIGHT PCB MOUNT TYPE



Recommended P.C.Board Layout

SPECIFICATIONS

Current Rating: 1.0 Amp

Contact Resistance: 25 Milliohm Max.

Insulation Resistance: 1000 Megohm Min. At 500V

Dielectric Withstanding: 1000V At 1 Minute

Operating Temperature: -55°C to +105°C

MATERIALS

Insulator: THERMOPLASTIC, UL94V-0 RATED

Contact: Brass

Shell: Brass, Steel

Contact Plating: Selective Gold Over Nickel Plated

Shell Plating: Tin Or Nickel Over Copper Plated

*RoHS & REACH compliant.

Signal Pin assignments Table

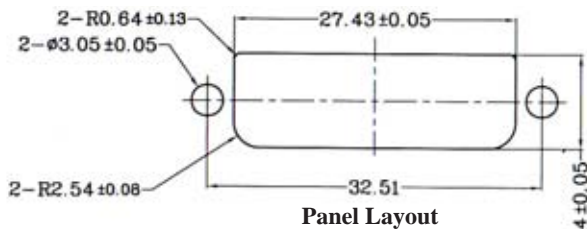
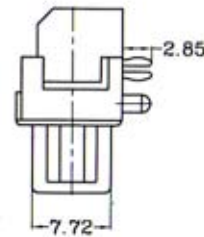
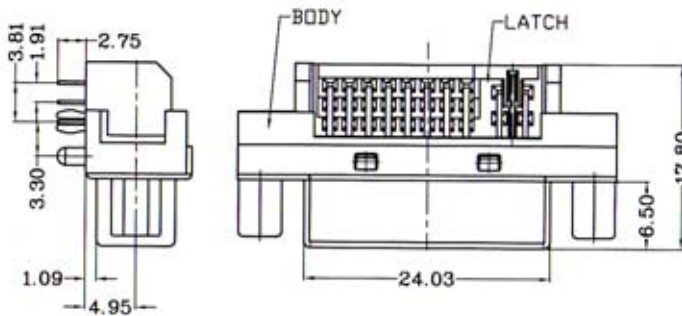
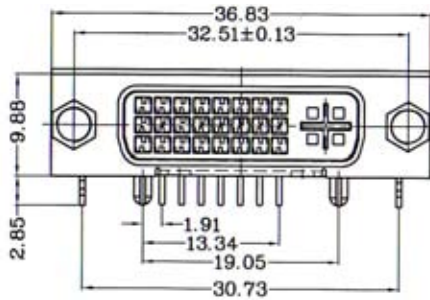
Pin	Signal Assignment	Pin	Signal Assignment	Pin	Signal Assignment
1	T.M.D.S.Data2-	9	T.M.D.S.Data1-	17	T.M.D.S.Data0-
2	T.M.D.S.Data2+	10	T.M.D.S.Data1+	18	T.M.D.S.Data0+
3	T.M.D.S.Data2/4 Shield	11	T.M.D.S.Data1/3 Shield	19	T.M.D.S.Data0/5 Shield
4	T.M.D.S.Data4-	12	T.M.D.S.Data3-	20	T.M.D.S.Data5-
5	T.M.D.S.Data4+	13	T.M.D.S.Data3+	21	T.M.D.S.Data5+
6	DDC Clock	14	+5V Power	22	T.M.D.S.Clock Shield
7	DDC Data	15	Ground(return for +5V, HSync, and Vsync)	23	T.M.D.S.Clock+
8	Analog Vertical Sync	16	Hot Plug Detect	24	T.M.D.S.Clock-
C1	Analog Red	C2	Analog Green	C3	Analog Blue
C4	Analog Horizontal Sync	C5	Analog Green (analog R,G,B return)		

ORDERING INFORMATION:

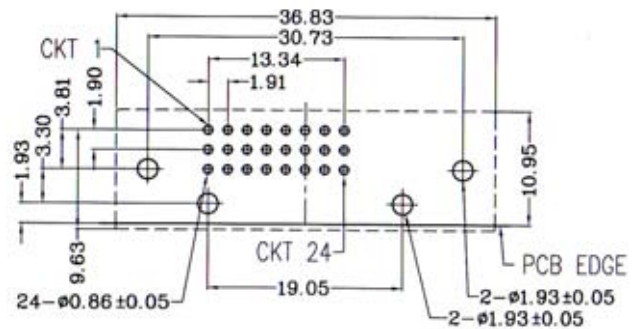
P/N DVI - $\frac{29}{1}$ FSI $\frac{x}{234}$

1. NO. OF CONTACTS:
24+5= 29
2. TERMINAL TYPE:
"S" STRAIGHT TYPE
3. PRODUCT TYPE:
"I" INTEGRATED
4. MOUNTING OPTION:
"1" WITHOUT SCREW
"2" WITH UNC4-40 SCREWS

DVI FEMALE CONNECTOR 24 PIN RIGHT ANGLE PCB MOUNT TYPE



Panel Layout



Recommended P.C.Board Layout

SPECIFICATIONS

Current Rating: 1.0 Amp

Contact Resistance: 25 Milliohm Max.

Insulation Resistance: 1000 Megohm Min. At 500V

Dielectric Withstanding: 1000V At 1 Minute

Operating Temperature: -55°C to +105°C

MATERIALS

Insulator: THERMOPLASTIC, UL94V-0 RATED

Contact: Brass

Shell: Brass, Steel

Contact Plating: Selective Gold Over Nickel Plated

Shell Plating: Tin Or Nickel Over Copper Plated

*RoHS & REACH compliant.

ORDERING INFORMATION:

P/N DVI - $\frac{24}{1}$ F $\frac{R}{2}$ D $\frac{x}{34}$

1. NO. OF CONTACTS:

24

2. TERMINAL TYPE:

"R" RIGHT ANGLE TYPE

3. PRODUCT TYPE:

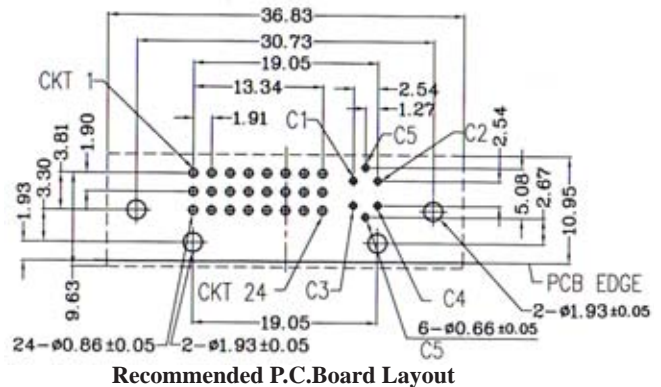
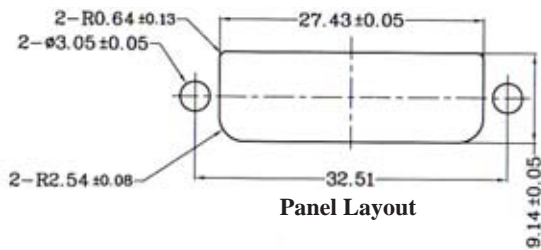
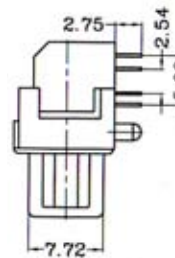
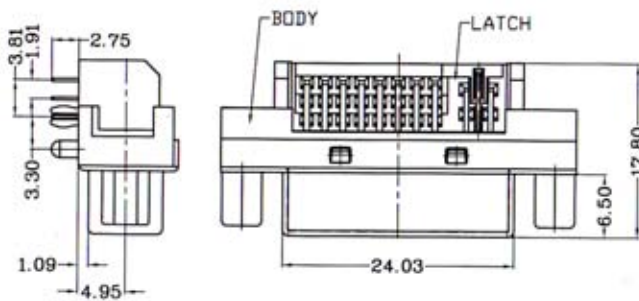
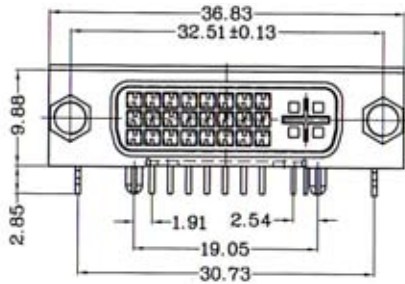
"D" DIGITAL

4. MOUNTING OPTION:

"1" WITHOUT SCREW

"2" WITH UNC4-40 SCREWS

DVI FEMALE CONNECTOR 24+5 PIN RIGHT ANGLE PCB MOUNT TYPE



SPECIFICATIONS

Current Rating: 1.0 Amp

Contact Resistance: 25 Milliohm Max.

Insulation Resistance: 1000 Megohm Min. At 500V

Dielectric Withstanding: 1000V At 1 Minute

Operating Temperature: -55°C to +105°C

MATERIALS

Insulator: THERMOPLASTIC, UL94V-0 RATED

Contact: Brass

Shell: Brass, Steel

Contact Plating: Selective Gold Over Nickel Plated

Shell Plating: Tin Or Nickel Over Copper Plated

***RoHS & REACH compliant.**

ORDERING INFORMATION:

P/N DVI - 29 F R I x
1 2 3 4

1. NO. OF CONTACTS:

24+5= 29

2. TERMINAL TYPE:

"R" RIGHT ANGLE TYPE

3. PRODUCT TYPE:

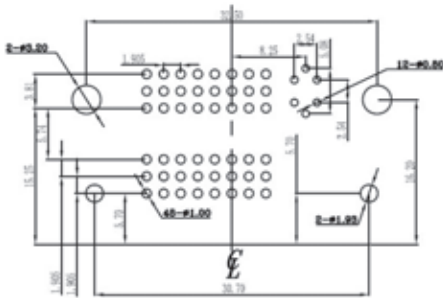
"I" INTEGRATED

4. MOUNTING OPTION:

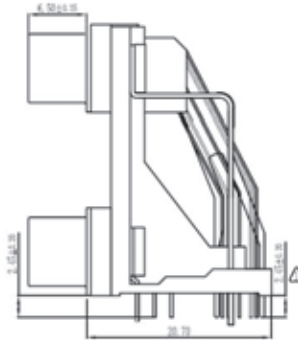
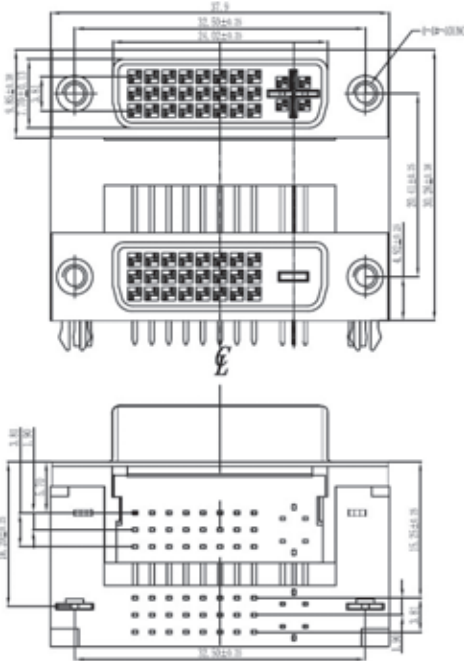
"1" WITHOUT SCREW

"2" WITH UNC4-40 SCREWS

DVI 29F TO 24F DUAL PORT CONNECTOR RIGHT ANGLE DIP TYPE



Recommended P.C.Board Layout



SPECIFICATIONS

Current Rating: 1.5 Amp

Upper Contact Resistance: 35MΩ Max.

Lower Contact Resistance: 20MΩ Max.

Dielectric Withstanding: 500V DC

Shell Resistance: 50MΩ Max.

Operating Temperature: -20°C to +85°C

MATERIALS

Insulator: PBT or High Temperature Plastic

Contact: Brass, Gold Plating On Contact Area, Tin Plating On Terminal

***RoHS & REACH compliant.**

ORDERING INFORMATION:

P/N DVIDP - $\frac{022}{1}$ $\frac{VV}{2}$

1. ADAPTER TYPE:

"022" DVI 24+5 PIN FEMALE TO
DVI 24 PIN FEMALE

2. INSULATOR COLORS OF 2 CONNECTORS:

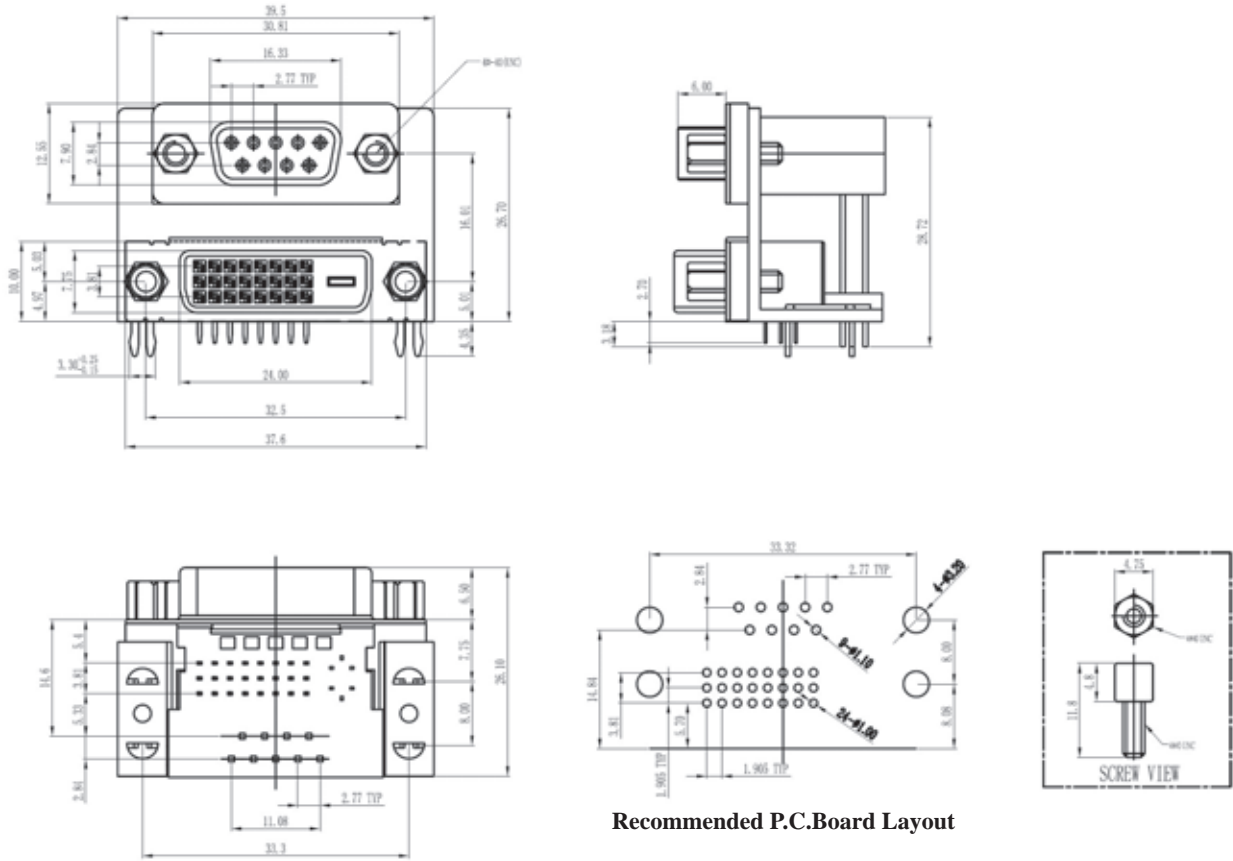
"VV" UPPER/LOWER = BEIGE/BEIGE (STANDARD)

"RR" UPPER/LOWER = RED/RED (198C)

"UU" UPPER/LOWER = BLUE/BLUE (661C)

"YY" UPPER/LOWER = YELLOW/YELLOW (131C)

DVI 24F TO DB9F OR DB9M DUAL PORT CONNECTOR RIGHT ANGLE DIP TYPE



Recommended P.C.Board Layout

ORDERING INFORMATION:

P/N D V I D P - $\frac{x x x}{1} \frac{U V}{2}$

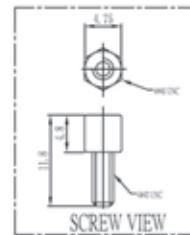
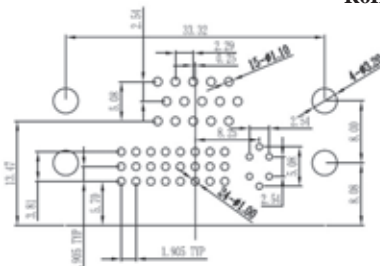
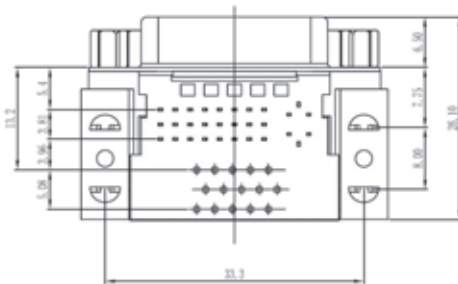
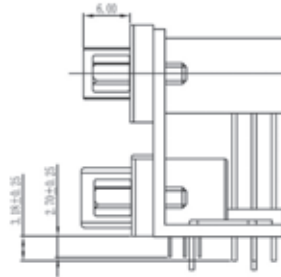
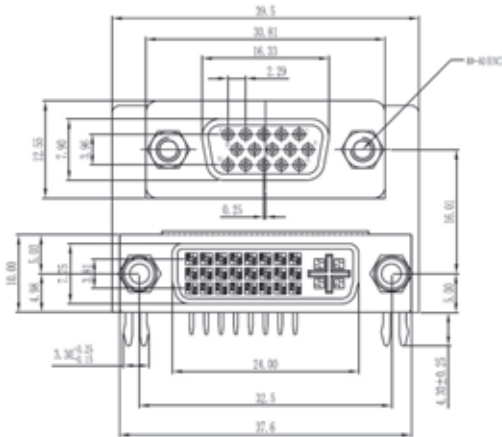
1. ADAPTER TYPE:

- "026" D-SUB. 9 PIN FEMALE TO DVI 24 PIN FEMALE
- "027" D-SUB. 9 PIN MALE TO DVI 24 PIN FEMALE

2. INSULATOR COLORS OF 2 CONNECTORS:

- "UV" UPPER/LOWER = BLUE/BEIGE (STANDARD)
- "NV" UPPER/LOWER = GREEN/BEIGE

DVI 29F TO HD15F DUAL PORT CONNECTOR RIGHT ANGLE DIP TYPE



Recommended P.C.Board Layout

SPECIFICATIONS

DVI:

Current Rating: 1 Amp

Contact Resistance: 2Ω Max.

Insulation Resistance: 2MΩ Min at DC 500V

Dielectric Withstanding: 500V AC

Operating Temperature: -20°C to +80°C

D-SUB:

Current Rating: 5 Amp

Contact Resistance: 2Ω Max.

Insulation Resistance: 100MΩ Min at DC 500V

Dielectric Withstanding: 500V AC

Operating Temperature: -20°C to +80°C

MATERIALS

DVI Insulator: PA66, UL94V-0

D-SUB Insulator: PBT, UL94V-0

Contact: Copper Alloy, Selective 1u"Min

Gold Plated In Contact Area,

80u"Min Tin Plated In Solder

Area, 30u"Min Nickel

Underplated Overall

***RoHS & REACH compliant.**

ORDERING INFORMATION:

P/N **DVIDP-028UV**
 $\frac{1}{2}$

1. ADAPTER TYPE:

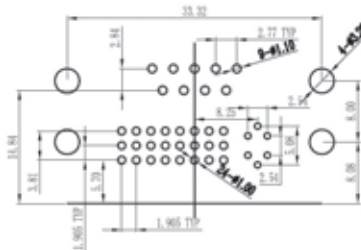
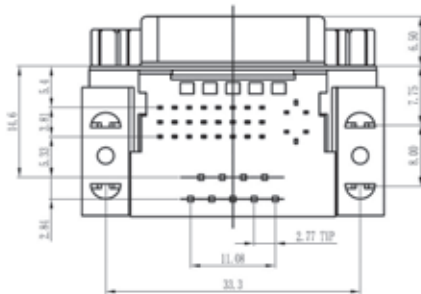
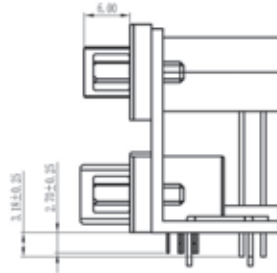
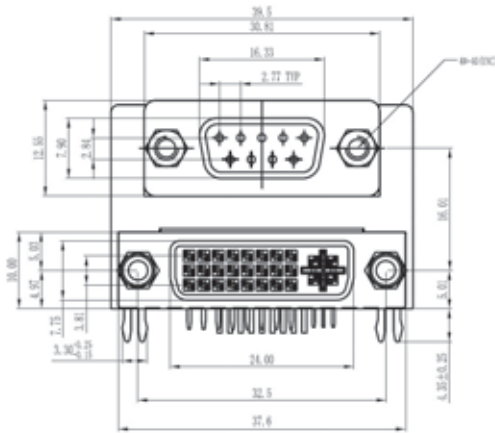
"028" HIGH DENSITY D-SUB. 15 PIN FEMALE TO
 DVI 24+5 PIN FEMALE

2. INSULATOR COLORS OF 2 CONNECTORS:

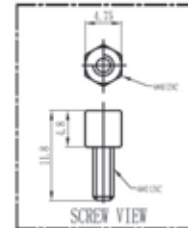
"UV" UPPER/LOWER = BLUE/BEIGE (STANDARD)

"UW" UPPER/LOWER = BLUE/WHITE

DVI 29F TO DB9F OR DB9M DUAL PORT CONNECTOR RIGHT ANGLE DIP TYPE



Recommended P.C.Board Layout



SPECIFICATIONS

DVI:

Current Rating: 1 Amp

Contact Resistance: 2Ω Max.

Insulation Resistance: 2MΩ Min at DC 500V

Dielectric Withstanding: 500V AC

Operating Temperature: -20°C to +80°C

D-SUB:

Current Rating: 5 Amp

Contact Resistance: 2Ω Max.

Insulation Resistance: 100MΩ Min at DC 500V

Dielectric Withstanding: 500V AC

Operating Temperature: -20°C to +80°C

MATERIALS

DVI Insulator: PA66, UL94V-0

D-SUB Insulator: PBT, UL94V-0

Contact: Copper Alloy, Selective 1u"Min

Gold Plated In Contact Area,

80u"Min Tin Plated In Solder

Area, 30u"Min Nickel

Underplated Overall

***RoHS & REACH compliant.**

ORDERING INFORMATION:

P/N D V I D P - $\frac{X X X}{1} \frac{U V}{2}$

1. ADAPTER TYPE:

"029" D-SUB. 9 PIN FEMALE TO DVI 24+5 PIN FEMALE

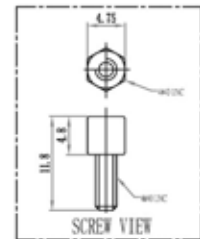
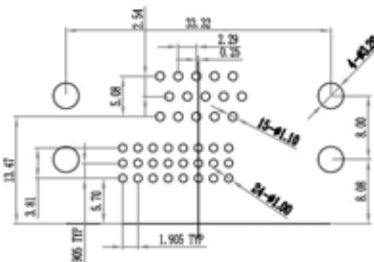
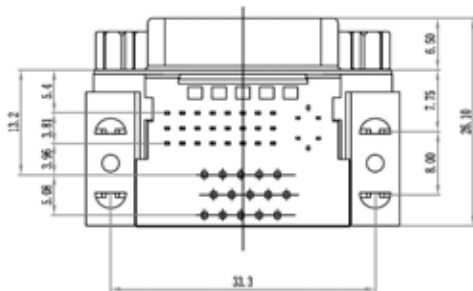
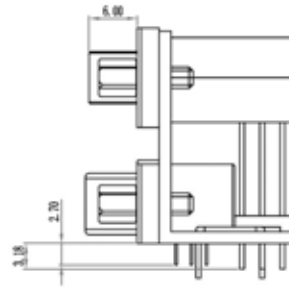
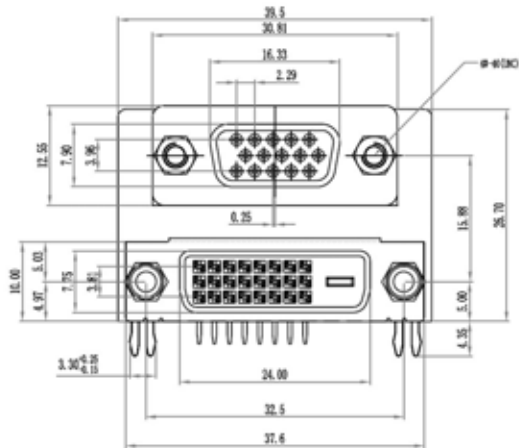
"030" D-SUB. 9 PIN MALE TO DVI 24+5 PIN FEMALE

2. INSULATOR COLORS OF 2 CONNECTORS:

"UV" UPPER/LOWER = BLUE/BEIGE (STANDARD)

"NV" UPPER/LOWER = GREEN/BEIGE

DVI 24F TO HD15F DUAL PORT CONNECTOR RIGHT ANGLE DIP TYPE



Recommended P.C.Board Layout

ORDERING INFORMATION:

P/N DVIDP- $\frac{025}{1}$ $\frac{UV}{2}$

1. ADAPTER TYPE:

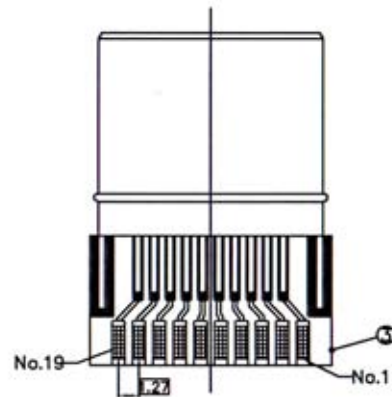
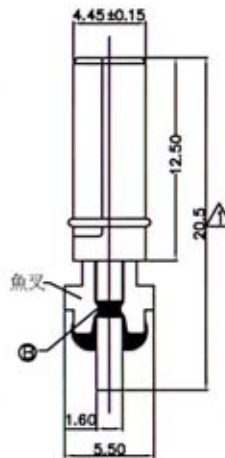
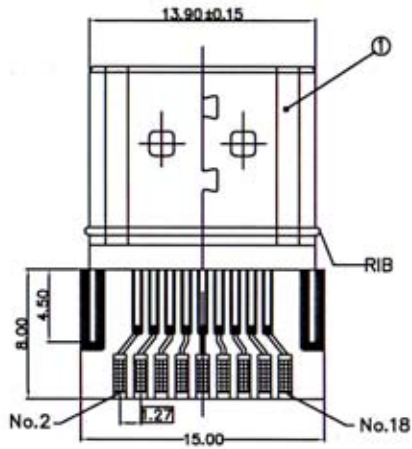
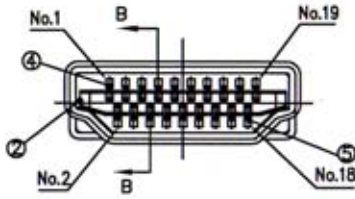
"025" HIGH DENSITY D-SUB. 15 PIN FEMALE TO
DVI 24 PIN FEMALE

2. INSULATOR COLORS OF 2 CONNECTORS:

"UV" UPPER/LOWER = BLUE/BEIGE (STANDARD)

"UW" UPPER/LOWER = BLUE/WHITE

HDMI MALE CONNECTOR VERSION 1.2A SOLDER TYPE WITH 1.27MM PITCH PCB



SPECIFICATIONS

Current Rating: 1.0 Amperes
Contact Resistance: 25mΩ Max.
Insulation Resistance: 1000MΩ Min. at 500V
Dielectric Voltage: 1000V at 1 Minute
Operating Temperature: -55°C to +105°C

MATERIALS

Insulator: PBT, UL94V-0 Rated
Contact: Brass
Shell: Brass, Steel
Contact Plating: Selective Gold Over Nickel Plated
Shell Plating: Tin Or Nickel Over Copper Plated
***RoHS & REACH compliant.**

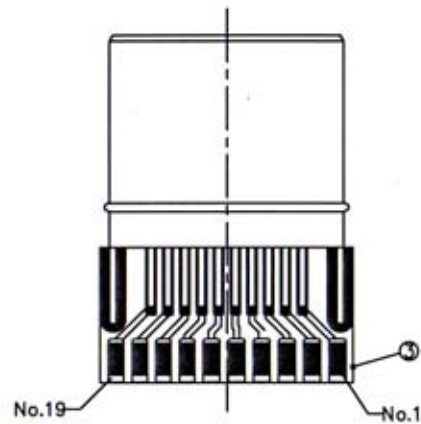
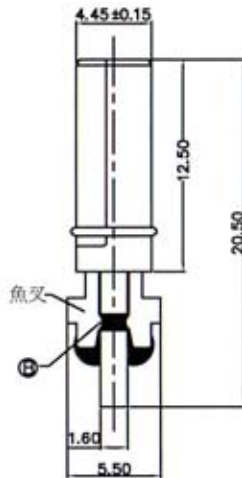
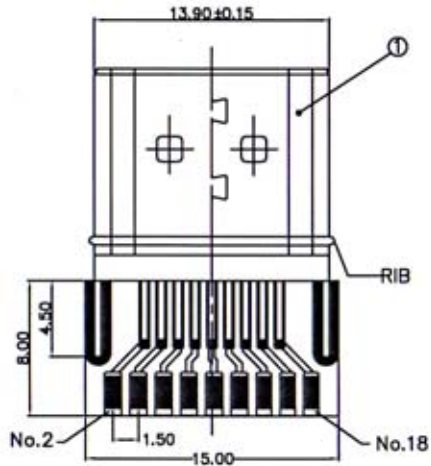
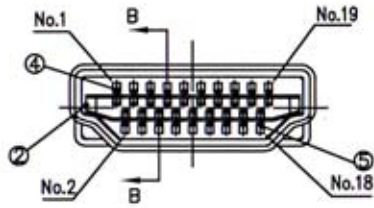
ORDERING INFORMATION:

P/N C H D M $\frac{2}{1}$ - $\frac{19}{2}$ $\frac{M}{3}$ $\frac{SD}{4}$ $\frac{x}{5}$

1. HDMI VERSION:
"2" VERSION 1.2A
2. NO. OF CONTACTS:
19
3. CONNECTOR TYPE:
"M" MALE
4. TERMINAL TYPE:
"SD" SOLDER TYPE

5. SHELL FINISH:
"1" NICKEL PLATED SHELL
"2" GOLD PLATED SHELL

HDMI MALE CONNECTOR VERSION 1.2A SOLDER TYPE WITH 1.50MM PITCH PCB



SPECIFICATIONS

Current Rating: 1.0 Amperes
Contact Resistance: 25mΩ Max.
Insulation Resistance: 1000MΩ Min. at 500V
Dielectric Voltage: 1000V at 1 Minute
Operating Temperature: -55°C to +105°C

MATERIALS

Insulator: PBT, UL94V-0 Rated
Contact: Brass
Shell: Brass, Steel
Contact Plating: Selective Gold Over Nickel Plated
Shell Plating: Tin Or Nickel Over Copper Plated
 *RoHS & REACH compliant.

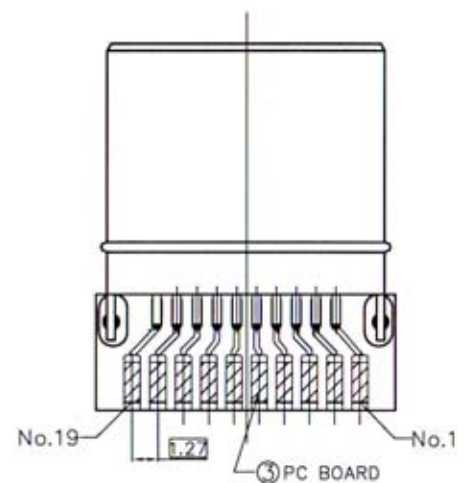
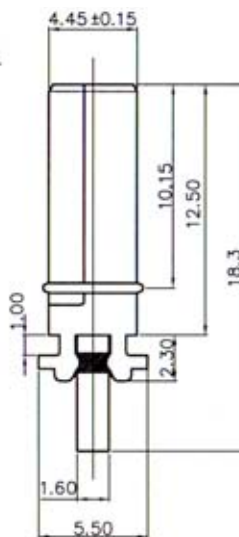
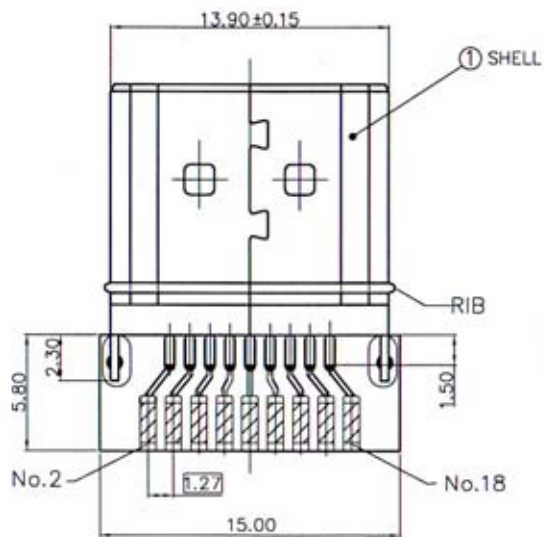
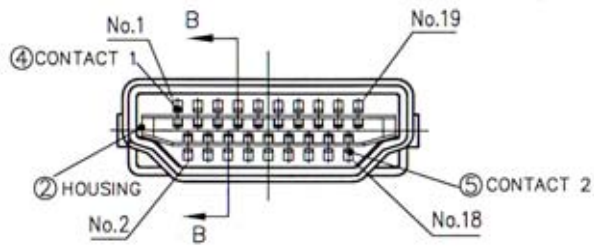
ORDERING INFORMATION:

P/N C H D M $\frac{2}{1}$ - $\frac{19}{2}$ $\frac{M}{3}$ $\frac{SD}{4}$ $\frac{x}{5}$

1. HDMI VERSION:
"2" VERSION 1.2A
2. NO. OF CONTACTS:
19
3. CONNECTOR TYPE:
"M" MALE
4. TERMINAL TYPE:
"SD" SOLDER TYPE

5. SHELL FINISH:
"3" NICKEL PLATED SHELL
"4" GOLD PLATED SHELL

HDMI MALE CONNECTOR VERSION 1.2A SOLDER TYPE WITH 1.27MM PITCH SHORT PCB



SPECIFICATIONS

Current Rating: 1.0 Amperes
Contact Resistance: 25mΩ Max.
Insulation Resistance: 1000MΩ Min. at 500V
Dielectric Voltage: 1000V at 1 Minute
Operating Temperature: -55°C to +105°C

MATERIALS

Insulator: PBT, UL94V-0 Rated
Contact: Brass
Shell: Brass, Steel
Contact Plating: Selective Gold Over Nickel Plated
Shell Plating: Tin Or Nickel Over Copper Plated
***RoHS & REACH compliant.**

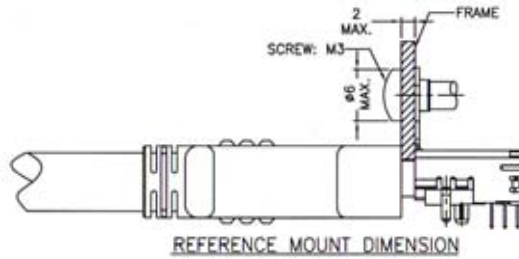
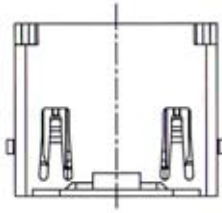
ORDERING INFORMATION:

P/N C H D M $\frac{2}{1}$ - $\frac{19}{2}$ $\frac{M}{3}$ $\frac{SD}{4}$ $\frac{x}{5}$

1. HDMI VERSION:
"2" VERSION 1.2A
2. NO. OF CONTACTS:
19
3. CONNECTOR TYPE:
"M" MALE
4. TERMINAL TYPE:
"SD" SOLDER TYPE

5. SHELL FINISH:
"5" NICKEL PLATED SHELL
"6" GOLD PLATED SHELL

HDMI FEMALE CONNECTOR VERSION 1.2A LOW PROFILE R/A TYPE WITH FLANGE

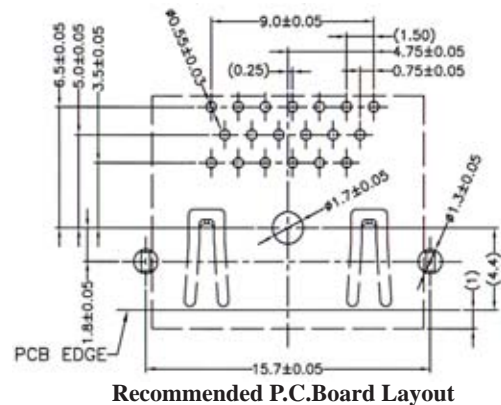
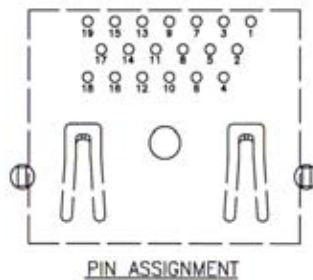
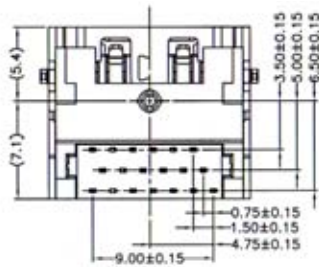
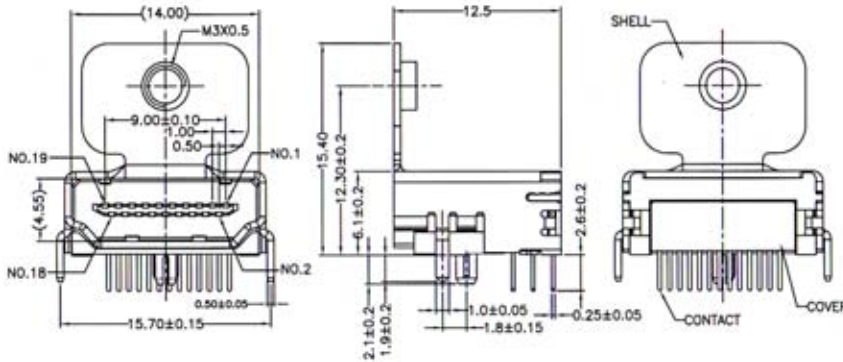


SPECIFICATIONS

- Current Rating:** 1.0 Amperes
- Contact Resistance:** 25mΩ Max.
- Insulation Resistance:** 1000MΩ Min. at 500V
- Dielectric Voltage:** 1000V at 1 Minute
- Operating Temperature:** -55°C to +105°C

MATERIALS

- Insulator:** PBT, UL94V-0 Rated
- Contact:** Brass
- Shell:** Brass, Steel
- Contact Plating:** Selective Gold Over Nickel Plated
- Shell Plating:** Tin Or Nickel Over Copper Plated
- *RoHS & REACH compliant.**



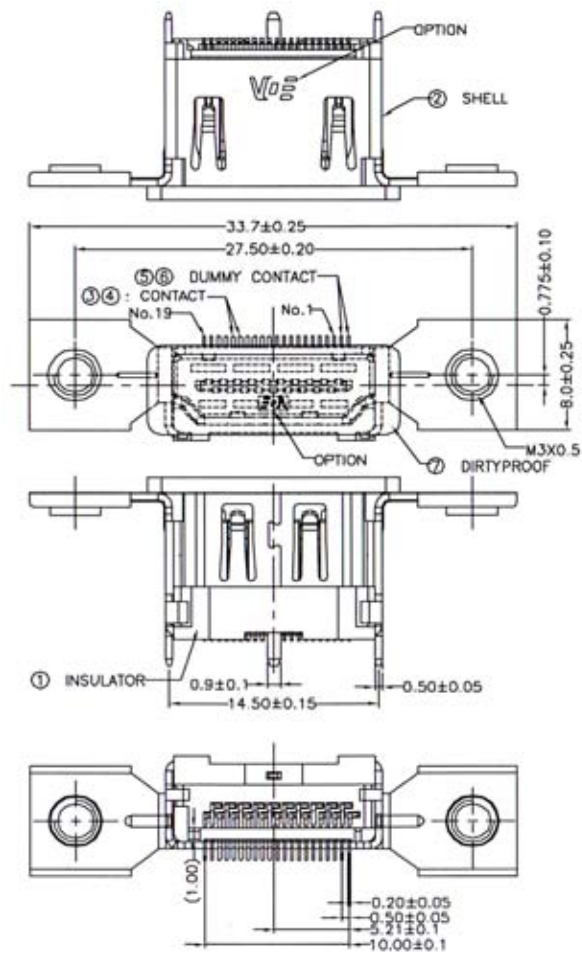
ORDERING INFORMATION:

P/N C H D M 2 - 19 F R A x
 1 2 3 4 5

1. HDMI VERSION:
"2" VERSION 1.2A
2. NO. OF CONTACTS:
19
3. CONNECTOR TYPE:
"F" FEMALE
4. TERMINAL TYPE:
"RA" RIGHT ANGLE TYPE

5. SHELL FINISH:
"1" NICKEL PLATED SHELL
"2" GOLD PLATED SHELL

HDMI FEMALE CONNECTOR VERSION 1.2A VERTICAL SMT TYPE WITH WING

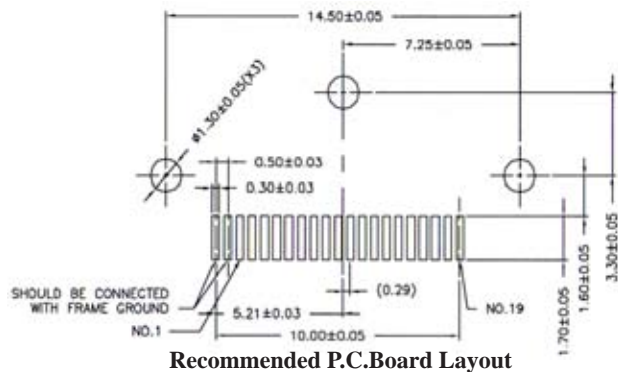
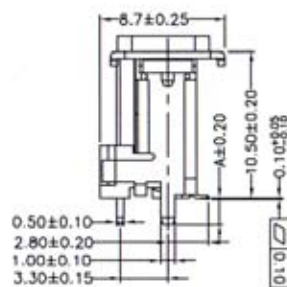


SPECIFICATIONS

Current Rating: 1.0 Amperes
Contact Resistance: 25mΩ Max.
Insulation Resistance: 1000MΩ Min. at 500V
Dielectric Voltage: 1000V at 1 Minute
Operating Temperature: -55°C to +105°C

MATERIALS

Insulator: PBT, UL94V-0 Rated
Contact: Brass
Shell: Brass, Steel
Contact Plating: Selective Gold Over Nickel Plated
Shell Plating: Tin Or Nickel Over Copper Plated
***RoHS & REACH compliant.**



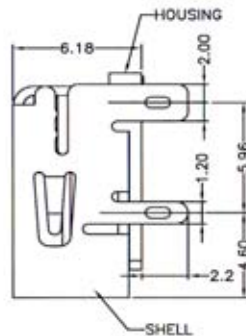
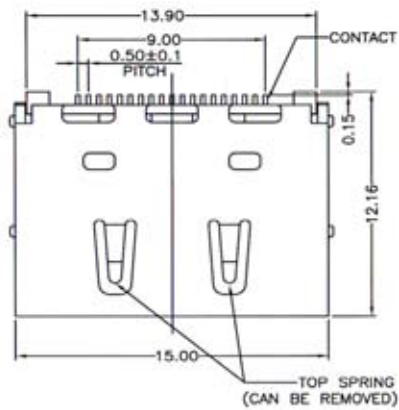
ORDERING INFORMATION:

P/N C H D M 2 - 19 F S T R x
1 2 3 4 5

- HDMI VERSION:
"2" VERSION 1.2A
- NO. OF CONTACTS:
19
- CONNECTOR TYPE:
"F" FEMALE
- TERMINAL TYPE:
"STR" STRAIGHT SMT TYPE

- SHELL FINISH:
"1" NICKEL PLATED SHELL
"2" GOLD PLATED SHELL

HDMI FEMALE CONNECTOR VERSION 1.2A R/A SMT TYPE WITHOUT FLANGE

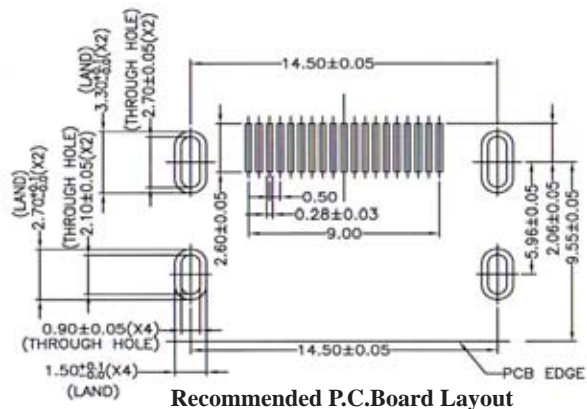
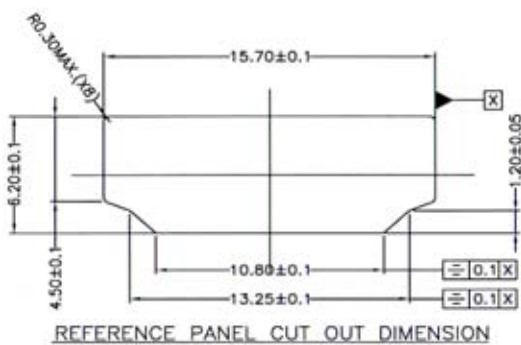
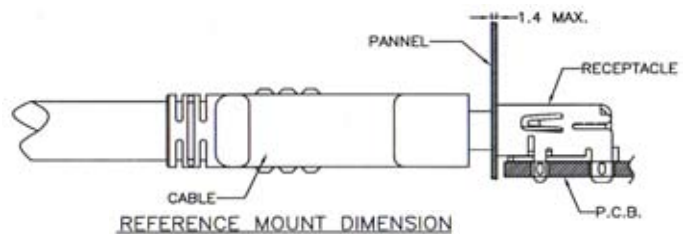
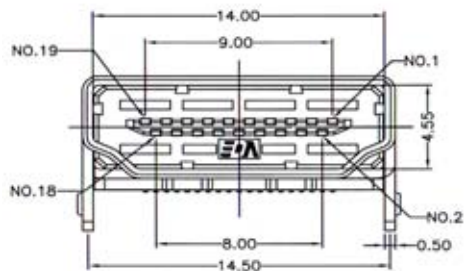


SPECIFICATIONS

Current Rating: 1.0 Amperes
Contact Resistance: 25mΩ Max.
Insulation Resistance: 1000MΩ Min. at 500V
Dielectric Voltage: 1000V at 1 Minute
Operating Temperature: -55°C to +105°C

MATERIALS

Insulator: PBT, UL94V-0 Rated
Contact: Brass
Shell: Brass, Steel
Contact Plating: Selective Gold Over Nickel Plated
Shell Plating: Tin Or Nickel Over Copper Plated
 *RoHS & REACH compliant.



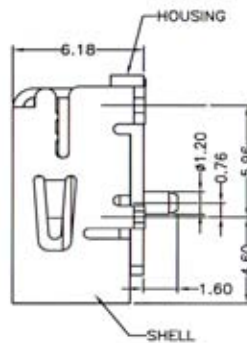
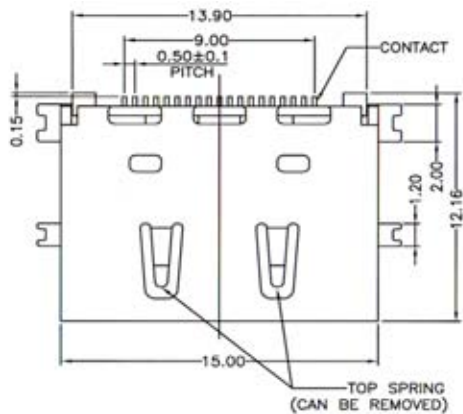
ORDERING INFORMATION:

P/N C H D M 2 - 19 F S M T X
1 2 3 4 5

- HDMI VERSION:
"2" VERSION 1.2A
- NO. OF CONTACTS:
19
- CONNECTOR TYPE:
"F" FEMALE
- TERMINAL TYPE:
"SMT" RIGHT ANGLE SMT TYPE

- SHELL FINISH:
"1" NICKEL PLATED SHELL
"2" GOLD PLATED SHELL

HDMI FEMALE CONNECTOR VERSION 1.2A R/A SMT TYPE WITHOUT FLANGE

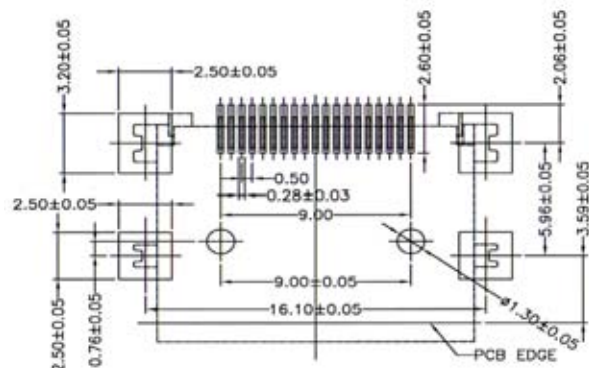
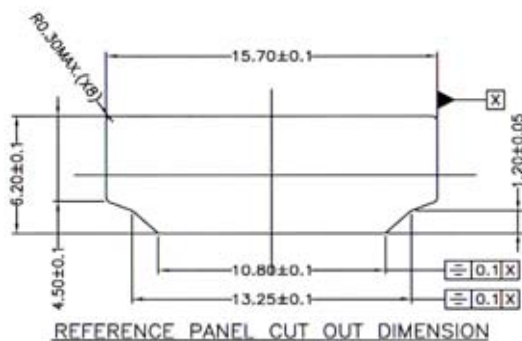
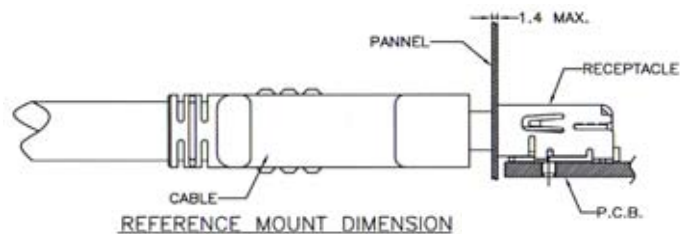
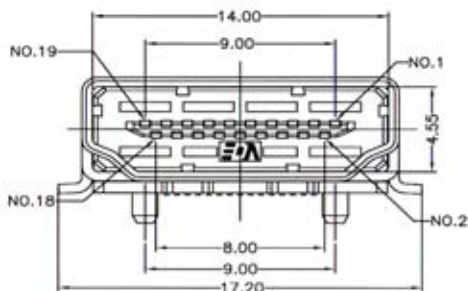


SPECIFICATIONS

Current Rating: 1.0 Amperes
Contact Resistance: 25mΩ Max.
Insulation Resistance: 1000MΩ Min. at 500V
Dielectric Voltage: 1000V at 1 Minute
Operating Temperature: -55°C to +105°C

MATERIALS

Insulator: PBT, UL94V-0 Rated
Contact: Brass
Shell: Brass, Steel
Contact Plating: Selective Gold Over Nickel Plated
Shell Plating: Tin Or Nickel Over Copper Plated
***RoHS & REACH compliant.**



Recommended P.C.Board Layout

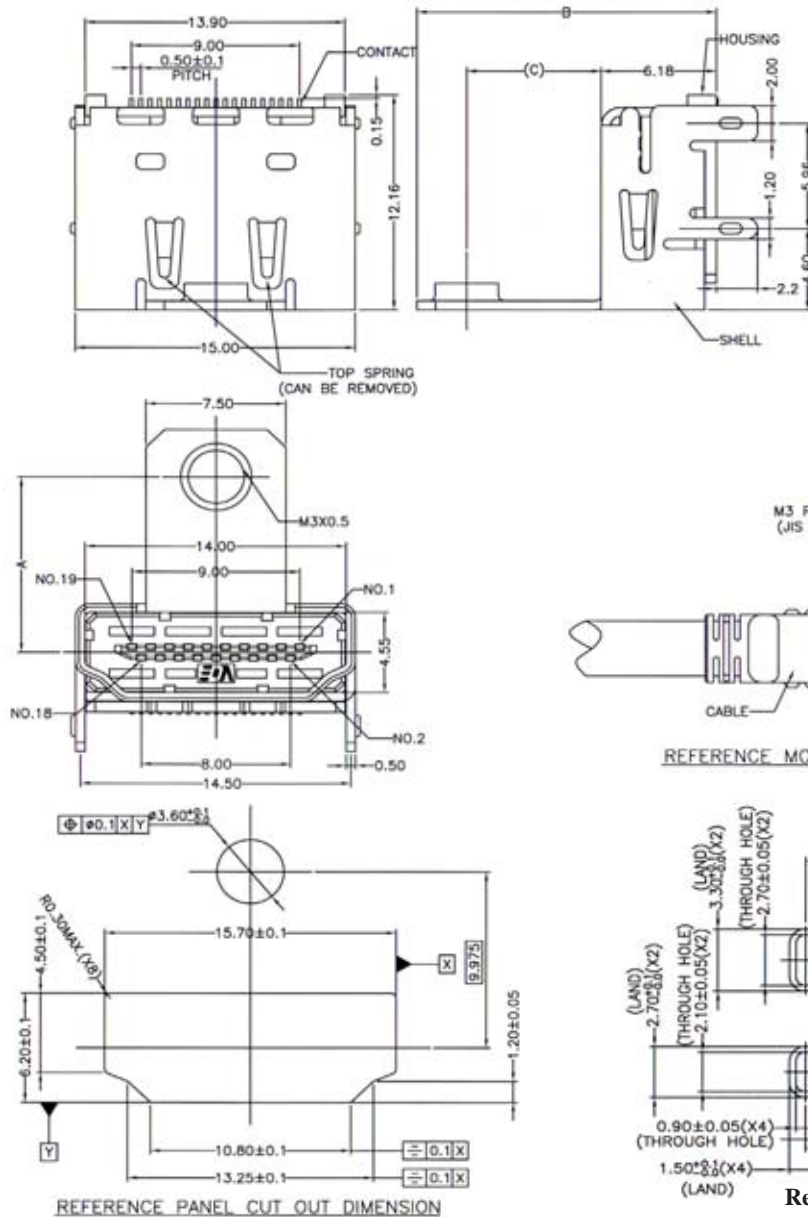
ORDERING INFORMATION:

P/N C H D M 2 - 19 F S M T X
1 2 3 4 5

1. HDMI VERSION:
"2" VERSION 1.2A
2. NO. OF CONTACTS:
19
3. CONNECTOR TYPE:
"F" FEMALE
4. TERMINAL TYPE:
"SMT" RIGHT ANGLE SMT TYPE

5. SHELL FINISH:
"3" NICKEL PLATED SHELL
"4" GOLD PLATED SHELL

HDMI FEMALE CONNECTOR VERSION 1.2A R/A SMT TYPE WITH FLANGE HEIGHT= 9.975MM



SPECIFICATIONS

Current Rating: 1.0 Amperes
Contact Resistance: 25mΩ Max.
Insulation Resistance: 1000MΩ Min. at 500V
Dielectric Voltage: 1000V at 1 Minute
Operating Temperature: -55°C to +105°C

MATERIALS

Insulator: PBT, UL94V-0 Rated
Contact: Brass
Shell: Brass, Steel
Contact Plating: Selective Gold Over Nickel Plated
Shell Plating: Tin Or Nickel Over Copper Plated
***RoHS & REACH compliant.**

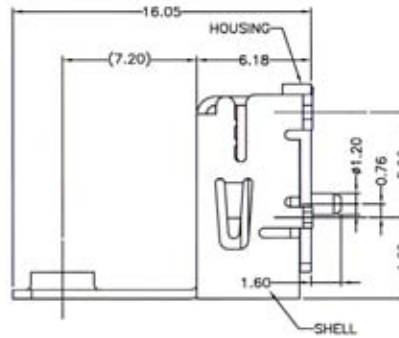
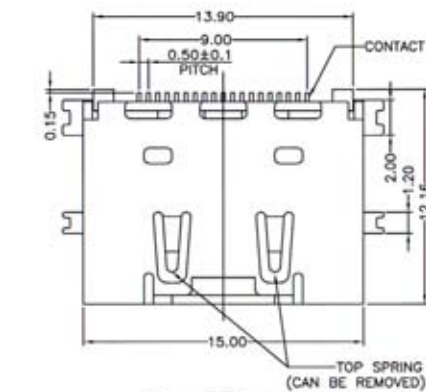
ORDERING INFORMATION:

P/N C H D M $\frac{2}{1}$ - $\frac{19}{2}$ F $\frac{S}{3}$ $\frac{SMT}{4}$ $\frac{x}{5}$

- HDMI VERSION:
"2" VERSION 1.2A
- NO. OF CONTACTS:
19
- CONNECTOR TYPE:
"F" FEMALE
- TERMINAL TYPE:
"SMT" RIGHT ANGLE SMT TYPE

- SHELL FINISH:
"5" NICKEL PLATED SHELL
"6" GOLD PLATED SHELL

HDMI FEMALE CONNECTOR VERSION 1.2A R/A SMT TYPE WITH FLANGE HEIGHT= 9.975MM

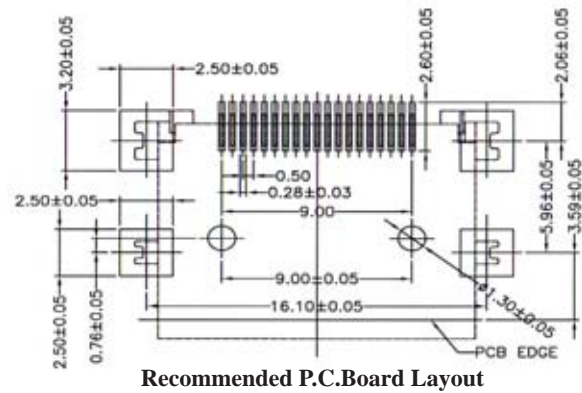
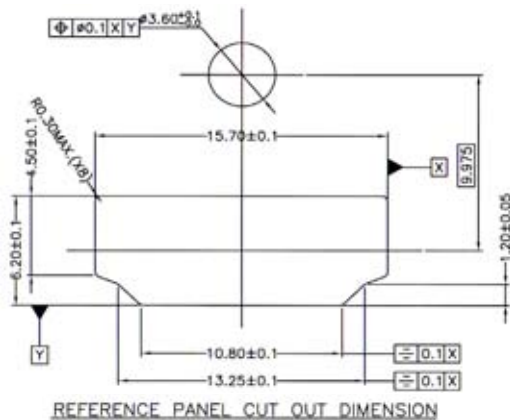
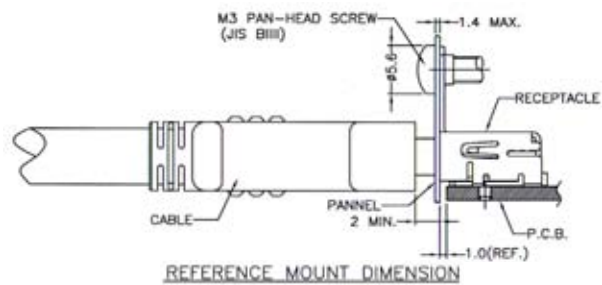
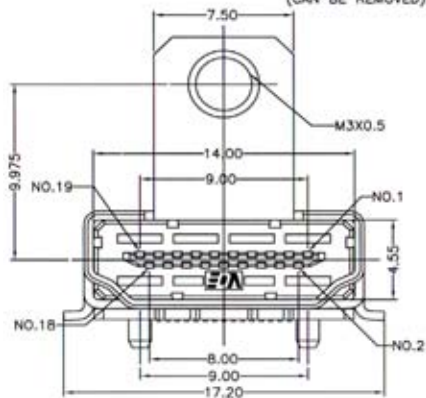


SPECIFICATIONS

- Current Rating:** 1.0 Amperes
- Contact Resistance:** 25mΩ Max.
- Insulation Resistance:** 1000MΩ Min. at 500V
- Dielectric Voltage:** 1000V at 1 Minute
- Operating Temperature:** -55°C to +105°C

MATERIALS

- Insulator:** PBT, UL94V-0 Rated
- Contact:** Brass
- Shell:** Brass, Steel
- Contact Plating:** Selective Gold Over Nickel Plated
- Shell Plating:** Tin Or Nickel Over Copper Plated
- *RoHS & REACH compliant.**



ORDERING INFORMATION:

P/N C H D M $\frac{2}{1}$ - $\frac{19}{2}$ F $\frac{S}{3}$ M T $\frac{x}{4}$ $\frac{5}{5}$

- HDMI VERSION:
"2" VERSION 1.2A
- NO. OF CONTACTS:
19
- CONNECTOR TYPE:
"F" FEMALE
- TERMINAL TYPE:
"SMT" RIGHT ANGLE SMT TYPE

- SHELL FINISH:
"7" NICKEL PLATED SHELL
"8" GOLD PLATED SHELL

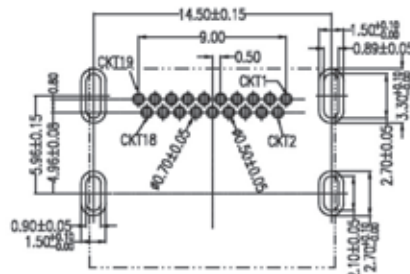
HDMI FEMALE CONNECTOR VERSION 1.2A RIGHT ANGLE DIP TYPE

SPECIFICATIONS

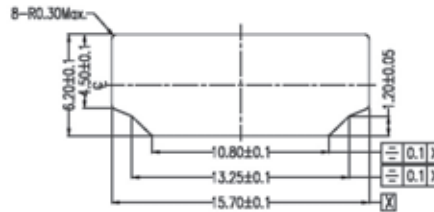
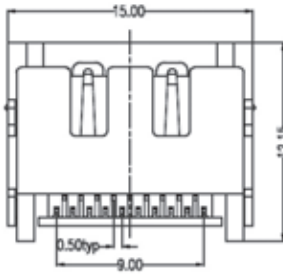
- Current Rating: 1.0 Amperes
- Contact Resistance: 25mΩ Max.
- Insulation Resistance: 1000MΩ Min. at 500V
- Dielectric Voltage: 1000V at 1 Minute
- Operating Temperature: -55°C to +105°C

MATERIALS

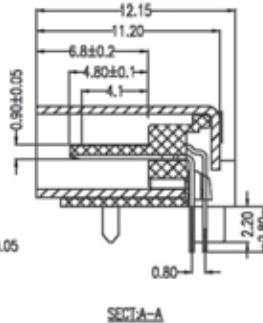
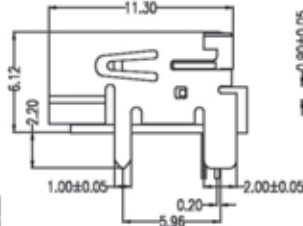
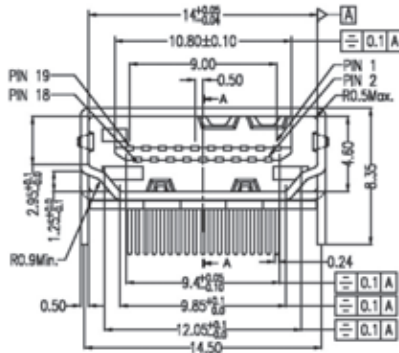
- Insulator: PBT, UL94V-0 Rated
- Contact: Brass
- Shell: Brass, Steel
- Contact Plating: Selective Gold Over Nickel Plated
- Shell Plating: Tin Or Nickel Over Copper Plated
- *RoHS & REACH compliant.



Recommended P.C. Board Layout



Reference Panel Cut Out Dimension



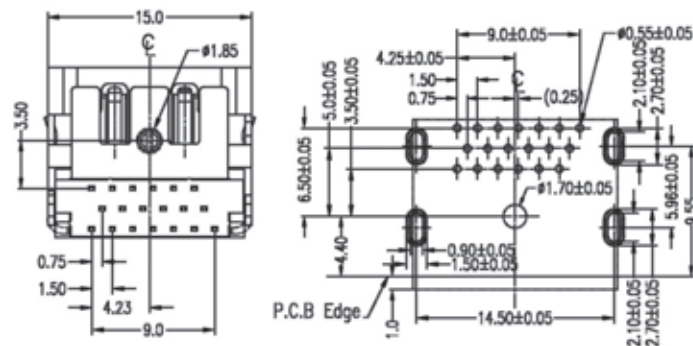
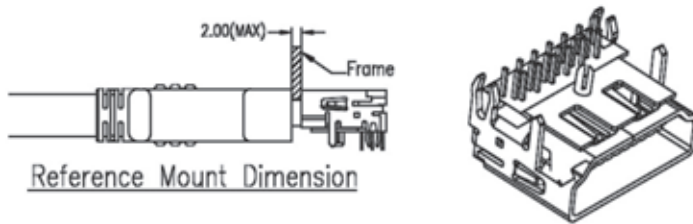
ORDERING INFORMATION:

P/N C H D M $\frac{2}{1}$ - $\frac{19}{2}$ F $\frac{x}{3}$ $\frac{x}{4}$ $\frac{x}{5}$ $\frac{A}{6}$

- HDMI VERSION:
"2" VERSION 1.2A
- NO. OF CONTACTS:
19
- CONNECTOR TYPE:
"F" FEMALE
- SHELL FINISH:
"N" NICKEL PLATED SHELL
- CONTACT FINISH:
"01" GOLD FLASH
"05" 05 MICROINCH GOLD
"10" 10 MICROINCH GOLD
"15" 15 MICROINCH GOLD
"30" 30 MICROINCH GOLD

- CONNECTOR CODE:
A

HDMI FEMALE CONNECTOR VERSION 1.2A RIGHT ANGLE DIP TYPE

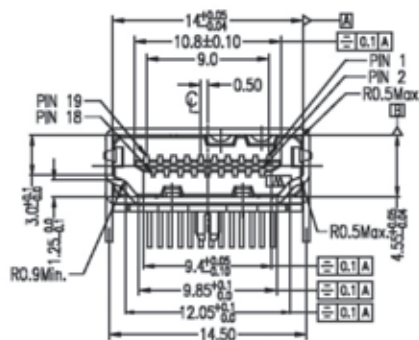
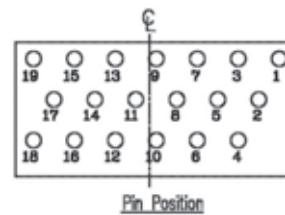


SPECIFICATIONS

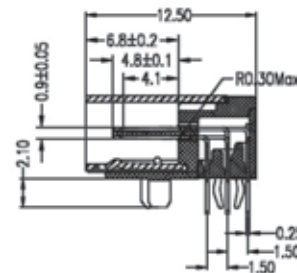
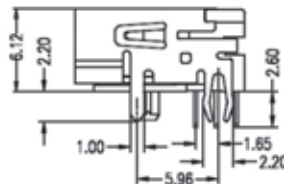
- Current Rating: 1.0 Amperes
- Contact Resistance: 25mΩ Max.
- Insulation Resistance: 1000MΩ Min. at 500V
- Dielectric Voltage: 1000V at 1 Minute
- Operating Temperature: -55°C to +105°C

MATERIALS

- Insulator: PBT, UL94V-0 Rated
- Contact: Brass
- Shell: Brass, Steel
- Contact Plating: Selective Gold Over Nickel Plated
- Shell Plating: Tin Or Nickel Over Copper Plated
- *RoHS & REACH compliant.



Recommended P.C.Board Layout

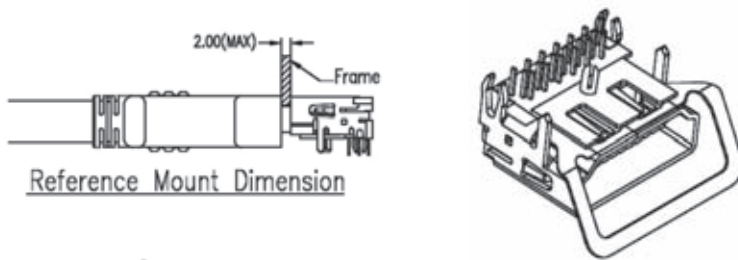


ORDERING INFORMATION:

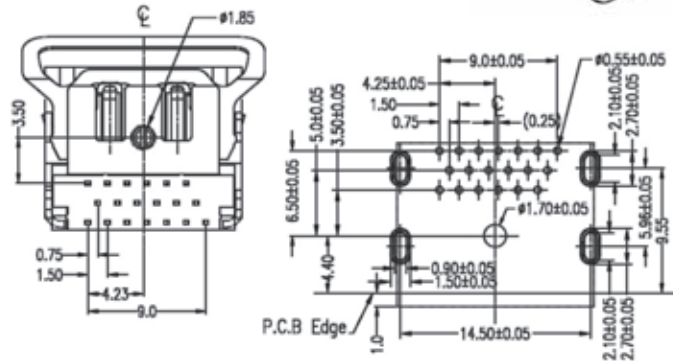
P/N C H D M 2 - 19 F x x x B
I 2 3 4 5 6

- HDMI VERSION:
"2" VERSION 1.2A
- NO. OF CONTACTS:
19
- CONNECTOR TYPE:
"F" FEMALE
- SHELL FINISH:
"N" NICKEL PLATED SHELL
- CONTACT FINISH:
"01" GOLD FLASH
"05" 05 MICROINCH GOLD
"10" 10 MICROINCH GOLD
"15" 15 MICROINCH GOLD
"30" 30 MICROINCH GOLD
- CONNECTOR CODE:
B

HDMI FEMALE CONNECTOR VERSION 1.2A RIGHT ANGLE DIP TYPE WITH EMI CLIP



Reference Mount Dimension

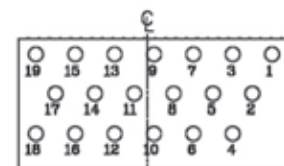


SPECIFICATIONS

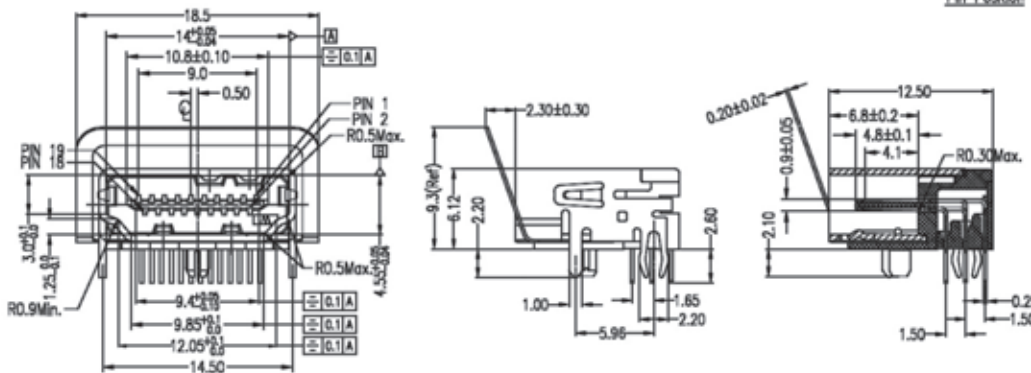
- Current Rating: 1.0 Amperes
- Contact Resistance: 25mΩ Max.
- Insulation Resistance: 1000MΩ Min. at 500V
- Dielectric Voltage: 1000V at 1 Minute
- Operating Temperature: -55°C to +105°C

MATERIALS

- Insulator: PBT, UL94V-0 Rated
- Contact: Brass
- Shell: Brass, Steel
- Contact Plating: Selective Gold Over Nickel Plated
- Shell Plating: Tin Or Nickel Over Copper Plated
- *RoHS & REACH compliant.



Pin Position



Recommended P.C.Board Layout

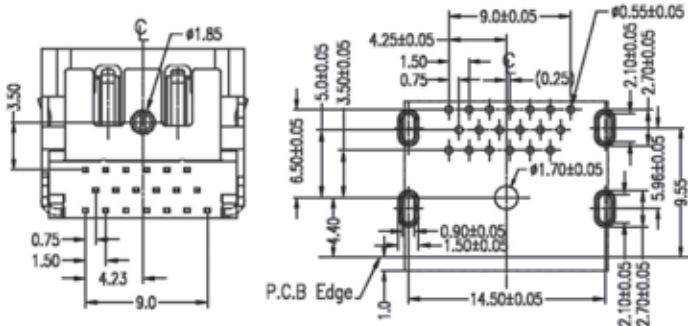
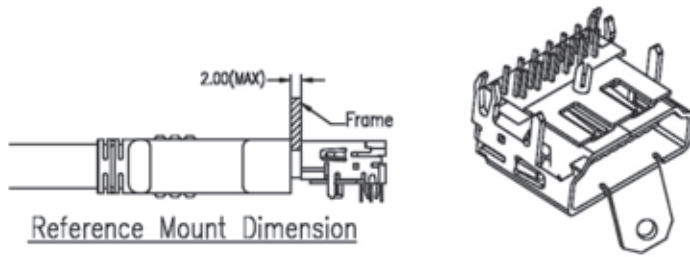
ORDERING INFORMATION:

P/N C H D M 2 - 19 F x x x C
I 2 3 4 5 6

1. HDMI VERSION:
"2" VERSION 1.2A
2. NO. OF CONTACTS:
19
3. CONNECTOR TYPE:
"F" FEMALE
4. SHELL FINISH:
"N" NICKEL PLATED SHELL
5. CONTACT FINISH:
"01" GOLD FLASH
"10" 10 MICROINCH GOLD
"15" 15 MICROINCH GOLD
"30" 30 MICROINCH GOLD

6. CONNECTOR CODE:
C

HDMI FEMALE CONNECTOR VERSION 1.2A RIGHT ANGLE DIP TYPE WITH FLANGE

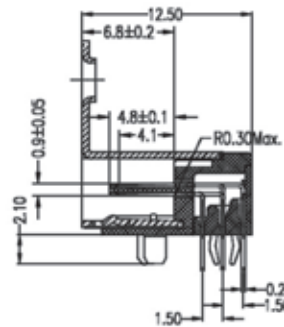
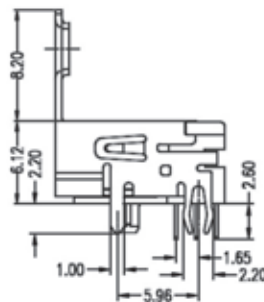
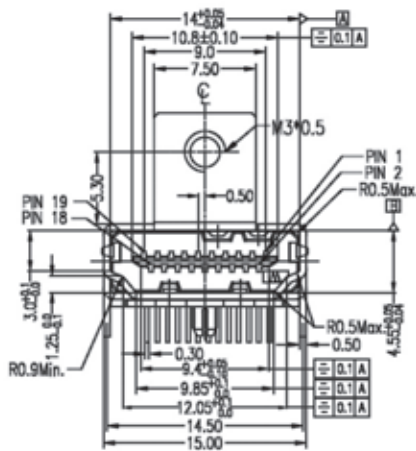
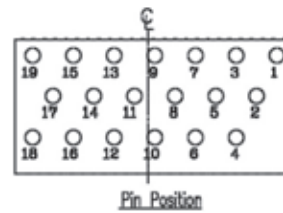


SPECIFICATIONS

- Current Rating: 1.0 Amperes
- Contact Resistance: 25mΩ Max.
- Insulation Resistance: 1000MΩ Min. at 500V
- Dielectric Voltage: 1000V at 1 Minute
- Operating Temperature: -55°C to +105°C

MATERIALS

- Insulator: PBT, UL94V-0 Rated
- Contact: Brass
- Shell: Brass, Steel
- Contact Plating: Selective Gold Over Nickel Plated
- Shell Plating: Tin Or Nickel Over Copper Plated
- *RoHS & REACH compliant.



ORDERING INFORMATION:

P/N C H D M 2 - 19 F x x x D
I 2 3 4 5 6

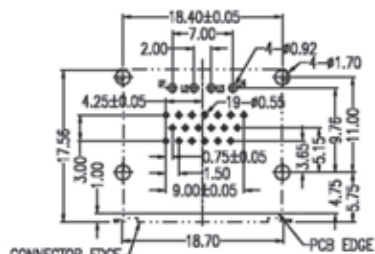
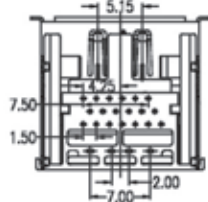
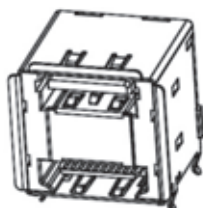
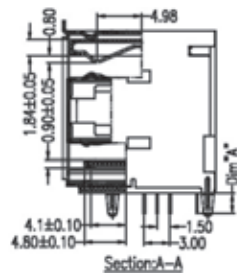
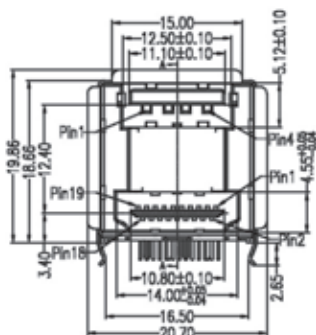
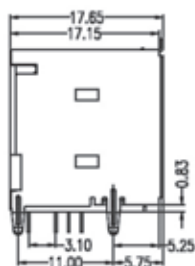
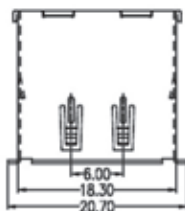
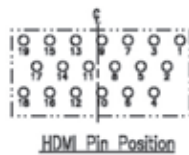
- HDMI VERSION:
"2" VERSION 1.2A
- NO. OF CONTACTS:
19
- CONNECTOR TYPE:
"F" FEMALE
- SHELL FINISH:
"N" NICKEL PLATED SHELL
- CONTACT FINISH:
"01" GOLD FLASH
"05" 05 MICROINCH GOLD
"10" 10 MICROINCH GOLD
"15" 15 MICROINCH GOLD
"30" 30 MICROINCH GOLD

- CONNECTOR CODE:
D

HDMI FEMALE CONNECTOR VERSION 1.2A WITH USB A TYPE CONNECTOR

HDMI Pin's Define			
Pin	Signal Assignment	Pin	Signal Assignment
1	TMDS Data2+	2	TMDS Data2 Shield
3	TMDS Data2-	4	TMDS Data1+
5	TMDS Data1 Shield	6	TMDS Data1-
7	TMDS Data0+	8	TMDS Data0 Shield
9	TMDS Data0-	10	TMDS Clock+
11	TMDS Clock Shield	12	TMDS Clock-
13	CEC	14	Reserved(ULCar device)
15	SCL	16	SDA
17	D0C/CEC Ground	18	+5V Power
19	Hot Plug Detect		

USB Pin's Define	
Pin Number	Signal Name
U1	VBUS
U2	D-
U3	D+
U4	GND



Recommended P.C.Board Layout

SPECIFICATIONS

- Current Rating: 0.5A Min.
- Contact Resistance: 10mΩ Max.
- Insulation Resistance: 100MΩ Min.
- Dielectric Voltage: 500V at 1 Minute
- Operating Temperature: -55°C to +85°C

MATERIALS

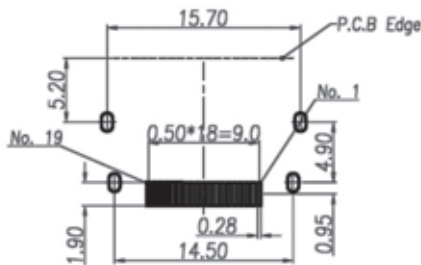
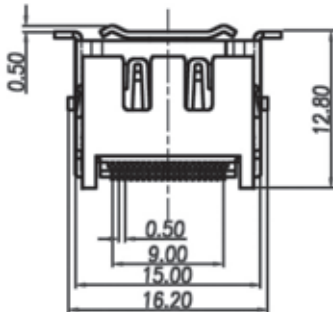
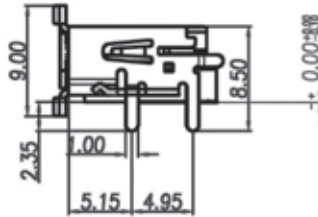
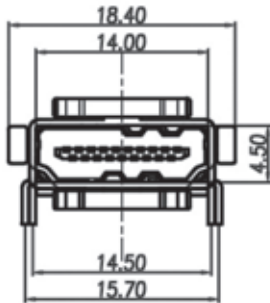
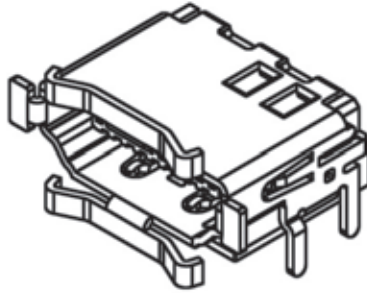
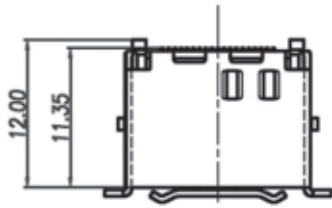
- Housing: PBT+30%G.F., UL94V-0 Rated
- Contact: Phosphor Bronze
- Shell (Inside): SUS304
- Shell (Outside): SPCC, Sn(100u" Min.) Plating Over Ni(40u" Min.)
- Plating: Au Plating on Contact Area, Sn(100u" Min.) Plating on Solder Tail, Ni(40u" Min.) Underplating Over Tail
- *RoHS & REACH compliant.

ORDERING INFORMATION:

P/N C H D M $\frac{2}{1}$ - $\frac{23}{2}$ U $\frac{x}{3}$ $\frac{x}{4}$ $\frac{x}{5}$ $\frac{x}{6}$

- HDMI VERSION:
"2" VERSION 1.2A
- NO. OF CONTACTS:
23 (4+19)
- CONNECTOR TYPE:
"U" USB+HDMI
- INSULATOR COLOR:
"B" BLACK (STANDARD)
"R" RED (187C)
"Y" YELLOW (810C)
- CONTACT FINISH:
"01" GOLD FLASH
"15" 15 MICROINCH GOLD
"30" 30 MICROINCH GOLD
- DIP LENGTH OPTION:
"E" DIM. A = 2.15 ~ 2.30MM
"F" DIM. A = 3.10MM

HDMI FEMALE CONNECTOR VERSION 1.3A SMT TYPE



Recommended P.C.Board Layout

SPECIFICATIONS

Current Rating: 1.0 Amperes
Contact Resistance: 25mΩ Max.
Insulation Resistance: 1000MΩ Min. at 500V
Dielectric Voltage: 1000V at 1 Minute
Operating Temperature: -55°C to +105°C

MATERIALS

Insulator: PBT, UL94V-0 Rated
Contact: Brass
Shell: Brass, Steel
Contact Plating: Selective Gold Over Nickel Plated
Shell Plating: Tin Or Nickel Over Copper Plated
 *RoHS & REACH compliant.

ORDERING INFORMATION:

P/N C H D M 3 - 19 F x x x A
 I 2 3 4 5 6

1. HDMI VERSION TYPE:
"3" VERSION 1.3A
2. NO. OF CONTACTS:
19
3. CONNECTOR TYPE:
"F" FEMALE
4. SHELL FINISH:
"T" TIN PLATED SHELL
5. CONTACT FINISH:
"15" 15 MICROINCH GOLD
"30" 30 MICROINCH GOLD

6. CONNECTOR CODE:
A

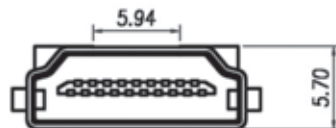
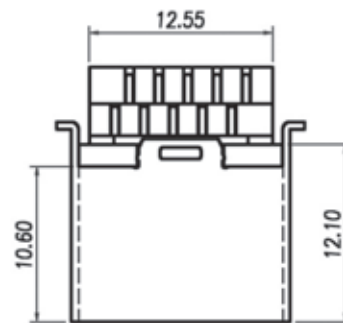
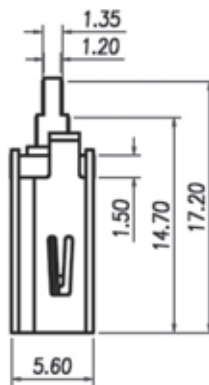
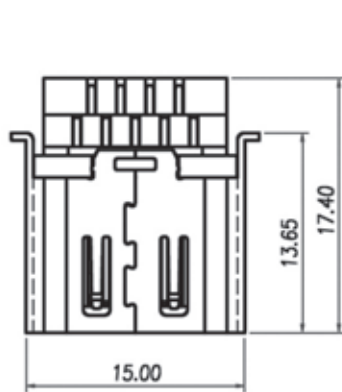
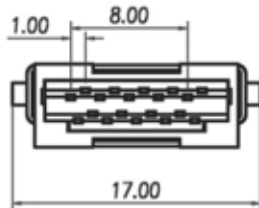
HDMI FEMALE CONNECTOR VERSION 1.3A CABLE SOLDER TYPE

SPECIFICATIONS

Current Rating: 1.0 Amperes
Contact Resistance: 25mΩ Max.
Insulation Resistance: 1000MΩ Min. at 500V
Dielectric Voltage: 1000V at 1 Minute
Operating Temperature: -55°C to +105°C

MATERIALS

Insulator: PBT, UL94V-0 Rated
Contact: Brass
Shell: Brass, Steel
Contact Plating: Selective Gold Over Nickel Plated
Shell Plating: Tin Or Nickel Over Copper Plated
***RoHS & REACH compliant.**



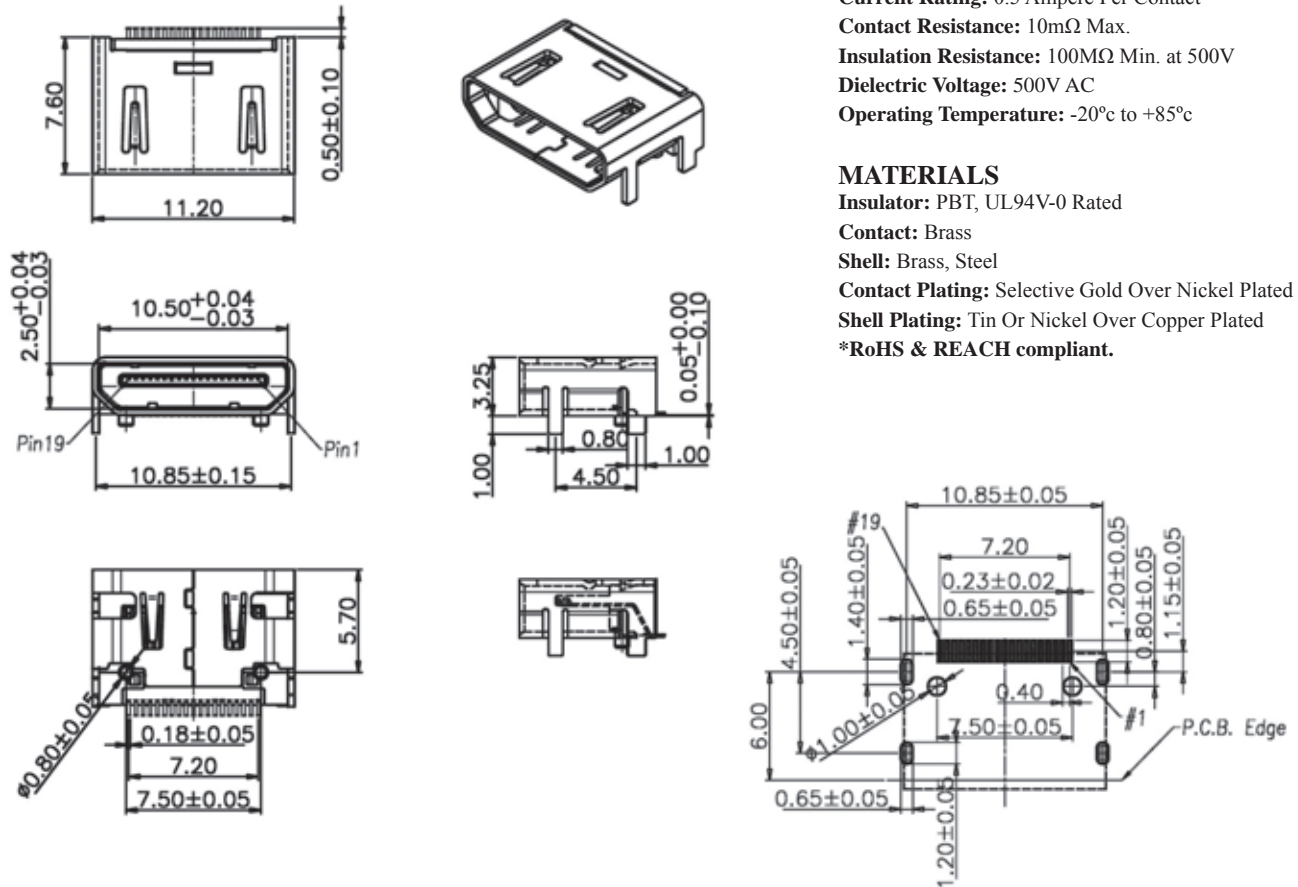
ORDERING INFORMATION:

P/N C H D M 3 - 19 F x x x B
I 2 3 4 5 6

1. HDMI VERSION TYPE:
"3" VERSION 1.3A
2. NO. OF CONTACTS:
19
3. CONNECTOR TYPE:
"F" FEMALE
4. SHELL FINISH:
"G" GOLD PLATED SHELL
5. CONTACT FINISH:
"15" 15 MICROINCH GOLD

6. CONNECTOR CODE:
B

HDMI FEMALE CONNECTOR VERSION 1.3C SMT TYPE



SPECIFICATIONS

Operating Voltage: 40V AC Max.
Current Rating: 0.5 Ampere Per Contact
Contact Resistance: 10mΩ Max.
Insulation Resistance: 100MΩ Min. at 500V
Dielectric Voltage: 500V AC
Operating Temperature: -20°C to +85°C

MATERIALS

Insulator: PBT, UL94V-0 Rated
Contact: Brass
Shell: Brass, Steel
Contact Plating: Selective Gold Over Nickel Plated
Shell Plating: Tin Or Nickel Over Copper Plated
***RoHS & REACH compliant.**

Recommended P.C. Board Layout

ORDERING INFORMATION:

P/N C H D M 3 - 19 F x x x C
I 2 3 4 5 6

- HDMI VERSION TYPE:
"3" VERSION 1.3C (MINI HDMI)
- NO. OF CONTACTS:
19
- CONNECTOR TYPE:
"F" FEMALE
- SHELL FINISH:
"N" NICKEL PLATED SHELL
- CONTACT FINISH:
"15" 15 MICROINCH GOLD
"30" 30 MICROINCH GOLD

- CONNECTOR CODE:
C

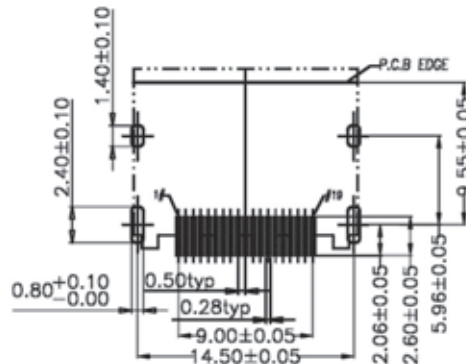
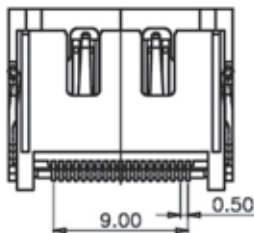
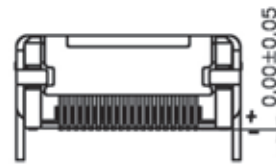
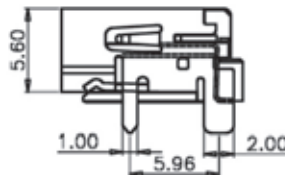
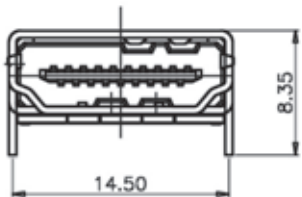
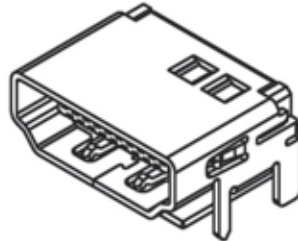
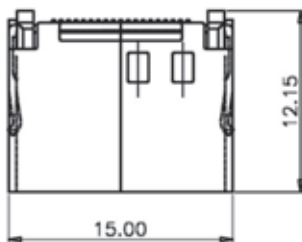
HDMI FEMALE CONNECTOR VERSION 1.3A SMT TYPE

SPECIFICATIONS

Current Rating: 1.0 Amperes
Contact Resistance: 25mΩ Max.
Insulation Resistance: 1000MΩ Min. at 500V
Dielectric Voltage: 1000V at 1 Minute
Operating Temperature: -55°C to +105°C

MATERIALS

Insulator: PBT, UL94V-0 Rated
Contact: Brass
Shell: Brass, Steel
Contact Plating: Selective Gold Over Nickel Plated
Shell Plating: Tin Or Nickel Over Copper Plated
***RoHS & REACH compliant.**



Recommended P.C.Board Layout

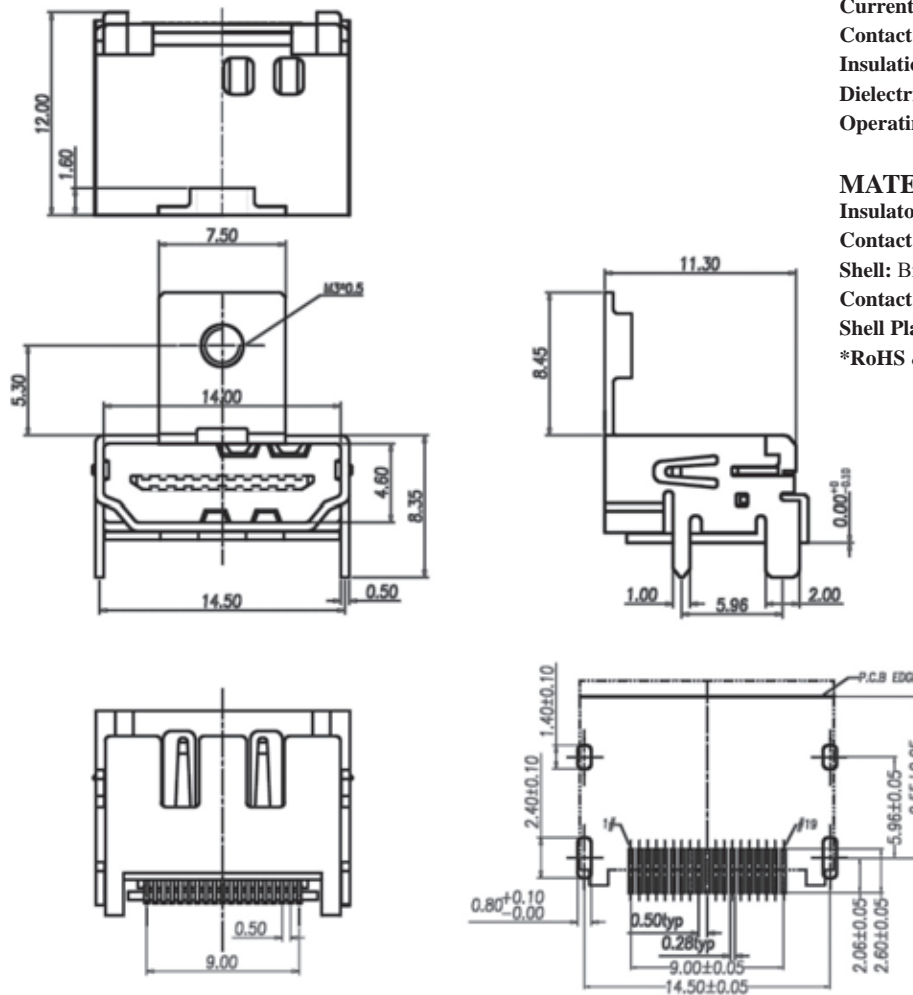
ORDERING INFORMATION:

P/N C H D M 3 - 19 F x x x D
1 2 3 4 5 6

1. HDMI VERSION TYPE:
"3" VERSION 1.3A
2. NO. OF CONTACTS:
19
3. CONNECTOR TYPE:
"F" FEMALE
4. SHELL FINISH:
"G" GOLD PLATED SHELL
"N" NICKEL PLATED SHELL
"T" TIN PLATED SHELL
5. CONTACT FINISH:
"15" 15 MICROINCH GOLD
"30" 30 MICROINCH GOLD

6. CONNECTOR CODE:
D

HDMI FEMALE CONNECTOR VERSION 1.3A SMT TYPE WITH FLANGE



Recommended P.C.Board Layout

SPECIFICATIONS

Current Rating: 1.0 Amperes
Contact Resistance: 25mΩ Max.
Insulation Resistance: 1000MΩ Min. at 500V
Dielectric Voltage: 1000V at 1 Minute
Operating Temperature: -55°C to +105°C

MATERIALS

Insulator: PBT, UL94V-0 Rated
Contact: Brass
Shell: Brass, Steel
Contact Plating: Selective Gold Over Nickel Plated
Shell Plating: Tin Or Nickel Over Copper Plated
***RoHS & REACH compliant.**

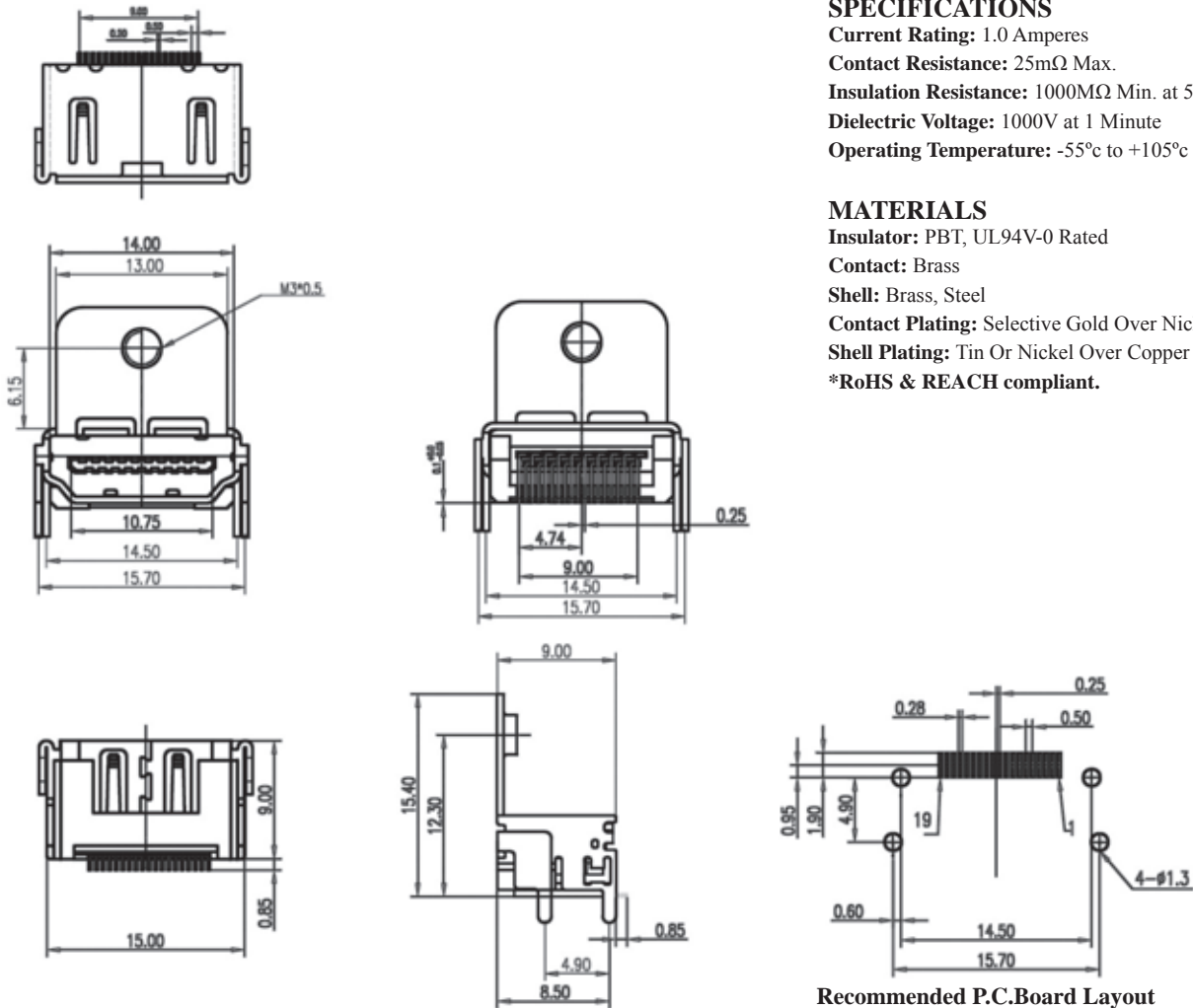
ORDERING INFORMATION:

P/N C H D M 3 - 19 F x x x E
1 2 3 4 5 6

1. HDMI VERSION TYPE:
"3" VERSION 1.3A
2. NO. OF CONTACTS:
19
3. CONNECTOR TYPE:
"F" FEMALE
4. SHELL FINISH:
"N" NICKEL PLATED SHELL
"T" TIN PLATED SHELL
5. CONTACT FINISH:
"15" 15 MICROINCH GOLD
"30" 30 MICROINCH GOLD

6. CONNECTOR CODE:
E

HDMI FEMALE CONNECTOR VERSION 1.3A SMT TYPE WITH FLANGE



SPECIFICATIONS

Current Rating: 1.0 Amperes
Contact Resistance: 25mΩ Max.
Insulation Resistance: 1000MΩ Min. at 500V
Dielectric Voltage: 1000V at 1 Minute
Operating Temperature: -55°C to +105°C

MATERIALS

Insulator: PBT, UL94V-0 Rated
Contact: Brass
Shell: Brass, Steel
Contact Plating: Selective Gold Over Nickel Plated
Shell Plating: Tin Or Nickel Over Copper Plated
***RoHS & REACH compliant.**

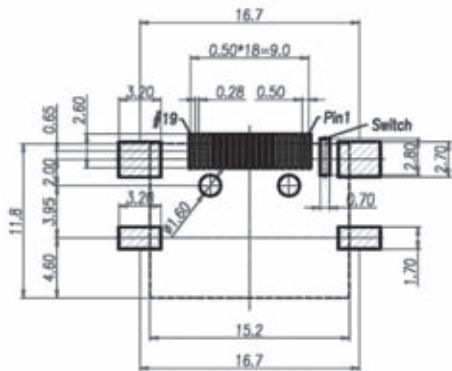
ORDERING INFORMATION:

P/N C H D M $\frac{3}{1}$ - $\frac{19}{2}$ F $\frac{x}{3}$ $\frac{x}{4}$ $\frac{x}{5}$ F $\frac{F}{6}$

1. HDMI VERSION TYPE:
"3" VERSION 1.3A
2. NO. OF CONTACTS:
19
3. CONNECTOR TYPE:
"F" FEMALE
4. SHELL FINISH:
"T" TIN PLATED SHELL
5. CONTACT FINISH:
"15" 15 MICROINCH GOLD
"10" 10 MICROINCH GOLD

6. CONNECTOR CODE:
F

HDMI FEMALE CONNECTOR VERSION 1.3A SMT TYPE WITH SWITCH & FLANGE



Recommended P.C.Board Layout

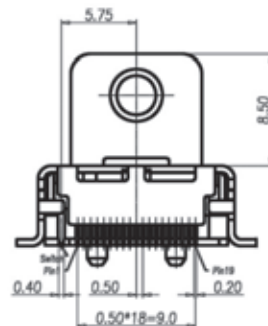
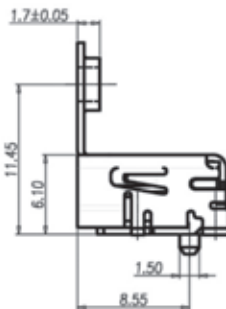
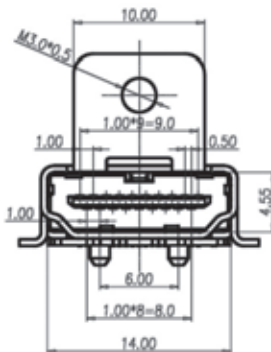
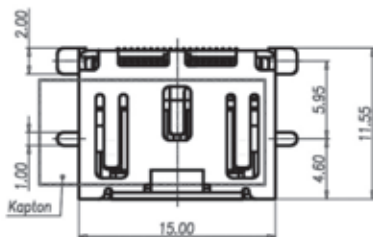


SPECIFICATIONS

Current Rating: 1.0 Amperes
Contact Resistance: 25mΩ Max.
Insulation Resistance: 1000MΩ Min. at 500V
Dielectric Voltage: 1000V at 1 Minute
Operating Temperature: -55°C to +105°C

MATERIALS

Insulator: PBT, UL94V-0 Rated
Contact: Brass
Shell: Brass, Steel
Contact Plating: Selective Gold Over Nickel Plated
Shell Plating: Tin Or Nickel Over Copper Plated
***RoHS & REACH compliant.**



ORDERING INFORMATION:

P/N C H D M 3 - 19 F x x x G
 I 2 3 4 5 6

1. HDMI VERSION TYPE:
"3" VERSION 1.3A
2. NO. OF CONTACTS:
19
3. CONNECTOR TYPE:
"F" FEMALE
4. SHELL FINISH:
"T" TIN PLATED SHELL
5. CONTACT FINISH:
"15" 15 MICROINCH GOLD

6. CONNECTOR CODE:
G

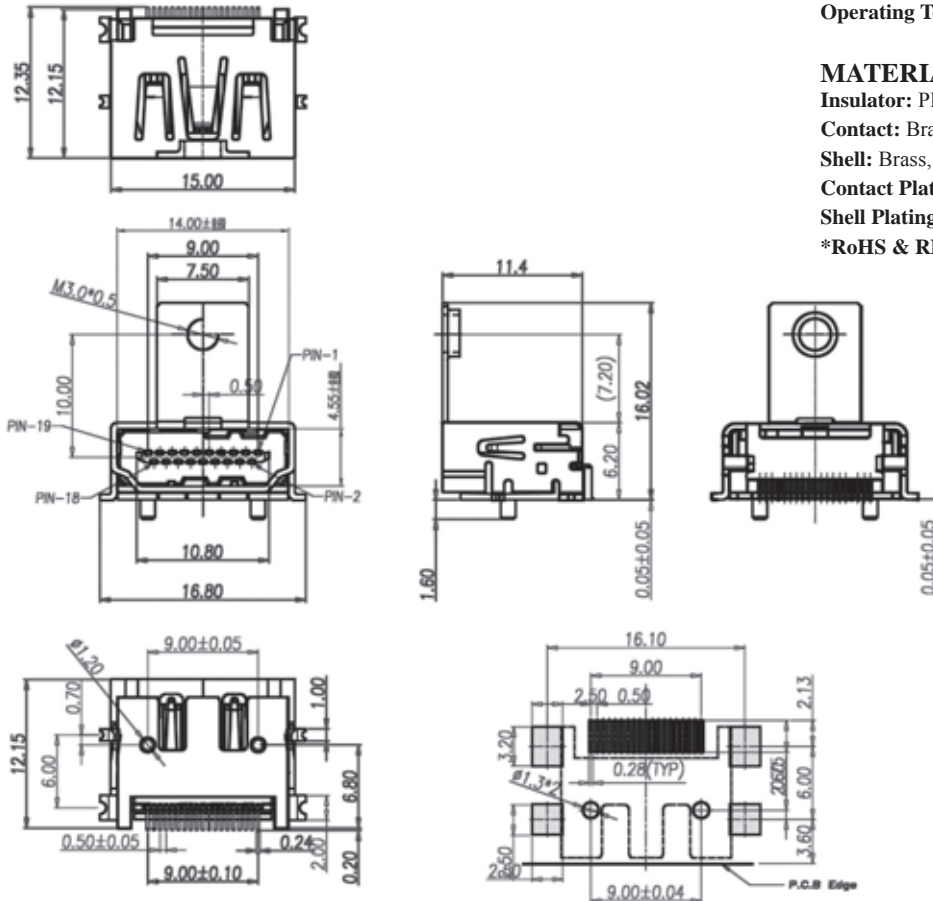
HDMI FEMALE CONNECTOR VERSION 1.3A SMT TYPE WITH FLANGE

SPECIFICATIONS

Current Rating: 1.0 Amperes
Contact Resistance: 25mΩ Max.
Insulation Resistance: 1000MΩ Min. at 500V
Dielectric Voltage: 1000V at 1 Minute
Operating Temperature: -55°C to +105°C

MATERIALS

Insulator: PBT, UL94V-0 Rated
Contact: Brass
Shell: Brass, Steel
Contact Plating: Selective Gold Over Nickel Plated
Shell Plating: Tin Or Nickel Over Copper Plated
***RoHS & REACH compliant.**



Recommended P.C.Board Layout

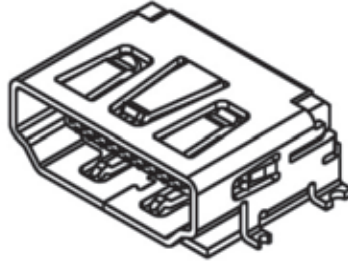
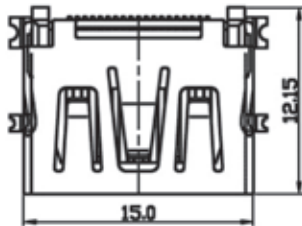
ORDERING INFORMATION:

P/N C H D M $\frac{3}{1}$ - $\frac{19}{2}$ F $\frac{x}{3}$ $\frac{x}{4}$ $\frac{x}{5}$ $\frac{H}{6}$

1. HDMI VERSION TYPE:
"3" VERSION 1.3A
2. NO. OF CONTACTS:
19
3. CONNECTOR TYPE:
"F" FEMALE
4. SHELL FINISH:
"T" TIN PLATED SHELL
5. CONTACT FINISH:
"15" 15 MICROINCH GOLD

6. CONNECTOR CODE:
H

HDMI FEMALE CONNECTOR VERSION 1.3A SMT TYPE

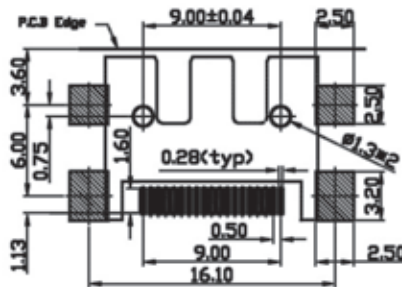
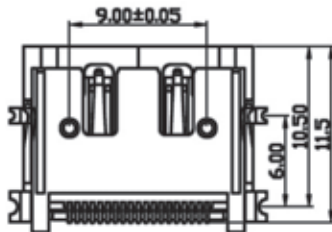
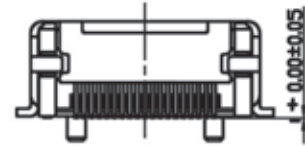
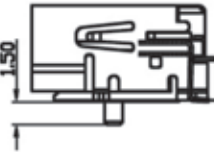
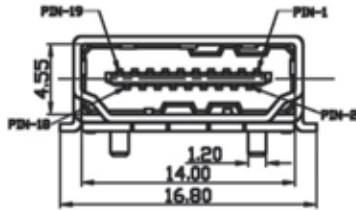


SPECIFICATIONS

Current Rating: 1.0 Amperes
Contact Resistance: 25mΩ Max.
Insulation Resistance: 1000MΩ Min. at 500V
Dielectric Voltage: 1000V at 1 Minute
Operating Temperature: -55°C to +105°C

MATERIALS

Insulator: PBT, UL94V-0 Rated
Contact: Brass
Shell: Brass, Steel
Contact Plating: Selective Gold Over Nickel Plated
Shell Plating: Tin Or Nickel Over Copper Plated
 *RoHS & REACH compliant.



Recommended P.C.Board Layout

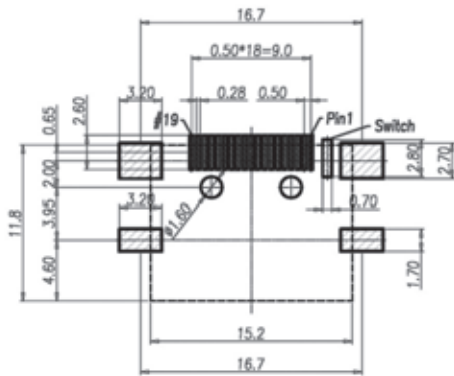
ORDERING INFORMATION:

P/N C H D M 3 - 19 F x x x J
 I 2 3 4 5 6

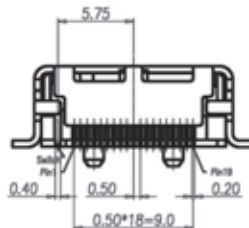
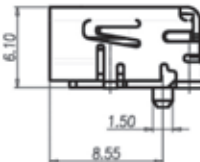
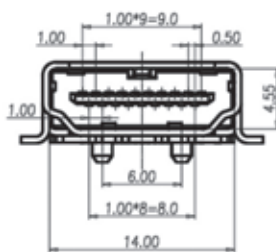
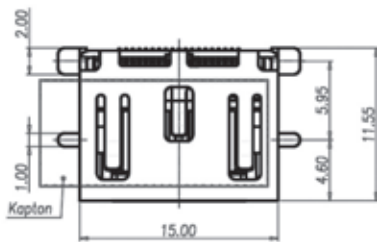
1. HDMI VERSION TYPE:
"3" VERSION 1.3A
2. NO. OF CONTACTS:
19
3. CONNECTOR TYPE:
"F" FEMALE
4. SHELL FINISH:
"T" TIN PLATED SHELL
5. CONTACT FINISH:
"15" 15 MICROINCH GOLD

6. CONNECTOR CODE:
J

HDMI FEMALE CONNECTOR VERSION 1.3A SMT TYPE WITH SWITCH



Recommended P.C.Board Layout



SPECIFICATIONS

Current Rating: 1.0 Amperes
Contact Resistance: 25mΩ Max.
Insulation Resistance: 1000MΩ Min. at 500V
Dielectric Voltage: 1000V at 1 Minute
Operating Temperature: -55°C to +105°C

MATERIALS

Insulator: PBT, UL94V-0 Rated
Contact: Brass
Shell: Brass, Steel
Contact Plating: Selective Gold Over Nickel Plated
Shell Plating: Tin Or Nickel Over Copper Plated
***RoHS & REACH compliant.**

ORDERING INFORMATION:

P/N C H D M 3 - 19 F x x x K
1 2 3 4 5 6

1. HDMI VERSION TYPE:
"3" VERSION 1.3A
2. NO. OF CONTACTS:
19
3. CONNECTOR TYPE:
"F" FEMALE
4. SHELL FINISH:
"T" TIN PLATED SHELL
5. CONTACT FINISH:
"15" 15 MICROINCH GOLD

6. CONNECTOR CODE:
K

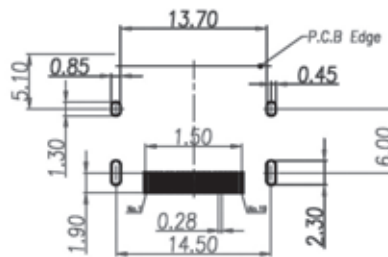
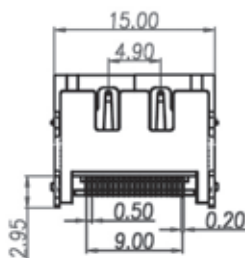
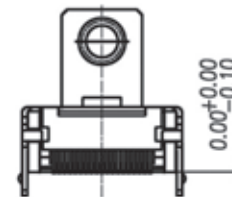
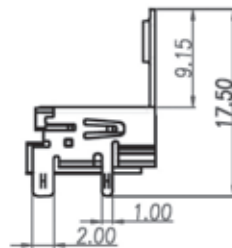
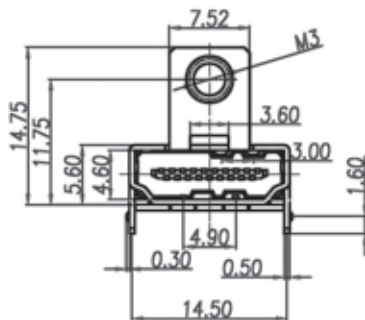
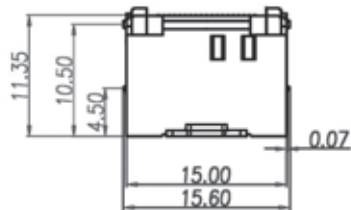
HDMI FEMALE CONNECTOR VERSION 1.3A SMT TYPE WITH FLANGE

SPECIFICATIONS

Current Rating: 1.0 Amperes
Contact Resistance: 25mΩ Max.
Insulation Resistance: 1000MΩ Min. at 500V
Dielectric Voltage: 1000V at 1 Minute
Operating Temperature: -55°C to +105°C

MATERIALS

Insulator: PBT, UL94V-0 Rated
Contact: Brass
Shell: Brass, Steel
Contact Plating: Selective Gold Over Nickel Plated
Shell Plating: Tin Or Nickel Over Copper Plated
***RoHS & REACH compliant.**



Recommended P.C.Board Layout

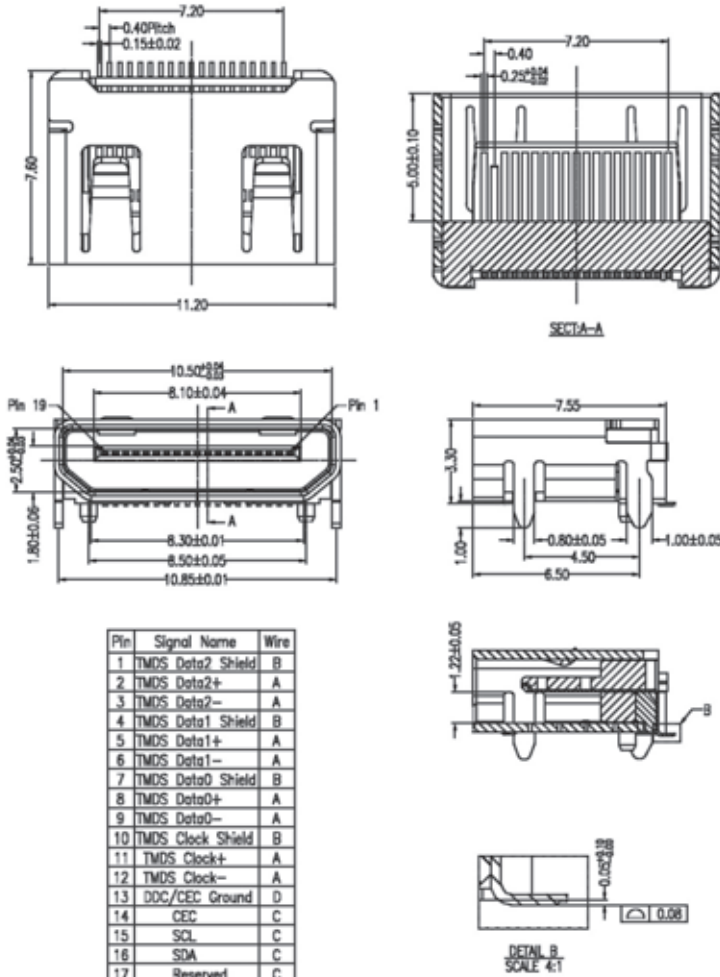
ORDERING INFORMATION:

P/N C H D M 3 - 19 F x x x L
 1 2 3 4 5 6

1. HDMI VERSION TYPE:
"3" VERSION 1.3A
2. NO. OF CONTACTS:
19
3. CONNECTOR TYPE:
"F" FEMALE
4. SHELL FINISH:
"T" TIN PLATED SHELL
5. CONTACT FINISH:
"15" 15 MICROINCH GOLD

6. CONNECTOR CODE:
L

HDMI FEMALE CONNECTOR VERSION 1.3C SMT TYPE

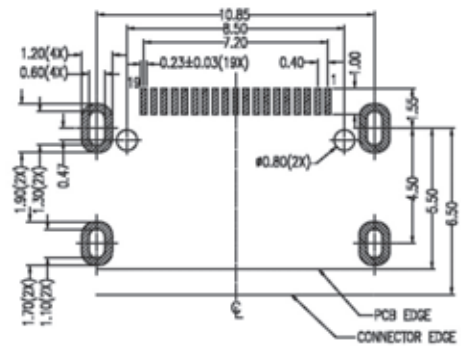


SPECIFICATIONS

Operating Voltage: 40V AC Max.
Current Rating: 0.5 Ampere Per Contact
Contact Resistance: 10mΩ Max.
Insulation Resistance: 100MΩ Min. at 500V
Dielectric Voltage: 500V AC
Operating Temperature: -20°C to +85°C

MATERIALS

Insulator: PBT, UL94V-0 Rated
Contact: Brass
Shell: Brass, Steel
Contact Plating: Selective Gold Over Nickel Plated
Shell Plating: Tin Or Nickel Over Copper Plated
***RoHS & REACH compliant.**



Recommended P.C.Board Layout

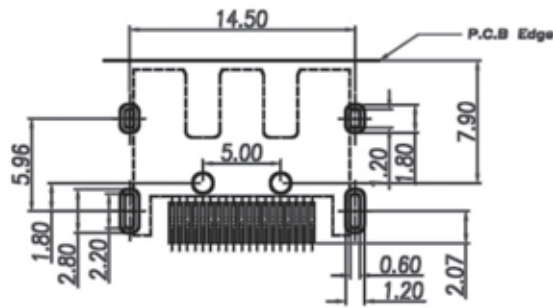
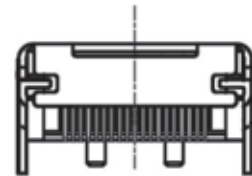
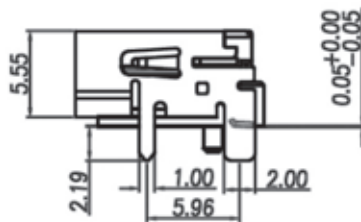
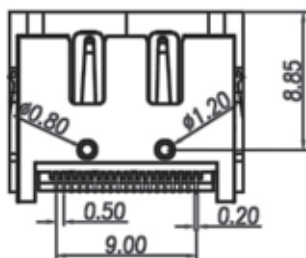
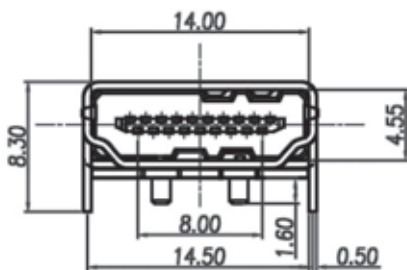
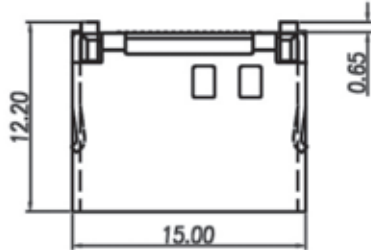
ORDERING INFORMATION:

P/N C H D M 3 - 19 F x x x M
I 1 2 3 4 5 6

- HDMI VERSION TYPE:
"3" VERSION 1.3C (MINI HDMI)
- NO. OF CONTACTS:
19
- CONNECTOR TYPE:
"F" FEMALE
- SHELL FINISH:
"G" GOLD PLATED SHELL
- CONTACT FINISH:
"15" 15 MICRINCH GOLD
"30" 30 MICRINCH GOLD

- CONNECTOR CODE:
M

HDMI FEMALE CONNECTOR VERSION 1.3A SMT TYPE PEG SPACING=5.0MM



Recommended P.C.Board Layout

SPECIFICATIONS

Current Rating: 1.0 Amperes
Contact Resistance: 25m Ω Max.
Insulation Resistance: 1000M Ω Min. at 500V
Dielectric Voltage: 1000V at 1 Minute
Operating Temperature: -55 $^{\circ}$ c to +105 $^{\circ}$ c

MATERIALS

Insulator: PBT, UL94V-0 Rated
Contact: Brass
Shell: Brass, Steel
Contact Plating: Selective Gold Over Nickel Plated
Shell Plating: Tin Or Nickel Over Copper Plated
 *RoHS & REACH compliant.

ORDERING INFORMATION:

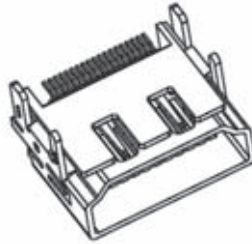
P/N C H D M 3 - 19 F x x x N
 I 2 3 4 5 6

1. HDMI VERSION TYPE:
"3" VERSION 1.3A
2. NO. OF CONTACTS:
19
3. CONNECTOR TYPE:
"F" FEMALE
4. SHELL FINISH:
"T" TIN PLATED SHELL
5. CONTACT FINISH:
"15" 15 MICROINCH GOLD

6. CONNECTOR CODE:
N

HDMI FEMALE CONNECTOR VERSION 1.3A SMT TYPE

No.	Signal Name	No.	Signal Name
1	TMDS Data2+	11	TMDS Clock Shield
2	TMDS Data2 Shield	12	TMDS Clock-
3	TMDS Data2-	13	CBC
4	TMDS Data1+	14	Reserved (in cable but I.C. on device)
5	TMDS Data1 Shield	15	SDA
6	TMDS Data1-	16	SDA
7	TMDS Data0+	17	DDC/CBC Ground
8	TMDS Data0 Shield	18	+5V Power
9	TMDS Data0-	19	Hot Plug Detect
10	TMDS Clock+		

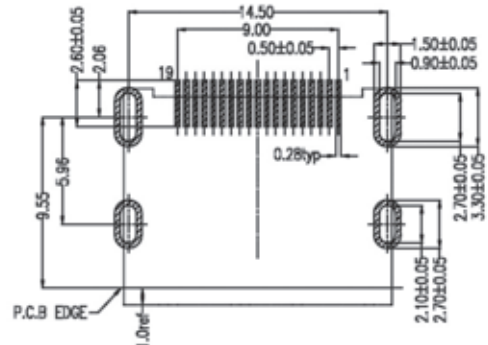
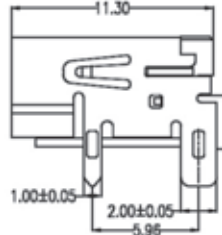
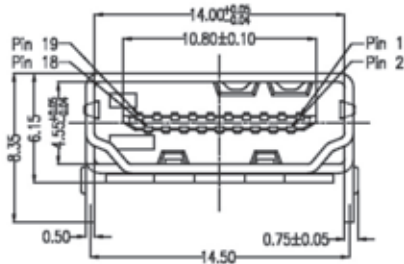


SPECIFICATIONS

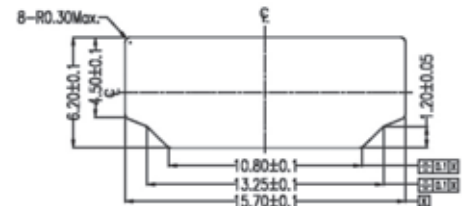
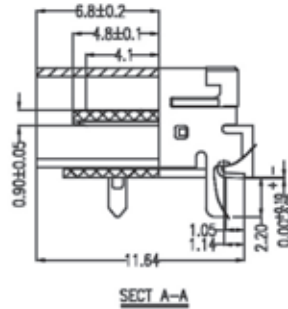
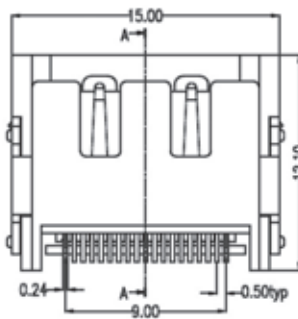
Current Rating: 1.0 Amperes
Contact Resistance: 25mΩ Max.
Insulation Resistance: 1000MΩ Min. at 500V
Dielectric Voltage: 1000V at 1 Minute
Operating Temperature: -55°C to +105°C

MATERIALS

Insulator: PBT, UL94V-0 Rated
Contact: Brass
Shell: Brass, Steel
Contact Plating: Selective Gold Over Nickel Plated
Shell Plating: Tin Or Nickel Over Copper Plated
***RoHS & REACH compliant.**



Recommended P.C.Board Layout



Reference Panel Cut Out Dimension

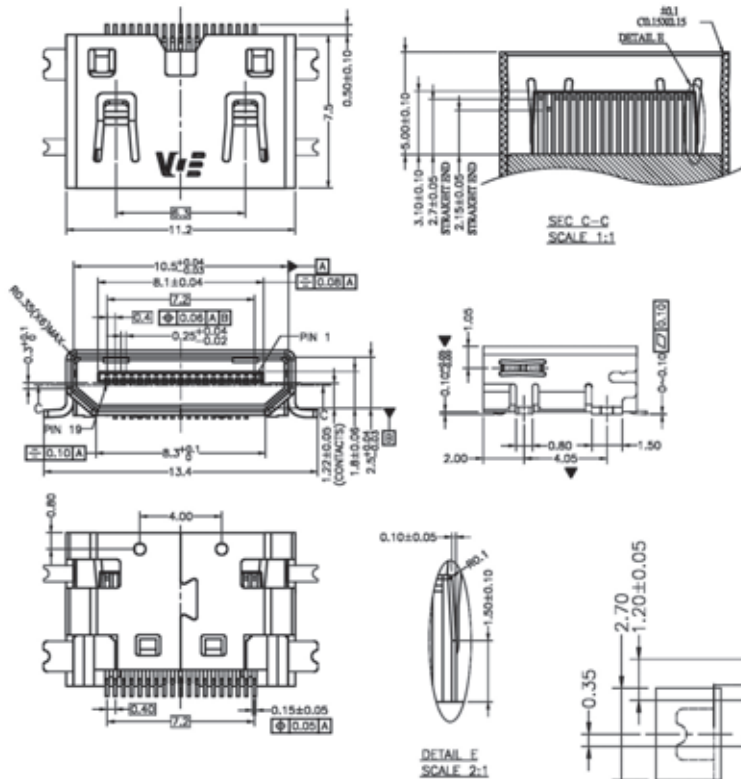
ORDERING INFORMATION:

P/N C H D M 3 - 19 F x x x Q
I 2 3 4 5 6

- HDMI VERSION TYPE:
"3" VERSION 1.3A
- NO. OF CONTACTS:
19
- CONNECTOR TYPE:
"F" FEMALE
- SHELL FINISH:
"N" NICKEL PLATED SHELL
- CONTACT FINISH:
"05" 05 MICROINCH GOLD
"10" 10 MICROINCH GOLD
"15" 15 MICROINCH GOLD
"30" 30 MICROINCH GOLD

- CONNECTOR CODE:
Q

HDMI FEMALE CONNECTOR VERSION 1.3C SMT TYPE WITH SMT SHELL



SPECIFICATIONS

Operating Current: 0.5A Max

Contact Resistance: 25mΩ Max.

Insulation Resistance: 100MΩ Min.(Unmate)

10MΩ Min.(Mate)

Dielectric Withstanding Voltage:

500Volts AC Between Adjacent Terinal (Unmate)

300Volts AC Between Adjacent Terinal (Mate)

Operating Temperature: -25°C to +85°C

MATERIALS

Insulator: PBT, UL94V-0 Rated

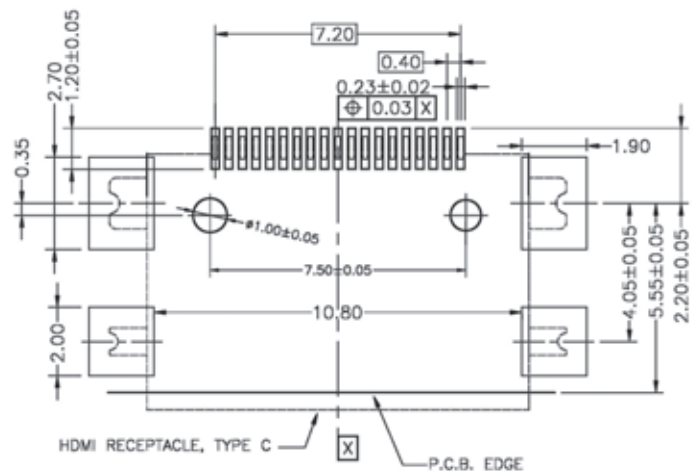
Contact: Brass

Shell: Brass, Steel

Contact Plating: Selective Gold Over Nickel Plated

Shell Plating: Tin Or Nickel Over Copper Plated

*RoHS & REACH compliant.



Recommended P.C.Board Layout

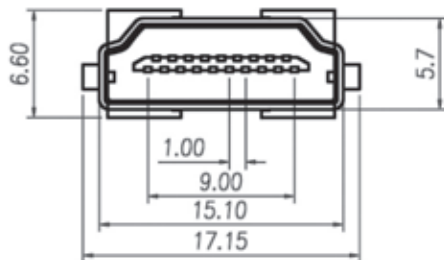
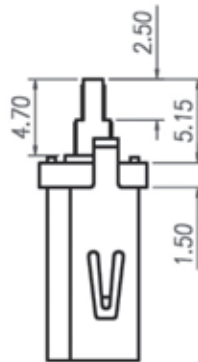
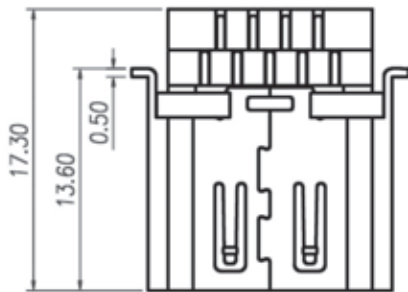
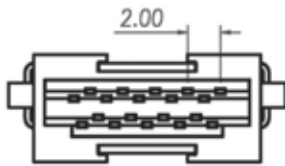
ORDERING INFORMATION:

P/N C H D M 3 - 19 F x x x R
I 1 2 3 4 5 6

- HDMI VERSION TYPE:
"3" VERSION 1.3C (MINI HDMI)
- NO. OF CONTACTS:
19
- CONNECTOR TYPE:
"F" FEMALE
- SHELL FINISH:
"G" GOLD PLATED SHELL
"N" NICKEL PLATED SHELL
- CONTACT FINISH:
"15" 15 MICROINCH GOLD
"30" 30 MICROINCH GOLD

- CONNECTOR CODE:
R

HDMI FEMALE CONNECTOR VERSION 1.3A CABLE SOLDER TYPE



SPECIFICATIONS

Current Rating: 1.0 Amperes

Contact Resistance: 25mΩ Max.

Insulation Resistance: 1000MΩ Min. at 500V

Dielectric Voltage: 1000V at 1 Minute

Operating Temperature: -55°C to +105°C

MATERIALS

Insulator: PBT, UL94V-0 Rated

Contact: Brass

Shell: Brass, Steel

Contact Plating: Selective Gold Over Nickel Plated

Shell Plating: Tin Or Nickel Over Copper Plated

***RoHS & REACH compliant.**

ORDERING INFORMATION:

P/N C H D M 3 - 19 F x x x S
I 2 3 4 5 6

1. HDMI VERSION TYPE:

"3" VERSION 1.3A

2. NO. OF CONTACTS:

19

3. CONNECTOR TYPE:

"F" FEMALE

4. SHELL FINISH:

"G" GOLD PLATED SHELL

"N" NICKEL PLATED SHELL

"T" TIN PLATED SHELL

5. CONTACT FINISH:

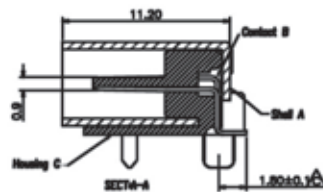
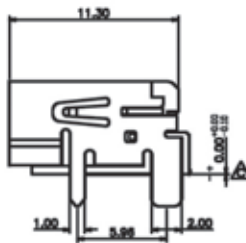
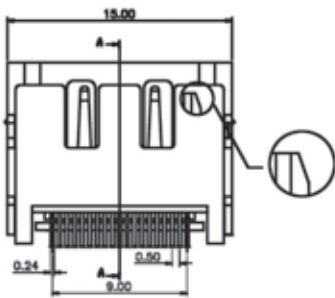
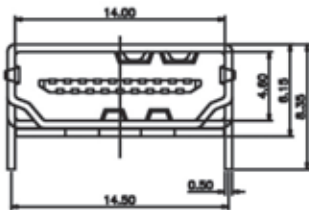
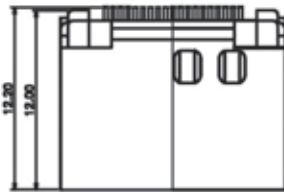
"15" 15 MICROINCH GOLD

"30" 30 MICROINCH GOLD

6. CONNECTOR CODE:

S

HDMI FEMALE CONNECTOR VERSION 1.3A SMT TYPE

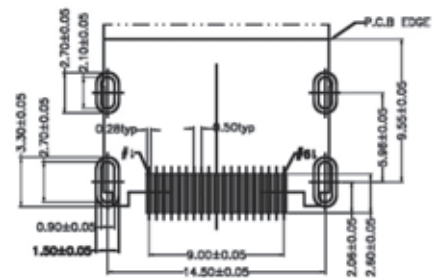


SPECIFICATIONS

Current Rating: 1.0 Amperes
Contact Resistance: 25mΩ Max.
Insulation Resistance: 1000MΩ Min. at 500V
Dielectric Voltage: 1000V at 1 Minute
Operating Temperature: -55°C to +105°C

MATERIALS

Insulator: PBT, UL94V-0 Rated
Contact: Brass
Shell: Brass, Steel
Contact Plating: Selective Gold Over Nickel Plated
Shell Plating: Tin Or Nickel Over Copper Plated
 *RoHS & REACH compliant.



Recommended P.C.Board Layout

ORDERING INFORMATION:

P/N C H D M $\frac{3}{1}$ - $\frac{19}{2}$ F $\frac{x}{3}$ $\frac{x}{4}$ $\frac{x}{5}$ T $\frac{T}{6}$

1. HDMI VERSION TYPE:
"3" VERSION 1.3A
2. NO. OF CONTACTS:
19
3. CONNECTOR TYPE:
"F" FEMALE
4. SHELL FINISH:
"G" GOLD PLATED SHELL
"T" TIN PLATED SHELL
5. CONTACT FINISH:
"01" GOLD FLASH
"15" 15 MICROINCH GOLD
"30" 30 MICROINCH GOLD

6. CONNECTOR CODE:
T

HDMI FEMALE CONNECTOR VERSION 1.3A SMT TYPE WITH FLANGE

Pin No.	Signal Name	Pin No.	Signal Name
1	TMDS Data2+	11	TMDS Clock Shield
2	TMDS Data2 Shield	12	TMDS Clock-
3	TMDS Data2-	13	CRC
4	TMDS Data1+	14	Reserved (to cable hot IC in device)
5	TMDS Data1 Shield	15	SCL
6	TMDS Data1-	16	SDA
7	TMDS Data0+	17	DDC/CRC Ground
8	TMDS Data0 Shield	18	+5V Power
9	TMDS Data0-	19	Hot Plug Detect
10	TMDS Clock+		

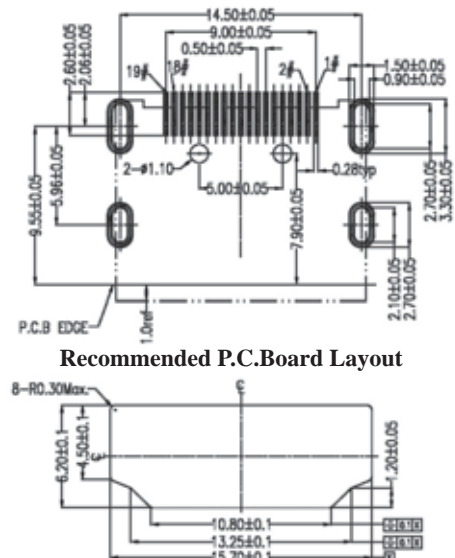
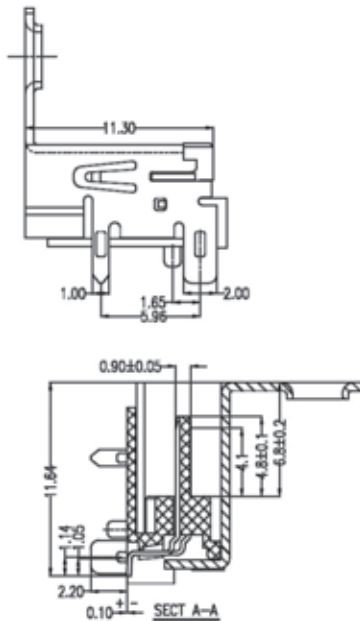
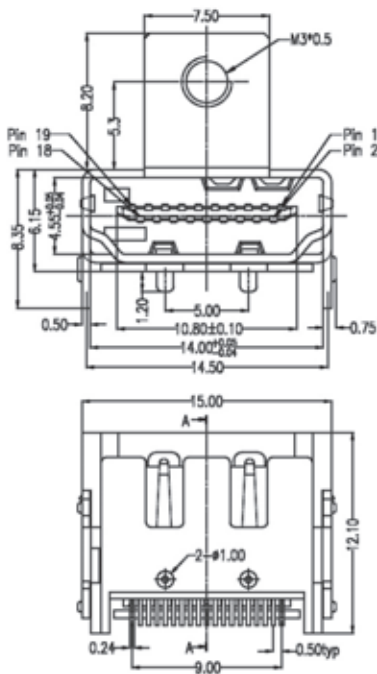


SPECIFICATIONS

Current Rating: 1.0 Amperes
Contact Resistance: 25mΩ Max.
Insulation Resistance: 1000MΩ Min. at 500V
Dielectric Voltage: 1000V at 1 Minute
Operating Temperature: -55°C to +105°C

MATERIALS

Insulator: PBT, UL94V-0 Rated
Contact: Brass
Shell: Brass, Steel
Contact Plating: Selective Gold Over Nickel Plated
Shell Plating: Tin Or Nickel Over Copper Plated
***RoHS & REACH compliant.**



ORDERING INFORMATION:

P/N C H D M 3 - 19 F x x x U
I 2 3 4 5 6

- HDMI VERSION TYPE:
"3" VERSION 1.3A
- NO. OF CONTACTS:
19
- CONNECTOR TYPE:
"F" FEMALE
- SHELL FINISH:
"N" NICKEL PLATED SHELL
- CONTACT FINISH:
"05" 05 MICROINCH GOLD
"10" 10 MICROINCH GOLD
"15" 15 MICROINCH GOLD
"30" 30 MICROINCH GOLD

- CONNECTOR CODE:
U

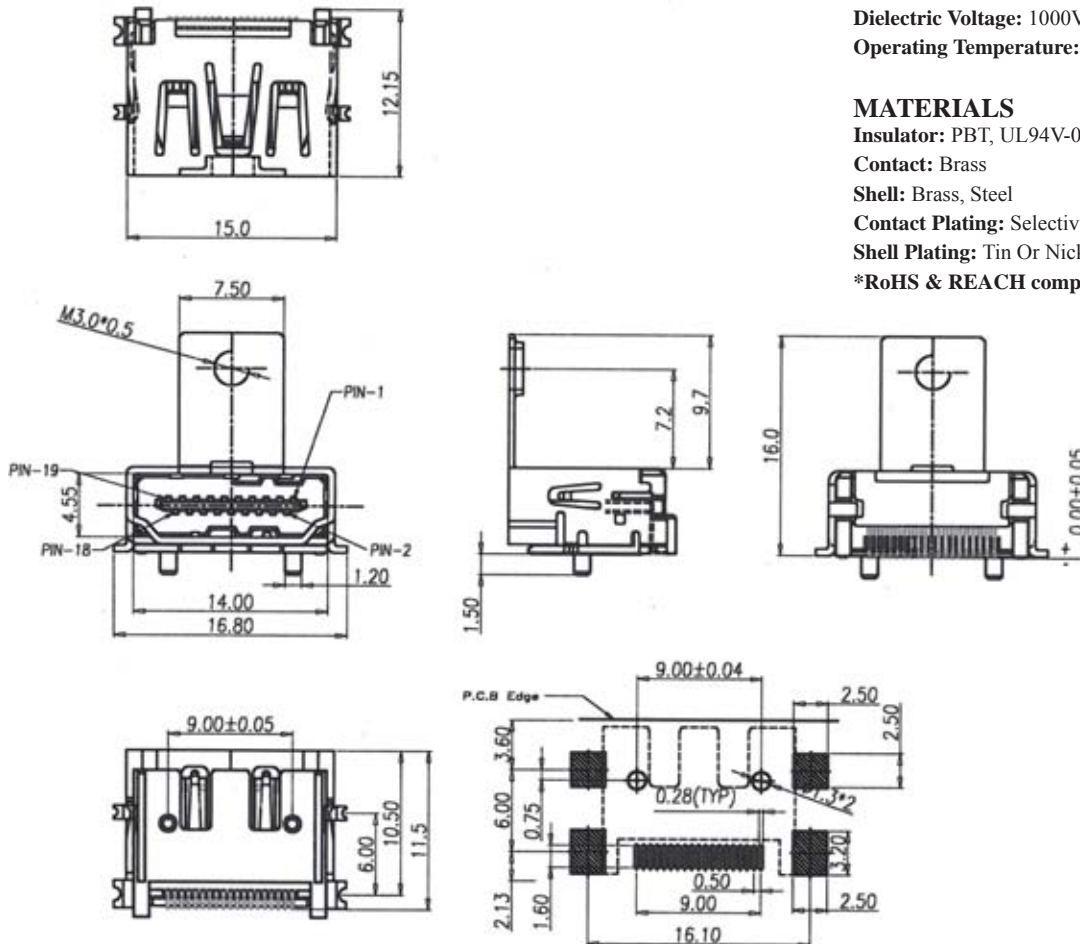
HDMI FEMALE CONNECTOR VERSION 1.3A SMT TYPE WITH FLANGE

SPECIFICATIONS

Current Rating: 1.0 Amperes
Contact Resistance: 25mΩ Max.
Insulation Resistance: 1000MΩ Min. at 500V
Dielectric Voltage: 1000V at 1 Minute
Operating Temperature: -55°C to +105°C

MATERIALS

Insulator: PBT, UL94V-0 Rated
Contact: Brass
Shell: Brass, Steel
Contact Plating: Selective Gold Over Nickel Plated
Shell Plating: Tin Or Nickel Over Copper Plated
***RoHS & REACH compliant.**



Recommended P.C.Board Layout

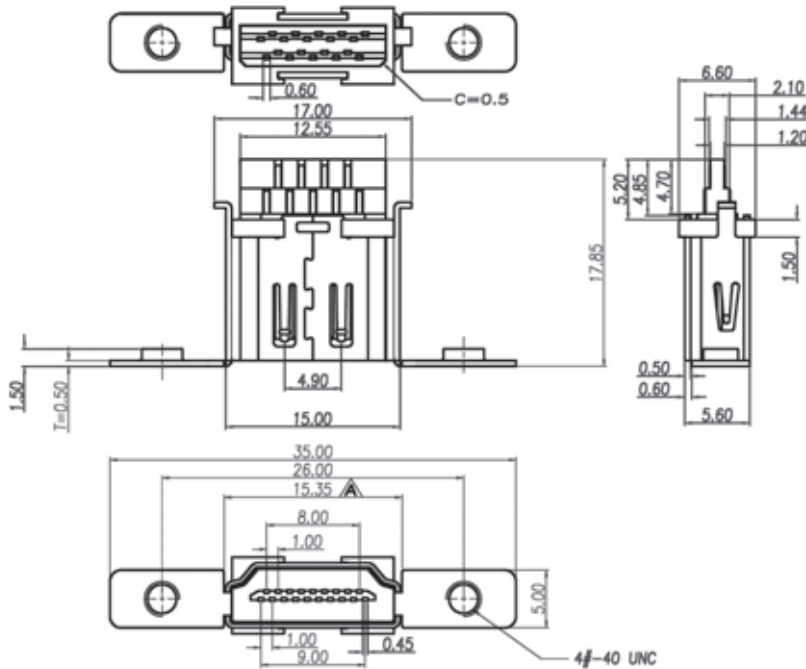
ORDERING INFORMATION:

P/N C H D M $\frac{3}{1}$ - $\frac{19}{2}$ F $\frac{x}{3}$ $\frac{x}{4}$ $\frac{x}{5}$ $\frac{V}{6}$

1. HDMI VERSION TYPE:
"3" VERSION 1.3A
2. NO. OF CONTACTS:
19
3. CONNECTOR TYPE:
"F" FEMALE
4. SHELL FINISH:
"T" TIN PLATED SHELL
5. CONTACT FINISH:
"15" 15 MICROINCH GOLD

6. CONNECTOR CODE:
V

HDMI FEMALE CONNECTOR VERSION 1.3A CABLE SOLDER TYPE WITH WING



SPECIFICATIONS

Current Rating: 1.0 Amperes
Contact Resistance: 25mΩ Max.
Insulation Resistance: 1000MΩ Min. at 500V
Dielectric Voltage: 1000V at 1 Minute
Operating Temperature: -55°C to +105°C

MATERIALS

Insulator: PBT, UL94V-0 Rated
Contact: Brass
Shell: Brass, Steel
Contact Plating: Selective Gold Over Nickel Plated
Shell Plating: Tin Or Nickel Over Copper Plated
***RoHS & REACH compliant.**

ORDERING INFORMATION:

P/N C H D M 3 - 19 F X X X W
1 2 3 4 5 6

1. HDMI VERSION TYPE:
"3" VERSION 1.3A
2. NO. OF CONTACTS:
19
3. CONNECTOR TYPE:
"F" FEMALE
4. SHELL FINISH:
"N" NICKEL PLATED SHELL
"T" TIN PLATED SHELL
5. CONTACT FINISH:
"15" 15 MICROINCH GOLD

6. CONNECTOR CODE:
W

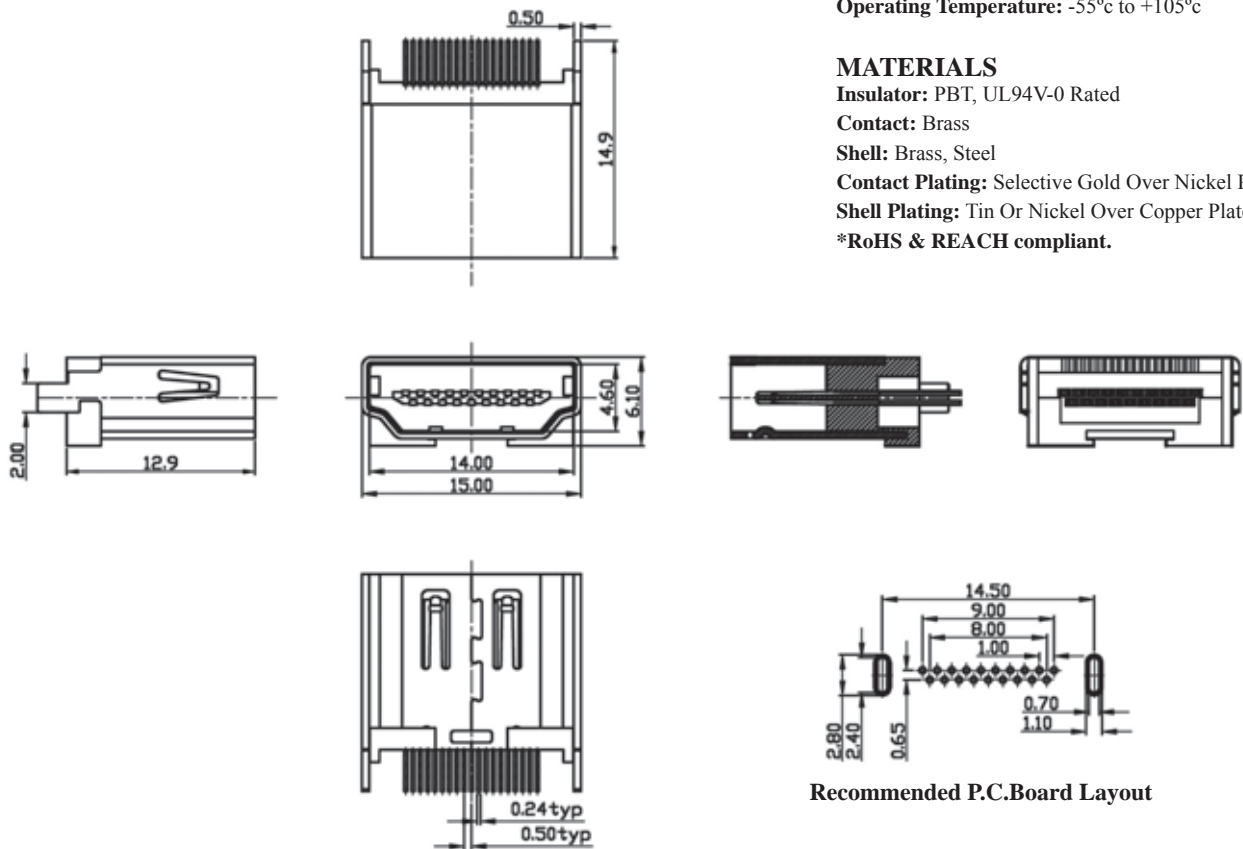
HDMI FEMALE CONNECTOR VERSION 1.3A STRAIGHT DIP TYPE

SPECIFICATIONS

Current Rating: 1.0 Amperes
Contact Resistance: 25mΩ Max.
Insulation Resistance: 1000MΩ Min. at 500V
Dielectric Voltage: 1000V at 1 Minute
Operating Temperature: -55°C to +105°C

MATERIALS

Insulator: PBT, UL94V-0 Rated
Contact: Brass
Shell: Brass, Steel
Contact Plating: Selective Gold Over Nickel Plated
Shell Plating: Tin Or Nickel Over Copper Plated
***RoHS & REACH compliant.**



ORDERING INFORMATION:

P/N C H D M 3 - 19 F X X X X
 I 2 3 4 5 6

1. HDMI VERSION TYPE:
"3" VERSION 1.3A
2. NO. OF CONTACTS:
19
3. CONNECTOR TYPE:
"F" FEMALE
4. SHELL FINISH:
"N" NICKEL PLATED SHELL
5. CONTACT FINISH:
"15" 15 MICROINCH GOLD

6. CONNECTOR CODE:
X

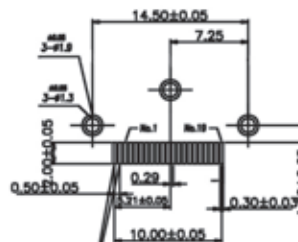
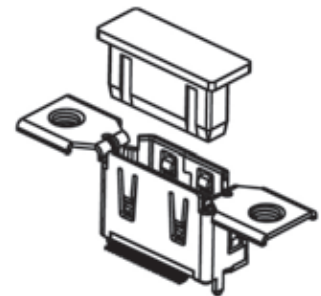
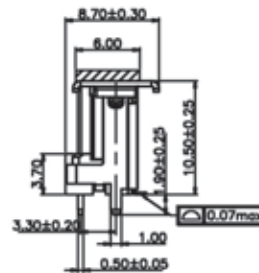
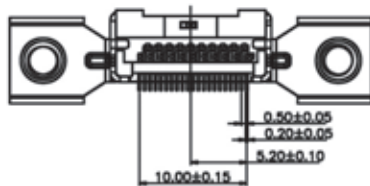
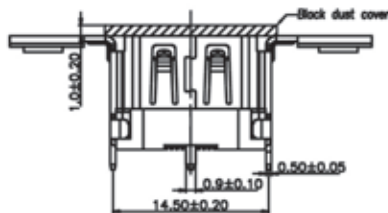
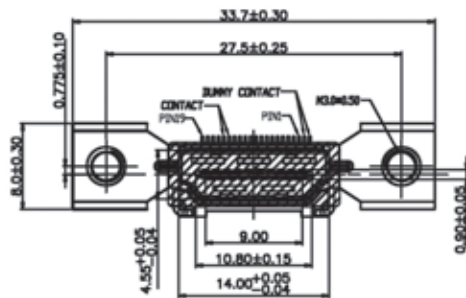
HDMI FEMALE CONNECTOR VERSION 1.3A SMT TYPE WITH WING

SPECIFICATIONS

Current Rating: 1.0 Amperes
Contact Resistance: 25mΩ Max.
Insulation Resistance: 1000MΩ Min. at 500V
Dielectric Voltage: 1000V at 1 Minute
Operating Temperature: -55°C to +105°C

MATERIALS

Insulator: PBT, UL94V-0 Rated
Contact: Brass
Shell: Brass, Steel
Contact Plating: Selective Gold Over Nickel Plated
Shell Plating: Tin Or Nickel Over Copper Plated
***RoHS & REACH compliant.**



PATTERN OF BERRY CONTACTS SHOULD BE CONNECTED TO AN OTHER REFERENCE

Recommended P.C.Board Layout

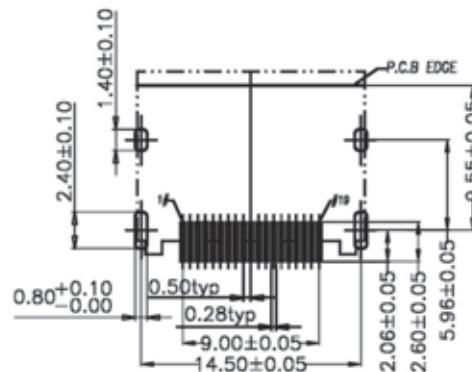
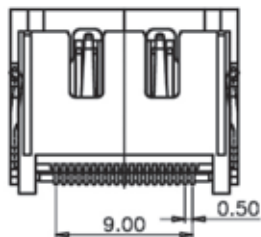
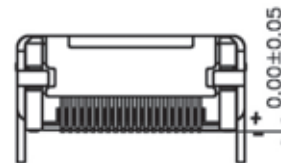
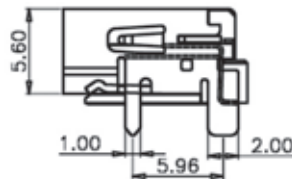
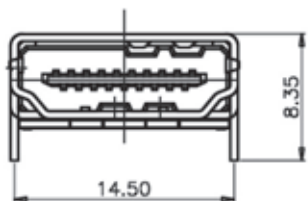
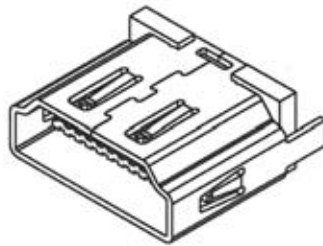
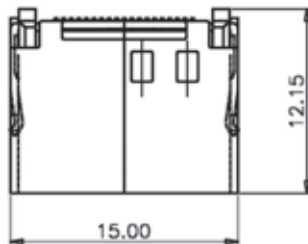
ORDERING INFORMATION:

P/N C H D M $\frac{3}{1}$ - $\frac{19}{2}$ F $\frac{x}{3}$ $\frac{x}{4}$ $\frac{x}{5}$ $\frac{Y}{6}$

- HDMI VERSION TYPE:
"3" VERSION 1.3A
- NO. OF CONTACTS:
19
- CONNECTOR TYPE:
"F" FEMALE
- SHELL FINISH:
"N" NICKEL PLATED SHELL
- CONTACT FINISH:
"15" 15 MICROINCH GOLD

- CONNECTOR CODE:
Y

HDMI FEMALE CONNECTOR VERSION 1.3A STRAIGHT SMT TYPE



Recommended P.C.Board Layout

SPECIFICATIONS

Current Rating: 1.0 Amperes
Contact Resistance: 25mΩ Max.
Insulation Resistance: 1000MΩ Min. at 500V
Dielectric Voltage: 1000V at 1 Minute
Operating Temperature: -55°C to +105°C

MATERIALS

Insulator: PBT, UL94V-0 Rated
Contact: Brass
Shell: Brass, Steel
Contact Plating: Selective Gold Over Nickel Plated
Shell Plating: Tin Or Nickel Over Copper Plated
***RoHS & REACH compliant.**

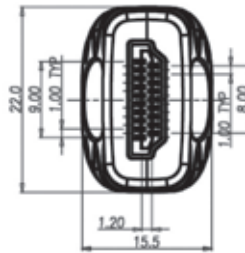
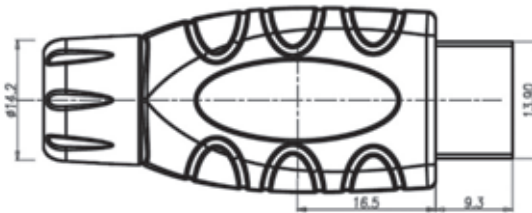
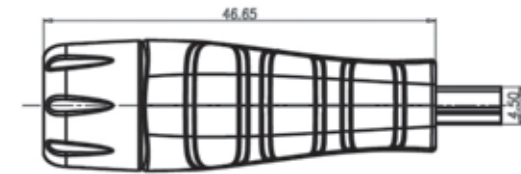
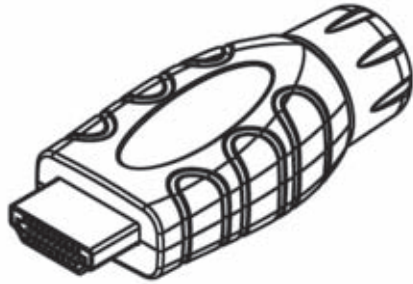
ORDERING INFORMATION:

P/N C H D M 3 - 19 F X X X Z
1 2 3 4 5 6

1. HDMI VERSION TYPE:
"3" VERSION 1.3A
2. NO. OF CONTACTS:
19
3. CONNECTOR TYPE:
"F" FEMALE
4. SHELL FINISH:
"G" GOLD PLATED SHELL
"N" NICKEL PLATED SHELL
5. CONTACT FINISH:
"15" 15 MICROINCH GOLD

6. CONNECTOR CODE:
Z

HDMI MALE CONNECTOR VERSION 1.3A DIE CASTING CABLE ASSEMBLY TYPE



SPECIFICATIONS

Current Rating: 1.0 Amperes
Contact Resistance: 25mΩ Max.
Insulation Resistance: 1000MΩ Min. at 500V
Dielectric Voltage: 1000V at 1 Minute
Operating Temperature: -55°C to +105°C

MATERIALS

Insulator: PBT, UL94V-0 Rated
Contact: Brass
Shell: Brass, Steel
Contact Plating: Selective Gold Over Nickel Plated
Shell Plating: Tin Or Nickel Over Copper Plated
***RoHS & REACH compliant.**

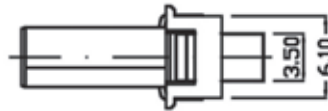
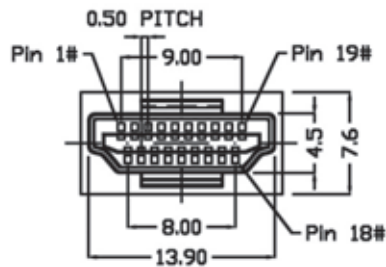
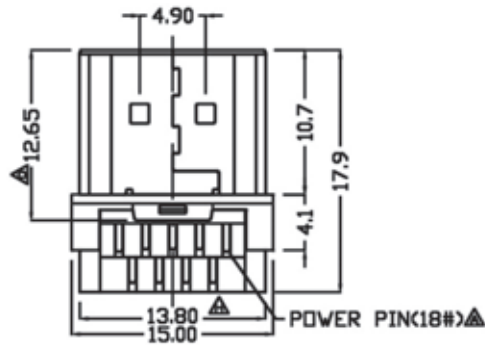
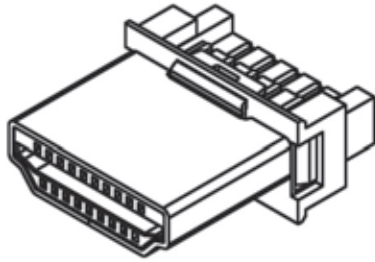
ORDERING INFORMATION:

P/N C H D M 3 - 19 M X X X A
1 2 3 4 5 6

1. HDMI VERSION TYPE:
"3" VERSION 1.3A
2. NO. OF CONTACTS:
19
3. CONNECTOR TYPE:
"M" MALE
4. SHELL FINISH:
"N" NICKEL PLATED SHELL
5. CONTACT FINISH:
"05" 05 MICROINCH GOLD

6. CONNECTOR CODE:
A

HDMI MALE CONNECTOR VERSION 1.3A CABLE SOLDER TYPE



SPECIFICATIONS

Current Rating: 1.0 Amperes
Contact Resistance: 25mΩ Max.
Insulation Resistance: 1000MΩ Min. at 500V
Dielectric Voltage: 1000V at 1 Minute
Operating Temperature: -55°C to +105°C

MATERIALS

Insulator: PBT, UL94V-0 Rated
Contact: Brass
Shell: Brass, Steel
Contact Plating: Selective Gold Over Nickel Plated
Shell Plating: Tin Or Nickel Over Copper Plated
***RoHS & REACH compliant.**

ORDERING INFORMATION:

P/N C H D M 3 - 19 M X X X X
1 2 3 4 5 6

1. HDMI VERSION TYPE:
"3" VERSION 1.3A
2. NO. OF CONTACTS:
19
3. CONNECTOR TYPE:
"M" MALE
4. SHELL FINISH:
"G" GOLD PLATED SHELL
"N" NICKEL PLATED SHELL
"T" TIN PLATED SHELL
5. CONTACT FINISH:
"15" 15 MICROINCH GOLD
"30" 30 MICROINCH GOLD

6. HOUSING COLOR:
"B" BLACK
"W" WHITE

HDMI MALE CONNECTOR VERSION 1.3C PCB TYPE

SPECIFICATIONS

Operating Voltage: 40V AC Max.

Current Rating: 0.5 Ampere Per Contact

Contact Resistance: 10mΩ Max.

Insulation Resistance: 100MΩ Min. at 500V

Dielectric Voltage: 500V AC

Operating Temperature: -20°C to +85°C

MATERIALS

Insulator: PBT, UL94V-0 Rated

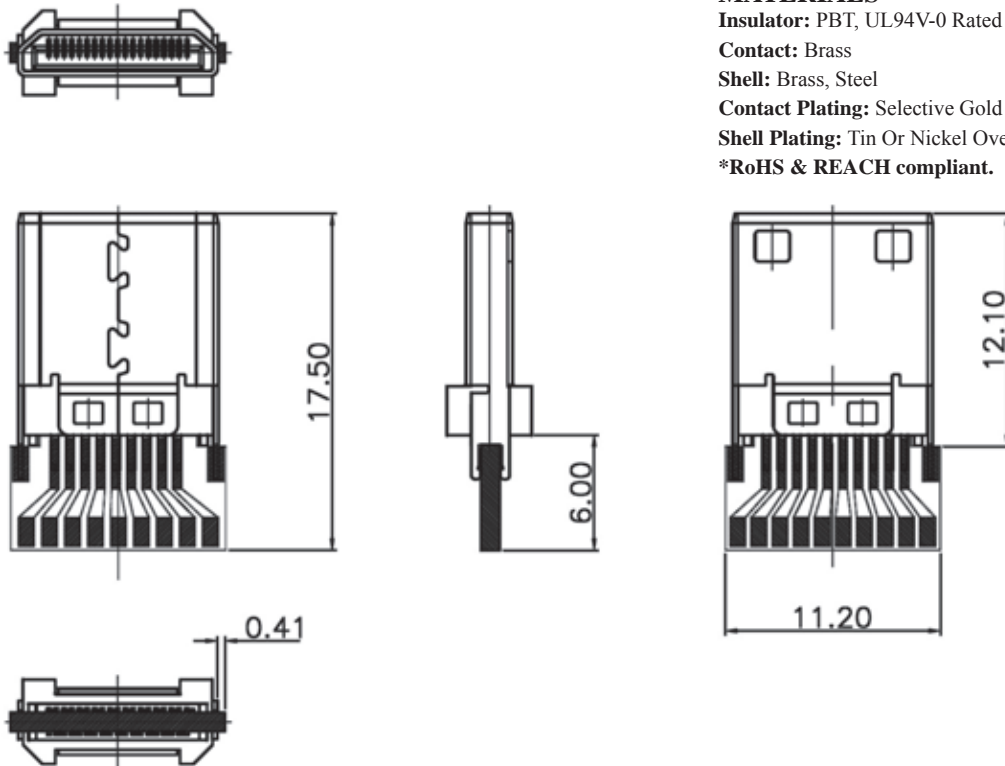
Contact: Brass

Shell: Brass, Steel

Contact Plating: Selective Gold Over Nickel Plated

Shell Plating: Tin Or Nickel Over Copper Plated

***RoHS & REACH compliant.**



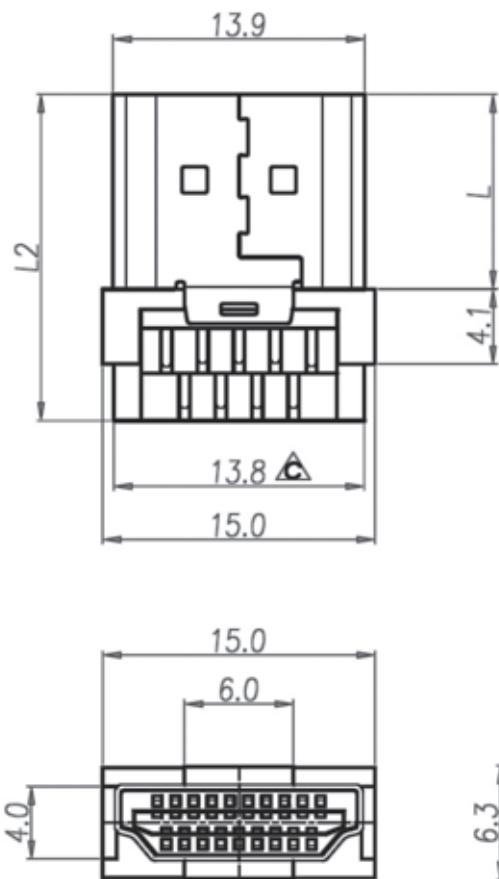
ORDERING INFORMATION:

P/N C H D M $\frac{3}{1}$ - $\frac{19}{2}$ $\frac{M}{3}$ $\frac{x}{4}$ $\frac{x}{5}$ $\frac{C}{6}$

1. HDMI VERSION TYPE:
"3" VERSION 1.3C (MINI HDMI)
2. NO. OF CONTACTS:
19
3. CONNECTOR TYPE:
"M" MALE
4. SHELL FINISH:
"G" GOLD PLATED SHELL
"N" NICKEL PLATED SHELL
5. CONTACT FINISH:
"15" 15 MICROINCH GOLD

6. CONNECTOR CODE:
C

HDMI MALE CONNECTOR VERSION 1.3A CABLE SOLDER TYPE

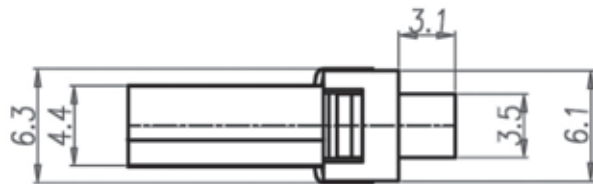


SPECIFICATIONS

Current Rating: 1.0 Amperes
Contact Resistance: 25mΩ Max.
Insulation Resistance: 1000MΩ Min. at 500V
Dielectric Voltage: 1000V at 1 Minute
Operating Temperature: -55°C to +105°C

MATERIALS

Insulator: PBT, UL94V-0 Rated
Contact: Brass
Shell: Brass, Steel
Contact Plating: Selective Gold Over Nickel Plated
Shell Plating: Tin Or Nickel Over Copper Plated
***RoHS & REACH compliant.**



ORDERING INFORMATION:

P/N C H D M $\frac{3}{1}$ - $\frac{19}{2}$ $\frac{M}{3}$ $\frac{x}{4}$ $\frac{x}{5}$ $\frac{x}{6}$

1. HDMI VERSION TYPE:
"3" VERSION 1.3A
2. NO. OF CONTACTS:
19
3. CONNECTOR TYPE:
"M" MALE
4. SHELL FINISH:
"G" GOLD PLATED SHELL
"N" NICKEL PLATED SHELL
5. CONTACT FINISH:
"15" 15 MICROINCH GOLD

6. CONNECTOR CODE:
"D" L/L2 = 12.00/19.35MM
"E" L/L2 = 10.65/18.00MM

HDMI MALE CONNECTOR VERSION 1.3C CABLE MOULDING TYPE

SPECIFICATIONS

Operating Voltage: 40V AC Max.

Current Rating: 0.5 Ampere Per Contact

Contact Resistance: 10mΩ Max.

Insulation Resistance: 100MΩ Min. at 500V

Dielectric Voltage: 500V AC

Operating Temperature: -20°C to +85°C

MATERIALS

Insulator: PBT, UL94V-0 Rated

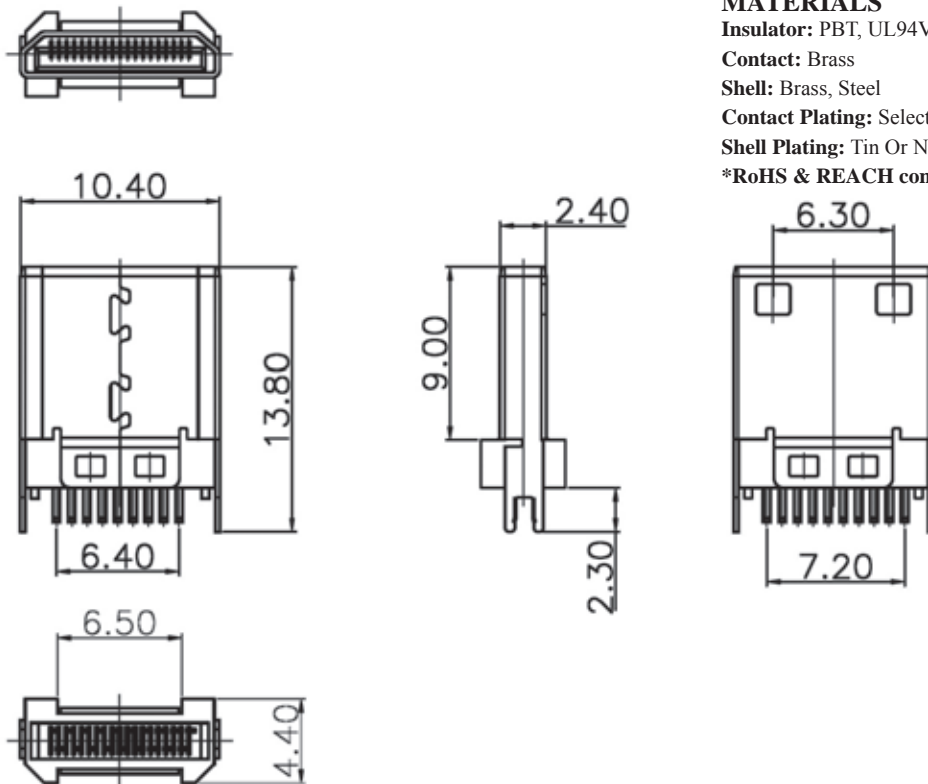
Contact: Brass

Shell: Brass, Steel

Contact Plating: Selective Gold Over Nickel Plated

Shell Plating: Tin Or Nickel Over Copper Plated

*RoHS & REACH compliant.



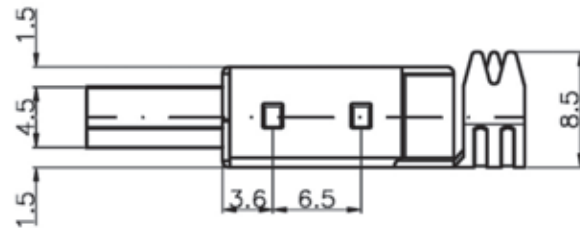
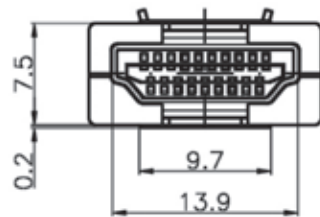
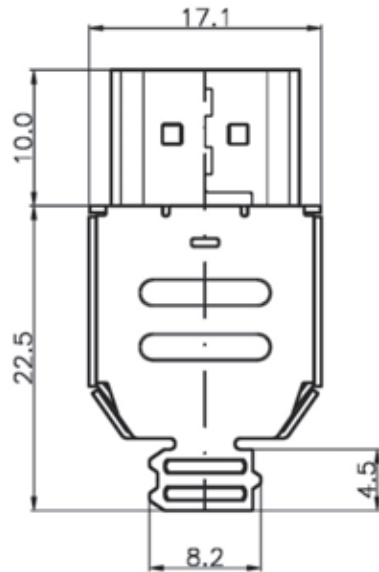
ORDERING INFORMATION:

P/N C H D M $\frac{3}{1}$ - $\frac{19}{2}$ $\frac{M}{3}$ $\frac{x}{4}$ $\frac{x}{5}$ $\frac{F}{6}$

1. HDMI VERSION TYPE:
"3" VERSION 1.3C (MINI HDMI)
2. NO. OF CONTACTS:
19
3. CONNECTOR TYPE:
"M" MALE
4. SHELL FINISH:
"G" GOLD PLATED SHELL
"N" NICKEL PLATED SHELL
5. CONTACT FINISH:
"15" 15 MICROINCH GOLD

6. CONNECTOR CODE:
F

HDMI MALE CONNECTOR VERSION 1.3A CABLE SOLDER TYPE



SPECIFICATIONS

Current Rating: 1.0 Amperes

Contact Resistance: 25mΩ Max.

Insulation Resistance: 1000MΩ Min. at 500V

Dielectric Voltage: 1000V at 1 Minute

Operating Temperature: -55°C to +105°C

MATERIALS

Insulator: PBT, UL94V-0 Rated

Contact: Brass

Shell: Brass, Steel

Contact Plating: Selective Gold Over Nickel Plated

Shell Plating: Tin Or Nickel Over Copper Plated

***RoHS & REACH compliant.**

ORDERING INFORMATION:

P/N C H D M $\frac{3}{1}$ - $\frac{19}{2}$ $\frac{M}{3}$ $\frac{x}{4}$ $\frac{x}{5}$ $\frac{G}{6}$

1. HDMI VERSION TYPE:

"3" VERSION 1.3A

2. NO. OF CONTACTS:

19

3. CONNECTOR TYPE:

"M" MALE

4. SHELL FINISH:

"G" GOLD PLATED SHELL

"N" NICKEL PLATED SHELL

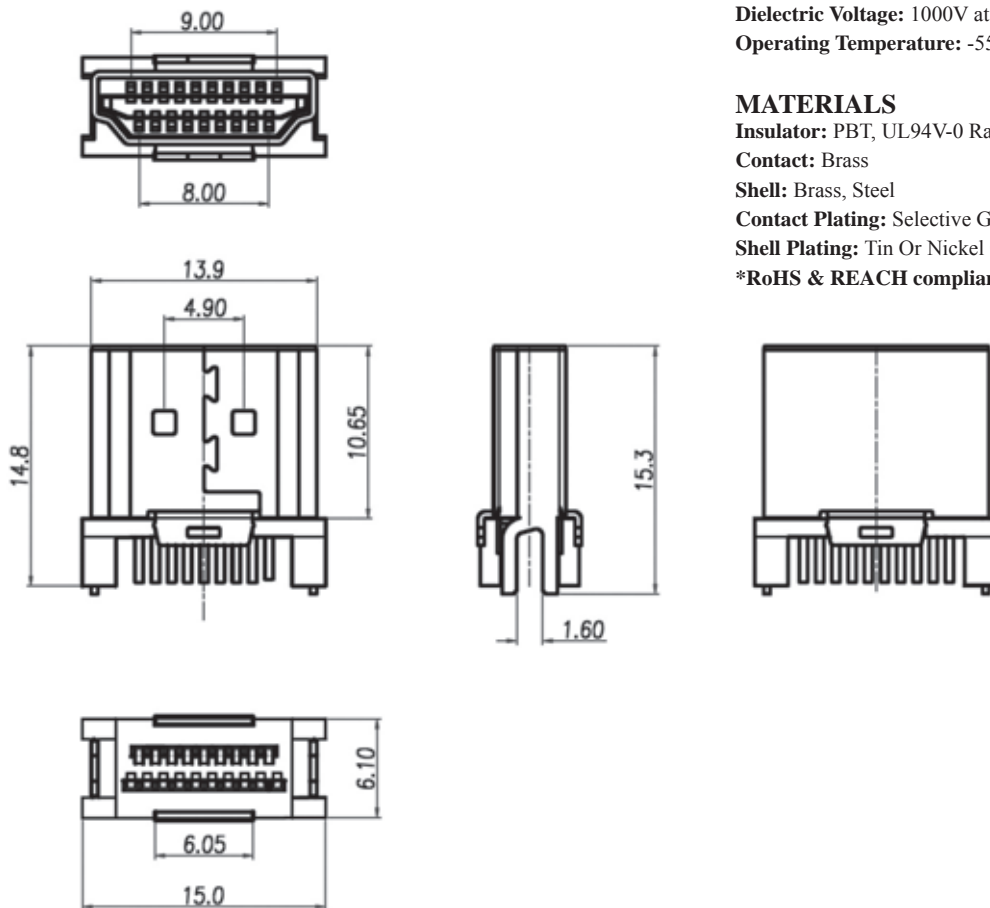
5. CONTACT FINISH:

"15" 15 MICROINCH GOLD

6. CONNECTOR CODE:

G

HDMI MALE CONNECTOR VERSION 1.3A CABLE MOULDING TYPE



SPECIFICATIONS

Current Rating: 1.0 Amperes
Contact Resistance: 25mΩ Max.
Insulation Resistance: 1000MΩ Min. at 500V
Dielectric Voltage: 1000V at 1 Minute
Operating Temperature: -55°C to +105°C

MATERIALS

Insulator: PBT, UL94V-0 Rated
Contact: Brass
Shell: Brass, Steel
Contact Plating: Selective Gold Over Nickel Plated
Shell Plating: Tin Or Nickel Over Copper Plated
***RoHS & REACH compliant.**

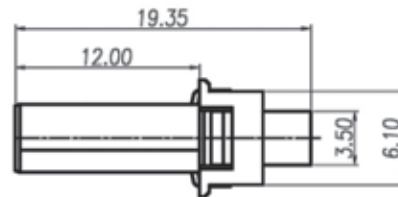
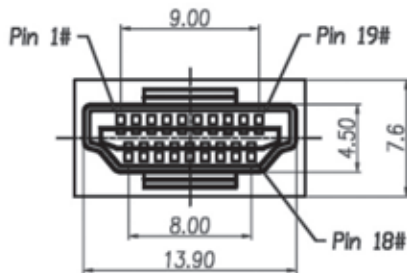
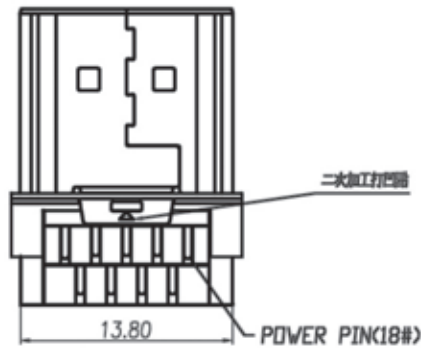
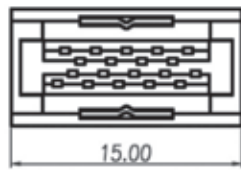
ORDERING INFORMATION:

P/N C H D M $\frac{3}{1}$ - $\frac{19}{2}$ M $\frac{x}{3}$ $\frac{x}{4}$ $\frac{x}{5}$ $\frac{H}{6}$

1. HDMI VERSION TYPE:
"3" VERSION 1.3A
2. NO. OF CONTACTS:
19
3. CONNECTOR TYPE:
"M" MALE
4. SHELL FINISH:
"G" GOLD PLATED SHELL
"N" NICKEL PLATED SHELL
5. CONTACT FINISH:
"15" 15 MICROINCH GOLD

6. CONNECTOR CODE:
H

HDMI MALE CONNECTOR VERSION 1.3A CABLE SOLDER TYPE



SPECIFICATIONS

Current Rating: 1.0 Amperes
Contact Resistance: 25mΩ Max.
Insulation Resistance: 1000MΩ Min. at 500V
Dielectric Voltage: 1000V at 1 Minute
Operating Temperature: -55°C to +105°C

MATERIALS

Insulator: PBT, UL94V-0 Rated
Contact: Brass
Shell: Brass, Steel
Contact Plating: Selective Gold Over Nickel Plated
Shell Plating: Tin Or Nickel Over Copper Plated
***RoHS & REACH compliant.**

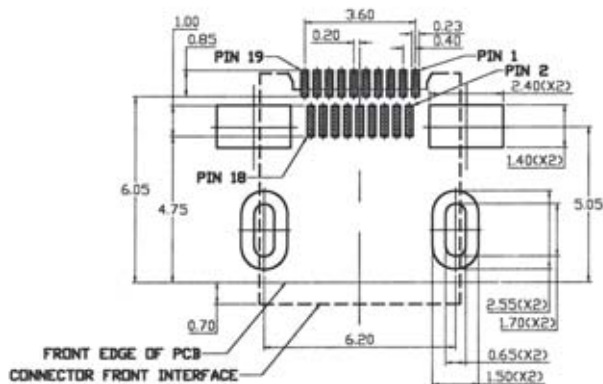
ORDERING INFORMATION:

P/N C H D M 3 - 19 M X X X X
 1 2 3 4 5 6

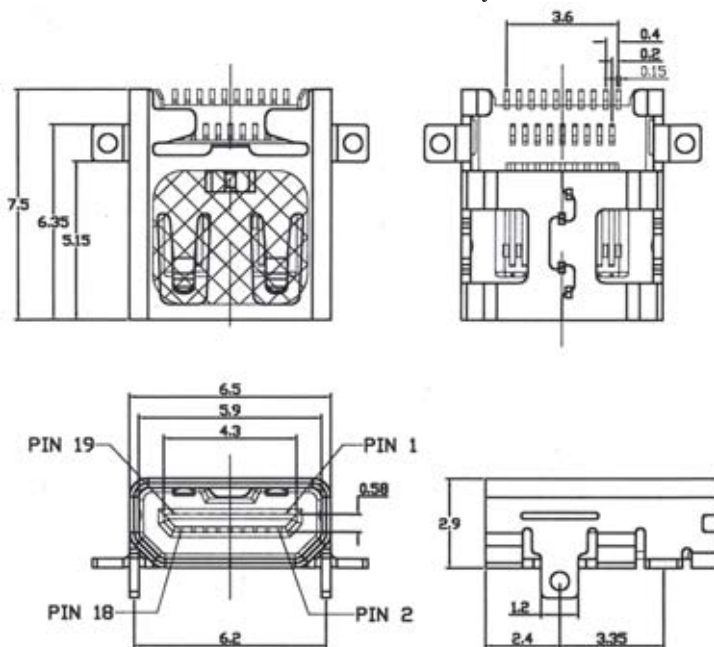
1. HDMI VERSION TYPE:
"3" VERSION 1.3A
2. NO. OF CONTACTS:
19
3. CONNECTOR TYPE:
"M" MALE
4. SHELL FINISH:
"G" GOLD PLATED SHELL
"N" NICKEL PLATED SHELL
5. CONTACT FINISH:
"15" 15 MICROINCH GOLD

6. HOUSING COLOR:
"K" BLACK
"V" WHITE

MICRO HDMI FEMALE CONNECTOR D TYPE SMT TYPE



Recommended P.C.Board Layout



SPECIFICATIONS

Current Rating: 1.0 Amperes
Contact Resistance: 25mΩ Max.
Insulation Resistance: 1000MΩ Min. at 500V
Dielectric Voltage: 1000V at 1 Minute
Operating Temperature: -55°C to +105°C

MATERIALS

Insulator: PBT, UL94V-0 Rated
Contact: Brass
Shell: Brass, Steel
Contact Plating: Selective Gold Over Nickel Plated
Shell Plating: Tin Or Nickel Over Copper Plated
***RoHS & REACH compliant.**

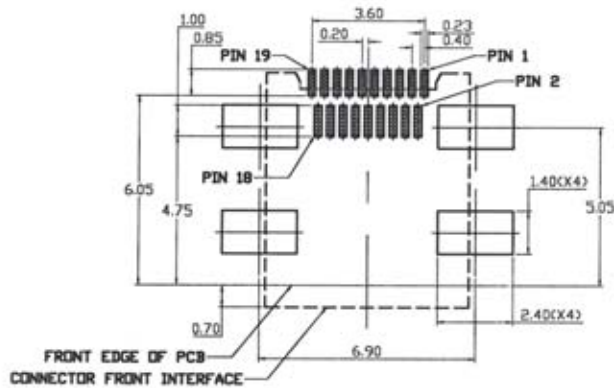
ORDERING INFORMATION:

P/N C H D M 4 - 19 F G 10 A
1 2 3 4 5 6

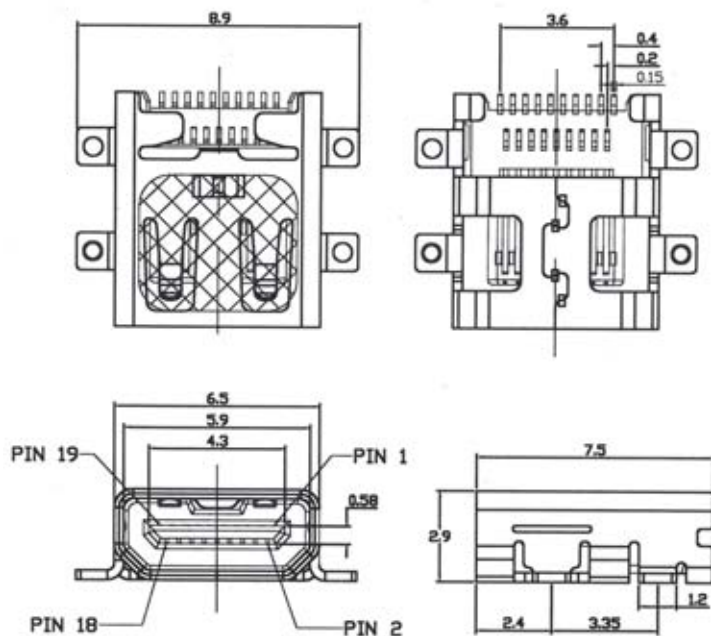
1. HDMI VERSION TYPE:
"4" MICRO HDMI D TYPE
2. NO. OF CONTACTS:
19
3. CONNECTOR TYPE:
"F" FEMALE
4. SHELL FINISH:
"G" GOLD PLATED SHELL
5. CONTACT FINISH:
"10" 10 MICROINCH GOLD

6. CONNECTOR CODE:
A

MICRO HDMI FEMALE CONNECTOR D TYPE SMT TYPE



Recommended P.C.Board Layout



SPECIFICATIONS

Current Rating: 1.0 Amperes
Contact Resistance: 25mΩ Max.
Insulation Resistance: 1000MΩ Min. at 500V
Dielectric Voltage: 1000V at 1 Minute
Operating Temperature: -55°C to +105°C

MATERIALS

Insulator: PBT, UL94V-0 Rated
Contact: Brass
Shell: Brass, Steel
Contact Plating: Selective Gold Over Nickel Plated
Shell Plating: Tin Or Nickel Over Copper Plated
***RoHS & REACH compliant.**

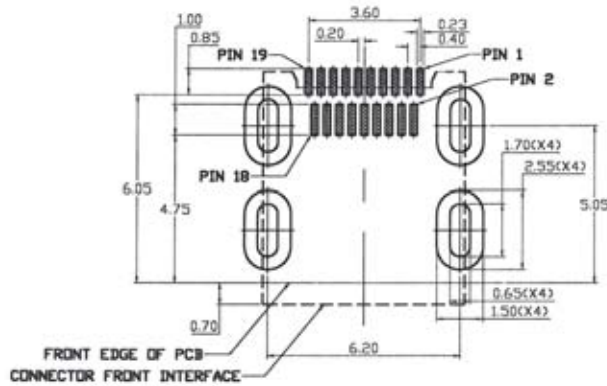
ORDERING INFORMATION:

P/N C H D M 4 - 19 F G 10 B
 1 2 3 4 5 6

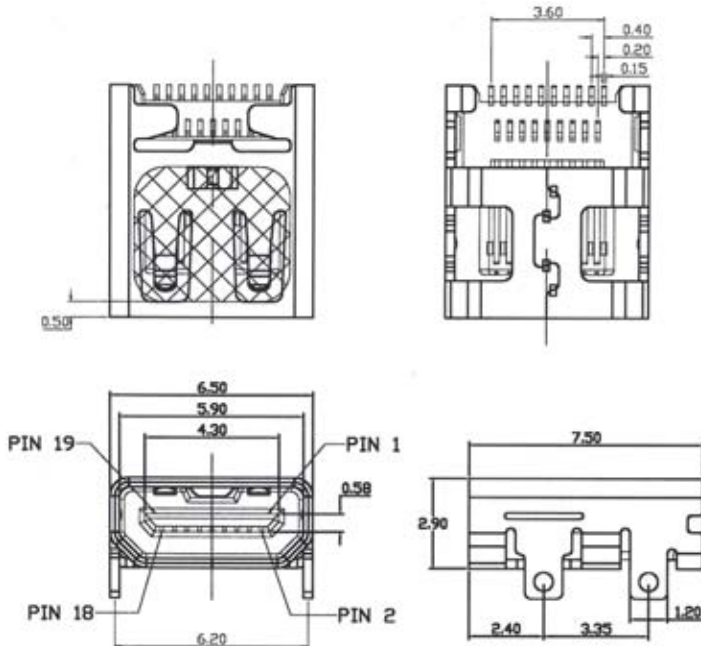
1. HDMI VERSION TYPE:
"4" MICRO HDMI D TYPE
2. NO. OF CONTACTS:
19
3. CONNECTOR TYPE:
"F" FEMALE
4. SHELL FINISH:
"G" GOLD PLATED SHELL
5. CONTACT FINISH:
"10" 10 MICROINCH GOLD

6. CONNECTOR CODE:
B

MICRO HDMI FEMALE CONNECTOR D TYPE SMT TYPE



Recommended P.C.Board Layout



ORDERING INFORMATION:

P/N C H D M 4 - 19 F G 10 C
 1 2 3 4 5 6

1. HDMI VERSION TYPE:
"4" MICRO HDMI D TYPE
2. NO. OF CONTACTS:
19
3. CONNECTOR TYPE:
"F" FEMALE
4. SHELL FINISH:
"G" GOLD PLATED SHELL
5. CONTACT FINISH:
"10" 10 MICROINCH GOLD

6. CONNECTOR CODE:
C

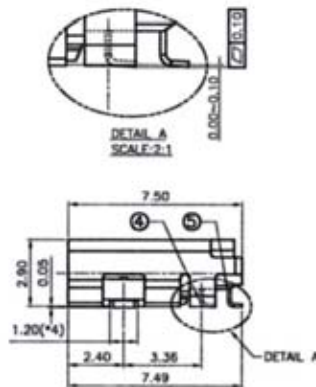
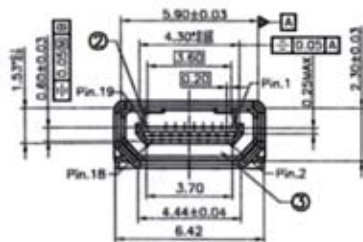
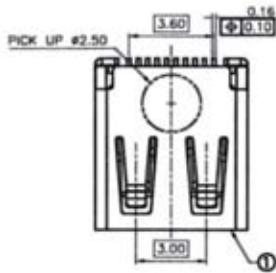
SPECIFICATIONS

- Current Rating:** 1.0 Amperes
- Contact Resistance:** 25mΩ Max.
- Insulation Resistance:** 1000MΩ Min. at 500V
- Dielectric Voltage:** 1000V at 1 Minute
- Operating Temperature:** -55°C to +105°C

MATERIALS

- Insulator:** PBT, UL94V-0 Rated
- Contact:** Brass
- Shell:** Brass, Steel
- Contact Plating:** Selective Gold Over Nickel Plated
- Shell Plating:** Tin Or Nickel Over Copper Plated
- *RoHS & REACH compliant.**

MICRO HDMI FEMALE CONNECTOR D TYPE SMT TYPE

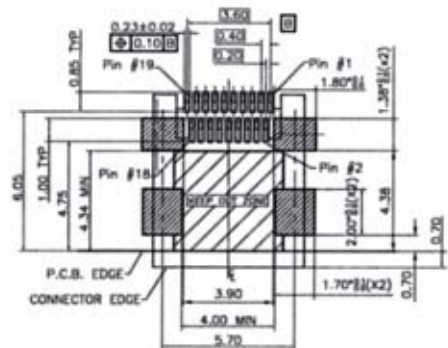


SPECIFICATIONS

Current Rating: 1.0 Amperes
Contact Resistance: 25mΩ Max.
Insulation Resistance: 1000MΩ Min. at 500V
Dielectric Voltage: 1000V at 1 Minute
Operating Temperature: -55°C to +105°C

MATERIALS

Insulator: PBT, UL94V-0 Rated
Contact: Brass
Shell: Brass, Steel
Contact Plating: Selective Gold Over Nickel Plated
Shell Plating: Tin Or Nickel Over Copper Plated
***RoHS & REACH compliant.**



Recommended P.C.Board Layout

ORDERING INFORMATION:

P/N C H D M $\frac{4}{1}$ - $\frac{19}{2}$ F $\frac{x}{3}$ $\frac{x}{4}$ $\frac{x}{5}$ $\frac{x}{6}$ D

1. HDMI VERSION TYPE:
"4" MICRO HDMI D TYPE
2. NO. OF CONTACTS:
19
3. CONNECTOR TYPE:
"F" FEMALE
4. SHELL FINISH:
"G" GOLD PLATED SHELL
"N" NICKEL PLATED SHELL
5. CONTACT FINISH:
"15" 15 MICROINCH GOLD
"30" 30 MICROINCH GOLD

6. CONNECTOR CODE:
D

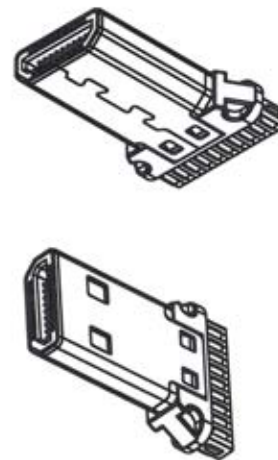
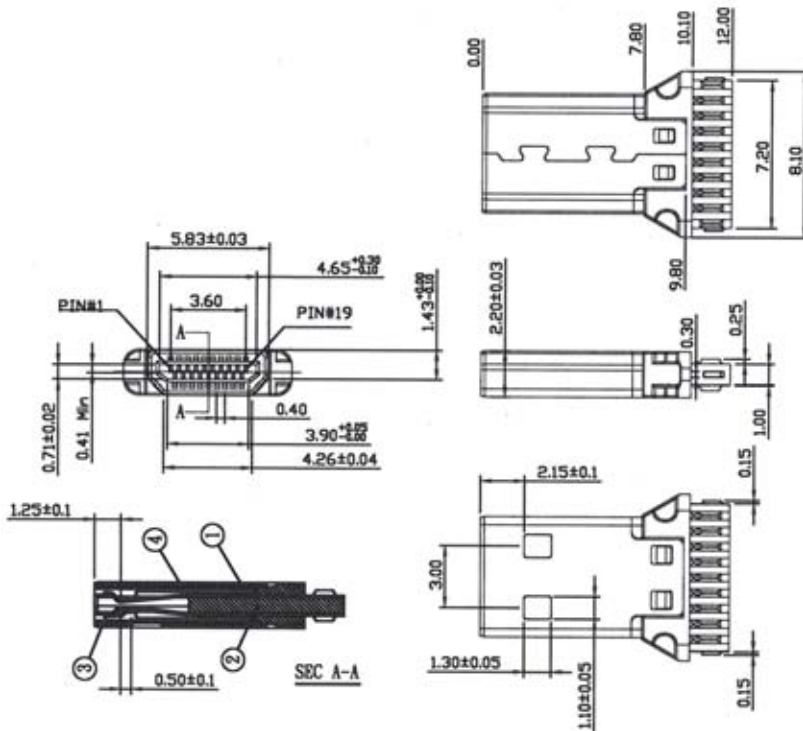
MICRO HDMI MALE CONNECTOR D TYPE CABLE SOLDER TYPE

SPECIFICATIONS

Current Rating: 1.0 Amperes
Contact Resistance: 25mΩ Max.
Insulation Resistance: 1000MΩ Min. at 500V
Dielectric Voltage: 1000V at 1 Minute
Operating Temperature: -55°C to +105°C

MATERIALS

Insulator: PBT, UL94V-0 Rated
Contact: Brass
Shell: Brass, Steel
Contact Plating: Selective Gold Over Nickel Plated
Shell Plating: Tin Or Nickel Over Copper Plated
 *RoHS & REACH compliant.



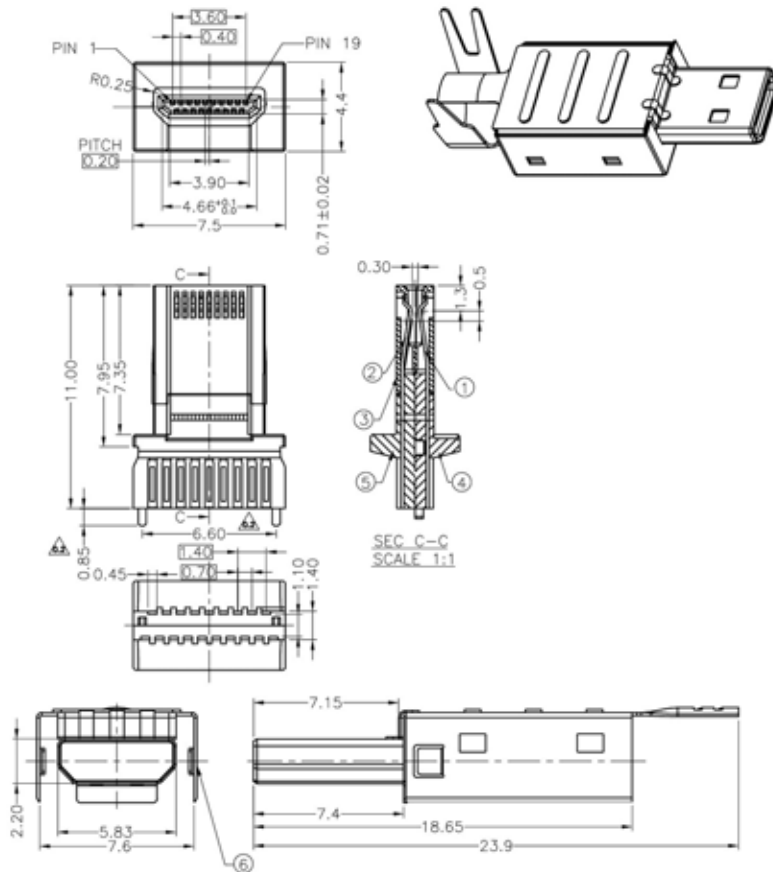
ORDERING INFORMATION:

P/N C H D M 4 - 19 M x x x A
 I 2 3 4 5 6

1. HDMI VERSION TYPE:
"4" MICRO HDMI D TYPE
2. NO. OF CONTACTS:
19
3. CONNECTOR TYPE:
"M" MALE
4. SHELL FINISH:
"G" GOLD PLATED SHELL
"N" NICKEL PLATED SHELL
5. CONTACT FINISH:
"15" 15 MICROINCH GOLD
"30" 30 MICROINCH GOLD

6. CONNECTOR CODE:
A

MICRO HDMI MALE CONNECTOR D TYPE SOLDER TYPE FOR CABLE OD=4.0~5.0MM



SPECIFICATIONS

Current Rating: 1.0 Amperes
Contact Resistance: 25mΩ Max.
Insulation Resistance: 1000MΩ Min. at 500V
Dielectric Voltage: 1000V at 1 Minute
Operating Temperature: -55°C to +105°C

MATERIALS

Insulator: PBT, UL94V-0 Rated
Contact: Brass
Shell: Brass, Steel
Contact Plating: Selective Gold Over Nickel Plated
Shell Plating: Tin Or Nickel Over Copper Plated
***RoHS & REACH compliant.**

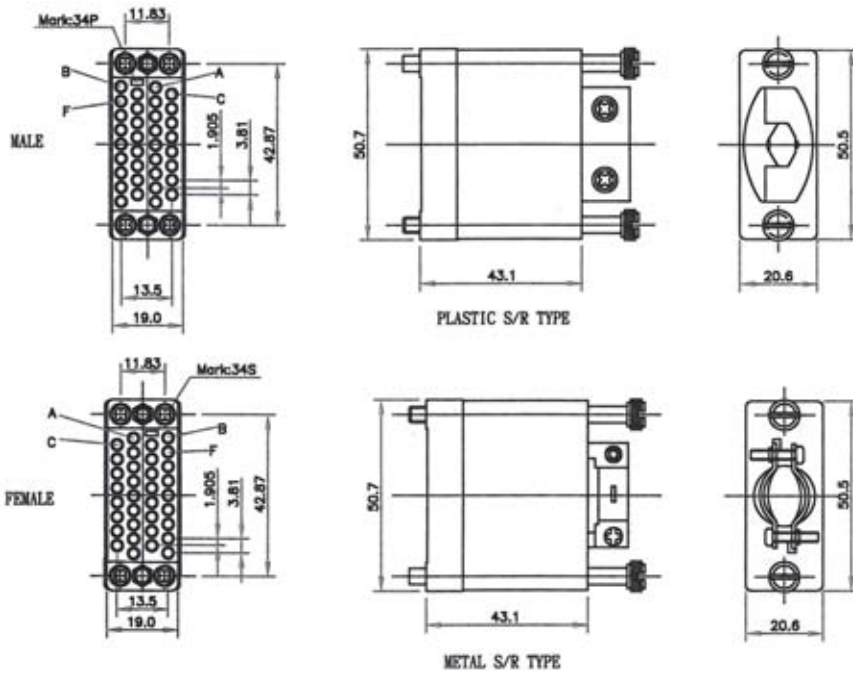
ORDERING INFORMATION:

P/N C H D M 4 - 19 M x x x x
 1 2 3 4 5 6

1. HDMI VERSION TYPE:
"4" MICRO HDMI D TYPE
2. NO. OF CONTACTS:
19
3. CONNECTOR TYPE:
"M" MALE
4. SHELL FINISH:
"G" GOLD PLATED FRONT SHELL &
NICKEL PLATED BACK SHELL
5. CONTACT FINISH:
"15" 15 MICROINCH GOLD
"30" 30 MICROINCH GOLD

6. INSULATOR COLOR:
"B" BLACK
"W" WHITE

V.35 CRIMP TYPE HOUSING & COVER



SPECIFICATIONS

Current Rating: 5 Amperes

Insulation Resistance: 1000MΩ Min

Dielectric Withstanding: 1000V For 1 Min

Contact Resistance: 45mΩ Max.

Operating Temperature: -55°C to +105°C

MATERIALS

Insulator: PBT & Glass-Fibre Reinforced,
UL94V-0

Pin Contact: Phosphor Bronze, Gold Plated

Shell: Steel, Nickel Plated Steel

*RoHS & REACH compliant.

ORDERING INFORMATION:

P/N V 3 5 - $\frac{34}{T} \frac{x}{23}$

1. NO. OF CONTACTS:

34

2. CONTACT TYPE:

"M" MALE

"F" FEMALE

3. STRAIN RELIEF TYPE:

"A" WITH METAL SR FOR CABLE Ø11-13MM

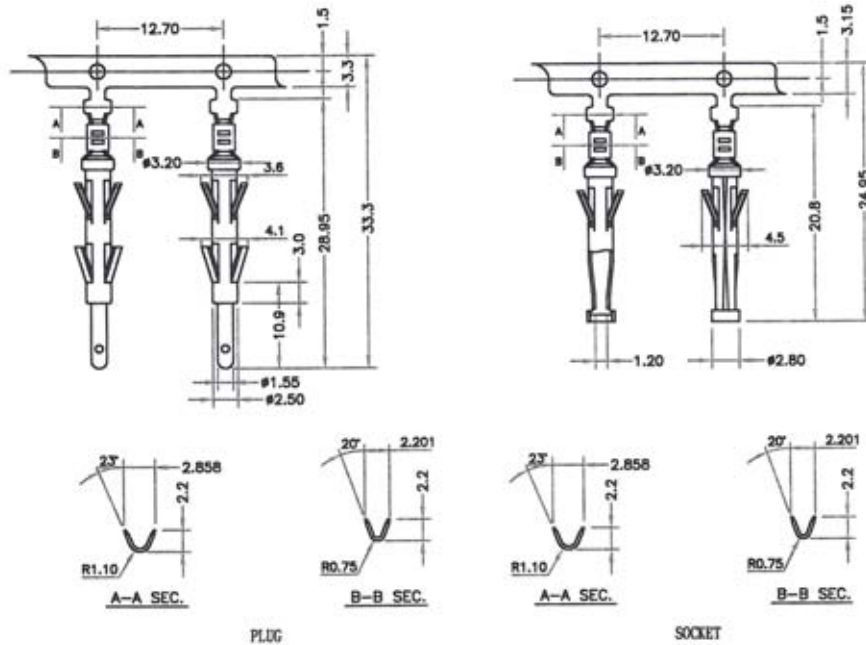
"B" WITH BLACK PLASTIC SR FOR CABLE Ø9-11MM

"C" WITH METALIZED PLASTIC SR FOR CABLE Ø9-11MM

NOTE: 1) V35-34Mx ACCEPTS V35-01MG TERMINAL

2) V35-34Fx ACCEPTS V35-01FG TERMINAL

V.35 CRIMP TYPE TERMINALS



PLUG MECHANICAL

Contact: Brass

Wire Size: AWG 24 or 26 Spaced

Current Rating: 7 Amperes

Contact Resistance: 10mΩ Max.

SOCKET MECHANICAL

Contact: Phosphor Bronze

Wire Size: AWG 24 or 26 Spaced

Current Rating: 7 Amperes

Contact Resistance: 10mΩ Max.

*RoHS & REACH compliant.

ORDERING INFORMATION:

P/N V 3 5 - 0 1 $\frac{x}{I}$ $\frac{x}{2}$

1. CONTACT TYPE:

"M" MALE

"F" FEMALE

2. CONTACT FINISH:

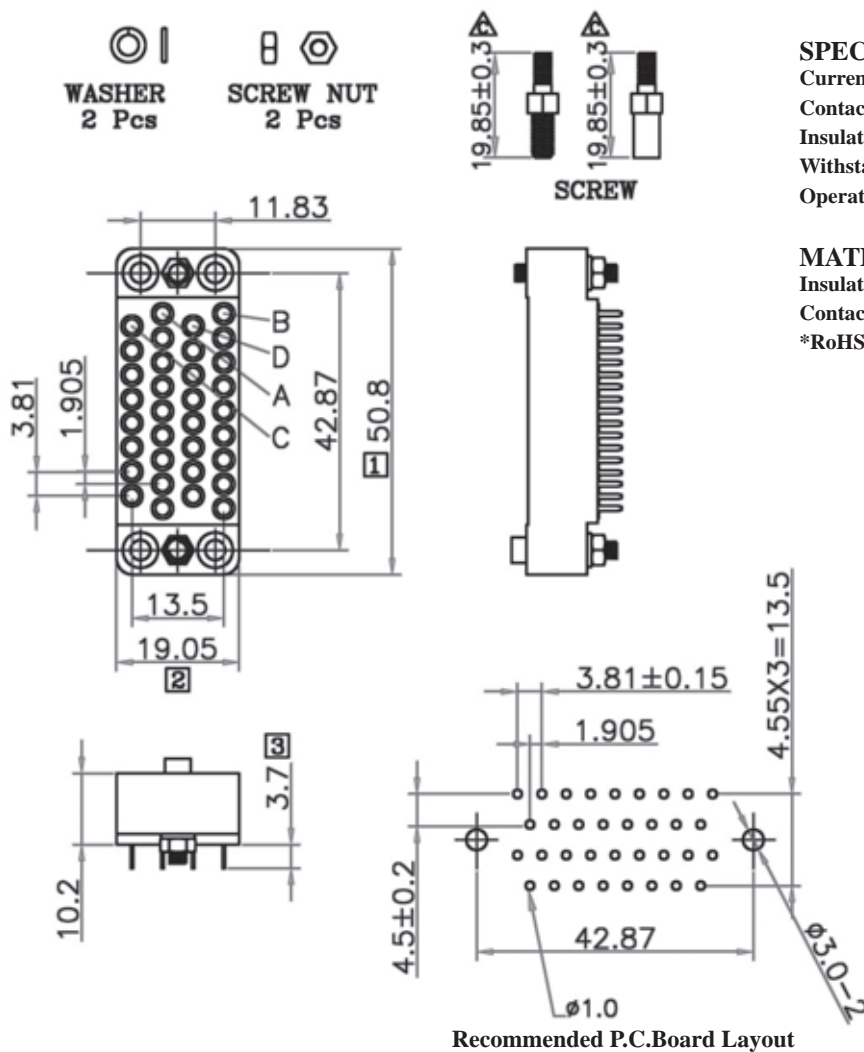
"G" GOLD FLASH PLATED

NOTE: 1) PU= 2500PCS/REEL

2) V35-01MG ACCEPTS V35-34Mx HOUSING

3) V35-01FG ACCEPTS V35-34Fx HOUSING

V.35 FEMALE CONNECTOR STRAIGHT PCB MOUNT TYPE



SPECIFICATIONS

Current Rating: 7 Amp
 Contact Resistance: 10m Ω Max.
 Insulation Resistance: 1000M Ω Min. at 500V
 Withstanding Voltage: AC 1200V Min.
 Operating Temperature: -55 $^{\circ}$ c to +105 $^{\circ}$ c

MATERIALS

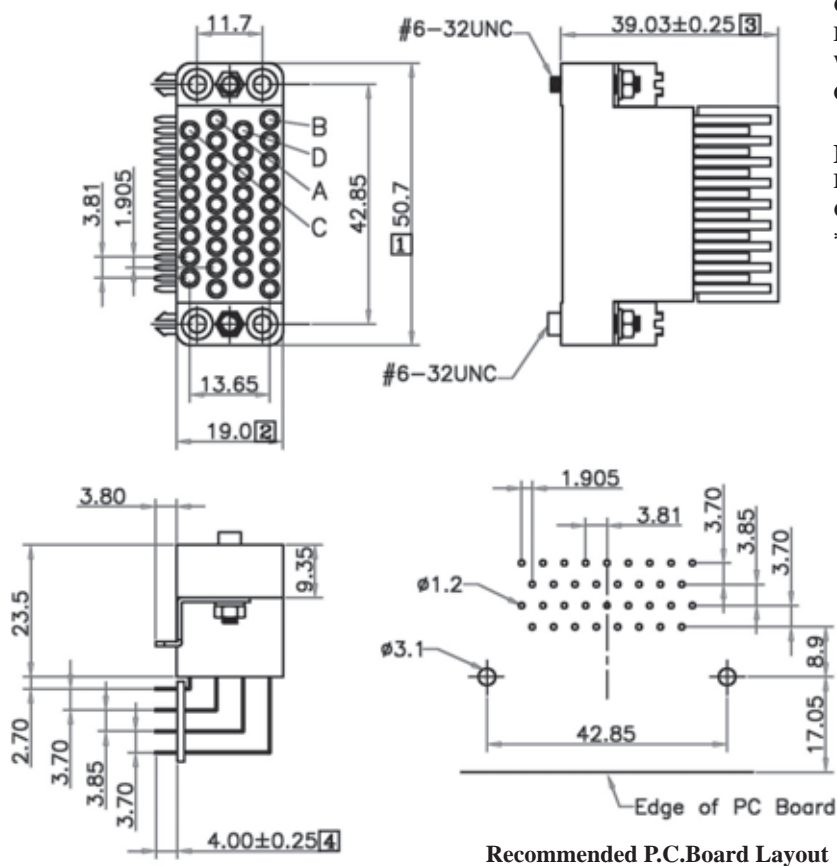
Insulator: PBT & Glass-fibre reinforced, UL94V-0
 Contact: Phosphor Bronze
 *RoHS & REACH compliant.

ORDERING INFORMATION:

P/N V 35 - $\frac{34 \text{ F S}}{1 \ 2 \ 3}$

1. NO. OF CONTACTS:
34
2. CONNECTOR TYPE:
"F" FEMALE
3. TERMINAL TYPE:
"S" STRAIGHT DIP TYPE

V.35 HIGH PROFILE FEMALE CONNECTOR RIGHT ANGLE PCB MOUNT TYPE



SPECIFICATIONS

Current Rating: 5 Amp

Contact Resistance: 25mΩ Max.

Insulation Resistance: 500MΩ Min. at 500V

Withstanding Voltage: AC 500V Min.

Operating Temperature: -55°C to +105°C

MATERIALS

Insulator: PBT & Glass-fibre reinforced, UL94V-0

Contact: Phosphor Bronze, Gold Plated

*RoHS & REACH compliant.

ORDERING INFORMATION:

P/N V 3 5 - $\frac{34}{T} \frac{FR}{23}$

1. NO. OF CONTACTS:

34

2. CONNECTOR TYPE:

"F" FEMALE

3. TERMINAL TYPE:

"R" RIGHT ANGLE DIP TYPE

V.35 MALE CONNECTOR RIGHT ANGLE PCB MOUNT TYPE

SPECIFICATIONS

Current Rating: 13 Amp

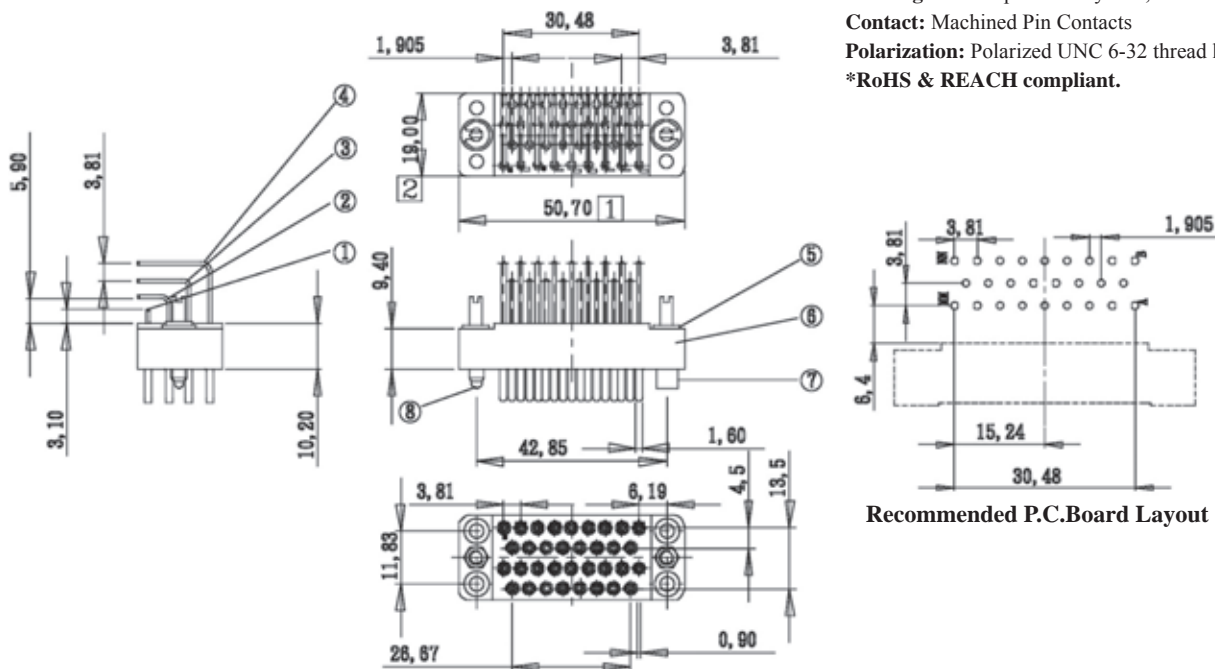
MATERIALS

Molding: Thermoplastic Polyester, UL94V-0

Contact: Machined Pin Contacts

Polarization: Polarized UNC 6-32 thread locks

*RoHS & REACH compliant.



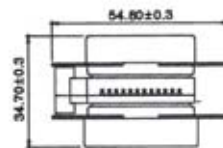
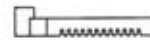
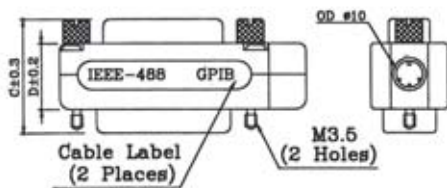
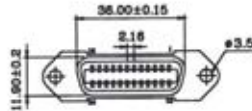
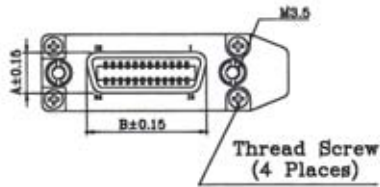
Recommended P.C.Board Layout

ORDERING INFORMATION:

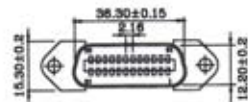
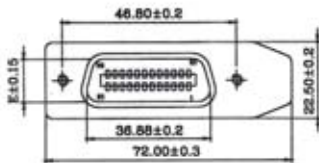
P/N V 3 5 - $\frac{34}{1}$ $\frac{M}{2}$ $\frac{R}{3}$

1. NO. OF CONTACTS:
34
2. CONNECTOR TYPE:
"M" MALE
3. TERMINAL TYPE:
"R" RIGHT ANGLE DIP TYPE

IEEE488 CONNECTOR FOR INTERFACE BUS APPLICATION PER GPIB



M Type (W/O Hood)



- D Type (Die-Cast Metal Hood)**
- C Type (A.B.S Metalized Hood)**

SPECIFICATIONS

- Current Rating:** 1.0 Amp
- Dielectric Withstanding:** 500V AC
- Contact Resistance:** 35m OHMS Max.
- Insulation Resistance:** 500M OHMS Min
- Operating Temperature:** -55°C to +105°C

MATERIALS

- Housing & Cover:** Plastic Thermoplastic P.B.T. UL94V-0, Black
- Front Shell:** Steel, Nickel Plated Over Copper
- Die-Cast:** Zinc Alloy, Nickel Plated Over Copper
- Plastic Hood:** ABS Metalized
- Jackcrew:** Steel, Zinc Plated Over Copper
- *RoHS & REACH compliant.**

Housing	A	B	C	D	E
D	12.00	35.50	33.60	19.40	12.70
A	11.80	35.70	34.80	20.10	12.20

ORDERING INFORMATION:

P/N C 4 8 8 - $\frac{24 \times \times}{T 23}$

1. NO. OF CONTACTS:
24
2. HOUSING TYPE:
"D" DIE CAST METAL HOOD
"C" ABS METALIZED HOOD
"M" MOLDED TYPE (W/O HOOD)
3. INSULATOR COLOR:
"B" BLACK
"U" BLUE