

# ELITAVIA

## CONNECTORS (3)

D-SUB. ADAPTERS

USB ADAPTERS

MINI USB ADAPTERS

MICRO USB ADAPTERS

IEEE1394 ADAPTERS

DISPLAYPORT ADAPTERS

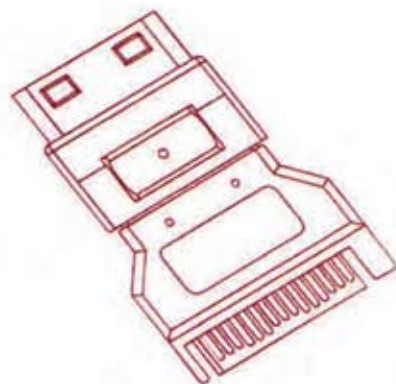
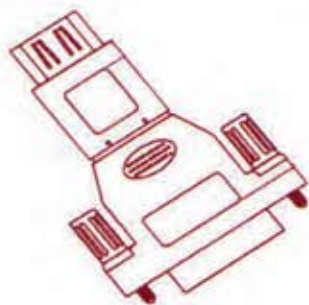
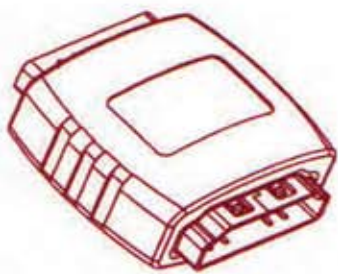
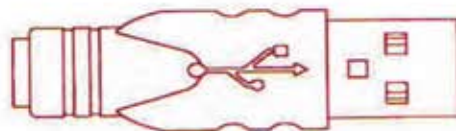
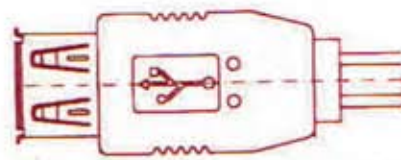
DVI ADAPTERS

HDMI ADAPTERS

SERIALATA ADAPTERS

SCSI 1, 2, 3 ADAPTERS

POGO PIN CONNECTORS



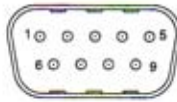
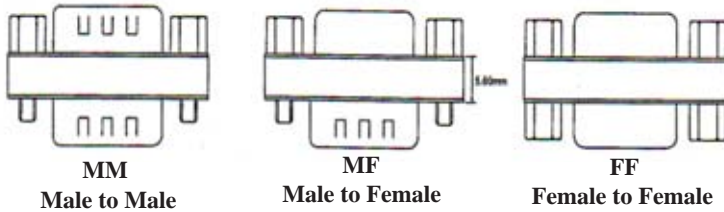
## CAT. CON-C-3

## CAT. CON-C-3 (INDEX 1)

<u>DESCRIPTION</u>	<u>PAGE</u>
<b><u>ADAPTERS &amp; TERMINATORS</u></b>	
MINI D-SUB. GENDER CHANGER & ADAPTER ALL METAL TYPE-----	C7001~C7008
D-SUB. & SCSI 1, 2, 3 ADAPTER-----	C7021~C7049
SCA-1 & SCA-2 ADAPTER-----	C7051~C7062
SCSI 1, 2, 3 TERMINATOR-----	C7101~C7127
57 SERIES CENTRONIC MINI GENDER CHANGER ALL METAL TYPE-----	C7151
0.80MM PITCH VHDC ADAPTER & TERMINATOR-----	C7161~C7172
USB REV.1.1 ADAPTER-----	C7201~C7239
USB REV.2.0 ADAPTER-----	C7251~C7257
USB REV.3.0 ADAPTER-----	C7301~C7310
MINI USB 4 PIN ADAPTER-----	C7401~C7411
MINI USB 5 PIN ADAPTER-----	C7421~C7436
MINI USB 8 PIN ADAPTER-----	C7451~C7453
MICRO USB 5 PIN ADAPTER-----	C7601~C7602
MICRO USB 3.0ADAPTER-----	C7651~C7655
IEEE1394 4 PIN & 6 PIN ADAPTER-----	C7801~C7811
IEEE1394b 9 PIN ADAPTER-----	C7821~C7833
DISPLAYPORT 20 PIN ADAPTER-----	C8001~C8013
MINI DISPLAYPORT 20 PIN ADAPTER-----	C8031~C8036
DVI ADAPTER-----	C8201~C8222
HDMI & MINI HDMI ADAPTER-----	C8401~C8440
SERIAL ATA ADAPTER-----	C8601~C8631
<b><u>POGO PIN CONNECTORS</u></b>	
2.50MM PITCH POGO PIN CONNECTOR-----	C9001~C9011
2.54MM PITCH POGO PIN CONNECTOR-----	C9021~C9024
2.80MM PITCH POGO PIN CONNECTOR-----	C9030
3.00MM PITCH POGO PIN CONNECTOR-----	C9031~C9035
3.50MM PITCH POGO PIN CONNECTOR-----	C9041~C9043
4.00MM PITCH POGO PIN CONNECTOR-----	C9051~C9054
5.00MM PITCH POGO PIN CONNECTOR-----	C9061~C9065
5.60MM PITCH POGO PIN CONNECTOR-----	C9070
ONE PIN POGO PIN CONNECTOR-----	C9071~C9077

- TECHNICAL ALTERATIONS ARE SUBJECT TO CHANGE WITHOUT NOTICE.
- ALL ARTICLES ARE RoHS & REACH/SVHC COMPLIANT.

## D-SUB. MINI GENDER CHANGER ALL METAL TYPE



9 Position



15 Position



25 Position



37 Position



50 Position

### SPECIFICATIONS

**Current Rating:** 5.0 Amperes  
**Contact Resistance:** 15mΩ Max. 1KHz 20mA Max  
**Insulation Resistance:** 5000MΩ Min. at 500VDC  
**Dielectric Voltage:** 1000V AC at 1 Minute  
**Operating Temperature:** -55°C to +125°C

### MATERIALS

**Insulator:** PBT, UL94V-0 Rated  
**Contact:** Brass contacts are Gold plated over Nickel  
**\*RoHS & REACH compliant.**

### ORDERING INFORMATION:

P/N A D  $\frac{xx}{1}$  G -  $\frac{xx}{2}$   $\frac{xx}{3}$

#### 1. CONNECTOR AT SIDE 1:

"09" DB9  
 "15" DB15  
 "25" DB25  
 "37" DB37

#### 2. CONNECTOR AT SIDE 2:

"09" DB9  
 "15" DB15  
 "25" DB25  
 "37" DB37

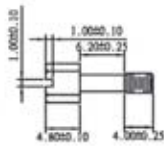
#### 3. GENDER CHANGE TYPE:

"FF" FEMALE TO FEMALE WITH HEXSCREWS  
 & HEXNUTS  
 "MF" MALE TO FEMALE WITH HEXSCREWS  
 "MM" MALE TO MALE WITH HEXSCREWS

NOTE: P/N FOR DB50 IS AD50D-50xx

# D-SUB. 9, 15, 25 PIN MALE TO FEMALE MINI FILTER ADAPTER ALL METAL TYPE

UNC #4-40 Hexscrew



## MATERIALS

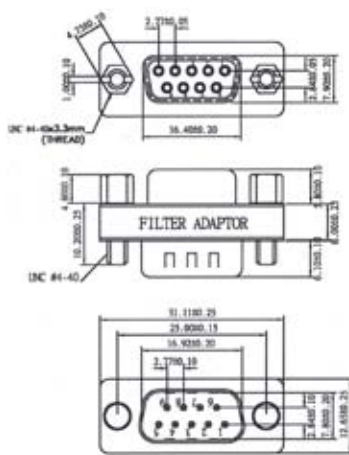
**Insulator:** Plastic Glass Fibre Reinforced UL94V-0

**Contact:** Brass

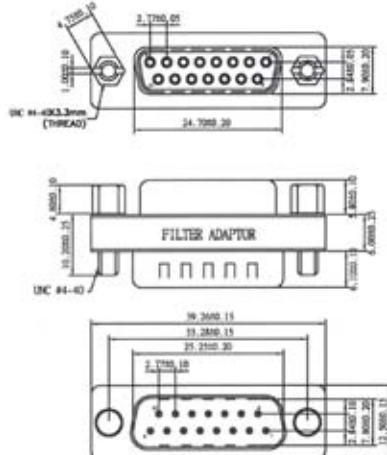
**Contact Plating:** Gold Plated Over Nickel

**Shell:** Tin Plated Shell

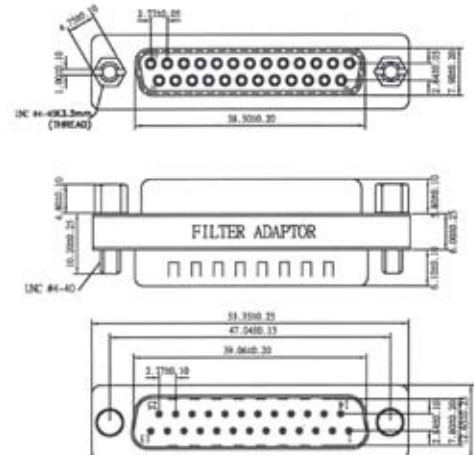
\*RoHS & REACH compliant.



**AD09F-09MF**



**AD15F-15MF**



**AD25F-25MF**

PIN OUT: 09Male		09Female
1	-----	1
2	-----	2
	)	
8	-----	8
9	-----	9
G	-----	G

PIN OUT: 15Male		15Female
1	-----	1
2	-----	2
	)	
14	-----	14
15	-----	15
G	-----	G

PIN OUT: 25Male		25Female
1	-----	1
2	-----	2
	)	
24	-----	24
25	-----	25
G	-----	G

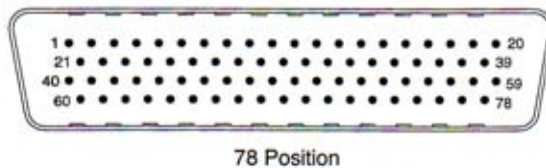
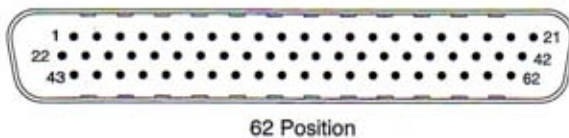
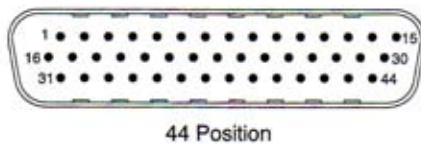
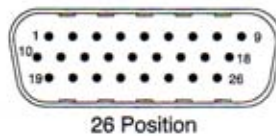
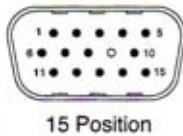
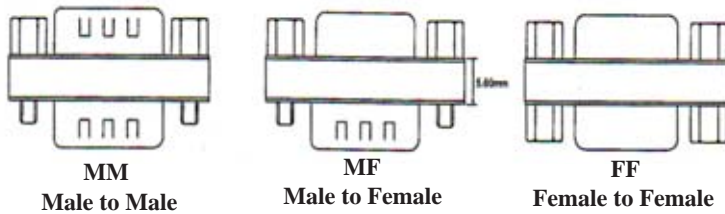
## ORDERING INFORMATION:

P/N A D  $\frac{x}{1}$   $\frac{x}{2}$  F -  $\frac{x}{3}$   $\frac{x}{4}$  MF

1. CONNECTOR AT SIDE 1:  
09, 15, 25
2. ADAPTER TYPE:  
"F" FILTER ADAPTER (WITH FERRITE)
3. CONNECTOR AT SIDE 2:  
09, 15, 25
4. CONTACT TYPE:  
"MF" MALE TO FEMALE



## D-SUB. HIGH DENSITY MINI GENDER CHANGER ALL METAL TYPE



### SPECIFICATIONS

Current Rating: 5.0 Amperes  
 Contact Resistance: 15mΩ Max. 1KHz 20mA Max  
 Insulation Resistance: 5000MΩ Min. at 500VDC  
 Dielectric Voltage: 1000V AC at 1 Minute  
 Operating Temperature: -55°C to +125°C

### MATERIALS

Insulator: PBT, UL94V-0 Rated  
 Contact: Brass contacts are Gold plated over Nickel  
 \*RoHS & REACH compliant.

### ORDERING INFORMATION:

P/N A D  $\frac{x}{1} \frac{x}{2} \frac{x}{3} \frac{x}{4}$

1. CONNECTOR AT SIDE 1:

"15" HD15  
 "26" HD26  
 "44" HD44  
 "62" HD62  
 "78" HD78

2. NO. OF CONTACTS:

"H" FULL PINS (for ALL POSITIONS)  
 "E" #9 EMPTY (for HD15 ONLY)

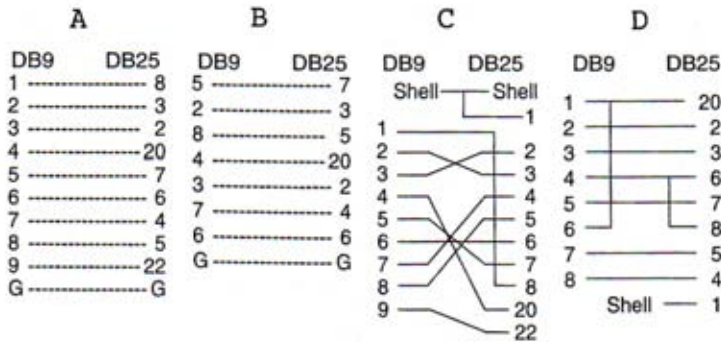
3. CONNECTOR AT SIDE 2:

"15" HD15  
 "26" HD26  
 "44" HD44  
 "62" HD62  
 "78" HD78

4. GENDER CHANGER TYPE:

"FF" FEMALE TO FEMALE WITH HEXSCREWS & HEXNUTS  
 "MF" MALE TO FEMALE WITH HEXSCREWS  
 "MM" MALE TO MALE WITH HEXSCREWS

# MINI SERIAL PORT DB9/DB25 ADAPTER ALL METAL TYPE



## SPECIFICATIONS

**Current Rating:** 5.0 Amperes  
**Contact Resistance:** 15mΩ Max. 1KHz 20mA Max  
**Insulation Resistance:** 5000MΩ Min. at 500VDC  
**Dielectric Voltage:** 1000V AC at 1 Minute  
**Operating Temperature:** -55°C to +125°C

## MATERIALS

**Insulator:** PBT, UL94V-0 Rated  
**Contact:** Brass contacts are Gold plated over Nickel  
**\*RoHS & REACH compliant.**



**TYPE 1**



**TYPE 2**



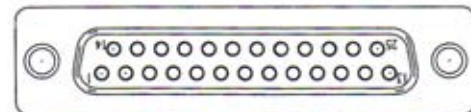
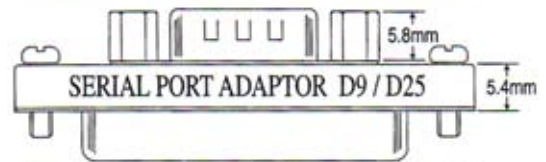
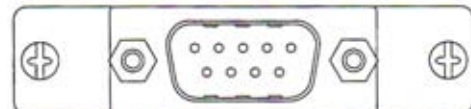
**TYPE 3**



**TYPE 4**



**TYPE 5**



## ORDERING INFORMATION:

P/N A D 0 9  $\frac{x}{1} \frac{x}{2}$  - 2 5  $\frac{x}{3} \frac{x}{3}$

### 1. PIN ASSIGNMENT:

A, B, C, D

### 2. SCREW & NUT TYPE:

"1" DB9 WITH NUTS & DB25 WITH SHORT SCREWS

"2" DB9 WITH NUTS & DB25 WITH NUTS

"3" DB9 WITH NUTS & DB25 WITH THUMB SCREWS

"4" DB9 W/O NUTS & DB25 WITH NUTS

"5" DB9 WITH NUTS & DB25 WITH HEXSCREWS

### 3. GENDER CHANGER TYPE:

"MM" DB9M/DB25M

"MF" DB9M/DB25F

"FF" DB9F/DB25F

"FM" DB9F/DB25M

# MINI DB9 & DB25 NULL MODEM ADAPTER ALL METAL TYPE

M		N		P		Q	
25(M)	25(F)	25(M)	25(F)	25(M)	25(F)	25(M)	25(F)
1 ----- 1	1 ----- 1	1 ----- 1	1 ----- 1	1 ----- 1	1 ----- 1	1 ----- 1	1 ----- 1
2 ----- 3	2 ----- 3	2 ----- 3	2 ----- 3	2 ----- 3	2 ----- 3	2 ----- 3	2 ----- 3
3 ----- 2	3 ----- 2	3 ----- 2	3 ----- 2	3 ----- 2	3 ----- 2	3 ----- 2	3 ----- 2
4.5 ----- 8	4 ----- 5	4 ----- 5	4 ----- 5	4 ----- 4	4 ----- 4	5.6.8 ----- 20	5.6.8 ----- 20
6 ----- 20	5 ----- 4	5 ----- 4	5 ----- 4	5 ----- 5	5 ----- 5	7 ----- 7	7 ----- 7
7 ----- 7	6 ----- 8.20	6 ----- 8.20	6 ----- 8.20	6 ----- 6	6 ----- 6	20 ----- 5.6.8	20 ----- 5.6.8
8 ----- 4.5	7 ----- 7	7 ----- 7	7 ----- 7	8 ----- 8	8 ----- 8	G ----- G	G ----- G
20 ----- 6	8.20 ----- 6	8.20 ----- 6	8.20 ----- 6	20 ----- 20	20 ----- 20		
G ----- G	G ----- G	G ----- G	G ----- G	7 ----- 7	7 ----- 7		
				11 ----- 12	11 ----- 12		
				12 ----- 11	12 ----- 11		
				G ----- G	G ----- G		

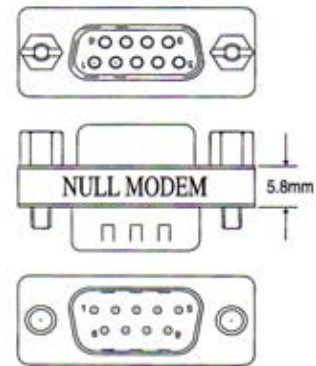
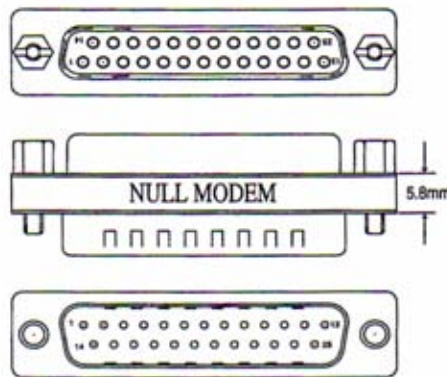
## SPECIFICATIONS

**Current Rating:** 5.0 Amperes  
**Contact Resistance:** 15mΩ Max. 1KHz 20mA Max  
**Insulation Resistance:** 5000MΩ Min. at 500VDC  
**Dielectric Voltage:** 1000V AC at 1 Minute  
**Operating Temperature:** -55°C to +125°C

## MATERIALS

**Insulator:** PBT, UL94V-0 Rated  
**Contact:** Brass contacts are Gold plated over Nickel  
**\*RoHS & REACH compliant.**

T		PIN ASSIGNMENT	
25(M)	25(F)	9(M)	9(F)
1 ----- 1	1 ----- 1	2 ----- 3	2 ----- 3
2 ----- 3	2 ----- 3	3 ----- 2	3 ----- 2
3 ----- 2	3 ----- 2	4 ----- 1.6	4 ----- 1.6
4 ----- 5	4 ----- 5	5 ----- 5	5 ----- 5
5 ----- 4	5 ----- 4	1.6 ----- 4	1.6 ----- 4
6.8 ----- 20	6.8 ----- 20	7 ----- 8	7 ----- 8
7 ----- 7	7 ----- 7	8 ----- 7	8 ----- 7
20 ----- 6.8	20 ----- 6.8	G ----- G	G ----- G
G ----- G	G ----- G		



## ORDERING INFORMATION:

P/N A D 25 x A - 25 MF  
 1 2 3

- PIN ASSIGNMENT:  
M, N, P, Q, T
- JACK SCREW THREAD:  
"A" UNC4-40
- ADAPTER TYPE:  
"MF" DB25M TO DB25F

P/N A D 09 N A - 09 M F

MINI NULL MODEM DB9M TO DB9F WITH UNC4-40 JACK SCREWS

## MINI LOOPBACK PLUG WITH SINGLE END ALL METAL TYPE

### D Sub 25M

4-15  
5-17  
6-13

### D Sub 25F

2-3  
4-5  
6-8-20-22

### D Sub 9M

1-4-6-9  
2-3  
7-8

### SPECIFICATIONS

**Current Rating:** 5.0 Amperes  
**Contact Resistance:** 15mΩ Max. 1KHz 20mA Max  
**Insulation Resistance:** 5000MΩ Min. at 500VDC  
**Dielectric Voltage:** 1000V AC at 1 Minute  
**Operating Temperature:** -55°C to +125°C

### MATERIALS

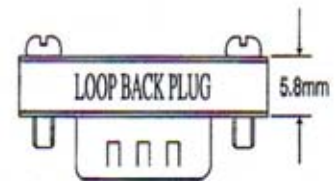
**Insulator:** PBT, UL94V-0 Rated  
**Contact:** Brass contacts are Gold plated over Nickel  
**\*RoHS & REACH compliant.**



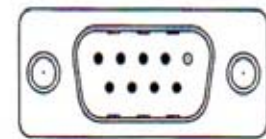
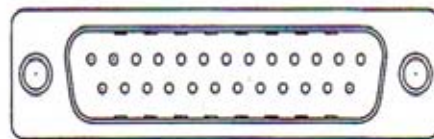
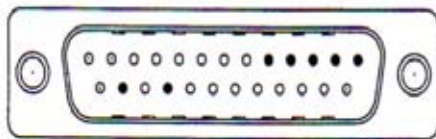
AD25LB-25M1



AD25LB-25F1



AD09LB-09M1



### ORDERING INFORMATION:

#### P/N AD25LB-25M1

MINI DB25M LOOPBACK PLUG WITH SHORT SCREWS FOR PARALLEL ADAPTER

#### P/N AD25LB-25M2

MINI DB25M LOOPBACK PLUG WITH THUMB SCREWS FOR PARALLEL ADAPTER

#### P/N AD25LB-25F1

MINI DB25F LOOPBACK PLUG WITH SHORT SCREWS FOR XT ADAPTER

#### P/N AD25LB-25F2

MINI DB25F LOOPBACK PLUG WITH THUMB SCREWS FOR XT ADAPTER

#### P/N AD09LB-09M1

MINI DB9M LOOPBACK PLUG WITH SHORT SCREWS FOR AT ADAPTER

#### P/N AD09LB-09M2

MINI DB9M LOOPBACK PLUG WITH THUMB SCREWS FOR AT ADAPTER

## MINI DB25 LAP-LINK ADAPTER ALL METAL TYPE

A		C	
D25	D25	D25	D25
2	15	1	1
3	13	2	3
4	12	3	2
5	10	4	5
6	11	5	4
10	5	6	8+20
11	8	7	7
12	4	8	6+20
13	3	G	G
15	2		
25	25		
G	G		

### SPECIFICATIONS

**Current Rating:** 5.0 Amperes

**Contact Resistance:** 15mΩ Max. 1KHz 20mA Max

**Insulation Resistance:** 5000MΩ Min. at 500VDC

**Dielectric Voltage:** 1000V AC at 1 Minute

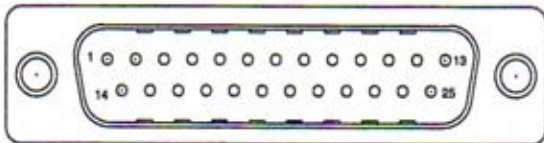
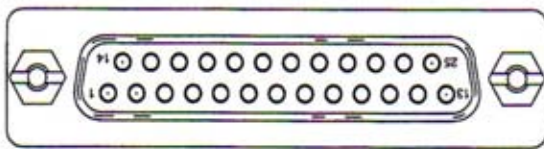
**Operating Temperature:** -55°C to +125°C

### MATERIALS

**Insulator:** PBT, UL94V-0 Rated

**Contact:** Brass contacts are Gold plated over Nickel

**\*RoHS & REACH compliant.**



### ORDERING INFORMATION:

P/N A D 25 L  $\frac{x}{1}$  - 25  $\frac{x}{2}$

1. PIN ASSIGNMENT:

A, C

2. LAP-LINK ADAPTER TYPE:

"MM" MALE TO MALE

"MF" MALE TO FEMALE

"FF" FEMALE TO FEMALE



## MINI DB9 & DB25 RS232 REVERSER ADAPTER ALL METAL TYPE

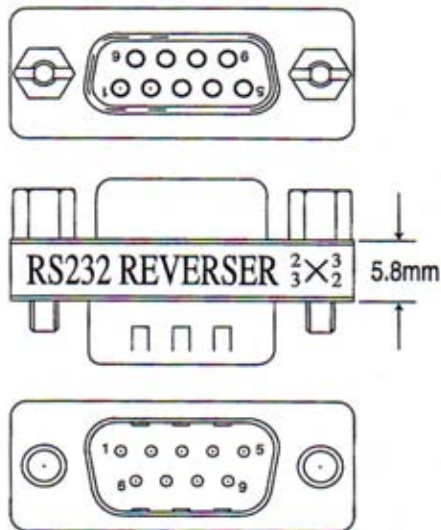
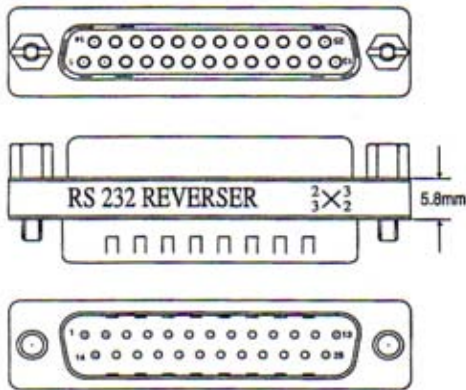
D25	D25	D9	D9
1-----1		1-----1	
2-----3		2-----3	
3-----2		3-----2	
4-----4		4-----4	
5-----5		5-----5	
	5	6-----6	
23-----23		7-----7	
24-----24		8-----8	
25-----25		9-----9	
G-----G		G-----G	

### SPECIFICATIONS

**Current Rating:** 5.0 Amperes  
**Contact Resistance:** 15mΩ Max. 1KHz 20mA Max  
**Insulation Resistance:** 5000MΩ Min. at 500VDC  
**Dielectric Voltage:** 1000V AC at 1 Minute  
**Operating Temperature:** -55°C to +125°C

### MATERIALS

**Insulator:** PBT, UL94V-0 Rated  
**Contact:** Brass contacts are Gold plated over Nickel  
**\*RoHS & REACH compliant.**



### ORDERING INFORMATION:

#### P/N AD09RA-09MF

MINI REVERSER DB9M TO DB9F ADAPTER WITH UNC4-40 JACK SCREWS  
ALL METAL TYPE

#### P/N AD09RA-09FF

DITTO, BUT DB9F TO DB9F ADAPTER

#### P/N AD09RA-09MM

DITTO, BUT DB9M TO DB9M ADAPTER

#### P/N AD25RA-25MF

MINI REVERSER DB25M TO DB25F ADAPTER WITH UNC4-40 JACK SCREWS  
ALL METAL TYPE

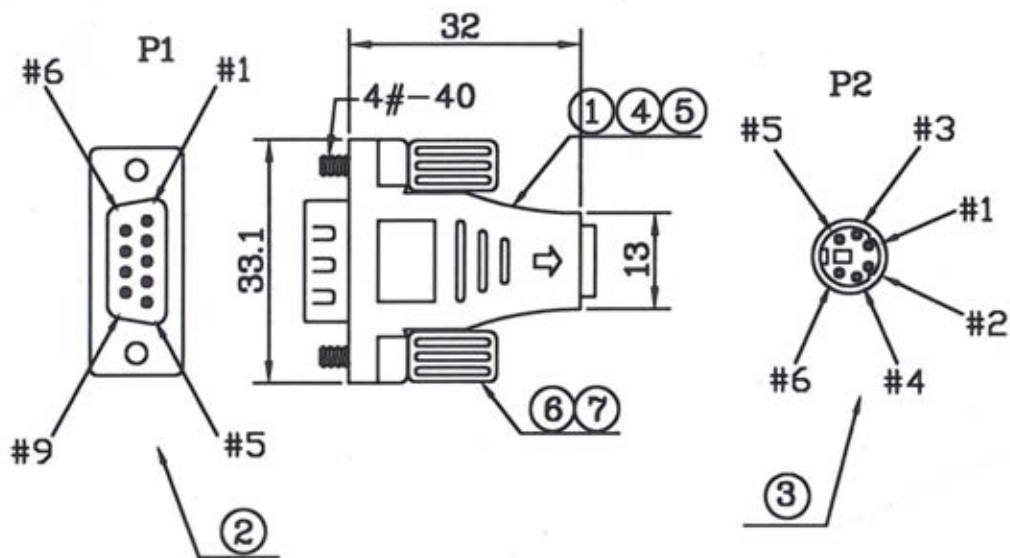
#### P/N AD09RA-25FF

DITTO, BUT DB25F TO DB25F ADAPTER

#### P/N AD09RA-25MM

DITTO, BUT DB25M TO DB25M ADAPTER

## DB9M TO MD6F ADAPTER



PIN ASSIGNMENT

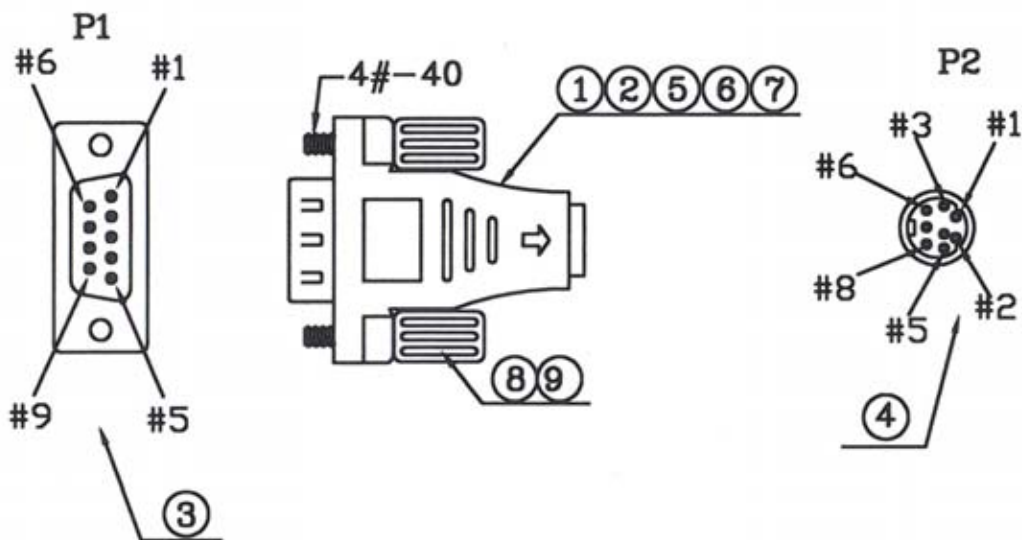
P1	P2
2	1
5	3
3+4+7	4
9	5
S	S

### ORDERING INFORMATION:

P/N A D D B -  $\frac{001V}{12}$

1. ADAPTER TYPE:  
"001" D-SUB. 9 PIN MALE TO  
HDMI DIN 6 PIN FEMALE
2. INSULATOR COLOR:  
"V" BEIGE

# DB9M TO MD8F ADAPTER



**PIN ASSIGNMENT**

P1	—————	P2
3	—————	5
2	—————	3
5	—————	4
9	—————	7
S	—————	S

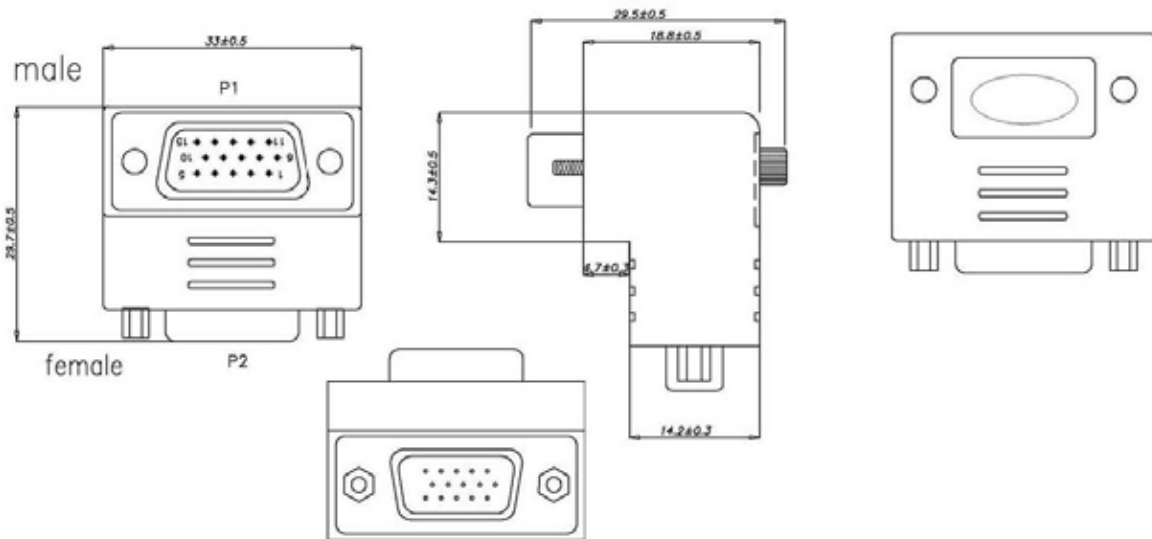
## ORDERING INFORMATION:

**P/N A D D B - 0 0 2 B**  
1 2

1. ADAPTER TYPE:  
"002" D-SUB. 9 PIN MALE TO  
MINI DIN 8 PIN FEMALE
2. INSULATOR COLOR:  
"B" BLACK

# HD15M/HD15F RIGHT ANGLE ADAPTER

WIRE LIST:		
P1		P2
1	_____	1
2	_____	2
3	_____	3
4	_____	4
5	_____	5
6	_____	6
7	_____	7
8	_____	8
9	_____	9
10	_____	10
11	_____	11
12	_____	12
13	_____	13
14	_____	14
15	_____	15
SHELL	_____	SHELL

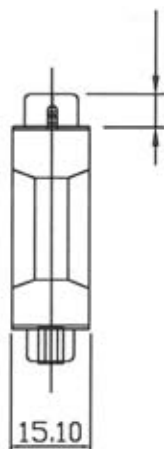
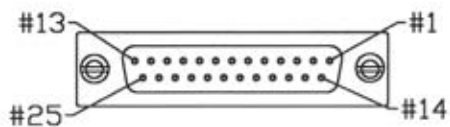
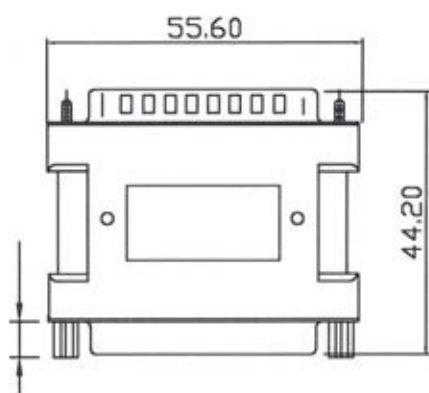
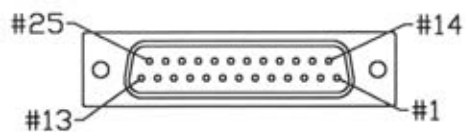


## ORDERING INFORMATION:

**P/N A D D B - 0 0 5 B**

HIGH DENSITY D-SUB. 15 PIN MALE TO FEMALE  
RIGHT ANGLE TYPE ADAPTER BLACK

## DB25M TO DB25F ADAPTER



### PIN ASSENGMENT

DB25M	DB25F
1-----	1
2-----	2
3-----	3
4-----	4
5-----	5
	⋮
21-----	21
22-----	22
23-----	23
24-----	24
25-----	25
G-----	G

### ORDERING INFORMATION:

P/N A D D B -  $\frac{003V}{12}$

1. ADAPTER TYPE:  
"003" D-SUB. 25 PIN MALE TO  
D-SUB. 25 PIN FEMALE
2. INSULATOR COLOR:  
"V" BEIGE

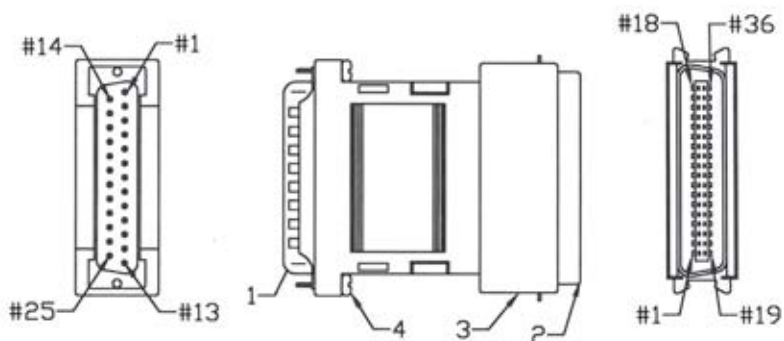


# DB25M TO CEN36M ADAPTER

## PIN ASSENGMENT

DB25M                  RC36M

1	_____	1
2	_____	2
3	_____	3
	~	
14	_____	14
15	_____	32
16	_____	31
17	_____	36
18	_____	33
19	_____	19
20	_____	21
21	_____	23
22	_____	25
23	_____	27
24	_____	29
25	_____	30
G	_____	G



## ORDERING INFORMATION:

P/N A D D B -  $\frac{004}{1} \frac{V}{2}$

1. ADAPTER TYPE:  
"004" D-SUB. 25 PIN MALE TO  
CENTRONIC 36 PIN MALE
2. INSULATOR COLOR:  
"V" BEIGE

## DB25 TO CEN36/CEN50 SCSI 1-1 ADAPTER (1)

			
ADSC-012V	ADSC-013V	ADSC-014V	ADSC-015V
			
ADSC-016V	ADSC-017V		

### ORDERING INFORMATION:

P/N ADSC-012V	DB25F TO CEN50F ADAPTER BEIGE
P/N ADSC-013V	DB25F TO CEN50M ADAPTER BEIGE
P/N ADSC-014V	DB25M TO CEN50F ADAPTER BEIGE
P/N ADSC-015V	DB25M TO CEN50M ADAPTER BEIGE
P/N ADSC-016V	DB25M TO CEN36F ADAPTER BEIGE
P/N ADSC-017V	DB25M TO CEN36M ADAPTER BEIGE

#### NOTE

DB25F = D-SUB. 25 PIN FEMALE

DB25M = D-SUB. 25 PIN MALE

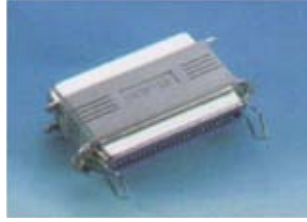
CEN50F = CENTRONIC 50 PIN FEMALE

CEN50M = CENTRONIC 50 PIN MALE

## CEN50 TO CEN50 AND DB50 TO DB50 SCSI 1-1 ADAPTER (2)



ADSC-018V



ADSC-007V



ADSC-019V



ADSC-020V

### ORDERING INFORMATION:

P/N ADSC-018V	CEN50M TO CEN50M ADAPTER BEIGE
P/N ADSC-007V	CEN50M TO CEN50F ADAPTER BEIGE
P/N ADSC-019V	CEN50F TO CEN50F ADAPTER BEIGE
P/N ADSC-020V	DB50F TO DB50F ADAPTER BEIGE

#### NOTE

CEN50M = CENTRONIC 50 PIN MALE  
CEN50F = CENTRONIC 50 PIN FEMALE  
DB50F = D-SUB. 50 PIN FEMALE

## DB25 TO HPDB50/HPCEN50 SCSI 2-1 ADAPTER (1)

			
ADSC-021V	ADSC-022V	ADSC-023V	ADSC-024M
			
ADSC-025V	ADSC-026V	ADSC-027V	ADSC-028V


### ORDERING INFORMATION:

P/N ADSC-021V	DB25F TO HPDB50M ADAPTER BEIGE
P/N ADSC-022V	DB25M TO HPDB50M ADAPTER BEIGE
P/N ADSC-023V	DB25M TO HPDB50F ADAPTER BEIGE
P/N ADSC-024M	DB25F TO HPDB50M ADAPTER WITH METALIZED HOOD
P/N ADSC-025V	DB25M TO HPCEN36F ADAPTER BEIGE
P/N ADSC-026V	DB25F TO HPCEN50M ADAPTER BEIGE
P/N ADSC-027V	DB25M TO HPCEN50F ADAPTER BEIGE
P/N ADSC-028V	DB25M TO HPCEN50M ADAPTER BEIGE

#### NOTE

DB25F = D-SUB. 25 PIN FEMALE  
 DB25M = D-SUB. 25 PIN MALE  
 HPDB50F = HALF PITCH D-SUB. 50 PIN FEMALE  
 HPDB50M = HALF PITCH D-SUB. 50 PIN MALE  
 HPCEN50F = HALF PITCH CENTRONIC 50 PIN FEMALE  
 HPCEN50M = HALF PITCH CENTRONIC 50 PIN MALE

## CEN50/DB50 TO HPDB50/HPCEN50 SCSI 2-1 ADAPTER (2)

			
ADSC-002V	ADSC-030V	ADSC-029V	ADSC-031V
			
ADSC-032V	ADSC-033V	ADSC-034V	ADSC-035V
			
ADSC-036M	ADSC-037M	ADSC-038V	ADSC-039V

### ORDERING INFORMATION:

P/N ADSC-002V	CEN50F TO HPDB50M ADAPTER BEIGE
P/N ADSC-030V	CEN50F TO HPDB50F ADAPTER BEIGE
P/N ADSC-029V	CEN50F TO HPCEN50M ADAPTER BEIGE
P/N ADSC-031V	CEN50F TO HPCEN50F ADAPTER BEIGE
P/N ADSC-032V	CEN50M TO HPCEN50M ADAPTER BEIGE
P/N ADSC-033V	CEN50M TO HPDB50M ADAPTER BEIGE
P/N ADSC-034V	CEN50M TO HPCEN50M ADAPTER BEIGE
P/N ADSC-035V	CEN50M TO HPCEN50F ADAPTER BEIGE
P/N ADSC-036M	CEN50M TO HPDB50F ADAPTER WITH METALIZED HOOD
P/N ADSC-037M	CEN50F TO HPDB50M ADAPTER WITH METALIZED HOOD
P/N ADSC-038V	DB50M TO HPDB50F ADAPTER BEIGE
P/N ADSC-039V	DB50M TO HPCEN50F ADAPTER BEIGE

#### NOTE

CEN50F (M) = CENTRONIC 50 PIN FEMALE (MALE)

DB50M = D-SUB. 50 PIN MALE

HPDB50F (M) = HALF PITCH D-SUB. 50 PIN FEMALE (MALE)

HPCEN50F (M) = HALF PITCH CENTRONIC 50 PIN FEMALE (MALE)



## HPDB50/HPCEN50 TO HPDB50/HPCEN50 SCSI 2-2 ADAPTER

			
ADSC-048V	ADSC-049V	ADSC-050V	ADSC-051V
			
ADSC-052V	ADSC-053V	ADSC-054V	ADSC-055V
			
ADSC-056V	ADSC-057V	ADSC-058M	

### ORDERING INFORMATION:

P/N ADSC-048V	HPDB50M/HPDB50M ADAPTER BEIGE
P/N ADSC-049V	HPDB50M/HPDB50F ADAPTER BEIGE
P/N ADSC-050V	HPDB50F/HPDB50F ADAPTER BEIGE
P/N ADSC-051V	HPDB50F/HPCEN50M ADAPTER BEIGE
P/N ADSC-052V	HPDB50M/HPCEN50M ADAPTER BEIGE
P/N ADSC-053V	HPDB50M/HPCEN50F ADAPTER BEIGE
P/N ADSC-054V	HPDB50F/HPCEN50F ADAPTER BEIGE
P/N ADSC-055V	HPCEN50M/HPCEN50F ADAPTER BEIGE
P/N ADSC-056V	HPCEN50M/HPCEN50M ADAPTER BEIGE
P/N ADSC-057V	HPCEN50F/HPCEN50F ADAPTER BEIGE
P/N ADSC-058M	HPDB50F/HPDB50F ADAPTER WITH METALIZED HOOD

#### NOTE

HPDB50F (M) = HALF PITCH D-SUB. 50 PIN FEMALE (MALE)

HPCEN50F (M) = HALF PITCH CENTRONIC 50 PIN FEMALE (MALE)

## CEN50/DB25 TO HPDB68/HPCEN68 SCSI 3-1 ADAPTER

			
ADSC-040V	ADSC-005M	ADSC-041V	ADSC-042V
			
ADSC-043V	ADSC-044V	ADSC-045V	ADSC-046V
			
ADSC-001V			

### ORDERING INFORMATION:

P/N ADSC-040V	CEN50F TO HPDB68M ADAPTER BEIGE
P/N ADSC-005M	CEN50F TO HPDB68M ADAPTER WITH METALIZED HOOD
P/N ADSC-041V	CEN50M TO HPDB68F ADAPTER BEIGE
P/N ADSC-042V	CEN50F TO HPDB68F ADAPTER BEIGE
P/N ADSC-043V	CEN50F TO HPCEN68M ADAPTER BEIGE
P/N ADSC-044V	CEN50M TO HPCEN68M ADAPTER BEIGE
P/N ADSC-045V	CEN50M TO HPDB68M ADAPTER BEIGE
P/N ADSC-046V	DB25F TO HPDB68M ADAPTER BEIGE
P/N ADSC-001V	DB25M TO HPDB68F ADAPTER BEIGE

#### NOTE

CEN50F (M) = CENTRONIC 50 PIN FEMALE (MALE)

DB25M = D-SUB. 25 PIN MALE

HPDB68F (M) = HALF PITCH D-SUB. 68 PIN FEMALE (MALE)

HPCEN68F (M) = HALF PITCH CENTRONIC 68 PIN FEMALE (MALE)

## HPDB50 TO HPDB68/HPCEN68 SCSI 3-2 ADAPTER (1)

			
ADSC-059V	ADSC-060V	ADSC-061V	ADSC-003V
			
ADSC-063M	ADSC-064M	ADSC-062V	ADSC-065V
			
ADSC-006M			

### ORDERING INFORMATION:

P/N ADSC-059V	HPDB50M TO HPDB68F ADAPTER BEIGE
P/N ADSC-060V	HPDB50F TO HPDB68F ADAPTER BEIGE
P/N ADSC-061V	HPDB50M TO HPDB68M ADAPTER BEIGE
P/N ADSC-003V	HPDB50F TO HPDB68M ADAPTER BEIGE
P/N ADSC-063M	HPDB50F TO HPDB68M ADAPTER WITH SCREWS & METALIZED HOOD
P/N ADSC-064M	HPDB50F TO HPDB68M ADAPTER WITH LATCHES & METALIZED HOOD
P/N ADSC-062V	HPDB50F TO HPCEN68M ADAPTER BEIGE
P/N ADSC-065V	HPDB50M TO HPCEN68M ADAPTER BEIGE
P/N ADSC-006M	HPDB50M TO HPDB68F ADAPTER WITH METALIZED HOOD

#### NOTE

HPDB50F (M) = HALF PITCH D-SUB. 50 PIN FEMALE (MALE)

HPDB68F (M) = HALF PITCH D-SUB. 68 PIN FEMALE (MALE)

HPCEN68F (M) = HALF PITCH CENTRONIC 68 PIN FEMALE (MALE)

## HPCEN50 TO HPDB68/HPCEN68 SCSI 3-2 ADAPTER (2)

			
ADSC-047V	ADSC-066V	ADSC-067V	ADSC-068V
			
ADSC-069V			

### ORDERING INFORMATION:

P/N ADSC-047V	HPCEN50M TO HPDB68F ADAPTER BEIGE
P/N ADSC-066V	HPCEN50F TO HPDB68F ADAPTER BEIGE
P/N ADSC-067V	HPCEN50F TO HPDB68M ADAPTER BEIGE
P/N ADSC-068V	HPCEN50M TO HPDB68M ADAPTER BEIGE
P/N ADSC-069V	HPCEN50F TO HPCEN68M ADAPTER BEIGE

#### NOTE

HPCEN50F (M) = HALF PITCH CENTRONIC 50 PIN FEMALE (MALE)

HPDB68F (M) = HALF PITCH D-SUB. 68 PIN FEMALE (MALE)

HPCEN68M = HALF PITCH CENTRONIC 68 PIN MALE

## HPDB68/HPCEN68 TO HPDB68/HPCEN68 SCSI 3-3 ADAPTER

			
ADSC-070V	ADSC-004V	ADSC-071V	ADSC-072V
			
ADSC-073V	ADSC-074V	ADSC-075V	

### ORDERING INFORMATION:

P/N ADSC-070V	HPDB68M TO HPDB68M ADAPTER BEIGE
P/N ADSC-004V	HPDB68M TO HPDB68F ADAPTER BEIGE
P/N ADSC-071V	HPDB68F TO HPDB68F ADAPTER BEIGE
P/N ADSC-072V	HPCEN68M TO HPCEN68M ADAPTER BEIGE
P/N ADSC-073V	HPDB68M TO HPCEN68M ADAPTER BEIGE
P/N ADSC-074V	HPDB68M TO HPCEN68F ADAPTER BEIGE
P/N ADSC-075V	HPDB68F TO HPCEN68M ADAPTER BEIGE
P/N ADSC-118B	HPDB68M TO HPDB68F INTERNAL ADAPTER BLACK

#### NOTE

HPDB68F (M) = HALF PITCH D-SUB. 68 PIN FEMALE (MALE)

HPCEN68F (M) = HALF PITCH CENTRONIC 68 PIN FEMALE (MALE)



## BOX HEADER 50 PIN SCSI INTERNAL ADAPTER

			
ADSC-076B	ADSC-010B	ADSC-011B	ADSC-077B
			
ADSC-078B	ADSC-079B	ADSC-080B	ADSC-081B








### ORDERING INFORMATION:

P/N ADSC-076B	BH50M TO HPDB68M INTERNAL ADAPTER BLACK
P/N ADSC-010B	BH50M TO HPDB68F INTERNAL ADAPTER BLACK MOLDED TYPE
P/N ADSC-011B	BH50M TO HPDB68F INTERNAL ADAPTER BLACK PLASTIC TYPE
P/N ADSC-077B	BH50M TO HPDB50F INTERNAL ADAPTER BLACK (ACTIVE)
P/N ADSC-078B	BH50M TO HPCEN68M INTERNAL ADAPTER BLACK
P/N ADSC-079B	BH50M TO HPCEN68F INTERNAL ADAPTER BLACK
P/N ADSC-080B	BH50M TO HPDB50M INTERNAL ADAPTER BLACK
P/N ADSC-081B	BH50M TO HPCEN50M INTERNAL ADAPTER BLACK
P/N ADSC-101B	BH50M TO HPDB68M INTERNAL ADAPTER WITH 10pF CAPACITOR BLACK
P/N ADSC-102B	BH50M TO HPDB68M "T" SHAPED INTERNAL ADAPTER BLACK
P/N ADSC-103B	BH50M TO HPDB68M R/A (90°) INTERNAL ADAPTER BLACK
P/N ADSC-106B	BH50M TO HPDB68F INTERNAL ADAPTER WITH 10pF CAPACITOR BLACK

#### NOTE

BH50M = BOX HEADER 50 PIN MALE  
 HPDBxxF (M) = HALF PITCH D-SUB. FEMALE (MALE)  
 HPCENxxF (M) = HALF PITCH CENTRONIC FEMALE (MALE)

## IDC SOCKET 50 PIN SCSI INTERNAL ADAPTER

			
ADSC-082B	ADSC-008B	ADSC-083B	ADSC-084B
			
ADSC-009B	ADSC-085B	ADSC-086B	

### ORDERING INFORMATION:



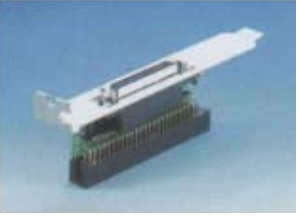


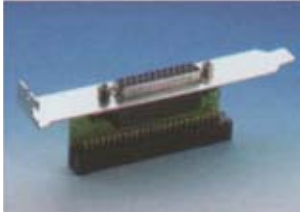

P/N ADSC-082B	IDC50F TO HPDB68F INTERNAL ADAPTER BLACK
P/N ADSC-008B	IDC50F TO HPDB68F INTERNAL ADAPTER BLACK MOLDED TYPE
P/N ADSC-083B	IDC50F TO HPDB68F INTERNAL ADAPTER WITH 10PF CAPACITOR BLACK
P/N ADSC-084B	IDC50F TO HPDB68M INTERNAL ADAPTER BLACK
P/N ADSC-009B	IDC50F TO HPDB68F INTERNAL ADAPTER BLACK CARD TYPE
P/N ADSC-085B	IDC50F TO HPDB68F INTERNAL ADAPTER BLACK CLIP TYPE
P/N ADSC-086B	IDC50F TO HPDB68M INTERNAL ADAPTER BLACK
P/N ADSC-107B	IDC50F TO HPDB68F R/A 90° INTERNAL ADAPTER BLACK

#### NOTE

IDC50F = IDC SOCKET 50 PIN FEMALE

HPDB68F (M) = HALF PITCH D-SUB. 68 PIN FEMALE (MALE)

## BH50/IDC50 SCSI INTERNAL ADAPTER WITH BRACKET

			
ADSC-087B	ADSC-088B	ADSC-089B	ADSC-090B
			
ADSC-091B	ADSC-092B	ADSC-093B	




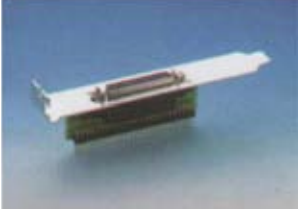



### ORDERING INFORMATION:

P/N ADSC-087B	BH50M TO HPDB68F INTERNAL ADAPTER WITH BRACKET
P/N ADSC-088B	BH50M TO HPDB68F (90°) INTERNAL ADAPTER WITH BRACKET
P/N ADSC-089B	BH50M TO HPDB50F INTERNAL ADAPTER WITH BRACKET
P/N ADSC-090B	BH50M TO HPDB50F INTERNAL ADAPTER WITH BRACKET
P/N ADSC-091B	BH50M TO HPCEN50F INTERNAL ADAPTER WITH BRACKET
P/N ADSC-092B	BH50M TO DB25F INTERNAL ADAPTER WITH BRACKET
P/N ADSC-093B	IDC50F TO HPDB50F INTERNAL ADAPTER WITH BRACKET

#### NOTE

BH50M = BOX HEADER 50 PIN MALE  
 IDC50F = IDC SOCKET 50 PIN FEMALE  
 HPDBxxF = HALF PITCH D-SUB. FEMALE  
 HPCEN50F = HALF PITCH CENTRONIC 50 PIN FEMALE

## PIN HEADER 50 PIN & HPDB68F SCSI INTERNAL ADAPTER WITH BRACKET

			
ADSC-094B	ADSC-095B	ADSC-096B	ADSC-097B
			
ADSC-098B	ADSC-099B	ADSC-100B	

### ORDERING INFORMATION:

P/N ADSC-094B	PH50M TO HPDB68F INTERNAL ADAPTER WITH BRACKET
P/N ADSC-095B	PH50M TO HPDB50F INTERNAL ADAPTER WITH BRACKET
P/N ADSC-096B	PH50M TO HPCEN50F INTERNAL ADAPTER WITH BRACKET
P/N ADSC-097B	PH50M TO HPDB50F INTERNAL ADAPTER WITH BRACKET
P/N ADSC-098B	PH50M TO DB25F INTERNAL ADAPTER WITH BRACKET
P/N ADSC-099B	HPDB50F TO HPDB68F INTERNAL ADAPTER WITH BRACKET
P/N ADSC-100B	HPDB68F TO HPDB68F INTERNAL ADAPTER WITH BRACKET
P/N ADSC-119B	HPDB68F TO HPDB68M INTERNAL ADAPTER WITH BRACKET

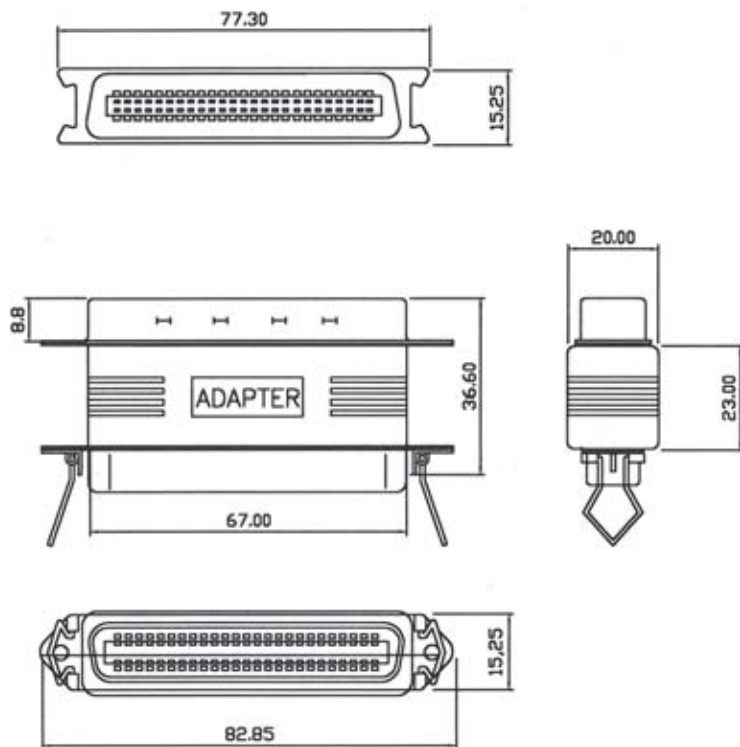
#### NOTE

PH50M = PIN HEADER 50 PIN MALE

PHDBxxF = HALF PITCH D-SUB. FEMALE

PHCENxxF = HALF PITCH CENTRONIC FEMALE

# CEN50M TO CEN50F SCSI 1-1 ADAPTER



## PIN ASSIGNMENT

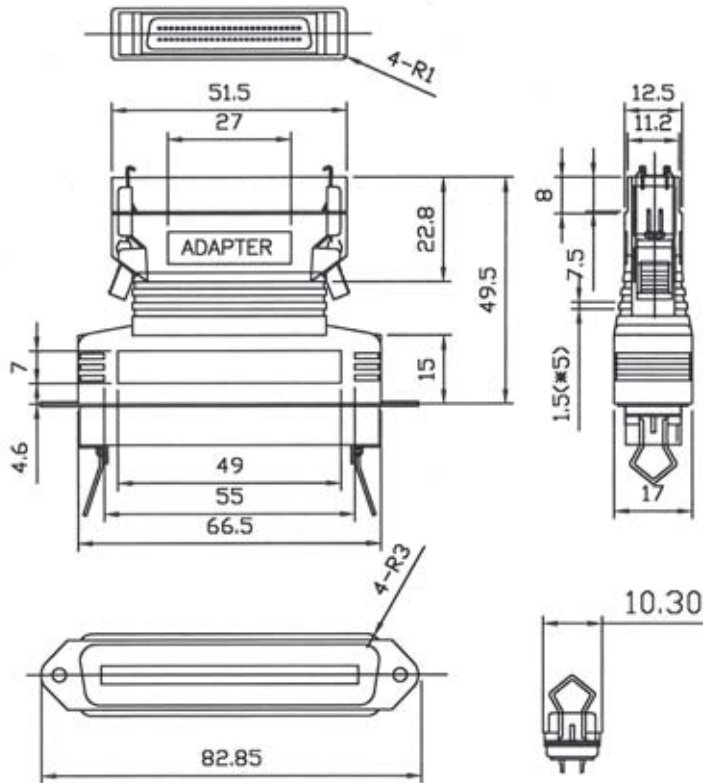
RC50M	RC50F
1-----	1 26-----26
2-----	2 27-----27
3-----	3 28-----28
4-----	4 29-----29
5-----	5 30-----30
6-----	6 31-----31
7-----	7 32-----32
8-----	8 33-----33
9-----	9 34-----34
10-----	10 35-----35
11-----	11 36-----36
12-----	12 37-----37
13-----	13 38-----38
14-----	14 39-----39
15-----	15 40-----40
16-----	16 41-----41
17-----	17 42-----42
18-----	18 43-----43
19-----	19 44-----44
20-----	20 45-----45
21-----	21 46-----46
22-----	22 47-----47
23-----	23 48-----48
24-----	24 49-----49
25-----	25 50-----50
SHELL-----SHELL	

## ORDERING INFORMATION:

P/N A D S C -  $\frac{007V}{12}$

1. ADAPTER TYPE:  
"007" CENTRONIC 50 PIN MALE TO  
CENTRONIC 50 PIN FEMALE
2. INSULATOR COLOR:  
"V" BEIGE

# HPDB50M TO CEN50F SCSI 2-1 ADAPTER



## PIN ASSIGNMENT

MD50M	RC50F	MD50M	RC50F
1	1	26	26
2	2	27	27
3	3	28	28
4	4	29	29
5	5	30	30
6	6	31	31
7	7	32	32
8	8	33	33
9	9	34	34
10	10	35	35
11	11	36	36
12	12	37	37
13	13	38	38
14	14	39	39
15	15	40	40
16	16	41	41
17	17	42	42
18	18	43	43
19	19	44	44
20	20	45	45
21	21	46	46
22	22	47	47
23	23	48	48
24	24	49	49
25	25	50	50
SHELL		SHELL	

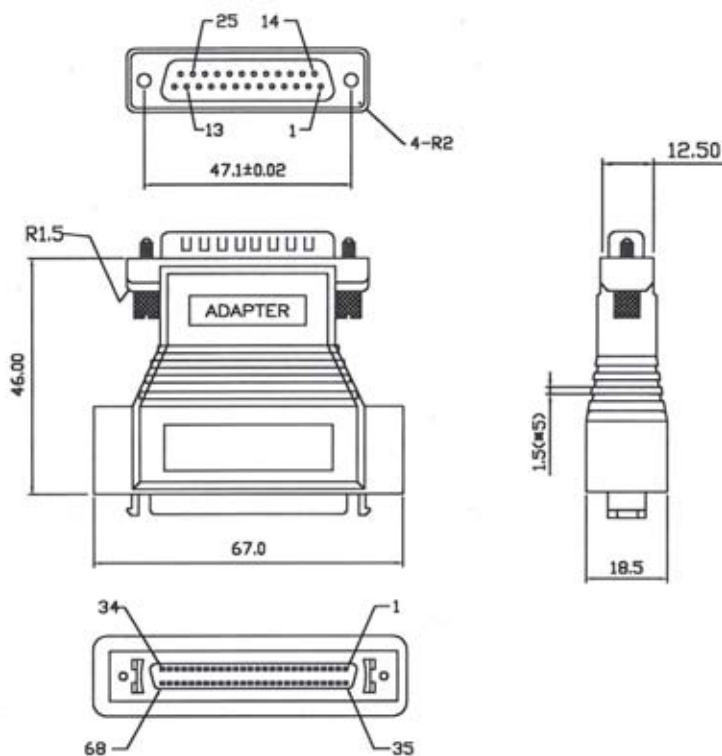
## ORDERING INFORMATION:

P/N A D S C -  $\frac{002V}{12}$

1. ADAPTER TYPE:  
"002" HALF PITCH D-SUB. 50 PIN MALE TO  
CENTRONIC 50 PIN FEMALE
2. INSULATOR COLOR:  
"V" BEIGE



# HPDB68F TO DB25M SCSI 3-1 ADAPTER



## PIN ASSIGNMENT

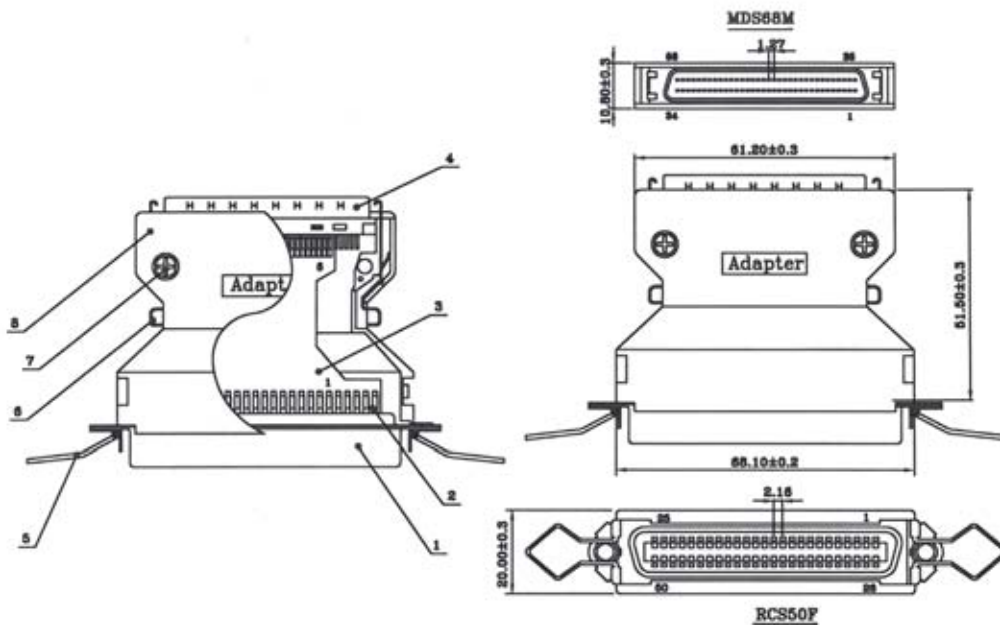
MD68F	DB25M	MD68F	DB25M
1-----X	35-----X		
2-----X	36-----X		
3-----X	37-----X		
4-----X	38-----X		
5-----X	39-----X		
6-----X	40-----8		
7-----X	41-----21		
8-----X	42-----22		
9-----X	43-----10		
10-----X	44-----23		
11-----X	45-----11		
12-----X	46-----12		
13-----X	47-----13		
14-----X	48-----20		
15-----X	49-----7		
16-----X	50-----9		
17-----X	51-----X		
18-----X	52-----25		
19-----X	53-----X		
20-----X	54-----18		
21-----X	55-----17		
22-----X	56-----24		
23-----X	57-----6		
24-----X	58-----5		
25-----X	59-----4		
26-----X	60-----2		
27-----X	61-----19		
28-----X	62-----15		
29-----X	63-----1		
30-----X	64-----3		
31-----X	65-----X		
32-----X	66-----X		
33-----X	67-----X		
34-----X	68-----X		
SHELL-----X	SHELL-----X		

## ORDERING INFORMATION:

P/N A D S C -  $\frac{001V}{12}$

1. ADAPTER TYPE:  
"001" HALF PITCH D-SUB. 68 PIN FEMALE TO  
D-SUB. 25 PIN MALE
2. INSULATOR COLOR:  
"V" BEIGE

# HPDB68M TO CEN50F SCSI 3-1 ADAPTER



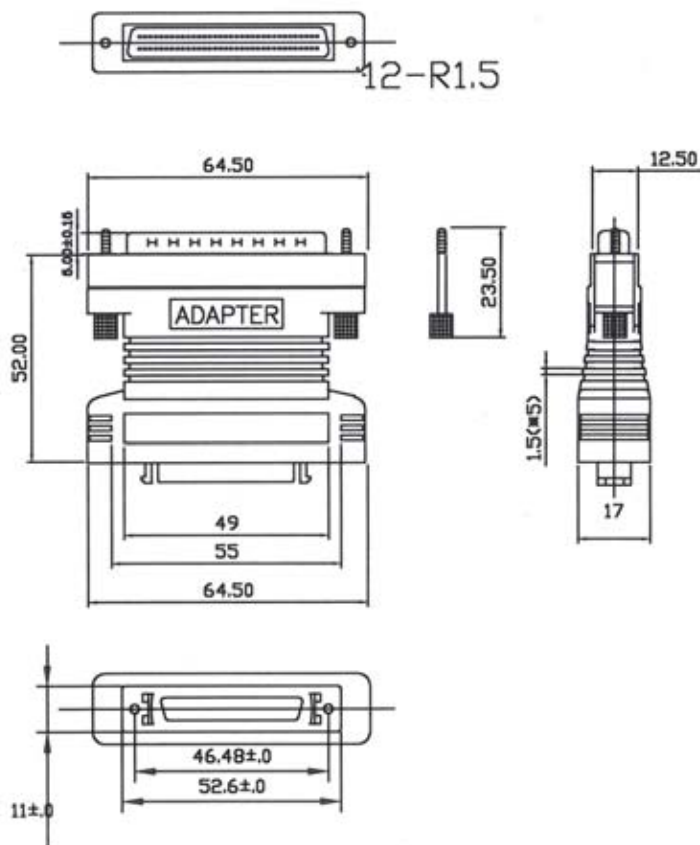
MDS	RCS	MDS	RCS
68PIN(M)	50PIN(F)	68PIN(M)	50PIN(F)
8	1	40	28
7	2	41	27
.	.	.	.
17	NC	51	NC
18	NC	52	36
.	.	.	.
.	.	.	.
29	24	63	49
30	25	64	50
		SHIELD	SHIELD

## ORDERING INFORMATION:

P/N A D S C -  $\frac{005M}{12}$

1. ADAPTER TYPE:  
"005" HALF PITCH D-SUB. 68 PIN MALE TO  
CENTRONIC 50 PIN FEMALE
2. HOOD TYPE:  
"M" ASSEMBLY TYPE WITH METALIZED  
NICKEL PLATED HOOD

# HPDB68M TO HPDB50F SCSI 3-2 ADAPTER



## PIN ASSIGNMENT

A	B	A	B
1	X	35	X
2	X	36	X
3	X	37	X
4	X	38	X
5	X	39	X
6	1	40	26
7	2	41	27
8	3	42	28
9	4	43	29
10	5	44	30
11	6	45	31
12	7	46	32
13	8	47	33
14	9	48	34
15	10	49	35
16	11	50	36
17	X	51	X
18	X	52	38
19	X	53	X
20	15	54	40
21	16	55	41
22	17	56	42
23	18	57	43
24	19	58	44
25	20	59	45
26	21	60	46
27	22	61	47
28	23	62	48
29	24	63	49
30	25	64	50
31	X	65	X
32	X	66	X
33	X	67	X
34	X	68	X

SHELL-----SHELL

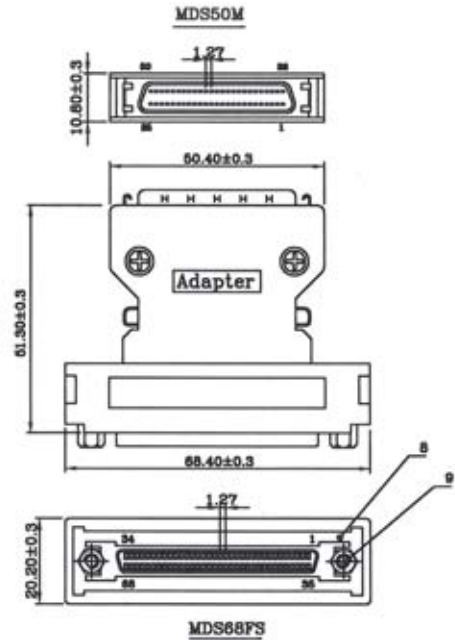
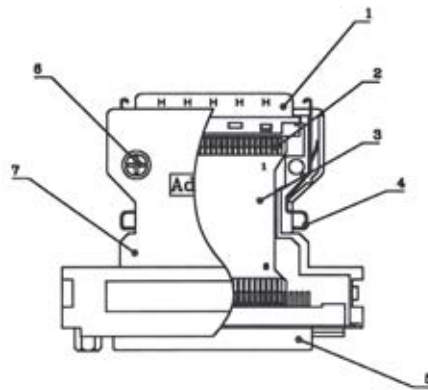
## ORDERING INFORMATION:

P/N A D S C -  $\frac{003V}{12}$

- ADAPTER TYPE:  
"003" HALF PITCH D-SUB. 68 PIN MALE TO  
HALF PITCH D-SUB. 50 PIN FEMALE
- INSULATOR COLOR:  
"V" BEIGE

# HPDB68F TO HPDB50M SCSI 3-2 ADAPTER

MDS 68PIN(F)	MDS 50PIN(M)
6	1
7	2
8	3
9	4
10	5
11	6
12	7
13	8
14	9
15	10
16	11
17	12
18	13
19	14
20	15
21	16
22	17
23	18
24	19
25	20
26	21
27	22
28	23
29	24
30	25
40	26
41	27
42	28
43	29
44	30
45	31
46	32
47	33
48	34
49	35
50	36
51	37
52	38
53	39
54	40
55	41
56	42
57	43
58	44
59	45
60	46
61	47
62	48
63	49
64	50
SHIELD	SHIELD

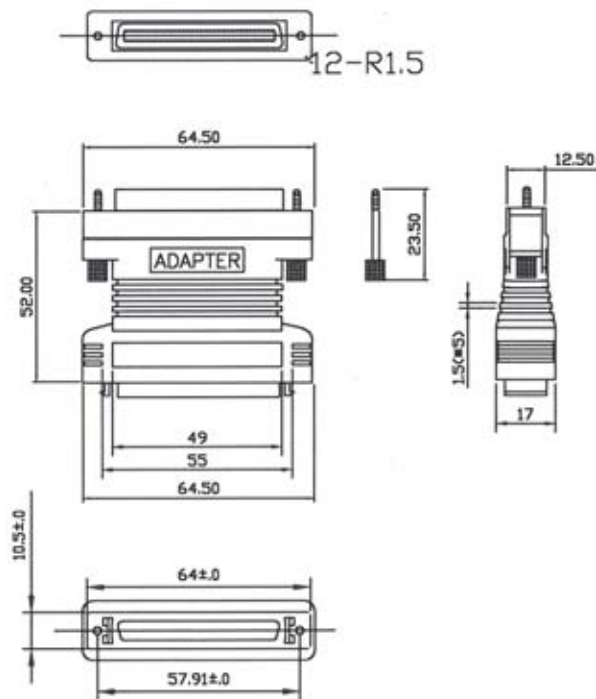


## ORDERING INFORMATION:

P/N A D S C -  $\frac{006M}{12}$

1. ADAPTER TYPE:  
"006" HALF PITCH D-SUB. 68 PIN FEMALE TO  
HALF PITCH D-SUB. 50 PIN MALE
2. HOOD TYPE:  
"M" ASSEMBLY TYPE WITH METALIZED  
NICKEL PLATED HOOD

## HPDB68F TO HPDB68M SCSI 3-3 ADAPTER



### PIN ASSIGNMENT:

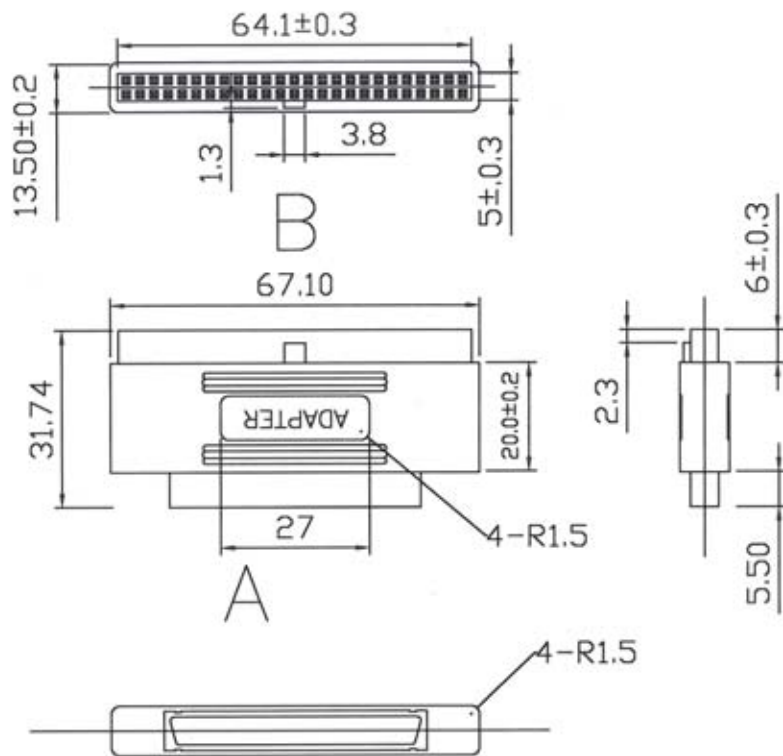
Conn A:	1	2	—	67	68	SHELL
Conn B:	1	2	—	67	68	SHELL

### ORDERING INFORMATION:

P/N A D S C -  $\frac{004 V}{1 \quad 2}$

1. ADAPTER TYPE:  
"004" HALF PITCH D-SUB. 68 PIN FEMALE TO  
HALF PITCH D-SUB. 68 PIN MALE
2. INSULATOR COLOR:  
"V" BEIGE

# HPDB68F TO IDC50F MOLDED TYPE ADAPTER



## PIN ASSIGNMENT

A	B	A	B
1	X	35	X
2	X	36	X
3	X	37	X
4	X	38	X
5	X	39	X
6	1	40	2
7	3	41	4
8	5	42	6
9	7	43	8
10	9	44	10
11	11	45	12
12	13	46	14
13	15	47	16
14	17	48	18
15	19	49	20
16	21	50	22
17	X	51	X
18	X	52	26
19	X	53	X
20	29	54	30
21	31	55	32
22	33	56	34
23	35	57	36
24	37	58	38
25	39	59	40
26	41	60	42
27	43	61	44
28	45	62	46
29	47	63	48
30	49	64	50
31	X	65	X
32	X	66	X
33	X	67	X
34	X	68	X

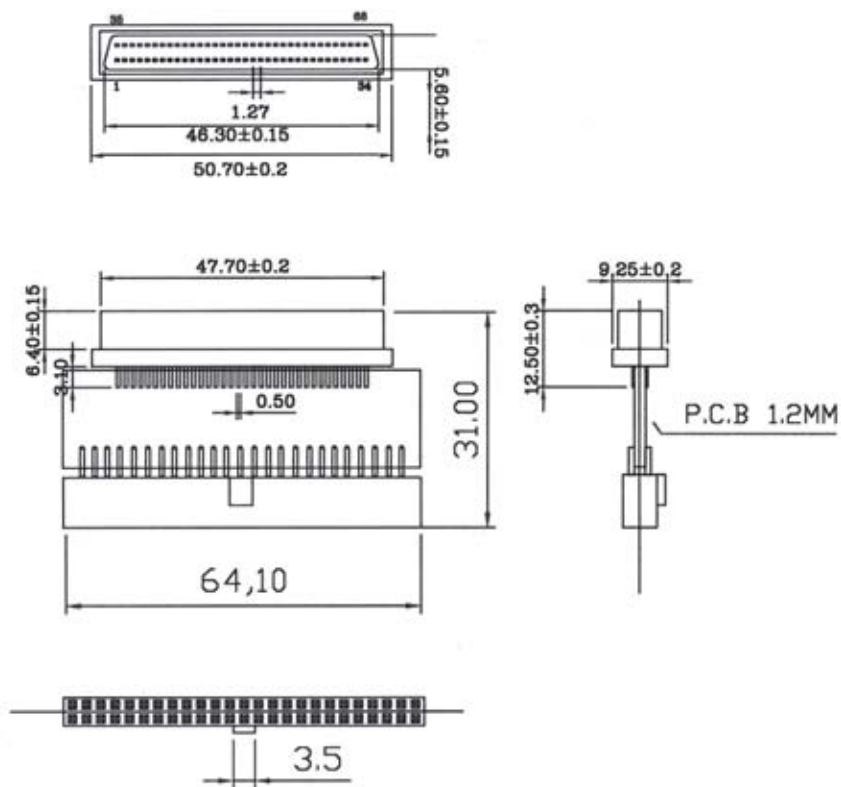
## ORDERING INFORMATION:

P/N A D S C - 008 B  
 1 2

- ADAPTER TYPE:  
 "008" HALF PITCH D-SUB. 68 PIN FEMALE TO  
 2.54MM 50 PIN IDC SOCKET
- INSULATOR COLOR:  
 "B" BLACK



# HPDB68F TO IDC50F CARD TYPE ADAPTER



## PIN ASSIGNMENT

A	B	A	B
1	X	35	X
2	X	36	X
3	X	37	X
4	X	38	X
5	X	39	X
6	X	40	2
7	J	41	4
8	J	42	6
9	J	43	8
10	9	44	10
11	11	45	12
12	13	46	14
13	15	47	16
14	17	48	18
15	19	49	20
16	21	50	22
17	X	51	X
18	X	52	28
19	X	53	X
20	29	54	30
21	31	55	32
22	33	56	34
23	35	57	36
24	37	58	38
25	39	59	40
26	41	60	42
27	43	61	44
28	45	62	46
29	47	63	48
30	49	64	50
31	X	65	X
32	X	66	X
33	X	67	X
34	X	68	X

## ORDERING INFORMATION:

P/N A D S C -  $\frac{009B}{12}$

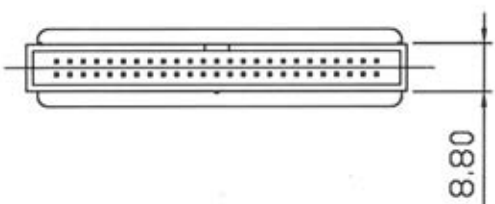
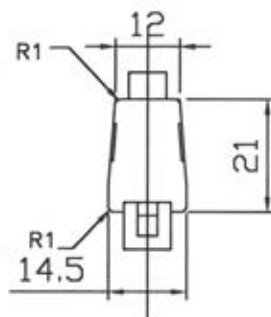
### 1. ADAPTER TYPE:

- "009" HALF PITCH D-SUB. 68 PIN FEMALE TO
- 2.54MM 50 PIN IDC SOCKET

### 2. INSULATOR COLOR:

- "B" BLACK

# HPDB68F TO BH50M MOLDED TYPE ADAPTER



## PIN ASSIGNMENT

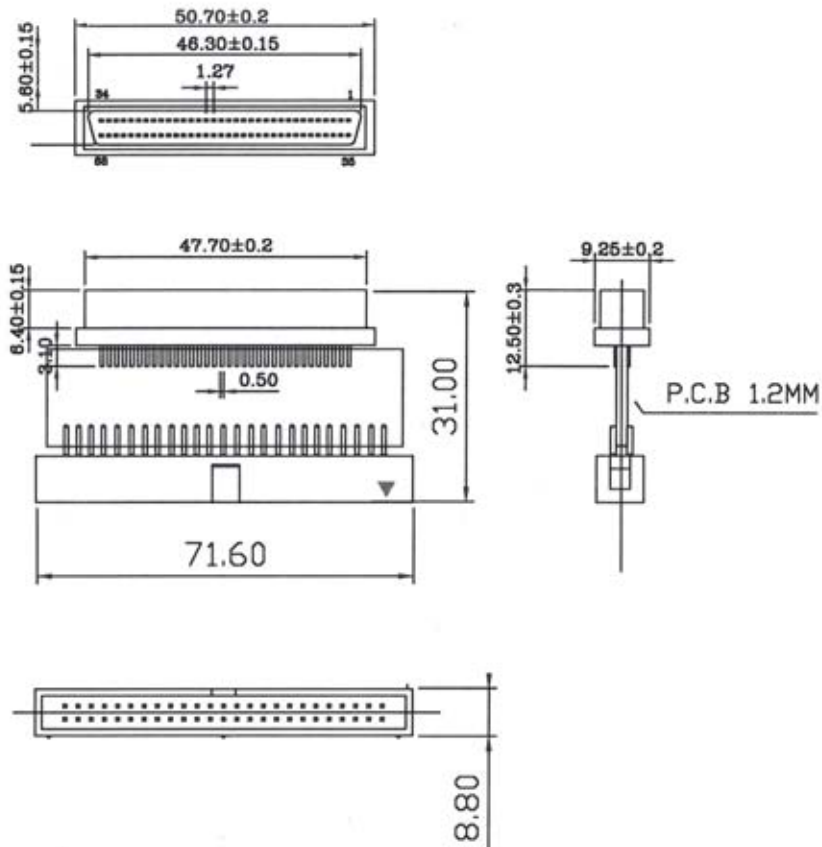
A	B	A	B
1	X	35	X
2	X	36	X
3	X	37	X
4	X	38	X
5	X	39	X
6	1	40	2
7	3	41	4
8	5	42	6
9	7	43	8
10	9	44	10
11	11	45	12
12	13	46	14
13	15	47	16
14	17	48	18
15	19	49	20
16	21	50	22
17	X	51	X
18	X	52	26
19	X	53	X
20	29	54	30
21	31	55	32
22	33	56	34
23	35	57	36
24	37	58	38
25	39	59	40
26	41	60	42
27	43	61	44
28	45	62	46
29	47	63	48
30	49	64	50
31	X	65	X
32	X	66	X
33	X	67	X
34	X	68	X

## ORDERING INFORMATION:

P/N A D S C - 010 B  
                          1      2

1. ADAPTER TYPE:  
"010" HALF PITCH D-SUB. 68 PIN FEMALE TO  
2.54MM 50 PIN BOX HEADER
2. INSULATOR COLOR:  
"B" BLACK

# HPDB68F TO BH50M CARD TYPE ADAPTER



## PIN ASSIGNMENT




A	B	A	B
1	X	35	X
2	X	36	X
3	X	37	X
4	X	38	X
5	X	39	X
6	1	40	2
7	3	41	4
8	5	42	6
9	7	43	8
10	9	44	10
11	11	45	12
12	13	46	14
13	15	47	16
14	17	48	18
15	19	49	20
16	21	50	22
17	X	51	X
18	X	52	26
19	X	53	X
20	29	54	30
21	31	55	32
22	33	56	34
23	35	57	36
24	37	58	38
25	39	59	40
26	41	60	42
27	43	61	44
28	45	62	46
29	47	63	48
30	49	64	50
31	X	65	X
32	X	66	X
33	X	67	X
34	X	68	X

## ORDERING INFORMATION:

P/N A D S C -  $\frac{011B}{12}$

1. ADAPTER TYPE:  
"011" HALF PITCH D-SUB. 68 PIN FEMALE TO  
2.54MM 50 PIN BOX HEADER
2. INSULATOR COLOR:  
"B" BLACK

## SCA-1 & SCA-2 ADAPTERS FOR LVD/SE OR SE DEVICES

			
ADSCA-101 ADSCA-102 ADSCA-103 ADSCA-201 ADSCA-202 ADSCA-203	ADSCA-104 ADSCA-105 ADSCA-204 ADSCA-205	ADSCA-106 ADSCA-107 ADSCA-206 ADSCA-207	

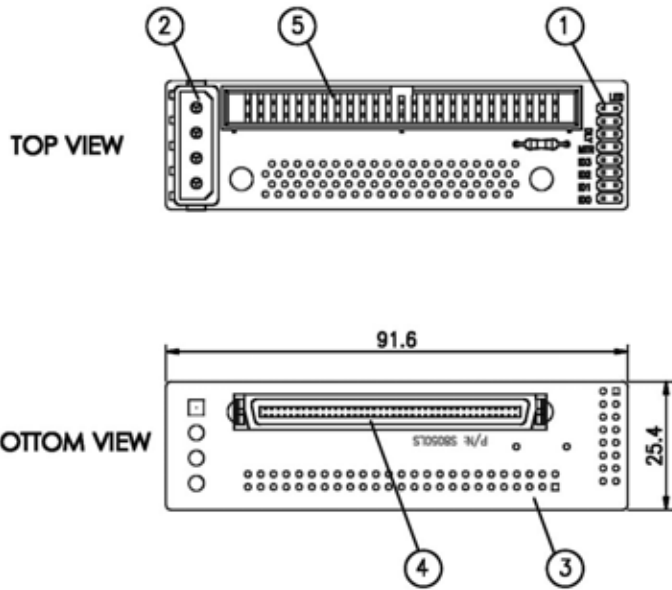
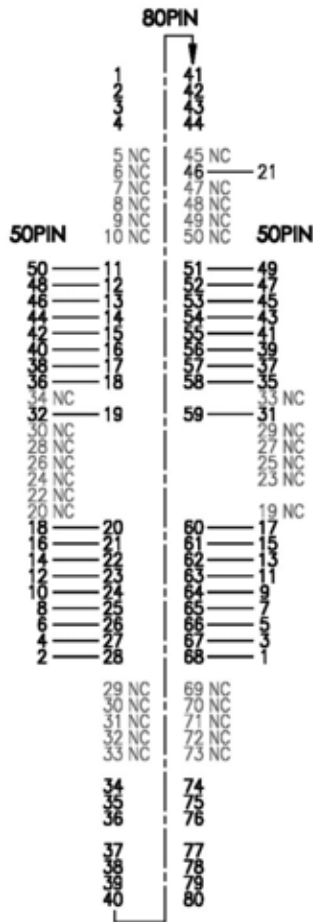
### ORDERING INFORMATION:

P/N ADSCA-101	SCA-1	80F/BH50M ADAPTER FOR LVD & SE DEVICE
P/N ADSCA-201	SCA-2	80F/BH50M ADAPTER FOR LVD & SE DEVICE
P/N ADSCA-102	SCA-1	80F/BH50M ADAPTER WITH 9 LINE ACTIVE TERMINATOR
P/N ADSCA-202	SCA-2	80F/BH50M ADAPTER WITH 9 LINE ACTIVE TERMINATOR
P/N ADSCA-103	SCA-1	80F/BH50M ADAPTER WITH 27 LINE ACTIVE TERMINATOR
P/N ADSCA-203	SCA-2	80F/BH50M ADAPTER WITH 27 LINE ACTIVE TERMINATOR
P/N ADSCA-104	SCA-1	80F/HPDB68F ADAPTER WITH 27 LINE ACTIVE TERMINATOR
P/N ADSCA-204	SCA-2	80F/HPDB68F ADAPTER WITH 27 LINE ACTIVE TERMINATOR
P/N ADSCA-105	SCA-1	80F/HPDB68F ADAPTER FOR SE, LVD 160 & 320MB DEVICE
P/N ADSCA-205	SCA-2	80F/HPDB68F ADAPTER FOR SE, LVD 160 & 320MB DEVICE
P/N ADSCA-106	SCA-1	80F/HPDB68F/BH50M ADAPTER FOR LVD & SE DEVICE
P/N ADSCA-206	SCA-2	80F/HPDB68F/BH50M ADAPTER FOR LVD & SE DEVICE
P/N ADSCA-107	SCA-1	80F/HPDB68F/BH50M ADAPTER WITH 27 LINE ACTIVE TERMINATOR
P/N ADSCA-207	SCA-2	80F/HPDB68F/BH50M ADAPTER WITH 27 LINE ACTIVE TERMINATOR

#### NOTE

HPDB68F = HALF PITCH D-SUB. 68 PIN FEMALE  
BH50M = BOX HEADER 50 PIN MALE

# SCA-1 CONVERTER ADAPTER WITH SCA80F & BH50M



## ORDERING INFORMATION:

P/N A D S C A -  $\frac{101}{1} \frac{x x x}{2}$

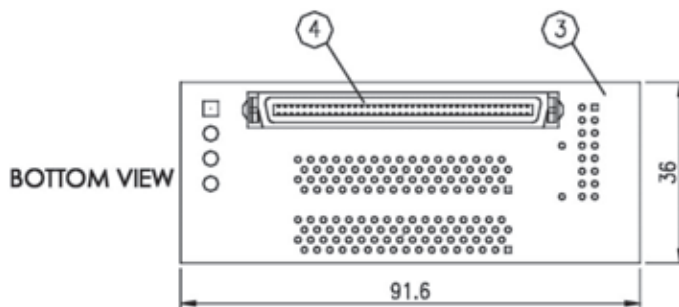
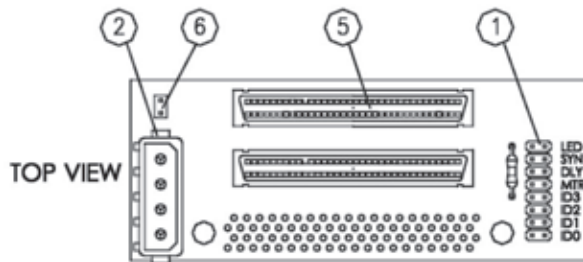
1. SCA ADAPTER TYPE:  
"101" SCA-1 80F TO 50 PIN BOX HEADER  
FOR LVD & SE DEVICE 1" HIGH PCB
2. PACKAGE TYPE:  
"CRD" PVC BLISTER/PAPER CARD  
"BAG" PE BAG

NOTE: BH50M = 2.54MM 50 PIN BOX HEADER (MALE)

# SCA-1 CONVERTER ADAPTER WITH SCA80F & 2PCS HPDB68F



\*\*\* J4 : 5V Terminator Power For SE Drive \*\*\*



## ORDERING INFORMATION:

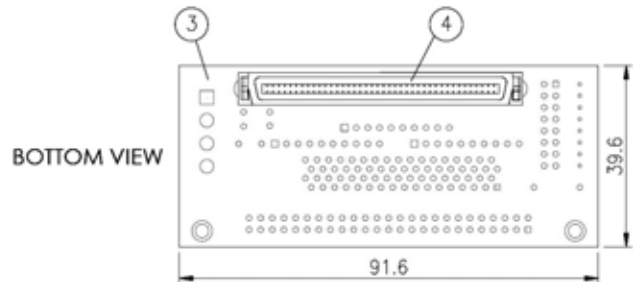
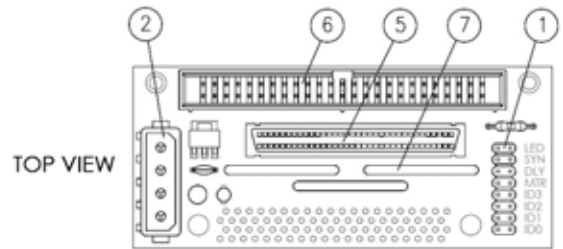
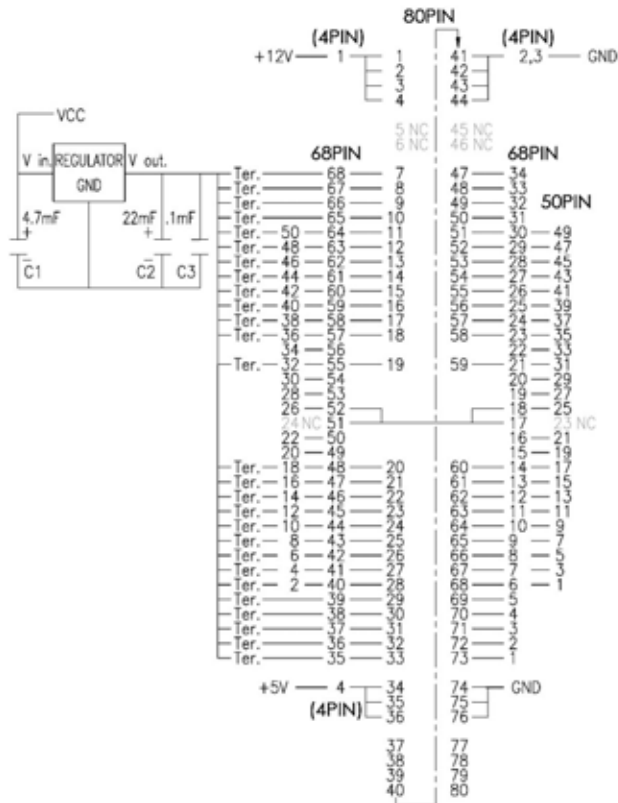
P/N A D S C A -  $\frac{102}{1}$   $\frac{x x x}{2}$

1. SCA ADAPTER TYPE:  
"102" SCA-1 80F TO 2 x HPDB68F  
FOR LVD & SE DEVICE
2. PACKAGE TYPE:  
"CRD" PVC BLISTER/PAPER CARD  
"BAG" PE BAG

NOTE: HPDB68F = HALF PITCH D-SUB. 68 PIN FEMALE



# SCA-1 CONVERTER ADAPTER WITH SCA80F, HPDB68F, DH50M & ACTIVE TERMINATOR



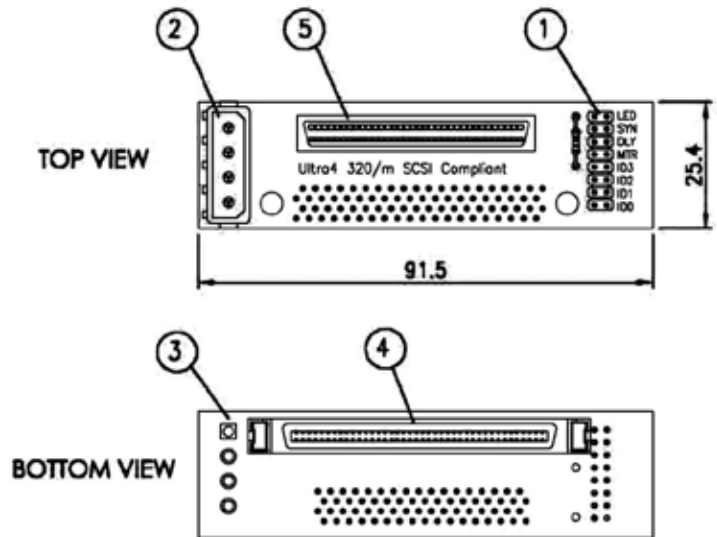
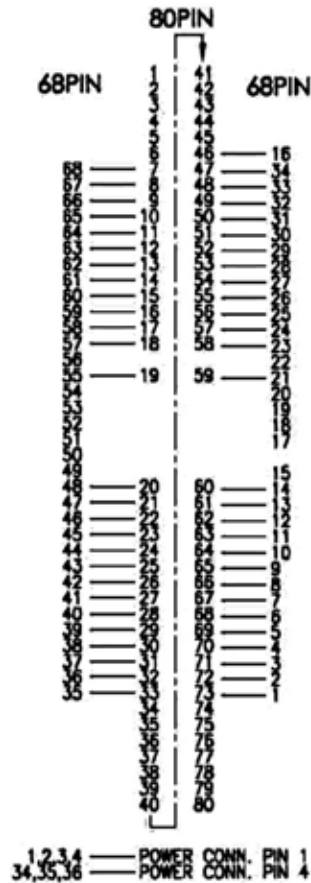
## ORDERING INFORMATION:

P/N A D S C A -  $\frac{103}{1} \frac{x x x}{2}$

1. SCA ADAPTER TYPE:  
"103" SCA-1 80F TO HPDB68F & 50 PIN BOX  
HEADER WITH 27 LINE ACTIVE TERMINATION  
FOR SE DEVICE
2. PACKAGE TYPE:  
"CRD" PVC BLISTER/PAPER CARD  
"BAG" PE BAG

NOTE: HPDB68F = HALF PITCH D-SUB. 68 PIN FEMALE  
BH50M = 2.54MM 50PIN BOX HEADER (MALE)

**SCA-1 CONVERTER ADAPTER WITH SCA80F & HPDB68F  
FOR ULTRA 160MB/320MB DEVICE**



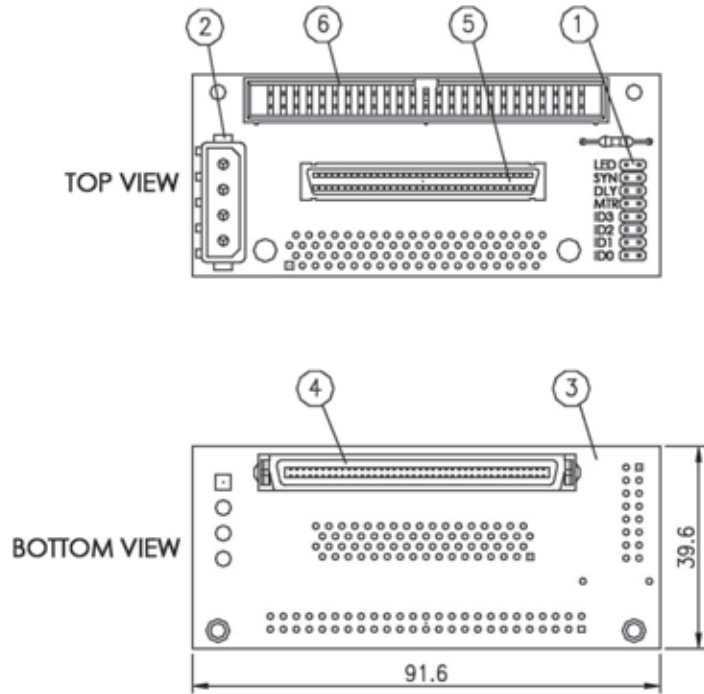
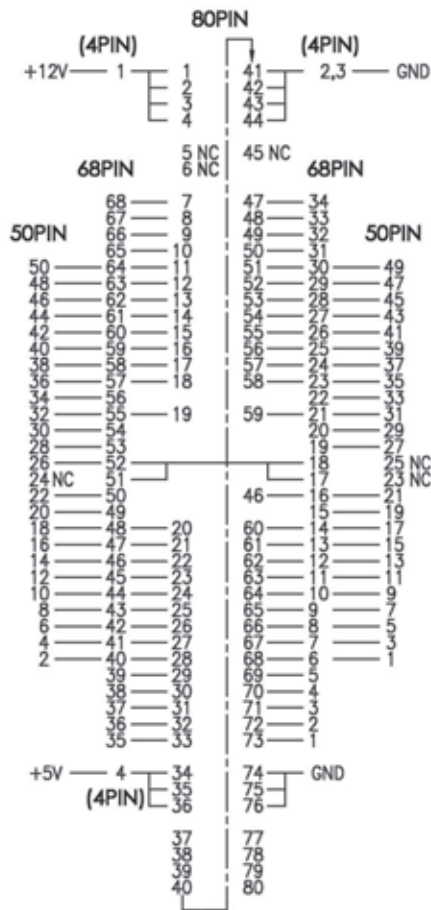
**ORDERING INFORMATION:**

**P/N A D S C A -  $\frac{1}{1}$  0 5  $\frac{x x x}{2}$**

1. SCA ADAPTER TYPE:  
"105" SCA-1 80F TO HPDB68F  
FOR SE, LVD 160MB & 320MB DEVICE
2. PACKAGE TYPE:  
"CRD" PVC BLISTER/PAPER CARD  
"BAG" PE BAG

NOTE: HPDB68F = HALF PITCH D-SUB. 68 PIN FEMALE

# SCA-1 CONVERTER ADAPTER WITH SCA80F, HPDB68F & BH50M

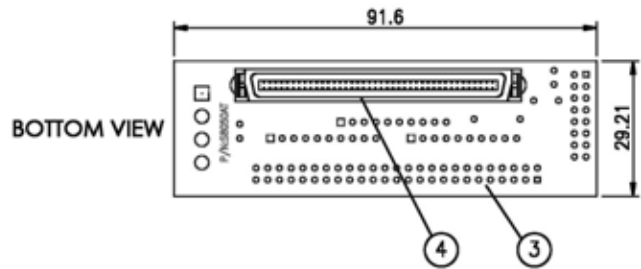
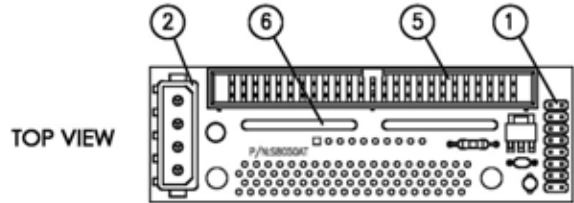
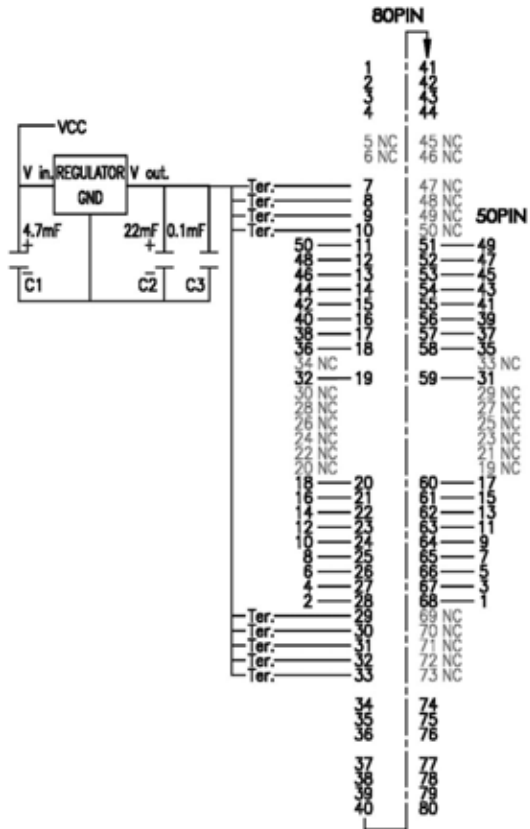


## ORDERING INFORMATION:

P/N A D S C A - 106 x x x  
                                  1      2

- SCA ADAPTER TYPE:  
"106" SCA-1 80F TO HPDB68F & BH50M  
FOR LVD & SE DEVICE
- PACKAGE TYPE:  
"CRD" PVC BLISTER/PAPER CARD  
"BAG" PE BAG

# SCA-1 CONVERTER ADAPTER WITH SCA80F, BH50M & ACTIVE TERMINATOR

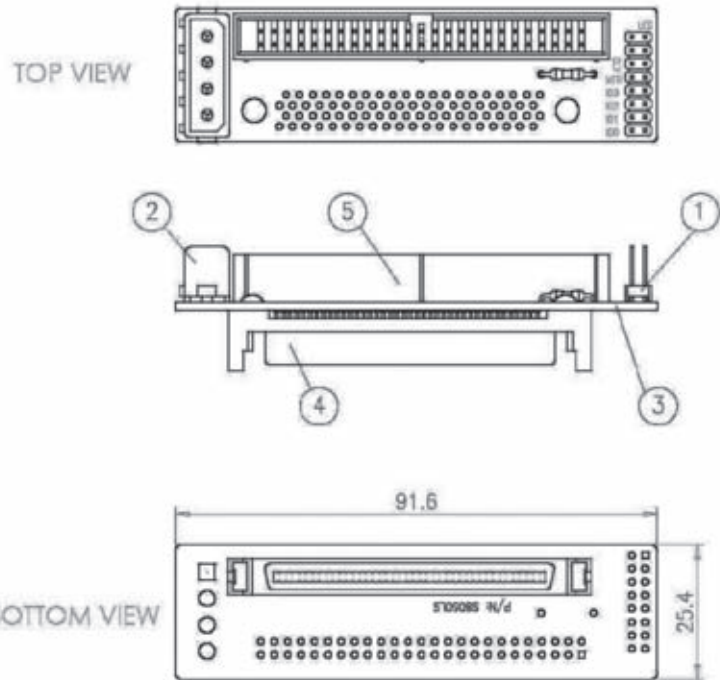
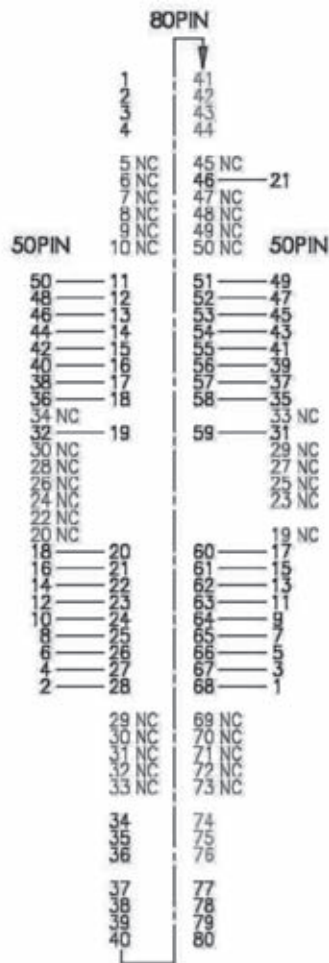


## ORDERING INFORMATION:

P/N A D S C A -  $\frac{107}{1} \frac{x x x}{2}$

- SCA ADAPTER TYPE:  
"107" SCA-1 80F TO BH50M WITH 9 LINE  
ACTIVE TERMINATION FOR SE DEVICE
- PACKAGE TYPE:  
"CRD" PVC BLISTER/PAPER CARD  
"BAG" PE BAG

## SCA-2 CONVERTER ADAPTER WITH SCA80F & BH50M



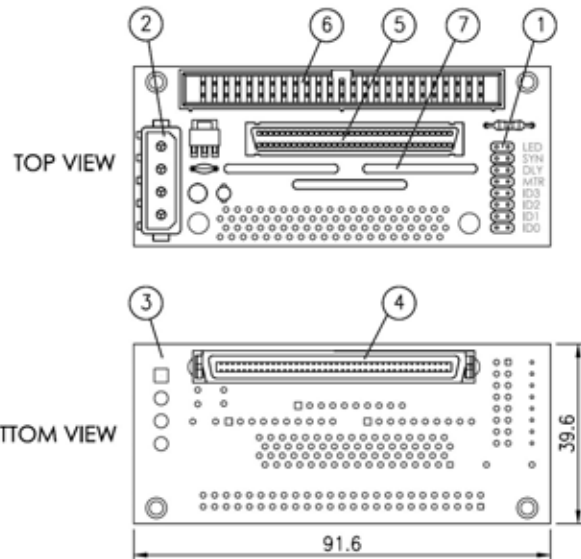
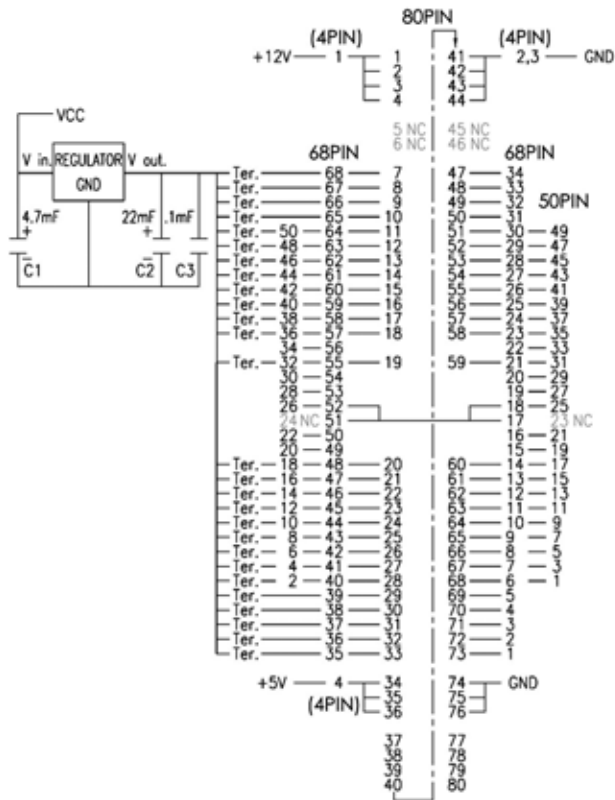
### ORDERING INFORMATION:

P/N A D S C A -  $\frac{201}{1} \frac{x x x}{2}$

1. SCA ADAPTER TYPE:  
"201" SCA-2 80F TO 50 PIN BOX HEADER  
FOR LVD & SE DEVICE 1" HIGH PCB
2. PACKAGE TYPE:  
"CRD" PVC BLISTER/PAPER CARD  
"BAG" PE BAG

NOTE: BH50M = 2.54MM 50 PIN BOX HEADER (MALE)

# SCA-2 CONVERTER ADAPTER WITH SCA80F, HPDB68F, DH50M & ACTIVE TERMINATOR



## ORDERING INFORMATION:

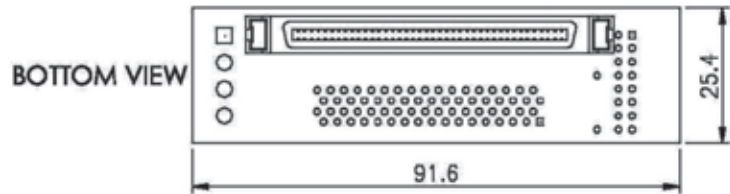
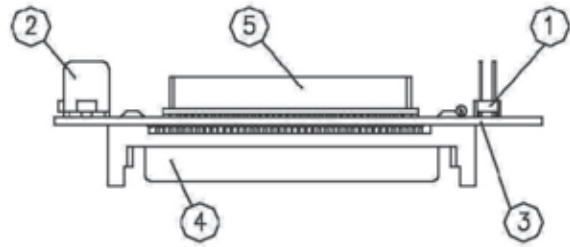
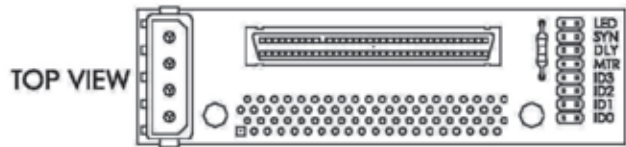
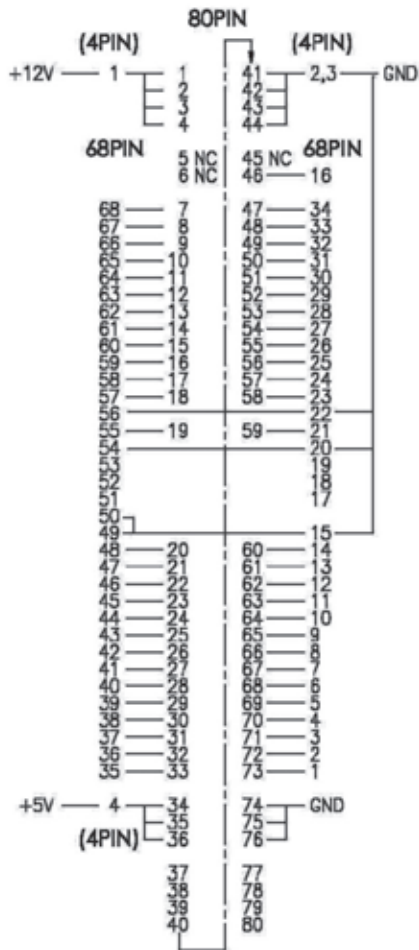
P/N A D S C A -  $\frac{203}{1}$   $\frac{xxx}{2}$

1. SCA ADAPTER TYPE:  
"203" SCA-2 80F TO HPDB68F & 50 PIN BOX  
HEADER WITH 27 LINE ACTIVE TERMINATION  
FOR SE DEVICE
2. PACKAGE TYPE:  
"CRD" PVC BLISTER/PAPER CARD  
"BAG" PE BAG

NOTE: HPDB68F = HALF PITCH D-SUB. 68 PIN FEMALE  
BH50M = 2.54MM 50PIN BOX HEADER (MALE)



# SCA-2 CONVERTER ADAPTER WITH SCA80F & HPDB68F FOR 4 LAYER PC BOARD



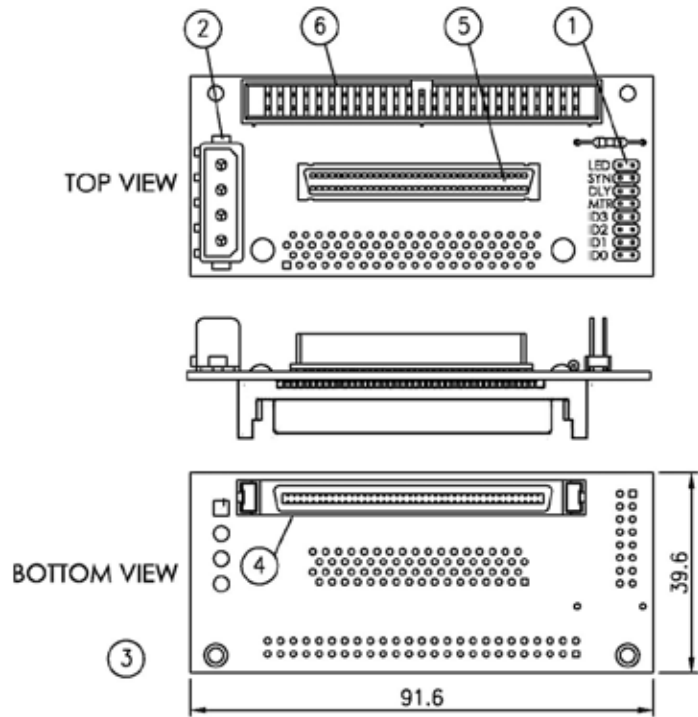
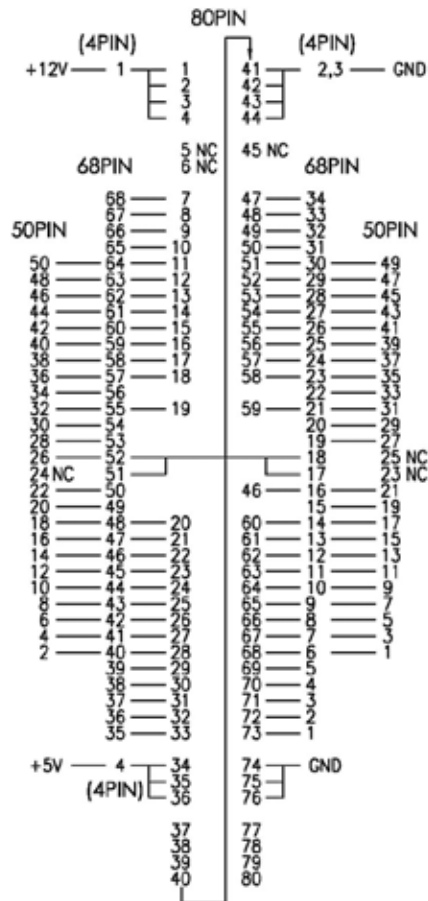
## ORDERING INFORMATION:

P/N A D S C A - 204 x x x  
  1  2

1. SCA ADAPTER TYPE:  
"204" SCA-2 80F TO HPDB68F  
FOR SE, LVD DEVICE ON  
4 LAYER 1.6MM THICK PCB
2. PACKAGE TYPE:  
"CRD" PVC BLISTER/PAPER CARD  
"BAG" PE BAG

NOTE: HPDB68F = HALF PITCH D-SUB. 68 PIN FEMALE

# SCA-2 CONVERTER ADAPTER WITH SCA80F, HPDB68F & BH50M



## ORDERING INFORMATION:

P/N A D S C A -  $\frac{206}{1} \frac{x x x}{2}$

1. SCA ADAPTER TYPE:  
"206" SCA-2 80F TO HPDB68F & BH50M  
FOR LVD & SE DEVICE
2. PACKAGE TYPE:  
"CRD" PVC BLISTER/PAPER CARD  
"BAG" PE BAG

## CEN50M/CEN50F SCSI-1 EXTERNAL TERMINATOR

			
TERMT-001V	TERMT-014V	TERMT-002V	TERMT-015V
			
TERMT-016V	TERMT-017V	TERMT-018V	TERMT-019V








### ORDERING INFORMATION:

P/N TERMT-001V	CEN50M	PASSIVE TERMINATOR
P/N TERMT-014V	CEN50M	ACTIVE TERMINATOR
P/N TERMT-002V	CEN50M	ACTIVE TERMINATOR WITH LED
P/N TERMT-015V	CEN50M	NEGATION TERMINATOR WITH LED
P/N TERMT-016V	CEN50M	DIFFERENTIAL TERMINATOR WITH LED
P/N TERMT-017V	CEN50M/F	PASSIVE TERMINATOR
P/N TERMT-018V	CEN50M/F	ACTIVE TERMINATOR
P/N TERMT-019V	CEN50M/F	ACTIVE TERMINATOR WITH LED

#### NOTE

CEN50M = CENTRONIC 50 PIN MALE  
 CEN50M/F = CENTRONIC 50 PIN MALE TO FEMALE

## DB25M/DB25F/DB50M SCSI-1 EXTERNAL TERMINATOR

			
TERMT-021V	TERMT-022V	TERMT-023V	TERMT-024V
			
TERMT-025V	TERMT-026V	TERMT-027V	TERMT-028V


### ORDERING INFORMATION:

P/N TERMT-021V	DB25M	PASSIVE TERMINATOR
P/N TERMT-022V	DB25M	ACTIVE TERMINATOR
P/N TERMT-023V	DB25M	NEGATION TERMINATOR WITH LED
P/N TERMT-024V	DB25M/F	PASSIVE TERMINATOR
P/N TERMT-025V	DB25M/F	ACTIVE TERMINATOR
P/N TERMT-026V	DB25F	NEGATION TERMINATOR
P/N TERMT-027V	DB50M	PASSIVE TERMINATOR WITH LED
P/N TERMT-028V	DB50M	ACTIVE TERMINATOR

#### NOTE

DB25M (F) = D-SUB. 25 PIN MALE (FEMALE)  
 DB25M/F = D-SUB. 25 PIN MALE TO FEMALE  
 DB50M = D-SUB. 50 PIN MALE

## HPDB50M/HPDB50F SCSI-2 EXTERNAL TERMINATOR

			
TERMT-029V	TERMT-003V	TERMT-030V	TERMT-005V
			
TERMT-004V	TERMT-031V	TERMT-032V	
			
TERMT-033M	TERMT-034M	TERMT-035V	TERMT-036V

### ORDERING INFORMATION:

P/N TERMT-029V	HPDB50M	ACTIVE TERMINATOR WITH LATCHES
P/N TERMT-003V	HPDB50M	ACTIVE TERMINATOR WITH LED & LATCHES
P/N TERMT-030V	HPDB50M	NEGATION TERMINATOR WITH LED & LATCHES
P/N TERMT-005V	HPDB50M	DIFFERENTIAL TERMINATOR WITH LATCHES
P/N TERMT-004V	HPDB50M	PASSIVE TERMINATOR WITH LATCHES
P/N TERMT-031V	HPDB50M	PASSIVE TERMINATOR WITH THUMB SCREWS
P/N TERMT-032V	HPDB50M	ACTIVE TERMINATOR WITH LED & THUMB SCREWS
P/N TERMT-033M	HPDB50M	ACTIVE TERMINATOR WITH LATCHES
P/N TERMT-034M	HPDB50M	ACTIVE TERMINATOR WITH THUMB SCREWS
P/N TERMT-035V	HPDB50M/F	ACTIVE TERMINATOR WITH LATCHES
P/N TERMT-036V	HPDB50M/F	ACTIVE TERMINATOR WITH LED & LATCHES

#### NOTE

HPDB50M = HALF PITCH D-SUB. 50 PIN MALE

HPDB50M/F = HALF PITCH D-SUB. 50 PIN MALE TO FEMALE

## HPCEN50M/HPCEN50F SCSI-2 EXTERNAL TERMINATOR



TERMT-037V



TERMT-038V



TERMT-039V

### ORDERING INFORMATION:

P/N TERMT-037V            HPCEN50M    PASSIVE TERMINATOR

P/N TERMT-038V            HPCEN50M    ACTIVE TERMINATOR

P/N TERMT-039V            HPCEN50M/F   ACTIVE TERMINATOR

#### NOTE

HPCEN50M = HALF PITCH CENTRONIC 50 PIN MALE

HPCEN50M/F = HALF PITCH CENTRONIC 50 PIN MALE TO FEMALE



## HPDB68M SCSI-3 EXTERNAL TERMINATOR (1)

			
TERMT-007V	TERMT-040V	TERMT-041V	TERMT-008V
			
TERMT-042V	TERMT-043V	TERMT-044V	TERMT-045V

### ORDERING INFORMATION:

P/N TERMT-007V	HPDB68M	PASSIVE TERMINATOR WITH THUMB SCREWS
P/N TERMT-040V	HPDB68M	ACTIVE TERMINATOR WITH THUMB SCREWS
P/N TERMT-041V	HPDB68M	ACTIVE TERMINATOR WITH LED & THUMB SCREWS
P/N TERMT-008V	HPDB68M	DIFFERENTIAL TERMINATOR WITH THUMB SCREWS
P/N TERMT-042V	HPDB68M	PASSIVE TERMINATOR WITH LATCHES
P/N TERMT-043V	HPDB68M	ACTIVE TERMINATOR WITH LATCHES
P/N TERMT-044V	HPDB68M	NEGATION TERMINATOR WITH THUMB SCREWS
P/N TERMT-045V	HPDB68M	NEGATION TERMINATOR WITH LED & THUMB SCREWS

#### NOTE

HPDB68M = HALF PITCH D-SUB. 68 PIN MALE

## HPDB68M SCSI-3 EXTERNAL TERMINATOR (2)

			
TERMT-046M	TERMT-047M	TERMT-048M	
			
TERMT-049V	TERMT-050V	TERMT-051V	

### ORDERING INFORMATION:

P/N TERMT-046M	HPDB68M	ACTIVE TERMINATOR WITH METALIZED HOOD & THUMB SCREWS
P/N TERMT-047M	HPDB68M	ACTIVE TERMINATOR WITH METALIZED HOOD & LATCHES
P/N TERMT-048M	HPDB68M	LVD TERMINATOR WITH METALIZED HOOD & THUMB SCREWS
P/N TERMT-049V	HPDB68M	LVD/SE TERMINATOR WITH THUMB SCREWS
P/N TERMT-050V	HPDB68M	LVD/SE TERMINATOR WITH LED & THUMB SCREWS
P/N TERMT-051V	HPDB68M	ULTRA3-320MB LVD/SE TERMINATOR WITH LED & THUMB SCREWS

#### NOTE

HPDB68M = HALF PITCH D-SUB. 68 PIN MALE

## HPDB68M/HPDB68F SCSI-3 EXTERNAL TERMINATOR

			
TERMT-052V	TERMT-053V	TERMT-054V	
			
TERMT-055V	TERMT-056V	TERMT-057V	

### ORDERING INFORMATION:

P/N TERMT-052V	HPDB68M/F	ACTIVE TERMINATOR
P/N TERMT-053V	HPDB68M/F	ACTIVE TERMINATOR WITH LED
P/N TERMT-054V	HPDB68M/F	DIFFERENTIAL TERMINATOR
P/N TERMT-055V	HPDB68M/F	LVD TERMINATOR
P/N TERMT-056V	HPDB68M/F	LVD/SE TERMINATOR
P/N TERMT-057V	HPDB68M/F	ULTRA3-320MB LVD/SE TERMINATOR

#### NOTE

HPDB68M/F = HALF PITCH D-SUB. 68 PIN MALE TO FEMALE

## HPCEN68M/HPDB68M SCSI-3 EXTERNAL TERMINATOR



TERMT-058V



TERMT-059V



TERMT-060V

### ORDERING INFORMATION:






P/N TERMT-058V	HPCEN68M	ACTIVE TERMINATOR WITH THUMB SCREWS
P/N TERMT-059V	HPCEN68M	ACTIVE TERMINATOR WITH LED & THUMB SCREWS
P/N TERMT-060V	HPCEN68M/HPDB68M	ACTIVE NEGATION TERMINATOR

#### NOTE

HPCEN68M = HALF PITCH CENTRONIC 68 PIN MALE

HPDB68M = HALF PITCH D-SUB. 68 PIN MALE

## HPDB68/HPDB50/CEN50F SCSI 3-2 & 3-1 EXTERNAL TERMINATOR

			
TERMT-061V	TERMT-062V	TERMT-063V	TERMT-064V
			
TERMT-065M	TERMT-066V	TERMT-067V	TERMT-068V

### ORDERING INFORMATION:

P/N TERMT-061V	HPDB68M/HPDB50F	ACTIVE TERMINATOR
P/N TERMT-062V	HPDB68M/HPDB50F	NEGATION TERMINATOR
P/N TERMT-063V	HPDB68M/HPDB50F	ACTIVE TERMINATOR WITH LED
P/N TERMT-064V	HPDB68M/HPDB50F	NEGATION TERMINATOR WITH LED
P/N TERMT-065M	HPDB68M/HPDB50F	ACTIVE TERMINATOR WITH METALIZED HOOD
P/N TERMT-066V	HPDB68M/HPCEN50F	ACTIVE TERMINATOR
P/N TERMT-067V	HPDB68M/CEN50F	ACTIVE TERMINATOR
P/N TERMT-068V	HPDB68F/HPDB50M	ACTIVE TERMINATOR
P/N TERMT-006V	HPDB68F/HPDB50M	10pF UPPER BYTE ACTIVE TERMINATOR

#### NOTE

HPDBxxF (M) = HALF PITCH D-SUB. xx PIN FEMALE (MALE)

HPCEN50F = HALF PITCH CENTRONIC 50 PIN FEMALE

CEN50F = CENTRONIC 50 PIN FEMALE

## HPCEN68M/HPxx50F/CEN50F SCSI 3-2 & 3-1 EXTERNAL TERMINATOR



TERMT-069V



TERMT-070V



TERMT-071V

### ORDERING INFORMATION:

P/N TERMT-069V	HPCEN68M/HPDB50F	ACTIVE TERMINATOR
P/N TERMT-070V	HPCEN68M/HPCEN50F	ACTIVE TERMINATOR
P/N TERMT-071V	HPCEN68M/CEN50F	ACTIVE TERMINATOR

#### NOTE

HPCEN68M = HALF PITCH CENTRONIC 68 PIN MALE  
HPCEN50F = HALF PITCH CENTRONIC 50 PIN FEMALE  
HPDB50F = HALF PITCH D-SUB. 50 PIN FEMALE  
CEN50F = CENTRONIC 50 PIN FEMALE



## BH50M/IDC50F SCSI INTERNAL TERMINATOR

			
TERMT-072B	TERMT-073B	TERMT-074B	TERMT-075B
			
TERMT-076B	TERMT-077B	TERMT-078B	

### ORDERING INFORMATION:

P/N TERMT-072B	BH50M	PASSIVE INTERNAL TERMINATOR
P/N TERMT-073B	BH50M	ACTIVE INTERNAL TERMINATOR
P/N TERMT-074B	BH50M	NEGATION INTERNAL TERMINATOR
P/N TERMT-075B	BH50M/IDC50F	PASSIVE INTERNAL TERMINATOR
P/N TERMT-076B	BH50M/IDC50F	ACTIVE INTERNAL TERMINATOR
P/N TERMT-077B	BH50M/IDC50F	NEGATION INTERNAL TERMINATOR
P/N TERMT-078B	IDC50F	ACTIVE INTERNAL TERMINATOR

**NOTE**

BH50M = BOX HEADER 50 PIN MALE  
 IDC50F = IDC SOCKET 50 PIN FEMALE

## HPDB68/BH50M SCSI INTERNAL TERMINATOR

			
TERMT-079B	TERMT-080B	TERMT-011B	TERMT-081B
			
TERMT-010B	TERMT-082B		

### ORDERING INFORMATION:



P/N TERMT-079B	HPDB68M	ACTIVE INTERNAL TERMINATOR
P/N TERMT-080B	HPDB68M	LVD INTERNAL TERMINATOR
P/N TERMT-011B	HPDB68M	ULTRA320MB LVD/SE INTERNAL TERMINATOR
P/N TERMT-081B	HPDB68M	ULTRA3-320MB LVD/SE INTERNAL TERMINATOR
P/N TERMT-010B	HPDB68M/BH50M	ACTIVE INTERNAL TERMINATOR
P/N TERMT-082B	HPDB68M/BH50M	ACTIVE R/A INTERNAL TERMINATOR
P/N TERMT-097B	HPDB68M	ULTRA320MB LVD/SE R/A (90°) INTERNAL TERMINATOR

#### NOTE

HPDB68M = HALF PITCH D-SUB. 68 PIN MALE

BH50M = BOX HEADER 50 PIN MALE

## HPDB68M/HPDB68F SCSI INTERNAL TERMINATOR

			
TERMT-083B	TERMT-084B	TERMT-085B	
			
TERMT-086B	TERMT-012B	TERMT-087B	




### ORDERING INFORMATION:

P/N TERMT-083B	HPDB68M/F	ACTIVE INTERNAL TERMINATOR
P/N TERMT-084B	HPDB68M/F	NEGATION INTERNAL TERMINATOR
P/N TERMT-085B	HPDB68M/F	DIFFERENTIAL INTERNAL TERMINATOR
P/N TERMT-086B	HPDB68M/F	LVD INTERNAL TERMINATOR
P/N TERMT-012B	HPDB68M/F	LVD/SE INTERNAL TERMINATOR
P/N TERMT-087B	HPDB68M/F	ULTRA3-320MB LVD/SE INTERNAL TERMINATOR
P/N TERMT-096B	HPDB68M/F	ULTRA320MB LVD/SE R/A (90°) INTERNAL TERMINATOR

**NOTE**

HPDB68M/F = HALF PITCH D-SUB. 68 PIN MALE TO FEMALE

## HPDB68F/BH50M/IDC50F SCSI INTERNAL TERMINATOR

			
TERMT-088B	TERMT-089B	TERMT-090B	TERMT-091B
			
TERMT-092B	TERMT-013B	TERMT-093B	TERMT-094B
			
TERMT-095B			

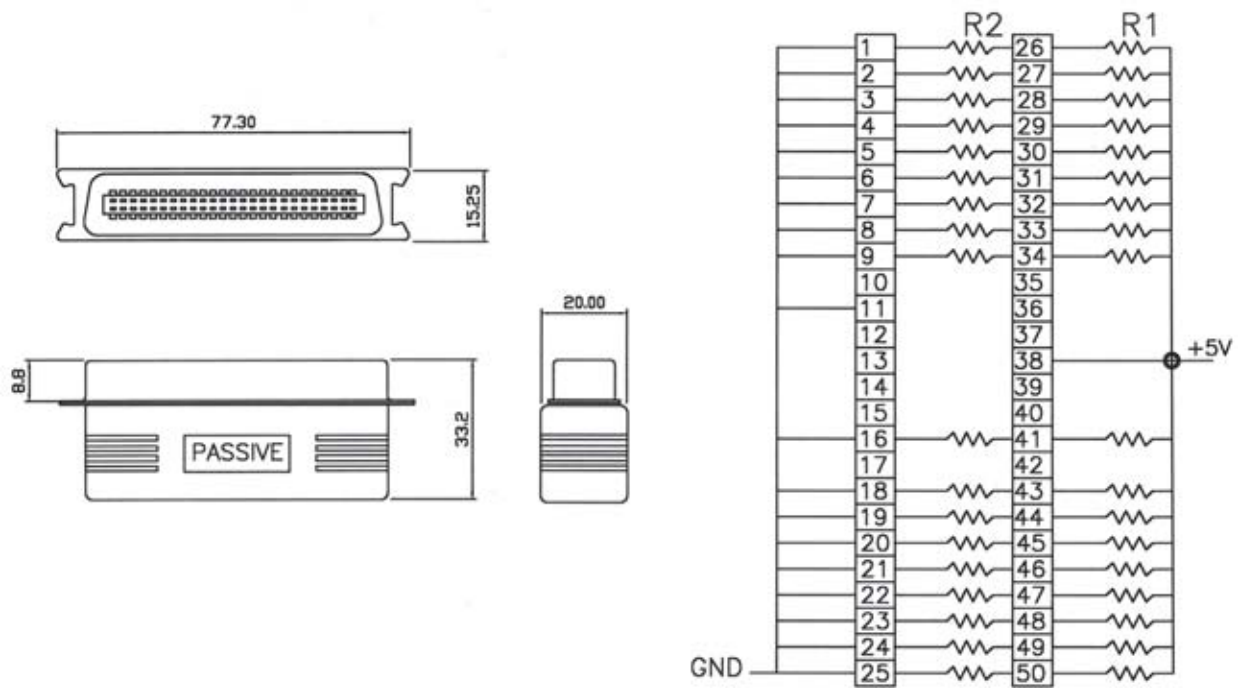
### ORDERING INFORMATION:

P/N TERMT-088B	HPDB68F	PASSIVE INTERNAL TERMINATOR
P/N TERMT-089B	HPDB68F	ACTIVE INTERNAL TERMINATOR
P/N TERMT-090B	HPDB68F	ACTIVE SMALL INTERNAL TERMINATOR
P/N TERMT-091B	HPDB68F	LVD INTERNAL TERMINATOR
P/N TERMT-092B	HPDB68F	LVD/SE INTERNAL TERMINATOR
P/N TERMT-013B	HPDB68F	ULTRA3-320MB LVD/SE INTERNAL TERMINATOR
P/N TERMT-093B	HPDB68F/IDC50F	ACTIVE INTERNAL TERMINATOR
P/N TERMT-094B	HPDB68F/IDC50F	ACTIVE R/A INTERNAL TERMINATOR
P/N TERMT-095B	HPDB68F/BH50M	ACTIVE INTERNAL TERMINATOR

#### NOTE

HPDB68F = HALF PITCH D-SUB. 68 PIN FEMALE  
 IDC50F = IDC SOCKET 50 PIN FEMALE  
 BH50M = BOX HEADER 50 PIN MALE

## CEN50M SCSI-1 PASSIVE TERMINATOR

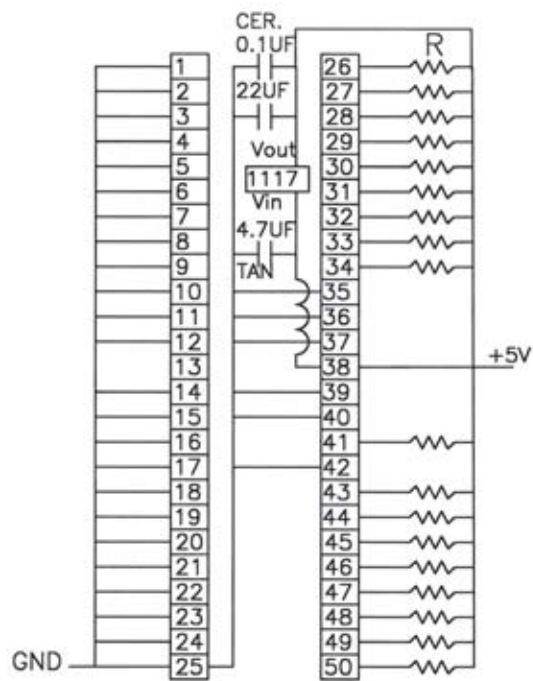
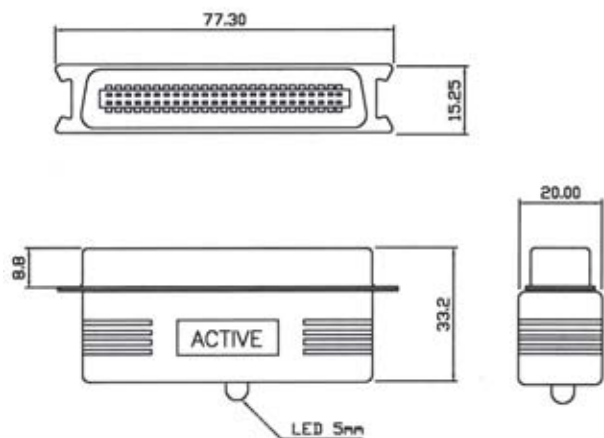


### ORDERING INFORMATION:

P/N T E R M T -  $\frac{001}{1} \frac{V}{2}$

1. TERMINATOR TYPE:  
"001" CENTRONIC 50 PIN MALE  
PASSIVE EXTERNAL MOLDED TERMINATOR
2. INSULATOR COLOR:  
"V" BEIGE

# CEN50M SCSI-1 ACTIVE TERMINATOR



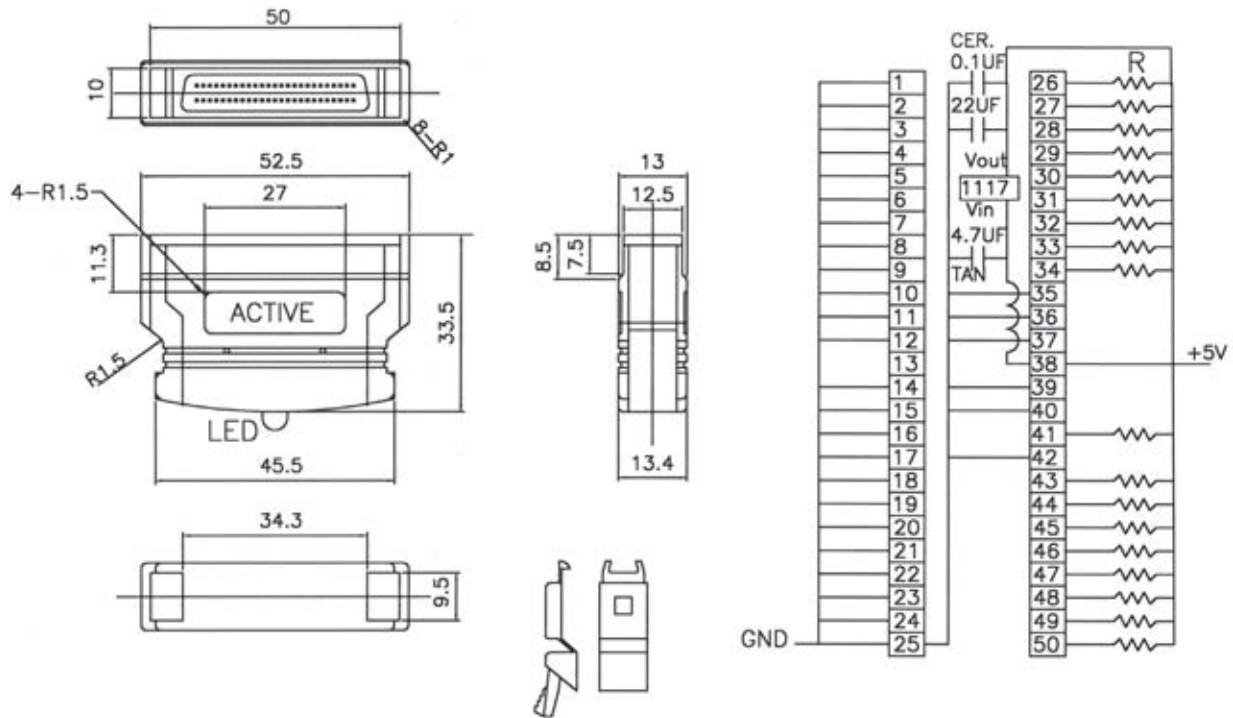
## ORDERING INFORMATION:

P/N T E R M T -  $\frac{002}{1} \times \frac{x}{2}$

1. TERMINATOR TYPE:  
"002" CENTRONIC 50 PIN MALE  
ACTIVE EXTERNAL MOLDED  
TERMINATOR WITH LED
2. INSULATOR COLOR:  
"V" BEIGE  
"B" BLACK



# HPDB50M SCSI-2 ACTIVE TERMINATOR

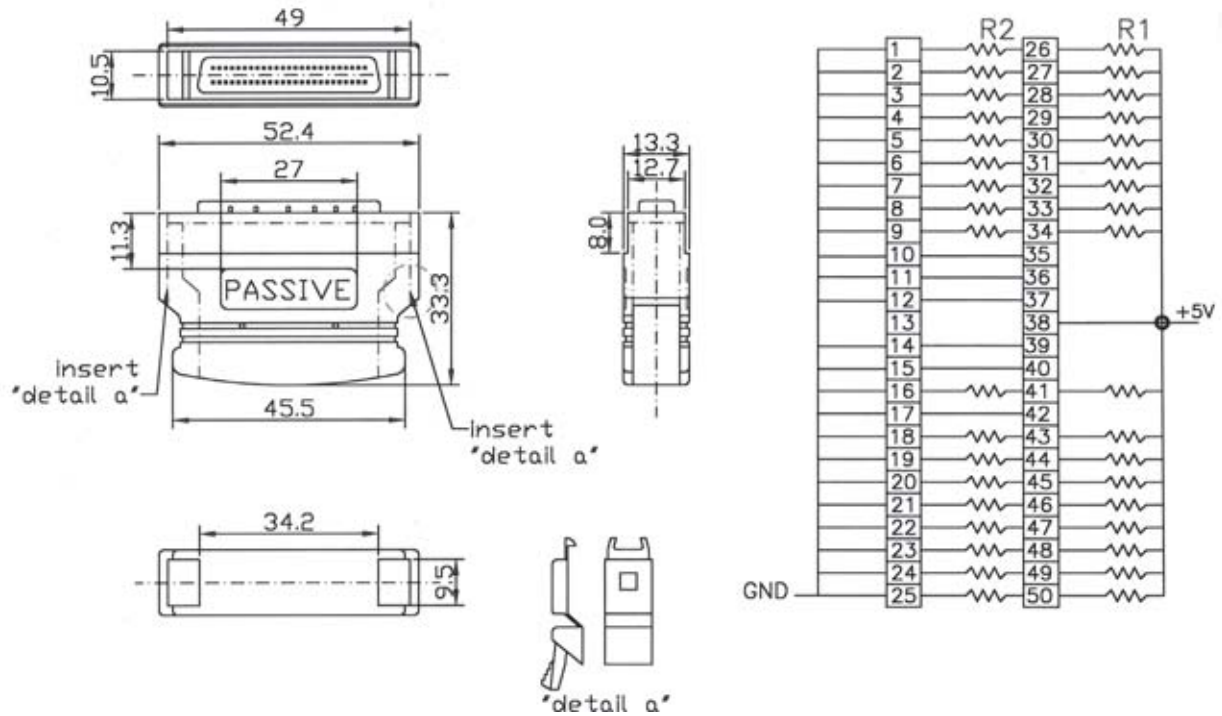


## ORDERING INFORMATION:

P/N T E R M T -  $\frac{003V}{12}$

1. TERMINATOR TYPE:  
"003" HALF PITCH D-SUB. 50 PIN MALE  
ACTIVE TERMINATOR WITH LED & LATCHES
2. INSULATOR COLOR:  
"V" BEIGE

## HPDB50M SCSI-2 PASSIVE TERMINATOR

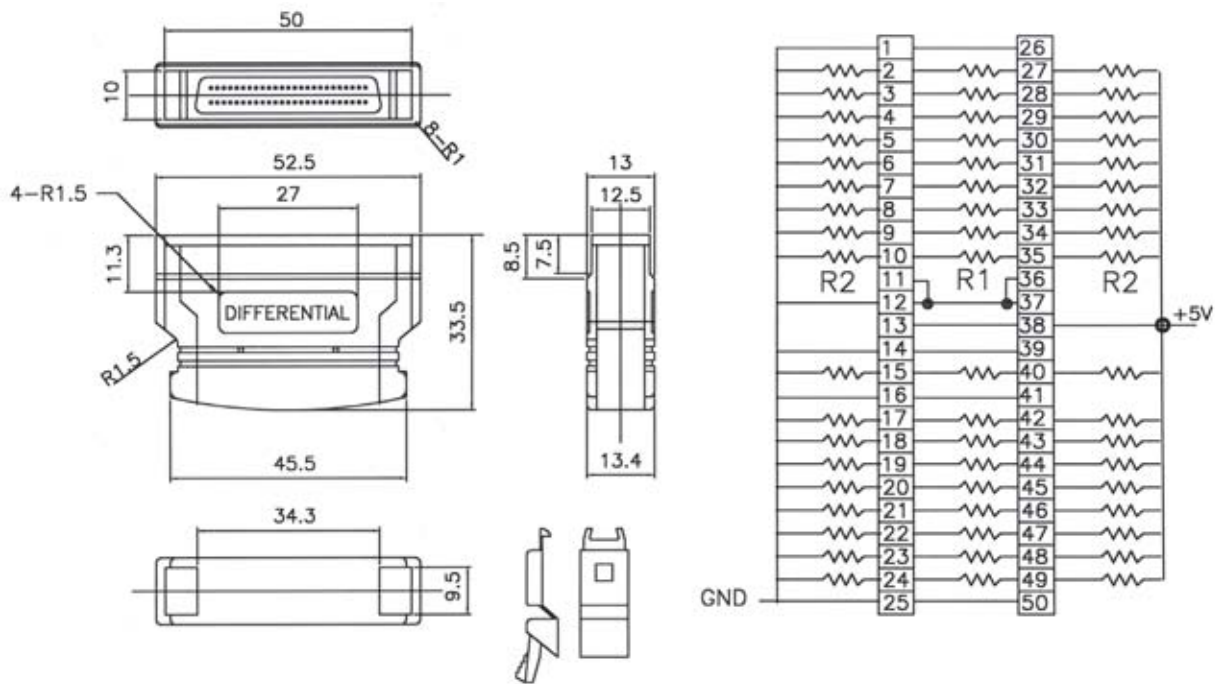


### ORDERING INFORMATION:

P/N T E R M T -  $\frac{004 V}{1 2}$

1. TERMINATOR TYPE:  
"004" HALF PITCH D-SUB. 50 PIN MALE  
PASSIVE TERMINATOR WITH LATCHES
2. INSULATOR COLOR:  
"V" BEIGE

# HPDB50M SCSI-2 DIFFERENTIAL TERMINATOR

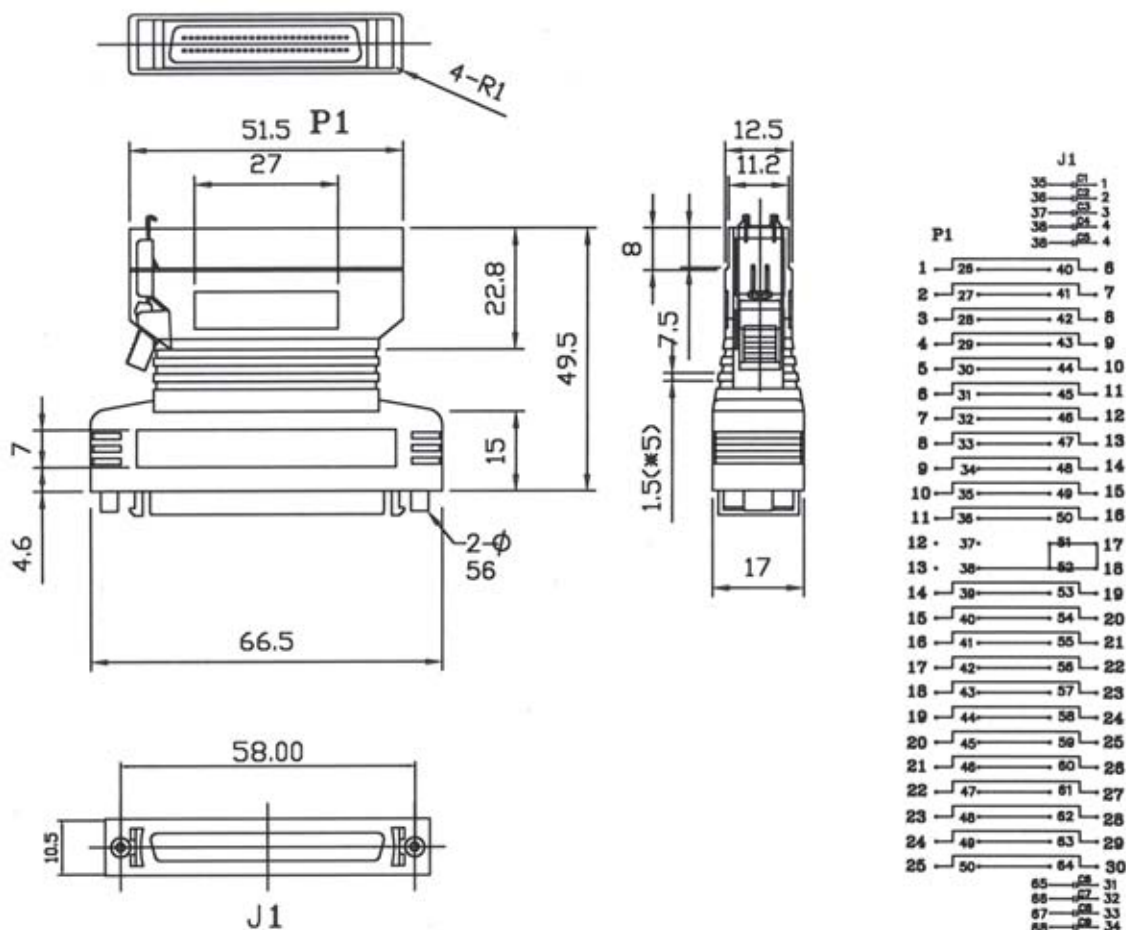


## ORDERING INFORMATION:

P/N T E R M T -  $\frac{005V}{12}$

1. TERMINATOR TYPE:  
"005" HALF PITCH D-SUB. 50 PIN MALE  
DIFFERENTIAL TERMINATOR WITH LATCHES
2. INSULATOR COLOR:  
"V" BEIGE

# HPDB50M TO HPDB68F SCSI 2-3 ACTIVE TERMINATOR

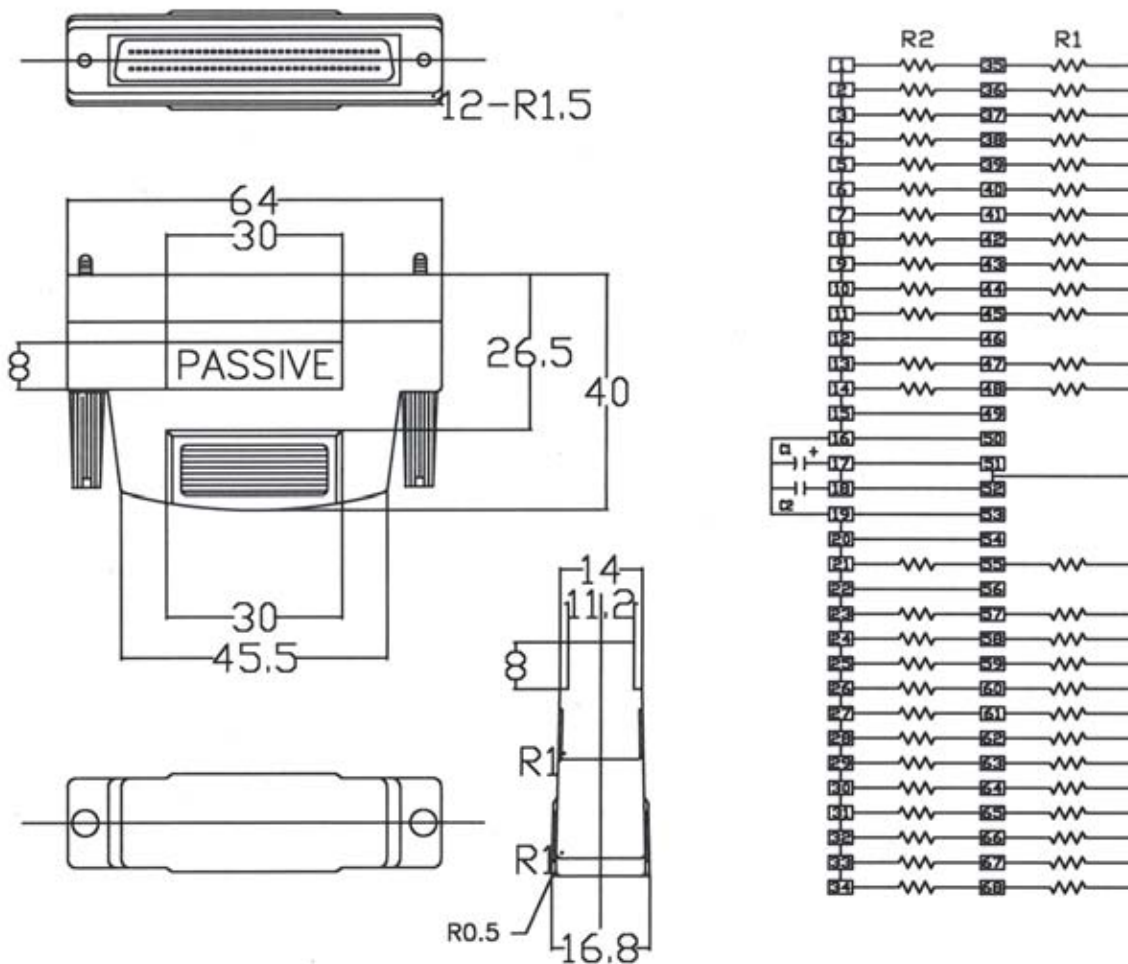


## ORDERING INFORMATION:

P/N T E R M T -  $\frac{006V}{12}$

1. TERMINATOR TYPE:  
"005" HALF PITCH D-SUB. 50 PIN MALE TO  
HALF PITCH D-SUB. 68 PIN FEMALE  
10pF UPPER BYTE ACTIVE TERMINATOR  
WITH LATCHES
2. INSULATOR COLOR:  
"V" BEIGE

# HPDB68M SCSI-3 PASSIVE TERMINATOR

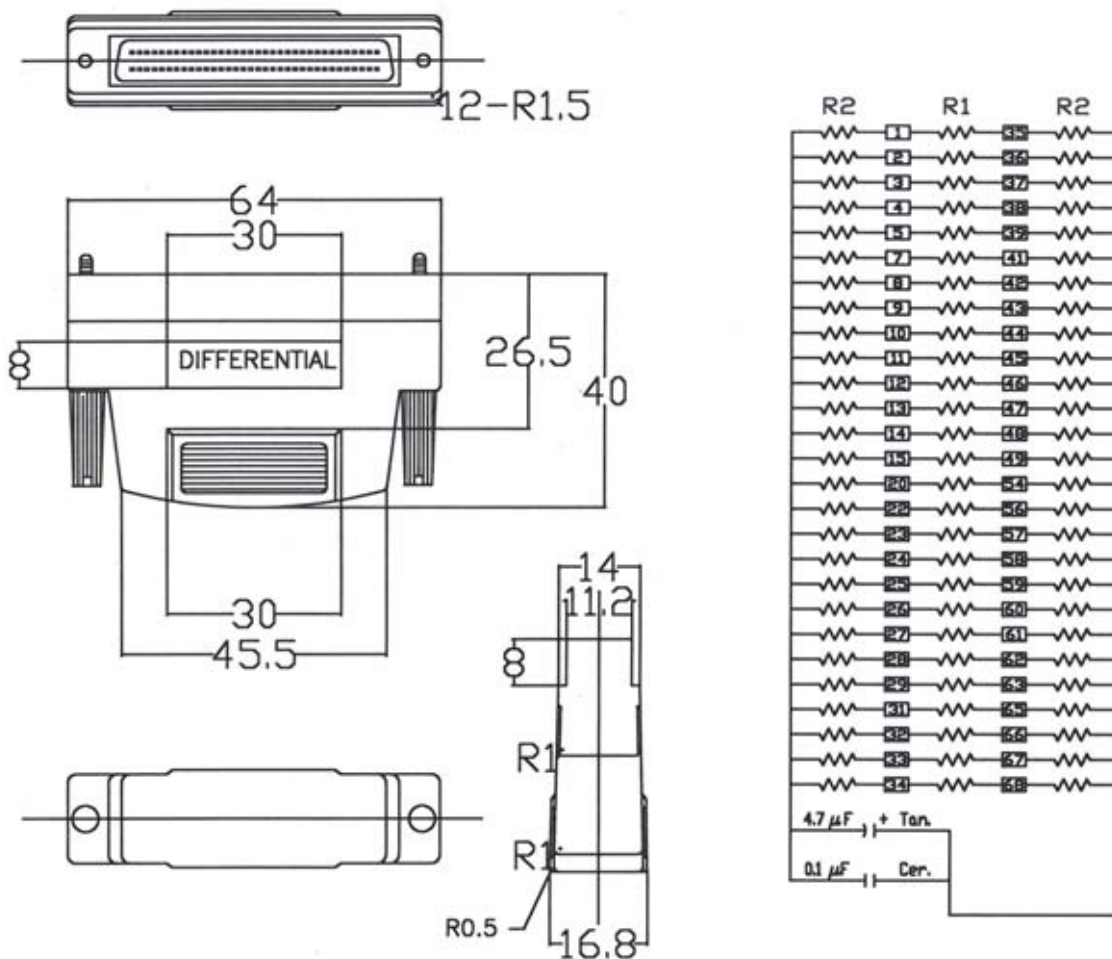


## ORDERING INFORMATION:

P/N T E R M T - 007 V  
1 2

1. TERMINATOR TYPE:  
 "007" HALF PITCH D-SUB. 68 PIN MALE  
 EXTERNAL PASSIVE TERMINATOR
2. INSULATOR COLOR:  
 "V" BEIGE

# HPDB68M SCSI-3 DIFFERENTIAL TERMINATOR



## ORDERING INFORMATION:

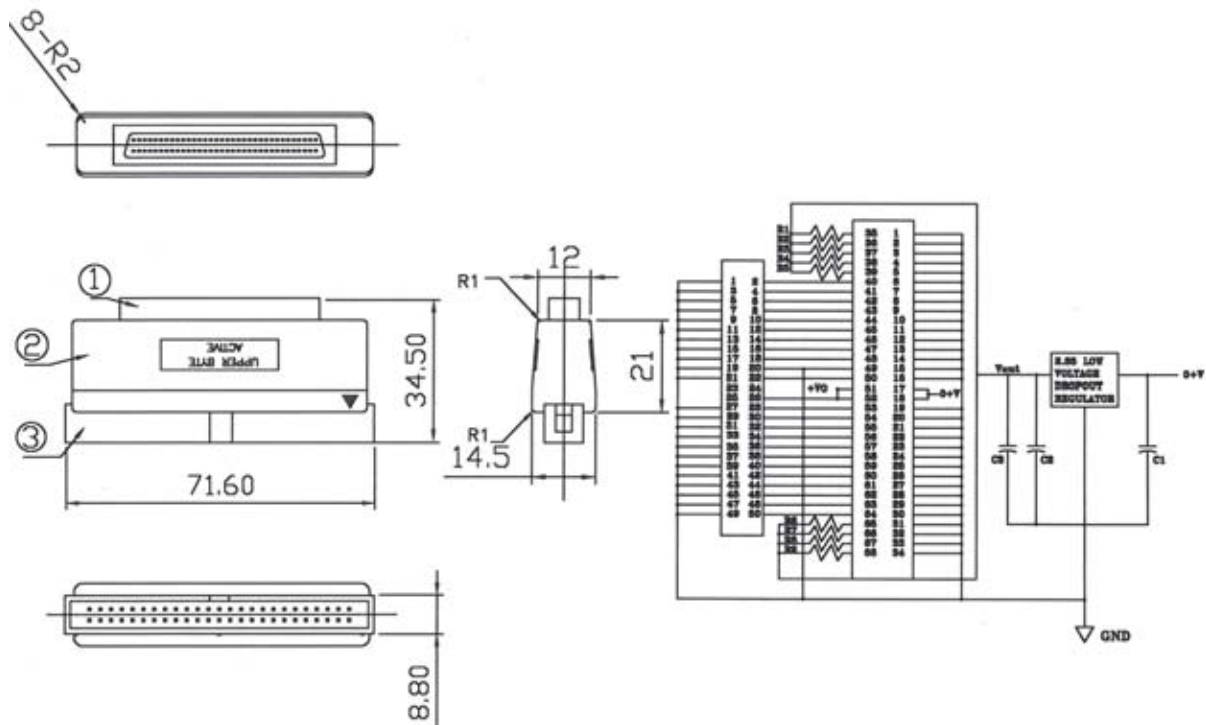
P/N T E R M T -  $\frac{008V}{12}$

1. TERMINATOR TYPE:  
"008" HALF PITCH D-SUB. 68 PIN MALE  
EXTERNAL DIFFERENTIAL TERMINATOR
2. INSULATOR COLOR:  
"V" BEIGE





## HPDB68M TO BOX HEADER UPPER BYTE ACTIVE TERMINATOR

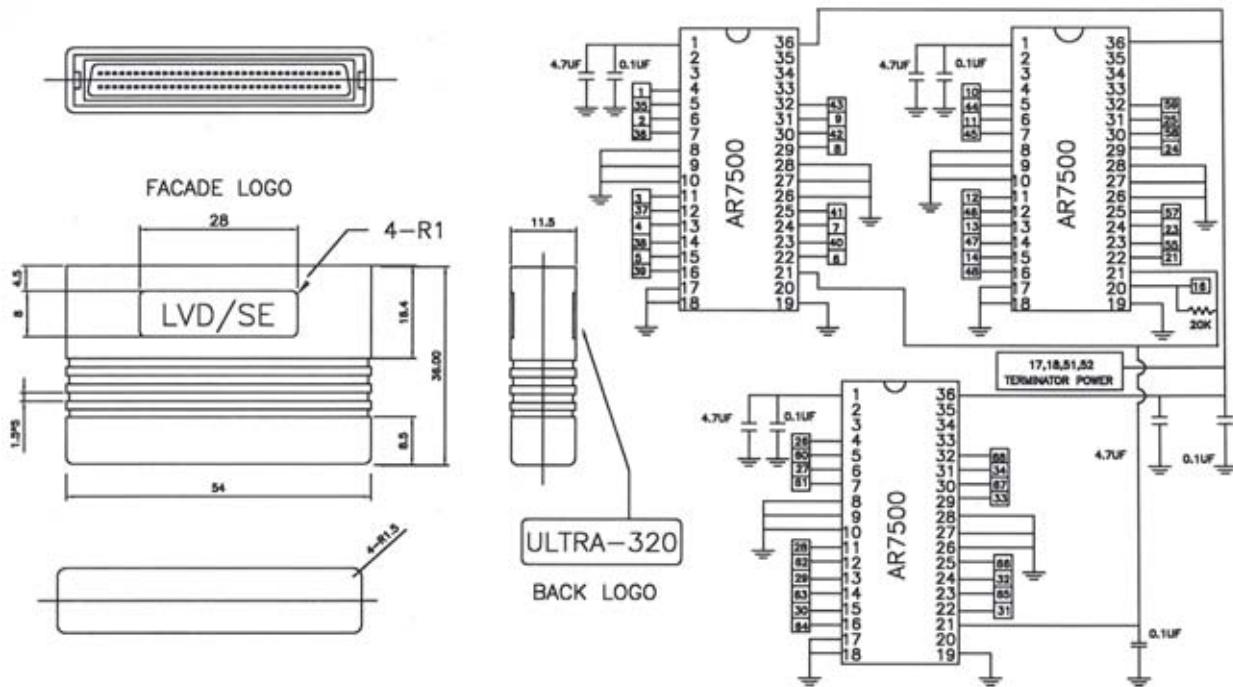


### ORDERING INFORMATION:

P/N T E R M T - 0 1 0 B  
                                  1 2

1. TERMINATOR TYPE:  
"010" HALF PITCH D-SUB. 68 PIN MALE TO  
2.54MM 50 PIN BOX HEADER UPPER BYTE  
ACTIVE TERMINATOR
2. INSULATOR COLOR:  
"B" BLACK

# HPDB68M ULTRA320 SCSI LVD/SE INTERNAL TERMINATOR

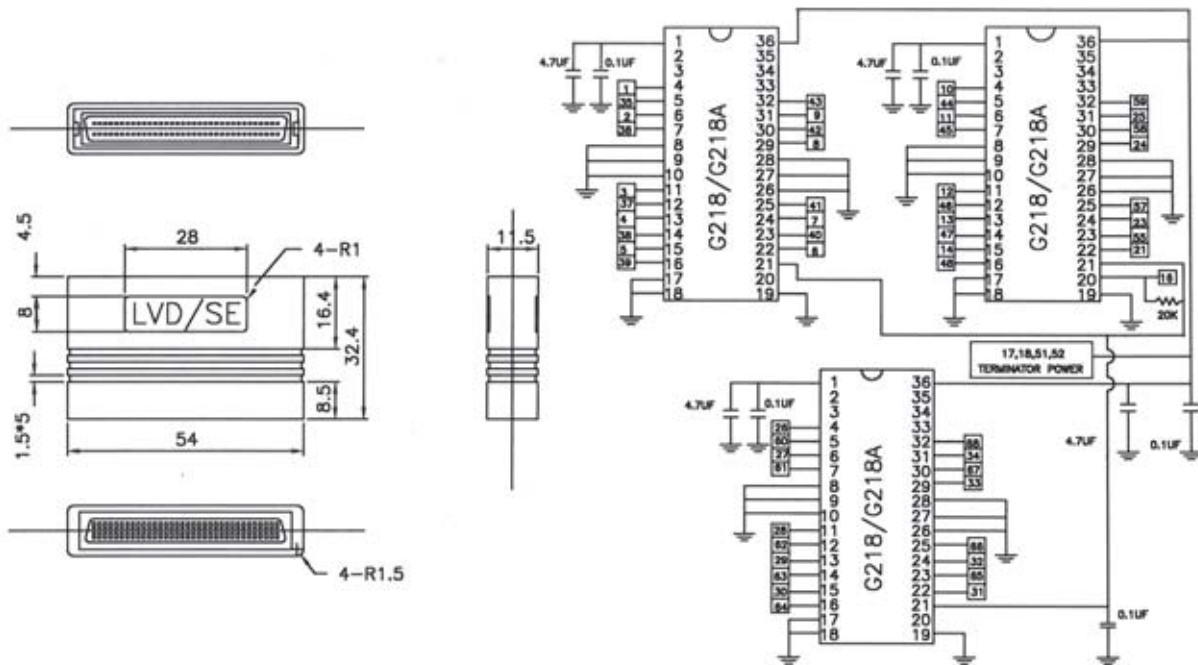


## ORDERING INFORMATION:

P/N T E R M T -  $\frac{011B}{12}$

1. TERMINATOR TYPE:  
"011" HALF PITCH D-SUB. 68 PIN MALE  
INTERNAL ULTRA320 SCSI LVD/SE TERMINATOR
2. INSULATOR COLOR:  
"B" BLACK

# HPDB68M TO HPDB68F ULTRA160 SCSI LVD/SE TERMINATOR

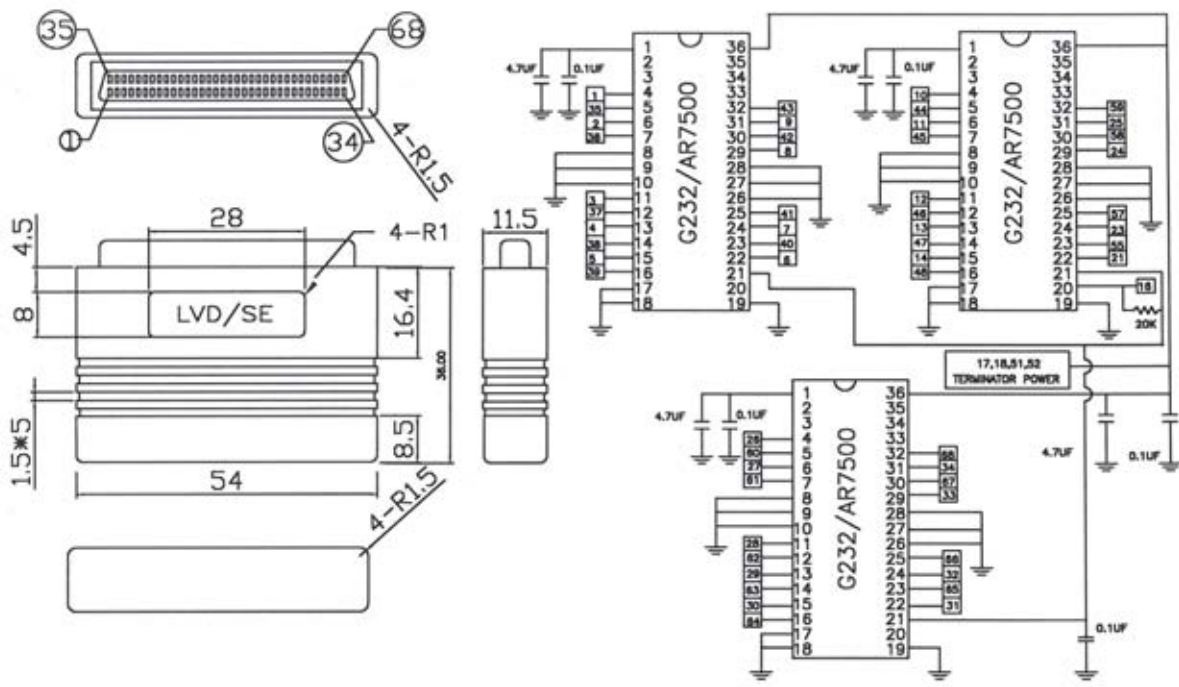


## ORDERING INFORMATION:

P/N T E R M T -  $\frac{012B}{12}$

1. TERMINATOR TYPE:  
"012" HALF PITCH D-SUB. 68 PIN MALE TO  
FEMALE ULTRA160 SCSI LVD/SE TERMINATOR
2. INSULATOR COLOR:  
"B" BLACK

# HPDB68F ULTRA320 SCSI LVD/SE TERMINATOR



## ORDERING INFORMATION:

P/N T E R M T -  $\frac{013B}{12}$

1. TERMINATOR TYPE:  
"013" HALF PITCH D-SUB. 68 PIN FEMALE  
ULTRA320 SCSI LVD/SE TERMINATOR
2. INSULATOR COLOR:  
"B" BLACK

## STANDARD CENTRONIC MINI GENDER CHANGER ALL METAL TYPE

### SPECIFICATIONS

**Current Rating:** 5.0 Amperes

**Contact Resistance:** 15mΩ Max. 1KHz 20mA Max

**Insulation Resistance:** 5000MΩ Min. at 500VDC

**Dielectric Voltage:** 1000V AC at 1 Minute

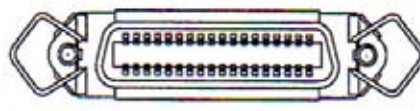
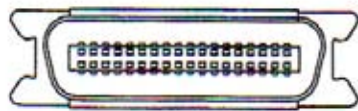
**Operating Temperature:** -55°C to +125°C

### MATERIALS

**Insulator:** PBT, UL94V-0 Rated

**Contact:** Brass contacts are Gold plated over Nickel

\*RoHS & REACH compliant.



**AD36G-36MM**

**AD36G-36FF**

### ORDERING INFORMATION:

P/N A D  $\frac{x}{1}$  G -  $\frac{x}{2}$   $\frac{x}{3}$

1. CONNECTOR AT SIDE 1:

- "14" CEN14
- "24" CEN 24
- "36" CEN 36
- "50" CEN 50

2. CONNECTOR AT SIDE 2:

- "14" CEN14
- "24" CEN 24
- "36" CEN 36
- "50" CEN 50

3. GENDER CHANGER TYPE:

- "FF" FEMALE TO FEMALE
- "MF" MALE TO FEMALE
- "MM" MALE TO MALE

## 0.80MM VHDC68 TO HPDB68/HPDB50F/BH50M ADAPTER

			
ADVH-001V	ADVH-002V	ADVH-003V	ADVH-004B
			
ADVH-005B	ADVH-006B		

### ORDERING INFORMATION:

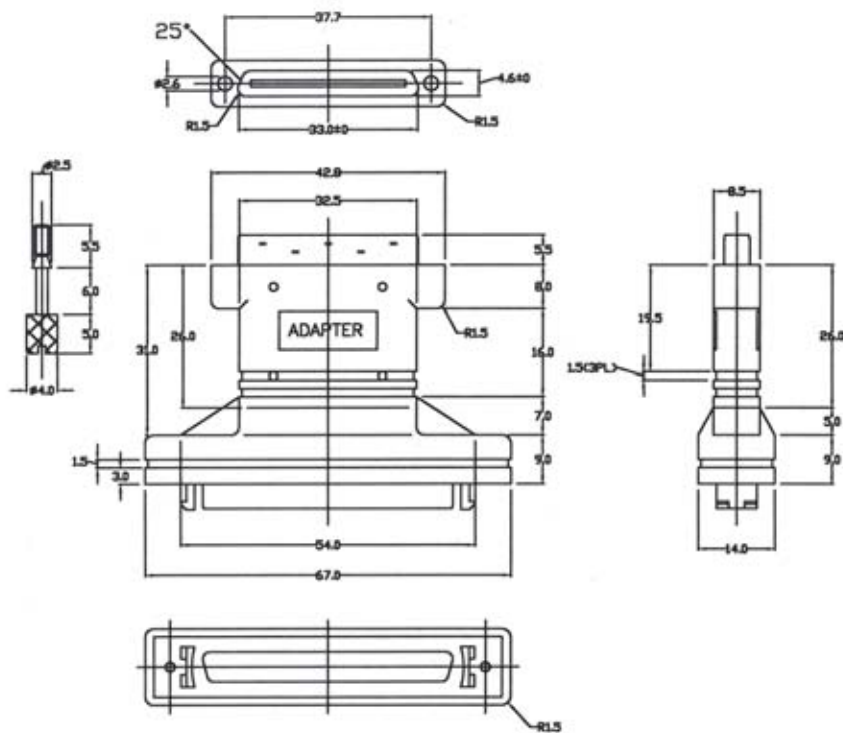
P/N ADVH-001V	VHDC68M TO HPDB68F ADAPTER
P/N ADVH-002V	VHDC68F TO HPDB68M ADAPTER
P/N ADVH-003V	VHDC68M TO HPDB50F ADAPTER
P/N ADVH-004B	VHDC68F TO HPDB68F/BH50M INTERNAL ADAPTER
P/N ADVH-005B	VHDC68F TO HPDB68F INTERNAL ADAPTER
P/N ADVH-006B	VHDC68F TO BH50M INTERNAL ADAPTER

#### NOTE

VHDC68F (M) = 0.80MM VHDC 68 PIN FEMALE (MALE)  
 HPDB68F (M) = HALF PITCH D-SUB. 68 PIN FEMALE (MALE)  
 HPDB50F (M) = HALF PITCH (1.27MM) D-SUB. 50 PIN FEMALE (MALE)  
 BH50M = BOX HEADER 50 PIN MALE



# VHDC68M TO HPDB68F ADAPTER



## PIN ASSIGNMENT

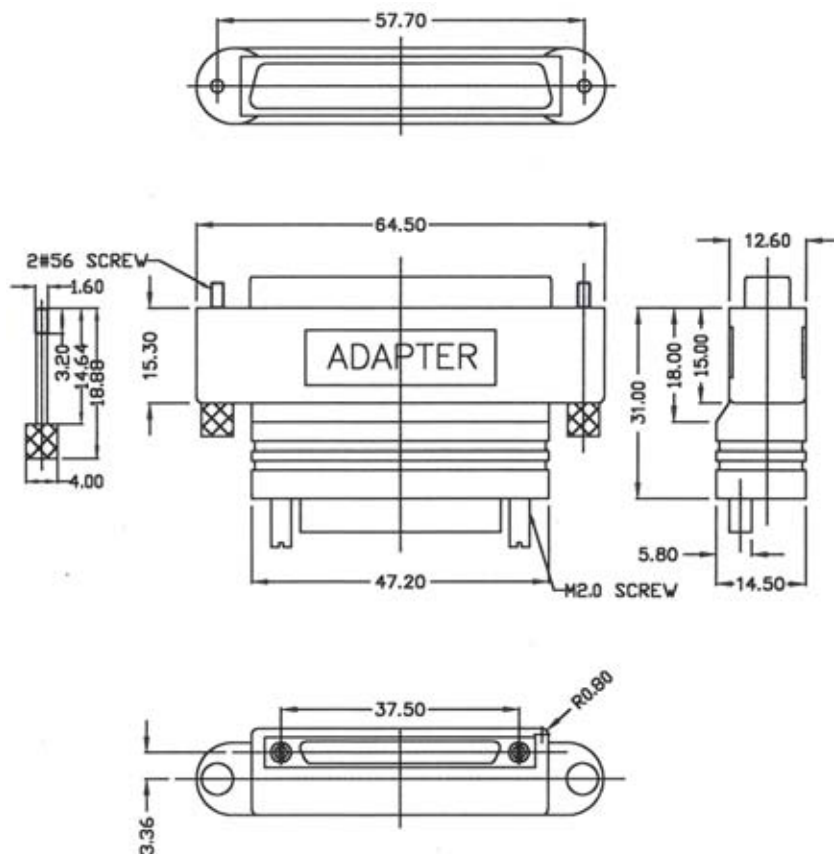
A	B	A	B
1	1	35	35
2	2	36	36
3	3	37	37
4	4	38	38
5	5	39	39
6	6	40	40
7	7	41	41
8	8	42	42
9	9	43	43
10	10	44	44
11	11	45	45
12	12	46	46
13	13	47	47
14	14	48	48
15	15	49	49
16	16	50	50
17	17	51	51
18	18	52	52
19	19	53	53
20	20	54	54
21	21	55	55
22	22	56	56
23	23	57	57
24	24	58	58
25	25	59	59
26	26	60	60
27	27	61	61
28	28	62	62
29	29	63	63
30	30	64	64
31	31	65	65
32	32	66	66
33	33	67	67
34	34	68	68
SHELL		SHELL	

## ORDERING INFORMATION:

P/N A D V H -  $\frac{001}{1} \frac{V}{2}$

1. ADAPTER TYPE:  
"001" 0.80MM PITCH VHDC 68 PIN MALE TO  
HALF PITCH D-SUB. 68 PIN FEMALE
2. INSULATOR COLOR:  
"V" BEIGE

# VHDC68F TO HPDB68M ADAPTER



## PIN ASSIGNMENT

A	B	A	B
1	1	35	35
2	2	36	36
3	3	37	37
4	4	38	38
5	5	39	39
6	6	40	40
7	7	41	41
8	8	42	42
9	9	43	43
10	10	44	44
11	11	45	45
12	12	46	46
13	13	47	47
14	14	48	48
15	15	49	49
16	16	50	50
17	17	51	51
18	18	52	52
19	19	53	53
20	20	54	54
21	21	55	55
22	22	56	56
23	23	57	57
24	24	58	58
25	25	59	59
26	26	60	60
27	27	61	61
28	28	62	62
29	29	63	63
30	30	64	64
31	31	65	65
32	32	66	66
33	33	67	67
34	34	68	68
	SHELL		SHELL

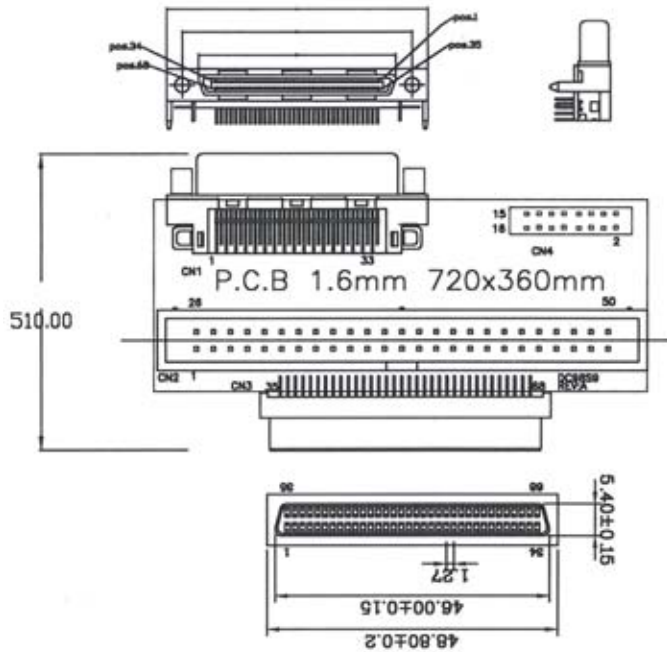
## ORDERING INFORMATION:

P/N A D V H -  $\frac{002V}{12}$

1. ADAPTER TYPE:  
"002" 0.80MM PITCH VHDC 68 PIN FEMALE TO  
HALF PITCH D-SUB. 68 PIN MALE
2. INSULATOR COLOR:  
"V" BEIGE



# VHDC68F TO HPDB68F/BH50M INTERNAL ADAPTER



## PIN ASSIGNMENT

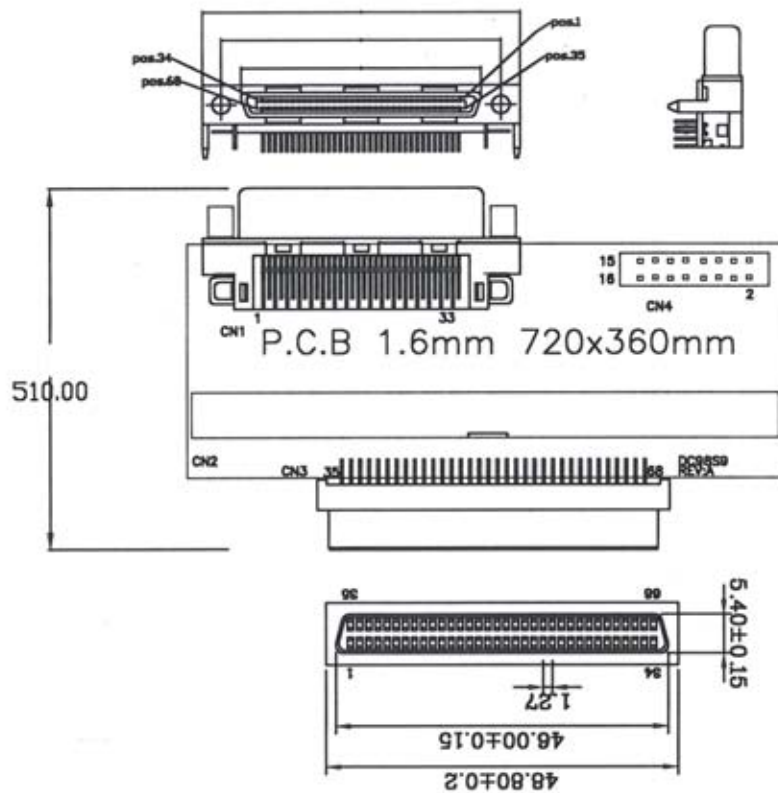
CN1	CN3	CN1	CN3	CN1	CN2	CN1	CN2
1	1	35	35	1	X	35	X
2	2	36	36	2	X	36	X
3	3	37	37	3	X	37	X
4	4	38	38	4	X	38	X
5	5	39	39	5	X	39	X
6	6	40	40	6	1	40	2
7	7	41	41	7	3	41	4
8	8	42	42	8	5	42	6
9	9	43	43	9	7	43	8
10	10	44	44	10	9	44	10
11	11	45	45	11	11	45	12
12	12	46	46	12	13	46	14
13	13	47	47	13	15	47	16
14	14	48	48	14	17	48	18
15	15	49	49	15	19	49	20
16	16	50	50	16	21	50	22
17	17	51	51	17	X	51	X
18	18	52	52	18	X	52	28
19	19	53	53	19	X	53	X
20	20	54	54	20	29	54	30
21	21	55	55	21	31	55	32
22	22	56	56	22	33	56	34
23	23	57	57	23	35	57	36
24	24	58	58	24	37	58	38
25	25	59	59	25	39	59	40
26	26	60	60	26	41	60	42
27	27	61	61	27	43	61	44
28	28	62	62	28	45	62	48
29	29	63	63	29	47	63	48
30	30	64	64	30	49	64	50
31	31	65	65	31	X	65	X
32	32	66	66	32	X	66	X
33	33	67	67	33	X	67	X
34	34	68	68	34	X	68	X

## ORDERING INFORMATION:

P/N A D V H - 004 B  
1 2

- ADAPTER TYPE:  
"004" 0.80MM PITCH VHDC 68 PIN FEMALE TO  
HALF PITCH D-SUB. 68 PIN FEMALE &  
2.54MM 50 PIN BOX HEADER
- INSULATOR COLOR:  
"B" BLACK

# VHDC68F TO HPDB68F INTERNAL ADAPTER



## PIN ASSIGNMENT

CN1	CN3	CN1	CN3
1	1	35	35
2	2	36	36
3	3	37	37
4	4	38	38
5	5	39	39
6	6	40	40
7	7	41	41
8	8	42	42
9	9	43	43
10	10	44	44
11	11	45	45
12	12	46	46
13	13	47	47
14	14	48	48
15	15	49	49
16	16	50	50
17	17	51	51
18	18	52	52
19	19	53	53
20	20	54	54
21	21	55	55
22	22	56	56
23	23	57	57
24	24	58	58
25	25	59	59
26	26	60	60
27	27	61	61
28	28	62	62
29	29	63	63
30	30	64	64
31	31	65	65
32	32	66	66
33	33	67	67
34	34	68	68

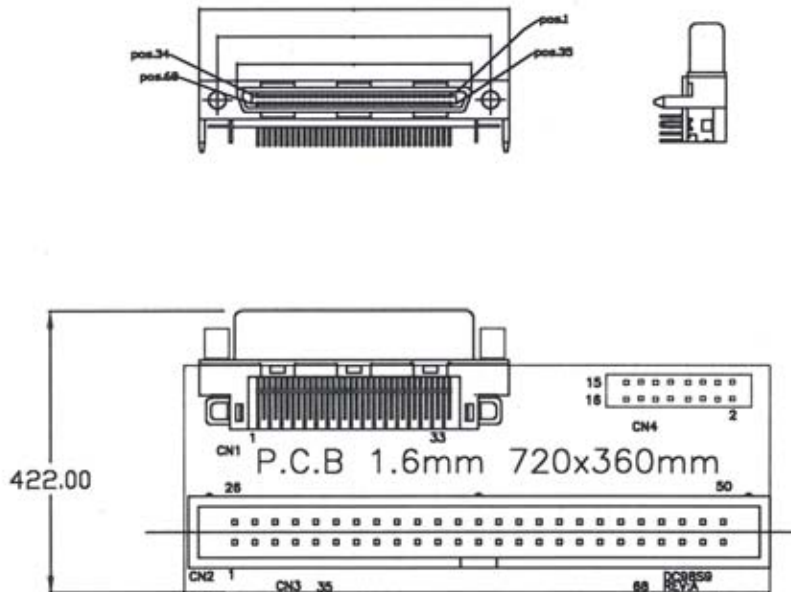
## ORDERING INFORMATION:

P/N A D V H -  $\frac{005}{1} \frac{B}{2}$

1. ADAPTER TYPE:  
"005" 0.80MM PITCH VHDC 68 PIN FEMALE TO  
HALF PITCH D-SUB. 68 PIN FEMALE
2. INSULATOR COLOR:  
"B" BLACK

# VHDC68F TO BH50M ADAPTER

## PIN ASSIGNMENT



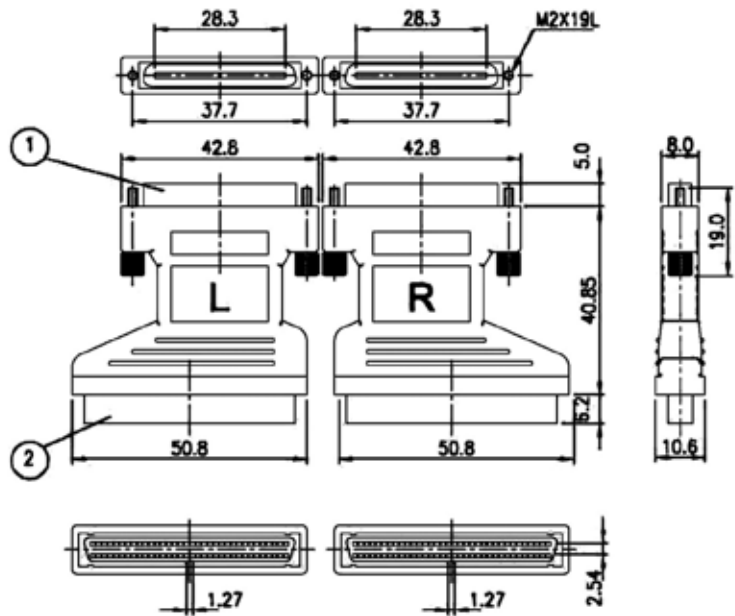
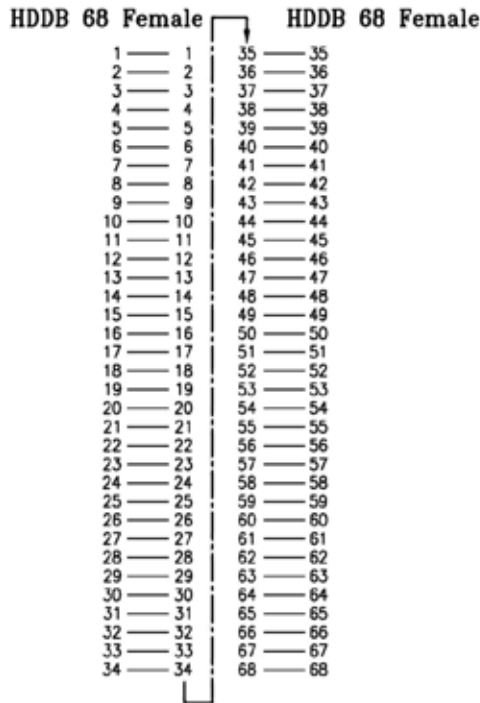
CN1	CN2	CN1	CN2
1	X	35	X
2	X	36	X
3	X	37	X
4	X	38	X
5	X	39	X
6	1	40	2
7	3	41	4
8	5	42	6
9	7	43	8
10	9	44	10
11	11	45	12
12	13	46	14
13	15	47	16
14	17	48	18
15	19	49	20
16	21	50	22
17	X	51	X
18	X	52	26
19	X	53	X
20	29	54	30
21	31	55	32
22	33	56	34
23	35	57	36
24	37	58	38
25	39	59	40
26	41	60	42
27	43	61	44
28	45	62	46
29	47	63	48
30	49	64	50
31	X	65	X
32	X	66	X
33	X	67	X
34	X	68	X

### ORDERING INFORMATION:

P/N A D V H - 006 B  
                          1 2

1. ADAPTER TYPE:  
"006" 0.80MM PITCH VHDC 68 PIN FEMALE TO  
2.54MM 50 PIN BOX HEADER
2. INSULATOR COLOR:  
"B" BLACK

# VHDC68M TO HPDB68F ADAPTER



## ORDERING INFORMATION:

P/N A D V H -  $\frac{x x x B}{1 \quad 2}$

### 1. ADAPTER TYPE:

- "010" VHDC68M/HPDB68F L TYPE (ONE PIECE)
- "011" VHDC68M/HPDB68F R TYPE (ONE PIECE)
- "012" VHDC68M/HPDB68F LR TYPE (TWO PIECES)

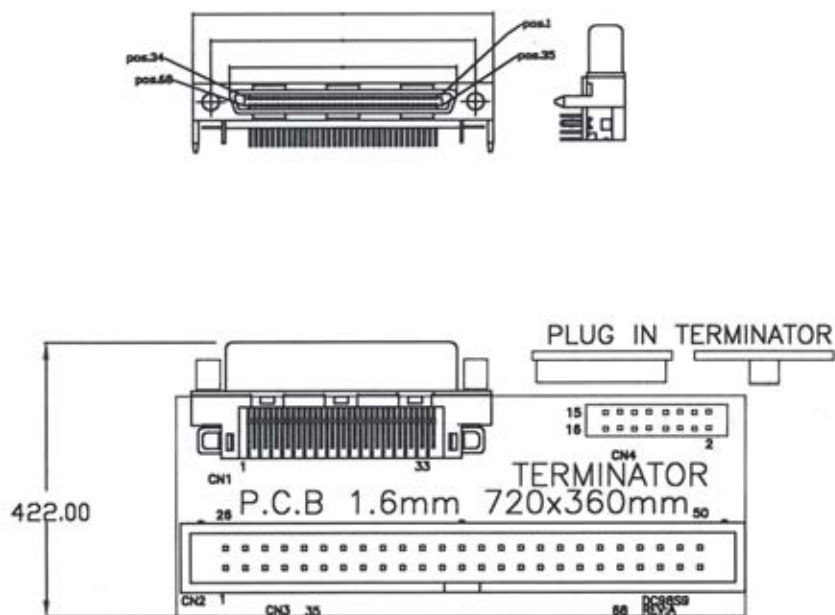
### 2. INSULATOR COLOR:

"B" BLACK

NOTE: VHDC68M = 0.80MM PITCH VHDC 68 PIN MALE  
HPDB68F = HALF PITCH D-SUB. 68 PIN FEMALE



# VHDC68F TO BH50M ADAPTER WITH TERMINATOR



## PIN ASSIGNMENT

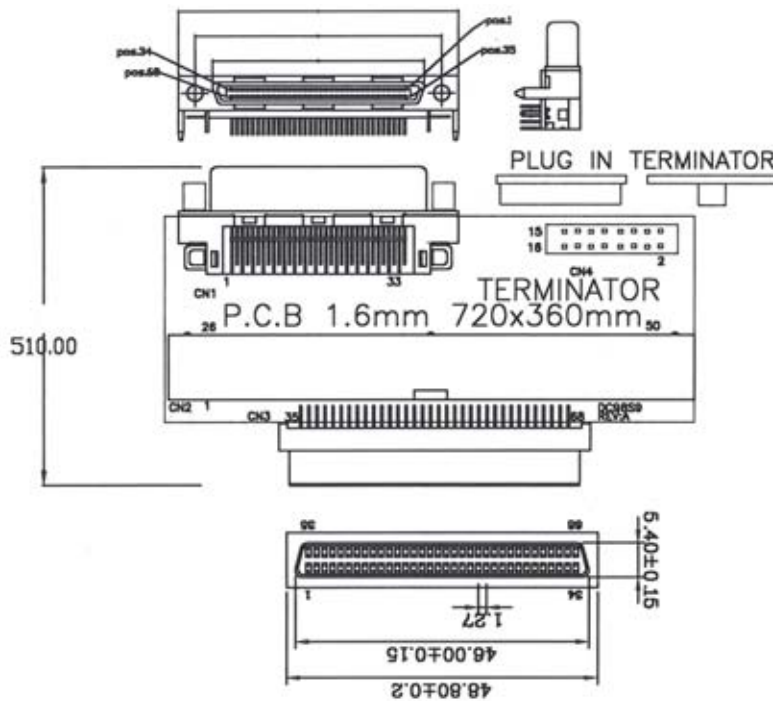
CN1	CN2	CN1	CN2
1	X	35	X
2	X	36	X
3	X	37	X
4	X	38	X
5	X	39	X
6	1	40	2
7	3	41	4
8	5	42	6
9	7	43	8
10	9	44	10
11	11	45	12
12	13	46	14
13	15	47	16
14	17	48	18
15	19	49	20
16	21	50	22
17	X	51	X
18	X	52	26
19	X	53	X
20	29	54	30
21	31	55	32
22	33	56	34
23	35	57	36
24	37	58	38
25	39	59	40
26	41	60	42
27	43	61	44
28	45	62	46
29	47	63	48
30	49	64	50
31	X	65	X
32	X	66	X
33	X	67	X
34	X	68	X

## ORDERING INFORMATION:

P/N A D V H - 008 B  
1 2

- ADAPTER TYPE:  
 "008" 0.80MM PITCH VHDC 68 PIN FEMALE TO  
 2.54MM 50 PIN BOX HEADER WITH TERMINATOR
- INSULATOR COLOR:  
 "B" BLACK

# VHDC68F TO HPDB68F ADAPTER WITH TERMINATOR



## PIN ASSIGNMENT

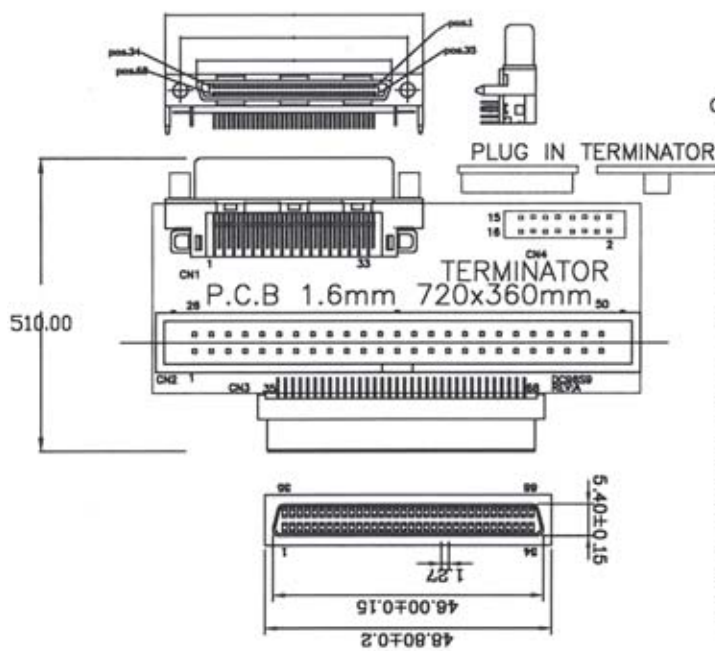
CN1	CN3	CN1	CN3
1	1	35	35
2	2	36	36
3	3	37	37
4	4	38	38
5	5	39	39
6	6	40	40
7	7	41	41
8	8	42	42
9	9	43	43
10	10	44	44
11	11	45	45
12	12	46	46
13	13	47	47
14	14	48	48
15	15	49	49
16	16	50	50
17	17	51	51
18	18	52	52
19	19	53	53
20	20	54	54
21	21	55	55
22	22	56	56
23	23	57	57
24	24	58	58
25	25	59	59
26	26	60	60
27	27	61	61
28	28	62	62
29	29	63	63
30	30	64	64
31	31	65	65
32	32	66	66
33	33	67	67
34	34	68	68

## ORDERING INFORMATION:

P/N A D V H - 009 B  
                                  1      2

1. ADAPTER TYPE:  
"009" 0.80MM PITCH VHDC 68 PIN FEMALE TO  
HALF PITCH D-SUB. 68 PIN FEMALE  
WITH TERMINATOR
2. INSULATOR COLOR:  
"B" BLACK

# VHDC68F TO HPDB68F/BH50M ADAPTER WITH TERMINATOR



## PIN ASSIGNMENT

CN1	CN3	CN1	CN3	CN1	CN2	CN1	CN2
1	1	35	35	1	X	35	X
2	2	36	36	2	X	36	X
3	3	37	37	3	X	37	X
4	4	38	38	4	X	38	X
5	5	39	39	5	X	39	X
6	6	40	40	6		40	2
7	7	41	41	7		41	4
8	8	42	42	8		42	6
9	9	43	43	9		43	8
10	10	44	44	10		44	10
11	11	45	45	11		45	12
12	12	46	46	12		46	14
13	13	47	47	13		47	16
14	14	48	48	14		48	18
15	15	49	49	15		49	20
16	16	50	50	16		50	22
17	17	51	51	17	X	51	X
18	18	52	52	18	X	52	26
19	19	53	53	19	X	53	X
20	20	54	54	20		54	30
21	21	55	55	21		55	32
22	22	56	56	22		56	34
23	23	57	57	23		57	36
24	24	58	58	24		58	38
25	25	59	59	25		59	40
26	26	60	60	26		60	42
27	27	61	61	27		61	44
28	28	62	62	28		62	46
29	29	63	63	29		63	48
30	30	64	64	30		64	50
31	31	65	65	31	X	65	X
32	32	66	66	32	X	66	X
33	33	67	67	33	X	67	X
34	34	68	68	34	X	68	X

## ORDERING INFORMATION:

P/N A D V H - 007 B  
1 2

- ADAPTER TYPE:  
"007" 0.80MM PITCH VHDC 68 PIN FEMALE TO  
HALF PITCH D-SUB. 68 PIN FEMALE &  
2.54MM 50 PIN BOX HEADER WITH TERMINATOR
- INSULATOR COLOR:  
"B" BLACK

## 0.80MM VHDC68M EXTERNAL TERMINATOR



TERMT-201V



TERMT-202V



TERMT-203V

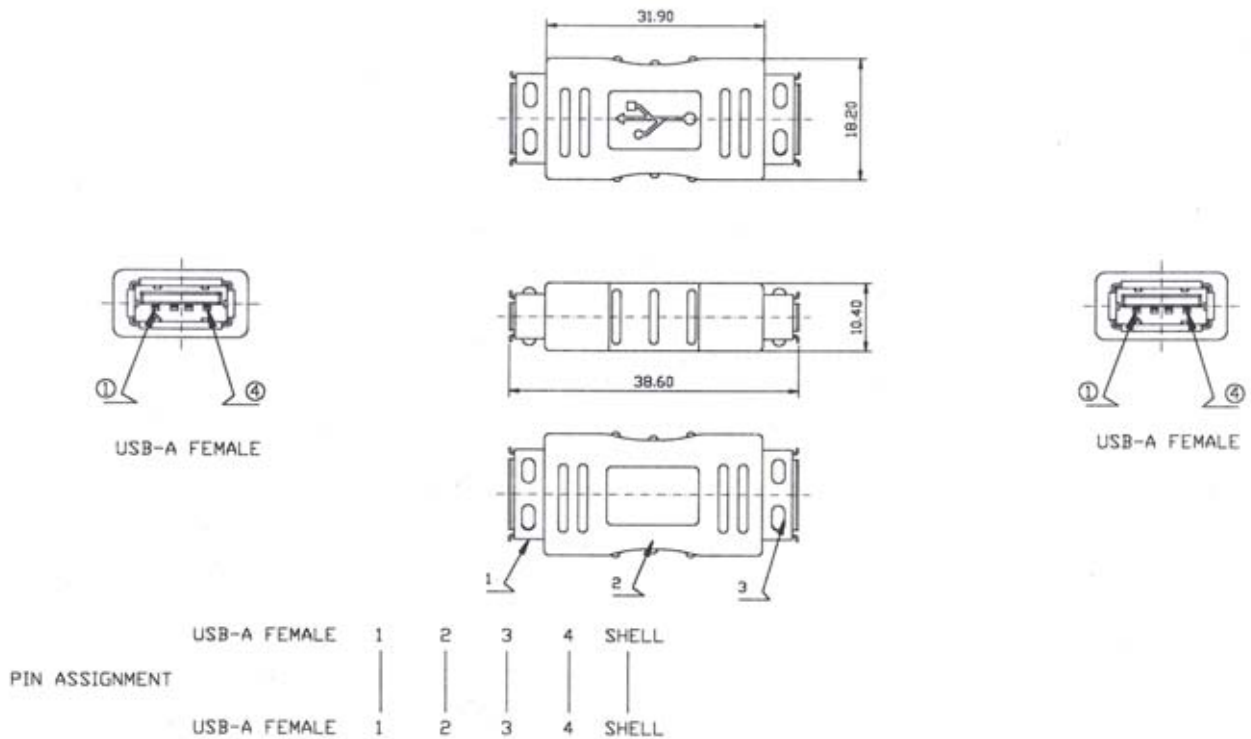
### ORDERING INFORMATION:

P/N TERMT-201V	VHDC68M	ACTIVE TERMINATOR WITH LED
P/N TERMT-202V	VHDC68M	LVD TERMINATOR WITH LED
P/N TERMT-203V	VHDC68M	LVD/SE TERMINATOR WITH LED

#### NOTE

VHDC68M = 0.80MM VHDC 68 PIN MALE

# USB ADAPTER REV.1.1 AF/AF TYPE



	DESCRIPTION
1	USB-A TYPE FEMALE INSULATION: WHITE IN COLOR
2	PVC MOLDED WITH COPPER FOIL BEIGE IN COLOR
3	USB-A TYPE FEMALE INSULATION: WHITE IN COLOR
4	INTERNAL WIRES: UL1007 30AWG 7 STRANDED L: 17MM

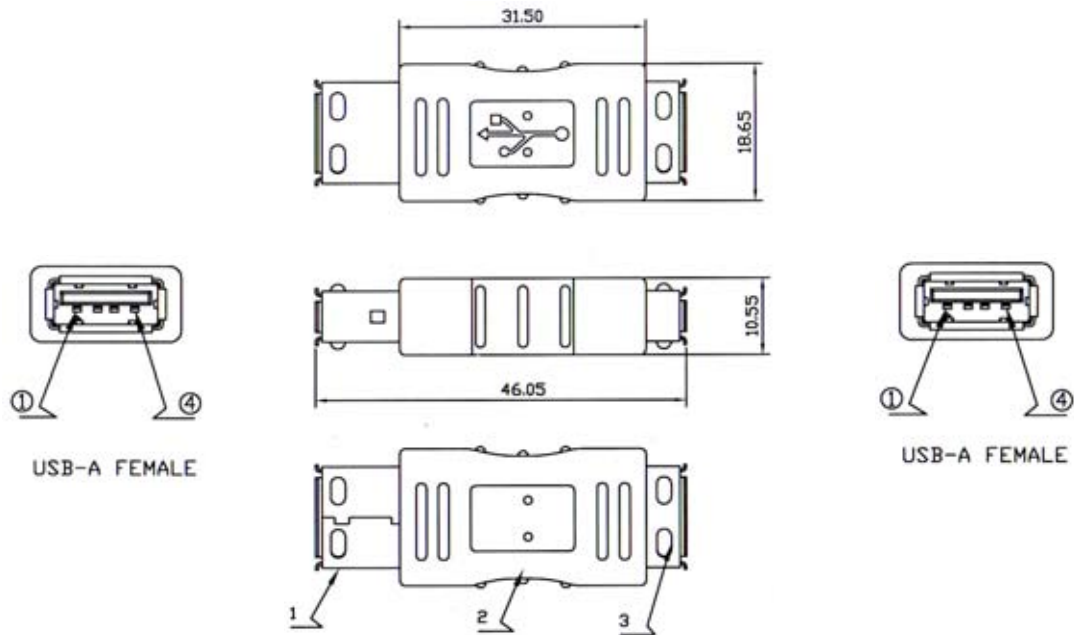
## ORDERING INFORMATION:

P/N A D U  $\frac{1}{1} - \frac{001}{2} \frac{V}{3}$

P/N REVISED

1. USB REVISION:  
"1" REVISION 1.1
2. ADAPTER TYPE:  
"001" USB A TYPE FEMALE TO  
USB A TYPE FEMALE
3. INSULATOR COLOR:  
"V" IVORY

# USB ADAPTER REV.1.1 AF/AF TYPE WITH LED



PIN ASSIGNMENT		COLOR	
AF	AF		
1	1	RED	
2	2	WHITE	
3	3	GREEN	
4	4	BLACK	
SHELL	SHELL	BRAID	

	DESCRIPTION
1	USB-A TYPE FEMALE INSULATION: WHITE IN COLOR
2	PVC MOLDED WITH TRANSPARENT IN COLOR
3	USB-A TYPE FEMALE INSULATION: WHITE IN COLOR
4	INTERNAL WIRES: UL1007 30AWG 7 STRANDED L: 17MM

## ORDERING INFORMATION:

P/N A D U  $\frac{1}{1} - \frac{002}{2} \frac{x}{3}$

P/N REVISED

1. USB REVISION:  
"1" REVISION 1.1
2. ADAPTER CODE:  
"002" USB A TYPE FEMALE TO  
USB A TYPE FEMALE WITH LED
3. LED COLOR:  
"R" RED LIGHT  
"Y" YELLOW  
"N" GREEN  
"U" BLUE  
"W" WHITE

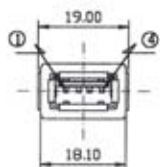
# USB ADAPTER REV.1.1 AF/AM TYPE

## SPECIFICATIONS

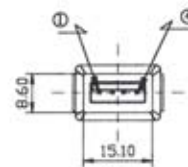
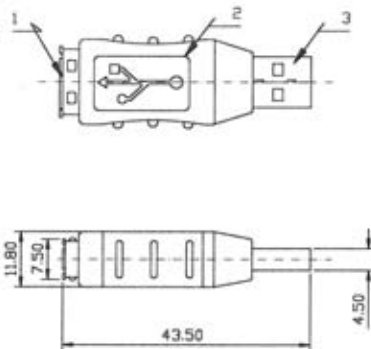
Insulation Resistance: 10M Ohm

Contact Resistance: 100 Ohm

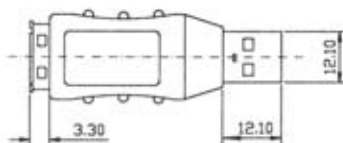
\*RoHS & REACH compliant.



USB-A FEMALE



USB-A MALE



	USB-A FEMALE	1	2	3	4	SHELL
PIN ASSIGNMENT						
	USB-A MALE	1	2	3	4	SHELL

## ORDERING INFORMATION:

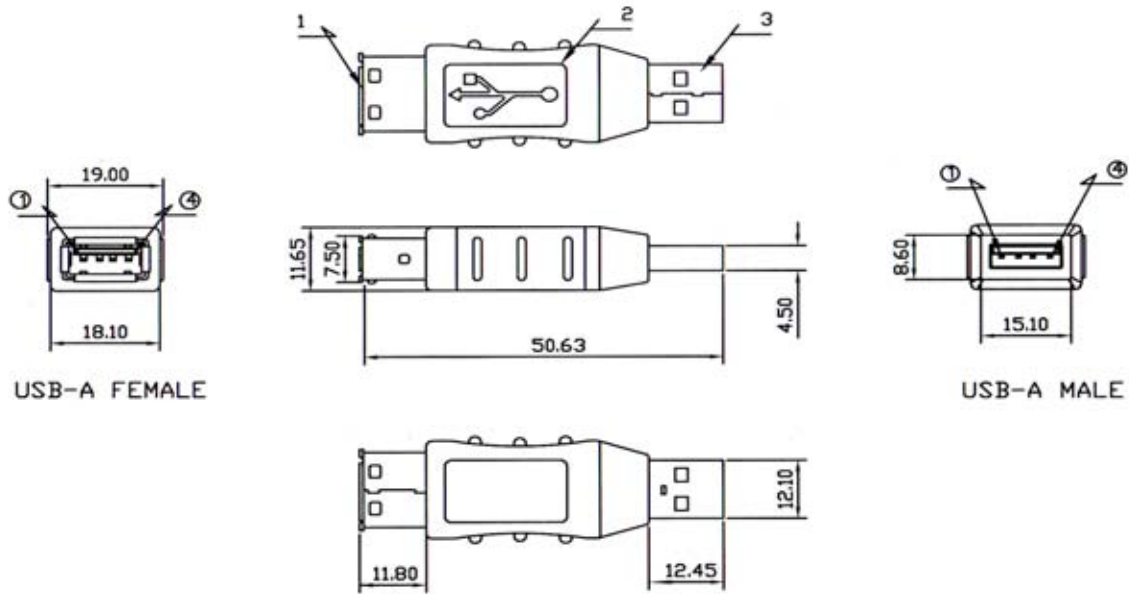
P/N A D U  $\frac{1}{1} - \frac{003}{2} \frac{V}{3}$

P/N REVISED

1. USB REVISION:  
"1" REVISION 1.1
2. ADAPTER TYPE:  
"003" USB A TYPE FEMALE TO  
USB A TYPE MALE
3. INSULATOR COLOR:  
"V" IVORY



# USB ADAPTER REV.1.1 AF/AM TYPE WITH LED



## PIN ASSIGNMENT

AM	AF	COLOR
1	1	RED
2	2	WHITE
3	3	GREEN
4	4	BLACK
SHELL	SHELL	BRAID

	DESCRIPTION
1	USB-A TYPE FEMALE INSULATION: WHITE IN COLOR
2	PVC MOLDED WITH TRANSPARENT IN COLOR
3	USB-A TYPE MALE INSULATION: WHITE IN COLOR
4	INTERNAL WIRES UL1007 30AWG 7 STRANDED L: 17MM

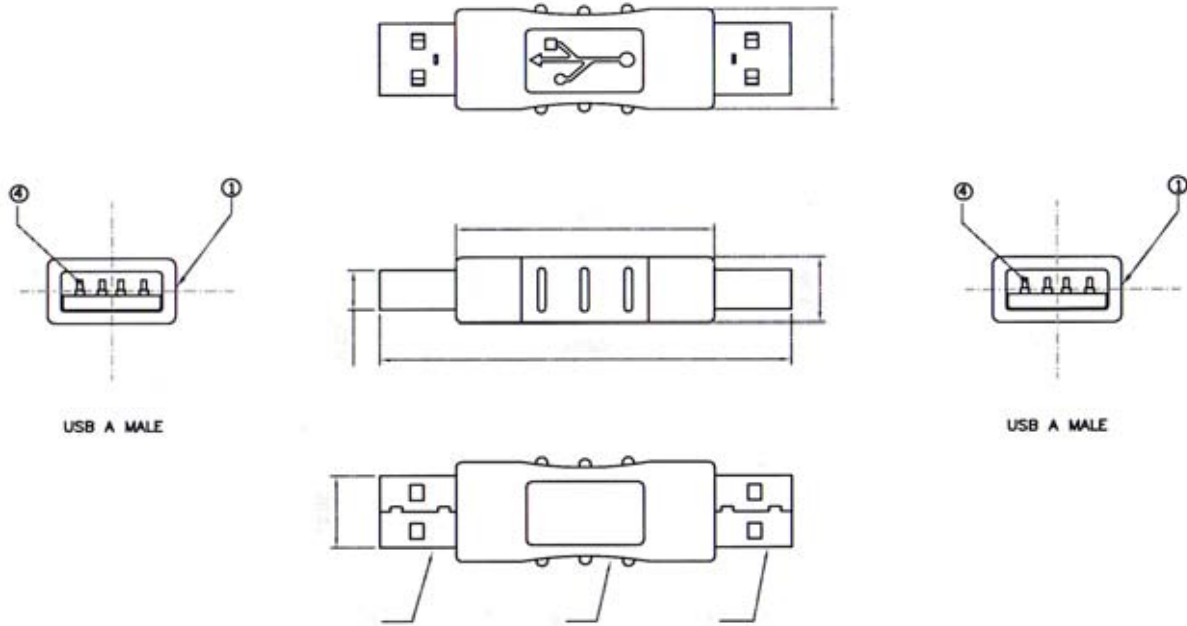
## ORDERING INFORMATION:

P/N A D U  $\frac{1}{1} - \frac{004}{2} \frac{x}{3}$

P/N REVISED

1. USB REVISION:  
"1" REVISION 1.1
2. ADAPTER CODE:  
"004" USB A TYPE FEMALE TO  
USB A TYPE MALE WITH LED
3. LED COLOR:  
"R" RED LIGHT  
"Y" YELLOW  
"N" GREEN  
"U" BLUE  
"W" WHITE

# USB ADAPTER REV.1.1 AM/AM TYPE



	USB-A MALE	1	2	3	4	SHELL
PIN ASSIGNMENT						
	USB-A MALE	1	2	3	4	SHELL

	DESCRIPTION
1	USB-A TYPE MALE INSULATION: WHITE IN COLOR
2	PVC MOLDED WITH COPPER FOIL BEIGE IN COLOR
3	USB-A TYPE MALE INSULATION: WHITE IN COLOR
4	INTERNAL WIRES UL1007 30AWG 7 STRANDED L: 17MM

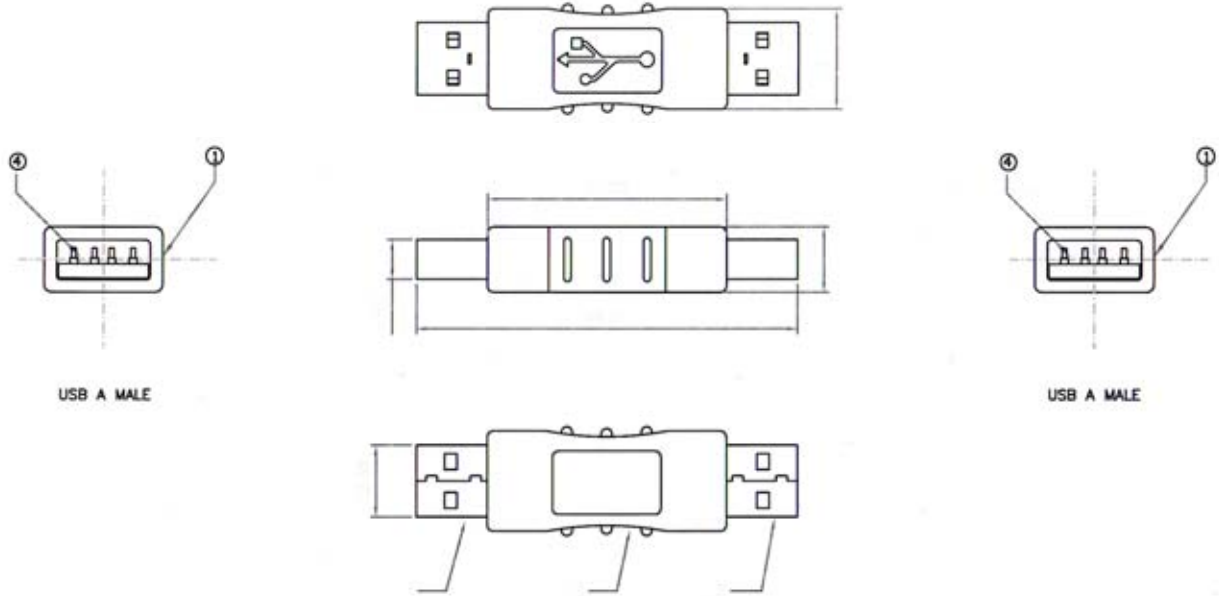
## ORDERING INFORMATION:

P/N A D U  $\frac{1}{1} - \frac{005}{2} \frac{V}{3}$

P/N REVISED

1. USB REVISION:  
"1" REVISION 1.1
2. ADAPTER CODE:  
"005" USB A TYPE MALE TO  
USB A TYPE MALE
3. INSULATOR COLOR:  
"V" IVORY

# USB ADAPTER REV.1.1 AM/AM TYPE WITH LED



PIN ASSIGNMENT

AM	AM	COLOR
1	1	RED
2	2	WHITE
3	3	GREEN
4	4	BLACK
SHELL	SHELL	BRAID



	DESCRIPTION
1	USB-A TYPE MALE INSULATION: WHITE IN COLOR
2	PVC MOLDED WITH TRANSPARENT IN COLOR
3	USB-A TYPE MALE INSULATION: WHITE IN COLOR
4	INTERNAL WIRES UL1007 30AWG 7 STRANDED L: 17MM

## ORDERING INFORMATION:

P/N A D U  $\frac{1}{1} - \frac{006}{2} \frac{x}{3}$

P/N REVISED

1. USB REVISION:  
"1" REVISION 1.1
2. ADAPTER CODE:  
"006" USB A TYPE MALE TO  
USB A TYPE MALE WITH LED
3. LED COLOR:  
"R" RED LIGHT  
"Y" YELLOW  
"N" GREEN  
"U" BLUE  
"W" WHITE

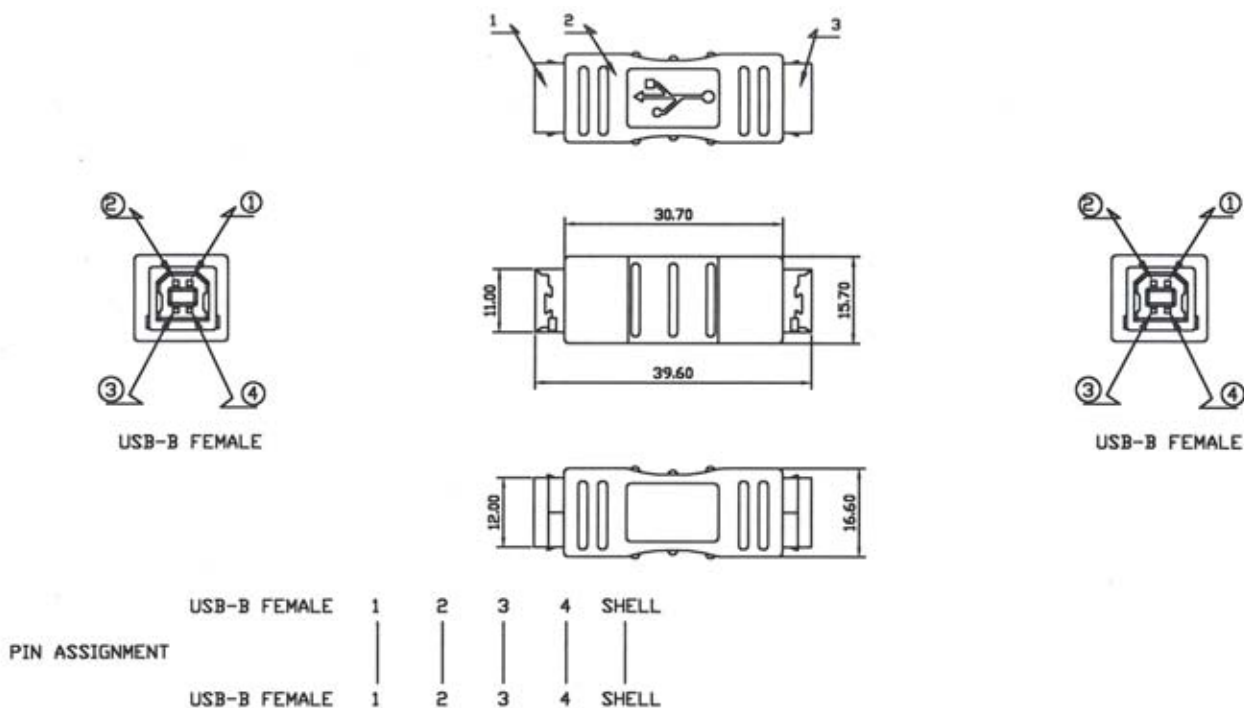
# USB ADAPTER REV.1.1 BF/BF TYPE

## SPECIFICATIONS

Insulation Resistance: 10M Ohm

Contact Resistance: 100 Ohm

\*RoHS & REACH compliant.



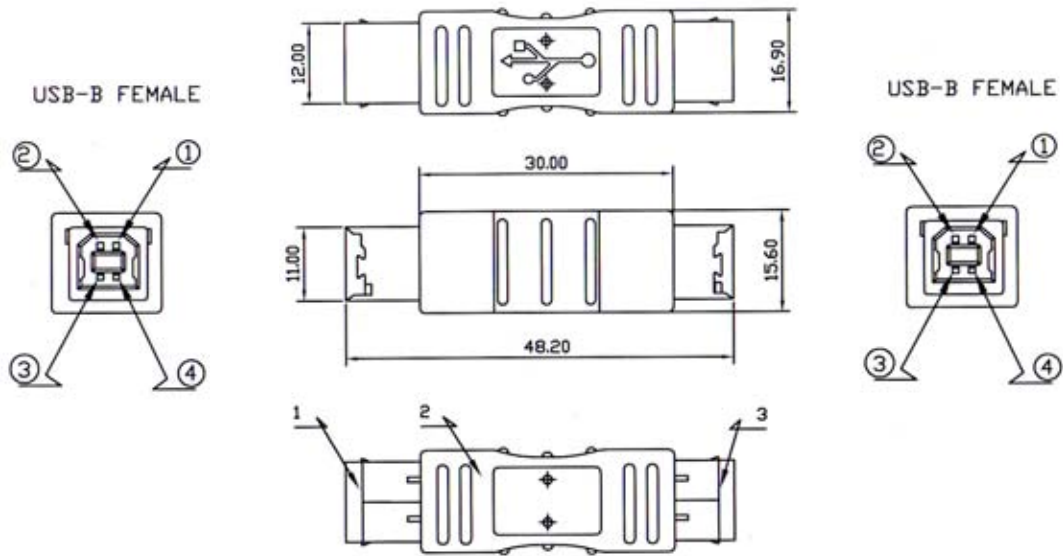
## ORDERING INFORMATION:

P/N A D U 1 - 007 V

P/N REVISED

1. USB REVISION:  
"1" REVISION 1.1
2. ADAPTER TYPE:  
"007" USB B TYPE FEMALE TO  
USB B TYPE FEMALE
3. INSULATOR COLOR:  
"V" IVORY

# USB ADAPTER REV.1.1 BF/BF TYPE WITH LED



BF		PIN ASSIGNMENT		BF		COLOR	
1	—	1	—	RED			
2	—	2	—	WHITE			
3	—	3	—	GREEN			
4	—	4	—	BLACK			
SHELL		SHELL		BRAID			

	DESCRIPTION
1	USB-B TYPE FEMALE INSULATION: WHITE IN COLOR
2	PVC MOLDED WITH TRANSPARENT IN COLOR
3	USB-B TYPE FEMALE INSULATION: WHITE IN COLOR
4	INTERNAL WIRES: UL1007 30AWG 7 STRANDED L: 17MM

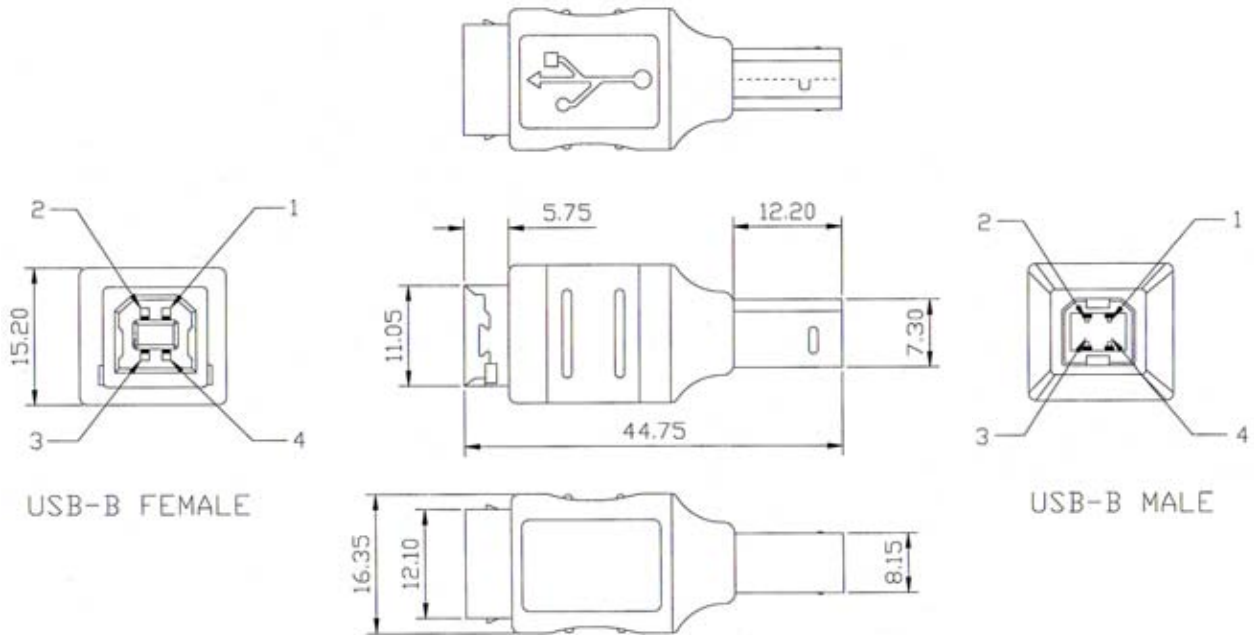
## ORDERING INFORMATION:

P/N A D U  $\frac{1}{1} - \frac{008}{2} \frac{x}{3}$

P/N REVISED

1. USB REVISION:  
"1" REVISION 1.1
2. ADAPTER CODE:  
"008" USB B TYPE FEMALE TO  
USB B TYPE FEMALE WITH LED
3. LED COLOR:  
"R" RED LIGHT  
"Y" YELLOW  
"N" GREEN  
"U" BLUE  
"W" WHITE

# USB ADAPTER REV.1.1 BF/BM TYPE



	USB-B FEMALE	1	2	3	4	SHELL
PIN ASSIGNMENT						
	USB-B MALE	1	2	3	4	SHELL

	DESCRIPTION
1	USB-B TYPE FEMALE INSULATION: WHITE IN COLOR
2	PVC MOLDED BEIGE IN COLOR
3	USB-B TYPE MALE INSULATION: WHITE IN COLOR
4	INTERNAL WIRES: UL1007 30AWG

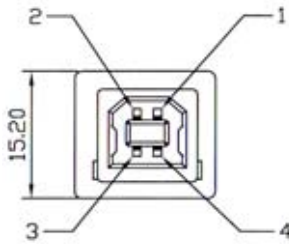
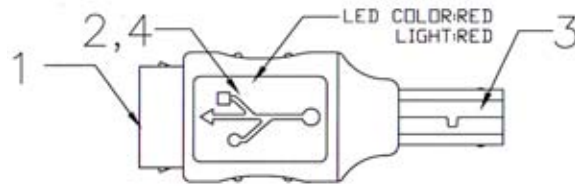
## ORDERING INFORMATION:

P/N A D U  $\frac{1}{1} - \frac{009}{2} \frac{V}{3}$

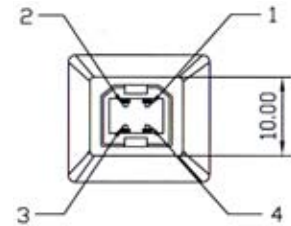
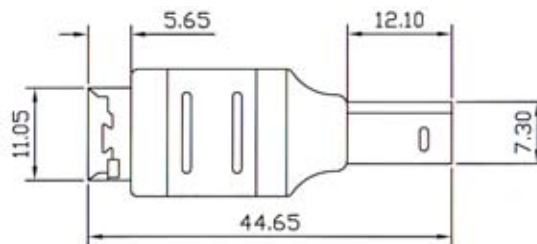
P/N REVISED

1. USB REVISION:  
"1" REVISION 1.1
2. ADAPTER CODE:  
"009" USB B TYPE FEMALE TO  
USB B TYPE MALE
3. INSULATOR COLOR:  
"V" IVORY

# USB ADAPTER REV.1.1 BF/BM TYPE WITH LED



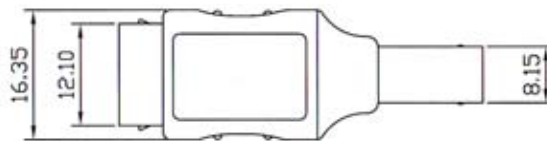
USB-B FEMALE



USB-B MALE

## PIN ASSIGNMENT

BM		BF		
1	—	1		
2	—	2		
3	—	3		
4	—	4		
SHELL		—	SHELL	



	DESCRIPTION
1	USB B TYPE FEMALE SHELL PLATED: NICKEL CONTACT: G/F
2	55P PVC MOLD TRANSPARENT IN COLOR
3	USB B TYPE MALE SHELL PLATED: NICKEL CONTACT: G/F
4	INTERNAL WIRES: UL1007 30AWG

## ORDERING INFORMATION:

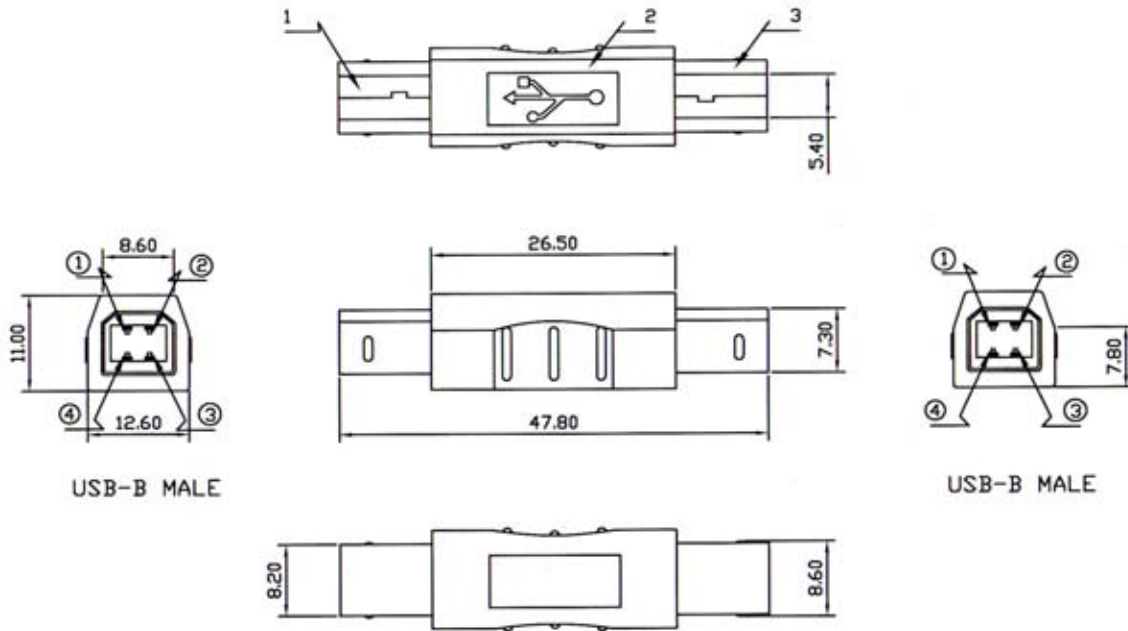
P/N A D U  $\frac{1}{1} - \frac{010}{2} \frac{x}{3}$

P/N REVISED

1. USB REVISION:  
"1" REVISION 1.1
2. ADAPTER CODE:  
"010" USB B TYPE FEMALE TO  
USB B TYPE MALE WITH LED
3. LED COLOR:  
"R" RED LIGHT  
"Y" YELLOW  
"N" GREEN  
"U" BLUE  
"W" WHITE



# USB ADAPTER REV.1.1 BM/BM TYPE



	USB-B MALE	1	2	3	4	SHELL
PIN ASSIGNMENT						
	USB-B MALE	1	2	3	4	SHELL

	DESCRIPTION
1	USB-B TYPE MALE INSULATION: WHITE IN COLOR
2	PVC MOLDED WITH COPPER FOIL BEIGE IN COLOR
3	USB-B TYPE MALE INSULATION: WHITE IN COLOR
4	INTERNAL WIRES: UL1007 30AWG 7 STRANDED L: 17MM

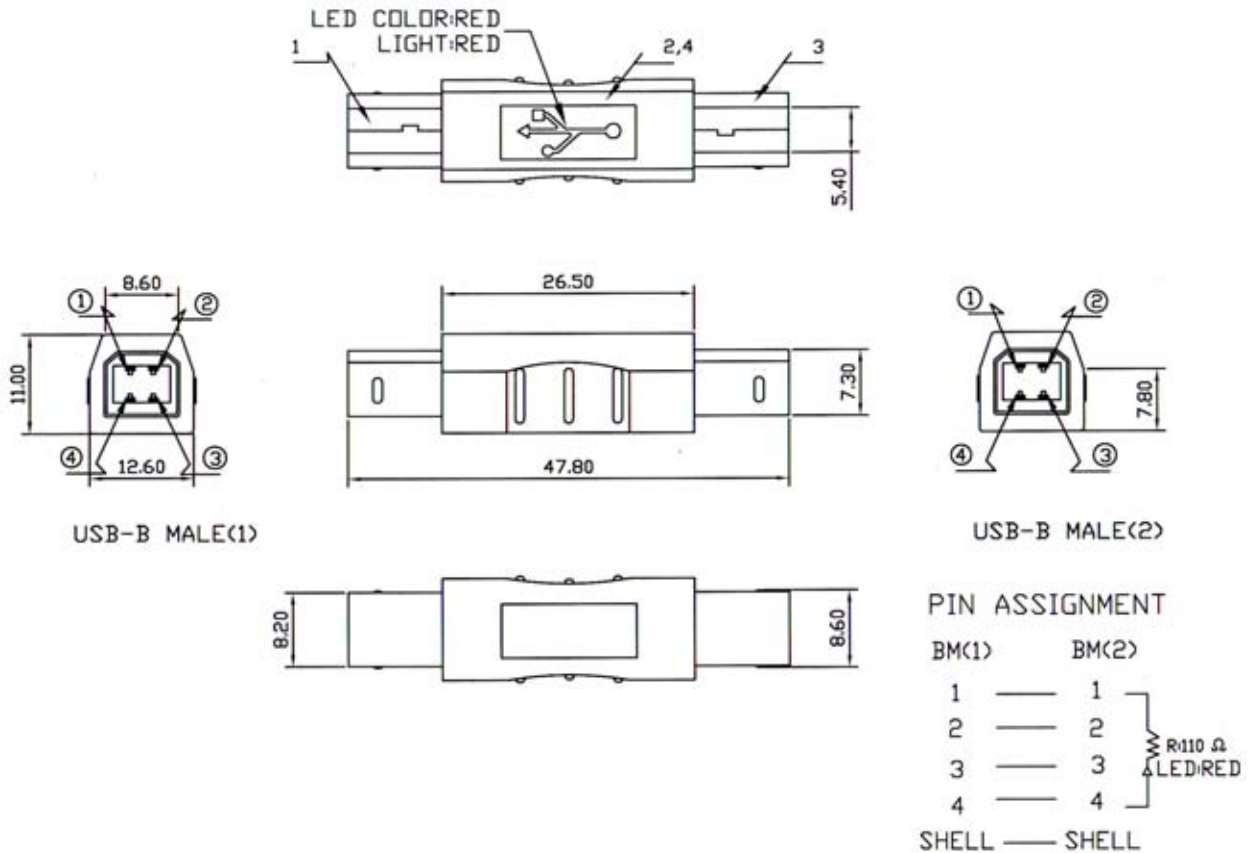
## ORDERING INFORMATION:

P/N A D U  $\frac{1}{1} - \frac{011}{2} \frac{V}{3}$

P/N REVISED

1. USB REVISION:  
"1" REVISION 1.1
2. ADAPTER CODE:  
"011" USB B TYPE MALE TO  
USB B TYPE MALE
3. INSULATOR COLOR:  
"V" IVORY

# USB ADAPTER REV.1.1 BM/BM TYPE WITH LED



	DESCRIPTION
1	USB B TYPE MALE SHELL PLATED: NICKEL CONTACT: G/F
2	55P PVC MOLD TRANSPARENT IN COLOR
3	USB B TYPE MALE SHELL PLATED: NICKEL CONTACT: G/F
4	INTERNAL WIRES: UL1007 30AWG 7 STRANDED L: 17MM

## ORDERING INFORMATION:

P/N A D U  $\frac{1}{1} - \frac{012}{2} \frac{x}{3}$

P/N REVISED

1. USB REVISION:  
"1" REVISION 1.1
2. ADAPTER CODE:  
"012" USB B TYPE MALE TO  
USB B TYPE MALE WITH LED
3. LED COLOR:  
"R" RED LIGHT  
"Y" YELLOW  
"N" GREEN  
"U" BLUE  
"W" WHITE

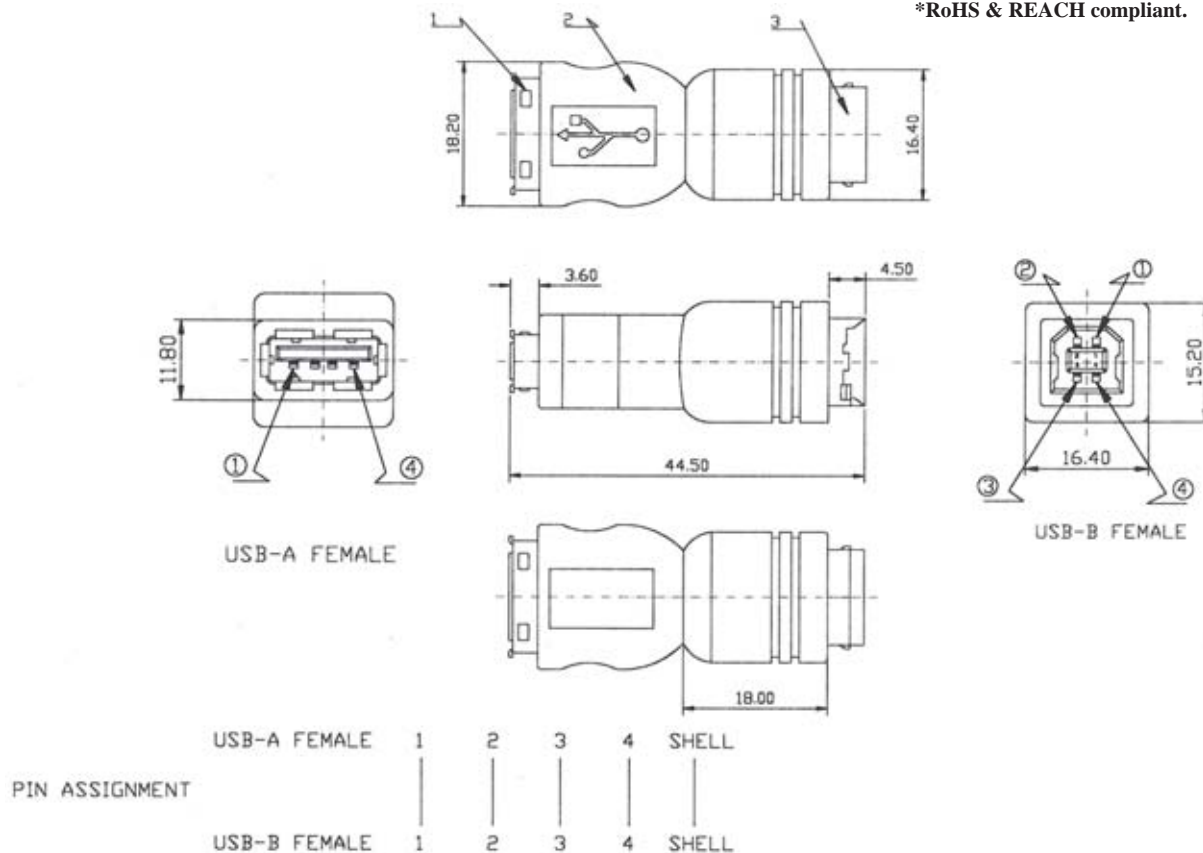
# USB ADAPTER REV.1.1 AF/BF TYPE

## SPECIFICATIONS

Insulation Resistance: 10M Ohm

Contact Resistance: 100 Ohm

\*RoHS & REACH compliant.



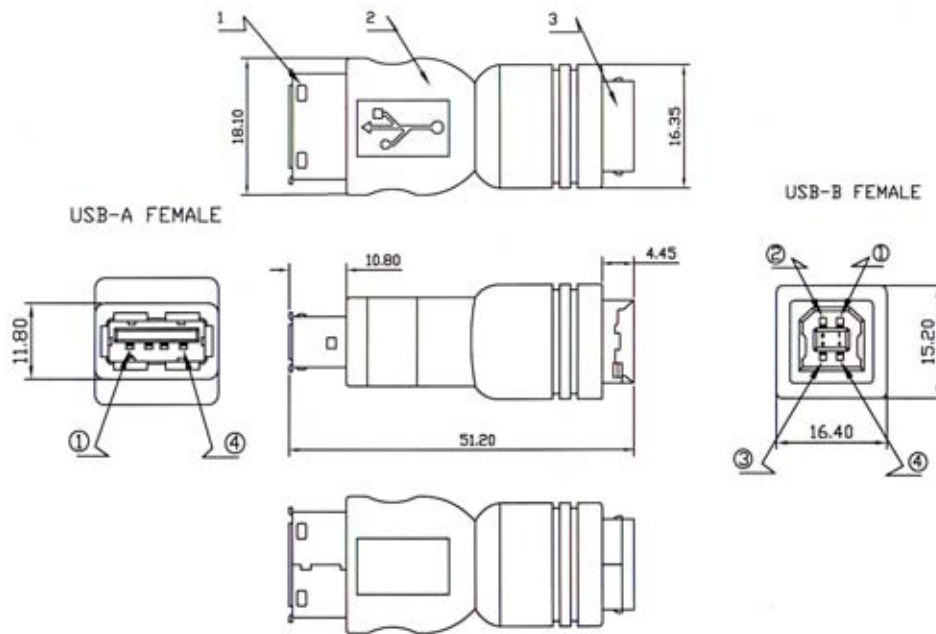
## ORDERING INFORMATION:

P/N A D U 1 - 013 V

P/N REVISED

1. USB REVISION:  
"1" REVISION 1.1
2. ADAPTER TYPE:  
"013" USB A TYPE FEMALE TO  
USB B TYPE FEMALE
3. INSULATOR COLOR:  
"V" IVORY

# USB ADAPTER REV.1.1 AF/BF TYPE WITH LED



## PIN ASSIGNMENT

AF	BF	COLOR	
1	1	RED	
2	2	WHITE	
3	3	GREEN	
4	4	BLACK	
SHELL	SHELL	BRAID	

	DESCRIPTION
1	USB-A TYPE FEMALE INSULATION: WHITE IN COLOR
2	PVC MOLDED WITH TRANSPARENT IN COLOR
3	USB-B TYPE FEMALE INSULATION: WHITE IN COLOR
4	INTERNAL WIRES: UL1007 30AWG 7 STRANDED L: 17MM

## ORDERING INFORMATION:

P/N A D U  $\frac{1}{1} - \frac{014}{2} \frac{x}{3}$

P/N REVISED

- USB REVISION:  
"1" REVISION 1.1
- ADAPTER CODE:  
"014" USB A TYPE FEMALE TO  
USB B TYPE FEMALE WITH LED
- LED COLOR:  
"R" RED LIGHT  
"Y" YELLOW  
"N" GREEN  
"U" BLUE  
"W" WHITE

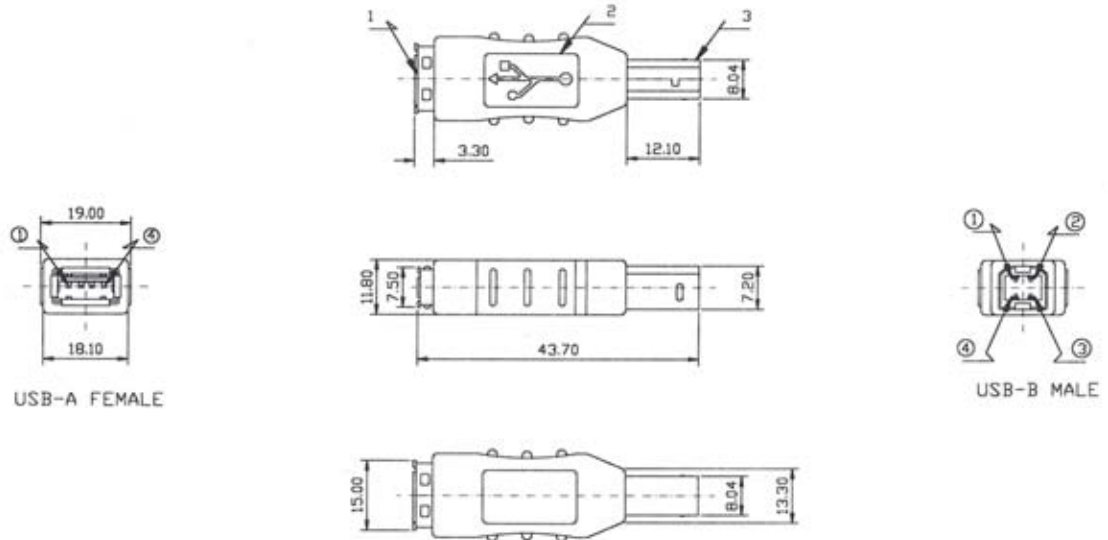
# USB ADAPTER REV.1.1 AF/BM TYPE

## SPECIFICATIONS

Insulation Resistance: 10M Ohm

Contact Resistance: 100 Ohm

\*RoHS & REACH compliant.



	1	2	3	4	SHELL
USB-A FEMALE					
PIN ASSIGNMENT					
USB-B MALE					

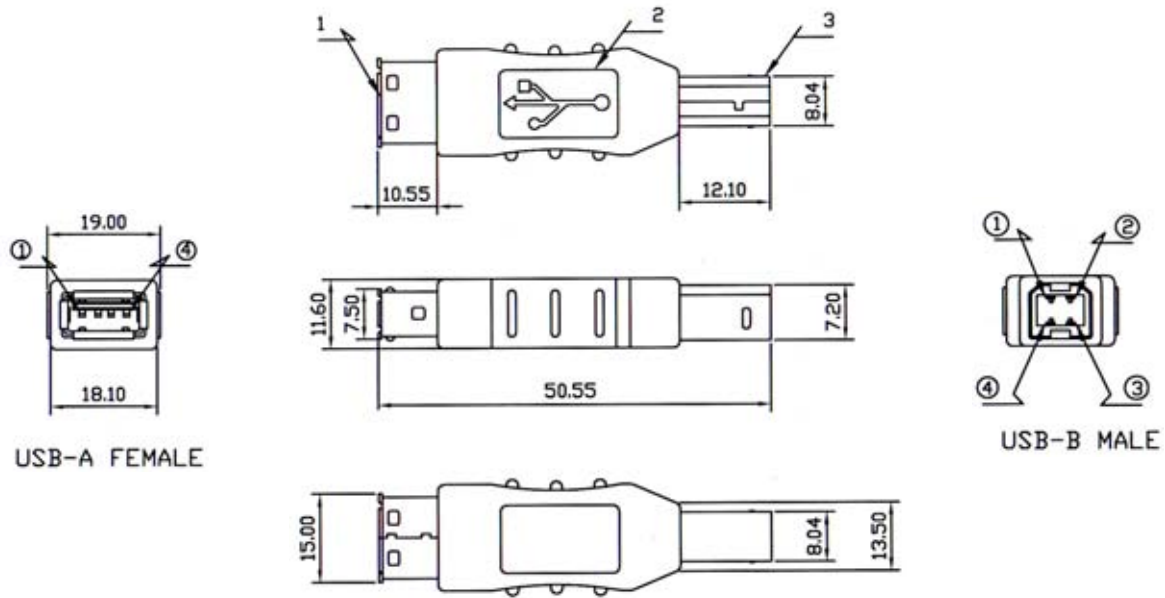
## ORDERING INFORMATION:

P/N A D U  $\frac{1}{1} - \frac{015}{2} \frac{V}{3}$

P/N REVISED

1. USB REVISION:  
"1" REVISION 1.1
2. ADAPTER TYPE:  
"015" USB A TYPE FEMALE TO  
USB B TYPE MALE
3. INSULATOR COLOR:  
"V" IVORY

# USB ADAPTER REV.1.1 AF/BM TYPE WITH LED



## PIN ASSIGNMENT

AF	BM	COLOR
1	1	RED
2	2	WHITE
3	3	GREEN
4	4	BLACK
SHELL	SHELL	BRAID

A circuit diagram shows a resistor labeled 'R:330Ω' connected between the RED and GREEN pins, and an LED connected between the WHITE and BLACK pins.

	DESCRIPTION
1	USB-A TYPE FEMALE INSULATION: WHITE IN COLOR
2	PVC MOLDED WITH TRANSPARENT IN COLOR
3	USB-B TYPE MALE INSULATION: WHITE IN COLOR
4	INTERNAL WIRES: UL1007 30AWG 7 STRANDED L: 17MM

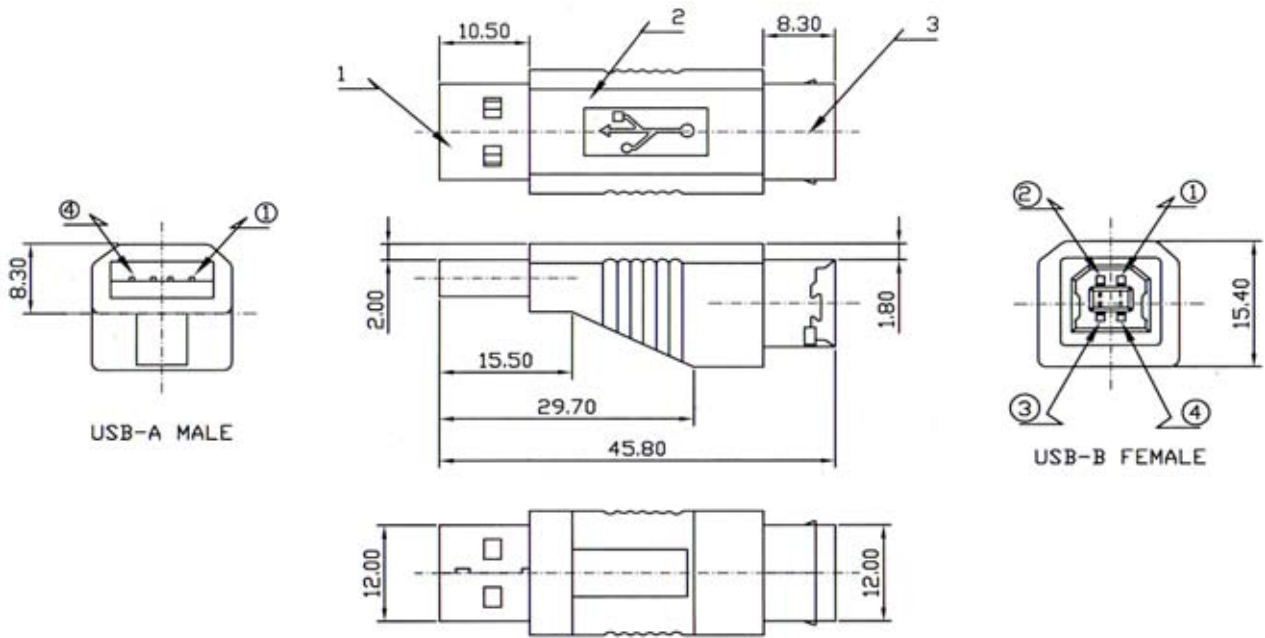
## ORDERING INFORMATION:

P/N A D U  $\frac{1}{1} - \frac{016}{2} \times \frac{x}{3}$

P/N REVISED

1. USB REVISION:  
"1" REVISION 1.1
2. ADAPTER CODE:  
"016" USB A TYPE FEMALE TO  
USB B TYPE MALE WITH LED
3. LED COLOR:  
"R" RED LIGHT  
"Y" YELLOW  
"N" GREEN  
"U" BLUE  
"W" WHITE

# USB ADAPTER REV.1.1 AM/BF TYPE



	1	2	3	4	SHELL
USB-A MALE					
PIN ASSIGNMENT					
USB-B FEMALE					

	DESCRIPTION
1	USB-A TYPE MALE INSULATION: WHITE IN COLOR
2	PVC MOLDED WITH COPPER FOIL BEIGE IN COLOR
3	USB-B TYPE FEMALE INSULATION: WHITE IN COLOR
4	INTERNAL WIRES: UL1007 30AWG 7 STRANDED L: 17MM

## ORDERING INFORMATION:

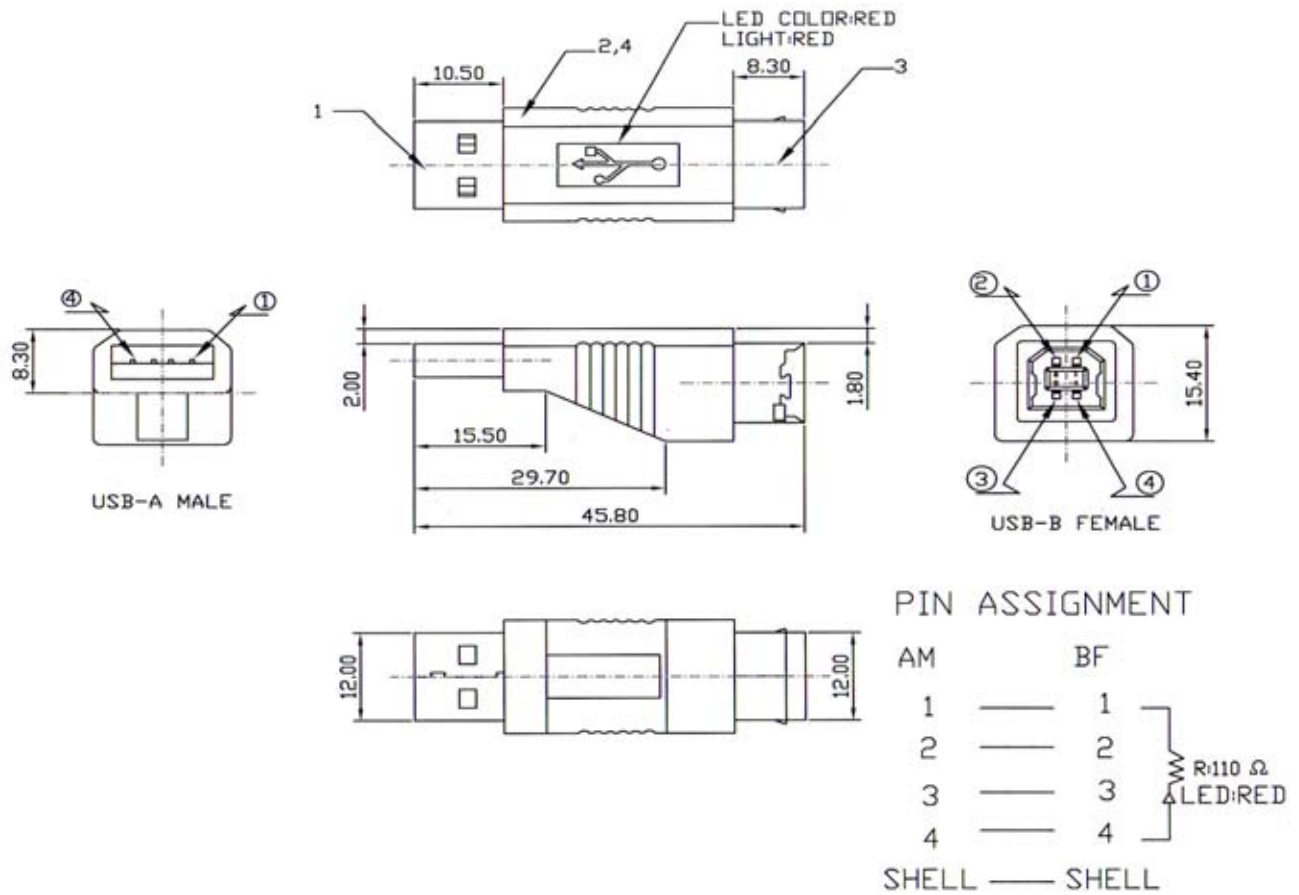
P/N A D U  $\frac{1}{1} - \frac{017}{2} \frac{V}{3}$

P/N REVISED

1. USB REVISION:  
"1" REVISION 1.1
2. ADAPTER CODE:  
"017" USB A TYPE MALE TO  
USB B TYPE FEMALE
3. INSULATOR COLOR:  
"V" IVORY



# USB ADAPTER REV.1.1 AM/BF TYPE WITH LED



	DESCRIPTION
1	USB A TYPE MALE SHELL PLATED: NICKEL CONTACT: G/F
2	55P PVC MOLD TRANSPARENT IN COLOR
3	USB B TYPE FEMALE SHELL PLATE: NICKEL CONTACT: G/F
4	INTERNAL WIRES: UL1007 30AWG 7 STRANDED L: 17MM

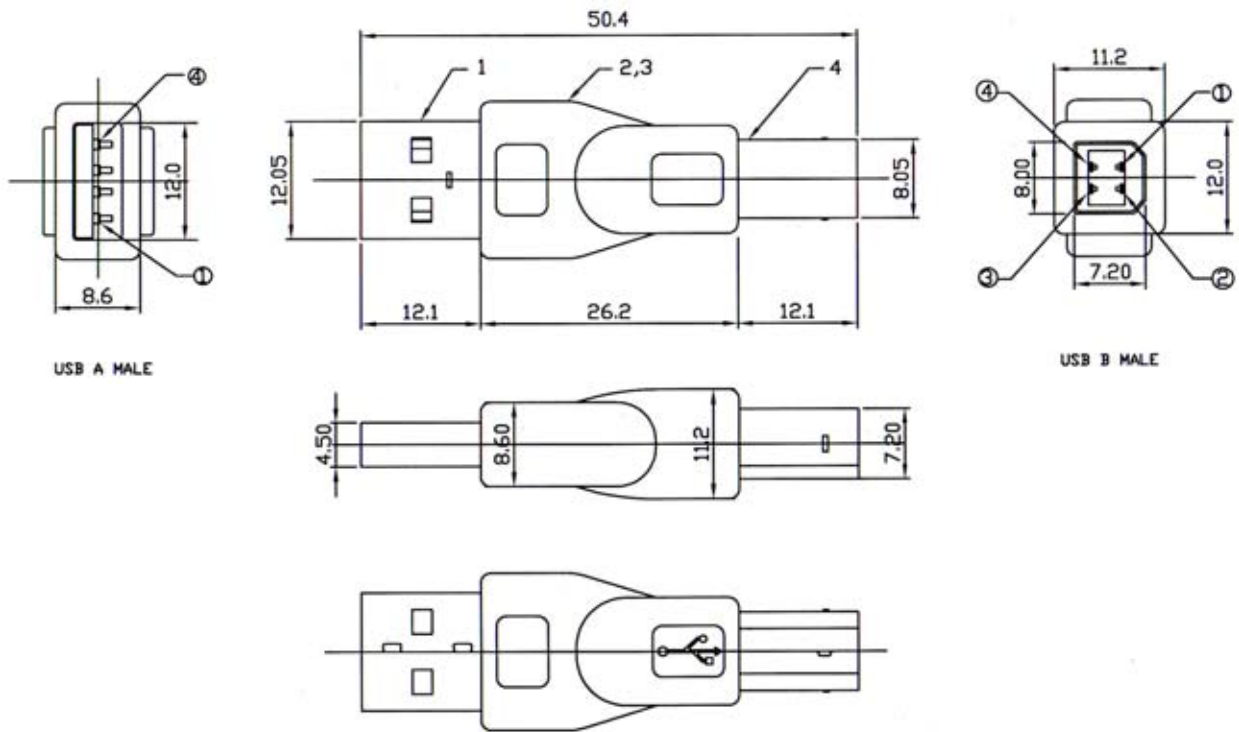
## ORDERING INFORMATION:

P/N A D U  $\frac{1}{1} - \frac{018}{2} \times \frac{x}{3}$

P/N REVISED

1. USB REVISION:  
"1" REVISION 1.1
2. ADAPTER CODE:  
"018" USB A TYPE MALE TO  
USB B TYPE FEMALE WITH LED
3. LED COLOR:  
"R" RED LIGHT  
"Y" YELLOW  
"N" GREEN  
"U" BLUE  
"W" WHITE

# USB ADAPTER REV.1.1 AM/BM TYPE



USB A MALE

USB B MALE

USB-A MALE	1	2	3	4	SHELL
PIN ASSIGNMENT					
USB-B MALE	1	2	3	4	SHELL

	DESCRIPTION
1	USB-A TYPE MALE INSULATION: WHITE IN COLOR GOLD FLASH
2	PVC MOLDED BEIGE IN COLOR
3	WIRE: UL1007 30AWG L: 17MM BLACK IN COLOR
4	USB-B TYPE MALE INSULATION: WHITE IN COLOR GOLD FLASH

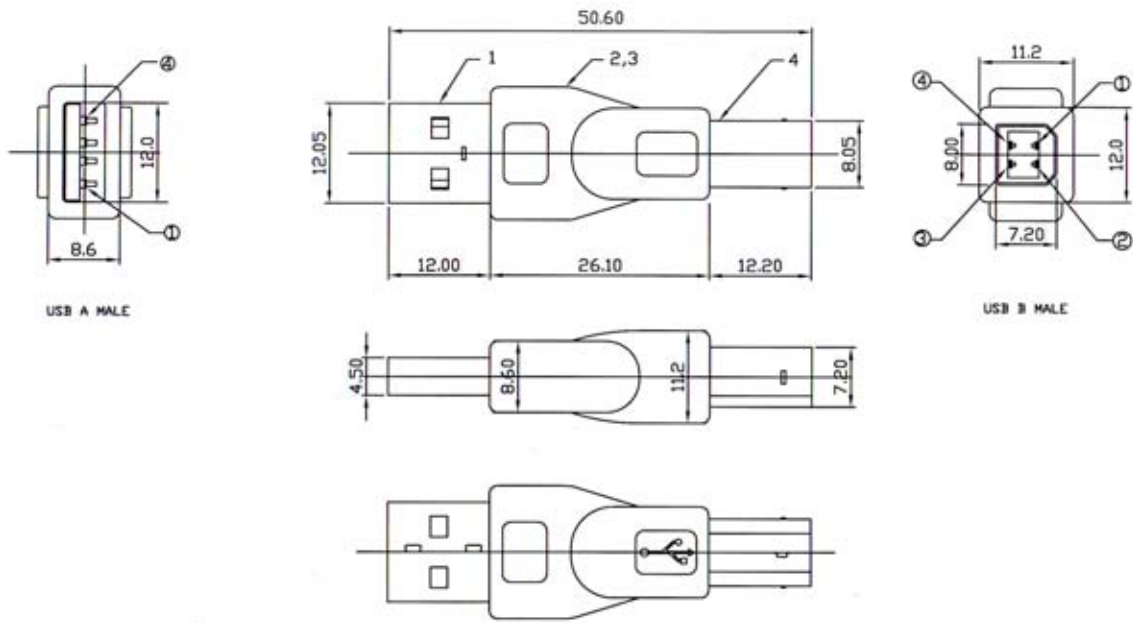
## ORDERING INFORMATION:

P/N A D U  $\frac{1}{1} - \frac{019}{2} \frac{V}{3}$

P/N REVISED

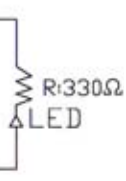
1. USB REVISION:  
"1" REVISION 1.1
2. ADAPTER CODE:  
"019" USB A TYPE MALE TO  
USB B TYPE MALE
3. INSULATOR COLOR:  
"V" IVORY

# USB ADAPTER REV.1.1 AM/BM TYPE WITH LED



PIN ASSIGNMENT

AM	BM	COLOR
1	1	RED
2	2	WHITE
3	3	GREEN
4	4	BLACK
SHELL	SHELL	BRAID



	DESCRIPTION
1	USB-A TYPE MALE INSULATION : WHITE IN COLOR GOLD FLASH
2	PVC MOLDED TRANSPARENT IN COLOR
3	WIRE: UL1007 30AWG L: 17MM BLACK IN COLOR
4	USB-B TYPE MALE INSULATION: WHITE IN COLOR GOLD FLASH

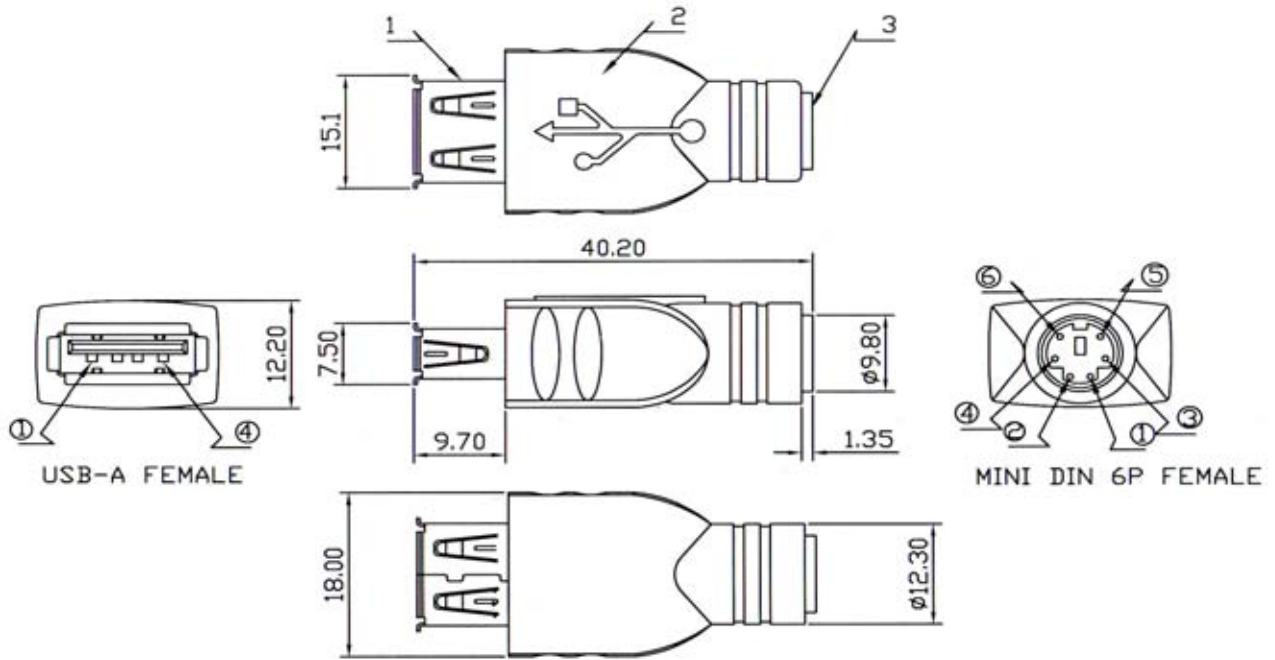
## ORDERING INFORMATION:

P/N A D U  $\frac{1}{1} - \frac{020}{2} \frac{x}{3}$

P/N REVISED

1. USB REVISION:  
"1" REVISION 1.1
2. ADAPTER CODE:  
"020" USB A TYPE MALE TO  
USB B TYPE MALE WITH LED
3. LED COLOR:  
"R" RED LIGHT  
"Y" YELLOW  
"N" GREEN  
"U" BLUE  
"W" WHITE

# USB ADAPTER REV.1.1 AF/MD6F TYPE



	USB-A FEMALE	2	4	1	3	SHELL
PIN ASSIGNMENT						
	MINI DIN 6P FEMALE	1	3	4	5	SHELL

	DESCRIPTION
1	USB-A TYPE FEMALE INSULATION: BEIGE IN COLOR
2	PVC MOLDED BLACK IN COLOR
3	MINI DIN 6P FEMALE INSULATION: BLACK IN COLOR

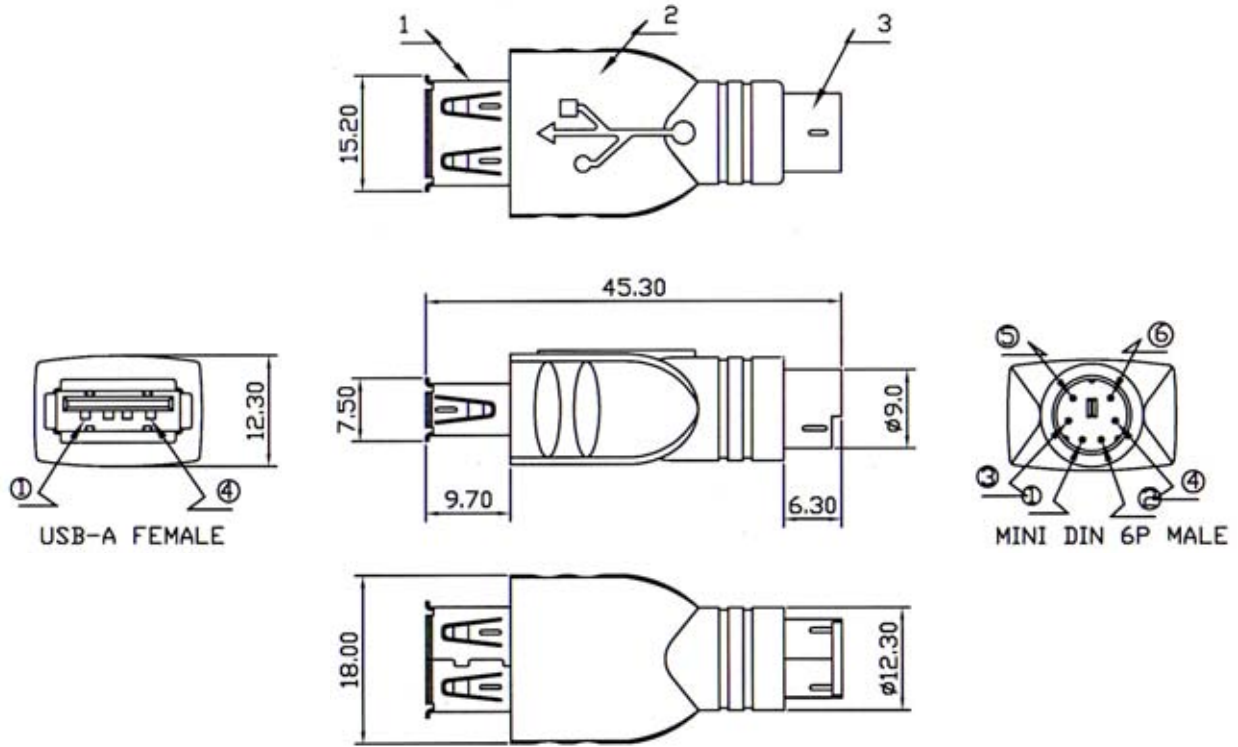
## ORDERING INFORMATION:

P/N A D U  $\frac{1}{1} - \frac{021}{2} \frac{B}{3}$

P/N REVISED

1. USB REVISION:  
"1" REVISION 1.1
2. ADAPTER CODE:  
"021" USB A TYPE FEMALE TO  
MINI DIN 6 PIN FEMALE
3. INSULATOR COLOR:  
"B" BLACK

# USB ADAPTER REV.1.1 AF/MD6M TYPE



	USB-A FEMALE	2	4	1	3	SHELL
PIN ASSIGNMENT						
	MINI DIN 6P MALE	1	3	4	5	SHELL

	DESCRIPTION
1	USB-A TYPE FEMALE INSULATION: BEIGE IN COLOR
2	PVC MOLDED BLACK IN COLOR
3	MINI DIN 6P MALE INSULATION: BLACK IN COLOR

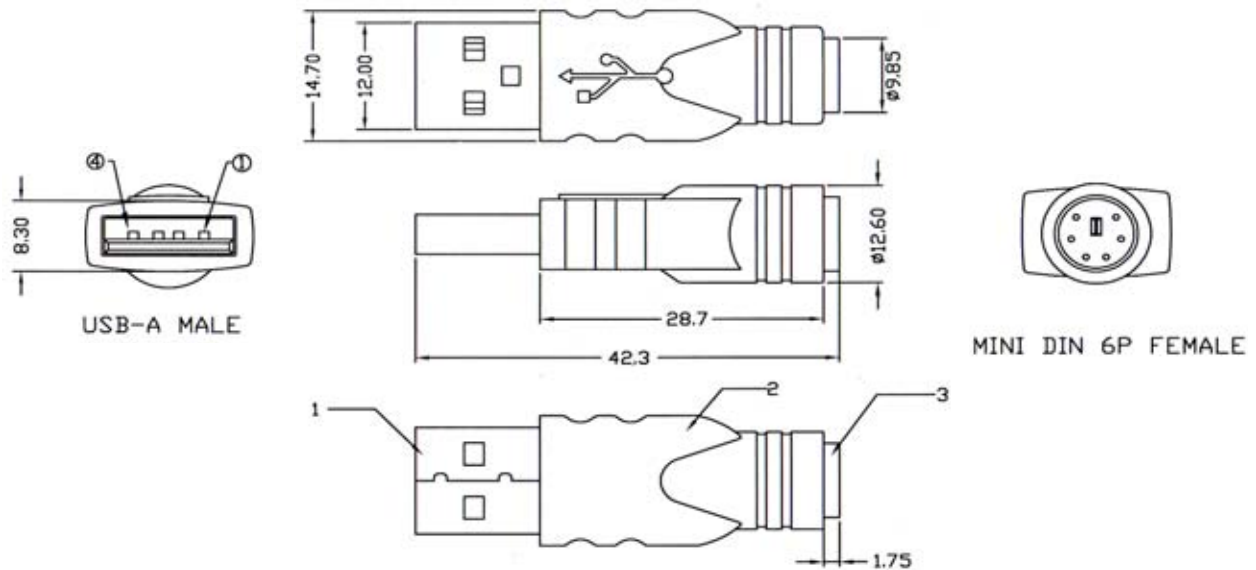
## ORDERING INFORMATION:

P/N A D U 1 - 022 B

P/N REVISED

1. USB REVISION:  
"1" REVISION 1.1
2. ADAPTER CODE:  
"022" USB A TYPE FEMALE TO  
MINI DIN 6 PIN MALE
3. INSULATOR COLOR:  
"B" BLACK  
"P" PURPLE

# USB ADAPTER REV.1.1 AM/MD6F TYPE



USB-A MALE	2	4	1	3	SHELL
PIN ASSIGNMENT					
MINI DIN 6P FEMALE	1	3	4	5	SHELL

	DESCRIPTION
1	USB-A TYPE MALE INSULATION: WHITE IN COLOR
2	PVC MOLDED BLACK IN COLOR
3	MINI DIN 6P FEMALE INSULATION: BLACK IN COLOR

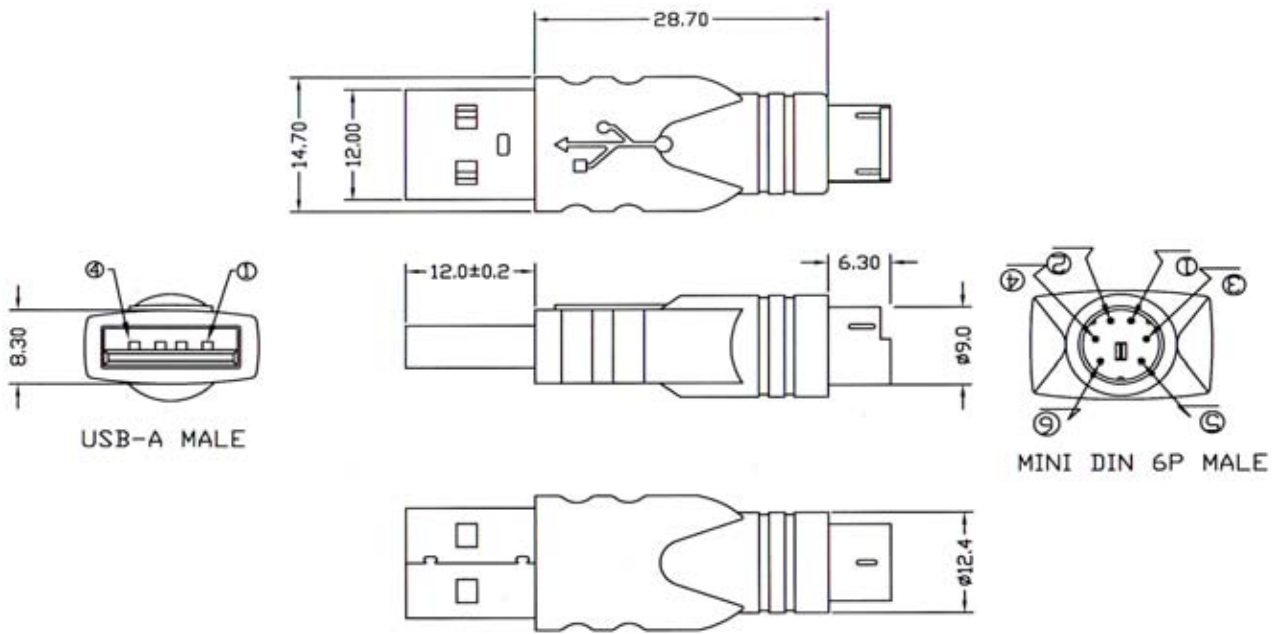
## ORDERING INFORMATION:

P/N A D U  $\frac{1}{1} - \frac{023}{2} \frac{B}{3}$

P/N REVISED

1. USB REVISION:  
"1" REVISION 1.1
2. ADAPTER CODE:  
"023" USB A TYPE MALE TO  
MINI DIN 6 PIN FEMALE
3. INSULATOR COLOR:  
"B" BLACK

# USB ADAPTER REV.1.1 AM/MD6M TYPE



USB-A MALE	2	4	1	3	SHELL
PIN ASSIGNMENT					
MINI DIN 6P MALE	1	3	4	5	SHELL

	DESCRIPTION
1	USB-A TYPE MALE INSULATION: BEIGE IN COLOR
2	PVC MOLDED BLACK IN COLOR
3	MINI DIN 6P MALE INSULATION: BLACK IN COLOR

## ORDERING INFORMATION:

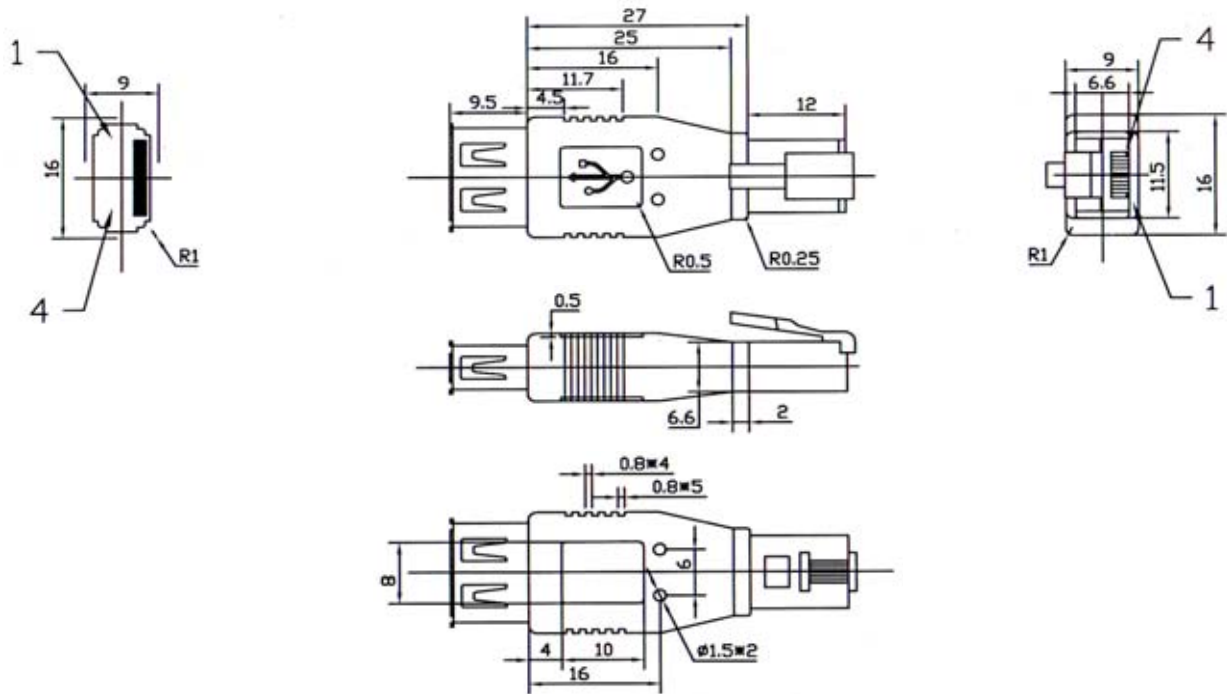
P/N A D U 1 - 024 B

P/N REVISED

1. USB REVISION:  
"1" REVISION 1.1
2. ADAPTER CODE:  
"024" USB A TYPE MALE TO  
MINI DIN 6 PIN MALE
3. INSULATOR COLOR:  
"B" BLACK



# USB ADAPTER REV.1.1 AF/RJ11M TYPE



## PIN ASSIGNMENT

USB-A FEMALE	1	2	3	4	SHELL
RJ116P4C PLUG	1	2	3	4	SHELL

	DESCRIPTION
1	USB-A TYPE FEMALE WHITE PASTERN CONTACT PLATED: GOLD FLASH
2	PVC MOLDED COLOR: BLACK
3	INTERNAL WIRES: UL1007 30AWG
4	RJ11 6P4C PLUG CONTACT PLATED: GOLD FLASH

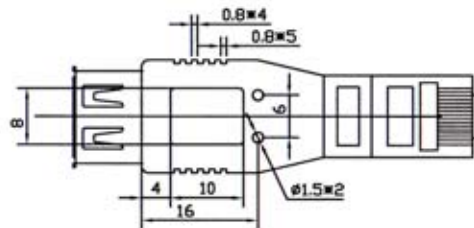
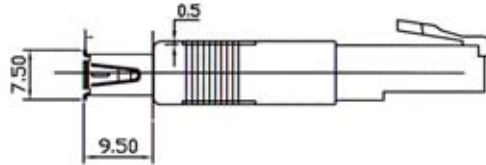
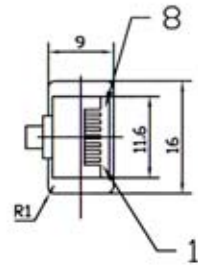
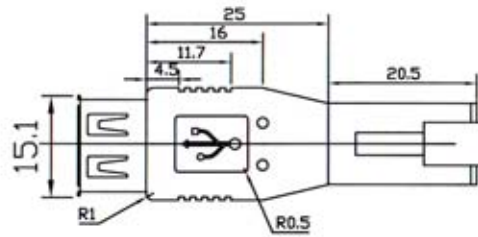
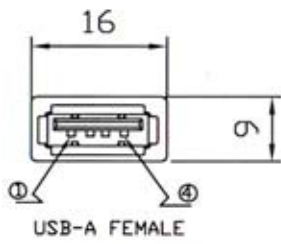
## ORDERING INFORMATION:

P/N A D U  $\frac{1}{1} - \frac{025}{2} \frac{B}{3}$

P/N REVISED

1. USB REVISION:  
"1" REVISION 1.1
2. ADAPTER CODE:  
"025" USB A TYPE FEMALE TO  
RJ11 6P4C MODULAR PLUG
3. INSULATOR COLOR:  
"B" BLACK

# USB ADAPTER REV.1.1 AF/RJ45M TYPE



## PIN ASSIGNMENT

USB-A FEMALE	1	2	3	4	SHELL
RJ458P4C PLUG	1	2	3	6	SHELL

	DESCRIPTION
1	USB-A TYPE FEMALE WHITE PASTERN CONTACT PLATED: GOLD FLASH
2	PVC MOLDED COLOR: BLACK
3	INTERNAL WIRES: UL1007 30AWG
4	RJ45 8P8C PLUG CONTACT PLATED: GOLD FLASH

## ORDERING INFORMATION:

P/N A D U  $\frac{1}{1} - \frac{026}{2} \frac{B}{3}$

P/N REVISED

1. USB REVISION:  
"1" REVISION 1.1
2. ADAPTER CODE:  
"026" USB A TYPE FEMALE TO  
RJ45 8P8C MODULAR PLUG
3. INSULATOR COLOR:  
"B" BLACK

# USB ADAPTER REV.1.1 AF/AM TYPE WITH P.C. BOARD

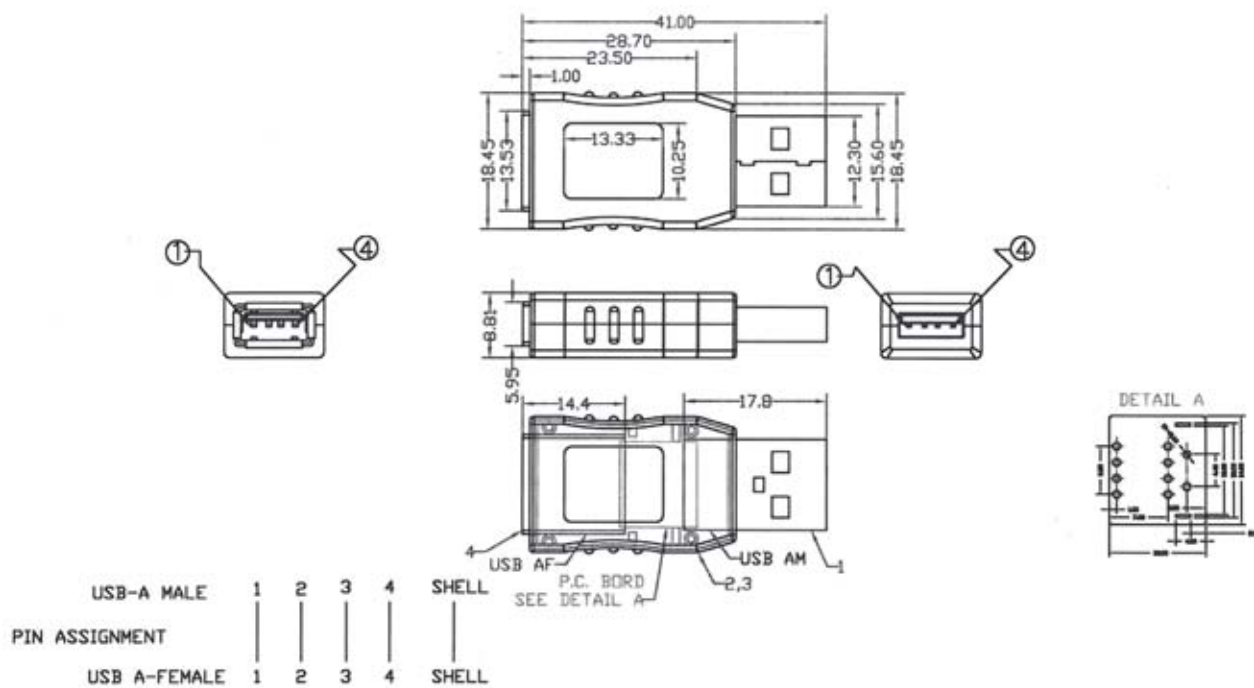
## SPECIFICATIONS

HI-POT: 250V

Insulation Resistance: 10M Ohm

Contact Resistance: 5 Ohm

\*RoHS & REACH compliant.



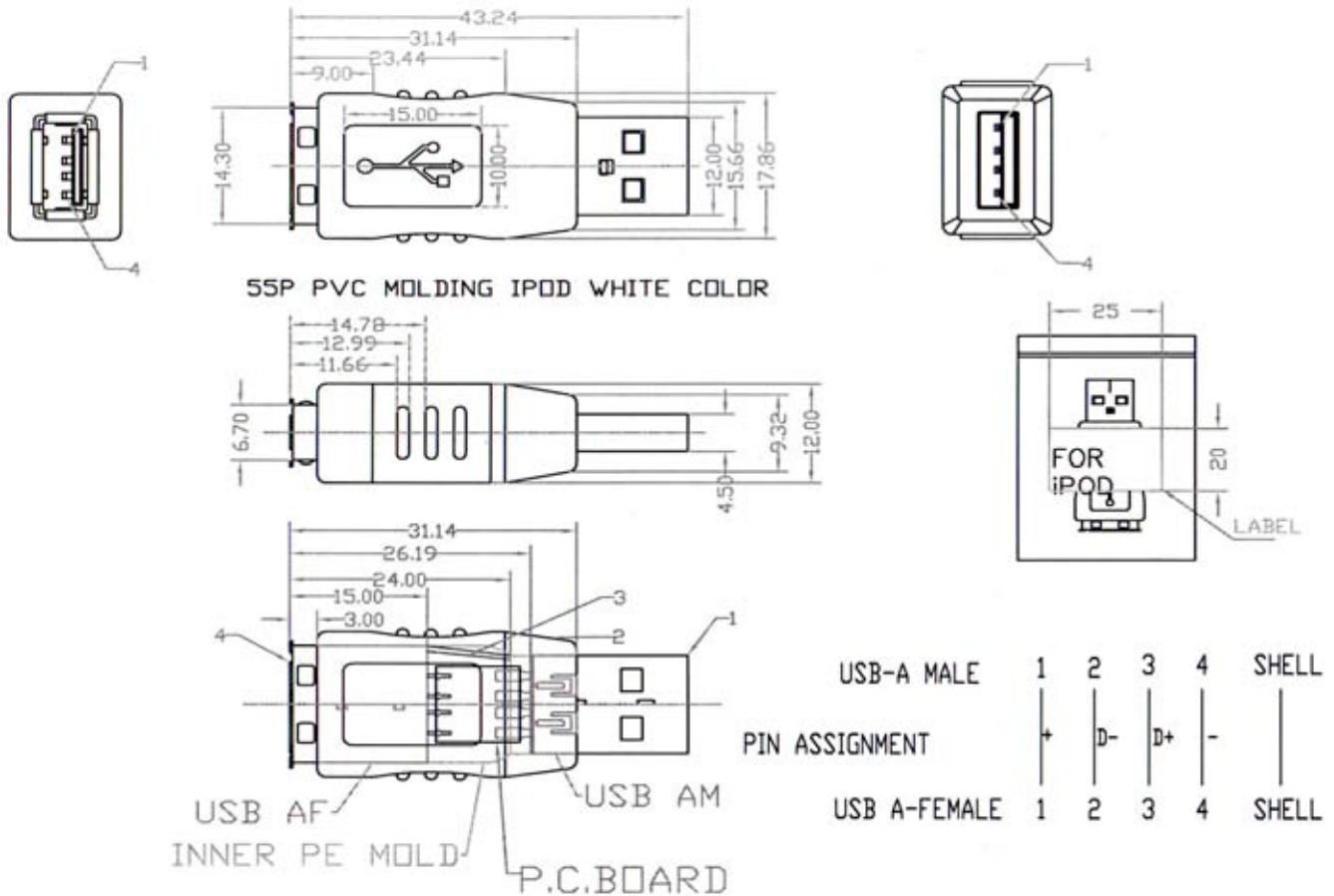
## ORDERING INFORMATION:

P/N A D U 1 - 029 B

P/N REVISED

1. USB REVISION:  
"1" REVISION 1.1
2. ADAPTER TYPE:  
"029" USB A TYPE FEMALE TO  
USB A TYPE MALE WITH P.C. BOARD
3. INSULATOR COLOR:  
"B" BLACK

# USB ADAPTER REV.1.1 AF/AM TYPE FOR IPOD



	DESCRIPTION
1	USB-A TYPE MALE SOLDER TYPE SHELL PLATED: NICKEL CONTACT: G/F
2	55P PVC MOLDING IPOD WHITE COLOR
3	INNER CABLE UL1007 30AWG JACKET COLOR BLACK
4	USB A TYPE FEMALE SOLDER TYPE SHELL PLATED: NICKEL CONTACT: G/F

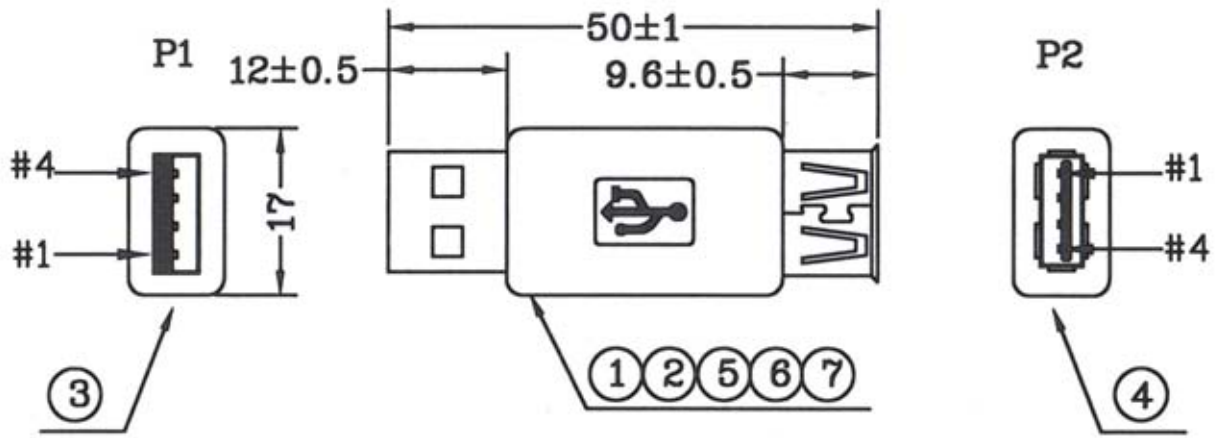
## ORDERING INFORMATION:

P/N A D U  $\frac{1}{1} - \frac{030}{2} \frac{W}{3}$

P/N REVISED

1. USB REVISION:  
"1" REVISION 1.1
2. ADAPTER CODE:  
"030" USB A TYPE FEMALE TO  
USB A TYPE MALE WITH RESISTORS
3. INSULATOR COLOR:  
"W" WHITE

# USB ADAPTER REV.1.1 AF/AM TYPE



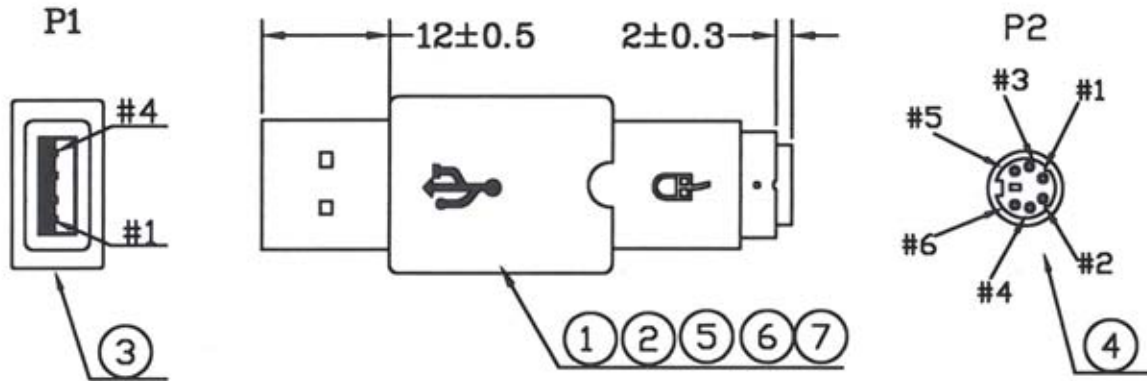
P1	PIN ASSIGNMENT	P2
1	—————	1
2	—————	2
3	—————	3
4	—————	4
S	—————	S

## ORDERING INFORMATION:

P/N A D U  $\frac{1}{1} - \frac{031}{2} \frac{B}{3}$

1. USB REVISION:  
"1" REVISION 1.1
2. ADAPTER CODE:  
"031" USB A TYPE FEMALE TO  
USB A TYPE MALE
3. INSULATOR COLOR:  
"B" BLACK

# USB ADAPTER REV.1.1 AM/MD6F TYPE



**PIN ASSIGNMENT**

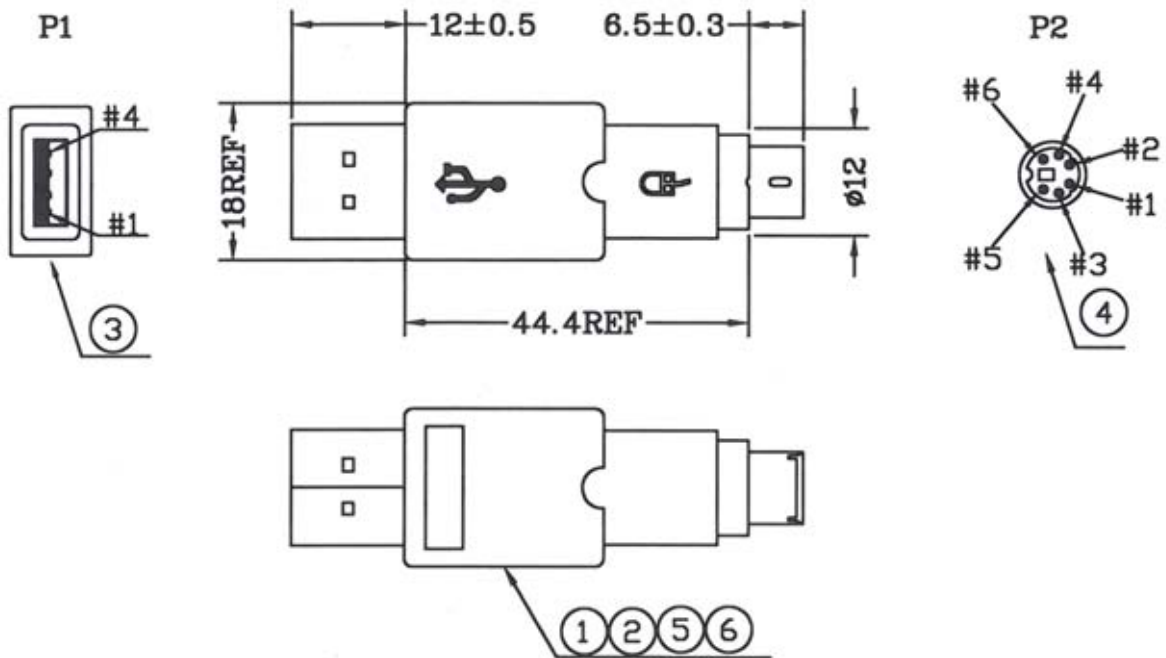
P1	P2
1	4
2	1
3	5
4	3
S	S

## ORDERING INFORMATION:

**P/N A D U  $\frac{1}{1} - \frac{032}{2} \frac{x}{3}$**

1. USB REVISION:  
"1" REVISION 1.1
2. ADAPTER CODE:  
"032" USB A TYPE MALE TO  
MINI DIN 6 PIN FEMALE
3. INSULATOR COLOR:  
"B" BLACK  
"V" BEIGE  
"N" LIGHT GREEN

# USB ADAPTER REV.1.1 AM/MD6M TYPE



**PIN ASSIGNMENT**

P1	P2
1	4
2	1
3	5
4	3
S	S

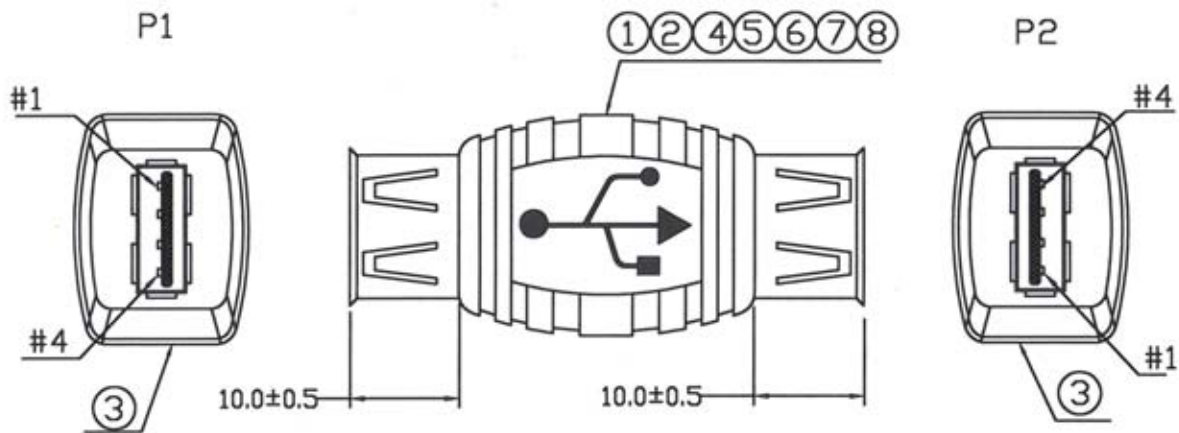
## ORDERING INFORMATION:

**P/N A D U  $\frac{1}{1} - \frac{033}{2} \frac{B}{3}$**

1. USB REVISION:  
"1" REVISION 1.1
2. ADAPTER CODE:  
"033" USB A TYPE MALE TO  
MINI DIN 6 PIN MALE
3. INSULATOR COLOR:  
"B" BLACK



## USB ADAPTER REV.1.1 AF/AF TYPE



PIN ASSIGNMENT

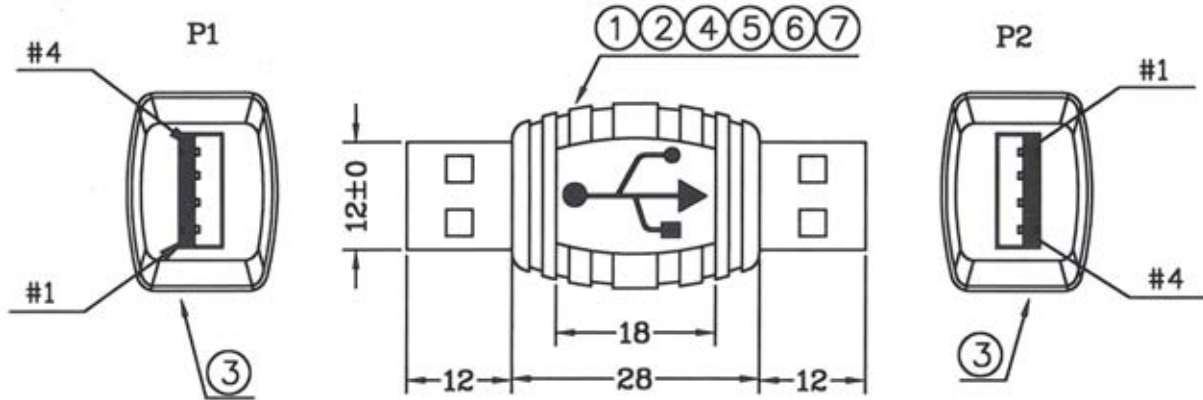
P1	P2
1	1
2	2
3	3
4	4
S	S

### ORDERING INFORMATION:

P/N A D U 1 - 034 B

1. USB REVISION:  
"1" REVISION 1.1
2. ADAPTER CODE:  
"034" USB A TYPE FEMALE TO  
USB A TYPE FEMALE
3. INSULATOR COLOR:  
"B" BLACK

## USB ADAPTER REV.1.1 AM/AM TYPE



### PIN ASSIGNMENT

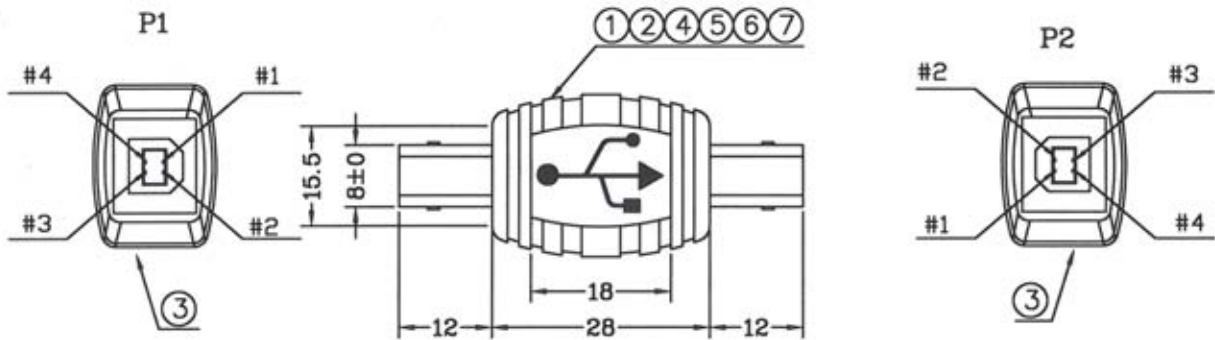
P1	P2
1	1
2	2
3	3
4	4
S	S

### ORDERING INFORMATION:

P/N A D U  $\frac{1}{1} - \frac{035}{2} \frac{V}{3}$

1. USB REVISION:  
"1" REVISION 1.1
2. ADAPTER CODE:  
"035" USB A TYPE MALE TO  
USB A TYPE MALE
3. INSULATOR COLOR:  
"V" BEIGE

## USB ADAPTER REV.1.1 BM/BM TYPE



### PIN ASSIGNMENT

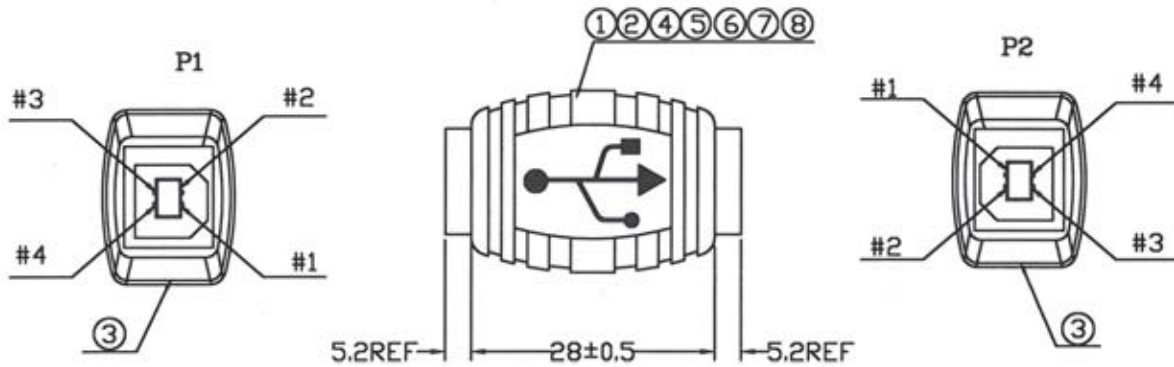
P1	P2
1	1
2	2
3	3
4	4
S	S

### ORDERING INFORMATION:

P/N A D U  $\frac{1}{1} - \frac{036}{2} \frac{V}{3}$

1. USB REVISION:  
"1" REVISION 1.1
2. ADAPTER CODE:  
"036" USB B TYPE MALE TO  
USB B TYPE MALE
3. INSULATOR COLOR:  
"V" BEIGE

## USB ADAPTER REV.1.1 BF/BF TYPE



### PIN ASSIGNMENT

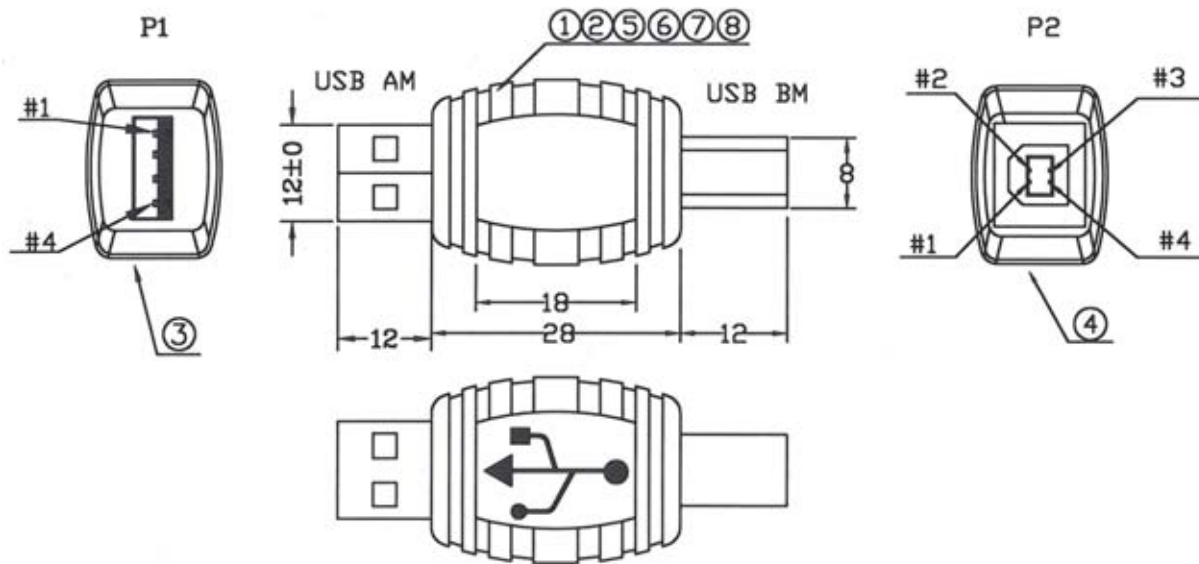
P1	P2
1	1
2	2
3	3
4	4
S	S

### ORDERING INFORMATION:

P/N A D U  $\frac{1}{1} - \frac{037}{2} \frac{B}{3}$

1. USB REVISION:  
"1" REVISION 1.1
2. ADAPTER CODE:  
"037" USB B TYPE FEMALE TO  
USB B TYPE FEMALE
3. INSULATOR COLOR:  
"B" BLACK

## USB ADAPTER REV.1.1 AM/BM TYPE



### PIN ASSIGNMENT

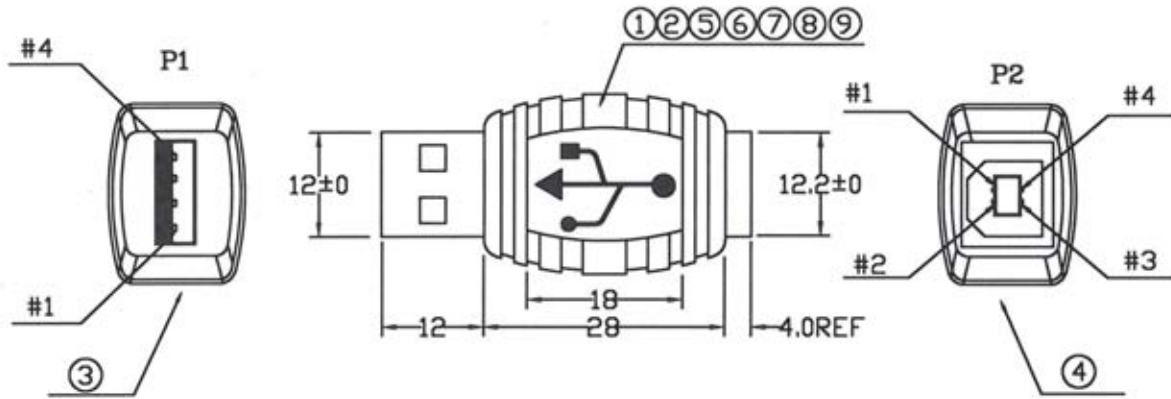
P1	P2
1	1
2	2
3	3
4	4
S	S

### ORDERING INFORMATION:

P/N A D U  $\frac{1}{1} - \frac{038}{2} \frac{x}{3}$

1. USB REVISION:  
"1" REVISION 1.1
2. ADAPTER CODE:  
"038" USB A TYPE MALE TO  
USB B TYPE MALE
3. INSULATOR COLOR:  
"V" BEIGE  
"B" BLACK

# USB ADAPTER REV.1.1 AM/BF TYPE



## PIN ASSIGNMENT

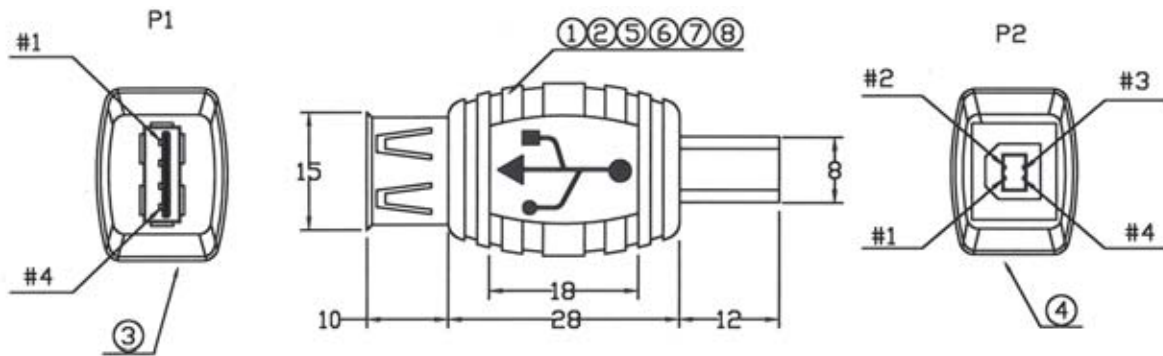
P1	P2
1	1
2	2
3	3
4	4
S	S

## ORDERING INFORMATION:

P/N A D U  $\frac{1}{1} - \frac{039}{2} \frac{V}{3}$

1. USB REVISION:  
"1" REVISION 1.1
2. ADAPTER CODE:  
"039" USB A TYPE MALE TO  
USB B TYPE FEMALE
3. INSULATOR COLOR:  
"V" BEIGE

## USB ADAPTER REV.1.1 AF/BM TYPE



### PIN ASSIGNMENT

P1	P2
1	1
2	2
3	3
4	4
S	S

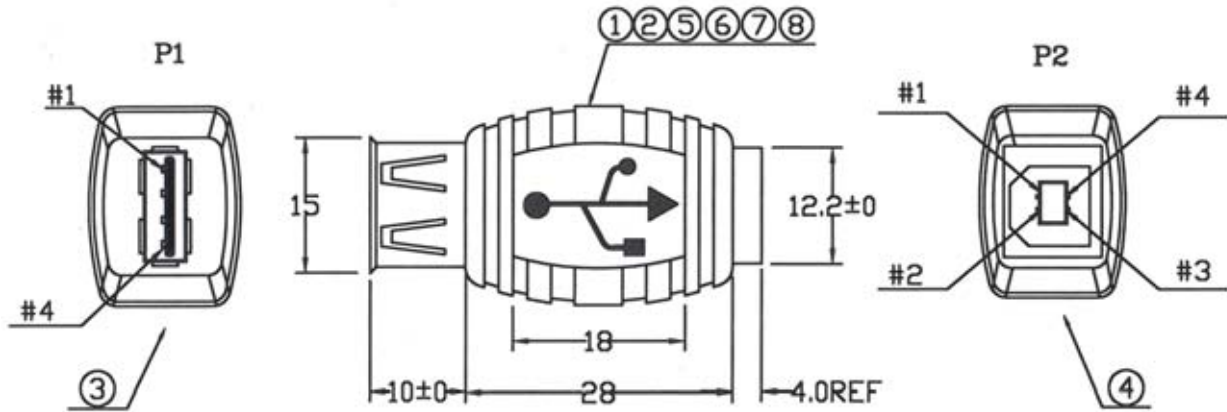
### ORDERING INFORMATION:

P/N A D U  $\frac{1}{1} - \frac{040}{2} \frac{V}{3}$

1. USB REVISION:  
"1" REVISION 1.1
2. ADAPTER CODE:  
"040" USB A TYPE FEMALE TO  
USB B TYPE MALE
3. INSULATOR COLOR:  
"V" BEIGE



# USB ADAPTER REV.1.1 AF/BF TYPE



## PIN ASSIGNMENT

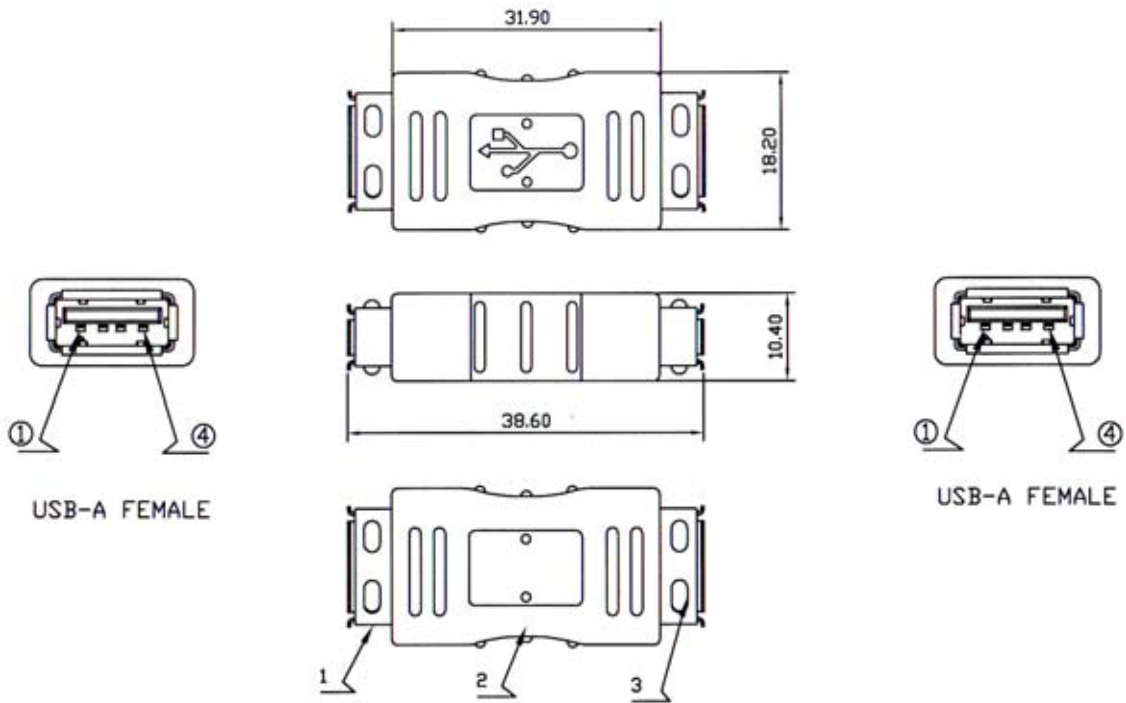
P1	P2
1	1
2	2
3	3
4	4
S	S

## ORDERING INFORMATION:

P/N A D U 1 - 041 B  
1 2 3

1. USB REVISION:  
"1" REVISION 1.1
2. ADAPTER CODE:  
"041" USB A TYPE FEMALE TO  
USB B TYPE FEMALE
3. INSULATOR COLOR:  
"B" BLACK

# USB ADAPTER REV.2.0 AF/AF TYPE



PIN ASSIGNMENT

USB-A FEMALE	1	2	3	4	SHELL
USB-A FEMALE	1	2	3	4	SHELL

	DESCRIPTION
1	USB-A TYPE FEMALE INSULATION: WHITE IN COLOR CONTACT PLATED: 30U"
2	PVC MOLDED WITH COPPER FOIL BEIGE IN COLOR
3	USB-A TYPE FEMALE INSULATION: WHITE IN COLOR CONTACT PLATED: 30U"
4	INTERNAL WIRES: UL1007 30AWG 7 STRANDED L: 17MM

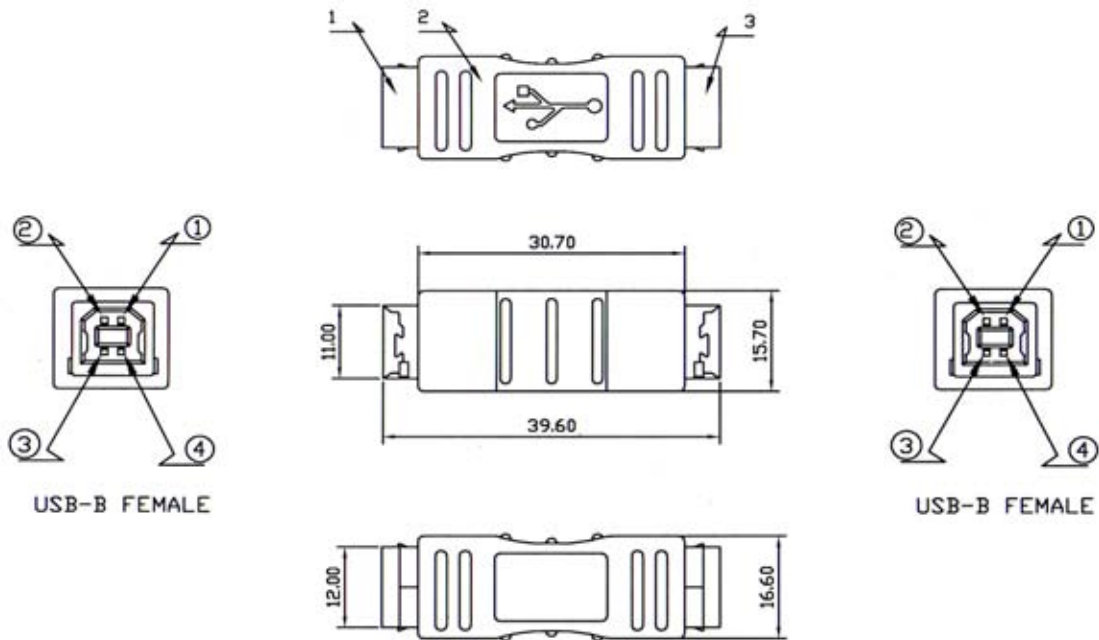
## ORDERING INFORMATION:

P/N A D U  $\frac{2}{1} - \frac{001}{2} \frac{V}{3}$

P/N REVISED

1. USB REVISION:  
"2" REVISION 2.0
2. ADAPTER CODE:  
"001" USB A TYPE FEMALE TO  
USB A TYPE FEMALE
3. INSULATOR COLOR:  
"V" IVORY

## USB ADAPTER REV.2.0 BF/BF TYPE



	USB-B FEMALE	1	2	3	4	SHELL
PIN ASSIGNMENT						
	USB-B FEMALE	1	2	3	4	SHELL

	DESCRIPTION
1	USB-B TYPE FEMALE INSULATION: WHITE IN COLOR CONTACT PLATED: 30U"
2	PVC MOLDED WITH COPPER FOIL BEIGE IN COLOR
3	USB-B TYPE FEMALE INSULATION: WHITE IN COLOR CONTACT PLATED: 30U"
4	INTERNAL WIRES: UL1007 30AWG 7 STRANDED L: 17MM

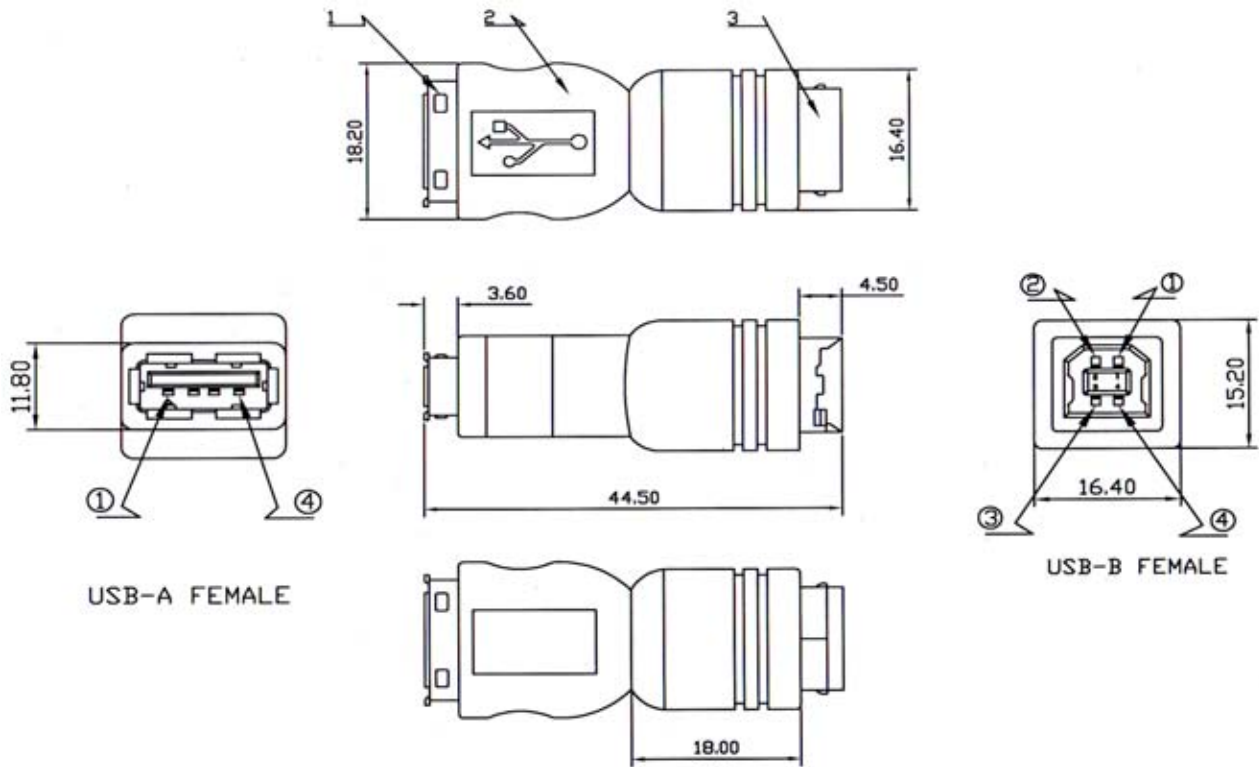
### ORDERING INFORMATION:

P/N A D U  $\frac{2}{1} - \frac{007}{2} \frac{V}{3}$

P/N REVISED

1. USB REVISION:  
"2" REVISION 2.0
2. ADAPTER CODE:  
"007" USB B TYPE FEMALE TO  
USB B TYPE FEMALE
3. INSULATOR COLOR:  
"V" IVORY

# USB ADAPTER REV.2.0 AF/BF TYPE



	USB-A FEMALE	1	2	3	4	SHELL
PIN ASSIGNMENT						
	USB-B FEMALE	1	2	3	4	SHELL

	DESCRIPTION
1	USB-A TYPE FEMALE INSULATION: WHITE IN COLOR GOLD 30U" PLATED
2	PVC MOLDED WITH COPPER FOIL BEIGE IN COLOR
3	USB-B TYPE FEMALE INSULATION: WHITE IN COLOR GOLD 30U" PLATED
4	INTERNAL WIRE: UL1007 30AWG 7 STRANDED L: 17MM

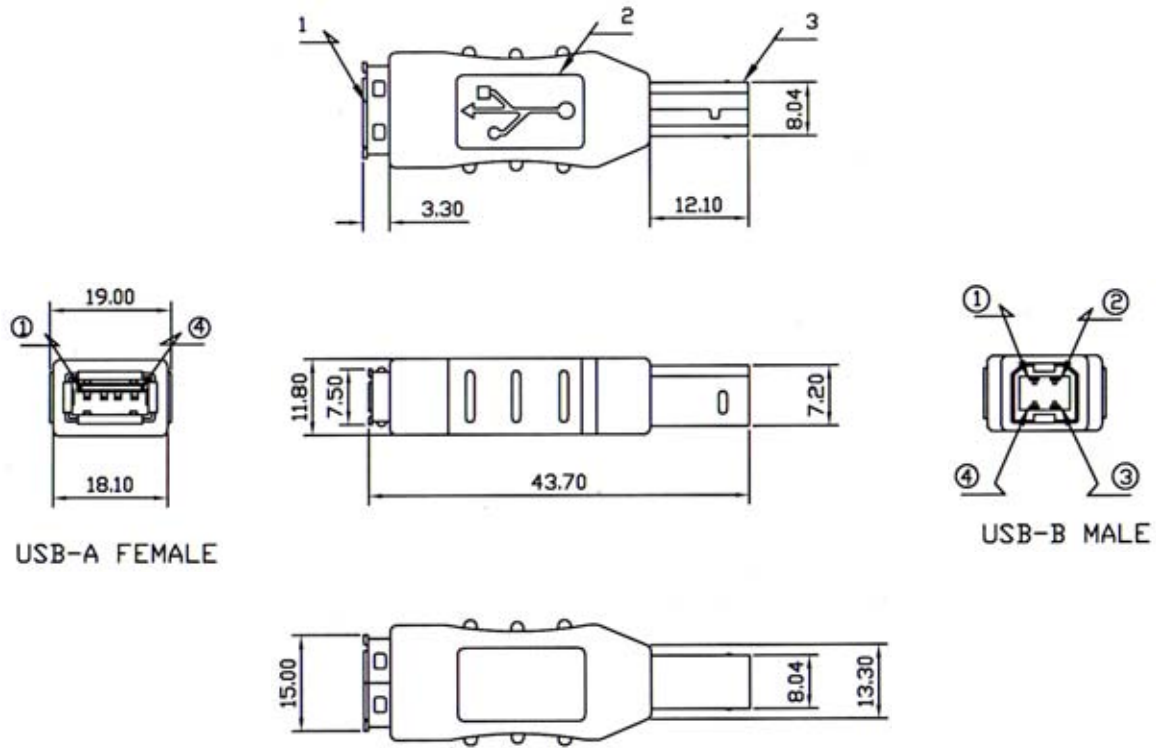
## ORDERING INFORMATION:

P/N A D U  $\frac{2}{1}$  -  $\frac{013}{2}$   $\frac{V}{3}$

P/N REVISED

1. USB REVISION:  
"2" REVISION 2.0
2. ADAPTER CODE:  
"013" USB A TYPE FEMALE TO  
USB B TYPE FEMALE
3. INSULATOR COLOR:  
"V" IVORY

# USB ADAPTER REV.2.0 AF/BM TYPE



USB-A FEMALE

USB-B MALE

	1	2	3	4	SHELL
USB-A FEMALE					
PIN ASSIGNMENT					
USB-B MALE					

	DESCRIPTION
1	USB-A TYPE FEMALE INSULATION: WHITE IN COLOR CONTACT PLATED: 30U"
2	PVC MOLDED WITH COPPER FOIL BEIGE IN COLOR
3	USB-B TYPE MALE INSULATION: WHITE IN COLOR CONTACT PLATED: 30U"
4	INTERNAL WIRES: UL1007 30AWG 7 STRANDED L: 17MM

## ORDERING INFORMATION:

P/N A D U  $\frac{2}{1} - \frac{015}{2} \frac{V}{3}$

P/N REVISED

1. USB REVISION:  
"2" REVISION 2.0
2. ADAPTER CODE:  
"015" USB A TYPE FEMALE TO  
USB B TYPE MALE
3. INSULATOR COLOR:  
"V" IVORY

# USB ADAPTER REV.2.0 AM/BF TYPE

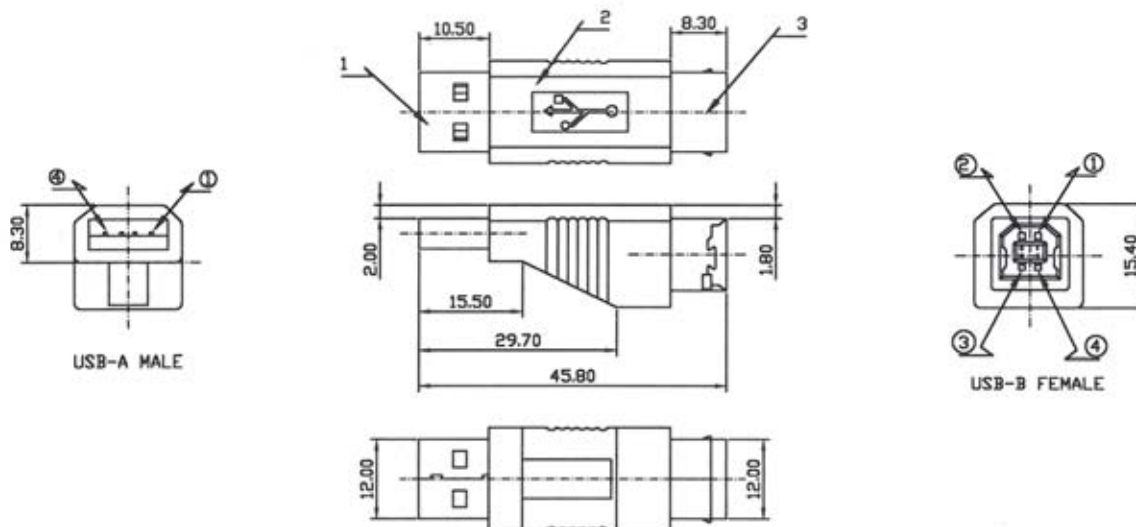
## SPECIFICATIONS

HI-POT: 250V

Insulation Resistance: 10M Ohm

Contact Resistance: 5 Ohm

\*RoHS & REACH compliant.



	1	2	3	4	SHELL
USB-A MALE					
PIN ASSIGNMENT					
USB-B FEMALE					

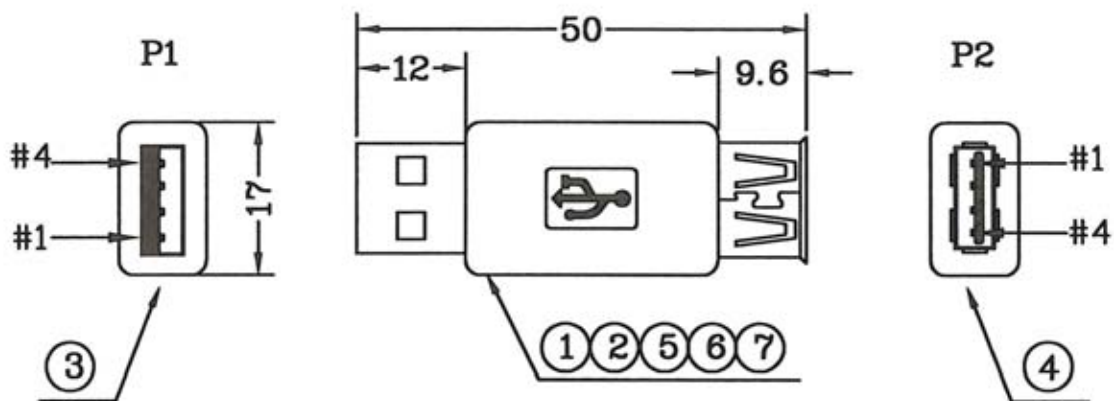
## ORDERING INFORMATION:

P/N A D U 2 - 017 V  
1 2 3

P/N REVISED

1. USB REVISION:  
"2" REVISION 2.0
2. ADAPTER TYPE:  
"017" USB A TYPE MALE TO  
USB B TYPE FEMALE
3. INSULATOR COLOR:  
"V" IVORY

## USB ADAPTER REV.2.0 AF/AM TYPE



PIN ASSIGNMENT

P1	P2
1	1
2	2
3	3
4	4
S	S

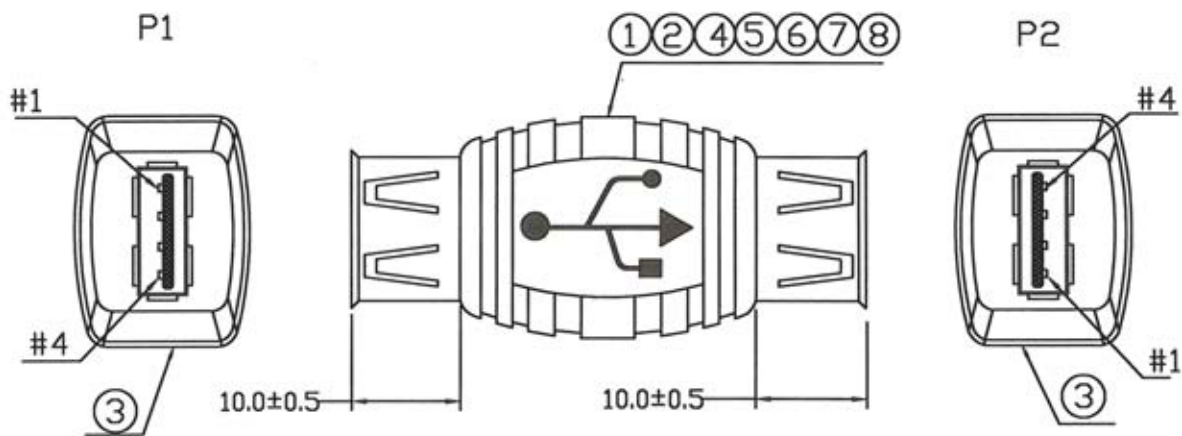
### ORDERING INFORMATION:

P/N A D U 2 - 031 V  
1 2 3

1. USB REVISION:  
"2" REVISION 2.0
2. ADAPTER TYPE:  
"031" USB A TYPE FEMALE TO  
USB B TYPE MALE
3. INSULATOR COLOR:  
"V" BEIGE



## USB ADAPTER REV.2.0 AF/AF TYPE



PIN ASSIGNMENT	
P1	P2
1	1
2	2
3	3
4	4
S	S

### ORDERING INFORMATION:

P/N A D U 2 - 034 V  
1 2 3

1. USB REVISION:  
"2" REVISION 2.0
2. ADAPTER TYPE:  
"034" USB A TYPE FEMALE TO  
USB A TYPE FEMALE
3. INSULATOR COLOR:  
"V" BEIGE

## USB3.0 TO USB 3.0 ADAPTERS

			
ADU3-001U	ADU3-003U	ADU3-005U	ADU3-006U
			
USB3.0 RIGHT ANGLE ADAPTERS			

### ORDERING INFORMATION:

P/N ADU3-001U	USB3.0 AF TO BF ADAPTER BLUE
P/N ADU3-002U	USB3.0 AF TO BM ADAPTER BLUE
P/N ADU3-003U	USB3.0 AM TO BF ADAPTER BLUE
P/N ADU3-004U	USB3.0 AM TO BM ADAPTER BLUE
P/N ADU3-005U	USB3.0 BF TO BF ADAPTER BLUE
P/N ADU3-006U	USB3.0 BM TO BF ADAPTER BLUE
P/N ADU3-007U	USB3.0 BM TO BM ADAPTER BLUE
P/N ADU3-008U	USB3.0 AF TO AF ADAPTER BLUE
P/N ADU3-009U	USB3.0 AM TO AM ADAPTER BLUE
P/N ADU3-010U	USB3.0 AM TO AF ADAPTER BLUE
P/N ADU3-011U	USB3.0 AM TO AF LEFTWARDS R/A ADAPTER
P/N ADU3-012U	USB3.0 AM TO BM RIGHTWARDS R/A ADAPTER

#### NOTE

AF = A TYPE FEMALE  
 AM = A TYPE MALE  
 BF = B TYPE FEMALE  
 BM = B TYPE MALE  
 R/A = RIGHT ANGLE

## USB3.0 HOUSING TO WAFER ADAPTERS (1)

			
ADU3-013U	ADU3-014U	ADU3-015U	ADU3-016U
			
ADU3-017U	ADU3-018U	ADU3-019U	ADU3-020U
			
ADU3-021U			

### ORDERING INFORMATION:

P/N ADU3-013U	USB3.0 HOUSING 20F TO HOUSING 20F ADAPTER
P/N ADU3-014U	USB3.0 HOUSING 20F TO BOX HEADER 20M ADAPTER
P/N ADU3-015U	USB3.0 BOX HEADER 20M TO BOX HEADER 20M ADAPTER
P/N ADU3-016U	USB3.0 AM TO HOUSING 20F ADAPTER
P/N ADU3-017U	USB3.0 AM TO BOX HEADER 20M ADAPTER
P/N ADU3-018U	USB3.0 AF TO HOUSING 20F ADAPTER
P/N ADU3-019U	USB3.0 AF TO BOX HEADER 20M ADAPTER
P/N ADU3-020U	USB3.0 BM TO HOUSING 20F ADAPTER
P/N ADU3-021U	USB3.0 BM TO BOX HEADER 20M ADAPTER

#### NOTE

AF = A TYPE FEMALE  
 AM = A TYPE MALE  
 BM = B TYPE MALE  
 20F = 20 PIN FEMALE  
 20M = 20 PIN MALE

## USB3.0 HOUSING TO WAFER ADAPTERS (2)

			
ADU3-022U	ADU3-024U	ADU3-025U	ADU3-027U
			
ADU3-042U	ADU3-043U		

### ORDERING INFORMATION:

P/N ADU3-022U	USB3.0 HOUSING 20F TO AM+AM ADAPTER
P/N ADU3-023U	USB3.0 HOUSING 20F TO AM+AF ADAPTER
P/N ADU3-024U	USB3.0 HOUSING 20F TO AF+AF ADAPTER
P/N ADU3-025U	USB3.0 BOX HEADER 20M TO AM+AM ADAPTER
P/N ADU3-026U	USB3.0 BOX HEADER 20M TO AM+AF ADAPTER
P/N ADU3-027U	USB3.0 BOX HEADER 20M TO AF+AF ADAPTER
P/N ADU3-042U	USB3.0 HOUSING 20F TO MICRO USB3.0 BM ADAPTER
P/N ADU3-043U	USB3.0 BOX HEADER 20M TO MICRO USB3.0 BM ADAPTER

#### NOTE

AF = A TYPE FEMALE  
 AM = A TYPE MALE  
 BM = B TYPE MALE  
 20F = 20 PIN FEMALE  
 20M = 20 PIN MALE

# USB 3.0 ADAPTER A/F TO B/F TYPE

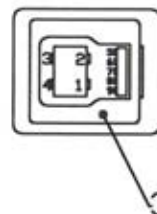
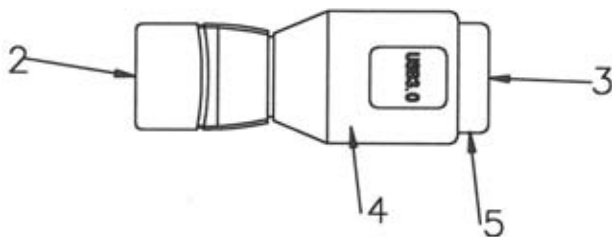
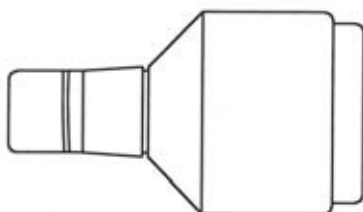
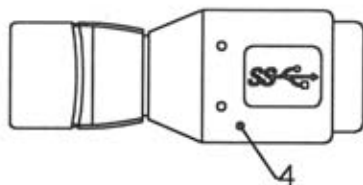
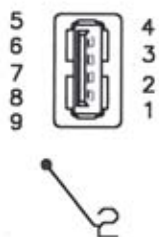
## SPECIFICATIONS

HI-POT: 250V

Insulation Resistance: 5M Ohm

Contact Resistance: 10 Ohm

\*RoHS & REACH compliant.



USB3.0 AF	USB3.0 BF
1	1
2	2
3	3
4	4
5	5
6	6
7	7
8	8
9	9
SHELL	SHELL

## ORDERING INFORMATION:

P/N A D U 3 - 001 U

1. USB REVISION:  
"3" REVISION 3.0
2. ADAPTER TYPE:  
"001" USB 3.0 A TYPE FEMALE TO  
USB 3.0 B TYPE FEMALE
3. INSULATOR COLOR:  
"U" BLUE

## USB 3.0 ADAPTER A/F TO B/M TYPE

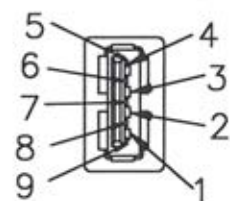
### SPECIFICATIONS

HI-POT: 250V

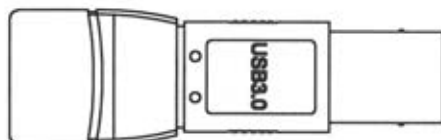
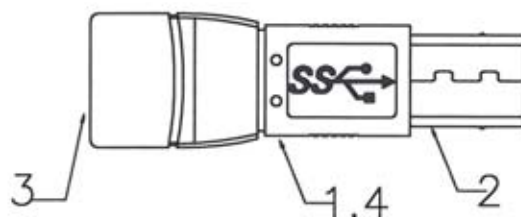
Insulation Resistance: 5M Ohm

Contact Resistance: 10 Ohm

\*RoHS & REACH compliant.



USB3.0 AF



USB3.0 BM



USB3.0 AF	USB3.0 BM
1	1
2	2
3	3
4	4
5	5
6	6
7	7
8	8
9	9
SHELL	SHELL

### ORDERING INFORMATION:

P/N A D U 3 - 002 U

1. USB REVISION:  
"3" REVISION 3.0
2. ADAPTER TYPE:  
"002" USB 3.0 A TYPE FEMALE TO  
USB 3.0 B TYPE MALE
3. INSULATOR COLOR:  
"U" BLUE

## USB 3.0 ADAPTER A/M TO B/F TYPE

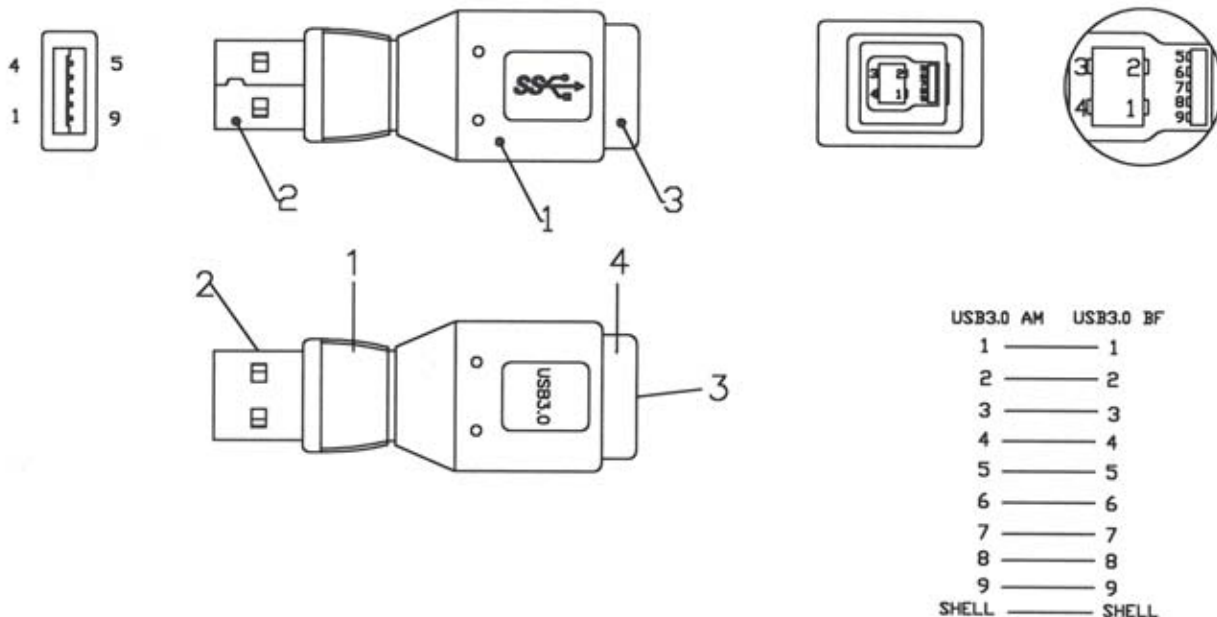
### SPECIFICATIONS

HI-POT: 250V

Insulation Resistance: 5M Ohm

Contact Resistance: 10 Ohm

\*RoHS & REACH compliant.



### ORDERING INFORMATION:

P/N A D U 3 - 003 U  
1 2 3

1. USB REVISION:  
"3" REVISION 3.0
2. ADAPTER TYPE:  
"003" USB 3.0 A TYPE MALE TO  
USB 3.0 B TYPE FEMALE
3. INSULATOR COLOR:  
"U" BLUE



## USB 3.0 ADAPTER A/M TO B/M TYPE

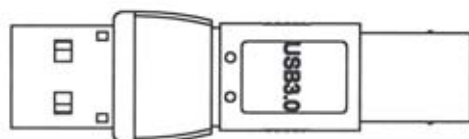
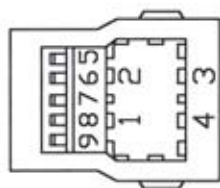
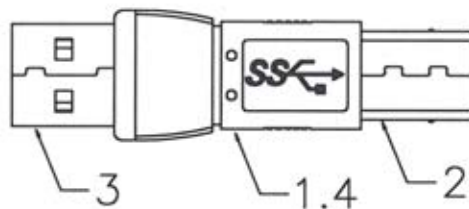
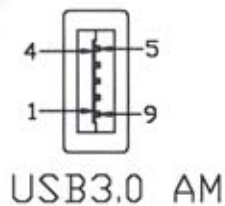
### SPECIFICATIONS

HI-POT: 250V

Insulation Resistance: 5M Ohm

Contact Resistance: 10 Ohm

\*RoHS & REACH compliant.



USB3.0 AM	USB3.0 BM
1	1
2	2
3	3
4	4
5	5
6	6
7	7
8	8
9	9
SHELL	SHELL

### ORDERING INFORMATION:

P/N A D U 3 - 004 U  
1 2 3

1. USB REVISION:  
"3" REVISION 3.0
2. ADAPTER TYPE:  
"004" USB 3.0 A TYPE MALE TO  
USB 3.0 B TYPE MALE
3. INSULATOR COLOR:  
"U" BLUE

## USB 3.0 ADAPTER B/F TO B/F TYPE

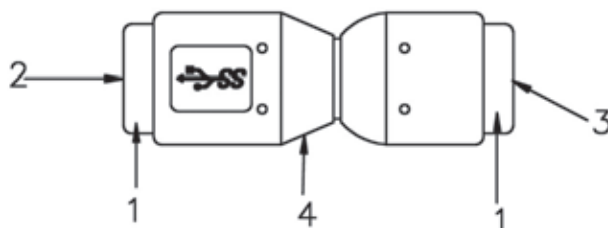
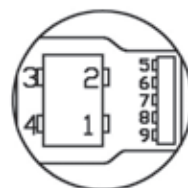
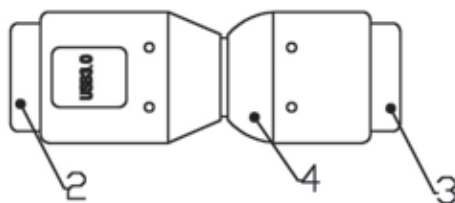
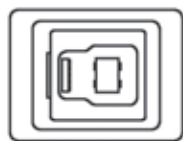
### SPECIFICATIONS

HI-POT: 250V

Insulation Resistance: 5M Ohm

Contact Resistance: 10 Ohm

\*RoHS & REACH compliant.



USB3.0 BF	USB3.0 BF
1	1
2	2
3	3
4	4
5	5
6	6
7	7
8	8
9	9
SHELL	SHELL

### ORDERING INFORMATION:

P/N A D U 3 - 005 U  
                  1      2      3

1. USB REVISION:  
"3" REVISION 3.0
2. ADAPTER TYPE:  
"005" USB 3.0 B TYPE FEMALE TO  
USB 3.0 B TYPE FEMALE
3. INSULATOR COLOR:  
"U" BLUE

## USB 3.0 ADAPTER B/M TO B/F TYPE

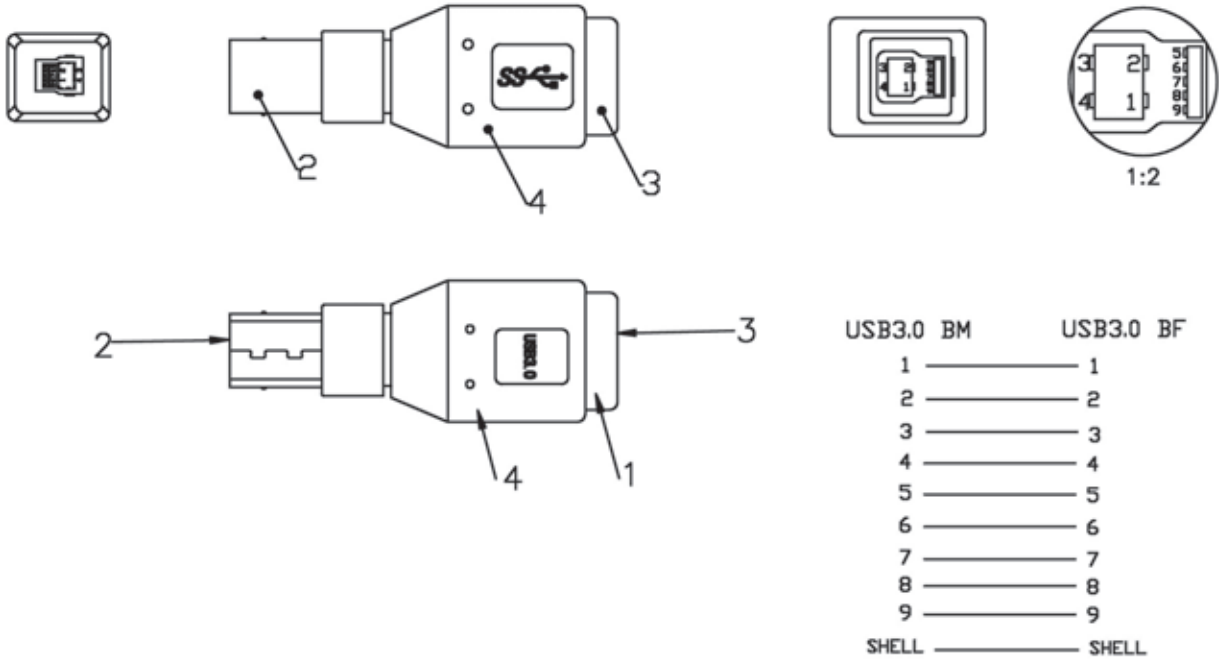
### SPECIFICATIONS

HI-POT: 250V

Insulation Resistance: 5M Ohm

Contact Resistance: 10 Ohm

\*RoHS & REACH compliant.



### ORDERING INFORMATION:

P/N A D U 3 - 006 U

1. USB REVISION:  
"3" REVISION 3.0
2. ADAPTER TYPE:  
"006" USB 3.0 B TYPE MALE TO  
USB 3.0 B TYPE FEMALE
3. INSULATOR COLOR:  
"U" BLUE

## USB 3.0 ADAPTER B/M TO B/M TYPE

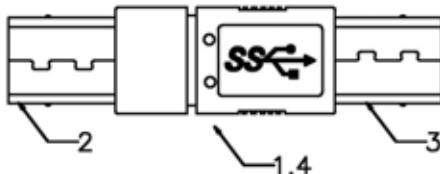
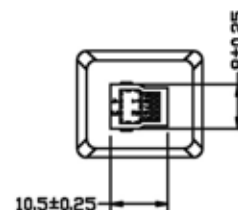
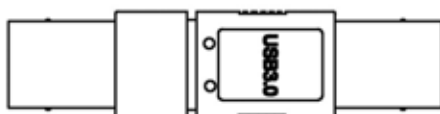
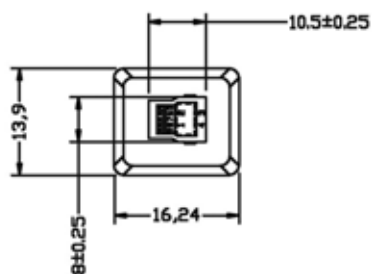
### SPECIFICATIONS

HI-POT: 250V

Insulation Resistance: 5M Ohm

Contact Resistance: 10 Ohm

\*RoHS & REACH compliant.



USB3.0 BM	—	USB3.0 BM
1	—	1
2	—	2
3	—	3
4	—	4
5	—	5
6	—	6
7	—	7
8	—	8
9	—	9
SHELL	—	SHELL

### ORDERING INFORMATION:

P/N A D U 3 - 007 U  
 1            2            3

1. USB REVISION:  
"3" REVISION 3.0
2. ADAPTER TYPE:  
"007" USB 3.0 B TYPE MALE TO  
USB 3.0 B TYPE MALE
3. INSULATOR COLOR:  
"U" BLUE

## MINI USB 4P FUJI MALE TO USB B/F ADAPTER

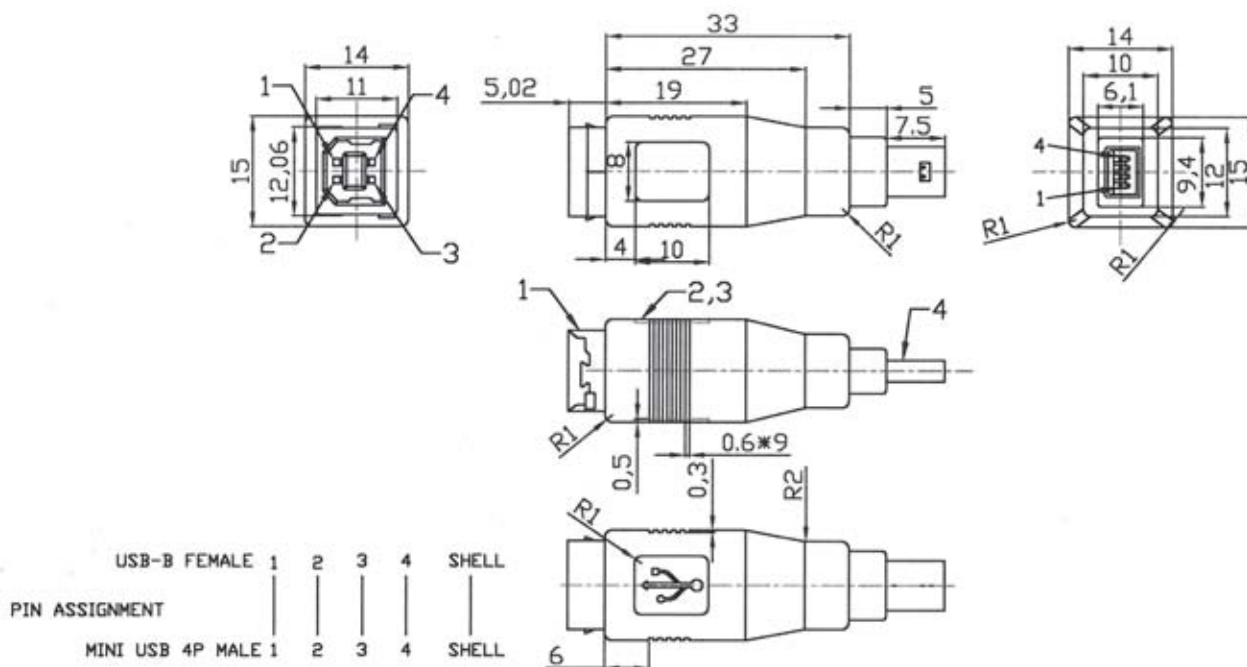
### SPECIFICATIONS

HI-POT: 250V

Insulation Resistance: 10M Ohm

Contact Resistance: 3 Ohm

\*RoHS & REACH compliant.



### ORDERING INFORMATION:

P/N A D U M - 025 B  
                                  1 2

1. ADAPTER TYPE:  
"025" MINI USB 4P FUJI MALE TO  
USB B TYPE FEMALE
2. INSULATOR COLOR:  
"B" BLACK

# MINI USB 4M TO USB A/M ADAPTER

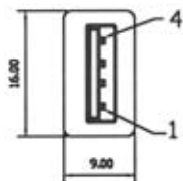
## SPECIFICATIONS

HI-POT: 250V

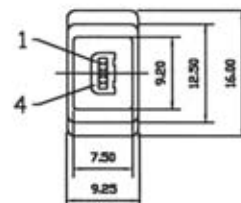
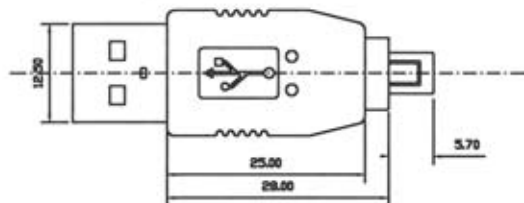
Insulation Resistance: 10M Ohm

Contact Resistance: 3 Ohm

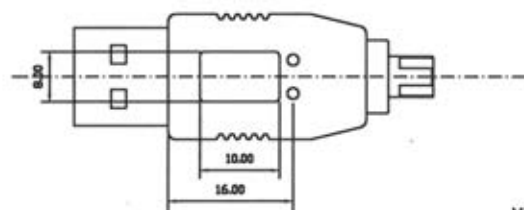
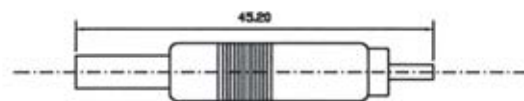
\*RoHS & REACH compliant.



USB A MALE



MINI USB 4P MALE



## PIN ASSIGNMENT

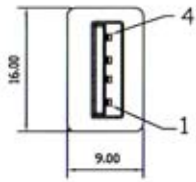
USB-A MALE	1	2	3	4	SHELL
MINI USB 4P MALE	1	2	3	4	SHELL

## ORDERING INFORMATION:

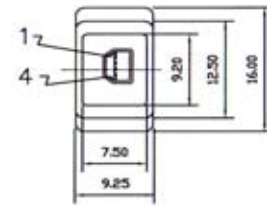
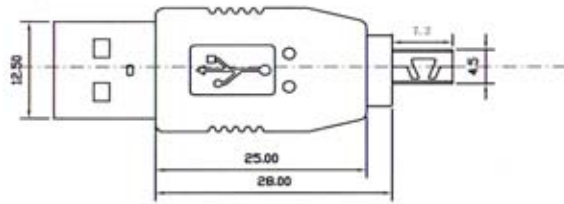
P/N A D U M - 030 B  
1 2

1. ADAPTER TYPE:  
"030" MINI USB 4P MALE TO  
USB A TYPE MALE
2. INSULATOR COLOR:  
"B" BLACK

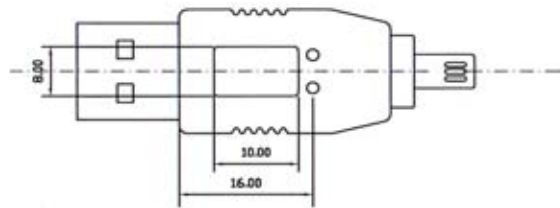
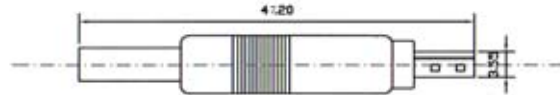
# MINI USB 4M TO USB A/M ADAPTER



USB A MALE



MINI USB 4P MALE MITSUMI



PIN ASSIGNMENT

USB-A MALE	1	2	3	4	SHELL
MINI USB 4P MALE	1	2	3	4	SHELL

	DESCRIPTION
1	USB-A TYPE MALE WHITE PASTER CONTACT PLATED: GOLD FLASH
2	PVC MOLDED COLOR: BLACK
3	INTERNAL WIRES: UL1007 30AWG
4	MINI USB 4P MALE BLACK MITSUMI CONTACT PLATED: GOLD FLASH

## ORDERING INFORMATION:

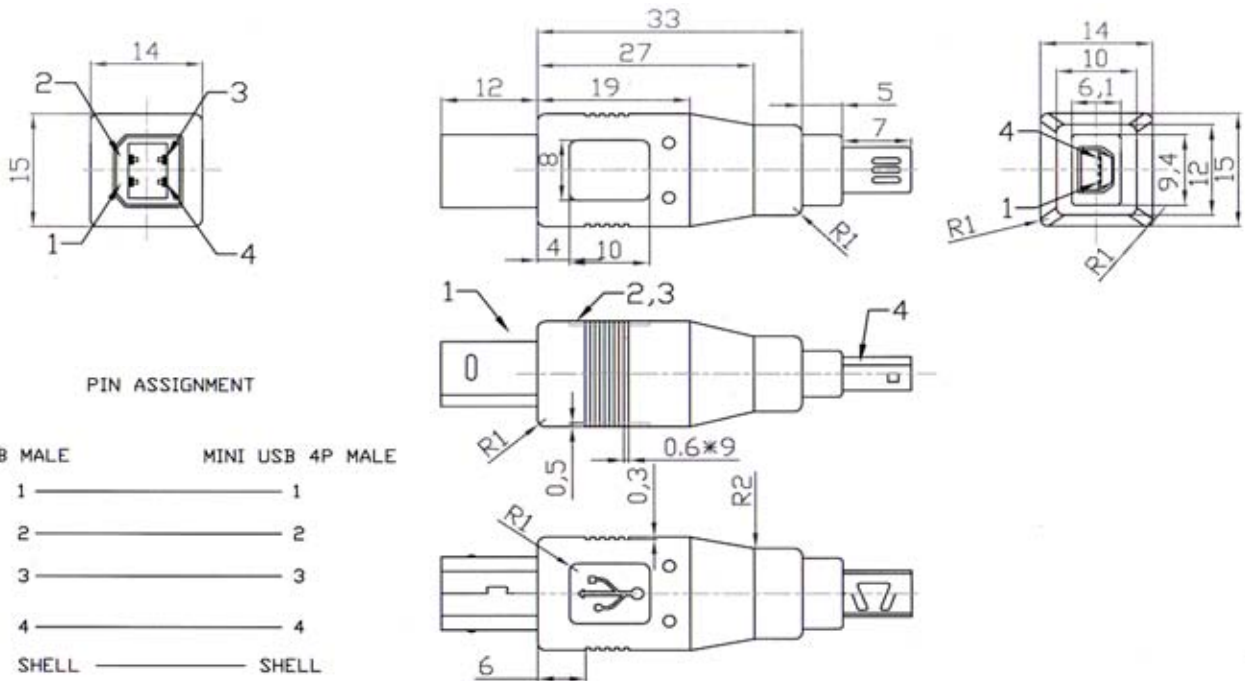
P/N A D U M - 031 B  
                          1 2

P/N REVISED

- ADAPTER TYPE:  
"031" MINI USB 4P MITSUMI MALE TO USB A TYPE MALE
- INSULATOR COLOR:  
"B" BLACK



# MINI USB 4M TO USB B/M ADAPTER



DESCRIPTION	
1	USB-B TYPE MALE WHITE PASTER CONTACT PLATED: GOLD FLASH
2	PVC MOLDED COLOR: BLACK
3	INTERNAL WIRES: UL1007 30AWG
4	MINI USB 4P MALE BLACK MITSUMI CONTACT PLATED: G/F

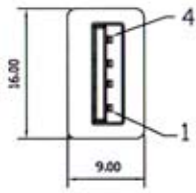
## ORDERING INFORMATION:

**P/N A D U M -  $\frac{032B}{12}$**

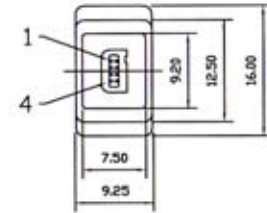
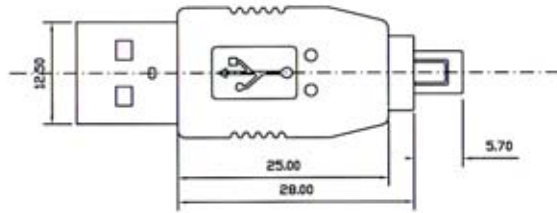
P/N REVISED

- ADAPTER TYPE:  
"032" MINI USB 4P MITSUMI MALE TO USB B TYPE MALE
- INSULATOR COLOR:  
"B" BLACK

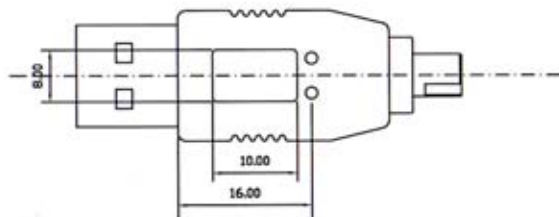
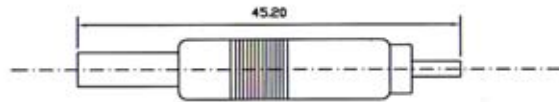
# MINI USB 4M TO USB A/M ADAPTER



USB A MALE



MINI USB 4P MALE



## PIN ASSIGNMENT

USB-A MALE	1	2	3	4	SHELL
MINI USB 4P MALE	1	2	3	4	SHELL

	DESCRIPTION
1	USB-A TYPE MALE WHITE PASTERN CONTACT PLATED: GOLD FLASH
2	PVC MOLDED COLOR: BLACK
3	INTERNAL WIRES: UL1007 30AWG
4	MINI USB 4P MALE BLACK HIROSE CONTACT PLATED: GOLD FLASH

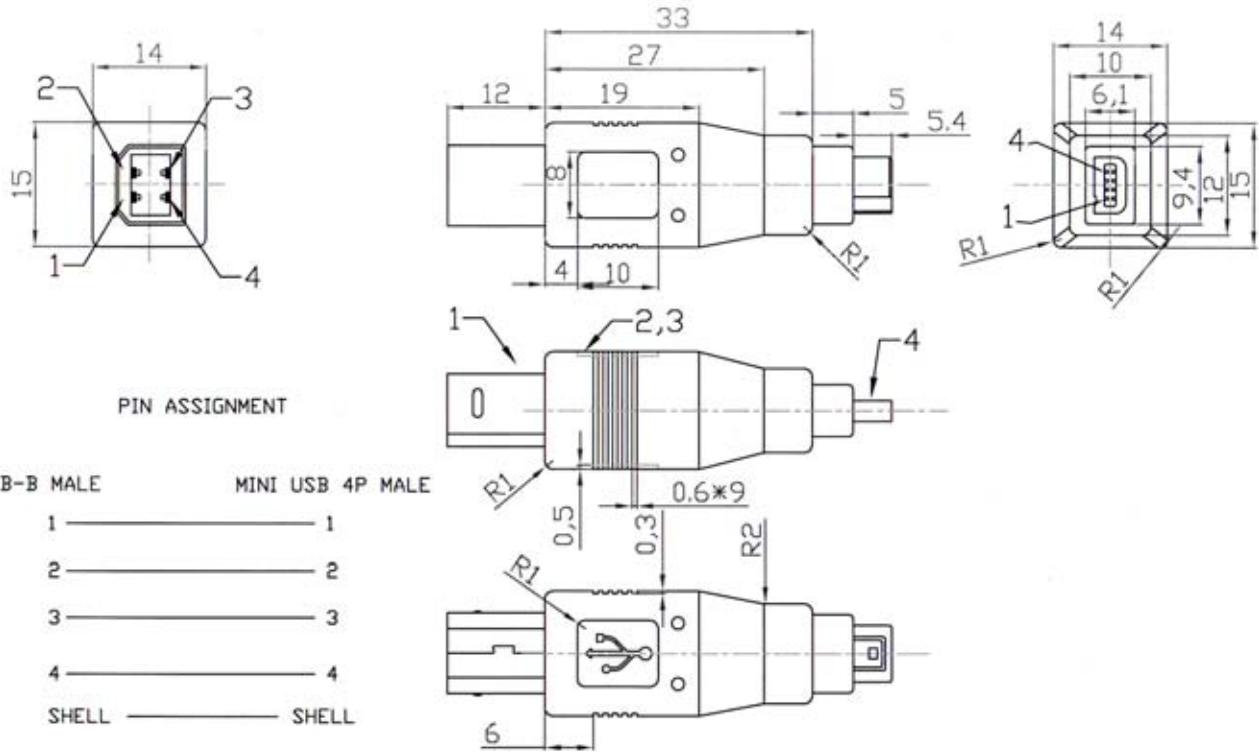
## ORDERING INFORMATION:

P/N A D U M -  $\frac{033}{1} \frac{B}{2}$

P/N REVISED

- ADAPTER TYPE:  
"033" MINI USB 4P HIROSE MALE TO USB A TYPE MALE
- INSULATOR COLOR:  
"B" BLACK

# MINI USB 4M TO USB B/M ADAPTER



	DESCRIPTION
1	USB-B TYPE MALE WHITE PASTER CONTACT PLATED: GOLD FLASH
2	PVC MOLDED COLOR: BLACK
3	INTERNAL WIRES: UL1007 30AWG
4	MINI USB 4P MALE WHITE HIROSE SINGLE KEY CONTACT PLATED: G/F

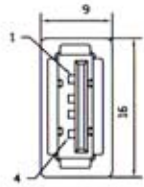
## ORDERING INFORMATION:

**P/N A D U M -  $\frac{034B}{12}$**

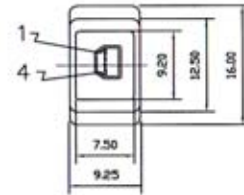
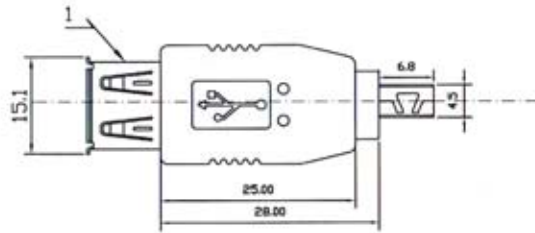
P/N REVISED

- ADAPTER TYPE:  
"034" MINI USB 4P HIROSE MALE TO USB B TYPE MALE
- INSULATOR COLOR:  
"B" BLACK

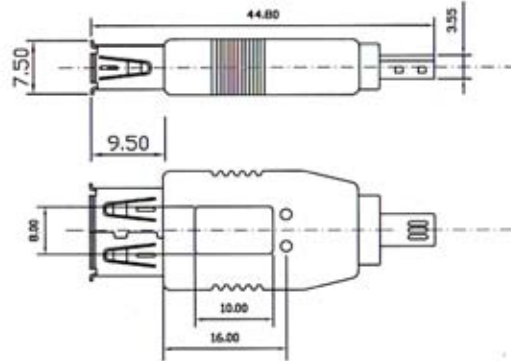
# MINI USB 4M TO USB A/F ADAPTER



USB-A FEMALE



MINI USB 4P MALE MITSUMI



## PIN ASSIGNMENT

USB-A FEMALE	1	2	3	4	SHELL
MINI USB 4P MALE	1	2	3	4	SHELL

	DESCRIPTION
1	USB-A TYPE FEMALE WHITE PASTERN CONTACT PLATED: GOLD FLASH
2	PVC MOLDED COLOR: BLACK
3	INTERNAL WIRES: UL1007 30AWG
4	MINI USB 4P MALE BLACK MITSUMI CONTACT PLATED: GOLD FLASH

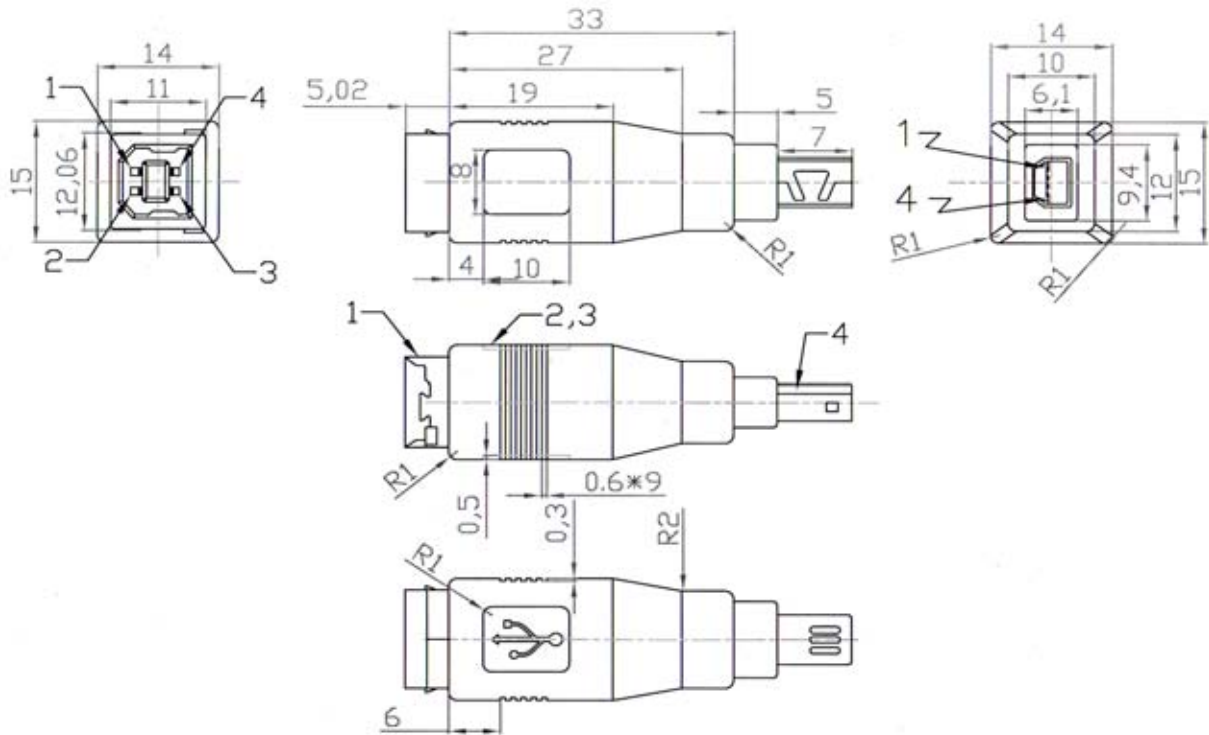
## ORDERING INFORMATION:

P/N A D U M -  $\frac{035B}{1\ 2}$

P/N REVISED

- ADAPTER TYPE:  
"035" MINI USB 4P MITSUMI MALE TO USB A TYPE FEMALE
- INSULATOR COLOR:  
"B" BLACK

# MINI USB 4M TO USB B/F ADAPTER



USB-B FEMALE	1	2	3	4
PIN ASSIGNMENT				
MINI USB 4P MALE	1	2	3	4

	DESCRIPTION
1	USB-B TYPE FEMALE WHITE PASTER CONTACT PLATED: GOLD FLASH
2	PVC MOLDED COLOR: BLACK
3	INTERNAL WIRES: UL1007 30AWG
4	MINI USB 4P MALE BLACK B TYPE CONTACT PLATED: G/F

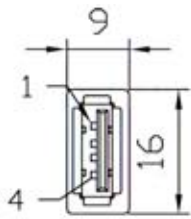
## ORDERING INFORMATION:

P/N A D U M -  $\frac{036}{1} \frac{B}{2}$

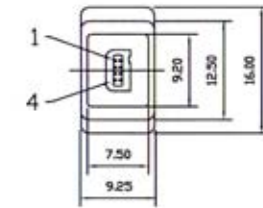
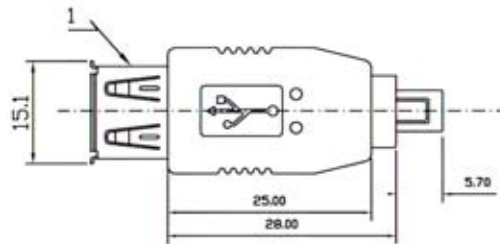
P/N REVISED

- ADAPTER TYPE:  
"036" MINI USB 4 PIN MITSUMI MALE TO  
USB B TYPE FEMALE
- INSULATOR COLOR:  
"B" BLACK

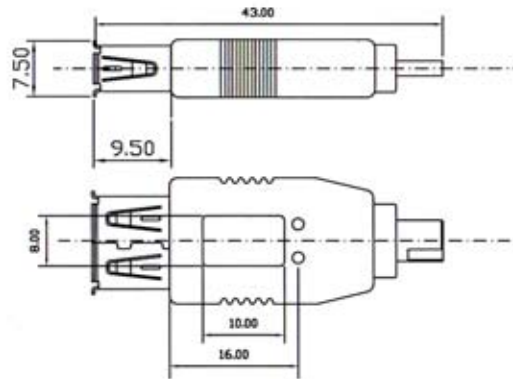
# MINI USB 4M TO USB A/F ADAPTER



USB-A FEMALE



MINI USB 4P MALE



PIN ASSIGNMENT

USB-A FEMALE	1	2	3	4	SHELL
MINI USB 4P MALE	1	2	3	4	SHELL

	DESCRIPTION
1	USB-A TYPE FEMALE WHITE PASTERN CONTACT PLATED: GOLD FLASH
2	PVC MOLDED COLOR: BLACK
3	INTERNAL WIRES: UL1007 30AWG
4	MINI USB 4P MALE BLACK B HIROSE CONTACT PLATED: GOLD FLASH

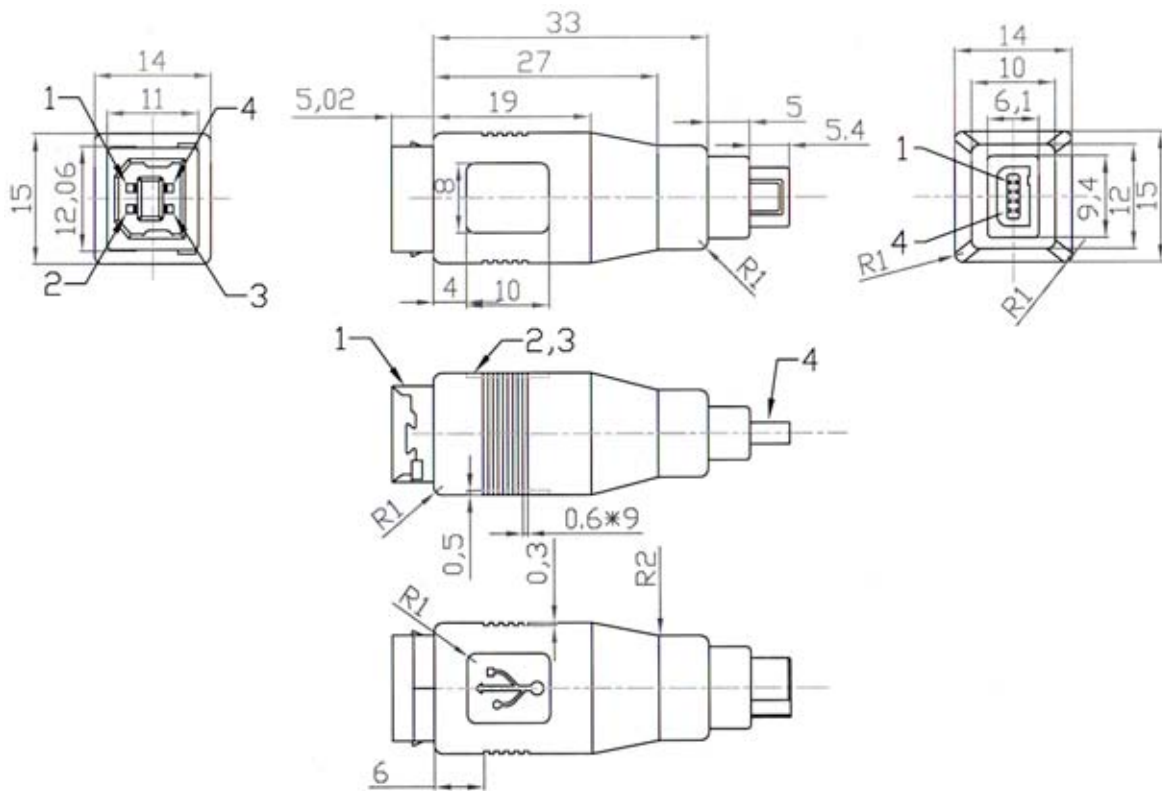
## ORDERING INFORMATION:

P/N A D U M -  $\frac{037B}{1\ 2}$

P/N REVISED

- ADAPTER TYPE:  
"037" MINI USB 4P HIROSE MALE TO USB A TYPE FEMALE
- INSULATOR COLOR:  
"B" BLACK

# MINI USB 4M TO USB B/F ADAPTER



	USB-B FEMALE	1	2	3	4	SHELL
PIN ASSIGNMENT						
	MINI USB 4P MALE	1	2	3	4	SHELL

	DESCRIPTION
1	USB-B TYPE FEMALE WHITE PASTERN CONTACT PLATED: GOLD FLASH
2	PVC MOLDED COLOR: BLACK
3	INTERNAL WIRES: UL1007 30AWG
4	MINI USB 4P MALE BLACK HIROSE SINGLE KEY CONTACT PLATED: G/F

## ORDERING INFORMATION:

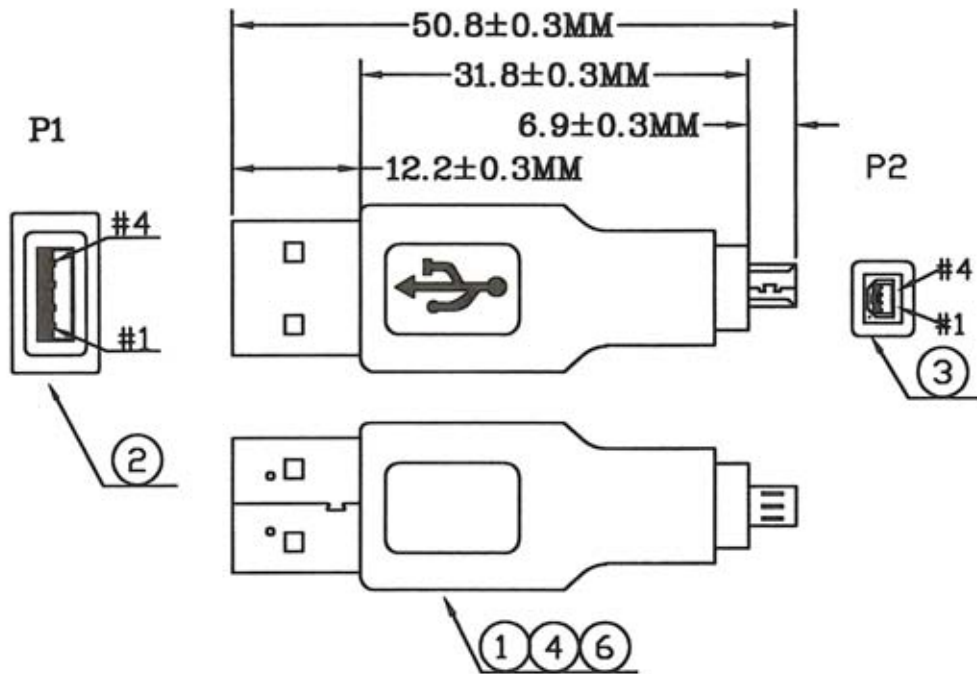
P/N A D U M -  $\frac{038B}{12}$

P/N REVISED

- ADAPTER TYPE:  
"038" MINI USB 4 PIN HIROSE MALE TO  
USB B TYPE FEMALE
- INSULATOR COLOR:  
"B" BLACK



# MINI USB MITSUMI 4M TO USB A/M ADAPTER



PIN ASSIGNMENT

P1	P2
1	4
2	3
3	2
4	1
S	S

## ORDERING INFORMATION:

P/N A D U M - 044 B  
                           1 2

- ADAPTER TYPE:  
"044" MINI USB MITSUMI 4 PIN MALE TO  
USB A TYPE MALE
- INSULATOR COLOR:  
"B" BLACK

## MINI USB 5AM TO USB A/M ADAPTER

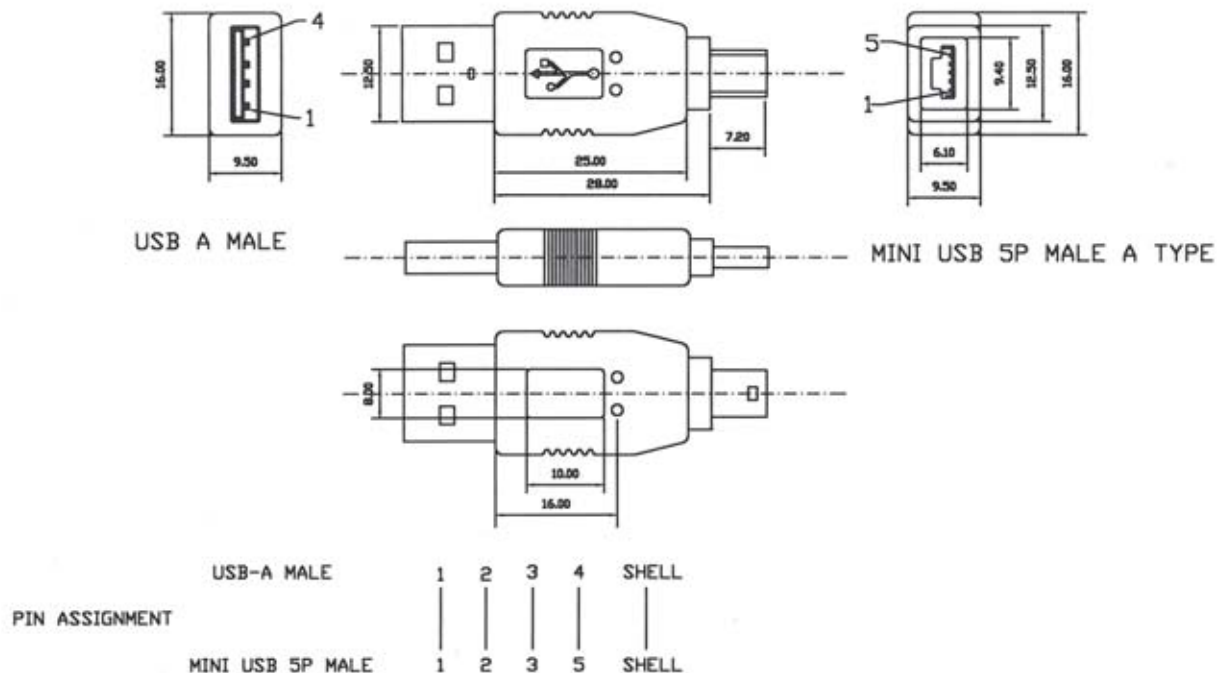
### SPECIFICATIONS

HI-POT: 250V

Insulation Resistance: 10M Ohm

Contact Resistance: 3 Ohm

\*RoHS & REACH compliant.

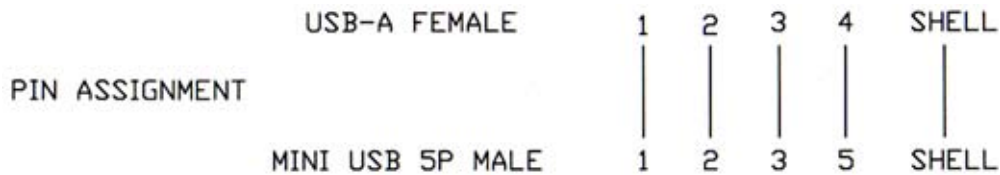
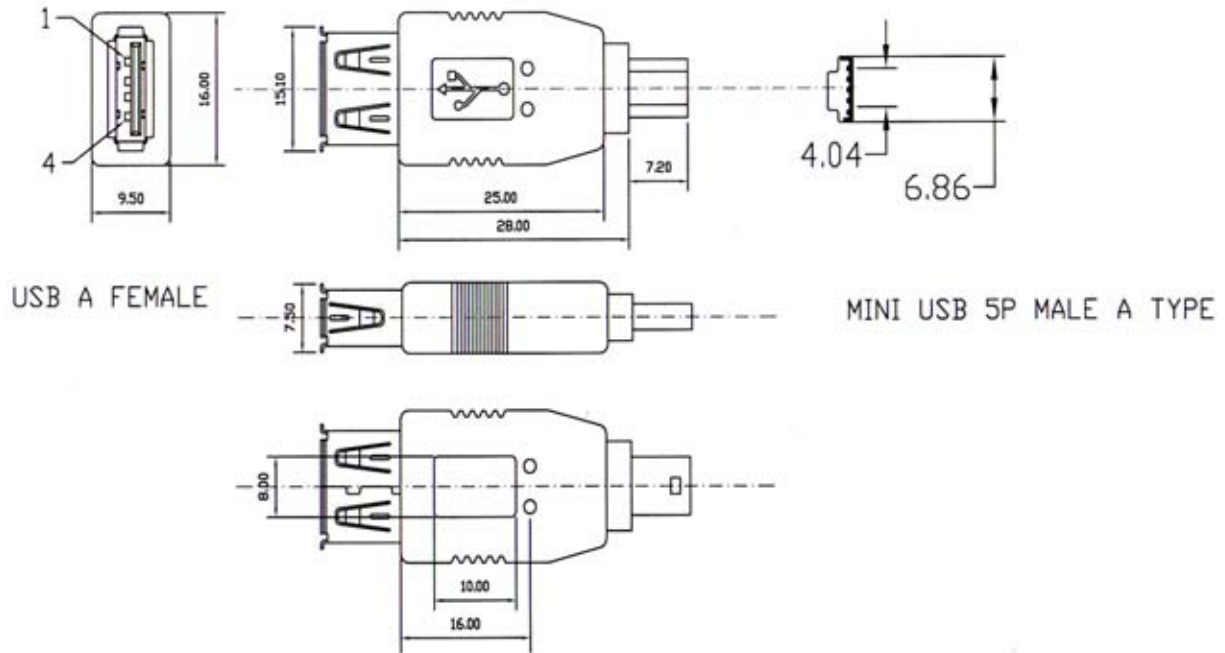


### ORDERING INFORMATION:

P/N A D U M - 001  
                  1      2

1. ADAPTER TYPE:  
"001" MINI USB 5P A TYPE MALE TO  
USB A TYPE MALE
2. INSULATOR COLOR:  
"B" BLACK

## MINI USB 5AM TO USB A/F ADAPTER



	DESCRIPTION
1	USB-A TYPE FEMALE WHITE PASTERN CONTACT PLATED: GOLD FLASH
2	PVC MOLDED COLOR: BLACK
3	INTERNAL WIRES: UL1007 30AWG
4	MINI USB 5P MALE BLACK A TYPE CONTACT PLATED: GOLD FLASH

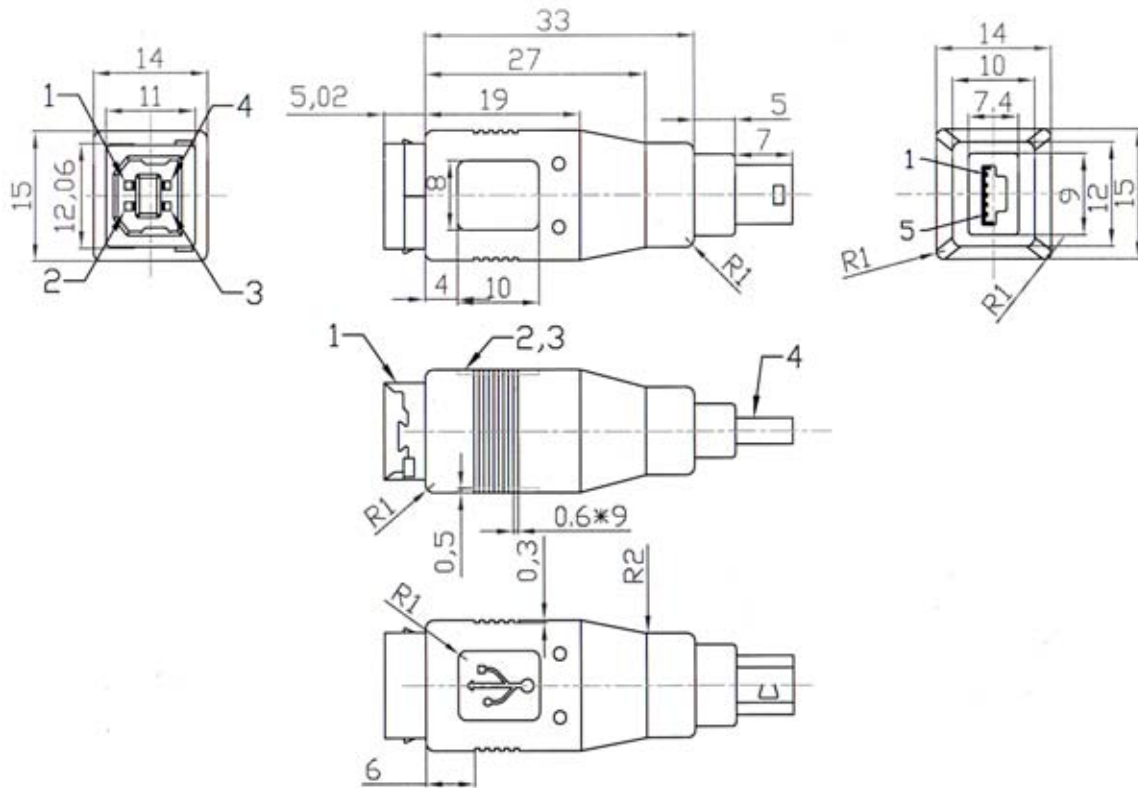
### ORDERING INFORMATION:

P/N A D U M -  $\frac{005}{1} \frac{B}{2}$

P/N REVISED

- ADAPTER TYPE:  
"005" MINI USB 5P A TYPE MALE TO USB A TYPE FEMALE
- INSULATOR COLOR:  
"B" BLACK

# MINI USB 5AM TO USB B/F ADAPTER



USB-B FEMALE	1	2	3	4	SHELL
PIN ASSIGNMENT					
MINI USB 5P MALE	1	2	3	5	SHELL

	DESCRIPTION
1	USB-B TYPE FEMALE WHITE PASTERN CONTACT PLATED: GOLD FLASH
2	PVC MOLDED COLOR: BLACK
3	INTERNAL WIRES: UL1007 30AWG
4	MINI USB 5P MALE BLACK A TYPE CONTACT PLATED: GOLD FLASH

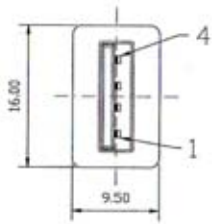
## ORDERING INFORMATION:

P/N A D U M -  $\frac{013B}{12}$

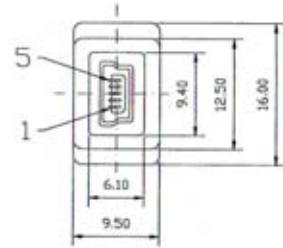
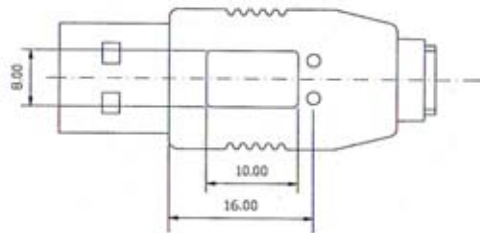
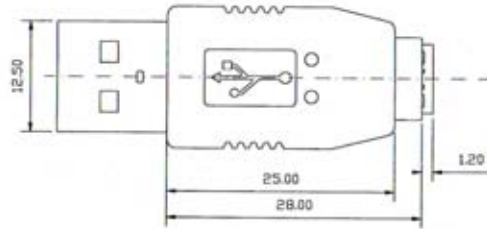
P/N REVISED

- ADAPTER TYPE:  
"013" MINI USB 5P A TYPE MALE TO USB B TYPE FEMALE
- INSULATOR COLOR:  
"B" BLACK

# MINI USB 5BF TO USB A/M ADAPTER



USB A MALE



MINI USB 5P FEMALE

	USB-A MALE	1	2	3	4	SHELL
PIN ASSIGNMENT						
	MINI USB 5P FEMALE	1	2	3	5	SHELL

	DESCRIPTION
1	USB-A TYPE MALE WHITE PASTERN CONTACT PLATED: GOLD FLASH
2	PVC MOLDED COLOR: BLACK
3	INTERNAL WIRES: UL1007 30AWG
4	MINI USB 5P FEMALE BLACK PASTERN CONTACT PLATED: GOLD FLASH

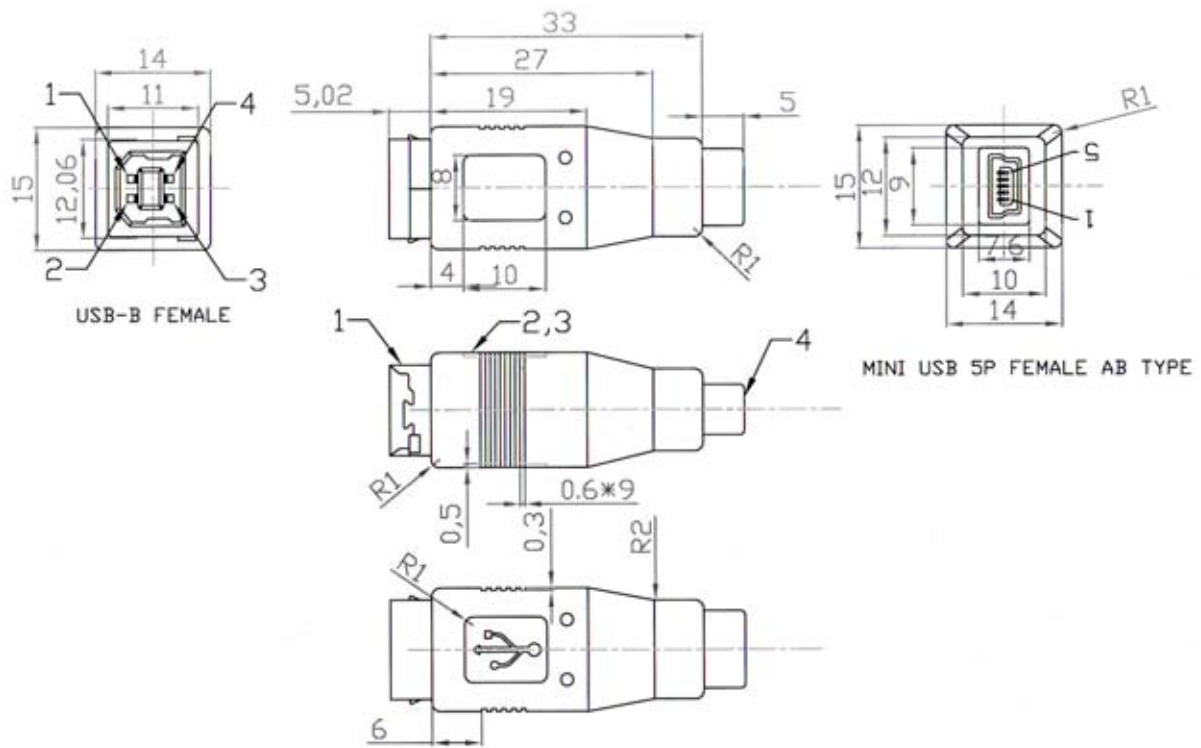
## ORDERING INFORMATION:

P/N A D U M - 004 B  
                          1   2

P/N REVISED

- ADAPTER TYPE:  
"004" MINI USB 5 PIN B TYPE FEMALE TO  
USB A TYPE MALE
- INSULATOR COLOR:  
"B" BLACK

# MINI USB 5BF TO USB B/F ADAPTER



	USB-B FEMALE	1	2	3	4	SHELL
PIN ASSIGNMENT						
	MINI USB 5P FEMALE	1	2	3	5	SHELL

	DESCRIPTION
1	USB-B TYPE FEMALE SHELL PLATED: NICKEL CONTACT: G/F
2	PVC MOLDED COLOR: BLACK
3	INTERNAL WIRES: UL1007 30AWG
4	MINI USB 5P FEMALE AB TYPE SHELL PLATED: NICKEL CONTACT: G/F

## ORDERING INFORMATION:

P/N A D U M -  $\frac{016}{1} \frac{B}{2}$

P/N REVISED

- ADAPTER TYPE:  
"016" MINI USB 5 PIN B TYPE FEMALE TO  
USB B TYPE FEMALE
- INSULATOR COLOR:  
"B" BLACK

## MINI USB 5BF TO USB B/M ADAPTER

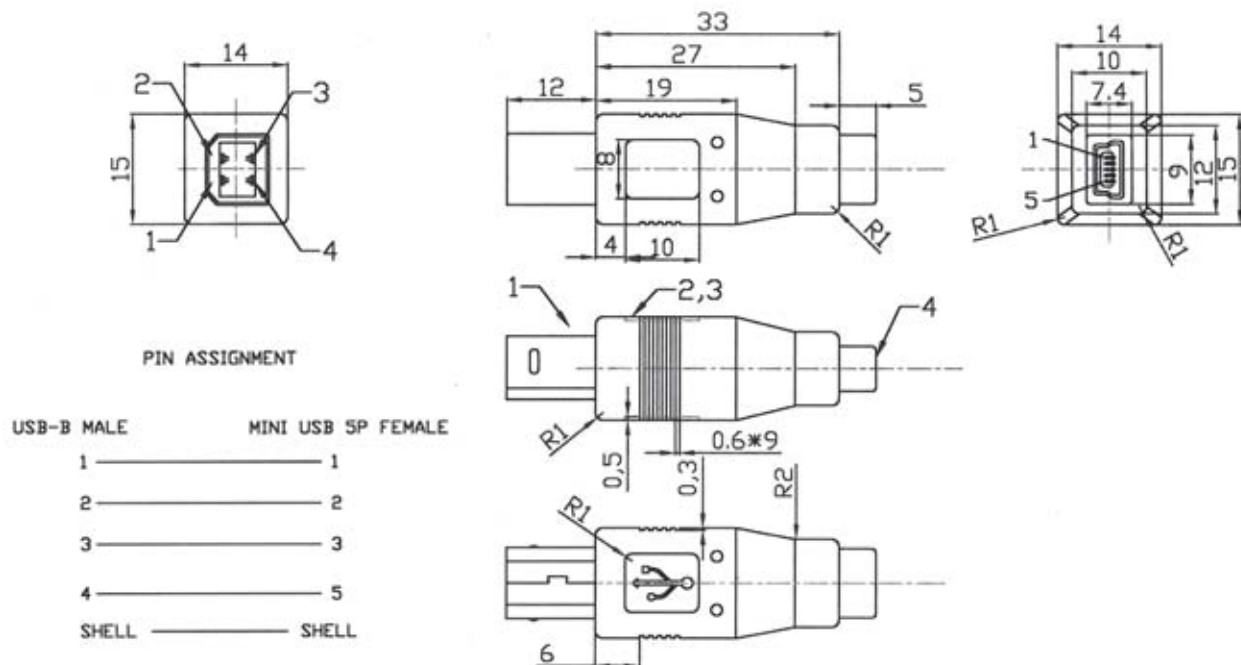
### SPECIFICATIONS

HI-POT: 250V

Insulation Resistance: 10M Ohm

Contact Resistance: 3 Ohm

\*RoHS & REACH compliant.



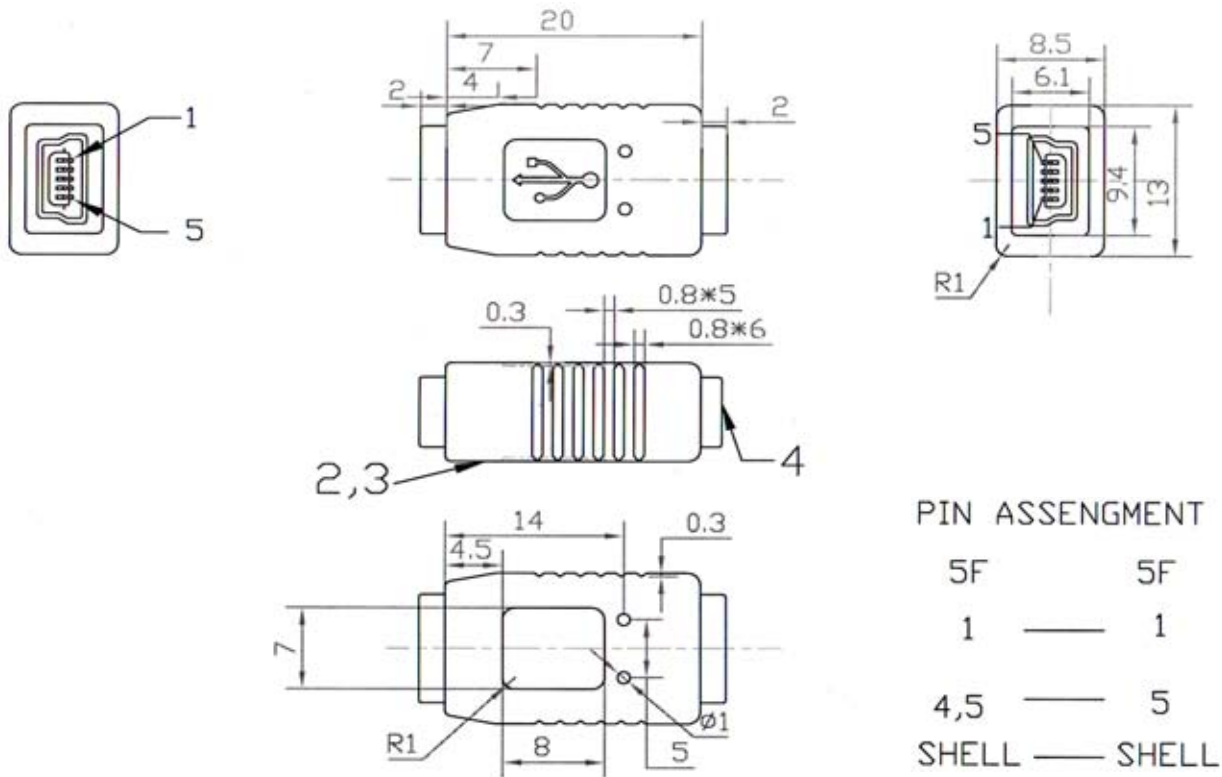
### ORDERING INFORMATION:

P/N A D U M -  $\frac{012B}{12}$

- ADAPTER TYPE:  
"012" MINI USB 5P B TYPE FEMALE TO  
USB B TYPE MALE
- INSULATOR COLOR:  
"B" BLACK



# MINI USB 5BF TO 5BF ADAPTER



	DESCRIPTION
1	PVC 55P MOLD BLACK IN COLOR
2	INNER WIER: UL1007 30AWG
3	MINI USB 5P FEMALE 180° SOLDER B TYPE SHELL PLATED: NICKEL CONTACT: G/F

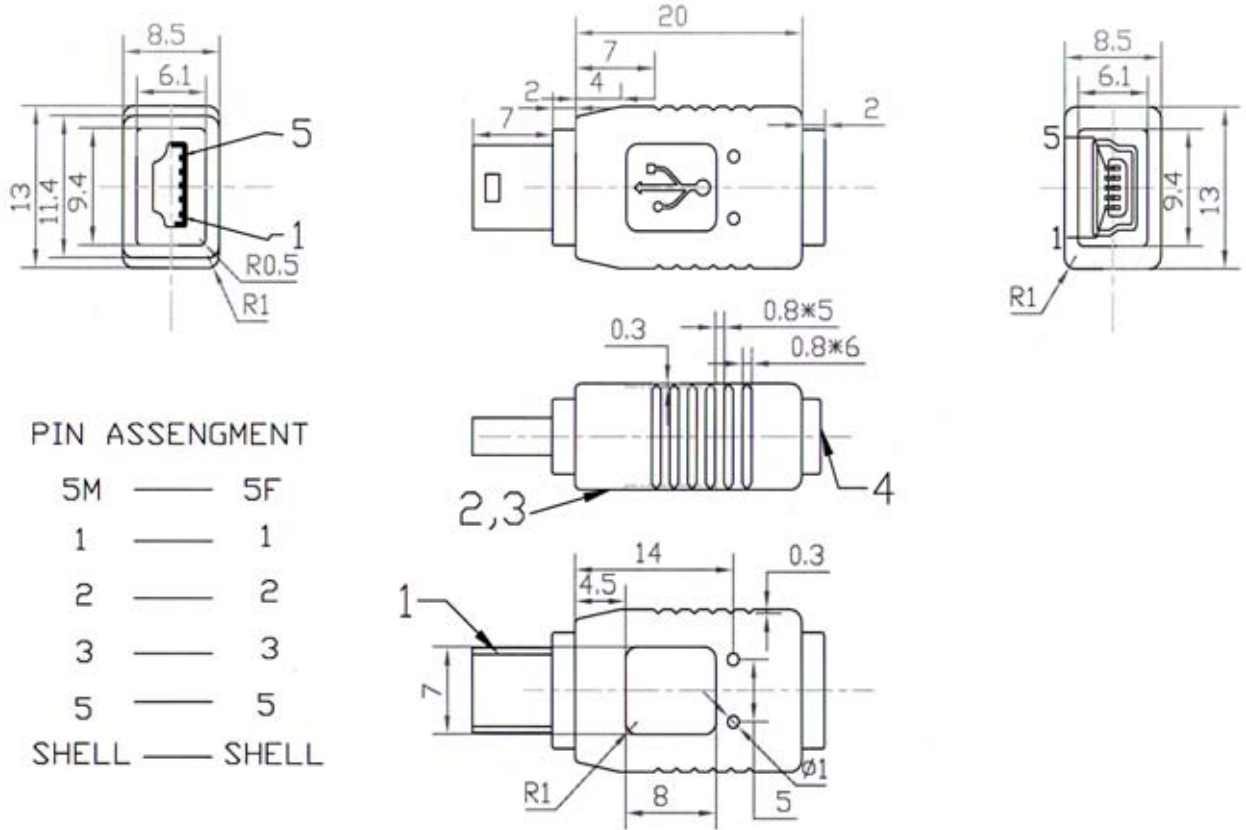
## ORDERING INFORMATION:

**P/N A D U M -  $\frac{043B}{1\ 2}$**

P/N REVISED

- ADAPTER TYPE:  
"043" MINI USB 5 PIN B TYPE FEMALE TO  
MINI USB 5 PIN B TYPE FEMALE
- INSULATOR COLOR:  
"B" BLACK

# MINI USB 5BM TO 5BF ADAPTER



	DESCRIPTION
1	MINI USB 5 PIN B TYPE MALE SHELL PLATED: NICKEL CONTACT: GOLD FLASH
2	PVC 55P MOLD BLACK IN COLOR
3	INNER WIRE: UL1007 30AWG
4	MINI USB 5P FEMALE 180° SOLDER B TYPE SHELL PLATED: NICKEL CONTACT: G/F

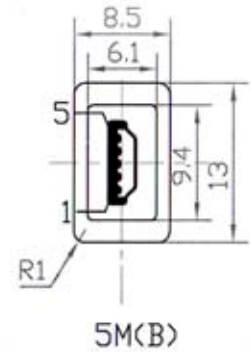
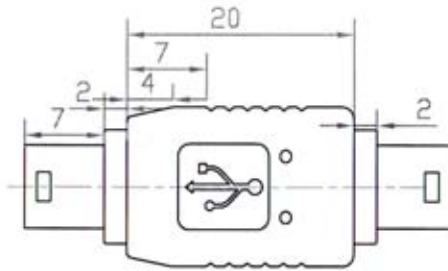
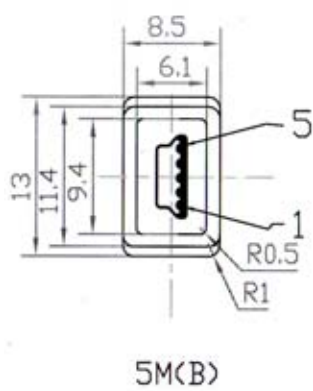
## ORDERING INFORMATION:

**P/N A D U M -  $\frac{042B}{1\ 2}$**

P/N REVISED

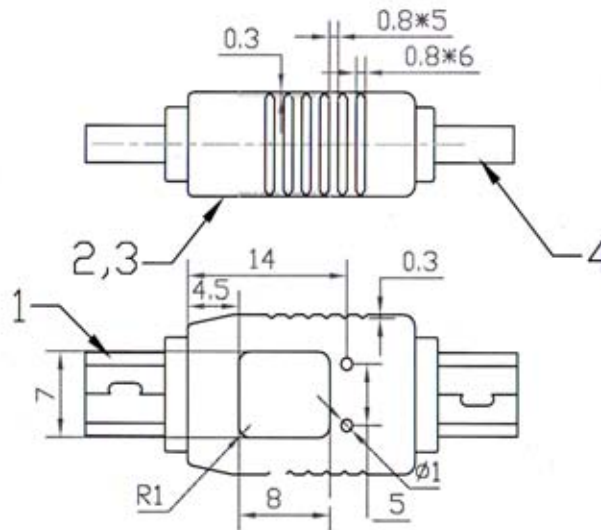
- ADAPTER TYPE:  
"042" MINI USB 5 PIN B TYPE MALE TO  
MINI USB 5 PIN B TYPE FEMALE
- INSULATOR COLOR:  
"B" BLACK

# MINI USB 5BM TO 5BM ADAPTER



## PIN ASSENGMENT

5M(B)	5M(B)
1	1
2	2
3	3
5	5
SHELL	SHELL



	DESCRIPTION
1	MINI USB 5 PIN B TYPE MALE SHELL PLATED: NICKEL CONTACT: G/F
2	PVC 55P MOLD BLACK IN COLOR
3	INNER WIRE: UL1007 30AWG
4	MINI USB 5 PIN B TYPE MALE SHELL PLATED: NICKEL CONTACT: G/F

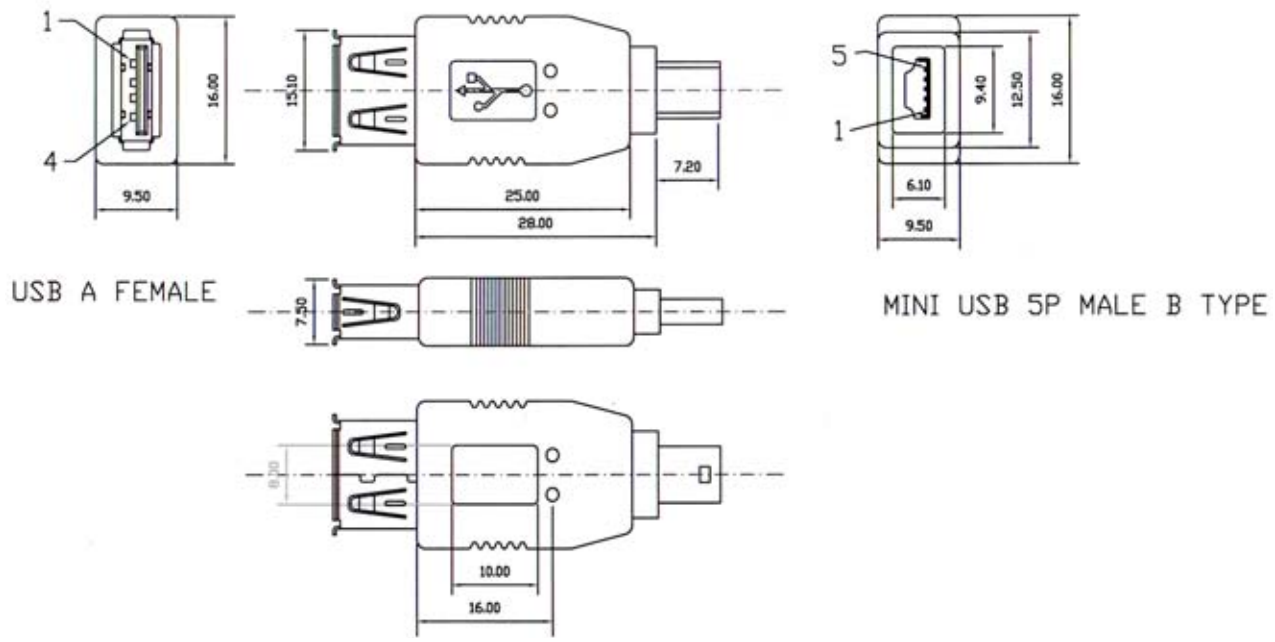
## ORDERING INFORMATION:

P/N A D U M - 041 B  
1 2

P/N REVISED

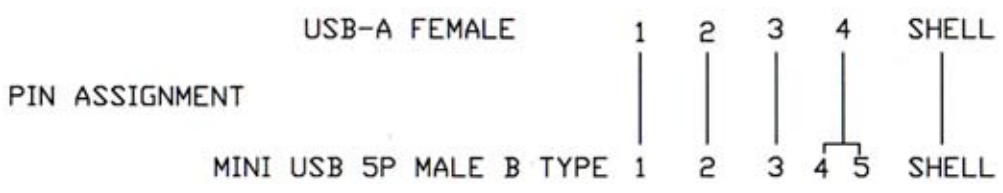
- ADAPTER TYPE:  
"041" MINI USB 5 PIN B TYPE MALE TO  
MINI USB 5 PIN B TYPE MALE
- INSULATOR COLOR:  
"B" BLACK

# MINI USB 5BM TO USB A/F ADAPTER



USB A FEMALE

MINI USB 5P MALE B TYPE



	DESCRIPTION
1	USB-A TYPE FEMALE WHITE PASTERN CONTACT PLATED: GOLD FLASH
2	PVC MOLDED COLOR: BLACK
3	INTERNAL WIRES: UL1007 30AWG
4	MINI USB 5P B MALE BLACK PASTERN CONTACT PLATED: GOLD FLASH

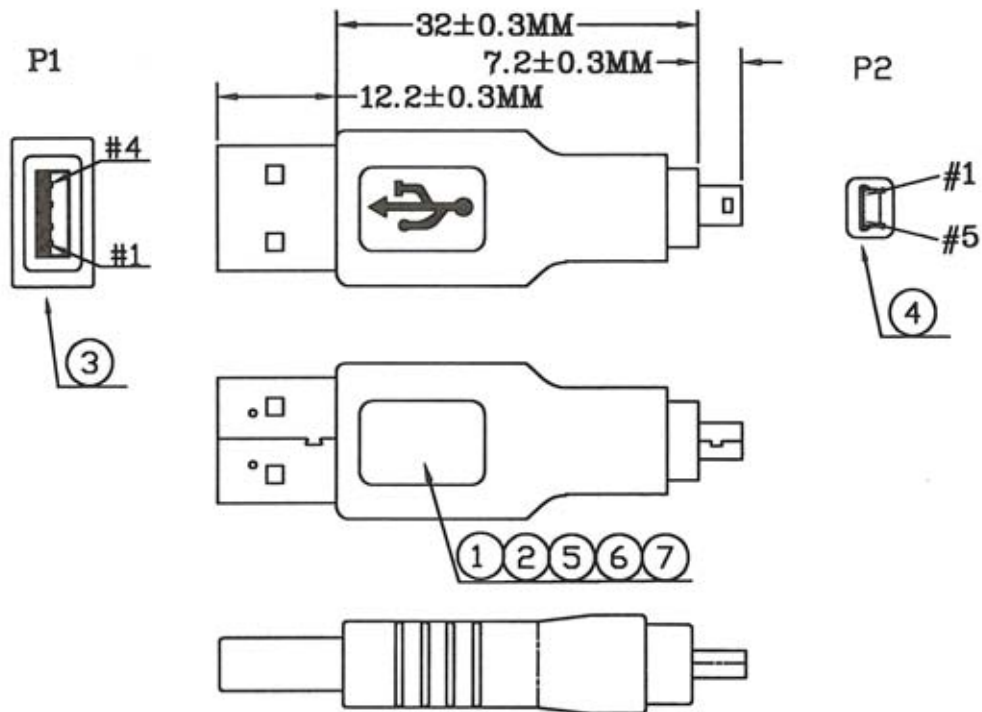
## ORDERING INFORMATION:

P/N A D U M -  $\frac{017}{1} \frac{B}{2}$

P/N REVISED

- ADAPTER TYPE:  
"017" MINI USB 5P B TYPE MALE TO USB A TYPE FEMALE
- INSULATOR COLOR:  
"B" BLACK

# MINI USB 5BM TO USB A/M ADAPTER



PIN ASSIGNMENT

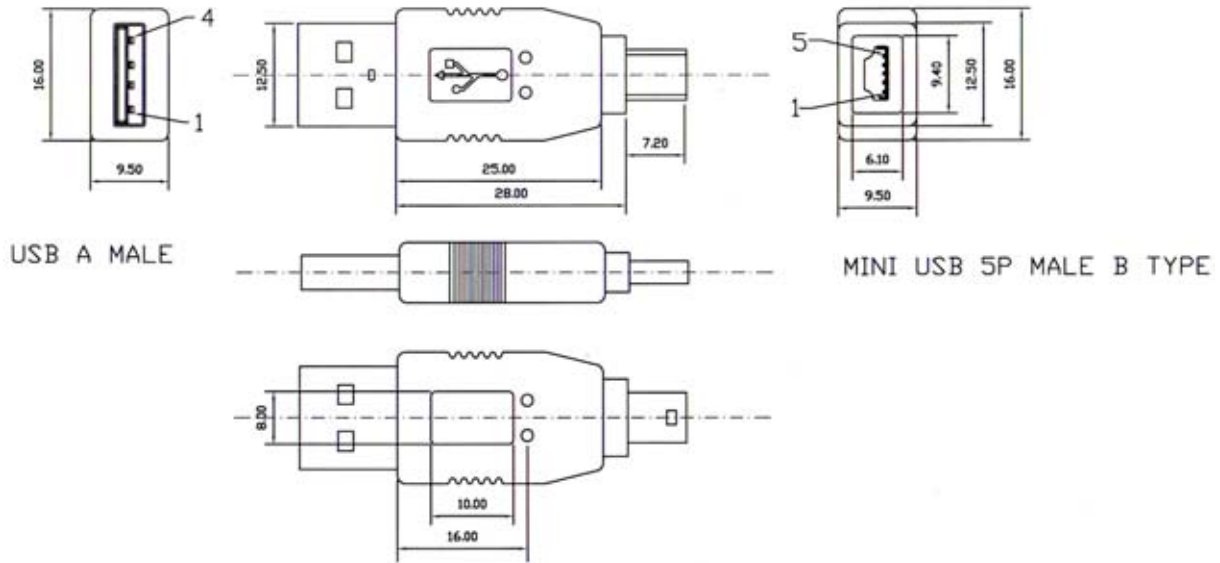
P1	P2
1	1
2	2
3	3
4	5
S	S

## ORDERING INFORMATION:

P/N A D U M -  $\frac{045B}{1\ 2}$

- ADAPTER TYPE:  
"045" MINI USB 5 PIN B TYPE MALE TO  
USB A TYPE MALE
- INSULATOR COLOR:  
"B" BLACK

# MINI USB 5BM TO USB A/M ADAPTER



PIN ASSIGNMENT		1	2	3	4	SHELL
USB-A MALE		1	2	3	4	SHELL
MINI USB 5P(B) MALE		1	2	3	5	SHELL

	DESCRIPTION
1	USB-A TYPE MALE WHITE PASTERN CONTACT PLATED: GOLD FLASH
2	PVC MOLDED COLOR: BLACK
3	INTERNAL WIRES: UL1007 30AWG
4	MINI USB 5P MALE B TYPE BLACK PASTERN CONTACT PLATED: GOLD FLASH

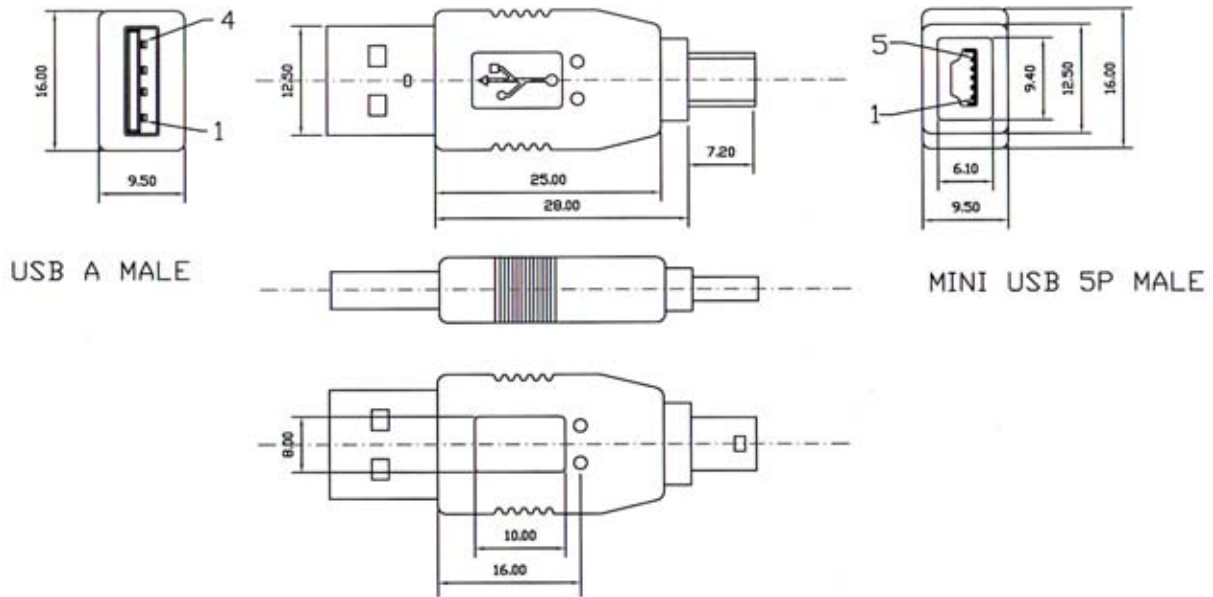
## ORDERING INFORMATION:

P/N A D U M -  $\frac{002}{1} \frac{B}{2}$

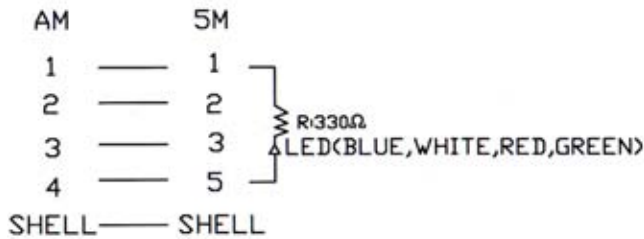
P/N REVISED

- ADAPTER TYPE:  
"002" MINI USB 5P B TYPE MALE TO USB A TYPE MALE
- INSULATOR COLOR:  
"B" BLACK

# MINI USB 5BM TO USB A/M ADAPTER WITH LED



## PIN ASSIGNMENT



	DESCRIPTION
1	USB-A TYPE MALE WHITE PASTERN CONTACT PLATED: GOLD FLASH
2	PVC MOLDED WITH TRANSPARENT IN COLOR
3	INTERNAL WIRES: UL1007 30AWG
4	MINI USB 5P MALE BLACK PASTERN CONTACT PLATED: GOLD FLASH

## ORDERING INFORMATION:

P/N A D U M -  $\frac{022}{1} \frac{x}{2}$

P/N REVISED

- ADAPTER TYPE:  
"022" MINI USB 5P B TYPE MALE TO  
USB A TYPE MALE WITH LED
- LED COLOR:  
"N" GREEN  
"R" RED  
"U" BLUE  
"W" WHITE



## MINI USB 5BM TO USB B/F ADAPTER

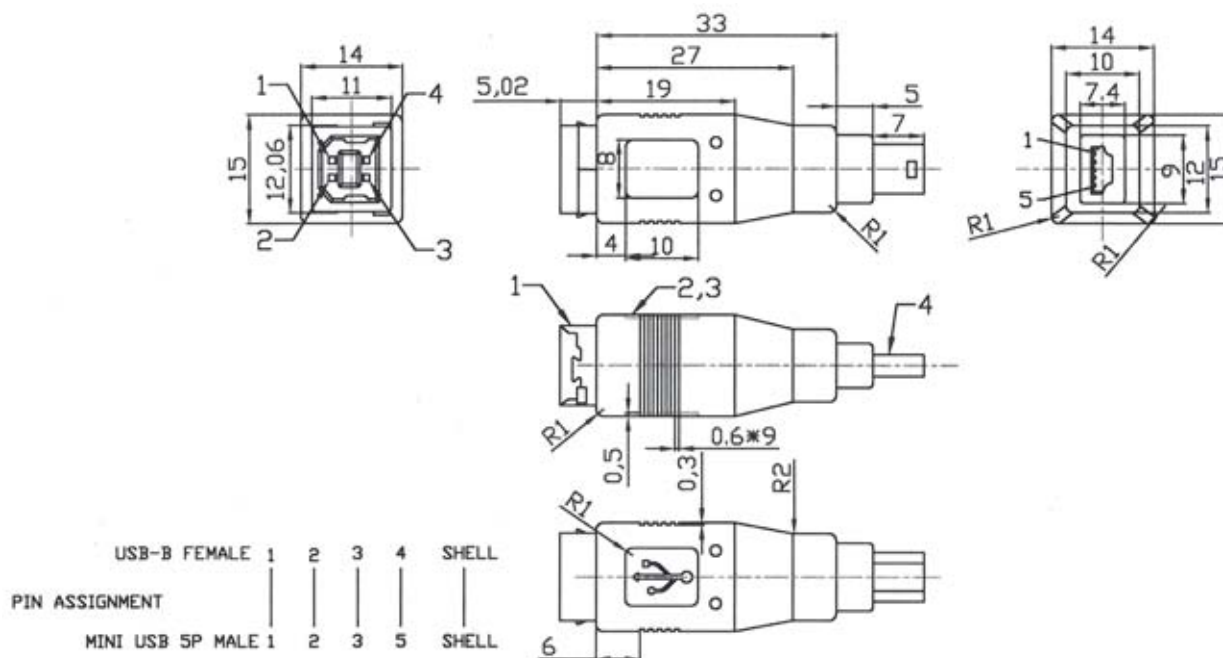
### SPECIFICATIONS

HI-POT: 250V

Insulation Resistance: 10M Ohm

Contact Resistance: 3 Ohm

\*RoHS & REACH compliant.



### ORDERING INFORMATION:

P/N A D U M - 014 B  
                                  1      2

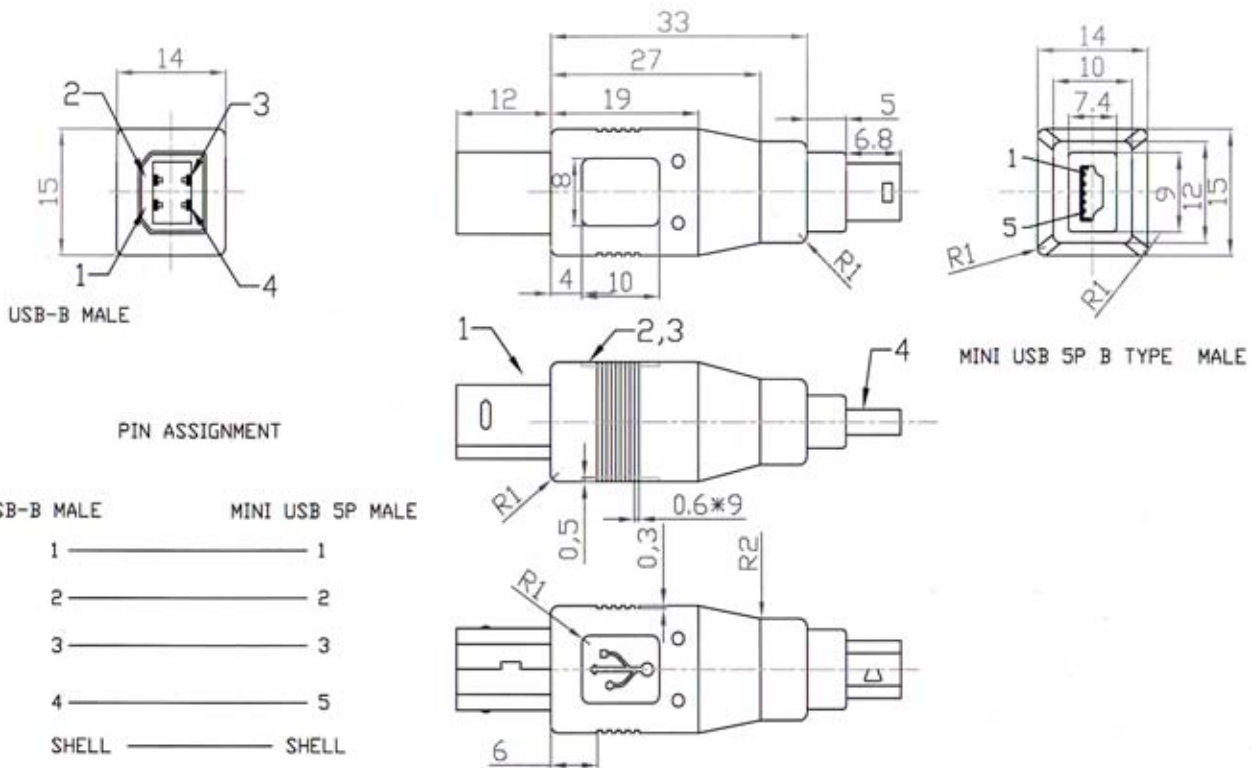
1. ADAPTER TYPE:

"014" MINI USB 5P B TYPE MALE TO  
USB B TYPE FEMALE

2. INSULATOR COLOR:

"B" BLACK

# MINI USB 5BM TO USB B/M ADAPTER



	DESCRIPTION
1	USB-B TYPE MALE SHELL PLATED: NICKEL CONTACT: G/F
2	PVC MOLDED COLOR: BLACK
3	INTERNAL WIRES: UL1007 30AWG
4	MINI USB 5P B TYPE MALE SHELL PLATED: NICKEL CONTACT: G/F

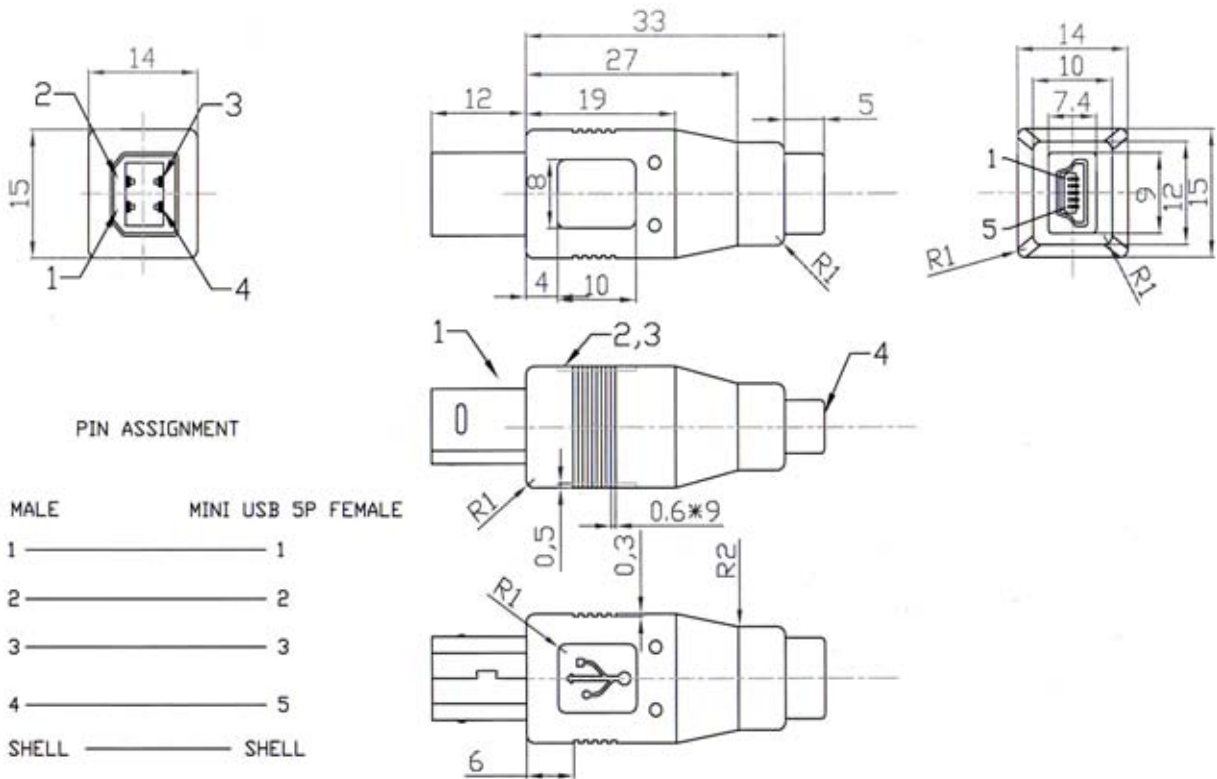
## ORDERING INFORMATION:

P/N A D U M -  $\frac{010B}{12}$

P/N REVISED

- ADAPTER TYPE:  
"010" MINI USB 5 PIN B TYPE MALE TO  
USB B TYPE MALE
- INSULATOR COLOR:  
"B" BLACK

# MINI USB 5AF TO USB B/M ADAPTER



	DESCRIPTION
1	USB-B TYPE MALE WHITE PASTERN CONTACT PLATED: GOLD FLASH
2	PVC MOLDED COLOR: BLACK
3	INTERNAL WIRES: UL1007 30AWG
4	MINI USB 5P FEMALE BLACK A TYPE CONTACT PLATED: GOLD FLASH

## ORDERING INFORMATION:

**P/N A D U M -  $\frac{011B}{1\ 2}$**

P/N REVISED

- ADAPTER TYPE:  
"011" MINI USB 5P A TYPE FEMALE TO USB B TYPE MALE
- INSULATOR COLOR:  
"B" BLACK

# MINI USB 8P MINOLTA MALE TO USB B/F ADAPTER

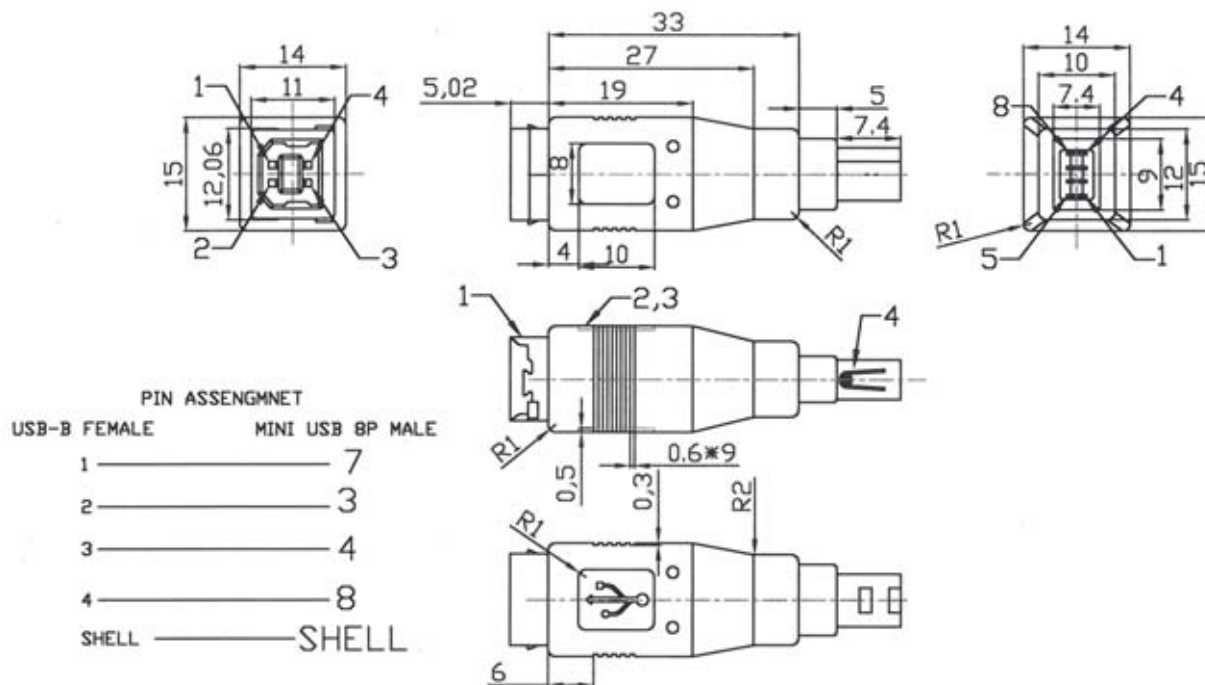
## SPECIFICATIONS

HI-POT: 250V

Insulation Resistance: 10M Ohm

Contact Resistance: 3 Ohm

\*RoHS & REACH compliant.



## ORDERING INFORMATION:

P/N A D U M - 024 B  
1 2

### 1. ADAPTER TYPE:

"024" MINI USB 8P MINOLTA MALE TO  
USB B TYPE FEMALE

### 2. INSULATOR COLOR:

"B" BLACK

# MINI USB 8P NIKON MALE TO USB B/F ADAPTER

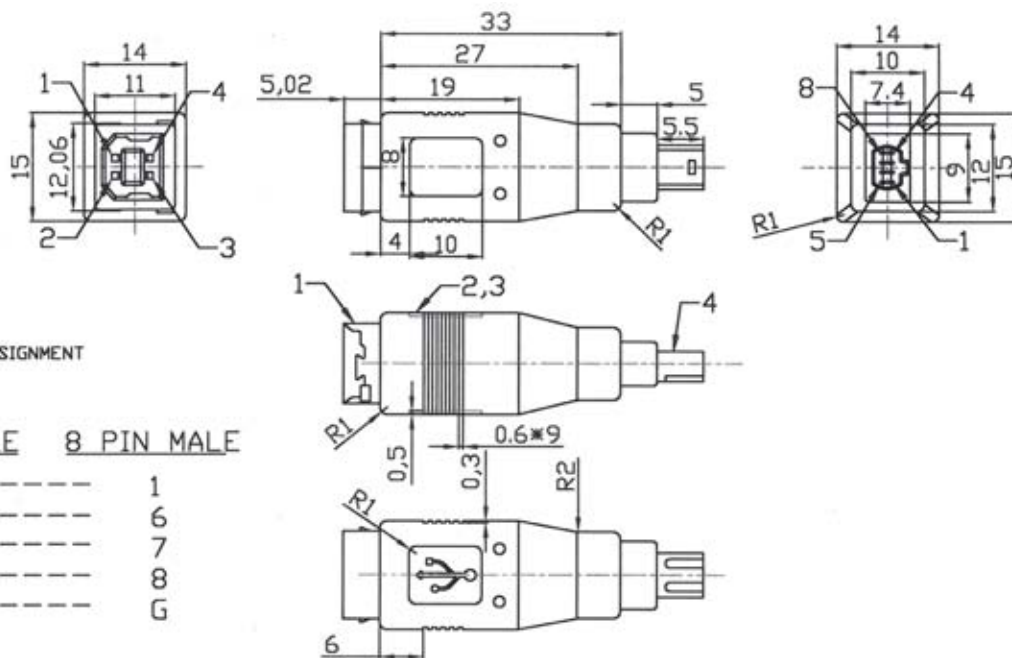
## SPECIFICATIONS

HI-POT: 250V

Insulation Resistance: 10M Ohm

Contact Resistance: 3 Ohm

\*RoHS & REACH compliant.



### PIN ASSIGNMENT

USB-B FEMALE	8 PIN MALE
1	1
2	6
3	7
4	8
G	G

## ORDERING INFORMATION:

P/N A D U M -  $\frac{026B}{12}$

- ADAPTER TYPE:  
"026" MINI USB 8P NIKON MALE TO  
USB B TYPE FEMALE
- INSULATOR COLOR:  
"B" BLACK

# MINI USB 8P OLYMPUS MALE TO USB B/F ADAPTER

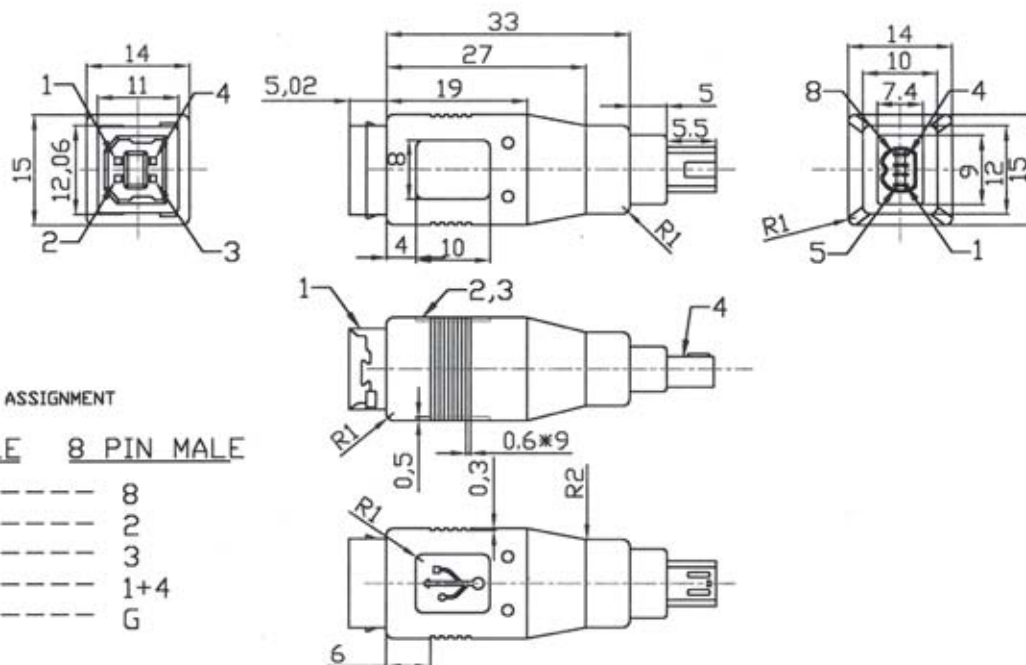
## SPECIFICATIONS

HI-POT: 250V

Insulation Resistance: 10M Ohm

Contact Resistance: 3 Ohm

\*RoHS & REACH compliant.



### PIN ASSIGNMENT

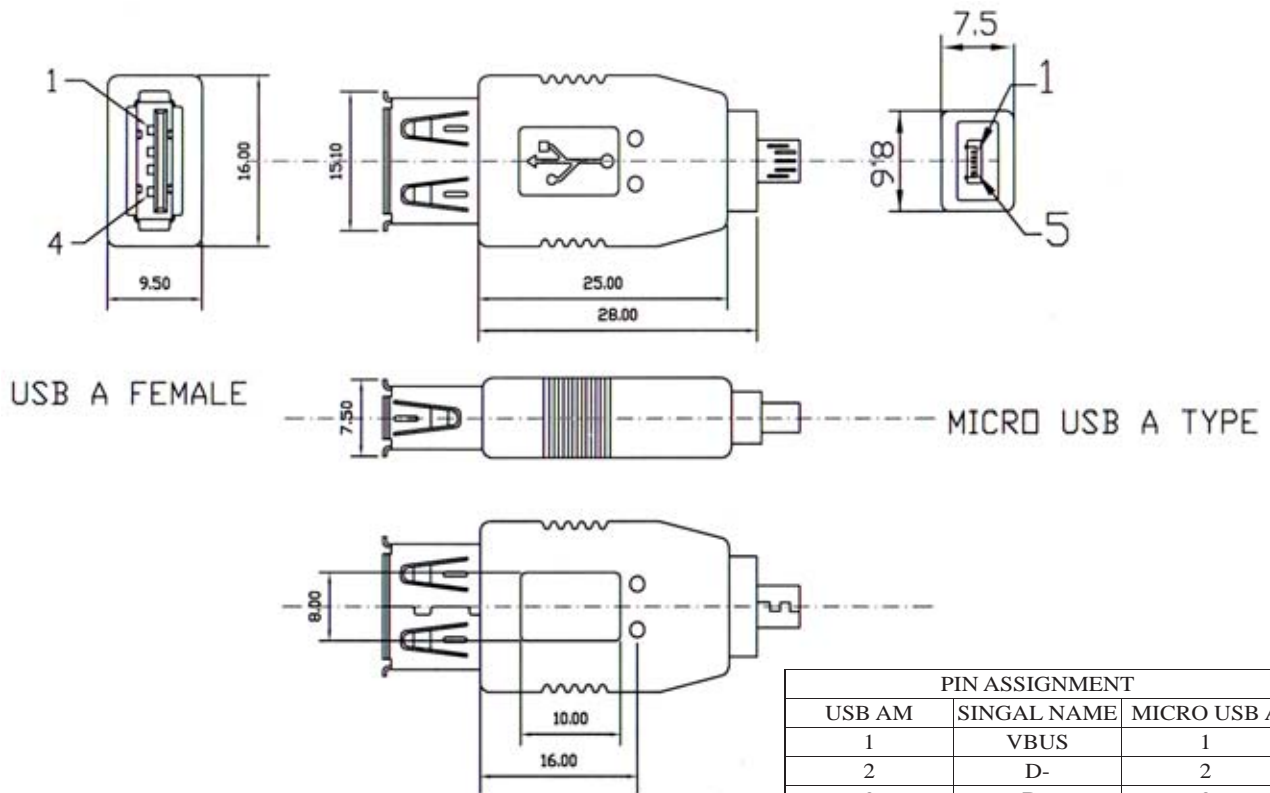
USB-B FEMALE	8 PIN MALE
1	8
2	2
3	3
4	1+4
G	G

## ORDERING INFORMATION:

P/N A D U M -  $\frac{023B}{12}$

- ADAPTER TYPE:  
"023" MINI USB 8P OLYMPUS MALE TO  
USB B TYPE FEMALE
- INSULATOR COLOR:  
"B" BLACK

# MICRO USB 5AM TO USB A/F ADAPTER



PIN ASSIGNMENT		
USB AM	SINGAL NAME	MICRO USB A
1	VBUS	1
2	D-	2
3	D+	3
4	ID	4
4	GND	5
SHELL	SHIELD	SHELL

	DESCRIPTION
1	USB-A TYPE FEMALE WHITE PASTERN CONTACT PLATED: GOLD FLASH
2	PVC MOLDED COLOR: BLACK
3	INTERNAL WIRES: UL1007 30AWG
4	MICRO USB A TYPE MALE SHELL PLATED: NICKEL CONTACT: G/F

## ORDERING INFORMATION:

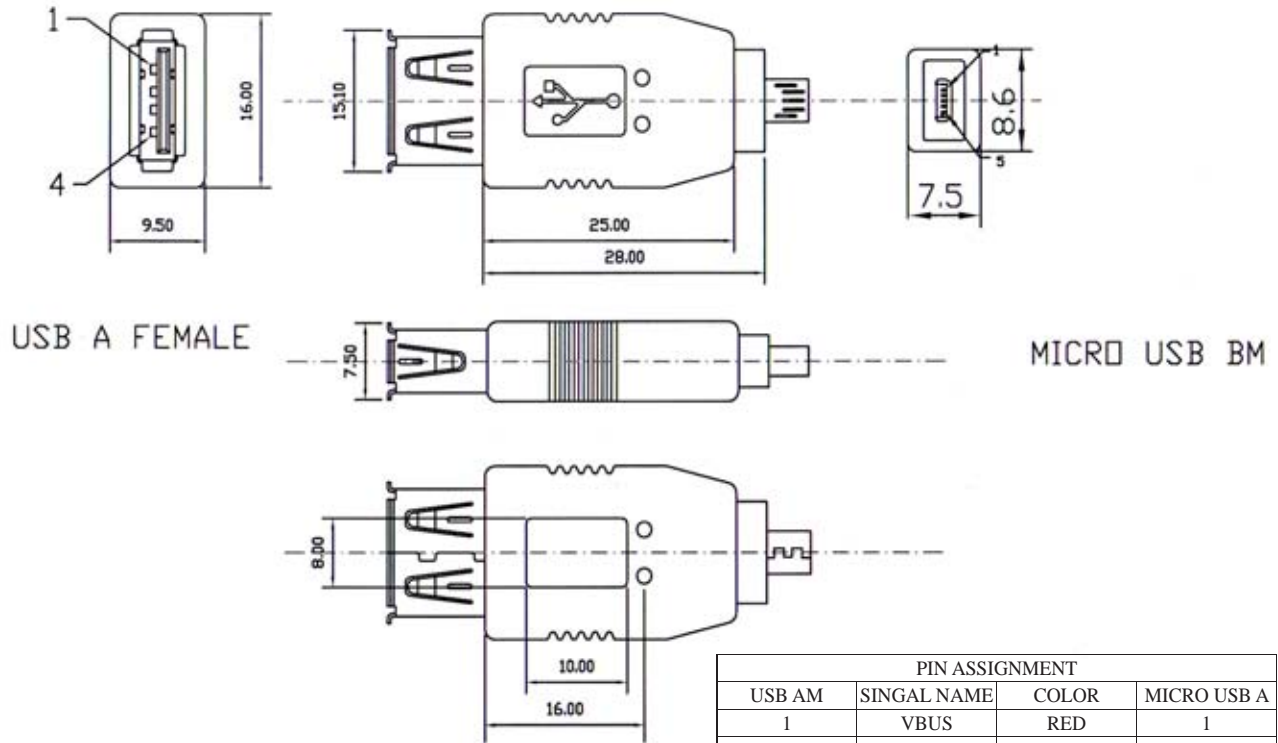
**P/N A D U R - 001 B**  
1 2

P/N REVISED

1. ADAPTER TYPE:  
"001" MICRO USB 5P A TYPE MALE TO USB A TYPE FEMALE
2. INSULATOR COLOR:  
"B" BLACK



# MICRO USB 5BM TO USB A/F ADAPTER



USB A FEMALE

MICRO USB BM

PIN ASSIGNMENT			
USB AM	SINGAL NAME	COLOR	MICRO USB A
1	VBUS	RED	1
2	D-	WHITE	2
3	D+	GREEN	3
	ID	RA_PLUG_ID	4
4	GND	BLACK	5
SHELL	SHIELD	DIRAN	SHELL

DESCRIPTION	
1	USB-A TYPE FEMALE WHITE PASTERN CONTACT PLATED: GOLD FLASH
2	PVC MOLDED COLOR: BLACK
3	INTERNAL WIRES: UL1007 30AWG
4	MICRO USB B TYPE MALE SHELL PLATED: NICKEL CONTACT: G/F

## ORDERING INFORMATION:

P/N A D U R -  $\frac{002}{1} \frac{B}{2}$

P/N REVISED

- ADAPTER TYPE:  
"002" MICRO USB 5P B TYPE MALE TO USB A TYPE FEMALE
- INSULATOR COLOR:  
"B" BLACK

## MICRO USB 3.0 ADAPTER



ADU3-031U



ADU3-032U



ADU3-034U

### ORDERING INFORMATION:

P/N ADU3-031U	MICRO USB3.0 BM TO USB3.0 AF BLUE ADAPTER
P/N ADU3-032U	MICRO USB3.0 BM TO USB3.0 AM BLUE ADAPTER
P/N ADU3-033U	MICRO USB3.0 BM TO USB3.0 BF BLUE ADAPTER
P/N ADU3-034U	MICRO USB3.0 BM TO USB3.0 BM BLUE ADAPTER
P/N ADU3-037U	MICRO USB3.0 ABF TO USB3.0 AM BLUE ADAPTER
P/N ADU3-038U	MICRO USB3.0 ABF TO USB3.0 AF BLUE ADAPTER
P/N ADU3-039U	MICRO USB3.0 ABF TO USB3.0 BM BLUE ADAPTER
P/N ADU3-040U	MICRO USB3.0 ABF TO USB3.0 BF BLUE ADAPTER
P/N ADU3-035U	MICRO USB3.0 BM TO MICRO USB3.0 BM ADAPTER
P/N ADU3-036U	MICRO USB3.0 ABF TO MICRO USB3.0 BM ADAPTER
P/N ADU3-041U	MICRO USB3.0 ABF TO MICRO USB3.0 ABF ADAPTER

#### NOTE

AF = A TYPE FEMALE

AM = A TYPE MALE

BF = B TYPE FEMALE

BM = B TYPE MALE

ABF = AB TYPE FEMALE

# MICRO USB 3.0 B/M TO USB 3.0 A/F ADAPTER

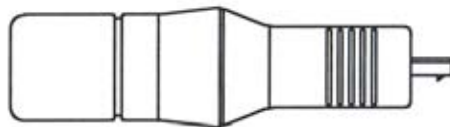
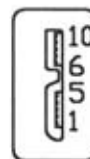
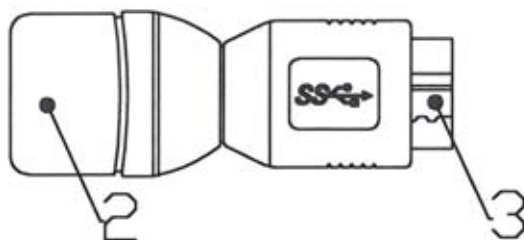
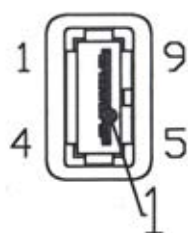
## SPECIFICATIONS

HI-POT: 250V

Insulation Resistance: 5M Ohm

Contact Resistance: 10 Ohm

\*RoHS & REACH compliant.



PIN ASSIGNMENT	
USB3.0 AF	MICRO BM
1	1
2	2
3	3
4	5
5	6
6	7
7	8
8	9
9	10
SHELL	SHELL

## ORDERING INFORMATION:

P/N A D U 3 - 031 U  
                  1      2      3

1. USB REVISION:  
"3" REVISION 3.0
2. ADAPTER TYPE:  
"031" MICRO USB 3.0 B TYPE MALE TO  
USB 3.0 A TYPE FEMALE
3. INSULATOR COLOR:  
"U" BLUE

# MICRO USB 3.0 B/M TO USB 3.0 A/M ADAPTER

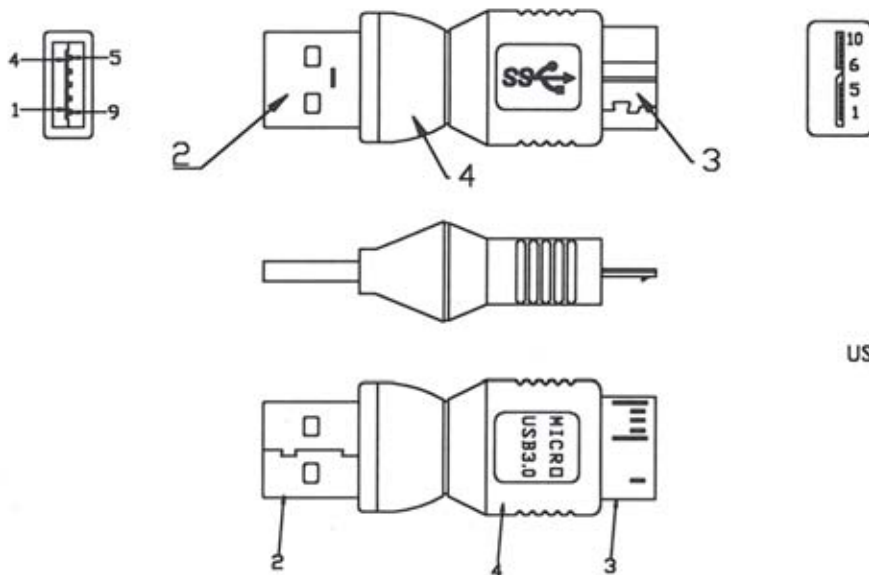
## SPECIFICATIONS

HI-POT: 250V

Insulation Resistance: 5M Ohm

Contact Resistance: 10 Ohm

\*RoHS & REACH compliant.



PIN ASSIGNMENT		
USB3.0 AM		MCBM
1	————	1
2	————	2
3	————	3
4	————	5
5	————	6
6	————	7
7	————	8
8	————	9
9	————	10
SHELL	————	SHELL

## ORDERING INFORMATION:

P/N A D U 3 - 032 U  
                   1      2      3

1. USB REVISION:  
"3" REVISION 3.0
2. ADAPTER TYPE:  
"032" MICRO USB 3.0 B TYPE MALE TO  
USB 3.0 A TYPE MALE
3. INSULATOR COLOR:  
"U" BLUE

# MICRO USB 3.0 B/M TO USB 3.0 B/F ADAPTER

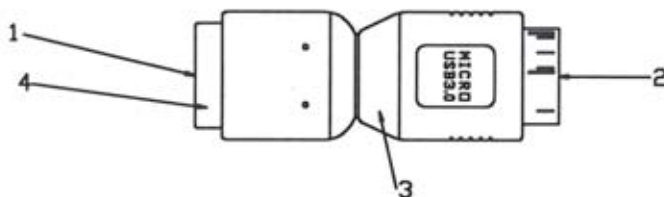
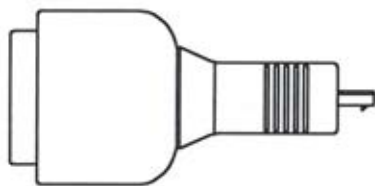
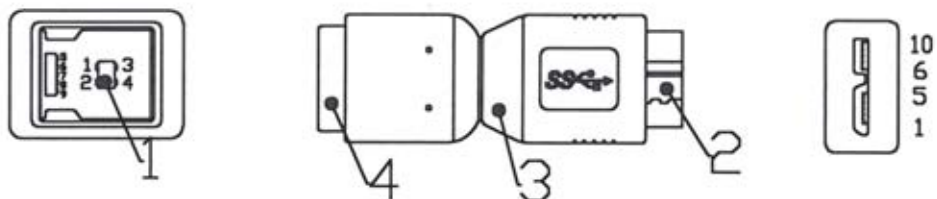
## SPECIFICATIONS

HI-POT: 250V

Insulation Resistance: 5M Ohm

Contact Resistance: 10 Ohm

\*RoHS & REACH compliant.



PIN ASSIGNMENT		
MCBM		USB3.0 BF
1	—	1
2	—	2
3	—	3
5	—	4
6	—	5
7	—	6
8	—	7
9	—	8
10	—	9
SHELL	—	SHELL

## ORDERING INFORMATION:

P/N A D U 3 - 033 U  
1 2 3

1. USB REVISION:  
"3" REVISION 3.0
2. ADAPTER TYPE:  
"033" MICRO USB 3.0 B TYPE MALE TO  
USB 3.0 B TYPE FEMALE
3. INSULATOR COLOR:  
"U" BLUE

# MICRO USB 3.0 B/M TO USB 3.0 B/M ADAPTER

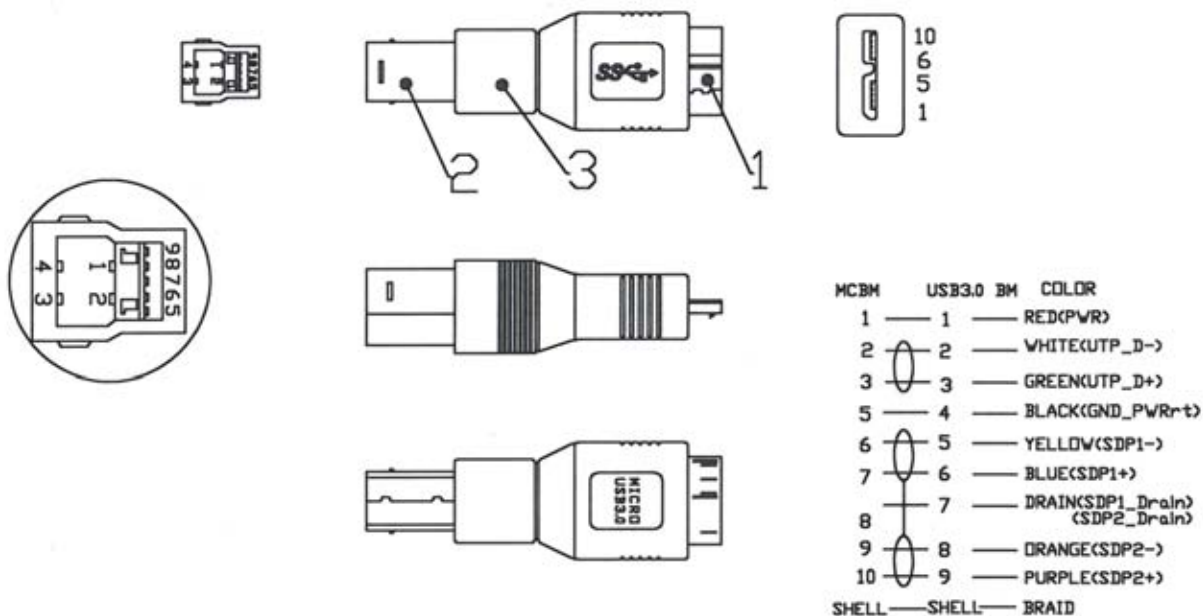
## SPECIFICATIONS

HI-POT: 250V

Insulation Resistance: 5M Ohm

Contact Resistance: 10 Ohm

\*RoHS & REACH compliant.

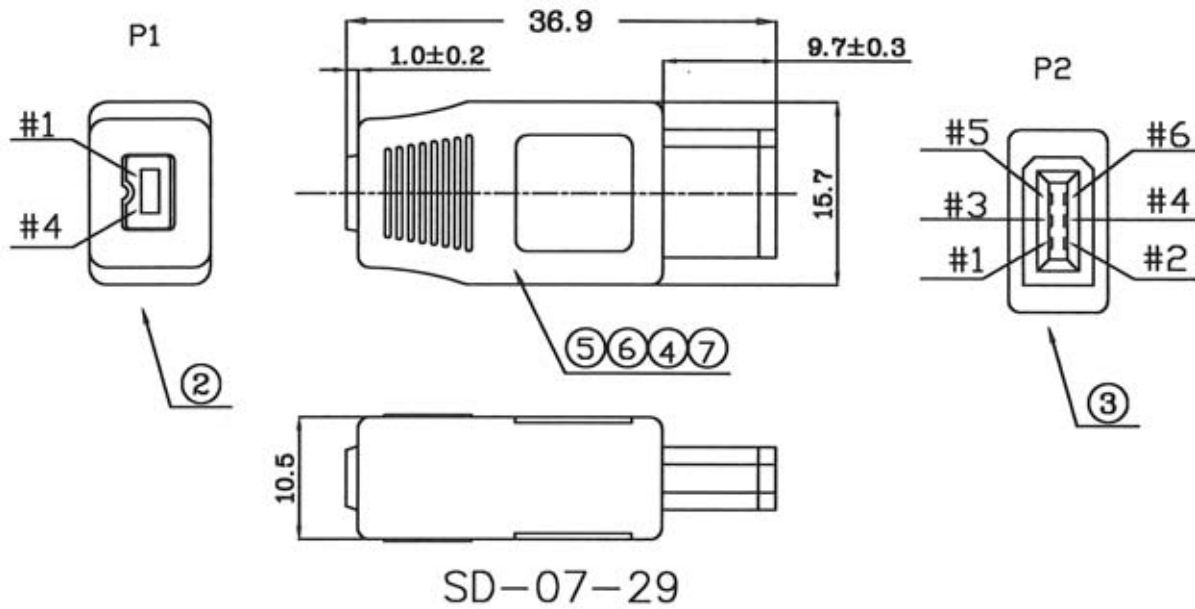


## ORDERING INFORMATION:

P/N A D U 3 - 034 U  
 1 2 3

1. USB REVISION:  
"3" REVISION 3.0
2. ADAPTER TYPE:  
"034" MICRO USB 3.0 B TYPE MALE TO  
USB 3.0 B TYPE MALE
3. INSULATOR COLOR:  
"U" BLUE

# IEEE1394 ADAPTER 4F/6M TYPE



## PIN ASSIGNMENT

P1	P2
1	3
2	4
3	5
4	6
S	2+S

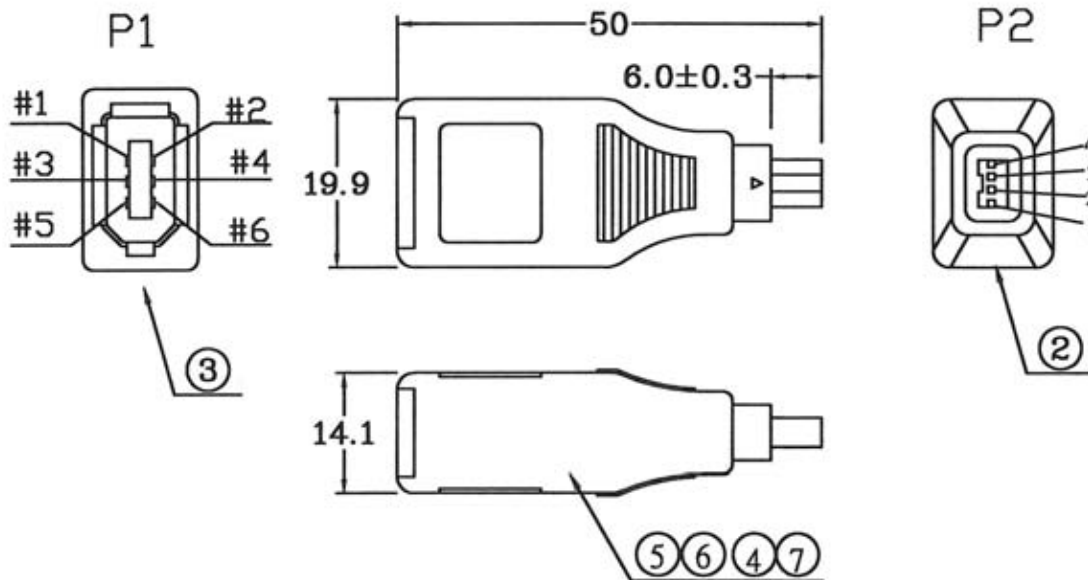
## ORDERING INFORMATION:

**P/N A D F W - 0 3 3 B**  
1 2

1. ADAPTER TYPE:  
"033" IEEE-1394 4 PIN FEMALE TO  
IEEE-1394 6 PIN MALE
2. INSULATOR COLOR:  
"B" BLACK



# IEEE1394 ADAPTER 6F/4M TYPE



## PIN ASSIGNMENT

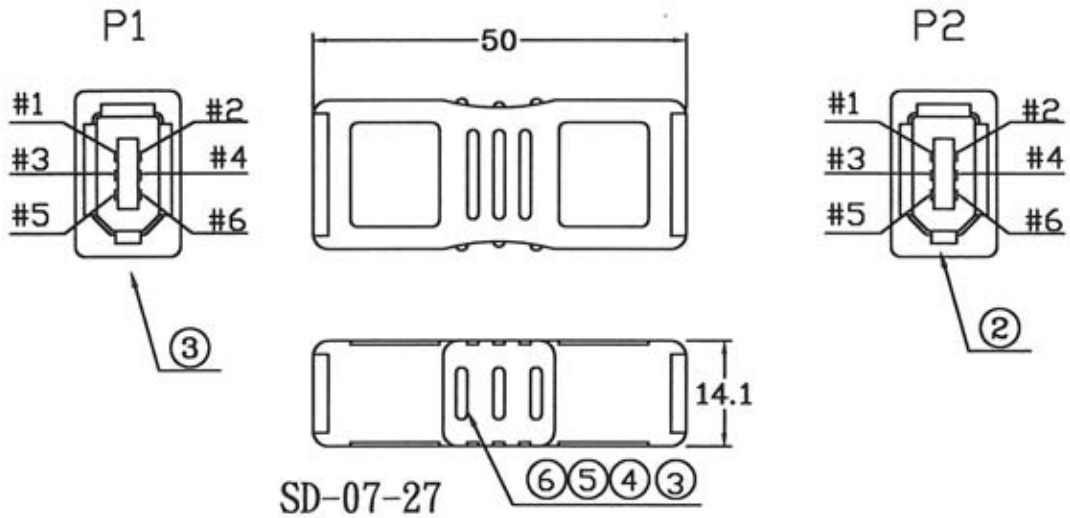
P1	P2
3	3
4	4
5	1
6	2
2+S	S

## ORDERING INFORMATION:

**P/N A D F W - 0 3 4 B**  
 1 2

- ADAPTER TYPE:  
"034" IEEE-1394 6 PIN FEMALE TO  
IEEE-1394 4 PIN MALE
- INSULATOR COLOR:  
"B" BLACK

## IEEE1394 ADAPTER 6F/6F TYPE



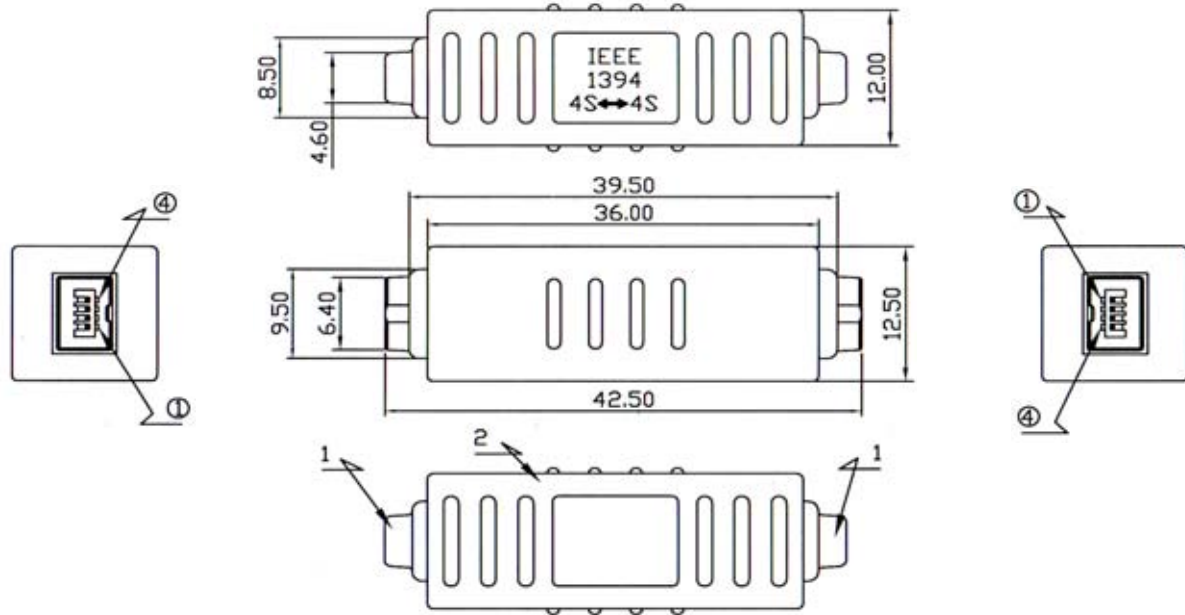
PIN ASSIGNMENT		
P1		P2
1	—————	1
3	—————	3
4	—————	4
2	—————	2
5	—————	5
6	—————	6
SHIELD	—————	SHIELD

### ORDERING INFORMATION:

P/N A D F W - 0 3 6 B  
                          1 2

- ADAPTER TYPE:  
"036" IEEE-1394 6 PIN FEMALE TO  
IEEE-1394 6 PIN FEMALE
- INSULATOR COLOR:  
"B" BLACK

## IEEE1394 ADAPTER 4F/4F TYPE



	1394 4P FEMALE	1	2	3	4	SHELL
PIN ASSIGNMENT						
	1394 4P FEMALE	1	2	3	4	SHELL

	DESCRIPTION
1	1394 4P TYPE FEMALE SMT INSULATION: BLACK IN COLOR
2	PVC MOLDED WITH COPPER FOIL BEIGE IN COLOR
3	CORE: F18RID6.4MMx3.2MMx3.5MM
4	INTERNAL WIRE: UL1007 30AWG 7 STRANDED L: 17MM
5	INTERNAL PC.BOARD: 11.20MMx13.20MMx1.00MM PC.B FOR 1394 4P FEMALE SMT

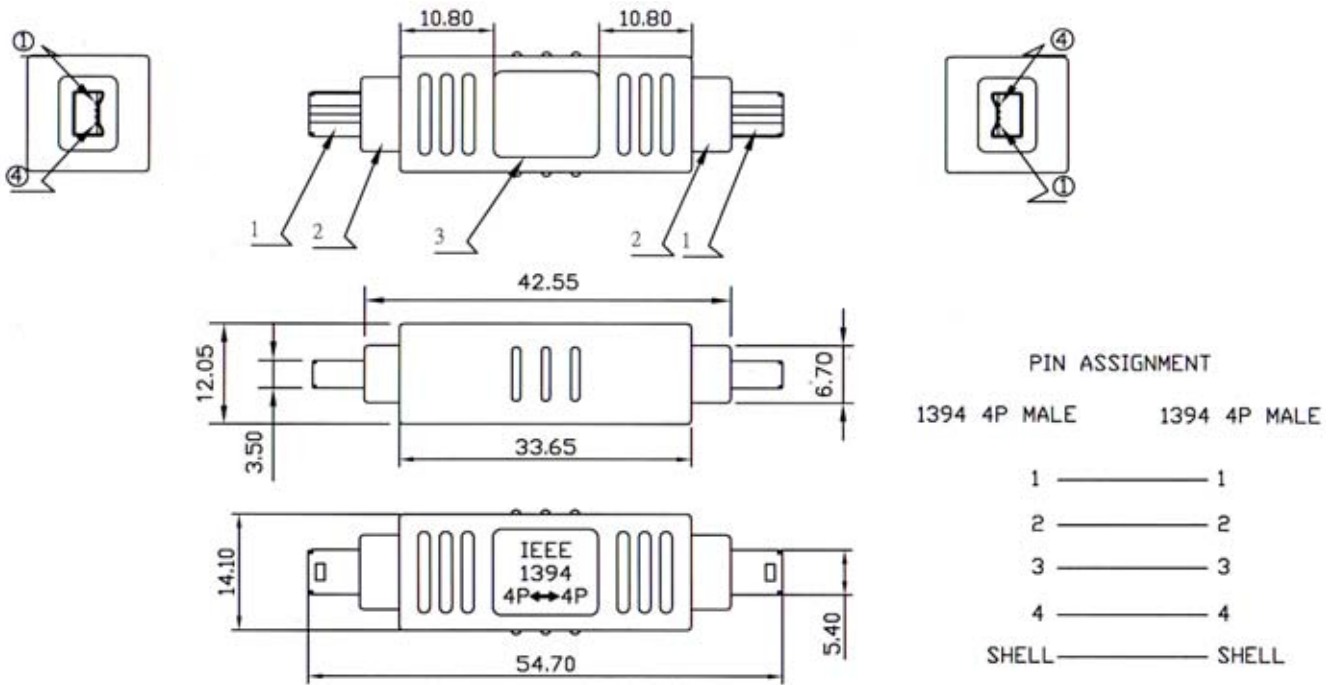
### ORDERING INFORMATION:

P/N A D F W -  $\frac{001}{1} \frac{B}{2}$

P/N REVISED

- ADAPTER TYPE:  
"001" IEEE-1394 4 PIN FEMALE TO 4 PIN FEMALE
- INSULATOR COLOR:  
"B" BLACK

## IEEE1394 ADAPTER 4M/4M TYPE



DESCRIPTION	
1	1394 4P TYPE MALE INSULATION: BLACK IN COLOR
2	1394 4P TYPE MALE MOLDED HOOD BLACK IN COLOR
3	PVC MOLDED WITH COPPER FOIL BLACK IN COLOR
4	CORE: F18RID6.4MMx3.2MMx3.5MM
5	INTERNAL WIRE: UL1007 30AWG 7 STRANDED L: 30MM

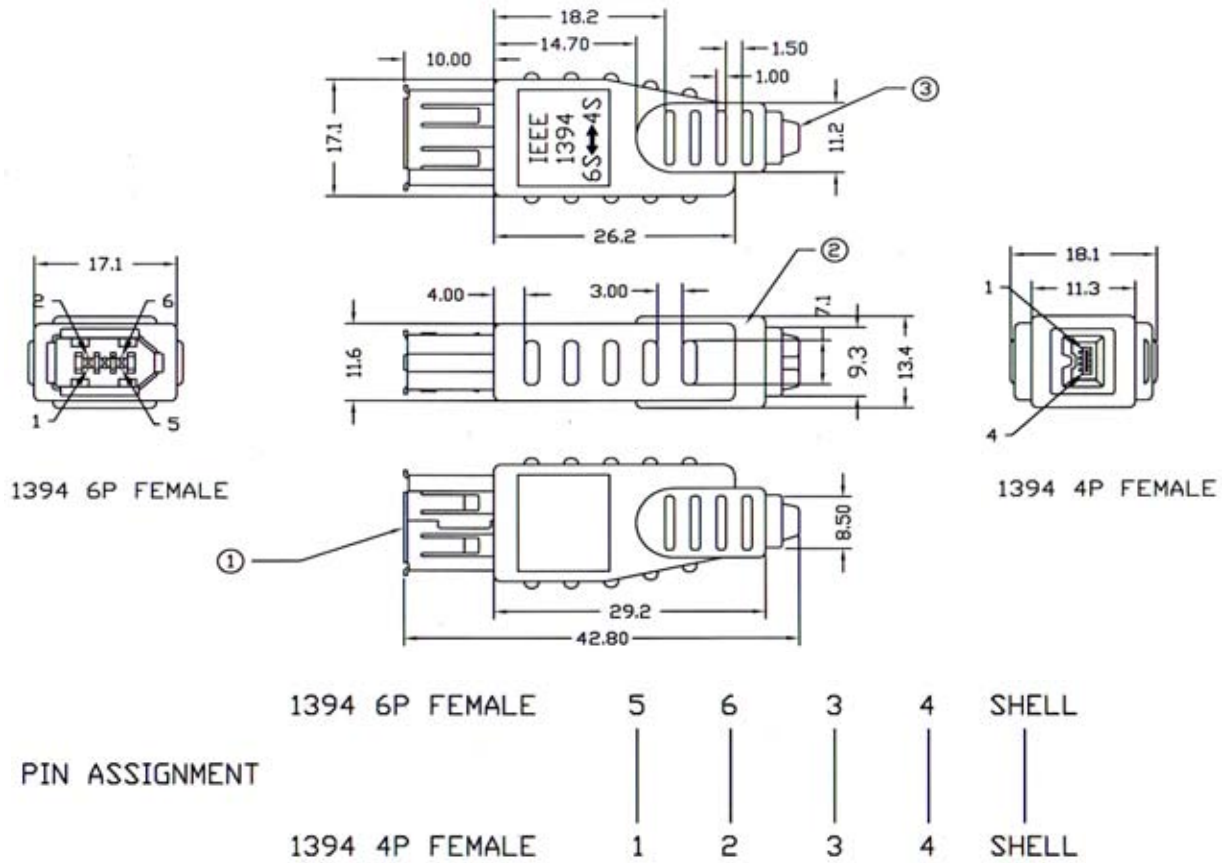
### ORDERING INFORMATION:

P/N ADFW -  $\frac{002}{1} \frac{B}{2}$

P/N REVISED

- ADAPTER TYPE:  
"002" IEEE-1394 4 PIN MALE TO 4 PIN MALE
- INSULATOR COLOR:  
"B" BLACK

# IEEE1394 ADAPTER 6F/4F TYPE



	DESCRIPTION
1	1394 6P TYPE FEMALE INSULATION: BLACK IN COLOR
2	PVC MOLDED WITH COPPER FOIL BLACK IN COLOR
3	1394 4P TYPE FEMALE INSULATION: BLACK IN COLOR
4	CORE: F18RID6.4MMx3.2MMx3.5MM
5	INTERNAL WIRE: UL1007 30AWG 7 STRANDED L: 17MM

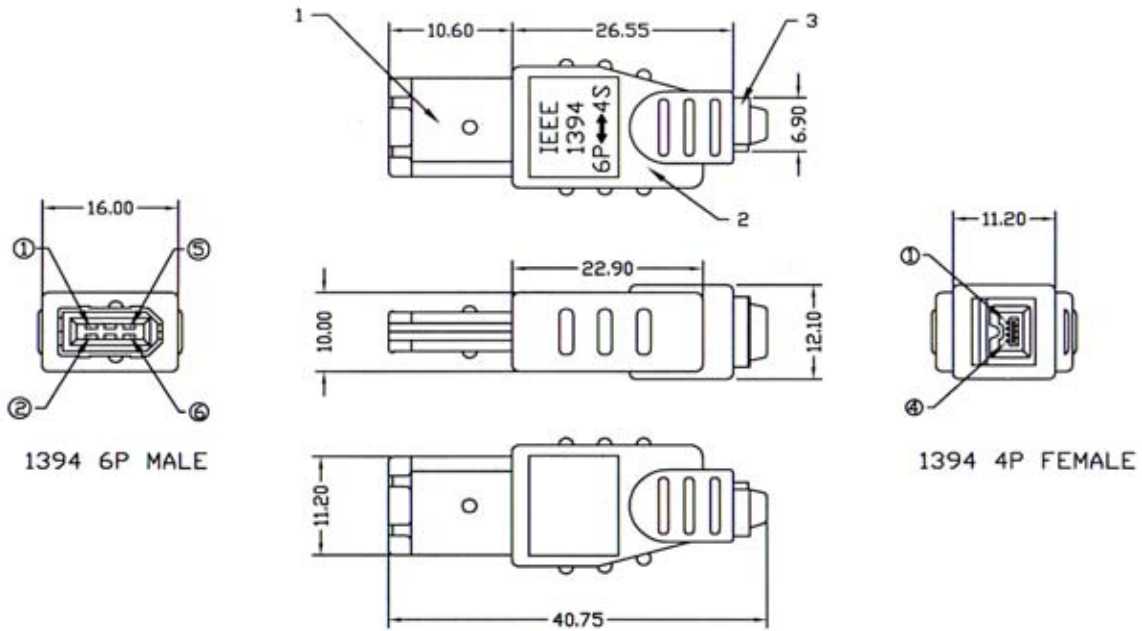
## ORDERING INFORMATION:

P/N ADFW -  $\frac{003}{1} \frac{B}{2}$

P/N REVISED

- ADAPTER TYPE:  
"003" IEEE-1394 6 PIN FEMALE TO 4 PIN FEMALE
- INSULATOR COLOR:  
"B" BLACK

# IEEE1394 ADAPTER 6M/4F TYPE



1394 6P MALE

1394 4P FEMALE

	1394 6P MALE	5	6	3	4	SHELL
PIN ASSIGNMENT						
	1394 4P FEMALE	1	2	3	4	SHELL

	DESCRIPTION
1	1394 6P TYPE MALE INSULATION: BLACK IN COLOR
2	PVC MOLDED WITH COPPER FOIL BEIGE IN COLOR
3	1394 4P TYPE FEMALE SMT INSULATION: BLACK IN COLOR
4	CORE: F18RID6.4MMx3.2MMx3.5MM
5	INTERNAL WIRE: UL1007 30AWG 7 STRANDED L: 17MM
6	INTERNAL PC.BOARD: 11.20MMx13.20MMx1.00MM PC.B FOR 1394 4P FEMALE SMT

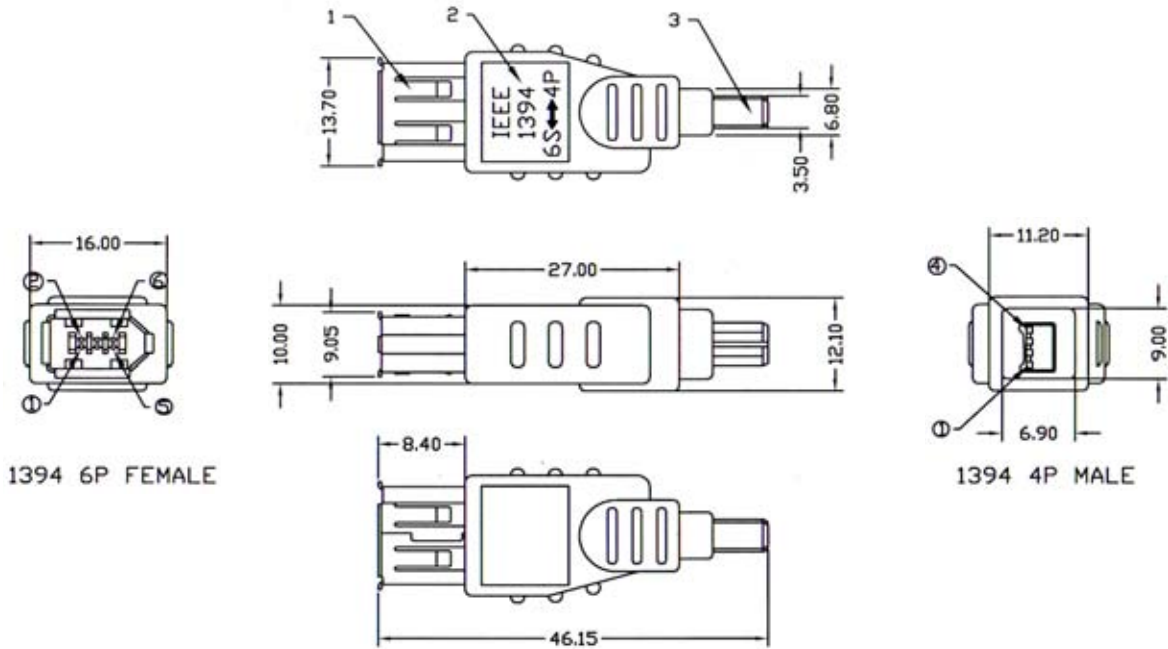
## ORDERING INFORMATION:

P/N A D F W -  $\frac{004}{1} \frac{B}{2}$

P/N REVISED

- ADAPTER TYPE:  
"004" IEEE-1394 6 PIN MALE TO 4 PIN FEMALE
- INSULATOR COLOR:  
"B" BLACK

# IEEE1394 ADAPTER 6F/4M TYPE



1394 6P FEMALE

1394 4P MALE

1394 6P FEMALE	3	4	5	6	SHELL
PIN ASSIGNMENT					
1394 4P MALE	1	2	3	4	SHELL

	DESCRIPTION
1	1394 6P TYPE FEMALE INSULATION: WHITE IN COLOR
2	PVC MOLDED WITH COPPER FOIL BEIGE IN COLOR
3	1394 4P TYPE MALE INSULATION: BLACK IN COLOR
4	CORE: F18RID6.4MMx3.2MMx3.5MM
5	INTERNAL WIRE: UL1007 30AWG 7 STRANDED L: 17MM

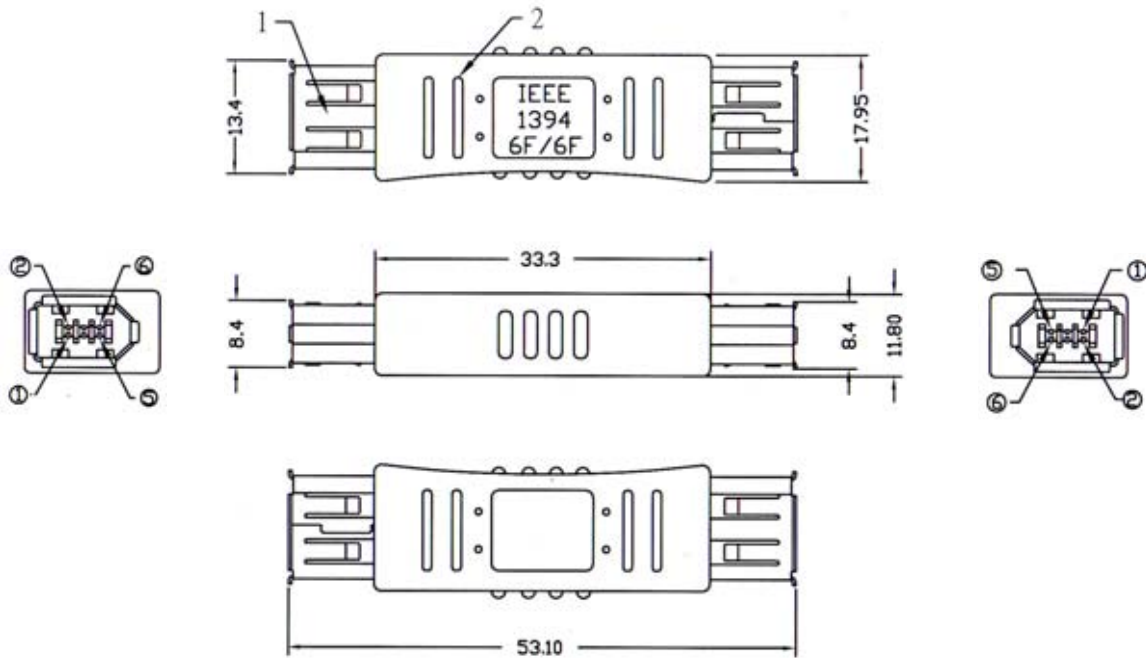
## ORDERING INFORMATION:

P/N A D F W -  $\frac{005}{1} \frac{B}{2}$

P/N REVISED

- ADAPTER TYPE:  
"005" IEEE-1394 6 PIN FEMALE TO 4 PIN MALE
- INSULATOR COLOR:  
"B" BLACK

# IEEE1394 ADAPTER 6F/6F TYPE



	1394 6P FEMALE	1	2	3	4	5	6	SHELL
PIN ASSIGNMENT								
	1394 6P FEMALE	1	2	3	4	5	6	SHELL

	DESCRIPTION
1	1394 6P TYPE FEMALE INSULATION: WHITE IN COLOR
2	PVC MOLDED WITH COPPER FOIL BEIGE IN COLOR
3	CORE: F18RID6.4MMx3.2MMx3.5MM
4	INTERNAL WIRE: UL1007 30AWG 7 STRANDED L: 17MM

## ORDERING INFORMATION:

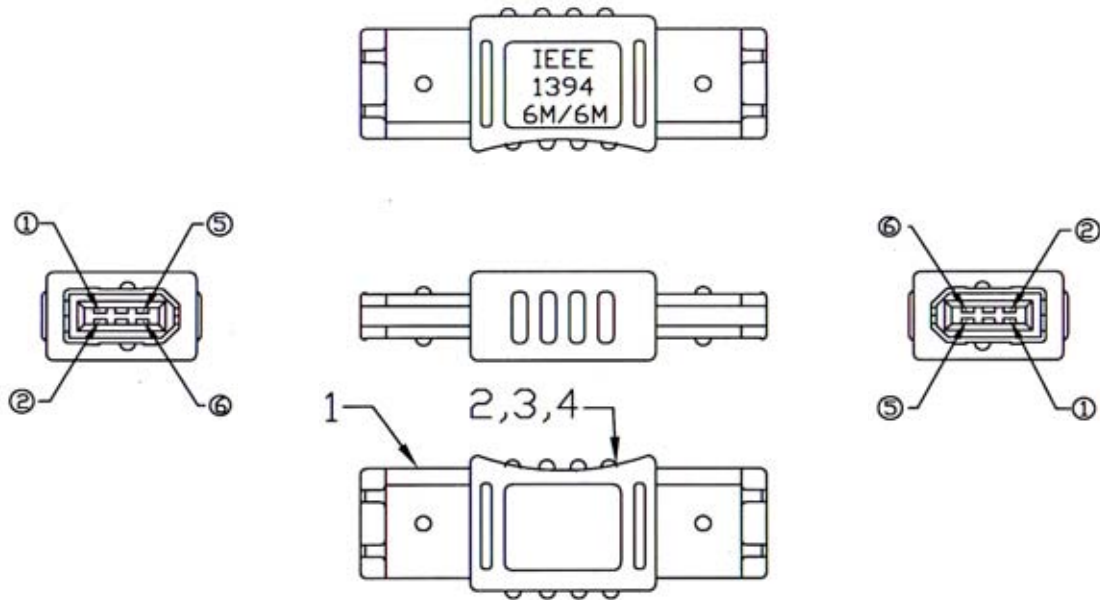
P/N A D F W -  $\frac{007}{1} \frac{B}{2}$

P/N REVISED

- ADAPTER TYPE:  
"007" IEEE-1394 6 PIN FEMALE TO 6 PIN FEMALE
- INSULATOR COLOR:  
"B" BLACK



# IEEE1394 ADAPTER 6M/6M TYPE



	1394 6P MALE	1	2	3	4	5	6	SHELL
PIN ASSIGNMENT								
	1394 6P MALE	1	2	3	4	5	6	SHELL

	DESCRIPTION
1	1394 6P TYPE MALE SHELL PLATED: NICKEL CONTACT: G/F
2	PVC MOLDED WITH BLACK IN COLOR
3	CORE: F18RID6.4MMx3.2MMx3.5MM
4	INTERNAL WIRE: UL1007 30AWG 7 STRANDED

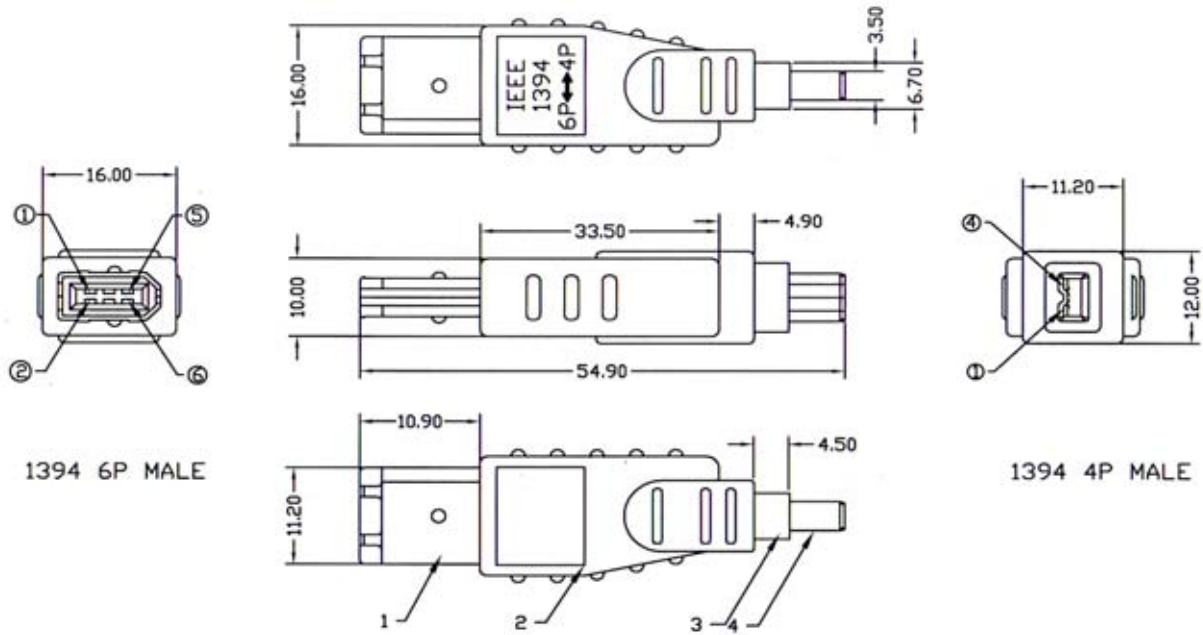
## ORDERING INFORMATION:

**P/N ADFW - 008 B**  
1 2

P/N REVISED

1. ADAPTER TYPE:  
"008" IEEE-1394 6 PIN MALE TO 6 PIN MALE
2. INSULATOR COLOR:  
"B" BLACK

# IEEE1394 ADAPTER 6M/4M TYPE



1394 6P MALE

1394 4P MALE

PIN ASSIGNMENT		5	6	3	4	SHELL
1394 6P MALE						
1394 4P MALE		1	2	3	4	SHELL

	DESCRIPTION
1	1394 6P TYPE MALE INSULATION: BLACK IN COLOR
2	PVC MOLDED WITH COPPER FOIL BLACK IN COLOR
3	1394 4P TYPE MALE INSULATION: BLACK IN COLOR
4	CORE: F18RID6.4MMx3.2MMx3.5MM
5	INTERNAL WIRE: UL1007 30AWG 7 STRANDED L: 30MM

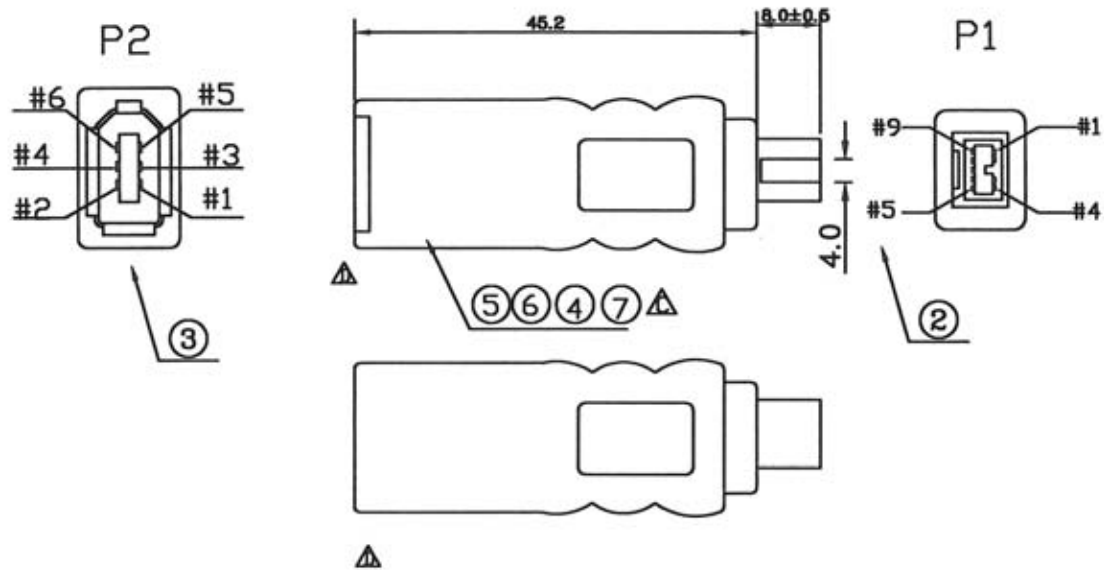
## ORDERING INFORMATION:

P/N ADFW -  $\frac{006B}{12}$

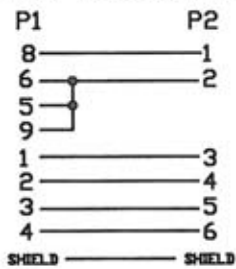
P/N REVISED

- ADAPTER TYPE:  
"006" IEEE-1394 6 PIN MALE TO 4 PIN MALE
- INSULATOR COLOR:  
"B" BLACK

# IEEE1394b 9P BILINGUAL MALE TO 6P FEMALE ADAPTER



## PIN ASSIGNMENT

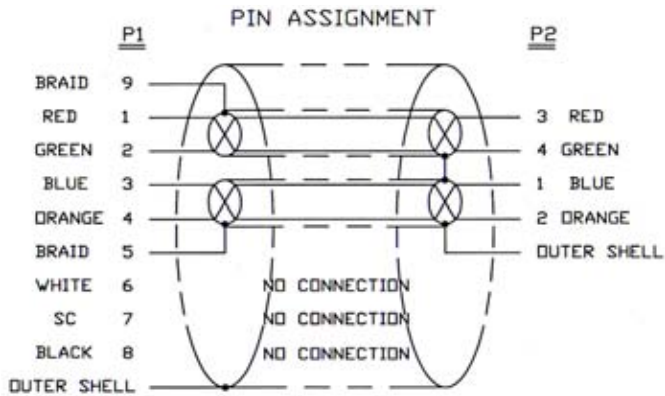


## ORDERING INFORMATION:

P/N A D F W -  $\frac{035B}{1\ 2}$

1. ADAPTER TYPE:  
"035" IEEE-1394b BILINGUAL 9 PIN MALE TO  
IEEE-1394 6 PIN FEMALE
2. INSULATOR COLOR:  
"B" BLACK

# IEEE1394b 9P BILINGUAL MALE TO 4P MALE ADAPTER

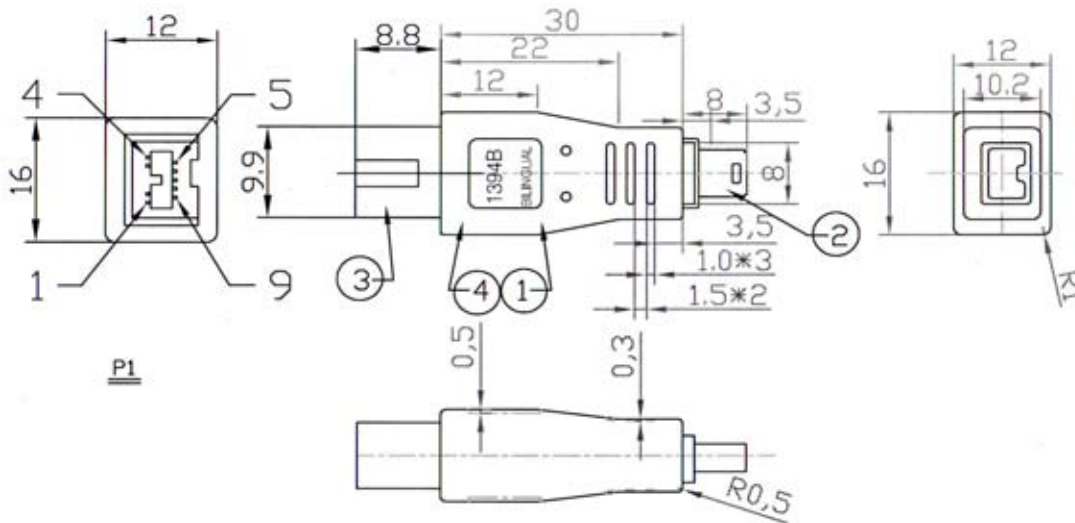


## SPECIFICATIONS

**Current Rating:** 1.5 Amperes  
**Insulation Resistance:** 100MΩ Min  
**Dielectric Withstanding:** 100V DC  
**Contact Resistance:** 50mΩ Max.  
**Operating Temperature:** -40°C to +85°C

## MATERIALS

**Contact Material:** Phosphor Bronze  
**Insulator:** NYLON, UL94V-0  
**\*RoHS & REACH compliant.**



	DESCRIPTION
1	UL1007 30 AWG JUMPER WIRE
2	1394 4P MALE
3	1394 9P BILINGUAL BLACK PASTERN CONNECTOR (OUTSIDE COVER: BLACK)
4	PVC 55P BLACK COLOR

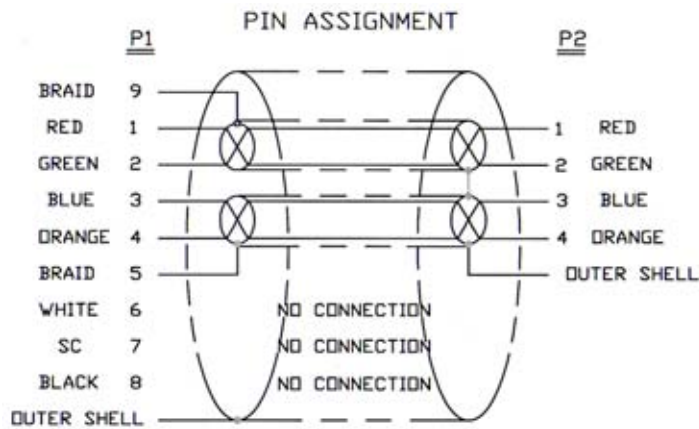
## ORDERING INFORMATION:

**P/N ADFW -  $\frac{021B}{12}$**

P/N REVISED

1. ADAPTER TYPE:  
"021" IEEE-1394b 9 PIN BILINGUAL MALE TO IEEE-1394 4 PIN MALE
2. INSULATOR COLOR:  
"B" BLACK

# IEEE1394b 9P BILINGUAL MALE TO 4P FEMALE ADAPTER

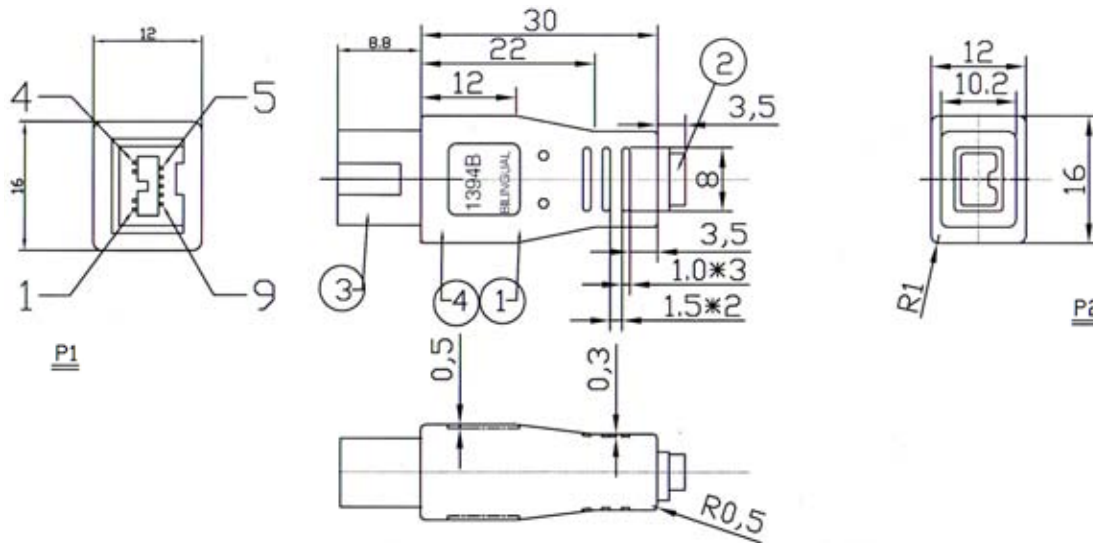


## SPECIFICATIONS

**Current Rating:** 1.5 Amperes  
**Insulation Resistance:** 100MΩ Min  
**Dielectric Withstanding:** 100V DC  
**Contact Resistance:** 50mΩ Max.  
**Operating Temperature:** -40°C to +85°C

## MATERIALS

**Contact Material:** Phosphor Bronze  
**Insulator:** NYLON, UL94V-0  
**\*RoHS & REACH compliant.**



	DESCRIPTION
1	UL1007 30 AWG JUMPER WIRE
2	1394 4P MALE
3	1394 9P BILINGUAL BLACK PASTERN CONNECTOR (OUTSIDE COVER: BLACK)
4	PVC 55P BLACK COLOR

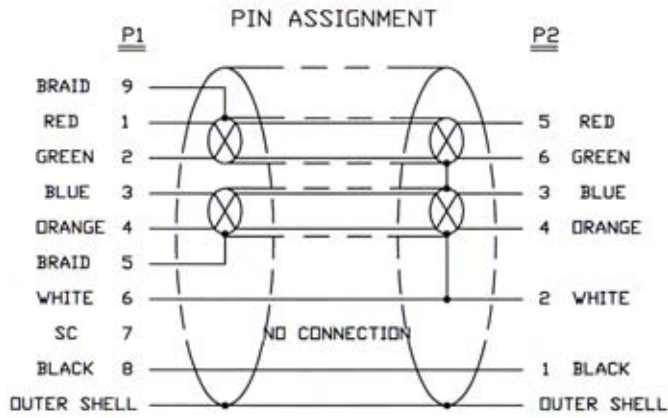
## ORDERING INFORMATION:

**P/N A D F W - 0 2 2 B**  
1 2

P/N REVISED

1. ADAPTER TYPE:  
"022" IEEE-1394b 9 PIN BILINGUAL MALE TO IEEE-1394 4 PIN FEMALE
2. INSULATOR COLOR:  
"B" BLACK

# IEEE1394b 9P BILINGUAL MALE TO 6P MALE ADAPTER

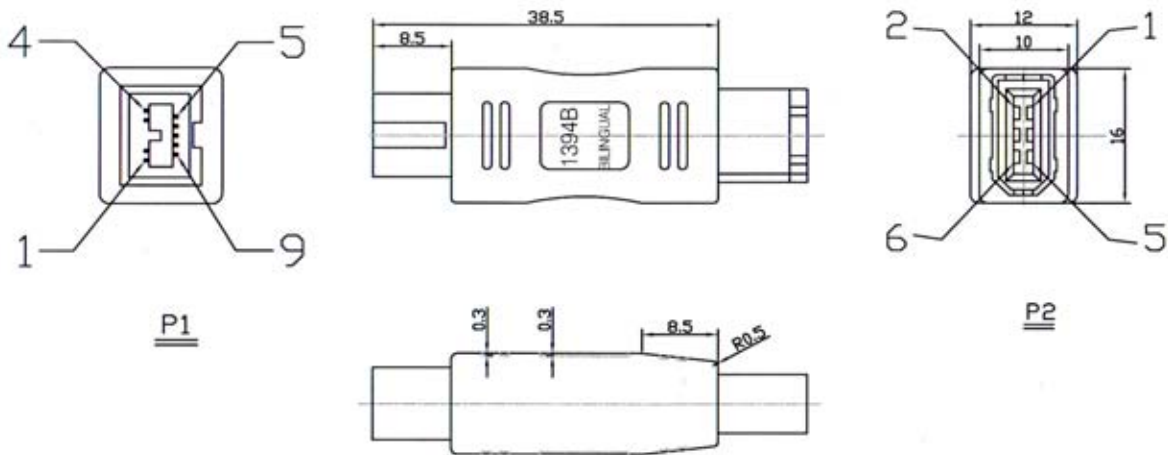


## SPECIFICATIONS

**Current Rating:** 1.5 Amperes  
**Insulation Resistance:** 100MΩ Min  
**Dielectric Withstanding:** 100V DC  
**Contact Resistance:** 50mΩ Max.  
**Operating Temperature:** -40°C to +85°C

## MATERIALS

**Contact Material:** Phosphor Bronze  
**Insulator:** NYLON, UL94V-0  
**\*RoHS & REACH compliant.**



	DESCRIPTION
1	UL1007 30 AWG JUMPER WIRE
2	1394 6P MALE BLACK PASTERN
3	1394 9P BILINGUAL BLACK PASTERN CONNECTOR (OUTSIDE COVER: BLACK)
4	PVC 55P BLACK COLOR

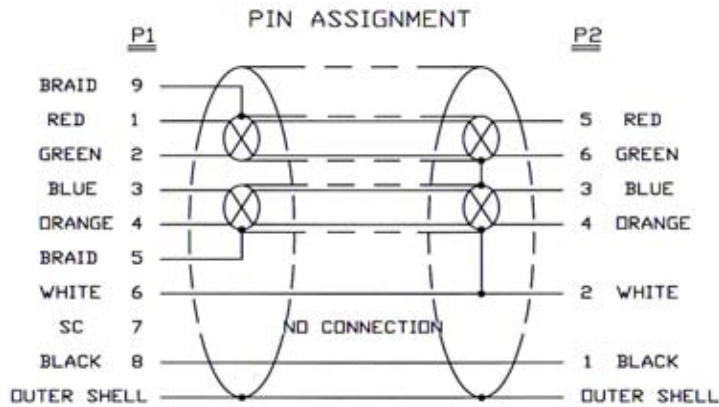
## ORDERING INFORMATION:

**P/N ADFW -  $\frac{023B}{1\ 2}$**

P/N REVISED

1. ADAPTER TYPE:  
"023" IEEE-1394b 9 PIN BILINGUAL MALE TO IEEE-1394 6 PIN MALE
2. INSULATOR COLOR:  
"B" BLACK

# IEEE1394b 9P BILINGUAL MALE TO 6P FEMALE ADAPTER

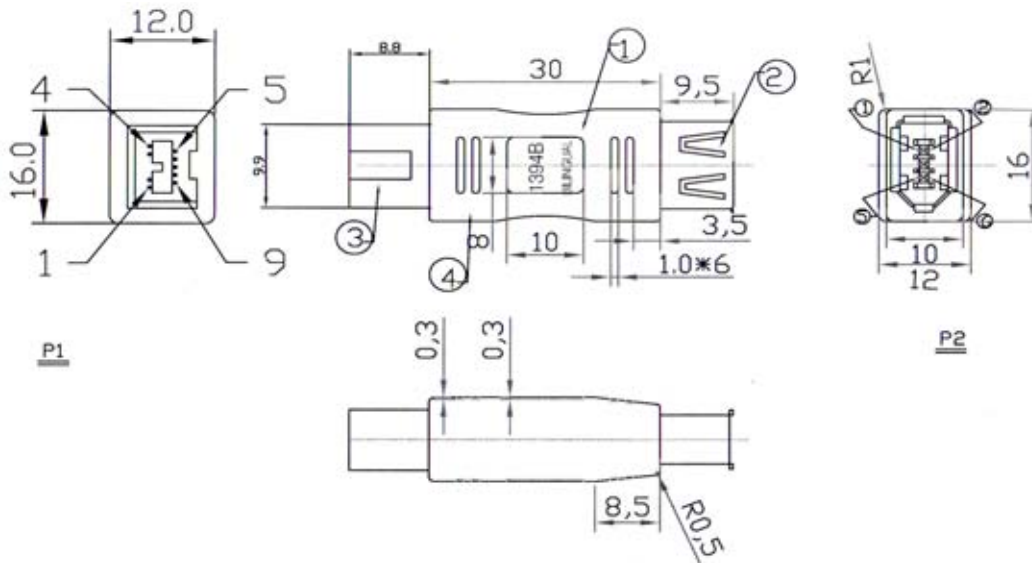


## SPECIFICATIONS

Current Rating: 1.5 Amperes  
 Insulation Resistance: 100MΩ Min  
 Dielectric Withstanding: 100V DC  
 Contact Resistance: 50mΩ Max.  
 Operating Temperature: -40°C to +85°C

## MATERIALS

Contact Material: Phosphor Bronze  
 Insulator: NYLON, UL94V-0  
 \*RoHS & REACH compliant.



	DESCRIPTION
1	UL1007 30 AWG JUMPING WIRE
2	1394 6P FEMALE BLACK PASTERN
3	1394 9P BILINGUAL BLACK PASTERN CONNECTOR (OUTSIDE COVER: BLACK)
4	PVC 55P BLACK COLOR

## ORDERING INFORMATION:

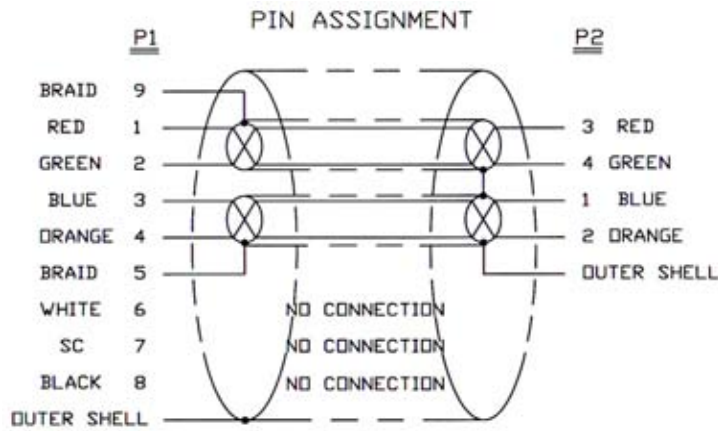
P/N ADFW -  $\frac{024B}{12}$

P/N REVISED

- ADAPTER TYPE:  
"024" IEEE-1394b 9 PIN BILINGUAL MALE TO IEEE-1394 6 PIN FEMALE
- INSULATOR COLOR:  
"B" BLACK



# IEEE1394 9P BILINGUAL FEMALE TO 4P MALE ADAPTER

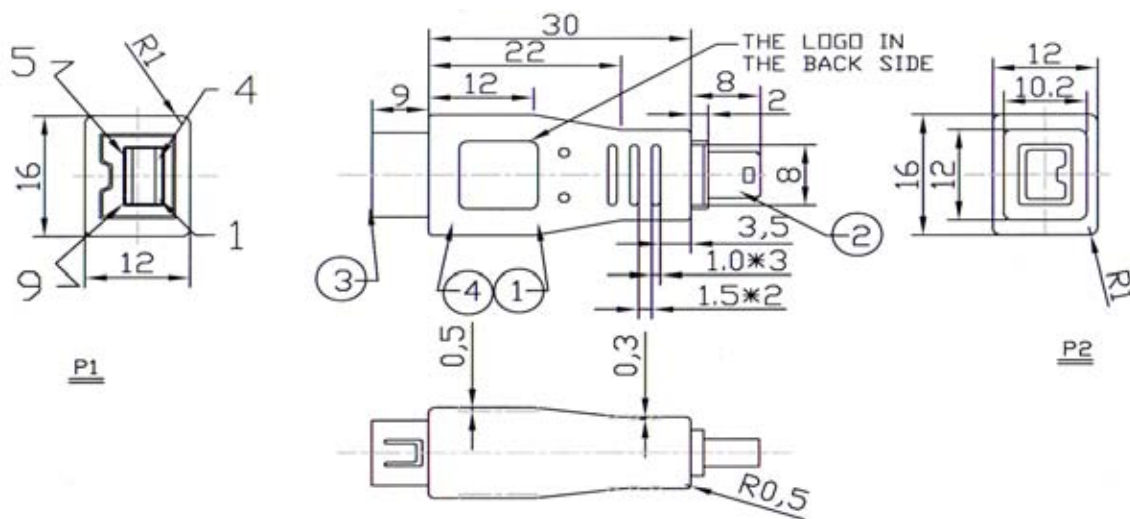


## SPECIFICATIONS

**Current Rating:** 1.5 Amperes  
**Insulation Resistance:** 100MΩ Min  
**Dielectric Withstanding:** 100V DC  
**Contact Resistance:** 50mΩ Max.  
**Operating Temperature:** -40°C to +85°C

## MATERIALS

**Contact Material:** Phosphor Bronze  
**Insulator:** NYLON, UL94V-0  
**\*RoHS & REACH compliant.**



	DESCRIPTION
1	UL1007 30 AWG JUMPER WIRE
2	1394 4P MALE
3	1394 9P FEMALE BILINGUAL BLACK CONNECTOR(OUTSIDE COVER: BLACK)
4	PVC 55P BLACK COLOR

## ORDERING INFORMATION:

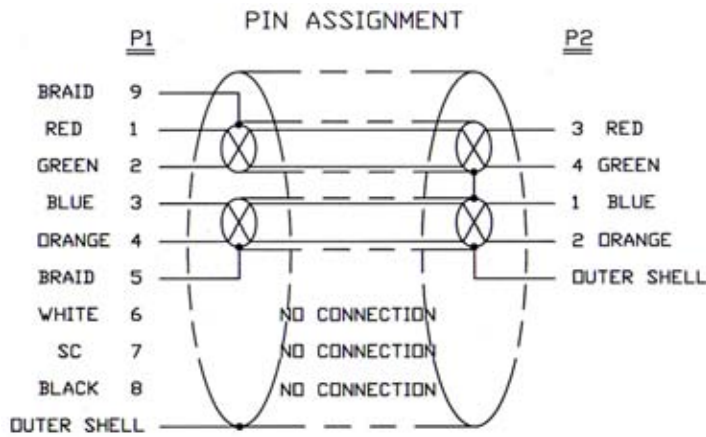
**P/N ADFW - 025 B**  
1 2

P/N REVISED

- ADAPTER TYPE:  
"025" IEEE1394b 9 PIN BILINGUAL FEMALE TO IEEE1394 4 PIN MALE
- INSULATOR COLOR:  
"B" BLACK



# IEEE1394 9P BILINGUAL FEMALE TO 4P FEMALE ADAPTER



## SPECIFICATIONS

**Current Rating:** 1.5 Amperes

**Insulation Resistance:** 100MΩ Min

**Dielectric Withstanding:** 100V DC

**Contact Resistance:** 50mΩ Max.

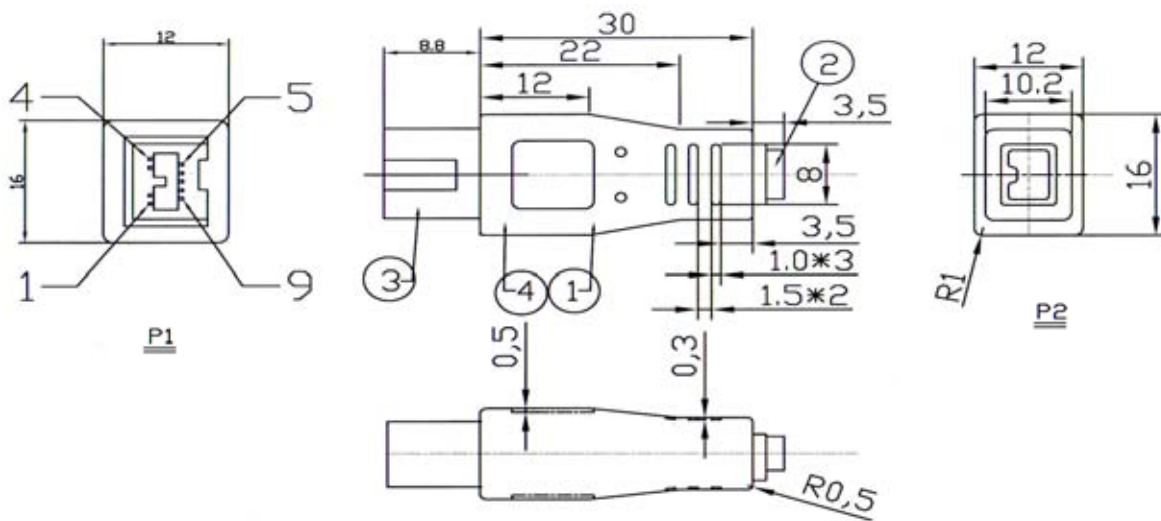
**Operating Temperature:** -40°C to +85°C

## MATERIALS

**Contact Material:** Phosphor Bronze

**Insulator:** NYLON, UL94V-0

**\*RoHS & REACH compliant.**



	DESCRIPTION
1	UL1007 30 AWG JUMPER WIRE
2	1394 4P FEMALE
3	1394 9P BILINGUAL BLACK PASTERN CONNECTOR(OUTSIDE COVER: BLACK)
4	PVC 55P BLACK COLOR

## ORDERING INFORMATION:

**P/N ADFW - 026 B**  
1 2

P/N REVISED

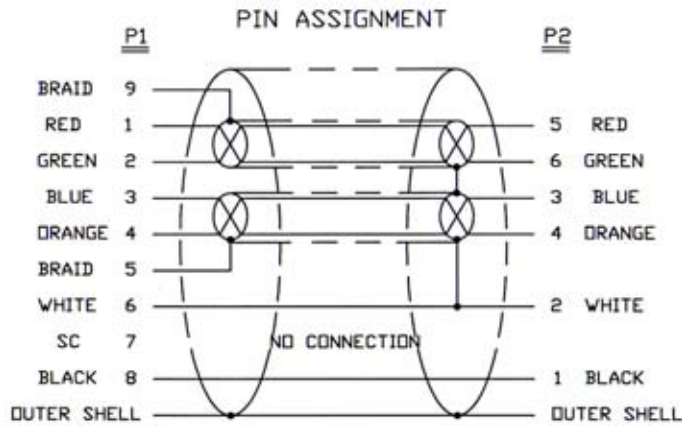
### 1. ADAPTER TYPE:

"026" IEEE1394b 9 PIN BILINGUAL FEMALE TO IEEE1394 4 PIN FEMALE

### 2. INSULATOR COLOR:

"B" BLACK

# IEEE1394 9P BILINGUAL FEMALE TO 6P MALE ADAPTER

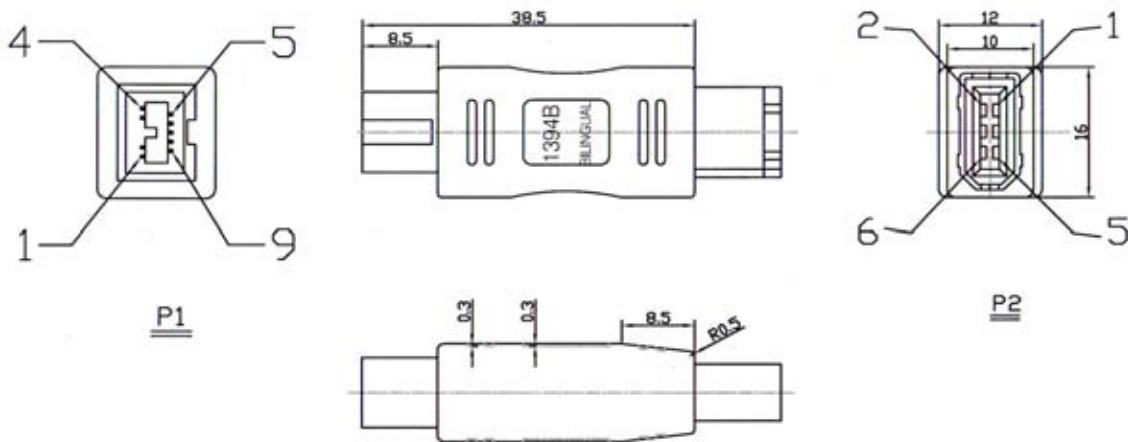


## SPECIFICATIONS

**Current Rating:** 1.5 Amperes  
**Insulation Resistance:** 100MΩ Min  
**Dielectric Withstanding:** 100V DC  
**Contact Resistance:** 50mΩ Max.  
**Operating Temperature:** -40°C to +85°C

## MATERIALS

**Contact Material:** Phosphor Bronze  
**Insulator:** NYLON, UL94V-0  
**\*RoHS & REACH compliant.**



	DESCRIPTION
1	UL1007 30 AWG JUMPING WIRE
2	1394 6P MALE BLACK PASTERN
3	1394 9P BILINGUAL BLACK PASTERN CONNECTOR(OUTSIDE COVER: BLACK)
4	PVC 55P BLACK COLOR

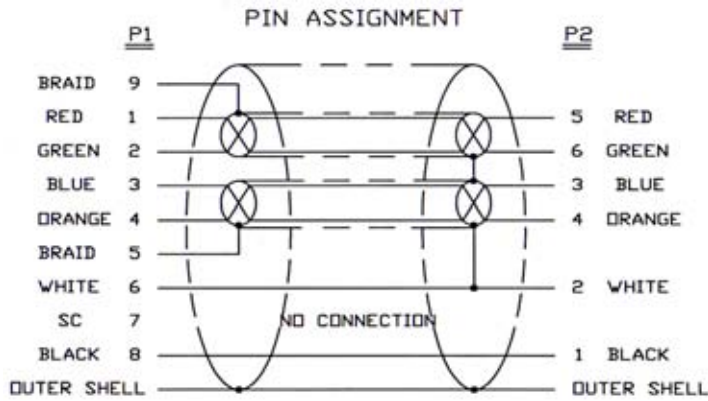
## ORDERING INFORMATION:

**P/N ADFW - 027 B**  
1 2

P/N REVISED

1. ADAPTER TYPE:  
"027" IEEE1394b 9 PIN BILINGUAL FEMALE TO IEEE1394 6 PIN MALE
2. INSULATOR COLOR:  
"B" BLACK

# IEEE1394 9P BILINGUAL FEMALE TO 6P FEMALE ADAPTER

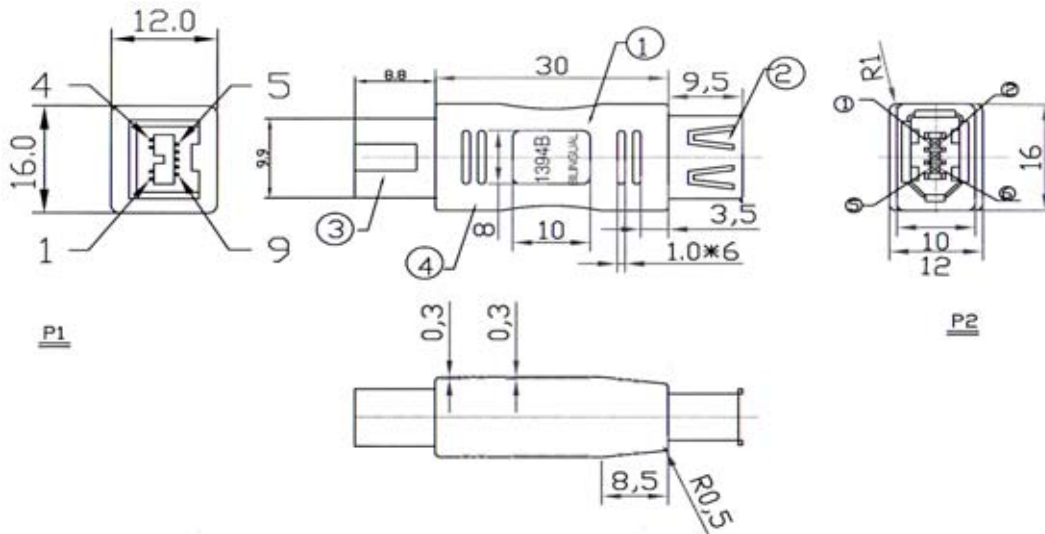


## SPECIFICATIONS

**Current Rating:** 1.5 Amperes  
**Insulation Resistance:** 100MΩ Min  
**Dielectric Withstanding:** 100V DC  
**Contact Resistance:** 50mΩ Max.  
**Operating Temperature:** -40°C to +85°C

## MATERIALS

**Contact Material:** Phosphor Bronze  
**Insulator:** NYLON, UL94V-0  
**\*RoHS & REACH compliant.**



	DESCRIPTION
1	UL1007 30 AWG JUMPING WIRE
2	1394 6P FEMALE BLACK PASTERN
3	1394 9P BILINGUAL BLACK PASTERN CONNECTOR(OUTSIDE COVER: BLACK)
4	PVC 55P BLACK COLOR

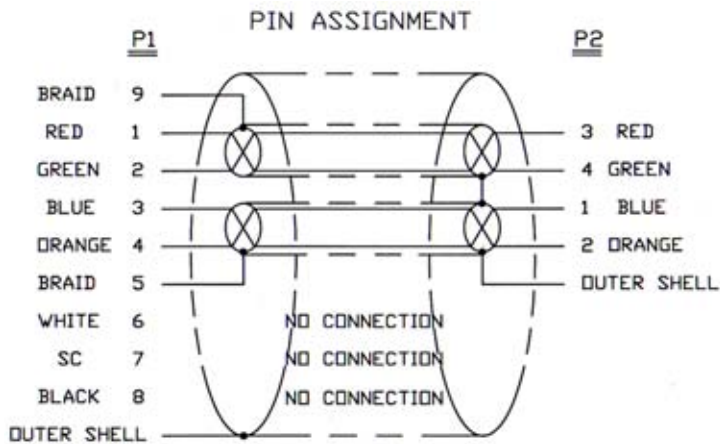
## ORDERING INFORMATION:

**P/N ADFW -  $\frac{028B}{12}$**

P/N REVISED

- ADAPTER TYPE:  
"028" IEEE1394b 9 PIN BILINGUAL FEMALE TO IEEE1394 6 PIN FEMALE
- INSULATOR COLOR:  
"B" BLACK

# IEEE1394b 9P BETA MALE TO 4P MALE ADAPTER

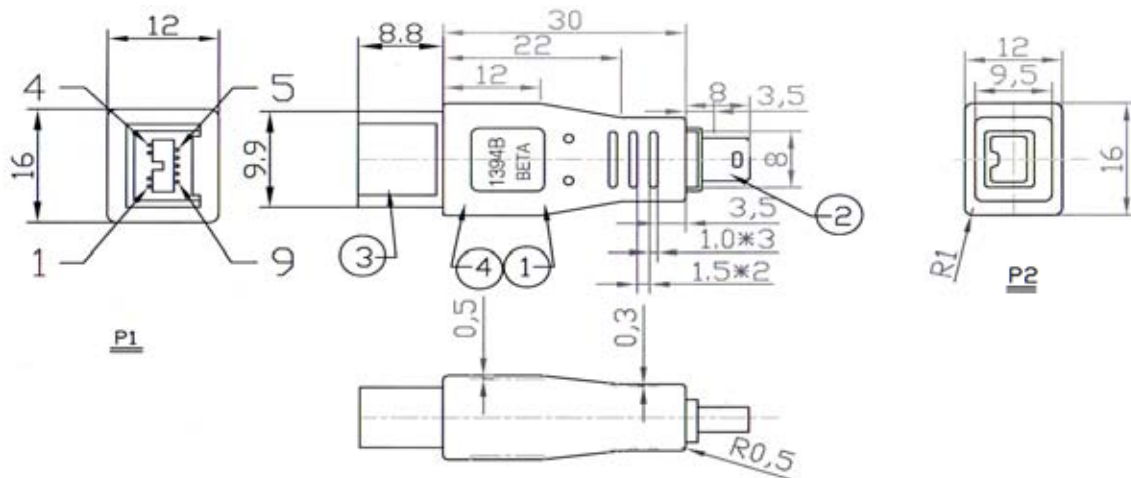


## SPECIFICATIONS

**Current Rating:** 1.5 Amperes  
**Insulation Resistance:** 100MΩ Min  
**Dielectric Withstanding:** 100V DC  
**Contact Resistance:** 50mΩ Max.  
**Operating Temperature:** -40°C to +85°C

## MATERIALS

**Contact Material:** Phosphor Bronze  
**Insulator:** NYLON, UL94V-0  
**\*RoHS & REACH compliant.**



	DESCRIPTION
1	UL1007 30 AWG JUMPER WIRE
2	1394 4P MALE ASS'Y PLACK PASTERN
3	1394 9P BETA BLACK PASTERN CONNECTOR (OUTSIDE COVER: BLACK)
4	PVC 55P BLACK COLOR

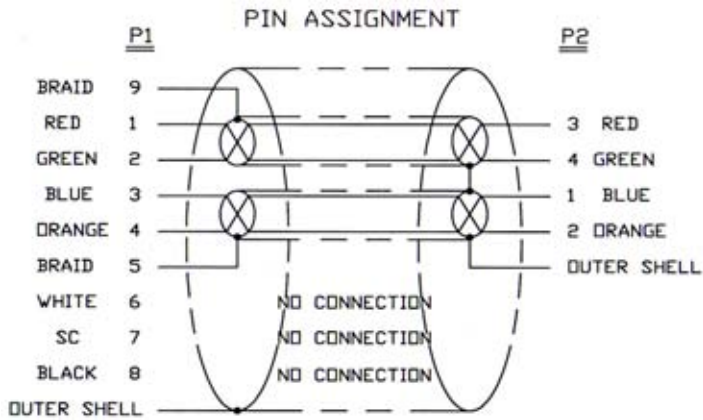
## ORDERING INFORMATION:

**P/N A D F W - 0 2 9 B**  
1 2

P/N REVISED

1. ADAPTER TYPE:  
"029" IEEE-1394b 9 PIN BETA MALE TO IEEE-1394 4 PIN MALE
2. INSULATOR COLOR:  
"B" BLACK

# IEEE1394b 9P BETA MALE TO 4P FEMALE ADAPTER

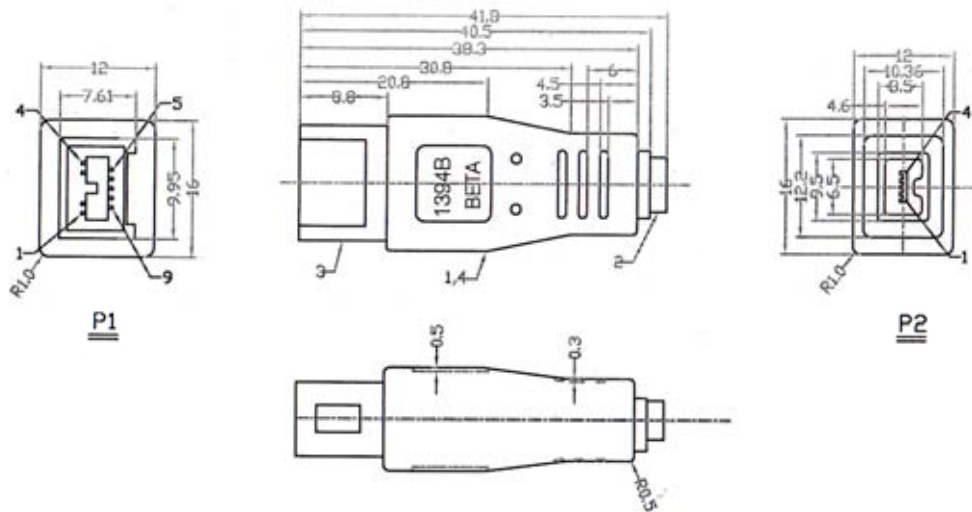


## SPECIFICATIONS

**Current Rating:** 1.5 Amperes  
**Insulation Resistance:** 100MΩ Min  
**Dielectric Withstanding:** 100V DC  
**Contact Resistance:** 50mΩ Max.  
**Operating Temperature:** -40°c to +85°c

## MATERIALS

**Contact Material:** Phosphor Bronze  
**Insulator:** NYLON, UL94V-0  
**\*RoHS & REACH compliant.**



	DESCRIPTION
1	UL1007 30 AWG JUMPER WIRE
2	1394 4P FEMALE
3	1394 9P BETA BLACK PASTERN CONNECTOR (OUTSIDE COVER: BLACK)
4	PVC 55P BLACK COLOR

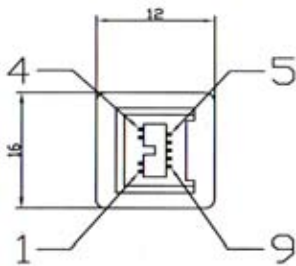
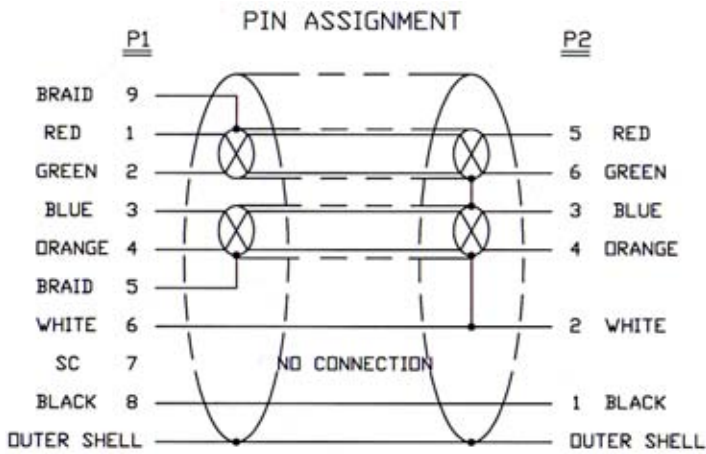
## ORDERING INFORMATION:

**P/N ADFW -  $\frac{030}{1} \frac{B}{2}$**

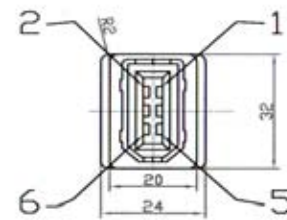
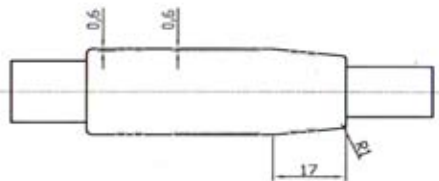
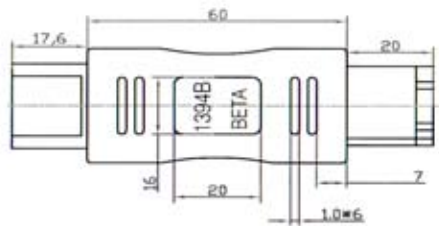
P/N REVISED

1. ADAPTER TYPE:  
"030" IEEE-1394b 9 PIN BETA MALE TO IEEE-1394 4 PIN FEMALE
2. INSULATOR COLOR:  
"B" BLACK

# IEEE1394b 9P BETA MALE TO 6P MALE ADAPTER



P1



P2

	DESCRIPTION
1	UL1007 30 AWG JUMPING WIRE
2	1394 6P MALE BLACK PASTERN
3	1394 9P BETA BLACK PASTERN CONNECTOR (OUTSIDE COVER: BLACK)
4	PVC 55P BLACK COLOR

## ORDERING INFORMATION:

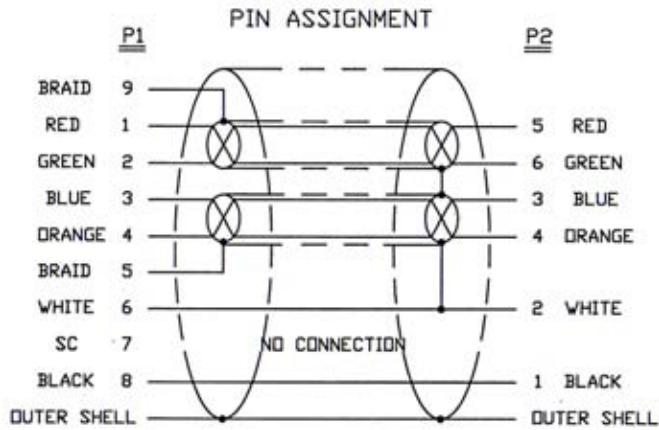
**P/N A D F W - 031 B**  
1 2

P/N REVISED

1. ADAPTER TYPE:  
"031" IEEE-1394b 9 PIN BETA MALE TO IEEE-1394 6 PIN MALE
2. INSULATOR COLOR:  
"B" BLACK



# IEEE1394 9P BETA MALE TO 6P FEMALE ADAPTER

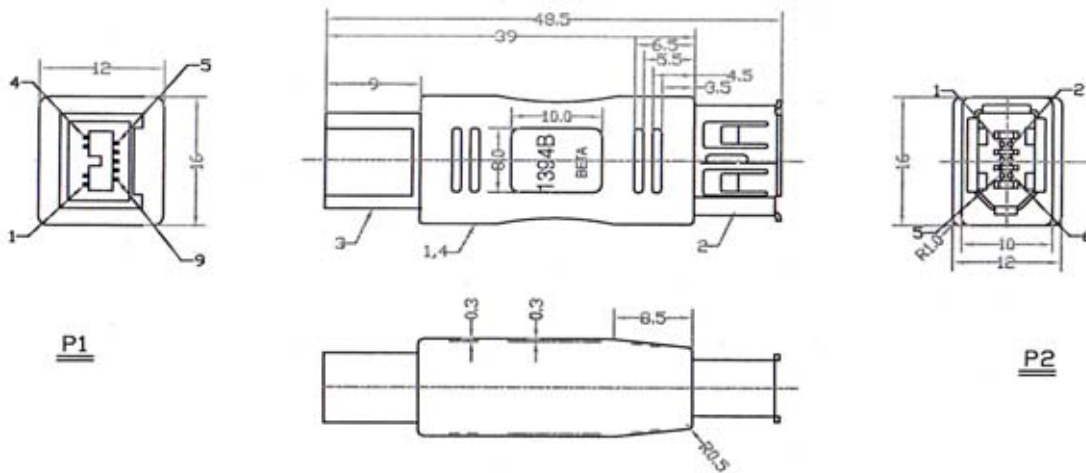


## SPECIFICATIONS

**Current Rating:** 1.5 Amperes  
**Insulation Resistance:** 100MΩ Min  
**Dielectric Withstanding:** 100V DC  
**Contact Resistance:** 50mΩ Max.  
**Operating Temperature:** -40°C to +85°C

## MATERIALS

**Contact Material:** Phosphor Bronze  
**Insulator:** NYLON, UL94V-0  
**\*RoHS & REACH compliant.**



	DESCRIPTION
1	UL1007 30 AWG JUMPING WIRE
2	1394 6P FEMALE BLACK PASTERN
3	1394 9P BETA MALE BLACK PASTERN CONNECTOR (OUTSIDE COVER: BLACK)
4	PVC 55P BLACK COLOR




## ORDERING INFORMATION:

**P/N ADFW -  $\frac{032B}{12}$**

P/N REVISED

1. ADAPTER TYPE:  
"032" IEEE1394b 9 PIN BETA MALE TO IEEE1394 6 PIN FEMALE
2. INSULATOR COLOR:  
"B" BLACK

**DISPLAYPORT ADAPTER STRAIGHT TYPE FOR  
CONNECTING AWG26 & AWG24 CABLES**

			
<p>ADDP-001GU ADDP-001NU</p>	<p>ADDP-002GU ADDP-002NU</p>	<p>ADDP-003GU ADDP-003NU</p>	

**ORDERING INFORMATION:**

**P/N A D D P -  $\frac{x}{1} \frac{x}{2} \frac{x}{3} U$**

1. DISPLAYPORT ADAPTER TYPE:  
 "001" DISPLAYPORT 20 PIN MALE TO MALE ADAPTER  
 "002" DISPLAYPORT 20 PIN MALE TO FEMALE ADAPTER  
 "003" DISPLAYPORT 20 PIN FEMALE TO FEMALE ADAPTER
2. CONTACT FINISH:  
 "G" GOLD PLATED  
 "N" NICKEL PLATED
3. INSULATOR COLOR:  
 "U" BLUE



**DISPLAYPORT ADAPTER RIGHT ANGLE TYPE FOR  
CONNECTING AWG26 & AWG24 CABLES**

			
<p>ADDP-004NU ADDP-004GU</p>	<p>ADDP-005NU ADDP-005GU</p>	<p>ADDP-014NU ADDP-014GU</p>	<p>ADDP-015NU ADDP-015GU</p>
			
<p>ADDP-017NU ADDP-017GU</p>			

**ORDERING INFORMATION:**

**P/N ADDP -  $\frac{x}{1} \frac{x}{2} \frac{x}{3} U$**

1. DISPLAYPORT ADAPTER TYPE:  
 "004" M/M RIGHTWARD R/A TYPE  
 "005" M/F RIGHTWARD R/A TYPE  
 "006" F/F RIGHTWARD R/A TYPE  
 "011" M/M LEFTWARD R/A TYPE  
 "012" M/F LEFTWARD R/A TYPE  
 "013" F/F LEFTWARD R/A TYPE  
 "014" M/M DOWNWARD R/A TYPE  
 "015" M/F DOWNWARD R/A TYPE  
 "016" F/F DOWNWARD R/A TYPE  
 "017" F/F UPWARD R/A TYPE
2. CONTACT FINISH:  
 "G" GOLD PLATED  
 "N" NICKEL PLATED
3. INSULATOR COLOR:  
 "U" BLUE

**NOTE**

M/M = MALE TO MALE  
 M/F = MALE TO FEMALE  
 F/F = FEMALE TO FEMALE  
 R/A = RIGHT ANGLE

## DISPLAYPORT TO HDMI/DVI/VGA ADAPTERS



ADDP-018NB



ADDP-019NB

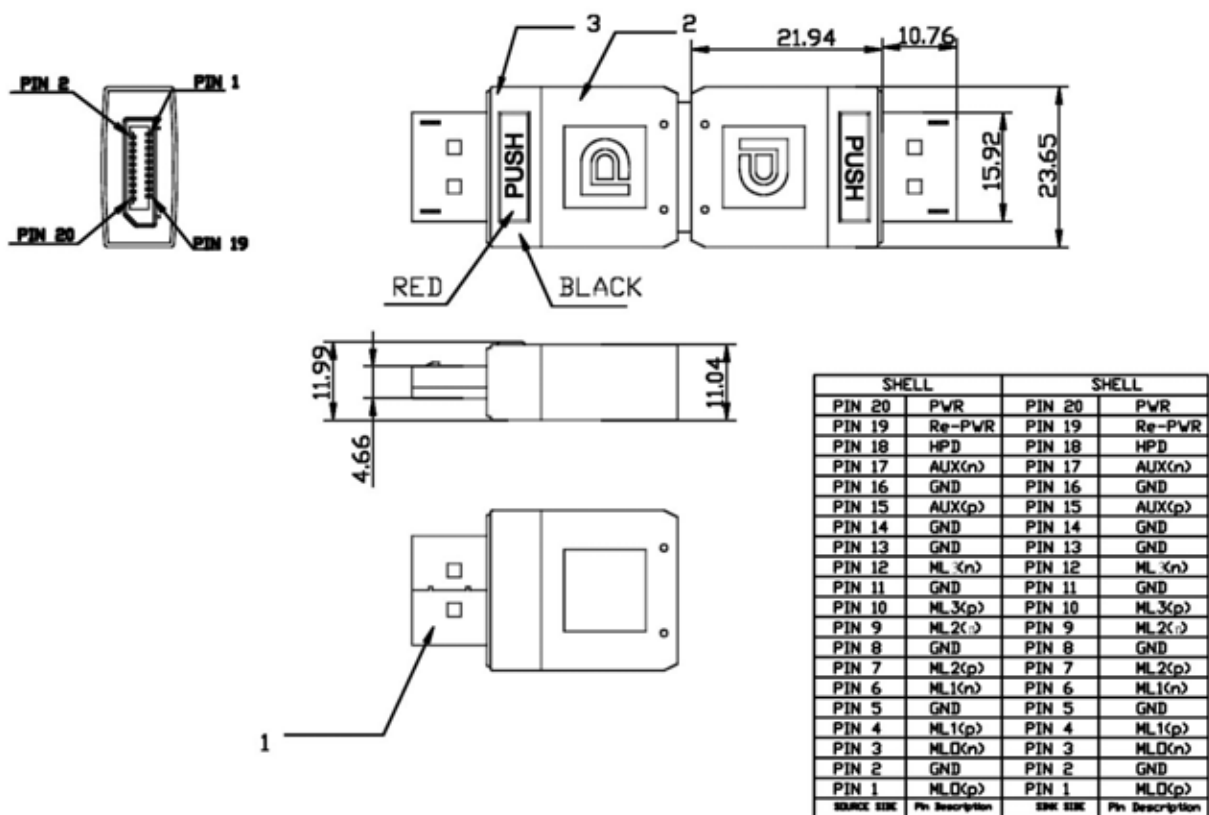


ADDP-020NB

### ORDERING INFORMATION:

P/N ADDP-018NB	DISPLAYPORT 20 PIN MALE TO HDMI FEMALE ADAPTER
P/N ADDP-019NB	DISPLAYPORT 20 PIN MALE TO DVI 24+5 PIN FEMALE ADAPTER
P/N ADDP-020NB	DISPLAYPORT 20 PIN MALE TO HD15F (FEMALE) ADAPTER
P/N ADDP-021NB	DISPLAYPORT 20 PIN MALE TO HDMI FEMALE ADAPTER WITH IC
P/N ADDP-008NB	DISPLAYPORT 20 PIN MALE TO DVI 24+5 PIN FEMALE ADAPTER WITH IC
P/N ADDP-022NB	DISPLAYPORT 20 PIN MALE TO HD15F (FEMALE) ADAPTER WITH IC

# DISPLAYPORT MALE TO MALE ADAPTER

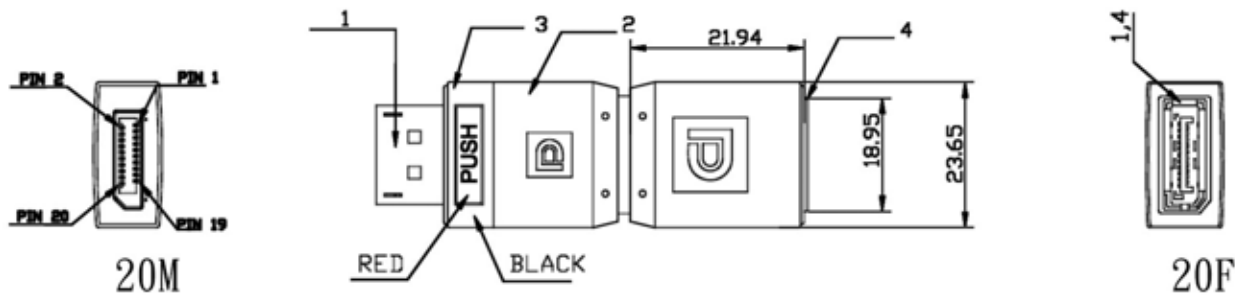


## ORDERING INFORMATION:

P/N A D D P -  $\frac{001}{1} \times \frac{U}{23}$

- ADAPTER TYPE:  
"001" DISPLAYPORT 20 PIN MALE TO  
DISPLAYPORT 20 PIN MALE
- SHELL FINISH:  
"G" GOLD FLASH PLATED  
"N" NICKEL FLASH PLATED
- OVERMOLD COLOR:  
"U" BLUE

# DISPLAYPORT MALE TO FEMALE ADAPTER



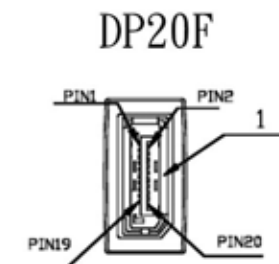
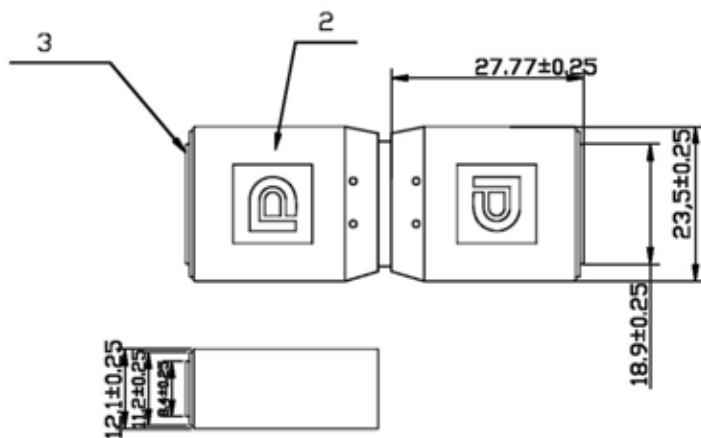
SHELL		SHELL	
PIN 20	PWR	PIN 20	PWR
PIN 19	Re-PWR	PIN 19	Re-PWR
PIN 18	HPD	PIN 18	HPD
PIN 17	AUX(n)	PIN 17	AUX(n)
PIN 16	GND	PIN 16	GND
PIN 15	AUX(p)	PIN 15	AUX(p)
PIN 14	GND	PIN 14	GND
PIN 13	GND	PIN 13	GND
PIN 12	ML (n)	PIN 12	ML (n)
PIN 11	GND	PIN 11	GND
PIN 10	ML3(p)	PIN 10	ML3(p)
PIN 9	ML2(-)	PIN 9	ML2(-)
PIN 8	GND	PIN 8	GND
PIN 7	ML2(p)	PIN 7	ML2(p)
PIN 6	ML1(n)	PIN 6	ML1(n)
PIN 5	GND	PIN 5	GND
PIN 4	ML1(p)	PIN 4	ML1(p)
PIN 3	MLD(n)	PIN 3	MLD(n)
PIN 2	GND	PIN 2	GND
PIN 1	MLD(p)	PIN 1	MLD(p)
SIZE SIZE	Pin Description	SIZE SIZE	Pin Description

## ORDERING INFORMATION:

P/N A D D P -  $\frac{002}{1} \times \frac{U}{23}$

- ADAPTER TYPE:  
"002" DISPLAYPORT 20 PIN MALE TO  
DISPLAYPORT 20 PIN FEMALE
- SHELL FINISH:  
"G" GOLD FLASH PLATED  
"N" NICKEL FLASH PLATED
- OVERMOLD COLOR:  
"U" BLUE

## DISPLAYPORT FEMALE TO FEMALE ADAPTER



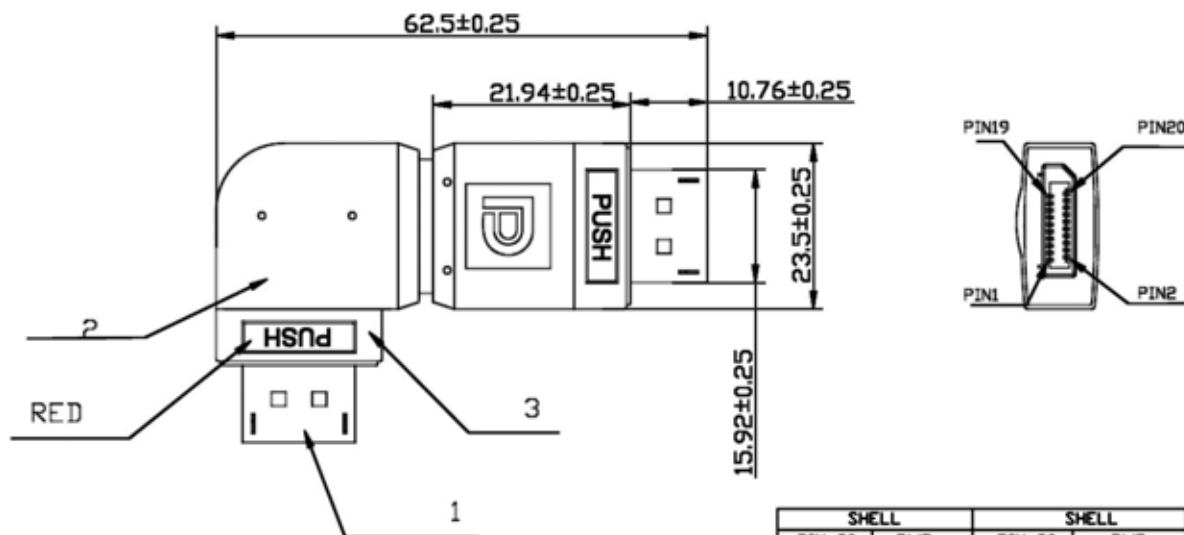
SHELL		SHELL	
PIN 20	PWR	PIN 20	PWR
PIN 19	Re-PWR	PIN 19	Re-PWR
PIN 18	HPD	PIN 18	HPD
PIN 17	AUX(n)	PIN 17	AUX(n)
PIN 16	GND	PIN 16	GND
PIN 15	AUX(p)	PIN 15	AUX(p)
PIN 14	GND	PIN 14	GND
PIN 13	GND	PIN 13	GND
PIN 12	ML <n>	PIN 12	ML <n>
PIN 11	GND	PIN 11	GND
PIN 10	ML3(p)	PIN 10	ML3(p)
PIN 9	ML2<.)	PIN 9	ML2<.)
PIN 8	GND	PIN 8	GND
PIN 7	ML2(p)	PIN 7	ML2(p)
PIN 6	ML1(n)	PIN 6	ML1(n)
PIN 5	GND	PIN 5	GND
PIN 4	ML1(p)	PIN 4	ML1(p)
PIN 3	MLD(n)	PIN 3	MLD(n)
PIN 2	GND	PIN 2	GND
PIN 1	MLD(p)	PIN 1	MLD(p)
<small>SHELL SIZE</small>	<small>Pin Description</small>	<small>SHELL SIZE</small>	<small>Pin Description</small>

### ORDERING INFORMATION:

P/N A D D P -  $\frac{003}{1} \times \frac{U}{23}$

1. ADAPTER TYPE:  
"003" DISPLAYPORT 20 PIN FEMALE TO  
DISPLAYPORT 20 PIN FEMALE
2. SHELL FINISH:  
"G" GOLD FLASH PLATED  
"N" NICKEL FLASH PLATED
3. OVERMOLD COLOR:  
"U" BLUE

# DISPLAYPORT MALE TO MALE RIGHT ANGLE ADAPTER



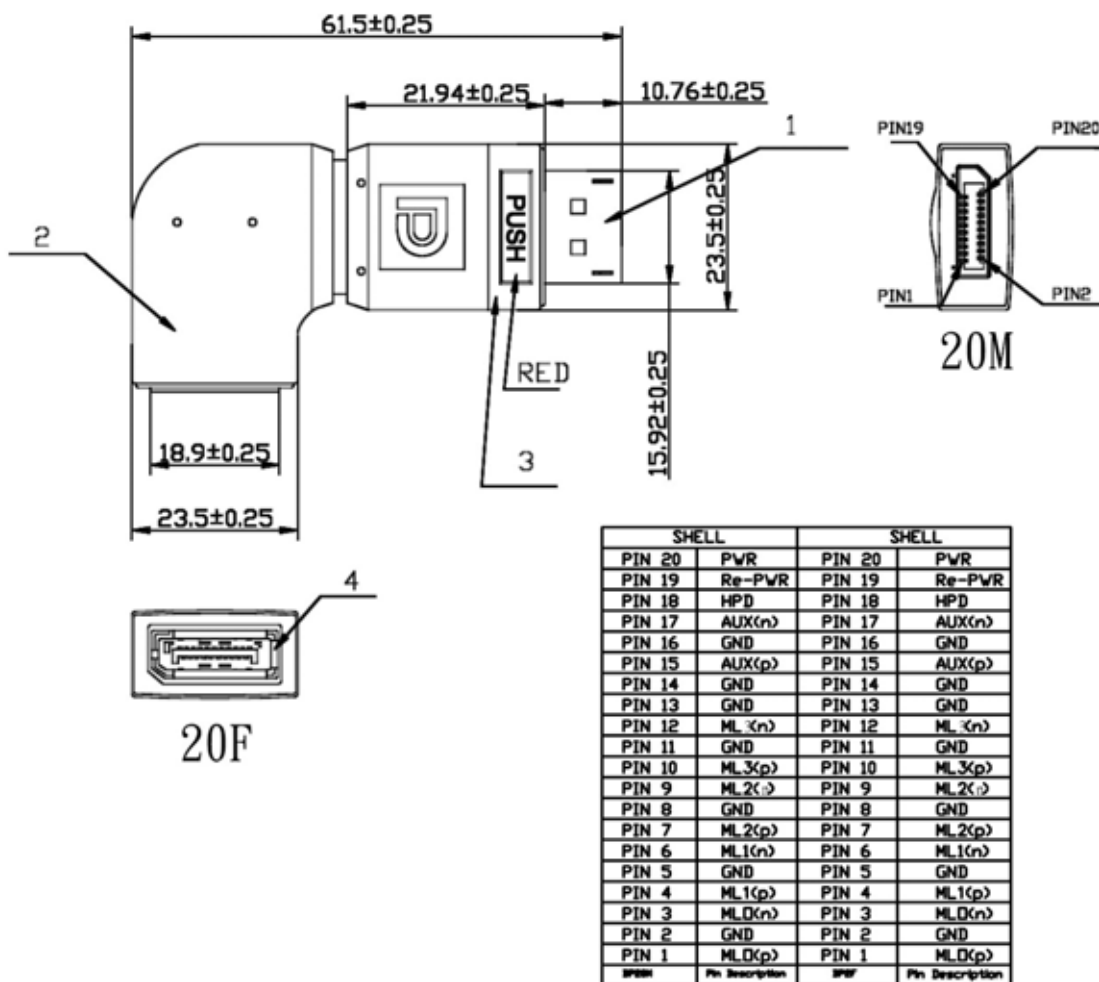
SHELL		SHELL	
PIN 20	PWR	PIN 20	PWR
PIN 19	Re-PWR	PIN 19	Re-PWR
PIN 18	HPD	PIN 18	HPD
PIN 17	AUX(n)	PIN 17	AUX(n)
PIN 16	GND	PIN 16	GND
PIN 15	AUX(p)	PIN 15	AUX(p)
PIN 14	GND	PIN 14	GND
PIN 13	GND	PIN 13	GND
PIN 12	ML (n)	PIN 12	ML (n)
PIN 11	GND	PIN 11	GND
PIN 10	ML3(p)	PIN 10	ML3(p)
PIN 9	ML2(n)	PIN 9	ML2(n)
PIN 8	GND	PIN 8	GND
PIN 7	ML2(p)	PIN 7	ML2(p)
PIN 6	ML1(n)	PIN 6	ML1(n)
PIN 5	GND	PIN 5	GND
PIN 4	ML1(p)	PIN 4	ML1(p)
PIN 3	ML0(n)	PIN 3	ML0(n)
PIN 2	GND	PIN 2	GND
PIN 1	ML0(p)	PIN 1	ML0(p)
SOURCE SIDE	Pin Description	SINK SIDE	Pin Description

## ORDERING INFORMATION:

P/N A D D P -  $\frac{004}{1} \times \frac{U}{23}$

1. ADAPTER TYPE:  
"004" DISPLAYPORT 20 PIN MALE TO MALE RIGHTWARD 90° ADAPTER
2. SHELL FINISH:  
"G" GOLD FLASH PLATED  
"N" NICKEL FLASH PLATED
3. OVERMOLD COLOR:  
"U" BLUE

# DISPLAYPORT MALE TO FEMALE RIGHT ANGLE ADAPTER



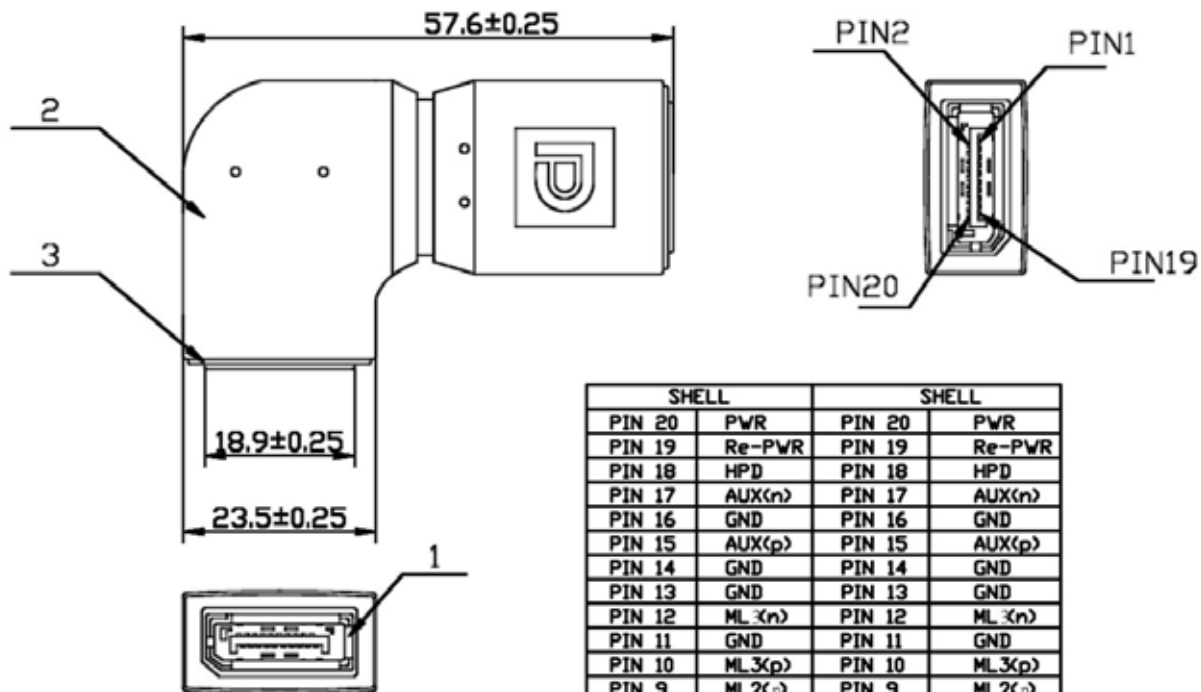
## ORDERING INFORMATION:

P/N A D D P -  $\frac{005}{1} \times \frac{U}{23}$

- ADAPTER TYPE:  
"005" DISPLAYPORT 20 PIN MALE TO FEMALE RIGHTWARD 90° ADAPTER
- SHELL FINISH:  
"G" GOLD FLASH PLATED  
"N" NICKEL FLASH PLATED
- OVERMOLD COLOR:  
"U" BLUE



## DISPLAYPORT FEMALE TO FEMALE RIGHT ANGLE ADAPTER



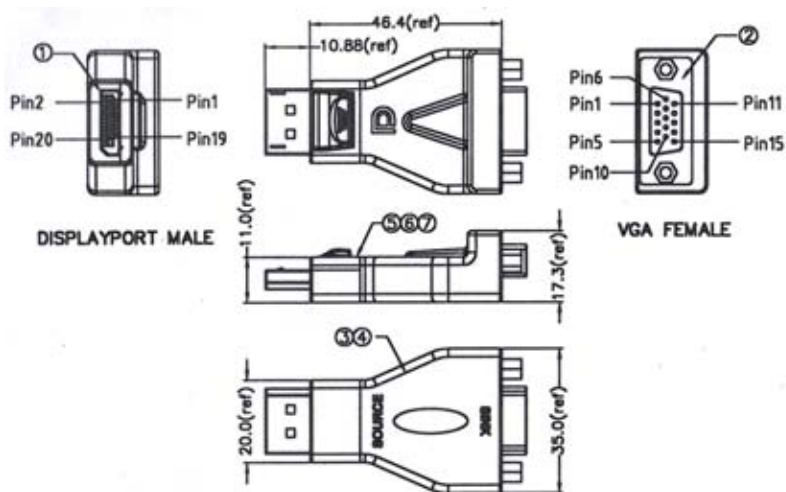
SHELL		SHELL	
PIN 20	PWR	PIN 20	PWR
PIN 19	Re-PWR	PIN 19	Re-PWR
PIN 18	HPD	PIN 18	HPD
PIN 17	AUX(n)	PIN 17	AUX(n)
PIN 16	GND	PIN 16	GND
PIN 15	AUX(p)	PIN 15	AUX(p)
PIN 14	GND	PIN 14	GND
PIN 13	GND	PIN 13	GND
PIN 12	ML<n>	PIN 12	ML<n>
PIN 11	GND	PIN 11	GND
PIN 10	ML3(p)	PIN 10	ML3(p)
PIN 9	ML2(i)	PIN 9	ML2(i)
PIN 8	GND	PIN 8	GND
PIN 7	ML2(p)	PIN 7	ML2(p)
PIN 6	ML1(n)	PIN 6	ML1(n)
PIN 5	GND	PIN 5	GND
PIN 4	ML1(p)	PIN 4	ML1(p)
PIN 3	ML0(n)	PIN 3	ML0(n)
PIN 2	GND	PIN 2	GND
PIN 1	ML0(p)	PIN 1	ML0(p)
<small>SOURCE SIDE</small>	<small>Pin Description</small>	<small>SINK SIDE</small>	<small>Pin Description</small>

### ORDERING INFORMATION:

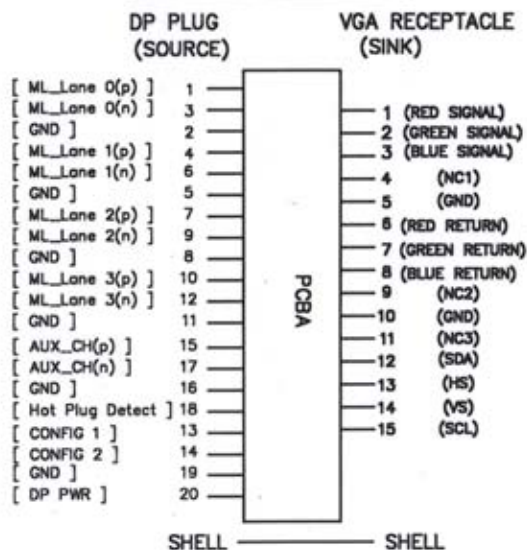
P/N A D D P -  $\frac{006}{1} \times \frac{U}{23}$

1. ADAPTER TYPE:  
"006" DISPLAYPORT 20 PIN FEMALE TO  
FEMALE RIGHTWARD 90° ADAPTER
2. SHELL FINISH:  
"G" GOLD FLASH PLATED  
"N" NICKEL FLASH PLATED
3. OVERMOLD COLOR:  
"U" BLUE

# DISPLAYPORT 20M TO HDD15F ADAPTER



## PIN ASSIGNMENT:

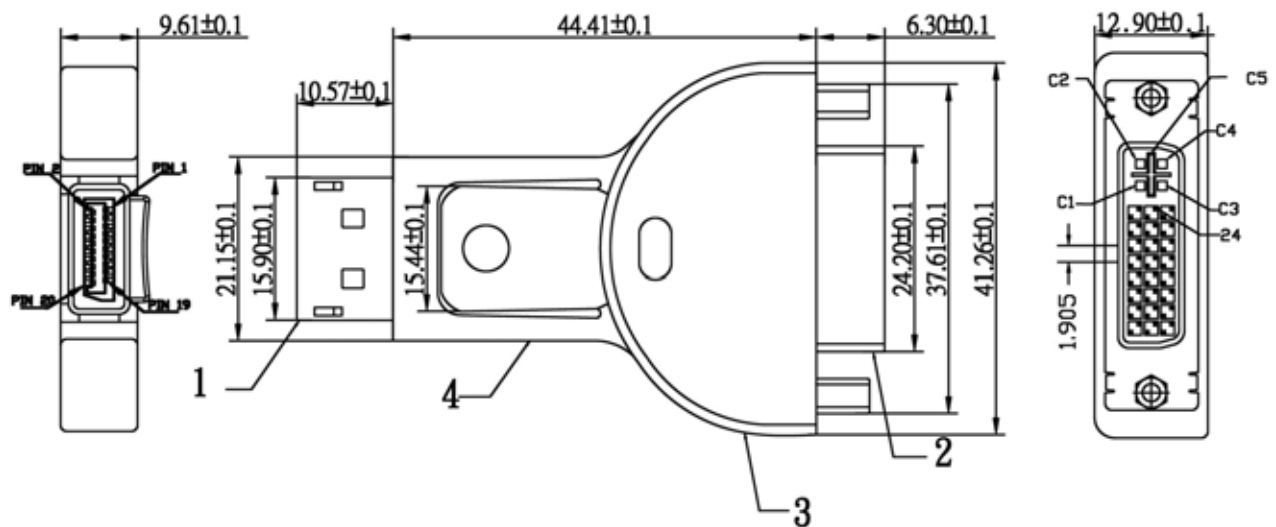


## ORDERING INFORMATION:

P/N A D D P - 007 N B  
1 2 3

1. ADAPTER TYPE:  
"007" DISPLAYPORT 20 PIN MALE WITH LATCH  
TO HDD15 FEMALE
2. SHELL FINISH:  
"N" NICKEL PLATED
3. OVERMOLD COLOR:  
"B" BLACK

## DISPLAYPORT 20M TO DVI 24+5 PIN FEMALE ADAPTER

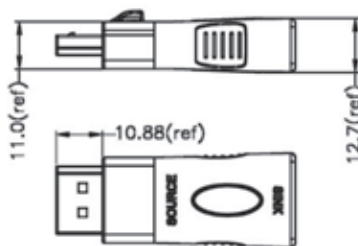
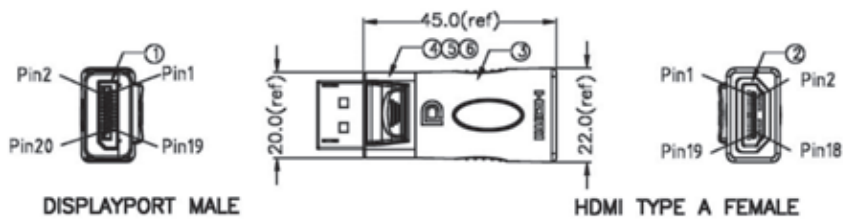


### ORDERING INFORMATION:

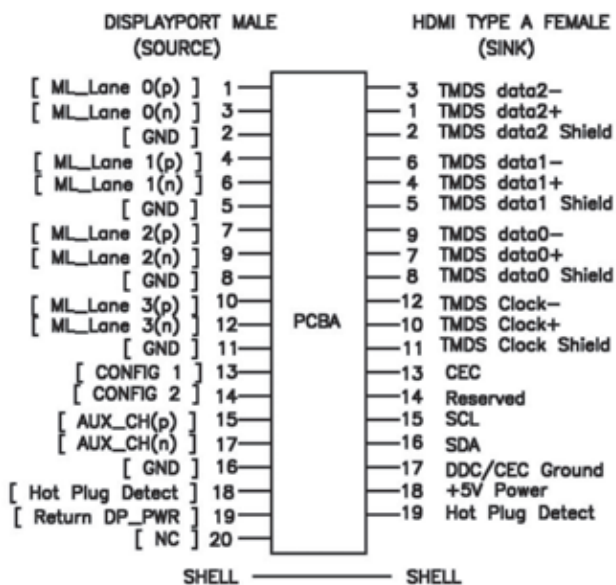
P/N A D D P - 008 N B  
                  1    2    3

1. ADAPTER TYPE:  
"008" DISPLAYPORT 20 PIN MALE  
TO DVI 24+5 PIN FEMALE ADAPTER WITH IC
2. SHELL FINISH:  
"N" NICKEL PLATED
3. OVERMOLD COLOR:  
"B" BLACK

# DISPLAYPORT 20M TO HDMI 19F ADAPTER



## PIN ASSIGNMENT:

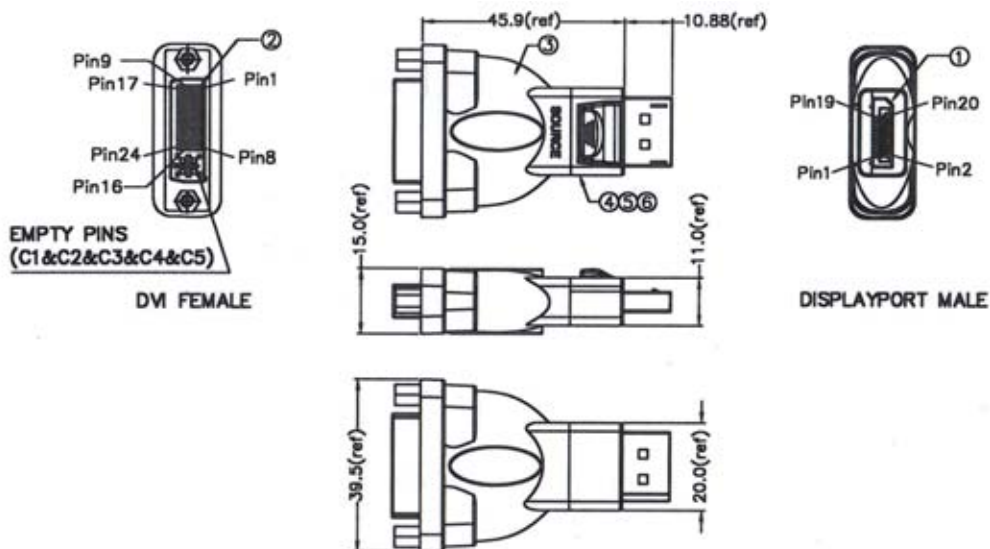


## ORDERING INFORMATION:

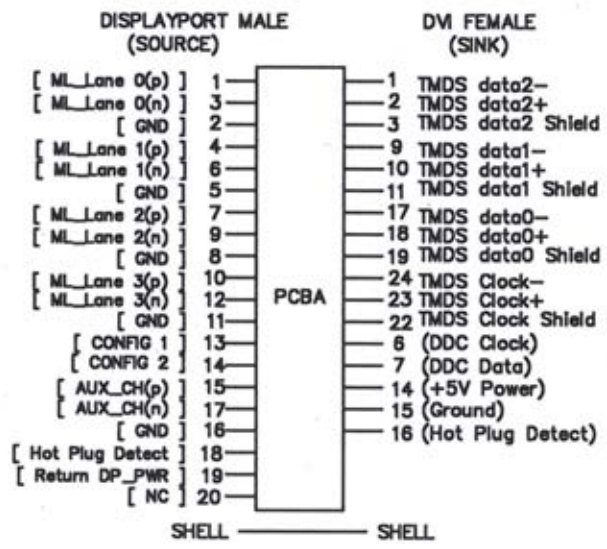
P/N A D D P -  $\frac{009}{1} \times \frac{B}{2} \frac{X}{3} \frac{X}{4}$

- ADAPTER TYPE:  
"009" DISPLAYPORT 20 PIN MALE WITH LATCH TO HDMI A TYPE 19 PIN FEMALE
- SHELL FINISH:  
"G" GOLD FLASH PLATED  
"N" NICKEL PLATED
- OVERMOLD COLOR:  
"B" BLACK
- CONTACT FINISH:  
"15" 15 MICROINCH GOLD

# DISPLAYPORT 20M TO DVI 24+5 PIN FEMALE ADAPTER



### PIN ASSIGNMENT:

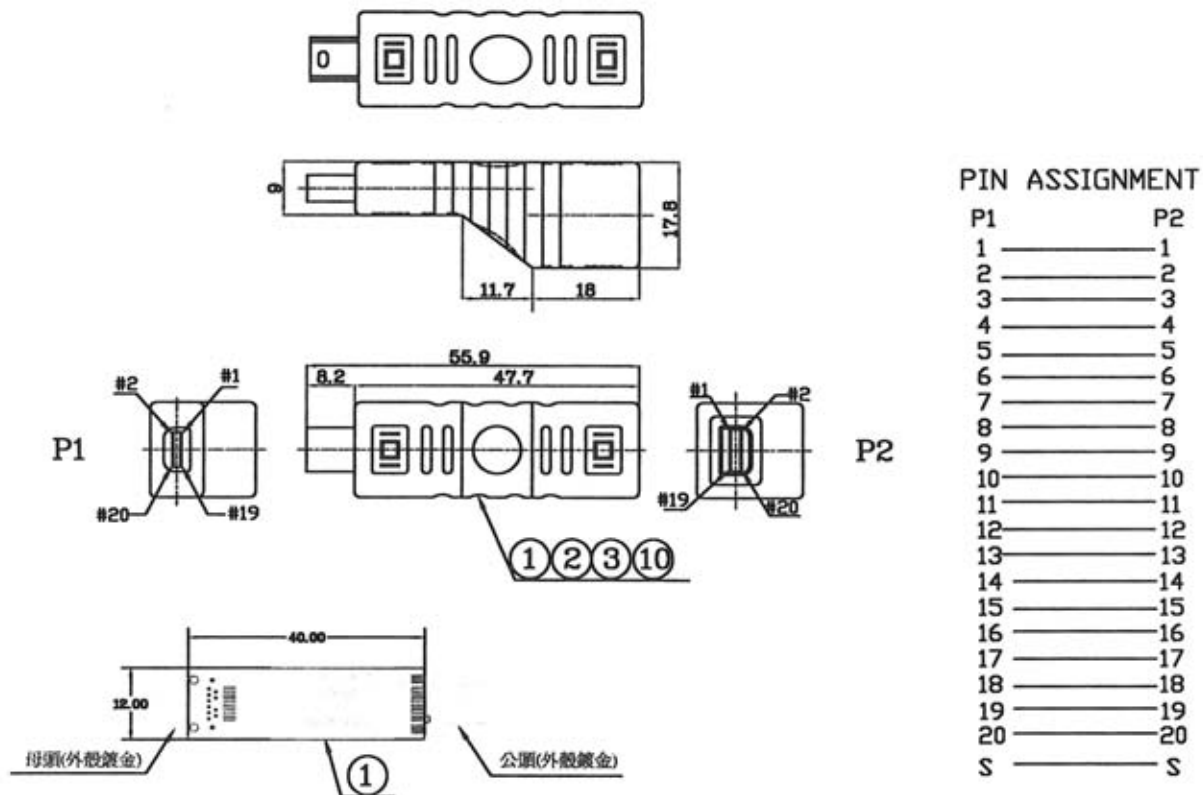


## ORDERING INFORMATION:

P/N A D D P -  $\frac{010}{1} \times \frac{B}{2} \frac{X}{3} \frac{X}{4}$

- ADAPTER TYPE:  
"010" DISPLAYPORT 20 PIN MALE WITH LATCH TO DVI 24+5 PIN FEMALE
- SHELL FINISH:  
"G" GOLD FLASH PLATED  
"N" NICKEL PLATED
- OVERMOLD COLOR:  
"B" BLACK
- CONTACT FINISH:  
"15" 15 MICROINCH GOLD

# MINI DISPLAYPORT ADAPTER M/F STRAIGHT TYPE

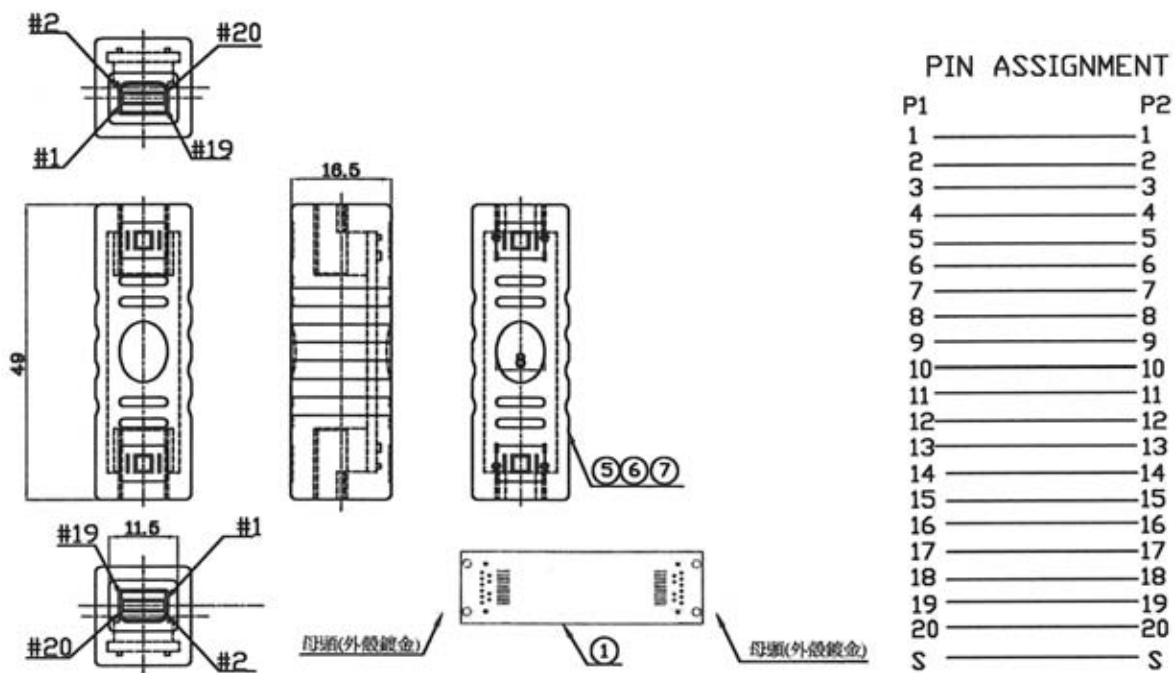


## ORDERING INFORMATION:

P/N A D M D P - 001 G W  
1 2 3

1. ADAPTER TYPE:  
"001" MINI DISPLAYPORT MALE TO FEMALE STRAIGHT ADAPTER
2. SHELL FINISH:  
"G" GOLD FLASH PLATED
3. INSULATOR COLOR:  
"W" WHITE

# MINI DISPLAYPORT ADAPTER F/F STRAIGHT TYPE

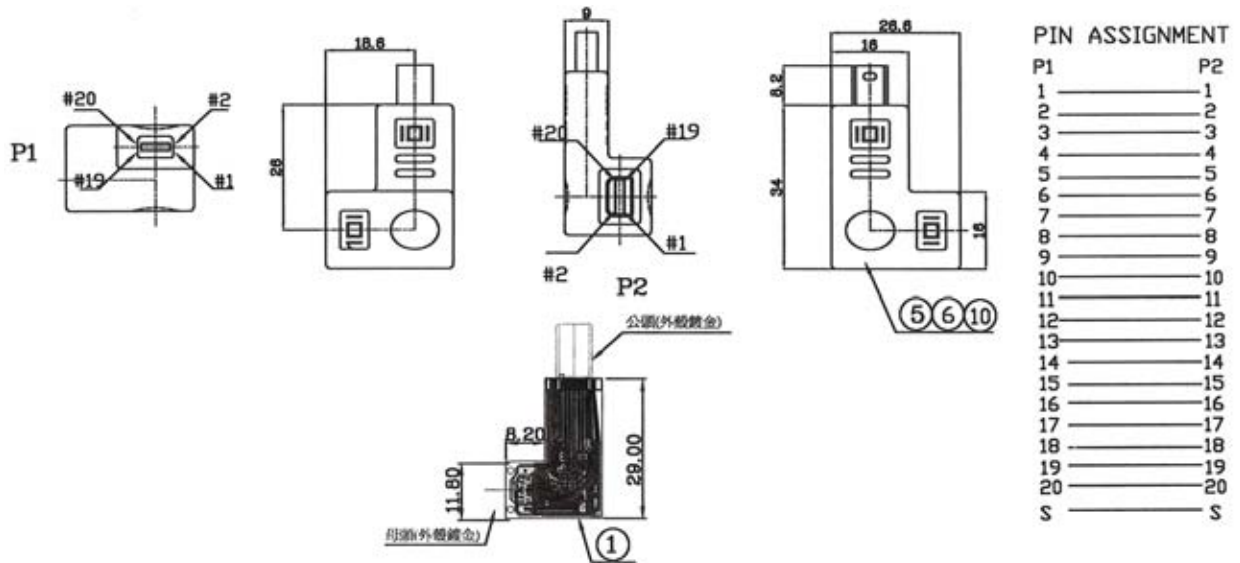


## ORDERING INFORMATION:

P/N A D M D P -  $\frac{002}{1}$   $\frac{G}{2}$   $\frac{W}{3}$

1. ADAPTER TYPE:  
"002" MINI DISPLAYPORT FEMALE TO FEMALE STRAIGHT ADAPTER
2. SHELL FINISH:  
"G" GOLD FLASH PLATED
3. INSULATOR COLOR:  
"W" WHITE

# MINI DISPLAYPORT ADAPTER M/F R/A TYPE



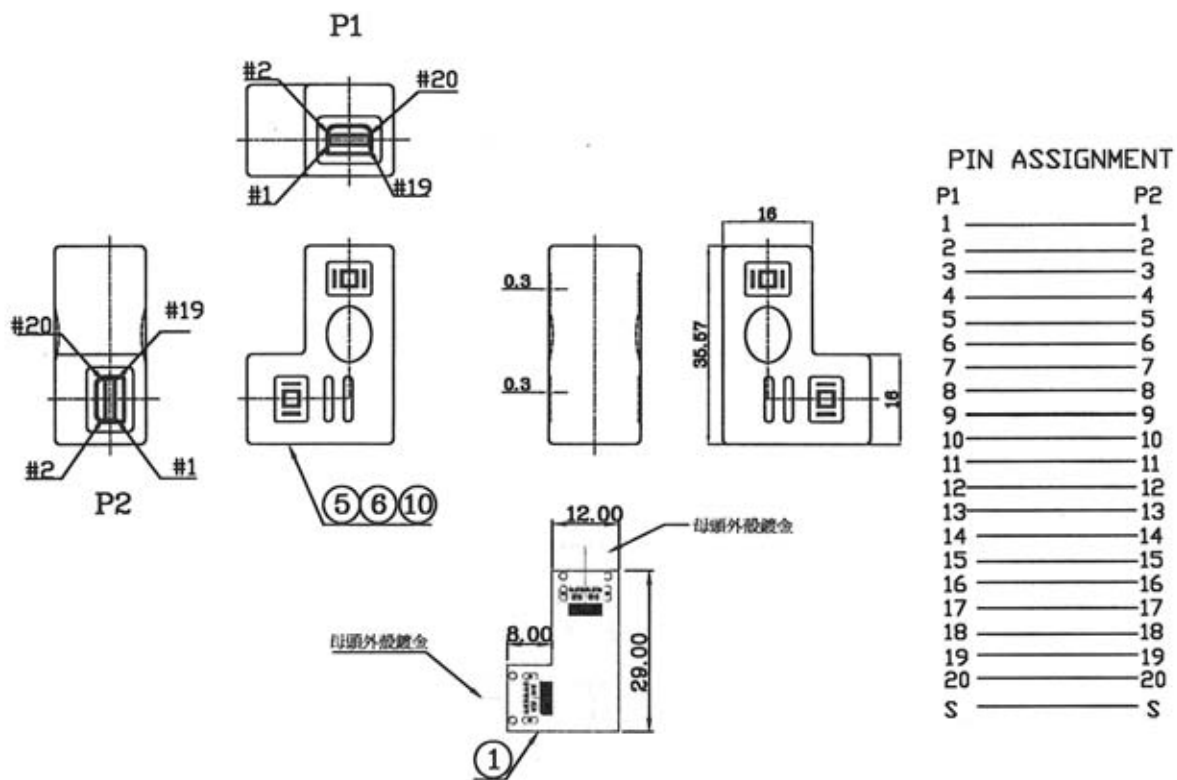
## ORDERING INFORMATION:

P/N A D M D P - 003 G W  
 1 2 3

- ADAPTER TYPE:  
"003" MINI DISPLAYPORT MALE TO FEMALE RIGHT ANGLE ADAPTER
- SHELL FINISH:  
"G" GOLD FLASH PLATED
- INSULATOR COLOR:  
"W" WHITE



# MINI DISPLAYPORT ADAPTER F/F R/A TYPE



## ORDERING INFORMATION:

P/N A D M D P - 0 0 4 G W  
                                   1      2  3

1. ADAPTER TYPE:  
"004" MINI DISPLAYPORT FEMALE TO FEMALE RIGHT ANGLE ADAPTER
2. SHELL FINISH:  
"G" GOLD FLASH PLATED
3. INSULATOR COLOR:  
"W" WHITE

## MINI DISPLAYPORT ADAPTER STRAIGHT TYPE FOR CONNECTING AWG26 & AWG24 CABLES

			
ADMDP-005NB	ADMDP-006NB	ADMDP-007NW	ADMDP-008NB
			
ADMDP-009NB	ADMDP-010NB		

### ORDERING INFORMATION:

P/N A D M D P -  $\frac{x x x x x}{1 \quad 2 \quad 3}$

1. MINI DISPLAYPORT ADAPTER TYPE:
  - "005" MDP MALE TO MDP MALE ADAPTER
  - "006" MDP MALE TO MDP FEMALE ADAPTER
  - "007" MDP FEMALE TO MDP FEMALE ADAPTER
  - "008" MDP MALE TO DP MALE ADAPTER
  - "009" MDP MALE TO DP FEMALE ADAPTER
  - "010" MDP FEMALE TO DP FEMALE ADAPTER
  - "011" MDP FEMALE TO DP MALE ADAPTER
2. CONTACT FINISH:
  - "G" GOLD PLATED
  - "N" NICKEL PLATED
3. INSULATOR COLOR:
  - "W" WHITE
  - "B" BLACK

#### NOTE

MDP = MINI DISPLAYPORT  
DP = DISPLAYPORT

## MINI DISPLAYPORT ADAPTER RIGHT ANGLE TYPE FOR CONNECTING AWG26 & AWG24 CABLES

			
ADMDP-012xx ADMDP-013xx	ADMDP-016xx ADMDP-017xx		

### ORDERING INFORMATION:

P/N A D M D P -  $\frac{x x x x x}{1 \quad 2 \quad 3}$

1. MINI DISPLAYPORT ADAPTER TYPE:

- "012" MDP FEMALE TO MDP FEMALE UPWARD R/A ADAPTER
- "013" MDP FEMALE TO MDP FEMALE DOWNWARD R/A ADAPTER
- "014" MDP FEMALE TO MDP FEMALE RIGHTWARD R/A ADAPTER
- "015" MDP FEMALE TO MDP FEMALE LEFTWARD R/A ADAPTER
- "016" MDP FEMALE TO DP MALE UPWARD R/A ADAPTER
- "017" MDP FEMALE TO DP MALE DOWNWARD R/A ADAPTER
- "018" MDP FEMALE TO DP MALE RIGHTWARD R/A ADAPTER
- "019" MDP FEMALE TO DP MALE LEFTWARD R/A ADAPTER
- "020" MDP FEMALE TO DP FEMALE UPWARD R/A ADAPTER
- "021" MDP FEMALE TO DP FEMALE DOWNWARD R/A ADAPTER
- "022" MDP FEMALE TO DP FEMALE RIGHTWARD R/A ADAPTER
- "023" MDP FEMALE TO DP FEMALE LEFTWARD R/A ADAPTER

2. CONTACT FINISH:

- "G" GOLD PLATED
- "N" NICKEL PLATED

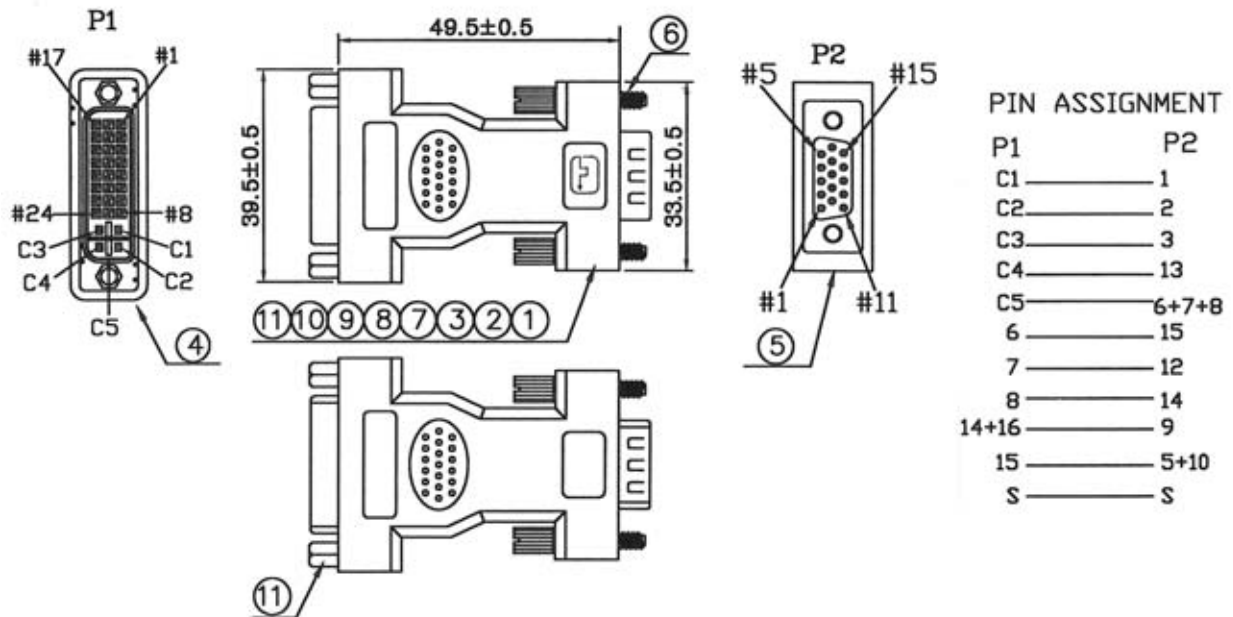
3. INSULATOR COLOR:

- "W" WHITE
- "B" BLACK

NOTE

MDP = MINI DISPLAYPORT  
 DP = DISPLAYPORT

## DVI 29P FEMALE TO HDD15M ADAPTER

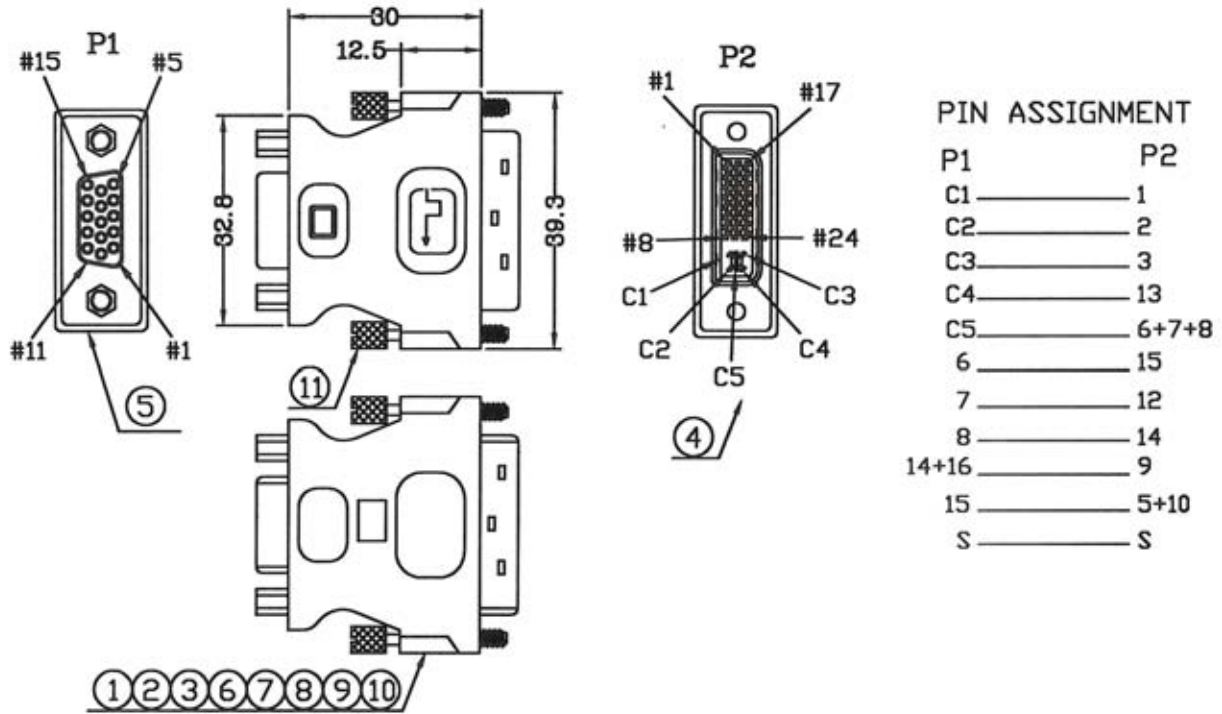


### ORDERING INFORMATION:

P/N A D V I -  $\frac{018V}{1\ 2}$

1. ADAPTER TYPE:  
"018" DVI 24+4+KEY FEMALE TO HDD15M
2. INSULATOR COLOR:  
"V" BEIGE

## DVI 29P MALE TO HDD15F ADAPTER

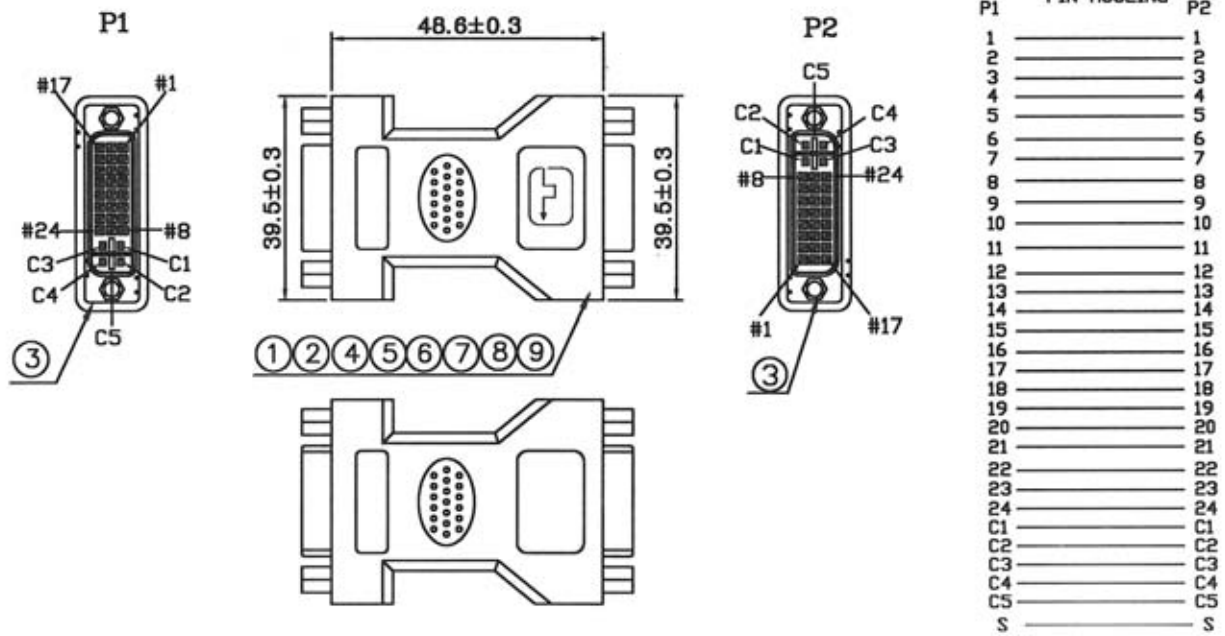


### ORDERING INFORMATION:

P/N A D V I -  $\frac{019}{1} \frac{B}{2}$

1. ADAPTER TYPE:  
"019" DVI 24+4+KEY MALE TO HDD15F
2. INSULATOR COLOR:  
"B" BLACK

# DVI 29P FEMALE TO FEMALE ADAPTER

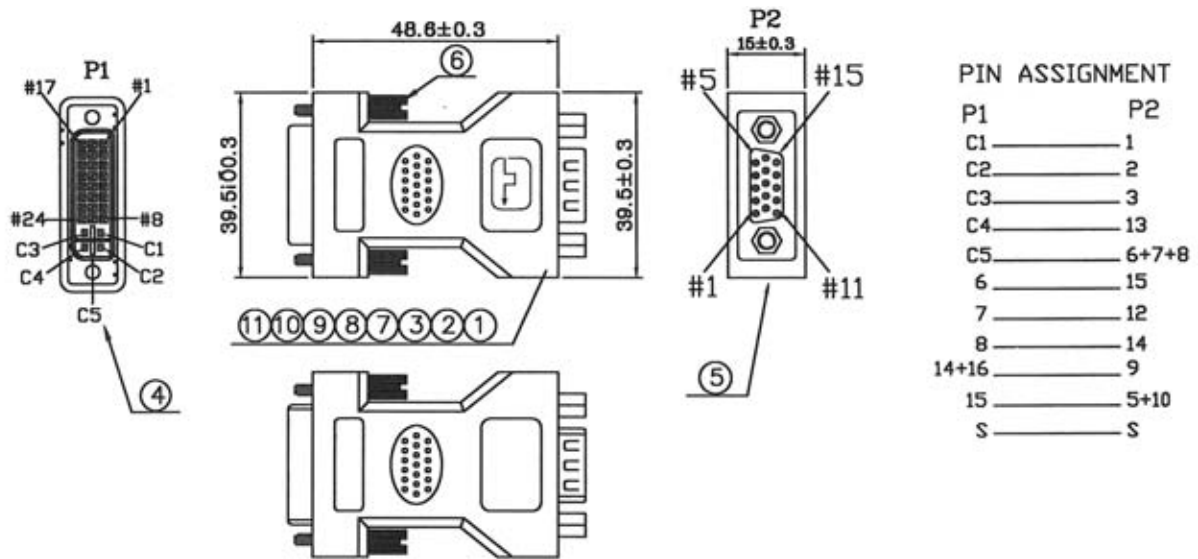


## ORDERING INFORMATION:

P/N A D V I - 033 B  
                                   1   2

1. ADAPTER TYPE:  
    "033" DVI 24+4+KEY FEMALE TO  
    DVI 24+4+KEY FEMALE
2. INSULATOR COLOR:  
    "B" BLACK

## DVI 29P FEMALE TO HDD15M ADAPTER

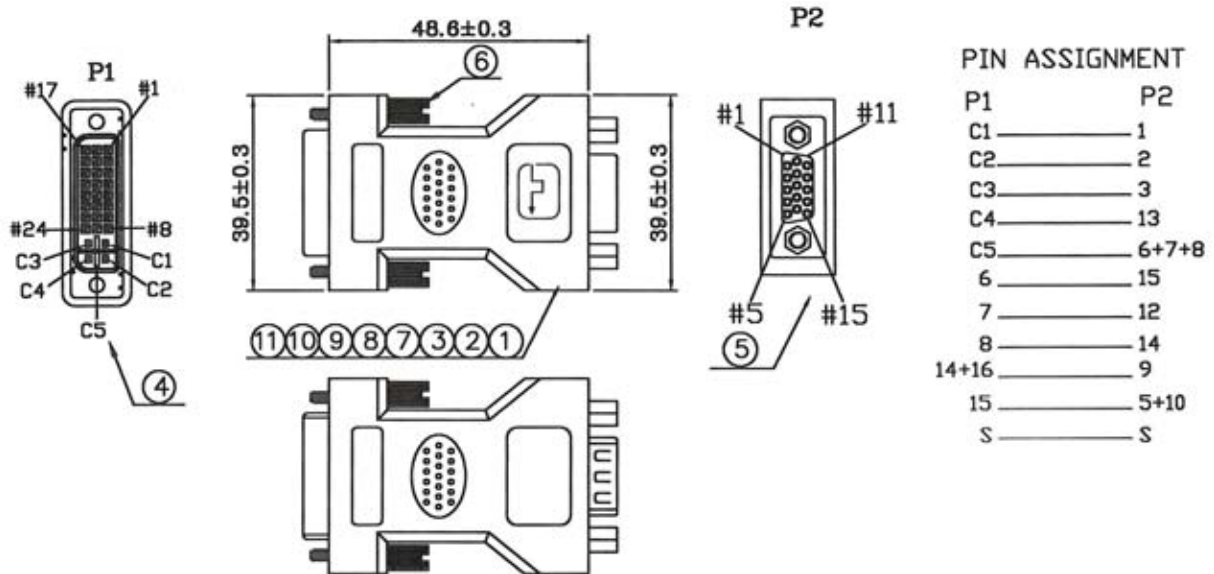


### ORDERING INFORMATION:

P/N A D V I -  $\frac{042V}{1\ 2}$

1. ADAPTER TYPE:  
"042" DVI 24+4+KEY FEMALE TO HDD15M
2. INSULATOR COLOR:  
"V" BEIGE

## DVI 29P FEMALE TO HDD15F ADAPTER



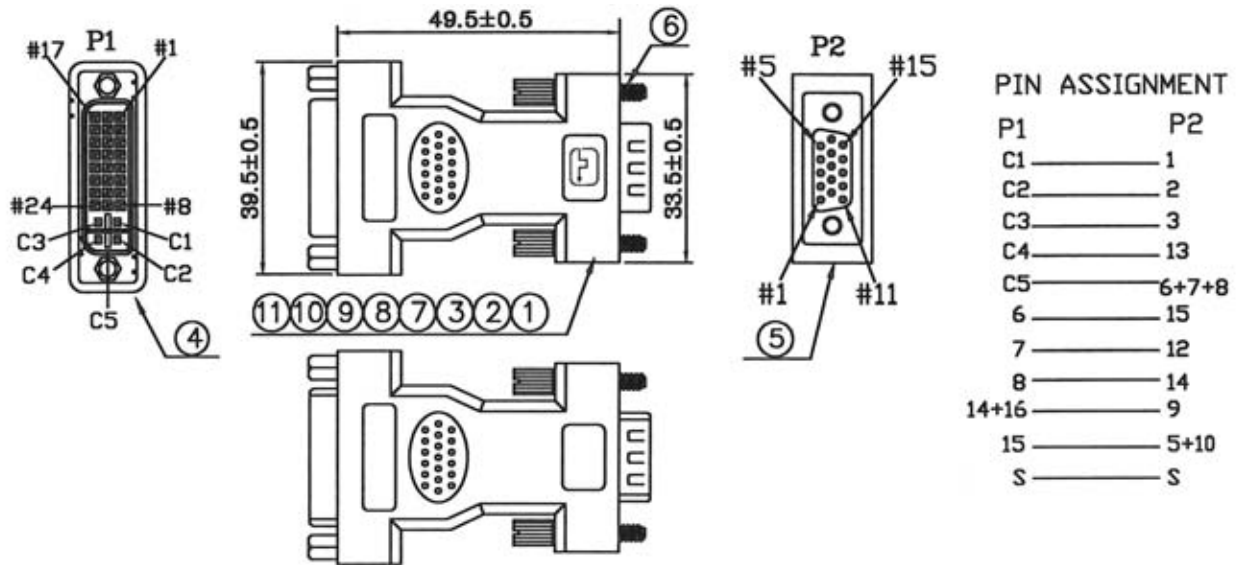
### ORDERING INFORMATION:

P/N A D V I -  $\frac{045}{1} \times \frac{x}{2}$

1. ADAPTER TYPE:  
"045" DVI 24+4+KEY FEMALE TO HDD15F
2. INSULATOR COLOR:  
"V" BEIGE  
"B" BLACK



## DVI 17 PIN FEMALE TO HDD15M ADAPTER

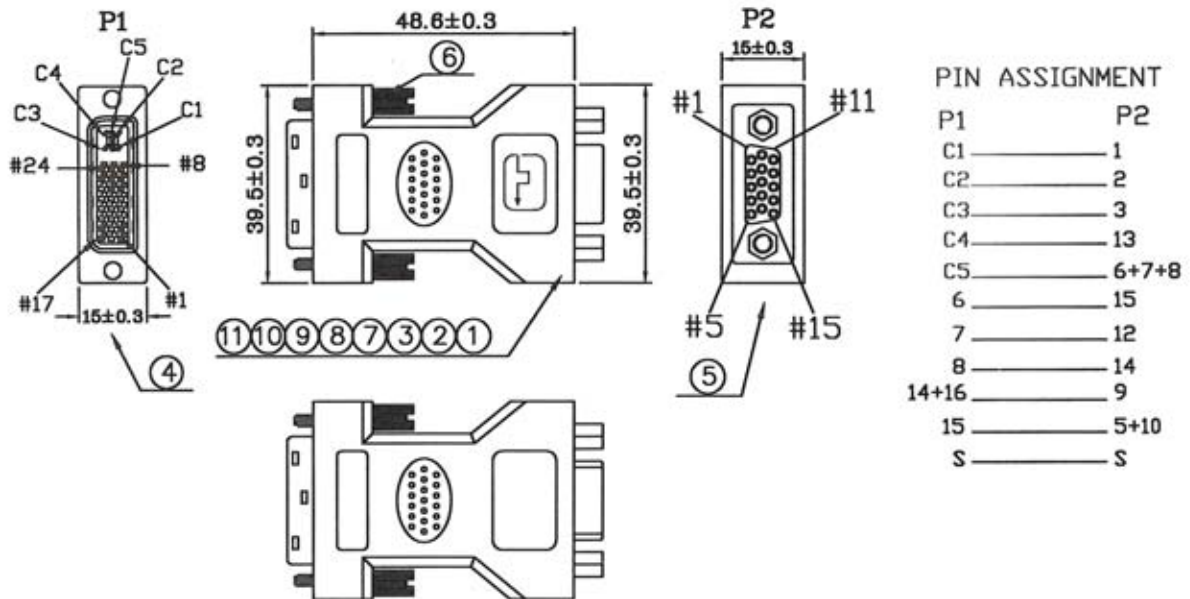


### ORDERING INFORMATION:

P/N A D V I -  $\frac{046}{1} \frac{V}{2}$

1. ADAPTER TYPE:  
"046" DVI 12+4+KEY FEMALE TO HDD15M
2. INSULATOR COLOR:  
"V" BEIGE

## DVI 17 PIN MALE TO HDD15F ADAPTER

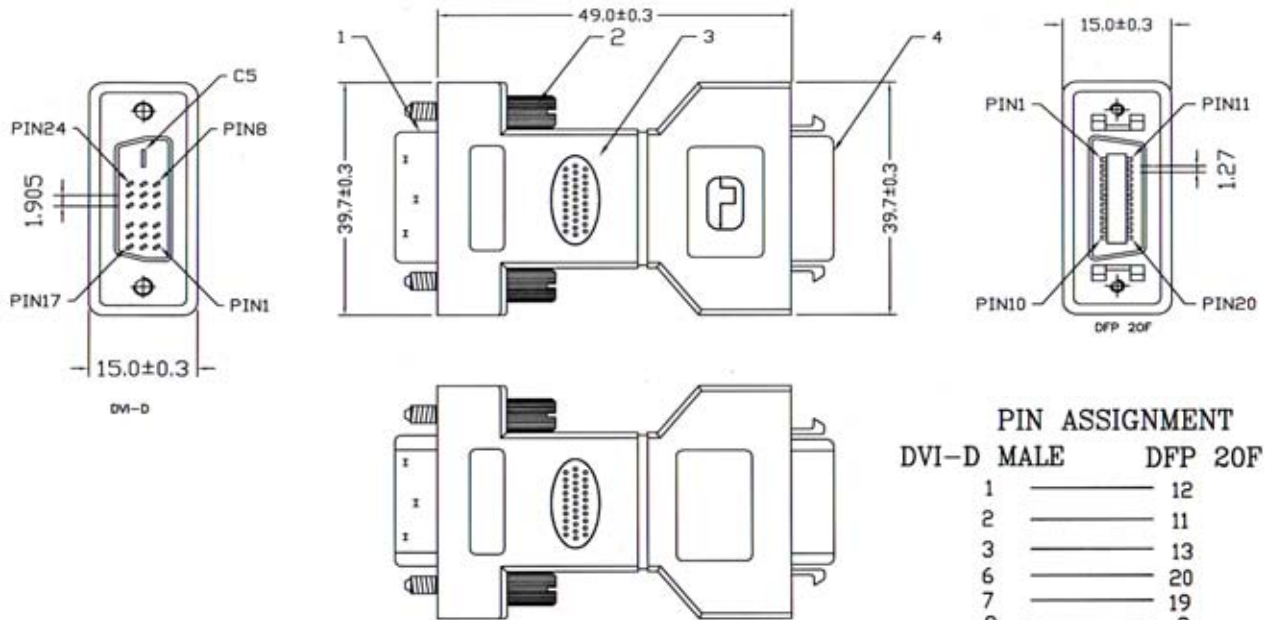


### ORDERING INFORMATION:

P/N A D V I -  $\frac{041}{1} \frac{V}{2}$

1. ADAPTER TYPE:  
"041" DVI 12+4+KEY MALE TO HDD15F
2. INSULATOR COLOR:  
"V" BEIGE

# DVI 18+1P MALE TO HPC20F ADAPTER



**PIN ASSIGNMENT**

DVI-D MALE	DFP 20F
1	12
2	11
3	13
6	20
7	19
9	2
10	1
11	3
14	8
15	7
16	18
17	16
18	15
19	14
22	4
23	5
24	6
SH	SH

	DESCRIPTION
1	DVI18+P(P) MALE SOLDER INSULATION: BLACK IN COLOR
2	THUMB SCREW #4-40UNC NICKEL PLATED
3	PVC MOLDED COPPER FOIL BEIGE IN COLOR
4	HALF PITCH CENTRONIC 20P FEMALE 1.27MM CONTACT GOLD 5u" PLATED

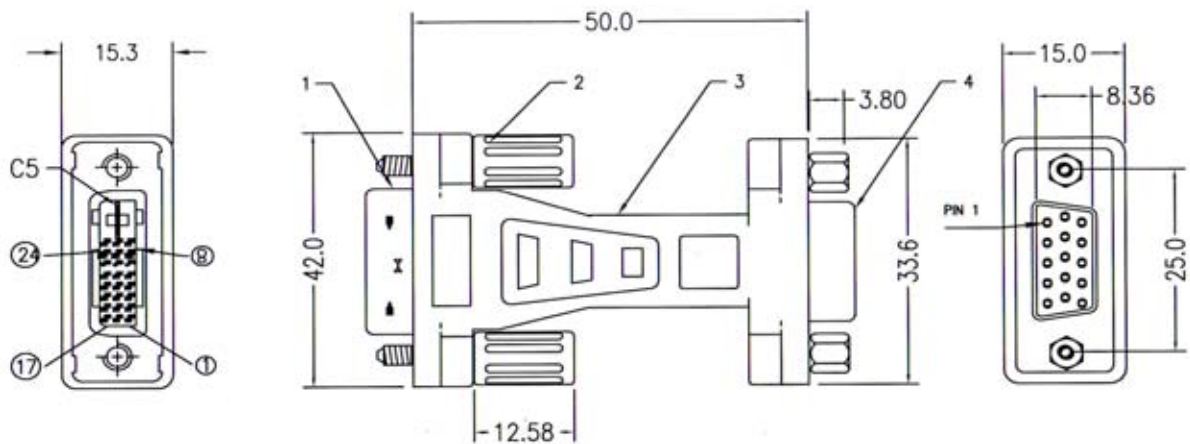
## ORDERING INFORMATION:

P/N A D V I -  $\frac{002V}{12}$

P/N REVISED

- ADAPTER TYPE:  
"002" DVI 18+1 PIN MALE (DIGITAL) TO HPC20 FEMALE
- INSULATOR COLOR:  
"V" BEIGE

## DVI 24+1P MALE TO HDD15F ADAPTER



### PIN ASSIGNMENT

DVI 24+1M	HDD15F
6	15
7	12
8	14
14, 16	9
15	5, 10
25	6, 7, 8
SH	SH

	DESCRIPTION
1	DVI24+1(P) MALE SOLDER INSULATION: BLACK IN COLOR
2	THUMB SCREW #4-40UNC BEIGE IN COLOR
3	PVC MOLDED COPPER FOIL BEIGE IN COLOR
4	HIGH DENSITY D-SUB 15P FEMALE SOLDER INSULATION: BLACK IN COLOR

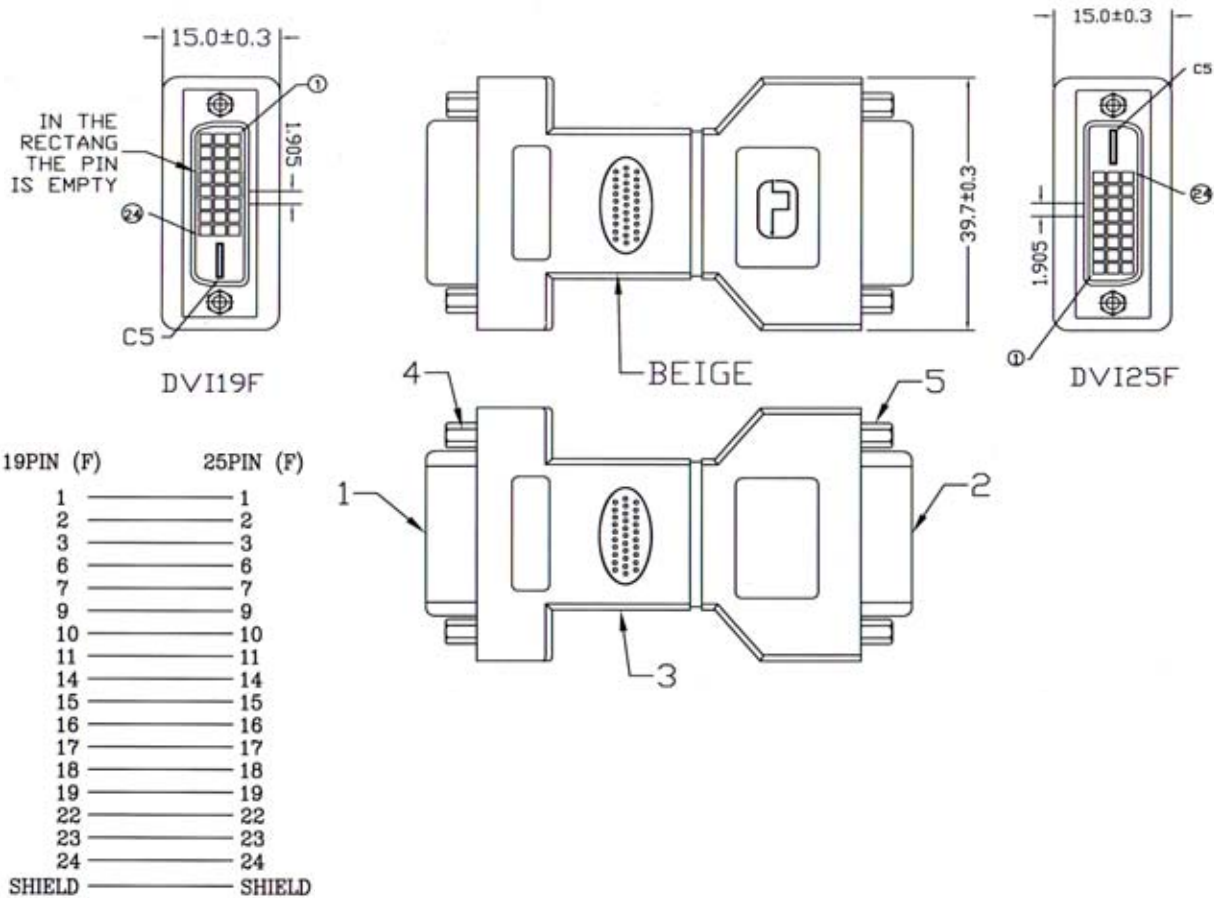
### ORDERING INFORMATION:

P/N A D V I -  $\frac{003V}{1-2}$

P/N REVISED

- ADAPTER TYPE:  
"003" DVI 24+1 PIN MALE (DIGITAL) TO HDD15 FEMALE
- INSULATOR COLOR:  
"V" BEIGE

## DVI 18+1P FEMALE TO 24+1P FEMALE ADAPTER



	DESCRIPTION
1	DVI18+1(P) FEMALE CONN INSULATION: BLACK CONNECT PLATED: G/F SHELL PLATED: NICKEL 15u"
2	DVI24+1(P) FEMALE CONN INSULATION: BLACK CONNECT PLATED: G/F SHELL PLATED: NICKEL 15u"
3	55P PVC MOLDING BEIGE IN COLOR
4	NUT UNC #4-40 NICKEL PLATED
5	NUT UNC #4-40 NICKEL PLATED

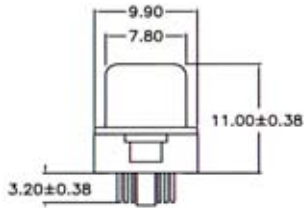
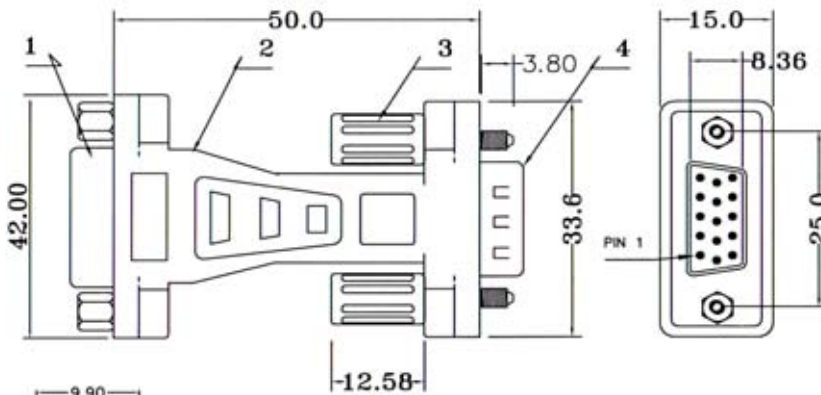
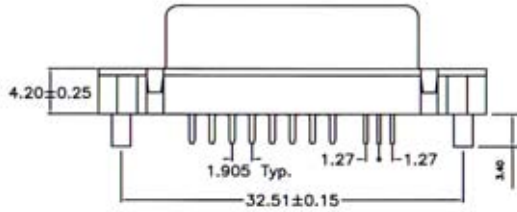
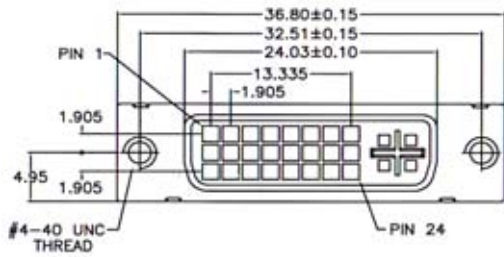
### ORDERING INFORMATION:

P/N A D V I -  $\frac{004}{1} \frac{V}{2}$

P/N REVISED

- ADAPTER TYPE:  
"004" DVI 18+1P FEMALE (DIGITAL) TO  
DVI 24+1P FEMALE (DIGITAL)
- INSULATOR COLOR:  
"V" BEIGE

# DVI 24+5P FEMALE TO HDD15M ADAPTER



PIN ASSIGNMENT	
VGA HDD15M	DVI-A FEMALE
R8,G7,B8	C5 ANLOG GND
13	C4 HORI. SYNC
3	C3 ANLOG
2	C2 ANLOG
1	C1 ANLOG
5,10	15 GND(+5V&HV SYNC)
9	14,16 POWER +5V
14	8 VER. SYNC
12	7 DDC DATA
15	6 DDC CLOCK
SH	SH GROUND

	DESCRIPTION
1	DVI24+5(P) FEMALE SOLDER INSULATION: WHITE IN COLOR
2	PVC MOLDED COPPER FOIL BEIGE IN COLOR
3	THUMB SCREW #4-40UNC BEIGE IN COLOR
4	HIGH DENSITY D-SUB 15P MALE SOLDER INSULATION: BLACK IN COLOR
5	JUMPING WIRE CONNECTED

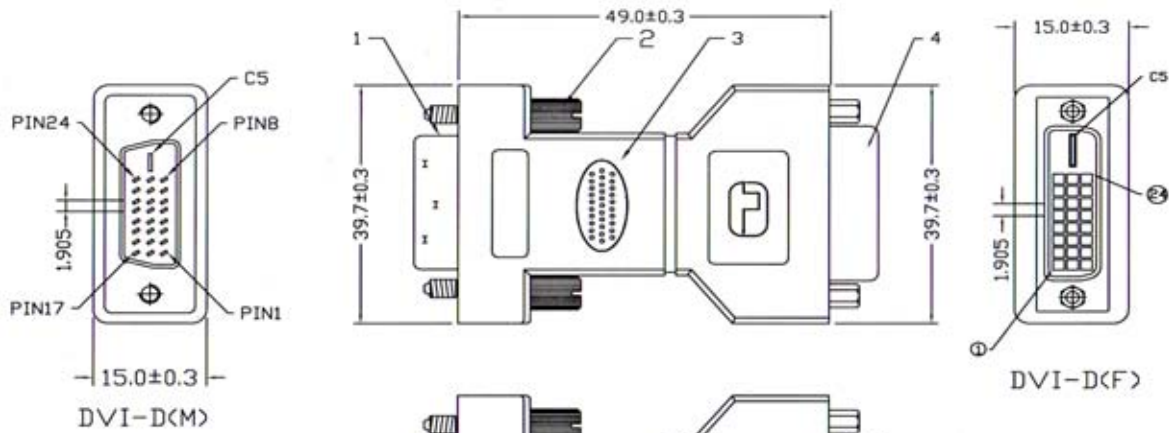
## ORDERING INFORMATION:

P/N A D V I -  $\frac{005V}{1 \frac{1}{2}}$

P/N REVISED

- ADAPTER TYPE:  
"005" DVI 24+5 PIN FEMALE TO HDD15 MALE
- INSULATOR COLOR:  
"V" BEIGE

# DVI 24+1P MALE TO 24+1P FEMALE ADAPTER



**PIN ASSIGNMENT**

DVI-D MALE	DVI-D FEMALE
1	1
2	2
3	3
4	4
5	5
6	6
7	7
9	9
10	10
11	11
12	12
13	13
14	14
15	15
16	16
17	17
18	18
19	19
20	20
21	21
22	22
23	23
24	24
SH	SH

	DESCRIPTION
1	DVI24+1(P) MALE SOLDER INSULATION: BLACK IN COLOR CONNECT PLATED: G/F SHELL PLATED: TIN 150u"
2	THUMB SCREW #4-40UNC NICKEL PLATED
3	PVC MOLDED COPPER FOIL BEIGE IN COLOR
4	DVI24+1(P) FEMALE CONN INSULATION: WHITE IN COLOR CONNECT PLATED: G/F SHELL PLATED: NICKEL 150u"
5	NUT UNC#4-40 NICKEL PLATED

## ORDERING INFORMATION:

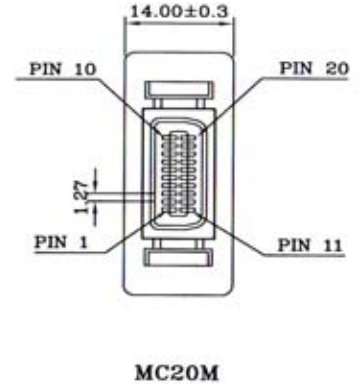
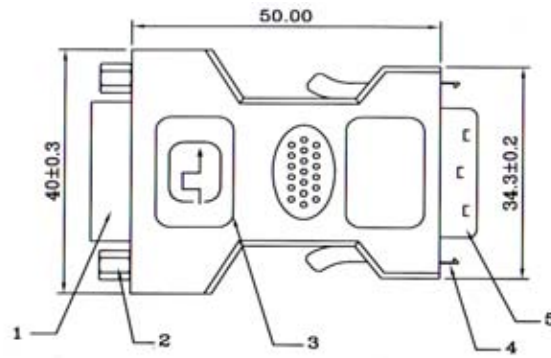
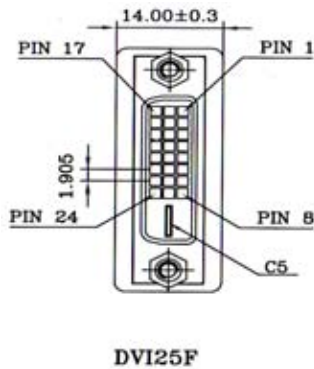
**P/N A D V I - 0 0 6 V**  
**1 2**

P/N REVISED

- ADAPTER TYPE:  
"006" DVI 24+1 PIN MALE TO DVI 24+1 PIN FEMALE
- INSULATOR COLOR:  
"V" BEIGE

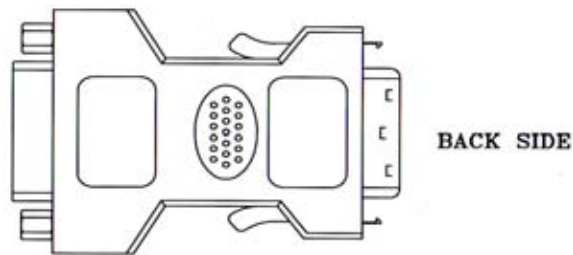


# DVI 24+1P FEMALE TO HPC20M ADAPTER



## WIRE DIAGRAM

DVI 25PIN (F)	MC 20PIN (M)
1	12
2	11
3	13
6	20
7	19
9	2
10	1
11	3
14	8
15	7
16	18
17	16
18	15
19	14
22	4
23	5
24	6
SHIELD	SHIELD



	DESCRIPTION
1	DVI-DIGITAL 25P FEMALE CONNECTOR
2	UNC #4-40 NICKEL PLATED
3	PVC MOLDED COLOR: BEIGE INNER MOLDED WITH COPPER FOIL SHIELDED
4	SPRING LATCH STAINLESS STEEL HOOD: ABS COLOR: BEIGE
5	HALF PITCH CENTRONIC 1.27MM 20P MALE CONNECTOR SHELL: STEEL NICKEL PLATED

## ORDERING INFORMATION:

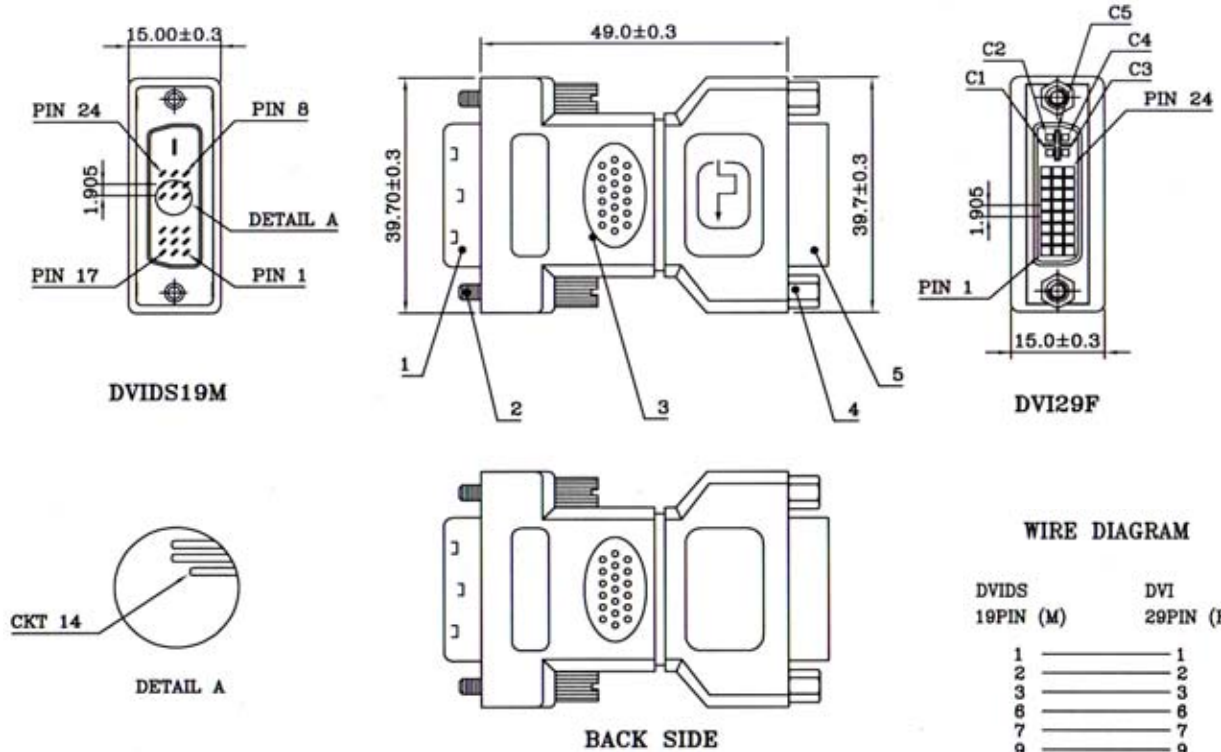
P/N A D V I -  $\frac{007}{1} \frac{V}{2}$

P/N REVISED

- ADAPTER TYPE:  
"007" DVI 24+1 PIN FEMALE TO  
HALF PITCH CENTRONIC 20 PIN MALE
- INSULATOR COLOR:  
"V" BEIGE



# DVI 19P MALE TO 24+5P FEMALE ADAPTER



	DESCRIPTION
1	DVI-DIGITAL 19P MALE CONNECTOR
2	UNC #4-40 NICKEL PLATED
3	PVC MOLDED COLOR: BEIGE INNER MOLDED WITH COPPER FOIL SHIELDED
4	UNC #4-40 NICKEL PLATED
5	DVI-INTEGRATED 29P FEMALE CONNECTOR

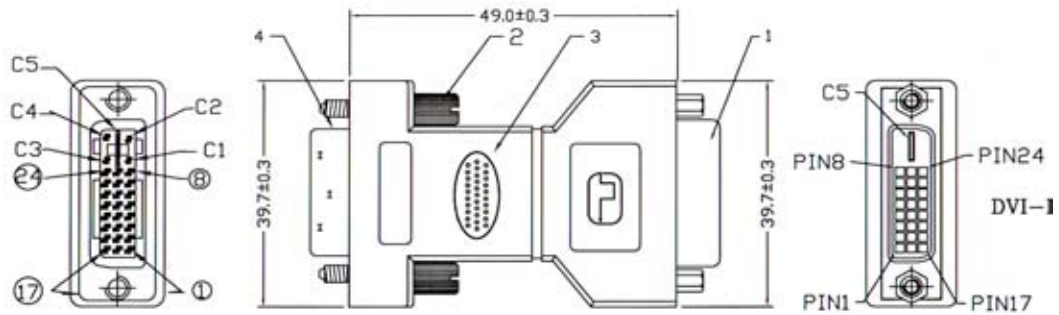
## ORDERING INFORMATION:

P/N A D V I -  $\frac{008}{1} \frac{V}{2}$

P/N REVISED

- ADAPTER TYPE:  
"008" DVI 19 PIN MALE TO DVI 24+5P FEMALE
- INSULATOR COLOR:  
"V" BEIGE

## DVI 24+5P MALE TO 24+1P FEMALE ADAPTER



### PIN ASSIGNMENT

MALE	DVI-D FEMALE
1	1
2	2
3	3
4	4
5	5
6	6
7	7
9	9
10	10
11	11
12	12
13	13
14	14
15	15
16	16
17	17
18	18
19	19
20	20
21	21
22	22
23	23
24	24
SH	SH

	DESCRIPTION
1	DVI24+1(P) FEMALE SOLDER INSULATION: BLACK IN COLOR CONNECT PLATED: G/F SHELL PLATED: TIN 150u"
2	THUMB SCREW #4-40UNC NICKEL PLATED
3	PVC MOLDED COPPER FOIL BEIGE IN COLOR
4	DVI24+5(P) MALE CONN INSULATION: WHITE IN COLOR CONNECT PLATED: G/F SHELL PLATED: NICKEL 150u"
5	NUT UNC #4-40 NICKEL PLATED

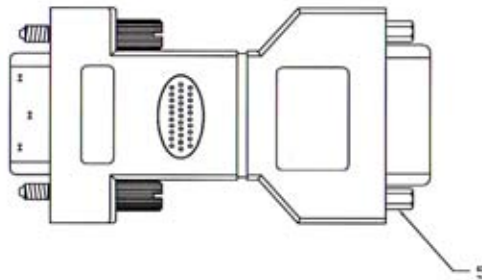
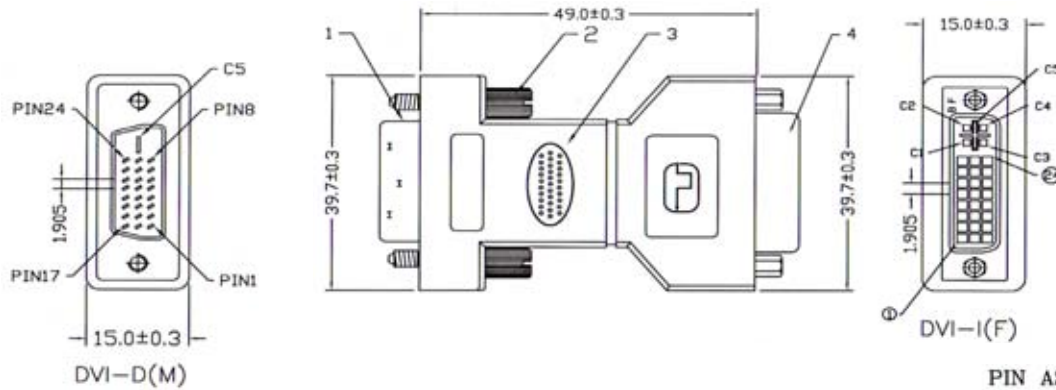
### ORDERING INFORMATION:

P/N A D V I -  $\frac{009}{1} \frac{V}{2}$

P/N REVISED

- ADAPTER TYPE:  
"009" DVI 24+5 PIN MALE TO DVI 24+1 PIN FEMALE
- INSULATOR COLOR:  
"V" BEIGE

# DVI 24+1P MALE TO 24+5P FEMALE ADAPTER



**PIN ASSIGNMENT**

DVI-D MALE	DVI-I FEMALE
1	1
2	2
3	3
4	4
5	5
6	6
7	7
9	9
10	10
11	11
12	12
13	13
14	14
15	15
16	16
17	17
18	18
19	19
20	20
21	21
22	22
23	23
24	24
SH	SH

	DESCRIPTION
1	DVI24+1(P) MALE SOLDER INSULATION: BLACK IN COLOR CONNECT PLATED: G/F SHELL PLATED: TIN 150u"
2	THUMB SCREW #4-40UNC NICKEL PLATED
3	PVC MOLDED COPPER FOIL BEIGE IN COLOR
4	DVI24+5(P) FEMALE CONN INSULATION: WHITE IN COLOR CONNECT PLATED: G/F SHELL PLATED: NICKEL 150u"
5	NUT UNC #4-40 NICKEL PLATED

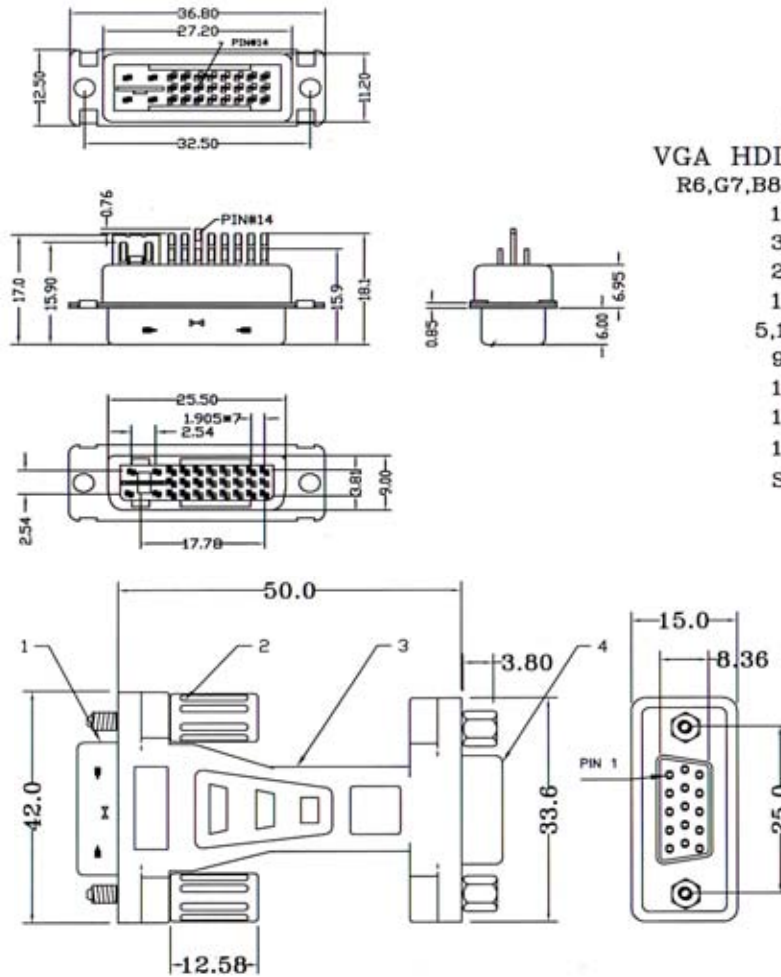
## ORDERING INFORMATION:

P/N A D V I -  $\frac{010}{1} \frac{V}{2}$

P/N REVISED

- ADAPTER TYPE:  
"010" DVI 24+1P MALE (DIGITAL) TO  
DVI 24+5P FEMALE (INTEGRATED)
- INSULATOR COLOR:  
"V" BEIGE

# DVI 24+5P MALE TO HDD15F ADAPTER



**PIN ASSIGNMENT**

VGA	HDD15F	DVI-24+5 MALE
R6,G7,B8	—————	C5 ANLOG GND
13	—————	C4 HORL SYNC
3	—————	C3 ANLOG
2	—————	C2 ANLOG
1	—————	C1 ANLOG
5,10	—————	15 GND(+5V&HV SYNC)
9	—————	14,16 POWER +5V
14	—————	8 VER. SYNC
12	—————	7 DDC DATA
15	—————	6 DDC CLOCK
SH	—————	SH GROUND

	DESCRIPTION
1	DVI24+5(P) MALE SOLDER INSULATION: BLACK IN COLOR
2	THUMB SCREW #4-40UNC BEIGE IN COLOR
3	PVC MOLDED COPPER FOIL BEIGE IN COLOR
4	HIGH DENSITY D-SUB 15P FEMALE SOLDER INSULATION: BLACK IN COLOR

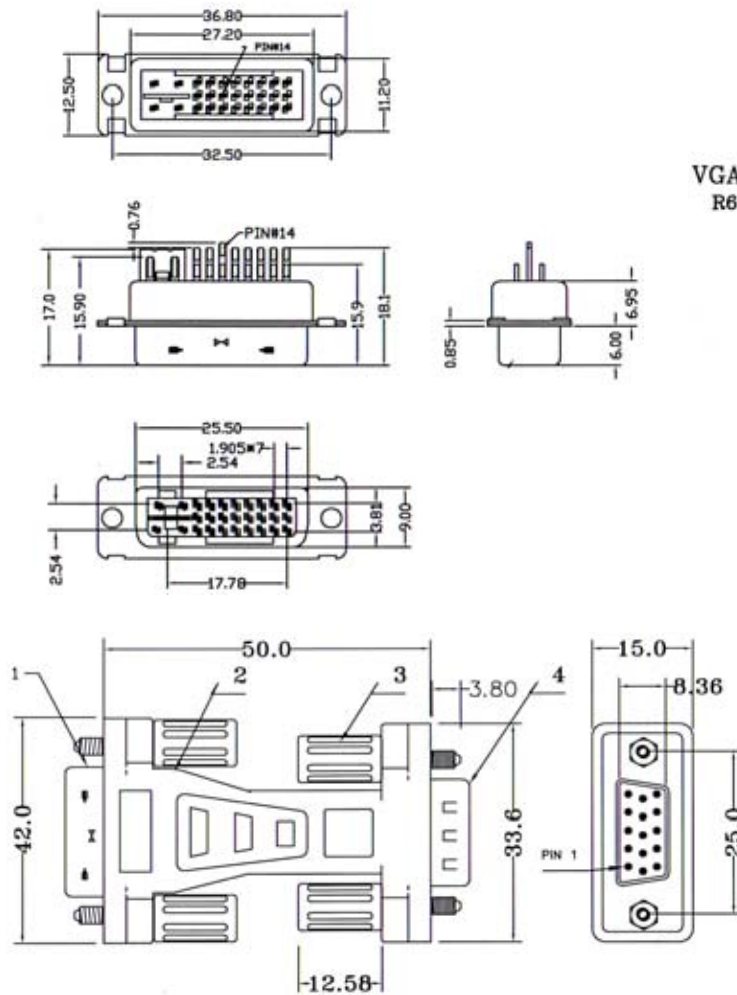
## ORDERING INFORMATION:

P/N A D V I -  $\frac{011V}{12}$

P/N REVISED

- ADAPTER TYPE:  
"011" DVI 24+5 PIN MALE TO HIGH DENSITY D-SUB. 15 PIN FEMALE
- INSULATOR COLOR:  
"V" BEIGE

## DVI 24+5P MALE TO HDD15M ADAPTER



### PIN ASSIGNMENT

VGA HDD15M	DVI-24+5 MALE
R6,G7,B8	C5 ANLOG GND
13	C4 HORI. SYNC
3	C3 ANLOG
2	C2 ANLOG
1	C1 ANLOG
5,10	15 GND(+5V&HV SYNC)
9	14,16 POWER +5V
14	8 VER. SYNC
12	7 DDC DATA
15	6 DDC CLOCK
SH	SH GROUND

	DESCRIPTION
1	DVI24+5(P) MALE SOLDER INSULATION: WHITE IN COLOR
2	PVC MOLDED COPPER FOIL BEIGE IN COLOR
3	THUMB SCREW #4-40UNC BEIGE IN COLOR
4	HIGH DENSITY D-SUB 15P MALE SOLDER INSULATION: BLACK IN COLOR

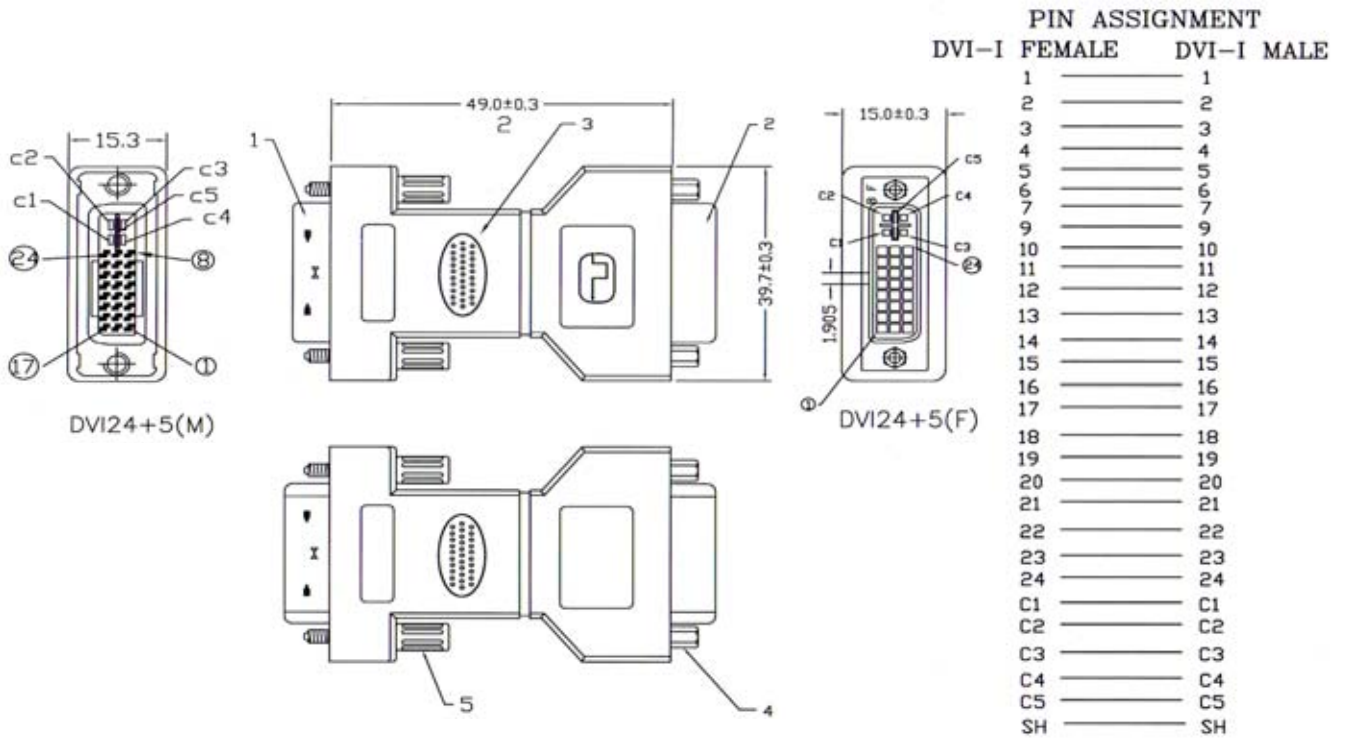
### ORDERING INFORMATION:

P/N A D V I - 0 1 2 V  
1 2

P/N REVISED

- ADAPTER TYPE:  
"012" DVI 24+5 PIN MALE TO HDD15 MALE
- INSULATOR COLOR:  
"V" BEIGE

# DVI 24+5P MALE TO 24+5P FEMALE ADAPTER



	DESCRIPTION
1	DVI24+5(P) MALE CONN INSULATION: BLACK IN COLOR CONNECT PLATED: G/F SHELL PLATED: NICKEL 15u"
2	DVI24+5(P) FEMALE CONN INSULATION: BLACK IN COLOR CONNECT PLATED: G/F SHELL PLATED: NICKEL 15u"
3	PVC MOLDED COPPER FOIL BEIGE IN COLOR
4	NUT UNC #4-40 NICKEL PLATED
5	THUMB SCREW #4-40UNC BEIGE IN COLOR

## ORDERING INFORMATION:

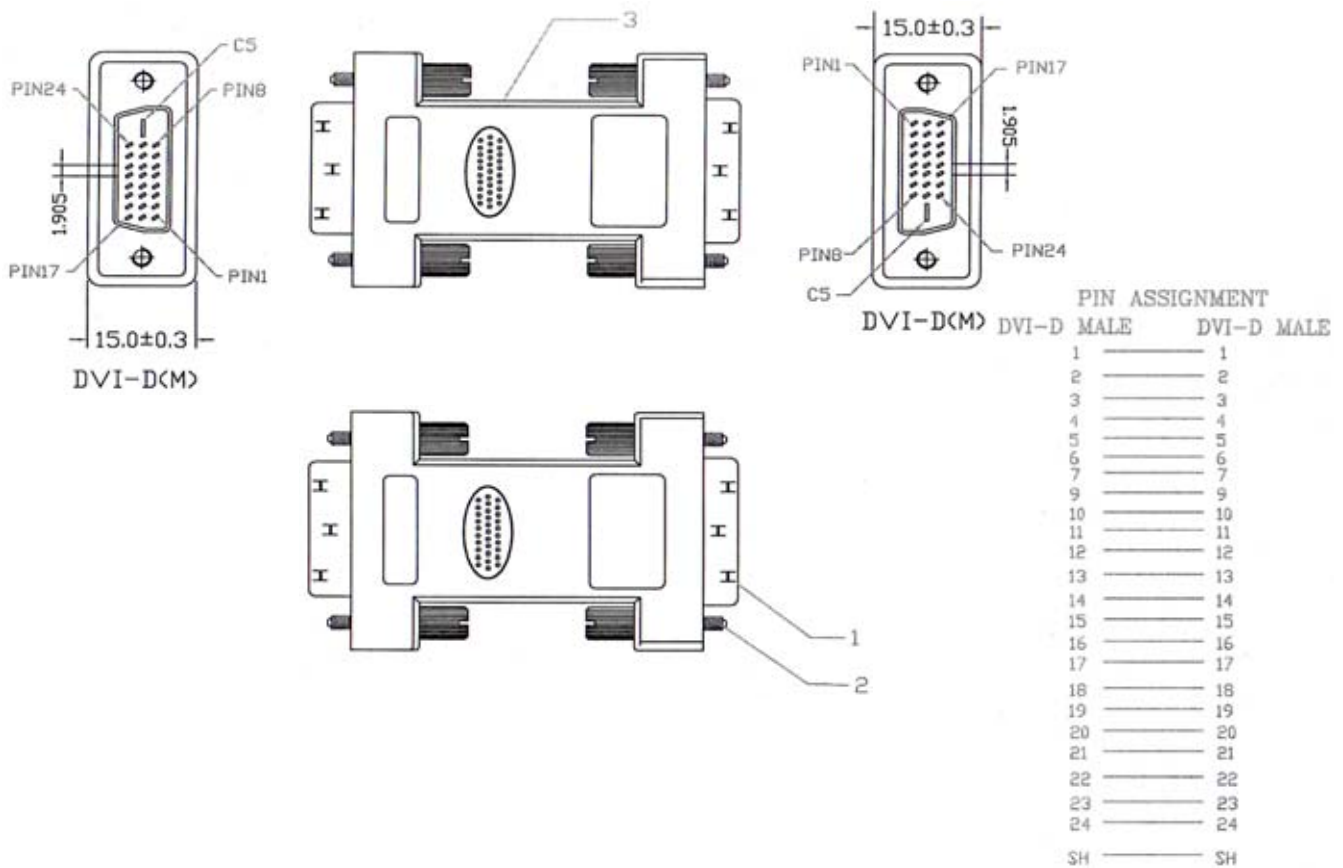
P/N A D V I -  $\frac{013V}{1\ 2}$

P/N REVISED

- ADAPTER TYPE:  
"013" DVI 24+5P MALE (INTEGRATED) TO  
DVI 24+5P FEMALE (INTEGRATED)
- INSULATOR COLOR:  
"V" BEIGE



# DVI 24+1P MALE TO 24+1P MALE ADAPTER



DESCRIPTION	
1	DVI24+1(P) MALE SOLDER INSULATION: BLACK IN COLOR CONNECT PLATED: G.F SHELL PLATED: TIN 150u"
2	THUMB SCREW #4-40UNC NICKEL PLATED
3	PVC MOLDED COPPER FOIL BEIGE IN COLOR

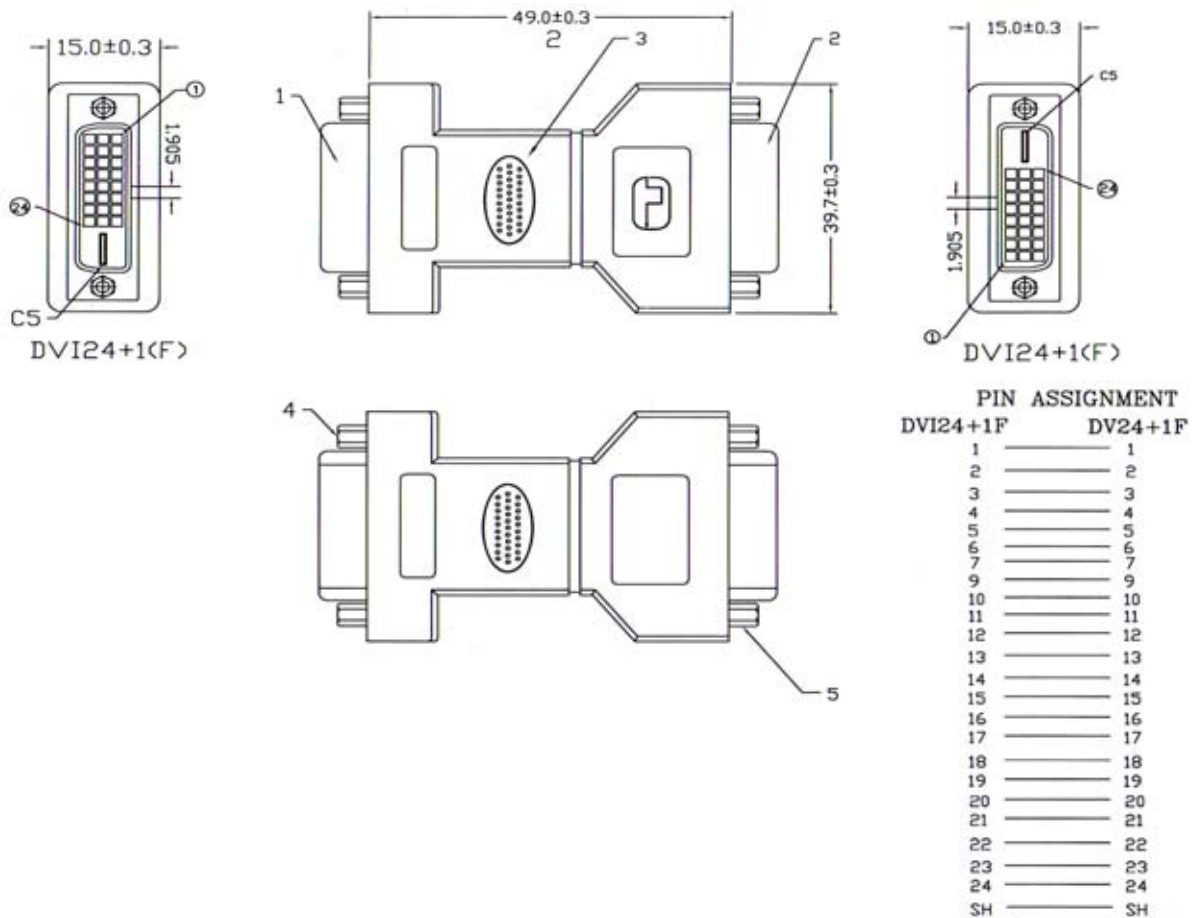
## ORDERING INFORMATION:

P/N A D V I -  $\frac{015V}{1\ 2}$

P/N REVISED

- ADAPTER TYPE:  
"015" DVI 24+1P MALE (DIGITAL) TO  
DVI 24+1P MALE (DIGITAL)
- INSULATOR COLOR:  
"V" BEIGE

## DVI 24+1P FEMALE TO 24+1P FEMALE ADAPTER



DESCRIPTION	
1	DVI24+1(P) FEMALE CONN INSULATION: BLACK IN COLOR CONNECT PLATED: G/F SHELL PLATED: NICKEL 15u"
2	DVI24+1(P) FEMALE CONN INSULATION: BLACK IN COLOR CONNECT PLATED: G/F SHELL PLATED: NICKEL 15u"
3	PVC MOLDED COPPER FOIL BEIGE IN COLOR
4	NUT UNC #4-40 NICKEL PLATED
5	NUT UNC #4-40 NICKEL PLATED

### ORDERING INFORMATION:

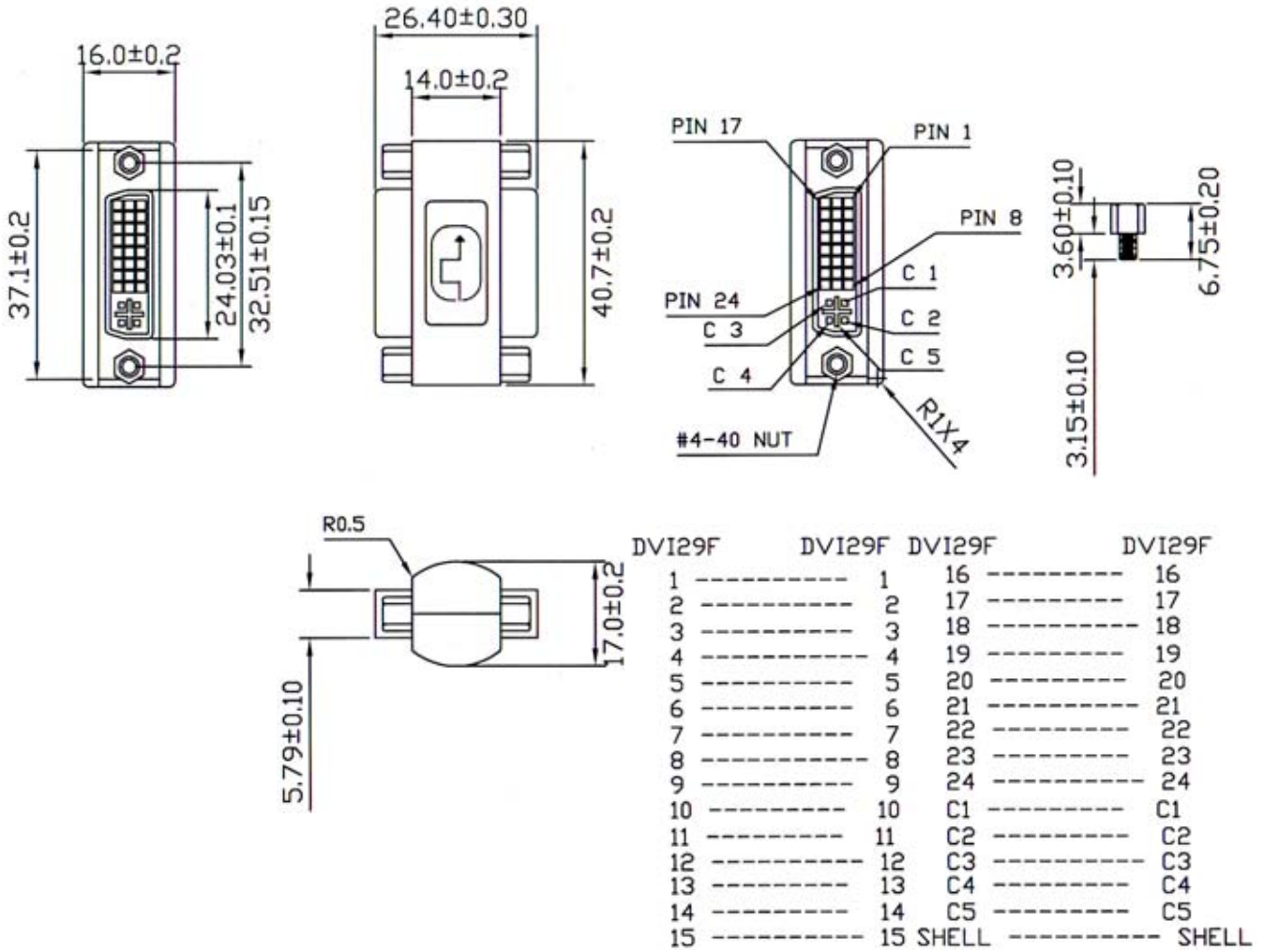
P/N A D V I -  $\frac{016V}{12}$

P/N REVISED

- ADAPTER TYPE:  
"016" DVI 24+1P FEMALE (DIGITAL) TO  
DVI 24+1P FEMALE (DIGITAL)
- INSULATOR COLOR:  
"V" BEIGE



# DVI 24+5P FEMALE TO 24+5P FEMALE ADAPTER



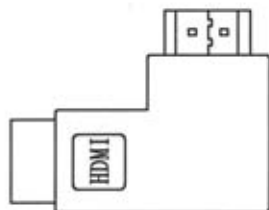
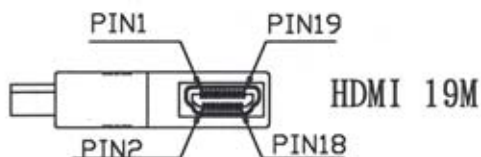
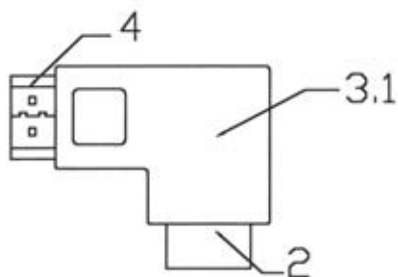
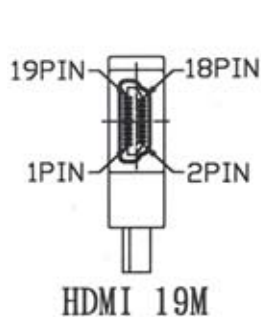
## ORDERING INFORMATION:

P/N A D V I - 0 1 7 V  
1 2

P/N REVISED

- ADAPTER TYPE:  
"017" DVI 24+5P FEMALE (INTEGRATED) TO  
DVI 24+5P FEMALE (INTEGRATED)
- INSULATOR COLOR:  
"V" BEIGE

## HDMI ADAPTER MALE TO MALE R/A TYPE



### SPECIFICATIONS

Withstanding Voltage: DC 300V 0.01 Sec.

Insulation Resistance: 10M Ohm Min

Conductive Resistance: 2 Ohm Max

\*RoHS & REACH compliant.

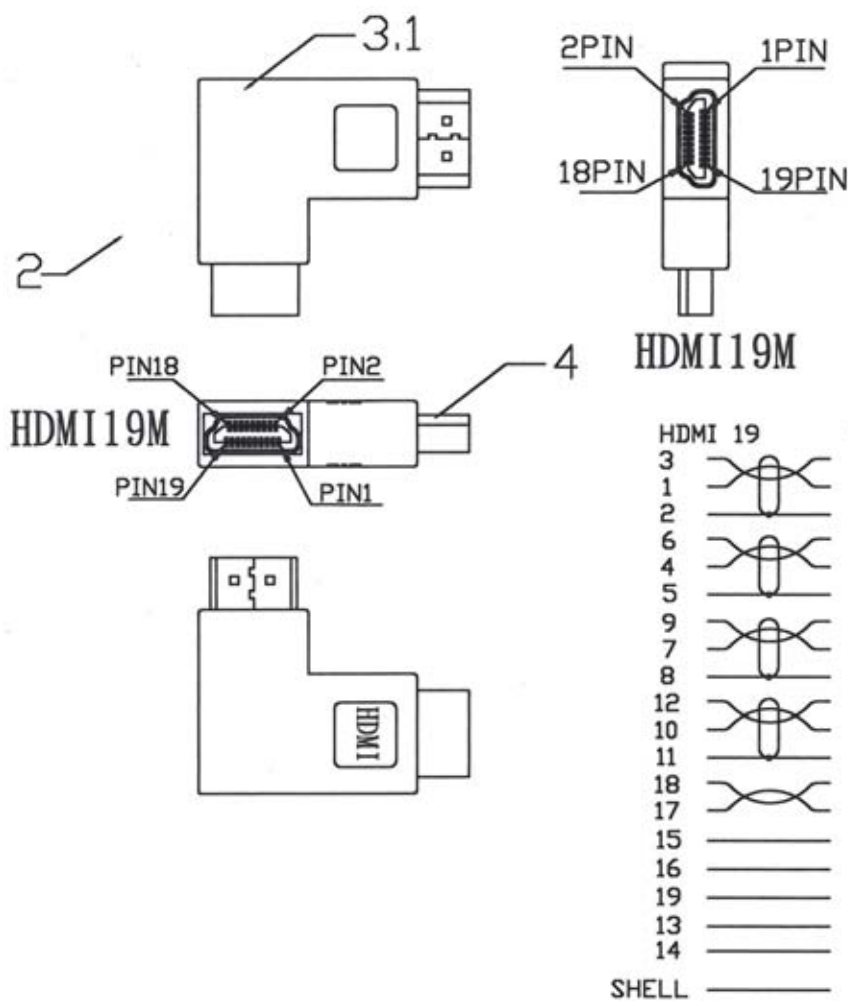
HDMI 19	HDMI 19
3	3 <TMDS Data 2->
1	1 <TMDS Data 2+>
2	2 <TMDS Data 2 Shield>
6	6 <TMDS Data 1->
4	4 <TMDS Data 1+>
5	5 <TMDS Data 1 Shield>
9	9 <TMDS Data 0->
7	7 <TMDS Data 0+>
8	8 <TMDS Data 0 Shield>
12	12 <TMDS Clock ->
10	10 <TMDS Clock +>
11	11 <TMDS Clock Shield>
18	18 <+5V Power>
17	17 <Ground>
15	15 <DCC Clock>
16	16 <DCC Data>
19	19 <Hot Plug Detect>
13	13 <CEC>
14	14 NO FUNCTION
SHELL	SHELL

### ORDERING INFORMATION:

P/N A D H M -  $\frac{001}{1} \times \frac{B}{23}$

- ADAPTER TYPE:  
"001" HDMI 19M/19M RIGHTWARD 90° ADAPTER
- SHELL FINISH:  
"G" GOLD FLASH PLATED  
"N" NICKEL PLATED
- INSULATOR COLOR:  
"B" BLACK

## HDMI ADAPTER MALE TO MALE R/A TYPE



### SPECIFICATIONS

Withstanding Voltage: DC 300V 0.01 Sec.

Insulation Resistance: 10M Ohm Min

Conductive Resistance: 2 Ohm Max

\*RoHS & REACH compliant.

### ORDERING INFORMATION:

P/N A D H M -  $\frac{002}{1} \times \frac{B}{23}$

1. ADAPTER TYPE:  
"002" HDMI 19M/19M LEFTWARD 90° ADAPTER
2. SHELL FINISH:  
"G" GOLD FLASH PLATED  
"N" NICKEL PLATED
3. INSULATOR COLOR:  
"B" BLACK

## HDMI ADAPTER FEMALE TO FEMALE R/A TYPE

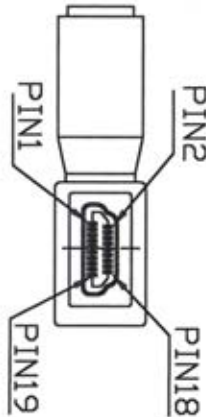
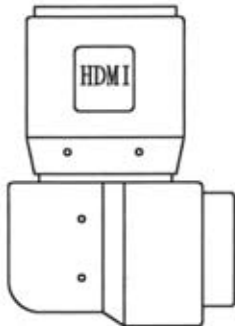
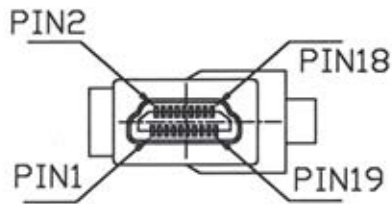
### SPECIFICATIONS

Withstanding Voltage: DC 300V 0.01 Sec.

Insulation Resistance: 10M Ohm Min

Conductive Resistance: 2 Ohm Max

\*RoHS & REACH compliant.



HDMI 19F	HDMI 19F
3	3 (TMDS Data 2-)
1	1 (TMDS Data 2+)
2	2 (TMDS Data 2 Shield)
6	6 (TMDS Data 1-)
4	4 (TMDS Data 1+)
5	5 (TMDS Data 1 Shield)
9	9 (TMDS Data 0-)
7	7 (TMDS Data 0+)
8	8 (TMDS Data 0 Shield)
12	12 (TMDS Clock -)
10	10 (TMDS Clock +)
11	11 (TMDS Clock Shield)
18	18 (+5V Power)
17	17 (Ground)
15	15 (DCC Clock)
16	16 (DCC Data)
19	19 (Hot Plug Detect)
13	13 (CEC)
14	14 NO FUNCTION
SHELL	SHELL

### ORDERING INFORMATION:

P/N A D H M -  $\frac{005 \times B}{1 \ 2 \ 3}$

1. ADAPTER TYPE:  
"005" HDMI 19F/19F RIGHTWARD 90° ADAPTER
2. SHELL FINISH:  
"G" GOLD FLASH PLATED  
"N" NICKEL PLATED
3. INSULATOR COLOR:  
"B" BLACK

## HDMI ADAPTER FEMALE TO FEMALE R/A TYPE

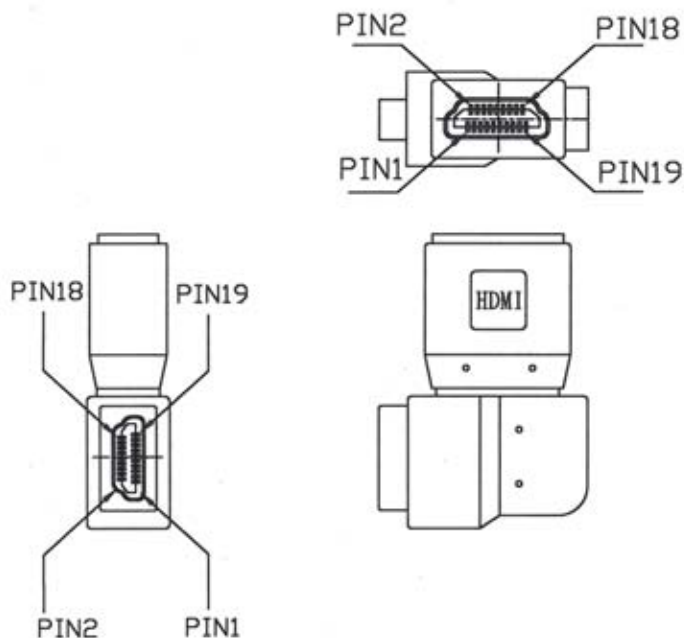
### SPECIFICATIONS

Withstanding Voltage: DC 300V 0.01 Sec.

Insulation Resistance: 10M Ohm Min

Conductive Resistance: 2 Ohm Max

\*RoHS & REACH compliant.



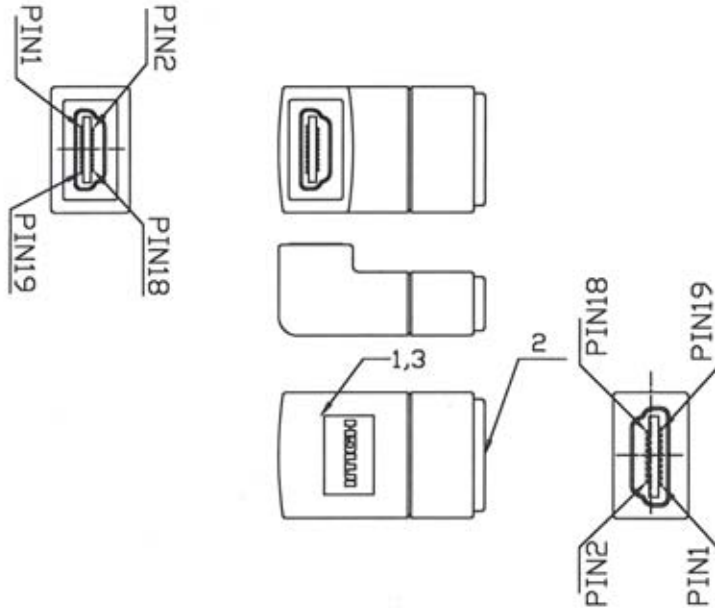
HDMI 19F	HDMI 19F
3	3 (TMDS Data 2-)
1	1 (TMDS Data 2+)
2	2 (TMDS Data 2 Shield)
6	6 (TMDS Data 1-)
4	4 (TMDS Data 1+)
5	5 (TMDS Data 1 Shield)
9	9 (TMDS Data 0-)
7	7 (TMDS Data 0+)
8	8 (TMDS Data 0 Shield)
12	12 (TMDS Clock -)
10	10 (TMDS Clock +)
11	11 (TMDS Clock Shield)
18	18 (+5V Power)
17	17 (Ground)
15	15 (DCC Clock)
16	16 (DCC Data)
19	19 (Hot Plug Detect)
13	13 (CEC)
14	14 NO FUNCTION
SHELL	SHELL

### ORDERING INFORMATION:

P/N A D H M -  $\frac{006 \times B}{1 \ 2 \ 3}$

1. ADAPTER TYPE:  
"006" HDMI 19F/19F LEFTWARD 90° ADAPTER
2. SHELL FINISH:  
"G" GOLD FLASH PLATED  
"N" NICKEL PLATED
3. INSULATOR COLOR:  
"B" BLACK

## HDMI ADAPTER FEMALE TO FEMALE R/A TYPE



### SPECIFICATIONS

Withstanding Voltage: DC 300V 0.01 Sec.

Insulation Resistance: 10M Ohm Min

Conductive Resistance: 2 Ohm Max

\*RoHS & REACH compliant.

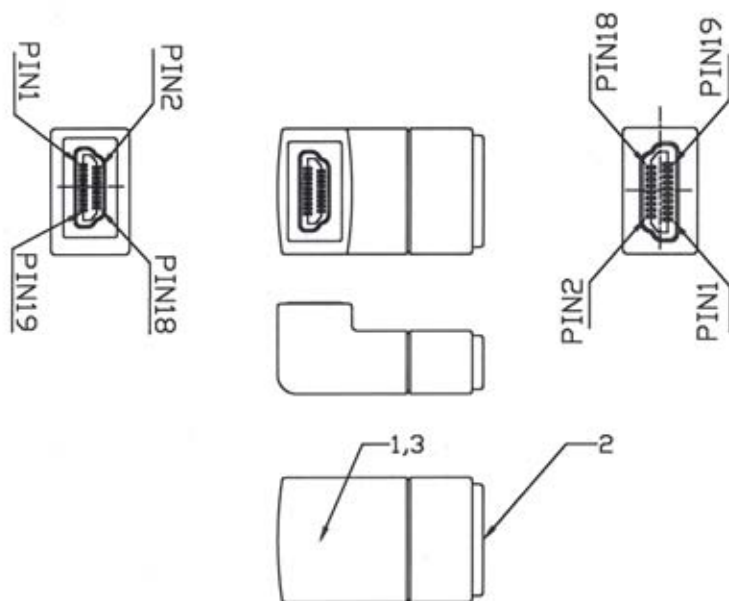
HDMI 19F	HDMI 19F
3	3 (TMDS Data 2-)
1	1 (TMDS Data 2+)
2	2 (TMDS Data 2 Shield)
6	6 (TMDS Data 1-)
4	4 (TMDS Data 1+)
5	5 (TMDS Data 1 Shield)
9	9 (TMDS Data 0-)
7	7 (TMDS Data 0+)
8	8 (TMDS Data 0 Shield)
12	12 (TMDS Clock -)
10	10 (TMDS Clock +)
11	11 (TMDS Clock Shield)
18	18 (+5V Power)
17	17 (Ground)
15	15 (DCC Clock)
16	16 (DCC Data)
19	19 (Hot Plug Detect)
13	13 (CEC)
14	14 NO FUNCTION
SHELL	SHELL

### ORDERING INFORMATION:

P/N A D H M -  $\frac{007}{1} \times \frac{B}{23}$

1. ADAPTER TYPE:  
"007" HDMI 19F/19F UPWARD 90° ADAPTER
2. SHELL FINISH:  
"G" GOLD FLASH PLATED  
"N" NICKEL PLATED
3. INSULATOR COLOR:  
"B" BLACK

## HDMI ADAPTER FEMALE TO FEMALE R/A TYPE



### SPECIFICATIONS

Withstanding Voltage: DC 300V 0.01 Sec.

Insulation Resistance: 10M Ohm Min

Conductive Resistance: 2 Ohm Max

\*RoHS & REACH compliant.

HDMI 19F	HDMI 19F
3	3 (TMDS Data 2-)
1	1 (TMDS Data 2+)
2	2 (TMDS Data 2 Shield)
6	6 (TMDS Data 1-)
4	4 (TMDS Data 1+)
5	5 (TMDS Data 1 Shield)
9	9 (TMDS Data 0-)
7	7 (TMDS Data 0+)
8	8 (TMDS Data 0 Shield)
12	12 (TMDS Clock -)
10	10 (TMDS Clock +)
11	11 (TMDS Clock Shield)
18	18 (+5V Power)
17	17 (Ground)
15	15 (DCC Clock)
16	16 (DCC Data)
19	19 (Hot Plug Detect)
13	13 (CEC)
14	14 NO FUNCTION
SHELL	SHELL

### ORDERING INFORMATION:

P/N A D H M -  $\frac{008}{1} \times \frac{B}{23}$

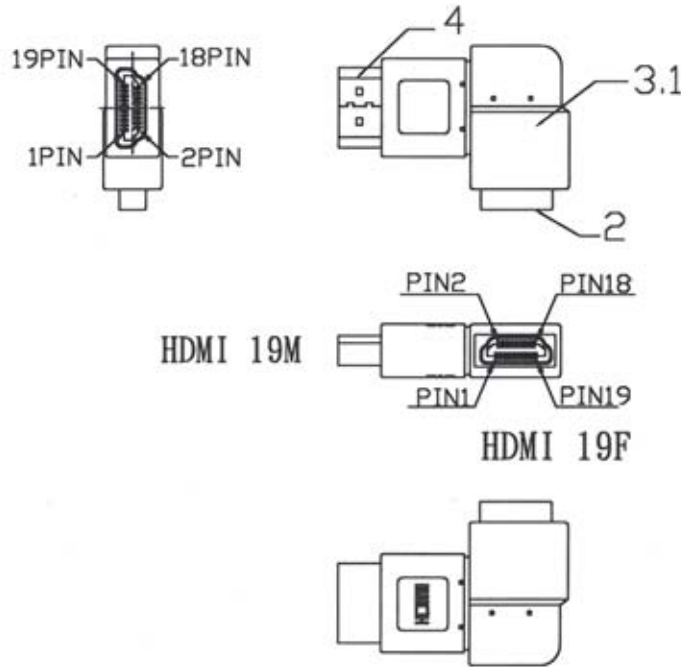
1. ADAPTER TYPE:  
"008" HDMI 19F/19F DOWNWARD 90° ADAPTER
2. SHELL FINISH:  
"G" GOLD FLASH PLATED  
"N" NICKEL PLATED
3. INSULATOR COLOR:  
"B" BLACK



## HDMI ADAPTER MALE TO FEMALE R/A TYPE

### SPECIFICATIONS

Current Rating: DC 0.5A  
 Withstanding Voltage: DC 300VDC  
 Insulation Resistance: 5M Ohm  
 Conductive Resistance: 10 Ohm  
 \*RoHS & REACH compliant.



HDMI 19	HDMI 19
3	3 (TMDS Data 2-)
1	1 (TMDS Data 2+)
2	2 (TMDS Data 2 Shield)
6	6 (TMDS Data 1-)
4	4 (TMDS Data 1+)
5	5 (TMDS Data 1 Shield)
9	9 (TMDS Data 0-)
7	7 (TMDS Data 0+)
8	8 (TMDS Data 0 Shield)
12	12 (TMDS Clock -)
10	10 (TMDS Clock +)
11	11 (TMDS Clock Shield)
18	18 (+5V Power)
17	17 (Ground)
15	15 (DCC Clock)
16	16 (DCC Data)
19	19 (Hot Plug Detect)
13	13 (CEC)
14	14 NO FUNCTION
SHELL	SHELL

### ORDERING INFORMATION:

P/N A D H M -  $\frac{009}{1} \times \frac{B}{23}$

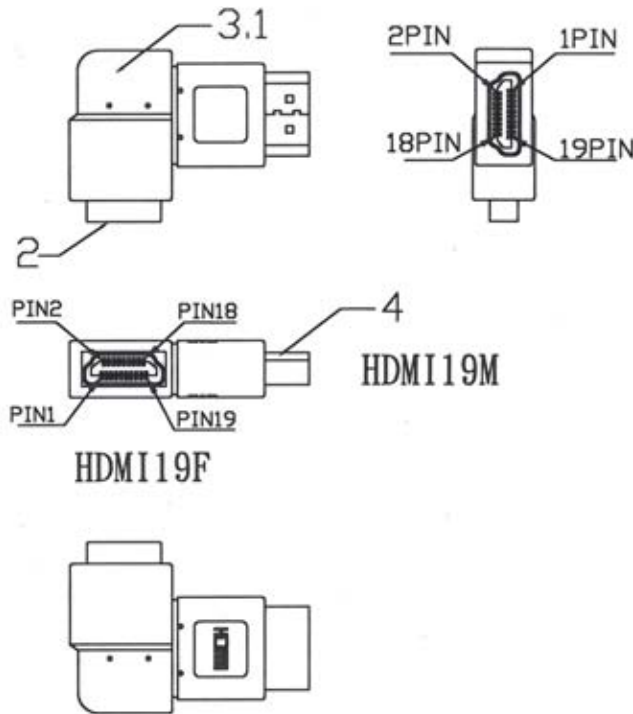
1. ADAPTER TYPE:  
"009" HDMI 19M/19F RIGHTWARD 90° ADAPTER
2. SHELL FINISH:  
"G" GOLD FLASH PLATED  
"N" NICKEL PLATED
3. INSULATOR COLOR:  
"B" BLACK



## HDMI ADAPTER MALE TO FEMALE R/A TYPE

### SPECIFICATIONS

Current Rating: DC 0.5A  
 Withstanding Voltage: DC 300VDC  
 Insulation Resistance: 5M Ohm  
 Conductive Resistance: 10 Ohm  
 \*RoHS & REACH compliant.



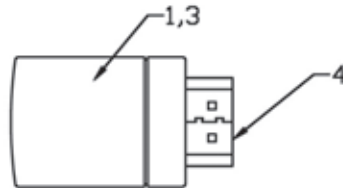
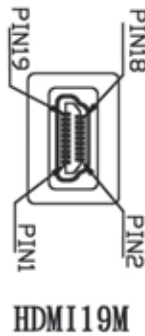
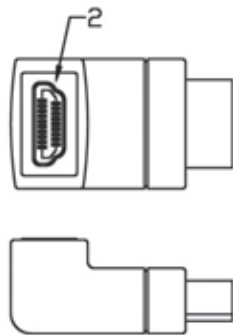
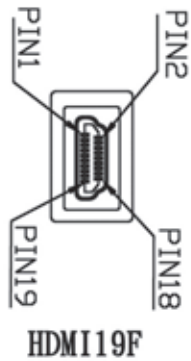
HDMI 19	HDMI 19
3	3 (TMDS Data 2-)
1	1 (TMDS Data 2+)
2	2 (TMDS Data 2 Shield)
6	6 (TMDS Data 1-)
4	4 (TMDS Data 1+)
5	5 (TMDS Data 1 Shield)
9	9 (TMDS Data 0-)
7	7 (TMDS Data 0+)
8	8 (TMDS Data 0 Shield)
12	12 (TMDS Clock -)
10	10 (TMDS Clock +)
11	11 (TMDS Clock Shield)
18	18 (+5V Power)
17	17 (Ground)
15	15 (DCC Clock)
16	16 (DCC Data)
19	19 (Hot Plug Detect)
13	13 (CEC)
14	14 NO FUNCTION
SHELL	SHELL

### ORDERING INFORMATION:

P/N A D H M -  $\frac{010}{1} \times \frac{B}{23}$

- ADAPTER TYPE:  
"010" HDMI 19M/19F LEFTWARD 90° ADAPTER
- SHELL FINISH:  
"G" GOLD FLASH PLATED  
"N" NICKEL PLATED
- INSULATOR COLOR:  
"B" BLACK

## HDMI ADAPTER MALE TO FEMALE R/A TYPE



### SPECIFICATIONS

Current Rating: DC 0.5A

Withstanding Voltage: DC 300VDC

Insulation Resistance: 5M Ohm

Conductive Resistance: 10 Ohm

\*RoHS & REACH compliant.

HDMI 19M	HDMI 19F
3	3 (TMDS Data 2-)
1	1 (TMDS Data 2+)
2	2 (TMDS Data 2 Shield)
6	6 (TMDS Data 1-)
4	4 (TMDS Data 1+)
5	5 (TMDS Data 1 Shield)
9	9 (TMDS Data 0-)
7	7 (TMDS Data 0+)
8	8 (TMDS Data 0 Shield)
12	12 (TMDS Clock -)
10	10 (TMDS Clock +)
11	11 (TMDS Clock Shield)
18	18 (+5V Power)
17	17 (Ground)
15	15 (DCC Clock)
16	16 (DCC Data)
19	19 (Hot Plug Detect)
13	13 (CEC)
14	14 NO FUNCTION
SHELL	SHELL

### ORDERING INFORMATION:

P/N A D H M -  $\frac{011}{1} \times \frac{B}{23}$

1. ADAPTER TYPE:  
"011" HDMI 19M/19F UPWARD 90° ADAPTER
2. SHELL FINISH:  
"G" GOLD FLASH PLATED  
"N" NICKEL PLATED
3. INSULATOR COLOR:  
"B" BLACK

# HDMI ADAPTER MALE TO FEMALE R/A TYPE

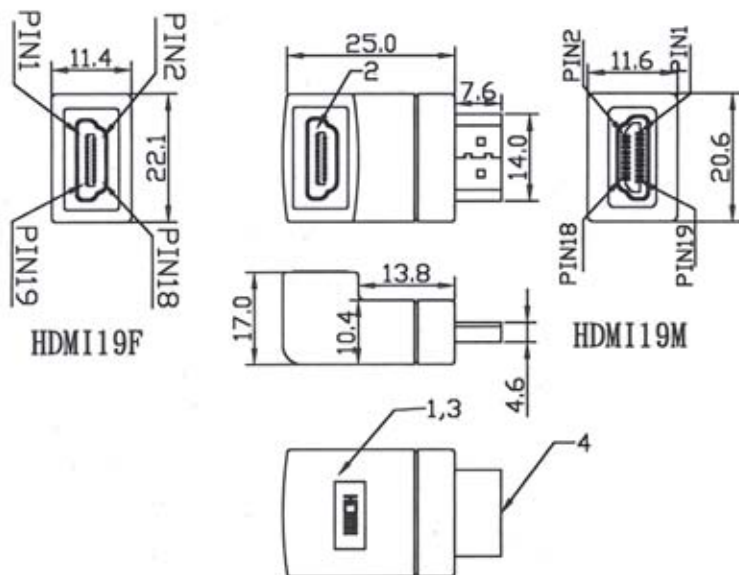
## SPECIFICATIONS

HI-POT: DC300V/10MS

Insulation Resistance: 5M Ohm

Contact Resistance: 10 Ohm

\*RoHS & REACH compliant.



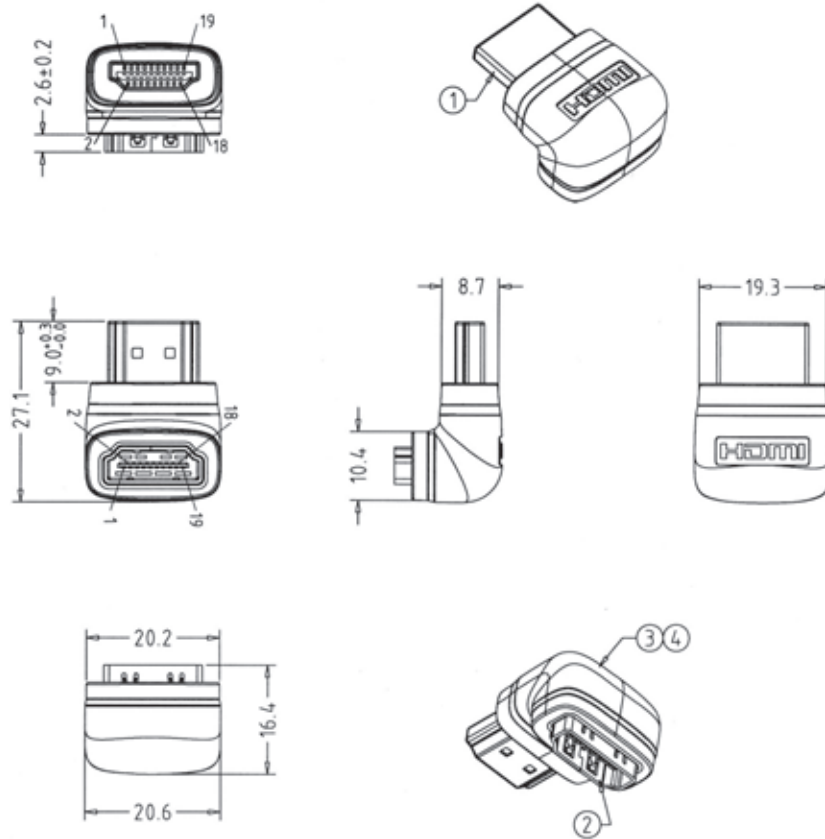
HDMI 19M	HDMI 19F
3	3 (TMDS Data 2-)
1	1 (TMDS Data 2+)
2	2 (TMDS Data 2 Shield)
6	6 (TMDS Data 1-)
4	4 (TMDS Data 1+)
5	5 (TMDS Data 1 Shield)
9	9 (TMDS Data 0-)
7	7 (TMDS Data 0+)
8	8 (TMDS Data 0 Shield)
12	12 (TMDS Clock -)
10	10 (TMDS Clock +)
11	11 (TMDS Clock Shield)
18	18 (+5V Power)
17	17 (Ground)
15	15 (DCC Clock)
16	16 (DCC Data)
19	19 (Hot Plug Detect)
13	13 (CEC)
14	14
SHELL	SHELL

## ORDERING INFORMATION:

P/N A D H M -  $\frac{012}{1} \times \frac{B}{23}$

- ADAPTER TYPE:  
"012" HDMI 19M/19F DOWNWARD 90° ADAPTER
- SHELL FINISH:  
"G" GOLD FLASH PLATED  
"N" NICKEL PLATED
- INSULATOR COLOR:  
"B" BLACK

# HDMI MALE TO FEMALE 90° DEGREE MINI ADAPTER



**PIN ASSIGNMENT:**

HDMI 19M(A)	HDMI 19F(B)
3	3 TMS data2-
1	1 TMS data2+
2	2 TMS data2 Shield
6	6 TMS data1-
4	4 TMS data1+
5	5 TMS data1 Shield
9	9 TMS data0-
7	7 TMS data0+
8	8 TMS data0 Shield
12	12 TMS Clock-
10	10 TMS Clock+
11	11 TMS Clock Shield
17	17 DDC/CEC Ground
13	13 CEC
15	15 SCL
16	16 SDA
14	14 Reserved
18	18 +5V Power
19	19 Hot Plug Detect
SHELL	SHELL

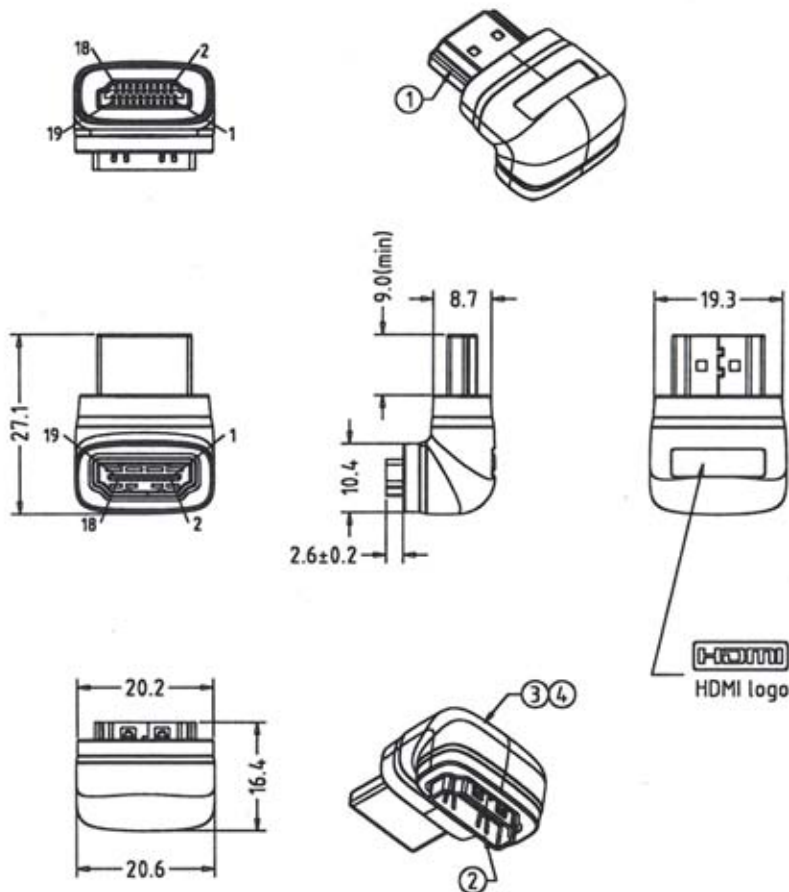
## ORDERING INFORMATION:

P/N A D H M -  $\frac{013}{1} \times \frac{x}{2} \times \frac{x}{3}$

P/N REVISED

- ADAPTER TYPE:  
"013" HDMI 19M/19F 90° MINI TYPE ADAPTER
- SHELL FINISH:  
"G" GOLD FLASH PLATED  
"N" NICKEL PLATED
- INSULATOR COLOR:  
"B" BLACK  
"W" WHITE  
"U" BLUE  
"R" RED  
"Y" YELLOW

# HDMI MALE TO FEMALE 270 DEGREE MINI ADAPTER



## SPECIFICATIONS

Withstanding Voltage: DC 300V 0.01 Sec.

Insulation Resistance: 10M Ohm Min

Conductive Resistance: 2 Ohm Max

\*RoHS & REACH compliant.

## ORDERING INFORMATION:

P/N A D H M - 014 x x x x  
1 2 3 4

### 1. ADAPTER TYPE:

"014" HDMI 19M/19F 270° MINI TYPE ADAPTER

### 2. SHELL FINISH:

"G" GOLD FLASH PLATED

"N" NICKEL PLATED

### 3. INSULATOR COLOR:

"B" BLACK

"W" WHITE

"U" BLUE

"R" RED

"Y" YELLOW

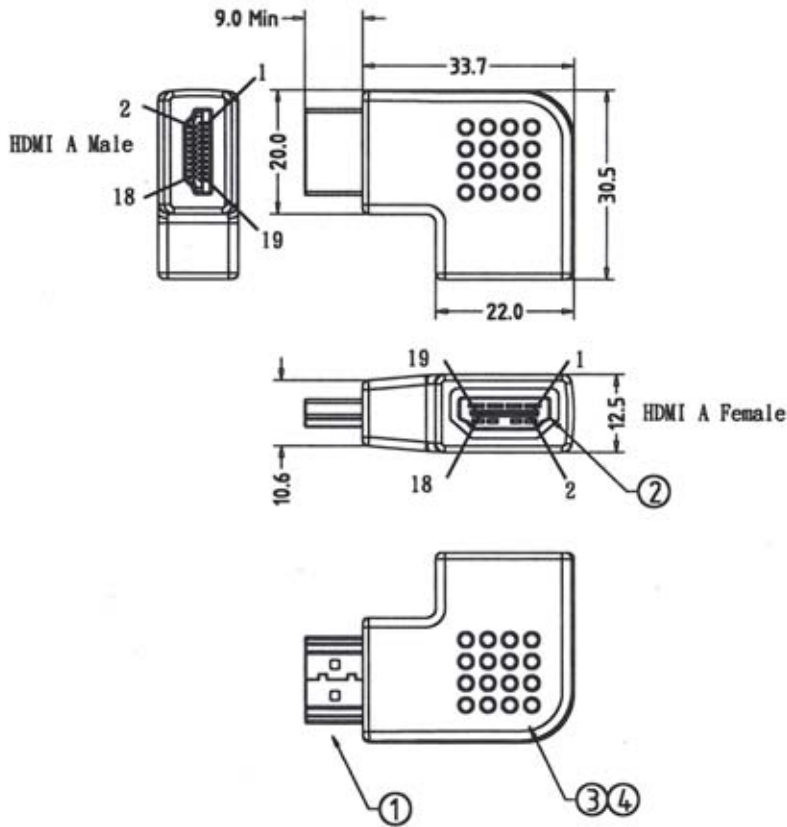
"A" GRAY

### 4. CONTACT FINISH:

"15" 15 MICROINCH GOLD

"30" 30 MICROINCH GOLD

## HDMI MALE TO FEMALE 90 DEGREE ADAPTER



### SPECIFICATIONS

Withstanding Voltage: DC 300V 0.01 Sec.

Insulation Resistance: 10M Ohm Min

Conductive Resistance: 2 Ohm Max

\*RoHS & REACH compliant.

### PIN ASSIGNMENT:

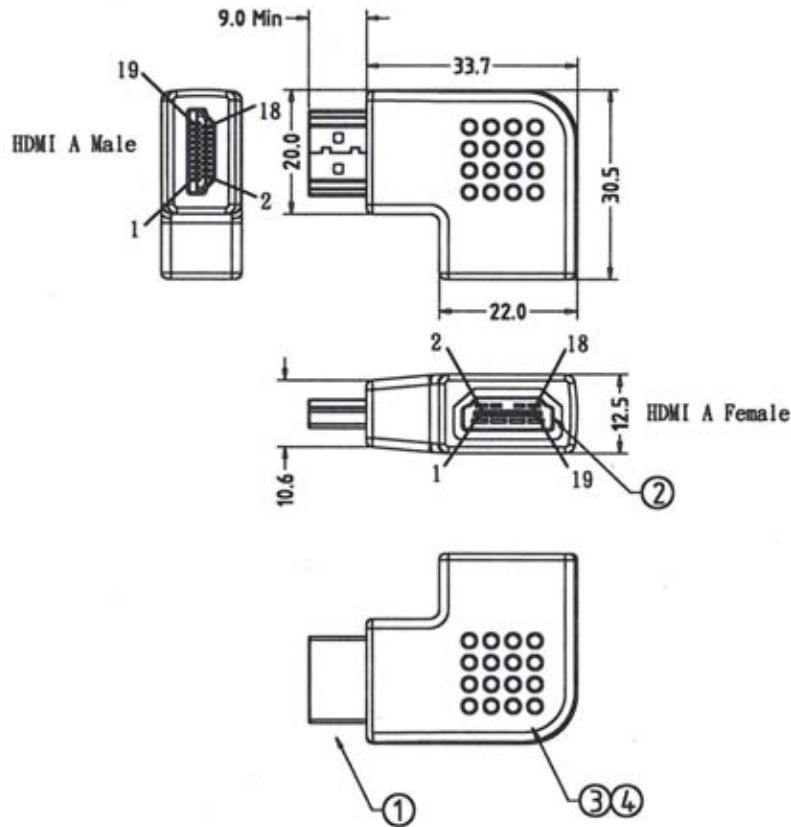
HDMI AM	HDMI AF
3	3 TMDS data2-
1	1 TMDS data2+
2	2 TMDS data2 Shield
6	6 TMDS data1-
4	4 TMDS data1+
5	5 TMDS data1 Shield
9	9 TMDS data0-
7	7 TMDS data0+
8	8 TMDS data0 Shield
12	12 TMDS Clock-
10	10 TMDS Clock+
11	11 TMDS Clock Shield
17	17 DDC/CEC Ground
13	13 CEC
15	15 SCL
16	16 SDA
14	14 Reserved
18	18 +5V Power
19	19 Hot Plug Detect
SHELL	SHELL

### ORDERING INFORMATION:

P/N A D H M -  $\frac{015}{1} \frac{G}{2} \frac{B}{3} \frac{xx}{4}$

1. ADAPTER TYPE:  
"015" HDMI 19M/19F 90° ADAPTER
2. SHELL FINISH:  
"G" GOLD FLASH PLATED
3. INSULATOR COLOR:  
"B" BLACK
4. CONTACT FINISH:  
"15" 15 MICROIINCH GOLD  
"30" 30 MICROIINCH GOLD

## HDMI MALE TO FEMALE 270 DEGREE ADAPTER



### SPECIFICATIONS

Withstanding Voltage: DC 300V 0.01 Sec.

Insulation Resistance: 10M Ohm Min

Conductive Resistance: 2 Ohm Max

\*RoHS & REACH compliant.

### PIN ASSIGNMENT:

HDMI AM	HDMI AF
3	3 TMDS data2-
1	1 TMDS data2+
2	2 TMDS data2 Shield
6	6 TMDS data1-
4	4 TMDS data1+
5	5 TMDS data1 Shield
9	9 TMDS data0-
7	7 TMDS data0+
8	8 TMDS data0 Shield
12	12 TMDS Clock-
10	10 TMDS Clock+
11	11 TMDS Clock Shield
17	17 DDC/CEC Ground
13	13 CEC
15	15 SCL
16	16 SDA
14	14 Reserved
18	18 +5V Power
19	19 Hot Plug Detect
SHELL	SHELL

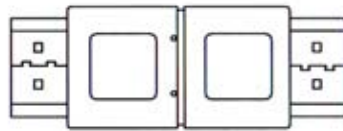
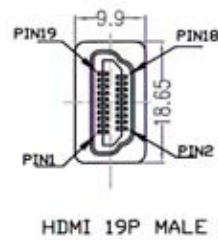
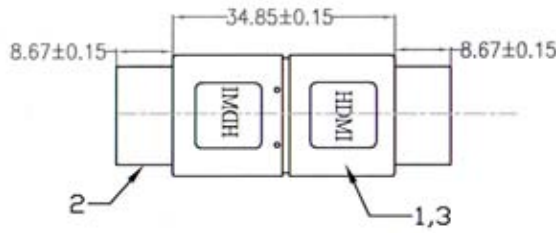
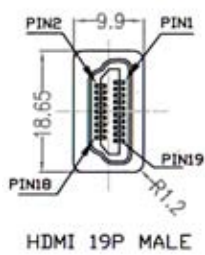
### ORDERING INFORMATION:

P/N A D H M -  $\frac{016}{1} \frac{G}{2} \frac{B}{3} \frac{xx}{4}$

1. ADAPTER TYPE:  
"016" HDMI 19M/19F 270° ADAPTER
2. SHELL FINISH:  
"G" GOLD FLASH PLATED
3. INSULATOR COLOR:  
"B" BLACK
4. CONTACT FINISH:  
"15" 15 MICROINCH GOLD  
"30" 30 MICROINCH GOLD



# HDMI ADAPTER MALE TO MALE ADAPTER



HDMI 19M	HDMI 19M
3	3 (TMDS Data 2-)
1	1 (TMDS Data 2+)
2	2 (TMDS Data 2 Shield)
6	6 (TMDS Data 1-)
4	4 (TMDS Data 1+)
5	5 (TMDS Data 1 Shield)
9	9 (TMDS Data 0-)
7	7 (TMDS Data 0+)
8	8 (TMDS Data 0 Shield)
12	12 (TMDS Clock -)
10	10 (TMDS Clock +)
11	11 (TMDS Clock Shield)
18	18 (+5V Power)
17	17 (Ground)
15	15 (DCC Clock)
16	16 (DCC Data)
19	19 (Hot Plug Detect)
13	13 (CEC)
14	14 NO FUNCTION
SHELL	SHELL

	DESCRIPTION
1	UL1007 30AWG STRANDEDx7 5CM
2	HDMI A 19P MALE SOLDER TYPE CONTACT PLATED: FLASH SHELL PLATED NICKEL
3	OUTTER MOLD PVC 55P: BLACK IN COLOR

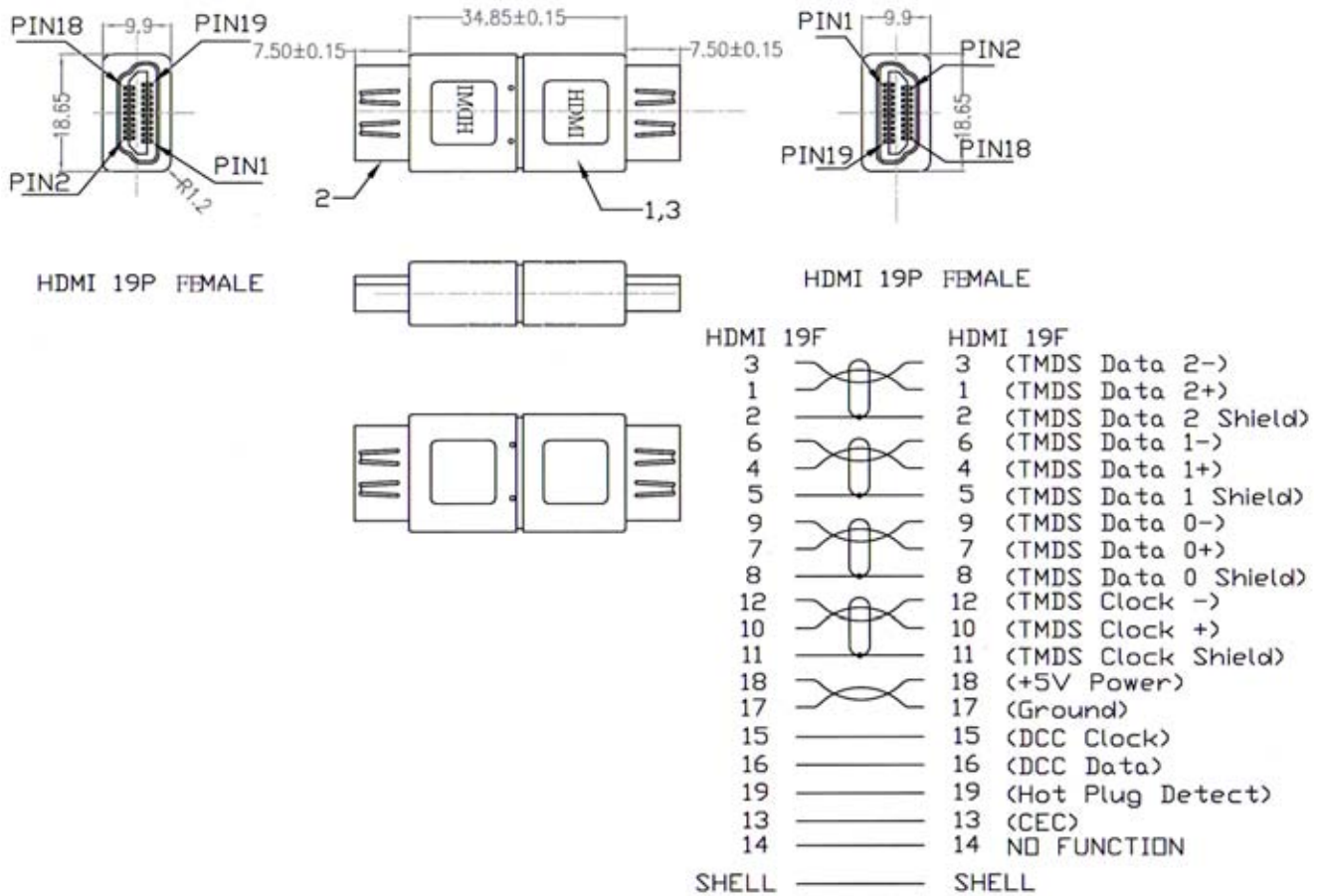
## ORDERING INFORMATION:

P/N A D H M -  $\frac{017}{1} \times \frac{B}{23}$

P/N REVISED

- ADAPTER TYPE:  
"017" HDMI 19M/19M ADAPTER
- SHELL FINISH:  
"G" GOLD FLASH PLATED  
"N" NICKEL PLATED
- INSULATOR COLOR:  
"B" BLACK

## HDMI ADAPTER FEMALE TO FEMALE ADAPTER



	DESCRIPTION
1	UL1007 30AWG STRANDEDx7 5CM
2	HDMI A 19P FEMALE SOLDER TYPE CONTACT GOLD FLASH SHELL PLATED NICKEL
3	OUTTER MOLD PVC 55%: BLACK IN COLOR

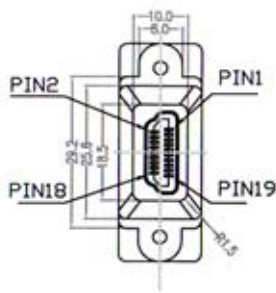
### ORDERING INFORMATION:

P/N A D H M -  $\frac{018}{1} \times \frac{B}{23}$

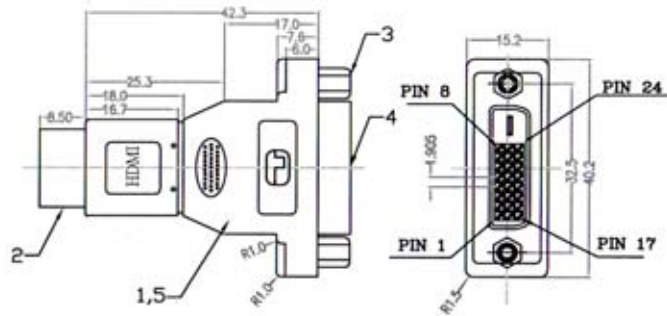
P/N REVISED

- ADAPTER TYPE:  
"018" HDMI 19F/19F ADAPTER
- SHELL FINISH:  
"G" GOLD FLASH PLATED  
"N" NICKEL PLATED
- INSULATOR COLOR:  
"B" BLACK

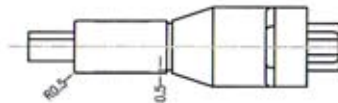
# HDMI ADAPTER 19 PIN MALE TO DVI 24+1 PIN FEMALE ADAPTER



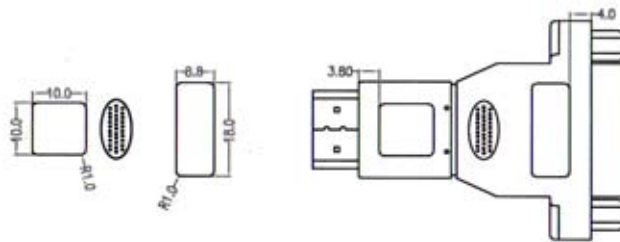
HDMI 19P MALE



DVI 24+1 FEMALE



DVI24+1	HDMI 19P
1	3 (TMDS Data 2-)
2	1 (TMDS Data 2+)
3	2 (TMDS Data 2 Shield)
9	6 (TMDS Data 1-)
10	4 (TMDS Data 1+)
11	5 (TMDS Data 1 Shield)
17	9 (TMDS Data 0-)
18	7 (TMDS Data 0+)
19	8 (TMDS Data 0 Shield)
24	12 (TMDS Clock -)
23	10 (TMDS Clock +)
22	11 (TMDS Clock Shield)
14	18 (+5V Power)
15	17 (Ground)
6	15 (DCC Clock)
7	16 (DCC Data)
16	19 (Hot Plug Detect)
SHELL	SHELL



	DESCRIPTION
1	UL1007 30AWG STRANDEDx7 5CM
2	HDMI A 19P MALE SOLDER TYPE CONTACT PLATED: NICKEL OR GOLD
3	4#40 SCREW NUT 9.3x4.72
4	DVI 24+1 FEMALE SOLDER COLOR: BLACK CONTACT PLATED: NICKEL OR GOLD
5	OUTTER MOLD PVC 55%: BLACK IN COLOR

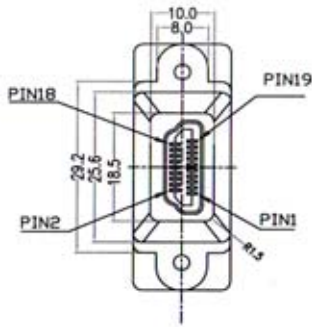
## ORDERING INFORMATION:

P/N A D H M -  $\frac{019}{1} \times \frac{B}{23}$

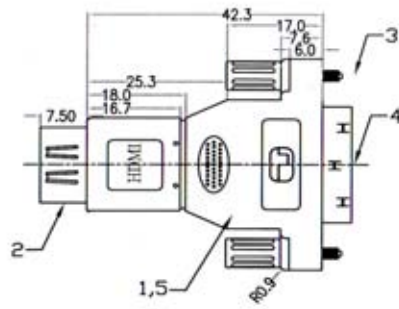
P/N REVISED

- ADAPTER TYPE:  
"019" HDMI 19M TO DVI 24+1 FEMALE ADAPTER
- SHELL FINISH:  
"G" GOLD FLASH PLATED  
"N" NICKEL PLATED
- INSULATOR COLOR:  
"B" BLACK

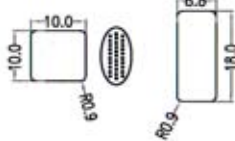
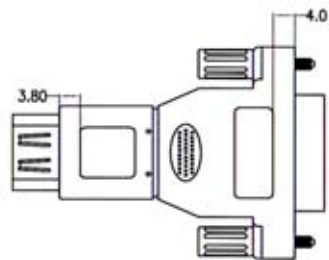
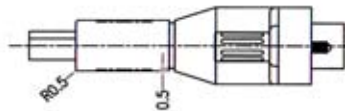
# HDMI 19 PIN FEMALE TO DVI 24+1 PIN MALE ADAPTER



HDMI 19P FEMALE



DVI 24+1 MALE



DVI24+1 M	HDMI 19 F
1	3 (TMDS Data 2-)
2	1 (TMDS Data 2+)
3	2 (TMDS Data 2 Shield)
9	6 (TMDS Data 1-)
10	4 (TMDS Data 1+)
11	5 (TMDS Data 1 Shield)
17	9 (TMDS Data 0-)
18	7 (TMDS Data 0+)
19	8 (TMDS Data 0 Shield)
24	12 (TMDS Clock -)
23	10 (TMDS Clock +)
22	11 (TMDS Clock Shield)
14	18 (+5V Power)
15	17 (Ground)
6	15 (DCC Clock)
7	16 (DCC Data)
16	19 (Hot Plug Detect)
SHELL	SHELL

	DESCRIPTION
1	UL1007 30AWG STRANDEDx7 5CM
2	HDMI 19P FEMALE SOLDER TYPE CONTACT PLATED: NICKEL OR GOLD
3	4#40 THUMB SCREW 5x12.58 COLOR IN BLACK
4	DVI 24+1 MALE SOLDER COLOR: BLACK CONTACT PLATED: NICKEL OR GOLD
5	OUTTER MOLD 55% PVC: COLOR IN BLACK

## ORDERING INFORMATION:

P/N A D H M -  $\frac{020}{1} \times \frac{B}{23}$

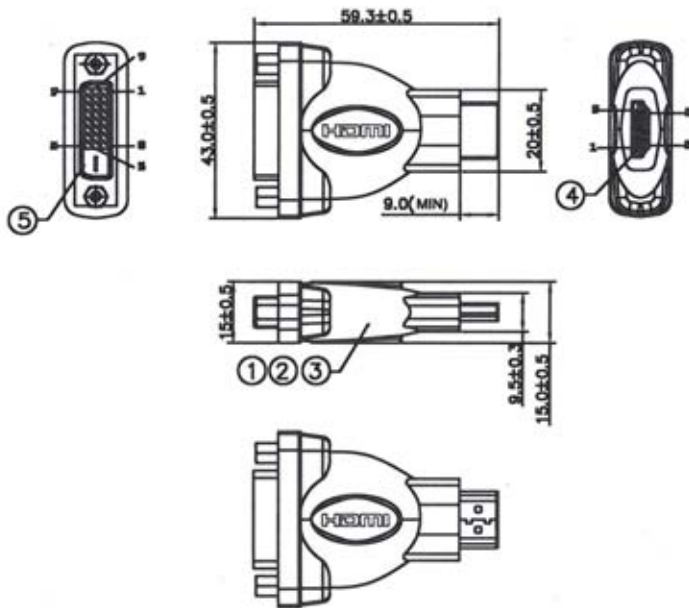
P/N REVISED

- ADAPTER TYPE:  
"020" HDMI 19F TO DVI 24+1P MALE ADAPTER
- SHELL FINISH:  
"G" GOLD FLASH PLATED  
"N" NICKEL PLATED





# HDMI MALE TO DVI 24+1 PIN FEMALE ADAPTER



## SPECIFICATIONS

Current Rating: DC 1A  
 Withstanding Voltage: DC 300VDC  
 Insulation Resistance: 10M Ohm  
 Conductive Resistance: 2 Ohm  
 \*RoHS & REACH compliant.

## PIN ASSIGNMENT:

DVI CONN.	HDMI 19P CONN.	DVI CONN.	HDMI 19P CONN.
1	3 (TMDS Data 2-)	14	18 (+5V Power)
2	1 (TMDS Data 2+)	15	17 (Ground)
3	2 (TMDS Data 2 Shield)	6	15 (DDC Clock)
9	6 (TMDS Data 1-)	7	16 (DDC Data)
10	4 (TMDS Data 1+)	16	19 (Hot Plug Detect)
11	5 (TMDS Data 1 Shield)	SHELL	SHELL
17	9 (TMDS Data 0-)		
18	7 (TMDS Data 0+)		
19	8 (TMDS Data 0 Shield)		
24	12 (TMDS Clock -)		
23	10 (TMDS Clock +)		
22	11 (TMDS Clock Shield)		

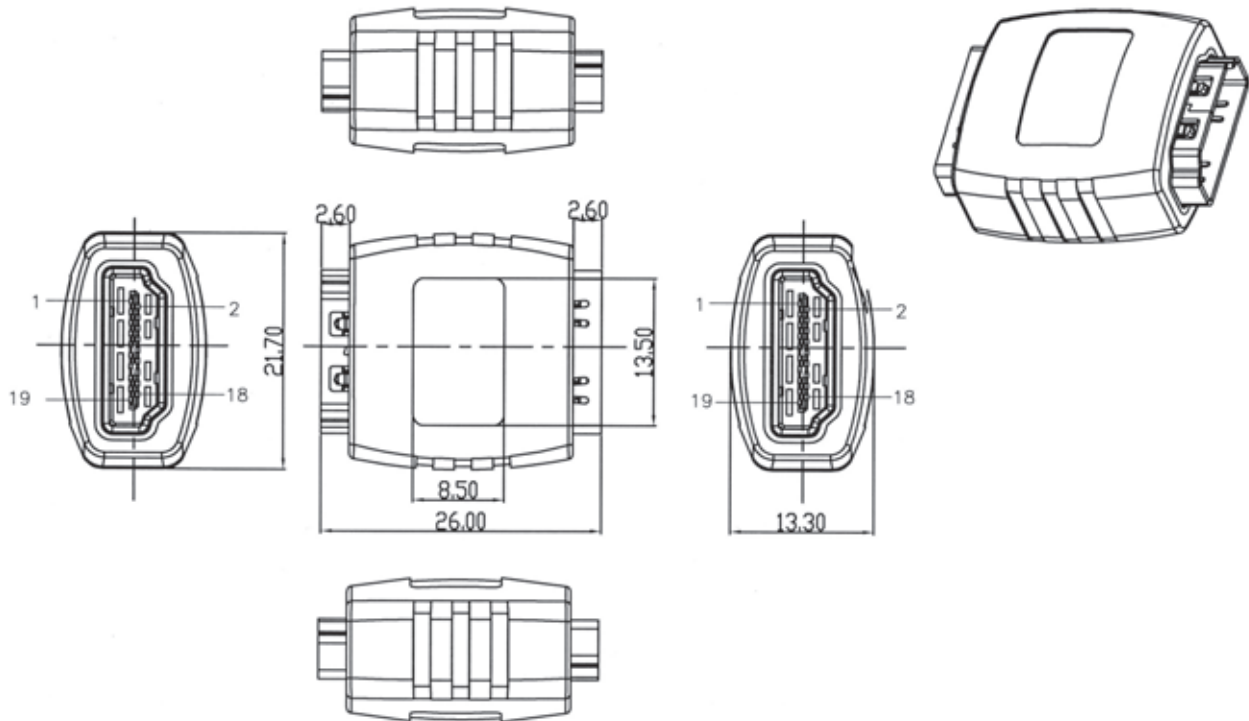
## ORDERING INFORMATION:

P/N A D H M - 0 2 2 X X X X  
1 2 3 4

- ADAPTER TYPE:  
"022" HDMI 19M TO DVI 24+1 PIN FEMALE ADAPTER
- SHELL FINISH:  
"G" GOLD FLASH PLATED  
"N" NICKEL PLATED
- INSULATOR COLOR:  
"B" BLACK  
"R" RED  
"Y" YELLOW  
"A" GRAY (431C)  
"U" LIGHT BLUE (7541C)

- CONTACT FINISH:  
"15" 15 MICROINCH GOLD  
"30" 30 MICROINCH GOLD

## HDMI ADAPTER FEMALE TO FEMALE TYPE



HDMI 19F	HDMI 19F	HDMI 19F	HDMI 19F
3	3 (TMDS Data 2-)	18	18 (+5V Power)
1	1 (TMDS Data 2+)	17	17 (Ground)
2	2 (TMDS Data 2 Shield)	15	15 (DDC Clock)
6	6 (TMDS Data 1-)	16	16 (DDC Data)
4	4 (TMDS Data 1+)	19	19 (Hot Plug Detect)
5	5 (TMDS Data 1 Shield)	13	13 (CEC)
9	9 (TMDS Data 0-)	14	14 (NC)
7	7 (TMDS Data 0+)	SHELL	SHELL
8	8 (TMDS Data 0 Shield)		
12	12 (TMDS Clock -)		
10	10 (TMDS Clock +)		
11	11 (TMDS Clock Shield)		

### ORDERING INFORMATION:

P/N A D H M -  $\frac{023}{1} \frac{x}{2} \frac{x}{3} \frac{x}{4}$

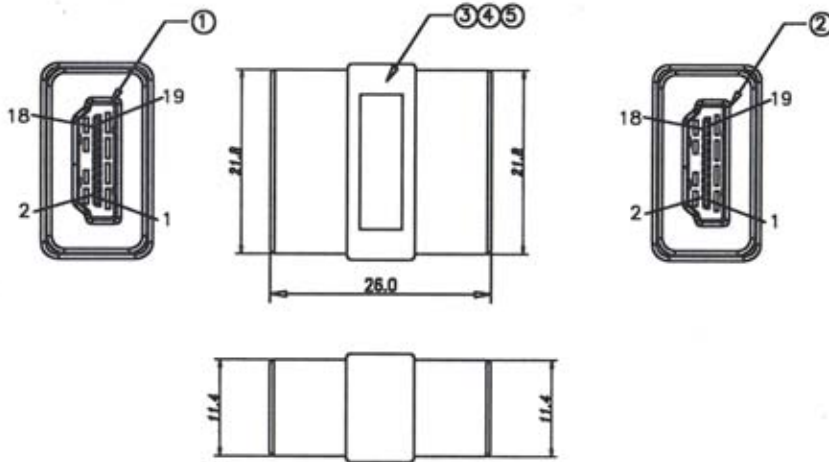
P/N REVISED

1. ADAPTER TYPE:  
"023" HDMI 19F/19F ADAPTER
2. SHELL FINISH:  
"G" GOLD FLASH PLATED  
"N" NICKEL PLATED
3. INSULATOR COLOR:  
"B" BLACK  
"U" BLUE  
"R" RED  
"Y" YELLOW  
"W" WHITE  
"A" GRAY (431C)

4. CONTACT FINISH:  
"03" 3 MICROINCH GOLD  
"15" 15 MICROINCH GOLD  
"30" 30 MICROINCH GOLD



## HDMI ADAPTER A TYPE FEMALE TO A TYPE FEMALE TYPE



### SPECIFICATIONS

Withstanding Voltage: DC 300VDC

Insulation Resistance: 10M Ohm

Conductive Resistance: 2 Ohm

\*RoHS & REACH compliant.

### PIN ASSIGNMENT:

HDMI 19F	HDMI 19F	HDMI 19F	HDMI 19F
3	3 (TMDS Data 2-)	18	18 (+5V Power)
1	1 (TMDS Data 2+)	17	17 (Ground)
2	2 (TMDS Data 2 Shield)	15	15 (DDC Clock)
6	6 (TMDS Data 1-)	16	16 (DDC Data)
4	4 (TMDS Data 1+)	19	19 (Hot Plug Detect)
5	5 (TMDS Data 1 Shield)	13	13 (CEC)
9	9 (TMDS Data 0-)	14	14 (NC)
7	7 (TMDS Data 0+)	SHELL	SHELL
8	8 (TMDS Data 0 Shield)		
12	12 (TMDS Clock -)		
10	10 (TMDS Clock +)		
11	11 (TMDS Clock Shield)		

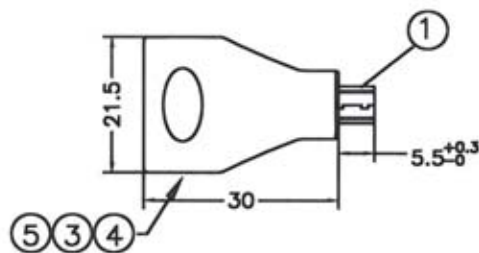
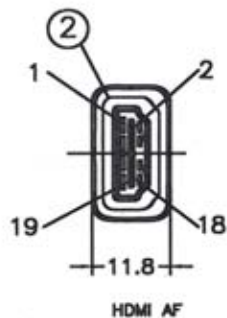
### ORDERING INFORMATION:

P/N A D H M -  $\frac{024}{1} \frac{x}{2} \frac{x}{3} \frac{x}{4}$

- ADAPTER TYPE:  
"024" HDMI A TYPE 19F/19F ADAPTER
- SHELL FINISH:  
"G" GOLD FLASH PLATED  
"N" NICKEL PLATED
- INSULATOR COLOR:  
"B" BLACK  
"W" WHITE  
"R" RED  
"Y" YELLOW

- CONTACT FINISH:  
"03" 3 MICROINCH GOLD  
"15" 15 MICROINCH GOLD  
"30" 30 MICROINCH GOLD

## HDMI A TYPE FEMALE TO D TYPE MALE ADAPTER



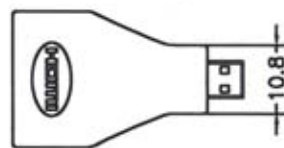
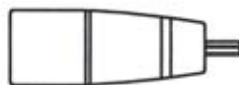
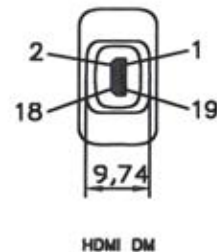
### SPECIFICATIONS

Withstanding Voltage: DC 300VDC

Insulation Resistance: 10M Ohm

Conductive Resistance: 2 Ohm

\*RoHS & REACH compliant.



### PIN ASSIGNMENT:

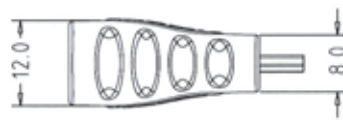
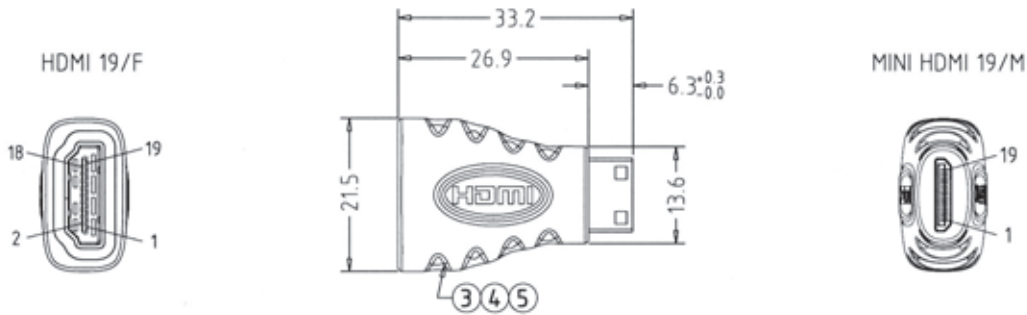
HDMI DM	HDMI AF
1	19
2	14
16	17
3	1
5	3
4	2
8	4
8	6
7	5
9	7
11	9
10	8
12	10
14	12
13	11
15	13
17	15
18	16
19	18
SHELL	SHELL

### ORDERING INFORMATION:

P/N A D H M -  $\frac{025}{1} \frac{x}{2} \frac{x}{3} \frac{x}{4} x$

1. ADAPTER TYPE:  
"025" HDMI AF TO DM ADAPTER
2. SHELL FINISH:  
"G" GOLD FLASH PLATED  
"N" NICKEL PLATED
3. INSULATOR COLOR:  
"B" BLACK  
"W" WHITE
4. CONTACT FINISH:  
"01" GOLD FLASH  
"15" 15 MICROINCH GOLD  
"30" 30 MICROINCH GOLD

# HDMI 19F TO MINI HDMI 19M ADAPTER



## PIN ASSIGNMENT:

HDMI 19/F	MINI HDMI 19/M
3	3 TMDS data2-
1	2 TMDS data2+
2	1 TMDS data2 Shield
6	6 TMDS data1-
4	5 TMDS data1+
5	4 TMDS data1 Shield
9	9 TMDS data0-
7	8 TMDS data0+
8	7 TMDS data0 Shield
12	12 TMDS Clock-
10	11 TMDS Clock+
11	10 TMDS Clock Shield
17	13 DDC/CEC Ground
13	14 CEC
15	15 SCL
16	16 SDA
14	17 Reserved
18	18 +5V Power
19	19 Hot Plug Detect
SHELL	SHELL

## ORDERING INFORMATION:

P/N A D H M -  $\frac{026}{1} \frac{x}{2} \frac{x}{3} \frac{x}{4}$

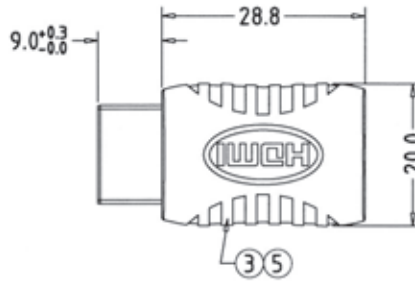
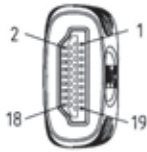
P/N REVISED

- ADAPTER TYPE:  
"026" HDMI 19 PIN FEMALE TO  
MINI HDMI 19 PIN MALE
- SHELL FINISH:  
"G" GOLD FLASH PLATED  
"N" NICKEL PLATED
- INSULATOR COLOR:  
"B" BLACK  
"W" WHITE  
"U" BLUE  
"R" RED  
"Y" YELLOW

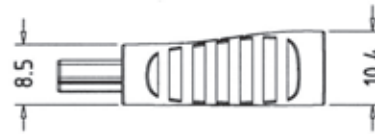
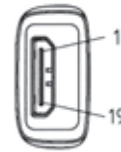
- CONTACT FINISH:  
"15" 15 MICROINCH GOLD  
"30" 30 MICROINCH GOLD

# HDMI 19M TO MINI HDMI 19F ADAPTER

HDMI 19/M



MINI HDMI 19/F



## PIN ASSIGNMENT:

HDMI 19M	MINI HDMI 19F
3	3 TMS data2-
1	2 TMS data2+
2	1 TMS data2 Shield
6	6 TMS data1-
4	5 TMS data1+
5	4 TMS data1 Shield
9	9 TMS data0-
7	8 TMS data0+
8	7 TMS data0 Shield
12	12 TMS Clock-
10	11 TMS Clock+
11	10 TMS Clock Shield
17	13 DDC/CEC Ground
13	14 CEC
15	15 SCL
16	16 SDA
14	17 Reserved
18	18 +5V Power
19	19 Hot Plug Detect
SHELL	SHELL

## ORDERING INFORMATION:

P/N A D H M -  $\frac{027}{1} \frac{x}{2} \frac{x}{3} \frac{x}{4}$

P/N REVISED

### 1. ADAPTER TYPE:

"027" HDMI 19 PIN MALE TO  
MINI HDMI 19 PIN FEMALE

### 2. SHELL FINISH:

"G" GOLD FLASH PLATED  
"N" NICKEL PLATED

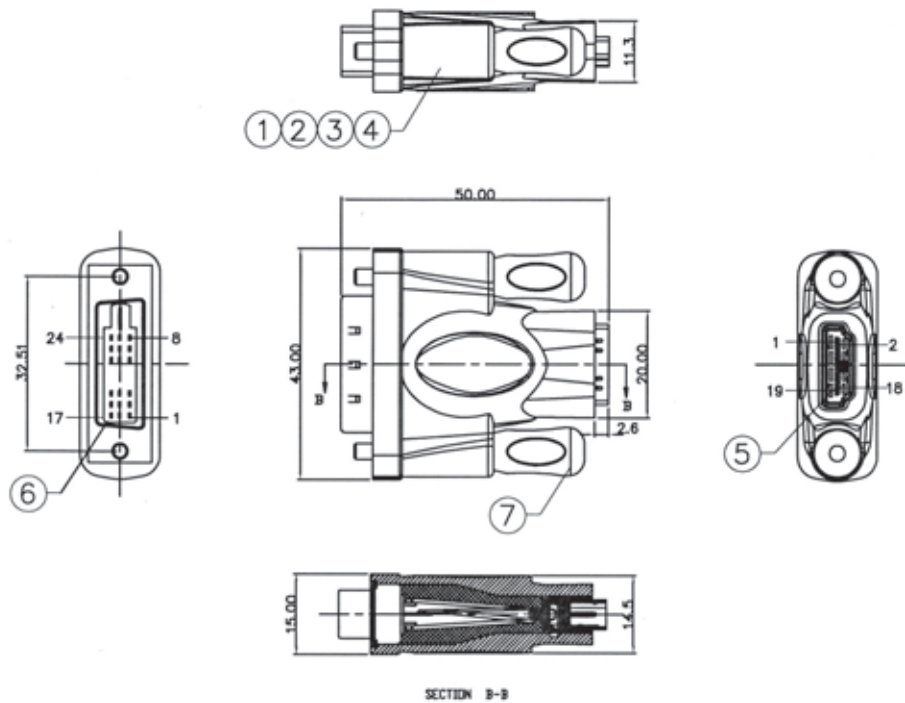
### 3. INSULATOR COLOR:

"B" BLACK  
"W" WHITE  
"U" BLUE  
"R" RED  
"Y" YELLOW

### 4. CONTACT FINISH:

"15" 15 MICROINCH GOLD  
"30" 30 MICROINCH GOLD

# HDMI 19F TO DVI 24+1P MALE ADAPTER



## PIN ASSIGNMENT:

DVI CONN.	HDMI 19P CONN.	DVI CONN.	HDMI 19P CONN.
1	3 (TMDS Data 2-)	14	18 (+5V Power)
2	1 (TMDS Data 2+)	15	17 (Ground)
3	2 (TMDS Data 2 Shield)	6	15 (DDC Clock)
9	6 (TMDS Data 1-)	7	16 (DDC Data)
10	4 (TMDS Data 1+)	16	19 (Hot Plug Detect)
11	5 (TMDS Data 1 Shield)	SHELL	SHELL
17	9 (TMDS Data 0-)		
18	7 (TMDS Data 0+)		
19	8 (TMDS Data 0 Shield)		
24	12 (TMDS Clock -)		
23	10 (TMDS Clock +)		
22	11 (TMDS Clock Shield)		

## ORDERING INFORMATION:

P/N A D H M -  $\frac{028}{1} \frac{x}{2} \frac{x}{3} \frac{x}{4}$

P/N REVISED

### 1. ADAPTER TYPE:

"028" HDMI 19 PIN FEMALE TO  
DVI 24+1P MALE (DIGITAL)

### 2. SHELL FINISH:

"G" GOLD FLASH PLATED  
"N" NICKEL PLATED

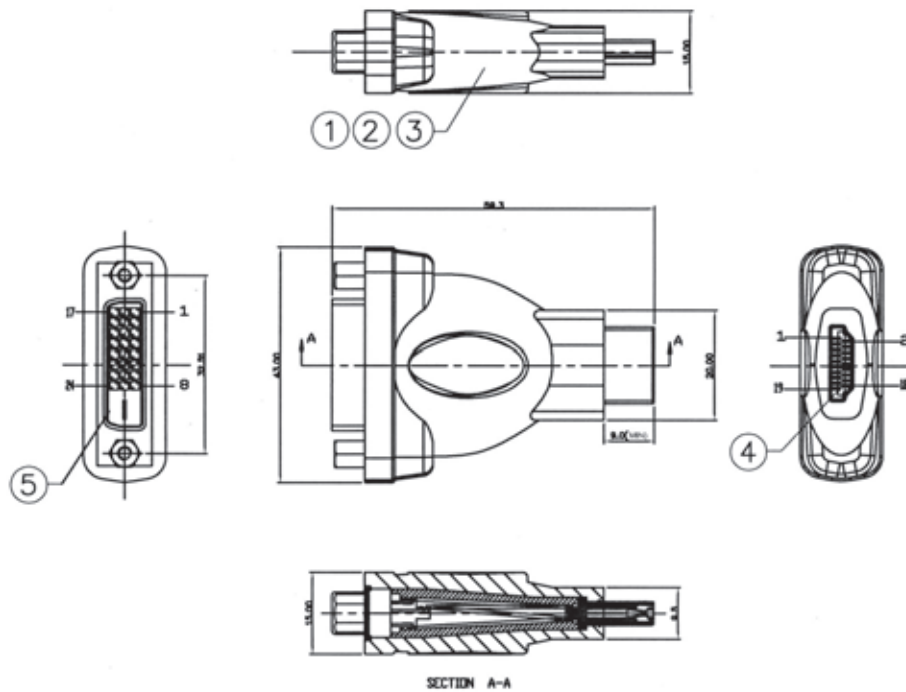
### 3. INSULATOR COLOR:

"B" BLACK  
"R" RED  
"Y" YELLOW  
"U" LIGHT BLUE (7541C)  
"A" GRAY (431C)  
"W" WHITE

### 4. CONTACT FINISH:

"15" 15 MICROINCH GOLD (HDMI)  
"30" 30 MICROINCH GOLD (HDMI)

# HDMI 19M TO DVI 24+1P FEMALE ADAPTER



## PIN ASSIGNMENT:

DVI(24+1)F CONN.	HDMI 19P CONN.	DVI(24+1)F CONN.	HDMI 19P CONN.
1	3 (TMDS Data 2-)	14	18 (+5V Power)
2	1 (TMDS Data 2+)	15	17 (Ground)
3	2 (TMDS Data 2 Shield)	6	15 (DDC Clock)
9	6 (TMDS Data 1-)	7	16 (DDC Data)
10	4 (TMDS Data 1+)	16	19 (Hot Plug Detect)
11	5 (TMDS Data 1 Shield)	SHELL	SHELL
17	9 (TMDS Data 0-)		
18	7 (TMDS Data 0+)		
19	8 (TMDS Data 0 Shield)		
24	12 (TMDS Clock -)		
23	10 (TMDS Clock +)		
22	11 (TMDS Clock Shield)		

## ORDERING INFORMATION:

P/N A D H M -  $\frac{029}{1} \frac{x}{2} \frac{x}{3} \frac{x}{4}$

P/N REVISED

### 1. ADAPTER TYPE:

"029" HDMI 19 PIN MALE TO  
DVI 24+1P FEMALE (DIGITAL)

### 2. SHELL FINISH:

"G" GOLD FLASH PLATED  
"N" NICKEL PLATED

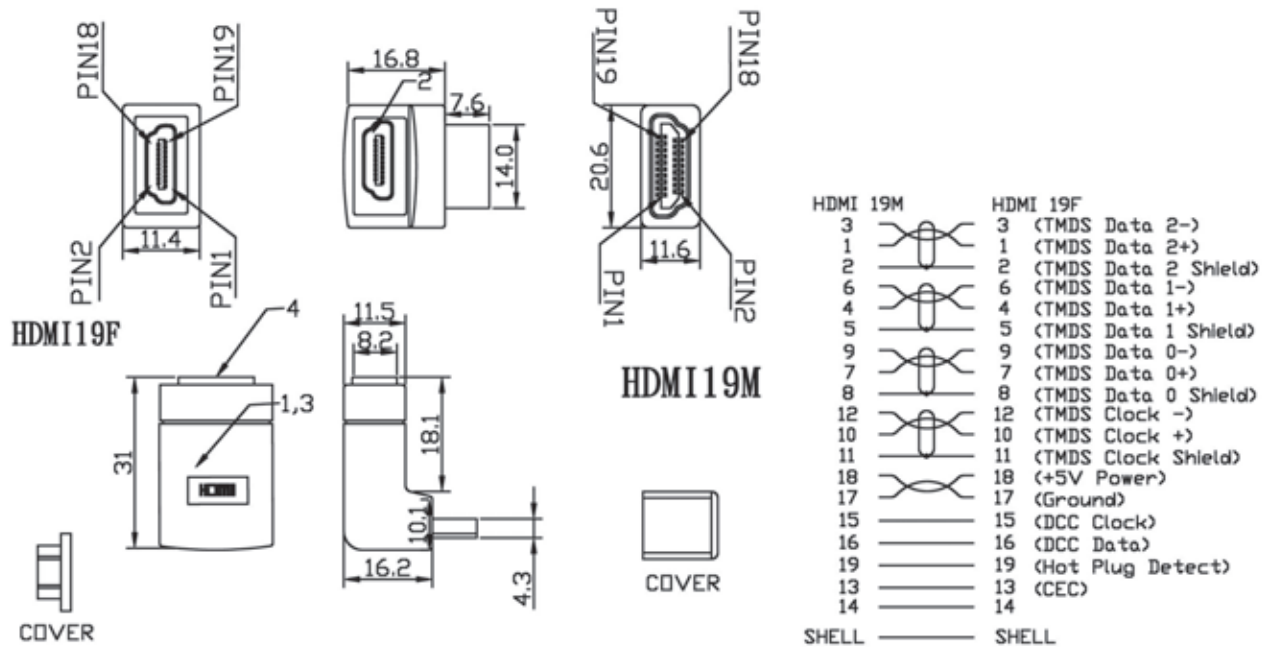
### 3. INSULATOR COLOR:

"B" BLACK  
"W" WHITE  
"R" RED  
"Y" YELLOW

### 4. CONTACT FINISH:

"15" 15 MICROINCH GOLD (HDMI)  
"30" 30 MICROINCH GOLD (HDMI)

## HDMI ADAPTER F/M RIGHT ANGLE TYPE



	DESCRIPTION
1	UL1007 30AWG STRANDED X 7
2	HDMI A 19P FEMALE SHELL PLATED: GOLD CONTACT: G/F
3	OUTTER MOLD PVC 55%: BLACK IN COLOR
4	HDMI A 19P MALE SHELL PLATED: GOLD CONTACT: G/F

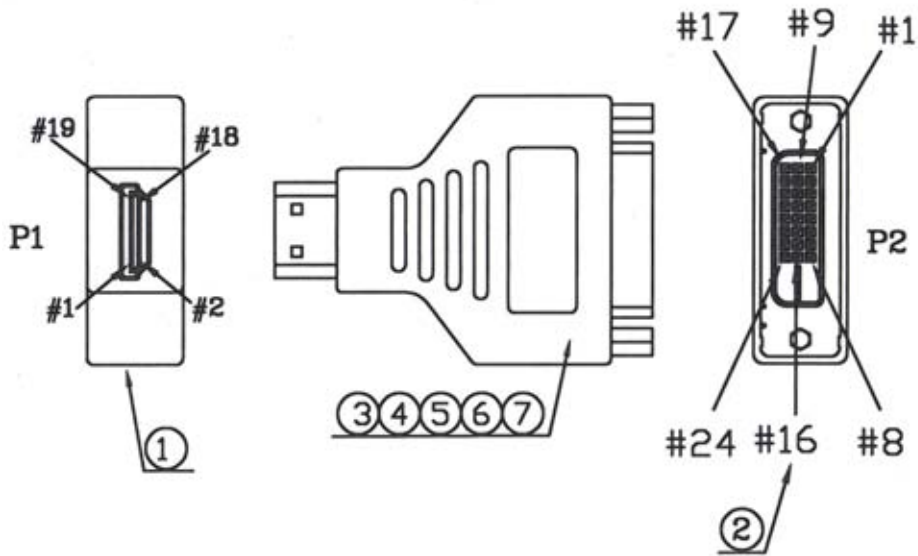
### ORDERING INFORMATION:

P/N A D H M -  $\frac{0}{1} \frac{30}{2} \frac{x}{3} \frac{B}{3}$

- ADAPTER TYPE:  
"030" HDMI 19 PIN FEMALE TO  
MALE DOWNWARD R/A TYPE
- SHELL FINISH:  
"G" GOLD FLASH PLATED  
"N" NICKEL PLATED
- INSULATOR COLOR:  
"B" BLACK



# HDMI ADAPTER AM TO DVI 25 PIN FEMALE TYPE



## PIN ASSIGNMENT

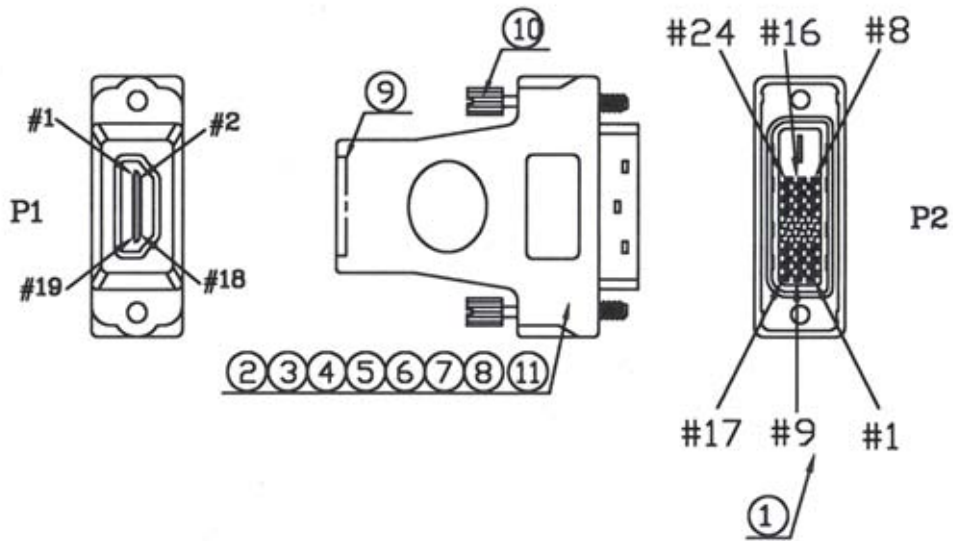
P1	P2
1	2
3	1
2	3
4	10
6	9
5	11
7	18
9	17
8	19
10	23
12	24
11	22
15	6
16	7
17	15
19	16
18	14
S	S

## ORDERING INFORMATION:

P/N A D H M - 0 3 1 N B  
                                   1    2  3

1. ADAPTER TYPE:  
"031" HDMI A TYPE MALE TO  
DVI 24+KEY FEMALE
2. SHELL FINISH:  
"N" NICKEL PLATED
3. INSULATOR COLOR:  
"B" BLACK

## HDMI ADAPTER AF TO DVI 19 PIN MALE TYPE



### PIN ASSIGNMENT

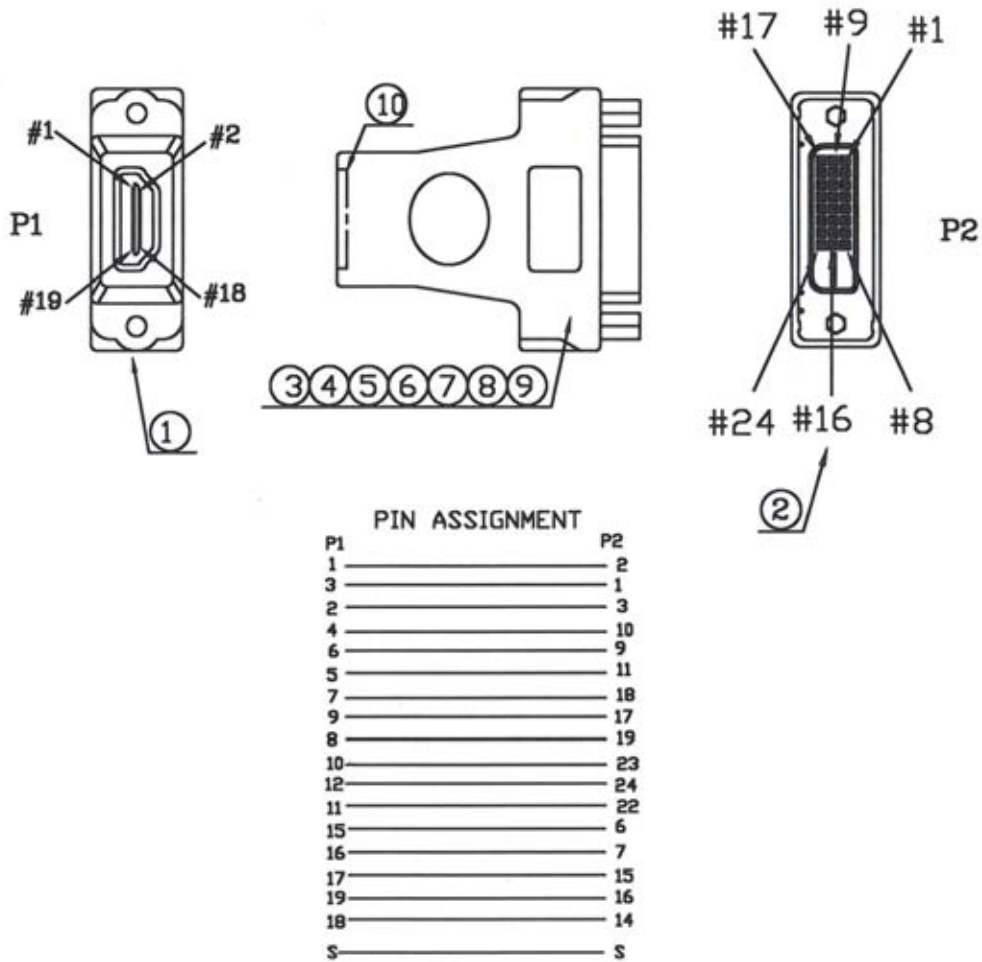
P1	P2
1	2
3	1
2	3
4	10
6	9
5	11
7	18
9	17
8	19
10	23
12	24
11	22
15	6
16	7
17	15
19	16
18	14
S	S

### ORDERING INFORMATION:

P/N A D H M -  $\frac{032}{1}$   $\frac{N}{2}$   $\frac{B}{3}$

1. ADAPTER TYPE:  
"032" HDMI A TYPE FEMALE TO  
DVI 18+KEY MALE
2. SHELL FINISH:  
"N" NICKEL PLATED
3. INSULATOR COLOR:  
"B" BLACK

## HDMI ADAPTER AF TO DVI 25 PIN FEMALE TYPE

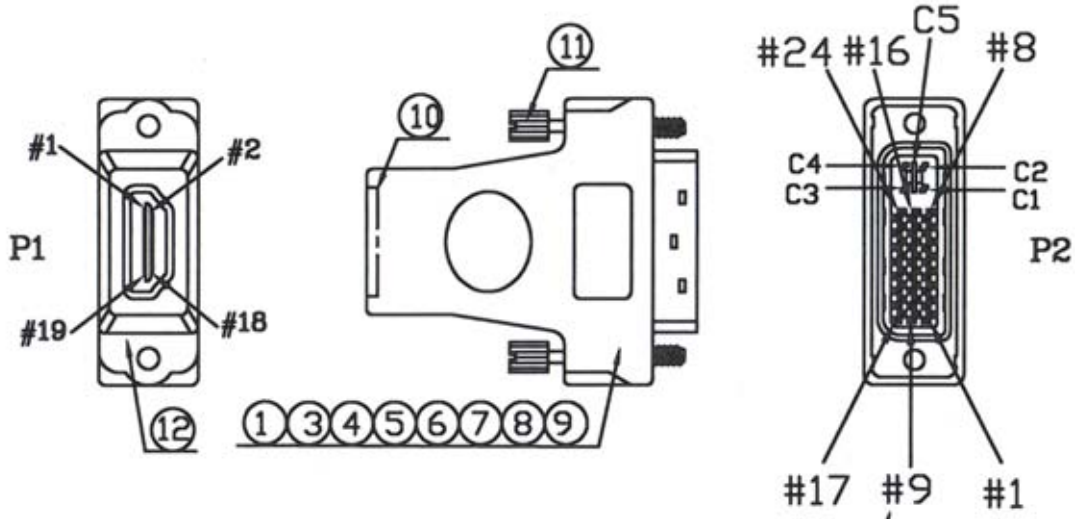


### ORDERING INFORMATION:

P/N A D H M -  $\frac{0}{1} \frac{3}{2} \frac{3}{3} \frac{N}{W}$

- ADAPTER TYPE:  
"033" HDMI A TYPE FEMALE TO  
DVI 24+KEY FEMALE
- SHELL FINISH:  
"N" NICKEL PLATED
- INSULATOR COLOR:  
"W" WHITE

# HDMI ADAPTER AF TO DVI 29 PIN MALE TYPE



**PIN ASSIGNMENT**

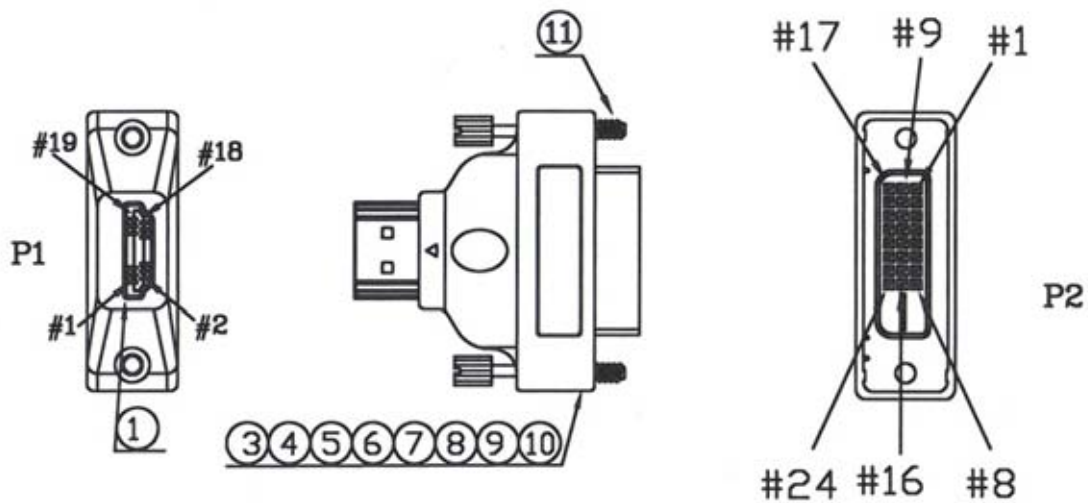
P1	P2
1	2
3	1
2	3
4	10
6	9
5	11
7	18
9	17
8	19
10	23
12	24
11	22
15	6
16	7
17	15
19	16
18	14
S	S

## ORDERING INFORMATION:

**P/N A D H M - 0 3 4 N B**  
1    2    3

1. ADAPTER TYPE:  
"034" HDMI A TYPE FEMALE TO  
DVI 24+4+KEY MALE
2. SHELL FINISH:  
"N" NICKEL PLATED
3. INSULATOR COLOR:  
"B" BLACK

# HDMI ADAPTER AM TO DVI 25 PIN FEMALE TYPE



**PIN ASSIGNMENT**

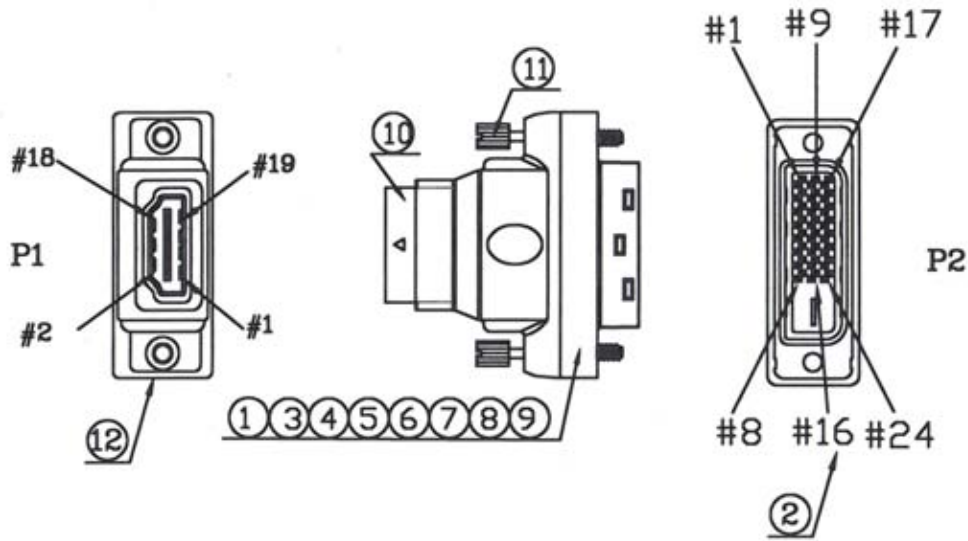
P1	P2
1	2
3	1
2	3
4	10
6	9
5	11
7	18
9	17
8	19
10	23
12	24
11	22
15	6
16	7
17	15
19	16
18	14
S	S

## ORDERING INFORMATION:

**P/N A D H M -  $\frac{035NB}{1\ 2\ 3}$**

1. ADAPTER TYPE:  
"035" HDMI A TYPE MALE TO  
DVI 24+KEY FEMALE
2. SHELL FINISH:  
"N" NICKEL PLATED
3. INSULATOR COLOR:  
"B" BLACK

## HDMI ADAPTER AF TO DVI 25 PIN MALE TYPE



**PIN ASSIGNMENT**

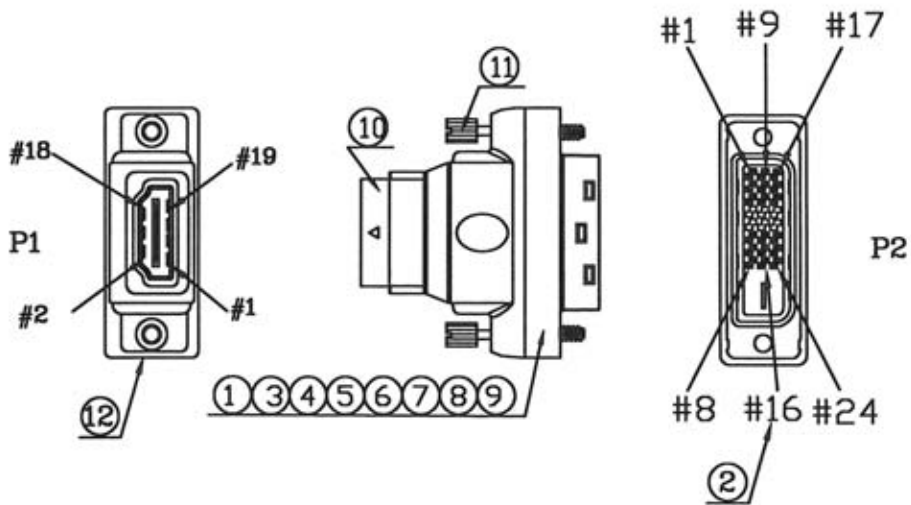
P1	P2
1	2
3	1
2	3
4	10
6	9
5	11
7	18
9	17
8	19
10	23
12	24
11	22
15	6
16	7
17	15
19	16
18	14
S	S

### ORDERING INFORMATION:

**P/N A D H M -  $\frac{036}{1} \frac{N}{2} \frac{B}{3}$**

1. ADAPTER TYPE:  
"036" HDMI A TYPE FEMALE TO  
DVI 24+KEY MALE
2. SHELL FINISH:  
"N" NICKEL PLATED
3. INSULATOR COLOR:  
"B" BLACK

## HDMI ADAPTER AF TO DVI 19 PIN MALE TYPE



### PIN ASSIGNMENT

P1	P2
1	2
3	1
2	3
4	10
6	9
5	11
7	18
9	17
8	19
10	23
12	24
11	22
15	6
16	7
17	15
19	16
18	14
S	S

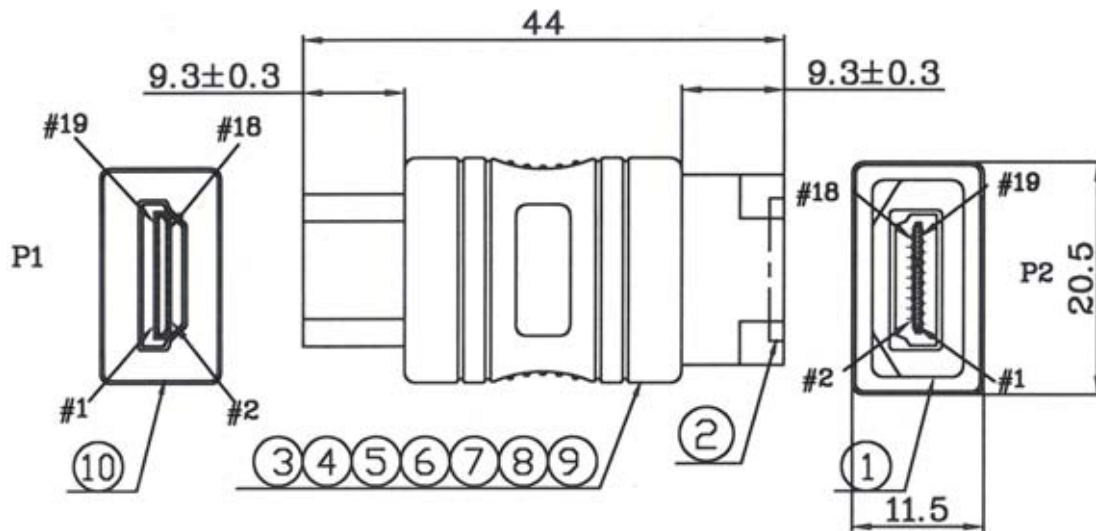
### ORDERING INFORMATION:

P/N A D H M -  $\frac{037}{1}$   $\frac{N}{2}$   $\frac{B}{3}$

1. ADAPTER TYPE:  
"037" HDMI A TYPE FEMALE TO  
DVI 18+KEY MALE
2. SHELL FINISH:  
"N" NICKEL PLATED
3. INSULATOR COLOR:  
"B" BLACK



## HDMI ADAPTER AM/AF TYPE



**PIN ASSIGNMENT**

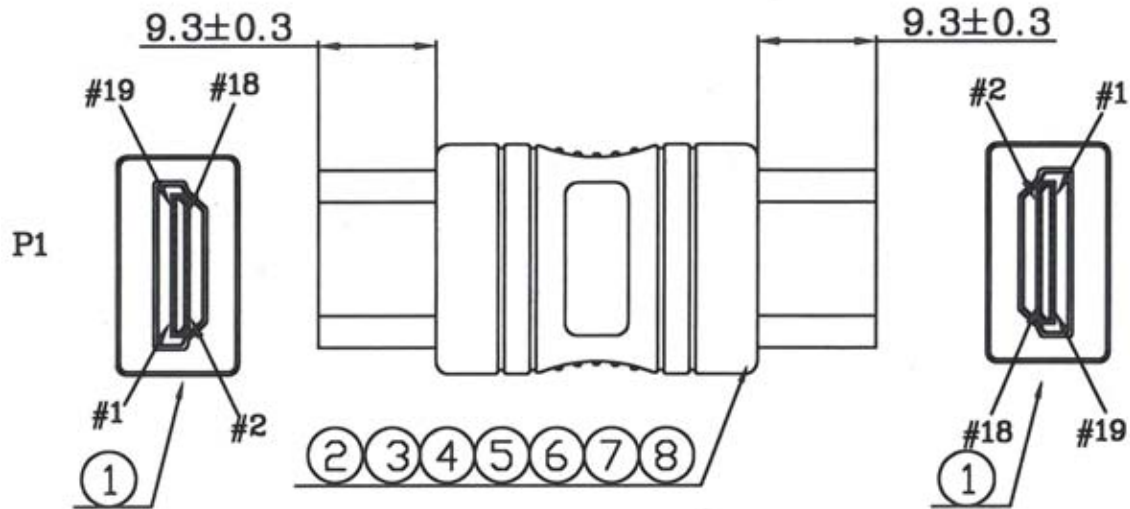
P1	P2
1	1
3	3
2	2
4	4
6	6
5	5
7	7
9	9
8	8
10	10
12	12
11	11
13	13
15	15
16	16
17	17
19	19
18	18
S	S

### ORDERING INFORMATION:

**P/N A D H M -  $\frac{038}{1} \frac{G}{2} \frac{B}{3}$**

1. ADAPTER TYPE:  
"038" HDMI A TYPE MALE TO  
HDMI A TYPE FEMALE
2. SHELL FINISH:  
"G" NICKEL PLATED
3. INSULATOR COLOR:  
"B" BLACK

## HDMI ADAPTER AM/AM TYPE



### PIN ASSIGNMENT

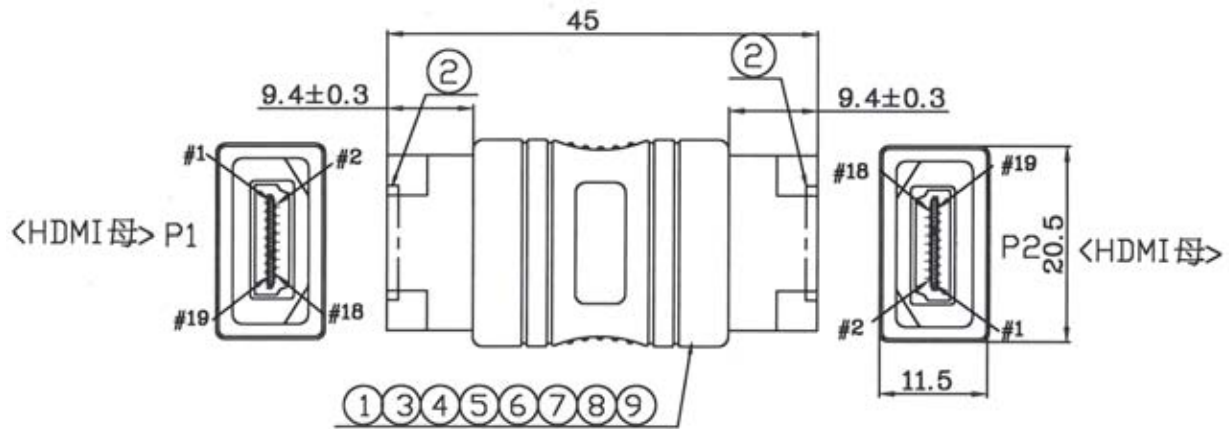
P1	P2
1	1
3	3
2	2
4	4
6	6
5	5
7	7
9	9
8	8
10	10
12	12
11	11
13	13
15	15
16	16
17	17
19	19
18	18
S	S

### ORDERING INFORMATION:

P/N A D H M -  $\frac{039}{1}$   $\frac{G}{2}$   $\frac{B}{3}$

1. ADAPTER TYPE:  
"039" HDMI A TYPE MALE TO  
HDMI A TYPE MALE
2. SHELL FINISH:  
"G" NICKEL PLATED
3. INSULATOR COLOR:  
"B" BLACK

## HDMI ADAPTER AF/AF TYPE



PIN ASSIGNMENT

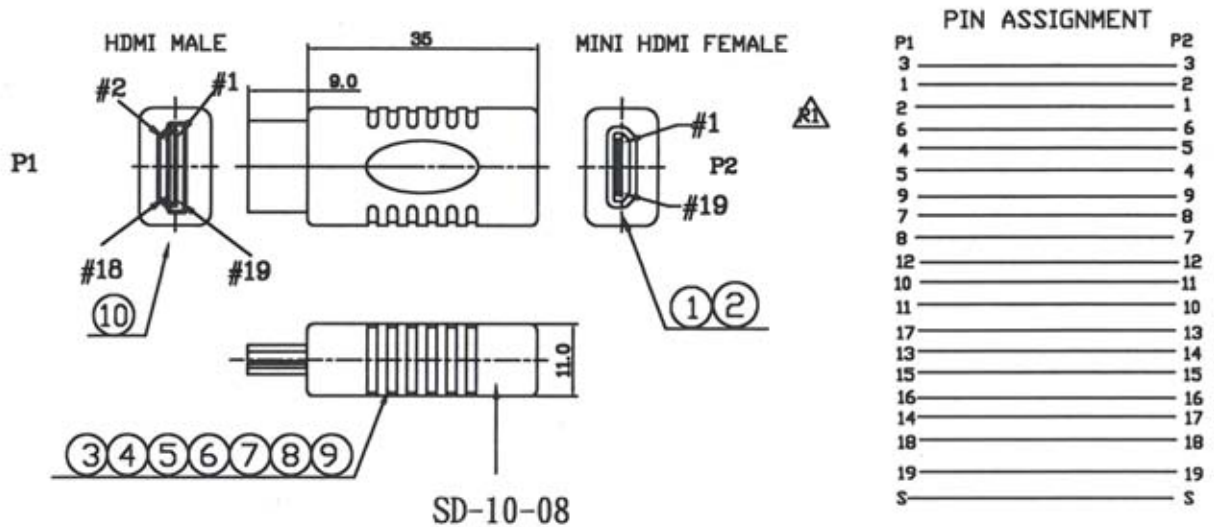
P1	P2
1	1
3	3
2	2
4	4
6	6
5	5
7	7
9	9
8	8
10	10
12	12
11	11
13	13
15	15
16	16
17	17
19	19
18	18
S	S

### ORDERING INFORMATION:

P/N A D H M -  $\frac{040}{1}$   $\frac{G}{2}$   $\frac{B}{3}$

1. ADAPTER TYPE:  
"040" HDMI A TYPE FEMALE TO  
HDMI A TYPE FEMALE
2. SHELL FINISH:  
"G" NICKEL PLATED
3. INSULATOR COLOR:  
"B" BLACK

# MINI HDMI FEMALE TO HDMI A TYPE MALE

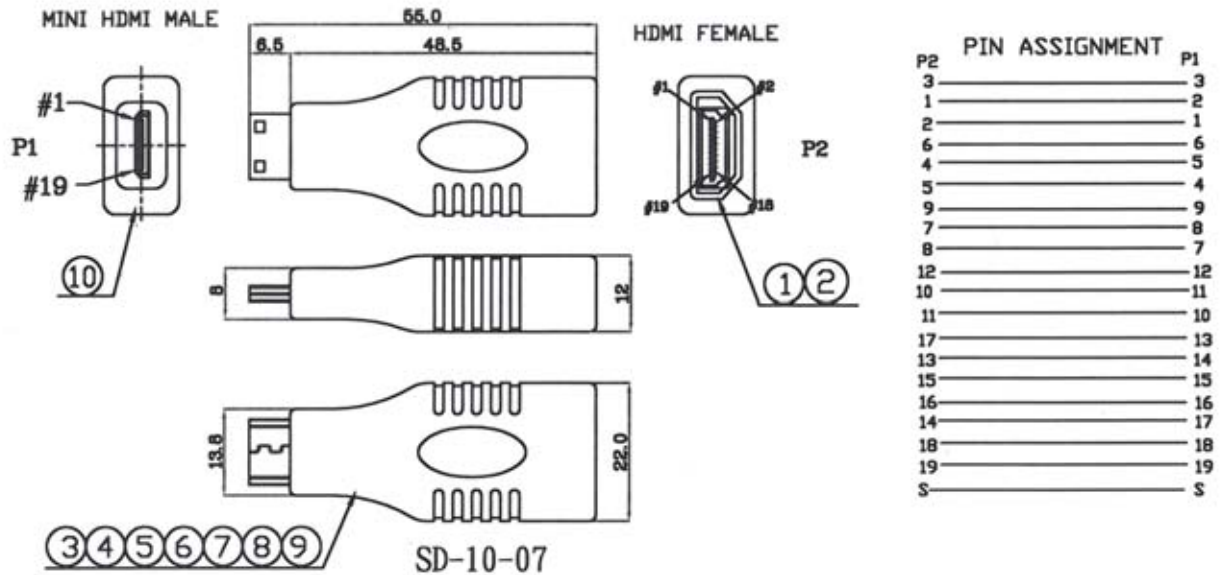


## ORDERING INFORMATION:

P/N A D H M - 0 4 1 G B  
                                   1    2 3

1. ADAPTER TYPE:  
"041" MINI HDMI FEMALE TO HDMI A TYPE MALE
2. SHELL FINISH:  
"G" NICKEL PLATED
3. INSULATOR COLOR:  
"B" BLACK

## MINI HDMI MALE TO HDMI AF ADAPTER

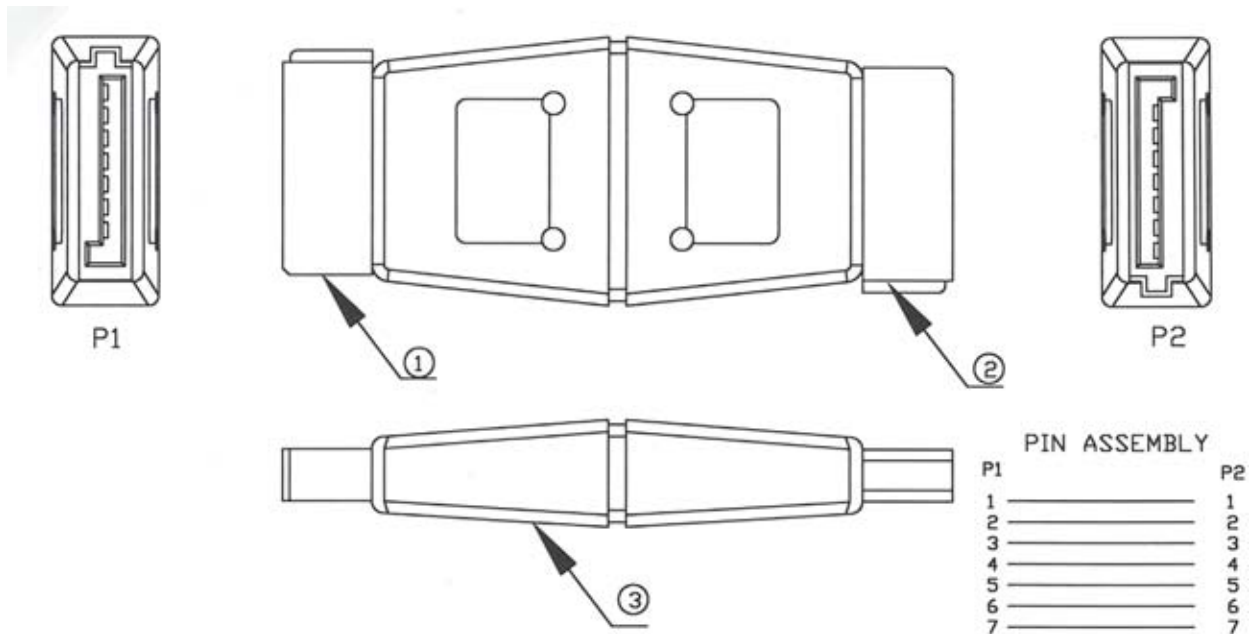


### ORDERING INFORMATION:

P/N A D H M -  $\frac{0}{1}$   $\frac{4}{2}$   $\frac{G}{3}$   $\frac{B}{3}$

1. ADAPTER TYPE:  
"042" MINI HDMI MALE TO  
HDMI A TYPE FEMALE
2. SHELL FINISH:  
"G" NICKEL PLATED
3. INSULATOR COLOR:  
"B" BLACK

## SERIAL ATA ADAPTER 7 PIN CABLE SIDE TO CABLE SIDE (1)

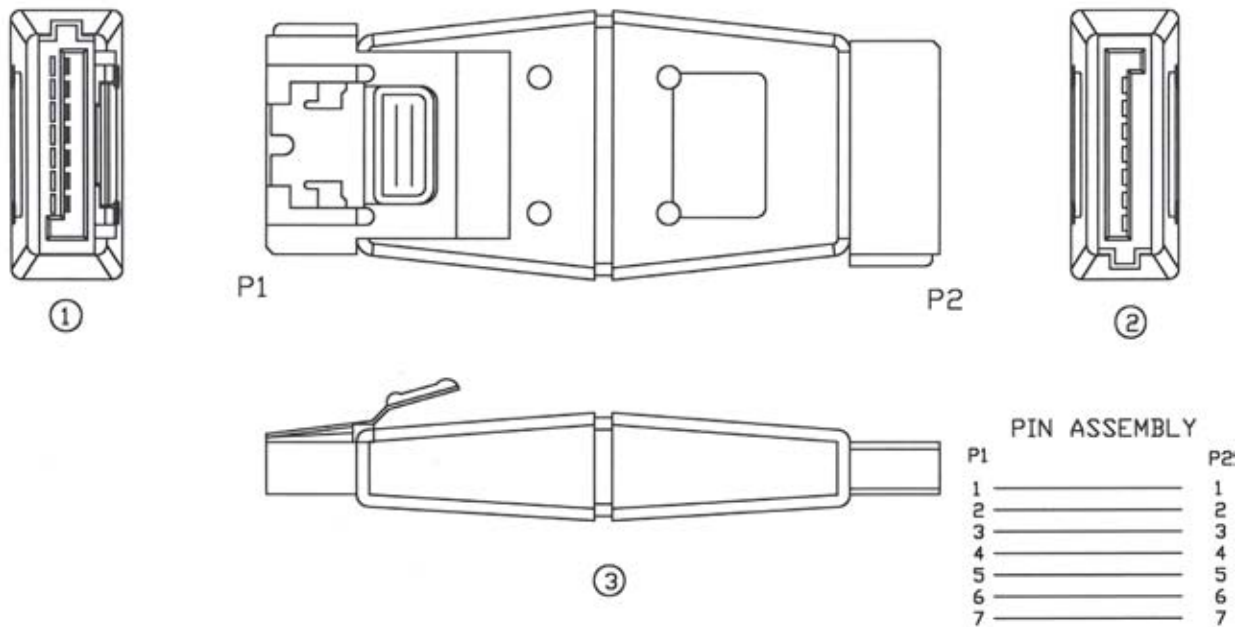


### ORDERING INFORMATION:

P/N A D S A - 001 B  
1 2

1. ADAPTER TYPE:  
"001" SATA 7P CABLE SIDE TO SATA 7P CABLE SIDE
2. INSULATOR COLOR:  
"B" BLACK

## SERIAL ATA ADAPTER 7 PIN CABLE SIDE TO CABLE SIDE (2)



### ORDERING INFORMATION:

P/N A D S A - 002 B  
                  1      2

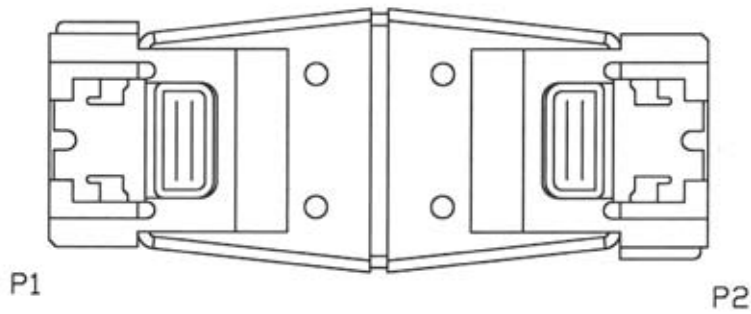
1. ADAPTER TYPE:  
"002" SATA 7P CABLE SIDE WITH LATCH  
TO SATA 7P CABLE SIDE
2. INSULATOR COLOR:  
"B" BLACK



## SERIAL ATA ADAPTER 7 PIN CABLE SIDE TO CABLE SIDE (3)

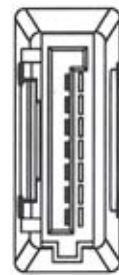


①

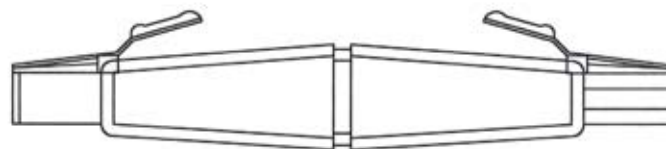


P1

P2



②



③

### PIN ASSEMBLY

P1		P2
1	_____	1
2	_____	2
3	_____	3
4	_____	4
5	_____	5
6	_____	6
7	_____	7

### ORDERING INFORMATION:

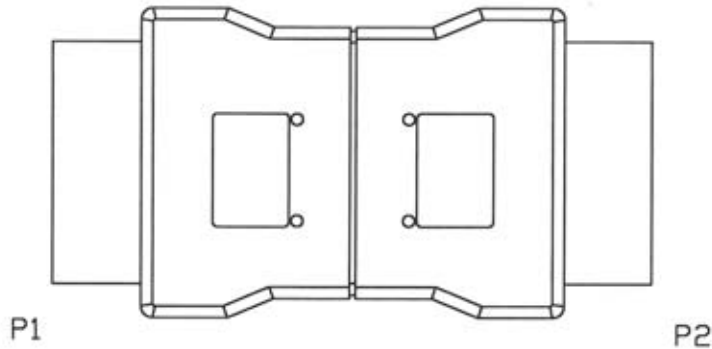
P/N A D S A - 003 B  
                  1      2

1. ADAPTER TYPE:  
"003" SATA 7P CABLE SIDE WITH LATCH TO  
SATA 7P CABLE SIDE WITH LATCH
2. INSULATOR COLOR:  
"B" BLACK

## SERIAL ATA ADAPTER 7 PIN PCB SIDE TO PCB SIDE

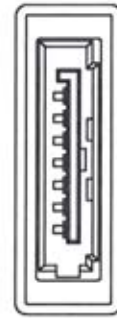


①

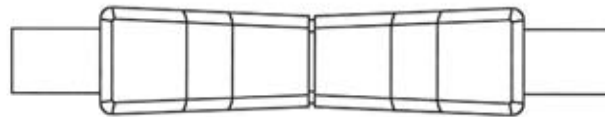


P1

P2



②



③

### PIN ASSEMBLY

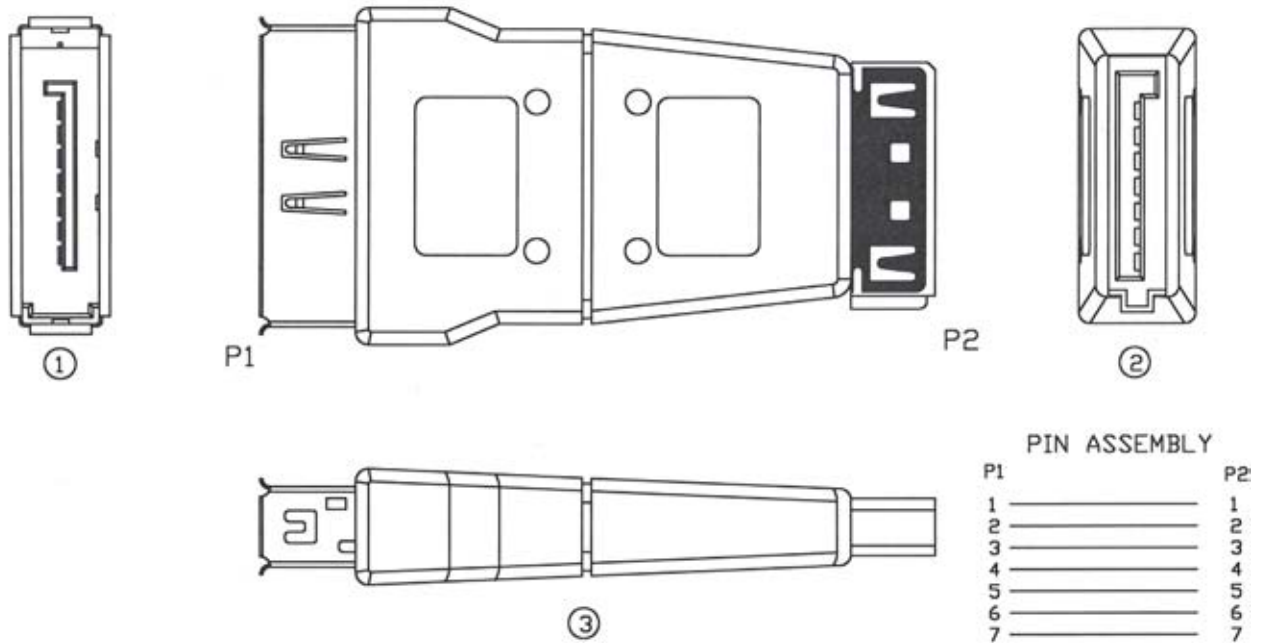
P1		P2
1	_____	1
2	_____	2
3	_____	3
4	_____	4
5	_____	5
6	_____	6
7	_____	7

### ORDERING INFORMATION:

P/N A D S A - 008 B  
1 2

1. ADAPTER TYPE:  
"008" SATA 7P PCB SIDE WITH LATCH TO  
SATA 7P PCB SIDE WITH LATCH
2. INSULATOR COLOR:  
"B" BLACK

## SERIAL ATA ADAPTER 7 PIN PCB SIDE TO CABLE SIDE (1)

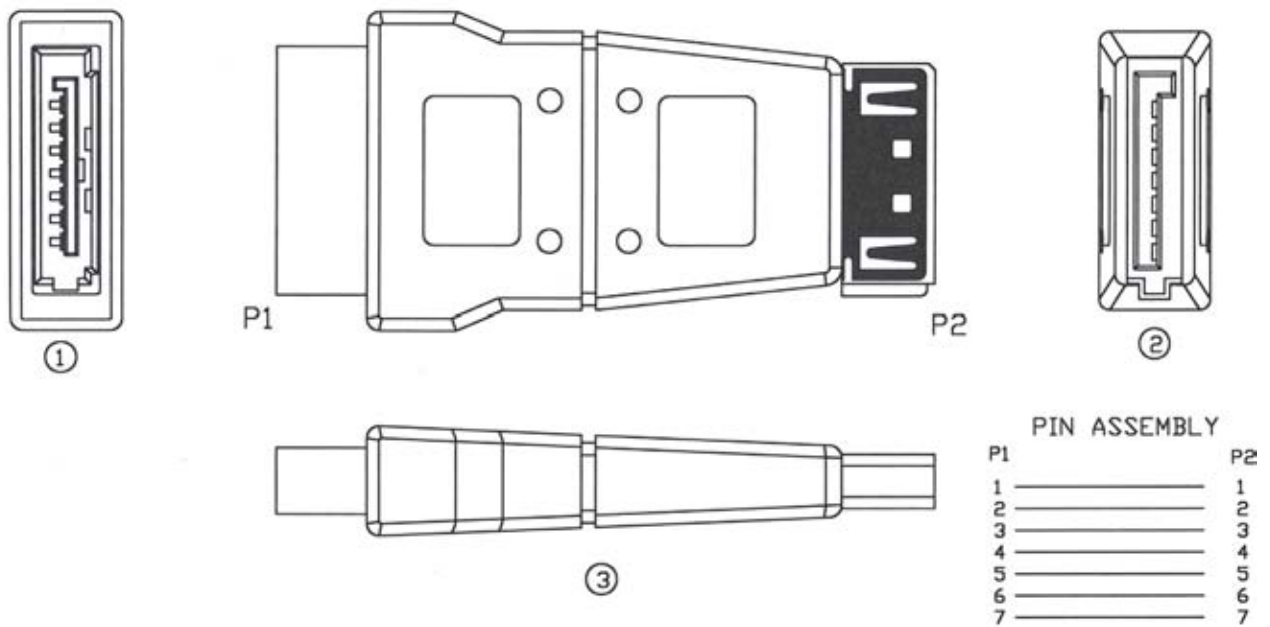


### ORDERING INFORMATION:

P/N A D S A - 010 B  
                  1      2

1. ADAPTER TYPE:  
"010" SATA 7P PCB SIDE WITH METAL SHELL TO  
SATA 7P CABLE SIDE WITH METAL SHELL
2. INSULATOR COLOR:  
"B" BLACK

## SERIAL ATA ADAPTER 7 PIN PCB SIDE TO CABLE SIDE (2)

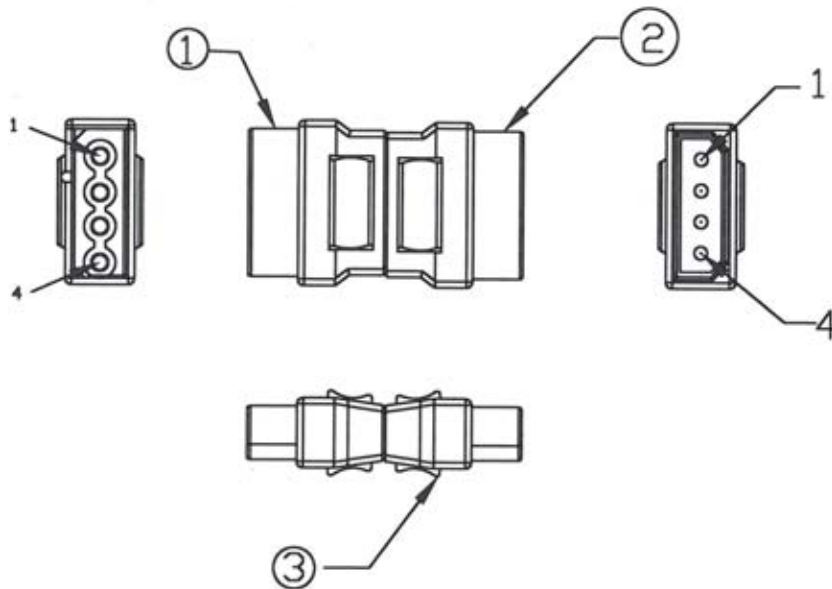


### ORDERING INFORMATION:

P/N A D S A - 013 B  
                  1      2

1. ADAPTER TYPE:  
"013" SATA 7P PCB SIDE WITH LATCH TO  
SATA 7P CABLE SIDE WITH METAL SHELL
2. INSULATOR COLOR:  
"B" BLACK

## SERIAL ATA ADAPTER 5.08MM 4 PIN FEMALE TO MALE POWER CONNECTOR



### PIN ASSEMBLY

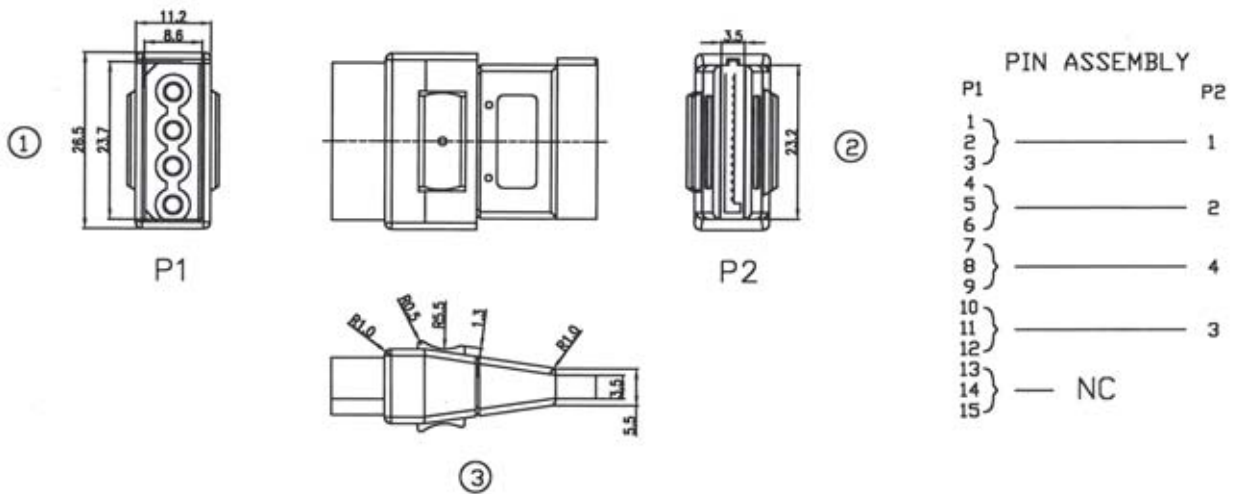
P1		P2
1	—————	1
2	—————	2
3	—————	3
4	—————	4

### ORDERING INFORMATION:

P/N A D S A - 018 B  
                  1      2

1. ADAPTER TYPE:  
"018" 5.08MM 4P POWER JACK TO  
5.08MM 4P POWER PLUG
2. INSULATOR COLOR:  
"B" BLACK

## SERIAL ATA ADAPTER BIG 4 PIN POWER JACK TO SATA 15 PIN CABLE SIDE

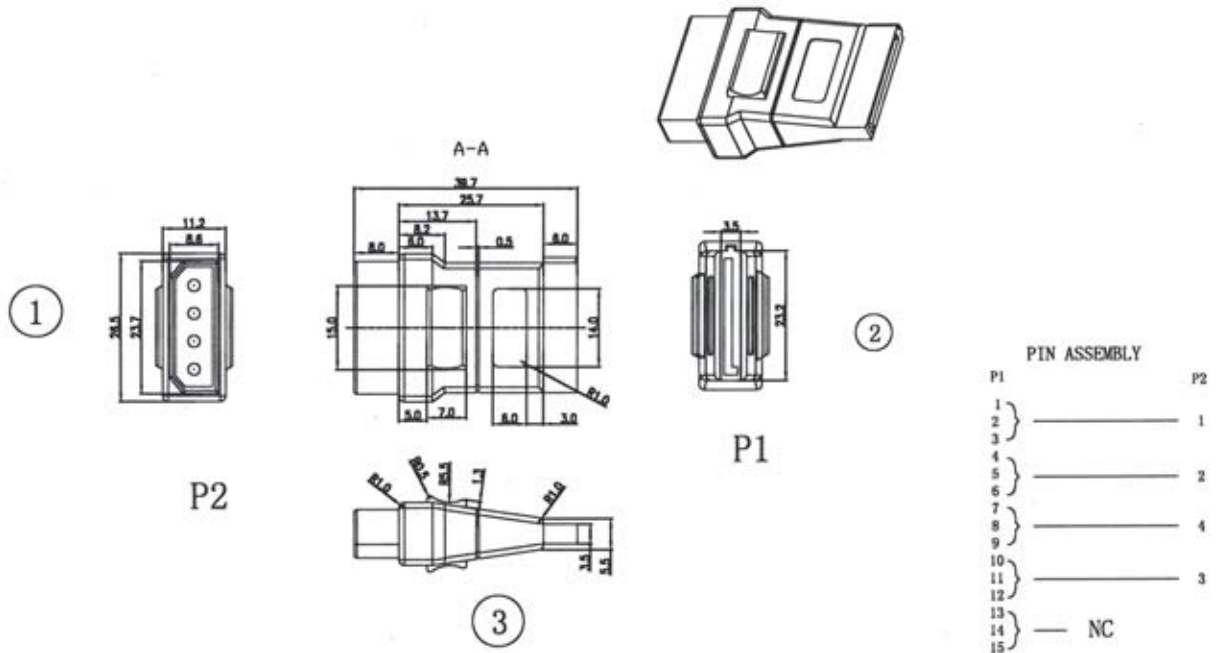


### ORDERING INFORMATION:

P/N A D S A - 021 B  
                                   1      2

1. ADAPTER TYPE:  
    "021" 5.08MM 4P POWER JACK TO  
       SATA 15P CABLE SIDE
2. INSULATOR COLOR:  
    "B" BLACK

# SERIAL ATA ADAPTER BIG 4 PIN POWER PLUG TO SATA 15 PIN CABLE SIDE



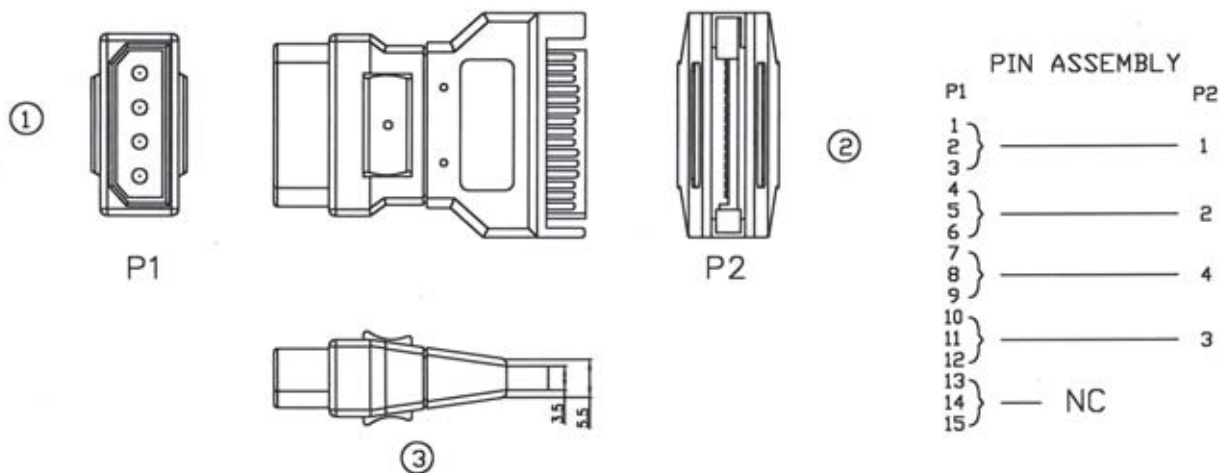
## ORDERING INFORMATION:

P/N A D S A - 022 B  
 1 2

- ADAPTER TYPE:  
"022" 5.08MM 4P POWER PLUG TO  
SATA 15P CABLE SIDE
- INSULATOR COLOR:  
"B" BLACK



## SERIAL ATA ADAPTER BIG 4 PIN POWER PLUG TO SATA 15 PIN PCB SIDE

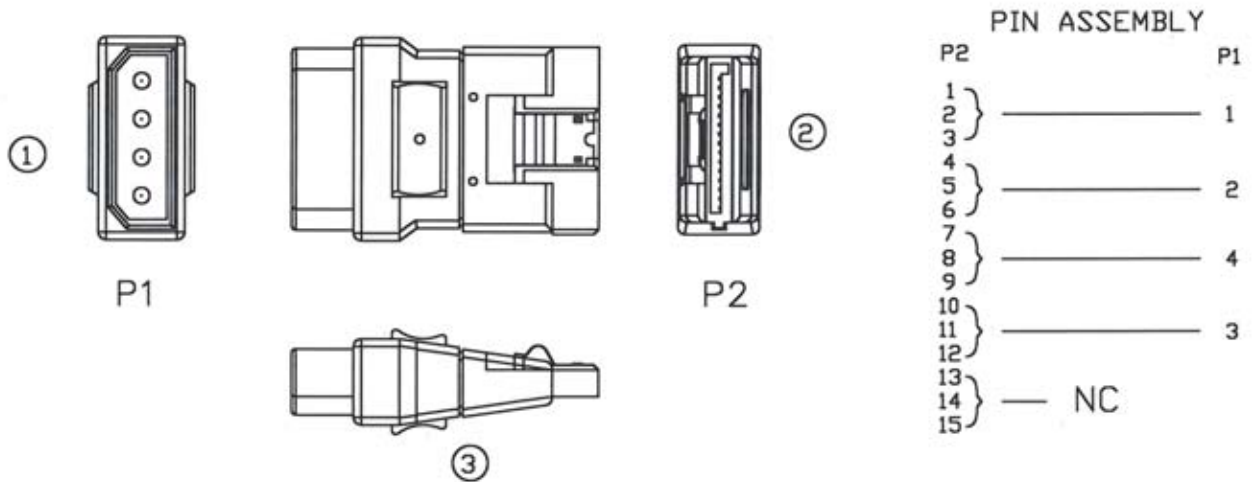


### ORDERING INFORMATION:

P/N A D S A - 024 B  
                  1      2

1. ADAPTER TYPE:  
"024" 5.08MM 4P POWER PLUG TO  
SATA 15P PCB SIDE
2. INSULATOR COLOR:  
"B" BLACK

## SERIAL ATA ADAPTER BIG 4 PIN POWER PLUG TO SATA 15 PIN CABLE SIDE

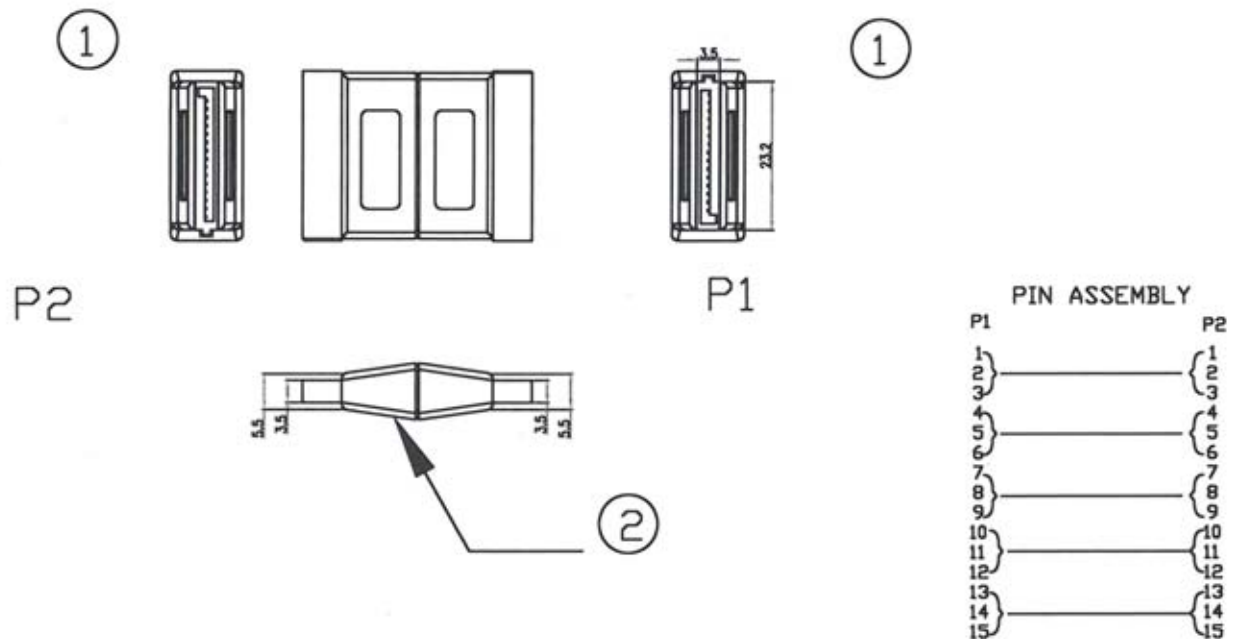


### ORDERING INFORMATION:

P/N A D S A - 026 B  
1 2

1. ADAPTER TYPE:  
"026" 5.08MM 4P POWER PLUG TO  
SATA 15P CABLE SIDE WITH LATCH
2. INSULATOR COLOR:  
"B" BLACK

## SERIAL ATA ADAPTER 15 PIN CABLE SIDE TO CABLE SIDE (1)

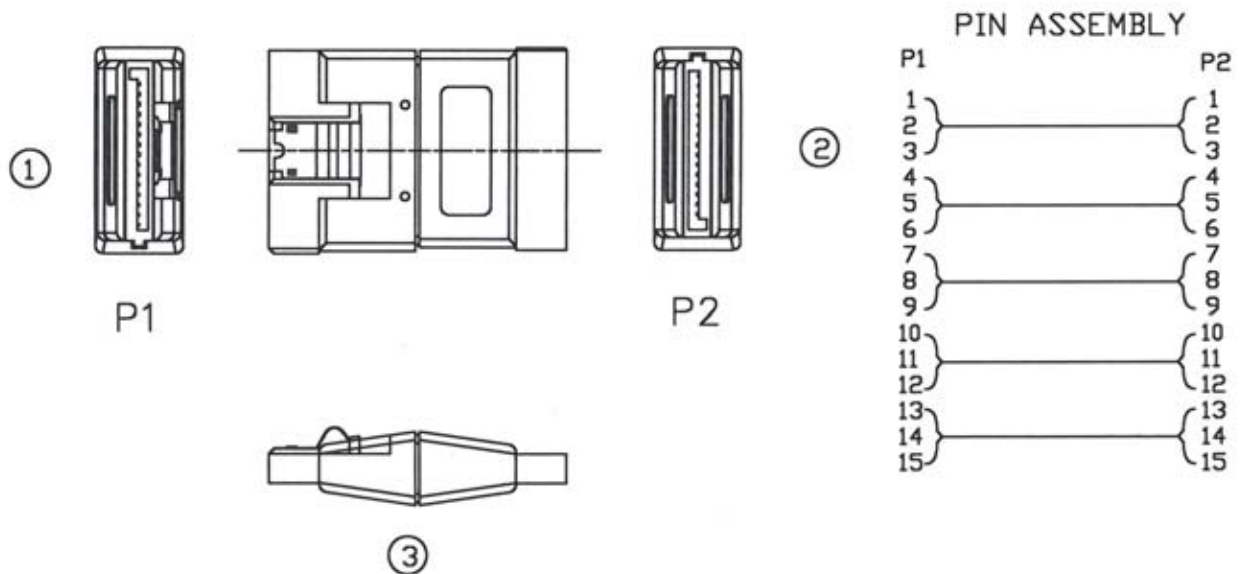


### ORDERING INFORMATION:

P/N A D S A - 027 B  
                  1      2

1. ADAPTER TYPE:  
"027" SATA 15P CABLE SIDE TO  
SATA 15P CABLE SIDE
2. INSULATOR COLOR:  
"B" BLACK

## SERIAL ATA ADAPTER 15 PIN CABLE SIDE TO CABLE SIDE (2)

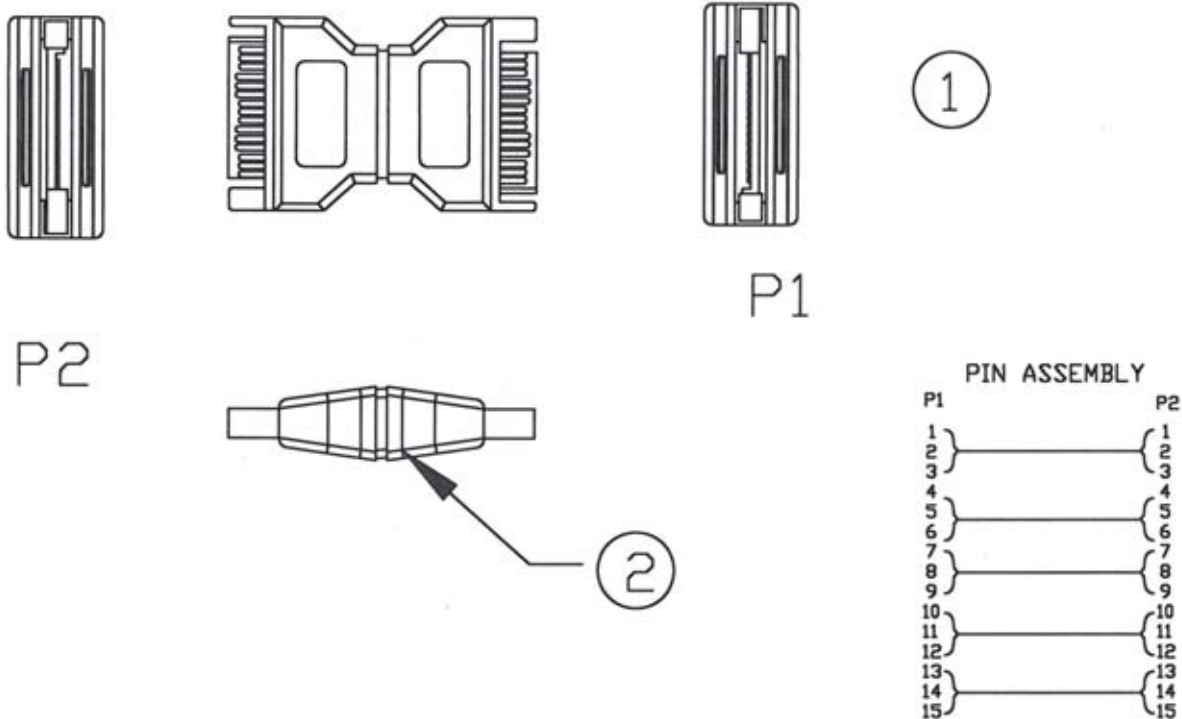


### ORDERING INFORMATION:

P/N A D S A - 0 2 8 B  
                  1      2

1. ADAPTER TYPE:  
"028" SATA 15P CABLE SIDE WITH LATCH TO  
SATA 15P CABLE SIDE
2. INSULATOR COLOR:  
"B" BLACK

## SERIAL ATA ADAPTER 15 PIN PCB SIDE TO PCB SIDE

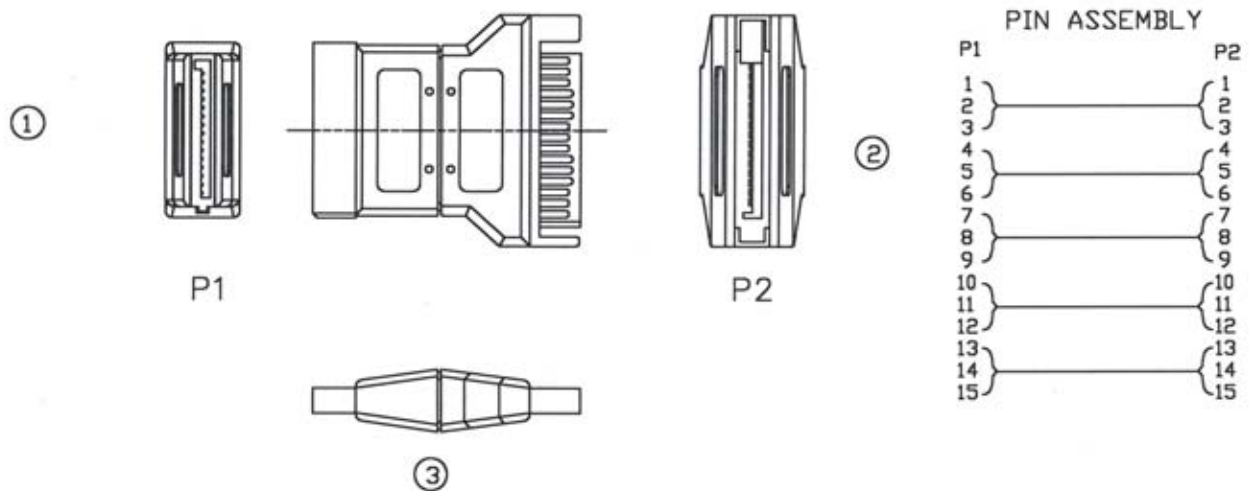


### ORDERING INFORMATION:

P/N A D S A - 030 B  
                  1      2

1. ADAPTER TYPE:  
"030" SATA 15P PCB SIDE TO  
SATA 15P PCB SIDE
2. INSULATOR COLOR:  
"B" BLACK

## SERIAL ATA ADAPTER 15 PIN CABLE SIDE TO PCB SIDE (1)

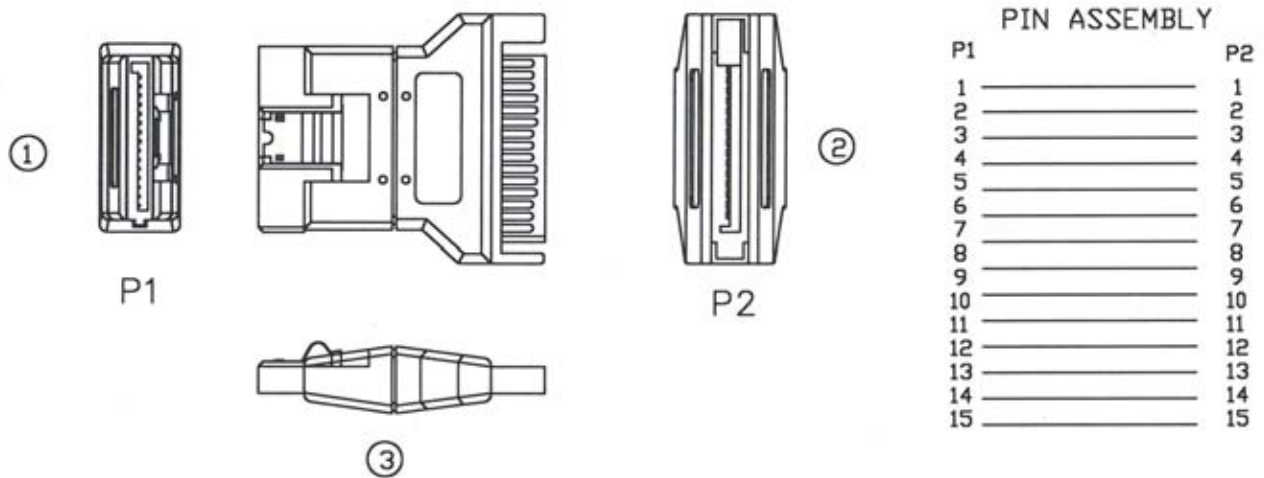


### ORDERING INFORMATION:

P/N A D S A - 031 B  
                  1      2

1. ADAPTER TYPE:  
"031" SATA 15P CABLE SIDE TO  
SATA 15P PCB SIDE
2. INSULATOR COLOR:  
"B" BLACK

## SERIAL ATA ADAPTER 15 PIN CABLE SIDE TO PCB SIDE (2)



### ORDERING INFORMATION:

P/N A D S A - 032 B  
                          1      2

1. ADAPTER TYPE:  
"032" SATA 15P CABLE SIDE WITH LATCH TO  
SATA 15P PCB SIDE
2. INSULATOR COLOR:  
"B" BLACK

## SLIM LINE SATA ADAPTER CABLE SIDE TO SATA CABLE SIDE

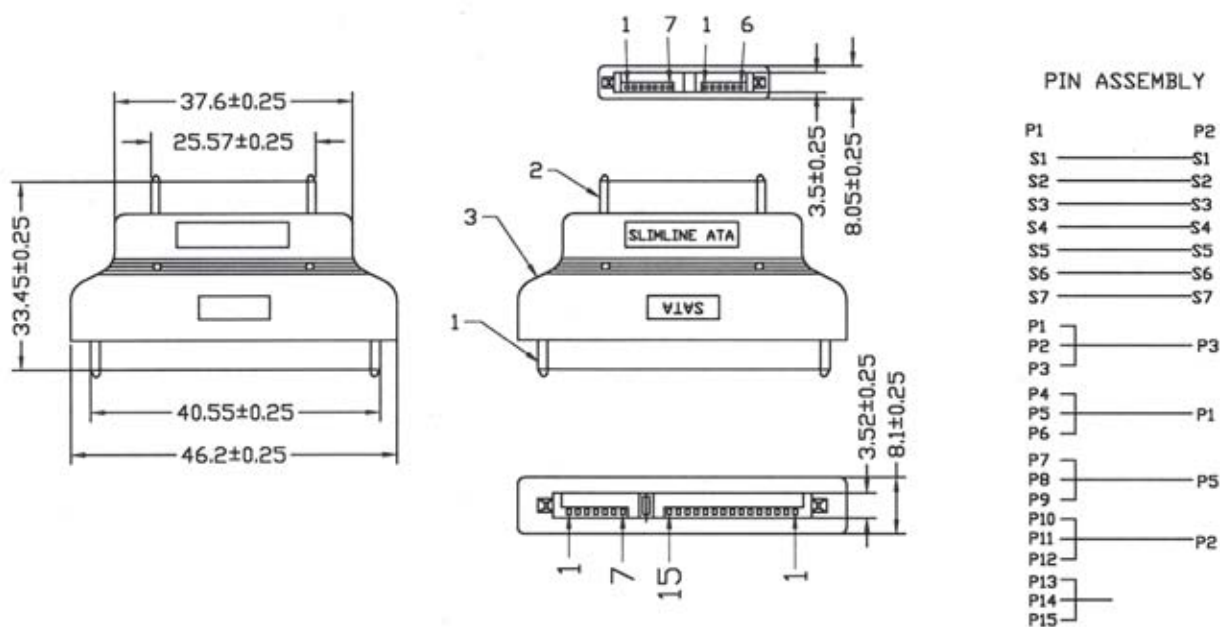
### SPECIFICATIONS

HI-POT: DC300V/10MS

Insulation Resistance: 5M Ohm

Contact Resistance: 10 Ohm

\*RoHS & REACH compliant.



### ORDERING INFORMATION:

P/N A D S A -  $\frac{033B}{12}$

#### 1. ADAPTER TYPE:

"033" SLIMLINE SATA 7+6 PIN CABLE SIDE TO  
SATA 7+15 PIN CABLE SIDE

#### 2. INSULATOR COLOR:

"B" BLACK



# SLIM LINE SATA ADAPTER PCB SIDE TO SATA CABLE SIDE

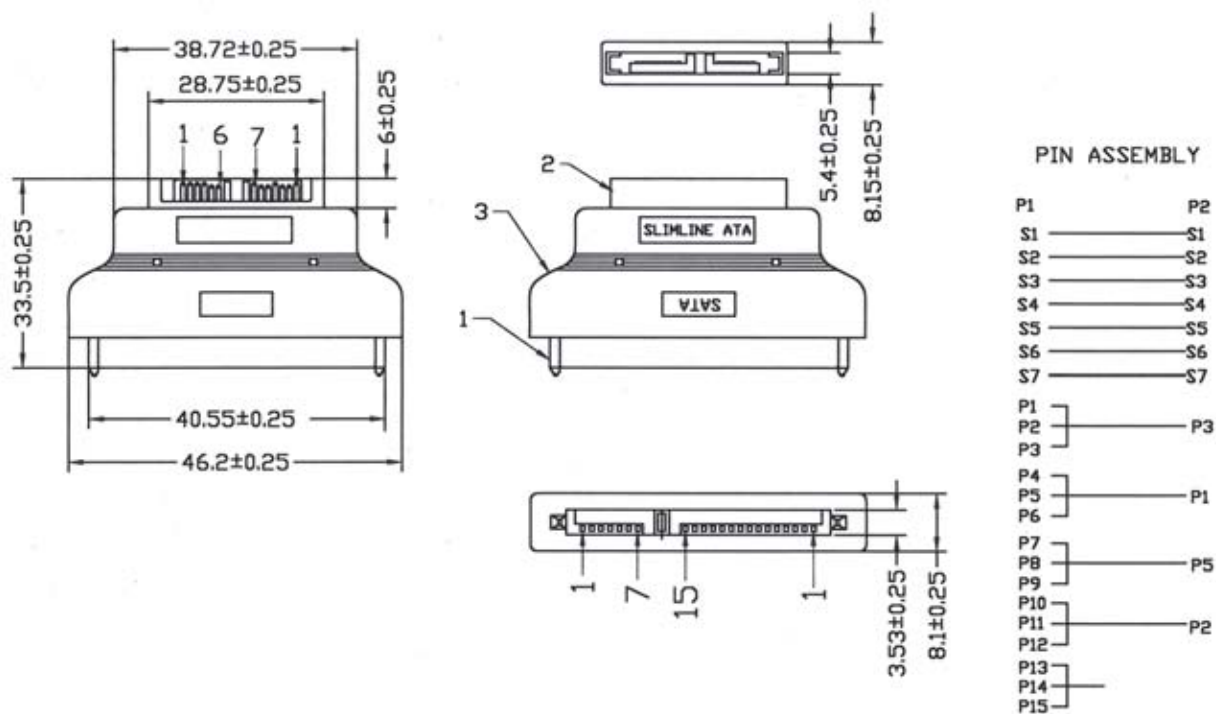
## SPECIFICATIONS

HI-POT: DC300V/10MS

Insulation Resistance: 5M Ohm

Contact Resistance: 10 Ohm

\*RoHS & REACH compliant.



## ORDERING INFORMATION:

P/N A D S A -  $\frac{034}{1} \frac{B}{2}$

### 1. ADAPTER TYPE:

"034" SLIMLINE SATA 7+6 PIN PCB SIDE TO  
SATA 7+15 PIN CABLE SIDE

### 2. INSULATOR COLOR:

"B" BLACK

## MICRO SATA ADAPTER PCB SIDE TO SATA PCB SIDE

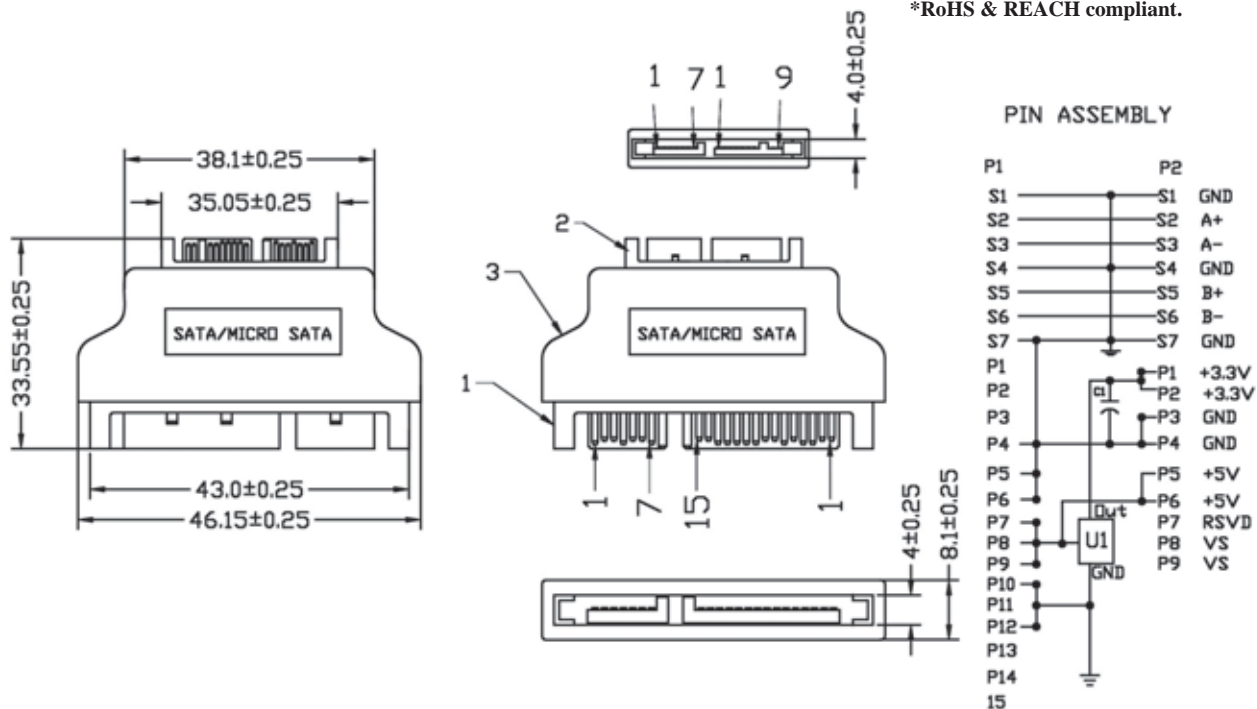
### SPECIFICATIONS

HI-POT: DC300V/10MS

Insulation Resistance: 5M Ohm

Contact Resistance: 10 Ohm

\*RoHS & REACH compliant.



### ORDERING INFORMATION:

P/N A D S A -  $\frac{035}{1} \frac{B}{2}$

- ADAPTER TYPE:  
"035" MICRO SATA 7+9 PIN PCB SIDE TO  
SATA 7+15 PIN PCB SIDE
- INSULATOR COLOR:  
"B" BLACK

# MICRO SATA ADAPTER CABLE SIDE TO SATA PCB SIDE

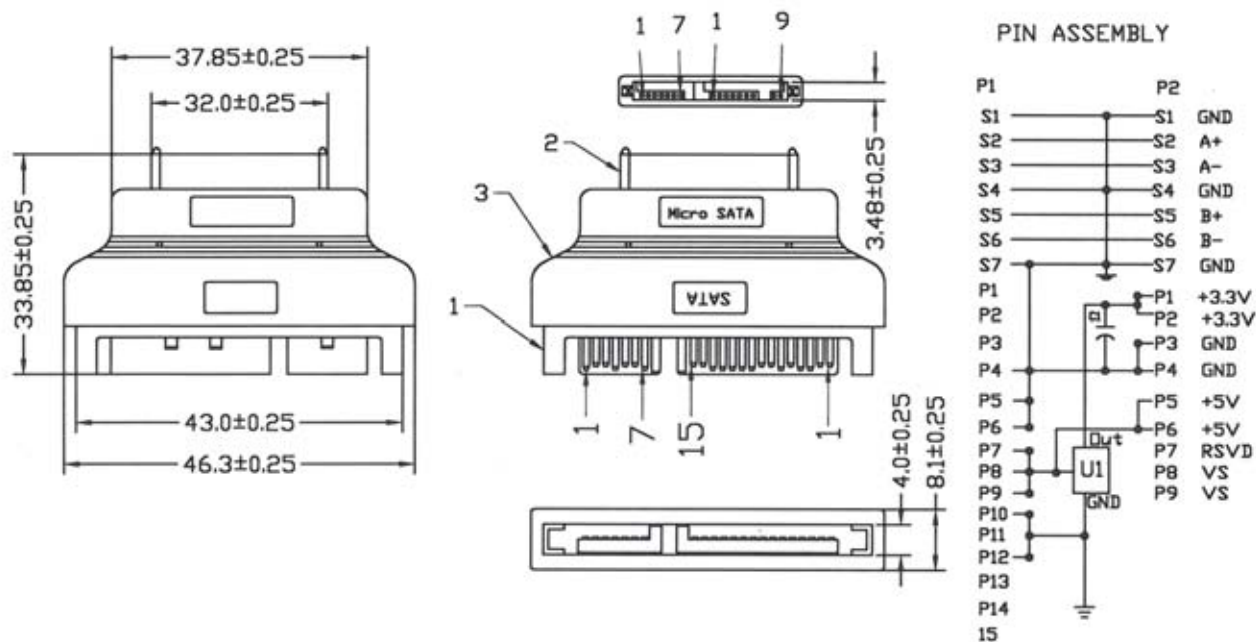
## SPECIFICATIONS

HI-POT: DC300V/10MS

Insulation Resistance: 5M Ohm

Contact Resistance: 10 Ohm

\*RoHS & REACH compliant.



## ORDERING INFORMATION:

P/N A D S A -  $\frac{036}{1} \frac{B}{2}$

- ADAPTER TYPE:  
"036" MICRO SATA 7+9 PIN CABLE SIDE TO  
SATA 7+15 PIN PCB SIDE
- INSULATOR COLOR:  
"B" BLACK

## SLIMLINE SATA ADAPTER CABLE SIDE TO SATA PCB SIDE

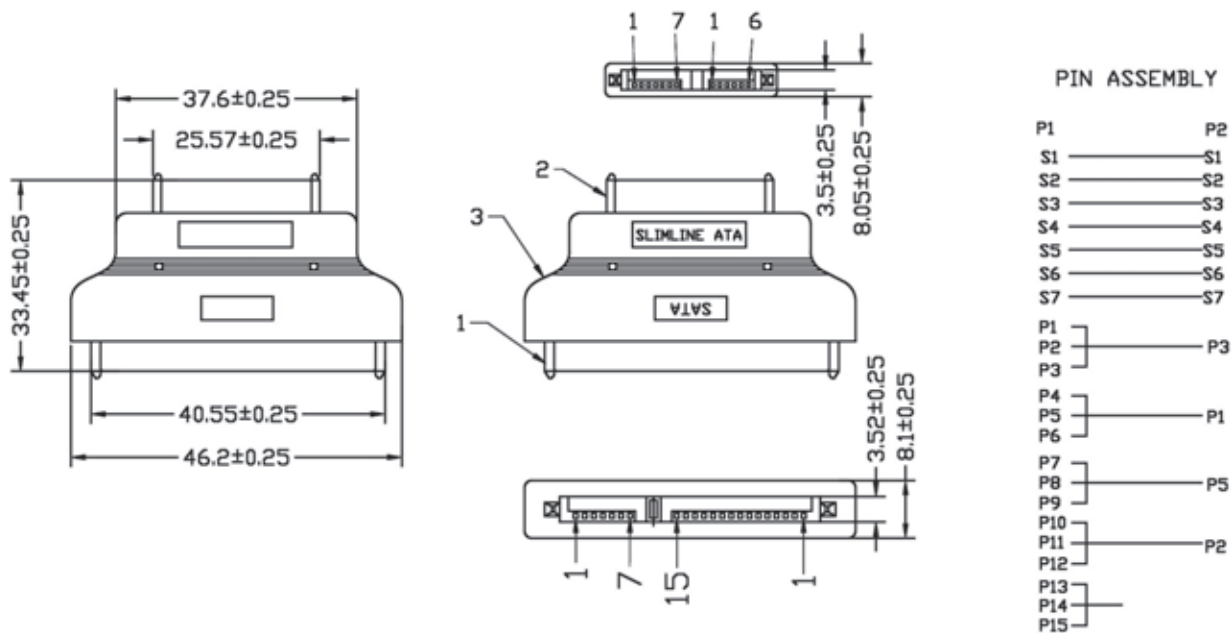
### SPECIFICATIONS

HI-POT: DC300V/10MS

Insulation Resistance: 5M Ohm

Contact Resistance: 10 Ohm

\*RoHS & REACH compliant.



### ORDERING INFORMATION:

P/N A D S A -  $\frac{037}{1} \frac{B}{2}$

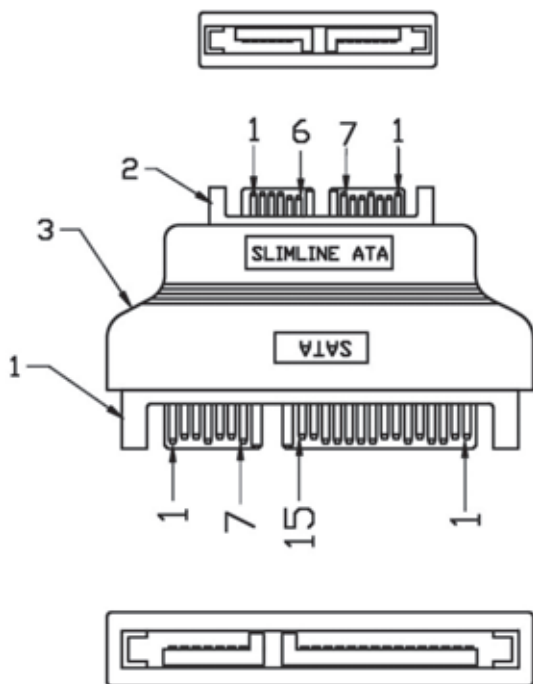
1. ADAPTER TYPE:

"037" SLIMLINE SATA 7+6 PIN CABLE SIDE TO  
SATA 7+15 PIN PCB SIDE

2. INSULATOR COLOR:

"B" BLACK

## SLIMLINE SATA ADAPTER PCB SIDE TO SATA PCB SIDE



### SPECIFICATIONS

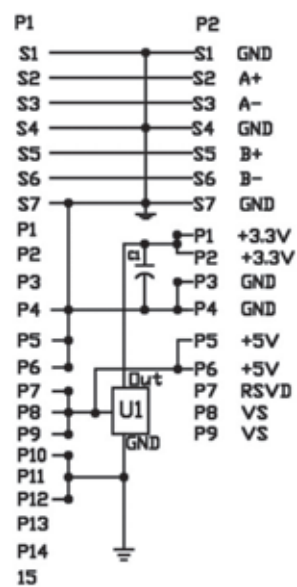
HI-POT: DC300V/10MS

Insulation Resistance: 5M Ohm

Contact Resistance: 10 Ohm

\*RoHS & REACH compliant.

### PIN ASSEMBLY

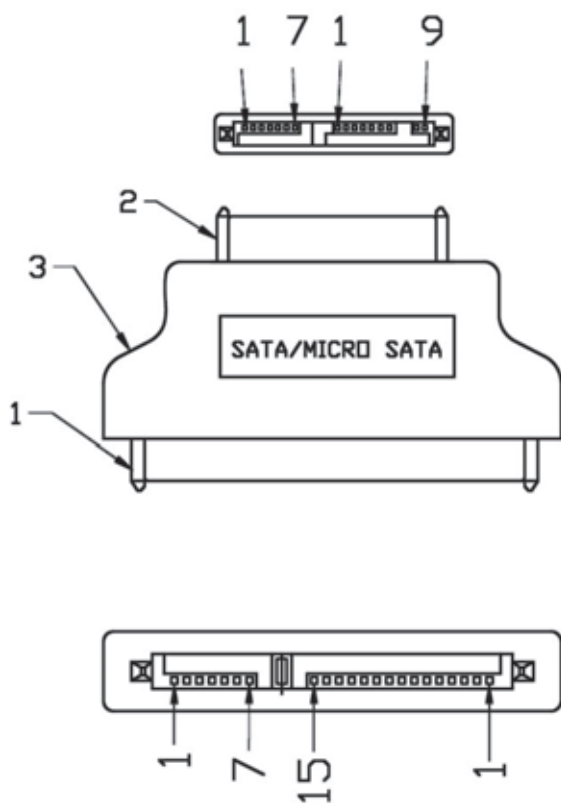


### ORDERING INFORMATION:

P/N A D S A - 039 B  
                                  1      2

1. ADAPTER TYPE:  
"039" SLIMLINE SATA 7+6 PIN PCB SIDE TO  
SATA 7+15 PIN PCB SIDE
2. INSULATOR COLOR:  
"B" BLACK

# MICRO SATA ADAPTER CABLE SIDE TO SATA CABLE SIDE



## SPECIFICATIONS

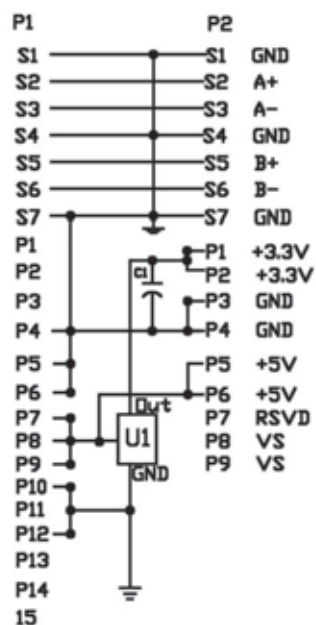
HI-POT: DC300V/10MS

Insulation Resistance: 5M Ohm

Contact Resistance: 10 Ohm

\*RoHS & REACH compliant.

## PIN ASSEMBLY



## ORDERING INFORMATION:

P/N A D S A - 040 B  
                                  1      2

1. ADAPTER TYPE:  
"040" MICRO SATA 7+9 PIN CABLE SIDE TO  
SATA 7+15 PIN CABLE SIDE
2. INSULATOR COLOR:  
"B" BLACK

## E-SATA + USB ADAPTER

### PIN ASSEMBLY

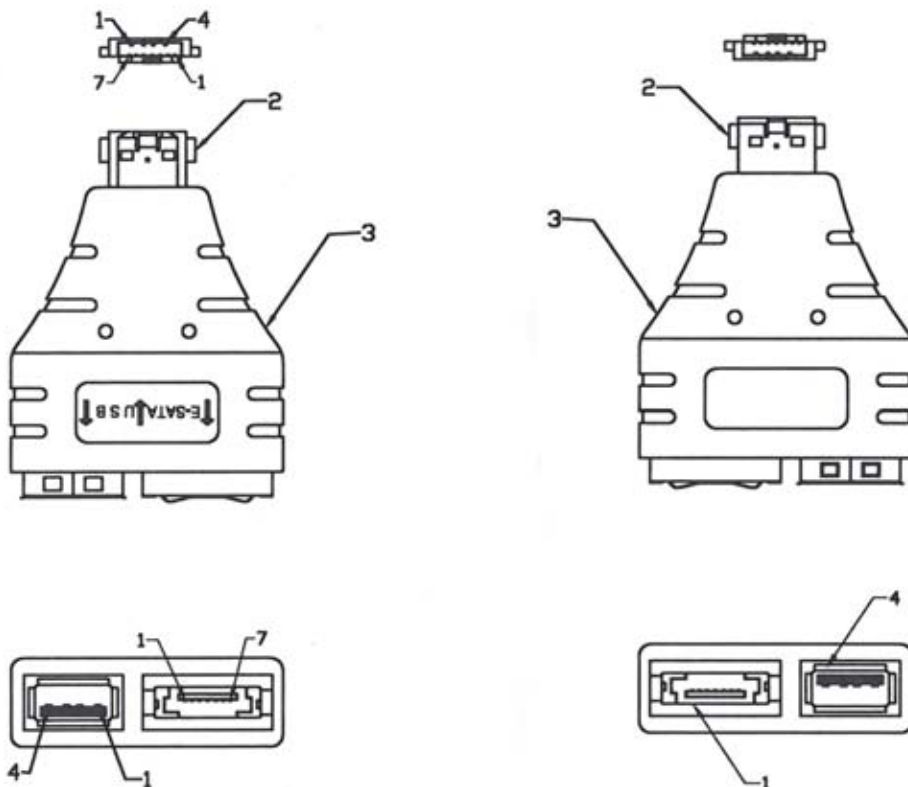
P2		P1	P2		P1
1	—	1	1	—	1
2	—	2	2	—	2
3	—	3	3	—	3
4	—	4	4	—	4
			5	—	5
			6	—	6
			7	—	7

### SPECIFICATIONS

Insulation Resistance: DC 300V at 10ms

Conductive Resistance: 10 Ohm

\*RoHS & REACH compliant.



### ORDERING INFORMATION:

P/N A D S A - 041 B  
1 2

1. ADAPTER TYPE:  
"041" E-SATA + USB TO E-SATA 7 PIN  
PCB SIDE & USB A TYPE FEMALE
2. INSULATOR COLOR:  
"B" BLACK

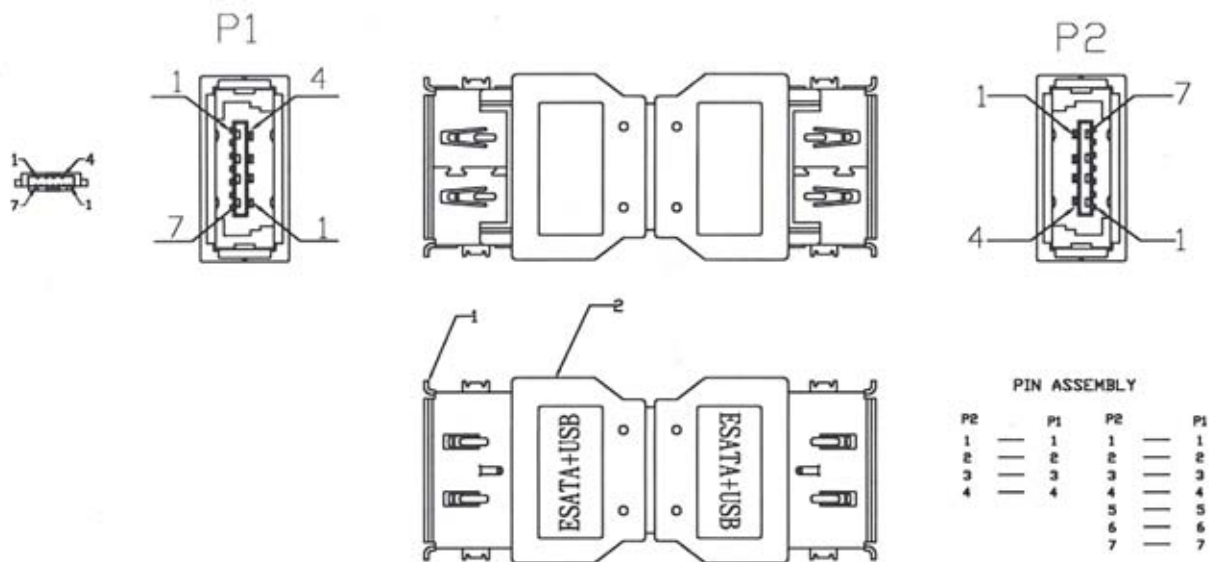
## E-SATA + USB ADAPTER

### SPECIFICATIONS

Insulation Resistance: DC 300V at 10ms

Conductive Resistance: 10 Ohm

\*RoHS & REACH compliant.



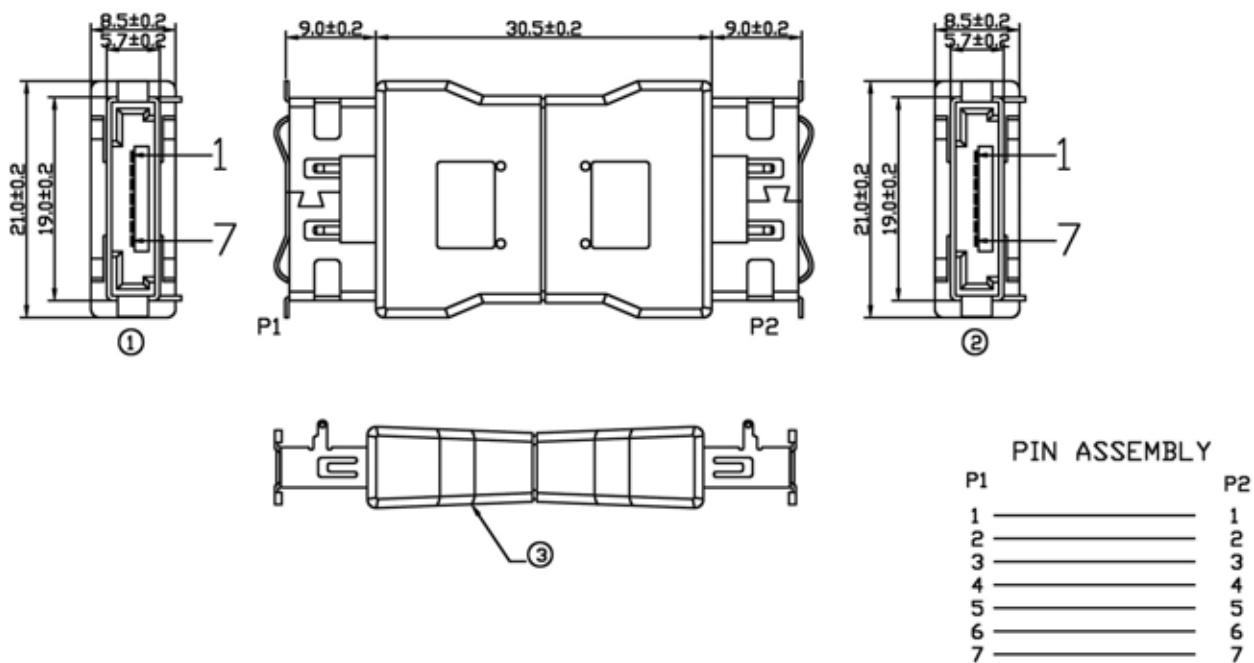
### ORDERING INFORMATION:

P/N A D S A - 042 B  
                          1      2

1. ADAPTER TYPE:  
"042" ESATA + USB PCB SIDE TO  
ESATA +USB PCB SIDE
2. INSULATOR COLOR:  
"B" BLACK



## E-SERIAL ATA ADAPTER 7 PIN PCB SIDE TO PCB SIDE

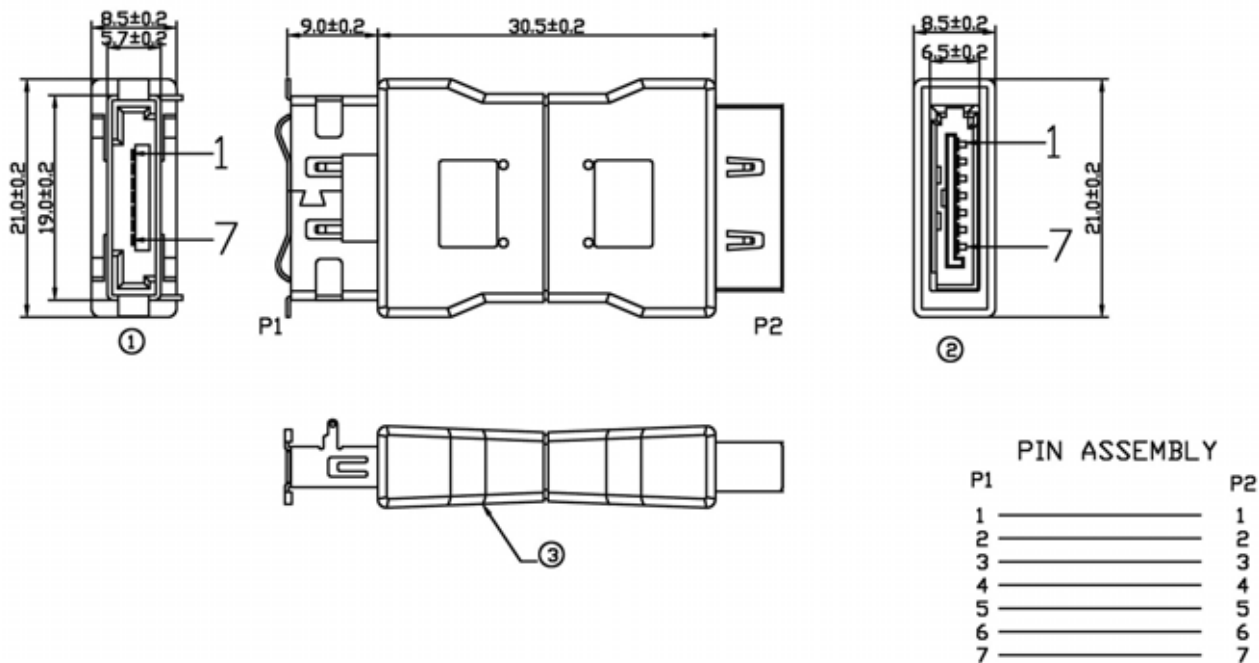


### ORDERING INFORMATION:

P/N A D S A - 051 B  
                                  1   2

1. ADAPTER TYPE:  
"051" E-SATA 7P PCB SIDE TO  
E-SATA 7P PCB SIDE
2. INSULATOR COLOR:  
"B" BLACK

## E-SERIAL ATA ADAPTER 7 PIN PCB SIDE TO PCB SIDE

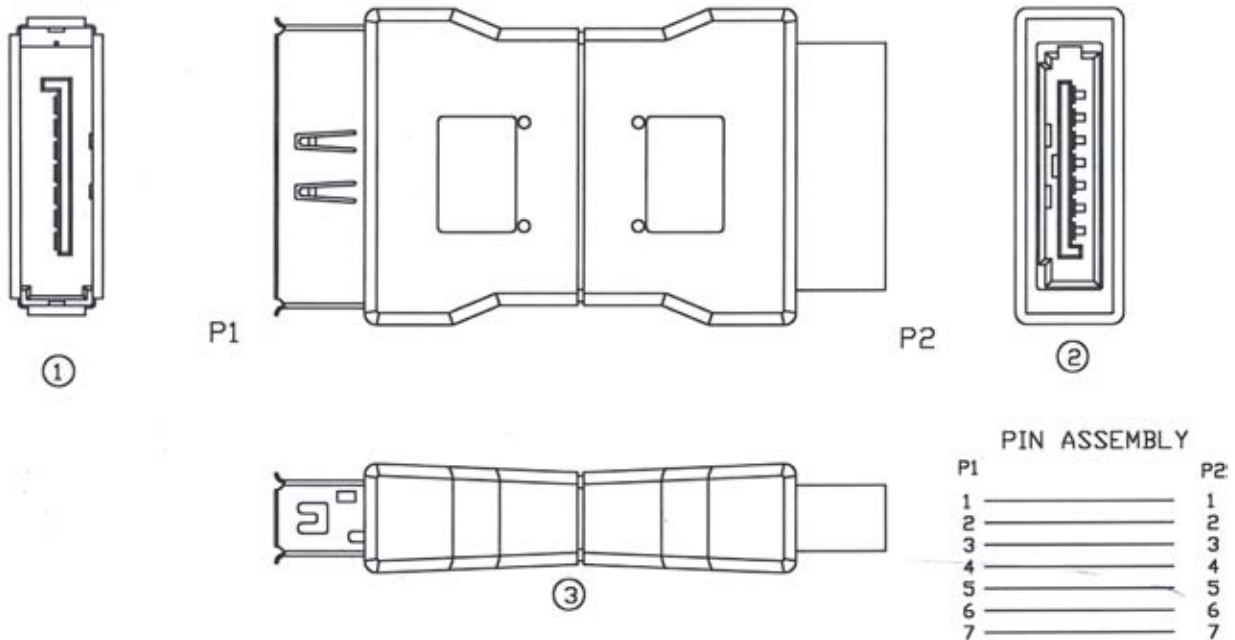


### ORDERING INFORMATION:

P/N A D S A - 0 5 6 B  
1 2

- ADAPTER TYPE:  
"056" E-SATA 7P PCB SIDE TO  
SATA 7P PCB SIDE WITH METAL SHELL
- INSULATOR COLOR:  
"B" BLACK

## E-SERIAL ATA ADAPTER 7 PIN PCB SIDE TO PCB SIDE

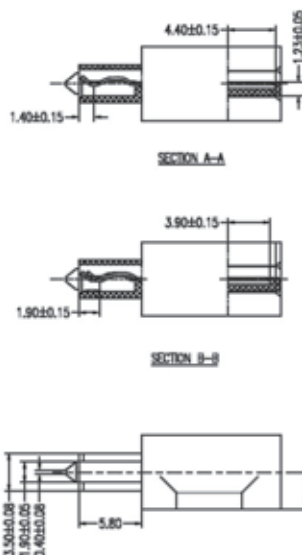
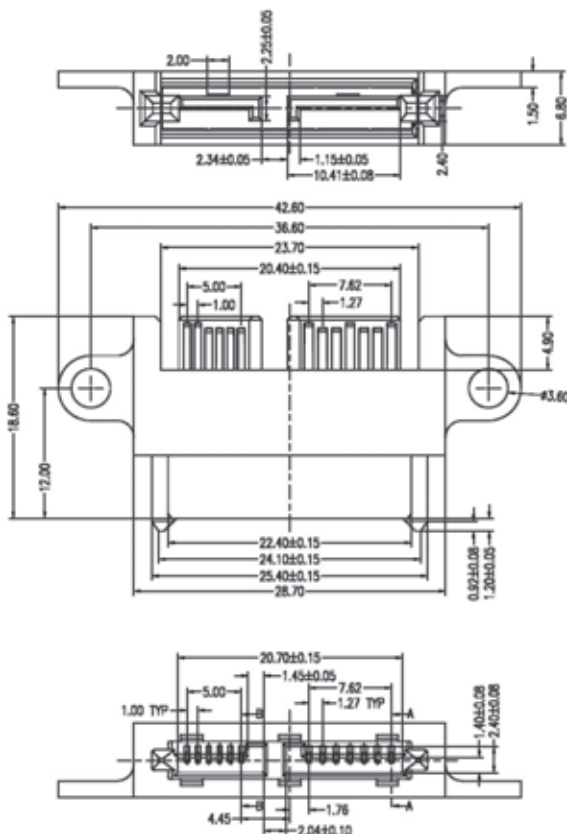


### ORDERING INFORMATION:

P/N A D S A - 058 B  
1 2

1. ADAPTER TYPE:  
"058" SATA 7P PCB SIDE WITH METAL SHELL TO  
E-SATA 7P PCB SIDE
2. INSULATOR COLOR:  
"B" BLACK

## SLIMLINE SATA 7+6 PIN ADAPTER



### SPECIFICATIONS

**Current Rating:** 1.5 Amperes  
**Insulation Resistance:** 1000MΩ Min  
**Dielectric Withstanding:** 500V AC  
**Contact Resistance:** 30mΩ Max.  
**Operating Temperature:** -55°C to +85°C

### MATERIALS

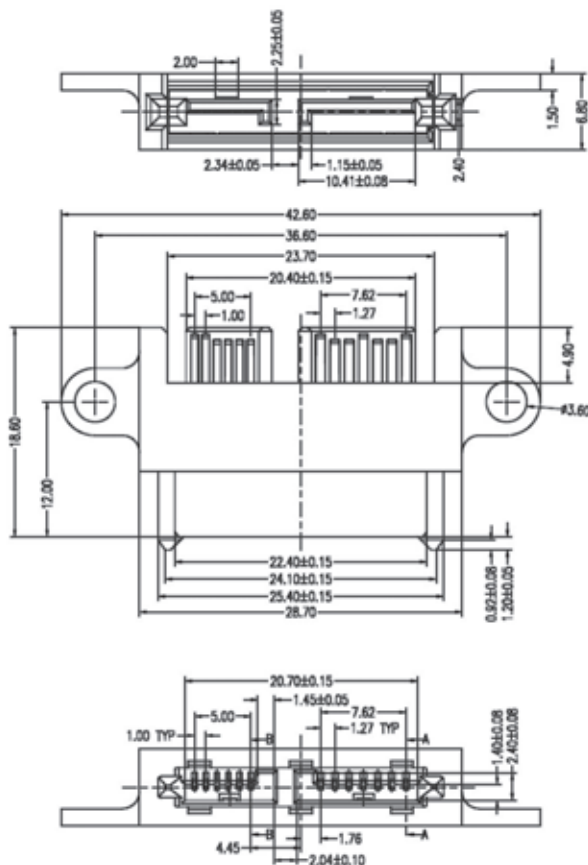
**Housing:** LCP, UL94V-0  
**Contact:** Phosphor Bronze  
**Plating:** Gold Plating over Nickel on Contact Area; Tin Plating on Solder Tail  
**\*RoHS & REACH compliant.**

### ORDERING INFORMATION:

P/N A D S A -  $\frac{0}{1}$   $\frac{6}{2}$   $\frac{8}{3}$   $\frac{B}{4}$   $\frac{x}{x}$  -  $\frac{x}{4}$

1. ADAPTER TYPE:  
"068" 13 PIN TO 13 PIN ADAPTER W/O LOCK KEY
2. HOUSING COLOR:  
"B" BLACK
3. CONTACT FINISH:  
"01" GOLD FLASH  
"15" 15 MICROINCH GOLD  
"30" 30 MICROINCH GOLD
4. PACKAGE OPTION:  
"0" TRAY  
"R" TAPE & REEL

## SLIMLINE SATA 7+6 PIN ADAPTER



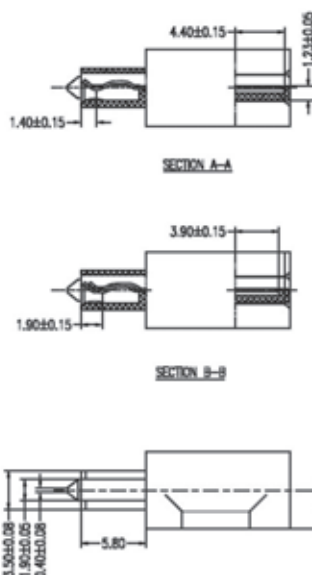
### SPECIFICATIONS

Current Rating: 1.5 Amperes  
 Insulation Resistance: 1000MΩ Min  
 Dielectric Withstanding: 500V AC  
 Contact Resistance: 30mΩ Max.  
 Operating Temperature: -55°C to +85°C

### MATERIALS

Housing: LCP, UL94V-0  
 Contact: Phosphor Bronze  
 Plating: Gold Plating over Nickel on Contact Area; Tin Plating on Solder Tail

\*RoHS & REACH compliant.

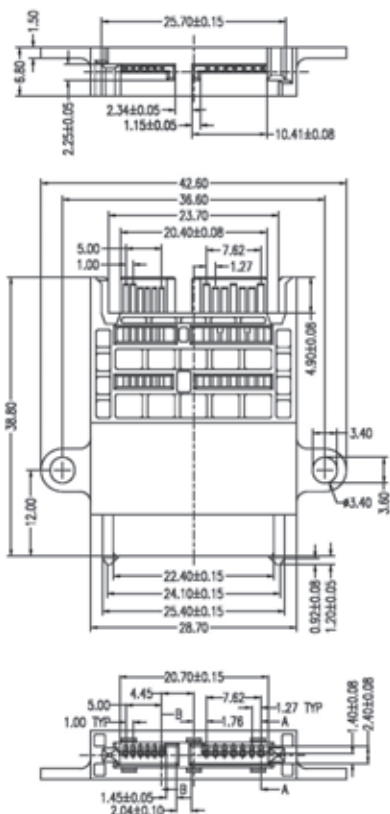
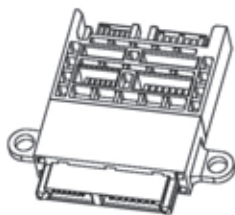


### ORDERING INFORMATION:

P/N A D S A -  $\frac{0}{1}$   $\frac{6}{2}$   $\frac{9}{3}$  B  $\frac{x}{x}$   $\frac{x}{4}$

- ADAPTER TYPE:  
"069" 13 PIN TO 13 PIN ADAPTER
- HOUSING COLOR:  
"B" BLACK
- CONTACT FINISH:  
"01" GOLD FLASH  
"15" 15 MICROINCH GOLD  
"30" 30 MICROINCH GOLD
- PACKAGE OPTION:  
"0" TRAY  
"R" TAPE & REEL

## SLIMLINE SATA 7+6 PIN ADAPTER



### SPECIFICATIONS

**Current Rating:** 1.5 Amperes  
**Insulation Resistance:** 1000MΩ Min  
**Dielectric Withstanding:** 500V AC  
**Contact Resistance:** 30mΩ Max.  
**Operating Temperature:** -55°C to +85°C

### MATERIALS

**Housing:** LCP, UL94V-0  
**Contact:** Phosphor Bronze  
**Plating:** Au Plating on Contact Area;  
 Tin (100u" Min.) Plating on Solder  
 Tail; Ni (40u" Min.) Underplating  
 overall

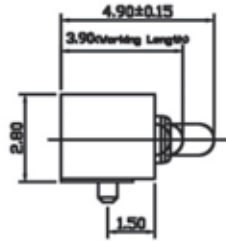
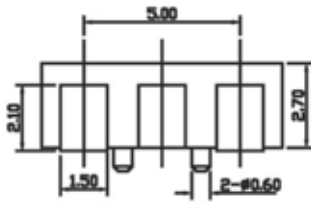
\*RoHS & REACH compliant.

### ORDERING INFORMATION:

P/N A D S A -  $\frac{070}{1}$   $\frac{B}{2}$   $\frac{x x}{3}$  -  $\frac{x}{4}$

1. ADAPTER TYPE:  
"070" 13 PIN TO 13 PIN ADAPTER
2. HOUSING COLOR:  
"B" BLACK
3. CONTACT FINISH:  
"01" GOLD FLASH  
"15" 15 MICROINCH GOLD  
"30" 30 MICROINCH GOLD
4. PACKAGE OPTION:  
"0" TRAY  
"R" TAPE & REEL

## 2.50MM PITCH 2 PIN POGO PIN CONNECTOR H=4.9MM



### SPECIFICATIONS

Contact Resistance: 50mΩ Max.

Total Length: 4.90mm

Working Length: 3.90mm

Spring Force: 110g ± 20% at Working Length

### MATERIALS

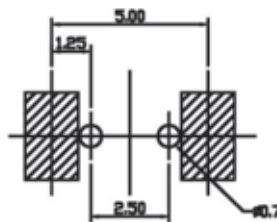
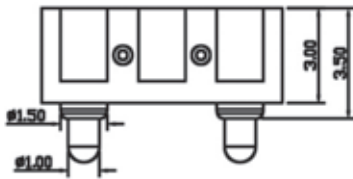
Housing: Black PA9T/UL94V-0

Plunger & Barrel: Brass

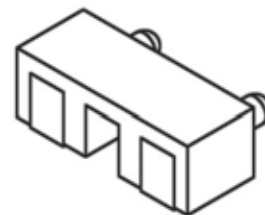
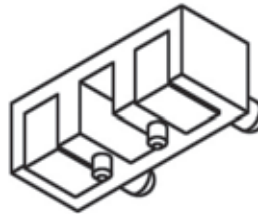
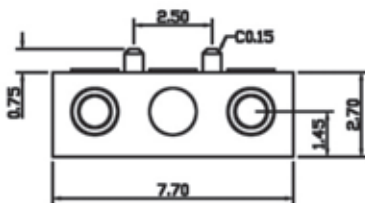
Spring: Stainless Steel

Contact Surface: 10u" Minimum Au over,  
50u" Minimum Ni

\*RoHS & REACH compliant.



Recommended P.C.Board Layout

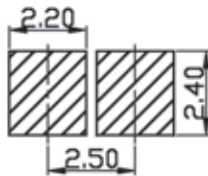
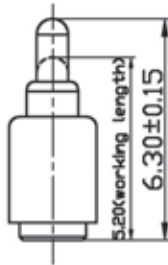
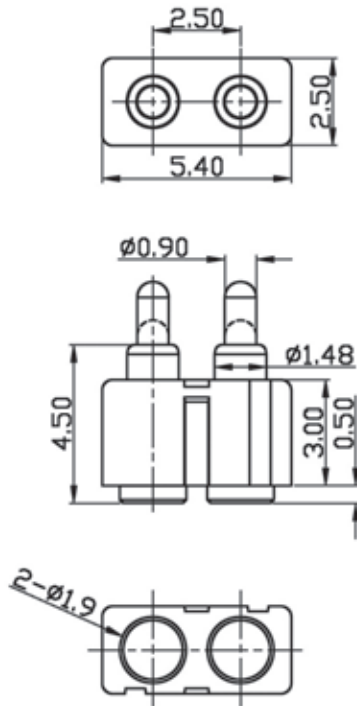


### ORDERING INFORMATION:

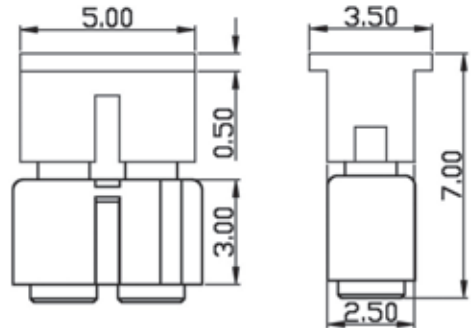
P/N PGP 250 - 002 G 10 A

1. CONTACT SPACING:  
"250" 2.50MM
2. NO. OF CONTACTS:  
002
3. CONTACT FINISH:  
"10" 10 MICROINCH GOLD
4. CONNECTOR CODE:  
A

## 2.50MM PITCH 2 PIN POGO PIN CONNECTOR H=6.3MM



Recommended P.C.Board Layout



### SPECIFICATIONS

**Contact Resistance:** 50mΩ Max.

**Total Length:** 6.30mm

**Working Length:** 5.00mm

**Spring Force:** 140g ± 20% at Working Length

### MATERIALS

**Housing:** Black HTN/UL94V-0

**Plunger & Barrel:** Brass

**Spring:** Stainless Steel

**Contact Surface:** 10u" Minimum Au over,  
50u" Minimum Ni

\*RoHS & REACH compliant.

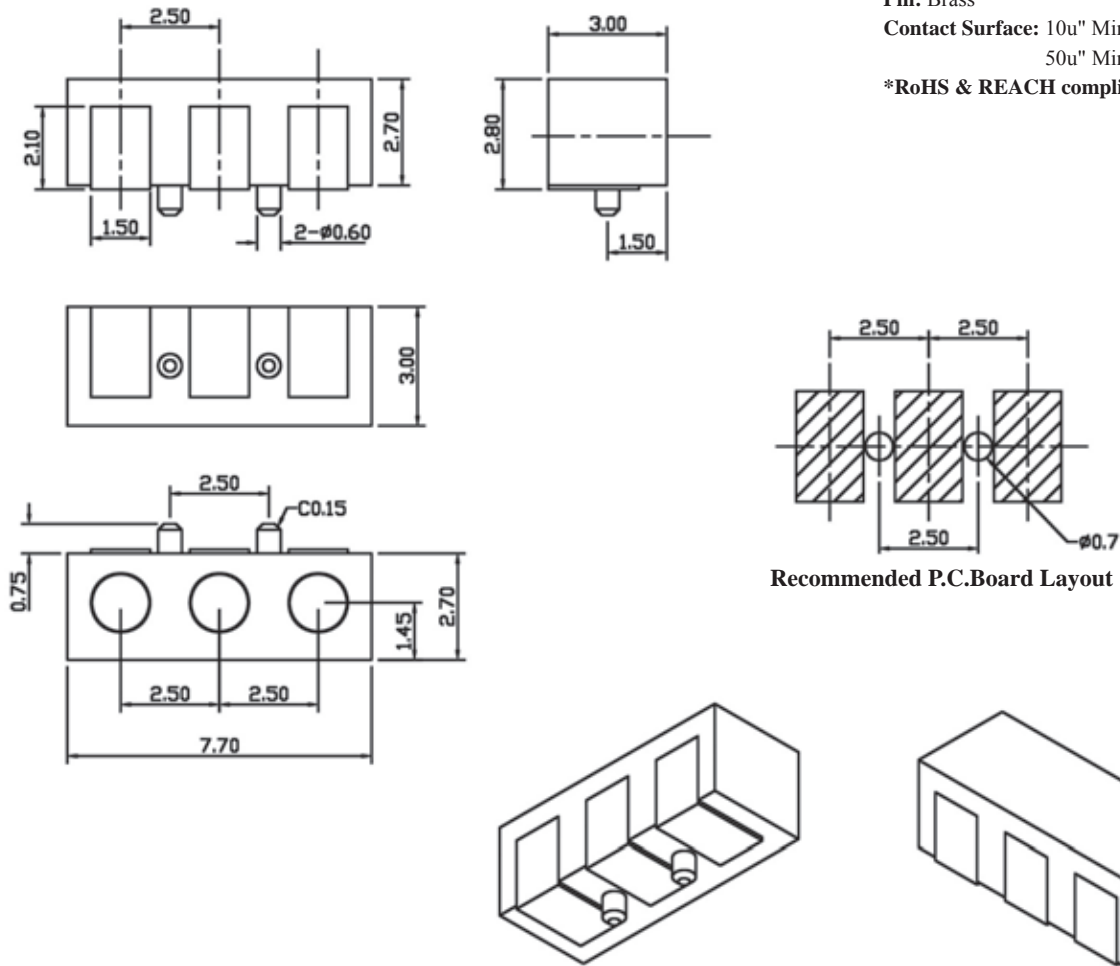
### ORDERING INFORMATION:

**P/N PGP 250 - 002 G 10 B**  
                                  1                  2                  3 4

1. CONTACT SPACING:  
"250" 2.50MM
2. NO. OF CONTACTS:  
002
3. CONTACT FINISH:  
"10" 10 MICROINCH GOLD
4. CONNECTOR CODE:  
B



## 2.50MM PITCH 3 PIN POGO PIN CONNECTOR H=2.8MM



### MATERIALS

**Housing:** Black HTN/UL94V-0

**Pin:** Brass

**Contact Surface:** 10u" Minimum Au over,  
50u" Minimum Ni

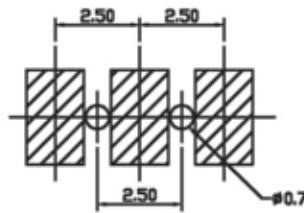
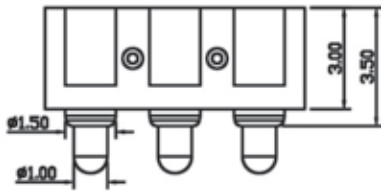
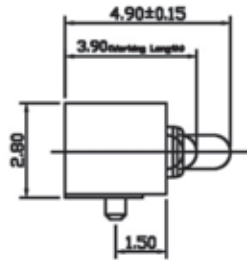
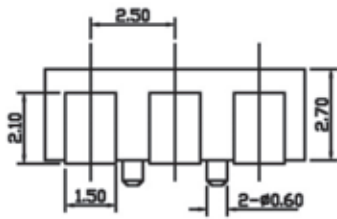
\*RoHS & REACH compliant.

### ORDERING INFORMATION:

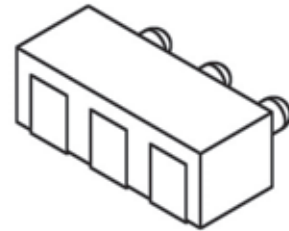
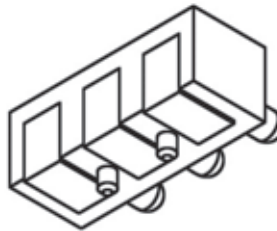
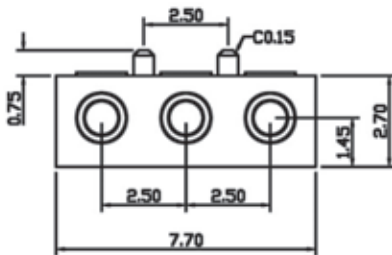
**P/N PGP 250 - 003 G 10 A**  
1 2 3 4

1. CONTACT SPACING:  
"250" 2.50MM
2. NO. OF CONTACTS:  
003
3. CONTACT FINISH:  
"10" 10 MICROINCH GOLD
4. CONNECTOR CODE:  
A

## 2.50MM PITCH 3 PIN POGO PIN CONNECTOR H=4.9MM



Recommended P.C.Board Layout



### SPECIFICATIONS

**Contact Resistance:** 50mΩ Max.

**Total Length:** 4.90mm

**Working Length:** 3.90mm

**Spring Force:** 110g ± 20% at Working Length

### MATERIALS

**Housing:** Black PA9T/UL94V-0

**Plunger & Barrel:** Brass

**Spring:** Stainless Steel

**Contact Surface:** 10u" Minimum Au over,  
50u" Minimum Ni

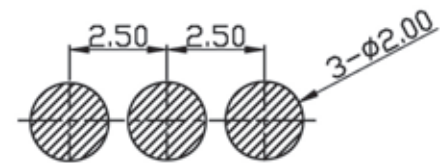
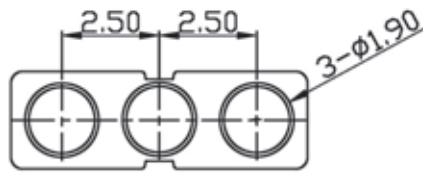
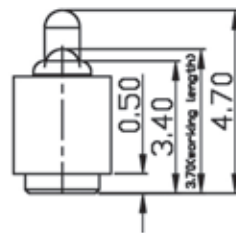
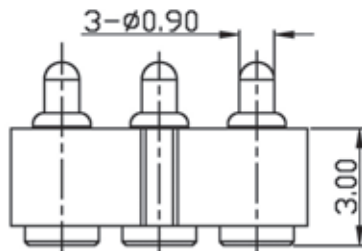
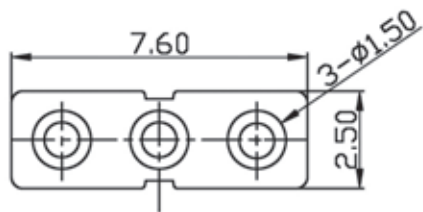
\*RoHS & REACH compliant.

### ORDERING INFORMATION:

**P/N PGP 250 - 003 G 10 B**  
 1 2 3 4

1. CONTACT SPACING:  
"250" 2.50MM
2. NO. OF CONTACTS:  
003
3. CONTACT FINISH:  
"10" 10 MICROINCH GOLD
4. CONNECTOR CODE:  
B

## 2.50MM PITCH 3 PIN POGO PIN CONNECTOR H=4.7MM



Recommended P.C.Board Layout

### SPECIFICATIONS

Contact Resistance: 50mΩ Max.

Total Length: 4.70mm

Working Length: 3.70mm

Spring Force: 120g ± 20% at Working Length

### MATERIALS

Housing: Black HTN/UL94V-0

Plunger & Barrel: Brass

Spring: Stainless Steel

Contact Surface: 10u" Minimum Au over,  
50u" Minimum Ni

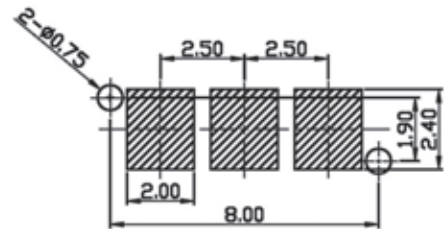
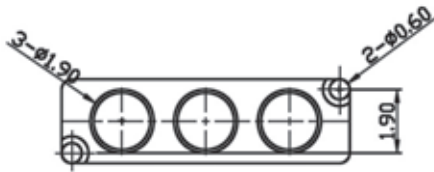
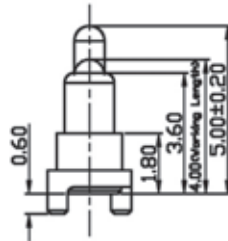
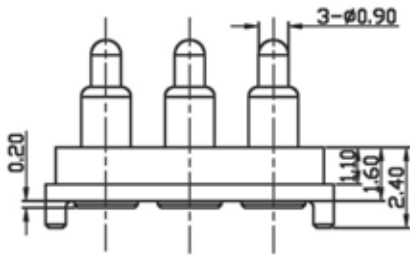
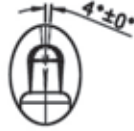
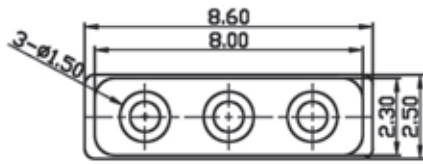
\*RoHS & REACH compliant.

### ORDERING INFORMATION:

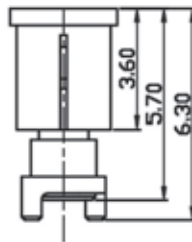
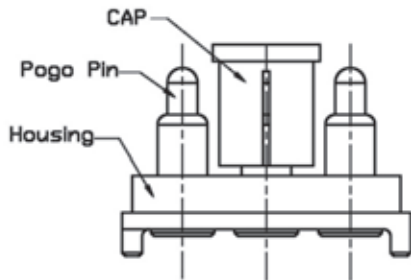
P/N P G P 2 5 0 - 0 0 3 G 1 0 C  
1 2 3 4

1. CONTACT SPACING:  
"250" 2.50MM
2. NO. OF CONTACTS:  
003
3. CONTACT FINISH:  
"10" 10 MICROINCH GOLD
4. CONNECTOR CODE:  
C

## 2.50MM PITCH 3 PIN POGO PIN CONNECTOR H=6.3MM



Recommended P.C.Board Layout



### ORDERING INFORMATION:

P/N P G P 250 - 003 G 10 D  
1 2 3 4

1. CONTACT SPACING:  
"250" 2.50MM
2. NO. OF CONTACTS:  
003
3. CONTACT FINISH:  
"10" 10 MICROINCH GOLD
4. CONNECTOR CODE:  
D

### SPECIFICATIONS

Contact Resistance: 50mΩ Max.

Total Length: 5.00mm

Working Length: 4.00mm

Spring Force: 110g ± 20% at Working Length

### MATERIALS

Housing: Black HTN/UL94V-0

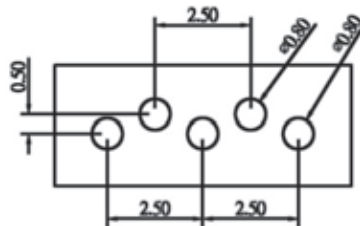
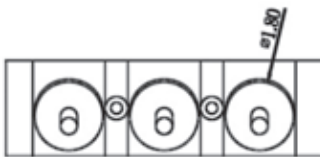
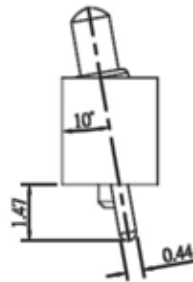
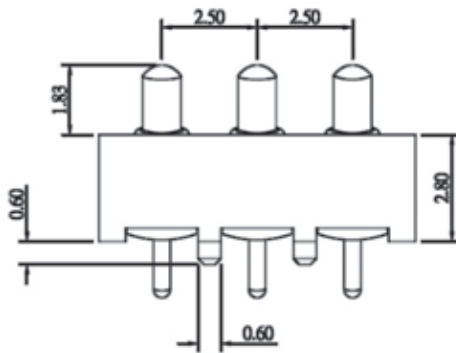
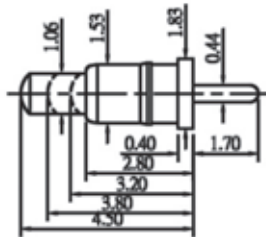
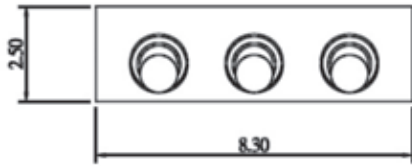
Plunger & Barrel: Brass

Spring: Stainless Steel

Contact Surface: 10u" Minimum Au over,  
50u" Minimum Ni

\*RoHS & REACH compliant.

## 2.50MM PITCH 3 PIN POGO PIN CONNECTOR H=4.5MM



Recommended P.C.Board Layout

### SPECIFICATIONS

Contact Resistance: 50mΩ Max.

Total Length: 4.50mm

Working Length: 3.80mm

Spring Force: 65g ± 20% at Working Length

### MATERIALS

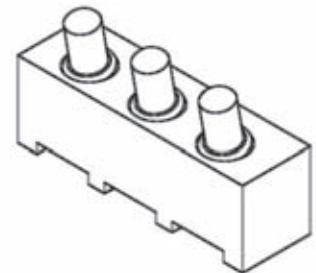
Housing: Black HTN/UL94V-0

Plunger & Barrel: Brass

Spring: Stainless Steel

Contact Surface: 10u" Minimum Au over,  
50u" Minimum Ni

\*RoHS & REACH compliant.

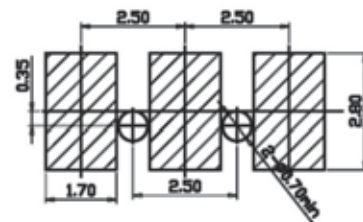
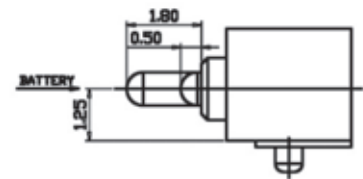
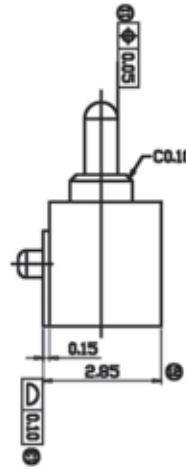
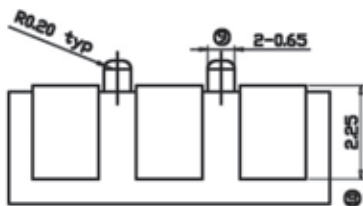
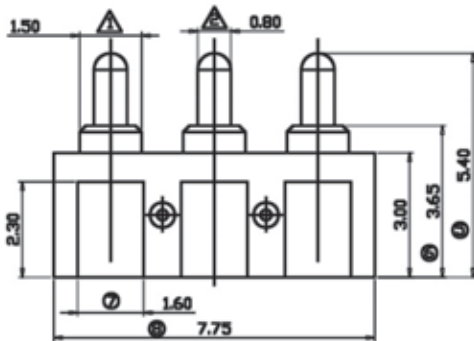
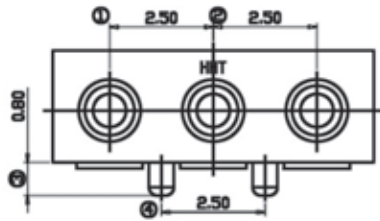


### ORDERING INFORMATION:

P/N PGP 250 - 003 G 10 E  
1 2 3 4

1. CONTACT SPACING:  
"250" 2.50MM
2. NO. OF CONTACTS:  
003
3. CONTACT FINISH:  
"10" 10 MICROINCH GOLD
4. CONNECTOR CODE:  
E

## 2.50MM PITCH 3 PIN POGO PIN CONNECTOR H=5.4MM



Recommended P.C.Board Layout

### SPECIFICATIONS

Contact Resistance: 20mΩ Max.

### MATERIALS

Housing: Nylon 6T/UL94V-0

Plunger & Barrel: Brass

Spring: Stainless Steel

Contact Surface: 10u" Minimum Au over,  
50u" Minimum Ni

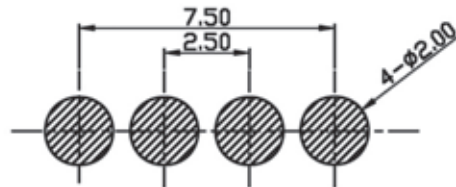
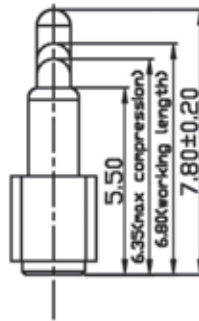
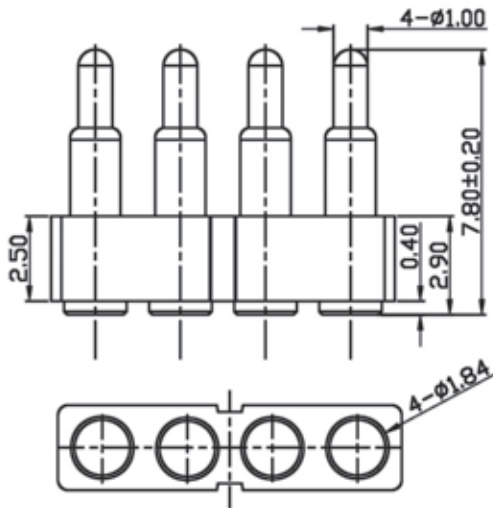
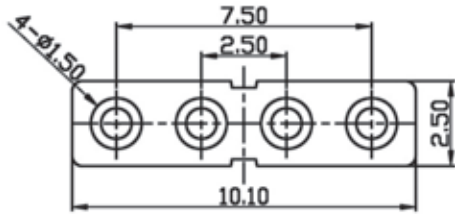
\*RoHS & REACH compliant.

### ORDERING INFORMATION:

P/N PGP  $\frac{2}{1}$   $\frac{50}{2}$  -  $\frac{003}{3}$  G  $\frac{x}{4}$   $\frac{x}{4}$  F

1. CONTACT SPACING:  
"250" 2.50MM
2. NO. OF CONTACTS:  
003
3. CONTACT FINISH:  
"01" GOLD FLASH  
"03" 3 MICROINCH GOLD  
"06" 6 MICROINCH GOLD
4. CONNECTOR CODE:  
F

## 2.50MM PITCH 4 PIN POGO PIN CONNECTOR H=7.8MM



Recommended P.C.Board Layout

### SPECIFICATIONS

Contact Resistance: 50mΩ Max.

Total Length: 7.80mm

Working Length: 6.80mm

Spring Force: 100g ± 20% at Working Length

### MATERIALS

Housing: Black HTN/UL94V-0

Plunger & Barrel: Brass

Spring: Stainless Steel

Contact Surface: 10u" Minimum Au over,  
50u" Minimum Ni

\*RoHS & REACH compliant.

### ORDERING INFORMATION:

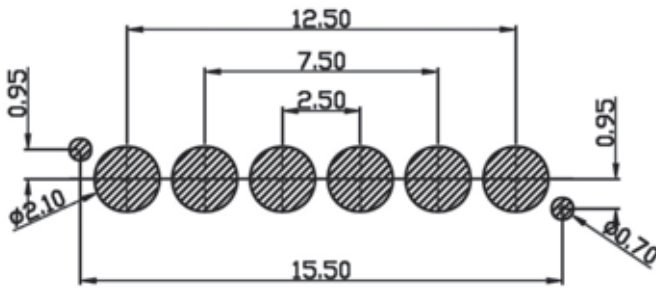
P/N P G P 250 - 004 G 10 A  
1 2 3 4

1. CONTACT SPACING:  
"250" 2.50MM
2. NO. OF CONTACTS:  
004
3. CONTACT FINISH:  
"10" 10 MICROINCH GOLD
4. CONNECTOR CODE:  
A

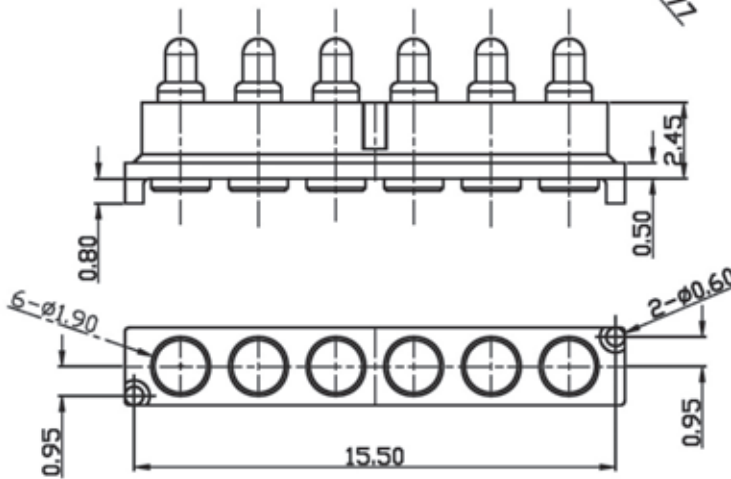
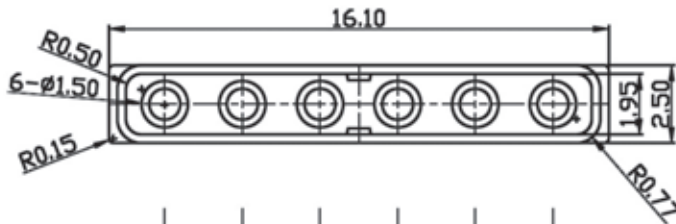




## 2.50MM PITCH 6 PIN POGO PIN CONNECTOR H=4.9MM



Recommended P.C.Board Layout



### SPECIFICATIONS

Contact Resistance: 50mΩ Max.

Total Length: 4.90mm

Working Length: 3.90mm

Spring Force: 100g ± 20% at Working Length

### MATERIALS

Housing: Black HTN/UL94V-0

Plunger & Barrel: Brass

Spring: Stainless Steel

Contact Surface: 10u" Minimum Au over,  
50u" Minimum Ni

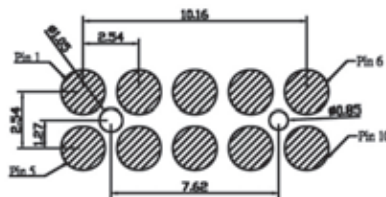
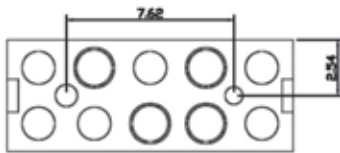
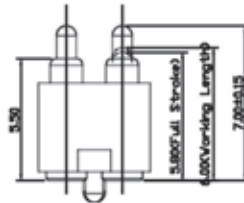
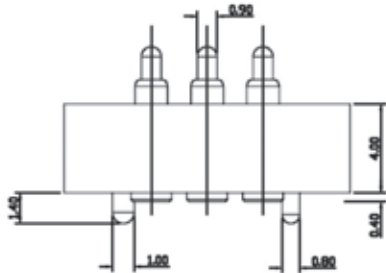
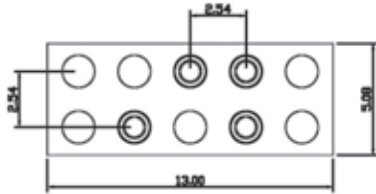
\*RoHS & REACH compliant.

### ORDERING INFORMATION:

P/N PGP 250 - 006 G 10 A  
1 2 3 4

1. CONTACT SPACING:  
"250" 2.50MM
2. NO. OF CONTACTS:  
006
3. CONTACT FINISH:  
"10" 10 MICROINCH GOLD
4. CONNECTOR CODE:  
A

## 2.54MM PITCH 4 PIN POGO PIN CONNECTOR H=7.0MM



Recommended P.C.Board Layout

### SPECIFICATIONS

Contact Resistance: 50mΩ Max.

Total Length: 7.00mm

Working Length: 6.00mm

Spring Force: 40g ± 10g at Working Length

### MATERIALS

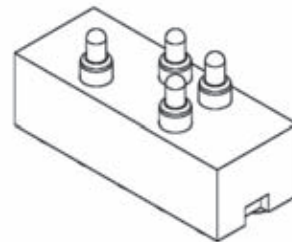
Housing: Black LCP/UL94V-0

Plunger & Barrel: Brass

Spring: Stainless Steel

Contact Surface: 10u" Minimum Au over,  
50u" Minimum Ni

\*RoHS & REACH compliant.

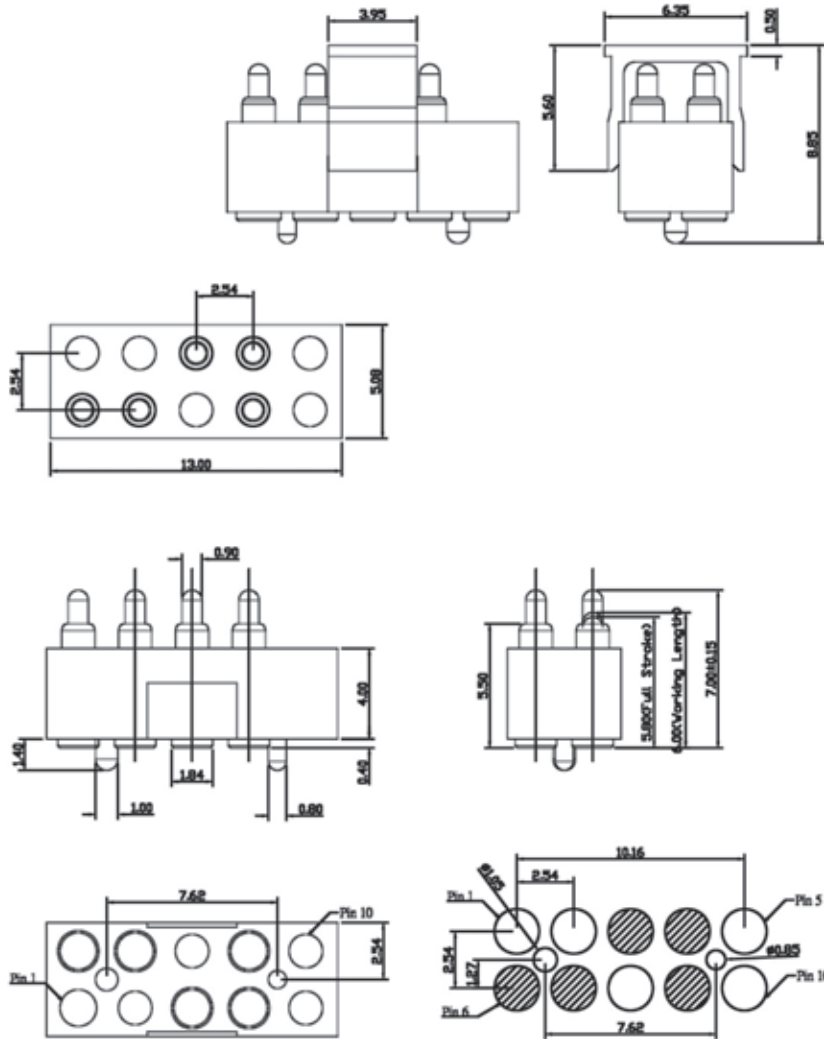


### ORDERING INFORMATION:

P/N P G P 254 - 004 G 10 A  
1 2 3 4

1. CONTACT SPACING:  
"254" 2.54MM
2. NO. OF CONTACTS:  
004
3. CONTACT FINISH:  
"10" 10 MICROINCH GOLD
4. CONNECTOR CODE:  
A

## 2.54MM PITCH 5 PIN POGO PIN CONNECTOR H=7.0MM



Recommended P.C.Board Layout

### SPECIFICATIONS

**Contact Resistance:** 50mΩ Max.

**Total Length:** 7.00mm

**Working Length:** 6.00mm

**Spring Force:** 40g ± 10g at Working Length

### MATERIALS

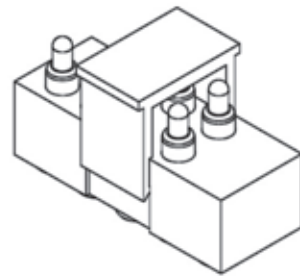
**Housing:** Black PA9T/UL94V-0

**Plunger & Barrel:** Brass

**Spring:** Stainless Steel

**Contact Surface:** 10u" Minimum Au over,  
50u" Minimum Ni

\*RoHS & REACH compliant.

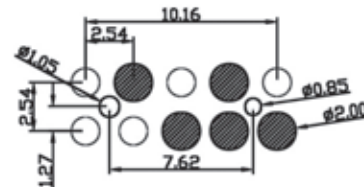
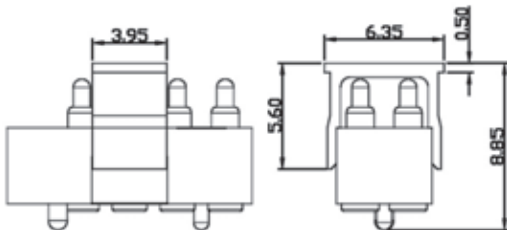
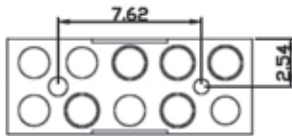
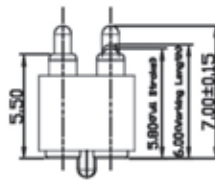
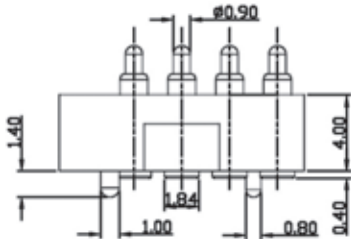
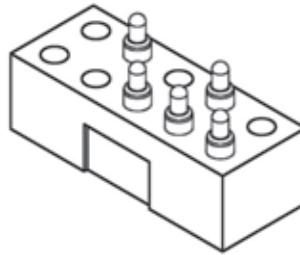
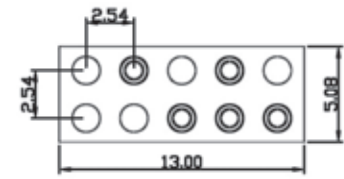


### ORDERING INFORMATION:

**P/N PGP  $\frac{254}{1}$  -  $\frac{005}{2}$  G  $\frac{10}{3}$   $\frac{A}{4}$**

1. CONTACT SPACING:  
"254" 2.54MM
2. NO. OF CONTACTS:  
005
3. CONTACT FINISH:  
"10" 10 MICROINCH GOLD
4. CONNECTOR CODE:  
A

## 2.54MM PITCH 5 PIN POGO PIN CONNECTOR H=7.0MM



Recommended P.C.Board Layout

### SPECIFICATIONS

Contact Resistance: 50m $\Omega$  Max.

Total Length: 7.00mm

Working Length: 6.00mm

Spring Force: 40g  $\pm$  10g at Working Length

### MATERIALS

Housing: Black HTN/UL94V-0

Plunger & Barrel: Brass

Spring: Stainless Steel

Contact Surface: 10u" Minimum Au over,  
50u" Minimum Ni

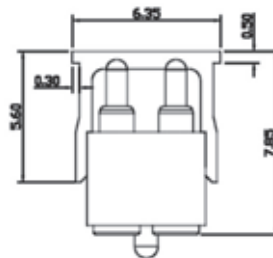
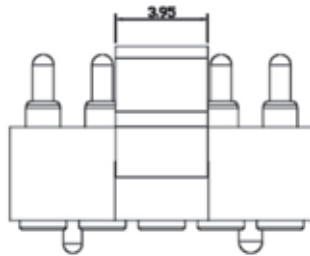
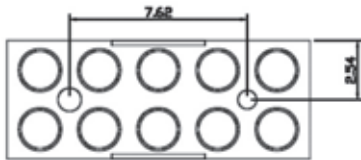
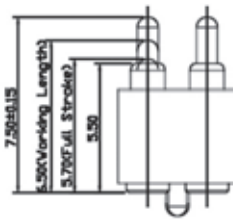
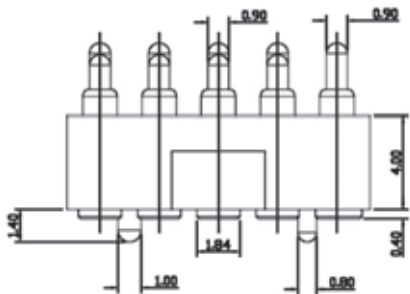
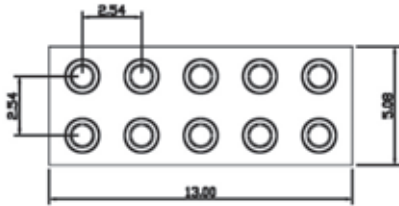
\*RoHS & REACH compliant.

### ORDERING INFORMATION:

P/N PGP 254 - 005 G 10 B

1. CONTACT SPACING:  
"254" 2.54MM
2. NO. OF CONTACTS:  
005
3. CONTACT FINISH:  
"10" 10 MICROINCH GOLD
4. CONNECTOR CODE:  
B

## 2.54MM PITCH 10 PIN POGO PIN CONNECTOR H=7.5MM



### SPECIFICATIONS

**Contact Resistance:** 50mΩ Max.

**Total Length:** 7.50mm

**Working Length:** 6.50mm

**Spring Force:** 40g ± 10g at Working Length

### MATERIALS

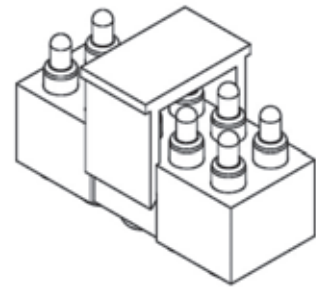
**Housing:** Black HTN/UL94V-0

**Plunger & Barrel:** Brass

**Spring:** Stainless Steel

**Contact Surface:** 10u" Minimum Au over,  
50u" Minimum Ni

\*RoHS & REACH compliant.

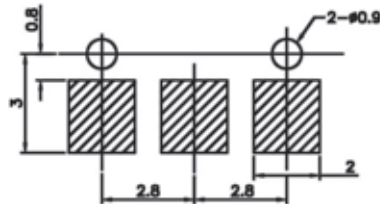
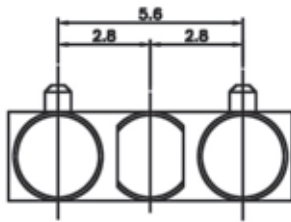
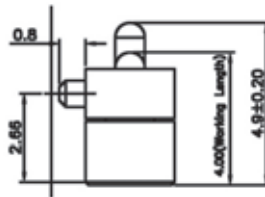
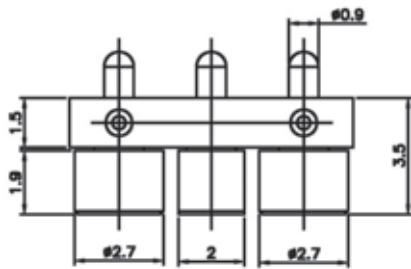
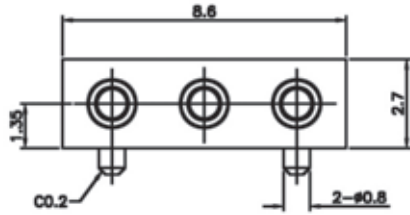


### ORDERING INFORMATION:

P/N PGP 254 - 010 G 10 A  
1 2 3 4

1. CONTACT SPACING:  
"254" 2.54MM
2. NO. OF CONTACTS:  
010
3. CONTACT FINISH:  
"10" 10 MICROINCH GOLD
4. CONNECTOR CODE:  
A

## 2.80MM PITCH 3 PIN POGO PIN CONNECTOR H=4.9MM



Recommended P.C.Board Layout

### SPECIFICATIONS

Contact Resistance: 50mΩ Max.

Total Length: 4.90mm

Working Length: 1.40mm

Spring Force: 110g ± 20% at Working Length

### MATERIALS

Housing: Black PA9T/UL94V-0

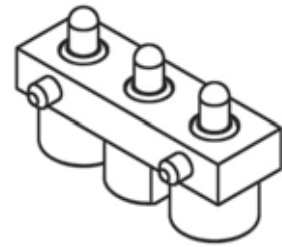
Plunger & Barrel: Brass

Spring: Stainless Steel

Contact Surface: 10u" Minimum Au over,

50u" Minimum Ni

\*RoHS & REACH compliant.



### ORDERING INFORMATION:

P/N P G P 280 - 003 G 10 A  
1 2 3 4

1. CONTACT SPACING:

"280" 2.80MM

2. NO. OF CONTACTS:

003

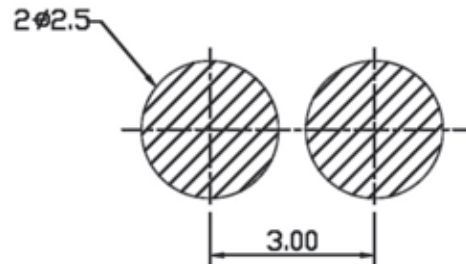
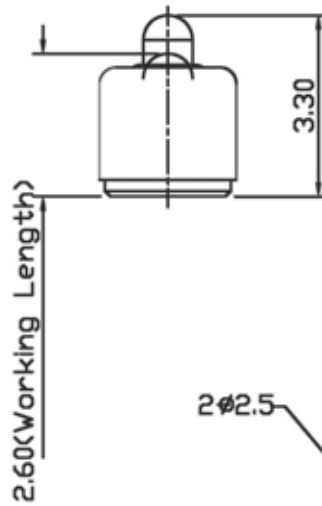
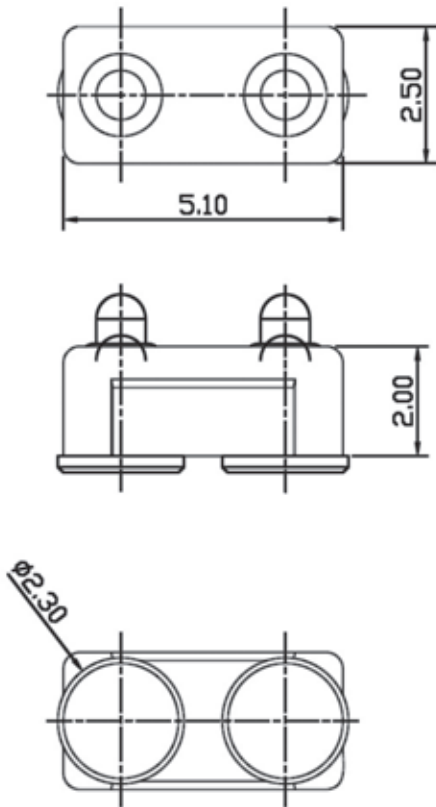
3. CONTACT FINISH:

"10" 10 MICROINCH GOLD

4. CONNECTOR CODE:

A

## 3.00MM PITCH 2 PIN POGO PIN CONNECTOR H=3.3MM



Recommended P.C.Board Layout

### SPECIFICATIONS

Contact Resistance: 50mΩ Max.

Total Length: 3.10mm

Working Length: 2.60mm

Spring Force: 1.0N ± 2.0N at Working Length

### MATERIALS

Housing: Black HTN/UL94V-0

Plunger & Barrel: Brass

Spring: Stainless Steel

Contact Surface: 10u" Minimum Au over,  
50u" Minimum Ni

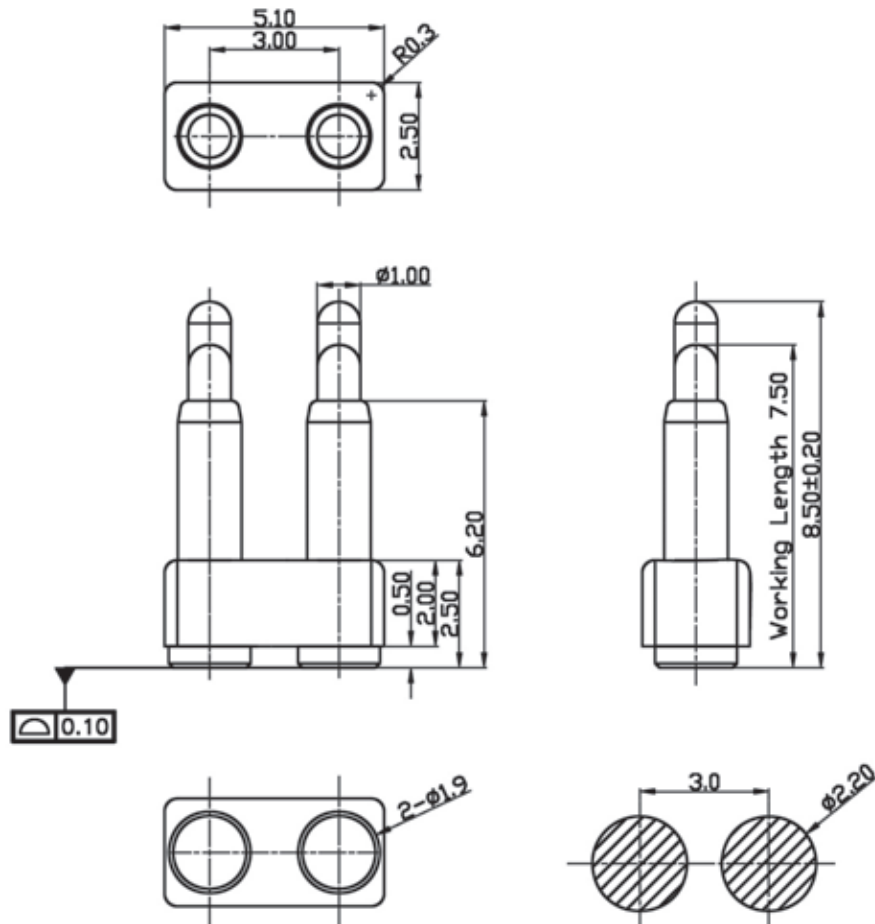
\*RoHS & REACH compliant.

### ORDERING INFORMATION:

P/N PGP 300 - 002 G 10 A  
1 2 3 4

1. CONTACT SPACING:  
"300" 3.00MM
2. NO. OF CONTACTS:  
002
3. CONTACT FINISH:  
"10" 10 MICROINCH GOLD
4. CONNECTOR CODE:  
A

## 3.00MM PITCH 2 PIN POGO PIN CONNECTOR H=8.5MM



Recommended P.C.Board Layout

### SPECIFICATIONS

Contact Resistance: 50mΩ Max.

Total Length: 8.50mm

Working Length: 7.50mm

Spring Force: 120g ± 20% at Working Length

### MATERIALS

Housing: Black HTN/UL94V-0

Plunger & Barrel: Brass

Spring: Stainless Steel

Contact Surface: 10u" Minimum Au over,  
50u" Minimum Ni

\*RoHS & REACH compliant.

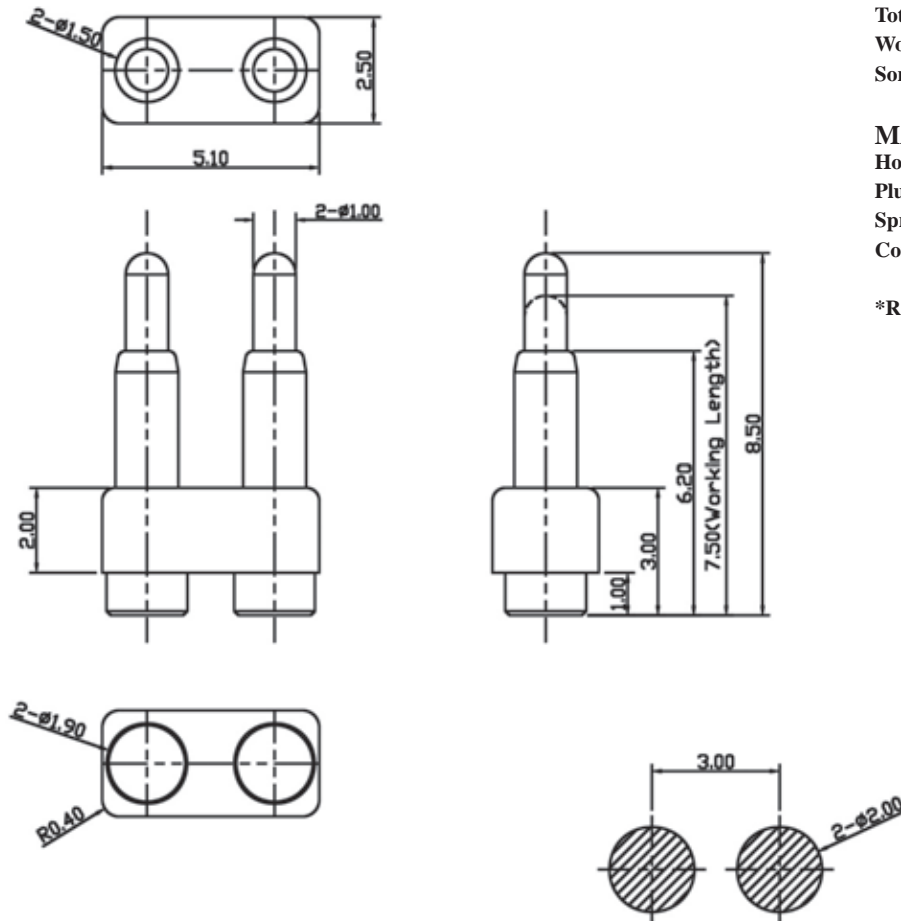
### ORDERING INFORMATION:

P/N P G P 300 - 002 G 10 B  
1 2 3 4

1. CONTACT SPACING:  
"300" 3.00MM
2. NO. OF CONTACTS:  
002
3. CONTACT FINISH:  
"10" 10 MICROINCH GOLD
4. CONNECTOR CODE:  
B



## 3.00MM PITCH 2 PIN POGO PIN CONNECTOR H=8.5MM



Recommended P.C.Board Layout

### SPECIFICATIONS

Contact Resistance: 50mΩ Max.

Total Length: 8.50mm

Working Length: 7.50mm

Spring Force: 100g ± 20% at Working Length

### MATERIALS

Housing: Black HTN/UL94V-0

Plunger & Barrel: Brass

Spring: Stainless Steel

Contact Surface: 10u" Minimum Au over,  
50u" Minimum Ni

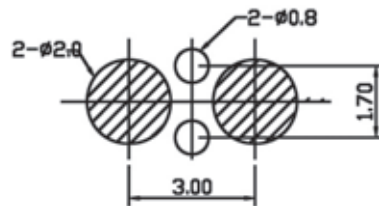
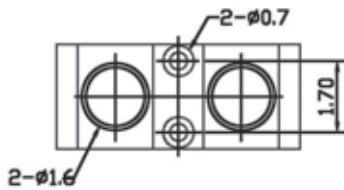
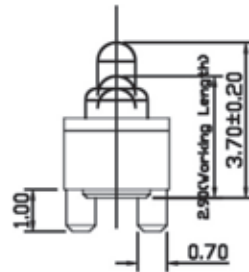
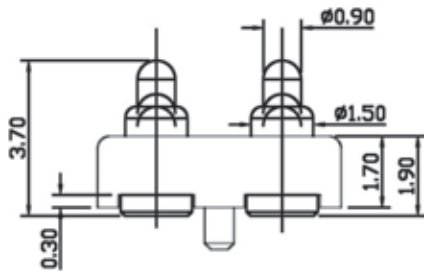
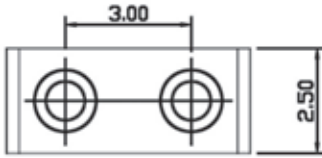
\*RoHS & REACH compliant.

### ORDERING INFORMATION:

P/N P G P 300 - 002 G 10 C  
1 2 3 4

1. CONTACT SPACING:  
"300" 3.00MM
2. NO. OF CONTACTS:  
002
3. CONTACT FINISH:  
"10" 10 MICROINCH GOLD
4. CONNECTOR CODE:  
C

## 3.00MM PITCH 2 PIN POGO PIN CONNECTOR H=3.7MM



Recommended P.C.Board Layout

### SPECIFICATIONS

Contact Resistance: 50mΩ Max.

Total Length: 3.70mm

Working Length: 2.90mm

Spring Force: 100g ± 20% at Working Length

### MATERIALS

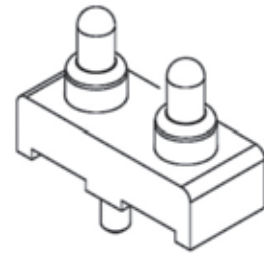
Housing: Black PA9T/UL94V-0

Plunger & Barrel: Brass

Spring: Stainless Steel

Contact Surface: 10u" Minimum Au over,  
50u" Minimum Ni

\*RoHS & REACH compliant.

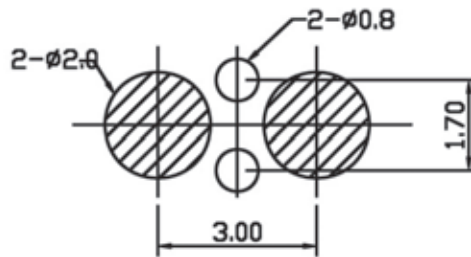
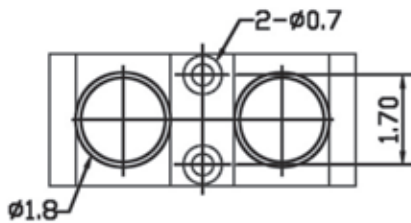
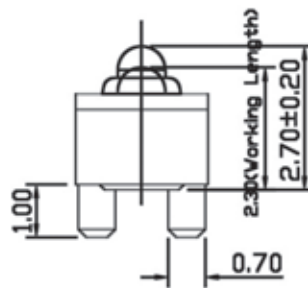
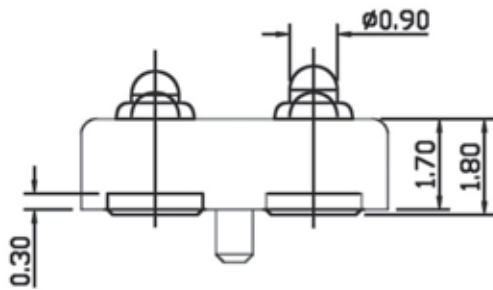
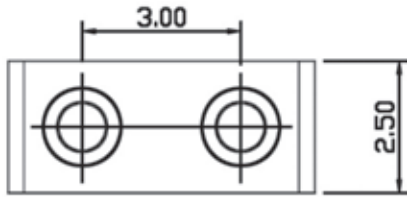


### ORDERING INFORMATION:

P/N P G P 300 - 002 G 10 D  
1 2 3 4

1. CONTACT SPACING:  
"300" 3.00MM
2. NO. OF CONTACTS:  
002
3. CONTACT FINISH:  
"10" 10 MICROINCH GOLD
4. CONNECTOR CODE:  
D

## 3.00MM PITCH 2 PIN POGO PIN CONNECTOR H=2.7MM



Recommended P.C.Board Layout

### SPECIFICATIONS

Contact Resistance: 50mΩ Max.

Total Length: 2.70mm

Working Length: 2.30mm

Spring Force: 100g ± 20% at Working Length

### MATERIALS

Housing: Black PA9T/UL94V-0

Plunger & Barrel: Brass

Spring: Stainless Steel

Contact Surface: 10u" Minimum Au over,  
50u" Minimum Ni

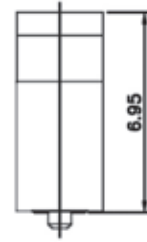
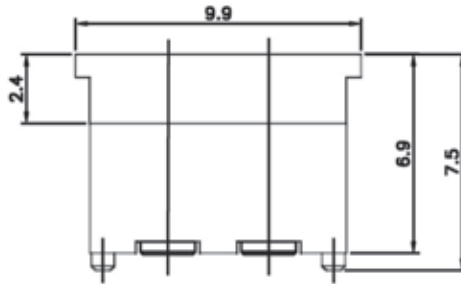
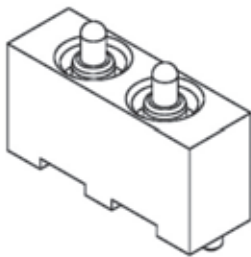
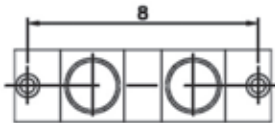
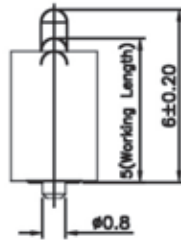
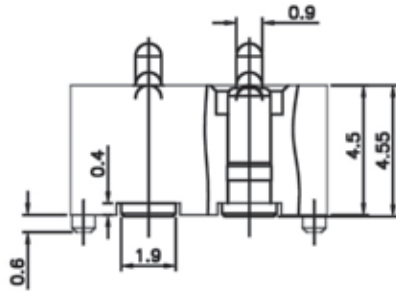
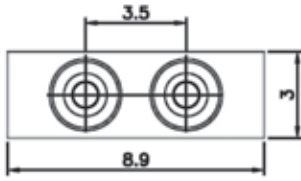
\*RoHS & REACH compliant.

### ORDERING INFORMATION:

P/N P G P 3 0 0 - 0 0 2 G 1 0 E

1. CONTACT SPACING:  
"300" 3.00MM
2. NO. OF CONTACTS:  
002
3. CONTACT FINISH:  
"10" 10 MICROINCH GOLD
4. CONNECTOR CODE:  
E

## 3.50MM PITCH 2 PIN POGO PIN CONNECTOR H=6.0MM



### SPECIFICATIONS

Contact Resistance: 50mΩ Max.

Total Length: 6.00mm

Working Length: 5.00mm

Spring Force: 100g ± 20% at Working Length

### MATERIALS

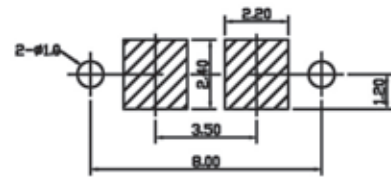
Housing: Black HTN/UL94V-0

Plunger & Barrel: Brass

Spring: Stainless Steel

Contact Surface: 10u" Minimum Au over,  
50u" Minimum Ni

\*RoHS & REACH compliant.



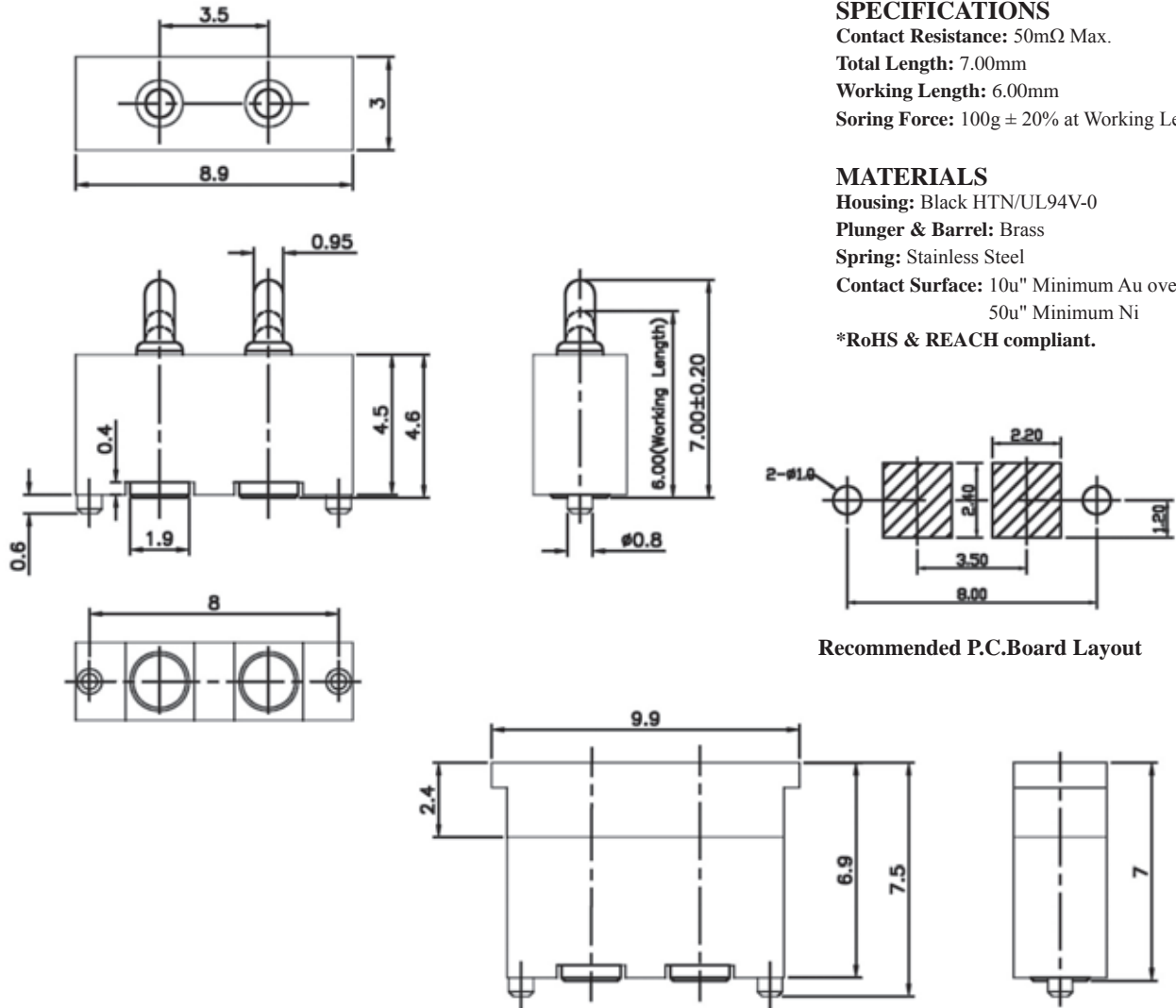
Recommended P.C.Board Layout

### ORDERING INFORMATION:

P/N PGP 350 - 002 G 10 A

1. CONTACT SPACING:  
"350" 3.50MM
2. NO. OF CONTACTS:  
002
3. CONTACT FINISH:  
"10" 10 MICROINCH GOLD
4. CONNECTOR CODE:  
A

## 3.50MM PITCH 2 PIN POGO PIN CONNECTOR H=7.0MM



### SPECIFICATIONS

Contact Resistance: 50mΩ Max.

Total Length: 7.00mm

Working Length: 6.00mm

Spring Force: 100g ± 20% at Working Length

### MATERIALS

Housing: Black HTN/UL94V-0

Plunger & Barrel: Brass

Spring: Stainless Steel

Contact Surface: 10u" Minimum Au over,  
50u" Minimum Ni

\*RoHS & REACH compliant.

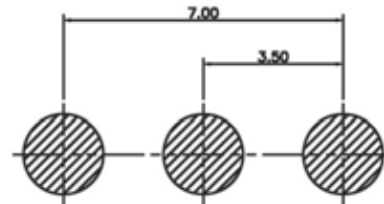
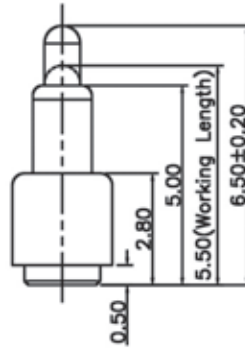
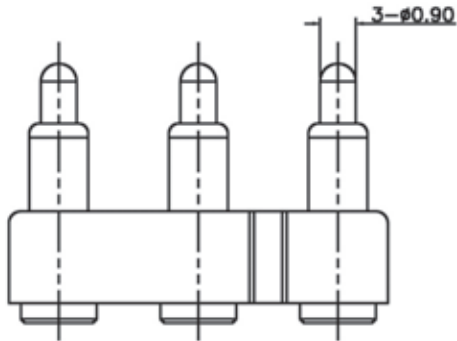
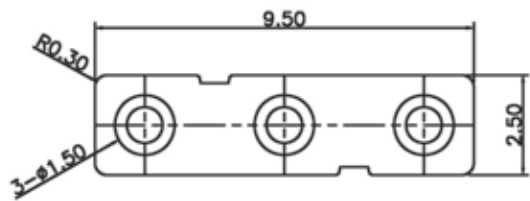
Recommended P.C.Board Layout

### ORDERING INFORMATION:

P/N P G P 350 - 002 G 10 B  
1 2 3 4

1. CONTACT SPACING:  
"350" 3.50MM
2. NO. OF CONTACTS:  
002
3. CONTACT FINISH:  
"10" 10 MICROINCH GOLD
4. CONNECTOR CODE:  
B

## 3.50MM PITCH 3 PIN POGO PIN CONNECTOR H=6.5MM



Recommended P.C.Board Layout

### SPECIFICATIONS

Contact Resistance: 50mΩ Max.

Total Length: 6.50mm

Working Length: 5.50mm

Spring Force: 80g ± 20% at Working Length

### MATERIALS

Housing: Black HTN/UL94V-0

Plunger & Barrel: Brass

Spring: Stainless Steel

Contact Surface: 10u" Minimum Au over,  
50u" Minimum Ni

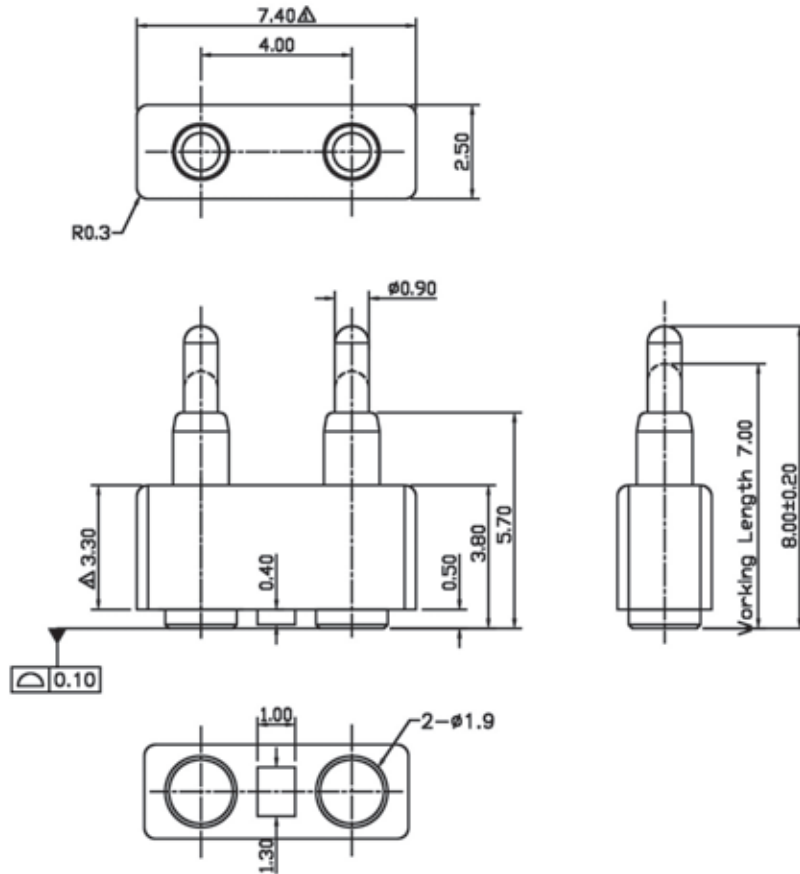
\*RoHS & REACH compliant.

### ORDERING INFORMATION:

P/N P G P 3 50 - 0 0 3 G 1 0 C  
1 2 3 4

1. CONTACT SPACING:  
"350" 3.50MM
2. NO. OF CONTACTS:  
003
3. CONTACT FINISH:  
"10" 10 MICROINCH GOLD
4. CONNECTOR CODE:  
C

## 4.00MM PITCH 2 PIN POGO PIN CONNECTOR H=8.0MM



### SPECIFICATIONS

Contact Resistance: 50mΩ Max.

Total Length: 8.00mm

Working Length: 7.00mm

Spring Force: 100g ± 20% at Working Length

### MATERIALS

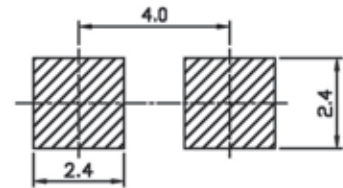
Housing: Black HTN/UL94V-0

Plunger & Barrel: Brass

Spring: Stainless Steel

Contact Surface: 10u" Minimum Au over,  
50u" Minimum Ni

\*RoHS & REACH compliant.



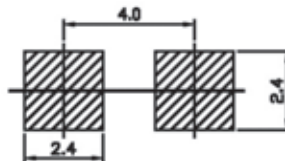
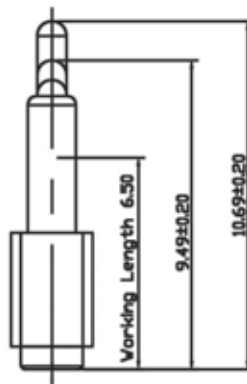
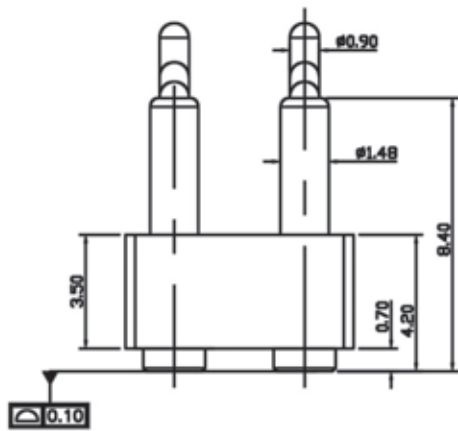
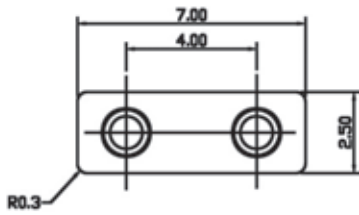
Recommended P.C.Board Layout

### ORDERING INFORMATION:

P/N PGP 400 - 002 G 10 A  
1 2 3 4

1. CONTACT SPACING:  
"400" 4.00MM
2. NO. OF CONTACTS:  
002
3. CONTACT FINISH:  
"10" 10 MICROINCH GOLD
4. CONNECTOR CODE:  
A

## 4.00MM PITCH 2 PIN POGO PIN CONNECTOR H=10.7MM



Recommended P.C.Board Layout

### SPECIFICATIONS

Contact Resistance: 50m $\Omega$  Max.

Total Length: 10.50mm

Working Length: 9.30mm

Spring Force: 120g  $\pm$  20% at Working Length

### MATERIALS

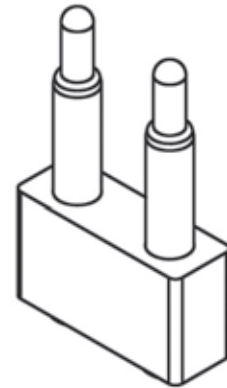
Housing: Black PA9T/UL94V-0

Plunger & Barrel: Brass

Spring: Stainless Steel

Contact Surface: 10u" Minimum Au over,  
50u" Minimum Ni

\*RoHS & REACH compliant.



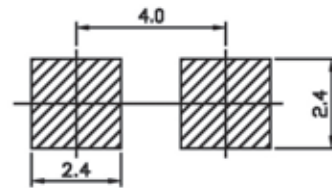
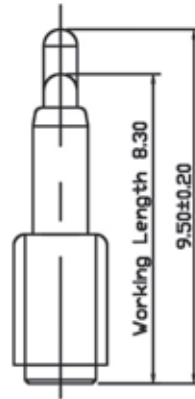
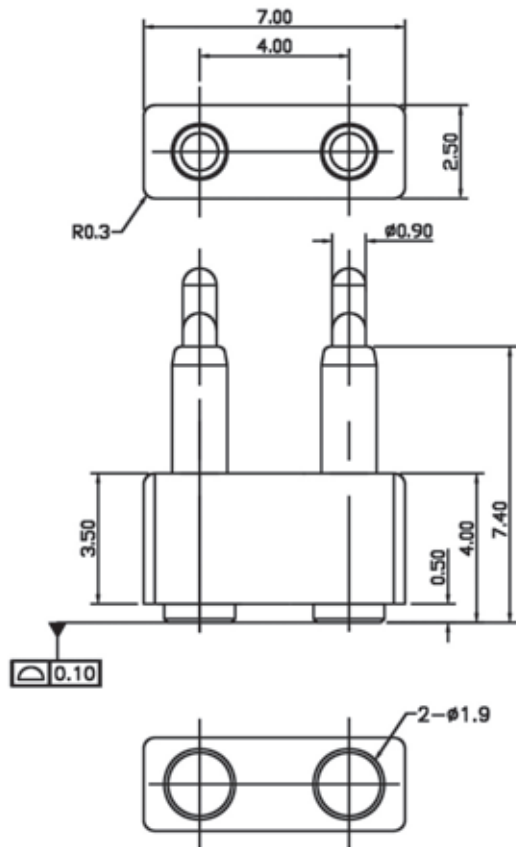
### ORDERING INFORMATION:

P/N P G P 400 - 002 G 10 B

1. CONTACT SPACING:  
"400" 4.00MM
2. NO. OF CONTACTS:  
002
3. CONTACT FINISH:  
"10" 10 MICROINCH GOLD
4. CONNECTOR CODE:  
B



## 4.00MM PITCH 2 PIN POGO PIN CONNECTOR H=9.5MM



Recommended P.C.Board Layout

### SPECIFICATIONS

Contact Resistance: 50m $\Omega$  Max.

Total Length: 9.50mm

Working Length: 8.30mm

Spring Force: 120g  $\pm$  20% at Working Length

### MATERIALS

Housing: Black LCP/UL94V-0

Plunger & Barrel: Brass

Spring: Stainless Steel

Contact Surface: 10u" Minimum Au over,  
50u" Minimum Ni

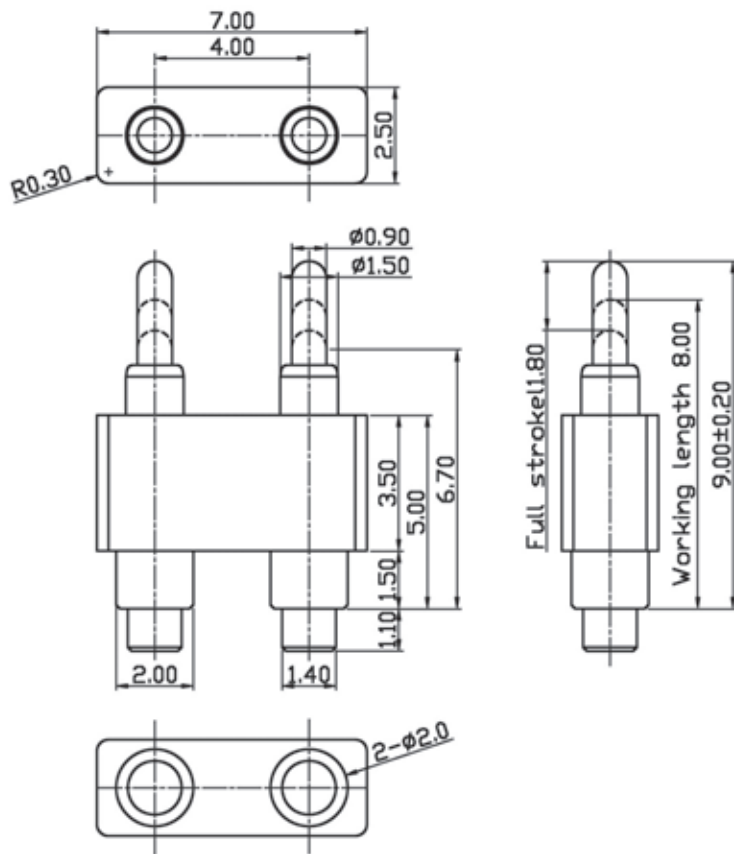
\*RoHS & REACH compliant.

### ORDERING INFORMATION:

P/N P G P 400 - 002 G 10 C  
1 2 3 4

1. CONTACT SPACING:  
"400" 4.00MM
2. NO. OF CONTACTS:  
002
3. CONTACT FINISH:  
"10" 10 MICROINCH GOLD
4. CONNECTOR CODE:  
C

## 4.00MM PITCH 2 PIN POGO PIN CONNECTOR H=9.0MM



### SPECIFICATIONS

Contact Resistance: 50mΩ Max.

Total Length: 9.00mm

Working Length: 8.00mm

Spring Force: 100g ± 20% at Working Length

### MATERIALS

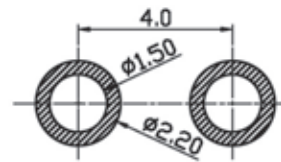
Housing: Black LCP/UL94V-0

Plunger & Barrel: Brass

Spring: Stainless Steel

Contact Surface: 10u" Minimum Au over,  
50u" Minimum Ni

\*RoHS & REACH compliant.



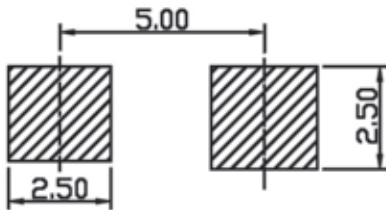
Recommended P.C.Board Layout

### ORDERING INFORMATION:

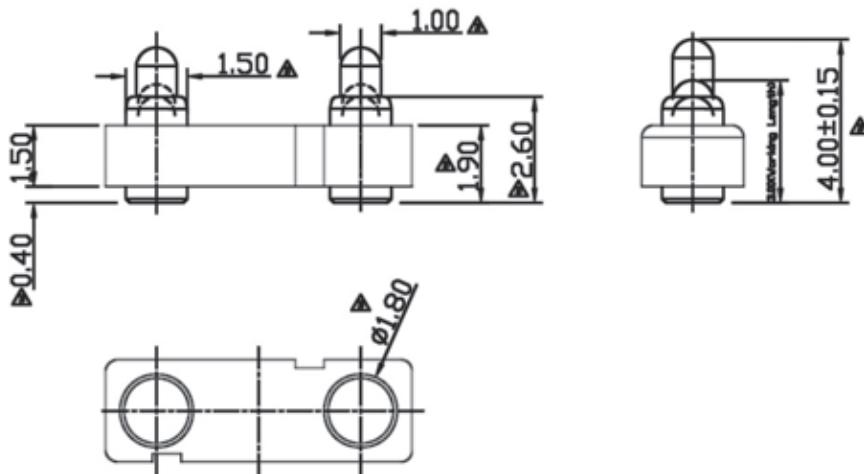
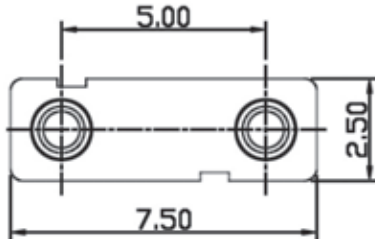
P/N PGP 400 - 002 G 10 D

1. CONTACT SPACING:  
"400" 4.00MM
2. NO. OF CONTACTS:  
002
3. CONTACT FINISH:  
"10" 10 MICROINCH GOLD
4. CONNECTOR CODE:  
D

## 5.00MM PITCH 2 PIN POGO PIN CONNECTOR H=4.0MM



Recommended P.C.Board Layout



### SPECIFICATIONS

Contact Resistance: 50mΩ Max.

Total Length: 4.00mm

Working Length: 3.00mm

Spring Force: 100g ± 20% at Working Length

### MATERIALS

Housing: Black HTN/UL94V-0

Plunger & Barrel: Brass

Spring: Stainless Steel

Contact Surface: 10u" Minimum Au over,  
50u" Minimum Ni

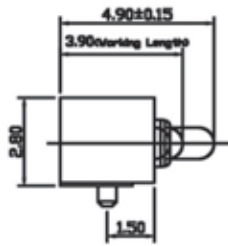
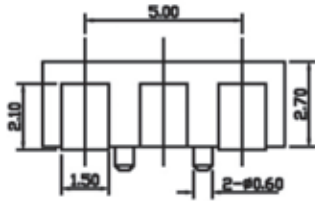
\*RoHS & REACH compliant.

### ORDERING INFORMATION:

P/N PGP 500 - 002 G 10 A  
1 2 3 4

1. CONTACT SPACING:  
"500" 5.00MM
2. NO. OF CONTACTS:  
002
3. CONTACT FINISH:  
"10" 10 MICROINCH GOLD
4. CONNECTOR CODE:  
A

## 5.00MM PITCH 2 PIN POGO PIN CONNECTOR H=4.9MM



### SPECIFICATIONS

Contact Resistance: 50mΩ Max.

Total Length: 4.90mm

Working Length: 3.90mm

Spring Force: 110g ± 20% at Working Length

### MATERIALS

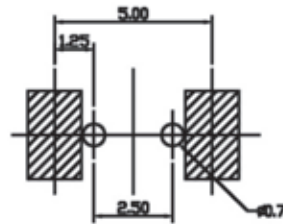
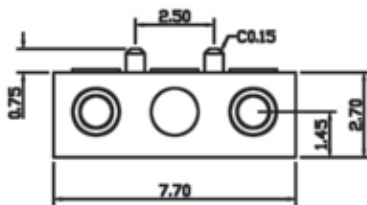
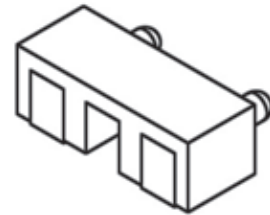
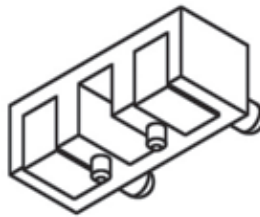
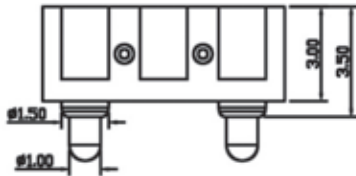
Housing: Black PA9T/UL94V-0

Plunger & Barrel: Brass

Spring: Stainless Steel

Contact Surface: 10u" Minimum Au over,  
50u" Minimum Ni

\*RoHS & REACH compliant.



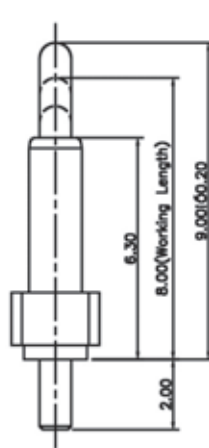
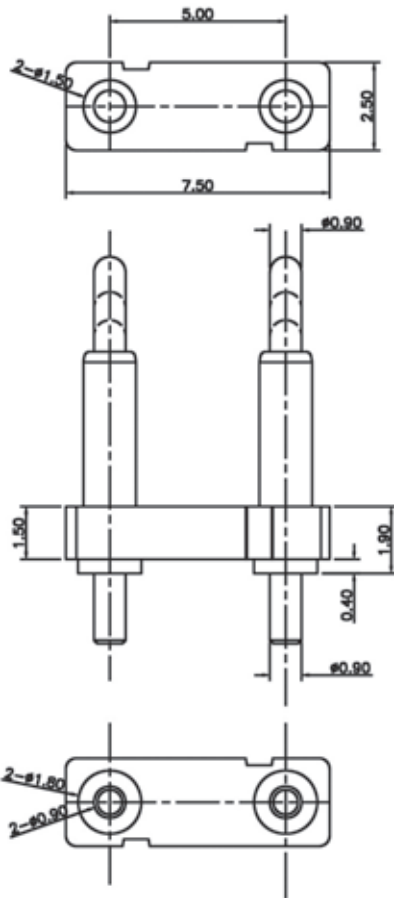
Recommended P.C.Board Layout

### ORDERING INFORMATION:

P/N PGP 500 - 002 G 10 B  
1 2 3 4

1. CONTACT SPACING:  
"500" 5.00MM
2. NO. OF CONTACTS:  
002
3. CONTACT FINISH:  
"10" 10 MICROINCH GOLD
4. CONNECTOR CODE:  
B

## 5.00MM PITCH 2 PIN POGO PIN CONNECTOR H=9.0MM



### SPECIFICATIONS

Contact Resistance: 50mΩ Max.

Total Length: 9.00mm

Working Length: 8.00mm

Spring Force: 120g ± 20% at Working Length

### MATERIALS

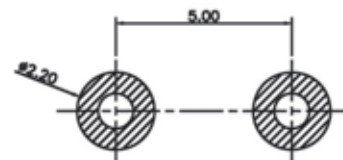
Housing: Black LCP/UL94V-0

Plunger & Barrel: Brass

Spring: Stainless Steel

Contact Surface: 10u" Minimum Au over,  
50u" Minimum Ni

\*RoHS & REACH compliant.



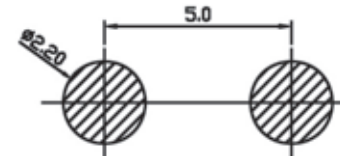
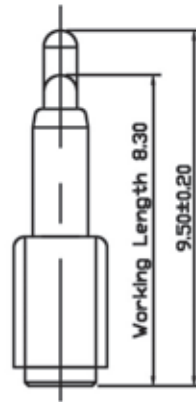
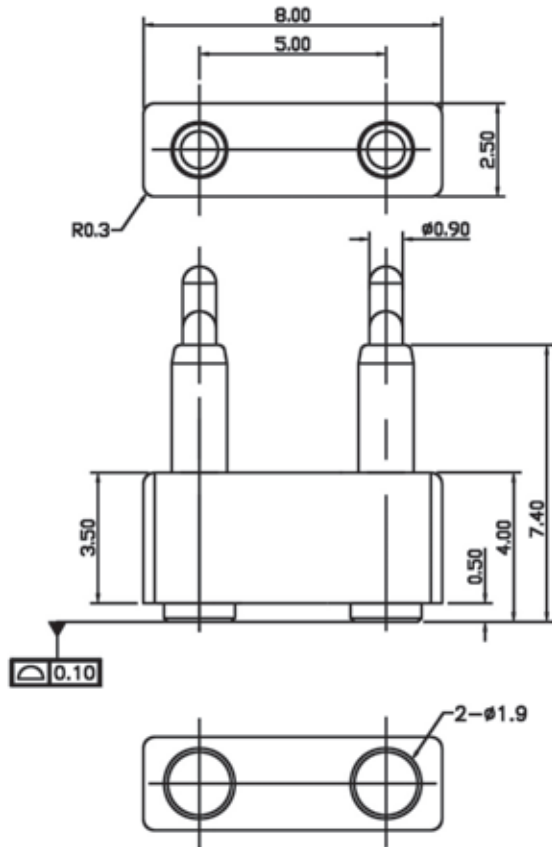
Recommended P.C.Board Layout

### ORDERING INFORMATION:

P/N P G P 500 - 002 G 10 D  
1 2 3 4

1. CONTACT SPACING:  
"500" 5.00MM
2. NO. OF CONTACTS:  
002
3. CONTACT FINISH:  
"10" 10 MICROINCH GOLD
4. CONNECTOR CODE:  
D

## 5.00MM PITCH 2 PIN POGO PIN CONNECTOR H=9.5MM



Recommended P.C.Board Layout

### SPECIFICATIONS

Contact Resistance: 50m $\Omega$  Max.

Total Length: 9.50mm

Working Length: 8.30mm

Spring Force: 120g  $\pm$  20% at Working Length

### MATERIALS

Housing: Black LCP/UL94V-0

Plunger & Barrel: Brass

Spring: Stainless Steel

Contact Surface: 10u" Minimum Au over,  
50u" Minimum Ni

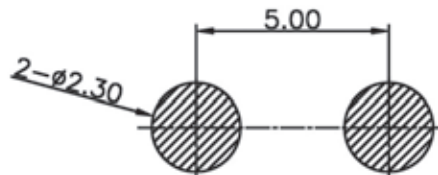
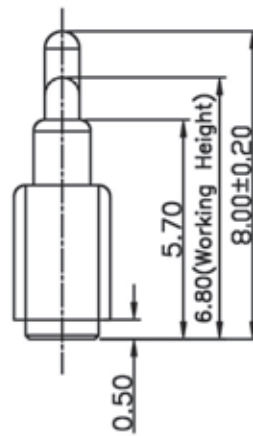
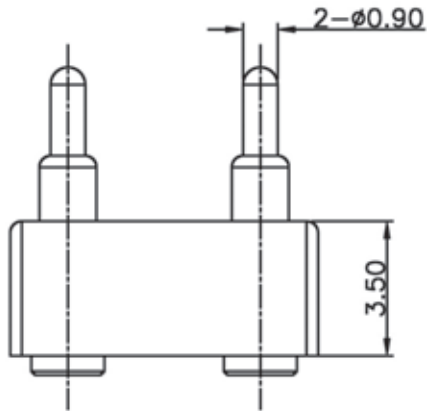
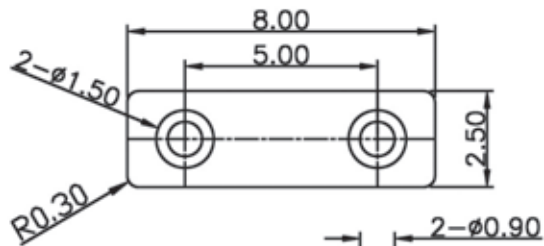
\*RoHS & REACH compliant.

### ORDERING INFORMATION:

P/N P G P 5 0 0 - 0 0 2 G 1 0 E  
1 2 3 4

1. CONTACT SPACING:  
"500" 5.00MM
2. NO. OF CONTACTS:  
002
3. CONTACT FINISH:  
"10" 10 MICROINCH GOLD
4. CONNECTOR CODE:  
E

## 5.00MM PITCH 2 PIN POGO PIN CONNECTOR H=8.0MM



Recommended P.C.Board Layout

### SPECIFICATIONS

Current Rating: DC12V, 1A

Contact Resistance: 50mΩ Max.

Spring Force: 100g ± 20% at Working Length

### MATERIALS

Housing: Black LCP/UL94V-0

Plunger & Barrel: Brass

Spring: Stainless Steel

Contact Surface: 10u" Minimum Au over,  
50u" Minimum Ni

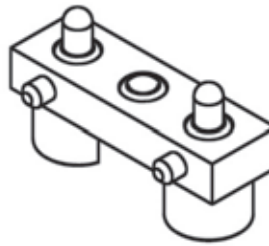
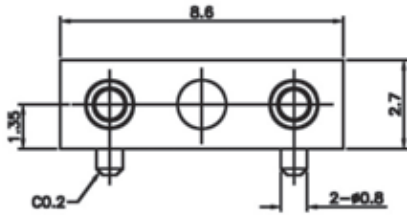
\*RoHS & REACH compliant.

### ORDERING INFORMATION:

P/N PGP 500 - 002 G 10 F

1. CONTACT SPACING:  
"500" 5.00MM
2. NO. OF CONTACTS:  
002
3. CONTACT FINISH:  
"10" 10 MICROINCH GOLD
4. CONNECTOR CODE:  
F

## 5.60MM PITCH 2 PIN POGO PIN CONNECTOR H=4.9MM



### SPECIFICATIONS

Contact Resistance: 50mΩ Max.

Total Length: 4.90mm

Working Length: 4.00mm

Spring Force: 110g ± 20% at Working Length

### MATERIALS

Housing: Black PA9T/UL94V-0

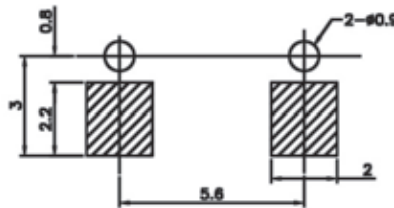
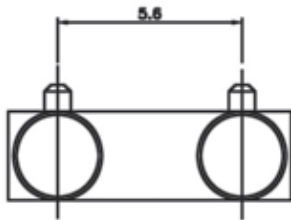
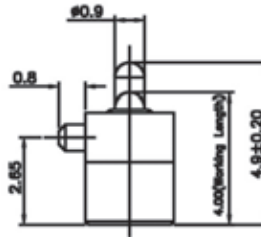
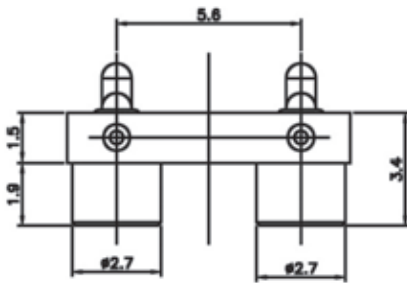
Plunger & Barrel: Brass

Spring: Stainless Steel

Contact Surface: 10u" Minimum Au over,

50u" Minimum Ni

\*RoHS & REACH compliant.



Recommended P.C.Board Layout

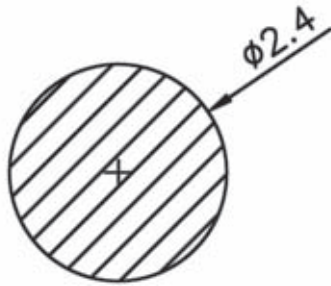
### ORDERING INFORMATION:

P/N PGP 560 - 002 G 10 A

1. CONTACT SPACING:  
"560" 5.60MM
2. NO. OF CONTACTS:  
002
3. CONTACT FINISH:  
"10" 10 MICROINCH GOLD
4. CONNECTOR CODE:  
A



## ONE PIN POGO PIN CONNECTOR H=4.3MM



Recommended P.C.Board Layout

### SPECIFICATIONS

**Current Rating:** 12 VCD, 1A

**Contact Resistance:** 50mΩ Max.

**Total Length:** 2.60mm

**Working Length:** 2.00mm

**Spring Force:** 100g ± 20% at Working Length

### MATERIALS

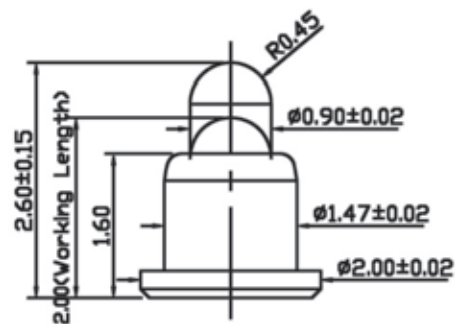
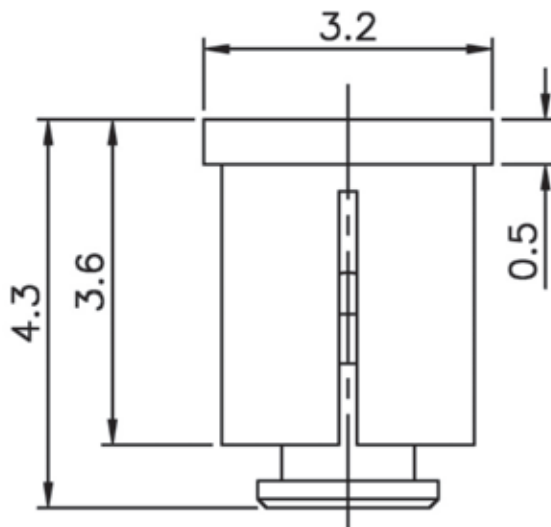
**Cap:** Black PA9T/UL94V-0

**Plunger & Barrel:** Brass

**Spring:** Stainless Steel

**Contact Surface:** 10u" Minimum Au over,  
50u" Minimum Ni

\*RoHS & REACH compliant.

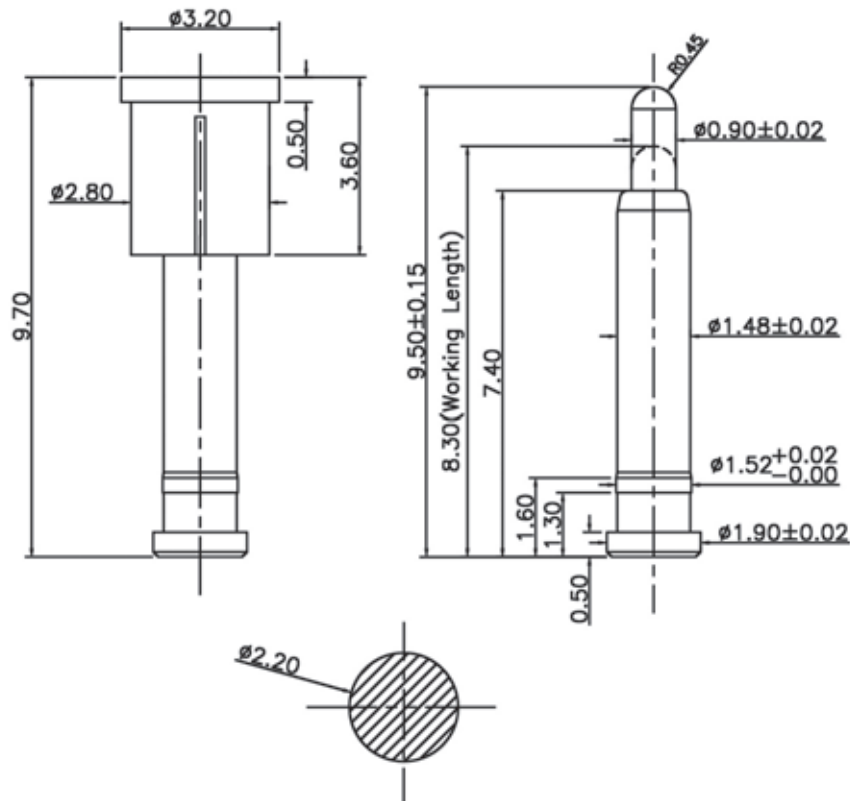


### ORDERING INFORMATION:

**P/N P G P 000 - 001 G 10 A**  
                                  1          2                                  3  4

1. CONTACT SPACING:  
"000" ONE PIN ONLY
2. NO. OF CONTACTS:  
001
3. CONTACT FINISH:  
"10" 10 MICROINCH GOLD
4. CONNECTOR CODE:  
A

## ONE PIN POGO PIN CONNECTOR H=9.5MM



Recommended P.C.Board Layout

### SPECIFICATIONS

Contact Resistance: 50mΩ Max.

Total Length: 9.50mm

Working Length: 8.30mm

Spring Force: 30g ± 20% at Working Length

### MATERIALS

Cap: Black HTN/UL94V-0

Plunger & Barrel: Brass

Spring: Stainless Steel

Contact Surface: 10u" Minimum Au over,  
50u" Minimum Ni

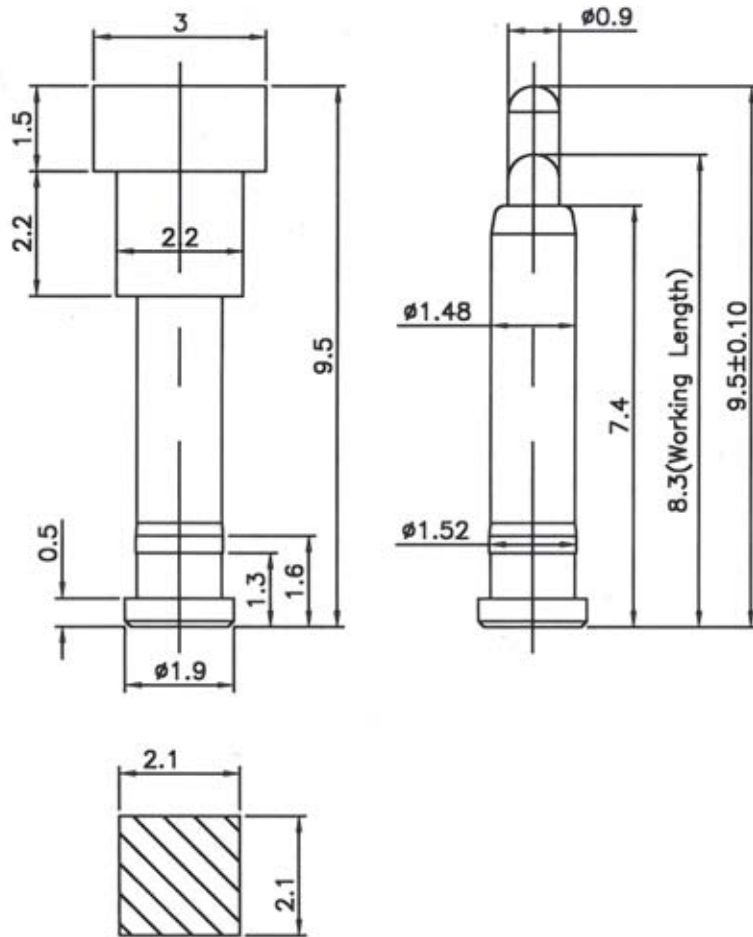
\*RoHS & REACH compliant.

### ORDERING INFORMATION:

P/N P G P 000 - 001 G 10 B  
                  1          2          3 4

1. CONTACT SPACING:  
"000" ONE PIN ONLY
2. NO. OF CONTACTS:  
001
3. CONTACT FINISH:  
"10" 10 MICROINCH GOLD
4. CONNECTOR CODE:  
B

## ONE PIN POGO PIN CONNECTOR H=9.5MM



Recommended P.C.Board Layout

### SPECIFICATIONS

Contact Resistance: 50mΩ Max.

Total Length: 9.50mm

Working Length: 8.30mm

Spring Force: 120g ± 20% at Working Length

### MATERIALS

Cap: Black PA9T/UL94V-0

Plunger & Barrel: Brass

Spring: Stainless Steel

Contact Surface: 10u" Minimum Au over,  
50u" Minimum Ni

\*RoHS & REACH compliant.

### ORDERING INFORMATION:

P/N P G P 000 - 001 G 10 C  
1 2 3 4

1. CONTACT SPACING:  
"000" ONE PIN ONLY
2. NO. OF CONTACTS:  
001
3. CONTACT FINISH:  
"10" 10 MICROINCH GOLD
4. CONNECTOR CODE:  
C

# ONE PIN POGO PIN CONNECTOR H=6.0MM

## SPECIFICATIONS

**Contact Resistance:** 50mΩ Max.

**Total Length:** 6.00mm

**Working Length:** 5.00mm

**Spring Force:** 100g ± 20% at Working Length

## MATERIALS

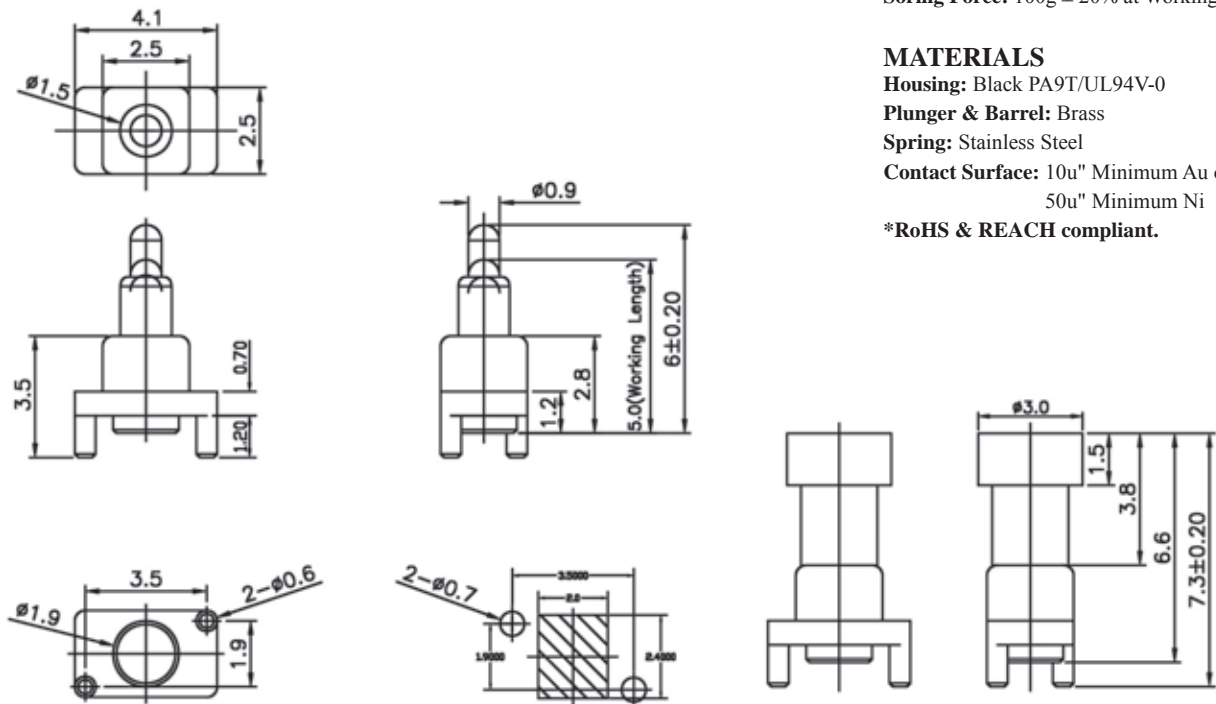
**Housing:** Black PA9T/UL94V-0

**Plunger & Barrel:** Brass

**Spring:** Stainless Steel

**Contact Surface:** 10u" Minimum Au over,  
50u" Minimum Ni

\*RoHS & REACH compliant.



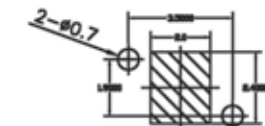
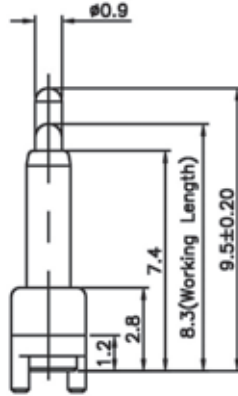
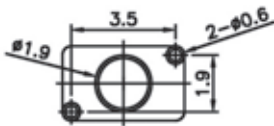
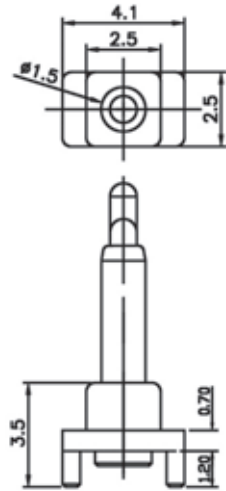
Recommended P.C.Board Layout

## ORDERING INFORMATION:

**P/N PGP 000 - 001 G 10 D**  
 1 2 3 4

1. CONTACT SPACING:  
"000" ONE PIN ONLY
2. NO. OF CONTACTS:  
001
3. CONTACT FINISH:  
"10" 10 MICROINCH GOLD
4. CONNECTOR CODE:  
D

## ONE PIN POGO PIN CONNECTOR H=9.7MM



Recommended P.C.Board Layout

### SPECIFICATIONS

**Contact Resistance:** 50mΩ Max.

**Total Length:** 9.50mm

**Working Length:** 8.30mm

**Spring Force:** 120g ± 20% at Working Length

### MATERIALS

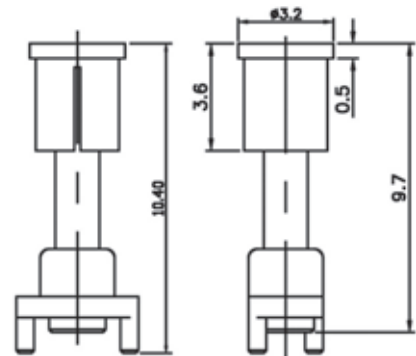
**Housing:** Black LCP/UL94V-0

**Plunger & Barrel:** Brass

**Spring:** Stainless Steel

**Contact Surface:** 10u" Minimum Au over,  
50u" Minimum Ni

\*RoHS & REACH compliant.



### ORDERING INFORMATION:

**P/N PGP**000**-**001**G**10**E**

1. CONTACT SPACING:  
"000" ONE PIN ONLY
2. NO. OF CONTACTS:  
001
3. CONTACT FINISH:  
"10" 10 MICROINCH GOLD
4. CONNECTOR CODE:  
E

## ONE PIN POGO PIN CONNECTOR H=9.5MM

### SPECIFICATIONS

Current Rating: 20 VCD, 2A

Contact Resistance: 50mΩ Max.

Spring Force: 120g ± 20% at 0.8mm (x2)

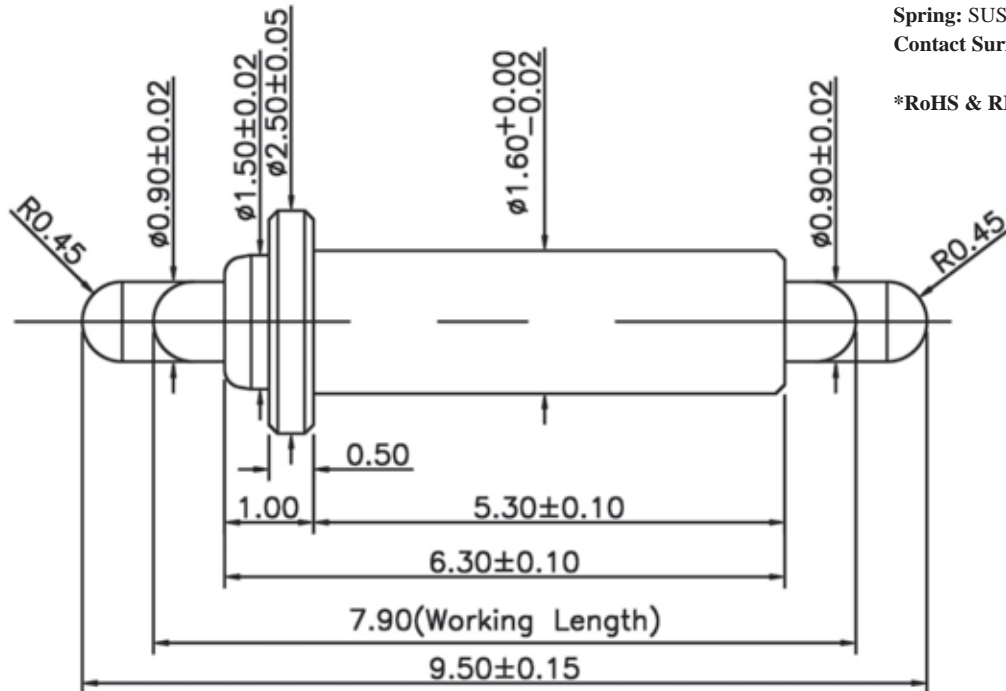
### MATERIALS

Plunger & Barrel: Brass

Spring: SUS304

Contact Surface: 10u" Minimum Au over,  
50u" Minimum Ni

\*RoHS & REACH compliant.



### ORDERING INFORMATION:

P/N P G P 000 - 001 G 10 F

1. CONTACT SPACING:  
"000" ONE PIN ONLY
2. NO. OF CONTACTS:  
001
3. CONTACT FINISH:  
"10" 10 MICROINCH GOLD
4. CONNECTOR CODE:  
F

## ONE PIN POGO PIN CONNECTOR H=15.4MM

### SPECIFICATIONS

**Current Rating:** 12V DC, 1A

**Contact Resistance:** 100mΩ Max.

**Spring Force:** 125g ± 25g at 1.0 mm

**Mechanical Life:** 10,000 Cycle

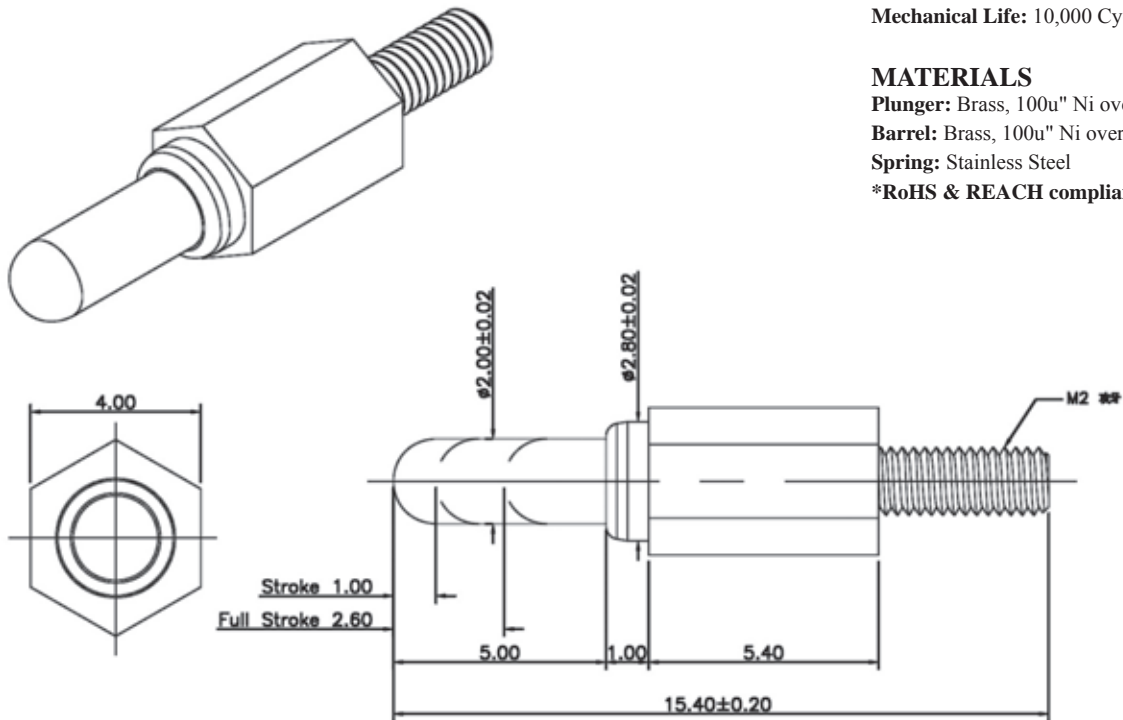
### MATERIALS

**Plunger:** Brass, 100u" Ni over

**Barrel:** Brass, 100u" Ni over

**Spring:** Stainless Steel

\*RoHS & REACH compliant.



### ORDERING INFORMATION:

**P/N PGP000-001N00N**

1 2 3 4

1. CONTACT SPACING:  
"000" ONE PIN ONLY
2. NO. OF CONTACTS:  
001
3. CONTACT FINISH:  
"N00" NICKEL PLATED
4. CONNECTOR CODE:  
N