

ELITAVIA

AUDIO & VIDEO PARTS (1)

DC POWER PLUGS & JACKS

MINI DIN CONNECTORS

DIN CONNECTORS

WATERPROOF M5 CONNECTORS

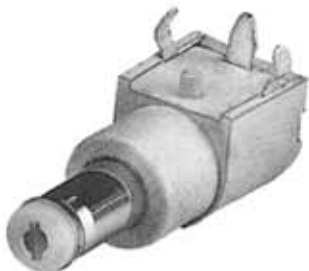
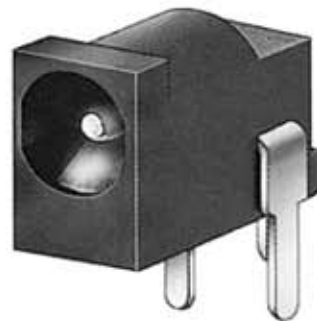
WATERPROOF M8 CONNECTORS

WATERPROOF M9 CONNECTORS

WATERPROOF M12 CONNECTORS

WATERPROOF M22 CONNECTORS

BANANA PLUGS



CAT. AV-B-1

<u>DESCRIPTION</u>	<u>PAGE NO.</u>
<u>DC POWER PLUGS & JACKS</u>	
DC POWER PLUGS FOR CABLE ASSEMBLY-----	B1001~B1005
DC POWER JACKS FOR CABLE ASSEMBLY-----	B1021~B1023
Ø0.60MM DC POWER JACKS-----	B1111~B1112
Ø0.65MM DC POWER JACKS-----	B1121~B1135
Ø0.70MM DC POWER JACKS-----	B1151
Ø0.80MM DC POWER JACKS-----	B1161~B1162
Ø0.8/1.0/1.3MM DC POWER JACKS-----	B1166~B1167
Ø1.00MM DC POWER JACKS-----	B1181~B1191
Ø1.00MM+0.7MM DC POWER JACKS-----	B1201
Ø1.00/1.30MM DC POWER JACKS-----	B1211~B1238
Ø1.0/1.3/1.65MM DC POWER JACKS-----	B1251
Ø1.10MM DC POWER JACKS-----	B1261
Ø1.1/1.3/1.45MM DC POWER JACKS-----	B1266
Ø1.20MM DC POWER JACKS-----	B1271~B1274
Ø1.30MM DC POWER JACKS-----	B1301~B1315
Ø1.45MM DC POWER JACKS-----	B1361~B1364
Ø1.50MM DC POWER JACKS-----	B1371~B1374
Ø1.60MM DC POWER JACKS-----	B1381~B1382
Ø1.65MM DC POWER JACKS-----	B1401~B1427
Ø1.65/2.0/MM DC POWER JACKS-----	B1451
Ø1.65/2.0/2.35/2.5MM DC POWER JACKS-----	B1456~B1461
Ø1.65/2.0/2.5MM DC POWER JACKS-----	B1471~B1488
Ø2.00MM DC POWER JACKS-----	B1501~B1502
Ø2.0/2.35/2.5MM DC POWER JACKS-----	B1521~B1540
Ø2.0/2.35/2.5/3.0MM DC POWER JACKS-----	B1561
Ø2.0/2.5MM DC POWER JACKS-----	B1601~B1673
Ø2.0/2.5/2.95MM DC POWER JACKS-----	B1801
Ø2.0/2.5/3.0MM DC POWER JACKS-----	B1811~B1812
Ø3.00MM DC POWER JACKS-----	B1821~B1822
 <u>DC POWER ADAPTERS</u>	
DC PLUG & DC JACK ADAPTERS-----	B2101

DESCRIPTION

PAGE NO.

BANANA PLUGS & TIP PLUGS

BANANA PLUG & SOCKET-----	B2801~B2817
TIP PLUG-----	B2901~B2903

DIN CONNECTORS

DIN CABLE PLUG ASSEMBLY TYPE-----	B3001~B3012
DIN CABLE PLUG RIGHT ANGLE ASSEMBLY TYPE-----	B3031~B3033
DIN CABLE PLUG WATER-PROOF TYPE-----	B3041~B3042
DIN PANEL MOUNT PLUG-----	B3051~B3052
DIN CABLE JACK ASSEMBLY TYPE-----	B3101~B3113
DIN CABLE JACK WATER-PROOF TYPE-----	B3131~B3135
DIN SOCKET CHASSIS MOUNT TYPE-----	B3201~B3210
DIN SOCKET PANEL MOUNT TYPE-----	B3301~B3305
DIN SOCKET PCB MOUNT & SOLDER TYPE-----	B3401~B3407
DIN JACK / PLUG ADAPTER-----	B3431
WATERPROOF 4, 6 & 8 PIN DIN FEMALE CONNECTOR-----	B3441~B3443
3 & 4 PIN POWER DIN PLUG & SOCKET-----	B3481~B3491
6 & 8 PIN POWER DIN SOCKET-----	B3496

MINI DIN CONNECTORS

MINI DIN CABLE PLUG, JACK & ADAPTER-----	B3501~B3512
MINI DIN SOCKET UNSHIELDED TYPE-----	B3531~B3543
MINI DIN SOCKET SHIELDED TYPE-----	B3561~B3577
MINI DIN SOCKET PANEL MOUNT TYPE-----	B3591~B3594
MINI DIN SOCKET WATERPROOF TYPE-----	B3599

***TECHNICAL ALTERATIONS ARE SUBJECT TO CHANGE WITHOUT NOTICE.**

***ALL ARTICLES ARE RoHS & REACH/SVHC COMPLIANT.**

DC POWER PLUGS FOR CABLE ASSEMBLY

RATING: 1A, 12VDC FOR $\Phi 0.7\sim 0.9$ MM ID PIN
 RATING: 3A, 12VDC FOR $\Phi 1.0\sim 1.9$ MM ID PIN
 RATING: 5A, 12VDC FOR $\Phi 2.0\sim 3.1$ MM ID PIN



PART NUMBERS OF PLUGS-V

<u>BAKELITE TYPE</u>	<u>PLASTIC TYPE</u>	<u>I.D.</u>	<u>O.D.</u>	<u>SHAFT LENGTH</u>
DCP-001	DCP-101	$\Phi 0.7$ MM	$\Phi 2.5$ MM	9.5MM
DCP-002	DCP-102	$\Phi 1.1$ MM	$\Phi 3.0$ MM	9.5MM
DCP-003	DCP-103	$\Phi 1.45$ MM	$\Phi 3.45$ MM	9.5MM
DCP-004	DCP-104	$\Phi 1.7$ MM	$\Phi 4.0$ MM	9.5MM
DCP-005	DCP-105	$\Phi 1.35$ MM	$\Phi 4.0$ MM	9.5MM
DCP-006	DCP-106	$\Phi 1.7$ MM	$\Phi 4.75$ MM	9.5MM
DCP-007	DCP-107	$\Phi 2.1$ MM	$\Phi 5.0$ MM	9.5MM
DCP-008	DCP-108	$\Phi 2.5$ MM	$\Phi 5.0$ MM	9.5MM
DCP-009	DCP-109	$\Phi 1.5$ MM	$\Phi 5.5$ MM	9.5MM
DCP-010	DCP-110	$\Phi 1.6$ MM	$\Phi 5.5$ MM	9.5MM
DCP-011	DCP-111	$\Phi 1.75$ MM	$\Phi 5.5$ MM	9.5MM
DCP-030	DCP-130	$\Phi 2.1$ MM	$\Phi 5.0$ MM	14.0MM
DCP-031	DCP-131	$\Phi 2.5$ MM	$\Phi 5.0$ MM	14.0MM
DCP-032	DCP-132	$\Phi 1.6$ MM	$\Phi 5.0$ MM	14.0MM
DCP-033	DCP-133	$\Phi 2.8$ MM	$\Phi 5.5$ MM	14.0MM
DCP-201	DCP-301	$\Phi 2.1$ MM	$\Phi 5.5$ MM	9.5MM
DCP-202	DCP-302	$\Phi 2.1$ MM	$\Phi 5.5$ MM	14.0MM
DCP-203	DCP-303	$\Phi 2.5$ MM	$\Phi 5.5$ MM	9.5MM
DCP-204	DCP-304	$\Phi 2.5$ MM	$\Phi 5.5$ MM	14.0MM
-----	DCP-305	$\Phi 1.0$ MM	$\Phi 3.45$ MM	9.5MM
DCP-206	DCP-306	$\Phi 1.3$ MM	$\Phi 3.50$ MM	9.5MM
DCP-207	DCP-307	$\Phi 1.0$ MM	$\Phi 3.8$ MM	9.5MM
-----	DCP-308	$\Phi 3.1$ MM	$\Phi 6.3$ MM	10.0MM
-----	DCP-309	$\Phi 1.3$ MM	$\Phi 3.0$ MM	9.5MM
DCP-210	DCP-310	$\Phi 1.35$ MM	$\Phi 3.5$ MM	9.0MM
-----	DCP-311	$\Phi 3.1$ MM	$\Phi 6.3$ MM	9.5MM
-----	DCP-312	$\Phi 1.3$ MM	$\Phi 3.45$ MM	14.0MM
DCP-213	DCP-313	$\Phi 0.75$ MM	$\Phi 2.4$ MM	10.0MM
DCP-214	DCP-314	$\Phi 1.0$ MM	$\Phi 5.5$ MM	9.5MM (WITH RING)
-----	DCP-315	$\Phi 1.1$ MM	$\Phi 3.5$ MM	7.6MM (3 POLES)
DCP-216	DCP-316	$\Phi 0.7$ MM	$\Phi 2.35$ MM	9.5MM
DCP-218	DCP-318	$\Phi 3.0$ MM	$\Phi 5.5$ MM	9.5MM
DCP-220	DCP-320	$\Phi 2.0$ MM	$\Phi 5.5$ MM	9.5MM (LOCKABLE)
DCP-221	DCP-321	$\Phi 2.5$ MM	$\Phi 5.5$ MM	9.5MM (LOCKABLE)
DCP-222	DCP-322	$\Phi 1.0$ MM	$\Phi 3.4$ MM	5.5MM
DCP-223	DCP-323	$\Phi 1.4$ MM	$\Phi 4.3$ MM	6.5MM
-----	DCP-324	$\Phi 1.0$ MM	$\Phi 3.5$ MM	9.5MM

DC POWER PLUG WITH STRAIN RELIEF FOR CABLE ASSEMBLY

SPECIFICATIONS

1. **Rating:** 1A, 12VDC FOR A, B, C, D, E, F, G, H, J, K

3A, 12VDC FOR L, M, N, Q, P, S, T

2. **Operating Temperature:** -40°C to +105°C

MATERIALS

1. **Crimping patch:** Brass.

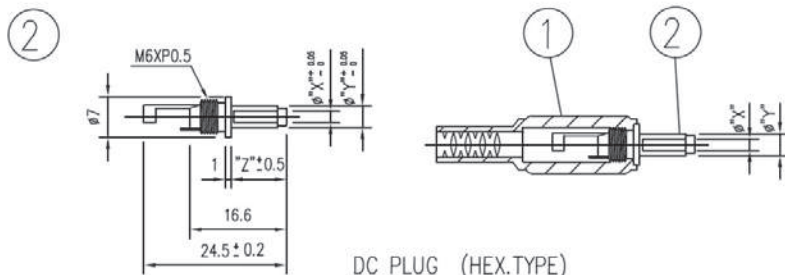
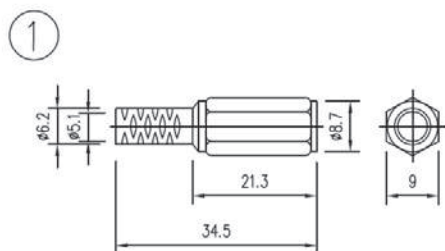
2. **Soldering patch:** Brass.

3. **Body:** Brass.

4. **Plastic handle:** PE.

5. **Dielectric:** POM.

* **RoHS & REACH compliant.**



CODE	X	Y	Z
A	0.7	2.5	10
B	1.0	3.5	10
C	1.0	3.8	9.0
D	1.0	3	9.5
E	1.3	3.5	9.5
F	1.3	3.8	9.5
G	1.3	3.5	14
H	1.7	4	10
J	1.7	4.75	10
K	1.7	5	13
L	2.1	5.5	9.5
M	2.1	5.5	14
N	2.5	5.5	8
Q	2.5	5.5	9.5
P	2.5	5.5	14
S	3.1	5.5	9.5
T	3.1	6.3	10

ORDERING INFORMATION:

P/N DCP-180 $\frac{x}{T}$

DIMENSION CODE:

A, B, C, D, E, F, G, H, J,
K, L, M, N, Q, P, S, T

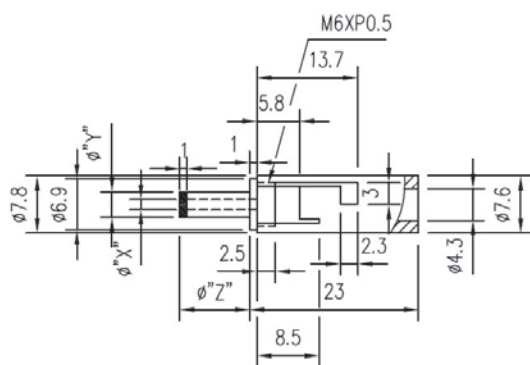
DC POWE PLUG ROUND TYPE FOR CABLE ASSEMBLY

SPECIFICATIONS

- 1.Rating:** 1A, 12VDC FOR A, B, C, D, E, F, G, H, J, K
3A, 12VDC FOR L, M, N, Q, P, S, T
- 2.Operating Temperature:** -40°c to +105°c

MATERIALS

- 1.Crimping patch:** Brass.
- 2.Soldering patch:** Brass.
- 3.Body:** Brass.
- 4.Plastic handle:** PE.
- 5.Dielectric:** POM.
- * RoHS & REACH compliant.



DC PLUG (ROUND TYPE)

CODE	X	Y	Z
A	0.7	2.5	9.0
B	1.0	3.5	10
C	1.0	3.8	9.5
D	1.0	3	10
E	1.3	3.5	9.5
F	1.3	3.8	9.5
G	1.3	3.5	14
H	1.7	4	10
J	1.7	4.75	9.5
K	1.7	5	13
L	2.1	5.5	9.5
M	2.1	5.5	14
N	2.5	5.5	8
Q	2.5	5.5	9.5
P	2.5	5.5	14
S	3.1	5.5	9.5
T	3.1	6.3	10

ORDERING INFORMATION:

P/N DCP-00_X_I

DIMENSION CODE:
A, B, C, D, E, F, G, H, J,
K, L, M, N, Q, P, S, T

DC POWER PLUGS & AUDIO PLUGS RIGHT ANGLE TYPE

P/N PL-005

DC PLUG, PE RIGHT ANGLE TYPE
Φ1.3MM x 3.45MM x 9.5MM



P/N PL-006

DC PLUG, PE RIGHT ANGLE TYPE
Φ1.0MM x 3.8MM x 9.5MM



P/N PL-007

DC PLUG, PE RIGHT ANGLE TYPE
Φ2.1MM x 5.5MM x 9.5MM



P/N PL-008

DC PLUG, PE RIGHT ANGLE TYPE
Φ2.5MM x 5.5MM x 9.5MM



P/N PL-030

DC PLUG, PE RIGHT ANGLE TYPE
Φ2.1MM x 5.5MM x 14MM



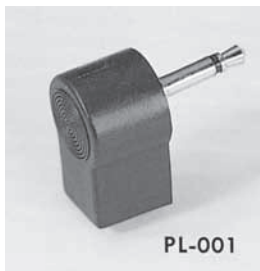
P/N PL-031

DC PLUG, PE RIGHT ANGLE TYPE
Φ2.5MM x 5.5MM x 14MM



P/N PL-001

2.5MM MONO PLUG RIGHT ANGLE TYPE



P/N PL-002

2.5MM STEREO PLUG RIGHT ANGLE TYPE



P/N PL-003

3.5MM MONO PLUG RIGHT ANGLE TYPE



P/N PL-004

3.5MM STEREO PLUG RIGHT ANGLE TYPE



DC POWER PLUG RIGHT ANGLE TYPE FOR CABLE ASSEMBLY

SPECIFICATIONS

1.Rating: 1A, 12VDC FOR A, B, C, D, E, F, G, H, J, K
3A, 12VDC FOR L, M, N, Q, P, S, T

2.Operating Temperature: -40°C to +105°C

MATERIALS

1.Crimping patch: Brass.

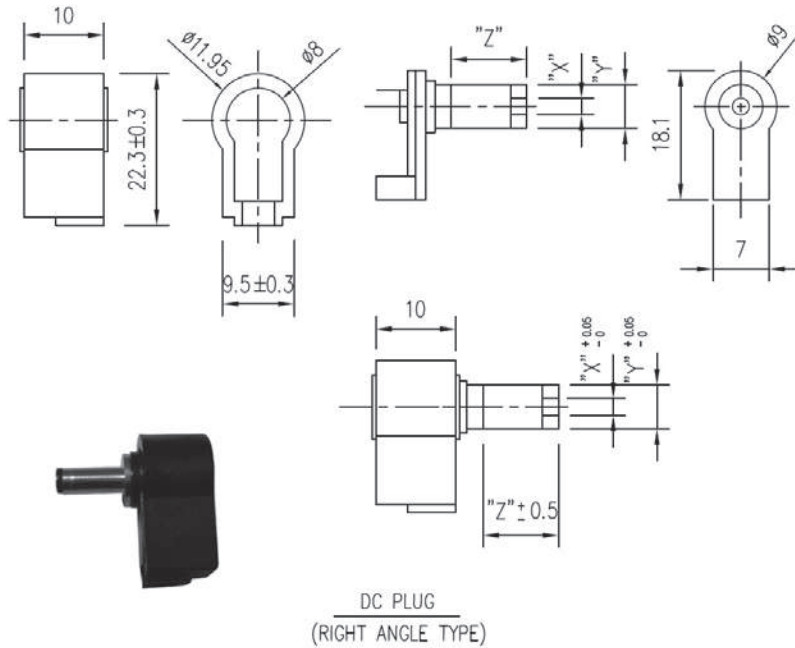
2.Soldering patch: Brass.

3.Body: Brass.

4.Plastic handle: PE.

5.Dielectric: POM.

* RoHS & REACH compliant.



CODE	X	Y	Z
A	0.7	2.5	10
B	1.0	3.5	10
C	1.0	3.8	9.5
D	1.0	3	10
E	1.3	3.5	9.5
F	1.3	3.8	9.5
G	1.3	3.5	14
H	1.7	4	9.5
J	1.7	4.75	9.5
K	1.7	5	13
L	2.1	5.5	9.5
M	2.1	5.5	14
N	2.5	5.5	8
Q	2.5	5.5	9.5
P	2.5	5.5	14
S	3.1	5.5	9.5
T	3.1	6.3	10

ORDERING INFORMATION:

P/N D C P - 9 0 $\frac{X}{I}$

DIMENSION CODE:

A, B, C, D, E, F, G, H, J,
K, L, M, N, Q, P, S, T

DC POWER JACKS FOR CABLE ASSEMBLY (1)



DCJ-001



DCJ-002



DCJ-003



DCJ-004

P/N DCJ-001 DC JACK 2.1 x 5.5MM OPEN TYPE(2P)
P/N DCJ-002 DC JACK 2.5 x 5.5MM OPEN TYPE(2P)
P/N DCJ-003 DC JACK 2.1 x 5.5MM CLOSE TYPE(3P)
P/N DCJ-004 DC JACK 2.5 x 5.5MM CLOSE TYPE(3P)



DCJ-006



DCJ-007

P/N DCJ-005 DC JACK 2.1 x 5.5MM SMALL TYPE
P/N DCJ-006 DC JACK 2.5 x 5.5MM SMALL TYPE
P/N DCJ-007 DC JACK 2.1 x 5.5MM LARGE TYPE
P/N DCJ-008 DC JACK 2.5 x 5.5MM LARGE TYPE



DCJ-009



DCJ-010

P/N DCJ-009 DC JACK 2.1 x 5.5MM
 CHASSIS MOUNT TYPE
P/N DCJ-010 DC JACK 2.5 x 5.5MM
 CHASSIS MOUNT TYPE



DCJ-107



DCJ-108

P/N DCJ-105 DC JACK 2.1 x 5.5MM SMALL TYPE
P/N DCJ-106 DC JACK 2.5 x 5.5MM SMALL TYPE
P/N DCJ-107 DC JACK 2.1 x 5.5MM LARGE TYPE
P/N DCJ-108 DC JACK 2.5 x 5.5MM LARGE TYPE

P/N DCJ-011L
 SIMILAR P/N DCJ-009,
 BUT WITH LONG THREADS
P/N DCJ-012L
 SIMILAR P/N DCJ-010,
 BUT WITH LONG THREADS

P/N ADDC-25FFB
 2.5*5.5MM JACK
 TO JACK DC ADAPTER
P/N ADDC-21FFB
 2.1*5.5MM JACK
 TO JACK DC ADAPTER

P/N DCJ-305
 I.D. 1.0MM DC JACK WITH
 PLASTIC HANDLE
P/N DCJ-306
 I.D. 1.3MM DC JACK WITH
 PLASTIC HANDLE



P/N DCJ-203
 I.D. 2.1MM
 DC JACK SHIELDED TYPE
P/N DCJ-204
 I.D. 2.5MM
 DC JACK SHIELDED TYPE



P/N DCJ-205
 I.D. 1.0MM DC JACK
P/N DCJ-206
 I.D. 1.3MM DC JACK



P/N DCJ-030A-5A
P/N DCJ-030B-5A
 DC JACK 5A 12VDC RATED
 (See next page!)

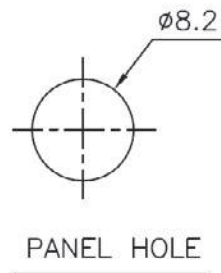
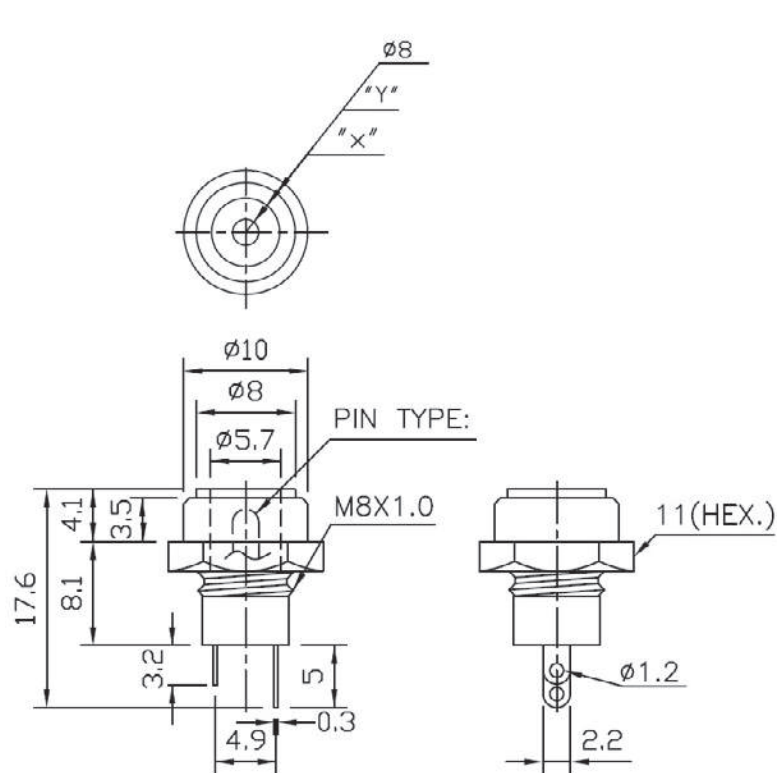
DC POWER JACK FOR CABLE ASSEMBLY (2)

SPECIFICATIONS

1. Rating: 5A, 12VDC
2. Operating Temperature: -40°C to +105°C

MATERIALS

1. Crimping patch: Brass.
 2. Soldering patch: Brass.
 3. Body: Brass.
 4. Plastic handle: PE.
 5. Dielectric: POM.
- * RoHS & REACH compliant.



CODE	"X"	"Y"
A	Ø2.1	Ø5.5
B	Ø2.5	Ø5.5

PIN TYPE

ORDERING INFORMATION:

P/N DCJ-030 $\frac{X}{I}$ - $\frac{5A}{2}$

1. DIMENSION CODE:

- "A" Ø2.1*5.5MM
- "B" Ø2.5*5.5MM

2. CURRENT RATING:

- "5A" 5A 12VDC

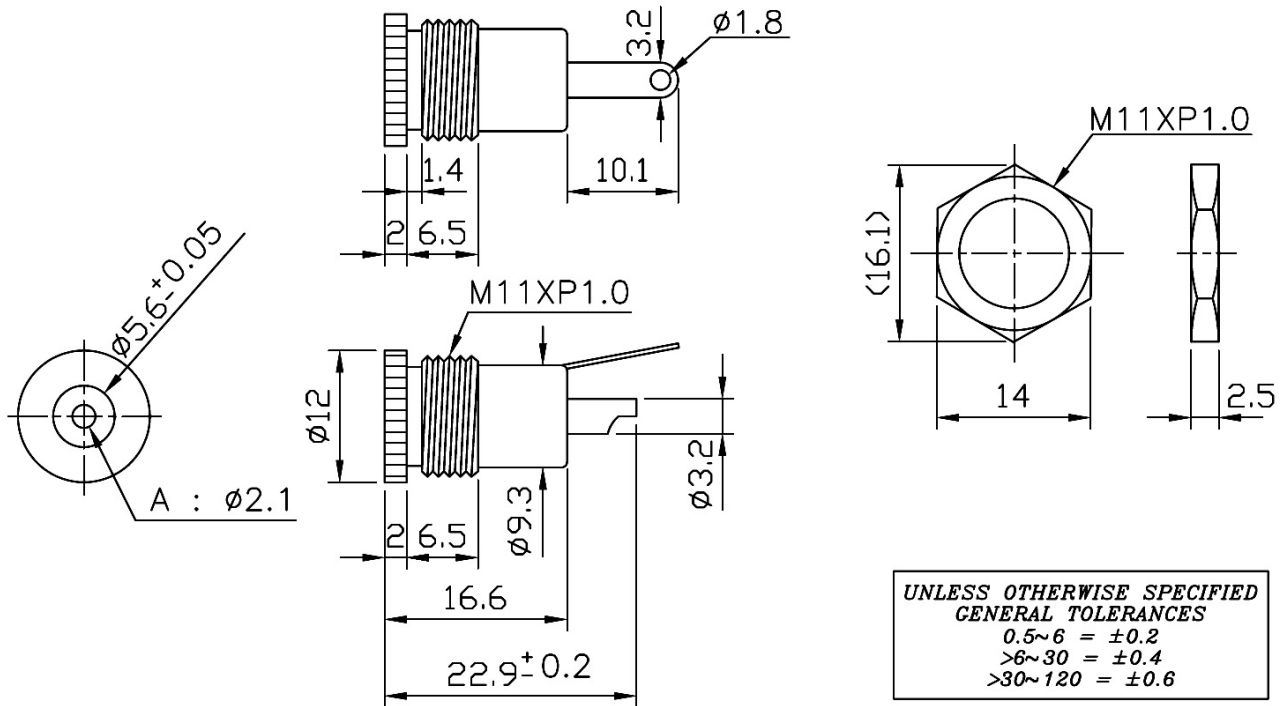
DC POWER JACK FOR CABLE ASSEMBLY (3)

SPECIFICATIONS

1. Rating: 3A, 12VDC
2. Operating Temperature: -40°C to +105°C

MATERIALS

1. Crimping patch: Brass.
 2. Soldering patch: Brass.
 3. Body: Brass.
 4. Plastic handle: PE.
 5. Dielectric: POM.
- * RoHS & REACH compliant.



P/N DCJ-040A-3A

ORDERING INFORMATION:

P/N DCJ - $\frac{\text{XXXXX}}{1}$ - $\frac{3A}{2}$

1. DIMENSION CODE:

- "040A" Ø2.1*5.6MM WHIT 6.5MM THREADS
- "040B" Ø2.5*5.6MM WHIT 6.5MM THREADS
- "041AL" Ø2.1*5.6MM WHIT 9.5MM THREADS
- "042AL" Ø2.5*5.6MM WHIT 9.5MM THREADS

2. CURRENT RATING:

- "3A" 3A 12VDC

DIA. 0.60MM DC POWER JACK (1)

SPECIFICATIONS

1. **Rating:** 2A 12VDC

2. **Withstanding voltage:**

AC 500V, 60Hz for 1 minute

3. **Insulation resistance (initial):** 100MΩ(min.) at 500V DC

4. **Contact resistance (initial):**

30mΩ(max.) at AC 100mA (max.) 1 KHz

5. **Insertion & Extraction force:**

Initial : 0.3 to 3.0Kgs

After life test: 0.2 to 3.0Kgs

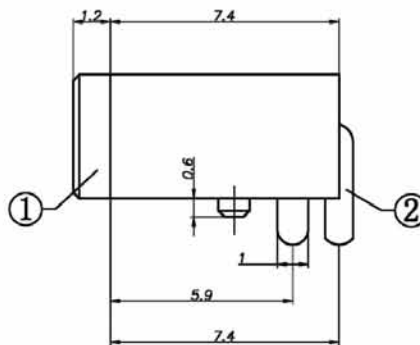
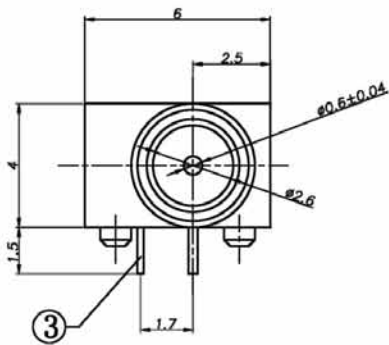
MATERIALS

1. **Housing:** Thermoplastic

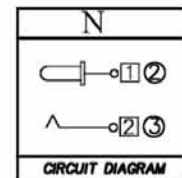
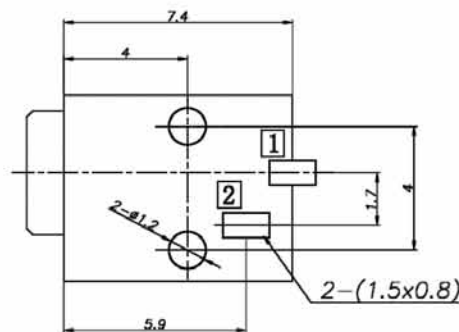
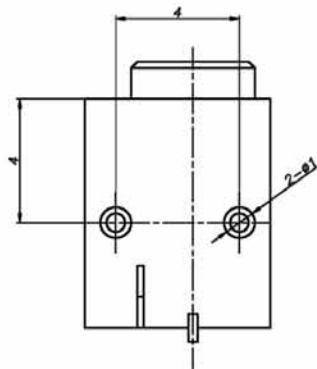
2. **Center pin:** Nickel plating

3. **Terminal:** Brass/Copper alloy Gold plating.

* **RoHS & REACH compliant.**



Recommended P.C.Board Layout



ORDERING INFORMATION:

P/N **DC 06 - N08 NG B**
 1 2 3 4 5

1. CENTER PIN DIAMETER:

"06" Ø0.60MM

2. DC JACK CODE:

"N08" R/A DIP TYPE

3. SCHEMATIC OPTION:

N

4. TERMINAL FINISH:

"G" GOLD PLATED

5. HOUSING COLOR:

"B" BLACK

DIA. 0.6.MM DC POWER JACK (2)

SPECIFICATIONS

1.Rating: 1A 12VDC

2.Withstanding voltage:

AC 500V, 60Hz for 1 minute

3.Insulation resistance (initial): 100MΩ(min.) at 500V DC

4.Contact resistance (initial):

30mΩ(max.) at AC 100mA (max.) 1 KHz

5.Insertion & Extraction force:

Initial : 0.3 to 3.0Kgs

After life test: 0.2 to 3.0Kgs

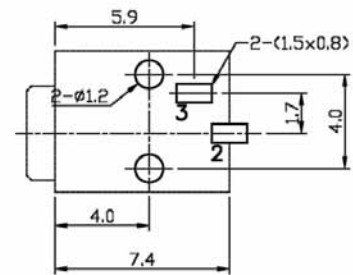
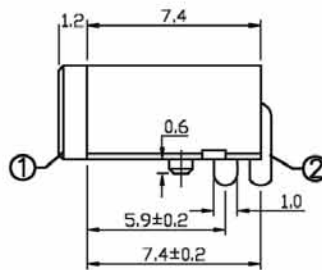
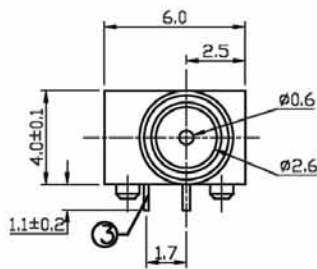
MATERIALS

1.Housing: Thermoplastic

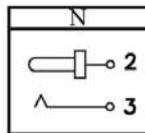
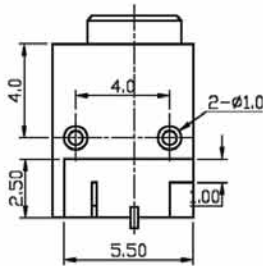
2.Center pin: Nickel plating

3.Terminal: Brass/Copper alloy Silver plating.

* RoHS & REACH compliant.



Recommended P.C.Board Layout



ORDERING INFORMATION:

P/N D C 06 - N09 N S B
 1 2 3 4 5

1. CENTER PIN DIAMETER:

"06" Ø0.6MM

2. DC JACK CODE:

"N09" R/A DIP TYPE

3. SCHEMATIC OPTION:

N

4. TERMINAL FINISH:

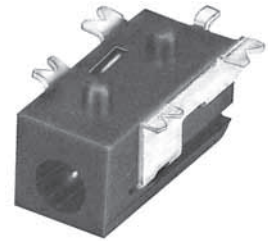
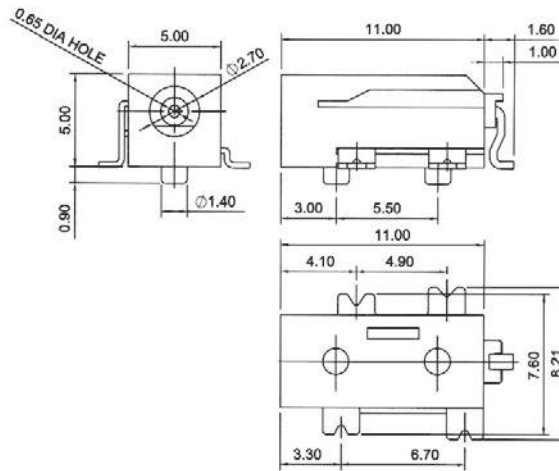
"S" SILVER PLATED

5. HOUSING COLOR:

"B" BLACK

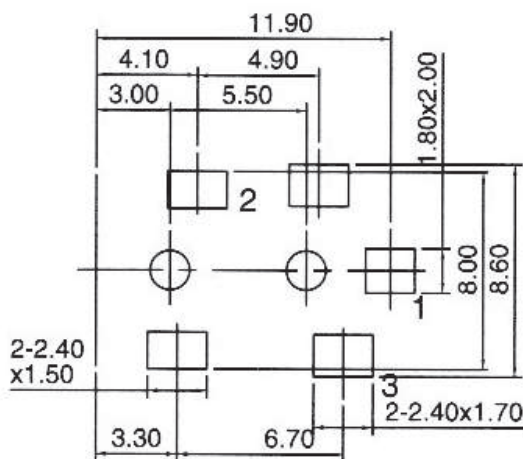
DIA. 0.65MM DC POWER JACK (1)

Dimension (m/m)

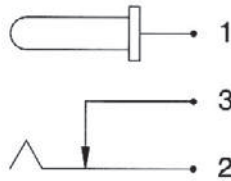


DC06-01

Pin Hole Layout (Jack Bottom View)



Schematic Code (Normal Close)



SPECIFICATIONS

1. **Rating:** 5A 24VDC
2. **Withstanding voltage:**
AC 500V, 60Hz for 1 minute
3. **Insulation resistance (initial):**
100M Ω (min.) at 500V DC
4. **Contact resistance (initial):**
30m Ω (max.) at AC 100mA (max.) 1 KHz
5. **Insertion & Extraction force:**
Initial : 0.3 to 3.0Kgs
After life test: 0.2 to 3.0Kgs
6. **Life test:**
5,000 cycles unloading (20-30 cycle/minute)

MATERIALS

1. **Housing:** Thermoplastic
 2. **Center pin:** Nickel plating.
 3. **Terminal:** Brass/Copper alloy Silver plating.
- All materials must be RoHS compliant.

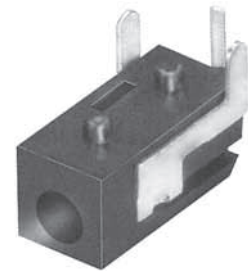
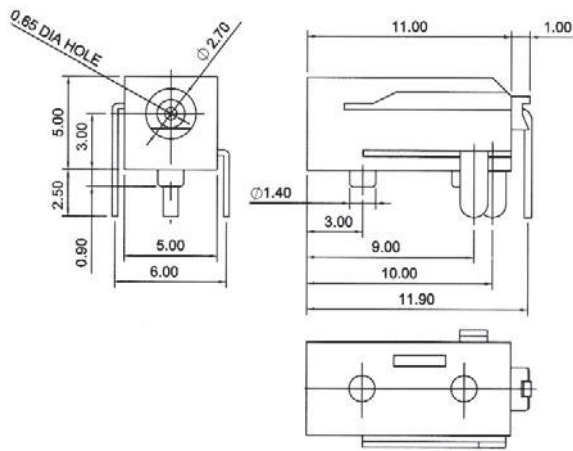
ORDERING INFORMATION:

P/N DC06-01CSB

DIA. 0.65MM DC POWER JACK SMT TYPE

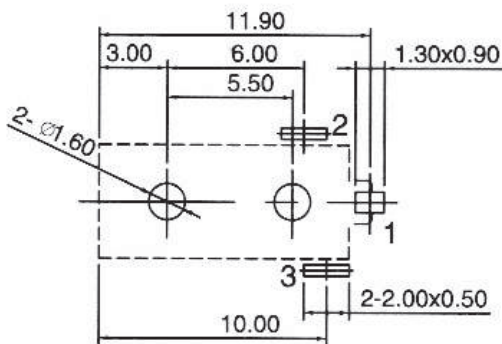
DIA. 0.65MM DC POWER JACK (2)

Dimension (m/m)

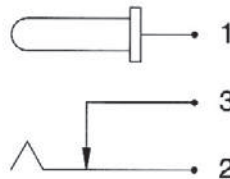


DC06-02

Pin Hole Layout (Jack Bottom View)



Schematic Code (Normal Close)



SPECIFICATIONS

1. **Rating:** 5A 24VDC
2. **Withstanding voltage:**
AC 500V, 60Hz for 1 minute
3. **Insulation resistance (initial):**
100M Ω (min.) at 500V DC
4. **Contact resistance (initial):**
30m Ω (max.) at AC 100mA (max.) 1 KHz
5. **Insertion & Extraction force:**
Initial : 0.3 to 3.0Kgs
After life test: 0.2 to 3.0Kgs
6. **Life test:**
5,000 cycles unloading (20-30 cycle/minute)

MATERIALS

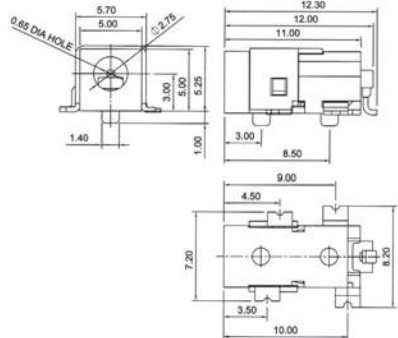
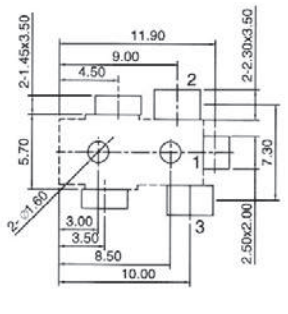
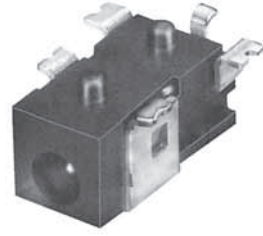
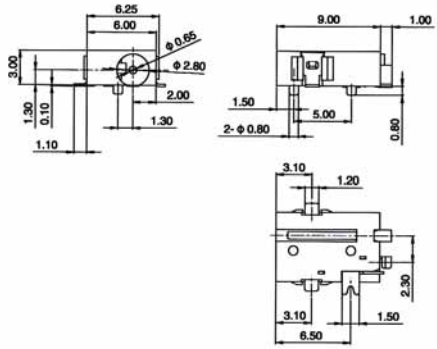
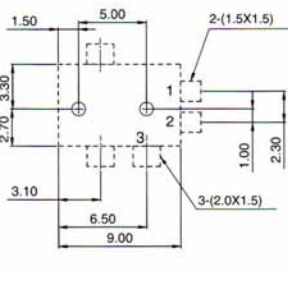

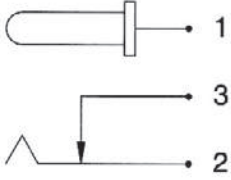
1. **Housing:** Thermoplastic
 2. **Center pin:** Nickel plating.
 3. **Terminal:** Brass/Copper alloy Silver plating.
- All materials must be RoHS compliant.

ORDERING INFORMATION:

P/N DC06-02CSB

DIA. 0.65MM DC POWER JACK FLAT TYPE

DIA. 0.65MM DC POWER JACK (3)

P/N	Dimension (m/m)	Pin Hole Layout (Jack Bottom View)	
DC06-03			 <p style="text-align: center;">DC06-03</p>
DC06-04			 <p style="text-align: center;">DC06-04</p>
Schematic Code (Normal Close)	SPECIFICATIONS		
	<p>After life test: 0.2 to 3.0Kgs</p> <p>6. Life test: 5,000 cycles unloading (20-30 cycle/minute)</p> <p>MATERIALS</p> <p>1. Housing: Thermoplastic 2. Center pin: Nickel plating. 3. Terminal: Brass/Copper alloy Silver plating. All materials must be RoHS compliant.</p>		
<p>1. Rating: 5A 24VDC</p> <p>2. Withstanding voltage: AC 500V, 60Hz for 1 minute</p> <p>3. Insulation resistance (initial): 100MΩ (min.) at 500V DC</p> <p>4. Contact resistance (initial): 30mΩ (max.) at AC 100mA (max.) 1 KHz</p> <p>5. Insertion & Extraction force: Initial : 0.3 to 3.0Kgs</p>			

ORDERING INFORMATION:

P/N DC06-03CSB

DIA. 0.65MM DC POWER JACK SMT TYPE

P/N DC06-04CSB

DIA. 0.65MM DC POWER JACK SMT TYPE

DIA. 0.65MM DC POWER JACK (4)

SPECIFICATIONS

1. **Rating:** 2A 6VDC

2. **Withstanding voltage:**

AC 500V, 60Hz for 1 minute

3. **Insulation resistance (initial):** 100MΩ(min.) at 500V DC

4. **Contact resistance (initial):**

30mΩ(max.) at AC 100mA (max.) 1 KHz

5. **Insertion & Extraction force:**

Initial : 0.3 to 3.0Kgs

After life test: 0.2 to 3.0Kgs

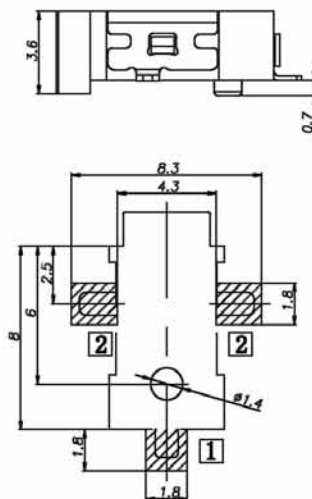
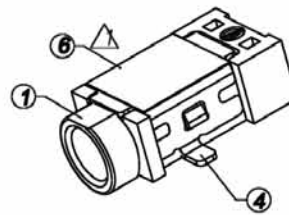
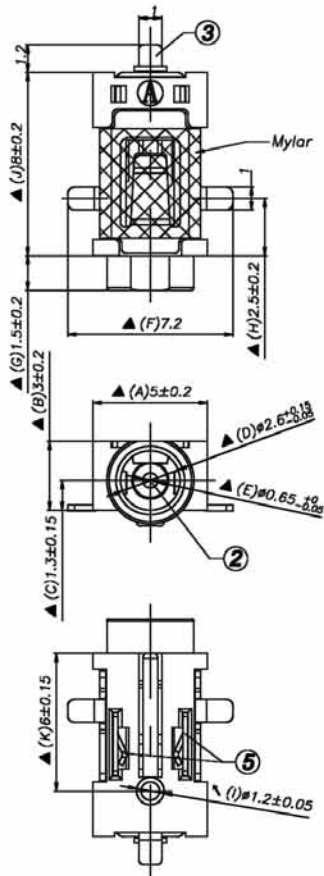
MATERIALS

1. **Housing:** Thermoplastic

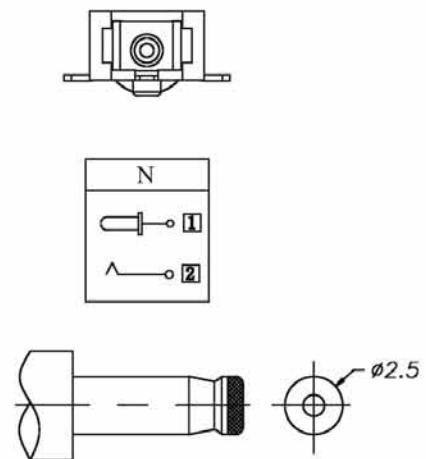
2. **Center pin:** Nickel plating

3. **Terminal:** Brass/Copper alloy Silver plating.

* **RoHS & REACH compliant.**



Recommended P.C.Board Layout



DC MATED PLUG

ORDERING INFORMATION:

P/N D C 06 - N 01 N S B
1 2 3 4 5

1. CENTER PIN DIAMETER:

"06" Ø0.65MM

2. DC JACK CODE:

"N01" SHIELDED SMT TYPE

3. SCHEMATIC OPTION:

N

4. TERMINAL FINISH:

"S" SILVER PLATED

5. HOUSING COLOR:

"B" BLACK

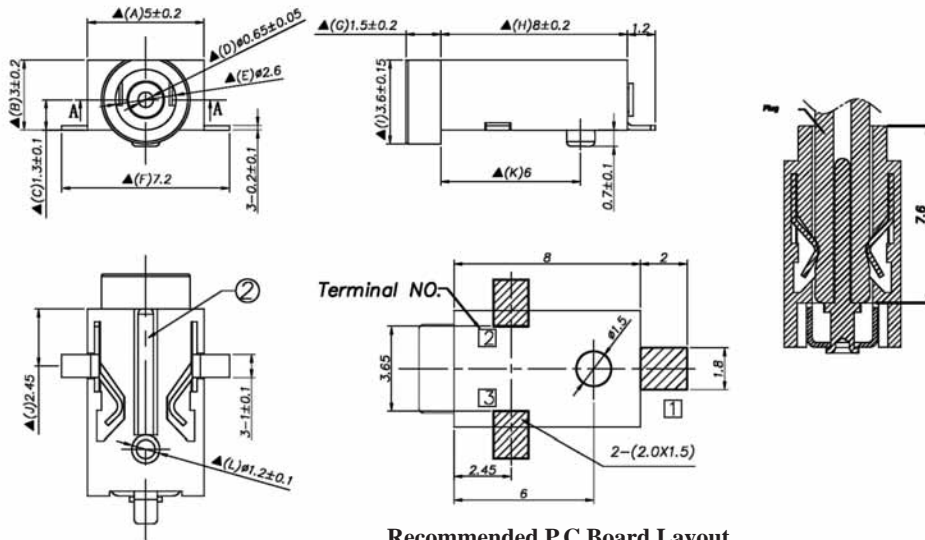
DIA. 0.65MM DC POWER JACK (5)

SPECIFICATIONS

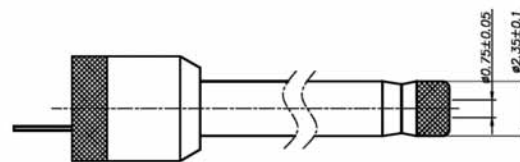
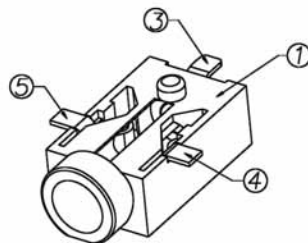
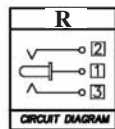
1. **Rating:** 1A 12VDC
2. **Withstanding voltage:**
AC 500V, 60Hz for 1 minute
3. **Insulation resistance (initial):** 100MΩ(min.) at 500V DC
4. **Contact resistance (initial):**
30mΩ(max.) at AC 100mA (max.) 1 KHz
5. **Insertion & Extraction force:**
Initial : 0.3 to 3.0Kgs
After life test: 0.2 to 3.0Kgs

MATERIALS

1. **Housing:** Thermoplastic
 2. **Center pin:** Nickel plating
 3. **Terminal:** Brass/Copper alloy Silver plating.
- * **RoHS & REACH compliant.**



Recommended P.C.Board Layout



DC MATED PLUG

ORDERING INFORMATION:

P/N DC $\frac{06}{1}$ - $\frac{N02}{2}$ $\frac{RS}{3}$ $\frac{X}{45}$

1. CENTER PIN DIAMETER:
"06" Ø0.65MM
2. DC JACK CODE:
"N02" SMT TYPE
3. SCHEMATIC OPTION:
R
4. TERMINAL FINISH:
"S" SILVER PLATED
5. HOUSING COLOR:
"B" BLACK
"W" WHITE

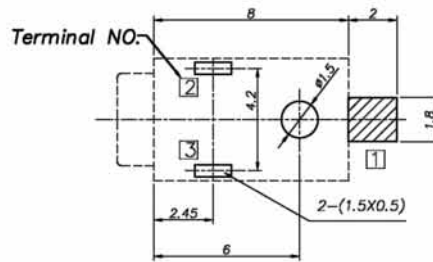
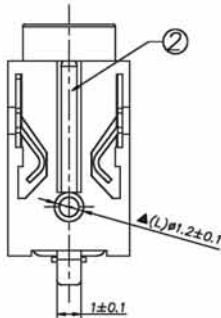
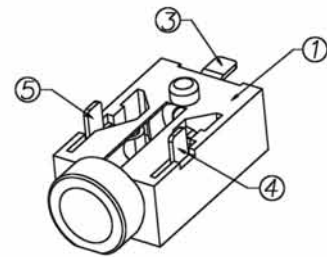
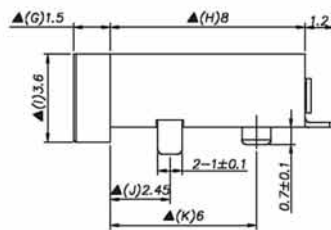
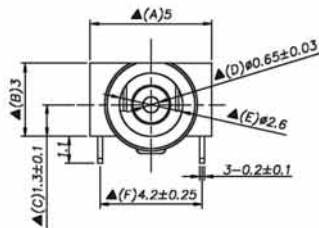
DIA. 0.65MM DC POWER JACK (6)

SPECIFICATIONS

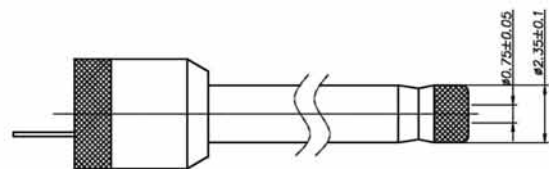
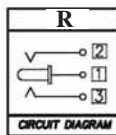
1. **Rating:** 1A 12VDC
2. **Withstanding voltage:**
AC 500V, 60Hz for 1 minute
3. **Insulation resistance (initial):** 100M Ω (min.) at 500V DC
4. **Contact resistance (initial):**
30m Ω (max.) at AC 100mA (max.) 1 KHz
5. **Insertion & Extraction force:**
Initial : 0.3 to 3.0Kgs
After life test: 0.2 to 3.0Kgs

MATERIALS

1. **Housing:** Thermoplastic
 2. **Center pin:** Nickel plating
 3. **Terminal:** Brass/Copper alloy Silver plating.
- * **RoHS & REACH compliant.**



Recommended P.C.Board Layout



DC MATED PLUG

ORDERING INFORMATION:

P/N DC $\frac{06}{1}$ - N $\frac{03}{2}$ R $\frac{S}{3}$ X $\frac{x}{4}$

1. CENTER PIN DIAMETER:
"06" Ø0.65MM
2. DC JACK CODE:
"N03" SMT TYPE
3. SCHEMATIC OPTION:
R
4. TERMINAL FINISH:
"S" SILVER PLATED
5. HOUSING COLOR:
"B" BLACK
"W" WHITE

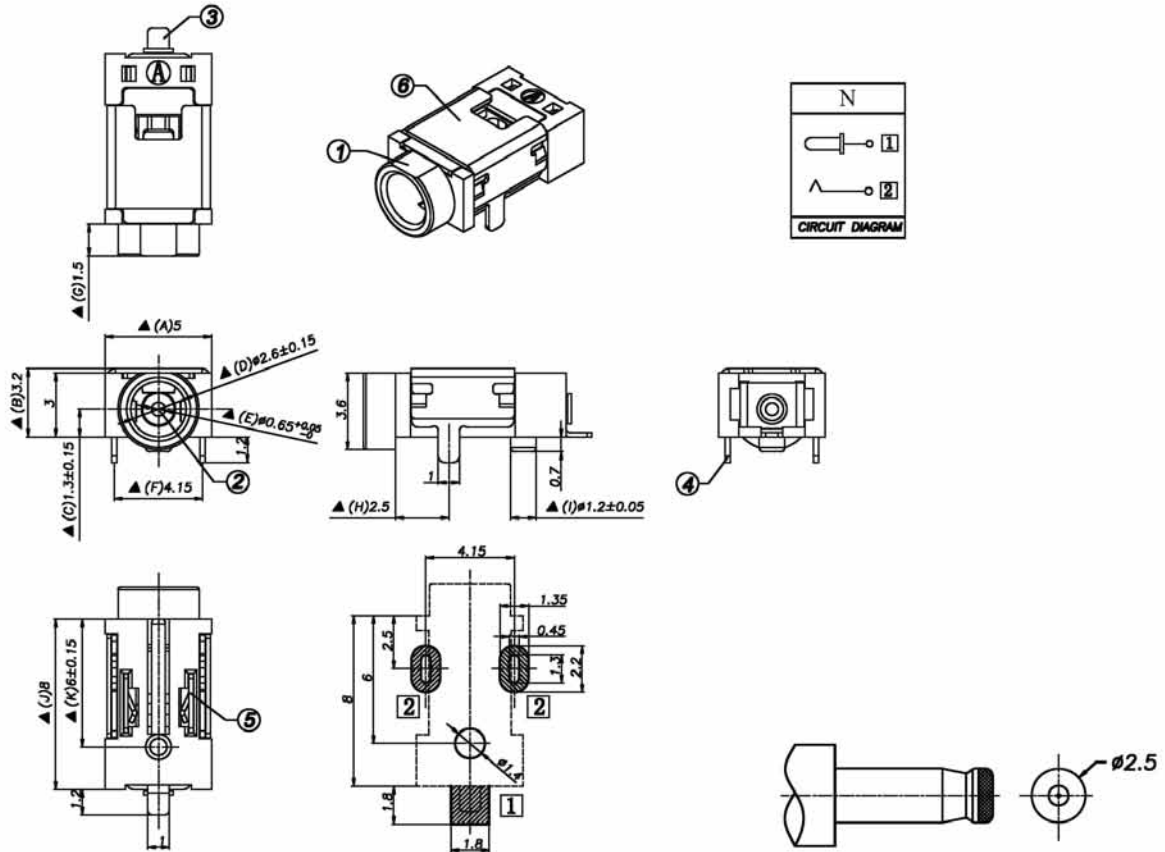
DIA. 0.65MM DC POWER JACK (7)

SPECIFICATIONS

1. **Rating:** 2A 6VDC
2. **Withstanding voltage:**
AC 500V, 60Hz for 1 minute
3. **Insulation resistance (initial):** 100MΩ(min.) at 500V DC
4. **Contact resistance (initial):**
30mΩ(max.) at AC 100mA (max.) 1 KHz
5. **Insertion & Extraction force:**
Initial : 0.3 to 3.0Kgs
After life test: 0.2 to 3.0Kgs

MATERIALS

1. **Housing:** Thermoplastic
 2. **Center pin:** Nickel plating
 3. **Terminal:** Brass/Copper alloy Silver plating.
- * RoHS & REACH compliant.



Recommended P.C.Board Layout

DC MATED PLUG

ORDERING INFORMATION:

P/N D C 06 - N 04 N S B
1 2 3 4 5

1. CENTER PIN DIAMETER:
"06" Ø0.65MM
2. DC JACK CODE:
"N04" SHIELDED SMT TYPE
3. SCHEMATIC OPTION:
N
4. TERMINAL FINISH:
"S" SILVER PLATED
5. HOUSING COLOR:
"B" BLACK

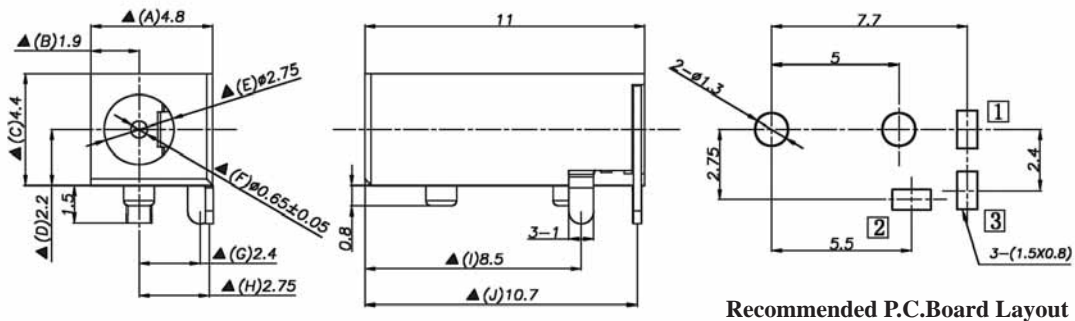
DIA. 0.65MM DC POWER JACK (8)

SPECIFICATIONS

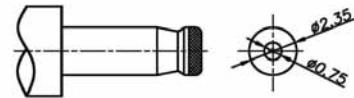
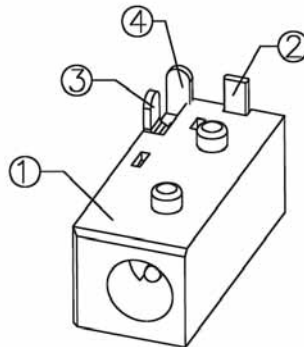
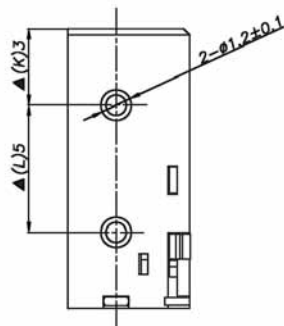
1. **Rating:** 2A 20VDC
2. **Withstanding voltage:**
AC 500V, 60Hz for 1 minute
3. **Insulation resistance (initial):** 100MΩ(min.) at 500V DC
4. **Contact resistance (initial):**
30mΩ(max.) at AC 100mA (max.) 1 KHz
5. **Insertion & Extraction force:**
Initial : 0.3 to 3.0Kgs
After life test: 0.2 to 3.0Kgs

MATERIALS

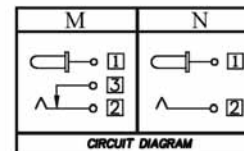
1. **Housing:** Thermoplastic
 2. **Center pin:** Nickel plating
 3. **Terminal:** Brass/Copper alloy Silver plating.
- * **RoHS & REACH compliant.**



Recommended P.C.Board Layout



DC MATED PLUG



ORDERING INFORMATION:

P/N DC $\frac{06}{1}$ - $\frac{N05}{2}$ x $\frac{S}{3}$ $\frac{B}{4}$ $\frac{B}{5}$

1. CENTER PIN DIAMETER:
"06" Ø0.65MM
2. DC JACK CODE:
"N05" R/A DIP TYPE
3. SCHEMATIC OPTION:
M, N
4. TERMINAL FINISH:
"S" SILVER PLATED
5. HOUSING COLOR:
"B" BLACK

DIA. 0.65MM DC POWER JACK (9)

SPECIFICATIONS

1. **Rating:** 1A 30VDC

2. **Withstanding voltage:**

AC 500V, 60Hz for 1 minute

3. **Insulation resistance (initial):** 100M Ω (min.) at 500V DC

4. **Contact resistance (initial):**

30m Ω (max.) at AC 100mA (max.) 1 KHz

5. **Insertion & Extraction force:**

Initial : 0.3 to 3.0Kgs

After life test: 0.2 to 3.0Kgs

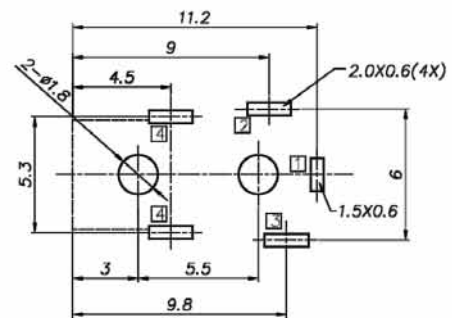
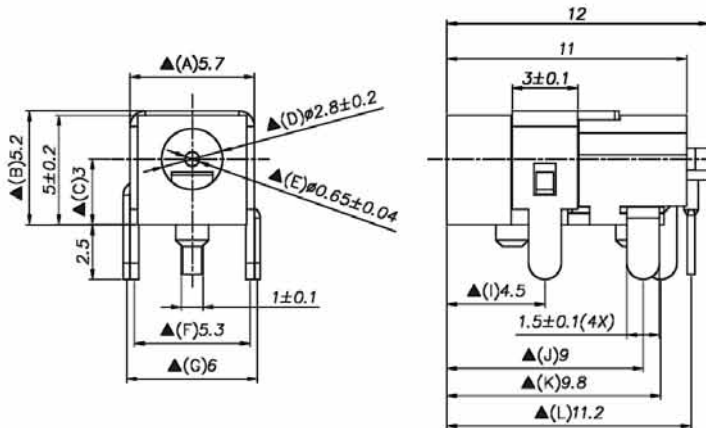
MATERIALS

1. **Housing:** Thermoplastic

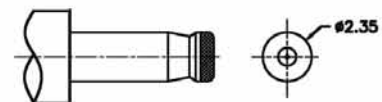
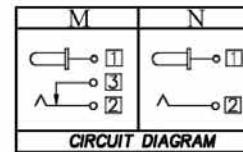
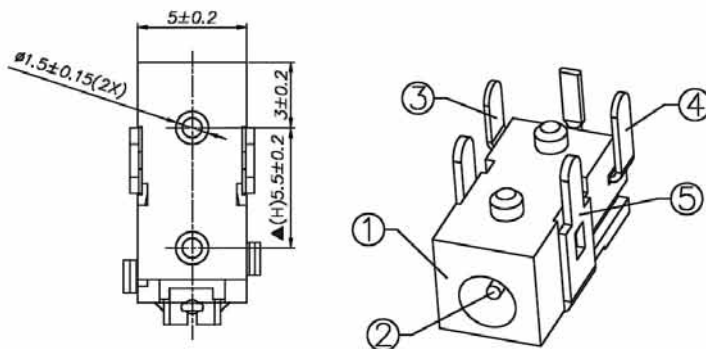
2. **Center pin:** Nickel plating

3. **Terminal:** Brass/Copper alloy Silver plating.

* **RoHS & REACH compliant.**



Recommended P.C. Board Layout



DC MATED PLUG

ORDERING INFORMATION:

P/N DC $\frac{06}{1}$ - N $\frac{06}{2}$ x S $\frac{S}{3}$ B $\frac{B}{4}$ $\frac{B}{5}$

1. CENTER PIN DIAMETER:

"06" Ø0.65MM

2. DC JACK CODE:

"N06" R/A DIP TYPE

3. SCHEMATIC OPTION:

M, N

4. TERMINAL FINISH:

"S" SILVER PLATED

5. HOUSING COLOR:

"B" BLACK

DIA. 0.65MM DC POWER JACK (10)

SPECIFICATIONS

1. **Rating:** 2A 12VDC

2. **Withstanding voltage:**

AC 500V, 60Hz for 1 minute

3. **Insulation resistance (initial):** 100M Ω (min.) at 500V DC

4. **Contact resistance (initial):**

30m Ω (max.) at AC 100mA (max.) 1 KHz

5. **Insertion & Extraction force:**

Initial : 0.3 to 3.0Kgs

After life test: 0.2 to 3.0Kgs

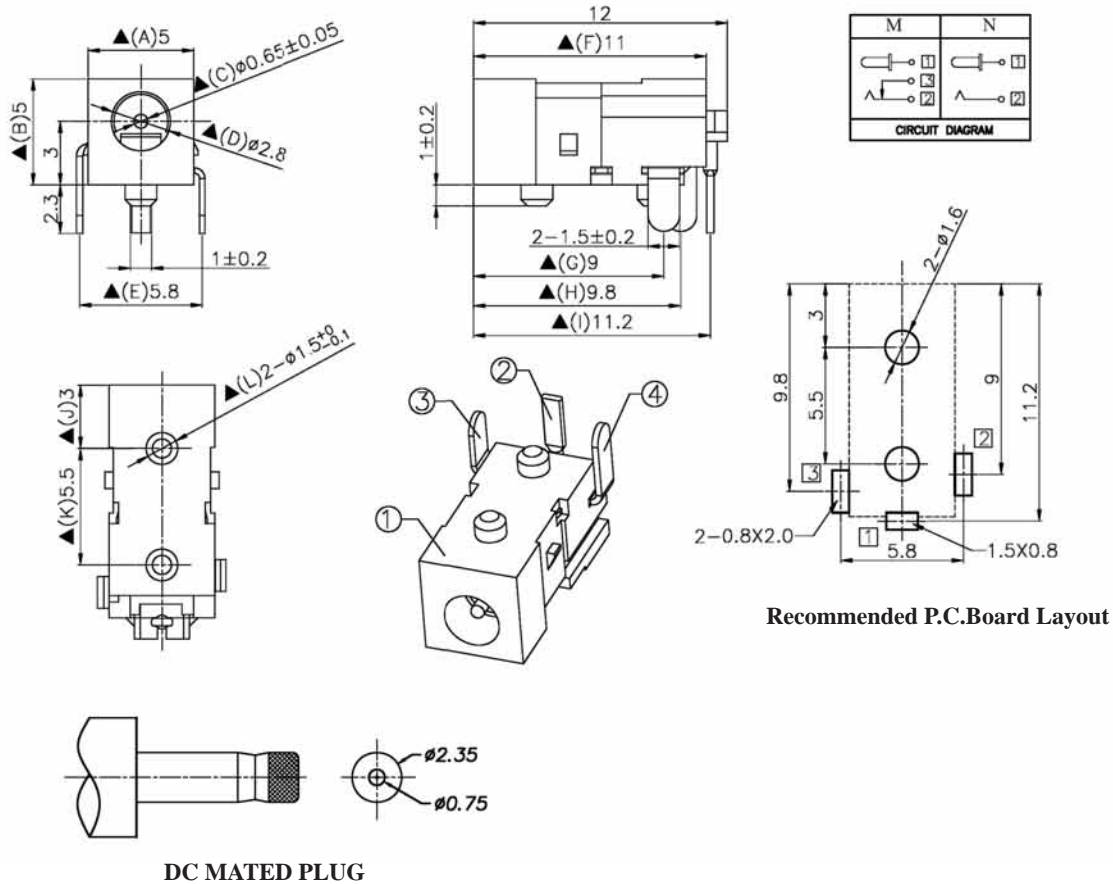
MATERIALS

1. **Housing:** Thermoplastic

2. **Center pin:** Nickel plating

3. **Terminal:** Brass/Copper alloy Silver plating.

* **RoHS & REACH compliant.**



Recommended P.C.Board Layout

ORDERING INFORMATION:

P/N D C $\frac{0.6}{1}$ - N $\frac{0.7}{2}$ x S $\frac{B}{3}$ $\frac{B}{4}$ $\frac{B}{5}$

1. CENTER PIN DIAMETER:

"06" $\phi 0.65$ MM

2. DC JACK CODE:

"N07" R/A DIP TYPE

3. SCHEMATIC OPTION:

M, N

4. TERMINAL FINISH:

"S" SILVER PLATED

5. HOUSING COLOR:

"B" BLACK

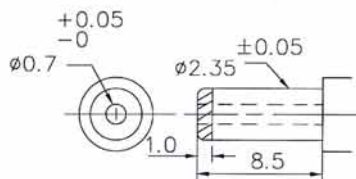
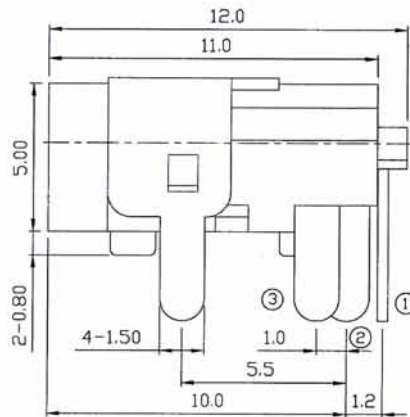
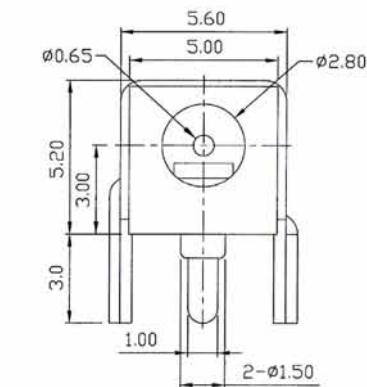
DIA. 0.65MM DC POWER JACK (11)

SPECIFICATIONS

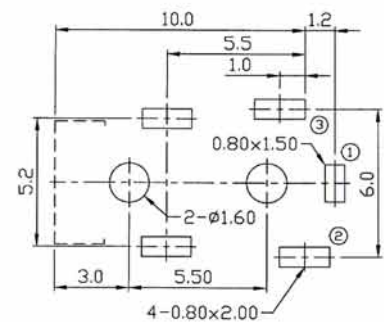
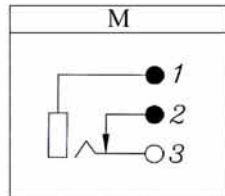
1. **Rating:** 1A 16VDC
2. **Withstanding voltage:**
AC 500V, 60Hz for 1 minute
3. **Insulation resistance (initial):** 100M Ω (min.) at 500V DC
4. **Contact resistance (initial):**
30m Ω (max.) at AC 100mA (max.) 1 KHz
5. **Insertion & Extraction force:**
Initial : 0.3 to 3.0Kgs
After life test: 0.2 to 3.0Kgs

MATERIALS

1. **Housing:** Thermoplastic
 2. **Center pin:** Nickel plating
 3. **Terminal:** Brass/Copper alloy Silver plating.
- * **RoHS & REACH compliant.**



DC MATED PLUG



Recommended P.C.Board Layout

ORDERING INFORMATION:

P/N **D C 06 - V 12 M S B**
 $\frac{1}{1} \quad \frac{2}{2} \quad \frac{3}{3} \quad \frac{4}{4} \quad \frac{5}{5}$

1. CENTER PIN DIAMETER:
"06" \varnothing 0.65MM
2. DC JACK CODE:
V12
3. SCHEMATIC OPTION:
M
4. TERMINAL FINISH:
"S" SILVER PLATED
5. HOUSING COLOR:
"B" BLACK

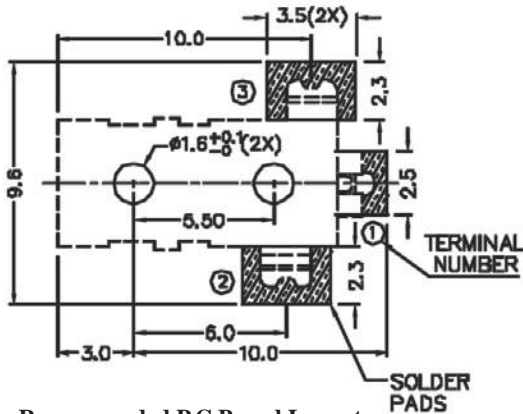
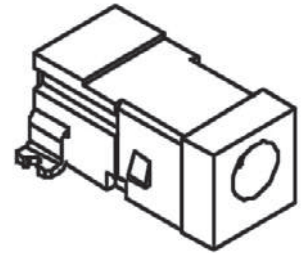
DIA. 0.65MM DC POWER JACK (12)

SPECIFICATIONS

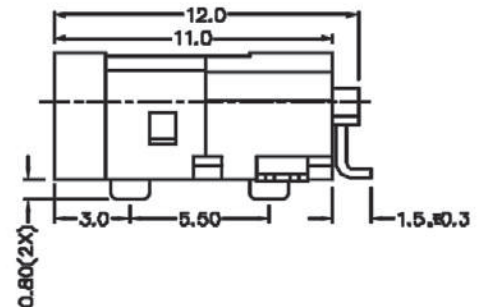
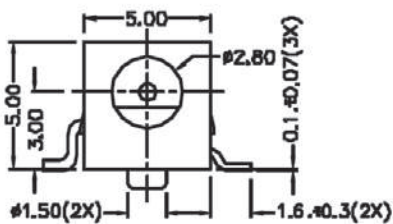
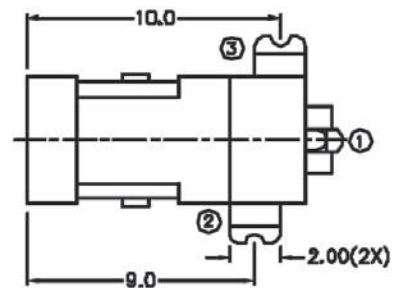
1. **Rating:** 2.5A 12VDC
2. **Withstanding voltage:**
AC 500V, 60Hz for 1 minute
3. **Insulation resistance (initial):** 100M Ω (min.) at 500V DC
4. **Contact resistance (initial):**
30m Ω (max.) at AC 100mA (max.) 1 KHz
5. **Insertion & Extraction force:**
Initial : 0.3 to 3.0Kgs
After life test: 0.2 to 3.0Kgs

MATERIALS

1. **Housing:** Thermoplastic
 2. **Center pin:** Nickel plating
 3. **Terminal:** Brass/Copper alloy Silver plating.
- * RoHS & REACH compliant.



Recommended P.C.Board Layout



DC MATED PLUG

SCHEMATIC	
CENTER PIN	$\phi 0.65\text{mm}$

ORDERING INFORMATION:

P/N DC06-T02MSB

DIA. 0.65MM DC POWER JACK RATING: 2.5A 12VDC

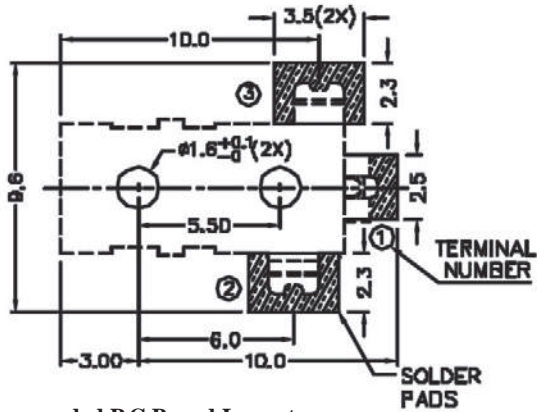
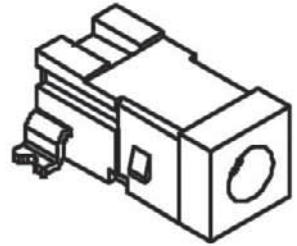
DIA. 0.65MM DC POWER JACK (13)

SPECIFICATIONS

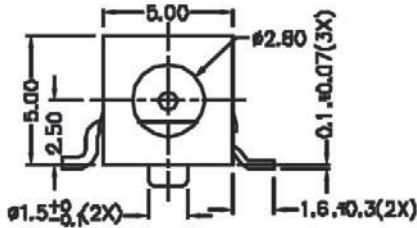
1. **Rating:** 2.5A 12VDC
2. **Withstanding voltage:**
AC 500V, 60Hz for 1 minute
3. **Insulation resistance (initial):** 100M Ω (min.) at 500V DC
4. **Contact resistance (initial):**
30m Ω (max.) at AC 100mA (max.) 1 KHz
5. **Insertion & Extraction force:**
Initial : 0.3 to 3.0Kgs
After life test: 0.2 to 3.0Kgs

MATERIALS

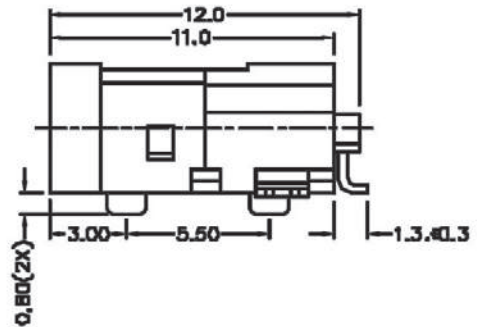
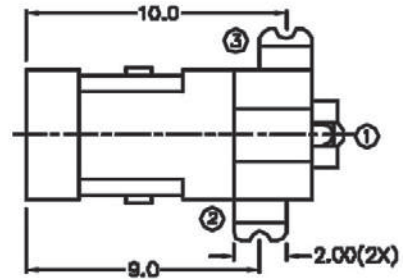
1. **Housing:** Thermoplastic
 2. **Center pin:** Nickel plating
 3. **Terminal:** Brass/Copper alloy Silver plating.
- * RoHS & REACH compliant.

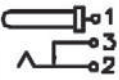


Recommended P.C.Board Layout



DC MATED PLUG



SCHEMATIC	
CENTER PIN	ø0.65mm

ORDERING INFORMATION:

P/N DC06-T03MSB

DIA. 0.65MM DC POWER JACK RATING: 2.5A 12VDC

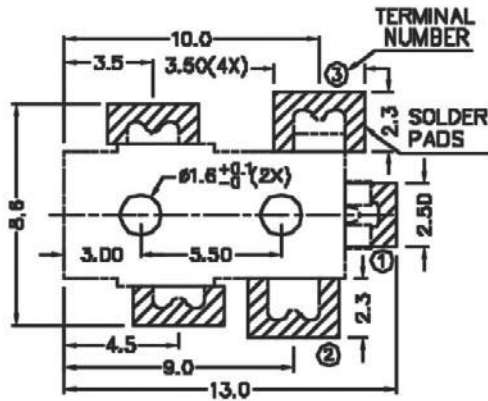
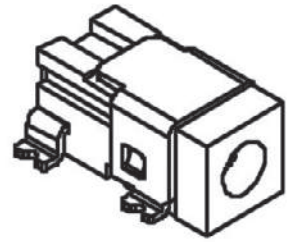
DIA. 0.65MM DC POWER JACK (14)

SPECIFICATIONS

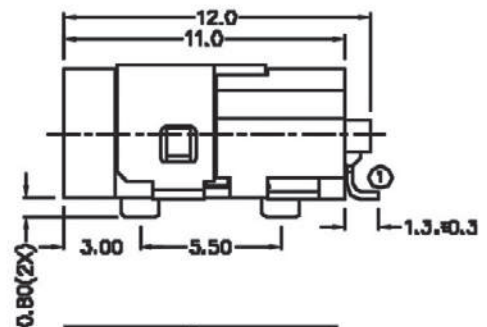
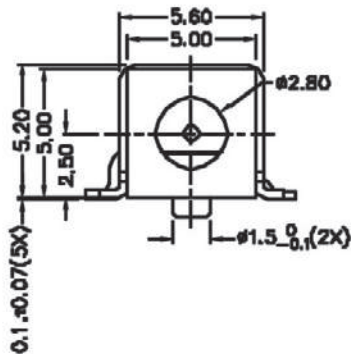
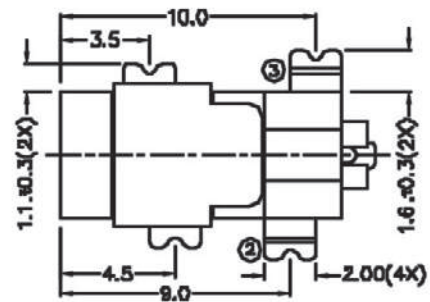
1. **Rating:** 2.5A 12VDC
2. **Withstanding voltage:**
AC 500V, 60Hz for 1 minute
3. **Insulation resistance (initial):** 100M Ω (min.) at 500V DC
4. **Contact resistance (initial):**
30m Ω (max.) at AC 100mA (max.) 1 KHz
5. **Insertion & Extraction force:**
Initial : 0.3 to 3.0Kgs
After life test: 0.2 to 3.0Kgs

MATERIALS

1. **Housing:** Thermoplastic
 2. **Center pin:** Nickel plating
 3. **Terminal:** Brass/Copper alloy Silver plating.
- * RoHS & REACH compliant.



Recommended P.C.Board Layout



DC MATED PLUG

SCHEMATIC	
CENTER PIN	#0.65mm

ORDERING INFORMATION:

P/N DC06-T04MSB

DIA. 0.65MM DC POWER JACK RATING: 2.5A 12VDC
SHIELDED TYPE

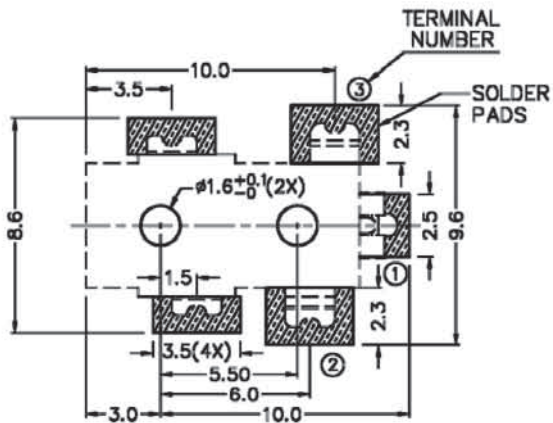
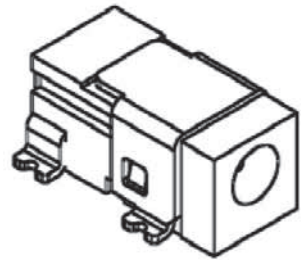
DIA. 0.65MM DC POWER JACK (15)

SPECIFICATIONS

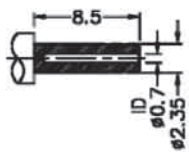
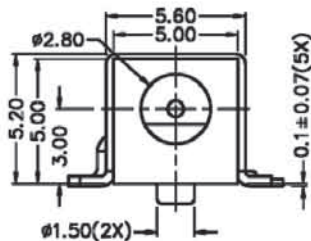
1. **Rating:** 2.5A 12VDC
2. **Withstanding voltage:**
AC 500V, 60Hz for 1 minute
3. **Insulation resistance (initial):** 100M Ω (min.) at 500V DC
4. **Contact resistance (initial):**
30m Ω (max.) at AC 100mA (max.) 1 KHz
5. **Insertion & Extraction force:**
Initial : 0.3 to 3.0Kgs
After life test: 0.2 to 3.0Kgs

MATERIALS

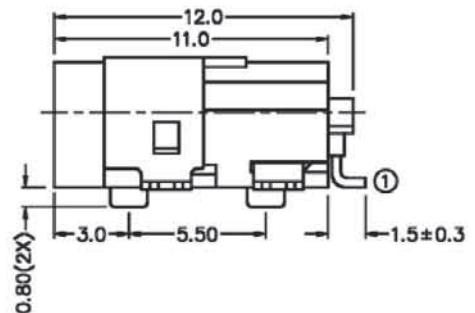
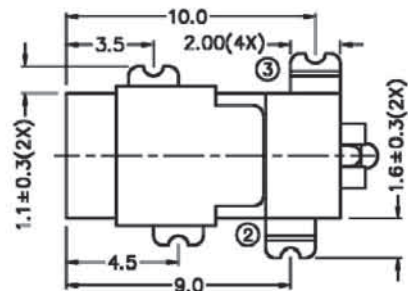
1. **Housing:** Thermoplastic
 2. **Center pin:** Nickel plating
 3. **Terminal:** Brass/Copper alloy Silver plating.
- * RoHS & REACH compliant.

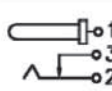


Recommended P.C. Board Layout



DC MATED PLUG



SCHEMATIC	
CENTER PIN	$\phi 0.65\text{mm}$

ORDERING INFORMATION:

P/N DC06-T05MSB

DIA. 0.65MM DC POWER JACK RATING: 2.5A 12VDC
SHIELDED TYPE

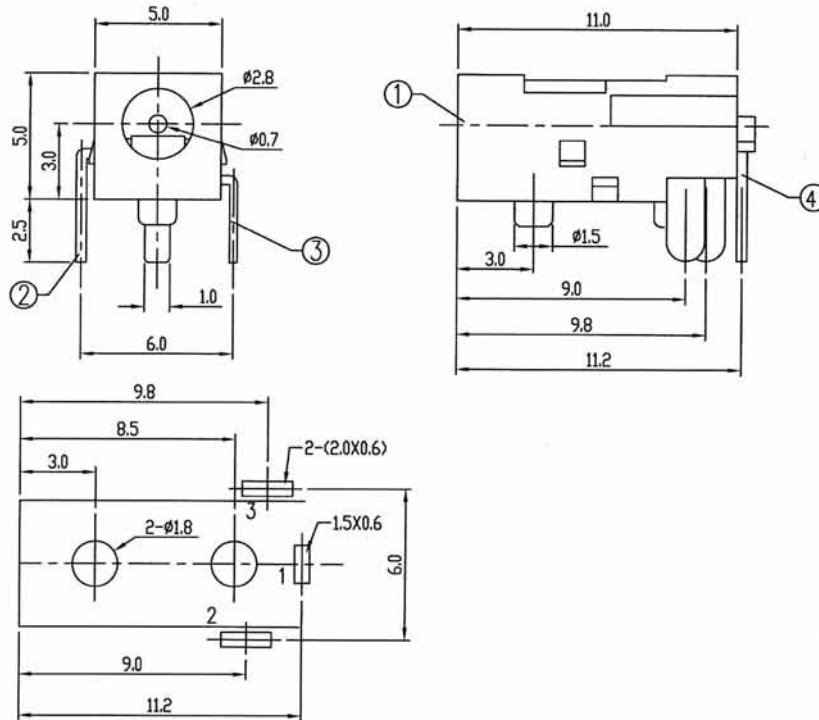
DIA. 0.7MM DC POWER JACK

SPECIFICATIONS

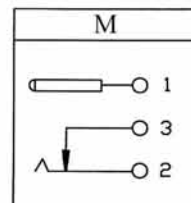
1. **Rating:** 0.5A 16VDC
2. **Withstanding voltage:**
AC 500V, 60Hz for 1 minute
3. **Insulation resistance (initial):** 100M Ω (min.) at 500V DC
4. **Contact resistance (initial):**
30m Ω (max.) at AC 100mA (max.) 1 KHz
5. **Insertion & Extraction force:**
Initial : 0.3 to 3.0Kgs
After life test: 0.2 to 3.0Kgs

MATERIALS

1. **Housing:** Thermoplastic
 2. **Center pin:** Nickel plating
 3. **Terminal:** Brass/Copper alloy Silver plating.
- * **RoHS & REACH compliant.**



Recommended P.C.Board Layout



ORDERING INFORMATION:

P/N DC 07 - 01 M S B
1 2 3 4 5

1. CENTER PIN DIAMETER:
"07" Ø0.7MM
2. DC JACK CODE:
"01" R/A DIP TYPE
3. SCHEMATIC OPTION:
M
4. TERMINAL FINISH:
"S" SILVER PLATED
5. HOUSING COLOR:
"B" BLACK

DIA. 0.8MM DC POWER JACK (1)

SPECIFICATIONS

1.Rating: 1A 30VDC

2.Withstanding voltage:

AC 500V, 60Hz for 1 minute

3.Insulation resistance (initial): 100MΩ(min.) at 500V DC

4.Contact resistance (initial):

30mΩ(max.) at AC 100mA (max.) 1 KHz

5.Insertion & Extraction force:

Initial : 0.3 to 3.0Kgs

After life test: 0.2 to 3.0Kgs

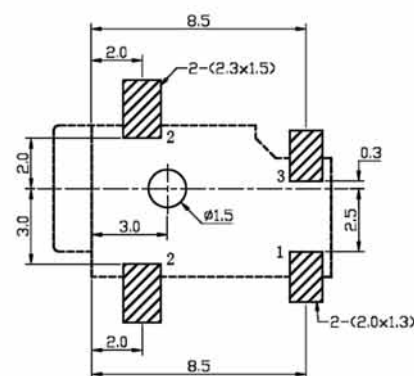
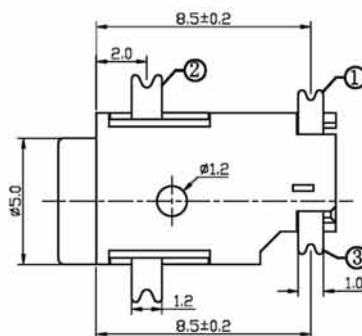
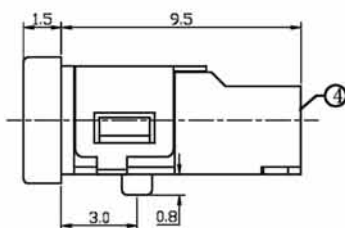
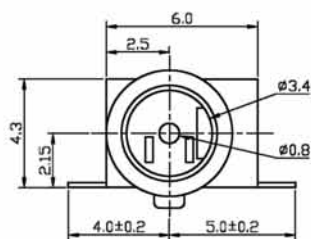
MATERIALS

1.Housing: Thermoplastic

2.Center pin: Nickel plating

3.Terminal: Brass/Copper alloy Gold plating.

* RoHS & REACH compliant.



Recommended P.C.Board Layout

SCHEMATIC



ORDERING INFORMATION:

P/N DC 08 - N01 R G B
 1 2 3 4 5

1. CENTER PIN DIAMETER:

"08" Ø0.8MM

2. DC JACK CODE:

"N01" SHIELDED SMT TYPE

3. SCHEMATIC OPTION:

R

4. TERMINAL FINISH:

"G" GOLD PLATED

5. HOUSING COLOR:

"B" BLACK

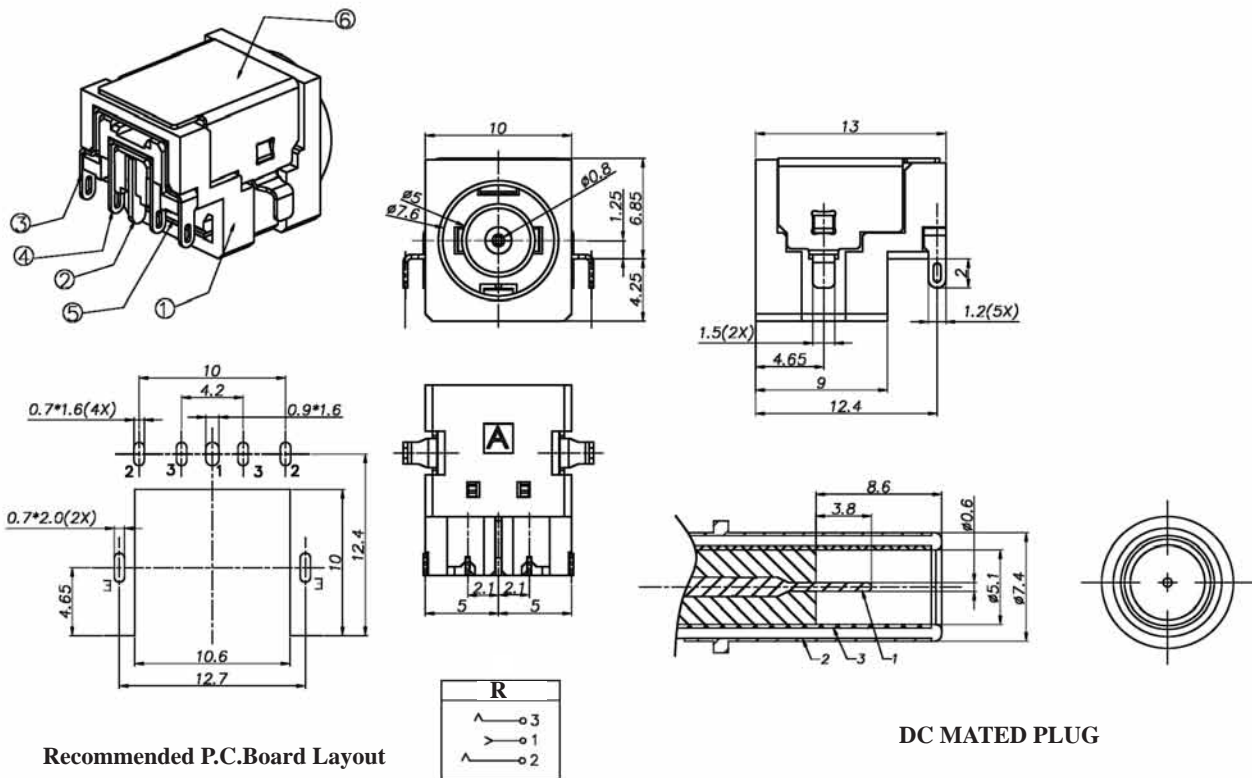
DIA. 0.8MM DC POWER JACK (2)

SPECIFICATIONS

1. **Rating:** 0.5A 30VDC
2. **Withstanding voltage:**
AC 500V, 60Hz for 1 minute
3. **Insulation resistance (initial):** 100M Ω (min.) at 500V DC
4. **Contact resistance (initial):**
30m Ω (max.) at AC 100mA (max.) 1 KHz
5. **Insertion & Extraction force:**
Initial : 0.3 to 3.0Kgs
After life test: 0.2 to 3.0Kgs

MATERIALS

1. **Housing:** Thermoplastic
 2. **Center pin:** Nickel plating
 3. **Terminal:** Brass/Copper alloy Tin plating.
- * RoHS & REACH compliant.



Recommended P.C.Board Layout

DC MATED PLUG

ORDERING INFORMATION:

P/N **DC 08 - N02 R T B**
1 2 3 4 5

1. CENTER PIN DIAMETER:
"08" Ø0.8MM
2. DC JACK CODE:
"N02" R/A DIP TYPE
3. SCHEMATIC OPTION:
R
4. TERMINAL FINISH:
"T" TIN PLATED
5. HOUSING COLOR:
"B" BLACK

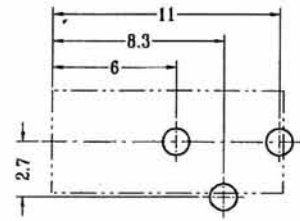
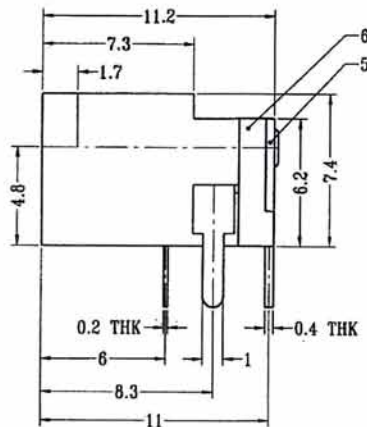
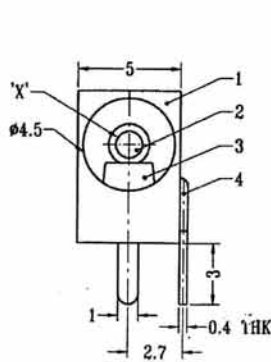
DIA. 0.8MM/1.0MM/1.3MM DC POWER JACK (1)

SPECIFICATIONS

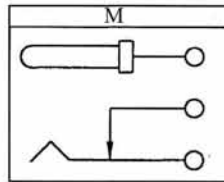
- 1.Rating:** 0.5A 12VDC
- 2.Withstanding voltage:**
AC 500V, 60Hz for 1 minute
- 3.Insulation resistance (initial):** 100M Ω (min.) at 500V DC
- 4.Contact resistance (initial):**
30m Ω (max.) at AC 100mA (max.) 1 KHz
- 5.Insertion & Extraction force:**
Initial : 0.3 to 3.0Kgs
After life test: 0.2 to 3.0Kgs

MATERIALS

- 1.Housing:** Thermoplastic
 - 2.Center pin:** Nickel plating
 - 3.Terminal:** Brass/Copper alloy Silver plating.
- * RoHS & REACH compliant.



Recommended P.C.Board Layout



ORDERING INFORMATION:

P/N D C $\frac{X X}{1} - \frac{3 5}{2} \frac{M S B}{3 4 5}$

- 1. CENTER PIN DIAMETER:**
"08" $\phi 0.8$ MM
"10" $\phi 1.0$ MM
"13" $\phi 1.3$ MM
- 2. DC JACK CODE:**
"35" R/A DIP TYPE
- 3. SCHEMATIC OPTION:**
M
- 4. TERMINAL FINISH:**
"S" SILVER PLATED
- 5. HOUSING COLOR:**
"B" BLACK

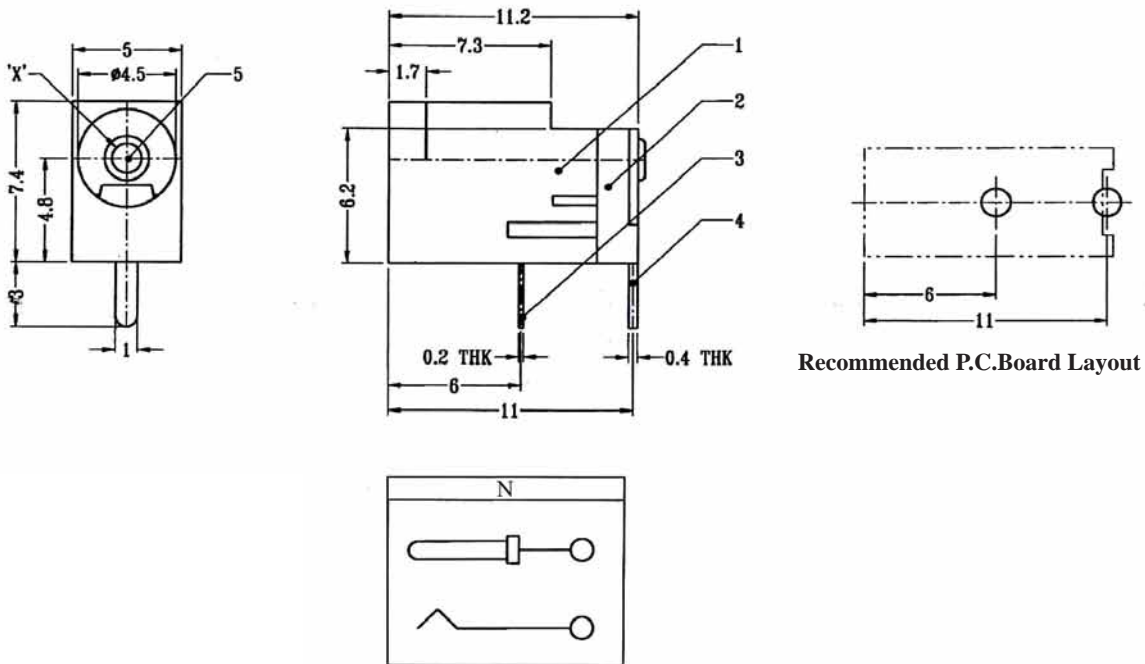
DIA. 0.8MM/1.0MM/1.3MM DC POWER JACK (2)

SPECIFICATIONS

1. **Rating:** 0.5A 12VDC
2. **Withstanding voltage:**
AC 500V, 60Hz for 1 minute
3. **Insulation resistance (initial):** 100MΩ(min.) at 500V DC
4. **Contact resistance (initial):**
30mΩ(max.) at AC 100mA (max.) 1 KHz
5. **Insertion & Extraction force:**
Initial : 0.3 to 3.0Kgs
After life test: 0.2 to 3.0Kgs

MATERIALS

1. **Housing:** Thermoplastic
 2. **Center pin:** Nickel plating
 3. **Terminal:** Brass/Copper alloy Silver plating.
- * RoHS & REACH compliant.



ORDERING INFORMATION:

P/N D C $\frac{xx}{1}$ - $\frac{35}{2}$ N S B $\frac{3}{4}$ $\frac{5}{5}$

1. CENTER PIN DIAMETER:
"08" Ø0.8MM
"10" Ø1.0MM
"13" Ø1.3MM
2. DC JACK CODE:
"35" R/A DIP PLATED
3. SCHEMATIC OPTION:
N
4. TERMINAL FINISH:
"S" SILVER PLATED
5. HOUSING COLOR:
"B" BLACK

DIA. 1.00MM DC POWER JACK (1)

P/N	Dimension (m/m)	Pin Hole Layout (Jack Bottom View)	
DC10-01			
DC10-02			
Schematic Code (Normal Close)		<p>SPECIFICATIONS</p> <ol style="list-style-type: none"> Rating: 5A 12VDC Withstanding voltage: AC 500V, 60Hz for 1 minute Insulation resistance (initial): 100MΩ (min.) at 500V DC Contact resistance (initial): 30mΩ (max.) at AC 100mA (max.) 1 KHz <p>All materials must be RoHS compliant.</p>	

ORDERING INFORMATION:

P/N DC10-01CSB

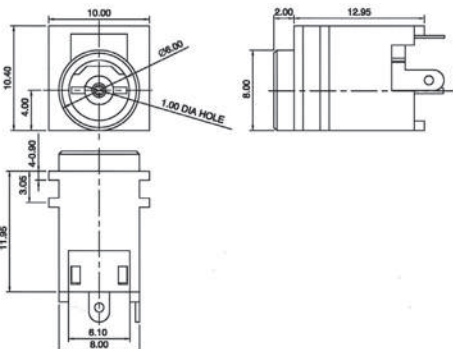
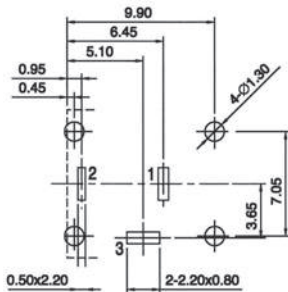
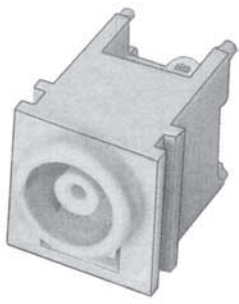
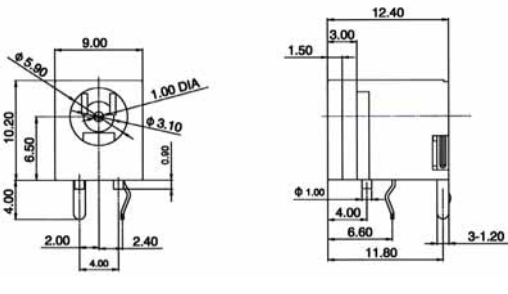
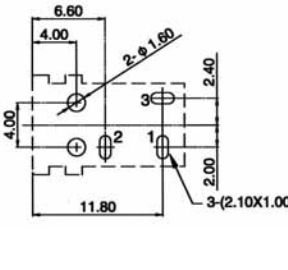

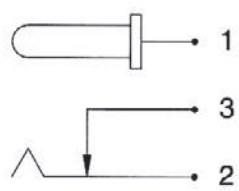
DIA. 1.0MM DC POWER JACK WITH BUSHING

P/N DC10-02CSB

DIA. 1.0MM DC POWER JACK WITHOUT BUSHING

NOTE: DC10-01 MATES WITH DCP-314 PLUG

DIA. 1.0MM DC POWER JACK (2)

P/N	Dimension (m/m)	Pin Hole Layout (Jack Bottom View)	
DC10-03			 <p style="text-align: center;">DC10-03</p>
DC10-06			 <p style="text-align: center;">DC10-06</p>
<p>Schematic Code (Normal Close)</p>	<p>SPECIFICATIONS</p>		
	<p>1. Rating: 5A 24VDC</p> <p>2. Withstanding voltage: AC 500V, 60Hz for 1 minute</p> <p>3. Insulation resistance (initial): 100MΩ (min.) at 500V DC</p> <p>4. Contact resistance (initial): 30mΩ (max.) at AC 100mA (max.) 1 KHz</p> <p>5. Insertion & Extraction force: Initial : 0.3 to 3.0Kgs</p> <p>6. Life test: After life test: 0.2 to 3.0Kgs 5,000 cycles unloading (20-30 cycle/minute)</p> <p>MATERIALS</p> <p>1. Housing: Thermoplastic</p> <p>2. Center pin: Nickel plating.</p> <p>3. Terminal: Brass/Copper alloy Silver plating.</p> <p>All materials must be RoHS compliant.</p>		

ORDERING INFORMATION:

P/N DC10-03CSB

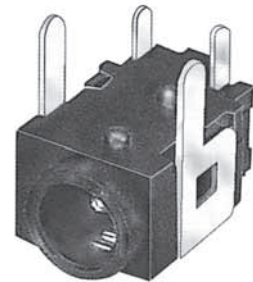
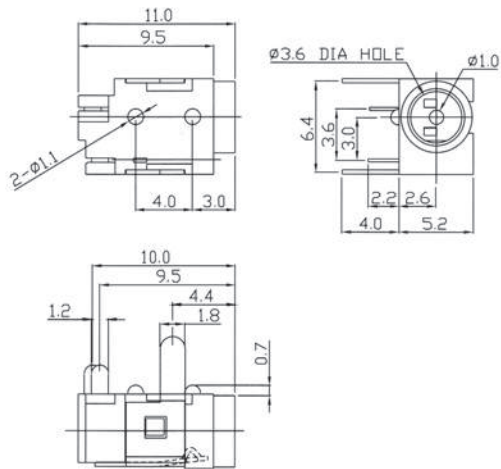
DIA. 1.00MM DC POWER JACK

P/N DC10-06CSB

DIA. 1.00MM DC POWER JACK

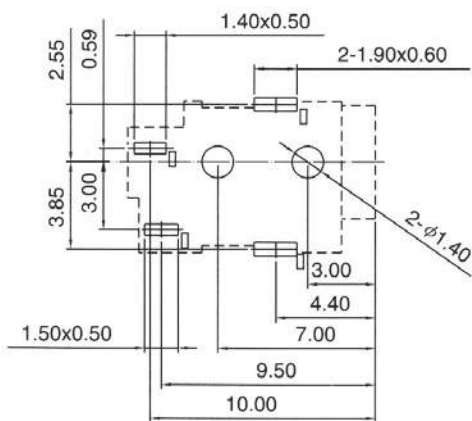
DIA. 1.0MM DC POWER JACK (3)

Dimension (m/m)

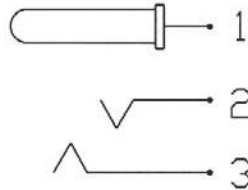


DC10-04

Pin Hole Layout (Jack Bottom View)



Schematic Code (Normal Open)



SPECIFICATIONS

1. **Rating:** 5A 24VDC
2. **Withstanding voltage:**
AC 500V, 60Hz for 1 minute
3. **Insulation resistance (initial):**
100MΩ (min.) at 500V DC
4. **Contact resistance (initial):**
30mΩ (max.) at AC 100mA (max.) 1 KHz
5. **Insertion & Extraction force:**
Initial : 0.3 to 3.0Kgs
After life test: 0.2 to 3.0Kgs
6. **Life test:**
5,000 cycles unloading (20-30 cycle/minute)

MATERIALS

1. **Housing:** Thermoplastic
 2. **Center pin:** Nickel plating.
 3. **Terminal:** Brass/Copper alloy Silver plating.
- All materials must be RoHS compliant.

ORDERING INFORMATION:

P/N DC10-04LTB

DIA. 1.00MM DC POWER JACK

NOTE: MATES WITH DCP-315 PLUG

DIA. 1.0MM DC POWER JACK (4)

SPECIFICATIONS

1. Rating: 3A 24VDC

2. Withstanding voltage:

AC 500V, 60Hz for 1 minute

3. Insulation resistance (initial): 100M Ω (min.) at 500V DC

4. Contact resistance (initial):

30m Ω (max.) at AC 100mA (max.) 1 KHz

5. Insertion & Extraction force:

Initial : 0.3 to 3.0Kgs

After life test: 0.2 to 3.0Kgs

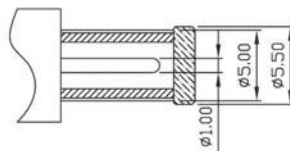
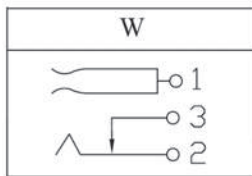
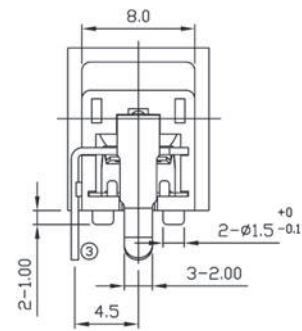
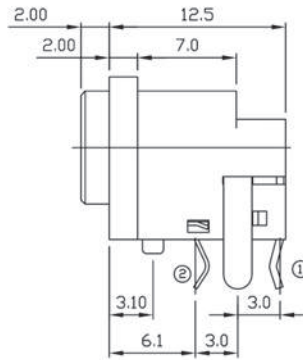
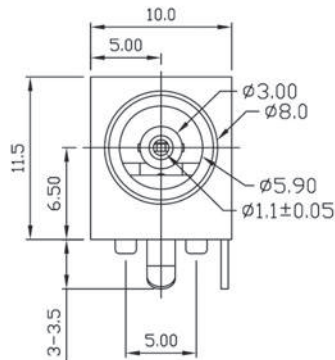
MATERIALS

1. Housing: Thermoplastic

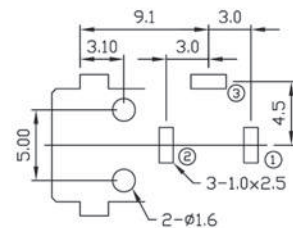
2. Center pin: Nickel plating

3. Terminal: Brass/Copper alloy Tin plating.

* RoHS & REACH compliant.



DC MATED PLUG



Recommended P.C.Board Layout

ORDERING INFORMATION:

P/N DC $\frac{10}{1}$ - V $\frac{20}{2}$ W T B $\frac{3}{4}$ $\frac{5}{5}$

1. CENTER PIN DIAMETER:

"10" $\phi 1.0$ MM

2. DC JACK CODE:

V20

3. SCHEMATIC OPTION:

W

4. TERMINAL FINISH:

"T" TIN PLATED

5. HOUSING COLOR:

"B" BLACK

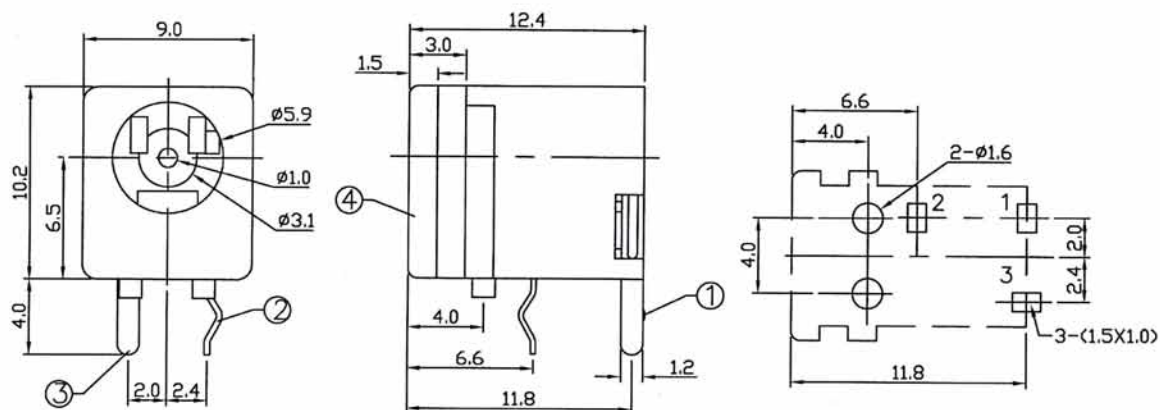
DIA. 1.0MM DC POWER JACK (5)

SPECIFICATIONS

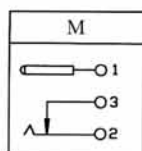
1. **Rating:** 0.5A 12VDC
2. **Withstanding voltage:**
AC 500V, 60Hz for 1 minute
3. **Insulation resistance (initial):** 100M Ω (min.) at 500V DC
4. **Contact resistance (initial):**
30m Ω (max.) at AC 100mA (max.) 1 KHz
5. **Insertion & Extraction force:**
Initial : 0.3 to 3.0Kgs
After life test: 0.2 to 3.0Kgs

MATERIALS

1. **Housing:** Thermoplastic
 2. **Center pin:** Nickel plating
 3. **Terminal:** Brass/Copper alloy Silver plating.
- * RoHS & REACH compliant.



Recommended P.C.Board Layout



ORDERING INFORMATION:

P/N D C 10 - 08 M S B
1 2 3 4 5

1. CENTER PIN DIAMETER:
"10" Ø1.0MM
2. DC JACK CODE:
"08" R/A DIP TYPE
3. SCHEMATIC OPTION:
M
4. TERMINAL FINISH:
"S" SILVER PLATED
5. HOUSING COLOR:
"B" BLACK

DIA. 1.0MM DC POWER JACK (6)

SPECIFICATIONS

1. **Rating:** 3A 12VDC

2. **Withstanding voltage:**

AC 500V, 60Hz for 1 minute

3. **Insulation resistance (initial):** 100M Ω (min.) at 500V DC

4. **Contact resistance (initial):**

30m Ω (max.) at AC 100mA (max.) 1 KHz

5. **Insertion & Extraction force:**

Initial : 0.3 to 3.0Kgs

After life test: 0.2 to 3.0Kgs

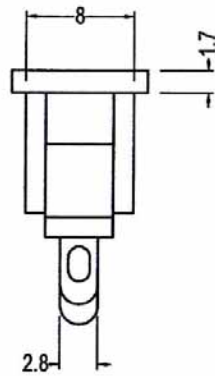
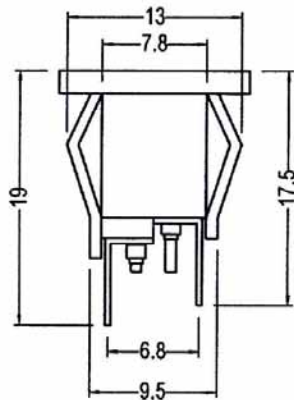
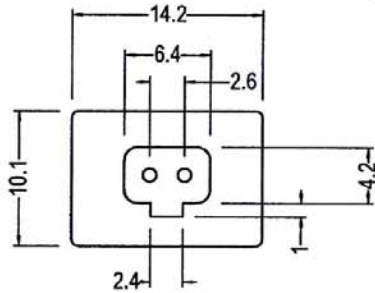
MATERIALS

1. **Housing:** Thermoplastic

2. **Center pin:** Nickel plating

3. **Terminal:** Brass/Copper alloy Tin plating.

* **RoHS & REACH compliant.**



ORDERING INFORMATION:

P/N D C 10 - 30 N T B
1 2 3 4 5

1. CENTER PIN DIAMETER:

"10" \varnothing 1.0MM

2. DC JACK CODE:

30

3. SCHEMATIC OPTION:

N

4. TERMINAL FINISH:

"T" TIN PLATED

5. HOUSING COLOR:

"B" BLACK

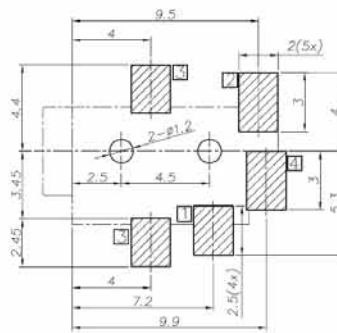
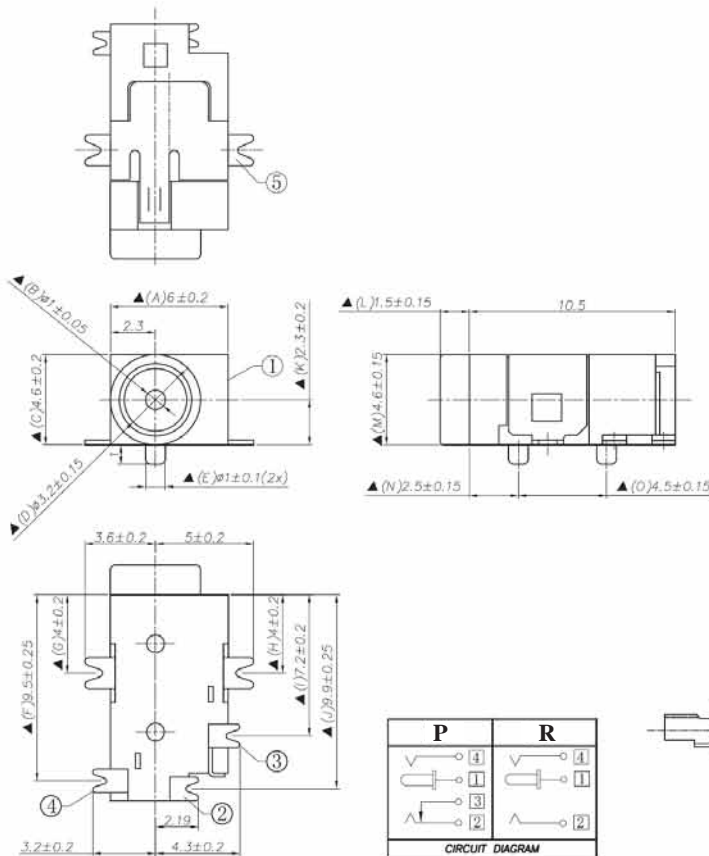
DIA. 1.0MM DC POWER JACK (7)

SPECIFICATIONS

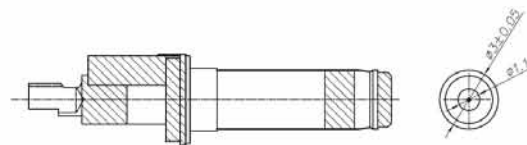
1. **Rating:** 2A 20VDC
2. **Withstanding voltage:**
AC 500V, 60Hz for 1 minute
3. **Insulation resistance (initial):** 100M Ω (min.) at 500V DC
4. **Contact resistance (initial):**
30m Ω (max.) at AC 100mA (max.) 1 KHz
5. **Insertion & Extraction force:**
Initial : 0.3 to 3.0Kgs
After life test: 0.2 to 3.0Kgs

MATERIALS

1. **Housing:** Thermoplastic
 2. **Center pin:** Nickel plating
 3. **Terminal:** Brass/Copper alloy Silver & Gold plating.
- * **RoHS & REACH compliant.**



Recommended P.C. Board Layout



DC MATED PLUG

ORDERING INFORMATION:

P/N DC $\frac{10}{1}$ - N01 $\frac{x}{2}$ $\frac{x}{3}$ $\frac{x}{4}$ $\frac{B}{5}$

1. CENTER PIN DIAMETER:
"10" $\phi 1.0$ MM
2. DC JACK CODE:
"N01" SMT TYPE
3. SCHEMATIC OPTION:
P, R
4. TERMINAL FINISH:
"S" SILVER PLATED
"G" GOLD PLATED
5. HOUSING COLOR:
"B" BLACK

DIA. 1.0MM DC POWER JACK (8)

SPECIFICATIONS

1. **Rating:** 4A 20VDC

2. **Withstanding voltage:**

AC 500V, 60Hz for 1 minute

3. **Insulation resistance (initial):** 100M Ω (min.) at 500V DC

4. **Contact resistance (initial):**

30m Ω (max.) at AC 100mA (max.) 1 KHz

5. **Insertion & Extraction force:**

Initial : 0.3 to 3.0Kgs

After life test: 0.2 to 3.0Kgs

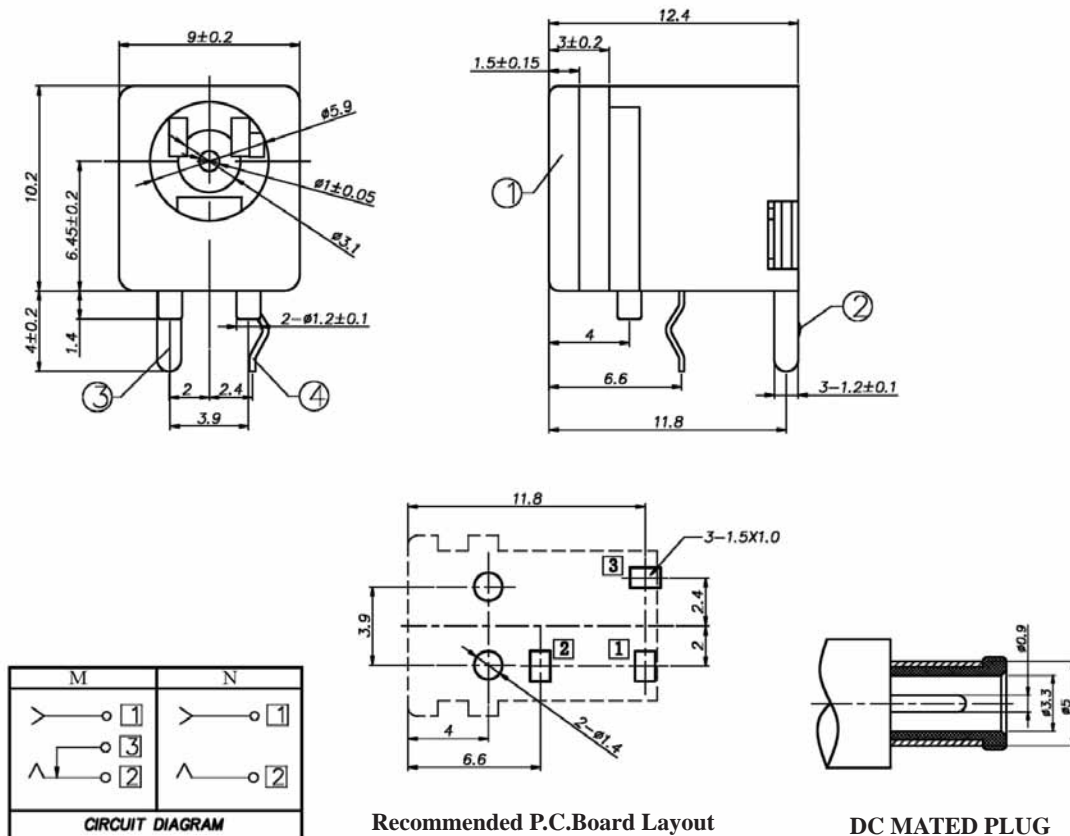
MATERIALS

1. **Housing:** Thermoplastic

2. **Center pin:** Nickel plating

3. **Terminal:** Brass/Copper alloy Silver plating.

* **RoHS & REACH compliant.**



ORDERING INFORMATION:

P/N DC $\frac{10}{1}$ - $\frac{N02}{2}$ x $\frac{S}{3}$ $\frac{S}{4}$ $\frac{B}{5}$

1. CENTER PIN DIAMETER:

"10" $\phi 1.0$ MM

2. DC JACK CODE:

"N02" R/A DIP TYPE

3. SCHEMATIC OPTION:

M, N

4. TERMINAL FINISH:

"S" SILVER PLATED

5. HOUSING COLOR:

"B" BLACK

DIA. 1.0MM DC POWER JACK (9)

SPECIFICATIONS

1.Rating: 2.5A 12VDC

2.Withstanding voltage:

AC 500V, 60Hz for 1 minute

3.Insulation resistance (initial): 100M Ω (min.) at 500V DC

4.Contact resistance (initial):

30m Ω (max.) at AC 100mA (max.) 1 KHz

5.Insertion & Extraction force:

Initial : 0.3 to 3.0Kgs

After life test: 0.2 to 3.0Kgs

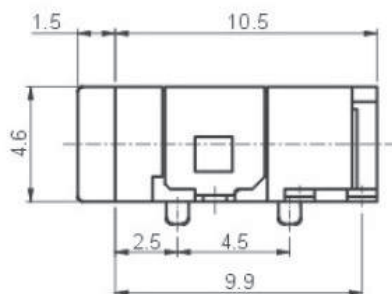
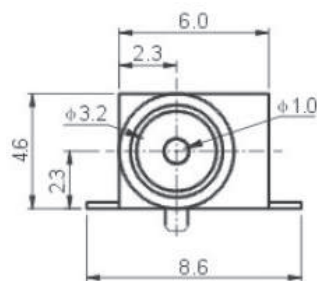
MATERIALS

1.Housing: Thermoplastic

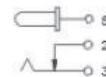
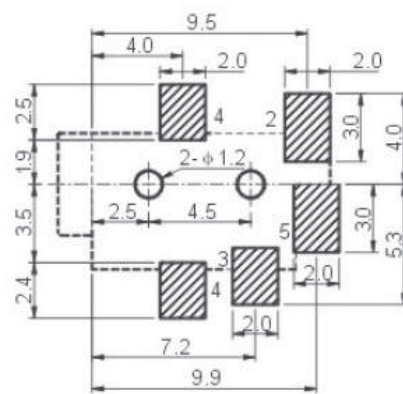
2.Center pin: Nickel plating

3.Terminal: Brass/Copper alloy Silver plating.

* RoHS & REACH compliant.



Recommended P.C.Board Layout



ORDERING INFORMATION:

P/N DC $\frac{10}{1}$ - N $\frac{06}{2}$ M $\frac{S}{3}$ $\frac{B}{4}$ $\frac{B}{5}$

1. CENTER PIN DIAMETER:

"10" \varnothing 1.0MM

2. DC JACK CODE:

"N06" SHIELDED SMT TYPE

3. SCHEMATIC OPTION:

M

4. TERMINAL FINISH:

"S" SILVER PLATED

5. HOUSING COLOR:

"B" BLACK

DIA. 1.0MM DC POWER JACK (10)

SPECIFICATIONS

1. **Rating:** 2A 16VDC

2. **Withstanding voltage:**

AC 500V, 60Hz for 1 minute

3. **Insulation resistance (initial):** 100M Ω (min.) at 500V DC

4. **Contact resistance (initial):**

30m Ω (max.) at AC 100mA (max.) 1 KHz

5. **Insertion & Extraction force:**

Initial : 0.3 to 3.0Kgs

After life test: 0.2 to 3.0Kgs

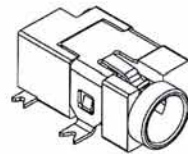
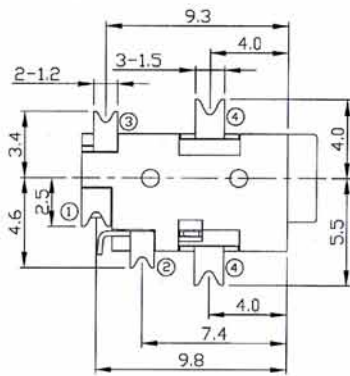
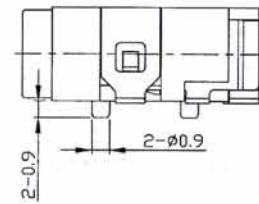
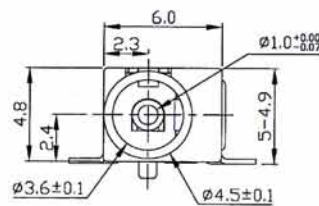
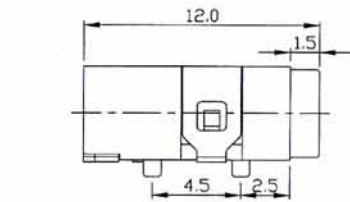
MATERIALS

1. **Housing:** Thermoplastic

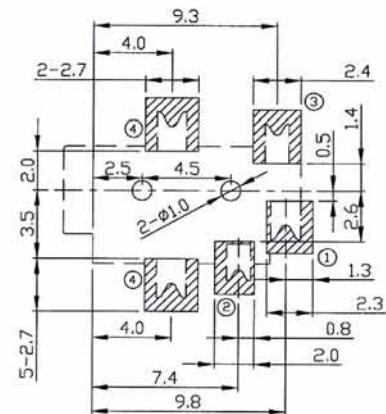
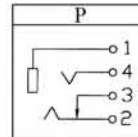
2. **Center pin:** Nickel plating

3. **Terminal:** Brass/Copper alloy Gold plating.

* **RoHS & REACH compliant.**



DC MATED PLUG



Recommended P.C. Board Layout

ORDERING INFORMATION:

P/N DC 10 - V 10 P G B

1. CENTER PIN DIAMETER:

"10" \varnothing 1.0MM

2. DC JACK CODE:

V10

3. SCHEMATIC OPTION:

P

4. TERMINAL FINISH:

"G" GOLD PLATED

5. HOUSING COLOR:

"B" BLACK

DIA. 1.0MM DC POWER JACK (11)

SPECIFICATIONS

1.Rating: 3A 12VDC

2.Withstanding voltage:

AC 500V, 60Hz for 1 minute

3.Insulation resistance (initial): 100M Ω (min.) at 500V DC

4.Contact resistance (initial):

30m Ω (max.) at AC 100mA (max.) 1 KHz

5.Insertion & Extraction force:

Initial : 0.3 to 3.0Kgs

After life test: 0.2 to 3.0Kgs

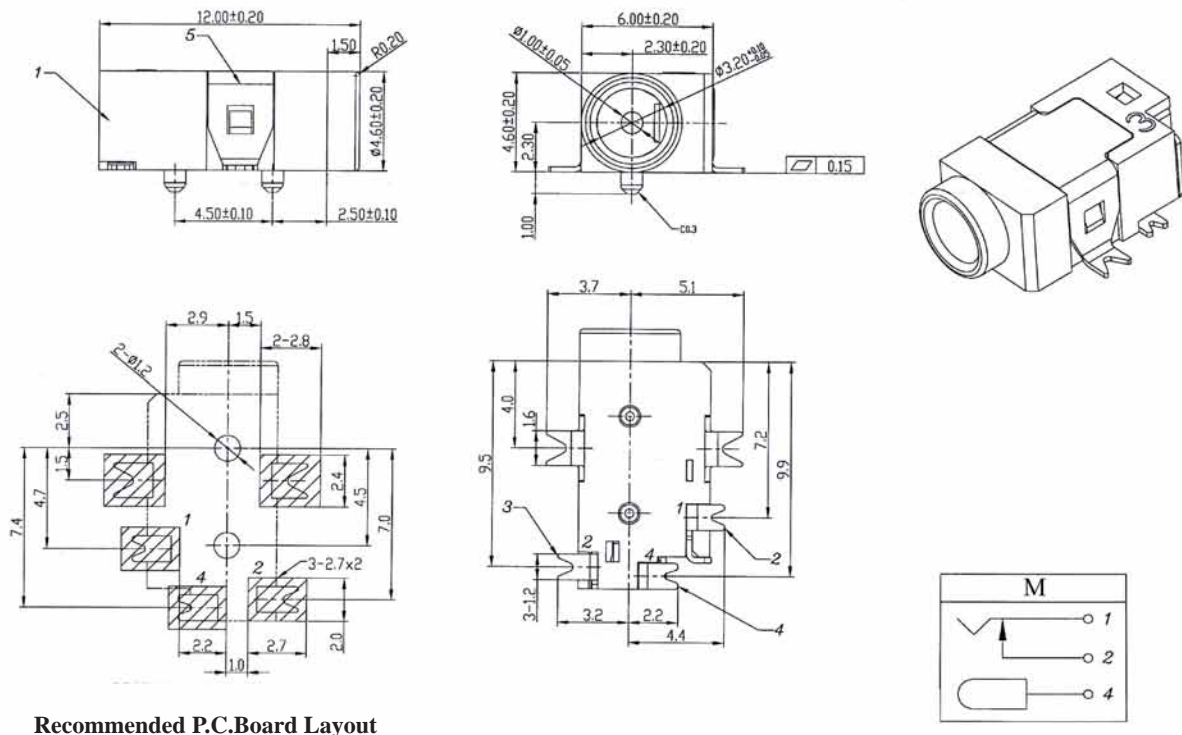
MATERIALS

1.Housing: Thermoplastic

2.Center pin: Nickel plating

3.Terminal: Brass/Copper alloy Silver plating.

* RoHS & REACH compliant.



Recommended P.C.Board Layout

ORDERING INFORMATION:

P/N DC $\frac{10}{1}$ - V $\frac{11}{2}$ $\frac{M}{3}$ $\frac{S}{4}$ $\frac{B}{5}$

1. CENTER PIN DIAMETER:

"10" Ø1.0MM

2. DC JACK CODE:

V11

3. SCHEMATIC OPTION:

N

4. TERMINAL FINISH:

"S" SILVER PLATED

5. HOUSING COLOR:

"B" BLACK

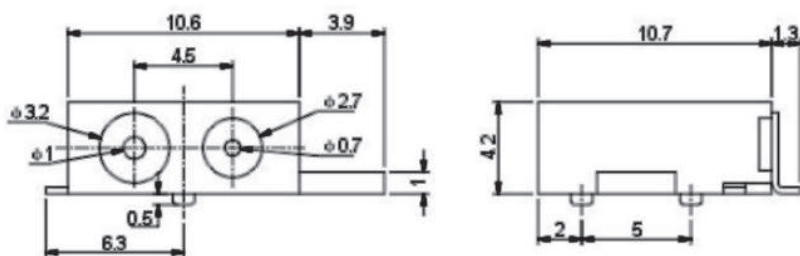
DIA. 1.0MM + 0.7MM DC POWER JACK

SPECIFICATIONS

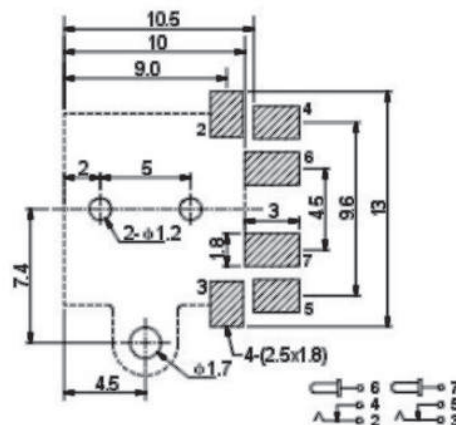
- 1. Rating:** 1A 12DC
- 2. Withstanding voltage:**
AC 500V, 60Hz for 1 minute
- 3. Insulation resistance (initial):** 100M Ω (min.) at 500V DC
- 4. Contact resistance (initial):**
30m Ω (max.) at AC 100mA (max.) 1 KHz
- 5. Insertion & Extraction force:**
Initial : 0.3 to 3.0Kgs
After life test: 0.2 to 3.0Kgs

MATERIALS

- 1. Housing:** Thermoplastic
 - 2. Center pin:** Nickel plating
 - 3. Terminal:** Brass/Copper alloy Silver plating.
- * RoHS & REACH compliant.



Recommended P.C.Board Layout



ORDERING INFORMATION:

P/N DC 1007 - N01 M S B
1 2 3 4 5

- 1. CENTER PIN DIAMETER:**
"1007" \emptyset 1.0MM + \emptyset 0.7MM
- 2. DC JACK CODE:**
"N01" DUAL PORT SMT TYPE
- 3. SCHEMATIC OPTION:**
M
- 4. TERMINAL FINISH:**
"S" SILVER PLATED
- 5. HOUSING COLOR:**
"B" BLACK

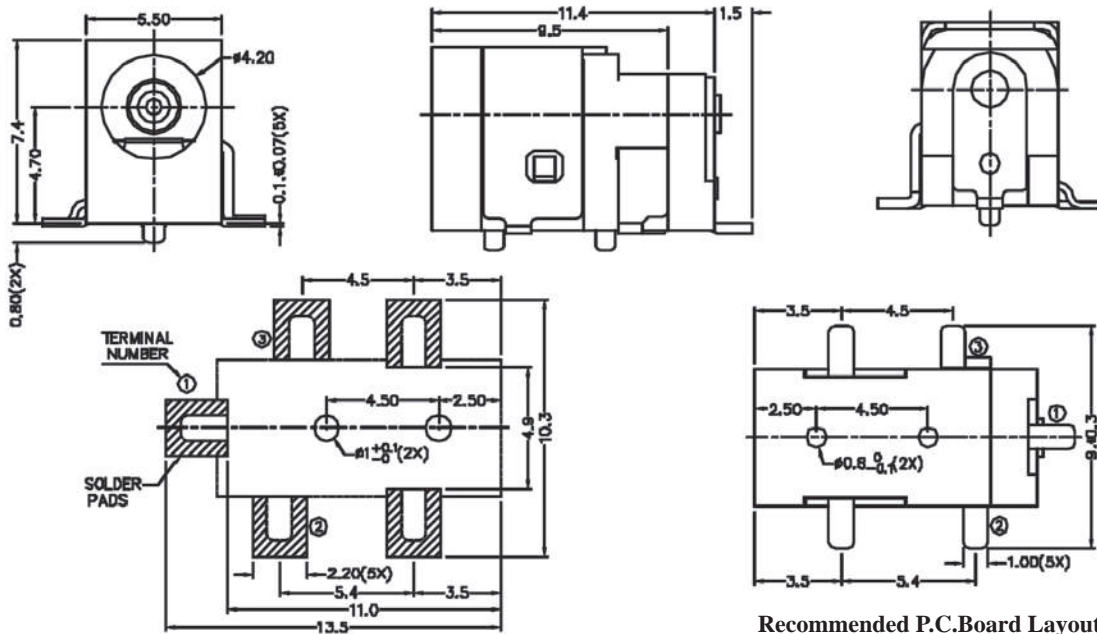
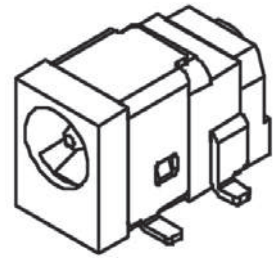
DIA. 1.0/1.3MM DC POWER JACK (1)

SPECIFICATIONS

1. **Rating:** 3.5A 12VDC
2. **Withstanding voltage:**
AC 500V, 60Hz for 1 minute
3. **Insulation resistance (initial):** 100M Ω (min.) at 500V DC
4. **Contact resistance (initial):**
30m Ω (max.) at AC 100mA (max.) 1 KHz
5. **Insertion & Extraction force:**
Initial : 0.3 to 3.0Kgs
After life test: 0.2 to 3.0Kgs

MATERIALS

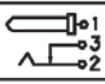
1. **Housing:** Thermoplastic
 2. **Center pin:** Nickel plating
 3. **Terminal:** Brass/Copper alloy Silver plating.
- * RoHS & REACH compliant.



Recommended P.C.Board Layout



DC MATED PLUG

SCHEMATIC	
CENTER PIN	$\varnothing 1\text{mm}$ $\varnothing 1.3\text{mm}$

ORDERING INFORMATION:

P/N DC 10 - T 0 6 M S B

DIA. 1.0MM DC POWER JACK RATING: 3.5A 16VDC

P/N DC 13 - T 0 6 M S B

DIA. 1.3MM DC POWER JACK RATING: 3.5A 16VDC
SHIELDED TYPE

DIA. 1.0/1.3MM DC POWER JACK (2)

SPECIFICATIONS

1. **Rating:** 3.5A 12VDC

2. **Withstanding voltage:**

AC 500V, 60Hz for 1 minute

3. **Insulation resistance (initial):** 100M Ω (min.) at 500V DC

4. **Contact resistance (initial):**

30m Ω (max.) at AC 100mA (max.) 1 KHz

5. **Insertion & Extraction force:**

Initial : 0.3 to 3.0Kgs

After life test: 0.2 to 3.0Kgs

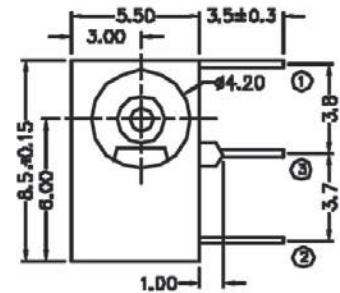
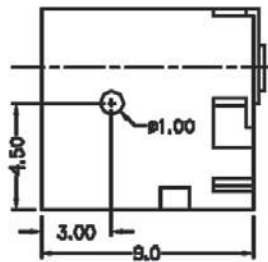
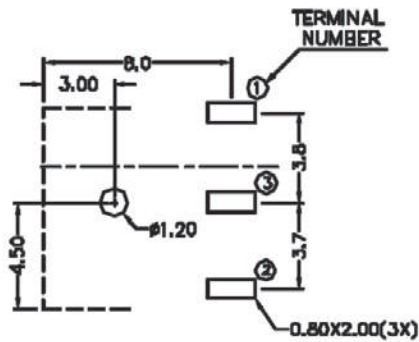
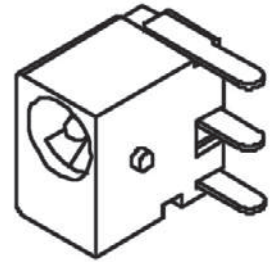
MATERIALS

1. **Housing:** Thermoplastic

2. **Center pin:** Nickel plating

3. **Terminal:** Brass/Copper alloy Silver plating.

* **RoHS & REACH compliant.**



Recommended P.C.Board Layout



DC MATED PLUG

SCHEMATIC	1 3 2
CENTER PIN	1mm
	1.3mm

ORDERING INFORMATION:

P/N DC 10 - T 0 7 M S B

DIA. 1.0MM DC POWER JACK RATING: 3.5A 16VDC

P/N DC 13 - T 0 7 M S B

DIA. 1.3MM DC POWER JACK RATING: 3.5A 16VDC

DIA. 1.0MM/1.3MM DC POWER JACK (3)

SPECIFICATIONS

1.Rating: 0.5A 12VDC

2.Withstanding voltage:

AC 500V, 60Hz for 1 minute

3.Insulation resistance (initial): 100MΩ(min.) at 500V DC

4.Contact resistance (initial):

30mΩ(max.) at AC 100mA (max.) 1 KHz

5.Insertion & Extraction force:

Initial : 0.3 to 3.0Kgs

After life test: 0.2 to 3.0Kgs

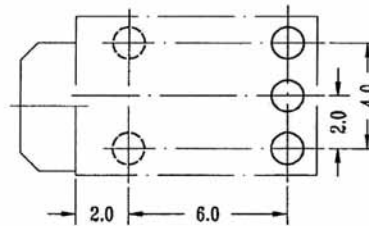
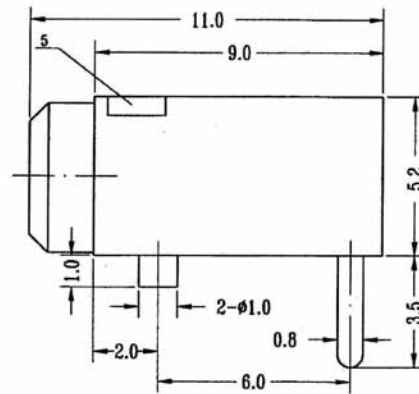
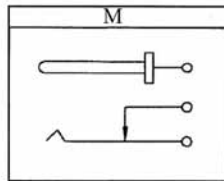
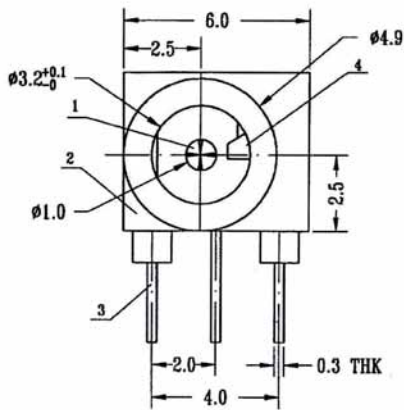
MATERIALS

1.Housing: Thermoplastic

2.Center pin: Nickel plating

3.Terminal: Brass/Copper alloy Silver plating.

* RoHS & REACH compliant.



Recommended P.C.Board Layout

ORDERING INFORMATION:

P/N **D** **C** **X** **X** - **2** **4** **M** **S** **B**
1 **2** **3** **4** **5**

1. CENTER PIN DIAMETER:

"10" Ø1.0MM

"13" Ø1.3MM

2. DC JACK CODE:

"24" R/A DIP TYPE

3. SCHEMATIC OPTION:

M

4. TERMINAL FINISH:

"S" SILVER PLATED

5. HOUSING COLOR:

"B" BLACK

DIA. 1.0MM/1.3MM DC POWER JACK (4)

SPECIFICATIONS

1. **Rating:** 0.5A 12VDC

2. **Withstanding voltage:**

AC 500V, 60Hz for 1 minute

3. **Insulation resistance (initial):** 100M Ω (min.) at 500V DC

4. **Contact resistance (initial):**

30m Ω (max.) at AC 100mA (max.) 1 KHz

5. **Insertion & Extraction force:**

Initial : 0.3 to 3.0Kgs

After life test: 0.2 to 3.0Kgs

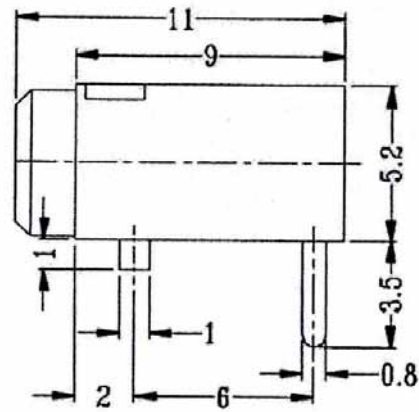
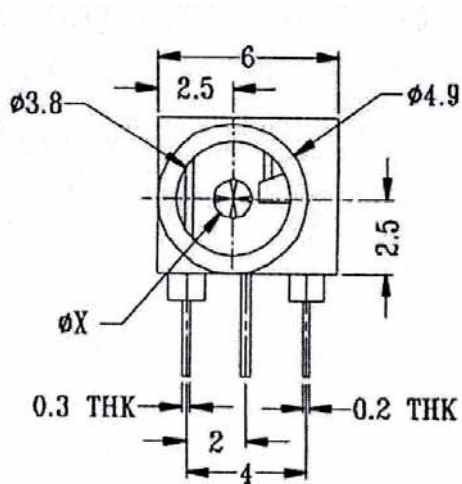
MATERIALS

1. **Housing:** Thermoplastic

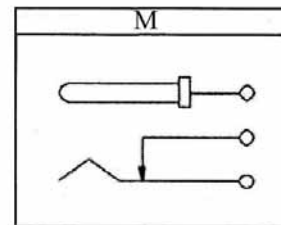
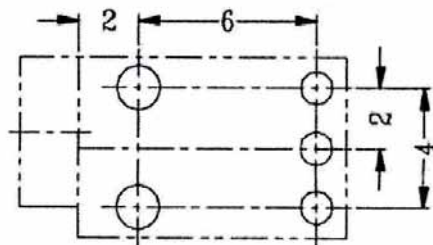
2. **Center pin:** Nickel plating

3. **Terminal:** Brass/Copper alloy Silver plating.

* **RoHS & REACH compliant.**



Recommended P.C.Board Layout



ORDERING INFORMATION:

P/N D C $\frac{xx}{1}$ - $\frac{2.5}{2}$ $\frac{MS}{34}$ $\frac{B}{5}$

1. CENTER PIN DIAMETER:

"10" \varnothing 1.0MM

"13" \varnothing 1.3MM

2. DC JACK CODE:

"25" R/A DIP TYPE

3. SCHEMATIC OPTION:

M

4. TERMINAL FINISH:

"S" SILVER PLATED

5. HOUSING COLOR:

"B" BLACK

DIA. 1.0MM/1.3MM DC POWER JACK (5)

SPECIFICATIONS

1. **Rating:** 0.5A 12VDC

2. **Withstanding voltage:**

AC 500V, 60Hz for 1 minute

3. **Insulation resistance (initial):** 100M Ω (min.) at 500V DC

4. **Contact resistance (initial):**

30m Ω (max.) at AC 100mA (max.) 1 KHz

5. **Insertion & Extraction force:**

Initial : 0.3 to 3.0Kgs

After life test: 0.2 to 3.0Kgs

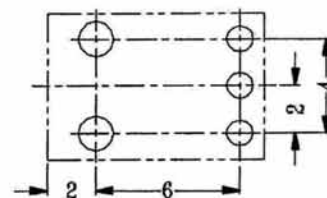
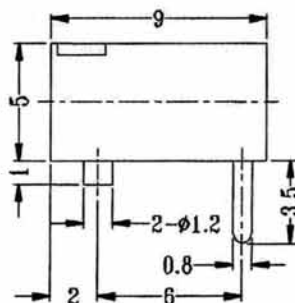
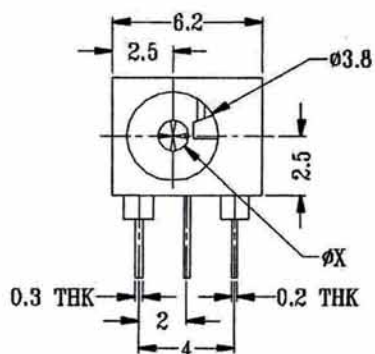
MATERIALS

1. **Housing:** Thermoplastic

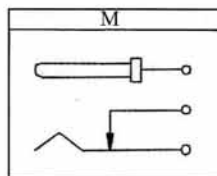
2. **Center pin:** Nickel plating

3. **Terminal:** Brass/Copper alloy Silver plating.

* **RoHS & REACH compliant.**



Recommended P.C.Board Layout



ORDERING INFORMATION:

P/N D C $\frac{xx}{1}$ - $\frac{2}{2}$ $\frac{6}{3}$ $\frac{M}{4}$ $\frac{S}{5}$ B

1. CENTER PIN DIAMETER:

"10" \varnothing 1.0MM

"13" \varnothing 1.3MM

2. DC JACK CODE:

"26" R/A DIP TYPE

3. SCHEMATIC OPTION:

M

4. TERMINAL FINISH:

"S" SILVER PLATED

5. HOUSING COLOR:

"B" BLACK

DIA. 1.0MM/1.3MM DC POWER JACK (6)

SPECIFICATIONS

1.Rating: 0.5A 12VDC

2.Withstanding voltage:

AC 500V, 60Hz for 1 minute

3.Insulation resistance (initial): 100M Ω (min.) at 500V DC

4.Contact resistance (initial):

30m Ω (max.) at AC 100mA (max.) 1 KHz

5.Insertion & Extraction force:

Initial : 0.3 to 3.0Kgs

After life test: 0.2 to 3.0Kgs

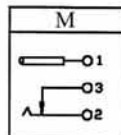
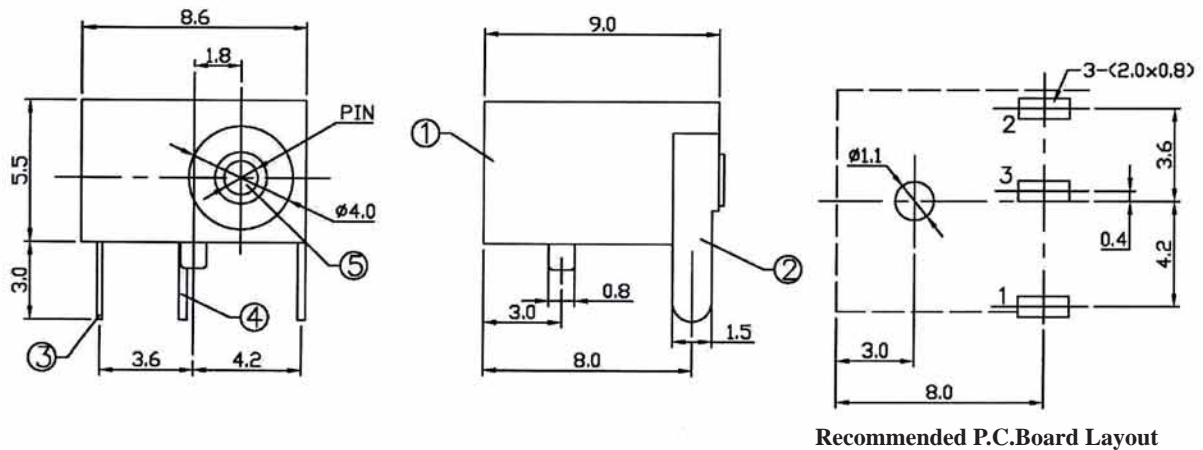
MATERIALS

1.Housing: Thermoplastic

2.Center pin: Nickel plating

3.Terminal: Brass/Copper alloy Silver plating.

* RoHS & REACH compliant.



ORDERING INFORMATION:

P/N D C $\frac{xx}{1}$ - $\frac{27}{2}$ M $\frac{S}{3}$ $\frac{B}{4}$ $\frac{5}{5}$

1. CENTER PIN DIAMETER:

"10" \varnothing 1.0MM

"13" \varnothing 1.3MM

2. DC JACK CODE:

"27" R/A DIP TYPE

3. SCHEMATIC OPTION:

M

4. TERMINAL FINISH:

"S" SILVER PLATED

5. HOUSING COLOR:

"B" BLACK

DIA. 1.0MM/1.3MM DC POWER JACK (7)

SPECIFICATIONS

1.Rating: 3A 12VDC

2.Withstanding voltage:

AC 500V, 60Hz for 1 minute

3.Insulation resistance (initial): 100M Ω (min.) at 500V DC

4.Contact resistance (initial):

30m Ω (max.) at AC 100mA (max.) 1 KHz

5.Insertion & Extraction force:

Initial : 0.3 to 3.0Kgs

After life test: 0.2 to 3.0Kgs

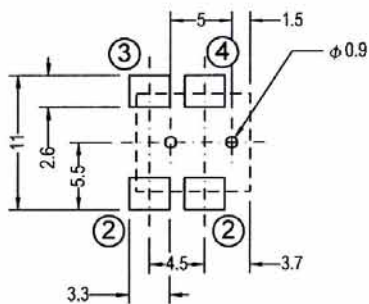
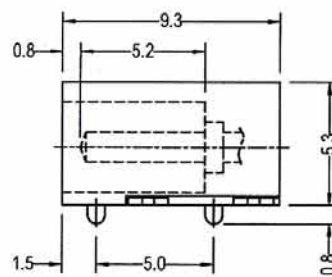
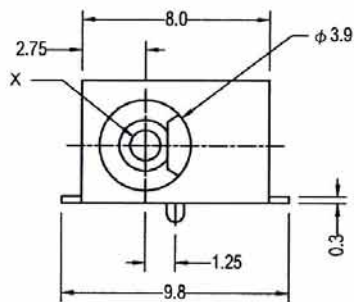
MATERIALS

1.Housing: Thermoplastic

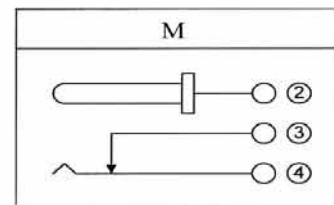
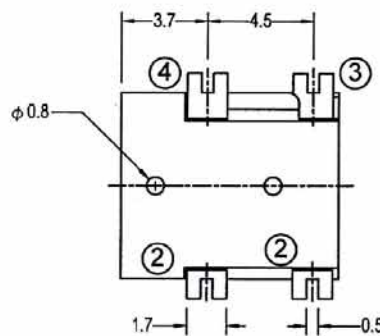
2.Center pin: Nickel plating

3.Terminal: Brass/Copper alloy Silver plating.

*** RoHS & REACH compliant.**



Recommended P.C.Board Layout



ORDERING INFORMATION:

P/N DC $\frac{XX}{I}$ - $\frac{28}{2}$ $\frac{MS}{34}$ $\frac{B}{5}$

1. CENTER PIN DIAMETER:

"10" \varnothing 1.0MM

"13" \varnothing 1.3MM

2. DC JACK CODE:

28

3. SCHEMATIC OPTION:

M

4. TERMINAL FINISH:

"S" SILVER PLATED

5. HOUSING COLOR:

"B" BLACK

DIA. 1.0MM/1.3MM DC POWER JACK (8)

SPECIFICATIONS

1. Rating: 3A 12VDC

2. Withstanding voltage:

AC 500V, 60Hz for 1 minute

3. Insulation resistance (initial): 100M Ω (min.) at 500V DC

4. Contact resistance (initial):

30m Ω (max.) at AC 100mA (max.) 1 KHz

5. Insertion & Extraction force:

Initial : 0.3 to 3.0Kgs

After life test: 0.2 to 3.0Kgs

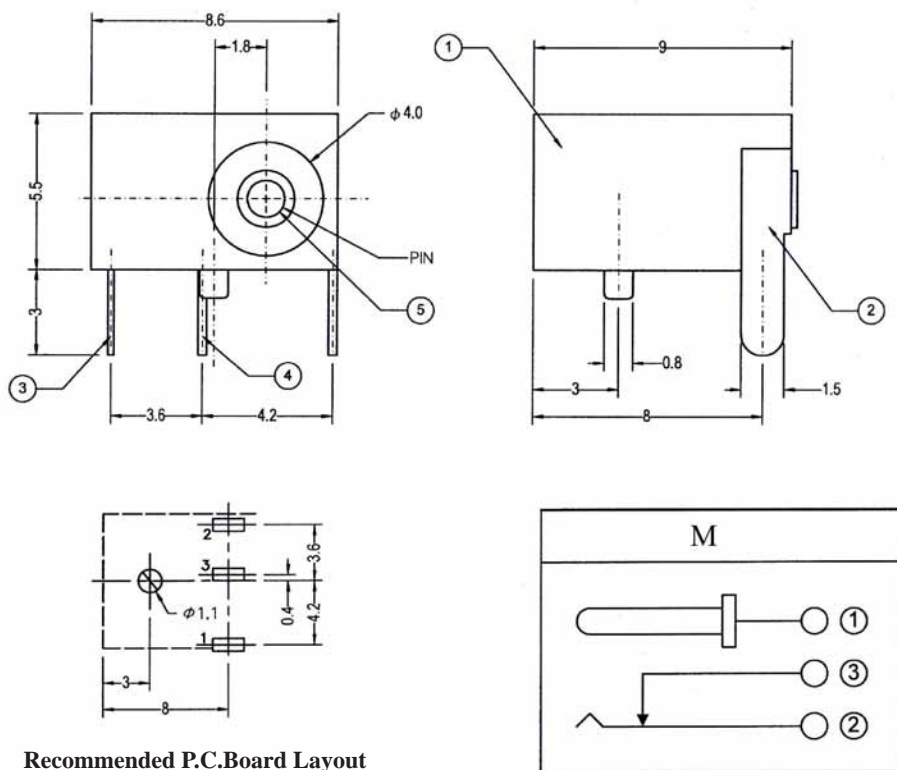
MATERIALS

1. Housing: Thermoplastic

2. Center pin: Nickel plating

3. Terminal: Brass/Copper alloy Tin plating.

* RoHS & REACH compliant.



Recommended P.C.Board Layout

ORDERING INFORMATION:

P/N D C $\frac{xx}{I}$ - 29 $\frac{M}{2}$ $\frac{T}{3}$ $\frac{B}{4}$ $\frac{B}{5}$

1. CENTER PIN DIAMETER:

"10" \varnothing 1.0MM

"13" \varnothing 1.3MM

2. DC JACK CODE:

29

3. SCHEMATIC OPTION:

M

4. TERMINAL FINISH:

"T" TIN PLATED

5. HOUSING COLOR:

"B" BLACK

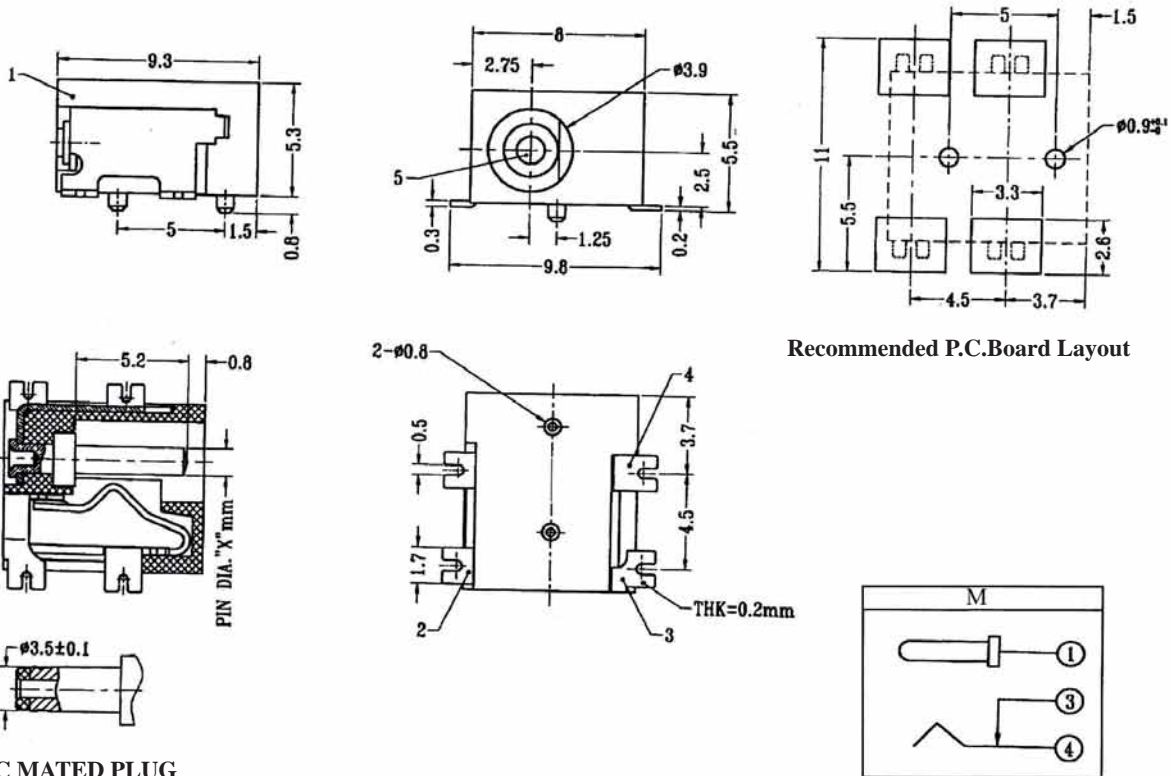
DIA. 1.0MM/1.3MM DC POWER JACK (9)

SPECIFICATIONS

1. **Rating:** 0.5A 12VDC
2. **Withstanding voltage:**
AC 500V, 60Hz for 1 minute
3. **Insulation resistance (initial):** 100M Ω (min.) at 500V DC
4. **Contact resistance (initial):**
30m Ω (max.) at AC 100mA (max.) 1 KHz
5. **Insertion & Extraction force:**
Initial : 0.3 to 3.0Kgs
After life test: 0.2 to 3.0Kgs

MATERIALS

1. **Housing:** Thermoplastic
 2. **Center pin:** Nickel plating
 3. **Terminal:** Brass/Copper alloy Silver plating.
- * RoHS & REACH compliant.



DC MATED PLUG

Recommended P.C.Board Layout

ORDERING INFORMATION:

P/N DC $\frac{X}{1}$ - $\frac{31}{2}$ M $\frac{S}{3}$ $\frac{B}{4}$ $\frac{5}{5}$

1. CENTER PIN DIAMETER:
"10" \varnothing 1.0MM
"13" \varnothing 1.3MM
2. DC JACK CODE:
"31" SMT TYPE
3. SCHEMATIC OPTION:
M
4. TERMINAL FINISH:
"S" SILVER PLATED
5. HOUSING COLOR:
"B" BLACK

DIA. 1.0MM/1.3MM DC POWER JACK (10)

SPECIFICATIONS

1. **Rating:** 0.5A 12VDC

2. **Withstanding voltage:**

AC 500V, 60Hz for 1 minute

3. **Insulation resistance (initial):** 100M Ω (min.) at 500V DC

4. **Contact resistance (initial):**

30m Ω (max.) at AC 100mA (max.) 1 KHz

5. **Insertion & Extraction force:**

Initial : 0.3 to 3.0Kgs

After life test: 0.2 to 3.0Kgs

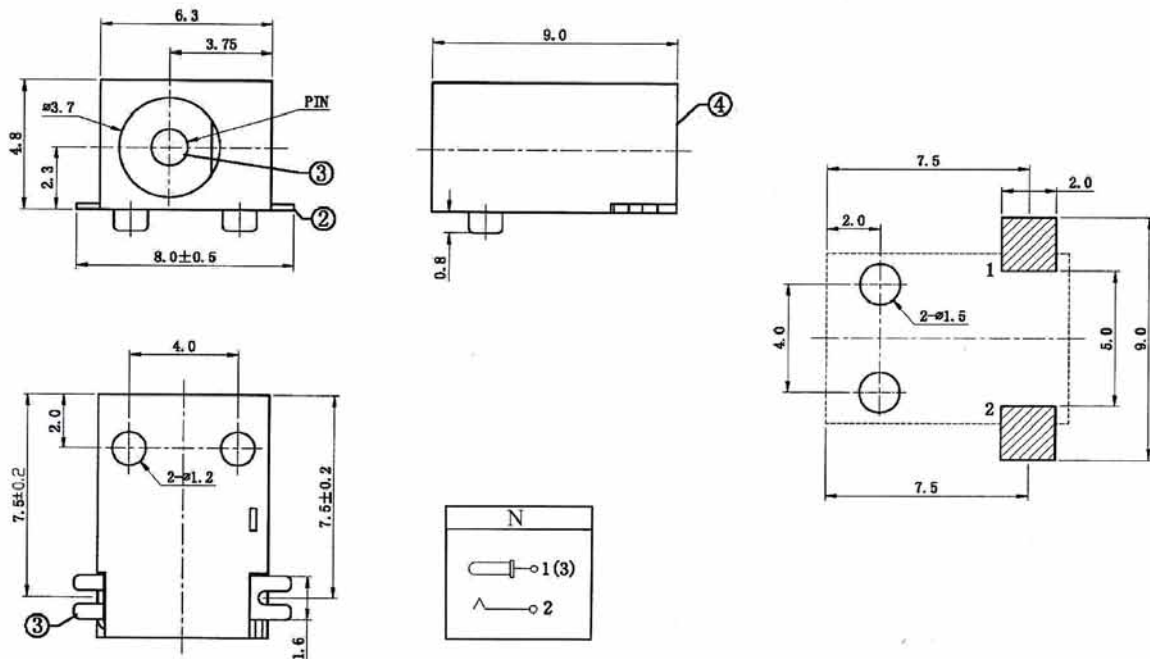
MATERIALS

1. **Housing:** Thermoplastic

2. **Center pin:** Nickel plating

3. **Terminal:** Brass/Copper alloy Silver plating.

* **RoHS & REACH compliant.**



ORDERING INFORMATION:

P/N D C $\frac{X X}{1}$ - $\frac{3 2}{2}$ $\frac{N S B}{3 4 5}$

1. CENTER PIN DIAMETER:

"10" \varnothing 1.0MM

"13" \varnothing 1.3MM

2. DC JACK CODE:

"32" SMT TYPE

3. SCHEMATIC OPTION:

N

4. TERMINAL FINISH:

"S" SILVER PLATED

5. HOUSING COLOR:

"B" BLACK

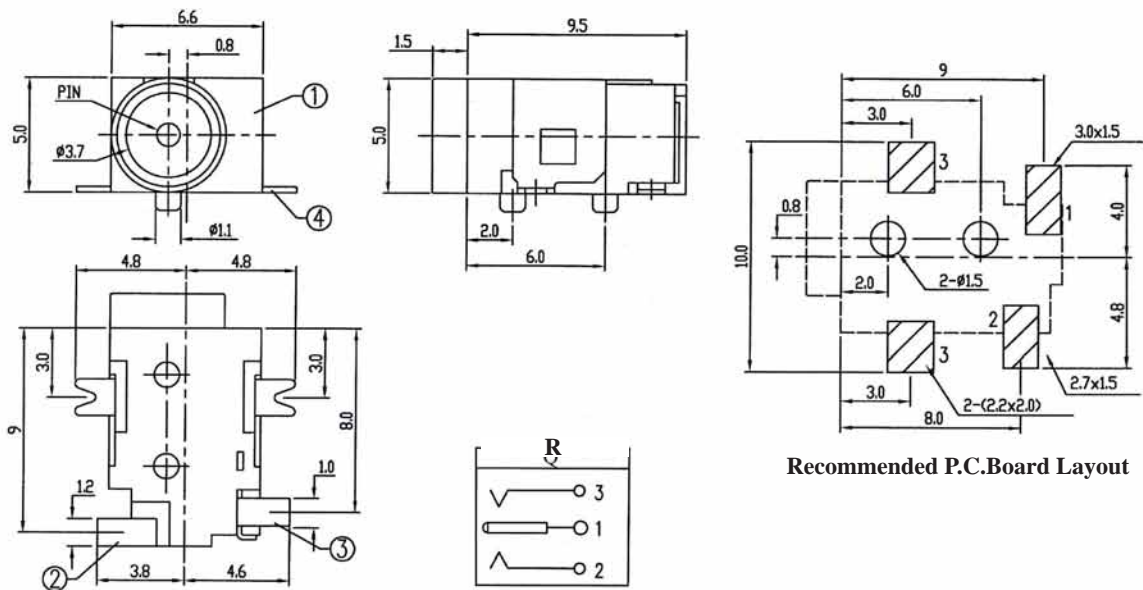
DIA. 1.0MM/1.3MM DC POWER JACK (11)

SPECIFICATIONS

1. **Rating:** 0.5A 12VDC
2. **Withstanding voltage:**
AC 500V, 60Hz for 1 minute
3. **Insulation resistance (initial):** 100M Ω (min.) at 500V DC
4. **Contact resistance (initial):**
30m Ω (max.) at AC 100mA (max.) 1 KHz
5. **Insertion & Extraction force:**
Initial : 0.3 to 3.0Kgs
After life test: 0.2 to 3.0Kgs

MATERIALS

1. **Housing:** Thermoplastic
 2. **Center pin:** Nickel plating
 3. **Terminal:** Brass/Copper alloy Silver plating.
- * RoHS & REACH compliant.



ORDERING INFORMATION:

P/N D C $\frac{X}{1}$ $\frac{X}{2}$ - $\frac{3}{3}$ $\frac{R}{4}$ $\frac{S}{5}$ B

1. CENTER PIN DIAMETER:
"10" \varnothing 1.0MM
"13" \varnothing 1.3MM
2. DC JACK CODE:
"33" SHIELDED SMT TYPE
3. SCHEMATIC OPTION:
R
4. TERMINAL FINISH:
"S" SILVER PLATED
5. HOUSING COLOR:
"B" BLACK

DIA. 1.0MM/1.3MM DC POWER JACK (12)

SPECIFICATIONS

1.Rating: 0.5A 12VDC

2.Withstanding voltage:

AC 500V, 60Hz for 1 minute

3.Insulation resistance (initial): 100MΩ(min.) at 500V DC

4.Contact resistance (initial):

30mΩ(max.) at AC 100mA (max.) 1 KHz

5.Insertion & Extraction force:

Initial : 0.3 to 3.0Kgs

After life test: 0.2 to 3.0Kgs

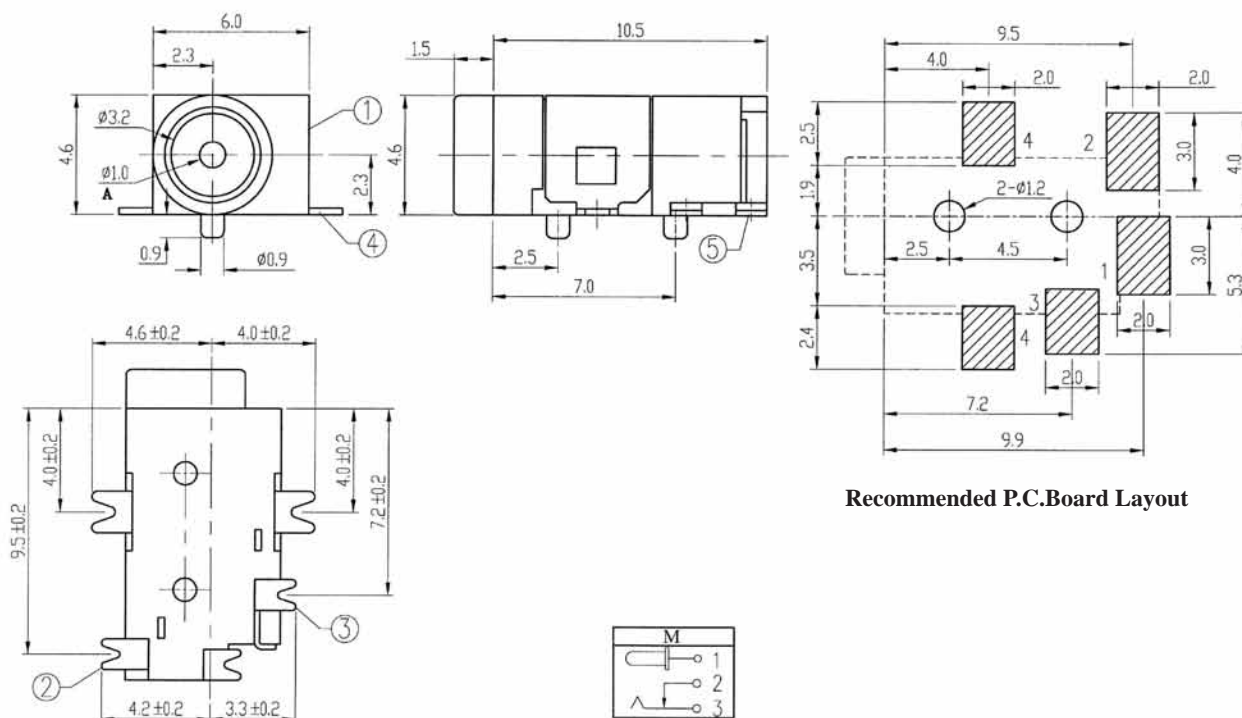
MATERIALS

1.Housing: Thermoplastic

2.Center pin: Nickel plating

3.Terminal: Brass/Copper alloy Silver plating.

*** RoHS & REACH compliant.**



ORDERING INFORMATION:

P/N D C $\frac{x}{1}$ $\frac{x}{2}$ - $\frac{3}{3}$ $\frac{4}{4}$ M S B

1. CENTER PIN DIAMETER:

"10" Ø1.0MM

"13" Ø1.3MM

2. DC JACK CODE:

"34" SHIELDED SMT TYPE

3. SCHEMATIC OPTION:

M

4. TERMINAL FINISH:

"S" SILVER PLATED

5. HOUSING COLOR:

"B" BLACK

DIA. 1.0MM / 1.3MM DC POWER JACK (13)

SPECIFICATIONS

1. **Rating:** 2A 20VDC

2. **Withstanding voltage:**

AC 500V, 60Hz for 1 minute

3. **Insulation resistance (initial):** 100M Ω (min.) at 500V DC

4. **Contact resistance (initial):**

30m Ω (max.) at AC 100mA (max.) 1 KHz

5. **Insertion & Extraction force:**

Initial : 0.3 to 3.0Kgs

After life test: 0.2 to 3.0Kgs

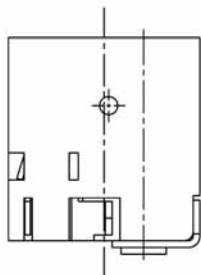
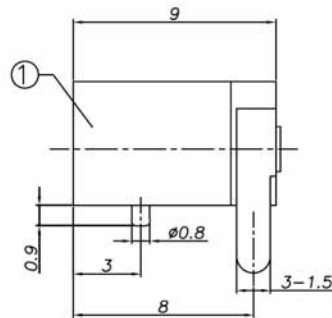
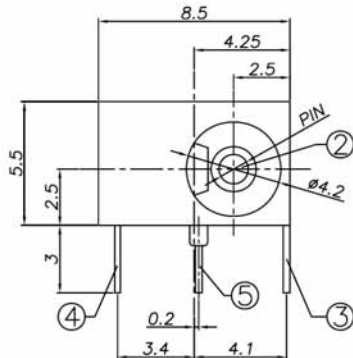
MATERIALS

1. **Housing:** Thermoplastic

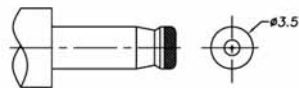
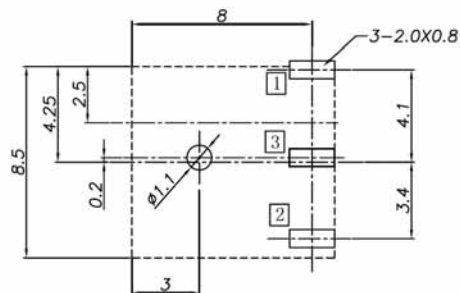
2. **Center pin:** Nickel plating

3. **Terminal:** Brass/Copper alloy Silver plating.

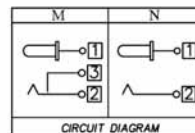
* **RoHS & REACH compliant.**



Recommended P.C.Board Layout



DC MATED PLUG



ORDERING INFORMATION:

P/N D C $\frac{1}{T}$ $\frac{X}{2}$ $\frac{X}{3}$ - N $\frac{0}{4}$ $\frac{3}{5}$ $\frac{S}{4}$ $\frac{B}{5}$

1. CENTER PIN DIAMETER:

"10" \varnothing 1.0MM

"13" \varnothing 1.3MM

2. DC JACK CODE:

"N03" R/A DIP TYPE

3. SCHEMATIC OPTION:

M, N

4. TERMINAL FINISH:

"S" SILVER PLATED

5. HOUSING COLOR:

"B" BLACK

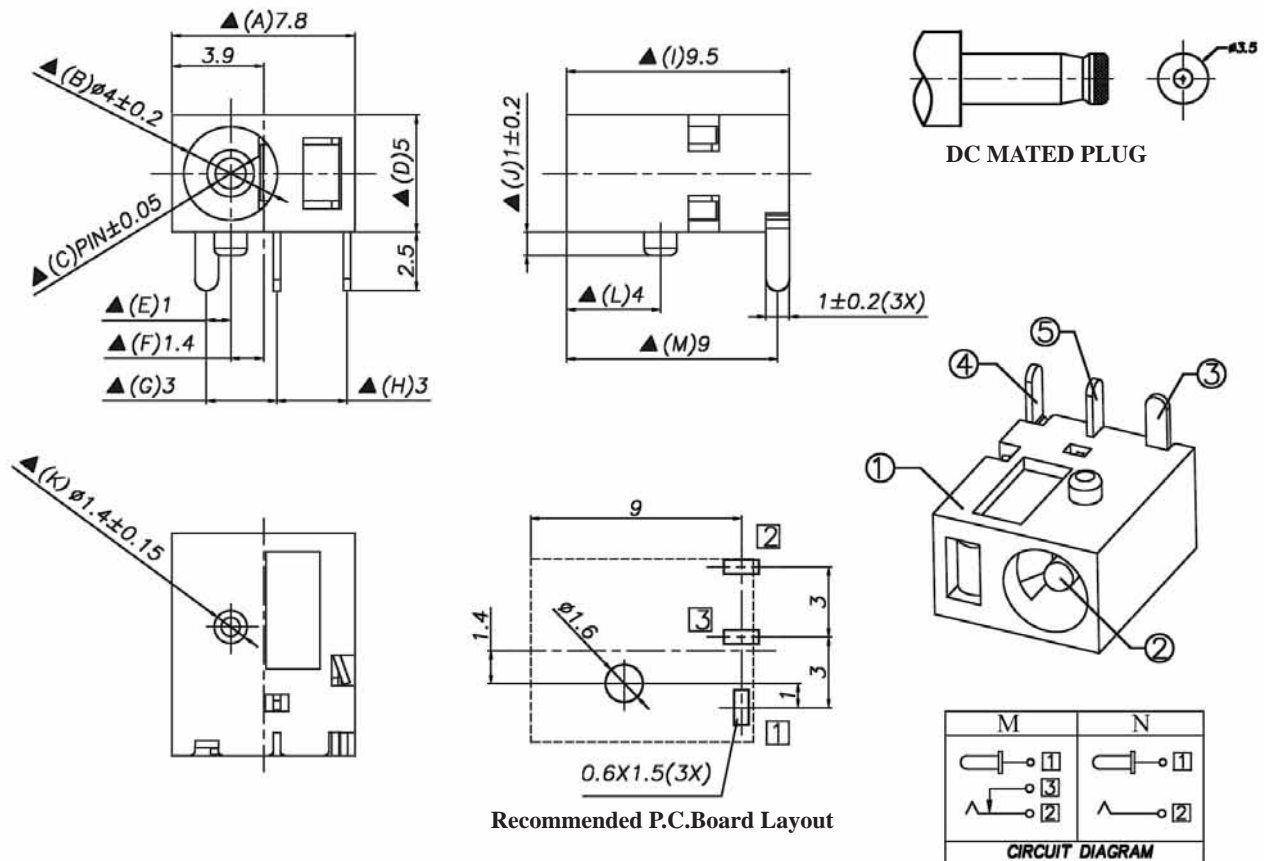
DIA. 1.0MM / 1.3MM DC POWER JACK (14)

SPECIFICATIONS

1. **Rating:** 2A 20VDC
2. **Withstanding voltage:**
AC 500V, 60Hz for 1 minute
3. **Insulation resistance (initial):** 100M Ω (min.) at 500V DC
4. **Contact resistance (initial):**
30m Ω (max.) at AC 100mA (max.) 1 KHz
5. **Insertion & Extraction force:**
Initial : 0.3 to 3.0Kgs
After life test: 0.2 to 3.0Kgs

MATERIALS

1. **Housing:** Thermoplastic
 2. **Center pin:** Nickel plating
 3. **Terminal:** Brass/Copper alloy Silver plating.
- * RoHS & REACH compliant.



ORDERING INFORMATION:

P/N D C $\frac{x}{1}$ x - N $\frac{0}{2}$ 4 $\frac{x}{3}$ S $\frac{B}{4}$ $\frac{B}{5}$

1. CENTER PIN DIAMETER:
"10" $\phi 1.0$ MM
"13" $\phi 1.3$ MM
2. DC JACK CODE:
"N04" R/A DIP TYPE
3. SCHEMATIC OPTION:
M, N
4. TERMINAL FINISH:
"S" SILVER PLATED
5. HOUSING COLOR:
"B" BLACK

DIA. 1.0MM / 1.3MM DC POWER JACK (15)

SPECIFICATIONS

1. **Rating:** 5A 18VDC

2. **Withstanding voltage:**

AC 500V, 60Hz for 1 minute

3. **Insulation resistance (initial):** 100M Ω (min.) at 500V DC

4. **Contact resistance (initial):**

30m Ω (max.) at AC 100mA (max.) 1 KHz

5. **Insertion & Extraction force:**

Initial : 0.3 to 3.0Kgs

After life test: 0.2 to 3.0Kgs

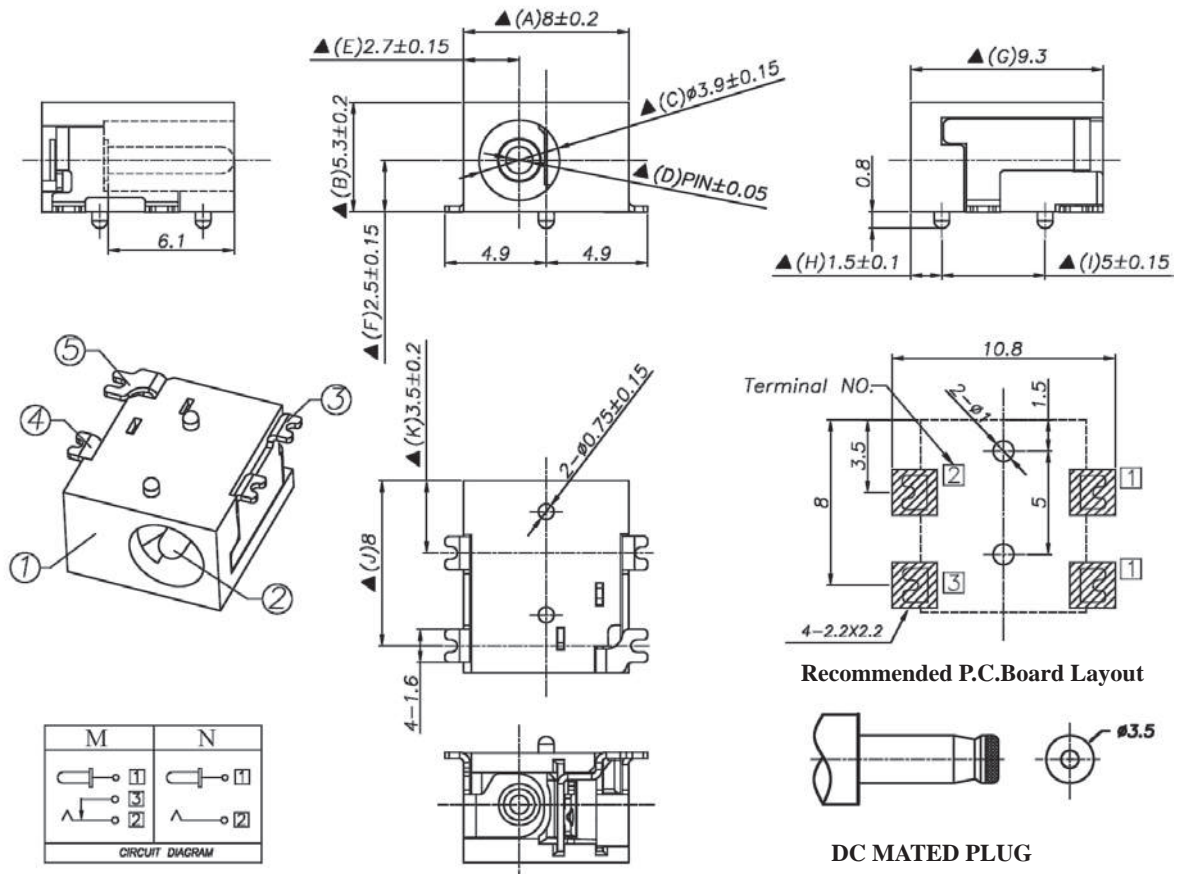
MATERIALS

1. **Housing:** Thermoplastic

2. **Center pin:** Nickel plating

3. **Terminal:** Brass/Copper alloy Silver plating.

* **RoHS & REACH compliant.**



ORDERING INFORMATION:

P/N DC $\frac{xx}{1}$ - N05 $\frac{x}{2}$ $\frac{S}{3}$ $\frac{B}{4}$ $\frac{B}{5}$

1. CENTER PIN DIAMETER:

"10" \varnothing 1.0MM

"13" \varnothing 1.3MM

2. DC JACK CODE:

"N05" SMT TYPE

3. SCHEMATIC OPTION:

M, N

4. TERMINAL FINISH:

"S" SILVER PLATED

5. HOUSING COLOR:

"B" BLACK

DIA. 1.0MM/1.3MM DC POWER JACK (16)

SPECIFICATIONS

1. Rating: 1A 12VDC

2. Withstanding voltage:

AC 500V, 60Hz for 1 minute

3. Insulation resistance (initial): 100M Ω (min.) at 500V DC

4. Contact resistance (initial):

30m Ω (max.) at AC 100mA (max.) 1 KHz

5. Insertion & Extraction force:

Initial : 0.3 to 3.0Kgs

After life test: 0.2 to 3.0Kgs

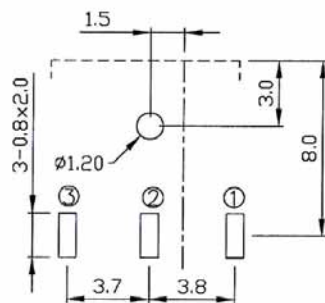
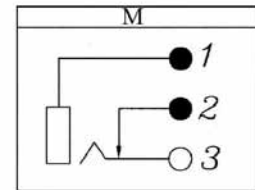
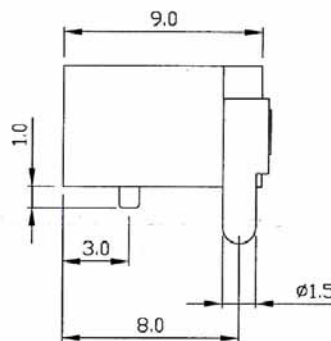
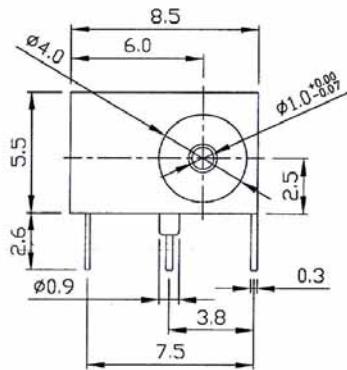
MATERIALS

1. Housing: Thermoplastic

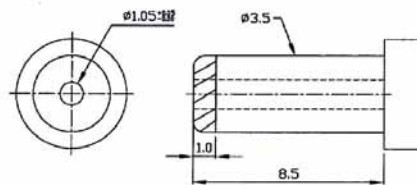
2. Center pin: Nickel plating

3. Terminal: Brass/Copper alloy Tin plating.

* RoHS & REACH compliant.



Recommended P.C.Board Layout



DC MATED PLUG

ORDERING INFORMATION:

P/N DC $\frac{1}{X}$ - V $\frac{2}{0}$ M $\frac{3}{T}$ B $\frac{4}{5}$

1. CENTER PIN DIAMETER:

"10" $\phi 1.0$ MM

"13" $\phi 1.3$ MM

2. DC JACK CODE:

V02

3. SCHEMATIC OPTION:

M

4. TERMINAL FINISH:

"T" TIN PLATED

5. HOUSING COLOR:

"B" BLACK

DIA. 1.0MM/1.3MM DC POWER JACK (17)

SPECIFICATIONS

1.Rating: 3.5A 16VDC

2.Withstanding voltage:

AC 500V, 60Hz for 1 minute

3.Insulation resistance (initial): 100MΩ(min.) at 500V DC

4.Contact resistance (initial):

30mΩ(max.) at AC 100mA (max.) 1 KHz

5.Insertion & Extraction force:

Initial : 0.3 to 3.0Kgs

After life test: 0.2 to 3.0Kgs

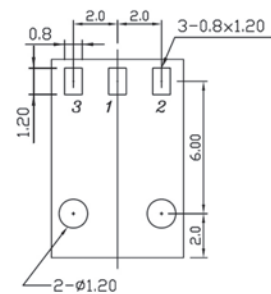
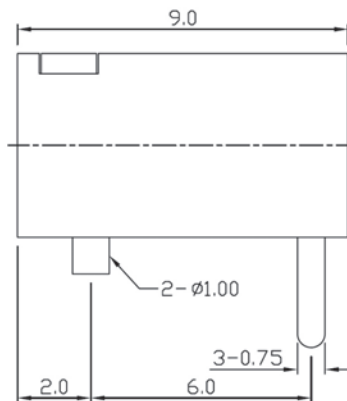
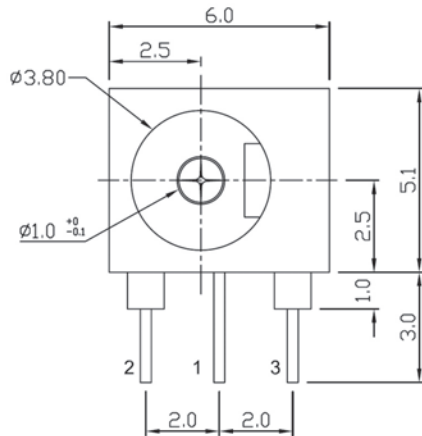
MATERIALS

1.Housing: Thermoplastic

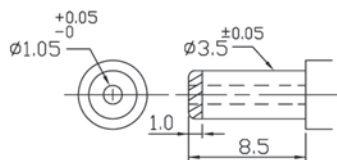
2.Center pin: Nickel plating

3.Terminal: Brass/Copper alloy Silver plating.

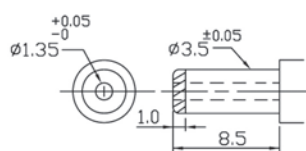
* RoHS & REACH compliant.



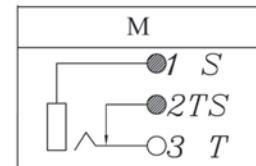
Recommended P.C.Board Layout



DC MATED PLUG 1.0



DC MATED PLUG 1.3



ORDERING INFORMATION:

P/N DC xx - V04 M S B

1. CENTER PIN DIAMETER:

"10" Ø1.0MM

"13" Ø1.3MM

2. DC JACK CODE:

V04

3. SCHEMATIC OPTION:

M

4. TERMINAL FINISH:

"S" SILVER PLATED

5. HOUSING COLOR:

"B" BLACK

DIA. 1.0MM/13MM DC POWER JACK (18)

SPECIFICATIONS

1. **Rating:** 3.5A 16VDC

2. **Withstanding voltage:**

AC 500V, 60Hz for 1 minute

3. **Insulation resistance (initial):** 100MΩ(min.) at 500V DC

4. **Contact resistance (initial):**

30mΩ(max.) at AC 100mA (max.) 1 KHz

5. **Insertion & Extraction force:**

Initial : 0.3 to 3.0Kgs

After life test: 0.2 to 3.0Kgs

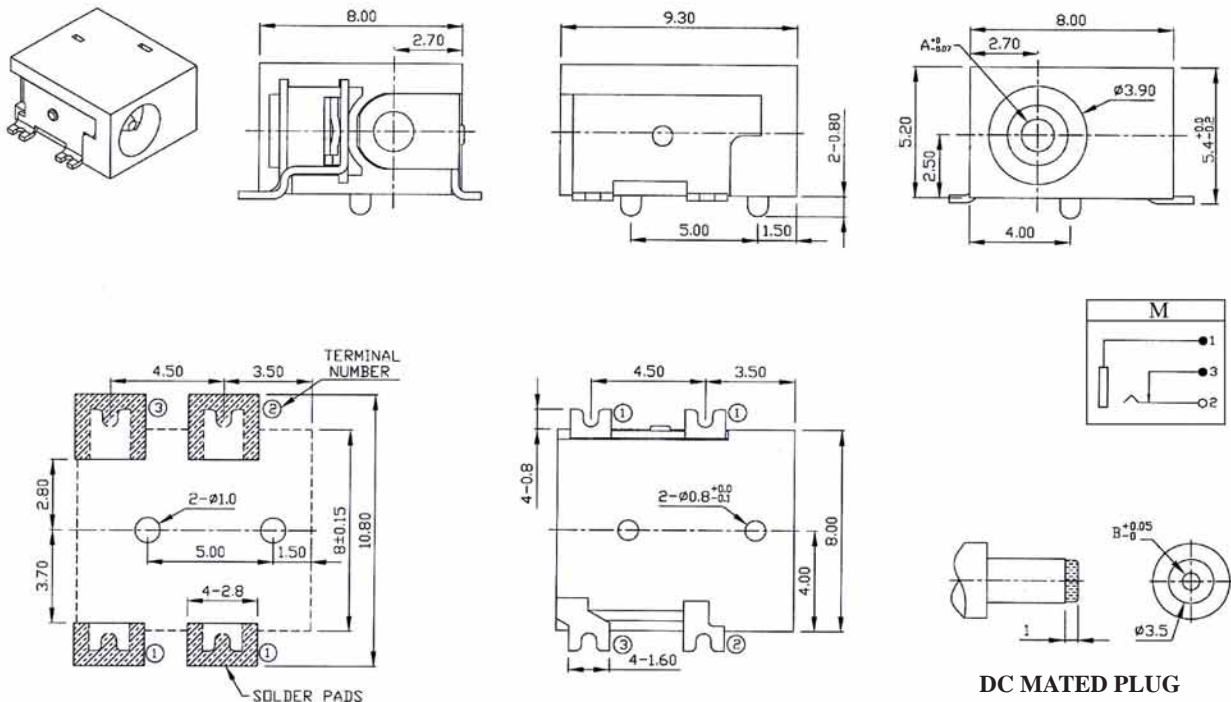
MATERIALS

1. **Housing:** Thermoplastic

2. **Center pin:** Nickel plating

3. **Terminal:** Brass/Copper alloy Silver plating.

* **RoHS & REACH compliant.**



Recommended P.C.Board Layout

ORDERING INFORMATION:

P/N D C $\frac{xx}{1}$ - $\frac{V09}{2}$ $\frac{MS}{3}$ $\frac{B}{4}$ $\frac{B}{5}$

1. CENTER PIN DIAMETER:

"10" Ø1.0MM

"13" Ø1.3MM

2. DC JACK CODE:

V09

3. SCHEMATIC OPTION:

M

4. TERMINAL FINISH:

"S" SILVER PLATED

5. HOUSING COLOR:

"B" BLACK

DIA. 1.0MM/1.3MM DC POWER JACK (19)

SPECIFICATIONS

1.Rating: 2A 16VDC

2.Withstanding voltage:

AC 500V, 60Hz for 1 minute

3.Insulation resistance (initial): 100MΩ(min.) at 500V DC

4.Contact resistance (initial):

30mΩ(max.) at AC 100mA (max.) 1 KHz

5.Insertion & Extraction force:

Initial : 0.3 to 3.0Kgs

After life test: 0.2 to 3.0Kgs

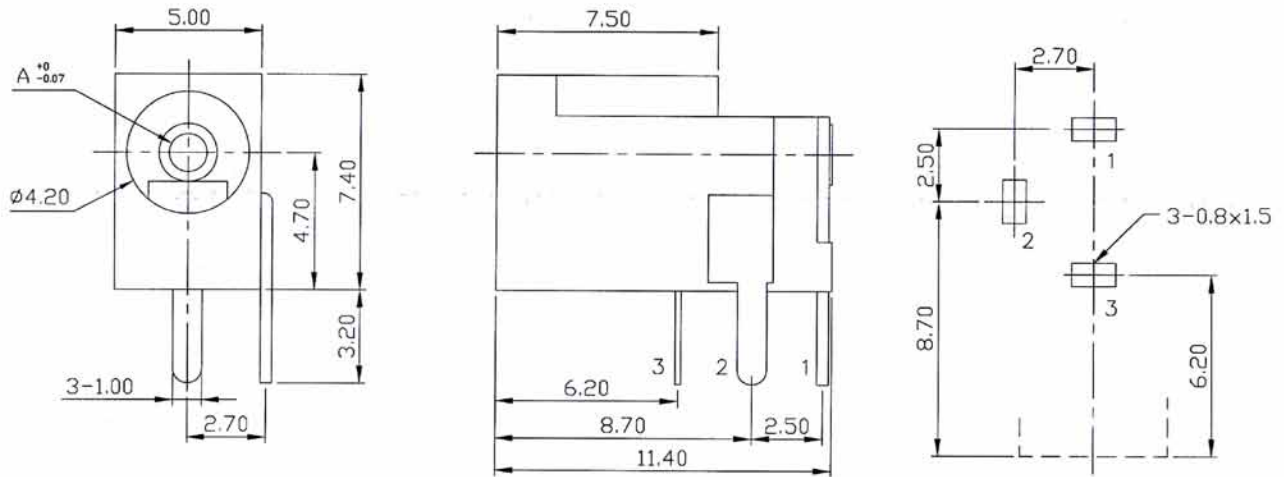
MATERIALS

1.Housing: Thermoplastic

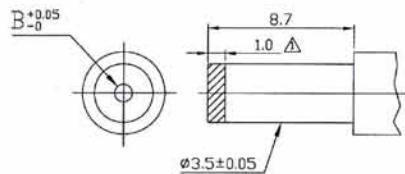
2.Center pin: Nickel plating

3.Terminal: Brass/Copper alloy Silver plating.

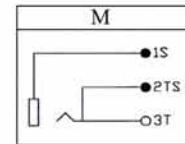
* RoHS & REACH compliant.



Recommended P.C.Board Layout



DC MATED PLUG



ORDERING INFORMATION:

P/N D C $\frac{X X}{1}$ - V $\frac{13}{2}$ M $\frac{S}{3}$ B $\frac{4}{5}$

1. CENTER PIN DIAMETER:

"10" Ø1.0MM

"13" Ø1.3MM

2. DC JACK CODE:

V13

3. SCHEMATIC OPTION:

M

4. TERMINAL FINISH:

"S" SILVER PLATED

5. HOUSING COLOR:

"B" BLACK

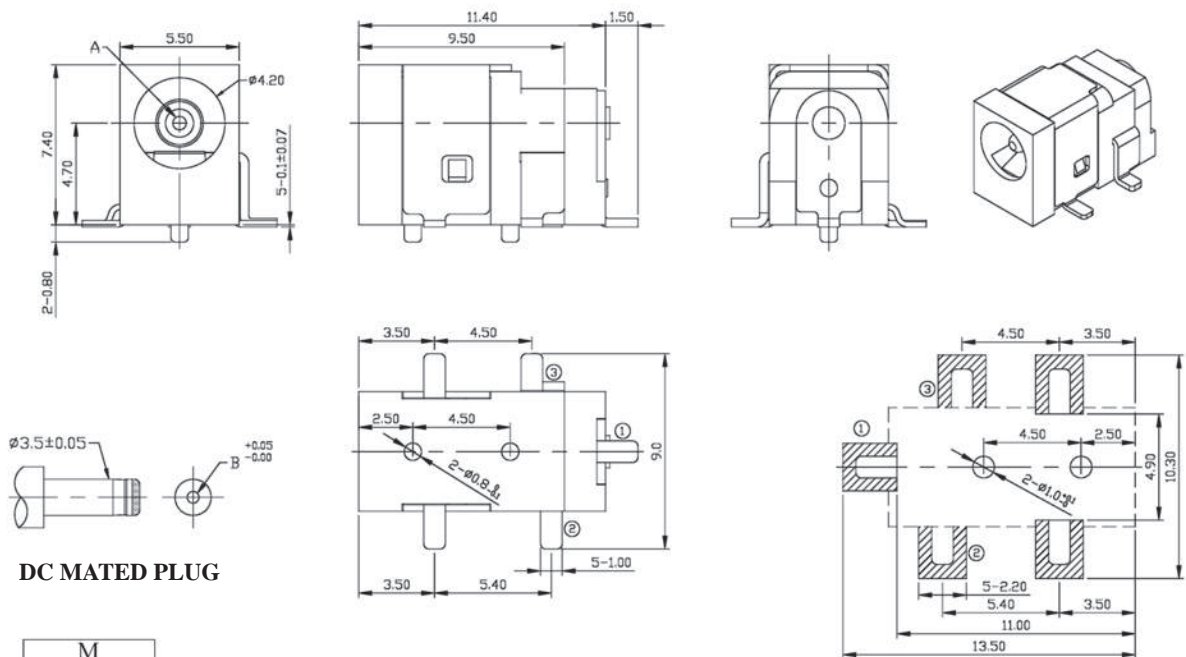
DIA. 1.0MM/1.3MM DC POWER JACK (20)

SPECIFICATIONS

1. **Rating:** 3.5A 16VDC
2. **Withstanding voltage:**
AC 500V, 60Hz for 1 minute
3. **Insulation resistance (initial):** 100M Ω (min.) at 500V DC
4. **Contact resistance (initial):**
30m Ω (max.) at AC 100mA (max.) 1 KHz
5. **Insertion & Extraction force:**
Initial : 0.3 to 3.0Kgs
After life test: 0.2 to 3.0Kgs

MATERIALS

1. **Housing:** Thermoplastic
 2. **Center pin:** Nickel plating
 3. **Terminal:** Brass/Copper alloy Silver plating.
- * **RoHS & REACH compliant.**



DC MATED PLUG

Recommended P.C.Board Layout

ORDERING INFORMATION:

P/N **D C** $\frac{x}{1}$ $\frac{x}{2}$ - **V** $\frac{19}{3}$ **M S B** $\frac{4}{5}$

1. **CENTER PIN DIAMETER:**
"10" Ø1.0MM (A/B=1.0MM/1.05MM)
"13" Ø1.3MM (A/B=1.3MM/1.35MM)
2. **DC JACK CODE:**
V19
3. **SCHEMATIC OPTION:**
M
4. **TERMINAL FINISH:**
"S" SILVER PLATED
5. **HOUSING COLOR:**
"B" BLACK

DIA. 1.0/1.3MM DC POWER JACK (21)

SPECIFICATIONS

1. **Rating:** 3.5A 16VDC

2. **Withstanding voltage:**

AC 500V, 60Hz for 1 minute

3. **Insulation resistance (initial):** 100MΩ(min.) at 500V DC

4. **Contact resistance (initial):**

30mΩ(max.) at AC 100mA (max.) 1 KHz

5. **Insertion & Extraction force:**

Initial : 0.3 to 3.0Kgs

After life test: 0.2 to 3.0Kgs

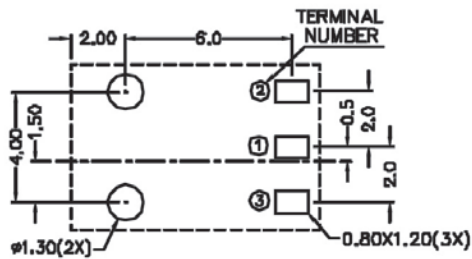
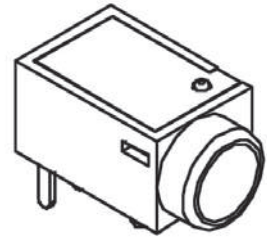
MATERIALS

1. **Housing:** Thermoplastic

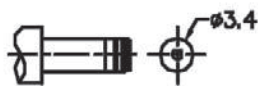
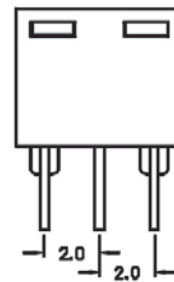
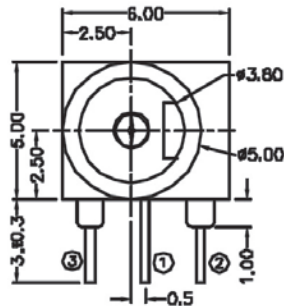
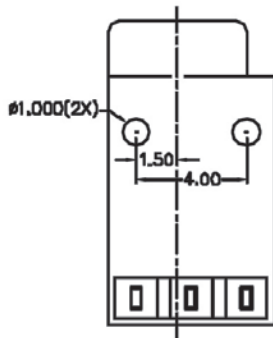
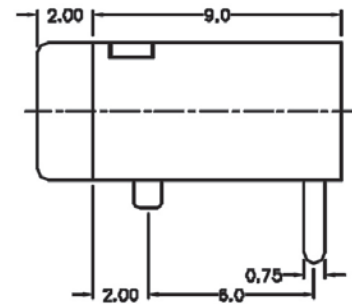
2. **Center pin:** Nickel plating

3. **Terminal:** Brass/Copper alloy Silver plating.


* **RoHS & REACH compliant.**



Recommended P.C. Board Layout



DC MATED PLUG

SCHEMATIC	
CENTER PIN	φ1mm φ1.3mm

ORDERING INFORMATION:

P/N DC 10 - T 0 8 M S B

DIA. 1.0MM DC POWER JACK RATING: 3.5A 16VDC

P/N DC 13 - T 0 8 M S B

DIA. 1.3MM DC POWER JACK RATING: 3.5A 16VDC

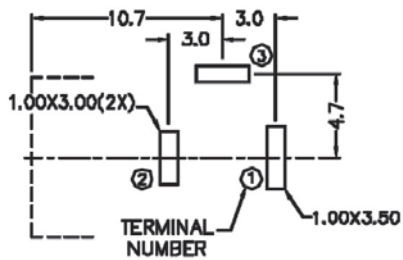
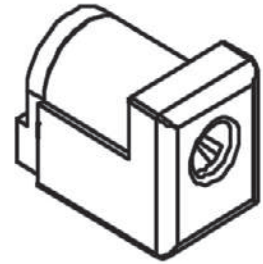
DIA. 1.0/1.3MM DC POWER JACK (22)

SPECIFICATIONS

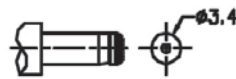
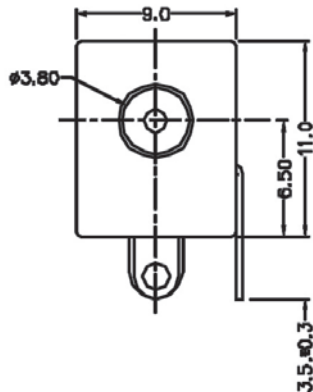
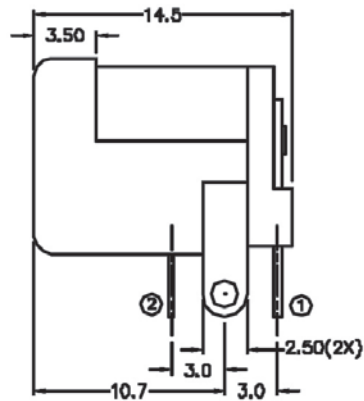
1. **Rating:** 3.5A 16VDC
2. **Withstanding voltage:**
AC 500V, 60Hz for 1 minute
3. **Insulation resistance (initial):** 100M Ω (min.) at 500V DC
4. **Contact resistance (initial):**
30m Ω (max.) at AC 100mA (max.) 1 KHz
5. **Insertion & Extraction force:**
Initial : 0.3 to 3.0Kgs
After life test: 0.2 to 3.0Kgs

MATERIALS

1. **Housing:** Thermoplastic
 2. **Center pin:** Nickel plating
 3. **Terminal:** Brass/Copper alloy Silver plating.
- * RoHS & REACH compliant.



Recommended P.C.Board Layout



DC MATED PLUG

SCHEMATIC	1 3 2
CENTER PIN	\varnothing 1mm \varnothing 1.3mm

ORDERING INFORMATION:

P/N DC 10 - T 11 M S B

DIA. 1.0MM DC POWER JACK RATING: 3.5A 16VDC

P/N DC 13 - T 11 M S B

DIA. 1.3MM DC POWER JACK RATING: 3.5A 16VDC

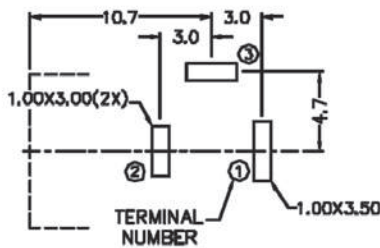
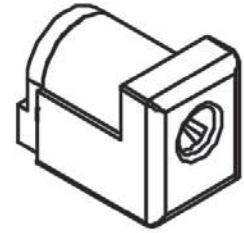
DIA. 1.0/1.3MM DC POWER JACK (23)

SPECIFICATIONS

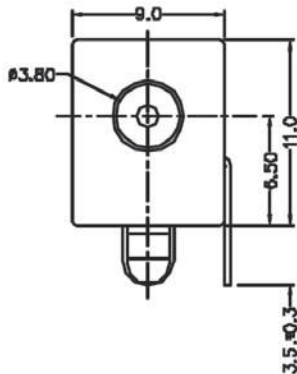
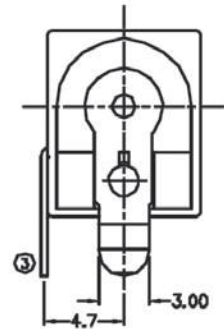
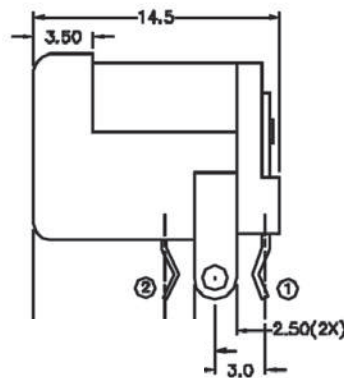
1. **Rating:** 3.5A 16VDC
2. **Withstanding voltage:**
AC 500V, 60Hz for 1 minute
3. **Insulation resistance (initial):** 100M Ω (min.) at 500V DC
4. **Contact resistance (initial):**
30m Ω (max.) at AC 100mA (max.) 1 KHz
5. **Insertion & Extraction force:**
Initial : 0.3 to 3.0Kgs
After life test: 0.2 to 3.0Kgs

MATERIALS


1. **Housing:** Thermoplastic
 2. **Center pin:** Nickel plating
 3. **Terminal:** Brass/Copper alloy Silver plating.
- * RoHS & REACH compliant.



Recommended P.C.Board Layout



DC MATED PLUG

SCHEMATIC	
CENTER PIN	1mm 1.3mm

ORDERING INFORMATION:

P/N DC 10 - T 1 2 M S B

DIA. 1.0MM DC POWER JACK RATING: 3.5A 16VDC

P/N DC 13 - T 1 2 M S B

DIA. 1.3MM DC POWER JACK RATING: 3.5A 16VDC

DIA. 1.0/1.3MM DC POWER JACK (24)

SPECIFICATIONS

1.Rating: 3.5A 16VDC

2.Withstanding voltage:

AC 500V, 60Hz for 1 minute

3.Insulation resistance (initial): 100M Ω (min.) at 500V DC

4.Contact resistance (initial):

30m Ω (max.) at AC 100mA (max.) 1 KHz

5.Insertion & Extraction force:

Initial : 0.3 to 3.0Kgs

After life test: 0.2 to 3.0Kgs

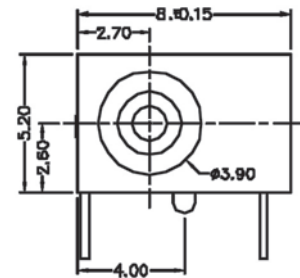
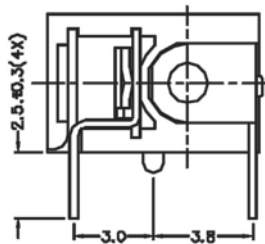
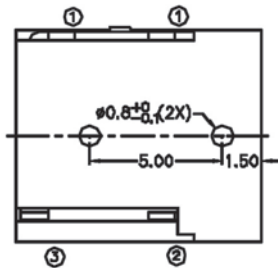
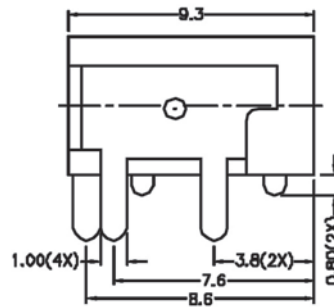
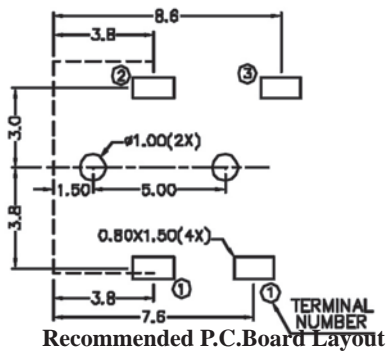
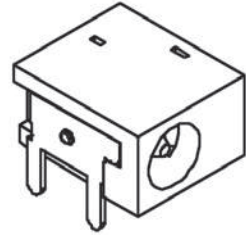
MATERIALS

1.Housing: Thermoplastic


2.Center pin: Nickel plating

3.Terminal: Brass/Copper alloy Silver plating.

* RoHS & REACH compliant.



DC MATED PLUG

SCHEMATIC	
CENTER PIN	<p>1mm</p> <p>1.3mm</p>

ORDERING INFORMATION:

P/N DC 10 - T 14 M S B

DIA. 1.0MM DC POWER JACK RATING: 3.5A 16VDC

P/N DC 13 - T 14 M S B

DIA. 1.3MM DC POWER JACK RATING: 3.5A 16VDC

DIA. 1.0/1.3MM DC POWER JACK (25)

SPECIFICATIONS

1.Rating: 3.5A 16VDC

2.Withstanding voltage:

AC 500V, 60Hz for 1 minute

3.Insulation resistance (initial): 100MΩ(min.) at 500V DC

4.Contact resistance (initial):

30mΩ(max.) at AC 100mA (max.) 1 KHz

5.Insertion & Extraction force:

Initial : 0.3 to 3.0Kgs

After life test: 0.2 to 3.0Kgs

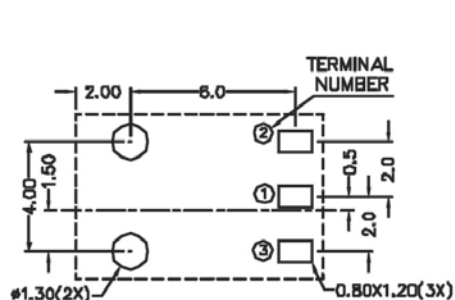
MATERIALS

1.Housing: Thermoplastic

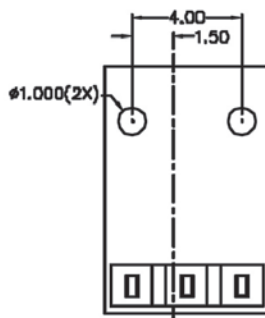
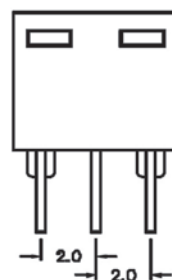
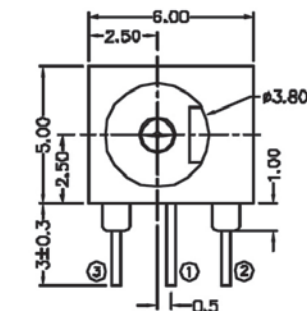
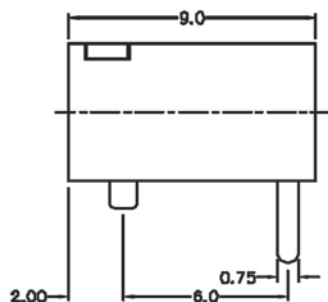
2.Center pin: Nickel plating

3.Terminal: Brass/Copper alloy Silver plating.


* RoHS & REACH compliant.



Recommended P.C.Board Layout



DC MATED PLUG

SCHEMATIC	
CENTER PIN	<p>Ø1mm</p> <p>Ø1.3mm</p>

ORDERING INFORMATION:

P/N DC10 - T15MSB

DIA. 1.0MM DC POWER JACK RATING: 3.5A 16VDC

P/N DC13 - T15MSB

DIA. 1.3MM DC POWER JACK RATING: 3.5A 16VDC

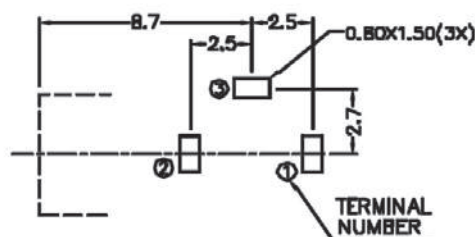
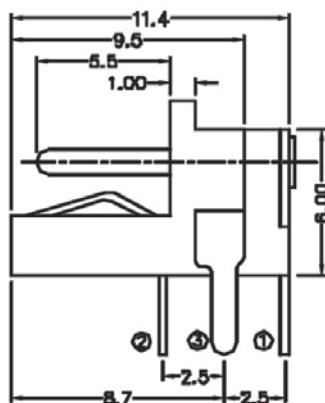
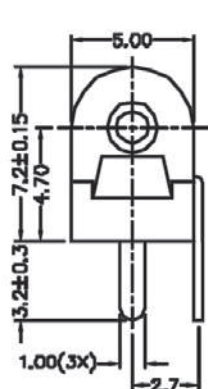
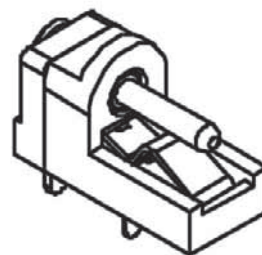
DIA. 1.0/1.3MM DC POWER JACK (26)

SPECIFICATIONS

1. **Rating:** 3.5A 16VDC
2. **Withstanding voltage:**
AC 500V, 60Hz for 1 minute
3. **Insulation resistance (initial):** 100MΩ(min.) at 500V DC
4. **Contact resistance (initial):**
30mΩ(max.) at AC 100mA (max.) 1 KHz
5. **Insertion & Extraction force:**
Initial : 0.3 to 3.0Kgs
After life test: 0.2 to 3.0Kgs

MATERIALS

1. **Housing:** Thermoplastic
 2. **Center pin:** Nickel plating
 3. **Terminal:** Brass/Copper alloy Silver plating.
- * RoHS & REACH compliant.



Recommended P.C.Board Layout



DC MATED PLUG

SCHEMATIC	1 3 2
CENTER PIN	∅1mm ∅1.3mm

ORDERING INFORMATION:

P/N DC 10 - T 2 1 M S B

DIA. 1.0MM DC POWER JACK RATING: 3.5A 16VDC

P/N DC 13 - T 2 1 M S B

DIA. 1.3MM DC POWER JACK RATING: 3.5A 16VDC

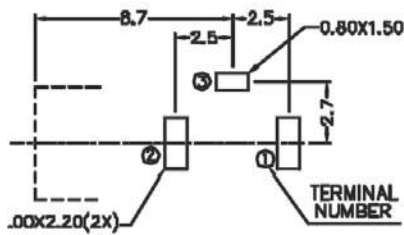
DIA. 1.0/1.3MM DC POWER JACK (27)

SPECIFICATIONS

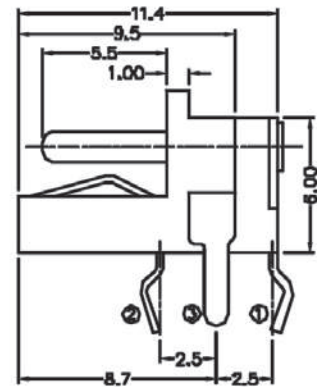
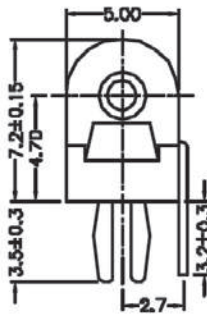
1. **Rating:** 3.5A 16VDC
2. **Withstanding voltage:**
AC 500V, 60Hz for 1 minute
3. **Insulation resistance (initial):** 100M Ω (min.) at 500V DC
4. **Contact resistance (initial):**
30m Ω (max.) at AC 100mA (max.) 1 KHz
5. **Insertion & Extraction force:**
Initial : 0.3 to 3.0Kgs
After life test: 0.2 to 3.0Kgs

MATERIALS

1. **Housing:** Thermoplastic
 2. **Center pin:** Nickel plating
 3. **Terminal:** Brass/Copper alloy Silver plating.
- * RoHS & REACH compliant.



Recommended P.C.Board Layout



DC MATED PLUG

SCHEMATIC		1
		3
CENTER PIN		2
		\emptyset 1mm
		\emptyset 1.3mm

ORDERING INFORMATION:

P/N DC10 - T22MSB

DIA. 1.0MM DC POWER JACK RATING: 3.5A 16VDC

P/N DC13 - T22MSB

DIA. 1.3MM DC POWER JACK RATING: 3.5A 16VDC

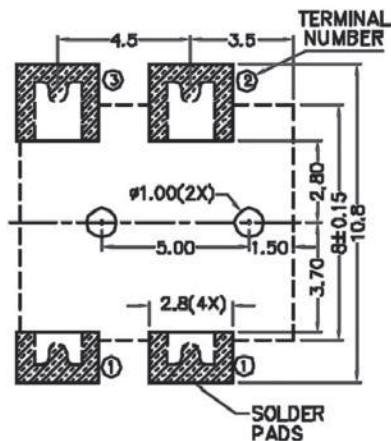
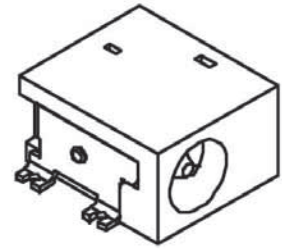
DIA. 1.0/1.3MM DC POWER JACK (28)

SPECIFICATIONS

1. **Rating:** 3.5A 16VDC
2. **Withstanding voltage:**
AC 500V, 60Hz for 1 minute
3. **Insulation resistance (initial):** 100M Ω (min.) at 500V DC
4. **Contact resistance (initial):**
30m Ω (max.) at AC 100mA (max.) 1 KHz
5. **Insertion & Extraction force:**
Initial : 0.3 to 3.0Kgs
After life test: 0.2 to 3.0Kgs

MATERIALS

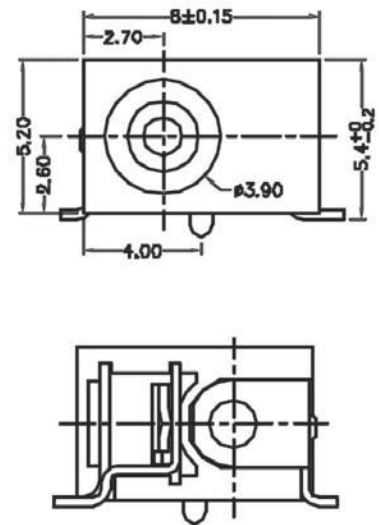
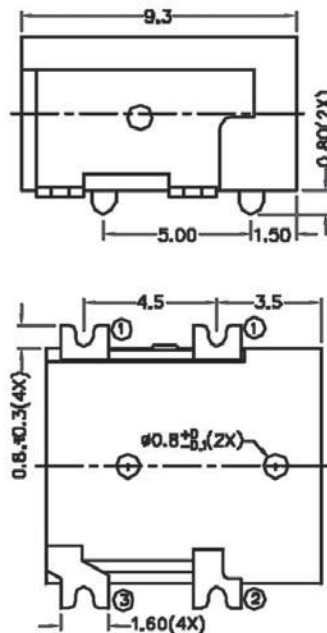
1. **Housing:** Thermoplastic
 2. **Center pin:** Nickel plating
 3. **Terminal:** Brass/Copper alloy Silver plating.
- * RoHS & REACH compliant.

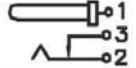


Recommended P.C.Board Layout



DC MATED PLUG



SCHEMATIC	
CENTER PIN	1mm
	1.3mm

ORDERING INFORMATION:

P/N DC 10 - T 2 4 M S B

DIA. 1.0MM DC POWER JACK RATING: 3.5A 16VDC

P/N DC 13 - T 2 4 M S B

DIA. 1.3MM DC POWER JACK RATING: 3.5A 16VDC

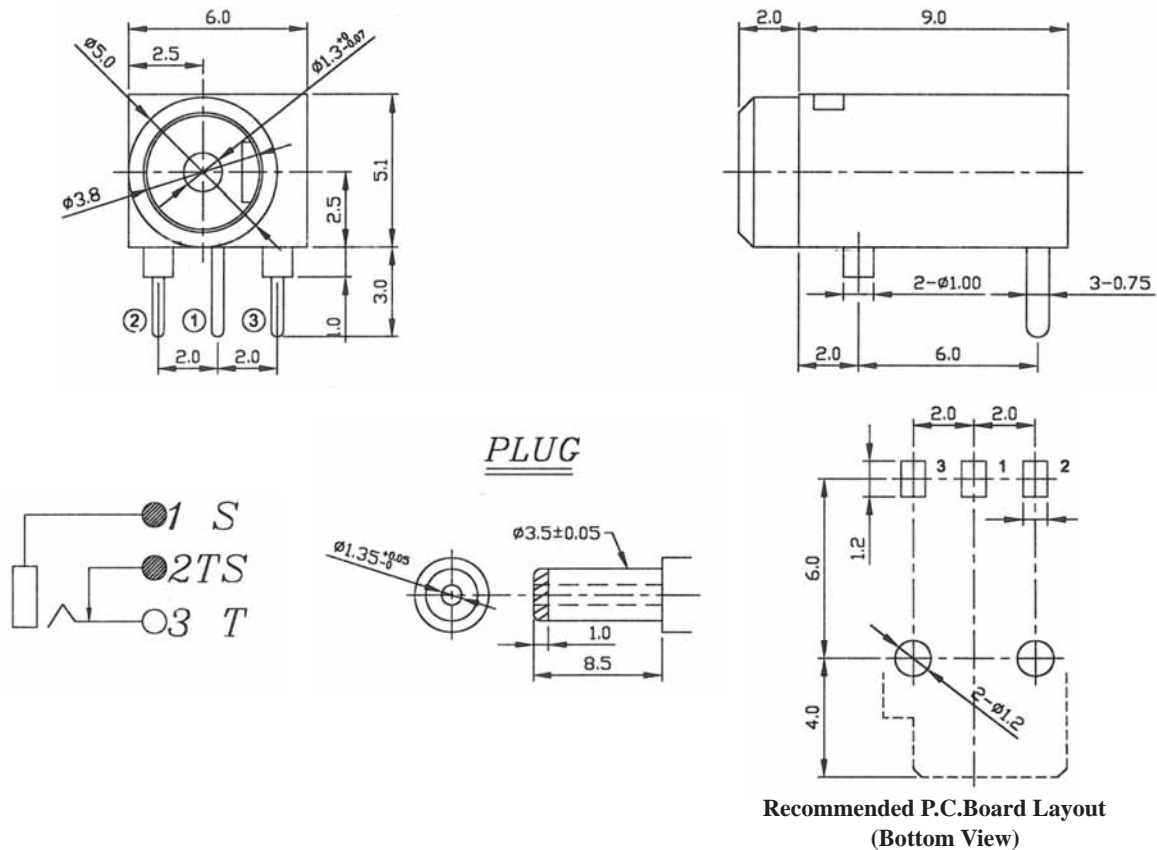
DIA. 1.0MM/1.3MM DC POWER JACK

SPECIFICATIONS

1. **Rating:** 0.5A 12VDC
2. **Withstanding voltage:**
AC 500V, 60Hz for 1 minute
3. **Insulation resistance (initial):** 100MΩ(min.) at 500V DC
4. **Contact resistance (initial):**
30mΩ(max.) at AC 100mA (max.) 1 KHz
5. **Insertion & Extraction force:**
Initial : 0.3 to 3.0Kgs
After life test: 0.2 to 3.0Kgs

MATERIALS

1. **Housing:** Thermoplastic
 2. **Center pin:** Nickel plating
 3. **Terminal:** Brass/Copper alloy Silver plating.
- * **RoHS & REACH compliant.**



ORDERING INFORMATION:

P/N DC $\frac{xx}{1}$ - V $\frac{03}{2}$ M $\frac{S}{3}$ $\frac{B}{4}$ $\frac{5}{5}$

1. CENTER PIN DIAMETER:
"10" Ø1.0MM (A/B=1.0MM/1.05MM)
"13" Ø1.3MM (A/B=1.3MM/1.35MM)
2. DC JACK CODE:
V03
3. SCHEMATIC OPTION:
M
4. TERMINAL FINISH:
"S" SILVER PLATED
5. HOUSING COLOR:
"B" BLACK

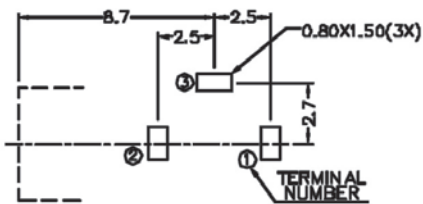
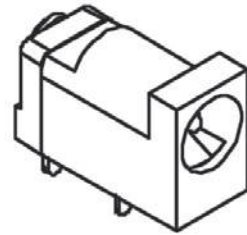
DIA. 1.0/1.3/1.65MM DC POWER JACK

SPECIFICATIONS

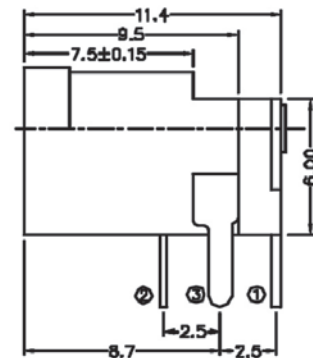
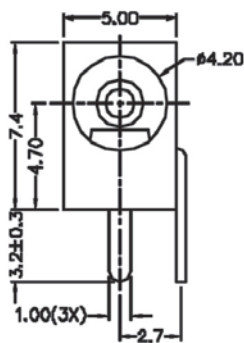
1. **Rating:** 3.5A 16VDC & 5A 16VDC
2. **Withstanding voltage:**
AC 500V, 60Hz for 1 minute
3. **Insulation resistance (initial):** 100M Ω (min.) at 500V DC
4. **Contact resistance (initial):**
30m Ω (max.) at AC 100mA (max.) 1 KHz
5. **Insertion & Extraction force:**
Initial : 0.3 to 3.0Kgs
After life test: 0.2 to 3.0Kgs

MATERIALS

1. **Housing:** Thermoplastic
 2. **Center pin:** Nickel plating
 3. **Terminal:** Brass/Copper alloy Silver plating.
- * RoHS & REACH compliant.



Recommended P.C.Board Layout



DC MATED PLUG

SCHEMATIC			
CENTER PIN	1mm	1.3mm	1.65mm
DC PLUG O.D.	3.4mm/3.8mm	3.4mm/3.8mm	3.8mm/4mm

ORDERING INFORMATION:

P/N DC 10 - T 27 MS B

DIA. 1.0MM DC POWER JACK RATING: 3.5A 16VDC

P/N DC 13 - T 27 MS B

DIA. 1.3MM DC POWER JACK RATING: 3.5A 16VDC

P/N DC 16 - T 27 MS B

DIA. 1.0MM DC POWER JACK RATING: 5A 16VDC

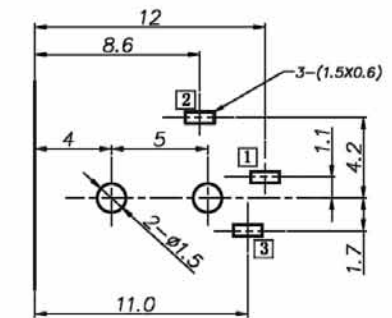
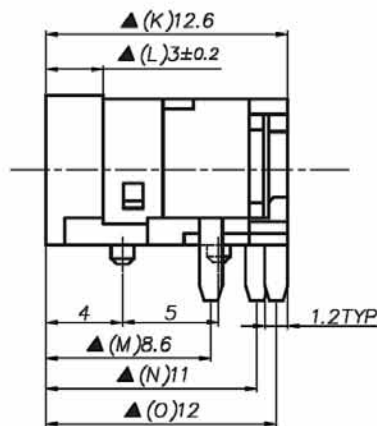
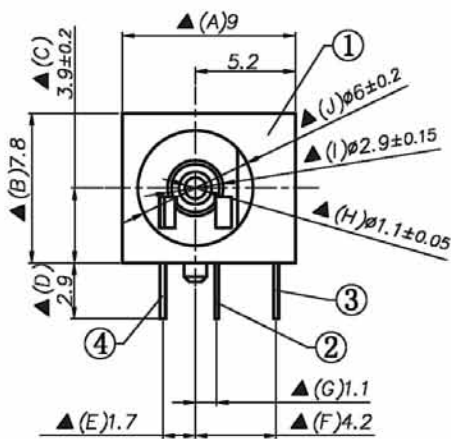
DIA. 1.1MM DC POWER JACK

SPECIFICATIONS

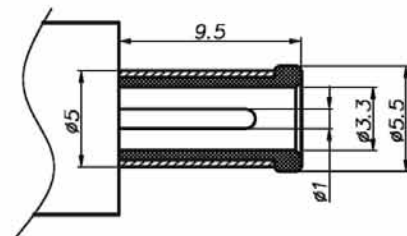
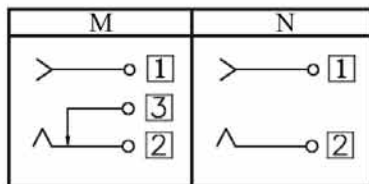
1. **Rating:** 2A 30VDC
2. **Withstanding voltage:**
AC 500V, 60Hz for 1 minute
3. **Insulation resistance (initial):** 100M Ω (min.) at 500V DC
4. **Contact resistance (initial):**
30m Ω (max.) at AC 100mA (max.) 1 KHz
5. **Insertion & Extraction force:**
Initial : 0.3 to 3.0Kgs
After life test: 0.2 to 3.0Kgs

MATERIALS

1. **Housing:** Thermoplastic
 2. **Center pin:** Nickel plating
 3. **Terminal:** Brass/Copper alloy Silver plating.
- * **RoHS & REACH compliant.**



Recommended P.C. Board Layout



DC MATED PLUG

ORDERING INFORMATION:

P/N DC $\frac{11}{1}$ - $\frac{N01}{2}$ x $\frac{S}{3}$ $\frac{B}{4}$ $\frac{B}{5}$

1. CENTER PIN DIAMETER:
"11" $\phi 1.1$ MM
2. DC JACK CODE:
"N01" R/A DIP TYPE
3. SCHEMATIC OPTION:
M, N
4. TERMINAL FINISH:
"S" SILVER PLATED
5. HOUSING COLOR:
"B" BLACK

DIA. 1.1MM/1.3MM/1.45MM DC POWER JACK

SPECIFICATIONS

1. **Rating:** 1A 30VDC

2. **Withstanding voltage:**

AC 500V, 60Hz for 1 minute

3. **Insulation resistance (initial):** 100M Ω (min.) at 500V DC

4. **Contact resistance (initial):**

30m Ω (max.) at AC 100mA (max.) 1 KHz

5. **Insertion & Extraction force:**

Initial : 0.3 to 3.0Kgs

After life test: 0.2 to 3.0Kgs

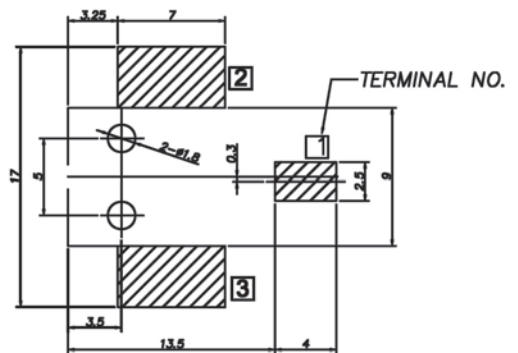
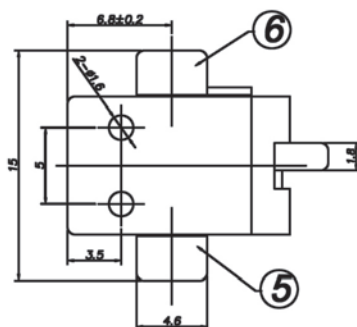
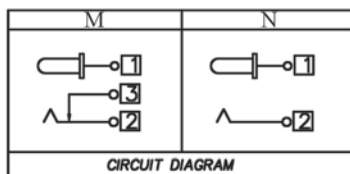
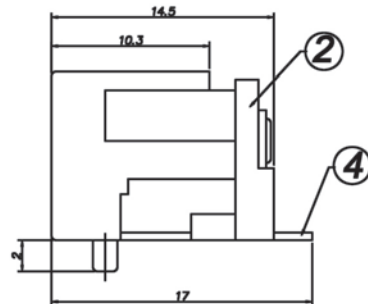
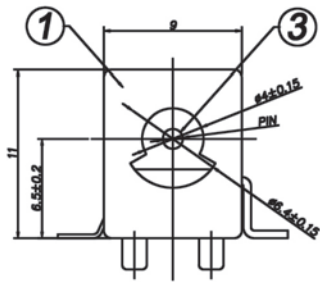
MATERIALS

1. **Housing:** Thermoplastic

2. **Center pin:** Nickel plating

3. **Terminal:** Brass/Copper alloy Silver plating.

* **RoHS & REACH compliant.**



Recommended P.C.Board Layout

Model No.	a	b	c
PIN	Ø1.10	Ø1.30	Ø1.45

ORDERING INFORMATION:

P/N D C $\frac{x}{1}$ - $\frac{N02}{2}$ $\frac{x}{3}$ $\frac{S}{4}$ $\frac{B}{5}$

1. CENTER PIN DIAMETER:

"11" Ø1.1MM

"13" Ø1.3MM

"15" Ø1.45MM

2. DC JACK CODE:

"N02" SMT TYPE

3. SCHEMATIC OPTION:

M, N

4. TERMINAL FINISH:

"S" SILVER PLATED

5. HOUSING COLOR:

"B" BLACK

DIA. 1.2MM DC POWER JACK (1)

SPECIFICATIONS

1. **Rating:** 1A 12VDC

2. **Withstanding voltage:**

AC 500V, 60Hz for 1 minute

3. **Insulation resistance (initial):** 100M Ω (min.) at 500V DC

4. **Contact resistance (initial):**

30m Ω (max.) at AC 100mA (max.) 1 KHz

5. **Insertion & Extraction force:**

Initial : 0.3 to 3.0Kgs

After life test: 0.2 to 3.0Kgs

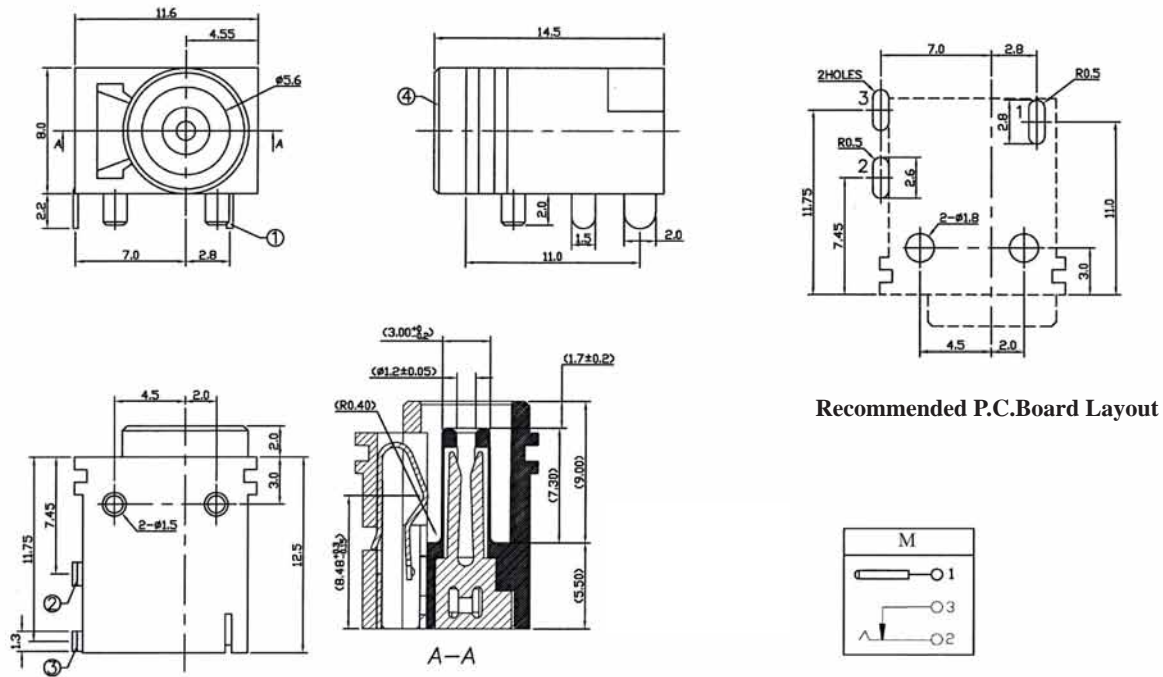
MATERIALS

1. **Housing:** Thermoplastic

2. **Center pin:** Nickel plating

3. **Terminal:** Brass/Copper alloy Silver plating.

* **RoHS & REACH compliant.**



ORDERING INFORMATION:

P/N D C $\frac{12}{1}$ - $\frac{07}{2}$ $\frac{M}{3}$ $\frac{S}{4}$ $\frac{B}{5}$

1. CENTER PIN DIAMETER:

"12" \varnothing 1.2MM

2. DC JACK CODE:

"07" R/A DIP TYPE

3. SCHEMATIC OPTION:

M

4. TERMINAL FINISH:

"S" SILVER PLATED

5. HOUSING COLOR:

"B" BLACK

DIA. 1.2MM DC POWER JACK (2)

SPECIFICATIONS

1.Rating: 1A 12VDC

2.Withstanding voltage:

AC 500V, 60Hz for 1 minute

3.Insulation resistance (initial): 100M Ω (min.) at 500V DC

4.Contact resistance (initial):

30m Ω (max.) at AC 100mA (max.) 1 KHz

5.Insertion & Extraction force:

Initial : 0.3 to 3.0Kgs

After life test: 0.2 to 3.0Kgs

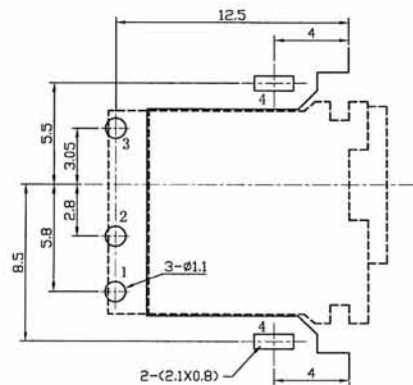
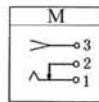
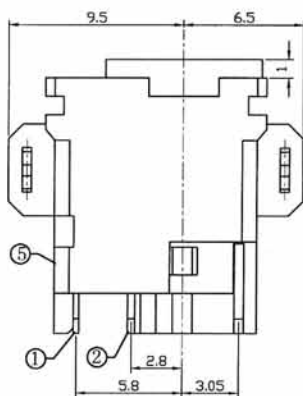
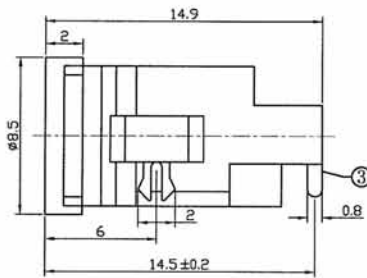
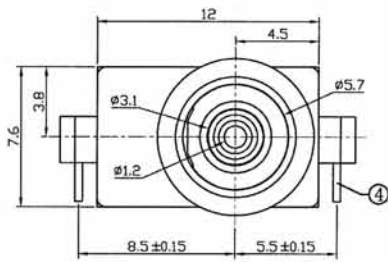
MATERIALS

1.Housing: Thermoplastic

2.Center pin: Nickel plating

3.Terminal: Brass/Copper alloy Silver plating.

* RoHS & REACH compliant.



Recommended P.C.Board Layout

ORDERING INFORMATION:

P/N DC $\frac{12}{1}$ - $\frac{08}{2}$ M $\frac{S}{3}$ $\frac{B}{4}$ $\frac{5}{5}$

1. CENTER PIN DIAMETER:

"12" \varnothing 1.2MM

2. DC JACK CODE:

"08" R/A DIP TYPE

3. SCHEMATIC OPTION:

M

4. TERMINAL FINISH:

"S" SILVER PLATED

5. HOUSING COLOR:

"B" BLACK

DIA. 1.2MM DC POWER JACK (3)

SPECIFICATIONS

1. **Rating:** 6A 20VDC

2. **Withstanding voltage:**

AC 500V, 60Hz for 1 minute

3. **Insulation resistance (initial):** 100M Ω (min.) at 500V DC

4. **Contact resistance (initial):**

30m Ω (max.) at AC 100mA (max.) 1 KHz

5. **Insertion & Extraction force:**

Initial : 0.3 to 3.0Kgs

After life test: 0.2 to 3.0Kgs

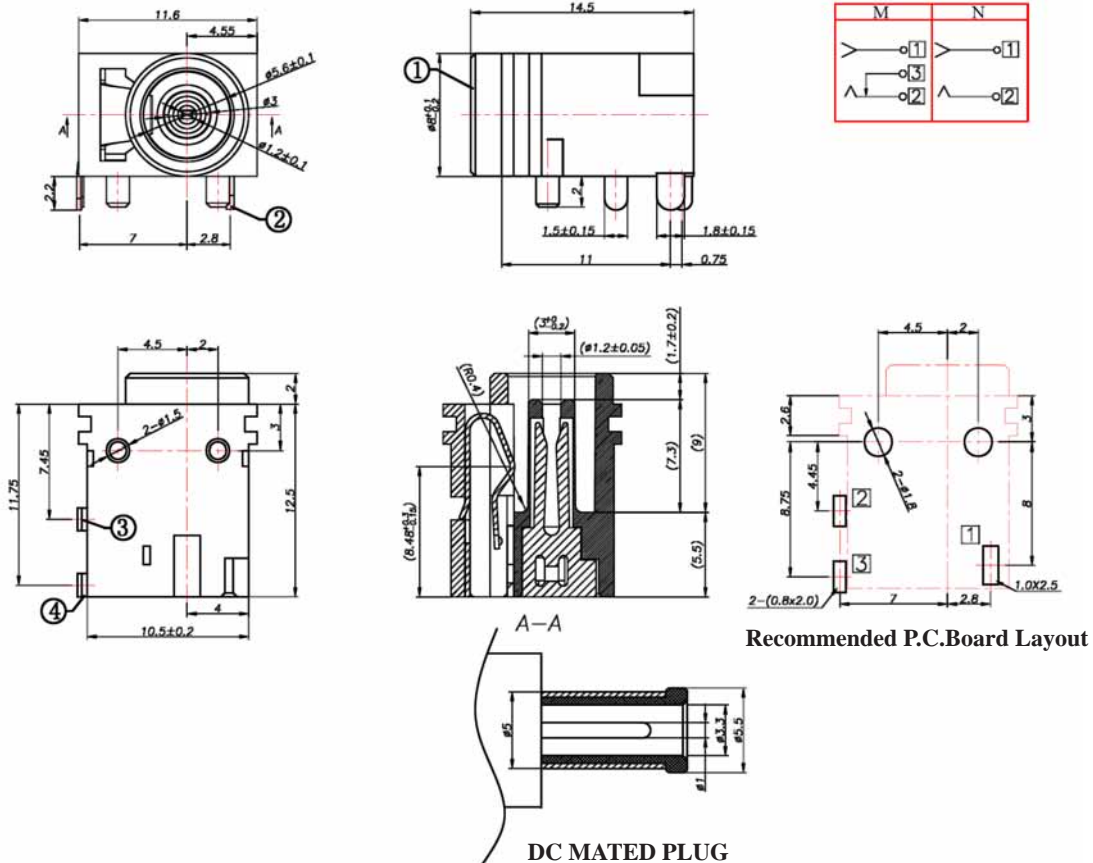
MATERIALS

1. **Housing:** Thermoplastic

2. **Center pin:** Nickel plating

3. **Terminal:** Brass/Copper alloy Tin plating.

* **RoHS & REACH compliant.**



ORDERING INFORMATION:

P/N DC $\frac{12}{1}$ - $\frac{N01}{2}$ x $\frac{T}{3}$ $\frac{B}{4}$ $\frac{5}{5}$

1. CENTER PIN DIAMETER:

"12" \varnothing 1.2MM

2. DC JACK CODE:

"N01" R/A DIP TYPE

3. SCHEMATIC OPTION:

M, N

4. TERMINAL FINISH:

"T" TIN PLATED

5. HOUSING COLOR:

"B" BLACK

DIA. 1.2MM DC POWER JACK (4)

SPECIFICATIONS

1. **Rating:** 3A 18VDC

2. **Withstanding voltage:**

AC 500V, 60Hz for 1 minute

3. **Insulation resistance (initial):** 100MΩ(min.) at 500V DC

4. **Contact resistance (initial):**

30mΩ(max.) at AC 100mA (max.) 1 KHz

5. **Insertion & Extraction force:**

Initial : 0.3 to 3.0Kgs

After life test: 0.2 to 3.0Kgs

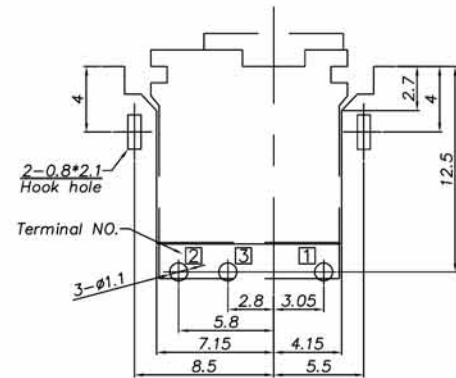
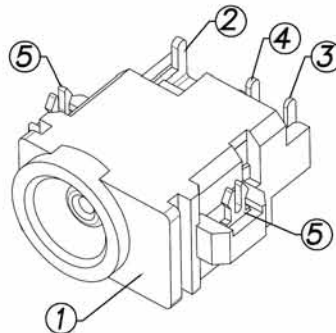
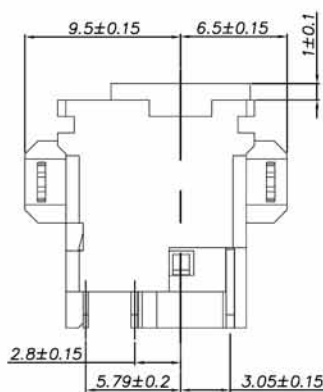
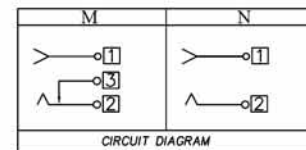
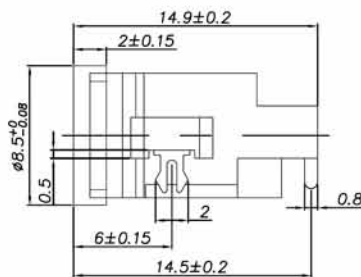
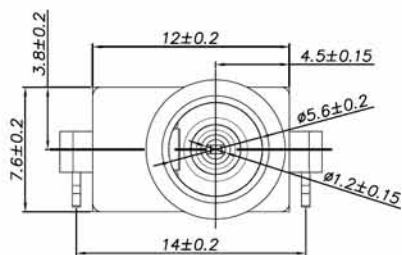
MATERIALS

1. **Housing:** Thermoplastic

2. **Center pin:** Nickel plating

3. **Terminal:** Brass/Copper alloy Silver plating.

* **RoHS & REACH compliant.**



Recommended P.C.Board Layout

ORDERING INFORMATION:

P/N DC $\frac{12}{1}$ - N02 x $\frac{S}{3}$ $\frac{B}{4}$ $\frac{B}{5}$

1. CENTER PIN DIAMETER:

"12" Ø1.2MM

2. DC JACK CODE:

"N02" R/A DIP TYPE

3. SCHEMATIC OPTION:

M, N

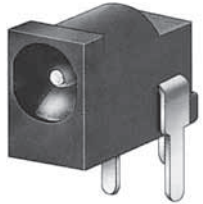
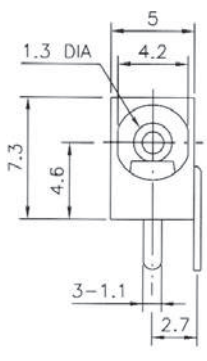
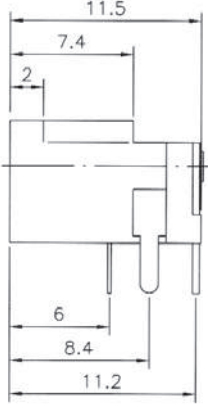

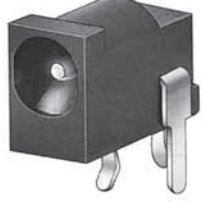
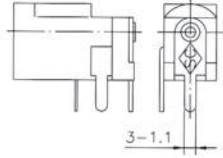
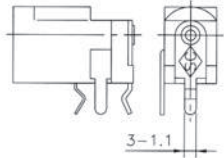
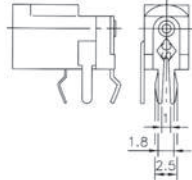
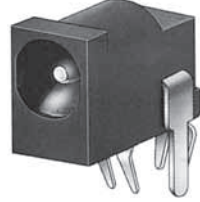
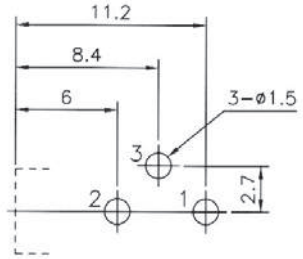
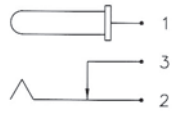
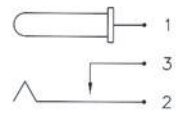
4. TERMINAL FINISH:

"S" SILVER PLATED

5. HOUSING COLOR:

"B" BLACK

DIA. 1.3MM DC POWER JACK (1)

Dimension (m/m)			 DC13-01
			
Solder Tail Option			 DC13-03
			
Flat Type	Kink Type	Hook Type	 DC13-05
Pin Hole Layout (Jack Bottom View)	Schematic Code		
			SPECIFICATIONS 1. Rating: 5A 24VDC 2. Withstanding voltage: AC 500V, 60Hz for 1 minute 3. Insulation resistance (initial): 100MΩ (min.) at 500V DC 4. Contact resistance (initial): 30mΩ (max.) at AC 100mA (max.) 1 KHz All materials must be RoHS compliant.
	Normal Close	Normal Open	

ORDERING INFORMATION:

P/N DC13-01CSB

DIA. 1.3MM DC POWER JACK
FLAT TYPE NORMAL CLOSE

P/N DC13-03CSB

DIA. 1.3MM DC POWER JACK
KINK TYPE NORMAL CLOSE

P/N DC13-05CSB

DIA. 1.3MM DC POWER JACK
HOOK TYPE NORMAL CLOSE

P/N DC13-02PSB

DIA. 1.3MM DC POWER JACK
FLAT TYPE NORMAL OPEN


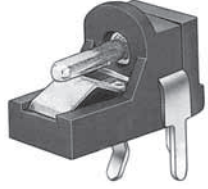
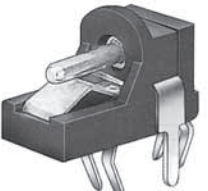
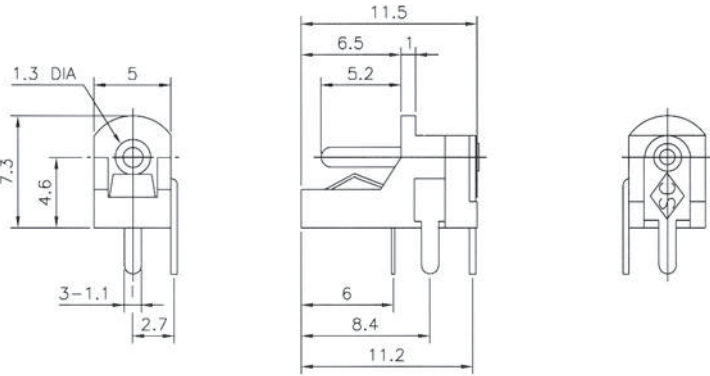
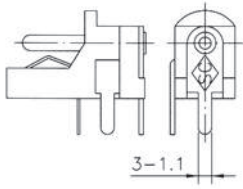
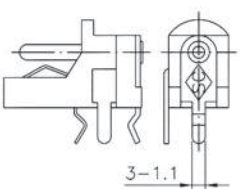
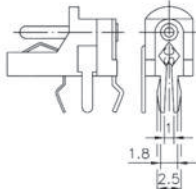
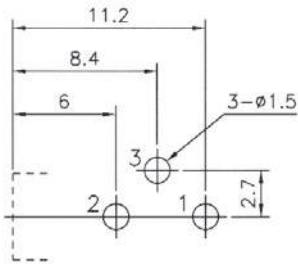
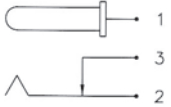
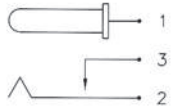
P/N DC13-04PSB

DIA. 1.3MM DC POWER JACK
KINK TYPE NORMAL OPEN

P/N DC13-06PSB

DIA. 1.3MM DC POWER JACK
HOOK TYPE NORMAL OPEN

DIA. 1.3MM DC POWER JACK (2)

Dimension (m/m)			 DC13-07  DC13-09  DC13-11
			
Solder Tail Option			
 3-1.1 Flat Type	 3-1.1 Kink Type	 1.8 2.5 Hook Type	
Pin Hole Layout (Jack Bottom View)	Schematic Code		SPECIFICATIONS 1. Rating: 5A 24VDC 2. Withstanding voltage: AC 500V, 60Hz for 1 minute 3. Insulation resistance (initial): 100MΩ (min.) at 500V DC 4. Contact resistance (initial): 30mΩ (max.) at AC 100mA (max.) 1 KHz All materials must be RoHS compliant.
	 Normal Close	 Normal Open	

ORDERING INFORMATION:

P/N DC13-07CSB

DIA. 1.3MM DC POWER JACK
FLAT TYPE NORMAL CLOSE

P/N DC13-09CSB

DIA. 1.3MM DC POWER JACK
KINK TYPE NORMAL CLOSE

P/N DC13-11CSB

DIA. 1.3MM DC POWER JACK
HOOK TYPE NORMAL CLOSE

P/N DC13-08PSB

DIA. 1.3MM DC POWER JACK
FLAT TYPE NORMAL OPEN

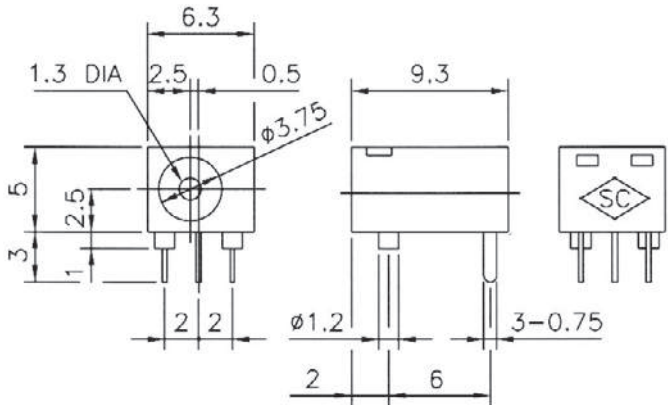
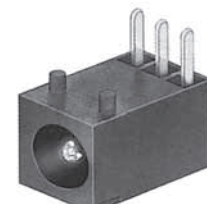
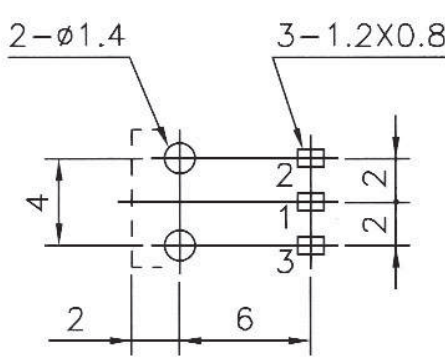
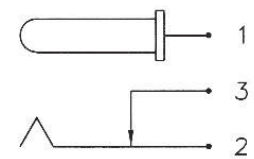
P/N DC13-10PSB

DIA. 1.3MM DC POWER JACK
KINK TYPE NORMAL OPEN

P/N DC13-12PSB

DIA. 1.3MM DC POWER JACK
HOOK TYPE NORMAL OPEN

DIA. 1.3MM DC POWER JACK (3)

<p style="text-align: center;">Dimension (m/m)</p> 		 <p style="text-align: center;">DC13-13</p>
<p style="text-align: center;">Pin Hole Layout (Jack Bottom View)</p>	<p style="text-align: center;">Schematic Code (Normal Close)</p>	<p>SPECIFICATIONS</p> <ol style="list-style-type: none"> Rating: 5A 24VDC Withstanding voltage: AC 500V, 60Hz for 1 minute Insulation resistance (initial): 100MΩ (min.) at 500V DC Contact resistance (initial): 30mΩ (max.) at AC 100mA (max.) 1 KHz Insertion & Extraction force: Initial : 0.3 to 3.0Kgs After life test: 0.2 to 3.0Kgs Life test: 5,000 cycles unloading (20-30 cycle/minute) <p>MATERIALS</p> <ol style="list-style-type: none"> Housing: Thermoplastic Center pin: Nickel plating. Terminal: Brass/Copper alloy Silver plating. <p>All materials must be RoHS compliant.</p>
		

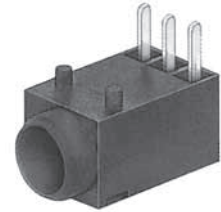
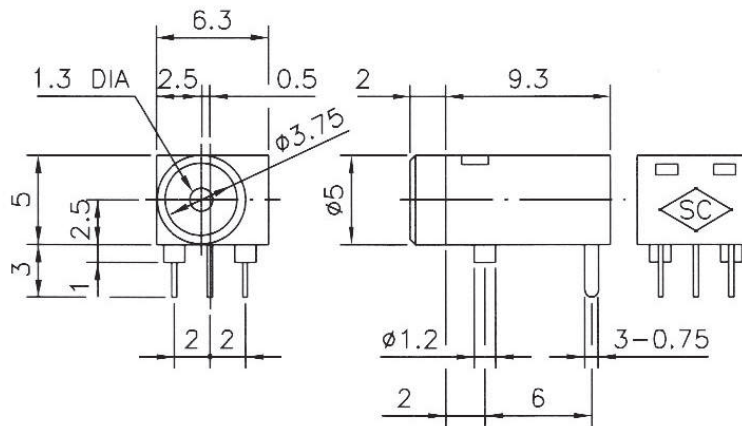
ORDERING INFORMATION:

P/N DC13-13CSB

DIA. 1.3MM DC POWER JACK

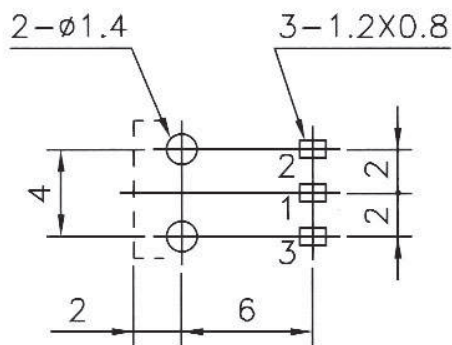
DIA. 1.3MM DC POWER JACK (4)

Dimension (m/m)

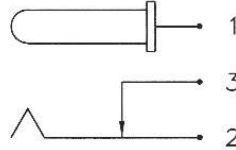


DC13-14

Pin Hole Layout (Jack Bottom View)



Schematic Code (Normal Close)



SPECIFICATIONS

- Rating:** 5A 24VDC
- Withstanding voltage:**
AC 500V, 60Hz for 1 minute
- Insulation resistance (initial):**
100M Ω (min.) at 500V DC
- Contact resistance (initial):**
30m Ω (max.) at AC 100mA (max.) 1 KHz
- Insertion & Extraction force:**
Initial : 0.3 to 3.0Kgs
After life test: 0.2 to 3.0Kgs
- Life test:**
5,000 cycles unloading (20-30 cycle/minute)

MATERIALS

- Housing:** Thermoplastic
 - Center pin:** Nickel plating.
 - Terminal:** Brass/Copper alloy Silver plating.
- All materials must be RoHS compliant.

ORDERING INFORMATION:

P/N DC13-14CSB

DIA. 1.3MM DC POWER JACK

DIA. 1.3MM DC POWER JACK (5)

Dimension (m/m)		
		DC13-15
Pin Hole Layout (Jack Bottom View)	Schematic Code (Normal Close)	SPECIFICATIONS
		<p>1. Rating: 5A 24VDC</p> <p>2. Withstanding voltage: AC 500V, 60Hz for 1 minute</p> <p>3. Insulation resistance (initial): 100MΩ (min.) at 500V DC</p> <p>4. Contact resistance (initial): 30mΩ (max.) at AC 100mA (max.) 1 KHz</p> <p>5. Insertion & Extraction force: Initial : 0.3 to 3.0Kgs After life test: 0.2 to 3.0Kgs</p> <p>6. Life test: 5,000 cycles unloading (20-30 cycle/minute)</p> <p>MATERIALS</p> <p>1. Housing: Thermoplastic</p> <p>2. Center pin: Nickel plating.</p> <p>3. Terminal: Brass/Copper alloy Silver plating.</p> <p>All materials must be RoHS compliant.</p>

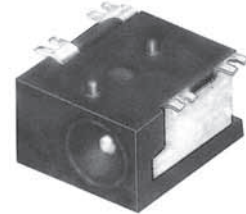
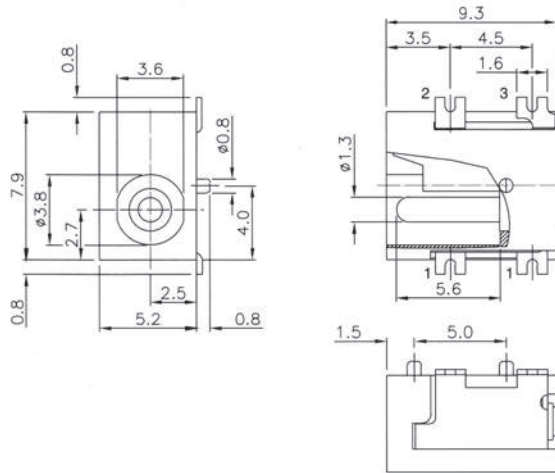
ORDERING INFORMATION:

P/N DC13-15CSB

DIA. 1.3MM DC POWER JACK

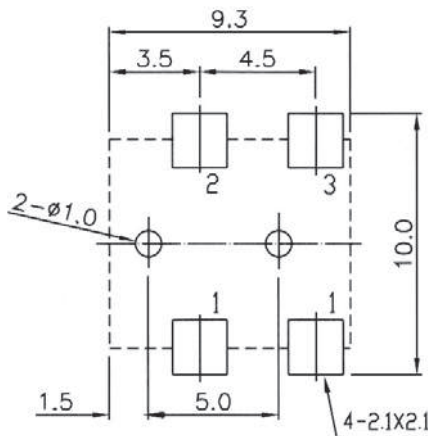
DIA. 1.3MM DC POWER JACK (6)

Dimension (m/m)

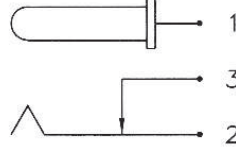


DC13-16

Pin Hole Layout (Jack Bottom View)



Schematic Code (Normal Close)



SPECIFICATIONS

- Rating:** 5A 24VDC
- Withstanding voltage:** AC 500V, 60Hz for 1 minute
- Insulation resistance (initial):** 100M Ω (min.) at 500V DC
- Contact resistance (initial):** 30m Ω (max.) at AC 100mA (max.) 1 KHz
- Insertion & Extraction force:** Initial : 0.3 to 3.0Kgs
After life test: 0.2 to 3.0Kgs
- Life test:** 5,000 cycles unloading (20-30 cycle/minute)

MATERIALS

- Housing:** Thermoplastic
 - Center pin:** Nickel plating.
 - Terminal:** Brass/Copper alloy Silver plating.
- All materials must be RoHS compliant.

ORDERING INFORMATION:

P/N DC13-16CSB

DIA. 1.3MM DC POWER JACK

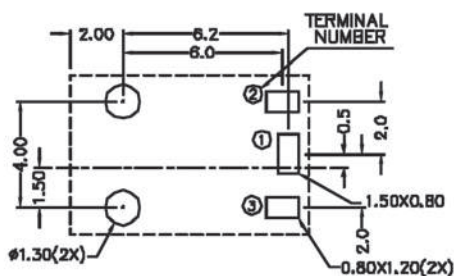
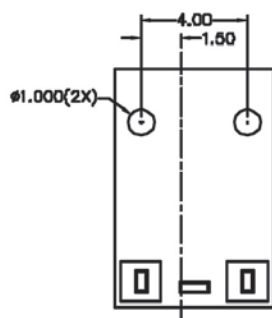
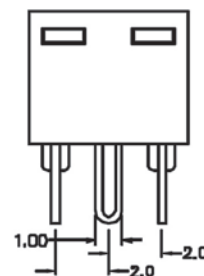
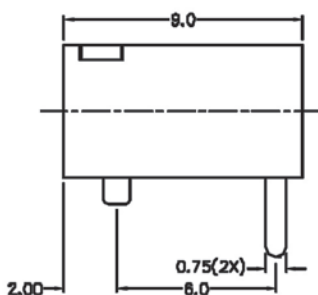
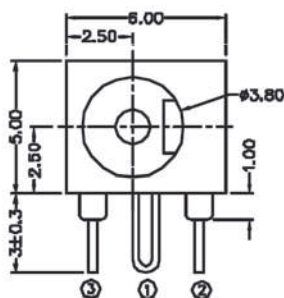
DIA. 1.3MM DC POWER JACK (7)

SPECIFICATIONS


1. **Rating:** 3.5A 16VDC
2. **Withstanding voltage:**
AC 500V, 60Hz for 1 minute
3. **Insulation resistance (initial):** 100M Ω (min.) at 500V DC
4. **Contact resistance (initial):**
30m Ω (max.) at AC 100mA (max.) 1 KHz
5. **Insertion & Extraction force:**
Initial : 0.3 to 3.0Kgs
After life test: 0.2 to 3.0Kgs

MATERIALS

1. **Housing:** Thermoplastic
 2. **Center pin:** Nickel plating
 3. **Terminal:** Brass/Copper alloy Silver plating.
- * RoHS & REACH compliant.



Recommended P.C.Board Layout

SCHEMATIC	
CENTER PIN	$\phi 1.3\text{mm}$



DC MATED PLUG

ORDERING INFORMATION:

P/N D C 13 - T 2 3 M S B

DIA. 1.3MM DC POWER JACK RATING: 3.5A 16VDC

DIA. 1.3MM DC POWER JACK (8)

SPECIFICATIONS

1. **Rating:** 3A 12VDC

2. **Withstanding voltage:**

AC 500V, 60Hz for 1 minute

3. **Insulation resistance (initial):** 100M Ω (min.) at 500V DC

4. **Contact resistance (initial):**

30m Ω (max.) at AC 100mA (max.) 1 KHz

5. **Insertion & Extraction force:**

Initial : 0.3 to 3.0Kgs

After life test: 0.2 to 3.0Kgs

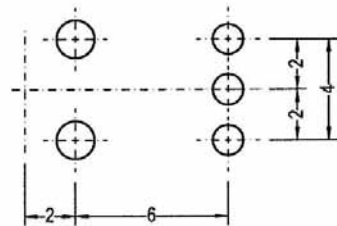
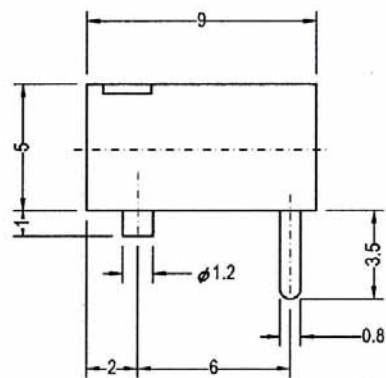
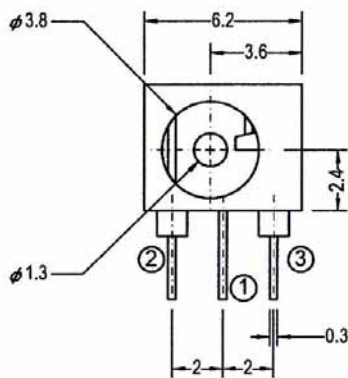
MATERIALS

1. **Housing:** Thermoplastic

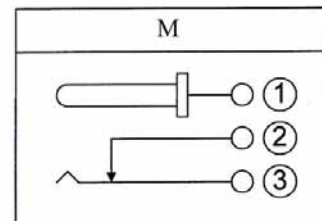
2. **Center pin:** Nickel plating

3. **Terminal:** Brass/Copper alloy Tin plating.

* **RoHS & REACH compliant.**



Recommended P.C.Board Layout



ORDERING INFORMATION:

P/N DC $\frac{13}{1}$ - $\frac{30}{2}$ $\frac{M}{3}$ $\frac{T}{4}$ $\frac{B}{5}$

1. CENTER PIN DIAMETER:

"13" \varnothing 1.3MM

2. DC JACK CODE:

30

3. SCHEMATIC OPTION:

M

4. TERMINAL FINISH:

"T" TIN PLATED

5. HOUSING COLOR:

"B" BLACK

DIA. 1.3MM DC POWER JACK (9)

SPECIFICATIONS

1. **Rating:** 2A 12VDC

2. **Withstanding voltage:**

AC 500V, 60Hz for 1 minute

3. **Insulation resistance (initial):** 100MΩ(min.) at 500V DC

4. **Contact resistance (initial):**

30mΩ(max.) at AC 100mA (max.) 1 KHz

5. **Insertion & Extraction force:**

Initial : 0.3 to 3.0Kgs

After life test: 0.2 to 3.0Kgs

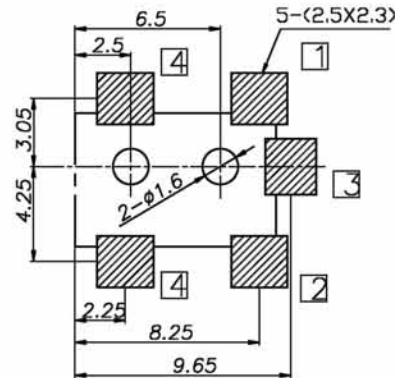
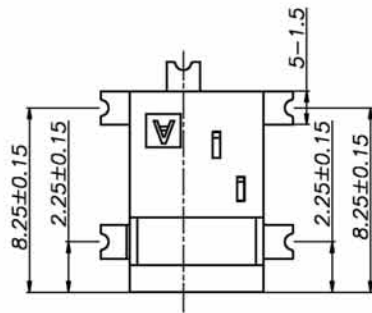
MATERIALS

1. **Housing:** Thermoplastic

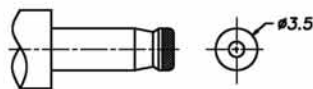
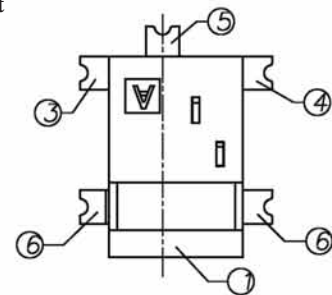
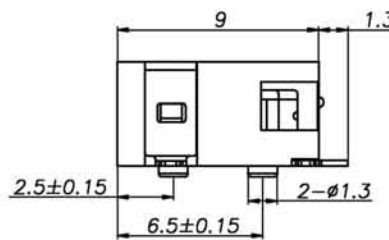
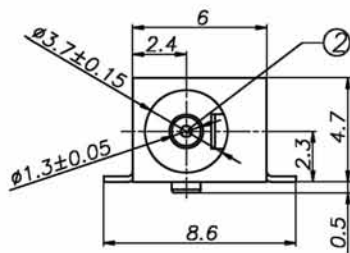
2. **Center pin:** Nickel plating

3. **Terminal:** Brass/Copper alloy Silver plating.

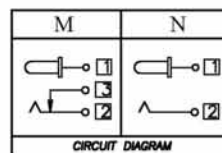
* **RoHS & REACH compliant.**



Recommended P.C.Board Layout



DC MATED PLUG



ORDERING INFORMATION:

P/N DC $\frac{13}{1}$ - $\frac{N07}{2}$ x $\frac{S}{3}$ $\frac{B}{4}$ $\frac{B}{5}$

1. CENTER PIN DIAMETER:

"13" Ø1.3MM

2. DC JACK CODE:

"N07" SHIELDED SMT TYPE

3. SCHEMATIC OPTION:

M, N

4. TERMINAL FINISH:

"S" SILVER PLATED

5. HOUSING COLOR:

"B" BLACK

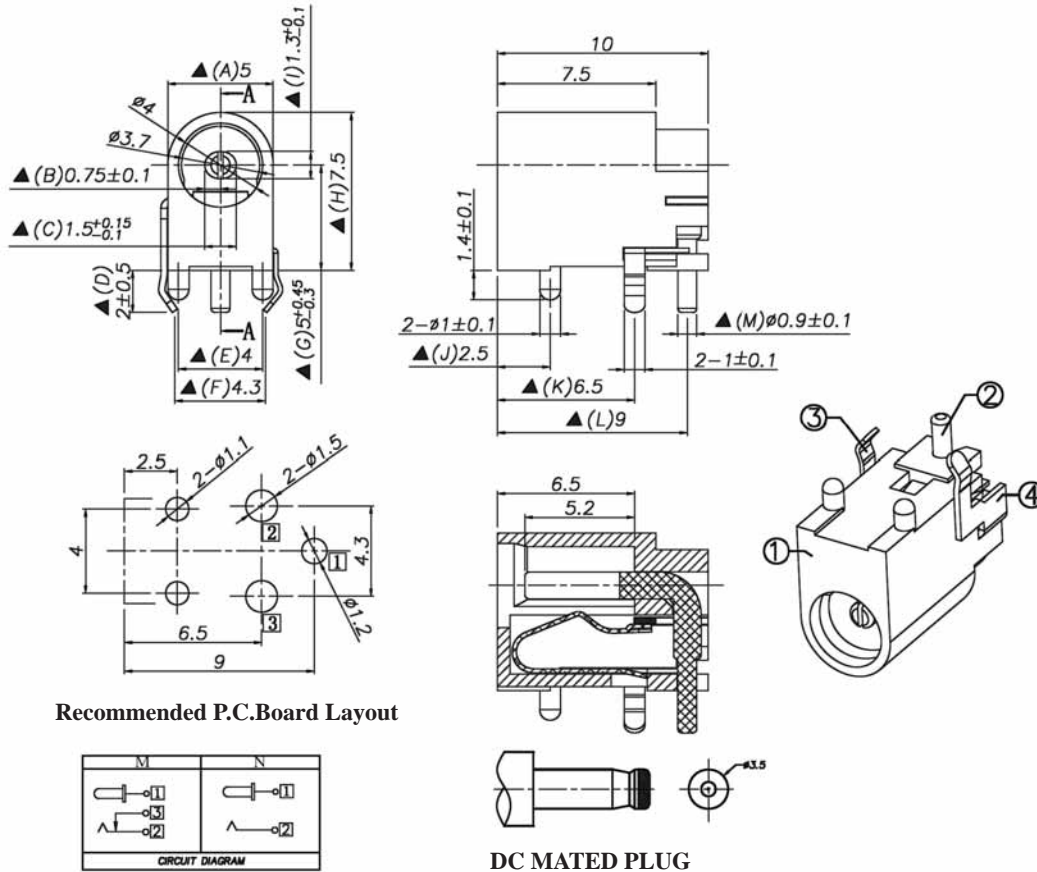
DIA. 1.3MM DC POWER JACK (10)

SPECIFICATIONS

1. **Rating:** 3A 12VDC
2. **Withstanding voltage:**
AC 500V, 60Hz for 1 minute
3. **Insulation resistance (initial):** 100M Ω (min.) at 500V DC
4. **Contact resistance (initial):**
30m Ω (max.) at AC 100mA (max.) 1 KHz
5. **Insertion & Extraction force:**
Initial : 0.3 to 3.0Kgs
After life test: 0.2 to 3.0Kgs

MATERIALS

1. **Housing:** Thermoplastic
 2. **Center pin:** Nickel plating
 3. **Terminal:** Brass/Copper alloy Silver plating.
- * **RoHS & REACH compliant.**



Recommended P.C.Board Layout

DC MATED PLUG

ORDERING INFORMATION:

P/N DC $\frac{13}{1}$ - N08 x $\frac{S}{3}$ $\frac{B}{4}$ $\frac{5}{5}$

1. CENTER PIN DIAMETER:
"13" Ø1.3MM
2. DC JACK CODE:
"N08" R/A DIP TYPE
3. SCHEMATIC OPTION:
M, N
4. TERMINAL FINISH:
"S" SILVER PLATED
5. HOUSING COLOR:
"B" BLACK

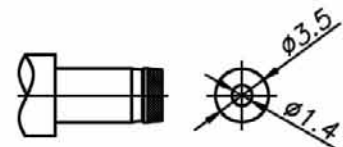
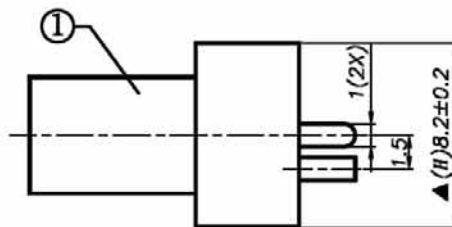
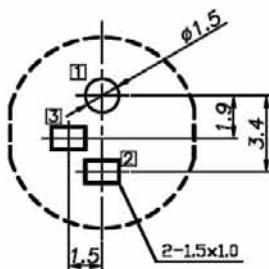
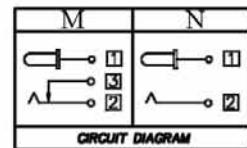
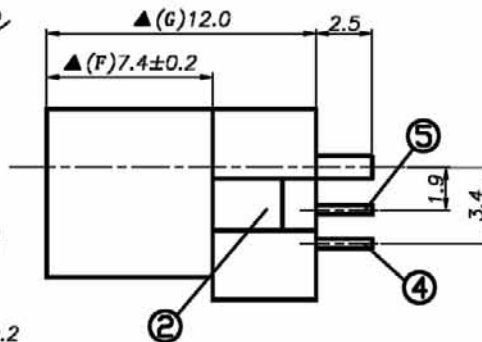
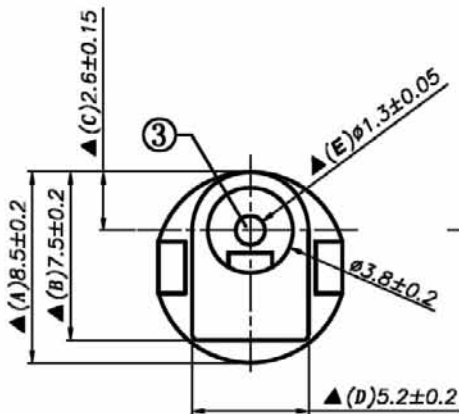
DIA. 1.3MM DC POWER JACK (11)

SPECIFICATIONS

1. **Rating:** 0.5A 30VDC
2. **Withstanding voltage:**
AC 500V, 60Hz for 1 minute
3. **Insulation resistance (initial):** 100M Ω (min.) at 500V DC
4. **Contact resistance (initial):**
30m Ω (max.) at AC 100mA (max.) 1 KHz
5. **Insertion & Extraction force:**
Initial : 0.3 to 3.0Kgs
After life test: 0.2 to 3.0Kgs

MATERIALS

1. **Housing:** Thermoplastic
 2. **Center pin:** Nickel plating
 3. **Terminal:** Brass/Copper alloy Gold plating.
- * RoHS & REACH compliant.



DC MATED PLUG

Recommended P.C.Board Layout

ORDERING INFORMATION:

P/N DC $\frac{13}{1}$ - $\frac{N09}{2}$ x $\frac{G}{3}$ $\frac{B}{4}$ $\frac{B}{5}$

1. CENTER PIN DIAMETER:
"13" \varnothing 1.3MM
2. DC JACK CODE:
"N09" STRAIGHT DIP TYPE
3. SCHEMATIC OPTION:
M, N
4. TERMINAL FINISH:
"G" GOLD PLATED
5. HOUSING COLOR:
"B" BLACK

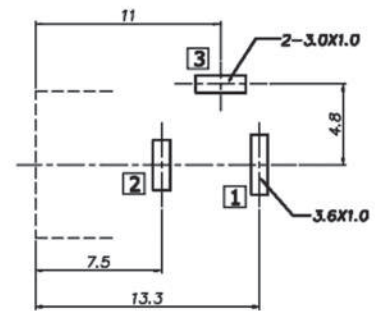
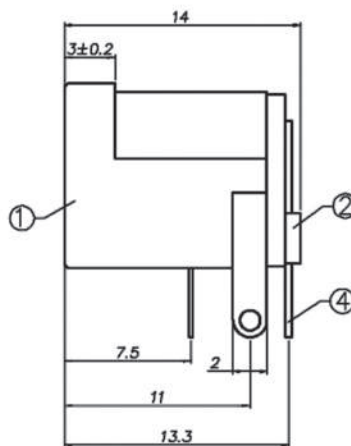
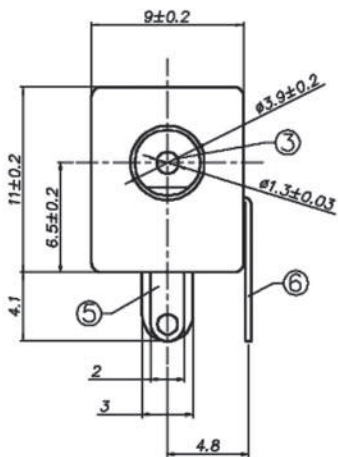
DIA. 1.3MM DC POWER JACK (12)

SPECIFICATIONS

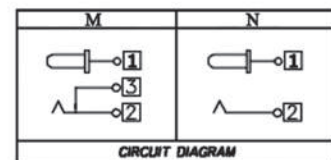
1. **Rating:** 2.5A 20VDC
2. **Withstanding voltage:**
AC 500V, 60Hz for 1 minute
3. **Insulation resistance (initial):** 100M Ω (min.) at 500V DC
4. **Contact resistance (initial):**
30m Ω (max.) at AC 100mA (max.) 1 KHz
5. **Insertion & Extraction force:**
Initial : 0.3 to 3.0Kgs
After life test: 0.2 to 3.0Kgs

MATERIALS

1. **Housing:** Thermoplastic
 2. **Center pin:** Nickel plating
 3. **Terminal:** Brass/Copper alloy Silver plating.
- * RoHS & REACH compliant.



Recommended P.C. Board Layout



ORDERING INFORMATION:

P/N DC $\frac{13}{1}$ - N $\frac{10}{2}$ x S $\frac{S}{3}$ B $\frac{B}{45}$

1. CENTER PIN DIAMETER:
"13" Ø1.3MM
2. DC JACK CODE:
"N10" R/A DIP TYPE
3. SCHEMATIC OPTION:
M, N
4. TERMINAL FINISH:
"S" SILVER PLATED
5. HOUSING COLOR:
"B" BLACK

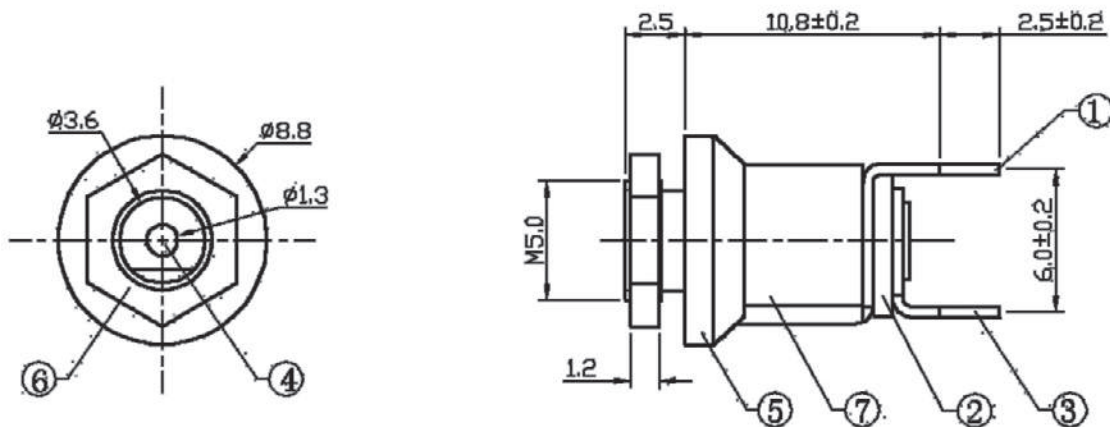
DIA. 1.3MM DC POWER JACK (13)

SPECIFICATIONS

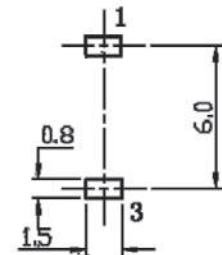
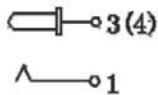
1. **Rating:** 0.5A 30VDC
2. **Withstanding voltage:**
AC 500V, 60Hz for 1 minute
3. **Insulation resistance (initial):** 100M Ω (min.) at 500V DC
4. **Contact resistance (initial):**
30m Ω (max.) at AC 100mA (max.) 1 KHz
5. **Insertion & Extraction force:**
Initial : 0.3 to 3.0Kgs
After life test: 0.2 to 3.0Kgs

MATERIALS

1. **Housing:** Thermoplastic
 2. **Center pin:** Nickel plating
 3. **Terminal:** Brass/Copper alloy Silver plating.
- * RoHS & REACH compliant.



SCHEMATIC



Recommended P.C.Board Layout

ORDERING INFORMATION:

P/N DC 13 - N11 N S B
 1 2 3 4 5

1. CENTER PIN DIAMETER:
"13" \varnothing 1.3MM
2. DC JACK CODE:
"N11" SHIELDED STRAIGHT DIP TYPE
3. SCHEMATIC OPTION:
N
4. TERMINAL FINISH:
"S" SILVER PLATED
5. HOUSING COLOR:
"B" BLACK

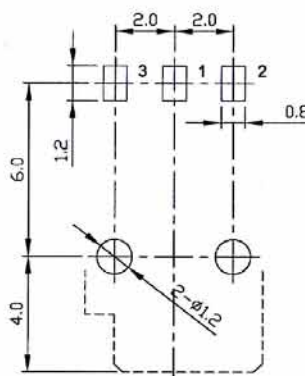
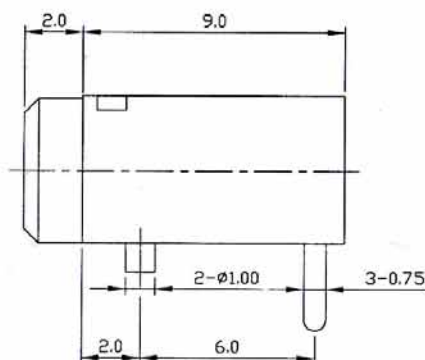
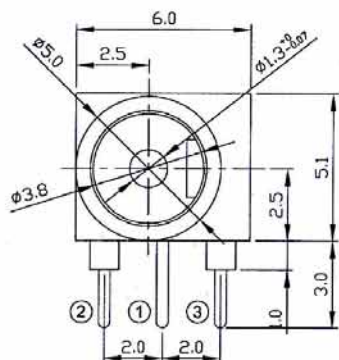
DIA. 1.3MM DC POWER JACK (14)

SPECIFICATIONS

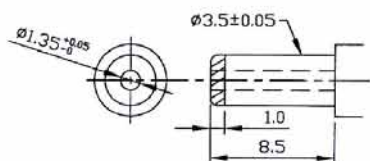
1. **Rating:** 2.5A 16VDC
2. **Withstanding voltage:**
AC 500V, 60Hz for 1 minute
3. **Insulation resistance (initial):** 100M Ω (min.) at 500V DC
4. **Contact resistance (initial):**
30m Ω (max.) at AC 100mA (max.) 1 KHz
5. **Insertion & Extraction force:**
Initial : 0.3 to 3.0Kgs
After life test: 0.2 to 3.0Kgs

MATERIALS

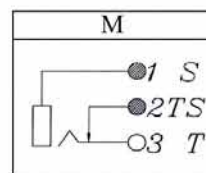
1. **Housing:** Thermoplastic
 2. **Center pin:** Nickel plating
 3. **Terminal:** Brass/Copper alloy Silver plating.
- * **RoHS & REACH compliant.**



Recommended P.C.Board Layout



DC MATED PLUG



ORDERING INFORMATION:

P/N D C 13 - V03 M S B
1 2 3 4 5

1. CENTER PIN DIAMETER:
"13" \varnothing 1.3MM
2. DC JACK CODE:
V03
3. SCHEMATIC OPTION:
M
4. TERMINAL FINISH:
"S" SILVER PLATED
5. HOUSING COLOR:
"B" BLACK

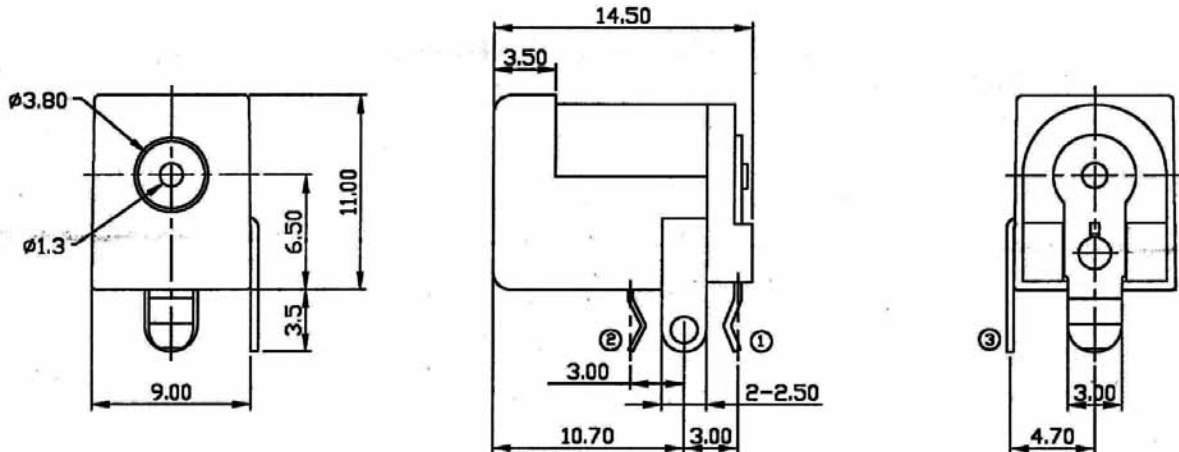
DIA. 1.3MM DC POWER JACK (15)

SPECIFICATIONS

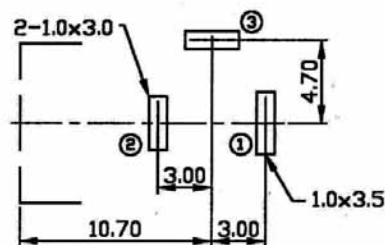
1. **Rating:** 2.5A 16 VDC
2. **Withstanding voltage:**
AC 500V, 60Hz for 1 minute
3. **Insulation resistance (initial):** 100M Ω (min.) at 500V DC
4. **Contact resistance (initial):**
30m Ω (max.) at AC 100mA (max.) 1 KHz
5. **Insertion & Extraction force:**
Initial : 0.3 to 3.0Kgs
After life test: 0.2 to 3.0Kgs

MATERIALS

1. **Housing:** Thermoplastic
 2. **Center pin:** Nickel plating
 3. **Terminal:** Brass/Copper alloy Tin plating.
- * RoHS & REACH compliant.



CENTER PIN	ϕ 1.3mm
SCHEMATIC	



Recommended P.C.Board Layout

ORDERING INFORMATION:

P/N DC 13 - V 18 M T B
1 2 3 4 5

1. CENTER PIN DIAMETER:
"13" ϕ 1.3MM
2. DC JACK CODE:
V18
3. SCHEMATIC OPTION:
M
4. TERMINAL FINISH:
"T" TIN PLATED
5. HOUSING COLOR:
"B" BLACK

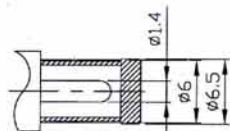
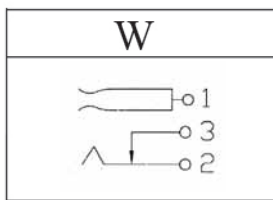
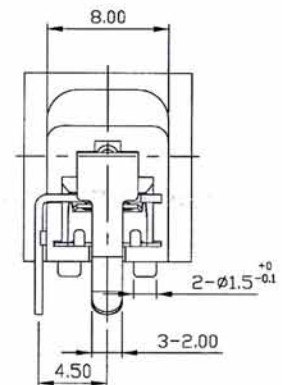
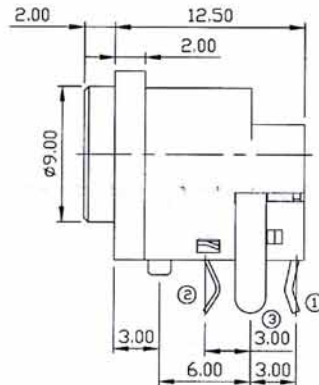
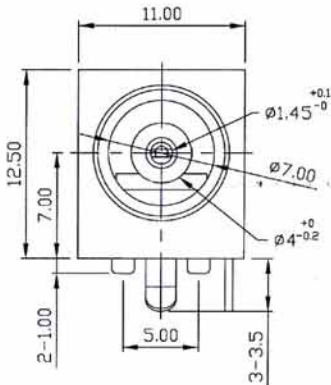
DIA. 1.45MM DC POWER JACK (1)

SPECIFICATIONS

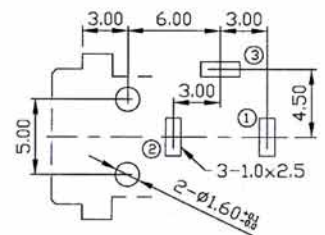
1. **Rating:** 2.5A 16VDC
2. **Withstanding voltage:**
AC 500V, 60Hz for 1 minute
3. **Insulation resistance (initial):** 100MΩ(min.) at 500V DC
4. **Contact resistance (initial):**
30mΩ(max.) at AC 100mA (max.) 1 KHz
5. **Insertion & Extraction force:**
Initial : 0.3 to 3.0Kgs
After life test: 0.2 to 3.0Kgs

MATERIALS

1. **Housing:** Thermoplastic
 2. **Center pin:** Nickel plating
 3. **Terminal:** Brass/Copper alloy Tin plating.
- * **RoHS & REACH compliant.**



DC MATED PLUG



Recommended P.C.Board Layout

ORDERING INFORMATION:

P/N D C 15 - V 22 W T B
1 2 3 4 5

1. CENTER PIN DIAMETER:
"15" Ø1.45MM
2. DC JACK CODE:
V22
3. SCHEMATIC OPTION:
W
4. TERMINAL FINISH:
"T" TIN PLATED
5. HOUSING COLOR:
"B" BLACK

DIA. 1.45MM DC POWER JACK (2)

SPECIFICATIONS

1. **Rating:** 2A 30VDC

2. **Withstanding voltage:**

AC 500V, 60Hz for 1 minute

3. **Insulation resistance (initial):** 100MΩ(min.) at 500V DC

4. **Contact resistance (initial):**

30mΩ(max.) at AC 100mA (max.) 1 KHz

5. **Insertion & Extraction force:**

Initial : 0.3 to 3.0Kgs

After life test: 0.2 to 3.0Kgs

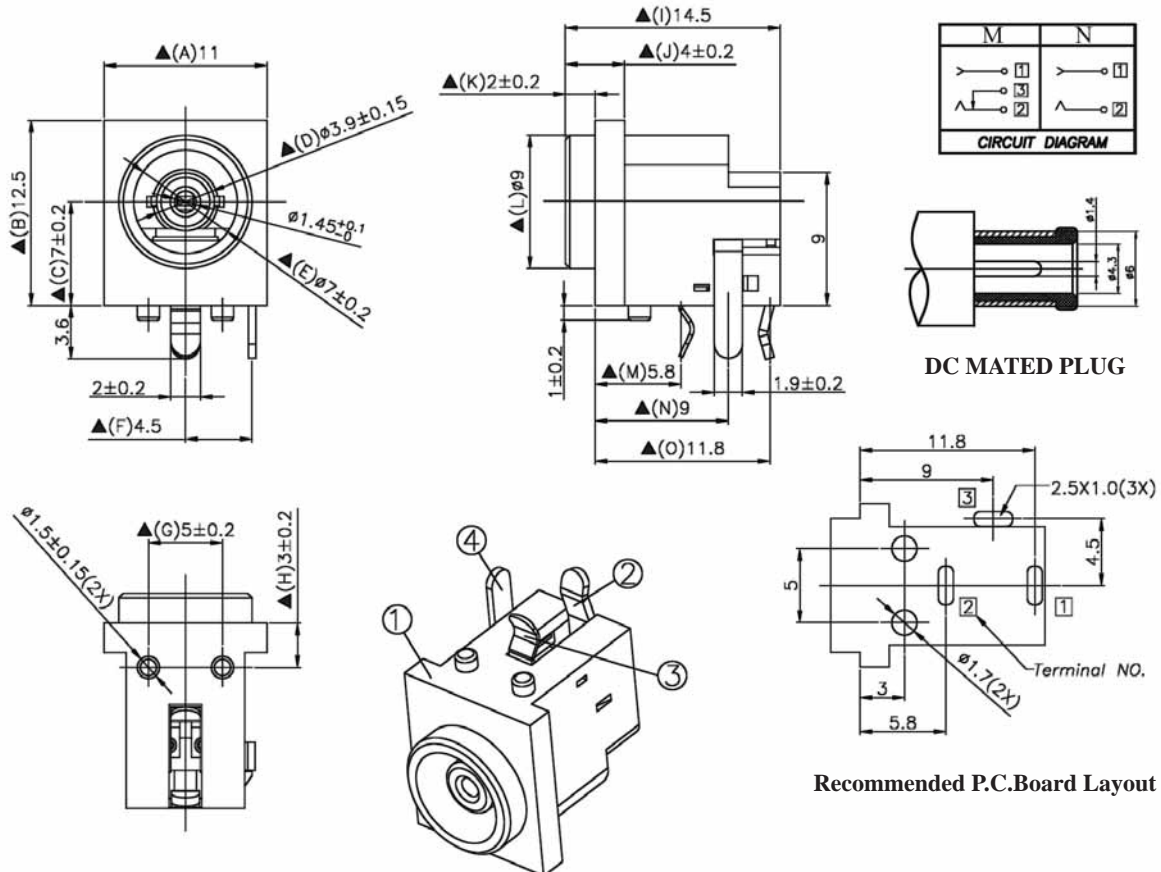
MATERIALS

1. **Housing:** Thermoplastic

2. **Center pin:** Nickel plating

3. **Terminal:** Brass/Copper alloy Silver plating.

* **RoHS & REACH compliant.**



ORDERING INFORMATION:

P/N DC $\frac{15}{1}$ - $\frac{N01}{2}$ x $\frac{S}{3}$ $\frac{B}{4}$ $\frac{5}{5}$

1. CENTER PIN DIAMETER:

"15" Ø1.45MM

2. DC JACK CODE:

"N01" R/A DIP TYPE

3. SCHEMATIC OPTION:

M, N

4. TERMINAL FINISH:

"S" SILVER PLATED

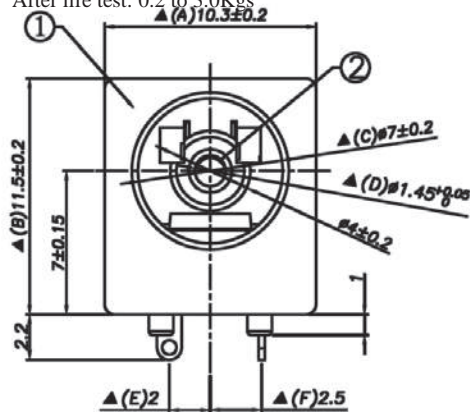
5. HOUSING COLOR:

"B" BLACK

DIA. 1.45MM DC POWER JACK (3)

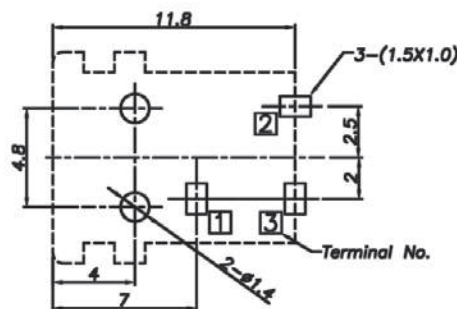
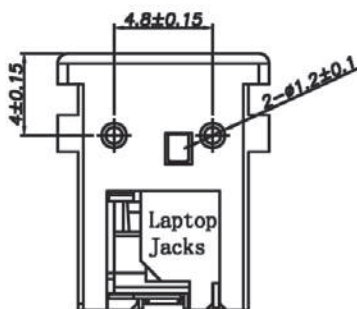
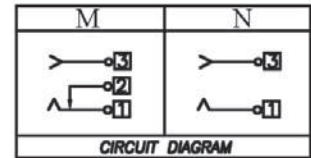
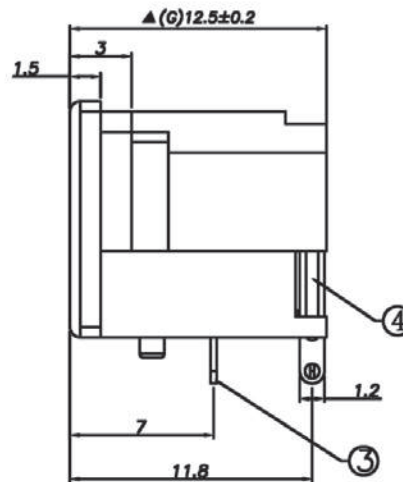
SPECIFICATIONS

1. **Rating:** 2.5A 30VDC
2. **Withstanding voltage:**
AC 500V, 60Hz for 1 minute
3. **Insulation resistance (initial):** 100M Ω (min.) at 500V DC
4. **Contact resistance (initial):**
30m Ω (max.) at AC 100mA (max.) 1 KHz
5. **Insertion & Extraction force:**
Initial : 0.3 to 3.0Kgs
After life test: 0.2 to 3.0Kgs

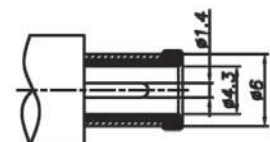


MATERIALS

1. **Housing:** Thermoplastic
 2. **Center pin:** Nickel plating
 3. **Terminal:** Brass/Copper alloy Silver plating.
- * RoHS & REACH compliant.



Recommended P.C.Board Layout



DC MATED PLUG

ORDERING INFORMATION:

P/N DC $\frac{15}{1}$ - N03 x $\frac{S}{3}$ $\frac{B}{4}$ $\frac{B}{5}$

1. CENTER PIN DIAMETER:
"15" Ø1.45MM
2. DC JACK CODE:
"N03" R/A DIP TYPE
3. SCHEMATIC OPTION:
M, N
4. TERMINAL FINISH:
"S" SILVER PLATED
5. HOUSING COLOR:
"B" BLACK

DIA. 1.45MM DC POWER JACK (4)

SPECIFICATIONS

1. **Rating:** 2A 30VDC

2. **Withstanding voltage:**

AC 500V, 60Hz for 1 minute

3. **Insulation resistance (initial):** 100MΩ(min.) at 500V DC

4. **Contact resistance (initial):**

30mΩ(max.) at AC 100mA (max.) 1 KHz

5. **Insertion & Extraction force:**

Initial : 0.3 to 3.0Kgs

After life test: 0.2 to 3.0Kgs

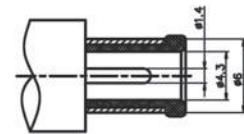
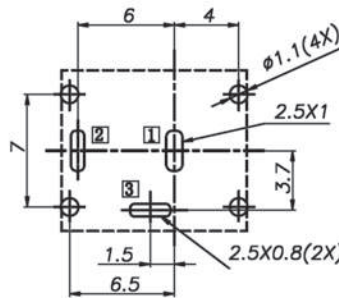
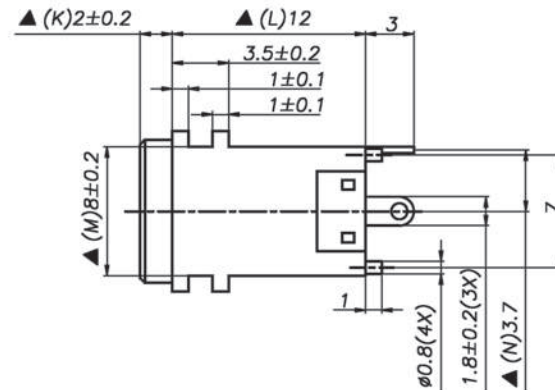
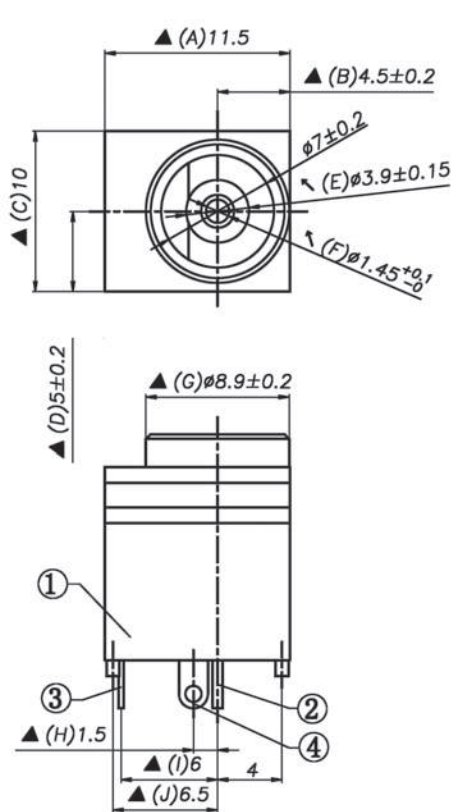
MATERIALS

1. **Housing:** Thermoplastic

2. **Center pin:** Nickel plating

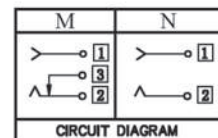
3. **Terminal:** Brass/Copper alloy Silver plating.

* **RoHS & REACH compliant.**



DC MATED PLUG

Recommended P.C.Board Layout



ORDERING INFORMATION:

P/N DC $\frac{15}{1}$ - $\frac{N05}{2}$ x $\frac{S}{3}$ $\frac{B}{4}$ $\frac{5}{5}$

1. CENTER PIN DIAMETER:

"15" Ø1.45MM

2. DC JACK CODE:

"N05" STRAIGHT DIP TYPE

3. SCHEMATIC OPTION:

M, N

4. TERMINAL FINISH:

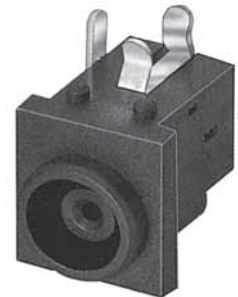
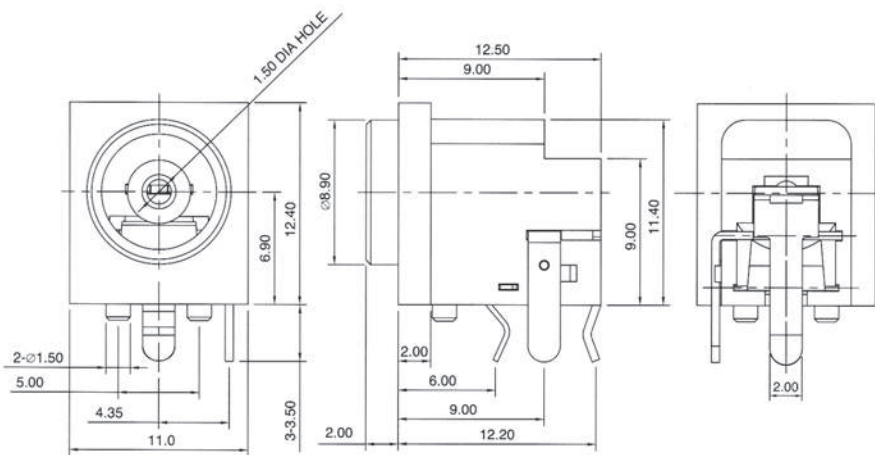
"S" SILVER PLATED

5. HOUSING COLOR:

"B" BLACK

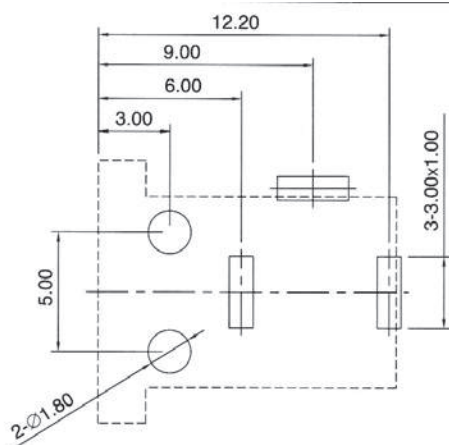
DIA. 1.5MM DC POWER JACK (1)

Dimension (m/m)

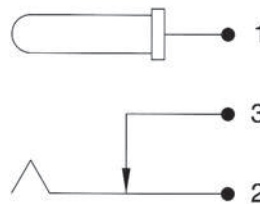


DC15-02

Pin Hole Layout (Jack Bottom View)



Schematic Code (Normal Close)



SPECIFICATIONS

1. Rating: 5A 24VDC
2. Withstanding voltage:
AC 500V, 60Hz for 1 minute
3. Insulation resistance (initial):
100MΩ (min.) at 500V DC
4. Contact resistance (initial):
30mΩ (max.) at AC 100mA (max.) 1 KHz
5. Insertion & Extraction force:
Initial : 0.3 to 3.0Kgs
After life test: 0.2 to 3.0Kgs
6. Life test:
5,000 cycles unloading (20-30 cycle/minute)

MATERIALS

1. Housing: Thermoplastic
 2. Center pin: Nickel plating.
 3. Terminal: Brass/Copper alloy Silver plating.
- All materials must be RoHS compliant.

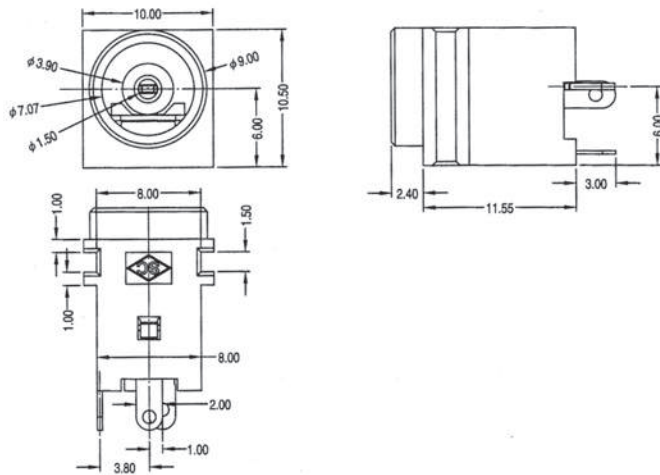
ORDERING INFORMATION:

P/N DC15-02CSB

DIA. 1.5MM DC POWER JACK

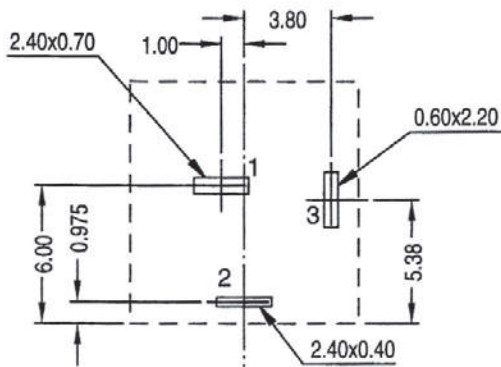
DIA. 1.5MM DC POWER JACK (2)

Dimension (m/m)

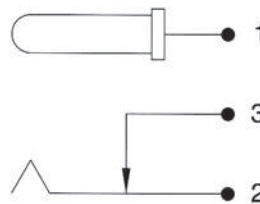


DC15-03

Pin Hole Layout (Bottom View)



Schematic Code (Normal Close)



SPECIFICATIONS

- Rating:** 5A 24VDC
- Withstanding voltage:** AC 500V, 60Hz for 1 minute
- Insulation resistance (initial):** 100M Ω (min.) at 500V DC
- Contact resistance (initial):** 30m Ω (max.) at AC 100mA (max.) 1 KHz
- Insertion & Extraction force:**
Initial : 0.3 to 3.0Kgs
After life test: 0.2 to 3.0Kgs
- Life test:** 5,000 cycles unloading (20-30 cycle/minute)

MATERIALS

- Housing:** Thermoplastic
 - Center pin:** Nickel plating.
 - Terminal:** Brass/Copper alloy Silver plating.
- All materials must be RoHS compliant.

ORDERING INFORMATION:

P/N DC15-03CSB

DIA. 1.5MM DC POWER JACK

DIA. 1.5MM DC POWER JACK (3)

SPECIFICATIONS

1. **Rating:** 1A 30VDC

2. **Withstanding voltage:**

AC 500V, 60Hz for 1 minute

3. **Insulation resistance (initial):** 100M Ω (min.) at 500V DC

4. **Contact resistance (initial):**

30m Ω (max.) at AC 100mA (max.) 1 KHz

5. **Insertion & Extraction force:**

Initial : 0.3 to 3.0Kgs

After life test: 0.2 to 3.0Kgs

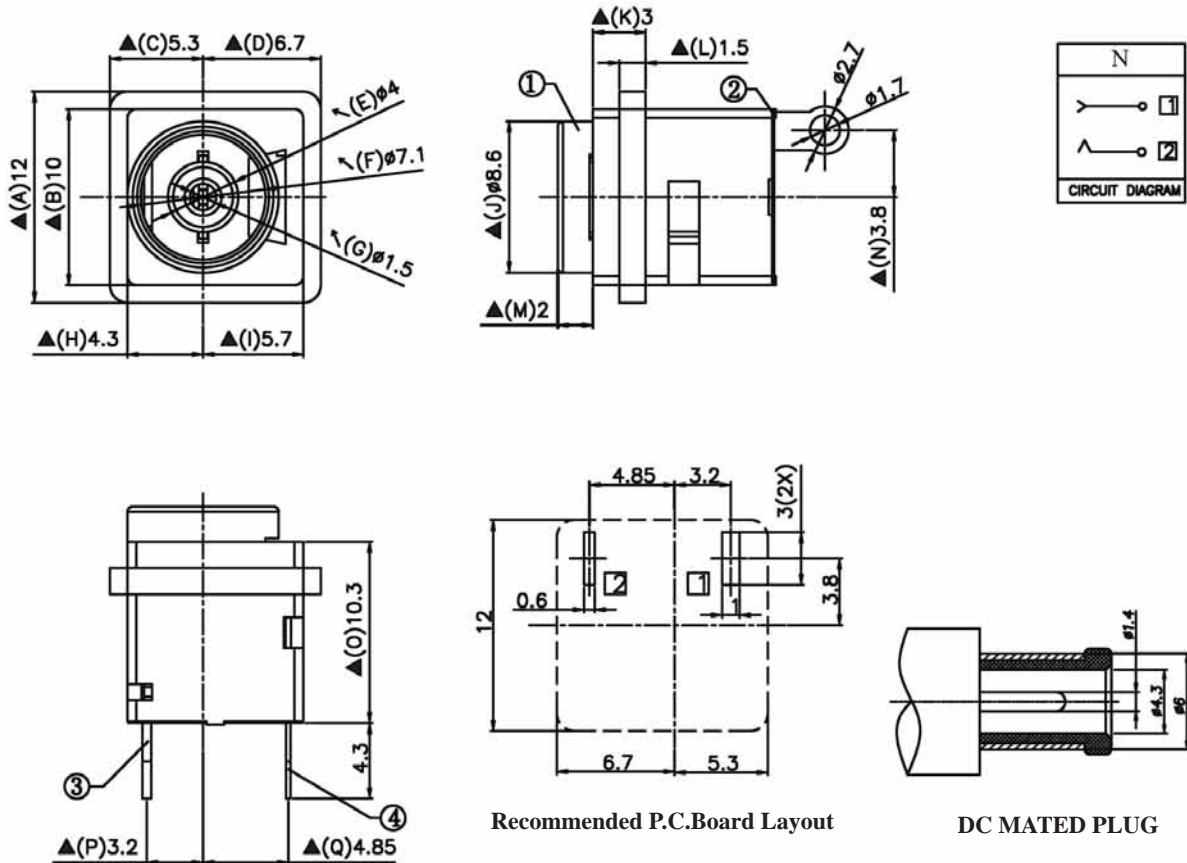
MATERIALS

1. **Housing:** Thermoplastic

2. **Center pin:** Nickel plating

3. **Terminal:** Brass/Copper alloy Tin plating.

* **RoHS & REACH compliant.**



ORDERING INFORMATION:

P/N DC $\frac{15}{1}$ - $\frac{N04}{2}$ $\frac{NT}{3}$ $\frac{TB}{4}$ $\frac{B}{5}$

1. CENTER PIN DIAMETER:

"15" \varnothing 1.5MM

2. DC JACK CODE:

"N04" R/A DIP TYPE

3. SCHEMATIC OPTION:

N

4. TERMINAL FINISH:

"T" TIN PLATED

5. HOUSING COLOR:

"B" BLACK

DIA. 1.5MM DC POWER JACK (4)

SPECIFICATIONS

1. **Rating:** 1A 12VDC

2. **Withstanding voltage:**

AC 500V, 60Hz for 1 minute

3. **Insulation resistance (initial):** 100MΩ(min.) at 500V DC

4. **Contact resistance (initial):**

30mΩ(max.) at AC 100mA (max.) 1 KHz

5. **Insertion & Extraction force:**

Initial : 0.3 to 3.0Kgs

After life test: 0.2 to 3.0Kgs

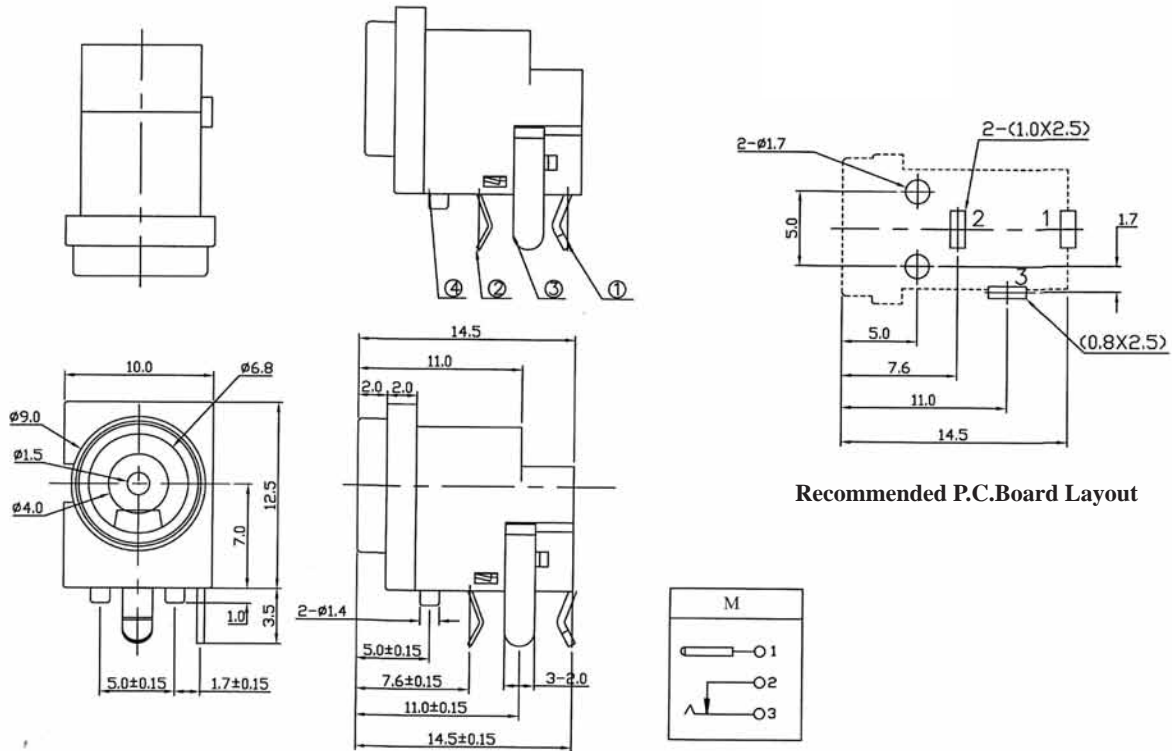
MATERIALS

1. **Housing:** Thermoplastic

2. **Center pin:** Nickel plating

3. **Terminal:** Brass/Copper alloy Silver plating.

* **RoHS & REACH compliant.**



Recommended P.C.Board Layout

ORDERING INFORMATION:

P/N D C 15 - 05 M S B
 1 2 3 4 5

1. CENTER PIN DIAMETER:

"15" Ø1.5MM

2. DC JACK CODE:

"05" R/A DIP TYPE

3. SCHEMATIC OPTION:

M

4. TERMINAL FINISH:

"S" SILVER PLATED

5. HOUSING COLOR:

"B" BLACK

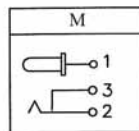
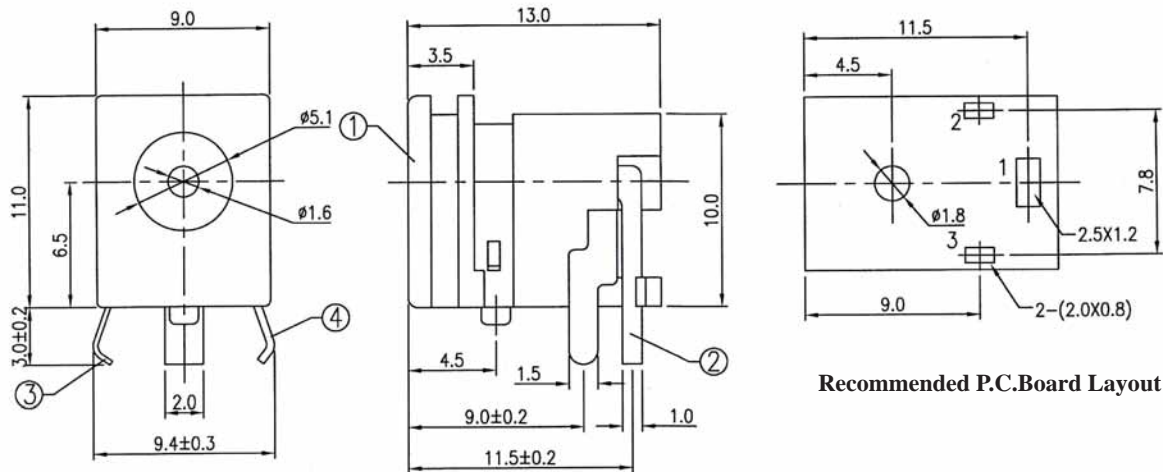
DIA. 1.6MM DC POWER JACK (1)

SPECIFICATIONS

1. **Rating:** 2A 16VDC
2. **Withstanding voltage:**
AC 500V, 60Hz for 1 minute
3. **Insulation resistance (initial):** 100MΩ(min.) at 500V DC
4. **Contact resistance (initial):**
30mΩ(max.) at AC 100mA (max.) 1 KHz
5. **Insertion & Extraction force:**
Initial : 0.3 to 3.0Kgs
After life test: 0.2 to 3.0Kgs

MATERIALS

1. **Housing:** Thermoplastic
 2. **Center pin:** Nickel plating
 3. **Terminal:** Brass/Copper alloy Silver plating.
- * **RoHS & REACH compliant.**



ORDERING INFORMATION:

P/N DC $\frac{16}{1}$ - $\frac{20}{2}$ M $\frac{S}{3}$ $\frac{B}{4}$ $\frac{B}{5}$

1. CENTER PIN DIAMETER:
"16" Ø1.6MM
2. DC JACK CODE:
"20" R/A DIP TYPE
3. SCHEMATIC OPTION:
M
4. TERMINAL FINISH:
"S" SILVER PLATED
5. HOUSING COLOR:
"B" BLACK

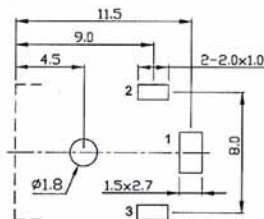
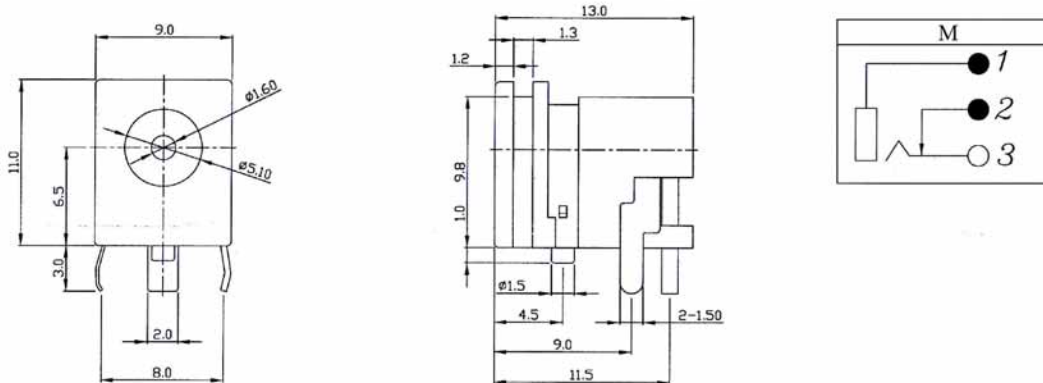
DIA. 1.6MM DC POWER JACK (2)

SPECIFICATIONS

1. **Rating:** 3.5A 24VDC
2. **Withstanding voltage:**
AC 500V, 60Hz for 1 minute
3. **Insulation resistance (initial):** 100M Ω (min.) at 500V DC
4. **Contact resistance (initial):**
30m Ω (max.) at AC 100mA (max.) 1 KHz
5. **Insertion & Extraction force:**
Initial : 0.3 to 3.0Kgs
After life test: 0.2 to 3.0Kgs

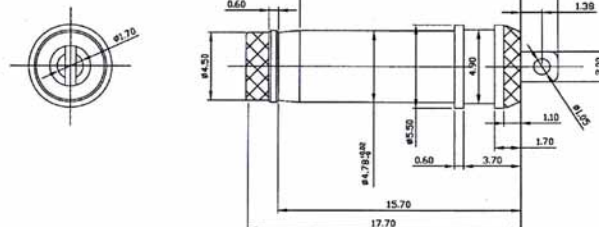
MATERIALS

1. **Housing:** Thermoplastic
 2. **Center pin:** Nickel plating
 3. **Terminal:** Brass/Copper alloy Tin plating.
- * **RoHS & REACH compliant.**



Recommended P.C.Board Layout

DC MATED PLUG



ORDERING INFORMATION:

P/N DC 16 - V 14 M T B
1 2 3 4 5

1. CENTER PIN DIAMETER:
"16" \varnothing 1.6MM
2. DC JACK CODE:
V14
3. SCHEMATIC OPTION:
M
4. TERMINAL FINISH:
"T" TIN PLATED
5. HOUSING COLOR:
"B" BLACK

Recommended P.C.Board Layout

DC MATED PLUG

ORDERING INFORMATION:

P/N D C $\frac{16}{1}$ - $\frac{Y18}{2}$ $\frac{M}{3}$ $\frac{T}{4}$ $\frac{B}{5}$

1. CENTER PIN DIAMETER:
"16" Ø1.6MM
2. DC JACK CODE:
Y18
3. SCHEMATIC OPTION:
M
4. TERMINAL FINISH:
"T" TIN PLATED
5. HOUSING COLOR:
"B" BLACK

DIA. 1.65MM DC POWER JACK (1)

Dimension (m/m)		
		DC16-01
Pin Hole Layout (Jack Bottom View)	Schematic Code (Normal Close)	SPECIFICATIONS
		<p>1. Rating: 5A 24VDC</p> <p>2. Withstanding voltage: AC 500V, 60Hz for 1 minute</p> <p>3. Insulation resistance (initial): 100MΩ (min.) at 500V DC</p> <p>4. Contact resistance (initial): 30mΩ (max.) at AC 100mA (max.) 1 KHz</p> <p>5. Insertion & Extraction force: Initial : 0.3 to 3.0Kgs After life test: 0.2 to 3.0Kgs</p> <p>6. Life test: 5,000 cycles unloading (20-30 cycle/minute)</p> <p>MATERIALS</p> <p>1. Housing: Thermoplastic</p> <p>2. Center pin: Nickel plating.</p> <p>3. Terminal: Brass/Copper alloy Silver plating.</p> <p>All materials must be RoHS compliant.</p>

ORDERING INFORMATION:

P/N DC16-01CSB

DIA. 1.65MM DC POWER JACK NORMAL CLOSE

DIA. 1.65MM DC POWER JACK (2)

Dimension (m/m)		
		DC16-02
Pin Hole Layout (Jack Bottom View)	Schematic Code (Normal Close)	SPECIFICATIONS 1. Rating: 5A 24VDC 2. Withstanding voltage: AC 500V, 60Hz for 1 minute 3. Insulation resistance (initial): 100MΩ (min.) at 500V DC 4. Contact resistance (initial): 30mΩ (max.) at AC 100mA (max.) 1 KHz 5. Insertion & Extraction force: Initial : 0.3 to 3.0Kgs After life test: 0.2 to 3.0Kgs 6. Life test: 5,000 cycles unloading (20-30 cycle/minute)
		MATERIALS 1. Housing: Thermoplastic 2. Center pin: Nickel plating. 3. Terminal: Brass/Copper alloy Silver plating. All materials must be RoHS compliant.

ORDERING INFORMATION:

P/N DC16-02CSB

DIA. 1.65MM DC POWER JACK NORMAL CLOSE

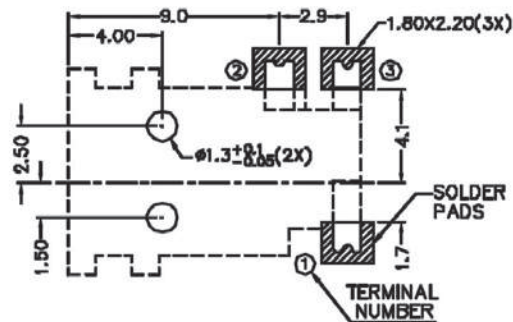
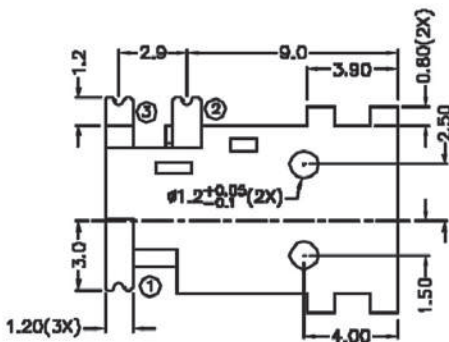
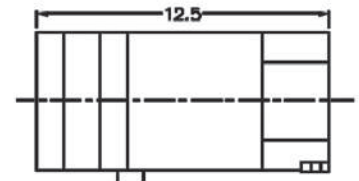
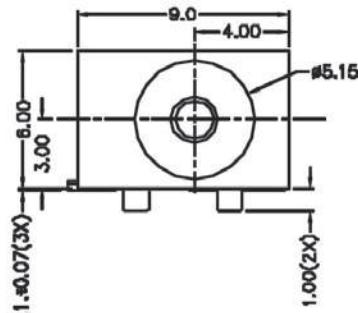
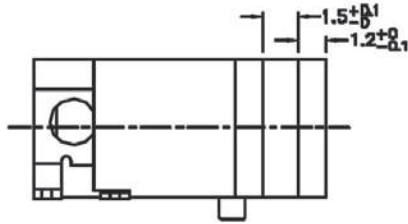
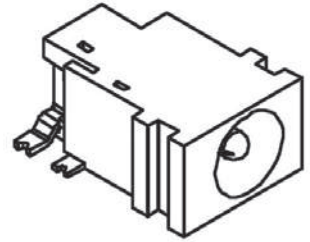
DIA. 1.65MM DC POWER JACK (3)

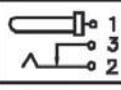
SPECIFICATIONS

1. **Rating:** 5A 16VDC
2. **Withstanding voltage:**
AC 500V, 60Hz for 1 minute
3. **Insulation resistance (initial):** 100M Ω (min.) at 500V DC
4. **Contact resistance (initial):**
30m Ω (max.) at AC 100mA (max.) 1 KHz
5. **Insertion & Extraction force:**
Initial : 0.3 to 3.0Kgs
After life test: 0.2 to 3.0Kgs

MATERIALS

1. **Housing:** Thermoplastic
 2. **Center pin:** Nickel plating
 3. **Terminal:** Brass/Copper alloy Silver plating.
- * RoHS & REACH compliant.



SCHEMATIC	
CENTER PIN	#1.65mm

Recommended P.C.Board Layout



DC MATED PLUG

ORDERING INFORMATION:

P/N DC 16 - T 0 9 M S B

DIA. 1.65MM DC POWER JACK RATING: 5A 16VDC

DIA. 1.65MM DC POWER JACK (4)

SPECIFICATIONS

1.Rating: 2.5A 16VDC

2.Withstanding voltage:

AC 500V, 60Hz for 1 minute

3.Insulation resistance (initial): 100MΩ(min.) at 500V DC

4.Contact resistance (initial):

30mΩ(max.) at AC 100mA (max.) 1 KHz

5.Insertion & Extraction force:

Initial : 0.3 to 3.0Kgs

After life test: 0.2 to 3.0Kgs

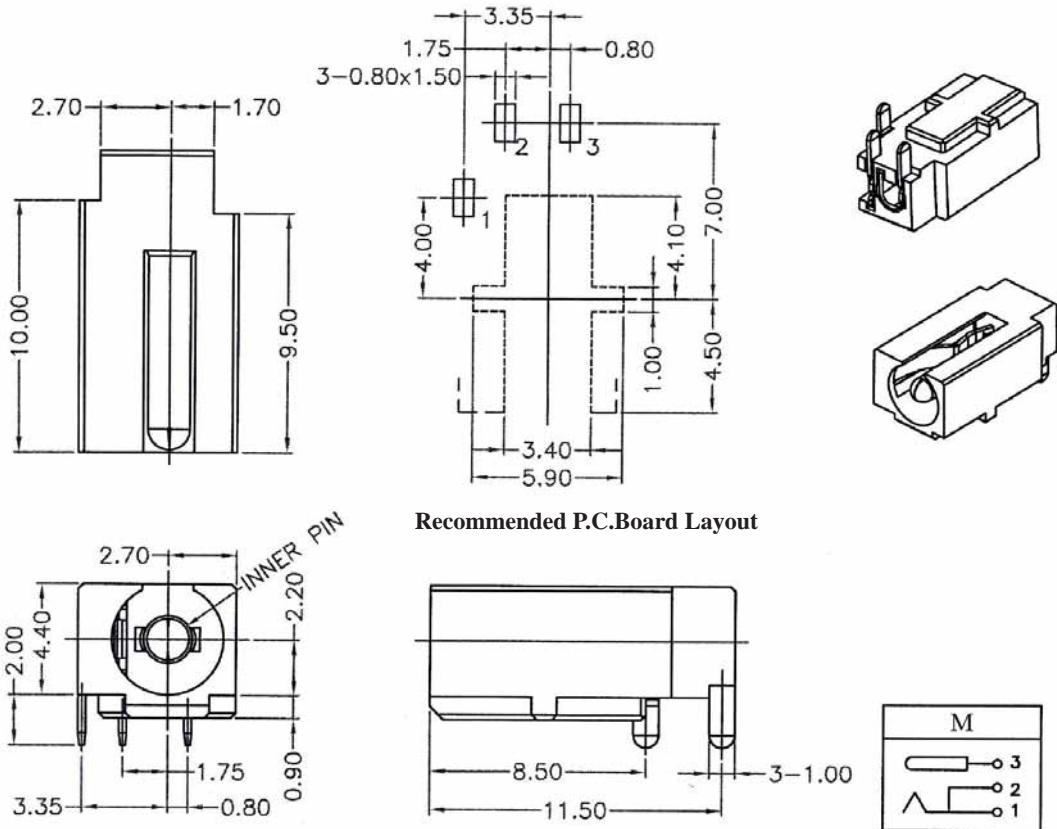
MATERIALS

1.Housing: Thermoplastic

2.Center pin: Nickel plating

3.Terminal: Brass/Copper alloy Gold plating.

* RoHS & REACH compliant.



Recommended P.C.Board Layout

ORDERING INFORMATION:

P/N DC $\frac{16}{1}$ - $\frac{18}{2}$ M $\frac{G}{3}$ $\frac{B}{4}$ $\frac{B}{5}$

1. CENTER PIN DIAMETER:

"16" Ø1.65MM

2. DC JACK CODE:

"18" R/A DIP TYPE

3. SCHEMATIC OPTION:

M

4. TERMINAL FINISH:

"G" GOLD PLATED

5. HOUSING COLOR:

"B" BLACK

DIA. 1.65MM DC POWER JACK (5)

SPECIFICATIONS

1.Rating: 2.5A 16VDC

2.Withstanding voltage:

AC 500V, 60Hz for 1 minute

3.Insulation resistance (initial): 100M Ω (min.) at 500V DC

4.Contact resistance (initial):

30m Ω (max.) at AC 100mA (max.) 1 KHz

5.Insertion & Extraction force:

Initial : 0.3 to 3.0Kgs

After life test: 0.2 to 3.0Kgs

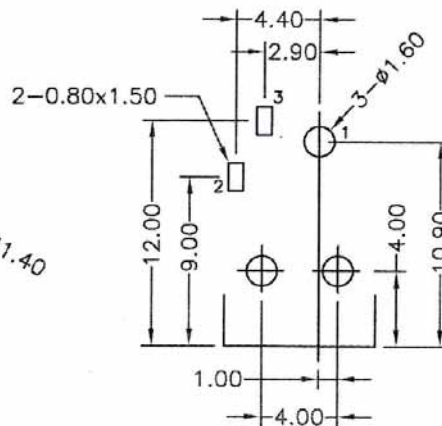
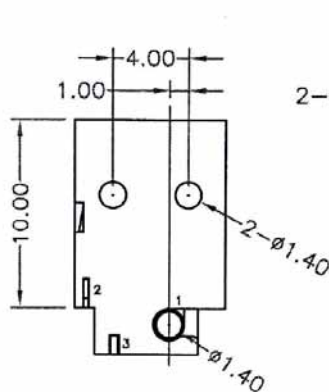
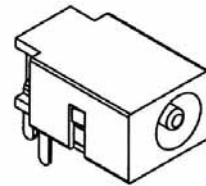
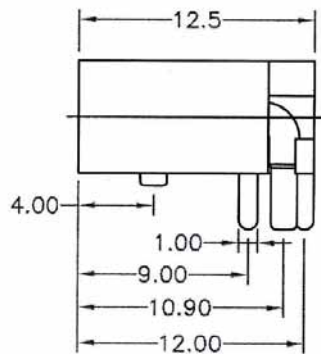
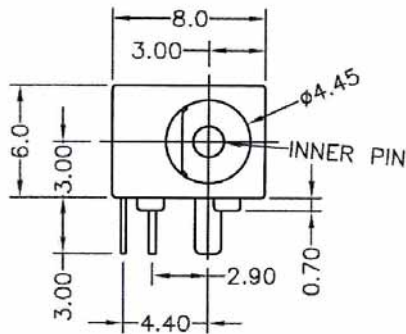
MATERIALS

1.Housing: Thermoplastic

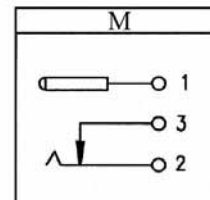
2.Center pin: Nickel plating

3.Terminal: Brass/Copper alloy Tin plating.

* RoHS & REACH compliant.



Recommended P.C.Board Layout



ORDERING INFORMATION:

P/N DC 16 - 19 M T B
1 2 3 4 5

1. CENTER PIN DIAMETER:

"16" $\phi 1.65$ MM

2. DC JACK CODE:

"19" R/A DIP TYPE

3. SCHEMATIC OPTION:

M

4. TERMINAL FINISH:

"T" TIN PLATED

5. HOUSING COLOR:

"B" BLACK

DIA. 1.65MM DC POWER JACK (6)

SPECIFICATIONS

1. Rating: 1A 12VDC

2. Withstanding voltage:

AC 500V, 60Hz for 1 minute

3. Insulation resistance (initial): 100M Ω (min.) at 500V DC

4. Contact resistance (initial):

30m Ω (max.) at AC 100mA (max.) 1 KHz

5. Insertion & Extraction force:

Initial : 0.3 to 3.0Kgs

After life test: 0.2 to 3.0Kgs

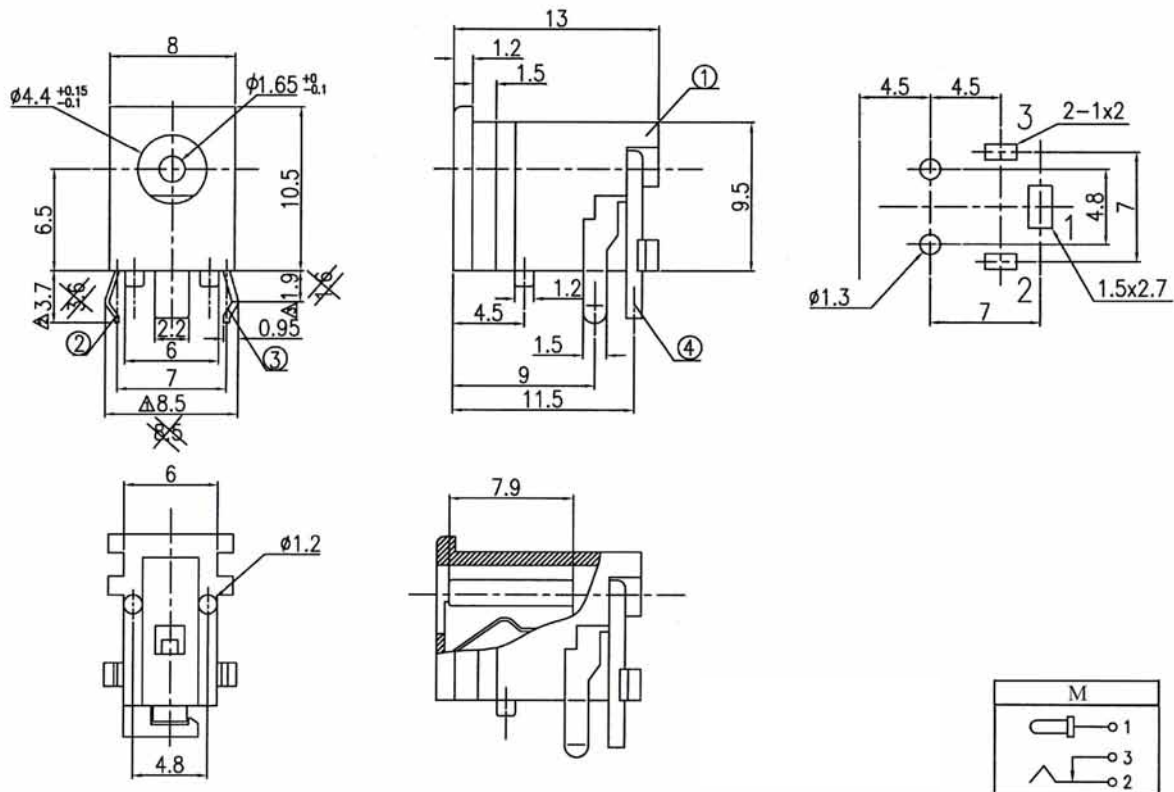
MATERIALS

1. Housing: Thermoplastic

2. Center pin: Nickel plating

3. Terminal: Brass/Copper alloy Silver plating.

* RoHS & REACH compliant.



ORDERING INFORMATION:

P/N DC 16 - 21 M S B
 1 2 3 4 5

1. CENTER PIN DIAMETER:

"16" \varnothing 1.65MM

2. DC JACK CODE:

"21" R/A DIP TYPE

3. SCHEMATIC OPTION:

M

4. TERMINAL FINISH:

"S" SILVER PLATED

5. HOUSING COLOR:

"B" BLACK

DIA. 1.65MM DC POWER JACK (7)

SPECIFICATIONS

1. **Rating:** 2A 6.3VDC

2. **Withstanding voltage:**

AC 500V, 60Hz for 1 minute

3. **Insulation resistance (initial):** 100MΩ(min.) at 500V DC

4. **Contact resistance (initial):**

30mΩ(max.) at AC 100mA (max.) 1 KHz

5. **Insertion & Extraction force:**

Initial : 0.3 to 3.0Kgs

After life test: 0.2 to 3.0Kgs

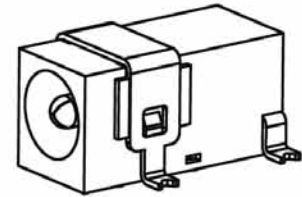
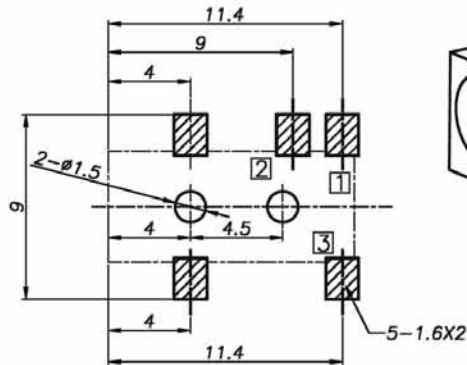
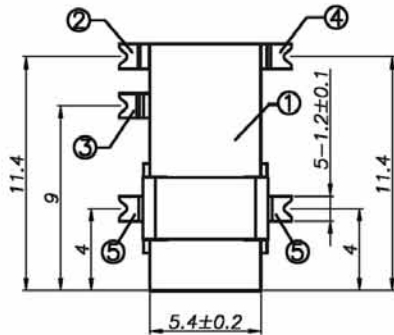
MATERIALS

1. **Housing:** Thermoplastic

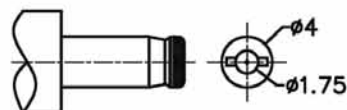
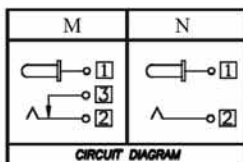
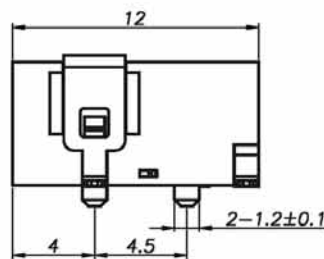
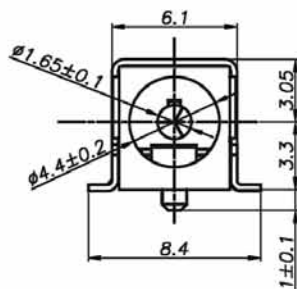
2. **Center pin:** Nickel plating

3. **Terminal:** Brass/Copper alloy Silver plating.

* **RoHS & REACH compliant.**



Recommended P.C.Board Layout



DC MATED PLUG

ORDERING INFORMATION:

P/N DC $\frac{16}{1}$ - $\frac{N01}{2}$ x $\frac{S}{3}$ $\frac{B}{4}$ $\frac{B}{5}$

1. CENTER PIN DIAMETER:
"16" Ø1.65MM
2. DC JACK CODE:
"N01" SHIELDED SMT TYPE
3. SCHEMATIC OPTION:
M, N
4. TERMINAL FINISH:
"S" SILVER PLATED
5. HOUSING COLOR:
"B" BLACK

DIA. 1.65MM DC POWER JACK (8)

SPECIFICATIONS

1. **Rating:** 2.5A 20VDC

2. **Withstanding voltage:**

AC 500V, 60Hz for 1 minute

3. **Insulation resistance (initial):** 100M Ω (min.) at 500V DC

4. **Contact resistance (initial):**

30m Ω (max.) at AC 100mA (max.) 1 KHz

5. **Insertion & Extraction force:**

Initial : 0.3 to 3.0Kgs

After life test: 0.2 to 3.0Kgs

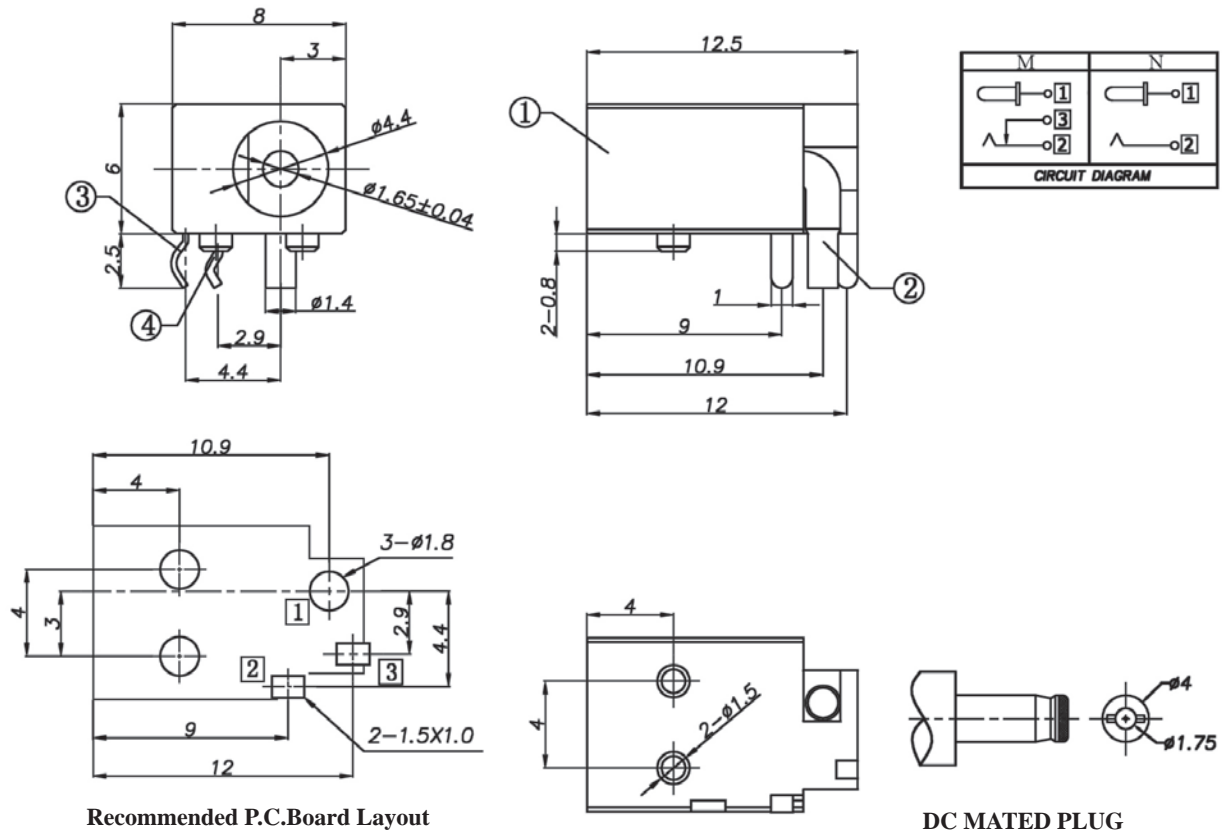
MATERIALS

1. **Housing:** Thermoplastic

2. **Center pin:** Nickel plating

3. **Terminal:** Brass/Copper alloy Silver plating.

* **RoHS & REACH compliant.**



ORDERING INFORMATION:

P/N DC $\frac{16}{1}$ - $\frac{N02}{2}$ x $\frac{S}{3}$ $\frac{B}{4}$ $\frac{B}{5}$

1. CENTER PIN DIAMETER:

"16" \varnothing 1.65MM

2. DC JACK CODE:

"N02" R/A DIP TYPE

3. SCHEMATIC OPTION:

M, N

4. TERMINAL FINISH:

"S" SILVER PLATED

5. HOUSING COLOR:

"B" BLACK

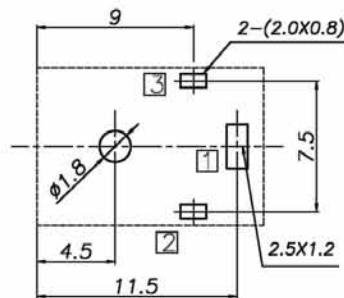
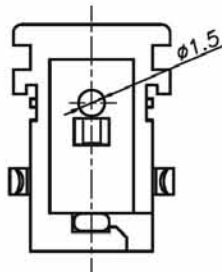
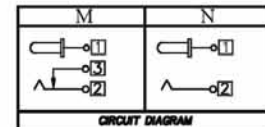
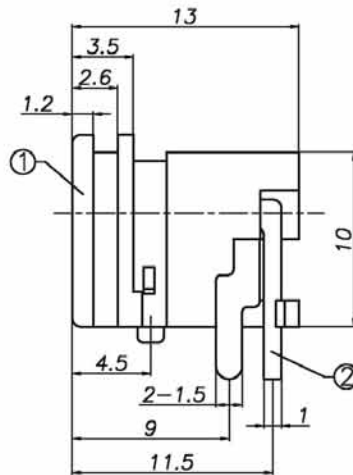
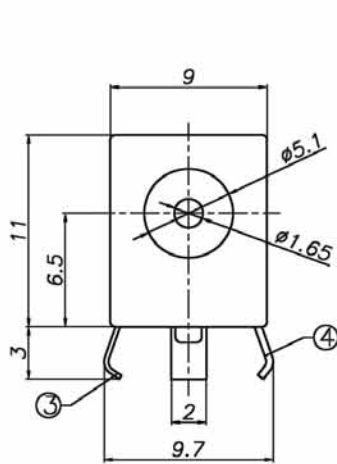
DIA. 1.65MM DC POWER JACK (9)

SPECIFICATIONS

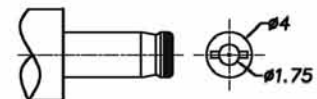
1. **Rating:** 0.5A 30VDC
2. **Withstanding voltage:**
AC 500V, 60Hz for 1 minute
3. **Insulation resistance (initial):** 100MΩ(min.) at 500V DC
4. **Contact resistance (initial):**
30mΩ(max.) at AC 100mA (max.) 1 KHz
5. **Insertion & Extraction force:**
Initial : 0.3 to 3.0Kgs
After life test: 0.2 to 3.0Kgs

MATERIALS

1. **Housing:** Thermoplastic
 2. **Center pin:** Nickel plating
 3. **Terminal:** Brass/Copper alloy Silver plating.
- * RoHS & REACH compliant.



Recommended P.C. Board Layout



DC MATED PLUG

ORDERING INFORMATION:

P/N DC $\frac{16}{1}$ - $\frac{N03}{2}$ x $\frac{S}{3}$ $\frac{B}{4}$ $\frac{5}{5}$

1. CENTER PIN DIAMETER:
"16" Ø1.65MM
2. DC JACK CODE:
"N03" R/A DIP TYPE
3. SCHEMATIC OPTION:
M, N
4. TERMINAL FINISH:
"S" SILVER PLATED
5. HOUSING COLOR:
"B" BLACK

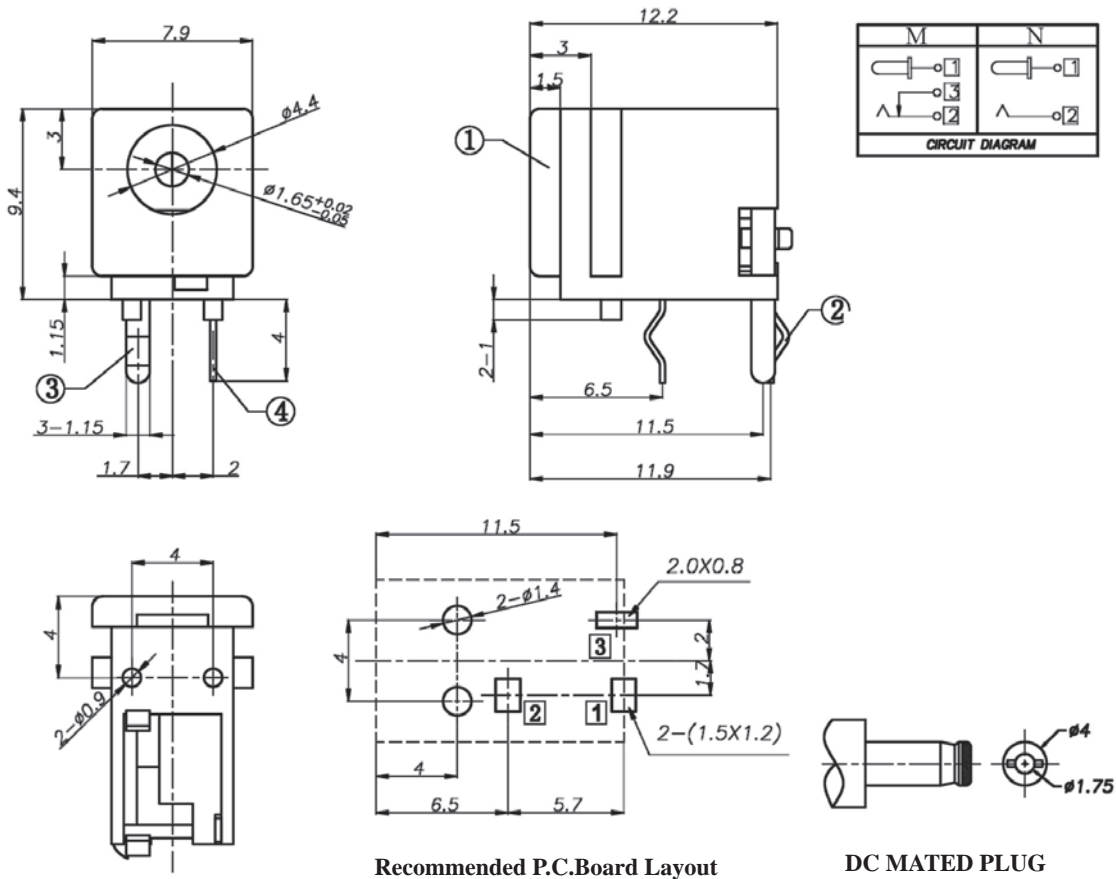
DIA. 1.65MM DC POWER JACK (10)

SPECIFICATIONS

1. **Rating:** 1A 30VDC
2. **Withstanding voltage:**
AC 500V, 60Hz for 1 minute
3. **Insulation resistance (initial):** 100M Ω (min.) at 500V DC
4. **Contact resistance (initial):**
30m Ω (max.) at AC 100mA (max.) 1 KHz
5. **Insertion & Extraction force:**
Initial : 0.3 to 3.0Kgs
After life test: 0.2 to 3.0Kgs

MATERIALS

1. **Housing:** Thermoplastic
 2. **Center pin:** Nickel plating
 3. **Terminal:** Brass/Copper alloy Silver plating.
- * RoHS & REACH compliant.



Recommended P.C.Board Layout

DC MATED PLUG

ORDERING INFORMATION:

P/N DC $\frac{16}{1}$ - $\frac{N04}{2}$ x $\frac{S}{3}$ $\frac{B}{4}$ $\frac{5}{5}$

1. CENTER PIN DIAMETER:
"16" $\phi 1.65$ MM
2. DC JACK CODE:
"N04" R/A DIP TYPE
3. SCHEMATIC OPTION:
M, N
4. TERMINAL FINISH:
"S" SILVER PLATED
5. HOUSING COLOR:
"B" BLACK

DIA. 1.65MM DC POWER JACK (11)

SPECIFICATIONS

1. **Rating:** 7A 20VDC

2. **Withstanding voltage:**

AC 500V, 60Hz for 1 minute

3. **Insulation resistance (initial):** 100MΩ(min.) at 500V DC

4. **Contact resistance (initial):**

30mΩ(max.) at AC 100mA (max.) 1 KHz

5. **Insertion & Extraction force:**

Initial : 0.3 to 3.0Kgs

After life test: 0.2 to 3.0Kgs

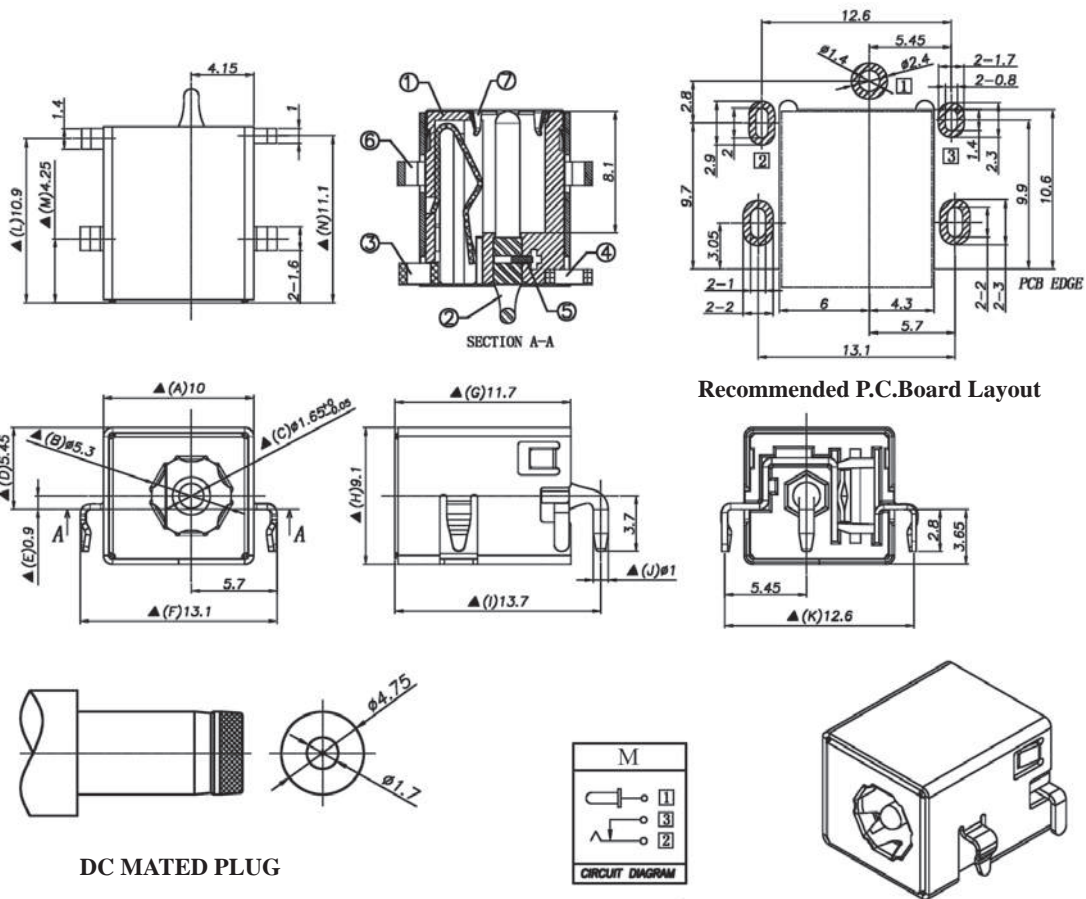
MATERIALS

1. **Housing:** Thermoplastic

2. **Center pin:** Nickel plating

3. **Terminal:** Brass/Copper alloy Silver plating.

* **RoHS & REACH compliant.**



ORDERING INFORMATION:

P/N D C 16 - N05 M S B
 1 2 3 4 5

1. CENTER PIN DIAMETER:

"16" Ø1.65MM

2. DC JACK CODE:

"N05" R/A DIP TYPE

3. SCHEMATIC OPTION:

M

4. TERMINAL FINISH:

"S" SILVER PLATED

5. HOUSING COLOR:

"B" BLACK

DIA. 1.65MM DC POWER JACK (12)

SPECIFICATIONS

1. **Rating:** 3A 20VDC

2. **Withstanding voltage:**

AC 500V, 60Hz for 1 minute

3. **Insulation resistance (initial):** 100MΩ(min.) at 500V DC

4. **Contact resistance (initial):**

30mΩ(max.) at AC 100mA (max.) 1 KHz

5. **Insertion & Extraction force:**

Initial : 0.3 to 3.0Kgs

After life test: 0.2 to 3.0Kgs

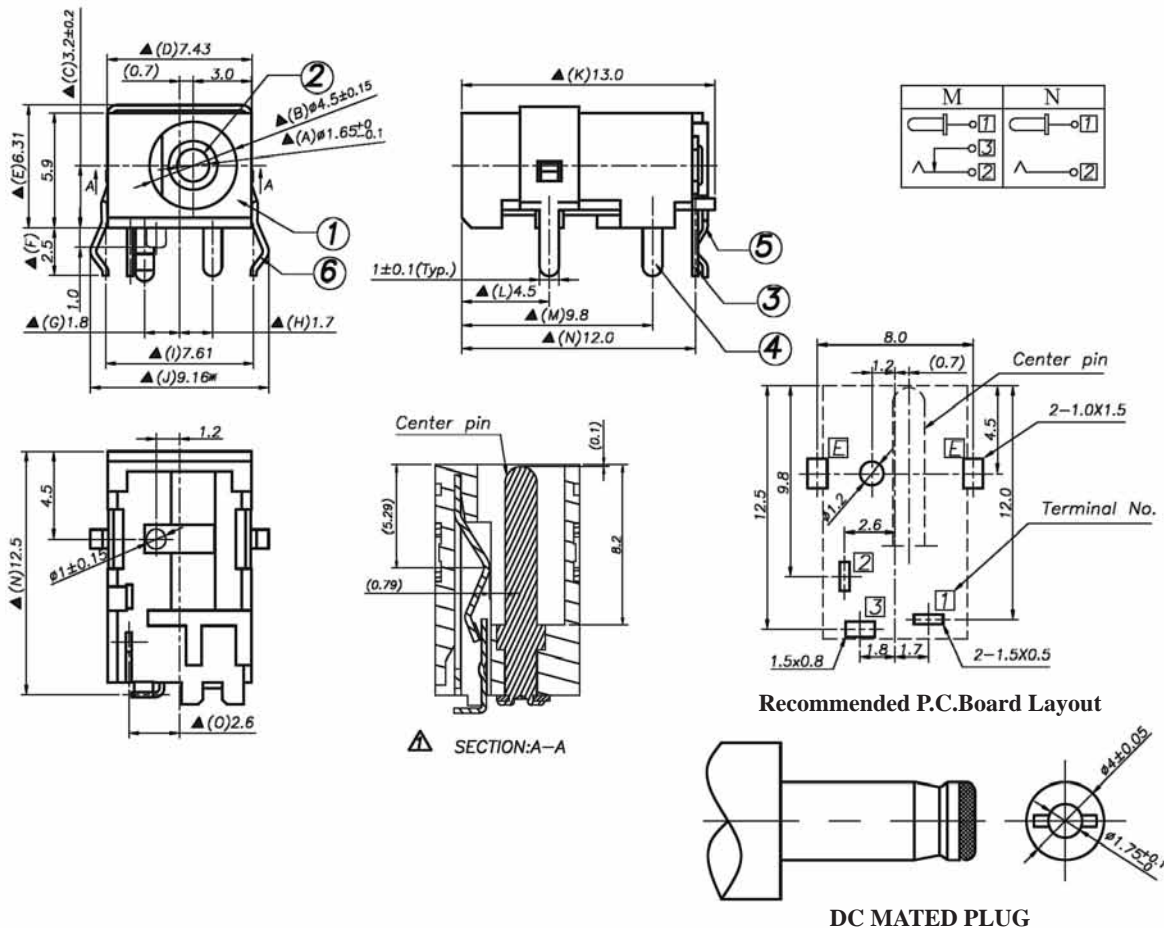
MATERIALS

1. **Housing:** Thermoplastic

2. **Center pin:** Nickel plating

3. **Terminal:** Brass/Copper alloy Silver plating.

* **RoHS & REACH compliant.**



ORDERING INFORMATION:

P/N DC $\frac{16}{1}$ - $\frac{N06}{2}$ x $\frac{S}{3}$ x $\frac{S}{4}$ x $\frac{S}{5}$

1. CENTER PIN DIAMETER:

"16" Ø1.65MM

2. DC JACK CODE:

"N06" SHIELDED R/A DIP TYPE

3. SCHEMATIC OPTION:

M, N

4. TERMINAL FINISH:

"S" SILVER PLATED

5. HOUSING COLOR:

"B" BLACK

"Y" YELLOW

DIA. 1.65MM DC POWER JACK (13)

SPECIFICATIONS

1. **Rating:** 6A 20VDC

2. **Withstanding voltage:**

AC 500V, 60Hz for 1 minute

3. **Insulation resistance (initial):** 100MΩ(min.) at 500V DC

4. **Contact resistance (initial):**

30mΩ(max.) at AC 100mA (max.) 1 KHz

5. **Insertion & Extraction force:**

Initial : 0.3 to 3.0Kgs

After life test: 0.2 to 3.0Kgs

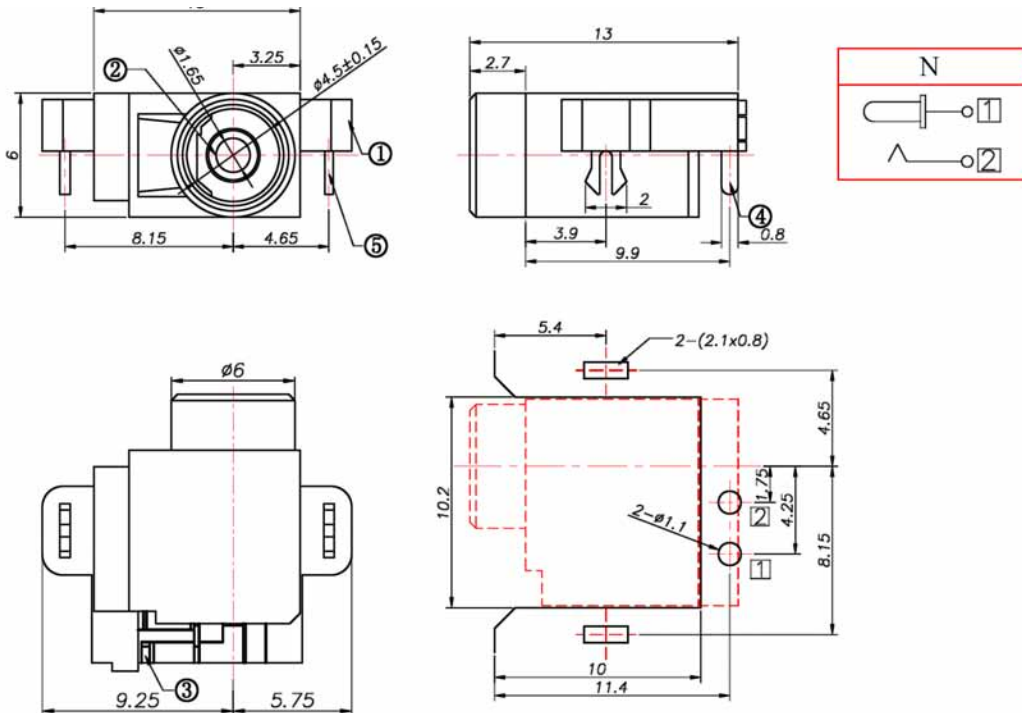
MATERIALS

1. **Housing:** Thermoplastic

2. **Center pin:** Nickel plating

3. **Terminal:** Brass/Copper alloy Tin & Gold plating.

* **RoHS & REACH compliant.**



Recommended P.C.Board Layout

ORDERING INFORMATION:

P/N D C $\frac{16}{1}$ - $\frac{N07}{2}$ $\frac{N}{3}$ $\frac{x}{4}$ $\frac{x}{5}$

1. CENTER PIN DIAMETER:

"16" Ø1.65MM

2. DC JACK CODE:

"N07" R/A DIP TYPE

3. SCHEMATIC OPTION:

N

4. TERMINAL FINISH:

"G" GOLD PLATED

"T" TIN PLATED (STANDARD)

5. HOUSING COLOR:

"B" BLACK "N" GREEN

"R" RED "U" BLUE

"W" WHITE "O" ORANGE

"Y" YELLOW

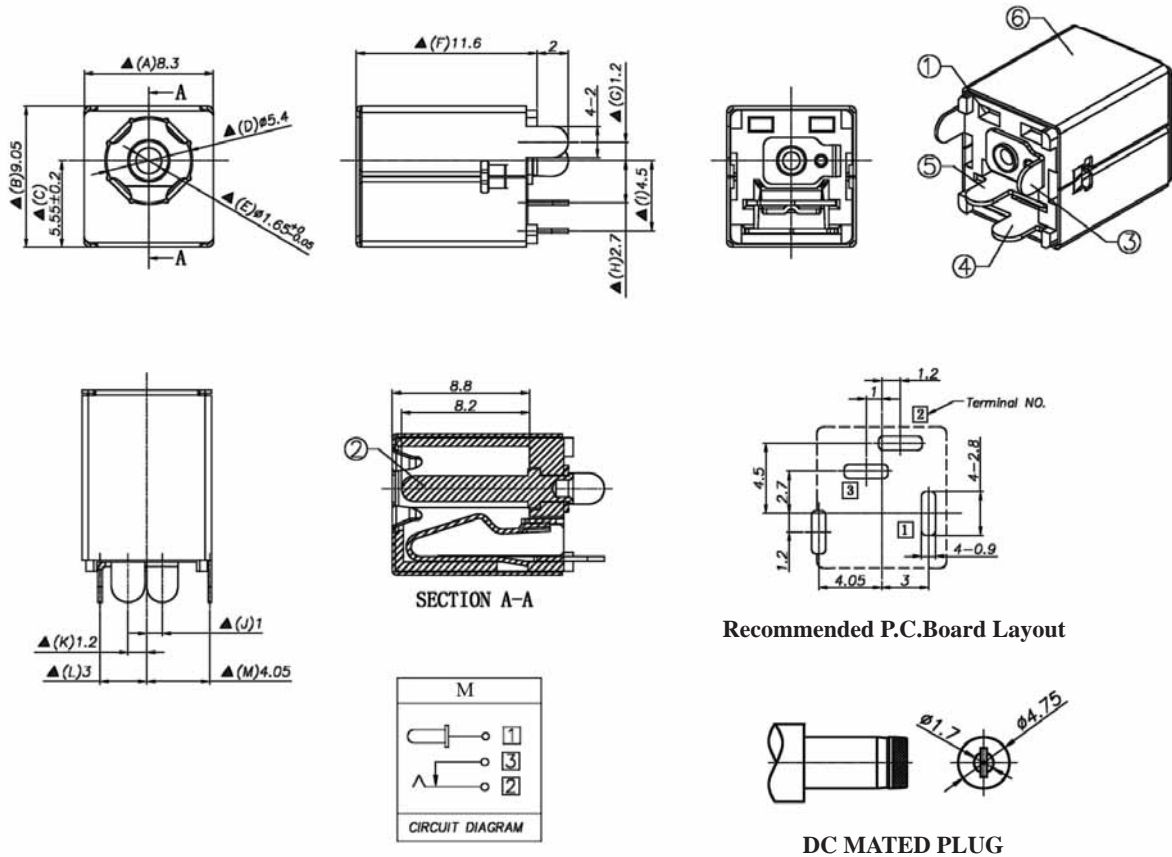
DIA. 1.65MM DC POWER JACK (14)

SPECIFICATIONS

1. **Rating:** 3A 20VDC
2. **Withstanding voltage:**
AC 500V, 60Hz for 1 minute
3. **Insulation resistance (initial):** 100M Ω (min.) at 500V DC
4. **Contact resistance (initial):**
30m Ω (max.) at AC 100mA (max.) 1 KHz
5. **Insertion & Extraction force:**
Initial : 0.3 to 3.0Kgs
After life test: 0.2 to 3.0Kgs

MATERIALS

1. **Housing:** Thermoplastic
 2. **Center pin:** Nickel plating
 3. **Terminal:** Brass/Copper alloy Silver plating.
- * **RoHS & REACH compliant.**



ORDERING INFORMATION:

P/N DC 16 - N08 M S B
 1 2 3 4 5

1. CENTER PIN DIAMETER:
"16" ϕ 1.65MM
2. DC JACK CODE:
"N08" STRAIGHT DIP TYPE
3. SCHEMATIC OPTION:
M
4. TERMINAL FINISH:
"S" SILVER PLATED
5. HOUSING COLOR:
"B" BLACK

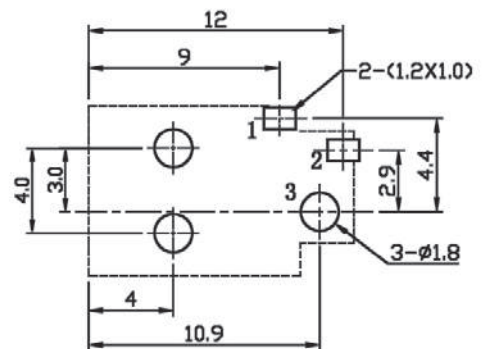
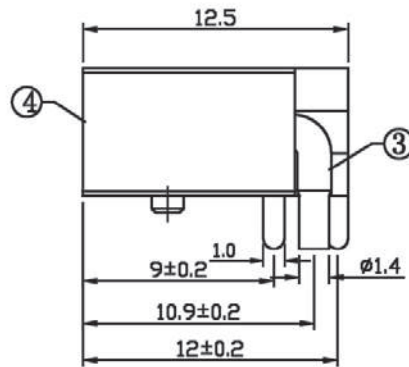
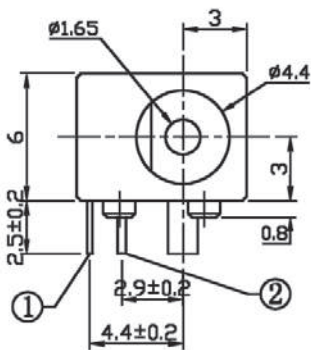
DIA. 1.65MM DC POWER JACK (15)

SPECIFICATIONS

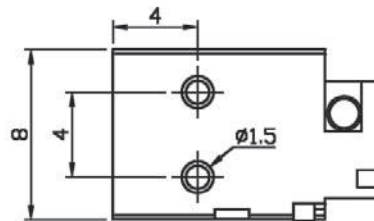
1. **Rating:** 0.5A 30VDC
2. **Withstanding voltage:**
AC 500V, 60Hz for 1 minute
3. **Insulation resistance (initial):** 100M Ω (min.) at 500V DC
4. **Contact resistance (initial):**
30m Ω (max.) at AC 100mA (max.) 1 KHz
5. **Insertion & Extraction force:**
Initial : 0.3 to 3.0Kgs
After life test: 0.2 to 3.0Kgs

MATERIALS

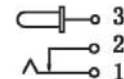
1. **Housing:** Thermoplastic
 2. **Center pin:** Nickel plating
 3. **Terminal:** Brass/Copper alloy Silver plating.
- * RoHS & REACH compliant.



Recommended P.C.Board Layout



SCHEMATIC



ORDERING INFORMATION:

P/N DC 16 - N09 M S B
1 2 3 4 5

1. CENTER PIN DIAMETER:
"16" \varnothing 1.65MM
2. DC JACK CODE:
"N09" R/A DIP TYPE
3. SCHEMATIC OPTION:
M
4. TERMINAL FINISH:
"S" SILVER PLATED
5. HOUSING COLOR:
"B" BLACK

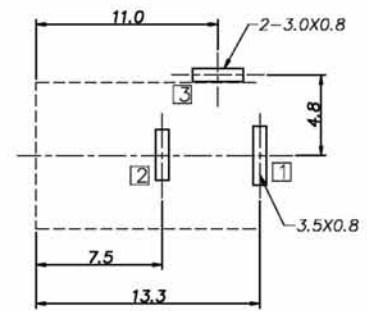
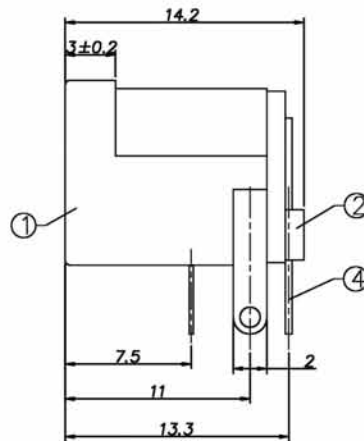
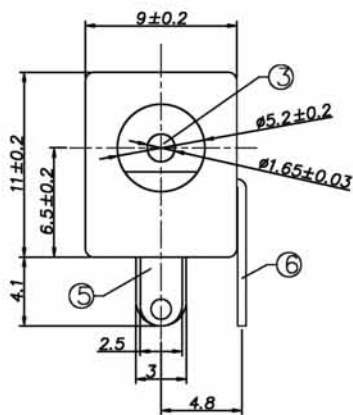
DIA. 1.65MM DC POWER JACK (16)

SPECIFICATIONS

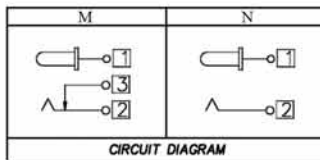
1. **Rating:** 2.5A 20VDC
2. **Withstanding voltage:**
AC 500V, 60Hz for 1 minute
3. **Insulation resistance (initial):** 100M Ω (min.) at 500V DC
4. **Contact resistance (initial):**
30m Ω (max.) at AC 100mA (max.) 1 KHz
5. **Insertion & Extraction force:**
Initial : 0.3 to 3.0Kgs
After life test: 0.2 to 3.0Kgs

MATERIALS

1. **Housing:** Thermoplastic
 2. **Center pin:** Nickel plating
 3. **Terminal:** Brass/Copper alloy Silver plating.
- * RoHS & REACH compliant.



Recommended P.C.Board Layout



ORDERING INFORMATION:

P/N DC $\frac{16}{1}$ - $\frac{N10}{2}$ x $\frac{S}{3}$ $\frac{B}{4}$ $\frac{B}{5}$

1. CENTER PIN DIAMETER:
"16" Ø1.65MM
2. DC JACK CODE:
"N10" R/A DIP TYPE
3. SCHEMATIC OPTION:
M, N
4. TERMINAL FINISH:
"S" SILVER PLATED
5. HOUSING COLOR:
"B" BLACK

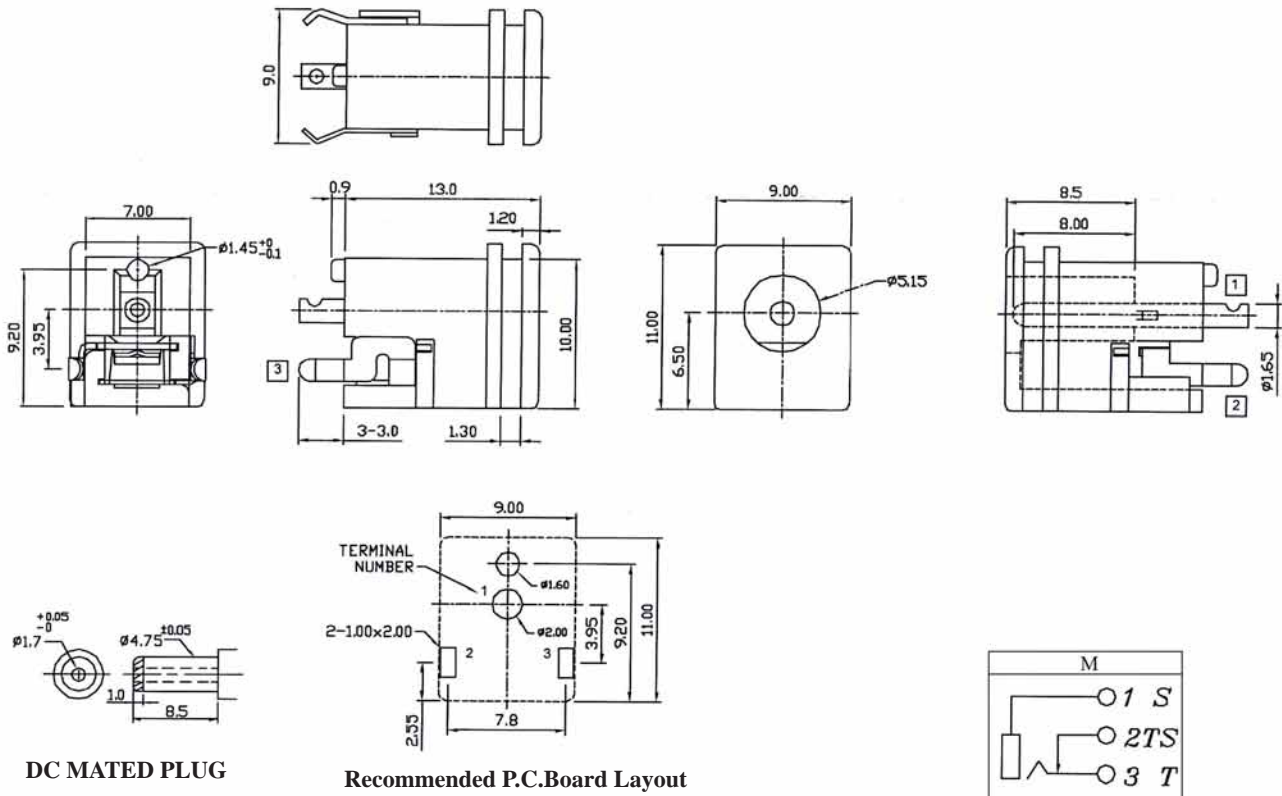
DIA. 1.65MM DC POWER JACK (17)

SPECIFICATIONS

1. **Rating:** 3.5A 24VDC
2. **Withstanding voltage:**
AC 500V, 60Hz for 1 minute
3. **Insulation resistance (initial):** 100M Ω (min.) at 500V DC
4. **Contact resistance (initial):**
30m Ω (max.) at AC 100mA (max.) 1 KHz
5. **Insertion & Extraction force:**
Initial : 0.3 to 3.0Kgs
After life test: 0.2 to 3.0Kgs

MATERIALS

1. **Housing:** Thermoplastic
 2. **Center pin:** Nickel plating
 3. **Terminal:** Brass/Copper alloy Tin plating.
- * **RoHS & REACH compliant.**



DC MATED PLUG

Recommended P.C.Board Layout

ORDERING INFORMATION:

P/N DC 16 - V07 M T B
1 2 3 4 5

1. CENTER PIN DIAMETER:
"16" $\phi 1.65$ MM
2. DC JACK CODE:
V07
3. SCHEMATIC OPTION:
M
4. TERMINAL FINISH:
"T" TIN PLATED
5. HOUSING COLOR:
"B" BLACK

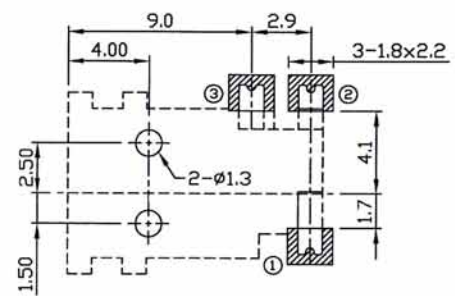
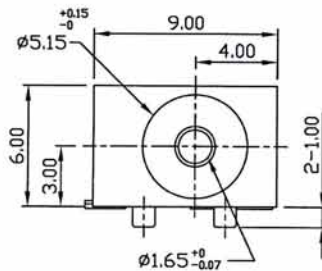
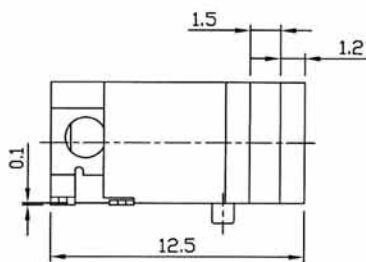
DIA. 1.65MM DC POWER JACK (18)

SPECIFICATIONS

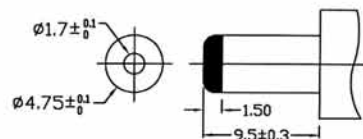
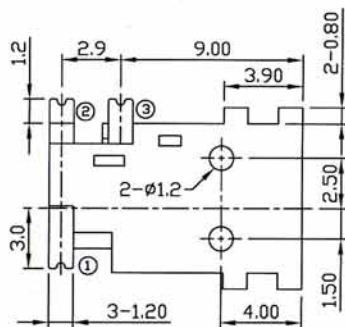
1. **Rating:** 2.5A 16VDC
2. **Withstanding voltage:**
AC 500V, 60Hz for 1 minute
3. **Insulation resistance (initial):** 100M Ω (min.) at 500V DC
4. **Contact resistance (initial):**
30m Ω (max.) at AC 100mA (max.) 1 KHz
5. **Insertion & Extraction force:**
Initial : 0.3 to 3.0Kgs
After life test: 0.2 to 3.0Kgs

MATERIALS

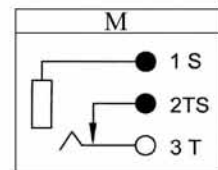
1. **Housing:** Thermoplastic
 2. **Center pin:** Nickel plating
 3. **Terminal:** Brass/Copper alloy Silver plating.
- * RoHS & REACH compliant.



Recommended P.C. Board Layout



DC MATED PLUG



ORDERING INFORMATION:

P/N D C 16 - V08 M S B
1 2 3 4 5

1. CENTER PIN DIAMETER:
"16" Ø1.65MM
2. DC JACK CODE:
V08
3. SCHEMATIC OPTION:
M
4. TERMINAL FINISH:
"S" SILVER PLATED
5. HOUSING COLOR:
"B" BLACK

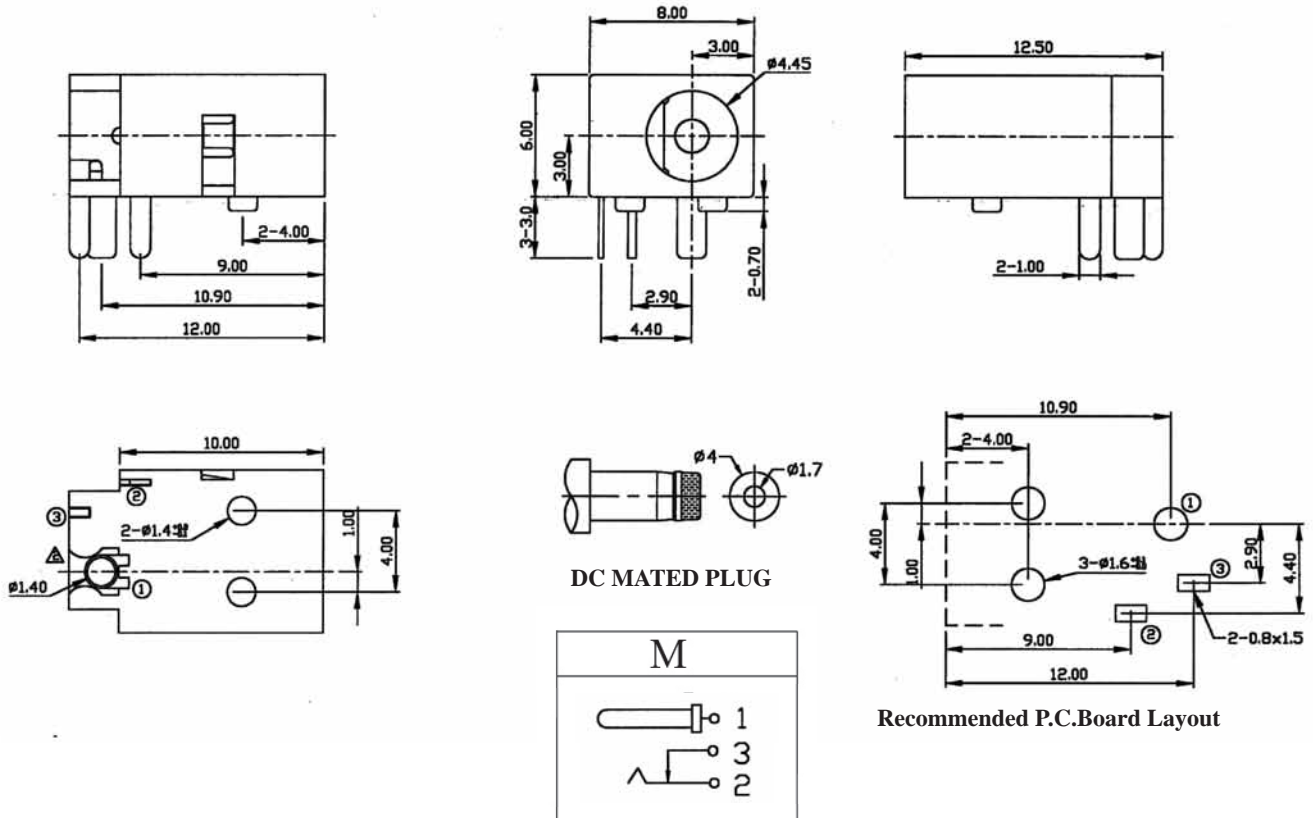
DIA. 1.65MM DC POWER JACK (19)

SPECIFICATIONS

1. **Rating:** 2.5A 16VDC
2. **Withstanding voltage:**
AC 500V, 60Hz for 1 minute
3. **Insulation resistance (initial):** 100M Ω (min.) at 500V DC
4. **Contact resistance (initial):**
30m Ω (max.) at AC 100mA (max.) 1 KHz
5. **Insertion & Extraction force:**
Initial : 0.3 to 3.0Kgs
After life test: 0.2 to 3.0Kgs

MATERIALS

1. **Housing:** Thermoplastic
 2. **Center pin:** Nickel plating
 3. **Terminal:** Brass/Copper alloy Tin plating.
- * RoHS & REACH compliant.



ORDERING INFORMATION:

P/N DC $\frac{16}{1}$ - $\frac{V21}{2}$ $\frac{MTB}{345}$

1. CENTER PIN DIAMETER:
"16" \varnothing 1.65MM
2. DC JACK CODE:
V21
3. SCHEMATIC OPTION:
M
4. TERMINAL FINISH:
"T" TIN PLATED
5. HOUSING COLOR:
"B" BLACK

DIA. 1.65MM DC POWER JACK (20)

SPECIFICATIONS

1. **Rating:** 2.5A 16VDC

2. **Withstanding voltage:**

AC 500V, 60Hz for 1 minute

3. **Insulation resistance (initial):** 100M Ω (min.) at 500V DC

4. **Contact resistance (initial):**

30m Ω (max.) at AC 100mA (max.) 1 KHz

5. **Insertion & Extraction force:**

Initial : 0.3 to 3.0Kgs

After life test: 0.2 to 3.0Kgs

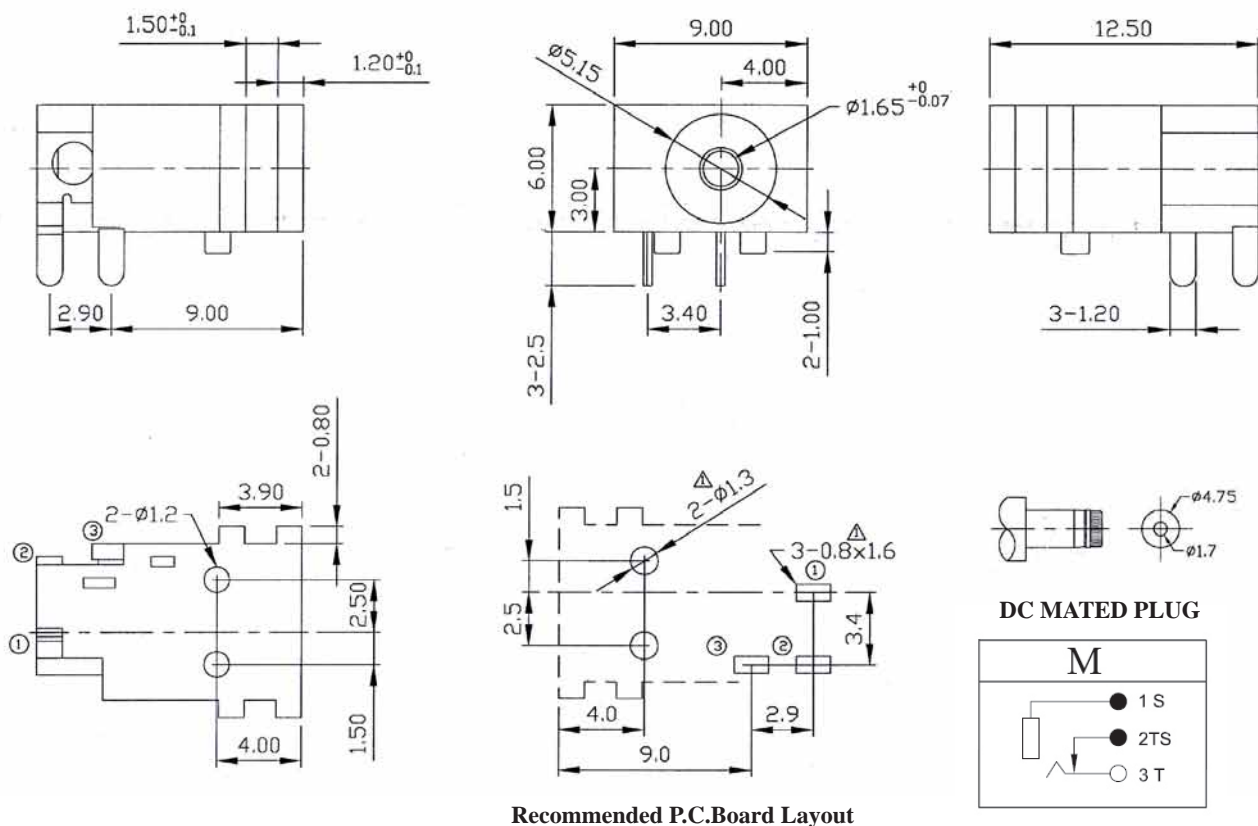
MATERIALS

1. **Housing:** Thermoplastic

2. **Center pin:** Nickel plating

3. **Terminal:** Brass/Copper alloy Tin plating.

* **RoHS & REACH compliant.**



Recommended P.C.Board Layout

ORDERING INFORMATION:

P/N DC 16 - V 28 M 3 T 4 B

1. CENTER PIN DIAMETER:

"16" Ø1.65MM

2. DC JACK CODE:

V28

3. SCHEMATIC OPTION:

M

4. TERMINAL FINISH:

"T" TIN PLATED

5. HOUSING COLOR:

"B" BLACK

DIA. 1.65MM DC POWER JACK (21)

SPECIFICATIONS

1. **Rating:** 5A 16VDC

2. **Withstanding voltage:**

AC 500V, 60Hz for 1 minute

3. **Insulation resistance (initial):** 100MΩ(min.) at 500V DC

4. **Contact resistance (initial):**

30mΩ(max.) at AC 100mA (max.) 1 KHz

5. **Insertion & Extraction force:**

Initial : 0.3 to 3.0Kgs

After life test: 0.2 to 3.0Kgs

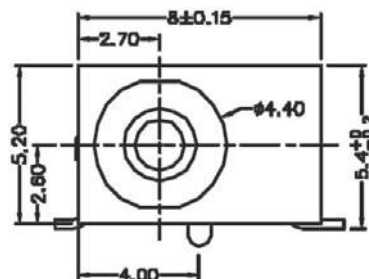
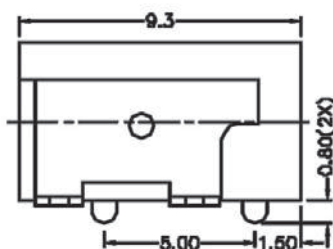
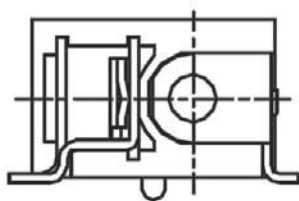
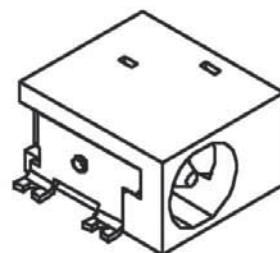
MATERIALS

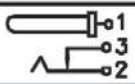
1. **Housing:** Thermoplastic

2. **Center pin:** Nickel plating

3. **Terminal:** Brass/Copper alloy Silver plating.

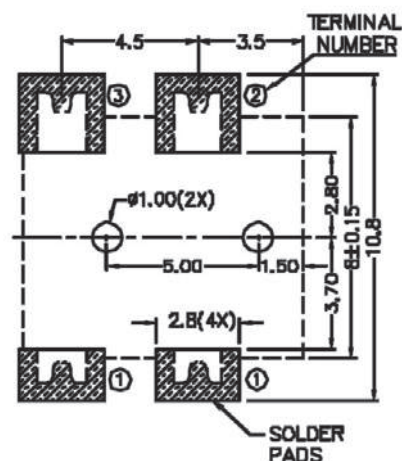
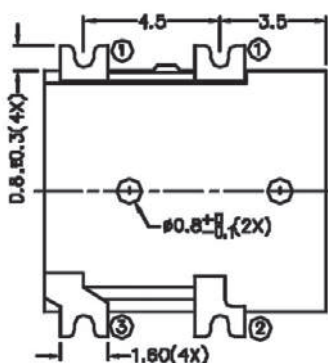
* RoHS & REACH compliant.



SCHEMATIC	
CENTER PIN	φ1.65mm



DC MATED PLUG



Recommended P.C.Board Layout

ORDERING INFORMATION:

P/N DC 16 - T 10 M S B

DIA. 1.65MM DC POWER JACK RATING: 5A 16VDC

HIGH CURRENT DIA. 1.65MM DC POWER JACK (22)

SPECIFICATIONS

1.Rating: 5A 16VDC

2.Withstanding voltage:

AC 500V, 60Hz for 1 minute

3.Insulation resistance (initial): 100M Ω (min.) at 500V DC

4.Contact resistance (initial):

30m Ω (max.) at AC 100mA (max.) 1 KHz

5.Insertion & Extraction force:

Initial : 0.3 to 3.0Kgs

After life test: 0.2 to 3.0Kgs

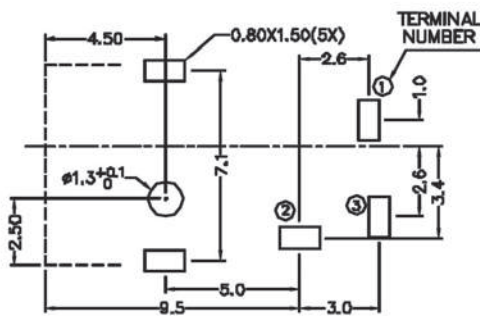
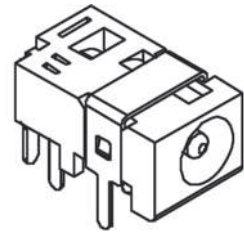
MATERIALS

1.Housing: Thermoplastic

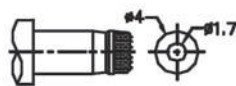
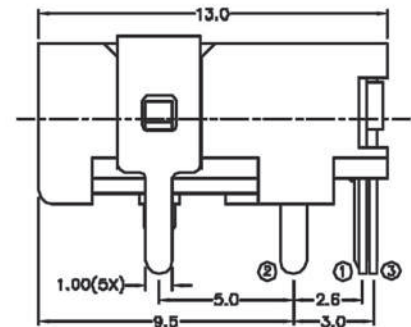
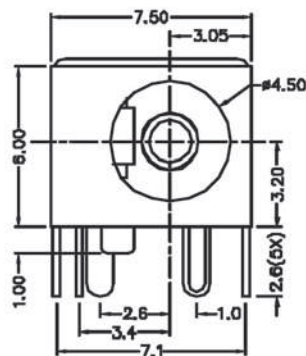
2.Center pin: Nickel plating

3.Terminal: Brass/Copper alloy Silver plating.

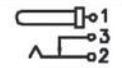
* RoHS & REACH compliant.

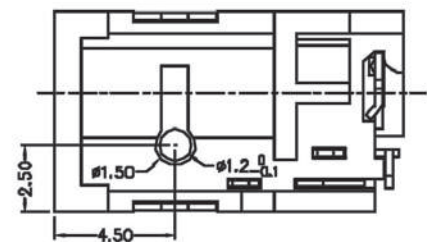


Recommended P.C.Board Layout



DC MATED PLUG

SCHEMATIC	
CENTER PIN	$\phi 1.65\text{mm}$



ORDERING INFORMATION:

P/N DC 16 - T 16 MS B

DIA. 1.65MM DC POWER JACK RATING: 5A 16VDC
SHIELDED TYPE

DIA. 1.65MM DC POWER JACK (23)

SPECIFICATIONS

1. **Rating:** 5A 16VDC

2. **Withstanding voltage:**

AC 500V, 60Hz for 1 minute

3. **Insulation resistance (initial):** 100M Ω (min.) at 500V DC

4. **Contact resistance (initial):**

30m Ω (max.) at AC 100mA (max.) 1 KHz

5. **Insertion & Extraction force:**

Initial : 0.3 to 3.0Kgs

After life test: 0.2 to 3.0Kgs

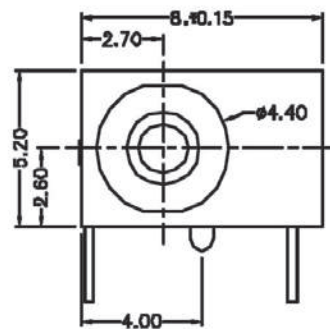
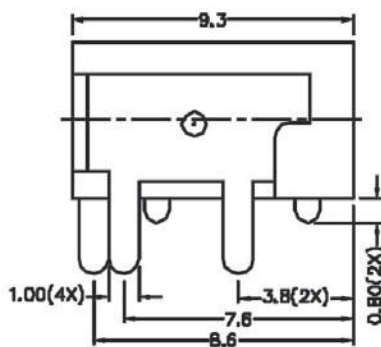
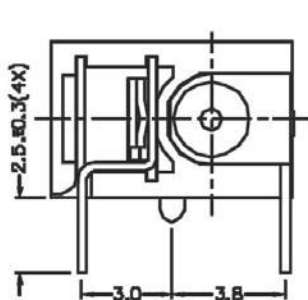
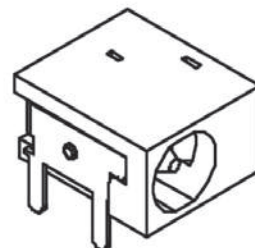
MATERIALS

1. **Housing:** Thermoplastic

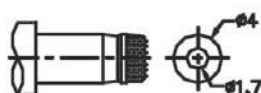
2. **Center pin:** Nickel plating

3. **Terminal:** Brass/Copper alloy Silver plating.

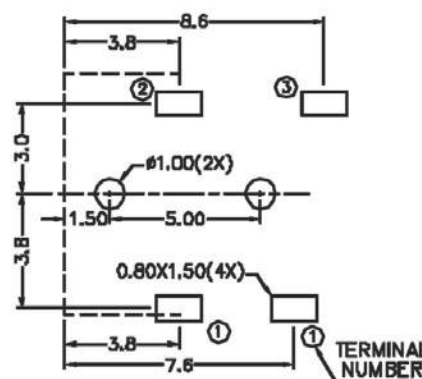
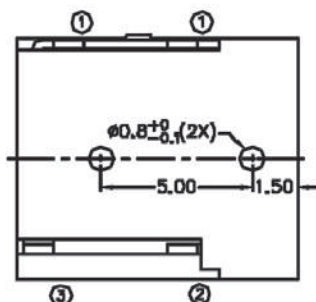
* **RoHS & REACH compliant.**



SCHEMATIC	
CENTER PIN	$\phi 1.65\text{mm}$



DC MATED PLUG



Recommended P.C.Board Layout

ORDERING INFORMATION:

P/N D C 1 6 - T 1 7 M S B

DIA. 1.65MM DC POWER JACK RATING: 5A 16VDC

DIA. 1.65MM DC POWER JACK (24)

SPECIFICATIONS

1. **Rating:** 5A 16VDC

2. **Withstanding voltage:**

AC 500V, 60Hz for 1 minute

3. **Insulation resistance (initial):** 100MΩ(min.) at 500V DC

4. **Contact resistance (initial):**

30mΩ(max.) at AC 100mA (max.) 1 KHz

5. **Insertion & Extraction force:**

Initial : 0.3 to 3.0Kgs

After life test: 0.2 to 3.0Kgs

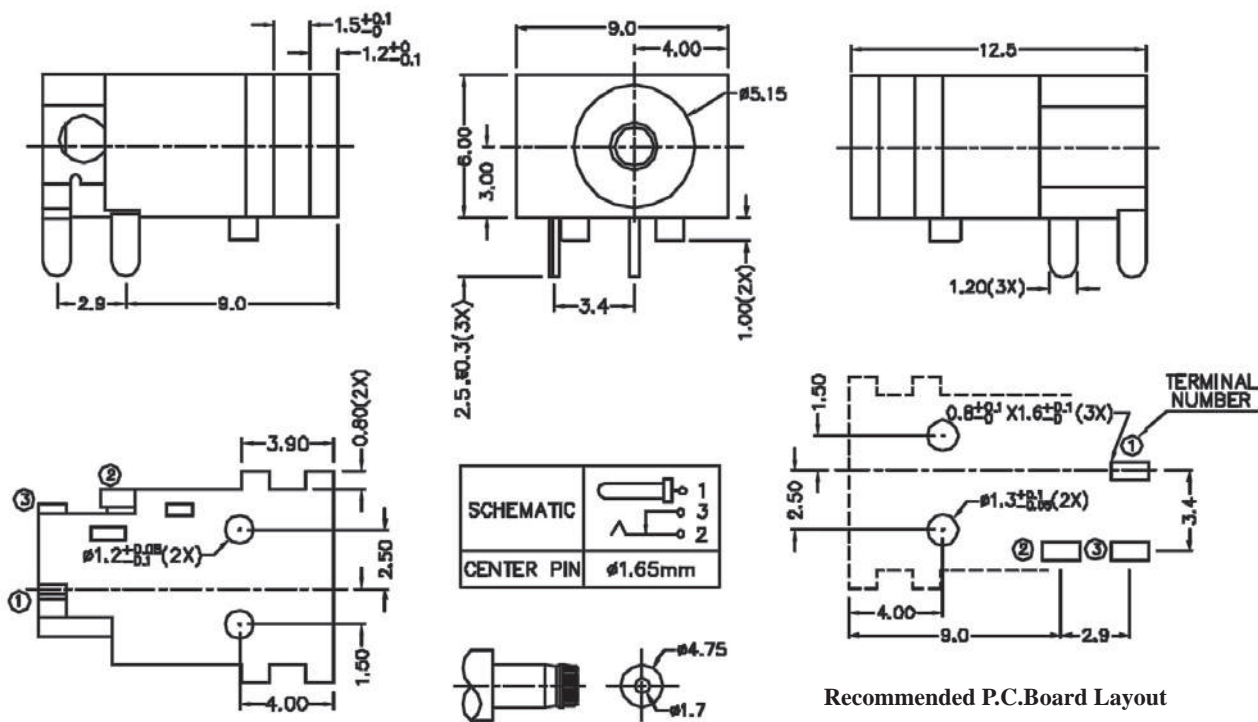
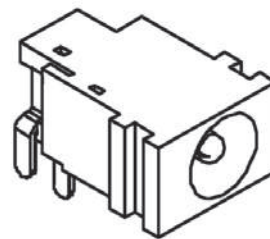
MATERIALS

1. **Housing:** Thermoplastic

2. **Center pin:** Nickel plating

3. **Terminal:** Brass/Copper alloy Silver plating.

* **RoHS & REACH compliant.**



DC MATED PLUG

ORDERING INFORMATION:

P/N DC 16 - T 18 M S B

DIA. 1.65MM DC POWER JACK RATING: 5A 16VDC

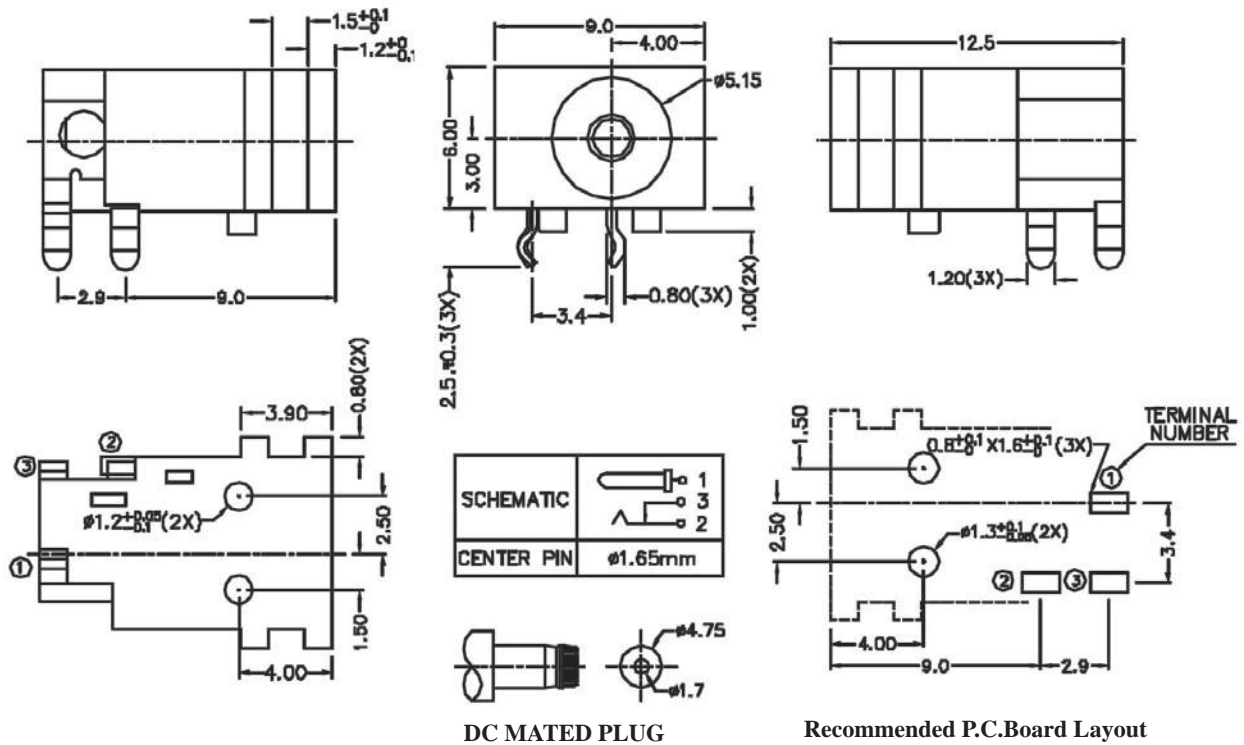
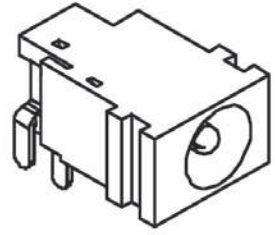
DIA. 1.65MM DC POWER JACK (25)

SPECIFICATIONS

1. **Rating:** 5A 16VDC
2. **Withstanding voltage:**
AC 500V, 60Hz for 1 minute
3. **Insulation resistance (initial):** 100MΩ(min.) at 500V DC
4. **Contact resistance (initial):**
30mΩ(max.) at AC 100mA (max.) 1 KHz
5. **Insertion & Extraction force:**
Initial : 0.3 to 3.0Kgs
After life test: 0.2 to 3.0Kgs

MATERIALS

1. **Housing:** Thermoplastic
 2. **Center pin:** Nickel plating
 3. **Terminal:** Brass/Copper alloy Silver plating.
- * RoHS & REACH compliant.



ORDERING INFORMATION:

P/N DC 16 - T 19 MS B

DIA. 1.65MM DC POWER JACK RATING: 5A 16VDC

DIA. 1.65MM DC POWER JACK (26)

SPECIFICATIONS

1. Rating: 5A 16VDC

2. Withstanding voltage:

AC 500V, 60Hz for 1 minute

3. Insulation resistance (initial): 100M Ω (min.) at 500V DC

4. Contact resistance (initial):

30m Ω (max.) at AC 100mA (max.) 1 KHz

5. Insertion & Extraction force:

Initial : 0.3 to 3.0Kgs

After life test: 0.2 to 3.0Kgs

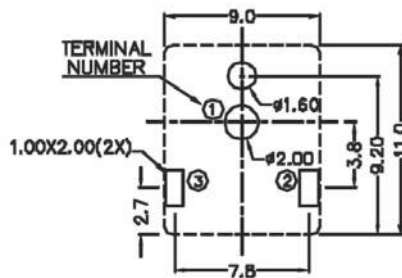
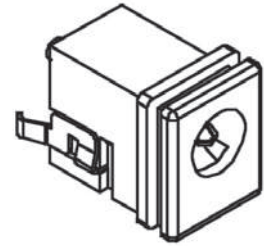
MATERIALS

1. Housing: Thermoplastic

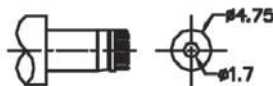
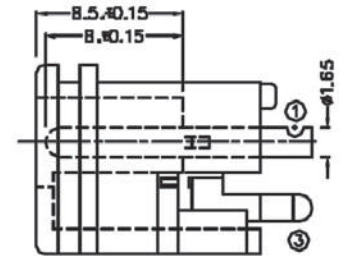
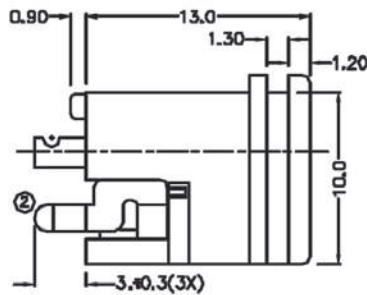
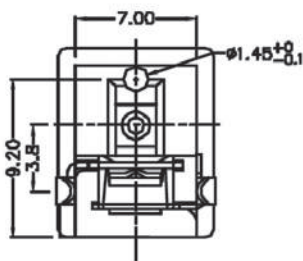
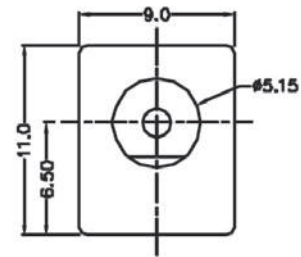
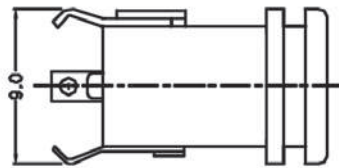
2. Center pin: Nickel plating

3. Terminal: Brass/Copper alloy Silver plating.

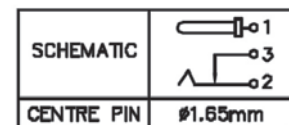
* RoHS & REACH compliant.



Recommended P.C.Board Layout



DC MATED PLUG



ORDERING INFORMATION:

P/N DC 16 - T 20 M S B

DIA. 1.65MM DC POWER JACK RATING: 5A 16VDC

DIA. 1.65MM DC POWER JACK (27)

SPECIFICATIONS

1. Rating: 5A 16VDC

2. Withstanding voltage:

AC 500V, 60Hz for 1 minute

3. Insulation resistance (initial): 100M Ω (min.) at 500V DC

4. Contact resistance (initial):

30m Ω (max.) at AC 100mA (max.) 1 KHz

5. Insertion & Extraction force:

Initial : 0.3 to 3.0Kgs

After life test: 0.2 to 3.0Kgs

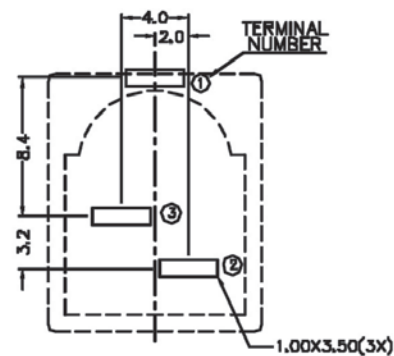
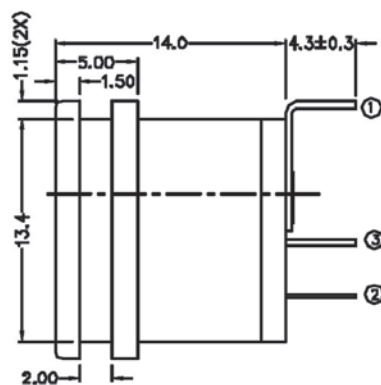
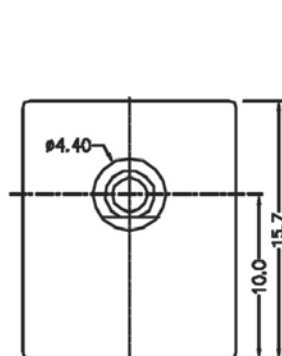
MATERIALS

1. Housing: Thermoplastic

2. Center pin: Nickel plating

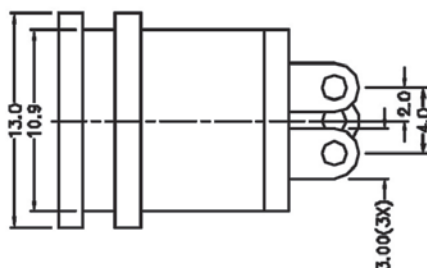
3. Terminal: Brass/Copper alloy Silver plating.

* RoHS & REACH compliant.



Recommended P.C.Board Layout

SCHEMATIC	
CENTER PIN	$\varnothing 1.65\text{mm}$



DC MATED PLUG

ORDERING INFORMATION:

P/N DC 16 - T 2 6 M S B

DIA. 1.65MM DC POWER JACK RATING: 5A 16VDC

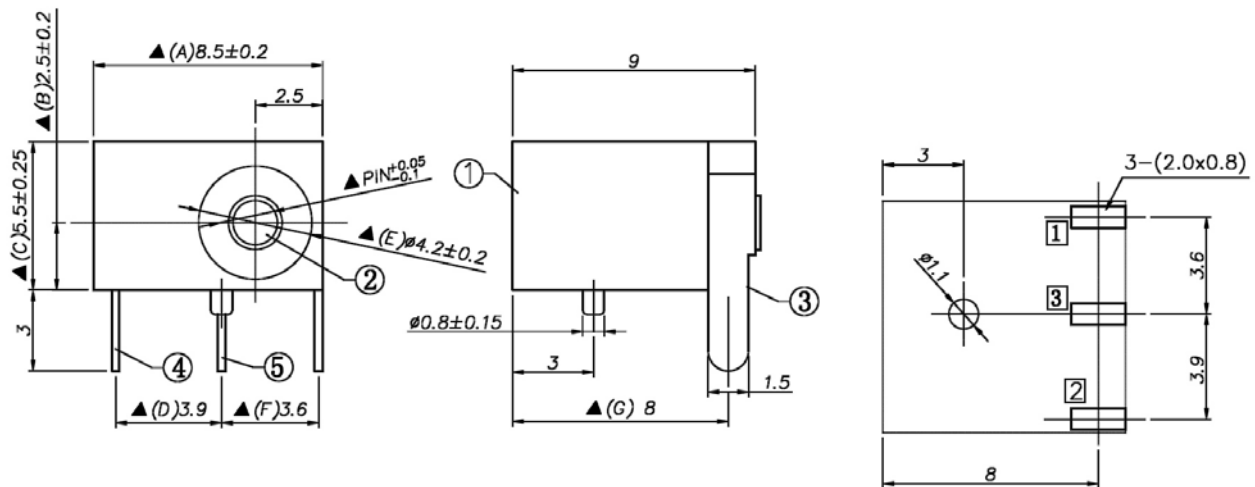
DIA. 1.65MM/2.0MM DC POWER JACK

SPECIFICATIONS

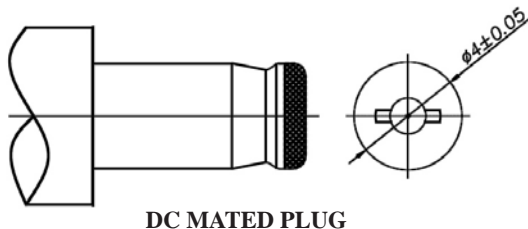
1. **Rating:** 2A 20VDC
2. **Withstanding voltage:**
AC 500V, 60Hz for 1 minute
3. **Insulation resistance (initial):** 100M Ω (min.) at 500V DC
4. **Contact resistance (initial):**
30m Ω (max.) at AC 100mA (max.) 1 KHz
5. **Insertion & Extraction force:**
Initial : 0.3 to 3.0Kgs
After life test: 0.2 to 3.0Kgs

MATERIALS

1. **Housing:** Thermoplastic
 2. **Center pin:** Nickel plating
 3. **Terminal:** Brass/Copper alloy Tin plating.
- * **RoHS & REACH compliant.**



Recommended P.C.Board Layout



DC MATED PLUG

ORDERING INFORMATION:

P/N DC $\frac{xx}{T}$ - N $\frac{29}{2}$ $\frac{x}{3}$ $\frac{T}{4}$ $\frac{B}{5}$

1. CENTER PIN DIAMETER:
"16" \varnothing 1.65MM
"20" \varnothing 2.0MM
2. DC JACK CODE:
"N29" R/A DIP TYPE
3. SCHEMATIC OPTION:
M, N
4. TERMINAL FINISH:
"T" TIN PLATED
5. HOUSING COLOR:
"B" BLACK

DIA. 1.65MM/2.0MM/2.35MM/2.5MM DC POWER JACK (1)

SPECIFICATIONS

1. **Rating:** 3A 20VDC

2. **Withstanding voltage:**

AC 500V, 60Hz for 1 minute

3. **Insulation resistance (initial):** 100M Ω (min.) at 500V DC

4. **Contact resistance (initial):**

30m Ω (max.) at AC 100mA (max.) 1 KHz

5. **Insertion & Extraction force:**

Initial : 0.3 to 3.0Kgs

After life test: 0.2 to 3.0Kgs

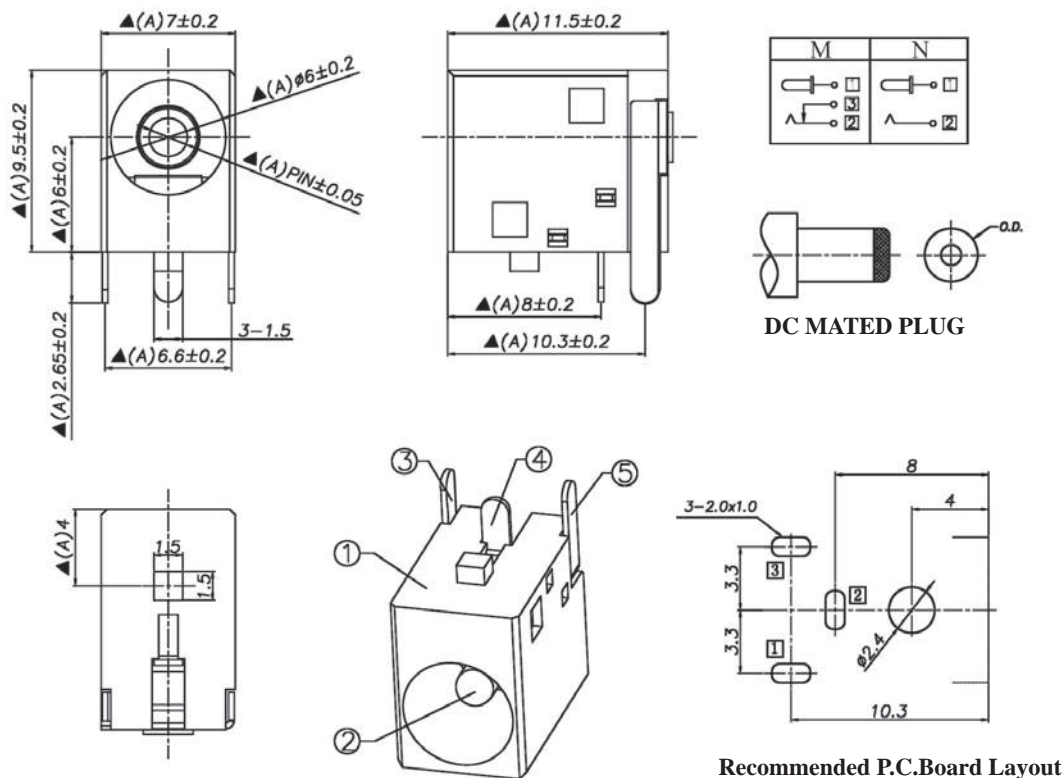
MATERIALS

1. **Housing:** Thermoplastic

2. **Center pin:** Nickel plating

3. **Terminal:** Brass/Copper alloy Silver plating.

* **RoHS & REACH compliant.**



ORDERING INFORMATION:

P/N D C $\frac{xx}{1}$ - N $\frac{30}{2}$ $\frac{S}{3}$ $\frac{x}{4}$ $\frac{x}{5}$

1. CENTER PIN DIAMETER:

"16" $\phi 1.65$ MM

"20" $\phi 2.0$ MM

"24" $\phi 2.35$ MM

"25" $\phi 2.5$ MM

2. DC JACK CODE:

"N30" R/A DIP TYPE

3. SCHEMATIC OPTION:

M, N

4. TERMINAL FINISH:

"S" SILVER PLATED

5. HOUSING COLOR:

"B" BLACK

"A" GRAY

DIA. 1.65MM/2.0MM/2.35MM/2.5MM DC POWER JACK (2)

SPECIFICATIONS

1. **Rating:** 3A 20VDC

2. **Withstanding voltage:**

AC 500V, 60Hz for 1 minute

3. **Insulation resistance (initial):** 100M Ω (min.) at 500V DC

4. **Contact resistance (initial):**

30m Ω (max.) at AC 100mA (max.) 1 KHz

5. **Insertion & Extraction force:**

Initial : 0.3 to 3.0Kgs

After life test: 0.2 to 3.0Kgs

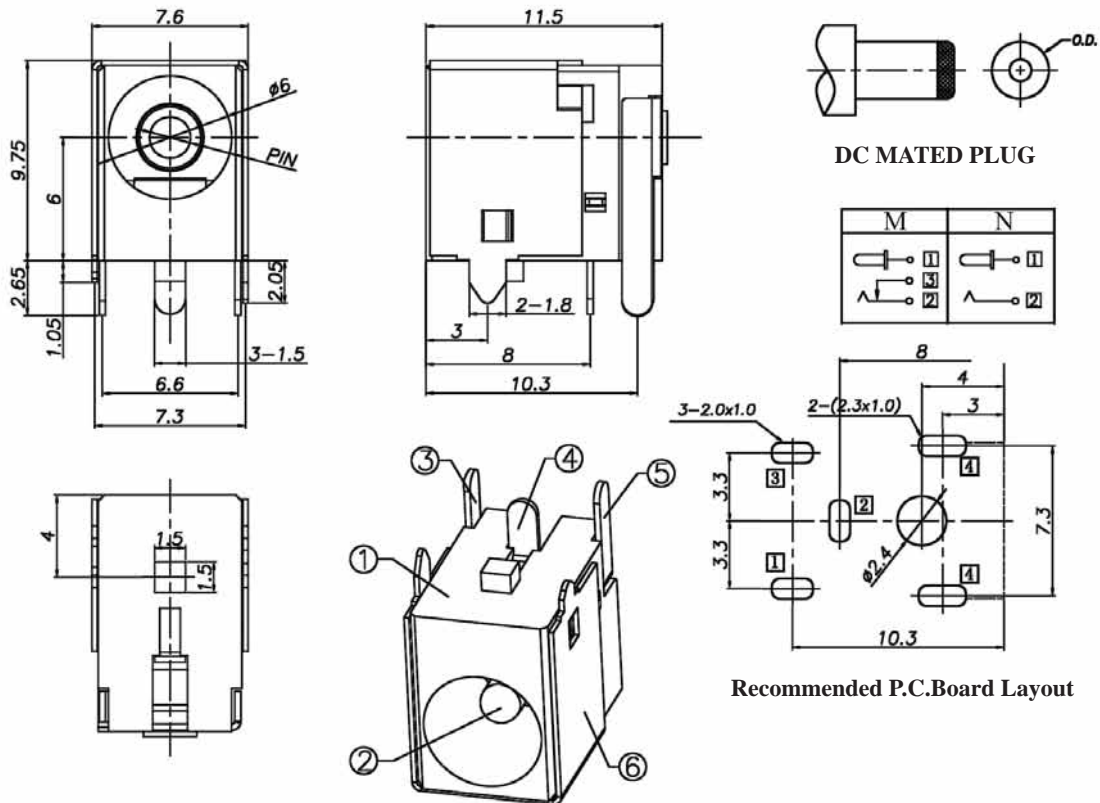
MATERIALS

1. **Housing:** Thermoplastic

2. **Center pin:** Nickel plating

3. **Terminal:** Brass/Copper alloy Silver plating.

* **RoHS & REACH compliant.**



ORDERING INFORMATION:

P/N D C $\frac{1}{1}$ X X - N 3 1 $\frac{2}{3}$ X S B $\frac{4}{5}$

1. CENTER PIN DIAMETER:

"16" Ø1.65MM

"20" Ø2.0MM

"24" Ø2.35MM

"25" Ø2.5MM

2. DC JACK CODE:

"N31" SHIELDED DIP TYPE

3. SCHEMATIC OPTION:

M, N

4. TERMINAL FINISH:

"S" SILVER PLATED

5. HOUSING COLOR:

"B" BLACK

DIA. 1.65MM/2.0MM/2.35MM/2.5MM DC POWER JACK (3)

SPECIFICATIONS

1. **Rating:** 4A 20VDC

2. **Withstanding voltage:**

AC 500V, 60Hz for 1 minute

3. **Insulation resistance (initial):** 100M Ω (min.) at 500V DC

4. **Contact resistance (initial):**

30m Ω (max.) at AC 100mA (max.) 1 KHz

5. **Insertion & Extraction force:**

Initial : 0.3 to 3.0Kgs

After life test: 0.2 to 3.0Kgs

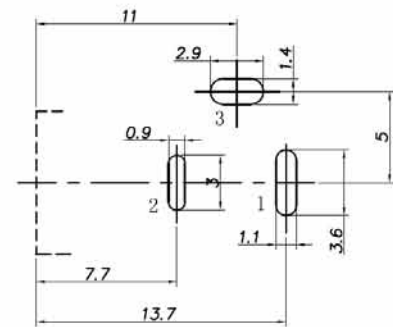
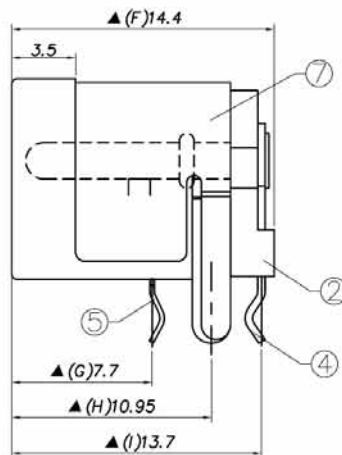
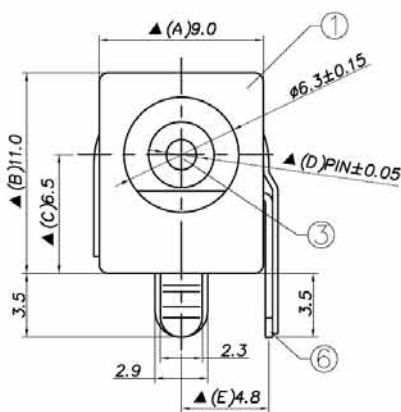
MATERIALS

1. **Housing:** Thermoplastic

2. **Center pin:** Nickel plating

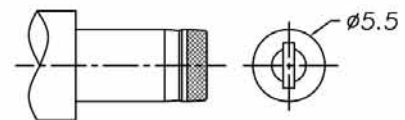
3. **Terminal:** Brass/Copper alloy Tin plating.

* **RoHS & REACH compliant.**



Recommended P.C. Board Layout

M	N



DC MATED PLUG

ORDERING INFORMATION:

P/N D C $\frac{x}{1}$ $\frac{x}{2}$ - N 3 2 $\frac{x}{3}$ $\frac{T}{4}$ $\frac{B}{5}$

1. CENTER PIN DIAMETER:

"16" \varnothing 1.65MM

"20" \varnothing 2.0MM

"24" \varnothing 2.35MM

"25" \varnothing 2.5MM

2. DC JACK CODE:

"N32" SHIELDED R/A TYPE

3. SCHEMATIC OPTION:

M, N

4. TERMINAL FINISH:

"T" TIN PLATED

5. HOUSING COLOR:

"B" BLACK

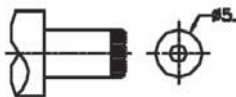
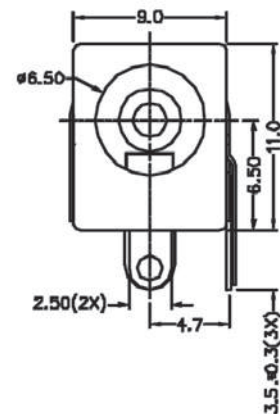
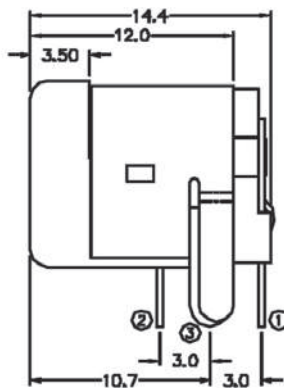
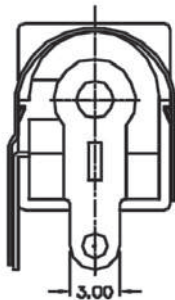
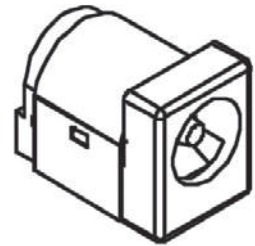
DIA. 1.65/2.0/2.35/2.5MM DC POWER JACK (4)

SPECIFICATIONS

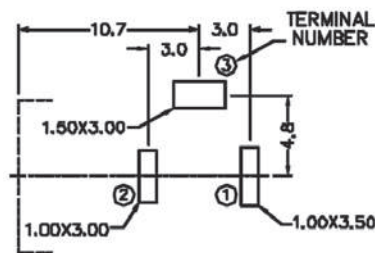
1. **Rating:** 5A 16VDC
2. **Withstanding voltage:**
AC 500V, 60Hz for 1 minute
3. **Insulation resistance (initial):** 100MΩ(min.) at 500V DC
4. **Contact resistance (initial):**
30mΩ(max.) at AC 100mA (max.) 1 KHz
5. **Insertion & Extraction force:**
Initial : 0.3 to 3.0Kgs
After life test: 0.2 to 3.0Kgs

MATERIALS

1. **Housing:** Thermoplastic
 2. **Center pin:** Nickel plating
 3. **Terminal:** Brass/Copper alloy Silver plating.
- * RoHS & REACH compliant.



DC MATED PLUG



Recommended P.C.Board Layout

SCHEMATIC	
CENTER PIN	ø1.65mm
	ø2mm
	ø2.35mm
	ø2.5mm

ORDERING INFORMATION:

P/N DC 16 - T 0 1 M S B

DIA. 1.65MM DC POWER JACK RATING:
5A 16VDC SHIELDED TYPE

P/N DC 20 - T 0 1 M S B

DIA. 2.0MM DC POWER JACK RATING:
5A 16VDC SHIELDED TYPE

P/N DC 24 - T 0 1 M S B

DIA. 2.35MM DC POWER JACK RATING:
5A 16VDC SHIELDED TYPE

P/N DC 25 - T 0 1 M S B

DIA. 2.5MM DC POWER JACK RATING:
5A 16VDC SHIELDED TYPE

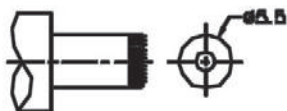
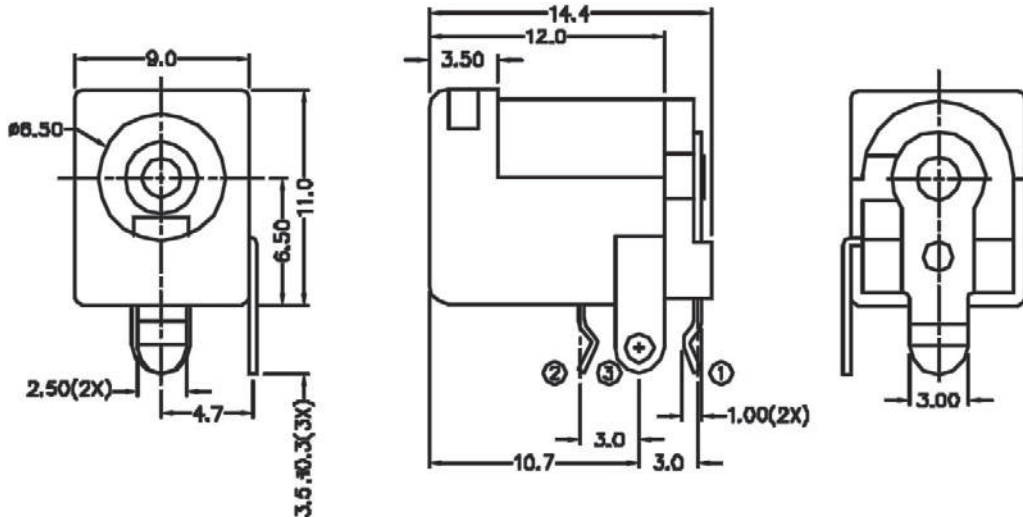
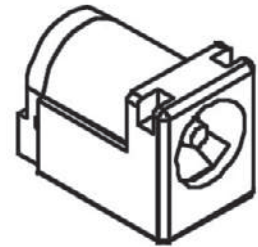
DIA. 1.65/2.0/2.35/2.5MM DC POWER JACK (5)

SPECIFICATIONS

1. **Rating:** 5A 16VDC
2. **Withstanding voltage:**
AC 500V, 60Hz for 1 minute
3. **Insulation resistance (initial):** 100MΩ(min.) at 500V DC
4. **Contact resistance (initial):**
30mΩ(max.) at AC 100mA (max.) 1 KHz
5. **Insertion & Extraction force:**
Initial : 0.3 to 3.0Kgs
After life test: 0.2 to 3.0Kgs

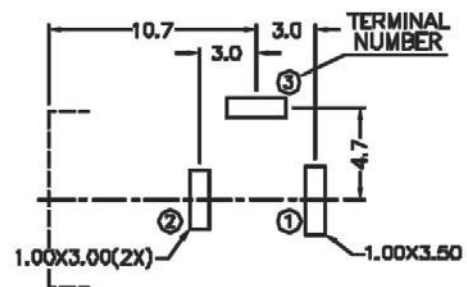
MATERIALS

1. **Housing:** Thermoplastic
 2. **Center pin:** Nickel plating
 3. **Terminal:** Brass/Copper alloy Silver plating.
- * RoHS & REACH compliant.



DC MATED PLUG

SCHEMATIC	
CENTER PIN	$\phi 1.65\text{mm}$
	$\phi 2\text{mm}$
	$\phi 2.35\text{mm}$
	$\phi 2.5\text{mm}$



Recommended P.C. Board Layout

ORDERING INFORMATION:

P/N DC 16 - T 3 5 M S B

DIA. 1.65MM DC POWER JACK RATING:
5A 16VDC

P/N DC 20 - T 3 5 M S B

DIA. 2.0MM DC POWER JACK RATING:
5A 16VDC

P/N DC 24 - T 3 5 M S B

DIA. 2.35MM DC POWER JACK RATING:
5A 16VDC

P/N DC 25 - T 3 5 M S B

DIA. 2.5MM DC POWER JACK RATING:
5A 16VDC

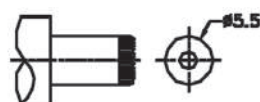
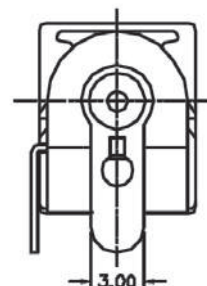
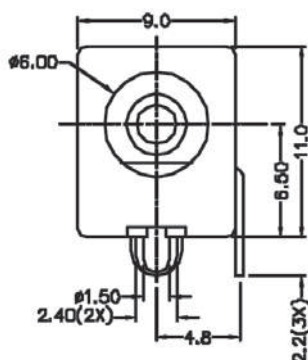
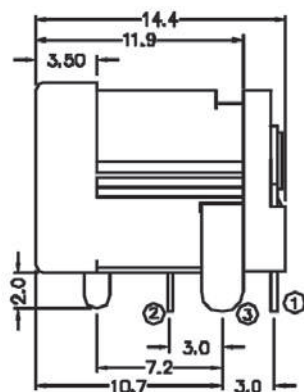
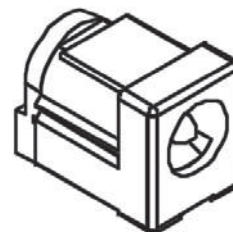
DIA. 1.65/2.0/2.35/2.5MM DC POWER JACK (6)

SPECIFICATIONS

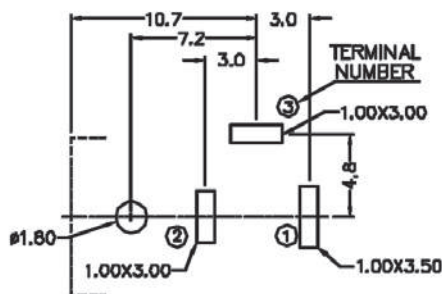
1. **Rating:** 5A 16VDC
2. **Withstanding voltage:**
AC 500V, 60Hz for 1 minute
3. **Insulation resistance (initial):** 100M Ω (min.) at 500V DC
4. **Contact resistance (initial):**
30m Ω (max.) at AC 100mA (max.) 1 KHz
5. **Insertion & Extraction force:**
Initial : 0.3 to 3.0Kgs
After life test: 0.2 to 3.0Kgs

MATERIALS

1. **Housing:** Thermoplastic
 2. **Center pin:** Nickel plating
 3. **Terminal:** Brass/Copper alloy Silver plating.
- * RoHS & REACH compliant.



DC MATED PLUG



Recommended P.C.Board Layout

SCHEMATIC	
CENTER PIN	1.85mm
	2mm
	2.35mm
	2.5mm

ORDERING INFORMATION:

P/N DC 16 - T 3 6 M S B

DIA. 1.65MM DC POWER JACK RATING:
5A 16VDC

P/N DC 20 - T 3 6 M S B

DIA. 2.0MM DC POWER JACK RATING:
5A 16VDC

P/N DC 24 - T 3 6 M S B

DIA. 2.35MM DC POWER JACK RATING:
5A 16VDC

P/N DC 25 - T 3 6 M S B

DIA. 2.5MM DC POWER JACK RATING:
5A 16VDC

DIA. 1.65MM/2.0MM/2.5MM DC POWER JACK (1)

SPECIFICATIONS

1. **Rating:** 7A 20VDC

2. **Withstanding voltage:**

AC 500V, 60Hz for 1 minute

3. **Insulation resistance (initial):** 100M Ω (min.) at 500V DC

4. **Contact resistance (initial):**

30m Ω (max.) at AC 100mA (max.) 1 KHz

5. **Insertion & Extraction force:**

Initial : 0.3 to 3.0Kgs

After life test: 0.2 to 3.0Kgs

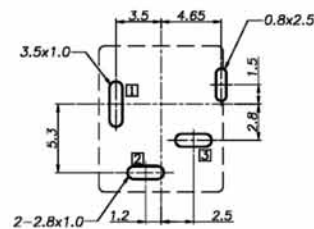
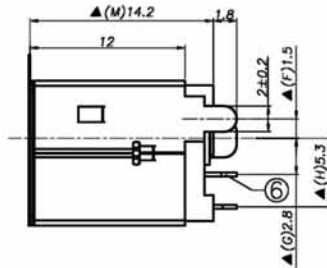
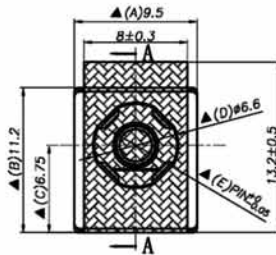
MATERIALS

1. **Housing:** Thermoplastic

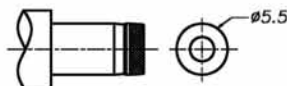
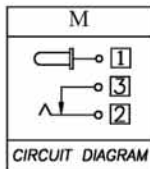
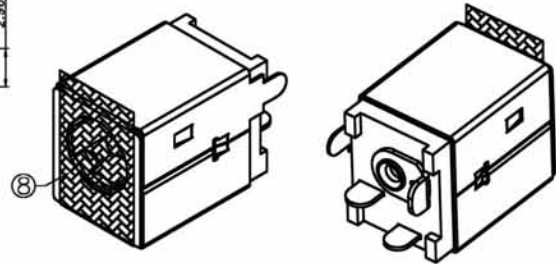
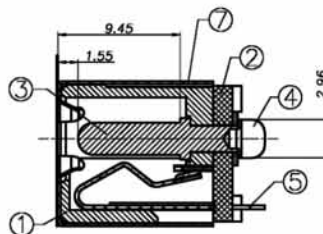
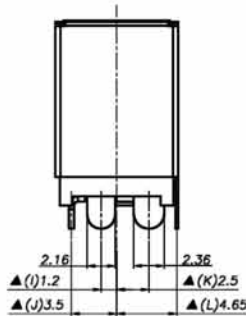
2. **Center pin:** Nickel plating

3. **Terminal:** Brass/Copper alloy Silver plating.

* **RoHS & REACH compliant.**



Recommended P.C. Board Layout



DC MATED PLUG

ORDERING INFORMATION:

P/N DC $\frac{xx}{1}$ - N $\frac{21}{2}$ M $\frac{S}{3}$ B $\frac{B}{45}$

1. CENTER PIN DIAMETER:

"16" Ø1.65MM

"20" Ø2.0MM

"25" Ø2.5MM

2. DC JACK CODE:

"N21" STRAIGHT DIP TYPE

3. SCHEMATIC OPTION:

M

4. TERMINAL FINISH:

"S" SILVER PLATED

5. HOUSING COLOR:

"B" BLACK

DIA. 1.65MM/2.0MM/2.5MM DC POWER JACK (2)

SPECIFICATIONS

1. **Rating:** 3A 25VDC

2. **Withstanding voltage:**

AC 500V, 60Hz for 1 minute

3. **Insulation resistance (initial):** 100M Ω (min.) at 500V DC

4. **Contact resistance (initial):**

30m Ω (max.) at AC 100mA (max.) 1 KHz

5. **Insertion & Extraction force:**

Initial : 0.3 to 3.0Kgs

After life test: 0.2 to 3.0Kgs

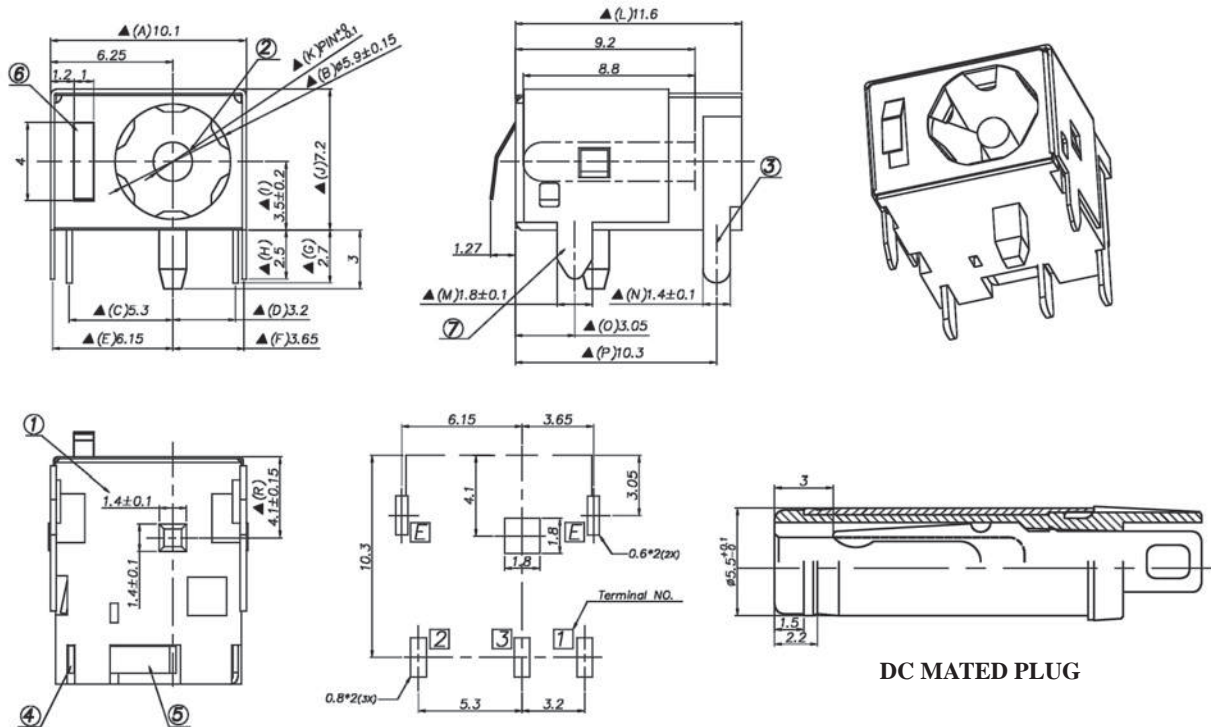
MATERIALS

1. **Housing:** Thermoplastic

2. **Center pin:** Nickel plating

3. **Terminal:** Brass/Copper alloy Silver plating.

* **RoHS & REACH compliant.**



Recommended P.C.Board Layout

DC MATED PLUG

ORDERING INFORMATION:

P/N **DC** $\frac{xx}{1}$ - $\frac{N22}{2}$ $\frac{xs}{3}$ $\frac{SB}{4}$ $\frac{B}{5}$

1. CENTER PIN DIAMETER:

"16" \varnothing 1.65MM

"20" \varnothing 2.0MM

"25" \varnothing 2.5MM

2. DC JACK CODE:

"N22" R/A DIP TYPE

3. SCHEMATIC OPTION:

M, N

4. TERMINAL FINISH:

"S" SILVER PLATED

5. HOUSING COLOR:

"B" BLACK

DIA. 1.65MM/2.0MM/2.5MM DC POWER JACK (3)

SPECIFICATIONS

1. **Rating:** 3A 25VDC

2. **Withstanding voltage:**

AC 500V, 60Hz for 1 minute

3. **Insulation resistance (initial):** 100MΩ(min.) at 500V DC

4. **Contact resistance (initial):**

30mΩ(max.) at AC 100mA (max.) 1 KHz

5. **Insertion & Extraction force:**

Initial : 0.3 to 3.0Kgs

After life test: 0.2 to 3.0Kgs

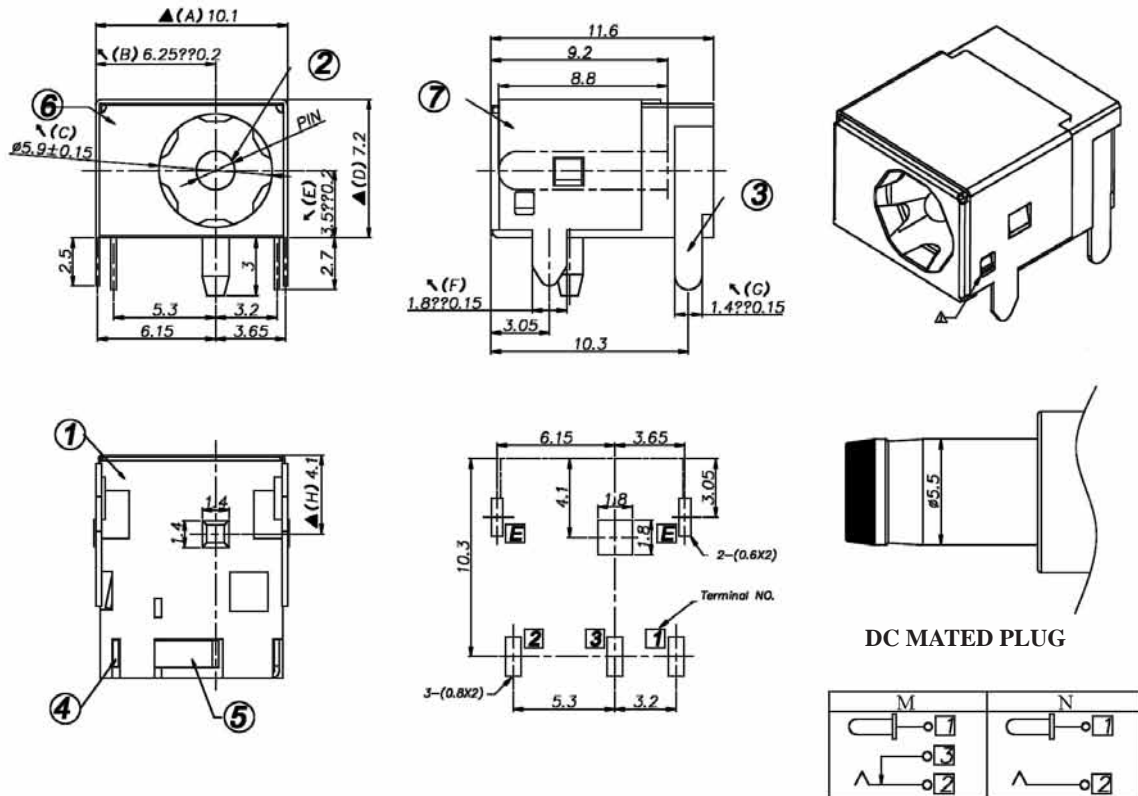
MATERIALS

1. **Housing:** Thermoplastic

2. **Center pin:** Nickel plating

3. **Terminal:** Brass/Copper alloy Silver & Gold plating.

* **RoHS & REACH compliant.**



ORDERING INFORMATION:

P/N D C $\frac{xx}{1}$ - $\frac{N23}{2}$ $\frac{xx}{34}$ $\frac{B}{5}$

1. CENTER PIN DIAMETER:

"16" Ø1.65MM

"20" Ø2.0MM

"25" Ø2.5MM

2. DC JACK CODE:

"N23" SHIELDED R/A DIP TYPE

3. SCHEMATIC OPTION:

M, N

4. TERMINAL FINISH:

"S" SILVER PLATED

"G" GOLD PLATED

5. HOUSING COLOR:

"B" BLACK

DIA. 1.65MM/2.0MM/2.5MM DC POWER JACK (4)

SPECIFICATIONS

1. **Rating:** 4A 25VDC

2. **Withstanding voltage:**

AC 500V, 60Hz for 1 minute

3. **Insulation resistance (initial):** 100M Ω (min.) at 500V DC

4. **Contact resistance (initial):**

30m Ω (max.) at AC 100mA (max.) 1 KHz

5. **Insertion & Extraction force:**

Initial : 0.3 to 3.0Kgs

After life test: 0.2 to 3.0Kgs

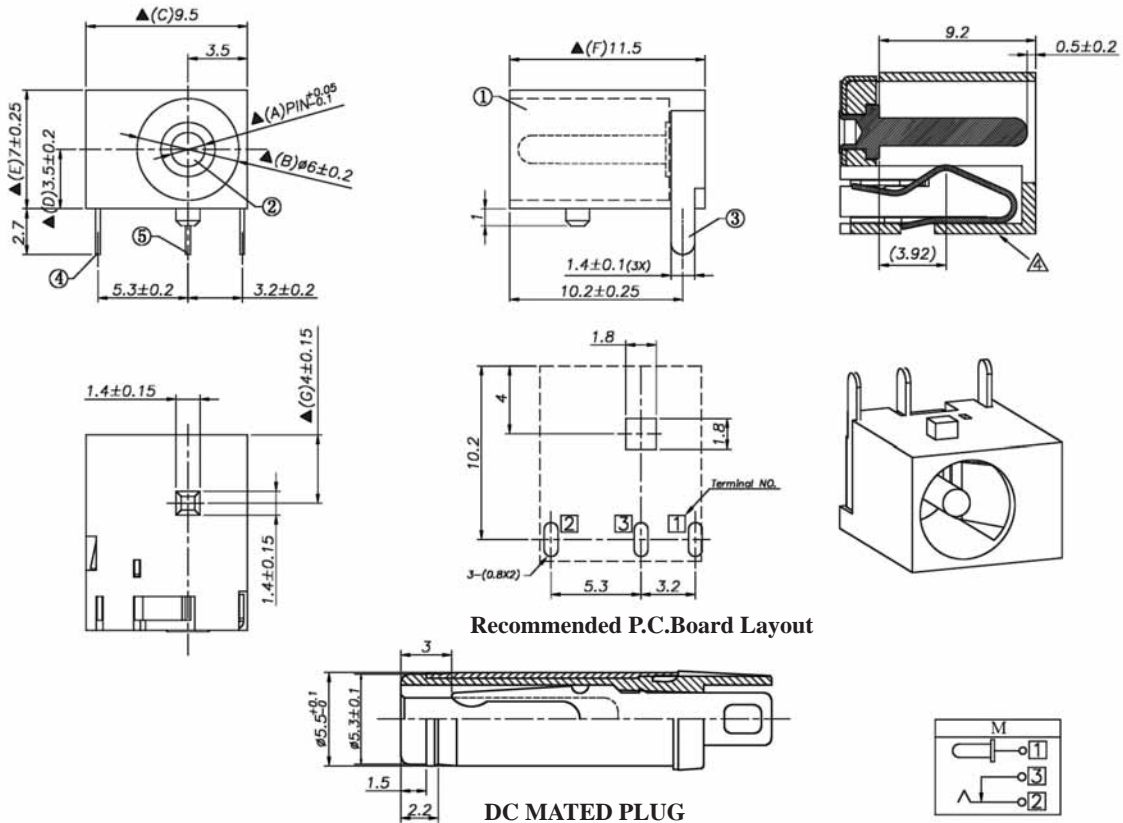
MATERIALS

1. **Housing:** Thermoplastic

2. **Center pin:** Nickel plating

3. **Terminal:** Brass/Copper alloy Silver plating.

* **RoHS & REACH compliant.**



ORDERING INFORMATION:

P/N DC $\frac{xx}{1}$ - N $\frac{24}{2}$ M $\frac{S}{3}$ B $\frac{B}{4}$ $\frac{5}{5}$

1. CENTER PIN DIAMETER:

"16" \varnothing 1.65MM

"20" \varnothing 2.0MM

"25" \varnothing 2.5MM

2. DC JACK CODE:

"N24" R/A DIP TYPE

3. SCHEMATIC OPTION:

M

4. TERMINAL FINISH:

"S" SILVER PLATED

5. HOUSING COLOR:

"B" BLACK

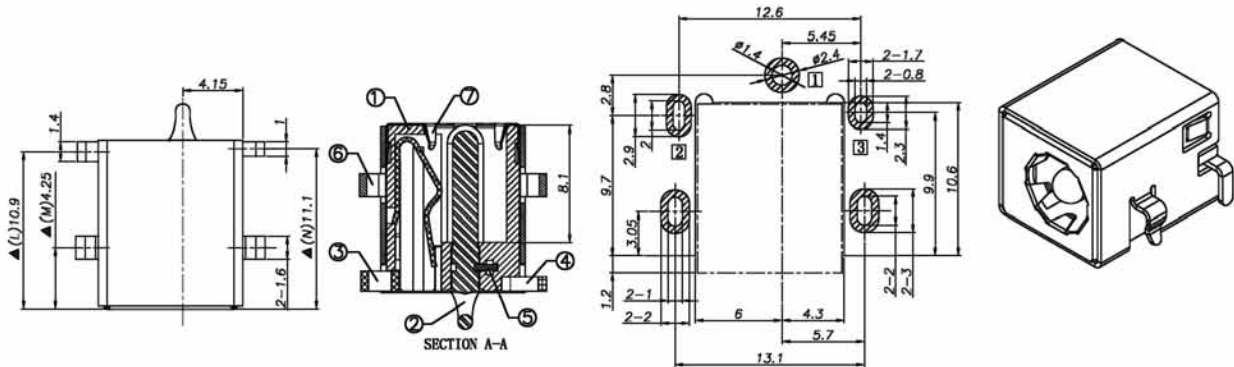
DIA. 1.65MM/2.0MM/2.5MM DC POWER JACK (5)

SPECIFICATIONS

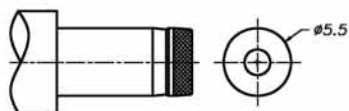
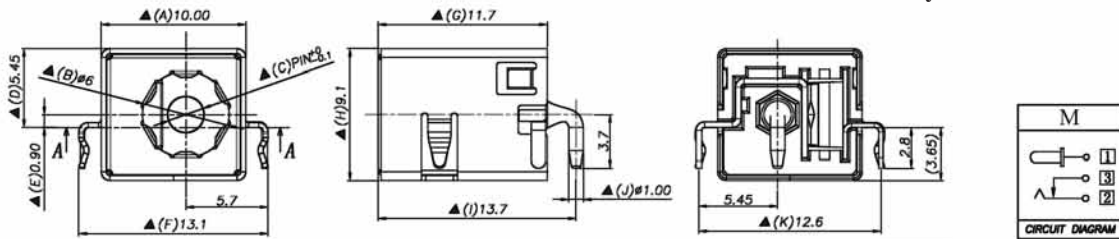
1. **Rating:** 7A 20VDC
2. **Withstanding voltage:**
AC 500V, 60Hz for 1 minute
3. **Insulation resistance (initial):** 100M Ω (min.) at 500V DC
4. **Contact resistance (initial):**
30m Ω (max.) at AC 100mA (max.) 1 KHz
5. **Insertion & Extraction force:**
Initial : 0.3 to 3.0Kgs
After life test: 0.2 to 3.0Kgs

MATERIALS

1. **Housing:** Thermoplastic
 2. **Center pin:** Nickel plating
 3. **Terminal:** Brass/Copper alloy Silver plating.
- * RoHS & REACH compliant.



Recommended P.C.Board Layout



DC MATED PLUG

ORDERING INFORMATION:

P/N D C $\frac{xx}{1}$ - $\frac{xx}{2}$ $\frac{M}{3}$ $\frac{S}{4}$ $\frac{B}{5}$

1. CENTER PIN DIAMETER:
"16" ϕ 1.65MM
"20" ϕ 2.0MM
"25" ϕ 2.5MM
2. DC JACK CODE:
"N25" R/A DIP TYPE
"N26" DITTO, BUT HALOGEN FREE
3. SCHEMATIC OPTION:
M
4. TERMINAL FINISH:
"S" SILVER PLATED
5. HOUSING COLOR:
"B" BLACK

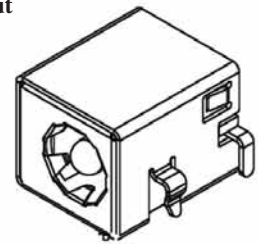
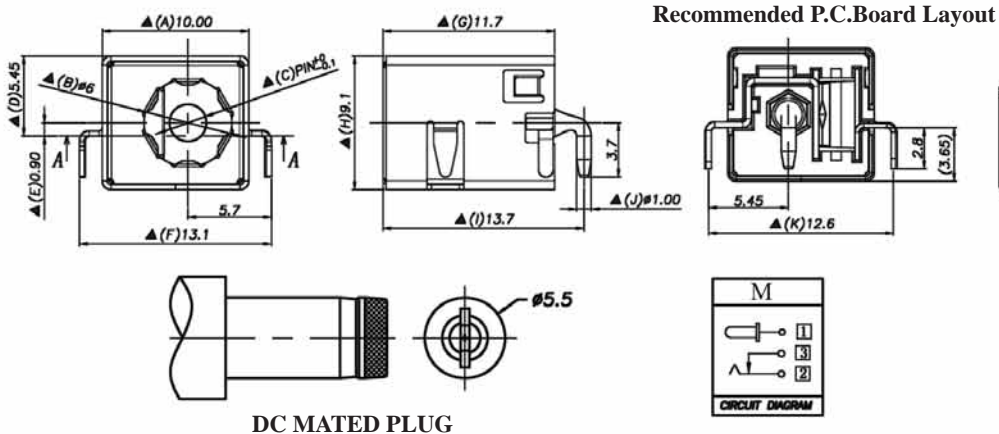
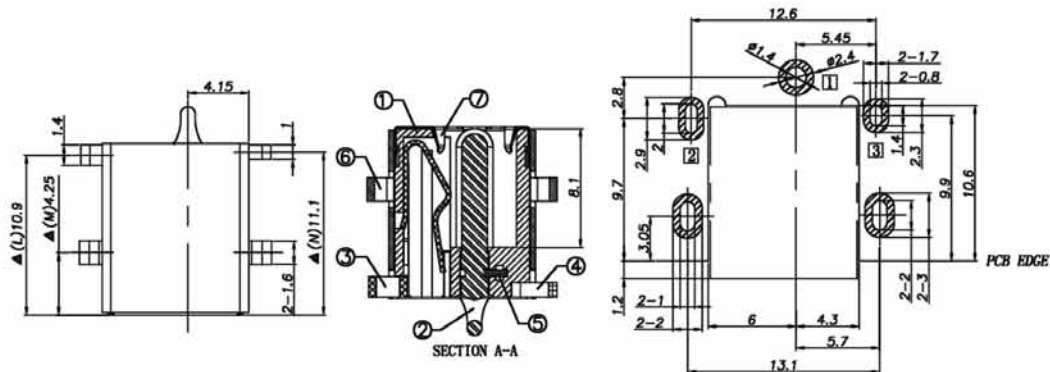
DIA. 1.65MM/2.0MM/2.5MM DC POWER JACK (6)

SPECIFICATIONS

1. **Rating:** 7A 20VDC
2. **Withstanding voltage:**
AC 500V, 60Hz for 1 minute
3. **Insulation resistance (initial):** 100MΩ(min.) at 500V DC
4. **Contact resistance (initial):**
30mΩ(max.) at AC 100mA (max.) 1 KHz
5. **Insertion & Extraction force:**
Initial : 0.3 to 3.0Kgs
After life test: 0.2 to 3.0Kgs

MATERIALS

1. **Housing:** Thermoplastic
 2. **Center pin:** Nickel plating
 3. **Terminal:** Brass/Copper alloy Silver plating.
- * RoHS & REACH compliant.



ORDERING INFORMATION:

P/N **DC** $\frac{xx}{1}$ - **N** $\frac{27}{2}$ **M** $\frac{S}{3}$ **B** $\frac{5}{4}$

1. CENTER PIN DIAMETER:
"16" Ø1.65MM
"20" Ø2.0MM
"25" Ø2.5MM
2. DC JACK CODE:
"N27" R/A DIP TYPE
3. SCHEMATIC OPTION:
M
4. TERMINAL FINISH:
"S" SILVER PLATED
5. HOUSING COLOR:
"B" BLACK

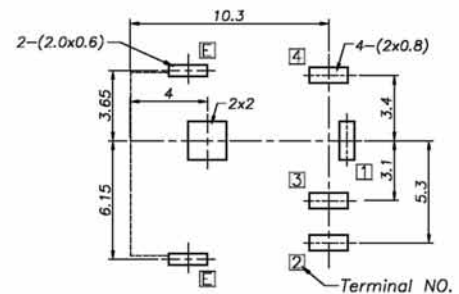
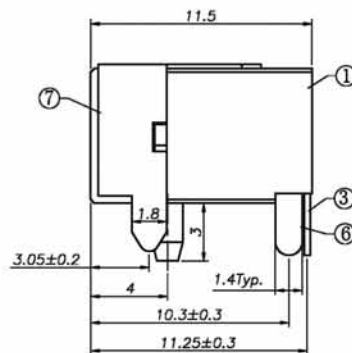
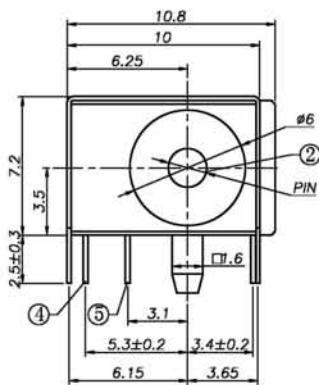
DIA. 1.65MM/2.0MM/2.5MM DC POWER JACK (7)

SPECIFICATIONS

1. **Rating:** 2A 30VDC
2. **Withstanding voltage:**
AC 500V, 60Hz for 1 minute
3. **Insulation resistance (initial):** 100MΩ(min.) at 500V DC
4. **Contact resistance (initial):**
30mΩ(max.) at AC 100mA (max.) 1 KHz
5. **Insertion & Extraction force:**
Initial : 0.3 to 3.0Kgs
After life test: 0.2 to 3.0Kgs

MATERIALS

1. **Housing:** Thermoplastic
 2. **Center pin:** Nickel plating
 3. **Terminal:** Brass/Copper alloy Silver plating.
- * RoHS & REACH compliant.



Recommended P.C.Board Layout

P	M	N	R

ORDERING INFORMATION:

P/N DC $\frac{x}{1}$ - N $\frac{2}{2}$ 8 $\frac{x}{3}$ S $\frac{B}{4}$ $\frac{B}{5}$

1. CENTER PIN DIAMETER:
"16" Ø1.65MM
"20" Ø2.0MM
"25" Ø2.5MM
2. DC JACK CODE:
"N28" SHIELDED R/A DIP TYPE
3. SCHEMATIC OPTION:
M, N, P, R
4. TERMINAL FINISH:
"S" SILVER PLATED
5. HOUSING COLOR:
"B" BLACK

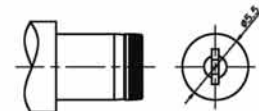
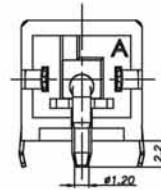
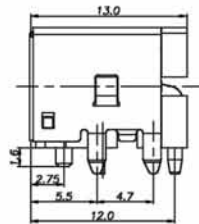
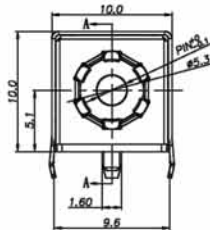
DIA. 1.65MM/2.0MM/2.5MM DC POWER JACK (8)

SPECIFICATIONS

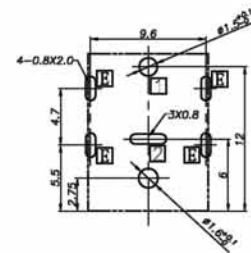
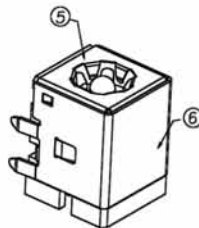
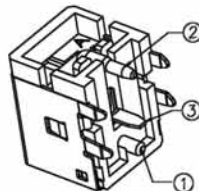
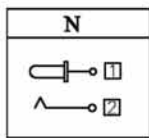
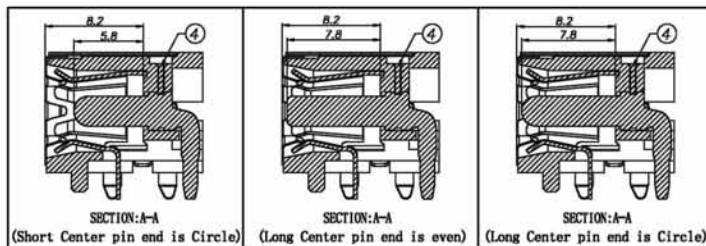
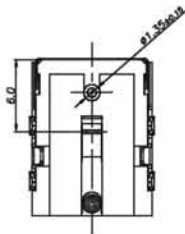
1. **Rating:** 4A 20VDC
2. **Withstanding voltage:**
AC 500V, 60Hz for 1 minute
3. **Insulation resistance (initial):** 100M Ω (min.) at 500V DC
4. **Contact resistance (initial):**
30m Ω (max.) at AC 100mA (max.) 1 KHz
5. **Insertion & Extraction force:**
Initial : 0.3 to 3.0Kgs
After life test: 0.2 to 3.0Kgs

MATERIALS

1. **Housing:** Thermoplastic
 2. **Center pin:** Nickel plating
 3. **Terminal:** Brass/Copper alloy Tin plating.
- * RoHS & REACH compliant.



DC MATED PLUG



Recommended P.C. Board Layout

ORDERING INFORMATION:

P/N D C $\frac{xx}{1}$ - $\frac{xx}{2}$ N T $\frac{x}{3}$ $\frac{x}{4}$ $\frac{x}{5}$

1. CENTER PIN DIAMETER:
"16" \varnothing 1.65MM
"20" \varnothing 2.0MM
"25" \varnothing 2.5MM
2. DC JACK CODE:
"N33" LONG CENTER PIN END IS EVEN
"N34" SHORT CENTER PIN END IS CIRCLE
"N35" LONG CENTER PIN END IS CIRCLE
3. SCHEMATIC OPTION:
N
4. TERMINAL FINISH:
"T" TIN PLATED
5. HOUSING COLOR:
"B" BLACK
"O" ORANGE (157C)

DIA. 1.65MM/2.0MM/2.5MM DC POWER JACK (9)

SPECIFICATIONS

1. **Rating:** 5A 20VDC

2. **Withstanding voltage:**

AC 500V, 60Hz for 1 minute

3. **Insulation resistance (initial):** 100MΩ(min.) at 500V DC

4. **Contact resistance (initial):**

30mΩ(max.) at AC 100mA (max.) 1 KHz

5. **Insertion & Extraction force:**

Initial : 0.3 to 3.0Kgs

After life test: 0.2 to 3.0Kgs

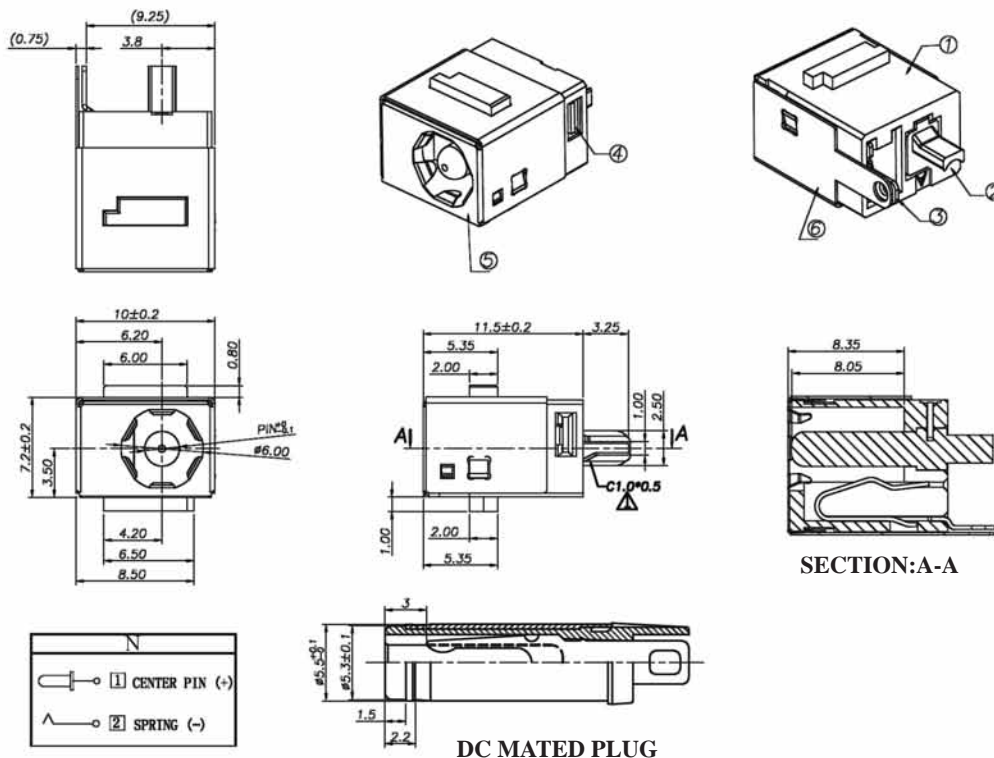
MATERIALS

1. **Housing:** Thermoplastic

2. **Center pin:** Nickel plating

3. **Terminal:** Brass/Copper alloy Silver plating.

* **RoHS & REACH compliant.**



ORDERING INFORMATION:

P/N D C $\frac{xx}{1}$ - $\frac{xx}{2}$ N S B

1. CENTER PIN DIAMETER:

"16" Ø1.65MM

"20" Ø2.0MM

"25" Ø2.5MM

2. DC JACK CODE:

"N39" SHIELDED STRAIGHT DIP TYPE

"N40" DITTO, BUT HALOGEN FREE

3. SCHEMATIC OPTION:

N

4. TERMINAL FINISH:

"S" SILVER PLATED

5. HOUSING COLOR:

"B" BLACK

DIA. 1.65/2.0/2.5MM DC POWER JACK (10)

SPECIFICATIONS

1. **Rating:** 5A 16VDC

2. **Withstanding voltage:**

AC 500V, 60Hz for 1 minute

3. **Insulation resistance (initial):** 100M Ω (min.) at 500V DC

4. **Contact resistance (initial):**

30m Ω (max.) at AC 100mA (max.) 1 KHz

5. **Insertion & Extraction force:**

Initial : 0.3 to 3.0Kgs

After life test: 0.2 to 3.0Kgs

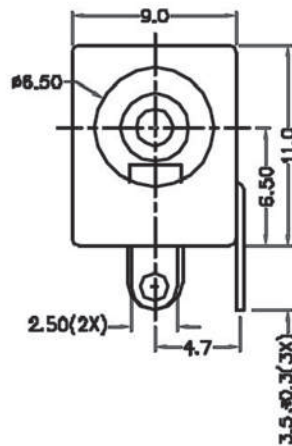
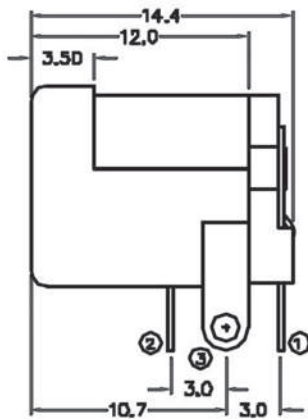
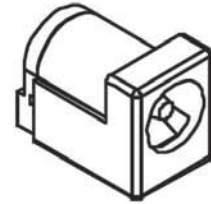
MATERIALS

1. **Housing:** Thermoplastic

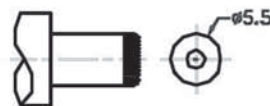
2. **Center pin:** Nickel plating

3. **Terminal:** Brass/Copper alloy Silver plating.

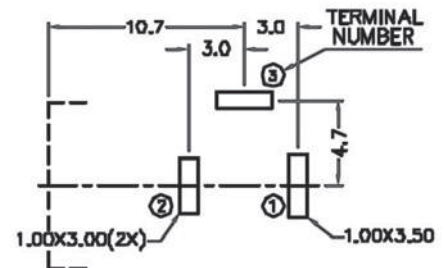
* **RoHS & REACH compliant.**



SCHEMATIC	
CENTER PIN	$\phi 1.65\text{mm}$
	$\phi 2\text{mm}$
	$\phi 2.5\text{mm}$



DC MATED PLUG



Recommended P.C.Board Layout

ORDERING INFORMATION:

P/N DC 16 - T 2 8 M S B

DIA. 1.65MM DC POWER JACK RATING:
5A 16VDC

P/N DC 20 - T 2 8 M S B

DIA. 2.0MM DC POWER JACK RATING:
5A 16VDC

P/N DC 25 - T 2 8 M S B

DIA. 2.5MM DC POWER JACK RATING:
5A 16VDC

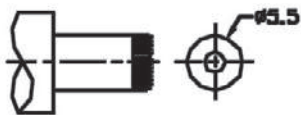
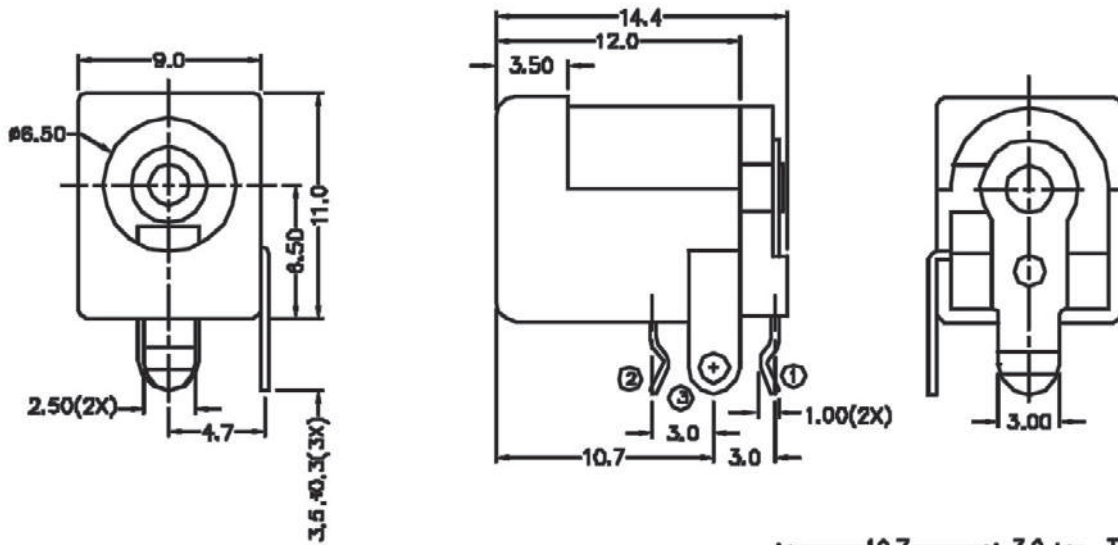
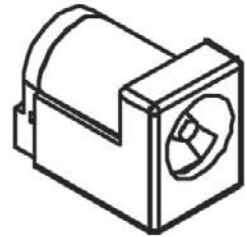
DIA. 1.65/2.0/2.5MM DC POWER JACK (11)

SPECIFICATIONS

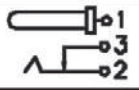
1. **Rating:** 5A 16VDC
2. **Withstanding voltage:**
AC 500V, 60Hz for 1 minute
3. **Insulation resistance (initial):** 100M Ω (min.) at 500V DC
4. **Contact resistance (initial):**
30m Ω (max.) at AC 100mA (max.) 1 KHz
5. **Insertion & Extraction force:**
Initial : 0.3 to 3.0Kgs
After life test: 0.2 to 3.0Kgs

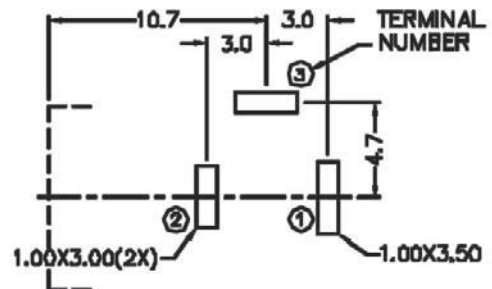
MATERIALS

1. **Housing:** Thermoplastic
 2. **Center pin:** Nickel plating
 3. **Terminal:** Brass/Copper alloy Silver plating.
- * RoHS & REACH compliant.



DC MATED PLUG

SCHMATIC	
CENTER FIN	1.65mm
	2mm
	2.5mm



Recommended P.C.Board Layout

ORDERING INFORMATION:

P/N DC 16 - T 3 1 M S B

DIA. 1.65MM DC POWER JACK RATING:
5A 16VDC

P/N DC 20 - T 3 1 M S B

DIA. 2.0MM DC POWER JACK RATING:
5A 16VDC

P/N DC 25 - T 3 1 M S B

DIA. 2.5MM DC POWER JACK RATING:
5A 16VDC

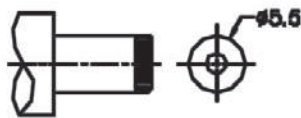
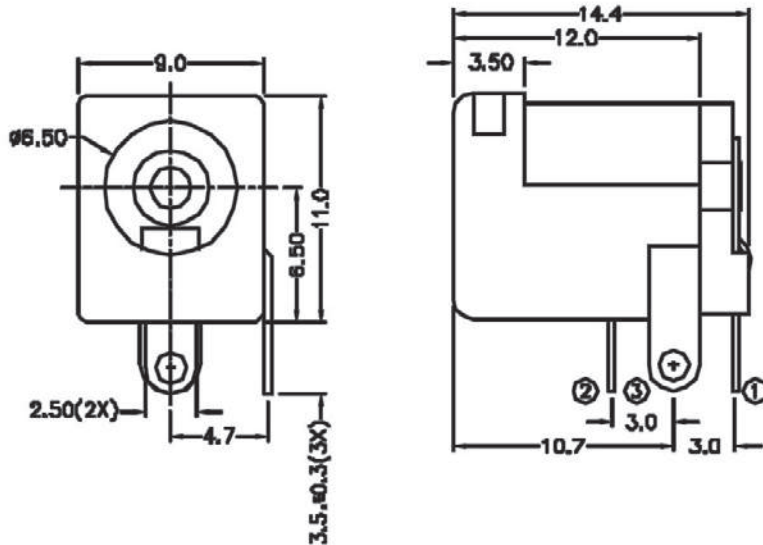
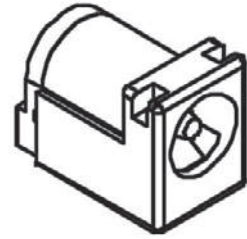
DIA. 1.65/2.0/2.5MM DC POWER JACK (12)

SPECIFICATIONS

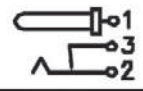
1. **Rating:** 5A 16VDC
2. **Withstanding voltage:**
AC 500V, 60Hz for 1 minute
3. **Insulation resistance (initial):** 100M Ω (min.) at 500V DC
4. **Contact resistance (initial):**
30m Ω (max.) at AC 100mA (max.) 1 KHz
5. **Insertion & Extraction force:**
Initial : 0.3 to 3.0Kgs
After life test: 0.2 to 3.0Kgs

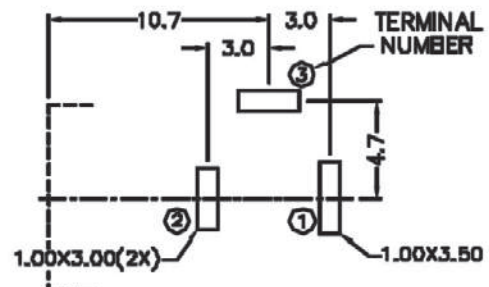
MATERIALS

1. **Housing:** Thermoplastic
 2. **Center pin:** Nickel plating
 3. **Terminal:** Brass/Copper alloy Silver plating.
- * RoHS & REACH compliant.



DC MATED PLUG

SCHEMATIC	
CENTER PIN	$\phi 1.65\text{mm}$
	$\phi 2\text{mm}$
	$\phi 2.5\text{mm}$



Recommended P.C. Board Layout

ORDERING INFORMATION:

P/N DC 16 - T 3 2 M S B

DIA. 1.65MM DC POWER JACK RATING:
5A 16VDC

P/N DC 20 - T 3 2 M S B

DIA. 2.0MM DC POWER JACK RATING:
5A 16VDC

P/N DC 25 - T 3 2 M S B

DIA. 2.5MM DC POWER JACK RATING:
5A 16VDC

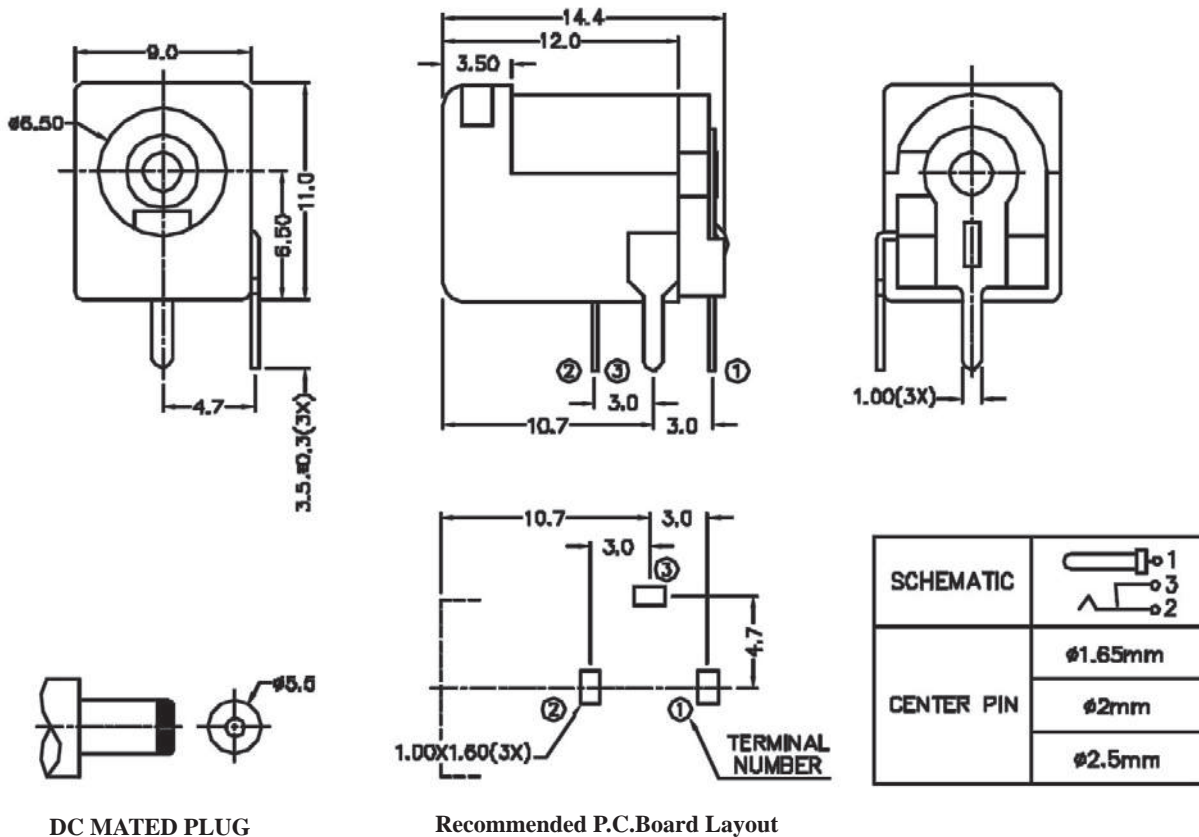
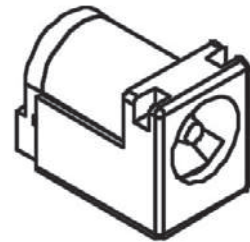
DIA. 1.65/2.0/2.5MM DC POWER JACK (13)

SPECIFICATIONS

1. **Rating:** 5A 16VDC
2. **Withstanding voltage:**
AC 500V, 60Hz for 1 minute
3. **Insulation resistance (initial):** 100M Ω (min.) at 500V DC
4. **Contact resistance (initial):**
30m Ω (max.) at AC 100mA (max.) 1 KHz
5. **Insertion & Extraction force:**
Initial : 0.3 to 3.0Kgs
After life test: 0.2 to 3.0Kgs

MATERIALS

1. **Housing:** Thermoplastic
 2. **Center pin:** Nickel plating
 3. **Terminal:** Brass/Copper alloy Silver plating.
- * RoHS & REACH compliant.



ORDERING INFORMATION:

P/N DC 16 - T 3 4 M S B

DIA. 1.65MM DC POWER JACK RATING:
5A 16VDC

P/N DC 20 - T 3 4 M S B

DIA. 2.0MM DC POWER JACK RATING:
5A 16VDC

P/N DC 25 - T 3 4 M S B

DIA. 2.5MM DC POWER JACK RATING:
5A 16VDC

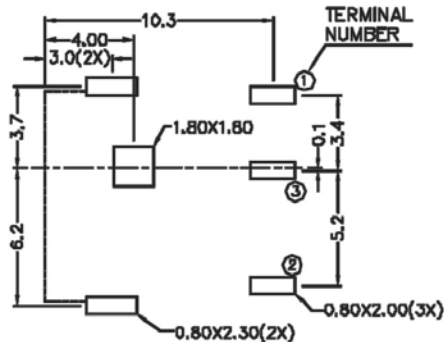
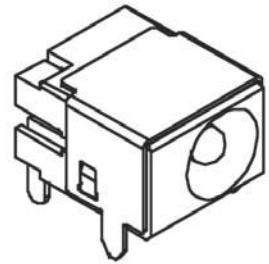
DIA. 1.65/2.0/2.5MM DC POWER JACK (14)

SPECIFICATIONS

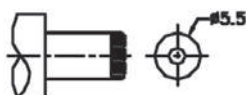
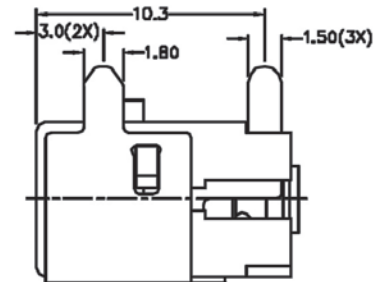
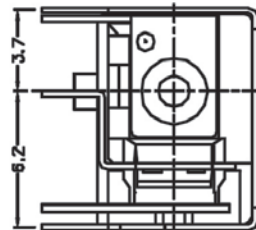
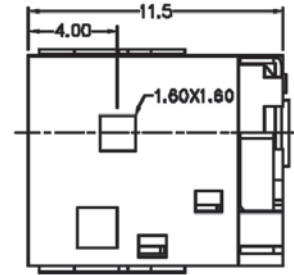
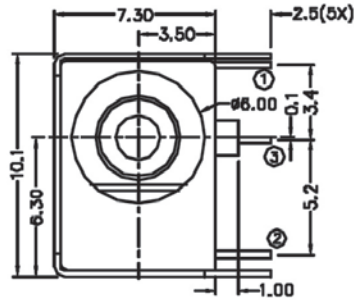
1. **Rating:** 5A 16VDC
2. **Withstanding voltage:**
AC 500V, 60Hz for 1 minute
3. **Insulation resistance (initial):** 100M Ω (min.) at 500V DC
4. **Contact resistance (initial):**
30m Ω (max.) at AC 100mA (max.) 1 KHz
5. **Insertion & Extraction force:**
Initial : 0.3 to 3.0Kgs
After life test: 0.2 to 3.0Kgs

MATERIALS

1. **Housing:** Thermoplastic
 2. **Center pin:** Nickel plating
 3. **Terminal:** Brass/Copper alloy Silver plating.
- * RoHS & REACH compliant.



Recommended P.C.Board Layout



DC MATED PLUG

SCHEMATIC	
CENTER PIN	$\phi 1.65\text{mm}$
	$\phi 2\text{mm}$
	$\phi 2.5\text{mm}$

ORDERING INFORMATION:

P/N DC 16 - T 3 8 M S B

DIA. 1.65MM DC POWER JACK RATING:
5A 16VDC SHIELDED TYPE

P/N DC 20 - T 3 8 M S B

DIA. 2.0MM DC POWER JACK RATING:
5A 16VDC SHIELDED TYPE

P/N DC 25 - T 3 8 M S B

DIA. 2.5MM DC POWER JACK RATING:
5A 16VDC SHIELDED TYPE

DIA. 1.65/2.0/2.5MM DC POWER JACK (15)

SPECIFICATIONS

1.Rating: 5A 16VDC

2.Withstanding voltage:

AC 500V, 60Hz for 1 minute

3.Insulation resistance (initial): 100M Ω (min.) at 500V DC

4.Contact resistance (initial):

30m Ω (max.) at AC 100mA (max.) 1 KHz

5.Insertion & Extraction force:

Initial : 0.3 to 3.0Kgs

After life test: 0.2 to 3.0Kgs

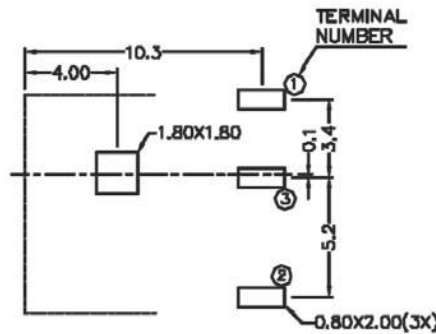
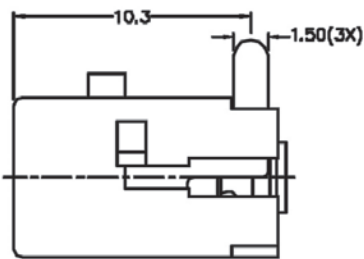
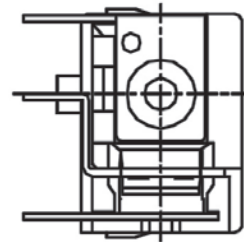
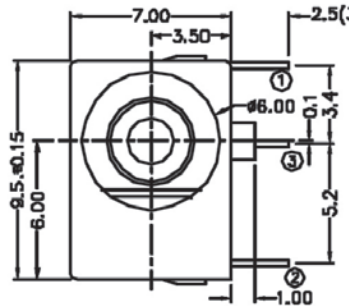
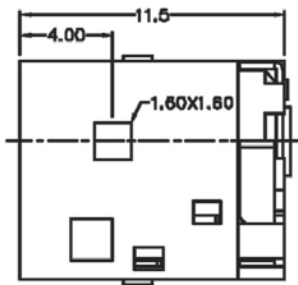
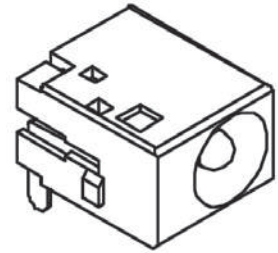
MATERIALS

1.Housing: Thermoplastic

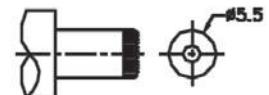
2.Center pin: Nickel plating

3.Terminal: Brass/Copper alloy Silver plating.

* RoHS & REACH compliant.



Recommended P.C.Board Layout



DC MATED PLUG

SCHEMATIC	
CENTER PIN	1.65mm
	2mm
	2.5mm

ORDERING INFORMATION:

P/N DC 16 - T 3 9 M S B

DIA. 1.65MM DC POWER JACK RATING:
5A 16VDC

P/N DC 20 - T 3 9 M S B

DIA. 2.0MM DC POWER JACK RATING:
5A 16VDC

P/N DC 25 - T 3 9 M S B

DIA. 2.5MM DC POWER JACK RATING:
5A 16VDC

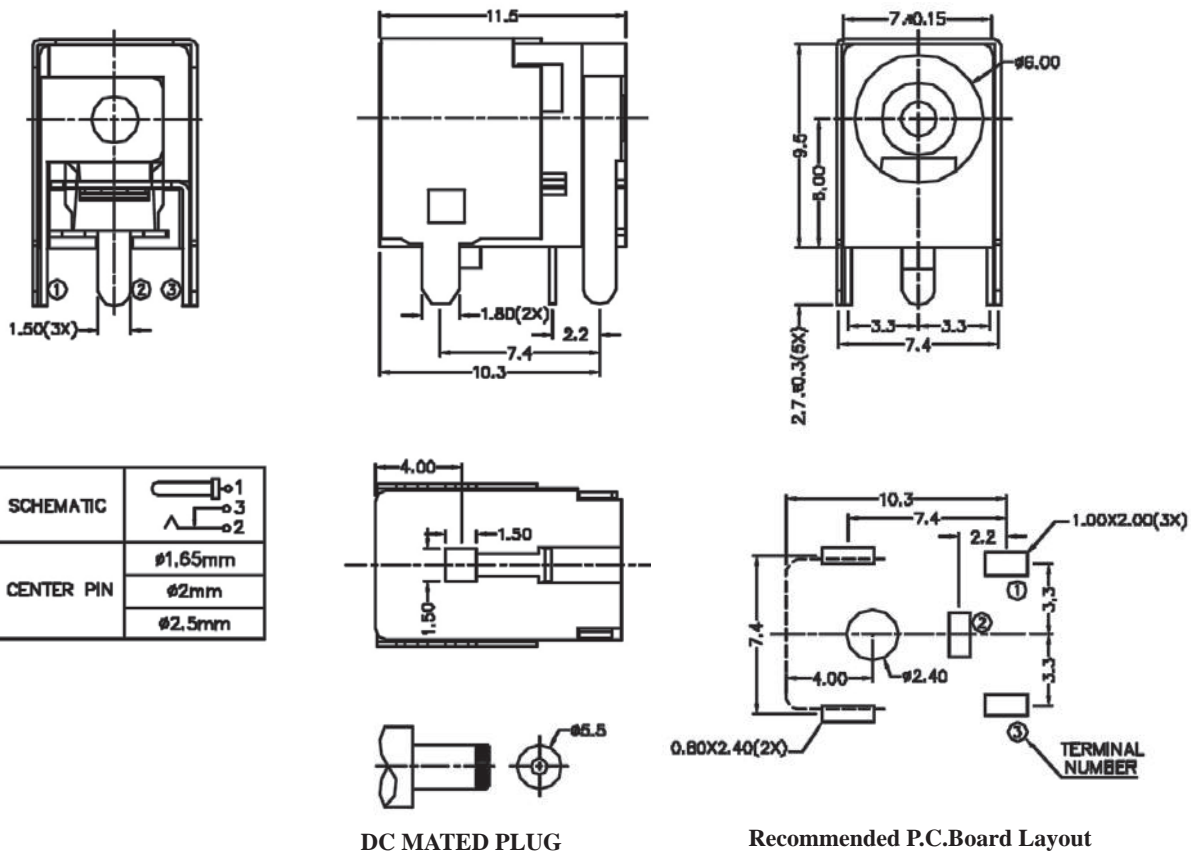
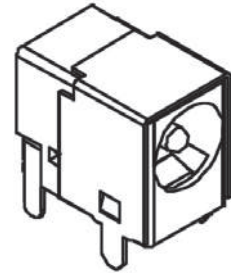
DIA. 1.65/2.0/2.5MM DC POWER JACK (16)

SPECIFICATIONS

1. **Rating:** 5A 16VDC
2. **Withstanding voltage:**
AC 500V, 60Hz for 1 minute
3. **Insulation resistance (initial):** 100M Ω (min.) at 500V DC
4. **Contact resistance (initial):**
30m Ω (max.) at AC 100mA (max.) 1 KHz
5. **Insertion & Extraction force:**
Initial : 0.3 to 3.0Kgs
After life test: 0.2 to 3.0Kgs

MATERIALS

1. **Housing:** Thermoplastic
 2. **Center pin:** Nickel plating
 3. **Terminal:** Brass/Copper alloy Silver plating.
- * RoHS & REACH compliant.



ORDERING INFORMATION:

P/N DC 16 - T 40 MS B

DIA. 1.65MM DC POWER JACK RATING:
5A 16VDC SHIELDED TYPE

P/N DC 20 - T 40 MS B

DIA. 2.0MM DC POWER JACK RATING:
5A 16VDC SHIELDED TYPE

P/N DC 25 - T 40 MS B

DIA. 2.5MM DC POWER JACK RATING:
5A 16VDC SHIELDED TYPE

DIA. 1.65/2.0/2.5MM DC POWER JACK (17)

SPECIFICATIONS

1.Rating: 5A 16VDC

2.Withstanding voltage:

AC 500V, 60Hz for 1 minute

3.Insulation resistance (initial): 100M Ω (min.) at 500V DC

4.Contact resistance (initial):

30m Ω (max.) at AC 100mA (max.) 1 KHz

5.Insertion & Extraction force:

Initial : 0.3 to 3.0Kgs

After life test: 0.2 to 3.0Kgs

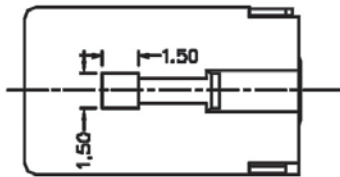
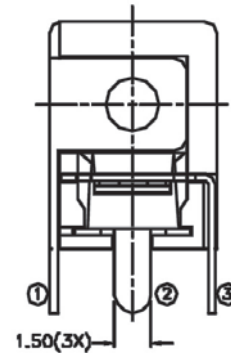
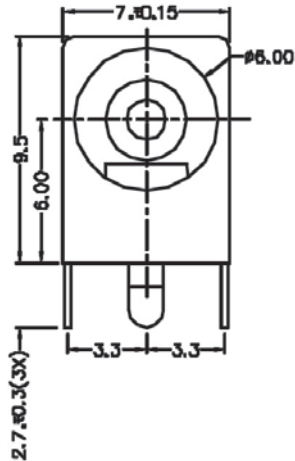
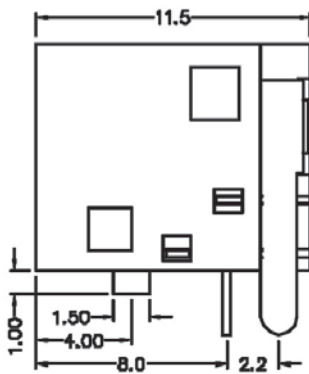
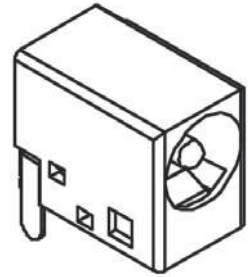
MATERIALS

1.Housing: Thermoplastic

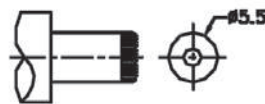
2.Center pin: Nickel plating

3.Terminal: Brass/Copper alloy Silver plating.

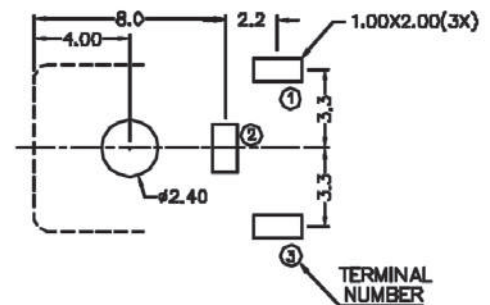
* RoHS & REACH compliant.



SCHEMATIC	
CENTER PIN	φ1.65mm
	φ2mm
	φ2.5mm



DC MATED PLUG



Recommended P.C.Board Layout

ORDERING INFORMATION:

P/N DC 16 - T 4 1 M S B

DIA. 1.65MM DC POWER JACK RATING:
5A 16VDC

P/N DC 20 - T 4 1 M S B

DIA. 2.0MM DC POWER JACK RATING:
5A 16VDC

P/N DC 25 - T 4 1 M S B

DIA. 2.5MM DC POWER JACK RATING:
5A 16VDC

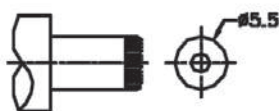
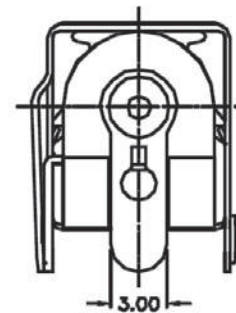
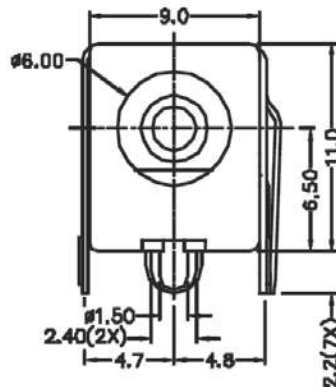
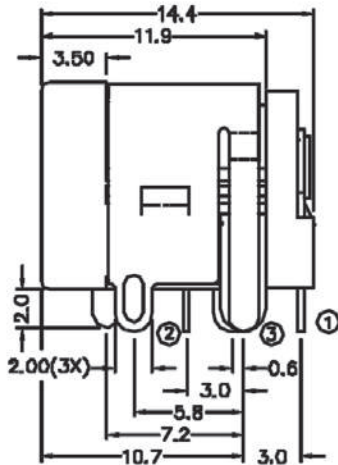
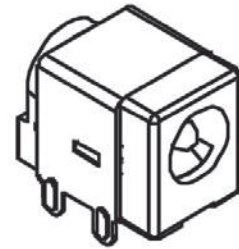
DIA. 1.65/2.0/2.5MM DC POWER JACK (18)

SPECIFICATIONS


1. **Rating:** 5A 16VDC
2. **Withstanding voltage:**
AC 500V, 60Hz for 1 minute
3. **Insulation resistance (initial):** 100M Ω (min.) at 500V DC
4. **Contact resistance (initial):**
30m Ω (max.) at AC 100mA (max.) 1 KHz
5. **Insertion & Extraction force:**
Initial : 0.3 to 3.0Kgs
After life test: 0.2 to 3.0Kgs

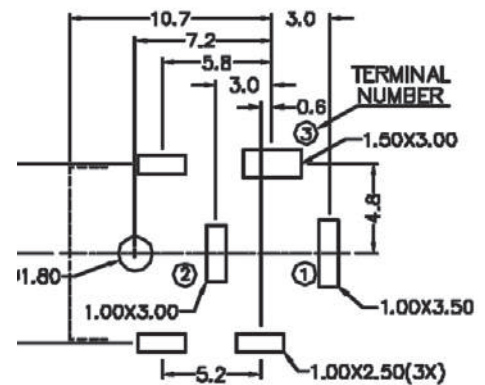
MATERIALS

1. **Housing:** Thermoplastic
 2. **Center pin:** Nickel plating
 3. **Terminal:** Brass/Copper alloy Silver plating.
- * RoHS & REACH compliant.



DC MATED PLUG

SCHEMATIC	
CENTER PIN	$\phi 1.65\text{mm}$
	$\phi 2\text{mm}$
	$\phi 2.35\text{mm}$
	$\phi 2.5\text{mm}$



Recommended P.C. Board Layout

ORDERING INFORMATION:

P/N DC 16 - T 3 7 M S B

DIA. 1.65MM DC POWER JACK RATING:
5A 16VDC SHIELDED TYPE

P/N DC 20 - T 3 7 M S B

DIA. 2.0MM DC POWER JACK RATING:
5A 16VDC SHIELDED TYPE

P/N DC 25 - T 3 7 M S B

DIA. 2.5MM DC POWER JACK RATING:
5A 16VDC SHIELDED TYPE

DIA. 2.0MM DC POWER JACK (1)

SPECIFICATIONS

1. **Rating:** 3A 12VDC

2. **Withstanding voltage:**

AC 500V, 60Hz for 1 minute

3. **Insulation resistance (initial):** 100M Ω (min.) at 500V DC

4. **Contact resistance (initial):**

30m Ω (max.) at AC 100mA (max.) 1 KHz

5. **Insertion & Extraction force:**

Initial : 0.3 to 3.0Kgs

After life test: 0.2 to 3.0Kgs

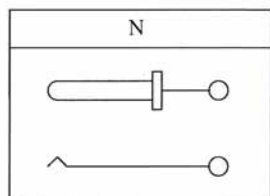
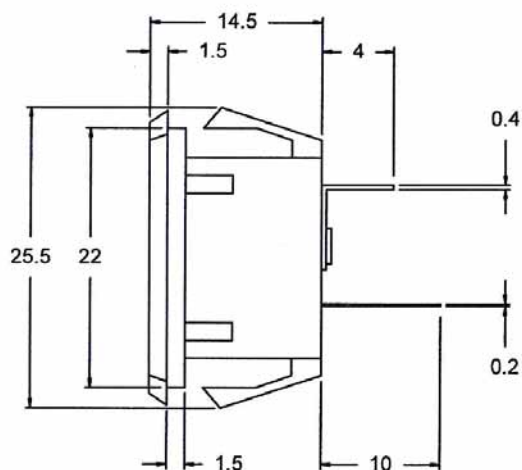
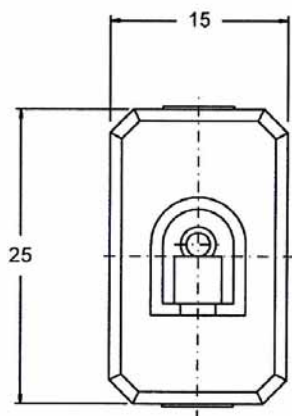
MATERIALS

1. **Housing:** Thermoplastic

2. **Center pin:** Nickel plating

3. **Terminal:** Brass/Copper alloy Silver plating.

* **RoHS & REACH compliant.**



ORDERING INFORMATION:

P/N DC $\frac{20}{1}$ - $\frac{94}{2}$ N $\frac{S}{3}$ $\frac{B}{4}$ $\frac{5}$

1. CENTER PIN DIAMETER:

"20" \varnothing 2.0MM

2. DC JACK CODE:

94

3. SCHEMATIC OPTION:

N

4. TERMINAL FINISH:

"S" SILVER PLATED

5. HOUSING COLOR:

"B" BLACK

DIA. 2.0MM DC POWER JACK (2)

SPECIFICATIONS

1.Rating: 3A 20VDC

2.Withstanding voltage:

AC 500V, 60Hz for 1 minute

3.Insulation resistance (initial): 100MΩ(min.) at 500V DC

4.Contact resistance (initial):

30mΩ(max.) at AC 100mA (max.) 1 KHz

5.Insertion & Extraction force:

Initial : 0.3 to 3.0Kgs

After life test: 0.2 to 3.0Kgs

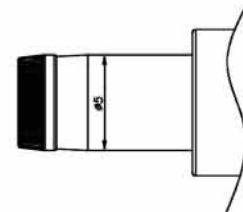
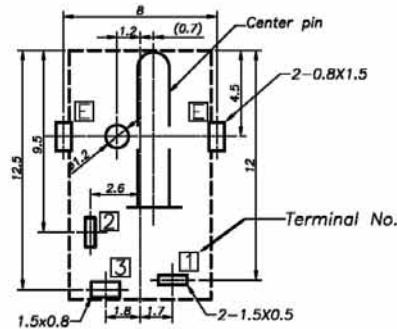
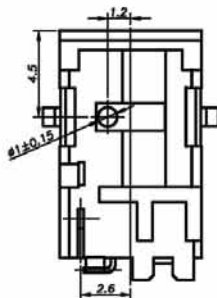
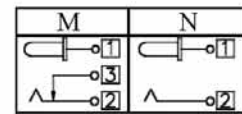
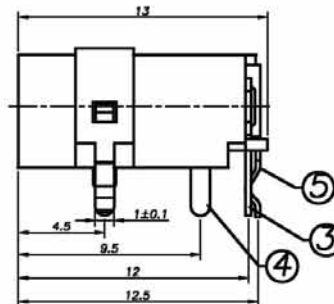
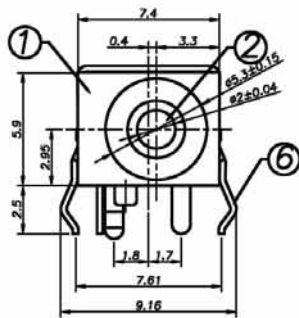
MATERIALS

1.Housing: Thermoplastic

2.Center pin: Nickel plating

3.Terminal: Brass/Copper alloy Silver & Gold plating.

* RoHS & REACH compliant.



DC MATED PLUG

Recommended P.C.Board Layout

ORDERING INFORMATION:

P/N DC $\frac{20}{1}$ - N $\frac{36}{2}$ $\frac{x}{3}$ $\frac{x}{4}$ $\frac{x}{5}$

- CENTER PIN DIAMETER:
"20" Ø2.0MM
- DC JACK CODE:
"N36" SHIELDED R/A DIP TYPE
- SCHEMATIC OPTION:
M, N
- TERMINAL FINISH:
"S" SILVER PLATED
"G" GOLD PLATED
- HOUSING COLOR:
"B" BLACK (STANDARD)
"Y" YELLOW

DIA. 2.0MM/2.35MM/2.5MM DC POWER JACK (1)

SPECIFICATIONS

1. **Rating:** 3A 12VDC

2. **Withstanding voltage:**

AC 500V, 60Hz for 1 minute

3. **Insulation resistance (initial):** 100MΩ(min.) at 500V DC

4. **Contact resistance (initial):**

30mΩ(max.) at AC 100mA (max.) 1 KHz

5. **Insertion & Extraction force:**

Initial : 0.3 to 3.0Kgs

After life test: 0.2 to 3.0Kgs

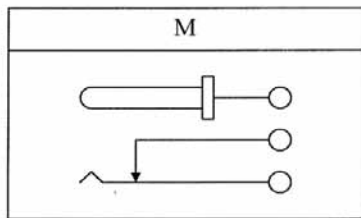
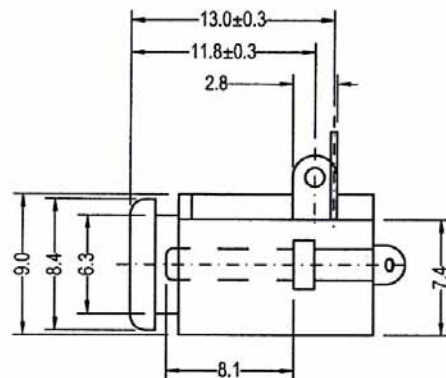
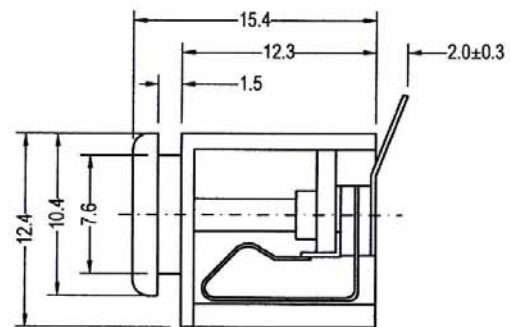
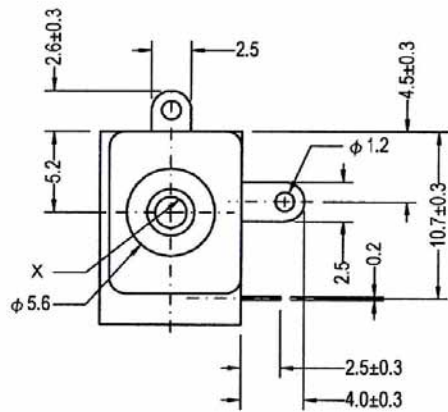
MATERIALS

1. **Housing:** Thermoplastic

2. **Center pin:** Nickel plating

3. **Terminal:** Brass/Copper alloy Silver plating.

* **RoHS & REACH compliant.**



ORDERING INFORMATION:

P/N D C $\frac{xx}{1}$ - $\frac{86}{2}$ $\frac{M}{3}$ $\frac{S}{4}$ $\frac{B}{5}$

1. CENTER PIN DIAMETER:

"20" Ø2.0MM

"24" Ø2.35MM

"25" Ø2.5MM

2. DC JACK CODE:

86

3. SCHEMATIC OPTION:

M

4. TERMINAL FINISH:

"S" SILVER PLATED

5. HOUSING COLOR:

"B" BLACK

DIA. 2.0MM/2.35MM/2.5MM DC POWER JACK (2)

SPECIFICATIONS

1. **Rating:** 3A 12VDC

2. **Withstanding voltage:**

AC 500V, 60Hz for 1 minute

3. **Insulation resistance (initial):** 100M Ω (min.) at 500V DC

4. **Contact resistance (initial):**

30m Ω (max.) at AC 100mA (max.) 1 KHz

5. **Insertion & Extraction force:**

Initial : 0.3 to 3.0Kgs

After life test: 0.2 to 3.0Kgs

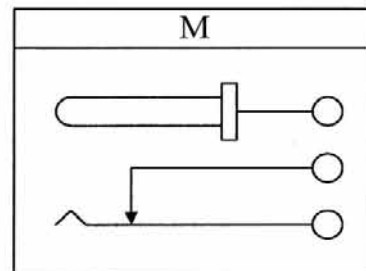
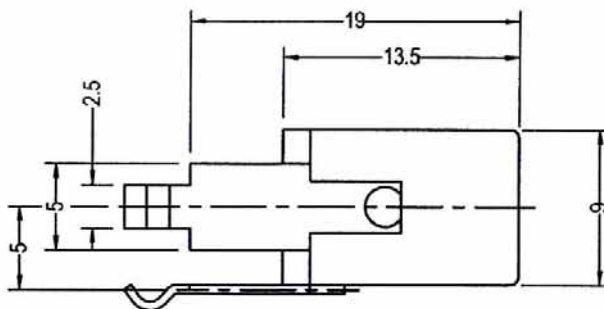
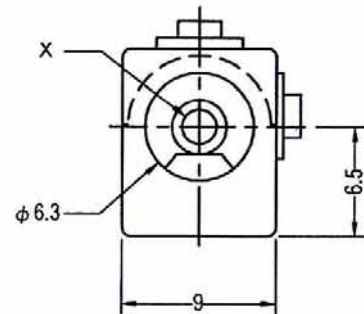
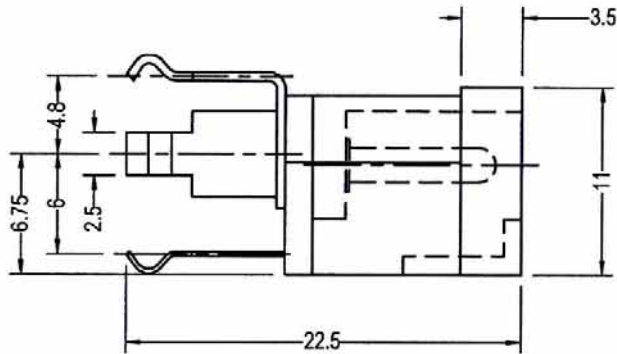
MATERIALS

1. **Housing:** Thermoplastic

2. **Center pin:** Nickel plating

3. **Terminal:** Brass/Copper alloy Silver plating.

* **RoHS & REACH compliant.**



ORDERING INFORMATION:

P/N D C $\frac{X}{1}$ - 87 $\frac{M}{2}$ $\frac{S}{3}$ $\frac{B}{4}$ $\frac{B}{5}$

1. CENTER PIN DIAMETER:

"20" \varnothing 2.0MM

"24" \varnothing 2.35MM

"25" \varnothing 2.5MM

2. DC JACK CODE:

87

3. SCHEMATIC OPTION:

M

4. TERMINAL FINISH:

"S" SILVER PLATED

5. HOUSING COLOR:

"B" BLACK

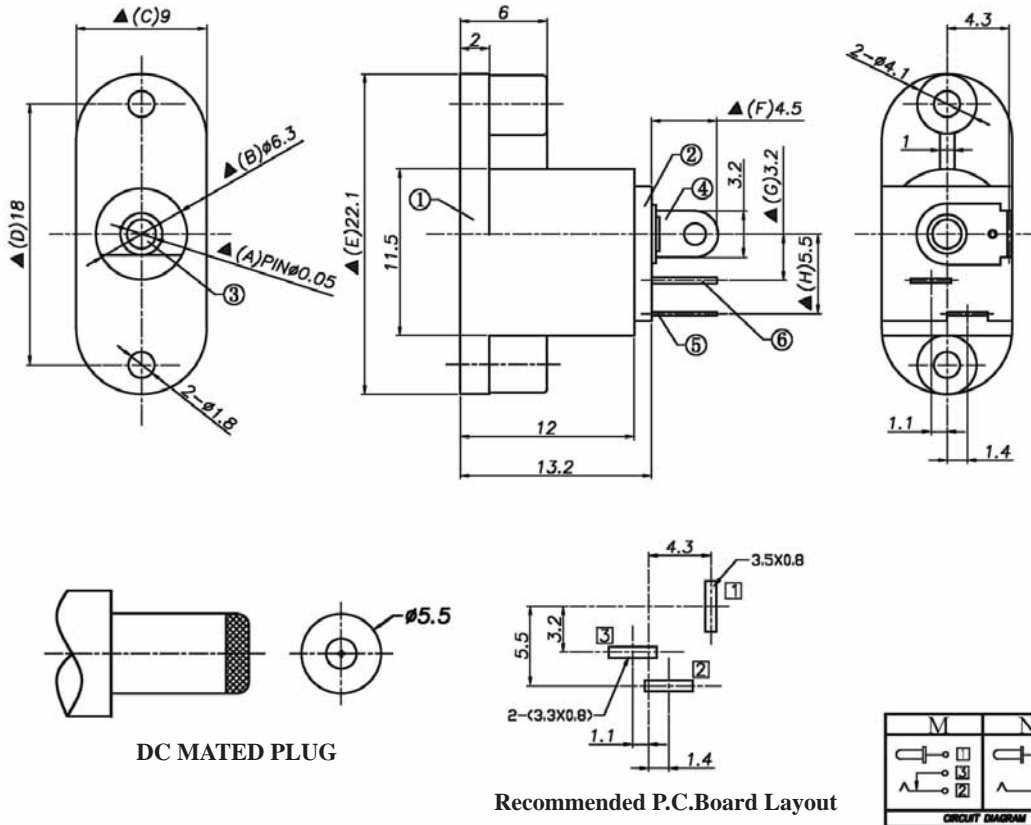
DIA. 2.0MM/2.35MM/2.5MM DC POWER JACK (3)

SPECIFICATIONS

1. **Rating:** 3A 20VDC
2. **Withstanding voltage:**
AC 500V, 60Hz for 1 minute
3. **Insulation resistance (initial):** 100MΩ(min.) at 500V DC
4. **Contact resistance (initial):**
30mΩ(max.) at AC 100mA (max.) 1 KHz
5. **Insertion & Extraction force:**
Initial : 0.3 to 3.0Kgs
After life test: 0.2 to 3.0Kgs

MATERIALS

1. **Housing:** Thermoplastic
 2. **Center pin:** Nickel plating
 3. **Terminal:** Brass/Copper alloy Tin plating.
- * RoHS & REACH compliant.



ORDERING INFORMATION:

P/N DC $\frac{xx}{1}$ - N03 $\frac{x}{2}$ $\frac{T}{3}$ $\frac{B}{4}$ $\frac{5}{5}$

1. CENTER PIN DIAMETER:
"20" $\varnothing2.0$ MM
"24" $\varnothing2.35$ MM
"25" $\varnothing2.5$ MM
2. DC JACK CODE:
"N03" STRAIGHT DIP TYPE
3. SCHEMATIC OPTION:
M, N
4. TERMINAL FINISH:
"T" TIN PLATED
5. HOUSING COLOR:
"B" BLACK

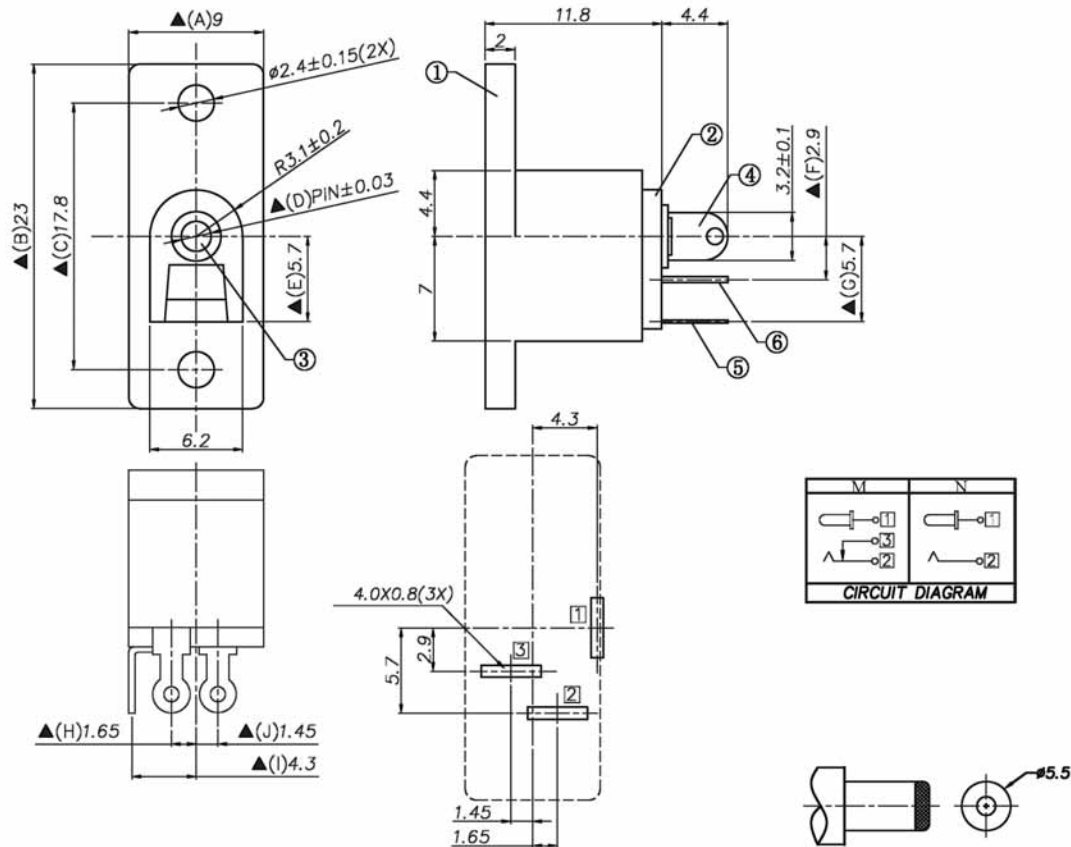
DIA. 2.0MM/2.35MM/2.5MM DC POWER JACK (4)

SPECIFICATIONS

1. **Rating:** 2.5A 20VDC
2. **Withstanding voltage:**
AC 500V, 60Hz for 1 minute
3. **Insulation resistance (initial):** 100M Ω (min.) at 500V DC
4. **Contact resistance (initial):**
30m Ω (max.) at AC 100mA (max.) 1 KHz
5. **Insertion & Extraction force:**
Initial : 0.3 to 3.0Kgs
After life test: 0.2 to 3.0Kgs

MATERIALS

1. **Housing:** Thermoplastic
 2. **Center pin:** Nickel plating
 3. **Terminal:** Brass/Copper alloy Tin plating.
- * RoHS & REACH compliant.



Recommended P.C.Board Layout

DC MATED PLUG

ORDERING INFORMATION:

P/N D C $\frac{x}{1}$ - N 0 4 $\frac{x}{2}$ T B $\frac{x}{3}$ $\frac{x}{4}$ $\frac{x}{5}$

1. CENTER PIN DIAMETER:
"20" Ø2.0MM
"24" Ø2.35MM
"25" Ø2.5MM
2. DC JACK CODE:
"N04" STRAIGHT DIP TYPE
3. SCHEMATIC OPTION:
M, N
4. TERMINAL FINISH:
"T" TIN PLATED
5. HOUSING COLOR:
"B" BLACK

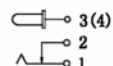
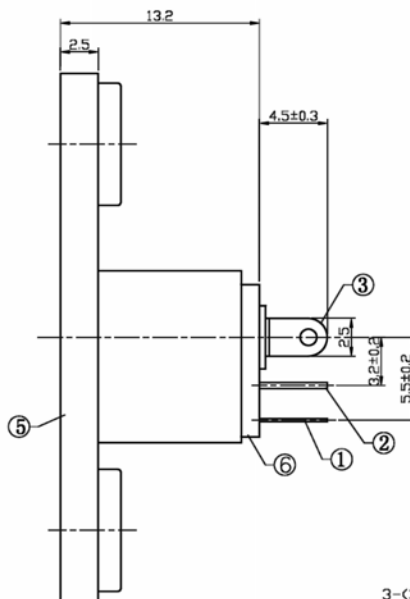
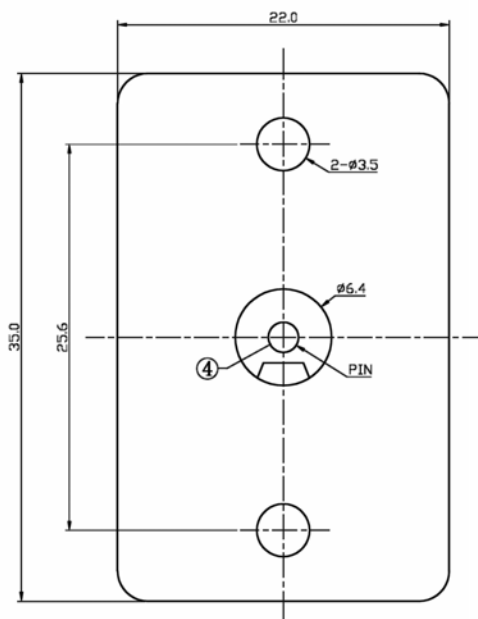
DIA. 2.0MM/2.35MM/2.5MM DC POWER JACK (5)

SPECIFICATIONS

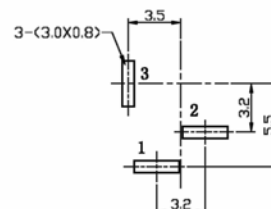
1. **Rating:** 2A 30VDC
2. **Withstanding voltage:**
AC 500V, 60Hz for 1 minute
3. **Insulation resistance (initial):** 100MΩ(min.) at 500V DC
4. **Contact resistance (initial):**
30mΩ(max.) at AC 100mA (max.) 1 KHz
5. **Insertion & Extraction force:**
Initial : 0.3 to 3.0Kgs
After life test: 0.2 to 3.0Kgs

MATERIALS

1. **Housing:** Thermoplastic
 2. **Center pin:** Nickel plating
 3. **Terminal:** Brass/Copper alloy Silver plating.
- * RoHS & REACH compliant.



DC MATED PLUG



Recommended P.C.Board Layout

ORDERING INFORMATION:

P/N DC $\frac{XX}{1}$ - N $\frac{05}{2}$ M $\frac{S}{3}$ B $\frac{B}{4}$ $\frac{5}{5}$

1. CENTER PIN DIAMETER:
"20" Ø2.0MM
"24" Ø2.35MM
"25" Ø2.5MM
2. DC JACK CODE:
"N05" STRAIGHT DIP TYPE
3. SCHEMATIC OPTION:
M
4. TERMINAL FINISH:
"S" SILVER PLATED
5. HOUSING COLOR:
"B" BLACK

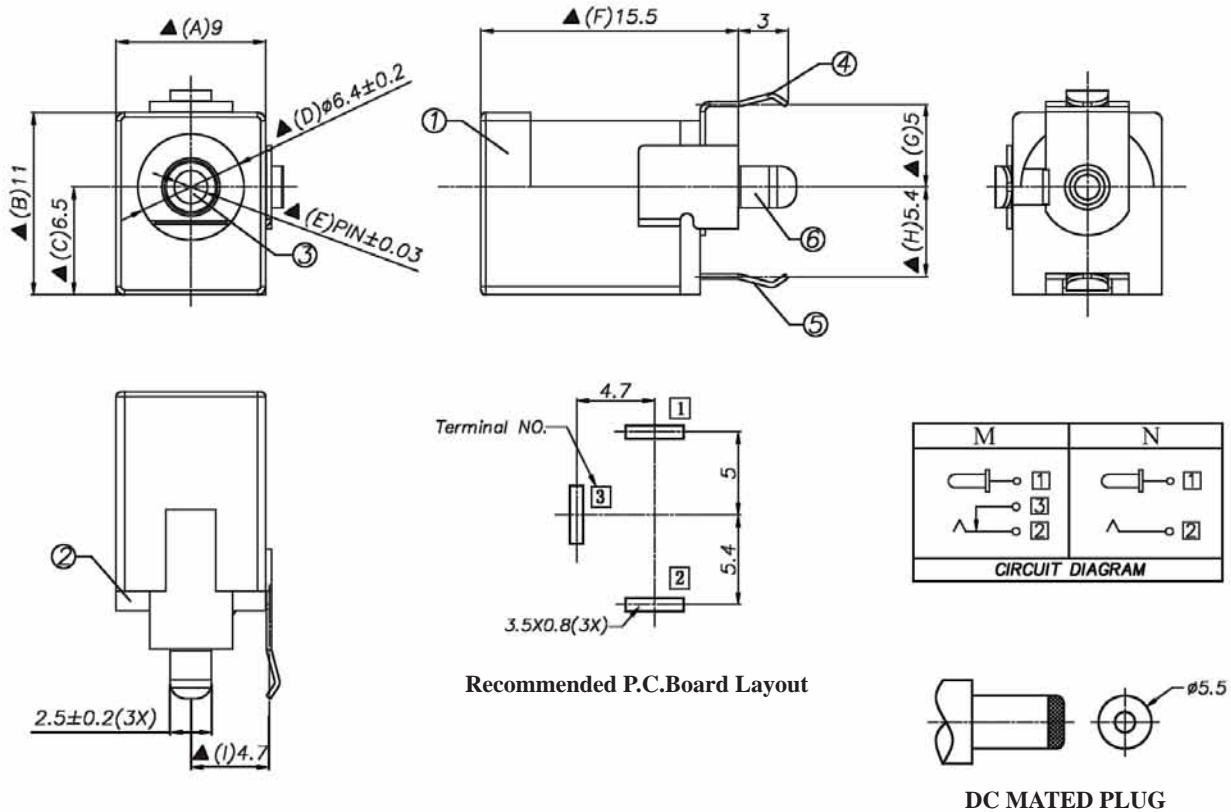
DIA. 2.0MM/2.35MM/2.5MM DC POWER JACK (6)

SPECIFICATIONS

1. **Rating:** 2.5A 20VDC
2. **Withstanding voltage:**
AC 500V, 60Hz for 1 minute
3. **Insulation resistance (initial):** 100M Ω (min.) at 500V DC
4. **Contact resistance (initial):**
30m Ω (max.) at AC 100mA (max.) 1 KHz
5. **Insertion & Extraction force:**
Initial : 0.3 to 3.0Kgs
After life test: 0.2 to 3.0Kgs

MATERIALS

1. **Housing:** Thermoplastic
 2. **Center pin:** Nickel plating
 3. **Terminal:** Brass/Copper alloy Tin plating.
- * RoHS & REACH compliant.



ORDERING INFORMATION:

P/N D C $\frac{xx}{1}$ - N07 $\frac{x}{2}$ $\frac{T}{3}$ $\frac{x}{4}$ $\frac{x}{5}$

1. CENTER PIN DIAMETER:
"20" Ø2.0MM
"24" Ø2.35MM
"25" Ø2.5MM
2. DC JACK CODE:
"N07" STRAIGHT DIP TYPE
3. SCHEMATIC OPTION:
M, N
4. TERMINAL FINISH:
"T" TIN PLATED
5. HOUSING COLOR:
"B" BLACK
"W" WHITE

DIA. 2.0MM/2.35MM/2.5MM DC POWER JACK (7)

SPECIFICATIONS

1.Rating: 0.5A 30VDC

2.Withstanding voltage:

AC 500V, 60Hz for 1 minute

3.Insulation resistance (initial): 100M Ω (min.) at 500V DC

4.Contact resistance (initial):

30m Ω (max.) at AC 100mA (max.) 1 KHz

5.Insertion & Extraction force:

Initial : 0.3 to 3.0Kgs

After life test: 0.2 to 3.0Kgs

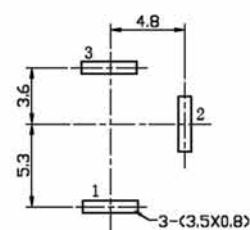
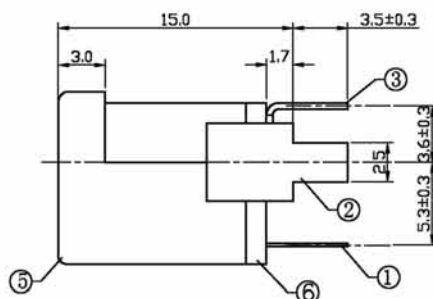
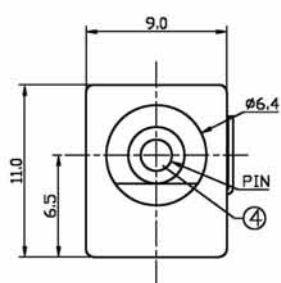
MATERIALS

1.Housing: Thermoplastic

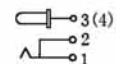
2.Center pin: Nickel plating

3.Terminal: Brass/Copper alloy Silver plating.

* RoHS & REACH compliant.



Recommended P.C.Board Layout



SCHEMATIC

ORDERING INFORMATION:

P/N DC $\frac{xx}{1}$ - N08MSB

1. CENTER PIN DIAMETER:

"20" Ø2.0MM

"24" Ø2.35MM

"25" Ø2.5MM

2. DC JACK CODE:

"N08" STRAIGHT DIP TYPE

3. SCHEMATIC OPTION:

M

4. TERMINAL FINISH:

"S" SILVER PLATED

5. HOUSING COLOR:

"B" BLACK

DIA. 2.0MM/2.35MM/2.5MM DC POWER JACK (8)

SPECIFICATIONS

1. **Rating:** 3A 20VDC

2. **Withstanding voltage:**

AC 500V, 60Hz for 1 minute

3. **Insulation resistance (initial):** 100MΩ(min.) at 500V DC

4. **Contact resistance (initial):**

30mΩ(max.) at AC 100mA (max.) 1 KHz

5. **Insertion & Extraction force:**

Initial : 0.3 to 3.0Kgs

After life test: 0.2 to 3.0Kgs

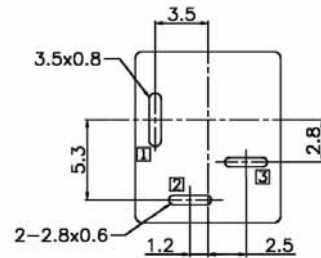
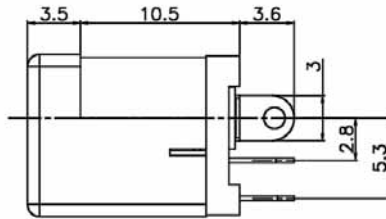
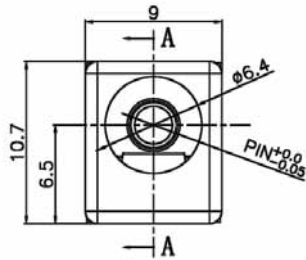
MATERIALS

1. **Housing:** Thermoplastic

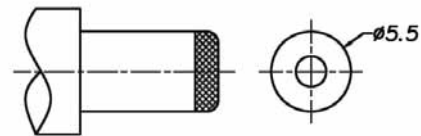
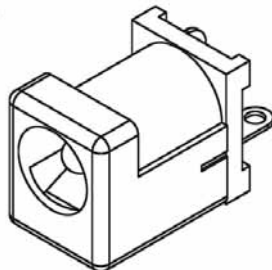
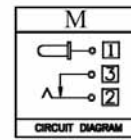
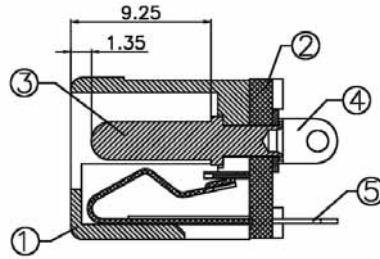
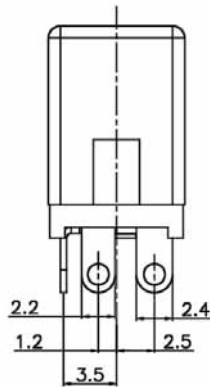
2. **Center pin:** Nickel plating

3. **Terminal:** Brass/Copper alloy Silver plating.

* **RoHS & REACH compliant.**



Recommended P.C.Board Layout



DC MATED PLUG

ORDERING INFORMATION:

P/N D C $\frac{xx}{1}$ - N $\frac{09}{2}$ M $\frac{S}{3}$ B $\frac{4}{5}$

1. CENTER PIN DIAMETER:

"20" Ø2.0MM

"24" Ø2.35MM

"25" Ø2.5MM

2. DC JACK CODE:

"N09" STRAIGHT DIP TYPE

3. SCHEMATIC OPTION:

M

4. TERMINAL FINISH:

"S" SILVER PLATED

5. HOUSING COLOR:

"B" BLACK

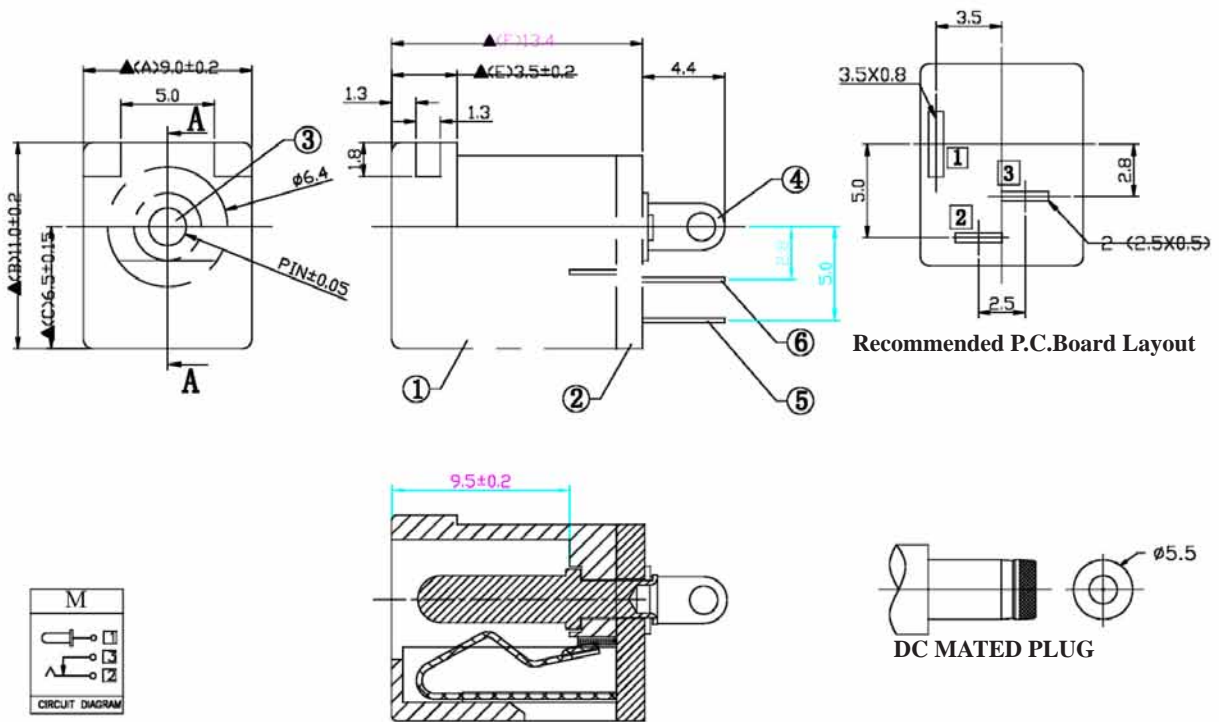
DIA. 2.0MM/2.35MM/2.5MM DC POWER JACK (9)

SPECIFICATIONS

1. **Rating:** 0.5A 30VDC
2. **Withstanding voltage:**
AC 500V, 60Hz for 1 minute
3. **Insulation resistance (initial):** 100M Ω (min.) at 500V DC
4. **Contact resistance (initial):**
30m Ω (max.) at AC 100mA (max.) 1 KHz
5. **Insertion & Extraction force:**
Initial : 0.3 to 3.0Kgs
After life test: 0.2 to 3.0Kgs

MATERIALS

1. **Housing:** Thermoplastic
 2. **Center pin:** Nickel plating
 3. **Terminal:** Brass/Copper alloy Silver plating.
- * RoHS & REACH compliant.



ORDERING INFORMATION:

P/N DC $\frac{xx}{1}$ - N $\frac{10}{2}$ M $\frac{S}{3}$ $\frac{B}{4}$ $\frac{B}{5}$

1. CENTER PIN DIAMETER:
"20" $\phi 2.0$ MM
"24" $\phi 2.35$ MM
"25" $\phi 2.5$ MM
2. DC JACK CODE:
"N10" STRAIGHT DIP TYPE
3. SCHEMATIC OPTION:
M
4. TERMINAL FINISH:
"S" SILVER PLATED
5. HOUSING COLOR:
"B" BLACK

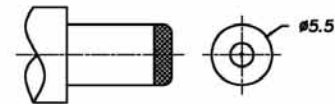
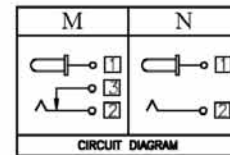
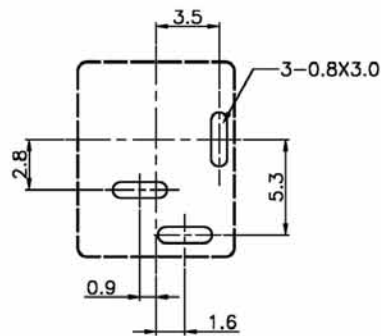
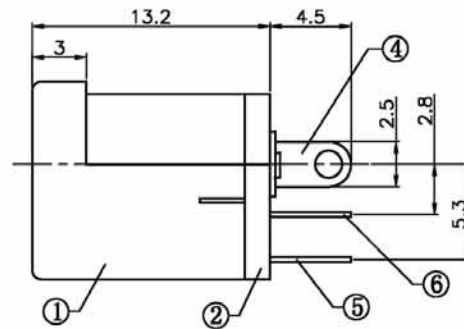
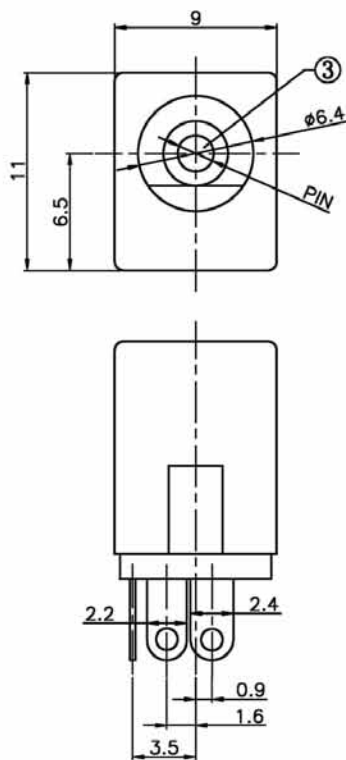
DIA. 2.0MM/2.35MM/2.5MM DC POWER JACK (10)

SPECIFICATIONS

1. **Rating:** 2A 20VDC
2. **Withstanding voltage:**
AC 500V, 60Hz for 1 minute
3. **Insulation resistance (initial):** 100MΩ(min.) at 500V DC
4. **Contact resistance (initial):**
30mΩ(max.) at AC 100mA (max.) 1 KHz
5. **Insertion & Extraction force:**
Initial : 0.3 to 3.0Kgs
After life test: 0.2 to 3.0Kgs

MATERIALS

1. **Housing:** Thermoplastic
 2. **Center pin:** Nickel plating
 3. **Terminal:** Brass/Copper alloy Silver plating.
- * RoHS & REACH compliant.



Recommended P.C.Board Layout

DC MATED PLUG

ORDERING INFORMATION:

P/N DC $\frac{xx}{1}$ - N $\frac{11}{2}$ $\frac{xx}{3}$ $\frac{S}{4}$ $\frac{x}{5}$

1. CENTER PIN DIAMETER:
"20" Ø2.0MM
"24" Ø2.35MM
"25" Ø2.5MM
2. DC JACK CODE:
"N11" STRAIGHT DIP TYPE
3. SCHEMATIC OPTION:
M, N
4. TERMINAL FINISH:
"S" SILVER PLATED
5. HOUSING COLOR:
"B" BLACK
"Y" YELLOW

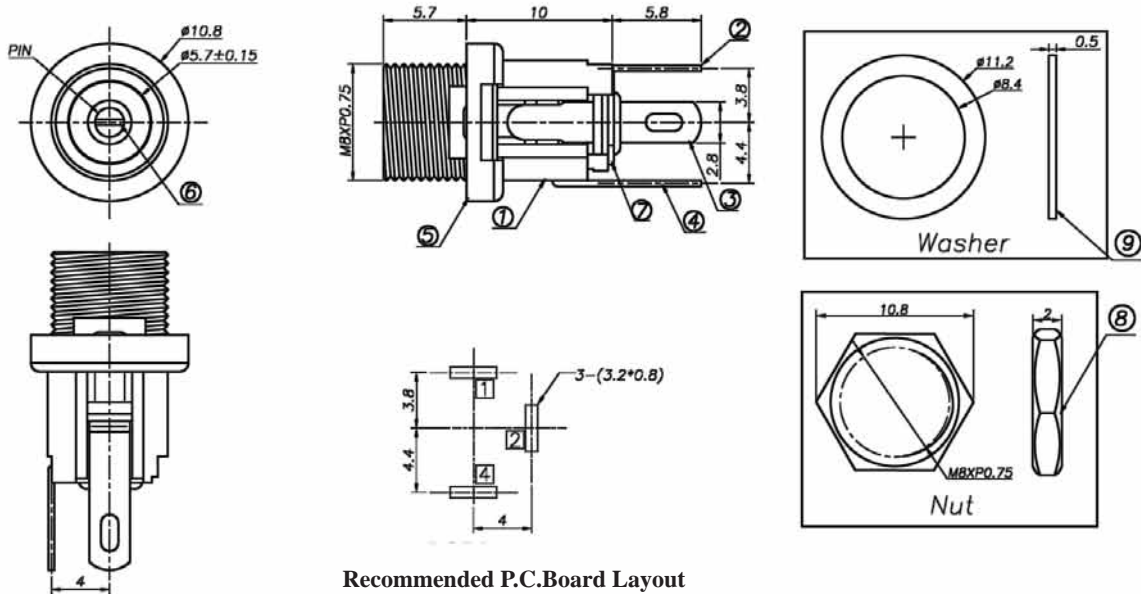
DIA. 2.0MM/2.35MM/2.5MM DC POWER JACK (11)

SPECIFICATIONS

1. **Rating:** 3A 30VDC
2. **Withstanding voltage:**
AC 500V, 60Hz for 1 minute
3. **Insulation resistance (initial):** 100MΩ(min.) at 500V DC
4. **Contact resistance (initial):**
30mΩ(max.) at AC 100mA (max.) 1 KHz
5. **Insertion & Extraction force:**
Initial : 0.3 to 3.0Kgs
After life test: 0.2 to 3.0Kgs

MATERIALS

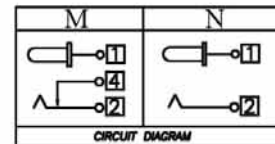
1. **Housing:** Thermoplastic
 2. **Center pin:** Nickel plating
 3. **Terminal:** Brass/Copper alloy Tin plating.
- * RoHS & REACH compliant.



Recommended P.C.Board Layout



DC MATED PLUG



ORDERING INFORMATION:

P/N DC $\frac{x}{1}$ - N $\frac{12}{2}$ $\frac{x}{3}$ $\frac{T}{4}$ $\frac{B}{5}$

1. CENTER PIN DIAMETER:
"20" Ø2.0MM
"24" Ø2.35MM
"25" Ø2.5MM
2. DC JACK CODE:
"N12" STRAIGHT DIP TYPE WITH NUT & WASHER
3. SCHEMATIC OPTION:
M, N
4. TERMINAL FINISH:
"T" TIN PLATED
5. HOUSING COLOR:
"B" BLACK

DIA. 2.0MM/2.35MM/2.5MM DC POWER JACK (12)

SPECIFICATIONS

1. **Rating:** 3A 30VDC

2. **Withstanding voltage:**

AC 500V, 60Hz for 1 minute

3. **Insulation resistance (initial):** 100MΩ(min.) at 500V DC

4. **Contact resistance (initial):**

30mΩ(max.) at AC 100mA (max.) 1 KHz

5. **Insertion & Extraction force:**

Initial : 0.3 to 3.0Kgs

After life test: 0.2 to 3.0Kgs

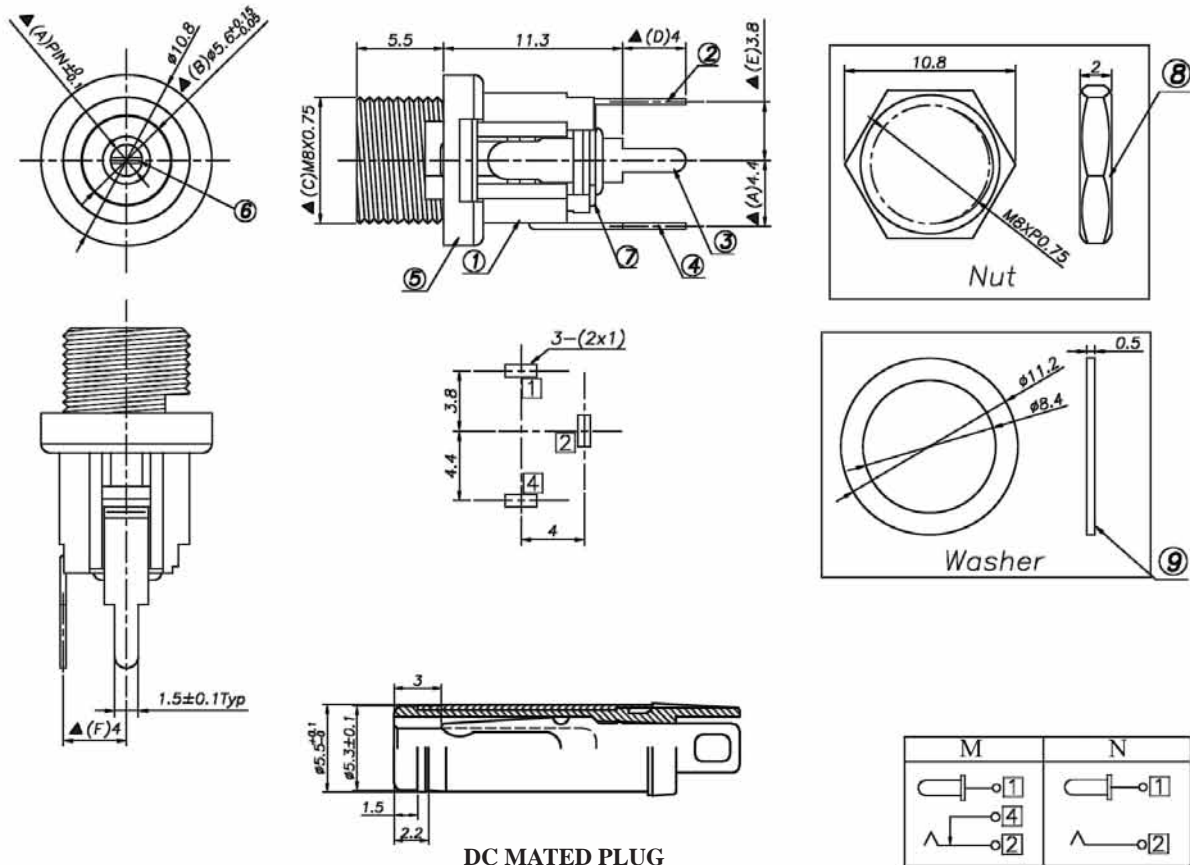
MATERIALS

1. **Housing:** Thermoplastic

2. **Center pin:** Nickel plating

3. **Terminal:** Brass/Copper alloy Tin plating.

* **RoHS & REACH compliant.**



ORDERING INFORMATION:

P/N DC $\frac{xx}{T}$ - N $\frac{13}{2}$ $\frac{x}{3}$ $\frac{T}{4}$ $\frac{B}{5}$

1. CENTER PIN DIAMETER:

"20" Ø2.0MM

"24" Ø2.35MM

"25" Ø2.5MM

2. DC JACK CODE:

"N13" STRAIGHT DIP TYPE

3. SCHEMATIC OPTION:

M, N

4. TERMINAL FINISH:

"T" TIN PLATED

5. HOUSING COLOR:

"B" BLACK

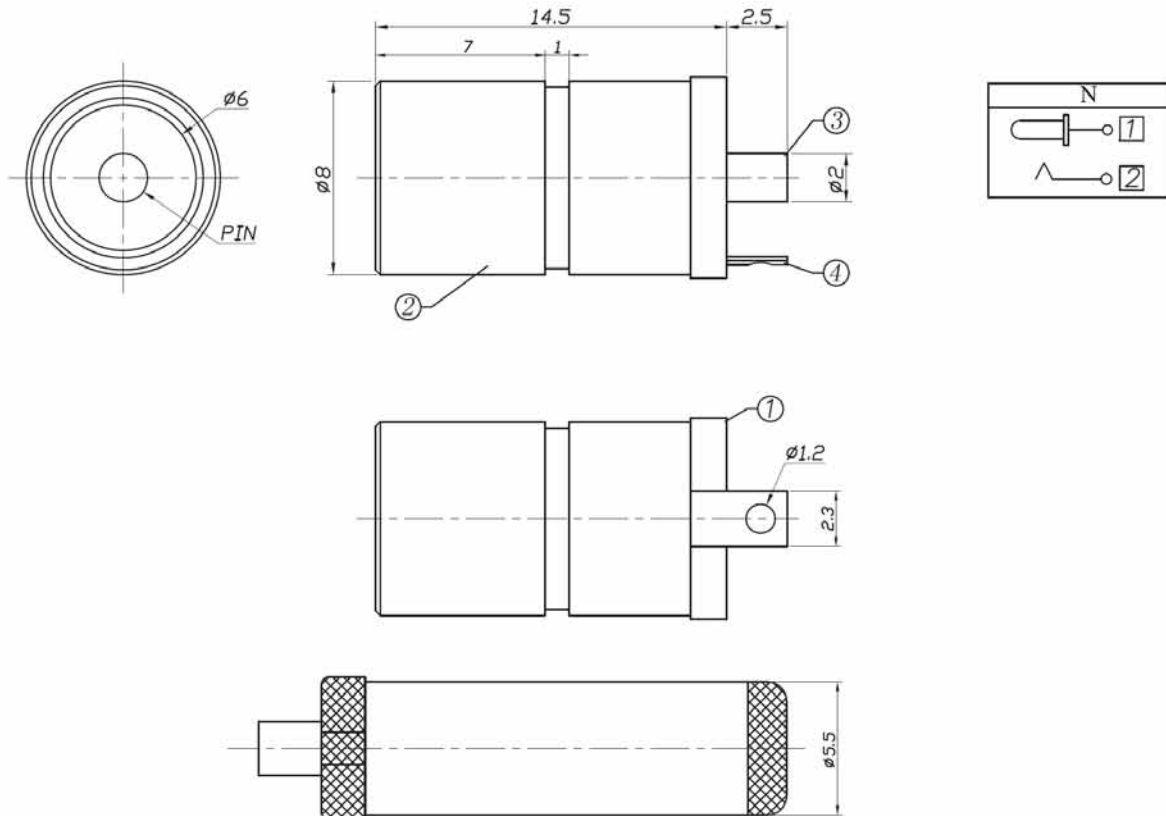
DIA. 2.0MM/2.35MM/2.5MM DC POWER JACK (13)

SPECIFICATIONS

1. **Rating:** 3A 20VDC
2. **Withstanding voltage:**
AC 500V, 60Hz for 1 minute
3. **Insulation resistance (initial):** 100M Ω (min.) at 500V DC
4. **Contact resistance (initial):**
30m Ω (max.) at AC 100mA (max.) 1 KHz
5. **Insertion & Extraction force:**
Initial : 0.3 to 3.0Kgs
After life test: 0.2 to 3.0Kgs

MATERIALS

1. **Housing:** Thermoplastic
 2. **Center pin:** Nickel plating
 3. **Terminal:** Brass/Copper alloy Gold & Tin plating.
- * RoHS & REACH compliant.



ORDERING INFORMATION:

P/N D C $\frac{xx}{1}$ - $\frac{N14}{2}$ $\frac{N}{3}$ $\frac{x}{4}$ $\frac{B}{5}$

1. CENTER PIN DIAMETER:
"20" \varnothing 2.0MM
"24" \varnothing 2.35MM
"25" \varnothing 2.5MM
2. DC JACK CODE:
"N14" SHIELDED STRAIGHT DIP TYPE
3. SCHEMATIC OPTION:
N
4. TERMINAL FINISH:
"G" GOLD PLATED
"T" TIN PLATED
5. HOUSING COLOR:
"B" BLACK

DIA. 2.0MM/2.35MM/2.5MM DC POWER JACK (14)

SPECIFICATIONS

1. **Rating:** 2.5A 24VDC

2. **Withstanding voltage:**

AC 500V, 60Hz for 1 minute

3. **Insulation resistance (initial):** 100MΩ(min.) at 500V DC

4. **Contact resistance (initial):**

30mΩ(max.) at AC 100mA (max.) 1 KHz

5. **Insertion & Extraction force:**

Initial : 0.3 to 3.0Kgs

After life test: 0.2 to 3.0Kgs

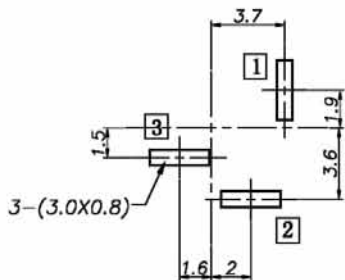
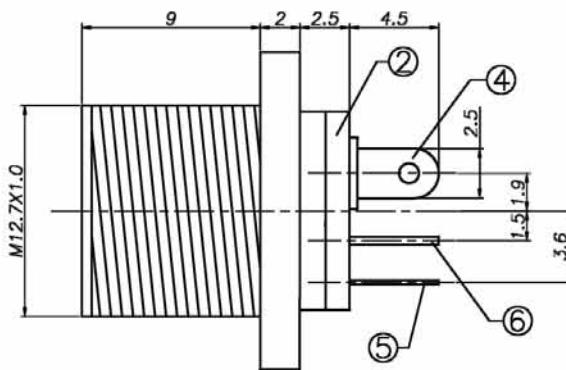
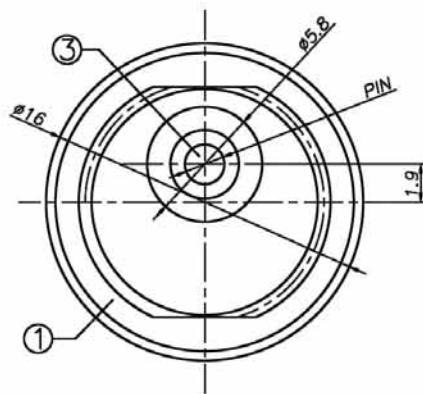
MATERIALS

1. **Housing:** Thermoplastic

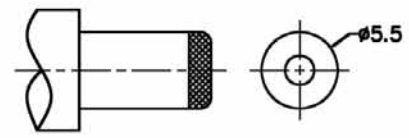
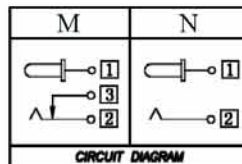
2. **Center pin:** Nickel plating

3. **Terminal:** Brass/Copper alloy Tin plating.

* **RoHS & REACH compliant.**



Recommended P.C. Board Layout



DC MATED PLUG

ORDERING INFORMATION:

P/N DC $\frac{xx}{1}$ - N $\frac{15}{2}$ $\frac{x}{3}$ $\frac{T}{4}$ $\frac{B}{5}$

1. CENTER PIN DIAMETER:

"20" Ø2.0MM

"24" Ø2.35MM

"25" Ø2.5MM

2. DC JACK CODE:

"N15" STRAIGHT DIP TYPE

3. SCHEMATIC OPTION:

M, N

4. TERMINAL FINISH:

"T" TIN PLATED

5. HOUSING COLOR:

"B" BLACK

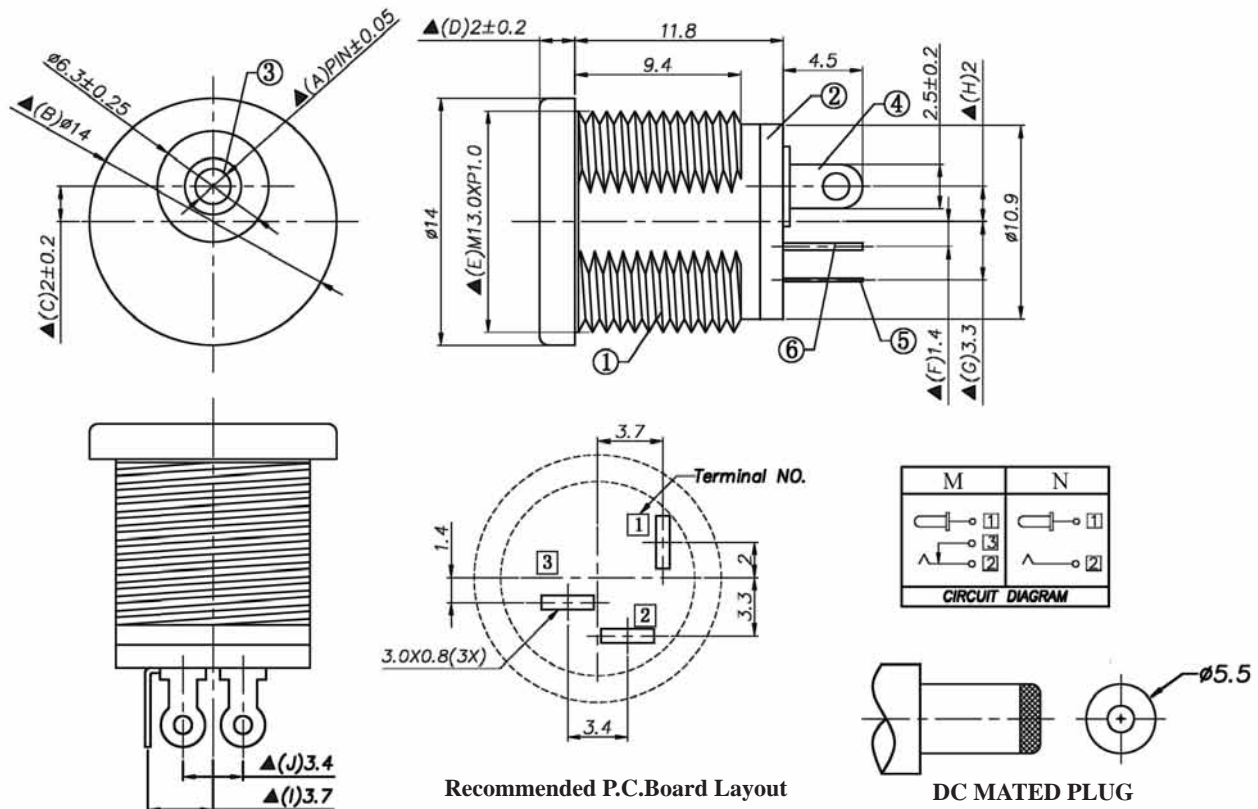
DIA. 2.0MM/2.35MM/2.5MM DC POWER JACK (15)

SPECIFICATIONS

1. **Rating:** 2.5A 20VDC
2. **Withstanding voltage:**
AC 500V, 60Hz for 1 minute
3. **Insulation resistance (initial):** 100MΩ(min.) at 500V DC
4. **Contact resistance (initial):**
30mΩ(max.) at AC 100mA (max.) 1 KHz
5. **Insertion & Extraction force:**
Initial : 0.3 to 3.0Kgs
After life test: 0.2 to 3.0Kgs

MATERIALS

1. **Housing:** Thermoplastic
 2. **Center pin:** Nickel plating
 3. **Terminal:** Brass/Copper alloy Tin plating.
- * RoHS & REACH compliant.



ORDERING INFORMATION:

P/N DC $\frac{x}{1}$ - N16 $\frac{x}{2}$ $\frac{T}{3}$ $\frac{B}{4}$ $\frac{5}{5}$

1. CENTER PIN DIAMETER:
"20" $\phi 2.0$ MM
"24" $\phi 2.35$ MM
"25" $\phi 2.5$ MM
2. DC JACK CODE:
"N16" STRAIGHT DIP TYPE WITH NUT
3. SCHEMATIC OPTION:
M, N
4. TERMINAL FINISH:
"T" TIN PLATED
5. HOUSING COLOR:
"B" BLACK

DIA. 2.0MM/2.35MM/2.5MM DC POWER JACK (16)

SPECIFICATIONS

1. **Rating:** 3A 20VDC

2. **Withstanding voltage:**

AC 500V, 60Hz for 1 minute

3. **Insulation resistance (initial):** 100M Ω (min.) at 500V DC

4. **Contact resistance (initial):**

30m Ω (max.) at AC 100mA (max.) 1 KHz

5. **Insertion & Extraction force:**

Initial : 0.3 to 3.0Kgs

After life test: 0.2 to 3.0Kgs

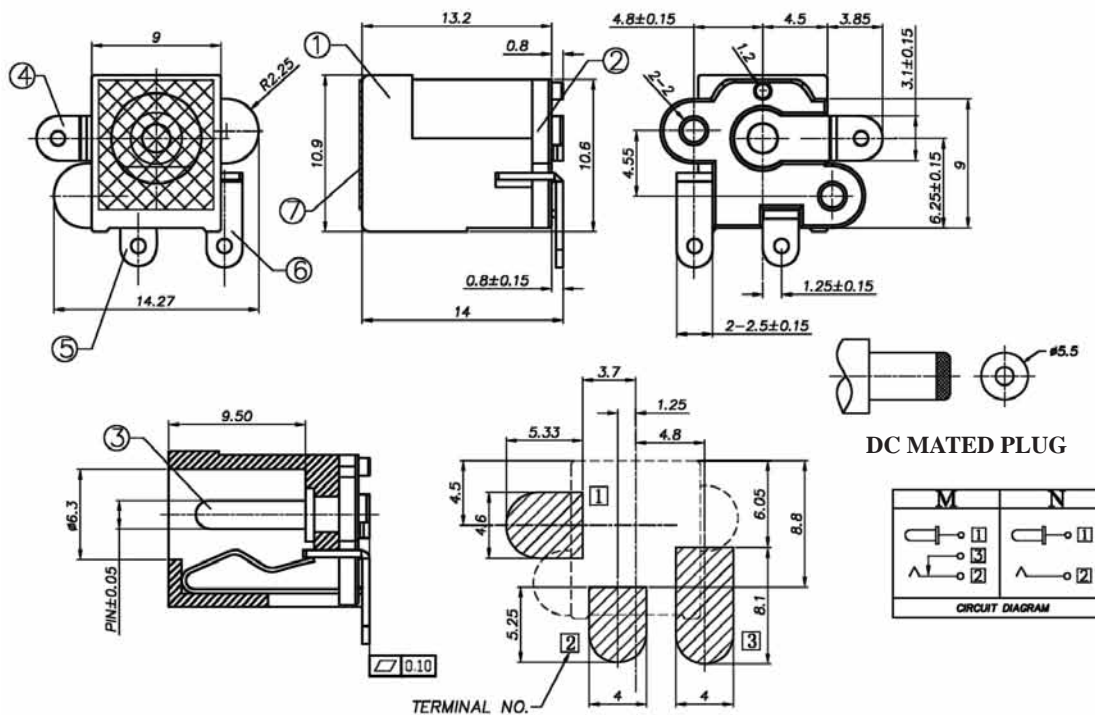
MATERIALS

1. **Housing:** Thermoplastic

2. **Center pin:** Nickel plating

3. **Terminal:** Brass/Copper alloy Tin plating.

* **RoHS & REACH compliant.**



Recommended P.C.Board Layout

ORDERING INFORMATION:

P/N DC $\frac{xx}{1}$ - N $\frac{18}{2}$ $\frac{x}{3}$ $\frac{T}{4}$ $\frac{B}{5}$

1. CENTER PIN DIAMETER:

"20" \varnothing 2.0MM

"24" \varnothing 2.35MM

"25" \varnothing 2.5MM

2. DC JACK CODE:

"N18" SMT TYPE

3. SCHEMATIC OPTION:

M, N

4. TERMINAL FINISH:

"T" TIN PLATED

5. HOUSING COLOR:

"B" BLACK

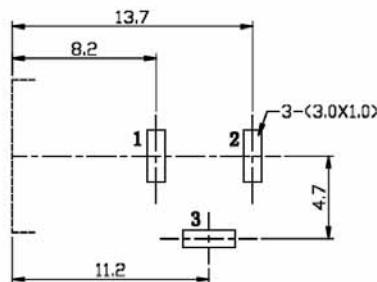
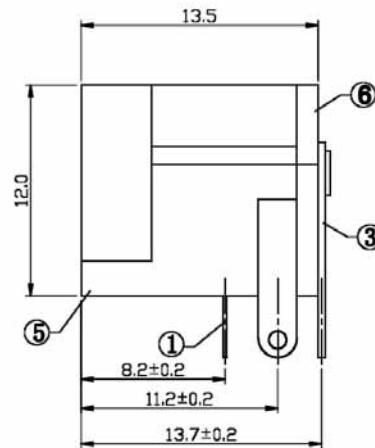
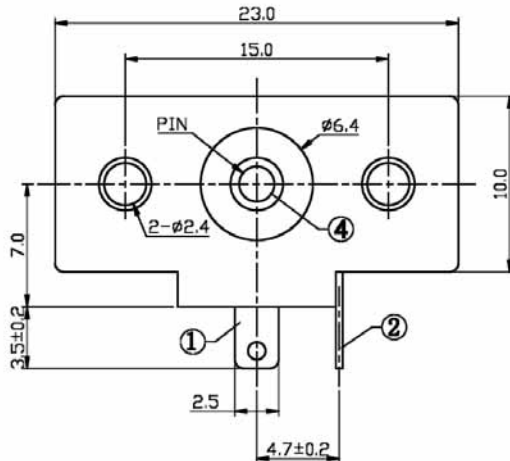
DIA. 2.0MM/2.35MM/2.5MM DC POWER JACK (17)

SPECIFICATIONS

1. **Rating:** 0.5A 30VDC
2. **Withstanding voltage:**
AC 500V, 60Hz for 1 minute
3. **Insulation resistance (initial):** 100M Ω (min.) at 500V DC
4. **Contact resistance (initial):**
30m Ω (max.) at AC 100mA (max.) 1 KHz
5. **Insertion & Extraction force:**
Initial : 0.3 to 3.0Kgs
After life test: 0.2 to 3.0Kgs

MATERIALS

1. **Housing:** Thermoplastic
 2. **Center pin:** Nickel plating
 3. **Terminal:** Brass/Copper alloy Silver plating.
- * RoHS & REACH compliant.



SCHEMATIC

Recommended P.C.Board Layout

ORDERING INFORMATION:

P/N DC $\frac{xx}{1}$ - N $\frac{19}{2}$ M $\frac{S}{3}$ $\frac{B}{4}$ $\frac{B}{5}$

1. CENTER PIN DIAMETER:
"20" Ø2.0MM
"24" Ø2.35MM
"25" Ø2.5MM
2. DC JACK CODE:
"N19" R/A DIP TYPE
3. SCHEMATIC OPTION:
M
4. TERMINAL FINISH:
"S" SILVER PLATED
5. HOUSING COLOR:
"B" BLACK

DIA. 2.0MM/2.35MM/2.5MM DC POWER JACK (18)

SPECIFICATIONS

1. **Rating:** 2A 20VDC

2. **Withstanding voltage:**

AC 500V, 60Hz for 1 minute

3. **Insulation resistance (initial):** 100MΩ(min.) at 500V DC

4. **Contact resistance (initial):**

30mΩ(max.) at AC 100mA (max.) 1 KHz

5. **Insertion & Extraction force:**

Initial : 0.3 to 3.0Kgs

After life test: 0.2 to 3.0Kgs

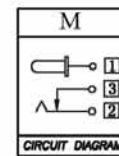
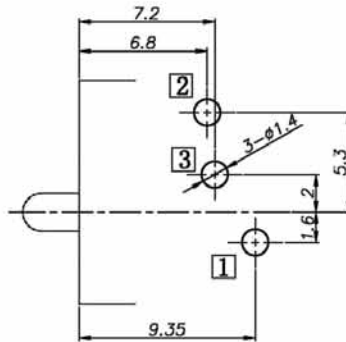
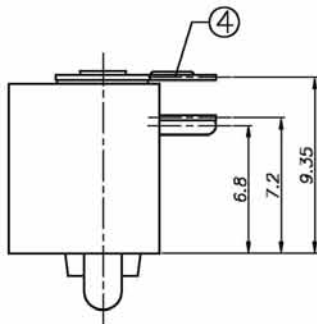
MATERIALS

1. **Housing:** Thermoplastic

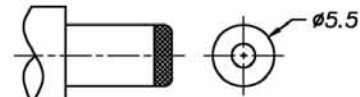
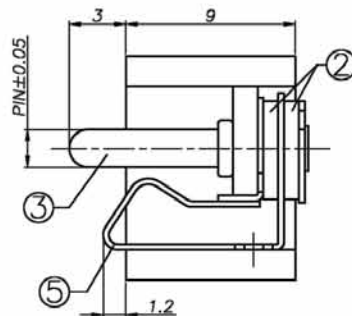
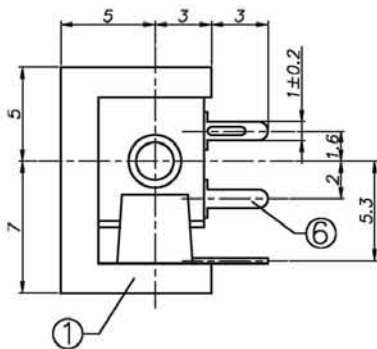
2. **Center pin:** Nickel plating

3. **Terminal:** Brass/Copper alloy Silver plating.

* **RoHS & REACH compliant.**



Recommended P.C.Board Layout



DC MATED PLUG

ORDERING INFORMATION:

P/N DC $\frac{xx}{1}$ - N $\frac{20}{2}$ M $\frac{S}{3}$ B $\frac{B}{45}$

1. CENTER PIN DIAMETER:

"20" Ø2.0MM

"24" Ø2.35MM

"25" Ø2.5MM

2. DC JACK CODE:

"N20" R/A DIP TYPE

3. SCHEMATIC OPTION:

M

4. TERMINAL FINISH:

"S" SILVER PLATED

5. HOUSING COLOR:

"B" BLACK

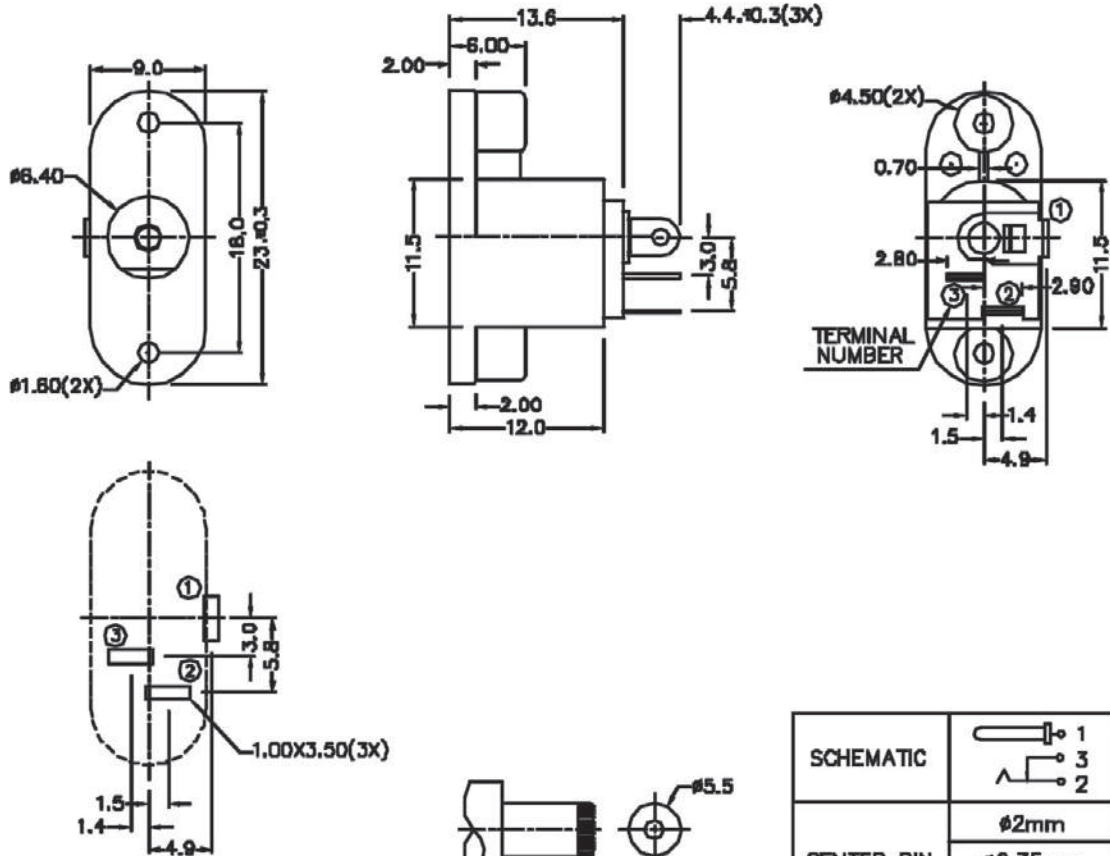
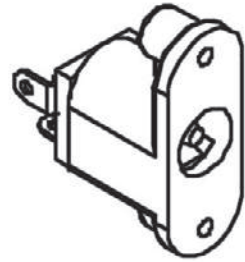
DIA. 2.0/2.35/2.5MM DC POWER JACK (19)

SPECIFICATIONS

1. **Rating:** 5A 16VDC
2. **Withstanding voltage:**
AC 500V, 60Hz for 1 minute
3. **Insulation resistance (initial):** 100M Ω (min.) at 500V DC
4. **Contact resistance (initial):**
30m Ω (max.) at AC 100mA (max.) 1 KHz
5. **Insertion & Extraction force:**
Initial : 0.3 to 3.0Kgs
After life test: 0.2 to 3.0Kgs

MATERIALS

1. **Housing:** Thermoplastic
 2. **Center pin:** Nickel plating
 3. **Terminal:** Brass/Copper alloy Silver plating.
- * RoHS & REACH compliant.



Recommended P.C.Board Layout

DC MATED PLUG

SCHEMATIC	1 3 2
CENTER PIN	$\phi 2\text{mm}$
	$\phi 2.35\text{mm}$
	$\phi 2.5\text{mm}$

ORDERING INFORMATION:

P/N DC 24 - T 5 9 M S B

DIA. 2.35MM DC POWER JACK RATING:
5A 16VDC

P/N DC 20 - T 5 9 M S B

DIA. 2.0MM DC POWER JACK RATING:
5A 16VDC

P/N DC 25 - T 5 9 M S B

DIA. 2.5MM DC POWER JACK RATING:
5A 16VDC

DIA. 2.0MM/2.35MM/2.5MM DC POWER JACK (20)

SPECIFICATIONS

1. **Rating:** 3A 30VDC

2. **Withstanding voltage:**

AC 500V, 60Hz for 1 minute

3. **Insulation resistance (initial):** 100MΩ(min.) at 500V DC

4. **Contact resistance (initial):**

30mΩ(max.) at AC 100mA (max.) 1 KHz

5. **Insertion & Extraction force:**

Initial : 0.3 to 3.0Kgs

After life test: 0.2 to 3.0Kgs

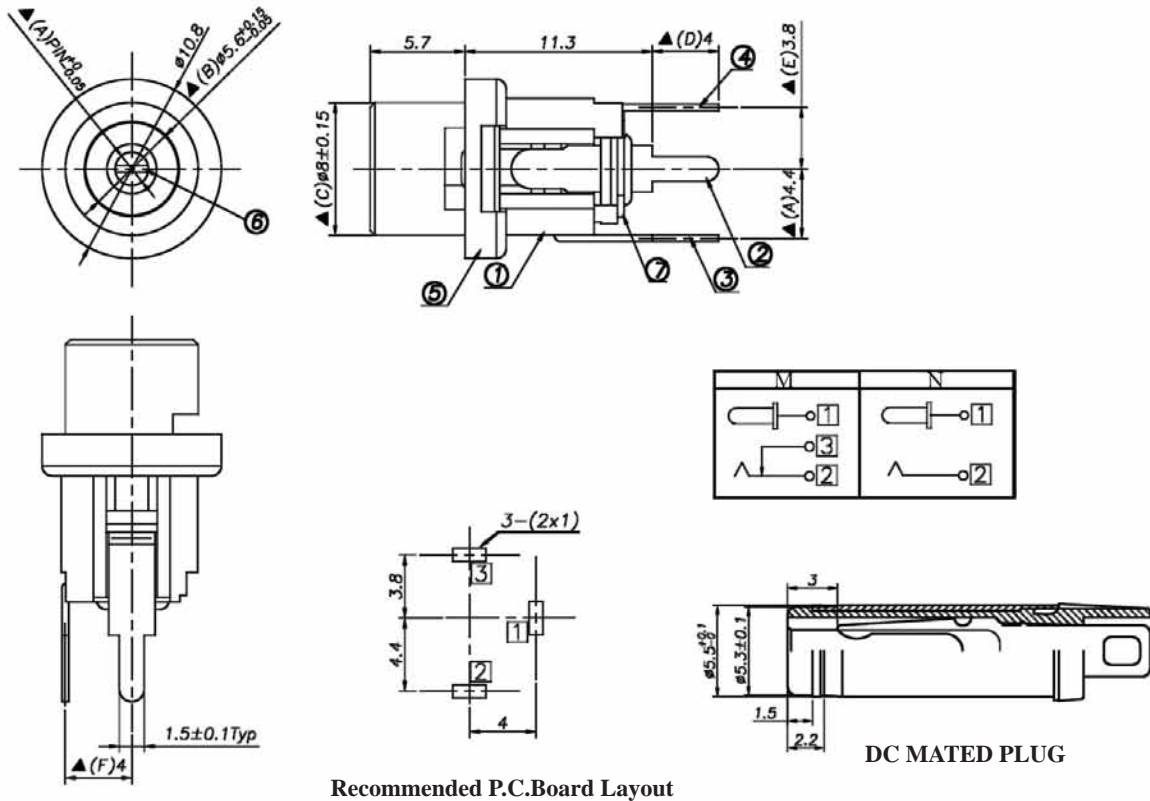
MATERIALS

1. **Housing:** Thermoplastic

2. **Center pin:** Nickel plating

3. **Terminal:** Brass/Copper alloy Tin plating.

* **RoHS & REACH compliant.**



ORDERING INFORMATION:

P/N D C $\frac{xx}{1}$ - N $\frac{37}{2}$ $\frac{x}{3}$ $\frac{T}{4}$ $\frac{B}{5}$

1. CENTER PIN DIAMETER:

"20" Ø2.0MM

"24" Ø2.35MM

"25" Ø2.5MM

2. DC JACK CODE:

"N37" STRAIGHT DIP TYPE

3. SCHEMATIC OPTION:

M, N

4. TERMINAL FINISH:

"T" TIN PLATED

5. HOUSING COLOR:

"B" BLACK

DIA. 2.0MM/2.35MM/2.5MM/3.0MM DC POWER JACK

SPECIFICATIONS

1. **Rating:** 2A 16VDC

2. **Withstanding voltage:**

AC 500V, 60Hz for 1 minute

3. **Insulation resistance (initial):** 100M Ω (min.) at 500V DC

4. **Contact resistance (initial):**

30m Ω (max.) at AC 100mA (max.) 1 KHz

5. **Insertion & Extraction force:**

Initial : 0.3 to 3.0Kgs

After life test: 0.2 to 3.0Kgs

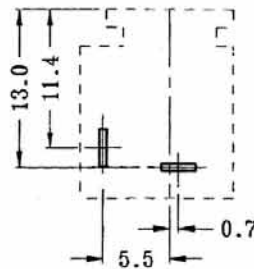
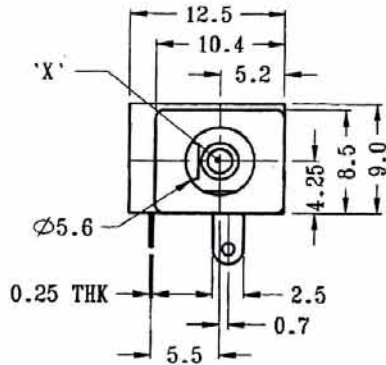
MATERIALS

1. **Housing:** Thermoplastic

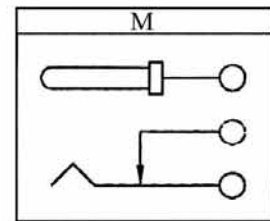
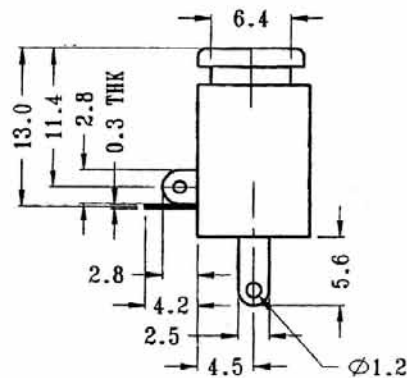
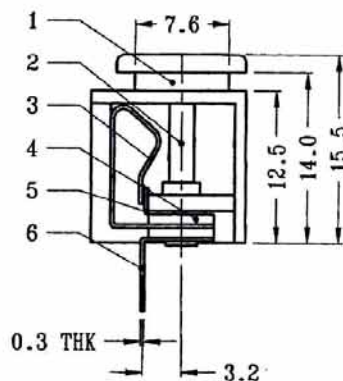
2. **Center pin:** Nickel plating

3. **Terminal:** Brass/Copper alloy Silver plating.

* **RoHS & REACH compliant.**



Recommended P.C. Board Layout



ORDERING INFORMATION:

P/N DC $\frac{xx}{1}$ - $\frac{98}{2}$ $\frac{MS}{3}$ $\frac{B}{4}$ $\frac{B}{5}$

1. CENTER PIN DIAMETER:

"20" Ø2.0MM

"25" Ø2.5MM

"30" Ø3.0MM

2. DC JACK CODE:

"98" DIP TYPE

3. SCHEMATIC OPTION:

M

4. TERMINAL FINISH:

"S" SILVER PLATED

5. HOUSING COLOR:

"B" BLACK

DIA. 2.00MM/2.5MM DC POWER JACK (1)

P/N	Dimension (m/m)	
DC20-01 DC25-01		 DC20-01
DC20-03 DC25-03		 DC20-03
Schematic Code (Normal Close)	SPECIFICATIONS	
	<ol style="list-style-type: none"> Rating: 5A 24VDC Withstanding voltage: AC 500V, 60Hz for 1 minute Insulation resistance (initial): 100MΩ (min.) at 500V DC Contact resistance (initial): 30mΩ (max.) at AC 100mA (max.) 1 KHz Insertion & Extraction force: Initial : 0.3 to 3.0Kgs After life test: 0.2 to 3.0Kgs Life test: 5,000 cycles unloading (20-30 cycle/minute) 	
MATERIALS		
<ol style="list-style-type: none"> Housing: Thermoplastic Center pin: Nickel plating. Terminal: Brass/Copper alloy Silver plating. All materials must be RoHS compliant.		

ORDERING INFORMATION:

P/N DC 20 - 01 C S B

DIA. 2.0MM DC POWER JACK

P/N DC 25 - 01 C S B

DIA. 2.5MM DC POWER JACK

P/N DC 20 - 03 C S B

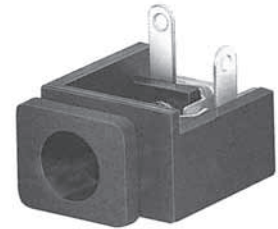
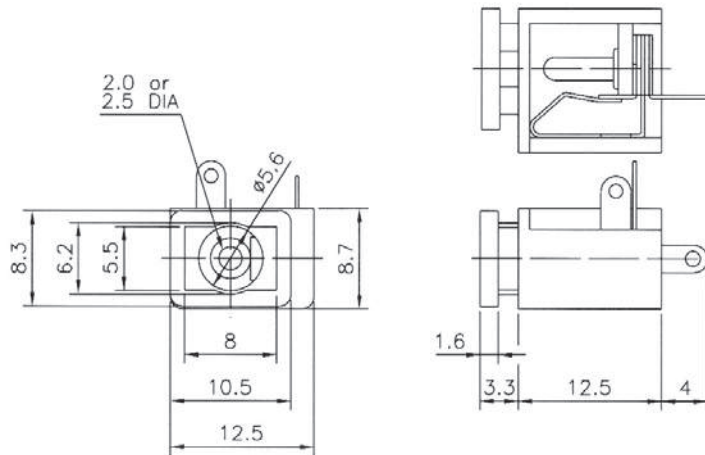
DIA. 2.0MM DC POWER JACK

P/N DC 25 - 03 C S B

DIA. 2.5MM DC POWER JACK

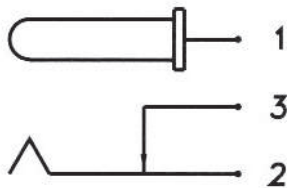
DIA. 2.00MM/2.5MM DC POWER JACK (2)

Dimension (m/m)



DC20-02/DC25-02

Schematic Code (Normal Close)



SPECIFICATIONS

1. **Rating:** 5A 24VDC
2. **Withstanding voltage:**
AC 500V, 60Hz for 1 minute
3. **Insulation resistance (initial):**
100MΩ (min.) at 500V DC
4. **Contact resistance (initial):**
30mΩ (max.) at AC 100mA (max.) 1 KHz
5. **Insertion & Extraction force:**
Initial : 0.3 to 3.0Kgs
After life test: 0.2 to 3.0Kgs
6. **Life test:**
5,000 cycles unloading (20-30 cycle/minute)

MATERIALS

1. **Housing:** Thermoplastic
 2. **Center pin:** Nickel plating.
 3. **Terminal:** Brass/Copper alloy Silver plating.
- All materials must be RoHS compliant.

ORDERING INFORMATION:

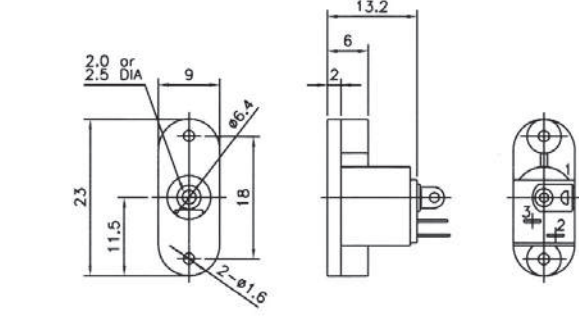

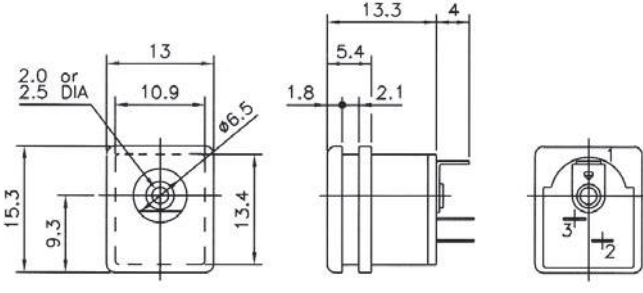

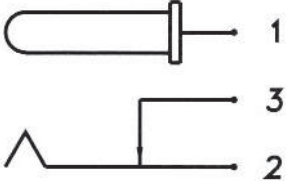
P/N DC 20 - 02 C S B

DIA. 2.0MM DC POWER JACK

P/N DC 25 - 02 C S B

DIA. 2.5MM DC POWER JACK

DIA. 2.00MM/2.5MM DC POWER JACK (3)

P/N	Dimension (m/m)	
DC20-04/ DC25-04		 <p style="text-align: center;"><u>DC20-04</u></p>
DC20-06/ DC25-06		 <p style="text-align: center;"><u>DC20-06</u></p>
Schematic Code (Normal Close)	SPECIFICATIONS	
	MATERIALS 1. Housing: Thermoplastic 2. Center pin: Nickel plating. 3. Terminal: Brass/Copper alloy Silver plating. All materials must be RoHS compliant. 1. Rating: 5A 24VDC 2. Withstanding voltage: AC 500V, 60Hz for 1 minute 3. Insulation resistance (initial): 100MΩ (min.) at 500V DC 4. Contact resistance (initial): 30mΩ (max.) at AC 100mA (max.) 1 KHz 5. Insertion & Extraction force: Initial : 0.3 to 3.0Kgs After life test: 0.2 to 3.0Kgs 6. Life test: 5,000 cycles unloading (20-30 cycle/minute)	

ORDERING INFORMATION:

P/N DC 20 - 04 C S B

DIA. 2.0MM DC POWER JACK

P/N DC 25 - 04 C S B

DIA. 2.5MM DC POWER JACK

P/N DC 20 - 06 C S B

DIA. 2.0MM DC POWER JACK

P/N DC 25 - 06 C S B

DIA. 2.5MM DC POWER JACK

DIA. 2.00MM/2.5MM DC POWER JACK (4)

Dimension (m/m)			
		<p>DC20-72</p> <p>DC20-73</p>	
<p>Washer</p>		<p>Nut</p>	
<p>Pin Hole Layout (Jack Bottom View)</p>		<p>Schematic Code (Normal Close)</p>	
<p>SPECIFICATIONS</p> <ol style="list-style-type: none"> Rating: 5A 24VDC Withstanding voltage: AC 500V, 60Hz for 1 minute Insulation resistance (initial): 100MΩ (min.) at 500V DC Contact resistance (initial): 30mΩ (max.) at AC 100mA (max.) 1 KHz Insertion & Extraction force: Initial : 0.3 to 3.0Kgs After life test: 0.2 to 3.0Kgs Life test: 5,000 cycles unloading (20-30 cycle/minute) 		<p>MATERIALS</p> <ol style="list-style-type: none"> Housing: Thermoplastic Center pin: Nickel plating. Terminal: Brass/Copper alloy Silver plating. <p>All materials must be RoHS compliant.</p>	

ORDERING INFORMATION:

P/N DC 20 - 72 CSB

DIA. 2.0MM DC POWER JACK
NORMAL CLOSE
W/O THREAD W/O NUT & WASHER

P/N DC 25 - 72 CSB

DIA. 2.5MM DC POWER JACK
NORMAL CLOSE
W/O THREAD W/O NUT & WASHER


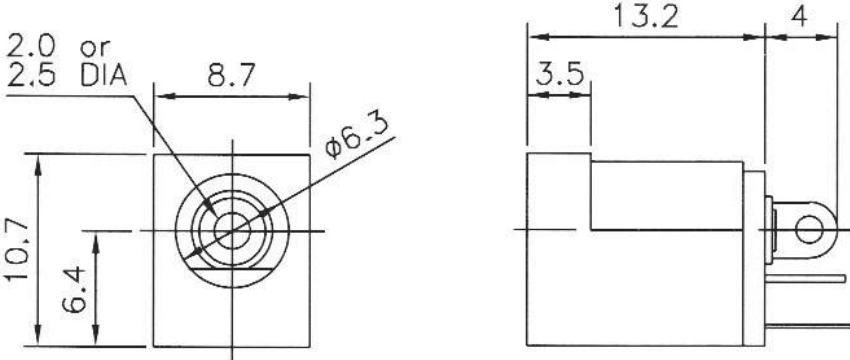
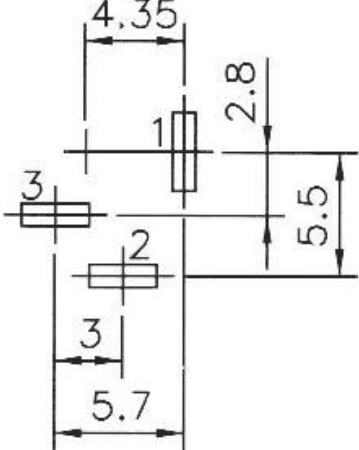
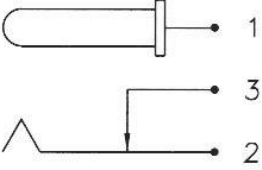
P/N DC 20 - 73 CSB

DIA. 2.0MM DC POWER JACK
NORMAL CLOSE
WITH THREAD WITH NUT & WASHER

P/N DC 25 - 73 CSB

DIA. 2.5MM DC POWER JACK
NORMAL CLOSE
WITH THREAD WITH NUT & WASHER

DIA. 2.00MM/2.5MM DC POWER JACK (5)

Dimension (m/m)		
		
		DC20-17
Pin Hole Layout (Jack Bottom View)	Schematic Code (Normal Close)	SPECIFICATIONS 1. Rating: 5A 24VDC 2. Withstanding voltage: AC 500V, 60Hz for 1 minute 3. Insulation resistance (initial): 100M Ω (min.) at 500V DC 4. Contact resistance (initial): 30m Ω (max.) at AC 100mA (max.) 1 KHz 5. Insertion & Extraction force: Initial : 0.3 to 3.0Kgs After life test: 0.2 to 3.0Kgs 6. Life test: 5,000 cycles unloading (20-30 cycle/minute)
		
		MATERIALS 1. Housing: Thermoplastic 2. Center pin: Nickel plating. 3. Terminal: Brass/Copper alloy Silver plating. All materials must be RoHS compliant.

ORDERING INFORMATION:

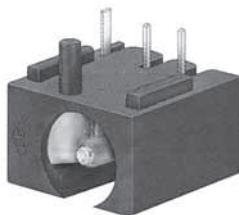
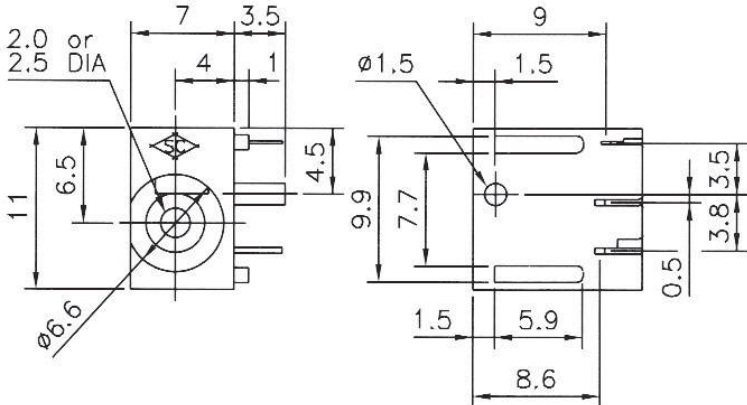
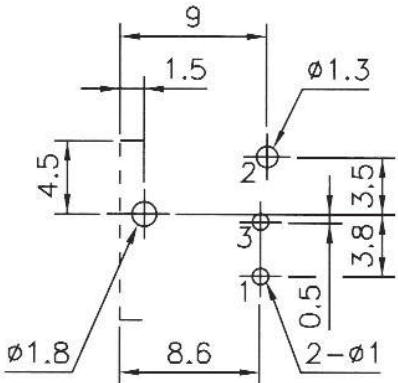
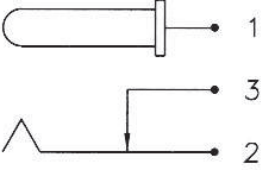
P/N DC 20 - 17 C S B

DIA. 2.0MM DC POWER JACK

P/N DC 25 - 17 C S B

DIA. 2.5MM DC POWER JACK

DIA. 2.00MM/2.5MM DC POWER JACK (6)

Dimension (m/m)		
		
Pin Hole Layout (Jack Bottom View)	Schematic Code (Normal Close)	SPECIFICATIONS 1. Rating: 5A 24VDC 2. Withstanding voltage: AC 500V, 60Hz for 1 minute 3. Insulation resistance (initial): 100MΩ (min.) at 500V DC 4. Contact resistance (initial): 30mΩ (max.) at AC 100mA (max.) 1 KHz 5. Insertion & Extraction force: Initial : 0.3 to 3.0Kgs After life test: 0.2 to 3.0Kgs 6. Life test: 5,000 cycles unloading (20-30 cycle/minute)
		

ORDERING INFORMATION:

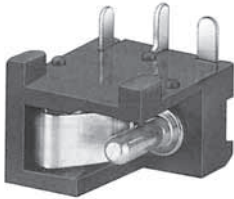
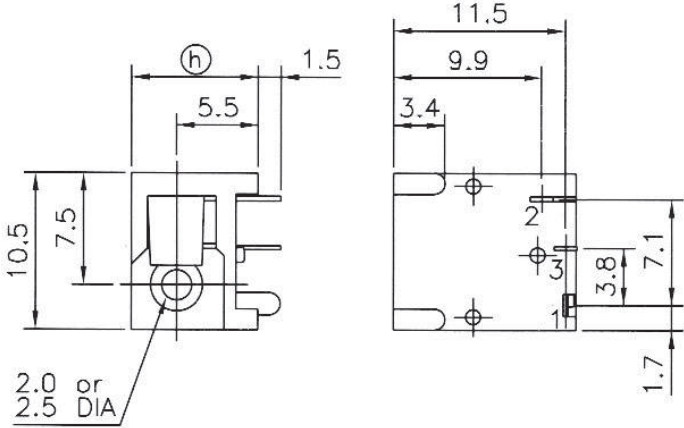
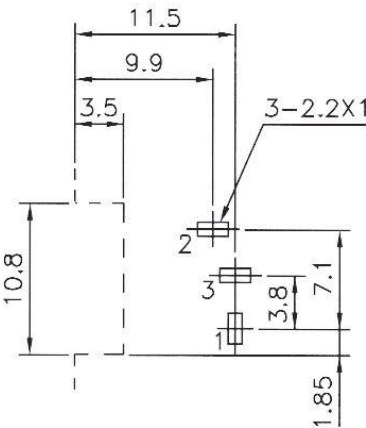
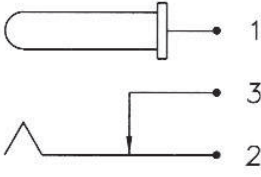
P/N DC 20 - 18 C S B

DIA. 2.0MM DC POWER JACK

P/N DC 25 - 18 C S B

DIA. 2.5MM DC POWER JACK

DIA. 2.00MM/2.5MM DC POWER JACK (7)

Dimension (m/m)		
		
DC20-19/DC20-20		
Pin Hole Layout (Jack Bottom View)	Schematic Code (Normal Close)	SPECIFICATIONS 1. Rating: 5A 24VDC 2. Withstanding voltage: AC 500V, 60Hz for 1 minute 3. Insulation resistance (initial): 100MΩ (min.) at 500V DC 4. Contact resistance (initial): 30mΩ (max.) at AC 100mA (max.) 1 KHz 5. Insertion & Extraction force: Initial : 0.3 to 3.0Kgs After life test: 0.2 to 3.0Kgs 6. Life test: 5,000 cycles unloading (20-30 cycle/minute)
		
		MATERIALS 1. Housing: Thermoplastic 2. Center pin: Nickel plating. 3. Terminal: Brass/Copper alloy Silver plating. All materials must be RoHS compliant.

ORDERING INFORMATION:

P/N DC 20 - 19 CSB

DIA. 2.0MM DC POWER JACK
H=8.5MM

P/N DC 25 - 19 CSB

DIA. 2.5MM DC POWER JACK
H=8.5MM

P/N DC 20 - 20 CSB

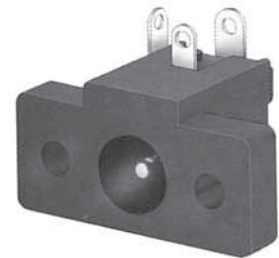
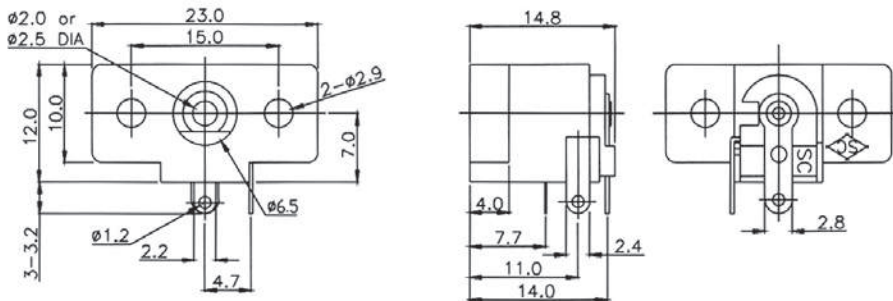
DIA. 2.0MM DC POWER JACK
H=9.5MM

P/N DC 25 - 20 CSB

DIA. 2.5MM DC POWER JACK
H=9.5MM

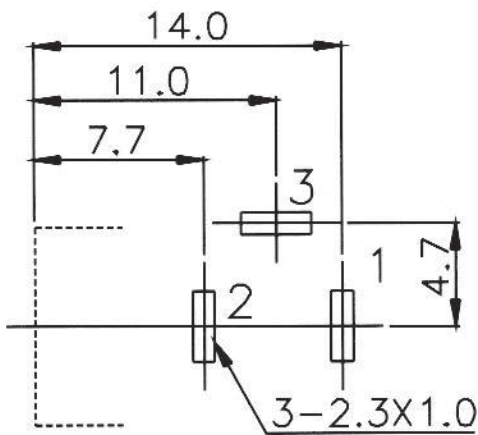
DIA. 2.00MM/2.5MM DC POWER JACK (8)

Dimension (m/m)

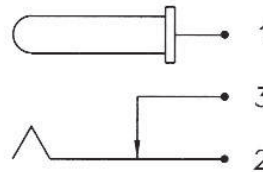


DC20-21

Pin Hole Layout (Jack Bottom View)



Schematic Code (Normal Close)



SPECIFICATIONS

- Rating:** 5A 24VDC
- Withstanding voltage:** AC 500V, 60Hz for 1 minute
- Insulation resistance (initial):** 100M Ω (min.) at 500V DC
- Contact resistance (initial):** 30m Ω (max.) at AC 100mA (max.) 1 KHz
- Insertion & Extraction force:** Initial : 0.3 to 3.0Kgs
After life test: 0.2 to 3.0Kgs
- Life test:** 5,000 cycles unloading (20-30 cycle/minute)

MATERIALS

- Housing:** Thermoplastic
 - Center pin:** Nickel plating.
 - Terminal:** Brass/Copper alloy Silver plating.
- All materials must be RoHS compliant.

ORDERING INFORMATION:

P/N DC 20 - 21 CSB

DIA. 2.0MM DC POWER JACK
H=8.5MM

P/N DC 25 - 21 CSB

DIA. 2.5MM DC POWER JACK
H=8.5MM

DIA. 2.00MM/2.5MM DC POWER JACK (9)

P/N	Dimension (m/m)	
DC20-22 DC20-08		<p>DC20-22</p>
DC20-79 DC20-80		<p>DC20-08</p>
<p>Washer</p>	<p>Nut</p>	<p>Schematic Code (Normal Close)</p>
<p>Pin Hole Layout (Jack Bottom View)</p>	<p>SPECIFICATIONS</p> <ol style="list-style-type: none"> Rating: 5A 24VDC Withstanding voltage: AC 500V, 60Hz for 1 minute Insulation resistance (initial): 100MΩ (min.) at 500V DC Contact resistance (initial): 30mΩ (max.) at AC 100mA (max.) 1 KHz Insertion & Extraction force: Initial : 0.3 to 3.0Kgs After life test: 0.2 to 3.0Kgs Life test: 5,000 cycles unloading (20-30 cycle/minute) 	<p>MATERIALS</p> <ol style="list-style-type: none"> Housing: Thermoplastic Center pin: Nickel plating. Terminal: Brass/Copper alloy Silver plating. <p>All materials must be RoHS compliant.</p>

ORDERING INFORMATION:

P/N DC 20 - 22 C S B
P/N DC 20 - 79 C S B

DIA. 2.0MM DC POWER JACK
W/O NUT & WASHER W/O THREAD

P/N DC 25 - 22 C S B
P/N DC 25 - 79 C S B

DIA. 2.5MM DC POWER JACK
W/O NUT & WASHER W/O THREAD

P/N DC 20 - 08 C S B
P/N DC 20 - 80 C S B

DIA. 2.0MM DC POWER JACK
WITH NUT & WASHER WITH THREAD

P/N DC 25 - 08 C S B
P/N DC 25 - 80 C S B

DIA. 2.5MM DC POWER JACK
WITH NUT & WASHER WITH THREAD

DIA. 2.00MM/2.5MM DC POWER JACK (10)

Dimension (m/m)		
		<p>DC20-23</p> <p>DC20-24</p>
<p>Washer</p>	<p>Nut</p>	<p>Schematic Code (Normal Close)</p>
<p>Pin Hole Layout (Jack Bottom View)</p>	<p>SPECIFICATIONS</p> <ol style="list-style-type: none"> Rating: 5A 24VDC Withstanding voltage: AC 500V, 60Hz for 1 minute Insulation resistance (initial): 100MΩ (min.) at 500V DC Contact resistance (initial): 30mΩ (max.) at AC 100mA (max.) 1 KHz Insertion & Extraction force: Initial : 0.3 to 3.0Kgs After life test: 0.2 to 3.0Kgs Life test: 5,000 cycles unloading (20-30 cycle/minute) 	<p>MATERIALS</p> <ol style="list-style-type: none"> Housing: Thermoplastic Center pin: Nickel plating. Terminal: Brass/Copper alloy Silver plating. <p>All materials must be RoHS compliant.</p>

ORDERING INFORMATION:

P/N DC 20 - 24 C S B

DIA. 2.0MM DC POWER JACK
W/O NUT & WASHER W/O THREAD

P/N DC 25 - 24 C S B

DIA. 2.5MM DC POWER JACK
W/O NUT & WASHER W/O THREAD

P/N DC 20 - 23 C S B

DIA. 2.0MM DC POWER JACK
WITH NUT & WASHER WITH THREAD

P/N DC 25 - 23 C S B

DIA. 2.5MM DC POWER JACK
WITH NUT & WASHER WITH THREAD

DIA. 2.00MM/2.5MM DC POWER JACK (11)

Dimension (m/m)		
		<p>DC20-09</p> <p>DC20-10</p>
<p>W/O Groove Flat Type</p>	<p>With Groove Flat Type</p>	
Pin Hole Layout (Jack Bottom View)	Schematic Code	SPECIFICATIONS 1. Rating: 5A 24VDC 2. Withstanding voltage: AC 500V, 60Hz for 1 minute 3. Insulation resistance (initial): 100MΩ (min.) at 500V DC 4. Contact resistance (initial): 30mΩ (max.) at AC 100mA (max.) 1 KHz All materials must be RoHS compliant.
	<p>Normal Close</p>	

ORDERING INFORMATION:

P/N DC 20 - 09 CSB
P/N DC 25 - 09 CSB

DIA. 2.0MM/DIA. 2.5MM
 DC POWER JACK
 NORMAL CLOSE
 W/O GROOVE FLAT TYPE

P/N DC 20 - 25 PSB
P/N DC 25 - 25 PSB

DIA. 2.0MM/DIA. 2.5MM
 DC POWER JACK
 NORMAL OPEN
 W/O GROOVE FLAT TYPE

P/N DC 20 - 10 CSB
P/N DC 25 - 10 CSB

DIA. 2.0MM/DIA. 2.5MM
 DC POWER JACK
 NORMAL CLOSE
 WITH GROOVE FLAT TYPE

P/N DC 20 - 26 PSB
P/N DC 25 - 26 PSB

DIA. 2.0MM/DIA. 2.5MM
 DC POWER JACK
 NORMAL OPEN
 WITH GROOVE FLAT TYPE

DIA. 2.00MM/2.5MM DC POWER JACK (12)

Dimension (m/m)		
		 <u>DC20-15</u>
		 <u>DC20-16</u>
W/O Groove Kink Type	With Groove Kink Type	
Pin Hole Layout (Jack Bottom View)	Schematic Code	
	Normal Close	Normal Open
SPECIFICATIONS 1. Rating: 5A 24VDC 2. Withstanding voltage: AC 500V, 60Hz for 1 minute 3. Insulation resistance (initial): 100MΩ (min.) at 500V DC 4. Contact resistance (initial): 30mΩ (max.) at AC 100mA (max.) 1 KHz All materials must be RoHS compliant.		

ORDERING INFORMATION:

P/N DC 20 - 15 C S B
P/N DC 25 - 15 C S B

DIA. 2.0MM/DIA. 2.5MM
DC POWER JACK
NORMAL CLOSE
W/O GROOVE KINK TYPE

P/N DC 20 - 27 P S B
P/N DC 25 - 27 P S B

DIA. 2.0MM/DIA. 2.5MM
DC POWER JACK
NORMAL OPEN
W/O GROOVE KINK TYPE

P/N DC 20 - 16 C S B
P/N DC 25 - 16 C S B

DIA. 2.0MM/DIA. 2.5MM
DC POWER JACK
NORMAL CLOSE
WITH GROOVE KINK TYPE

P/N DC 20 - 28 P S B
P/N DC 25 - 28 P S B

DIA. 2.0MM/DIA. 2.5MM
DC POWER JACK
NORMAL OPEN
WITH GROOVE KINK TYPE

DIA. 2.00MM/2.5MM DC POWER JACK (13)

Dimension (m/m)		
		<p>DC20-12</p> <p>DC20-11</p>
<p>W/O Groove Flat Type</p>	<p>With Groove Flat Type</p>	
Pin Hole Layout (Jack Bottom View)	Schematic Code	SPECIFICATIONS 1. Rating: 5A 24VDC 2. Withstanding voltage: AC 500V, 60Hz for 1 minute 3. Insulation resistance (initial): 100MΩ (min.) at 500V DC 4. Contact resistance (initial): 30mΩ (max.) at AC 100mA (max.) 1 KHz All materials must be RoHS compliant.
	<p>Normal Close</p> <p>Normal Open</p>	

ORDERING INFORMATION:

P/N DC 20 - 12 CSB
P/N DC 25 - 12 CSB

DIA. 2.0MM/DIA. 2.5MM
 DC POWER JACK
 NORMAL CLOSE
 W/O GROOVE FLAT TYPE

P/N DC 20 - 29 PSB
P/N DC 25 - 29 PSB

DIA. 2.0MM/DIA. 2.5MM
 DC POWER JACK
 NORMAL OPEN
 W/O GROOVE FLAT TYPE

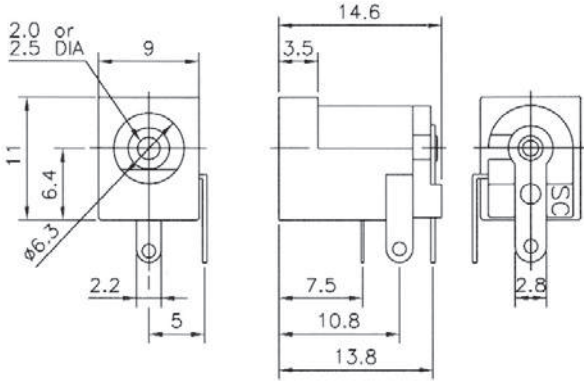
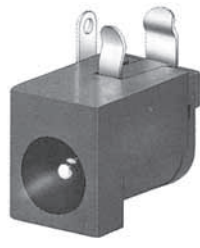

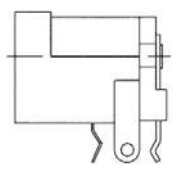
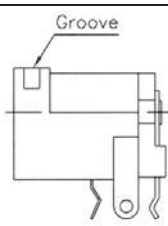
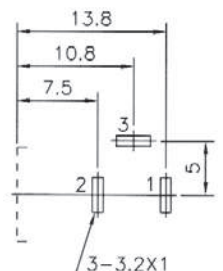
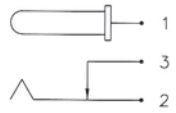
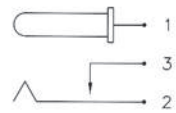
P/N DC 20 - 11 CSB
P/N DC 25 - 11 CSB

DIA. 2.0MM/DIA. 2.5MM
 DC POWER JACK
 NORMAL CLOSE
 WITH GROOVE FLAT TYPE

P/N DC 20 - 30 PSB
P/N DC 25 - 30 PSB

DIA. 2.0MM/DIA. 2.5MM
 DC POWER JACK
 NORMAL OPEN
 WITH GROOVE FLAT TYPE

DIA. 2.00MM/2.5MM DC POWER JACK (14)

Dimension (m/m)		
		 <p>DC20-13</p>  <p>DC20-14</p>
 <p>W/O Groove Kink Type</p>	 <p>With Groove Kink Type</p>	
Pin Hole Layout (Jack Bottom View)	Schematic Code	SPECIFICATIONS 1. Rating: 5A 24VDC 2. Withstanding voltage: AC 500V, 60Hz for 1 minute 3. Insulation resistance (initial): 100MΩ (min.) at 500V DC 4. Contact resistance (initial): 30mΩ (max.) at AC 100mA (max.) 1 KHz All materials must be RoHS compliant.
	 <p>Normal Close</p>  <p>Normal Open</p>	

ORDERING INFORMATION:

P/N DC 20 - 13 C S B
P/N DC 25 - 13 C S B

DIA. 2.0MM/DIA. 2.5MM
 DC POWER JACK
 NORMAL CLOSE
 W/O GROOVE KINK TYPE

P/N DC 20 - 31 P S B
P/N DC 25 - 31 P S B

DIA. 2.0MM/DIA. 2.5MM
 DC POWER JACK
 NORMAL OPEN
 W/O GROOVE KINK TYPE

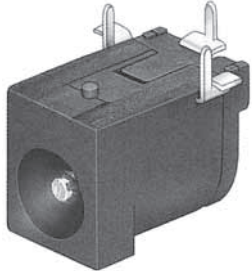
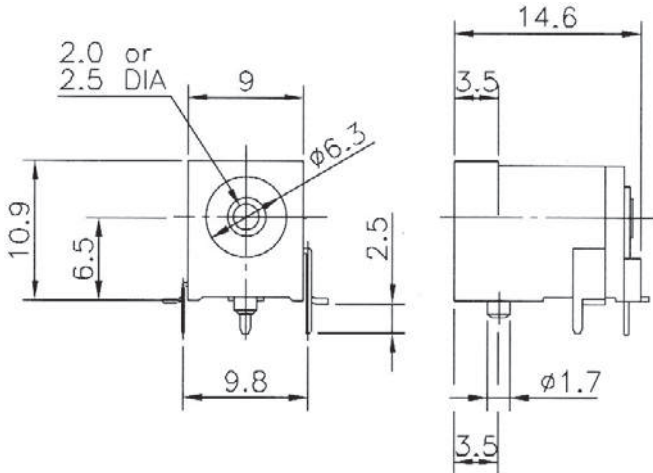
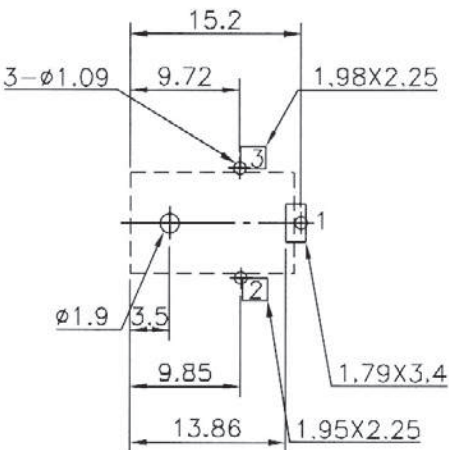

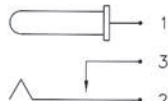
P/N DC 20 - 14 C S B
P/N DC 25 - 14 C S B

DIA. 2.0MM/DIA. 2.5MM
 DC POWER JACK
 NORMAL CLOSE
 WITH GROOVE KINK TYPE

P/N DC 20 - 32 P S B
P/N DC 25 - 32 P S B

DIA. 2.0MM/DIA. 2.5MM
 DC POWER JACK
 NORMAL OPEN
 WITH GROOVE KINK TYPE

DIA. 2.00MM/2.5MM DC POWER JACK (15)

Dimension (m/m)		
		
Pin Hole Layout (Jack Bottom View)	Schematic Code	SPECIFICATIONS 1. Rating: 5A 24VDC 2. Withstanding voltage: AC 500V, 60Hz for 1 minute 3. Insulation resistance (initial): 100MΩ (min.) at 500V DC 4. Contact resistance (initial): 30mΩ (max.) at AC 100mA (max.) 1 KHz 5. Insertion & Extraction force: Initial : 0.3 to 3.0Kgs After life test: 0.2 to 3.0Kgs 6. Life test: 5,000 cycles unloading (20-30 cycle/minute)
	 <p style="text-align: center;">Normal Close</p>	
	 <p style="text-align: center;">Normal Open</p>	

ORDERING INFORMATION:

P/N DC 20 - 33 C S B

DIA. 2.0MM DC POWER JACK
NORMAL CLOSE WITH LOCATING PEG

P/N DC 25 - 33 C S B

DIA. 2.5MM DC POWER JACK
NORMAL CLOSE WITH LOCATING PEG

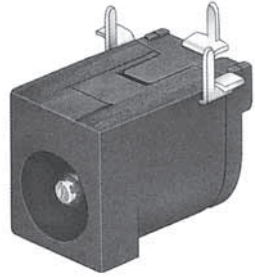
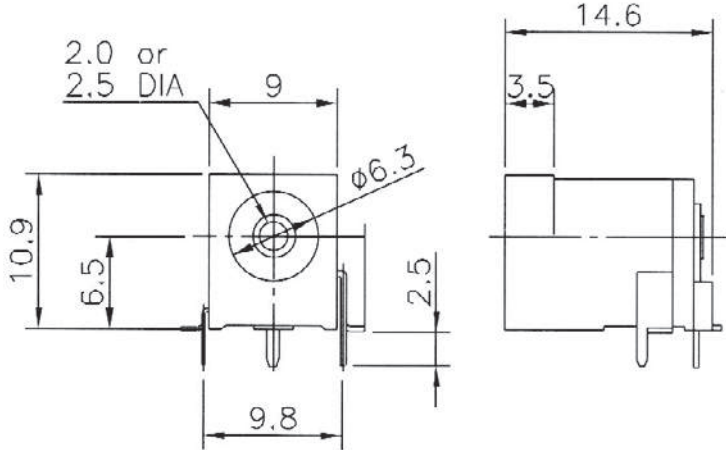
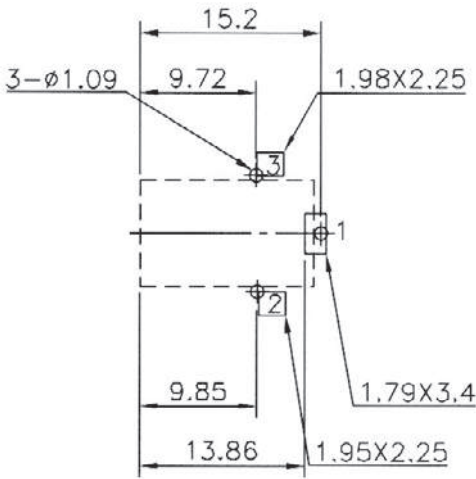
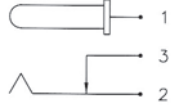
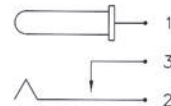
P/N DC 20 - 34 P S B

DIA. 2.0MM DC POWER JACK
NORMAL OPEN WITH LOCATING PEG

P/N DC 25 - 34 P S B

DIA. 2.5MM DC POWER JACK
NORMAL OPEN WITH LOCATING PEG

DIA. 2.00MM/2.5MM DC POWER JACK (16)

Dimension (m/m)		
		
Pin Hole Layout (Jack Bottom View) 		DC20-35/DC20-36
Schematic Code		SPECIFICATIONS 1. Rating: 5A 24VDC 2. Withstanding voltage: AC 500V, 60Hz for 1 minute 3. Insulation resistance (initial): 100M Ω (min.) at 500V DC 4. Contact resistance (initial): 30m Ω (max.) at AC 100mA (max.) 1 KHz 5. Insertion & Extraction force: Initial : 0.3 to 3.0Kgs After life test: 0.2 to 3.0Kgs 6. Life test: 5,000 cycles unloading (20-30 cycle/minute)
		
Normal Close		
		
Normal Open		MATERIALS 1. Housing: Thermoplastic 2. Center pin: Nickel plating. 3. Terminal: Brass/Copper alloy Silver plating. All materials must be RoHS compliant.

ORDERING INFORMATION:

P/N DC 20 - 35 CSB

DIA. 2.0MM DC POWER JACK
 NORMAL CLOSE W/O LOCATING PEG

P/N DC 25 - 35 CSB

DIA. 2.5MM DC POWER JACK
 NORMAL CLOSE W/O LOCATING PEG

P/N DC 20 - 36 PSB

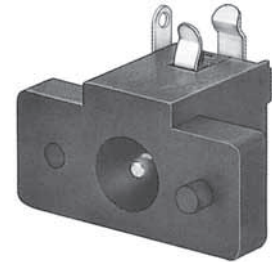
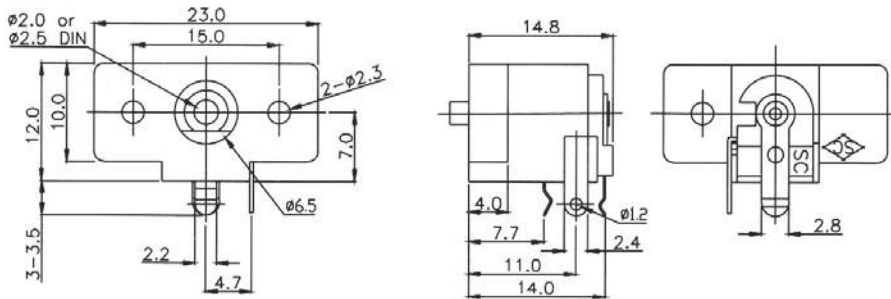
DIA. 2.0MM DC POWER JACK
 NORMAL OPEN W/O LOCATING PEG

P/N DC 25 - 36 PSB

DIA. 2.5MM DC POWER JACK
 NORMAL OPEN W/O LOCATING PEG

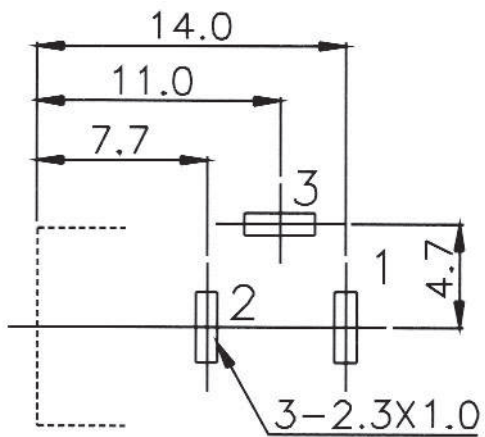
DIA. 2.00MM/2.5MM DC POWER JACK (17)

Dimension (m/m)

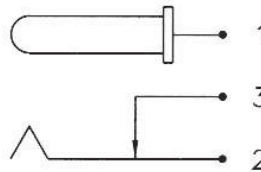


DC20-38

Pin Hole Layout (Jack Bottom View)



Schematic Code (Normal Close)



SPECIFICATIONS

- Rating:** 5A 24VDC
- Withstanding voltage:** AC 500V, 60Hz for 1 minute
- Insulation resistance (initial):** 100MΩ (min.) at 500V DC
- Contact resistance (initial):** 30mΩ (max.) at AC 100mA (max.) 1 KHz
- Insertion & Extraction force:**
Initial : 0.3 to 3.0Kgs
After life test: 0.2 to 3.0Kgs
- Life test:** 5,000 cycles unloading (20-30 cycle/minute)

MATERIALS

- Housing:** Thermoplastic
 - Center pin:** Nickel plating.
 - Terminal:** Brass/Copper alloy Silver plating.
- All materials must be RoHS compliant.

ORDERING INFORMATION:

P/N DC 20 - 38 C S B

DIA. 2.0MM DC POWER JACK

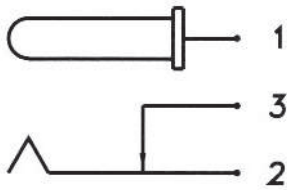
P/N DC 25 - 38 C S B

DIA. 2.5MM DC POWER JACK

DIA. 2.00MM/2.5MM DC POWER JACK (18)

P/N	Dimension (m/m)	
DC20-05 DC25-05		<p>DC20-05</p>
DC20-39 DC25-39		<p>DC20-39</p>

Schematic Code (Normal Close)



SPECIFICATIONS

- Rating:** 5A 24VDC
- Withstanding voltage:**
AC 500V, 60Hz for 1 minute
- Insulation resistance (initial):**
100MΩ (min.) at 500V DC
- Contact resistance (initial):**
30mΩ (max.) at AC 100mA (max.) 1 KHz
- Insertion & Extraction force:**
Initial : 0.3 to 3.0Kgs
After life test: 0.2 to 3.0Kgs
- Life test:**
5,000 cycles unloading (20-30 cycle/minute)

MATERIALS

- Housing:** Thermoplastic
 - Center pin:** Nickel plating.
 - Terminal:** Brass/Copper alloy Silver plating.
- All materials must be RoHS compliant.

ORDERING INFORMATION:

P/N DC 20 - 05 C S B

DIA. 2.0MM DC POWER JACK

P/N DC 25 - 05 C S B

DIA. 2.5MM DC POWER JACK

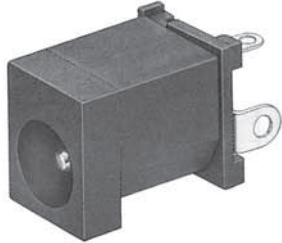
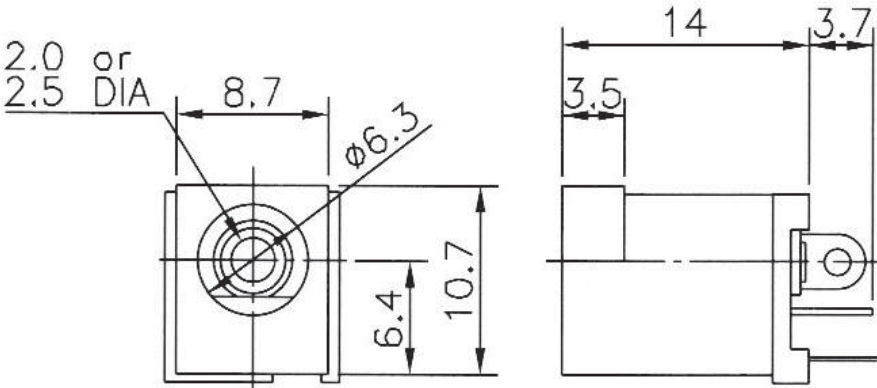
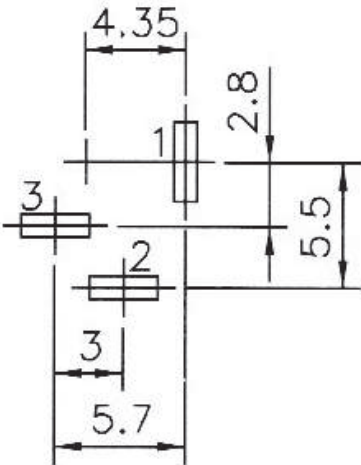
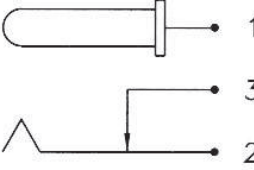
P/N DC 20 - 39 C S B

DIA. 2.0MM DC POWER JACK

P/N DC 25 - 39 C S B

DIA. 2.5MM DC POWER JACK

DIA. 2.00MM/2.5MM DC POWER JACK (19)

Dimension (m/m)		
		
Pin Hole Layout (Jack Bottom View)	Schematic Code (Normal Close)	SPECIFICATIONS 1. Rating: 5A 24VDC 2. Withstanding voltage: AC 500V, 60Hz for 1 minute 3. Insulation resistance (initial): 100MΩ (min.) at 500V DC 4. Contact resistance (initial): 30mΩ (max.) at AC 100mA (max.) 1 KHz 5. Insertion & Extraction force: Initial : 0.3 to 3.0Kgs After life test: 0.2 to 3.0Kgs 6. Life test: 5,000 cycles unloading (20-30 cycle/minute) MATERIALS 1. Housing: Thermoplastic 2. Center pin: Nickel plating. 3. Terminal: Brass/Copper alloy Silver plating. All materials must be RoHS compliant.
		

ORDERING INFORMATION:

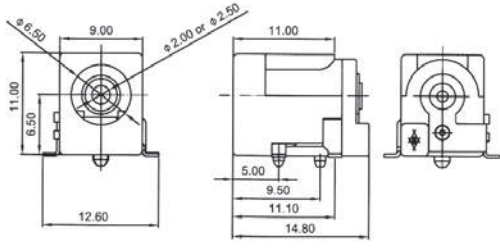
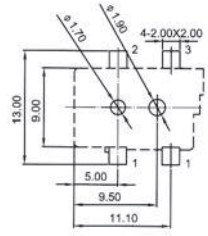

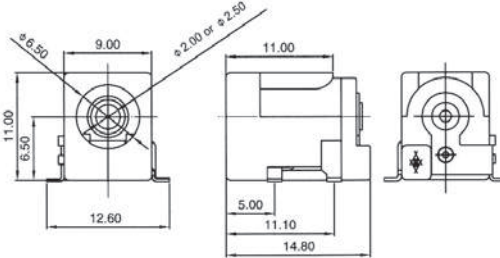
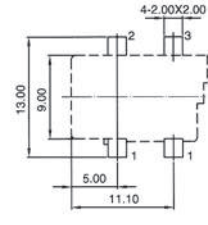
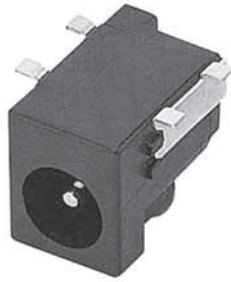
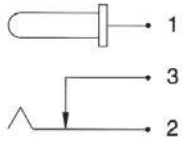
P/N DC 20 - 40 C S B

DIA. 2.0MM DC POWER JACK

P/N DC 25 - 40 C S B

DIA. 2.5MM DC POWER JACK

DIA. 2.00MM/2.5MM DC POWER JACK (20)

P/N	Dimension (m/m)	Pin Hole Layout (Jack Bottom View)	
DC20-46			 <p style="text-align: center;">DC20-46</p>
DC20-47			 <p style="text-align: center;">DC20-47</p>
Schematic Code (Normal Close)	<p>SPECIFICATIONS</p> <ol style="list-style-type: none"> Rating: 5A 24VDC Withstanding voltage: AC 500V, 60Hz for 1 minute Insulation resistance (initial): 100MΩ (min.) at 500V DC Contact resistance (initial): 30mΩ (max.) at AC 100mA (max.) 1 KHz 		<p>MATERIALS</p> <ol style="list-style-type: none"> Housing: Thermoplastic Center pin: Nickel plating. Terminal: Brass/Copper alloy Silver plating. <p>All materials must be RoHS compliant.</p>
			

ORDERING INFORMATION:

P/N DC 20 - 46 C S B

DIA. 2.0MM DC POWER JACK
SMT TYPE WITH LOCATING PEG

P/N DC 25 - 46 C S B

DIA. 2.5MM DC POWER JACK
SMT TYPE WITH LOCATING PEG

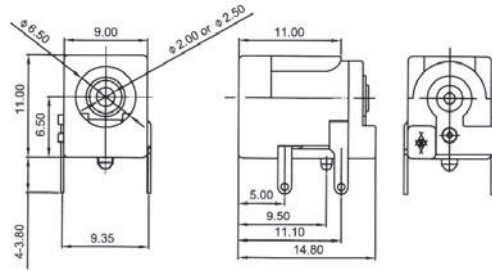
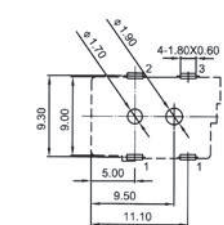
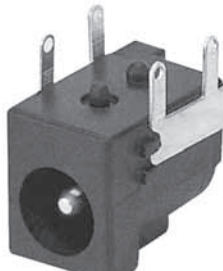
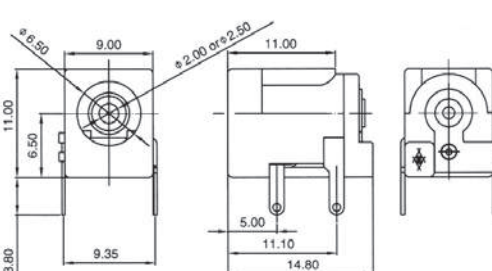
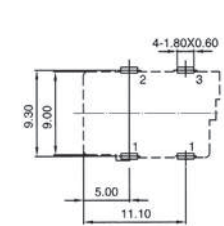
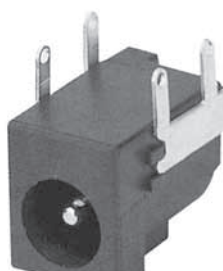
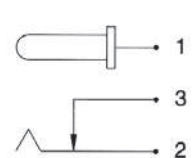
P/N DC 20 - 47 C S B

DIA. 2.0MM D C POWER JACK
SMT TYPE WITHOUT LOCATING PEG

P/N DC 25 - 47 C S B

DIA. 2.5MM DC POWER JACK
SMT TYPE WITHOUT LOCATING PEG

DIA. 2.00MM/2.5MM DC POWER JACK (21)

P/N	Dimension (m/m)	Pin Hole Layout (Jack Bottom View)	
DC20-48			 <p style="text-align: center;"><u>DC20-48</u></p>
DC20-50			 <p style="text-align: center;"><u>DC20-50</u></p>
Schematic Code (Normal Close)	<p>SPECIFICATIONS</p> <ol style="list-style-type: none"> Rating: 5A 24VDC Withstanding voltage: AC 500V, 60Hz for 1 minute Insulation resistance (initial): 100MΩ (min.) at 500V DC Contact resistance (initial): 30mΩ (max.) at AC 100mA (max.) 1 KHz <p>MATERIALS</p> <ol style="list-style-type: none"> Housing: Thermoplastic Center pin: Nickel plating. Terminal: Brass/Copper alloy Silver plating. <p>All materials must be RoHS compliant.</p>		
			

ORDERING INFORMATION:

P/N DC 20 - 48 C S B

DIA. 2.0MM DC POWER JACK
FLAT TYPE WITH LOCATING PEG

P/N DC 25 - 48 C S B

DIA. 2.5MM DC POWER JACK
FLAT TYPE WITH LOCATING PEG

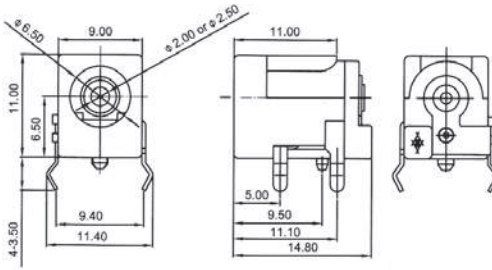
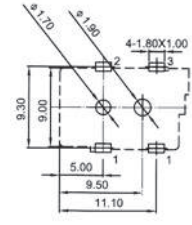
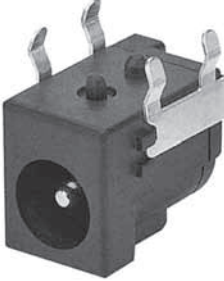
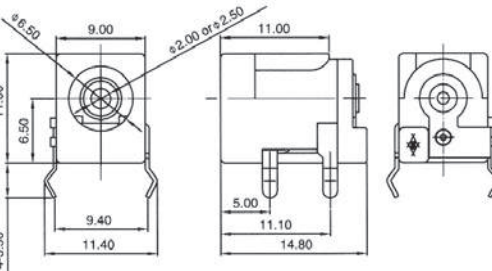
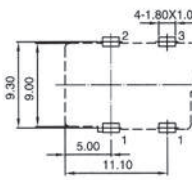
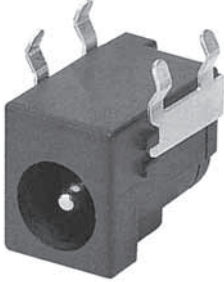
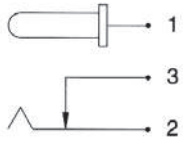
P/N DC 20 - 50 C S B

DIA. 2.0MM D C POWER JACK
FLAT TYPE WITHOUT LOCATING PEG

P/N DC 25 - 50 C S B

DIA. 2.5MM DC POWER JACK
FLAT TYPE WITHOUT LOCATING PEG

DIA. 2.00MM/2.5MM DC POWER JACK (22)

P/N	Dimension (m/m)	Pin Hole Layout (Jack Bottom View)	
DC20-49			 <p style="text-align: center;"><u>DC20-49</u></p>
DC20-51			 <p style="text-align: center;"><u>DC20-51</u></p>
Schematic Code (Normal Close)	SPECIFICATIONS		MATERIALS
	<ol style="list-style-type: none"> 1. Rating: 5A 24VDC 2. Withstanding voltage: AC 500V, 60Hz for 1 minute 3. Insulation resistance (initial): 100MΩ (min.) at 500V DC 4. Contact resistance (initial): 30mΩ (max.) at AC 100mA (max.) 1 KHz 		<ol style="list-style-type: none"> 1. Housing: Thermoplastic 2. Center pin: Nickel plating. 3. Terminal: Brass/Copper alloy Silver plating. <p>All materials must be RoHS compliant.</p>

ORDERING INFORMATION:

P/N DC 20 - 49 C S B

DIA. 2.0MM DC POWER JACK
KINK TYPE WITH LOCATING PEG

P/N DC 25 - 49 C S B

DIA. 2.5MM DC POWER JACK
KINK TYPE WITH LOCATING PEG


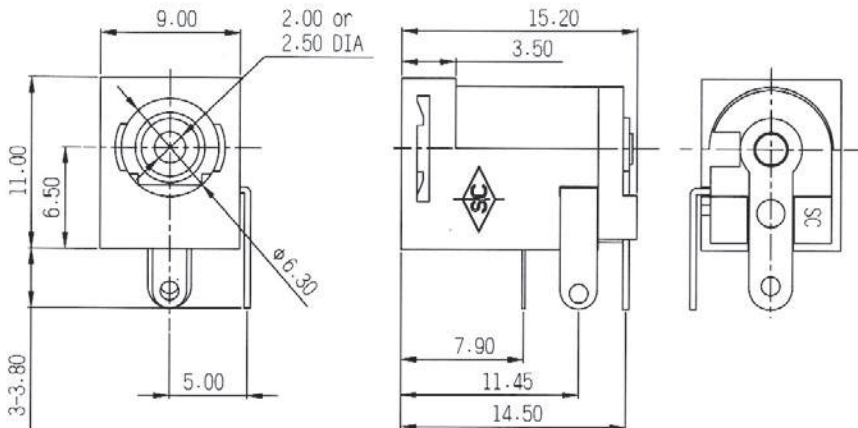
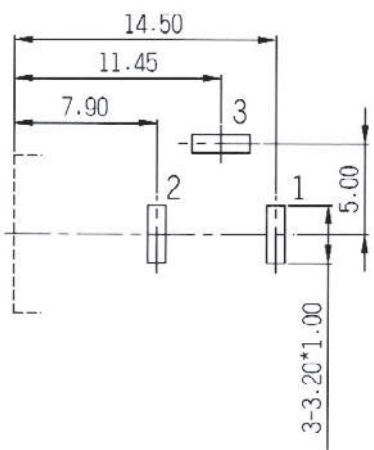
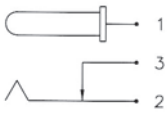
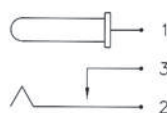
P/N DC 20 - 51 C S B

DIA. 2.0MM D C POWER JACK
KINK TYPE WITHOUT LOCATING PEG

P/N DC 25 - 51 C S B

DIA. 2.5MM DC POWER JACK
KINK TYPE WITHOUT LOCATING PEG

DIA. 2.00MM/2.5MM DC POWER JACK (23)

Dimension (m/m)		
		
DC20-52/DC20-53		
Pin Hole Layout (Jack Bottom View)	Schematic Code	SPECIFICATIONS 1. Rating: 5A 24VDC 2. Withstanding voltage: AC 500V, 60Hz for 1 minute 3. Insulation resistance (initial): 100MΩ (min.) at 500V DC 4. Contact resistance (initial): 30mΩ (max.) at AC 100mA (max.) 1 KHz 5. Insertion & Extraction force: Initial : 0.3 to 3.0Kgs After life test: 0.2 to 3.0Kgs 6. Life test: 5,000 cycles unloading (20-30 cycle/minute) MATERIALS 1. Housing: Thermoplastic 2. Center pin: Nickel plating. 3. Terminal: Brass/Copper alloy Silver plating. All materials must be RoHS compliant.
	 Normal Close	
	 Normal Open	

ORDERING INFORMATION:

P/N DC20-52CSB
 P/N DC25-52CSB

DIA. 2.0MM/DIA. 2.5MM
 DC POWER JACK LOCKABLE
 FLAT TYPE NORMAL CLOSE

P/N DC20-53PSB
 P/N DC25-53PSB

DIA. 2.0MM/DIA. 2.5MM
 DC POWER JACK LOCKABLE
 FLAT TYPE NORMAL OPEN

NOTE1: DC20-52 & DC20-53 MATE WITH DCP-220 & DCP-320 PLUGS

NOTE2: DC25-52 & DC25-53 MATE WITH DCP-221 & DCP-321 PLUGS

DIA. 2.00MM/2.5MM DC POWER JACK (24)

Dimension (m/m)		
		DC20-54/DC20-55
Pin Hole Layout (Jack Bottom View)	Schematic Code	SPECIFICATIONS 1. Rating: 5A 24VDC 2. Withstanding voltage: AC 500V, 60Hz for 1 minute 3. Insulation resistance (initial): 100MΩ (min.) at 500V DC 4. Contact resistance (initial): 30mΩ (max.) at AC 100mA (max.) 1 KHz 5. Insertion & Extraction force: Initial : 0.3 to 3.0Kgs After life test: 0.2 to 3.0Kgs 6. Life test: 5,000 cycles unloading (20-30 cycle/minute)
	<p style="text-align: center;">Normal Close</p>	
	<p style="text-align: center;">Normal Open</p>	
		MATERIALS 1. Housing: Thermoplastic 2. Center pin: Nickel plating. 3. Terminal: Brass/Copper alloy Silver plating. All materials must be RoHS compliant.

ORDERING INFORMATION:

P/N DC20-54CSB
P/N DC25-54CSB

DIA. 2.0MM/DIA. 2.5MM
 DC POWER JACK LOCKABLE
 KINK TYPE NORMAL CLOSE

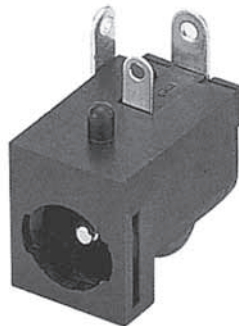
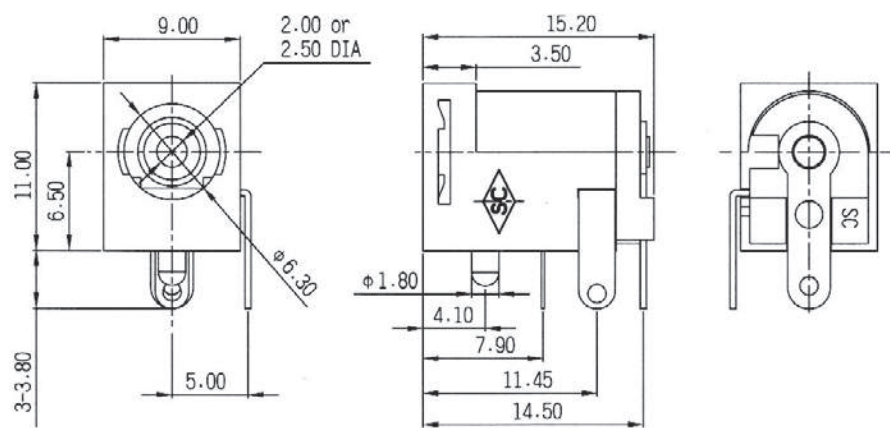
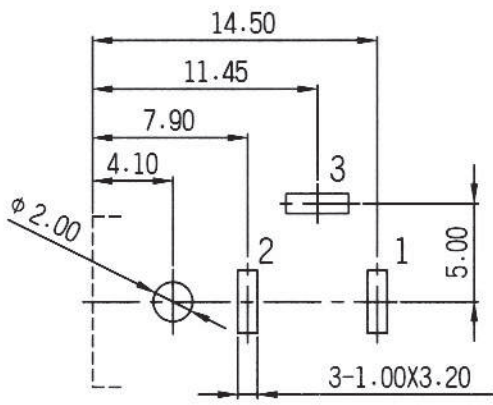
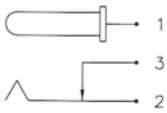
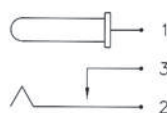
P/N DC20-55PSB
P/N DC25-55PSB

DIA. 2.0MM/DIA. 2.5MM
 DC POWER JACK LOCKABLE
 KINK TYPE NORMAL OPEN

NOTE1: DC20-54 & DC20-55 MATE WITH DCP-220 & DCP-320 PLUGS

NOTE2: DC25-54 & DC25-55 MATE WITH DCP-221 & DCP-321 PLUGS

DIA. 2.00MM/2.5MM DC POWER JACK (25)

Dimension (m/m)		
		
DC20-56/DC20-57		
Pin Hole Layout (Jack Bottom View)	Schematic Code	SPECIFICATIONS 1. Rating: 5A 24VDC 2. Withstanding voltage: AC 500V, 60Hz for 1 minute 3. Insulation resistance (initial): 100MΩ (min.) at 500V DC 4. Contact resistance (initial): 30mΩ (max.) at AC 100mA (max.) 1 KHz 5. Insertion & Extraction force: Initial : 0.3 to 3.0Kgs After life test: 0.2 to 3.0Kgs 6. Life test: 5,000 cycles unloading (20-30 cycle/minute)
	 Normal Close	
	 Normal Open	MATERIALS 1. Housing: Thermoplastic 2. Center pin: Nickel plating. 3. Terminal: Brass/Copper alloy Silver plating. All materials must be RoHS compliant.

ORDERING INFORMATION:

P/N DC 20 - 56 C S B
P/N DC 25 - 56 C S B

DIA. 2.0MM/DIA. 2.5MM
 DC POWER JACK LOCKABLE
 FLAT TYPE NORMAL CLOSE

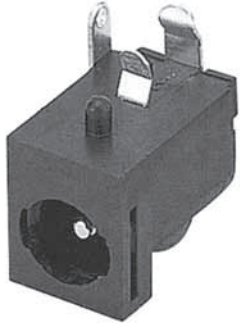
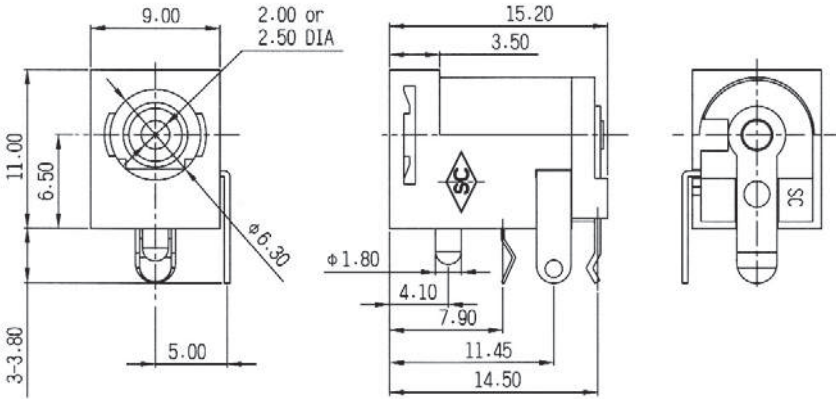
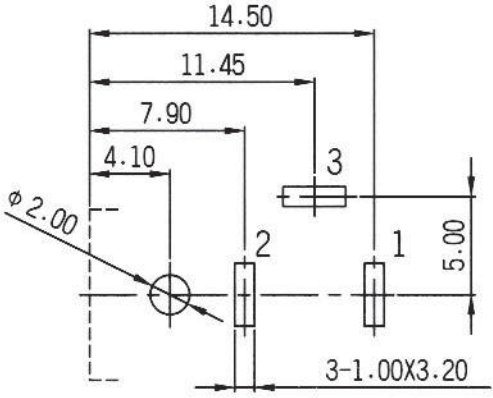
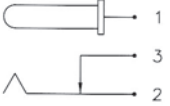
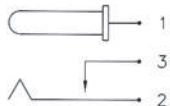
P/N DC 20 - 57 P S B
P/N DC 25 - 57 P S B

DIA. 2.0MM/DIA. 2.5MM
 DC POWER JACK LOCKABLE
 FLAT TYPE NORMAL OPEN

NOTE1: DC20-56 & DC20-57 MATE WITH DCP-220 & DCP-320 PLUGS

NOTE2: DC25-56 & DC25-57 MATE WITH DCP-221 & DCP-321 PLUGS

DIA. 2.00MM/2.5MM DC POWER JACK (26)

Dimension (m/m)		
		
DC20-58/DC20-59		
Pin Hole Layout (Jack Bottom View)	Schematic Code	SPECIFICATIONS 1. Rating: 5A 24VDC 2. Withstanding voltage: AC 500V, 60Hz for 1 minute 3. Insulation resistance (initial): 100MΩ (min.) at 500V DC 4. Contact resistance (initial): 30mΩ (max.) at AC 100mA (max.) 1 KHz 5. Insertion & Extraction force: Initial : 0.3 to 3.0Kgs After life test: 0.2 to 3.0Kgs 6. Life test: 5,000 cycles unloading (20-30 cycle/minute)
	 Normal Close	
	 Normal Open	
MATERIALS 1. Housing: Thermoplastic 2. Center pin: Nickel plating. 3. Terminal: Brass/Copper alloy Silver plating. All materials must be RoHS compliant.		

ORDERING INFORMATION:

P/N DC20-58CSB
P/N DC25-58CSB

DIA. 2.0MM/DIA. 2.5MM
 DC POWER JACK LOCKABLE
 KINK TYPE NORMAL CLOSE

P/N DC20-59PSB
P/N DC25-59PSB

DIA. 2.0MM/DIA. 2.5MM
 DC POWER JACK LOCKABLE
 KINK TYPE NORMAL OPEN

NOTE1: DC20-58 & DC20-59 MATE WITH DCP-220 & DCP-320 PLUGS

NOTE2: DC25-58 & DC25-59 MATE WITH DCP-221 & DCP-321 PLUGS

DIA. 2.00MM/2.5MM DC POWER JACK (27)

Dimension (m/m)		
		 DC20-60
		 DC20-62
W/O Groove Kink Type	With Groove Kink Type	
Pin Hole Layout (Jack Bottom View)	Schematic Code	SPECIFICATIONS 1. Rating: 5A 24VDC 2. Withstanding voltage: AC 500V, 60Hz for 1 minute 3. Insulation resistance (initial): 100MΩ (min.) at 500V DC 4. Contact resistance (initial): 30mΩ (max.) at AC 100mA (max.) 1 KHz All materials must be RoHS compliant.
	Normal Close	Normal Open

ORDERING INFORMATION:

P/N DC 20 - 60 CSB
P/N DC 25 - 60 CSB

DIA. 2.0MM/DIA. 2.5MM
 DC POWER JACK NORMAL CLOSE
 W/O GROOVE FLAT TYPE

P/N DC 20 - 61 PSB
P/N DC 25 - 61 PSB

DIA. 2.0MM/DIA. 2.5MM
 DC POWER JACK NORMAL OPEN
 W/O GROOVE FLAT TYPE

P/N DC 20 - 62 CSB
P/N DC 25 - 62 CSB

DIA. 2.0MM/DIA. 2.5MM
 DC POWER JACK NORMAL CLOSE
 WITH GROOVE FLAT TYPE

P/N DC 20 - 63 PSB
P/N DC 25 - 63 PSB

DIA. 2.0MM/DIA. 2.5MM
 DC POWER JACK NORMAL OPEN
 WITH GROOVE FLAT TYPE

DIA. 2.00MM/2.5MM DC POWER JACK (28)

Dimension (m/m)		
		<p>DC20-64</p> <p>DC20-66</p>
<p>W/O Groove Kink Type</p>	<p>With Groove Kink Type</p>	
<p>Pin Hole Layout (Jack Bottom View)</p>	<p>Schematic Code</p> <p>Normal Close Normal Open</p>	<p>SPECIFICATIONS</p> <ol style="list-style-type: none"> Rating: 5A 24VDC Withstanding voltage: AC 500V, 60Hz for 1 minute Insulation resistance (initial): 100MΩ (min.) at 500V DC Contact resistance (initial): 30mΩ (max.) at AC 100mA (max.) 1 KHz <p>All materials must be RoHS compliant.</p>

ORDERING INFORMATION:

P/N DC 20 - 64 C S B
P/N DC 25 - 64 C S B

DIA. 2.0MM/DIA. 2.5MM
DC POWER JACK NORMAL CLOSE
W/O GROOVE KINK TYPE

P/N DC 20 - 65 P S B
P/N DC 25 - 65 P S B

DIA. 2.0MM/DIA. 2.5MM
DC POWER JACK NORMAL OPEN
W/O GROOVE KINK TYPE

P/N DC 20 - 66 C S B
P/N DC 25 - 66 C S B

DIA. 2.0MM/DIA. 2.5MM
DC POWER JACK NORMAL CLOSE
WITH GROOVE KINK TYPE

P/N DC 20 - 67 P S B
P/N DC 25 - 67 P S B

DIA. 2.0MM/DIA. 2.5MM
DC POWER JACK NORMAL OPEN
WITH GROOVE KINK TYPE

DIA. 2.00MM/2.5MM DC POWER JACK (29)

Dimension (m/m)			
		<p style="text-align: center;">DC20-68</p>	
<p style="text-align: center;">Washer</p>	<p style="text-align: center;">Nut</p>	<p style="text-align: center;">Schematic Code (Normal Close)</p>	
<p style="text-align: center;">Pin Hole Layout (Jack Bottom View)</p>		<p style="text-align: center;">SPECIFICATIONS</p> <ol style="list-style-type: none"> Rating: 5A 24VDC Withstanding voltage: AC 500V, 60Hz for 1 minute Insulation resistance (initial): 100MΩ (min.) at 500V DC Contact resistance (initial): 30mΩ (max.) at AC 100mA (max.) 1 KHz Insertion & Extraction force: Initial : 0.3 to 3.0Kgs After life test: 0.2 to 3.0Kgs Life test: 5,000 cycles unloading (20-30 cycle/minute) 	
		<p style="text-align: center;">MATERIALS</p> <ol style="list-style-type: none"> Housing: Thermoplastic Center pin: Nickel plating. Terminal: Brass/Copper alloy Silver plating. <p style="text-align: center;">All materials must be RoHS compliant.</p>	
		<p style="text-align: center;">DC20-69</p>	

ORDERING INFORMATION:

P/N DC 20 - 68 C S B

DIA. 2.0MM DC POWER JACK
NORMAL CLOSE
FLAT TYPE WITHOUT THREAD
WITHOUT NUT & WASHER

P/N DC 25 - 68 C S B

DIA. 2.5MM DC POWER JACK
NORMAL CLOSE
FLAT TYPE WITHOUT THREAD
WITHOUT NUT & WASHER


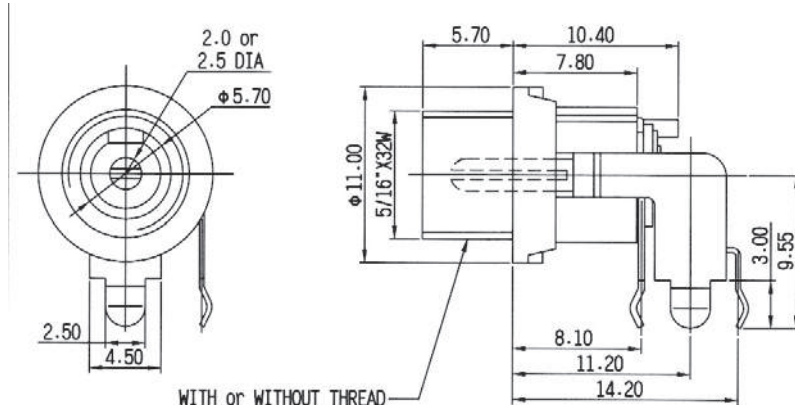
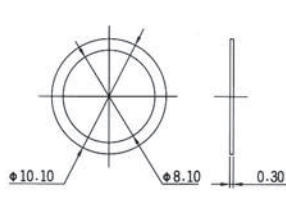
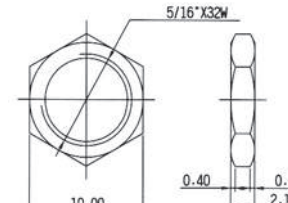
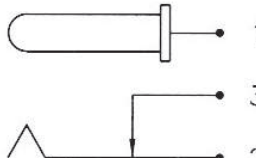
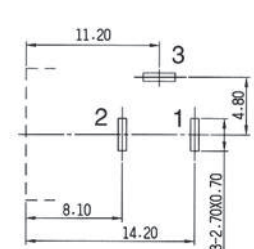
P/N DC 20 - 69 C S B

DIA. 2.0MM DC POWER JACK
NORMAL CLOSE
FLAT TYPE WITH THREAD
WITH NUT & WASHER

P/N DC 25 - 69 C S B

DIA. 2.5MM DC POWER JACK
NORMAL CLOSE
FLAT TYPE WITH THREAD
WITH NUT & WASHER

DIA. 2.00MM/2.5MM DC POWER JACK (30)

Dimension (m/m)		 DC20-70
		
 Washer	 Nut	Schematic Code (Normal Close)  DC20-71
Pin Hole Layout (Jack Bottom View) 	SPECIFICATIONS <ol style="list-style-type: none"> Rating: 5A 24VDC Withstanding voltage: AC 500V, 60Hz for 1 minute Insulation resistance (initial): 100MΩ (min.) at 500V DC Contact resistance (initial): 30mΩ (max.) at AC 100mA (max.) 1 KHz Insertion & Extraction force: Initial : 0.3 to 3.0Kgs After life test: 0.2 to 3.0Kgs Life test: 5,000 cycles unloading (20-30 cycle/minute) 	
		MATERIALS <ol style="list-style-type: none"> Housing: Thermoplastic Center pin: Nickel plating. Terminal: Brass/Copper alloy Silver plating. All materials must be RoHS compliant.

ORDERING INFORMATION:

P/N DC 20 - 70 CSB

DIA. 2.0MM DC POWER JACK
NORMAL CLOSE
KINK TYPE WITHOUT THREAD
WITHOUT NUT & WASHER

P/N DC 25 - 70 CSB

DIA. 2.5MM DC POWER JACK
NORMAL CLOSE
KINK TYPE WITHOUT THREAD
WITHOUT NUT & WASHER

P/N DC 20 - 71 CSB

DIA. 2.0MM DC POWER JACK
NORMAL CLOSE
KINK TYPE WITH THREAD
WITH NUT & WASHER

P/N DC 25 - 71 CSB

DIA. 2.5MM DC POWER JACK
NORMAL CLOSE
KINK TYPE WITH THREAD
WITH NUT & WASHER

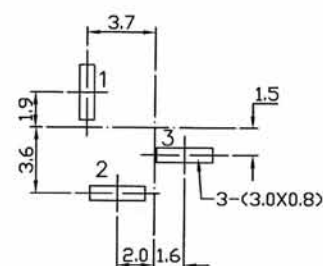
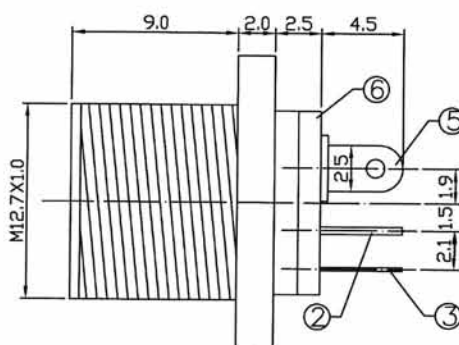
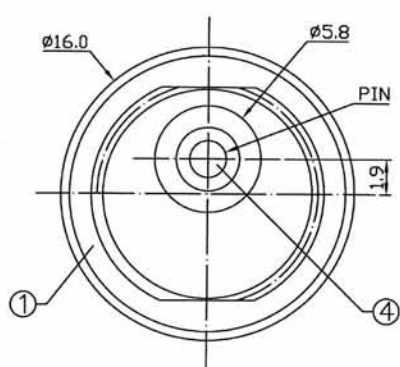
DIA. 2.0MM/2.5MM DC POWER JACK (31)

SPECIFICATIONS

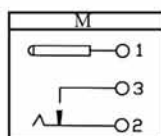
1. **Rating:** 3.5A 12VDC & 2A 24VDC
2. **Withstanding voltage:**
AC 500V, 60Hz for 1 minute
3. **Insulation resistance (initial):** 100M Ω (min.) at 500V DC
4. **Contact resistance (initial):**
30m Ω (max.) at AC 100mA (max.) 1 KHz
5. **Insertion & Extraction force:**
Initial : 0.3 to 3.0Kgs
After life test: 0.2 to 3.0Kgs

MATERIALS

1. **Housing:** Thermoplastic
 2. **Center pin:** Nickel plating
 3. **Terminal:** Brass/Copper alloy Silver plating.
- * RoHS & REACH compliant.



Recommended P.C.Board Layout



ORDERING INFORMATION:

P/N D C $\frac{xx}{1}$ - $\frac{81}{2}$ $\frac{M}{3}$ $\frac{S}{4}$ $\frac{B}{5}$

1. CENTER PIN DIAMETER:
"20" \varnothing 2.0MM
"25" \varnothing 2.5MM
2. DC JACK CODE:
"81" STRAIGHT DIIP TYPE
3. SCHEMATIC OPTION:
M
4. TERMINAL FINISH:
"S" SILVER PLATED
5. HOUSING COLOR:
"B" BLACK

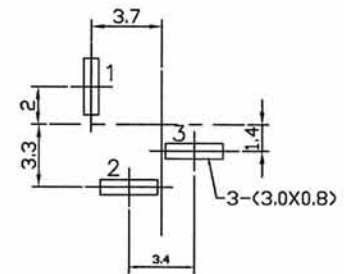
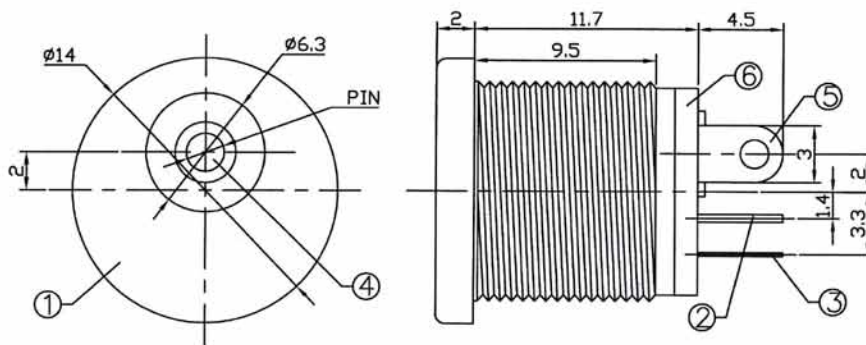
DIA. 2.0MM/2.5MM DC POWER JACK (32)

SPECIFICATIONS

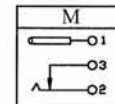
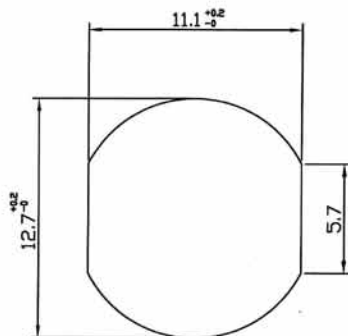
1. **Rating:** 3.5A 12VDC & 2A 24VDC
2. **Withstanding voltage:**
AC 500V, 60Hz for 1 minute
3. **Insulation resistance (initial):** 100MΩ(min.) at 500V DC
4. **Contact resistance (initial):**
30mΩ(max.) at AC 100mA (max.) 1 KHz
5. **Insertion & Extraction force:**
Initial : 0.3 to 3.0Kgs
After life test: 0.2 to 3.0Kgs

MATERIALS

1. **Housing:** Thermoplastic
 2. **Center pin:** Nickel plating
 3. **Terminal:** Brass/Copper alloy Silver plating.
- * RoHS & REACH compliant.



Recommended P.C.Board Layout



ORDERING INFORMATION:

P/N D C $\frac{X}{1}$ $\frac{X}{2}$ - 8 2 M S B

1. CENTER PIN DIAMETER:
"20" Ø2.0MM
"25" Ø2.5MM
2. DC JACK CODE:
"82" STRAIGHT DIP TYPE
3. SCHEMATIC OPTION:
M
4. TERMINAL FINISH:
"S" SILVER PLATED
5. HOUSING COLOR:
"B" BLACK

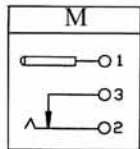
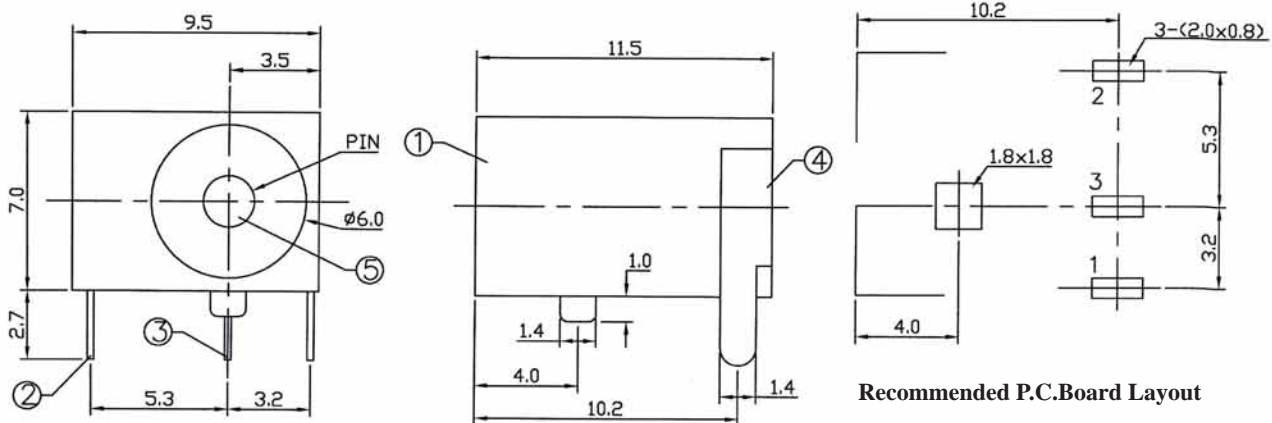
DIA. 2.0MM/2.5MM DC POWER JACK (33)

SPECIFICATIONS

1. **Rating:** 0.5A 12VDC
2. **Withstanding voltage:**
AC 500V, 60Hz for 1 minute
3. **Insulation resistance (initial):** 100M Ω (min.) at 500V DC
4. **Contact resistance (initial):**
30m Ω (max.) at AC 100mA (max.) 1 KHz
5. **Insertion & Extraction force:**
Initial : 0.3 to 3.0Kgs
After life test: 0.2 to 3.0Kgs

MATERIALS

1. **Housing:** Thermoplastic
 2. **Center pin:** Nickel plating
 3. **Terminal:** Brass/Copper alloy Silver plating.
- * RoHS & REACH compliant.



ORDERING INFORMATION:

P/N D C $\frac{xx}{1}$ - 8 $\frac{3}{2}$ M $\frac{S}{3}$ $\frac{B}{4}$ $\frac{5}$

1. CENTER PIN DIAMETER:
"20" Ø2.0MM
"25" Ø2.5MM
2. DC JACK CODE:
"83" R/A DIP TYPE
3. SCHEMATIC OPTION:
M
4. TERMINAL FINISH:
"S" SILVER PLATED
5. HOUSING COLOR:
"B" BLACK

DIA. 2.0MM/2.5MM DC POWER JACK (34)

SPECIFICATIONS

1.Rating: 2A 16VDC

2.Withstanding voltage:

AC 500V, 60Hz for 1 minute

3.Insulation resistance (initial): 100M Ω (min.) at 500V DC

4.Contact resistance (initial):

30m Ω (max.) at AC 100mA (max.) 1 KHz

5.Insertion & Extraction force:

Initial : 0.3 to 3.0Kgs

After life test: 0.2 to 3.0Kgs

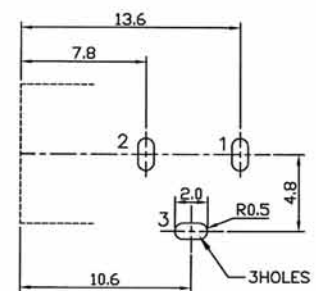
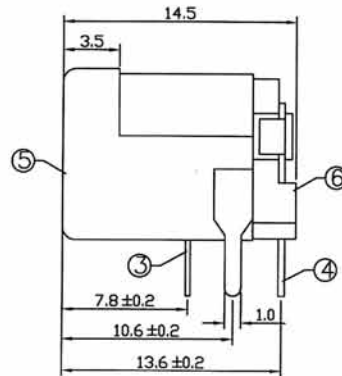
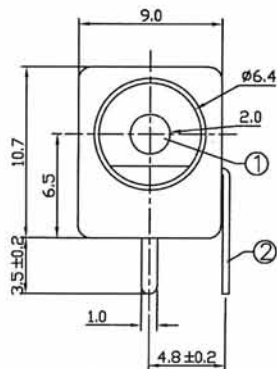
MATERIALS

1.Housing: Thermoplastic

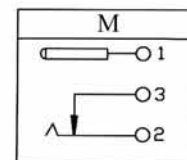
2.Center pin: Nickel plating

3.Terminal: Brass/Copper alloy Silver plating.

* RoHS & REACH compliant.



Recommended P.C.Board Layout



ORDERING INFORMATION:

P/N D C $\frac{xx}{I}$ - $\frac{84}{2}$ $\frac{MS}{34}$ $\frac{B}{5}$

1. CENTER PIN DIAMETER:

"20" \varnothing 2.0MM

"25" \varnothing 2.5MM

2. DC JACK CODE:

"84" R/A DIP TYPE

3. SCHEMATIC OPTION:

M

4. TERMINAL FINISH:

"S" SILVER PLATED

5. HOUSING COLOR:

"B" BLACK

DIA. 2.0MM/2.5MM DC POWER JACK (35)

SPECIFICATIONS

1.Rating: 3A 12VDC

2.Withstanding voltage:

AC 500V, 60Hz for 1 minute

3.Insulation resistance (initial): 100MΩ(min.) at 500V DC

4.Contact resistance (initial):

30mΩ(max.) at AC 100mA (max.) 1 KHz

5.Insertion & Extraction force:

Initial : 0.3 to 3.0Kgs

After life test: 0.2 to 3.0Kgs

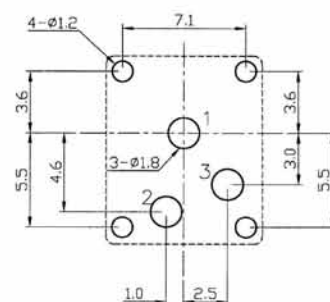
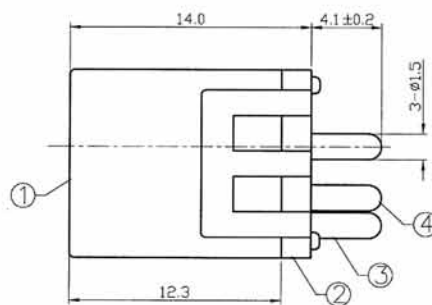
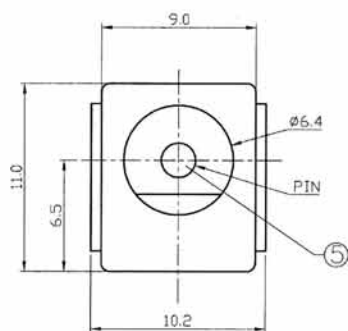
MATERIALS

1.Housing: Thermoplastic

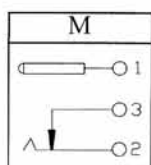
2.Center pin: Nickel plating

3.Terminal: Brass/Copper alloy Silver plating.

*** RoHS & REACH compliant.**



Recommended P.C.Board Layout



ORDERING INFORMATION:

P/N D C $\frac{xx}{1}$ - 85 $\frac{M}{2}$ $\frac{S}{3}$ $\frac{B}{4}$ $\frac{5}{5}$

1. CENTER PIN DIAMETER:

"20" Ø2.0MM

"25" Ø2.5MM

2. DC JACK CODE:

"85" STRAIGHT DIP TYPE

3. SCHEMATIC OPTION:

M

4. TERMINAL FINISH:

"S" SILVER PLATED

5. HOUSING COLOR:

"B" BLACK

DIA. 2.0MM/2.5MM DC POWER JACK (36)

SPECIFICATIONS

1. Rating: 3A 12VDC

2. Withstanding voltage:

AC 500V, 60Hz for 1 minute

3. Insulation resistance (initial): 100MΩ(min.) at 500V DC

4. Contact resistance (initial):

30mΩ(max.) at AC 100mA (max.) 1 KHz

5. Insertion & Extraction force:

Initial : 0.3 to 3.0Kgs

After life test: 0.2 to 3.0Kgs

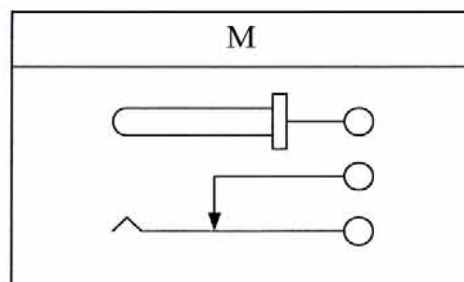
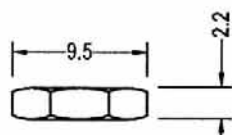
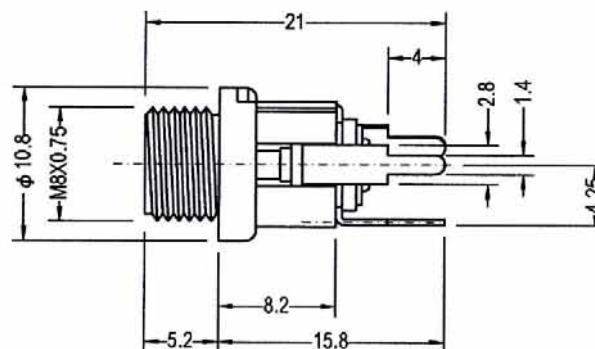
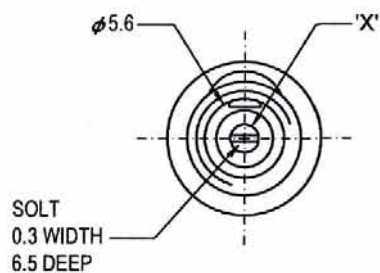
MATERIALS

1. Housing: Thermoplastic

2. Center pin: Nickel plating

3. Terminal: Brass/Copper alloy Silver plating.

* RoHS & REACH compliant.



ORDERING INFORMATION:

P/N D C $\frac{XX}{1}$ - $\frac{88}{2}$ $\frac{M}{3}$ $\frac{S}{4}$ $\frac{B}{5}$

1. CENTER PIN DIAMETER:

"20" Ø2.0MM

"25" Ø2.5MM

2. DC JACK CODE:

88 (WITH SLOT)

3. SCHEMATIC OPTION:

M

4. TERMINAL FINISH:

"S" SILVER PLATED

5. HOUSING COLOR:

"B" BLACK

DIA. 2.0MM/2.5MM DC POWER JACK (37)

SPECIFICATIONS

1. **Rating:** 3A 12VDC

2. **Withstanding voltage:**

AC 500V, 60Hz for 1 minute

3. **Insulation resistance (initial):** 100M Ω (min.) at 500V DC

4. **Contact resistance (initial):**

30m Ω (max.) at AC 100mA (max.) 1 KHz

5. **Insertion & Extraction force:**

Initial : 0.3 to 3.0Kgs

After life test: 0.2 to 3.0Kgs

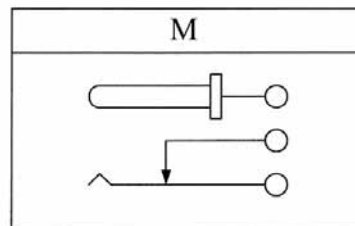
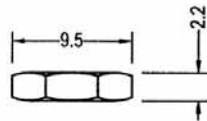
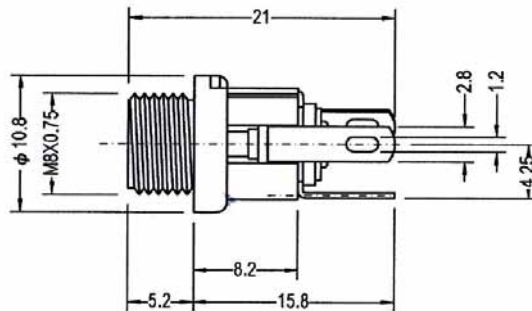
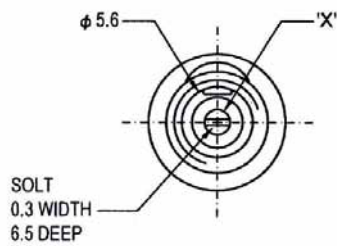
MATERIALS

1. **Housing:** Thermoplastic

2. **Center pin:** Nickel plating

3. **Terminal:** Brass/Copper alloy Silver plating.

* **RoHS & REACH compliant.**



ORDERING INFORMATION:

P/N D C $\frac{XX}{I}$ - $\frac{89}{2}$ $\frac{MS}{3}$ $\frac{B}{4}$ $\frac{B}{5}$

1. CENTER PIN DIAMETER:

"20" ϕ 2.0MM

"25" ϕ 2.5MM

2. DC JACK CODE:

89 (WITH SLOT)

3. SCHEMATIC OPTION:

M

4. TERMINAL FINISH:

"S" SILVER PLATED

5. HOUSING COLOR:

"B" BLACK

DIA. 2.0MM/2.5MM DC POWER JACK (38)

SPECIFICATIONS

1. Rating: 3A 12VDC

2. Withstanding voltage:

AC 500V, 60Hz for 1 minute

3. Insulation resistance (initial): 100M Ω (min.) at 500V DC

4. Contact resistance (initial):

30m Ω (max.) at AC 100mA (max.) 1 KHz

5. Insertion & Extraction force:

Initial : 0.3 to 3.0Kgs

After life test: 0.2 to 3.0Kgs

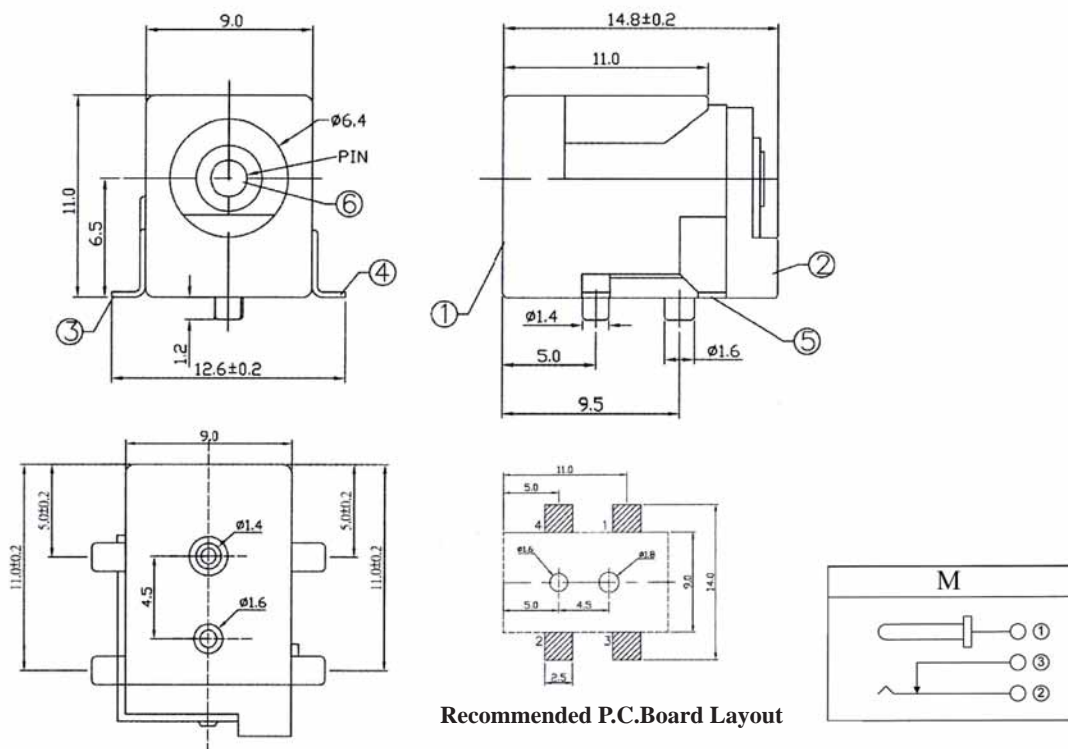
MATERIALS

1. Housing: Thermoplastic

2. Center pin: Nickel plating

3. Terminal: Brass/Copper alloy Silver plating.

* RoHS & REACH compliant.



Recommended P.C.Board Layout

ORDERING INFORMATION:

P/N DC $\frac{xx}{1}$ - $\frac{90}{2}$ $\frac{MS}{3}$ $\frac{B}{4}$ $\frac{5}$

1. CENTER PIN DIAMETER:

"20" \varnothing 2.0MM

"25" \varnothing 2.5MM

2. DC JACK CODE:

90

3. SCHEMATIC OPTION:

M

4. TERMINAL FINISH:

"S" SILVER PLATED

5. HOUSING COLOR:

"B" BLACK

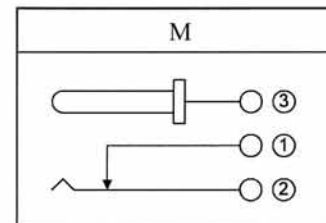
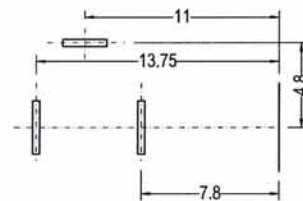
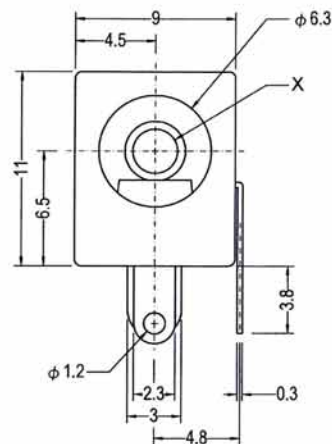
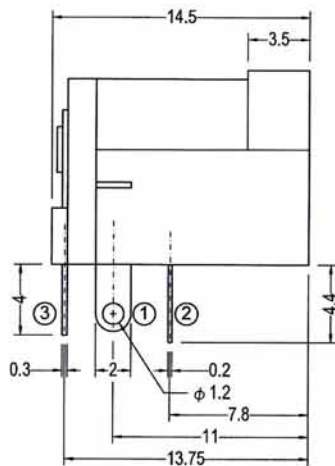
DIA. 2.0MM/2.5MM DC POWER JACK (39)

SPECIFICATIONS

1. **Rating:** 3A 12VDC
2. **Withstanding voltage:**
AC 500V, 60Hz for 1 minute
3. **Insulation resistance (initial):** 100MΩ(min.) at 500V DC
4. **Contact resistance (initial):**
30mΩ(max.) at AC 100mA (max.) 1 KHz
5. **Insertion & Extraction force:**
Initial : 0.3 to 3.0Kgs
After life test: 0.2 to 3.0Kgs

MATERIALS

1. **Housing:** Thermoplastic
 2. **Center pin:** Nickel plating
 3. **Terminal:** Brass/Copper alloy Silver plating.
- * **RoHS & REACH compliant.**



ORDERING INFORMATION:

P/N D C $\frac{XX}{I}$ - 91 $\frac{M}{2}$ $\frac{S}{3}$ $\frac{B}{4}$ $\frac{B}{5}$

1. CENTER PIN DIAMETER:
"20" Ø2.0MM
"25" Ø2.5MM
2. DC JACK CODE:
91
3. SCHEMATIC OPTION:
N
4. TERMINAL FINISH:
"S" SILVER PLATED
5. HOUSING COLOR:
"B" BLACK

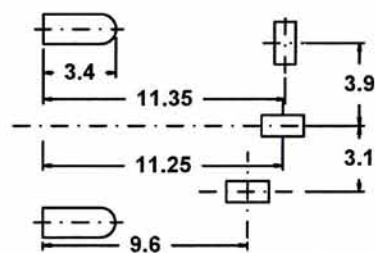
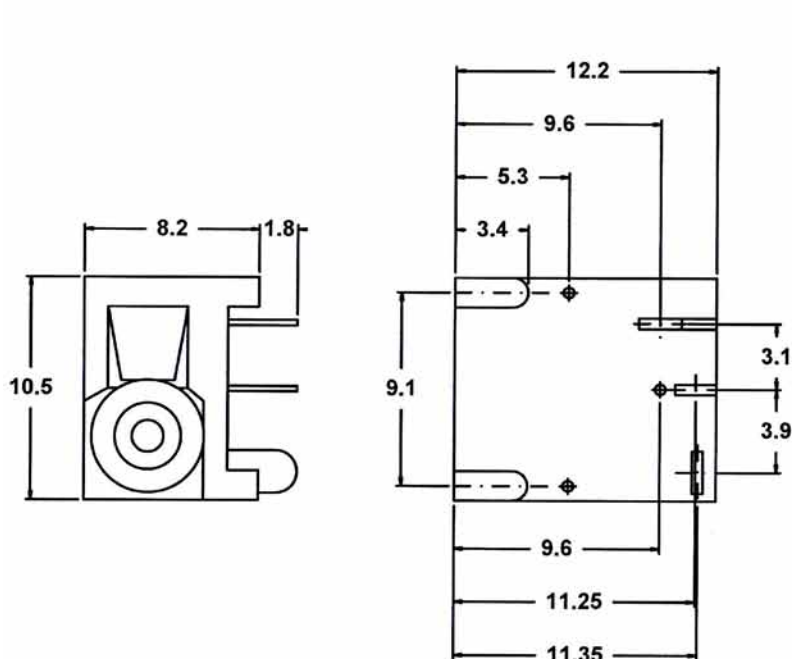
DIA. 2.0MM/2.5MM DC POWER JACK (40)

SPECIFICATIONS

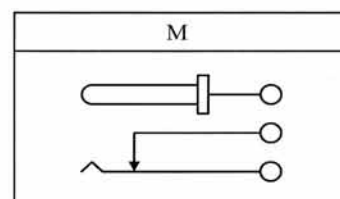
- 1.Rating:** 3A 12VDC
- 2.Withstanding voltage:**
AC 500V, 60Hz for 1 minute
- 3.Insulation resistance (initial):** 100M Ω (min.) at 500V DC
- 4.Contact resistance (initial):**
30m Ω (max.) at AC 100mA (max.) 1 KHz
- 5.Insertion & Extraction force:**
Initial : 0.3 to 3.0Kgs
After life test: 0.2 to 3.0Kgs

MATERIALS

- 1.Housing:** Thermoplastic
 - 2.Center pin:** Nickel plating
 - 3.Terminal:** Brass/Copper alloy Silver plating.
- * RoHS & REACH compliant.



Recommended P.C.Board Layout



ORDERING INFORMATION:

P/N D C $\frac{xx}{1}$ - $\frac{92}{2}$ $\frac{M}{3}$ $\frac{S}{4}$ $\frac{B}{5}$

- 1. CENTER PIN DIAMETER:**
"20" \varnothing 2.0MM
"25" \varnothing 2.5MM
- 2. DC JACK CODE:**
92
- 3. SCHEMATIC OPTION:**
M
- 4. TERMINAL FINISH:**
"S" SILVER PLATED
- 5. HOUSING COLOR:**
"B" BLACK

DIA. 2.0MM/2.5MM DC POWER JACK (41)

SPECIFICATIONS

1. **Rating:** 3A 12VDC

2. **Withstanding voltage:**

AC 500V, 60Hz for 1 minute

3. **Insulation resistance (initial):** 100M Ω (min.) at 500V DC

4. **Contact resistance (initial):**

30m Ω (max.) at AC 100mA (max.) 1 KHz

5. **Insertion & Extraction force:**

Initial : 0.3 to 3.0Kgs

After life test: 0.2 to 3.0Kgs

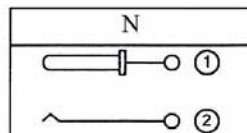
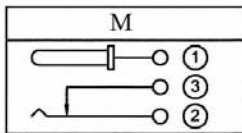
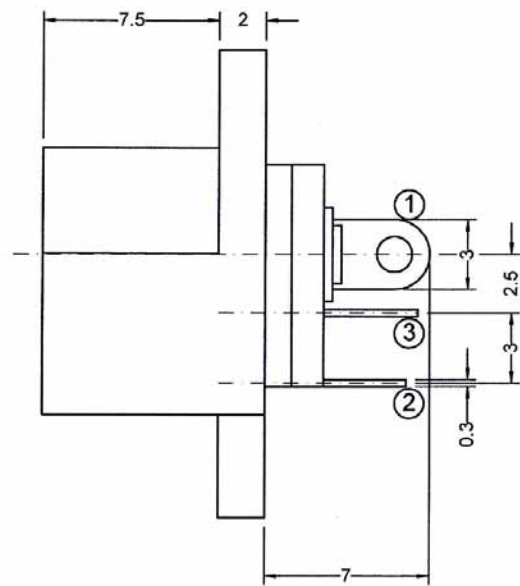
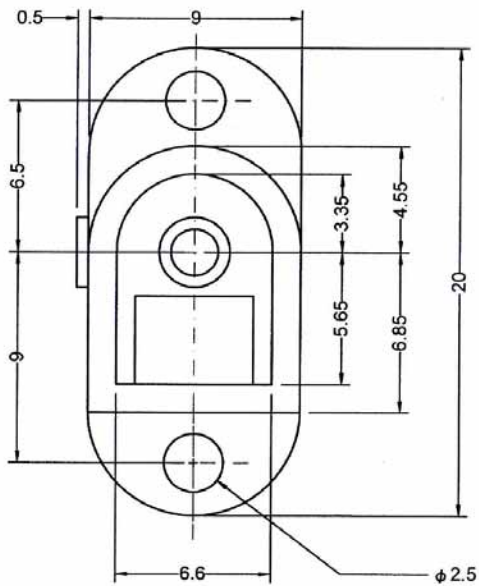
MATERIALS

1. **Housing:** Thermoplastic

2. **Center pin:** Nickel plating

3. **Terminal:** Brass/Copper alloy Silver plating.

* **RoHS & REACH compliant.**



ORDERING INFORMATION:

P/N D C $\frac{X X}{1} - \frac{93}{2} \frac{X S B}{345}$

1. CENTER PIN DIAMETER:

"20" $\phi 2.0\text{MM}$

"25" $\phi 2.5\text{MM}$

2. DC JACK CODE:

93

3. SCHEMATIC OPTION:

M, N

4. TERMINAL FINISH:

"S" SILVER PLATED

5. HOUSING COLOR:

"B" BLACK

DIA. 2.0MM/2.5MM DC POWER JACK (42)

SPECIFICATIONS

1.Rating: 3A 12VDC

2.Withstanding voltage:

AC 500V, 60Hz for 1 minute

3.Insulation resistance (initial): 100M Ω (min.) at 500V DC

4.Contact resistance (initial):

30m Ω (max.) at AC 100mA (max.) 1 KHz

5.Insertion & Extraction force:

Initial : 0.3 to 3.0Kgs

After life test: 0.2 to 3.0Kgs

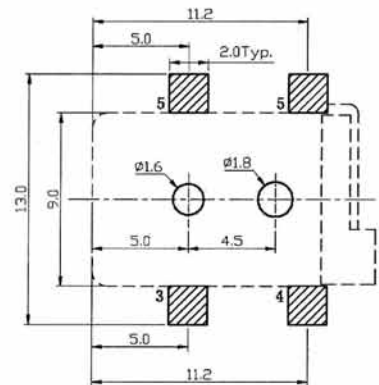
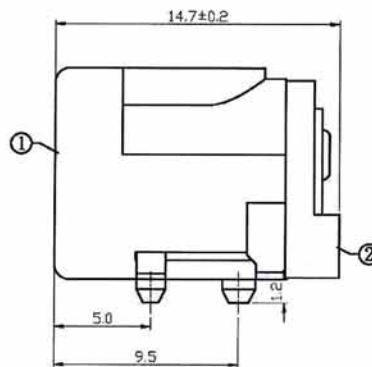
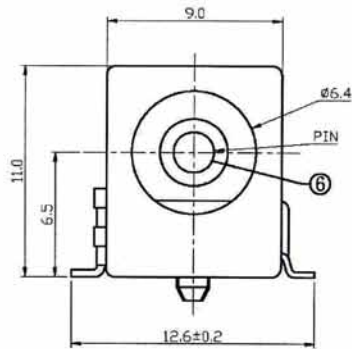
MATERIALS

1.Housing: Thermoplastic

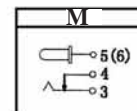
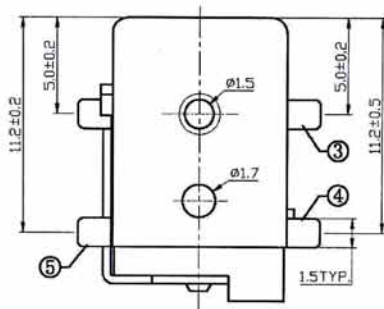
2.Center pin: Nickel plating

3.Terminal: Brass/Copper alloy Silver plating.

* RoHS & REACH compliant.



Recommended P.C.Board Layout



ORDERING INFORMATION:

P/N DC $\frac{xx}{I}$ - $\frac{95}{2}$ $\frac{MSB}{345}$

1. CENTER PIN DIAMETER:

"20" \varnothing 2.0MM

"25" \varnothing 2.5MM

2. DC JACK CODE:

"95" SMT TYPE

3. SCHEMATIC OPTION:

M

4. TERMINAL FINISH:

"S" SILVER PLATED

5. HOUSING COLOR:

"B" BLACK

DIA. 2.0MM/2.5MM DC POWER JACK (43)

SPECIFICATIONS

1. Rating: 2.5A 20VDC

2. Withstanding voltage:

AC 500V, 60Hz for 1 minute

3. Insulation resistance (initial): 100MΩ(min.) at 500V DC

4. Contact resistance (initial):

30mΩ(max.) at AC 100mA (max.) 1 KHz

5. Insertion & Extraction force:

Initial : 0.3 to 3.0Kgs

After life test: 0.2 to 3.0Kgs

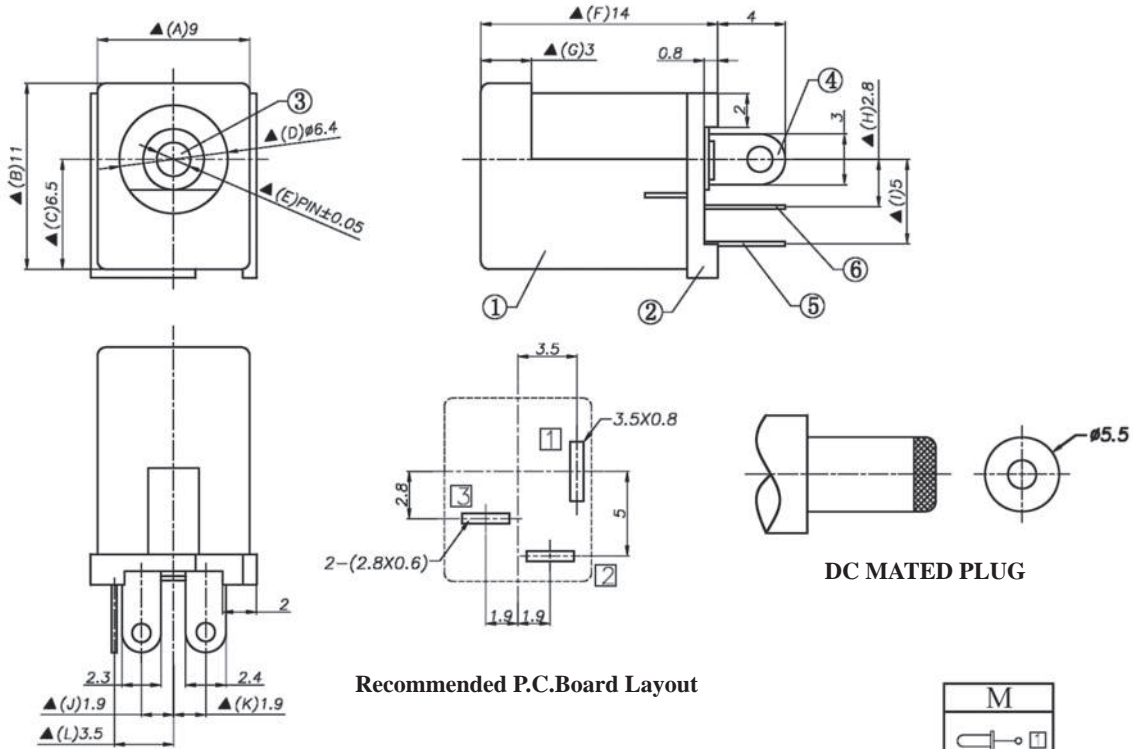
MATERIALS

1. Housing: Thermoplastic

2. Center pin: Nickel plating

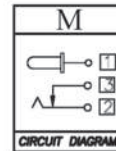
3. Terminal: Brass/Copper alloy Silver plating.

* RoHS & REACH compliant.



Recommended P.C.Board Layout

DC MATED PLUG



ORDERING INFORMATION:

P/N DC $\frac{xx}{1}$ - $\frac{N01}{2}$ $\frac{MS}{3}$ $\frac{B}{4}$ $\frac{B}{5}$

1. CENTER PIN DIAMETER:
"20" Ø2.0MM
"25" Ø2.5MM
2. DC JACK CODE:
"N01" STRAIGHT DIP TYPE
3. SCHEMATIC OPTION:
M
4. TERMINAL FINISH:
"S" SILVER PLATED
5. HOUSING COLOR:
"B" BLACK

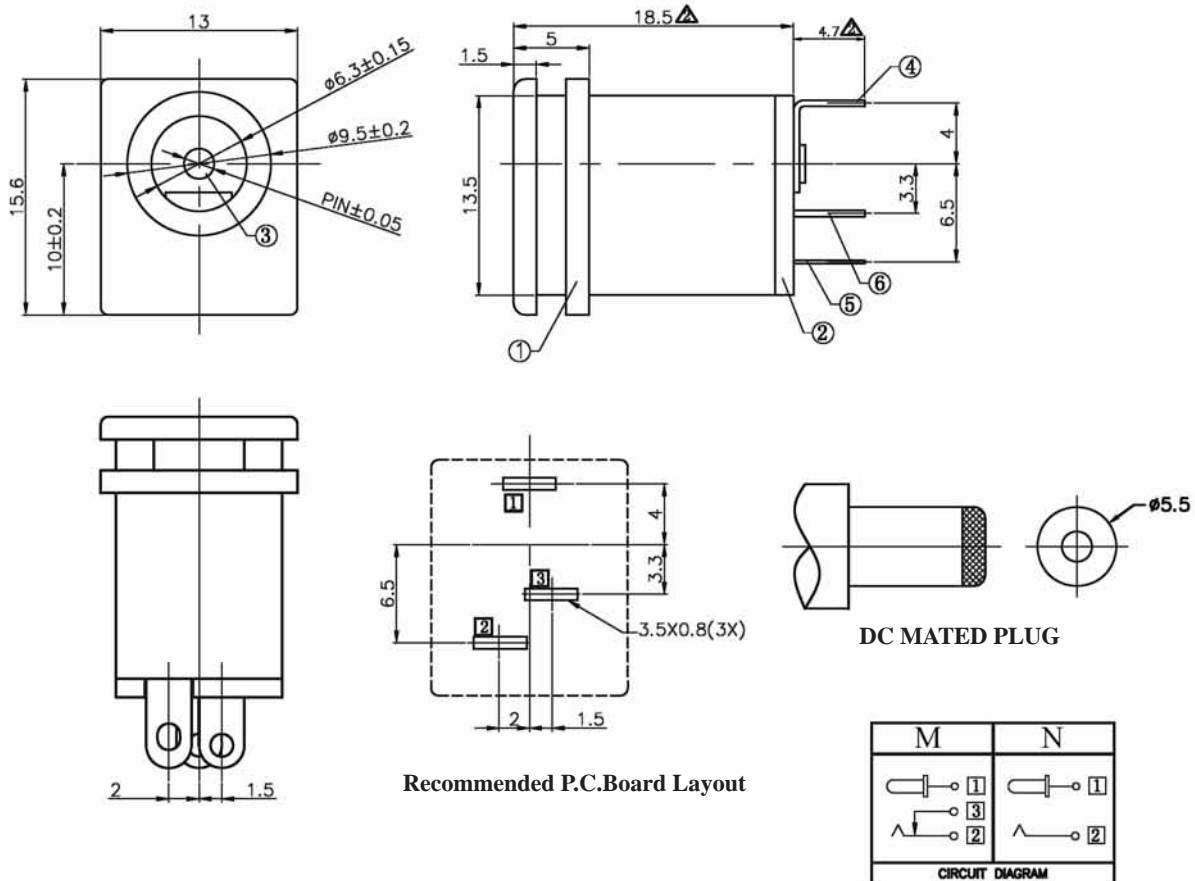
DIA. 2.0MM/2.5MM DC POWER JACK (44)

SPECIFICATIONS

1. **Rating:** 2.5A 20VDC
2. **Withstanding voltage:**
AC 500V, 60Hz for 1 minute
3. **Insulation resistance (initial):** 100MΩ(min.) at 500V DC
4. **Contact resistance (initial):**
30mΩ(max.) at AC 100mA (max.) 1 KHz
5. **Insertion & Extraction force:**
Initial : 0.3 to 3.0Kgs
After life test: 0.2 to 3.0Kgs

MATERIALS

1. **Housing:** Thermoplastic
 2. **Center pin:** Nickel plating
 3. **Terminal:** Brass/Copper alloy Tin plating.
- * RoHS & REACH compliant.



ORDERING INFORMATION:

P/N DC $\frac{xx}{1}$ - N02 $\frac{x}{2}$ $\frac{T}{3}$ $\frac{B}{4}$ $\frac{5}{5}$

1. CENTER PIN DIAMETER:
"20" Ø2.0MM
"25" Ø2.5MM
2. DC JACK CODE:
"N02" STRAIGHT DIP TYPE
3. SCHEMATIC OPTION:
M, N
4. TERMINAL FINISH:
"T" TIN PLATED
5. HOUSING COLOR:
"B" BLACK

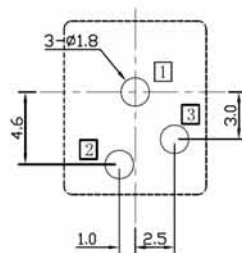
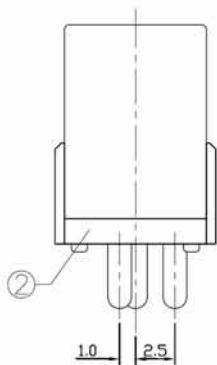
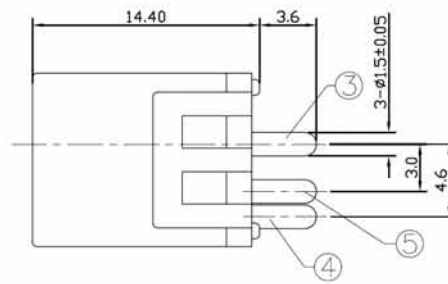
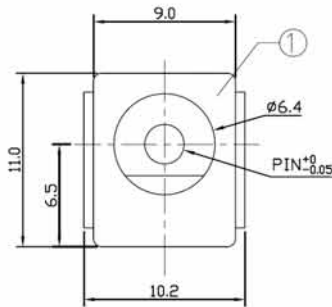
DIA. 2.0MM/2.5MM DC POWER JACK (45)

SPECIFICATIONS

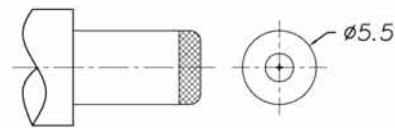
1. **Rating:** 3.5A 24VDC
2. **Withstanding voltage:**
AC 500V, 60Hz for 1 minute
3. **Insulation resistance (initial):** 100M Ω (min.) at 500V DC
4. **Contact resistance (initial):**
30m Ω (max.) at AC 100mA (max.) 1 KHz
5. **Insertion & Extraction force:**
Initial : 0.3 to 3.0Kgs
After life test: 0.2 to 3.0Kgs

MATERIALS

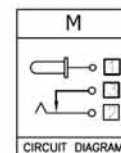
1. **Housing:** Thermoplastic
 2. **Center pin:** Nickel plating
 3. **Terminal:** Brass/Copper alloy Silver plating.
- * **RoHS & REACH compliant.**



Recommended P.C.Board Layout



DC MATED PLUG



ORDERING INFORMATION:

P/N DC $\frac{xx}{1}$ - $\frac{N06}{2}$ $\frac{MS}{3}$ $\frac{B}{4}$ $\frac{B}{5}$

1. CENTER PIN DIAMETER:
"20" \varnothing 2.0MM
"25" \varnothing 2.5MM
2. DC JACK CODE:
"N06" STRAIGHT DIP TYPE
3. SCHEMATIC OPTION:
M
4. TERMINAL FINISH:
"S" SILVER PLATED
5. HOUSING COLOR:
"B" BLACK

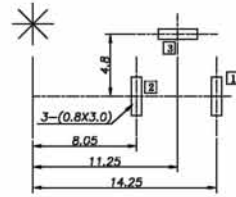
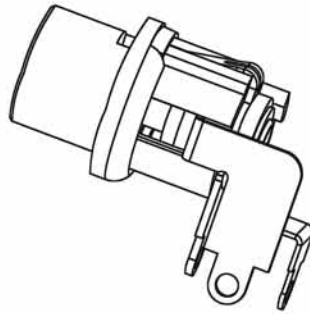
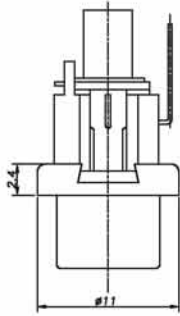
DIA. 2.0MM/2.5MM DC POWER JACK (46)

SPECIFICATIONS

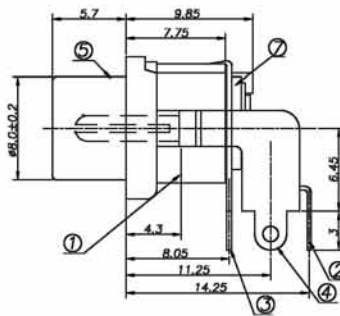
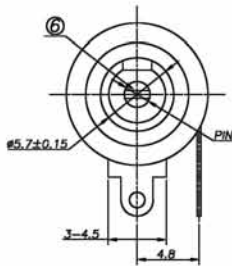
1. **Rating:** 3A 30VDC
2. **Withstanding voltage:**
AC 500V, 60Hz for 1 minute
3. **Insulation resistance (initial):** 100MΩ(min.) at 500V DC
4. **Contact resistance (initial):**
30mΩ(max.) at AC 100mA (max.) 1 KHz
5. **Insertion & Extraction force:**
Initial : 0.3 to 3.0Kgs
After life test: 0.2 to 3.0Kgs

MATERIALS

1. **Housing:** Thermoplastic
 2. **Center pin:** Nickel plating
 3. **Terminal:** Brass/Copper alloy Tin plating.
- * **RoHS & REACH compliant.**



Recommended P.C.Board Layout



DC MATED PLUG

Model NO.	M	N
Schematic		

ORDERING INFORMATION:

P/N D C $\frac{x}{T}$ - $\frac{N17}{2}$ $\frac{x}{3}$ $\frac{T}{4}$ $\frac{B}{5}$

1. CENTER PIN DIAMETER:
"20" Ø2.0MM
"25" Ø2.5MM
2. DC JACK CODE:
"N17" R/A DIP TYPE
3. SCHEMATIC OPTION:
M, N
4. TERMINAL FINISH:
"T" TIN PLATED
5. HOUSING COLOR:
"B" BLACK

DIA. 2.0MM/2.5MM DC POWER JACK (47)

SPECIFICATIONS

1. Rating: 2.5A 16VDC

2. Withstanding voltage:

AC 500V, 60Hz for 1 minute

3. Insulation resistance (initial): 100M Ω (min.) at 500V DC

4. Contact resistance (initial):

30m Ω (max.) at AC 100mA (max.) 1 KHz

5. Insertion & Extraction force:

Initial : 0.3 to 3.0Kgs

After life test: 0.2 to 3.0Kgs

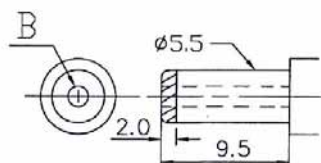
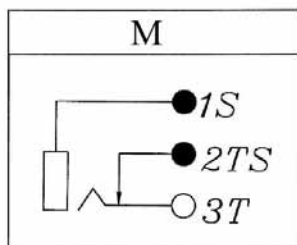
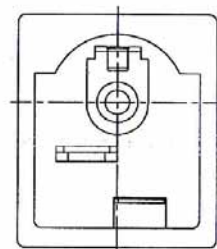
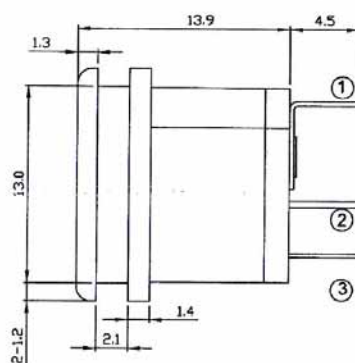
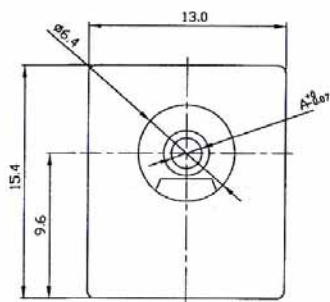
MATERIALS

1. Housing: Thermoplastic

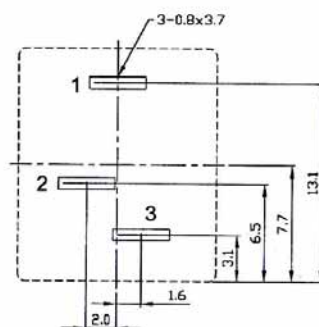
2. Center pin: Nickel plating

3. Terminal: Brass/Copper alloy Tin plating.

* RoHS & REACH compliant.



DC MATED PLUG



Recommended P.C. Board Layout

ORDERING INFORMATION:

P/N D C $\frac{xx}{1}$ - V $\frac{01}{2}$ M $\frac{T}{3}$ $\frac{B}{4}$ $\frac{B}{5}$

1. CENTER PIN DIAMETER:

"20" \varnothing 2.0MM

"25" \varnothing 2.5MM

2. DC JACK CODE:

V01

3. SCHEMATIC OPTION:

M

4. TERMINAL FINISH:

"T" TIN PLATED

5. HOUSING COLOR:

"B" BLACK

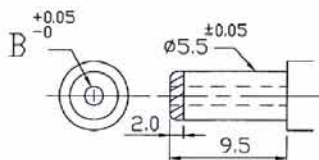
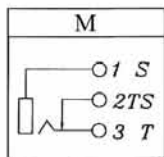
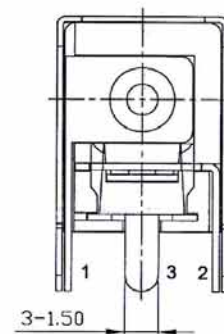
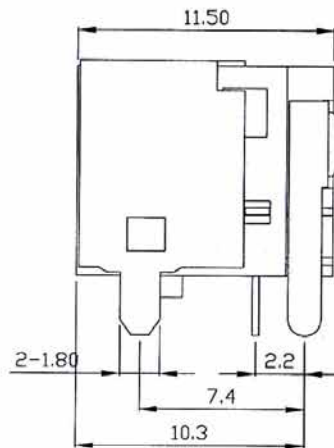
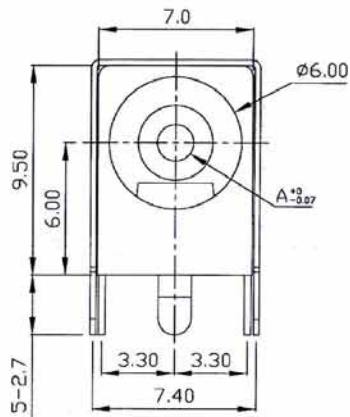
DIA. 2.0MM/2.5MM DC POWER JACK (48)

SPECIFICATIONS

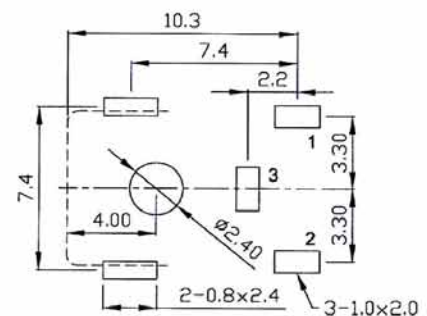
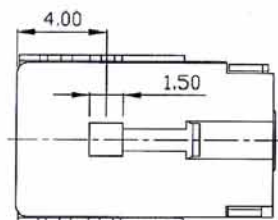
1. **Rating:** 2.5A 16VDC
2. **Withstanding voltage:**
AC 500V, 60Hz for 1 minute
3. **Insulation resistance (initial):** 100MΩ(min.) at 500V DC
4. **Contact resistance (initial):**
30mΩ(max.) at AC 100mA (max.) 1 KHz
5. **Insertion & Extraction force:**
Initial : 0.3 to 3.0Kgs
After life test: 0.2 to 3.0Kgs

MATERIALS

1. **Housing:** Thermoplastic
 2. **Center pin:** Nickel plating
 3. **Terminal:** Brass/Copper alloy Tin plating.
- * **RoHS & REACH compliant.**



DC MATED PLUG



Recommended P.C. Board Layout

ORDERING INFORMATION:

P/N D C xx - V05 M T B
1 2 3 4 5

1. CENTER PIN DIAMETER:
"20" Ø2.0MM
"25" Ø2.5MM
2. DC JACK CODE:
V05
3. SCHEMATIC OPTION:
M
4. TERMINAL FINISH:
"T" TIN PLATED
5. HOUSING COLOR:
"B" BLACK

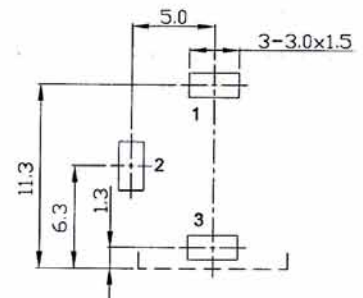
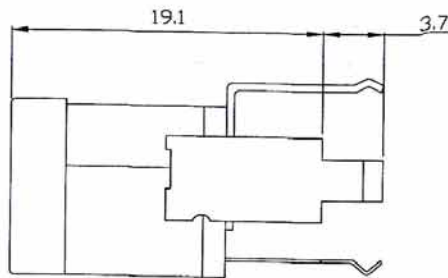
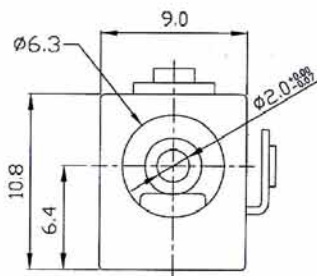
DIA. 2.0MM/2.5MM DC POWER JACK (49)

SPECIFICATIONS

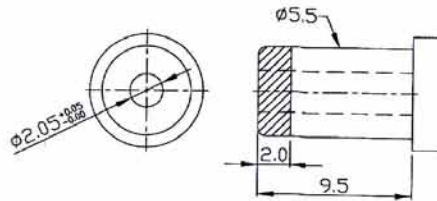
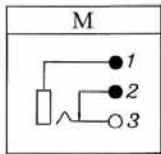
1. **Rating:** 2.5A 16VDC
2. **Withstanding voltage:**
AC 500V, 60Hz for 1 minute
3. **Insulation resistance (initial):** 100M Ω (min.) at 500V DC
4. **Contact resistance (initial):**
30m Ω (max.) at AC 100mA (max.) 1 KHz
5. **Insertion & Extraction force:**
Initial : 0.3 to 3.0Kgs
After life test: 0.2 to 3.0Kgs

MATERIALS

1. **Housing:** Thermoplastic
 2. **Center pin:** Nickel plating
 3. **Terminal:** Brass/Copper alloy Tin plating.
- * **RoHS & REACH compliant.**



Recommended P.C.Board Layout



DC MATED PLUG

ORDERING INFORMATION:

P/N **DC** $\frac{xx}{1}$ - **V06** $\frac{MTB}{345}$

1. CENTER PIN DIAMETER:
"20" \varnothing 2.0MM
"25" \varnothing 2.5MM
2. DC JACK CODE:
V06
3. SCHEMATIC OPTION:
M
4. TERMINAL FINISH:
"S" SILVER PLATED
5. HOUSING COLOR:
"B" BLACK

DIA. 2.0MM/2.5MM DC POWER JACK (50)

SPECIFICATIONS

1.Rating: 2.5A 16VDC

2.Withstanding voltage:

AC 500V, 60Hz for 1 minute

3.Insulation resistance (initial): 100M Ω (min.) at 500V DC

4.Contact resistance (initial):

30m Ω (max.) at AC 100mA (max.) 1 KHz

5.Insertion & Extraction force:

Initial : 0.3 to 3.0Kgs

After life test: 0.2 to 3.0Kgs

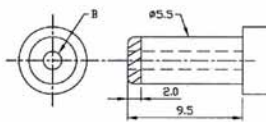
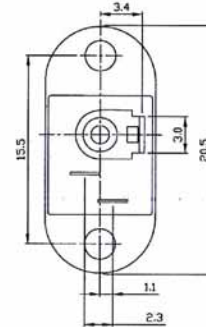
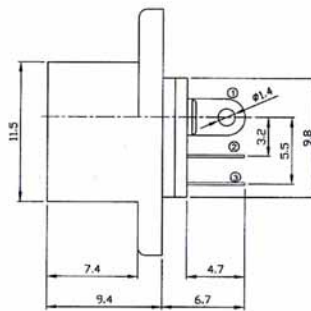
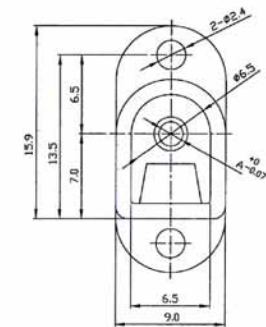
MATERIALS

1.Housing: Thermoplastic

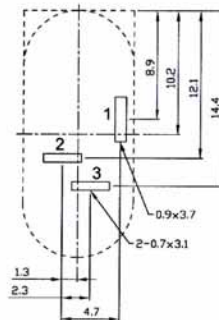
2.Center pin: Nickel plating

3.Terminal: Brass/Copper alloy Tin plating.

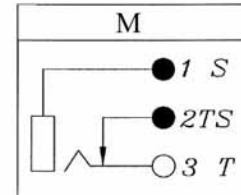
* RoHS & REACH compliant.



DC MATED PLUG



Recommended P.C.Board Layout



ORDERING INFORMATION:

P/N DC $\frac{1}{x}$ $\frac{2}{x}$ - V $\frac{3}{15}$ $\frac{4}{M}$ $\frac{5}{T}$ $\frac{6}{B}$

1. CENTER PIN DIAMETER:

"20" Ø2.0MM

"25" Ø2.5MM

2. DC JACK CODE:

V15

3. SCHEMATIC OPTION:

M

4. TERMINAL FINISH:

"T" TIN PLATED

5. HOUSING COLOR:

"B" BLACK

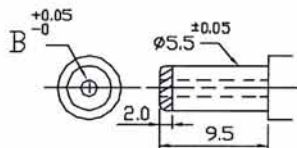
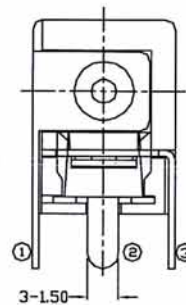
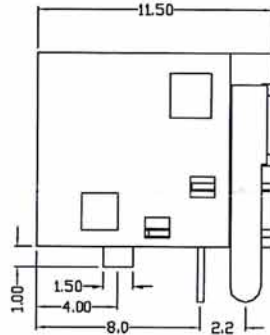
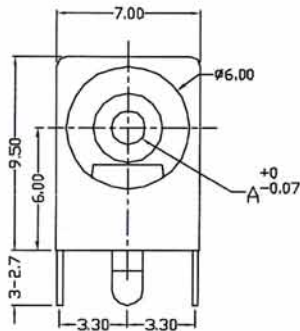
DIA. 2.0MM/2.5MM DC POWER JACK (51)

SPECIFICATIONS

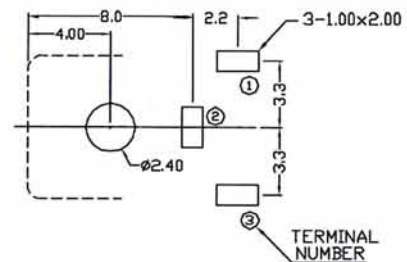
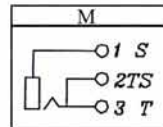
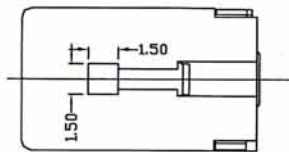
1. **Rating:** 2.5A 16VDC
2. **Withstanding voltage:**
AC 500V, 60Hz for 1 minute
3. **Insulation resistance (initial):** 100M Ω (min.) at 500V DC
4. **Contact resistance (initial):**
30m Ω (max.) at AC 100mA (max.) 1 KHz
5. **Insertion & Extraction force:**
Initial : 0.3 to 3.0Kgs
After life test: 0.2 to 3.0Kgs

MATERIALS

1. **Housing:** Thermoplastic
 2. **Center pin:** Nickel plating
 3. **Terminal:** Brass/Copper alloy Silver plating.
- * **RoHS & REACH compliant.**



DC MATED PLUG



Recommended P.C.Board Layout

ORDERING INFORMATION:

P/N $\frac{D}{1} \frac{C}{x} \frac{x}{2} - \frac{V}{3} \frac{16}{4} \frac{M}{T} \frac{B}{5}$

1. CENTER PIN DIAMETER:
"20" \varnothing 2.0MM
"25" \varnothing 2.5MM
2. DC JACK CODE:
V16
3. SCHEMATIC OPTION:
M
4. TERMINAL FINISH:
"T" TIN PLATED
5. HOUSING COLOR:
"B" BLACK

DIA. 2.0MM/2.5MM DC POWER JACK (52)

SPECIFICATIONS

1.Rating: 2.5A 16VDC

2.Withstanding voltage:

AC 500V, 60Hz for 1 minute

3.Insulation resistance (initial): 100M Ω (min.) at 500V DC

4.Contact resistance (initial):

30m Ω (max.) at AC 100mA (max.) 1 KHz

5.Insertion & Extraction force:

Initial : 0.3 to 3.0Kgs

After life test: 0.2 to 3.0Kgs

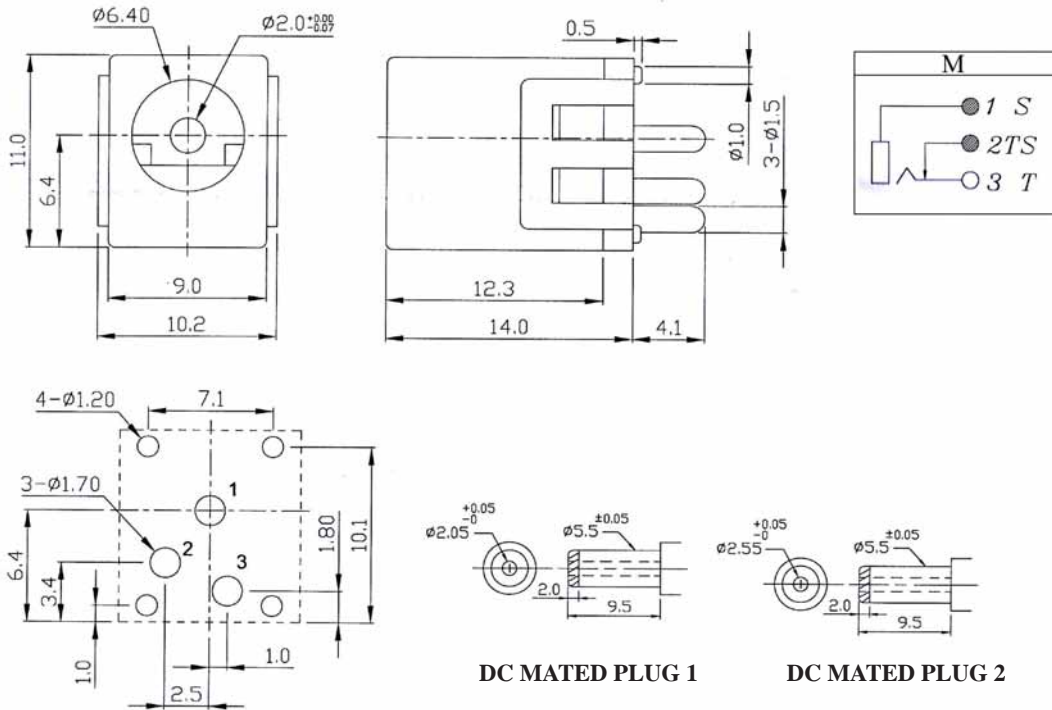
MATERIALS

1.Housing: Thermoplastic

2.Center pin: Nickel plating

3.Terminal: Brass/Copper alloy Silver plating.

* RoHS & REACH compliant.



Recommended P.C.Board Layout

ORDERING INFORMATION:

P/N D C $\frac{xx}{1}$ - V $\frac{17}{2}$ M $\frac{S}{3}$ B $\frac{B}{4}$ $\frac{5}$

1. CENTER PIN DIAMETER:

"20" \varnothing 2.0MM

"25" \varnothing 2.5MM

2. DC JACK CODE:

V17

3. SCHEMATIC OPTION:

M

4. TERMINAL FINISH:

"S" SILVER PLATED

5. HOUSING COLOR:

"B" BLACK

DIA. 2.0MM/2.5MM DC POWER JACK (53)

SPECIFICATIONS

1. **Rating:** 2.5A 16VDC

2. **Withstanding voltage:**

AC 500V, 60Hz for 1 minute

3. **Insulation resistance (initial):** 100MΩ(min.) at 500V DC

4. **Contact resistance (initial):**

30mΩ(max.) at AC 100mA (max.) 1 KHz

5. **Insertion & Extraction force:**

Initial : 0.3 to 3.0Kgs

After life test: 0.2 to 3.0Kgs

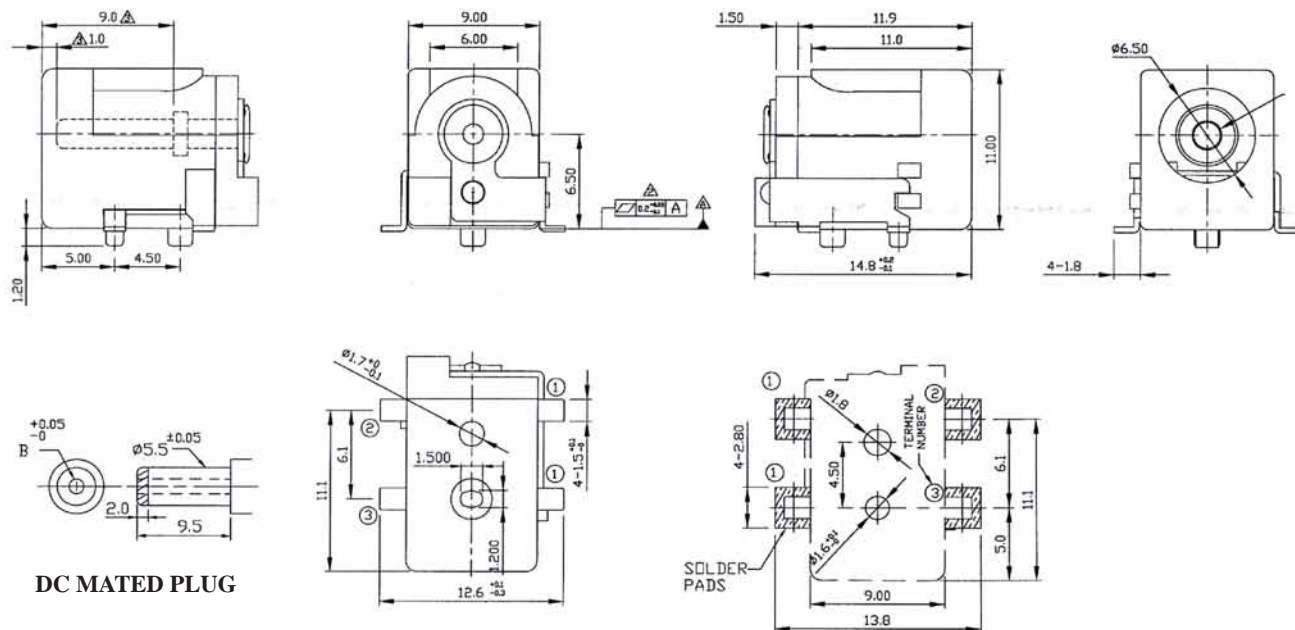
MATERIALS

1. **Housing:** Thermoplastic

2. **Center pin:** Nickel plating

3. **Terminal:** Brass/Copper alloy Silver plating.

* **RoHS & REACH compliant.**



DC MATED PLUG

P/N	Dimension		1 S 2 TS 3 T
	A	B	
DC20-V24MSB	φ2.0	φ2.05	
DC25-V24MSB	φ2.5	φ2.55	

Recommended P.C. Board Layout

ORDERING INFORMATION:

P/N D C $\frac{1}{x}$ $\frac{2}{x}$ - V $\frac{2}{4}$ $\frac{M}{S}$ $\frac{B}{5}$

1. CENTER PIN DIAMETER:

"20" Ø2.0MM

"25" Ø2.5MM

2. DC JACK CODE:

V24

3. SCHEMATIC OPTION:

M

4. TERMINAL FINISH:

"S" SILVER PLATED

5. HOUSING COLOR:

"B" BLACK

DIA. 2.0MM/2.5MM DC POWER JACK (54)

SPECIFICATIONS

1.Rating: 2.5A 16VDC

2.Withstanding voltage:

AC 500V, 60Hz for 1 minute

3.Insulation resistance (initial): 100M Ω (min.) at 500V DC

4.Contact resistance (initial):

30m Ω (max.) at AC 100mA (max.) 1 KHz

5.Insertion & Extraction force:

Initial : 0.3 to 3.0Kgs

After life test: 0.2 to 3.0Kgs

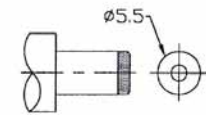
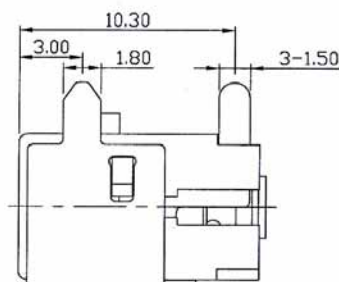
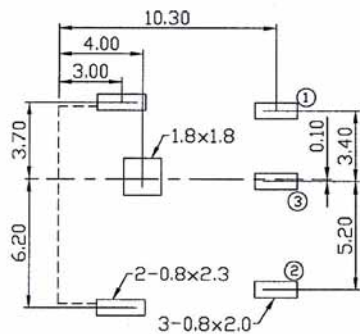
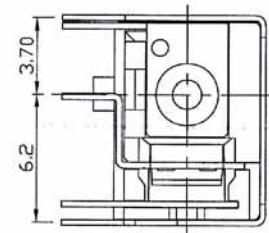
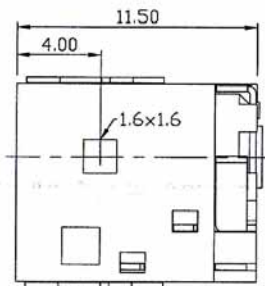
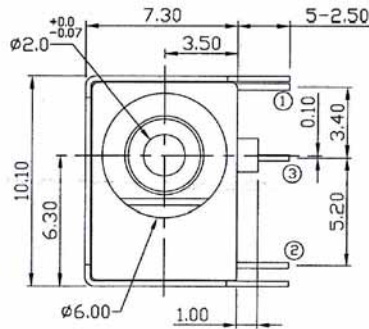
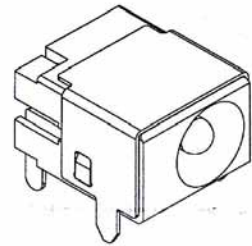
MATERIALS

1.Housing: Thermoplastic

2.Center pin: Nickel plating

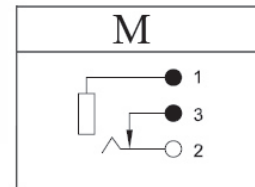
3.Terminal: Brass/Copper alloy Tin plating.

* RoHS & REACH compliant.



DC MATED PLUG

Recommended P.C.Board Layout



ORDERING INFORMATION:

P/N D C $\frac{x}{1}$ - V $\frac{2}{2}$ 5 $\frac{M}{3}$ T $\frac{B}{4}$ $\frac{B}{5}$

1. CENTER PIN DIAMETER:

"20" \varnothing 2.0MM

"25" \varnothing 2.5MM

2. DC JACK CODE:

"V25" SHIELDED TYPE

3. SCHEMATIC OPTION:

M

4. TERMINAL FINISH:

"T" TIN PLATED

5. HOUSING COLOR:

"B" BLACK

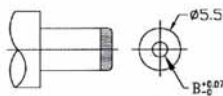
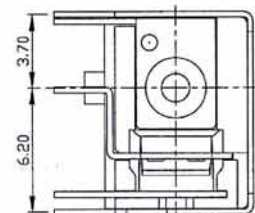
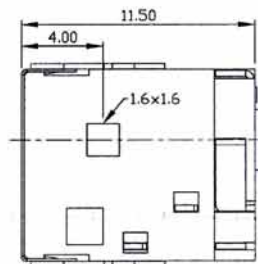
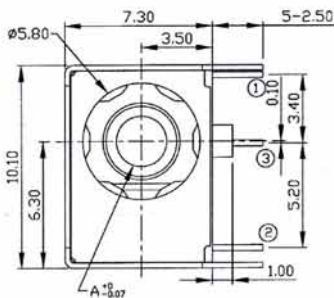
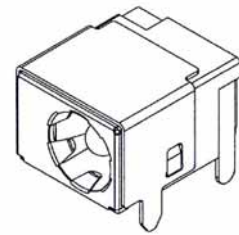
DIA. 2.0MM/2.5MM DC POWER JACK (55)

SPECIFICATIONS

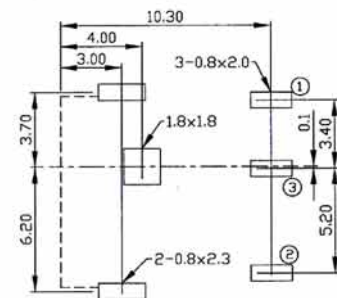
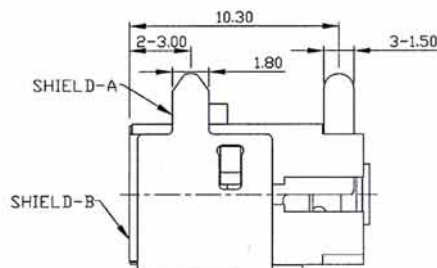
1. **Rating:** 2.5A 16VDC
2. **Withstanding voltage:**
AC 500V, 60Hz for 1 minute
3. **Insulation resistance (initial):** 100MΩ(min.) at 500V DC
4. **Contact resistance (initial):**
30mΩ(max.) at AC 100mA (max.) 1 KHz
5. **Insertion & Extraction force:**
Initial : 0.3 to 3.0Kgs
After life test: 0.2 to 3.0Kgs

MATERIALS

1. **Housing:** Thermoplastic
 2. **Center pin:** Nickel plating
 3. **Terminal:** Brass/Copper alloy Silver plating.
- * RoHS & REACH compliant.



DC MATED PLUG



Recommended P.C.Board Layout

P/N	Dimension	
	A	B
DC20-V26MSB	∅2.0	∅2.05
DC25-V26MSB	∅2.5	∅2.55

ORDERING INFORMATION:

P/N DC $\frac{xx}{1}$ - V $\frac{26}{2}$ M $\frac{S}{3}$ $\frac{B}{45}$

1. CENTER PIN DIAMETER:
"20" ∅2.0MM
"25" ∅2.5MM
2. DC JACK CODE:
"V26" SHIELDED TYPE
3. SCHEMATIC OPTION:
M
4. TERMINAL FINISH:
"S" SILVER PLATED
5. HOUSING COLOR:
"B" BLACK

DIA. 2.0MM/2.5MM DC POWER JACK (56)

SPECIFICATIONS

1.Rating: 2.5A 16VDC

2.Withstanding voltage:

AC 500V, 60Hz for 1 minute

3.Insulation resistance (initial): 100MΩ(min.) at 500V DC

4.Contact resistance (initial):

30mΩ(max.) at AC 100mA (max.) 1 KHz

5.Insertion & Extraction force:

Initial : 0.3 to 3.0Kgs

After life test: 0.2 to 3.0Kgs

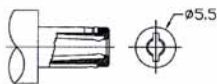
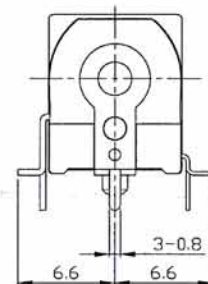
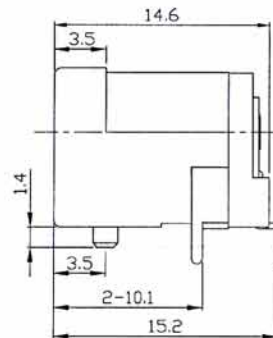
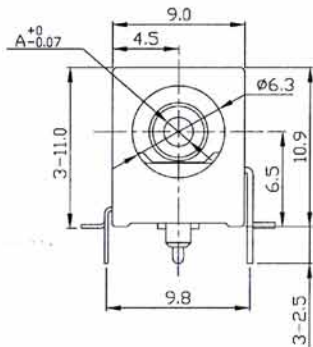
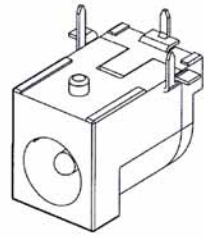
MATERIALS

1.Housing: Thermoplastic

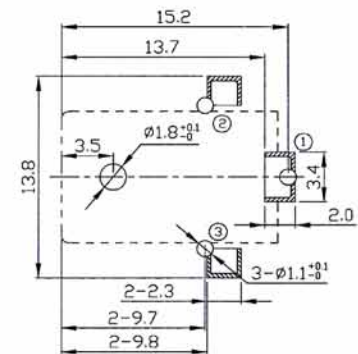
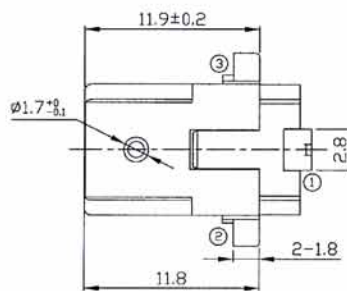
2.Center pin: Nickel plating

3.Terminal: Brass/Copper alloy Silver plating.

* RoHS & REACH compliant.



DC MATED PLUG



Recommended P.C.Board Layout

P/N	Dimension		
	A	B	
DC20-V27MSB	∅2.0	∅2.05	
DC25-V27MSB	∅2.5	∅2.55	

ORDERING INFORMATION:

P/N D C $\frac{xx}{1}$ - V $\frac{27}{2}$ M $\frac{S}{3}$ $\frac{B}{4}$ $\frac{5}{5}$

1. CENTER PIN DIAMETER:

"20" ∅2.0MM

"25" ∅2.5MM

2. DC JACK CODE:

V27

3. SCHEMATIC OPTION:

M

4. TERMINAL FINISH:

"S" SILVER PLATED

5. HOUSING COLOR:

"B" BLACK

DIA. 2.0/2.5MM DC POWER JACK (57)

SPECIFICATIONS

1.Rating: 5A 16VDC

2.Withstanding voltage:

AC 500V, 60Hz for 1 minute

3.Insulation resistance (initial): 100M Ω (min.) at 500V DC

4.Contact resistance (initial):

30m Ω (max.) at AC 100mA (max.) 1 KHz

5.Insertion & Extraction force:

Initial : 0.3 to 3.0Kgs

After life test: 0.2 to 3.0Kgs

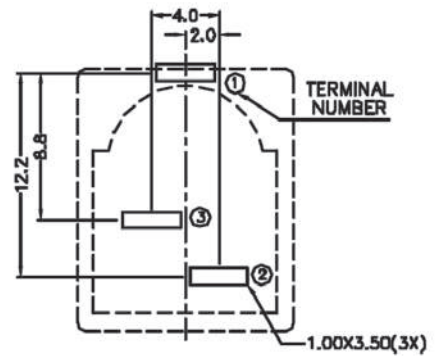
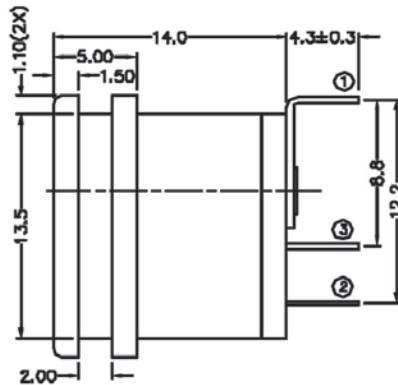
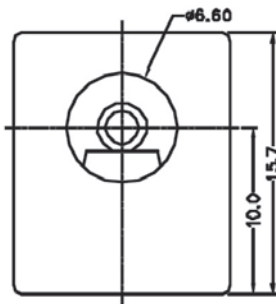
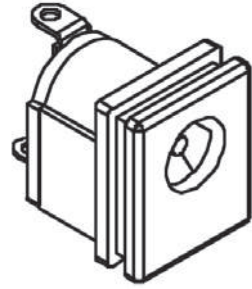
MATERIALS

1.Housing: Thermoplastic

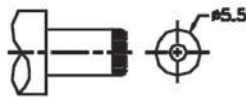
2.Center pin: Nickel plating

3.Terminal: Brass/Copper alloy Silver plating.

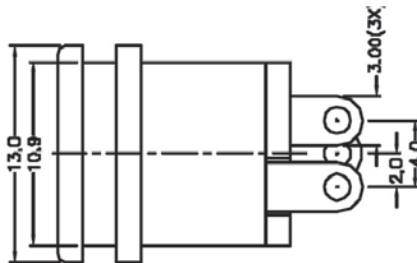
* RoHS & REACH compliant.



Recommended P.C.Board Layout



DC MATED PLUG



SCHEMATIC	
CENTER PIN	ϕ 2mm
	ϕ 2.5mm

ORDERING INFORMATION:

P/N DC 20 - T 4 2 M S B

DIA. 2.0MM DC POWER JACK RATING: 5A 16VDC

P/N DC 25 - T 4 2 M S B

DIA. 2.5MM DC POWER JACK RATING: 5A 16VDC

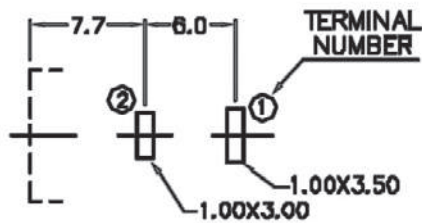
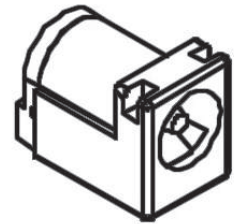
DIA. 2.0/2.5MM DC POWER JACK (58)

SPECIFICATIONS

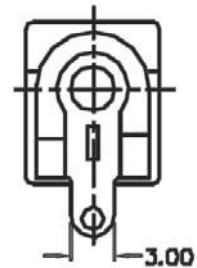
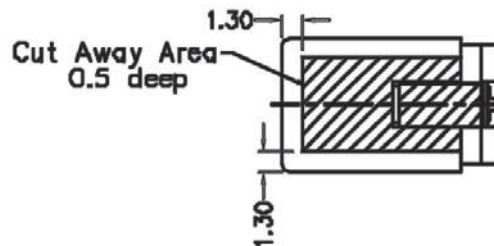
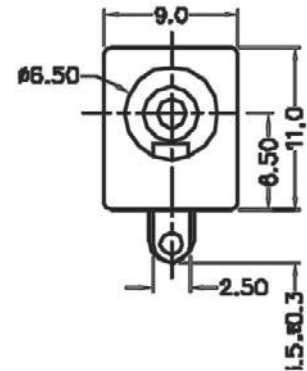
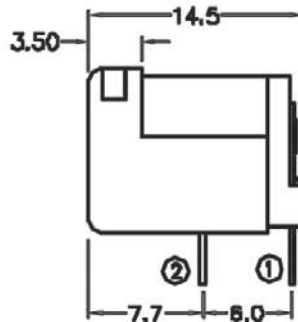
1. **Rating:** 5A 16VDC
2. **Withstanding voltage:**
AC 500V, 60Hz for 1 minute
3. **Insulation resistance (initial):** 100M Ω (min.) at 500V DC
4. **Contact resistance (initial):**
30m Ω (max.) at AC 100mA (max.) 1 KHz
5. **Insertion & Extraction force:**
Initial : 0.3 to 3.0Kgs
After life test: 0.2 to 3.0Kgs



MATERIALS

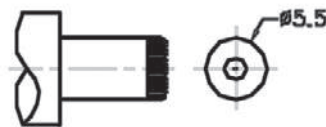
1. **Housing:** Thermoplastic
 2. **Center pin:** Nickel plating
 3. **Terminal:** Brass/Copper alloy Silver plating.
- * RoHS & REACH compliant.



Recommended P.C.Board Layout



SCHEMATIC	 1
	 2
CENTER PIN	∅2mm
	∅2.5mm



DC MATED PLUG

ORDERING INFORMATION:

P/N DC 20 - T 43 N S B

DIA. 2.0MM DC POWER JACK RATING: 5A 16VDC

P/N DC 25 - T 43 N S B

DIA. 2.5MM DC POWER JACK RATING: 5A 16VDC

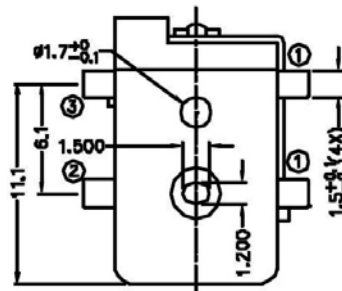
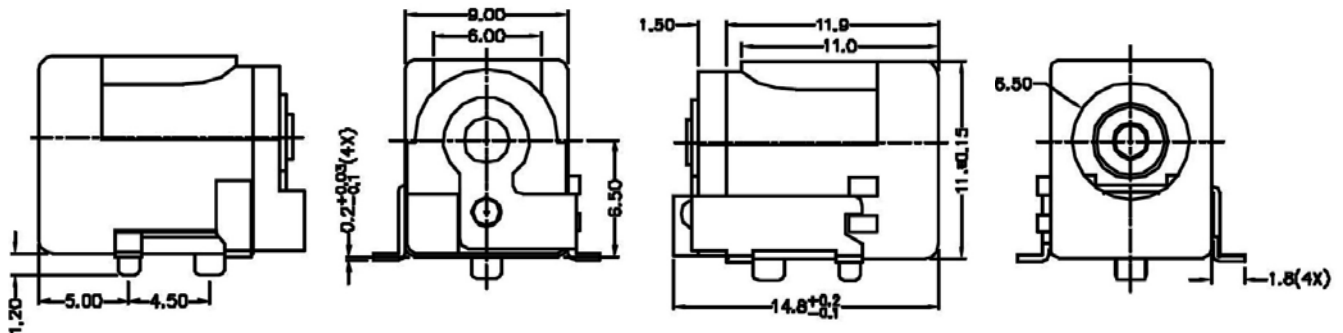
DIA. 2.0/2.5MM DC POWER JACK (59)

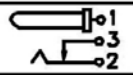
SPECIFICATIONS

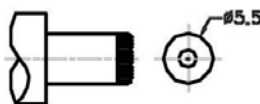
1. **Rating:** 5A 16VDC
2. **Withstanding voltage:**
AC 500V, 60Hz for 1 minute
3. **Insulation resistance (initial):** 100M Ω (min.) at 500V DC
4. **Contact resistance (initial):**
30m Ω (max.) at AC 100mA (max.) 1 KHz
5. **Insertion & Extraction force:**
Initial : 0.3 to 3.0Kgs
After life test: 0.2 to 3.0Kgs

MATERIALS

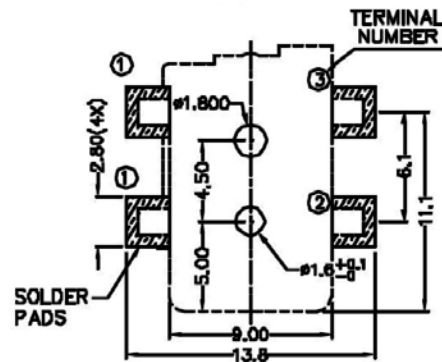
1. **Housing:** Thermoplastic
 2. **Center pin:** Nickel plating
 3. **Terminal:** Brass/Copper alloy Silver plating.
- * RoHS & REACH compliant.



SCHMATIC	
CENTER PIN	<ul style="list-style-type: none"> ø2mm ø2.5mm



DC MATED PLUG



Recommended P.C.Board Layout

ORDERING INFORMATION:

P/N DC 20 - T 4 4 M S B

DIA. 2.0MM DC POWER JACK RATING: 5A 16VDC

P/N DC 25 - T 4 4 M S B

DIA. 2.5MM DC POWER JACK RATING: 5A 16VDC

DIA. 2.0/2.5MM DC POWER JACK (60)

SPECIFICATIONS

1.Rating: 5A 16VDC

2.Withstanding voltage:

AC 500V, 60Hz for 1 minute

3.Insulation resistance (initial): 100M Ω (min.) at 500V DC

4.Contact resistance (initial):

30m Ω (max.) at AC 100mA (max.) 1 KHz

5.Insertion & Extraction force:

Initial : 0.3 to 3.0Kgs

After life test: 0.2 to 3.0Kgs

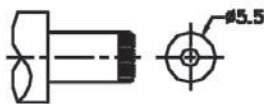
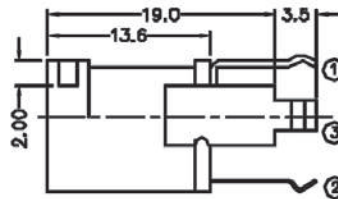
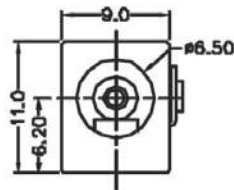
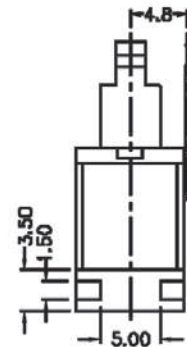
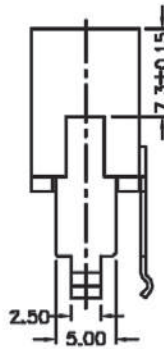
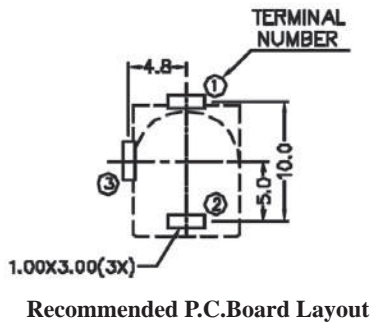
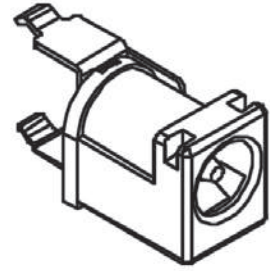
MATERIALS

1.Housing: Thermoplastic

2.Center pin: Nickel plating

3.Terminal: Brass/Copper alloy Silver plating.

* RoHS & REACH compliant.



DC MATED PLUG

SCHEMATIC	
CENTER PIN	Ø2mm
	Ø2.5mm

ORDERING INFORMATION:

P/N DC 20 - T 45 M S B

DIA. 2.0MM DC POWER JACK RATING: 5A 16VDC

P/N DC 25 - T 45 M S B

DIA. 2.5MM DC POWER JACK RATING: 5A 16VDC

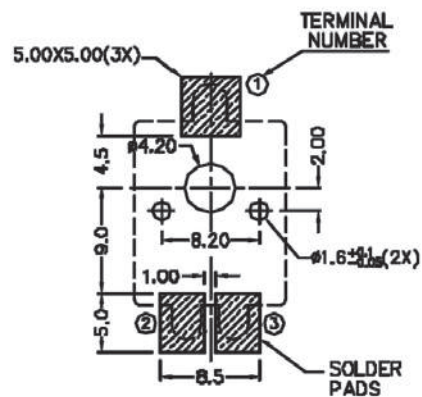
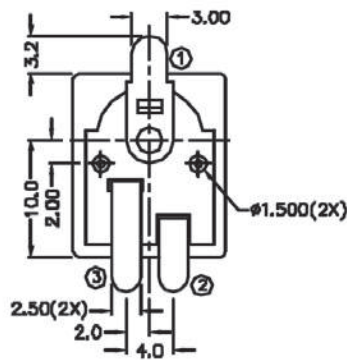
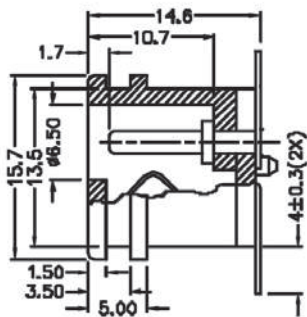
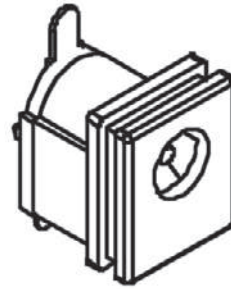
DIA. 2.0/2.5MM DC POWER JACK (61)

SPECIFICATIONS

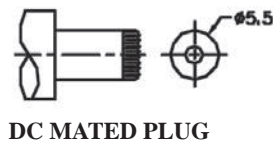
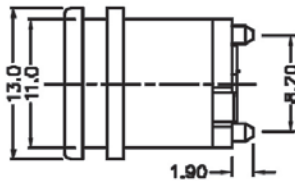
1. **Rating:** 5A 16VDC
2. **Withstanding voltage:**
AC 500V, 60Hz for 1 minute
3. **Insulation resistance (initial):** 100M Ω (min.) at 500V DC
4. **Contact resistance (initial):**
30m Ω (max.) at AC 100mA (max.) 1 KHz
5. **Insertion & Extraction force:**
Initial : 0.3 to 3.0Kgs
After life test: 0.2 to 3.0Kgs

MATERIALS

1. **Housing:** Thermoplastic
 2. **Center pin:** Nickel plating
 3. **Terminal:** Brass/Copper alloy Silver plating.
- * RoHS & REACH compliant.



Recommended P.C. Board Layout



SCHEMATIC		1
		3
CENTER PIN		2
		$\varnothing 2\text{mm}$
		$\varnothing 2.5\text{mm}$

ORDERING INFORMATION:

P/N DC 20 - T 47 M S B

DIA. 2.0MM DC POWER JACK RATING: 5A 16VDC

P/N DC 25 - T 47 M S B

DIA. 2.5MM DC POWER JACK RATING: 5A 16VDC

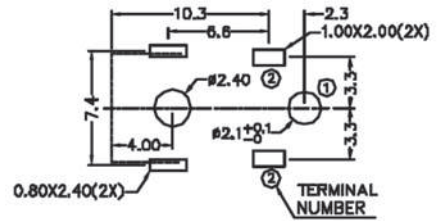
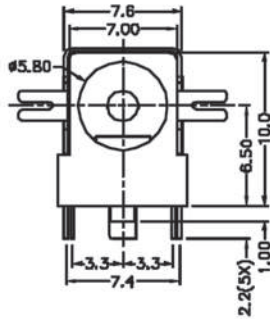
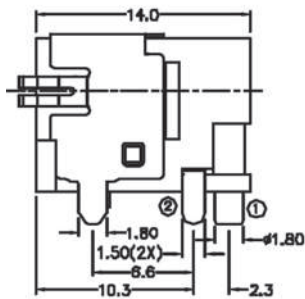
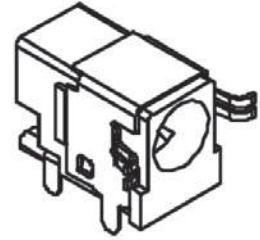
DIA. 2.0/2.5MM DC POWER JACK (62)

SPECIFICATIONS

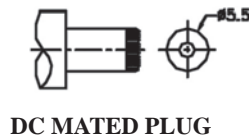
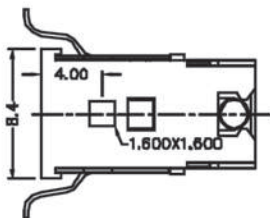
1. **Rating:** 3.5A 16VDC
2. **Withstanding voltage:**
AC 500V, 60Hz for 1 minute
3. **Insulation resistance (initial):** 100M Ω (min.) at 500V DC
4. **Contact resistance (initial):**
30m Ω (max.) at AC 100mA (max.) 1 KHz
5. **Insertion & Extraction force:**
Initial : 0.3 to 3.0Kgs
After life test: 0.2 to 3.0Kgs



MATERIALS

1. **Housing:** Thermoplastic
 2. **Center pin:** Nickel plating
 3. **Terminal:** Brass/Copper alloy Silver plating.
- * RoHS & REACH compliant.



Recommended P.C. Board Layout



SCHEMATIC	 1
CENTER PIN	 2
	$\varnothing 2\text{mm}$
	$\varnothing 2.5\text{mm}$

ORDERING INFORMATION:

P/N DC 20 - T 4 6 N S B

DIA. 2.0MM DC POWER JACK RATING: 3.5A 16VDC SHIELDED TYPE

P/N DC 25 - T 4 6 N S B

DIA. 2.5MM DC POWER JACK RATING: 3.5A 16VDC SHIELDED TYPE

DIA. 2.0/2.5MM DC POWER JACK (63)

SPECIFICATIONS

1.Rating: 5A 16VDC

2.Withstanding voltage:

AC 500V, 60Hz for 1 minute

3.Insulation resistance (initial): 100M Ω (min.) at 500V DC

4.Contact resistance (initial):

30m Ω (max.) at AC 100mA (max.) 1 KHz

5.Insertion & Extraction force:

Initial : 0.3 to 3.0Kgs

After life test: 0.2 to 3.0Kgs

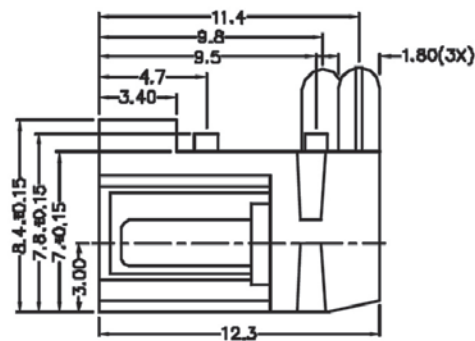
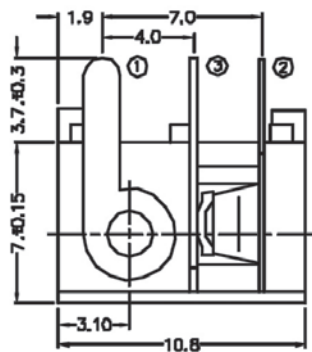
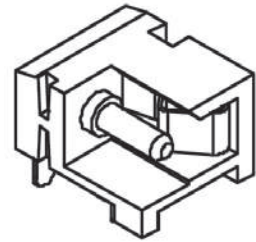
MATERIALS


1.Housing: Thermoplastic

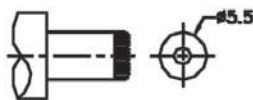
2.Center pin: Nickel plating

3.Terminal: Brass/Copper alloy Silver plating.

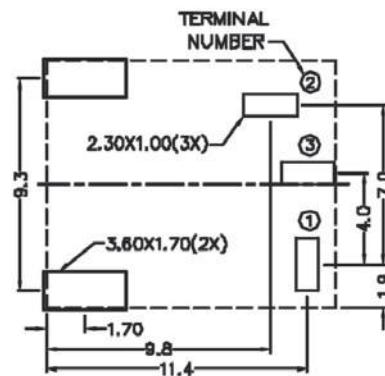
* RoHS & REACH compliant.



SCHEMATIC	
CENTER PIN	$\varnothing 2\text{mm}$ $\varnothing 2.5\text{mm}$



DC MATED PLUG



Recommended P.C.Board Layout

ORDERING INFORMATION:

P/N DC 20 - T 48 M S B

DIA. 2.0MM DC POWER JACK RATING: 5A 16VDC

P/N DC 25 - T 48 M S B

DIA. 2.5MM DC POWER JACK RATING: 5A 16VDC

DIA. 2.0/2.5MM DC POWER JACK (65)

SPECIFICATIONS

1. **Rating:** 5A 16VDC

2. **Withstanding voltage:**

AC 500V, 60Hz for 1 minute

3. **Insulation resistance (initial):** 100M Ω (min.) at 500V DC

4. **Contact resistance (initial):**

30m Ω (max.) at AC 100mA (max.) 1 KHz

5. **Insertion & Extraction force:**

Initial : 0.3 to 3.0Kgs

After life test: 0.2 to 3.0Kgs

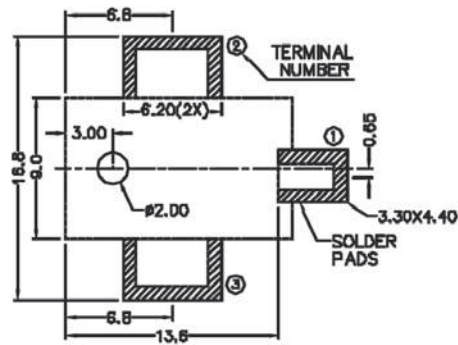
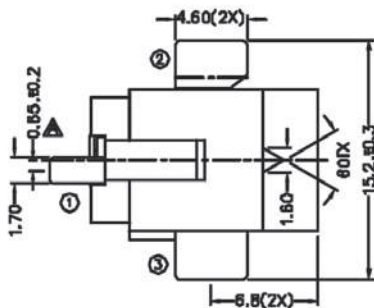
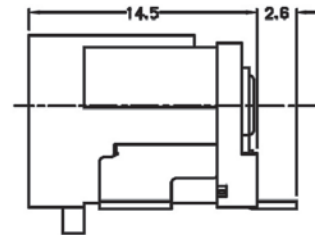
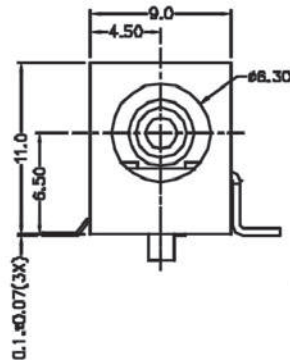
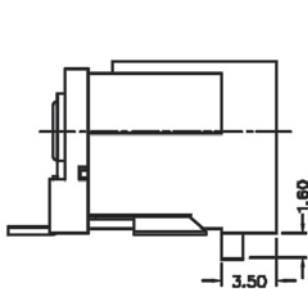
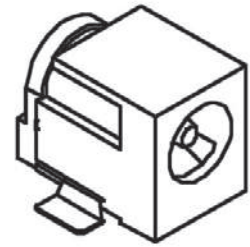
MATERIALS

1. **Housing:** Thermoplastic

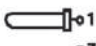


2. **Center pin:** Nickel plating

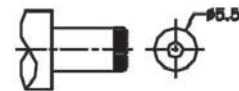
3. **Terminal:** Brass/Copper alloy Silver plating.

* **RoHS & REACH compliant.**



Recommended P.C.Board Layout

SCHEMATIC	 1
	 3
	 2
CENTER PIN	#2mm
	#2.5mm



DC MATED PLUG

ORDERING INFORMATION:

P/N DC 20 - T 5 1 M S B

DIA. 2.0MM DC POWER JACK RATING: 5A 16VDC

P/N DC 25 - T 5 1 M S B

DIA. 2.5MM DC POWER JACK RATING: 5A 16VDC

DIA. 2.0/2.5MM DC POWER JACK (66)

SPECIFICATIONS

1.Rating: 5A 16VDC

2.Withstanding voltage:

AC 500V, 60Hz for 1 minute

3.Insulation resistance (initial): 100M Ω (min.) at 500V DC

4.Contact resistance (initial):

30m Ω (max.) at AC 100mA (max.) 1 KHz

5.Insertion & Extraction force:

Initial : 0.3 to 3.0Kgs

After life test: 0.2 to 3.0Kgs

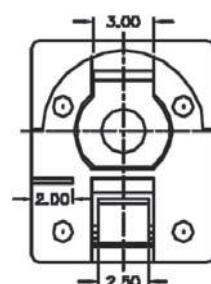
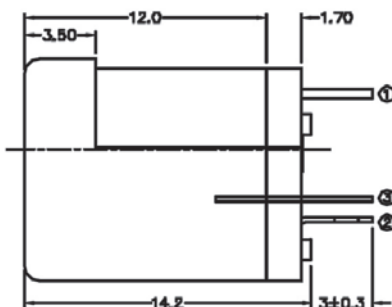
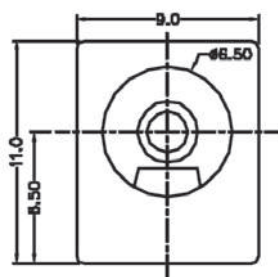
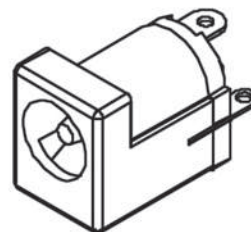
MATERIALS

1.Housing: Thermoplastic

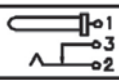
2.Center pin: Nickel plating

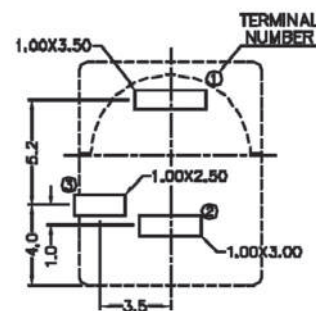
3.Terminal: Brass/Copper alloy Silver plating.

* RoHS & REACH compliant.



DC MATED PLUG

SCHEMATIC	
CENTER PIN	Ø2mm
	Ø2.5mm



Recommended P.C.Board Layout

ORDERING INFORMATION:

P/N DC 20 - T 53 M S B

DIA. 2.0MM DC POWER JACK RATING: 5A 16VDC

P/N DC 25 - T 53 M S B

DIA. 2.5MM DC POWER JACK RATING: 5A 16VDC

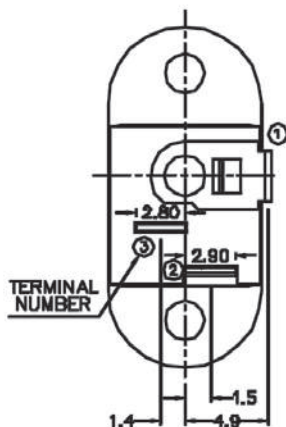
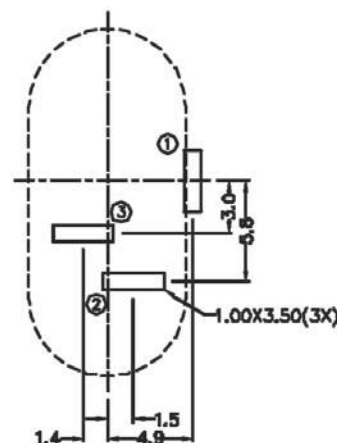
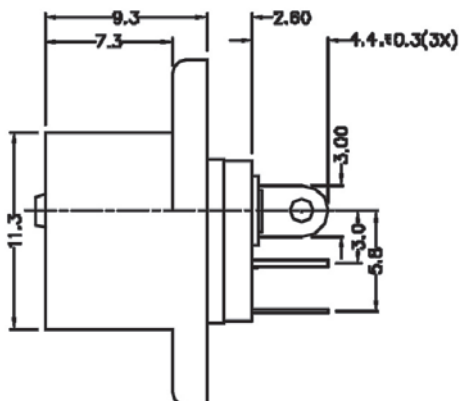
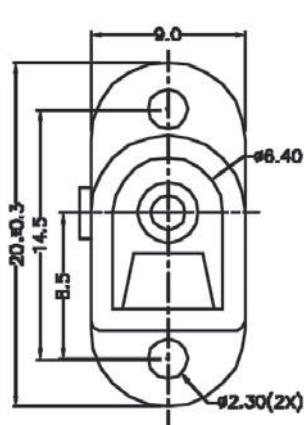
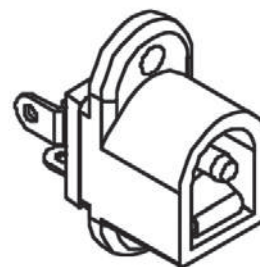
DIA. 2.0/2.5MM DC POWER JACK (67)



SPECIFICATIONS

1. **Rating:** 5A 16VDC
2. **Withstanding voltage:**
AC 500V, 60Hz for 1 minute
3. **Insulation resistance (initial):** 100M Ω (min.) at 500V DC
4. **Contact resistance (initial):**
30m Ω (max.) at AC 100mA (max.) 1 KHz
5. **Insertion & Extraction force:**
Initial : 0.3 to 3.0Kgs
After life test: 0.2 to 3.0Kgs

MATERIALS

1. **Housing:** Thermoplastic
 2. **Center pin:** Nickel plating
 3. **Terminal:** Brass/Copper alloy Silver plating.
- * RoHS & REACH compliant.



SCHEMATIC	 1
	 2
CENTER PIN	$\phi 2\text{mm}$
	$\phi 2.5\text{mm}$



DC MATED PLUG

Recommended P.C.Board Layout

ORDERING INFORMATION:

P/N DC 20 - T 5 4 M S B

DIA. 2.0MM DC POWER JACK RATING: 5A 16VDC

P/N DC 25 - T 5 4 M S B

DIA. 2.5MM DC POWER JACK RATING: 5A 16VDC

DIA. 2.0/2.5MM DC POWER JACK (68)

SPECIFICATIONS

1.Rating: 5A 16VDC

2.Withstanding voltage:

AC 500V, 60Hz for 1 minute

3.Insulation resistance (initial): 100M Ω (min.) at 500V DC

4.Contact resistance (initial):

30m Ω (max.) at AC 100mA (max.) 1 KHz

5.Insertion & Extraction force:

Initial : 0.3 to 3.0Kgs

After life test: 0.2 to 3.0Kgs

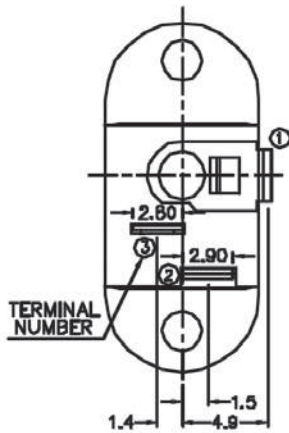
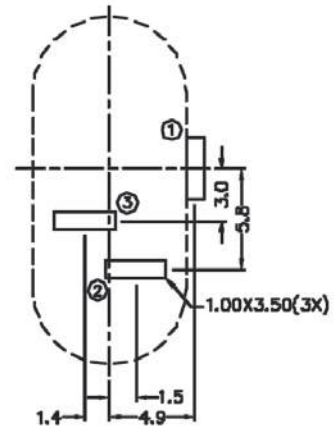
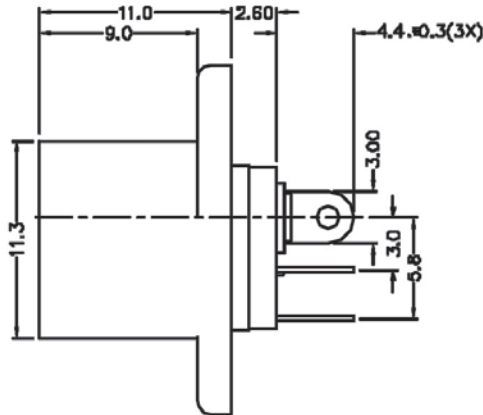
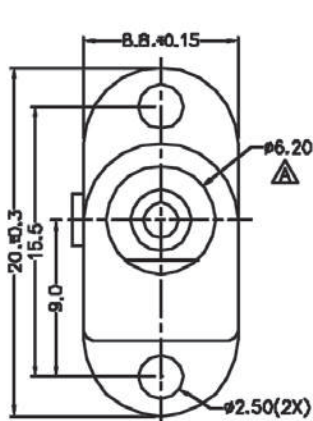
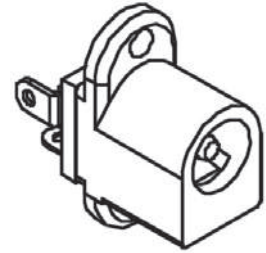
MATERIALS

1.Housing: Thermoplastic

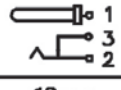
2.Center pin: Nickel plating

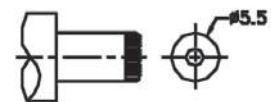
3.Terminal: Brass/Copper alloy Silver plating.

* RoHS & REACH compliant.



Recommended P.C.Board Layout

SCHEMATIC	
CENTER PIN	Ø2mm Ø2.5mm



DC MATED PLUG

ORDERING INFORMATION:

P/N DC 20 - T 5 5 M S B

DIA. 2.0MM DC POWER JACK RATING: 5A 16VDC

P/N DC 25 - T 5 5 M S B

DIA. 2.5MM DC POWER JACK RATING: 5A 16VDC

DIA. 2.0/2.5MM DC POWER JACK (69)

SPECIFICATIONS

1.Rating: 5A 16VDC

2.Withstanding voltage:

AC 500V, 60Hz for 1 minute

3.Insulation resistance (initial): 100MΩ(min.) at 500V DC

4.Contact resistance (initial):

30mΩ(max.) at AC 100mA (max.) 1 KHz

5.Insertion & Extraction force:

Initial : 0.3 to 3.0Kgs

After life test: 0.2 to 3.0Kgs

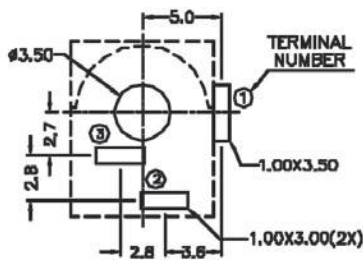
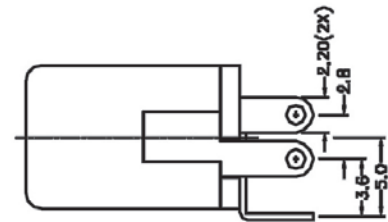
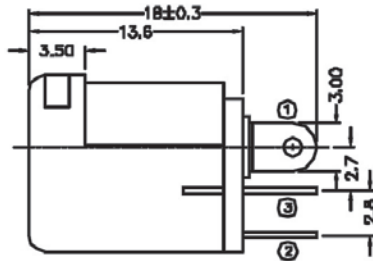
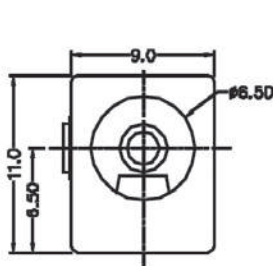
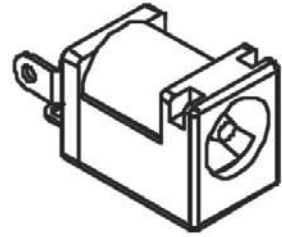
MATERIALS

1.Housing: Thermoplastic

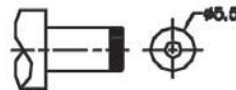
2.Center pin: Nickel plating

3.Terminal: Brass/Copper alloy Silver plating.


* RoHS & REACH compliant.



Recommended P.C.Board Layout



DC MATED PLUG

SCHEMATIC	
CENTER PIN	#2mm #2.5mm

ORDERING INFORMATION:

P/N DC 20 - T 5 6 M S B

DIA. 2.0MM DC POWER JACK RATING: 5A 16VDC

P/N DC 25 - T 5 6 M S B

DIA. 2.5MM DC POWER JACK RATING: 5A 16VDC

DIA. 2.0/2.5MM DC POWER JACK (70)

SPECIFICATIONS

1.Rating: 5A 16VDC

2.Withstanding voltage:

AC 500V, 60Hz for 1 minute

3.Insulation resistance (initial): 100M Ω (min.) at 500V DC

4.Contact resistance (initial):

30m Ω (max.) at AC 100mA (max.) 1 KHz

5.Insertion & Extraction force:

Initial : 0.3 to 3.0Kgs

After life test: 0.2 to 3.0Kgs

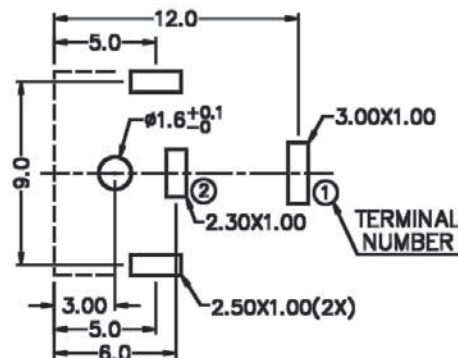
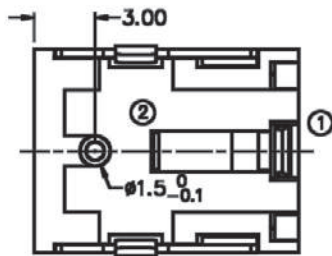
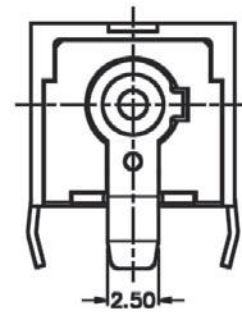
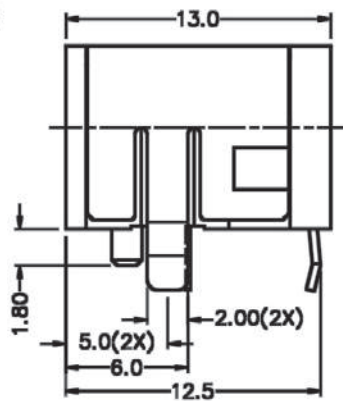
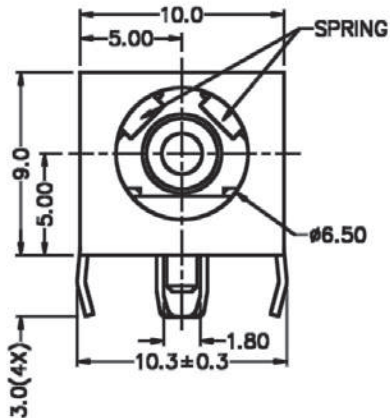
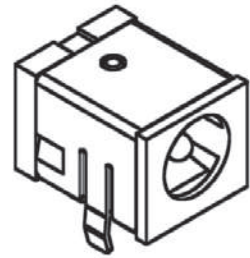
MATERIALS

1.Housing: Thermoplastic



2.Center pin: Nickel plating

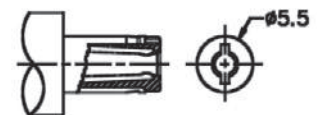
3.Terminal: Brass/Copper alloy Silver plating.

* RoHS & REACH compliant.



Recommended P.C.Board Layout

SCHEMATIC	 1
	 2
CENTER PIN	$\varnothing 2\text{mm}$
	$\varnothing 2.5\text{mm}$



DC MATED PLUG

ORDERING INFORMATION:

P/N DC 20 - T 5 7 N S B

DIA. 2.0MM DC POWER JACK RATING: 5A 16VDC SHIELDED TYPE

P/N DC 25 - T 5 7 N S B

DIA. 2.5MM DC POWER JACK RATING: 5A 16VDC SHIELDED TYPE

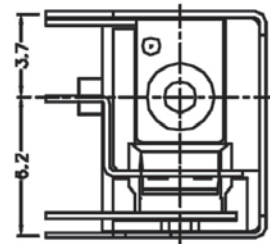
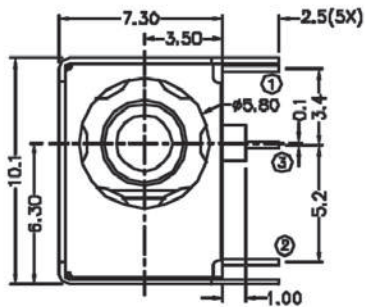
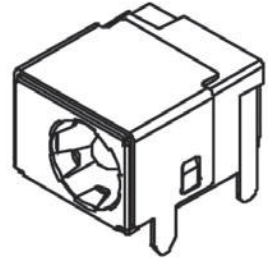
DIA. 2.0/2.5MM DC POWER JACK (71)

SPECIFICATIONS

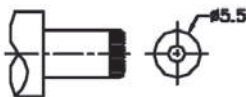
1. **Rating:** 5A 16VDC
2. **Withstanding voltage:**
AC 500V, 60Hz for 1 minute
3. **Insulation resistance (initial):** 100M Ω (min.) at 500V DC
4. **Contact resistance (initial):**
30m Ω (max.) at AC 100mA (max.) 1 KHz
5. **Insertion & Extraction force:**
Initial : 0.3 to 3.0Kgs
After life test: 0.2 to 3.0Kgs

MATERIALS

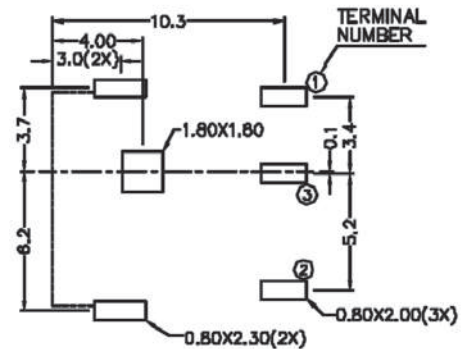
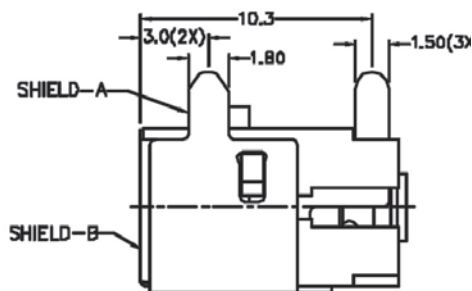
1. **Housing:** Thermoplastic
 2. **Center pin:** Nickel plating
 3. **Terminal:** Brass/Copper alloy Silver plating.
- * RoHS & REACH compliant.



SCHEMATIC	
CENTER PIN	$\phi 2\text{mm}$
	$\phi 2.5\text{mm}$



DC MATED PLUG



Recommended P.C.Board Layout

ORDERING INFORMATION:

P/N DC 20 - T 5 8 M S B

DIA. 2.0MM DC POWER JACK RATING: 5A 16VDC SHIELDED TYPE

P/N DC 25 - T 5 8 M S B

DIA. 2.5MM DC POWER JACK RATING: 5A 16VDC SHIELDED TYPE

DIA. 2.0MM/2.5MM DC POWER JACK (72)

SPECIFICATIONS

1. **Rating:** 0.5A 30VDC

2. **Withstanding voltage:**

AC 500V, 60Hz for 1 minute

3. **Insulation resistance (initial):** 100M Ω (min.) at 500V DC

4. **Contact resistance (initial):**

30m Ω (max.) at AC 100mA (max.) 1 KHz

5. **Insertion & Extraction force:**

Initial : 0.3 to 3.0Kgs

After life test: 0.2 to 3.0Kgs

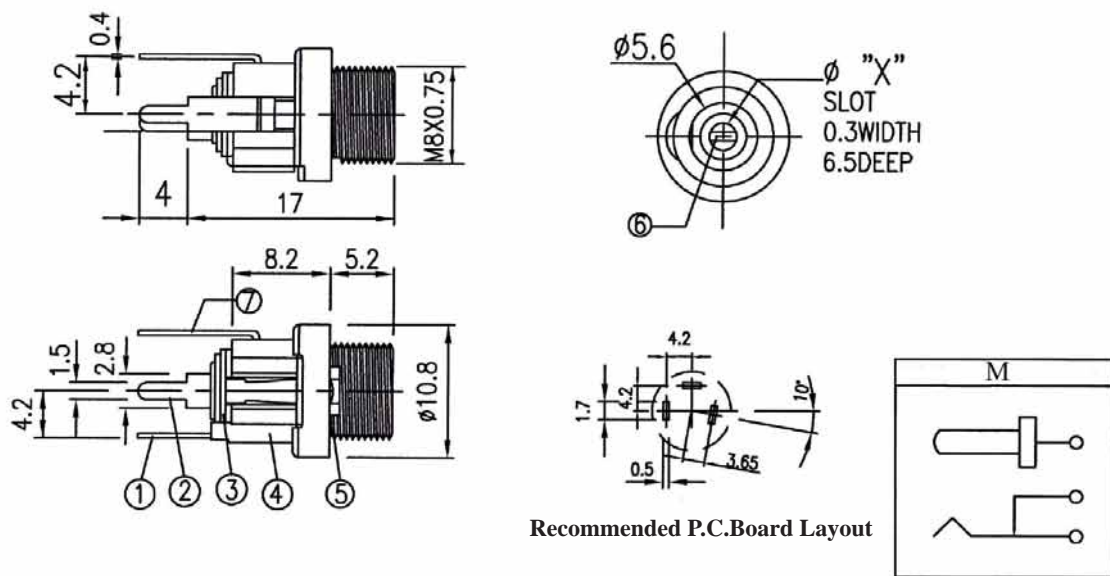
MATERIALS

1. **Housing:** Thermoplastic

2. **Center pin:** Nickel plating

3. **Terminal:** Brass/Copper alloy Silver plating.

* **RoHS & REACH compliant.**



ORDERING INFORMATION:

P/N D C $\frac{X}{1}$ X - $\frac{9}{2}$ 6 M S B

1. CENTER PIN DIAMETER:

"20" \varnothing 2.0MM

"25" \varnothing 2.5MM

2. DC JACK CODE:

"96" STRAIGHT DIP TYPE

3. SCHEMATIC OPTION:

M

4. TERMINAL FINISH:

"S" SILVER PLATED

5. HOUSING COLOR:

"B" BLACK

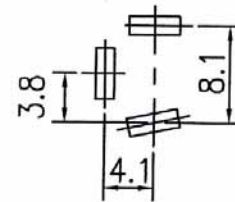
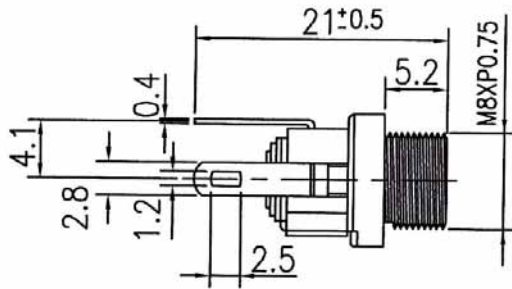
DIA. 2.0MM/2.5MM DC POWER JACK (73)

SPECIFICATIONS

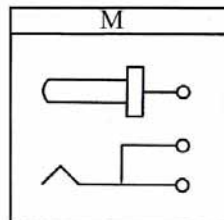
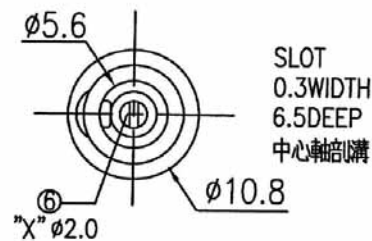
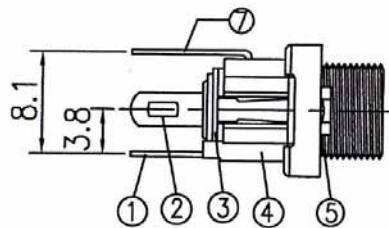
1. **Rating:** 0.5A 30VDC
2. **Withstanding voltage:**
AC 500V, 60Hz for 1 minute
3. **Insulation resistance (initial):** 100MΩ(min.) at 500V DC
4. **Contact resistance (initial):**
30mΩ(max.) at AC 100mA (max.) 1 KHz
5. **Insertion & Extraction force:**
Initial : 0.3 to 3.0Kgs
After life test: 0.2 to 3.0Kgs

MATERIALS

1. **Housing:** Thermoplastic
 2. **Center pin:** Nickel plating
 3. **Terminal:** Brass/Copper alloy Silver plating.
- * RoHS & REACH compliant.



Recommended P.C.Board Layout



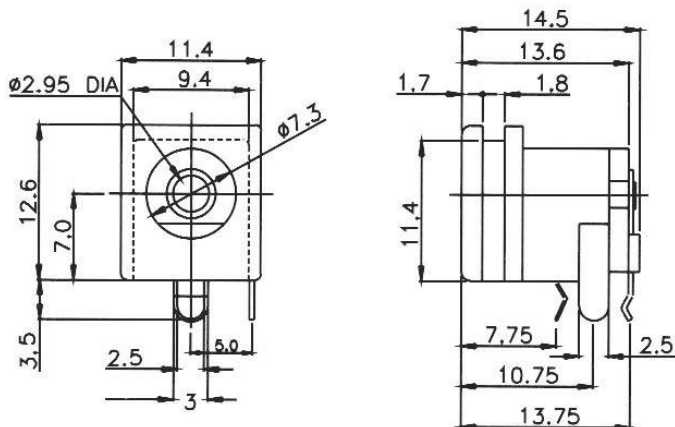
ORDERING INFORMATION:

P/N D C $\frac{XX}{I}$ - $\frac{97}{2}$ M S B

1. CENTER PIN DIAMETER:
"20" Ø2.0MM
"25" Ø2.5MM
2. DC JACK CODE:
"97" STRAIGHT DIP TYPE
3. SCHEMATIC OPTION:
M
4. TERMINAL FINISH:
"S" SILVER PLATED
5. HOUSING COLOR:
"B" BLACK

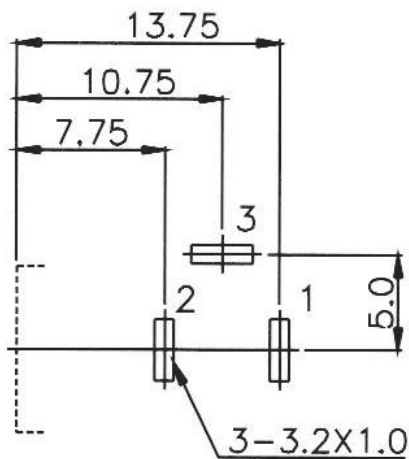
DIA. 2.00MM/2.5MM/2.95MM DC POWER JACK

Dimension (m/m)

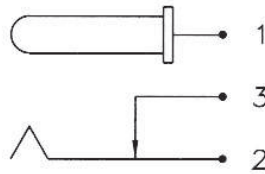


DC20-37/DC29-37

Pin Hole Layout (Jack Bottom View)



Schematic Code (Normal Close)



SPECIFICATIONS

- Rating:** 5A 24VDC
- Withstanding voltage:**
AC 500V, 60Hz for 1 minute
- Insulation resistance (initial):**
100M Ω (min.) at 500V DC
- Contact resistance (initial):**
30m Ω (max.) at AC 100mA (max.) 1 KHz
- Insertion & Extraction force:**
Initial : 0.3 to 3.0Kgs
After life test: 0.2 to 3.0Kgs
- Life test:**
5,000 cycles unloading (20-30 cycle/minute)

MATERIALS

- Housing:** Thermoplastic
 - Center pin:** Nickel plating.
 - Terminal:** Brass/Copper alloy Silver plating.
- All materials must be RoHS compliant.

ORDERING INFORMATION:

P/N DC 20 - 37 C S B

DIA. 2.00MM DC POWER JACK

P/N DC 25 - 37 C S B

DIA. 2.5MM DC POWER JACK

P/N DC 29 - 37 C S B

DIA. 2.95MM DC POWER JACK

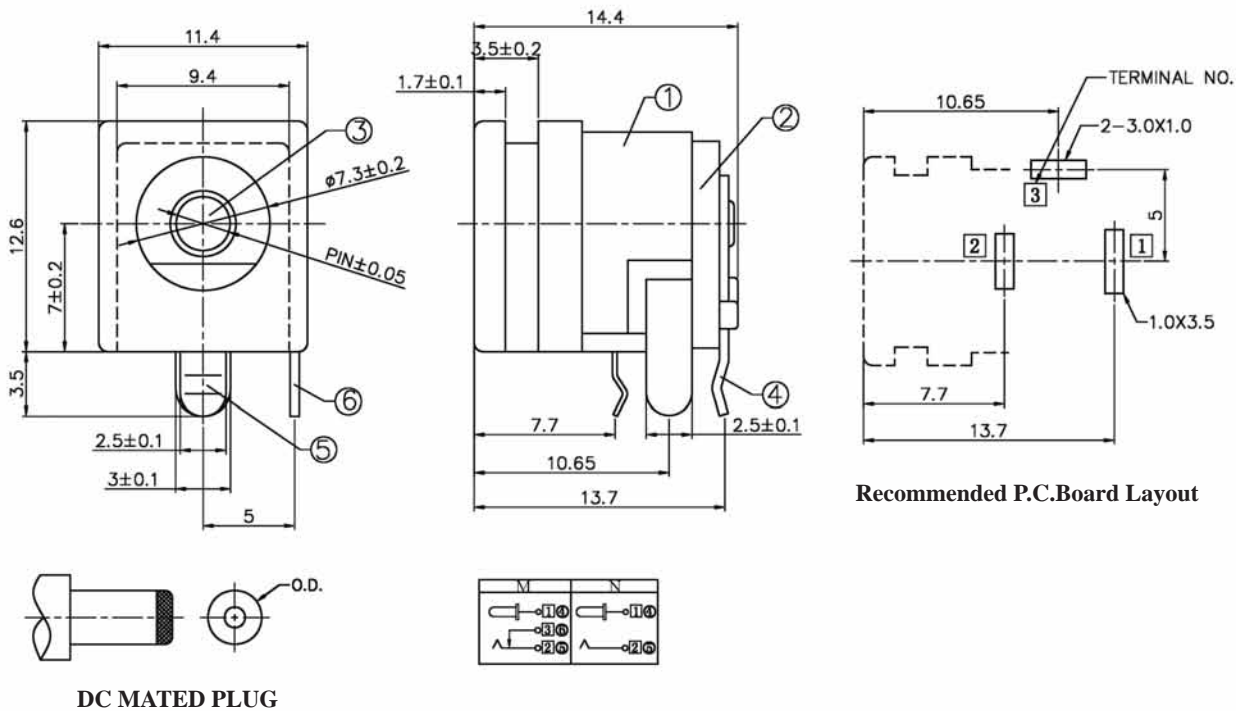
DIA. 2.0MM/2.5MM/3.0MM DC POWER JACK (1)

SPECIFICATIONS

1. **Rating:** 2.5A 18VDC
2. **Withstanding voltage:**
AC 500V, 60Hz for 1 minute
3. **Insulation resistance (initial):** 100M Ω (min.) at 500V DC
4. **Contact resistance (initial):**
30m Ω (max.) at AC 100mA (max.) 1 KHz
5. **Insertion & Extraction force:**
Initial : 0.3 to 3.0Kgs
After life test: 0.2 to 3.0Kgs

MATERIALS

1. **Housing:** Thermoplastic
 2. **Center pin:** Nickel plating
 3. **Terminal:** Brass/Copper alloy Silver plating.
- * RoHS & REACH compliant.



Recommended P.C.Board Layout

ORDERING INFORMATION:

P/N D C $\frac{XX}{1}$ - N $\frac{38}{2}$ $\frac{X}{3}$ $\frac{S}{4}$ $\frac{B}{5}$

1. CENTER PIN DIAMETER:
"20" \varnothing 2.0MM
"25" \varnothing 2.5MM
"30" \varnothing 3.0MM
2. DC JACK CODE:
"N38" R/A DIP TYPE
3. SCHEMATIC OPTION:
M, N
4. TERMINAL FINISH:
"S" SILVER PLATED
5. HOUSING COLOR:
"B" BLACK

DIA. 2.0/2.5/3.0MM DC POWER JACK (2)

SPECIFICATIONS

1. **Rating:** 5A 16VDC

2. **Withstanding voltage:**

AC 500V, 60Hz for 1 minute

3. **Insulation resistance (initial):** 100MΩ(min.) at 500V DC

4. **Contact resistance (initial):**

30mΩ(max.) at AC 100mA (max.) 1 KHz

5. **Insertion & Extraction force:**

Initial : 0.3 to 3.0Kgs

After life test: 0.2 to 3.0Kgs

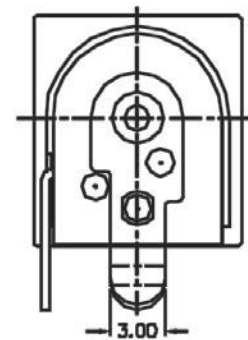
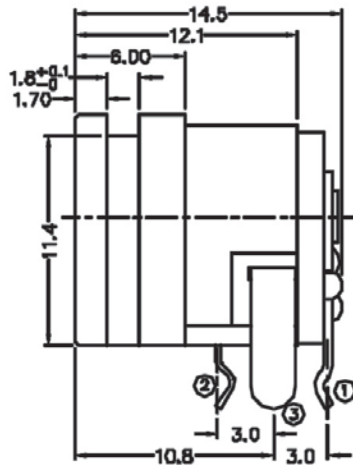
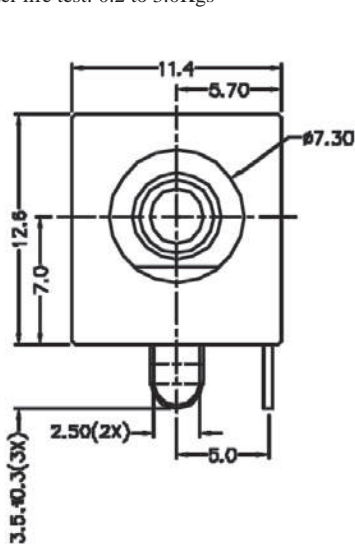
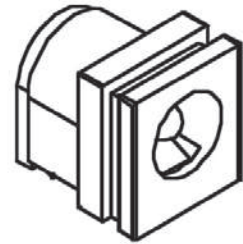
MATERIALS

1. **Housing:** Thermoplastic

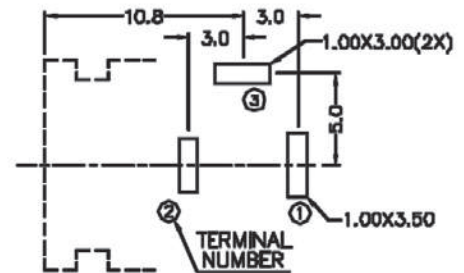
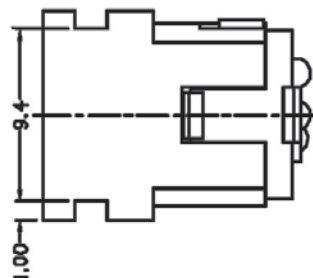
2. **Center pin:** Nickel plating

3. **Terminal:** Brass/Copper alloy Silver plating.

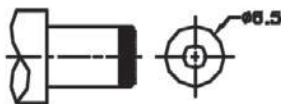
* **RoHS & REACH compliant.**



SCHEMATIC	
CENTER PIN	<ul style="list-style-type: none"> ø2mm ø2.5mm ø3mm



Recommended P.C.Board Layout



DC MATED PLUG

ORDERING INFORMATION:

P/N DC 20 - T 2 9 M S B

DIA. 2.0MM DC POWER JACK RATING:
5A 16VDC

P/N DC 25 - T 2 9 M S B

DIA. 2.5MM DC POWER JACK RATING:
5A 16VDC

P/N DC 30 - T 2 9 M S B

DIA. 3.0MM DC POWER JACK RATING:
5A 16VDC

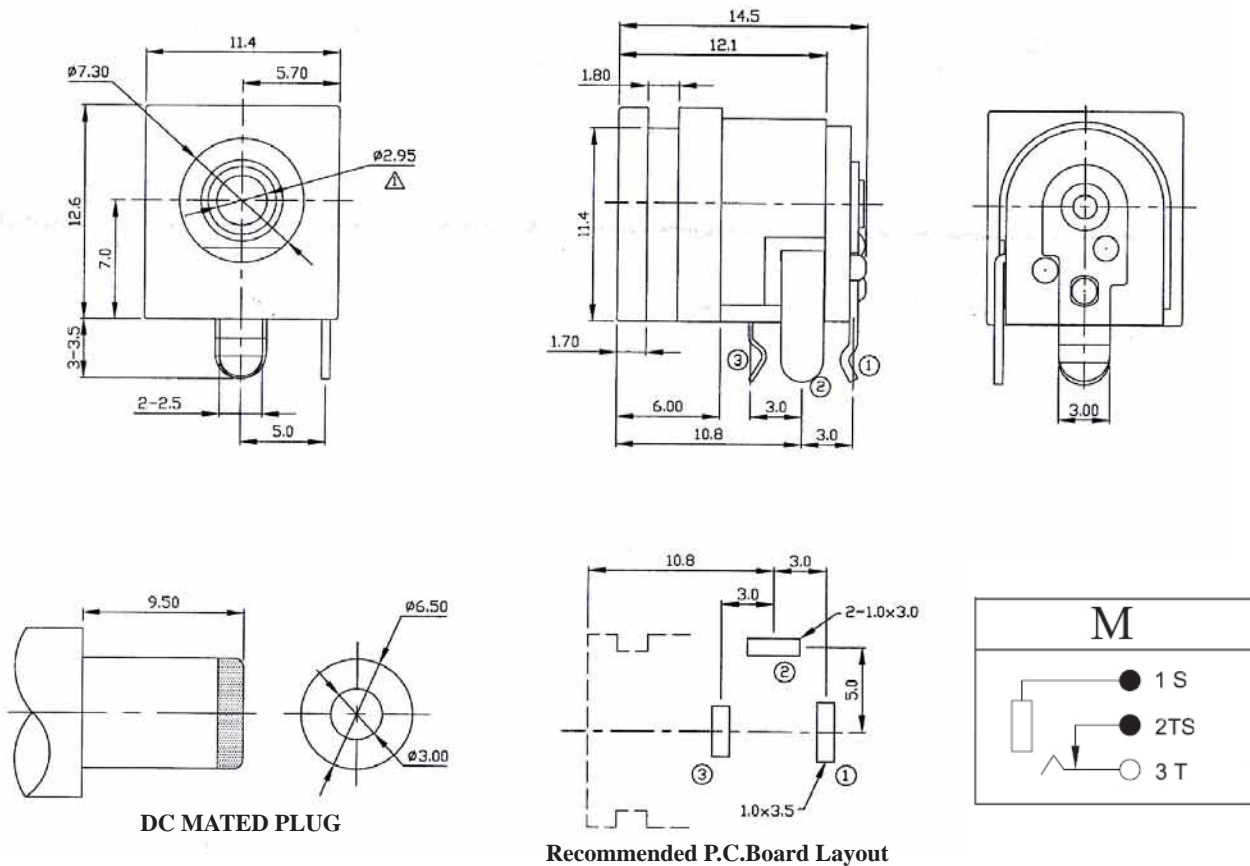
DIA. 3.0MM DC POWER JACK (1)

SPECIFICATIONS

1. **Rating:** 2.5A 16VDC
2. **Withstanding voltage:**
AC 500V, 60Hz for 1 minute
3. **Insulation resistance (initial):** 100MΩ(min.) at 500V DC
4. **Contact resistance (initial):**
30mΩ(max.) at AC 100mA (max.) 1 KHz
5. **Insertion & Extraction force:**
Initial : 0.3 to 3.0Kgs
After life test: 0.2 to 3.0Kgs

MATERIALS

1. **Housing:** Thermoplastic
 2. **Center pin:** Nickel plating
 3. **Terminal:** Brass/Copper alloy Silver plating.
- * **RoHS & REACH compliant.**



ORDERING INFORMATION:

P/N **DC 30 - V 2 3 M S B**
1 2 3 4 5

1. CENTER PIN DIAMETER:
"30" Ø3.0MM
2. DC JACK CODE:
V23
3. SCHEMATIC OPTION:
M
4. TERMINAL FINISH:
"S" SILVER PLATED
5. HOUSING COLOR:
"B" BLACK

DIA. 3.0MM DC POWER JACK (2)

SPECIFICATIONS

1.Rating: 5A 20VDC

2.Withstanding voltage:

AC 500V, 60Hz for 1 minute

3.Insulation resistance (initial): 100M Ω (min.) at 500V DC

4.Contact resistance (initial):

30m Ω (max.) at AC 100mA (max.) 1 KHz

5.Insertion & Extraction force:

Initial : 0.3 to 3.0Kgs

After life test: 0.2 to 3.0Kgs

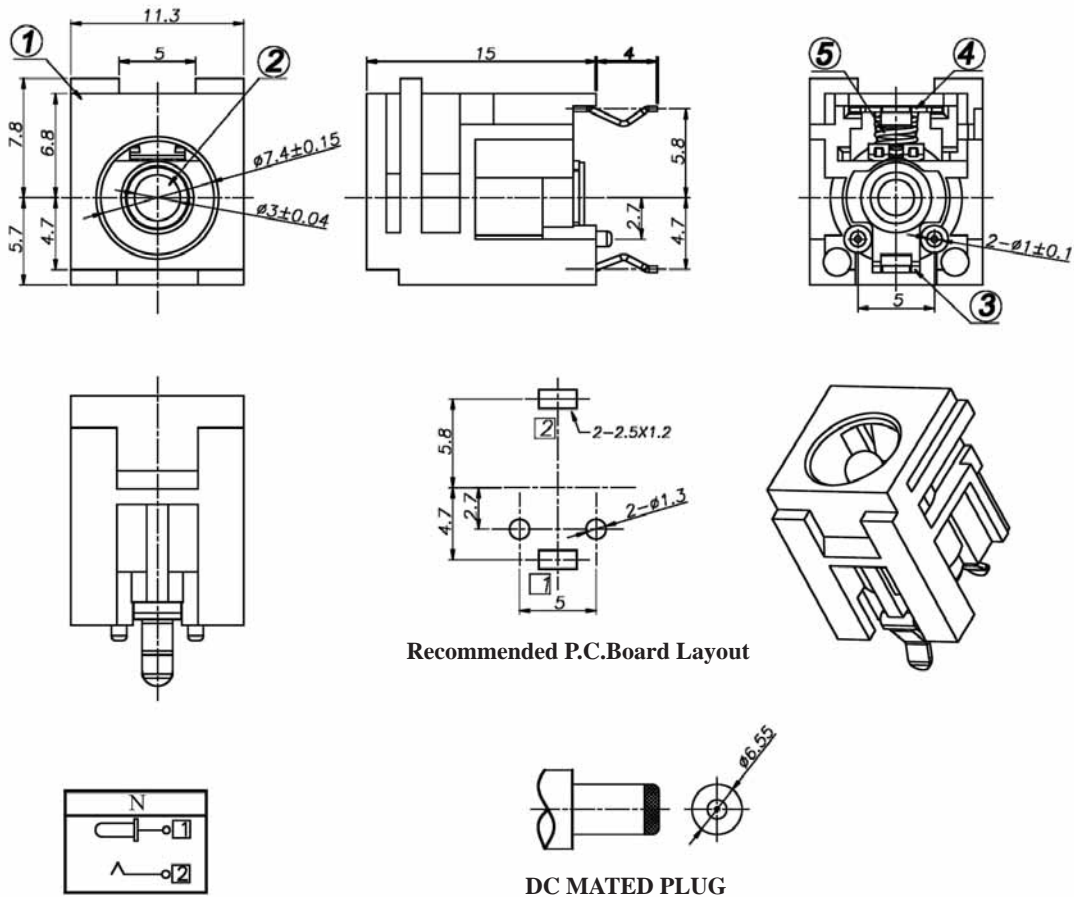
MATERIALS

1.Housing: Thermoplastic

2.Center pin: Nickel plating

3.Terminal: Brass/Copper alloy Tin plating.

* RoHS & REACH compliant.



ORDERING INFORMATION:

P/N DC 30 - N01 N T B
1 2 3 4 5

1. CENTER PIN DIAMETER:

"30" Ø3.0MM

2. DC JACK CODE:

"N01" STRAIGHT DIP TYPE

3. SCHEMATIC OPTION:

N

4. TERMINAL FINISH:

"T" TIN PLATED

5. HOUSING COLOR:

"B" BLACK

DC PLUG & DC JACK ADAPTER

P/N 7910-13MF

DC PLUG, Φ 1.0MM TO DC JACK, Φ 1.3MM

P/N 7910-21MF

DC PLUG, Φ 1.0MM TO DC JACK, Φ 2.1MM

P/N 7910-25MF

DC PLUG, Φ 1.0MM TO DC JACK, Φ 2.5MM

P/N 7910-30MF

DC PLUG, Φ 1.0MM TO DC JACK, Φ 3.0MM



P/N 7913-10MF

DC PLUG, Φ 1.3MM TO DC JACK, Φ 1.0MM

P/N 7913-21MF

DC PLUG, Φ 1.3MM TO DC JACK, Φ 2.1MM

P/N 7913-25MF

DC PLUG, Φ 1.3MM TO DC JACK, Φ 2.5MM

P/N 7913-30MF

DC PLUG, Φ 1.3MM TO DC JACK, Φ 3.0MM



P/N 7921-10MF

DC PLUG, Φ 2.1MM TO DC JACK, Φ 1.0MM

P/N 7921-13MF

DC PLUG, Φ 2.1MM TO DC JACK, Φ 1.3MM

P/N 7921-25MF

DC PLUG, Φ 2.1MM TO DC JACK, Φ 2.5MM

P/N 7921-30MF

DC PLUG, Φ 2.1MM TO DC JACK, Φ 3.0MM



P/N 7925-10MF

DC PLUG, Φ 2.5MM TO DC JACK, Φ 1.0MM

P/N 7925-13MF

DC PLUG, Φ 2.5MM TO DC JACK, Φ 1.3MM

P/N 7925-21MF

DC PLUG, Φ 2.5MM TO DC JACK, Φ 2.1MM

P/N 7925-30MF

DC PLUG, Φ 2.5MM TO DC JACK, Φ 3.0MM



P/N 7910-35M

DC PLUG, Φ 1.0MM TO 3.5MM MONO JACK

P/N 7913-35M

DC PLUG, Φ 1.3MM TO 3.5MM MONO JACK

P/N 7921-35M

DC PLUG, Φ 2.1MM TO 3.5MM MONO JACK

P/N 7925-35M

DC PLUG, Φ 2.5MM TO 3.5MM MONO JACK

P/N 7930-35M

DC PLUG, Φ 3.0MM TO 3.5MM MONO JACK



P/N 7910-25M

DC PLUG, Φ 1.0MM TO 2.5MM MONO JACK

P/N 7913-25M

DC PLUG, Φ 1.3MM TO 2.5MM MONO JACK

P/N 7921-25M

DC PLUG, Φ 2.1MM TO 2.5MM MONO JACK

P/N 7925-25M

DC PLUG, Φ 2.5MM TO 2.5MM MONO JACK

P/N 7930-25M

DC PLUG, Φ 3.0MM TO 2.5MM MONO JACK



P/N 7910-35N

3.5MM MONO PLUG TO DC JACK, Φ 1.0MM

P/N 7913-35N

3.5MM MONO PLUG TO DC JACK, Φ 1.3MM

P/N 7921-35N

3.5MM MONO PLUG TO DC JACK, Φ 2.1MM

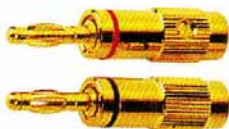
P/N 7930-35N

3.5MM MONO PLUG TO DC JACK, Φ 3.0MM



BANANA PLUG GOLD PLATED (1)

P/N 93EA-00GR (red)
P/N 93EA-00GB (black)
 BANANA PLUG (SCREW TYPE)
 GOLD PLATED RING: RED, BLACK



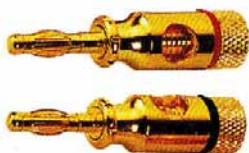
P/N 93EB-00GR (red)
P/N 93EB-00GB (black)
 BANANA PLUG (CRIMP & SCREW
 TYPE) GOLD PLATED
 COLOR: RED, BLACK



P/N 93EC-00GR (red)
P/N 93EC-00GB (black)
 BANANA PLUG GOLD PLATED
 RING: RED, BLACK



P/N 93ED-00GR (red)
P/N 93ED-00GB (black)
 BANANA PLUG GOLD PLATED
 RING: RED, BLACK



P/N 93EE-00GR (red)
P/N 93EE-00GU (blue)
 BANANA PLUG GOLD PLATED
 RING: RED, BLUE



P/N 93EF-00GR (red)
P/N 93EF-00GU (blue)
 BANANA PLUG GOLD PLATED
 RING: RED, BLUE



P/N 93EG-00GR (red)
P/N 93EG-00GB (black)
 BANANA PLUG GOLD PLATED
 RING: RED, BLACK



P/N 93EH-00GR (red)
P/N 93EH-00GB (black)
 BANANA PLUG GOLD PLATED
 RING: RED, BLACK



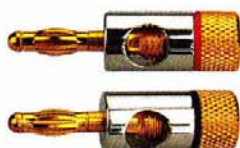
P/N 93EJ-00GR (red)
P/N 93EJ-00GB (black)
 BANANA PLUG, TIN PLATED-NICKEL
 RING: RED, BLACK



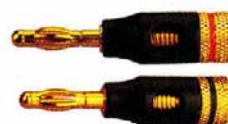
P/N 93EK-00GR (red)
P/N 93EK-00GW (white)
 BANANA PLUG, PEARL CHROME
 PLATED RING: RED, WHITE



P/N 93EL-00GR (red)
P/N 93EL-00GB (black)
 BANANA PLUG, PALE CHROME
 PLATED RING: RED, BLACK



P/N 93EM-00GR (red)
P/N 93EM-00GB (black)
 BANANA PLUG, BLACK PLATED
 RING: RED, BLACK



BANANA PLUG GOLD PLATED (2)

P/N 93EN-00GR (red)
P/N 93EN-00GB (black)
 BANANA PLUG SOLDER TYPE GOLD PLATED



P/N 93EP-00GR (red)
P/N 93EP-00GB (black)
 BANANA PLUG CRIMP TYPE GOLD PLATED ID=4.5MM, OD=5.5MM



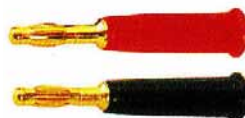
P/N 93EQ-00GR (red)
P/N 93EQ-00GB (black)
 BANANA PLUG CRIMP TYPE GOLD PLATED ID=3.5MM, OD=4.5MM



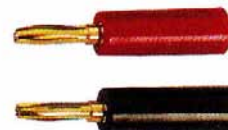
P/N 93ER-00G0
 BANANA PLUG (SCREW TYPE)
 GOLD PLATED



P/N 93ES-00GR (red)
P/N 93ES-00GB (black)
 BANANA PLUG (SOLDER TYPE)
 GOLD PLATED COLOR: RED, BLACK



P/N 93ET-00GR (red)
P/N 93ET-00GB (black)
 BANANA PLUG, SOLDER TYPE,
 PLASTIC HANDLE GOLD PLATED
 COLOR: RED, BLACK



P/N 93EU-00GR (red)
P/N 93EU-00GB (black)
 BANANA PLUG, SCREW TYPE,
 ALUMINUM & COPPER HANDLE
 GOLD PLATED RING: RED, BLACK



P/N 93EV-00GR (red)
P/N 93EV-00GB (black)
 BANANA PLUG 7 STICKS GOLD PLATED



P/N 93EW-00G0
 BANANA PLUG GOLD PLATED
 9 CHIPS



P/N 93EX-00GR (red)
P/N 93EX-00GB (black)
 BANANA PLUG, GOLD PLATED
 RING: RED, BLACK



P/N 93EY-00GR
 BANANA PLUG 7 STICKS, PEARL
 CHROME PLATED

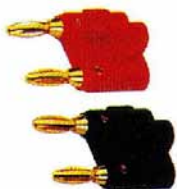


P/N 93EZ-00GR (red)
P/N 93EZ-00GB (black)
 BANANA PLUG, GOLD PLATED,
 SCREW TYPE RING: RED, BLACK



BANANA PLUG GOLD PLATED (3)

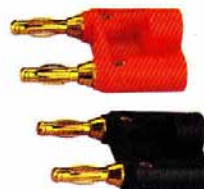
P/N 93GA-00GR (red)
P/N 93GA-00GB (black)
 BANANA DOUBLE PLUGS GOLD
 PLATED COLOR: RED, BLACK



P/N 93GB-00GR (red)
P/N 93GB-00GB (black)
 BANANA DOUBLE PLUGS GOLD
 PLATED COLOR: RED, BLACK



P/N 93GC-00GR (red)
P/N 93GC-00GB (black)
 BANANA DOUBLE PLUGS GOLD
 PLATED COLOR: RED, BLACK



P/N 93GD-00GB (black)
 MINI BANANA DOUBLE PLUGS GOLD
 PLATED



P/N 93GE-00GR (red)
P/N 93GE-00GW (white)
 LOCK-IN BANANA PLUG, TIN
 PLATED-NICKEL HANDLE SCREW
 TYPE (RED, WHITE)



P/N 93GF-00G0
 LOCK-IN BANANA PLUG, SMALL
 GOLD PLATED (SCREW TYPE)



P/N 93GG-00GR (red)
P/N 93GG-00GB (black)
 DUAL BANANA PLUG, SCREW TYPE
 GOLD PLATED (RED, BLACK)



P/N 93GH-00GR (red)
P/N 93GH-00GB (black)
 BANANA PLUG, TIN PLATED-NICKEL
 HANDLE(SCREW TYPE)



P/N 93GJ-00G*
 * COLOR: R=RED, B=BLACK,
 N=GREEN, U=BLUE, Y=YELLOW
 BANANA PLUG, SCREW TYPE GOLD
 PLATED COLOR: RED, BLACK,
 GREEN, YELLOW, BLUE



P/N 93GK-00GR (red)
P/N 93GK-00GY (yellow)
 BANANA PLUG, BLUE & PALE
 CHROME HANDLE FOR 6MM CABLE
 GOLD PLATED (RED/YELLOW)



P/N 93GL-00GR (red)
P/N 93GL-00GB (black)
 BANANA PLUG GOLD PLATED
 RING: RED, BLACK



P/N 93GM-00GR (red)
P/N 93GM-00GB (black)
 BANANA PLUG GOLD PLATED
 RING: RED, BLACK



BANANA PLUG GOLD PLATED (4)

P/N 93GN-00GR (red)
P/N 93GN-00GB (black)
 BANANA PLUG, SCREW TYPE GOLD
 PLATED RING: RED, BLACK



P/N 93GP-00GR (red)
P/N 93GP-00GB (black)
 BANANA PLUG, SCREW TYPE GOLD
 PLATED RING: RED, BLACK



P/N 93GQ-00G*
 * GOLOR: R=RED, B=BLACK,
 Y=YELLOW, U=BLUE, N=GREEN,
 S=SILVER BANANA PLUG GOLD
 PLATED (RED, BLACK, YELLOW,
 BLUE, GREEN, SILVER)



P/N 93GR-00GR (red)
P/N 93GR-00GB (black)
 BANANA PLUG GOLD PLATED
 (RED/BLACK)



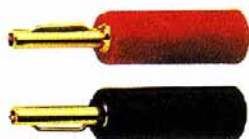
P/N 93GS-00G0
 BANANA PLUG & TIP PLUG, TWO
 PARTS GOLD PLATED



P/N 93GT-00GR (red)
P/N 93GT-00GW (white)
 BANANA PLUG, BLACK PLATED
 (RED/WHITE)



P/N 93GU-00GR (red)
P/N 93GU-00GB (black)
 BANANA PLUG, SCREW TYPE
 PLASTIC HANDLE GOLD PLATED
 (RED/BLACK)



P/N 93GV-00GR (red)
P/N 93GV-00GB (black)
 BANANA PLUG ALUMINUM HANDLE
 GOLD PLATED



P/N 93GW-00GR (red)
P/N 93GW-00GB (black)
 BANANA PLUG
 RING: RED, BLECK



P/N 93GX-00GR (red)
P/N 93GX-00GB (black)
 BANANA PLUG, SCREW TYPE GOLD
 PLATED COLOR: RED, BLACK



P/N 93GY-00GR (red)
P/N 93GY-00GW (white)
 BANANA PLUG, SCREW TYPE,
 COPPER HANDLE GOLD PLATED
 COLOR: RED, WHITE



P/N 93GZ-00GR (red)
P/N 93GZ-00GB (black)
 BANANA PLUG, GOLD PLATED,
 COLOR: RED, BLACK



BANANA PLUG, JACK & ADAPTER GOLD PLATED (5)

P/N 93HA-00GR (red)
P/N 93HA-00GB (black)
 BANANA PLUG TO JACK, 45°
 GOLD PLATED (RED/BLACK)



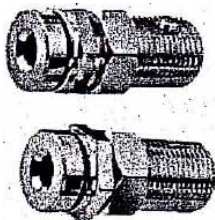
P/N 93HB-00GR (red)
P/N 93HB-00GB (black)
 BANANA PLUG TO JACK, 45°,
 PEARL CHROME PLATED



P/N 93HC-00GR (red)
P/N 93HC-00GB (black)
 BANANA PLUG TO JACK, 45°,
 W/PLASTIC COVER GOLD PLATED
 (RED/BLACK)



P/N 93HD-00GR (red)
P/N 93HD-00GB (black)
 BANANA JACK, SCREW TYPE
 GOLD PLATED (RED/BLACK)



P/N 93HE-00GR (red)
P/N 93HE-00GW (white)
 CAN BE USED AS BANANA PLUG
 OR JACK GOLD PLATED
 COLOR: RED, WHITE



P/N 93HF-00GR (red)
P/N 93HF-00GB (black)
 CAN BE USED AS BANANA PLUG
 OR JACK, PLASTIC HANDLE
 GOLD PLATED



P/N 93HG-00GR (red)
P/N 93HG-00GB (black)
 CAN BE USED AS BANANA
 PLUG OR JACK GOLD PLATED



P/N 93HH-00GR (red)
P/N 93HH-00GW (white)
 RCA JACK TO BANANA JACK
 GOLD PLATED



P/N 93HJ-00G0
 BANANA PLUG GOLD PLATED



P/N 93HK-00GR (red)
P/N 93HK-00GB (black)
 BANANA PLUG SCREW TYPE
 PLASTIC HANDLE GOLD PLATED
 (RED/BLACK)



P/N 93HL-00S0 (silver)
P/N 93HL-00G0 (gold)
 BANANA PLUG, SCREW TYPE
 A: SILVER B: GOLD



P/N 93HM-04G0
 BANANA PLUG FOR 4MM CABLE,
 PALE CHROME PLATED



BANANA PLUG GOLD PLATED (6)

P/N 93AA-09Gx

LOCK-IN BANANA PLUG
SCREW TYPE
ZINC ALLOY PLATED
FOR CABLE Ø 9MM
x=CODE RING COLOR



P/N 93AB-09Gx

LOCK-IN BANANA PLUG
SCREW TYPE
GOLD PLATED
FOR CABLE Ø 9MM
x=CODE RING COLOR



P/N 93AC-09Gx

LOCK-IN BANANA PLUG
SCREW TYPE
STAIN CHROME PLATED
FOR CABLE Ø 9MM
x=CODE RING COLOR



P/N 93AD-xxGx

LOCK-IN BANANA PLUG
ZINC ALLOY PLATED
xx=FOR CABLE Ø 4-5MM
x=CODE RING COLOR



P/N 93AE-xxGx

LOCK-IN BANANA PLUG
GOLD PLATED
xx=FOR CABLE Ø 4-5MM
x=CODE RING COLOR



P/N 93AF-07Gx

LOCK-IN BANANA PLUG
SCREW TYPE
GOLD PLATED
FOR CABLE Ø 7MM
x=CODE RING COLOR



P/N 93AG-07Gx

LOCK-IN BANANA PLUG
SCREW TYPE
PEARL WHITE COATED
FOR CABLE Ø 7MM
x=CODE RING COLOR



P/N 93AH-xxGx

LOCK-IN BANANA PLUG
ZINC ALLOY PLATED
xx=FOR CABLE Ø 4-6MM
x=CODE RING COLOR



P/N 93AK-xxGx

BANANA PLUG
SCREW TYPE
GOLD PLATED
xx=FOR CABLE Ø 5-8MM
x=CODE RING COLOR



P/N 93AL-xxGx

BANANA PLUG
SCREW TYPE
GOLD PLATED
xx=FOR CABLE Ø 5-8MM
x=CODE RING COLOR



P/N 93AM-xxGx

BANANA PLUG
SCREW TYPE
GOLD PLATED
xx=FOR CABLE Ø 5-8MM
x=CODE RING COLOR



P/N 93AN-xxGx

BANANA PLUG
SCREW TYPE
NICKEL PLATED
xx=FOR CABLE Ø 5-8MM
x=CODE RING COLOR



BANANA PLUG GOLD PLATED (7)

P/N 93AP-04Gx

BANANA PLUG
SCREW TYPE
GOLD PLATED
FOR CABLE Ø 4MM
x=CODE RING COLOR



P/N 93AQ-xxGx

BANANA PLUG
SCREW TYPE
GOLD PLATED
xx=FOR CABLE Ø 5-8MM
x=CODE RING COLOR



P/N 93AR-xxGx

BANANA PLUG
SCREW TYPE
ZINC ALLOY PLATED
xx=FOR CABLE Ø 5-8MM
x=CODE RING COLOR



P/N 93AS-xxGx

BANANA PLUG
SCREW TYPE
GOLD PLATED
xx=FOR CABLE Ø 5-8MM
x=CODE RING COLOR



P/N 93AT-xxGx

BANANA PLUG
SCREW TYPE
GOLD PLATED
xx=FOR CABLE Ø 6-7MM
x=CODE RING COLOR



P/N 93AU-04Gx

BANANA PLUG
SCREW TYPE
GOLD PLATED
FOR CABLE Ø 4MM
x=CODE RING COLOR



P/N 93AV-04Gx

BANANA PLUG
SCREW TYPE
NICKEL PLATED
FOR CABLE Ø 4MM
x=CODE RING COLOR



P/N 93AW-04Gx

BANANA PLUG
SCREW TYPE
ZINC ALLOY PLATED
FOR CABLE Ø 4MM
x=CODE RING COLOR



P/N 93AY-xxGx

BANANA PLUG
SCREW TYPE
GOLD PLATED
xx=FOR CABLE Ø 5-8MM
x=CODE RING COLOR



P/N 93AZ-xxGx

BANANA PLUG
SCREW TYPE
GOLD PLATED
xx=FOR CABLE Ø 5-8MM
x=CODE RING COLOR



P/N 93BA-xxGx

BANANA PLUG
SCREW TYPE
GOLD PLATED
xx=FOR CABLE Ø 4-6MM
x=CODE RING COLOR



P/N 93BB-xxGx

BANANA PLUG
CRIMP TYPE
GOLD PLATED
xx=FOR CABLE Ø 4-5MM
x=CODE RING COLOR



BANANA PLUG GOLD PLATED (8)

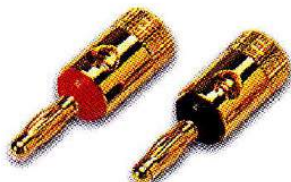
P/N 93BC-xxGx

BANANA PLUG
CRIMP TYPE
GOLD PLATED
xx=FOR CABLE Ø 4-5MM
x=CODE RING COLOR



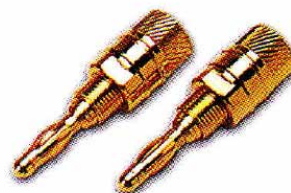
P/N 93BD-xxGx

BANANA PLUG
SCREW TYPE
GOLD PLATED
xx=FOR CABLE Ø 4-6MM
x=CODE RING COLOR



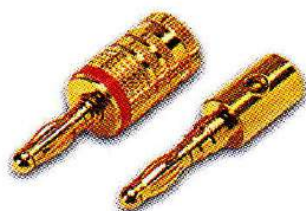
P/N 93BE-xxGx

BANANA PLUG
CRIMP TYPE
GOLD PLATED
xx=FOR CABLE Ø 4-6MM
x=CODE RING COLOR



P/N 93BF-06Gx

BANANA PLUG
SCREW TYPE
GOLD PLATED
FOR CABLE Ø 6MM
x=CODE RING COLOR



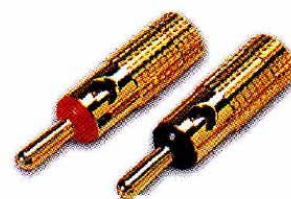
P/N 93BG-xxGx

BANANA PLUG
SCREW TYPE
GOLD PLATED
xx=FOR CABLE Ø 5-8MM
x=CODE RING COLOR



P/N 93BH-xxGx

BANANA PLUG
SCREW TYPE
GOLD PLATED
xx=FOR CABLE Ø 5-8MM
x=CODE RING COLOR



P/N 93BK-xxGx

LOCK-IN BANANA PLUG
SCREW TYPE
GOLD PLATED
xx=FOR CABLE Ø 5-6MM
x=CODE RING COLOR



P/N 93BL-xxGx

LOCK-IN BANANA PLUG
SCREW TYPE
ZINC ALLOY PLATED
xx=FOR CABLE Ø 4-6MM
x=CODE RING COLOR



P/N 93BM-xxGx

BANANA PLUG
SCREW TYPE
GOLD PLATED
xx=FOR CABLE Ø 4-6MM
x=CODE RING COLOR



P/N 93BN-xxGx

BANANA PLUG
CRIMP TYPE
GOLD PLATED
xx=FOR CABLE Ø 4-5MM
x=CODE RING COLOR



P/N 93BP-xxGx

BANANA PLUG
SCREW TYPE
GOLD PLATED
xx=FOR CABLE Ø 5-8MM
x=CODE RING COLOR



P/N 93BQ-xxGx

DUAL BANANA PLUG
SCREW TYPE
GOLD PLATED
xx=FOR CABLE Ø 5-8MM
x=COLOR OF HOUSING



BANANA PLUG GOLD PLATED (9)

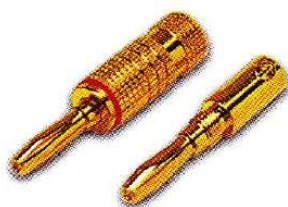
P/N 93BR-xxGx

BANANA PLUG
SCREW TYPE
GOLD PLATED
xx=FOR CABLE Ø 5-8MM
x=CODE RING COLOR



P/N 93BS-04Gx

BANANA PLUG
SCREW TYPE
GOLD PLATED
FOR CABLE Ø 4MM
x=CODE RING COLOR



P/N 93BT-04Gx

BANANA PLUG
SCREW TYPE
WHITE CHROME PLATED
FOR CABLE Ø 4MM
x=CODE RING COLOR



P/N 93BU-04Gx

BANANA PLUG
SCREW TYPE
WHITE CHROME PLATED
FOR CABLE Ø 4MM
x=CODE RING COLOR



P/N 93BV-04Gx

BANANA PLUG
SCREW TYPE
WHITE CHROME PLATED
FOR CABLE Ø 4MM
x=CODE RING COLOR



P/N 93BW-04Gx

BANANA PLUG GOLD PLATED
SCREW TYPE
WITH PLASTIC SLEEVE
FOR CABLE Ø 4MM
x=PLASTIC COLOR



P/N 93BY-xxGx

BANANA PLUG
SCREW TYPE
GOLD PLATED
xx=FOR CABLE Ø 5-8MM
x=CODE RING COLOR



P/N 93BZ-xxGx

BANANA PLUG
SCREW TYPE
GOLD PLATED
xx=FOR CABLE Ø 5-8MM
x=CODE RING COLOR



P/N 93CA-xxGx

BANANA PLUG
SCREW TYPE
NICKEL PLATED
xx=FOR CABLE Ø 5-8MM
x=CODE RING COLOR



P/N 93CB-04Gx

BANANA PLUG
SCREW TYPE
GOLD PLATED
FOR CABLE Ø 4MM
x=CODE RING COLOR



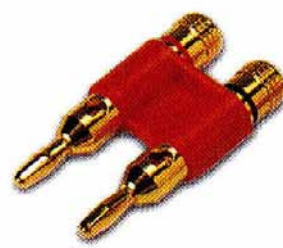
P/N 93CC-04Gx

BANANA PLUG
SCREW TYPE
GOLD PLATED
FOR CABLE Ø 4MM
x=PLASTIC SLEEVE COLOR



P/N 93CD-00Gx

DUAL BANANA PLUG
SCREW TYPE
GOLD PLATED
x=PLASTIC COLOR



BANANA PLUG GOLD PLATED (10)

P/N 93CE-00Gx
 DUAL BANANA PLUG
 SCREW TYPE
 GOLD PLATED
 x=PLASTIC COLOR



P/N 93CF-06Gx
 BANANA PLUG
 GOLD PLATED
 FOR CABLE Ø 6MM
 x=CODE RING COLOR
 R=RED, W=WHITE



P/N 93CG-06Gx
 BANANA PLUG
 GOLD PLATED
 FOR CABLE Ø 7MM
 x=CODE RING COLOR
 R=RED, U=BLUE



P/N 93CH-05Gx
 BANANA PLUG
 GOLD PLATED
 FOR CABLE Ø 5MM
 x=CODE RING COLOR
 B=BLACK, R=RED



P/N 93CK-07Gx
 BANANA PLUG
 GOLD PLATED
 FOR CABLE Ø 7MM
 x=CODE RING COLOR
 B=BLACK, R=RED



P/N 93CL-04Gx
 BANANA PLUG GOLD PLATED
 FOR CABLE Ø 4MM
 x=CODE RING COLOR
 R=RED, B=BLACK,
 U=BLUE, N=GREEN,
 Y=YELLOW



P/N 93CM-04Gx
 BANANA PLUG
 GOLD PLATED
 FOR CABLE Ø 4MM
 x=CODE RING COLOR
 B=BLACK, R=RED



P/N 93CN-04Gx
 BANANA PLUG
 GOLD PLATED
 FOR CABLE Ø 4MM
 x=COLOR OF HOUSING
 R, B, N, Y, U



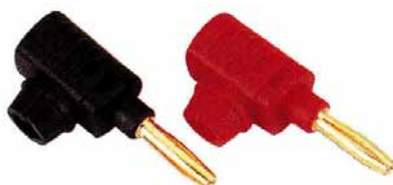
P/N 93CP-04Nx
 BANANA SOCKET
 SCREW TYPE
 FOR CABLE Ø 4MM
 NICKEL PLATED



P/N 93CQ-05Gx
 BANANA PLUG
 GOLD PLATED
 FOR CABLE Ø 5.5MM
 x=COLOR OF HOUSING
 B=BLACK, R=RED



P/N 93CR-05Gx
 BANANA PLUG
 GOLD PLATED
 FOR CABLE Ø 5.5MM
 x=COLOR OF HOUSING
 B=BLACK, R=RED



P/N 93CS-05Gx
 BANANA PLUG
 GOLD PLATED
 FOR CABLE Ø 5.5MM
 x=COLOR OF HOUSING
 B=BLACK, R=RED



BANANA PLUG GOLD PLATED

P/N 93DU-04GB

CODE RING COLOR : BLACK

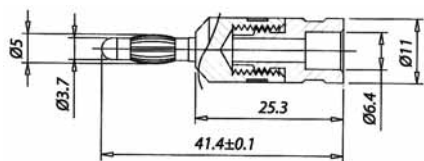
P/N 93DU-04GR

CODE RING COLOR : RED



*Banana Plug

*I.D.: 4 MM



P/N 93DV-03GB

CODE RING COLOR : BLACK

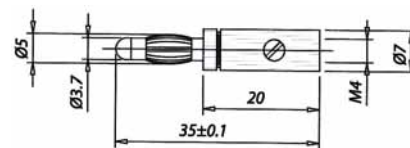
P/N 93DV-03GR

CODE RING COLOR : RED



*Banana Plug

*I.D.: 3 MM



P/N 93DW-05GB

HOUSING COLOR : BLACK

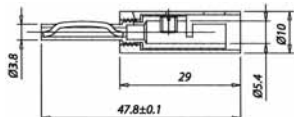
P/N 93DW-05GR

HOUSING COLOR : RED



*Banana Plug, Solder or Screw

*I.D.: 5 MM



P/N 93DX-06GB

CODE RING COLOR : BLACK

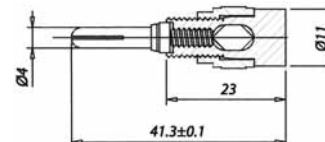
P/N 93DX-06GR

CODE RING COLOR : RED



*Banana Plug w/Cross Pin

*I.D.: 6 MM



Be-Cu WAVE TYPE BANANA PLUG GOLD PLATED

P/N 93KA-05GB

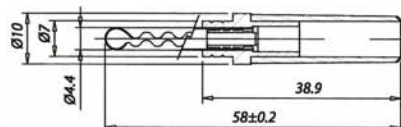
HOUSING COLOR : BLACK

P/N 93KA-05GR

HOUSING COLOR : RED



- *Be-Cu Wave Type
- Banana Plug
- *PC Shell w/Solder
- *Solder Type
- *I.D.: 5 MM



P/N 93KB-05GB

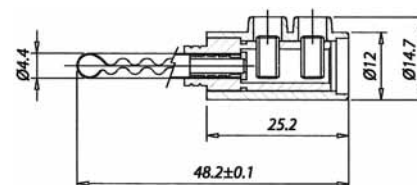
HOUSING COLOR : BLACK

P/N 93KB-05GR

HOUSING COLOR : RED



- *Be-Cu Wave Type
- Banana Plug
- *PC Shell w/Screw
- *Screw Type
- *I.D.: 5 MM



P/N 93KC-04GR

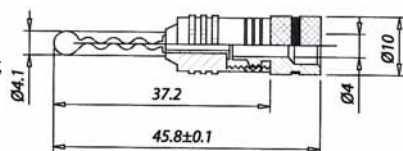
CODE RING COLOR : RED

P/N 93KC-04GW

CODE RING COLOR : WHITE



- *Be-Cu Wave Type
- Banana Plug
- *Body in Gold-Plating;
- Tapping Head in
- Tin-Nickel Plating
- *I.D.: 4 MM



P/N 93DT-04GB

CODE RING COLOR : BLACK

P/N 93DT-04GR

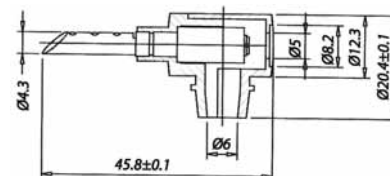
CODE RING COLOR : RED

P/N 93DT-04GU

CODE RING COLOR : BLUE



- *Be-Cu Wave Type
- Banana Plug
- *PC Transparent Shell
- *I.D.: 4 MM



Be-Cu WAVE TYPE BANANA PLUG GOLD PLATED

P/N 93KE-05GR

CODE COLOR : RED

P/N 93KE-05GW

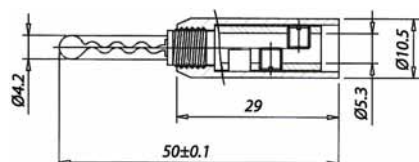
CODE COLOR : WHITE



*Be-Cu Wave Type
Banana Plug

*Carbon Fiber Shell

*I.D.: 5 MM



P/N 93KF-05GR

CODE COLOR : RED

P/N 93KF-05GW

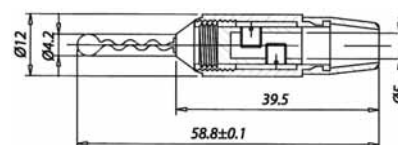
CODE COLOR : WHITE



*Be-Cu Wave Type
Banana Plug

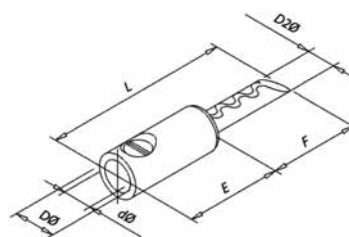
*Carbon Fiber Shell+
PU Tail Cover

*I.D.: 5 MM



*Be-Cu Wave Type Banana Plug

*Brass Body + Screw



DIMENSIONS (UNIT:MM)

Part No.	D2Ø	L	F	E	DØ	dØ
93KG-45G0	4.1	38	19	19	7	5
93KG-60G0	4.1	38	19	19	8.5	6
93KG-75G0	4.1	38	19	19	11	7.5



PVC COVER FOR P/N 93KG-xxG0

P/N 93KG-45Cx (FOR P/N 93KG-45G0)

P/N 93KG-60Cx (FOR P/N 93KG-60G0)

P/N 93KG-75Cx (FOR P/N 93KG-75G0)

x=COVER COLOR (B=BLACK, R=RED)

EXPANDING BANANA PLUG & Be-Cu BANANA PLUG GOLD PLATED

P/N 93KH-05GB

HOUSING COLOR : BLACK

P/N 93KH-05GR

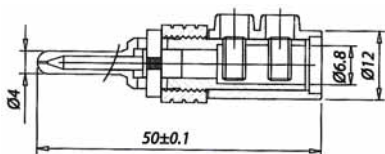
HOUSING COLOR : RED



*Expanding Banana Plug

*PC Shell w/Screw

*I.D.: 5 MM



P/N 93KJ-07GB

CODE COLOR : BLACK

P/N 93KJ-07GR

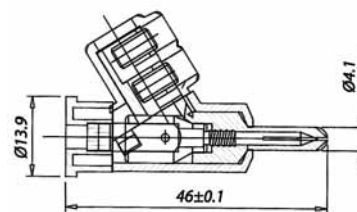
CODE COLOR : RED



*Expanding Banana Plug w/Three Forks Pin

*PC Transparent Shell

*I.D.: 6.8 MM



P/N 93KK-07GB

CODE COLOR : BLACK

P/N 93KK-07GR

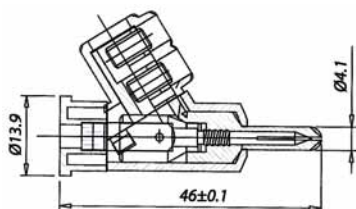
CODE COLOR : RED



*Expanding Banana Plug w/Cross Pin

*PC Transparent Shell

*I.D.: 6.8 MM



P/N 93KL-05GB

HOUSING COLOR : BLACK

P/N 93KL-05GR

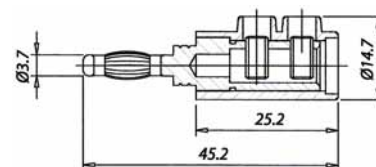
HOUSING COLOR : RED



*Nine Spring Slices Be-Cu Banana Plug

*PC Shell w/Screw

*I.D.: 5 MM

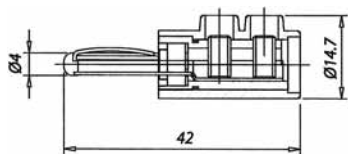


OFC, PHOSPHOR BRONZE WAVE TYPE BANANA PLUG & JACK GOLD PLATED

P/N 93KM-05GB
 CODE RING COLOR : BLACK
P/N 93KM-05GR
 CODE RING COLOR : RED



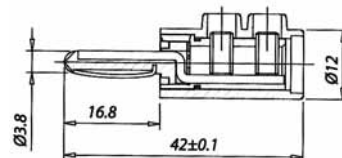
*OFC Bayonet Banana plug
 *PC Transparent Shell
 w/Screw
 *I.D.: 5 MM
 -Taiwan Patent
 -China Patent



P/N 93KN-05GB
 CODE RING COLOR : BLACK
P/N 93KN-05GR
 CODE RING COLOR : RED



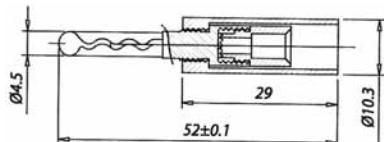
*OFC Stick Banana plug
 *PC Transparent Shell
 w/Screw
 *I.D.: 5 MM
 -Taiwan Patent
 -China Patent



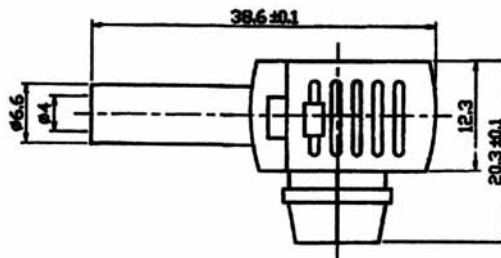
P/N 93KP-04GB
 HOUSING COLOR : BLACK
P/N 93KP-04GR
 HOUSING COLOR : RED



*Phosphor Bronze Wave
 Type Banana Plug
 *ABS Shell
 *I.D.: 4 MM



P/N 93DY-05GB
 CODE COLOR : BLACK
P/N 93DY-05GR
 CODE COLOR : RED
P/N 93DY-05GU
 CODE COLOR : BLUE



BANANA R/A JACK WITH TRANSPARENT BODY

BANANA PLUG & S-TERMINAL GOLD PLATED

P/N 93KQ-04GR

CODE COLOR : RED

P/N 93KQ-04GW

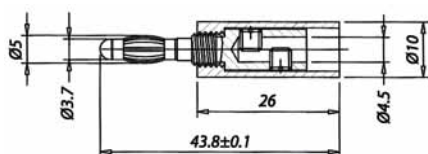
CODE COLOR : WHITE



*Banana Plug w/
Screw or Solder

*Carbon Fiber Shell

*I.D.: 4 MM



P/N 93KR-05GR

CODE COLOR : BLACK

P/N 93KR-05GW

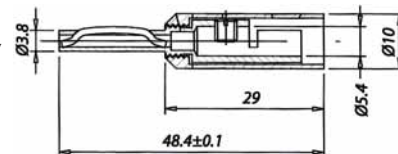
CODE COLOR : WHITE



*Banana Plug w/Screw

*Carbon Fiber Shell

*I.D.: 5 MM



P/N 93KS-05GR

CODE COLOR : RED

P/N 93KS-05GW

CODE COLOR : WHITE

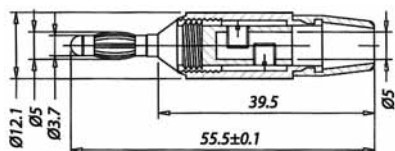


*Banana Plug w/Screw

*Carbon Fiber Shell+

PU Tail Cover

*I.D.: 5 MM



P/N 93KT-08GR

CODE COLOR : RED

P/N 93KT-08GW

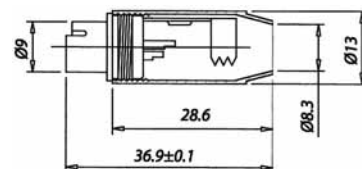
CODE COLOR : WHITE



*Crimp Type

*Carbon Fiber Shell

*I.D.: 8 MM



BANANA PLUG & S-TERMINAL GOLD PLATED

P/N 93KU-10GR

CODE COLOR : RED

P/N 93KU-10GW

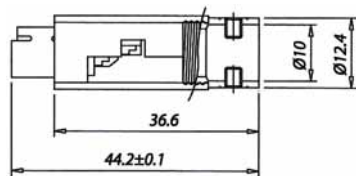
CODE COLOR : WHITE



*Fully Lathed Plug Body
w/Screw

*Carbon Fiber Shell

*I.D.: 10 MM



P/N 93KV-06GR

CODE COLOR : RED

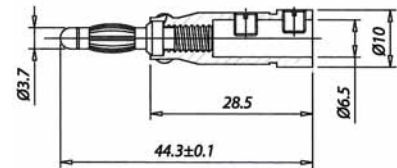
P/N 93KV-06GW

CODE COLOR : WHITE



*Tin-Nickel Plating
Shell

*I.D.: 6.5 MM



P/N 93KW-06GR

CODE COLOR : RED

P/N 93KW-06GW

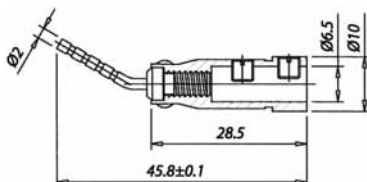
CODE COLOR : WHITE



*45° Cable Pin

*Tin-Nickel Plating Shell

*I.D.: 6.5 MM

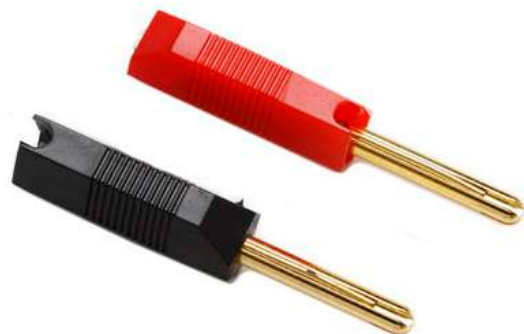


P/N 93KD-04GB

HOUSING COLOR : BLACK

P/N 93KD-04GR

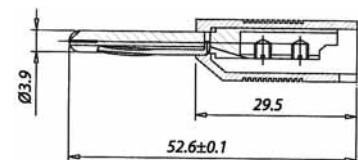
HOUSING COLOR : RED



*PE Shell

*Body in Gold-Plating,
w/Screw or Solder

*I.D.: 4 MM



TIP PLUG GOLD PLATED (1)

P/N 92CA-00Gx

TIP PLUG
SCREW TYPE
GOLD PLATED
x=CODE RING COLOR
B=BLACK, R=RED



P/N 92CB-00Gx

TIP PLUG
SCREW TYPE
NICKEL PLATED
x=CODE RING COLOR
B=BLACK, R=RED



P/N 92CC-00Gx

TIP PLUG
SCREW TYPE
GOLD PLATED
x=CODE RING COLOR
B=BLACK, R=RED



P/N 92CD-00Gx

TIP PLUG
GOLD PLATED
x=CODE RING COLOR
B=BLACK, R=RED



P/N 92CE-00Gx

TIP PLUG
GOLD PLATED
x=CODE RING COLOR
B=BLACK, R=RED



P/N 92CF-00Gx

TIP PLUG
GOLD PLATED
x=CODE RING COLOR
B=BLACK, R=RED



P/N 92CG-00Gx

TIP PLUG
SCREW TYPE
GOLD PLATED
x=CODE RING COLOR
B=BLACK, R=RED



P/N 92CH-06G0

TIP PLUG
GOLD PLATED
FOR CABLE Ø 6MM
0= NO CODE RING



P/N 92CK-03Gx

TIP PLUG
GOLD PLATED
FOR CABLE Ø 3MM
x=COLOR OF INSULATOR
B=BLACK, R=RED



P/N 92CL-00Gx

TIP PLUG
ZINC ALLOY PLATED
x=CODE RING COLOR
B=BLACK, R=RED



P/N 92CM-00Gx

TIP PLUG
GOLD PLATED
x=CODE RING COLOR
B=BLACK, R=RED



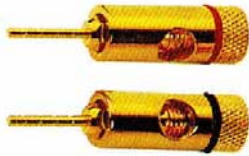
P/N 92CN-00G0

TIP PLUG
GOLD PLATED
0= NO CODE RING

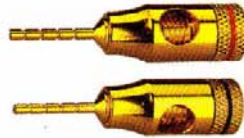


TIP PLUG GOLD PLATED (2)

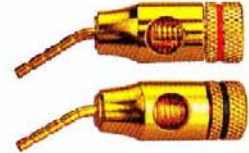
P/N 92AA-00GR (red)
P/N 92AA-00GB (black)
 TIP PLUG GOLD PLATED
 RING: RED, BLACK



P/N 92AB-00GR (red)
P/N 92AB-00GB (black)
 TIP PLUG, SCREW TYPE GOLD
 PLATED RING: RED, BLACK



P/N 92AC-00GR (red)
P/N 92AC-00GB (black)
 TIP PLUG 45° GOLD PLATED
 RING: RED, BLACK



P/N 92AD-00GR (red)
P/N 92AD-00GB (black)
 TIP PLUG 45°, SCREW TYPE GOLD
 PLATED RING: RED, BLACK



P/N 92AE-00GR (red)
P/N 92AE-00GW (white)
 TIP PLUG, PEARL CHROME
 PLATED RING: RED, WHITE



P/N 92AF-00GR (red)
P/N 92AF-00GB (black)
 TIP PLUG 45°, BLACK BODY, GOLD
 PLATED RING: RED, BLACK



P/N 92AG-00GR (red)
P/N 92AG-00GB (black)
 TIP PLUG (SCREW TYPE) GOLD
 PLATED RING: RED, BLACK



P/N 92AH-00GR (red)
P/N 92AH-00GB (black)
 TIP PLUG (CRIMP TYPE) GOLD
 PLATED COLOR: RED, BLACK



P/N 92AJ-00GR (red)
P/N 92AJ-00GB (black)
 TIP PLUG (SCREW TYPE) GOLD
 PLATED COLOR: RED, BLACK



P/N 92AK-00GR (red)
P/N 92AK-00GB (black)
 TIP PLUG (SCREW TYPE) 45° GOLD
 PLATED COLOR: RED, BLACK



P/N 92AL-04GR (red)
P/N 92AL-04GB (black)
 TIP PLUG (SCREW, LARGE TYPE)
 GOLD PLATED COLOR: RED, BLACK
 FOR 4MM CABLE



P/N 92AM-00GR (red)
P/N 92AM-00GB (black)
 TIP PLUG 45°, SOLDER TYPE, GOLD
 PLATED COLOR: RED, BLACK



TIP PLUG GOLD PLATED (3)

P/N 92AN-25G0

TIP PLUG (CRIMP TYPE) GOLD PLATED FOR 2.5MM CABLE



P/N 92AP-04G0

TIP PLUG (CRIMP TYPE) GOLD PLATED FOR 4MM CABLE



P/N 92AQ-06G0

TIP PLUG (CRIMP TYPE) GOLD PLATED FOR 6MM CABLE



P/N 92AR-00GR (red)

P/N 92AR-00GB (black)

TIP PLUG (CRIMP TYPE) GOLD PLATED RING: RED, BLACK



P/N 92AS-00GR (red)

P/N 92AS-00GB (black)

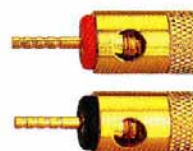
TIP PLUG (SCREW TYPE) GOLD PLATED RING: RED, BLACK



P/N 92AT-00GR (red)

P/N 92AT-00GB (black)

TIP PLUG (CRIMP TYPE) GOLD PLATED RING: RED, BLACK



P/N 92CG-00GR (red)

P/N 92CG-00GB (black)

TIP PLUG SCREW TYPE GOLD PLATED



P/N 92CH-06G0

TIP PLUG GOLD PLATED FOR CABLE Ø6MM



P/N 92CK-03GR (red)

P/N 92CK-03GB (black)

TIP PLUG GOLD PLATED FOR CABLE Ø3MM



P/N 92CL-00GR (red)

P/N 92CL-00GB (black)

TIP PLUG ZINC ALLOY PLATED



P/N 92CM-00GR (red)

P/N 92CM-00GB (black)

TIP PLUG GOLD PLATED

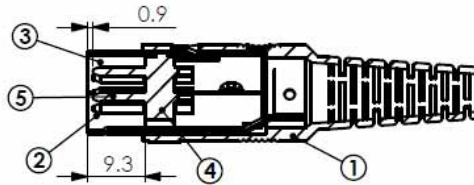


P/N 92CN-00G0

TIP PLUG GOLD PLATED



DIN CABLE PLUG ASSEMBLY TYPE



SPECIFICATIONS

1. **Rating** : 100V AC 1A max.

2. **Contact Resistance** :

Pins 30mΩ max.

Shell 50mΩ max.

3. **Insulation Resistance** :

100MΩ at 500V DC min.

4. **Voltage Withstand**:

250V AC for 1 minute

MATERIALS

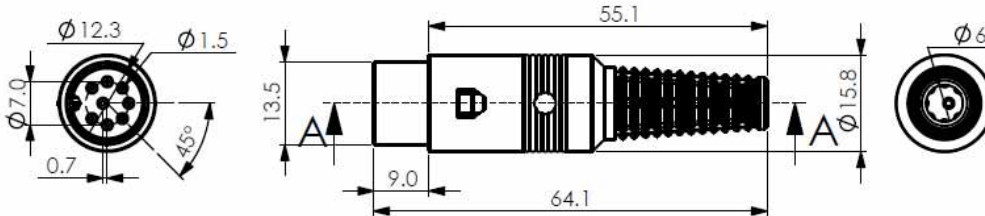
1. **SHELL COVER**: EVA+LLDPE

2. **INSULATOR**: ABS

3. **CONTACTS**:

BRASS SILVER PLATED

*RoHS & REACH compliant.



ARRANGEMENT OF CONTACTS									
NO OF CONTACTS	3P	4P	5P 180°	5P 240°	5P 360°	6P	7P	8P 270°	8P 262°

ORDERING INFORMATION:

P/N 7 1 $\frac{11}{1}$ - $\frac{x}{2}$

1. **CONNECTOR TYPE:**

"11" PLASTIC COVER TYPE WITH
CABLE ENTRY Ø 6MM

2. **NO. OF CONTACTS:**

"03" 3P

"04" 4P

"05A" 5P, 180°

"05B" 5P, 240°

"05C" 5P, 360°

"06" 6P

"07" 7P

"08A" 8P, 270°

"08B" 8P, 262°

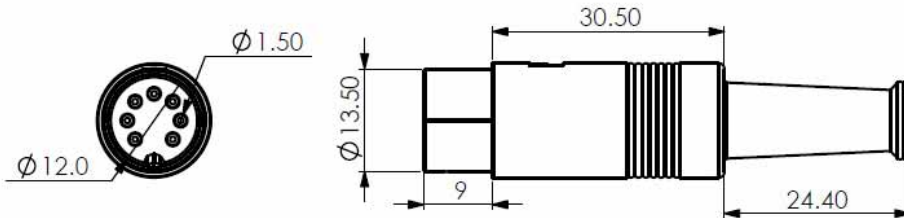
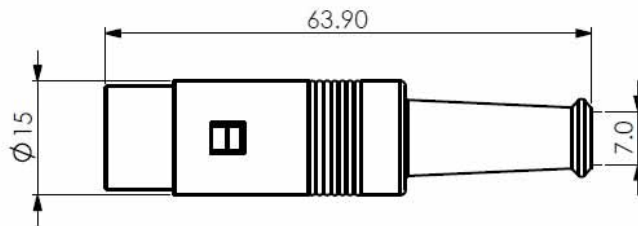
DIN CABLE PLUG METAL SHIELD ASSEMBLY TYPE

SPECIFICATIONS

1. **Rating :** 100V AC 1A max.
2. **Contact Resistance :**
Pins 30mΩ max.
Shell 50mΩ max.
3. **Insulation Resistance :**
100MΩ at 500V DC min.
4. **Voltage Withstand:**
250V AC for 1 minute

MATERIALS

1. **SHELL COVER:**
NICKEL PLATED
 2. **INSULATOR:** ABS
 3. **CONTACTS:**
BRASS SILVER PLATED
- *RoHS & REACH compliant.



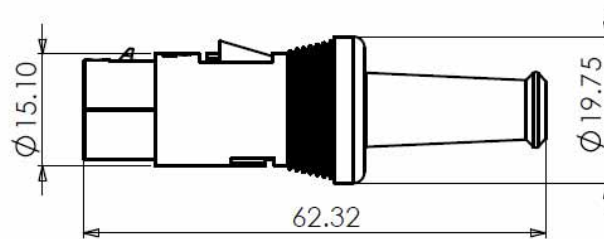
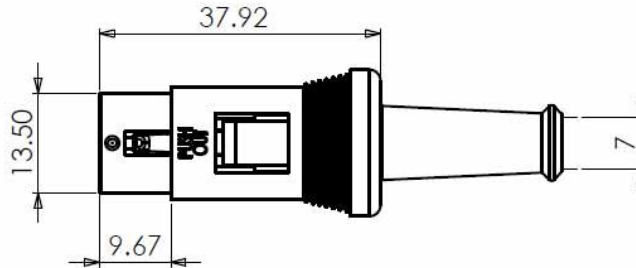
ARRANGEMENT OF CONTACTS									
NO OF CONTACTS	3P	4P	5P 180°	5P 240°	5P 360°	6P	7P	8P 270°	8P 262°

ORDERING INFORMATION:

P/N 7 1 12 C - x x
 1 2

1. CONNECTOR TYPE:
"12C" METAL COVER TYPE WITH
CABLE ENTRY Ø 7MM
2. NO. OF CONTACTS:
"03" 3P
"04" 4P
"05A" 5P, 180°
"05B" 5P, 240°
"06" 6P
"07" 7P
"08A" 8P, 270°
"08B" 8P, 262°

DIN CABLE PLUG PUSH LOCKING ASSEMBLY TYPE



SPECIFICATIONS

1. Rating : 100V AC 1A max.
2. Contact Resistance :
Pins 30mΩ max.
Shell 50mΩ max.
3. Insulation Resistance :
100MΩ at 500V DC min.
4. Voltage Withstand:
250V AC for 1 minute

MATERIALS

1. SHELL COVER: PA66
 2. INSULATOR: ABS
 3. CONTACTS:
BRASS SILVER PLATED
- *RoHS & REACH compliant.

ARRANGEMENT OF CONTACTS									
NO OF CONTACTS	3P	4P	5P 180°	5P 240°	5P 360°	6P	7P	8P 270°	8P 262°

ORDERING INFORMATION:

P/N 7 1 16 - xx
1 2

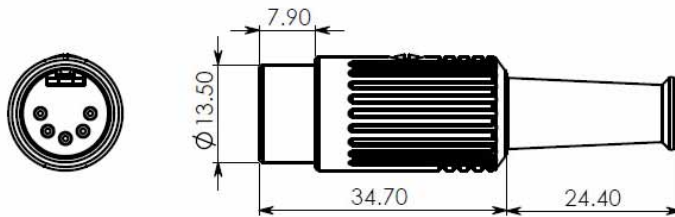
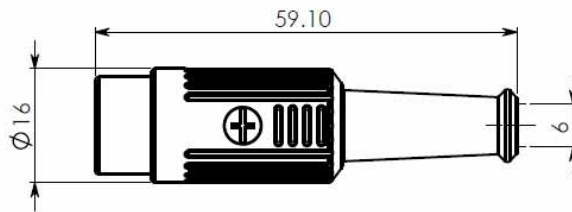
1. CONNECTOR TYPE:

- "16" PLASTIC COVER TYPE WITH
CABLE ENTRY Ø 7MM
- "16A" PLASTIC COVER TYPE WITH
CABLE ENTRY Ø 6.6MM

2. NO. OF CONTACTS:

- "03" 3P
- "04" 4P
- "05A" 5P, 180°
- "05B" 5P, 240°
- "05C" 5P, 360°
- "06" 6P
- "07" 7P
- "08A" 8P, 270°
- "08B" 8P, 262°

DIN CABLE PLUG METAL SHIELD ASSEMBLY TYPE



SPECIFICATIONS

1. **Rating** : 100V AC 1A max.
2. **Contact Resistance** :
Pins 30mΩ max.
Shell 50mΩ max.
3. **Insulation Resistance** :
100MΩ at 500V DC min.
4. **Voltage Withstand**:
250V AC for 1 minute

MATERIALS

1. **SHELL COVER**:
ZN ALLOY NICKEL PLATED
 2. **INSULATOR**: PA66
 3. **CONTACTS**:
BRASS SILVER PLATED
- *RoHS & REACH compliant.

ARRANGEMENT OF CONTACTS									
NO OF CONTACTS	3P	4P	5P 180°	5P 240°	5P 360°	6P	7P	8P 270°	8P 262°

ORDERING INFORMATION:

P/N 71 17S - x/x

1. CONNECTOR TYPE:
"17S" METAL COVER TYPE WITH
CABLE ENTRY Ø 6MM
2. NO. OF CONTACTS:
"03" 3P
"04" 4P
"05A" 5P, 180°
"05B" 5P, 240°
"06" 6P
"07" 7P
"08A" 8P, 270°
"08B" 8P, 262°

DIN CABLE PLUG METAL SHIELD BAYONET LOCKING ASSEMBLY TYPE

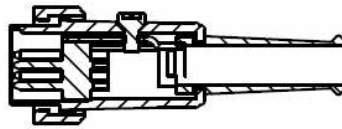


SPECIFICATIONS

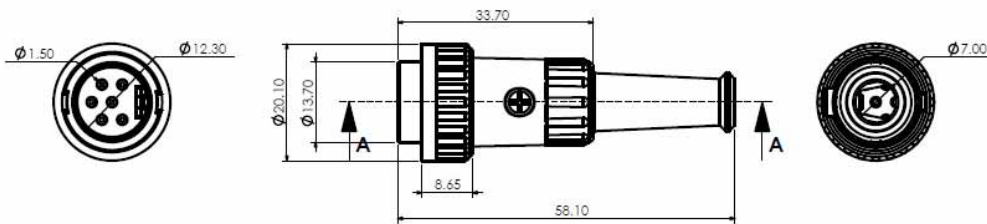
1. **Rating :** 100V AC 1A max.
2. **Contact Resistance :**
Pins 30mΩ max.
Shell 50mΩ max.
3. **Insulation Resistance :**
100MΩ at 500V DC min.
4. **Voltage Withstand:**
250V AC for 1 minute

MATERIALS

1. **SHELL COVER:**
ZN ALLOY NICKEL PLATED
 2. **INSULATOR: PA66**
 3. **CONTACTS:**
BRASS SILVER PLATED
- *RoHS & REACH compliant.



SECTION A-A



ARRANGEMENT OF CONTACTS									
NO OF CONTACTS	3P	4P	5P 180°	5P 240°	5P 360°	6P	7P	8P 270°	8P 262°

ORDERING INFORMATION:

P/N 7 1 20 - x x
 I 2

1. CONNECTOR TYPE:
"20" METAL COVER TYPE WITH
CABLE ENTRY Ø 7MM
2. NO. OF CONTACTS:
"03" 3P
"04" 4P
"05A" 5P, 180°
"05B" 5P, 240°
"06" 6P
"07" 7P
"08A" 8P, 270°
"08B" 8P, 262°

DIN CABLE PLUG METAL SHIELD PUSH LOCKING ASSEMBLY TYPE

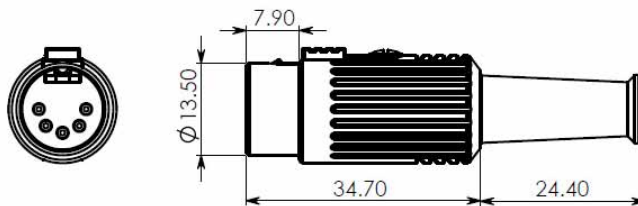
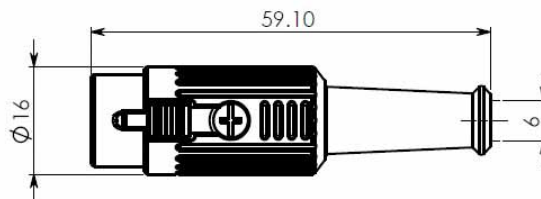


SPECIFICATIONS

1. **Rating** : 100V AC 1A max.
2. **Contact Resistance** :
 Pins 30mΩ max.
 Shell 50mΩ max.
3. **Insulation Resistance** :
 100MΩ at 500V DC min.
4. **Voltage Withstand**:
 250V AC for 1 minute

MATERIALS

1. **SHELL COVER**:
 ZN ALLOY NICKEL PLATED
 2. **INSULATOR**: PA66
 3. **CONTACTS**:
 BRASS SILVER PLATED
- *RoHS & REACH compliant.



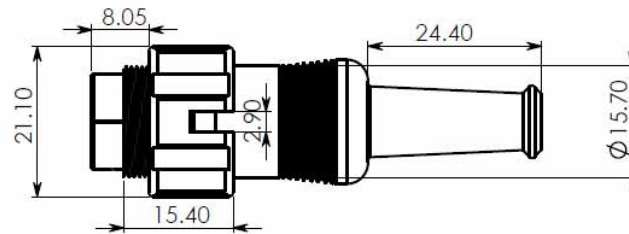
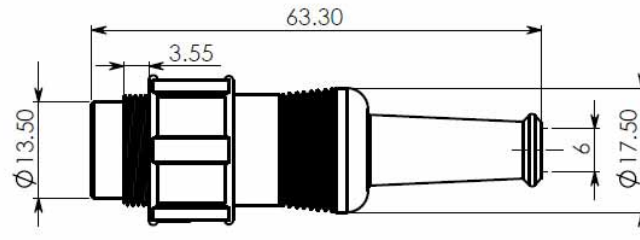
ARRANGEMENT OF CONTACTS									
NO OF CONTACTS	3P	4P	5P 180°	5P 240°	5P 360°	6P	7P	8P 270°	8P 262°

ORDERING INFORMATION:

P/N 7 1 44 - x x
 1 2

1. CONNECTOR TYPE:
 "44" METAL COVER TYPE WITH
 CABLE ENTRY Ø 6MM
2. NO. OF CONTACTS:
 "03" 3P
 "04" 4P
 "05A" 5P, 180°
 "05B" 5P, 240°
 "06" 6P
 "07" 7P
 "08A" 8P, 270°
 "08B" 8P, 262°

DIN CABLE PLUG SCREW LOCKING ASSEMBLY TYPE



SPECIFICATIONS

1. Rating : 100V AC 1A max.
2. Contact Resistance :
Pins 30mΩ max.
Shell 50mΩ max.
3. Insulation Resistance :
100MΩ at 500V DC min.
4. Voltage Withstand:
250V AC for 1 minute

MATERIALS

1. SHELL COVER: PA66
 2. INSULATOR: ABS
 3. CONTACTS:
BRASS SILVER PLATED
- *RoHS & REACH compliant.

ARRANGEMENT OF CONTACTS									
NO OF CONTACTS	3P	4P	5P 180°	5P 240°	5P 360°	6P	7P	8P 270°	8P 262°

ORDERING INFORMATION:

P/N 7 1 62 - x x
 1 2

1. CONNECTOR TYPE:
"62" PLASTIC COVER TYPE WITH
CABLE ENTRY Ø 6MM
2. NO. OF CONTACTS:
"03" 3P
"04" 4P
"05A" 5P, 180°
"05B" 5P, 240°
"06" 6P
"07" 7P
"08A" 8P, 270°
"08B" 8P, 262°

DIN CABLE PLUG METAL SHIELD SCREW LOCKING ASSEMBLY TYPE

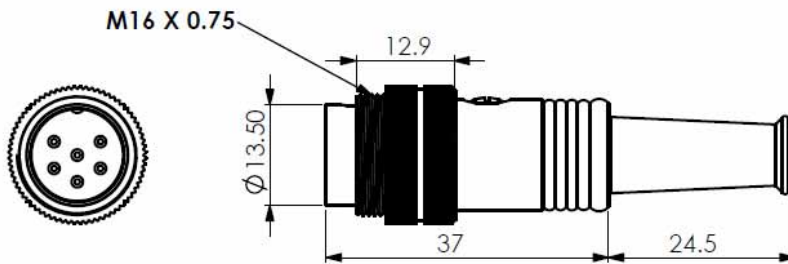
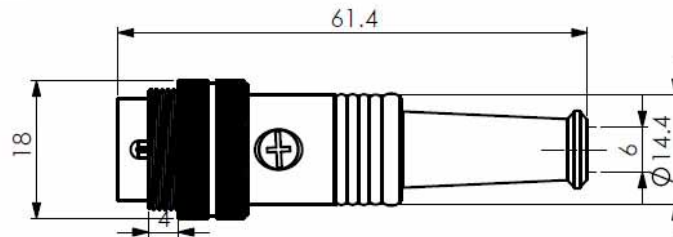


SPECIFICATIONS

1. **Rating** : 100V AC 1A max.
2. **Contact Resistance** :
Pins 30mΩ max.
Shell 50mΩ max.
3. **Insulation Resistance** :
100MΩ at 500V DC min.
4. **Voltage Withstand**:
250V AC for 1 minute

MATERIALS

1. **SHELL COVER**:
NICKEL PLATED
 2. **INSULATOR**: PA66
 3. **CONTACTS**:
BRASS SILVER PLATED
- *RoHS & REACH compliant.



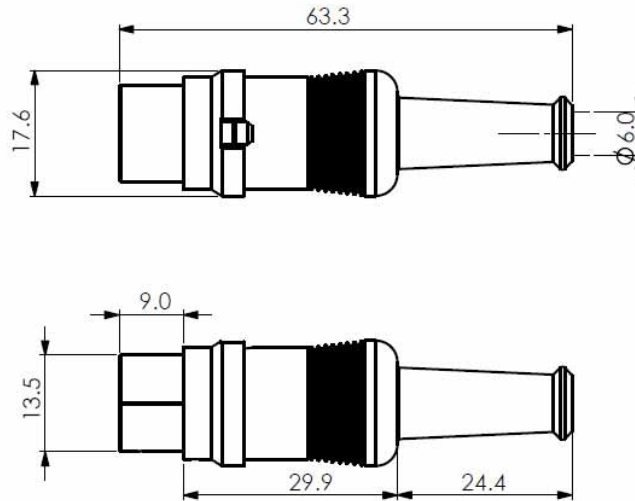
ARRANGEMENT OF CONTACTS									
NO OF CONTACTS	3P	4P	5P 180°	5P 240°	5P 360°	6P	7P	8P 270°	8P 262°

ORDERING INFORMATION:

P/N 7 1 63 - x x
 1 2

1. **CONNECTOR TYPE**:
"63" METAL COVER TYPE WITH
CABLE ENTRY Ø 6MM
2. **NO. OF CONTACTS**:
"03" 3P
"04" 4P
"05A" 5P, 180°
"05B" 5P, 240°
"06" 6P
"07" 7P
"08A" 8P, 270°

DIN CABLE PLUG ASSEMBLY TYPE



SPECIFICATIONS

1. **Rating** : 100V AC 1A max.
2. **Contact Resistance** :
Pins 30mΩ max.
Shell 50mΩ max.
3. **Insulation Resistance** :
100MΩ at 500V DC min.
4. **Voltage Withstand**:
250V AC for 1 minute

MATERIALS

1. **SHELL COVER**: PA66
2. **INSULATOR**: ABS
3. **CONTACTS**:
BRASS SILVER PLATED
*RoHS & REACH compliant.

ARRANGEMENT OF CONTACTS									
NO OF CONTACTS	3P	4P	5P 180°	5P 240°	5P 360°	6P	7P	8P 270°	8P 262°

ORDERING INFORMATION:

P/N 7 1 8 5 - $\frac{x}{1}$ - $\frac{x}{2}$

1. **CONNECTOR TYPE**:
"85" PLASTIC COVER TYPE WITH
CABLE ENTRY Ø 6MM
2. **NO. OF CONTACTS**:
"03" 3P
"04" 4P
"05A" 5P, 180°
"05B" 5P, 240°
"05C" 5P, 360°
"06" 6P
"07" 7P
"08A" 8P, 270°
"08B" 8P, 262°

DIN CABLE PLUG METAL SHIELD PUSH LOCKING ASSEMBLY TYPE

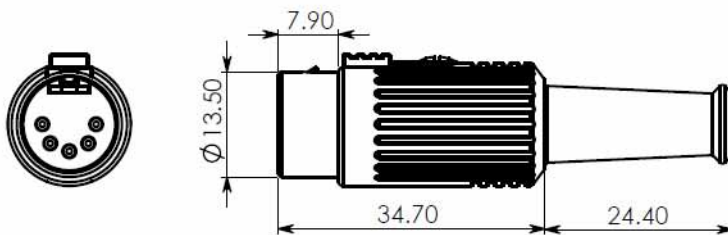
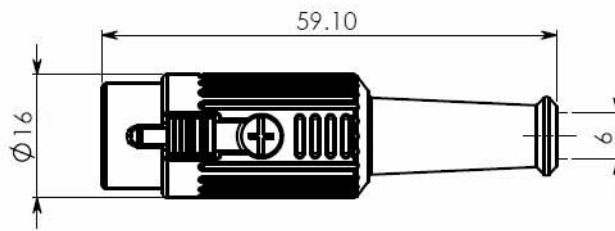


SPECIFICATIONS

1. **Rating** : 100V AC 1A max.
2. **Contact Resistance** :
Pins 30mΩ max.
Shell 50mΩ max.
3. **Insulation Resistance** :
100MΩ at 500V DC min.
4. **Voltage Withstand**:
250V AC for 1 minute

MATERIALS

1. **SHELL COVER**:
ZN ALLOY CHROME PLATED
 2. **INSULATOR**: PA66
 3. **CONTACTS**:
BRASS SILVER PLATED
- *RoHS & REACH compliant.



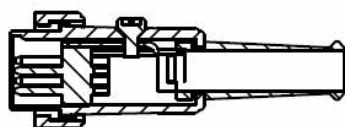
ARRANGEMENT OF CONTACTS									
NO OF CONTACTS	3P	4P	5P 180°	5P 240°	5P 360°	6P	7P	8P 270°	8P 262°

ORDERING INFORMATION:

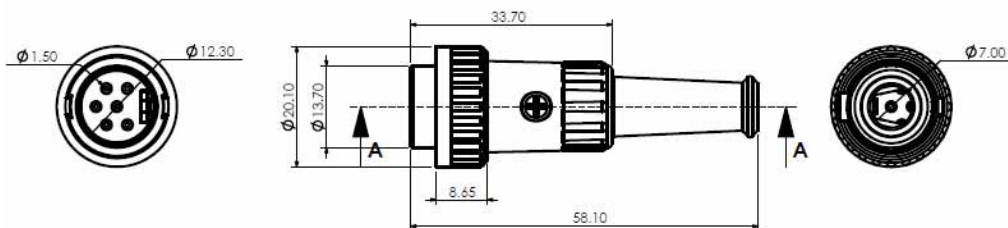
P/N 7 1 PB - xx
 1 2

1. CONNECTOR TYPE:
"PB" BLACK METAL COVER TYPE
WITH CABLE ENTRY Ø 6MM
2. NO. OF CONTACTS:
"03" 3P
"04" 4P
"05A" 5P, 180°
"05B" 5P, 240°
"06" 6P
"07" 7P
"08A" 8P, 270°
"08B" 8P, 262°

DIN CABLE PLUG METAL SHIELD BAYONET LOCKING ASSEMBLY TYPE



SECTION A-A



SPECIFICATIONS

1. **Rating :** 100V AC 1A max.
2. **Contact Resistance :**
Pins 30mΩ max.
Shell 50mΩ max.
3. **Insulation Resistance :**
100MΩ at 500V DC min.
4. **Voltage Withstand:**
250V AC for 1 minute

MATERIALS

1. **SHELL COVER:**
ZN ALLOY CHROME PLATED
 2. **INSULATOR: PA66**
 3. **CONTACTS:**
BRASS SILVER PLATED
- *RoHS & REACH compliant.

ARRANGEMENT OF CONTACTS									
NO OF CONTACTS	3P	4P	5P 180°	5P 240°	5P 360°	6P	7P	8P 270°	8P 262°

ORDERING INFORMATION:

P/N 7 1 $\frac{PC}{1}$ - $\frac{XX}{2}$

1. CONNECTOR TYPE:
"PC" BLACK METAL COVER TYPE
WITH CABLE ENTRY Ø 7MM
2. NO. OF CONTACTS:
"03" 3P
"04" 4P
"05A" 5P, 180°
"05B" 5P, 240°
"06" 6P
"07" 7P
"08A" 8P, 270°
"08B" 8P, 262°

DIN CABLE PLUG METAL SHIELD ASSEMBLY TYPE

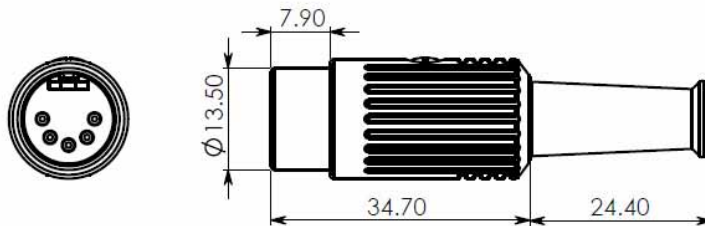
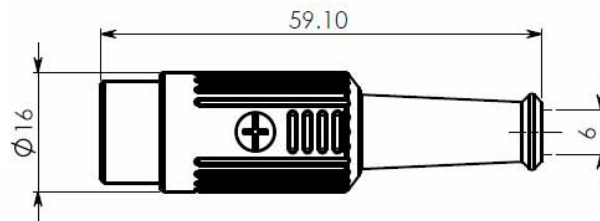


SPECIFICATIONS

1. **Rating** : 100V AC 1A max.
2. **Contact Resistance** :
Pins 30mΩ max.
Shell 50mΩ max.
3. **Insulation Resistance** :
100MΩ at 500V DC min.
4. **Voltage Withstand**:
250V AC for 1 minute

MATERIALS

1. **SHELL COVER**:
ZN ALLOY CHROME PLATED
2. **INSULATOR**: PA66
3. **CONTACTS**:
BRASS SILVER PLATED
*RoHS & REACH compliant.



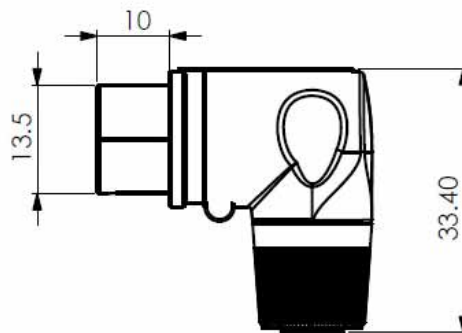
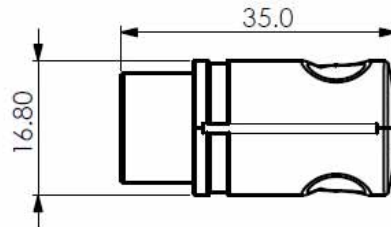
ARRANGEMENT OF CONTACTS									
NO OF CONTACTS	3P	4P	5P 180°	5P 240°	5P 360°	6P	7P	8P 270°	8P 262°

ORDERING INFORMATION:

P/N 7 1 PD - X X
1 2

1. CONNECTOR TYPE:
"PD" BLACK METAL COVER TYPE
WITH CABLE ENTRY Ø 6MM
2. NO. OF CONTACTS:
"03" 3P
"04" 4P
"05A" 5P, 180°
"05B" 5P, 240°
"06" 6P
"07" 7P
"08A" 8P, 270°
"08B" 8P, 262°

DIN CABLE PLUG RIGHT ANGLE ASSEMBLY TYPE



SPECIFICATIONS

1. Rating : 100V AC 1A max.
2. Contact Resistance :
Pins 30mΩ max.
Shell 50mΩ max.
3. Insulation Resistance :
100MΩ at 500V DC min.
4. Voltage Withstand:
250V AC for 1 minute

MATERIALS

1. SHELL COVER: PA66
 2. INSULATOR: ABS
 3. CONTACTS:
BRASS SILVER PLATED
- *RoHS & REACH compliant.

ARRANGEMENT OF CONTACTS									
NO OF CONTACTS	3P	4P	5P 180°	5P 240°	5P 360°	6P	7P	8P 270°	8P 262°

ORDERING INFORMATION:

P/N 7 1 $\frac{PA}{1}$ - $\frac{XX}{2}$

1. CONNECTOR TYPE:
"PA" PLASTIC COVER TYPE
2. NO. OF CONTACTS:
"03" 3P
"04" 4P
"05A" 5P, 180°
"05B" 5P, 240°
"05C" 5P, 360°
"06" 6P
"07" 7P
"08A" 8P, 270°
"08B" 8P, 262°

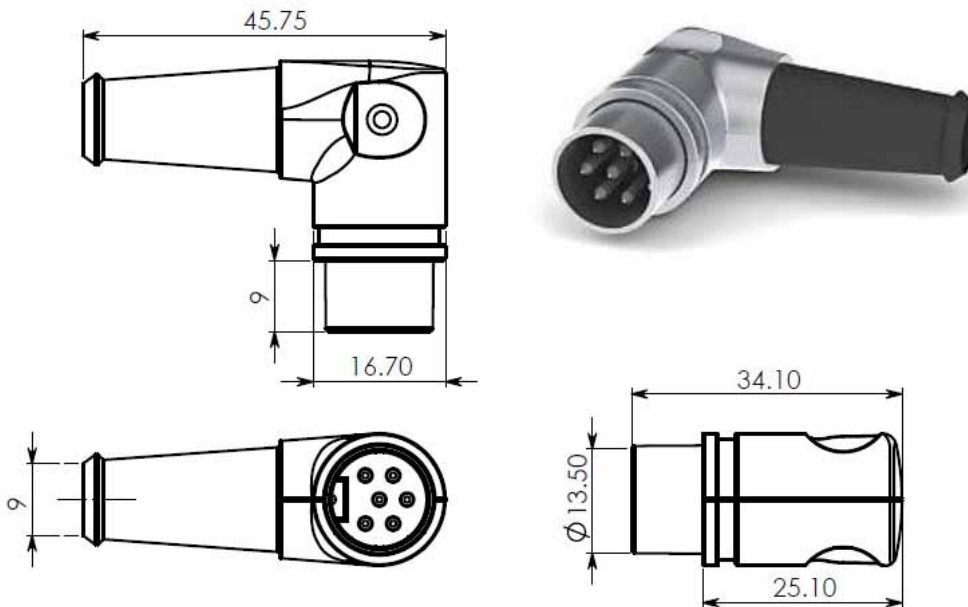
DIN CABLE PLUG R/A METAL SHIELD ASSEMBLY TYPE

SPECIFICATIONS

1. **Rating :** 100V AC 1A max.
2. **Contact Resistance :**
Pins 30mΩ max.
Shell 50mΩ max.
3. **Insulation Resistance :**
100MΩ at 500V DC min.
4. **Voltage Withstand:**
250V AC for 1 minute

MATERIALS

1. **SHELL COVER:**
ZN ALLOY NICKEL PLATED
 2. **INSULATOR:** PA66
 3. **CONTACTS:**
BRASS SILVER PLATED
- *RoHS & REACH compliant.



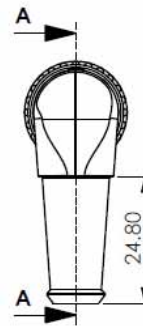
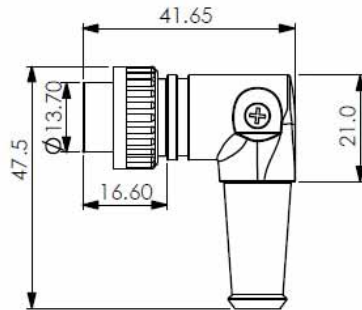
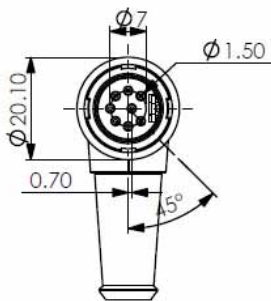
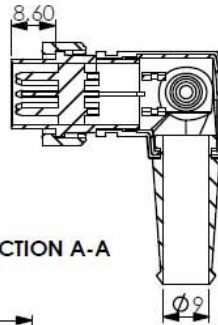
ARRANGEMENT OF CONTACTS									
NO OF CONTACTS	3P	4P	5P 180°	5P 240°	5P 360°	6P	7P	8P 270°	8P 262°

ORDERING INFORMATION:

P/N 7 1 6 1 - x x
 1 2

1. CONNECTOR TYPE:
"61" METAL COVER TYPE WITH
CABLE ENTRY Ø 9MM
2. NO. OF CONTACTS:
"03" 3P
"04" 4P
"05A" 5P, 180°
"05B" 5P, 240°
"06" 6P
"07" 7P
"08A" 8P, 270°

DIN CABLE PLUG R/A METAL SHIELD BAYONET LOCKING ASSEMBLY TYPE



SPECIFICATIONS

1. Rating : 100V AC 1A max.
2. Contact Resistance :
Pins 30m Ω max.
Shell 50m Ω max.
3. Insulation Resistance :
100M Ω at 500V DC min.
4. Voltage Withstand:
250V AC for 1 minute

MATERIALS

1. SHELL COVER:
ZN ALLOY NICKEL PLATED
 2. INSULATOR: PA66
 3. CONTACTS:
BRASS SILVER PLATED
- *RoHS & REACH compliant.

ARRANGEMENT OF CONTACTS									
NO OF CONTACTS	3P	4P	5P 180°	5P 240°	5P 360°	6P	7P	8P 270°	8P 262°

ORDERING INFORMATION:

P/N 7 1 8 3 - $\frac{x}{1}$ $\frac{x}{2}$

1. CONNECTOR TYPE:
"83" METAL COVER TYPE WITH
CABLE ENTRY ϕ 9MM
2. NO. OF CONTACTS:
"03" 3P
"04" 4P
"05A" 5P, 180°
"05B" 5P, 240°
"06" 6P
"07" 7P
"08A" 8P, 270°
"08B" 8P, 262°

DIN CABLE PLUG IP40 RATED SCREW LOCKING TYPE

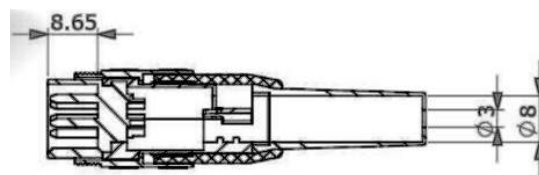


SPECIFICATIONS

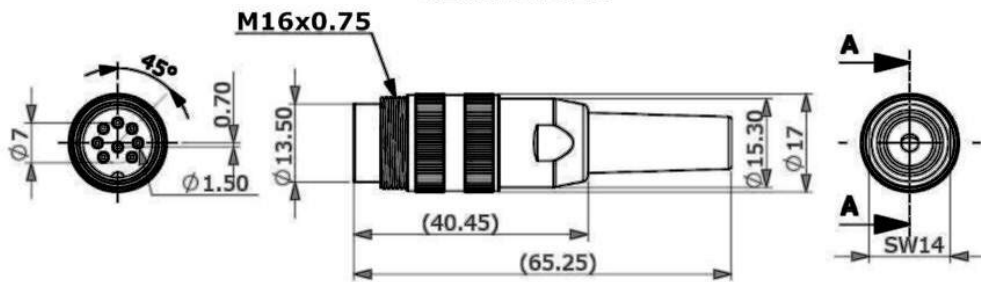
1. **Rating** : 100V AC 1A max.
2. **Contact Resistance** :
Pins 30mΩ max.
Shell 50mΩ max.
3. **Insulation Resistance** :
100MΩ at 500V DC min.
4. **Voltage Withstand**:
250V AC for 1 minute

MATERIALS

1. **SHELL COVER**:
ZN ALLOY NICKEL PLATED
 2. **INSULATOR**: PA66
 3. **CONTACTS**:
BRASS SILVER PLATED
- *RoHS & REACH compliant.



SECTION A-A



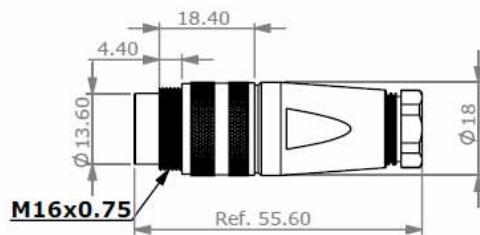
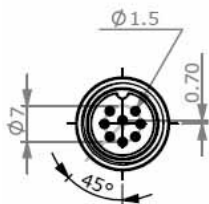
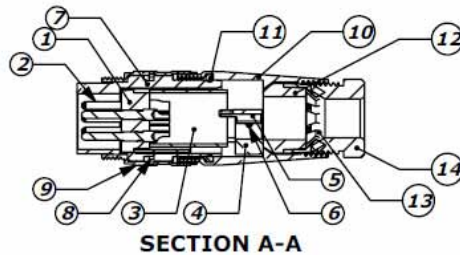
ARRANGEMENT OF CONTACTS									
NO OF CONTACTS	3P	4P	5P 180°	5P 240°	5P 360°	6P	7P	8P 270°	8P 262°

ORDERING INFORMATION:

P/N 7 1 PE - xx
1 2

1. **CONNECTOR TYPE**:
"PE" WATER PROOF IP40 RATED
WITH CABLE ENTRY Ø 8MM
2. **NO. OF CONTACTS**:
"03" 3P
"04" 4P
"05A" 5P, 180°
"05B" 5P, 240°
"06" 6P
"07" 7P
"08A" 8P, 270°

DIN CABLE PLUG IP67 RATED SCREW LOCKING TYPE



SPECIFICATIONS

1. Rating : 100V AC 1A max.
2. Contact Resistance :
Pins 30mΩ max.
Shell 50mΩ max.
3. Insulation Resistance :
100MΩ at 500V DC min.
4. Voltage Withstand:
250V AC for 1 minute

MATERIALS

1. SHELL COVER:
ZN ALLOY NICKEL PLATED
 2. INSULATOR: PA66
 3. CONTACTS:
BRASS COLD PLATED
- *RoHS & REACH compliant.

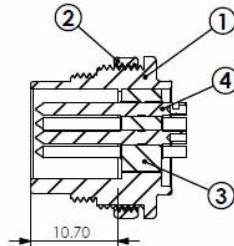
ARRANGEMENT OF CONTACTS									
NO OF CONTACTS	3P	4P	5P 180°	5P 240°	5P 360°	6P	7P	8P 270°	8P 262°

ORDERING INFORMATION:

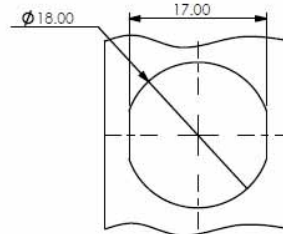
P/N 71 PF - XX
 1 2

1. CONNECTOR TYPE:
"PF" WATER PROOF IP67 RATED
WITH CABLE ENTRY Ø 7.5MM
2. NO. OF CONTACTS:
"03" 3P
"04" 4P
"05A" 5P, 180°
"05B" 5P, 240°
"06" 6P
"07" 7P
"08A" 8P, 270°

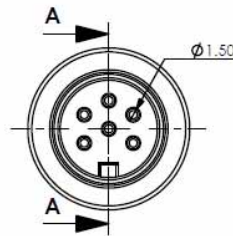
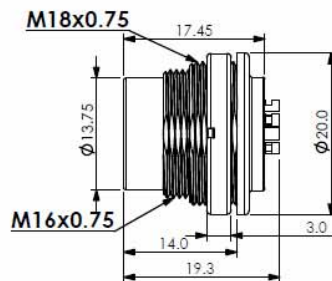
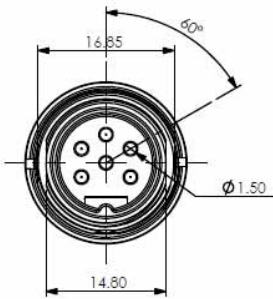
DIN PLUG PANEL MOUNT SCREW LOCKING TYPE (1)



SECTION A-A



THROUGH HOLE



SPECIFICATIONS

1. Rating : 100V AC 1A max.
2. Contact Resistance :
Pins 30mΩ max.
Shell 50mΩ max.
3. Insulation Resistance :
100MΩ at 500V DC min.
4. Voltage Withstand:
250V AC for 1 minute

MATERIALS

1. SHELL COVER:
ZN ALLOY NICKEL PLATED
 2. INSULATOR: PA66 + GF
 3. CONTACTS:
BRASS SILVER PLATED
- *RoHS & REACH compliant.

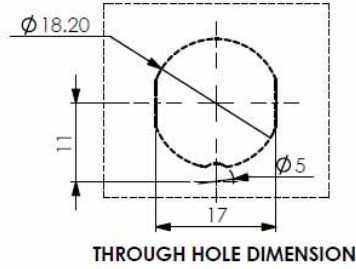
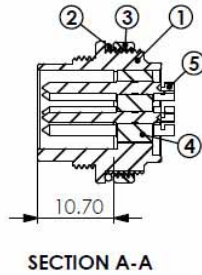
ARRANGEMENT OF CONTACTS									
NO OF CONTACTS	3P	4P	5P 180°	5P 240°	5P 360°	6P	7P	8P 270°	8P 262°

ORDERING INFORMATION:

P/N 7 1 PG - x x
 1 2

1. CONNECTOR TYPE:
"PG" METAL COVER TYPE
2. NO. OF CONTACTS:
"03" 3P
"04" 4P
"05A" 5P, 180°
"05B" 5P, 240°
"06" 6P
"07" 7P
"08A" 8P, 270°

DIN PLUG PANEL MOUNT SCREW LOCKING TYPE (2)



SPECIFICATIONS

1. Rating : 100V AC 1A max.

2. Contact Resistance :

Pins 30mΩ max.

Shell 50mΩ max.

3. Insulation Resistance :

100MΩ at 500V DC min.

4. Voltage Withstand:

250V AC for 1 minute

MATERIALS

1. SHELL COVER:

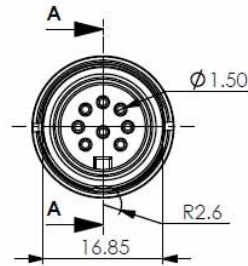
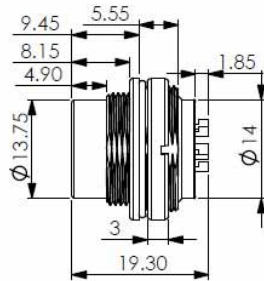
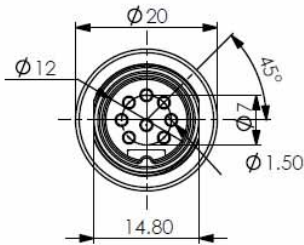
ZN ALLOY NICKEL PLATED

2. INSULATOR: PA66+GF

3. CONTACTS:

BRASS SILVER PLATED

*RoHS & REACH compliant.



ARRANGEMENT OF CONTACTS									
NO OF CONTACTS	3P	4P	5P 180°	5P 240°	5P 360°	6P	7P	8P 270°	8P 262°

ORDERING INFORMATION:

P/N 7 1 $\frac{PH}{1}$ - $\frac{xx}{2}$

1. CONNECTOR TYPE:

"PH" METAL COVER TYPE

2. NO. OF CONTACTS:

"03" 3P

"04" 4P

"05A" 5P, 180°

"05B" 5P, 240°

"06" 6P

"07" 7P

"08A" 8P, 270°

DIN CABLE JACK ASSEMBLY TYPE

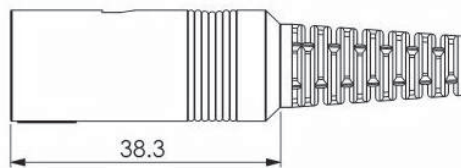
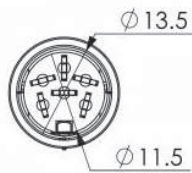
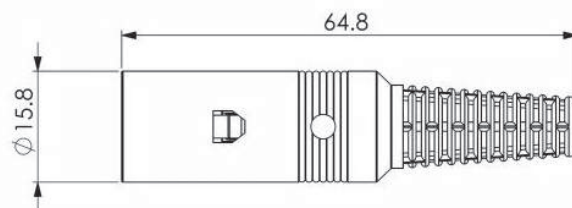


SPECIFICATIONS

1. **Rating :** 100V AC 1A max.
2. **Contact Resistance :**
Pins 30mΩ max.
Shell 50mΩ max.
3. **Insulation Resistance :**
100MΩ at 500V DC min.
4. **Voltage Withstand:**
250V AC for 1 minute

MATERIALS

1. **SHELL COVER:** EVA+LLDPE
 2. **INSULATOR:** ABS
 3. **CONTACTS:**
BRASS SILVER PLATED
- *RoHS & REACH compliant.



ARRANGEMENT OF CONTACTS									
NO OF CONTACTS	3P	4P	5P 180°	5P 240°	5P 360°	6P	7P	8P 270°	8P 262°

ORDERING INFORMATION:

P/N 7 1 $\frac{21}{1}$ - $\frac{xx}{2}$

1. CONNECTOR TYPE:
"21" PLASTIC COVER TYPE WITH
CABLE ENTRY Ø 6MM
2. NO. OF CONTACTS:
"03" 3P
"04" 4P
"05A" 5P, 180°
"05B" 5P, 240°
"06" 6P
"07" 7P
"08A" 8P, 270°
"08B" 8P, 262°

DIN CABLE JACK PUSH LOCKING ASSEMBLY TYPE

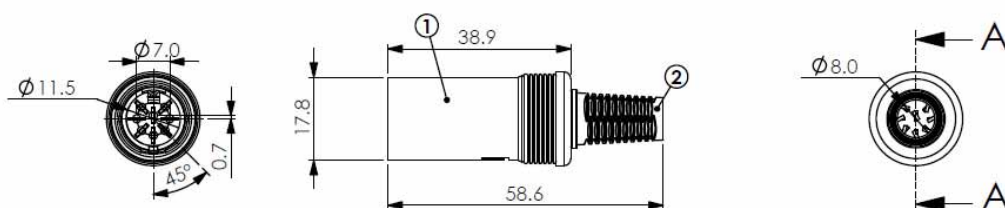
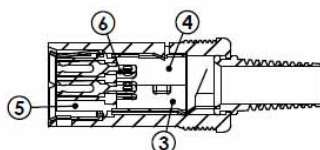


SPECIFICATIONS

1. **Rating** : 100V AC 1A max.
2. **Contact Resistance** :
Pins 30mΩ max.
Shell 50mΩ max.
3. **Insulation Resistance** :
100MΩ at 500V DC min.
4. **Voltage Withstand**:
250V AC for 1 minute

MATERIALS

1. **SHELL COVER**: PA66
 2. **INSULATOR**: ABS
 3. **CONTACTS**:
BRASS SILVER PLATED
- *RoHS & REACH compliant.



ARRANGEMENT OF CONTACTS									
NO OF CONTACTS	3P	4P	5P 180°	5P 240°	5P 360°	6P	7P	8P 270°	8P 262°

ORDERING INFORMATION:

P/N 7 1 $\frac{JA}{1} - \frac{xx}{2}$

1. **CONNECTOR TYPE**:
"JA" PLASTIC COVER TYPE WITH
CABLE ENTRY Ø 8MM
2. **NO. OF CONTACTS**:
"03" 3P
"04" 4P
"05A" 5P, 180°
"05B" 5P, 240°
"06" 6P
"07" 7P
"08A" 8P, 270°

DIN CABLE JACK METAL SHIELD ASSEMBLY TYPE

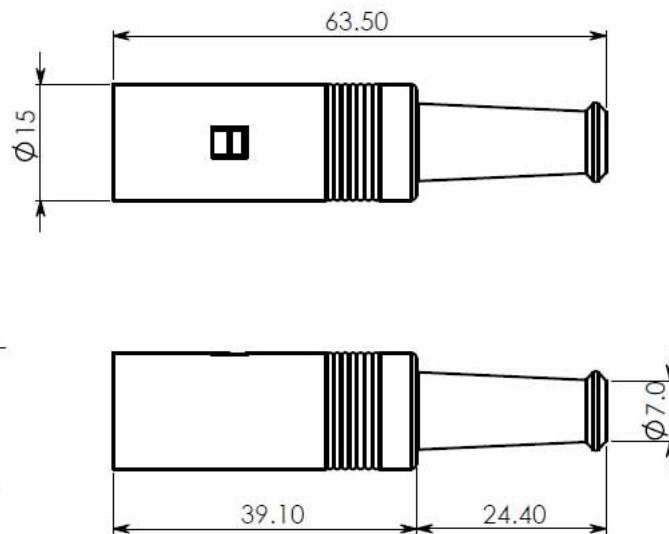


SPECIFICATIONS

1. **Rating :** 100V AC 1A max.
2. **Contact Resistance :**
 Pins 30mΩ max.
 Shell 50mΩ max.
3. **Insulation Resistance :**
 100MΩ at 500V DC min.
4. **Voltage Withstand:**
 250V AC for 1 minute

MATERIALS

1. **SHELL COVER:**
 NICKEL PLATED
 2. **INSULATOR:** ABS
 3. **CONTACTS:**
 BRASS SILVER PLATED
- *RoHS & REACH compliant.



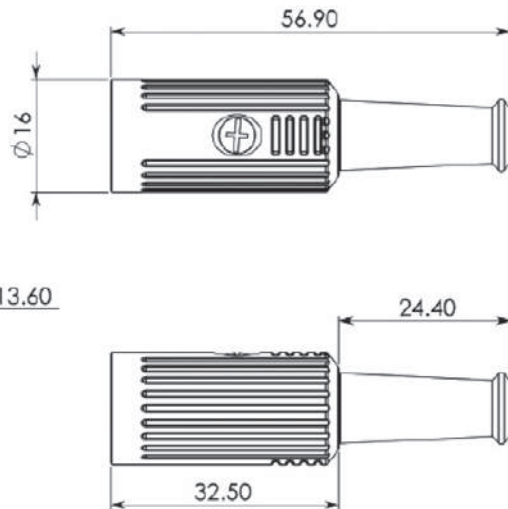
ARRANGEMENT OF CONTACTS									
NO OF CONTACTS	3P	4P	5P 180°	5P 240°	5P 360°	6P	7P	8P 270°	8P 262°

ORDERING INFORMATION:

P/N 7 1 22C - xx
 1 2

1. CONNECTOR TYPE:
 "22C" METAL COVER TYPE WITH
 CABLE ENTRY Ø 7MM
2. NO. OF CONTACTS:
 "03" 3P
 "04" 4P
 "05A" 5P, 180°
 "05B" 5P, 240°
 "06" 6P
 "07" 7P
 "08A" 8P, 270°
 "08B" 8P, 262°

DIN CABLE JACK METAL SHIELD ASSEMBLY TYPE






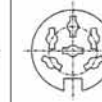

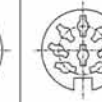
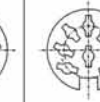


SPECIFICATIONS

1. **Rating :** 100V AC 1A max.
2. **Contact Resistance :**
Pins 30mΩ max.
Shell 50mΩ max.
3. **Insulation Resistance :**
100MΩ at 500V DC min.
4. **Voltage Withstand:**
250V AC for 1 minute

MATERIALS

1. **SHELL COVER:**
Zn ALLOY NICKEL PLATED
2. **INSULATOR:** PA66
3. **CONTACTS:**
BRASS SILVER PLATED
*RoHS & REACH compliant.

ARRANGEMENT OF CONTACTS									
NO OF CONTACTS	3P	4P	5P 180°	5P 240°	5P 360°	6P	7P	8P 270°	8P 262°

ORDERING INFORMATION:

P/N 7 1 24S - x/2

1. CONNECTOR TYPE:
"24S" METAL COVER TYPE WITH
CABLE ENTRY Ø 7MM
2. NO. OF CONTACTS:
"03" 3P
"04" 4P
"05A" 5P, 180°
"05B" 5P, 240°
"06" 6P
"07" 7P
"08A" 8P, 270°

DIN CABLE JACK METAL SHIELD BAYONET LOCKING ASSEMBLY TYPE

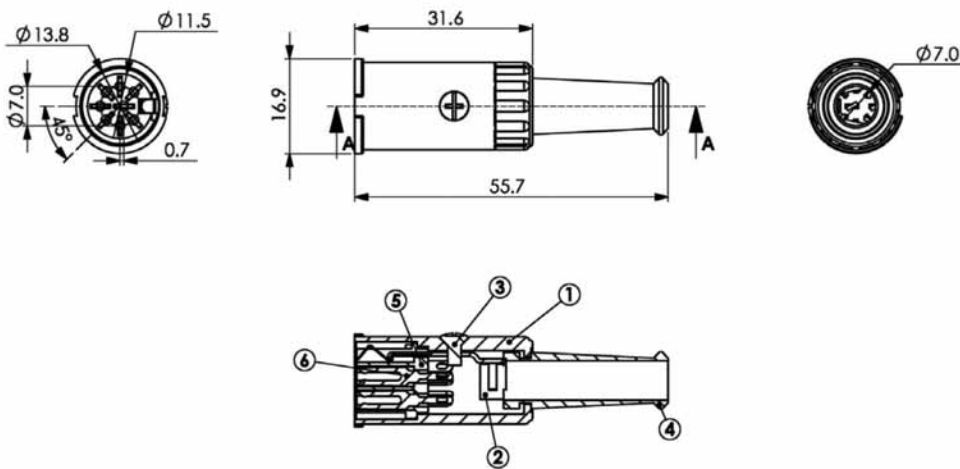


SPECIFICATIONS

1. **Rating :** 100V AC 1A max.
2. **Contact Resistance :**
Pins 30mΩ max.
Shell 50mΩ max.
3. **Insulation Resistance :**
100MΩ at 500V DC min.
4. **Voltage Withstand:**
250V AC for 1 minute

MATERIALS

1. **SHELL COVER:**
Zn ALLOY NICKEL PLATED
 2. **INSULATOR:** PA66
 3. **CONTACTS:**
BRASS SILVER PLATED
- *RoHS & REACH compliant.



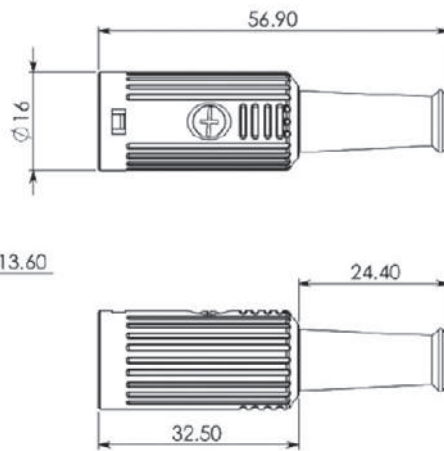
ARRANGEMENT OF CONTACTS									
NO OF CONTACTS	3P	4P	5P 180°	5P 240°	5P 360°	6P	7P	8P 270°	8P 262°

ORDERING INFORMATION:

P/N 7 1 $\frac{25}{1}$ - $\frac{x x}{2}$

1. CONNECTOR TYPE:
"25" METAL COVER TYPE WITH
CABLE ENTRY Ø 7MM
2. NO. OF CONTACTS:
"03" 3P
"04" 4P
"05A" 5P, 180°
"05B" 5P, 240°
"06" 6P
"07" 7P
"08A" 8P, 270°

DIN CABLE JACK METAL SHIELD PUSH LOCKING ASSEMBLY TYPE



SPECIFICATIONS

1. **Rating :** 100V AC 1A max.
2. **Contact Resistance :**
Pins 30mΩ max.
Shell 50mΩ max.
3. **Insulation Resistance :**
100MΩ at 500V DC min.
4. **Voltage Withstand:**
250V AC for 1 minute

MATERIALS

1. **SHELL COVER:**
Zn ALLOY NICKEL PLATED
 2. **INSULATOR:** PA66
 3. **CONTACTS:**
BRASS SILVER PLATED
- *RoHS & REACH compliant.

ARRANGEMENT OF CONTACTS									
NO OF CONTACTS	3P	4P	5P 180°	5P 240°	5P 360°	6P	7P	8P 270°	8P 262°

ORDERING INFORMATION:

P/N 7 1 49 - xx
 1 2

1. CONNECTOR TYPE:
"49" METAL COVER TYPE WITH
CABLE ENTRY Ø 7MM
2. NO. OF CONTACTS:
"03" 3P
"04" 4P
"05A" 5P, 180°
"05B" 5P, 240°
"06" 6P
"07" 7P
"08A" 8P, 270°

DIN CABLE JACK METAL SHIELD PUSH LOCKING ASSEMBLY TYPE

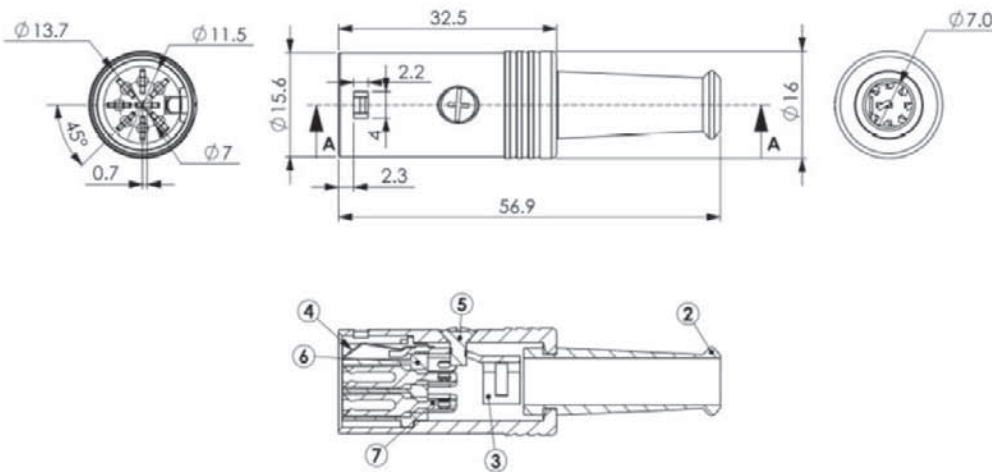


SPECIFICATIONS

1. **Rating :** 100V AC 1A max.
2. **Contact Resistance :**
Pins 30mΩ max.
Shell 50mΩ max.
3. **Insulation Resistance :**
100MΩ at 500V DC min.
4. **Voltage Withstand:**
250V AC for 1 minute

MATERIALS

1. **SHELL COVER:**
NICKEL PLATED
2. **INSULATOR:** ABS
3. **CONTACTS:**
BRASS SILVER PLATED
*RoHS & REACH compliant.



ARRANGEMENT OF CONTACTS									
NO OF CONTACTS	3P	4P	5P 180°	5P 240°	5P 360°	6P	7P	8P 270°	8P 262°

ORDERING INFORMATION:

P/N 7 1 $\frac{JB}{1} - \frac{xx}{2}$

1. **CONNECTOR TYPE:**
"JB" METAL COVER TYPE WITH
CABLE ENTRY Ø 7MM
2. **NO. OF CONTACTS:**
"03" 3P
"04" 4P
"05A" 5P, 180°
"05B" 5P, 240°
"06" 6P
"07" 7P
"08A" 8P, 270°
"08B" 8P, 262°

DIN CABLE JACK METAL SHIELD PUSH LOCKING ASSEMBLY TYPE

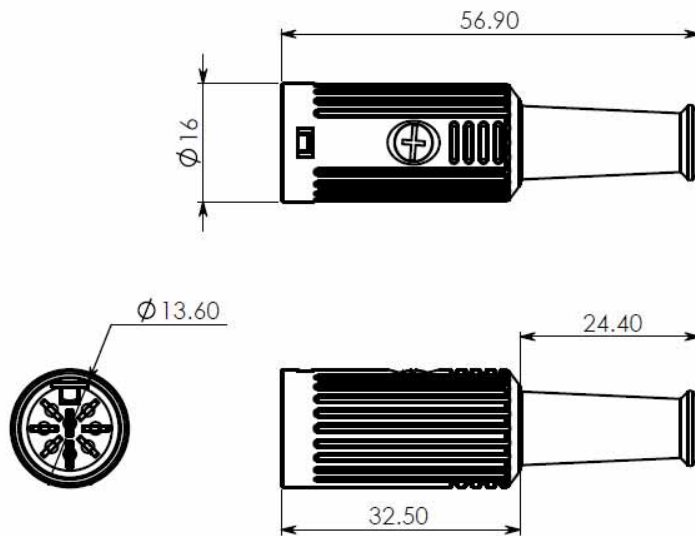


SPECIFICATIONS

1. **Rating :** 100V AC 1A max.
2. **Contact Resistance :**
Pins 30mΩ max.
Shell 50mΩ max.
3. **Insulation Resistance :**
100MΩ at 500V DC min.
4. **Voltage Withstand:**
250V AC for 1 minute

MATERIALS

1. **SHELL COVER:**
ZN ALLOY CHROME PLATED
2. **INSULATOR:** PA66
3. **CONTACTS:**
BRASS SILVER PLATED
*RoHS & REACH compliant.



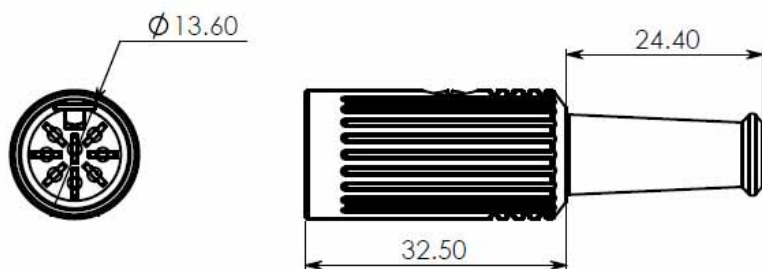
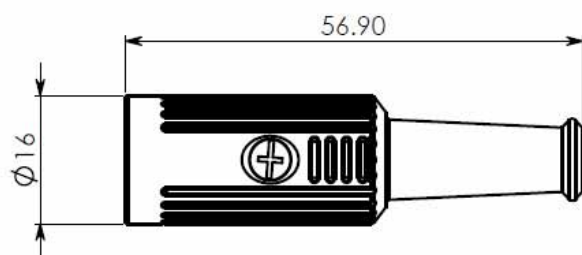
ARRANGEMENT OF CONTACTS									
NO OF CONTACTS	3P	4P	5P 180°	5P 240°	5P 360°	6P	7P	8P 270°	8P 262°

ORDERING INFORMATION:

P/N 71 $\frac{JC}{1} - \frac{xx}{2}$

1. CONNECTOR TYPE:
"JC" BLACK METAL COVER TYPE
2. NO. OF CONTACTS:
"03" 3P
"04" 4P
"05A" 5P, 180°
"05B" 5P, 240°
"06" 6P
"07" 7P
"08A" 8P, 270°

DIN CABLE JACK METAL SHIELD ASSEMBLY TYPE



SPECIFICATIONS

1. **Rating** : 100V AC 1A max.

2. **Contact Resistance** :

Pins 30mΩ max.

Shell 50mΩ max.

3. **Insulation Resistance** :

100MΩ at 500V DC min.

4. **Voltage Withstand**:

250V AC for 1 minute

MATERIALS

1. **SHELL COVER**:

ZN ALLOY CHROME PLATED

2. **INSULATOR**: PA66

3. **CONTACTS**:

BRASS SILVER PLATED

*RoHS & REACH compliant.

ARRANGEMENT OF CONTACTS									
NO OF CONTACTS	3P	4P	5P 180°	5P 240°	5P 360°	6P	7P	8P 270°	8P 262°

ORDERING INFORMATION:

P/N 71 JD - xx
1 2

1. CONNECTOR TYPE:

"JD" BLACK METAL COVER TYPE

2. NO. OF CONTACTS:

"03" 3P

"04" 4P

"05A" 5P, 180°

"05B" 5P, 240°

"06" 6P

"07" 7P

"08A" 8P, 270°

DIN CABLE JACK METAL SHIELD SCREW LOCKING ASSEMBLY TYPE

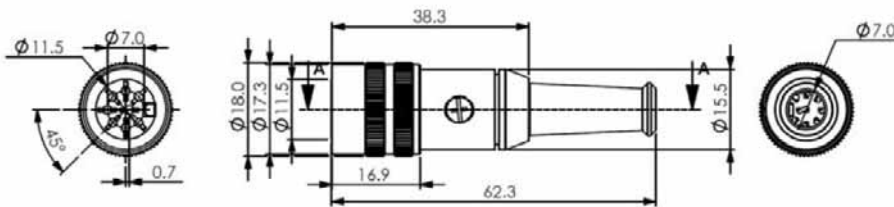
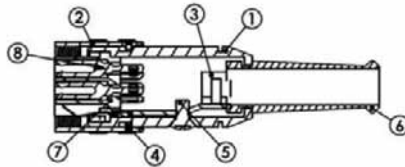


SPECIFICATIONS

1. **Rating** : 100V AC 1A max.
2. **Contact Resistance** :
 Pins 30mΩ max.
 Shell 50mΩ max.
3. **Insulation Resistance** :
 100MΩ at 500V DC min.
4. **Voltage Withstand**:
 250V AC for 1 minute

MATERIALS

1. **SHELL COVER**:
 NICKEL PLATED
 2. **INSULATOR**: PA66
 3. **CONTACTS**:
 BRASS SILVER PLATED
- *RoHS & REACH compliant.



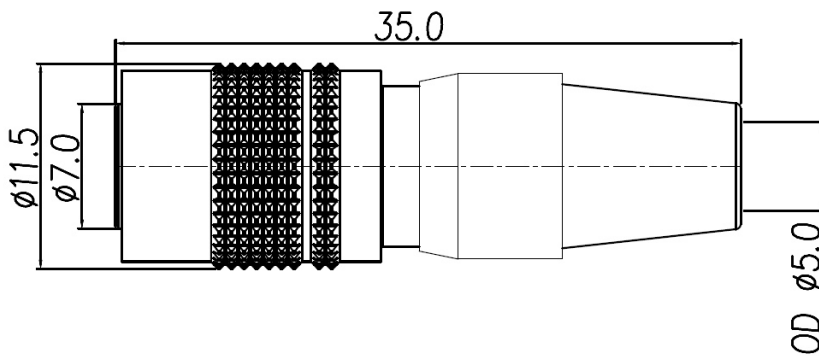
ARRANGEMENT OF CONTACTS									
NO OF CONTACTS	3P	4P	5P 180°	5P 240°	5P 360°	6P	7P	8P 270°	8P 262°

ORDERING INFORMATION:

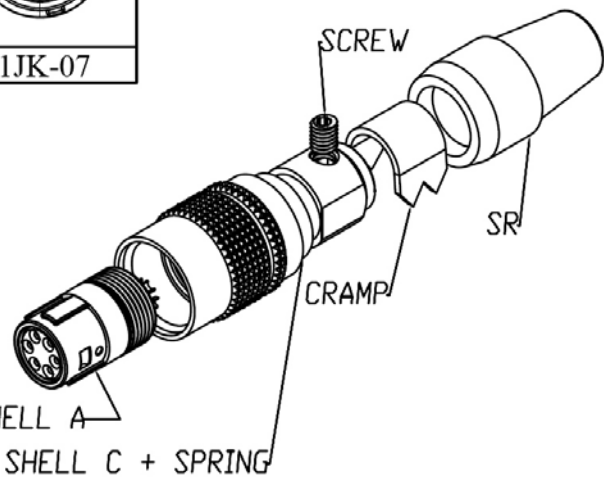
P/N 71 JE - xx
1 2

1. CONNECTOR TYPE:
 "JE" METAL COVER TYPE WITH
 CABLE ENTRY Ø 7MM
2. NO. OF CONTACTS:
 "03" 3P
 "04" 4P
 "05A" 5P, 180°
 "05B" 5P, 240°
 "06" 6P
 "07" 7P
 "08A" 8P, 270°

DIN JACK CABLE ASSEMBLY TYPE



CONTACT ARRANGEMENT(FRONT VIEW)			
71JK-04	71JK-05	71JK-06	71JK-07



SPECIFICATIONS

- Rating:** 100VAC 1A (max.)
12VDC 2A (max.)
- Dielectric Withstanding Voltage:** 500VAC, 60Hz for 1 minute
- Insulation Resistance (Initial):** 100MΩ (min.) at 500VDC
- Contact Resistance (Initial):** 30mΩ (max.) at AC 100mA (max.) 1 KHz
- Insertion & Extraction Force:**
Initial : 4.5kgs. (max.)
Extraction Force: 0.9 to 3.0kgs

MATERIALS

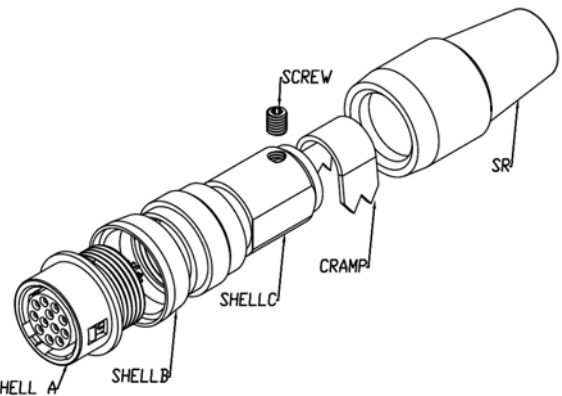
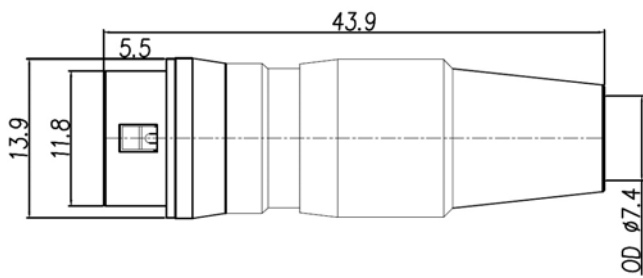
- Housing:** Nylon46, UL94V-0
 - Contact:** Brass; Gold Plated
 - Shell:** Zinc Alloy or Brass;
Nickel or Stain Nickel Plated
 - Screw:** Steel Alloy; Nickel Plated
- *RoHS & REACH compliant.

ORDERING INFORMATION:

P/N 71JK - $\frac{xx}{T}$

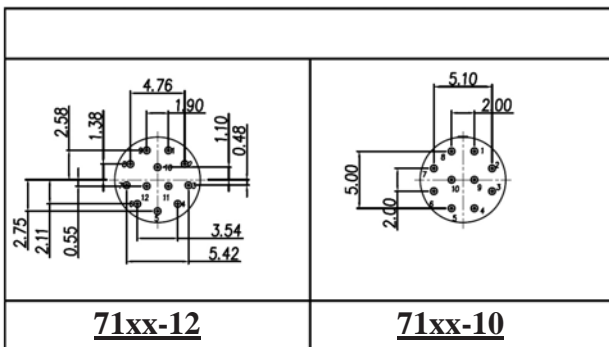
1. NO. OF CONTACTS:
04, 05, 06, 07

DIN JACK ASSEMBLED WIRE TYPE



HOUSING + CONTACT + SHELL A

71JL-xx

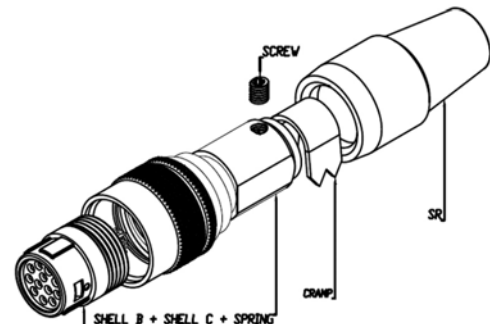
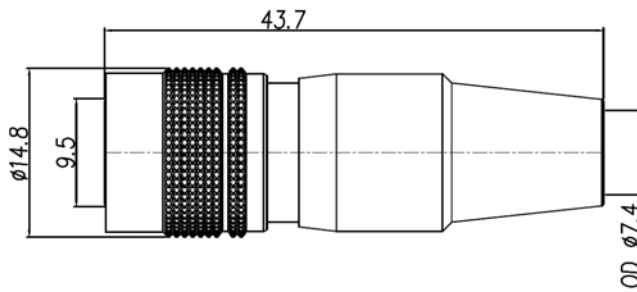


SPECIFICATIONS

- Rating:** 100VAC 1A (max.)
12VDC 2A (max.)
- Dielectric Withstanding Voltage:**
500VAC, 60Hz for 1 minute
- Insulation Resistance (Initial):**
100MΩ (min.) at 500VDC
- Contact Resistance (Initial):**
30mΩ (max.) at AC 100mA (max.) 1 KHz
- Insertion & Extraction Force:**
Initial : 4.5kgs. (max.)
Extraction Force: 0.9 to 3.0kgs

MATERIALS

- Housing:** Nylon46, UL94V-0
 - Contact:** Brass; Gold Plated
 - Shell:** Zinc Alloy or Brass;
Nickel or Stain Nickel Plated
 - Screw:** Steel Alloy; Nickel Plated
- *RoHS & REACH compliant.



HOUSING + CONTACT + SHELL A

71JM-xx

ORDERING INFORMATION:

P/N 71 $\frac{xx}{1} - \frac{xx}{2}$

- JACK TYPE:
"JL" TYPE 1
"JM" TYPE 2
- NO. OF CONTACTS:
10, 12

DIN JACK ASSEMBLED WIRE TYPE

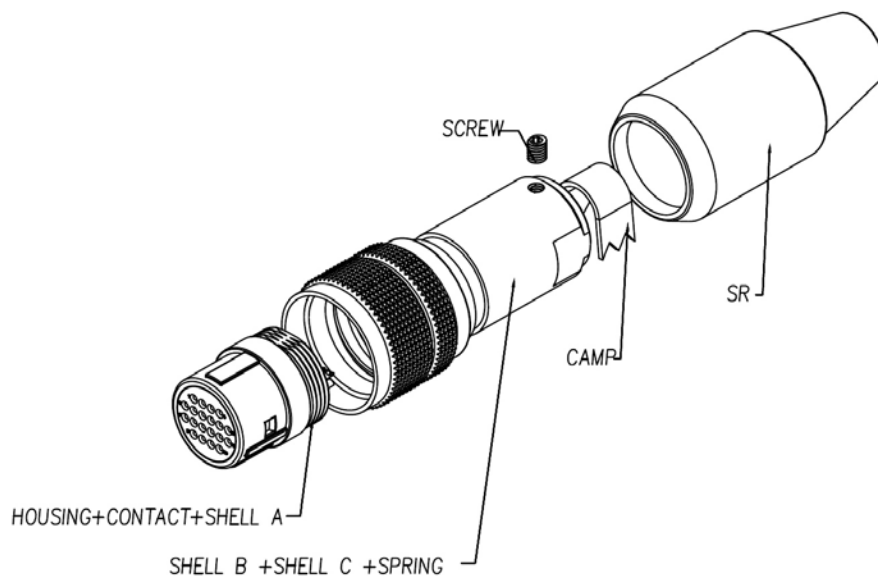
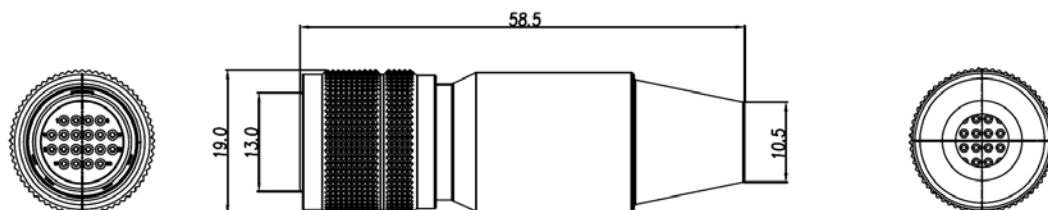


SPECIFICATIONS

- 1. Rating:** 100VAC 1A (max.)
12VDC 2A (max.)
- 2. Dielectric Withstanding Voltage:**
500VAC, 60Hz for 1 minute
- 3. Insulation Resistance (Initial):**
100M Ω (min.) at 500VDC
- 4. Contact Resistance (Initial):**
30m Ω (max.) at AC 100mA (max.) 1 KHz
- 5. Insertion & Extraction Force:**
Initial : 4.5kgs. (max.)
Extraction Force: 0.9 to 3.0kgs

MATERIALS

- 1. Housing:** Nylon46, UL94V-0
 - 2. Contact:** Brass; Gold Plated
 - 3. Shell:** Zinc Alloy or Brass;
Nickel or Stain Nickel Plated
 - 4. Screw:** Steel Alloy; Nickel Plated
- *RoHS & REACH compliant.**



ORDERING INFORMATION:

P/N 71JN - $\frac{20}{T}$

1. NO. OF CONTACTS:
20

DIN CABLE JACK IP40 RATED SCREW LOCKING TYPE

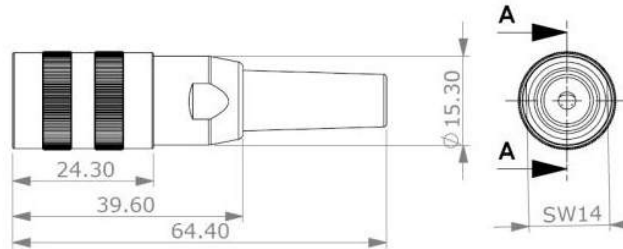
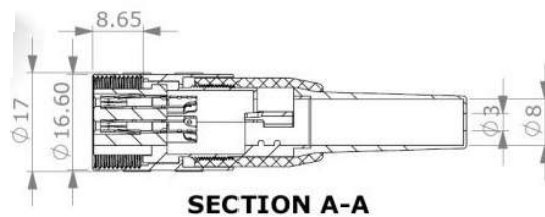


SPECIFICATIONS

1. **Rating** : 100V AC 1A max.
2. **Contact Resistance** :
Pins 30mΩ max.
Shell 50mΩ max.
3. **Insulation Resistance** :
100MΩ at 500V DC min.
4. **Voltage Withstand**:
250V AC for 1 minute

MATERIALS

1. **SHELL COVER**:
ZN ALLOY NICKEL PLATED
 2. **INSULATOR**: PA66
 3. **CONTACTS**:
BRASS GOLD PLATED
- *RoHS & REACH compliant.



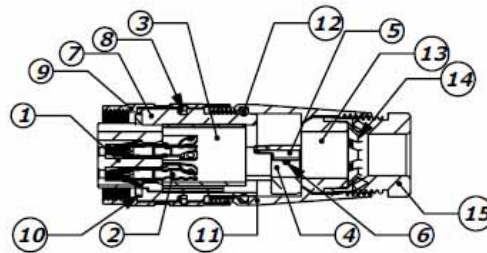
ARRANGEMENT OF CONTACTS									
NO OF CONTACTS	3P	4P	5P 180°	5P 240°	5P 360°	6P	7P	8P 270°	8P 262°

ORDERING INFORMATION:

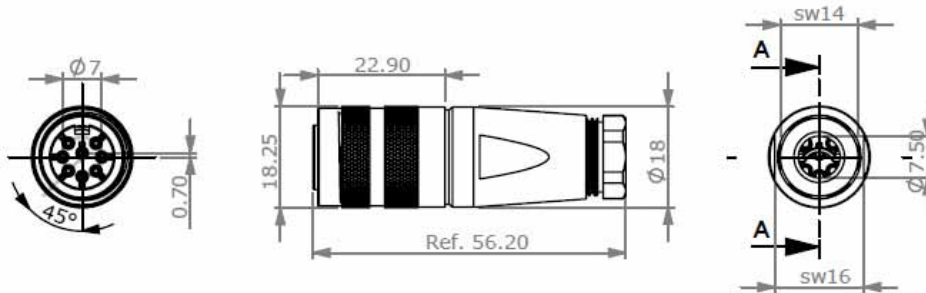
P/N 7 1 JF - xx

1. **CONNECTOR TYPE**:
"JF" WATERPROOF IP40 RATED WITH
CABLE ENTRY Ø 8MM
2. **NO. OF CONTACTS**:
"03" 3P
"04" 4P
"05A" 5P, 180°
"05B" 5P, 240°
"06" 6P
"07" 7P
"08A" 8P, 270°

DIN CABLE JACK IP67 RATED SCREW LOCKING TYPE



SECTION A-A



SPECIFICATIONS

- 1. **Rating :** 100V AC 1A max.
- 2. **Contact Resistance :**
Pins 30mΩ max.
Shell 50mΩ max.
- 3. **Insulation Resistance :**
100MΩ at 500V DC min.
- 4. **Voltage Withstand:**
250V AC for 1 minute

MATERIALS

- 1. **SHELL COVER:**
ZN ALLOY NICKEL PLATED
 - 2. **INSULATOR:** PA66
 - 3. **CONTACTS:**
BRASS GOLD PLATED
- *RoHS & REACH compliant.

ARRANGEMENT OF CONTACTS									
NO OF CONTACTS	3P	4P	5P 180°	5P 240°	5P 360°	6P	7P	8P 270°	8P 262°

ORDERING INFORMATION:

P/N 71 JG - xx
 1 2

- 1. CONNECTOR TYPE:
"JG" WATERPROOF IP67 RATED WITH
CABLE ENTRY Ø 7.5MM
- 2. NO. OF CONTACTS:
"03" 3P
"04" 4P
"05A" 5P, 180°
"05B" 5P, 240°
"06" 6P
"07" 7P
"08A" 8P, 270°

WATERPROOF M8*05 4P+6P+8P DIN SOCKET BOARD SIDE TYPE



MATERIALS

Housing: Nylon 46

Contact: Phosphor Bronze;

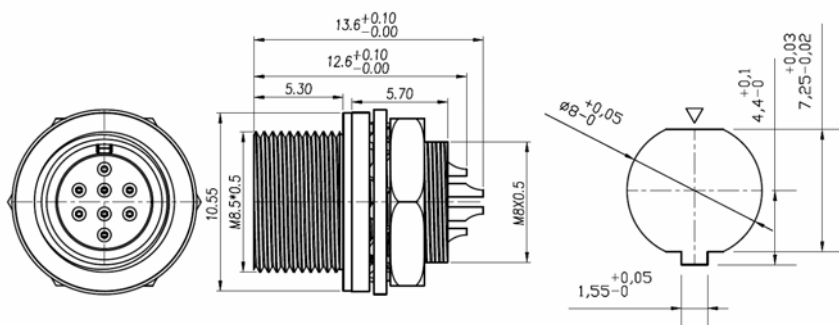
Gold Plating Over Nickel

Shell: Zinc Alloy; Nickel Plated

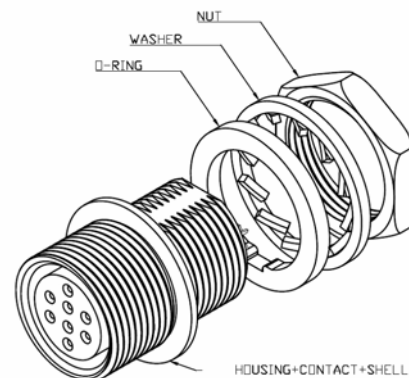
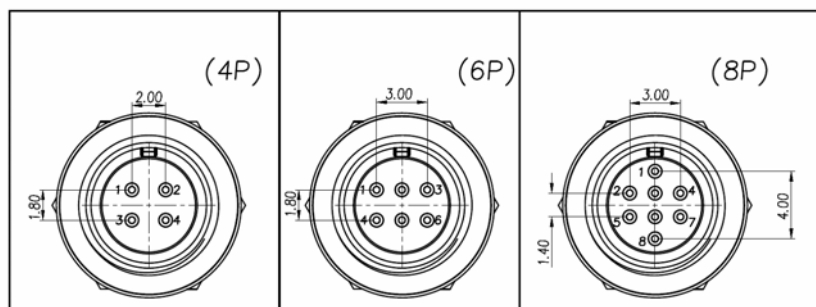
Nut: Brass; Nickel Plated

* RoHS & REACH compliant.

Unit: mm



RECOMMEND PANEL CUT-OUT



ORDERING INFORMATION:

P/N **W** **P** **D** **M** **8** **F** - **x** **x** **P** **B**
 $\frac{1}{1}$ $\frac{2}{2}$ $\frac{3}{3}$ $\frac{4}{4}$

1. CONNECTOR LOCKING SYSTEM:

"M8" SCREW M8*0.5

2. CONNECTOR TYPE:

"F" FEMALE (JACK)

3. NO. OF CONTACTS:

04, 06, 08

4. APPLICABLE TYPE:

"PB" BOARD SIDE TYPE

WATERPROOF M16*1.0 13P DIN JACK CABLE ASSEMBLY TYPE



MATERIALS

Housing: PBT, UL 94V-0

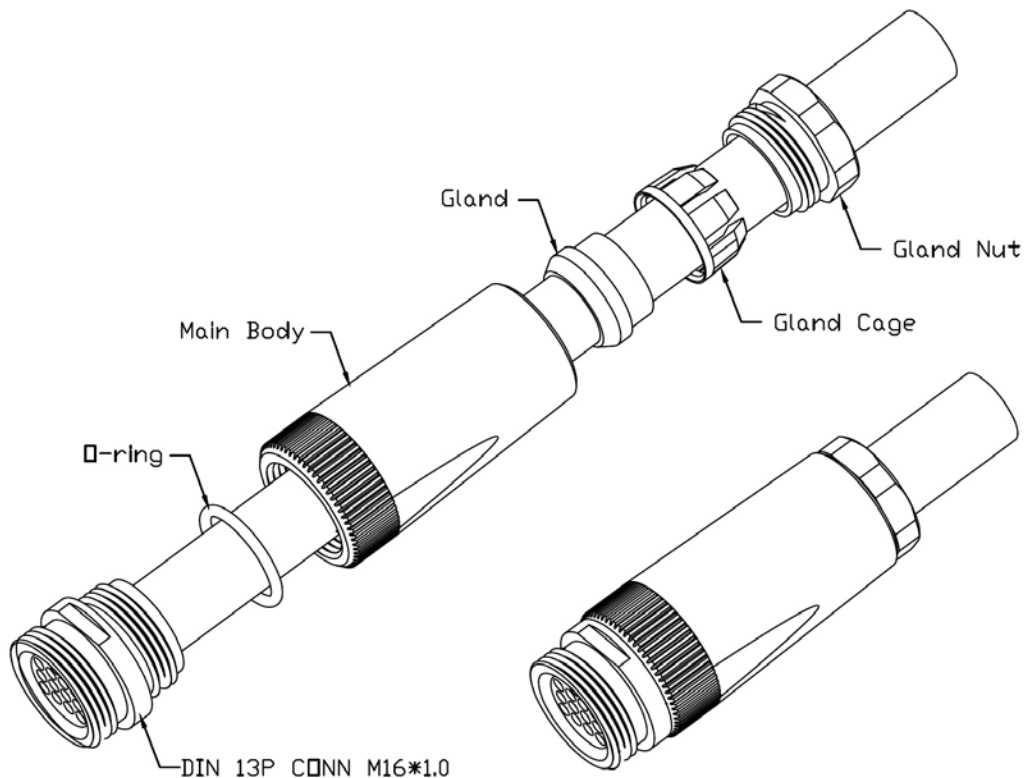
Contact: Phosphor Bronze;

Gold Plating Over Nickel

Shell: Aluminum Alloy; Nickel Plated

* RoHS & REACH compliant.

Unit: mm



Assembly

ORDERING INFORMATION:

P/N W P D M 16 F - 13 AA
1 2 3 4

1. CONNECTOR LOCKING SYSTEM:
"M16" M16*1.0
2. CONNECTOR TYPE:
"F" FEMALE (JACK)
3. NO. OF CONTACTS:
13
4. APPLICABLE TYPE:
"AA" CABLE ASSEMBLY TYPE WITH ID = Ø10.8MM

WATERPROOF M16*0.75 8P+11P DIN SOCKET SOLDER TYPE



MATERIALS

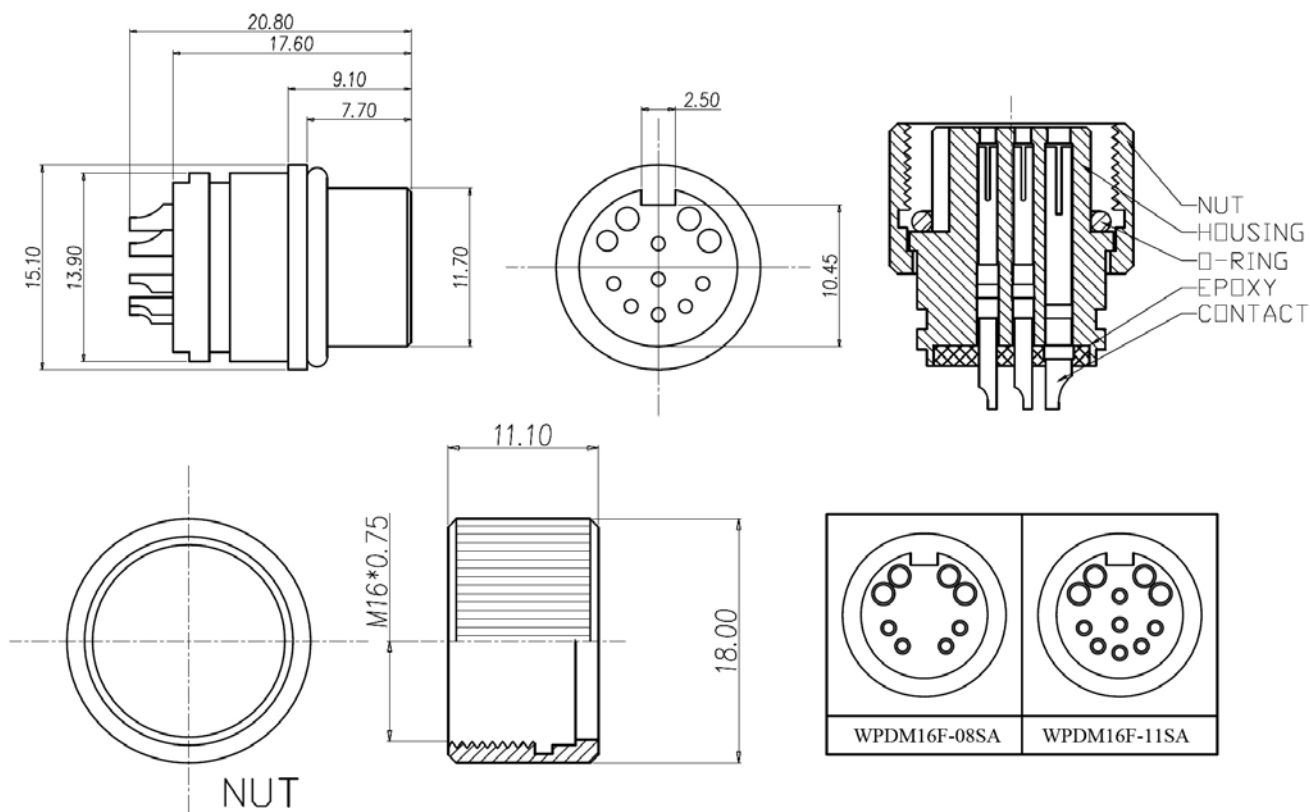
Housing: PBT

Contact: Brass; Gold Plating Over Nickel

Nut: Brass; Nickel Plated

* RoHS & REACH compliant.

Unit: mm



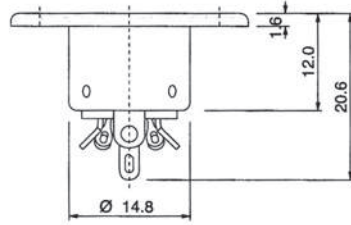
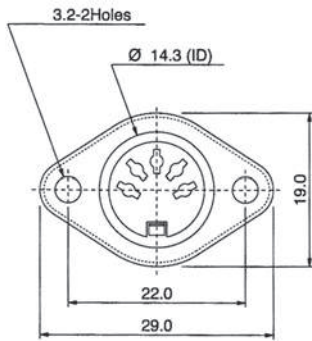
ORDERING INFORMATION:

P/N **W P D** **M** **16** **F** - **x** **x** **S** **A**

1 2 3 4

1. CONNECTOR LOCKING SYSTEM:
"M16" M16*0.75
2. CONNECTOR TYPE:
"F" FEMALE (JACK)
3. NO. OF CONTACTS:
08, 11
4. APPLICABLE TYPE:
"SA" SOLDER TYPE

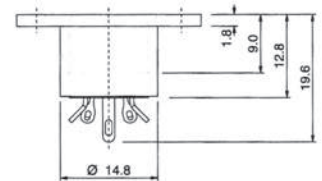
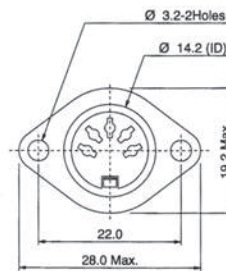
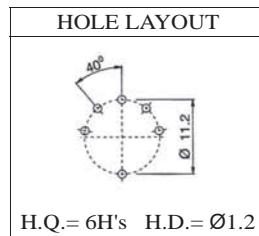
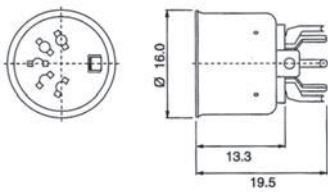
DIN SOCKET METAL COVER SOLDER TYPE



SPECIFICATIONS

1. Contact resistance: 20mΩ Max.
 2. Dielectric strength: 1,000VAC for 1 minute
 3. Insulation resistance: 100MΩ Min. at 500V DC
 4. Rating: 100VAC 2A
- All materials must be RoHS compliant.

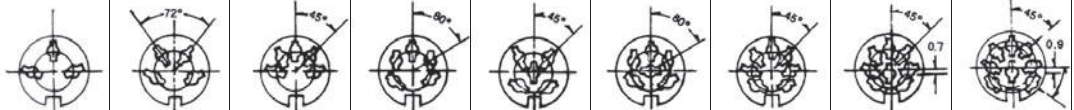
7131-xx



7158-xx

7176-xx

ARRANGEMENT OF CONTACTS



NO OF CONTACTS

3P 4P 5P 180° 5P 240° 5P 360° 6P 7P 8P 270° 8P 262°

ORDERING INFORMATION:

P/N 71 $\frac{xx}{1}$ - $\frac{xx}{2}$

1. CONNECTOR TYPE:

- "31" SOLDER TYPE
- "58" PCB TYPE
- "76" SOLDER TYPE BLACK PLATED

2. NO. OF CONTACTS:

- "03" 3P
- "04" 4P
- "05A" 5P, 180°
- "05B" 5P, 240°
- "05C" 5P, 360°
- "06" 6P
- "07" 7P
- "08A" 8P, 270°
- "08B" 8P, 262°

DIN SOCKET CHASSIS MOUNT PUSH LOCKING ASSEMBLY TYPE

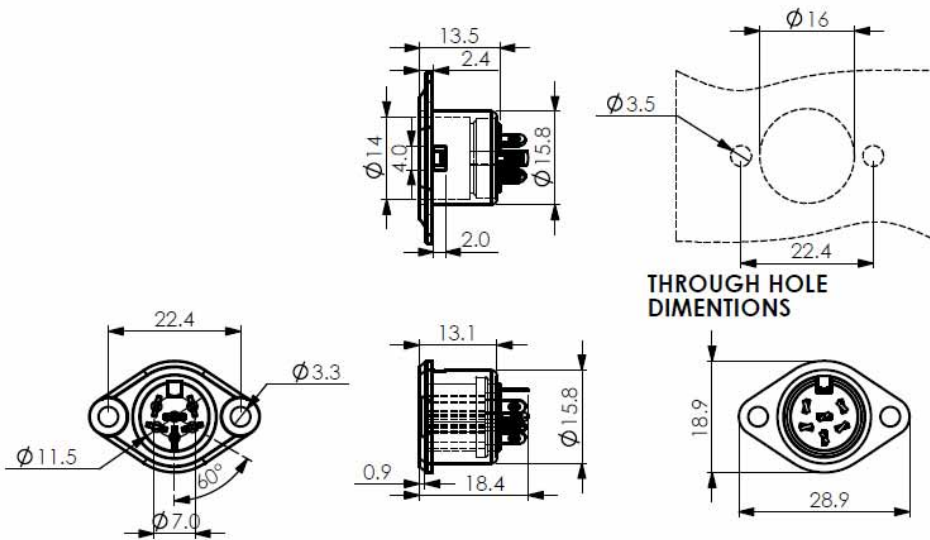


SPECIFICATIONS

1. **Rating** : 100V AC 1A max.
2. **Contact Resistance** :
 Pins 30mΩ max.
 Shell 50mΩ max.
3. **Insulation Resistance** :
 100MΩ at 500V DC min.
4. **Voltage Withstand**:
 250V AC for 1 minute

MATERIALS

1. **SHELL COVER**:
 ZN ALLOY NICKEL PLATED
2. **INSULATOR**: PA66
3. **CONTACTS**:
 BRASS SILVER PLATED
 *RoHS & REACH compliant.



ARRANGEMENT OF CONTACTS									
NO OF CONTACTS	3P	4P	5P 180°	5P 240°	5P 360°	6P	7P	8P 270°	8P 262°

ORDERING INFORMATION:

P/N 7 1 84 - $\frac{x}{1}$ $\frac{x}{2}$

1. CONNECTOR TYPE:
 "84" METAL COVER TYPE WITH
 SPACING = 22.4MM

2. NO. OF CONTACTS:
 "03" 3P
 "04" 4P
 "05A" 5P, 180°
 "05B" 5P, 240°
 "06" 6P
 "07" 7P
 "08A" 8P, 270°

DIN SOCKET CHASSIS MOUNT TYPE

SPECIFICATIONS

1. **Rating** : 100V AC 1A max.

2. **Contact Resistance** :

Pins 30mΩ max.

Shell 50mΩ max.

3. **Insulation Resistance** :

100MΩ at 500V DC min.

4. **Voltage Withstand**:

250V AC for 1 minute



MATERIALS

1. **SHELL COVER**:

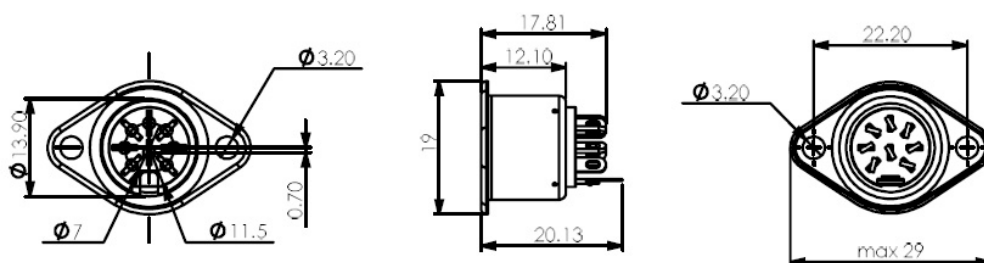
NICKEL PLATED





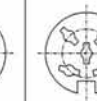



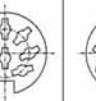
2. **INSULATOR**: ABS

3. **CONTACTS**:

BRASS SILVER PLATED

*RoHS & REACH compliant.



ARRANGEMENT OF CONTACTS									
NO OF CONTACTS	3P	4P	5P 180°	5P 240°	5P 360°	6P	7P	8P 270°	8P 262°

ORDERING INFORMATION:

P/N 71 $\frac{SA}{1} - \frac{XX}{2}$

1. CONNECTOR TYPE:

"SA" METAL COVER TYPE WITH
SPACING = 22.20MM

2. NO. OF CONTACTS:

"03" 3P

"04" 4P

"05A" 5P, 180°

"05B" 5P, 240°

"06" 6P

"07" 7P

"08A" 8P, 270°

"08B" 8P, 262°

DIN SOCKET CHASSIS MOUNT TYPE

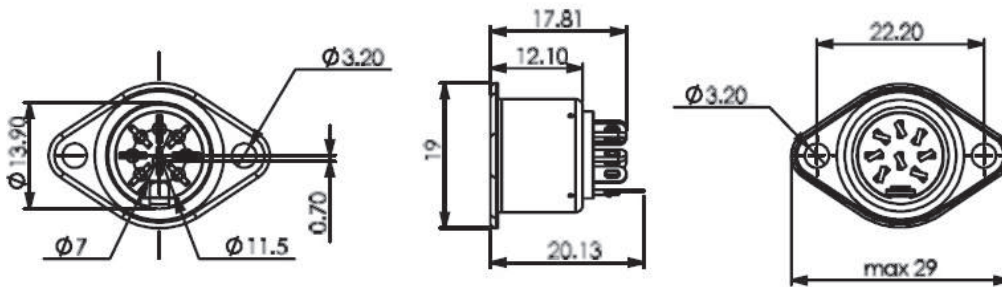
SPECIFICATIONS

1. **Rating** : 100V AC 1A max.
2. **Contact Resistance** :
 Pins 30mΩ max.
 Shell 50mΩ max.
3. **Insulation Resistance** :
 100MΩ at 500V DC min.
4. **Voltage Withstand**:
 250V AC for 1 minute



MATERIALS

1. **SHELL COVER**:
 ZN ALLOY CHROME PLATED
 2. **INSULATOR**: ABS
 3. **CONTACTS**:
 BRASS SILVER PLATED
- *RoHS & REACH compliant.



ARRANGEMENT OF CONTACTS									
NO OF CONTACTS	3P	4P	5P 180°	5P 240°	5P 360°	6P	7P	8P 270°	8P 262°

ORDERING INFORMATION:

P/N 71 $\frac{SB}{1} - \frac{xx}{2}$

1. CONNECTOR TYPE:
 "SB" BLACK METAL COVER TYPE
 WITH SPACING = 22.20MM

2. NO. OF CONTACTS:
 "03" 3P
 "04" 4P
 "05A" 5P, 180°
 "05B" 5P, 240°
 "06" 6P
 "07" 7P
 "08A" 8P, 270°
 "08B" 8P, 262°

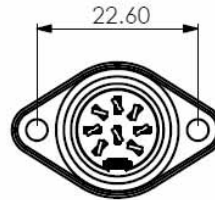
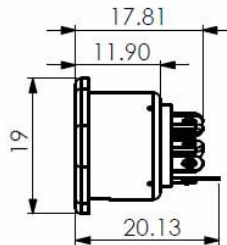
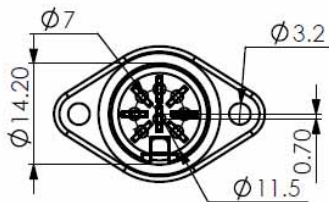
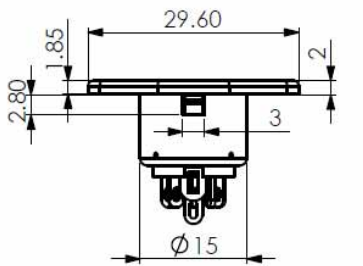
DIN SOCKET CHASSIS MOUNT PUSH LOCKING TYPE

SPECIFICATIONS

1. **Rating** : 100V AC 1A max.
2. **Contact Resistance** :
 Pins 30mΩ max.
 Shell 50mΩ max.
3. **Insulation Resistance** :
 100MΩ at 500V DC min.
4. **Voltage Withstand**:
 250V AC for 1 minute

MATERIALS

1. **SHELL COVER**:
 NICKEL PLATED
 2. **INSULATOR**: ABS
 3. **CONTACTS**:
 BRASS SILVER PLATED
- *RoHS & REACH compliant.



ARRANGEMENT OF CONTACTS									
NO OF CONTACTS	3P	4P	5P 180°	5P 240°	5P 360°	6P	7P	8P 270°	8P 262°

ORDERING INFORMATION:

P/N 71 SC - xx

1. CONNECTOR TYPE:
 "SC" METAL COVER TYPE WITH
 SPACING = 22.60MM

2. NO. OF CONTACTS:
 "03" 3P
 "04" 4P
 "05A" 5P, 180°
 "05B" 5P, 240°
 "06" 6P
 "07" 7P
 "08A" 8P, 270°
 "08B" 8P, 262°

DIN SOCKET CHASSIS MOUNT PUSH LOCKING TYPE

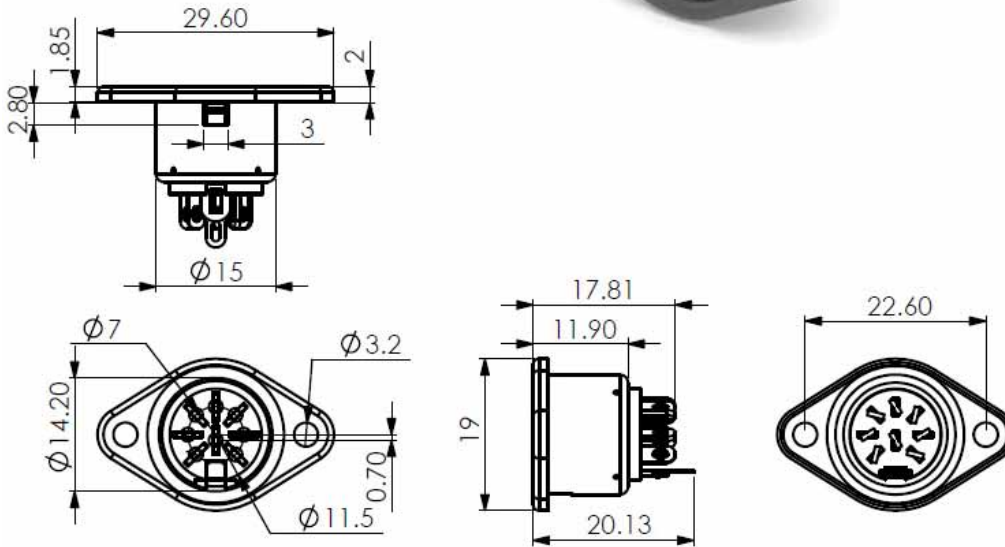
SPECIFICATIONS

1. **Rating** : 100V AC 1A max.
2. **Contact Resistance** :
 Pins 30mΩ max.
 Shell 50mΩ max.
3. **Insulation Resistance** :
 100MΩ at 500V DC min.
4. **Voltage Withstand**:
 250V AC for 1 minute



MATERIALS

1. **SHELL COVER**:
 ZN ALLOY CHROME PLATED
 2. **INSULATOR**: ABS
 3. **CONTACTS**:
 BRASS SILVER PLATED
- *RoHS & REACH compliant.



ARRANGEMENT OF CONTACTS									
NO OF CONTACTS	3P	4P	5P 180°	5P 240°	5P 360°	6P	7P	8P 270°	8P 262°

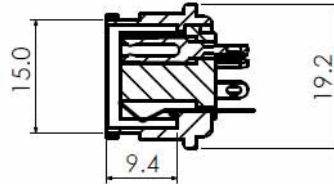
ORDERING INFORMATION:

P/N 71 $\frac{SD}{1} - \frac{XX}{2}$

1. CONNECTOR TYPE:
 "SD" BLACK METAL COVER TYPE
 WITH SPACING = 22.60MM

2. NO. OF CONTACTS:
 "03" 3P
 "04" 4P
 "05A" 5P, 180°
 "05B" 5P, 240°
 "06" 6P
 "07" 7P
 "08A" 8P, 270°
 "08B" 8P, 262°

DIN SOCKET CHASSIS MOUNT BAYONET LOCKING TYPE

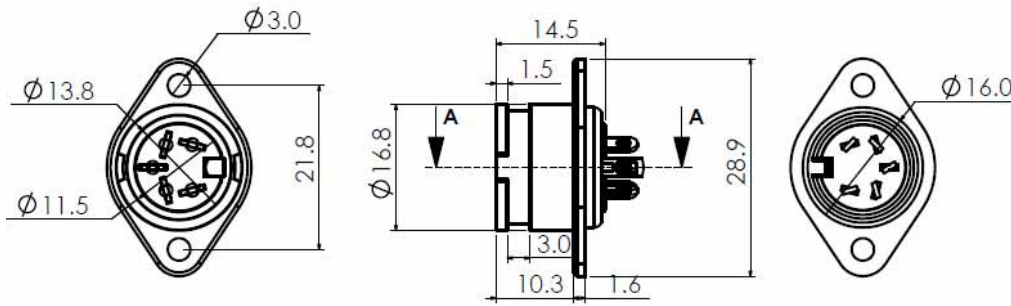


SPECIFICATIONS

1. **Rating** : 100V AC 1A max.
2. **Contact Resistance** :
 Pins 30mΩ max.
 Shell 50mΩ max.
3. **Insulation Resistance** :
 100MΩ at 500V DC min.
4. **Voltage Withstand**:
 250V AC for 1 minute

MATERIALS

1. **SHELL COVER**:
 ZN ALLOY CHROME PLATED
 2. **INSULATOR**: PA66
 3. **CONTACTS**:
 BRASS SILVER PLATED
- *RoHS & REACH compliant.



ARRANGEMENT OF CONTACTS									
NO OF CONTACTS	3P	4P	5P 180°	5P 240°	5P 360°	6P	7P	8P 270°	8P 262°

ORDERING INFORMATION:

P/N 71 $\frac{SE}{1} - \frac{xx}{2}$

1. CONNECTOR TYPE:
 "SE" BLACK METAL COVER TYPE
 WITH SPACING = 21.80MM

2. NO. OF CONTACTS:
 "03" 3P
 "04" 4P
 "05A" 5P, 180°
 "05B" 5P, 240°
 "06" 6P
 "07" 7P
 "08A" 8P, 270°

DIN SOCKET CHASSIS MOUNT SCREW LOCKING TYPE

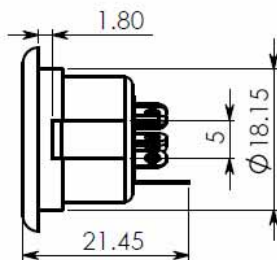
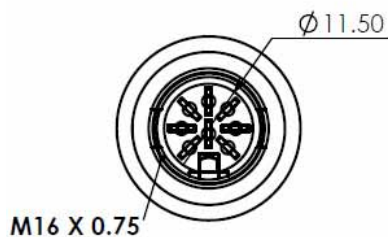
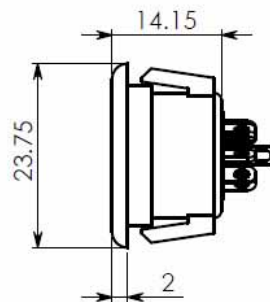


SPECIFICATIONS

1. **Rating** : 100V AC 1A max.
2. **Contact Resistance** :
Pins 30mΩ max.
Shell 50mΩ max.
3. **Insulation Resistance** :
100MΩ at 500V DC min.
4. **Voltage Withstand**:
250V AC for 1 minute

MATERIALS

1. **SHELL COVER**: PA66
 2. **INSULATOR**: ABS
 3. **CONTACTS**:
BRASS SILVER PLATED
- *RoHS & REACH compliant.



ARRANGEMENT OF CONTACTS									
NO OF CONTACTS	3P	4P	5P 180°	5P 240°	5P 360°	6P	7P	8P 270°	8P 262°

ORDERING INFORMATION:

P/N 7 1 8 2 - $\frac{x}{1}$ - $\frac{x}{2}$

1. CONNECTOR TYPE:
"82" PLASTIC COVER TYPE

2. NO. OF CONTACTS:

- "03" 3P
- "04" 4P
- "05A" 5P, 180°
- "05B" 5P, 240°
- "06" 6P
- "07" 7P
- "08A" 8P, 270°
- "08B" 8P, 262°

DIN SOCKET CHASSIS MOUNT BAYONET LOCKING TYPE

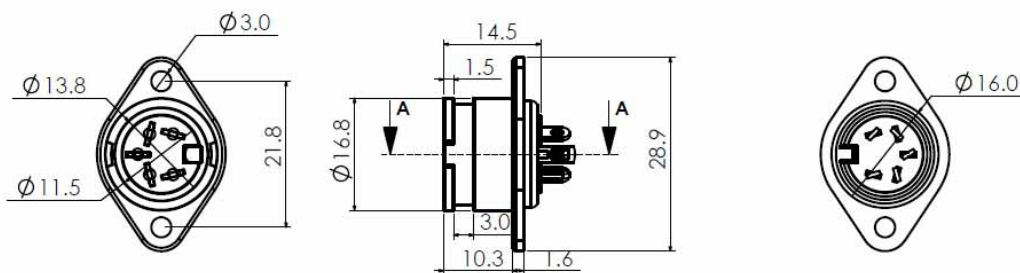
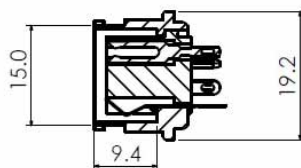


SPECIFICATIONS

1. **Rating :** 100V AC 1A max.
2. **Contact Resistance :**
Pins 30mΩ max.
Shell 50mΩ max.
3. **Insulation Resistance :**
100MΩ at 500V DC min.
4. **Voltage Withstand:**
250V AC for 1 minute

MATERIALS

1. **SHELL COVER:**
ZN ALLOY NICKEL PLATED
 2. **INSULATOR: PA66**
 3. **CONTACTS:**
BRASS SILVER PLATED
- *RoHS & REACH compliant.



ARRANGEMENT OF CONTACTS									
NO OF CONTACTS	3P	4P	5P 180°	5P 240°	5P 360°	6P	7P	8P 270°	8P 262°

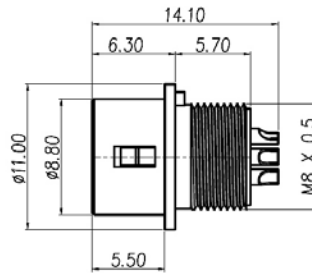
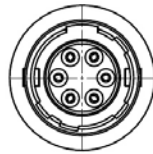
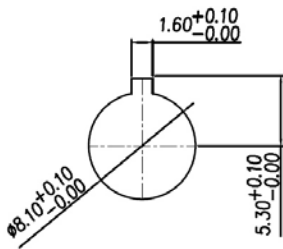
ORDERING INFORMATION:

P/N 7 1 37 - x x
 T 2

1. CONNECTOR TYPE:
"37" METAL COVER TYPE WITH
SPACING = 21.8MM

2. NO. OF CONTACTS:
"03" 3P
"04" 4P
"05A" 5P, 180°
"05B" 5P, 240°
"06" 6P
"07" 7P
"08A" 8P, 270°

DIN SOCKET LOCK PLATE WIRE TYPE



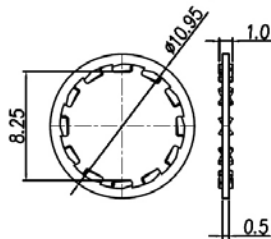
SPECIFICATIONS

- Rating:** 100VAC 1A (max.)
12VDC 2A (max.)
- Dielectric Withstanding Voltage:** 500VAC, 60Hz for 1 minute
- Insulation Resistance (Initial):** 100MΩ (min.) at 500VDC
- Contact Resistance (Initial):** 30mΩ (max.) at AC 100mA (max.) 1 KHz
- Insertion & Extraction Force:**
Initial : 4.5kgs. (max.)
Extraction Force: 0.9 to 3.0kgs

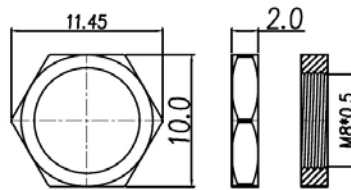
MATERIALS

- Housing:** Nylon46, UL94V-0
 - Contact:** Brass; Gold Plated
 - Shell:** Zinc Alloy; Nickel Plated
 - Nut:** Brass; Nickel Plated
- *RoHS & REACH compliant.

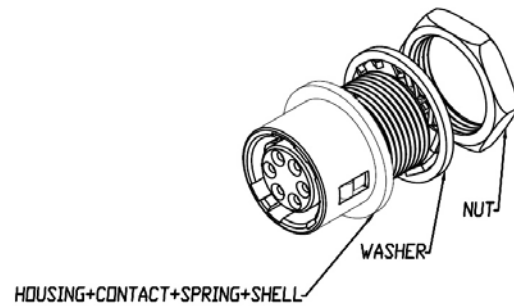
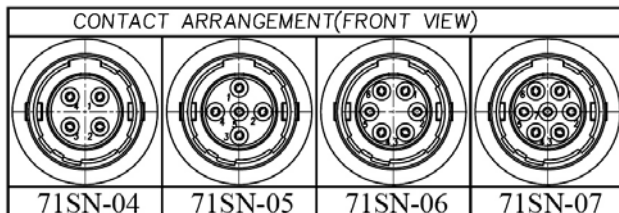
RECOMMENDED MOUNTING HOLE
(Panel thickness 0.7~2)



WASHER



NUT



ORDERING INFORMATION:

P/N 71SN - $\frac{XX}{I}$

1. NO. OF CONTACTS:
04, 05, 06, 07

DIN SOCKET PANEL MOUNT SCREW LOCKING TYPE

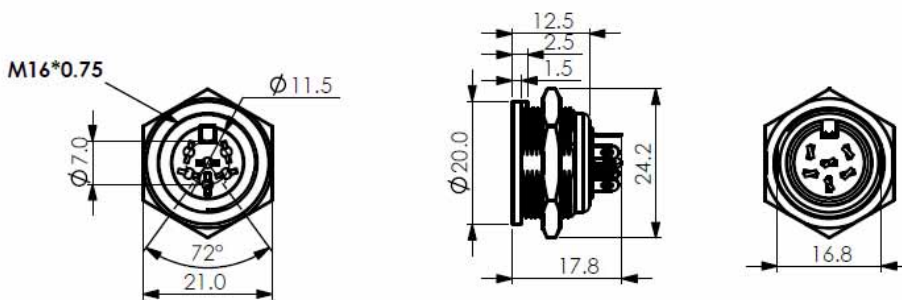
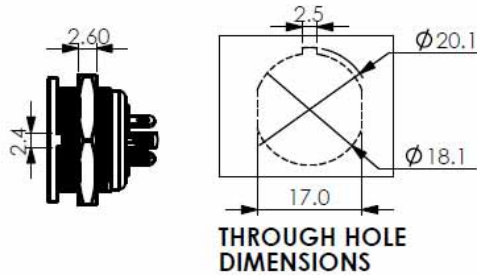


SPECIFICATIONS

1. **Rating** : 100V AC 1A max.
2. **Contact Resistance** :
Pins 30mΩ max.
Shell 50mΩ max.
3. **Insulation Resistance** :
100MΩ at 500V DC min.
4. **Voltage Withstand**:
250V AC for 1 minute

MATERIALS

1. **SHELL COVER**:
ZN ALLOY NICKEL PLATED
 2. **INSULATOR**: PA66
 3. **CONTACTS**:
BRASS SILVER PLATED
- *RoHS & REACH compliant.



ARRANGEMENT OF CONTACTS									
NO OF CONTACTS	3P	4P	5P 180°	5P 240°	5P 360°	6P	7P	8P 270°	8P 262°

ORDERING INFORMATION:

P/N 71 $\frac{SF}{1} - \frac{XX}{2}$

1. CONNECTOR TYPE:
"SF" METAL COVER TYPE

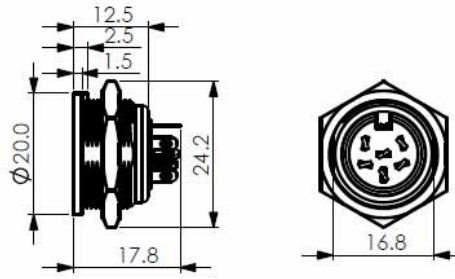
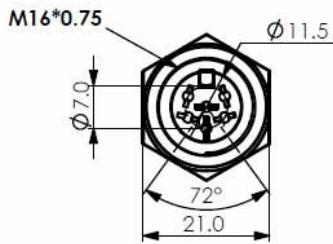
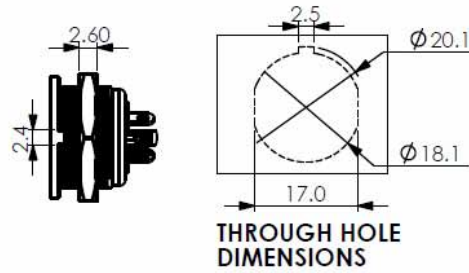
2. NO. OF CONTACTS:

- "03" 3P
- "04" 4P
- "05A" 5P, 180°
- "05B" 5P, 240°
- "06" 6P
- "07" 7P
- "08A" 8P, 270°

DIN SOCKET PANEL MOUNT SCREW LOCKING TYPE

SPECIFICATIONS

1. **Rating :** 100V AC 1A max.
2. **Contact Resistance :**
Pins 30mΩ max.
Shell 50mΩ max.
3. **Insulation Resistance :**
100MΩ at 500V DC min.
4. **Voltage Withstand:**
250V AC for 1 minute



MATERIALS

1. **SHELL COVER:**
ZN ALLOY CHROME PLATED
 2. **INSULATOR:** PA66
 3. **CONTACTS:**
BRASS SILVER PLATED
- *RoHS & REACH compliant.

ARRANGEMENT OF CONTACTS									
NO OF CONTACTS	3P	4P	5P 180°	5P 240°	5P 360°	6P	7P	8P 270°	8P 262°

ORDERING INFORMATION:

P/N 71 SG - xx
1 2

1. CONNECTOR TYPE:
"SG" BLACK METAL COVER TYPE

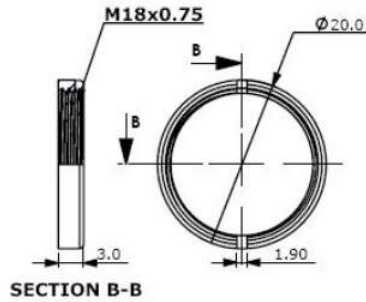
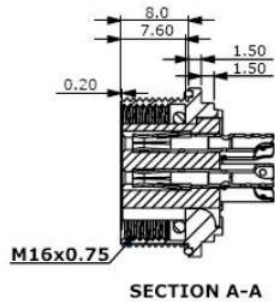
2. NO. OF CONTACTS:
"03" 3P
"04" 4P
"05A" 5P, 180°
"05B" 5P, 240°
"06" 6P
"07" 7P
"08A" 8P, 270°
"08B" 8P, 262°

DIN SOCKET PANEL MOUNT SCREW LOCKING TYPE



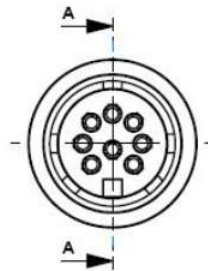
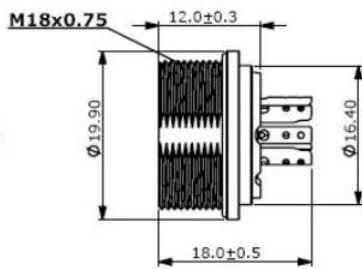
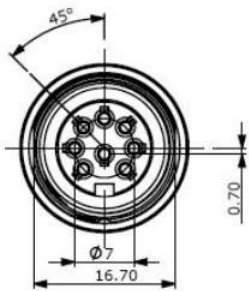
SPECIFICATIONS

1. **Rating** : 100V AC 1A max.
2. **Contact Resistance** :
 Pins 30mΩ max.
 Shell 50mΩ max.
3. **Insulation Resistance** :
 100MΩ at 500V DC min.
4. **Voltage Withstand**:
 250V AC for 1 minute



MATERIALS

1. **SHELL COVER**:
 ZN ALLOY NICKEL PLATED
 2. **INSULATOR**: PA66+GF
 3. **CONTACTS**:
 BRASS GOLD PLATED
- *RoHS & REACH compliant.



ARRANGEMENT OF CONTACTS									
NO OF CONTACTS	3P	4P	5P 180°	5P 240°	5P 360°	6P	7P	8P 270°	8P 262°

ORDERING INFORMATION:

P/N 7 1 SK - xx
 1 2

1. CONNECTOR TYPE:
 "SK" METAL COVER TYPE

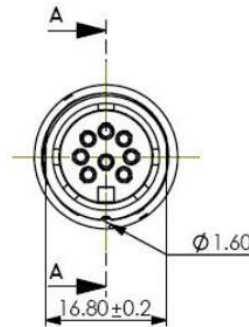
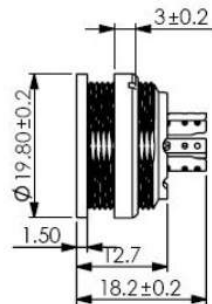
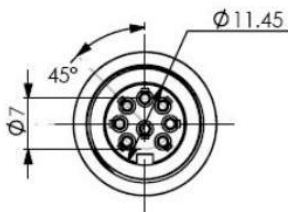
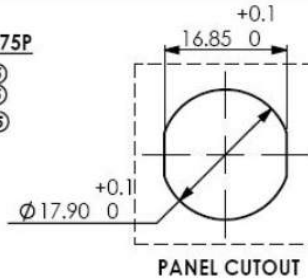
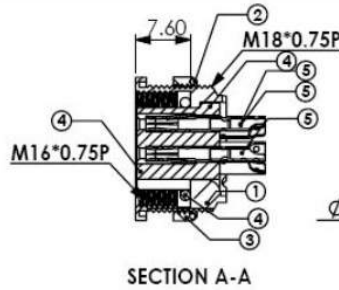
2. NO. OF CONTACTS:
 "03" 3P
 "04" 4P
 "05A" 5P, 180°
 "05B" 5P, 240°
 "06" 6P
 "07" 7P
 "08A" 8P, 270°

DIN SOCKET PANEL MOUNT SCREW LOCKING TYPE



SPECIFICATIONS

1. **Rating** : 100V AC 1A max.
2. **Contact Resistance** :
Pins 30mΩ max.
Shell 50mΩ max.
3. **Insulation Resistance** :
100MΩ at 500V DC min.
4. **Voltage Withstand**:
250V AC for 1 minute



MATERIALS

1. **SHELL COVER**:
ZN ALLOY NICKEL PLATED
 2. **INSULATOR**: PA66+GF
 3. **CONTACTS**:
BRASS GOLD PLATED
- *RoHS & REACH compliant.

ARRANGEMENT OF CONTACTS									
NO OF CONTACTS	3P	4P	5P 180°	5P 240°	5P 360°	6P	7P	8P 270°	8P 262°

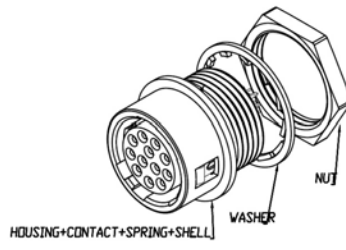
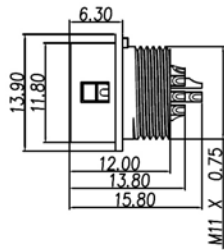
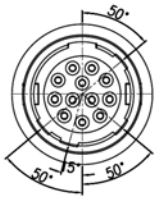
ORDERING INFORMATION:

P/N 71 $\frac{SL}{1} - \frac{XX}{2}$

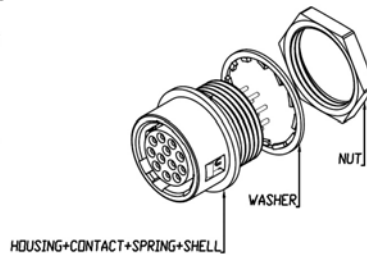
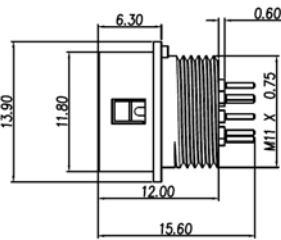
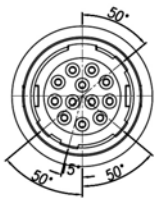
1. CONNECTOR TYPE:
"SL" METAL COVER TYPE

2. NO. OF CONTACTS:
"03" 3P
"04" 4P
"05A" 5P, 180°
"05B" 5P, 240°
"06" 6P
"07" 7P
"08A" 8P, 270°

DIN SOCKET PANEL MOUNT TYPE



71SO-xx



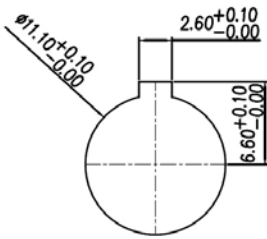
71SP-xx

SPECIFICATIONS

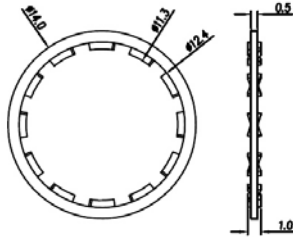
- Rating:** 100VAC 1A (max.)
12VDC 2A (max.)
- Dielectric Withstanding Voltage:**
500VAC, 60Hz for 1 minute
- Insulation Resistance (Initial):**
100MΩ (min.) at 500VDC
- Contact Resistance (Initial):**
30mΩ (max.) at AC 100mA (max.) 1 KHz
- Insertion & Extraction Force:**
Initial : 4.5kgs. (max.)
Extraction Force: 0.9 to 3.0kgs

MATERIALS

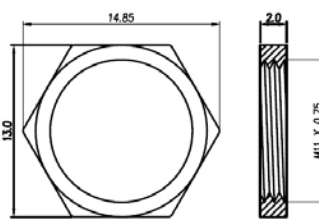
- Housing:** Nylon46, UL94V-0
 - Contact:** Brass; Gold Plated
 - Shell:** Zinc Alloy; Nickel Plated
 - Nut:** Brass; Nickel Plated
- *RoHS & REACH compliant.



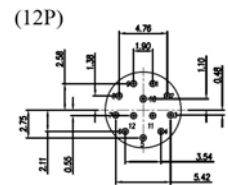
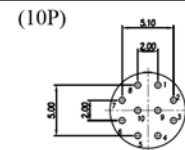
RECOMMENDED MOUNTING HOLE



SPACER



NUT

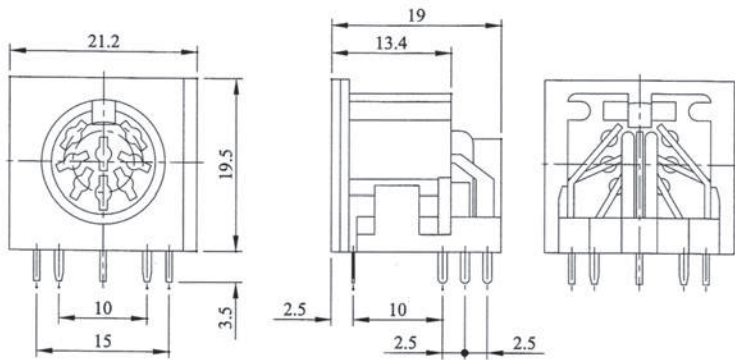


ORDERING INFORMATION:

P/N 71 $\frac{xx}{1}$ - $\frac{xx}{2}$

- SOCKET TYPE:
"SP" BOARD SIDE TYPE
"SQ" WIRE TYPE
- NO. OF CONTACTS:
10, 12

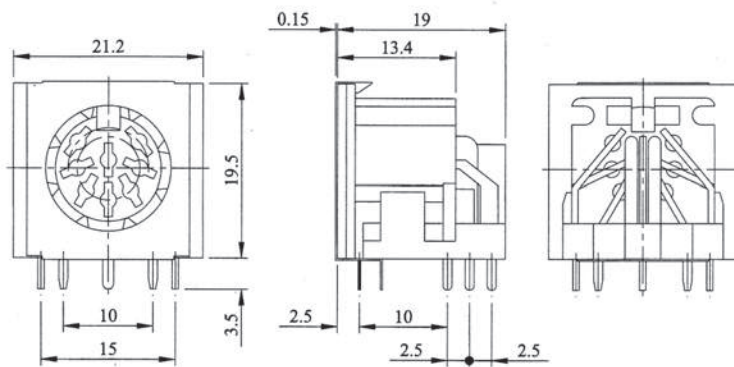
DIN SOCKET PITCH=10MM



7132-xx

SPECIFICATIONS

1. Contact resistance: 20mΩ Max.
 2. Dielectric strength: 1,000VAC for 1 minute
 3. Insulation resistance: 100MΩ Min. at 500V DC
 4. Rating: 100VAC 2A
- All materials must be RoHS compliant.



7133-xx

ARRANGEMENT OF CONTACTS						
NO OF CONTACTS	4P	5P 180°	6P	7P	8P 270°	8P 262°
HOLE LAYOUT						

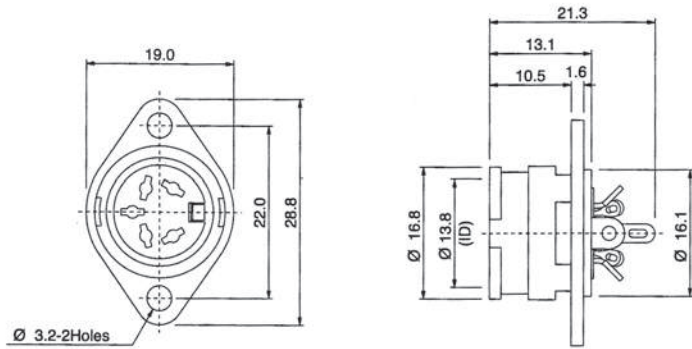
ORDERING INFORMATION:

P/N 71 xx - xx

1. CONNECTOR TYPE:
 "32" UNSHIELDED PITCH=10MM
 "33" SHIELDED PITCH=10MM

2. NO. OF CONTACTS:
 "03" 3P
 "04" 4P
 "05A" 5P, 180°
 "05B" 5P, 240°
 "06" 6P
 "07" 7P
 "08A" 8P, 270°
 "08B" 8P, 262°

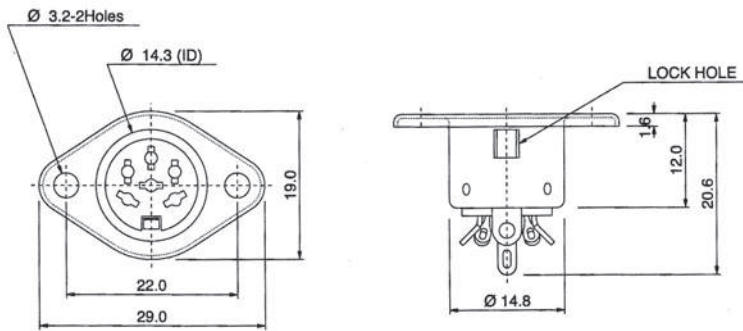
DIN SOCKET METAL COVER SOLDER TYPE



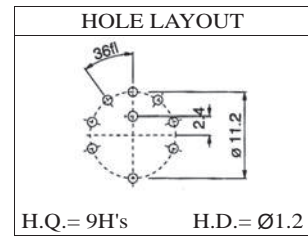
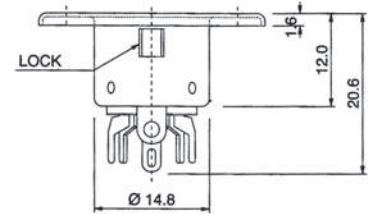
7164-xx

SPECIFICATIONS

1. Contact resistance: 20mΩ Max.
 2. Dielectric strength: 1,000VAC for 1 minute
 3. Insulation resistance: 100MΩ Min. at 500V DC
 4. Rating: 100VAC 2A
- All materials must be RoHS compliant.



7130-xx



7165-xx

MODEL NO.	7164-xx / 7130-xx								
ARRANGEMENT OF CONTACTS									
NO OF CONTACTS	3P	4P	5P 180°	5P 240°	5P 360°	6P	7P	8P 270°	8P 262°

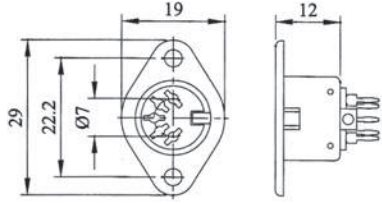
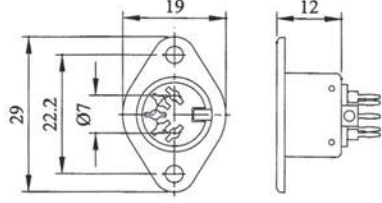
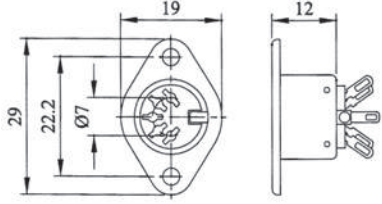
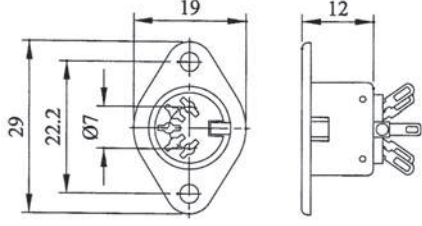
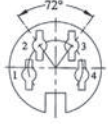




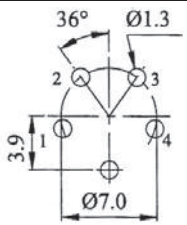
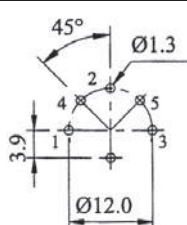
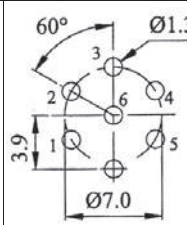
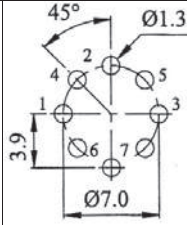
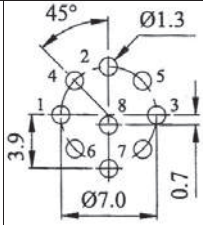
ORDERING INFORMATION:

P/N 71 $\frac{xx}{1}$ - $\frac{xx}{2}$

1. CONNECTOR TYPE:
 - "64" SOLDER TYPE
 - "30" SOLDER TYPE
 - "65" PCB TYPE

2. NO. OF CONTACTS:
 - "03" 3P
 - "04" 4P
 - "05A" 5P, 180°
 - "05B" 5P, 240°
 - "05C" 5P, 360°
 - "06" 6P
 - "07" 7P
 - "08A" 8P, 270°
 - "08B" 8P, 262°

DIN SOCKET METAL COVER TYPE

		<p>SPECIFICATIONS</p> <p>1. Contact resistance: 20mΩ Max.</p> <p>2. Dielectric strength: 1,000VAC for 1 minute</p> <p>3. Insulation resistance: 100MΩ Min. at 500V DC</p> <p>4. Rating: 100VAC 2A</p> <p>All materials must be RoHS compliant.</p>			
<p>7150-xx</p>					
					
<p>7151-xx</p>					
					
<p>7180-xx</p>		<p>7181-xx</p>			
<p>ARRANGEMENT OF CONTACTS</p>					
<p>NO OF CONTACTS</p>	<p>4P</p>	<p>5P 180°</p>	<p>6P</p>	<p>7P</p>	<p>8P 270°</p>
<p>HOLE LAYOUT</p>					

ORDERING INFORMATION:

P/N 71 $\frac{xx}{1}$ - $\frac{xx}{2}$

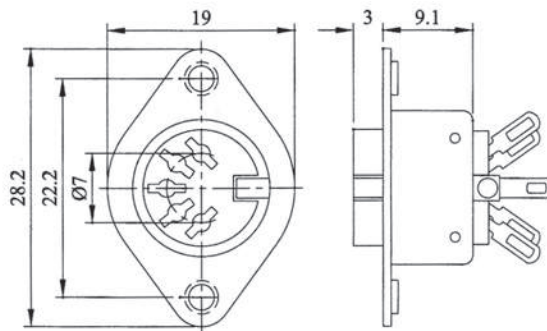
1. CONNECTOR TYPE:

- "80" SOLDER TYPE
- "51" PCB TYPE
- "81" LOCK & SOLDER TYPE
- "50" LOCK & PCB TYPE

2. NO. OF CONTACTS:

- "04" 4P
- "05A" 5P, 180°
- "06" 6P
- "07" 7P
- "08A" 8P, 270°

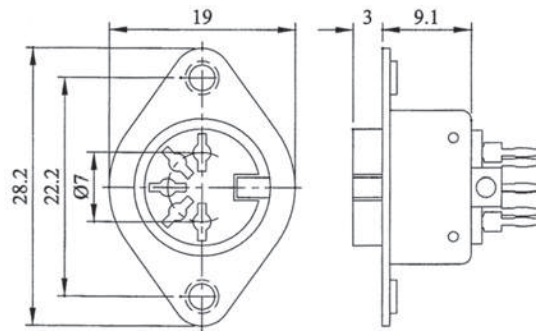
DIN SOCKET METAL COVER TYPE



7174-xx

SPECIFICATIONS

1. Contact resistance: 20mΩ Max.
 2. Dielectric strength: 1,000VAC for 1 minute
 3. Insulation resistance: 100MΩ Min. at 500V DC
 4. Rating: 100VAC 2A
- All materials must be RoHS compliant.



7175-xx

ARRANGEMENT OF CONTACTS	7174-xx				
ARRANGEMENT OF CONTACTS	7175-xx				
NO OF CONTACTS	4P	5P 180°	6P	7P	8P 270°
HOLE LAYOUT					

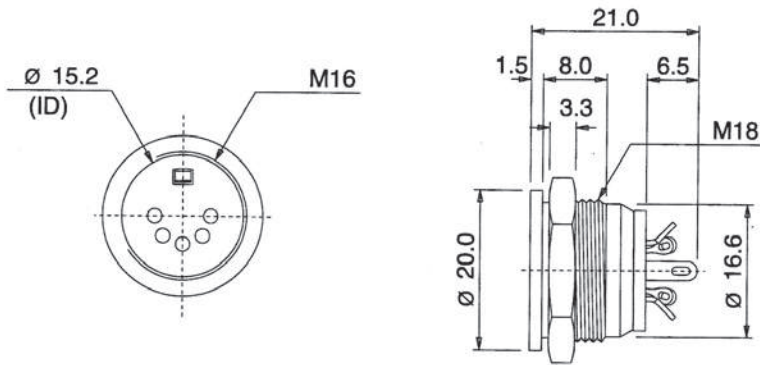
ORDERING INFORMATION:

P/N 71 $\frac{xx}{1}$ - $\frac{xx}{2}$

1. CONNECTOR TYPE:
"74" SOLDER TYPE
"75" PCB TYPE

2. NO. OF CONTACTS:
"04" 4P
"05A" 5P, 180°
"06" 6P
"07" 7P
"08A" 8P, 270°

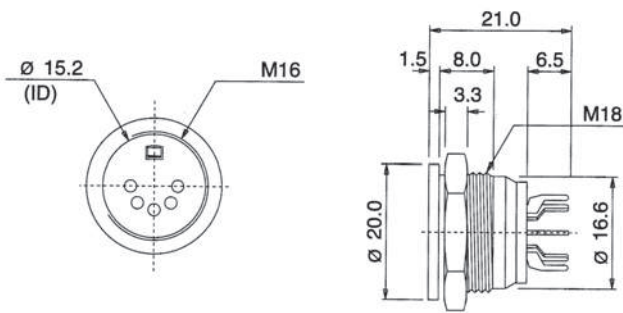
DIN SOCKET METAL COVER SOLDER TYPE



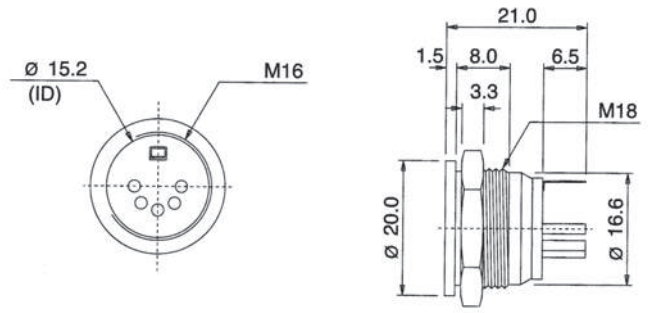
7140-xx

SPECIFICATIONS

1. Contact resistance: 20mΩ Max.
 2. Dielectric strength: 1,000VAC for 1 minute
 3. Insulation resistance: 100MΩ Min. at 500V DC
 4. Rating: 100VAC 2A
- All materials must be RoHS compliant.



7153-xx



7173-xx

ARRANGEMENT OF CONTACTS	7140-xx / 7153-xx								
NO OF CONTACTS	7173-xx								

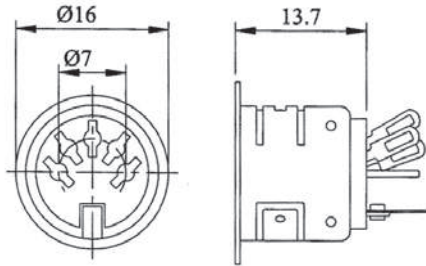
ORDERING INFORMATION:

P/N 71 $\frac{xx}{1}$ - $\frac{xx}{2}$

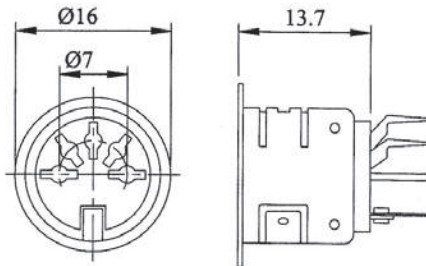
1. CONNECTOR TYPE:
 "40" SOLDER TYPE
 "53" PCB TYPE
 "73" PCB TYPE

2. NO. OF CONTACTS:
 "03" 3P
 "04" 4P
 "05A" 5P, 180°
 "05B" 5P, 240°
 "05C" 5P, 360°
 "06" 6P
 "07" 7P
 "08A" 8P, 270°
 "08B" 8P, 262°

DIN SOCKET METAL COVER TYPE



7156-xx



7157-xx

SPECIFICATIONS

1. Contact resistance: 20mΩ Max.
 2. Dielectric strength:
1,000VAC for 1 minute
 3. Insulation resistance:
100MΩ Min. at 500V DC
 4. Rating: 100VAC 2A
- All materials must be RoHS compliant.

ARRANGEMENT OF CONTACTS	7156-xx				
NO OF CONTACTS	7157-xx				
HOLE LAYOUT					

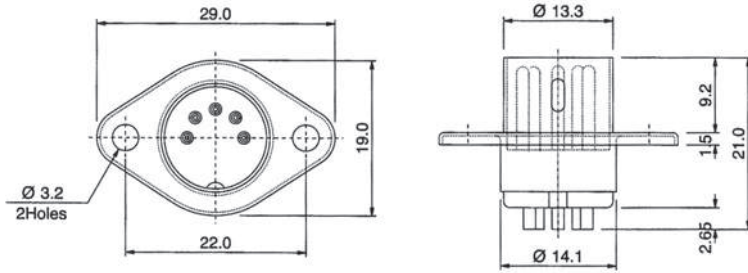
ORDERING INFORMATION:

P/N 71 $\frac{xx}{1}$ - $\frac{xx}{2}$

1. CONNECTOR TYPE:
"56" SOLDER TYPE
"57" PCB TYPE

2. NO. OF CONTACTS:
"04" 4P
"05A" 5P, 180°
"06" 6P
"07" 7P
"08A" 8P, 270°

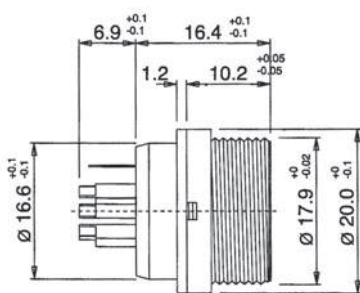
DIN PLUG & SOCKET METAL COVER SOLDER TYPE



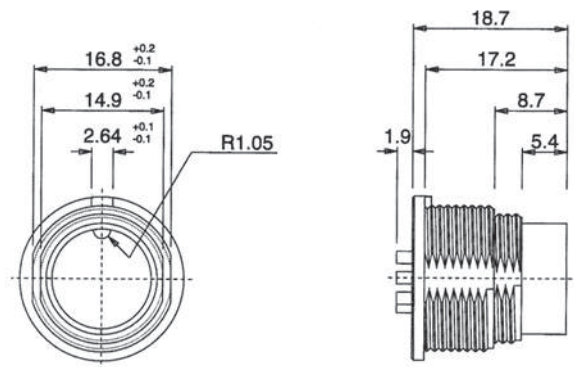
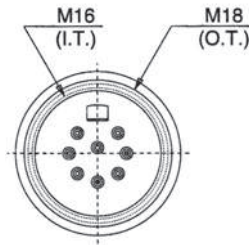
7170-xx

SPECIFICATIONS

1. Contact resistance: 20mΩ Max.
 2. Dielectric strength: 1,000VAC for 1 minute
 3. Insulation resistance: 100MΩ Min. at 500V DC
 4. Rating: 100VAC 2A
- All materials must be RoHS compliant.



7171-xx



7172-xx

ARRANGEMENT OF CONTACTS									
NO OF CONTACTS	3P	4P	5P 180°	5P 240°	5P 360°	6P	7P	8P 270°	8P 262°

ORDERING INFORMATION:

P/N 71 $\frac{xx}{1}$ - $\frac{xx}{2}$

1. CONNECTOR TYPE:

- "70" DIN PLUG (MALE)
- "71" DIN SOCKET (FEMALE)
- "72" DIN PLUG (MALE)

2. NO. OF CONTACTS:

- "03" 3P
- "04" 4P
- "05A" 5P, 180°
- "05B" 5P, 240°
- "05C" 5P, 360°
- "06" 6P
- "07" 7P
- "08A" 8P, 270°
- "08B" 8P, 262°

DIN JACK / PLUG TO 6.35MM / 3.5MM AUDIO ADAPTER

P/N 8068-01MF
5P DIN PLUG, 180° TO 1/4" STEREO JACK

P/N 8068-02MF
5P DIN PLUG, 360° TO 1/4" STEREO JACK

P/N 8068-03MF
5P DIN PLUG, 180° TO 1/4" MONO JACK

P/N 8068-04MF
5P DIN PLUG, 360° TO 1/4" MONO JACK



P/N 8040-01MF
5P DIN PLUG, 180° TO 3.5MM STEREO JACK

P/N 8040-02MF
5P DIN PLUG, 360° TO 3.5MM STEREO JACK

P/N 8040-03MF
5P DIN PLUG, 180° TO 3.5MM MONO JACK

P/N 8040-04MF
5P DIN PLUG, 360° TO 3.5MM MONO JACK



P/N 8010-05FF
5P DIN JACK, 180° TO 5P DIN JACK, 180°

P/N 8010-06FF
5P DIN JACK, 360° TO 5P DIN JACK, 360°



P/N 8010-03MF
5P DIN PLUG, 180° TO 5P DIN JACK, 180°

P/N 8010-04MF
5P DIN PLUG, 360° TO 5P DIN JACK, 360°



P/N 8068-05MF
1/4" STEREO PLUG TO 5P DIN JACK, 180°

P/N 8068-06MF
1/4" STEREO PLUG TO 5P DIN JACK, 360°



P/N 8068-07MF
1/4" MONO PLUG TO 5P DIN JACK, 180°

P/N 8068-08MF
1/4" MONO PLUG TO 5P DIN JACK, 360°



P/N 8068-09MM
1/4" STEREO PLUG TO 5P DIN PLUG, 180°

P/N 8068-10MM
1/4" STEREO PLUG TO 5P DIN PLUG, 360°



P/N 8068-11MM
1/4" MONO PLUG TO 5P DIN PLUG, 180°

P/N 8068-12MM
1/4" MONO PLUG TO 5P DIN PLUG, 360°



P/N 8040-05MF
3.5MM STEREO PLUG TO 5P DIN JACK, 180°

P/N 8040-06MF
3.5MM STEREO PLUG TO 5P DIN JACK, 360°



P/N 8040-70MF
3.5MM MONO PLUG TO 5P DIN JACK, 180°

P/N 8040-08MF
3.5MM MONO PLUG TO 5P DIN JACK, 360°



P/N 8040-09MM
3.5MM STEREO PLUG TO 5P DIN PLUG, 180°

P/N 8040-10MM
3.5MM STEREO PLUG TO 5P DIN PLUG, 360°



P/N 8040-11MM
3.5MM MONO PLUG TO 5P DIN PLUG, 180°

P/N 8040-12MM
3.5MM MONO PLUG TO 5P DIN PLUG, 360°



WATERPROOF M8*05 4P+6P+8P DIN JACK FABRICATED WIRE END TYPE



MATERIALS

Housing: Nylon 46, UL 94V-0

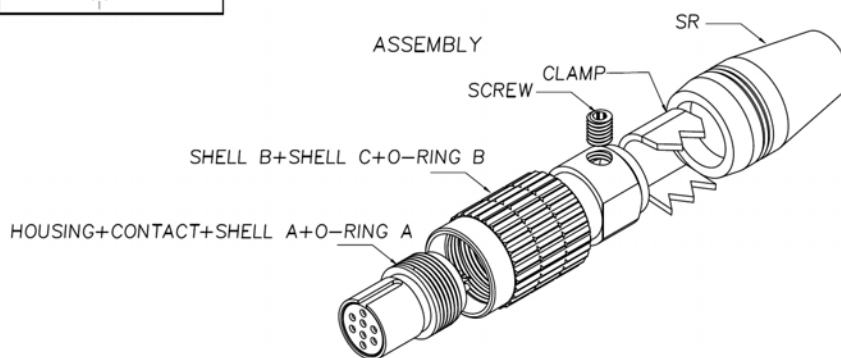
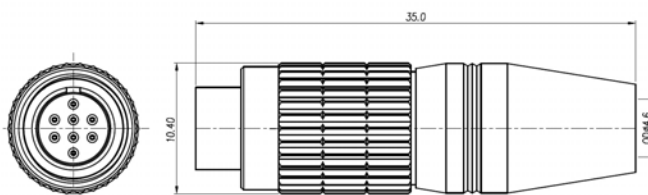
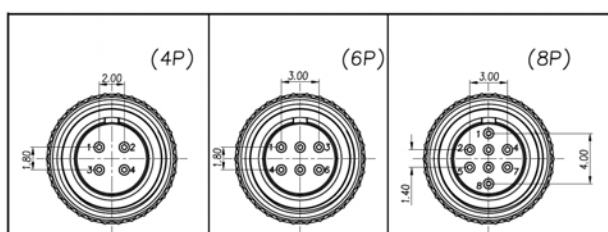
Contact: Phosphor Bronze; Gold plated

Shell: Zinc Alloy or Brass; Nickel Plated

Screw: Steel Alloy

* RoHS & REACH compliant.

Unit: mm



ORDERING INFORMATION:

P/N W P D $\frac{M}{1}$ $\frac{8}{2}$ F - $\frac{x}{3}$ $\frac{x}{4}$ AA

1. CONNECTOR LOCKING SYSTEM:
"M8" SCREW M8*0.5
2. CONNECTOR TYPE:
"F" FEMALE (JACK)
3. NO. OF CONTACTS:
04, 06, 08
4. APPLICABLE TYPE:
"AA" CABLE ASSEMBLY TYPE

WATERPROOF M8*05 4P+6P+8P DIN JACK LINE END ASSEMBLED TYPE



MATERIALS

Housing: Nylon 46, UL 94V-0

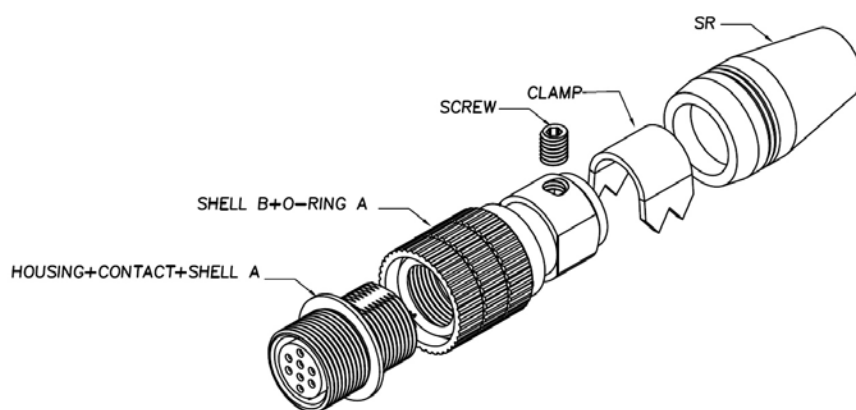
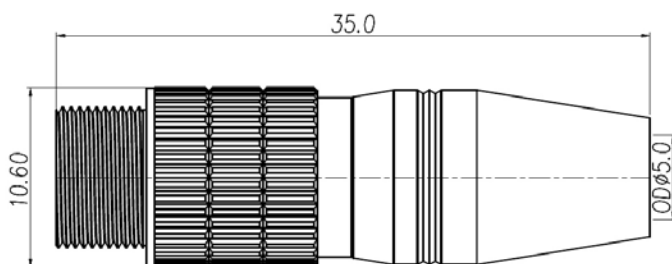
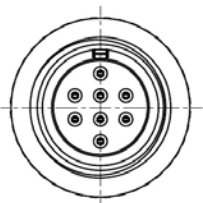
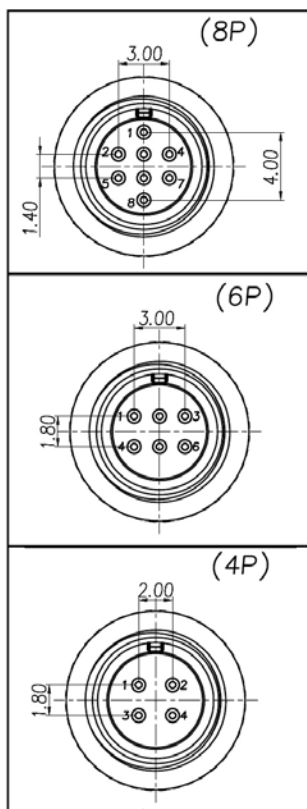
Contact: Phosphor Bronze; Gold plated

Shell: Zinc Alloy or Brass; Nickel Plated

Screw: Steel Alloy; Nickel Plated

* RoHS & REACH compliant.

Unit: mm



ORDERING INFORMATION:

P/N W P D $\frac{M}{1}$ $\frac{8}{2}$ $\frac{F}{3}$ - $\frac{x}{3}$ $\frac{x}{4}$ A B

1. CONNECTOR LOCKING SYSTEM:
"M8" SCREW M8*0.5
2. CONNECTOR TYPE:
"F" FEMALE (JACK)
3. NO. OF CONTACTS:
04, 06, 08
4. APPLICABLE TYPE:
"AB" CABLE ASSEMBLY TYPE

WATERPROOF M8*05 4P+6P+8P DIN SOCKET PLATE INSERTED TYPE



MATERIALS

Housing: Nylon 46

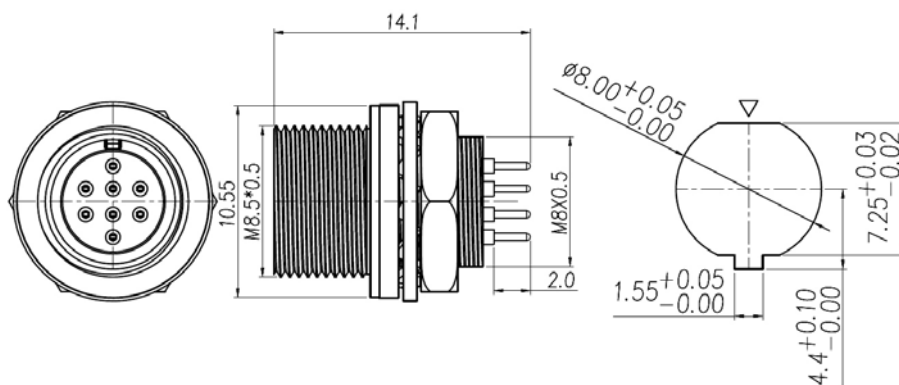
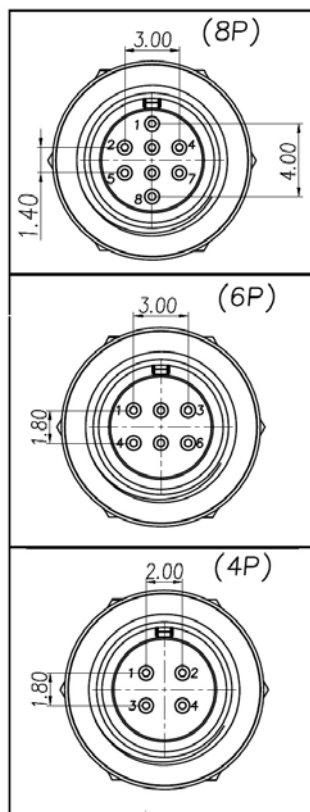
Contact: Brass; Gold Plating Over Nickel

Shell: Zinc Alloy; Nickel Plated

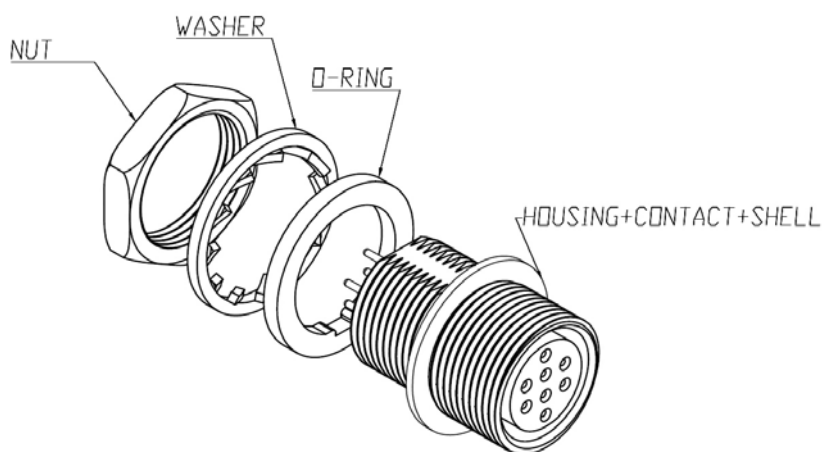
Nut: Brass; Nickel Plated

* RoHS & REACH compliant.

Unit: mm



RECOMMEND PANEL CUT-OUT

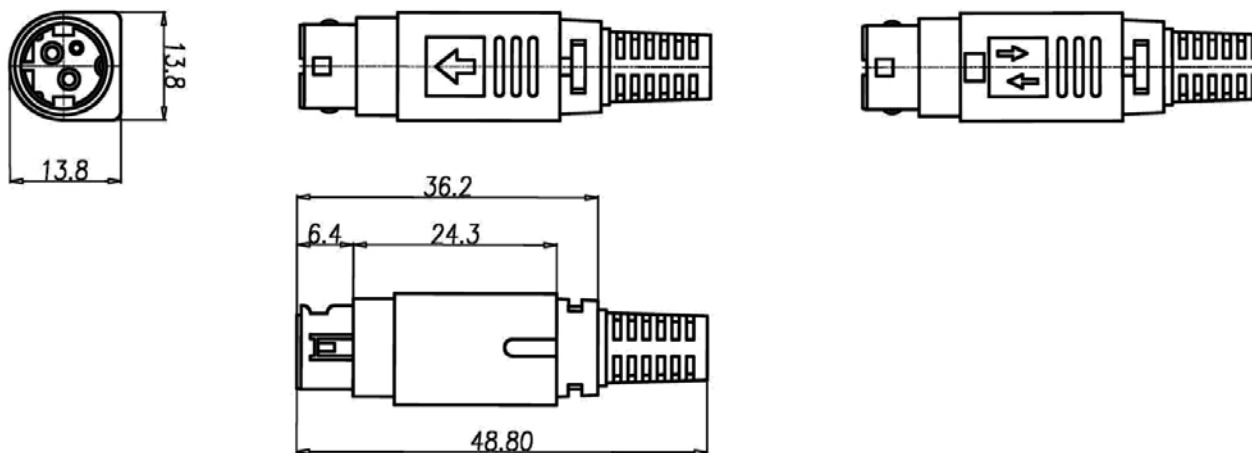


ORDERING INFORMATION:

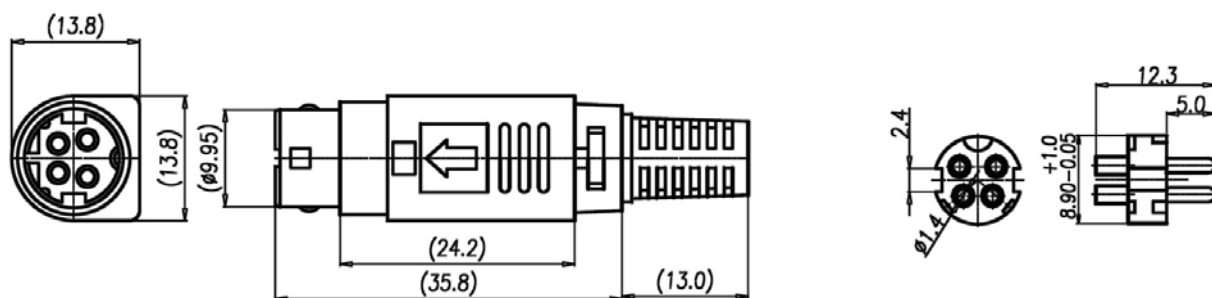
P/N W P D M 8 F - x x PA
 1 2 3 4

1. CONNECTOR LOCKING SYSTEM:
"M8" SCREW M8*0.5
2. CONNECTOR TYPE:
"F" FEMALE (JACK)
3. NO. OF CONTACTS:
04, 06, 08
4. APPLICABLE TYPE:
"PA" PLATE INSERTED TYPE

3 & 4 PIN POWER DIN PLUG WITH LOCK MECHANISM



P/N 7291-03-xxx



P/N 7291-04-xxx

ORDERING INFORMATION:

P/N 7 2 9 1 - $\frac{xx}{1}$ - $\frac{xxx}{2}$

1. NO. OF CONTACTS:

03, 04

2. JACK CODE:

"4.0" Ø4.0MM

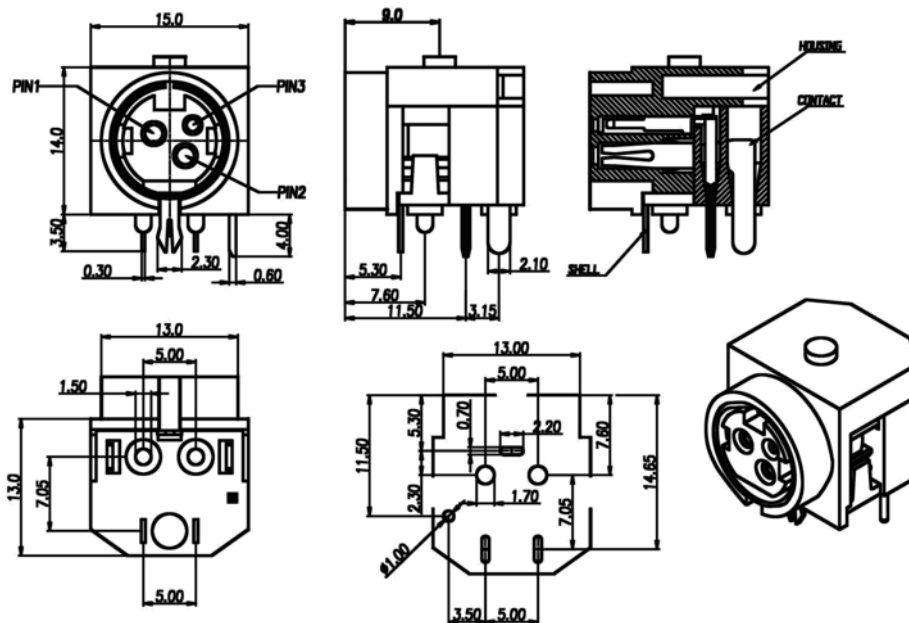
"5.0" Ø5.0MM

"5.5" Ø5.5MM

"6.5" Ø6.5MM (STANDARD)

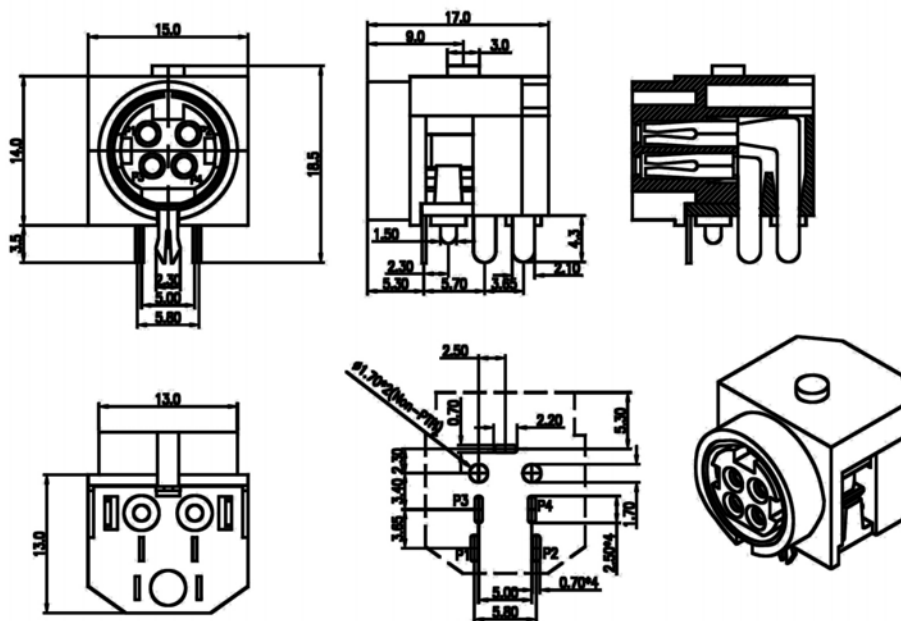
"7.0" Ø7.0MM

UNSHIELDED 3 & 4 PIN R/A POWER DIN SOCKET



P/N 7292N-03xxx

Recommended P.C.Board Layout



P/N 7292N-04xxx

Recommended P.C.Board Layout

ORDERING INFORMATION:

P/N 7292N-03PBT

3 PIN UNSHIELDED POWER SOCKET RATED
CURRENT : 7.5A/20VDC (max.) FOR PIN1 & PIN2
& 1A/20VDC FOR PIN3 HOUSING: PBT

P/N 7292N-03LCP

DITTO, BUT HOUSING: LCP

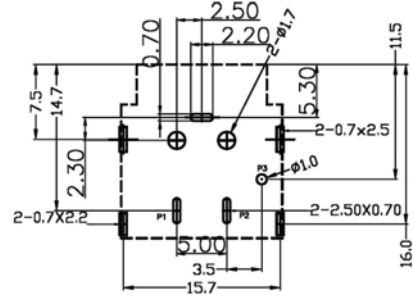
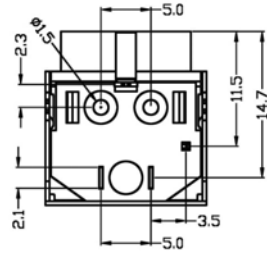
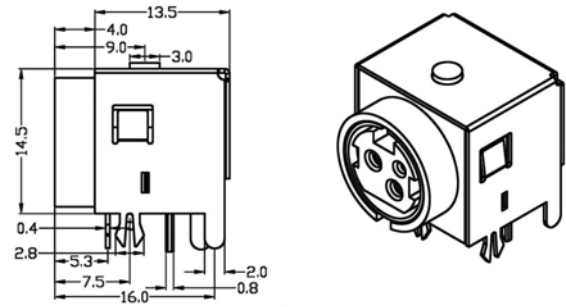
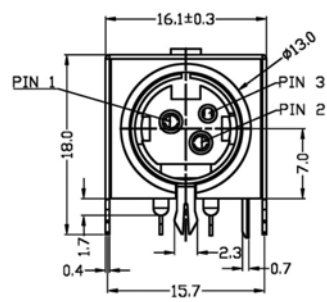
P/N 7292N-04PBT

4 PIN UNSHIELDED POWER SOCKET
RATED CURRENT : 7.5A/20DC (max.)
HOUSING: PBT

P/N 7292N-04LCP

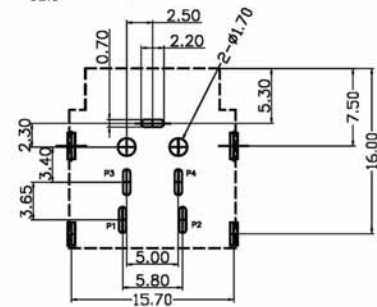
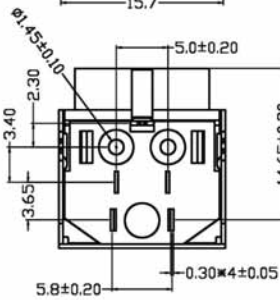
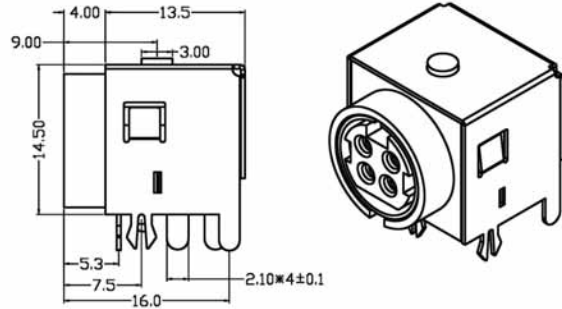
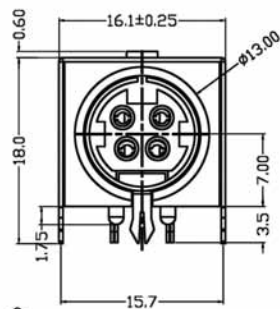
DITTO, BUT HOUSING: LCP

SHIELDED 3 & 4 PIN R/A POWER DIN SOCKET



P/N 7293N-03xxx

Recommended P.C.Board Layout



P/N 7293N-04xxx

Recommended P.C.Board Layout

ORDERING INFORMATION:

P/N 7293N-03PBT

3 PIN SHIELDED POWER SOCKET RATED
CURRENT : 7.5A/20VDC (max.) FOR PIN1 & PIN2
& 1A/20VDC FOR PIN3 HOUSING: PBT

P/N 7293N-04PBT

4 PIN SHIELDED POWER SOCKET
RATED CURRENT : 7.5A/20DC (max.)
HOUSING: PBT

P/N 7293N-03LCP

DITTO, BUT HOUSING: LCP

P/N 7293N-04LCP

DITTO, BUT HOUSING: LCP

3-4 PIN POWER DIN PLUG & STRAIGHT DIP SOCKET

		<p>SPECIFICATIONS</p> <p>1. Rating: 100VAC 1A (max.) 12VDC 2A (max.)</p> <p>2. Dielectric withstanding voltage: 500VAC, 60Hz for 1 minute</p> <p>3. Insulation resistance (initial): 100MΩ (min.) at 500V DC</p> <p>4. Contact resistance (initial): 30mΩ (max.) at AC 100mA (max.) 1 KHz</p> <p>5. Insertion & Extraction force: Initial : 4.5kgs (max.) Extraction force: 0.9 to 3.0kgs</p> <p>MATERIALS</p> <p>1. Insulator: PBT(Black, UL94V-0)</p> <p>2. Contact: Phosphor bronze.</p> <p>3. Metal Shell: Copper alloy</p> <p>All materials must be RoHS compliant.</p>		
7291-04				
7207-xxx		7208-xxx		
ARRANGEMENT OF CONTACTS				
NO OF CONTACTS	3 (7291-03)	4 (7291-04)	4 (7207-04 / 7208-04)	
HOLE LAYOUT	X			
		7207-xxx	7208-xxx	

ORDERING INFORMATION:

P/N 7 2 $\frac{xx}{1}$ - $\frac{xxx}{2}$ $\frac{x}{3}$

- CONNECTOR TYPE:
"91" POWER PLUG
"07" UNSHIELDED POWER SOCKET
"08" SHIELDED POWER SOCKET
- NO. OF CONTACTS:
03, 04 FOR 7291
04 FOR 7207 & 7208
- SPECIAL OPTION:
" " NO SPECIAL OPTION
"A" SHELL'S FLAT GROUNDING PIN
"B" SHELL'S KINKED GROUNDING PIN
NOTE: OPTION A & B FOR 7207 & 7208 ONLY

3-4 PIN RIGHT ANGLE POWER DIN SOCKET UNSHIELDED TYPE

		<p>SPECIFICATIONS</p> <ol style="list-style-type: none"> Rating: 100VAC 1A (max.) 12VDC 2A (max.) Dielectric withstanding voltage: 500VAC, 60Hz for 1 minute Insulation resistance (initial): 100MΩ (min.) at 500V DC Contact resistance (initial): 30mΩ (max.) at AC 100mA (max.) 1 KHz Insertion & Extraction force: Initial : 4.5kgs (max.) Extraction force: 0.9 to 3.0kgs <p>MATERIALS</p> <ol style="list-style-type: none"> Insulator: PBT(Black, UL94V-0) Contact: Phosphor bronze. Metal Shell: Copper alloy <p>All materials must be RoHS compliant.</p>
7292-03	7292-04	
<p>ARRANGEMENT OF CONTACTS</p>		
<p>NO OF CONTACTS</p>	3	4
<p>HOLE LAYOUT</p>		

ORDERING INFORMATION:

P/N 7 2 9 2 - $\frac{x}{T} \frac{x}{2}$

1. NO. OF CONTACTS:
03, 04

2. SPECIAL OPTION:

" " NO SPECIAL OPTION

"A" SHELL'S FLAT TYPE TERMINAL AND FLAT TYPE GROUNDING TERMINAL

"B" SHELL'S FLAT TYPE TERMINAL AND HOOK TYPE GROUNDING TERMINAL

"C" SHELL'S KINK TYPE TERMINAL AND FLAT TYPE GROUNDING TERMINAL

"D" SHELL'S KINK TYPE TERMINAL AND HOOK TYPE GROUNDING TERMINAL

"E" SHELL'S HOOK TYPE TERMINAL AND HOOK TYPE GROUNDING TERMINAL

3-4 PIN RIGHT ANGLE POWER DIN SOCKET SHIELDED TYPE

7293-03x		7293-04x		
SOLDER TAIL OPTION				
FLAT TYPE		KINK TYPE		
FLAT TYPE		HOOK TYPE		
ARRANGEMENT OF CONTACTS				
	3		4	
NO OF CONTACTS				
HOLE LAYOUT				

SPECIFICATIONS

- Rating:** 100VAC 1A (max.)
12VDC 2A (max.)
- Dielectric withstanding voltage:**
500VAC, 60Hz for 1 minute
- Insulation resistance (initial):**
100MΩ (min.) at 500V DC
- Contact resistance (initial):**
30mΩ (max.) at AC 100mA (max.) 1 KHz
- Insertion & Extraction force:**
Initial : 4.5kgs (max.)
Extraction force: 0.9 to 3.0kgs

MATERIALS

- Insulator:** PBT(Black, UL94V-0)
 - Contact:** Phosphor bronze.
 - Metal Shell:** Copper alloy
- All materials must be RoHS compliant.

ORDERING INFORMATION:

P/N 7 2 9 3 - $\frac{x x x}{T 2}$

- NO. OF CONTACTS:
03, 04

- SPECIAL OPTION:

" " NO SPECIAL OPTION

"A" SHELL'S FLAT TYPE TERMINAL AND FLAT TYPE GROUNDING TERMINAL

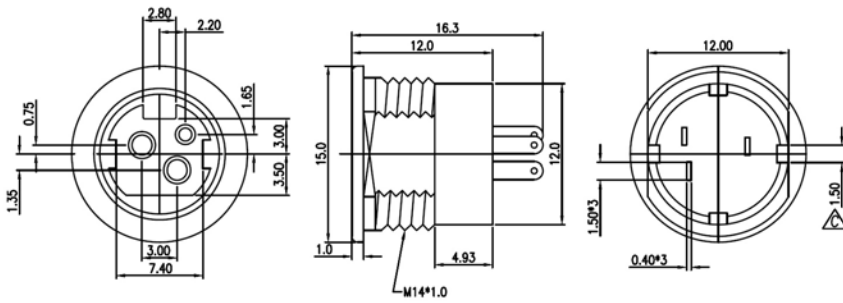
"B" SHELL'S FLAT TYPE TERMINAL AND HOOK TYPE GROUNDING TERMINAL

"C" SHELL'S KINK TYPE TERMINAL AND FLAT TYPE GROUNDING TERMINAL

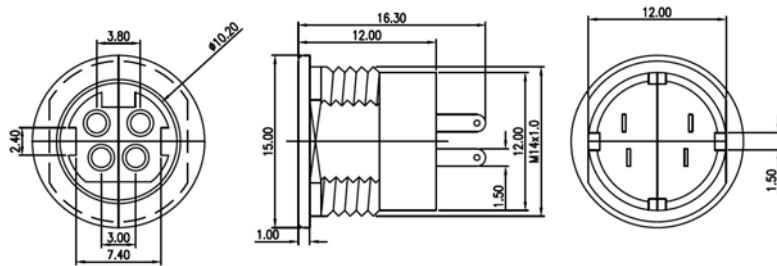
"D" SHELL'S KINK TYPE TERMINAL AND HOOK TYPE GROUNDING TERMINAL

"E" SHELL'S HOOK TYPE TERMINAL AND HOOK TYPE GROUNDING TERMINAL

3 & 4 PIN POWER DIN SOCKET



7294P-03PA



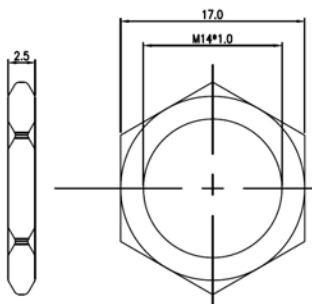
7294P-04PA

SPECIFICATIONS

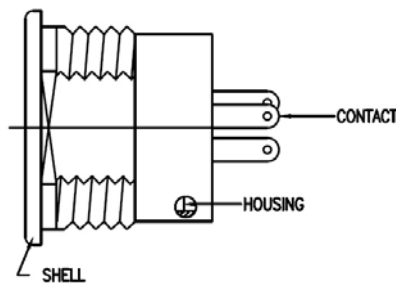
- Rating:** 25VDC 7.5A (max.)
- Dielectric Withstanding Voltage:** 500VAC, 60Hz for 1 minute
- Insulation Resistance (Initial):** 100MΩ (min.) at 500VDC
- Contact Resistance (Initial):** 30mΩ (max.) at AC 100mA (max.) 1 KHz
- Insertion & Extraction Force:**
Initial : 4.5kgs. (max.)
Extraction Force: 0.9 to 3.0kgs

MATERIALS

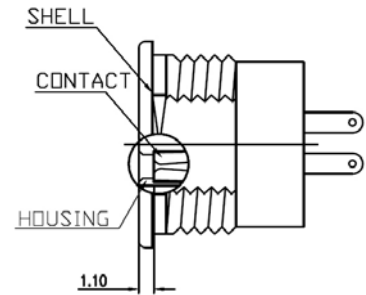
- Housing:** PBT, UL94V-0
 - Contact:** Phosphor Bronze;
Tin Plating Over Nickel
 - Shell:** Brass; Nickel Plated
 - Screw:** Brass; Nickel Plated
- *RoHS & REACH compliant.



SCREW



7294P-03PA



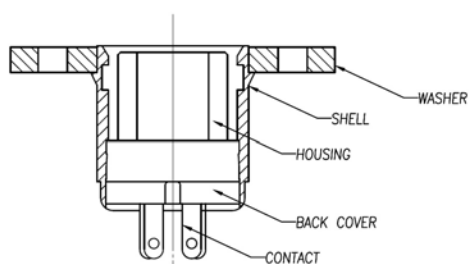
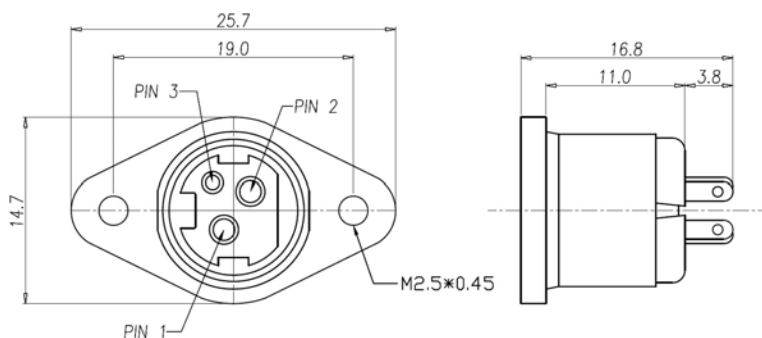
7294P-04PA

ORDERING INFORMATION:

P/N 7 2 9 4 P - $\frac{x}{1} \frac{x}{2} \frac{PA}{2}$

- NO. OF CONTACTS:**
03, 04
- SOCKET TYPE:**
"PA" PANEL MOUNT TYPE

3 & 4 PIN POWER DIN SOCKETS



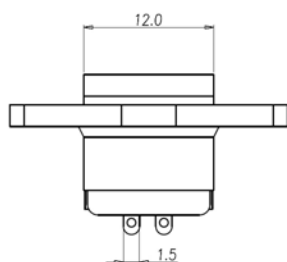
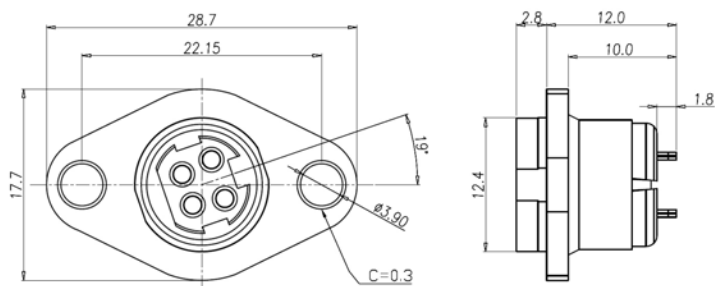
SPECIFICATIONS

1. **Rating:** 25VDC 7.5A (max.)
2. **Dielectric Withstanding Voltage:** 500VAC, 60Hz for 1 minute
3. **Insulation Resistance (Initial):** 100MΩ (min.) at 500VDC
4. **Contact Resistance (Initial):** 30mΩ (max.) at AC 100mA (max.) 1 KHz
5. **Insertion & Extraction Force:**
Initial : 4.5kgs. (max.)
Extraction Force: 0.9 to 3.0kgs

MATERIALS

1. **Housing:** PBT, UL94V-0
 2. **Contact:** Phosphor Bronze;
Tin Plating Over Nickel
 3. **Shell:** Brass; Nickel Plated
- *RoHS & REACH compliant.

7294P-03SA



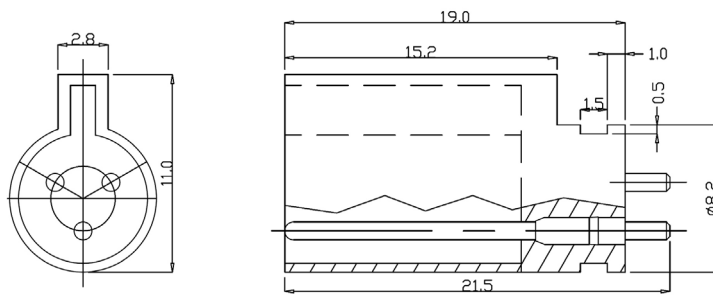
7294P-04SA

ORDERING INFORMATION:

P/N 7 2 9 4 P - $\frac{xx}{1}$ $\frac{SA}{2}$

1. NO. OF CONTACTS:
03, 04
2. SOCKET TYPE:
"SA" POWER DIN SOCKET WITH 19° ROTATED CONTACTS

3 & 4 PIN POWER DIN PLUG



SPECIFICATIONS

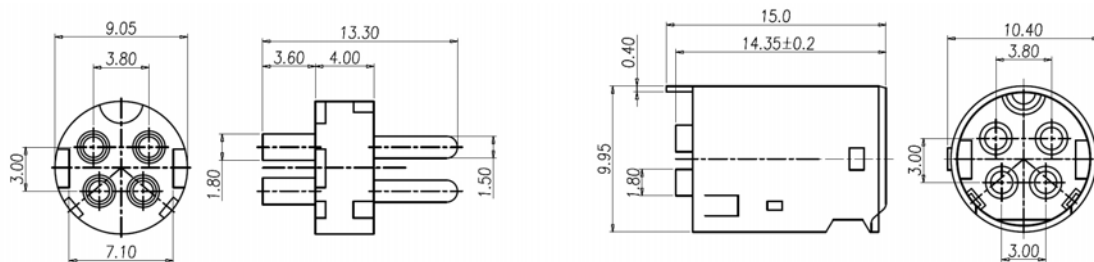
1. **Rating:** 25VDC 7.5A (max.)
12VDC 2A (max.)
2. **Dielectric Withstanding Voltage:**
500VAC, 60Hz for 1 minute
3. **Insulation Resistance (Initial):**
200M Ω (min.) at 250VDC
4. **Contact Resistance (Initial):**
50m Ω (max.) at DC 1A

MATERIALS

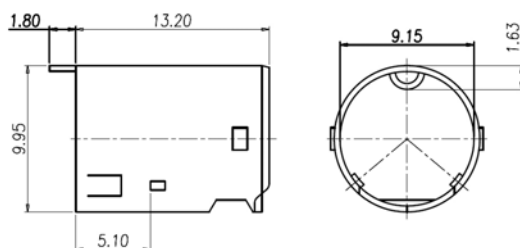
1. **Housing:** PBT, UL94V-0
 2. **Contact:** Brass; Gold Plated
 3. **Shell:** Brass; Nickel Plated
 4. **Screw:** Brass; Nickel Plated
- *RoHS & REACH compliant.



7295P-03CA



HOUSING & PIN



SHELL



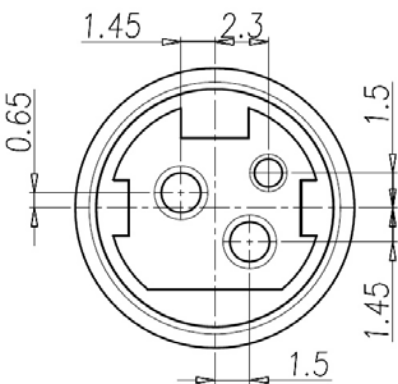
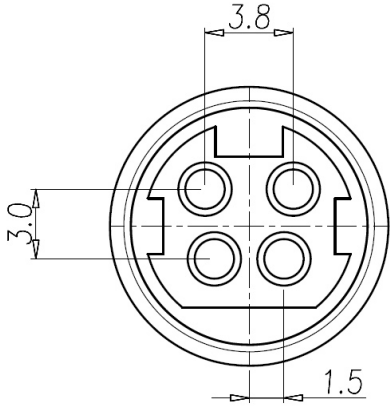
7295P-04CA

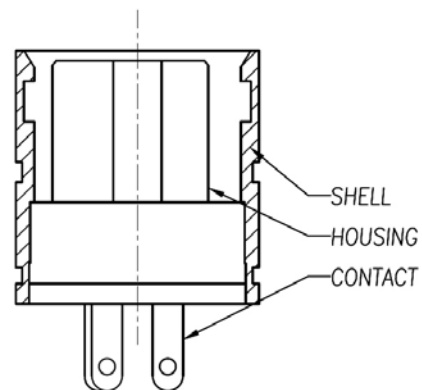
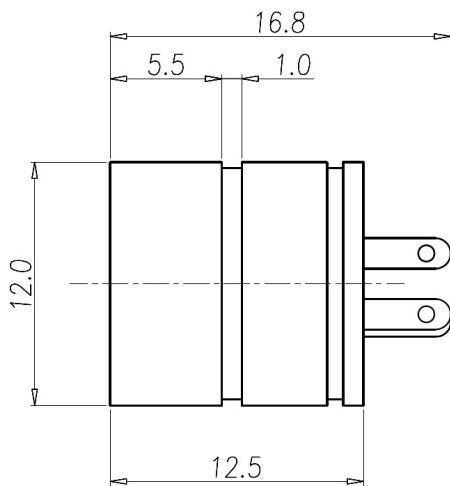
ORDERING INFORMATION:

P/N 7 2 9 5 P - $\frac{x}{1}$ $\frac{x}{2}$ CA

1. NO. OF CONTACTS:
"03" 3P, 12VDC 2A MAX.
"04" 4P, 25VDC 7.5A MAX.
2. PLUG TYPE:
"CA" CABLE MOLDED TYPE (MALE)

3 & 4 PIN POWER DIN JACK

		<p>SPECIFICATIONS</p> <ol style="list-style-type: none"> Rating: 25VDC 7.5A (max.) Dielectric Withstanding Voltage: 500VAC, 60Hz for 1 minute Insulation Resistance (Initial): 100MΩ (min.) at 500VDC Contact Resistance (Initial): 30mΩ (max.) at AC 100mA (max.) 1 KHz Insertion & Extraction Force: Initial : 4.5kgs. (max.) Extraction Force: 0.9 to 3.0kgs <p>MATERIALS</p> <ol style="list-style-type: none"> Housing: PBT, UL94V-0 Contact: Phosphor Bronze; Tin Plated Shell: Brass; Nickel Plated <p>*RoHS & REACH compliant.</p>
<p><u>7297P-03CA</u></p>	<p><u>7297P-04CA</u></p>	

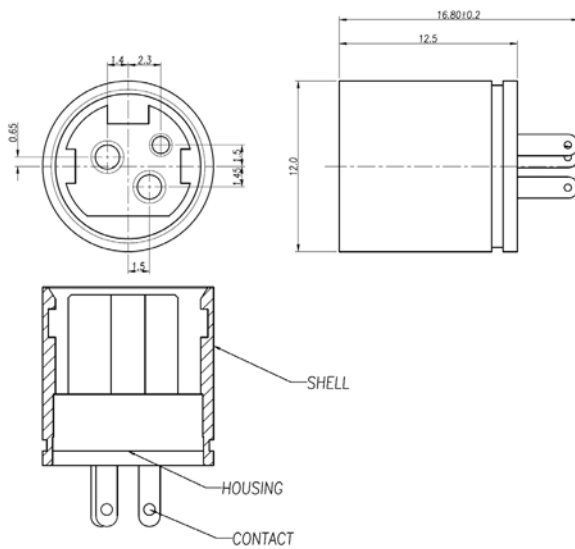


ORDERING INFORMATION:

P/N 7 2 9 7 P - $\frac{x}{1}$ $\frac{x}{2}$ CA

- NO. OF CONTACTS:
03, 04
- JACK TYPE:
"CA" CABLE SOLDER TYPE (FEMALE)

3 & 4 PIN POWER DIN JACK



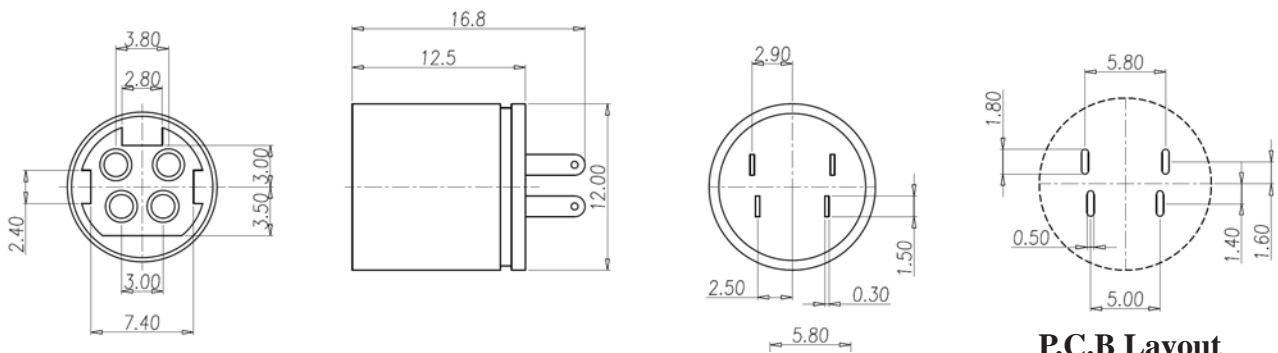
7297P-03CB

SPECIFICATIONS

1. **Rating:** 25VDC 7.5A (max.)
2. **Dielectric Withstanding Voltage:** 500VAC, 60Hz for 1 minute
3. **Insulation Resistance (Initial):** 100MΩ (min.) at 500VDC
4. **Contact Resistance (Initial):** 30mΩ (max.) at AC 100mA (max.) 1 KHz
5. **Insertion & Extraction Force:**
Initial : 4.5kgs. (max.)
Extraction Force: 0.9 to 3.0kgs

MATERIALS

1. **Housing:** PBT, UL94V-0
 2. **Contact:** Phosphor Bronze;
Tin Plating Over Nickel
 3. **Shell:** Brass; Nickel Plated
- *RoHS & REACH compliant.



P.C.B Layout

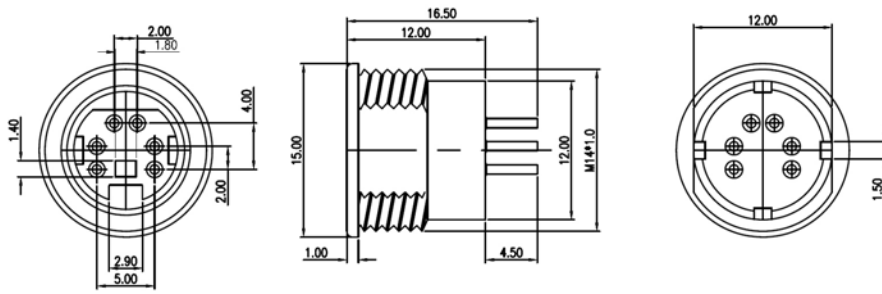
7297P-04CB

ORDERING INFORMATION:

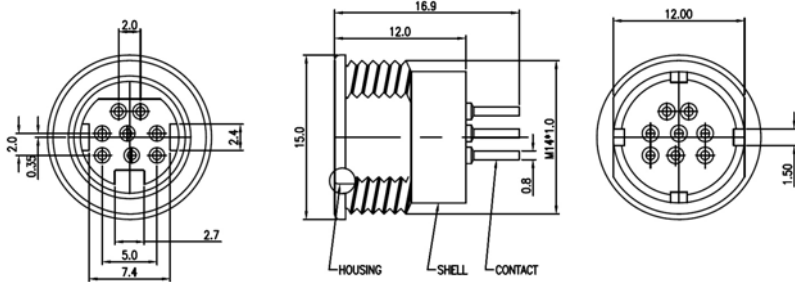
P/N 7 2 9 7 P - $\frac{x}{1}$ $\frac{x}{2}$ C B

1. NO. OF CONTACTS:
03, 04
2. JACK TYPE:
"CB" CABLE SOLDER TYPE (FEMALE)

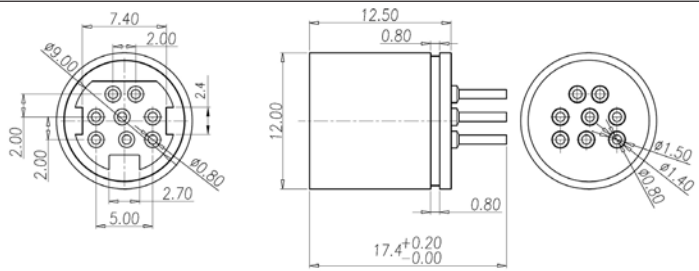
6 & 8 PIN POWER DIN SOCKET



7299P-06PA

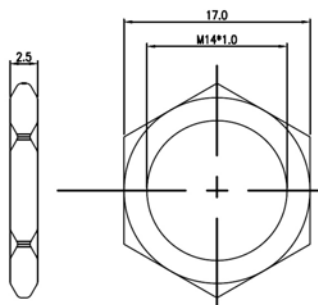
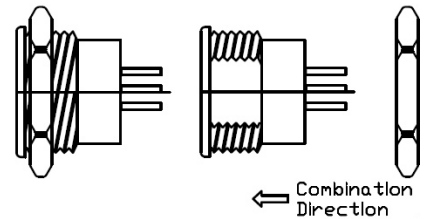


7299P-08PA



7299P-08PB

SCALE: 2:1



SCREW

SPECIFICATIONS

1. **Rating:** 12VDC 3A (max.)
12VDC 2A (max.)
2. **Dielectric Withstanding Voltage:**
500VAC, 60Hz for 1 minute
3. **Insulation Resistance (Initial):**
100MΩ (min.) at 500VDC
4. **Contact Resistance (Initial):**
30mΩ (max.) at AC 100mA (max.) 1 KHz
5. **Insertion & Extraction Force:**
Initial : 4.5kgs. (max.)
Extraction Force: 0.9 to 3.0kgs

MATERIALS

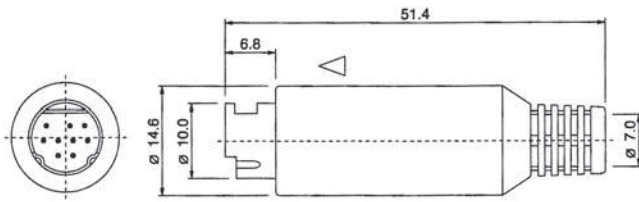
1. **Housing:** PBT, UL94V-0
 2. **Contact:** Phosphor Bronze;
Gold Plating Over Nickel
 3. **Shell:** Brass; Nickel Plated
 4. **Screw:** Brass; Nickel Plated
- *RoHS & REACH compliant.

ORDERING INFORMATION:

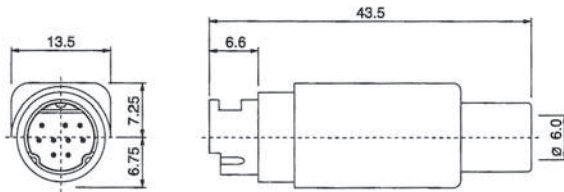
P/N 7 2 9 9 P - $\frac{XX}{1} \frac{XX}{2}$

1. NO. OF CONTACTS:
06, 08
2. RATED CURRENT & VOLTAGE:
"PA" 2A 12VDC
"PB" 3A 12VDC

MINI DIN ASSEMBLY PLUG



7214-xx



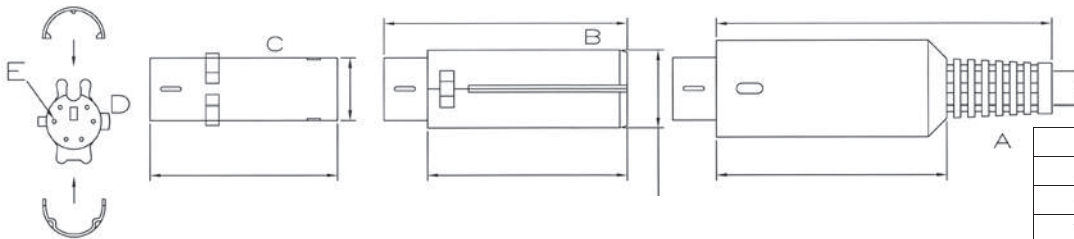
7215-xx

SPECIFICATIONS

1. **Rating:** 100VAC 1A (max.)
12VDC 2A (max.)
2. **Dielectric withstanding voltage:**
500VAC, 60Hz for 1 minute
3. **Insulation resistance (initial):**
100MΩ (min.) at 500V DC
4. **Contact resistance (initial):**
30mΩ (max.) at AC 100mA (max.) 1 KHz
5. **Insertion & Extraction force:**
Initial : 4.5kgs (max.)
Extraction force: 0.9 to 3.0kgs

MATERIALS

1. **Insulator:** PBT(Black, UL94V-0)
 2. **Contact:** Phosphor bronze.
 3. **Metal Shell:** Copper alloy
- All materials must be RoHS compliant.



7211-xx

ARRANGEMENT OF CONTACTS						
NO OF CONTACTS	3	4	5	6	7	8

ORDERING INFORMATION:

P/N 7 2 $\frac{xx}{1} - \frac{xx}{2}$

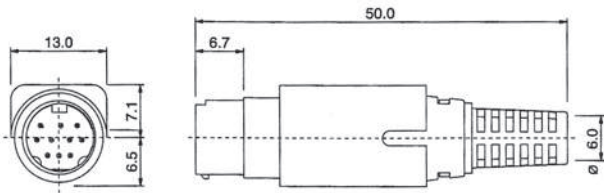
1. CONNECTOR TYPE:

- "11" MINI DIN ASSEMBLY PLUG Ø5.0MM (STANDARD)
- "13" MINI DIN ASSEMBLY PLUG Ø6.0MM
- "14" MINI DIN ASSEMBLY PLUG Ø7.0MM
- "12" MINI DIN APPLE TYPE PLUG Ø5.0MM (STANDARD)
- "15" MINI DIN APPLE TYPE PLUG Ø6.0MM

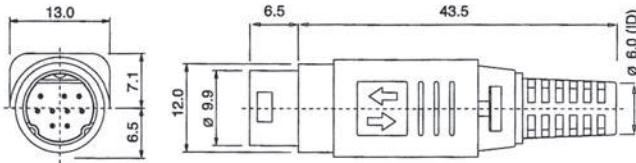
2. NO. OF CONTACTS:

- 03, 04, 05, 06, 07, 08, 09

MINI DIN ASSEMBLY CONNECTOR QUICK LOCK TYPE



7279-09



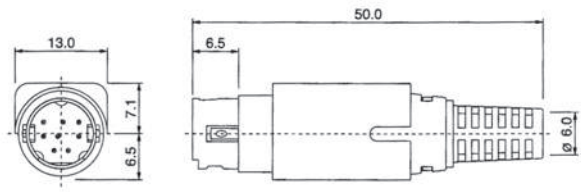
7279-10

SPECIFICATIONS

1. **Rating:** 100VAC 1A (max.)
12VDC 2A (max.)
2. **Dielectric withstanding voltage:**
500VAC, 60Hz for 1 minute
3. **Insulation resistance (initial):**
100MΩ (min.) at 500V DC
4. **Contact resistance (initial):**
30mΩ (max.) at AC 100mA (max.) 1 KHz
5. **Insertion & Extraction force:**
Initial : 4.5kgs (max.)
Extraction force: 0.9 to 3.0kgs

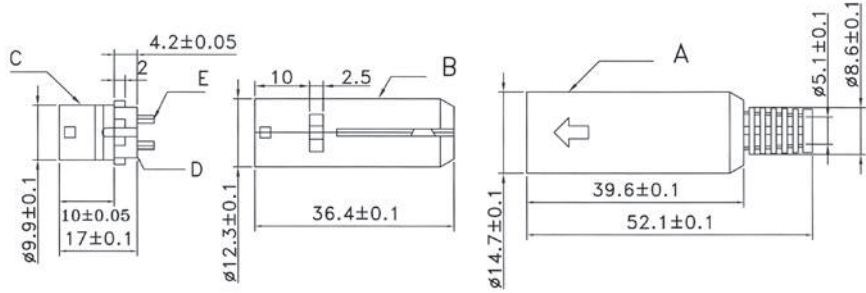
MATERIALS

1. **Insulator:** PBT(Black, UL94V-0)
 2. **Contact:** Phosphor bronze.
 3. **Metal Shell:** Copper alloy
- All materials must be RoHS compliant.



4P	5P	6P	7P	8P

7279-xx



3P 	4P 	5P
6P 	7P 	8P

7280-xx

ORDERING INFORMATION:

P/N 7 2 xx - xx

1. **CONNECTOR TYPE:**
"79" MINI DIN PLUG QUICK LOCK TYPE WITH 8-PIECE PARTS
"80" MINI DIN JACK QUICK LOCK TYPE
2. **NO. OF CONTACTS:**
03, 04, 05, 06, 07, 08, 09, 10
NOTE: THE HOUSING COLOR IS BLACK

MINI DIN CONNECTOR MOULDED TYPE

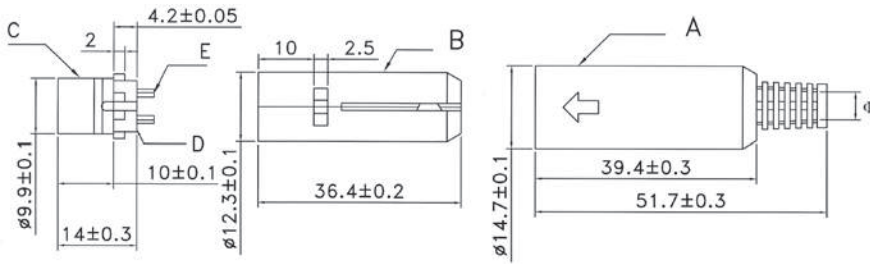
7211MD-xxS			<p>SPECIFICATIONS</p> <ol style="list-style-type: none"> Rating: 100VAC 1A (max.) 12VDC 2A (max.) Dielectric withstanding voltage: 500VAC, 60Hz for 1 minute Insulation resistance (initial): 100MΩ (min.) at 500V DC Contact resistance (initial): 30mΩ (max.) at AC 100mA (max.) 1 KHz Insertion & Extraction force: Initial : 4.5kgs (max.) Extraction force: 0.9 to 3.0kgs <p>MATERIALS</p> <ol style="list-style-type: none"> Insulator: PBT(Black, UL94V-0) Contact: Phosphor bronze. Metal Shell: Copper alloy <p>All materials must be RoHS compliant.</p>			
7211MD-xxL						
7221MD-xxD						
7221MD-xxE						
ARRANGEMENT OF CONTACTS	7211MD-xxS / 7211MD-xxL					
NO OF CONTACTS	7221MD-xxD / 7221MD-xxE					
3	4	5	6	7	8	

ORDERING INFORMATION:

P/N 7 2 xx xx - xx x
 1 2 3

- CONNECTOR TYPE:
"11MD" MINI DIN MOULDED PLUG (MALE)
"21MD" MINI DIN MOULDED JACK (FEMALE)
- NO. OF CONTACTS:
03, 04, 05, 06, 07, 08, 09, 10
- SPECIAL OPTION:
"S" 7211MD (PLUG) WITH SHORT SHELL
"L" 7211MD (PLUG) WITH LONG SHELL
"D" 7221MD (JACK) W/O EARTHING
"E" 7221MD (JACK) WITH EARTHING
NOTE: THE HOUSING COLOR IS BLACK

MINI DIN ASSEMBLY JACK



SPECIFICATIONS

1. **Rating:** 100VAC 1A (max.)
12VDC 2A (max.)
2. **Dielectric withstanding voltage:**
500VAC, 60Hz for 1 minute
3. **Insulation resistance (initial):**
100M Ω (min.) at 500V DC
4. **Contact resistance (initial):**
30m Ω (max.) at AC 100mA (max.) 1 KHz
5. **Insertion & Extraction force:**
Initial : 4.5kgs (max.)
Extraction force: 0.9 to 3.0kgs

MATERIALS

1. **Insulator:** PBT(Black, UL94V-0)
 2. **Contact:** Phosphor bronze.
 3. **Metal Shell:** Copper alloy
- All materials must be RoHS compliant.**

7221-xx

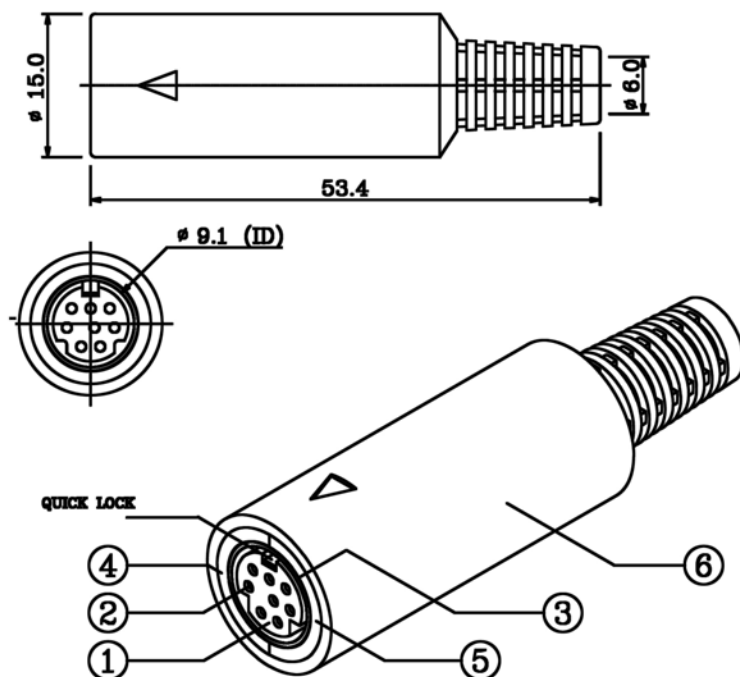
ARRANGEMENT OF CONTACTS						
NO OF CONTACTS	3	4	5	6	7	8

ORDERING INFORMATION:

P/N 7 2 $\frac{xx}{1}$ - $\frac{xx}{2}$

1. CONNECTOR TYPE:
"21" MINI DIN JACK SOLDER TYPE Ø5.0MM (STANDARD)
"16" MINI DIN JACK SOLDER TYPE Ø6.0MM
"17" MINI DIN JACK SOLDER TYPE Ø7.0MM
2. NO. OF CONTACTS:
03, 04, 05, 06, 07, 08, 09
NOTE: THE HOUSING COLOR IS BLACK

MINI DIN JACK QUICK LOCK SOLDER TYPE



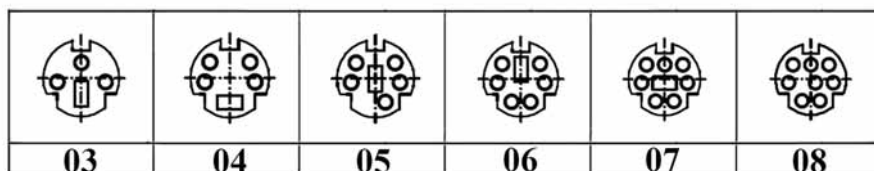
SPECIFICATIONS

1. **Rating :** 100VAC 1A (max.)
12VAC 2A (max.)
2. **Dielectric withstanding voltage:**
500VAC, 60Hz for 1 minute
3. **Insulation resistance (initial):**
100MΩ (min.) at 500V DC.
4. **Contact resistance (initial):**
30mΩ (max.) at AC 100mA (max.) 1 KHz
5. **Insertion & Extraction force:**
Initial : 4.5kgs (max.)
Extraction force: 0.9 to 3.0kgs

MATERIALS

1. **Insulator:** PBT(Black, UL94V-0)
2. **Contact:** Phosphor Bronze.
3. **Metal Shell:** Copper alloy

*RoHS & REACH compliant.



ORDERING INFORMATION:

P/N 7 2 80 N - x x
 1 2

1. COVER TYPE:
"80N" CABLE ASSEMBLY SOLDER TYPE
2. NO. OF CONTACTS
03, 04, 05, 06, 07, 08

MINI DIN CONNECTOR GOLD PLATED

P/N 72M4-xxGx

MINI DIN PLUG 4 PINS
ZINC ALLOY PLATED
xx=FOR CABLE Ø 5-8MM
x=CODE RING COLOR



P/N 72N4-xxGx

MINI DIN PLUG 4 PINS
STAIN CHROME PLATED
xx=FOR CABLE Ø 5-8MM
x=CODE RING COLOR



P/N 72P4-xxGx

MINI DIN PLUG 4 PINS
STAIN CHROME PLATED
xx=FOR CABLE Ø 5-8MM
x=CODE RING COLOR



P/N 72Q4-xxGx

MINI DIN PLUG 4 PINS
ZINC ALLOY PLATED
xx=FOR CABLE Ø 5-8MM
x=CODE RING COLOR



P/N 72R4-xxGx

MINI DIN PLUG 4 PINS
STAIN CHROME PLATED
xx=FOR CABLE Ø 5-8MM
x=CODE RING COLOR



P/N 72S4-xxGx

MINI DIN PLUG 4 PINS
STAIN ZINC ALLOY PLATED
xx=FOR CABLE Ø 5-8MM
x=CODE RING COLOR



P/N 72T4-xxGx

MINI DIN PLUG 4 PINS
ZINC ALLOY PLATED
xx=FOR CABLE Ø 5-8MM
x=CODE RING COLOR



P/N 72U4-xxGx

MINI DIN PLUG 4 PINS
STAIN CHROME PLATED
xx=FOR CABLE Ø 5-8MM
x=CODE RING COLOR



P/N 72V4-xxGx

MINI DIN PLUG 4 PINS
ZINC ALLOY PLATED
xx=FOR CABLE Ø 5-8MM
x=CODE RING COLOR



P/N 72W4-xxGx

MINI DIN PLUG 4 PINS
STAIN CHROME PLATED
xx=FOR CABLE Ø 5-8MM
x=CODE RING COLOR



P/N 72Y4-xxGx

MINI DIN PLUG 4 PINS
STAIN CHROME PLATED
xx=FOR CABLE Ø 5-8MM
x=CODE RING COLOR



P/N 72Z4-xxGx

MINI DIN PLUG 4 PINS
STAIN CHROME PLATED
xx=FOR CABLE Ø 5-8MM
x=CODE RING COLOR



MINI DIN PLUG GOLD PLATED

P/N 72AA-**G0△

**PINS = 04, 06, 08
△CABLE Ø = 6, 8
MINI DIN PLUG, SOLDER
TYPE (4P, 6P, 8P) FOR 6, 8MM
CABLE, GOLD PLATED



P/N 72AB-**GR△ (red)

P/N 72AB-**GU△ (blue)
**PINS = 04, 06, 08
△CABLE Ø = 6, 8
MINI DIN PLUG, SOLDER
TYPE (4P, 6P, 8P) FOR 6, 8MM
CABLE GOLD PLATED
(RED/BLUE)



P/N 72AC-**G0△

**PINS = 04, 06, 08
△CABLE Ø = 6, 8
MINI DIN PLUG, SOLDER
TYPE (4P, 6P, 8P) TIN PLATED-
NICKEL HANDLE FOR 6, 8MM
CABLE GOLD PLATED



P/N 72AD-**G0△

**PINS = 04, 06, 08
△CABLE Ø = 6, 8
MINI DIN PLUG, SOLDER
TYPE (4P, 6P, 8P) TIN PLATED-
NICKEL HANDLE FOR 6, 8MM
CABLE GOLD PLATED



P/N 72AE-04G08

RT. ANGLE 4P MINI DIN PLUG,
TIN PLATED-NICKEL HANDLE
FOR 8MM CABLE GOLD PLATED



P/N 72AF-**G0△

**PINS = 04, 06, 08
△CABLE Ø = 6, 8
MINI DIN PLUG, SOLDER
TYPE (4P, 6P, 8P) TIN PLATED-
NICKEL HANDLE FOR 6, 8MM
CABLE GOLD PLATED



P/N 72AG-04G10

4P MINI DIN PLUG FOR 10MM
CABLE, PEARL CHROME
PLATED & GOLD PLATED



P/N 72AH-04GR (red)

P/N 72AH-04GW (white)
4P MINI DIN PLUG BLACK
HANDLE GOLD PLATED
(RED/WHITE)



P/N 72AJ-04G06 (red)

4P MINI DIN PLUG FOR 6MM
CABLE, GOLD PLATED



P/N 72AK-04G0△

△CABLE Ø = 6, 7
4P MINI DIN PLUG PEARL
CHROME PLATED FOR 6, 7MM
CABLE GOLD PLATED



P/N 72AL-04GB (black)

4P MINI DIN PLUG, TIN PLATED-
NICKEL HANDLE GOLD PLATED



P/N 72AM-04GR (red)

4P MINI DIN PLUG, PALE
CHROME PLATED PLASTIC
RING GOLD PLATED



MINI DIN CONNETORS & ADAPTERS

P/N 8007-01B
MINI DIN 4P PLUG TO DOUBLE
RCA JACKS



P/N 8007-02C
MINI DIN 4P JACK TO DOUBLE
RCA JACKS



P/N 8007-03C
MD4F+2*RCA JACKS TO
MD4F+2*RCA JACKS



P/N 8007-04B
MD4M+3*RCA JACKS TO
MD4M+3*RCA JACKS



P/N 8007-05C
MD4F+3*RCA JACKS TO
MD4F+3*RCA JACKS



P/N 8007-06B
MINI DIN 4P JACK TO DOUBLE
MINI DIN 4P PLUGS



P/N 8007-07A
MINI DIN 4P PLUG TO DOUBLE
MINI DIN 4P PLUGS



P/N 8007-08B
MINI DIN 4P JACK TO DOUBLE
RCA JACKS



P/N 8007-09A
MINI DIN 4P PLUG TO DOUBLE
RCA PLUGS



P/N 8007-10C
MINI DIN 4P JACK TO DOUBLE
MINI DIN 4P JACKS



P/N 8007-11B
MINI DIN 4P PLUG TO DOUBLE
MINI DIN 4P JACKS



P/N 7241N-06M
6P MINI DIN JACK TO JACK,
SHIELDED



P/N 7241G-04M
4P MINI DIN JACK TO JACK
BULKHEAD TYPE GOLD PLATED



P/N 72F4-8.0G0
4P MINI DIN PLUG
P/N 72G4-8.0G0
4P MINI DIN JACK
FOR 8MM CABLE
BODY/BARREL GOLD PLATED



P/N 72J4-8.0G0
4P MINI DIN PLUG
P/N 72L4-8.0G0
4P MINI DIN JACK
FOR 8MM CABLE
BODY/BARREL GOLD PLATED



DIN & MINI DIN CONNETORS

P/N 7503-02M
2 PIN DIN PLUG SCREW TYPE



P/N 7504-02F
2 PIN DIN JACK SCREW TYPE



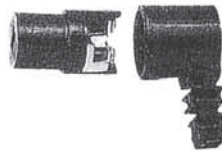
P/N 7508-05A
2 PIN DIN PLUG TO RCA JACK



P/N 7505-02M
2 PIN DIN PLUG R/A SCREW TYPE



P/N 7506-02M
2 PIN DIN JACK R/A SCREW TYPE



P/N 7109-**
** = 03, 04, 05, 06, 07, 08, 09
5P DIN PLUG TO
3P-9P MINI DIN JACK



P/N 7241-**
** = 03, 04, 05, 06, 07, 08, 09
3P-9P MINI DIN JACK TO JACK



P/N 7108-**
** = 03, 04, 05, 06, 07, 08, 09
5P DIN JACK TO
3P-9P MINI DIN PLUG, R/A TYPE



P/N 7110-**
** = 03, 04, 05, 06, 07, 08, 09
5P DIN JACK TO
3P-9P MINI DIN PLUG



P/N 7200-**
** = 03, 04, 05, 06, 07, 08
3P-8P MINI DIN PLUG TO
RCA JACK



P/N 78SU-MD4M
RCA PLUG TO 4P MINI DIN PLUG



P/N 77HC-3RCA4F
3 x RCA JACKS + 4P MINI
DIN JACK BOARD



P/N 7510-02R
DIN PLUG (2P)



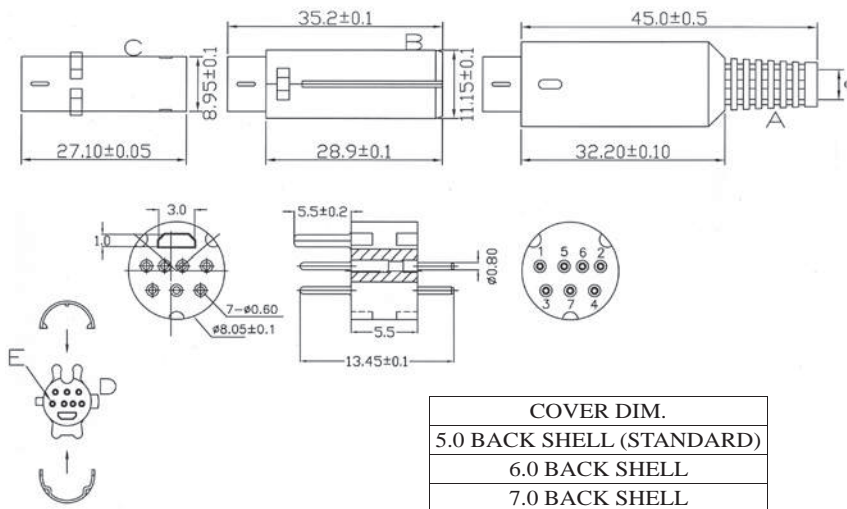
P/N 7241N-04MN
4P MINI DIN JACK TO JACK,
BULKHEAD TYPE
P/N 7241N-04MG
DITTO, BUT GOLD PLATED



P/N 72H4-8.0G0
4P MINI DIN PLUG
P/N 72K4-8.0G0
4P MINI DIN JACK FOR 8MM CABLE
BODY/BARREL: GOLD PLATED



MINI DIN CONNECTOR 7 PIN DOUBLE ROW TYPE



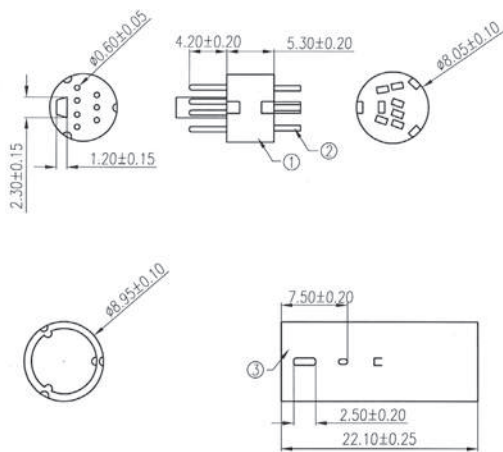
SPECIFICATIONS

- Rating:** 100VAC 1A (max.)
12VDC 2A (max.)
- Dielectric withstanding voltage:** 500VAC, 60Hz for 1 minute
- Insulation resistance (initial):** 100MΩ (min.) at 500V DC
- Contact resistance (initial):** 30mΩ (max.) at AC 100mA (max.) 1 KHz
- Insertion & Extraction force:**
Initial : 4.5kgs (max.)
Extraction force: 0.9 to 3.0kgs

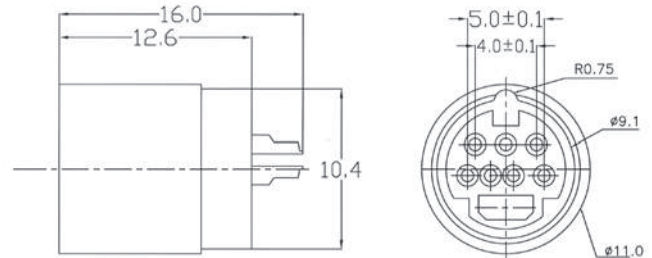
MATERIALS

- Insulator:** PBT(Black, UL94V-0)
 - Contact:** Phosphor bronze.
 - Metal Shell:** Copper alloy
- All materials must be RoHS compliant.

7283-07/7205-07/7206-07



7283MD-07



7284MD-07

ORDERING INFORMATION:

P/N 7 2 $\frac{xx}{I}$ - $\frac{07}{2}$

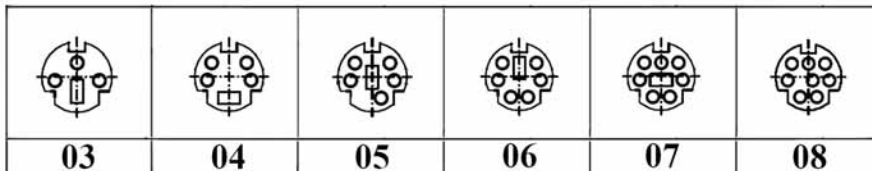
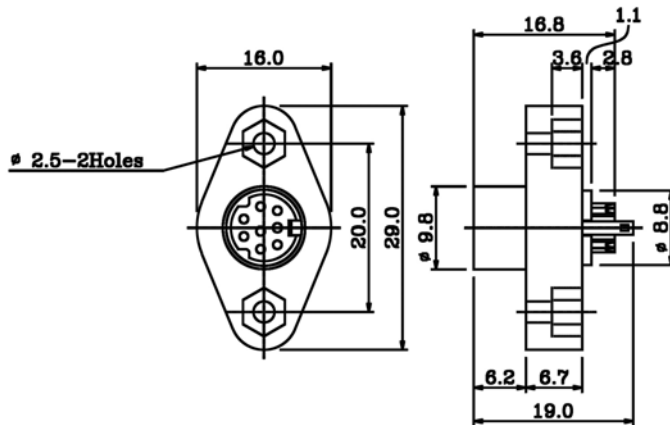
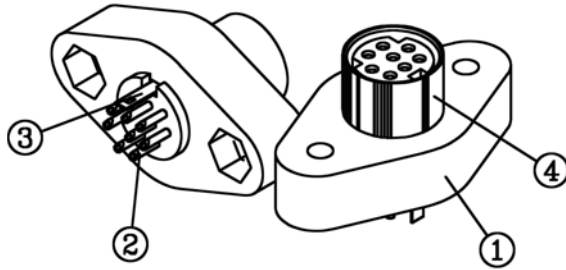
1. CONNECTOR TYPE:

- "83" MINI DIN PLUG ASSEMBLY TYPE Ø5.0MM
- "05" MINI DIN PLUG ASSEMBLY TYPE Ø6.0MM
- "06" MINI DIN PLUG ASSEMBLY TYPE Ø7.0MM
- "83MD" MINI DIN PLUG MOLDED TYPE (MALE)
- "84MD" MINI DIN JACK MOLDED TYPE (FEMALE)

2. NO. OF CONTACTS:

- "07" 7 PIN DOUBLE ROW TYPE

MINI DIN SOCKET CABLE SOLDER TYPE



SPECIFICATIONS

- Rating :** 100VAC 1A (max.)
12VAC 2A (max.)
- Dielectric withstanding voltage:**
500VAC, 60Hz for 1 minute
- Insulation resistance (initial):**
100M Ω (min.) at 500V DC.
- Contact resistance (initial):**
30m Ω (max.) at AC 100mA (max.) 1 KHz
- Insertion & Extraction force:**
Initial : 4.5kgs (max.)
Extraction force: 0.9 to 3.0kgs

MATERIALS

- Insulator:** PBT(Black, UL94V-0)
- Contact:** Phosphor Bronze.
- Metal Shell:** Copper alloy

*RoHS & REACH compliant.

ORDERING INFORMATION:

P/N 7 2 $\frac{19}{1}$ - $\frac{xx}{2}$

- COVER TYPE:
"19" CABLE ASSEMBLY TYPE
- NO. OF CONTACTS
03, 04, 05, 06, 07, 08

MINI DIN CONNECTORS WITH MACHINED CONTACTS



**HIGH QUALITY
MINI DIN JACKS &
MINI DIN PLUGS
GOLD PLATED WITH
SCREW MACHINED CONTACTS**

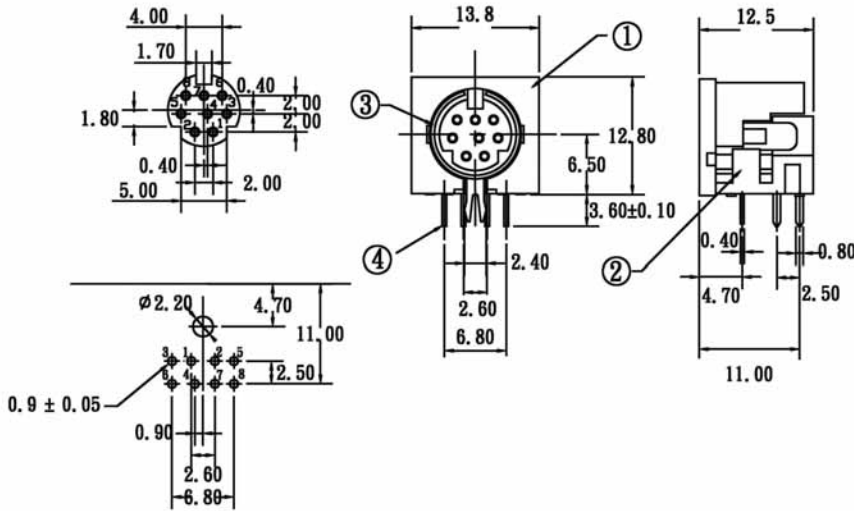
HIGH QUALITY MINI DIN PLUG GOLD- PLATED						
	3P	4P	5P	6P	7P	8P

ORDERING INFORMATION:

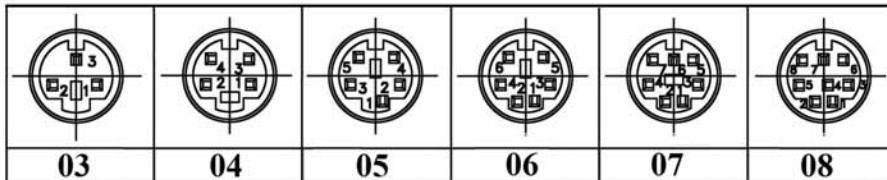
P/N 7 2 $\frac{x}{1}x - \frac{x}{2}x$ G $\frac{x}{3}$

1. CONTACT TYPE:
"29" MALE (PLUG)
"30" FEMALE (JACK)
2. NO. OF CONTACTS
03, 04, 05, 06, 07, 08
3. COLOR OF CODE RING:
"B" BLACK
"R" RED
"Y" YELLOW
"N" GREEN

MINI DIN SOCKET UNSHIELDED TYPE



Recommended P.C.Board Layout



SPECIFICATIONS

1. **Rating :** 100VAC 1A (max.)
12VAC 2A (max.)
2. **Dielectric withstanding voltage:**
500VAC, 60Hz for 1 minute
3. **Insulation resistance (initial):**
100MΩ (min.) at 500V DC.
4. **Contact resistance (initial):**
30mΩ (max.) at AC 100mA (max.) 1 KHz
5. **Insertion & Extraction force:**
Initial : 4.5kgs (max.)
Extraction force: 0.9 to 3.0kgs

MATERIALS

1. **Insulator:** PBT(Black, UL94V-0)
2. **Contact:** Phosphor Bronze.
3. **Metal Shell:** Copper alloy

*RoHS & REACH compliant.

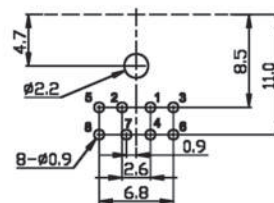
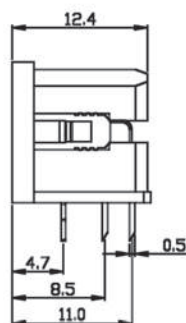
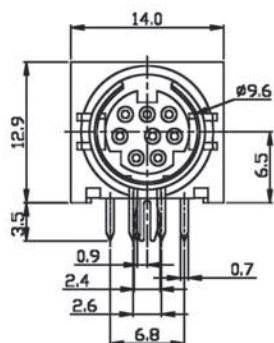
ORDERING INFORMATION:

P/N $7 \ 2 \ \frac{3 \ 2 \ N}{1} - \frac{x \ x}{2}$

1. COVER TYPE:
"32N" UNSHIELDED TYPE
2. NO. OF CONTACTS
03, 04, 05, 06, 07, 08

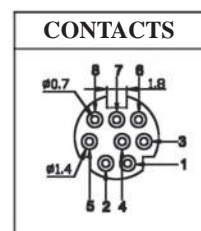
MINI DIN SOCKET UNSHIELDED TYPE

P/N 7237N-xx

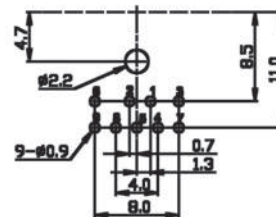
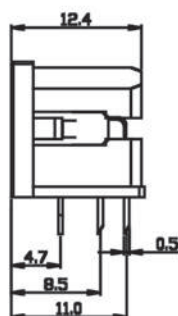
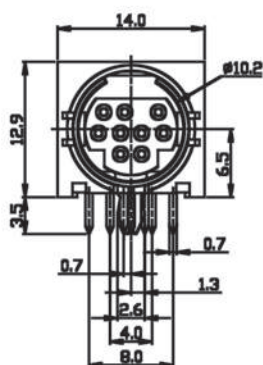


Recommended P.C.Board Layout

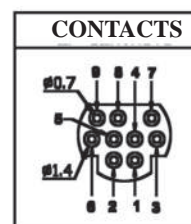
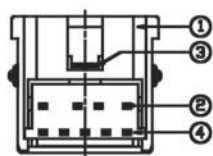
03	04	05	06	07	08



P/N 7237N-09



Recommended P.C.Board Layout

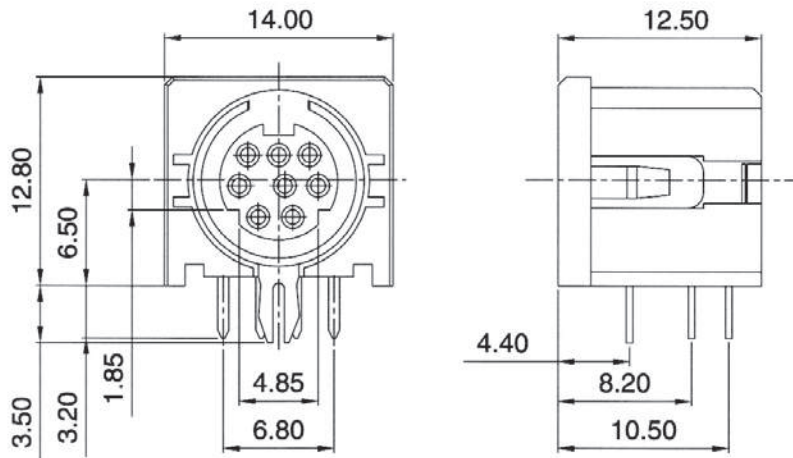


ORDERING INFORMATION:

P/N $\frac{7}{1} \frac{237N}{2} - \frac{xx}{2}$

- CONNECTOR TYPE:
"37N" UNSHIELDED TYPE
- NO. OF CONTACTS:
03, 04, 05, 06, 07, 08, 09

MINI DIN SOCKET UNSHIELDED TYPE



SPECIFICATIONS

1. **Rating:** 100VAC 1A (max.)
12VDC 2A (max.)
2. **Dielectric withstanding voltage:**
500VAC, 60Hz for 1 minute
3. **Insulation resistance (initial):**
100MΩ (min.) at 500V DC
4. **Contact resistance (initial):**
30mΩ (max.) at AC 100mA (max.) 1 KHz
5. **Insertion & Extraction force:**
Initial : 4.5kgs (max.)
Extraction force: 0.9 to 3.0kgs

MATERIALS

1. **Insulator:** PBT(Black, UL94V-0)
 2. **Contact:** Phosphor bronze.
 3. **Metal Shell:** Copper alloy
- All materials must be RoHS compliant.

7286-xxx

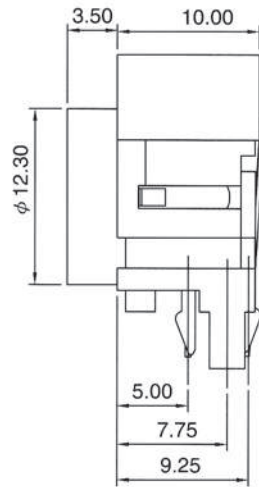
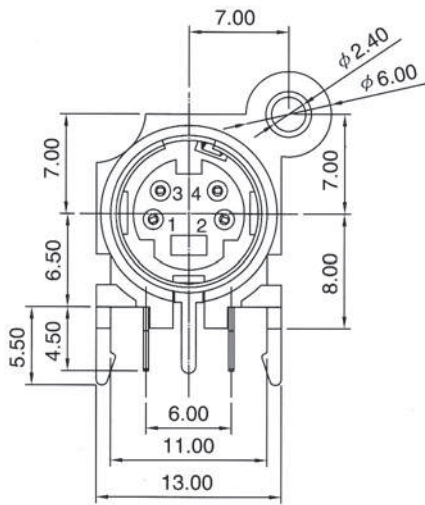
ARRANGEMENT OF CONTACTS							
NO OF CONTACTS	3	4	5	6	7	8	9
HOLE LAYOUT							

ORDERING INFORMATION:

P/N 7 2 8 6 - $\frac{x x x}{T 2}$

1. NO. OF CONTACTS:
03, 04, 05, 06, 07, 08, 09
2. HOUSING COLOR:
"B" BLACK
"N" GREEN
"P" PURPLE
"U" BLUE

MINI DIN SOCKET UNSHIELDED TYPE



SPECIFICATIONS

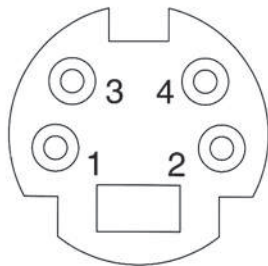
1. **Rating:** 100VAC 1A (max.)
12VDC 2A (max.)
2. **Dielectric withstanding voltage:**
500VAC, 60Hz for 1 minute
3. **Insulation resistance (initial):**
100M Ω (min.) at 500V DC
4. **Contact resistance (initial):**
30m Ω (max.) at AC 100mA (max.) 1 KHz
5. **Insertion & Extraction force:**
Initial : 4.5kgs (max.)
Extraction force: 0.9 to 3.0kgs

MATERIALS

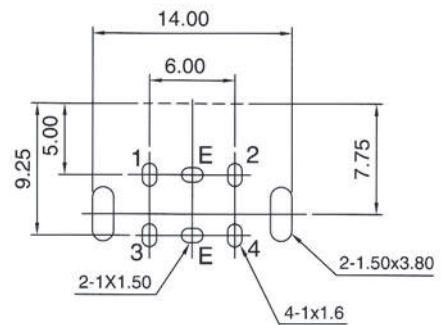
1. **Insulator:** PBT(Black, UL94V-0)
 2. **Contact:** Phosphor bronze.
 3. **Metal Shell:** Copper alloy
- All materials must be RoHS compliant.

7222-xxx

ARRANGEMENT OF CONTACTS



HOLE LAYOUT

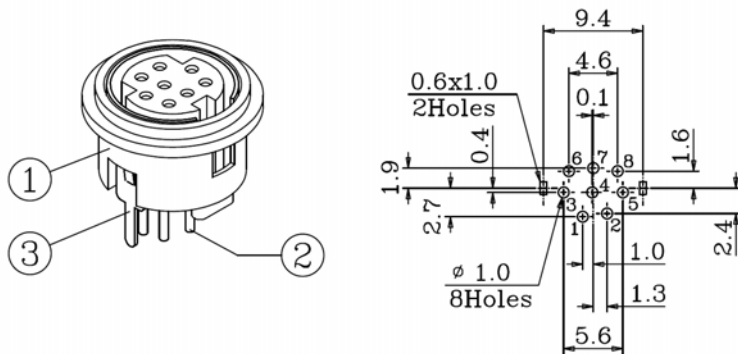


ORDERING INFORMATION:

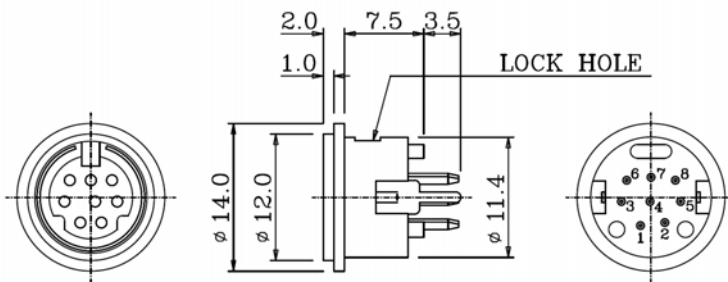
P/N 7 2 2 2 - $\frac{xx}{1} \frac{x}{2}$

1. NO. OF CONTACTS:
04
2. HOUSING COLOR:
"B" BLACK

MINI DIN SOCKET UNSHIELDED TYPE



Recommended P.C.Board Layout



03	04	05	06	07	08

SPECIFICATIONS

- Rating :** 100VAC 1A (max.)
12VAC 2A (max.)
- Dielectric withstanding voltage:**
500VAC, 60Hz for 1 minute
- Insulation resistance (initial):**
100M Ω (min.) at 500V DC.
- Contact resistance (initial):**
30m Ω (max.) at AC 100mA (max.) 1 KHz
- Insertion & Extraction force:**
Initial : 4.5kgs (max.)
Extraction force: 0.9 to 3.0kgs

MATERIALS

- Insulator:** PBT(Black, UL94V-0)
- Contact:** Phosphor Bronze.
- Metal Shell:** Copper alloy

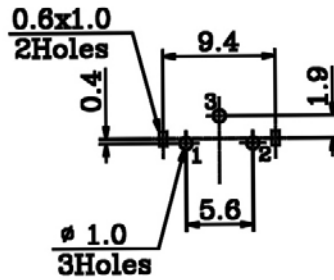
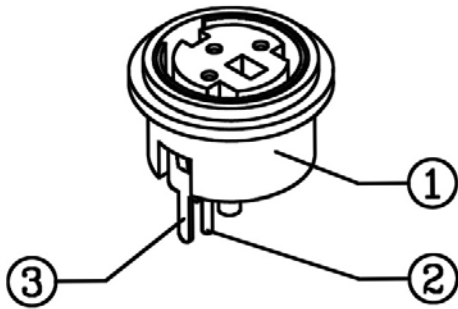
*RoHS & REACH compliant.

ORDERING INFORMATION:

P/N 7 2 $\frac{35N}{1}$ - $\frac{xx}{2}$

- COVER TYPE:**
"35N" UNSHIELDED STRAIGHT DIP TYPE
- NO. OF CONTACTS**
03, 04, 05, 06, 07, 08

MINI DIN SOCKET UNSHIELDED TYPE



SPECIFICATIONS

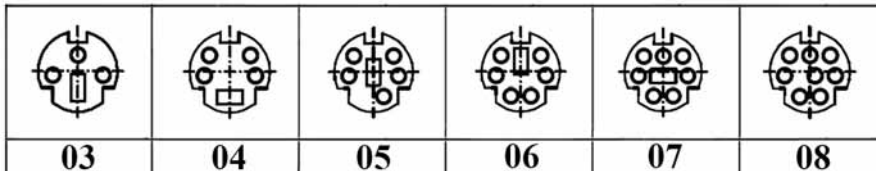
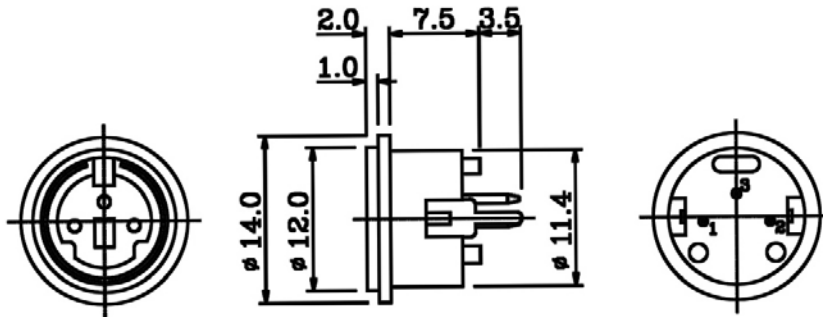
1. Rating : 100VAC 1A (max.)
12VAC 2A (max.)
2. Dielectric withstanding voltage:
500VAC, 60Hz for 1 minute
3. Insulation resistance (initial):
100MΩ (min.) at 500V DC.
4. Contact resistance (initial):
30mΩ (max.) at AC 100mA (max.) 1 KHz
5. Insertion & Extraction force:
Initial : 4.5kgs (max.)
Extraction force: 0.9 to 3.0kgs

MATERIALS

1. Insulator: PBT(Black, UL94V-0)
2. Contact: Phosphor Bronze.
3. Metal Shell: Copper alloy

Recommended P.C.Board Layout

*RoHS & REACH compliant.

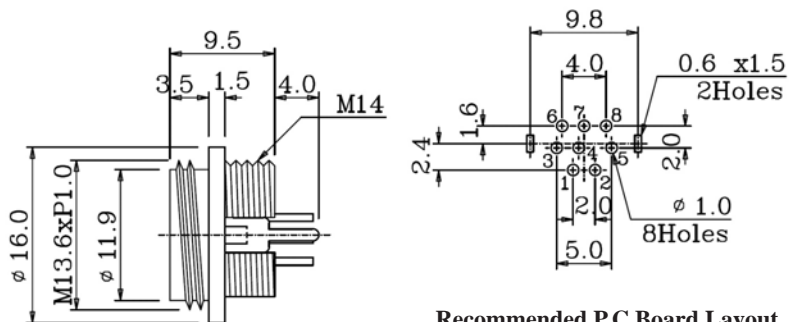
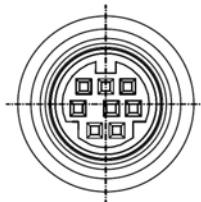
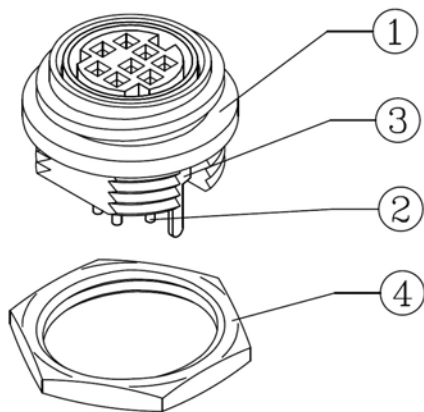


ORDERING INFORMATION:

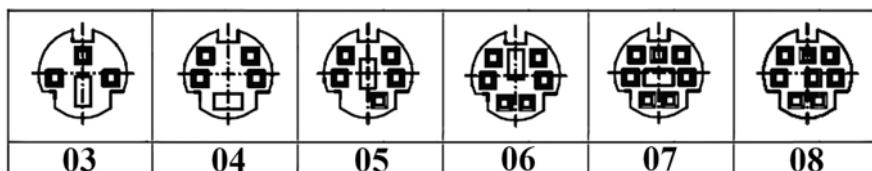
P/N 7 2 7 2 - $\frac{x}{1}$ - $\frac{x}{2}$

1. COVER TYPE:
"72" STRAIGHT DIP TYPE
2. NO. OF CONTACTS
03, 04, 05, 06, 07, 08

MINI DIN SOCKET UNSHIELDED TYPE



Recommended P.C.Board Layout



SPECIFICATIONS

1. **Rating** : 100VAC 1A (max.)
12VAC 2A (max.)
2. **Dielectric withstanding voltage**:
500VAC, 60Hz for 1 minute
3. **Insulation resistance (initial)**:
100MΩ (min.) at 500V DC.
4. **Contact resistance (initial)**:
30mΩ (max.) at AC 100mA (max.) 1 KHz
5. **Insertion & Extraction force**:
Initial : 4.5kgs (max.)
Extraction force: 0.9 to 3.0kgs

MATERIALS

1. **Insulator**: PBT(Black, UL94V-0)
2. **Contact**: Phosphor Bronze.
3. **Metal Shell**: Copper alloy

*RoHS & REACH compliant.

ORDERING INFORMATION:

P/N $7273N - \frac{x}{1} \frac{x}{2}$

1. COVER TYPE:
"73N" UNSHIELDED STRAIGHT DIP TYPE
2. NO. OF CONTACTS
03, 04, 05, 06, 07, 08

MINI DIN SOCKET UNSHIELDED TYPE

		<p>SPECIFICATIONS</p> <ol style="list-style-type: none"> Rating: 100VAC 1A (max.) 12VDC 2A (max.) Dielectric withstanding voltage: 500VAC, 60Hz for 1 minute Insulation resistance (initial): 100MΩ (min.) at 500V DC Contact resistance (initial): 30mΩ (max.) at AC 100mA (max.) 1 KHz Insertion & Extraction force: Initial : 4.5kgs (max.) Extraction force: 0.9 to 3.0kgs <p>MATERIALS</p> <ol style="list-style-type: none"> Insulator: PBT(Black, UL94V-0) Contact: Phosphor bronze. Metal Shell: Copper alloy <p>All materials must be RoHS compliant.</p>
7253-xxx	7254-xxx	

ARRANGEMENT OF CONTACTS						
NO OF CONTACTS	3	4	5	6	7	8
HOLE LAYOUT						

ORDERING INFORMATION:

P/N 7 2 $\frac{xx}{1}$ - $\frac{xx}{2}$ $\frac{xx}{3}$

- CONNECTOR TYPE:
"53" WITH STRAIGHT GROUNDING TERMINAL
"54" WITH KINKED GROUNDING TERMINAL
- NO. OF CONTACTS:
03, 04, 05, 06, 07, 08
- HOUSING COLOR:
"B" BLACK

MINI DIN SOCKET UNSHIELDED TYPE

		<p>SPECIFICATIONS</p> <ol style="list-style-type: none"> Rating: 100VAC 1A (max.) 12VDC 2A (max.) Dielectric withstanding voltage: 500VAC, 60Hz for 1 minute Insulation resistance (initial): 100MΩ (min.) at 500V DC Contact resistance (initial): 30mΩ (max.) at AC 100mA (max.) 1 KHz Insertion & Extraction force: Initial : 4.5kgs (max.) Extraction force: 0.9 to 3.0kgs <p>MATERIALS</p> <ol style="list-style-type: none"> Insulator: PBT(Black, UL94V-0) Contact: Phosphor bronze. Metal Shell: Copper alloy <p>All materials must be RoHS compliant.</p>
7272-xxx	7255-xxx	

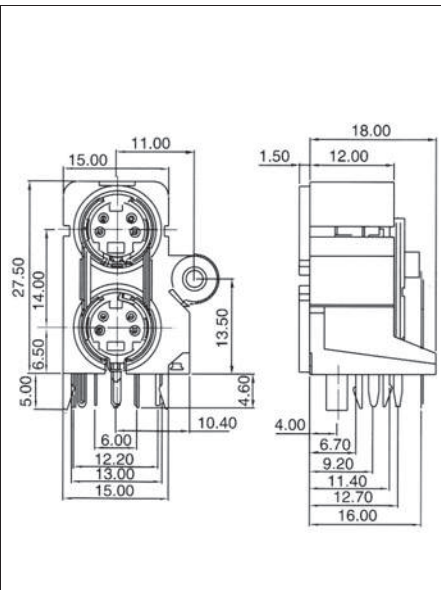
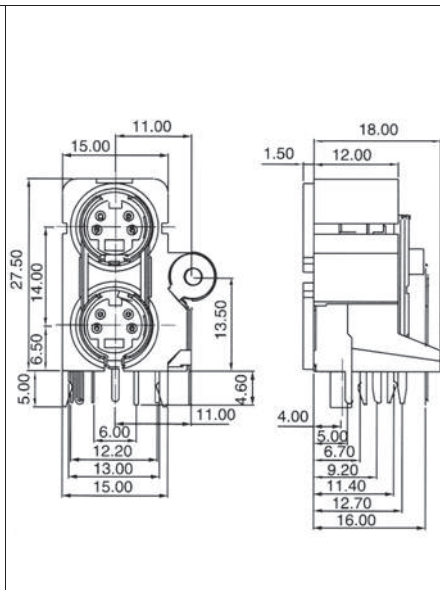
ARRANGEMENT OF CONTACTS						
NO OF CONTACTS	3	4	5	6	7	8
HOLE LAYOUT						

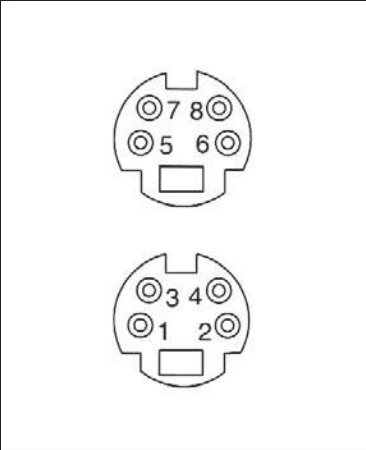
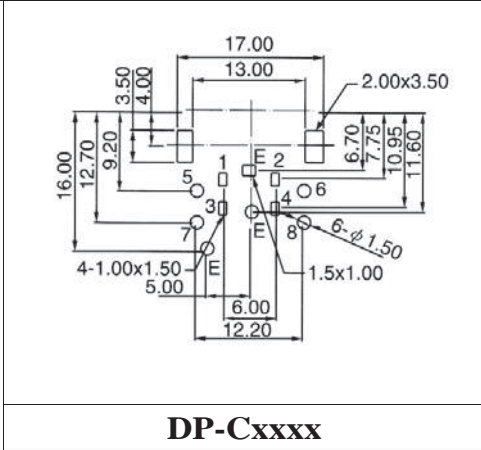
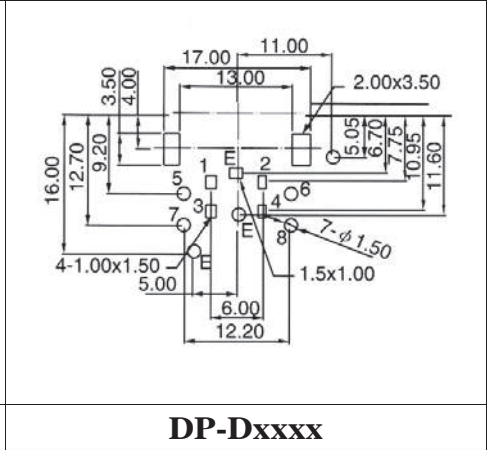
ORDERING INFORMATION:

P/N 72 $\frac{xx}{1}$ - $\frac{xx}{2}$ $\frac{x}{3}$

- CONNECTOR TYPE:
"72" WITH STRAIGHT GROUNDING TERMINAL
"55" WITH KINKED GROUNDING TERMINAL
- NO. OF CONTACTS:
03, 04, 05, 06, 07, 08
- HOUSING COLOR:
"B" BLACK

DUAL PORT MINI DIN SOCKET UNSHIELDED TYPE

		<p>SPECIFICATIONS</p> <ol style="list-style-type: none"> Rating: 100VAC 1A (max.) 12VDC 2A (max.) Dielectric withstanding voltage: 500VAC, 60Hz for 1 minute Insulation resistance (initial): 100MΩ (min.) at 500V DC Contact resistance (initial): 30mΩ (max.) at AC 100mA (max.) 1 KHz Insertion & Extraction force: Initial : 4.5kgs (max.) Extraction force: 0.9 to 3.0kgs <p>MATERIALS</p> <ol style="list-style-type: none"> Insulator: PBT(Black, UL94V-0) Contact: Phosphor bronze. Metal Shell: Copper alloy <p>All materials must be RoHS compliant.</p>
DP-Cxxxx	DP-Dxxxx	

ARRANGEMENT OF CONTACTS	HOLE LAYOUT	
		
	DP-Cxxxx	DP-Dxxxx

ORDERING INFORMATION:

P/N DP - $\frac{x}{1} \frac{xx}{2} \frac{xx}{3}$

- CONNECTOR TYPE:
"C" WITHOUT GROUNDING SHIELD
"D" WITH GROUNDING SHIELD
- NO. OF CONTACTS:
04
- HOUSING COLOR:
"BB" TOP: BLACK & BOTTOM: BLACK

MINI DIN SOCKET WITH 3.5MM AUDIO JACK

P/N	Dimension (m/m)
<p>72A5-04 72A6-04</p>	

Schematic Code	Pin Hole Layout

ORDERING INFORMATION:

P/N 72A5-04

MINI DIN 4 PIN SOCKET WITH 3.5MM MONO JACK

P/N 72A6-04

MINI DIN 4 PIN SOCKET WITH 3.5MM STEREO JACK

MINI DIN SOCKET METAL & PLASTIC TYPES

		<p>SPECIFICATIONS</p> <ol style="list-style-type: none"> Rating: 100VAC 1A (max.) 12VDC 2A (max.) Dielectric withstanding voltage: 500VAC, 60Hz for 1 minute Insulation resistance (initial): 100MΩ (min.) at 500V DC Contact resistance (initial): 30mΩ (max.) at AC 100mA (max.) 1 KHz Insertion & Extraction force: Initial : 4.5kgs (max.) Extraction force: 0.9 to 3.0kgs <p>MATERIALS</p> <ol style="list-style-type: none"> Insulator: PBT(Black, UL94V-0) Contact: Phosphor bronze. Metal Shell: Copper alloy <p>All materials must be RoHS compliant.</p>				
<p align="center">METAL TYPE 7231-xx</p>	<p align="center">PLASTIC TYPE 7239-xx</p>					
<p align="center">METAL TYPE 7220-xx</p>	<p align="center">PLASTIC TYPE 7219-xx</p>					
<p>ARRANGEMENT OF CONTACTS</p>						
<p>NO OF CONTACTS</p>	<p align="center">3</p>	<p align="center">4</p>	<p align="center">5</p>	<p align="center">6</p>	<p align="center">7</p>	<p align="center">8</p>

ORDERING INFORMATION:

P/N 7 2 $\frac{xx}{1}$ - $\frac{xx}{2}$

1. CONNECTOR TYPE:

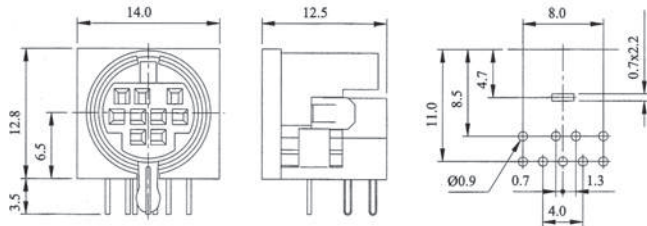
- "31" METAL TYPE L=38.55MM
- "20" METAL TYPE L=28.50MM
- "39" PLASTIC TYPE L=30.6MM
- "19" PLASTIC TYPE L=29.0MM

2. NO. OF CONTACTS:

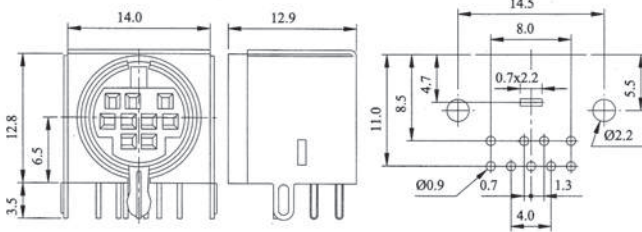
- 03, 04, 05, 06, 07, 08

NOTE: THE HOUSING COLOR IS BLACK.

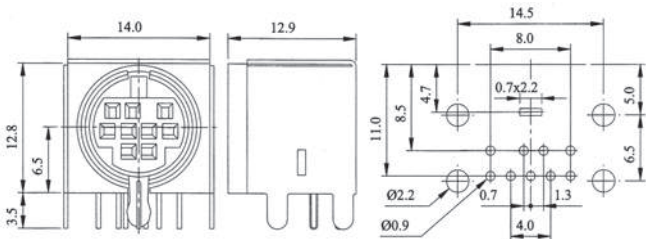
MINI DIN 9 PIN CONNECTOR



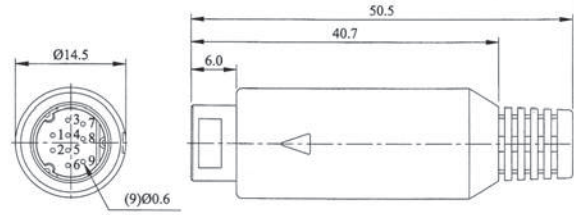
7232-09



7243-09



7240-09



7211-09

SPECIFICATIONS

1. **Rating:** 100VAC 1A (max.)
12VDC 2A (max.)
2. **Dielectric withstanding voltage:**
500VAC, 60Hz for 1 minute
3. **Insulation resistance (initial):**
100MΩ (min.) at 500V DC
4. **Contact resistance (initial):**
30mΩ (max.) at AC 100mA (max.) 1 KHz
5. **Insertion & Extraction force:**
Initial : 4.5kgs (max.)
Extraction force: 0.9 to 3.0kgs

MATERIALS

1. **Insulator:** PBT(Black, UL94V-0)
 2. **Contact:** Phosphor bronze.
 3. **Metal Shell:** Copper alloy
- All materials must be RoHS compliant.**

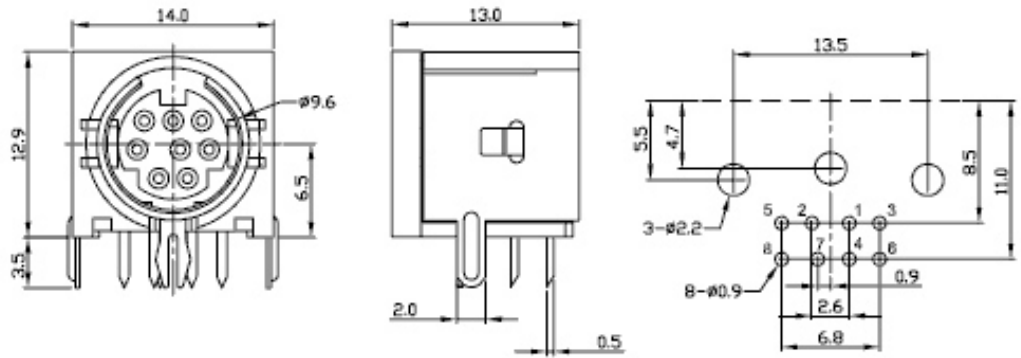
ORDERING INFORMATION:

P/N 7 2 $\frac{x}{1}$ $\frac{x}{2}$ - 09

1. CONNECTOR TYPE:
"32" MINI DIN SOCKET
"43" MINI DIN SOCKET SHIELD TYPE
"40" MINI DIN SOCKET FULLY SHIELD TYPE
"11" MINI DIN PLUG
 2. NO. OF CONTACTS:
09
- NOTE: THE HOUSING COLOR IS BLACK.

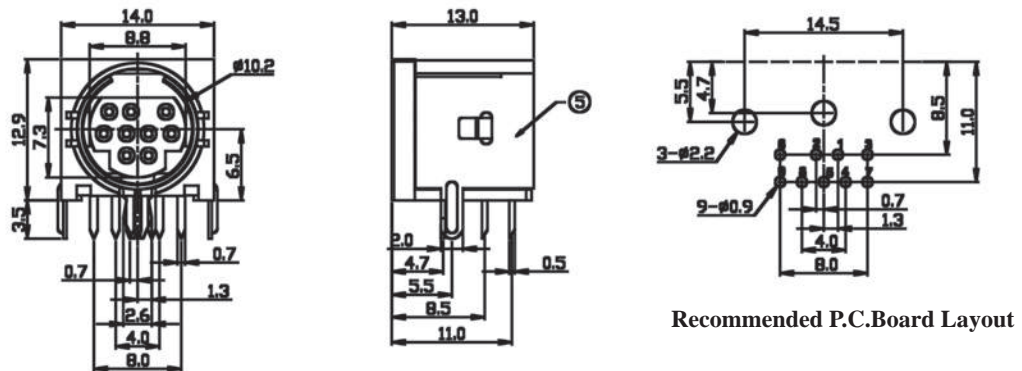
MINI DIN SOCKET HALF SHIELDED TYPE

P/N 7209-xx

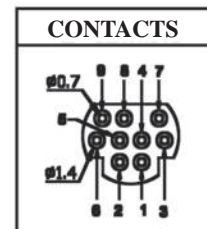
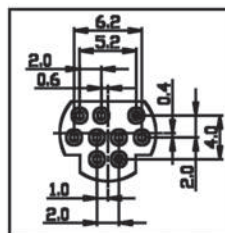
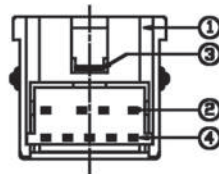


Recommended P.C.Board Layout

03	04	05	06	07	08



Recommended P.C.Board Layout



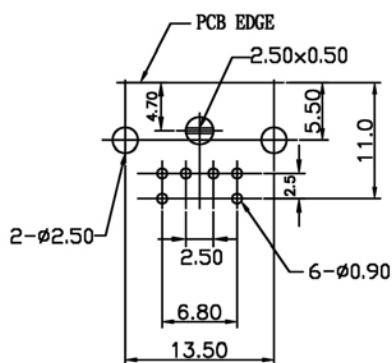
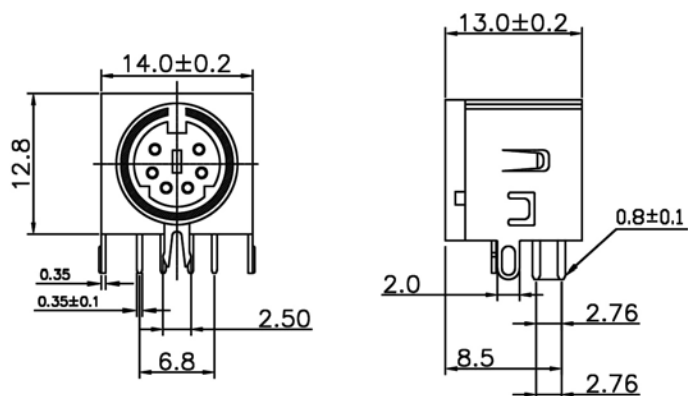
P/N 7209-09

ORDERING INFORMATION:

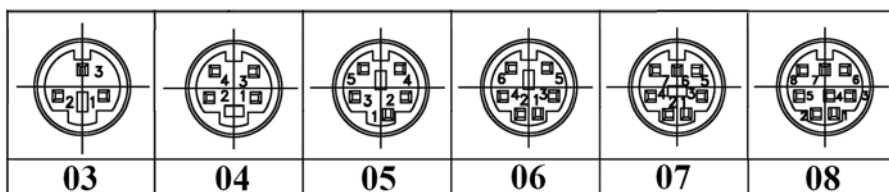
P/N 7 2 $\frac{09}{1}$ - $\frac{xx}{2}$

- CONNECTOR TYPE:
"09" TOP & 3 SIDE SHIELDED TYPE
- NO. OF CONTACTS:
03, 04, 05, 06, 07, 08, 09

MINI DIN SOCKET HALF SHIELDED TYPE



Recommended P.C.Board Layout



SPECIFICATIONS

1. **Rating** : 100VAC 1A (max.)
12VAC 2A (max.)
2. **Dielectric withstanding voltage**:
500VAC, 60Hz for 1 minute
3. **Insulation resistance (initial)**:
100MΩ (min.) at 500V DC.
4. **Contact resistance (initial)**:
30mΩ (max.) at AC 100mA (max.) 1 KHz
5. **Insertion & Extraction force**:
Initial : 4.5kgs (max.)
Extraction force: 0.9 to 3.0kgs

MATERIALS

1. **Insulator**: PBT(Black, UL94V-0)
2. **Contact**: Phosphor Bronze.
3. **Metal Shell**: Copper alloy

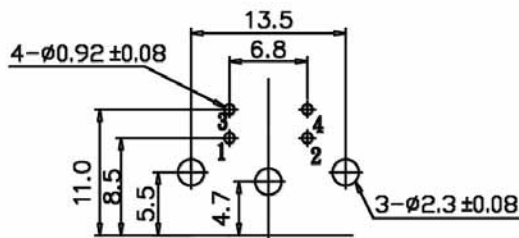
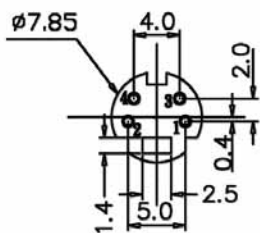
*RoHS & REACH compliant.

ORDERING INFORMATION:

P/N 7 2 $\frac{10}{1}$ - $\frac{x x}{2}$

1. COVER TYPE:
"10" TOP & 3 SIDE SHIELDED TYPE
2. NO. OF CONTACTS
03, 04, 05, 06, 07, 08

MINI DIN SOCKET FULLY SHIELDED LOCKING TYPE



Recommended P.C.Board Layout

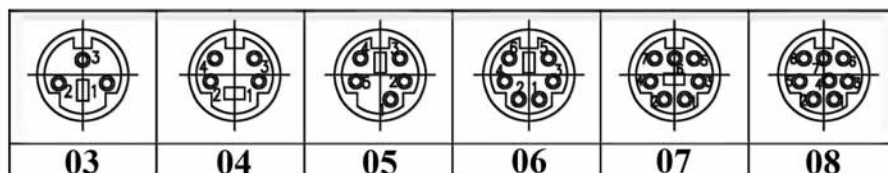
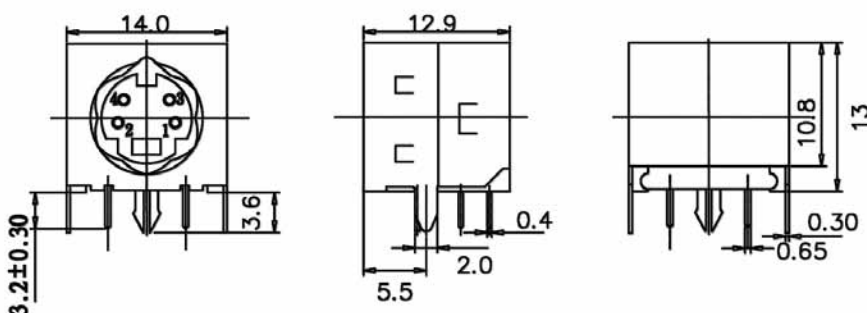
SPECIFICATIONS

1. **Rating :** 100VAC 1A (max.)
12VAC 2A (max.)
2. **Dielectric withstanding voltage:**
500VAC, 60Hz for 1 minute
3. **Insulation resistance (initial):**
100MΩ (min.) at 500V DC.
4. **Contact resistance (initial):**
30mΩ (max.) at AC 100mA (max.) 1 KHz
5. **Insertion & Extraction force:**
Initial : 4.5kgs (max.)
Extraction force: 0.9 to 3.0kgs

MATERIALS

1. **Insulator:** PBT(Black, UL94V-0)
2. **Contact:** Phosphor Bronze.
3. **Metal Shell:** Copper alloy

*RoHS & REACH compliant.

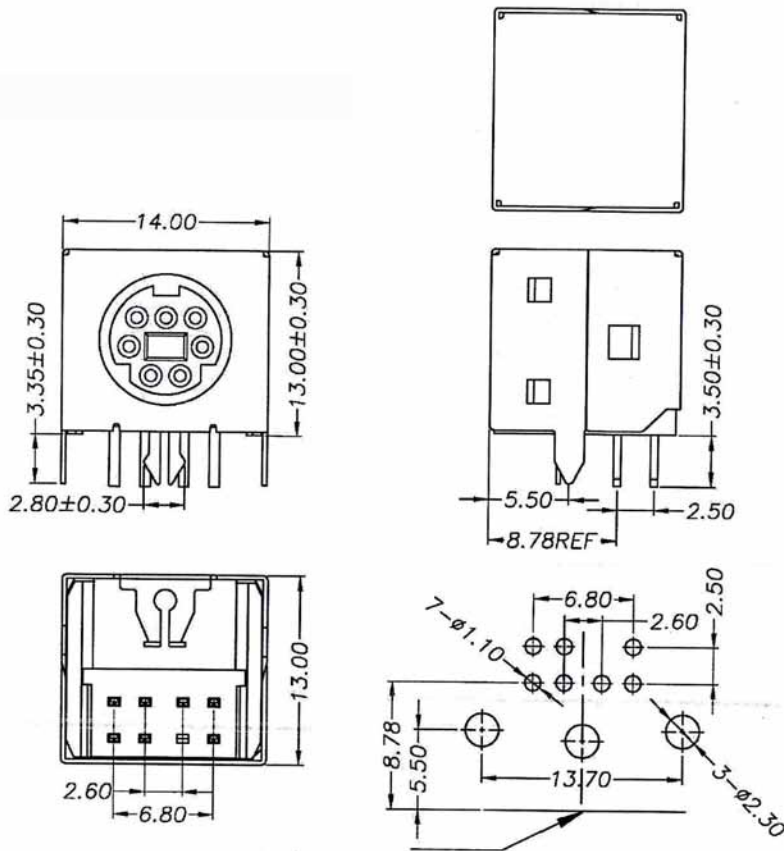


ORDERING INFORMATION:

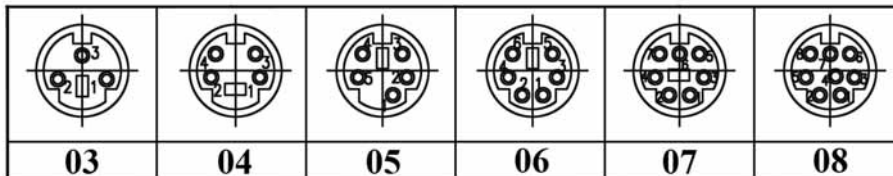
P/N 7 2 6 1 N - x x
 1 2

1. COVER TYPE:
"61N" TOP & 4 SIDE SHIELDED TYPE
2. NO. OF CONTACTS
03, 04, 05, 06, 07, 08

MINI DIN SOCKET FULLY SHIELDED LOCKING TYPE



Recommended P.C.Board Layout



SPECIFICATIONS

- Rating :** 100VAC 1A (max.)
12VAC 2A (max.)
- Dielectric withstanding voltage:**
500VAC, 60Hz for 1 minute
- Insulation resistance (initial):**
100MΩ (min.) at 500V DC.
- Contact resistance (initial):**
30mΩ (max.) at AC 100mA (max.) 1 KHz
- Insertion & Extraction force:**
Initial : 4.5kgs (max.)
Extraction force: 0.9 to 3.0kgs

MATERIALS

- Insulator:** PBT(Black, UL94V-0)
- Contact:** Phosphor Bronze.
- Metal Shell:** Copper alloy

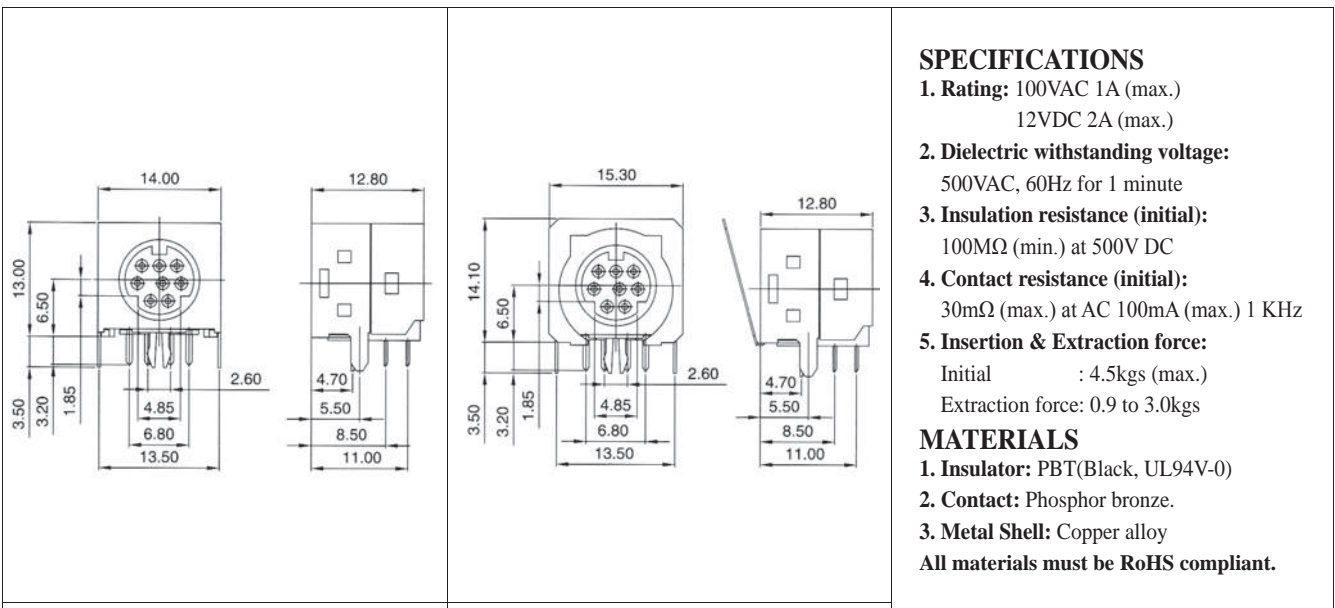
*RoHS & REACH compliant.

ORDERING INFORMATION:

P/N $7\ 2\ \frac{6\ 2\ N}{1} - \frac{x\ x}{2}$

- COVER TYPE:**
"62N" TOP & 4 SIDE SHIELDED TYPE
- NO. OF CONTACTS**
03, 04, 05, 06, 07, 08

MINI DIN SOCKET FULLY SHIELDED TYPE



SPECIFICATIONS

- Rating:** 100VAC 1A (max.)
12VDC 2A (max.)
- Dielectric withstanding voltage:** 500VAC, 60Hz for 1 minute
- Insulation resistance (initial):** 100MΩ (min.) at 500V DC
- Contact resistance (initial):** 30mΩ (max.) at AC 100mA (max.) 1 KHz
- Insertion & Extraction force:**
Initial : 4.5kgs (max.)
Extraction force: 0.9 to 3.0kgs

MATERIALS

- Insulator:** PBT(Black, UL94V-0)
 - Contact:** Phosphor bronze.
 - Metal Shell:** Copper alloy
- All materials must be RoHS compliant.

7223-xxx

7290-xxx

ARRANGEMENT OF CONTACTS							
NO OF CONTACTS	3	4	5	6	7	8	9
HOLE LAYOUT							

ORDERING INFORMATION:

P/N 7 2 $\frac{xx}{1}$ - $\frac{xx}{2}$ $\frac{x}{3}$

- CONNECTOR TYPE:**
"23" WITHOUT GROUNDING SHIELD
"90" WITH GROUNDING SHIELD
- NO. OF CONTACTS:**
03, 04, 05, 06, 07, 08, 09
- HOUSING COLOR:**
"B" BLACK
"N" GREEN
"P" PURPLE
"Y" YELLOW

MINI DIN SOCKET FULLY SHIELDED TYPE

		<p>SPECIFICATIONS</p> <ol style="list-style-type: none"> Rating: 100VAC 1A (max.) 12VDC 2A (max.) Dielectric withstanding voltage: 500VAC, 60Hz for 1 minute Insulation resistance (initial): 100MΩ (min.) at 500V DC Contact resistance (initial): 30mΩ (max.) at AC 100mA (max.) 1 KHz Insertion & Extraction force: Initial : 4.5kgs (max.) Extraction force: 0.9 to 3.0kgs <p>MATERIALS</p> <ol style="list-style-type: none"> Insulator: PBT(Black, UL94V-0) Contact: Phosphor bronze. Metal Shell: Copper alloy <p>All materials must be RoHS compliant.</p>
7225-xxx	7226-xxx	

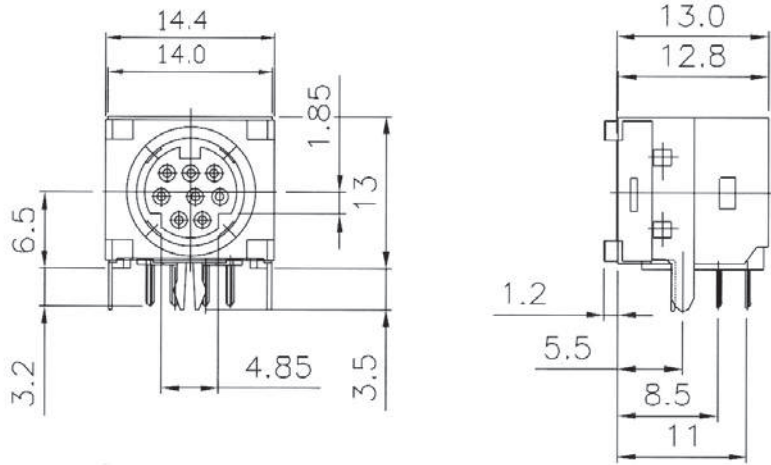
ARRANGEMENT OF CONTACTS							
NO OF CONTACTS	3	4	5	6	7	8	9
HOLE LAYOUT							

ORDERING INFORMATION:

P/N 7 2 $\frac{xx}{1}$ - $\frac{xxx}{2}$ $\frac{x}{3}$

- CONNECTOR TYPE:
"25" WITHOUT GROUNDING SHIELD
"26" WITH GROUNDING SHIELD
- NO. OF CONTACTS:
03, 04, 05, 06, 07, 08, 09
- HOUSING COLOR:
"B" BLACK
"N" GREEN
"P" PURPLE
"Y" YELLOW

MINI DIN SOCKET FULLY SHIELDED TYPE



SPECIFICATIONS

1. **Rating:** 100VAC 1A (max.)
12VDC 2A (max.)
2. **Dielectric withstanding voltage:**
500VAC, 60Hz for 1 minute
3. **Insulation resistance (initial):**
100MΩ (min.) at 500V DC
4. **Contact resistance (initial):**
30mΩ (max.) at AC 100mA (max.) 1 KHz
5. **Insertion & Extraction force:**
Initial : 4.5kgs (max.)
Extraction force: 0.9 to 3.0kgs

MATERIALS

1. **Insulator:** PBT(Black, UL94V-0)
 2. **Contact:** Phosphor bronze.
 3. **Metal Shell:** Copper alloy
- All materials must be RoHS compliant.

7228-xxx

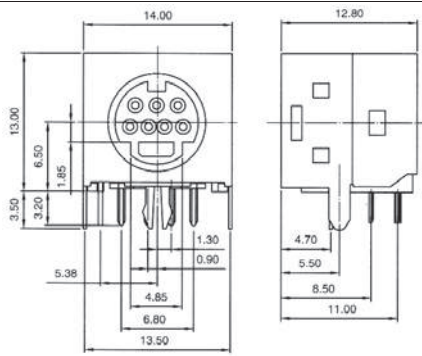
ARRANGEMENT OF CONTACTS							
NO OF CONTACTS	3	4	5	6	7	8	9
HOLE LAYOUT							

ORDERING INFORMATION:

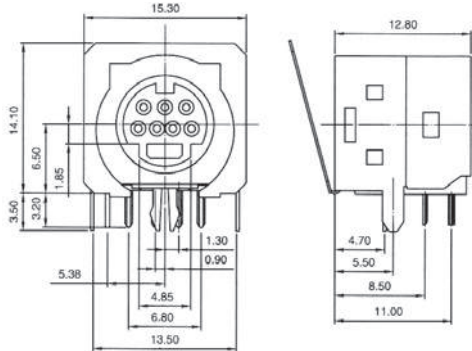
P/N 7 2 2 8 - x x x
1 2 3

1. **CONNECTOR TYPE:**
"28" SEE DRAWING !
2. **NO. OF CONTACTS:**
03, 04, 05, 06, 07, 08, 09
3. **HOUSING COLOR:**
"B" BLACK
"N" GREEN
"P" PURPLE
"Y" YELLOW

MINI DIN SOCKET FULLY SHIELDED TYPE



7288-xxx



7289-xxx

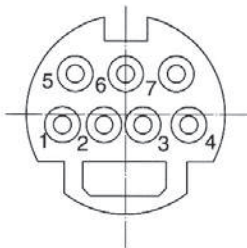
SPECIFICATIONS

- Rating:** 100VAC 1A (max.)
12VDC 2A (max.)
- Dielectric withstanding voltage:**
500VAC, 60Hz for 1 minute
- Insulation resistance (initial):**
100MΩ (min.) at 500V DC
- Contact resistance (initial):**
30mΩ (max.) at AC 100mA (max.) 1 KHz
- Insertion & Extraction force:**
Initial : 4.5kgs (max.)
Extraction force: 0.9 to 3.0kgs

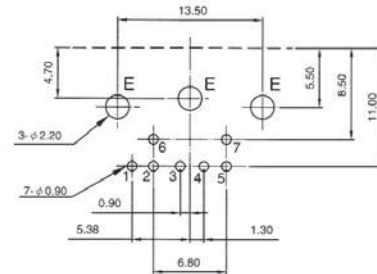
MATERIALS

- Insulator:** PBT(Black, UL94V-0)
 - Contact:** Phosphor bronze.
 - Metal Shell:** Copper alloy
- All materials must be RoHS compliant.

ARRANGEMENT OF CONTACTS



HOLE LAYOUT



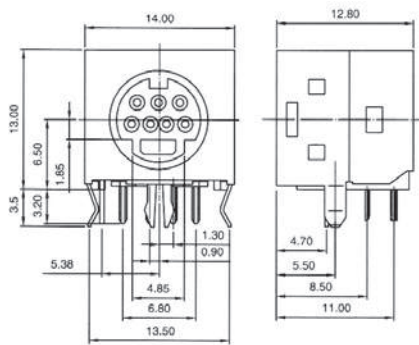
ORDERING INFORMATION:

P/N $72 \frac{xx}{1} - \frac{07}{2} \frac{x}{3}$

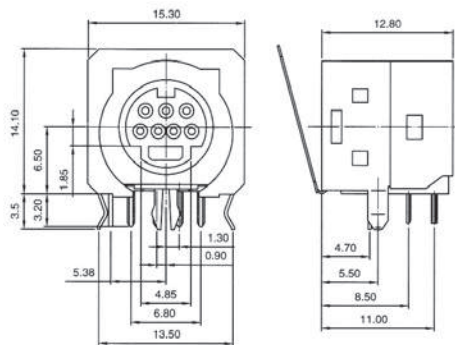
- CONNECTOR TYPE:**
"88" WITHOUT GROUNDING SHIELD
"89" WITH GROUNDING SHIELD
- NO. OF CONTACTS:**
07
- HOUSING COLOR:**
"B" BLACK
"N" GREEN
"P" PURPLE

NOTE: WITH 7 PIN DOUBLE ROW CONTACTS

MINI DIN SOCKET FULLY SHIELDED TYPE



7251-xxx



7252-xxx

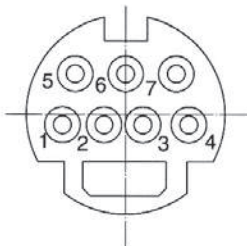
SPECIFICATIONS

- Rating:** 100VAC 1A (max.)
12VDC 2A (max.)
- Dielectric withstanding voltage:** 500VAC, 60Hz for 1 minute
- Insulation resistance (initial):** 100MΩ (min.) at 500V DC
- Contact resistance (initial):** 30mΩ (max.) at AC 100mA (max.) 1 KHz
- Insertion & Extraction force:**
Initial : 4.5kgs (max.)
Extraction force: 0.9 to 3.0kgs

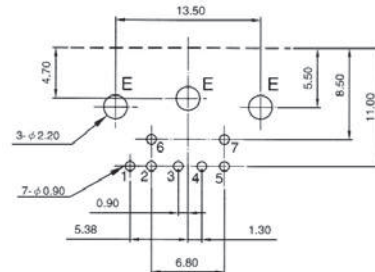
MATERIALS

- Insulator:** PBT(Black, UL94V-0)
 - Contact:** Phosphor bronze.
 - Metal Shell:** Copper alloy
- All materials must be RoHS compliant.

ARRANGEMENT OF CONTACTS



HOLE LAYOUT



ORDERING INFORMATION:

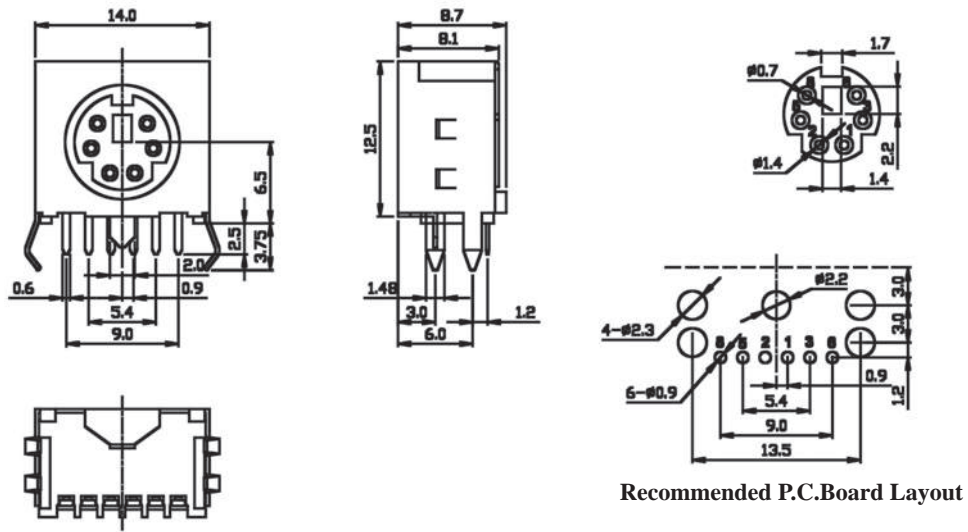
P/N $72 \frac{xx}{1} - 07 \frac{x}{23}$

- CONNECTOR TYPE:**
"51" WITHOUT GROUNDING SHIELD
"52" WITH GROUNDING SHIELD
- NO. OF CONTACTS:**
07
- HOUSING COLOR:**
"B" BLACK
"N" GREEN
"P" PURPLE

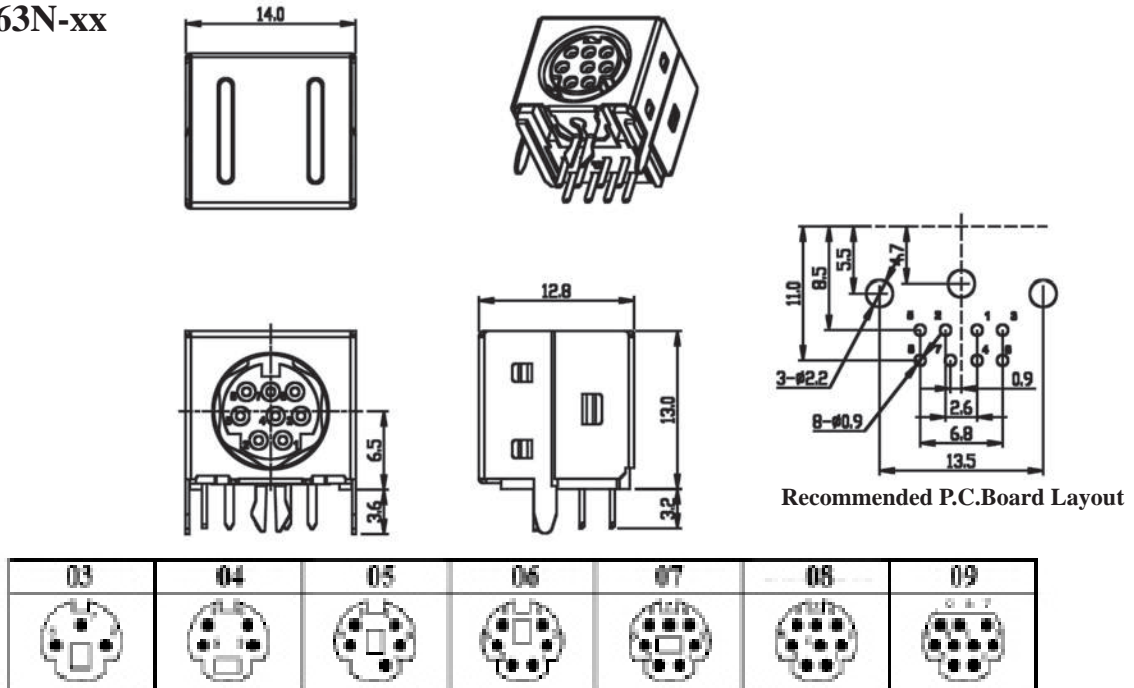
NOTE: WITH 7 PIN DOUBLE ROW CONTACTS

MINI DIN SOCKET THIN TYPE FULLY SHIELDED TYPE

P/N 7202N-06



P/N 7263N-xx



ORDERING INFORMATION:

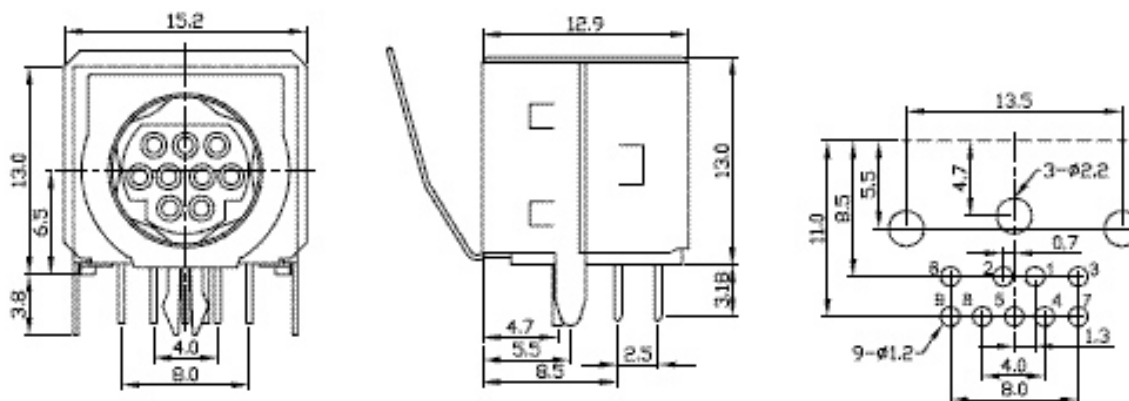
P/N 7202N - $\frac{06}{1} - \frac{06}{2}$

- CONNECTOR TYPE:
"02N" TOP & 4 SIDE SHIELDED TYPE
- NO. OF CONTACTS
06

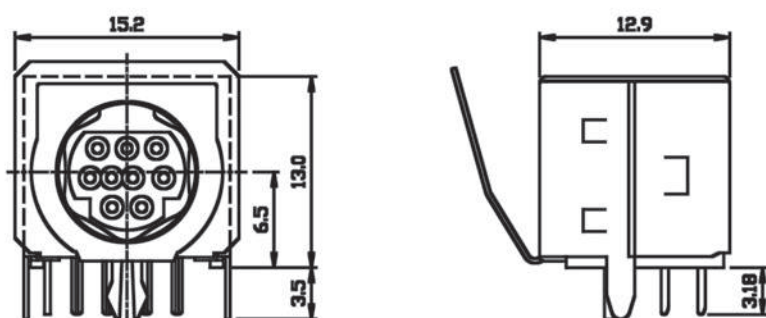
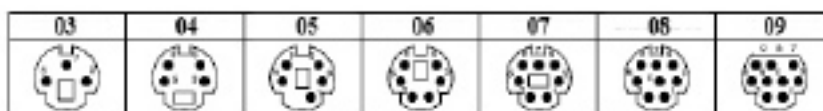
P/N 7263N - $\frac{xx}{1} - \frac{xx}{2}$

- COVER TYPE:
"63N" TOP & 4 SIDE SHIELDED TYPE
- NO. OF CONTACTS
03, 04, 05, 06, 07, 08, 09

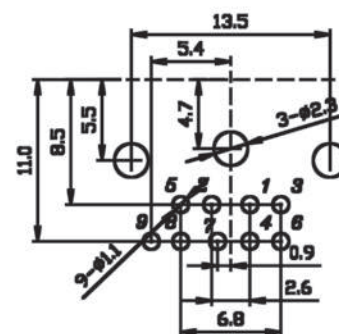
MINI DIN SOCKET FULLY SHIELDED WITH SPRINGY GROUND



Recommended P.C.Board Layout



P/N 7290N-09B



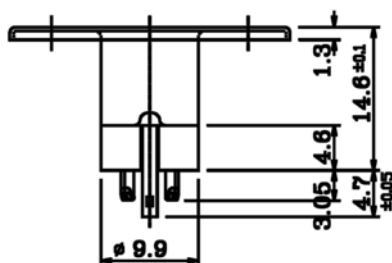
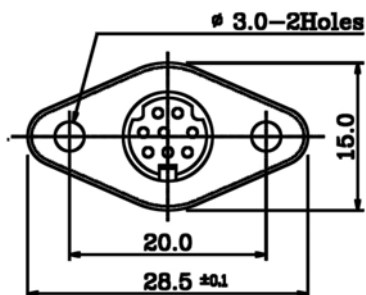
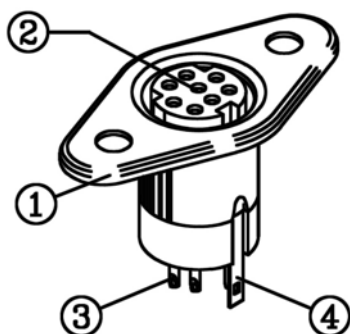
Recommended P.C.Board Layout

ORDERING INFORMATION:

P/N $\frac{7}{1} \frac{2}{2} \frac{90}{3} \text{N} - \frac{x}{2} \frac{x}{3}$

- CONNECTOR TYPE:
"90N" TOP & 4 SIDE SHIELDED TYPE
- NO. OF CONTACTS:
03, 04, 05, 06, 07, 08, 09
- HOUSING COLOR:
"B" BLACK

MINI DIN SOCKET SHIELDED CABLE SOLDER TYPE



SPECIFICATIONS

1. **Rating :** 100VAC 1A (max.)
12VAC 2A (max.)
2. **Dielectric withstanding voltage:**
500VAC, 60Hz for 1 minute
3. **Insulation resistance (initial):**
100MΩ (min.) at 500V DC.
4. **Contact resistance (initial):**
30mΩ (max.) at AC 100mA (max.) 1 KHz
5. **Insertion & Extraction force:**
Initial : 4.5kgs (max.)
Extraction force: 0.9 to 3.0kgs

MATERIALS

1. **Insulator:** PBT(Black, UL94V-0)
2. **Contact:** Phosphor Bronze.
3. **Metal Shell:** Copper alloy

*RoHS & REACH compliant.

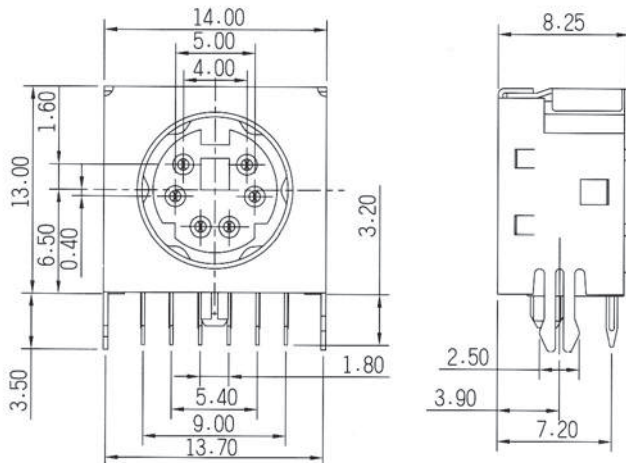
03	04	05	06	07	08

ORDERING INFORMATION:

P/N 7 2 $\frac{20}{1}$ - $\frac{xx}{2}$

1. COVER TYPE:
"20" METAL SOLDER TYPE
2. NO. OF CONTACTS
03, 04, 05, 06, 07, 08

MINI DIN SOCKET FULLY SHIELDED TYPE



SPECIFICATIONS

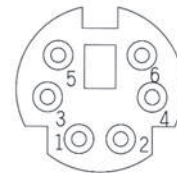
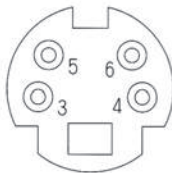
1. **Rating:** 100VAC 1A (max.)
12VDC 2A (max.)
2. **Dielectric withstanding voltage:**
500VAC, 60Hz for 1 minute
3. **Insulation resistance (initial):**
100MΩ (min.) at 500V DC
4. **Contact resistance (initial):**
30mΩ (max.) at AC 100mA (max.) 1 KHz
5. **Insertion & Extraction force:**
Initial : 4.5kgs (max.)
Extraction force: 0.9 to 3.0kgs

MATERIALS

1. **Insulator:** PBT(Black, UL94V-0)
 2. **Contact:** Phosphor bronze.
 3. **Metal Shell:** Copper alloy
- All materials must be RoHS compliant.**

7278-xxx

**ARRANGEMENT
OF
CONTACTS**

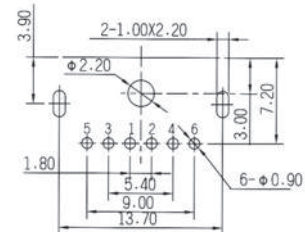
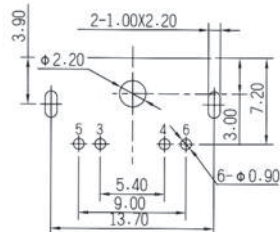


**NO OF
CONTACTS**

4

6

**HOLE
LAYOUT**

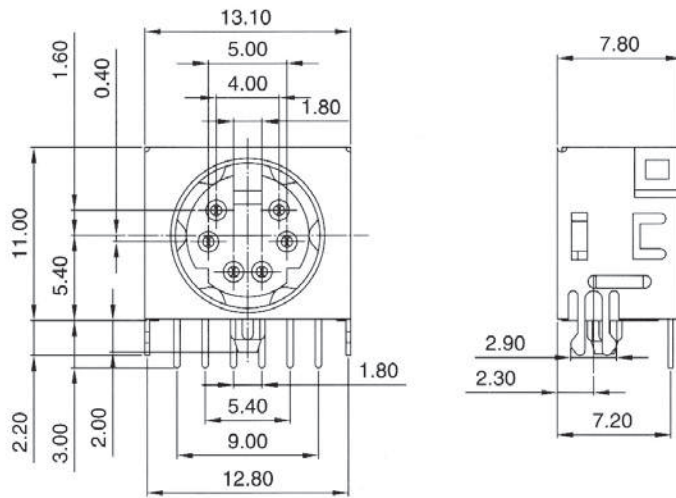


ORDERING INFORMATION:

P/N 7 2 7 8 - $\frac{x}{1} \frac{x}{2} \frac{x}{3}$

1. **CONNECTOR TYPE:**
"78" FULLY SHIELDED TYPE
2. **NO. OF CONTACTS:**
04, 06
3. **HOUSING COLOR:**
"B" BLACK
"N" GREEN
"P" PURPLE

MINI DIN SOCKET FULLY SHIELDED TYPE



SPECIFICATIONS

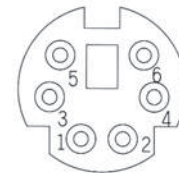
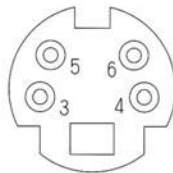
- Rating:** 100VAC 1A (max.)
12VDC 2A (max.)
- Dielectric withstanding voltage:**
500VAC, 60Hz for 1 minute
- Insulation resistance (initial):**
100M Ω (min.) at 500V DC
- Contact resistance (initial):**
30m Ω (max.) at AC 100mA (max.) 1 KHz
- Insertion & Extraction force:**
Initial : 4.5kgs (max.)
Extraction force: 0.9 to 3.0kgs

MATERIALS

- Insulator:** PBT(Black, UL94V-0)
 - Contact:** Phosphor bronze.
 - Metal Shell:** Copper alloy
- All materials must be RoHS compliant.

7281-xxx

**ARRANGEMENT
OF
CONTACTS**

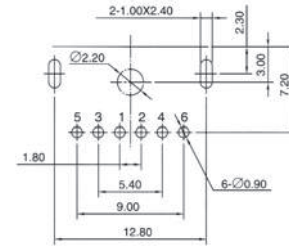
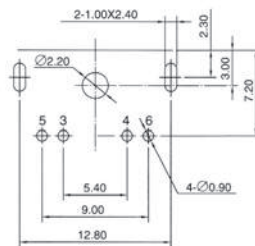


**NO OF
CONTACTS**

4

6

**HOLE
LAYOUT**



ORDERING INFORMATION:

P/N 7 2 8 1 - $\frac{x}{1} - \frac{x}{2} \frac{x}{3}$

- CONNECTOR TYPE:**
"81" FULLY SHIELDED TYPE
- NO. OF CONTACTS:**
04, 06
- HOUSING COLOR:**
"B" BLACK
"N" GREEN
"P" PURPLE

DUAL PORT MINI DIN SOCKET FULLY SHIELDED TYPE

		<p>SPECIFICATIONS</p> <ol style="list-style-type: none"> Rating: 100VAC 1A (max.) 12VDC 2A (max.) Dielectric withstanding voltage: 500VAC, 60Hz for 1 minute Insulation resistance (initial): 100MΩ (min.) at 500V DC Contact resistance (initial): 30mΩ (max.) at AC 100mA (max.) 1 KHz Insertion & Extraction force: Initial : 4.5kgs (max.) Extraction force: 0.9 to 3.0kgs <p>MATERIALS</p> <ol style="list-style-type: none"> Insulator: PBT(Black, UL94V-0) Contact: Phosphor bronze. Metal Shell: Copper alloy <p>All materials must be RoHS compliant.</p>
DP-Axxxx	DP-Bxxxx	

ARRANGEMENT OF CONTACTS						<p>HOLE LAYOUT</p>
	NO OF CONTACTS	4P*4P	6P*6P	8P*8P	4P*8P	

ORDERING INFORMATION:

P/N DP - $\frac{x}{1} \frac{xx}{2} \frac{xx}{3}$

- CONNECTOR TYPE:**
"A" WITHOUT GROUNDING SHIELD
"B" WITH GROUNDING SHIELD
- NO. OF CONTACTS(TOP*BOTTOM):**
"44" 4P*4P
"66" 6P*6P
"88" 8P*8P
"48" 4P*8P
"68" 6P*8P
- HOUSING COLOR:**
"BB" TOP: BLACK & BOTTOM: BLACK
"NP" TOP: GREEN & BOTTOM: PURPLE

MINI DIN SOCKET 10P SHIELDED TYPE

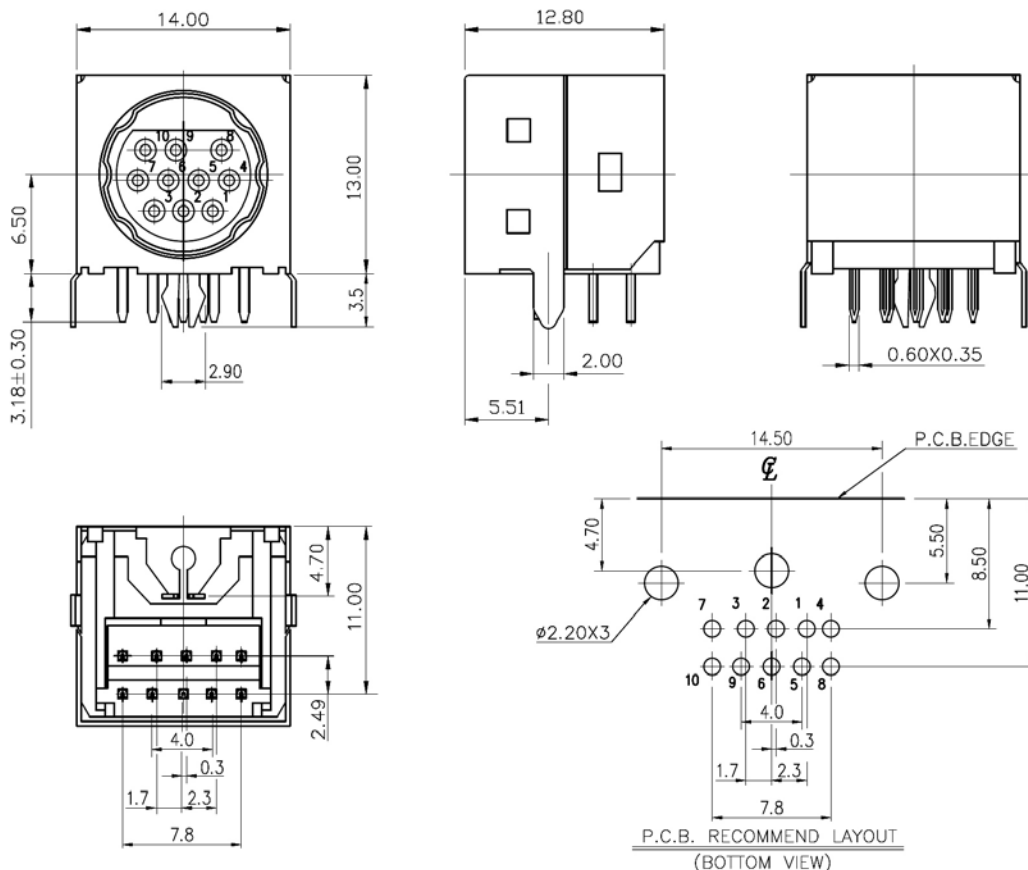


SPECIFICATIONS

1. **Rating:** 100VAC 1A (max.)
12VDC 2A (max.)
2. **Dielectric Withstanding Voltage:**
500VAC, 60Hz for 1 minute
3. **Insulation Resistance (Initial):**
100MΩ (min.) at 500VDC
4. **Contact Resistance (Initial):**
30mΩ (max.) at AC 100mA (max.) 1 KHz
5. **Insertion & Extraction Force:**
Initial : 4.5kgs. (max.)
Extraction Force: 0.9 to 3.0kgs

MATERIALS

1. **Housing:** PBT
 2. **Contact:** Phosphor Bronze; Gold Plated
 3. **Shield:** Brass; Nickel Plated
- *RoHS & REACH compliant.**

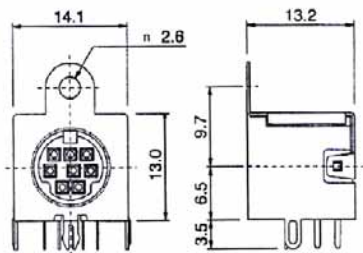


ORDERING INFORMATION:

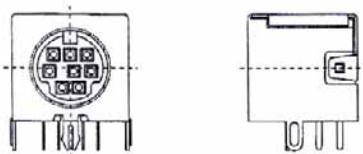
P/N 7 2 SE - 10
1 2

1. SOCKET TYPE:
"SE" SHIELDED RIGHT ANGLE DIP TYPE
2. NO. OF CONTACTS:
10

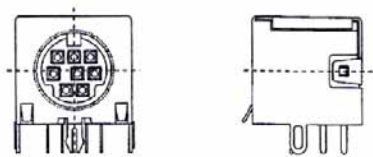
MINI DIN SOCKET FULLY SHIELDED QUICK LOCK TYPE



72A7



72A8



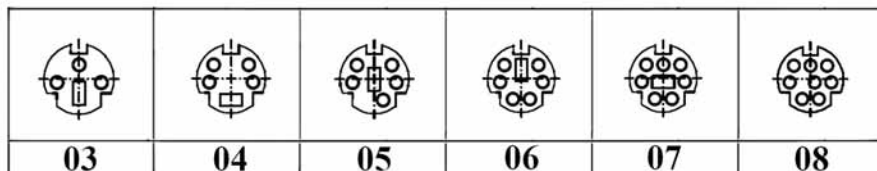
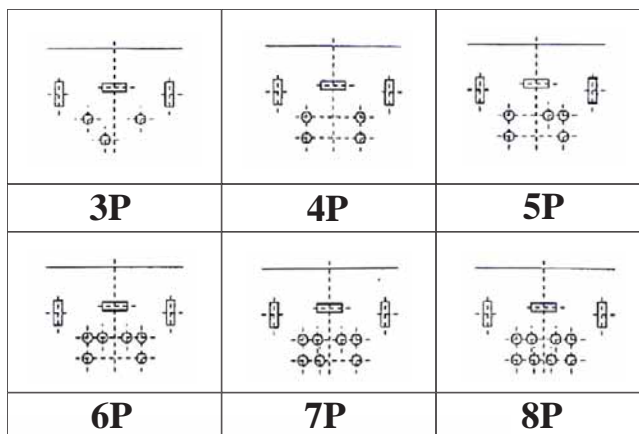
72A9

SPECIFICATIONS

1. **Rating** : 100VAC 1A (max.)
12VAC 2A (max.)
2. **Dielectric withstanding voltage**:
500VAC, 60Hz for 1 minute
3. **Insulation resistance (initial)**:
100MΩ (min.) at 500V DC.
4. **Contact resistance (initial)**:
30mΩ (max.) at AC 100mA (max.) 1 KHz
5. **Insertion & Extraction force**:
Initial : 4.5kgs (max.)
Extraction force: 0.9 to 3.0kgs

MATERIALS

1. **Insulator**: PBT(Black, UL94V-0)
 2. **Contact**: Phosphor Bronze.
 3. **Metal Shell**: Copper alloy
- *RoHS & REACH compliant.

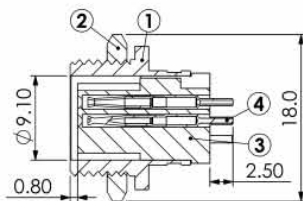


ORDERING INFORMATION:

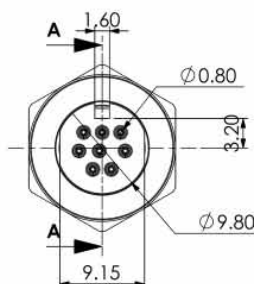
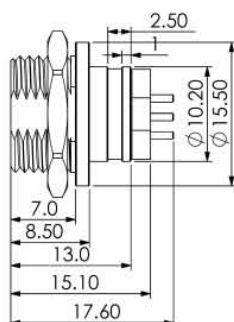
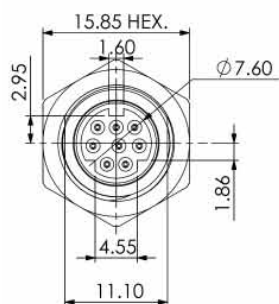
P/N 7 2 $\frac{xx}{1}$ - $\frac{xx}{2}$

1. CONNECTOR TYPE:
A7, A8, A9
2. NO. OF CONTACTS
03, 04, 05, 06, 07, 08

MINI DIN SOCKET PANEL MOUNT TYPE



SECTION A-A

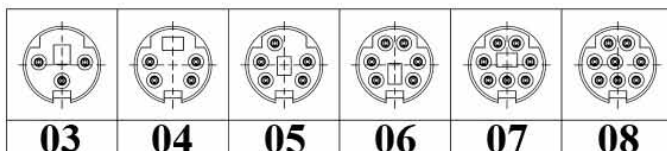


SPECIFICATIONS

1. **Rating** : 100V AC 1A/12V DC 2A max.
2. **Contact Resistance** :
30mΩ max.
3. **Insulation Resistance** :
50MΩ at 250V DC min.
4. **Voltage Withstand**:
250V AC for 1 minute

MATERIALS

1. **SHIELD COVER**:
BRASS GOLD PTD.
 2. **SCREW NUT**:
BRASS GOLD PTD.
 3. **HOUSING**:
PBT+GF30%
 4. **TERMINALS**:
PHOSPHOR BRONZE GOLD PTD.
- *RoHS & REACH compliant.

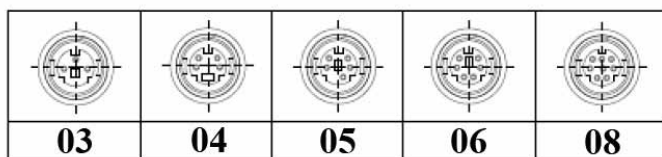
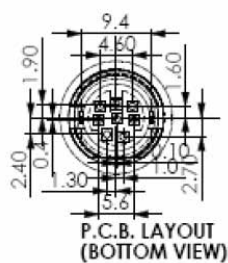
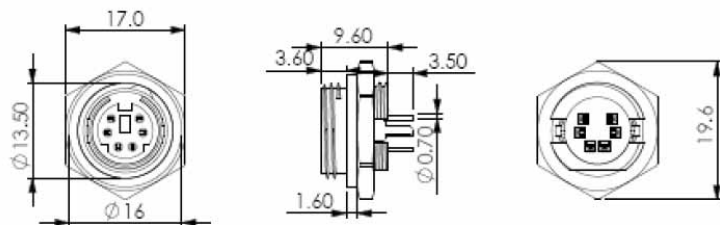


ORDERING INFORMATION:

P/N 7 2 $\frac{SA}{1} - \frac{xx}{2} \frac{G}{3}$

1. COVER TYPE:
"SA" METAL COVER TYPE
2. NO. OF CONTACTS:
03, 04, 05, 06, 07, 08
3. COVER & CONTACT FINISH:
" G " GOLD PLATED

MINI DIN SOCKET PANEL MOUNT TYPE



SPECIFICATIONS

- Rating :** 100V AC 1A/12V DC 2A max.
- Contact Resistance :**
30m Ω max.
- Insulation Resistance :**
50M Ω at 250V DC min.
- Voltage Withstand:**
250V AC for 1 minute

MATERIALS

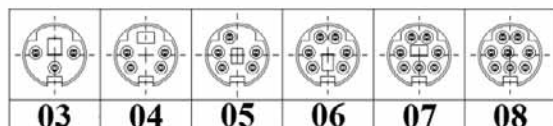
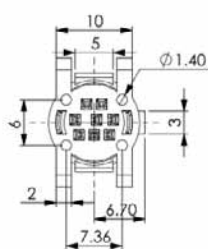
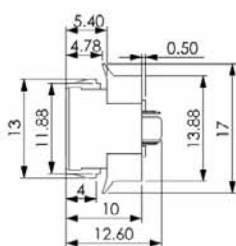
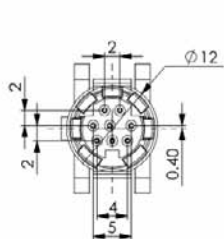
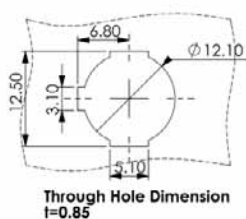
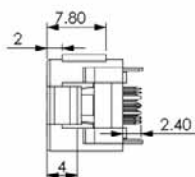
- SHIELD COVER:**
BRASS TIN PTD.
 - SCREW NUT:**
BRASS
 - HOUSING:**
PBT
 - TERMINALS:**
BRASS SILVER PTD.
- *RoHS & REACH compliant.

ORDERING INFORMATION:

P/N 7 2 $\frac{SB}{1} - \frac{xx}{2}$

- COVER TYPE:
"SB" METAL COVER TYPE
- NO. OF CONTACTS:
03, 04, 05, 06, 08

MINI DIN SOCKET PANEL MOUNT TYPE



SPECIFICATIONS

1. **Rating** : 100V AC 1A/12V DC 2A max.
2. **Contact Resistance** :
30mΩ max.
3. **Insulation Resistance** :
50MΩ at 250V DC min.
4. **Voltage Withstand**:
250V AC for 1 minute

MATERIALS

1. SHIELD COVER:

PHOSPHOR BRONZE TIN PTD.

2. HOUSING:

PBT+GF15%

3. TERMINALS:

PHOSPHOR BRONZE SILVER PTD.

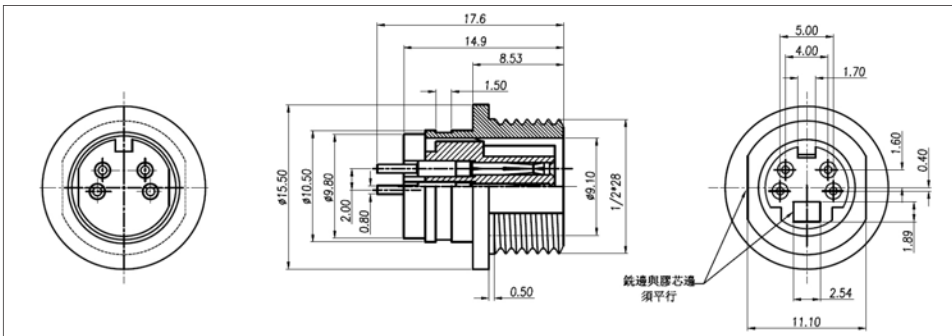
*RoHS & REACH compliant.

ORDERING INFORMATION:

P/N 7 2 SC - XX
1 2

1. COVER TYPE:
"SC" PLASTIC COVER TYPE
2. NO. OF CONTACTS:
03, 04, 05, 06, 07, 08

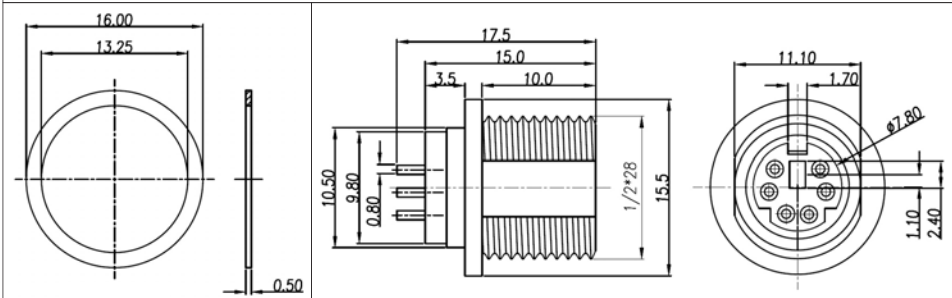
MINI DIN SOCKET PANEL MOUNT TYPE



SPECIFICATIONS

- Rating:** 100VAC 1A (max.)
12VDC 2A (max.)
- Dielectric Withstanding Voltage:** 500VAC, 60Hz for 1 minute
- Insulation Resistance (Initial):** 100MΩ (min.) at 500VDC
- Contact Resistance (Initial):** 30mΩ (max.) at AC 100mA (max.) 1 KHz
- Insertion & Extraction Force:**
Initial : 4.5kgs. (max.)
Extraction Force: 0.9 to 3.0kgs

72SD-04

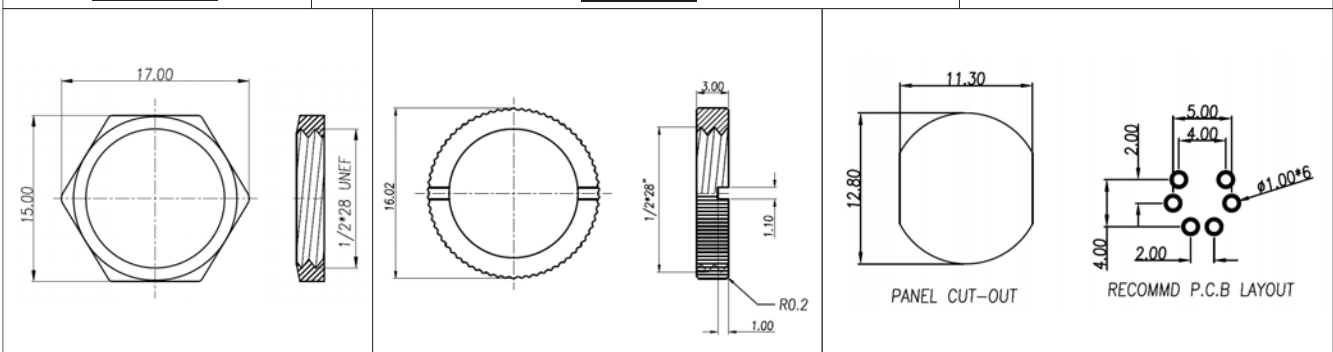


MATERIALS

- Housing:** PBT
 - Contact:** Phosphor Bronze;
Gold Plated
 - Shell:** Brass; Nickel Plated
 - Nut:** Brass; Nickel Plated
- *RoHS & REACH compliant.

SPACER

72SD-06



72SD-06(NUT)

72SD-04(NUT)

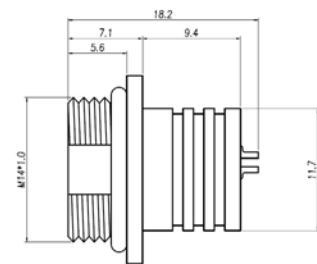
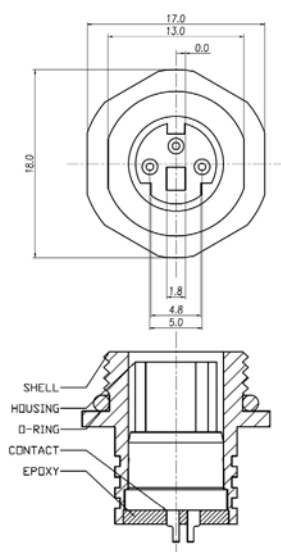
72SD-06

ORDERING INFORMATION:

P/N 7 2 SD - x x
 1 2

- SOCKET TYPE:
"SD" BOARD SIDE TYPE WITH NUT & SPACER
- NO. OF CONTACTS:
04, 06

MINI DIN SOCKET 3P WATERPROOF CABLE SOLDER TYPE



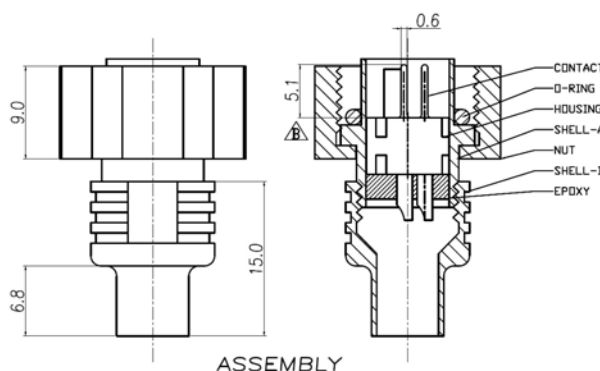
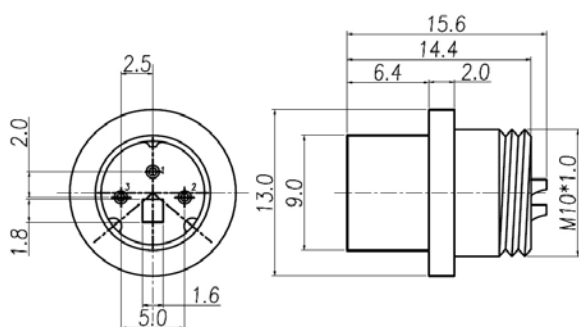
SPECIFICATIONS

1. **Rating:** 100VAC 1A (max.)
12VDC 2A (max.)
2. **Dielectric Withstanding Voltage:**
500VAC, 60Hz for 1 minute
3. **Insulation Resistance (Initial):**
100MΩ (min.) at 500VDC
4. **Contact Resistance (Initial):**
30mΩ (max.) at AC 100mA (max.) 1 KHz
5. **Insertion & Extraction Force:**
Initial : 4.5kgs. (max.)
Extraction Force: 0.9 to 3.0kgs

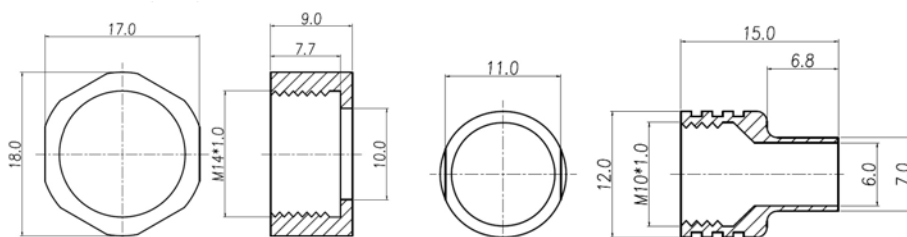
MATERIALS

1. **Housing:** PBT
 2. **Contact:** Phosphor Bronze or Brass;
Gold Plated
 3. **Shell:** Brass; Nickel Plated
- *RoHS & REACH compliant.

72WP-03CA



ASSEMBLY



72WP-03CB

ORDERING INFORMATION:

P/N 7 2 W P - $\frac{03}{1}$ $\frac{xx}{2}$

1. NO. OF CONTACTS
03
2. SOCKET TYPE:
"CA" FEMALE WIRE TYPE
"CB" MALE WIRE TYPE