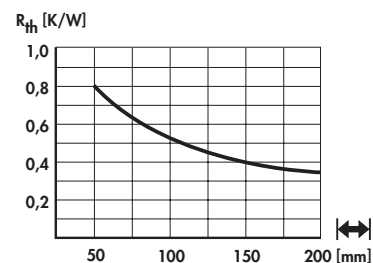
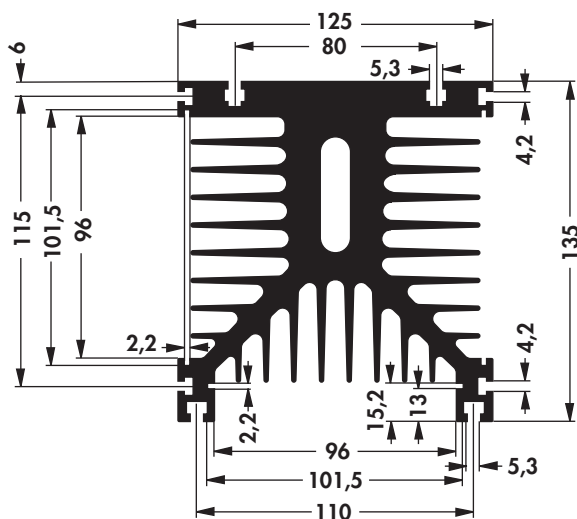


## Standard extruded heatsinks

art. no.



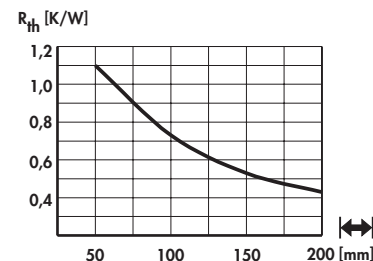
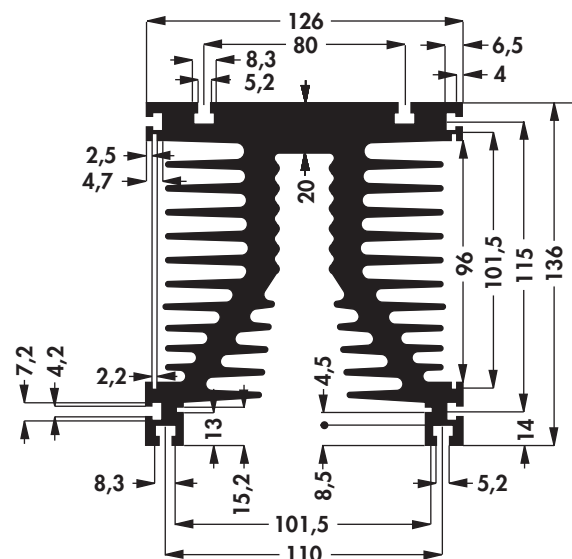
SK 109 ...

with slots for cover plates or PCBs

please indicate:

... **100 150 200 1000 mm**

art. no.



SK 108 ...

with slots for cover plates or PCBs

please indicate:

... **100 1000 mm**