

A

**Heatsinks for LEDs**

B

C

D

E

F

G

H

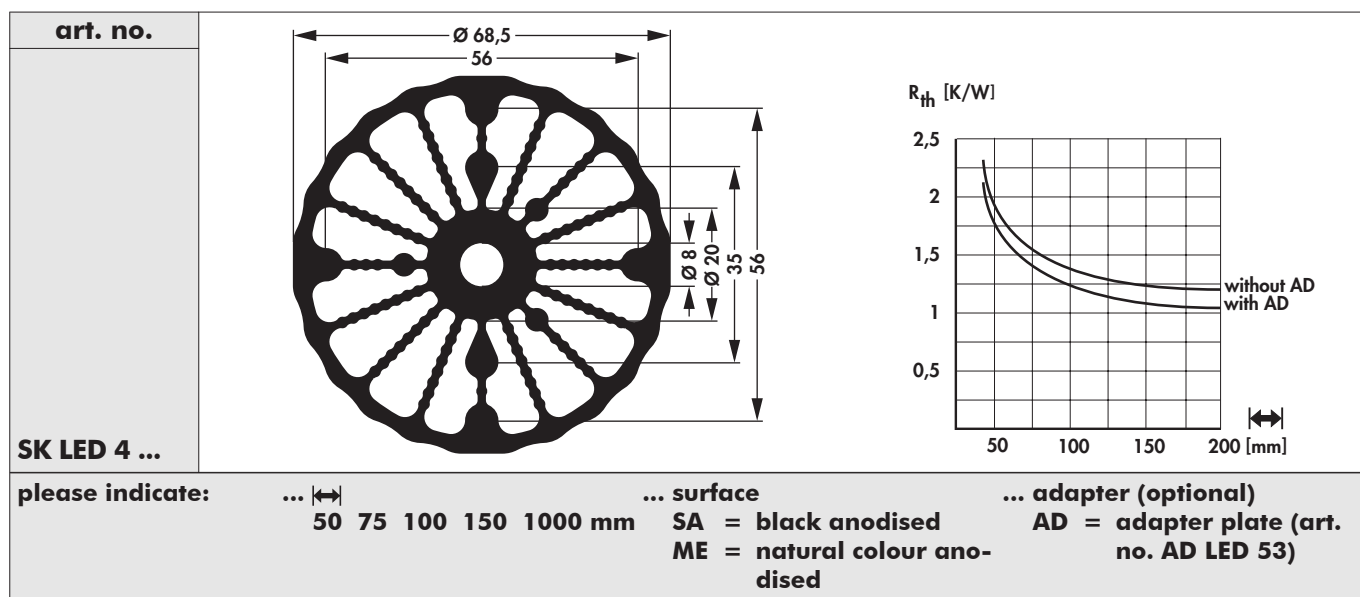
I

K

L

M

N


**adapter plate** → B 57