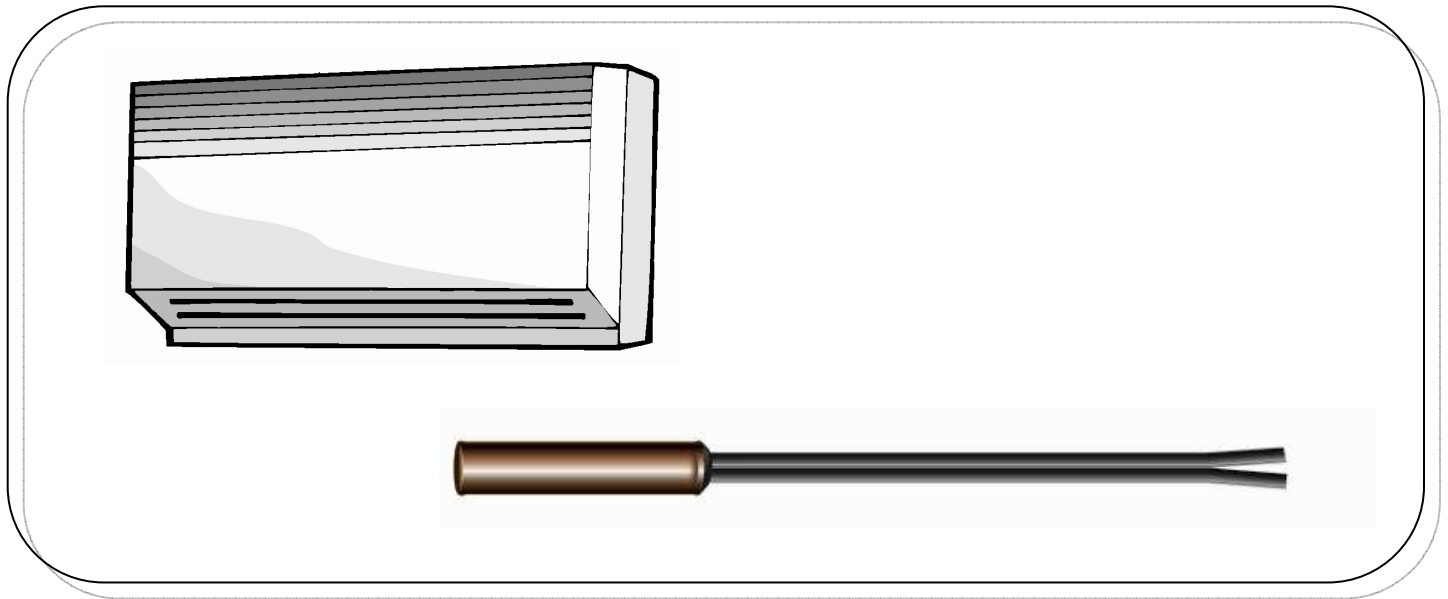


# Temperature Sensor: Air Conditioning Application



<b>Features</b>	<ul style="list-style-type: none"> <li>• NTC thermistor immersed into a metal case</li> <li>• Designed for severe environments on the evaporator of HVAC</li> <li>• Customizable design on wire lengths, R/T characteristics, and connectors</li> <li>• Agency recognition: UL /cUL file no. E138827 , VDE file no. 40018581 (partial parts)</li> </ul>
<b>Applications</b>	Temperature control for air conditioner
<b>Typical Applications</b>	HVAC

<b>1</b>		<b>Features</b>	<b>Φ6×25mm</b>		
		<b>Zero Power Resistance</b>	R25:10KΩ	B25/85	3977K
		<b>Thermal Time Constant</b>	Approx. 10 sec.	<b>Power Rating @ 25°C</b>	100mW
		<b>Operation Temp. Range</b>	-30~+100°C	<b>Voltage Proof Test</b>	1000Vac, 1 min
<b>2</b>		<b>Features</b>	<b>Φ6×24mm</b>		
		<b>Zero Power Resistance</b>	R25: 10KΩ	B25/50	3950K
		<b>Thermal Time Constant</b>	Approx. 30 sec.	<b>Power Rating @ 25°C</b>	150mW
		<b>Operation Temp. Range</b>	-20~+80°C	<b>Voltage Proof Test</b>	1800Vac, 3sec

# Temperature Sensor: Air Conditioning Application



<b>3</b>		<b>Features</b>	<b>Φ6×30mm</b>			
		<b>Zero Power Resistance</b>	<b>R0: 5.9KΩ</b>	<b>B0/50</b>	<b>3400K</b>	
		<b>Thermal Time Constant</b>	<b>Approx. 90 sec.</b>	<b>Power Rating @ 25°C</b>	<b>150mW</b>	
		<b>Operation Temp. Range</b>	<b>-20~+80°C</b>	<b>Voltage Proof Test</b>	<b>1800Vac,1 sec</b>	