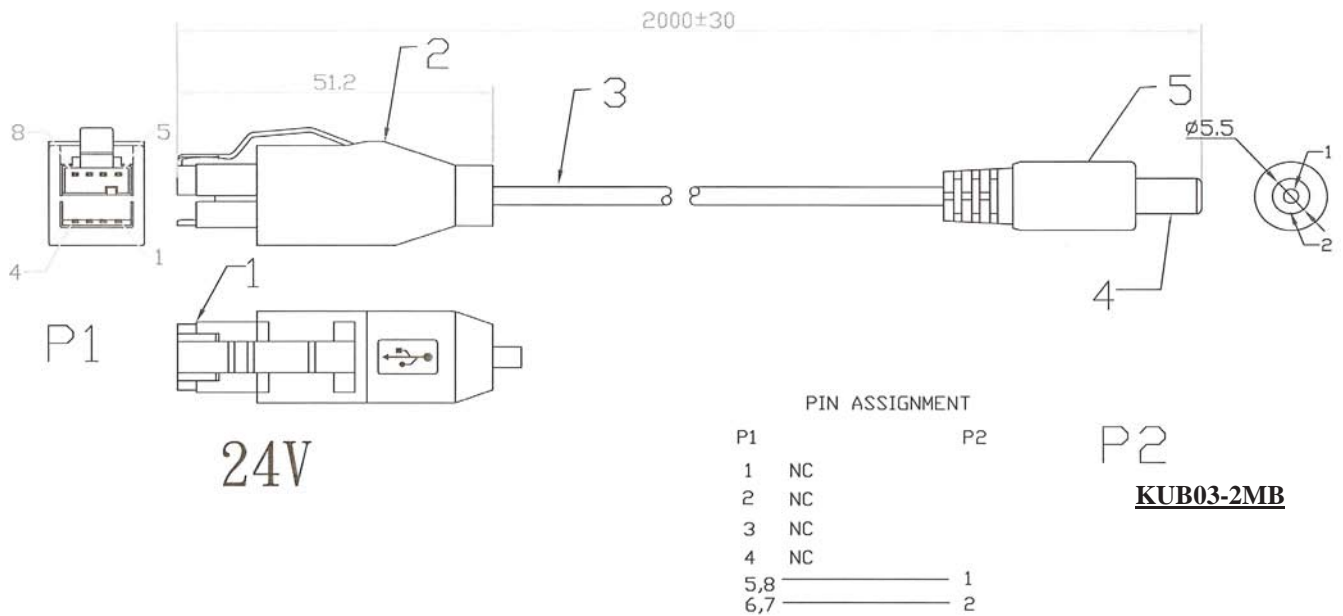


# USB POWER CABLE UL2725/AWG28 5V/12V/24V TO $\Phi$ 2.5/2.1x5.5MM DC PLUG



## ORDERING INFORMATION:

**P/N K U B  $\frac{xx}{1} - \frac{xx}{2} \frac{MB}{3}$**

### 1. CONNECTORS AT 2 ENDS:

- "01" USB POWER 5V TO  $\Phi$  2.5x5.5MM DC PLUG
- "02" USB POWER 12V TO  $\Phi$  2.5x5.5MM DC PLUG
- "03" USB POWER 24V TO  $\Phi$  2.5x5.5MM DC PLUG
- "16" USB POWER 5V TO  $\Phi$  2.1x5.5MM DC PLUG
- "17" USB POWER 12V TO  $\Phi$  2.1x5.5MM DC PLUG
- "18" USB POWER 24V TO  $\Phi$  2.1x5.5MM DC PLUG

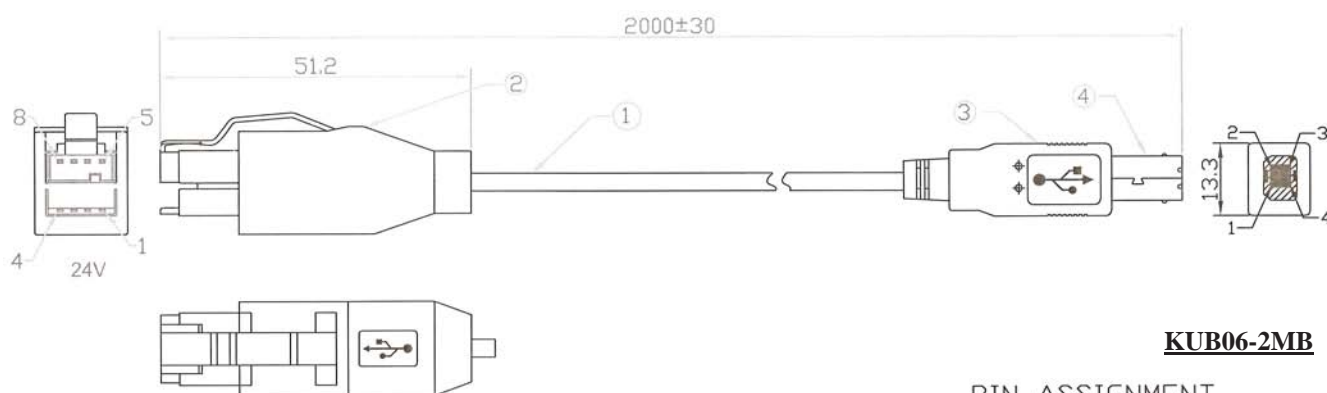
### 2. CABLE LENGTH IN METER:

0.5M, 1M, 2M, 3M,...etc.

### 3. CABLE COLOR:

"B" BLACK

# USB POWER CABLE UL2725/AWG28 5V/12V/24V TO USB B TYPE MALE CONNECTOR



## **KUB06-2MB**

### PIN ASSIGNMENT

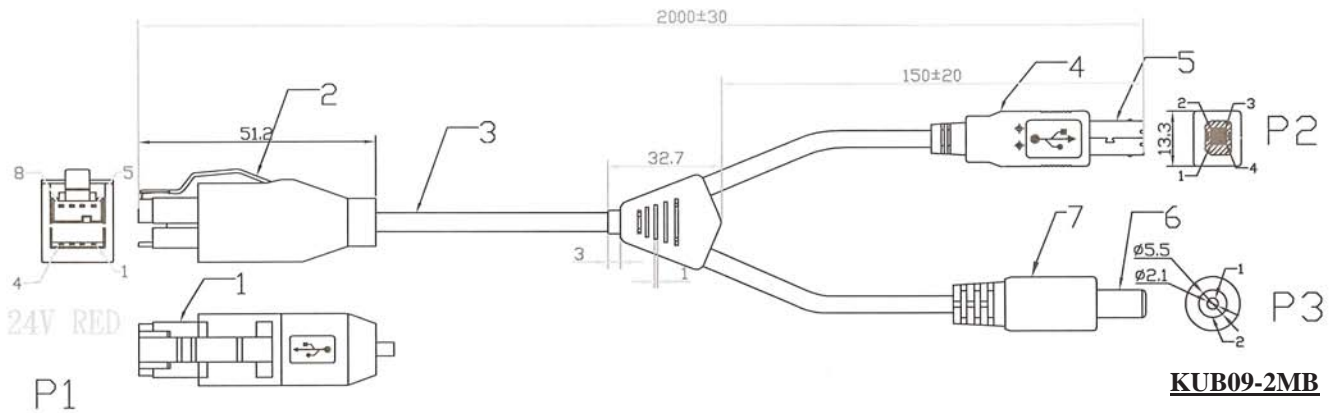
BM		POWER		COLOR
1	—	1	—	RED
2	—	2	—	WHITE
3	—	3	—	GREEN
4	—	4	—	BLACK
SHELL	—	SHELL	—	BRAID

## ORDERING INFORMATION:

**P/N KUB  $\frac{xx}{1}$  -  $\frac{xx}{2}$  MB  $\frac{B}{3}$**

- CONNECTORS AT 2 ENDS:  
 "04" USB POWER 5V TO  
 USB B/MALE CONNECTOR  
 "05" USB POWER 12V TO  
 USB B/MALE CONNECTOR  
 "06" USB POWER 24V TO  
 USB B/MALE CONNECTOR
- CABLE LENGTH IN METER:  
 0.5M, 1M, 2M, 3M,...etc.
- CABLE COLOR:  
 "B" BLACK

**USB POWER CABLE UL2725/AWG28 5V/12V/24V TO USB B TYPE MALE &  
Φ 2.1/2.5x5.5MM DC PLUG**



**PIN ASSIGNMENT**

P1		P2	P3
1	—	1	
2	—	2	
3	—	3	
4	—	4	
SHELL	—	SHELL	
6,7	—		1
5,8	—		2

**ORDERING INFORMATION:**

**P/N K U B xx - xx M B**  
1 2 3

**1. CONNECTORS AT 2 ENDS:**

- "07" USB POWER 5V TO USB B/M & Φ 2.1x5.5MM DC PLUG
- "08" USB POWER 12V TO USB B/M & Φ 2.1x5.5MM DC PLUG
- "09" USB POWER 24V TO USB B/M & Φ 2.1x5.5MM DC PLUG
- "19" USB POWER 5V TO USB B/M & Φ 2.5x5.5MM DC PLUG
- "20" USB POWER 12V TO USB B/M & Φ 2.5x5.5MM DC PLUG
- "21" USB POWER 24V TO USB B/M & Φ 2.5x5.5MM DC PLUG

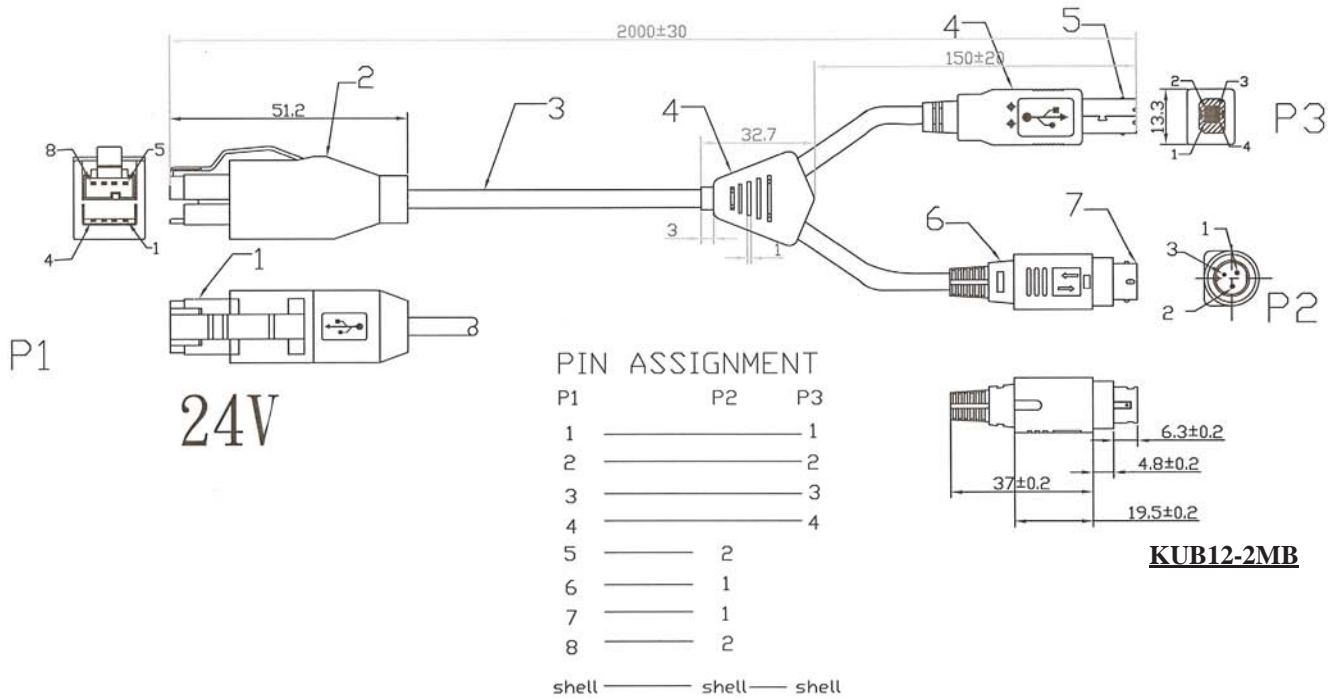
**2. CABLE LENGTH IN METER:**

0.5M, 1M, 2M, 3M,...etc.

**3. CABLE COLOR:**

"B" BLACK

**USB POWER CABLE UL2725/AWG28 5V/12V/24V TO USB B TYPE MALE & MINI DIN 3 PIN PLUG**

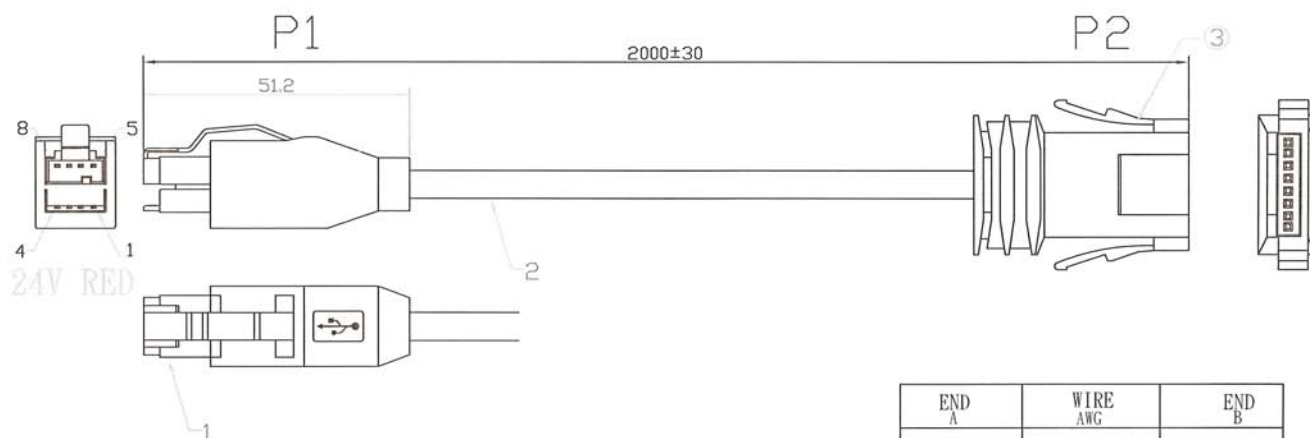


**ORDERING INFORMATION:**

**P/N K U B  $\frac{xx}{1}$  -  $\frac{xx}{2}$  M  $\frac{B}{3}$**

- CONNECTORS AT 2 ENDS:  
 "10" USB POWER 5V TO USB B/M & MD3M CONNECTOR  
 "11" USB POWER 12V TO USB B/M & MD3M CONNECTOR  
 "12" USB POWER 24V TO USB B/M & MD3M CONNECTOR
- CABLE LENGTH IN METER:  
 0.5M, 1M, 2M, 3M,...etc.
- CABLE COLOR:  
 "B" BLACK

## USB POWER CABLE UL2725/AWG28 5V/12V/24V TO 8 PIN POWER CONNECTOR



END A	WIRE AWG	END B
1	20	6
2	28	5
3	28	4
4	20	3
5	20	1
6	20	2
7	20	7
8	20	8

### ORDERING INFORMATION:

**P/N K U B  $\frac{xx}{1} - \frac{xx}{2} M \frac{B}{3}$**

- CONNECTORS AT 2 ENDS:  
 "13" USB POWER 5V TO 8 PIN POWER SOCKET  
 "14" USB POWER 12V TO 8 PIN POWER SOCKET  
 "15" USB POWER 24V TO 8 PIN POWER SOCKET
- CABLE LENGTH IN METER:  
 0.5M, 1M, 2M, 3M,...etc.
- CABLE COLOR:  
 "B" BLACK