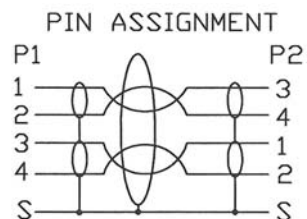
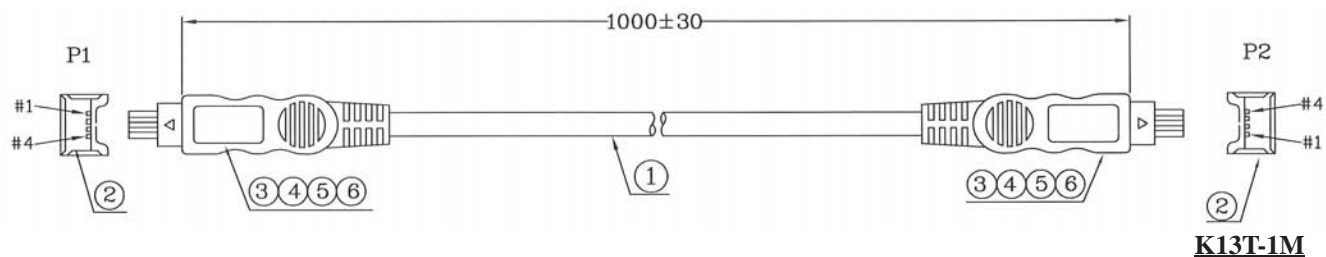


IEEE1394 MOLDED CABLE 4 PIN MALE TO MALE TYPE



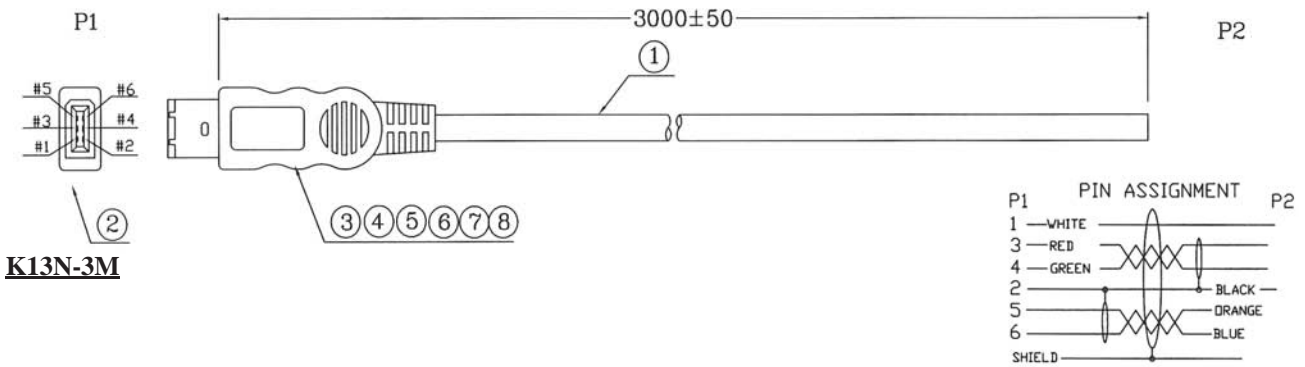
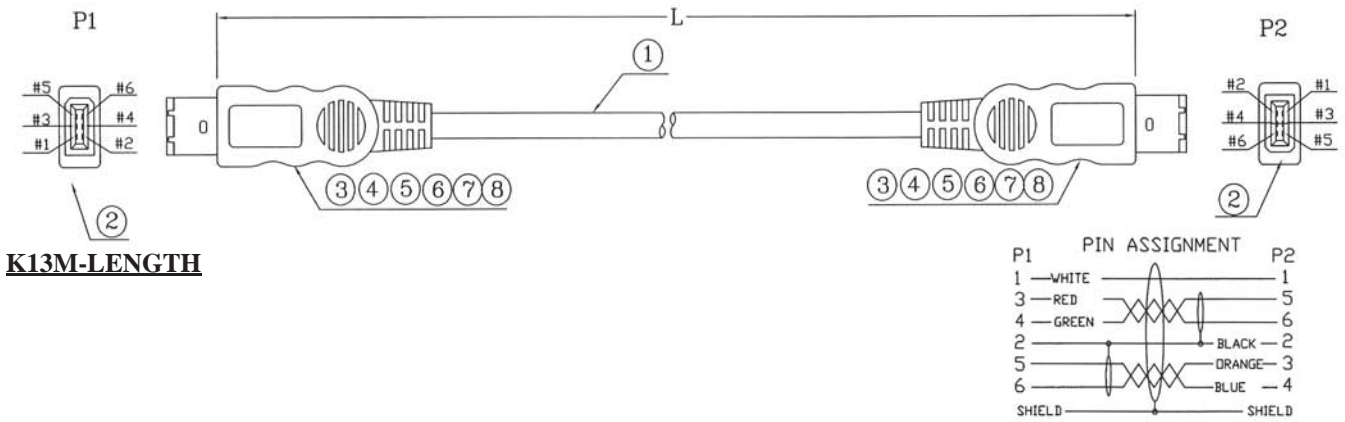
ORDERING INFORMATION:

P/N K 1 3 1 - xx M + xxx

1. CONNECTORS AT 2 ENDS:
"T" IEEE1394 4 PIN MALE TO 4 PIN MALE
2. LENGTH IN METER:
1M, 1.8M, ..., 4M, 5M

3. FERRITE CORE OPTION:
" " W/O FERRITE CORE
"+1FE" WITH 1 FERRITE CORE
"+2FE" WITH 2 FERRITE CORES

IEEE1394 MOLDED CABLE 6 PIN MALE TO MALE TYPE



ORDERING INFORMATION:

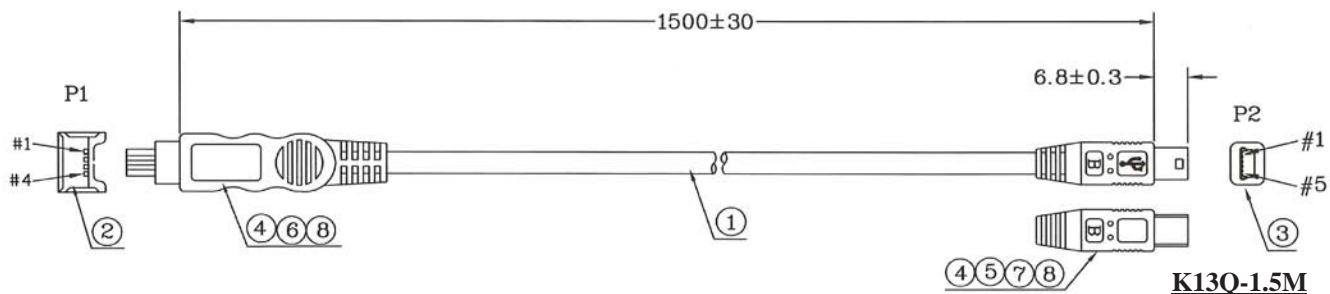
P/N **K 1 3** $\frac{x}{1}$ - $\frac{xx}{2}$ **M** + $\frac{xxx}{3}$

- CONNECTORS AT 2 ENDS:
"M" IEEE1394 6 PIN MALE TO 6 PIN MALE
"N" IEEE1394 6 PIN MALE TO OPEN END
- LENGTH IN METER:
1M, 1.8M,..., 4M, 5M

- FERRITE CORE OPTION:
" " W/O FERRITE CORE
"+1FE" WITH 1 FERRITE CORE
"+2FE" WITH 2 FERRITE CORES

NOTE: The cable color is Black.

IEEE1394 MOLDED CABLE 4 PIN MALE TO MINI USB 5 PIN MALE CONNECTOR



P1	PIN ASSIGNMENT		P2
1	— RED —		1
2	— WHITE —		2
3	— GREEN —		3
4	— BLACK —		5
SHELL	— DRAIN&BRAID —		SHELL

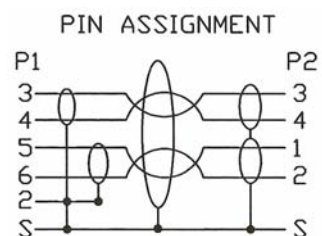
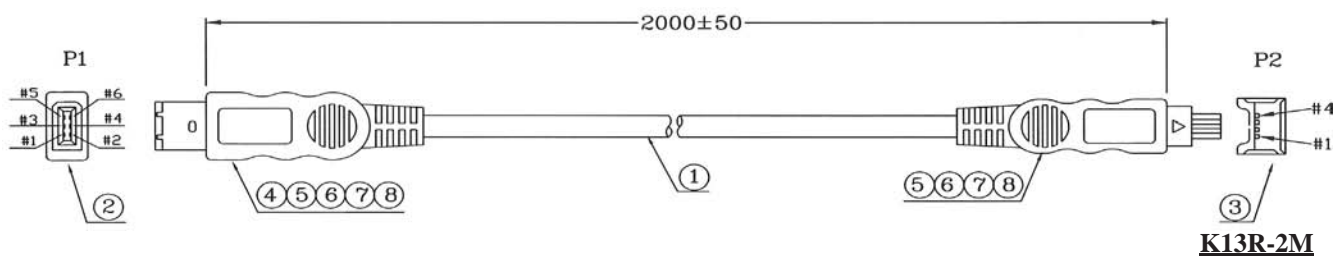
ORDERING INFORMATION:

P/N K 1 3 $\frac{x}{1}$ - $\frac{xx}{2}$ M + $\frac{xxx}{3}$

- CONNECTORS AT 2 ENDS:
"Q" IEEE1394 4 PIN MALE TO
MINI USB 5 PIN MALE
- LENGTH IN METER:
1M, 1.8M,..., 4M, 5M

- FERRITE CORE OPTION:
" " W/O FERRITE CORE
"+1FE" WITH 1 FERRITE CORE
"+2FE" WITH 2 FERRITE CORES

IEEE1394 MOLDED CABLE 6 PIN MALE TO 4 PIN MALE TYPE



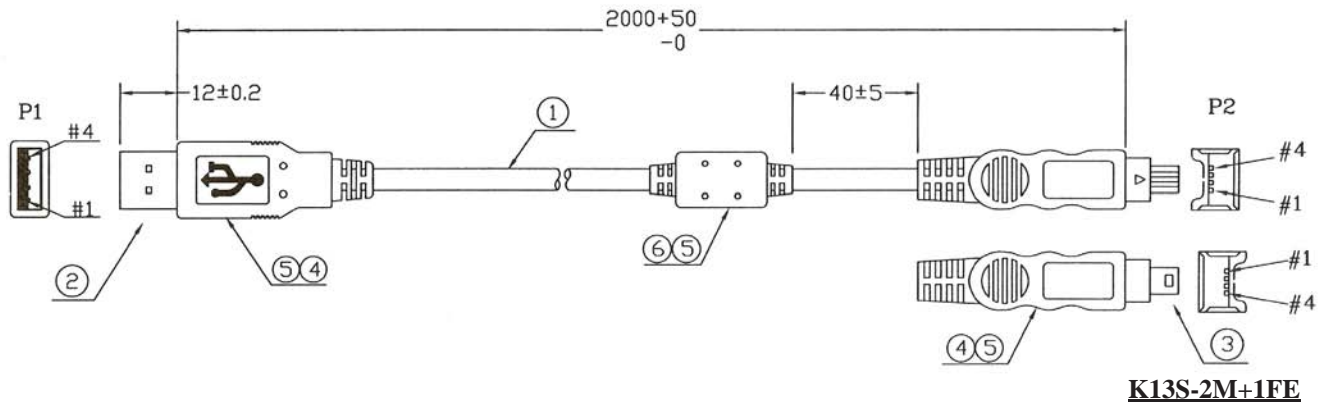
ORDERING INFORMATION:

P/N K 1 3 1 - 2 M + 3

- CONNECTORS AT 2 ENDS:
"R" IEEE1394 6 PIN MALE TO 4 PIN MALE
- LENGTH IN METER:
1M, 1.8M, ..., 4M, 5M

- FERRITE CORE OPTION:
" " W/O FERRITE CORE
"+1FE" WITH 1 FERRITE CORE
"+2FE" WITH 2 FERRITE CORES

IEEE1394 MOLDED CABLE 4 PIN MALE TO USB A TYPE MALE CONNECTOR



PIN ASSIGNMENT

P1		P2
1 — RED	—————	1
2 — WHITE	—X—X—X—X—	2
3 — GREEN		3
4 — BLACK	—————	4
SHELL	—DRAIN & BRAID—	SHELL

ORDERING INFORMATION:

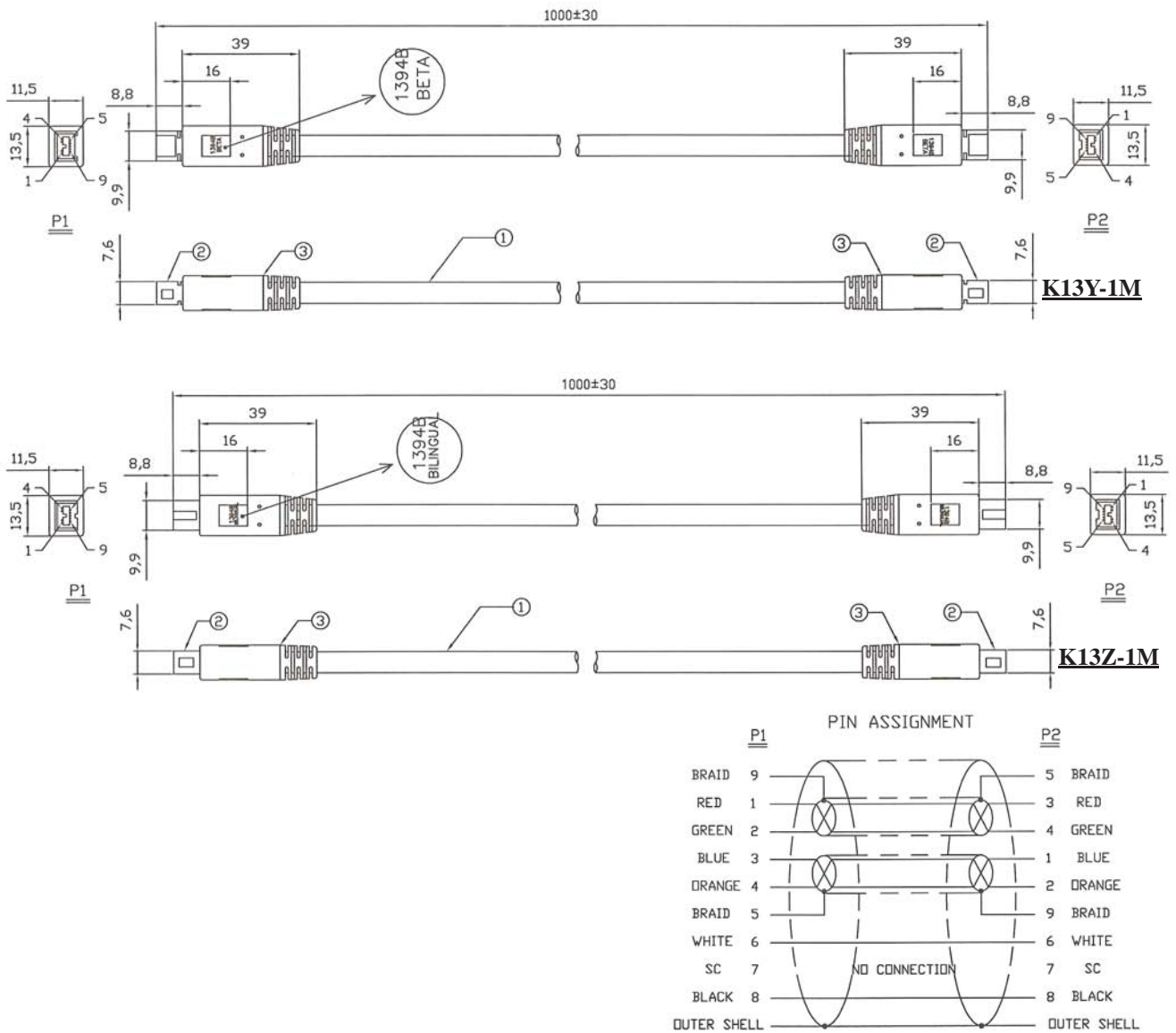
P/N **K 1 3 S - x x M + x x x**
 1 2 3

1. CONNECTORS AT 2 ENDS:
 "S" USB A TYPE MALE TO
 IEEE1394 4 PIN MALE
2. LENGTH IN METER:
 1M, 1.8M,..., 4M, 5M

3. FERRITE CORE OPTION:
 " " W/O FERRITE CORE
 "+1FE" WITH 1 FERRITE CORE
 "+2FE" WITH 2 FERRITE CORES

NOTE: Cable color is Black.

IEEE1394b MOLDED CABLE 9 PIN MALE TO MALE TYPE



ORDERING INFORMATION:

P/N K 1 3 $\frac{x}{1}$ - $\frac{xx}{2}$ M + $\frac{xxx}{3}$

1. CONNECTORS AT 2 ENDS:

- "Y" IEEE1394b BETA 9 PIN MALE TO MALE
- "Z" IEEE1394b BILINGUAL 9 PIN MALE TO MALE

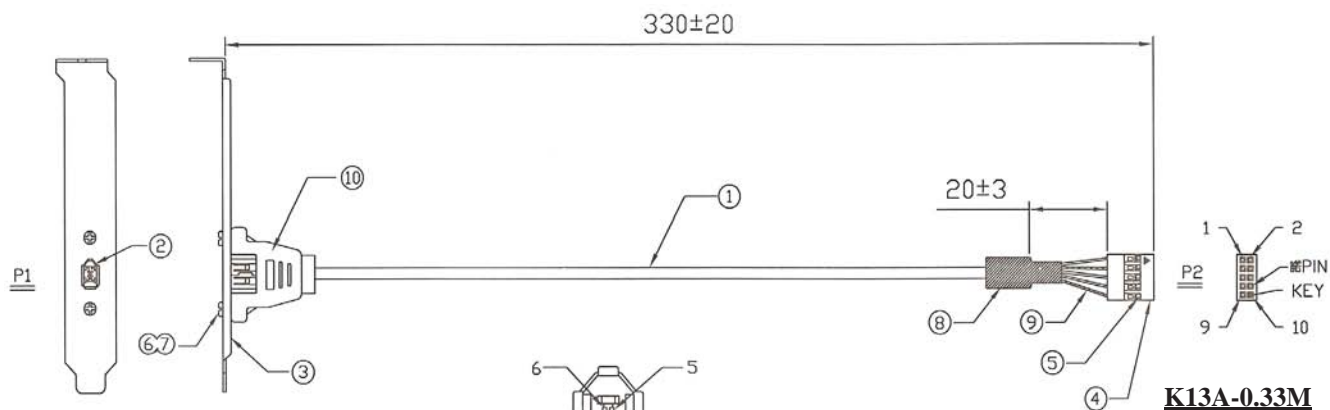
2. LENGTH IN METER:

1M, 1.8M, ..., 4M, 5M

3. FERRITE CORE OPTION:

- " " W/O FERRITE CORE
- "+1FE" WITH 1 FERRITE CORE
- "+2FE" WITH 2 FERRITE CORES

IEEE1394 MOLDED CABLE 6 PIN FEMALE TO 2.54MM 10 PIN HOUSING



PIN ASSIGNMENT

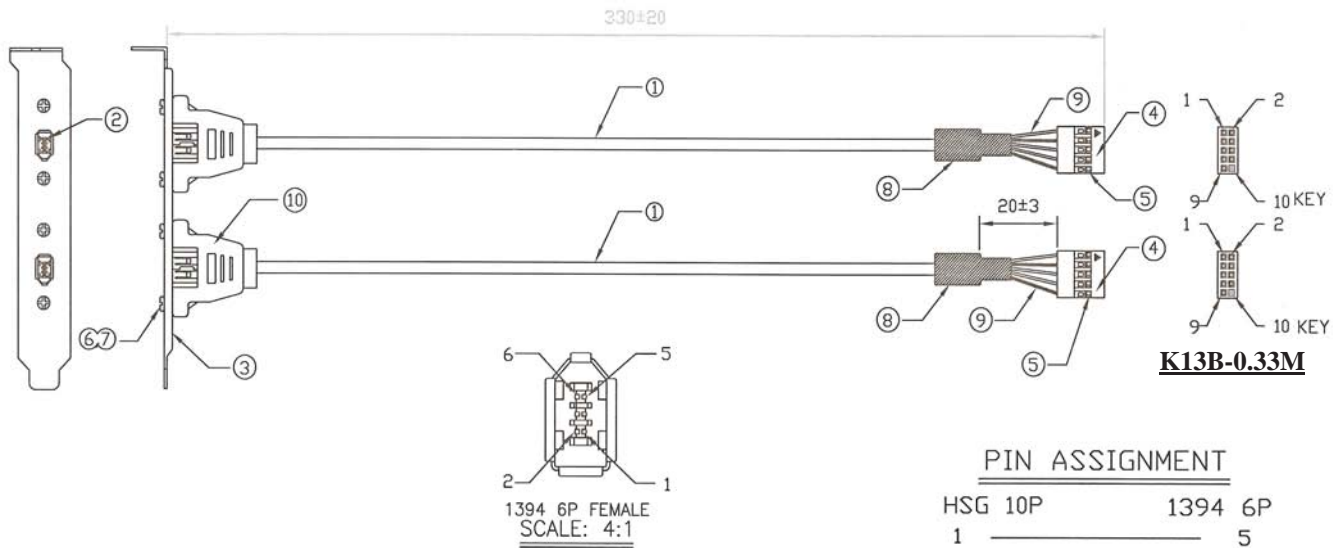
<u>P1</u>		<u>P2</u>
1	WHITE	7
2	BLACK	4
3	ORANGE	5
4	BLUE	6
5	RED	1
6	GREEN	2
SHELL	???	3
SHELL	???	9

ORDERING INFORMATION:

P/N **K 1 3 A - x x M**
1 2

1. CONNECTORS AT 2 ENDS:
 "A" IEEE1394 6 PIN FEMALE TO
 2.54MM 2x5 PIN HOUSING
2. LENGTH IN METER:
 0.3M, 0.6M, 0.8M, 1M, 1.2M, 1.5M,...etc.

IEEE1394 MOLDED CABLE 6 PIN FEMALE TO 2.54MM 10 PIN HOUSINGS



PIN ASSIGNMENT

HSG 10P	1394 6P
1	5
2	6
3	SHELL 2
4	SHELL 1
5	3
6	4
7	1
8	—
9	2
10	—

ORDERING INFORMATION:

P/N **K 1 3 B - $\frac{x}{1} \frac{x}{2} M$**

- CONNECTORS AT 2 ENDS:
"B" IEEE1394 6 PIN FEMALE TO 2*2.54MM
2x5 PIN HOUSINGS
- LENGTH IN METER:
0.3M, 0.5M, 1M, 1.2M,...etc.

DISPLAY PORT & MINI DISPLAY PORT CABLE ASSEMBLY

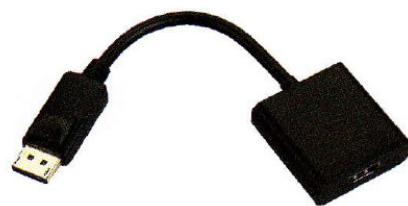
P/N KDP01-xxMB
 DISPLAYPORT MALE
 TO DISPLAYPORT MALE



P/N KDP02-xxMB
 DISPLAYPORT MALE
 TO HDMI MALE



P/N KDP03-xxMB
 DISPLAYPORT MALE
 TO HDMI FEMALE



P/N KDP04-xxMB
 DISPLAYPORT MALE
 TO DVI MALE



P/N KDP05-xxMB
 DISPLAYPORT MALE
 TO DVI FEMALE



P/N KDP06-xxMB
 DISPLAYPORT MALE
 TO HDD15M VGA FEMALE



P/N KMDP01-xxMW
 MINI DISPLAYPORT MALE
 TO HDMI MALE, FLAT CABLE



P/N KMDP02-xxMW
 MINI DISPLAYPORT MALE
 TO HDMI MALE



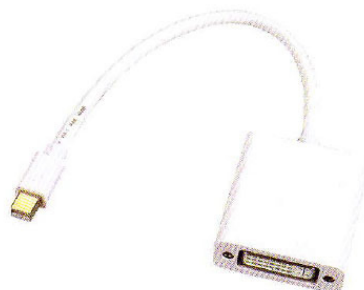
P/N KMDP03-xxMW
 MINI DISPLAYPORT MALE
 TO HDMI FEMALE



P/N KMDP04-xxMW
 MINI DISPLAYPORT MALE
 TO DISPLAYPORT FEMALE



P/N KMDP05-xxMW
 MINI DISPLAYPORT MALE
 TO DVI FEMALE



P/N KHDP06-xxMW
 MINI DISPLAYPORT MALE
 TO HDMI FEMALE+DVI
 FEMALE+DISPLAYPORT FEMALE

