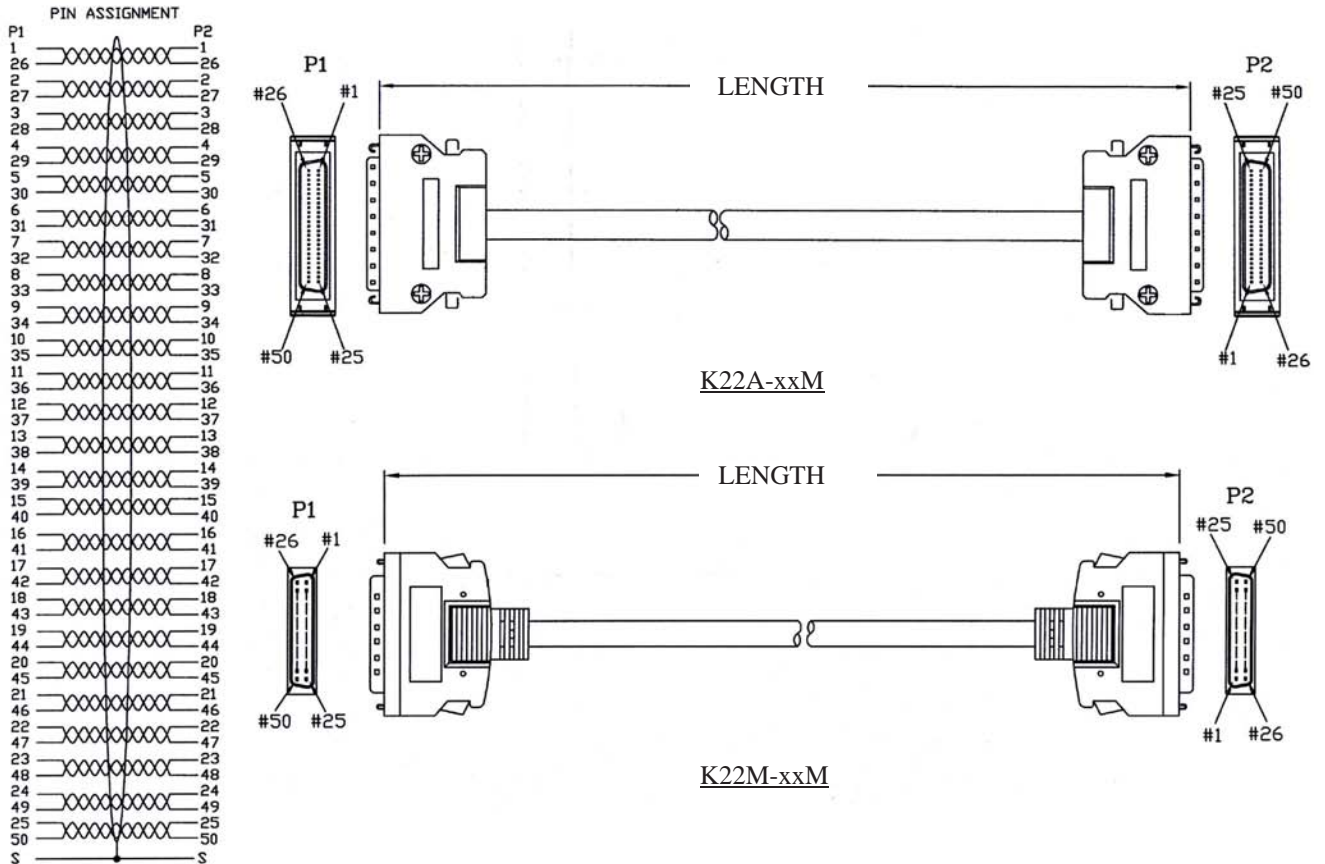


HPDB50M TO HPDB50M SCSI 2-2 CABLES



ORDERING INFORMATION:

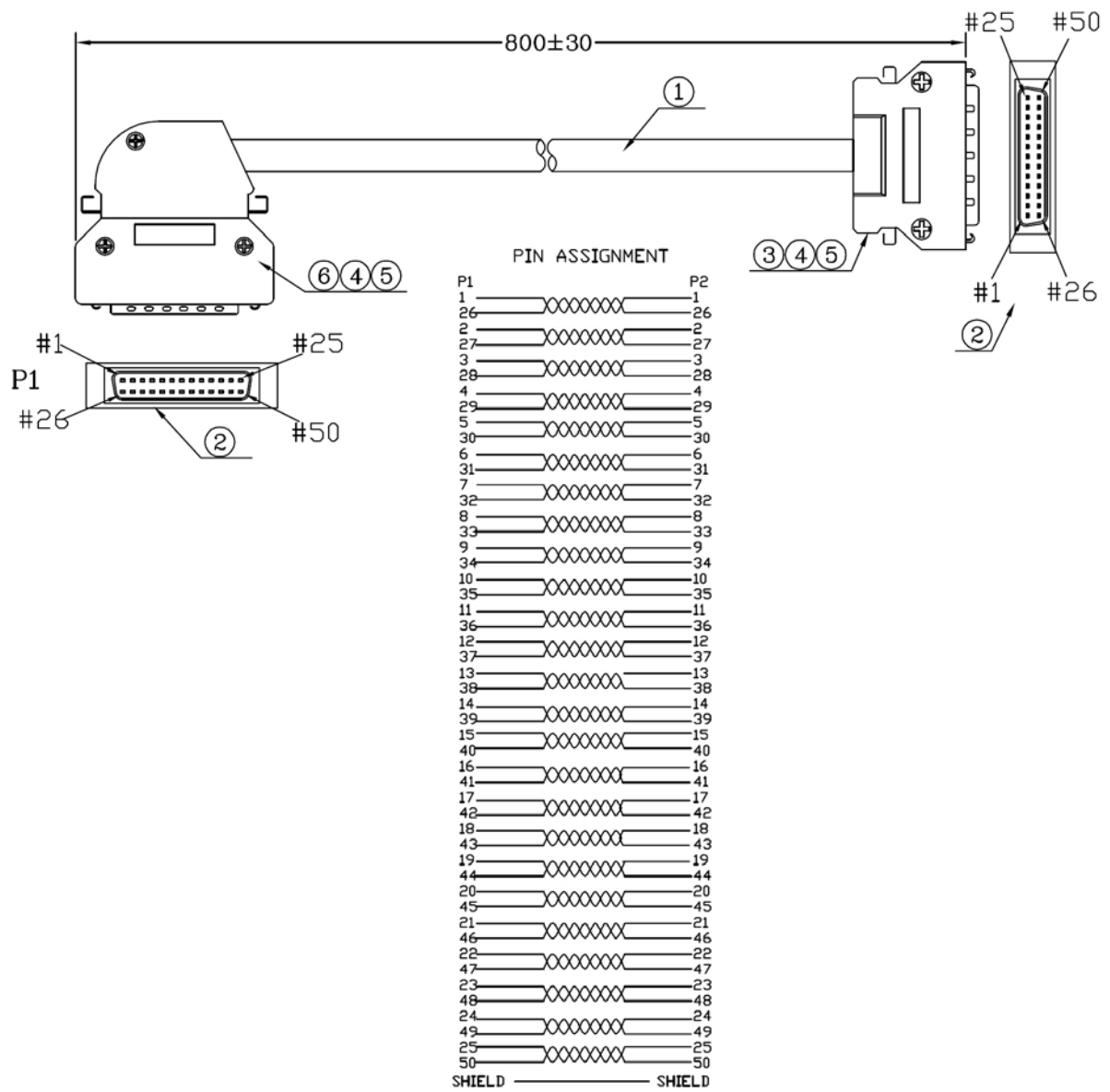
P/N K 2 2 A - x x M

HP 1.27MM D-SUB. 50 PIN MALE TO MALE WITH METAL HOODS, ASSEMBLED UL2990 TWISTED PAIR DOUBLE SHIELDED CABLE
CABLE LENGTH IN METERS

P/N K 2 2 M - x x M

HP 1.27MM D-SUB. 50 PIN MALE TO MALE WITH CLICKS, MOLDED UL2990 TWISTED PAIR DOUBLE SHIELDED CABLE
CABLE LENGTH IN METERS

HPDB50M ANGLED TO HPDB50M AWG28/UL2990 CABLE

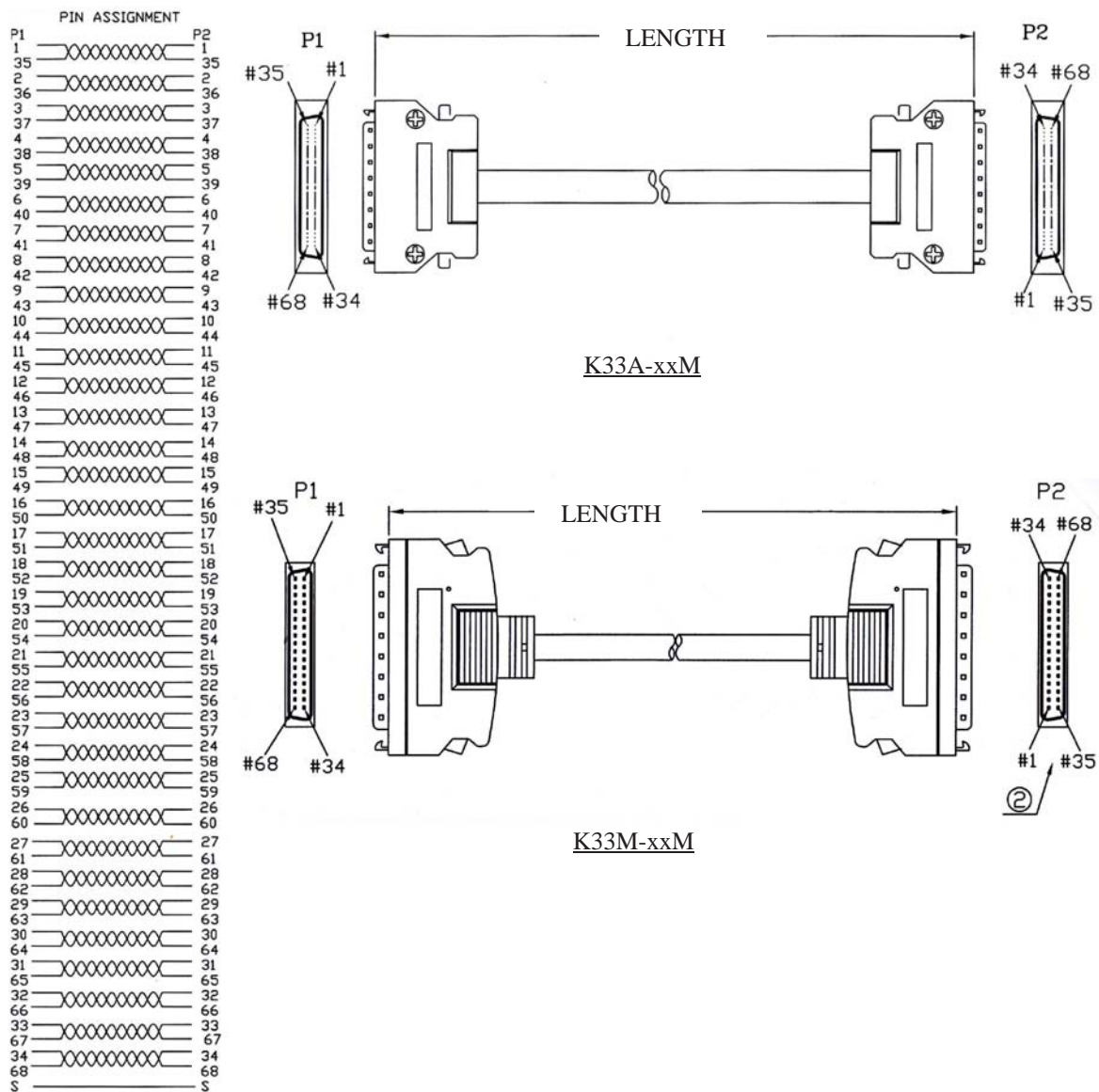


ORDERING INFORMATION:

P/N K 2 2 R - x x M

HALF PITCH D-SUB. 50 PIN MALE WITH RIGHT ANGLED METAL HOOD TO
 HALF PITCH D-SUB. 50 PIN MALE WITH STRAIGHT METAL HOOD
 UL2990 AWG28 25 PAIRS CABLE LENGTH IN METERS

HPDB68M TO HPDB68M SCSI 3-3 CABLES (1)



ORDERING INFORMATION:

P/N K 3 3 A - x x M

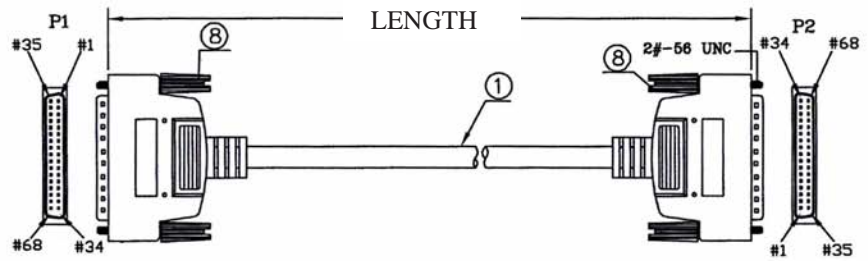
2* HP 1.27MM D-SUB. 68 PIN MALE ASSEMBLED WITH METAL HOOD AND CLICKS TWISTED PAIR DOUBLE SHIELDED CABLE
CABLE LENGTH IN METERS

P/N K 3 3 M - x x M

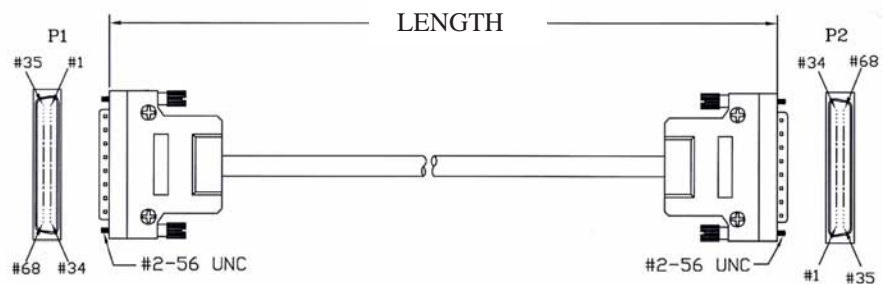
2* HP 1.27MM D-SUB. 68 PIN MALE MOLDED WITH CLICKS TWISTED PAIR DOUBLE SHIELDED CABLE
CABLE LENGTH IN METERS

HPDB68M TO HPDB68M SCSI 3-3 CABLES (2)

P1	PIN ASSIGNMENT	P2
1	1	1
35	2	35
2	3	2
36	4	36
3	5	3
37	6	37
4	7	4
38	8	38
5	9	5
39	10	39
6	11	6
40	12	40
7	13	7
41	14	41
8	15	8
42	16	42
9	17	9
43	18	43
10	19	10
44	20	44
11	21	11
45	22	45
12	23	12
46	24	46
13	25	13
47	26	47
14	27	14
48	28	48
15	29	15
49	30	49
16	31	16
50	32	50
17	33	17
51	34	51
18	35	18
52	36	52
19	37	19
53	38	53
20	39	20
54	40	54
21	41	21
55	42	55
22	43	22
56	44	56
23	45	23
57	46	57
24	47	24
58	48	58
25	49	25
59	50	59
26	51	26
60	52	60
27	53	27
61	54	61
28	55	28
62	56	62
29	57	29
63	58	63
30	59	30
64	60	64
31	61	31
65	62	65
32	63	32
66	64	66
33	65	33
67	66	67
34	67	34
68	68	68
S	S	S



K33N-xxM



K33B-xxM

ORDERING INFORMATION:

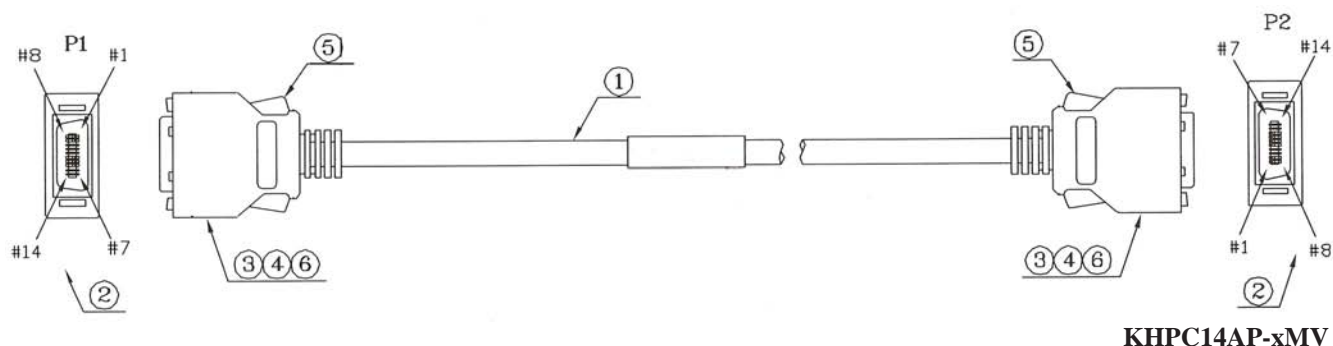
P/N K 3 3 B - x x M

2* HP 1.27MM D-SUB. 68 PIN MALE ASSEMBLED WITH METAL HOOD AND SCREWS
TWISTED PAIR DOUBLE SHIELDED CABLE
CABLE LENGTH IN METERS

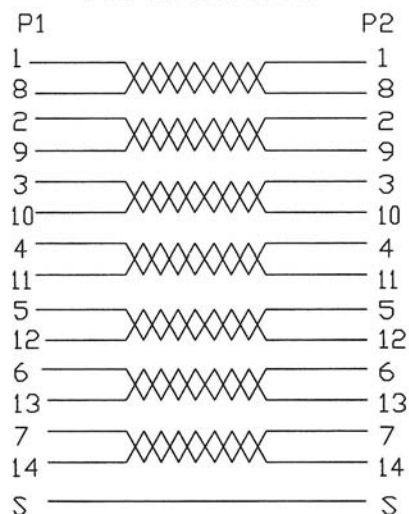
P/N K 3 3 N - x x M

2* HP 1.27MM D-SUB. 68 PIN MALE MOLDED WITH THUMB SCREWS
TWISTED PAIR DOUBLE SHIELDED CABLE
CABLE LENGTH IN METERS

1.27MM MINI RIBBON HPCEN**M/M UL2990 DUAL SHIELDED ASSEMBLED CABLE



PIN ASSIGNMENT



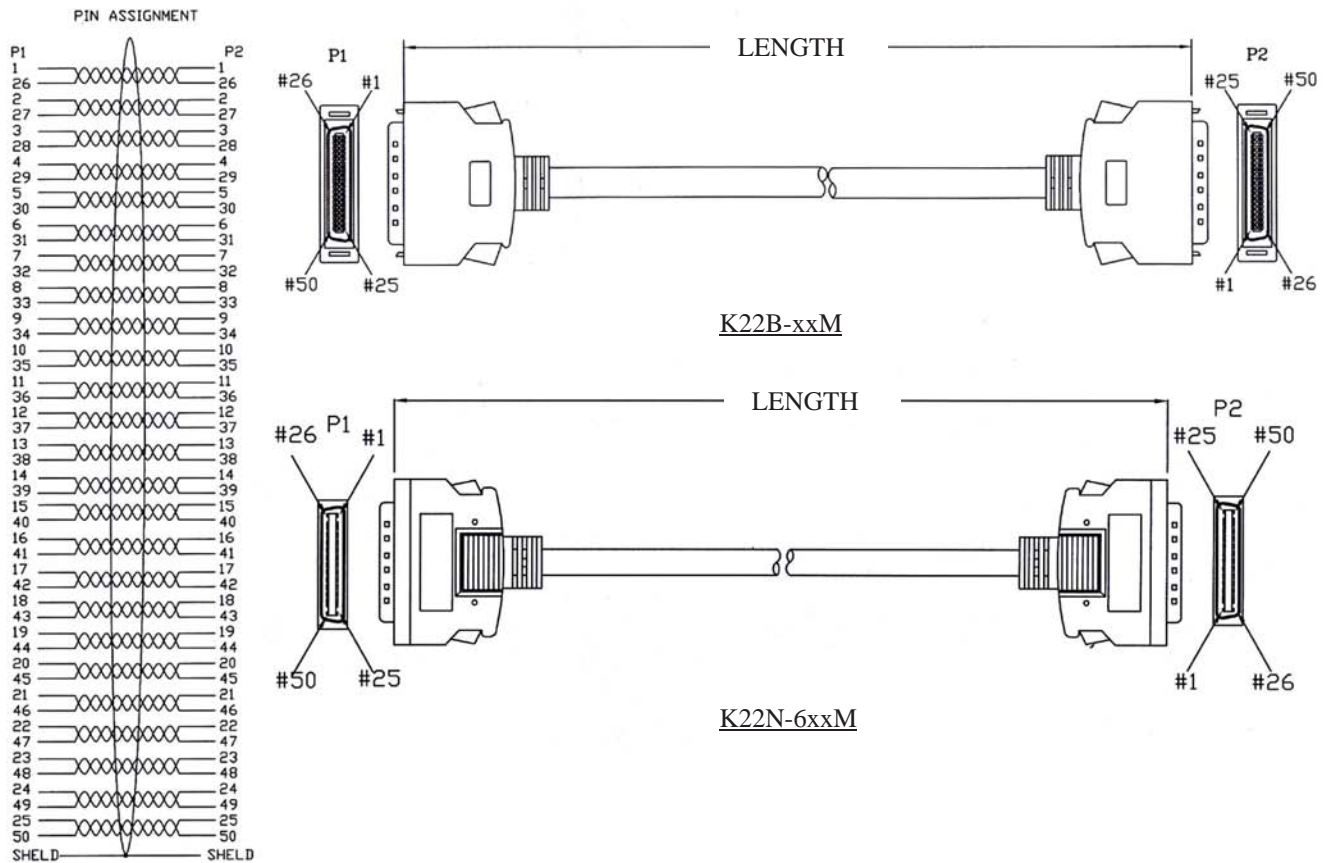
ORDERING INFORMATION:

P/N K H P C $\frac{x}{1} \frac{x}{2} \frac{x}{3} \frac{x}{4} - x M x$

1. NO. OF CONTACTS:
14, 20, 26, 36
2. CONNECTOR TYPE ON BOTH SIDES:
"AP" ASSEMBLY WITH ABS HOOD
MALE TO MALE WIRING 1:1
"AM" ASSEMBLY WITH METAL HOOD
MALE TO MALE WIRING 1:1
3. LENGTH IN M (METERS)

4. CABLE COLOR:
"V" BEIGE
"B" BLACK

HPCEN50M TO HPCEN50M SCSI 2-2 CABLES



ORDERING INFORMATION:

P/N K 2 2 B - x x M

HP 1.27MM CENTRONICS 50 PIN MALE TO MALE
WITH METAL HOODS, ASSEMBLED UL2990
TWISTED PAIR DOUBLE SHIELDED CABLE
CABLE LENGTH IN METERS

P/N K 2 2 N - x x M

HP 1.27MM CENTRONICS 50 PIN MALE TO MALE
WITH CLICKS, MOLDED UL2990 TWISTED PAIR
DOUBLE SHIELDED CABLE
CABLE LENGTH IN METERS