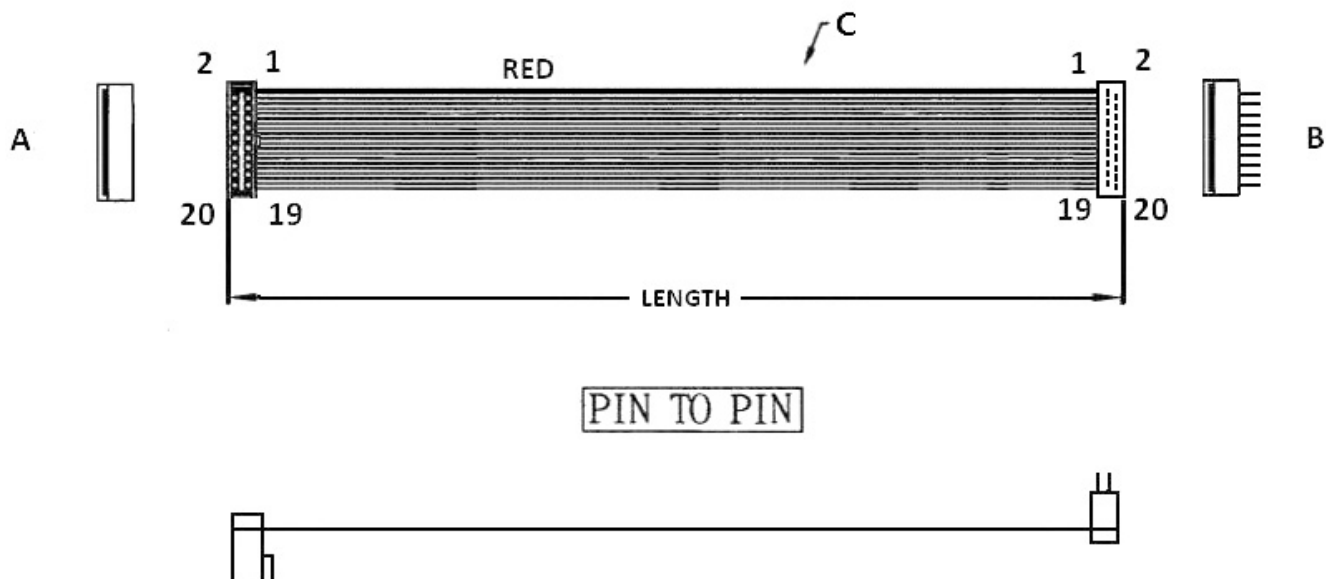


**0.635MM PITCH FLAT CABLE WITH
1.27MM*1.27MM PITCH IDC SOCKET W/O S.R. (H=5.0MM) TO DIP PLUG (H=5.0MM) (D1)**



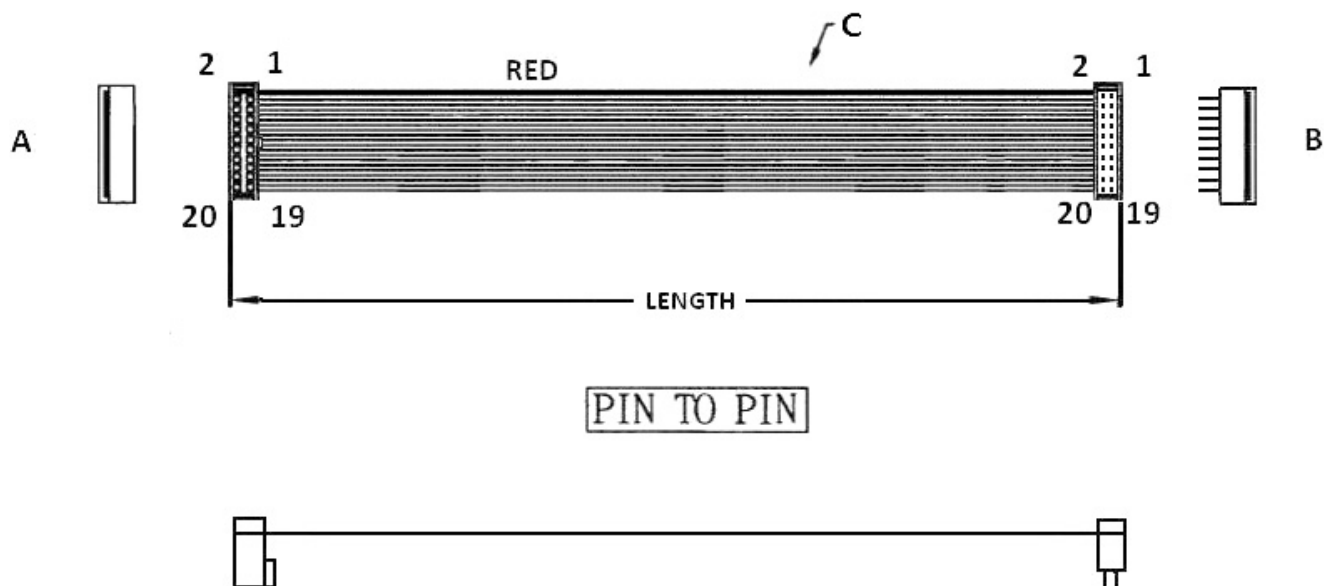
PIN TO PIN

ORDERING INFORMATION:

P/N KG xx KD - xx C M B
1 2 3 4 5

1. FLAT CABLE TYPE:
"KG" 0.635MM AWG30 UL2678 VW-1
PVC INSULATION DEEP GRAY
2. NO. OF CONTACTS:
06~80
3. CONNECTORS AT TWO ENDS:
"KD" 1.27MMX1.27MM IDC SOCKET WITH NOSE W/O S.R. TO
1.27MMX1.27MM DIP PLUG
4. LENGTH IN CM (CENTIMETERS)
5. COLOR OF TWO IDC CONNECTORS:
"B" BLACK

**0.635MM PITCH FLAT CABLE WITH
1.27MM*1.27MM PITCH IDC SOCKET W/O S.R. (H=5.0MM) TO DIP PLUG (H=5.0MM) (D2)**



ORDERING INFORMATION:

P/N **K****G** **x****x** **K****P** - **x****x** **C** **M** **B**
1 2 3 4 5

1. FLAT CABLE TYPE:

"KG" 0.635MM AWG30 UL2678 VW-1
PVC INSULATION DEEP GRAY

2. NO. OF CONTACTS:

06~80

3. CONNECTORS AT TWO ENDS:

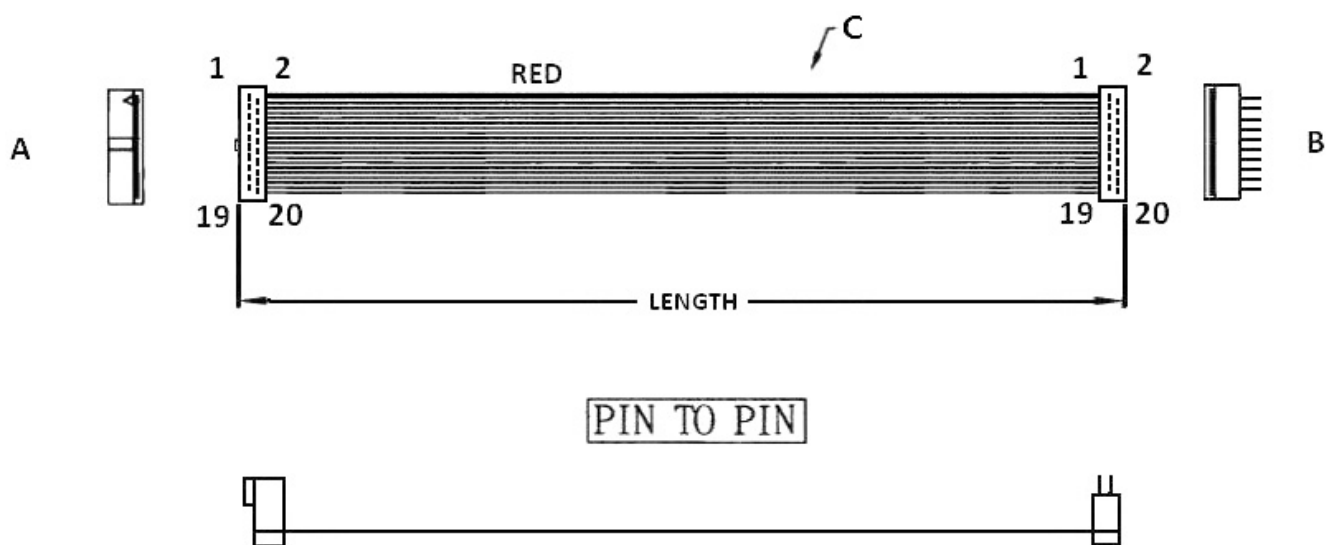
"KP" 1.27MMX1.27MM IDC SOCKET WITH NOSE W/O S.R. TO
1.27MMX1.27MM DIP PLUG

4. LENGTH IN CM (CENTIMETERS)

5. COLOR OF TWO IDC CONNECTORS:

"B" BLACK

**0.635MM PITCH FLAT CABLE WITH
1.27MM*1.27MM PITCH IDC SOCKET W/O S.R. (H=5.0MM) TO DIP PLUG (H=5.0MM) (D3)**

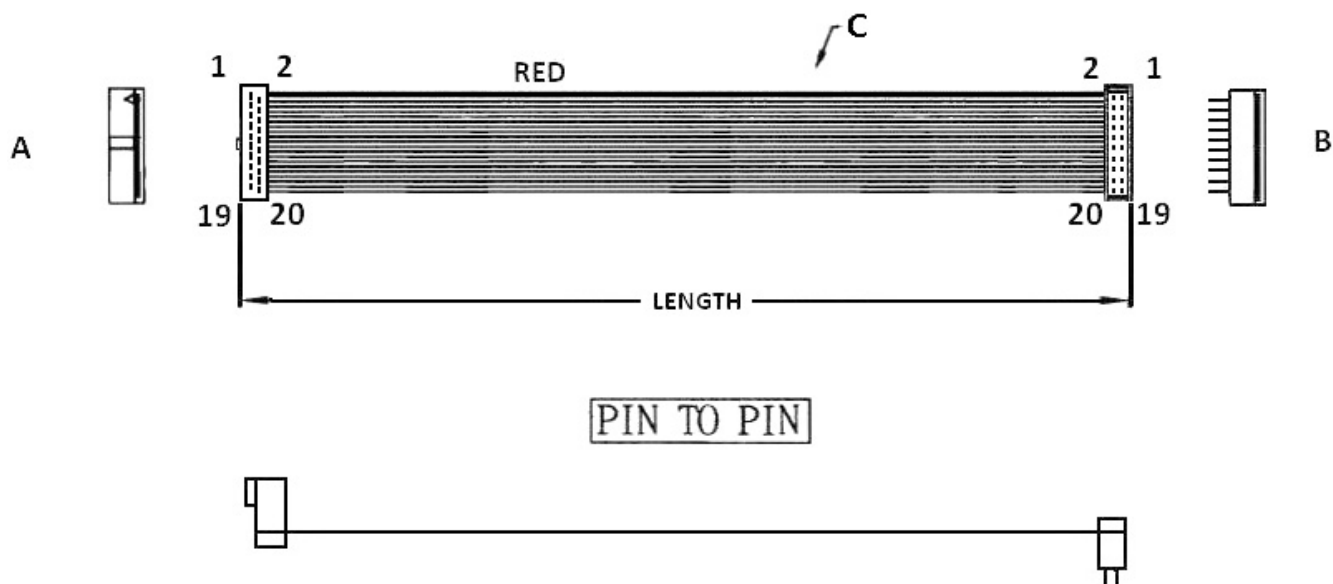


ORDERING INFORMATION:

P/N $\frac{\text{K}}{1} \frac{\text{G}}{2} \frac{\text{xx}}{3} \frac{\text{LD}}{4} - \frac{\text{xx}}{4} \text{C M} \frac{\text{B}}{5}$

1. FLAT CABLE TYPE:
"KG" 0.635MM AWG30 UL2678 VW-1
PVC INSULATION DEEP GRAY
2. NO. OF CONTACTS:
06~80
3. CONNECTORS AT TWO ENDS:
"LD" 1.27MMX1.27MM IDC SOCKET WITH NOSE W/O S.R. TO
1.27MMX1.27MM DIP PLUG
4. LENGTH IN CM (CENTIMETERS)
5. COLOR OF TWO IDC CONNECTORS:
"B" BLACK

**0.635MM PITCH FLAT CABLE WITH
1.27MM*1.27MM PITCH IDC SOCKET W/O S.R. (H=5.0MM) TO DIP PLUG (H=5.0MM) (D4)**

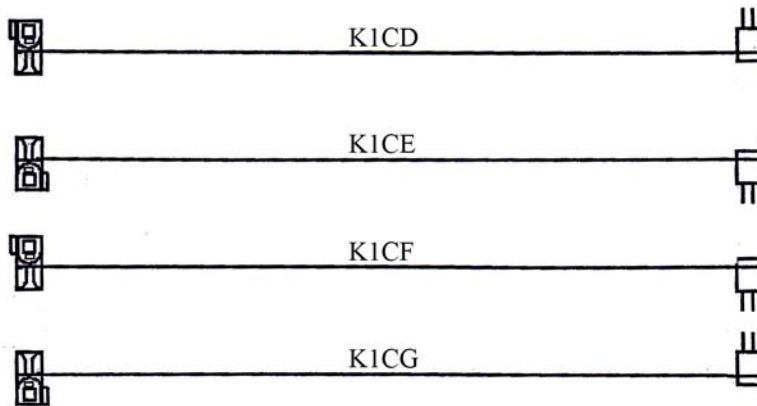


ORDERING INFORMATION:

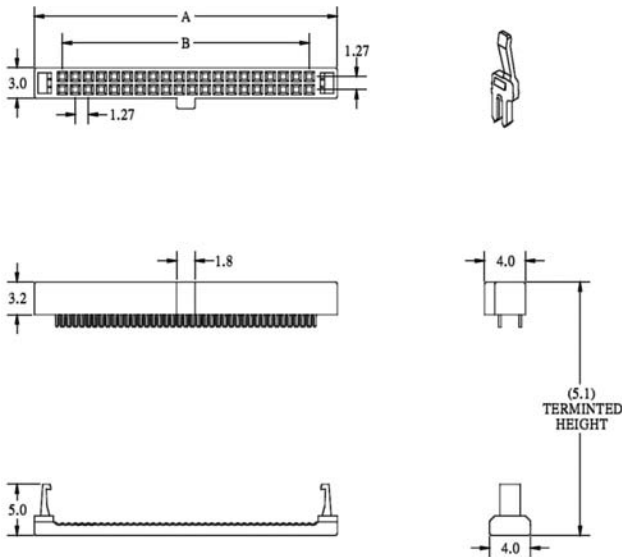
P/N KG xx LP - xx C M B
1 2 3 4 5

1. FLAT CABLE TYPE:
"KG" 0.635MM AWG30 UL2678 VW-1
PVC INSULATION DEEP GRAY
2. NO. OF CONTACTS:
06~80
3. CONNECTORS AT TWO ENDS:
"LP" 1.27MMX1.27MM IDC SOCKET WITH NOSE W/O S.R. TO
1.27MMX1.27MM DIP PLUG
4. LENGTH IN CM (CENTIMETERS)
5. COLOR OF TWO IDC CONNECTORS:
"B" BLACK

**0.635MM PITCH FLAT CABLE WITH 1.27MM*1.27MM IDC SOCKET
(H=5.1MM) TO DIP PLUG (H=5.1MM) (D5)**



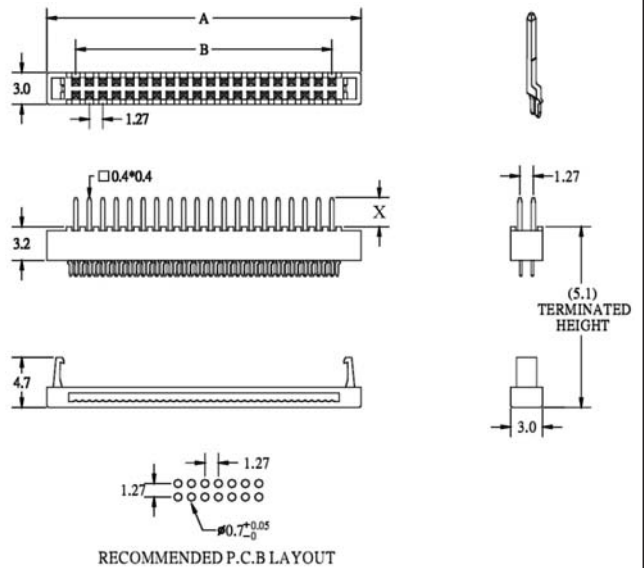
1.27MM*1.27MM IDC SOCKET W/O S.R.



A=B+5.47
B=1.27*POSITIONS/2-1.27

NO. OF CONTACTS:
006, 008, 010, 012, 014,
016, 020, 022, 026, 030,
034, 040, 044, 050, 060,
068, 080

1.27MM*1.27MM DIP PLUG



A=B+5.47
B=1.27*POSITIONS/2-1.27
X= PIN LENGTH

NO. OF CONTACTS:
006, 008, 010, 012, 014,
016, 020, 022, 026, 030,
034, 040, 044, 050, 060,
068, 080

ORDERING INFORMATION:

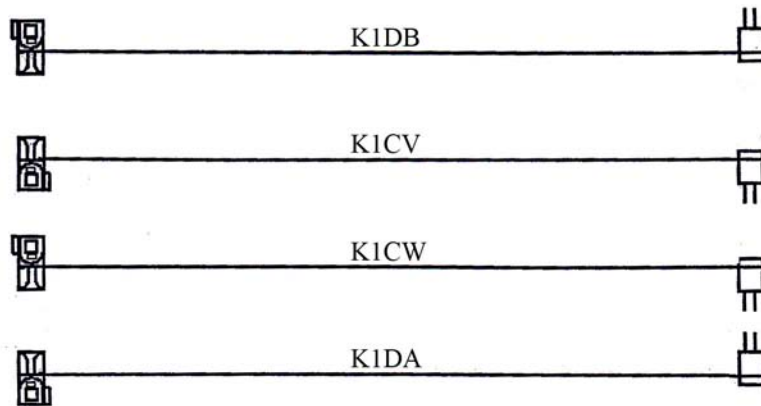
P/N K 1 2 3 4 5 **C M B X**

- CONSTRUCTION TYPE:
1CD, 1CE, 1CF, 1CG
- NO. OF CONTACTS:
006~080
- LENGTH IN CM (CENTIMETERS)
- COLOR OF TWO IDC CONNECTORS:
"B" BLACK

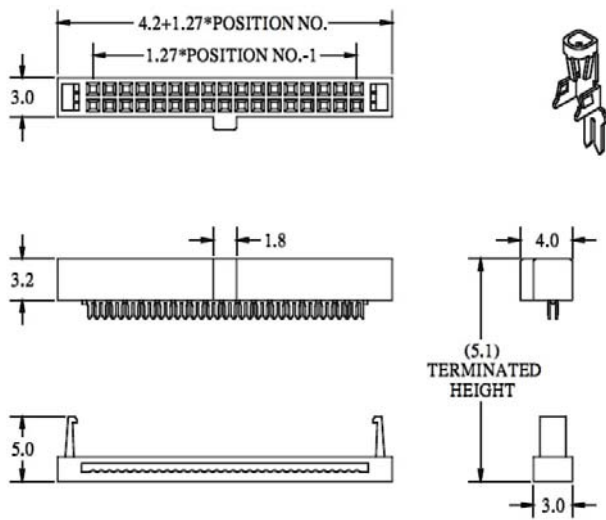
- PIN LENGTH OF DIP PLUG:
"3" X=3.1MM(STANDARD)
"2" X=1.9MM

NOTE: IDC SOCKET & DIP PLUG CAN'T BE SUPPLIED ALONE.

0.635MM PITCH FLAT CABLE WITH 1.27MM*1.27MM IDC SOCKET (H=5.1MM) TO DIP PLUG (H=5.1MM) (D6)

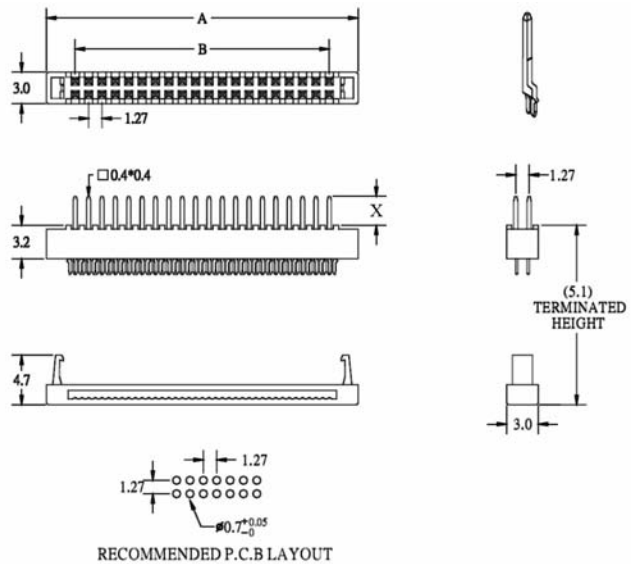


1.27MM*1.27MM IDC SOCKET W/O S.R. (BERYLLIUM COPPER)



NO. OF CONTACTS:
006, 008, 010, 012, 014,
016, 020, 022, 024, 026,
030, 034, 040, 044, 050,
060, 068, 080

1.27MM*1.27MM DIP PLUG



A=B+5.47
B=1.27*POSITIONS/2-1.27
X= PIN LENGTH

NO. OF CONTACTS:
006, 008, 010, 012, 014,
016, 020, 022, 026, 030,
034, 040, 044, 050, 060,
068, 080

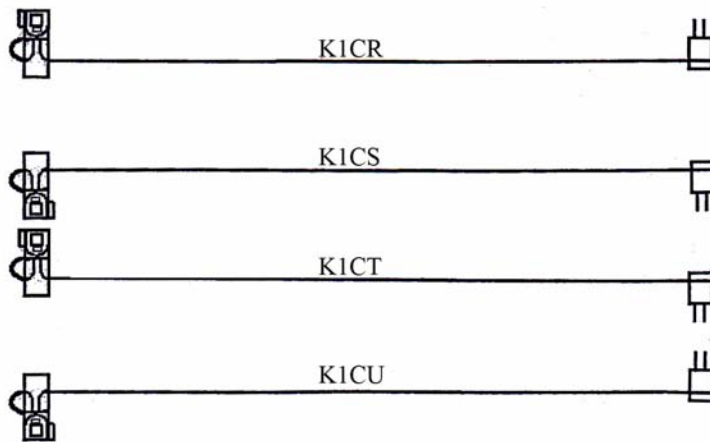
ORDERING INFORMATION:

P/N K $\frac{x}{1} \frac{x}{2} \frac{x}{3} \frac{x}{4} \frac{x}{5}$ - $\frac{x}{3} \frac{x}{4} \frac{x}{5}$ C M B x

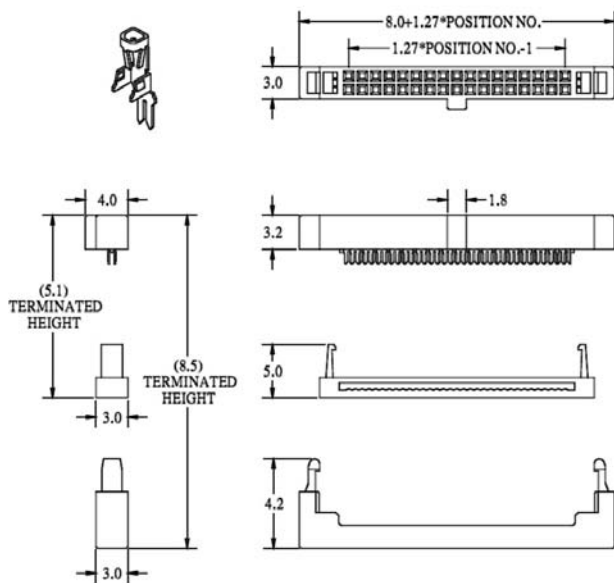
1. CONSTRUCTION TYPE:
1DB, 1CV, 1CW, 1DA
2. NO. OF CONTACTS:
006~080
3. LENGTH IN CM (CENTIMETERS)
4. COLOR OF TWO IDC CONNECTORS:
"B" BLACK
5. PIN LENGTH OF DIP PLUG:
"3" X=3.1MM(STANDARD)
"2" X=1.9MM

NOTE: IDC SOCKET & DIP PLUG CAN'T BE SUPPLIED ALONE.

**0.635MM PITCH FLAT CABLE WITH 1.27MM*1.27MM IDC SOCKET WITH S.R.
(H=8.5MM) TO DIP PLUG (H=5.1MM) (E1)**

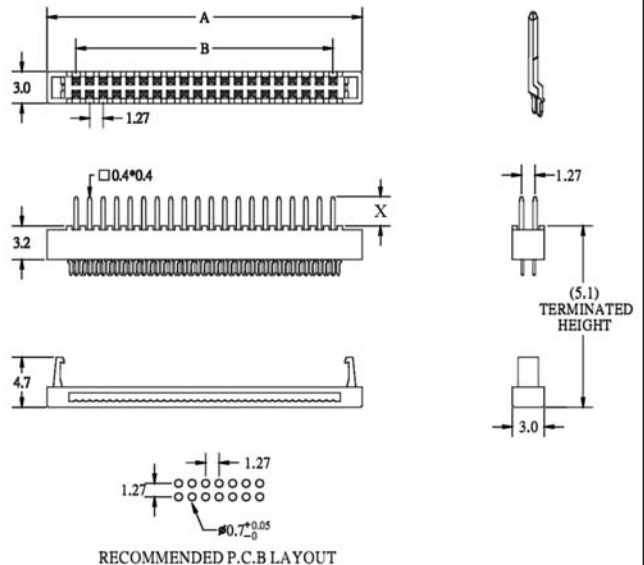


**1.27MM*1.27MM IDC SOCKET WITH S.R.
(BERYLLIUM COPPER)**



NO. OF CONTACTS:
006, 008, 010, 012, 014,
016, 020, 022, 024, 026,
030, 034, 040, 044, 050,
060, 068, 080

1.27MM*1.27MM DIP PLUG



A=B+5.47
B=1.27*POSITIONS/2-1.27
X= PIN LENGTH

NO. OF CONTACTS:
006, 008, 010, 012, 014,
016, 020, 022, 026, 030,
034, 040, 044, 050, 060,
068, 080

ORDERING INFORMATION:

P/N K 1 2 3 4 5 C M B x

1. CONSTRUCTION TYPE:
1CR, 1CS, 1CT, 1CU
2. NO. OF CONTACTS:
006~080
3. LENGTH IN CM (CENTIMETERS)
4. COLOR OF TWO IDC CONNECTORS:
"B" BLACK

5. PIN LENGTH OF DIP PLUG:
"3" X=3.1MM(STANDARD)
"2" X=1.9MM

NOTE: IDC SOCKET & DIP PLUG CAN'T BE SUPPLIED ALONE.