

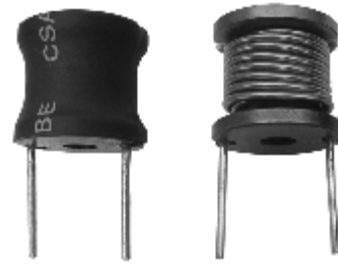


DRH SERIES

BASIC MODEL HIGH CURRENT CHOKE

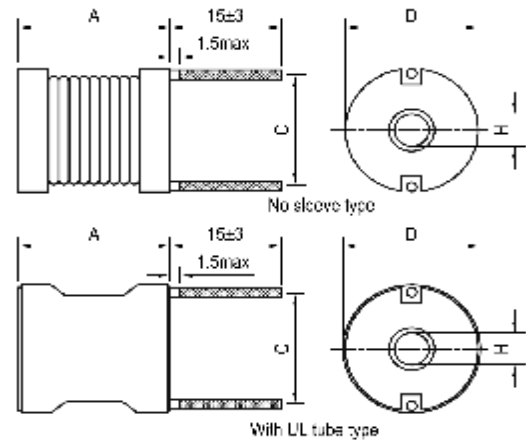
Applications :

- Power supplies and power amplifiers.
- Switching regulators.
- Speaker crossover networks.
- RFI suppression.



Shape and Dimensions (Dimensions are in mm) :

Item	A Max.	C Typ.	D Max.	H Min.
DRH1420	21.5	12.0	16.5	3.0
DRH1820	21.5	15.0	21.0	3.0
DRH2620	21.5	22.0	28.0	5.0
DRH3525	28.0	30.0	40.0	3.6



Features :

- High saturation current .
- Wide range of inductance.
- Ideal for using in switching regulated power supply applications.
- With center hole for mechanical mounting.
- Varnish coated or UL tube.

Characteristics :

- Saturation Current (Isat): The current when the inductance becomes 10% lower than its initial value.(Ta=20°C)
- Operating temperature : -20°C to 85°C .

Product Identification :

DRH 1820 - 100 K - UL

(1) (2) (3) (4) (5)

- (1) Type : **Basic model high current choke .**
- (2) Style : Core **OD=18 mm L=20 mm .**
- (3) Inductance : Example : **100** for **10** uH
- (4) Inductance tolerance: **K: ±10%; M: ± 20% .**
- (5) Sleeve: **UL tube, black; No code, no sleeve.**

Test equipment and test setup :

L : LCR meter @ 1kHz .

DCR : Milli-Ω meter .

- Electrical specifications at 25°C



Part No.	L @1kHz (uH)	DCR (Ω) Max.				I sat (A) Max.			
		1420	1820	2620	3525	1420	1820	2620	3525
1R0M	1.0	0.003	0.003	-	-	28	60	-	-
1R2M	1.2	0.003	0.003	-	-	26	54	-	-
1R5M	1.5	0.004	0.003	-	-	23	48	-	-
1R8M	1.8	0.004	0.003	-	-	21	44	-	-
2R2M	2.2	0.005	0.004	-	-	19	40	-	-
2R7M	2.7	0.005	0.005	-	-	17	36	-	-
3R3M	3.3	0.005	0.005	-	-	15	33	-	-
3R9M	3.9	0.006	0.005	0.003	0.003	14	30	32.0	95
4R7M	4.7	0.007	0.005	0.003	0.003	13	28	29.0	95
5R6M	5.6	0.007	0.006	0.003	0.004	12	25	26.0	79
6R8M	6.8	0.008	0.007	0.004	0.004	11	23	24.0	79
8R2M	8.2	0.009	0.007	0.004	0.004	10	21	22.0	69
100K	10	0.010	0.009	0.006	0.005	9.0	19	20.0	61
120K	12	0.011	0.009	0.008	0.005	8.5	17	18.0	55
150K	15	0.015	0.013	0.009	0.006	7.5	15	16.0	49
180K	18	0.016	0.018	0.01	0.008	6.8	14	15.0	41
220K	22	0.025	0.019	0.011	0.009	6.0	13	13.5	38
270K	27	0.030	0.026	0.012	0.01	5.5	11	12.0	36
330K	33	0.040	0.029	0.017	0.011	5.0	10	11.0	31
390K	39	0.046	0.030	0.022	0.012	4.5	9.5	10.0	28
470K	47	0.062	0.035	0.024	0.018	4.0	8.8	9.2	27
560K	56	0.069	0.039	0.026	0.019	3.7	8.0	8.5	26
680K	68	0.077	0.053	0.029	0.021	3.4	7.2	7.6	25
820K	82	0.083	0.060	0.032	0.023	3.1	6.6	7.0	23
101K	100	0.095	0.080	0.034	0.025	2.8	6.0	6.5	20
121K	120	0.127	0.090	0.046	0.028	2.5	5.5	5.8	18
151K	150	0.181	0.098	0.064	0.040	2.3	4.8	5.2	17
181K	180	0.217	0.110	0.072	0.045	2.1	4.4	4.7	15
221K	220	0.240	0.150	0.080	0.050	1.9	4.0	4.3	13
271K	270	0.300	0.213	0.110	0.056	1.7	3.6	3.9	12
331K	330	0.336	0.305	0.122	0.074	1.5	3.3	3.5	11
391K	390	0.460	0.320	0.169	0.082	1.4	3.0	3.2	10
471K	470	0.636	0.355	0.187	0.114	1.3	2.7	2.9	9.2
561K	560	0.696	0.388	0.205	0.125	1.2	2.5	2.7	8.3
681K	680		0.430	0.256	0.139		2.3	2.4	7.6
821K	820		0.590	0.288	0.154		2.1	2.2	6.8
102K	1000		0.818	0.426	0.216		1.9	2.0	6.2
122K	1200		1.140	0.462	0.232		1.7	1.8	5.7
152K	1500		1.260	0.518	0.324		1.5	1.6	5.1
182K	1800		1.390	0.705	0.360		1.4	1.5	4.6
222K	2200		1.540	1.020	0.494		1.2	1.3	4.2
272K	2700			1.140	0.555			1.2	3.8
332K	3300			1.270	0.773			1.1	3.4
392K	3900			1.670	0.845			1.0	3.1
472K	4700			1.860	1.140			0.9	2.9
562K	5600				1.600				2.5
682K	6800				1.760				2.3
822K	8200				1.950				2.0
103K	10000				2.760				1.8
123K	12000				3.040				1.7
153K	15000				3.390				1.5

* Due to the limited space, the catalogue shows the typical specifications only. For more specific details (characteristics graph, reliability, and others), kindly invite you to access 3L official website www.3lcoil.com for better known.