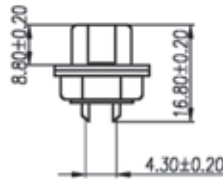
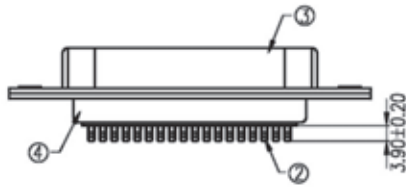
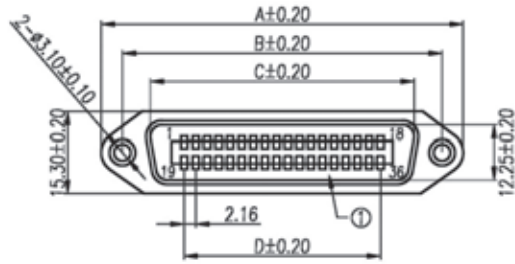
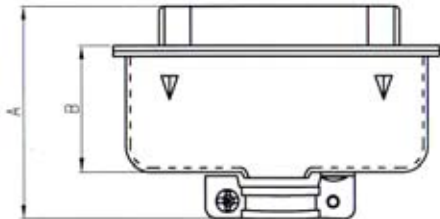
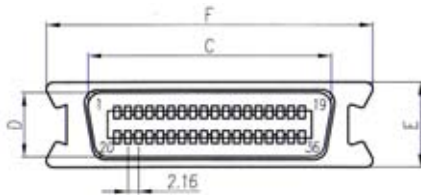


57 SERIES CENTRONIC MALE CONNECTOR SOLDER TYPE



5701



5703

SPECIFICATIONS

Current Rating: 1.0 Ampere

Contact Resistance: 30mΩ Max.

Insulation Resistance: 1000MΩ Min.

Dielectric Voltage: 500V AC at 1 Minute

Operating Temperature: -55°C to +105°C

MATERIALS

Insulator: PBT, UL94V-0 Rated

Contact: Brass

*RoHS & REACH compliant.

5701

No. of Contacts	Dimensions(mm)			
	A±0.20	B±0.20	C±0.20	D±0.20
14	43.90	36.00	25.50	12.96
24	54.70	46.80	36.30	23.76
36	67.70	59.70	49.30	36.72
50	82.80	74.90	64.60	51.84

5703

No. of Contacts	Dimensions(mm)					
	A±0.20	B±0.20	C±0.20	D±0.20	E±0.20	F±0.20
14	41.40	21.20	25.60	12.25	15.20	38.80
24	41.40	21.20	36.47	12.25	15.20	49.30
36	40.50	22.60	49.35	12.25	15.20	62.00
50	45.50	24.80	64.47	12.25	15.20	77.40

ORDERING INFORMATION:

P/N 57 $\frac{XX}{1}$ - $\frac{XX}{2}$

1. CONNECTOR TYPE:

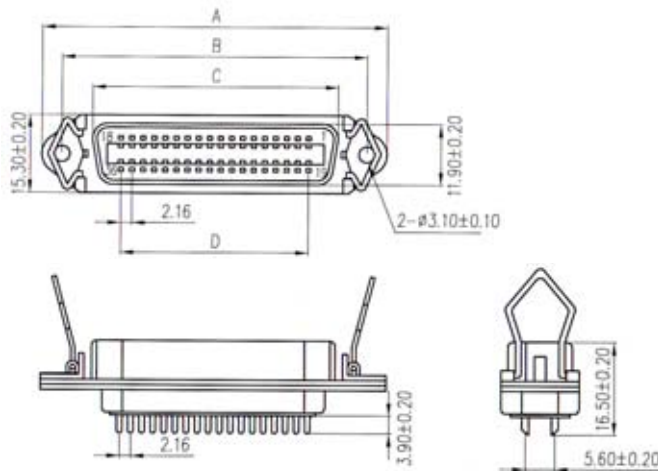
"01" MALE W/O METAL COVER

"03" MALE WITH METAL COVER

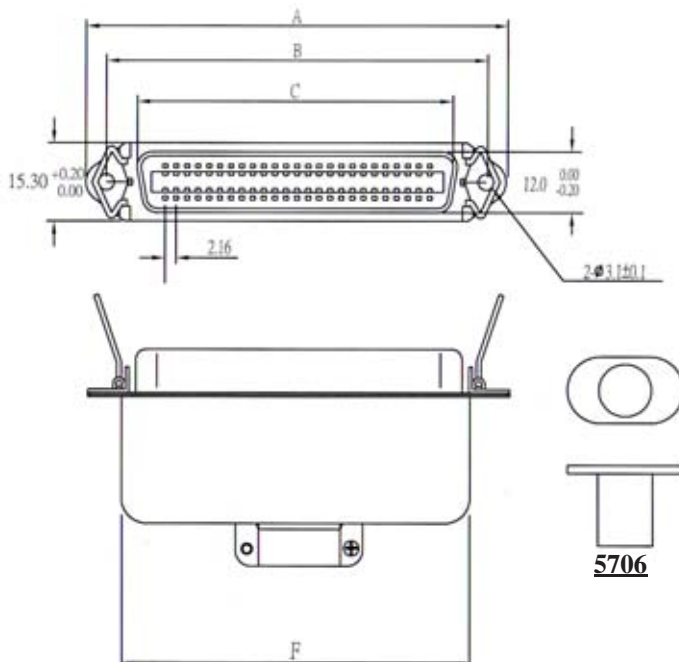
2. NO. OF CONTACTS:

14, 24, 36, 50

57 SERIES CENTRONIC FEMALE CONNECTOR SOLDER TYPE



5702, 5704



5706

SPECIFICATIONS

Current Rating: 1.0 Ampere

Contact Resistance: 30mΩ Max.

Insulation Resistance: 1000MΩ Min.

Dielectric Voltage: 500V AC at 1 Minute

Operating Temperature: -55°C to +105°C

MATERIALS

Insulator: PBT, UL94V-0 Rated

Contact: Brass

*RoHS & REACH compliant.

5702, 5704

No. of Contacts	Dimensions(mm)			
	A±0.20	B±0.20	C±0.20	D±0.20
14	43.90	35.99	25.20	12.96
24	54.71	46.79	36.00	23.76
36	67.69	59.74	48.90	36.72
50	82.78	74.85	64.00	51.84

5706

No. of Contacts	Dimensions(mm)			
	A±0.20	B±0.20	C±0.20	F±0.20
14	43.92	35.99	25.20	29.00
24	54.71	46.79	36.00	39.80
36	67.69	59.74	48.90	53.00
50	82.78	74.85	64.00	68.10

ORDERING INFORMATION:

P/N 57 $\frac{xx}{1} - \frac{xx}{2}$

1. CONNECTOR TYPE:

"02" FEMALE WITHOUT LATCHES

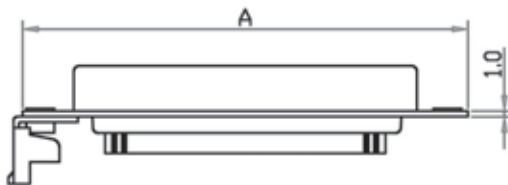
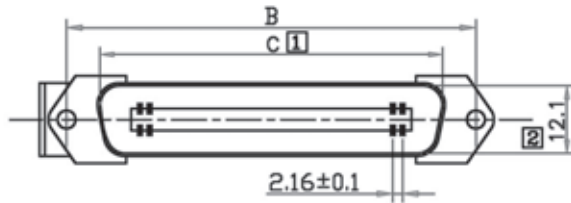
"04" FEMALE WITH 2 LATCHES

"06" FEMALE WITH METAL COVER

2. NO. OF CONTACTS:

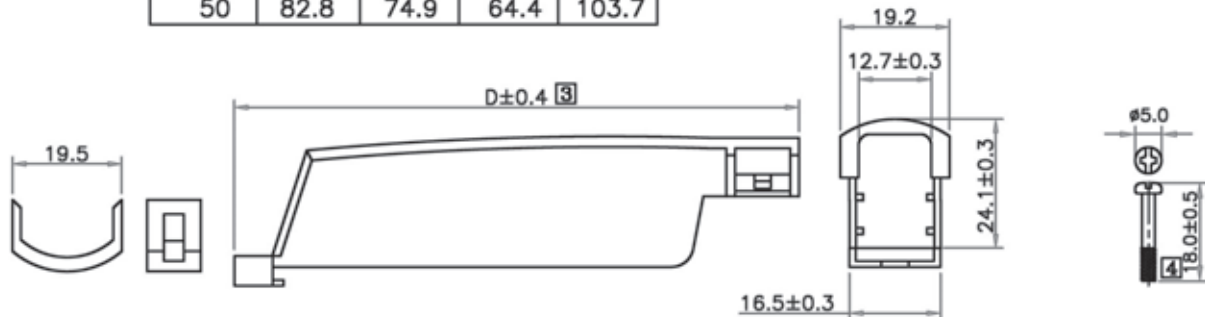
14, 24, 36, 50

57 SERIES CENTRONIC CONNECTOR RIGHT ANGLE SOLDER ASSEMBLY TYPE WITH PLASTIC COVER



Dimensional

Circuits	A	B	C	D
36	67.7	59.7	49.3	90.1
50	82.8	74.9	64.4	103.7



SPECIFICATIONS

Current Rating: 5 Amp

Dielectric Strength: 1000V for 1 Min.

Insulation Resistance: 1000MΩ Min.

Operating Temperature: -55°C to +105°C

MATERIALS

Shell: Steel, Zinc Plated, Tin Plated or Nickel Plated Steel

Insulator: PBT & Glass-fibre Reinforced, UL94V-0

Pin Contact: Phosphor Bronze or Brass, Gold Plated

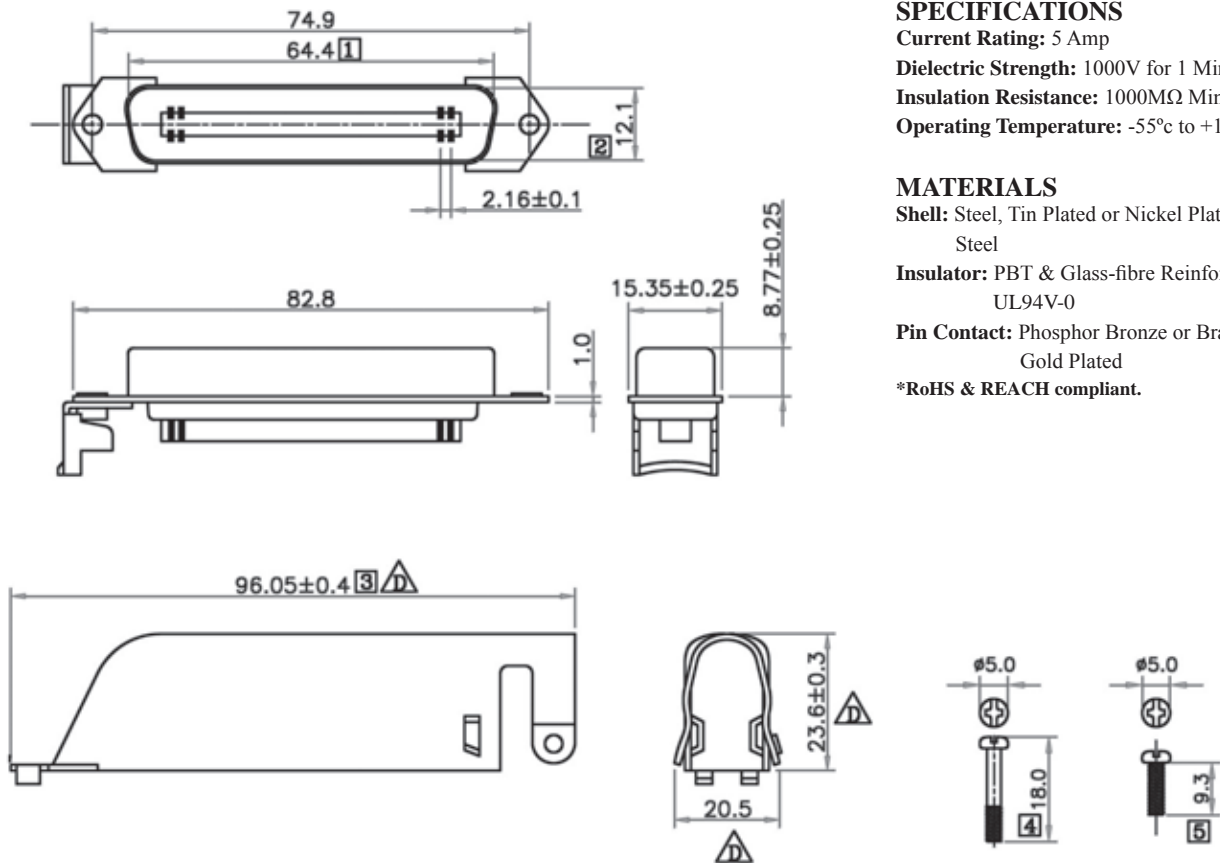
*RoHS & REACH compliant.

ORDERING INFORMATION:

P/N 57 $\frac{09}{1}$ - $\frac{xx}{2}$ $\frac{P}{3}$

1. CONNECTOR TYPE:
"09" MALE R/A SOLDER TYPE
2. NO. OF CONTACTS:
36, 50
3. COVER TYPE:
"P" R/A PLASTIC COVER

57 SERIES CENTRONIC CONNECTOR RIGHT ANGLE SOLDER ASSEMBLY TYPE WITH METAL COVER



SPECIFICATIONS

Current Rating: 5 Amp

Dielectric Strength: 1000V for 1 Min.

Insulation Resistance: 1000MΩ Min.

Operating Temperature: -55°C to +105°C

MATERIALS

Shell: Steel, Tin Plated or Nickel Plated Steel

Insulator: PBT & Glass-fibre Reinforced, UL94V-0

Pin Contact: Phosphor Bronze or Brass, Gold Plated

*RoHS & REACH compliant.

ORDERING INFORMATION:

P/N 5709 - 50M

1 2 3

1. CONNECTOR TYPE:
"09" MALE R/A SOLDER TYPE
2. NO. OF CONTACTS:
50
3. COVER COLOR:
"M" R/A METAL COVER

57 SERIES CENTRONIC MALE CONNECTOR ALL PLASTIC SOLDER TYPE

SPECIFICATIONS

Current Rating: 5 Amp

Dielectric Strength: 1000V for 1 Min.

Insulation Resistance: 1000MΩ Min.

Operating Temperature: -55°C to +105°C

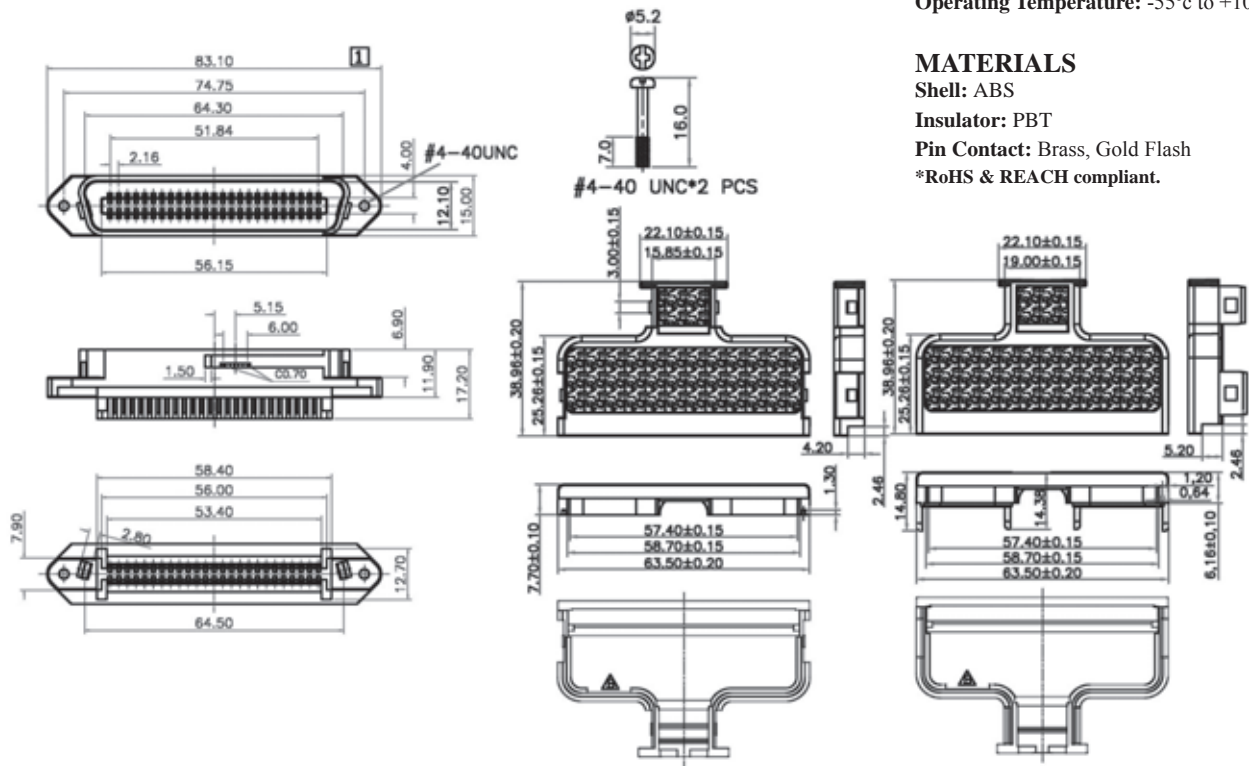
MATERIALS

Shell: ABS

Insulator: PBT

Pin Contact: Brass, Gold Flash

*RoHS & REACH compliant.

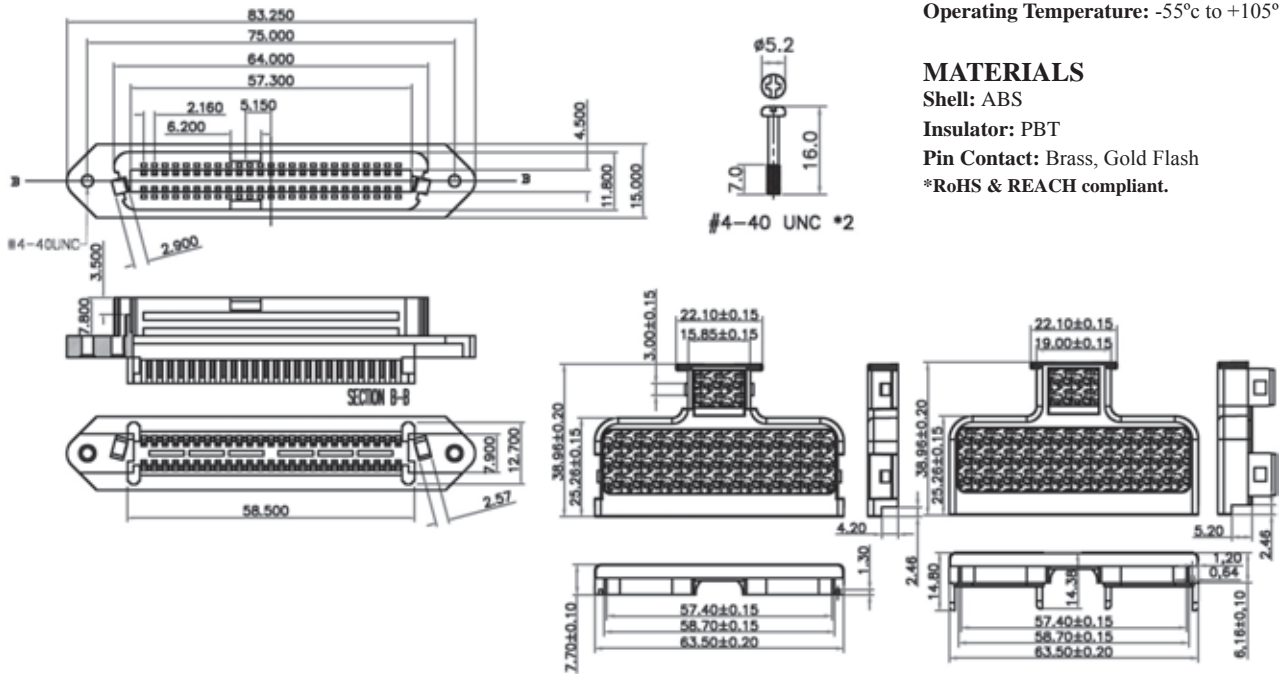


ORDERING INFORMATION:

P/N $57 \frac{15}{1} - \frac{50}{2} \frac{A}{3}$

1. CONNECTOR TYPE:
"15" MALE STRAIGHT TYPE
2. NO. OF CONTACTS:
50
3. INSULATOR COLOR:
"A" GRAY

57 SERIES CENTRONIC FEMALE CONNECTOR ALL PLASTIC SOLDER TYPE



SPECIFICATIONS

Current Rating: 5 Amp

Dielectric Strength: 1000V for 1 Min.

Insulation Resistance: 1000M Ω Min.

Operating Temperature: -55 $^{\circ}$ c to +105 $^{\circ}$ c

MATERIALS

Shell: ABS

Insulator: PBT

Pin Contact: Brass, Gold Flash

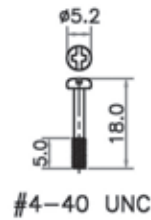
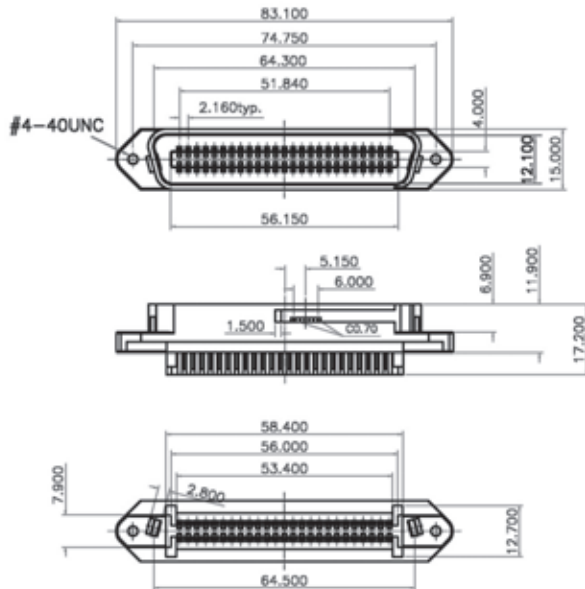
*RoHS & REACH compliant.

ORDERING INFORMATION:

P/N 57 $\frac{16}{1}$ - $\frac{50A}{23}$

1. CONNECTOR TYPE:
"16" FEMALE STRAIGHT TYPE
2. NO. OF CONTACTS:
50
3. INSULATOR COLOR:
"A" GRAY

57 SERIES CENTRONIC MALE CONNECTOR R/A ALL PLASTIC SOLDER TYPE



SPECIFICATIONS

Current Rating: 5 Amp

Dielectric Strength: 1000V for 1 Min.

Insulation Resistance: 1000MΩ Min.

Operating Temperature: -55°C to +105°C

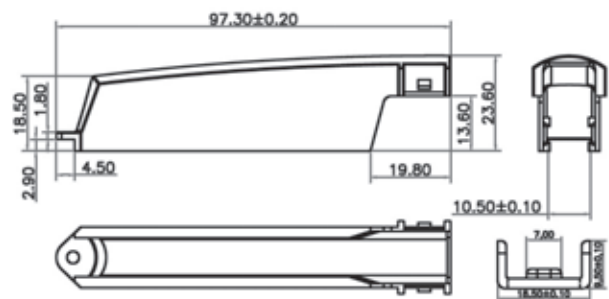
MATERIALS

Shell: ABS

Insulator: PBT

Pin Contact: Brass, Gold Flash

*RoHS & REACH compliant.

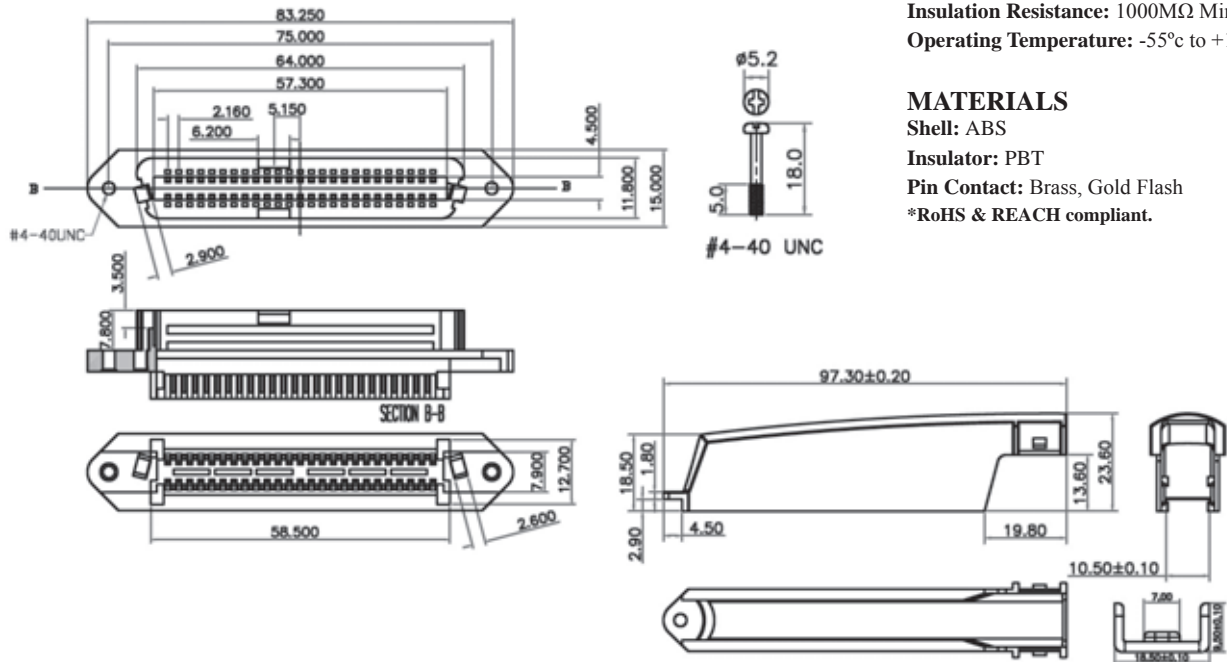


ORDERING INFORMATION:

P/N 57 27 - 50 A
1 2 3

1. CONNECTOR TYPE:
"27" MALE RIGHT ANGLE TYPE
2. NO. OF CONTACTS:
50
3. INSULATOR COLOR:
"A" GRAY

57 SERIES CENTRONIC FEMALE CONNECTOR R/A ALL PLASTIC SOLDER TYPE



SPECIFICATIONS

Current Rating: 5 Amp

Dielectric Strength: 1000V for 1 Min.

Insulation Resistance: 1000MΩ Min.

Operating Temperature: -55°C to +105°C

MATERIALS

Shell: ABS

Insulator: PBT

Pin Contact: Brass, Gold Flash

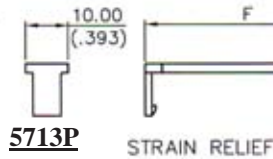
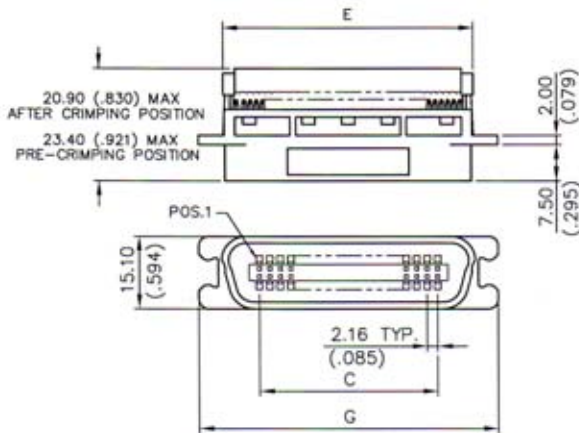
*RoHS & REACH compliant.

ORDERING INFORMATION:

P/N $57 \frac{28}{1} - \frac{50}{2} \frac{A}{3}$

1. CONNECTOR TYPE:
"28" FEMALE RIGHT ANGLE TYPE
2. NO. OF CONTACTS:
50
3. INSULATOR COLOR:
"A" GRAY

57 SERIES CENTRONIC MALE CONNECTOR I.D.C. TYPE



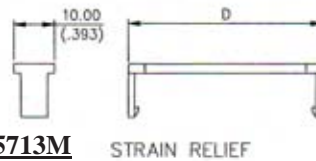
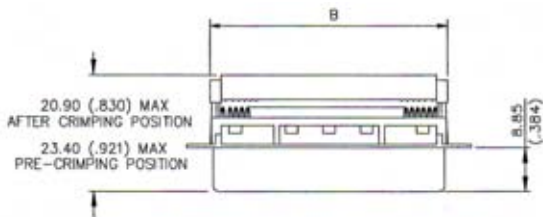
5713P

SPECIFICATIONS

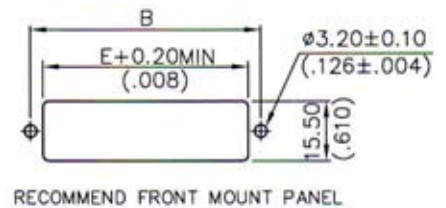
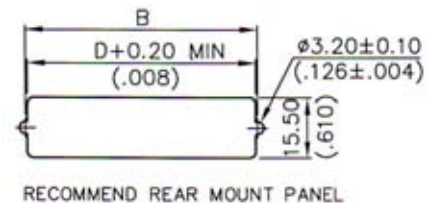
Current Rating: 1.0 Ampere
Contact Resistance: 30mΩ Max.
Insulation Resistance: 1000MΩ Min.
Dielectric Voltage: 500V AC at 1 Minute
Operating Temperature: -55°C to +105°C

MATERIALS

Insulator: PBT, UL94V-0 Rated
Contact: Brass
 *RoHS & REACH compliant.



5713M



ORDERING INFORMATION:

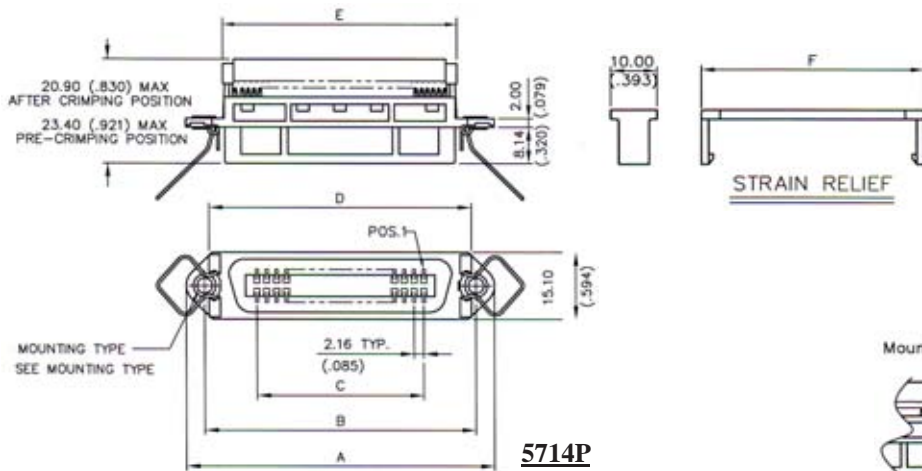
P/N 57 $\frac{1}{1}$ $\frac{3}{2}$ x - $\frac{x}{3}$ $\frac{x}{4}$ $\frac{N}{5}$ x

1. CONNECTOR TYPE:
"13" MALE
2. HOUSING TYPE:
"P" ALL PLASTIC TYPE
"M" WITH FRONT METAL SHELL
3. NO. OF CONTACTS:
36, 50
4. MOUNTING TYPE:
"N" BAIL MOUNTING TYPE

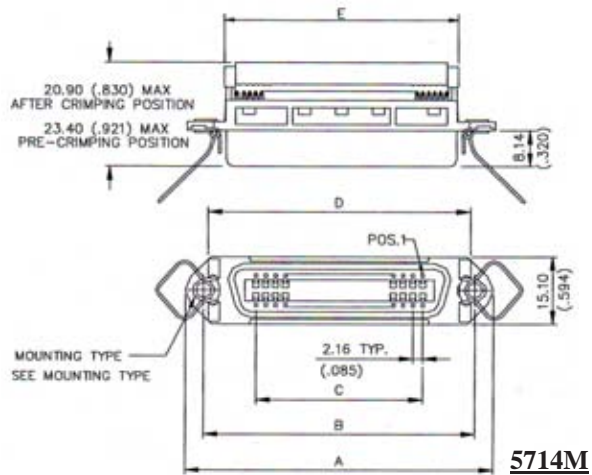
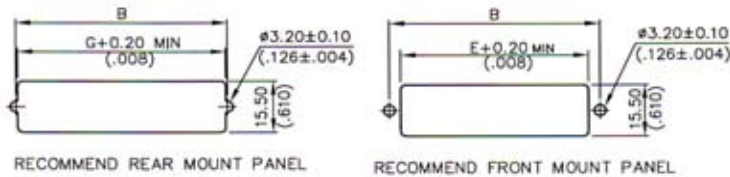
5. INSULATOR COLOR:
" " BLUE
"B" BLACK

NOTE: MALE IDC RIBBON CONNECTOR
 ALWAYS WITHOUT MOUNTING
 HOLES (BAIL MOUNTING TYPE)

57 SERIES CENTRONIC FEMALE CONNECTOR I.D.C. TYPE



5714P



5714M

SPECIFICATIONS

Current Rating: 1.0 Ampere

Contact Resistance: 30mΩ Max.

Insulation Resistance: 1000MΩ Min.

Dielectric Voltage: 500V AC at 1 Minute

Operating Temperature: -55°C to +105°C

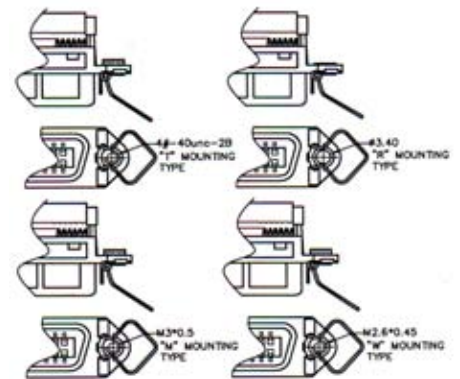
MATERIALS

Insulator: PBT, UL94V-0 Rated

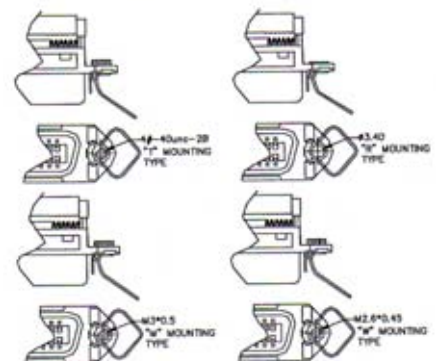
Contact: Brass

*RoHS & REACH compliant.

Mounting Types (Option) **5714P**



Mounting Types (Option) **5714M**



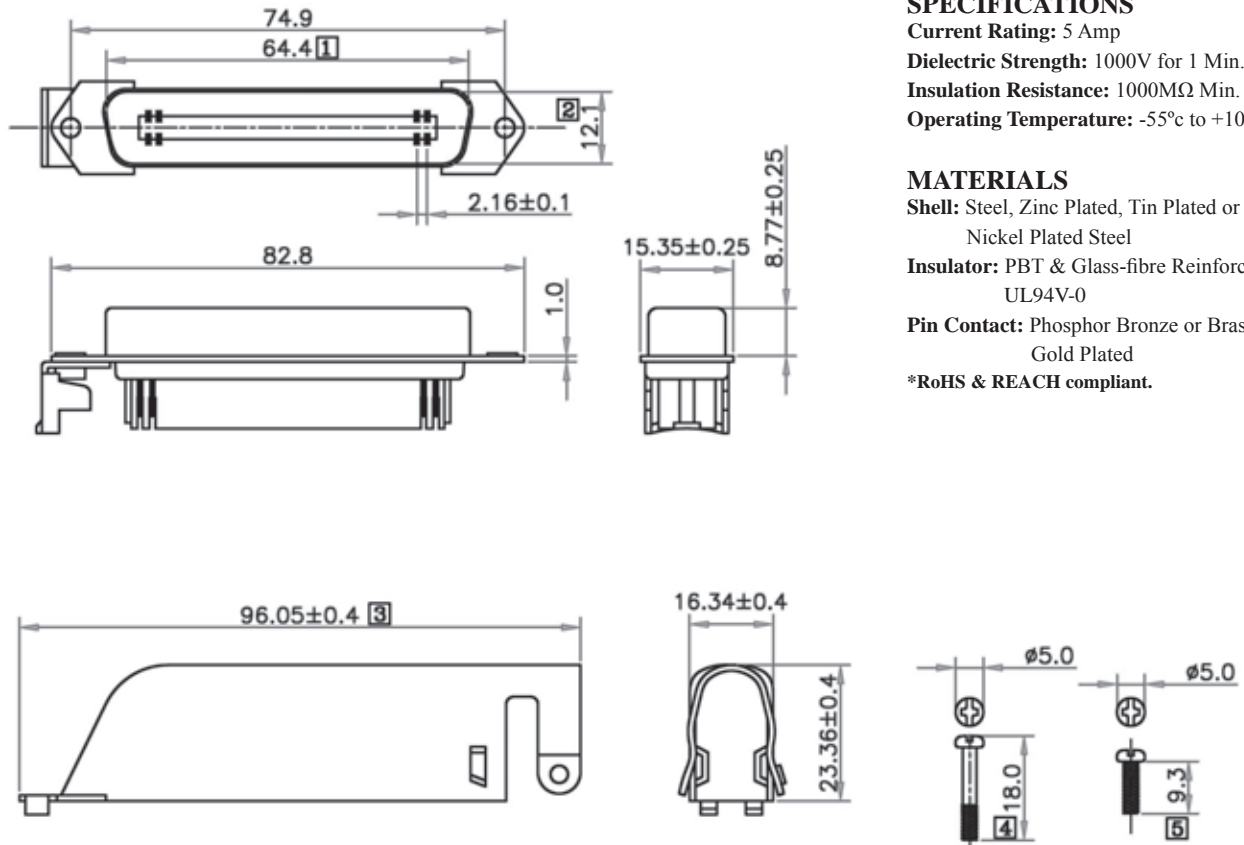
ORDERING INFORMATION:

P/N **5714** $\frac{x}{1}$ $\frac{x}{2}$ - $\frac{x}{3}$ $\frac{x}{4}$ $\frac{x}{5}$

1. CONNECTOR TYPE:
"14" FEMALE
2. HOUSING TYPE:
"P" ALL PLASTIC TYPE
"M" WITH FRONT METAL SHELL
3. NO. OF CONTACTS:
36, 50
4. MOUNTING TYPE:
"R" WITH Ø3.40 RIVET THROUGH HOLES
"T" WITH #4-40UNC THREADED INSERT
"M" WITH M3*0.5 THREADED HOLES
"W" WITH M2.6*0.45 THREADED HOLES

5. INSULATOR COLOR:
" " BLUE
"B" BLACK

57 SERIES CENTRONIC MALE CONNECTOR RIGHT ANGLE IDC ASSEMBLY TYPE WITH METAL COVER



SPECIFICATIONS

Current Rating: 5 Amp

Dielectric Strength: 1000V for 1 Min.

Insulation Resistance: 1000MΩ Min.

Operating Temperature: -55°C to +105°C

MATERIALS

Shell: Steel, Zinc Plated, Tin Plated or Nickel Plated Steel

Insulator: PBT & Glass-fibre Reinforced, UL94V-0

Pin Contact: Phosphor Bronze or Brass, Gold Plated

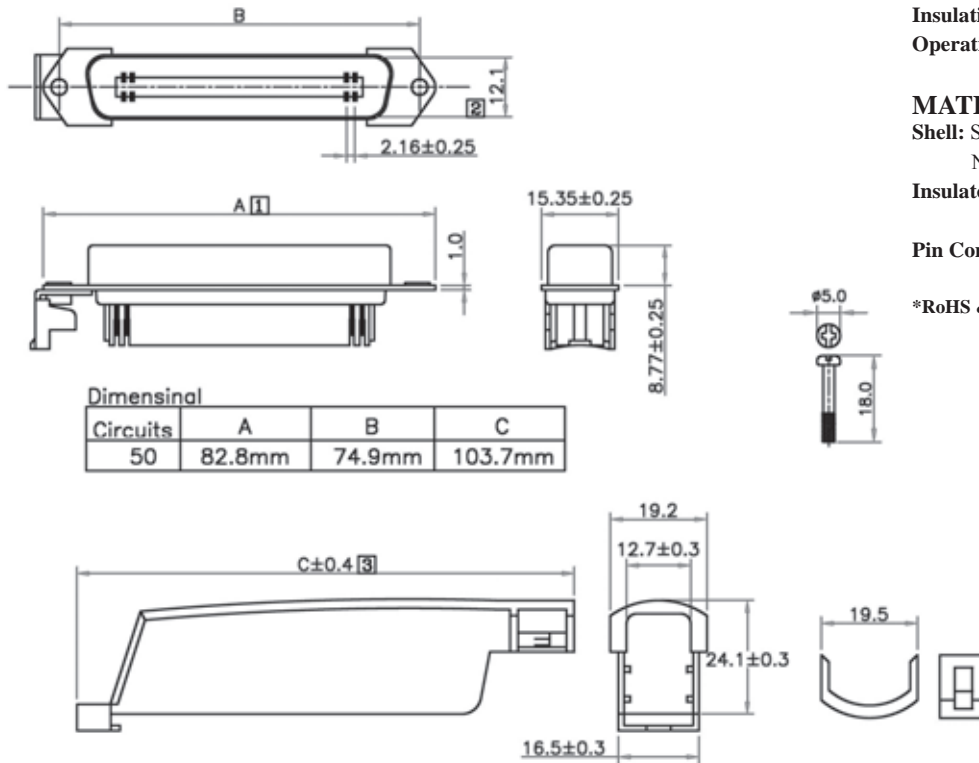
*RoHS & REACH compliant.

ORDERING INFORMATION:

P/N 57 07 - 50 M
1 2 3

1. CONNECTOR TYPE:
"07" MALE R/A IDC TYPE
2. NO. OF CONTACTS:
50
3. COVER COLOR:
"M" R/A METAL COVER

57 SERIES CENTRONIC MALE CONNECTOR RIGHT ANGLE IDC ASSEMBLY TYPE WITH PLASTIC COVER



SPECIFICATIONS

Current Rating: 5 Amp

Dielectric Strength: 1000V for 1 Min.

Insulation Resistance: 1000MΩ Min.

Operating Temperature: -55°C to +105°C

MATERIALS

Shell: Steel, Zinc Plated, Tin Plated or Nickel Plated Steel

Insulator: PBT & Glass-fibre Reinforced, UL94V-0

Pin Contact: Phosphor Bronze or Brass, Gold Plated

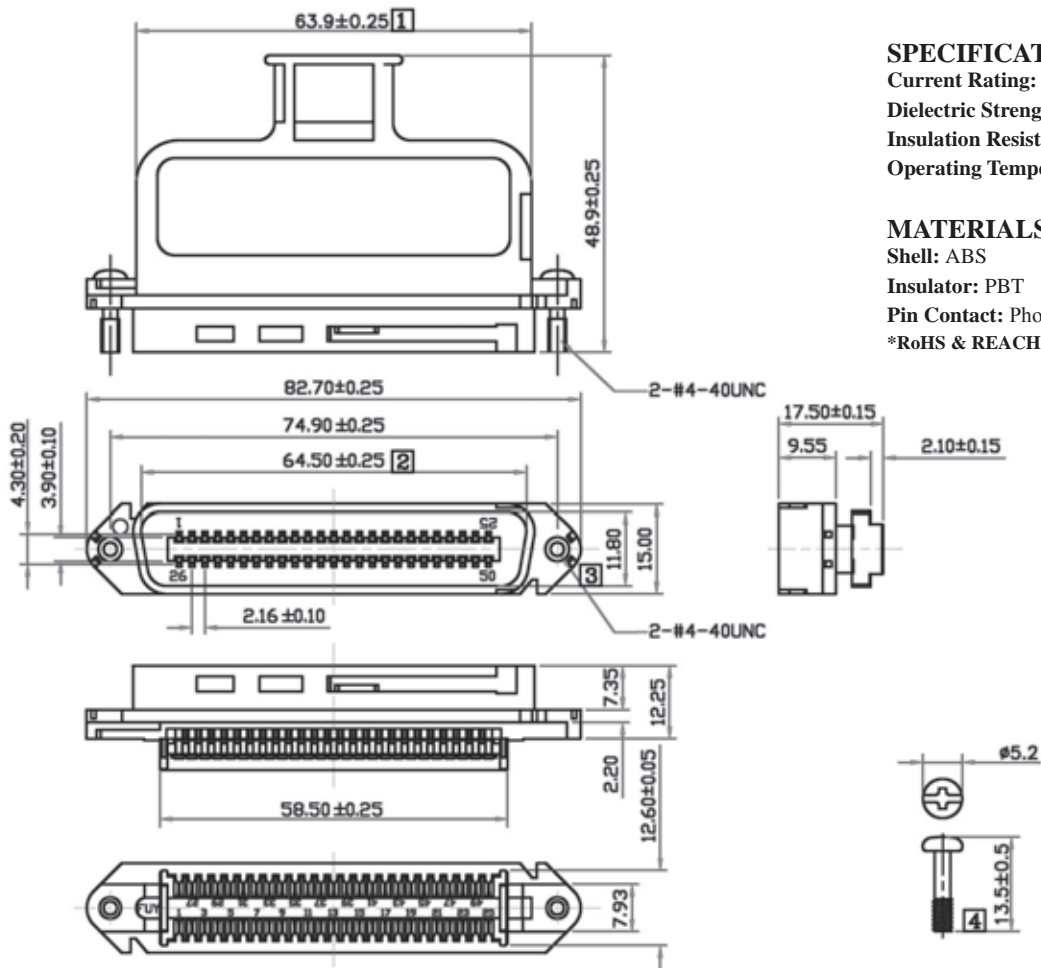
*RoHS & REACH compliant.

ORDERING INFORMATION:

P/N 57 $\frac{07}{1}$ - $\frac{50}{2}$ P $\frac{3}{3}$

1. CONNECTOR TYPE:
"07" MALE R/A IDC TYPE
2. NO. OF CONTACTS:
50
3. COVER COLOR:
"P" R/A PLASTIC COVER

57 SERIES CENTRONIC MALE CONNECTOR ALL PLASTIC IDC TYPE



SPECIFICATIONS

Current Rating: 5 Amp

Dielectric Strength: 1000V for 1 Min.

Insulation Resistance: 1000M Ω Min.

Operating Temperature: -55 $^{\circ}$ C to +105 $^{\circ}$ C

MATERIALS

Shell: ABS

Insulator: PBT

Pin Contact: Phosphor Bronze, Gold Flash

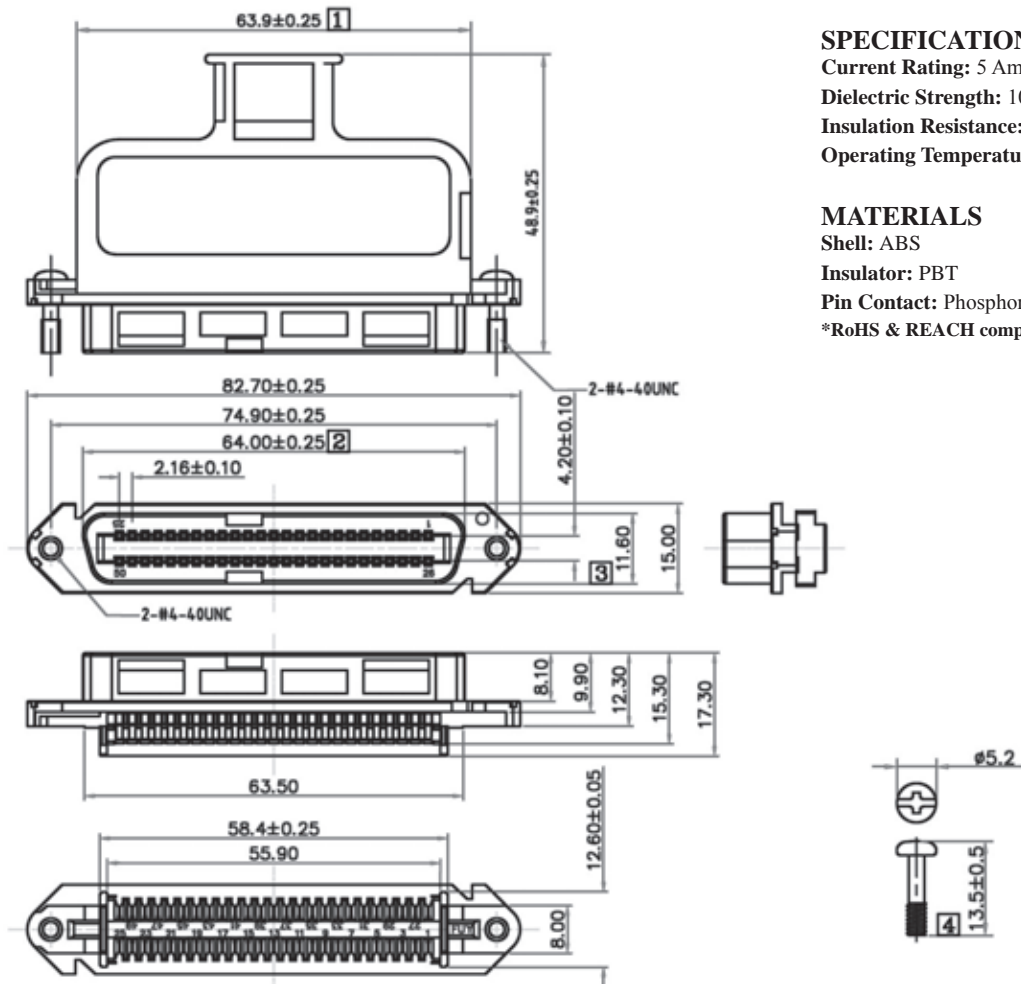
*RoHS & REACH compliant.

ORDERING INFORMATION:

P/N 57 $\frac{11}{1}$ - $\frac{50}{2}$ B $\frac{3}{3}$

1. CONNECTOR TYPE:
"11" MALE ALL PLASTIC IDC TYPE
2. NO. OF CONTACTS:
50
3. INSULATOR COLOR:
"B" BLACK

57 SERIES CENTRONIC FEMALE CONNECTOR ALL PLASTIC IDC TYPE



SPECIFICATIONS

Current Rating: 5 Amp

Dielectric Strength: 1000V for 1 Min.

Insulation Resistance: 1000MΩ Min.

Operating Temperature: -55°C to +105°C

MATERIALS

Shell: ABS

Insulator: PBT

Pin Contact: Phosphor Bronze, Gold Flash

*RoHS & REACH compliant.

ORDERING INFORMATION:

P/N 57 $\frac{12}{1}$ - $\frac{50}{2}$ B $\frac{3}{3}$

1. CONNECTOR TYPE:
"12" FEMALE ALL PLASTIC IDC TYPE
2. NO. OF CONTACTS:
50
3. INSULATOR COLOR:
"B" BLACK

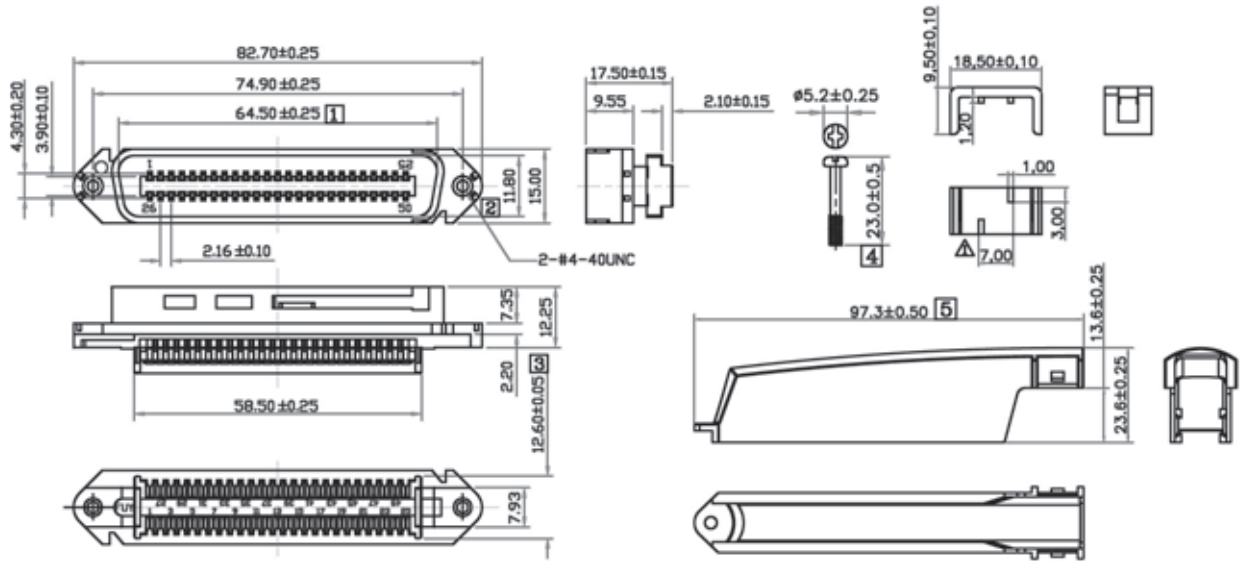
57 SERIES CENTRONIC MALE CONNECTOR R/A ALL PLASTIC IDC TYPE

SPECIFICATIONS

Current Rating: 5 Amp
Dielectric Strength: 1000V for 1 Min.
Insulation Resistance: 1000M Ω Min.
Operating Temperature: -55°C to +105°C

MATERIALS

Shell: ABS
Insulator: PBT, UL94V-0
Pin Contact: Phosphor Bronze, Gold Flash
 *RoHS & REACH compliant.



ORDERING INFORMATION:

P/N $57 \frac{25}{1} - \frac{50}{2} \frac{B}{3}$

1. CONNECTOR TYPE:
"25" MALE R/A ALL PLASTIC IDC TYPE
2. NO. OF CONTACTS:
50
3. INSULATOR COLOR:
"B" BLACK

57 SERIES CENTRONIC FEMALE CONNECTOR R/A ALL PLASTIC IDC TYPE

SPECIFICATIONS

Current Rating: 5 Amp

Dielectric Strength: 1000V for 1 Min.

Insulation Resistance: 1000MΩ Min.

Operating Temperature: -55°C to +105°C

MATERIALS

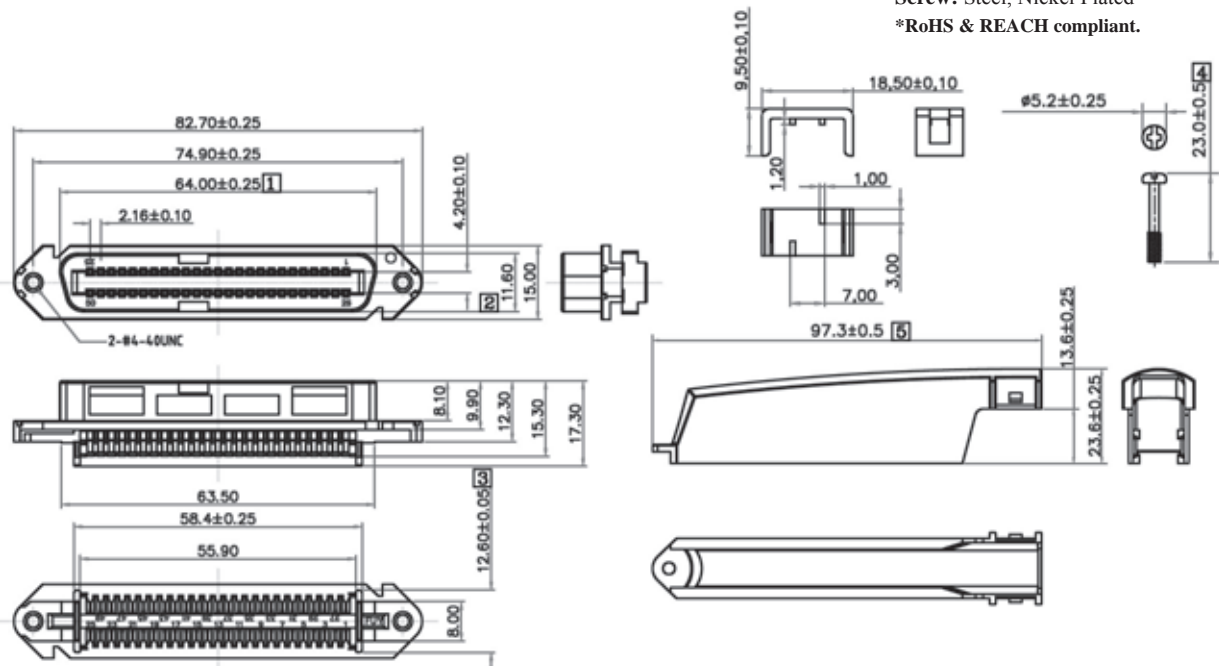
Shell: ABS

Insulator: PBT

Pin Contact: Phosphor Bronze, Gold Flash

Screw: Steel, Nickel Plated

*RoHS & REACH compliant.

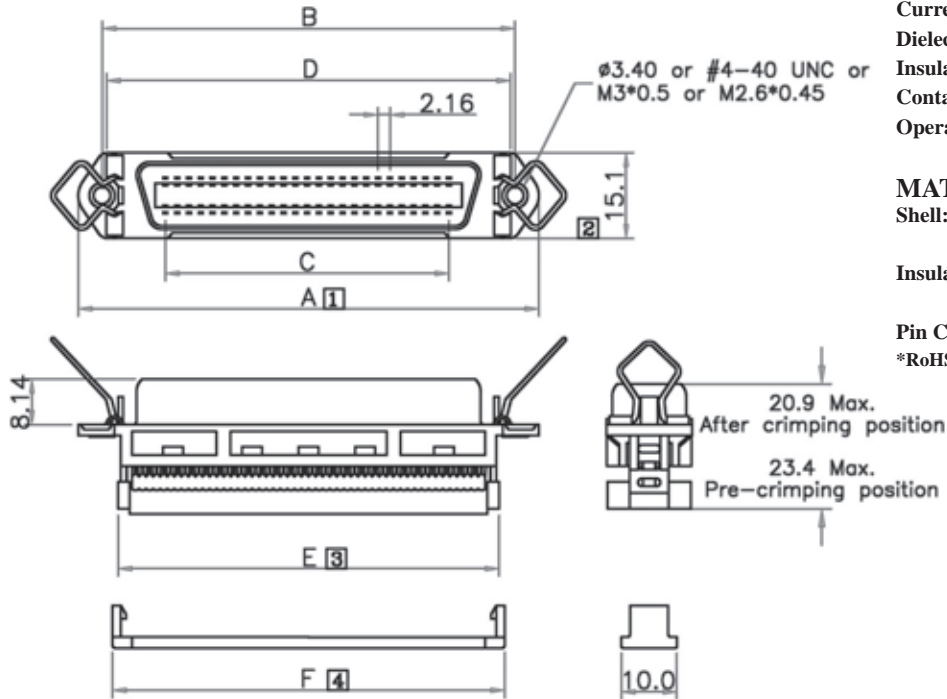


ORDERING INFORMATION:

P/N $57 \frac{26}{1} - \frac{50}{2} B$

1. CONNECTOR TYPE:
"26" FEMALE R/A ALL PLASTIC IDC TYPE
2. NO. OF CONTACTS:
50
3. INSULATOR COLOR:
"B" BLACK

57 SERIES CENTRONIC FEMALE CONNECTOR IDC TYPE WITH METAL SHELL FOR FLAT CABLE ASSEMBLY



A Position

	A ± 0.25	B ± 0.13	C ± 0.13	D ± 0.20	E ± 0.25	F ± 0.25	G ± 0.25
24	54.70	46.78	23.76	45.68	35.50	37.50	45.88
36	67.80	59.74	36.72	58.65	51.50	53.75	58.85
50	82.80	74.85	51.84	73.75	68.50	70.90	73.95

SPECIFICATIONS

Current Rating: 1 Amp
Dielectric Strength: AC 500V Min.
Insulation Resistance: 1000M Ω Min.
Contact Resistance: 25m Ω Max. Mated
Operating Temperature: -25 $^{\circ}$ C to +85 $^{\circ}$ C

MATERIALS

Shell: Steel, Zinc Plated, Tin Plated or Nickel Plated Steel
Insulator: PBT & Glass-fibre Reinforced, UL94V-0
Pin Contact: Phosphor Bronze or Brass
 *RoHS & REACH compliant.

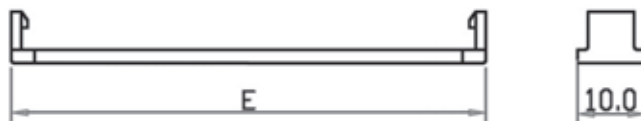
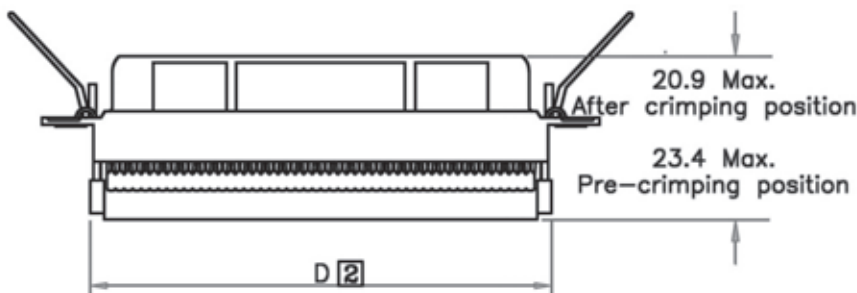
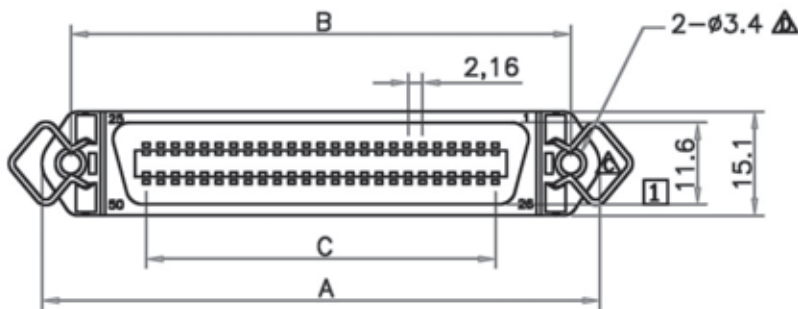
ORDERING INFORMATION:

P/N 5730 - $\frac{x}{1}$ $\frac{x}{2}$ $\frac{M}{3}$ $\frac{U}{3}$

1. NO. OF CONTACTS:
24, 36, 50
2. SHELL TYPE:
"M" METAL SHELL
3. INSULATOR COLOR:
"U" BLUE

57 SERIES CENTRONIC FEMALE CONNECTOR ALL PLASTIC IDC TYPE WITH SPRING LATCH & SR FOR FLAT CABLE ASSEMBLY

Position	A±0.25	B±0.13	C±0.13	D±0.25	E±0.25
24	54.70	46.78	23.76	35.50	37.50
36	67.80	59.74	36.72	51.50	53.75
50	82.80	74.85	51.84	68.50	70.90



SPECIFICATIONS

Current Rating: 5 Amp
Dielectric Strength: AC 1000V Min.
Insulation Resistance: 1000MΩ Min.
Contact Resistance: 25mΩ Max. Mated
Operating Temperature: -55°C to +105°C

MATERIALS

Shell: Steel, Zinc Plated, Tin Plated or Nickel Plated Steel
Insulator: PBT & Glass-fibre Reinforced, UL94V-0
Pin Contact: Phosphor Bronze or Brass
 *RoHS & REACH compliant.

ORDERING INFORMATION:

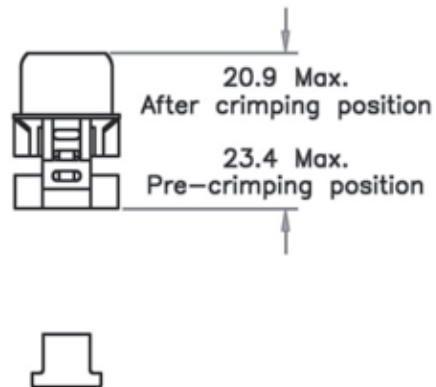
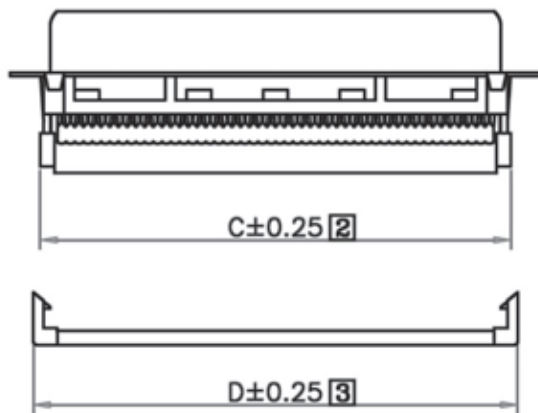
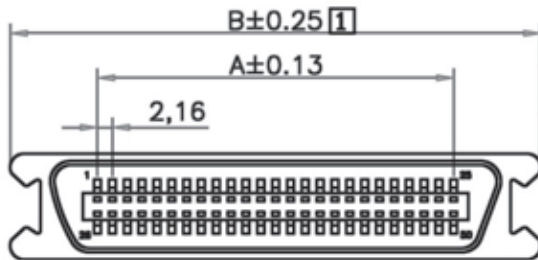
P/N 5730 - $\frac{x}{1} \frac{x}{2} \frac{PU}{3}$

1. NO. OF CONTACTS:
24, 36, 50
2. SHELL TYPE:
"P" ALL PLASTIC
3. INSULATOR COLOR:
"U" BLUE

57 SERIES CENTRONIC MALE CONNECTOR IDC TYPE WITH METAL SHELL FOR FLAT CABLE ASSEMBLY

Position

	A	B	C	D
24	23.76	49.3	35.5	37.50
36	36.72	62.0	51.5	53.75
50	51.84	77.4	68.5	70.90



SPECIFICATIONS

Current Rating: 1 Amp

Dielectric Strength: AC 1000V Min.

Insulation Resistance: 1000MΩ Min.

Contact Resistance: 25mΩ Max. Mated

Operating Temperature: -55°C to +105°C

MATERIALS

Shell: Steel, Zinc Plated, Tin Plated or Nickel Plated Steel

Insulator: PBT & Glass-fibre Reinforced, UL94V-0

Pin Contact: Phosphor Bronze or Brass

*RoHS & REACH compliant.

ORDERING INFORMATION:

P/N 5729 - $\frac{x}{1}$ $\frac{x}{2}$ $\frac{M}{3}$ $\frac{U}{3}$

1. NO. OF CONTACTS:
24, 36, 50
2. SHELL TYPE:
"M" METAL SHELL
3. INSULATOR COLOR:
"U" BLUE

**57 SERIES CENTRONIC MALE CONNECTOR ALL PLASTIC IDC TYPE
WITH SPRING LATCH & SR FOR FLAT CABLE ASSEMBLY**

Position

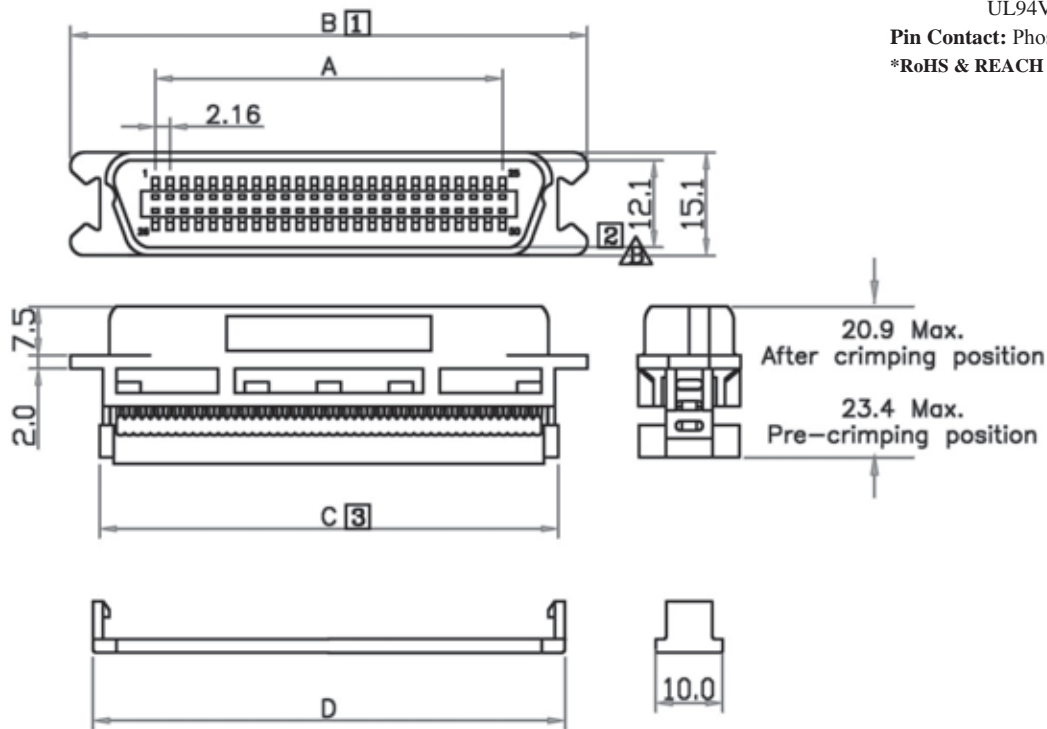
	A±0.15	B±0.30	C±0.30	D±0.30
24	23.76	48.60	35.50	37.50
36	36.72	61.60	51.50	53.75
50	51.84	76.70	68.50	70.90

SPECIFICATIONS

Current Rating: 5 Amp
Dielectric Strength: AC 1000V Min.
Insulation Resistance: 1000MΩ Min.
Contact Resistance: 25mΩ Max. Mated
Operating Temperature: -55°C to +105°C

MATERIALS

Insulator: PBT & Glass-fibre Reinforced, UL94V-0
Pin Contact: Phosphor Bronze or Brass
 *RoHS & REACH compliant.



ORDERING INFORMATION:

P/N 5729 - $\frac{xx}{1}$ $\frac{PU}{2}$ $\frac{3}{3}$

- 1. NO. OF CONTACTS:
24, 36, 50
- 2. SHELL TYPE:
"P" ALL PLASTIC
- 3. INSULATOR COLOR:
"U" BLUE

57 SERIES CENTRONIC CONNECTOR STRAIGHT PCB MOUNT TYPE

SPECIFICATIONS

Current Rating: 1.0 Ampere

Contact Resistance: 30mΩ Max.

Insulation Resistance: 1000MΩ Min.

Dielectric Voltage: 500V AC at 1 Minute

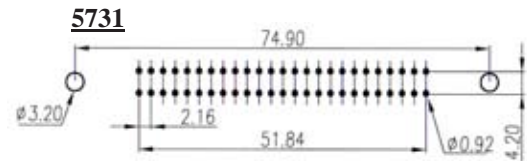
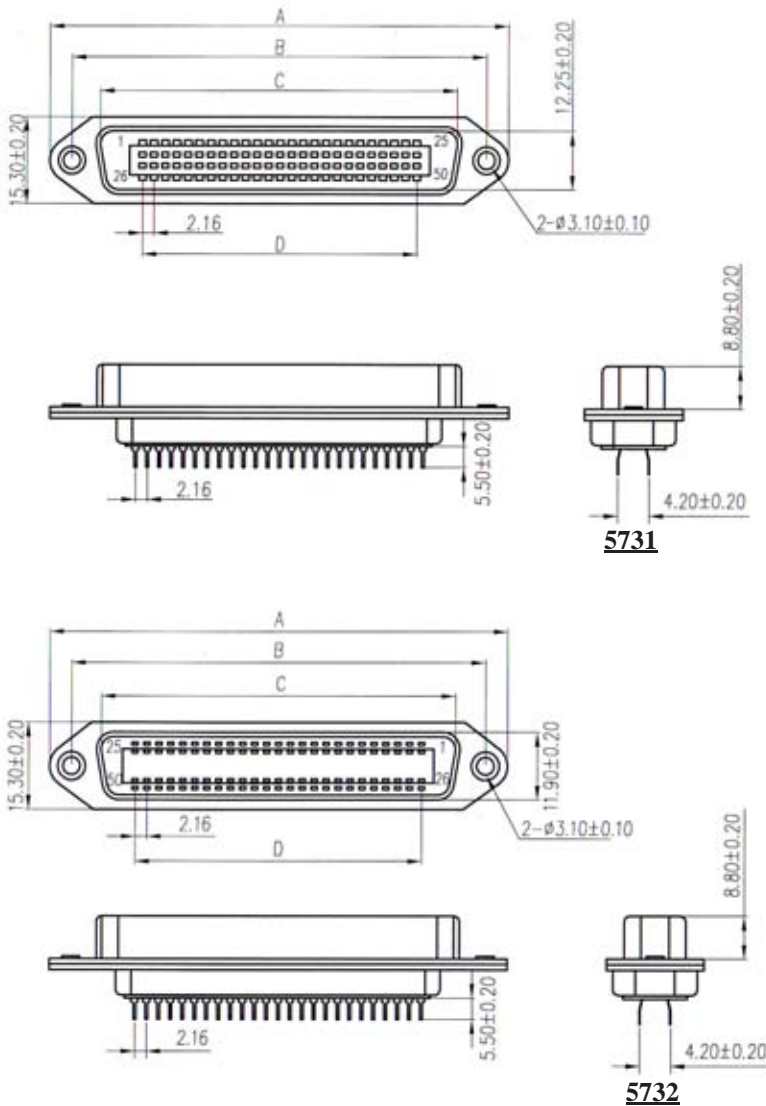
Operating Temperature: -55°C to +105°C

MATERIALS

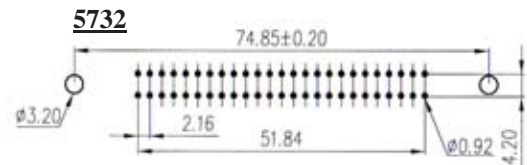
Insulator: PBT, UL94V-0 Rated

Contact: Phosphor Bronze

*RoHS & REACH compliant.



Recommended P.C.Board Layout



Recommended P.C.Board Layout

5731

No. of Contacts	Dimensions(mm)			
	A±0.20	B±0.20	C±0.20	D±0.20
14	43.90	36.00	25.50	12.96
24	54.70	46.80	36.30	23.76
36	67.70	59.70	49.30	36.72
50	82.80	74.90	64.40	51.48

5732

No. of Contacts	Dimensions(mm)			
	A±0.20	B±0.20	C±0.20	D±0.20
14	43.90	35.99	25.20	12.96
24	54.71	46.79	36.00	23.76
36	67.69	59.74	48.90	36.72
50	82.78	74.85	64.00	51.84

ORDERING INFORMATION:

P/N 57 $\frac{xx}{1}$ - $\frac{xx}{2}$

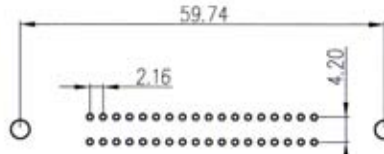
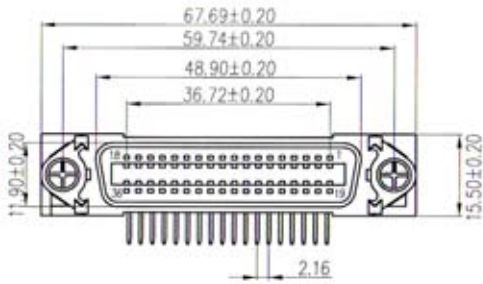
1. CONNECTOR TYPE:

- "31" MALE WITHOUT LATCHES
- "32" FEMALE WITHOUT LATCHES
- "34" FEMALE WITH 2 LATCHES

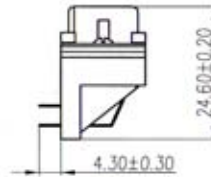
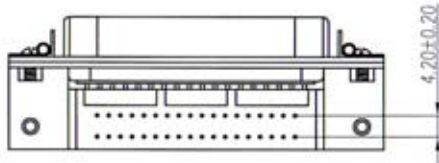
2. NO. OF CONTACTS:

- 14, 24, 36, 50

57 SERIES CENTRONIC FEMALE CONNECTORS RIGHT ANGLE PCB MOUNT TYPE



Recommended P.C.Board Layout



5742-36

SPECIFICATIONS

Current Rating: 1.0 Ampere

Contact Resistance: 30mΩ Max.

Insulation Resistance: 1000MΩ Min.

Dielectric Voltage: 500V AC at 1 Minute

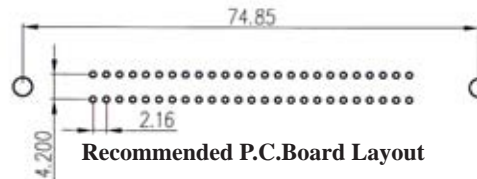
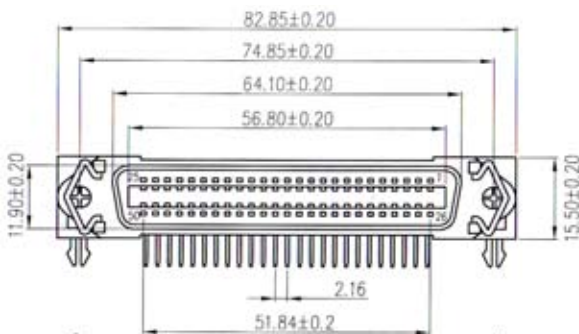
Operating Temperature: -55°C to +105°C

MATERIALS

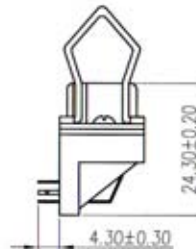
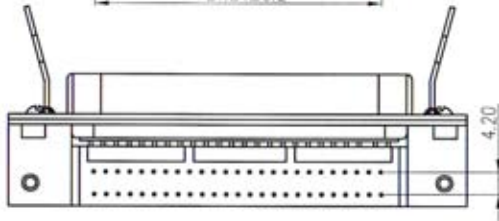
Insulator: PBT, UL94V-0 Rated

Contact: Brass

*RoHS & REACH compliant.



Recommended P.C.Board Layout



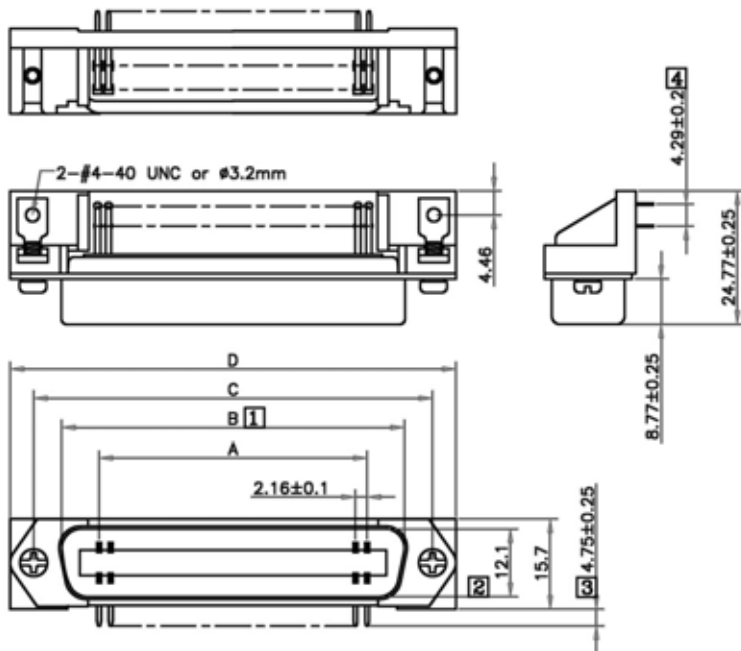
5744-50

ORDERING INFORMATION:

P/N 57 $\frac{xx}{1}$ - $\frac{xx}{2}$

1. CONNECTOR TYPE:
"42" FEMALE WITHOUT LATCHES
"44" FEMALE WITH 2 LATCHES
2. NO. OF CONTACTS:
36, 50

57 SERIES CENTRONIC MALE CONNECTOR RIGHT ANGLE DIP TYPE



Positions	A	B	C	D
14	12.96	25.6	36.0	43.9
24	23.76	36.3	46.8	54.7
36	36.72	49.3	59.6	67.7
50	51.84	64.4	74.9	82.8

SPECIFICATIONS

Current Rating: 1 Amp

Dielectric Strength: 1000V for 1 Min.

Insulation Resistance: 1000MΩ Min.

Operating Temperature: -55°C to +105°C

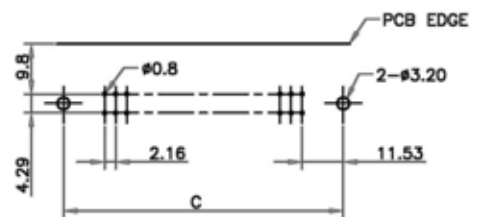
MATERIALS

Shell: Steel, Zinc Plated, Tin Plated or Nickel Plated Steel

Insulator: PBT & Glass-fibre Reinforced, UL94V-0

Pin Contact: Phosphor Bronze

*RoHS & REACH compliant.



Recommended P.C. Board Layout

ORDERING INFORMATION:

P/N 5719 - $\frac{X X X X}{1 2}$

1. NO. OF CONTACTS:

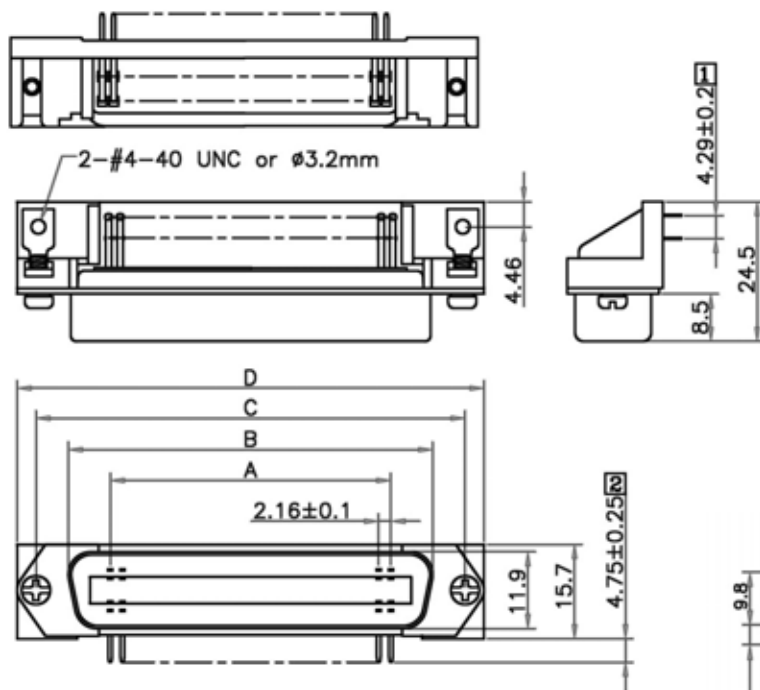
14, 24, 36, 50

2. MOUNTING TYPE:

"00" Ø3.2MM NON-THREADED HOLES

"U4" UNC4-40 THREADED HOLES

57 SERIES CENTRONIC FEMALE CONNECTOR RIGHT ANGLE DIP TYPE



Positions	A	B	C	D
14	12.96	25.2	36.0	43.9
24	23.76	36.0	46.8	54.7
36	36.72	48.9	59.7	67.7
50	51.84	64.1	74.9	82.8

SPECIFICATIONS

Current Rating: 1 Amp

Dielectric Strength: 1000V for 1 Min.

Insulation Resistance: 1000MΩ Min.

Operating Temperature: -55°C to +105°C

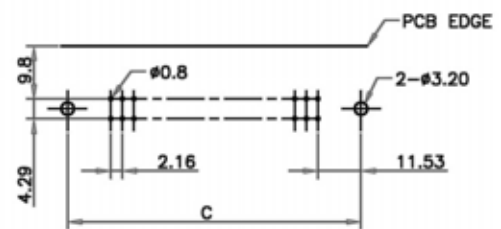
MATERIALS

Shell: Steel, Zinc Plated, Tin Plated or
Nickel Plated Steel

Insulator: PBT & Glass-fibre Reinforced,
UL94V-0

Pin Contact: Phosphor Bronze

*RoHS & REACH compliant.



Recommended P.C.Board Layout

ORDERING INFORMATION:

P/N 5720 - $\frac{XX}{1} \frac{XX}{2}$

1. NO. OF CONTACTS:

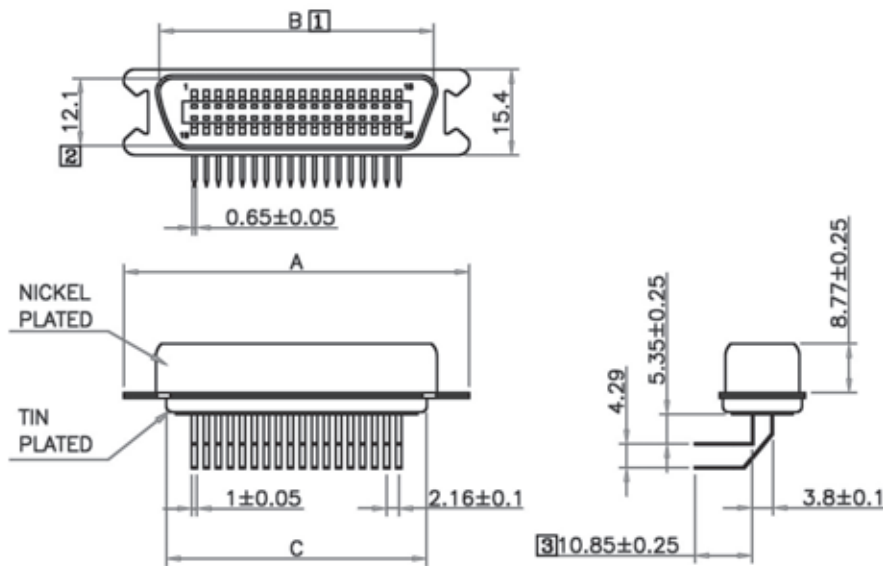
14, 24, 36, 50

2. MOUNTING TYPE:

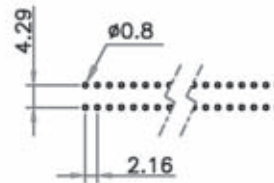
"00" Ø3.2MM NON-THREADED HOLES

"U4" UNC4-40 THREADED HOLES

57 SERIES CENTRONIC MALE CONNECTOR RIGHT ANGLE DIP TYPE



Position	A	B	C
36	62.1	49.3	46.8
50	77.2	64.4	62.0



Recommended P.C.Board Layout

SPECIFICATIONS

Current Rating: 5 Amp
Dielectric Strength: 1000V for 1 Min.
Insulation Resistance: 1000M Ω Min.
Contact Resistance: 25m Ω Max. Mated
Operating Temperature: -55 $^{\circ}$ C to +105 $^{\circ}$ C

MATERIALS

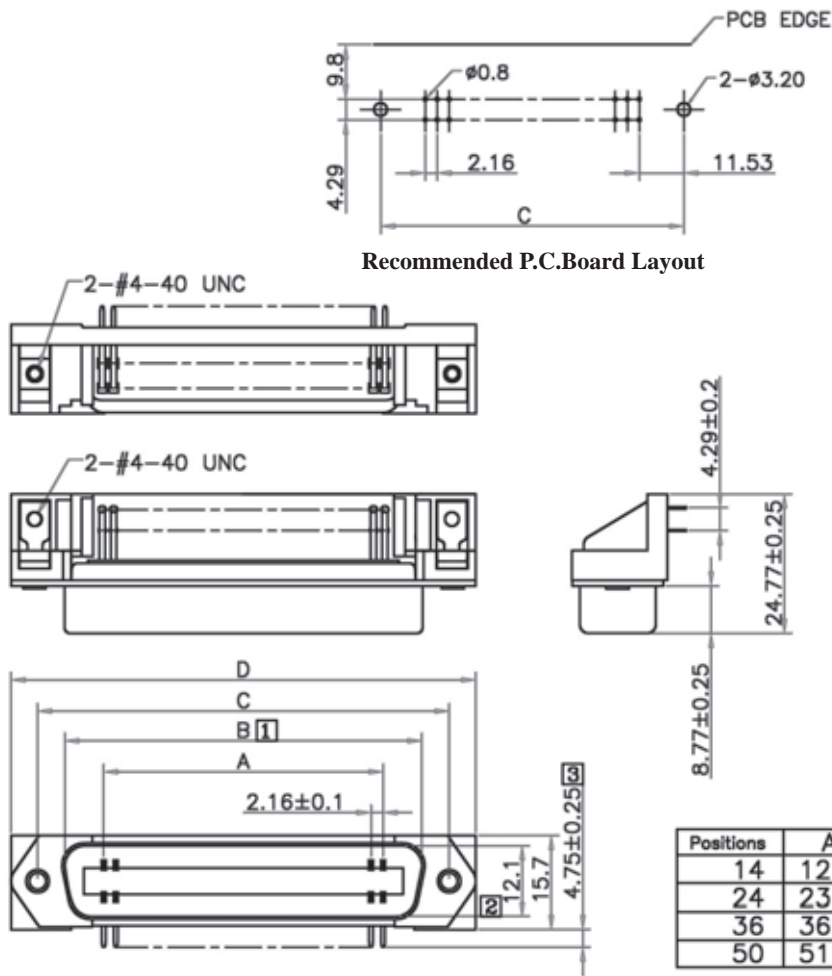
Shell: Steel, Tin Plated & Nickel Plated Steel
Insulator: PBT & Glass-fibre Reinforced, UL94V-0
Pin Contact: Phosphor Bronze
 *RoHS & REACH compliant.

ORDERING INFORMATION:

P/N 5743 - XX
I

1. NO. OF CONTACTS:
 36, 50

57 SERIES CENTRONIC MALE CONNECTOR RIGHT ANGLE TYPE WITH RIVETED L SHAPE



Recommended P.C.Board Layout

SPECIFICATIONS

Current Rating: 1 Amp

Dielectric Strength: 1000V for 1 Min.

Insulation Resistance: 1000MΩ Min.

Operating Temperature: -55°C to +105°C

MATERIALS

Shell: Steel, Zinc Plated, Tin Plated or Nickel Plated Steel

Insulator: PBT & Glass-fibre Reinforced, UL94V-0

Pin Contact: Phosphor Bronze

*RoHS & REACH compliant.

ORDERING INFORMATION:

P/N 5747 - $\frac{XX}{1} \frac{XX}{2}$

1. NO. OF CONTACTS:

14, 24, 36, 50

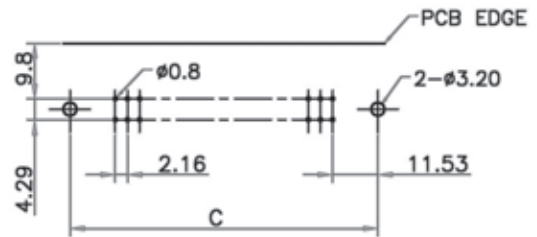
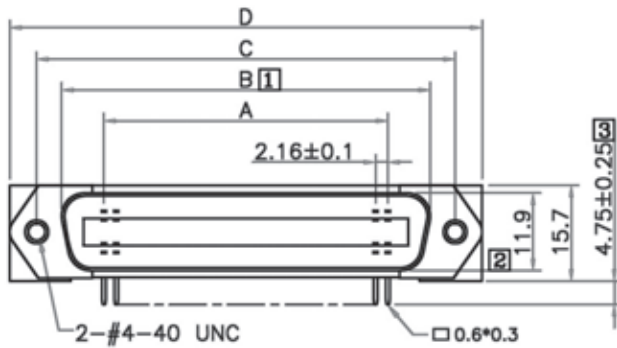
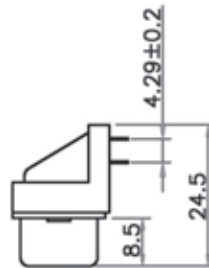
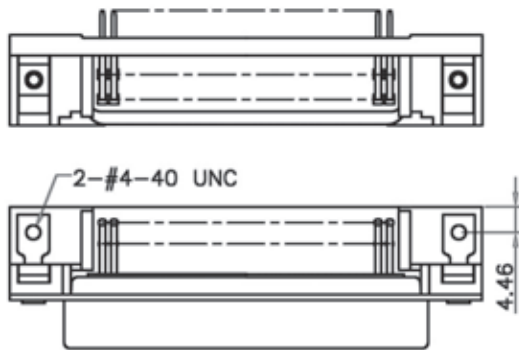
2. MOUNTING TYPE:

"U4" WITH #4-40UNC THREADED HOLES

"M3" WITH M3 THREADED HOLES

57 SERIES CENTRONIC FEMALE CONNECTOR RIGHT ANGLE TYPE WITH RIVETED L SHAPE

Positions	A	B	C	D
14	12.96	25.2	36.0	43.9
24	23.76	36.0	46.8	54.7
36	36.72	48.9	59.7	67.7
50	51.84	64.1	74.9	82.8



Recommended P.C.Board Layout

SPECIFICATIONS

Current Rating: 1 Amp

Dielectric Strength: 1000V for 1 Min.

Insulation Resistance: 1000MΩ Min.

Operating Temperature: -55°C to +105°C

MATERIALS

Shell: Steel, Zinc Plated, Tin Plated or Nickel Plated Steel

Insulator: PBT & Glass-fibre Reinforced, UL94V-0

Pin Contact: Phosphor Bronze

*RoHS & REACH compliant.

ORDERING INFORMATION:

P/N 5748 - $\frac{X X X X}{1 2}$

1. NO. OF CONTACTS:

14, 24, 36, 50

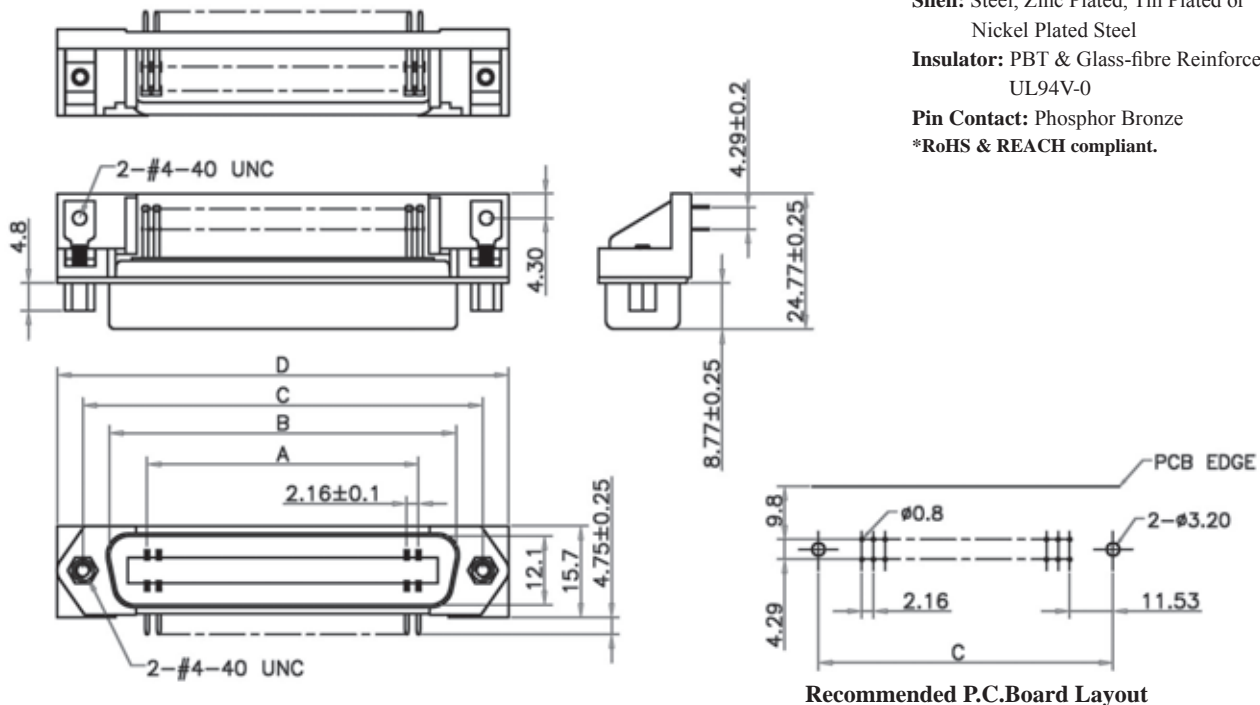
2. MOUNTING TYPE:

"U4" WITH #4-40UNC THREADED HOLES

"M3" WITH M3 THREADED HOLES

57 SERIES CENTRONIC MALE CONNECTOR RIGHT ANGLE TYPE WITH RIVETED L SHAPE & HEX SCREWS

Positions	A	B	C	D
14	12.96	25.6	36.0	43.9
24	23.76	36.3	46.8	54.7
36	36.72	49.3	59.6	67.7
50	51.84	64.4	74.9	82.8



SPECIFICATIONS

Current Rating: 1 Amp

Dielectric Strength: 1000V for 1 Min.

Insulation Resistance: 1000MΩ Min.

Operating Temperature: -55°C to +105°C

MATERIALS

Shell: Steel, Zinc Plated, Tin Plated or Nickel Plated Steel

Insulator: PBT & Glass-fibre Reinforced, UL94V-0

Pin Contact: Phosphor Bronze

*RoHS & REACH compliant.

ORDERING INFORMATION:

P/N 5749 - $\frac{X X X X}{1 \quad 2}$

1. NO. OF CONTACTS:

14, 24, 36, 50

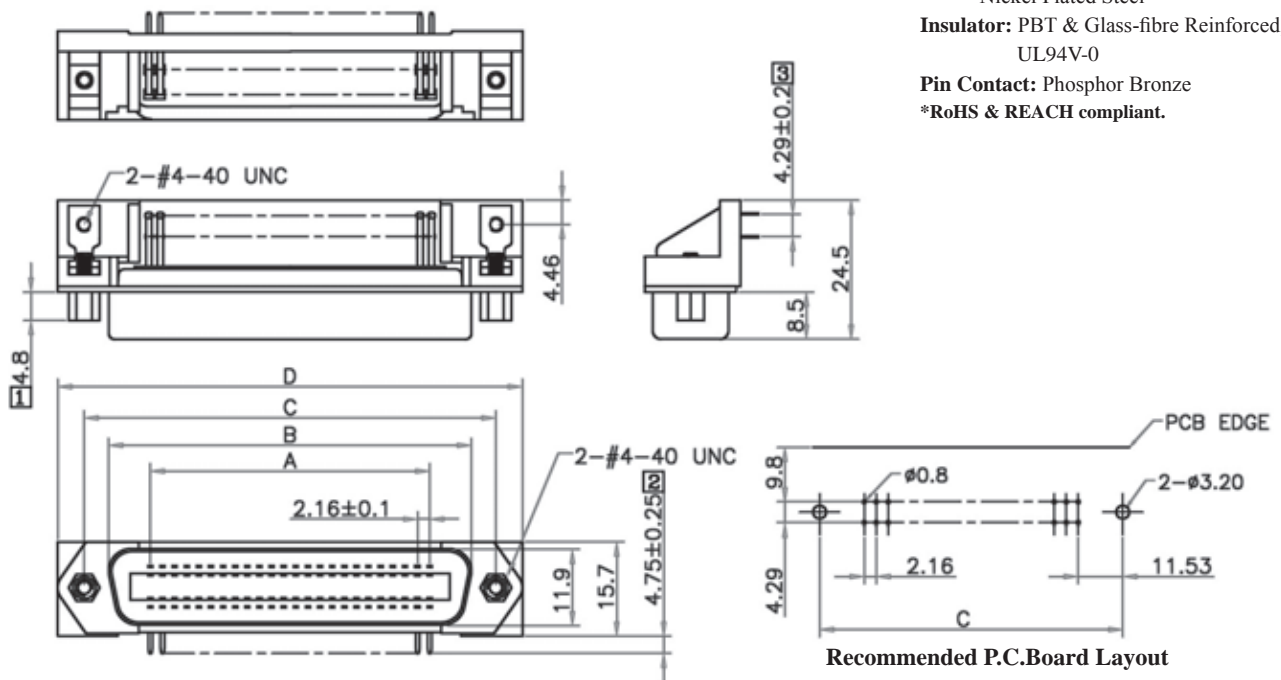
2. MOUNTING TYPE:

"U4" WITH #4-40UNC THREADED HOLES

"M3" WITH M3 THREADED HOLES

57 SERIES CENTRONIC FEMALE CONNECTOR RIGHT ANGLE TYPE WITH RIVETED L SHAPE & HEX SCREWS

Positions	A	B	C	D
14	12.96	25.2	36.0	43.9
24	23.76	36.0	46.8	54.7
36	36.72	48.9	59.7	67.7
50	51.84	64.1	74.9	82.8



SPECIFICATIONS

Current Rating: 1 Amp

Dielectric Strength: 1000V for 1 Min.

Insulation Resistance: 1000MΩ Min.

Operating Temperature: -55°C to +105°C

MATERIALS

Shell: Steel, Zinc Plated, Tin Plated or Nickel Plated Steel

Insulator: PBT & Glass-fibre Reinforced, UL94V-0

Pin Contact: Phosphor Bronze

*RoHS & REACH compliant.

ORDERING INFORMATION:

P/N 5750 - $\frac{X X X X}{1 \quad 2}$

1. NO. OF CONTACTS:

14, 24, 36, 50

2. MOUNTING TYPE:

"U4" WITH #4-40UNC THREADED HOLES

"M3" WITH M3 THREADED HOLES