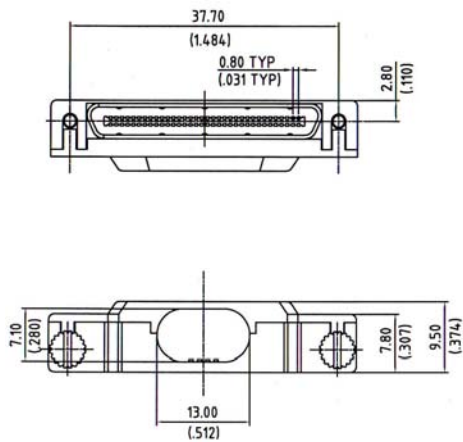


0.80MM(0.032") VHDC 68 PIN MALE CONNECTOR IDC FLAT CABLE TYPE

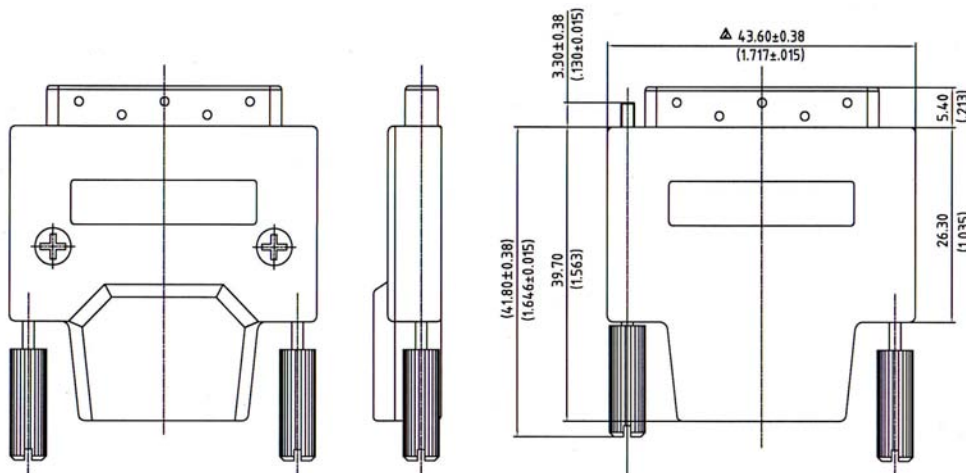


SPECIFICATIONS

Current Rating: 0.3 Amperes
Contact Resistance: 50mΩ Max.
Insulation Resistance: 500MΩ Min.
Dielectric Voltage: 250V AC at 1 Minute
Operating Temperature: -55°C to +85°C

MATERIALS

Insulator: PBT, UL94V-0 Rated
Contact: Phosphor Bronze, Gold over Nickel
***RoHS & REACH compliant.**



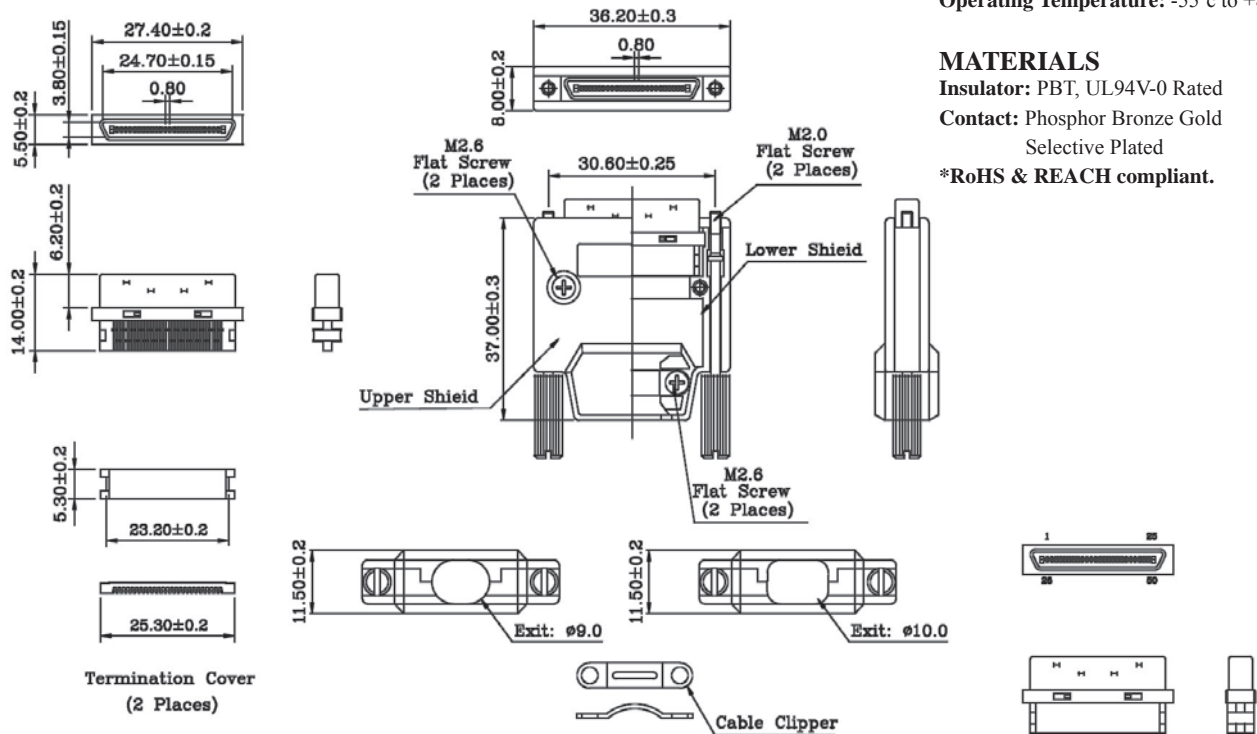
ORDERING INFORMATION:

P/N VHDC - $\frac{68M}{12}$

1. NO. OF CONTACTS:
68
2. CONNECTOR TYPE:
"M" MALE

NOTE: P/N VHDC-68M INCLUDING 68 PIN CONNECTOR + HOUSING AS SHOWN IN THE ABOVE DRAWING.
ENTRY HOLE: 13.0*7.1MM

0.80MM(0.032") VHDC 50 PIN MALE CONNECTOR IDC ASSEMBLY TYPE



SPECIFICATIONS

Current Rating: 0.5 Amp

Contact Resistance: 35mΩ Max.

Insulation Resistance: 500MΩ Min.

Dielectric Voltage: 250V AC

Operating Temperature: -55°C to +85°C

MATERIALS

Insulator: PBT, UL94V-0 Rated

Contact: Phosphor Bronze Gold
Selective Plated

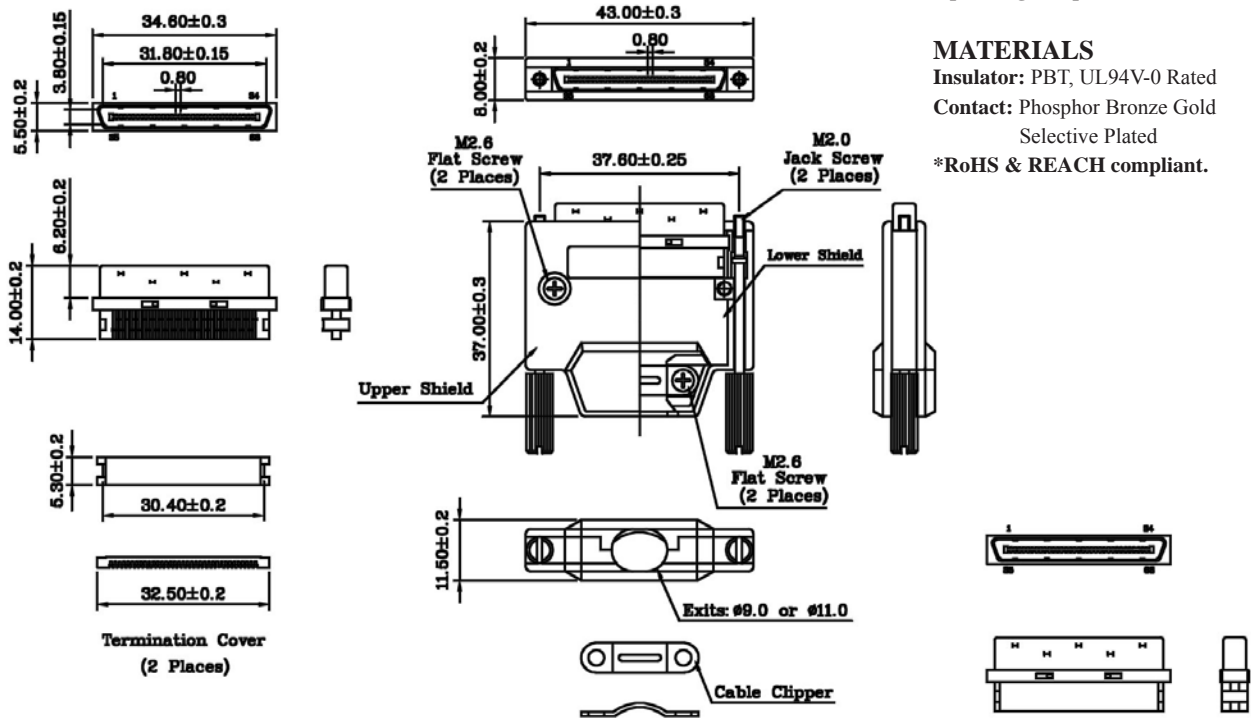
*RoHS & REACH compliant.

ORDERING INFORMATION:

P/N V H D C - $\frac{5}{1}$ $\frac{M}{2}$ $\frac{x}{3}$ $\frac{x}{4}$

1. NO. OF CONTACTS:
50
2. WIRE HOLDER SIZE:
"1" 0.61MM
"8" 0.68MM
3. ENTRY HOLE SIZE:
"A" Ø 9.0MM
"B" Ø 10.0MM

0.80MM(0.032") VHDC 68 PIN MALE CONNECTOR IDC ASSEMBLY TYPE



SPECIFICATIONS

Current Rating: 0.5 Amp

Contact Resistance: 35mΩ Max.

Insulation Resistance: 500MΩ Min.

Dielectric Voltage: 250V AC

Operating Temperature: -55°C to +85°C

MATERIALS

Insulator: PBT, UL94V-0 Rated

Contact: Phosphor Bronze Gold
Selective Plated

*RoHS & REACH compliant.

ORDERING INFORMATION:

P/N V H D C - $\frac{6}{1}$ $\frac{8}{2}$ $\frac{M}{3}$ $\frac{x}{4}$

1. NO. OF CONTACTS:

68

2. WIRE HOLDER SIZE:

"1" 0.61MM

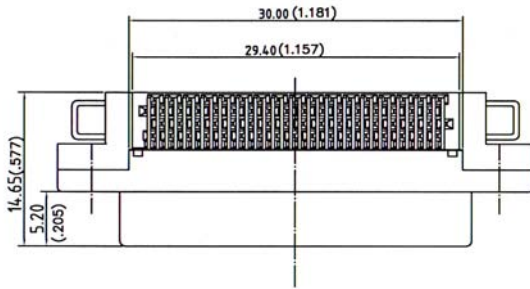
"8" 0.68MM

3. ENTRY HOLE SIZE:

"A" Ø 9.0MM

"B" Ø 10.0MM

0.80MM(0.032") VHDC 68 PIN FEMALE CONNECTOR RIGHT ANGLE TYPE

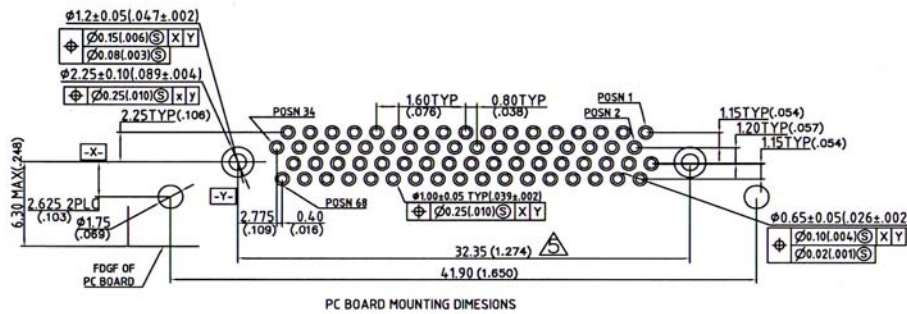
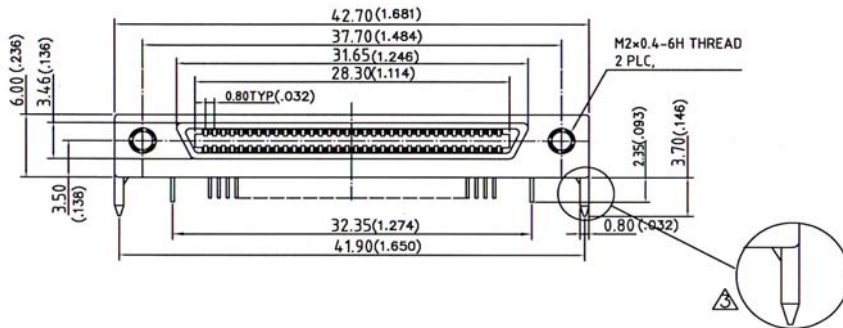


SPECIFICATIONS

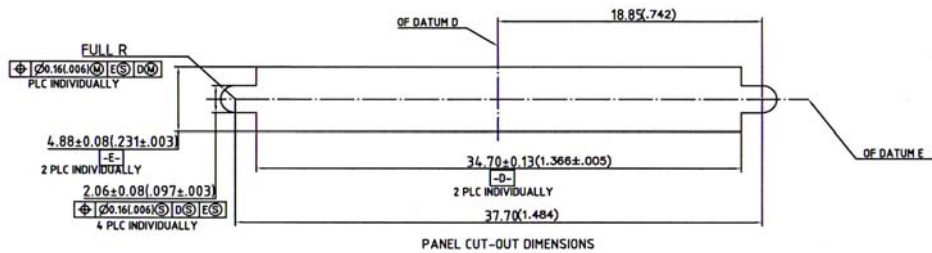
- Current Rating: 0.3 Amperes
- Contact Resistance: 50mΩ Max.
- Insulation Resistance: 500MΩ Min.
- Dielectric Voltage: 250V AC at 1 Minute
- Operating Temperature: -55°C to +85°C

MATERIALS

- Insulator: PBT, UL94V-0 Rated
- Contact: Phosphor Bronze, Gold over Nickel
- *RoHS & REACH compliant.



PC BOARD MOUNTING DIMENSIONS



PANEL CUT-OUT DIMENSIONS

ORDERING INFORMATION:

P/N **VHDC - 68 F**
1 2

1. NO. OF CONTACTS:
68
2. CONNECTOR TYPE:
"F" FEMALE

