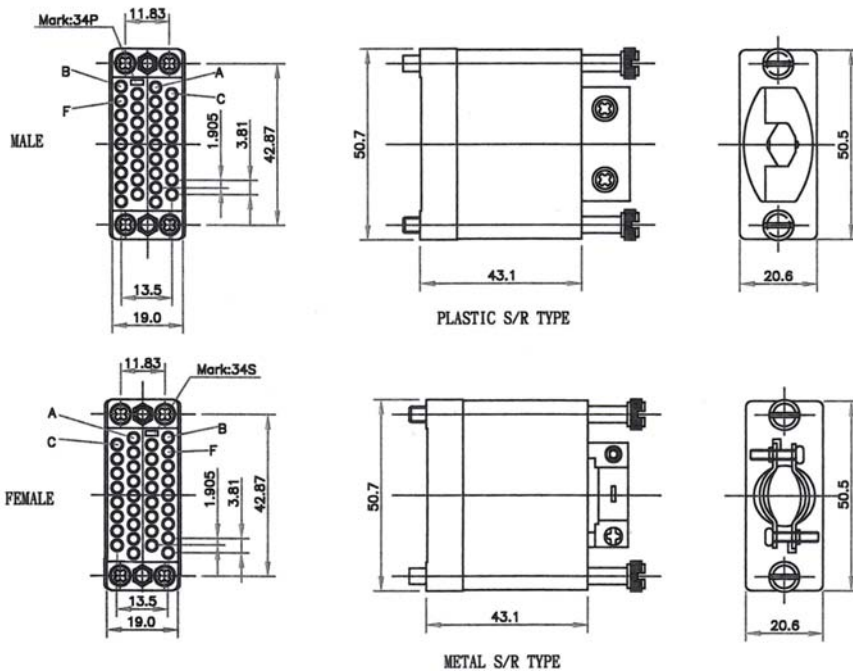


V.35 CRIMP TYPE HOUSING & COVER



SPECIFICATIONS

Current Rating: 5 Amperes

Insulation Resistance: 1000MΩ Min

Dielectric Withstanding: 1000V For 1 Min

Contact Resistance: 45mΩ Max.

Operating Temperature: -55°C to +105°C

MATERIALS

Insulator: PBT & Glass-Fibre Reinforced, UL94V-0

Pin Contact: Phosphor Bronze, Gold Plated

Shell: Steel, Nickel Plated Steel

*RoHS & REACH compliant.

ORDERING INFORMATION:

P/N V 3 5 - $\frac{34}{T} \frac{x}{23}$

1. NO. OF CONTACTS:

34

2. CONTACT TYPE:

"M" MALE

"F" FEMALE

3. STRAIN RELIEF TYPE:

"A" WITH METAL SR FOR CABLE Ø11-13MM

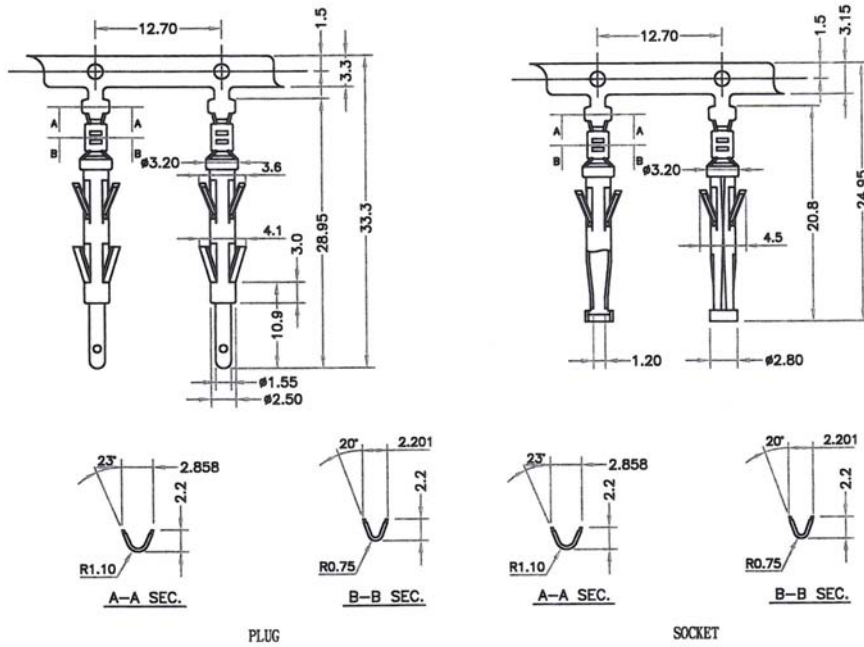
"B" WITH BLACK PLASTIC SR FOR CABLE Ø9-11MM

"C" WITH METALIZED PLASTIC SR FOR CABLE Ø9-11MM

NOTE: 1) V35-34Mx ACCEPTS V35-01MG TERMINAL

2) V35-34Fx ACCEPTS V35-01FG TERMINAL

V.35 CRIMP TYPE TERMINALS



PLUG MECHANICAL

Contact: Brass

Wire Size: AWG 24 or 26 Spaced

Current Rating: 7 Amperes

Contact Resistance: 10mΩ Max.

SOCKET MECHANICAL

Contact: Phosphor Bronze

Wire Size: AWG 24 or 26 Spaced

Current Rating: 7 Amperes

Contact Resistance: 10mΩ Max.

*RoHS & REACH compliant.

ORDERING INFORMATION:

P/N V 3 5 - 0 1 $\frac{x}{1}$ $\frac{x}{2}$

1. CONTACT TYPE:

"M" MALE

"F" FEMALE

2. CONTACT FINISH:

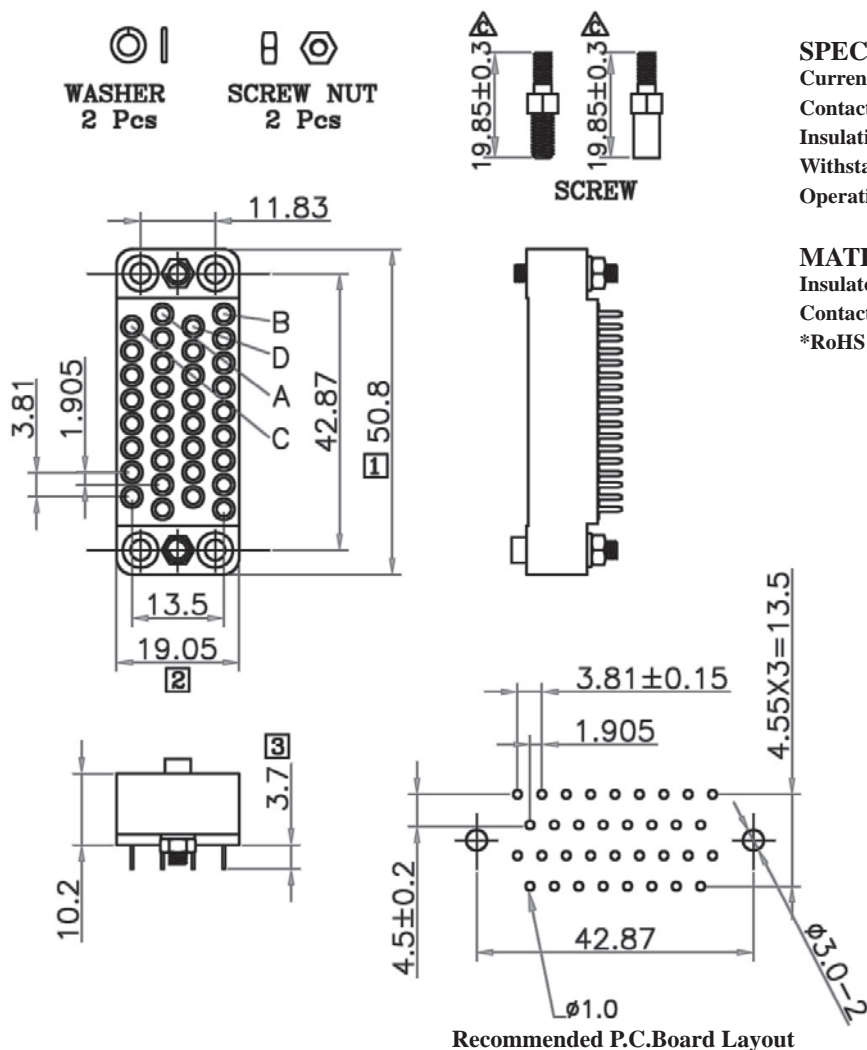
"G" GOLD FLASH PLATED

NOTE: 1) PU= 2500PCS/REEL

2) V35-01MG ACCEPTS V35-34Mx HOUSING

3) V35-01FG ACCEPTS V35-34Fx HOUSING

V.35 FEMALE CONNECTOR STRAIGHT PCB MOUNT TYPE



SPECIFICATIONS

Current Rating: 7 Amp
 Contact Resistance: 10m Ω Max.
 Insulation Resistance: 1000M Ω Min. at 500V
 Withstanding Voltage: AC 1200V Min.
 Operating Temperature: -55 $^{\circ}$ C to +105 $^{\circ}$ C

MATERIALS

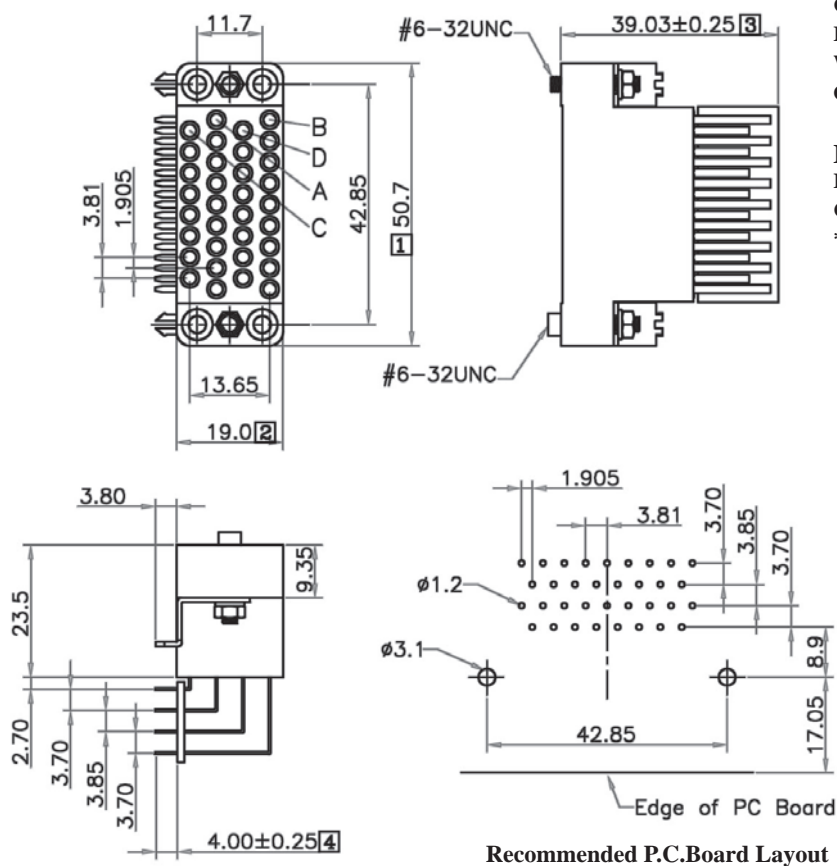
Insulator: PBT & Glass-fibre reinforced, UL94V-0
 Contact: Phosphor Bronze
 *RoHS & REACH compliant.

ORDERING INFORMATION:

P/N V 35 - $\frac{34}{T} \frac{FS}{23}$

1. NO. OF CONTACTS:
34
2. CONNECTOR TYPE:
"F" FEMALE
3. TERMINAL TYPE:
"S" STRAIGHT DIP TYPE

V.35 HIGH PROFILE FEMALE CONNECTOR RIGHT ANGLE PCB MOUNT TYPE



SPECIFICATIONS

Current Rating: 5 Amp

Contact Resistance: 25mΩ Max.

Insulation Resistance: 500MΩ Min. at 500V

Withstanding Voltage: AC 500V Min.

Operating Temperature: -55°C to +105°C

MATERIALS

Insulator: PBT & Glass-fibre reinforced, UL94V-0

Contact: Phosphor Bronze, Gold Plated

*RoHS & REACH compliant.

ORDERING INFORMATION:

P/N V 3 5 - $\frac{34}{T} \frac{FR}{23}$

1. NO. OF CONTACTS:

34

2. CONNECTOR TYPE:

"F" FEMALE

3. TERMINAL TYPE:

"R" RIGHT ANGLE DIP TYPE

V.35 MALE CONNECTOR RIGHT ANGLE PCB MOUNT TYPE

SPECIFICATIONS

Current Rating: 13 Amp

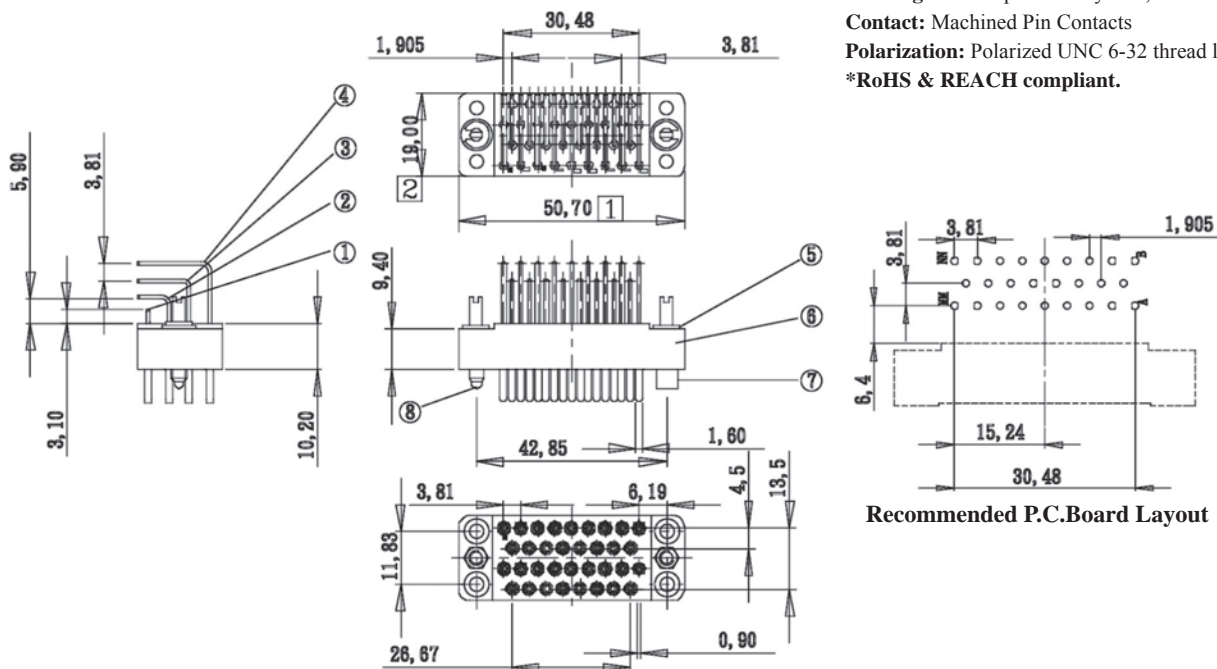
MATERIALS

Molding: Thermoplastic Polyester, UL94V-0

Contact: Machined Pin Contacts

Polarization: Polarized UNC 6-32 thread locks

*RoHS & REACH compliant.



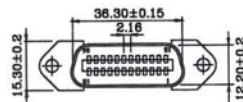
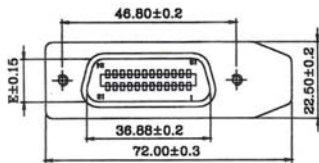
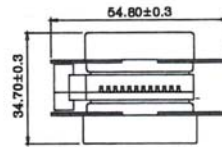
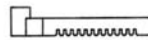
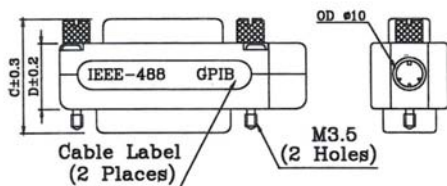
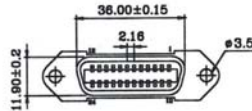
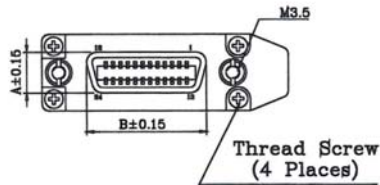
Recommended P.C.Board Layout

ORDERING INFORMATION:

P/N V 3 5 - $\frac{3}{1}$ $\frac{4}{2}$ $\frac{M}{3}$ R

1. NO. OF CONTACTS:
34
2. CONNECTOR TYPE:
"M" MALE
3. TERMINAL TYPE:
"R" RIGHT ANGLE DIP TYPE

IEEE488 CONNECTOR FOR INTERFACE BUS APPLICATION PER GPIB



M Type (W/O Hood)

Housing	A	B	C	D	E
D	12.00	35.50	33.60	19.40	12.70
A	11.80	35.70	34.80	20.10	12.20

- D Type (Die-Cast Metal Hood)**
- C Type (A.B.S Metalized Hood)**

SPECIFICATIONS

- Current Rating:** 1.0 Amp
- Dielectric Withstanding:** 500V AC
- Contact Resistance:** 35m OHMS Max.
- Insulation Resistance:** 500M OHMS Min
- Operating Temperature:** -55°C to +105°C

MATERIALS

- Housing & Cover:** Plastic Thermoplastic P.B.T. UL94V-0, Black
- Front Shell:** Steel, Nickel Plated Over Copper
- Die-Cast:** Zinc Alloy, Nickel Plated Over Copper
- Plastic Hood:** ABS Metalized
- Jackcrew:** Steel, Zinc Plated Over Copper
- *RoHS & REACH compliant.**

ORDERING INFORMATION:

P/N C 4 8 8 - $\frac{24 \times \times}{T 23}$

1. NO. OF CONTACTS:
24
2. HOUSING TYPE:
"D" DIE CAST METAL HOOD
"C" ABS METALIZED HOOD
"M" MOLDED TYPE (W/O HOOD)
3. INSULATOR COLOR:
"B" BLACK
"U" BLUE