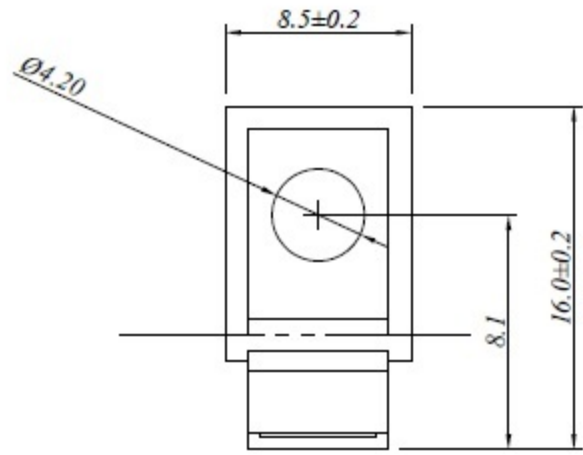
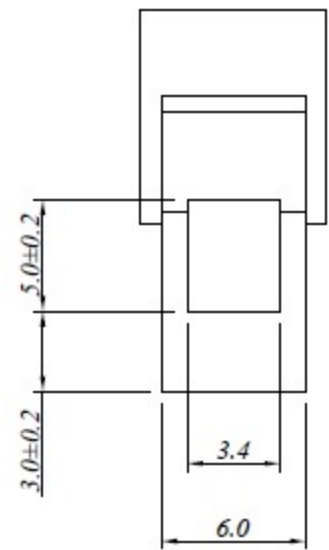
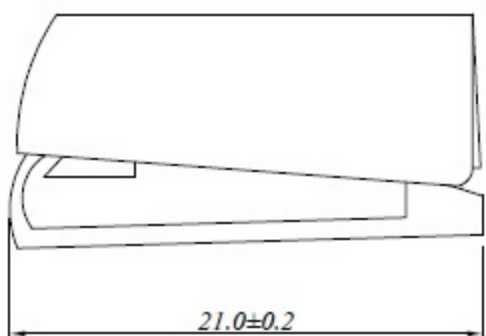


SIGN	DATE	DESCRIPTION	APPROVER
▲			
▲			
▲			



Technical Data:

Material

- Contact: Brass or Phosphor bronze
- Wire guard: Stainless steel
- Surface of solder tail: Ni plated and Tin plated
- Insulator body(housing): PA66(UL94V-0)

Electrical

- Voltage rating: 400V
- Current rating: 24 Amps/way max
- Contact resistance: 20mΩ (max)
- Insulation resistance: 5000MΩ /1000V
- Withstanding Voltage: 2500VAC(lmim) Test time=60sec/1pcs
- Wire range: 28-12AWG

Mechanical

- Strip length: 9-11mm
- Operating temperature: -40°C to +105°C
- Safety approval deta: CE ROHS



El.italia srl

Via IV Novembre 72, 20019
Settimo Milanese (MI), Italy
+39 0233611626

COMPONENTI ELETTRONICI
ED ELETTROMECCANICI

✉ info@elitaliaweb.it
🌐 www.elitaliaweb.it
🌐 www.contenitoriplastici.it

PART. NO.: CW-PCT-101A

TITLE: Push-Wire Building Connector

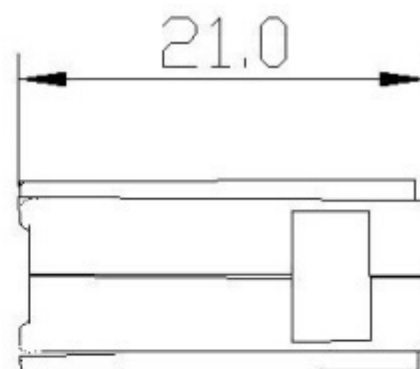
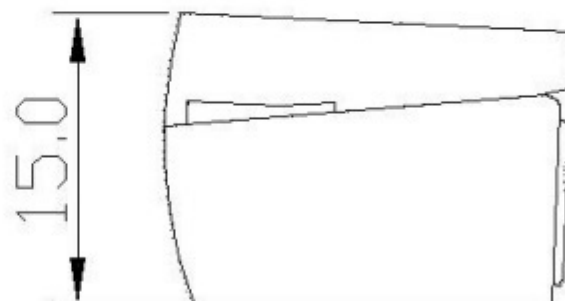
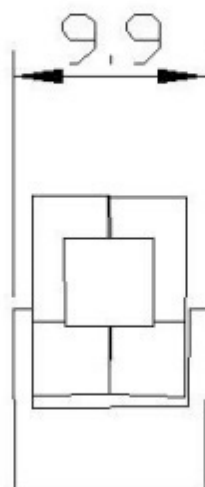
PART. NAME:

DWG NAME:

APPROVED BY	CHECKED BY	DESIGNED BY	DRAWN BY

CUSTOM NO.:	Tolerance
 UNITS: mm SCALE: 3/1 REVISION: B3	X. ±0.50
	X.X ±0.30
	X.XX ±0.10
	XX* ±1*

SIGN	DATE	DESCRIPTION	APPROVER
△			
△			
△			



Technical Data:

Material

Contact: Brass or Phosphor bronze
 Wire guard: Stainless steel
 Surface of solder tail: Ni plated and Tin plated
 Insulator body(housing): PA66(UL94V-0)

Electrical

Voltage rating: 250V
 Current rating: 24 Amps/way max
 Contact resistance: 20mΩ (max)
 Insulation resistance: 5000MΩ /1000V
 Withstanding Voltage: 2500VAC(lmim) Test time=60sec/1pcs
 Wire range: 20 - 16AWG

Mechanical

Strip length: 9-11mm
 Operating temperature: -40°C to +105°C
 Safety approval deta: CE ROHS



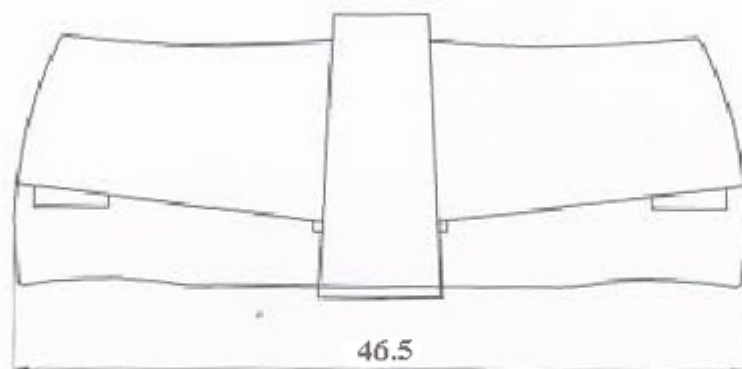
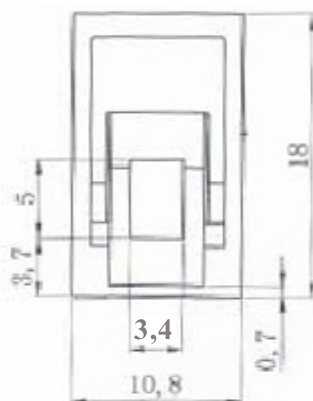
El.italia srl

COMPONENTI ELETTRONICI
 ED ELETTROMECCANICI

Via IV Novembre 72, 20019
 Settimo Milanese (MI), Italy
 +39 0233611626

info@elitaliaweb.it
 www.elitaliaweb.it
 www.contenitoriplastici.it

PART. NO.: CW-PCT-101B				TITLE: Push-Wire Building Connector	
PART. NAME:				DWG NAME:	
APPROVED BY	CHECKED BY	DESIGNED BY	DRAWN BY	CUSTOM NO.:	Tolerance X. ±0.50 X.X ±0.30 X.XX ±0.10 XX* ±1*
				UNITS: mm SCALE: 3/1 REVISION: B3	



Technical Data:

Material

Contact: Brass or Phosphor bronze

Wire guard: Stainless steel

Surface of solder tail: Ni plated and Tin plated

Insulator body(housing): PA66(UL94V-0)

Electrical

Voltage rating: 400V

Current rating: 24 Amps/way max

Contact resistance: 20mΩ (max)

Insulation resistance: 5000MΩ /1000V

Withstanding Voltage: 4000VAC(1min) Test time=60sec/1pcs

Wire range: 20-16AWG

Mechanical

Strip length: 9-11mm

Operating temperature: -40°C to +105°C

Safety approval deta: CE ROHS



X1	2015-03-27	产品说明		未注公差: TOLERANCE:	批准: APPROVAL:	审核: 王文林 CHECKING: 王文林	校对: 王文林 CORRECT: 王文林	制图: 李琪明 DRAWING:
版本 REV.	出图日期 DRAWING DATE	描述 DESCRIPTION	制图 DRAWING BY	材料名称: MATERIAL:	日期: DATE:	日期: DATE:	日期: DATE:	日期: DATE: 08/21-13
物料名称 PART NAME		客户型号: CUSTOMER NO. :		物料编号: MATERIAL PART NO. : CW-PCT-101C			 不得测量图纸尺寸 NOT SCALE DRAWING	
Push-wire Building Connector		公司型号: MODEL NO. :		图纸编号: DRAWING NO. :				

El.italia srl
componenti elettronici
ed elettromeccanici

