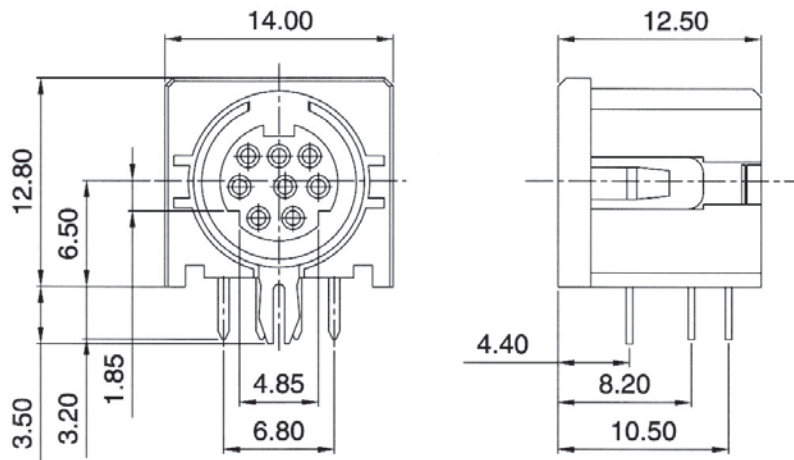


MINI DIN SOCKET UNSHIELDED TYPE (1)



SPECIFICATIONS

- Rating:** 100VAC 1A (max.)
12VDC 2A (max.)
- Dielectric withstanding voltage:** 500VAC, 60Hz for 1 minute
- Insulation resistance (initial):** 100MΩ (min.) at 500V DC
- Contact resistance (initial):** 30mΩ (max.) at AC 100mA (max.) 1 KHz
- Insertion & Extraction force:**
Initial : 4.5kgs (max.)
Extraction force: 0.9 to 3.0kgs

MATERIALS

- Insulator:** PBT(Black, UL94V-0)
 - Contact:** Phosphor bronze.
 - Metal Shell:** Copper alloy
- All materials must be RoHS compliant.

7286-xxx

ARRANGEMENT OF CONTACTS							
NO OF CONTACTS	3	4	5	6	7	8	9
HOLE LAYOUT							

ORDERING INFORMATION:

P/N 7 2 8 6 - $\frac{xxx}{T} \frac{2}{2}$

- NO. OF CONTACTS:
03, 04, 05, 06, 07, 08, 09
- HOUSING COLOR:
"B" BLACK
"N" GREEN
"P" PURPLE
"U" BLUE

MINI DIN SOCKET FULLY SHIELDED TYPE (1)

		<p>SPECIFICATIONS</p> <ol style="list-style-type: none"> Rating: 100VAC 1A (max.) 12VDC 2A (max.) Dielectric withstanding voltage: 500VAC, 60Hz for 1 minute Insulation resistance (initial): 100MΩ (min.) at 500V DC Contact resistance (initial): 30mΩ (max.) at AC 100mA (max.) 1 KHz Insertion & Extraction force: Initial : 4.5kgs (max.) Extraction force: 0.9 to 3.0kgs <p>MATERIALS</p> <ol style="list-style-type: none"> Insulator: PBT(Black, UL94V-0) Contact: Phosphor bronze. Metal Shell: Copper alloy <p>All materials must be RoHS compliant.</p>
7223-xxx	7290-xxx	

ARRANGEMENT OF CONTACTS							
NO OF CONTACTS	3	4	5	6	7	8	9
HOLE LAYOUT							

ORDERING INFORMATION:

P/N 7 2 $\frac{xx}{1}$ - $\frac{xxx}{2}$ 3

- CONNECTOR TYPE:
"23" WITHOUT GROUNDING SHIELD
"90" WITH GROUNDING SHIELD
- NO. OF CONTACTS:
03, 04, 05, 06, 07, 08, 09
- HOUSING COLOR:
"B" BLACK
"N" GREEN
"P" PURPLE

MINI DIN SOCKET FULLY SHIELDED TYPE (2)

		<p>SPECIFICATIONS</p> <ol style="list-style-type: none"> Rating: 100VAC 1A (max.) 12VDC 2A (max.) Dielectric withstanding voltage: 500VAC, 60Hz for 1 minute Insulation resistance (initial): 100MΩ (min.) at 500V DC Contact resistance (initial): 30mΩ (max.) at AC 100mA (max.) 1 KHz Insertion & Extraction force: Initial : 4.5kgs (max.) Extraction force: 0.9 to 3.0kgs <p>MATERIALS</p> <ol style="list-style-type: none"> Insulator: PBT(Black, UL94V-0) Contact: Phosphor bronze. Metal Shell: Copper alloy <p>All materials must be RoHS compliant.</p>
7225-xxx		7226-xxx

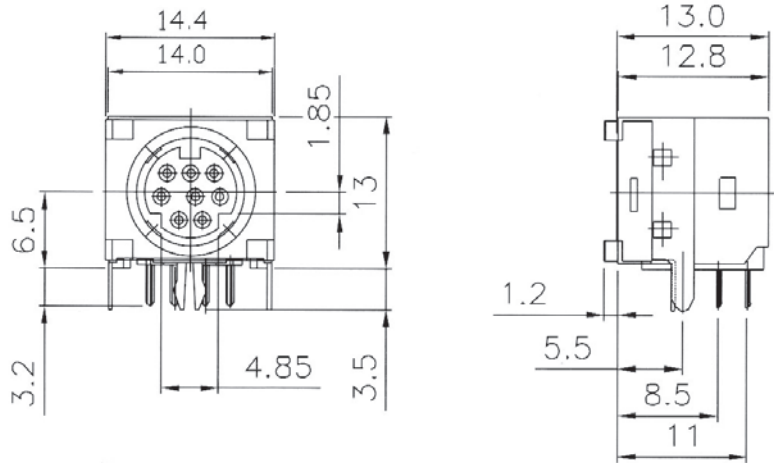
ARRANGEMENT OF CONTACTS							
NO OF CONTACTS	3	4	5	6	7	8	9
HOLE LAYOUT							

ORDERING INFORMATION:

P/N 7 2 $\frac{xx}{1}$ - $\frac{xxx}{2}$ 3

- CONNECTOR TYPE:
"25" WITHOUT GROUNDING SHIELD
"26" WITH GROUNDING SHIELD
- NO. OF CONTACTS:
03, 04, 05, 06, 07, 08, 09
- HOUSING COLOR:
"B" BLACK
"N" GREEN
"P" PURPLE

MINI DIN SOCKET FULLY SHIELDED TYPE (3)



SPECIFICATIONS

- Rating:** 100VAC 1A (max.)
12VDC 2A (max.)
- Dielectric withstanding voltage:**
500VAC, 60Hz for 1 minute
- Insulation resistance (initial):**
100MΩ (min.) at 500V DC
- Contact resistance (initial):**
30mΩ (max.) at AC 100mA (max.) 1 KHz
- Insertion & Extraction force:**
Initial : 4.5kgs (max.)
Extraction force: 0.9 to 3.0kgs

MATERIALS

- Insulator:** PBT(Black, UL94V-0)
 - Contact:** Phosphor bronze.
 - Metal Shell:** Copper alloy
- All materials must be RoHS compliant.

7228-xxx

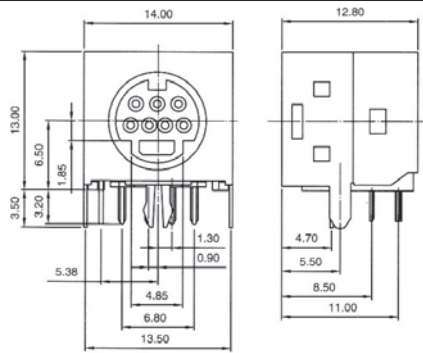
ARRANGEMENT OF CONTACTS							
NO OF CONTACTS	3	4	5	6	7	8	9
HOLE LAYOUT							

ORDERING INFORMATION:

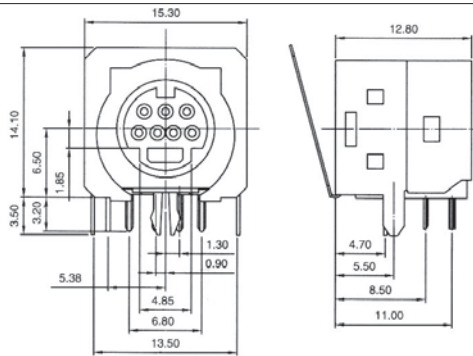
P/N 7 2 $\frac{28}{1}$ - $\frac{xxx}{2}$ $\frac{3}{3}$

- CONNECTOR TYPE:
"28" SEE DRAWING !
- NO. OF CONTACTS:
03, 04, 05, 06, 07, 08, 09
- HOUSING COLOR:
"B" BLACK
"N" GREEN
"P" PURPLE

MINI DIN SOCKET FULLY SHIELDED TYPE (4)



7288-xxx



7289-xxx

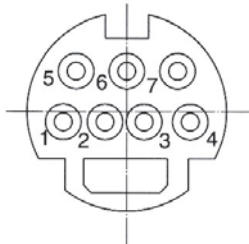
SPECIFICATIONS

1. **Rating:** 100VAC 1A (max.)
12VDC 2A (max.)
2. **Dielectric withstanding voltage:**
500VAC, 60Hz for 1 minute
3. **Insulation resistance (initial):**
100MΩ (min.) at 500V DC
4. **Contact resistance (initial):**
30mΩ (max.) at AC 100mA (max.) 1 KHz
5. **Insertion & Extraction force:**
Initial : 4.5kgs (max.)
Extraction force: 0.9 to 3.0kgs

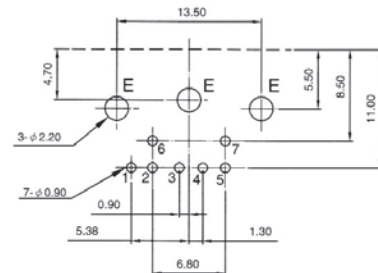
MATERIALS

1. **Insulator:** PBT(Black, UL94V-0)
 2. **Contact:** Phosphor bronze.
 3. **Metal Shell:** Copper alloy
- All materials must be RoHS compliant.

ARRANGEMENT OF CONTACTS



HOLE LAYOUT

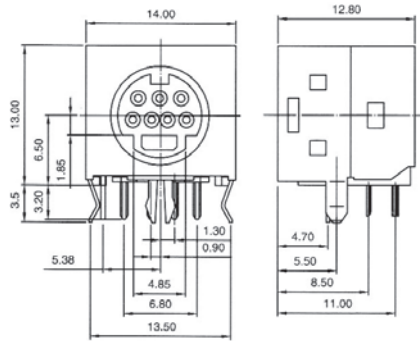


ORDERING INFORMATION:

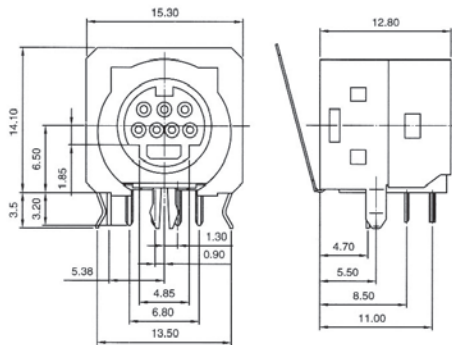
P/N 7 2 $\frac{x}{1}$ $\frac{x}{2}$ - 0 7 $\frac{x}{3}$

1. CONNECTOR TYPE:
"88" WITHOUT GROUNDING SHIELD
"89" WITH GROUNDING SHIELD
 2. NO. OF CONTACTS:
07
 3. HOUSING COLOR:
"B" BLACK
"N" GREEN
"P" PURPLE
- NOTE: WITH 7 PIN DOUBLE ROW CONTACTS

MINI DIN SOCKET FULLY SHIELDED TYPE (5)



7251-xxx



7252-xxx

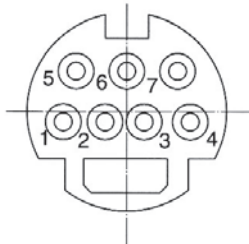
SPECIFICATIONS

1. **Rating:** 100VAC 1A (max.)
12VDC 2A (max.)
2. **Dielectric withstanding voltage:**
500VAC, 60Hz for 1 minute
3. **Insulation resistance (initial):**
100MΩ (min.) at 500V DC
4. **Contact resistance (initial):**
30mΩ (max.) at AC 100mA (max.) 1 KHz
5. **Insertion & Extraction force:**
Initial : 4.5kgs (max.)
Extraction force: 0.9 to 3.0kgs

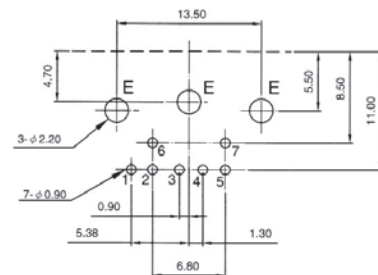
MATERIALS

1. **Insulator:** PBT(Black, UL94V-0)
 2. **Contact:** Phosphor bronze.
 3. **Metal Shell:** Copper alloy
- All materials must be RoHS compliant.

ARRANGEMENT OF CONTACTS



HOLE LAYOUT



ORDERING INFORMATION:

P/N 7 2 $\frac{x}{1}$ x - 0 7 $\frac{x}{2}$ $\frac{x}{3}$

1. CONNECTOR TYPE:
"51" WITHOUT GROUNDING SHIELD
"52" WITH GROUNDING SHIELD
 2. NO. OF CONTACTS:
07
 3. HOUSING COLOR:
"B" BLACK
"N" GREEN
"P" PURPLE
- NOTE: WITH 7 PIN DOUBLE ROW CONTACTS

MINI DIN SOCKET THIN TYPE PCB & SMT VERSION

				<p>SPECIFICATIONS</p> <ol style="list-style-type: none"> Rating: 100VAC 1A (max.) 12VDC 2A (max.) Dielectric withstanding voltage: 500VAC, 60Hz for 1 minute Insulation resistance (initial): 100MΩ (min.) at 500V DC Contact resistance (initial): 30mΩ (max.) at AC 100mA (max.) 1 KHz Insertion & Extraction force: Initial : 4.5kgs (max.) Extraction force: 0.9 to 3.0kgs <p>MATERIALS</p> <ol style="list-style-type: none"> Insulator: PBT(Black, UL94V-0) Contact: Phosphor bronze. Metal Shell: Copper alloy <p>All materials must be RoHS compliant.</p>
<p align="center">PCB TYPE 7201-xx</p>		<p align="center">PCB TYPE 7202-xx</p>		
<p align="center">SMT TYPE 7203-xx</p>		<p align="center">SMT TYPE 7204-xx</p>		
ARRANGEMENT OF CONTACTS				
NO OF CONTACTS	4	6	4	6
MODEL NO.	7201-04	7201-06	7203-04	7203-06
HOLE LAYOUT				
MODEL NO.	7202-04	7202-06	7204-04	7204-06
HOLE LAYOUT				

ORDERING INFORMATION:

P/N 7 2 $\frac{xx}{1} - \frac{xx}{2}$

- CONNECTOR TYPE:
"01" PCB TYPE
"02" PCB TYPE
"03" SMT TYPE
"04" SMT TYPE

- NO. OF CONTACTS:
04, 06

NOTE: THE HOUSING COLOR IS BLACK.

MINI DIN SOCKET UNSHIELDED TYPE

				SPECIFICATIONS 1. Rating: 100VAC 1A (max.) 12VDC 2A (max.) 2. Dielectric withstanding voltage: 500VAC, 60Hz for 1 minute 3. Insulation resistance (initial): 100MΩ (min.) at 500V DC 4. Contact resistance (initial): 30mΩ (max.) at AC 100mA (max.) 1 KHz 5. Insertion & Extraction force: Initial : 4.5kgs (max.) Extraction force: 0.9 to 3.0kgs MATERIALS 1. Insulator: PBT(Black, UL94V-0) 2. Contact: Phosphor bronze. 3. Metal Shell: Copper alloy All materials must be RoHS compliant.		
STANDARD TYPE 7232-xx		QUICK LOCK TYPE 7236-xx				
SNAP IN FIT TERMINAL TYPE 7237-xx		QUICK LOCK & SNAP IN FIT TERMINAL TYPE 7238-xx				
ARRANGEMENT OF CONTACTS						
NO OF CONTACTS	3	4	5	6	7	8
HOLE LAYOUT						

ORDERING INFORMATION:

P/N 7 2 $\frac{xx}{1}$ - $\frac{xx}{2}$

- CONNECTOR TYPE:
"32" STANDARD TYPE
"36" QUICK LOCK TYPE
"37" SNAP IN FIT TERMINAL TYPE
"38" QUICK LOCK & SNAP IN FIT TERMINAL TYPE
- NO. OF CONTACTS:
03, 04, 05, 06, 07, 08
NOTE: THE HOUSING COLOR IS BLACK.

MINI DIN SOCKET WITH SIDE KINK SHIELD (1)

				SPECIFICATIONS 1. Rating: 100VAC 1A (max.) 12VDC 2A (max.) 2. Dielectric withstanding voltage: 500VAC, 60Hz for 1 minute 3. Insulation resistance (initial): 100MΩ (min.) at 500V DC 4. Contact resistance (initial): 30mΩ (max.) at AC 100mA (max.) 1 KHz 5. Insertion & Extraction force: Initial : 4.5kgs (max.) Extraction force: 0.9 to 3.0kgs MATERIALS 1. Insulator: PBT(Black, UL94V-0) 2. Contact: Phosphor bronze. 3. Metal Shell: Copper alloy All materials must be RoHS compliant.		
STANDARD TYPE 7233-xx		QUICK LOCK TYPE 7242-xx				
SNAP IN FIT TERMINAL TYPE 7243-xx		QUICK LOCK & SNAP IN FIT TERMINAL TYPE 7244-xx				
ARRANGEMENT OF CONTACTS						
NO OF CONTACTS	3	4	5	6	7	8
HOLE LAYOUT						

ORDERING INFORMATION:

P/N 7 2 $\frac{xx}{1}$ - $\frac{xx}{2}$

- CONNECTOR TYPE:
"33" STANDARD TYPE
"42" QUICK LOCK TYPE
"43" SNAP IN FIT TERMINAL TYPE
"44" QUICK LOCK & SNAP IN FIT TERMINAL TYPE
- NO. OF CONTACTS:
03, 04, 05, 06, 07, 08
NOTE: THE HOUSING COLOR IS BLACK.

MINI DIN SOCKET WITH SIDE KINK SHIELD (2)

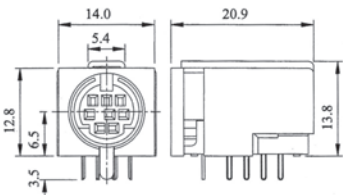
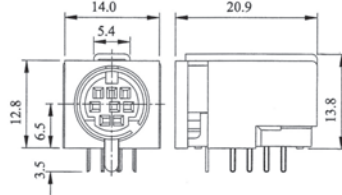
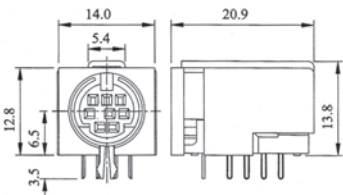
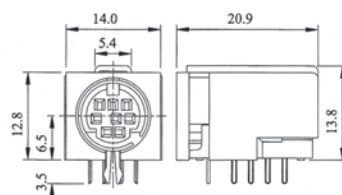
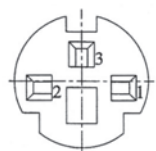
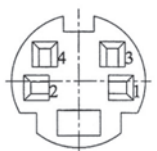
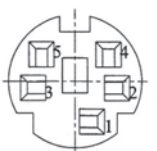
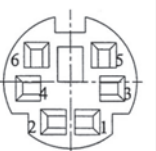
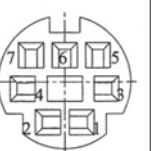
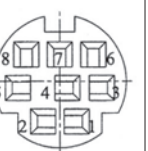
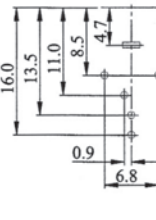
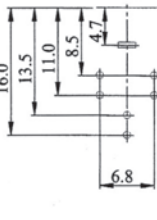
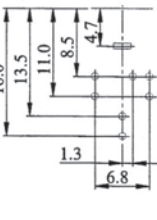
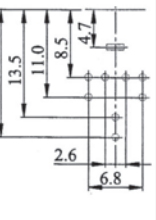
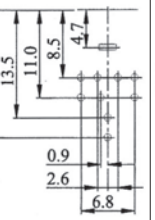
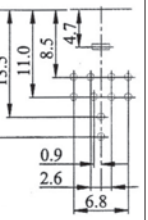
				<p>SPECIFICATIONS</p> <p>1. Rating: 100VAC 1A (max.) 12VDC 2A (max.)</p> <p>2. Dielectric withstanding voltage: 500VAC, 60Hz for 1 minute</p> <p>3. Insulation resistance (initial): 100MΩ (min.) at 500V DC</p> <p>4. Contact resistance (initial): 30mΩ (max.) at AC 100mA (max.) 1 KHz</p> <p>5. Insertion & Extraction force: Initial : 4.5kgs (max.) Extraction force: 0.9 to 3.0kgs</p> <p>MATERIALS</p> <p>1. Insulator: PBT(Black, UL94V-0)</p> <p>2. Contact: Phosphor bronze.</p> <p>3. Metal Shell: Copper alloy</p> <p>All materials must be RoHS compliant.</p>		
<p>STANDARD TYPE 7245-xx</p>		<p>QUICK LOCK TYPE 7246-xx</p>				
<p>SNAP IN FIT TERMINAL TYPE 7247-xx</p>		<p>QUICK LOCK & SNAP IN FIT TERMINAL TYPE 7248-xx</p>				
ARRANGEMENT OF CONTACTS						
NO OF CONTACTS	3	4	5	6	7	8
HOLE LAYOUT						

ORDERING INFORMATION:

P/N 7 2 $\frac{xx}{1}$ - $\frac{xx}{2}$

- CONNECTOR TYPE:
"45" STANDARD TYPE
"46" QUICK LOCK TYPE
"47" SNAP IN FIT TERMINAL TYPE
"48" QUICK LOCK & SNAP IN FIT TERMINAL TYPE
- NO. OF CONTACTS:
03, 04, 05, 06, 07, 08
NOTE: THE HOUSING COLOR IS BLACK.

MINI DIN SOCKET WITH SWITCH 1P-1T

				SPECIFICATIONS 1. Rating: 100VAC 1A (max.) 12VDC 2A (max.) 2. Dielectric withstanding voltage: 500VAC, 60Hz for 1 minute 3. Insulation resistance (initial): 100MΩ (min.) at 500V DC 4. Contact resistance (initial): 30mΩ (max.) at AC 100mA (max.) 1 KHz 5. Insertion & Extraction force: Initial : 4.5kgs (max.) Extraction force: 0.9 to 3.0kgs MATERIALS 1. Insulator: PBT(Black, UL94V-0) 2. Contact: Phosphor bronze. 3. Metal Shell: Copper alloy All materials must be RoHS compliant.		
STANDARD TYPE 7234-xx		QUICK LOCK TYPE 7249-xx				
						
SNAP IN FIT TERMINAL TYPE 7250-xx		QUICK LOCK & SNAP IN FIT TERMINAL TYPE 7258-xx				
ARRANGEMENT OF CONTACTS						
NO OF CONTACTS	3	4	5	6	7	8
HOLE LAYOUT						

ORDERING INFORMATION:

P/N 72 $\frac{xx}{1}$ - $\frac{xx}{2}$

- CONNECTOR TYPE:
"34" STANDARD TYPE
"49" QUICK LOCK TYPE
"50" SNAP IN FIT TERMINAL TYPE
"58" QUICK LOCK & SNAP IN FIT TERMINAL TYPE
- NO. OF CONTACTS:
03, 04, 05, 06, 07, 08
NOTE: THE HOUSING COLOR IS BLACK.

MINI DIN SOCKET WITH SWITCH & SHIELD

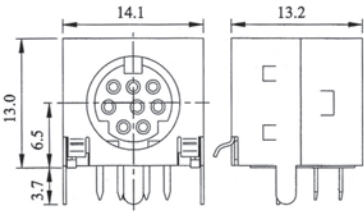
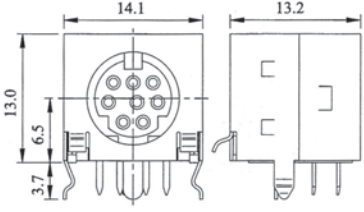
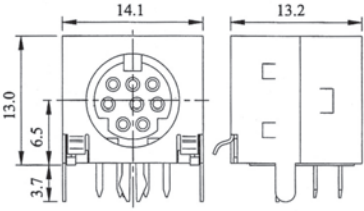
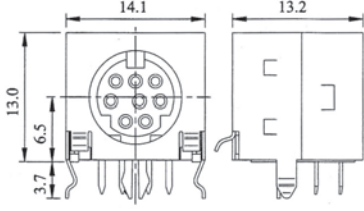
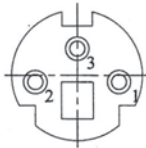

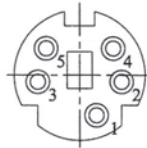
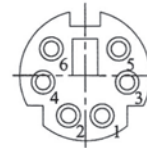
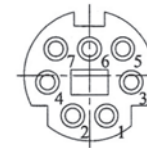
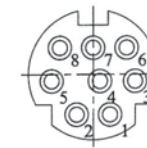
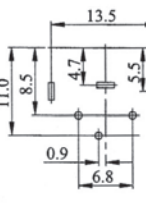
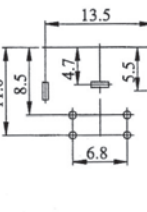
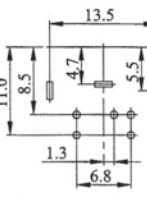
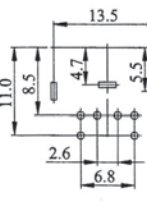
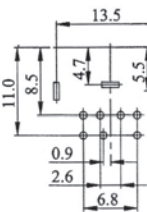
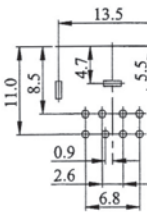
				SPECIFICATIONS 1. Rating: 100VAC 1A (max.) 12VDC 2A (max.) 2. Dielectric withstanding voltage: 500VAC, 60Hz for 1 minute 3. Insulation resistance (initial): 100MΩ (min.) at 500V DC 4. Contact resistance (initial): 30mΩ (max.) at AC 100mA (max.) 1 KHz 5. Insertion & Extraction force: Initial : 4.5kgs (max.) Extraction force: 0.9 to 3.0kgs MATERIALS 1. Insulator: PBT(Black, UL94V-0) 2. Contact: Phosphor bronze. 3. Metal Shell: Copper alloy All materials must be RoHS compliant.		
STANDARD TYPE 7259-xx		QUICK LOCK TYPE 7260-xx				
SNAP IN FIT TERMINAL TYPE 7270-xx		QUICK LOCK & SNAP IN FIT TERMINAL TYPE 7271-xx				
ARRANGEMENT OF CONTACTS						
NO OF CONTACTS	3	4	5	6	7	8
HOLE LAYOUT						

ORDERING INFORMATION:

P/N 72 $\frac{xx}{1}$ - $\frac{xx}{2}$

- CONNECTOR TYPE:
"59" STANDARD TYPE
"60" QUICK LOCK TYPE
"70" SNAP IN FIT TERMINAL TYPE
"71" QUICK LOCK & SNAP IN FIT TERMINAL TYPE
- NO. OF CONTACTS:
03, 04, 05, 06, 07, 08
NOTE: THE HOUSING COLOR IS BLACK.

MINI DIN SOCKET FULLY SHIELD WITH FRONT SPRING

				SPECIFICATIONS 1. Rating: 100VAC 1A (max.) 12VDC 2A (max.) 2. Dielectric withstanding voltage: 500VAC, 60Hz for 1 minute 3. Insulation resistance (initial): 100MΩ (min.) at 500V DC 4. Contact resistance (initial): 30mΩ (max.) at AC 100mA (max.) 1 KHz 5. Insertion & Extraction force: Initial : 4.5kgs (max.) Extraction force: 0.9 to 3.0kgs MATERIALS 1. Insulator: PBT(Black, UL94V-0) 2. Contact: Phosphor bronze. 3. Metal Shell: Copper alloy All materials must be RoHS compliant.		
STANDARD TYPE 7265-xx		SIDE KINK TYPE 7266-xx				
						
SNAP IN FIT TERMINAL TYPE 7267-xx		SIDE KINK & SNAP IN FIT TERMINAL TYPE 7268-xx				
ARRANGEMENT OF CONTACTS						
NO OF CONTACTS	3	4	5	6	7	8
HOLE LAYOUT						

ORDERING INFORMATION:

P/N 7 2 $\frac{xx}{1}$ - $\frac{xx}{2}$

- CONNECTOR TYPE:
"65" STANDARD TYPE
"66" SIDE KINK TYPE
"67" SNAP IN FIT TERMINAL TYPE
"68" SIDE KINK & SNAP IN FIT TERMINAL TYPE
- NO. OF CONTACTS:
03, 04, 05, 06, 07, 08
NOTE: THE HOUSING COLOR IS BLACK.

MINI DIN SOCKET FULLY SHIELD TYPE

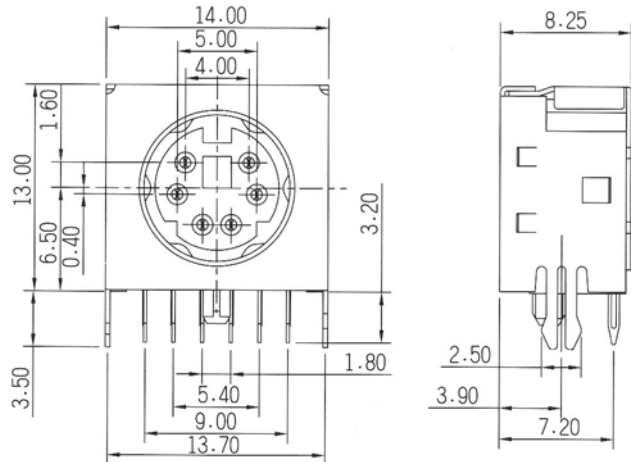
				<p>SPECIFICATIONS</p> <p>1. Rating: 100VAC 1A (max.) 12VDC 2A (max.)</p> <p>2. Dielectric withstanding voltage: 500VAC, 60Hz for 1 minute</p> <p>3. Insulation resistance (initial): 100MΩ (min.) at 500V DC</p> <p>4. Contact resistance (initial): 30mΩ (max.) at AC 100mA (max.) 1 KHz</p> <p>5. Insertion & Extraction force: Initial : 4.5kgs (max.) Extraction force: 0.9 to 3.0kgs</p> <p>MATERIALS</p> <p>1. Insulator: PBT(Black, UL94V-0)</p> <p>2. Contact: Phosphor bronze.</p> <p>3. Metal Shell: Copper alloy</p> <p>All materials must be RoHS compliant.</p>		
<p>STANDARD TYPE 7261-xx</p>		<p>SIDE KINK TYPE 7262-xx</p>				
<p>SNAP IN FIT TERMINAL TYPE 7263-xx</p>		<p>SIDE KINK & SNAP IN FIT TERMINAL TYPE 7264-xx</p>				
ARRANGEMENT OF CONTACTS						
NO OF CONTACTS	3	4	5	6	7	8
HOLE LAYOUT						

ORDERING INFORMATION:

P/N 72 $\frac{xx}{1}$ - $\frac{xx}{2}$

- CONNECTOR TYPE:
"61" STANDARD TYPE
"62" SIDE KINK TYPE
"63" SNAP IN FIT TERMINAL TYPE
"64" SIDE KINK & SNAP IN FIT TERMINAL TYPE
- NO. OF CONTACTS:
03, 04, 05, 06, 07, 08
NOTE: THE HOUSING COLOR IS BLACK.

MINI DIN SOCKET FULLY SHIELDED TYPE



SPECIFICATIONS

1. **Rating:** 100VAC 1A (max.)
12VDC 2A (max.)
2. **Dielectric withstanding voltage:**
500VAC, 60Hz for 1 minute
3. **Insulation resistance (initial):**
100MΩ (min.) at 500V DC
4. **Contact resistance (initial):**
30mΩ (max.) at AC 100mA (max.) 1 KHz
5. **Insertion & Extraction force:**
Initial : 4.5kgs (max.)
Extraction force: 0.9 to 3.0kgs

MATERIALS

1. **Insulator:** PBT(Black, UL94V-0)
 2. **Contact:** Phosphor bronze.
 3. **Metal Shell:** Copper alloy
- All materials must be RoHS compliant.

7278-xxx

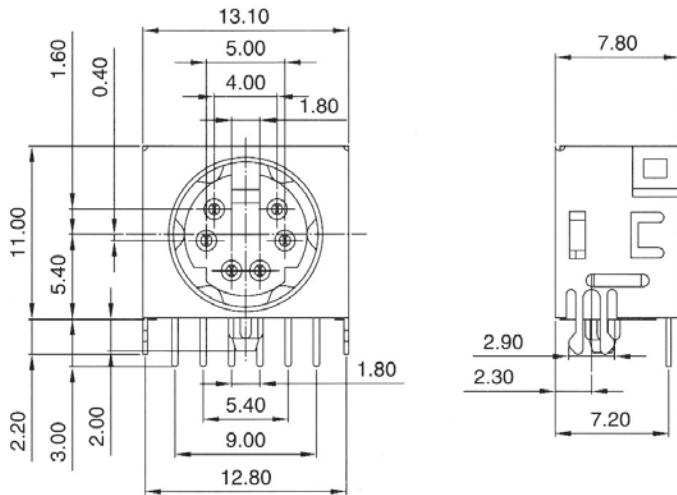
ARRANGEMENT OF CONTACTS		
NO OF CONTACTS	<p style="text-align: center;">4</p>	<p style="text-align: center;">6</p>
HOLE LAYOUT		

ORDERING INFORMATION:

P/N 7 2 7 8 - x x x
1 2 3

1. **CONNECTOR TYPE:**
"78" FULLY SHIELDED TYPE
2. **NO. OF CONTACTS:**
04, 06
3. **HOUSING COLOR:**
"B" BLACK
"N" GREEN
"P" PURPLE

MINI DIN SOCKET FULLY SHIELDED TYPE



SPECIFICATIONS

- Rating:** 100VAC 1A (max.)
12VDC 2A (max.)
- Dielectric withstanding voltage:**
500VAC, 60Hz for 1 minute
- Insulation resistance (initial):**
100M Ω (min.) at 500V DC
- Contact resistance (initial):**
30m Ω (max.) at AC 100mA (max.) 1 KHz
- Insertion & Extraction force:**
Initial : 4.5kgs (max.)
Extraction force: 0.9 to 3.0kgs

MATERIALS

- Insulator:** PBT(Black, UL94V-0)
 - Contact:** Phosphor bronze.
 - Metal Shell:** Copper alloy
- All materials must be RoHS compliant.

7281-xxx

ARRANGEMENT OF CONTACTS		
NO OF CONTACTS	4	6
HOLE LAYOUT		

ORDERING INFORMATION:

P/N 7 2 8 1 - $\frac{x}{1}$ $\frac{x}{2}$ $\frac{x}{3}$

- CONNECTOR TYPE:**
"81" FULLY SHIELDED TYPE
- NO. OF CONTACTS:**
04, 06
- HOUSING COLOR:**
"B" BLACK
"N" GREEN
"P" PURPLE