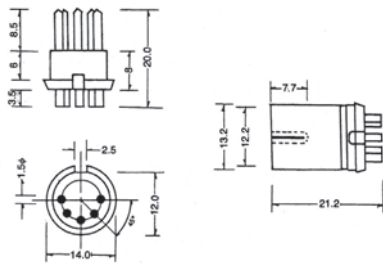


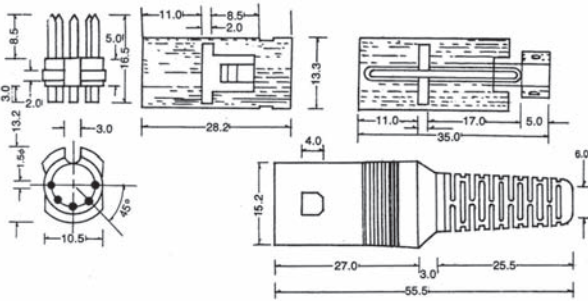
DIN ASSEMBLY & MOLDED PLUG SOLDER TYPE



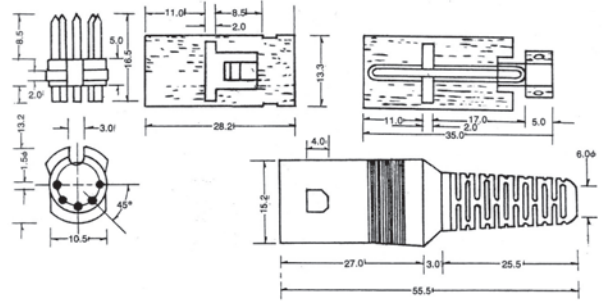
7111MD-xx

SPECIFICATIONS

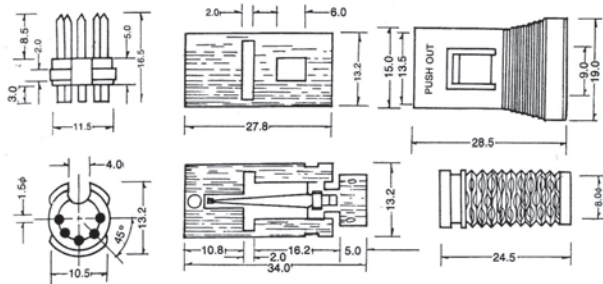
1. Contact resistance: 20mΩ Max.
 2. Dielectric strength:
1,000VAC for 1 minute
 3. Insulation resistance:
100MΩ Min. at 500V DC
 4. Rating: 100VAC 2A
- All materials must be RoHS compliant.



7111-xx



7159-xx



7116-xx

ARRANGEMENT OF CONTACTS									
NO OF CONTACTS	3P	4P	5P 180°	5P 240°	5P 360°	6P	7P	8P 270°	8P 262°

ORDERING INFORMATION:

P/N 71 $\frac{xx}{1}$ - $\frac{xx}{2}$

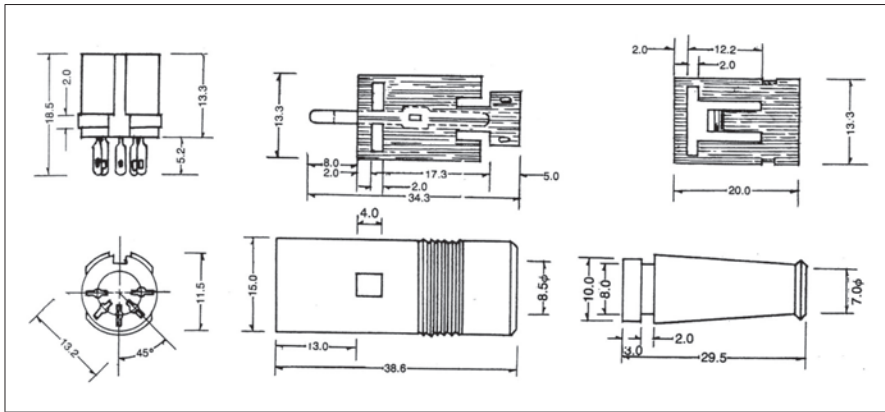
1. CONNECTOR TYPE:

- "11" DIN ASSEMBLY TYPE ABS Φ 6.0MM
- "11MD" DIN MOLDED TYPE
- "59" DIN ASSEMBLY TYPE BAKELITE Φ 6.0MM
- "16" DIN ASSEMBLY TYPE BAKELITE Φ 8.0MM

2. NO. OF CONTACTS:

- "03" 3P
- "04" 4P
- "05A" 5P, 180°
- "05B" 5P, 240°
- "05C" 5P, 360°
- "06" 6P
- "07" 7P
- "08A" 8P, 270°
- "08B" 8P, 262°

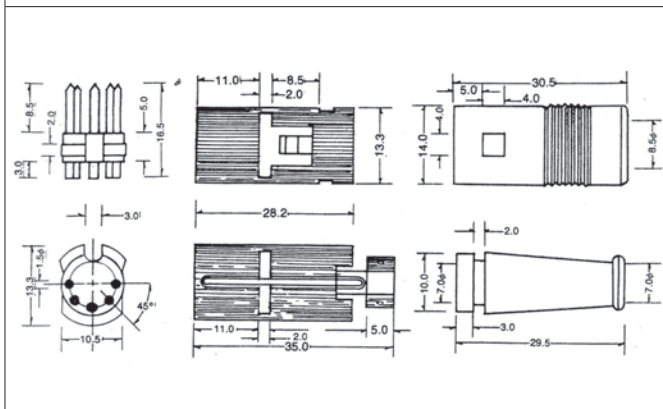
DIN ASSEMBLY CONNECTOR METAL SOLDER TYPE



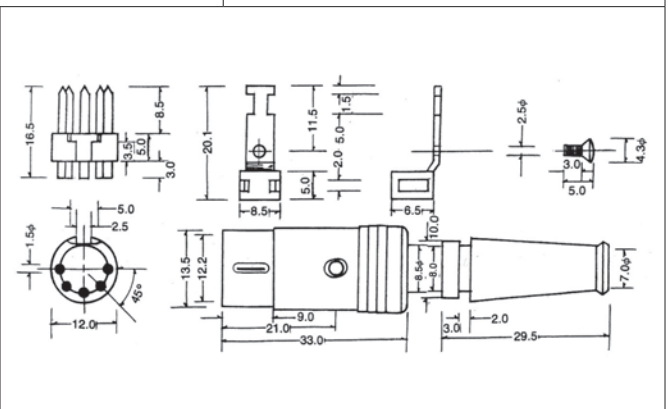
7122C-xx

SPECIFICATIONS

1. Contact resistance: 20mΩ Max.
 2. Dielectric strength:
1,000VAC for 1 minute
 3. Insulation resistance:
100MΩ Min. at 500V DC
 4. Rating: 100VAC 2A
- All materials must be RoHS compliant.



7112C-xx



7112S-xx

ARRANGEMENT OF CONTACTS	7112C-xx / 7112S-xx									
	7122C-xx / 7122S-xx									
NO OF CONTACTS	3P	4P	5P 180°	5P 240°	5P 360°	6P	7P	8P 270°	8P 262°	

ORDERING INFORMATION:

P/N 71 $\frac{xx}{1}$ - $\frac{xx}{2}$

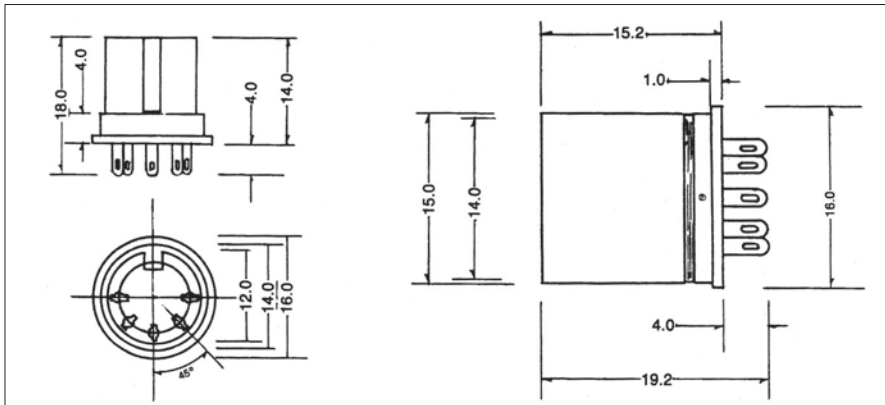
1. CONNECTOR TYPE:

- "12C" DIN ASSEMBLY PLUG ABS CLIP TYPE
- "12S" DIN ASSEMBLY PLUG BAKELITE WITH SCREW
- "22C" DIN ASSEMBLY JACK ABS CLIP TYPE
- "22S" DIN ASSEMBLY JACK BAKELITE WITH SCREW

2. NO. OF CONTACTS:

- "03" 3P
- "04" 4P
- "05A" 5P, 180°
- "05B" 5P, 240°
- "05C" 5P, 360°
- "06" 6P
- "07" 7P
- "08A" 8P, 270°
- "08B" 8P, 262°

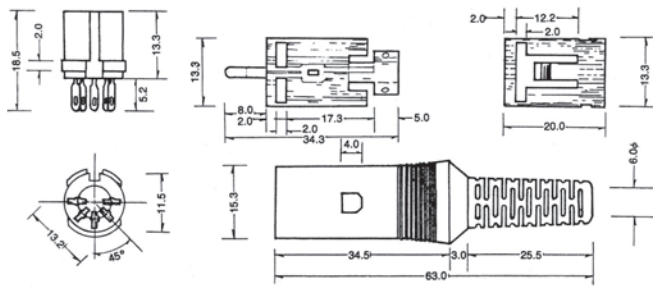
DIN ASSEMBLY & MOLDED JACK SOLDER TYPE



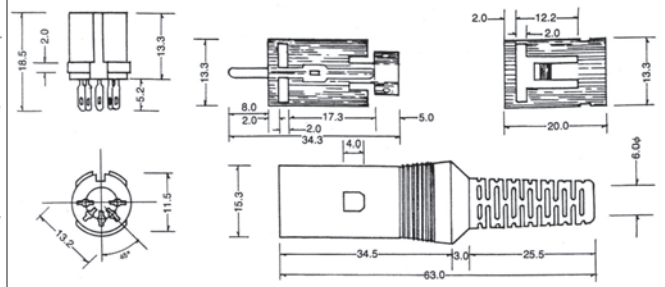
7121MD-xx

SPECIFICATIONS

1. Contact resistance: 20mΩ Max.
 2. Dielectric strength:
1,000VAC for 1 minute
 3. Insulation resistance:
100MΩ Min. at 500V DC
 4. Rating: 100VAC 2A
- All materials must be RoHS compliant.



7121-xx



7160-xx

ARRANGEMENT OF CONTACTS									
NO OF CONTACTS	3P	4P	5P 180°	5P 240°	5P 360°	6P	7P	8P 270°	8P 262°

ORDERING INFORMATION:

P/N 71 $\frac{xx}{1}$ - $\frac{xx}{2}$

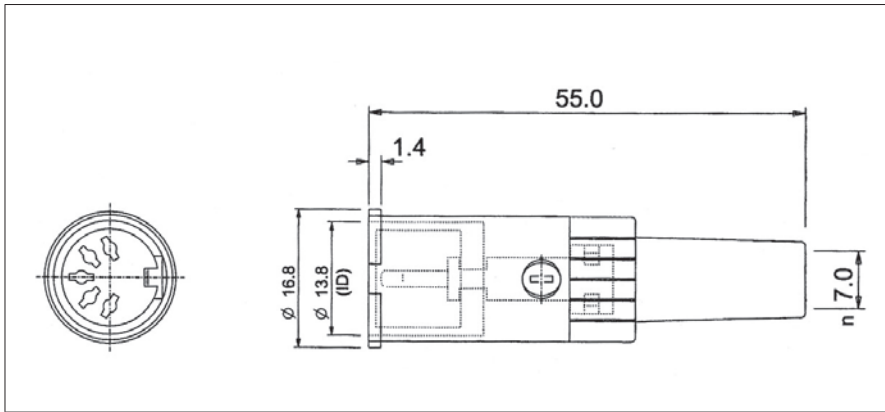
1. CONNECTOR TYPE:

- "21" DIN ASSEMBLY JACK ABS Φ6.0MM
- "21MD" DIN MOLDED JACK
- "60" DIN ASSEMBLY JACK BAKELITE Φ6.0MM

2. NO. OF CONTACTS:

- "03" 3P
- "04" 4P
- "05A" 5P, 180°
- "05B" 5P, 240°
- "05C" 5P, 360°
- "06" 6P
- "07" 7P
- "08A" 8P, 270°
- "08B" 8P, 262°

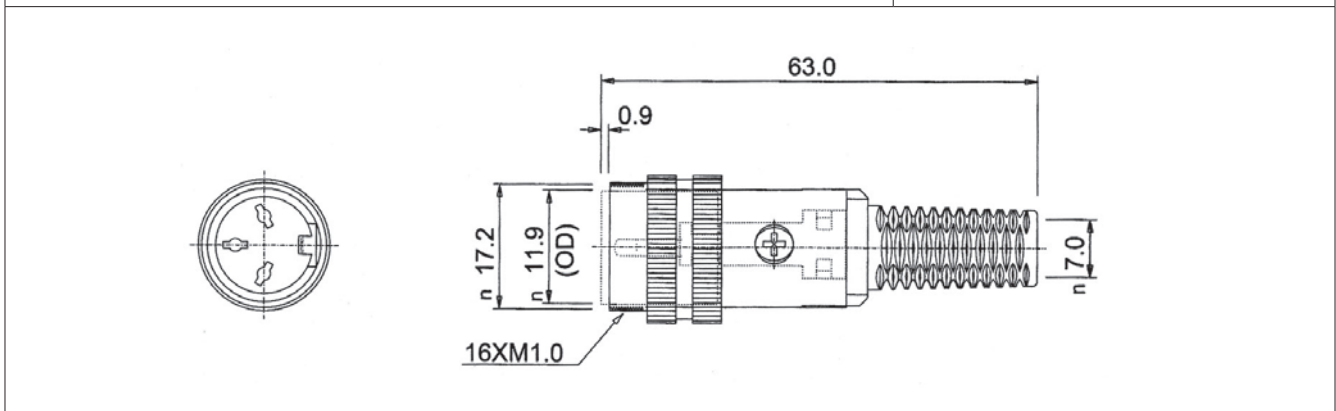
DIN ASSEMBLY JACK METAL SCREW TYPE



7129-xx

SPECIFICATIONS

1. Contact resistance: 20mΩ Max.
 2. Dielectric strength: 1,000VAC for 1 minute
 3. Insulation resistance: 100MΩ Min. at 500V DC
 4. Rating: 100VAC 2A
- All materials must be RoHS compliant.



7142-xx

ARRANGEMENT OF CONTACTS									
NO OF CONTACTS	3P	4P	5P 180°	5P 240°	5P 360°	6P	7P	8P 270°	8P 262°

ORDERING INFORMATION:

P/N 71 $\frac{xx}{1}$ - $\frac{xx}{2}$

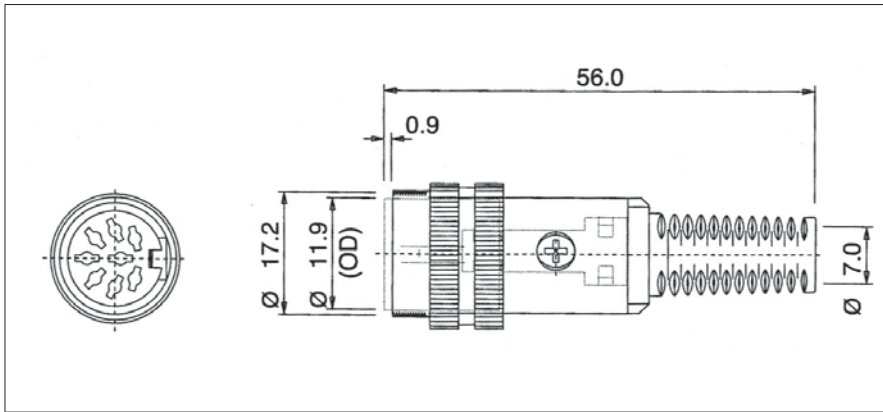
1. CONNECTOR TYPE:

- "29" DIN JACK Φ 7.0MM
- "42" DIN JACK Φ 7.0MM

2. NO. OF CONTACTS:

- "03" 3P
- "04" 4P
- "05A" 5P, 180°
- "05B" 5P, 240°
- "05C" 5P, 360°
- "06" 6P
- "07" 7P
- "08A" 8P, 270°
- "08B" 8P, 262°

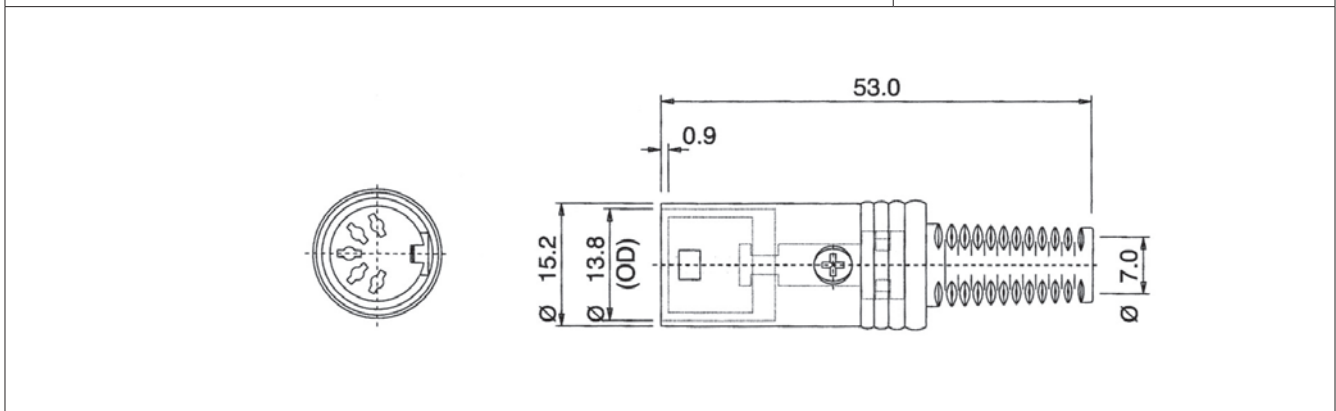
DIN ASSEMBLY PLUG METAL SCREW SOLDER TYPE



7127-xx

SPECIFICATIONS

1. Contact resistance: 20mΩ Max.
 2. Dielectric strength:
1,000VAC for 1 minute
 3. Insulation resistance:
100MΩ Min. at 500V DC
 4. Rating: 100VAC 2A
- All materials must be RoHS compliant.



7128-xx

ARRANGEMENT OF CONTACTS									
NO OF CONTACTS	3P	4P	5P 180°	5P 240°	5P 360°	6P	7P	8P 270°	8P 262°

ORDERING INFORMATION:

P/N 71 $\frac{xx}{1}$ - $\frac{xx}{2}$

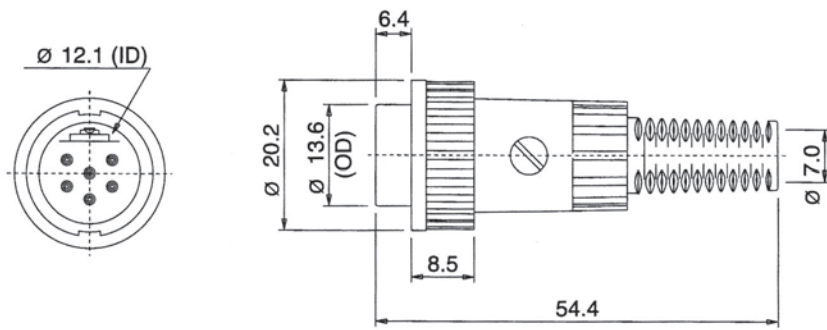
1. CONNECTOR TYPE:

- "27" DIN JACK Φ 7.0MM
- "28" DIN JACK Φ 7.0MM

2. NO. OF CONTACTS:

- "03" 3P
- "04" 4P
- "05A" 5P, 180°
- "05B" 5P, 240°
- "05C" 5P, 360°
- "06" 6P
- "07" 7P
- "08A" 8P, 270°
- "08B" 8P, 262°

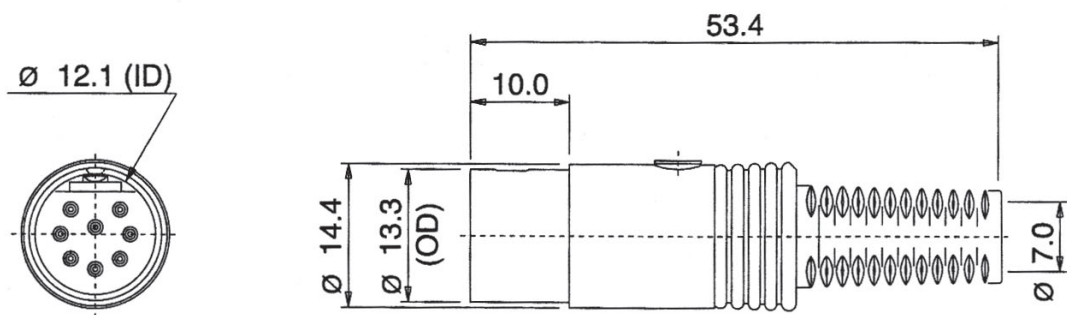
DIN ASSEMBLY PLUG METAL SOLDER TYPE



7118-xx

SPECIFICATIONS

1. Contact resistance: 20mΩ Max.
 2. Dielectric strength: 1,000VAC for 1 minute
 3. Insulation resistance: 100MΩ Min. at 500V DC
 4. Rating: 100VAC 2A
- All materials must be RoHS compliant.



7166-xx

ARRANGEMENT OF CONTACTS									
NO OF CONTACTS	3P	4P	5P 180°	5P 240°	5P 360°	6P	7P	8P 270°	8P 262°

ORDERING INFORMATION:

P/N 71 $\frac{xx}{1}$ - $\frac{xx}{2}$

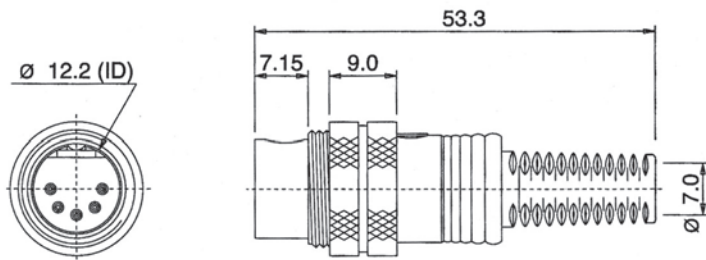
1. CONNECTOR TYPE:

- "18" DIN PLUG Φ 7.0MM
- "66" DIN PLUG Φ 7.0MM

2. NO. OF CONTACTS:

- "03" 3P
- "04" 4P
- "05A" 5P, 180°
- "05B" 5P, 240°
- "05C" 5P, 360°
- "06" 6P
- "07" 7P
- "08A" 8P, 270°
- "08B" 8P, 262°

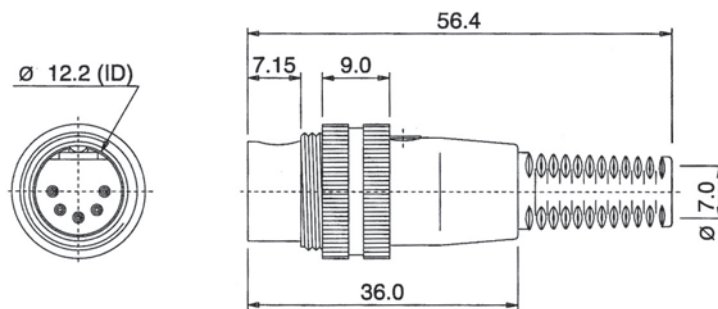
DIN ASSEMBLY PLUG METAL SOLDER TYPE



7119-xx

SPECIFICATIONS

1. Contact resistance: 20mΩ Max.
 2. Dielectric strength:
1,000VAC for 1 minute
 3. Insulation resistance:
100MΩ Min. at 500V DC
 4. Rating: 100VAC 2A
- All materials must be RoHS compliant.



7167-xx

ARRANGEMENT OF CONTACTS									
NO OF CONTACTS	3P	4P	5P 180°	5P 240°	5P 360°	6P	7P	8P 270°	8P 262°

ORDERING INFORMATION:

P/N 71 $\frac{xx}{1}$ - $\frac{xx}{2}$

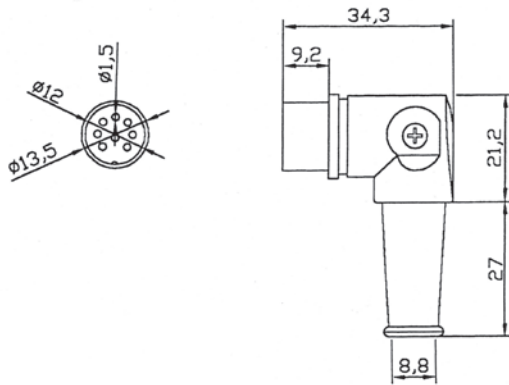
1. CONNECTOR TYPE:

- "19" DIN PLUG Φ 7.0MM
- "67" DIN PLUG Φ 7.0MM

2. NO. OF CONTACTS:

- "03" 3P
- "04" 4P
- "05A" 5P, 180°
- "05B" 5P, 240°
- "05C" 5P, 360°
- "06" 6P
- "07" 7P
- "08A" 8P, 270°
- "08B" 8P, 262°

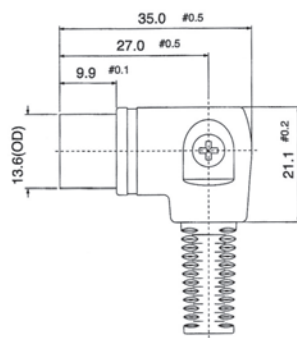
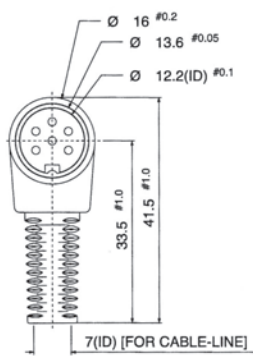
DIN ASSEMBLY RIGHT ANGLE PLUG METAL SCREW SOLDER TYPE



7161-xx

SPECIFICATIONS

1. Contact resistance: 20mΩ Max.
 2. Dielectric strength:
1,000VAC for 1 minute
 3. Insulation resistance:
100MΩ Min. at 500V DC
 4. Rating: 100VAC 2A
- All materials must be RoHS compliant.



7168-xx

7169-xx

ARRANGEMENT OF CONTACTS									
NO OF CONTACTS	3P	4P	5P 180°	5P 240°	5P 360°	6P	7P	8P 270°	8P 262°

ORDERING INFORMATION:

P/N 71 $\frac{xx}{1}$ - $\frac{xx}{2}$

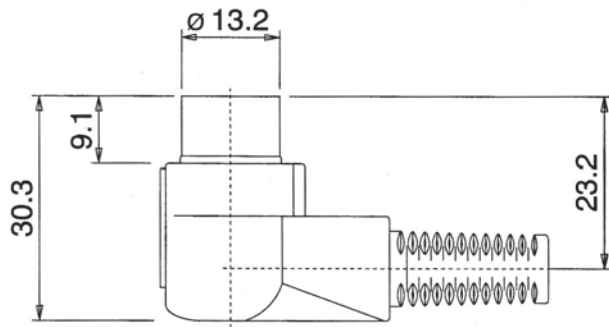
1. CONNECTOR TYPE:

- "61" DIN PLUG R/A TYPE Φ8.8MM
- "68" DIN PLUG R/A TYPE Φ7.0MM
- "69" DIN PLUG R/A TYPE Φ7.0MM

2. NO. OF CONTACTS:

- "03" 3P
- "04" 4P
- "05A" 5P, 180°
- "05B" 5P, 240°
- "05C" 5P, 360°
- "06" 6P
- "07" 7P
- "08A" 8P, 270°
- "08B" 8P, 262°

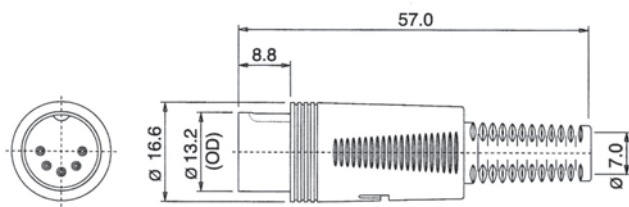
DIN ASSEMBLY PLUG SOLDER TYPE



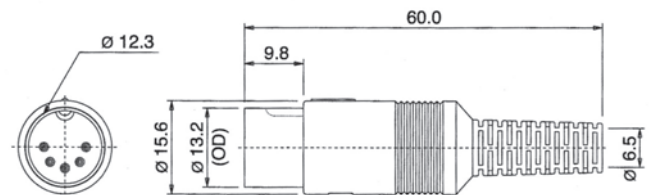
7115-xx

SPECIFICATIONS

1. Contact resistance: 20mΩ Max.
 2. Dielectric strength:
1,000VAC for 1 minute
 3. Insulation resistance:
100MΩ Min. at 500V DC
 4. Rating: 100VAC 2A
- All materials must be RoHS compliant.



7177-xx



7178-xx

ARRANGEMENT OF CONTACTS									
NO OF CONTACTS	3P	4P	5P 180°	5P 240°	5P 360°	6P	7P	8P 270°	8P 262°

ORDERING INFORMATION:

P/N 71 $\frac{xx}{1}$ - $\frac{xx}{2}$

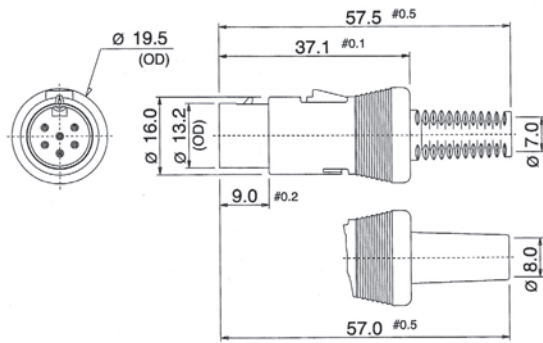
1. CONNECTOR TYPE:

- "15" RIGHT ANGLE TYPE PLUG
- "77" DIN PLUG Φ 7.0MM
- "78" DIN PLUG Φ 6.5MM

2. NO. OF CONTACTS:

- "03" 3P
- "04" 4P
- "05A" 5P, 180°
- "05B" 5P, 240°
- "05C" 5P, 360°
- "06" 6P
- "07" 7P
- "08A" 8P, 270°
- "08B" 8P, 262°

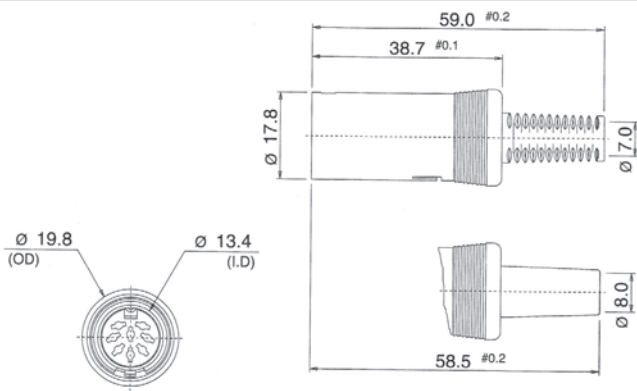
DIN CONNECTOR QUICK LOCKING SOLDER TYPE



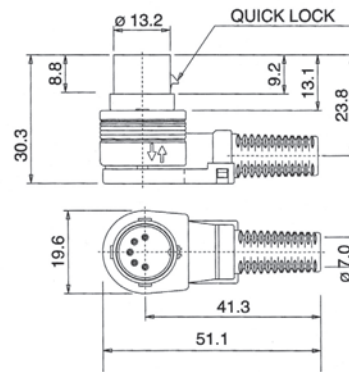
7101-xx

SPECIFICATIONS

1. Contact resistance: 20mΩ Max.
 2. Dielectric strength: 1,000VAC for 1 minute
 3. Insulation resistance: 100MΩ Min. at 500V DC
 4. Rating: 100VAC 2A
- All materials must be RoHS compliant.



7102-xx



7103-xx

ARRANGEMENT OF CONTACTS	7101-xx / 7103-xx								
NO OF CONTACTS	7102-xx								

ORDERING INFORMATION:

P/N 71 $\frac{xx}{1}$ - $\frac{xx}{2}$

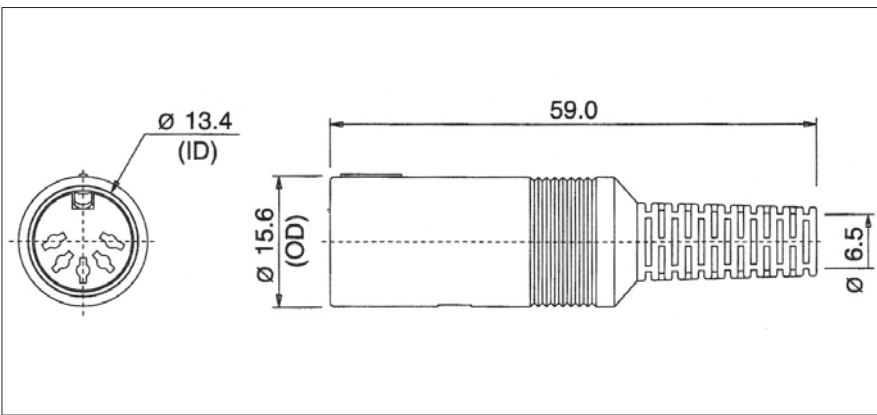
1. CONNECTOR TYPE:

- "01" STRAIGHT ASSEMBLY PLUG (MALE)
- "02" STRAIGHT ASSEMBLY JACK (FEMALE)
- "03" RIGHT ANGLE ASSEMBLY PLUG (MALE)

2. NO. OF CONTACTS:

- "03" 3P
- "04" 4P
- "05A" 5P, 180°
- "05B" 5P, 240°
- "05C" 5P, 360°
- "06" 6P
- "07" 7P
- "08A" 8P, 270°
- "08B" 8P, 262°

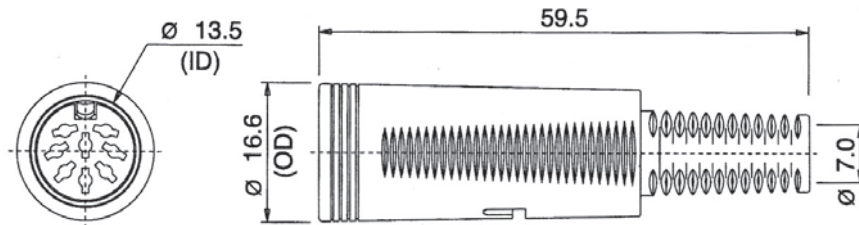
DIN ASSEMBLY JACK SOLDER TYPE



7179-xx

SPECIFICATIONS

1. Contact resistance: 20mΩ Max.
 2. Dielectric strength:
1,000VAC for 1 minute
 3. Insulation resistance:
100MΩ Min. at 500V DC
 4. Rating: 100VAC 2A
- All materials must be RoHS compliant.



7126-xx

ARRANGEMENT OF CONTACTS									
NO OF CONTACTS	3P	4P	5P 180°	5P 240°	5P 360°	6P	7P	8P 270°	8P 262°

ORDERING INFORMATION:

P/N 7 1 $\frac{xx}{1}$ - $\frac{xx}{2}$

1. CONNECTOR TYPE:

- "79" DIN JACK Φ 6.5MM
- "26" DIN JACK Φ 7.0MM

2. NO. OF CONTACTS:

- "03" 3P
- "04" 4P
- "05A" 5P, 180°
- "05B" 5P, 240°
- "05C" 5P, 360°
- "06" 6P
- "07" 7P
- "08A" 8P, 270°
- "08B" 8P, 262°