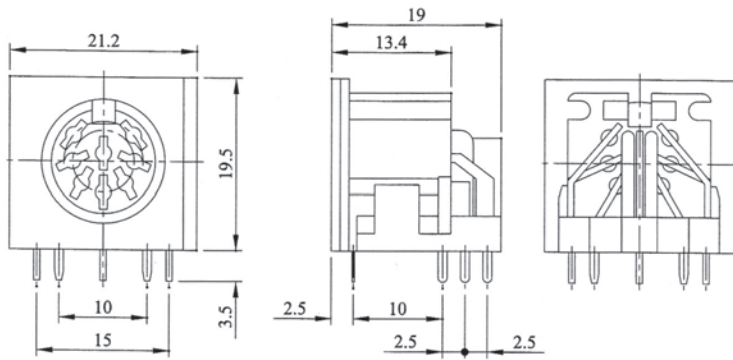


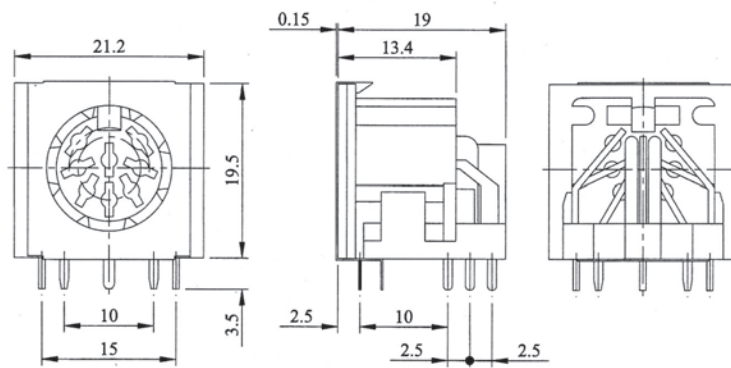
DIN SOCKET PITCH=10MM



7132-xx

SPECIFICATIONS

1. Contact resistance: 20mΩ Max.
 2. Dielectric strength:
1,000VAC for 1 minute
 3. Insulation resistance:
100MΩ Min. at 500V DC
 4. Rating: 100VAC 2A
- All materials must be RoHS compliant.



7133-xx

| ARRANGEMENT OF CONTACTS | | | | | | |
|-------------------------|-----------|----------------|-----------|-----------|----------------|----------------|
| NO OF CONTACTS | 4P | 5P 180° | 6P | 7P | 8P 270° | 8P 262° |
| HOLE LAYOUT | | | | | | |

ORDERING INFORMATION:

P/N 71 $\frac{xx}{1}$ - $\frac{xx}{2}$

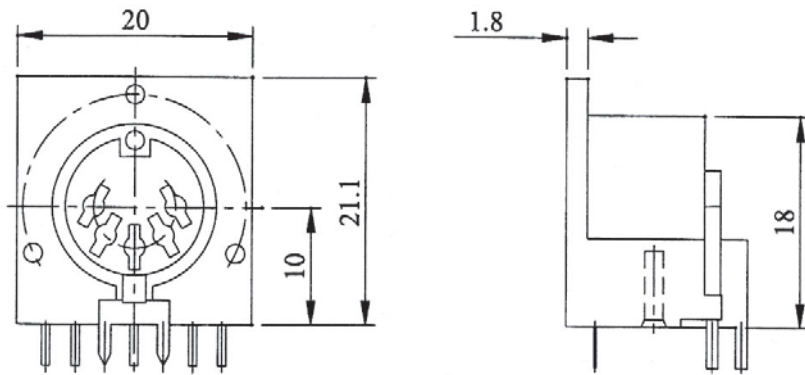
1. CONNECTOR TYPE:

- "32" UNSHIELDED PITCH=10MM
- "33" SHIELDED PITCH=10MM

2. NO. OF CONTACTS:

- "03" 3P
- "04" 4P
- "05A" 5P, 180°
- "05B" 5P, 240°
- "06" 6P
- "07" 7P
- "08A" 8P, 270°
- "08B" 8P, 262°

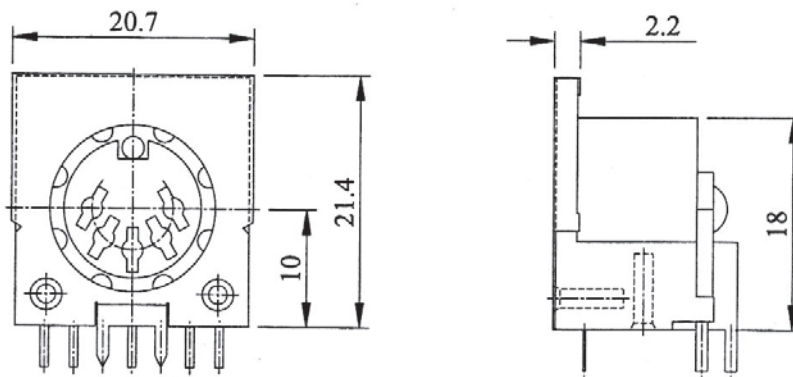
DIN SOCKET PITCH=5MM



7134-xx

SPECIFICATIONS

1. Contact resistance: 20mΩ Max.
 2. Dielectric strength:
1,000VAC for 1 minute
 3. Insulation resistance:
100MΩ Min. at 500V DC
 4. Rating: 100VAC 2A
- All materials must be RoHS compliant.



7135-xx

| ARRANGEMENT OF CONTACTS | | | | | | | |
|-------------------------|-----------|-----------|----------------|----------------|-----------|-----------|----------------|
| NO OF CONTACTS | 3P | 4P | 5P 180° | 5P 240° | 6P | 7P | 8P 270° |
| HOLE LAYOUT | | | | | | | |

ORDERING INFORMATION:

P/N 71 xx - xx
1 2

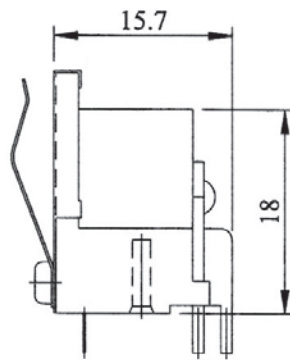
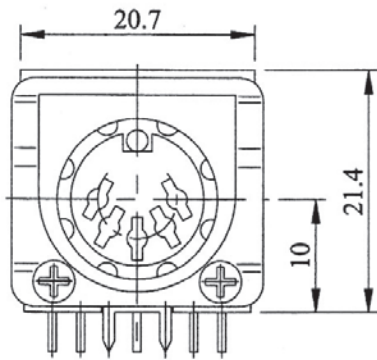
1. CONNECTOR TYPE:

- "34" UNSHIELDED PITCH=5MM
- "35" SHIELDED PITCH=5MM

2. NO. OF CONTACTS:

- "03" 3P
- "04" 4P
- "05A" 5P, 180°
- "05B" 5P, 240°
- "06" 6P
- "07" 7P
- "08A" 8P, 270°

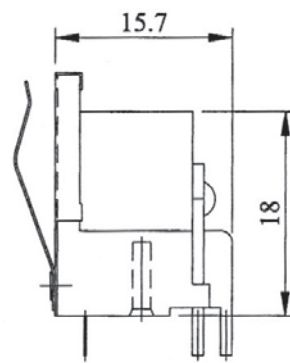
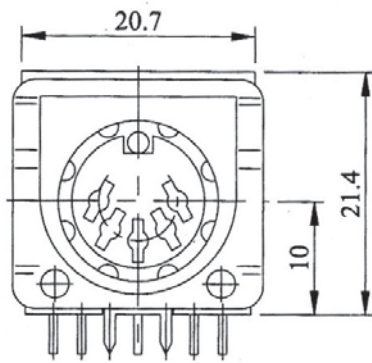
DIN SOCKET WITH SPRING SHIELD TYPE PITCH=5MM



7145-xx

SPECIFICATIONS

1. Contact resistance: 20mΩ Max.
 2. Dielectric strength:
1,000VAC for 1 minute
 3. Insulation resistance:
100MΩ Min. at 500V DC
 4. Rating: 100VAC 2A
- All materials must be RoHS compliant.



7146-xx

| ARRANGEMENT OF CONTACTS | | | | | | | |
|-------------------------|----|----|---------|---------|----|----|---------|
| NO OF CONTACTS | 3P | 4P | 5P 180° | 5P 240° | 6P | 7P | 8P 270° |
| HOLE LAYOUT | | | | | | | |

ORDERING INFORMATION:

P/N 71 $\frac{xx}{1}$ - $\frac{xx}{2}$

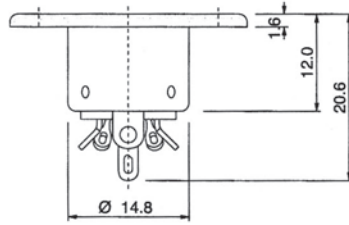
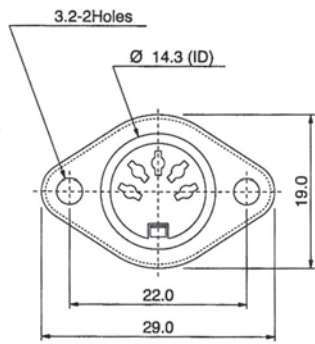
1. CONNECTOR TYPE:

- "45" DIN SOCKET SCREW TYPE
- "46" DIN SOCKET RIVETED TYPE

2. NO. OF CONTACTS:

- "03" 3P
- "04" 4P
- "05A" 5P, 180°
- "05B" 5P, 240°
- "06" 6P
- "07" 7P
- "08A" 8P, 270°

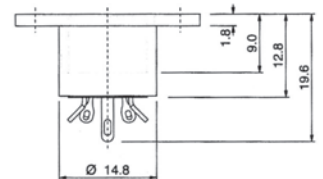
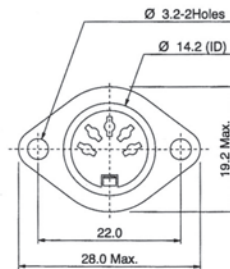
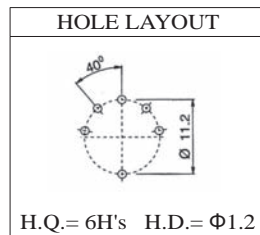
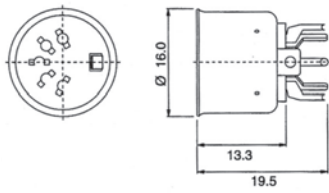
DIN SOCKET METAL COVER SOLDER TYPE



SPECIFICATIONS

1. Contact resistance: 20mΩ Max.
 2. Dielectric strength:
1,000VAC for 1 minute
 3. Insulation resistance:
100MΩ Min. at 500V DC
 4. Rating: 100VAC 2A
- All materials must be RoHS compliant.

7131-xx



7158-xx

7176-xx

ARRANGEMENT OF CONTACTS



NO OF CONTACTS

3P

4P

5P 180°

5P 240°

5P 360°

6P

7P

8P 270°

8P 262°

ORDERING INFORMATION:

P/N 71 $\frac{xx}{1}$ - $\frac{xx}{2}$

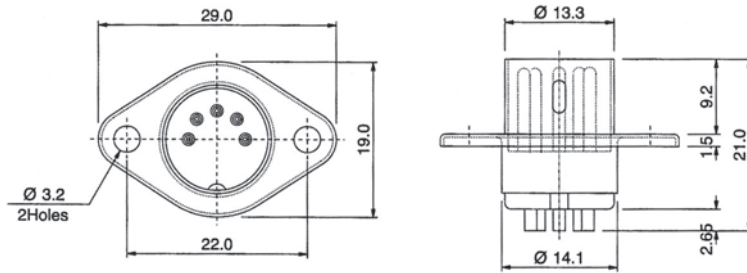
1. CONNECTOR TYPE:

- "31" SOLDER TYPE
- "58" PCB TYPE
- "76" SOLDER TYPE BLACK PLATED

2. NO. OF CONTACTS:

- "03" 3P
- "04" 4P
- "05A" 5P, 180°
- "05B" 5P, 240°
- "05C" 5P, 360°
- "06" 6P
- "07" 7P
- "08A" 8P, 270°
- "08B" 8P, 262°

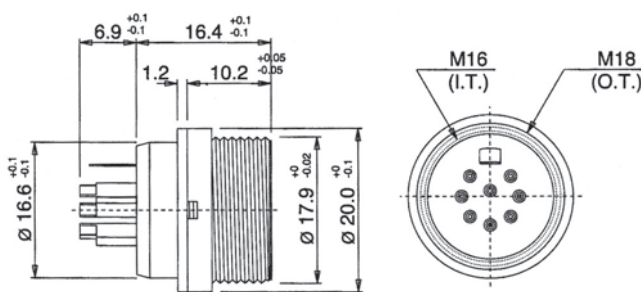
DIN PLUG & SOCKET METAL COVER SOLDER TYPE



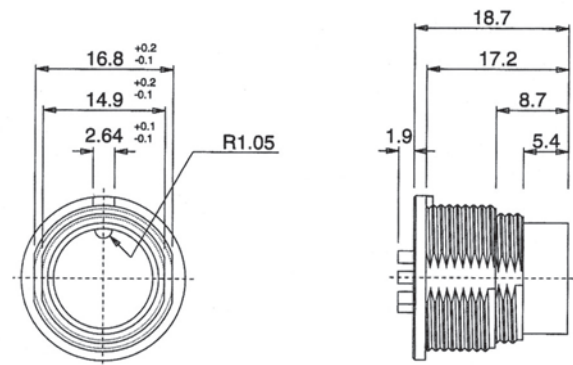
7170-xx

SPECIFICATIONS

1. Contact resistance: 20mΩ Max.
 2. Dielectric strength:
1,000VAC for 1 minute
 3. Insulation resistance:
100MΩ Min. at 500V DC
 4. Rating: 100VAC 2A
- All materials must be RoHS compliant.



7171-xx



7172-xx

| ARRANGEMENT OF CONTACTS | | | | | | | | | |
|-------------------------|----|----|---------|---------|---------|----|----|---------|---------|
| NO OF CONTACTS | 3P | 4P | 5P 180° | 5P 240° | 5P 360° | 6P | 7P | 8P 270° | 8P 262° |

ORDERING INFORMATION:

P/N 71 $\frac{xx}{1}$ - $\frac{xx}{2}$

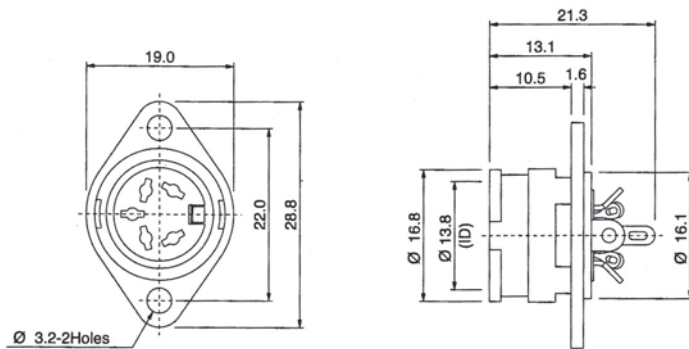
1. CONNECTOR TYPE:

- "70" DIN PLUG (MALE)
- "71" DIN SOCKET (FEMALE)
- "72" DIN PLUG (MALE)

2. NO. OF CONTACTS:

- "03" 3P
- "04" 4P
- "05A" 5P, 180°
- "05B" 5P, 240°
- "05C" 5P, 360°
- "06" 6P
- "07" 7P
- "08A" 8P, 270°
- "08B" 8P, 262°

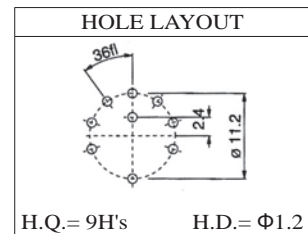
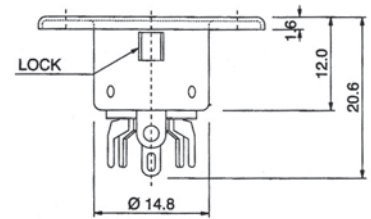
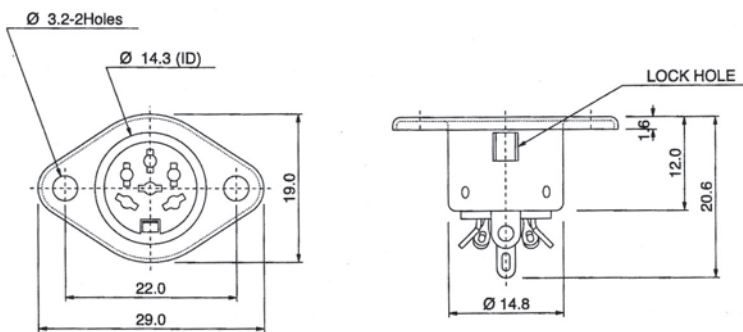
DIN SOCKET METAL COVER SOLDER TYPE



SPECIFICATIONS

1. Contact resistance: 20mΩ Max.
 2. Dielectric strength:
1,000VAC for 1 minute
 3. Insulation resistance:
100MΩ Min. at 500V DC
 4. Rating: 100VAC 2A
- All materials must be RoHS compliant.

7164-xx



7130-xx

7165-xx

| MODEL NO. | 7164-xx / 7130-xx | | | | | | | | | |
|-------------------------|-------------------|----|---------|---------|---------|----|----|---------|---------|---------|
| ARRANGEMENT OF CONTACTS | | | | | | | | | | |
| NO OF CONTACTS | 3P | 4P | 5P 180° | 5P 240° | 5P 360° | 6P | 7P | 8P 270° | 8P 262° | 8P 262° |

ORDERING INFORMATION:

P/N 71 $\frac{xx}{1}$ - $\frac{xx}{2}$

1. CONNECTOR TYPE:
"64" SOLDER TYPE
"30" SOLDER TYPE
"65" PCB TYPE

2. NO. OF CONTACTS:
"03" 3P
"04" 4P
"05A" 5P, 180°
"05B" 5P, 240°
"05C" 5P, 360°
"06" 6P
"07" 7P
"08A" 8P, 270°
"08B" 8P, 262°

DIN CONNECTOR METAL COVER TYPE

| | | | | | | | | |
|--------------------------------|----------------|----------------|--------------------------|----------|----------|---|---------|---------|
| | | | | | | <p>SPECIFICATIONS</p> <p>1. Contact resistance: 20mΩ Max.</p> <p>2. Dielectric strength: 1,000VAC for 1 minute</p> <p>3. Insulation resistance: 100MΩ Min. at 500V DC</p> <p>4. Rating: 100VAC 2A</p> <p>All materials must be RoHS compliant.</p> | | |
| 3P | 4P | 5P 180° | 5P 240° | 5P 360° | 6P | 7P | 8P 270° | 8P 262° |
| 7120-xx | | | | | | | | |
| | | | | | | | | |
| 7137-xx | | 7143-xx | | | | | | |
| MODEL NO. | 7137-05 | 7143-05 | 7137-xx / 7143-xx | | | | | |
| ARRANGEMENT OF CONTACTS | | | | | | | | |
| NO OF CONTACTS | 5 | | 4 | 6 | 7 | 8 | | |
| HOLE LAYOUT | | | | | | | | |

ORDERING INFORMATION:

P/N 71 $\frac{xx}{1}$ - $\frac{xx}{2}$

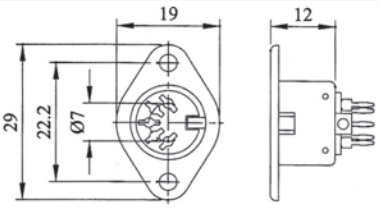
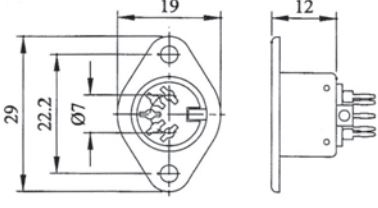
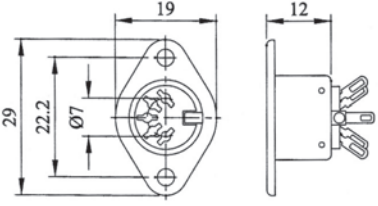
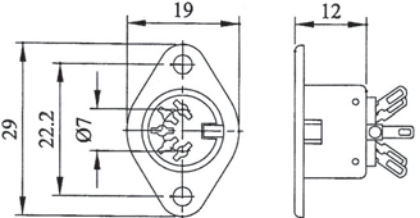





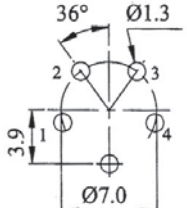
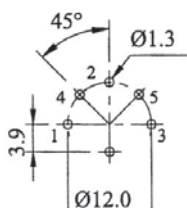
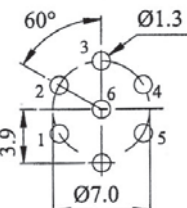
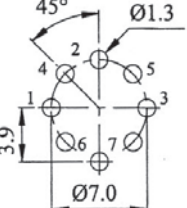
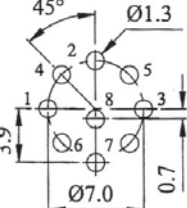
1. CONNECTOR TYPE:

- "20" DIN ASSEMBLY PLUG WITH RING
- "37" DIN SOCKET SOLDER TYPE
- "43" DIN SOCKET PCB TYPE

2. NO. OF CONTACTS:

- "04" 4P
- "05A" 5P, 180°
- "06" 6P
- "07" 7P
- "08A" 8P, 270°

DIN SOCKET METAL COVER TYPE

| | | | | | |
|---|---|--|---|---|---|
|  | | <p>SPECIFICATIONS</p> <p>1. Contact resistance: 20mΩ Max.</p> <p>2. Dielectric strength: 1.000VAC for 1 minute</p> <p>3. Insulation resistance: 100MΩ Min. at 500V DC</p> <p>4. Rating: 100VAC 2A</p> <p>All materials must be RoHS compliant.</p> | | | |
| <p style="text-align: center;">7150-xx</p> | | | | | |
|  | | | | | |
| <p style="text-align: center;">7151-xx</p> | | | | | |
|  | |  | | | |
| <p style="text-align: center;">7180-xx</p> | | <p style="text-align: center;">7181-xx</p> | | | |
| ARRANGEMENT OF CONTACTS |  |  |  |  |  |
| NO OF CONTACTS | 4P | 5P 180° | 6P | 7P | 8P 270° |
| HOLE LAYOUT |  |  |  |  |  |

ORDERING INFORMATION:

P/N 71 $\frac{xx}{1}$ - $\frac{xx}{2}$

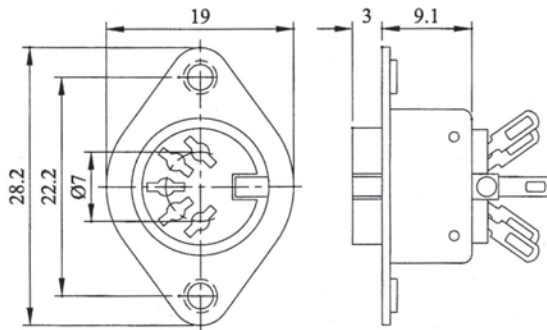
1. CONNECTOR TYPE:

- "80" SOLDER TYPE
- "51" PCB TYPE
- "81" LOCK & SOLDER TYPE
- "50" LOCK & PCB TYPE

2. NO. OF CONTACTS:

- "04" 4P
- "05A" 5P, 180°
- "06" 6P
- "07" 7P
- "08A" 8P, 270°

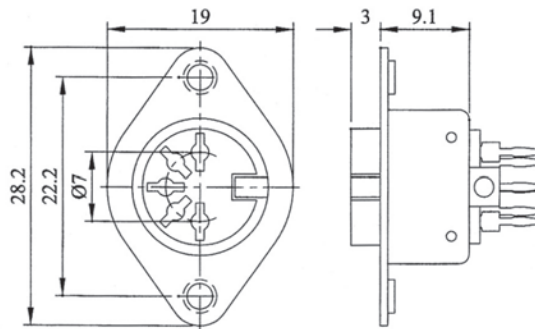
DIN SOCKET METAL COVER TYPE



7174-xx

SPECIFICATIONS

1. Contact resistance: 20mΩ Max.
 2. Dielectric strength:
1.000VAC for 1 minute
 3. Insulation resistance:
100MΩ Min. at 500V DC
 4. Rating: 100VAC 2A
- All materials must be RoHS compliant.



7175-xx

| | | | | | |
|-------------------------|----------------|----------------|-----------|-----------|----------------|
| ARRANGEMENT OF CONTACTS | 7174-xx | | | | |
| | | | | | |
| ARRANGEMENT OF CONTACTS | 7175-xx | | | | |
| | | | | | |
| NO OF CONTACTS | 4P | 5P 180° | 6P | 7P | 8P 270° |
| HOLE LAYOUT | | | | | |

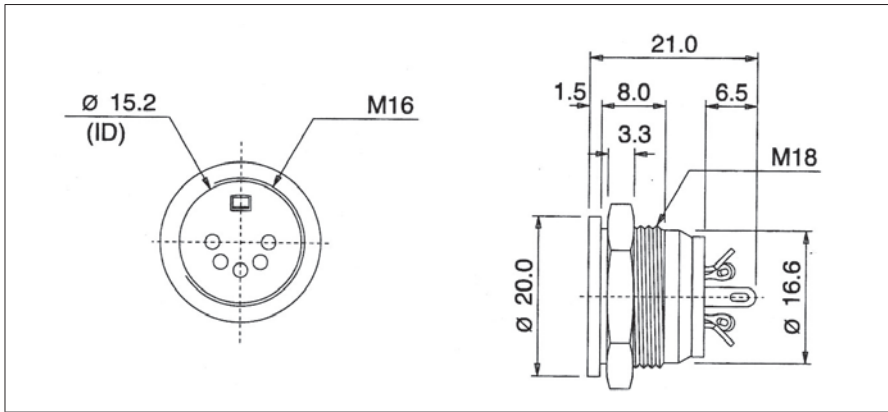
ORDERING INFORMATION:

P/N 7 1 $\frac{xx}{1}$ - $\frac{xx}{2}$

1. CONNECTOR TYPE:
"74" SOLDER TYPE
"75" PCB TYPE

2. NO. OF CONTACTS:
"04" 4P
"05A" 5P, 180°
"06" 6P
"07" 7P
"08A" 8P, 270°

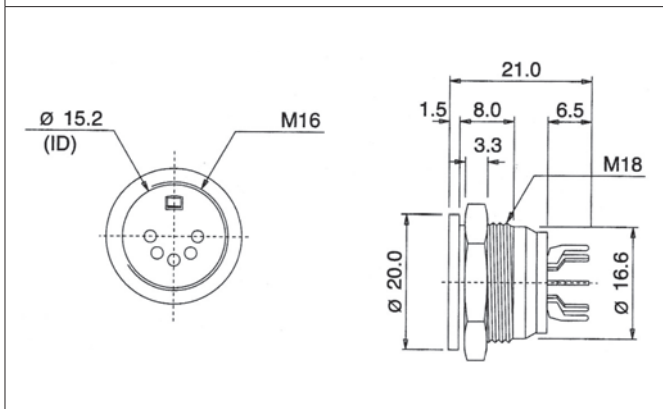
DIN SOCKET METAL COVER SOLDER TYPE



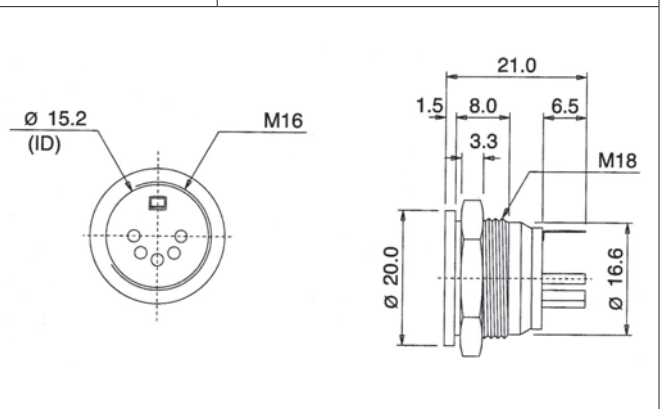
7140-xx

SPECIFICATIONS

1. Contact resistance: 20mΩ Max.
 2. Dielectric strength: 1,000VAC for 1 minute
 3. Insulation resistance: 100MΩ Min. at 500V DC
 4. Rating: 100VAC 2A
- All materials must be RoHS compliant.



7153-xx



7173-xx

| ARRANGEMENT OF CONTACTS | 7140-xx / 7153-xx | | | | | | | | | |
|-------------------------|-------------------|----|---------|---------|---------|----|----|---------|---------|--|
| | | | | | | | | | | |
| | 7173-xx | | | | | | | | | |
| | | | | | | | | | | |
| NO OF CONTACTS | 3P | 4P | 5P 180° | 5P 240° | 5P 360° | 6P | 7P | 8P 270° | 8P 262° | |

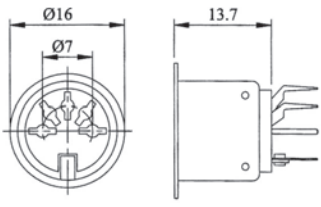
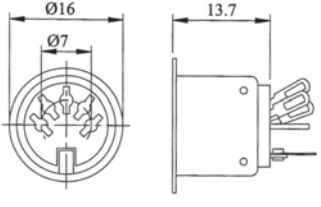
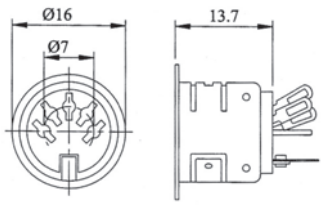
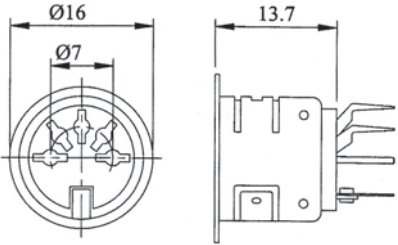





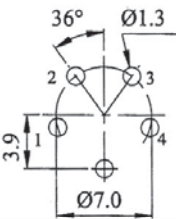
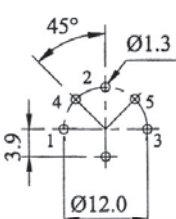
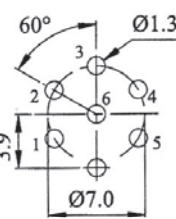
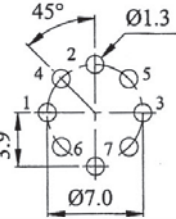
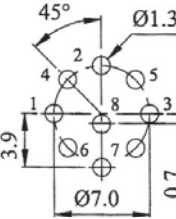
ORDERING INFORMATION:

P/N 71 $\frac{xx}{1}$ - $\frac{xx}{2}$

1. CONNECTOR TYPE:
 "40" SOLDER TYPE
 "53" PCB TYPE
 "73" PCB TYPE

2. NO. OF CONTACTS:
 "03" 3P
 "04" 4P
 "05A" 5P, 180°
 "05B" 5P, 240°
 "05C" 5P, 360°
 "06" 6P
 "07" 7P
 "08A" 8P, 270°
 "08B" 8P, 262°

DIN SOCKET METAL COVER TYPE

| | | | | | | |
|---|---|--|---|---|---|--|
|  | | <p>SPECIFICATIONS</p> <p>1. Contact resistance: 20mΩ Max.</p> <p>2. Dielectric strength: 1,000VAC for 1 minute</p> <p>3. Insulation resistance: 100MΩ Min. at 500V DC</p> <p>4. Rating: 100VAC 2A</p> <p>All materials must be RoHS compliant.</p> | | | | |
| <p>7138-xx</p> | | | | | | |
|  | | | | | | |
| <p>7141-xx</p> | | | | | | |
|  | |  | | | | |
| <p>7156-xx</p> | | <p>7157-xx</p> | | | | |
| ARRANGEMENT OF CONTACTS | <p>7141-xx / 7156-xx</p> | | | | | |
| |  |  |  |  |  | |
| | <p>7138-xx / 7157-xx</p> | | | | | |
| NO OF CONTACTS | <p>4P</p> | <p>5P 180°</p> | <p>6P</p> | <p>7P</p> | <p>8P 270°</p> | |
| HOLE LAYOUT |  |  |  |  |  | |

ORDERING INFORMATION:

P/N 7 1 $\frac{xx}{1}$ - $\frac{xx}{2}$

1. CONNECTOR TYPE:
- "38" PCB TYPE
 - "41" SOLDER TYPE
 - "56" SOLDER TYPE
 - "57" PCB TYPE

2. NO. OF CONTACTS:
- "04" 4P
 - "05A" 5P, 180°
 - "06" 6P
 - "07" 7P
 - "08A" 8P, 270°