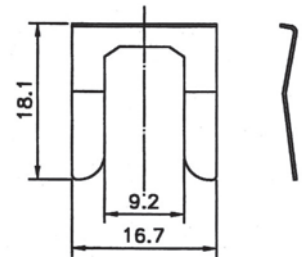
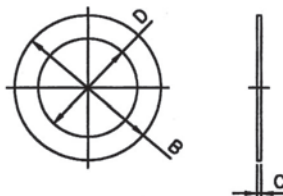
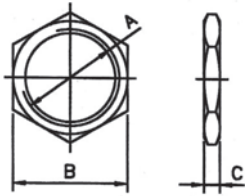


# Φ6.35MM PHONE JACK (1)

## Nut, Washer & Snap holder

Unit: m/m



### Nut

### Washer

### Snap Holder

Order Code NO.	Nut					Matching Washer		
	A: Thread	Material	Finish	Dim. B	Dim. C	Dim. B	Dim. C	Dim. D
1	M12 x P1.0	Steel	Nickel	14	2	Φ18	0.5	Φ12.2
2	M9 x P0.75	Brass	Nickel	12	2	Φ12	0.4	Φ9.5
3	M9 x P0.75	Steel	Nickel			Φ13.3	0.5	Φ9.2
4	Φ3/8" x 32W	Brass	Nickel	11	2.2	Φ12	0.4	Φ9.5
5	Φ7/16" x G20	Plastic	Black	15	4.8	Φ15.3	1.0	Φ11.3
6	Snap holder							

### FEATURE

The specification covers the requirements for **6.3Φ PHONE JACKS** intended for audio systems and similar electronic apparatuses, and is designed for on panel/chassis/PCB/SMT mounting with or without nut.

### CONSTRUCTION

- Housing:** Thermoplastic
  - Contact:** Phosphor bronze
  - Terminal:** Brass/Copper alloy
- All materials must be RoHS compliant.**

### SPECIFICATIONS

- Withstanding voltage:**  
AC 500V 60Hz for 1 minute
- Insulation resistance:**  
100MΩ (min.) at 500vDC
- Contact resistance:**  
30mΩ (max.)
- Insertion & Extraction force:**  
Initial : 0.4 to 2.0kgs  
After life test: 0.3 to 2.0kgs
- Life test:**  
5,000 cycles unloading (20-30 cycles per minute)
- Humidity test is kept in 90~95%(RH) for 96 hours.

## ORDERING INFORMATION:

P/N 80  $\frac{XX}{0}$   $\frac{XX}{12}$  -  $\frac{XX}{3}$   $\frac{XX}{456}$

#### 0. CONNECTOR CODE:

62, 63, 64

#### 1. TERMINAL FINISH:

"S" SILVER PLATED

"T" TIN PLATED

"N" NICKEL PLATED

"G" GOLD FLASH PLATED

#### 2. BUSHING FINISH:

"N" NICKEL PLATED (STANDARD)

"G" GOLD FLASH PLATED

"0" NO PLATING (FULLY PLASTIC BUSHING)

#### 3. JACK CODE:

00 THROUGH 99

#### 4. SCHEMATIC CODE:

A, B, C, D, E, ..... X, Y, Z

#### 5. NUT OPTION:

"0" WITHOUT NUT & WASHER

"1" WITH ROUND TYPE NUT (M12 x P1.0) & WASHER

"2" WITH BRASS NUT (M9 x P0.75) & BRASS WASHER

"3" WITH NUT (M9 x P0.75) & WASHER

"4" WITH NUT (Φ3/8" UNEF) & WASHER

"5" WITH NUT (M9 x P0.75) & INNER WASHER

#### 6. INSULATOR COLOR OPTION:

"B" BLACK (STANDARD)

"A" GRAY "V" IVORY

"N" GREEN "P" PURPLE

"R" RED

"U" BLUE

## Φ6.3MM PHONE JACK (2)

P/N	Dimension (m/m)	Pin Hole Layout (Jack Bottom View)							
8063**-93 8063**-94			<p><b>8063**-93</b></p> <p><b>8063**-94</b></p>						
8063**-95 8063**-96			<p><b>8063**-95</b></p> <p><b>8063**-96</b></p>						
<b>Schematic Code</b>									
<p><b>A</b></p>	<p><b>B</b></p>	<p><b>C</b></p>	<p><b>D</b></p>	<p><b>E</b></p>	<p><b>F</b></p>	<p><b>G</b></p>	<p><b>H</b></p>	<p><b>I</b></p>	<p><b>J</b></p>

### ORDERING INFORMATION:

P/N 8063  $\begin{matrix} \text{xx} \\ \text{12} \end{matrix}$  -  $\begin{matrix} \text{xx} \\ \text{3} \end{matrix}$   $\begin{matrix} \text{xx} \\ \text{456} \end{matrix}$

- TERMINAL FINISH:  
"S" SILVER PLATED (STANDARD)  
"G" GOLD FLASH PLATED
- BUSHING FINISH:  
"N" NICKEL PLATED (STANDARD)  
"G" GOLD FLASH PLATED  
"0" NO PLATING (FULLY PLASTIC BUSHING)
- BUSHING TYPE:  
"93" PLASTIC BUSHING WITH METAL RING & M12 x P1.0 THREAD  
"95" DITTO  
"94" PLASTIC BUSHING W/O METAL RING & WITH M12 x P1.0 THREAD  
"96" DITTO
- SCHEMATIC CODE:  
A, B, C, D, E, F, G, H, I, J
- NUT OPTION:  
"0" WITHOUT NUT & WASHER  
"1" WITH NUT M12 x P1.0 & WASHER
- HOUSING COLOR:  
"B" BLACK (STANDARD)

## Φ6.3MM PHONE JACK (3)

P/N	Dimension (m/m)		
8064**-02 8064**-03			
8064**-04 8064**-05			
<b>Schematic Code</b>			
<b>A</b>	<b>B</b>	<b>C</b>	<b>D</b>
<b>E</b>	<b>F</b>	<b>G</b>	
<b>Pin Hole Layout (Jack Bottom View)</b>		<b>Solder Tail Option</b>	
		<b>PCB Type</b>	<b>Wire Type</b>

### ORDERING INFORMATION:

P/N 8064  $\begin{matrix} \text{X} & \text{X} & - & \text{X} & \text{X} & \text{X} & \text{X} \\ \text{1} & \text{2} & & \text{3} & \text{4} & \text{5} & \text{6} \end{matrix}$

1. TERMINAL FINISH:  
"S" SILVER PLATED (STANDARD)  
"G" GOLD FLASH PLATED
2. BUSHING FINISH:  
"N" NICKEL PLATED (STANDARD)  
"G" GOLD FLASH PLATED  
"0" NO PLATING (FULLY PLASTIC BUSHING)
3. BUSHING TYPE:  
"02" PLASTIC BUSHING WITH METAL RING & WITH  $\Phi$  7/16" x UNEF THREAD PCB TYPE  
"03" DITTO, BUT WIRE TYPE  
"04" PLASTIC BUSHING W/O METAL RING & WITH  $\Phi$  7/16" x UNEF THREAD PCB TYPE  
"05" DITTO, BUT WIRE TYPE

4. SCHEMATIC CODE:  
A, B, C, D, E, F, G
  5. NUT OPTION:  
"0" WITHOUT NUT & WASHER  
"5" WITH NUT  $\Phi$  7/16" x UNEF & WASHER
  6. HOUSING COLOR:  
"B" BLACK (STANDARD)
- NOTE: PCB TYPE : 8064\*\*-02 & 8064\*\*-04  
WIRE TYPE: 8064\*\*-03 & 8064\*\*-05

# Φ6.3MM PHONE JACK (4)

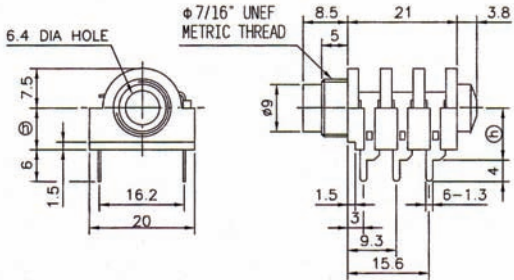
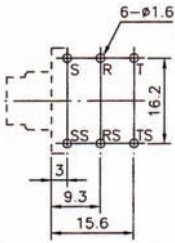
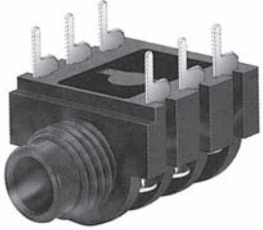
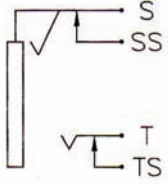
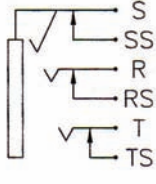
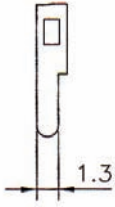
Dimension (m/m)			Pin Hole Layout (Jack Bottom View)	
				 <b>8064**-07</b>
 <b>8064**-07</b>	 <b>8064**-08</b>	 <b>8064**-08</b>		
 <b>8064**-09</b>		 <b>8064**-09</b>		
Schematic Code				
 <b>A</b>	 <b>B</b>	 <b>C</b>	 <b>D</b>	 <b>E</b>
 <b>F</b>	 <b>G</b>	 <b>H</b>	 <b>I</b>	 <b>J</b>

## ORDERING INFORMATION:

P/N 8064  $\begin{matrix} \text{xx} \\ \text{1 2} \end{matrix}$  -  $\begin{matrix} \text{xxxx} \\ \text{3 4 5 6} \end{matrix}$

- |  |  |
|--|--|
| <ol style="list-style-type: none"> <li>1. TERMINAL FINISH:<br/>"S" SILVER PLATED (STANDARD)<br/>"G" GOLD FLASH PLATED</li> <li>2. BUSHING FINISH:<br/>"N" NICKEL PLATED (STANDARD)<br/>"G" GOLD FLASH PLATED</li> <li>3. BUSHING TYPE:<br/>"07" PLASTIC BUSHING WITH METAL RING &amp; M12 x P1.0 THREAD (L=4.5MM)<br/>"08" DITTO, BUT L=7.5MM<br/>"09" METAL BUSHING WITH M9 x P0.75 THREAD</li> </ol> | <ol style="list-style-type: none"> <li>4. SCHEMATIC CODE:<br/>A, B, C, D, E, F, G, H, I, J</li> <li>5. NUT OPTION:<br/>"0" WITHOUT NUT &amp; WASHER<br/>"1" WITH NUT M12 x P1.0 &amp; WASHER<br/>"3" WITH NUT M9 x P0.75 &amp; WASHER</li> <li>6. HOUSING COLOR:<br/>"B" BLACK (STANDARD)</li> </ol> |
|--|--|

# Φ6.3MM PHONE JACK (5)

P/N	Dimension (m/m)	Pin Hole Layout (Jack Bottom View)	
<b>8064**-10</b> <b>8064**-11</b>			 <p style="text-align: center;"><b>8064**-10</b></p>
<b>Schematic Code</b>		<b>Solder Tail Option</b>	
			
<b>D</b>	<b>G</b>	<b>PCB Type</b>	

## ORDERING INFORMATION:

P/N 8064  $\frac{x}{1}$   $\frac{x}{2}$  -  $\frac{x}{3}$   $\frac{x}{4}$   $\frac{x}{5}$   $\frac{x}{6}$

1. TERMINAL FINISH:  
"S" SILVER PLATED (STANDARD)  
"G" GOLD FLASH PLATED
2. BUSHING FINISH:  
"0" NO PLATING (W/O METAL RING)
3. BUSHING TYPE:  
"10" PLASTIC BUSHING W/O METAL RING & WITH Φ 7/16" x UNEF THREAD, DIM. H=8.0MM  
"11" DITTO, BUT DIM. H=10.0MM

4. SCHEMATIC CODE:  
D, G
5. NUT OPTION:  
"0" WITHOUT NUT & WASHER  
"5" WITH NUT Φ 7/16" x G20 & WASHER

# Φ6.3MM PHONE JACK (8)

P/N	Dimension (m/m)	Pin Hole Layout (Jack Bottom View)		
8064**-29			<p style="text-align: center;"><b>8064**-29</b></p>	
8064**-30			<p style="text-align: center;"><b>8064**-30</b></p>	
<b>Schematic Code</b>				
<b>A</b>	<b>B</b>	<b>C</b>	<b>E</b>	<b>F</b>

## ORDERING INFORMATION:

P/N 8064 XX - XX XX XX

1 2 3 4 5 6

- |  |  |
|--|--|
| <ol style="list-style-type: none"> <li>1. TERMINAL FINISH:<br/>"S" SILVER PLATED (STANDARD)<br/>"G" GOLD FLASH PLATED</li> <li>2. BUSHING FINISH:<br/>"N" NICKEL PLATED (STANDARD)<br/>"G" GOLD FLASH PLATED<br/>"0" NO PLATING (FULLY PLASTIC BUSHING)</li> <li>3. BUSHING TYPE:<br/>"29" METAL BUSHING WITH<br/>Φ 3/8 UNEF THREAD<br/>"30" DITTO, BUT WITH SHORTER THREAD</li> </ol> | <ol style="list-style-type: none"> <li>4. SCHEMATIC CODE:<br/>A, B, C, E, F</li> <li>5. NUT OPTION:<br/>"0" WITHOUT NUT &amp; WASHER<br/>"4" WITH NUT Φ 3/8 UNEF &amp; WASHER</li> <li>6. HOUSING COLOR:<br/>"B" BLACK (STANDARD)</li> </ol> |
|--|--|

# Φ6.3MM PHONE JACK (9)

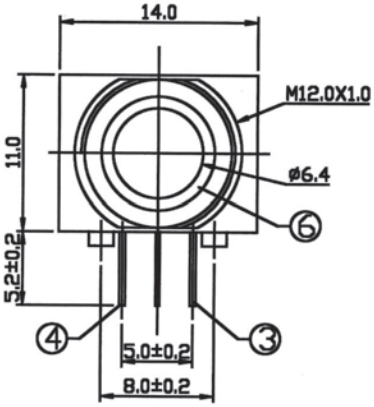
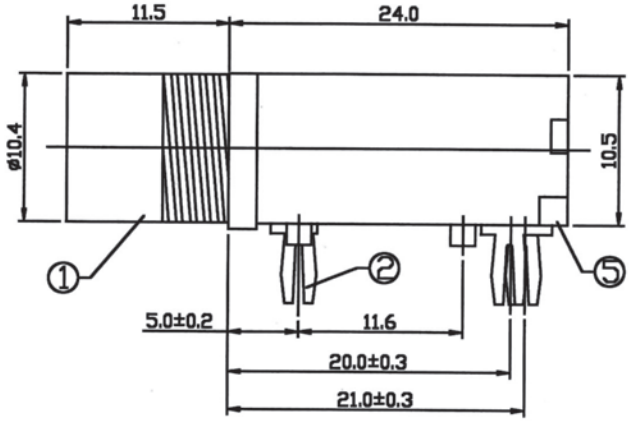
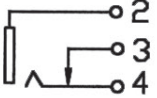
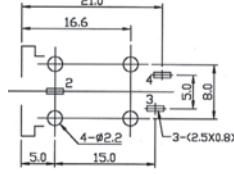
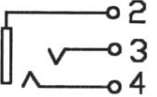
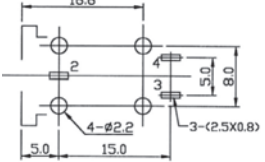
P/N	Dimension (m/m)	Pin Hole Layout (Jack Bottom View)		
8064**-31				
8064**-32				
8064**-33 8064**-34				
8064**-35 8064**-36				
<b>Schematic Code</b>				
<b>A</b>	<b>B</b>	<b>C</b>	<b>E</b>	<b>F</b>

## ORDERING INFORMATION:

P/N 8064  $\frac{x}{1}$   $\frac{x}{2}$  -  $\frac{x}{3}$   $\frac{x}{4}$   $\frac{x}{5}$   $\frac{x}{6}$

- TERMINAL FINISH:  
"S" SILVER PLATED (STANDARD)  
"G" GOLD FLASH PLATED
- BUSHING FINISH:  
"N" NICKEL PLATED (STANDARD)  
"G" GOLD FLASH PLATED  
"0" NO PLATING (FULLY PLASTIC BUSHING)
- BUSHING TYPE:  
"31" METAL BUSHING WITH 3/8"Φ UNEF THREAD  
"32" DITTO, BUT WITH SHORTER THREAD  
"33" PLASTIC BUSHING WITH Φ 3/8" UNEF THREAD & W/O METAL RING  
"34" DITTO, BUT WITH METAL RING  
"35" PLASTIC BUSHING WITH M12 x P1.0 THREAD & W/O METAL RING  
"36" DITTO, BUT WITH METAL RING
- SCHEMATIC CODE:  
A, B, C, E, F
- NUT OPTION:  
"0" WITHOUT NUT & WASHER  
"4" WITH NUT Φ 3/8 UNEF & WASHER  
"1" WITH NUT M12 x P1.0 & WASHER
- HOUSING COLOR:  
"B" BLACK (STANDARD)

# Φ6.3MM PHONE JACK (10)

P/N	Dimension (m/m)	
<p>8062**-01 8062**-02</p>		
<p><b>Schematic Code</b></p>	<p><b>Pin Hole Layout (Top View)</b></p>	
 <p><b>A</b></p>	 <p><b>8062**-01</b></p>	
 <p><b>B</b></p>	 <p><b>8062**-02</b></p>	

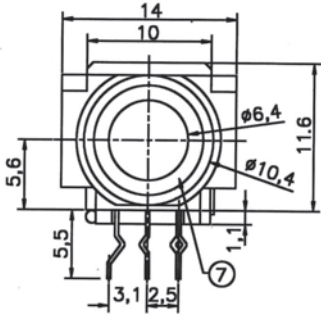
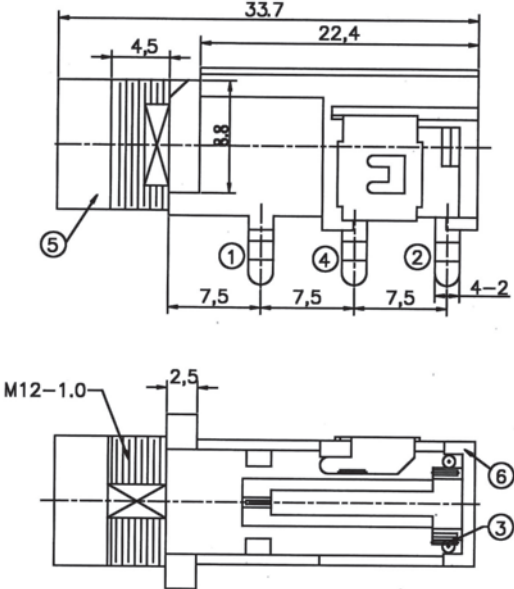
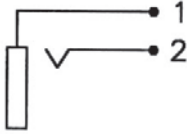
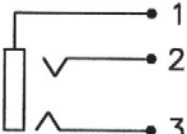
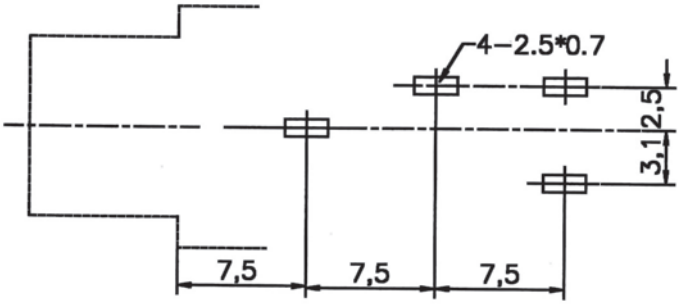
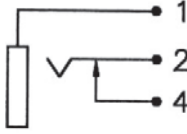
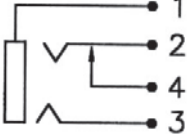
## ORDERING INFORMATION:

P/N 8062  $\frac{XX}{12} - \frac{XXX}{3} \frac{XXX}{456}$

- |  |   |
|--|---|
| <p>1. TERMINAL FINISH:<br/>"T" TIN PLATED (STANDARD)<br/>"G" GOLD FLASH PLATED</p> <p>2. BUSHING FINISH:<br/>"N" NICKEL PLATED (STANDARD)<br/>"G" GOLD FLASH PLATED</p> <p>3. JACK CODE:<br/>"01" BUSHING WITH METAL RING (SCHEMATIC A)<br/>"02" BUSHING WITH METAL RING (SCHEMATIC B)</p> | <p>4. SCHEMATIC CODE:<br/>A, B</p> <p>5. NUT OPTION:<br/>"0" WITHOUT NUT &amp; WASHER<br/>"1" WITH NUT &amp; WASHER</p> <p>6. HOUSING COLOR:<br/>"B" BLACK (STANDARD)</p> |
|--|---|



# Φ6.3MM PHONE JACK (11)

P/N	Dimension (m/m)	
8062**-03		
Schematic Code		Pin Hole Layout (Bottom View)
		
A	B	
		
C	D	

## ORDERING INFORMATION:

P/N 8062 XX - XX XX XX  
1 2 3 4 5 6

- |   |   |
|---|---|
| <p>1. TERMINAL FINISH:<br/>         "T" TIN PLATED (STANDARD)<br/>         "G" GOLD FLASH PLATED</p> <p>2. BUSHING FINISH:<br/>         "N" NICKEL PLATED (STANDARD)<br/>         "G" GOLD FLASH PLATED</p> <p>3. JACK CODE:<br/>         "03" BUSHING M12 THREADED</p> | <p>4. SCHEMATIC CODE:<br/>         A, B, C, D</p> <p>5. NUT OPTION:<br/>         "0" WITHOUT NUT &amp; WASHER<br/>         "1" WITH NUT &amp; WASHER</p> <p>6. HOUSING COLOR:<br/>         "B" BLACK (STANDARD)</p> |
|---|---|

# Φ6.3MM PHONE JACK (14)

P/N	Dimension (m/m)		
8062**-*06			
Schematic Code		Pin Hole Layout (Bottom View)	
A	B	C	
D	E	F	

## ORDERING INFORMATION:

P/N 8062  $\frac{XX}{12} - \frac{XX}{3} \frac{XXX}{456}$

1. TERMINAL FINISH:  
"T" TIN PLATED (STANDARD)  
"G" GOLD FLASH PLATED
2. BUSHING FINISH:  
"N" NICKEL PLATED (STANDARD)  
"G" GOLD FLASH PLATED
3. JACK CODE:  
"06" BUSHING M12 THREADED

4. SCHEMATIC CODE:  
A, B, C, D, E, F
5. NUT OPTION:  
"0" WITHOUT NUT & WASHER  
"1" WITH NUT & WASHER
6. HOUSING COLOR:  
"B" BLACK (STANDARD)

# Φ6.3MM PHONE JACK (15)

P/N	Dimension (m/m)	
8062**-07		
Schematic Code		Pin Hole Layout (Bottom View)
<p><b>A</b></p>	<p><b>B</b></p>	<p><b>C</b></p>
<p><b>D</b></p>	<p><b>E</b></p>	<p><b>F</b></p>

## ORDERING INFORMATION:

P/N 8062  $\frac{XX}{12} - \frac{XXX}{3} \frac{XXX}{456}$

- |   |   |
|---|---|
| <p>1. TERMINAL FINISH:<br/>         "T" TIN PLATED (STANDARD)<br/>         "G" GOLD FLASH PLATED</p> <p>2. BUSHING FINISH:<br/>         "N" NICKEL PLATED (STANDARD)<br/>         "G" GOLD FLASH PLATED</p> <p>3. JACK CODE:<br/>         "07" BUSHING M12 THREADED</p> | <p>4. SCHEMATIC CODE:<br/>         A, B, C, D, E, F</p> <p>5. NUT OPTION:<br/>         "0" WITHOUT NUT &amp; WASHER<br/>         "1" WITH NUT &amp; WASHER</p> <p>6. HOUSING COLOR:<br/>         "B" BLACK (STANDARD)</p> |
|---|---|

# Φ6.3MM PHONE JACK (16)

P/N	Dimension (m/m)	
8062**-*08		
Schematic Code		Pin Hole Layout (Bottom View)
<p><b>A</b></p>	<p><b>B</b></p>	<p><b>C</b></p>
<p><b>D</b></p>	<p><b>E</b></p>	<p><b>F</b></p>

## ORDERING INFORMATION:

P/N 8062 XX - XX XX XX  
12 3 4 5 6

1. TERMINAL FINISH:  
 "T" TIN PLATED (STANDARD)  
 "G" GOLD FLASH PLATED
2. BUSHING FINISH:  
 "N" NICKEL PLATED (STANDARD)  
 "G" GOLD FLASH PLATED
3. JACK CODE:  
 "08" BUSHING M12 THREADED

4. SCHEMATIC CODE:  
 A, B, C, D, E, F
5. NUT OPTION:  
 "0" WITHOUT NUT & WASHER  
 "1" WITH NUT & WASHER
6. HOUSING COLOR:  
 "B" BLACK (STANDARD)

# Φ6.3MM PHONE JACK (17)

P/N	Dimension (m/m)
8062**-09	

Schematic Code				Pin Hole Layout (Bottom View)
A	B	C	D	
E	F	G		

## ORDERING INFORMATION:

P/N 8062  $\frac{XX}{12} - \frac{XX}{3} \frac{XXX}{456}$

- |   |   |
|---|---|
| <ol style="list-style-type: none"> <li>1. TERMINAL FINISH:<br/>"T" TIN PLATED (STANDARD)<br/>"G" GOLD FLASH PLATED</li> <li>2. BUSHING FINISH:<br/>"0" NO PLATING (FULLY PLASTIC BUSHING)</li> <li>3. JACK CODE:<br/>"09" BUSHING M11 THREADED</li> </ol> | <ol style="list-style-type: none"> <li>4. SCHEMATIC CODE:<br/>A, B, C, D, E, F, G</li> <li>5. NUT OPTION:<br/>"0" WITHOUT NUT &amp; WASHER<br/>"1" WITH NUT &amp; WASHER</li> <li>6. HOUSING COLOR:<br/>"B" BLACK (STANDARD)</li> </ol> |
|---|---|