

WATERPROOF M15 3P (2P~8P) FEMALE CONNECTOR PANEL MOUNT SOLDER TYPE



MATERIALS

Housing: PBT + 15GF

Contact: Brass; Gold 10u"

Shell: Brass; Ni 100u"

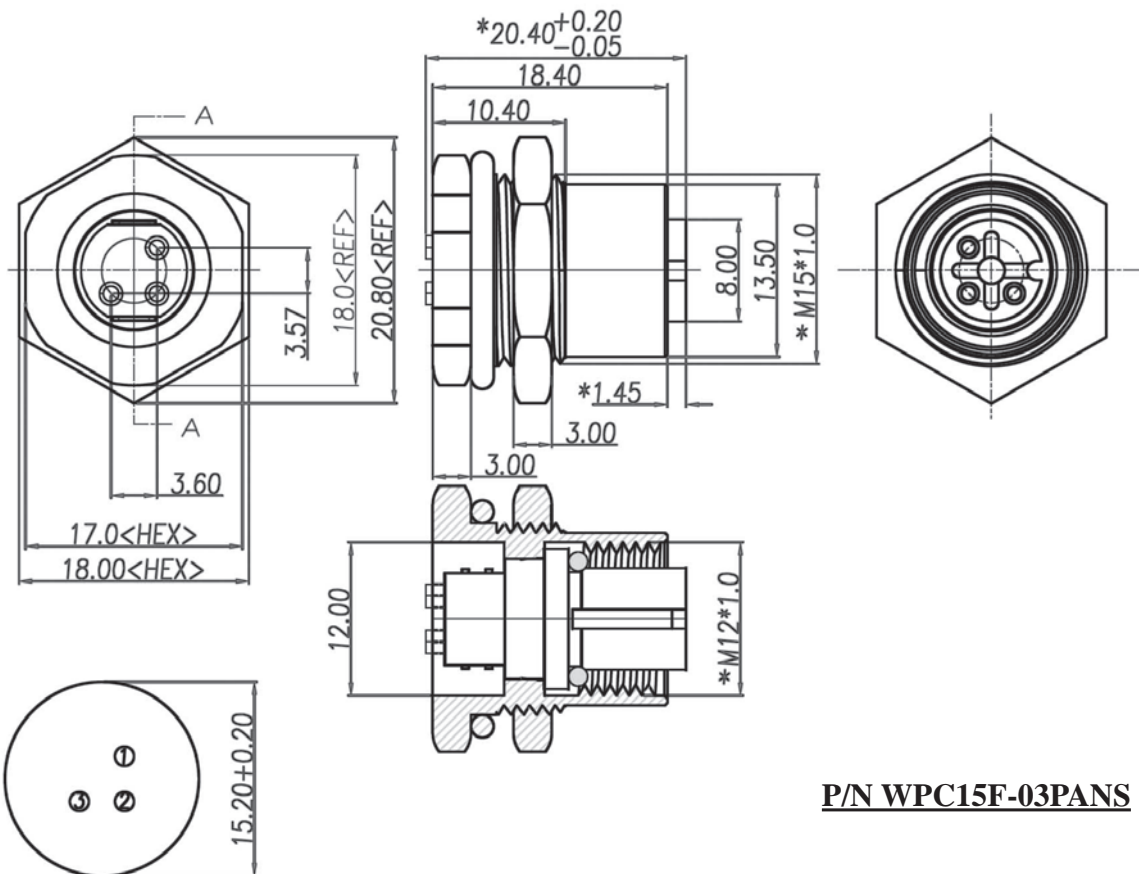
Nut: Brass; Ni 100u"

O-Ring: NBR

Waterproof Test: IP67 Rated

All materials must be RoHS compliant.

Unit: mm



P/N WPC15F-03PANS

ORDERING INFORMATION:

P/N WPC $\frac{15}{1}$ F - $\frac{xx}{2}$ PANS $\frac{4}{3}$

1. CONNECTOR LOCKING SYSTEM:
"15" SCREW M15*1.0
2. CONNECTOR TYPE:
"F" FEMALE (JACK)
3. NO. OF CONTACTS:
02, 03, 04, 05, 08
4. APPLICABLE TYPE:
"PANS" PANEL MOUNT SOLDER TYPE

WATERPROOF M15 4P (5P+7P+8P) FEMALE CONNECTOR PANEL MOUNT DIP TYPE

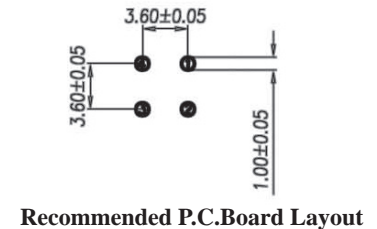
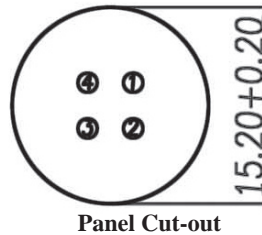
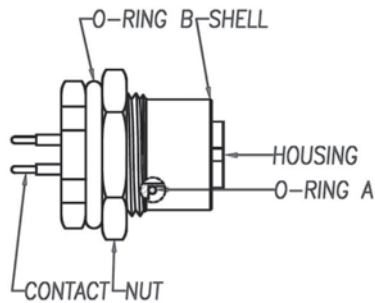
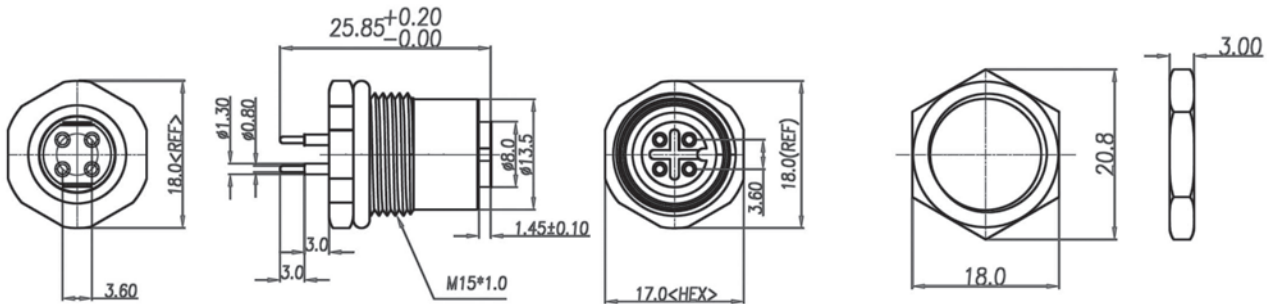


SPECIFICATIONS

Rated Current: 5A
Operation Temperature: -40°C to 85°C
Voltage: 125V
Waterproof Test: IPX7
All materials must be RoHS compliant.

MATERIALS

Housing: PBT, UL 94V-0
Contact: Brass; 10 micro inches min. Gold plated under Nickel
O-Ring A: Brass
O-Ring B: NBR
Nut: Brass; Nickel plated 60u" ~ 100u" over all
Shell: Brass; Nickel plated 60u" ~ 100u" over all
Unit: mm



P/N WPC15F-04PAND

ORDERING INFORMATION:

P/N W P C 1 5 F - x x P A N D

- CONNECTOR LOCKING SYSTEM:
"15" SCREW M15*1.0
- CONNECTOR TYPE:
"F" FEMALE (JACK)
- NO. OF CONTACTS:
04, 05, 07, 08
- APPLICABLE TYPE:
"PAND" PANEL MOUNT DIP TYPE