

WATERPROOF M22 3P MALE CONNECTOR MOLDING TYPE



SPECIFICATIONS

Current: 20A

Operation Temperature: -50°C to 105°C

Insulation Resistance: 1000MΩ min.

Dielectric Strength: 500V AC min.

Waterproof Test:

Reference to IEC 60529 Edition

2.1: 2001-02-IP67

All materials must be RoHS compliant.

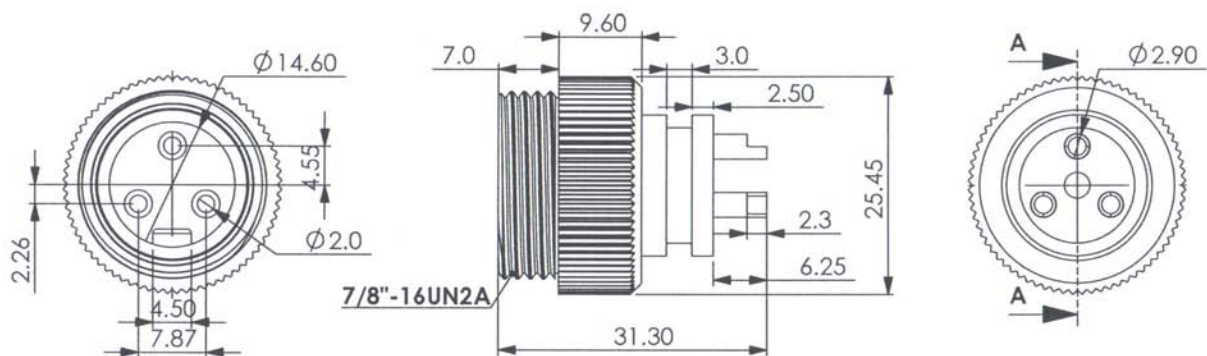
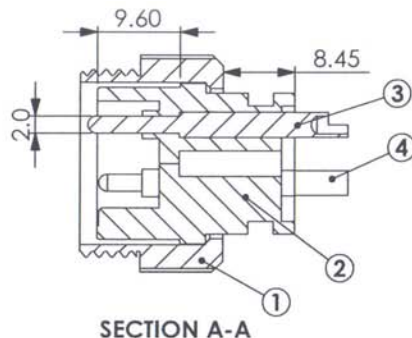
MATERIALS

Housing: PBT + GF30%

Terminals: Brass, Gold Plated

Screw Cap: Brass, Nickel Plated

Unit: mm



ORDERING INFORMATION:

P/N W P C 2 2 M - 0 3 M O L D
1 2 3 4

1. CONNECTOR LOCKING SYSTEM:

"22" SCREW 7/8"-16UN

2. CONNECTOR TYPE:

"M" MALE (PLUG)

3. NO. OF CONTACTS:

03

4. APPLICABLE TYPE:

"MOLD" CABLE MOLDING TYPE

WATERPROOF M22 3P MALE CONNECTOR PANEL MOUNT TYPE



SPECIFICATIONS

Current: 12A

Operation Temperature: -20°C to 105°C

Insulation Resistance: 1000MΩ min.

Dielectric Strength: 500V AC min.

Waterproof Test:

Reference to IEC 60529 Edition

2.1: 2001-02-IP67

All materials must be RoHS compliant.

MATERIALS

Housing: Thermoplastic, UL94V-0

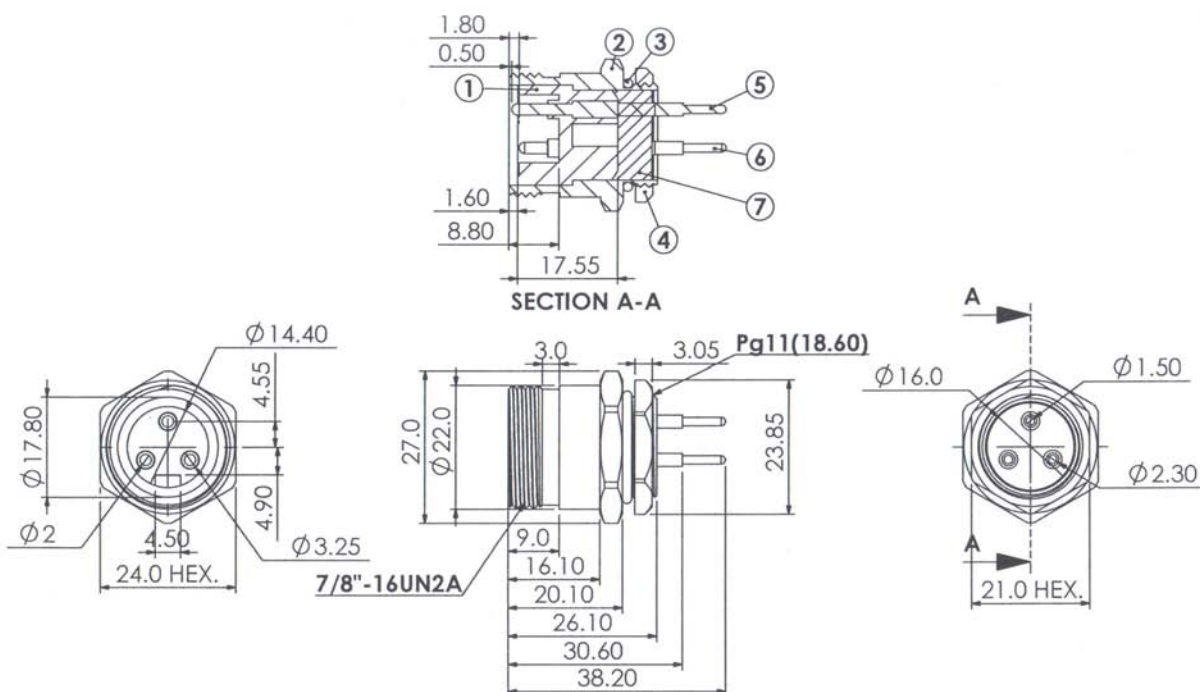
Shield Cover: Brass, Nickel Plated

Screw Nut: Brass, Nickel Plated

Sealed Ring: NBR

Terminals: Brass, Gold Plated

Unit: mm



ORDERING INFORMATION:

P/N W P C 2 2 M - 0 3 PANL
1 2 3 4

1. CONNECTOR LOCKING SYSTEM:

"22" SCREW 7/8"-16UN

2. CONNECTOR TYPE:

"M" MALE (PLUG)

3. NO. OF CONTACTS:

03

4. APPLICABLE TYPE:

"PANL" PANEL MOUNT TYPE

WATERPROOF M22 4P MALE CONNECTOR MOLDING TYPE



SPECIFICATIONS

Current: 12A

Operation Temperature: -50°C to 105°C

Insulation Resistance: 1000MΩ min.

Dielectric Strength: 500V AC min.

Waterproof Test:

Reference to IEC 60529 Edition

2.1: 2001-02-IP67

All materials must be RoHS compliant.

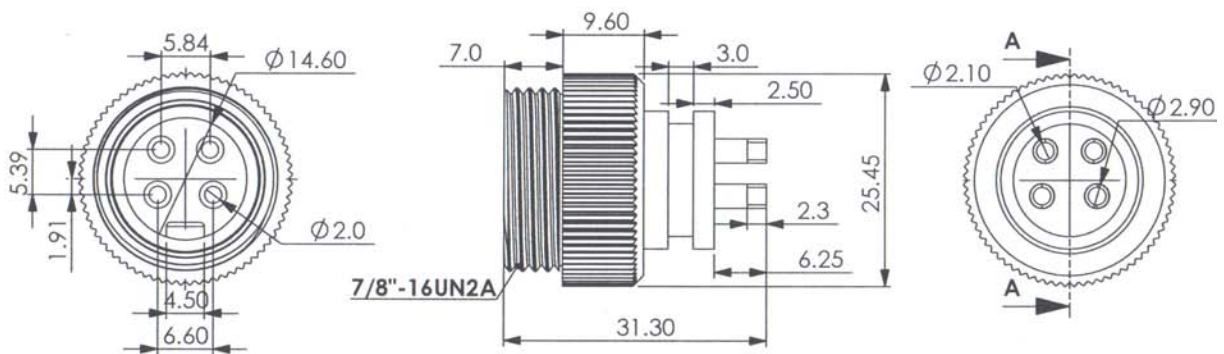
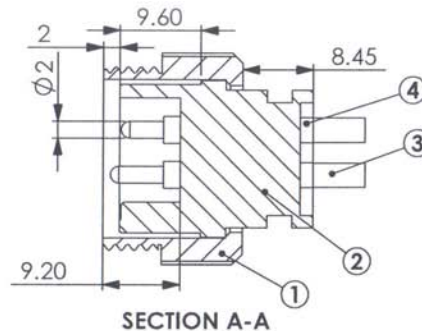
MATERIALS

Housing: PBT + GF30%

Terminals: Brass, Gold Plated

Screw Cap: Brass, Nickel Plated

Unit: mm



ORDERING INFORMATION:

P/N W P C 2 2 M - 0 4 M O L D
1 2 3 4

1. CONNECTOR LOCKING SYSTEM:

"22" SCREW 7/8"-16UN

2. CONNECTOR TYPE:

"M" MALE (PLUG)

3. NO. OF CONTACTS:

04

4. APPLICABLE TYPE:

"MOLD" CABLE MOLDING TYPE

WATERPROOF M22 4P MALE CONNECTOR PANEL MOUNT TYPE



SPECIFICATIONS

Current: 12A

Operation Temperature: -20°C to 105°C

Insulation Resistance: 1000MΩ min.

Dielectric Strength: 500V AC min.

Waterproof Test:

Reference to IEC 60529 Edition

2.1: 2001-02-IP67

All materials must be RoHS compliant.

MATERIALS

Housing: Thermoplastic, UL94V-0

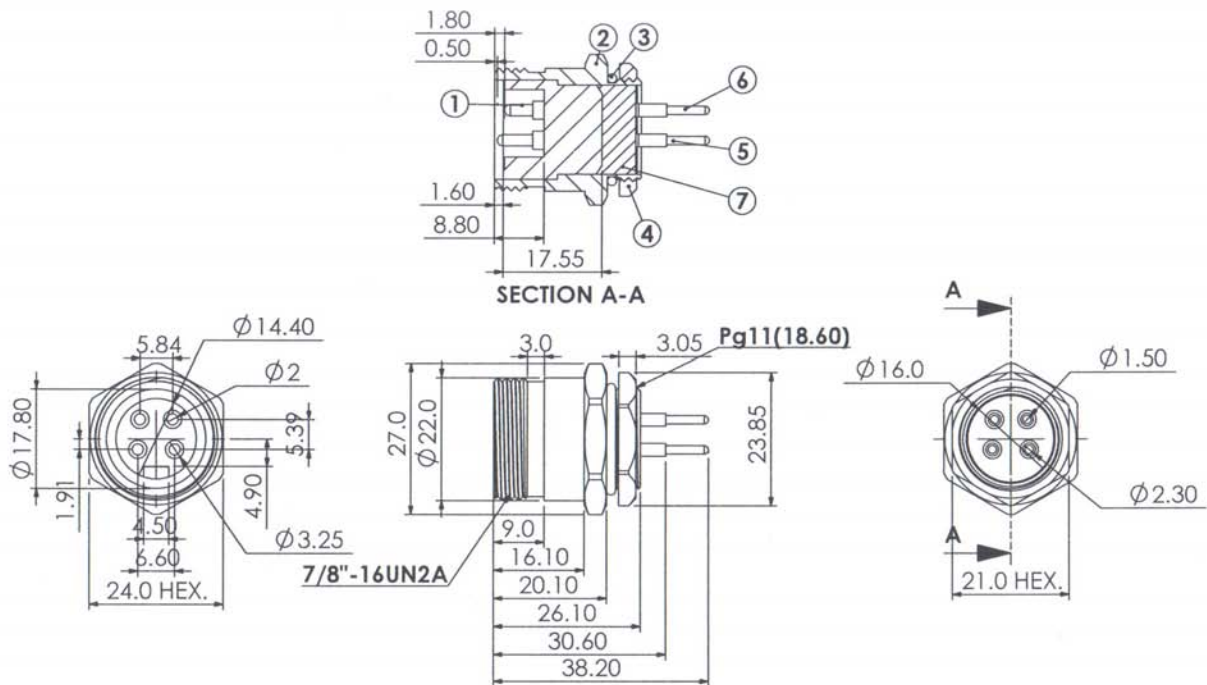
Shield Cover: Brass, Nickel Plated

Screw Nut: Brass, Nickel Plated

Sealed Ring: NBR

Terminals: Brass, Gold Plated

Unit: mm



ORDERING INFORMATION:

P/N W P C 2 2 M - 0 4 PANL
1 2 3 4

1. CONNECTOR LOCKING SYSTEM:
"22" SCREW 7/8"-16UN
2. CONNECTOR TYPE:
"M" MALE (PLUG)
3. NO. OF CONTACTS:
04
4. APPLICABLE TYPE:
"PANL" PANEL MOUNT TYPE

WATERPROOF M22 4P (5P) MALE CONNECTOR SINGLE DC KEY TYPE



SPECIFICATIONS

Rated Current: 2A

Operation Temperature: -20°C to 105°C

Insulation Resistance: 1000 Megaohms min.

Dielectric Strength: 500V AC min.

Waterproof Test: IP67 Rated

All materials must be RoHS compliant.

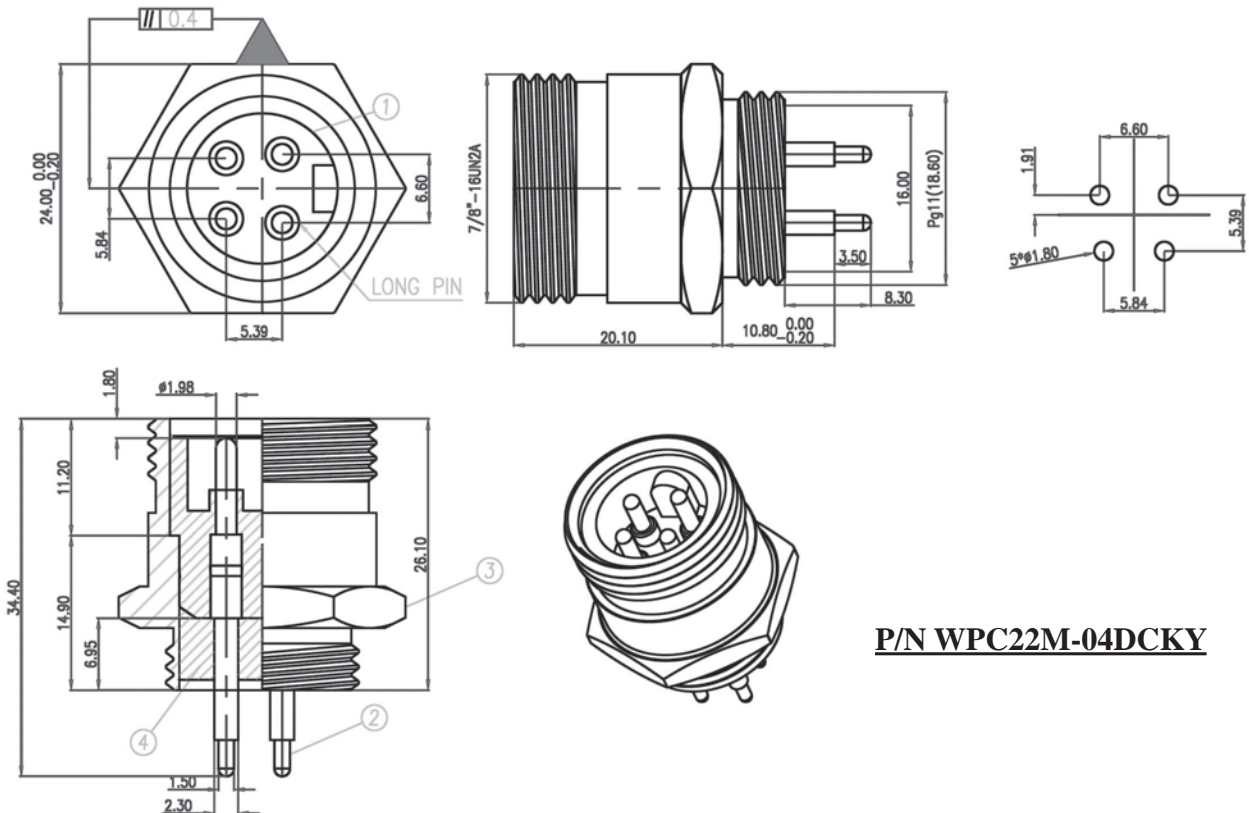
MATERIALS

Insulation: Thermoplastic, UL 94V-0

Contact: Brass; Contact plated 30u" Gold

Shell: Brass; Nickel 100u"

Unit: mm



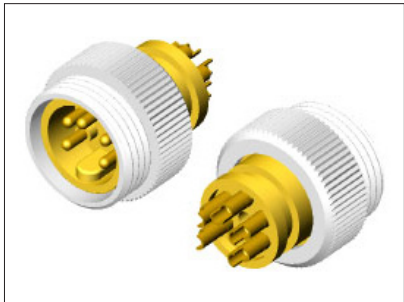
P/N WPC22M-04DCKY

ORDERING INFORMATION:

P/N W P C $\frac{2}{1}$ $\frac{2}{2}$ M - $\frac{x}{3}$ $\frac{x}{4}$ D C K Y

1. CONNECTOR LOCKING SYSTEM:
"22" SCREW 7/8"-16UN
2. CONNECTOR TYPE:
"M" MALE (PLUG)
3. NO. OF CONTACTS:
04, 05
4. APPLICABLE TYPE:
"DCKY" SINGLE DC KEY TYPE WITH
EXTERNAL THREAD

WATERPROOF M22 5P MALE CONNECTOR MOLDING TYPE



SPECIFICATIONS

Current: 12A

Operation Temperature: -50°C to 105°C

Insulation Resistance: 1000MΩ min.

Dielectric Strength: 500V AC min.

Waterproof Test:

Reference to IEC 60529 Edition

2.1: 2001-02-IP67

All materials must be RoHS compliant.

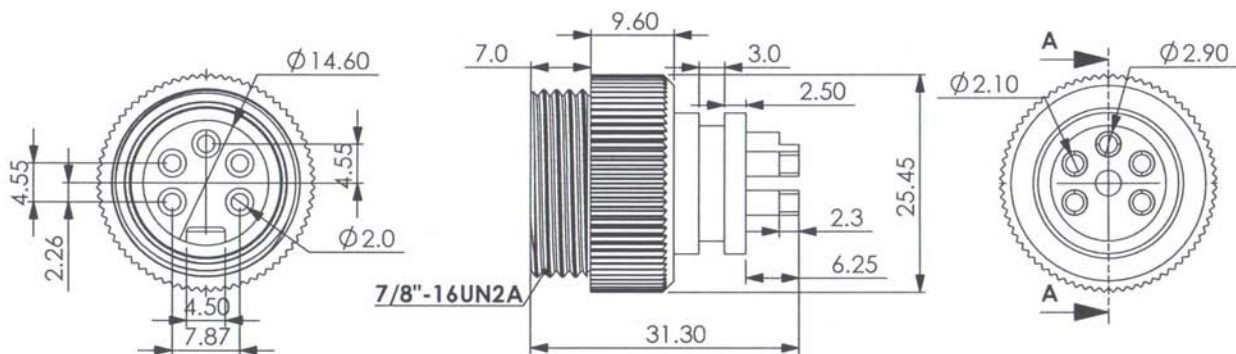
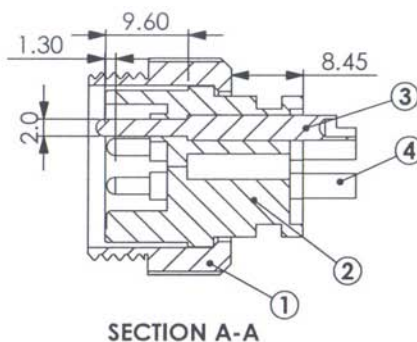
MATERIALS

Housing: PBT + GF30%

Terminals: Brass, Gold Plated

Screw Cap: Brass, Nickel Plated

Unit: mm



ORDERING INFORMATION:

P/N W P C 2 2 M - 0 5 M O L D
1 2 3 4

1. CONNECTOR LOCKING SYSTEM:

"22" SCREW 7/8"-16UN

2. CONNECTOR TYPE:

"M" MALE (PLUG)

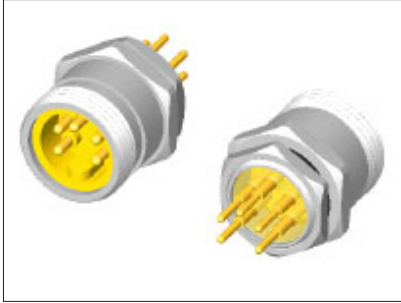
3. NO. OF CONTACTS:

05

4. APPLICABLE TYPE:

"MOLD" CABLE MOLDING TYPE

WATERPROOF M22 5P MALE CONNECTOR PANEL MOUNT TYPE



SPECIFICATIONS

Current: 12A

Operation Temperature: -20°C to 105°C

Insulation Resistance: 1000MΩ min.

Dielectric Strength: 500V AC min.

Waterproof Test:

Reference to IEC 60529 Edition

2.1: 2001-02-IP67

All materials must be RoHS compliant.

MATERIALS

Housing: Thermoplastic, UL94V-0

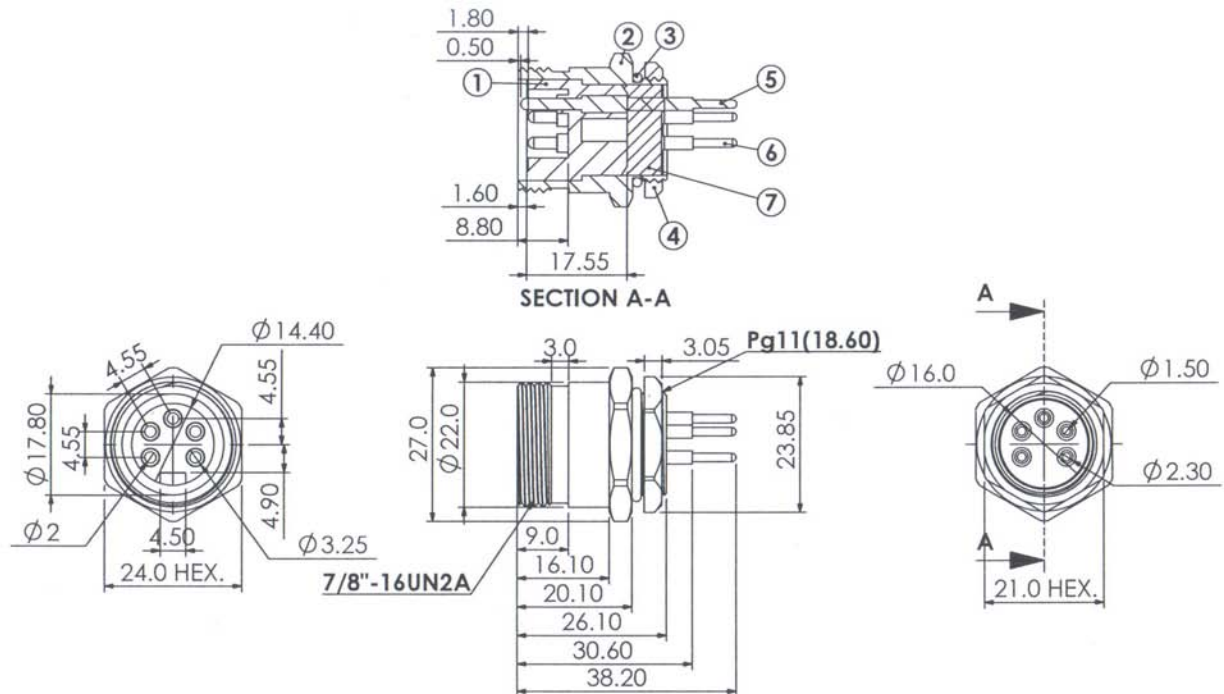
Shield Cover: Brass, Nickel Plated

Screw Nut: Brass, Nickel Plated

Sealed Ring: NBR

Terminals: Brass, Gold Plated

Unit: mm



ORDERING INFORMATION:

P/N W P C 2 2 M - 0 5 PANL
1 2 3 4

1. CONNECTOR LOCKING SYSTEM:

"22" SCREW 7/8"-16UN

2. CONNECTOR TYPE:

"M" MALE (PLUG)

3. NO. OF CONTACTS:

05

4. APPLICABLE TYPE:

"PANL" PANEL MOUNT TYPE

WATERPROOF M22 5P (4P) MALE CONNECTOR MINI AUX PWR TYPE

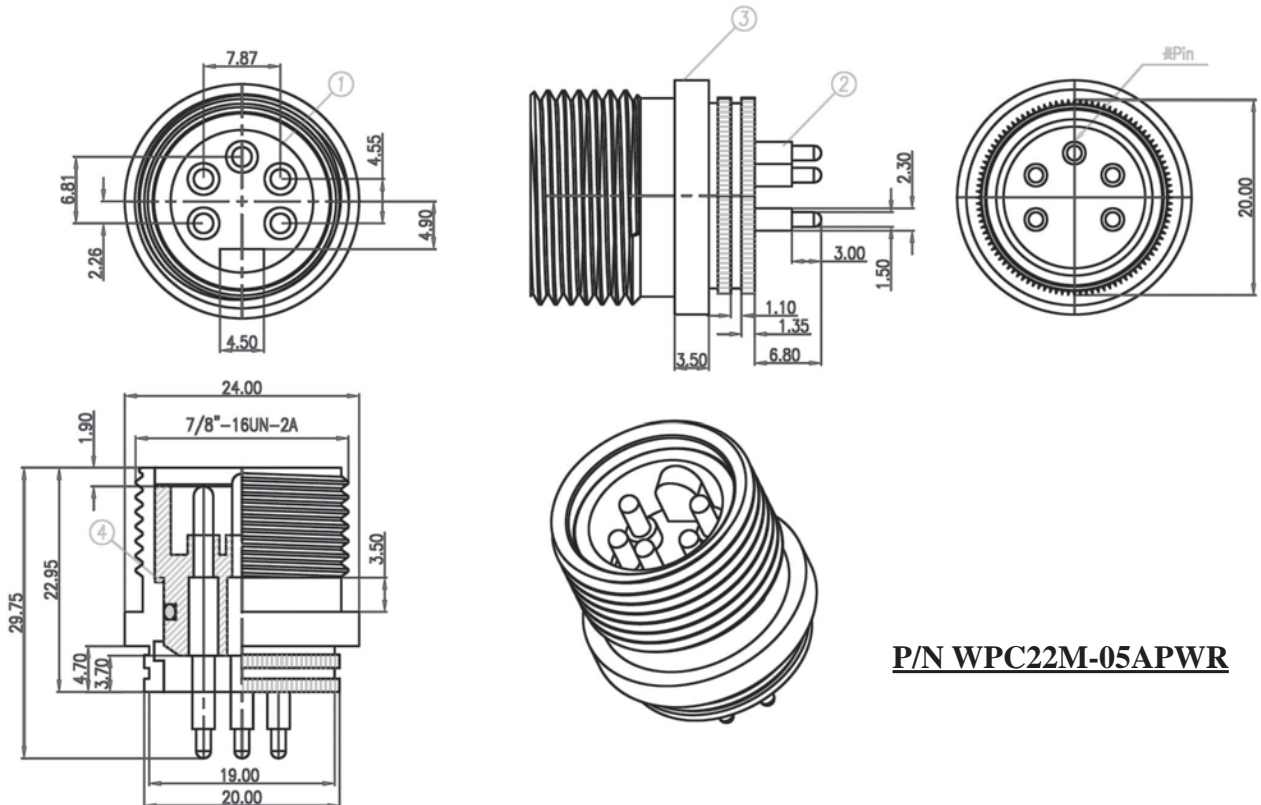


SPECIFICATIONS

Rated Current: 8A
Operation Temperature: -20°C to 105°C
Insulation Resistance: 1000 Megaohms min.
Dielectric Strength: 500V AC min.
Waterproof Test: IP67 Rated
All materials must be RoHS compliant.

MATERIALS

Insulation: Thermoplastic, UL 94V-0
Contact: Brass; Contact plated 30u" Gold
Shell: Brass; Nickel 100u"
O-Ring: NBR
Unit: mm



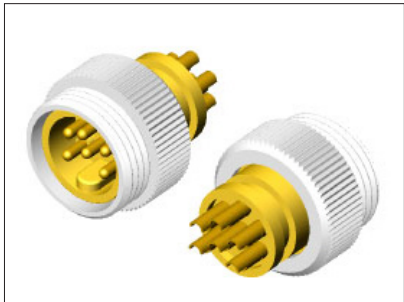
P/N WPC22M-05APWR

ORDERING INFORMATION:

P/N W P C 2 2 M - x x A P W R
1 2 3 4

1. CONNECTOR LOCKING SYSTEM:
"22" SCREW 7/8"-16UN
2. CONNECTOR TYPE:
"M" MALE (PLUG)
3. NO. OF CONTACTS:
04, 05
4. APPLICABLE TYPE:
"APWR" MINI AUX PWR TYPE

WATERPROOF M22 6P MALE CONNECTOR MOLDING TYPE



SPECIFICATIONS

Current: 12A

Operation Temperature: -50°C to 105°C

Insulation Resistance: 1000MΩ min.

Dielectric Strength: 500V AC min.

Waterproof Test:

Reference to IEC 60529 Edition

2.1: 2001-02-IP67

All materials must be RoHS compliant.

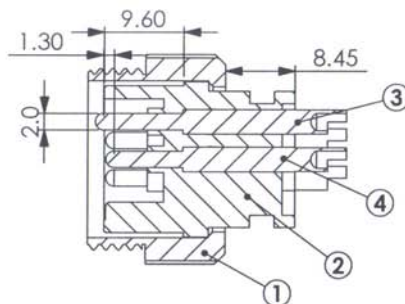
MATERIALS

Housing: PBT + GF30%

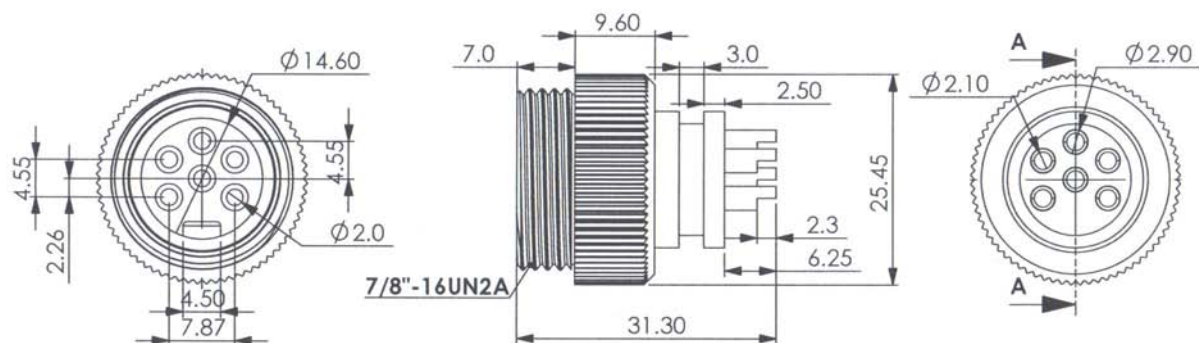
Terminals: Brass, Gold Plated

Screw Cap: Brass, Nickel Plated

Unit: mm



SECTION A-A



ORDERING INFORMATION:

P/N W P C 2 2 M - 0 6 M O L D
1 2 3 4

1. CONNECTOR LOCKING SYSTEM:

"22" SCREW 7/8"-16UN

2. CONNECTOR TYPE:

"M" MALE (PLUG)

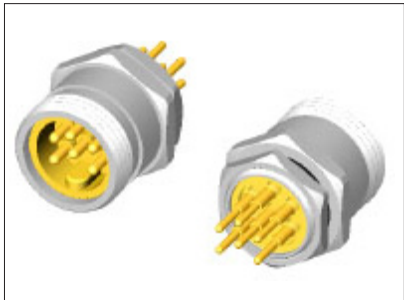
3. NO. OF CONTACTS:

06

4. APPLICABLE TYPE:

"MOLD" CABLE MOLDING TYPE

WATERPROOF M22 6P MALE CONNECTOR PANEL MOUNT TYPE



SPECIFICATIONS

Current: 12A

Operation Temperature: -20°C to 105°C

Insulation Resistance: 1000MΩ min.

Dielectric Strength: 500V AC min.

Waterproof Test:

Reference to IEC 60529 Edition

2.1: 2001-02-IP67

All materials must be RoHS compliant.

MATERIALS

Housing: Thermoplastic, UL94V-0

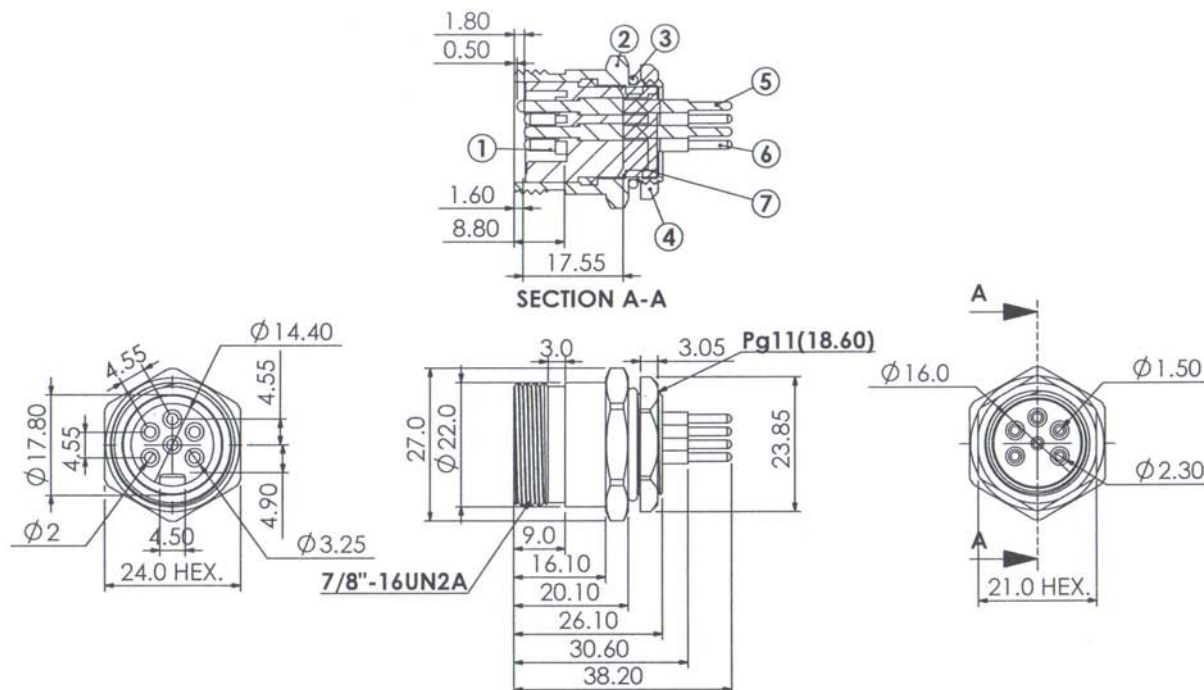
Shield Cover: Brass, Nickel Plated

Screw Nut: Brass, Nickel Plated

Sealed Ring: NBR

Terminals: Brass, Gold Plated

Unit: mm



ORDERING INFORMATION:

P/N W P C 2 2 M - 0 6 PANL
1 2 3 4

1. CONNECTOR LOCKING SYSTEM:

"22" SCREW 7/8"-16UN

2. CONNECTOR TYPE:

"M" MALE (PLUG)

3. NO. OF CONTACTS:

06

4. APPLICABLE TYPE:

"PANL" PANEL MOUNT TYPE