

WATERPROOF M8 3P FEMALE CONNECTOR MOLDING TYPE



SPECIFICATIONS

Current: 2A

Operation Temperature: -20°C to 105°C

Insulation Resistance: 1000MΩ min.

Dielectric Strength: 500V AC min.

Waterproof Test:

Reference to IEC 60529 Edition

2.1: 2001-02-IP67

All materials must be RoHS compliant.

MATERIALS

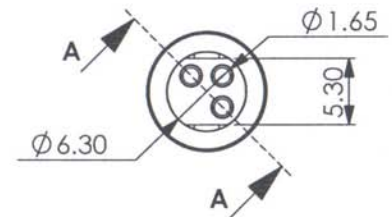
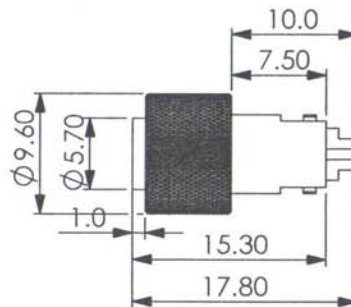
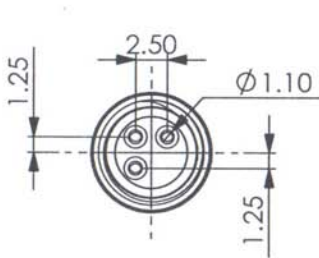
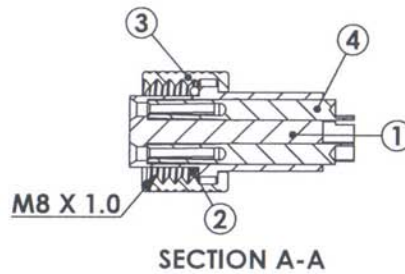
Housing: Thermoplastic, UL94V-0

Screw Cap: Brass, Nickel Plated

Sealed Ring: NBR

Terminals: Brass, Gold Plated

Unit: mm



ORDERING INFORMATION:

P/N W P C 08 F - 03 M O L D
1 2 3 4

1. CONNECTOR LOCKING SYSTEM:

"08" SCREW M8*1.0

2. CONNECTOR TYPE:

"F" FEMALE (JACK)

3. NO. OF CONTACTS:

03

4. APPLICABLE TYPE:

"MOLD" CABLE MOLDING TYPE

WATERPROOF M8 3P FEMALE CONNECTOR PANEL MOUNT TYPE



SPECIFICATIONS

Current: 2A

Operation Temperature: -20°C to 105°C

Insulation Resistance: 1000MΩ min.

Dielectric Strength: 500V AC min.

Waterproof Test:

Reference to IEC 60529 Edition

2.1: 2001-02-IP67

All materials must be RoHS compliant.

MATERIALS

Housing: Thermoplastic, UL94V-0

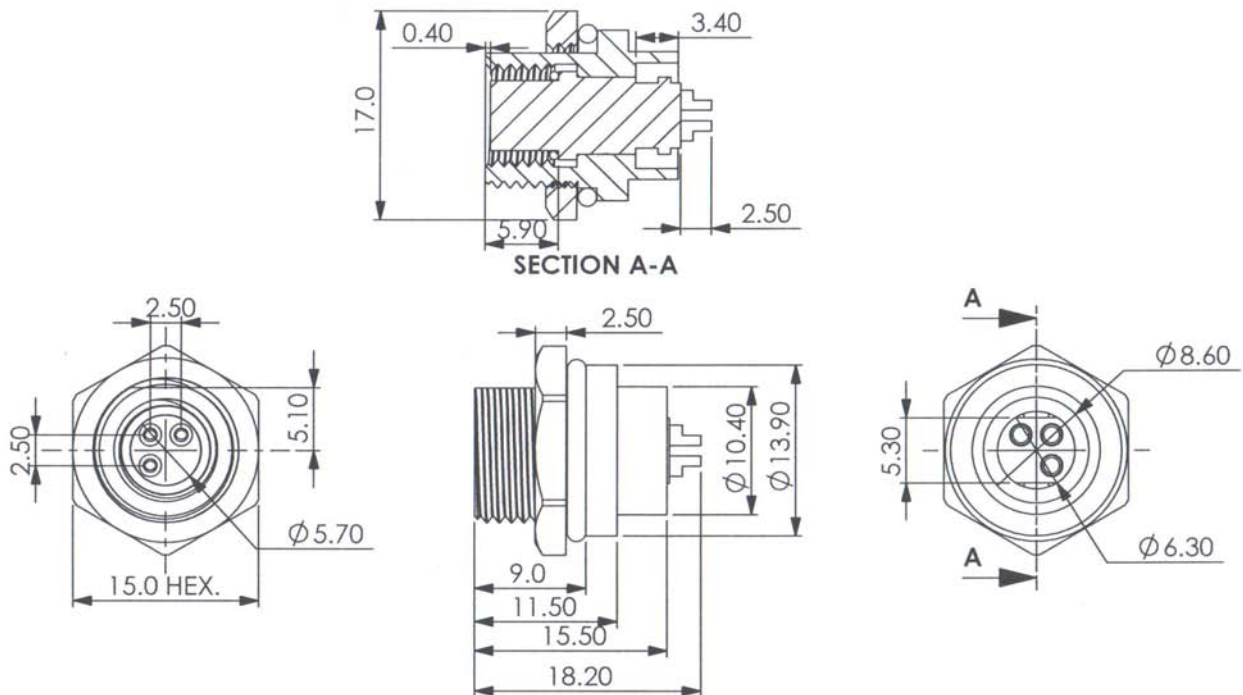
Shield Cover: Brass, Nickel Plated

Screw Cap: Brass, Nickel Plated

Sealed Ring: NBR

Terminals: Brass, Gold Plated

Unit: mm



ORDERING INFORMATION:

P/N W P C 0 8 F - 0 3 P A N F
1 2 3 4

1. CONNECTOR LOCKING SYSTEM:

"08" SCREW M8*1.0

2. CONNECTOR TYPE:

"F" FEMALE (JACK)

3. NO. OF CONTACTS:

03

4. APPLICABLE TYPE:

"PANF" PANEL FRONT MOUNT SOLDER TYPE

WATERPROOF M8 3P (2P+4P) FEMALE CONNECTOR PANEL MOUNT SOLDER TYPE



MATERIALS

Insulation: Thermoplastic, UL 94V-0

Contact: Brass; 10u" on contact Goldflash on solder area

Shell: Brass; Nickel 60u"

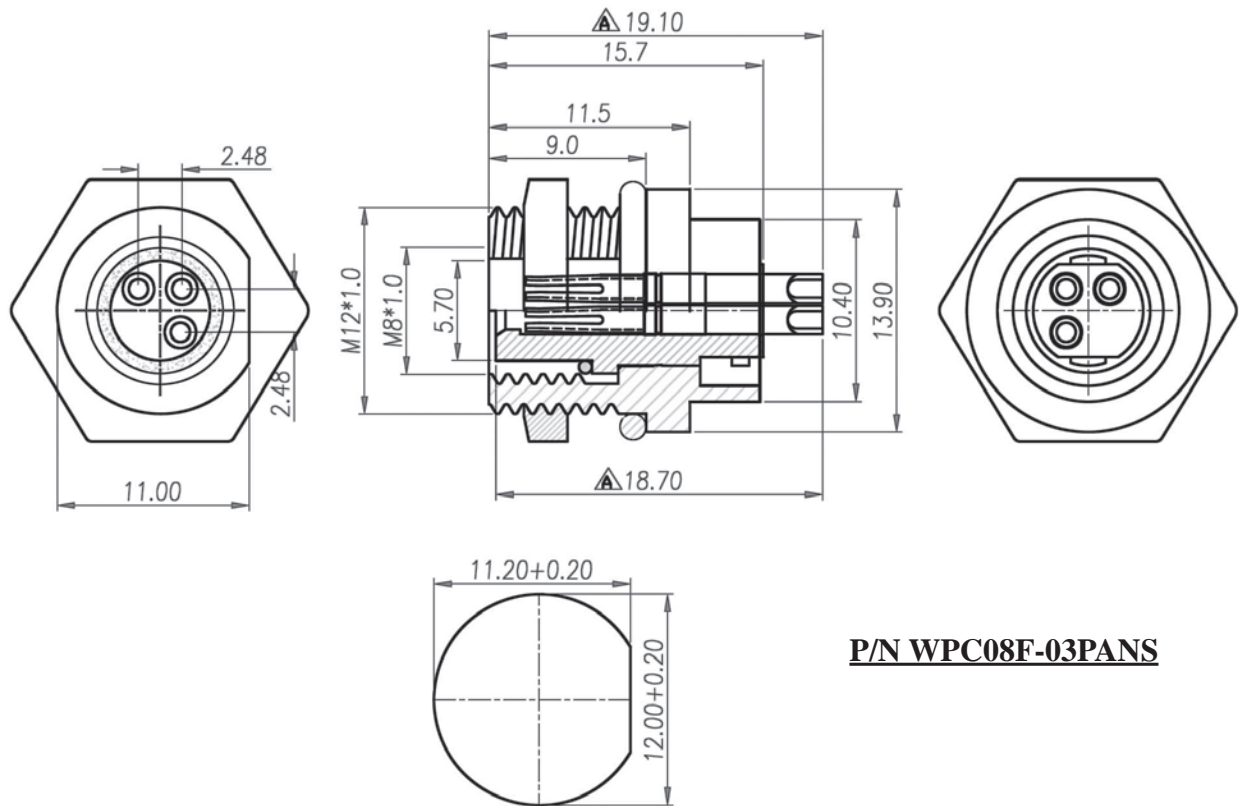
Nut: Brass; Nickel 60u"

O-Ring: NBR

Waterproof Test: IP67 Rated

All materials must be RoHS compliant.

Unit: mm



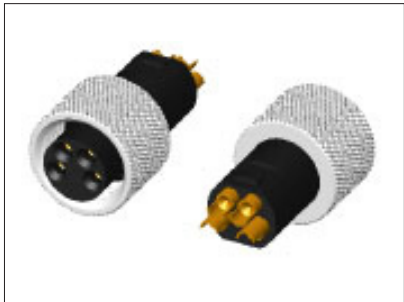
P/N WPC08F-03PANS

ORDERING INFORMATION:

P/N WPC08F-xxPANS

1. CONNECTOR LOCKING SYSTEM:
"08" SCREW M8*1.0
2. CONNECTOR TYPE:
"F" FEMALE (JACK)
3. NO. OF CONTACTS:
02, 03, 04
4. APPLICABLE TYPE:
"PANS" PANEL MOUNT SOLDER TYPE

WATERPROOF M8 4P FEMALE CONNECTOR MOLDING TYPE



SPECIFICATIONS

Current: 2A

Operation Temperature: -20°C to 105°C

Insulation Resistance: 1000MΩ min.

Dielectric Strength: 500V AC min.

Waterproof Test:

Reference to IEC 60529 Edition

2.1: 2001-02-IP67

All materials must be RoHS compliant.

MATERIALS

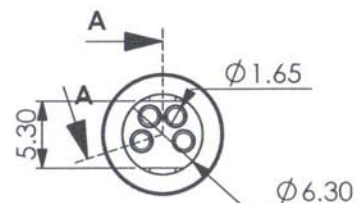
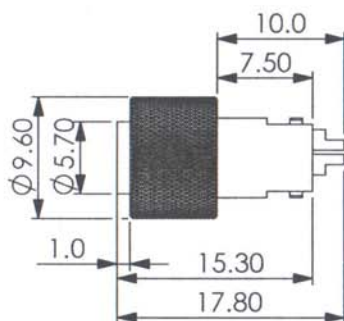
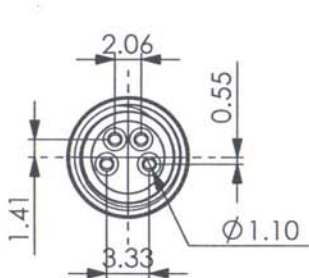
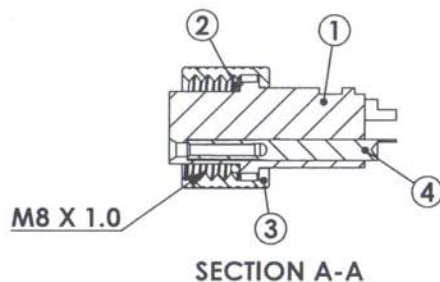
Housing: Thermoplastic, UL94V-0

Screw Cap: Brass, Nickel Plated

Sealed Ring: NBR

Terminals: Brass, Gold Plated

Unit: mm



ORDERING INFORMATION:

P/N WPC 08F - 04MOLD
1 2 3 4

1. CONNECTOR LOCKING SYSTEM:

"08" SCREW M8*1.0

2. CONNECTOR TYPE:

"F" FEMALE (JACK)

3. NO. OF CONTACTS:

04

4. APPLICABLE TYPE:

"MOLD" CABLE MOLDING TYPE

WATERPROOF M8 4P (2P+3P) FEMALE CONNECTOR SOLDER TYPE



MATERIALS

Housing: PBT, UL 94V-0

Contact: Copper alloy; 10 microinches min. Gold plating under Nickel

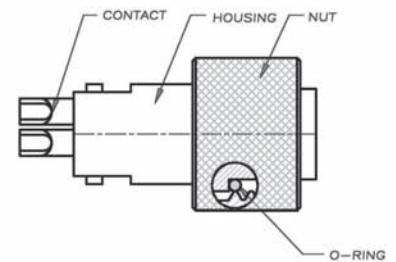
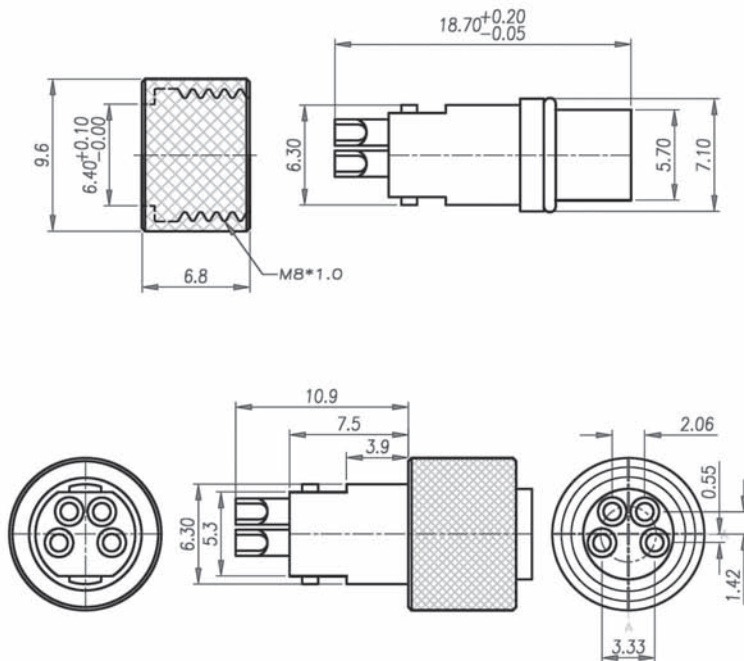
Nut: Copper alloy; Nickel plated 60u" ~ 100u" over all

O-Ring: NBR

Waterproof Test: IP67 Rated

All materials must be RoHS compliant.

Unit: mm



P/N WPC08F-04SLDR

ORDERING INFORMATION:

P/N WPC 08F - xx SLDR
1 2 3 4

1. CONNECTOR LOCKING SYSTEM:
"08" SCREW M8*1.0
2. CONNECTOR TYPE:
"F" FEMALE (JACK)
3. NO. OF CONTACTS:
02, 03, 04
4. APPLICABLE TYPE:
"SLDR" SOLDER TYPE

WATERPROOF M8 4P FEMALE CONNECTOR PANEL MOUNT TYPE

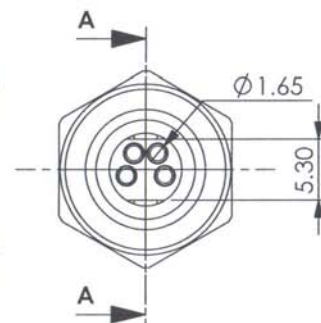
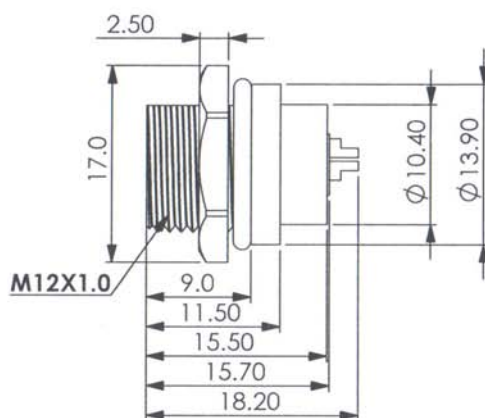
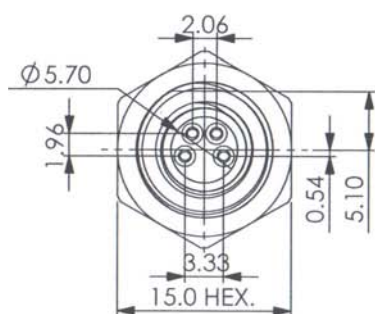
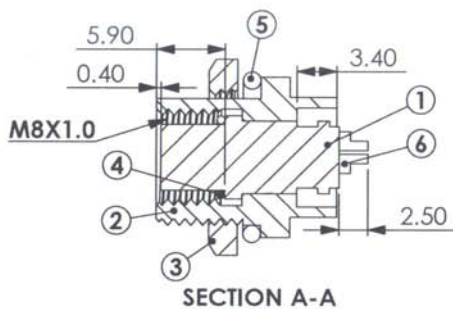


SPECIFICATIONS

Current: 3A
Operation Temperature: -20°C to 105°C
Insulation Resistance: 1000MΩ min.
Dielectric Strength: 500V AC min.
Waterproof Test:
 Reference to IEC 60529 Edition
 2.1: 2001-02-IP67
All materials must be RoHS compliant.

MATERIALS

Housing: Thermoplastic, UL94V-0
Shield Cover: Brass, Nickel Plated
Screw Nut: Brass, Nickel Plated
Sealed Ring: NBR
Washer: Brass, Nickel Plated
Unit: mm



ORDERING INFORMATION:

P/N W P C 0 8 F - 0 4 P A N S
 1 2 3 4

1. CONNECTOR LOCKING SYSTEM:
"08" SCREW M8*1.0
2. CONNECTOR TYPE:
"F" FEMALE (JACK)
3. NO. OF CONTACTS:
04
4. APPLICABLE TYPE:
"PANS" PANEL FRONT MOUNT SOLDER TYPE