

WATERPROOF M8 4P MALE CONNECTOR PANEL MOUNT TYPE



SPECIFICATIONS

Current: 3A

Operation Temperature: -20°C to 105°C

Insulation Resistance: 1000MΩ min.

Dielectric Strength: 500V AC min.

Waterproof Test:

Reference to IEC 60529 Edition

2.1: 2001-02-IP67

All materials must be RoHS compliant.

MATERIALS

Housing: Thermoplastic, UL94V-0

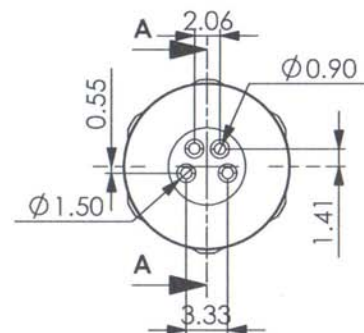
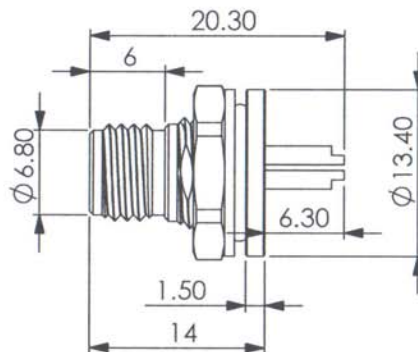
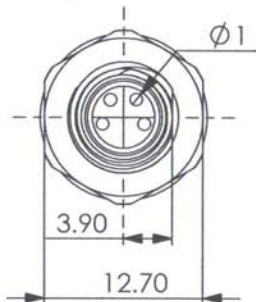
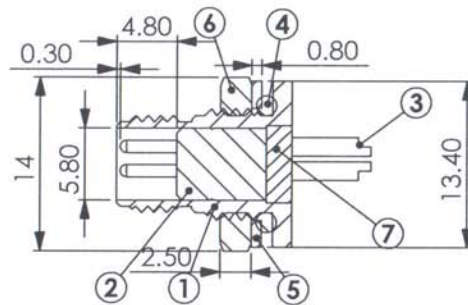
Shield Cover: Brass, Nickel Plated

Screw Nut: Brass, Nickel Plated

Sealed Ring: NBR

Washer: Brass, Nickel Plated

Unit: mm



ORDERING INFORMATION:

P/N W P C 0 8 M - 0 4 P A N S
1 2 3 4

1. CONNECTOR LOCKING SYSTEM:
"08" SCREW M8*1.0
2. CONNECTOR TYPE:
"M" MALE (PLUG)
3. NO. OF CONTACTS:
04
4. APPLICABLE TYPE:
"PANS" PANEL FRONT MOUNT SOLDER TYPE

WATERPROOF M8 3P MALE CONNECTOR PANEL MOUNT TYPE



SPECIFICATIONS

Current: 3A

Operation Temperature: -20°C to 105°C

Insulation Resistance: 1000MΩ min.

Dielectric Strength: 500V AC min.

Waterproof Test:

Reference to IEC 60529 Edition

2.1: 2001-02-IP67

All materials must be RoHS compliant.

MATERIALS

Housing: Thermoplastic, UL94V-0

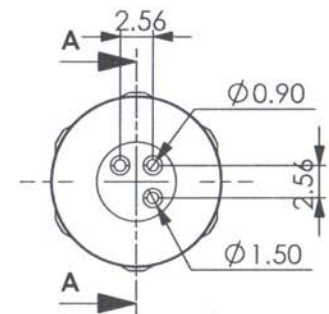
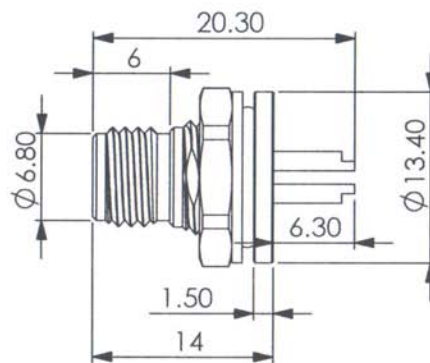
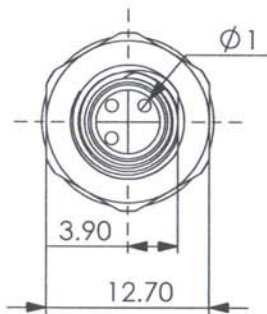
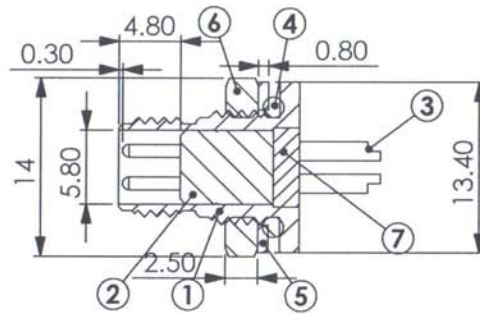
Shield Cover: Brass, Nickel Plated

Screw Nut: Brass, Nickel Plated

Sealed Ring: NBR

Washer: Brass, Nickel Plated

Unit: mm



ORDERING INFORMATION:

P/N W P C 0 8 M - 0 3 P A N F
1 2 3 4

1. CONNECTOR LOCKING SYSTEM:
"08" SCREW M8*1.0
2. CONNECTOR TYPE:
"M" MALE (PLUG)
3. NO. OF CONTACTS:
03
4. APPLICABLE TYPE:
"PANF" PANEL FRONT MOUNT SOLDER TYPE

WATERPROOF M8 3P (2P+4P) MALE CONNECTOR SOLDER TYPE



SPECIFICATIONS

Rated Current: 5A

Operation Temperature: -40°C to 85°C

Voltage: 125V

Waterproof Test: IPX7

All materials must be RoHS compliant.

MATERIALS

Housing: PBT, UL 94V-0

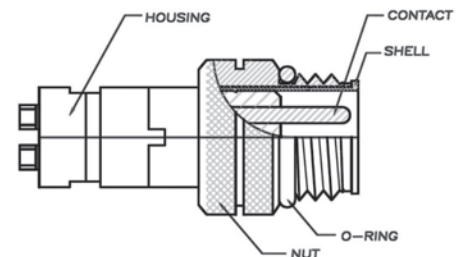
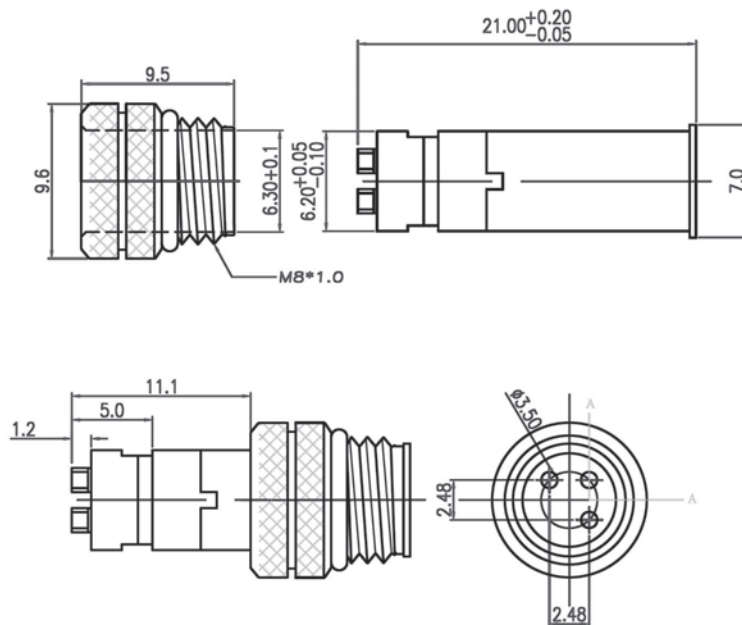
Contact: Copper Alloy; 10 microinches min. Gold plating over Nickel

Shell: Copper Alloy; Nickel plated 60u" ~ 100u" over all

Nut: Copper Alloy; Nickel plated 60u" ~ 100u" over all

O-Ring: NBR

Unit: mm



P/N WPC08M-03SLDR

ORDERING INFORMATION:

P/N WPC 08 M - x x SLDR
1 2 3 4

1. CONNECTOR LOCKING SYSTEM:

"08" SCREW M8*1.0

2. CONNECTOR TYPE:

"M" MALE (PLUG)

3. NO. OF CONTACTS:

02, 03, 04

4. APPLICABLE TYPE:

"SLDR" SOLDER TYPE

WATERPROOF M8 3P (2P+4P) MALE CONNECTOR PANEL MOUNT SOLDER TYPE

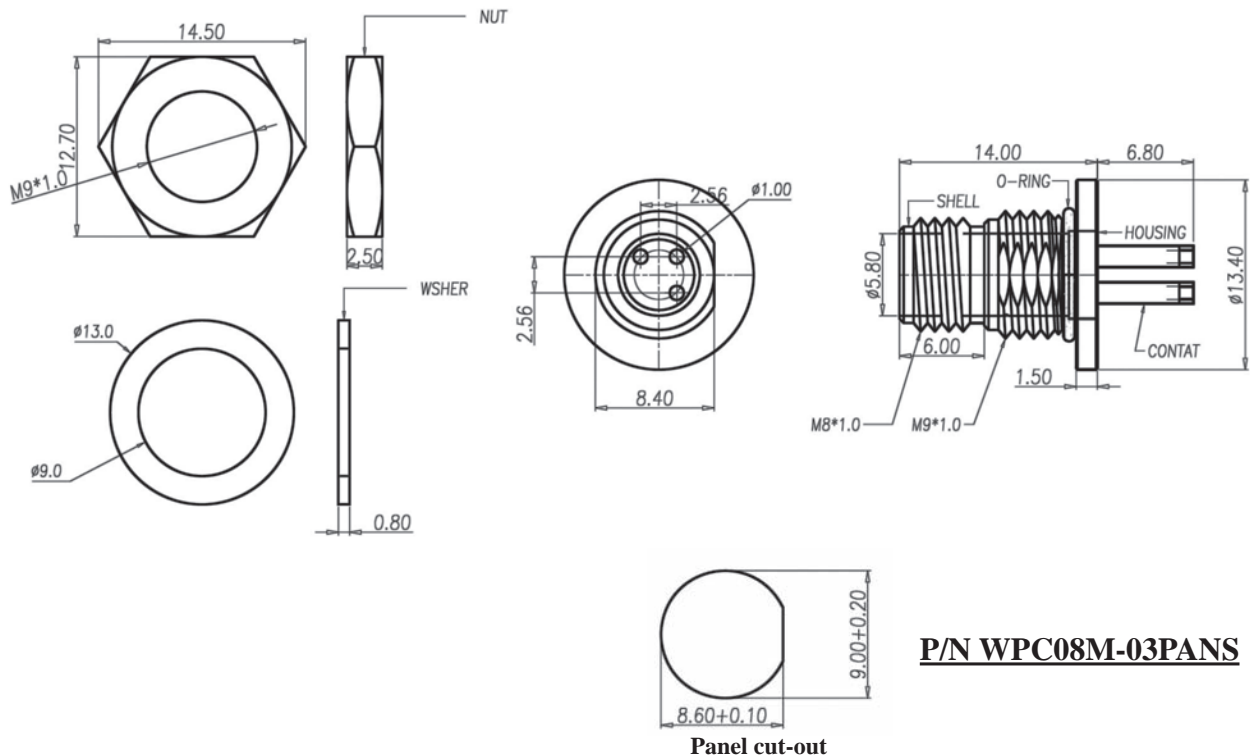


SPECIFICATIONS

Rated Current: 5A
Operation Temperature: -20°C to 85°C
Voltage: 125V
Waterproof Test: IP67 Rated
All materials must be RoHS compliant.

MATERIALS

Housing: PBT, UL 94V-0
Contact: Brass; 10 microinches min. Gold plated under Nickel
Shell: Brass; Nickel plated 60u" ~ 100u" over all
Washer: Brass; Nickel plated 60u" ~ 100u" over all
Nut: Brass; Nickel plated 60u" ~ 100u" over all
O-Ring: EPDM
Unit: mm



P/N WPC08M-03PANS

ORDERING INFORMATION:

P/N WPC 08 M - x x PANS
 1 2 3 4

- CONNECTOR LOCKING SYSTEM:
"08" SCREW M8*1.0
- CONNECTOR TYPE:
"M" MALE (PLUG)
- NO. OF CONTACTS:
02, 03, 04
- APPLICABLE TYPE:
"PANS" PANEL MOUNT SOLDER TYPE

WATERPROOF M8 3P MALE CONNECTOR MOLDING TYPE



SPECIFICATIONS

Current: 2A

Operation Temperature: -20°C to 105°C

Insulation Resistance: 1000MΩ min.

Dielectric Strength: 500V AC min.

Waterproof Test:

Reference to IEC 60529 Edition

2.1: 2001-02-IP67

All materials must be RoHS compliant.

MATERIALS

Housing: Thermoplastic, UL94V-0

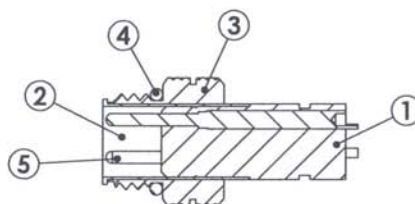
Shield Cover: Brass, Nickel Plated

Screw Cap: Brass, Nickel Plated

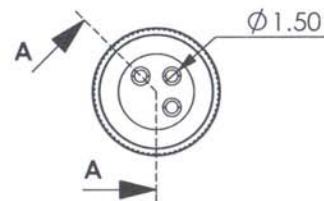
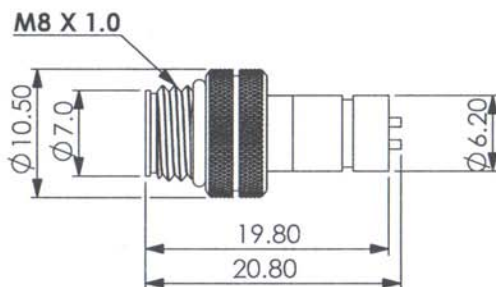
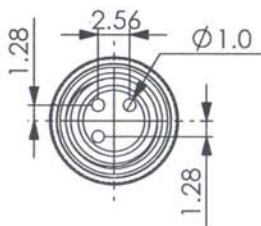
Sealed Ring: NBR

Terminals: Brass, Gold Plated

Unit: mm



SECTION A-A



ORDERING INFORMATION:

P/N W P C 08 M - 03 MOLD
1 2 3 4

1. CONNECTOR LOCKING SYSTEM:

"08" SCREW M8*1.0

2. CONNECTOR TYPE:

"M" MALE (PLUG)

3. NO. OF CONTACTS:

03

4. APPLICABLE TYPE:

"MOLD" CABLE MOLDING TYPE

WATERPROOF M8 4P MALE CONNECTOR MOLDING TYPE



SPECIFICATIONS

Current: 2A

Operation Temperature: -20°C to 105°C

Insulation Resistance: 1000MΩ min.

Dielectric Strength: 500V AC min.

Waterproof Test:

Reference to IEC 60529 Edition

2.1: 2001-02-IP67

All materials must be RoHS compliant.

MATERIALS

Housing: Thermoplastic, UL94V-0

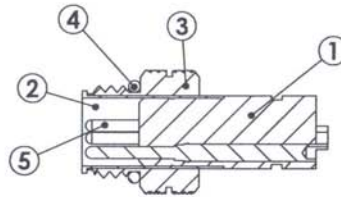
Shield Cover: Brass, Nickel Plated

Screw Cap: Brass, Nickel Plated

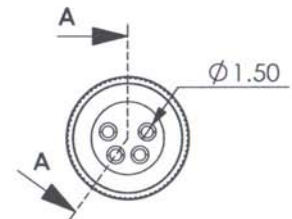
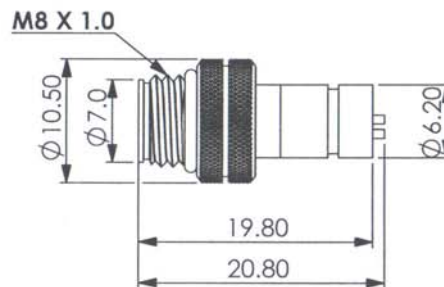
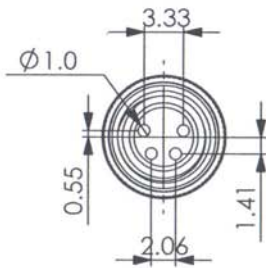
Sealed Ring: NBR

Terminals: Brass, Gold Plated

Unit: mm



SECTION A-A



ORDERING INFORMATION:

P/N W P C 08 M - 04 MOLD
1 2 3 4

1. CONNECTOR LOCKING SYSTEM:

"08" SCREW M8*1.0

2. CONNECTOR TYPE:

"M" MALE (PLUG)

3. NO. OF CONTACTS:

04

4. APPLICABLE TYPE:

"MOLD" CABLE MOLDING TYPE