

WATERPROOF M9 5P (6P) FEMALE CONNECTOR SOLDER TYPE



SPECIFICATIONS

Rated Current: 5A

Operation Temperature: -40°C to 85°C

Voltage: 125V

Waterproof Test: IPX7

All materials must be RoHS compliant.

MATERIALS

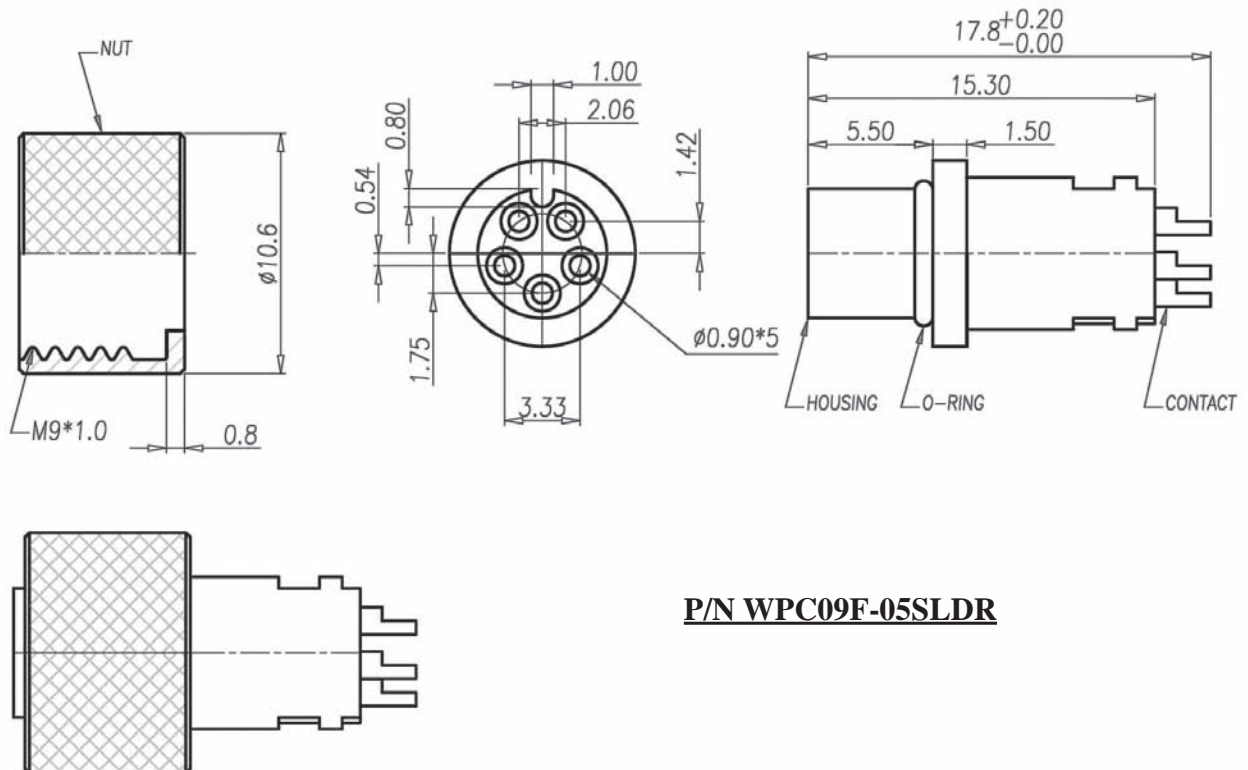
Housing: PBT, UL 94V-0

Contact: Brass; 10 microinches min. Gold plated under Nickel

Nut: Brass; Nickel plated 60u" ~ 100u" over all

O-Ring: NBR

Unit: mm



P/N WPC09F-05SLDR

ORDERING INFORMATION:

P/N WPC 09F - xx SLDR
1 2 3 4

1. CONNECTOR LOCKING SYSTEM:
"09" SCREW M9*1.0
2. CONNECTOR TYPE:
"F" FEMALE (JACK)
3. NO. OF CONTACTS:
05, 06
4. APPLICABLE TYPE:
"SLDR" SOLDER TYPE

WATERPROOF M9 5P (6P) MALE CONNECTOR SOLDER TYPE



SPECIFICATIONS

Rated Current: 5A

Operation Temperature: -40°C to 85°C

Voltage: 125V

Waterproof Test: IPX7

All materials must be RoHS compliant.

MATERIALS

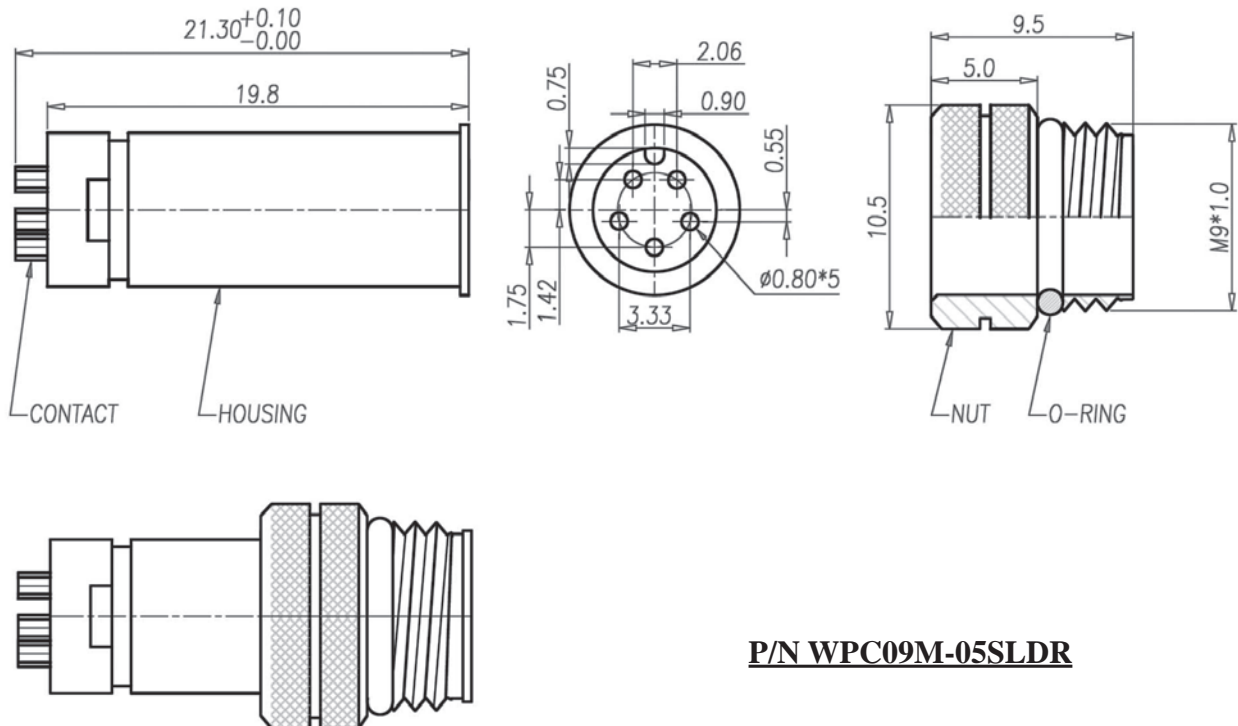
Housing: PBT, UL 94V-0

Contact: Brass; 10 microinches min. Gold plated under Nickel

Nut: Brass; Nickel plated 60u" ~ 100u" over all

O-Ring: NBR

Unit: mm



P/N WPC09M-05SLDR

ORDERING INFORMATION:

P/N WPC 09 M - x x SLDR
1 2 3 4

1. CONNECTOR LOCKING SYSTEM:

"09" SCREW M9*1.0

2. CONNECTOR TYPE:

"M" MALE (PLUG)

3. NO. OF CONTACTS:

05, 06

4. APPLICABLE TYPE:

"SLDR" SOLDER TYPE