

UHF SERIES CONNECTORS & ADAPTERS

50 Ohm 0-300MHz

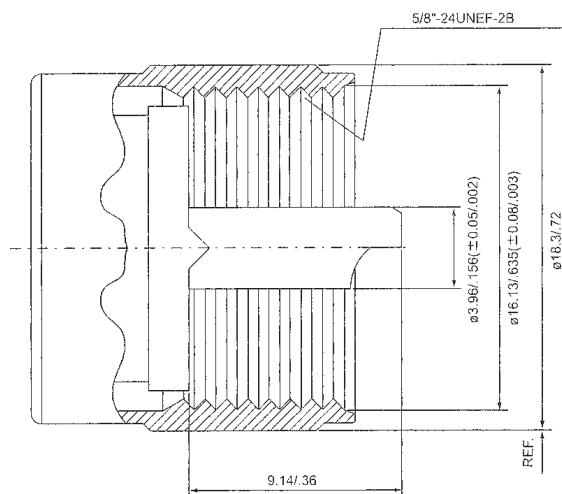
UHF coaxial connectors are popular, economical and one of the first RF connector series to be developed.

They're a general purpose, non-constant impedance connectors and operate from DC to 300 MHz.

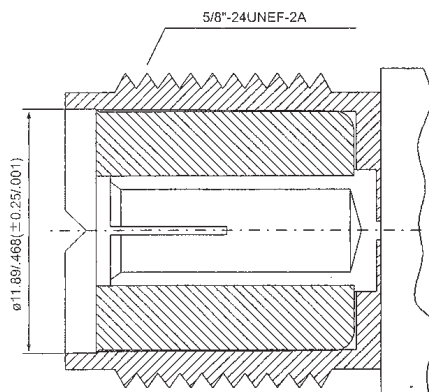
The 5/8"-24 thread coupling and crimp, clamp, twist-on and solder termination provide the UHF with the flexibility that have kept it one of the most popular coaxial connectors over the years.

Low frequency devices are antenna connections for CB radios, public address systems, audio, video, radio and test equipment.

Interface Dimensions:



Plug(male)



Jack(female)

Electrical:

Impedance	Non-constant
Frequency Range	0 to 300 MHz

UHF CONNECTORS (1)

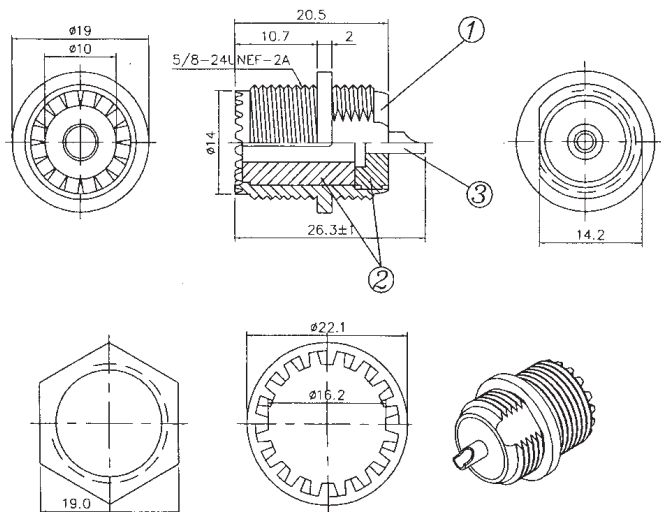
U738ZN-XN*P00

UHF JACK SOLDER TYPE
WITH NUT & WASHER

U738ZN-XNGP00 (GOLD PLATED)

U738ZN-XNSP00 (SILBER PLATED)

U738ZN-XNTP00 (TIN PLATED)



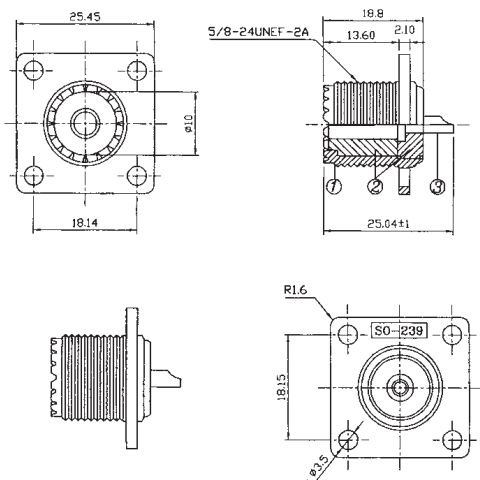
U740ZN-XN*P00

UHF JACK PANEL MOUNT

U740ZN-XNGP00 (GOLD PLATED)

U740ZN-XNSP00 (SILBER PLATED)

U740ZN-XNTP00 (TIN PLATED)



MATERIAL & FINISH

① BODY : ZINC ALLOY, NICKEL PLATING

② INSULATOR : PBT (94 V-0)

③ CENTER CONTACT : BRASS, TIN/SILVER/GOLD PLATING

U739ZN-XN*P00

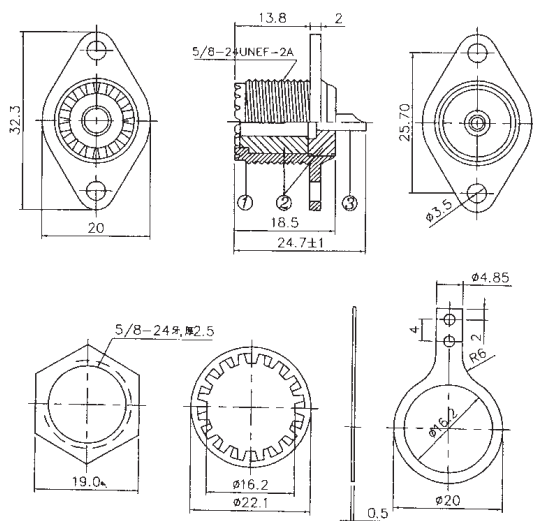
UHF JACK PANEL MOUNT

WITH NUT & WASHER & SOLDER TAG

U739ZN-XNGP00 (GOLD PLATED)

U739ZN-XNSP00 (SILBER PLATED)

U739ZN-XNTP00 (TIN PLATED)



U741ZN-XN*P00

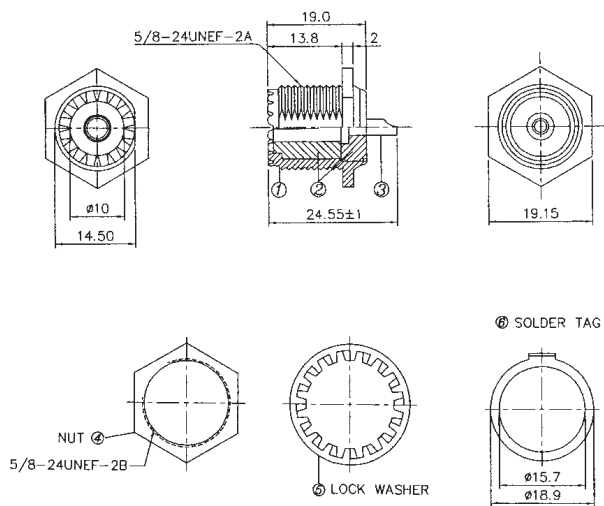
UHF JACK SOLDER TYPE

WITH NUT & WASHER & SOLDER TAG

U741ZN-XNGP00 (GOLD PLATED)

U741ZN-XNSP00 (SILBER PLATED)

U741ZN-XNTP00 (TIN PLATED)



NUT ④
5/8-24UNEF-2B

⑤ LOCK WASHER

⑥ SOLDER TAG

UHF CONNECTORS (2)

U517**-****00

UHF PLUG CRIMP TYPE
RG58U, RG141U:

U517-FNND00**

RG59U, RG62U:

U517-GNND00**

RG174U, RG316U:

U517-LNND00**

RG179U:

U517-NNND00**



U712**-****00

UHF PLUG CRIMP
RIGHT ANGLE TYPE

RG58U, RG141U:

U712-FNND00**

RG59U, RG62U:

U712-GNND00**

RG174U, RG316U:

U712-LNND00**



U515**-****00

UHF PLUG CLAMP TYPE
RG213U:

U515-BNND00**

RG58U, RG141U:

U515-FNND00**

RG59U, RG62U:

U515-GNND00**



U520**-B***00

UHF PLUG TWIST-ON
(PL-259) FOR RG213U CABLE
STANDARD PART NO.:

U520CU-BNND00

U520ZN-BNND00



U501**-****00

UHF PLUG TWIST-ON
RG6U, RG5U:

U501-ANND00**

RG58U, RG141U:

U501-FNND00**

RG59U, RG62U:

U501-GNND00**



U537**-****00

UHF PLUG TWIST-ON
SHORT TYPE

RG6U, RG5U:

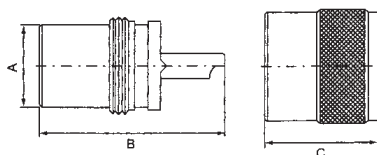
U537-ANND00**

RG58U, RG141U:

U537-FNND00**

RG59U, RG62U:

U537-GNND00**



U518**-****00

UHF PLUG TWIST-ON
RIGHT ANGLE TYPE
RG6U, RG5U:

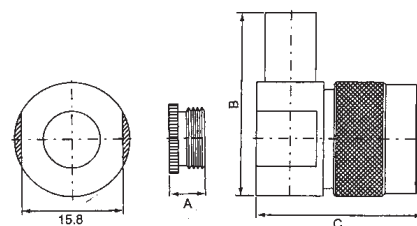
U518-ANND00**

RG58U, RG141U:

U518-FNND00**

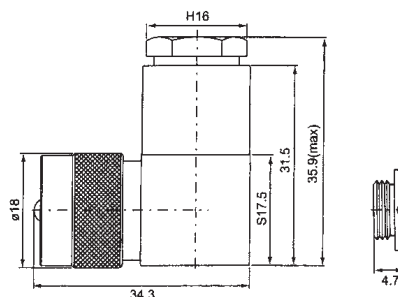
RG59U, RG62U:

U518-GNND00**



U723CU-FNND00

UHF PLUG SCREW-ON
RIGHT ANGLE TYPE
FOR RG58/U CABLE



U521**-****00

UHF REDUCER FOR PL-259
RG6U, RG5U:

U521-ANND00**

RG58U(UG-175U):

U521-FNND00**

RG59U(UG-176/U):

U521-GNND00**



UHF CONNECTORS (3)

U705**-****00

UHF JACK CRIMP TYPE
RG58U, RG141U:

U705-FNND00**

RG59U, RG62U:

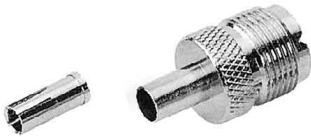
U705-GNND00**

RG213U:

U705-BNND00**

RG6U:

U705-ANND00**



U726**-****00

UHF JACK CRIMP
RIGHT ANGLE TYPE

RG58U, RG141U:

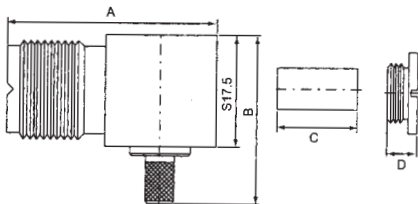
U726-FNND00**

RG59U, RG62U:

U726-GNND00**

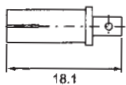
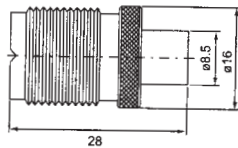
RG6U:

U726-ANND00**



U724CU-ANND00

UHF JACK CRIMP TYPE
FOR RG6/U CABLE



U519**-****00

UHF JACK TWIST-ON
RIGHT ANGLE TYPE

RG58U, RG141U:

U519-FNND00**

RG59U, RG62U:

U519-GNND00**



U713**-****00

UHF JACK CLAMP TYPE

RG213U:

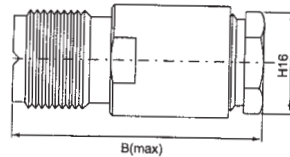
U713-BNND00**

RG214U:

U713-CNND00**

RG11U:

U713-DNND00**



U730CU-*NND00

UHF JACK SCREW-ON
PANEL MOUNT TYPE

RG213U:

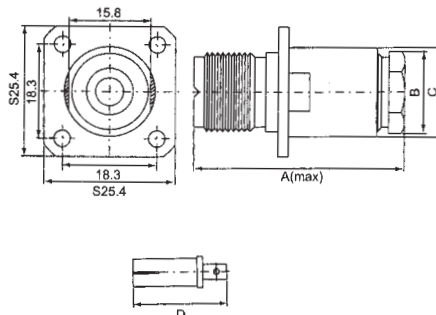
U730CU-BNND00

RG58U, RG141U:

U730CU-FNND00

RG59U, RG62U:

U730CU-GNND00



U504**-XNND00

UHF JACK SOLDER
BULKHEAD TYPE



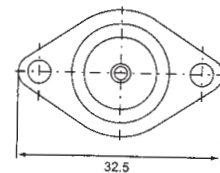
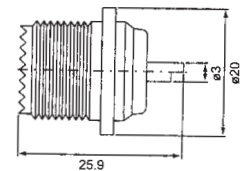
U505ZN-XNND00

UHF JACK (SO-239)
SOLDER PANEL TYPE



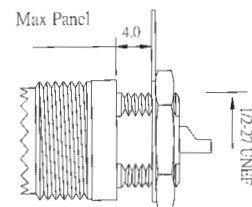
U735CU-XNND00

UHF JACK SOLDER TYPE



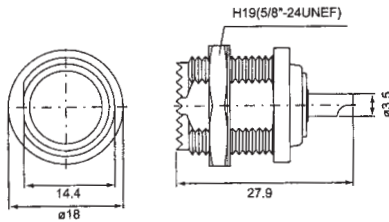
U720CU-XSST00

UHF JACK SOLDER
BULKHEAD TYPE

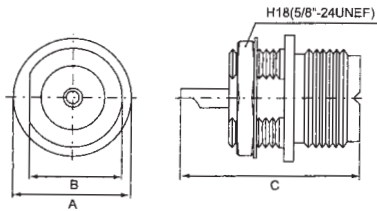


UHF CONNECTORS (4)

U734CU-XNND00
UHF JACK SOLDER TYPE

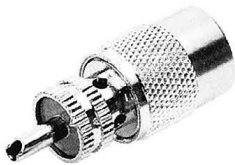


U727CU-XNND00
U728CU-XNND00
U729CU-XNND00
UHF JACK SOLDER
BULKHEAD TYPE



PART NO.	A	B	C
U727CU	18	14.5	26.9
U728CU	18	14.5	25.4
U729CU	20	14.5	28.2

U731CU-**00**
UHF PLUG TWIST ON
WITH 4 HOLES
U731CU-*NGD00
U731CU-*NND00



U714CU-XNXX
UHF PROTECTIVE CAP
FOR FEMALE CONNECTOR



U705CU-**00**
UHF JACK CRIMP TYPE
RG58U, RG141U:
U705CU-F**00**
RG59U, RG62U:
U705CU-G**00**



U706CU-X**00**
UHF JACK
BULKHEAD TYPE
U706CU-XNGD00
U706CU-XNND00



U707CU-X**00**
UHF JACK
BULKHEAD TYPE
U707CU-XNGD00
U707CU-XNND00



U708CU-**00**
UHF PLUG TWIST ON
WITH YELLOW BAKELITE
U708CU-*NGD00
U708CU-*NND00



U718CU-**00**
UHF PLUG TWIST ON
WITH 2 HOLES
U718CU-*NGD00
U718CU-*NND00



U732CU-*D00**
UHF PLUG SOLDERLAESS
RG58U, RG141U:
U732CU-FD00**
RG59U, RG62U:
U732CU-GD00**



U733CU-*D00**
UHF PLUG SOLDERLAESS
RG58U, RG141U:
U733CU-FD00**
RG59U, RG62U:
U733CU-GD00**



IN-SERIES & BETWEEN SERIES UHF ADAPTERS (1)

U510-X***75**
UHF MALE TO F MALE



U522CU-X*50**
UHF MALE TO SMA MALE



U527CU-X*50**
UHF MALE TO
MINI UHF FEMALE



U511-X***75**
UHF MALE TO F FEMALE



U524CU-X*50**
UHF MALE TO SMA FEMALE



U529CU-X*50**
UHF FEMALE TO
MINI UHF MALE



U512-X***75**
UHF FEMALE TO F MALE



U523CU-X*50**
UHF FEMALE TO SMA MALE



U514CU-XNGD00
UHF MALE TO
RCA FEMALE



U513-X**75**
UHF FEMALE TO F FEMALE



U525CU-X*50**
UHF FEMALE TO SMA FEMALE



U528CU-XNND00
UHF FEMALE TO
RCA MALE



IN-SERIES & BETWEEN SERIES UHF ADAPTERS (2)

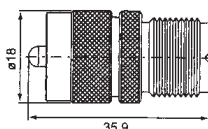
U503CU-X***00

UHF DOUBLE MALE
U503CU-XNGD00
U503CU-XNND00



U736CU-XNND00

UHF MALE TO
UHF FEMALE



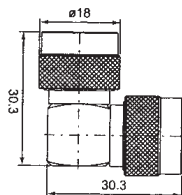
U502CU-X***00

UHF DOUBLE FEMALE
U502CU-XNGD00
U502CU-XNND00



U737CU-XNND00

UHF DOUBLE MALE
RIGHT ANGLE TYPE



U509CU-X***00

UHF MALE TO UHF FEMALE
RIGHT ANGLE TYPE



U506CU-X***00

UHF DOUBLE FEMALE
WITH LONG THREAD



U508CU-X***00

UHF TRIPLE FEMALE



U536CU-X***00

UHF MALE
TO UHF FMELAE
SCREW TYPE



U535CU-X***00

UHF DOUBLE FEMALE
SCREW TYPE



U507CU-X***00

UHF MALE TO
UHF DOUBLE FEMALE



U702CU-X***00

UHF QUICK MALE TO
UHF FMELAE

