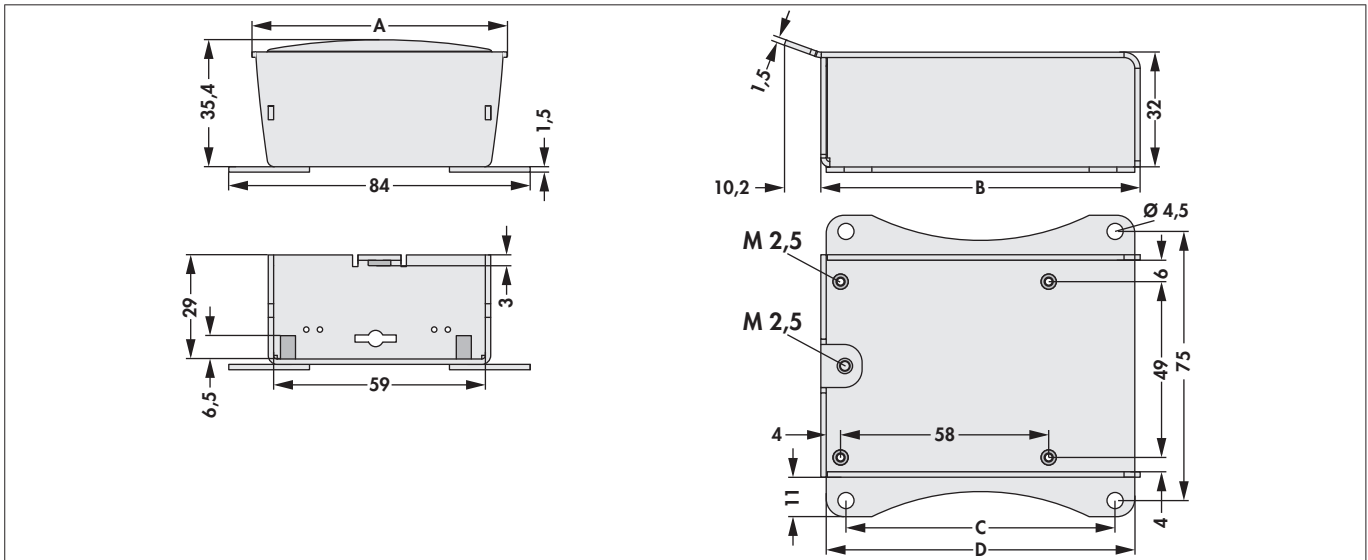


Shell cases for Raspberry Pi



contents of delivery: **1** = 1 x upper part; **2** = lower part; **3** = 2 x fixing straps (optional); **4** = mounting material; **5** = 1 x fixing of mounting rail (optional)

- solid case made of 1,5 mm thick aluminium half shells designed for the single board computer Raspberry Pi
- easy to install thanks to an easy screwing
- ventilation slots in the upper and lower part for an improved heat transport
- optional fixing straps for RSP 1, RSP 3 also fitting to VESA MIS-D 75 x 75
- optional heat sink set including heat conducting foil **WLFT 404** suitable for the corresponding variant of the Raspberry Pi
- special machinings, further surfaces and colours (e. g. green (similar **RAL 6032**) and violet (similar **RAL 4008**)) upon request



art. no.	suitable for Raspberry Pi	dim. [mm]			
		A	B	C	D
RSP 1 ...	2 Mod. B, 3 Mod. B, 3 Mod. B+	71.0	89.0	75.0	86.0
RSP 2 ...	3 Mod. A+	68.4	69.5	56.5	66.5
RSP 3 ...	4 Mod. B	71.0	90.0	75.0	86.0

please indicate:	... surface	... fixing strap (optional)
	SA = black anodised ME = natural colour anodised MS = case profile SA, cover panels ME B = case profile SA, cover panels blue (similar to RAL 5015) R = case profile SA, cover panels red (similar to RAL 3001) OG = case profile SA, cover panels orangegold (similar to RAL 1028)	L = with fixing straps
	... fixing of mounting rail (optional)	... heatsink set (optional)
	KL = fixing of mounting rail	KS = heatsink set