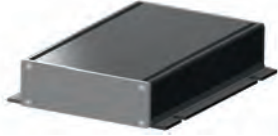
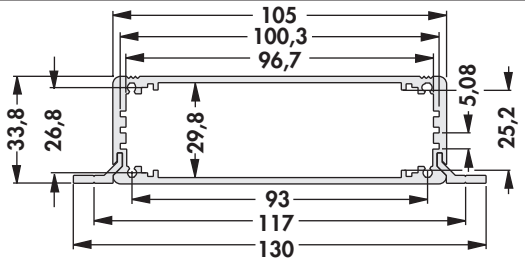

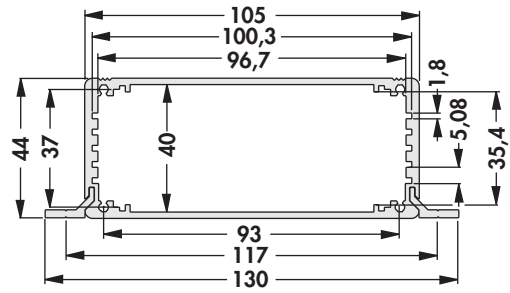

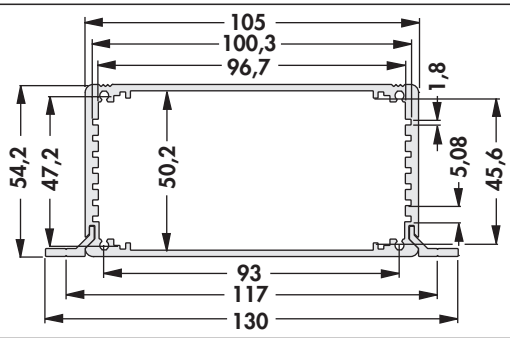

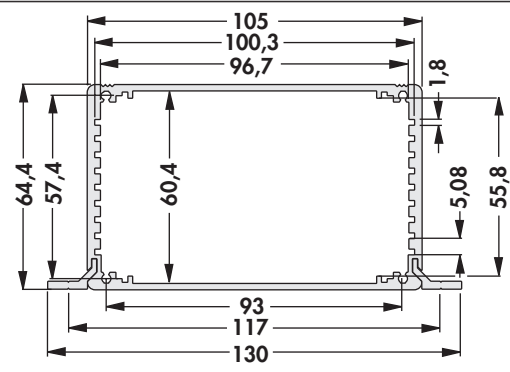




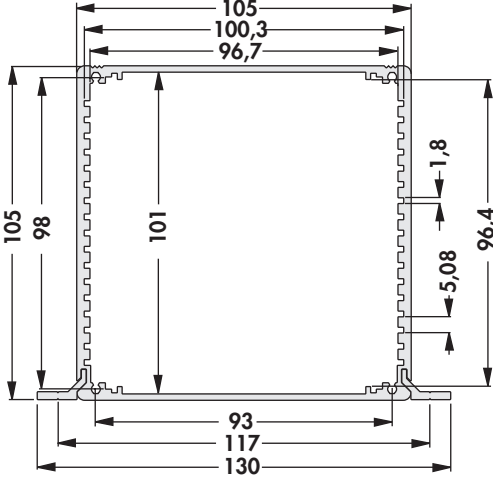

**Tube case with horizontal guide grooves**

- case for 100 mm Eurocards with integrated guide slots in 5.08 mm grid spacing (1 HP)
- EMC compatible version due to chrome-free transparent passivated (electrically conductive) surface and additional sealing **EDKO**
- mounting of the fixing straps without screws
- case available up to IP 54 by using seals **EDKO** → M 71
- the 3 mm thick coverpanels can be machined and printed according to your requirements
- supplied as a demounted kit including cover plates and mounting material

<p><b>art. no.</b></p> <p><b>TUG 03 ...</b></p>		
<p><b>art. no.</b></p> <p><b>TUG 05 ...</b></p>		
<p><b>art. no.</b></p> <p><b>TUG 07 ...</b></p>		
<p><b>art. no.</b></p> <p><b>TUG 09 ...</b></p>		
<p><b>please indicate:</b></p> <p>...  100 120 160 200 220 mm</p> <p>... <b>surface</b></p> <p>SA = black anodised</p> <p>MS = case profile SA, cover panels ME</p> <p>LP = exterior black lacquered, inside chrome-free transp. passivated</p> <p>... <b>fixing strap (optional)</b></p> <p>L = with fixing straps</p>		

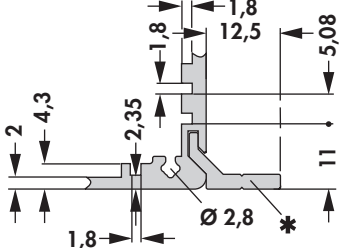


Tube case with horizontal guide grooves

<b>art. no.</b>		
<b>TUG 17 ...</b>		
<b>please indicate:</b>	...  100 120 160 200 220 mm	... <b>fixing strap (optional)</b> L = with fixing straps
	... <b>surface</b> SA = black anodised MS = case profile SA, cover panels ME LP = exterior black lacquered, inside chrome-free transp. passivated	

Profile sold by the metre → M 31

\*1 detailed cut-out; \* fixing slots → M 14

*1	
----	---



A  
B  
C  
D  
E  
F  
G  
H  
I  
K  
L  
M  
N

## Tube cases with horizontal and vertical guide grooves



- tube case with horizontal and vertical integrated guide slots in 5.08 mm grid spacing (1 HP) for inserting 100 mm Eurocards and non standard PCBs
- EMC compatible version due to chrome-free transparent passivated (electrically conductive) surface and additional sealing **EDKO**
- mounting of the fixing straps without screws; case available up to IP 54 by using seals **EDKO** → M 71
- the 3 mm thick covers and the tube profiles can be machined and printed according to your requirements
- tube profile with M 3 fastening screw thread for cover panels, other dimensions and surfaces upon request
- supplied as a demounted kit, including cover plates and mounting material

<b>art. no.</b>		
<b>TUG V 09 ...</b>		
<b>art. no.</b>		
<b>TUG V 17 ...</b>		
<b>please indicate:</b>	... $\left[ \right]$ 100 120 160 200 220 mm	... <b>fixing strap (optional)</b> L = with fixing straps
	... <b>surface</b> SA = black anodised ME = natural colour anodised MS = case profile SA, cover panels ME	

Profile sold by the metre → M 31

\*1 detailed cut-out; \* fixing slots → M 14

