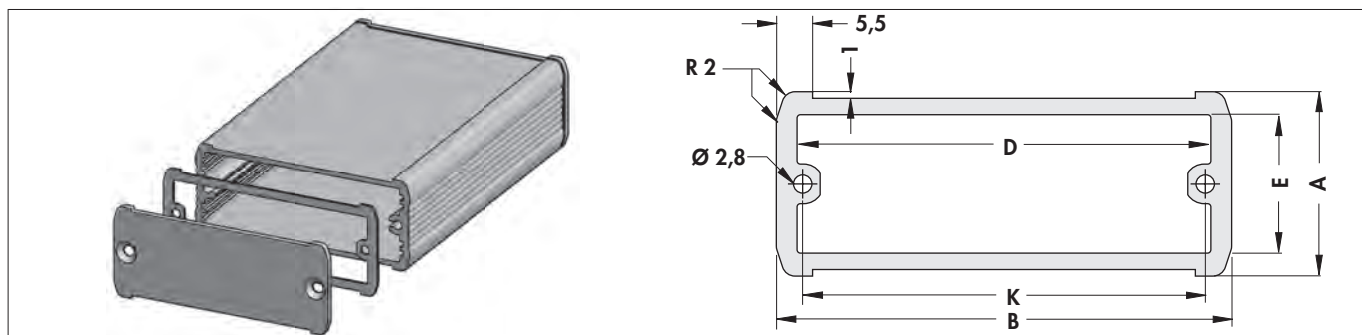


Accessories for cases

EMC seals for TUF

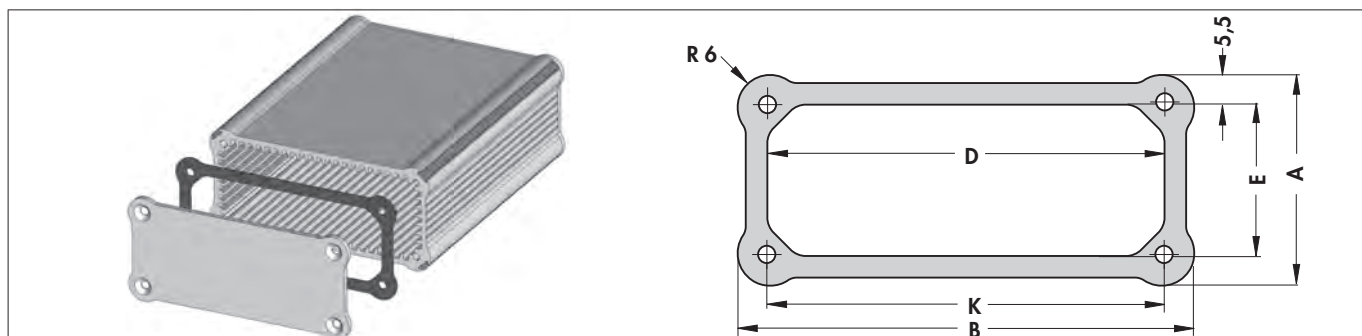
- consisting of 0.8 mm thick electrically conductive rubber silicone
- placed between housing profiles and covers
- in order to achieve a EMC screening the **TUF cases** have to be ordered with an electrically conductive surface: **TP** = chrome-free transparent passivated/on request additional lacquering of the exterior surfaces



art. no.	for TUF	VPE	dim. [mm]				
			A	B	D	E	K
EDKO 41 16	TUF 41 16...	6 pcs.	16	41.3	35.0	9	33.30
EDKO 55 16	TUF 55 16 ...		25	55.0	48.7	18	47.00
EDKO 55 25	TUF 55 25 ...		35			28	
EDKO 55 35	TUF 55 35 ...		28	69.1	62.8	21	61.10
EDKO 69 28	TUF 69 28 ...		42	80.0	72.9	34	71.00
EDKO 80 42	TUF 80 42 ...	4 pcs.	32	94.3	88.0	25	86.30
EDKO 094 32	TUF 94 32 ...	6 pcs.	52	105.0	97.9	44	96.00
EDKO 105 52	TUF 105 52 ...	4 pcs.	42	120.0	112.9	34	110.95
temperature range:			-55°C ... +200°C				
material:			conductive rubber silicone, 0.8mm thick				

EMC seals for TUS

- consisting of 0.8 mm thick conductive rubber silicone
- placed between housing profiles and covers
- in order to achieve a EMC screening the **TUF cases** have to be ordered with an electrically conductive surface: **TP** = chrome-free transparent passivated/on request additional lacquering of the exterior surfaces



art. no.	for TUS	VPE	dim. [mm]				
			A	B	D	E	K
EDKO 58 39	TUS 58 39 ...	6 pcs.	39	58.9	47.9	28	47.9
EDKO 84 39	TUS 84 39 ...			84.5	73.5		73.5
temperature range:			-55°C ... +200°C				
material:			conductive rubber silicone, 0.8mm thick				