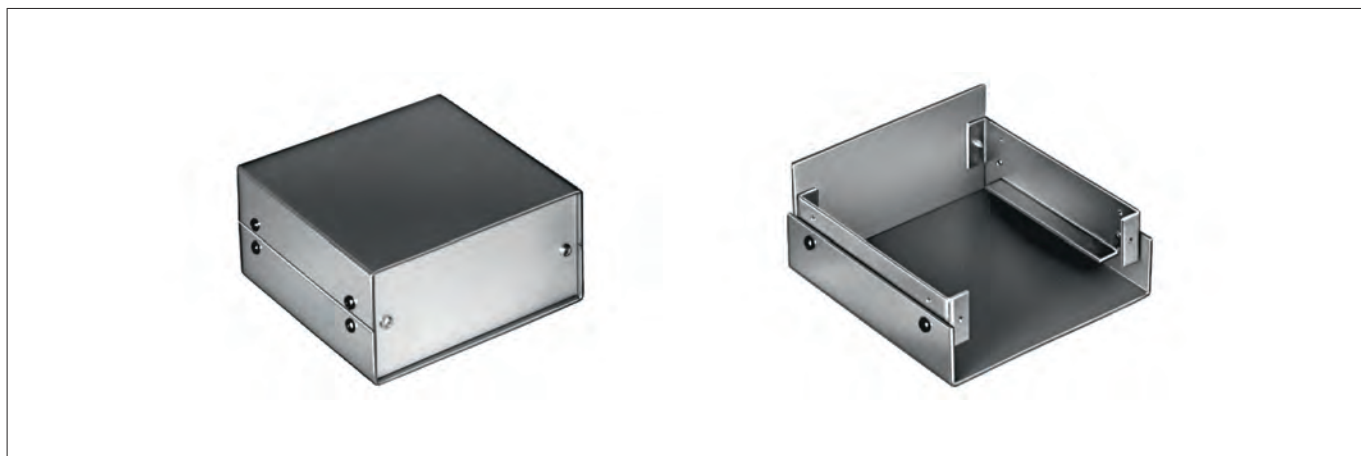
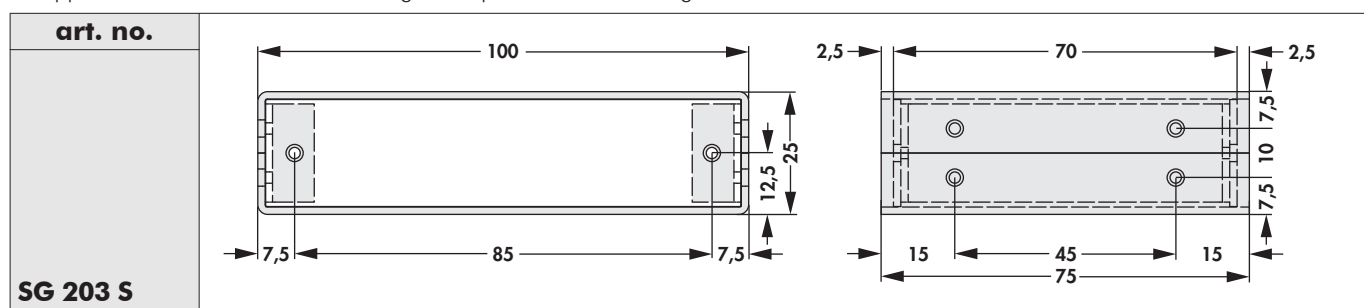


Shell cases



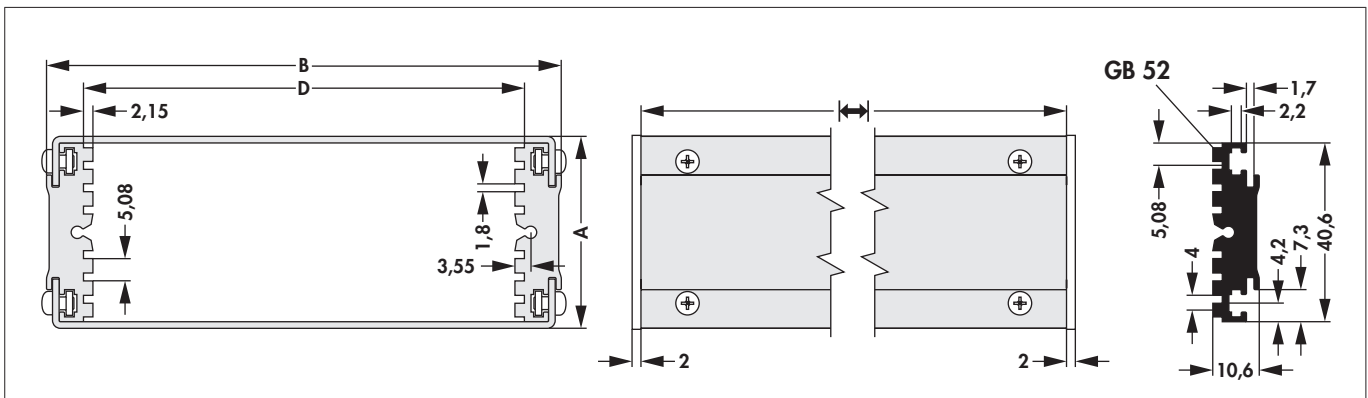
- completely made of aluminium
- material thickness 1.5 mm on all sides
- shell panels lacquered black (**RAL 9005**), cover panels natural colour anodised
- special dimensions, treatments and surfaces on request
- supplied as a demounted kit including cover panels and mounting material



Shell cases with side panel profile



- flexible shell case for different dimensions
- side panel profile with integrated guide slots in 5.08 mm grid spacing (1 HP)
- for insertion of non-standard components or printed circuit boards
- cover panels and side panel profiles natural colour anodised, half shells black anodised
- special dimensions, drillings and surface treatments upon request
- supplied as a demounted kit, including cover panels and mounting material



art. no.	↔ [mm]	number of profiles	dim. [mm]			
			A	B	D	U
SGP 101 SA	160	2	43.6	117.2	100.3	1
SGP 105 SA	220			250.6	233.7	
SGP 201 SA	160	4	84.3	117.2	100.3	2
SGP 204 SA				250.6	233.7	
SGP 205 SA	220					

Profile sold by the metre → M 13