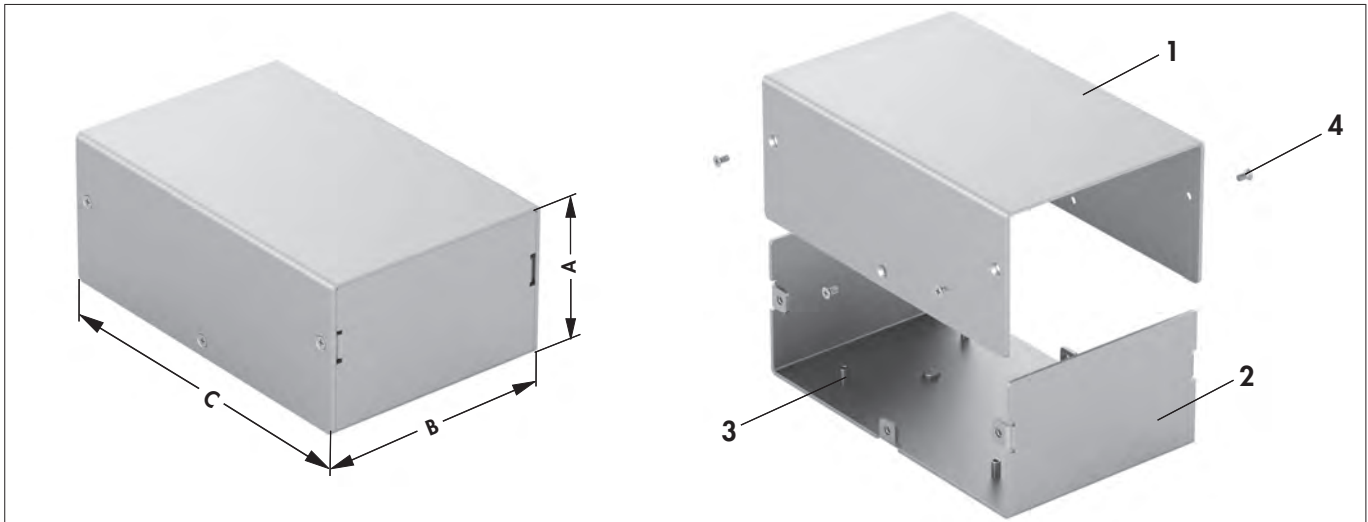


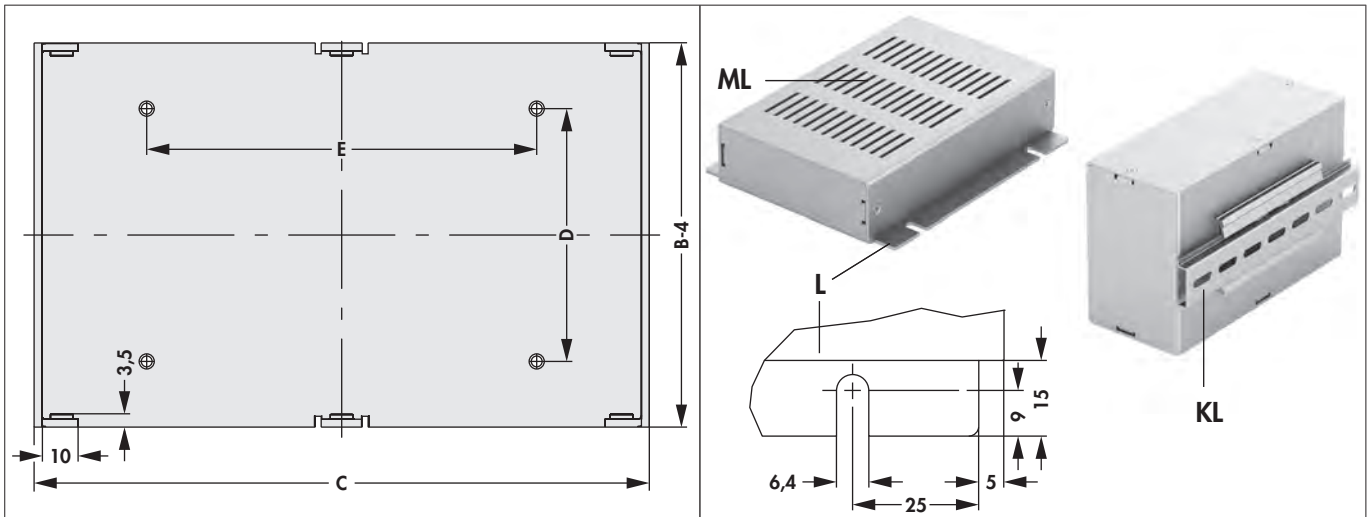
## Shell cases variable



### contents of delivery:

**1** = upper shell; **2** = lower shell; **3** = 4 x M3 – threaded bush for PCB mounting; **4** = mounting material

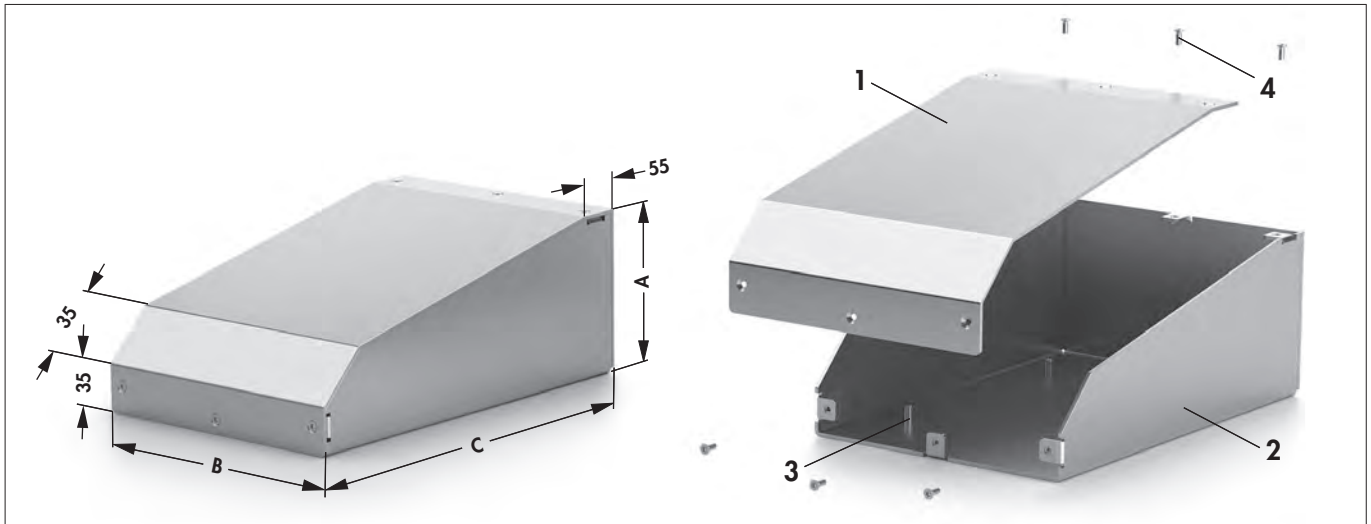
- universal shell case with variable dimensions
- easy and fast mounting
- insertion of non-standardised PCBs and devices
- material thickness of the half shells 2 mm, other material thicknesses on request
- special treatments, surfaces and labelings acc. to customer specifications



possible dimensions:						
art. no.	A	B	C	D	E	thread sleeve height
SGV ...	max. 150	max. 250	max. 300	max. 238	max. 286	6/8/10/12/14/20
please indicate with your order:						
art. no.	A	B	C	D	E	thread sleeve height
SGV ...						
please indicate:		... surface SA = black anodised ME = natural colour anodised TP = transparent passivated		... fixing of mounting rail (optional) KL = fixing of mounting rail		... fixing tab (optional) L = fixing tab
				... ventilation slots (optional) ML = ventilation slots		



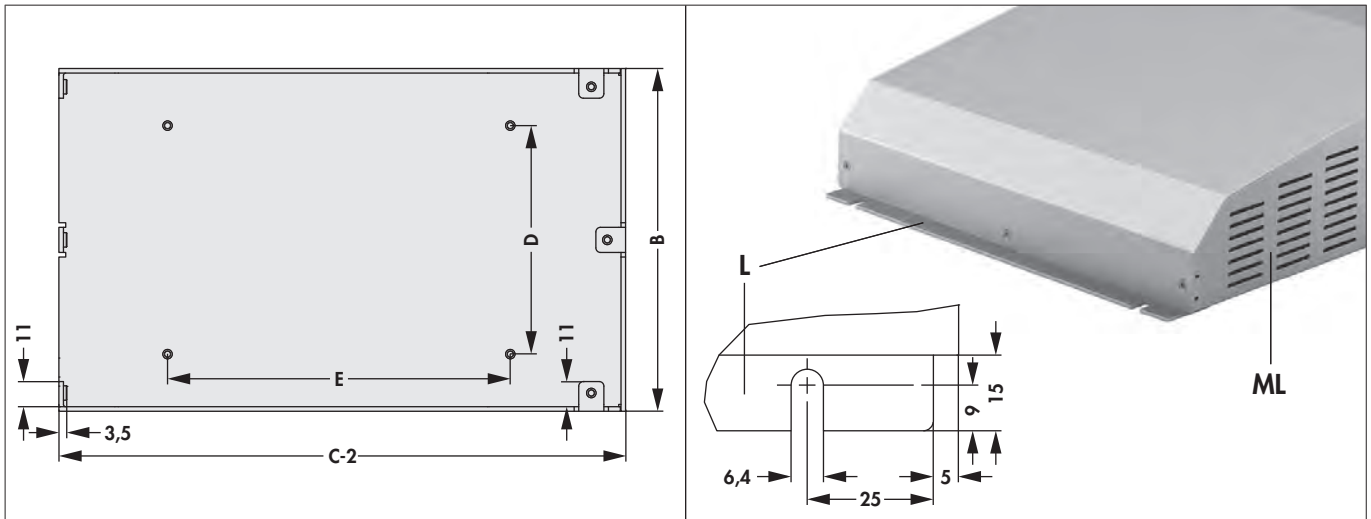
**Shell cases variable**



**contents of delivery:**

**1** = upper shell; **2** = lower shell; **3** = 4 x M3 – threaded bush for PCB mounting; **4** = mounting material

- universal shell case with variable dimensions
- easy and fast mounting
- insertion of non-standardised PCBs and devices
- material thickness of the half shells 2 mm, other material thicknesses on request
- special treatments, surfaces and labelings acc. to customer specifications



possible dimensions:						
art. no.	dim. [mm]					
	A	B	C	D	E	thread sleeve height
SGV P ...	max. 200	max. 500	max. 400	max. 476	max. 376	6/8/10/12/14/20
please indicate with your order:						
art. no.	dim. [mm]					
	A	B	C	D	E	thread sleeve height
SGV P ...						
please indicate:		... surface SA = black anodised ME = natural colour anodised TP = transparent passivated		... fixing tab (optional) L = fixing tab		
		... ventilation slots (optional) ML = ventilation slots				

