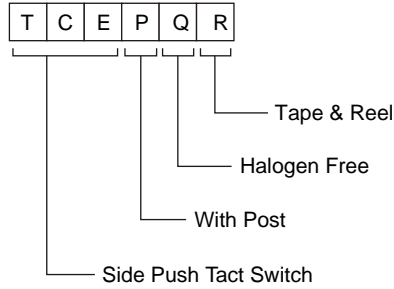


TCE SERIES

3.95x1.5 Side Push Sealed Type



HOW TO ORDER



SPECIFICATION

MECHANICAL

Operation Force : 160±50gf
Stroke : 0.20±0.1mm

ENVIRONMENTAL

Operation Temperature Range : -40°C to +85°C
Storage Temperature Range : -40°C to +90°C

ELECTRICAL

Electrical Life: 100,000 cycles
Switching Rating: 20mA, 12VDC

PACKAGE

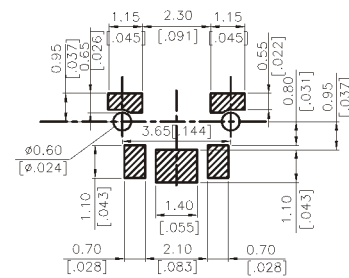
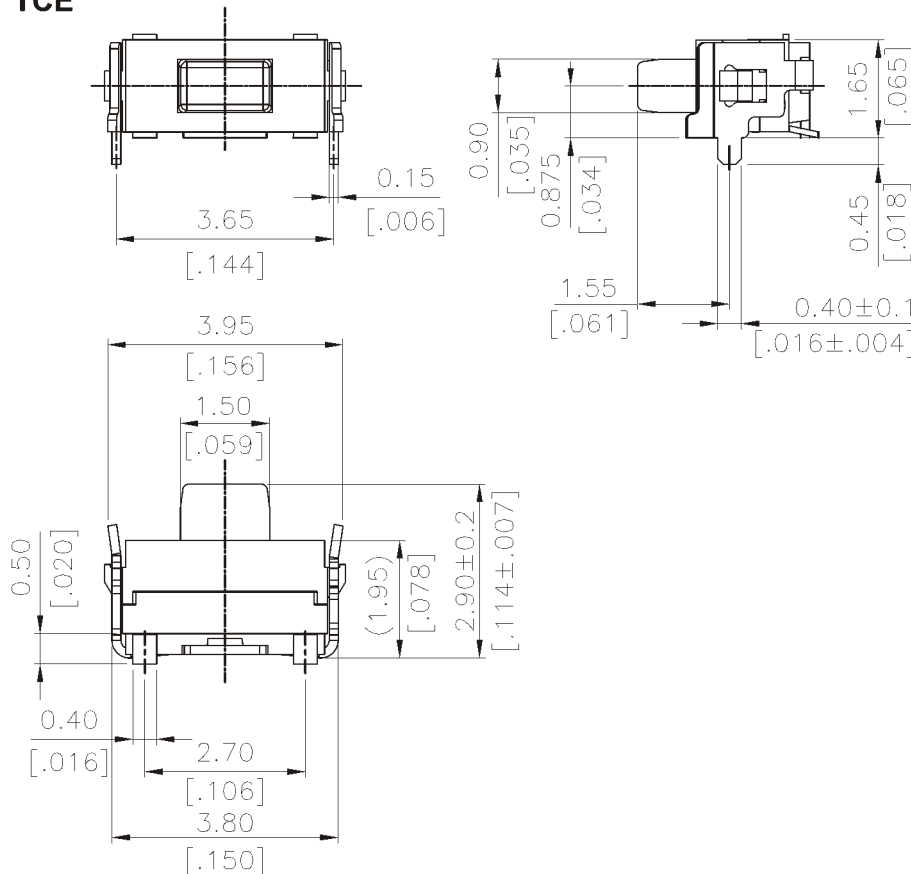
Tape & Reel: 3000 pcs/reel

CIRCUIT

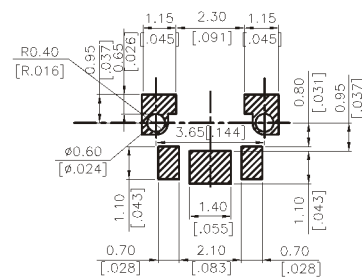


TACT SWITCH

TCE



P.C.B. LAYOUT PADS 1



P.C.B. LAYOUT PADS 2