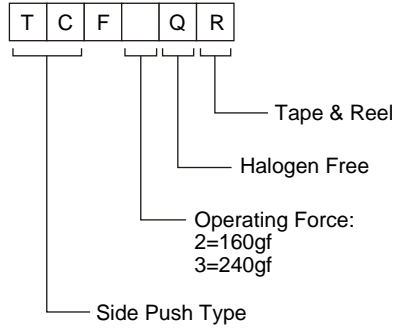


TCF SERIES

4.5x2.9 Side Push Type Mid-mount Switch



HOW TO ORDER



SPECIFICATION

MECHANICAL

Operation Force : 160±50gf, 240±70gf
 Stroke : 0.15±0.1mm

ENVIRONMENTAL

Operation Temperature Range : -40°C to +85°C
 Storage Temperature Range : -40°C to +85°C

ELECTRICAL

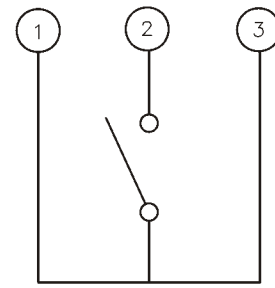
Electrical Life: 200,000 cycles
 Switching Rating: 10mA, 2VDC to 20mA, 15VDC

PACKAGE

Tape & Reel: 2400 pcs/reel

CIRCUIT

TCF



TACT SWITCH

TCF

