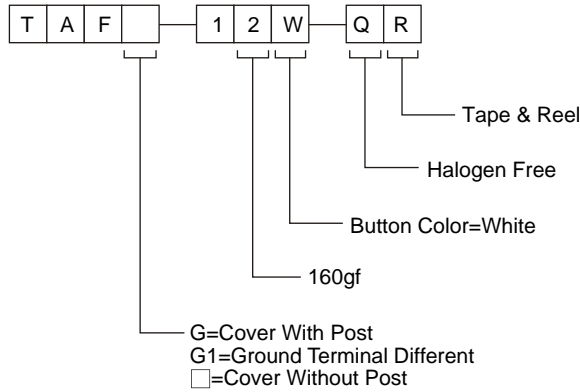


# TAF SERIES

## 3.3x4.5 Side Push Type



### HOW TO ORDER



### SPECIFICATION

#### MECHANICAL

Operation Force : 160±50gf  
 Stroke : 0.20+0.20/-0.10 mm

#### ENVIRONMENTAL

Operation Temperature Range : -40°C to +85°C  
 Storage Temperature Range : -40°C to +85°C

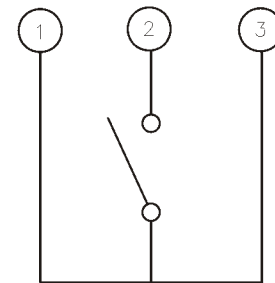
#### ELECTRICAL

Electrical Life: 100,000 cycles  
 Switching Rating: 50mA, 12VDC

#### PACKAGE

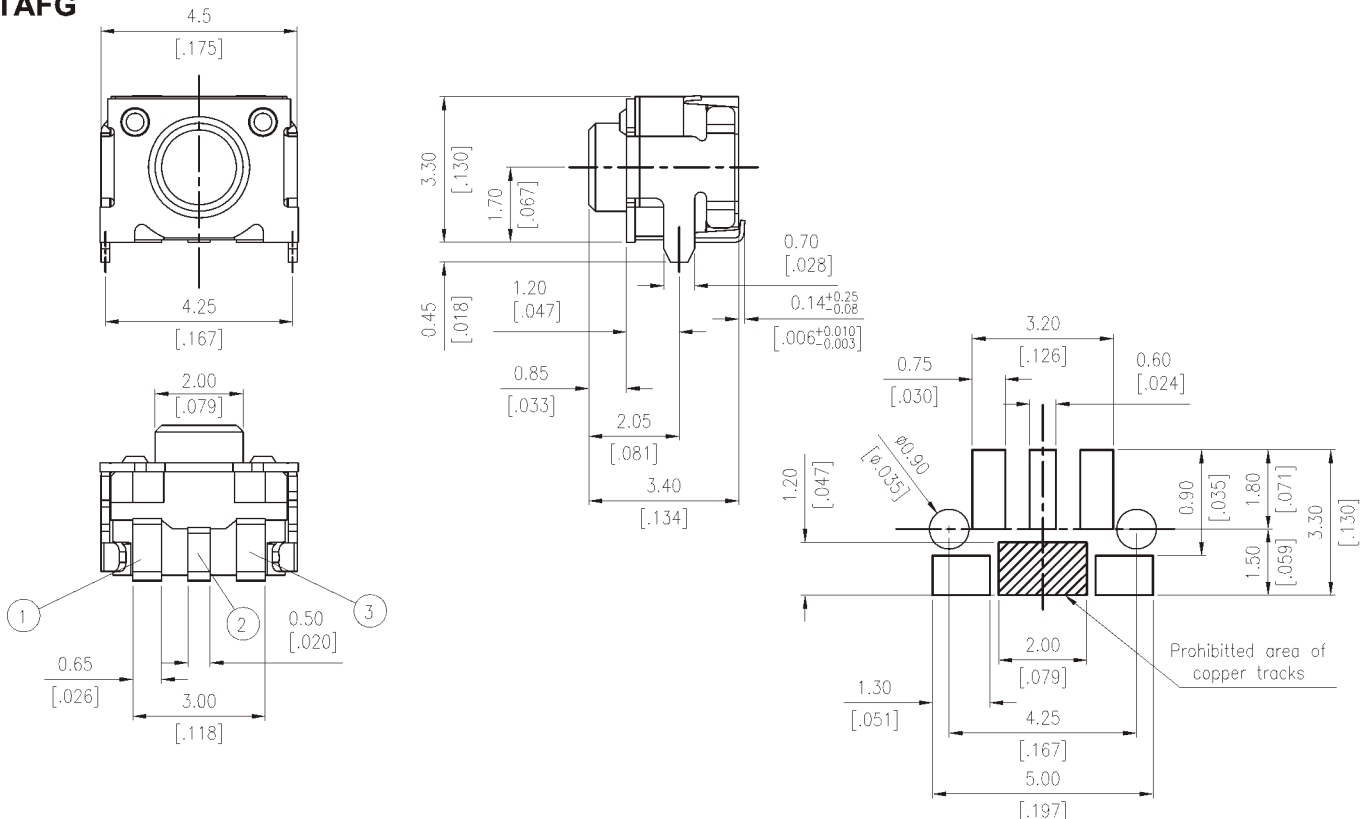
Tape & Reel:  
 TAF(G): 2000 pcs/reel  
 TAF(G1): 1800 pcs/reel

### CIRCUIT



TACT SWITCH

### TAFG



### P.C.B LAYOUT