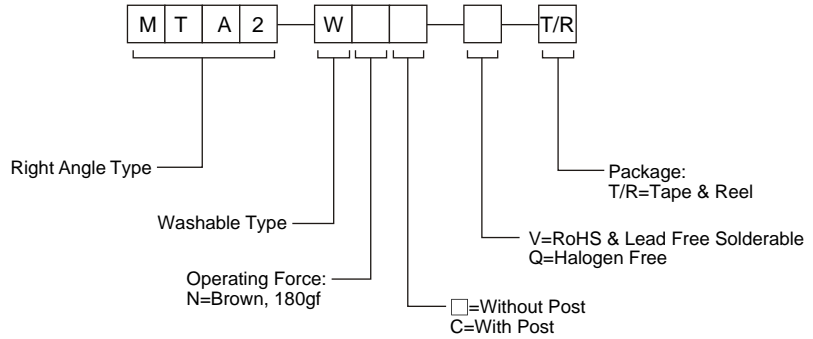


MTA2 SERIES

1.8x4.5 Side Push Sealed Type



HOW TO ORDER



SPECIFICATION

MECHANICAL

Operation Force : 180±50gf
Stroke : 0.2±0.1mm

ENVIRONMENTAL

Operation Temperature Range : -30°C to +80°C
Storage Temperature Range : -40°C to +90°C

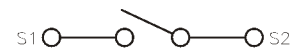
ELECTRICAL

Electrical Life: 100,000 cycles
Switching Rating: 50 mA, 12 VDC

PACKAGE

Tape & Reel: 3000 pcs/reel

CIRCUIT



TACT SWITCH

MTA2-WNC

