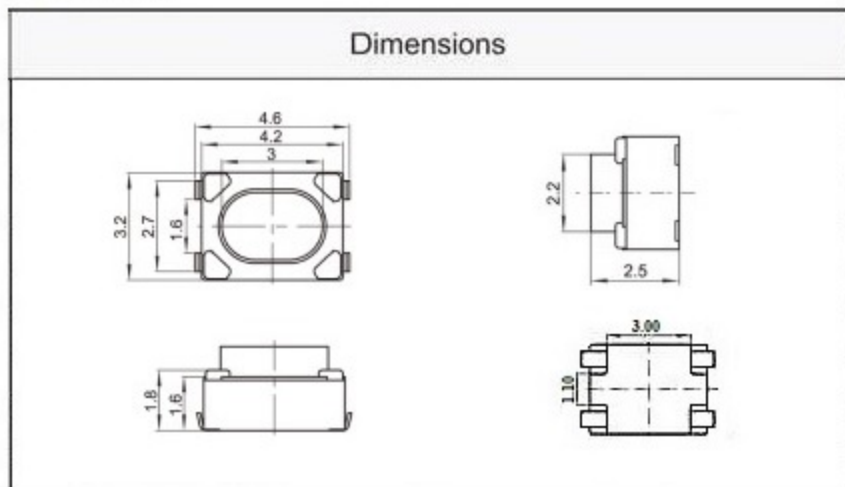
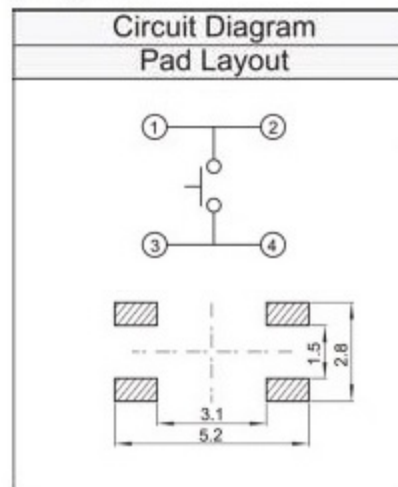


## Dimension



## Diagram



## Specification

Items		Standard
Operating temperature range		-30°C to +85°C
Electrical performance	Rating	50mA. 12V DC
	Insulation resistance	100MW min. 100V DC
	Dielectric strength	250V AC for 1 min.
	Contact resistance	500mW max.
Durability	Lifetime	100,000 Cycles min.
Mechanical performance	Operating force (x)	B (180gf); C (260gf); H (400gf)
	Travel	0.20 ± 0.1mm

## Packing System

Packing
TAPE&REEL (TR)



RoHS COMPLIANT		PROJ.		P/N:	DE-TST3425-x-TR		El.italia srl		Via IV Novembre 72, 20019 Settimo Milanese (MI), Italy	
SCALE:	FIT	TOLERANCE		TITLE:	3.2X4,2 Miniature Type Tact Switch Top Actuated					info@elitaliaweb.it
UNIT:	MM	LINEAR	ANGLE	DWG:		FORNITORE:			www.elitaliaweb.it	
SIZE:	A4	X ± 1	X° ± 5°						www.contenitoriplastici.it	
REV:	A	.X ± 0.38	X° ± 2°							
DATE:		.XX ± 0.25	.XX° ± 1°							
SHEET:	1/1	.XXX ± 0.10						componenti elettronici ed elettromeccanici		