

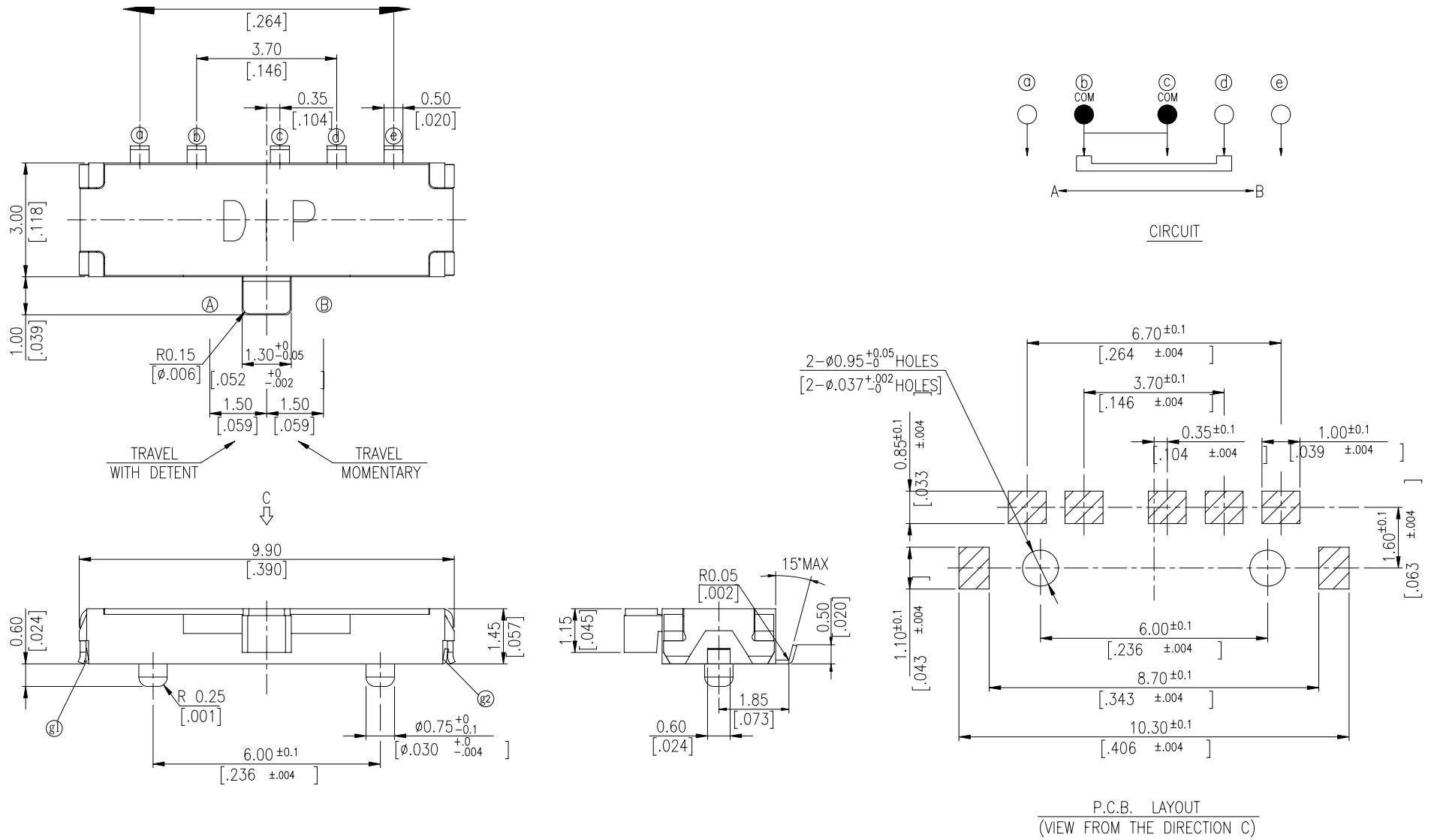


SD12 SERIES



DIMENSIONS

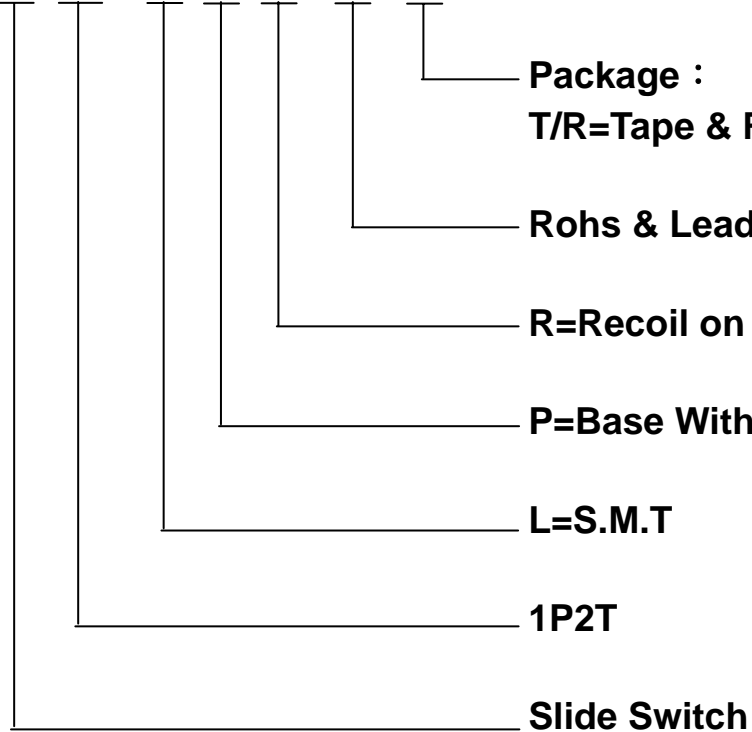
SD12-LPR



****GENERAL TOLERANCES MAX:±0.2mm.****

HOW TO ORDER

SD12 - □ □ □ - V - □



SPECIFICATION

△ MECHANICAL

Mechanical Life : 5,000 cycles.

Operation Force : 150±100gf

Stroke : 1.50mm

△ ENVIRONMENTAL

Operation Temperature Range : -10°C to +60°C

Storage Temperature Range : -25°C to +85°C

△ ELECTRICAL

Electrical Life : 5,000 cycles.

Switching Rating : 0.3A,15V DC

Contact resistance : 1Ω max.

Insulation Resistance : 10MΩ max, at 100 VDC.

Dielectric Strength : 100VAC/1 minute.

MATERIAL

△ Cover : Stainless Steel

△ Stem : High-Temp Thermoplastic NYLON UL 94V-0

Color : Black

△ Contact : Alloy Copper with gold plated.

△ Recoil : Stainless Steel

△ Base : High-Temp Thermoplastic LCP

Color : Black

△ Terminal : Brass, Gold Plated

SOLDERING PROCESS

△ CLEANING:

1. Only Tape sealed types apply to wash process.

2. Do not remove the tape before wash process.

3. After soldering process, do not continue the wash process immediately. Please wait for at least 3 minutes.

4. Apply alcoholic solvents as cleaning agent do not use other solvents or water.

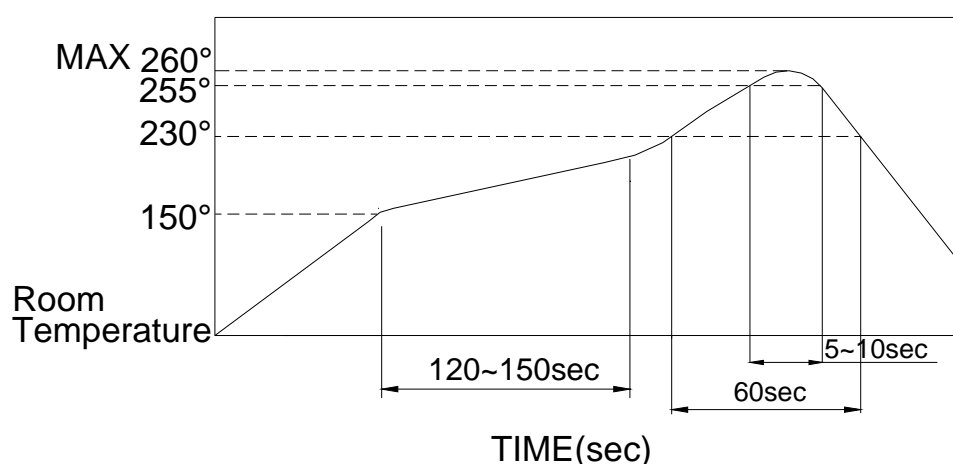
5. Ultrasonic cleaning is not recommended.

6. The cleaning process per stage is max. 1 minute and the whole cleaning time are not to exceed 3 minutes.

7. Do not impose any external force on switch while washing.

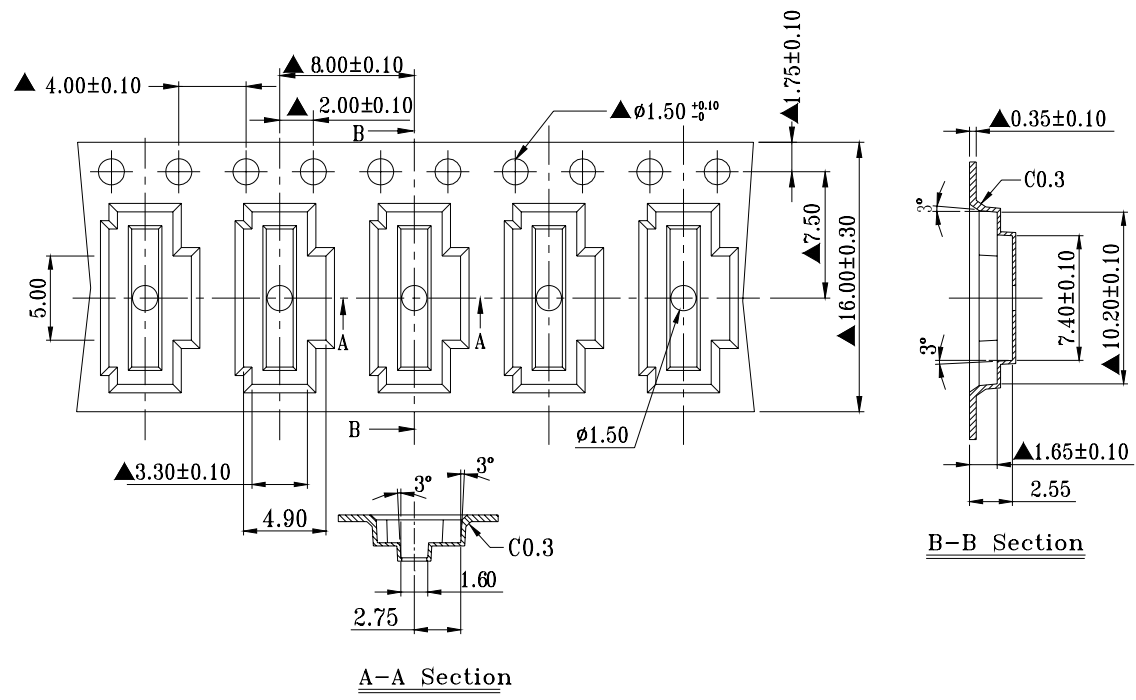
△ Any flux enters the switch may fail the conductivity.

△ Reflow Temperature Profile: (reference)



PACKING

SD12 CARRIER



****GENERAL TOLERANCES MAX: ± 0.1 mm.****

Part Number	Number Per Tube	Number Per Reel
SD12	-	3,000