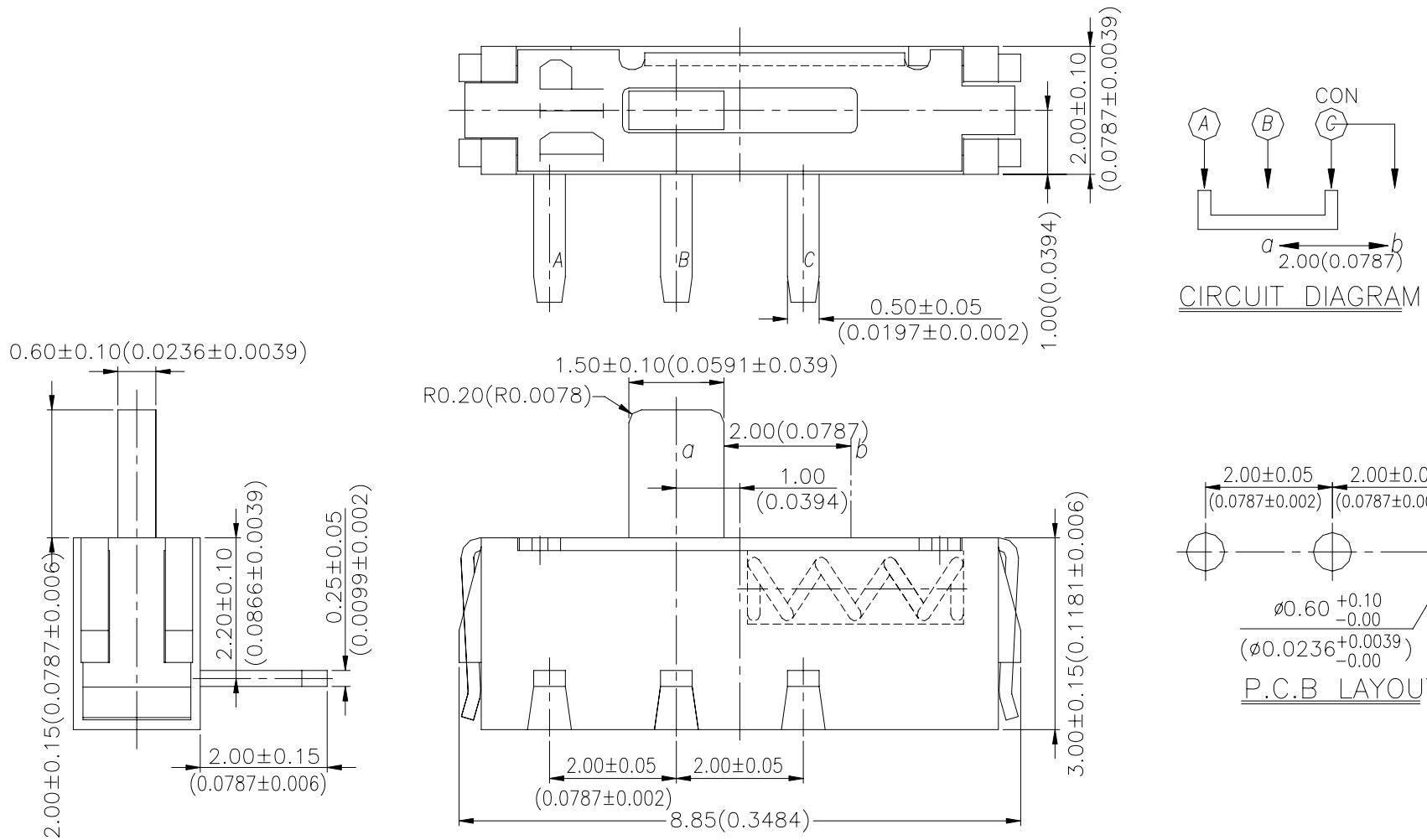


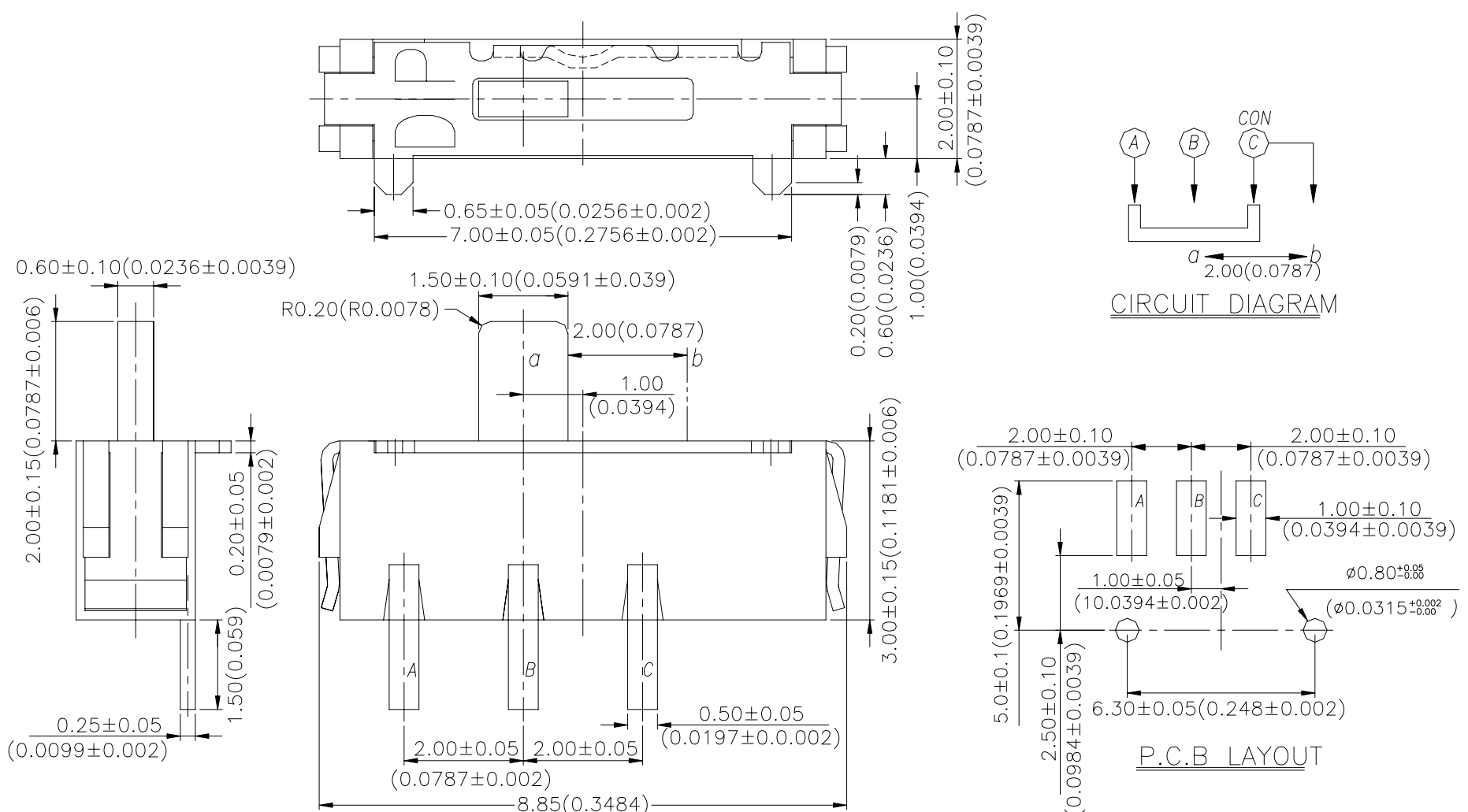
DIMENSION

SS3-HS



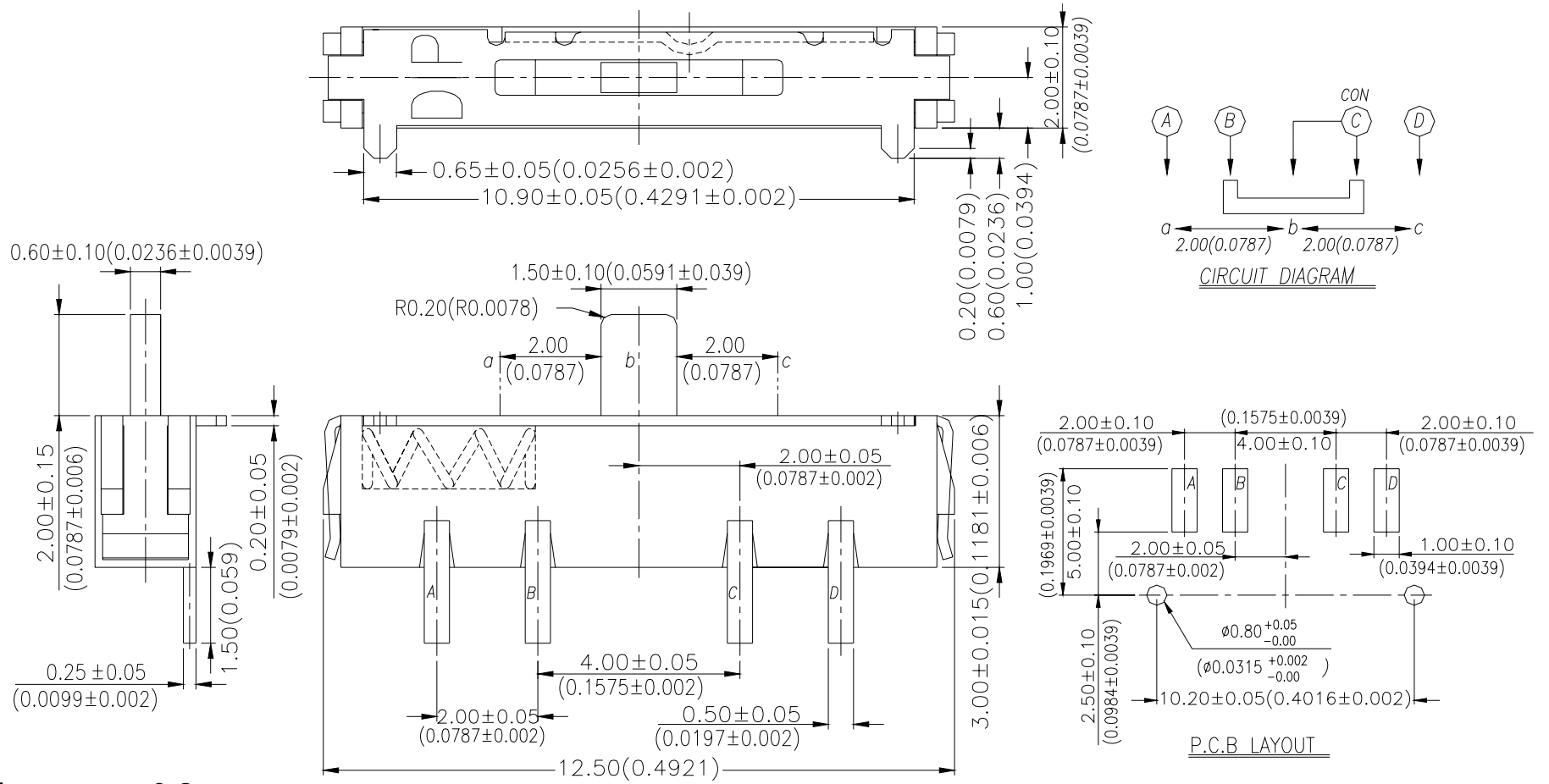
General Tolerance : ±0.2mm

SS3-CM



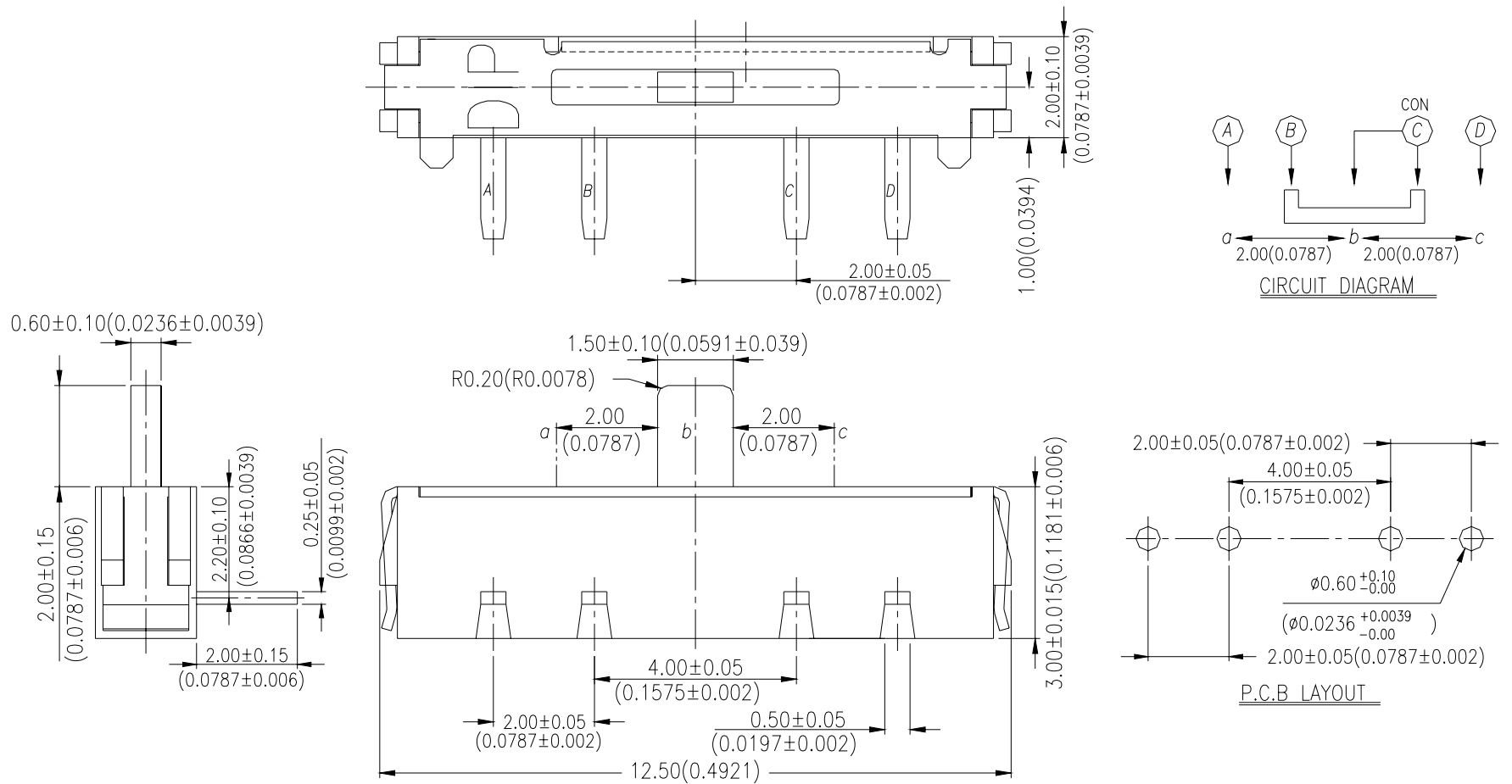
General Tolerance : ±0.2mm

SS4-CMS



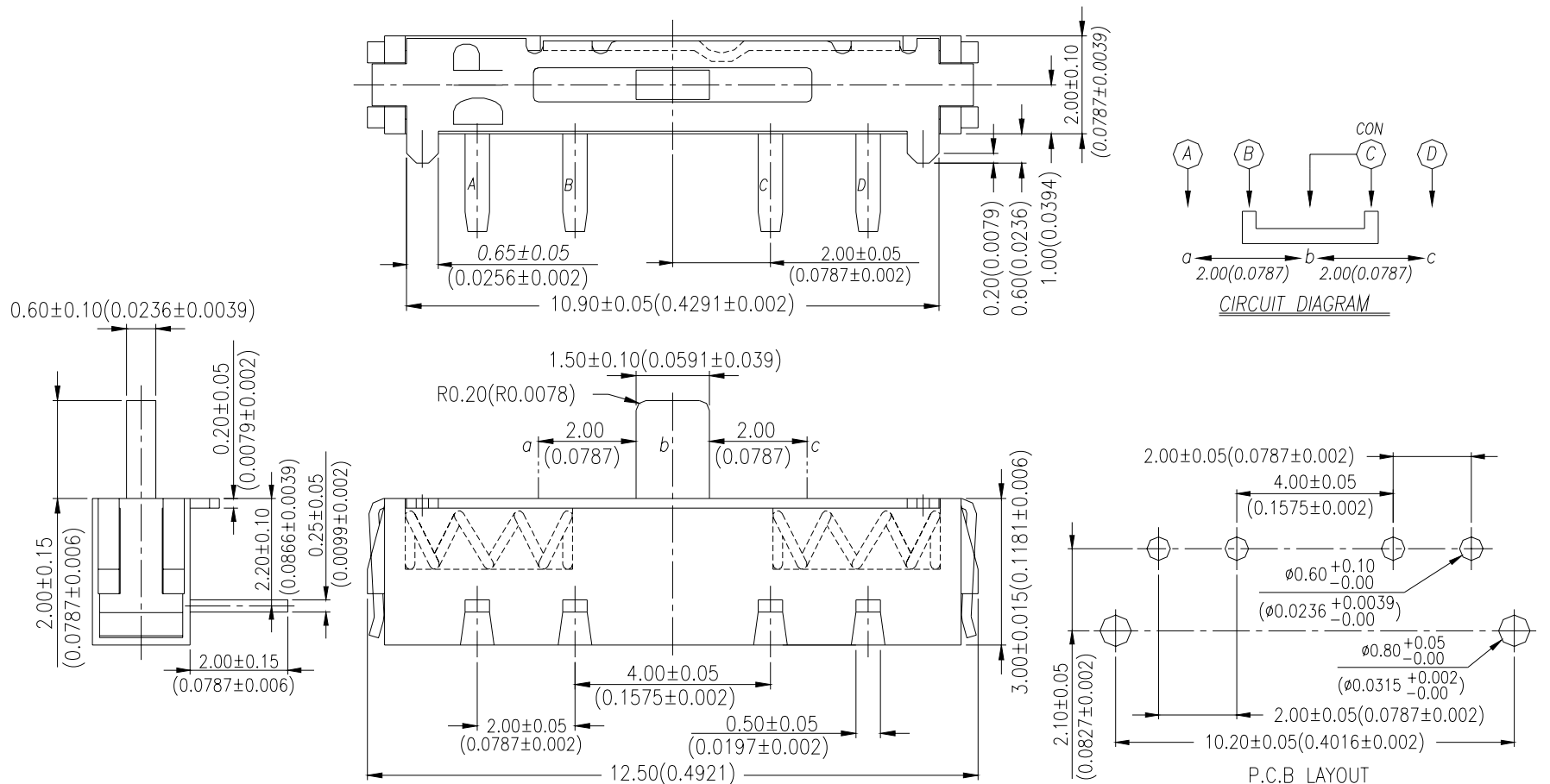
General Tolerance : $\pm 0.2\text{mm}$

SS4-H



General Tolerance : $\pm 0.2\text{mm}$

SS4-CHS2



General Tolerance : $\pm 0.2\text{mm}$

HOW TO ORDER

SS □ □ □ - □ □ □ □ □ □ □ □ □ - □ - □

Package Style :

- = Bag
- T/R = Tape & Reel
- B = Tube<Only for Through Hole>

Soldering :

- V = Lead Free Solderable
- Q= Halogen Free

Operation Force :

- = 350g <3.43N>
- F = 150g <1.47N>

L = Long Terminals

- ① Terminals Size 3.2mm Of Slide Operation
- ② Terminals Size 2.7mm Of Vertical Actuation

Non spring type only :

- = Actuator in Left Side
- C = Actuator in Right Side

□ = Without Recoil

- S = Single-Side Recoil
- S2 = Double-Side Recoil<Only for SS4>

Terminal Type :

- H = Through Hole
- M = SMT

□ = Cover Without Post

- C = Cover With Post(Non Vertical Actuation Type only)

P = Vertical Actuation

- = 3 = Side Actuation
- 4 = Horizontal Actuation

N = For Single-Single-side Recoil Type

Poles-Positions :

- 3 = 1P2T
- 4 = 1P3T

SPECIFICATION

△MECHANICAL

Mechanical Life: 10,000 cycles

Operation Force: 350gf max
100gf min

Stroke : 2mm

Operation Temp: -20°C to +70°C

Storage Temp: -40°C to +85°C

△ELECTRICAL

Electrical Life: 10,000 cycles

Non-switching Rating: 100mA, 50VDC

Switching Rating: 25mA, 24 VDC

Contact Resistance: 100mΩ max.

Insulation Resistance: 100MΩ min. (500VDC)

Dielectric Strength: 500VAC/ 1minute

Circuit: 1P2T, 1P3T

MATERIAL

△COVER: Stainless steel

△BASE: UL 94V-0 High-Temp thermoplastic

Color: Black

△ACTUATOR: UL 94V-0 High-Temp thermoplastic

Color: Black

△CONTACT: Alloy copper

△TERMINAL: Brass

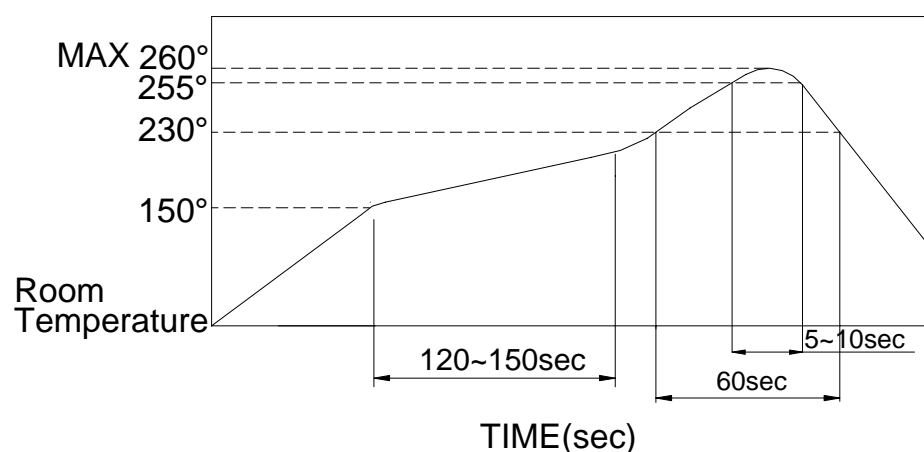
SOLDERING PROCESS

△ HAND SOLDERING : Use a soldering iron of 30 watts, controlled at 350°C approximately 5 seconds while applying.

△ WAVE SOLDERING : Recommended solder temperature at 500°F(260°C)max. 5 seconds for through Hole type.

△ REFLOW SOLDERING : When applying reflow soldering, the peak temperature or the reflow oven should be set to 260°C max.

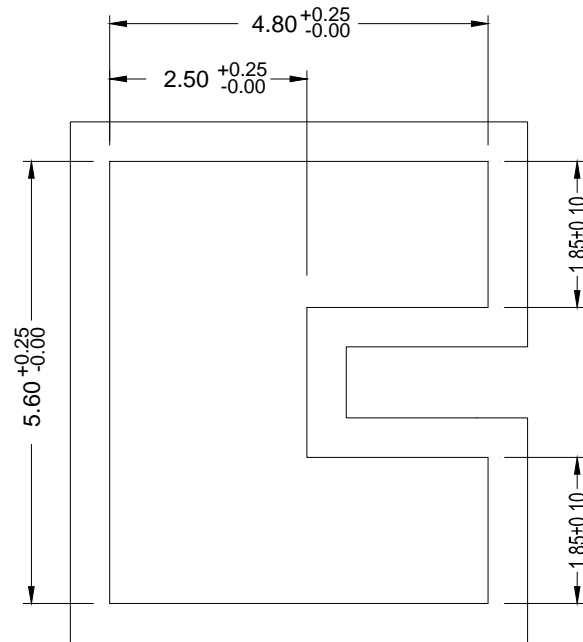
△ Temperature Profile :



PACKING

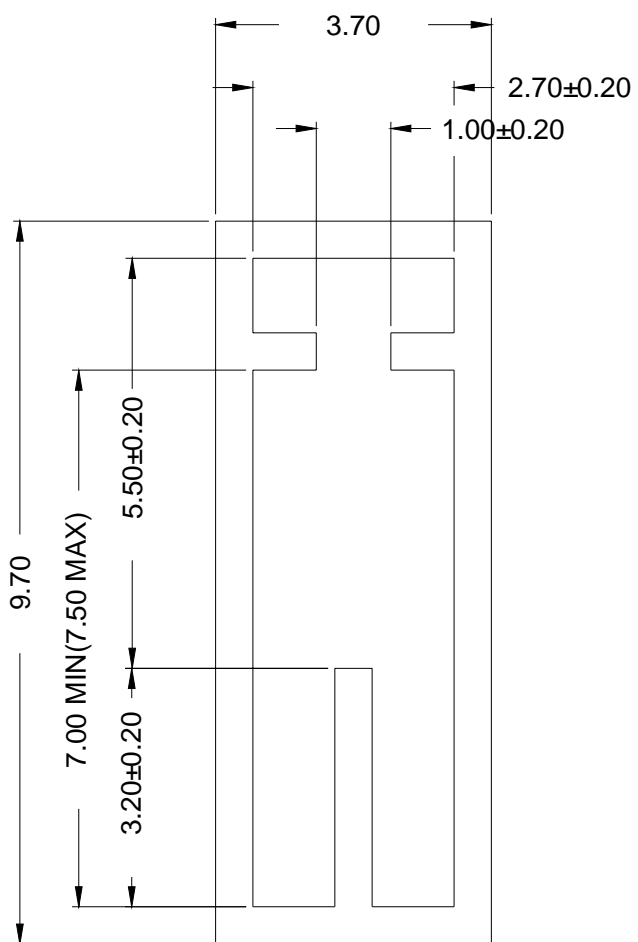
Part Number	Number Per Reel	Number Per Tube
SS3-H-B		53
SS3-HS-B		53
SS3-HSC-B		53
SS4-H-B		38
SS4-HS-B		38
SS4-HS2-B		38
SS3-CM-T/R	1900	
SS3-CMS-T/R	1900	
SS3-M-T/R	1900	
SS4-CM-T/R	1900	
SS4-CMS-T/R	1900	
SS4-CMS2-T/R	1900	
SS4-M-T/R	1900	
SS4-MS-T/R	1900	
SS4-CMS2-T/R	1900	
SS3-CMSC-T/R	1900	
SS3-MS-C-T/R	1900	

SS4、3 TUBE

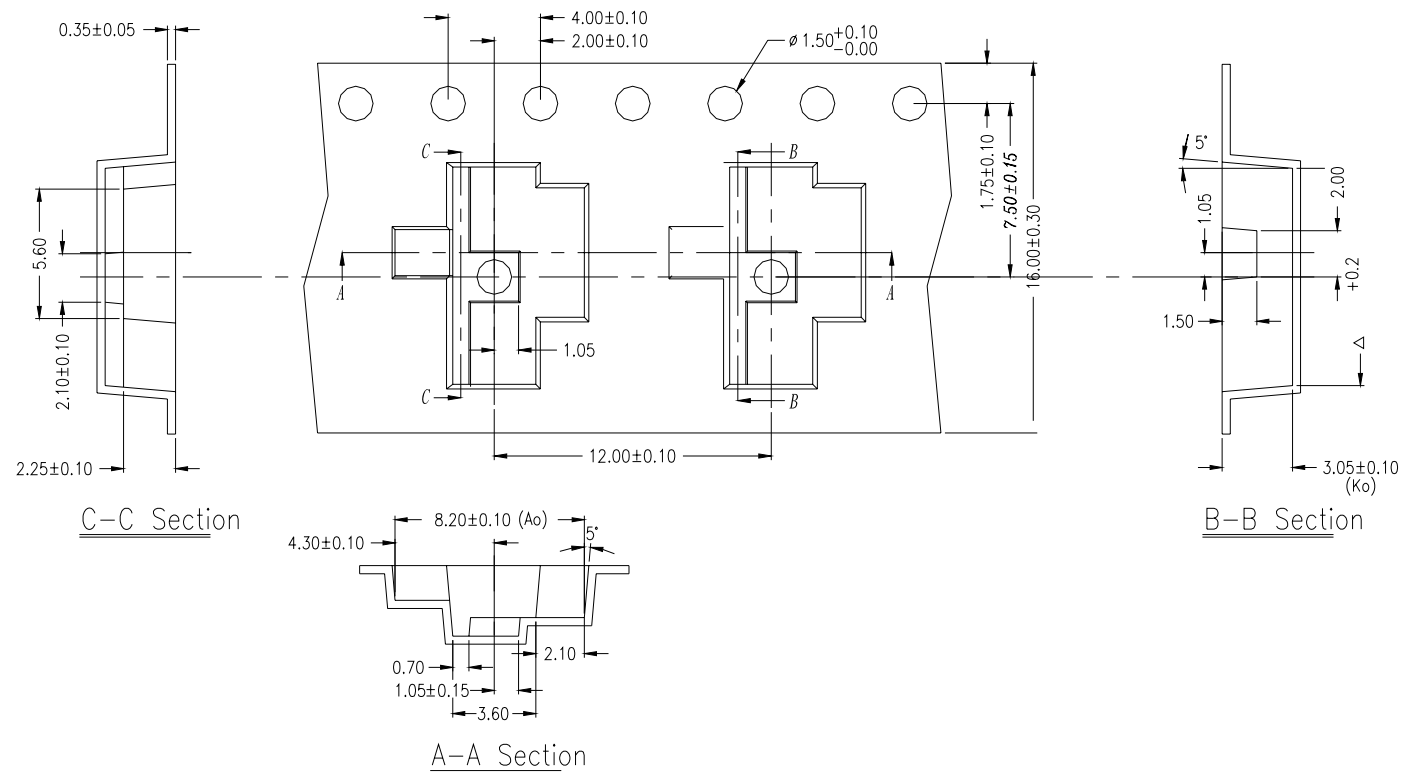


General Tolerance : $\pm 0.2\text{mm}$

SS3、4P-H

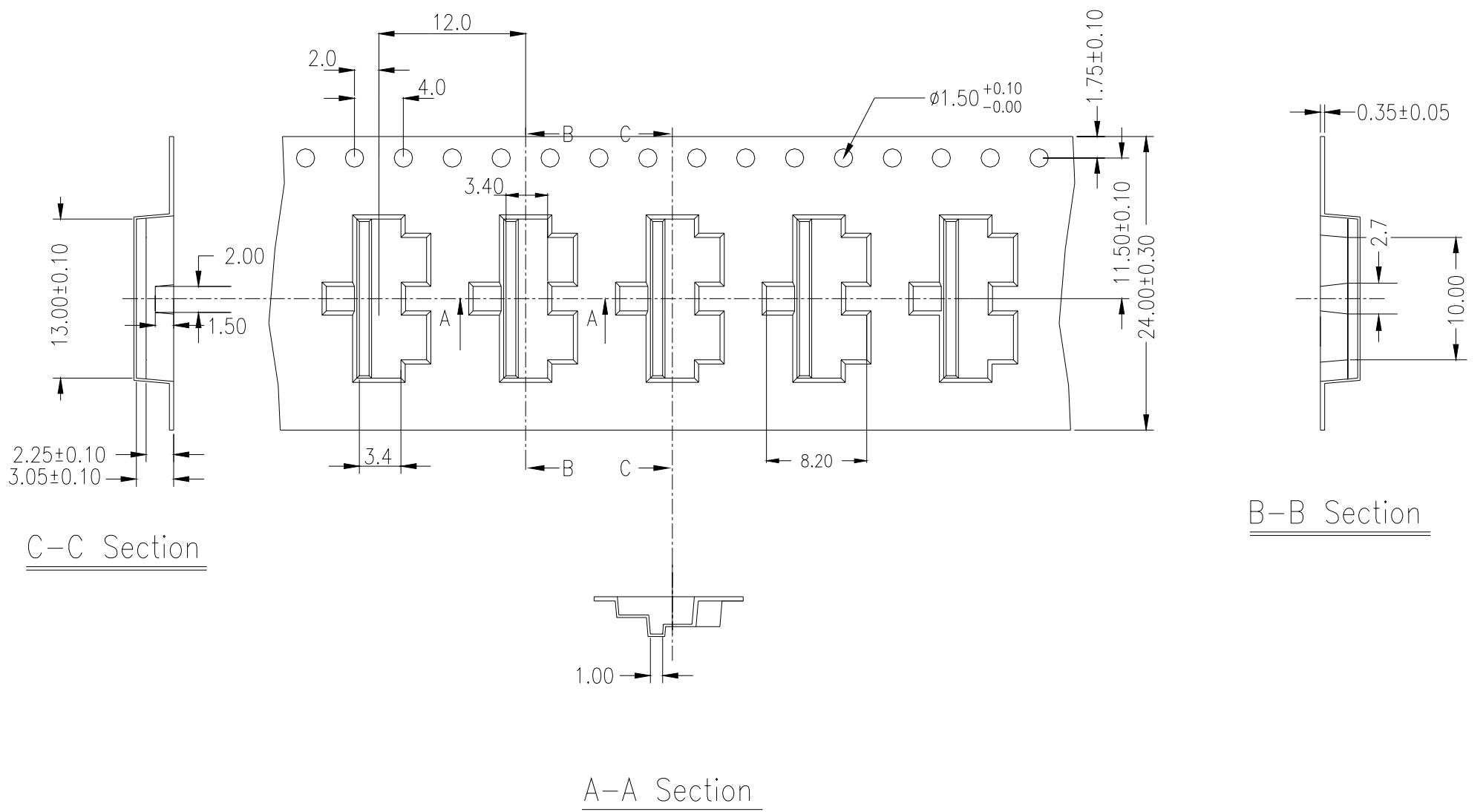


SS3 REEL



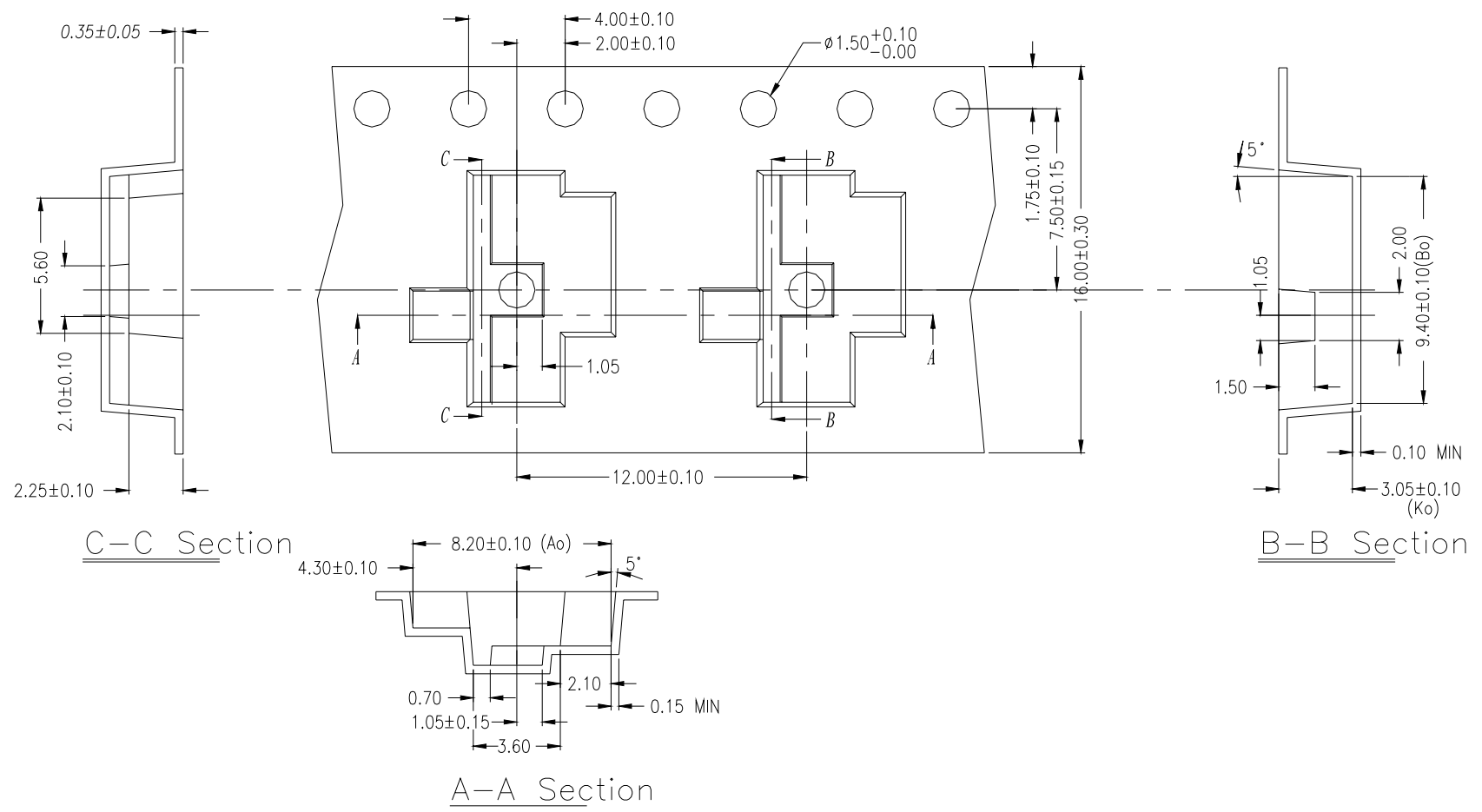
General Tolerance : ±0.1mm

SS4 REEL



General Tolerance : ±0.1mm

SSC-M REEL



General Tolerance : ±0.1mm