

SLIDE SWITCHES STRAIGHT DIP TYPES (24)

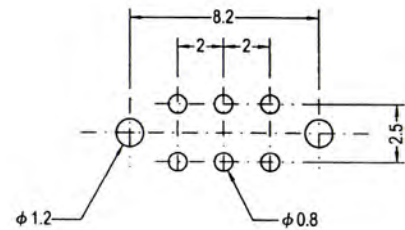
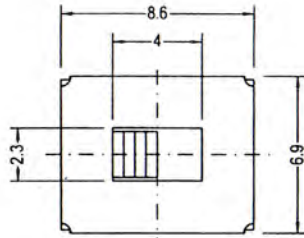


SPECIFICATIONS

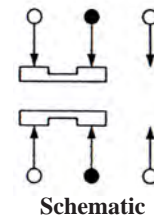
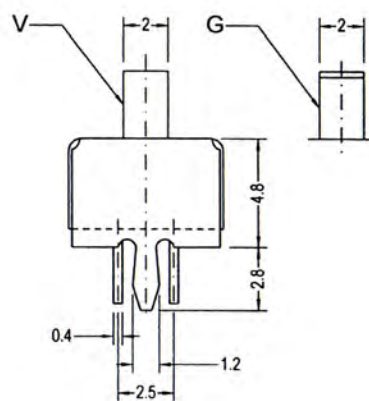
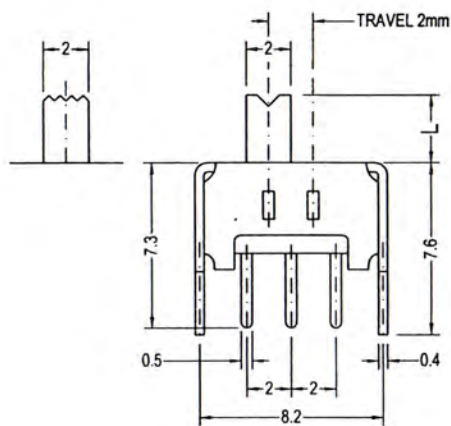
Circuit: ON-ON (2P2T)
Rating: D.C. 50V 0.3A
Contact R.[max]: D.C. 5V 1A 30mΩ
Insulation R.[min]: D.C. 500V 100MΩ
Withstand VOL.: A.C. 500V 1minute
Timing: Non-Shorting
Operating force: 300 ± 100g
Life cycle[max]: 10,000 CYCLES
All materials must be RoHS compliant.

MATERIALS

Cover: 0.25mm SUS, Washing
Knob: Nylon, Black
Case: Brass Strip/Nylon 9T + F.G., Black/Ag Plated
Contact: PBS C5210R-EH, Ag Clad
Unit: mm



Recommended P.C.Board Layout



Schematic

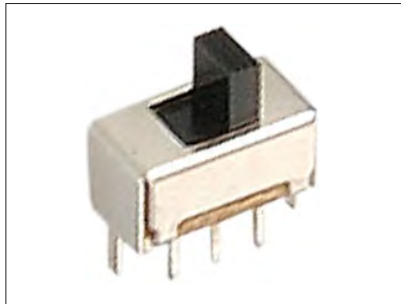
KNOB TYPE	
V	G

ORDERING INFORMATION:

P/N S W S 9 6 - $\frac{x}{1} P \frac{x}{2} T \frac{G}{3} \frac{x}{3} x$

1. SWITCHING ACTION:
"2P2T" ON-ON
2. KNOB TYPE:
"G" TYPE G
"V" TYPE V
3. KNOB LENGTH (L IN MM):
02~15

SLIDE SWITCHES STRAIGHT DIP TYPES (25)

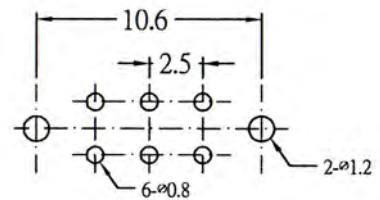
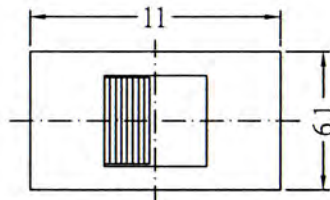


SPECIFICATIONS

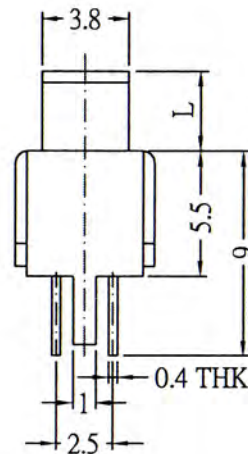
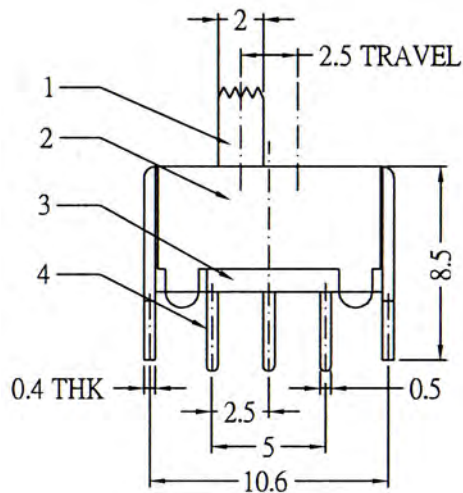
Circuit: ON-ON (2P2T)
Rating: D.C. 50V 0.5A
Contact R.[max]: D.C. 5V 1A 30mΩ
Insulation R.[min]: D.C. 500V 100MΩ
Withstand VOL.: A.C. 500V 1minute
Operating force: 250 ± 100g
Life cycle[max]: 10,000 CYCLES
All materials must be RoHS compliant.

MATERIALS

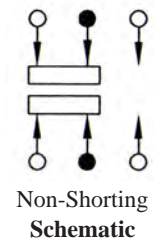
Knob: POM, Black
Frame: Steel Strip, Ni Plated or Zn Plated
Terminal Base: Phenolic Resin
Terminal: Brass Strip, Ag Plated Over Ni Plated
Contact: Brass Strip, Ag Plated
Spring: SUS
Unit: mm



Recommended P.C.Board Layout



L = 2 - 15 m/m

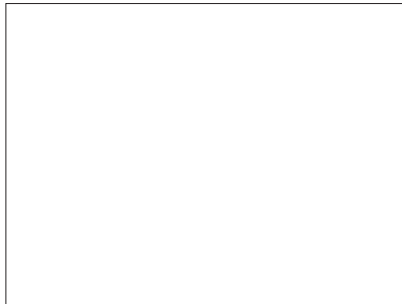


ORDERING INFORMATION:

P/N S W S 9 7 - $\frac{x P x T G x x}{1 \quad 2 \quad 3}$

1. SWITCHING ACTION:
"2P2T" ON-ON
2. KNOB TYPE:
"G" TYPE G
3. KNOB LENGTH (L IN MM):
02~15

SLIDE SWITCHES STRAIGHT DIP TYPES (26)

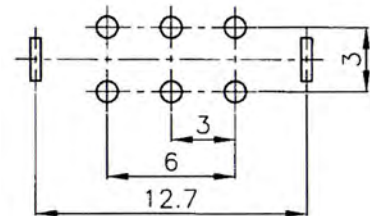
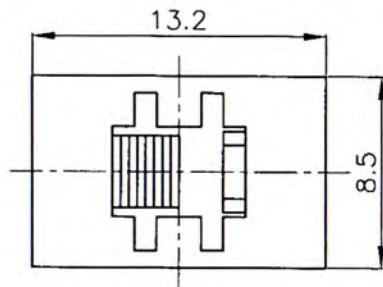


SPECIFICATIONS

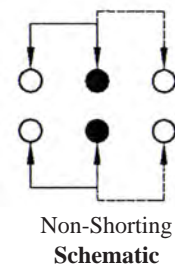
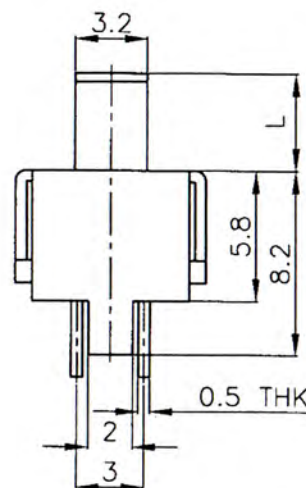
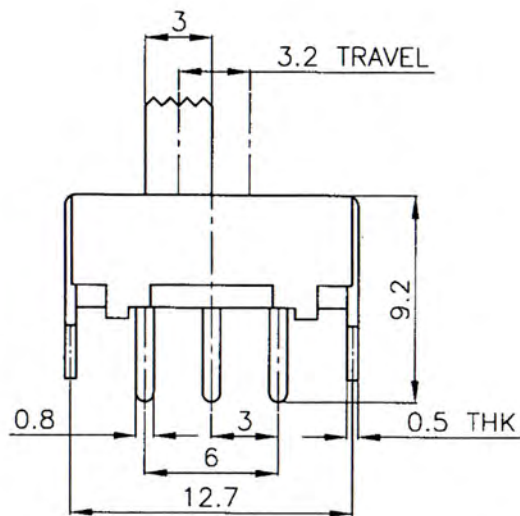
Circuit: ON-ON (2P2T)
Rating: D.C. 50V 0.5A
Contact R.[max]: D.C. 5V 1A 30mΩ
Insulation R.[min]: D.C. 500V 100MΩ
Withstand VOL.: A.C. 500V 1minute
Operating force: 250 ± 100g
Life cycle[max]: 10,000 CYCLES
All materials must be RoHS compliant.

MATERIALS

Knob: POM, Black
Frame: Steel Strip, Ni Plated or Zn Plated
Terminal Base: Phenolic Resin
Terminal: Stainliss Steel, Ag Plated Over Ni Plated
Contact: Brass Strip, Ag Plated
Spring: Steel, Tempered
Unit: mm



Recommended P.C.Board Layout



ORDERING INFORMATION:

P/N S W S 9 8 - $\frac{x}{1} P \frac{x}{2} T \frac{G}{3} x x$

1. SWITCHING ACTION:
"2P2T" ON-ON
2. KNOB TYPE:
"G" TYPE G
3. KNOB LENGTH (L IN MM):
02~15

SLIDE SWITCHES STRAIGHT DIP TYPES (27)

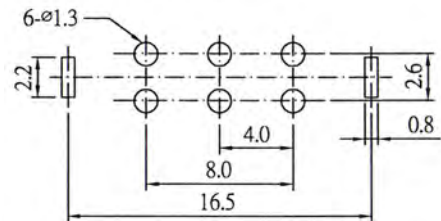
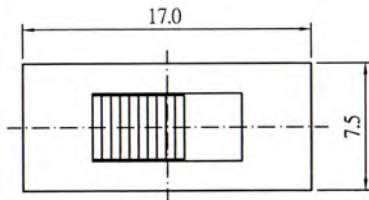


SPECIFICATIONS

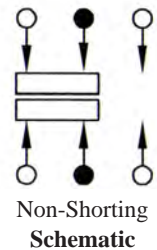
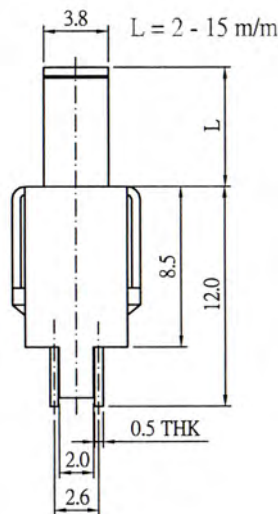
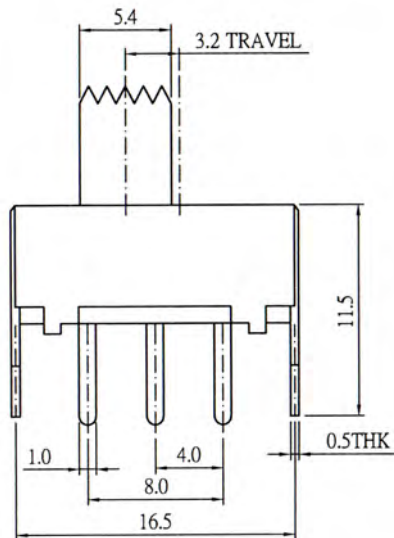
Circuit: ON-ON (2P2T)
Rating: D.C. 50V 0.5A
Contact R.[max]: D.C. 5V 1A 30mΩ
Insulation R.[min]: D.C. 500V 100MΩ
Withstand VOL.: A.C. 500V 1minute
Operating force: 250 ± 100g
Life cycle[max]: 10,000 CYCLES
All materials must be RoHS compliant.

MATERIALS

Cover: 0.25mm SUS, Washing
Knob: Nylon, Black
Case: Brass Strip/Nylon 9T + F.G., Black/Ag Plated
Contact: PBS C5210R-EH, Ag Clad
Unit: mm



Recommended P.C.Board Layout



ORDERING INFORMATION:

P/N S W S 1 A - $\frac{x P x T G x x}{1 \quad 2 \quad 3}$

1. SWITCHING ACTION:
"2P2T" ON-ON
2. KNOB TYPE:
"G" TYPE G
3. KNOB LENGTH (L IN MM):
02~15

SLIDE SWITCHES STRAIGHT DIP TYPES (28)

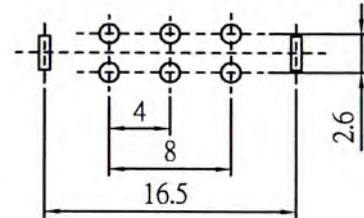
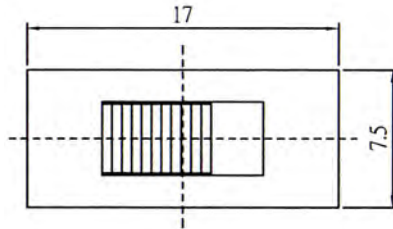


SPECIFICATIONS

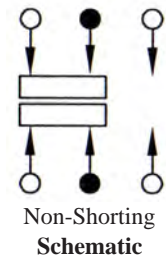
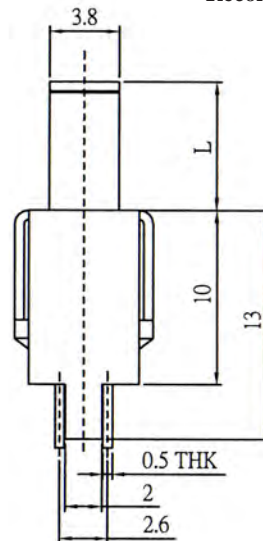
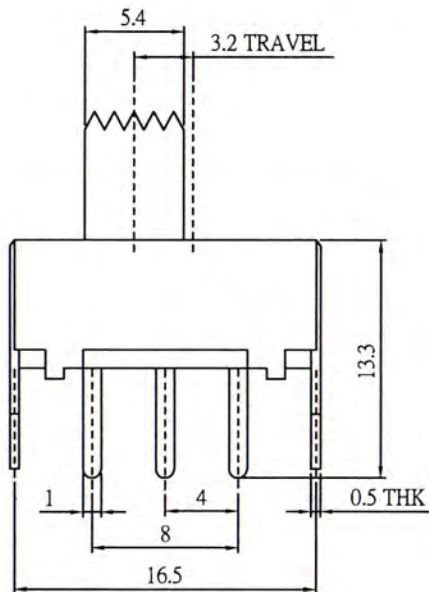
Circuit: ON-ON (2P2T)
Rating: D.C. 50V 0.5A
Contact R.[max]: D.C. 5V 1A30mΩ
Insulation R.[min]: D.C. 500V 100MΩ
Withstand VOL.: A.C. 500V 1minute
Operating force: 250 ± 100g
Life cycle[max]: 10,000 CYCLES
All materials must be RoHS compliant.

MATERIALS

Cover: 0.25mm SUS, Washing
Knob: Nylon, Black
Case: Brass Strip/Nylon 9T + F.G., Black/Ag Plated
Contact: PBS C5210R-EH, Ag Clad
Unit: mm



Recommended P.C.Board Layout



ORDERING INFORMATION:

P/N S W S 1 B - $\frac{x}{1} P \frac{x}{2} T \frac{G}{3} \frac{xx}{3}$

1. SWITCHING ACTION:
"2P2T" ON-ON
2. KNOB TYPE:
"G" TYPE G
3. KNOB LENGTH (L IN MM):
02~15

SLIDE SWITCHES STRAIGHT DIP TYPES (29)

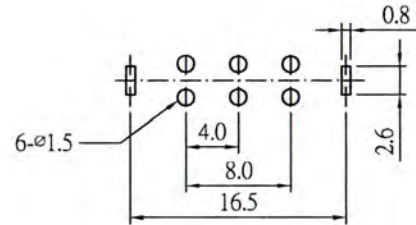
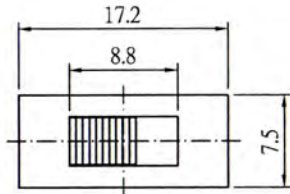


SPECIFICATIONS

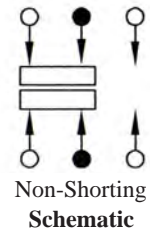
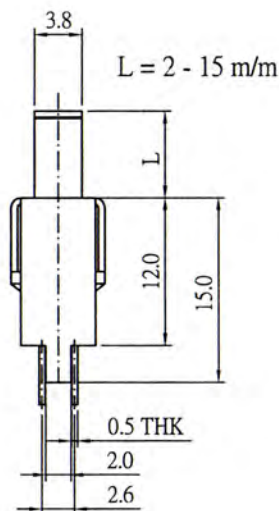
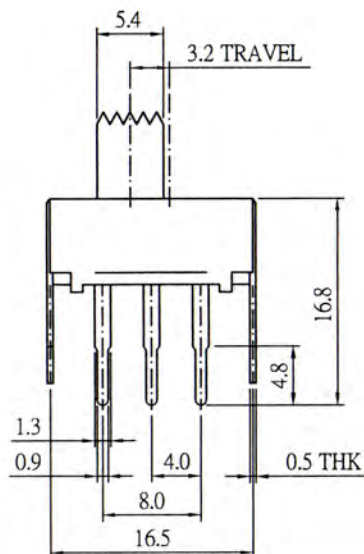
Circuit: ON-ON (2P2T)
Rating: D.C. 50V 0.5A
Contact R.[max]: D.C. 5V 1A 30mΩ
Insulation R.[min]: D.C. 500V 100MΩ
Withstand VOL.: A.C. 500V 1minute
Operating force: 300 ± 100g
Life cycle[max]: 10,000 CYCLES
All materials must be RoHS compliant.

MATERIALS

Cover: 0.25mm SUS, Washing
Knob: Nylon, Black
Case: Brass Strip/Nylon 9T + F.G., Black/Ag Plated
Contact: PBS C5210R-EH, Ag Clad
Unit: mm



Recommended P.C.Board Layout



ORDERING INFORMATION:

P/N SWS1C - $\frac{x}{1}$ $\frac{P}{2}$ $\frac{T}{3}$ $\frac{G}{x}$ $\frac{x}{x}$

1. SWITCHING ACTION:
"2P2T" ON-ON
2. KNOB TYPE:
"G" TYPE G
3. KNOB LENGTH (L IN MM):
02~15

SLIDE SWITCHES STRAIGHT DIP TYPES (30)

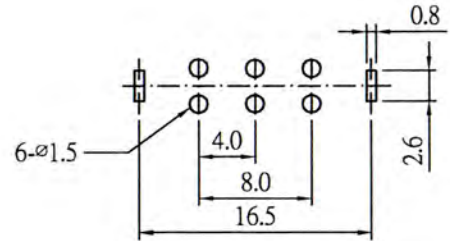
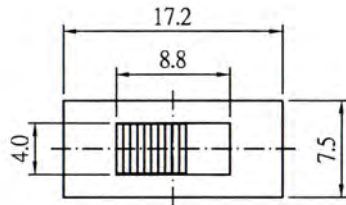


SPECIFICATIONS

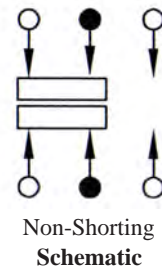
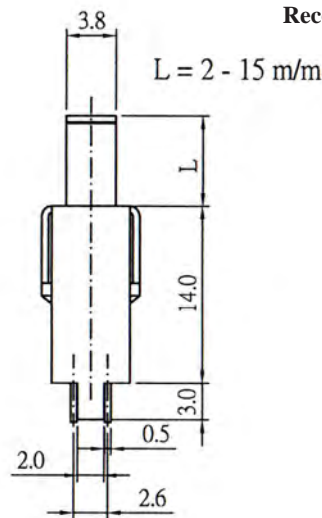
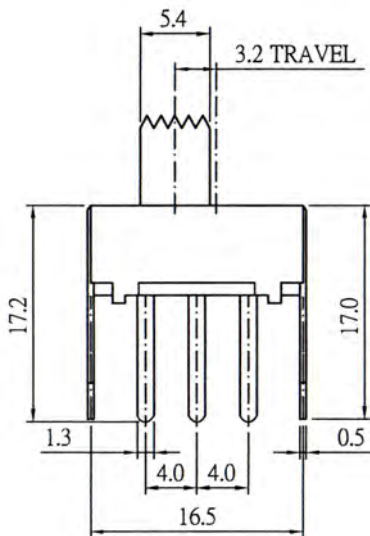
Circuit: ON-ON (2P2T)
Rating: D.C. 50V 0.5A
Contact R.[max]: D.C. 5V 1A 30mΩ
Insulation R.[min]: D.C. 500V 100MΩ
Withstand VOL.: A.C. 500V 1minute
Operating force: 300 ± 100g
Life cycle[max]: 10,000 CYCLES
All materials must be RoHS compliant.

MATERIALS

Cover: 0.25mm SUS, Washing
Knob: Nylon, Black
Case: Brass Strip/Nylon 9T + F.G., Black/Ag Plated
Contact: PBS C5210R-EH, Ag Clad
Unit: mm



Recommended P.C.Board Layout



ORDERING INFORMATION:

P/N S W S 1 D - $\frac{x}{1}$ P $\frac{x}{2}$ T $\frac{G}{3}$ $\frac{xx}{3}$

1. SWITCHING ACTION:
"2P2T" ON-ON
2. KNOB TYPE:
"G" TYPE G
3. KNOB LENGTH (L IN MM):
02~15

SLIDE SWITCHES STRAIGHT DIP TYPES (31)

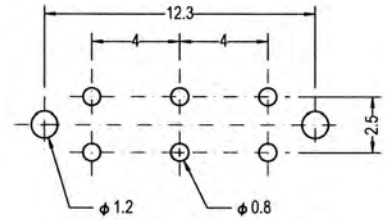
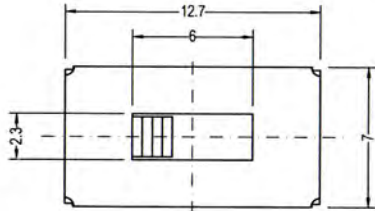


SPECIFICATIONS

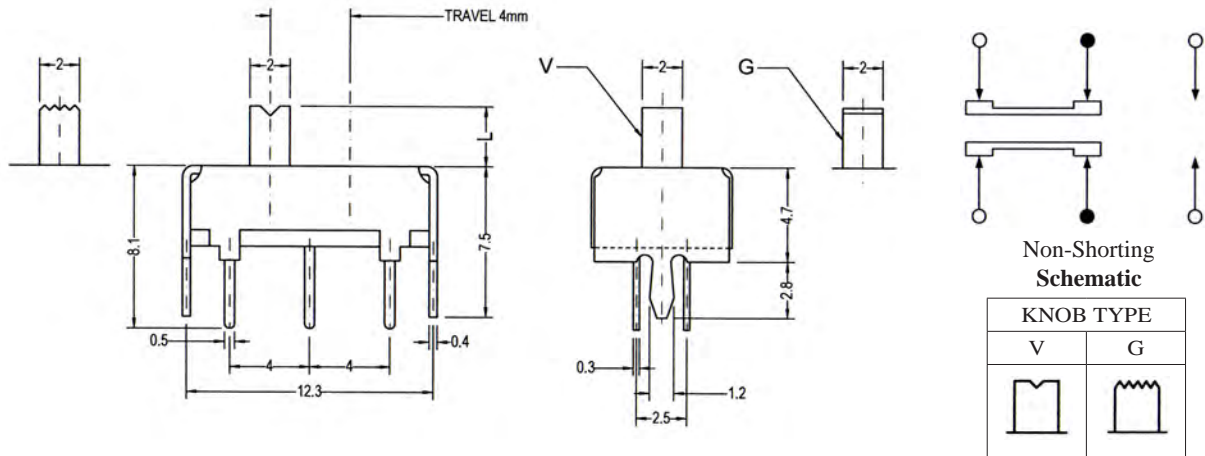
Circuit: ON-ON (2P2T)
Rating: D.C. 50V 0.3A
Contact R.[max]: D.C. 5V 1A 30mΩ
Insulation R.[min]: D.C. 500V 100MΩ
Withstand VOL.: A.C. 500V 1minute
Timing: Non-Shorting
Operating force: 300 ± 100g
Life cycle[max]: 10,000 CYCLES
All materials must be RoHS compliant.

MATERIALS

Cover: 0.25mm SUS, Washing
Knob: Nylon, Black
Case: Brass Strip/Nylon 9T + F.G., Black/Ag Plated
Contact: PBS C5210R-EH, Ag Clad
Unit: mm



Recommended P.C.Board Layout



ORDERING INFORMATION:

P/N S W S 3 Q - $\frac{x P x T G x x}{1 \quad 2 \quad 3}$

1. SWITCHING ACTION:
"2P2T" ON-ON
2. KNOB TYPE:
"G" TYPE G
"V" TYPE V
3. KNOB LENGTH (L IN MM):
02~15

SLIDE SWITCHES STRAIGHT DIP TYPES (32)

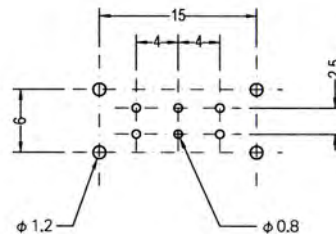
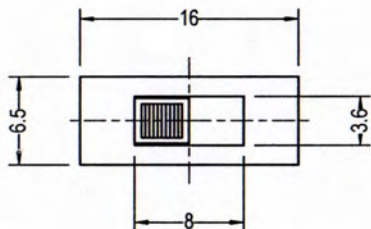


SPECIFICATIONS

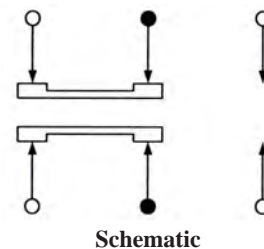
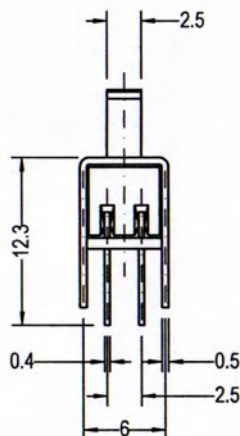
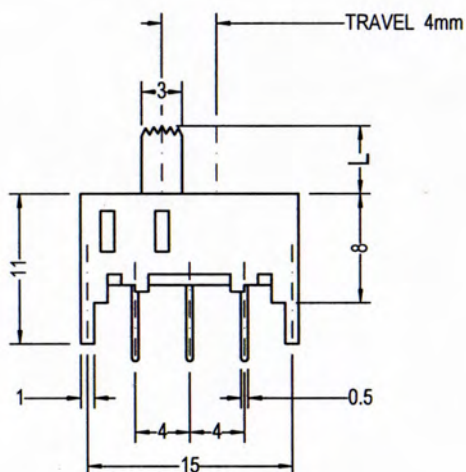
Circuit: ON-ON (2P2T)
Rating: D.C. 50V 0.3A
Contact R.[max]: D.C. 5V 1A 30mΩ
Insulation R.[min]: D.C. 500V 100MΩ
Withstand VOL.: A.C. 500V 1minute
Timing: Non-Shorting
Operating force: 300 ± 100g
Life cycle[max]: 10,000 CYCLES
All materials must be RoHS compliant.

MATERIALS

Knob: POM, Black
Housing: Steel Strip, Ni Plated or Zn Plated
Terminal Base: Phenolic Resin
Terminal: Brass Strip, Ag Plated Over Ni Plated
Contact Clip: PBS Strip, Ag Clad
Spring: Stainless Steel, Tempered
Unit: mm



Recommended P.C.Board Layout



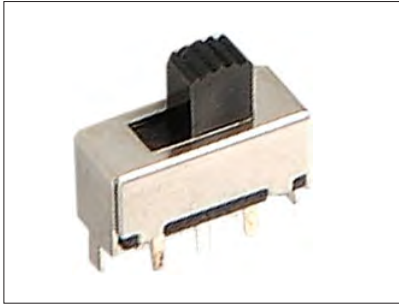
Schematic

ORDERING INFORMATION:

P/N S W S 3 P - $\frac{x P x T G x x}{1 \quad 2 \quad 3}$

1. SWITCHING ACTION:
"2P2T" ON-ON
2. KNOB TYPE:
"G" TYPE G
3. KNOB LENGTH (L IN MM):
02~15

SLIDE SWITCHES STRAIGHT DIP TYPES (33)

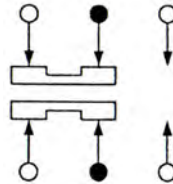
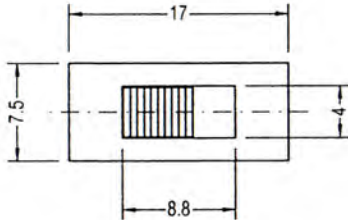


SPECIFICATIONS

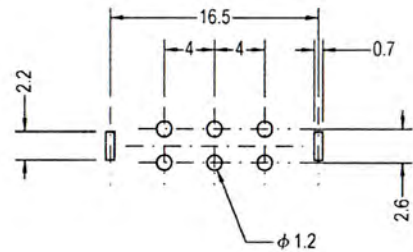
Circuit: ON-ON (2P2T)
Rating: D.C. 50V 0.5A
Contact R.[max]: D.C. 5V 1A 30mΩ
Insulation R.[min]: D.C. 500V 100MΩ
Withstand VOL.: A.C. 500V 1minute
Timing: Non-Shorting
Operating force: 300 ± 100g
Life cycle[max]: 10,000 CYCLES
All materials must be RoHS compliant.

MATERIALS

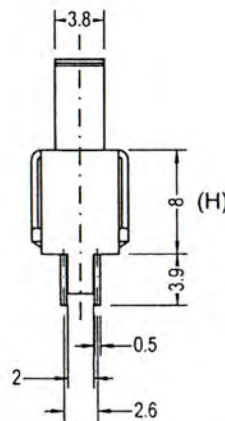
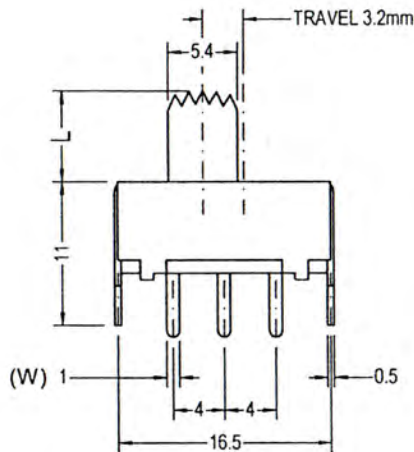
Cover: 0.25mm SUS, Washing
Knob: Nylon, Black
Case: Brass Strip/Nylon 9T + F.G., Black/Ag Plated
Contact: PBS C5210R-EH, Ag Clad
Unit: mm



Schematic



Recommended P.C.Board Layout



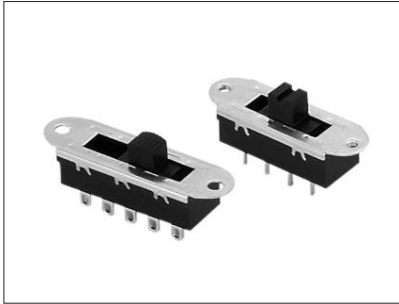
P/N	(H)	(W)
SWS2A	8	1.0
SWS2B	8.5	1.0
SWS2C	10	1.0
SWS2D	9.5	1.0
SWS2E	14	1.3
SWS2F	14	0.9
SWS2G	18	1.3
SWS2H	21	1.3
SWS2J	12	1.3
SWS2K	11	1.3
SWS2L	14	1.3

ORDERING INFORMATION:

P/N S W S $\frac{xx}{1}$ - $\frac{2 P 2 T G}{2}$ $\frac{xx}{3}$ $\frac{xx}{4}$

1. SWITCH TYPE:
2A, 2B, 2C, 2D, 2E, 2F, 2G, 2H, 2J, 2K, 2L
2. SWITCHING ACTION:
"2P2T" ON-ON
3. KNOB TYPE:
"G" TYPE G
4. KNOB LENGTH (L IN MM):
02~15

SLIDE SWITCHES STRAIGHT DIP TYPES (34)



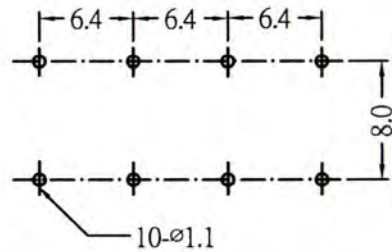
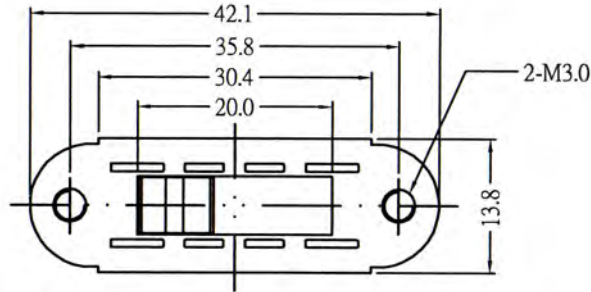
SPECIFICATIONS

Circuit: ON-ON-ON (2P3T)
Rating: 3A 250VAC/6A 125VAC
Contact R.[max]: D.C. 5V 1A 50mΩ
Insulation R.[min]: D.C. 500V 500MΩ
Withstand VOL.: A.C. 1500V 1minute
Operating force: 500 ± 200g
Life cycle[max]: 100,000 CYCLES
All materials must be RoHS compliant.

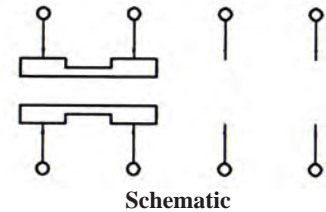
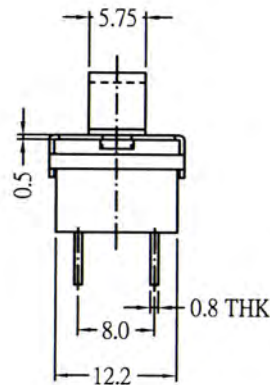
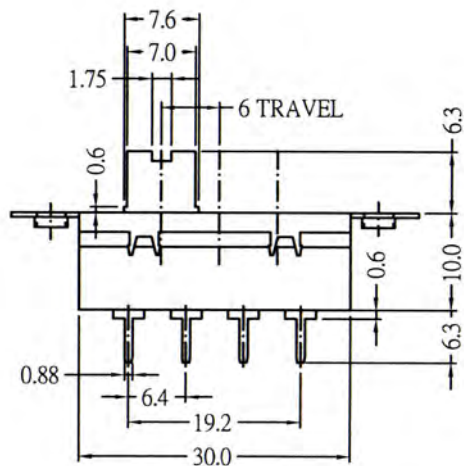


MATERIALS

Cover: 0.25mm SUS, Washing
Knob: Nylon, Black
Case: Brass Strip/Nylon 9T + F.G., Black/Ag Plated
Contact: PBS C5210R-EH, Ag Clad
Unit: mm



Recommended P.C.Board Layout



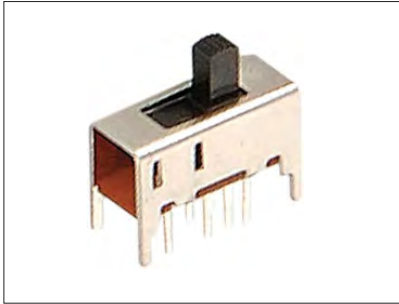
Schematic

ORDERING INFORMATION:

P/N SWS70 - $\frac{x}{1}$ P $\frac{x}{2}$ T F $\frac{6}{3}$ C

1. SWITCHING ACTION:
"2P3T" ON-ON-ON
2. KNOB TYPE:
"F" TYPE F
3. KNOB LENGTH (L IN MM):
"6C" 6.3MM

SLIDE SWITCHES STRAIGHT DIP TYPES (35)

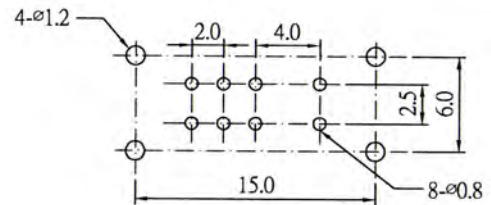
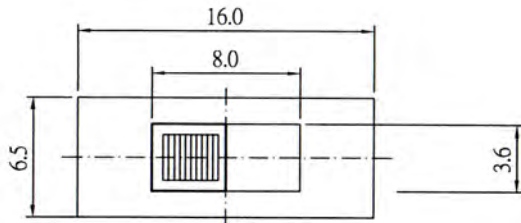


SPECIFICATIONS

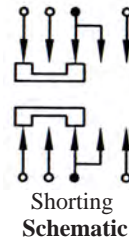
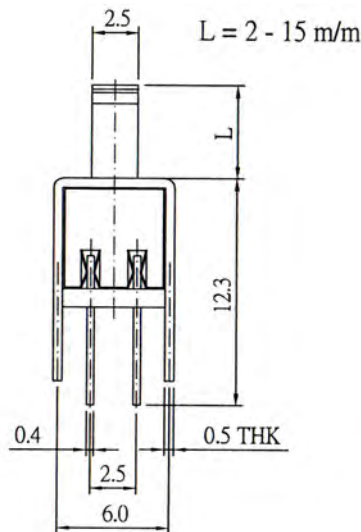
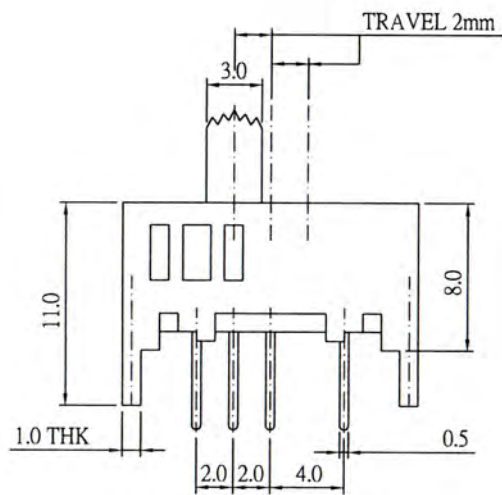
Circuit: ON-ON-ON (2P3T)
Rating: D.C. 50V 0.3A
Contact R.[max]: D.C. 5V 1A 30mΩ
Insulation R.[min]: D.C. 500V 100MΩ
Withstand VOL.: A.C. 500V 1minute
Operating force: 300 ± 100g
Life cycle[max]: 100,000 CYCLES
All materials must be RoHS compliant.

MATERIALS

Cover: 0.25mm SUS, Washing
Knob: Nylon, Black
Case: Brass Strip/Nylon 9T + F.G., Black/Ag Plated
Contact: PBS C5210R-EH, Ag Clad
Unit: mm



Recommended P.C.Board Layout



ORDERING INFORMATION:

P/N S W S 1 E - $\frac{x P x T G}{1 2 3} x x$

1. SWITCHING ACTION:
"2P3T" ON-ON-ON
2. KNOB TYPE:
"G" TYPE G
3. KNOB LENGTH (L IN MM):
02~15

SLIDE SWITCHES STRAIGHT DIP TYPES (36)

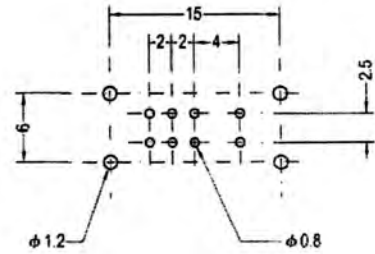
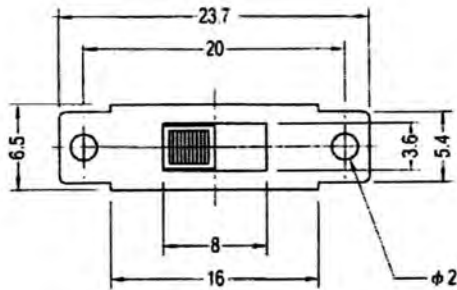


SPECIFICATIONS

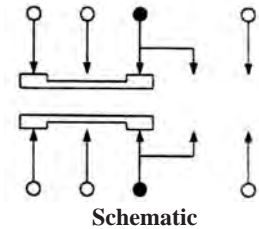
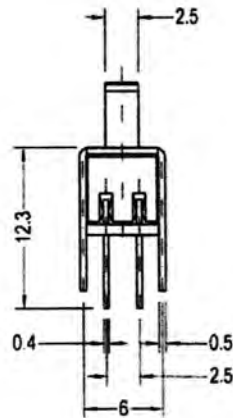
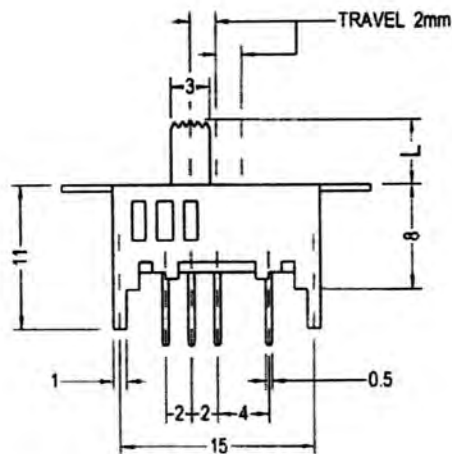
Circuit: ON-ON-ON (2P3T)
Rating: D.C. 50V 0.3A
Contact R.[max]: D.C. 5V 1A 30mΩ
Insulation R.[min]: D.C. 500V 100MΩ
Withstand VOL.: A.C. 500V 1minute
Timing: Shorting
Operating force: 300 ± 100g
Life cycle[max]: 100,000 CYCLES
All materials must be RoHS compliant.

MATERIALS

Cover: 0.25mm SUS, Washing
Knob: Nylon, Black
Case: Brass Strip/Nylon 9T + F.G., Black/Ag Plated
Contact: PBS C5210R-EH, Ag Clad
Unit: mm



Recommended P.C.Board Layout



Schematic

ORDERING INFORMATION:

P/N S W S 1 F - $\frac{x P x T}{1} \frac{G}{2} \frac{x x}{3}$

1. SWITCHING ACTION:
"2P3T" ON-ON-ON
2. KNOB TYPE:
"G" TYPE G
3. KNOB LENGTH (L IN MM):
02~15

SLIDE SWITCHES STRAIGHT DIP TYPES (37)

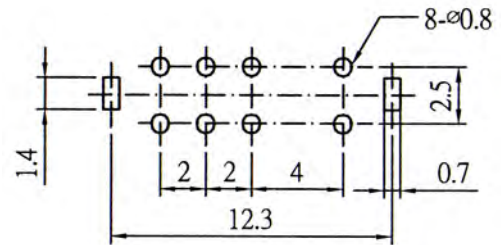
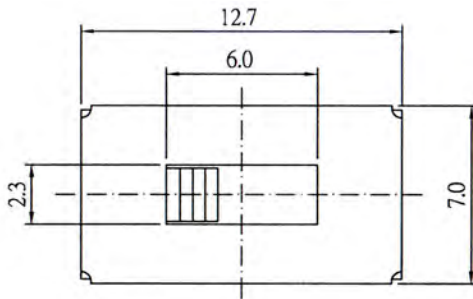


SPECIFICATIONS

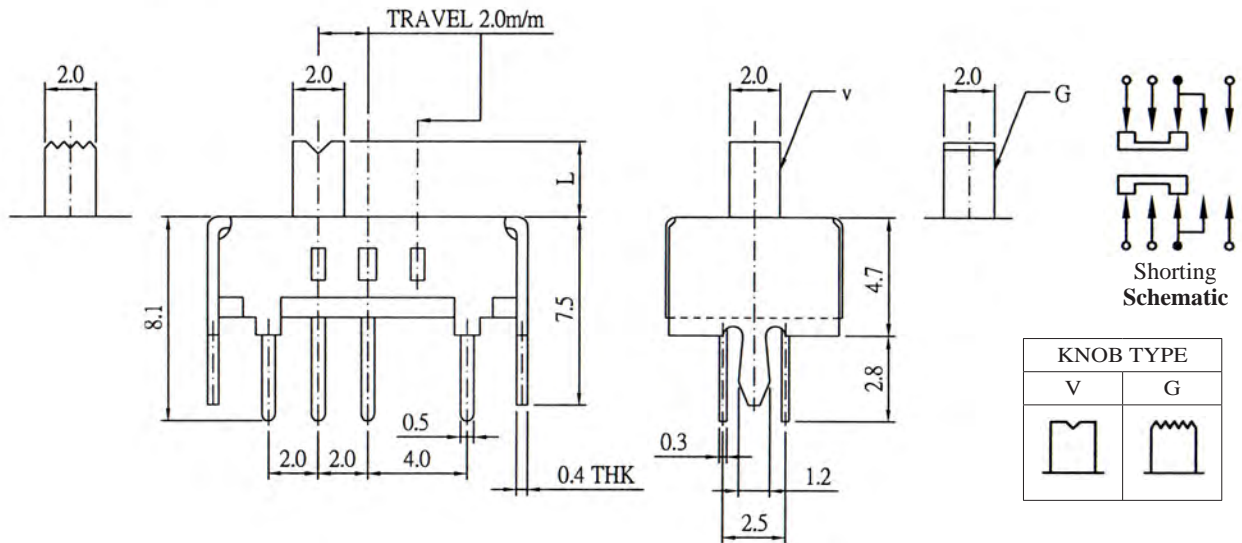
Circuit: ON-ON-ON (2P3T)
Rating: D.C. 50V 0.3A
Contact R.[max]: D.C. 5V 1A 30mΩ
Insulation R.[min]: D.C. 500V 100MΩ
Withstand VOL.: A.C. 500V 1minute
Operating force: 300 ± 100gf
Life cycle[max]: 100,000 CYCLES
All materials must be RoHS compliant.

MATERIALS

Cover: 0.25mm SUS, Washing
Knob: Nylon, Black
Case: Brass Strip/Nylon 9T + F.G., Black/Ag Plated
Contact: PBS C5210R-EH, Ag Clad
Unit: mm



Recommended P.C.Board Layout



Shorting Schematic

KNOB TYPE	
V	G

ORDERING INFORMATION:

P/N S W S 1 G - $\frac{x}{1} P \frac{x}{2} T \frac{x}{3} x x$

- SWITCHING ACTION:
"2P3T" ON-ON-ON
- KNOB TYPE:
"G" TYPE G
"V" TYPE V
- KNOB LENGTH (L IN MM):
02~15

SLIDE SWITCHES STRAIGHT DIP TYPES (38)

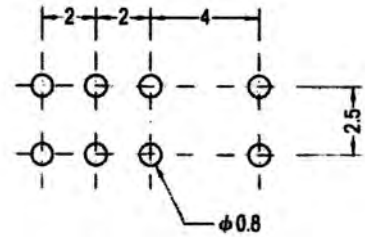
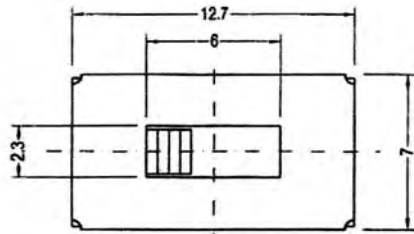


SPECIFICATIONS

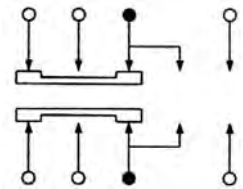
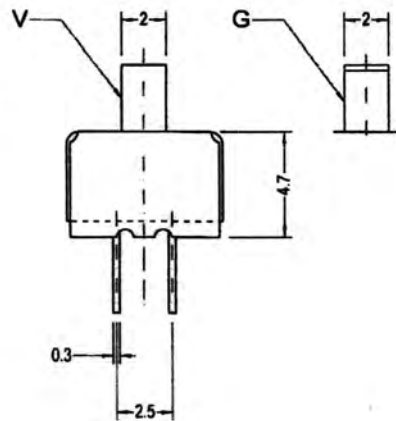
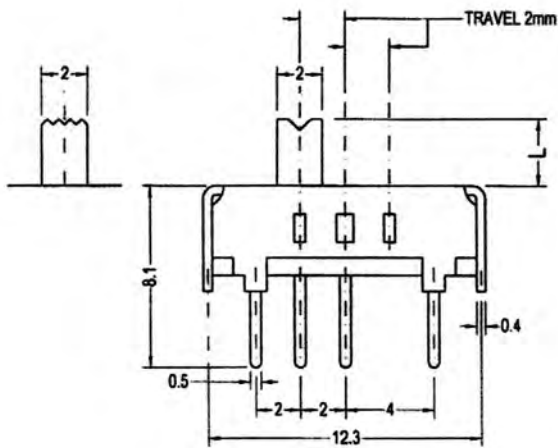
Circuit: ON-ON-ON (2P3T)
Rating: D.C. 50V 0.3A
Contact R.[max]: D.C. 5V 1A 30mΩ
Insulation R.[min]: D.C. 500V 100MΩ
Withstand VOL.: A.C. 500V 1minute
Timing: Shorting
Operating force: 300 ± 100g
Life cycle[max]: 10,000 CYCLES
All materials must be RoHS compliant.

MATERIALS

Cover: 0.25mm SUS, Washing
Knob: Nylon, Black
Case: Brass Strip/Nylon 9T + F.G., Black/Ag Plated
Contact: PBS C5210R-EH, Ag Clad
Unit: mm



Recommended P.C.Board Layout



Schematic

KNOB TYPE	
V	G

ORDERING INFORMATION:

P/N S W S 1 H - $\frac{x P x T x x x}{1 \quad 2 \quad 3}$

1. SWITCHING ACTION:
"2P3T" ON-ON-ON
2. KNOB TYPE:
"G" TYPE G
"V" TYPE V
3. KNOB LENGTH (L IN MM):
02~15

SLIDE SWITCHES STRAIGHT DIP TYPES (39)

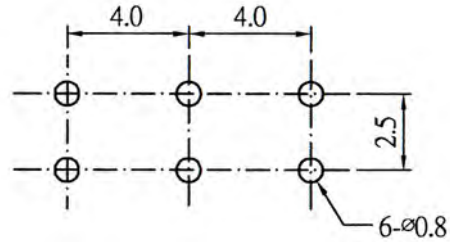
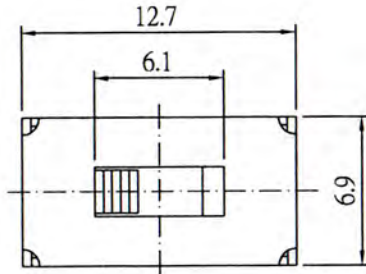


SPECIFICATIONS

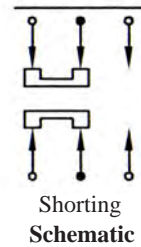
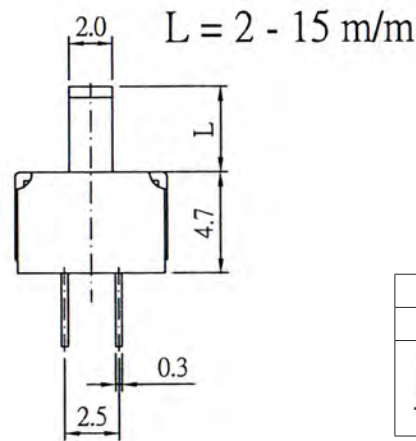
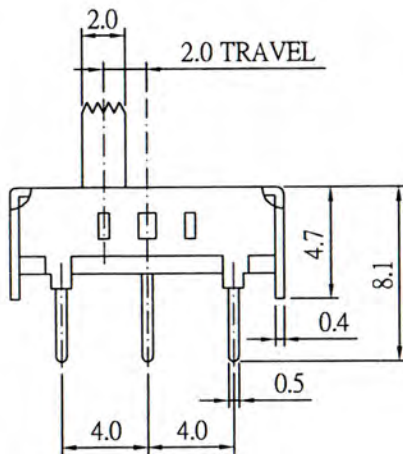
Circuit: ON-ON-ON (2P3T)
Rating: D.C. 50V 0.3A
Contact R.[max]: D.C. 5V 1A 30mΩ
Insulation R.[min]: D.C. 500V 100MΩ
Withstand VOL.: A.C. 500V 1minute
Operating force: 300 ± 150g
Life cycle[max]: 10,000 CYCLES
All materials must be RoHS compliant.

MATERIALS

Cover: 0.25mm SUS, Washing
Knob: Nylon, Black
Case: Brass Strip/Nylon 9T + F.G., Black/Ag Plated
Contact: PBS C5210R-EH, Ag Clad
Unit: mm



Recommended P.C.Board Layout



KNOB TYPE	
V	G

ORDERING INFORMATION:

P/N S W S 1 K - $\frac{x}{1} P \frac{x}{2} T \frac{G}{3} \frac{x}{x}$

1. SWITCHING ACTION:
"2P3T" ON-ON-ON
2. KNOB TYPE:
"G" TYPE G
3. KNOB LENGTH (L IN MM):
02~15

SLIDE SWITCHES STRAIGHT DIP TYPES (40)

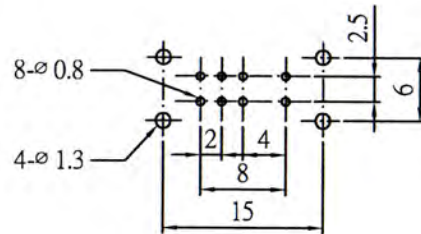
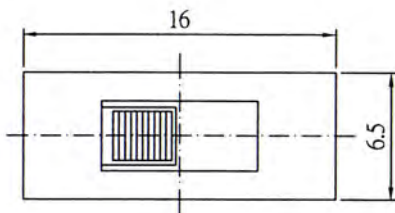


SPECIFICATIONS

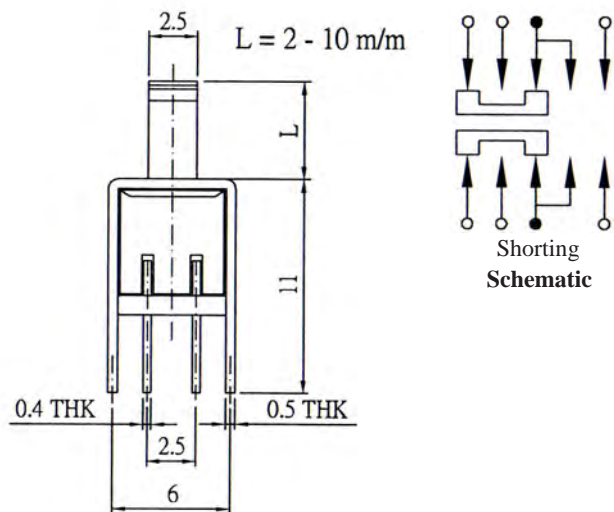
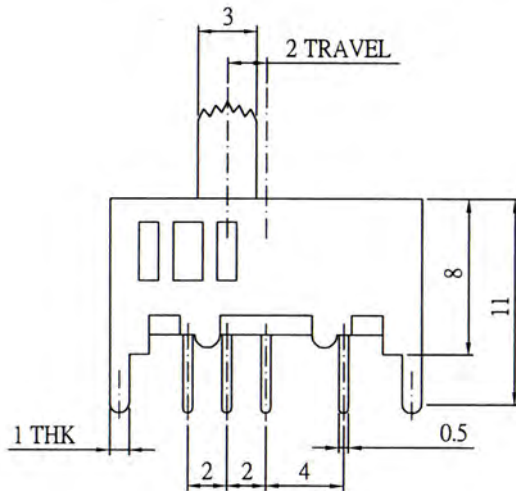
Circuit: ON-ON-ON (2P3T)
Rating: D.C. 5V 0.3A
Contact R.[max]: D.C. 5V 1A 30mΩ
Insulation R.[min]: D.C. 500V 100MΩ
Withstand VOL.: A.C. 500V 1minute
Operating force: 300 ± 100gf
Life cycle[max]: 10,000 CYCLES
All materials must be RoHS compliant.

MATERIALS

Cover: 0.25mm SUS, Washing
Knob: Nylon, Black
Case: Brass Strip/Nylon 9T + F.G., Black/Ag Plated
Contact: PBS C5210R-EH, Ag Clad
Unit: mm



Recommended P.C.Board Layout



Shorting Schematic

ORDERING INFORMATION:

P/N S W S 1 L - $\frac{x P x T G x x}{1 \quad 2 \quad 3}$

1. SWITCHING ACTION:
"2P3T" ON-ON-ON
2. KNOB TYPE:
"G" TYPE G
3. KNOB LENGTH (L IN MM):
02~10

SLIDE SWITCHES STRAIGHT DIP TYPES (41)

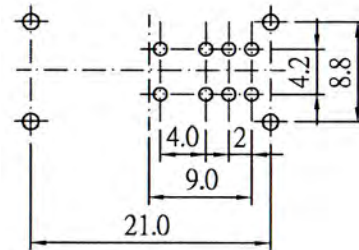
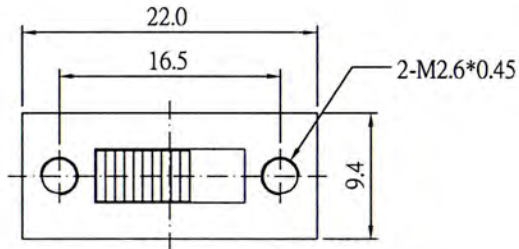


SPECIFICATIONS

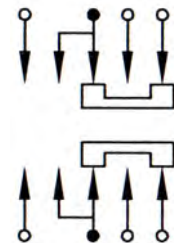
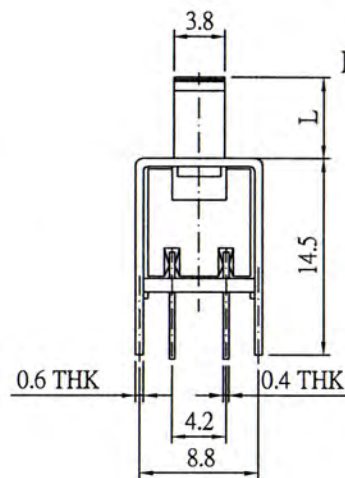
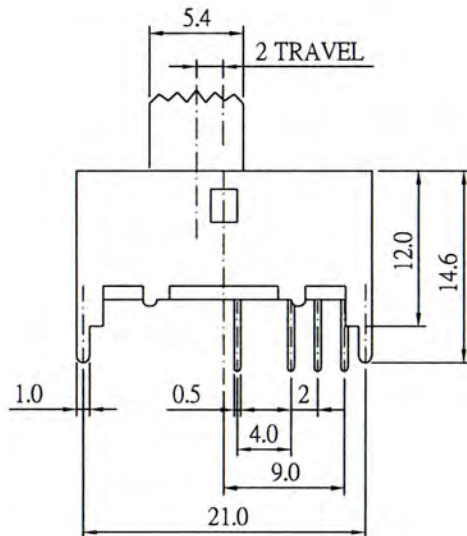
Circuit: ON-ON-ON (2P3T)
Rating: D.C. 50V 0.3A
Contact R.[max]: D.C. 5V 1A 30mΩ
Insulation R.[min]: D.C. 500V 100MΩ
Withstand VOL.: A.C. 500V 1minute
Operating force: 300 ± 100gf
Life cycle[max]: 10,000 CYCLES
All materials must be RoHS compliant.

MATERIALS

Cover: 0.25mm SUS, Washing
Knob: Nylon, Black
Case: Brass Strip/Nylon 9T + F.G., Black/Ag Plated
Contact: PBS C5210R-EH, Ag Clad
Unit: mm



Recommended P.C.Board Layout



Shorting Schematic

ORDERING INFORMATION:

P/N S W S 1 M - $\frac{x P x T G x x}{1 \quad 2 \quad 3}$

1. SWITCHING ACTION:
"2P3T" ON-ON-ON
2. KNOB TYPE:
"G" TYPE G
3. KNOB LENGTH (L IN MM):
02~10

SLIDE SWITCHES STRAIGHT DIP TYPES (42)

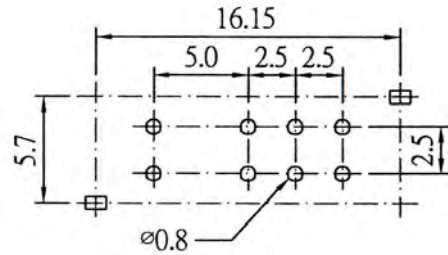
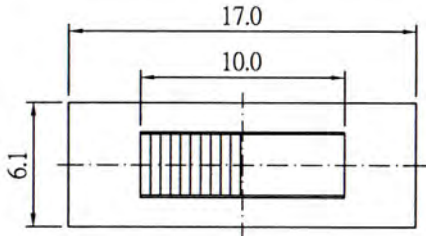


SPECIFICATIONS

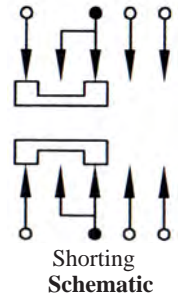
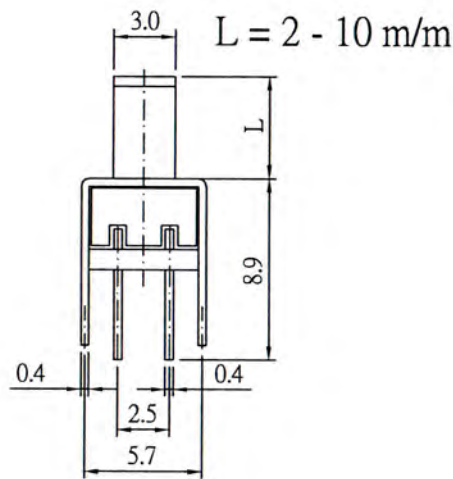
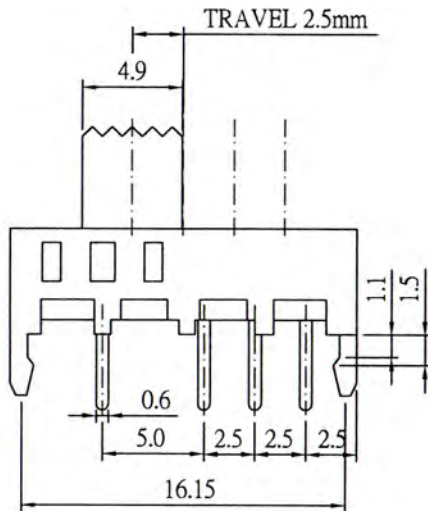
Circuit: ON-ON-ON (2P3T)
Rating: D.C. 50V 0.3A
Contact R.[max]: D.C. 5V 1A 30mΩ
Insulation R.[min]: D.C. 500V 100MΩ
Withstand VOL.: A.C. 500V 1minute
Operating force: 300 ± 100gf
Life cycle[max]: 10,000 CYCLES
All materials must be RoHS compliant.

MATERIALS

Cover: 0.25mm SUS, Washing
Knob: Nylon, Black
Case: Brass Strip/Nylon 9T + F.G., Black/Ag Plated
Contact: PBS C5210R-EH, Ag Clad
Unit: mm



Recommended P.C.Board Layout



ORDERING INFORMATION:

P/N S W S 1 N - $\frac{x P x T G}{1 \quad 2 \quad 3} x x$

1. SWITCHING ACTION:
"2P3T" ON-ON-ON
2. KNOB TYPE:
"G" TYPE G
3. KNOB LENGTH (L IN MM):
02~10

SLIDE SWITCHES STRAIGHT DIP TYPES (43)

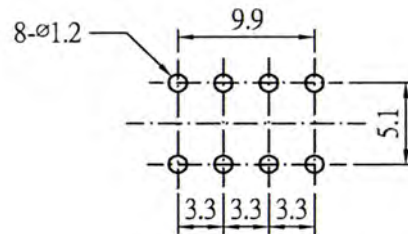
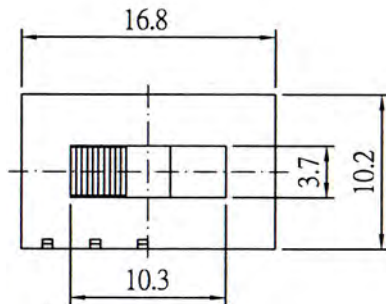


SPECIFICATIONS

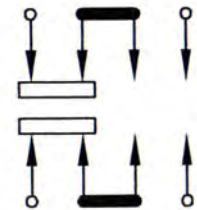
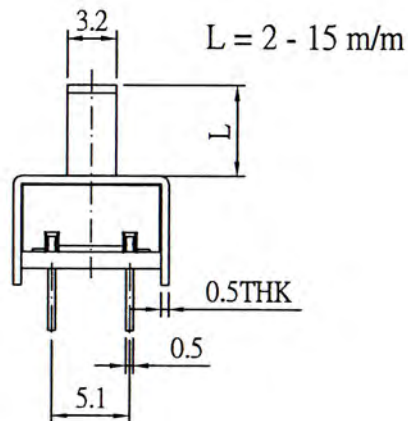
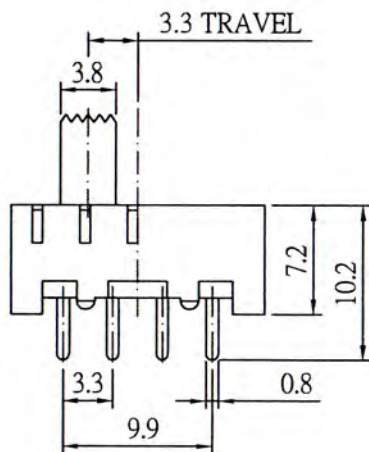
Circuit: ON-ON-ON (2P3T)
Rating: D.C. 50V 0.3A
Contact R.[max]: D.C. 5V 1A 30mΩ
Insulation R.[min]: D.C. 500V 100MΩ
Withstand VOL.: A.C. 500V 1minute
Operating force: 300 ± 100gf
Life cycle[max]: 10,000 CYCLES
All materials must be RoHS compliant.

MATERIALS

Cover: 0.25mm SUS, Washing
Knob: Nylon, Black
Case: Brass Strip/Nylon 9T + F.G., Black/Ag Plated
Contact: PBS C5210R-EH, Ag Clad
Unit: mm



Recommended P.C.Board Layout



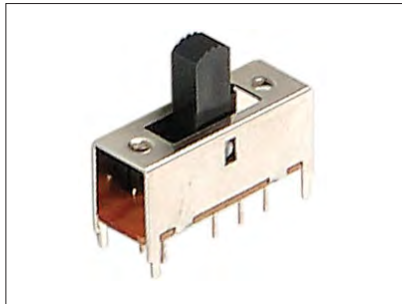
Schematic

ORDERING INFORMATION:

P/N SWS 1 P - $\frac{x}{1} P \frac{x}{2} T \frac{G}{3} x x$

1. SWITCHING ACTION:
"2P3T" ON-ON-ON
2. KNOB TYPE:
"G" TYPE G
3. KNOB LENGTH (L IN MM):
02~15

SLIDE SWITCHES STRAIGHT DIP TYPES (44)

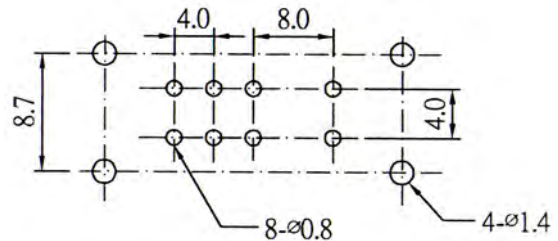
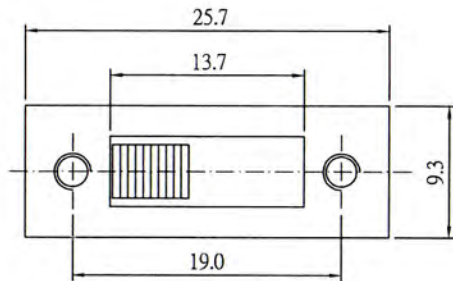


SPECIFICATIONS

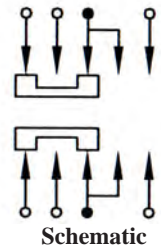
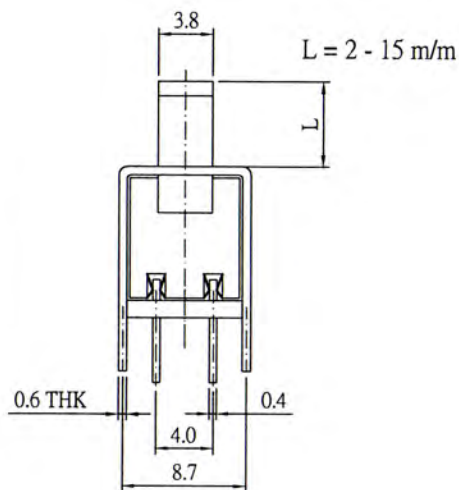
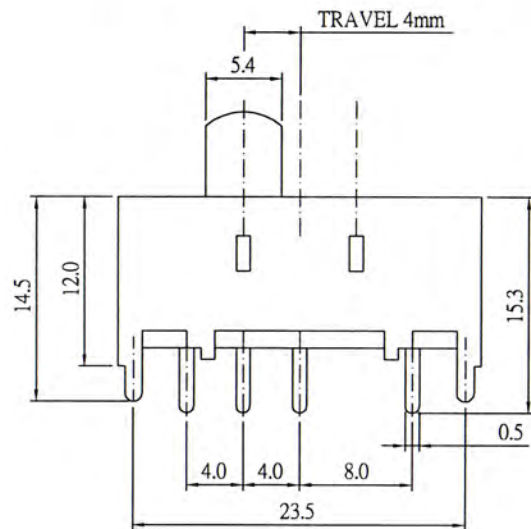
Circuit: ON-ON-ON (2P3T)
Rating: D.C. 50V 0.3A
Contact R.[max]: D.C. 5V 1A 30mΩ
Insulation R.[min]: D.C. 500V 100MΩ
Withstand VOL.: A.C. 500V 1minute
Operating force: 300 ± 100gf
Life cycle[max]: 10,000 CYCLES
All materials must be RoHS compliant.

MATERIALS

Cover: 0.25mm SUS, Washing
Knob: Nylon, Black
Case: Brass Strip/Nylon 9T + F.G., Black/Ag Plated
Contact: PBS C5210R-EH, Ag Clad
Unit: mm



Recommended P.C.Board Layout

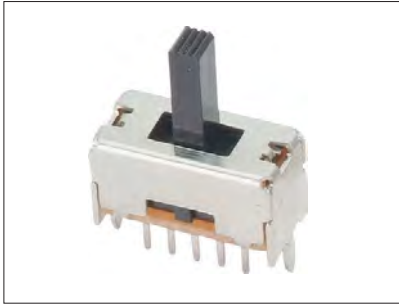


ORDERING INFORMATION:

P/N S W S 1 Q - $\frac{x}{1}$ P $\frac{x}{2}$ T G $\frac{x}{3}$ X X

1. SWITCHING ACTION:
"2P3T" ON-ON-ON
2. KNOB TYPE:
"R" TYPE R
3. KNOB LENGTH (L IN MM):
02~15

SLIDE SWITCHES STRAIGHT DIP TYPES (45)

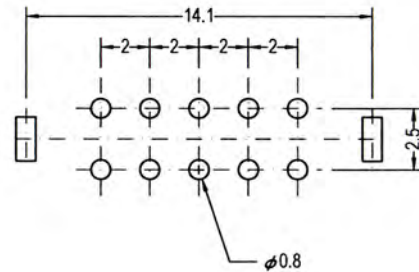
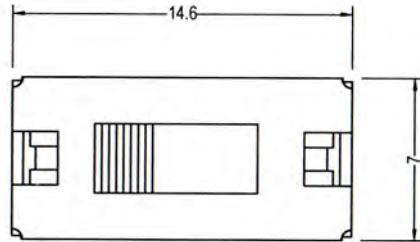


SPECIFICATIONS

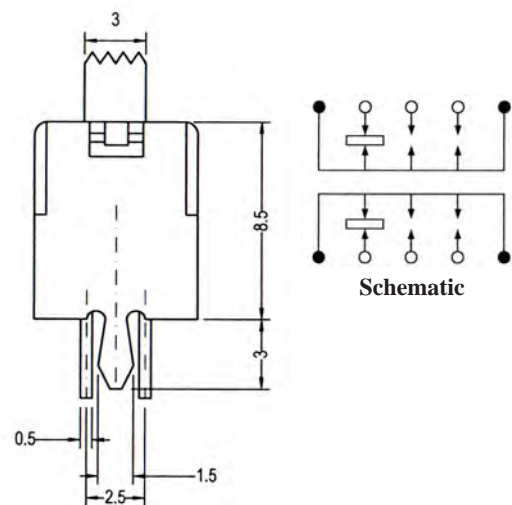
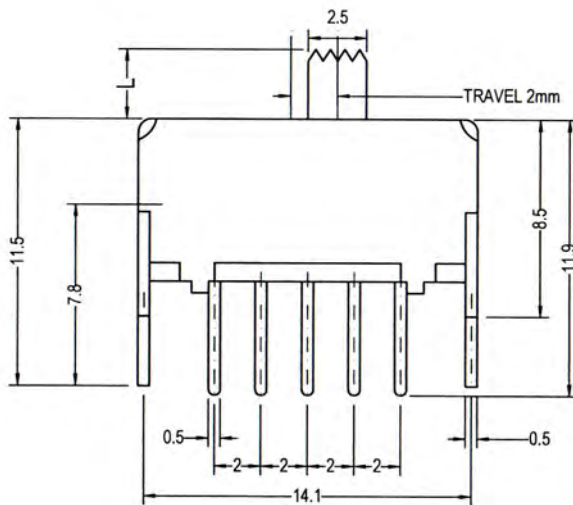
Circuit: ON-ON-ON (2P3T)
Rating: D.C. 50V 0.3A
Contact R.[max]: D.C. 5V 1A 30mΩ
Insulation R.[min]: D.C. 500V 100MΩ
Withstand VOL.: A.C. 500V 1minute
Timing: Shorting
Operating force: 300 ± 100gf
Life cycle[max]: 10,000 CYCLES
All materials must be RoHS compliant.

MATERIALS

Cover: 0.25mm SUS, Washing
Knob: Nylon, Black
Case: Brass Strip/Nylon 9T + F.G., Black/Ag Plated
Contact: PBS C5210R-EH, Ag Clad
Unit: mm



Recommended P.C.Board Layout



Schematic

ORDERING INFORMATION:

P/N S W S 3 S - $\frac{x}{1} P \frac{x}{2} T \frac{G}{3} \frac{x}{x}$

1. SWITCHING ACTION:
"2P3T" ON-ON-ON
2. KNOB TYPE:
"G" TYPE G
3. KNOB LENGTH (L IN MM):
02~15

SLIDE SWITCHES STRAIGHT DIP TYPES (46)

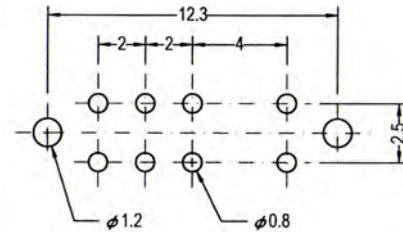
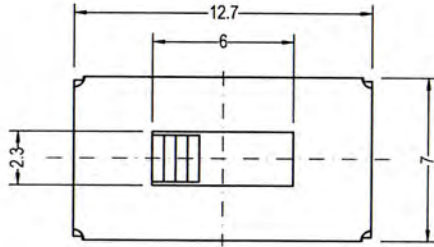


SPECIFICATIONS

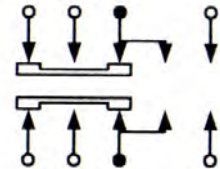
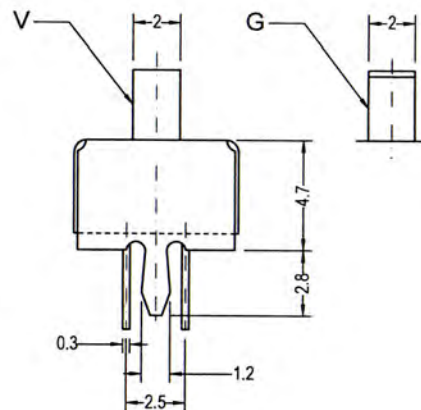
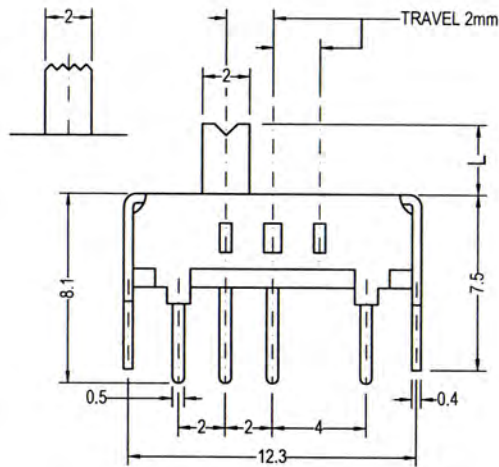
Circuit: ON-ON-ON (2P3T)
Rating: D.C. 50V 0.3A
Contact R.[max]: D.C. 5V 1A 30mΩ
Insulation R.[min]: D.C. 500V 100MΩ
Withstand VOL.: A.C. 500V 1minute
Timing: Shorting
Operating force: 300 ± 100gf
Life cycle[max]: 10,000 CYCLES
All materials must be RoHS compliant.

MATERIALS

Knob: POM, Black
Frame: Steel Strip, Ni Plated or Zn Plated
Terminal Base: Phenolic Resin
Terminal: Brass Strip, Ag Plated Over Ni Plated
Contact: PBS C5210R-EH, Ag Clad
Spring: Stainless Steel
Unit: mm



Recommended P.C.Board Layout



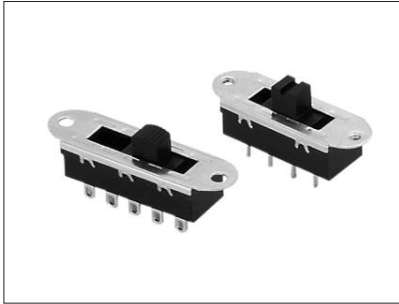
Schematic

ORDERING INFORMATION:

P/N S W S 3 R - $\frac{x P x T}{1} \frac{x x x}{2 3}$

1. SWITCHING ACTION:
"2P3T" ON-ON-ON
2. KNOB TYPE:
"G" TYPE G
"V" TYPE V
3. KNOB LENGTH (L IN MM):
02~15

SLIDE SWITCHES STRAIGHT DIP TYPES (47)



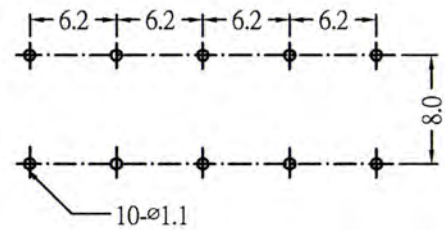
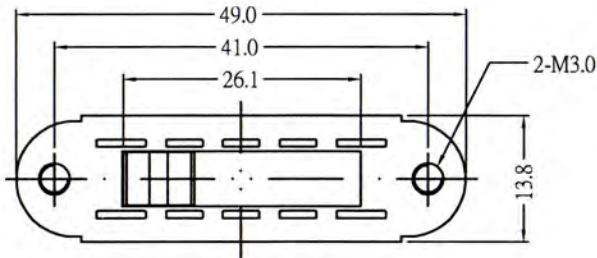
SPECIFICATIONS

Circuit: ON-ON-ON-ON (2P4T)
Rating: 3A 250VAC/6A 125VAC
Contact R.[max]: D.C. 5V 1A 50mΩ
Insulation R.[min]: D.C. 500V 500MΩ
Withstand VOL.: A.C. 1500V 1minute
Operating force: 500 ± 200g
Life cycle[max]: 100,000 CYCLES
All materials must be RoHS compliant.

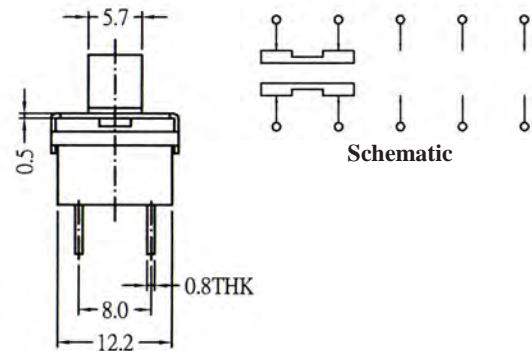
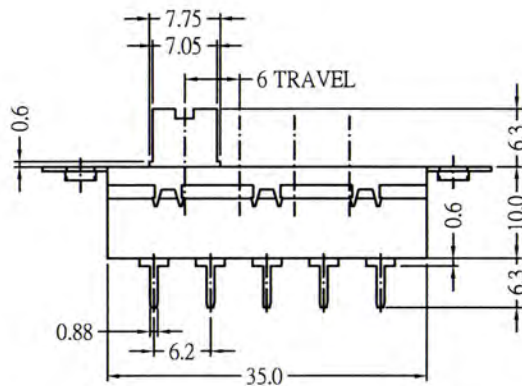


MATERIALS

Cover: 0.25mm SUS, Washing
Knob: Nylon, Black
Case: Brass Strip/Nylon 9T + F.G., Black/Ag Plated
Contact: PBS C5210R-EH, Ag Clad
Unit: mm



Recommended P.C.Board Layout



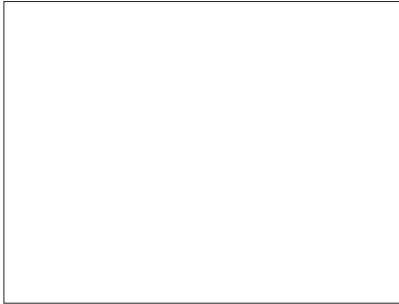
Schematic

ORDERING INFORMATION:

P/N S W S 8 0 - $\frac{x}{1}$ P $\frac{x}{2}$ T F $\frac{6}{3}$ C

1. SWITCHING ACTION:
"2P4T" ON-ON-ON-ON
2. KNOB TYPE:
"F" TYPE F
3. KNOB LENGTH (L IN MM):
"6C" 6.3MM

SLIDE SWITCHES STRAIGHT DIP TYPES (48)

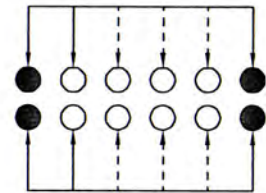
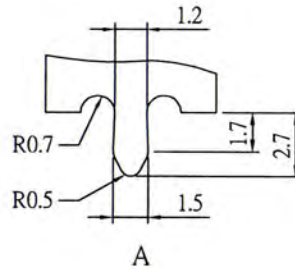
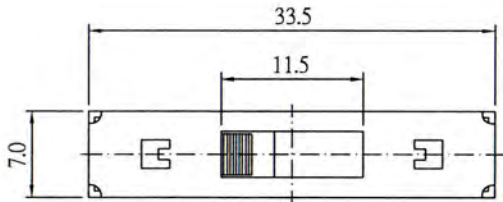


SPECIFICATIONS

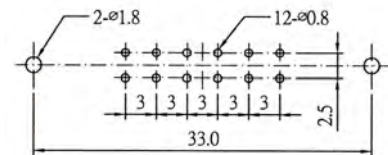
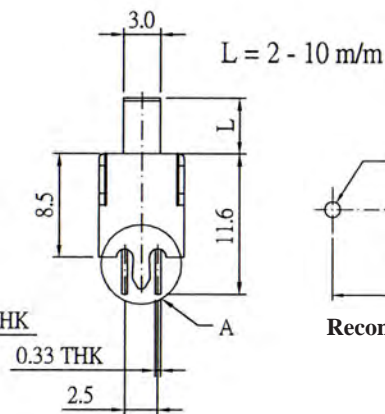
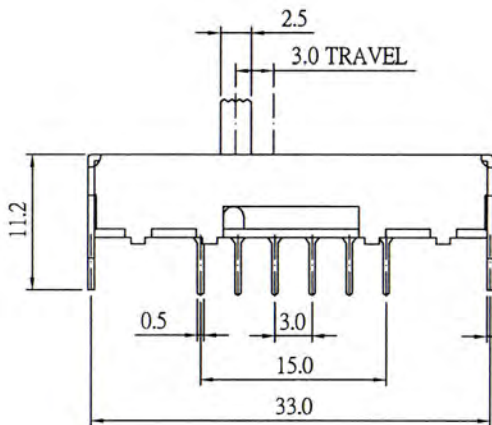
Circuit: ON-ON-ON-ON (2P4T)
Rating: D.C. 30V 0.3A
Contact R.[max]: D.C. 5V 1A 30mΩ
Insulation R.[min]: D.C. 500V 100MΩ
Withstand VOL.: A.C. 1500V 1minute
Operating force: 300 ± 100g
Life cycle[max]: 100,000 CYCLES
All materials must be RoHS compliant.

MATERIALS

Cover: 0.25mm SUS, Washing
Knob: Nylon, Black
Case: Brass Strip/Nylon 9T + F.G., Black/Ag Plated
Contact: PBS C5210R-EH, Ag Clad
Unit: mm



Shorting
Schematic



Recommended P.C.Board Layout

ORDERING INFORMATION:

P/N S W S 1 R - $\frac{x}{1}$ P $\frac{x}{2}$ T G $\frac{x}{3}$ x x

1. SWITCHING ACTION:
"2P4T" ON-ON-ON-ON
2. KNOB TYPE:
"G" TYPE G
3. KNOB LENGTH (L IN MM):
02~10

SLIDE SWITCHES STRAIGHT DIP TYPES (49)

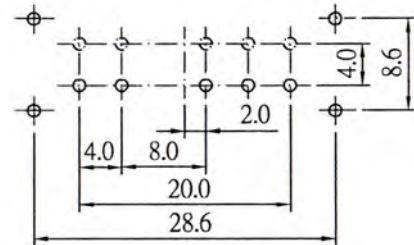
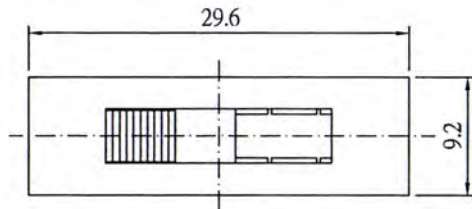


SPECIFICATIONS

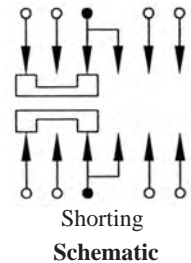
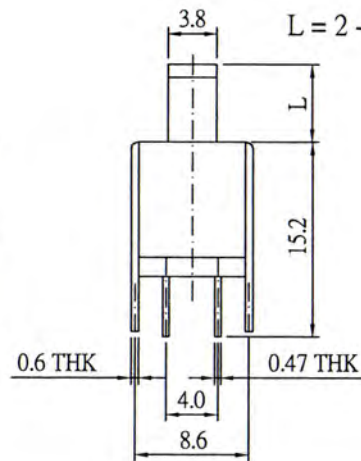
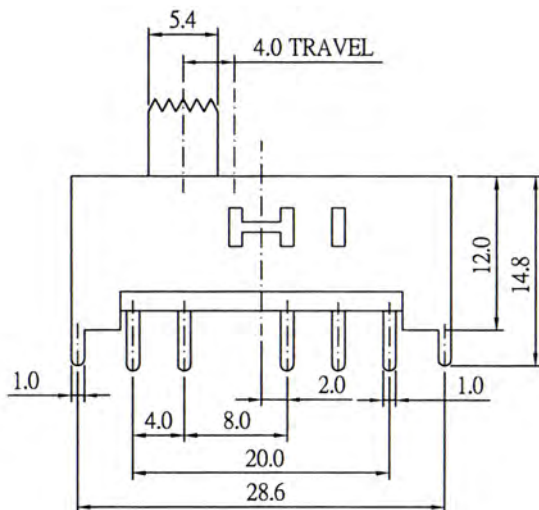
Circuit: ON-ON-ON-ON (2P4T)
Rating: D.C. 5V 0.3A
Contact R.[max]: D.C. 5V 1A 30mΩ
Insulation R.[min]: D.C. 500V 100MΩ
Withstand VOL.: A.C. 500V 1minute
Operating force: 300 ± 100gf
Life cycle[max]: 100,000 CYCLES
All materials must be RoHS compliant.

MATERIALS

Cover: 0.25mm SUS, Washing
Knob: Nylon, Black
Case: Brass Strip/Nylon 9T + F.G., Black/Ag Plated
Contact: PBS C5210R-EH, Ag Clad
Unit: mm



Recommended P.C.Board Layout



ORDERING INFORMATION:

P/N S W S 1 S - $\frac{x P x T G x x}{1 \quad 2 \quad 3}$

1. SWITCHING ACTION:
"2P4T" ON-ON-ON-ON
2. KNOB TYPE:
"G" TYPE G
3. KNOB LENGTH (L IN MM):
02~10

SLIDE SWITCHES STRAIGHT DIP TYPES (50)

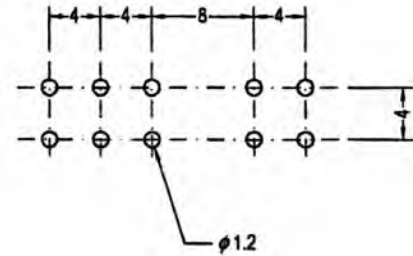
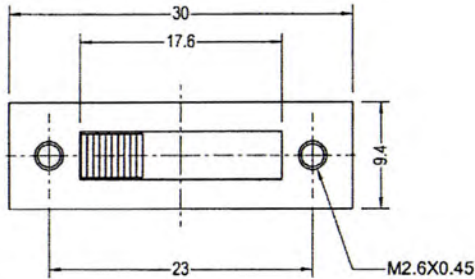


SPECIFICATIONS

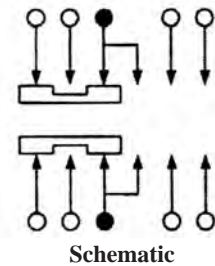
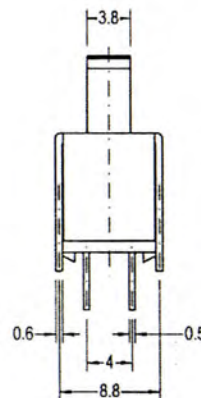
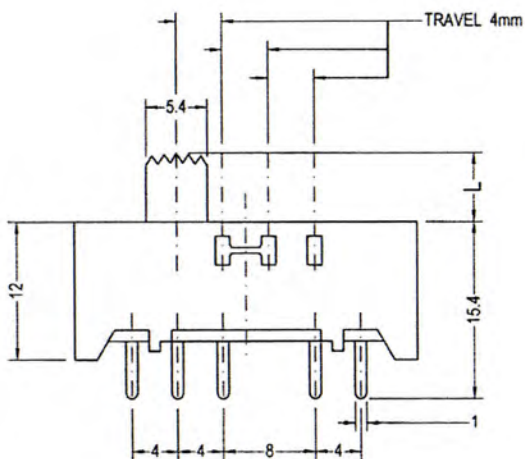
Circuit: ON-ON-ON-ON (2P4T)
Rating: D.C. 5V 0.3A
Contact R.[max]: D.C. 5V 1A 30mΩ
Insulation R.[min]: D.C. 500V 100MΩ
Withstand VOL.: A.C. 500V 1minute
Timing: Shorting
Operating force: 300 ± 100g
Life cycle[max]: 10,000 CYCLES
All materials must be RoHS compliant.

MATERIALS

Cover: 0.25mm SUS, Washing
Knob: Nylon, Black
Case: Brass Strip/Nylon 9T + F.G., Black/Ag Plated
Contact: PBS C5210R-EH, Ag Clad
Unit: mm



Recommended P.C.Board Layout



Schematic

ORDERING INFORMATION:

P/N S W S 1 T - $\frac{x P x T G}{1 \quad 2 \quad 3} x x$

1. SWITCHING ACTION:
"2P4T" ON-ON-ON-ON
2. KNOB TYPE:
"G" TYPE G
3. KNOB LENGTH (L IN MM):
02~15

SLIDE SWITCHES STRAIGHT DIP TYPES (51)

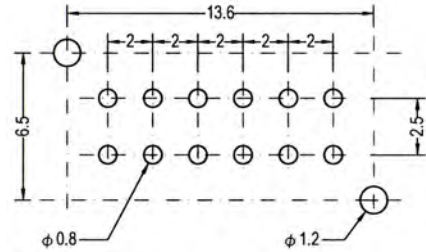
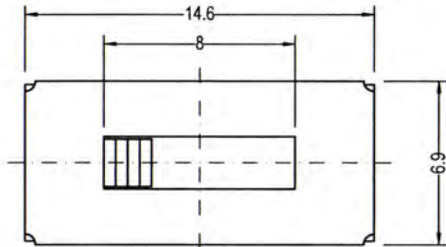


SPECIFICATIONS

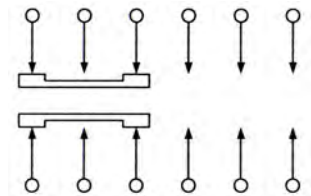
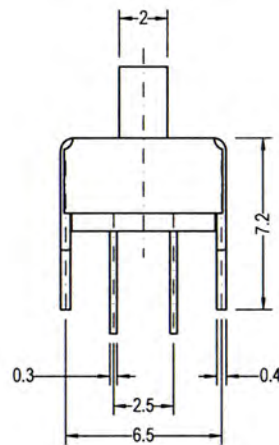
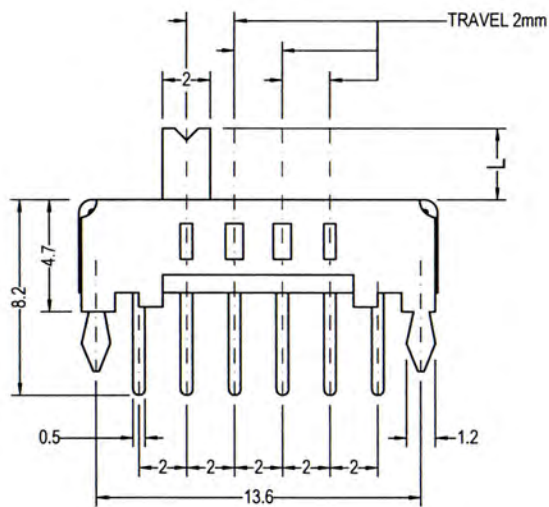
Circuit: ON-ON-ON-ON (2P4T)
Rating: D.C. 50V 0.3A
Contact R.[max]: D.C. 5V 1A 30mΩ
Insulation R.[min]: D.C. 500V 100MΩ
Withstand VOL.: A.C. 500V 1minute
Timing: Shorting
Operating force: 300 ± 100g
Life cycle[max]: 10,000 CYCLES
All materials must be RoHS compliant.

MATERIALS

Cover: 0.25mm SUS, Washing
Knob: Nylon, Black
Case: Brass Strip/Nylon 9T + F.G., Black/Ag Plated
Contact: PBS C5210R-EH, Ag Clad
Unit: mm



Recommended P.C.Board Layout



Schematic

KNOB TYPE	
V	G

ORDERING INFORMATION:

P/N S W S 3 T - $\frac{x P x T}{1} \frac{x x x}{2 3}$

- SWITCHING ACTION:
"2P4T" ON-ON-ON-ON
- KNOB TYPE:
"G" TYPE G
"V" TYPE V
- KNOB LENGTH (L IN MM):
02~15

SLIDE SWITCHES STRAIGHT DIP TYPES (52)

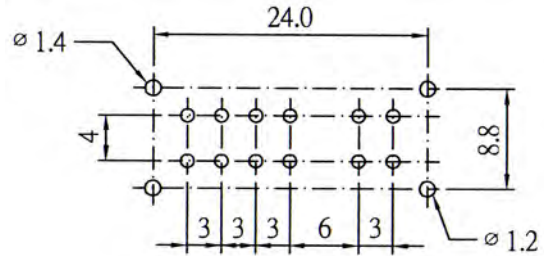
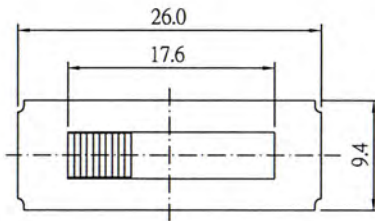


SPECIFICATIONS

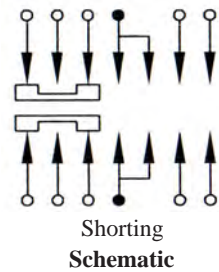
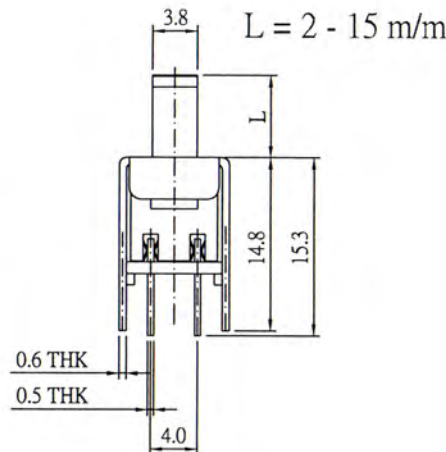
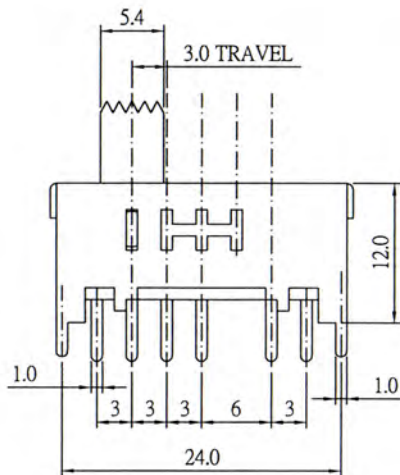
Circuit: ON-ON-ON-ON-ON (2P5T)
Rating: D.C. 50V 0.3A
Contact R.[max]: D.C. 5V 1A 30mΩ
Insulation R.[min]: D.C. 500V 100MΩ
Withstand VOL.: A.C. 500V 1minute
Operating force: 300 ± 100g
Life cycle[max]: 10,000 CYCLES
All materials must be RoHS compliant.

MATERIALS

Cover: 0.25mm SUS, Washing
Knob: Nylon, Black
Case: Brass Strip/Nylon 9T + F.G., Black/Ag Plated
Contact: PBS C5210R-EH, Ag Clad
Unit: mm



Recommended P.C.Board Layout



ORDERING INFORMATION:

P/N SWS1U - $\frac{x}{1} \frac{P}{2} \frac{x}{3} \frac{T}{2} \frac{G}{3} \frac{xx}{3}$

1. SWITCHING ACTION:
"2P5T" ON-ON-ON-ON-ON
2. KNOB TYPE:
"G" TYPE G
3. KNOB LENGTH (L IN MM):
02~15