

DESCRIPTIONS:

Zinc alloy die cast housing and cylinder, chrome plated.
Zinc alloy keys, chrome plated.
Silver plated contacts and terminals.
S102 2 Positions(off-on)2 Terminals.
S103 2 Positions(on-on)4 Terminals.
S104 3 Positions(off-on-on)4 Terminals.
1 Combination available.



SPECIFICATIONS:

CONTACT RATING: 1A 125VAC, 0.5A 250VAC.
CONTACT RESISTANCE: 10m-ohms max.
INSULATION RESISTANCE: 200M-ohms min.
DIELECTRIC STRENGTH: 1,000VAC 1 min.

KEY-PULL FIGURES:

- -Off Position.
- I -Indicates key-pull.
- -Indicates No key-pull.



Fig. 1 Fig. 2 Fig. 3

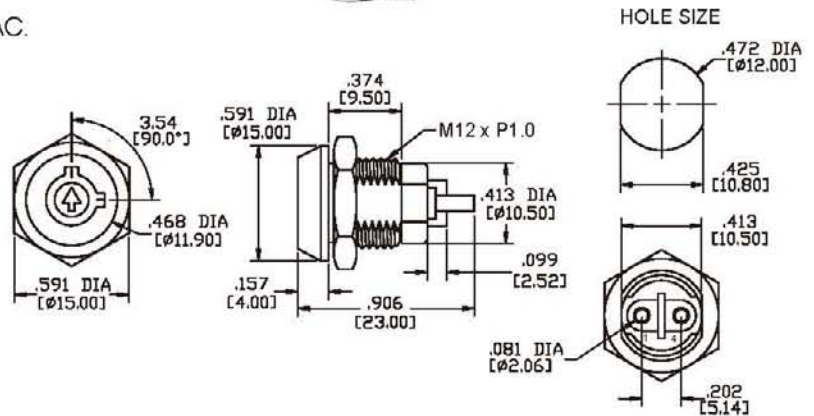


Fig. No.	Lock Number	Pole	Positions	Terminals	Key Pulls	Turn	⊖ ⊕ ⊖	Type
1	S102-2	1	2	2	2	90°	Off On	SPST
2	S103	1	2	4	2	90°	On On	SPDT
3	S104	1	3	4	3	45°-0°-90°	Off On On	SPDT

DESCRIPTIONS:

Zinc alloy die cast housing and cylinder, chrome plated.
Zinc alloy keys, chrome plated.
Silver plated contacts and terminals.
S106 2 Positions(off-on)2 Terminals.
S116 2 Positions(on-on)4 Terminals.
200 Combinations available.



SPECIFICATIONS:

CONTACT RATING: 1A 125VAC, 0.5A 250VAC.
CONTACT RESISTANCE: 10m-ohms max.
INSULATION RESISTANCE: 200M-ohms min.
DIELECTRIC STRENGTH: 1,000VAC 1min.

KEY-PULL FIGURES:

- -Off Position.
- I -Indicates key-pull.
- -Indicates No key-pull.

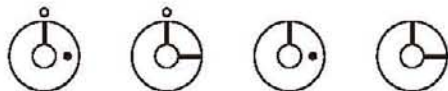


Fig. 1 Fig. 2 Fig. 3 Fig. 4

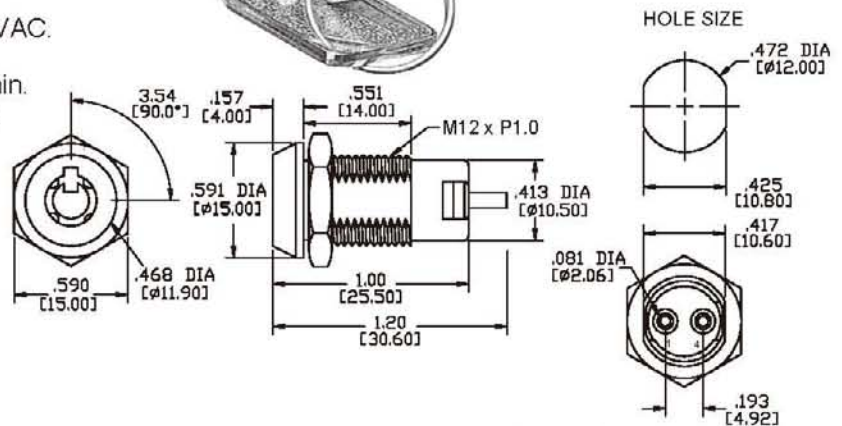


Fig. No.	Lock Number	Pole	Positions	Terminals	Key Pulls	Turn	⊖ ⊕	Type
1	S106-1	1	2	2	1	90°	Off On	SPST
2	S106-2	1	2	2	2	90°	Off On	SPST
3	S116-1	1	2	4	1	90°	On On	SPDT
4	S116-2	1	2	4	2	90°	On On	SPDT

Toggle Rocker Slide Pushbutton AV Rotary Tact Push Key Miscellaneous

DESCRIPTIONS:

Zinc alloy die cast housing and cylinder, chrome plated.
 Brass keys, nickel plated.
 Silver plated contacts and terminals.
 2 positions (off-on).
 S109B key may be withdrawn in one or both positions.
 20 Combinations available.

SPECIFICATIONS:

CONTACT RATING: 1A 125VAC, 0.5A 250VAC.
 CONTACT RESISTANCE: 10m-ohms max.
 INSULATION RESISTANCE: 200M-ohms min.
 DIELECTRIC STRENGTH: 1,000VAC 1 min.

KEY-PULL FIGURES:

- -Off Position
- | -Indicates key-pull
- -Indicates No key-pull



Fig. 1



Fig. 2

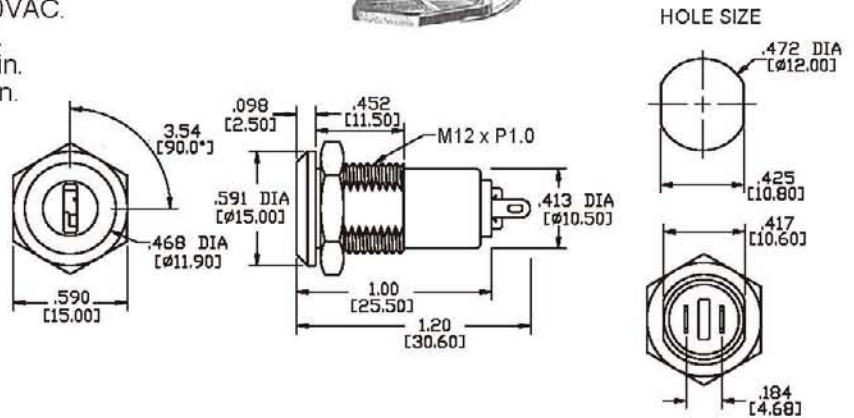


Fig. No.	Lock Number	Pole	Positions	Terminals	Key Pulls	Turn	⊕ ⊖	Type
1	S1091B-1	1	2	2	1	90°	Off On	SPST
2	S1091B-2	1	2	2	2	90°	Off On	SPST

DESCRIPTIONS:

Zinc alloy die cast housing, chrome plated.
 Brass key nickel plated, with plastic cap.
 Silver plated contacts and terminals.
 S331 2 Positions(on-on)60° index 3 Terminals.
 S332 2 Positions(off-on)60° index 2 Terminals.
 S333 3 Positions(off-on-on)60° index 3 Terminals.
 10 Combinations available.

SPECIFICATIONS:

CONTACT RATING: 1A 125VAC, 0.5A 250VAC.
 CONTACT RESISTANCE: 10m-ohms max.
 INSULATION RESISTANCE: 200M-ohms min.
 DIELECTRIC STRENGTH: 1,000VAC 1 min.

KEY-PULL FIGURES:

- -Off Position
- | -Indicates key-pull
- -Indicates No key-pull



Fig. 1



Fig. 2



Fig. 3

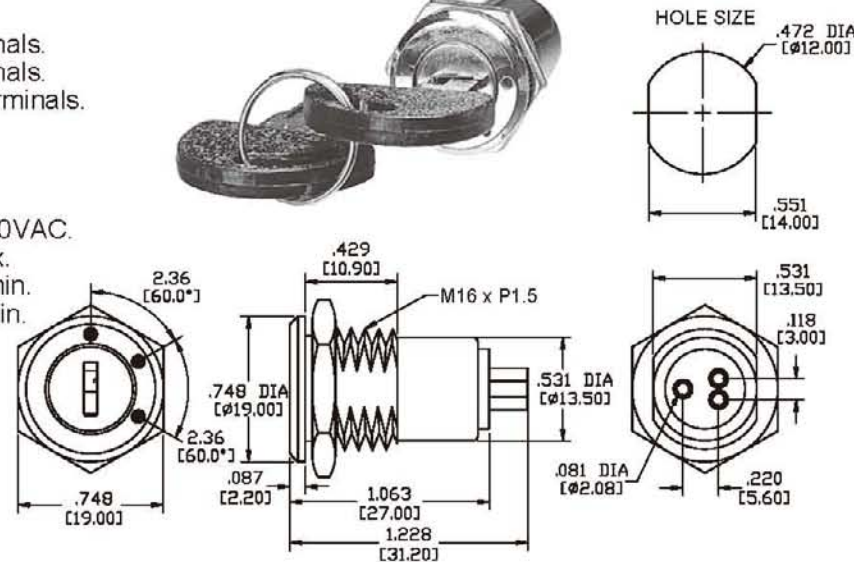


Fig. No.	Lock Number	Pole	Positions	Terminals	Key Pulls	Turn	⊕ ⊖ ⊗	Type
1	S331	1	2	3	2	60°	On On	SPDT
2	S332	1	2	2	2	60°	Off On	SPST
3	S333	1	3	3	3	120°	Off On On	SPDT

DESCRIPTIONS:

C510 Brass housing and cylinder chrome plated.
 C510Z Zinc alloy die cast housing and cylinder chrome plated.
 Steel made tubular keys, nickel plated.
 Four sizes available.
 Used for: Cabinets, vending machines, cash boxes, mail boxes,
 computer, phone exchanger door, etc.
 50,000 Combinations available.



KEY-PULL FIGURES:

- -Off Position
- I -Indicates key-pull
- -Indicates No key-pull

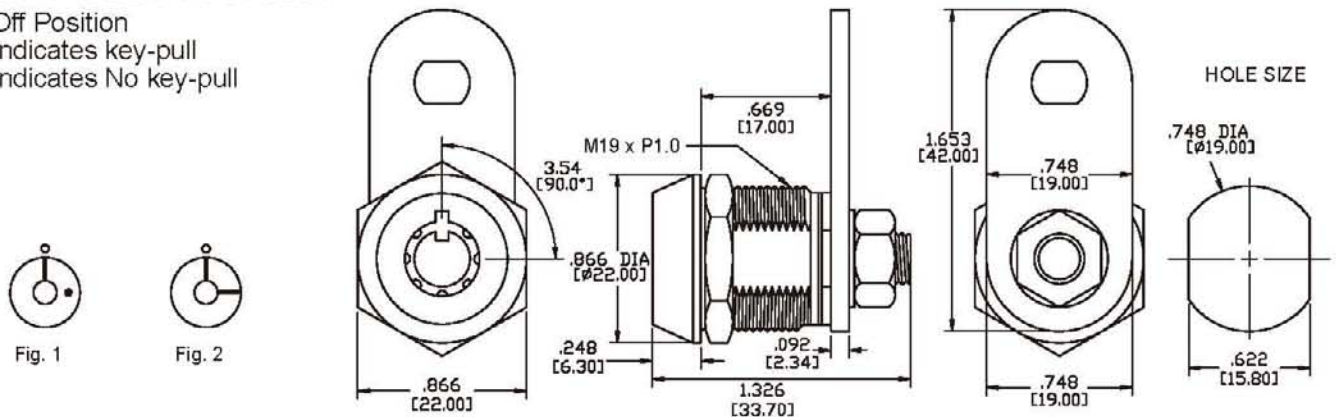


Fig. No.	Lock Number	Positions	Key Pulls	Tum
1	C510-1	2	1	90°
2	C510-2	2	2	90°

DESCRIPTIONS:

Zinc alloy die cast housing and cylinder, chrome plated.
 Brass key, nickel plated.
 Various cam configurations available.
 20 Combinations available.



KEY-PULL FIGURES:

- -Off Position
- I -Indicates key-pull
- -Indicates No key-pull

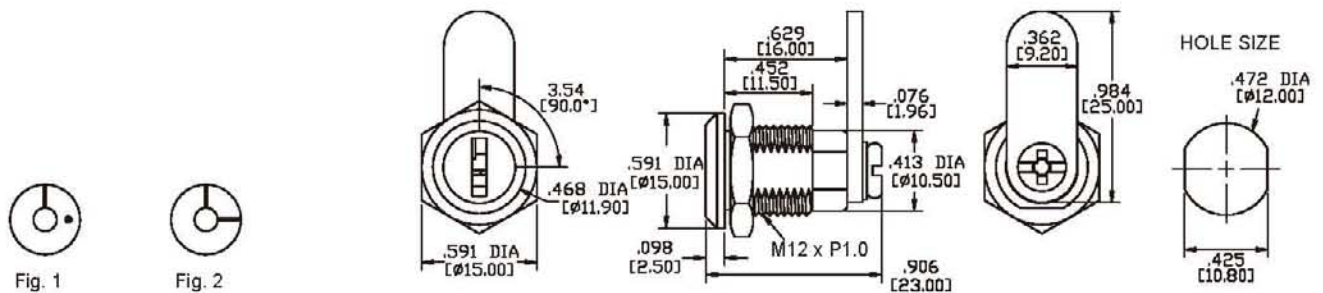
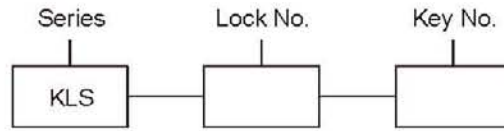


Fig. No.	Lock Number	Positions	Key Pulls	Tum
1	C1091-1	2	1	90°
2	C1091-2	2	2	90°

Toggle
 Rocker
 Slide
 Pushbutton
 AV
 Rotary
 Tact
 Touch Key
 Miscellaneous

HOW TO ORDER



* Key number must be specified when ordering, otherwise random number will be supplied.

Specifications and Dimensions subject to change