
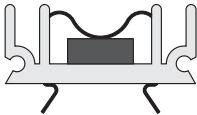
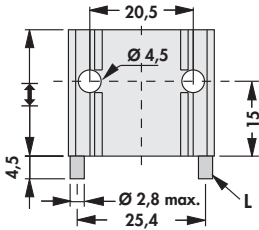

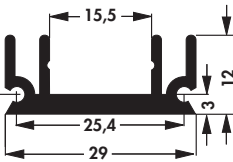
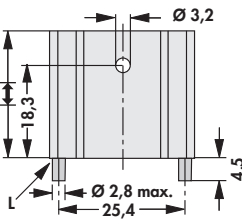


Extruded heatsinks for PCB mounting

- for semiconductor clip-mounting
- profile **SK 145** → A 81
- special lengths and drillings on request
- **L** = solderable pins

				
art. no.	l [mm]	R _{th} [K/W]	⊗	version
SK 145 25 STC	25	13.5	TO 218/ TO 220/ TO 247/ TO 248	with solder pins
SK 145 30 STC	30	12.4		
SK 145 50 STC	50	10.0		
surface:		black anodised		

- for semiconductor screw-mounting
- profile **SK 145** → A 81
- special lengths and drillings on request
- **L** = solderable pins

				
art. no.	l [mm]	R _{th} [K/W]	⊗	version
SK 145 25 STS TO 220	25.0	13.5	TO 218/ TO 220/ TO 247/ TO 248	with solder pins
SK 145 37,5 STS TO 220	37.5	12.0		
SK 145 50 STS TO 220	50.0	10.0		
surface:		black anodised		