

0.08W EE20/4 FAPE2004 SERIES



FEATURES

Frequency 50/60Hz
 Potted under vacuum
 Split-bobbin
 Temperature class ta 70°C/B
 Short-circuit-proof [where noted:
 1/2/3* under Agency Approvals]
 Weight: 0.018kg
 Packaging unit: 40 pieces [tray]

OPTIONS

Bulk packaging is standard
 Custom design available

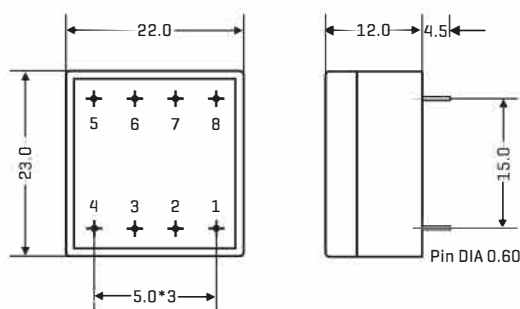
COMMON APPLICATIONS

Medical equipments
 Industrial equipments
 Industrial controls
 Test equipments
 Industrial computers
 Avionics & telecom

ELECTRICAL CHARACTERISTICS AT 25°C

Part Number	Primary [V]	Secondary [V/mA]	No-load voltage[V]	Fig.	Part Number	Primary [V]	Secondary [V/mA]	No-load voltage[V]	Fig.
FAPE200401	230	6 / 13.3	9.2	1	FAPE200406	115	6 / 13.3	9.2	1/2
FAPE200402	230	9 / 8.88	13.6	1	FAPE200407	115	9 / 8.88	13.6	1/2
FAPE200403	230	12 / 6.67	18.3	1	FAPE200408	115	12 / 6.67	18.3	1/2
FAPE200404	230	15 / 5.33	22.6	1	FAPE200409	115	15 / 5.33	22.6	1/2
FAPE200405	230	18 / 4.44	27.2	1	FAPE200410	115	18 / 4.44	27.2	1/2

PHYSICAL CHARACTERISTICS



ALL DIMENSIONS IN MM

TECHNICAL INFORMATION

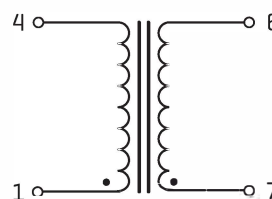


FIG 1

0.35W EE20/6.1 FAPE2006 SERIES



FEATURES

- It is miniaturised to be easily PCB mounted
- It has very high insulation of 4000Vrms Hi-pot
- It accords with UL94V-0 flammability requirements
- Heat-resistance reaches 130°C
- Frequency 50/60Hz
- Split-bobbin
- Short-circuit-proof
- Potted under vacuum
- Temperature class to 70°C/B
- Weight: 0.024kg
- Packaging unit: 50 pieces

OPTIONS

- Bulk packaging is standard
- Custom design available

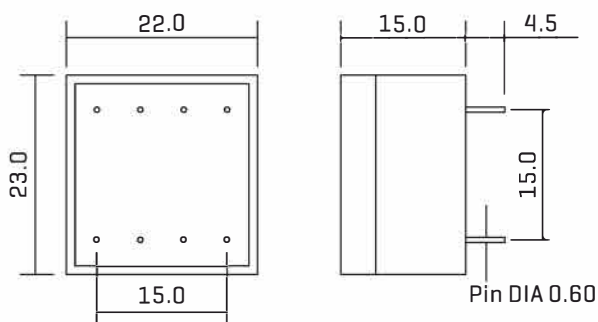
COMMON APPLICATIONS

- Medical equipments
- Industrial equipments
- Industrial controls
- Test equipments
- Industrial computers
- Avionics & telecom

ELECTRICAL CHARACTERISTICS AT 25°C

Part Number	Primary [V]	Secondary [V/mA]	No-load voltage[V]	Fig.	Part Number	Primary [V]	Secondary [V/mA]	No-load voltage[V]	Fig.
FAPE200601	230	6 / 58.0	10.80	1	FAPE200613	115	6 / 58.0	10.80	1
FAPE200602	230	9 / 39.0	16.50	1	FAPE200614	115	9 / 39.0	16.50	1
FAPE200603	230	12 / 29.0	21.90	1	FAPE200615	115	12 / 29.0	21.90	1
FAPE200604	230	15 / 23.0	27.00	1	FAPE200616	115	15 / 23.0	27.00	1
FAPE200605	230	18 / 19.0	31.50	1	FAPE200617	115	18 / 19.0	31.50	1
FAPE200606	230	24 / 14.0	41.70	1	FAPE200618	115	24 / 14.0	41.70	1
FAPE200607	230	2*6 / 29.0	2*10.95	2	FAPE200619	115	2*6 / 29.0	2*10.95	2
FAPE200608	230	2*9 / 19.0	2*15.60	2	FAPE200620	115	2*9 / 19.0	2*15.60	2
FAPE200609	230	2*12 / 14.0	2*20.70	2	FAPE200621	115	2*12 / 14.0	2*20.70	2
FAPE200610	230	2*15 / 12.0	2*26.00	2	FAPE200622	115	2*15 / 12.0	2*26.00	2
FAPE200611	230	2*18 / 9.5	2*31.20	2	FAPE200623	115	2*18 / 9.5	2*31.20	2
FAPE200612	230	2*24 / 7.0	2*41.90	2	FAPE200624	115	2*24 / 7.0	2*41.90	2

PHYSICAL CHARACTERISTICS



ALL DIMENSIONS IN MM

TECHNICAL INFORMATION

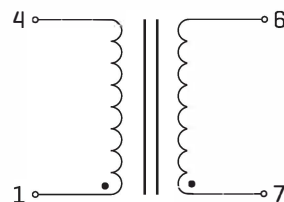


FIG 1

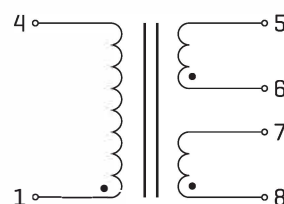


FIG 2

0.5W EE20/10 FAPE2010 SERIES



FEATURES

It is miniaturised to be easily PCB mounted
 It has very high insulation of 4000Vrms Hi-pot
 It accords with UL94V-0 flammability requirements
 Heat-resistance reaches 130°C
 Frequency 50/60Hz
 Split-bobbin
 Short-circuit-proof
 Potted under vacuum.
 Temperature class to 70°C/B
 Weight: 0.035kg
 Packaging unit: 50 pieces

OPTIONS

Bulk packaging is standard
 Custom design available

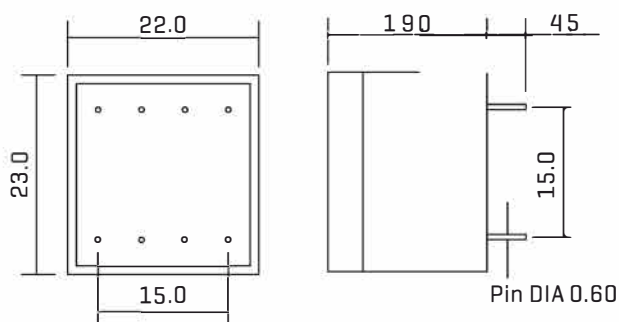
COMMON APPLICATIONS

Medical equipments
 Industrial equipments
 Industrial controls
 Test equipments
 Industrial computers
 Avionics & telecom

ELECTRICAL CHARACTERISTICS AT 25°C

Part Number	Primary [V]	Secondary [V/mA]	No-load voltage[V]	Fig.	Part Number	Primary [V]	Secondary [V/mA]	No-load voltage[V]	Fig.
FAPE201011	230	6 / 83	8.9	1	FAPE201023	115	6 / 83	8.9	1
FAPE201012	230	9 / 55	13.5	1	FAPE201024	115	9 / 55	13.5	1
FAPE201013	230	12 / 42	19.4	1	FAPE201025	115	12 / 42	19.4	1
FAPE201014	230	15 / 34	24.6	1	FAPE201026	115	15 / 34	24.6	1
FAPE201015	230	18 / 28	29.5	1	FAPE201027	115	18 / 28	29.5	1
FAPE201016	230	24 / 21	39.6	1	FAPE201028	115	24 / 21	39.6	1
FAPE201017	230	2*6 / 42	2*9.6	2	FAPE201029	115	2*6 / 42	2*9.6	2
FAPE201018	230	2*9 / 28	2*15.2	2	FAPE201030	115	2*9 / 28	2*15.2	2
FAPE201019	230	2*12 / 21	2*19.1	2	FAPE201031	115	2*12 / 21	2*19.1	2
FAPE201020	230	2*15 / 16	2*23.3	2	FAPE201032	115	2*15 / 16	2*23.3	2
FAPE201021	230	2*18 / 14	2*29.2	2	FAPE201033	115	2*18 / 14	2*29.2	2
FAPE201022	230	2*24 / 10	2*38.8	2	FAPE201034	115	2*24 / 10	2*38.8	2

PHYSICAL CHARACTERISTICS



ALL DIMENSIONS IN MM

TECHNICAL INFORMATION

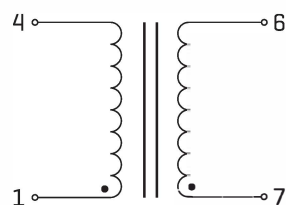


FIG 1

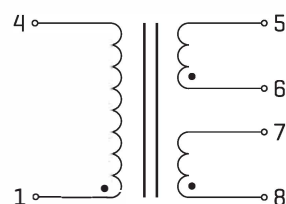


FIG 2

0.6W EE20/10 FAPE2010 SERIES



FEATURES

It is miniaturised to be easily PCB mounted
 It has very high insulation of 4000Vrms Hi-pot
 It accords with UL94V-0 flammability requirements
 Heat-resistance reaches 130°C
 Frequency 50/60Hz
 Split-bobbin
 Short-circuit-proof
 Potted under vacuum
 Temperature class to 40°C/B
 Weight: 0.035kg

OPTIONS

Packaging unit: 50 pieces
 Bulk packaging is standard
 Custom design available

COMMON APPLICATIONS

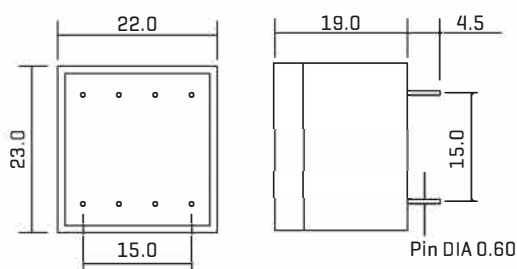
Medical equipments
 Industrial equipments
 Industrial controls
 Test equipment
 Industrial computers
 Industrial computers
 Avionics & telecom

ELECTRICAL CHARACTERISTICS AT 25°C

Part Number	Primary [V]	Secondary [V/mA]	No-load voltage[V]	Fig.
FAPE201035	230	6/100	11.5Max	1
FAPE201036	230	9/67	14.5Max	1
FAPE201037	230	12/50	18.5Max	1
FAPE201038	230	15/40	22.5Max	1
FAPE201039	230	18/33	26.5Max	1
FAPE201040	230	24/25	33.5Max	1
FAPE201041	230	2*6/50	2*11.5Max	2
FAPE201042	230	2*9/33	2*14.5Max	2
FAPE201043	230	2*12/25	2*18.5Max	2
FAPE201044	230	2*15/20	2*24.5Max	2
FAPE201045	230	2*18/16	2*27.5Max	2
FAPE201046	230	2*24/13	2*35.5Max	2

Part Number	Primary [V]	Secondary [V/mA]	No-load voltage[V]	Fig.
FAPE201047	115	6/100	11.5Max	1
FAPE201048	115	9/67	14.5Max	1
FAPE201049	115	12/50	18.5Max	1
FAPE201050	115	15/40	22.5Max	1
FAPE201051	115	18/33	26.5Max	1
FAPE201052	115	24/25	33.5Max	1
FAPE201053	115	2*6/50	2*11.5Max	2
FAPE201054	115	2*9/33	2*14.5Max	2
FAPE201055	115	2*12/25	2*18.5Max	2
FAPE201056	115	2*15/20	2*24.5Max	2
FAPE201057	115	2*18/16	2*27.5Max	2
FAPE201058	115	2*24/13	2*35.5Max	2

PHYSICAL CHARACTERISTICS



ALL DIMENSIONS IN MM

TECHNICAL INFORMATION

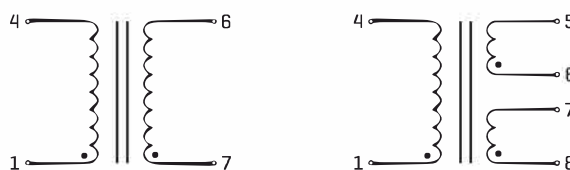


FIG 1

FIG 2

0.6W EI30/5 FAPE3005 SERIES

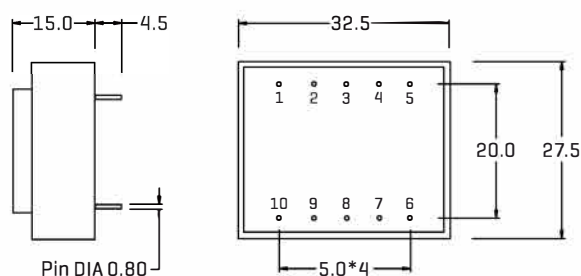
FEATURES

- Potted Under Vacuum
- Two compartments bobbin
- Self-extinguishing plastics UL94V-0
- Degree of protection IP67
- Weight: 0.04kg
- Temperature class to 40 °C/B

COMMON APPLICATIONS

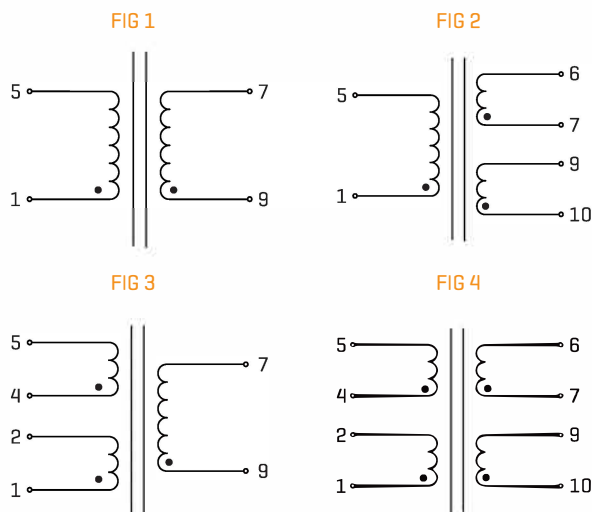
- Medical equipments
- Industrial equipments
- Industrial controls
- Test equipments
- Industrial computers
- Avionics & telecom

PHYSICAL CHARACTERISTICS



ALL DIMENSIONS IN MM

TECHNICAL INFORMATION



OPTIONS

- Bulk packaging is standard
- Custom design available



ELECTRICAL CHARACTERISTICS AT 25°C

Part Number	Primary (V)	Secondary (V/mA)	No-load voltage(V)	Fig.
FAPE300513	230	6/100	9.94	1
FAPE300514	230	9/67	14.95	1
FAPE300515	230	12/50	19.9	1
FAPE300516	230	15/40	24.9	1
FAPE300517	230	18/33	29.9	1
FAPE300518	230	24/25	39.8	1
FAPE300519	230	2*6/50	2*9.94	2
FAPE300520	230	2*9/33	2*14.95	2
FAPE300521	230	2*12/25	2*19.9	2
FAPE300522	230	2*15/20	2*24.9	2
FAPE300523	230	2*18/17	2*29.9	2
FAPE300524	230	2*24/12	2*39.8	2
FAPE300525	115	6/100	9.94	1
FAPE300526	115	9/67	14.95	1
FAPE300527	115	12/50	19.9	1
FAPE300528	115	15/40	24.9	1
FAPE300529	115	18/33	29.9	1
FAPE300530	115	24/25	39.8	1
FAPE300531	115	2*6/50	2*9.94	2
FAPE300532	115	2*9/33	2*14.95	2
FAPE300533	115	2*12/25	2*19.9	2
FAPE300534	115	2*15/20	2*24.9	2
FAPE300535	115	2*18/17	2*29.9	2
FAPE300536	115	2*24/12	2*39.8	2
FAPE300537	2*115	6/100	9.94	3
FAPE300538	2*115	9/67	14.95	3
FAPE300539	2*115	12/50	19.9	3
FAPE300540	2*115	15/40	24.9	3
FAPE300541	2*115	18/33	29.9	3
FAPE300542	2*115	24/25	39.8	3
FAPE300543	2*115	2*6/50	2*9.94	4
FAPE300544	2*115	2*9/33	2*14.95	4
FAPE300545	2*115	2*12/25	2*19.9	4
FAPE300546	2*115	2*15/20	2*24.9	4
FAPE300547	2*115	2*18/17	2*29.9	4
FAPE300548	2*115	2*24/12	2*39.8	4

1.4W EI30/8 FAPE3008 SERIES

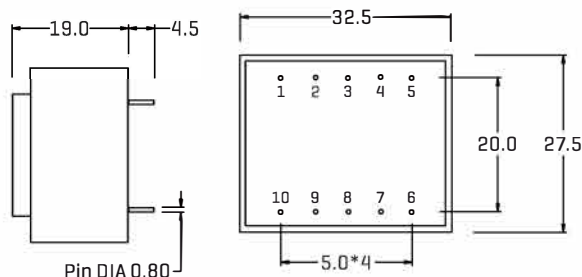
FEATURES

- Potted Under Vacuum
- Two compartments bobbins
- Self-extinguishing plastics UL94V-0
- Degree of protection IP67
- Weight: 0.06kg
- Temperature class to 70 °C/B

COMMON APPLICATIONS

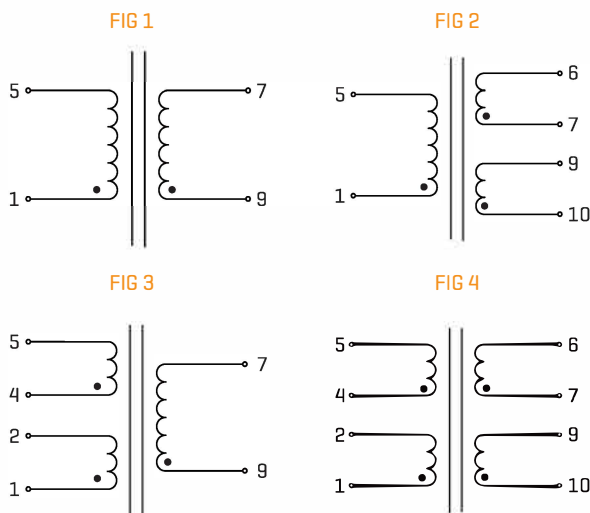
- Medical equipments
- Industrial equipments
- Industrial controls
- Test equipments
- Industrial computers
- Avionics & telecom

PHYSICAL CHARACTERISTICS



ALL DIMENSIONS IN MM

TECHNICAL INFORMATION



OPTIONS

- Bulk packaging is standard
- Custom design available



ELECTRICAL CHARACTERISTICS AT 25°C

Part Number	Primary [V]	Secondary [V/mA]	No-load voltage[V]	Fig.
FAPE300810	230	6/233	11.0	1
FAPE300811	230	9/155	16.0	1
FAPE300812	230	12/116	21.0	1
FAPE300813	230	15/93	26.2	1
FAPE300814	230	18/77	30.5	1
FAPE300815	230	24/58	41.5	1
FAPE300816	230	2*6/116	2*11.0	2
FAPE300817	230	2*9/77	2*16.0	2
FAPE300818	230	2*12/58	2*21.0	2
FAPE300819	230	2*15/47	2*26.2	2
FAPE300820	230	2*18/39	2*30.5	2
FAPE300821	230	2*24/29	2*41.5	2
FAPE300822	115	6/233	11.0	1
FAPE300823	115	9/155	16.0	1
FAPE300824	115	12/116	21.0	1
FAPE300825	115	15/93	26.2	1
FAPE300826	115	18/77	30.5	1
FAPE300827	115	24/58	41.5	1
FAPE300828	115	2*6/116	2*11.0	2
FAPE300829	115	2*9/77	2*16.0	2
FAPE300830	115	2*12/58	2*21.0	2
FAPE300831	115	2*15/47	2*26.2	2
FAPE300832	115	2*18/39	2*30.5	2
FAPE300833	115	2*24/29	2*41.5	2
FAPE300834	2*115	6/233	11.0	3
FAPE300835	2*115	9/155	16.0	3
FAPE300836	2*115	12/116	21.0	3
FAPE300837	2*115	15/93	26.2	3
FAPE300838	2*115	18/77	30.5	3
FAPE300839	2*115	24/58	41.5	3
FAPE300840	2*115	2*6/116	2*11.0	4
FAPE300841	2*115	2*9/77	2*16.0	4
FAPE300842	2*115	2*12/58	2*21.0	4
FAPE300843	2*115	2*15/47	2*26.2	4
FAPE300844	2*115	2*18/39	2*30.5	4
FAPE300845	2*115	2*24/29	2*41.5	4

1W EI30/10.5 FAPE3010 SERIES

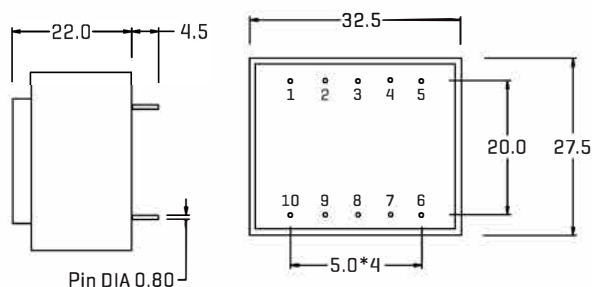
FEATURES

- Potted Under Vacuum
- Two compartments bobbins
- Self-extinguishing plastics UL94V-0
- Degree of protection IP67
- Weight: 0.07kg
- Temperature class to 70 °C/B

COMMON APPLICATIONS

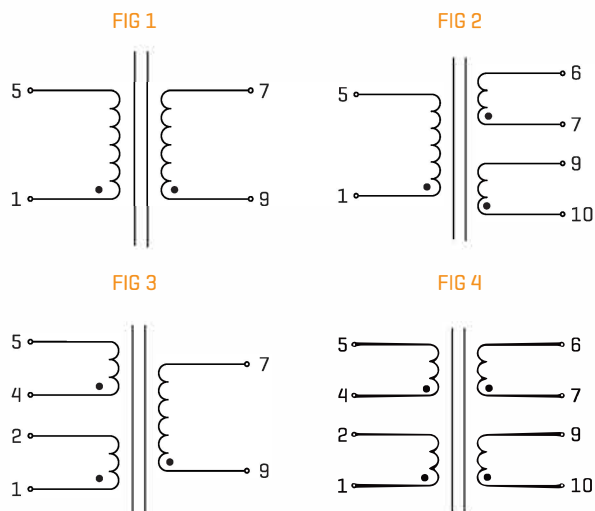
- Medical equipments
- Industrial equipments
- Industrial controls
- Test equipments
- Industrial computers
- Avionics & telecom

PHYSICAL CHARACTERISTICS



ALL DIMENSIONS IN MM

TECHNICAL INFORMATION



OPTIONS

- Bulk packaging is standard
- Custom design available



ELECTRICAL CHARACTERISTICS AT 25°C

Part Number	Primary [V]	Secondary [V/mA]	No-load voltage[V]	Fig.
FAPE301049	230	6/167	8.5	1
FAPE301050	230	9/111	12.45	1
FAPE301051	230	12/83	16.3	1
FAPE301052	230	15/66	20.2	1
FAPE301053	230	18/56	24.2	1
FAPE301054	230	24/42	32.2	1
FAPE301055	230	2*6/83	2*8.3	2
FAPE301056	230	2*9/56	2*11.9	2
FAPE301057	230	2*12/42	2*16.2	2
FAPE301058	230	2*15/33	2*20.4	2
FAPE301059	230	2*18/28	2*24.2	2
FAPE301060	230	2*24/21	2*32.1	2
FAPE301061	115	6/167	8.5	1
FAPE301062	115	9/111	12.45	1
FAPE301063	115	12/83	16.3	1
FAPE301064	115	15/66	20.2	1
FAPE301065	115	18/56	24.2	1
FAPE301066	115	24/42	32.2	1
FAPE301067	115	2*6/83	2*8.3	2
FAPE301068	115	2*9/56	2*11.9	2
FAPE301069	115	2*12/42	2*16.2	2
FAPE301070	115	2*15/33	2*20.4	2
FAPE301071	115	2*18/28	2*24.2	2
FAPE301072	115	2*24/21	2*32.1	2
FAPE301073	2*115	6/167	8.5	3
FAPE301074	2*115	9/111	12.45	3
FAPE301075	2*115	12/83	16.3	3
FAPE301076	2*115	15/66	20.2	3
FAPE301077	2*115	18/56	24.2	3
FAPE301078	2*115	24/42	32.2	3
FAPE301079	2*115	2*6/83	2*8.3	4
FAPE301080	2*115	2*9/56	2*11.9	4
FAPE301081	2*115	2*12/42	2*16.2	4
FAPE301082	2*115	2*15/33	2*20.4	4
FAPE301083	2*115	2*18/28	2*24.2	4
FAPE301084	2*115	2*24/21	2*32.1	4

1.2W EI30/10.5 FAPE3010 SERIES



FEATURES

- Vacuum filling
- Two compartments bobbin
- Self-extinguishing plastics UL94V-0
- Degree of protection IP 00
- Weight: 0.07kg
- Temperature class to 70°C/B

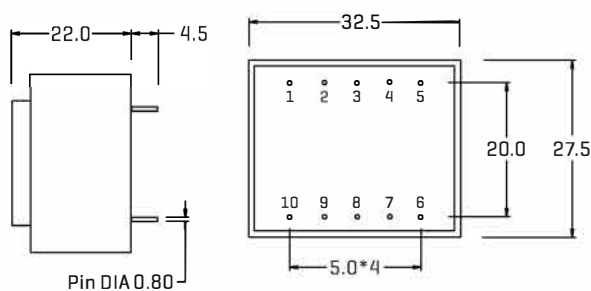
OPTIONS

- Bulk packaging is standard
- Custom design available

COMMON APPLICATIONS

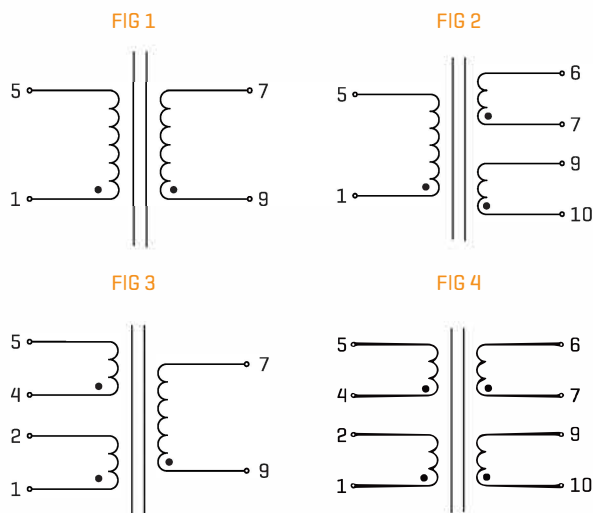
- Medical equipments
- Industrial equipments
- Industrial controls
- Test equipment
- Industrial computers
- Avionics & telecom

PHYSICAL CHARACTERISTICS



ALL DIMENSIONS IN MM

TECHNICAL INFORMATION



ELECTRICAL CHARACTERISTICS AT 25°C

Part Number	Primary [V]	Secondary [V/mA]	No-load voltage[V]	Fig.
FAPE301085	230	6/200	8.3	1
FAPE301086	230	9/133	12.5	1
FAPE301087	230	12/100	16.6	1
FAPE301088	230	15/80	20.8	1
FAPE301089	230	18/66	25.7	1
FAPE301090	230	24/50	33.3	1
FAPE301091	230	2*6/100	2*8.3	2
FAPE301092	230	2*9/66	2*12.5	2
FAPE301093	230	2*12/50	2*16.6	2
FAPE301094	230	2*15/40	2*20.8	2
FAPE301095	230	2*18/33	2*25.7	2
FAPE301096	230	2*24/25	2*33.3	2
FAPE301097	115	6/200	8.3	1
FAPE301098	115	9/133	12.5	1
FAPE301099	115	12/100	16.6	1
FAPE3010100	115	15/80	20.8	1
FAPE3010101	115	18/66	25.7	1
FAPE3010102	115	24/50	33.3	1
FAPE3010103	115	2*6/100	2*8.3	2
FAPE3010104	115	2*9/66	2*12.5	2
FAPE3010105	115	2*12/50	2*16.6	2
FAPE3010106	115	2*15/40	2*20.8	2
FAPE3010107	115	2*18/33	2*25.7	2
FAPE3010108	115	2*24/25	2*33.3	2
FAPE3010109	2*115	6/200	8.3	3
FAPE3010110	2*115	9/133	12.5	3
FAPE3010111	2*115	12/100	16.6	3
FAPE3010112	2*115	15/80	20.8	3
FAPE3010113	2*115	18/66	25.7	3
FAPE3010114	2*115	24/50	33.3	3
FAPE3010115	2*115	2*6/100	2*8.3	4
FAPE3010116	2*115	2*9/66	2*12.5	4
FAPE3010117	2*115	2*12/50	2*16.6	4
FAPE3010118	2*115	2*15/40	2*20.8	4
FAPE3010119	2*115	2*18/33	2*25.7	4
FAPE3010120	2*115	2*24/25	2*33.3	4

1.5W EI30/10.5 FAPE3010 SERIES

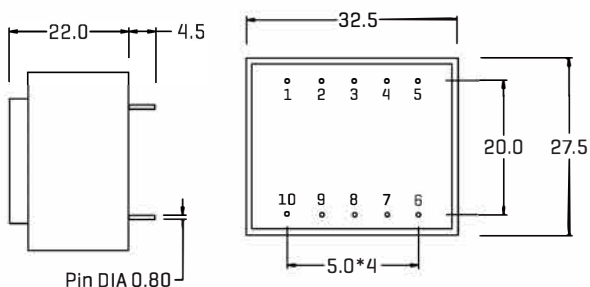
FEATURES

- Vacuum filling
- Two compartments bobbin
- Self-extinguishing plastics UL94V-0
- Degree of protection IP 00
- Weight: 0.07kg
- Temperature class to 40°C/B

COMMON APPLICATIONS

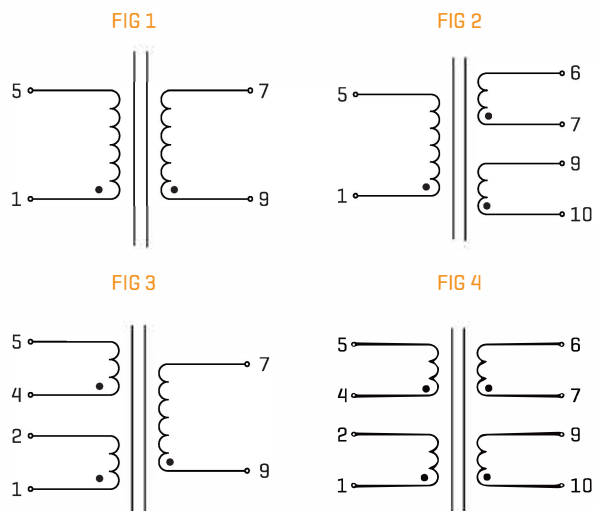
- Medical equipments
- Industrial equipments
- Industrial controls
- Test equipment
- Industrial computers
- Avionics & telecom

PHYSICAL CHARACTERISTICS



ALL DIMENSIONS IN MM

TECHNICAL INFORMATION



OPTIONS

- Bulk packaging is standard
- Custom design available



ELECTRICAL CHARACTERISTICS AT 25°C

Part Number	Primary [V]	Secondary [V/mA]	No-load voltage[V]	Fig.
FAPE3010121	230	6/250	10.1	1
FAPE3010122	230	9/167	15.3	1
FAPE3010123	230	12/125	20.2	1
FAPE3010124	230	15/100	25.3	1
FAPE3010125	230	18/83	31.2	1
FAPE3010126	230	24/62	43.3	1
FAPE3010127	230	2*6/125	2*10.1	2
FAPE3010128	230	2*9/83	2*15.3	2
FAPE3010129	230	2*12/62	2*20.2	2
FAPE3010130	230	2*15/50	2*25.3	2
FAPE3010131	230	2*18/41	2*31.2	2
FAPE3010132	230	2*24/31	2*43.3	2
FAPE3010133	115	6/250	10.1	1
FAPE3010134	115	9/167	15.3	1
FAPE3010135	115	12/125	20.2	1
FAPE3010136	115	15/100	25.3	1
FAPE3010137	115	18/83	31.2	1
FAPE3010138	115	24/62	43.3	1
FAPE3010139	115	2*6/125	2*10.1	2
FAPE3010140	115	2*9/83	2*15.3	2
FAPE3010141	115	2*12/62	2*20.2	2
FAPE3010142	115	2*15/50	2*25.3	2
FAPE3010143	115	2*18/41	2*31.2	2
FAPE3010144	115	2*24/31	2*43.3	2
FAPE3010145	2*115	6/250	10.1	3
FAPE3010146	2*115	9/167	15.3	3
FAPE3010147	2*115	12/125	20.2	3
FAPE3010148	2*115	15/100	25.3	3
FAPE3010149	2*115	18/83	31.2	3
FAPE3010150	2*115	24/62	43.3	3
FAPE3010151	2*115	2*6/125	2*10.1	4
FAPE3010152	2*115	2*9/83	2*15.3	4
FAPE3010153	2*115	2*12/62	2*20.2	4
FAPE3010154	2*115	2*15/50	2*25.3	4
FAPE3010155	2*115	2*18/41	2*31.2	4
FAPE3010156	2*115	2*24/31	2*43.3	4

1.5W EI30/12.5 FAPE3012 SERIES



FEATURES

- Potted Under Vacuum
- Two compartments bobbin
- Self-extinguishing plastics UL94V-0
- Degree of protection IP67
- Weight: 0.08kg
- Temperature class to 70°C/B

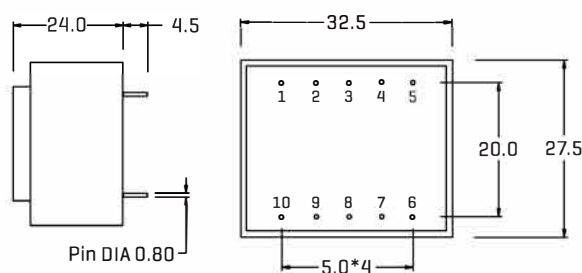
OPTIONS

- Bulk packaging is standard
- Custom design available

COMMON APPLICATIONS

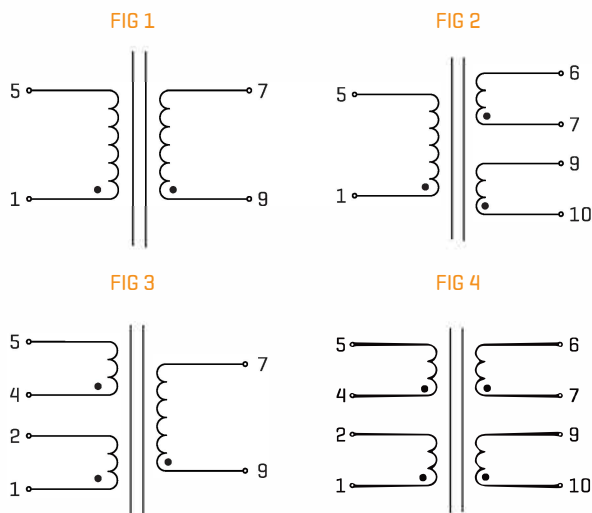
- Medical equipments
- Industrial equipments
- Industrial controls
- Test equipments
- Industrial computers
- Avionics & telecom

PHYSICAL CHARACTERISTICS



ALL DIMENSIONS IN MM

TECHNICAL INFORMATION



ELECTRICAL CHARACTERISTICS AT 25°C

Part Number	Primary [V]	Secondary [V/mA]	No-load voltage[V]	Fig.
FAPE301285	230	6/250	9.0	1
FAPE301286	230	9/167	14.5	1
FAPE301287	230	12/125	19.3	1
FAPE301288	230	15/100	24.7	1
FAPE301289	230	18/83	29.5	1
FAPE301290	230	24/62	35.8	1
FAPE301291	230	2*6/125	2*9.2	2
FAPE301292	230	2*9/83	2*14.5	2
FAPE301293	230	2*12/62	2*19.3	2
FAPE301294	230	2*15/50	2*24.7	2
FAPE301295	230	2*18/41	2*29.4	2
FAPE301296	230	2*24/31	2*35.8	2
FAPE301297	115	6/250	9.0	1
FAPE301298	115	9/167	14.5	1
FAPE301299	115	12/125	19.3	1
FAPE3012100	115	15/100	24.7	1
FAPE3012101	115	18/83	29.5	1
FAPE3012102	115	24/62	35.8	1
FAPE3012103	115	2*6/125	2*9.2	2
FAPE3012104	115	2*9/83	2*14.5	2
FAPE3012105	115	2*12/62	2*19.3	2
FAPE3012106	115	2*15/50	2*24.7	2
FAPE3012107	115	2*18/41	2*29.4	2
FAPE3012108	115	2*24/31	2*35.8	2
FAPE3012109	2*115	6/250	9.0	3
FAPE3012110	2*115	9/167	14.5	3
FAPE3012111	2*115	12/125	16.7	3
FAPE3012112	2*115	15/100	24.7	3
FAPE3012113	2*115	18/83	29.5	3
FAPE3012114	2*115	24/62	35.8	3
FAPE3012115	2*115	2*6/125	2*9.2	4
FAPE3012116	2*115	2*9/83	2*14.5	4
FAPE3012117	2*115	2*12/62	2*19.3	4
FAPE3012118	2*115	2*15/50	2*24.7	4
FAPE3012119	2*115	2*18/41	2*29.4	4
FAPE3012120	2*115	2*24/31	2*35.8	4

1.7W EI30/12.5 FAPE3012 SERIES

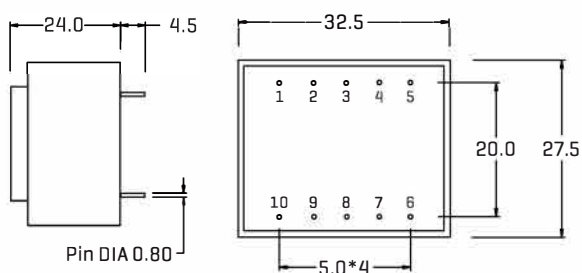
FEATURES

- Vacuum filling
- Two compartments bobbin
- Self-extinguishing plastics UL94V-0
- Degree of protection IP 00
- Weight: 0.08kg
- Temperature class to 50°C/B

COMMON APPLICATIONS

- Bulk packaging is standard
- Custom desi. Medical equipments
- Industrial equipments
- Industrial controls
- Test equipment
- Industrial computers
- Avionics & telecom

PHYSICAL CHARACTERISTICS



ALL DIMENSIONS IN MM

OPTIONS

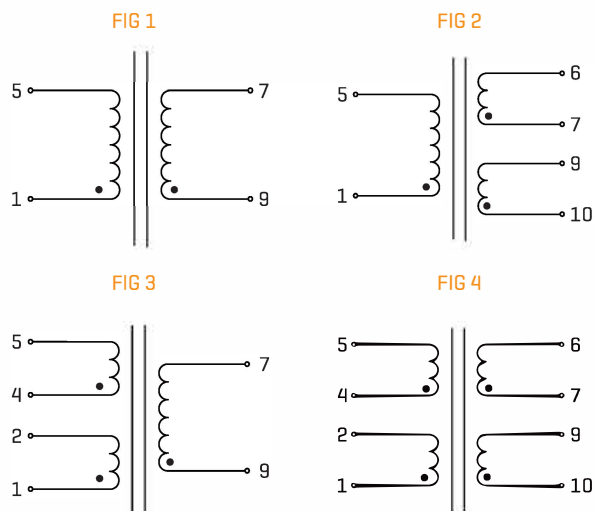
- Bulk packaging is standard
- Custom design available



ELECTRICAL CHARACTERISTICS AT 25°C

Part Number	Primary [V]	Secondary [V/mA]	No-load voltage [V]	Fig.
FAPE3012121	230	6/283	9.8	1
FAPE3012122	230	9/189	14.8	1
FAPE3012123	230	12/142	19.7	1
FAPE3012124	230	15/113	24.6	1
FAPE3012125	230	18/94	30.3	1
FAPE3012126	230	24/71	39.3	1
FAPE3012127	230	2*6/142	2*9.8	2
FAPE3012128	230	2*9/94	2*14.8	2
FAPE3012129	230	2*12/71	2*19.7	2
FAPE3012130	230	2*15/57	2*24.6	2
FAPE3012131	230	2*18/47	2*30.3	2
FAPE3012132	230	2*24/35	2*39.3	2
FAPE3012133	115	6/283	9.8	1
FAPE3012134	115	9/189	14.8	1
FAPE3012135	115	12/142	19.7	1
FAPE3012136	115	15/113	24.6	1
FAPE3012137	115	18/94	30.3	1
FAPE3012138	115	24/71	39.3	1
FAPE3012139	115	2*6/142	2*9.8	2
FAPE3012140	115	2*9/94	2*14.8	2
FAPE3012141	115	2*12/71	2*19.7	2
FAPE3012142	115	2*15/57	2*24.6	2
FAPE3012143	115	2*18/47	2*30.3	2
FAPE3012144	115	2*24/35	2*39.3	2
FAPE3012145	2*115	6/283	9.8	3
FAPE3012146	2*115	9/189	14.8	3
FAPE3012147	2*115	12/142	19.7	3
FAPE3012148	2*115	15/113	24.6	3
FAPE3012149	2*115	18/94	30.3	3
FAPE3012150	2*115	24/71	39.3	3
FAPE3012151	2*115	2*6/142	2*9.8	4
FAPE3012152	2*115	2*9/94	2*14.8	4
FAPE3012153	2*115	2*12/71	2*19.7	4
FAPE3012154	2*115	2*15/57	2*24.6	4
FAPE3012155	2*115	2*18/47	2*30.3	4
FAPE3012156	2*115	2*24/35	2*39.3	4

TECHNICAL INFORMATION



1.8W EI30/12.5 FAPE3012 SERIES



FEATURES

- Vacuum filling
- Two compartments bobbin
- Self-extinguishing plastics UL94V-0
- Degree of protection IP 00
- Weight: 0.08kg
- Temperature class to 40°C/B

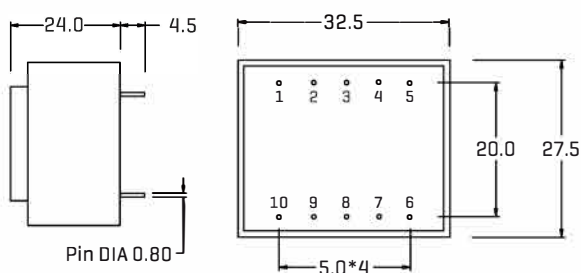
OPTIONS

- Bulk packaging is standard
- Custom design available

COMMON APPLICATIONS

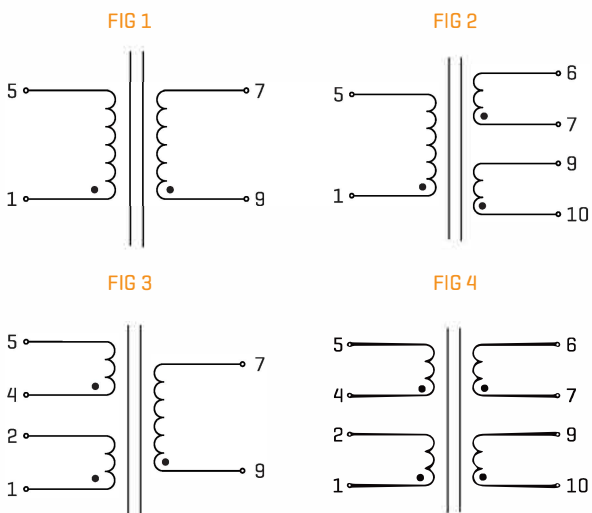
- Bulk packaging is standard
- Medical equipments
- Industrial equipments
- Industrial controls
- Test equipment
- Industrial computers
- Avionics & telecom

PHYSICAL CHARACTERISTICS



ALL DIMENSIONS IN MM

TECHNICAL INFORMATION



ELECTRICAL CHARACTERISTICS AT 25°C

Part Number	Primary [V]	Secondary [V/mA]	No-load voltage[V]	Fig.
FAPE3012157	230	6/300	9.8	1
FAPE3012158	230	9/200	14.8	1
FAPE3012159	230	12/150	19.7	1
FAPE3012160	230	15/120	24.6	1
FAPE3012161	230	18/100	30.3	1
FAPE3012162	230	24/75	39.3	1
FAPE3012163	230	2*6/150	2*9.8	2
FAPE3012164	230	2*9/100	2*14.8	2
FAPE3012165	230	2*12/75	2*19.7	2
FAPE3012166	230	2*15/60	2*24.6	2
FAPE3012167	230	2*18/50	2*30.3	2
FAPE3012168	230	2*24/37	2*39.3	2
FAPE3012169	115	6/300	9.8	1
FAPE3012170	115	9/200	14.8	1
FAPE3012171	115	12/150	19.7	1
FAPE3012172	115	15/120	24.6	1
FAPE3012173	115	18/100	30.3	1
FAPE3012174	115	24/75	39.3	1
FAPE3012175	115	2*6/150	2*9.8	2
FAPE3012176	115	2*9/100	2*14.8	2
FAPE3012177	115	2*12/75	2*19.7	2
FAPE3012178	115	2*15/60	2*24.6	2
FAPE3012179	115	2*18/50	2*30.3	2
FAPE3012180	115	2*24/37	2*39.3	2
FAPE3012181	2*115	6/300	9.8	3
FAPE3012182	2*115	9/200	14.8	3
FAPE3012183	2*115	12/150	19.7	3
FAPE3012184	2*115	15/120	24.6	3
FAPE3012185	2*115	18/100	30.3	3
FAPE3012186	2*115	24/75	39.3	3
FAPE3012187	2*115	2*6/150	2*9.8	4
FAPE3012188	2*115	2*9/100	2*14.8	4
FAPE3012189	2*115	2*12/75	2*19.7	4
FAPE3012190	2*115	2*15/60	2*24.6	4
FAPE3012191	2*115	2*18/50	2*30.3	4
FAPE3012192	2*115	2*24/37	2*39.3	4

2W EI30/15.5 FAPE3015 SERIES

FEATURES

Two compartments bobbin
 Self-extinguishing plastics UL94V-0
 Degree of protection IP67
 Weight: 0.1kg
 Temperature class to 70°C/B

OPTIONS

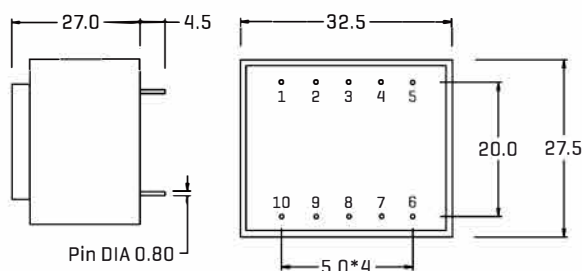
Bulk packaging is standard
 Custom design available



COMMON APPLICATIONS

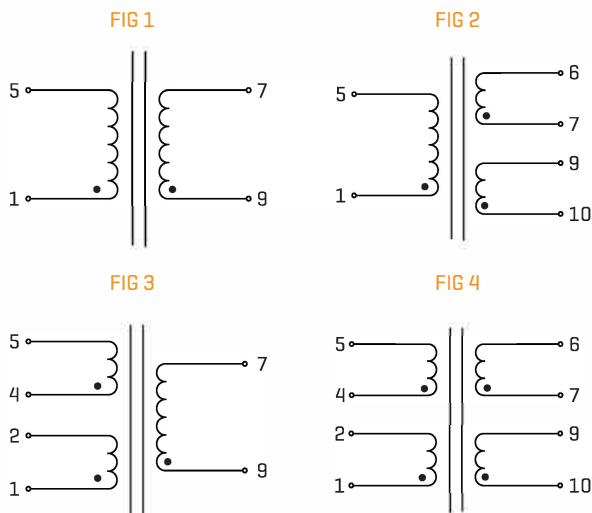
Medical equipments
 Industrial equipments
 Industrial controls
 Test equipments
 Industrial computers
 Avionics & telecom

PHYSICAL CHARACTERISTICS



ALL DIMENSIONS IN MM

TECHNICAL INFORMATION



ELECTRICAL CHARACTERISTICS AT 25°C

Part Number	Primary [V]	Secondary [V/mA]	No-load voltage[V]	Fig.
FAPE301521	230	6/333	10.4	1
FAPE301522	230	9/222	14.6	1
FAPE301523	230	12/167	20.0	1
FAPE301524	230	15/133	25.8	1
FAPE301525	230	18/111	29.6	1
FAPE301526	230	24/83	37.2	1
FAPE301527	230	2*6/167	2*10.4	2
FAPE301528	230	2*9/111	2*14.6	2
FAPE301529	230	2*12/83	2*20.0	2
FAPE301530	230	2*15/66	2*25.8	2
FAPE301531	230	2*18/55	2*29.6	2
FAPE301532	230	2*24/42	2*37.2	2
FAPE301533	115	6/333	10.4	1
FAPE301534	115	9/222	14.6	1
FAPE301535	115	12/167	20.0	1
FAPE301536	115	15/133	25.8	1
FAPE301537	115	18/111	29.6	1
FAPE301538	115	24/83	37.2	1
FAPE301539	115	2*6/167	2*10.4	2
FAPE301540	115	2*9/111	2*14.6	2
FAPE301541	115	2*12/83	2*20.0	2
FAPE301542	115	2*15/66	2*25.8	2
FAPE301543	115	2*18/55	2*29.6	2
FAPE301544	115	2*24/42	2*37.2	2
FAPE301545	2*115	6/333	10.4	3
FAPE301546	2*115	9/222	14.6	3
FAPE301547	2*115	12/167	20.0	3
FAPE301548	2*115	15/133	25.8	3
FAPE301549	2*115	18/111	29.6	3
FAPE301550	2*115	24/83	37.2	3
FAPE301551	2*115	2*6/167	2*10.4	4
FAPE301552	2*115	2*9/111	2*14.6	4
FAPE301553	2*115	2*12/83	2*20.0	4
FAPE301554	2*115	2*15/66	2*25.8	4
FAPE301555	2*115	2*18/55	2*29.6	4
FAPE301556	2*115	2*24/42	2*37.2	4

2.3W EI30/15.5 FAPE3015 SERIES



FEATURES

- Vacuum filling
- Two compartments bobbin
- Self-extinguishing plastics UL94V-0
- Degree of protection IP 00
- Weight: 0.10kg
- Temperature class to 50 °C/B

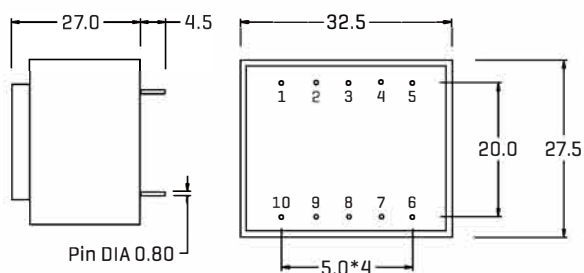
OPTIONS

- Bulk packaging is standard
- Custom design available

COMMON APPLICATIONS

- Medical equipments
- Industrial equipments
- Industrial controls
- Test equipment
- Industrial computers
- Avionics & telecom

PHYSICAL CHARACTERISTICS

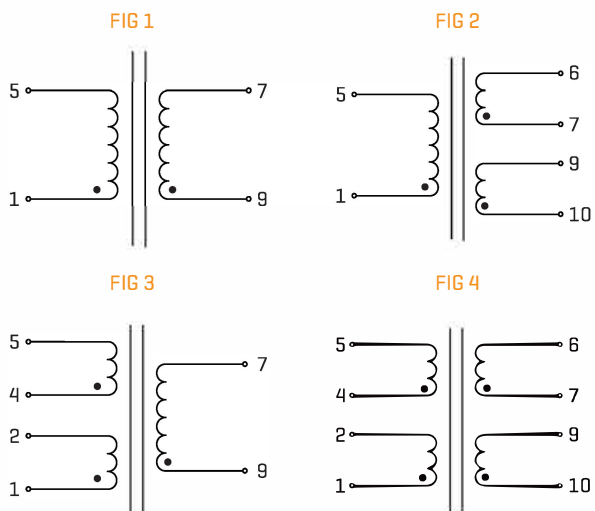


ALL DIMENSIONS IN MM

ELECTRICAL CHARACTERISTICS AT 25°C

Part Number	Primary (V)	Secondary (V/mA)	No-load voltage[V]	Fig.
FAPE301557	230	6/384	10.5	1
FAPE301558	230	9/256	15.5	1
FAPE301559	230	12/192	21.0	1
FAPE301560	230	15/154	25.3	1
FAPE301561	230	18/128	31.0	1
FAPE301562	230	24/96	42.0	1
FAPE301563	230	2*6/192	2*10.5	2
FAPE301564	230	2*9/128	2*15.5	2
FAPE301565	230	2*12/96	2*21.0	2
FAPE301566	230	2*15/77	2*25.3	2
FAPE301567	230	2*18/64	2*31.0	2
FAPE301568	230	2*24/48	2*42.0	2
FAPE301569	115	6/384	10.5	1
FAPE301570	115	9/256	15.5	1
FAPE301571	115	12/192	21.0	1
FAPE301572	115	15/154	25.3	1
FAPE301573	115	18/128	31.0	1
FAPE301574	115	24/96	42.0	1
FAPE301575	115	2*6/192	2*10.5	2
FAPE301576	115	2*9/128	2*15.5	2
FAPE301577	115	2*12/96	2*21.0	2
FAPE301578	115	2*15/77	2*25.3	2
FAPE301579	115	2*18/64	2*31.0	2
FAPE301580	115	2*24/48	2*42.0	2
FAPE301581	2*115	6/384	10.5	3
FAPE301582	2*115	9/256	15.5	3
FAPE301583	2*115	12/192	21.0	3
FAPE301584	2*115	15/154	25.3	3
FAPE301585	2*115	18/128	31.0	3
FAPE301586	2*115	24/96	42.0	3
FAPE301587	2*115	2*6/192	2*10.5	4
FAPE301588	2*115	2*9/128	2*15.5	4
FAPE301589	2*115	2*12/96	2*21.0	4
FAPE301590	2*115	2*15/77	2*25.3	4
FAPE301591	2*115	2*18/64	2*31.0	4
FAPE301592	2*115	2*24/48	2*42.0	4

TECHNICAL INFORMATION



2.4W EI30/15.5 FAPE3015 SERIES

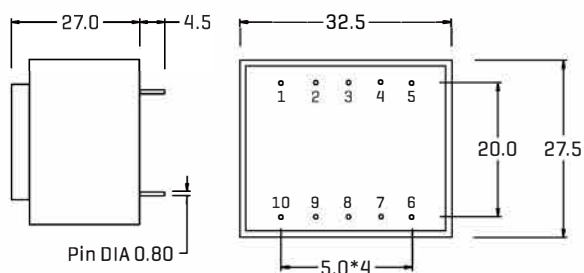
FEATURES

- Vacuum filling
- Two compartments bobbin
- Self-extinguishing plastics UL94V-0
- Degree of protection IP 00
- Weight: 0.10kg
- Temperature class to 40 °C/B

COMMON APPLICATIONS

- Medical equipments
- Industrial equipments
- Industrial controls
- Test equipment
- Industrial computers
- Avionics & telecom

PHYSICAL CHARACTERISTICS



ALL DIMENSIONS IN MM

OPTIONS

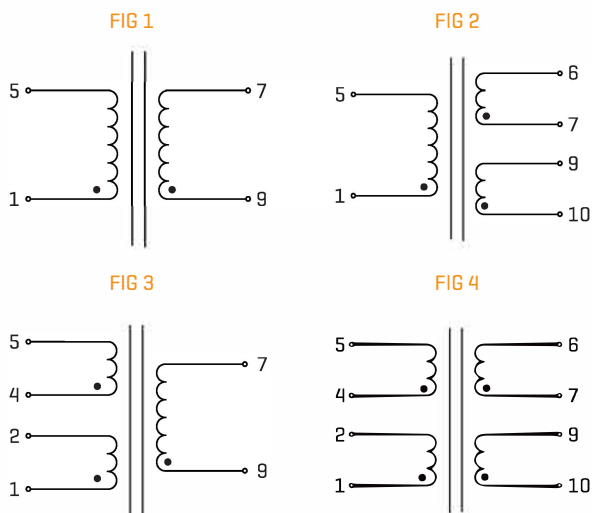
- Bulk packaging is standard
- Custom design available



ELECTRICAL CHARACTERISTICS AT 25°C

Part Number	Primary [V]	Secondary [V/mA]	No-load voltage[V]	Fig.
FAPE301593	230	6/400	10.5	1
FAPE301594	230	9/267	15.5	1
FAPE301595	230	12/200	21.0	1
FAPE301596	230	15/160	25.3	1
FAPE301597	230	18/133	31.0	1
FAPE301598	230	24/100	42.0	1
FAPE301599	230	2*6/200	2*10.5	2
FAPE3015100	230	2*9/133	2*15.5	2
FAPE3015101	230	2*12/100	2*21.0	2
FAPE3015102	230	2*15/80	2*25.3	2
FAPE3015103	230	2*18/67	2*31.0	2
FAPE3015104	230	2*24/50	2*42.0	2
FAPE3015105	115	6/400	10.5	1
FAPE3015106	115	9/267	15.5	1
FAPE3015107	115	12/200	21.0	1
FAPE3015108	115	15/160	25.3	1
FAPE3015109	115	18/133	31.0	1
FAPE3015110	115	24/100	42.0	1
FAPE3015111	115	2*6/200	2*10.5	2
FAPE3015112	115	2*9/133	2*15.5	2
FAPE3015113	115	2*12/100	2*21.0	2
FAPE3015114	115	2*15/80	2*25.3	2
FAPE3015115	115	2*18/67	2*31.0	2
FAPE3015116	115	2*24/50	2*42.0	2
FAPE3015117	2*115	6/400	10.5	3
FAPE3015118	2*115	9/267	15.5	3
FAPE3015119	2*115	12/200	21.0	3
FAPE3015120	2*115	15/160	25.3	3
FAPE3015121	2*115	18/133	31.0	3
FAPE3015122	2*115	24/100	42.0	3
FAPE3015123	2*115	2*6/200	2*10.5	4
FAPE3015124	2*115	2*9/133	2*15.5	4
FAPE3015125	2*115	2*12/100	2*21.0	4
FAPE3015126	2*115	2*15/80	2*25.3	4
FAPE3015127	2*115	2*18/67	2*31.0	4
FAPE3015128	2*115	2*24/50	2*42.0	4

TECHNICAL INFORMATION



2.3W EI30/18 FAPE3018 SERIES



FEATURES

Two compartments bobbin
 Self-extinguishing plastics UL94V-0
 Degree of protection IP67
 Weight: 0.112kg
 Temperature class to 70°C/B

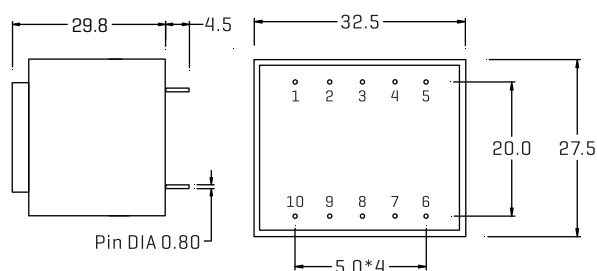
OPTIONS

Bulk packaging is standard
 Custom design available

COMMON APPLICATIONS

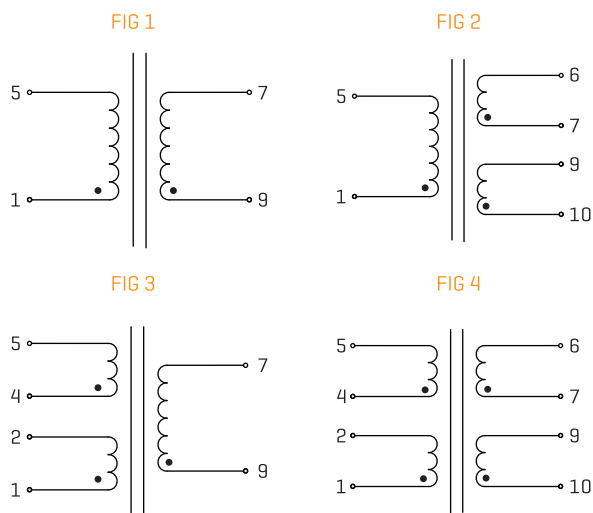
Medical equipments
 Industrial equipments
 Industrial controls
 Test equipments
 Industrial computers
 Avionics & telecom

PHYSICAL CHARACTERISTICS



ALL DIMENSIONS IN MM

TECHNICAL INFORMATION



ELECTRICAL CHARACTERISTICS AT 25°C

Part Number	Primary [V]	Secondary [V/mA]	No-load voltage[V]	Fig.
FAPE301857	230	6/384	10.0	1
FAPE301858	230	9/256	13.8	1
FAPE301859	230	12/192	18.6	1
FAPE301860	230	15/154	23.8	1
FAPE301861	230	18/128	27.8	1
FAPE301862	230	24/96	34.7	1
FAPE301863	230	2*6/192	2*10.0	2
FAPE301864	230	2*9/128	2*14.0	2
FAPE301865	230	2*12/96	2*17.5	2
FAPE301866	230	2*15/77	2*24.4	2
FAPE301867	230	2*18/64	2*29.3	2
FAPE301868	230	2*24/48	2*35.8	2
FAPE301869	115	6/384	10.0	1
FAPE301870	115	9/256	13.8	1
FAPE301871	115	12/192	18.6	1
FAPE301872	115	15/154	23.8	1
FAPE301873	115	18/128	27.8	1
FAPE301874	115	24/96	34.7	1
FAPE301875	115	2*6/192	2*10.0	2
FAPE301876	115	2*9/128	2*14.0	2
FAPE301877	115	2*12/96	2*17.5	2
FAPE301878	115	2*15/77	2*24.4	2
FAPE301879	115	2*18/64	2*29.3	2
FAPE301880	115	2*24/48	2*35.8	2
FAPE301881	2*115	6/384	10.0	3
FAPE301882	2*115	9/256	13.8	3
FAPE301883	2*115	12/192	18.6	3
FAPE301884	2*115	15/154	23.8	3
FAPE301885	2*115	18/128	27.8	3
FAPE301886	2*115	24/96	34.7	3
FAPE301887	2*115	2*6/192	2*10.0	4
FAPE301888	2*115	2*9/128	2*14.0	4
FAPE301889	2*115	2*12/96	2*17.5	4
FAPE301890	2*115	2*15/77	2*24.4	4
FAPE301891	2*115	2*18/64	2*29.3	4
FAPE301892	2*115	2*24/48	2*35.8	4

2.7W EI30/18 FAPE3018 SERIES

FEATURES

- Vacuum filling
- Two compartments bobbin
- Self-extinguishing plastics UL94V-0
- Degree of protection IP 00
- Weight: 0.112kg
- Temperature class to 50 °C/B

OPTIONS

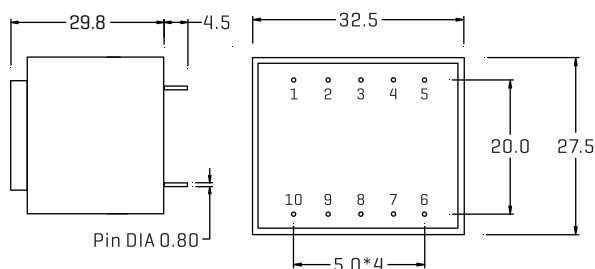
- Bulk packaging is standard
- Custom design available



COMMON APPLICATIONS

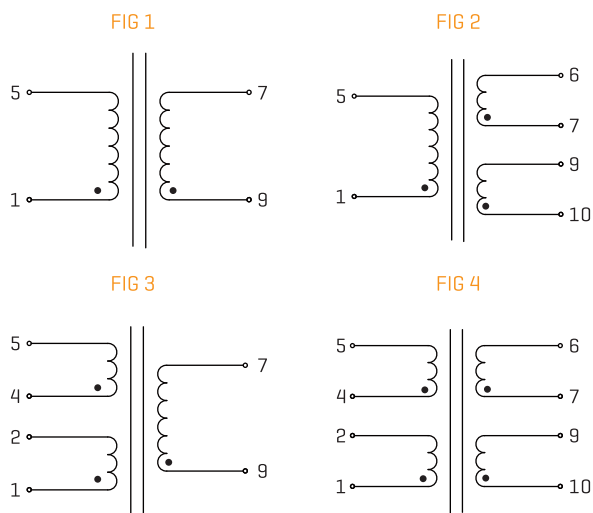
- Medical equipments
- Industrial equipments
- Industrial controls
- Test eqpment
- Industrial computers
- Avionics & telecom

PHYSICAL CHARACTERISTICS



ALL DIMENSIONS IN MM

TECHNICAL INFORMATION



ELECTRICAL CHARACTERISTICS AT 25°C

Part Number	Primary [V]	Secondary [V/mA]	No-load voltage[V]	Fig.
FAPE301893	230	6/450	10.5	1
FAPE301894	230	9/300	15.4	1
FAPE301895	230	12/225	21.1	1
FAPE301896	230	15/180	26.3	1
FAPE301897	230	18/150	30.9	1
FAPE301898	230	24/113	42	1
FAPE301899	230	2*6/225	2*10.5	2
FAPE3018100	230	2*9/150	2*15.4	2
FAPE3018101	230	2*12/113	2*21.1	2
FAPE3018102	230	2*15/90	2*26.3	2
FAPE3018103	230	2*18/75	2*30.9	2
FAPE3018104	230	2*24/57	2*42.0	2
FAPE3018105	115	6/450	10.5	1
FAPE3018106	115	9/300	15.4	1
FAPE3018107	115	12/225	21.1	1
FAPE3018108	115	15/180	26.3	1
FAPE3018109	115	18/150	30.9	1
FAPE3018110	115	24/113	42	1
FAPE3018111	115	2*6/225	2*10.5	2
FAPE3018112	115	2*9/150	2*15.4	2
FAPE3018113	115	2*12/113	2*21.1	2
FAPE3018114	115	2*15/90	2*26.3	2
FAPE3018115	115	2*18/75	2*30.9	2
FAPE3018116	115	2*24/57	2*42.0	2
FAPE3018117	2*115	6/450	10.5	3
FAPE3018118	2*115	9/300	15.4	3
FAPE3018119	2*115	12/225	21.1	3
FAPE3018120	2*115	15/180	26.3	3
FAPE3018121	2*115	18/150	30.9	3
FAPE3018122	2*115	24/113	42	3
FAPE3018123	2*115	2*6/225	2*10.5	4
FAPE3018124	2*115	2*9/150	2*15.4	4
FAPE3018125	2*115	2*12/113	2*21.1	4
FAPE3018126	2*115	2*15/90	2*26.3	4
FAPE3018127	2*115	2*18/75	2*30.9	4
FAPE3018128	2*115	2*24/57	2*42.0	4

2.8W EI30/18 FAPE3018 SERIES

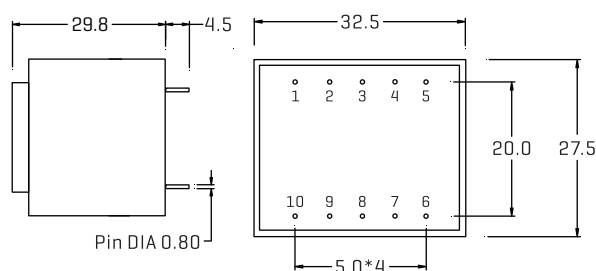
FEATURES

- Vacuum filling
- Two compartments bobbin
- Self-extinguishing plastics UL94V-0
- Degree of protection IP 00
- Weight: 0.112kg
- Temperature class to 40 °C/B

COMMON APPLICATIONS

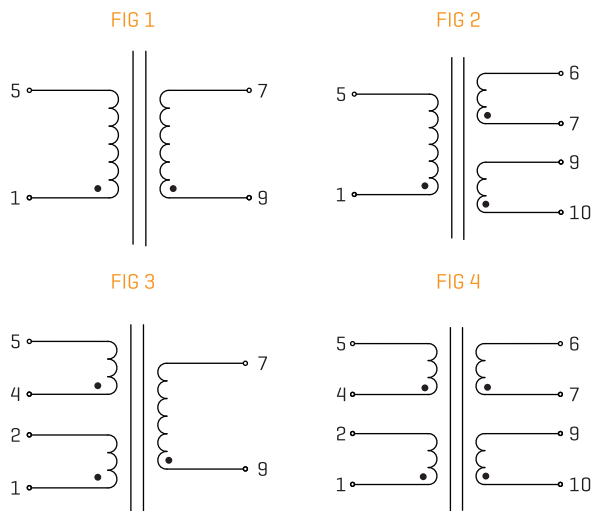
- Medical equipments
- Industrial equipments
- Industrial controls
- Test equipment
- Industrial computers
- Avionics & telecom

PHYSICAL CHARACTERISTICS



ALL DIMENSIONS IN MM

TECHNICAL INFORMATION



OPTIONS

- Bulk packaging is standard
- Custom design available



ELECTRICAL CHARACTERISTICS AT 25°C

Part Number	Primary [V]	Secondary [V/mA]	No-load voltage[V]	Fig.
FAPE3018129	230	6/467	10.5	1
FAPE3018130	230	9/311	15.4	1
FAPE3018131	230	12/233	21.1	1
FAPE3018132	230	15/187	26.3	1
FAPE3018133	230	18/156	30.9	1
FAPE3018134	230	24/117	42	1
FAPE3018135	230	2*6/233	2*10.5	2
FAPE3018136	230	2*9/156	2*15.4	2
FAPE3018137	230	2*12/117	2*21.1	2
FAPE3018138	230	2*15/93	2*26.3	2
FAPE3018139	230	2*18/77	2*30.9	2
FAPE3018140	230	2*24/58	2*42.0	2
FAPE3018141	115	6/467	10.5	1
FAPE3018142	115	9/311	15.4	1
FAPE3018143	115	12/233	21.1	1
FAPE3018144	115	15/187	26.3	1
FAPE3018145	115	18/156	30.9	1
FAPE3018146	115	24/117	42	1
FAPE3018147	115	2*6/233	2*10.5	2
FAPE3018148	115	2*9/156	2*15.4	2
FAPE3018149	115	2*12/117	2*21.1	2
FAPE3018150	115	2*15/93	2*26.3	2
FAPE3018151	115	2*18/77	2*30.9	2
FAPE3018152	115	2*24/58	2*42.0	2
FAPE3018153	2*115	6/467	10.5	3
FAPE3018154	2*115	9/311	15.4	3
FAPE3018155	2*115	12/233	21.1	3
FAPE3018156	2*115	15/187	26.3	3
FAPE3018157	2*115	18/156	30.9	3
FAPE3018158	2*115	24/117	42	3
FAPE3018159	2*115	2*6/233	2*10.5	4
FAPE3018160	2*115	2*9/156	2*15.4	4
FAPE3018161	2*115	2*12/117	2*21.1	4
FAPE3018162	2*115	2*15/93	2*26.3	4
FAPE3018163	2*115	2*18/77	2*30.9	4
FAPE3018164	2*115	2*24/58	2*42.0	4

2.8W EI30/23 FAPE3023 SERIES

FEATURES

- Two compartments bobbin
- Self-extinguishing plastics UL94V-0
- Degree of protection IP67
- Weight: 0.134kg
- Temperature class to 70 °C/B

OPTIONS

- Bulk packaging is standard
- Custom design available

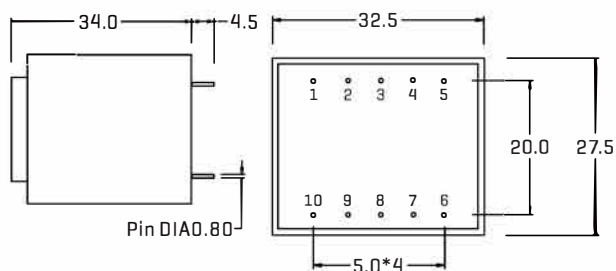


COMMON APPLICATIONS

- Medical equipments
- Industrial equipments
- Industrial controls
- Test equipments
- Industrial computers
- Avionics & telecom

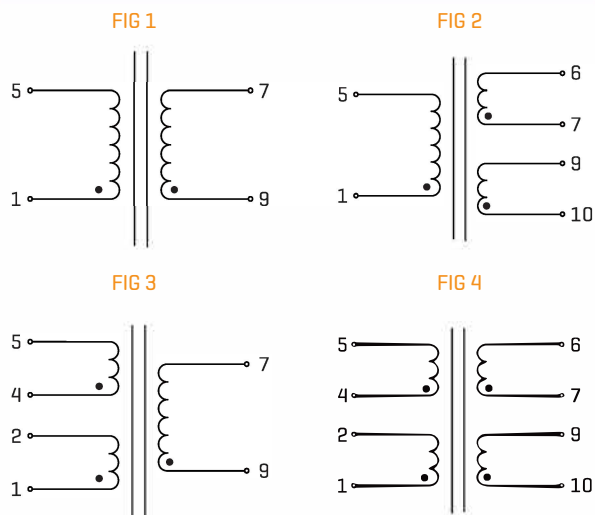
ELECTRICAL CHARACTERISTICS AT 25°C

PHYSICAL CHARACTERISTICS



ALL DIMENSIONS IN MM

TECHNICAL INFORMATION



Part Number	Primary [V]	Secondary [V/mA]	No-load voltage[V]	Fig.
FAPE302301	230	6/466	10.7	1
FAPE302302	230	9/311	14.8	1
FAPE302303	230	12/233	20.8	1
FAPE302304	230	15/186	24.0	1
FAPE302305	230	18/155	29.9	1
FAPE302306	230	24/116	38.8	1
FAPE302307	230	2*6/233	2*10.7	2
FAPE302308	230	2*9/155	2*16.0	2
FAPE302309	230	2*12/116	2*20.4	2
FAPE302310	230	2*15/93	2*25.0	2
FAPE302311	230	2*18/77	2*30.5	2
FAPE302312	230	2*24/58	2*38.7	2
FAPE302313	115	6/466	10.7	1
FAPE302314	115	9/311	14.8	1
FAPE302315	115	12/233	20.8	1
FAPE302316	115	15/186	24.0	1
FAPE302317	115	18/155	29.9	1
FAPE302318	115	24/116	38.8	1
FAPE302319	115	2*6/233	2*10.7	2
FAPE302320	115	2*9/155	2*16.0	2
FAPE302321	115	2*12/116	2*20.4	2
FAPE302322	115	2*15/93	2*25.0	2
FAPE302323	115	2*18/77	2*30.5	2
FAPE302324	115	2*24/58	2*38.7	2
FAPE302325	2*115	6/466	10.7	3
FAPE302326	2*115	9/311	14.8	3
FAPE302327	2*115	12/233	20.8	3
FAPE302328	2*115	15/186	24.0	3
FAPE302329	2*115	18/155	29.9	3
FAPE302330	2*115	24/116	38.8	3
FAPE302331	2*115	2*6/233	2*10.7	4
FAPE302332	2*115	2*9/155	2*16.0	4
FAPE302333	2*115	2*12/116	2*20.4	4
FAPE302334	2*115	2*15/93	2*25.0	4
FAPE302335	2*115	2*18/77	2*30.5	4
FAPE302336	2*115	2*24/58	2*38.7	4

3.2W EI30/23 FAPE3023 SERIES

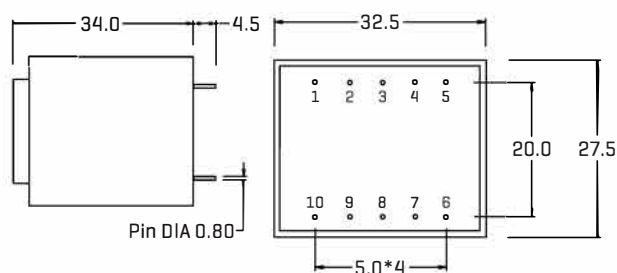
FEATURES

- Vacuum filling
- Two compartments bobbin
- Self-extinguishing plastics UL94V-0
- Degree of protection IP 00
- Weight: 0.134kg
- Temperature class to 40 °C/B

COMMON APPLICATIONS

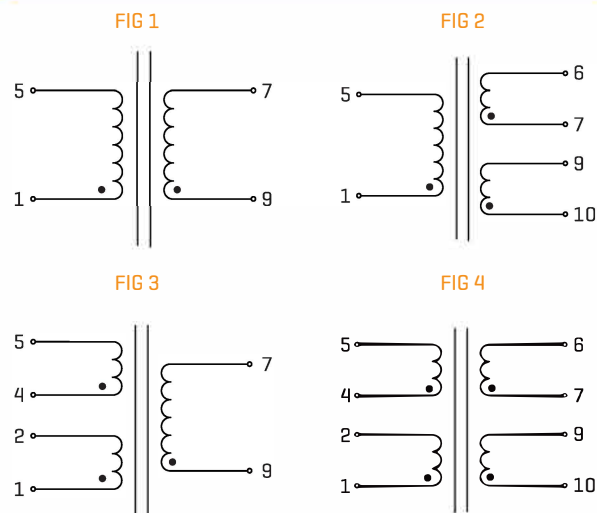
- Medical equipments
- Industrial equipments
- Industrial controls
- Test equipment
- Industrial computers
- Avionics & telecom

PHYSICAL CHARACTERISTICS



ALL DIMENSIONS IN MM

TECHNICAL INFORMATION



OPTIONS

- Bulk packaging is standard
- Custom design available



ELECTRICAL CHARACTERISTICS AT 25°C

Part Number	Primary [V]	Secondary [V/mA]	No-load voltage[V]	Fig.
FAPE302337	230	6/533	10.7	1
FAPE302338	230	9/356	14.8	1
FAPE302339	230	12/267	20.8	1
FAPE302340	230	15/213	24.0	1
FAPE302341	230	18/178	29.9	1
FAPE302342	230	24/133	38.8	1
FAPE302343	230	2*6/267	2*10.7	2
FAPE302344	230	2*9/178	2*16.0	2
FAPE302345	230	2*12/133	2*20.4	2
FAPE302346	230	2*15/107	2*25.0	2
FAPE302347	230	2*18/89	2*30.5	2
FAPE302348	230	2*24/67	2*38.7	2
FAPE302349	115	6/533	10.7	1
FAPE302350	115	9/356	14.8	1
FAPE302351	115	12/267	20.8	1
FAPE302352	115	15/213	24.0	1
FAPE302353	115	18/178	29.9	1
FAPE302354	115	24/133	38.8	1
FAPE302355	115	2*6/267	2*10.7	2
FAPE302356	115	2*9/178	2*16.0	2
FAPE302357	115	2*12/133	2*20.4	2
FAPE302358	115	2*15/107	2*25.0	2
FAPE302359	115	2*18/89	2*30.5	2
FAPE302360	115	2*24/67	2*38.7	2
FAPE302361	2*115	6/533	10.7	3
FAPE302362	2*115	9/356	14.8	3
FAPE302363	2*115	12/267	20.8	3
FAPE302364	2*115	15/213	24.0	3
FAPE302365	2*115	18/178	29.9	3
FAPE302366	2*115	24/133	38.8	3
FAPE302367	2*115	2*6/267	2*10.7	4
FAPE302368	2*115	2*9/178	2*16.0	4
FAPE302369	2*115	2*12/133	2*20.4	4
FAPE302370	2*115	2*15/107	2*25.0	4
FAPE302371	2*115	2*18/89	2*30.5	4
FAPE302372	2*115	2*24/67	2*38.7	4

3.2W EI38/13.6 FAPE3813 SERIES

FEATURES

- Two compartments bobbin
- Self-extinguishing plastics UL94V-0
- Degree of protection IP67
- Weight: 0.155kg
- Temperature class to 70 °C/B

OPTIONS

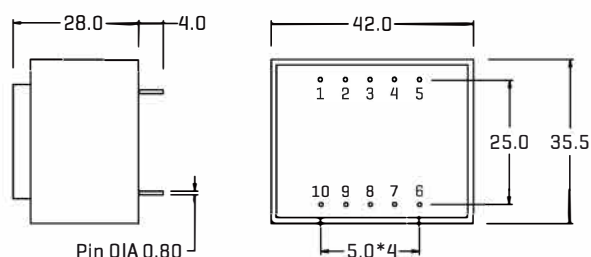
- Bulk packaging is standard
- Custom design available



COMMON APPLICATIONS

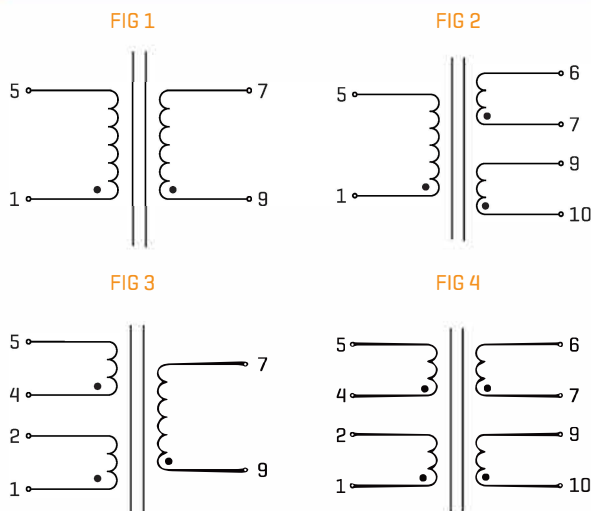
- Medical equipments
- Industrial equipments
- Industrial controls
- Test equipments
- Industrial computers
- Avionics & telecom

PHYSICAL CHARACTERISTICS



ALL DIMENSIONS IN MM

TECHNICAL INFORMATION



ELECTRICAL CHARACTERISTICS AT 25°C

Part Number	Primary [V]	Secondary [V/mA]	No-load voltage[V]	Fig.
FAPE381393	230	6/533	8.0	1
FAPE381394	230	9/356	12.0	1
FAPE381395	230	12/267	16.0	1
FAPE381396	230	15/214	20.0	1
FAPE381397	230	18/178	24.1	1
FAPE381398	230	24/134	32.1	1
FAPE381399	230	2*6/267	2*8.0	2
FAPE3813100	230	2*9/178	2*12.0	2
FAPE3813101	230	2*12/134	2*16.0	2
FAPE3813102	230	2*15/107	2*20.0	2
FAPE3813103	230	2*18/89	2*24.1	2
FAPE3813104	230	2*24/67	2*32.1	2
FAPE3813105	115	6/533	8.0	1
FAPE3813106	115	9/356	12.0	1
FAPE3813107	115	12/267	16.0	1
FAPE3813108	115	15/214	20.0	1
FAPE3813109	115	18/178	24.1	1
FAPE3813110	115	24/134	32.1	1
FAPE3813111	115	2*6/267	2*8.0	2
FAPE3813112	115	2*9/178	2*12.0	2
FAPE3813113	115	2*12/134	2*16.0	2
FAPE3813114	115	2*15/107	2*20.0	2
FAPE3813115	115	2*18/89	2*24.1	2
FAPE3813116	115	2*24/67	2*32.1	2
FAPE3813117	2*115	6/533	8.0	3
FAPE3813118	2*115	9/356	12.0	3
FAPE3813119	2*115	12/267	16.0	3
FAPE3813120	2*115	15/214	20.0	3
FAPE3813121	2*115	18/178	24.1	3
FAPE3813122	2*115	24/134	32.1	3
FAPE3813123	2*115	2*6/267	2*8.0	4
FAPE3813124	2*115	2*9/178	2*12.0	4
FAPE3813125	2*115	2*12/134	2*16.0	4
FAPE3813126	2*115	2*15/107	2*20.0	4
FAPE3813127	2*115	2*18/89	2*24.1	4
FAPE3813128	2*115	2*24/67	2*32.1	4

5W EI42/14.8 FAPE4214 SERIES



FEATURES

- Two compartments bobbin
- Self-extinguishing plastics UL94V-0
- Degree of protection IP67
- Weight: 0.2kg
- Temperature class to 70 °C/B

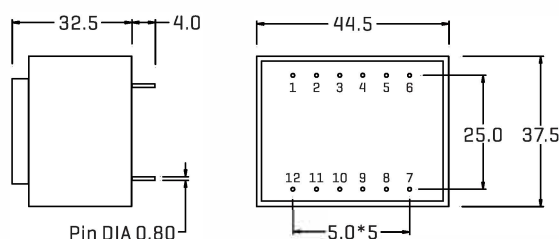
OPTIONS

- Bulk packaging is standard
- Custom design available

COMMON APPLICATIONS

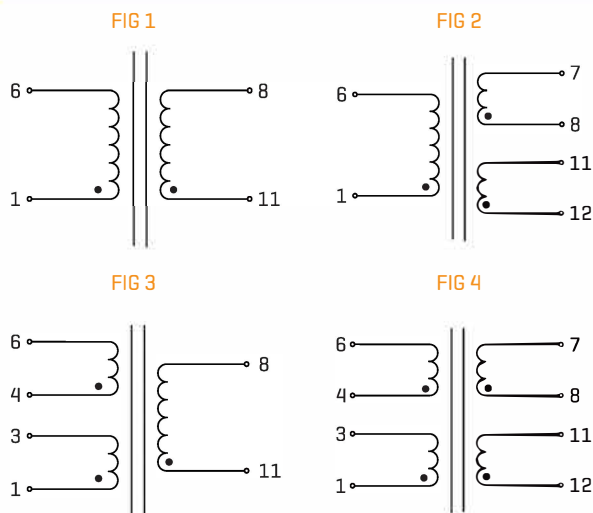
- Medical equipments
- Industrial equipments
- Industrial controls
- Test equipments
- Industrial computers
- Avionics & telecom

PHYSICAL CHARACTERISTICS



ALL DIMENSIONS IN MM

TECHNICAL INFORMATION



ELECTRICAL CHARACTERISTICS AT 25°C

Part Number	Primary [V]	Secondary [V/mA]	No-load voltage[V]	Fig.
FAPE421429	230	6/833	8.1	1
FAPE421430	230	9/556	12.0	1
FAPE421431	230	12/417	15.5	1
FAPE421432	230	15/334	19.2	1
FAPE421433	230	18/278	23.0	1
FAPE421434	230	24/208	30.5	1
FAPE421435	230	2*6/417	2*7.7	2
FAPE421436	230	2*9/278	2*11.6	2
FAPE421437	230	2*12/208	2*15.5	2
FAPE421438	230	2*15/167	2*19.4	2
FAPE421439	230	2*18/139	2*23.1	2
FAPE421440	230	2*24/104	2*30.8	2
FAPE421441	115	6/833	8.1	1
FAPE421442	115	9/556	12.0	1
FAPE421443	115	12/417	15.5	1
FAPE421444	115	15/334	19.2	1
FAPE421445	115	18/278	23.0	1
FAPE421446	115	24/208	30.5	1
FAPE421447	115	2*6/417	2*7.7	2
FAPE421448	115	2*9/278	2*11.6	2
FAPE421449	115	2*12/208	2*15.5	2
FAPE421450	115	2*15/167	2*19.4	2
FAPE421451	115	2*18/139	2*23.1	2
FAPE421452	115	2*24/104	2*30.8	2
FAPE421453	2*115	6/833	8.1	3
FAPE421454	2*115	9/556	12.0	3
FAPE421455	2*115	12/417	15.5	3
FAPE421456	2*115	15/334	19.2	3
FAPE421457	2*115	18/278	23.0	3
FAPE421458	2*115	24/208	30.5	3
FAPE421459	2*115	2*6/417	2*7.7	4
FAPE421460	2*115	2*9/278	2*11.6	4
FAPE421461	2*115	2*12/208	2*15.2	4
FAPE421462	2*115	2*15/167	2*19.4	4
FAPE421463	2*115	2*18/139	2*23.1	4
FAPE421464	2*115	2*24/104	2*30.8	4

10W EI48/16.8 FAPE4816 SERIES



FEATURES

- Two compartments bobbin
- Self-extinguishing plastics UL94V-0
- Degree of protection IP67
- Weight: 0.3kg
- Temperature class to 40 °C/B

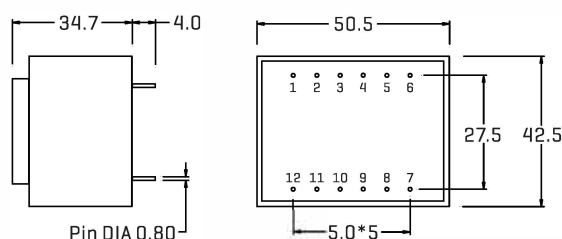
OPTIONS

- Bulk packaging is standard
- Custom design available

COMMON APPLICATIONS

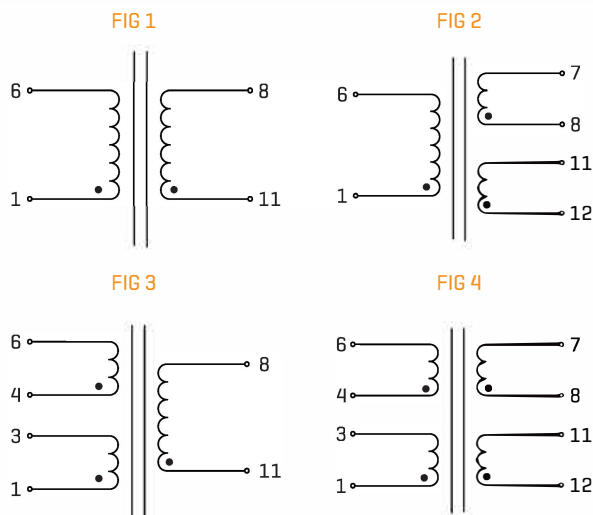
- Medical equipments
- Industrial equipments
- Industrial controls
- Test equipments
- Industrial computers
- Avionics & telecom

PHYSICAL CHARACTERISTICS



ALL DIMENSIONS IN MM

TECHNICAL INFORMATION



ELECTRICAL CHARACTERISTICS AT 25°C

Part Number	Primary [V]	Secondary [V/mA]	No-load voltage[V]	Fig.
FAPE481665	230	6/1666	7.9	1
FAPE481666	230	9/1111	12.0	1
FAPE481667	230	12/834	14.7	1
FAPE481668	230	15/666	19.2	1
FAPE481669	230	18/555	22.9	1
FAPE481670	230	24/416	30.6	1
FAPE481671	230	2*6/834	2*8.1	2
FAPE481672	230	2*9/555	2*11.6	2
FAPE481673	230	2*12/416	2*15.7	2
FAPE481674	230	2*15/333	2*19.5	2
FAPE481675	230	2*18/277	2*23.5	2
FAPE481676	230	2*24/208	2*30.0	2
FAPE481677	115	6/1666	7.9	1
FAPE481678	115	9/1111	12.0	1
FAPE481679	115	12/834	14.7	1
FAPE481680	115	15/666	19.2	1
FAPE481681	115	18/555	22.9	1
FAPE481682	115	24/416	30.6	1
FAPE481683	115	2*6/834	2*8.1	2
FAPE481684	115	2*9/555	2*11.6	2
FAPE481685	115	2*12/416	2*15.7	2
FAPE481686	115	2*15/333	2*19.5	2
FAPE481687	115	2*18/277	2*23.5	2
FAPE481688	115	2*24/208	2*30.0	2
FAPE481689	2*115	6/1666	7.9	3
FAPE481690	2*115	9/1111	12.0	3
FAPE481691	2*115	12/834	14.7	3
FAPE481692	2*115	15/666	19.2	3
FAPE481693	2*115	18/555	22.9	3
FAPE481694	2*115	24/416	30.6	3
FAPE481695	2*115	2*6/834	2*8.1	4
FAPE481696	2*115	2*9/555	2*11.6	4
FAPE481697	2*115	2*12/416	2*15.7	4
FAPE481698	2*115	2*15/333	2*19.5	4
FAPE481699	2*115	2*18/277	2*23.5	4
FAPE4816100	2*115	2*24/208	2*30.0	4

16W EI54/18.8 FAPE5418 SERIES



FEATURES

- Two compartments bobbin
- Self-extinguishing plastics UL94V-0
- Degree of protection IP67
- Weight: 0.42kg
- Temperature class to 40 °C/B

OPTIONS

- Bulk packaging is standard
- Custom design available



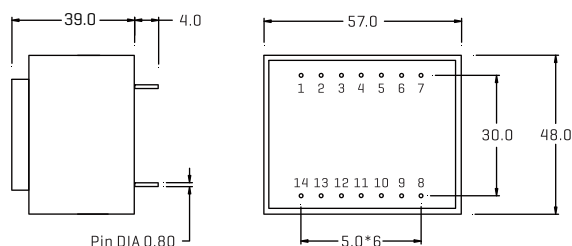
COMMON APPLICATIONS

- Medical equipments
- Industrial equipments
- Industrial controls
- Test equipments
- Industrial computers
- Avionics & telecom

ELECTRICAL CHARACTERISTICS AT 25°C

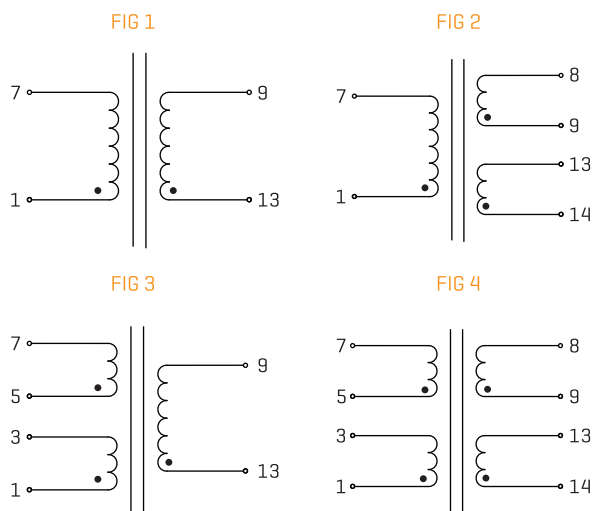
Part Number	Primary [V]	Secondary [V/mA]	No-load voltage[V]	Fig.
FAPE541801	230	6/2666	7.6	1
FAPE541802	230	9/1777	11.3	1
FAPE541803	230	12/1333	15.0	1
FAPE541804	230	15/1066	18.4	1
FAPE541805	230	18/888	22.4	1
FAPE541806	230	24/666	29.6	1
FAPE541807	230	2*6/1333	2*7.6	2
FAPE541808	230	2*9/888	2*11.3	2
FAPE541809	230	2*12/666	2*15.0	2
FAPE541810	230	2*15/533	2*18.4	2
FAPE541811	230	2*18/444	2*22.4	2
FAPE541812	230	2*24/333	2*29.0	2
FAPE541813	115	6/2666	7.6	1
FAPE541814	115	9/1777	11.3	1
FAPE541815	115	12/1333	15.0	1
FAPE541816	115	15/1066	18.4	1
FAPE541817	115	18/888	22.4	1
FAPE541818	115	24/666	29.6	1
FAPE541819	115	2*6/1333	2*7.6	2
FAPE541820	115	2*9/888	2*11.3	2
FAPE541821	115	2*12/666	2*15.0	2
FAPE541822	115	2*15/533	2*18.4	2
FAPE541823	115	2*18/444	2*22.4	2
FAPE541824	115	2*24/333	2*29.0	2
FAPE541825	2*115	6/2666	7.6	3
FAPE541826	2*115	9/1777	11.3	3
FAPE541827	2*115	12/1333	15.0	3
FAPE541828	2*115	15/1066	18.4	3
FAPE541829	2*115	18/888	22.4	3
FAPE541830	2*115	24/666	29.6	3
FAPE541831	2*115	2*6/1333	2*7.6	4
FAPE541832	2*115	2*9/888	2*11.3	4
FAPE541833	2*115	2*12/666	2*15.0	4
FAPE541834	2*115	2*15/533	2*18.4	4
FAPE541835	2*115	2*18/444	2*22.4	4
FAPE541836	2*115	2*24/333	2*29.0	4

PHYSICAL CHARACTERISTICS



ALL DIMENSIONS IN MM

TECHNICAL INFORMATION



25W EI60/25.5 FAPE6025H SERIES



FEATURES

Frequency 50/60Hz
 Potted under vacuum
 Split-bobbin
 Temperature class ta 40°C/B
 Weight: 0.67kg
 Packaging unit: 6 pieces [tray]

OPTIONS

Bulk packaging is standard
 Custom design available

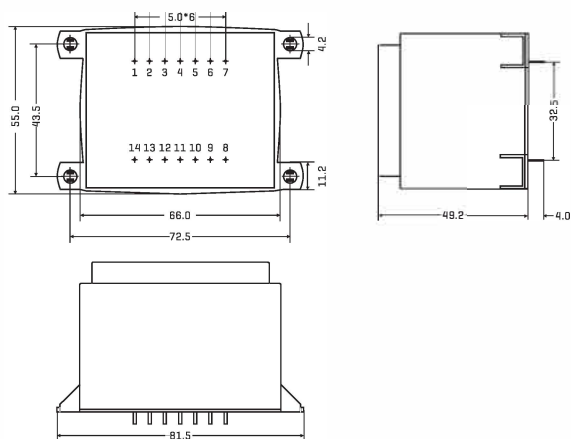
COMMON APPLICATIONS

Medical equipments
 Industrial equipments
 Industrial controls
 Test equipments
 Industrial computers
 Avionics & telecom

ELECTRICAL CHARACTERISTICS AT 25°C

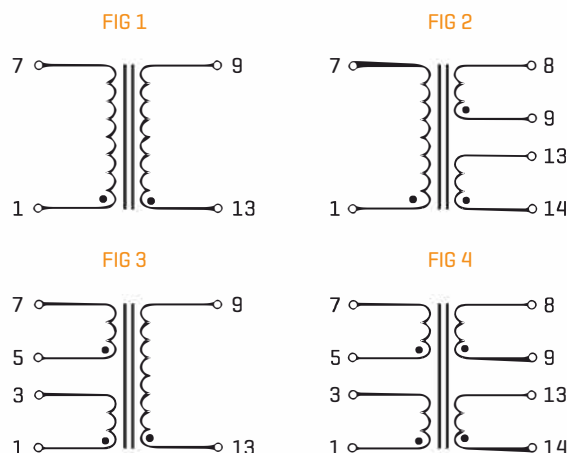
Part Number	Primary [V]	Secondary [V/mA]	No-load voltage[V]	Fig.	Part Number	Primary [V]	Secondary [V/mA]	No-load voltage[V]	Fig.
FAPE602501H	230	6/4170	6.9	1	FAPE602511H	2*115	6/4170	6.9	3
FAPE602502H	230	9/2780	10.3	1	FAPE602512H	2*115	9/2780	10.3	3
FAPE602503H	230	12/2080	13.6	1	FAPE602513H	2*115	12/2080	13.6	3
FAPE602504H	230	15/1670	17	1	FAPE602514H	2*115	15/1670	17	3
FAPE602505H	230	18/1390	20.5	1	FAPE602515H	2*115	18/1390	20.5	3
FAPE602506H	230	24/1040	27	1	FAPE602516H	2*115	24/1040	27	3
FAPE602507H	230	2*6/2080	2*6.9	2	FAPE602517H	2*115	2*6/2080	2*6.9	4
FAPE602508H	230	2*9/1390	2*10.5	2	FAPE602518H	2*115	2*9/1390	2*10.5	4
FAPE602509H	230	2*12/1040	2*13.6	2	FAPE602519H	2*115	2*12/1040	2*13.6	4
FAPE602510H	230	2*15/830	2*17.3	2	FAPE602520H	2*115	2*15/830	2*17.3	4

PHYSICAL CHARACTERISTICS



ALL DIMENSIONS IN MM

TECHNICAL INFORMATION



36W EI66/23 FAPE6623H SERIES



FEATURES

Frequency 50/60Hz
 Potted under vacuum
 Split-bobbin
 Temperature class ta 40°C/B
 Weight: 0.75kg
 Packaging unit: 6 pieces [tray]

OPTIONS

Bulk packaging is standard
 Custom design available

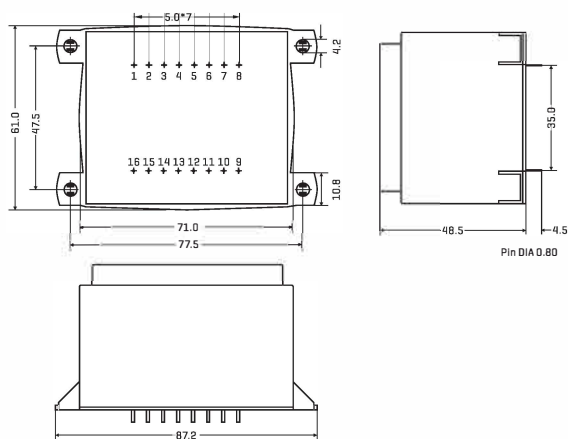
COMMON APPLICATIONS

Medical equipments
 Industrial equipments
 Industrial controls
 Test equipments
 Industrial computers
 Avionics & telecom

ELECTRICAL CHARACTERISTICS AT 25°C

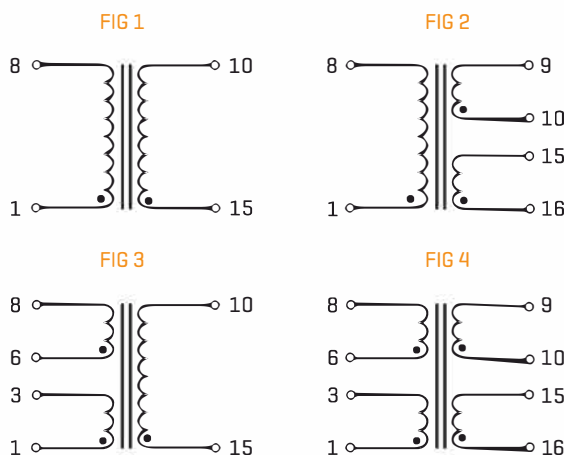
Part Number	Primary [V]	Secondary [V/mA]	No-load voltage[V]	Fig.	Part Number	Primary [V]	Secondary [V/mA]	No-load voltage[V]	Fig.
FAPE662301H	230	6/6000	6.9	1	FAPE662311H	2*115	6/6000	6.9	3
FAPE662302H	230	9/4000	10.3	1	FAPE662312H	2*115	9/4000	10.3	3
FAPE662303H	230	12/3000	13.6	1	FAPE662313H	2*115	12/3000	13.6	3
FAPE662304H	230	15/2400	17	1	FAPE662314H	2*115	15/2400	17	3
FAPE662305H	230	18/2000	20.5	1	FAPE662315H	2*115	18/2000	20.5	3
FAPE662306H	230	24/1500	27	1	FAPE662316H	2*115	24/1500	27	3
FAPE662307H	230	2*6/3000	2*6.9	2	FAPE662317H	2*115	2*6/3000	2*6.9	4
FAPE662308H	230	2*9/2000	2*10.5	2	FAPE662318H	2*115	2*9/2000	2*10.5	4
FAPE662309H	230	2*12/1500	2*13.6	2	FAPE662319H	2*115	2*12/1500	2*13.6	4
FAPE662310H	230	2*15/1200	2*17.3	2	FAPE662320H	2*115	2*15/1200	2*17.3	4

PHYSICAL CHARACTERISTICS



ALL DIMENSIONS IN MM

TECHNICAL INFORMATION



50W EI66/34.7 FAPE6634H SERIES



FEATURES

Frequency 50/60Hz
 Potted under vacuum
 Split-bobbin
 Temperature class ta 40°C/B
 Weight: 1.04kg
 Packaging unit: 6 pieces [tray]

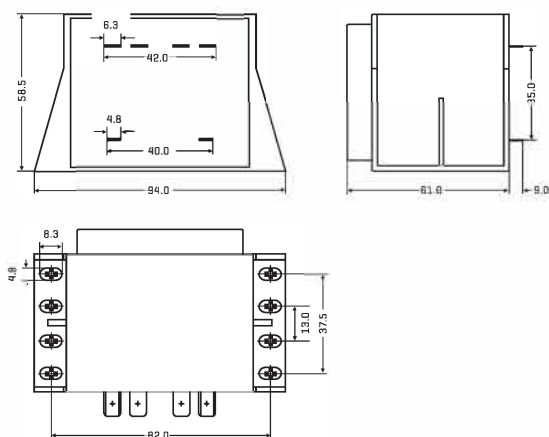
OPTIONS

Bulk packaging is standard
 Custom design available

COMMON APPLICATIONS

Medical equipments
 Industrial equipments
 Industrial controls
 Test equipments
 Industrial computers
 Avionics & telecom

PHYSICAL CHARACTERISTICS



ELECTRICAL CHARACTERISTICS AT 25°C

Part Number	Primary [V]	Secondary [V/mA]	No-load voltage[V]	Fig.
FAPE663401H	230	6/8333	7.2	1
FAPE663402H	230	9/5560	10.4	1
FAPE663403H	230	12/4170	13.4	1
FAPE663404H	230	15/3330	17	1
FAPE663405H	230	18/2780	20.5	1
FAPE663406H	230	24/2080	27.1	1
FAPE663407H	230	2*6/4170	2*7	2
FAPE663408H	230	2*9/2780	2*10.4	2
FAPE663409H	230	2*12/2080	2*13.6	2
FAPE663410H	230	2*15/1670	2*17.6	2

TECHNICAL INFORMATION

FIG 1

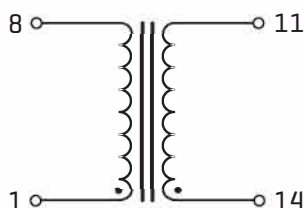
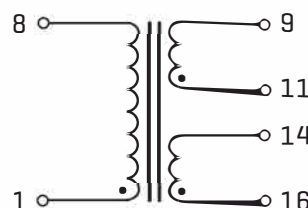


FIG 2



ALL DIMENSIONS IN MM

50W EI66/34.7 FAPE6634H SERIES



FEATURES

Frequency 50/60Hz
 Potted under vacuum
 Split-bobbin
 Temperature class ta 40°C/B
 Weight: 1.04kg
 Packaging unit: 6 pieces [tray]

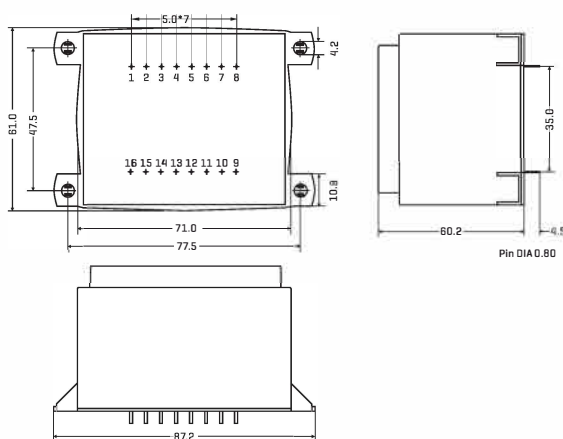
OPTIONS

Bulk packaging is standard
 Custom design available

COMMON APPLICATIONS

Medical equipments
 Industrial equipments
 Industrial controls
 Test equipments
 Industrial computers
 Avionics & telecom

PHYSICAL CHARACTERISTICS



ELECTRICAL CHARACTERISTICS AT 25°C

Part Number	Primary (V)	Secondary (V/mA)	No-load voltage[V]	Fig.
FAPE663411H	2*115	6/8333	7.2	1
FAPE663412H	2*115	9/5560	10.4	1
FAPE663413H	2*115	12/4170	13.4	1
FAPE663414H	2*115	15/3330	17	1
FAPE663415H	2*115	18/2780	20.5	1
FAPE663416H	2*115	24/2080	27.1	1
FAPE663417H	2*115	2*6/4170	2*7	2
FAPE663418H	2*115	2*9/2780	2*10.4	2
FAPE663419H	2*115	2*12/2080	2*13.6	2
FAPE663420H	2*115	2*15/1670	2*17.6	2

TECHNICAL INFORMATION

FIG 1

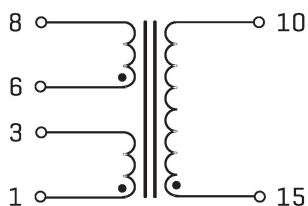
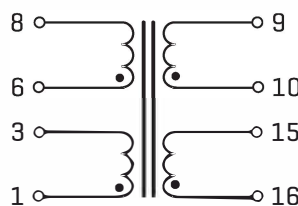
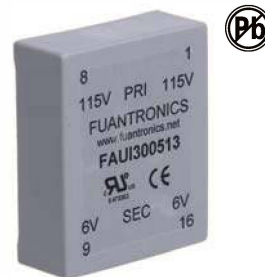


FIG 2



ALL DIMENSIONS IN MM

2W UI30/5.5 FAUI3005 SERIES



FEATURES

- Frequency 50/60Hz
- Potted under vacuum
- Split-bobbin
- Temperature class ta 70°C/B
- Weight: 0.115kg
- Packaging unit: 15 pieces [tray]
- Fixing material for 2.5mm [0.098 inch]
- Self-tapping screws: DIN 7513 [M 3x8]
- Sheet-metal screws: DIN 7971 [2.9x6.5]

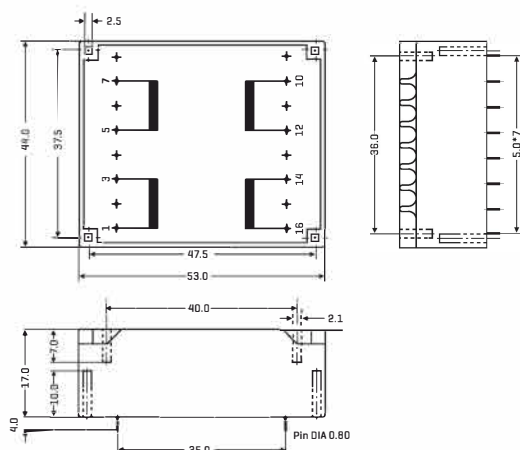
OPTIONS

- Bulk packaging is standard
- Custom design available

COMMON APPLICATIONS

- Medical equipments
- Industrial equipments
- Industrial controls
- Test equipments
- Industrial computers
- Avionics & telecom

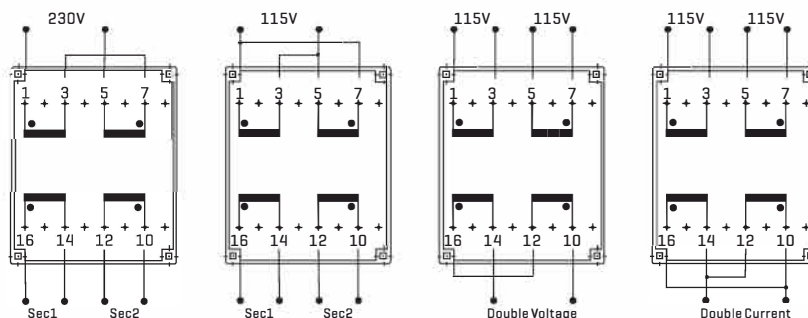
PHYSICAL CHARACTERISTICS



ELECTRICAL CHARACTERISTICS AT 25°C

Part Number	Primary (V)	Secondary (V/mA)	No-load voltage(V)
FAUI300507	2*115	2*6/166	2*10.2
FAUI300508	2*115	2*9/111	2*15.3
FAUI300509	2*115	2*12/83	2*20.4
FAUI300510	2*115	2*15/66	2*25.5
FAUI300511	2*115	2*18/55	2*30.6
FAUI300512	2*115	2*24/42	2*40.8

TECHNICAL INFORMATION



ALL DIMENSIONS IN MM

3W UI30/5.5 FAUI3005 SERIES



FEATURES

- Frequency 50/60Hz
- Potted under vacuum
- Split-bobbin
- Temperature class ta 50°C/B
- Weight: 0.115kg
- Packaging unit: 15 pieces [tray]
- Fixing material for 2.5mm [0.098 inch]
- Self-tapping screws: DIN 7513 [M 3x8]
- Sheet-metal screws: DIN 7971 [2.9x6.5]

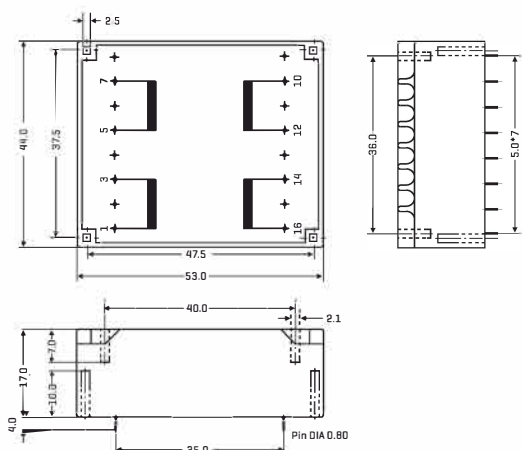
OPTIONS

- Bulk packaging is standard
- Custom design available

COMMON APPLICATIONS

- Medical equipments
- Industrial equipments
- Industrial controls
- Test equipments
- Industrial computers
- Avionics & telecom

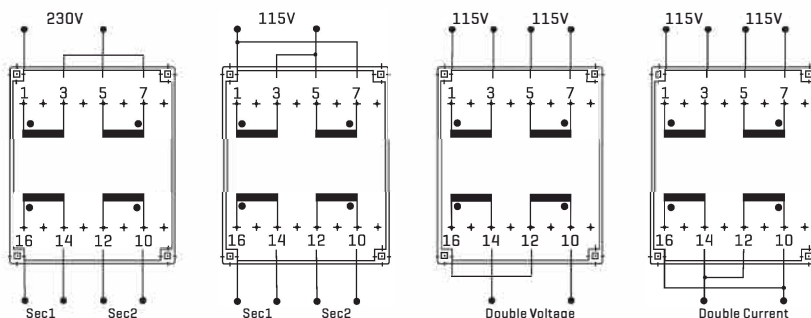
PHYSICAL CHARACTERISTICS



ELECTRICAL CHARACTERISTICS AT 25°C

Part Number	Primary [V]	Secondary [V/mA]	No-load voltage[V]
FAUI300513	2*115	2*6/250	2* 9.8
FAUI300514	2*115	2*9/167	2*14.7
FAUI300515	2*115	2*12/125	2*19.6
FAUI300516	2*115	2*15/100	2*24.5
FAUI300517	2*115	2*18/83	2*29.5
FAUI300518	2*115	2*24/63	2*39.3

TECHNICAL INFORMATION



ALL DIMENSIONS IN MM

4W UI30/7.5 FAUI3007 SERIES



FEATURES

- Frequency 50/60Hz
- Potted under vacuum
- Split-bobbin
- Temperature class ta 70°C/B
- Weight: 0.145kg
- Packaging unit: 15 pieces [tray]
- Fixing material for 2.5mm [0.098 inch]
- Self-tapping screws: DIN 7513 [M 3x8]
- Sheet-metal screws: DIN 7971 [2.9x6.5]

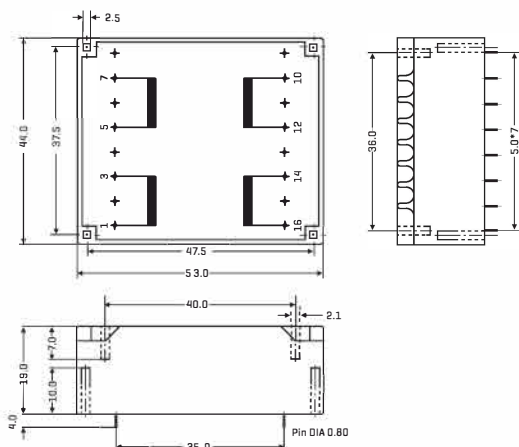
OPTIONS

- Bulk packaging is standard
- Custom design available

COMMON APPLICATIONS

- Medical equipments
- Industrial equipments
- Industrial controls
- Test equipments
- Industrial computers
- Avionics & telecom

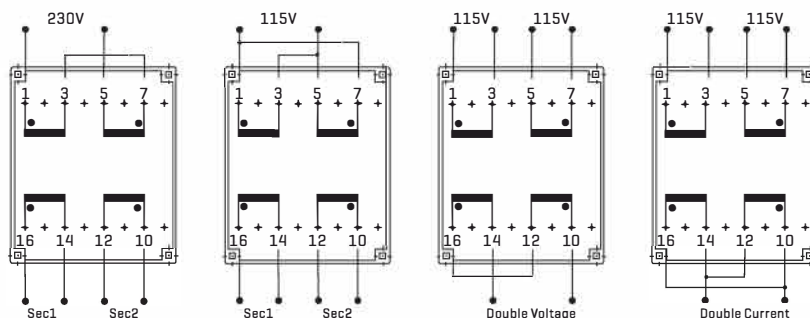
PHYSICAL CHARACTERISTICS



ELECTRICAL CHARACTERISTICS AT 25°C

Part Number	Primary [V]	Secondary [V/mA]	No-load voltage[V]
FAUI300719	2*115	2*6/333	2*9.4
FAUI300720	2*115	2*9/222	2*14.0
FAUI300721	2*115	2*12/166	2*18.6
FAUI300722	2*115	2*15/133	2*23.3
FAUI300723	2*115	2*18/111	2*28.0
FAUI300724	2*115	2*24/83	2*37.4

TECHNICAL INFORMATION



ALL DIMENSIONS IN MM

6W UI30/10.5 FAUI3010 SERIES



FEATURES

- Frequency 50/60Hz
- Potted under vacuum
- Split-bobbin
- Temperature class ta 40°C/B
- Weight: 0.175kg
- Packaging unit: 15 pieces [tray]
- Fixing material for 2.5mm [0.098 inch]
- Self-tapping screws: DIN 7513 [M 3x8]
- Sheet-metal screws: DIN 7971 [2.9x6.5]

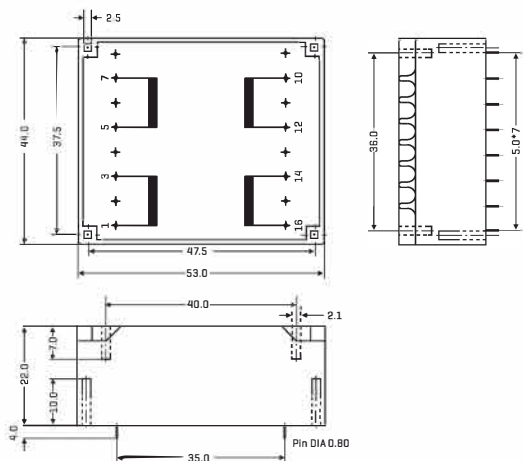
OPTIONS

- Bulk packaging is standard
- Custom design available

COMMON APPLICATIONS

- Medical equipments
- Industrial equipments
- Industrial controls
- Test equipments
- Industrial computers
- Avionics & telecom

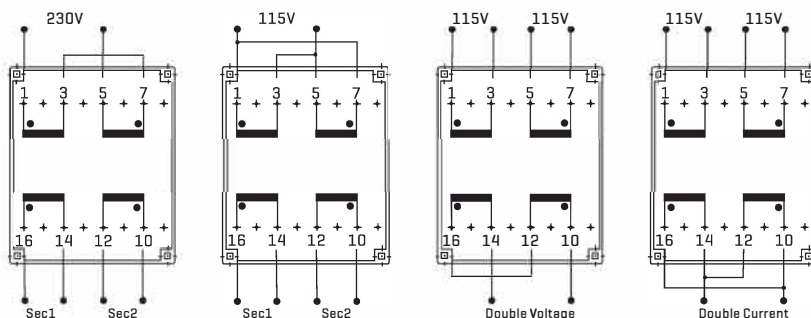
PHYSICAL CHARACTERISTICS



ELECTRICAL CHARACTERISTICS AT 25°C

Part Number	Primary [V]	Secondary [V/mA]	No-load voltage[V]
FAUI301025	2*115	2*6/500	2*8.1
FAUI301026	2*115	2*9/333	2*12.1
FAUI301027	2*115	2*12/250	2*16.2
FAUI301028	2*115	2*15/200	2*20.2
FAUI301029	2*115	2*18/166	2*24.3
FAUI301030	2*115	2*24/125	2*32.3

TECHNICAL INFORMATION



ALL DIMENSIONS IN MM

10W UI30/16.5 FAUI3016 SERIES



FEATURES

- Frequency 50/60Hz
- Potted under vacuum
- Split-bobbin
- Temperature class ta 40°C/B
- Weight: 0.24kg
- Packaging unit: 15 pieces (tray)
- Fixing material for 2.5mm [0.098 inch]
- Self-tapping screws: DIN 7513 [M 3x8]
- Sheet-metal screws: DIN 7971 [2.9x6.5]

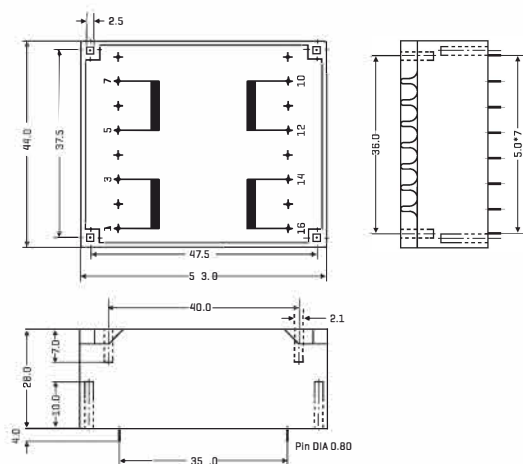
OPTIONS

- Bulk packaging is standard
- Custom design available

COMMON APPLICATIONS

- Medical equipments
- Industrial equipments
- Industrial controls
- Test equipments
- Industrial computers
- Avionics & telecom

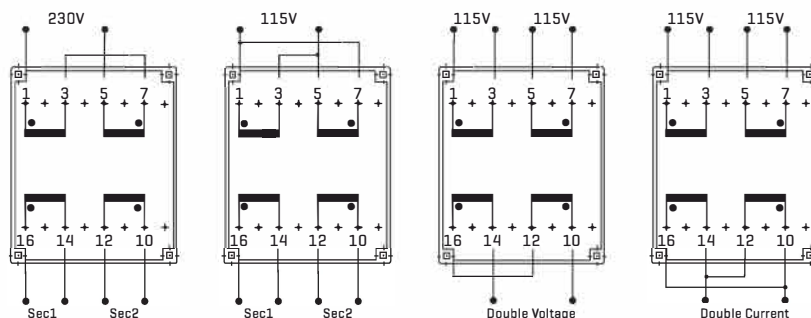
PHYSICAL CHARACTERISTICS



ELECTRICAL CHARACTERISTICS AT 25°C

Part Number	Primary [V]	Secondary [V/mA]	No-load voltage[V]
FAUI301631	2*115	2*6/833	2*7.9
FAUI301632	2*115	2*9/556	2*11.9
FAUI301633	2*115	2*12/417	2*15.9
FAUI301634	2*115	2*15/333	2*19.8
FAUI301635	2*115	2*18/278	2*23.7
FAUI301636	2*115	2*24/208	2*31.7

TECHNICAL INFORMATION



ALL DIMENSIONS IN MM

10W UI39/8 FAUI3908 SERIES



FEATURES

- Frequency 50/60Hz
- Potted under vacuum
- Split-bobbin
- Temperature class ta 40°C/B
- Weight: 0.28kg
- Packaging unit: 10 pieces [tray]
- Fixing material for 2.5mm [0.098 inch]
- Self-tapping screws: DIN 7513 [M 3x8]
- Sheet-metal screws: DIN 7971 [2.9x6.5]

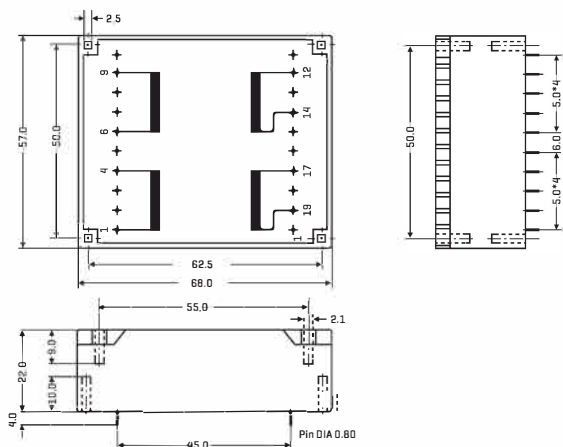
OPTIONS

- Bulk packaging is standard
- Custom design available

COMMON APPLICATIONS

- Medical equipments
- Industrial equipments
- Industrial controls
- Test equipments
- Industrial computers
- Avionics & telecom

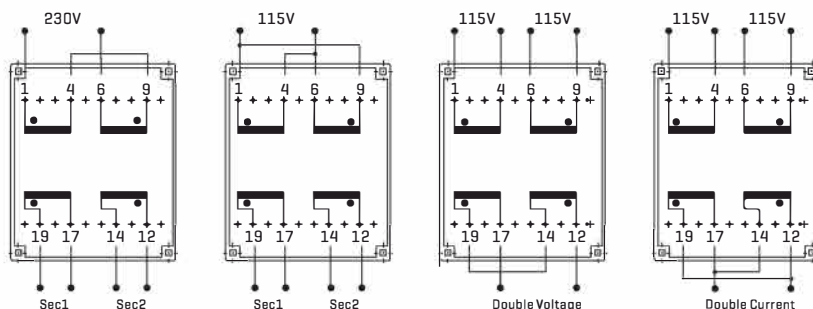
PHYSICAL CHARACTERISTICS



ELECTRICAL CHARACTERISTICS AT 25°C

Part Number	Primary [V]	Secondary [V/mA]	No-load voltage[V]
FAUI390837	2*115	2*6/833	2*8.2
FAUI390838	2*115	2*9/555	2*12.3
FAUI390839	2*115	2*12/416	2*16.4
FAUI390840	2*115	2*15/333	2*20.5
FAUI390841	2*115	2*18/277	2*24.6
FAUI390842	2*115	2*24/208	2*32.8

TECHNICAL INFORMATION



ALL DIMENSIONS IN MM

14W UI39/10.2 FAUI3910 SERIES



FEATURES

- Frequency 50/60Hz
- Potted under vacuum
- Split-bobbin
- Temperature class ta 40°C/B
- Weight: 0.315kg
- Packaging unit: 10 pieces [tray]
- Fixing material for 2.5mm [0.098 inch]
- Self-tapping screws: DIN 7513 [M 3x8]
- Sheet-metal screws: DIN 7971 [2.9x6.5]

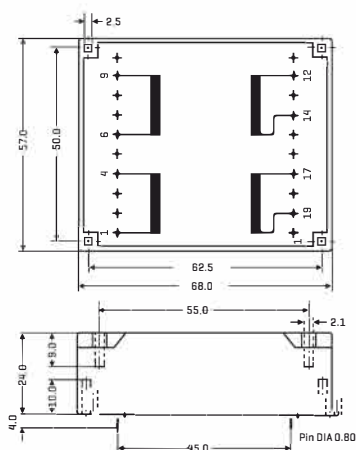
OPTIONS

- Bulk packaging is standard
- Custom design available

COMMON APPLICATIONS

- Medical equipments
- Industrial equipments
- Industrial controls
- Test equipments
- Industrial computers
- Avionics & telecom

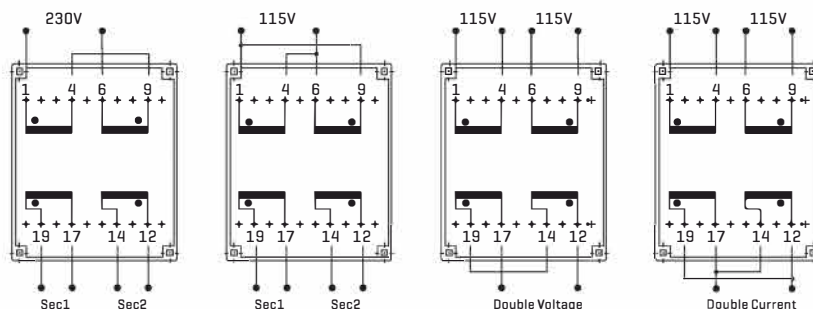
PHYSICAL CHARACTERISTICS



ELECTRICAL CHARACTERISTICS AT 25°C

Part Number	Primary [V]	Secondary [V/mA]	No-load voltage[V]
FAUI391043	2*115	2*6/1166	2*7.5
FAUI391044	2*115	2*9/778	2*11.2
FAUI391045	2*115	2*12/583	2*15.0
FAUI391046	2*115	2*15/467	2*18.8
FAUI391047	2*115	2*18/389	2*22.4
FAUI391048	2*115	2*24/292	2*30.0

TECHNICAL INFORMATION



ALL DIMENSIONS IN MM

18W UI39/13.5 FAUI3913 SERIES



FEATURES

- Frequency 50/60Hz
- Potted under vacuum
- Split-bobbin
- Temperature class ta 40°C/B
- Weight: 0.375kg
- Packaging unit: 10 pieces [tray]
- Fixing material for 2.5mm [0.098 inch]
- Self-tapping screws: DIN 7513 [M 3x8]
- Sheet-metal screws: DIN 7971 [2.9x6.5]

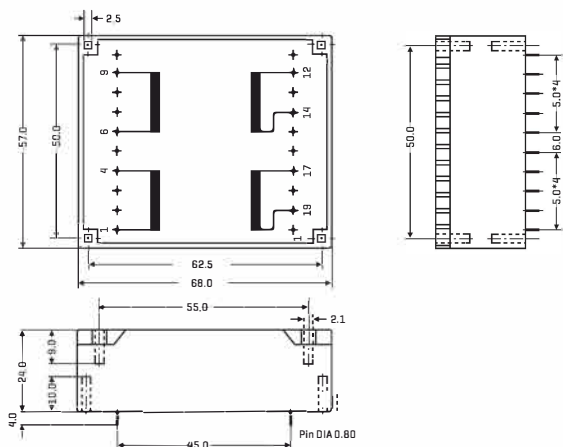
OPTIONS

- Bulk packaging is standard
- Custom design available

COMMON APPLICATIONS

- Medical equipments
- Industrial equipments
- Industrial controls
- Test equipments
- Industrial computers
- Avionics & telecom

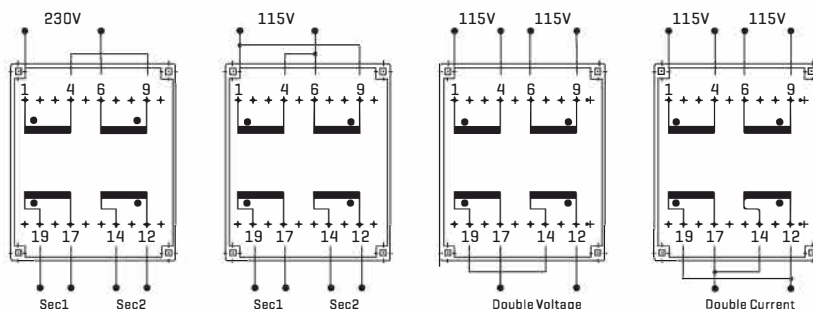
PHYSICAL CHARACTERISTICS



ELECTRICAL CHARACTERISTICS AT 25°C

Part Number	Primary [V]	Secondary [V/mA]	No-load voltage[V]
FAUI391349	2*115	2*6/1500	2*7.7
FAUI391350	2*115	2*9/1000	2*11.3
FAUI391351	2*115	2*12/750	2*15.3
FAUI391352	2*115	2*15/600	2*19.4
FAUI391353	2*115	2*18/500	2*22.5
FAUI391354	2*115	2*24/375	2*30.6

TECHNICAL INFORMATION



ALL DIMENSIONS IN MM

24W UI39/17 FAUI3917 SERIES



FEATURES

- Frequency 50/60Hz
- Potted under vacuum
- Split-bobbin
- Temperature class ta 40°C/B
- Weight: 0.445kg
- Packaging unit: 10 pieces (tray)
- Fixing material for 2.5mm [0.098 inch]
- Self-tapping screws: DIN 7513 [M 3x8]
- Sheet-metal screws: DIN 7971 [2.9x6.5]

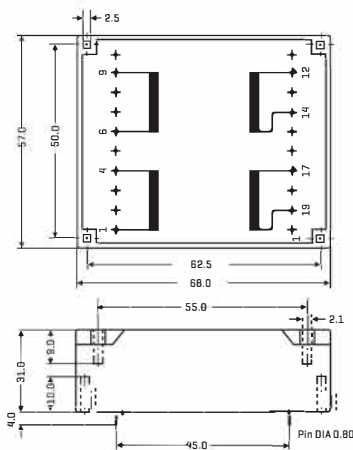
OPTIONS

- Bulk packaging is standard
- Custom design available

COMMON APPLICATIONS

- Medical equipments
- Industrial equipments
- Industrial controls
- Test equipments
- Industrial computers
- Avionics & telecom

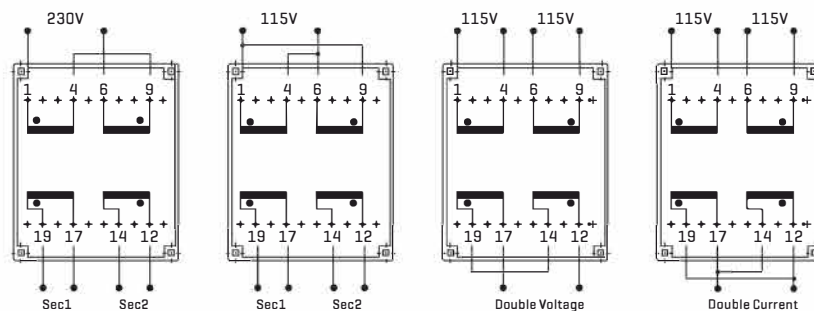
PHYSICAL CHARACTERISTICS



ELECTRICAL CHARACTERISTICS AT 25°C

Part Number	Primary [V]	Secondary [V/mA]	No-load voltage[V]
FAUI391755	2*115	2*6/2000	2*7.2
FAUI391756	2*115	2*9/1333	2*11.1
FAUI391757	2*115	2*12/1000	2*14.4
FAUI391758	2*115	2*15/800	2*19.2
FAUI391759	2*115	2*18/666	2*22.1
FAUI391760	2*115	2*24/500	2*28.8

TECHNICAL INFORMATION



ALL DIMENSIONS IN MM

30W UI39/21 FAUI3921 SERIES



FEATURES

- Frequency 50/60Hz
- Potted under vacuum
- Split-bobbin
- Temperature class ta 40°C/B
- Weight: 0.53kg
- Packaging unit: 10 pieces [tray]
- Fixing material for 2.5mm [0.098 inch]
- Self-tapping screws: DIN 7513 [M 3x8]
- Sheet-metal screws: DIN 7971 [2.9x6.5]

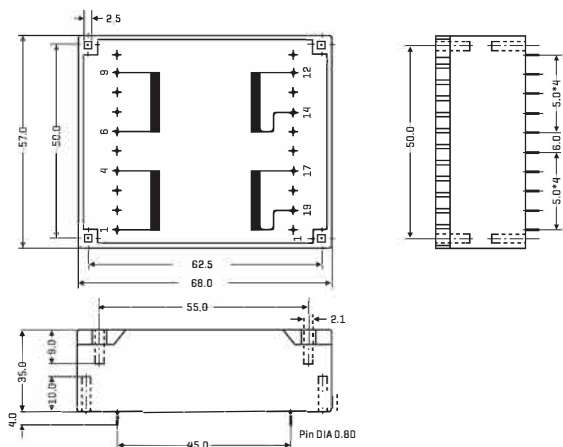
OPTIONS

- Bulk packaging is standard
- Custom design available

COMMON APPLICATIONS

- Medical equipments
- Industrial equipments
- Industrial controls
- Test equipments
- Industrial computers
- Avionics & telecom

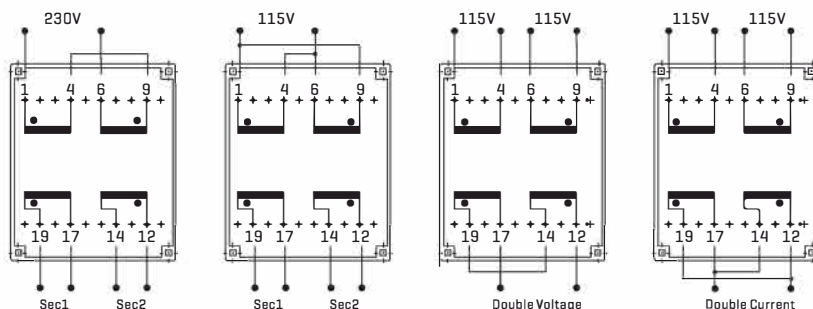
PHYSICAL CHARACTERISTICS



ELECTRICAL CHARACTERISTICS AT 25°C

Part Number	Primary [V]	Secondary [V/mA]	No-load voltage[V]
FAUI392161	2*115	2*6/2500	2*6.7
FAUI392162	2*115	2*9/1666	2*10.3
FAUI392163	2*115	2*12/1250	2*13.5
FAUI392164	2*115	2*15/1000	2*16.8
FAUI392165	2*115	2*18/833	2*20.6
FAUI392166	2*115	2*24/625	2*27.0

TECHNICAL INFORMATION



ALL DIMENSIONS IN MM

40W UI48/17 FAUI4817 SERIES



FEATURES

- Frequency 50/60Hz
- Potted under vacuum
- Split-bobbin
- Temperature class ta 40°C/B
- Weight: 0.445kg
- Packaging unit: 10 pieces [tray]
- Fixing material for 2.5mm [0.098 inch]
- Self-tapping screws: DIN 75 13 [M 3x8]
- Sheet-metal screws: DIN 7971 [2.9x6.5]

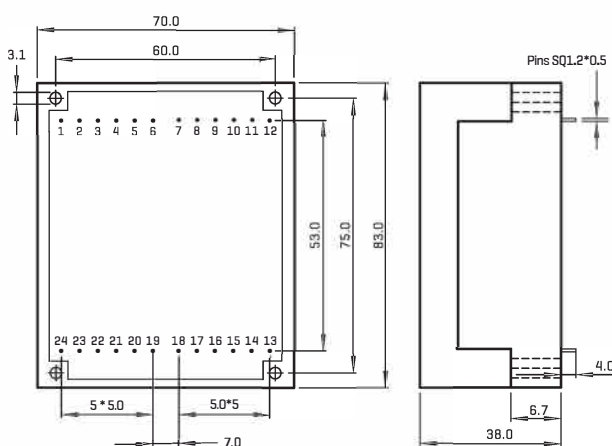
OPTIONS

- Bulk packaging is standard
- Custom design available

COMMON APPLICATIONS

- Medical equipments
- Industrial equipments
- Industrial controls
- Test equipments
- Industrial computers
- Avionics & telecom

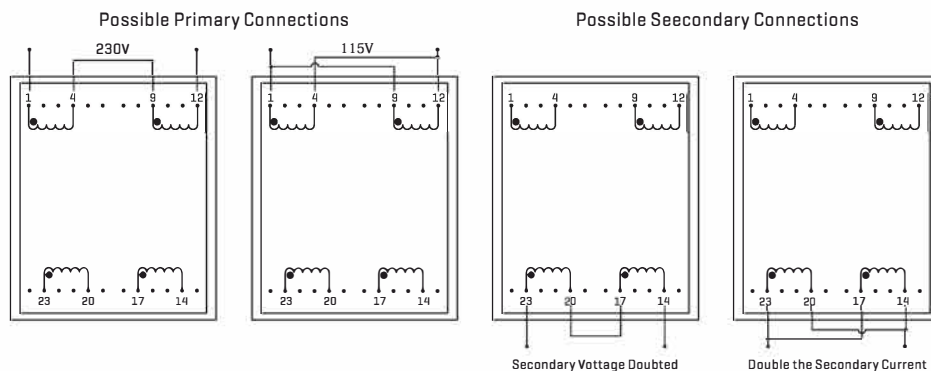
PHYSICAL CHARACTERISTICS



ELECTRICAL CHARACTERISTICS AT 25°C

Part Number	Primary [V]	Secondary [V/mA]	No-load voltage[V]	Fig.
FAUI 481767	2*6	2*3333	2*6.7	1
FAUI 481768	2*9	2*2222	2*10.0	1
FAUI 481769	2*12	2*1667	2*13.4	1
FAUI 481770	2*15	2*1333	2*16.7	1
FAUI 481771	2*18	2*1111	2*20.1	1
FAUI 481772	2*24	2*833	2*26.8	1

TECHNICAL INFORMATION



ALL DIMENSIONS IN MM

60W UI48/26 FAUI4826 SERIES



FEATURES

- Frequency 50/60Hz
- Potted under vacuum
- Split-bobbin
- Temperature class ta 40°C/B
- Weight: 0.53kg
- Packaging unit: 10 pieces [tray]
- Fixing material for 2.5mm [0.098 inch]
- Self-tapping screws: DIN 7513 [M 3x8]
- Sheet-metal screws: DIN 7971 [2.9x6.5]

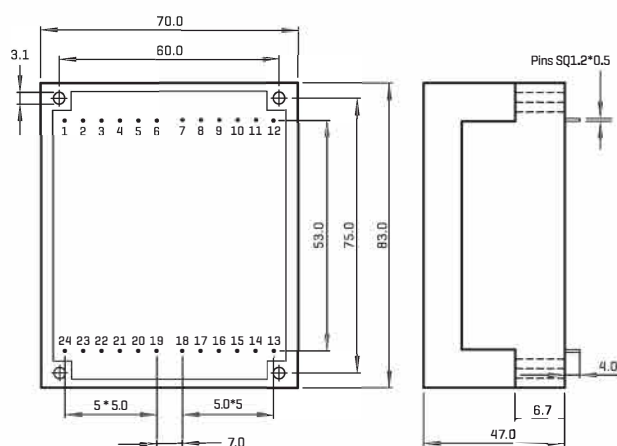
OPTIONS

- Bulk packaging is standard
- Custom design available

COMMON APPLICATIONS

- Medical equipments
- Industrial equipments
- Industrial controls
- Test equipments
- Industrial computers
- Avionics & telecom

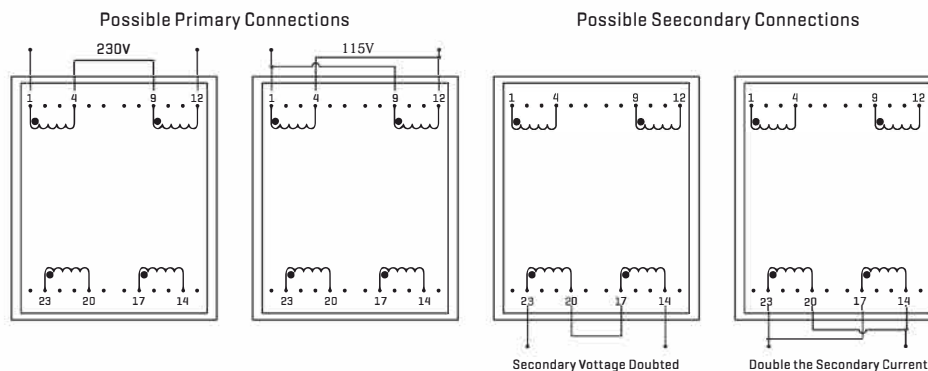
PHYSICAL CHARACTERISTICS



ELECTRICAL CHARACTERISTICS AT 25°C

Part Number	Primary [V]	Secondary [V/mA]	No-load voltage[V]	Fig.
FAUI 482673	2*6	2*5000	2*6.6	1
FAUI 482674	2*9	2*3333	2*9.9	1
FAUI 482675	2*12	2*2500	2*13.1	1
FAUI 482676	2*15	2*2000	2*16.4	1
FAUI 482677	2*18	2*1667	2*19.7	1
FAUI 482678	2*24	2*1250	2*26.3	1

TECHNICAL INFORMATION



ALL DIMENSIONS IN MM

SPARK-LINE-233mH-375mH FAIT2219 SERIES



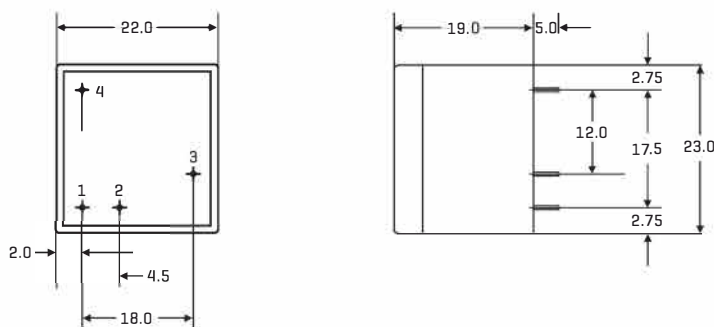
FEATURES

- Compact Design
- Available up to 23kV
- Ambient Temperature 70 °C
- Weight: 0.018kg
- Packaging unit: 55 pieces [tray]

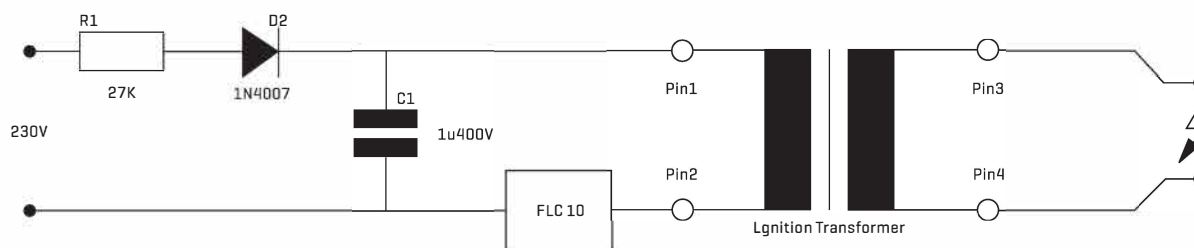
ELECTRICAL CHARACTERISTICS AT 25°C

Part Number	Primary Resistance [±10%] [Pin 1-2]	Secondary Resistance [±10%] [Pin 3-4]	Primary Inductance [±15%] [Pin 1-2]	Secondary Inductance [±15%] [Pin 3-4]	Winding Ratio	Secondary Voltage @ load 30pF	Ambient Temperature	No-Load Operation [MAX]
FAIT2219-200	26mΩ	520Ω	6μH	240mH	1:200	>20kV	70°C	30s
FAIT2219-256	26mΩ	786Ω	6μH	375mH	1:256	>20kV	70°C	30s
FAIT2219-175	59mΩ	822Ω	12μH	340mH	1:175	>23kV	70°C	30s
FAIT2219-150	59mΩ	590Ω	12μH	233mH	1:150	>23kV	70°C	30s

PHYSICAL CHARACTERISTICS



TECHNICAL INFORMATION



SPARK-LINE-SECONDARY EXTERNAL(1X) FAIT3523 SERIES



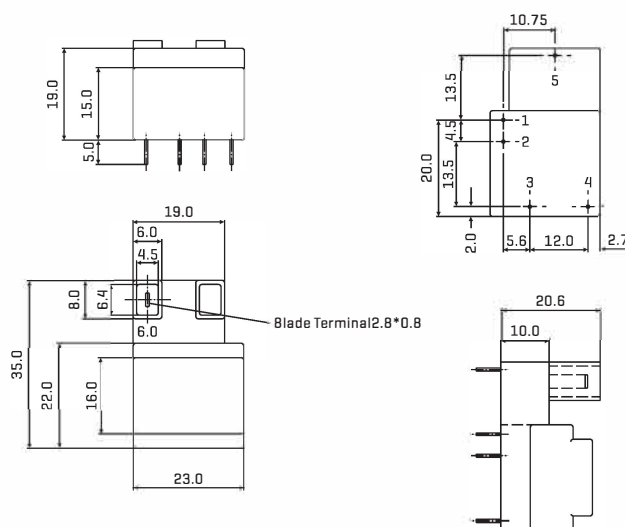
FEATURES

- Compact Design
- Available up to 22kV
- Ambient Temperature 70°C
- Weight: 0.019kg
- Packaging unit: 45 pieces [tray]

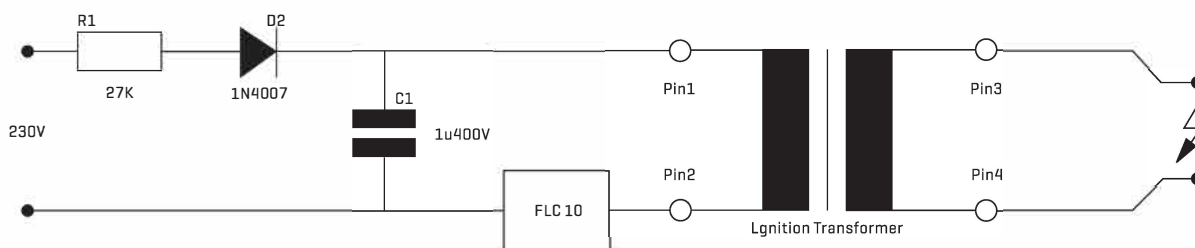
ELECTRICAL CHARACTERISTICS AT 25°C

Part Number	Primary Resistance [±10%] [Pin 1-2]	Secondary Resistance [±10%] [Pin 3-4]	Primary Inductance [±15%] [Pin 1-2]	Secondary Inductance [±15%] [Pin 3-4]	Winding Ratio	Secondary Voltage @ load 30pF >22kV	Ambient Temperature 70°C	No-Load Operation [MAX] 30s
FAIT3523-200	26mΩ	520Ω	6μH	240mH	1:200	>22kV	70°C	30s

PHYSICAL CHARACTERISTICS



TECHNICAL INFORMATION



SPARK-LINE-SECONDARY EXTERNAL(2X) FAIT3523B SERIES



FEATURES

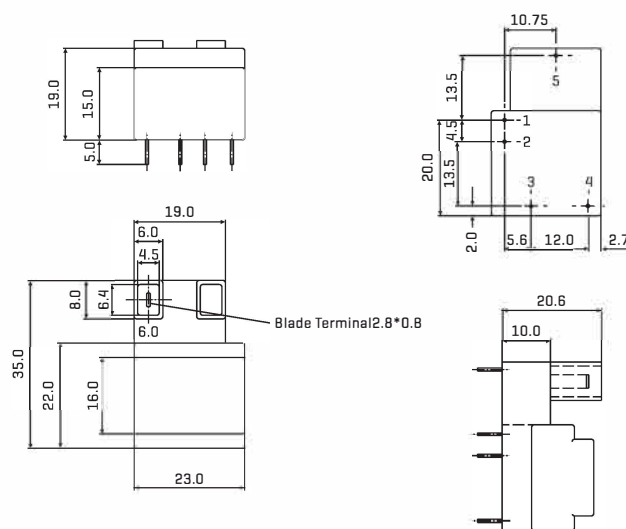
- Compact Design
- Available up to 23kV
- Ambient Temperature 70°C
- Weight: 0.018kg
- Packaging unit: 45 pieces [tray]



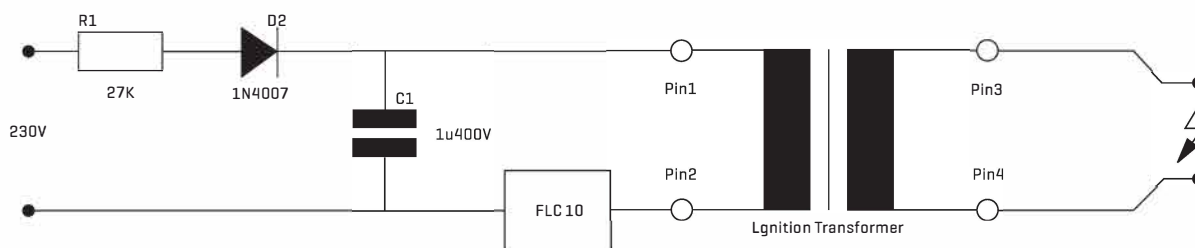
ELECTRICAL CHARACTERISTICS AT 25°C

Part Number	Primary Resistance [±10%] [Pin 1-2]	Secondary Resistance [±10%] [Pin 6-7]	Primary Inductance [±15%] [Pin 1-2]	Secondary Inductance [±15%] [Pin 6-7]	Winding Ratio	Secondary Voltage @ load 30pF	Ambient Temperature	No-Load Operation [MAX]
FAIT3523B-200	26mΩ	520Ω	6μH	240mH	1:200	>22kV	70°C	30s
FAIT3523B-175	59mΩ	822Ω	12μH	340mH	1:175	>23kV	70°C	30s

PHYSICAL CHARACTERISTICS



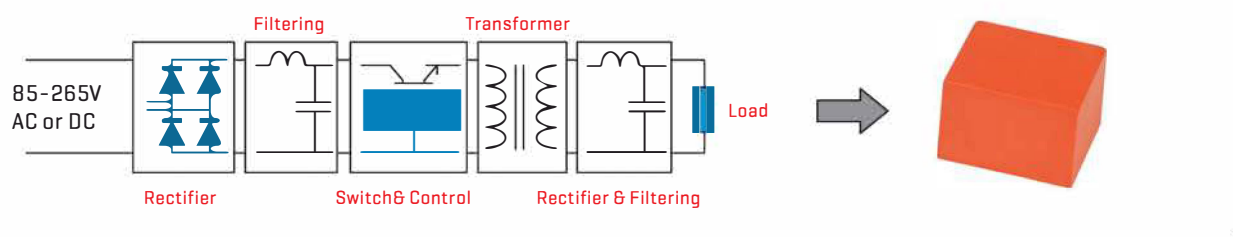
TECHNICAL INFORMATION



POWER SUPPLIES 1W to 60W



Series ASQ1~5W,ASP7~60W



FUAN encapsulated Switched Mode Power Supplies is based on Flyback topology.

They constitute an interesting alternative to the traditional supply in the most common applications of power from 1W to 60W.

ENERGY SAVING due to high efficiency and low standby power.

Application for our Power Supplies:

- Alternative to the linear transformers in all AC/DC applications of power up to 60W
- Alternative to DC/DC converters for application in D.C. current [Telecom supplies,electric substations etc.]
- Industrial,domestic and consumer electronics applications
- Standby devices and others DC or AC auxiliary supplies

With the same footprint as an Ei30 transformer, they will replace:

- 50 Hz Transformer
- Fuse
- Bridge Rectifier
- Filtering Capacitor

Regulated types will also replace linear regulator and heatsink

MAIN FEATURES

Wide input voltage range

Increased power:3 x compared to standard EE20-EI30-EI38 transformers

Better energetic efficiency:70% typical compared to 40% for the conventional supply

Very low Standby Powe consumption: meets requirements of Energy Star or EC Code of Conduct

**Same footprint as EE20-EI30-EI38-EI48 transformer:[1W~10W]
Upgrade your application without redesign of PCB**

SAFETY STANDARDS

- Meets all requirements of:
- EN 60950
 - EN 60335
 - EN 61558-2-16
 - EN 61558-1
 - UL 60950-1
 - CSA 22.2 N°60950-1
 - UL 94-V0

EMC STANDARDS

- Conducted and radiated emissions conform to
- EN 55014-1
 - EN 55032 class B
- Immunity conform to
- EN 55014-2
 - EN 61000-4-x

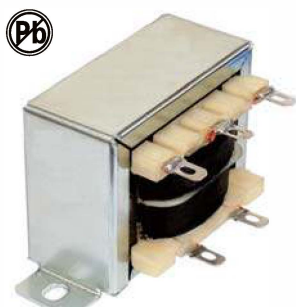
SELECTION GUIDE FOR STANDARD MODLES

Part No.	Cross to Myrra	Output Power	Input Range	Output Parameters	Max.Ambient	Efficiency	Dimension (mm)
ASQ03020	48021	1W,2.5W,3W	85-265VAC	3.3V@300mA,750mA,830mA	80°C ,60°C ,50°C	60%,63%,63%	25.0x25.0x16.0
ASQ03021	48022	1W,2.5W,3W	85-265VAC	5V@200mA,500mA,600mA	80°C ,60°C ,50°C	60%,65%,65%	25.0x25.0x16.0
ASQ03022	48023	1W,2.5W,3W	85-265VAC	9V@110mA,280mA,330mA	80°C ,70°C ,60°C	67%,70%,70%	25.0x25.0x16.0
ASQ03023	48024	1W,2.5W,3W	85-265VAC	12V@84mA,210mA,250mA	80°C ,70°C ,60°C	67%,72%,72%	25.0x25.0x16.0
ASQ03024	48025	1W,2.5W,3W	85-265VAC	15V@67mA,170mA,200mA	80°C ,70°C ,60°C	67%,72%,72%	25.0x25.0x16.0
ASQ03025	48026	1W,2.5W,3W	85-265VAC	18V@56mA,140mA,170mA	80°C ,70°C ,60°C	67%,72%,72%	25.0x25.0x16.0
ASQ03026	48027	1W,2.5W,3W	85-265VAC	24V@42mA,105mA,125mA	80°C ,70°C ,60°C	70%,74%,74%	25.0x25.0x16.0
ASQ05020	47121 47151	2.5W,4.5W	85-265VAC	3.3V@750mA,1350mA	70°C ,50°C	65%	32.8x27.8x21.8
ASQ05021	47122 47152 47132 47162	2.5W,5W	85-265VAC	5V@500mA,900mA	70°C ,50°C	68%	32.8x27.8x21.8
ASQ05022	47123 47153 47133 47163	3.2W,5W	85-265VAC	9V@360mA,560mA	70°C ,50°C	73%	32.8x27.8x21.8
ASQ05023	47124 47154 47134 47164	3.2W,5W	85-265VAC	12V@270mA,420mA	70°C ,50°C	75%	32.8x27.8x21.8
ASQ05024	47125 47155	2.5W,5W	85-265VAC	15V@170mA,320mA	70°C ,50°C	75%	32.8x27.8x21.8
ASQ05025	47135 47165	3.2W,5W	85-265VAC	18V@180mA,280mA	70°C ,50°C	78%	32.8x27.8x21.8
ASQ05026	47126 47156 47136 47166	3.2W,5W	85-265VAC	24V@130mA,210mA	70°C ,50°C	80%	32.8x27.8x21.8
ASQ05027	47157	4.5W	85-265VAC	3.8V@1180mA	50°C	66%	32.8x27.8x21.8
ASP07200	47206	7.5W	85-265VAC	3.3V@2270mA	50°C	74%	41.0x35.0x21.5
ASP07201	47200	7.5W	85-265VAC	5V@1500mA	70°C	77%	41.0x35.0x21.5
ASP07202	47201	7.5W	85-265VAC	9V@830mA	70°C	80%	41.0x35.0x21.5
ASP07203	47202	7.5W	85-265VAC	12V@625mA	70°C	82%	41.0x35.0x21.5
ASP07204	47203	7.5W	85-265VAC	15V@500mA	70°C	82%	41.0x35.0x21.5
ASP07205	47204	7.5W	85-265VAC	18V@420mA	70°C	82%	41.0x35.0x21.5
ASP07206	47205	7.5W	85-265VAC	24V@310mA	70°C	82%	41.0x35.0x21.5
ASP10210	47216	10W	85-265VAC	3.3V@3000mA	50°C	72%	48.0x40.0x26.0
ASP10211	47210	10W	85-265VAC	5V@2000mA	60°C	74%	48.0x40.0x26.0
ASP10212	47211	10W	85-265VAC	9V@1100mA	60°C	80%	48.0x40.0x26.0
ASP10213	47212	10W	85-265VAC	12V@830mA	60°C	82%	48.0x40.0x26.0
ASP10214	47213	10W	85-265VAC	15V@560mA	60°C	82%	48.0x40.0x26.0
ASP10215	47214	10W	85-265VAC	18V@560mA	60°C	82%	48.0x40.0x26.0
ASP10216	47215	10W	85-265VAC	24V@420mA	60°C	82%	48.0x40.0x26.0



L.P.S I.T.E product

CHASSIS-TRAN POWER TRANSFORMERS

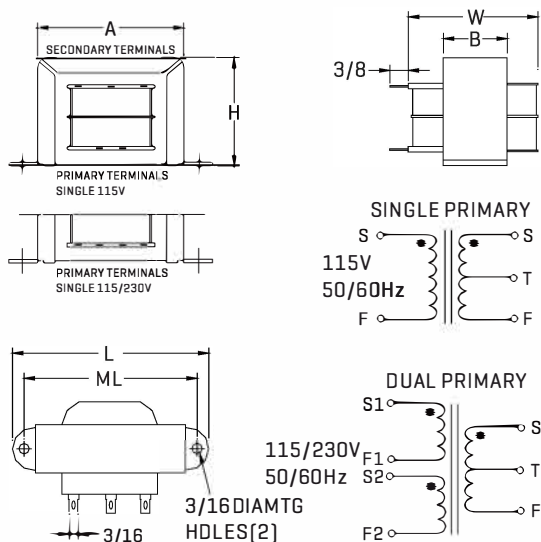


Quick connect or hard wiring ; high isolation.
All parts meet RoHS compliance.

FEATURES

- Channel frame mounting
- High [2500V] isolation ; 2500V RMS HIPOT
- No crossover between primary and secondary winding leads
- Vacuum impregnated
- Available in single or dual primary
- Center tapped secondary offers dual outputs

PHYSICAL CHARACTERISTICS



Size	VA	L	W	H	A	B	ML	Wgt
3	2.4	52.3	26.9	30.0	41.1	14.2	44.4	113g
4	6	60.2	31.7	35.0	42.6	17.3	50.8	199g
5	12	71.4	34.8	41.1	49.0	20.6	60.2	317g
6	30	82.5	42.6	49.0	58.6	26.9	71.3	498g
7	56	93.5	45.9	57.1	68.0	26.9	79.2	771g
8	100	102	57.1	65.0	77.7	33.3	88.9	1247g

ALL DIMENSIONS IN MM

ELECTRICAL CHARACTERISTICS AT 25°C

Part Number	Secondary RMS Rating	
	Single 115V	Dual 115/230V
FACT-3-10	not available	10V C.T. @ 0.25A
FACT-4-10	FADCT-4-10	10V C.T. @ 0.6A
FACT-5-10	FADCT-5-10	10V C.T. @ 1.2A
FACT-6-10	FADCT-6-10	10V C.T. @ 3.0A
FACT-7-10	FADCT-7-10	10V C.T. @ 5.0A
FACT-8-10	FADCT-8-10	10V C.T. @ 10A
FACT-3-12	not available	12.6V C.T. @ 0.2A
FACT-4-12	FADCT-4-12	12.6V C.T. @ 0.5A
FACT-5-12	FADCT-5-12	12.6V C.T. @ 1.0A
FACT-6-12	FADCT-6-12	12.6V C.T. @ 2.5A
FACT-7-12	FADCT-7-12	12.6V C.T. @ 4.0A
FACT-8-12	DCT-8-12	12.6V C.T. @ 8.0A
FACT-3-16	not available	16V C.T. @ 0.15A
FACT-4-16	FADCT-4-16	16V C.T. @ 0.4A
FACT-5-16	FADCT-5-16	16V C.T. @ 0.8A
FACT-6-16	FADCT-6-16	16V C.T. @ 2.0A
FACT-7-16	FADCT-7-16	16V C.T. @ 3.5A
FACT-8-16	DCT-8-16	16V C.T. @ 6.25A
FACT-3-20	not available	20V C.T. @ 0.12A
FACT-4-20	FADCT-4-20	20V C.T. @ 0.3A
FACT-5-20	FADCT-5-20	20V C.T. @ 0.6A
FACT-6-20	FADCT-6-20	20V C.T. @ 1.5A
FACT-7-20	FADCT-7-20	20V C.T. @ 2.8A
FACT-8-20	FADCT-8-20	20V C.T. @ 5.0A
FACT-3-24	not available	24V C.T. @ 0.1A
FACT-4-24	FADCT-4-24	24V C.T. @ 0.25A
FACT-5-24	FADCT-5-24	24V C.T. @ 0.5A
FACT-6-24	FADCT-6-24	24V C.T. @ 1.25A
FACT-7-24	FADCT-7-24	24V C.T. @ 2.4A
FACT-8-24	FADCT-8-24	24V C.T. @ 4.0A
FACT-3-28	not available	28V C.T. @ 0.085A
FACT-4-28	FADCT-4-28	28V C.T. @ 0.2A
FACT-5-28	FADCT-5-28	28V C.T. @ 0.42A
FACT-6-28	FADCT-6-28	28V C.T. @ 1.1A
FACT-7-28	FADCT-7-28	28V C.T. @ 2.0A
FACT-8-28	FADCT-8-28	28V C.T. @ 3.6A
FACT-3-36	not available	36V C.T. @ 0.065A
FACT-4-36	FADCT-4-36	36V C.T. @ 0.17A
FACT-5-36	FADCT-5-36	36V C.T. @ 0.35A
FACT-6-36	FADCT-6-36	36V C.T. @ 0.85A
FACT-7-36	FADCT-7-36	36V C.T. @ 1.5A
FACT-8-36	FADCT-8-36	36V C.T. @ 2.8A
FACT-3-48	not available	48V C.T. @ 0.05A
FACT-4-48	FADCT-4-48	48V C.T. @ 0.125A
FACT-5-48	FADCT-5-48	48V C.T. @ 0.25A
FACT-6-48	FADCT-6-48	48V C.T. @ 0.63A
FACT-7-48	FADCT-7-48	48V C.T. @ 1.2A
FACT-8-48	FADCT-8-48	48V C.T. @ 2.0A
FACT-3-56	not available	56V C.T. @ 0.045A
FACT-4-56	FADCT-4-56	56V C.T. @ 0.11A
FACT-5-56	FADCT-5-56	56V C.T. @ 0.22A
FACT-6-56	FADCT-6-56	56V C.T. @ 0.54A
FACT-7-56	FADCT-7-56	56V C.T. @ 1.0A
FACT-8-56	FADCT-8-56	56V C.T. @ 1.8A
FACT-3-120	not available	120V C.T. @ 0.02A
FACT-4-120	FADCT-4-120	120V C.T. @ 0.05A
FACT-5-120	FADCT-5-120	120V C.T. @ 0.1A
FACT-6-120	FADCT-6-120	120V C.T. @ 0.25A
FACT-7-120	FADCT-7-120	120V C.T. @ 0.5A
FACT-8-120	FADCT-8-120	120V C.T. @ 0.85A

INTERNATIONAL HIGH POWER TRANSFORMERS

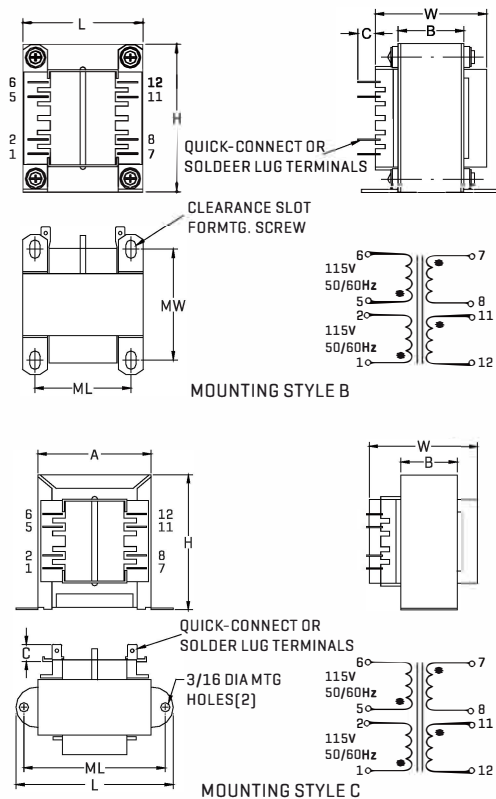


All parts meet RoHS compliance.

FEATURES

- Power - 25VA to 175VA
- Chassis mounting
- Dual bobbin; double reinforced insulation
- High (4000V) isolation
- No crossover between primary and secondary winding leads
- Primaries : Dual primaries [115V/230V - 50/60Hz]
- Secondaries can be series or parallel connected

PHYSICAL CHARACTERISTICS



ELECTRICAL CHARACTERISTICS AT 25°C

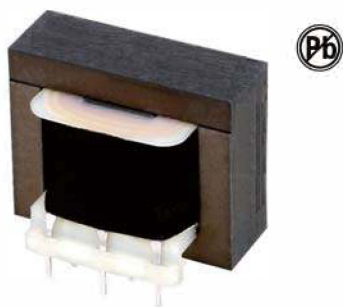
Part Number	VA	Secondary RMS Rating	
		Series	Parallel
FAPA-25-10	25	10V C.T. @ 2.5A	5V @ 5.0A
FAPA-43-10	43	10V C.T. @ 4.3A	5V @ 8.6A
FAPA-80-10	80	10V C.T. @ 8.0A	5V @ 16.0A
FAPA-130-10	130	10V C.T. @ 13.0A	5V @ 26.0A
FAPA-175-10	175	10V C.T. @ 17.5A	5V @ 35.0A
FAPA-25-12	25	12.6V C.T. @ 2.0A	6.3V @ 4.0A
FAPA-43-12	43	12.6V C.T. @ 3.4A	6.3V @ 6.8A
FAPA-80-12	80	12.6V C.T. @ 6.3A	6.3V @ 12.6A
FAPA-130-12	130	12.6V C.T. @ 10.3A	6.3V @ 20.6A
FAPA-175-12	175	12.6V C.T. @ 14.0A	6.3V @ 28.0A
FAPA-25-16	25	16V C.T. @ 1.6A	8V @ 3.2A
FAPA-43-16	43	16V C.T. @ 2.7A	8V @ 5.4A
FAPA-80-16	80	16V C.T. @ 5.0A	8V @ 10.0A
FAPA-130-16	130	16V C.T. @ 8.1A	8V @ 16.2A
FAPA-175-16	175	16V C.T. @ 11.0A	8V @ 22.0A
FAPA-25-20	25	20V C.T. @ 1.25A	10V @ 2.5A
FAPA-43-20	43	20V C.T. @ 2.2A	10V @ 4.4A
FAPA-80-20	80	20V C.T. @ 4.0A	10V @ 8.0A
FAPA-130-20	130	20V C.T. @ 6.5A	10V @ 13.0A
FAPA-175-20	175	20V C.T. @ 8.8A	10V @ 17.6A
FAPA-25-24	25	24V C.T. @ 1A	12V @ 2A
FAPA-43-24	43	24V C.T. @ 1.8A	12V @ 3.6A
FAPA-80-24	80	24V C.T. @ 3.3A	12V @ 6.6A
FAPA-130-24	130	24V C.T. @ 5.4A	12V @ 10.8A
FAPA-175-24	175	24V C.T. @ 7.3A	12V @ 14.6A
FAPA-25-28	25	28V C.T. @ 0.9A	14V @ 1.86A
FAPA-43-28	43	28V C.T. @ 1.5A	14V @ 3.0A
FAPA-80-28	80	28V C.T. @ 2.8A	14V @ 5.6A
FAPA-130-28	130	28V C.T. @ 4.6A	14V @ 9.2A
FAPA-175-28	175	28V C.T. @ 6.25A	14V @ 12.5A
FAPA-25-36	25	36V C.T. @ 0.7A	18V @ 1.4A
FAPA-43-36	43	36V C.T. @ 1.2A	18V @ 2.4A
FAPA-80-36	80	36V C.T. @ 2.2A	18V @ 4.4A
FAPA-130-36	130	36V C.T. @ 3.6A	18V @ 7.2A
FAPA-175-36	175	36V C.T. @ 4.8A	18V @ 9.6A
FAPA-25-230	25	230V C.T. @ 0.11A	115V @ 0.22A
FAPA-43-230	43	230V C.T. @ 0.19A	115V @ 0.38A
FAPA-80-230	80	230V C.T. @ 0.35A	115V @ 0.7A
FAPA-130-230	130	230V C.T. @ 0.57A	115V @ 1.14A
FAPA-175-230	175	230V C.T. @ 0.76A	115V @ 1.52A

VA	Dimensions						Terminals C
	L	W	H	A	B	C	
25	71.4	47.5	58.7	50.8	28.4	7.9	4.7
43	79.2	52.3	68.1	57.2	28.4	7.9	4.7
80	63.5	60.2	76.2	---	34.8	7.9	4.7
130	71.4	72.9	85.6	---	41.1	9.4	6.4
175	79.2	72.9	95.3	---	41.1	9.4	6.4

VA	Mtg. Style	Mtg. Dim.		Mtg. Screw	Wgt
		ML	MW		
25	C	60.2	---	#6	566g
43	C	71.4	---	#6	724g
80	B	50.8	55.4	#6	1268g
130	B	57.2	63.5	#8	1857g
175	B	63.5	63.5	#8	2491g

ALL DIMENSIONS IN MM

CONCENTRIC AND SPLIT BOBBIN VERTICAL PROFILE PLUG-IN TRANSFORMERS



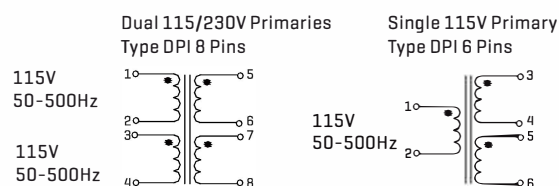
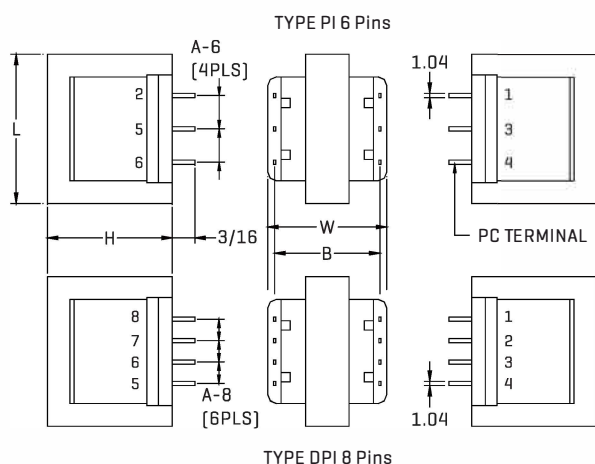
for PC board power isolation

PI SERIES CONCENTRIC VERTICAL MOUNT models provide operation frequencies from 50 to 500Hz. All parts meet RoHS compliance.

FEATURES

- Power - 1.0VA to 24VA
- Dielectric Strength - 1500V RMS HIPOT
- Vacuum impregnated
- Insulation - Class B insulation [130 °C]
- Primaries - Single or dual primaries [115V or 115/230V - 50-500Hz]
- Secondaries - series or parallel Secondary

PHYSICAL CHARACTERISTICS



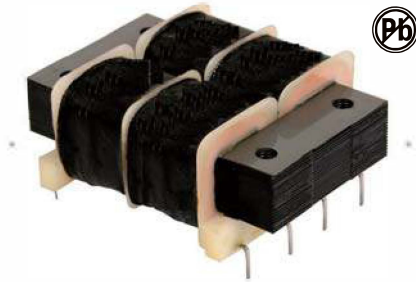
ELECTRICAL CHARACTERISTICS AT 25°C

Part Number		VA	Secondary RMS Rating	
Single 115V 6 Pin	Dual 115/230V 8 Pin		Series V.C.T @ mA	Parallel V @ mA
FAPG-10-90	FADPG-10-90	1.0	10 @ 90	5 @ 180
FAPG-10-120	FADPG-10-120	1.2	10 @ 120	5 @ 240
FAPG-10-440	FADPG-10-440	4.4	10 @ 440	5 @ 880
FAPG-10-1000	FADPG-10-1000	10	10 @ 1000	5 @ 2000
FAPG10-2400	FADPG-10-2400	24	10 @ 2400	5 @ 4800
FAPG-12-70	FADPG-12-70	1.0	12.6 @ 70	6.3 @ 140
FAPG-12-100	FADPG-12-100	1.2	12.6 @ 100	6.3 @ 200
FAPG-12-350	FADPG-12-350	4.4	12.6 @ 350	6.3 @ 700
FAPG-12-800	FADPG-12-800	10	12.6 @ 800	6.3 @ 1600
FAPG-12-2000	FADPG-12-2000	24	12.6 @ 2000	6.3 @ 4000
FAPG-16-55	FADPG-16-55	1.0	16 @ 55	8 @ 110
FAPG-16-75	FADPG-16-75	1.2	16 @ 75	8 @ 150
FAPG-16-260	FADPG-16-260	4.4	16 @ 260	8 @ 520
FAPG-16-640	FADPG-16-640	10	16 @ 640	8 @ 1280
FAPG-16-1500	FADPG-16-1500	24	16 @ 1500	8 @ 3000
FAPG-20-45	FADPG-20-45	1.0	20 @ 45	10 @ 90
FAPG-20-60	FADPG-20-60	1.2	20 @ 60	10 @ 120
FAPG-20-220	FADPG-20-220	4.4	20 @ 220	10 @ 440
FAPG-20-500	FADPG-20-500	10	20 @ 500	10 @ 1000
FAPG-20-1200	FADPG-20-1200	24	20 @ 1200	10 @ 2400
FAPG-24-35	FADPG-24-35	1.0	24 @ 35	12 @ 70
FAPG-24-50	FADPG-24-50	1.2	24 @ 50	12 @ 100
FAPG-24-180	FADPG-24-180	4.4	24 @ 180	12 @ 360
FAPG-24-450	FADPG-24-450	10	24 @ 450	12 @ 900
FAPG-24-1000	FADPG-24-1000	24	24 @ 1000	12 @ 2000
FAPG-28-30	FADPG-28-30	1.0	28 @ 30	14 @ 60
FAPG-28-40	FADPG-28-40	1.2	28 @ 40	14 @ 80
FAPG-28-160	FADPG-28-160	4.4	28 @ 160	14 @ 320
FAPG-28-360	FADPG-28-360	10	28 @ 360	14 @ 720
FAPG-28-800	FADPG-28-800	24	28 @ 800	14 @ 1600
FAPG-34-25	FADPG-34-25	1.0	34 @ 25	17 @ 50
FAPG-34-35	FADPG-34-35	1.2	34 @ 35	17 @ 70
FAPG-34-125	FADPG-34-125	4.4	34 @ 125	17 @ 250
FAPG-34-300	FADPG-34-300	10	34 @ 300	17 @ 600
FAPG-34-700	FADPG-34-700	24	34 @ 700	17 @ 1400
FAPG-40-20	FADPG-40-20	1.0	40 @ 20	20 @ 40
FAPG-40-30	FADPG-40-30	1.2	40 @ 30	20 @ 60
FAPG-40-110	FADPG-40-110	4.4	40 @ 110	20 @ 220
FAPG-40-250	FADPG-40-250	10	40 @ 250	20 @ 500
FAPG-40-600	FADPG-40-600	24	40 @ 600	20 @ 1200
FAPG-56-15	FADPG-56-15	1.0	56 @ 15	28 @ 30
FAPG-56-20	FADPG-56-20	1.2	56 @ 20	28 @ 40
FAPG-56-80	FADPG-56-80	4.4	56 @ 80	28 @ 160
FAPG-56-180	FADPG-56-180	10	56 @ 180	28 @ 360
FAPG-56-420	FADPG-56-420	24	56 @ 420	28 @ 840
FAPG-120-8	FADPG-120-8	1.0	120 @ 8	60 @ 16
FAPG-120-10	FADPG-120-10	1.2	120 @ 10	60 @ 20
FAPG-120-35	FADPG-120-35	4.4	120 @ 35	60 @ 70
FAPG-120-85	FADPG-120-85	10	120 @ 85	60 @ 170
FAPG-120-200	FADPG-120-200	24	120 @ 200	60 @ 400
FAPG-230-4	FADPG-230-4	1.0	230 @ 4	115 @ 8
FAPG-230-5	FADPG-230-5	1.2	230 @ 5	115 @ 10
FAPG-230-20	FADPG-230-20	4.4	230 @ 20	115 @ 40
FAPG-230-40	FADPG-230-40	10	230 @ 40	115 @ 80
FAPG-230-100	FADPG-230-100	24	230 @ 100	115 @ 200

Size	VA	L	W	H	A-6 (6 pin)	A-8 (8 pin)	ML	Wgt
25	1.0	25.4	34.9	21.1	6.35	5.08	30.5	71g
37	1.2	34.9	28.6	30.2	7.92	5.08	25.4	85g
50	4.4	41.3	31.7	34.9	10.2	6.35	27.9	142g
62	10	47.6	36.5	41.3	10.2	6.35	33.0	255g
24	24	41.3	57.1	34.9	10.2	6.35	53.3	340g

ALL DIMENSIONS IN MM

LOW PROFILE PLUG-IN TRANSFORMERS



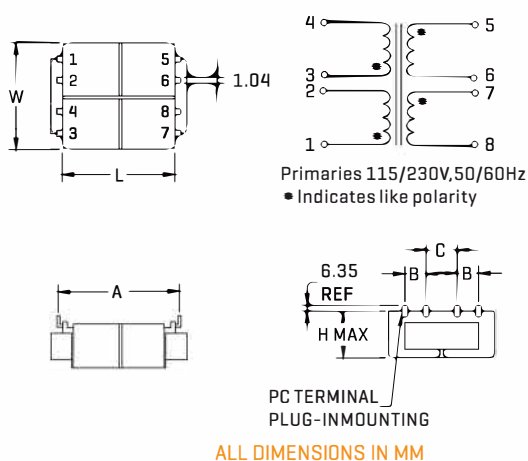
for limited-space PC board applications

These low-profile Plug-in power transformers are wound in a semi-toroidal configuration to minimize both EMI and unit height. They are designed for low-height critical pc board applications in semi-conductor control and instrumentation and for use in single, dual, or reference dc supplies and isolated control circuits. Available in five sizes. All parts meet RoHS compliance.

FEATURES

- Low height profile
- 1500V RMS HIPOT
- PRIMARY : dual primaries [115V/230V] 50/60Hz
- SECONDARY : Series or parallel
- Vacuum impregnated
- Baked resin -- provides fully cured and environmentally
- Sizes 2, 6, and 12 are available as encapsulated and hermetically sealed [request drawings].

PHYSICAL CHARACTERISTICS



Size	L	W	H	A	B	C	Wgt	Reg. [%] (Typ)
2	47.6	39.7	16.5	40.6	9.5	9.5	141g	20
6	47.6	39.7	21.6	40.6	9.5	9.5	198g	18
12	63.5	50.8	27.1	50.8	12.7	12.7	311g	15
24	73.0	57.2	31.8	48.3	15.2	13.5	425g	15
48	79.4	63.5	34.9	55.4	15.2	16.8	595g	12

ELECTRICAL CHARACTERISTICS AT 25°C

Part Number	VA	Secondary RMS Rating	
		Series	Parallel
FAPL-10-250	2	10V C.T. @ 250mA	5V @ 500mA
FAPL-10-600	6	10V C.T. @ 600mA	5V @ 1.20A
FAPL-10-1200	12	10V C.T. @ 1.20A	5V @ 2.40A
FAPL-10-2400	24	10V C.T. @ 2.40A	5V @ 4.80A
FAPL-10-4800	48	10V C.T. @ 4.80A	5V @ 9.60A
FAPL-12-200	2	12.6V C.T. @ 200mA	6.3V @ 400mA
FAPL-12-450	6	12.6V C.T. @ 450mA	6.3V @ 900mA
FAPL-12-900	12	12.6V C.T. @ 900mA	6.3V @ 1.80A
FAPL-12-1900	24	12.6V C.T. @ 1.90A	6.3V @ 3.80A
FAPL-12-3800	48	12.6V C.T. @ 3.80A	6.3V @ 7.60A
FAPL-16-150	2	16V C.T. @ 150mA	8V @ 300mA
FAPL-16-350	6	16V C.T. @ 350mA	8V @ 700mA
FAPL-16-700	12	16V C.T. @ 700mA	8V @ 1.40A
FAPL-16-1500	24	16V C.T. @ 1.50A	8V @ 3.00A
FAPL-16-3000	48	16V C.T. @ 3.00A	8V @ 6.00A
FAPL-18-135	2	18V C.T. @ 135mA	9V @ 270mA
FAPL-18-325	6	18V C.T. @ 325mA	9V @ 650mA
FAPL-18-650	12	18V C.T. @ 650mA	9V @ 1.30A
FAPL-18-1300	24	18V C.T. @ 1.30A	9V @ 2.60A
FAPL-18-2600	48	18V C.T. @ 2.60A	9V @ 5.20A
FAPL-20-125	2	20V C.T. @ 125mA	10V @ 250mA
FAPL-20-300	6	20V C.T. @ 300mA	10V @ 600mA
FAPL-20-600	12	20V C.T. @ 600mA	10V @ 1.20A
FAPL-20-1200	24	20V C.T. @ 1.20A	10V @ 2.40A
FAPL-20-2400	48	20V C.T. @ 2.40A	10V @ 4.80A
FAPL-24-100	2	24V C.T. @ 100mA	12V @ 200mA
FAPL-24-250	6	24V C.T. @ 250mA	12V @ 500mA
FAPL-24-500	12	24V C.T. @ 500mA	12V @ 1.00A
FAPL-24-1000	24	24V C.T. @ 1.00A	12V @ 2.00A
FAPL-24-2000	48	24V C.T. @ 2.00A	12V @ 4.00A
FAPL-28-90	2	28V C.T. @ 90mA	14V @ 180mA
FAPL-28-215	6	28V C.T. @ 215mA	14V @ 430mA
FAPL-28-430	12	28V C.T. @ 430mA	14V @ 860mA
FAPL-28-850	24	28V C.T. @ 850mA	14V @ 1.70A
FAPL-28-1700	48	28V C.T. @ 1.70A	14V @ 3.40A
FAPL-30-85	2	30V C.T. @ 85mA	15V @ 170mA
FAPL-30-200	6	30V C.T. @ 200mA	15V @ 400mA
FAPL-30-400	12	30V C.T. @ 400mA	15V @ 800mA
FAPL-30-800	24	30V C.T. @ 800mA	15V @ 1.60A
FAPL-30-1600	48	30V C.T. @ 1.60A	15V @ 3.20A
FAPL-34-75	2	34V C.T. @ 75mA	17V @ 150mA
FAPL-34-170	6	34V C.T. @ 170mA	17V @ 340mA
FAPL-34-340	12	34V C.T. @ 340mA	17V @ 680mA
FAPL-34-700	24	34V C.T. @ 700mA	17V @ 1.40A
FAPL-34-1400	48	34V C.T. @ 1.40A	17V @ 2.80A
FAPL-40-60	2	40V C.T. @ 60mA	20V @ 120mA
FAPL-40-150	6	40V C.T. @ 150mA	20V @ 300mA
FAPL-40-300	12	40V C.T. @ 300mA	20V @ 600mA
FAPL-40-600	24	40V C.T. @ 600mA	20V @ 1.20A
FAPL-40-1200	48	40V C.T. @ 1.20A	20V @ 2.40A
FAPL-56-45	2	56V C.T. @ 45mA	28V @ 90mA
FAPL-56-100	6	56V C.T. @ 100mA	28V @ 200mA
FAPL-56-200	12	56V C.T. @ 200mA	28V @ 400mA
FAPL-56-425	24	56V C.T. @ 425mA	28V @ 850mA
FAPL-56-850	48	56V C.T. @ 850mA	28V @ 1.70A
FAPL-88-28	2	88V C.T. @ 28mA	44V @ 56mA
FAPL-88-65	6	88V C.T. @ 65mA	44V @ 130mA
FAPL-88-130	12	88V C.T. @ 130mA	44V @ 260mA
FAPL-120-20	2	120V C.T. @ 20mA	60V @ 40mA
FAPL-120-50	6	120V C.T. @ 50mA	60V @ 100mA
FAPL-120-100	12	120V C.T. @ 100mA	60V @ 200mA
FAPL-230-10	2	230V C.T. @ 10mA	115V @ 20mA
FAPL-230-25	6	230V C.T. @ 25mA	115V @ 50mA
FAPL-230-50	12	230V C.T. @ 50mA	115V @ 100mA

INTERNATIONAL PC PLUG-IN POWER TRANSFORMERS

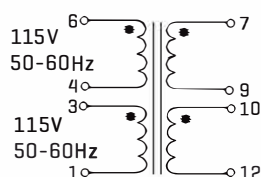
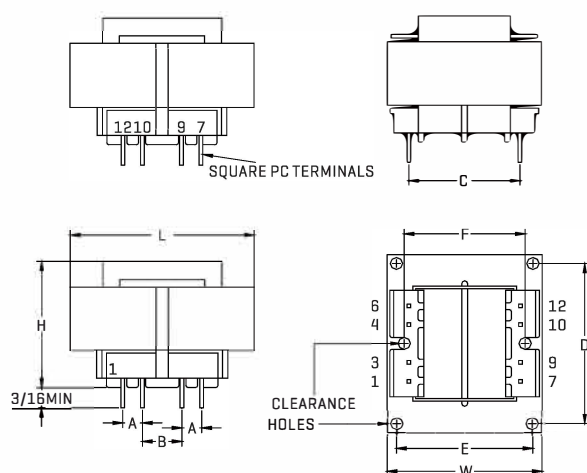


All parts meet RoHS compliance.

FEATURES

- Power – 2.5VA to 56VA
- PC board plug-in mounting
- Dual bobbin; double reinforced insulation
- High (4000V) isolation
- Vacuum impregnated
- Primaries : Dual primaries [115/230V - 50/60Hz]
- Secondaries can be series or parallel connected

PHYSICAL CHARACTERISTICS



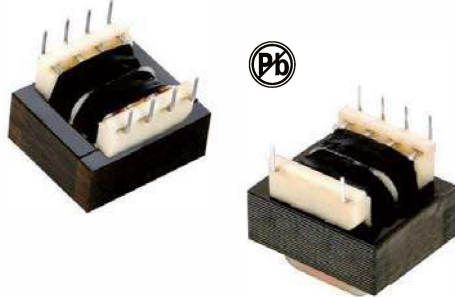
ELECTRICAL CHARACTERISTICS AT 25°C

Part Number	VA	Secondary RMS Rating	
		Series	Parallel
FAPT-2.5-10	2.5	10V C.T. @ 0.25A	10V C.T. @ 0.25A
FAPT-5.0-10	5.0	10V C.T. @ 0.5A	10V C.T. @ 0.5A
FAPT-10-10	10	10V C.T. @ 1.0A	10V C.T. @ 1.0A
FAPT-20-10	20	10V C.T. @ 2.0A	10V C.T. @ 2.0A
FAPT-30-10	30	10V C.T. @ 3.0A	10V C.T. @ 3.0A
FAPT-56-10	56	10V C.T. @ 5.6A	10V C.T. @ 5.6A
FAPT-2.5-12	2.5	12.6V C.T. @ 0.2A	12.6V C.T. @ 0.2A
FAPT-5.0-12	5.0	12.6V C.T. @ 0.4A	12.6V C.T. @ 0.4A
FAPT-10-12	10	12.6V C.T. @ 0.8A	12.6V C.T. @ 0.8A
FAPT-20-12	20	12.6V C.T. @ 1.6A	12.6V C.T. @ 1.6A
FAPT-30-12	30	12.6V C.T. @ 2.4A	12.6V C.T. @ 2.4A
FAPT-56-12	56	12.6V C.T. @ 4.4A	12.6V C.T. @ 4.4A
FAPT-2.5-16	2.5	16V C.T. @ 0.15A	16V C.T. @ 0.15A
FAPT-5.0-16	5.0	16V C.T. @ 0.31A	16V C.T. @ 0.31A
FAPT-10-16	10	16V C.T. @ 0.62A	16V C.T. @ 0.62A
FAPT-20-16	20	16V C.T. @ 1.25A	16V C.T. @ 1.25A
FAPT-30-16	30	16V C.T. @ 1.9A	16V C.T. @ 1.9A
FAPT-56-16	56	16V C.T. @ 3.5A	16V C.T. @ 3.5A
FAPT-2.5-20	2.5	20V C.T. @ 0.12A	20V C.T. @ 0.12A
FAPT-5.0-20	5.0	20V C.T. @ 0.25A	20V C.T. @ 0.25A
FAPT-10-20	10	20V C.T. @ 0.5A	20V C.T. @ 0.5A
FAPT-20-20	20	20V C.T. @ 1.0A	20V C.T. @ 1.0A
FAPT-30-20	30	20V C.T. @ 1.5A	20V C.T. @ 1.5A
FAPT-56-20	56	20V C.T. @ 2.8A	20V C.T. @ 2.8A
FAPT-2.5-24	2.5	24V C.T. @ 0.1A	24V C.T. @ 0.1A
FAPT-5.0-24	5.0	24V C.T. @ 0.21A	24V C.T. @ 0.21A
FAPT-10-24	10	24V C.T. @ 0.42A	24V C.T. @ 0.42A
FAPT-20-24	20	24V C.T. @ 0.83A	24V C.T. @ 0.83A
FAPT-30-24	30	24V C.T. @ 1.25A	24V C.T. @ 1.25A
FAPT-56-24	56	24V C.T. @ 2.33A	24V C.T. @ 2.33A
FAPT-2.5-28	2.5	28V C.T. @ 0.09A	28V C.T. @ 0.09A
FAPT-5.0-28	5.0	28V C.T. @ 0.18A	28V C.T. @ 0.18A
FAPT-10-28	10	28V C.T. @ 0.36A	28V C.T. @ 0.36A
FAPT-20-28	20	28V C.T. @ 0.72A	28V C.T. @ 0.72A
FAPT-30-28	30	28V C.T. @ 1.06A	28V C.T. @ 1.06A
FAPT-56-28	56	28V C.T. @ 2.0A	28V C.T. @ 2.0A
FAPT-2.5-36	2.5	36V C.T. @ 0.07A	36V C.T. @ 0.07A
FAPT-5.0-36	5.0	36V C.T. @ 0.14A	36V C.T. @ 0.14A
FAPT-10-36	10	36V C.T. @ 0.28A	36V C.T. @ 0.28A
FAPT-20-36	20	36V C.T. @ 0.56A	36V C.T. @ 0.56A
FAPT-30-36	30	36V C.T. @ 0.82A	36V C.T. @ 0.82A
FAPT-56-36	56	36V C.T. @ 1.56A	36V C.T. @ 1.56A

VA	Dimensions					
	L	W	H	A	B	C
2.5	41.3	33.3	28.6	5.08	6.35	24.4
5.0	41.3	33.3	34.9	5.08	10.2	25.4
10	47.6	39.7	34.9	5.08	10.2	29.0
20	57.2	47.6	41.3	10.2	10.2	37.1
30	66.7	55.5	39.7	14.0	6.99	42.7
56	76.2	63.5	46	15.2	7.62	48.3
VA	D	E	F	PIN DIM	MTG	Wgt
2.5	---	---	27.0	SQ0.64	#4	113g
5.0	---	---	27.0	SQ0.64	#4	167g
10	---	---	31.8	SQ0.97	#4	240g
20	---	---	38.1	SQ0.97	#4	407g
30	55.4	44.5	---	SQ1.14	#6	520g
56	63.5	50.8	---	SQ1.14	#6	770g

ALL DIMENSIONS IN MM

SPLIT BOBBIN PLUG-IN TRANSFORMERS



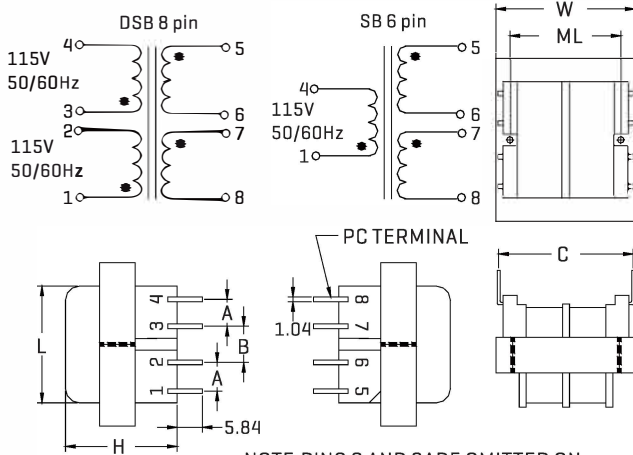
for PC board power isolation

Split bobbin : primaries and secondaries are wound side-by-side rather than concentrically to obtain the benefits listed below. All parts meet RoHS compliance.

FEATURES

- High [2500V] isolation ; 2500V RMS HIPOT
- No crossover contact between primary and secondary leads
- Vacuum impregnated - - withstands modern board washing systems and reduces audible noise
- Class B insulation [130 C]
- Available in single or dual primary
- Series or parallel secondaries

PHYSICAL CHARACTERISTICS



NOTE: PINS 2 AND 3 ARE OMITTED ON SINGLE PRIMARY VERSION

ALL DIMENSIONS IN MM

Size	VA	L	W	H	ML	A	B	C	Wgt
2	1.1	28.7	28.7	23.9	---	6.35	6.35	30.5	77g
3	2.4	35.1	28.7	30.2	---	6.35	6.35	30.5	113g
4	6	40.6	33.3	33.3	2.69	6.35	6.35	32.5	199g
5	12	47.2	39.6	36.6	31.8	7.62	7.62	35.8	317g
6	20	57.2	47.2	36.6	38.1	7.62	7.62	40.6	362g
7	36	66.8	55.6	39.6	Note	10.2	10.2	45.7	498g

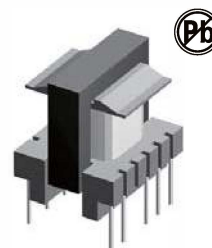
Notes : Size 7 has 4 mtg. holes on 2 3/16 x 13/4 centers.

ELECTRICAL CHARACTERISTICS AT 25°C

Part Number		Secondary RMS Rating	
Single 115V 6Pin	Dual 115/230V 8Pin	Series	Parallel
FASB-2-10	FADSB-2-10	10V C.T. @ 0.11A	5V @ 0.22A
FASB-3-10	FADSB-3-10	10V C.T. @ 0.25A	5V @ 0.5A
FASB-4-10	FADSB-4-10	10V C.T. @ 0.6A	5V @ 1.2A
FASB-5-10	FADSB-5-10	10V C.T. @ 1.2A	5V @ 2.4A
FASB-6-10	FADSB-6-10	10V C.T. @ 2A	5V @ 4A
FASB-7-10	FADSB-7-10	10V C.T. @ 3.6A	5V @ 7.2A
FASB-2-12	FADSB-2-12	12.6V C.T. @ 0.09A	6.3V @ 0.18A
FASB-3-12	FADSB-3-12	12.6V C.T. @ 0.2A	6.3V @ 0.4A
FASB-4-12	FADSB-4-12	12.6V C.T. @ 0.5A	6.3V @ 1.0A
FASB-5-12	FADSB-5-12	12.6V C.T. @ 1.0A	6.3V @ 2.0A
FASB-6-12	FADSB-6-12	12.6V C.T. @ 1.6A	6.3V @ 3.2A
FASB-7-12	FADSB-7-12	12.6V C.T. @ 2.85A	6.3V @ 5.7A
FASB-2-16	FADSB-2-16	16V C.T. @ 0.07A	8V @ 0.14A
FASB-3-16	FADSB-3-16	16V C.T. @ 0.15A	8V @ 0.3A
FASB-4-16	FADSB-4-16	16V C.T. @ 0.4A	8V @ 0.8A
FASB-5-16	FADSB-5-16	16V C.T. @ 0.8A	8V @ 1.6A
FASB-6-16	FADSB-6-16	16V C.T. @ 1.25A	8V @ 2.5A
FASB-7-16	FADSB-7-16	16V C.T. @ 2.25A	8V @ 4.5A
FASB-2-20	FADSB-2-20	20V C.T. @ 0.055A	10V @ 0.11A
FASB-3-20	FADSB-3-20	20V C.T. @ 0.12A	10V @ 0.24A
FASB-4-20	FADSB-4-20	20V C.T. @ 0.3A	10V @ 0.6A
FASB-5-20	FADSB-5-20	20V C.T. @ 0.6A	10V @ 1.2A
FASB-6-20	FADSB-6-20	20V C.T. @ 1A	10V @ 2A
FASB-7-20	FADSB-7-20	20V C.T. @ 1.8A	10V @ 3.6A
FASB-2-24	FADSB-2-24	24V C.T. @ 0.045A	12V @ 0.09A
FASB-3-24	FADSB-3-24	24V C.T. @ 0.1A	12V @ 0.2A
FASB-4-24	FADSB-4-24	24V C.T. @ 0.25A	12V @ 0.5A
FASB-5-24	FADSB-5-24	24V C.T. @ 0.5A	12V @ 1.0A
FASB-6-24	FADSB-6-24	24V C.T. @ 0.8A	12V @ 1.6A
FASB-7-24	FADSB-7-24	24V C.T. @ 1.5A	12V @ 3.0A
FASB-2-28	FADSB-2-28	28V C.T. @ 0.04A	14V @ 0.08A
FASB-3-28	FADSB-3-28	28V C.T. @ 0.085A	14V @ 0.17A
FASB-4-28	FADSB-4-28	28V C.T. @ 0.2A	14V @ 0.4A
FASB-5-28	FADSB-5-28	28V C.T. @ 0.42A	14V @ 0.84A
FASB-6-28	FADSB-6-28	28V C.T. @ 0.7A	14V @ 1.4A
FASB-7-28	FADSB-7-28	28V C.T. @ 1.3A	14V @ 2.6A
FASB-2-36	FADSB-2-36	36V C.T. @ 0.03A	18V @ 0.06A
FASB-3-36	FADSB-3-36	36V C.T. @ 0.065A	18V @ 0.13A
FASB-4-36	FADSB-4-36	36V C.T. @ 0.17A	18V @ 0.34A
FASB-5-36	FADSB-5-36	36V C.T. @ 0.35A	18V @ 0.7A
FASB-6-36	FADSB-6-36	36V C.T. @ 0.55A	18V @ 1.1A
FASB-7-36	FADSB-7-36	36V C.T. @ 1.0A	18V @ 2.0A
FASB-2-48	FADSB-2-48	48V C.T. @ 0.023A	24V @ 0.046A
FASB-3-48	FADSB-3-48	48V C.T. @ 0.05A	24V @ 0.1A
FASB-4-48	FADSB-4-48	48V C.T. @ 0.125A	24V @ 0.25A
FASB-5-48	FADSB-5-48	48V C.T. @ 0.25A	24V @ 0.5A
FASB-6-48	FADSB-6-48	48V C.T. @ 0.4A	24V @ 0.8A
FASB-7-48	FADSB-7-48	48V C.T. @ 0.75A	24V @ 1.5A
FASB-2-56	FADSB-2-56	56V C.T. @ 0.02A	28V @ 0.04A
FASB-3-56	FADSB-3-56	56V C.T. @ 0.045A	28V @ 0.09A
FASB-4-56	FADSB-4-56	56V C.T. @ 0.11A	28V @ 0.22A
FASB-5-56	FADSB-5-56	56V C.T. @ 0.22A	28V @ 0.44A
FASB-6-56	FADSB-6-56	56V C.T. @ 0.35A	28V @ 0.7A
FASB-7-56	FADSB-7-56	56V C.T. @ 0.65A	28V @ 1.3A
FASB-2-120	FADSB-2-120	120V C.T. @ 0.01A	60V @ 0.02A
FASB-3-120	FADSB-3-120	120V C.T. @ 0.02A	60V @ 0.04A
FASB-4-120	FADSB-4-120	120V C.T. @ 0.05A	60V @ 0.1A
FASB-5-120	FADSB-5-120	120V C.T. @ 0.1A	60V @ 0.2A
FASB-6-120	FADSB-6-120	120V C.T. @ 0.16A	60V @ 0.32A
FASB-7-120	FADSB-7-120	120V C.T. @ 0.3A	60V @ 0.6A

Primary Ratings : "SB" 115V 50/60Hz 6-pin
"DSB" 115/230V 50/60Hz 8-pin
[Other primary ratings available on request.]

1-6W E16-SINGLE OUTPUT FLYBACK TRANSFORMERS FAT74001,74002 SERIES



FEATURES

Primary / Secondary Insulation $\geq 4000V$
 Primary Auxillary Insulation $\geq 1500V$
 Creepage distances Primary / secondary $\geq 6mm$

OPTIONS

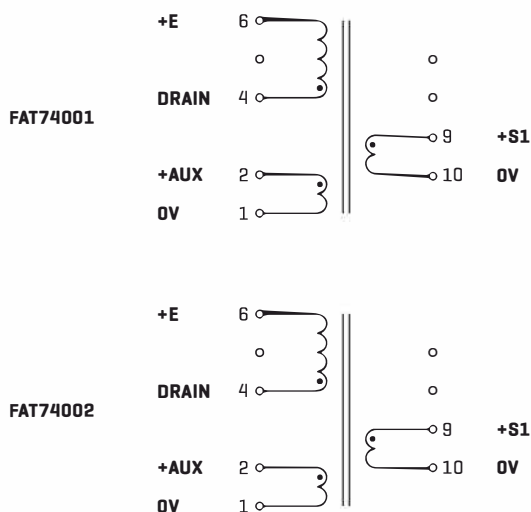
Bulk packaging is standard
 Custom design available

COMMON APPLICATIONS

AC-DC converters
 DC-DC converters
 Switch Power supplies
 SMPS: Flyback, Forward and Push-pull
 SMPS: Half Bridge and Full Bridge

TECHNICAL INFORMATION

Ambient temperature $< 60^{\circ}C$
 Construction confirms to CEI950, CEI335, CEI61558 for reinforced insulation
 Exclusively uses UL94-V0 listed materials



Note: PIN 3 Removed, PCB Drilling Diameter = 1.1mm

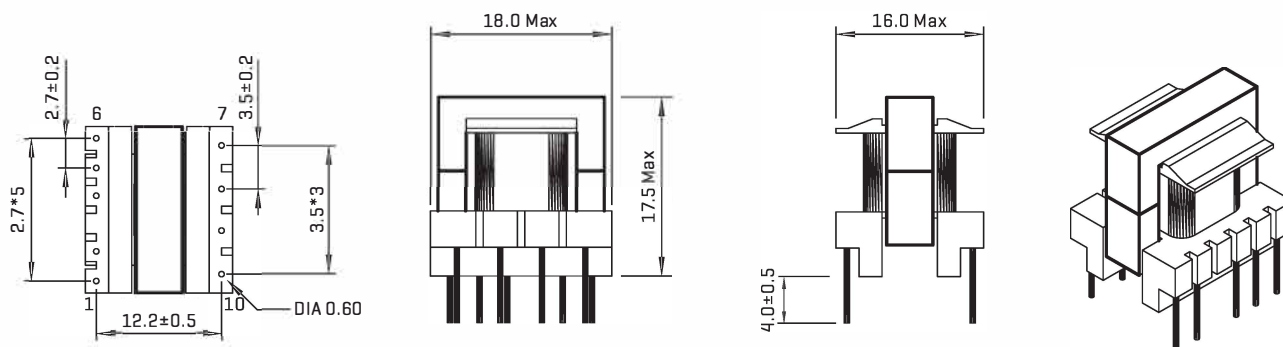
ELECTRICAL CHARACTERISTICS AT 25°C

Control IC Manufacturer	Input voltage	Power	Frequency
Infineon	185-265Vrms	6 W	100 kHz
Motorola	85-265Vrms	6 W	100 kHz
Power Integrations	85-265Vrms	6 W	132 kHz
ST Microelectronics	85-265Vrms	6 W	70 kHz
ST Microelectronics	85-265Vrms	3 W	40 kHz

SIZE E16 - SINGLE OUTPUT : 5 or 12V - FLYBACK TRANSFORMER						
Part Number	Output Power max	Windings				
		Pins	Turns	Voltage	Current max	Inductance [+/-10%]
FAT 74001	6W	Pri 4-6	138	85-265Vrms	0.35 Apeak	3000μH
		Aux 2-1	16	8-16Vdc	0.1 Adc	
		S1 9-10	8	3-6Vdc	1.2 Adc	
FAT 74002	6W	Pri 4-6	150	85-265Vrms	0.38 Apeak	3000μH
		Aux 2-1	22	8.5-17Vdc	0.1 Adc	
		S1 9-10	24	9-18Vdc	0.5 Adc	

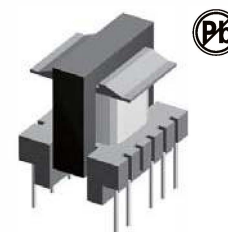
Note: Regulation with auxiliary winding

PHYSICAL CHARACTERISTICS



ALL DIMENSIONS IN MM

1-6W E16-2 OUTPUT FLYBACK TRANSFORMERS FAT74000,74003 SERIES



FEATURES

Primary / Secondary Insulation $\geq 4000V$
 Primary Auxiliary Insulation $\geq 1500V$
 Creepage distances Primary / secondary $\geq 6mm$

OPTIONS

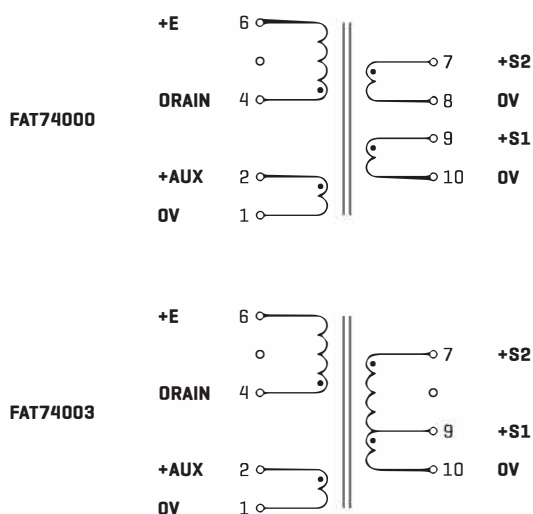
Bulk packaging is standard
 Custom design available

COMMON APPLICATIONS

AC-DC converters
 DC-DC converters
 Switch Power supplies
 SMPS: Flyback, Forward and Push-pull
 SMPS: Half Bridge and Full Bridge

TECHNICAL INFORMATION

Ambient temperature $< 70^{\circ}C$
 Construction confirms to CEI950, CEI335, CEI61558 for reinforced insulation
 Exclusively uses UL94-V0 listed materials



Note: PIN 3 Removed, PCB Drilling Diameter = 1.1mm

ELECTRICAL CHARACTERISTICS AT 25°C

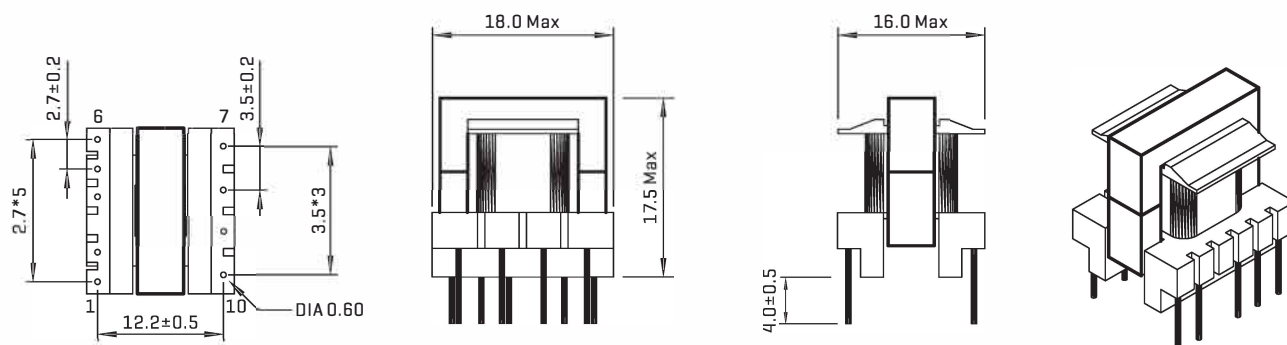
74000 E16 5w 5/12V			
Control IC Manufacturer	Input voltage	Power	Frequency
Power Integrations	85-265Vrms	5 W	132 kHz
ST Microelectronics	85-265Vrms	4 W	70 kHz

74003 E16 5w 5/12V			
Control IC Manufacturer	Input voltage	Power	Frequency
Infineon	185-265Vrms	6 W	100 kHz
Motorola	85-265Vrms	6 W	100 kHz
Power Integrations	85-265Vrms	5 W	132 kHz
ST Microelectronics	85-265Vrms	6 W	70 kHz
ST Microelectronics	85-265Vrms	3 W	40 kHz

SIZE E16 - SINGLE OUTPUT : 5 or 12V - FLYBACK TRANSFORMER						
Part Number	Output Power max	Windings				
		Pins	Turns	Voltage	Current max	Inductance [+/-10%]
FAT 74000	5W	Pri 4-6	138	85-265Vrms	0.27Apeak	3900μH
		Aux 2-1	16	7-14Vdc	0.1Adc	
		S1 9-10	8	3.3-7Vdc	1.2Adc	
		S2 7-8	19	8-17Vdc	0.4Adc	
FAT 74003	5W	Pri 4-6	120	85-265Vrms	0.3Apeak	3000μH
		Aux 2-1	17	8-16Vdc	0.1Adc	
		S1 9-10	5	2-4Vdc	1.8Adc	
		S2 7-10	7	3-6Vdc	1.2Adc	

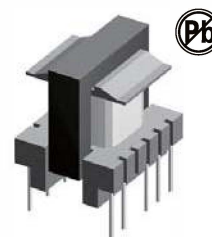
Note: Regulation with auxiliary winding

PHYSICAL CHARACTERISTICS



ALL DIMENSIONS IN MM

1-9W E16-SINGLE OUTPUT FLYBACK TRANSFORMERS FAT74090,74091 SERIES



FEATURES

Primary / Secondary Insulation $\geq 4000V$
 Creepage distances Primary / secondary $\geq 6mm$

OPTIONS

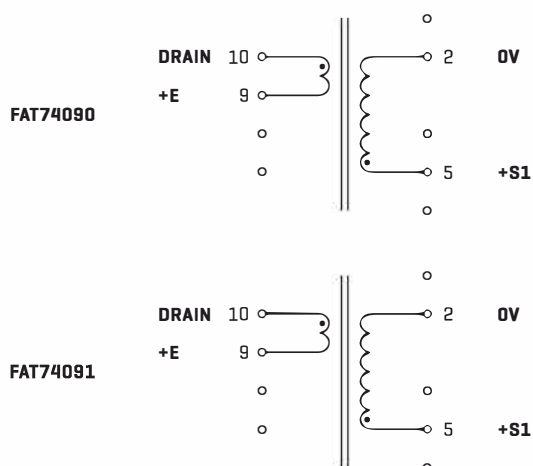
Bulk packaging is standard
 Custom design available

COMMON APPLICATIONS

AC-DC converters
 DC-DC converters
 Switch Power supplies
 SMPS: Flyback, Forward and Push-pull
 SMPS: Half Bridge and Full Bridge

TECHNICAL INFORMATION

Ambient temperature $< 85^{\circ}C$
 Construction confirms to CEI950, CEI335, CEI61558 for reinforced insulation
 Exclusively uses UL94-V0 listed materials



ELECTRICAL CHARACTERISTICS AT 25°C

74090			
Control IC Manufacturer	Input voltage	Power	Frequency
Power Integrations	85-265Vrms	1.5W	44kHz

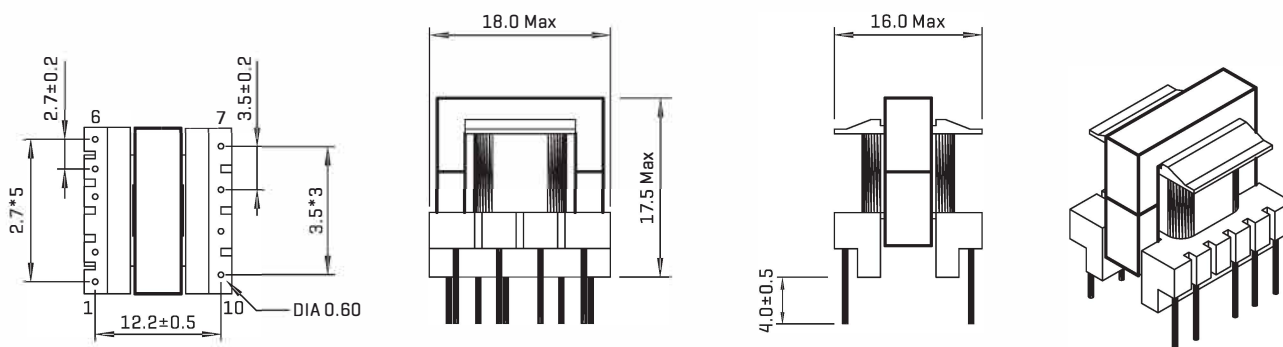
74091			
Control IC Manufacturer	Input voltage	Power	Frequency
Power Integrations	85-265Vrms	1.5W	44kHz

SIZE E16 - SINGLE OUTPUT : 5 or 12V - FLYBACK TRANSFORMER						
Part Number	Output Power max	Windings				
		Pins	Turns	Voltage	Current max	Inductance (+/-10%)
FAT 74090	1.5W	Pri 10-9	228	85-265Vrms	0.28 Apeak	6000 μ H
		S1 5-2	16	3.3-6Vdc	0.4 Adc	
FAT 74091	1.5W	Pri 10-9	228	85-265Vrms	0.28 Apeak	6000 μ H
		S1 5-2	28	7.5-15Vdc	0.2 Adc	

Note: PIN 3 Removed, PCB Drilling Diameter = 1.1mm

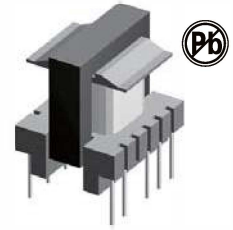
Note: Regulation with auxiliary winding

PHYSICAL CHARACTERISTICS



ALL DIMENSIONS IN MM

1-9W E16-SINGLE OUTPUT FLYBACK TRANSFORMERS FAT74092,74093 SERIES



FEATURES

Primary / Secondary Insulation $\geq 4000V$
 Creepage distances Primary / secondary $\geq 6mm$

OPTIONS

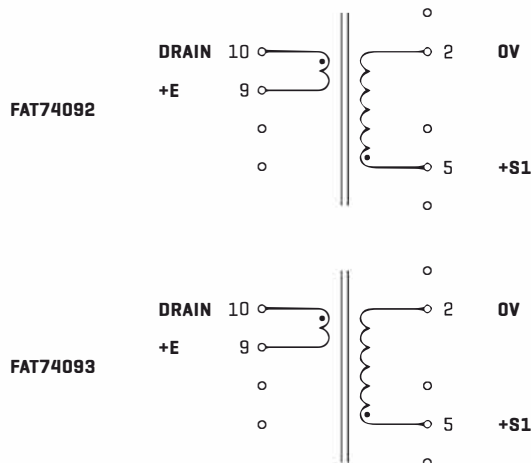
Bulk packaging is standard
 Custom design available

COMMON APPLICATIONS

AC-DC converters
 DC-DC converters
 Switch Power supplies
 SMPS: Flyback, Forward and Push-pull
 SMPS: Half Bridge and Full Bridge

TECHNICAL INFORMATION

Ambient temperature $< 70^{\circ}C$
 Construction confirms to CEI950, CEI335, CEI61558 for reinforced insulation
 Exclusively uses UL94-V0 listed materials



Note: PIN 3 Removed, PCB Drilling Diameter = 1.1mm

ELECTRICAL CHARACTERISTICS AT 25°C

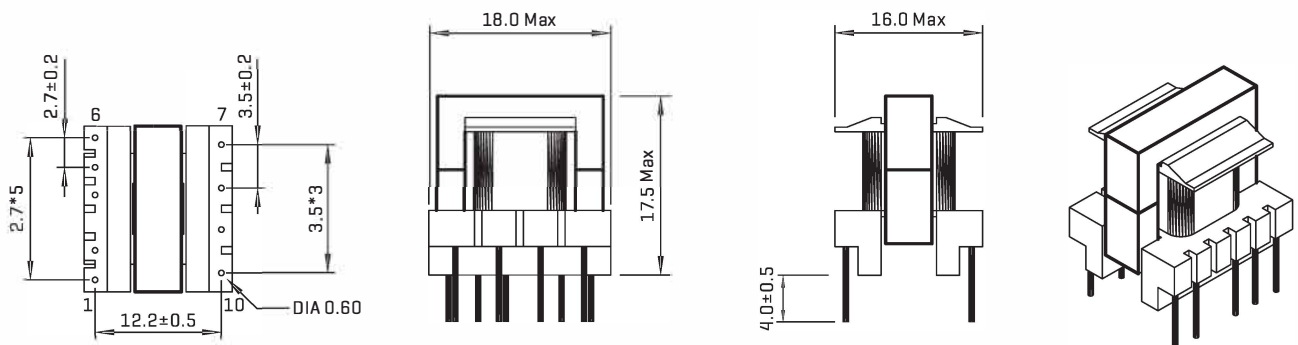
74092			
Control IC Manufacture	Input voltage	Power	Frequency
Power Integrations	85-265Vrms	3.1W	44kHz

74093			
Control IC Manufacturer	Input voltage	Power	Frequency
Power Integrations	85-265Vrms	3.1W	44kHz

SIZE E16 - SINGLE OUTPUT : 5 or 12V - FLYBACK TRANSFORMER						
Part Number	Output Power max	Windings				
		Pins	Turns	Voltage	Current max	Inductance [+/-10%]
FAT 74092	3.1W	Pri 10-9	191	85-265Vrms	0.34Apeak	4200μH
		S1 5-2	13	3.3-6Vdc	0.9Adc	
FAT 74093	3.1W	Pri 10-9	191	85-265Vrms	0.34Apeak	4200μH
		S1 5-2	24	7.5-15Vdc	0.4Adc	

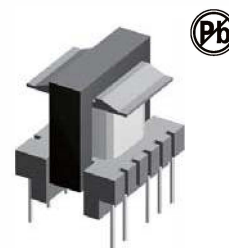
Note: Regulation with auxiliary winding

PHYSICAL CHARACTERISTICS



ALL DIMENSIONS IN MM

1-9W E16-SINGLE OUTPUT FLYBACK TRANSFORMERS FAT74094,74095 SERIES



FEATURES

Primary / Secondary Insulation $\geq 4000V$
 Creepage distances Primary / secondary $\geq 6mm$

OPTIONS

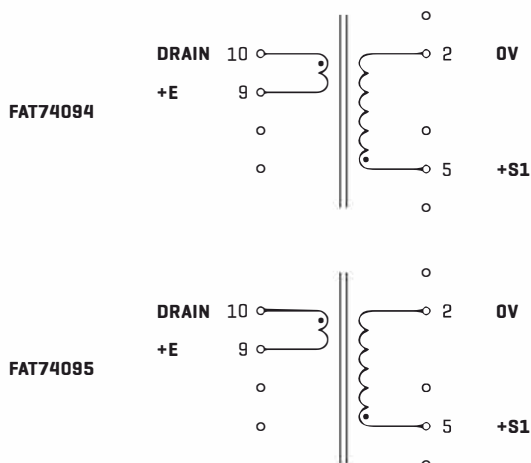
Bulk packaging is standard
 Custom design available

COMMON APPLICATIONS

AC-DC converters
 DC-DC converters
 Switch Power supplies
 SMPS: Flyback, Forward and Push-pull
 SMPS: Half Bridge and Full Bridge

TECHNICAL INFORMATION

Ambient temperature $< 60^{\circ}C$
 Construction conforms to CEI950, CEI335, CEI61558 for reinforced insulation
 Exclusively uses UL94-V0 listed materials



Note: PIN 3 Removed, PCB Drilling Diameter = 1.1mm

ELECTRICAL CHARACTERISTICS AT 25°C

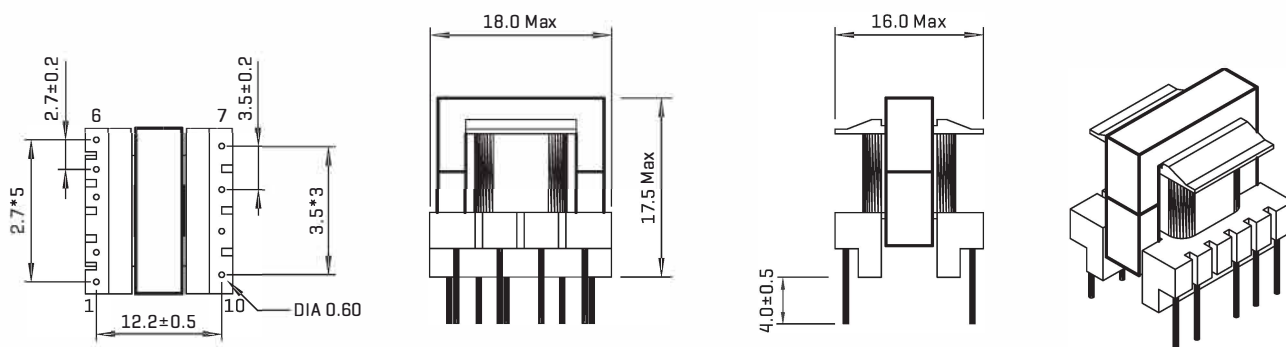
		74094		
Control IC Manufacturer	Input voltage	Power	Frequency	
Power Integrations	85-265Vrms	4.2 w	44 kHz	
Power Integrations	85-265Vrms	5 w	132 kHz	
Power Integrations	85-265Vrms	9 w	132 kHz	

		74095		
Control IC Manufacturer	Input voltage	Power	Frequency	
Power Integrations	85-265Vrms	5 w	44 kHz	
Power Integrations	85-265Vrms	5 w	132 kHz	
Power Integrations	85-265Vrms	9 w	132 kHz	

SIZE E16 - SINGLE OUTPUT : 5 or 12V TRANSFORMER FOR TINYSWITCH						
Part Number	Output Power max	Windings				
		Pins	Turns	Voltage	Current max	Inductance [+/-10%]
FAT 74094	9W	Pri 10-9	135	85-265Vrms	0.48Apeak	2100μH
		S1 5-2	9	3.3-6Vdc	1.5Adc	
FAT 74095	9W	Pri 10-9	135	85-265Vrms	0.48Apeak	2100μH
		S1 5-2	17	7.5-15Vdc	0.9Adc	

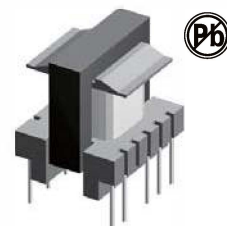
Note: Regulation with auxiliary winding

PHYSICAL CHARACTERISTICS



ALL DIMENSIONS IN MM

6-12W E16-2 OUTPUT FLYBACK TRANSFORMERS FAT74010 SERIES



FEATURES

Primary / Secondary Insulation $\geq 4000V$
 Primary Auxiliary Insulation $\geq 1500V$
 Creepage distances Primary / secondary $\geq 6mm$

OPTIONS

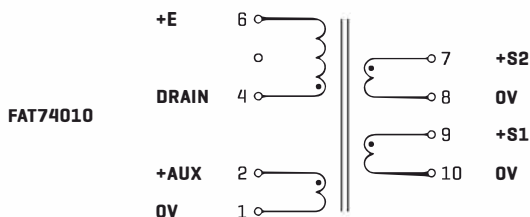
Bulk packaging is standard
 Custom design available

COMMON APPLICATIONS

AC-DC converters
 DC-DC converters
 Switch Power supplies
 SMPS: Flyback, Forward and Push-pull
 SMPS: Half Bridge and Full Bridge

TECHNICAL INFORMATION

Ambient temperature $< 50^{\circ}C$
 Construction conforms to CEI950, CEI335, CEI61558 for reinforced insulation
 Exclusively uses UL94-V0 listed materials



ELECTRICAL CHARACTERISTICS AT 25°C

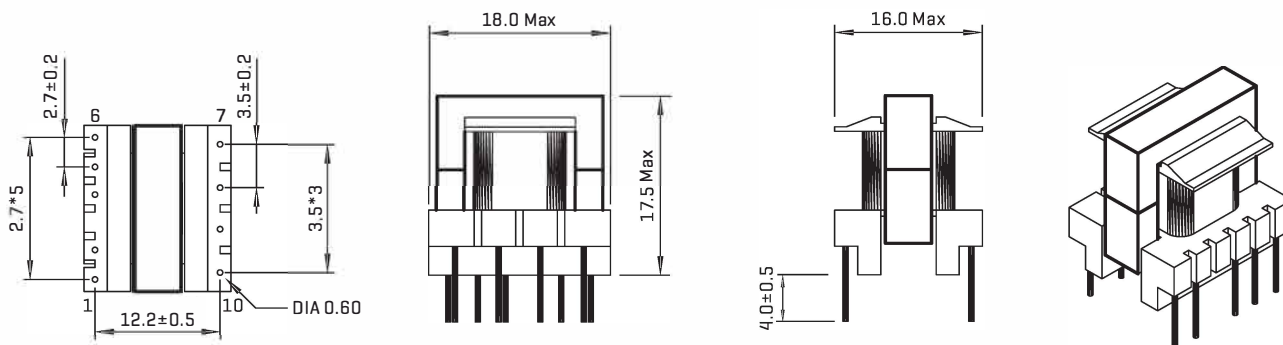
Control IC Manufacturer	Input voltage	Power	Frequency
Fairchild	185-265Vrms	10 w	100 kHz
Fairchild	85-265Vrms	7 w	50 kHz
Infineon	92-265Vrms	7.5 w	100 kHz
Infineon	185-265Vrms	10 w	100 kHz
Motorola	85-265Vrms	8 w	100 kHz
Motorola	185-265Vrms	10 w	100 kHz
Power Integrations	185-265Vrms	12 w	132 kHz
Power Integrations	85-265Vrms	10 w	132 kHz
Power Integrations	185-265Vrms	12 w	132 kHz
Power Integrations	85-265Vrms	10 w	132 kHz
ST Microelectronics	85-265Vrms	8 w	70 kHz
ST Microelectronics	185-265Vrms	10 w	70 kHz

SIZE E16 - 2 OUTPUTS : 5 & 12V - FLYBACK TRANSFORMER							
Part Number	Output Power max	Windings				Inductance max [+/-10%]	
		Pins	Turns	Voltage	Current max		
FAT 74010	12W	Pri	4-6	120	85-265Vrms	0.55Apeak	1660µH
		Aux	2-1	14	7-14Vdc	0.1 Adc	
		S1	9-10	7	3.3-7Vdc	2 Adc	
		S2	7-8	17	8-17Vdc	1 Adc	

Note: PIN 3 Removed, PCB Drilling Diameter = 1.1mm

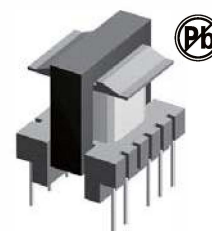
Note: Regulation with auxiliary winding

PHYSICAL CHARACTERISTICS



ALL DIMENSIONS IN MM

6-12W E16-2 OUTPUT FLYBACK TRANSFORMERS FAT74014 SERIES



FEATURES

Primary / Secondary Insulation $\geq 4000V$
 Creepage distances Primary / secondary $\geq 6mm$

OPTIONS

Bulk packaging is standard
 Custom design available

COMMON APPLICATIONS

AC-DC converters
 DC-DC converters
 Switch Power supplies
 SMPS: Flyback, Forward and Push-pull
 SMPS: Half Bridge and Full Bridge

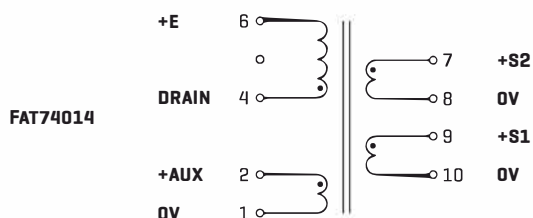
TECHNICAL INFORMATION

Ambient temperature $< 50^{\circ}C$
 Construction confirms to CEI950, CEI335, CEI61558 for reinforced insulation
 Exclusively uses UL94-V0 listed materials

Typical outputs : + 24V 0.5A with S1 - S2 in parallel
 + 48V 0.25A with S1 - S2 in series [8-9 connected]
 +15V / -15V 0.4A with pins 8-9 connected to 0V

ELECTRICAL CHARACTERISTICS

Control IC Manufacturer	Input voltage	Power	Frequency
Power Integrations	185-265Vrms	12 w	132 kHz
Power Integrations	85-265Vrms	8 w	132 kHz
Power Integrations	185-265Vrms	12 w	132 kHz
Power Integrations	85-265Vrms	8 w	132 kHz

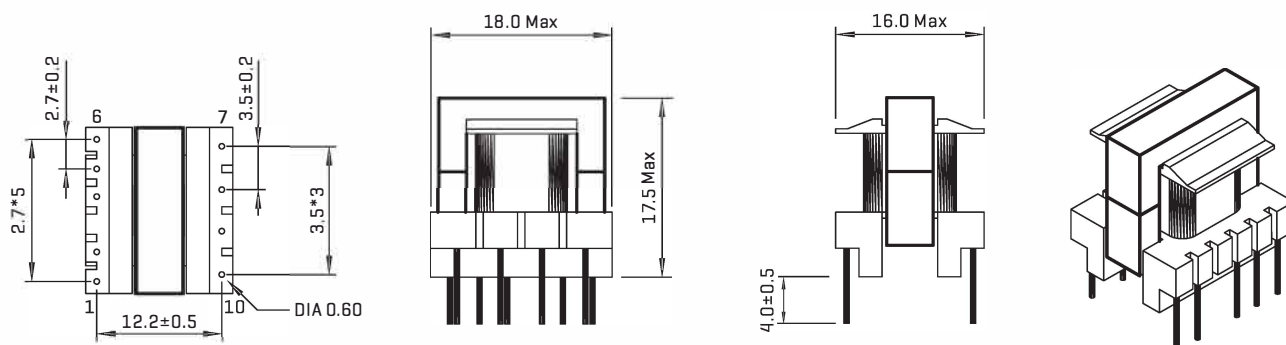


SIZE E16 - 2 OUTPUTS : 5 & 12V - FLYBACK TRANSFORMER						
Part Number	Output Power max	Windings			Current max	Inductance [+/- -10%]
		Pins	Turns	Voltage		
FAT 74014	12W	Pri	4-6	120	85-265Vrms	0.5 Apeak
		Aux	2-1	17	9-18 Vdc	0.2 Adc
		S1	9-10	27	15-30 Vdc	0.4 Adc
		S2	7-8	27	15-30 Vdc	0.4 Adc

Note: PIN 3 Removed, PCB Drilling Diameter = 1.1mm

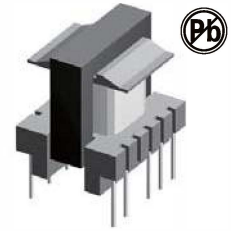
Note: Regulation with auxiliary winding

PHYSICAL CHARACTERISTICS



ALL DIMENSIONS IN MM

6-12W E16-3 OUTPUT FLYBACK TRANSFORMERS FAT74015 SERIES



FEATURES

Primary / Secondary Insulation $\geq 4000V$
 Creepage distances Primary / secondary $\geq 6mm$

OPTIONS

Bulk packaging is standard
 Custom design available

COMMON APPLICATIONS

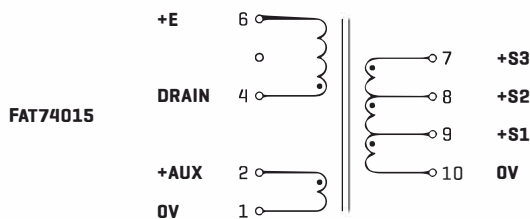
AC-DC converters
 DC-DC converters
 Switch Power supplies
 SMPS: Flyback, Forward and Push-pull
 SMPS: Half Bridge and Full Bridge

TECHNICAL INFORMATION

Ambient temperature $< 50^{\circ}C$
 Construction conforms to CEI950, CEI335, CEI61558 for reinforced insulation
 Exclusively uses UL94-V0 listed materials

ELECTRICAL CHARACTERISTICS

Control IC Manufacturer	Input voltage	Power	Frequency
Power Integrations	185-265Vrms	10 w	132 kHz
Power Integrations	85-265Vrms	8 w	132 kHz
Power Integrations	185-265Vrms	12 w	132 kHz
Power Integrations	85-265Vrms	9 w	132 kHz

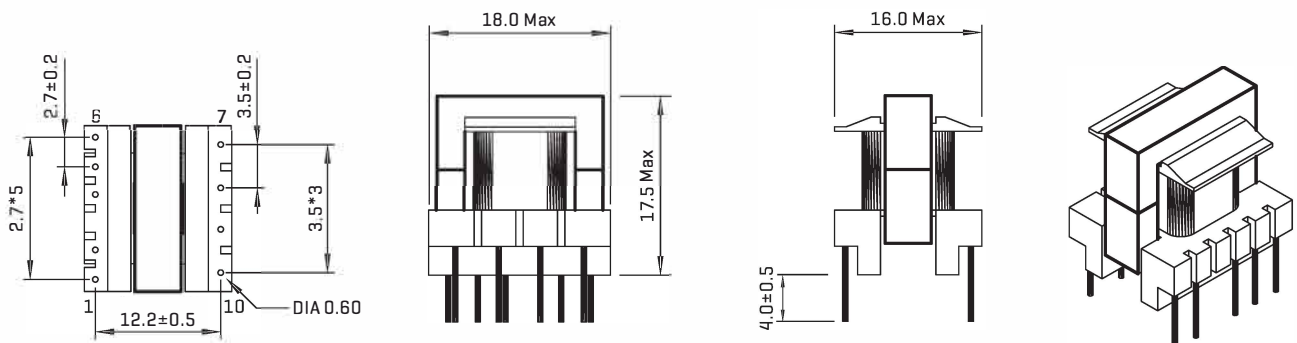


SIZE E16 - 3 OUTPUTS : 5 & 12V - FLYBACK TRANSFORMER						
Part Number	Output Power max	Windings			Current max	Inductance [+/-10%]
		Pins	Turns	Voltage		
FAT 74015	12W	Pri	4-6	120	85-265Vrms	0.5 Apeak
		Aux	2-1	14	12 Vdc	0.2 Adc
		S1	9-10	6	5 Vdc	1.5 Adc
		S2	8-10	17	15 Vdc	0.6 Adc
		S3	7-10	27	24 Vdc	0.4 Adc

Note: PIN 3 Removed, PCB Drilling Diameter = 1.1mm

Note: Regulation with auxiliary winding

PHYSICAL CHARACTERISTICS



ALL DIMENSIONS IN MM

10-18W E19-2 OUTPUT FLYBACK TRANSFORMERS FAT74020 SERIES



FEATURES

Primary / Secondary Insulation $\geq 4000V$
 Primary Auxiliary Insulation $\geq 1500V$
 Creepage distances Primary / secondary $\geq 6mm$

OPTIONS

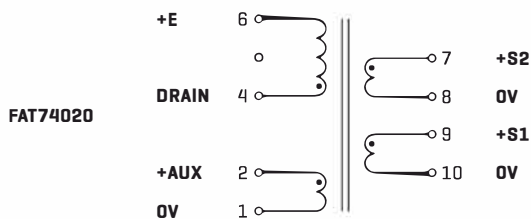
Bulk packaging is standard
 Custom design available

COMMON APPLICATIONS

AC-DC converters
 DC-DC converters
 Switch Power supplies
 FAPS: Flyback, Forward and Push-pull
 FAPS: Half Bridge and Full Bridge

TECHNICAL INFORMATION

Ambient temperature $< 50^{\circ}C$
 Construction conforms to CEI950, CEI335, CEI61558 for reinforced insulation
 Exclusively uses UL94-V0 listed materials



ELECTRICAL CHARACTERISTICS

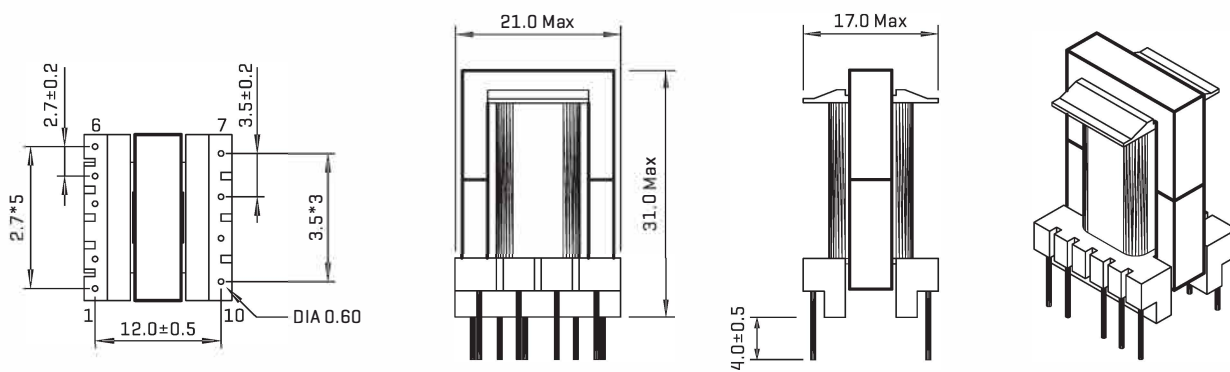
Control IC Manufacturer	Input voltage	Power	Frequency
Power Integrations	185-265Vrms	18 w	132 kHz
Power Integrations	185-265Vrms	18 w	132 kHz
Power Integrations	85-265Vrms	12 w	132 kHz
ST Microelectronics	85-265Vrms	10 w	100 kHz
ST Microelectronics	185-265Vrms	12 w	100 kHz
ST Microelectronics	185-265Vrms	16 w	100 kHz
Motorola	185-265Vrms	16 w	100 kHz
Infineon	185-265Vrms	16 w	70 kHz

Part Number	Output Power max	SIZE EL19 - 2 OUTPUTS : 5 & 12V - FLYBACK TRANSFORMER					
		Windings					
		Pins	Turns	Voltage	Current max	Inductance max [+/-10%]	
FAT 74020	18W	Pri	4-6	108	85-265Vrms	0.8 Apeak	1250μH
		Aux	2-1	12	7-14 Vdc	0.1 Adc	
		S1	9-10	6	3.3-7 Vdc	3 Adc	
		S2	7-8	14	8-16.5 Vdc	1.4 Adc	

Note: PIN 3 Removed, PCB Drilling Diameter = 1.1mm

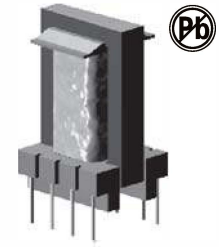
Note: Regulation with auxiliary winding

PHYSICAL CHARACTERISTICS



ALL DIMENSIONS IN MM

10-18W EL19-2 OUTPUT FLYBACK TRANSFORMERS FAT74021 SERIES



FEATURES

Primary / Secondary Insulation $\geq 4000V$
 Primary Auxiliary Insulation $\geq 1500V$
 Creepage distances Primary / secondary $\geq 6mm$

OPTIONS

Bulk packaging is standard
 Custom design available

COMMON APPLICATIONS

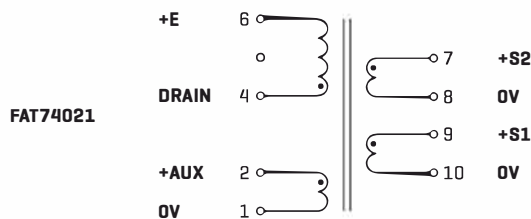
AC-DC converters
 DC-DC converters
 Switch Power supplies
 FAPS: Flyback, Forward and Push-pull
 FAPS: Half Bridge and Full Bridge

TECHNICAL INFORMATION

Ambient temperature $< 50^{\circ}C$
 Construction conforms to CEI950, CEI335, CEI61558 for reinforced insulation
 Exclusively uses UL94-V0 listed materials

ELECTRICAL CHARACTERISTICS

Control IC Manufacture	Input voltage	Power	Frequency
Power Integrations	185-265Vrms	18 w	132kHz
Power Integrations	85-265Vrms	12 w	66/132kHz
ST Microelectronics	85-265Vrms	13 w	70kHz
Motorola	85-265Vrms	13 w	100kHz
Infineon	92-265Vrms	10 w	100kHz

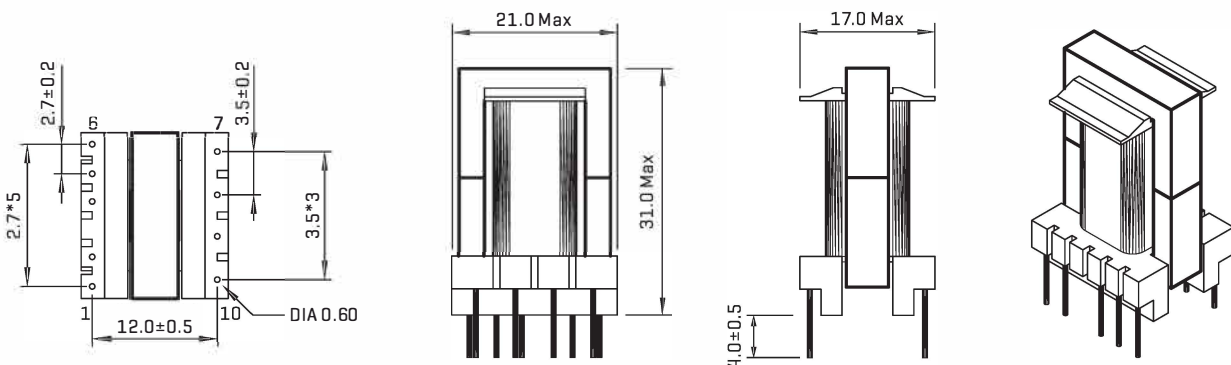


SIZE EL19 - 2 OUTPUTS : 5 & 12V - FLYBACK TRANSFORMER							
Part Number	Output Power max	Windings			Current max	Inductance max [+/-10%]	
		Pins	Turns	Voltage			
FAT 74021	18W	Pri	4-6	108	85-265Vrms	1.1Apeak	900μH
		Aux	2-1	12	7-14 Vdc	0.1 Adc	
		S1	9-10	6	3.3-7 Vdc	3 Adc	
		S2	7-8	14	8-16.5 Vdc	1.4 Adc	

Note: PIN 3 Removed, PCB Drilling Diameter = 1.1mm

Note: Regulation with auxiliary winding

PHYSICAL CHARACTERISTICS



ALL DIMENSIONS IN MM

10-18W EL19-5 OUTPUT FLYBACK TRANSFORMERS FAT74023 SERIES



FEATURES

Primary / Secondary Insulation $\geq 4000V$
 Primary Auxiliary Insulation $\geq 1500V$
 Creepage distances Primary / secondary $\geq 6mm$

OPTIONS

Bulk packaging is standard
 Custom design available

COMMON APPLICATIONS

AC-DC converters
 DC-DC converters
 Switch Power supplies
 FAPS: Flyback, Forward and Push-pull
 FAPS: Half Bridge and Full Bridge

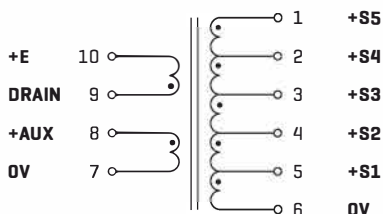
TECHNICAL INFORMATION

Ambient temperature $< 60^{\circ}C$
 Construction conforms to CEI950, CEI335, CEI61558 for reinforced insulation
 Exclusively uses UL94-V0 listed materials

ELECTRICAL CHARACTERISTICS

Control IC Manufacturer	Input voltage	Power	Frequency
Power Integrations	185-265Vrms	16 w	132 kHz
Power Integrations	85-265Vrms	12 w	132 kHz

FAT74023

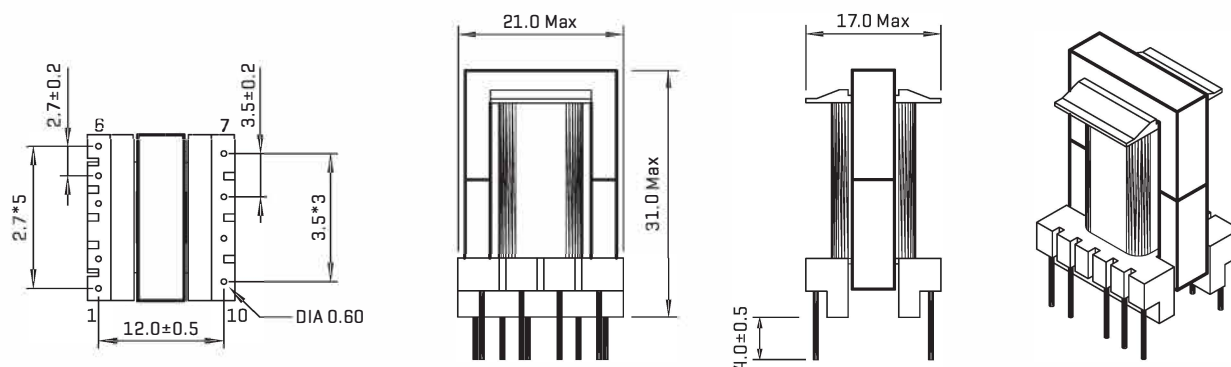


SIZE EL19 - 5 OUTPUTS : 3.3/5/12/18/30v - FLYBACK TRANSFORMER						
Part Number	Output Power max	Windings				
		Pins	Turns	Voltage	Current max	Inductance [+/-10%]
FAT 74023	16W	Pri	9-10	120	85-265Vrms	0.85 Apeak
		Aux	8-7	17	15 Vdc	0.2 Adc
		S1	5-6	4	3.3 Vdc	2 Adc
		S2	4-6	6	5 Vdc	Sum S1+S2 1250μH
		S3	3-6	14	12 Vdc	0.8 Adc
		S4	2-6	20	18 Vdc	0.8 Adc
S5	1-6	33	30 Vdc	0.2 Adc		

Note: PCB Drilling Diameter = 1.1mm

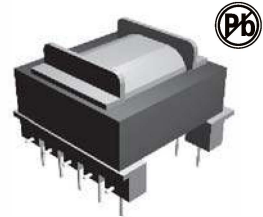
Note: Regulation with auxiliary winding

PHYSICAL CHARACTERISTICS



ALL DIMENSIONS IN MM

12-24W EL20-2 OUTPUT FLYBACK TRANSFORMERS FAT74080,74082 SERIES



FEATURES

Primary / Secondary Insulation $\geq 4000V$
 Primary Auxiliary Insulation $\geq 1500V$
 Creepage distances Primary / secondary $\geq 8mm$

OPTIONS

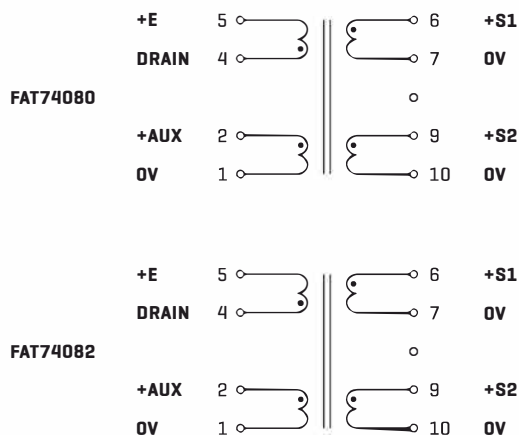
Bulk packaging is standard
 Custom design available

COMMON APPLICATIONS

AC-DC converters
 DC-DC converters
 Switch Power supplies
 FAPS: Flyback, Forward and Push-pull
 FAPS: Half Bridge and Full Bridge

TECHNICAL INFORMATION

Ambient temperature $< 50^{\circ}C$
 Construction confirms to CEI950, CEI335, CEI61558 for reinforced insulation
 Exclusively uses UL94-V0 listed materials



Note: PIN 3 Removed, PCB Drilling Diameter = 1.2mm

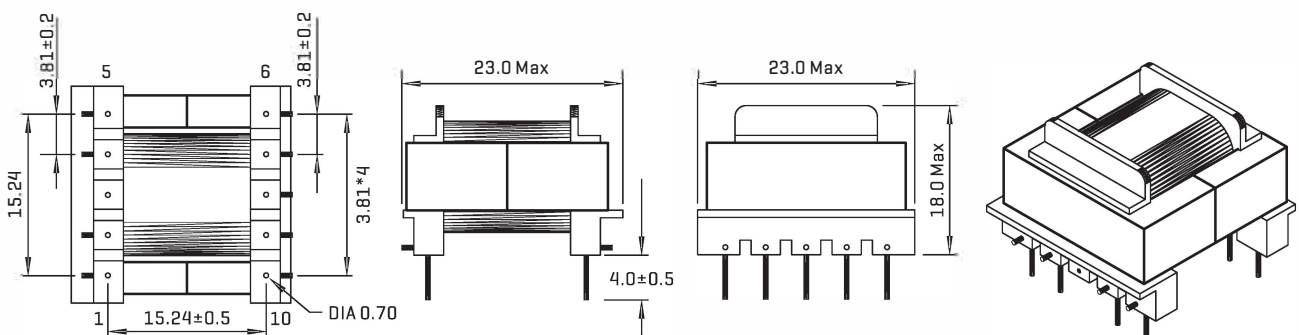
ELECTRICAL CHARACTERISTICS

Part No.	Control IC Manufacturer	Input voltage	Power	Frequency
FAT 74080	Power Integrations	185-265Vrms	24 w	132 kHz
	Power Integrations	85-265Vrms	15 w	132 kHz
FAT 74082	Power Integrations	185-265Vrms	20 w	132 kHz
	Power Integrations	85-265Vrms	14 w	132 kHz

SIZE EF20 2 OUTPUTS : 5 /5v or 12/12v - FLYBACK TRANSFORMER							
Part Number	Output Power max	Pins	Turns	Voltage	Current max	Inductance [+/-10%]	
FAT 74080	24W	Pri	4-5	86	85-265Vrms	1Apeak	1000μH
		Aux	2-1	12	11- 8 Vdc	0.3 Adc	
		S1	6-7	10	9- 5 Vdc	1.5 Adc	
		S2	9-10	10	9-15 Vdc	1.5 Adc	
FAT 74082	20W	Pri	4-5	86	85-265Vrms	0.9Apeak	1300μH
		Aux	2-1	12	7-18 Vdc	0.3 Adc	
		S1	6-7	5	3-7.5 Vdc	2.0 Adc	
		S2	9-10	5	3 - 7.5 Vdc	2.0 Adc	

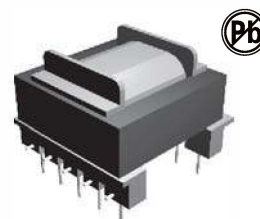
Note: S1 and S2 can be connected in series or in parallel

PHYSICAL CHARACTERISTICS



ALL DIMENSIONS IN MM

12-24W EL20-3 OUTPUT FLYBACK TRANSFORMERS FAT74081 SERIES



FEATURES

Primary / Secondary Insulation $\geq 4000V$
 Primary Auxiliary Insulation $\geq 1500V$
 Creepage distances Primary / secondary $\geq 8mm$

OPTIONS

Bulk packaging is standard
 Custom design available

COMMON APPLICATIONS

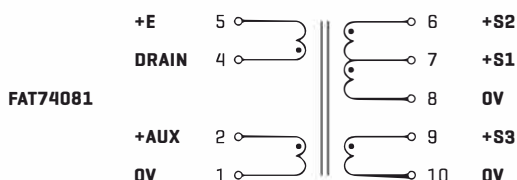
AC-DC converters
 DC-DC converters
 Switch Power supplies
 FAPS: Flyback, Forward and Push-pull
 FAPS: Half Bridge and Full Bridge

TECHNICAL INFORMATION

Ambient temperature $< 50^{\circ}C$
 Construction conforms to CEI950, CEI335, CEI61558 for reinforced insulation
 Exclusively uses UL94-V0 listed materials

ELECTRICAL CHARACTERISTICS

Part No.	Control IC Manufacturer	Control IC P/N	Input voltage	Power	Frequency
FAT 74081	Power Integrations	TOP243P	185-265Vrms	20 w	132 kHz
	Power Integrations	TOP243P	85-265Vrms	14 w	132 kHz

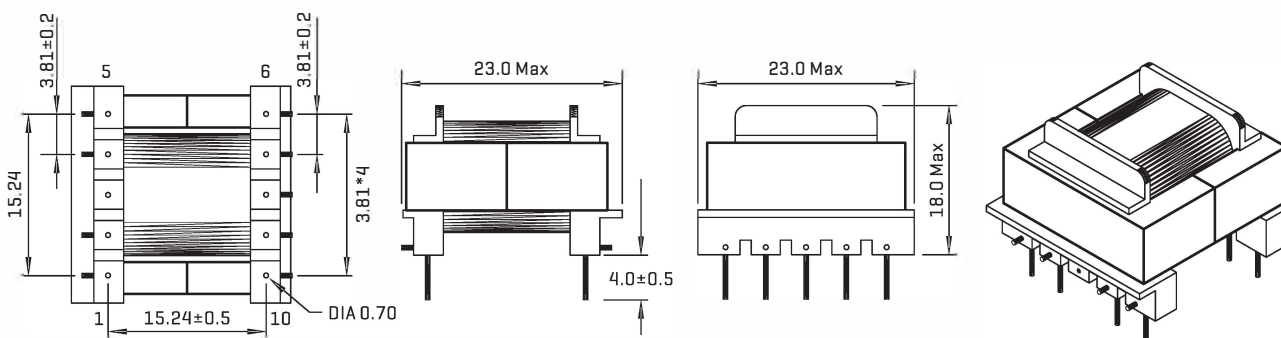


SIZE EL20- 3 OUTPUTS : 5/5v or 12/12v - FLYBACK TRANSFORMER							
Part Number	Output Power max	Windings			Current max	Inductance [+/-10%]	
		Pins	Turns	Voltage			
FAT 74081	20W	Pri	4-5	80	85-265Vrms	0.9 Apeak	
		Aux	2-1	17	15 Vdc	0.3 Adc	
		S1	7-8	4	3.3 Vdc	3 Adc	1100μH
		S2	6-8	6	5 Vdc	sum S1+S2	
		S3	9-10	14	12 Vdc	1.3 Adc	

Note: PIN 3 Removed, PCB Drilling Diameter = 1.2mm

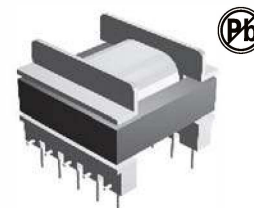
Note: Regulation with auxiliary winding

PHYSICAL CHARACTERISTICS



ALL DIMENSIONS IN MM

15-30W E25-3 OR 1 OUT PUT FLYBACK TRANSFORMERS FAT74030,74032 SERIES



FEATURES

Primary / Secondary Insulation $\geq 4000V$
 Primary Auxiliary Insulation $\geq 1500V$
 Creepage distances Primary / secondary $\geq 8mm$

OPTIONS

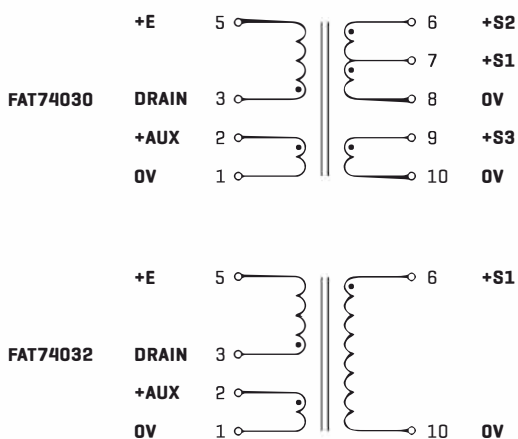
Bulk packaging is standard
 Custom design available

COMMON APPLICATIONS

AC-DC converters
 DC-DC converters
 Switch Power supplies
 FAPS: Flyback, Forward and Push-pull
 FAPS: Half Bridge and Full Bridge

TECHNICAL INFORMATION

Ambient temperature $< 50^{\circ}C$
 Construction conforms to CEI950, CEI335, CEI61558 for reinforced insulation
 Exclusively uses UL94-V0 listed materials



Note: PIN 3 Removed, PCB Drilling Diameter = 1.4mm

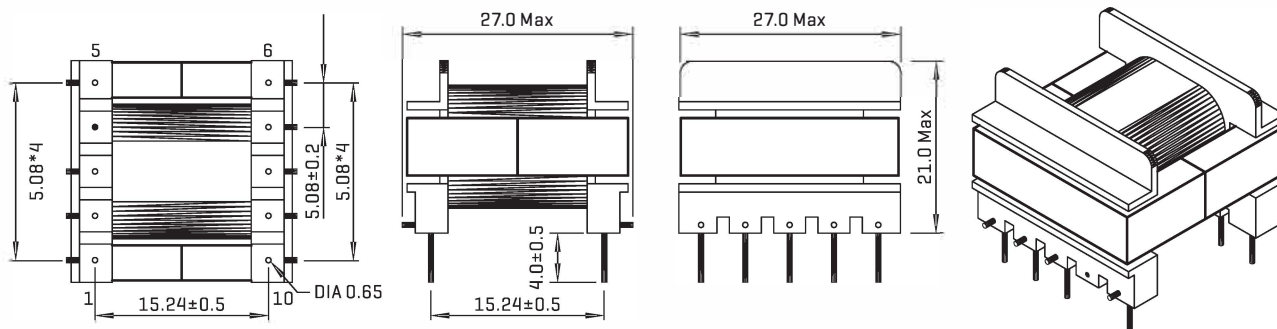
ELECTRICAL CHARACTERISTICS

Part No.	Control IC Manufacturer	Input voltage	Power	Frequency
FAT 74030	Fairchild	85-265 Vrms	22 w	100 kHz
	Infineon	185-265 Vrms	30 w	100 kHz
	Motorola	85-265 Vrms	22 w	100 kHz
	Motorola	185-265 Vrms	30 w	100 kHz
	Power Integrations	185-265 Vrms	30 w	132 kHz
	Power Integrations	85-265 Vrms	25 w	66/132kHz
	ST Microelectronics	85-265 Vrms	22 w	70 kHz
	ST Microelectronics	185- 65 Vrms	30 w	70 kHz
FAT74032	Power Integrations	185-265 Vrms	25 w	132 kHz

SIZE E25 - 3 or 1 OUTPUTS : 5 + 12/12v or 24v - FLYBACK TRANSFORMER						
Part Number	Output Power max	Windings				
		Pins	Turns	Voltage	Current max	Inductance max [+/-10%]
FAT 74030	30W	Pri 3-5	70	85-265Vrms	1.5Apeak	750µH
		Aux 2-1	8	7-14.5 Vdc	1 Adc	
		S1 7-8	4	3.3-7Vdc	3 Adc	
		S2 6-8	9	8-16 Vdc	1.5 Adc	
		S3 9-10	9	8-16 Vdc	1.5 Adc	
FAT 74032	35W	Pri 3-5	72	85-265Vrms	1.1 Apeak	1100µH
		Aux 2-1	10	8-16 Vdc	1 Adc	
		S1 6-10	18	15-30 Vdc	1.4 Adc	

Note to 74030 : S2 and S3 can be connected in series or in parallel

PHYSICAL CHARACTERISTICS



ALL DIMENSIONS IN MM

30-60W ERL28-4 OUTPUT FLYBACK TRANSFORMERS FAT74043 SERIES



FEATURES

Primary / Secondary Insulation $\geq 4000V$
 Primary Auxiliary Insulation $\geq 1500V$
 Creepage distances Primary / secondary $\geq 6mm$

OPTIONS

Bulk packaging is standard
 Custom design available

COMMON APPLICATIONS

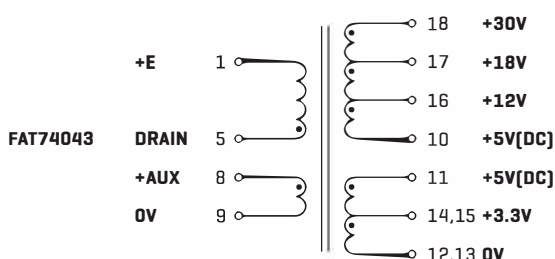
AC-DC converters
 DC-DC converters
 Switch Power supplies
 FAPS: Flyback, Forward and Push-pull
 FAPS: Half Bridge and Full Bridge

TECHNICAL INFORMATION

Ambient temperature $< 50^{\circ}C$
 Construction confirms to CEI950, CEI335, CEI61558 for reinforced insulation
 Exclusively uses UL94-V0 listed materials

ELECTRICAL CHARACTERISTICS

Control IC Manufacturer	Input voltage	Power	Frequency
Power Integrations	185-265Vrms	60 w	66/132 kHz
Power Integrations	85-265Vrms	45 w	66/132 kHz

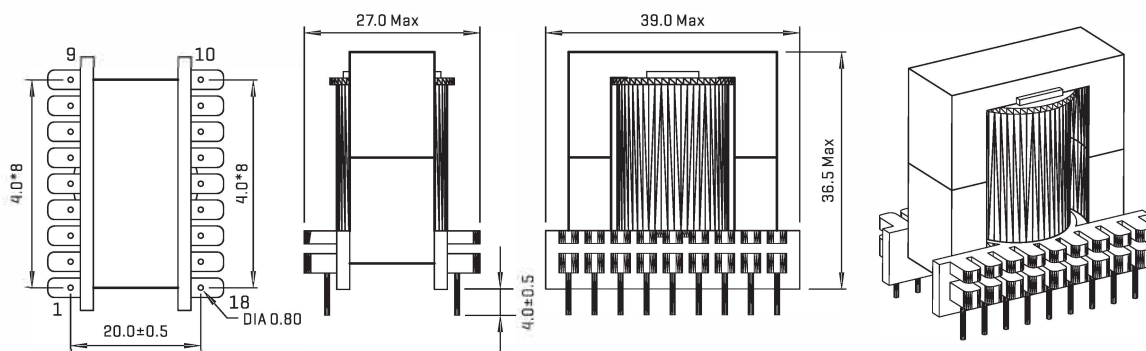


SIZE ETD29 - 4 OUTPUTS : 5 + 12/5 + 12v - FLYBACK TRANSFORMER							
Part Number	Output Power max	Pins	Windings		Current max	Inductance [+/-10%]	
			Turns	Voltage			
FAT 74043	60W	Pri	5-1	45	85-265Vrms	3Apeak	
		Aux	8-9	7	15 Vdc	0.5 Adc	
		S1	14+15/12+13	2	3.3 Vdc	S1+S2:7 Adc	500μH
		S2	11/12+13	3	5 Vdc	S1+S2:7 Adc	
		S3	16-10	4	12 Vdc	2 Adc	
S4	17-10	7	18 Vdc	2 Adc			
S5	18-10	13	30 Vdc	0.5 Adc			

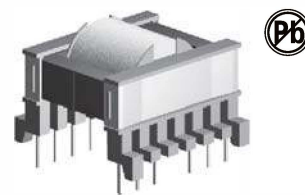
Note: PCB Drilling Diameter = 1.3mm

Note: Regulation with auxiliary winding

PHYSICAL CHARACTERISTICS



60-90W ETD34-4 OUTPUT FLYBACK TRANSFORMERS FAT74050 SERIES



FEATURES

Primary / Secondary Insulation $\geq 4000V$
 Primary Auxiliary Insulation $\geq 1500V$
 Creepage distances Primary / secondary $\geq 8mm$

OPTIONS

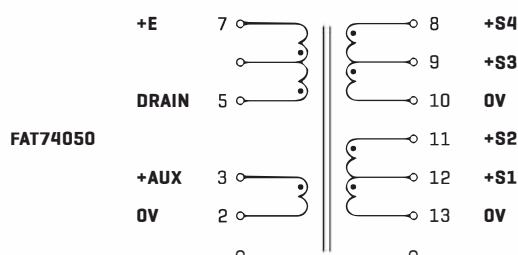
Bulk packaging is standard
 Custom design available

COMMON APPLICATIONS

AC-DC converters
 DC-DC converters
 Switch Power supplies
 FAPS: Flyback, Forward and Push-pull
 FAPS: Half Bridge and Full Bridge

TECHNICAL INFORMATION

Ambient temperature $< 50^{\circ}C$
 Construction conforms to CEI950, CEI335, CEI61558 for reinforced insulation
 Exclusively uses UL94-V0 listed materials



ELECTRICAL CHARACTERISTICS

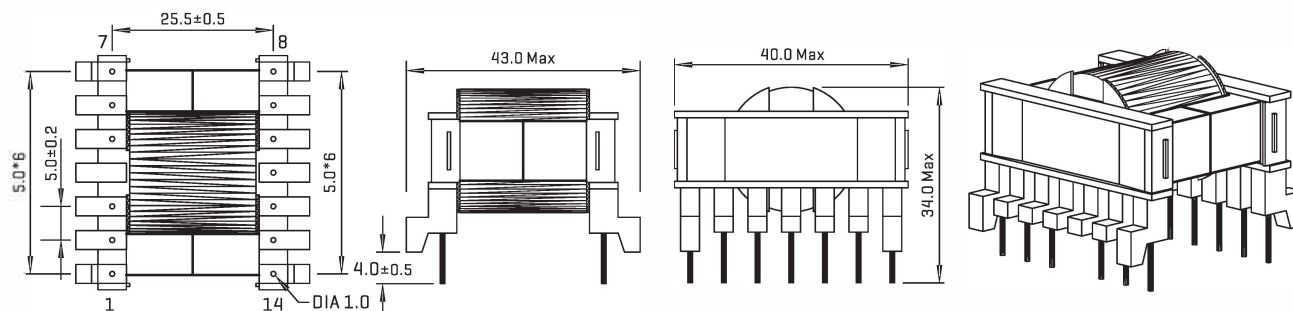
Control IC Manufacturer	Input voltage	Power F	frequency
Infineon	185-265 Vrms	80 w	100 kHz
Infineon	85-265 Vrms	60 w	100 kHz
Motorola	185-265 Vrms	80 w	100 kHz
Motorola	85-265 Vrms	60 w	100 kHz
Power Integrations	185-265 Vrms	90 w	132 kHz
Power Integrations	85-265 Vrms	60 w	66/132kHz
ST Microelectronics	185-265 Vrms	80 w	70 kHz
ST Microelectronics	85-265 Vrms	60 w	70 kHz

SIZE ETD29 - 4 OUTPUTS : 5 + 12/5 + 12v - FLYBACK TRANSFORMER							
Part Number	Output Power max	Windings					
		Pins	Turns	Voltage	Current max	Inductance [+/- -10%]	
FAT 74050	90W	Pri	5-7	36	85-265Vrms	2.8Apeak	500μH
		Aux	3-2	4	7-14 Vdc	0.5 Adc	
		S1	12-13	2	3.3-6.5Vdc	5 Adc	
		S2	11-13	5	8.5-17 Vdc	3 Adc	
	S3	9-10	2	3.3-6.5Vdc	5 Adc		
	S4	8-10	5	8.5-17 Vdc	3 Adc		

Note: PIN 4 Removed, PCB Drilling Diameter = 1.5mm

Note : S1/S3 or S2/S4 can be connected in series or in parallel

PHYSICAL CHARACTERISTICS



ALL DIMENSIONS IN MM

70-140W ETD39-4 OUTPUT FLYBACK TRANSFORMERS FAT74060 SERIES



FEATURES

Primary / Secondary Insulation $\geq 4000V$
 Primary Auxiliary Insulation $\geq 1500V$
 Creepage distances Primary / secondary $\geq 8mm$

OPTIONS

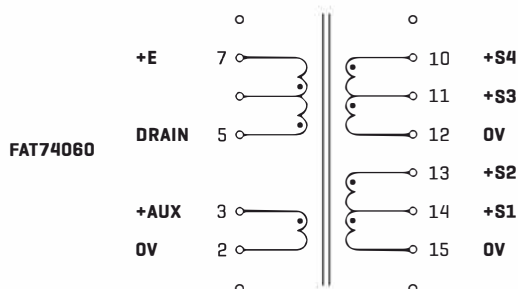
Bulk packaging is standard
 Custom design available

COMMON APPLICATIONS

AC-DC converters
 DC-DC converters
 Switch Power supplies
 FAPS: Flyback, Forward and Push-pull
 FAPS: Half Bridge and Full Bridge

TECHNICAL INFORMATION

Ambient temperature $< 50^{\circ}C$
 Construction confirms to CEI950, CEI335, CEI61558 for reinforced insulation
 Exclusively uses UL94-V0 listed materials



ELECTRICAL CHARACTERISTICS

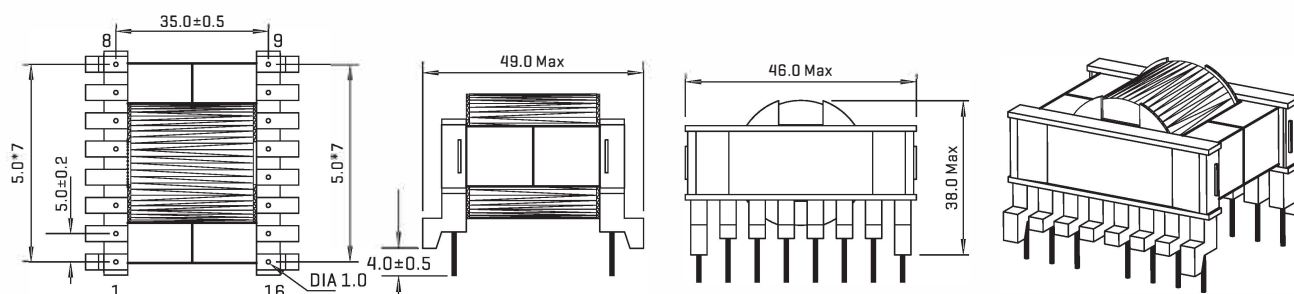
Control IC Manufacturer	Input voltage	Power	Frequency
Fairchild	85-265Vrms	70 w	100 kHz
Fairchild	185-265Vrms	120 w	100 kHz
Infineon	85-265Vrms	70 w	100 kHz
Infineon	185-265Vrms	120 w	100 kHz
Motorola	85-265Vrms	70 w	100 kHz
Motorola	185-265Vrms	120 w	100 kHz
Power Integrations	185-265Vrms	140 w	132 kHz
Power Integrations	85-265Vrms	90 w	66/132 kHz
ST Microelectronics	85-265Vrms	70 w	70 kHz
ST Microelectronics	185-265Vrms	120 w	100 kHz

SIZE ETD39 - 4 OUTPUTS : 5 + 12/5 + 12v - FLYBACK TRANSFORMER							
Part Number	Output Power max	Windings			Current max	Inductance [+/-10%]	
		Pins	Turns	Voltage			
FAT 74060	90W	Pri	5-1	36	85-265Vrms	4 Apeak	440μH
		Aux	3-2	4	7-14Vdc	0.5 Adc	
		S1	12-13	2	3.3-6.5Vdc	5 Adc	
		S2	11-13	5	8.5-17Vdc	5 Adc	
		S3	9-10	2	3.3-6.5Vdc	5 Adc	
		S4	5-10	5	8.5-17Vdc	5 Adc	

Note: PIN 4 Removed, PCB Drilling Diameter = 1.5mm

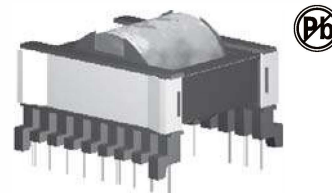
Note: S1/S3 or S2/S4 can be connected in series or in parallel

PHYSICAL CHARACTERISTICS



ALL DIMENSIONS IN MM

120-180W ETD44-4 OUTPUT FLYBACK TRANSFORMERS FAT74070 SERIES



FEATURES

Primary / Secondary Insulation $\geq 4000V$
 Primary Auxiliary Insulation $\geq 1500V$
 Creepage distances Primary / secondary $\geq 8mm$

OPTIONS

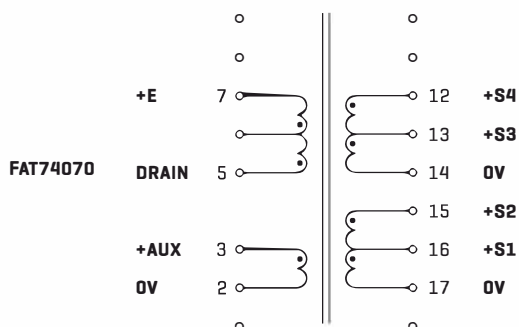
Bulk packaging is standard
 Custom design available

COMMON APPLICATIONS

AC-DC converters
 DC-DC converters
 Switch Power supplies
 FAPS: Flyback, Forward and Push-pull
 FAPS: Half Bridge and Full Bridge

TECHNICAL INFORMATION

Ambient temperature $< 50^{\circ}C$
 Construction confirms to CEI950, CEI335, CEI61558 for reinforced insulation
 Exclusively uses UL94-V0 listed materials



ELECTRICAL CHARACTERISTICS

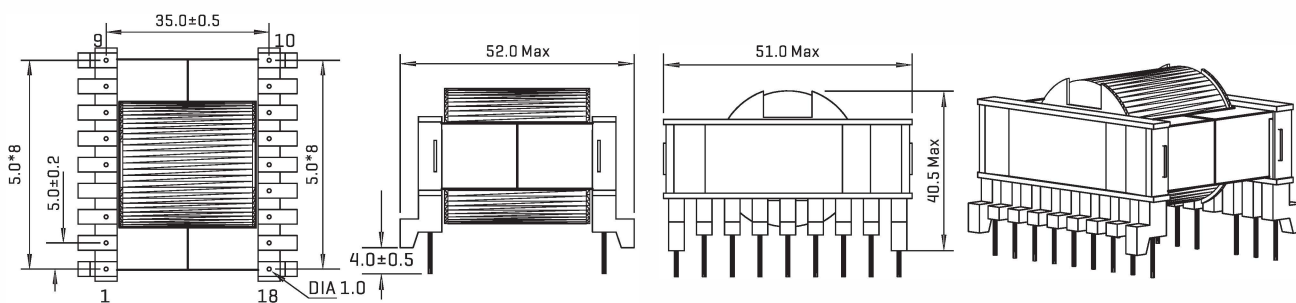
Control IC Manufacturer	Input voltage	Power	Frequency
Fairchild	185-265Vrms	160w	100 kHz
Infineon	185-265Vrms	160w	100 kHz
Philips	185-265Vrms	120w	50 kHz
Power Integrations	185-265Vrms	180w	66/132kHz
Power Integrations	85-265Vrms	120w	66 kHz

SIZE ETD44 - 4 OUTPUTS : 5 + 12 / 5 + 12v - FLYBACK TRANSFORMER							
Part Number	Output Power max	Windings			Current max	Inductance [+/-10%]	
		Pins	Turns	Voltage			
FAT 74070	180W	Pri	5-7	38	85-265Vrms	8 Apeak	
		Aux	3-2	4	7-14	0.5 Adc	
		S1	16-17	2	3.3-6.5Vdc	6 Adc	300µH
		S2	15-17	5	8.5-17 Vdc	5 Adc	
		S3	13-14	2	3.3-6.5Vdc	6 Adc	
S4	12-14	5	8.5-17 Vdc	5 Adc			

Note: PIN 4 Removed, PCB Drilling Diameter = 1.5mm

Note : S1/S3 or S2/S4 can be connected in series or in parallel

PHYSICAL CHARACTERISTICS



ALL DIMENSIONS IN MM

TELECOM TRANSFORMERS FARM, POT SERIES



FEATURES

High inductance.
Low leakage inductance
Low interwind capacitance
Compact size and Surface-mounted
Designed to meet UL, CSA, VDE, BABT safety standard

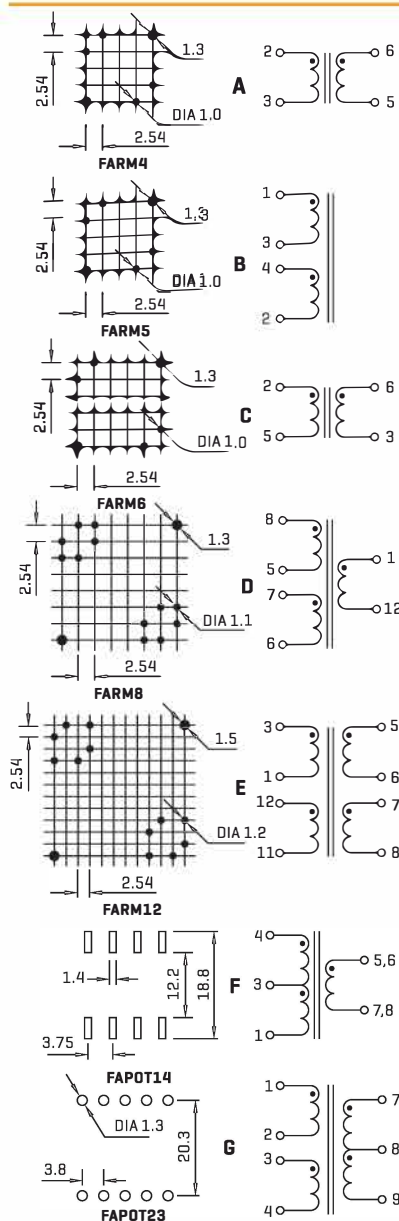
OPTIONS

Tape and reel is standard
Bulk packaging available for Smaller quantities
Custom design available
Tolerance: 5% is standard, Tighter tolerance available
RM 4, 5, 6, 7, 8, 10, 12, 14 available
POT 3,2, 4,5, 6, 7, 9, 11, 14, 18, 22, 26, 30, 36, 42, 48 available

COMMON APPLICATIONS

Modem
Fax machine, Hub
ISDN, ADSL, HDSL, PABX
Other telecommunication facilities etc
Switching power supplies
AC-DC, DC-DC converters

TECHNICAL INFORMATION

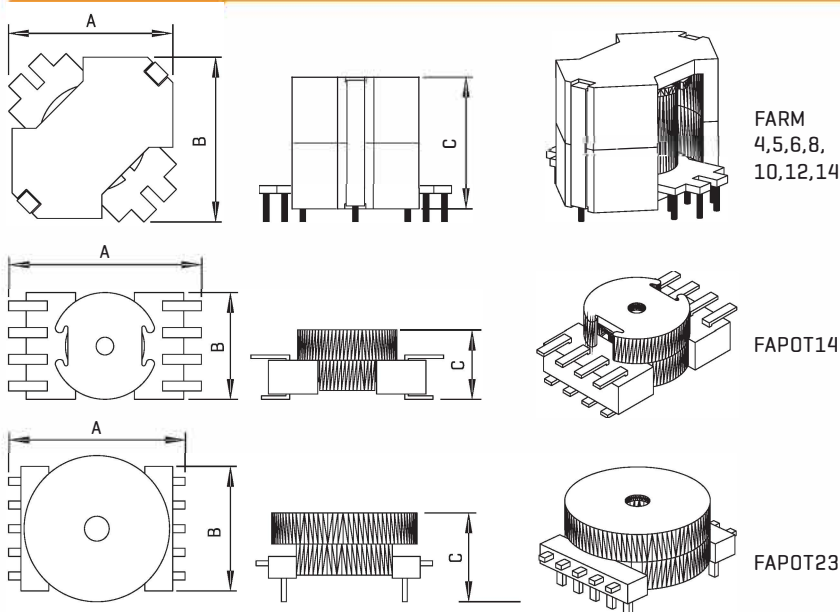


ALL DIMENSIONS IN MM

ELECTRICAL CHARACTERISTICS

Part No.	Inductance [10kHz/0.1V Typ]	Turn Ratio	DCR[Ωmax]	Hi-pot [Pri-Sec]	Schematic
FARM4	45.2mH±35%(3-4)	1:1[2-3:5-6]	2.5:2.5[2-3:5-6]	500VDC	A
FARM5	43.5mH±6%(1-3=3-4)	1:1[1-3:4-2]	4.6:4.6[1-3:4-2]	1000VDC	B
FARM6	20mH±6%(2-3 tie 6+5)	1:1[2-5:6-3]	4.0:4.0[2-5:6-3]	850VDC	C
FARM8	3.0mH±6%[8-6 tie 5+7]	5.24:1[8-6:1-12 tie 5-7]	1.7:1.7:0.42[8-5:7-6:1-12]	2500VAC	D
FARM12	140µHmin[3-1=2-11]	1:1:2:2[3-1:12-11:5-6:7-8]	0.012:0.05[3-1=12-11:5-6=7-8]	500VDC	E
FAPOT14	450µH±25%(4-1)	3.75:1[4-1:6-8]	0.04:0.012:0.012[4-3:5-7:6-8]	1250VDC	F
FAPOT23	15.5mH±10%(1-4 tie 2+3)	1:0.6[1-4:7-9 tie 2+3]	13:7.8[1-4:7-9 tie 2+3]	1500DC	G

PHYSICAL CHARACTERISTICS



PartNo.	FARM4	FARM5	FARM6	FARM8	FARM12	FAPOT14	FAPOT23
A	10.5max	13.5max	16.6max	22.0max	31.7max	21.0max	24.4max
B	10.5max	13.5max	16.6max	22.0max	31.7max	15.0max	23.5max
C	11.0max	11.5max	12.7max	17.5max	25.4max	9.0max	11.6max

TELECOM TRANSFORMERS FAEFD,ER SERIES



FEATURES

- High inductance.
- Low leakage inductance
- Low interwind capacitance
- Compact size and Surface-mounted
- Designed to meet UL, CSA, VDE, BABT safety standard

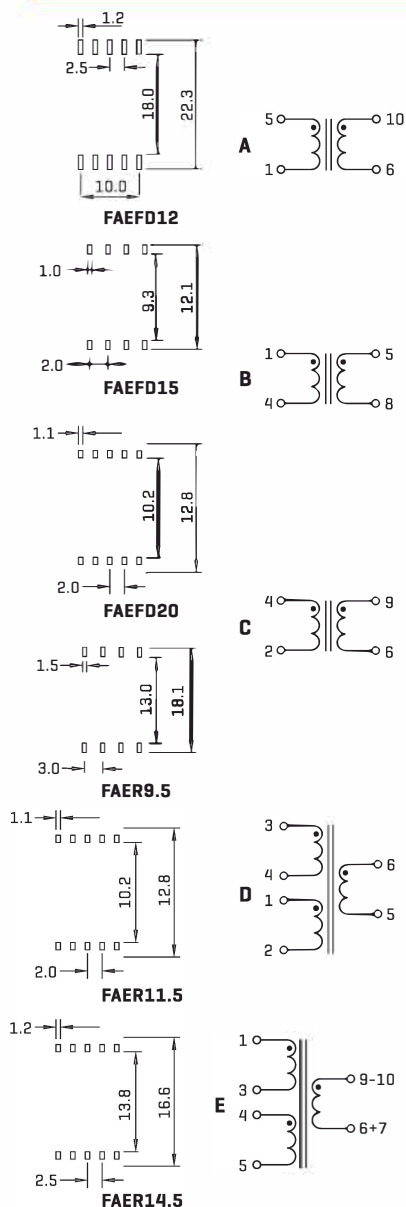
OPTIONS

- Tape and reel is standard
- Bulk packaging available for Smaller quantities
- Custom design available
- Tolerance: 5% is standard, tight FATER available
- SMD EFD 25/30 available

COMMON APPLICATIONS

- Modem
- Fax machine, Hub
- ISDN, ADSL, HDLSL, PABX
- Dther telecommunication facilities etc
- Switching power supplies
- AC-DC, DC-DC converters

TECHNICAL INFORMATION

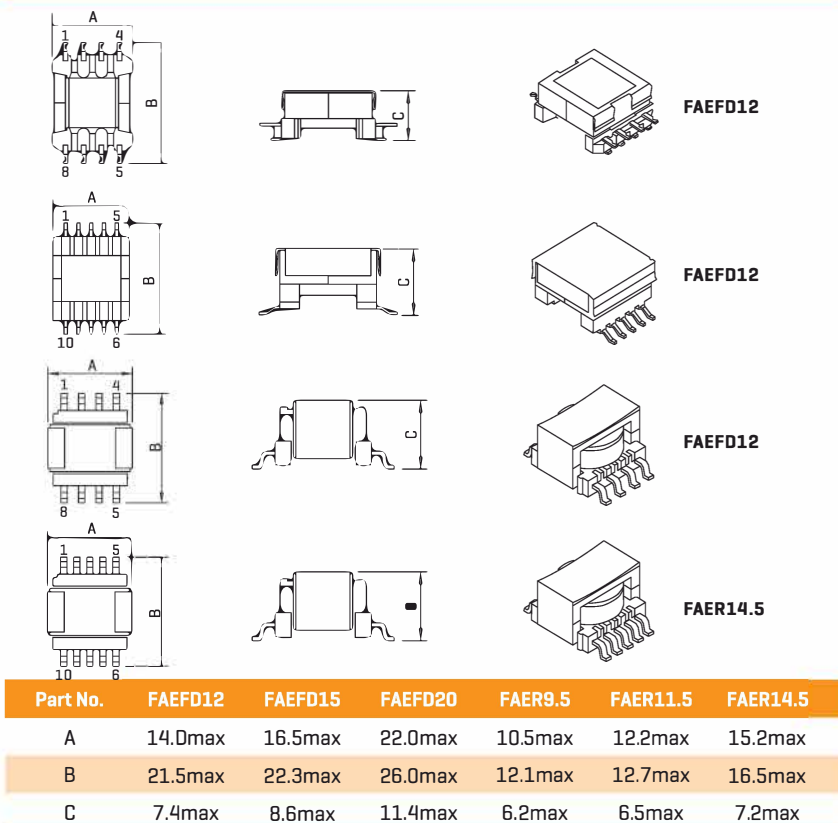


ALL DIMENSIONS IN MM

ELECTRICAL CHARACTERISTICS

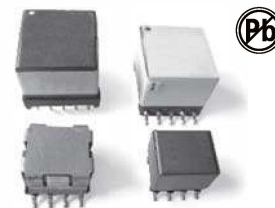
Part No.	Inductance (10kHz/0.1V Typ)	Turn Ratio	DCR(Ω max)	Hi-pot (Pri-Sec)	Schematic
FAEFD12	27 μ H \pm 10 % (3-4)	0.74:1.0:71(3-4:1-2:6-5)	0.21:1.15:0.35(3-4:1-2:6-5)	1250VAC	D
FAEFD15	4.0mH \pm 6%(1-5=10-6)	1:1(1-5:10-6)	6.25:6.25(1-5:10-6)	1000VDC	A
FAEFD20	20mH \pm 6%(1-5 tie 10+6)	1:1(1-5:10-6)	5.5:5.5(1-5:10-6)	1000VDC	A
FAER9.5	200 μ H Typ.(1-4)	1:1(1-4:5-8)	0.12:0.132(1-4:5-8)	1000VDC	B
FAER11.5	58 μ H \pm 10 % (4-2)	1:2(4-2:9-6)	0.35:1.75(4-2:9-6)	500VAC	C
FAER14.5	14.4 μ H \pm 10%(1-3)	1:1:1(1-3:4-5:10-6)	0.063:0.28:0.066(1-3:4-5:10+9-6+7)	500AC	E

PHYSICAL CHARACTERISTICS



Part No.	FAEFD12	FAEFD15	FAEFD20	FAER9.5	FAER11.5	FAER14.5
A	14.0max	16.5max	22.0max	10.5max	12.2max	15.2max
B	21.5max	22.3max	26.0max	12.1max	12.7max	16.5max
C	7.4max	8.6max	11.4max	6.2max	6.5max	7.2max

TELECOM TRANSFORMERS FAEP SERIES



FEATURES

Low inFATERwind capacitance
Low total harmonic distortion(THD)
Compact size and Surface-mounted
Designed to meet UL, CSA, VDE, BABT safety standard

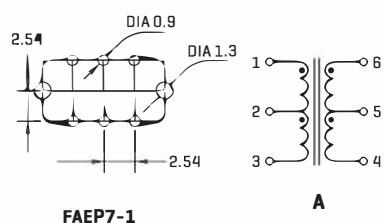
OPTIONS

Tape and reel is standard
Bulk packaging available for Smaller quantities
Custom design available
Tolerance: 5% is standard,
Tigh FATER tolerance available

COMMON APPLICATIONS

Modem
Fax machine, Hub
ISDN, ADSL, HDSL, PABX
Dther telecommunication facilities etc
Switching power supplies
AC-DC, DC-DC converters

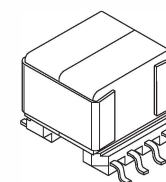
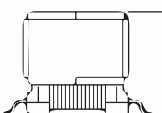
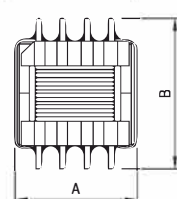
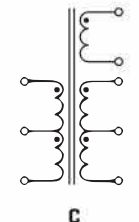
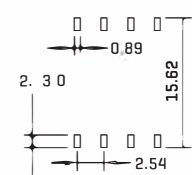
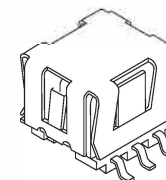
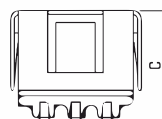
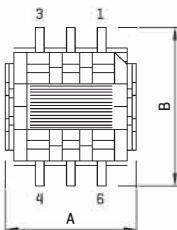
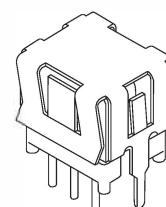
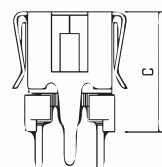
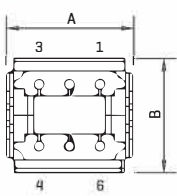
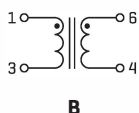
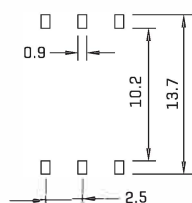
TECHNICAL INFORMATION



ELECTRICAL CHARACTERISTICS

Part No.	Inductance (10kHz/0.1V Typ)	Cs (max)	Turn Ratio	DCR(Ωmax)	THD (max)	Hi-pot (Pri-Sec)	Schematic
FAEP7-1	2.0mH min (1-3)	27pF (pri-sec)	1.66:1(1-3:6-4)	0.8:0.7(1-3:6-4)		1250VAC	A
FAEP7-2	530 μH±6% (6-4)	27pF (pri-sec)	1:1(1-3:6-4)	2.1:2.1(1-3:6-4)	-54dB	1250VAC	B
FAEP10	1.75mH min (8-2)	100pF (pri-sec)	1:0.653:0.184 (8-2:6-7:3-5)	0.9:0.58:0.09 (8-2:6-7:3-5)		500VDC	C

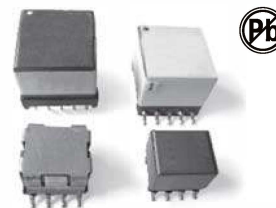
PHYSICAL CHARACTERISTICS



Part No.	FAEP7-1	FAEP7-2	FAEP10
A	10.5max	13.5max	24.4max
B	10.5max	13.5max	23.5max
C	11.0max	11.5max	11.6max

ALL DIMENSIONS IN MM

TELECOM TRANSFORMERS FAEP SERIES



FEATURES

Low inFATERwind capacitance
Low total harmonic distortion[THD]
Compact size and Surface-mounted
Designed to meet UL, CSA, VDE, BABT safety standard

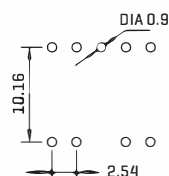
OPTIONS

Tape and reel is standard
Bulk packaging available for Smaller quantities
Custom design available
Tolerance: 5% is standard,
Tigh FATER tolerance available

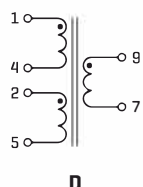
COMMON APPLICATIONS

Modem
Fax machine, Hub
ISDN, ADSL, HDSL, PABX
Other telecommunication facilities etc
Switching power supplies
AC-DC, DC-DC converters

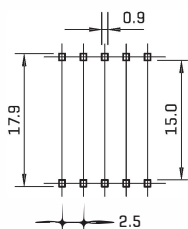
TECHNICAL INFORMATION



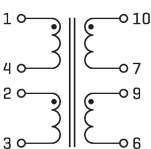
FAEP13-1



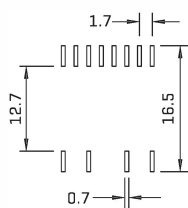
D



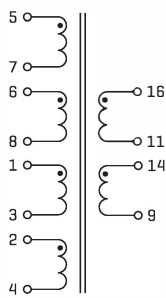
FAEP13-2



E



FAEP13-3

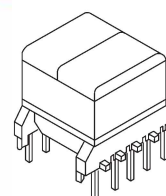
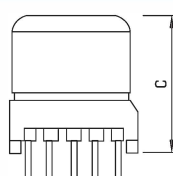
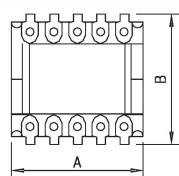


F

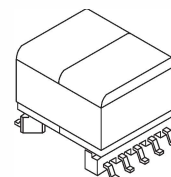
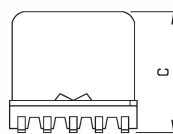
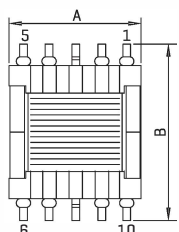
ELECTRICAL CHARACTERISTICS

Part No.	Inductance (10kHz/0.1V Typ)	Cs (max)	Turn Ratio	DCR(Ωmax)	THD (max)	Hi-pot (Pri-Sec)	Schematic
FAEP13-1	2.0mH±10% [1-5 tie 2, 4]		4:1 [1-5:9-7 tie 2,4]	1.25:1.25:1.0 [1-4:2-5:9-7]	-72dB	2050VAC	D
FAEP13-2	410 μH±6% [1-5 tie 2, 4]		2:1 [1-5:10-6 tie 2+4,7+9]	0.48:0.23 [1-4:10-7]	-72dB	1875VAC	E
FAEP13-3	400 μH ±6% [16-9 tie 11,14]	21pF [pri-sec]	4.25:1 [16-9:5-8 tie 11+14,7+6]	0.49:0.28:0.96 [14-9:5-7:1-3]	-68dB	1875VAC	F

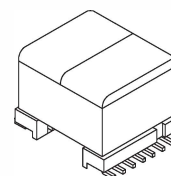
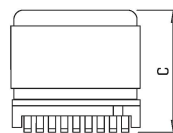
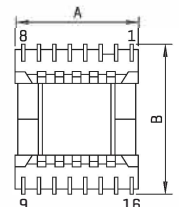
PHYSICAL CHARACTERISTICS



FAEP13-1



FAEP13-2

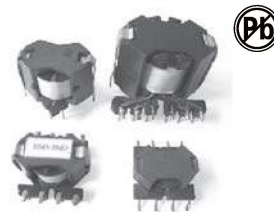


FAEP13-3

Part No.	FAEP13-1	FAEP13-2	FAEP13-3
A	14.2max	13.6max	14.0max
B	14.2max	17.9max	16.4max
C	13.0max	12.4max	12.6max

ALL DIMENSIONS IN MM

TELECOM TRANSFORMERS & POWER TRANSFORMERS FARM SERIES



FEATURES

Low inFATERwind capacitance
 Low total harmonic distortion[THD]
 Compact size and Surface-mounted
 Designed to meet UL, CSA, VDE, BABT safety standard

OPTIONS

Tape and reel is standard
 Bulk packaging available for Smaller quantities
 Custom design available
 Tolerance: 5% is standard, Tigh FATER available
 RM 5, 6, SMD available
 RM 6, 8, 10, 12, 14 Power available

COMMON APPLICATIONS

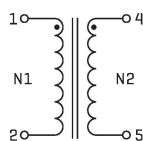
Modem
 Fax machine, Hub
 ISDN, ADSL, HDSL, PABX
 Other telecommunication facilities etc
 Switching power supplies
 AC-DC, DC-DC converters

TECHNICAL INFORMATION

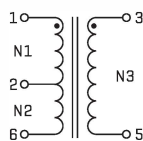
Soldering temperature: 260°C for 4 ± 1 seconds
 Operating temperature: 0°C to 70°C
 Storage Temperature: -25°C to 85°C
 Different package available per special request

ELECTRICAL CHARACTERISTICS

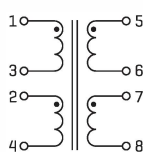
Part No.	N1 Inductance [1kHz/0.1V Typ]	Turn Ratio	N1 DCR[Qmax]	Hi-pot (Pri-Sec)	Schematic
FATP 6012	3.6mH min	N1:N2=1:2.5	4.5	1250V	1
FATM 5001	2.5mH min	N1:N2:N3=1:1:3	6.5	1250V	2
FATM 5002	1H min	N1:N2:N3:N4=1:1:1:1	30.0	1250V	3



Schematic 1

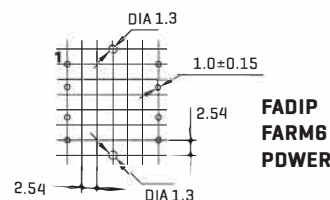
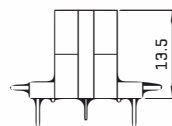
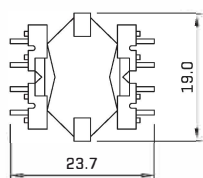


Schematic 2

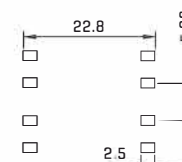
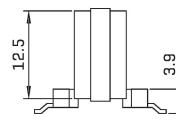
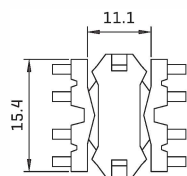


Schematic 3

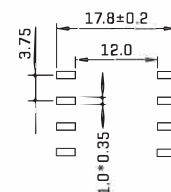
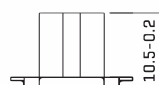
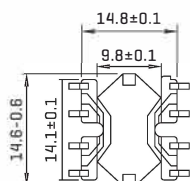
PHYSICAL CHARACTERISTICS



FADIP FARM6 PDWER



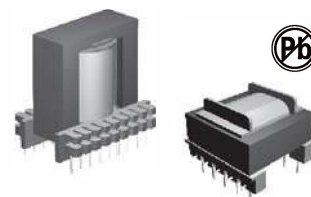
FARM5 FASMD



FARM5 FASMD

ALL DIMENSIONS IN MM

SWITCHING TRANSFORMERS FAEE,FAEI SERIES



FEATURES

Possessing of high permeability
High saturation flux density
Low loss, at 100°C the power loss goes bottom

OPTIONS

Bulk packaging is standard
Custom design available

COMMON APPLICATIONS

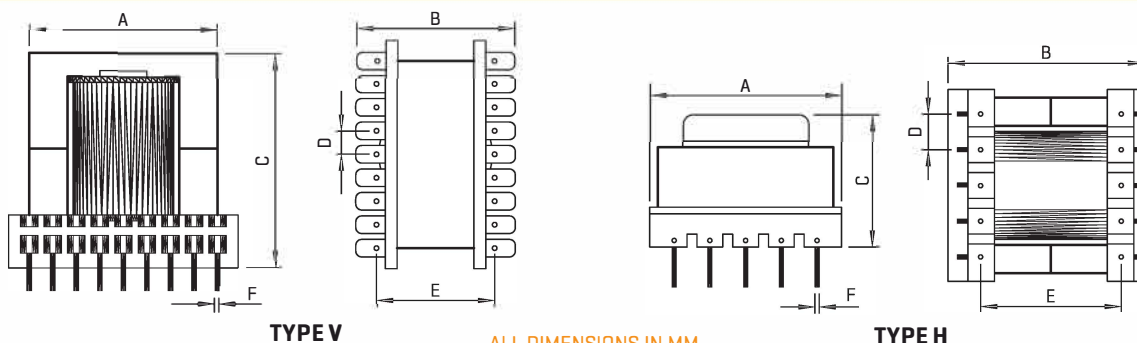
Drive transformers
Main transformers
Smoothing chokes
General purpose use

ELECTRICAL CHARACTERISTICS

Part No.	Type	No. of FATERminal pin.	Dimensions(mm)						Max. output [VA]
			Max A	Max B	Max C	±0.3 D	±0.5 E	±0.1 F	
FATEI 8.3-A	V	6	8.5	8.5	9.0	2.5	6.0	0.5	3
FATEE 8.3-B	H	6	8.5	8.5	7.0	2.5	6.0	0.5	3
FATEE 8.3-C	H	4	8.5	9.5	9.0	5.0	6.8	0.5	3
FATEI 10-A	V	8	10.5	11.0	11.0	2.5	8.0	0.5	5
FATEI 10-B	H	8	11.0	13.0	10.5	2.5	10.5	0.5	5
FATEI 10-C	H	4	10.0	9.5	10.0	5.0	6.8	0.5	5
FATEI 12.5-A	V	10	13.0	13.0	10.0	2.5	7.5	0.6	8
FATEE 12-A	H	4	12.5	11.0	12.5	8.0	9.0	0.6	8
FATEE 13-A	V	10	13.5	13.0	12.0	2.5	8.7	0.6	9
FATEI 14-A	V	6	14.5	14.5	13.0	3.5	11.0	0.6	15
FATEE 16-A	V	6	16.5	13.5	13.0	3.0	9.0	0.6	25
FATEE 16-B	H	8	16.5	14.5	15.0	3.0	11.0	0.6	25
FATEE 16-C	H	8	16.5	14.5	15.0	3.5	12.0	0.6	25
FATEE 16-O	V	10	16.5	13.5	14.5	3.25	10.5	0.6	25
FATEE 16-F	H	10	16.5	19.0	14.0	3.2	15.5	0.8	25
FATEEL 16-A	V	10	22.0	16.5	30.0	4.0	10.3	0.6	25
FATEE 19-A	V	6	20.0	18.0	18.0	4.1	14.0	0.7	35
FATEE 19-B	V	6	20.0	16.0	18.0	4.7	11.6	0.6	35
FATEE 19-C	H	8	20.0	18.0	16.5	3.8/5	12.5	0.7	35
FATEEL 19-A	V	8	20.0	20.5	32.0	3.8/4.8	15.0	0.8	35
FATEE 19-B	H	6	19.5	32.0	13.0	5	24.2	0.8	35
FATEEL 19-C	V	10	23.0	16.5	32.0	4	10.0	0.8	35
FATEE 20-A	H	8	20.5	19.0	13.0	5	15.0	0.8	35
FATEE 22-A	V	10	22.5	16.5	20.0	4	10.2	0.8	45
FATEE 22-B	V	8	22.5	17.0	20.0	5	12.4	0.8	45
FATEE 22-C	H	9	22.5	24.5	16.5	3.5/5	17.2	0.8	45
FATEE 25-A	V	8	25.5	18.0	22.0	5	12.4	0.8	65
FATEE 25-B	V	10	26.0	20.5	22.0	5	15.2	0.8	65
FATEE25-C	H	10	27.0	24.0	24.0	4.0/5	14.6	0.8	65
FATEEL 25-A	H	14	27.5	33.5	21.0	4.0	27.1	0.8	65
FATEL 25-B	V	14	27.5	21.0	35.0	4.0	15.0	0.8	65
FATEI 28-A	V	12	29.5	25.0	24.0	5.0	17.5	0.8	100
FATEI 28-B	V	10	28.5	25.0	35.0	5.0	20.0	0.8	100
FATEI 28-C	H	8	28.5	25.0	25.0	5.0	17.5	0.8	100
FATEI 30-A	V	10	31.0	22.0	26.0	5.0	17.6	0.8	155
FATEI 30-B	V	12	31.0	26.0	26.0	5.0	20.0	0.8	155
FATEE 30-A	H	10	30.5	30.0	20.5	5.0	25.0	0.8	155
FATEE 30-B	H	12	30.5	30.0	20.5	5.0	25.0	0.8	155
FATEI 33-A	V	14	34.0	28.0	30.0	5.0	22.5	0.8	200
FATEI 33-B	V	12	34.0	28.0	30.0	5.0	22.5	0.8	200
FATEI 33-C	V	16	39.0	29.0	30.0	5.0	22.5	0.8	200
FATEE 35-A	H	12	38.0	30.0	26.0	3.8/5.1	22.0	0.8	215
FATEE 35-B	V	10	35.5	26.0	28.0	5.0	20.0	0.8	215
FATEE 35-C	V	14	35.5	26.0	28.0	5.0	20.0	0.8	215
FATEEL 35-A	V	15	36.5	27.5	50.0	5.0	22.5	0.8	215
FATEI 35-A	V	12	35.5	28.5	29.0	5/7.5	20.0	1.0	215
FATEI 40-A	V	12	40.5	29.0	32.0	5.0	22.5	0.8	345
FATEI 40-B	H	12	40.5	37.0	27.0	5.0	28.2	1.0	345
FATEI 40-C	V	16	42.0	28.0	35.0	5.0	22.5	0.8	345
FAFATEI 40-O	H	14	40.5	35.0	29.0	5.0	25.8	0.8	345
FATEE 42-A	H	16	44.5	42.0	41.5	5.0	34.0	1.0	400
FATEE 42-B	H	12	47.0	42.0	39.5	5/7.5	33.0	1.0	400
FATEE 42-C	V	18	46.0	32.5	46.0	5.0	27.5	1.0	400
FATEE 42-O	V	12	46.0	42.5	37.0	7.4	36.4	1.0	420
FATEE 42-E	V	12	43.0	40.5	45.0	5.0	32.5	1.0	420
FATEE 42-F	H	17	43.0	47.0	45.0	2.5/5	37.7	1.0	420
FATEE 42-G	V	18	46.0	38.0	47.0	5.0	30.0	1.0	420
FATEE 50-A	V	18	51.0	40.0	40.0	5.0	30.5	1.0	500
FAFATEE 55-A	H	20	56.0	55.0	50.5	5/7.5	45.2	1.0	814

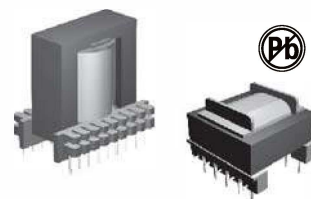
Note: The output power is only for forward model and the frequency at 100kHz

PHYSICAL CHARACTERISTICS



ALL DIMENSIONS IN MM

SWITCHING TRANSFORMERS FAER SERIES



FEATURES

Centre section of the core is round easily design high-powerswitch transformers
Low leakage

OPTIONS

Bulk packaging is standard
Custom design available

COMMON APPLICATIONS

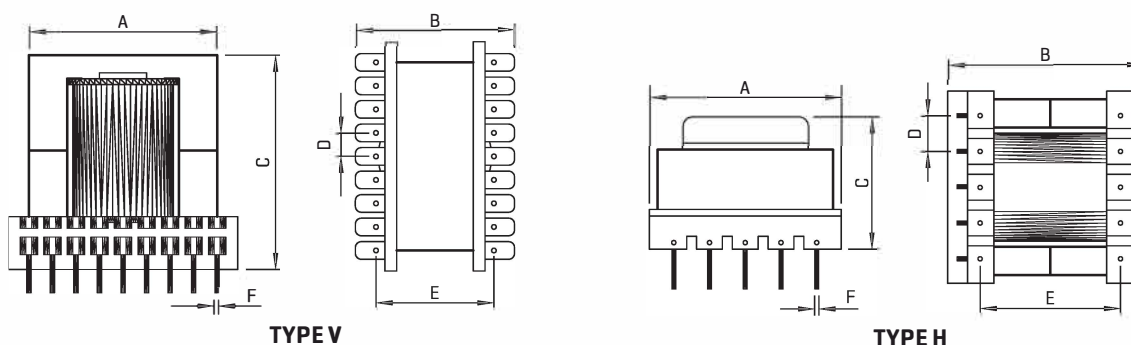
Drive transformers
Main transformers
Smoothing chokes
General purpose use

ELECTRICAL CHARACTERISTICS

Part No.	Type	No. of FAERterminal pin	Dimensions(mm)						Max. output (VA)	Part No.	Type	No. of FAERterminal pin	Dimensions(mm)						Max. output (VA)
			Max A	Max B	Max C	±0.3 D	±0.5 E	±0.1 F					Max A	Max B	Max C	±0.3 D	±0.5 E	±0.1 F	
FATER 11.5-A	V	8	14	14	12	2.6	9.0	0.6	3	FATER 35-O	H	16	41	45	29	5.0	35.0	1.0	325
FATER 25-A	V	8	27	22	28	5.0	12.5	0.8	87	FATER 35-E	H	12	38	45	27	5.3	37.1	1.0	325
FATER 25-B	V	10	27	22	28	5.0	15.0	0.8	87	FATER 35-F	H	12	45	37	30	5.4	37.1	1.0	325
FATER 28-A	H	20	35	32	25	2.54	28.0	0.5	203	FATER 39-A	V	16	44	32	53	5.0	25.0	1.0	370
FATER 25-B	H	12	31	32	25	5.0	25.0	0.8	203	FATER 39-B	V	14	40	32	54	5.0	25.2	1.0	370
FATER 28-C	V	10	27	25	32	5.0	17.3	0.8	203	FATER 39-C	V	18	45	32	53	5.0	25.0	1.0	370
FATER 28-D	V	12	32	28	32	4.9	22.0	0.6	203	FATER 39-O	H	16	43	45	35	5.0	30.6	1.0	370
FATERL 28-A	V	10	32	25	36	5.0	17.5	0.8	228	FATER 39-E	H	16	43	47	35	5.0	35.3	1.0	370
FATERL 28-B	V	12	32	25	38	5.0	17.5	0.8	228	FATER 40-A	V	16	42	33	51	5.0	25.2	1.0	421
FATERL 28-C	V	12	32	25	36	5.0	20.2	0.8	228	FATER 40-B	V	16	42	34	52	5.0	27.5	1.0	421
FATERL 28-D	V	18	30	25	38	4.0	20.0	0.8	228	FATER 40-C	V	12	42	33	48	5.0	25.0	1.0	421
FATERL 28-E	V	10	30	25	38	5.0	17.5	0.8	228	FATER 40-O	H	16	42	50	37	5.0	35.2	1.0	421
FATERL 28-F	V	14	32	28	38	5.0	20.0	0.8	228	FATER 42-A	V	18	47	33	47	5.0	27.4	1.0	433
FATERL 28-G	H	11	36	38	26	5.0	25.5	0.8	228	FATER 42-B	V	14	44	32	49	5.0	24.8	1.0	433
FATERL 28-H	H	12	32	38	28	5.0	30.4	0.8	228	FATER 42-C	V	18	47	39	52	5.0	30.2	1.0	509
FATER 33-A	V	14	37	31	40	5.0	25.0	1.0	235	FATER 42-O	H	14	45	45	36	5.0	34.8	1.0	509
FATER 33-B	V	14	37	29	40	5.0	22.5	1.0	235	FATER 49-A	V	22	55	37	62	5.0	27.5	1.0	680
FATER 34-A	V	14	36	29	40	5.0	22.3	1.0	240	FATER 49-B	V	18	52	38	57	5.0	27.5	1.0	680
FATER 35-A	V	12	38	30	46	5.0	22.5	1.0	325	FATER 49-C	V	20	55	41	60	5.0	32.5	1.0	680
FATER 35-B	V	14	37	30	44	5.0	22.5	1.0	325	FATER 53-A	V	18	55	41	55	5.0	32.5	1.0	800
FATER 35-C	V	16	41	30	46	5.0	22.55	1.0	325	FATER 54-B	V	18	60	42	60	5.0	32.0	1.0	850

Note: The output power is only for forward model and the frequency at 100kHz

PHYSICAL CHARACTERISTICS



ALL DIMENSIONS IN MM

SWITCHING TRANSFORMERS FAETD SERIES



FEATURES

Centre section of the core is round easily design high-powerswitch transformers
Low leakage

OPTIONS

Bulk packaging is standard
Custom design available

COMMON APPLICATIONS

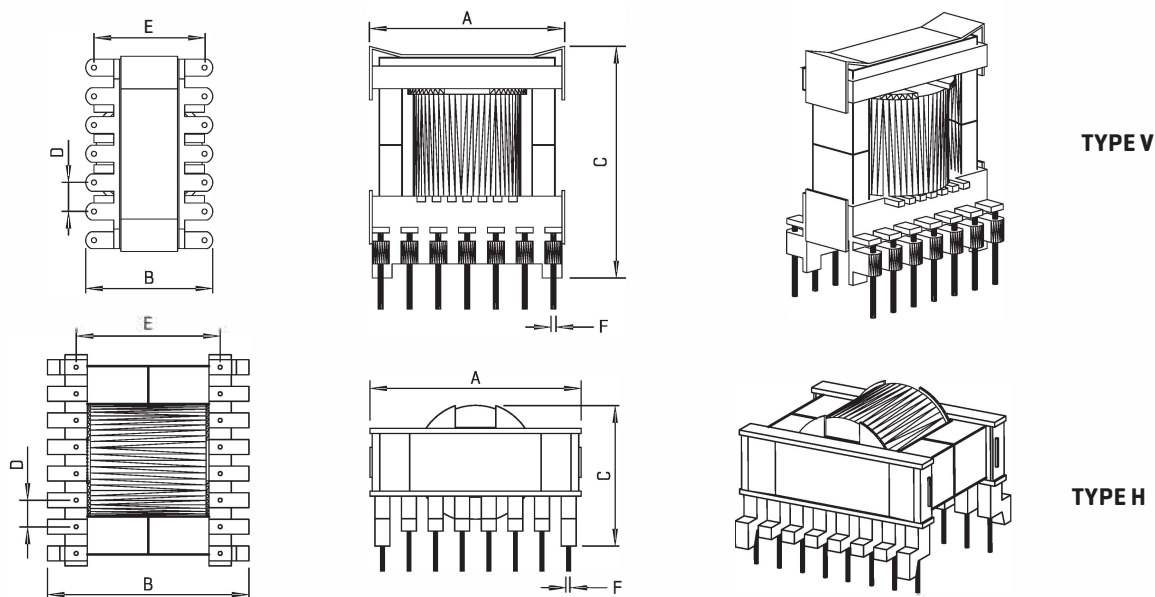
Drive transformers
Main transformers
Smoothing chokes
General purpose use

ELECTRICAL CHARACTERISTICS

Part Number	Type	No. of Terminal pins	Dimensions(mm)						Max. output [VA]
			Max A	Max B	Max C	±0.3 D	±0.5 E	±0.1 F	
FATETD 24-A	V	12	36.5	25.0	38.0	5.08	17.8	1.1	110
FATETD 29-A	H	14	36.0	36.0	25.5	5.0	25.6	0.8	170
FATETD 29-B	H	13	37.0	37.0	27.0	5.0	25.8	0.8	170
FATETD 29-C	V	12	42.0	24.5	43.0	5.08	20.32	0.8	170
FATETD 34-A	V	12	34.5	30.0	37.0	5.0	25.5	1.0	270
FATETD 34-B	H	14	41.0	41.0	27.0	5.0	25.5	2.0	270
FATETD 34-C	V	14	39.0	28.0	45.0	5.0	22.9	1.0	270
FATETD 39-A	V	16	46.0	30.5	49.6	5.0	25.4	1.0	380
FATETD 39-B	H	16	45.0	45.0	36.0	5.0	30.2	1.0	380
FATETD 44-A	H	18	50.0	51.0	40.0	5.0	35.8	1.0	520
FATETD 44-B	V	18	46.0	33.0	51.0	5.0	27.5	1.0	520
FATETD 49-A	V	22	55.0	37.0	55.0	5.0	27.5	1.0	680
FATETD 49-B	H	20	56.0	55.0	41.0	5.0	40.4	1.0	680
FATETD 54-A	H	22	61.0	60.0	47.0	5.0	44.8	1.0	750
FATETD 59-A	H	24	68.0	68.0	52.5	5.0	51.0	1.0	900

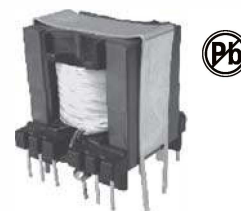
Note: The output power is only for forward model and the frequency at 100kHz

PHYSICAL CHARACTERISTICS



ALL DIMENSIONS IN MM

SWITCHING TRANSFORMERS FAPQ SERIES



FEATURES

Design in the fittest shape
Applied in the power: [50W-1kW]100kHz
Cut down installation cubage with multi-pluge and boobins, easily wire connection to meet the request
Low leakage

OPTIONS

Bulk packaging is standard
Custom design available

COMMON APPLICATIONS

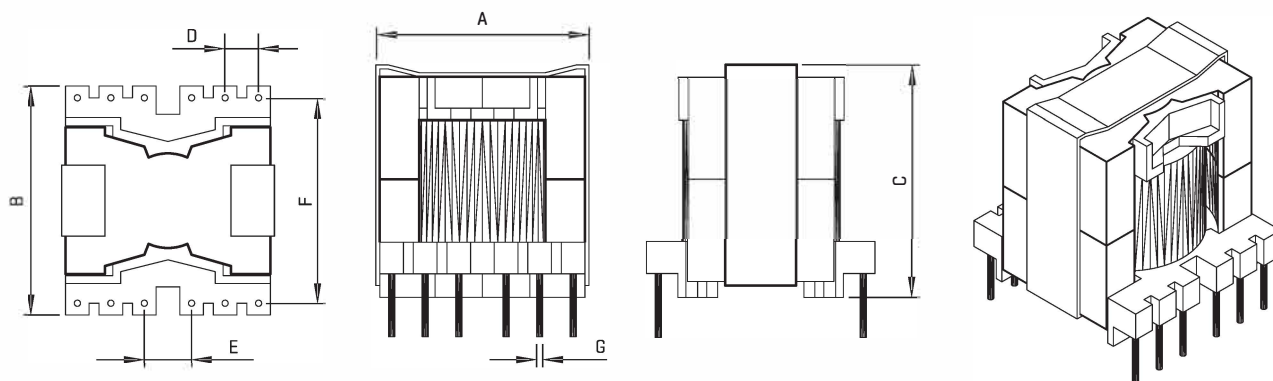
Drive transformers
Main transformers
Smoothing chokes
Switching power supplies
AC-DC, DC-DC converters

ELECTRICAL CHARACTERISTICS

Part Number	Type	No. of Terminal pins	Dimensions[mm]						Max. output [VA]
			Max A	Max B	Max C	±0.3 D	±0.5 E	±0.1 F	
FATPQ 2020-A	V	14(6+8)	24.0	24.0	3.8/2.5	5.1	20.3	0.6	92
FATPQ 2620-A	V	12	28.0	32.0	3.8	7.6	25.4	0.6	170
FATPQ 2620-B	V	12	28.0	32.0	3.8	7.6	25.4	0.6	170
FATPQ 2625-A	V	12	28.5	31.0	3.8	7.5	25.5	0.7	195
FATPQ 3220-A	V	12	33.0	35.0	5.0	7.5	30.0	0.8	232
FATPQ 3220-B	V	12	33.0	36.0	5.1	7.6	30.5	0.8	232
FATPQ 3225-A	V	12	35.5	35.0	5.0	7.4	30.0	0.8	280
FATPQ 3230-A	V	12	33.0	36.0	5.05	7.6	30.3	0.8	331
FATPQ 3535-A	V	12	37.0	41.0	5.0	10.0	35.0	0.8	452
FATPQ 4040-A	V	12	41.0	44.0	5.0	15.1	38.0	0.8	596
FATPQ 5050-A	V	12	52.0	53.0	7.62	15.24	45.72	1.2	1045

Note: The output power is only for forward model and the frequency at 100kHz

PHYSICAL CHARACTERISTICS



TYPE V

ALL DIMENSIONS IN MM

SWITCHING TRANSFORMERS FAEFD SERIES



FEATURES

Horizontal installation
Multi out-put applied
in denseness installation

OPTIONS

Bulk packaging is standard
Custom design available

COMMON APPLICATIONS

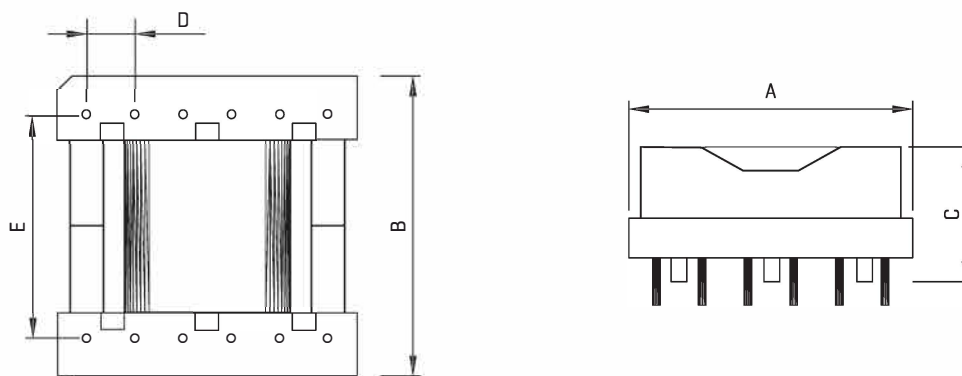
Drive transformers
Main transformers
Smoothing chokes
General purpose use
Switching power supplies
AC-DC, DC-DC converters

ELECTRICAL CHARACTERISTICS

Part Number	Type	No. of Terminal pins	Dimensions(mm)						Max. output [VA]
			Max A	Max B	Max C	±0.3 D	±0.5 E	±0.1 F	
FATEFD 15-A	H	8	17	18	9.5	3.7	13.7	0.6	5
FATEFD 15-B	H	8	17	18	9.5	3.75	13.75	0.6	5
FATEFD 15-C	H	8	17	18	9.5	3.8	13.7	0.6	5
FATEFD 20-A	H	8	22	23	11.0	5.0	17.5	0.6	18
FATEFD 20-B	H	9	22	23	11.0	5.0	17.5	0.6	18
FATEFD 20-C	H	10	22	26	15.0	3.8	23.8	0.6	18
FATEFD 25-A	H	10	27	28	13.0	5.0	22.45	0.8	45
FATEFD 25-B	H	10	27	28	15.0	5.0	22.5	0.8	45
FATEFD 30-A	H	12	32	33	14.0	5.0	27.4	0.8	70
FATEFD 30-B	H	12	32	36	18.0	5.0	30.0	0.8	70
FATEFD 30-C	H	12	32	37	14.0	5.0	32.0	0.8	70

Note: The output power is only for forward model and the frequency at 100kHz

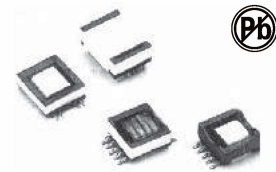
PHYSICAL CHARACTERISTICS



TYPE H

ALL DIMENSIONS IN MM

SMD LOW PROFILE SWITCHING TRANSFORMER FASPT SERIES FASPT-01,02,03



FEATURES

Multiple Combination
Series Mode or Parallel Mode
Low Profile

OPTIONS

Bulk Packaging is Standard
Custom Design Available
Thru Hole Available

COMMON APPLICATIONS

SMPS DC-DC converter
CMC, Differential
Flyback, Boost, Buck
ADSL/VDSL
Switching power supplier

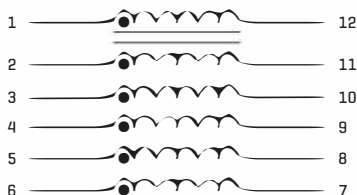
STANDARD SPECIFICATIONS

Part Number	L[μ H] \pm 20%	Leakage [μ H]Typ.	DCR [Ω Max]	I _{rms} Typ [mA]Typ.	
FASPT-01 FAEFD-17 Package	FASPT-01-3R8	3.8	0.08	0.06	1.8
	FASPT-01-5R0	5.0	0.08	0.06	1.8
	FASPT-01-6R2	6.2	0.08	0.06	1.8
	FASPT-01-11R5	11.5	0.08	0.06	1.8
	FASPT-01-700	70	0.08	0.06	1.8
FASPT-02 FAEFD-15 Package	FASPT-02-3R8	3.8	0.06	0.07	1.5
	FASPT-02-4R5	4.5	0.06	0.07	1.5
	FASPT-02-6R8	6.8	0.06	0.07	1.5
	FASPT-02-11R3	11.3	0.06	0.07	1.5
	FASPT-02-630	63	0.06	0.07	1.5
FASPT-03 FAEFD-20 Package	FASPT-03-3R5	3.5	0.11	0.05	2.1
	FASPT-03-4R5	4.5	0.11	0.05	2.1
	FASPT-03-5R3	5.3	0.11	0.05	2.1
	FASPT-03-100	10	0.11	0.05	2.1
	FASPT-03-770	77	0.11	0.05	2.1

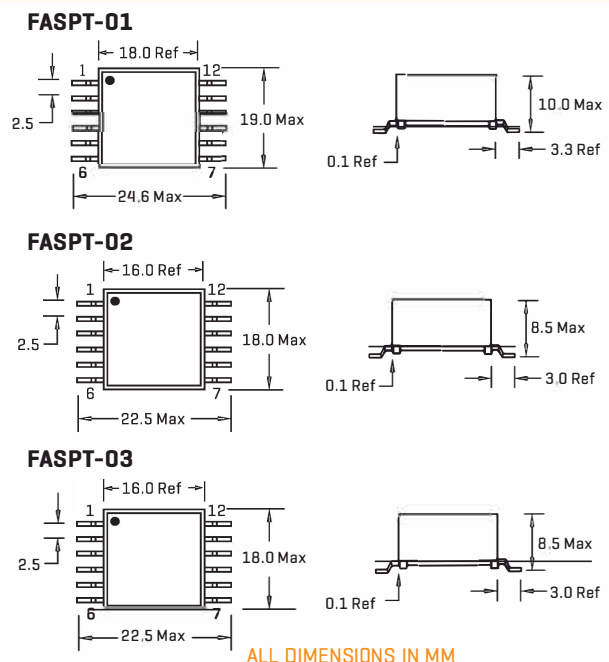
TECHNICAL INFORMATION

Inductance measure at Pin 1-2, 100KHz 0.1 Vrms.
DCR measure at individual winding
Leakage measure at pin 1-12 with all other windings shorted
Insulation Resistance: 500VDC, 1KM Ohm min.
Turns ratio: 1:1:1:1:1
Soldering temperature: 260°C for 4±1 seconds
Operating temperature: 0°C to 70°C
Storage Temperature: -25°C to 85°C
Different package available per special request

Note: All specifications subject to change without notice.

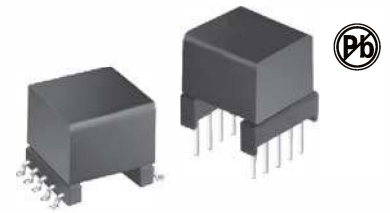


PHYSICAL CHARACTERISTICS



FAADSL TRANSFORMERS

FAADSL-100 SERIES



FEATURES

High Frequency Design
Excellent THD
High Reliability

OPTIONS

Tape & Reel is Standard
Custom design available

COMMON APPLICATIONS

FAADSL VDSL Router
Analog Devices, Alcatel, Globespan.
Central Office/Customer Premise

STANDARD SPECIFICATIONS

Part Number	Application	Turns Ratio ±2% Line to Chip	OCL [mH±10%] Line Size	L _L [µH Max]	Longitudinal Balance [dB Min]	DCR [ΩMax]	THD [dB Min]	SCH	Applicable IC
FAADSL-101	CPE	1:1	5.0 [1]	15 [2]	40[25KHz-1.1MHz]	3.0	80@30KHz	1	A020msP910/918
FAADSL-102	CPE	1:1	0.48 [1]	10 [2]	40[30KHz-1.1MHz]	1.0	72@10KHz	1	MTK-20/40
FAADSL-102A	CO	1:1	0.41 [1]	6.5 [2]	40[30KHz-1.1MHz]	0.6	72@20KHz	1	MTK-20/40
FAADSL-103	CPE	2:1	0.43 [3]	10 [4]	40[25KHz-1.1MHz]	0.45	80@100KHz	2	G7000
FAADSL-105	CPE	1:1	0.407 [1]	9 [2]	40[25KHz-1.1MHz]	0.66	80@100KHz	1	EL-1501

Inertion Loss: 0.5dB max Inductance measured @10KHz 0.1 VRMS Hipot: 1500 VRMS

Remark: Add "S" after Part No. for SMT package

Example: FAADSL-101S for SMT Package: Package B

Notes:

- 1.Measure inductance at pin 1-4 with pin 2-3 shorted.
- 2.Measure leakage inductance at pin 1-4 with 2-3 shorted, and 7-8-9-10 shorted.
- 3.Measure inductance at pin 1-5 with pin 2-4 shorted.
- 4.Measure leakage inductance at pin 1-5 with 2-4 shorted, and pin 6-9-7-10 shorted.

TECHNICAL INFORMATION

Soldering methods: Wave, Reflow

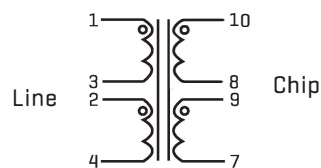
Operating Temperature: 0°C to +70°C

Storage Temperature: -55°C to 125°C

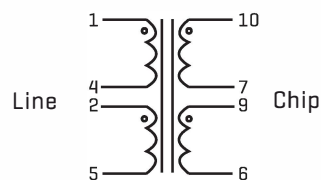
Note:

All specifications subject to change without notice.

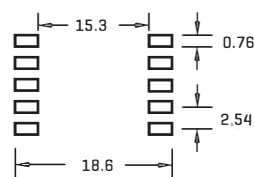
Schematic 1



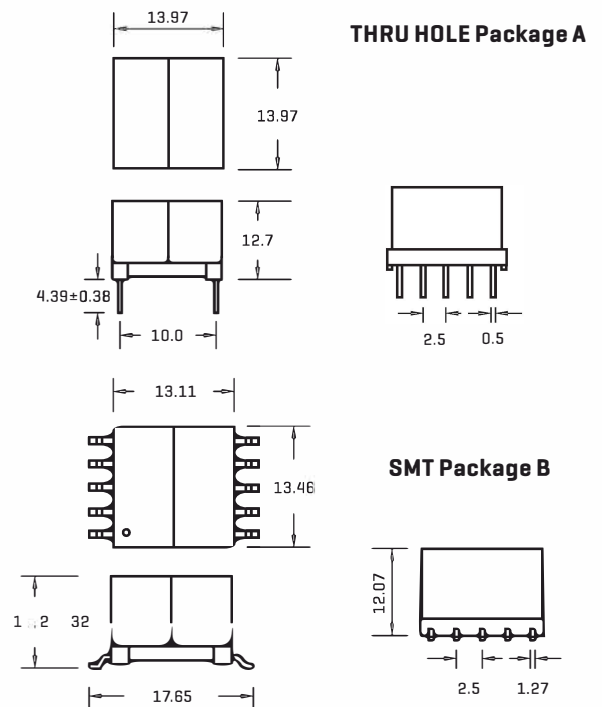
Schematic 2



Recommended Pad Layout



PHYSICAL CHARACTERISTICS



ALL DIMENSIONS IN MM



SURFACE MOUNT LINE MATCHING TRANSFORMERS FAAT 16XX SERIES

FEATURES

Fully encapsulated
Low profile
High dielectric strength
Ten models available
Ex stock
Competitively priced
Lead free
RoHS compliant

OPTIONS

Tape and reel is standard
[400 pcs. per reel]
Bulk packaging available for
faller quantities
Custom design available
Tolerance: 5% is standard,
Tighter tolerance available

COMMON APPLICATIONS

Line matching
Modems
Fax modems
Laptop Computer
Telecommunications
Instrumentation
PCMCIA

ELECTRICAL CHARACTERISTICS

Parameters		Unit	Part Number										
			FAAT1601	FAAT1602	FAAT1603	FAAT1604	FAAT1605	FAAT1601A	FAAT1602A	FAAT1603A	FAAT1604A	FAAT1605A	
Ref. Temperature Data		°C	25	25	25	25	25	25	25	25	25	25	25
Impedance (min./at 1.0kHz)	Primary	Ω	600	600	600	600 [150,150]	600 [150+150]	600	600	600	600 [150,150]	600 [150+150]	
	Secondary	Ω	600	600 [150,150]	600 [150+150]	600 [150,150]	600 [150+150]	600	600 [150,150]	600 [150+150]	600 [150,150]	600 [150+150]	
Inductance (min./at 0.2 kHz)	Primary	H	2.8	2.8	2.8	2.8 [0.7,0.7]	2.8 [0.7+0.7]	2.8	2.8	2.8	2.8 [0.7,0.7]	2.8 [0.7+0.7]	
	Secondary	H	2.8	2.8 [0.7,0.7]	2.8 [0.7+0.7]	2.8 [0.7,0.7]	2.8 [0.7+0.7]	2.8	2.8 [0.7,0.7]	2.8 [0.7+0.7]	2.8 [0.7,0.7]	2.8 [0.7+0.7]	
DC-Resistance [Typical/±10%]	Primary	Ω	66	66	66	66 [33,33]	66 [33+33]	90	90	90	90 [45,45]	90 [45+45]	
	Secondary	Ω	66	66 [33,33]	66 [33+33]	66 [33,33]	66 [33+33]	90	90 [45,45]	90 [45+45]	90 [45,45]	90 [45+45]	
Turns Ratio(±2%)		-	1:1	1:1	1:1	1:1	1:1	1:1	1:1	1:1	1:1	1:1	
Winding Configurations		-	-	one winding centre tapped	one winding split	both windings centre tapped	both windings split	-	one winding centre tapped	one winding split	both windings centre tapped	both windings split	
Insertion Loss (at 2.0kHz)		dB	≤ 1.5					≤ 2.0					
Return Loss Transformer (0.2-4.0kHz) In Networks		dB	≥ 10.0 ≥ 21.0					≥ 8.0 ≥ 20.0					
Shunt Loss [Typical]		kΩ	9.0					9.0					
Frequency Response [Typ./0.2-3.5kHz]		dB	-0.3					-0.5					
Wide Band Response(0.2-10kHz)		dB	-2.5					-4.5					
Power Level		dBm	-45.0-+3.0					-43.0-+3.0					
Longitudinal Balance(0.3-4.0kHz)		dB	-80.0					-70.0					
Distortion[0 dB/at 1.0kHz]		%	≤ 0.1					≤ 0.25					
Leakage Induction[Typical]		mH	14.0					14.0					
Dielectric Strength[P/S]		kVDC	6.5					6.5					
Temperature Range	Operation	°C	-10-+60					-10-+60					
	Storage	°C	-20-+70					-20-+70					
Specifications Met			BS 6240: Construction and flammability [UL 94 V0] BS 6310: Isolation BS 6305: Return loss [1982/paragraph 4.3.2.2/b]					CCITT: Rec. T/CD 1-1 [Sept.1982]					

SURFACE MOUNT LINE MATCHING TRANSFORMERS FAAT 16XX SERIES



FEATURES

- Fully encapsulated
- Low profile
- High dielectric strength
- Ten models available
- Ex stock
- Competitively priced
- Lead free
- RoHS compliant

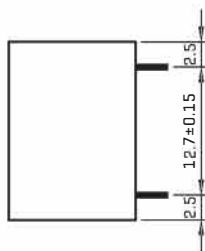
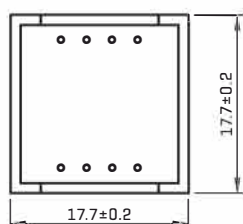
OPTIONS

- Tape and reel is standard [400 pcs. per reel]
- Bulk packaging available for smaller quantities
- Custom design available
- Tolerance: 5% is standard, Tighter tolerance available

COMMON APPLICATIONS

- Line matching
- Modems
- Fax modems
- Laptop Computer
- Telecommunications
- Instrumentation
- PCMCIA

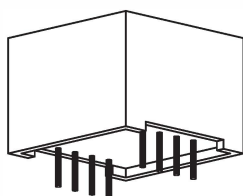
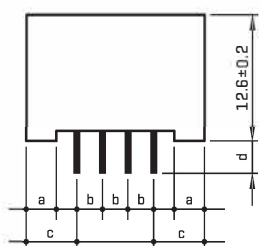
PHYSICAL CHARACTERISTICS



Note:
The FAAT1600 Series Line Matching Transformers meet the return loss specifications of BS 6305.

It is important, however, to use the circuit recommended by BS 6305 for return loss

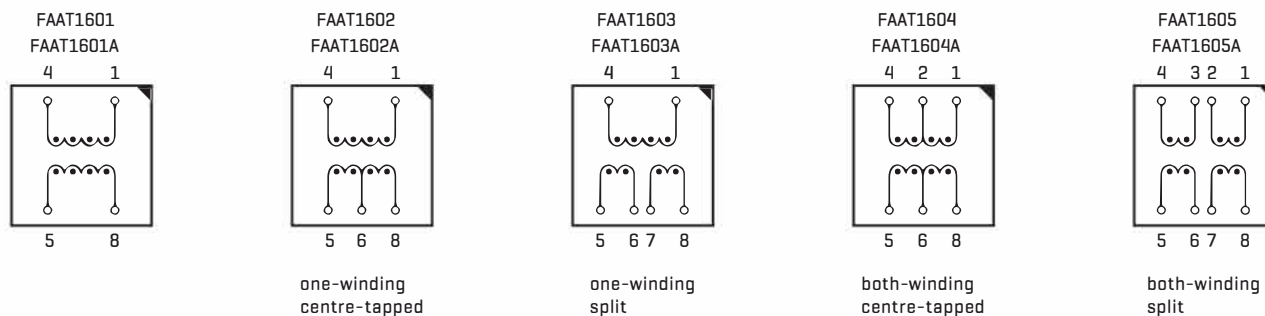
The FAAT1600 Series meet EN41003.



- a=3.0
- b=2.54
- c=5.04
- d=3.2±0.8

ALL DIMENSIONS IN MM

TECHNICAL INFORMATION



Due to the unique design and the most advanced manufacturing techniques the 2 coils are fully identical, meaning there is no real primary nor secondary winding. Depending on the application, the transformers can be used either way.

SURFACE MOUNT LINE MATCHING TRANSFORMERS FALP-5001 SERIES



FEATURES

Subminiature in FAT
7.36mm seated height
Tested at 4600 Vrms, 1minute
Distortion of only 0.015%
Vacuum encapsulated
UL60950 certified
RoHS compliant

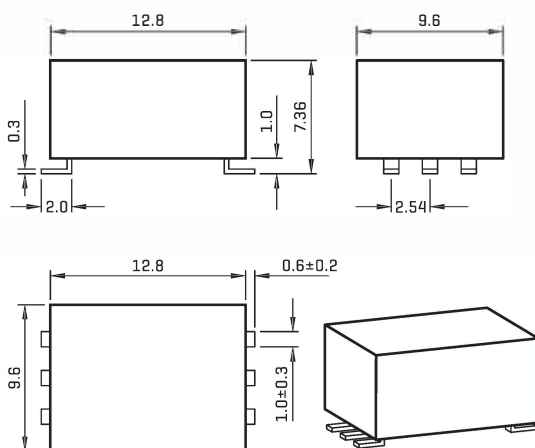
OPTIONS

Tape and reel is standard
(400 pcs. per reel)
Bulk packaging available for
faller quantities
Custom design available
Tolerance: 5% is standard,
Tighter tolerance available

COMMON APPLICATIONS

Modems[V32]
Laptop Computer
Telecommunications
Instrumentation
PCMCIA

PHYSICAL CHARACTERISTICS

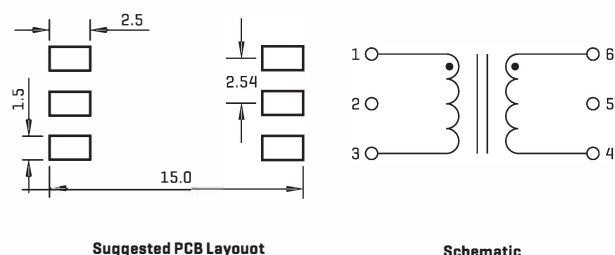


ALL DIMENSIONS IN MM

ELECTRICAL CHARACTERISTICS

Nominal Impedance:	600Ω
Turns Ratio:	1:1
Insertion Loss:	2.0dB max. at 2kHz
Frequency Response:	±0.25dB max. 200-4kHz
Return Loss:	24dB min. 200-4kHz *
Balance:	80dB min.
Distortion:	-76dB max. @600Hz, -10dBm
Dielectric Strength:	4600 Vrms for 1 min.
Insulation Resistance:	100MΩ@500V
DC Resistance * *	
Primary:	115 Ω±15%
Secondary:	115 Ω±15%
Shunt Inductance:	3.8H min.
Shunt:	7500 Ω min.
Leakage Inductance:	6mH typ. @1kHz
Power Level:	10dBm
Operating Temperature:	-20°C-+85°C
Storage Temperature:	-40°C-+85°C
Terminal Plating Material	AgSn

TECHNICAL INFORMATION



Suggested PCB Layout

Schematic

ALL DIMENSIONS IN MM

* For use with recommended circuit [BS6305 impedance Class A non-speech or Class B speech]

* * FA-LP-5001 is symmetrical, meaning there is no real primary nor secondary winding.

SURFACE MOUNT LINE MATCHING TRANSFORMERS FALP-5002 SERIES



FEATURES

Subminiature in FAT
7.36mm seated height
Tested at 4600 Vrms, 1minute
Distortion of only 0.015%
Vacuum encapsulated
UL60950 certified
RoHS compliant

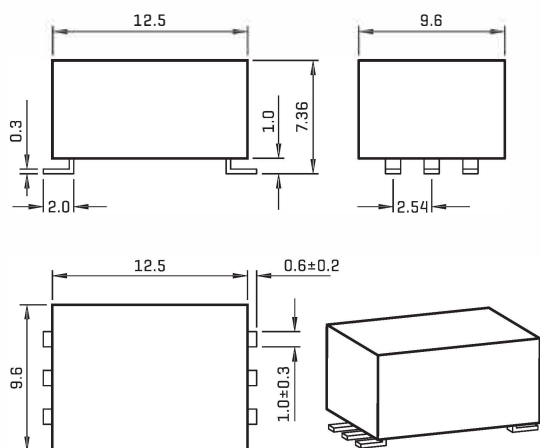
OPTIONS

Tape and reel is standard
(400 pcs. per reel)
Bulk packaging available for
faller quantities
Custom design available
Tolerance: 5% is standard,
Tighter tolerance available

COMMON APPLICATIONS

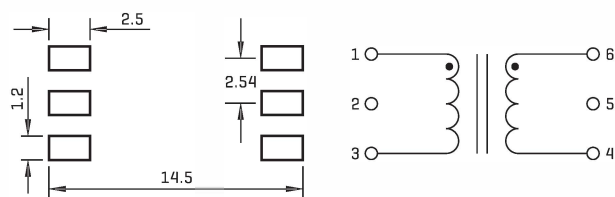
Modems [V32]
Laptop Computer
Telecommunications
Instrumentation
PCMCIA

PHYSICAL CHARACTERISTICS



ALL DIMENSIONS IN MM

TECHNICAL INFORMATION



Suggested PCB Layout

Schematic

ALL DIMENSIONS IN MM

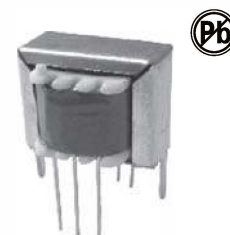
ELECTRICAL CHARACTERISTICS

Nominal Impedance:	600°C
Turns Ratio:	1:1
Insertion Loss:	2.0dB max. at 2kHz
Frequency Response:	±0.25dB max. 200-4kHz
Return Loss:	24dB min. 200-4kHz *
Balance:	80dB min.
Distortion:	-85dB max. @600Hz, -10dBm
Dielectric Strength:	4600 Vrms for 1 min.
Insulation Resistance:	100MΩ@500V
DC Resistance * *	
Primary:	136 Ω±12%
Secondary:	136 Ω±12%
Shunt Inductance:	3.8H min.
Shunt:	7500 Ω min.
Leakage Inductance:	6-7mH typ. @1kHz
Power Level:	10dBm
Operating Temperature:	-20°C-+85°C
Storage Temperature:	-40°C-+85°C
Terminal Plating Material	AgSn

* For use with recommended circuit [BS6305 impedance Class A non-speech or Class B speech]

* * FA-LP-5002 is symmetrical, meaning there is no real primary nor secondary winding.

ECONOMY AUDIO DRY(NO DC) COUPLING TRANSFORMERS FAAT SERIES



FEATURES

Metric size
 Low cost
 Dielectric strength-1000VAC (PRI-SEC-CORE)
 Resistances $\pm 20\%$
 All impedances $\pm 10\%$ [at 1kHz]

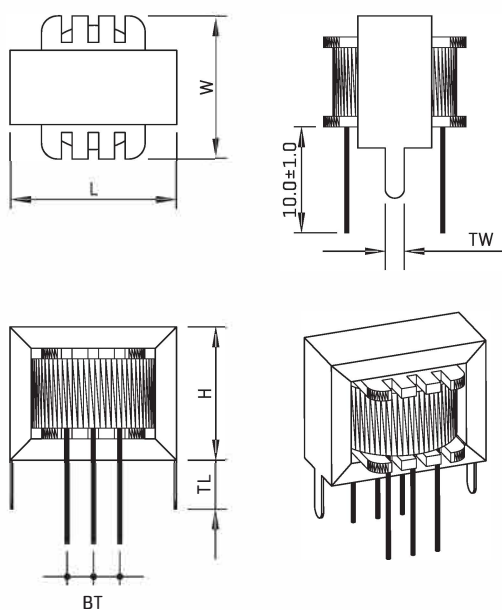
OPTIONS

Bulk packaging is standard
 Custom design available

COMMON APPLICATIONS

Telephony
 Audio coupling / isolating
 Alarm system

PHYSICAL CHARACTERISTICS



ALL DIMENSIONS IN MM

Part No.	size 1 EI-14	size 2 EI-16	size 3 EI-19	size 4 EI-24
L	15.2	17.7	20.3	25.3
H	11.0	14.0	16.2	19.0
W	12.0	16.0	14.5	16.9
TW	2.0	2.2	2.2	2.6
TL	3.8	4.0	4.2	4.8
BT	2.5	2.8	3.0	4.5

Size 1: EI-14 series 0.75watts max. / TCW leads 0.4mm DIA.

Size 2: EI-16 series 0.1watts max. / TCW leads 0.43mm DIA.

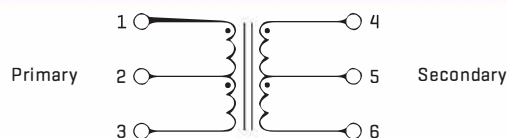
Size 3: EI-19 series 0.2watts max. / TCW leads 0.4mm DIA.

Size 4: EI-24 series 0.46watts max. / TCW leads 0.48mm DIA.

ELECTRICAL CHARACTERISTICS

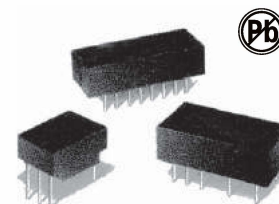
Part No.	Size	Description	Impedance[°C]		DC Resistance	
			Pri.	Sec.	Pri.	Sec.
FAAT-201	1	Output	500 C.T.	8 C.T.	35	0.8
FAAT-130	1	Coupling	600 C.T.	600 C.T.	45	40
FAAT-202	1	Output	1K C.T.	8 C.T.	60	0.8
FAAT-203	1	Coupling	10K C.T.	600 C.T.	450	100
FAAT-204	1	Driver	10K C.T.	2K C.T.	500	200
FAAT-301	2	Output	500 C.T.	8 C.T.	22	0.8
FAAT-302	2	Interstage	500 C.T.	500 C.T.	30	28
FAAT-303	2	Output	1.2K C.T.	8 C.T.	80	0.8
FAAT-304	2	Output	48 C.T.	8 C.T.	2.5	0.5
FAAT-305	2	Output	200 C.T.	8 C.T.	12	0.8
FAAT-400	3	Output	200 C.T.	8 C.T.	12	0.8
FAAT-401	3	Output	500 C.T.	8 C.T.	26	0.8
FAAT-129	3	Coupling	600 C.T.	600 C.T.	65	55
FAAT-402	3	Output	800 C.T.	8 C.T.	40	0.8
FAAT-403	3	Output	1.2K C.T.	8 C.T.	80	0.8
FAAT-404	3	Interstage	1.5K C.T.	500 C.T.	120	50
FAAT-405	3	Coupling	10K C.T.	600 C.T.	600	100
FAAT-406	3	Driver	10K C.T.	2K C.T.	600	155
FAAT-500	4	Output	48 C.T.	8 C.T.	2.5	0.5
FAAT-501	4	Output	120 C.T.	8 C.T.	7	0.7
FAAT-502	4	Output	200 C.T.	8 C.T.	12	0.5
FAAT-503	4	Output	500 C.T.	8 C.T.	18	0.7
FAAT-504	4	Interstage	500 C.T.	500 C.T.	35	28
FAAT-505	4	Driver	10K C.T.	2K C.T.	600	155
FAAT-506	4	Output	1.2K C.T.	8 C.T.	75	0.8
FAAT-507	4	Coupling	600 C.T.	600 C.T.	65	55

TECHNICAL INFORMATION



Schematic

10/100BASE-TX MAGNETICS MODULES FAHS1606, 2007



FEATURES:

Designed to meet IEEE 802.3 requirements
Through-hole Low cost design

OPTIONS:

Tape & Reel is Standard
Bulk upon request

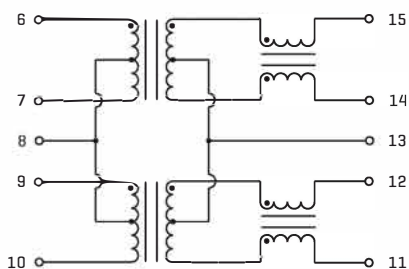
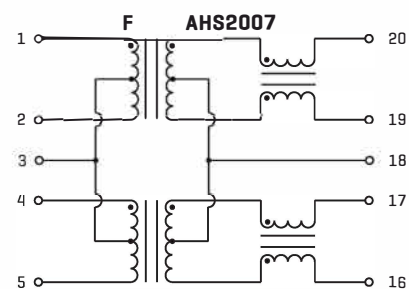
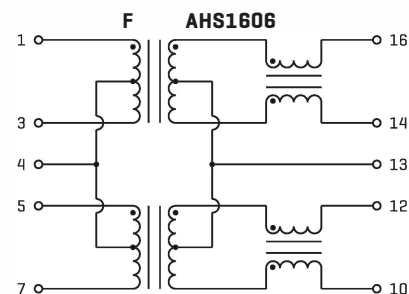
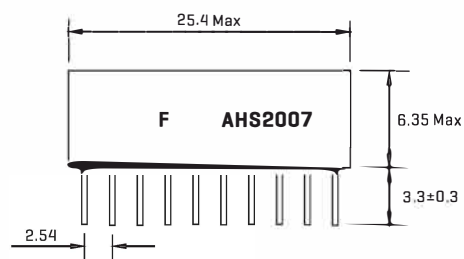
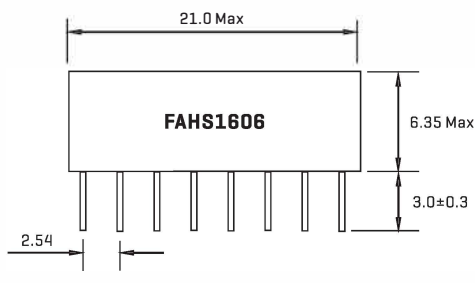
COMMON APPLICATIONS:

Multiport Repeater & Ethernet Switching HUB
Cable interface for isolation and low common mode emissions

ELECTRICAL SPECIFICATION@25°C -Operating Temperature 0°C to 70°C

Part number	Turns Ratio [±2%]	Insertion Loss [Max]	Return Loss [dB Min]					Crosstalk [dB Min]				Differential to Common Mode Rejection [dB Min]		Hi-pot [Vrms Min]
			0.1-100MHz	2-30MHz	40MHz	50MHz	60-80MHz	1KHz	30MHz	60MHz	100MHz	1-60MHz	60-200MHz	
FAHS1606	1CT:1CT	-1.1	-16	-15.0	-13.0	-12	-38	-38	-38	-38	-38	-38	15	
FAHS2007	1CT:1CT	-1.0	-16	-12.0	-10.0	-37	-25	-40	-40	-35	-40	-35	1500	

TECHNICAL INFORMATION & PHYSICAL CHARACTERISTICS:

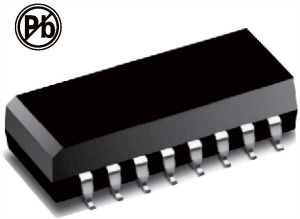


OCL:350uH Min 8mA DC bias[Line side]
Hi-Pot:1500 VRMS Min
Soldering methods:Wave,Reflow
Operating Temperature:0°C to 70°C
Storage Temperature:-25°C to 85°C

DIMENSIONS:mm
Unless otherwise specified all tolerances are±0.25

Note:All specifications subject to change without notice.

10/100BASE-TX MAGNETICS MODULES FAHS16001S-16002S



FEATURES:

Designed to meet IEEE 802.3 requirements

OPTIONS:

Tape & Reel is Standard
Bulk upon request

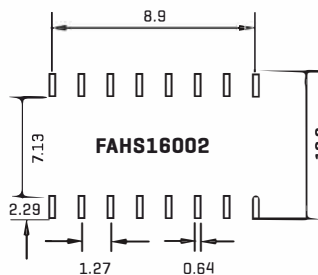
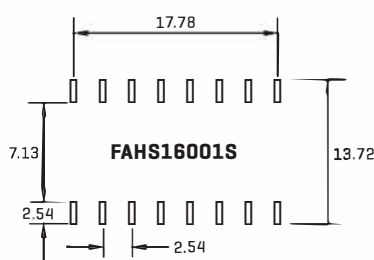
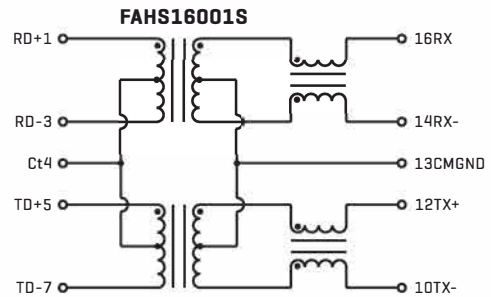
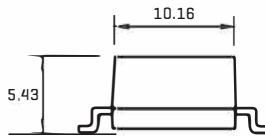
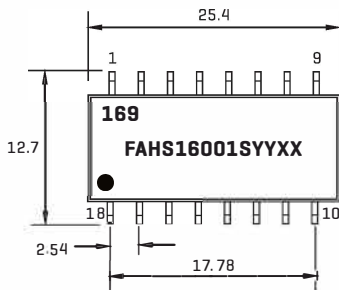
COMMON APPLICATIONS:

Cable interface for isolation and low common mode emissions
Multiport Repeater & Ethernet Switching HUB

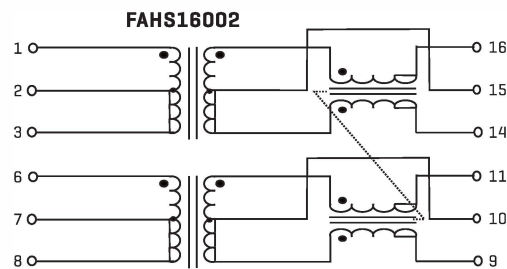
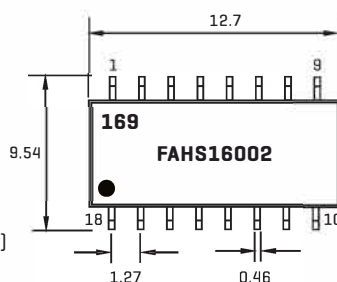
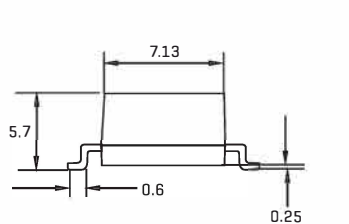
ELECTRICAL SPECIFICATION@25°C -Operating Temperature 0°C to 70°C

Part number	Turns Ratio [±2%]	Insertion Loss [Max]	Return Loss [dB Min]					Crosstalk [dB Min]				Differential to Common Mode Rejection[dB Min]		Hi-pot [Vrms Min]
			0.1-100MHz	2-30MHz	40MHz	50MHz	60-80MHz	1KHz	30MHz	60MHz	100MHz	1-60MHz	60-200MHz	
FAHS16001S	1CT:1CT	-1.0	-18	-14.4	-13.1	-12	-55	-45	-40	-32	-37	-25	1500	
FAHS16002	1CT:1CT	-1.0	-20	-20	-18	-14	-50	-40	-40	-42	-36	-33	1500	

TECHNICAL INFORMATION & PHYSICAL CHARACTERISTICS:



DIMENSIONS:mm
Unless otherwise specified all tolerances are±0.25



OCL:350uH Min 8mA DC bias(Line side)
Hi-Pot:1500 VRMS Min
Soldering methods:Wave,Reflow
Operating Temperature:0°C to 70°C
Storage Temperature:-25°C to 85°C

Note:All specifications subject to change without notice.

10/100/1000BASE-T MAGNETICS MODULES FAHS7201



FEATURES:

Compliant with IEEE 802.3ab Standard for 1000BASE-T

OPTIONS:

Tape & Reel is Standard
Bulk upon request

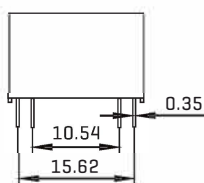
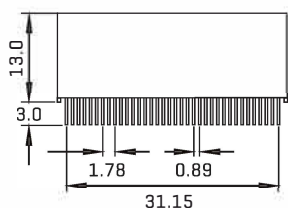
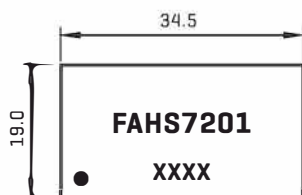
COMMON APPLICATIONS:

Designed for Ethernet 1000BASE-T, full Quad Port applications
Supports 16 pairs of category 5UTP cable
Cable interface for isolation and low common mode emissions

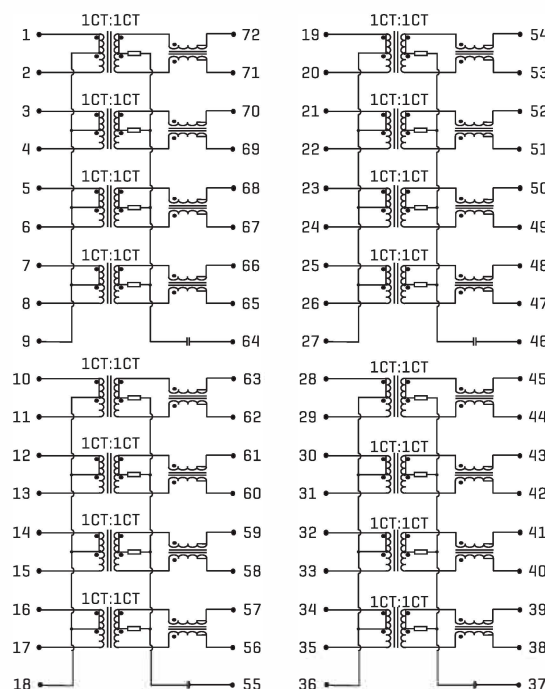
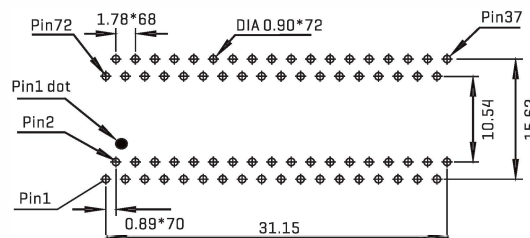
ELECTRICAL SPECIFICATION@25°C - Operating Temperature 0°C to 70°C

Part number	Turns Ratio [±2%]	Insertion Loss [Max]	Return Loss [dB Min]					Crosstalk [dB Min]				Differential to Common Mode Rejection [dB Min]		Hi-pot [Vrms Min]
			0.1-100MHz	2-30MHz	40MHz	50MHz	60-80MHz	1KHz	30MHz	60MHz	100MHz	1-60MHz	60-200MHz	
FAHS7201	1CT:1CT	-1.0	-18	-14.4	-18	-13.1	-40	-35	-30	-40	-35	-30	1500	

TECHNICAL INFORMATION & PHYSICAL CHARACTERISTICS:



Recommended Pad Layout

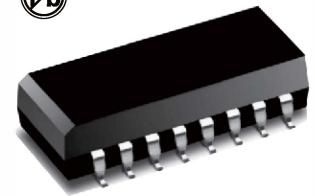


OCL:350uH Min 8mA DC bias(Line side)
Hi-Pot:1500 VRMS Min
Soldering methods:Wave,Reflow
Operating Temperature:0°C to 70°C
Storage Temperature:-25°C to 85°C

DIMENSIONS:mm
Unless otherwise specified all tolerances are±0.25

Note:All specifications subject to change without notice.

10/100/1000BASE-T MAGNETICS MODULES FAHS16015S,16063S



FEATURES:

Designed to fit with Broadcom, Intel, Micrel, National, Seemiconductor, ICS
Compliant with IEE 802.3u and ANSI X.3.263 standards Including 350uH OCL with 8mA bias

OPTIONS:

Tape & Reel is Standard
Bulk upon request

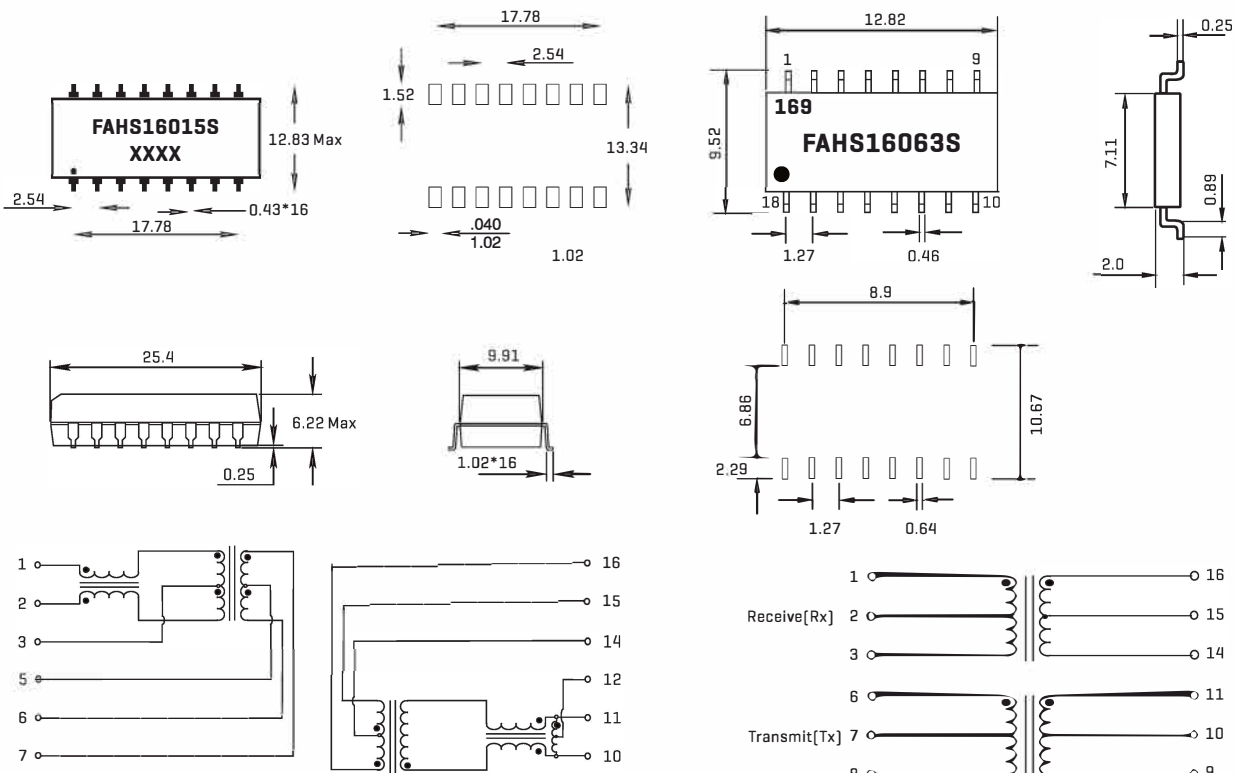
COMMON APPLICATIONS:

Cable interface for isolation and low common mode emissions
Multiport Repeater & Ethernet Switching HUB

ELECTRICAL SPECIFICATION@25°C -Operating Temperature 0°C to 70°C

Part number	Turns Ratio [±2%]	Insertion Loss [Max]	Return Loss [dB Min]				Crosstalk [dB Min]				Differential to Common Mode Rejection [dB Min]		Hi-pot (Vrms Min)	
			0.1-100MHz	2-30MHz	40MHz	50MHz	60-80MHz	1KHz	30MHz	60MHz	100MHz	1-60MHz		60-200MHz
FAHS16015S	1CT:1CT	-1.0	-20	-20	-20	-18	-14	-50	-40	-40	-42	-36	-33	1500
FAHS16063S	1CT:1CT	-1.0	-18	-14.4	-13.1	-12	-65	-50	-40	-35	-40	-35	1500	

TECHNICAL INFORMATION & PHYSICAL CHARACTERISTICS:



OCL:350uH Min 8mA DC bias[Line side]
Hi-Pot:1500 VRMS Min
Soldering methods:Wave,Reflow
Operating Temperature:0°C to 70°C
Storage Temperature:-25°C to 85°C

DIMENSIONS:mm
Unless otherwise specified all tolerances are±0.25

Note:All specifications subject to change without notice.

10/100/1000BASE-T MAGNETICS MODULES FAHS2410,2411



FEATURES:

- 1:1 Turns Ratio
- Full Duplex Compatible
- Poe MAGNETICS
- Compliant with IEE 802.3u and ANSI X.3.263 standards including 350uH OCL with 8mA bias

OPTIONS:

- Bulk upon request
- Custom Design Available
- Thru Hole Available

COMMON APPLICATIONS:

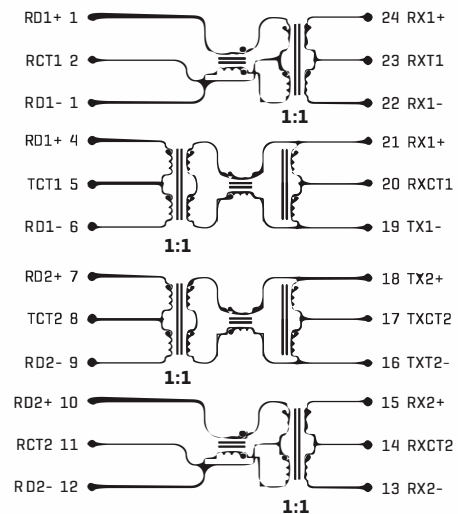
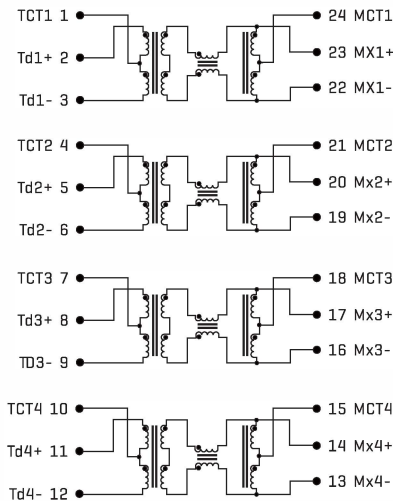
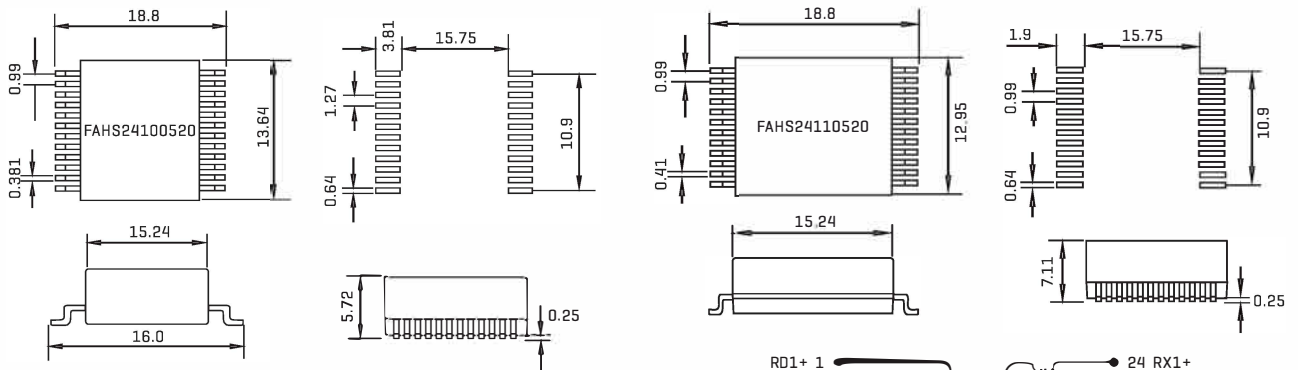
- Cable interface for isolation and low common mode emissions
- Designed to fit behind 1*1 RJ45 connector
- Hs2411 Designed for IP phone or Switch

ELECTRICAL SPECIFICATION@25°C -Operating Temperature 0°C to 70°C

Part number	Turns Ratio [±2%]	Insertion Loss [Max]	Return Loss [dB Min]					Crosstalk [dB Min]				Differential to Common Mode Rejection[dB Min]		Hi-pot [Vrms Min]
			0.1-100MHz	2-30MHz	40MHz	50MHz	60-80MHz	1KHz	30MHz	60MHz	100MHz	1-60MHz	60-200MHz	
FAHS2410	1CT:1CT	-1.0	-18	-14.4	-13.1	-12	-65	-50	-40	-35	-40	-35	1500	
FAHS2411	1CT:1CT	-1.2	-16	-14.0	-13.0	-12	-43	-37	-33	-50	-43	-35	1500	

TECHNICAL INFORMATION & PHYSICAL CHARACTERISTICS:

Primary OCL Tx & Rx:350uH Min@Idc=8mA
Hi-Pot:1500VRMS



Soldering methods:Wave,Reflow
Operating Temperature:0°C to 70°C
Storage Temperature:-55°C to 70°C

DIMENSIONS:mm
Unless otherwise specified all tolerances are±0.25
Note:All specifications subject to change without notice.

ISDN S-INTERFACE MAGNETICS MODULES FAHS5011-5015



FEATURES :

Meet Industry Standard Footprints
Designed for enhanced EMC performance
ISDN Interface Isolation
Through-Hole Dual 1500Vrms

OPTIONS:

Bulk upon request
Custom Design Available

COMMON APPLICATIONS:

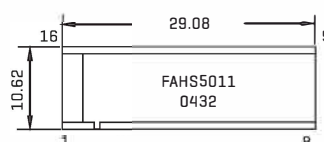
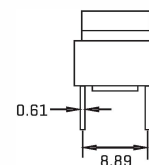
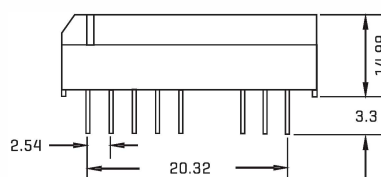
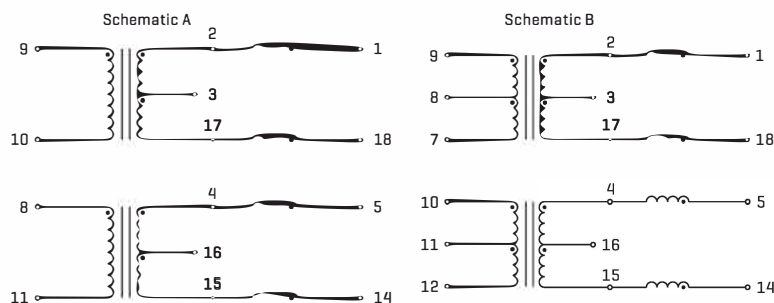
Cable interface for isolation and low common mode emissions
Designed to fit behind 1*1 RJ45 connector
ISDN S-Interface Single Port

STANDARD SPECIFICATIONS

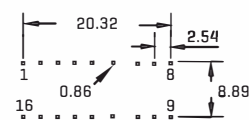
Part number	Transformer						Choke				Schematic
	Inductance OCL [mH Min]	Inductance Leakage [uH Max]	Interwinding Capacitance [pF Max]	DC Resistance [ohms Max]		Turn Ratio Pri:Sec [±3%]	Inductance OCL [mH Min]	Inductance Leakage [uH Max]	DC Resistance [ohms Max]	Turns [±5%]	
				Pri	Sec						
FAHS5011	30	10	150	4.00	4.00	1CT:1CT	4.70	0.6	1.20	1:1:1	A
FAHS5012	30	30	150	4.00	6	1CT:2CT	4.70	0.6	1.20	1:1:1	A
FAHS5013	30	30	150	4.00	9	1CT:2.5CT	4.70	0.6	1.20	1:1:1	A
FAHS5015	30	30	150	4.00	6	1CT:2CT	4.70	0.6	1.20	1:1:1	B

TECHNICAL INFORMATION & PHYSICAL CHARACTERISTICS:

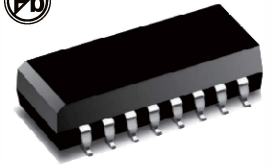
Dimension:mm
Isolation Hi-Pot:1500 VRMS(Pri/Sec)
Soldering methods:Wave,Reflow
Operating Temperature:0°C to 70°C
Storage Temperature:-55°C to 125°C
Note:All specifications subject to change without notice



Recommended Pad Layout



10 BASE-T COUPLING TRANSFORMER FAHS16005-16025



FEATURES:

Compliant with IEE 802.3u and ANSI X.3.263
Cable interface for isolation and low common mode emissions
Meet FCC Class B Approval
SMT Pick & Place Available

OPTIONS:

Bulk upon request
Custom Design Available
Thru Hole Available

COMMON APPLICATIONS:

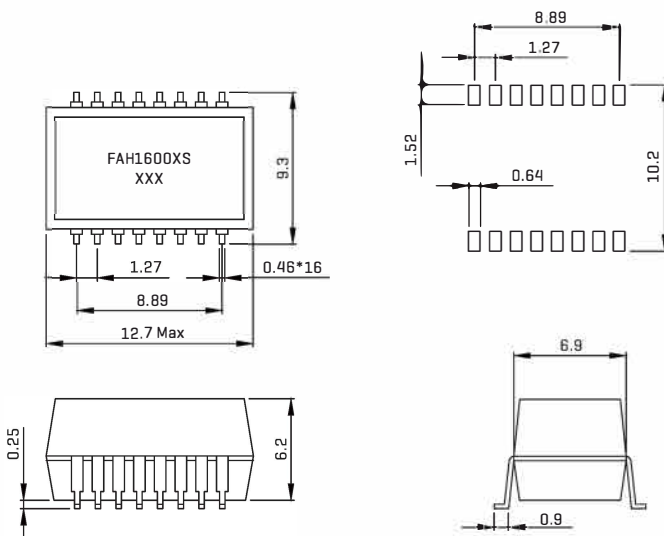
Cable interface for isolation and low common mode emissions
Designed for reflow soldering at temperature up to 234°C non-RoHS, 260°C RoHS

ELECTRICAL SPECIFICATION @ 25°C - Operating Temperature 0°C to 70°C

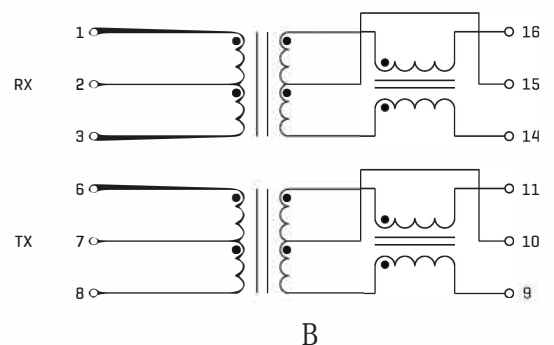
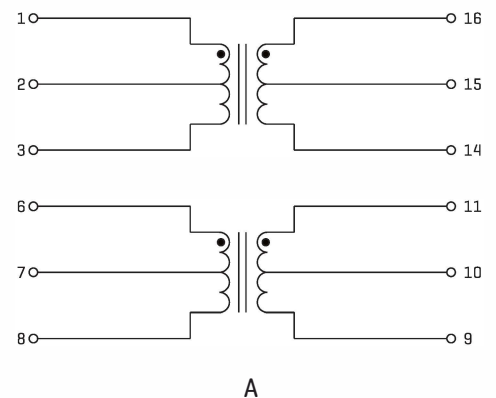
Part number	Turns Ratio [±5%]		Primary Inductance [uH]	Primary Capacitance [uH]	Leakage Inductance [uH]	DCR PRI [ohms Max]	Primary Pins	HI-PDT Vrms	Fig
	Receive [1-3:16-14]	Transmit [6-8:11-9]							
FAHS16005S	1CT:1CT	1CT:2.5CT	200/35min	15	0.4	0.5	6-881-3	2000	B
FAHS16020S	1CT:1CT	1CT:2.0CT	140Typ	15	0.4	0.3	6-881-3	2000	A
FAHS16021S	1CT:1CT	1CT:2.0CT	140Typ	15	0.4	0.3	6-881-3	2000	B
FAHS16022S	2CT:1CT	2CT:1.0CT	150min	10	0.4	0.35	6-881-3	2000	A
FAHS16023S	2CT:1CT	2CT:1.0CT	150min	10	0.4	0.35	6-881-3	2000	B
FAHS16024S	1CT:1CT	1CT:2.0CT	140/25Typ	15	0.4	0.3	6-881-3	2000	A
FAHS16025S	1CT:1CT	1CT:2.0CT	140/25Typ	15	0.4	0.3	6-881-3	2000	B

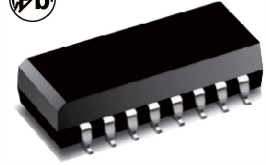
TECHNICAL INFORMATION & PHYSICAL CHARACTERISTICS:

Dimension:mm
Isolation Hi-Pot:1500 VRMS[Pri/Sec]
Soldering methods:Wave,Reflow
Operating Temperature:0°C to 70°C
Storage Temperature:-55°C to 125°C
Note:All specifications subject to change without notice



Unless otherwise specified all tolerances are ±0.25





1000 BASE-T COUPLING TRANSFORMER FANS16008S,16009S

FEATURES :

Compliant with IEE 802.3u and ANSI X.3.263
Standards including 350uH OCL with 8mA bias
Cable interface for isolation and low common mode emissions
Meet FCC Class B Approval
SMT Pick & Place Available

OPTIONS:

Bulk upon request
Custom Design Available
Thru Hole Available

COMMON APPLICATIONS:

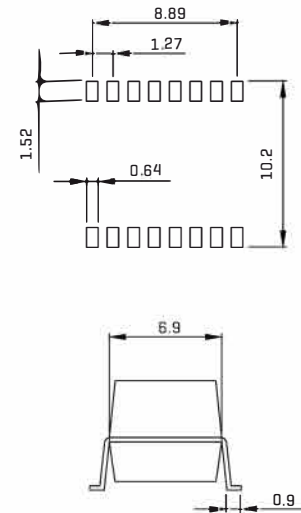
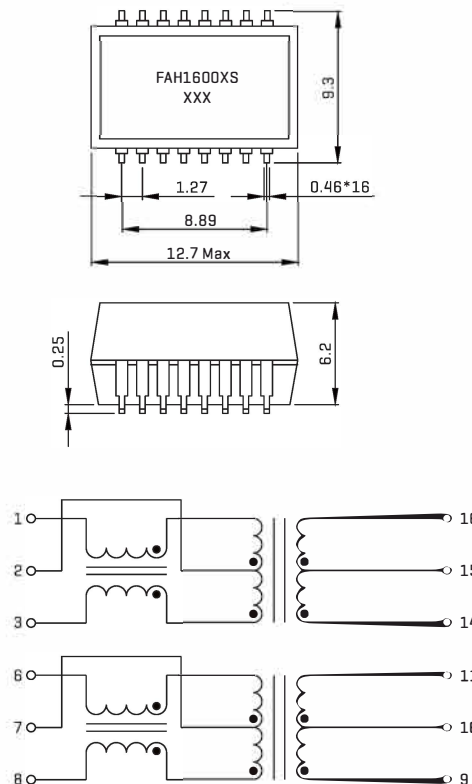
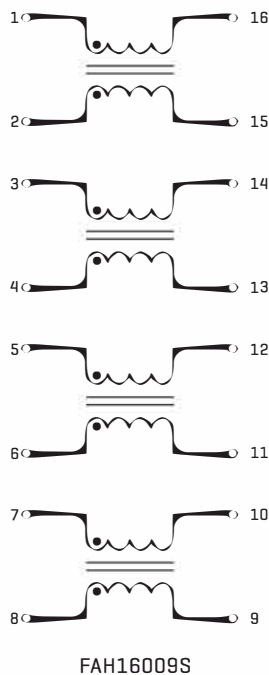
Cable interface for isolation and low common mode emissions
Designed to fit with Intel, Panasonic, Asus, Semiconductor
Designed for reflow soldering at temperature up to 234°C non-RoHS, 260°C RoHS

ELECTRICAL SPECIFICATION@25°C -Operating Temperature 0°C to 70°C

Part number	Turns Ratio	Insertion Loss [dB Max] 100K-100MHz	Return Loss [dB Min @ 100 ohms]				Crosstalk [dB Type]			Differential to common mode rejection [dB Min]			Isolation Volage [Vrms]
	Rx:Tx		0.5-30 MHz	40 MHz	50 MHz	60-80 MHz	30 MHz	60 MHz	100 MHz	30 MHz	50 MHz	100 MHz	
	±2% Max												
FAHS16008S	1CT:1CT	-0.1	-18	-16	-14	-12	-35	-35	-35	-40	-40	-40	1500CT
FAHS16009S	1:1:1:1:1:1:1:1	-0.1	-20	-20	-18	-14	-50	-40	-40	-42	-36	-33	1500CT

TECHNICAL INFORMATION & PHYSICAL CHARACTERISTICS:

Dimension:mm
Isolation Hi-Pot:1500 VRMS(Pri/Sec)
Soldering methods:Wave,Reflow
Operating Temperature:0°C to 70°C
Storage Temperature:-55°C to 125°C
Note:All specifications subject to change without notice

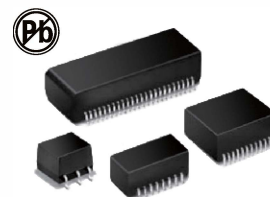


Unless otherwise specified all tolerances are ±0.25

FAH16008S

10/100 BASE-T COUPLING TRANSFORMER

FALAN-100 ,125 SERIES



FEATURES:

IEE 802.3u and ANSI X.3.263
SMT Pick & Place Available
Miniature size

OPTIONS:

Tape & Reel is Standard
Custom Design Available

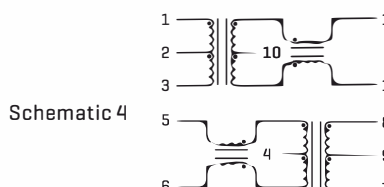
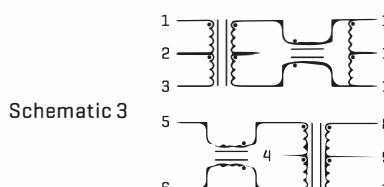
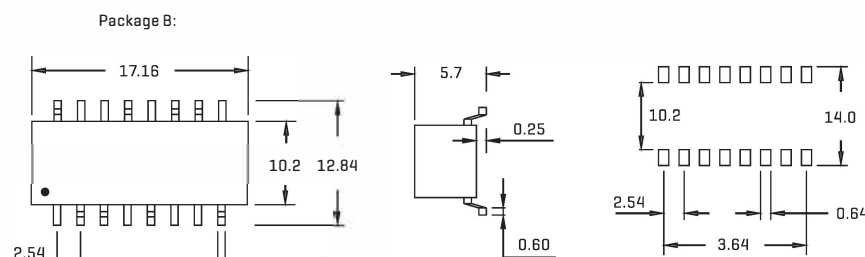
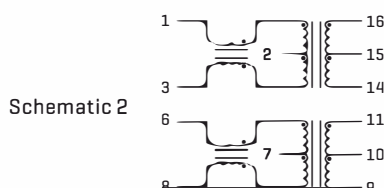
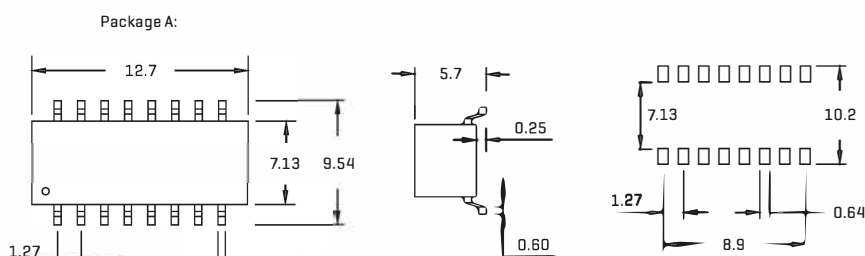
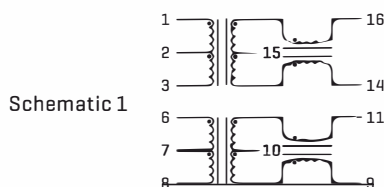
COMMON APPLICATIONS:

10/100 Base-T Single Port

STANDARD SPECIFICATIONS

Part number	Turns Ratio±2%		Insertion Loss 1-100MHz [dB Max]	Cross Talk 0.1-100MHz [dB Max]	CMR 0.1-100MHz [dB Max]	Return Loss[dB Max]			SCH	Package
	TX	RX				30MHz	50MHz	80MHz		
FALAN-101	1CT:1CT	1CT:1CT	1:1	35	30	18	15	13	1	A
FALAN-102	1CT:1CT	1CT:1CT	1:1	35	30	18	15	13	2	A
FALAN-103	2CT:1CT	1CT:1CT	1:1	35	30	18	13	13	1	A
FALAN-104	1.41CT:1CT	1CT:1CT	1:1	35	30	18	13	13	1	A
FALAN-121	1CT:1CT	1CT:1CT	1:1	38	42	18	13	12	3	B
FALAN-122	1CT:1CT	1CT:1CT	1:1	38	38	16	13	12	4	B
FALAN-123	2CT:1CT?	1CT:1CT	1:1	38	35	16	13	12	4	B
FALAN-124	1CT:1.41CT	1CT:1CT	1:1	38	42	16	13	12	3	B
FALAN-125	1CT:1.41CT	1CT:1CT	1:1	38	38	16	13	12	4	B

Primary DCL TX & RX:350uH Min @ I_{dc}=8mA
Hi-Pot:1500VRMS



TECHNICAL INFORMATION:

Dimension:mm
Soldering methods:Wave,Reflow
Operating Temperature:0°C to 70°C
Storage Temperature:-55°C to 125°C
Note:All specifications subject to change without notice

HOME PHONE NETWORKING MAGNETIC MODULES FAHPN-101



FEATURES :

Bandpass filter
Isolation and EMI Filtering

OPTIONS:

Tape & Reel is Standard
Bulk upon request

COMMON APPLICATIONS:

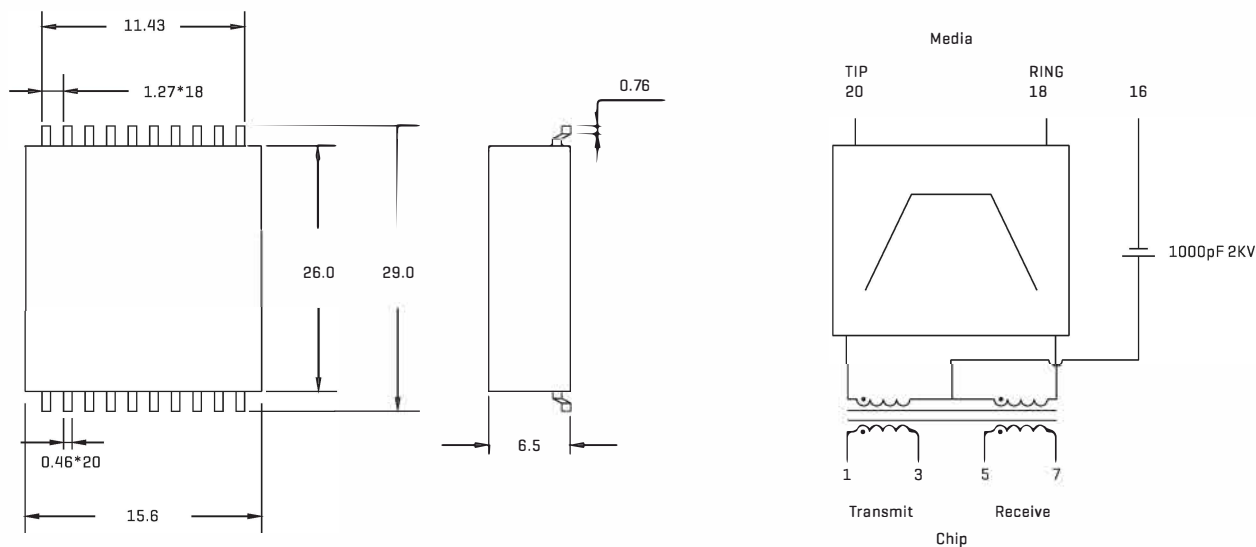
Home Phone Networking

STANDARD SPECIFICATIONS

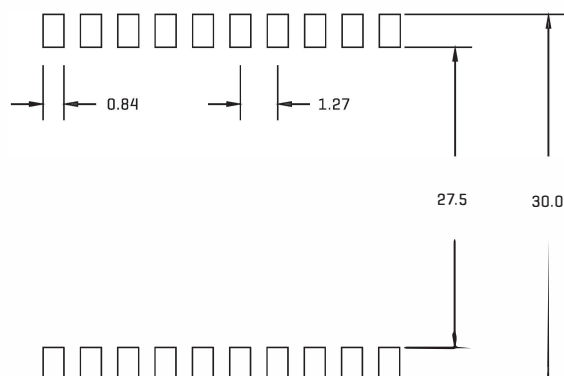
Part number	Cut-off Frequency		Insertion Loss 4.25MHz-9.75MHz		Return Loss MHz	Allenuation		CMR	Turns Ratio		
	Lower Band	Higher Band	[dB] Min	[dB] Max	[dB Min] 6.0MHz-9.0MHz Max	[dB] 1.1MHz-22MHz	[dB] 54MHz	[dB Min] 200KHz-22MHz	20-18 :1-3	20-18 :5-7	
FAHPN-101	3.5 MHz	11.5 MHz	1.0	2.2	12	60	35	40	40	1:0667	1:2

Hi-Pot:1500VRMS1-3 TO 18-20,5-7 TO 18-12

SCHEMATIC:



Recommended Pad Layout



TECHNICAL INFORMATION:

Dimmension:mm
Soldering methods:Wave,Reflow
Operating Temperature:0°C to 70°C
Storage Temperature:-55°C to 125°C
Note:All specifications subject to change without notice

10/100BASE-TX MAGNETICS MODULES FAHS1164



FEATURES:

Compliant with IEE 802.3u and ANSI X.3.263 Standards including 350uH DCL with 8mA bias
Cable interface for isolation and low common mode emissions

OPTIONS:

Tape & Reel is Standard
Bulk upon request

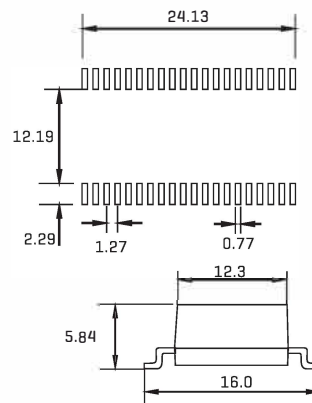
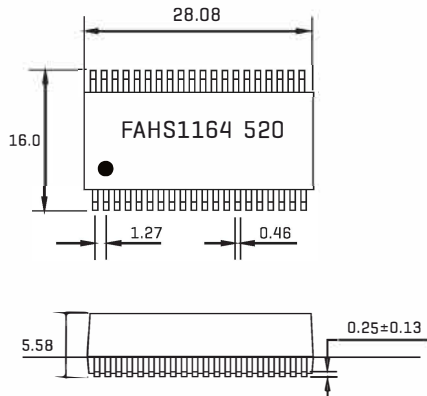
COMMON APPLICATIONS:

Symmrtria TX and RX channels for auto MDI/MDIX capability.
Approved for use with Broadcom BCM5226/BCM5228 and Level One LXT9784 Multiport Repeater & Ethernet Switching HUB

ELECTRICAL SPECIFICATION@25°C -Operating Temperature 0°C to 70°C

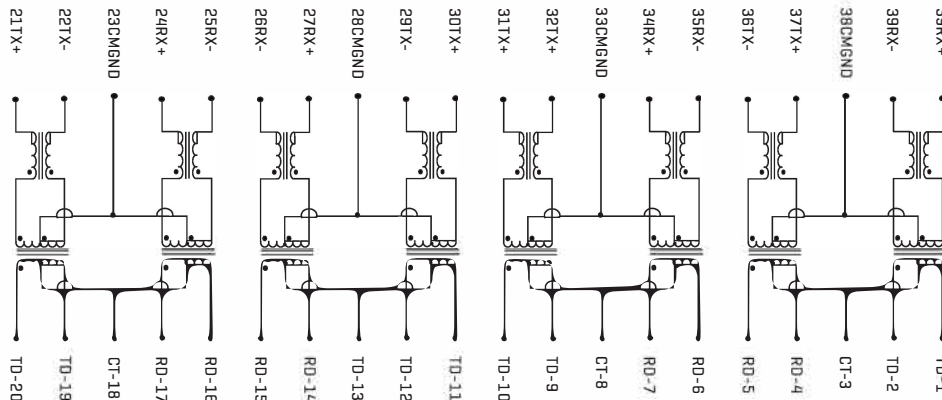
Part number	Turns Ratio [±2%]	Insertion Loss [Max]	Return Loss [dB Min]					Crosstalk [dB Min]				Differential to Common Mode Rejection[dB Min]		Hi-pot [VRms Min]
			0.1-100MHz	2-30MHz	40MHz	50MHz	60-80MHz	1KHz	30MHz	60MHz	100MHz	1-60MHz	60-200MHz	
FAHS1164	1CT:1CT	-1.0	-18	-14.4	-13.1	-12	-55	-45	-40	-33	-37	-25	1500	

TECHNICAL INFORMATION & PHYSICAL CHARACTERISTICS:



DIMENSIONS:mm

Unless otherwise specified all tolerances are 60.25



OCL:350uH Min 8mA DC bias[Line side]
Hi-Pot:1500 VRMS Min
Soldering methods:Wave,Reflow
Operating Temperature:0°C to 70°C
Storage Temperature:-25°C to 85°C

Note:All specifications subject to change without notice.

THROUGH-HOLE CURRENT SENSING TRANSFORMERS FAACST014-016 SERIES



FEATURES

Low profile, directly to PCB.
PBT 94V0 Case burn-resistant epoxy resin, stable.

OPTIONS

Bulk is standard
Custom design acceptable

COMMON APPLICATIONS

Air-Conditioner Current Control
Protection current transformer
Testing Protection system
Electronical monitoring system

ELECTRICAL CHARACTERISTICS

Performance&Specification for 50/60Hz series

Part Number	Rated primary current(A)	Max primary current(A)	Rated secondary current(mA)	Resistance load (Ohm)	Output ratio (Ω)	Accuracy class
FAACST014	5	12	2.5	1000	2.5	1
FAACST014	5	15	5	100	0.5	1
FAACST015	5	15	2	2000	4.0	1
FAACST015	3	10	1	2500	2.5	1

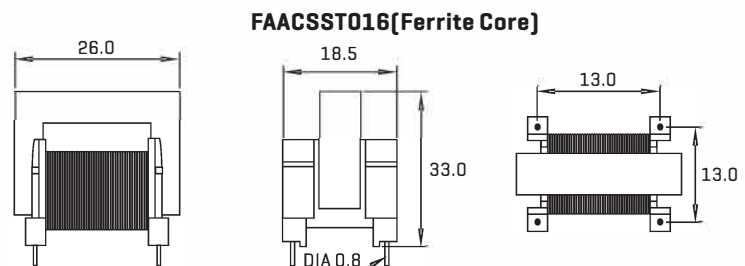
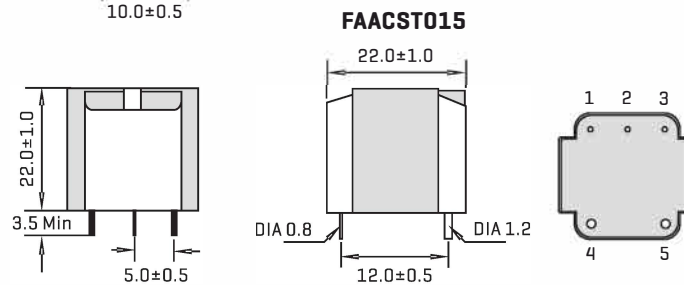
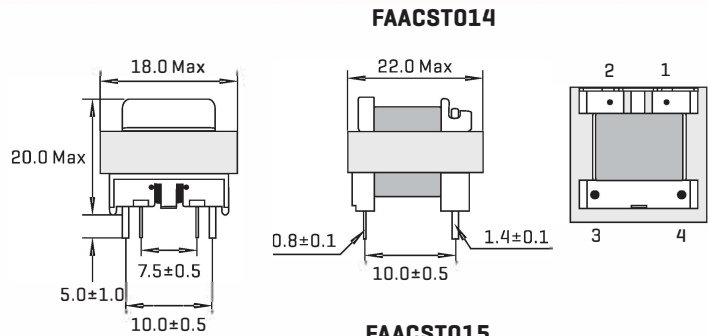
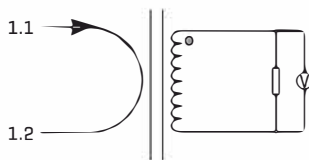
Performance&Specification for High frequency(10KHz~200KHz)

Part Number	Rated primary current(A)	Max primary current(A)	Rated secondary current(mA)	Resistance load (Ohm)	Output ratio (Ω)	Accuracy class
FAACST016	5	20	2	1000	2	2
FAACST016	10	20	5	500	2.5	2

TECHNICAL INFORMATION & PHYSICAL CHARACTERISTICS

- Insulation resistance: 500V DC >100MΩ
- Hi-Pot : 4000V 1mA 60S
- Temperature range: -25°C to +85°C
- Storage Temperature: -40°C to +105°C
- Resistance to soldering heat:260°C for 10 seconds
- Marking: Part number and date code

Note: All specifications subject to change without notice.



ALL DIMENSIONS IN MM

THROUGH-HOLE CURRENT SENSOR TRANSFORMERS FAACST010-013 SERIES



FEATURES

Low profile, directly to PCB.
PBT 94V0 Case burn-resistant epoxy resin, stable.

OPTIONS

Bulk packaging is standard
Custom design available

COMMON APPLICATIONS

AC energy Meter Power transducer RTU
Protection current transformer
AC kilowatt hour meter
Electronical monitoring system

ELECTRICAL CHARACTERISTICS

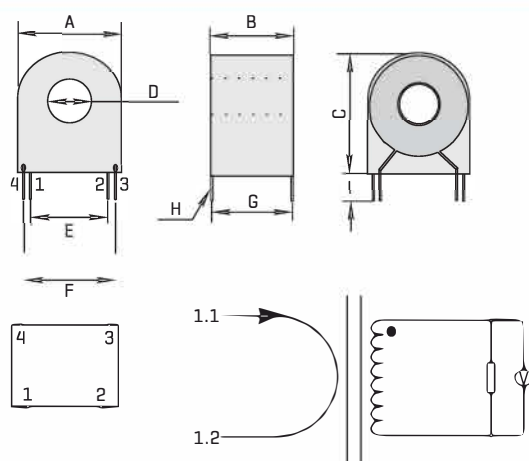
Performance & Specification for High Precision Current Test

Part Number	Rated primary current(A)	Max primary current(A)	Rated secondary current(mA)	Current ratio	Output ratio (Ω)	Accuracy class
FAACST010A/5	5	40	2.5	2000:1	100	0.2,0.5
FAACST010A/10	10	40	4	2500:1	100	0.2,0.5
FAACST010A/20	20	40	10	2000:1	100	0.1,0.2,0.5
FAACST011A/10	10	60	4	2500:1	100	0.1,0.2,0.5
FAACST011A/20	20	60	10	2000:1	100	0.1,0.2,0.5
FAACST011A/40	40	60	20	2000:1	100	0.1,0.2,0.5
FAACST012A/60	60	120	24	2500:1	100	0.1,0.2,0.5
FAACST012A/80	80	120	32	2500:1	100	0.1,0.2,0.5
FAACST012A/120	120	120	48	2500:1	100	0.1,0.2,0.5
FAACST013A/100	100	200	40	2500:1	100	0.1,0.2,0.5
FAACST013A/100	100	200	50	2000:1	100	0.1,0.2,0.5
FAACST013A/200	200	200	80	2500:1	100	0.1,0.2,0.5

Performance & Specification for Protection Precision Current Test

Part Number	Rated primary current(A)	Max primary current(A)	Rated secondary current(mA)	Resistance load (Ohm)	Output ratio (Ω)	Accuracy class
FAACST010B	5	60	5	100	0.5	0.5,1.0
FAACST010B	10	60	10	100	1.0	0.5,1.0
FAACST010B	15	60	15	100	1.5	0.5,1.0
FAACST011B	20	60	20	100	2.0	0.5,1.0
FAACST011B	25	75	25	100	2.5	0.5,1.0
FAACST011B	30	75	30	100	3.0	0.5,1.0
FAACST012B	40	75	40	100	4.0	0.5,1.0
FAACST012B	50	125	50	100	5.0	0.5,1.0
FAACST012B	60	125	60	100	6.0	0.5,1.0
FAACST013B	75	125	75	100	7.5	0.5,1.0
FAACST013B	100	250	100	100	10.0	0.5,1.0
FAACST013B	150	250	150	100	15.0	0.5,1.0

TECHNICAL INFORMATION & PHYSICAL CHARACTERISTICS:



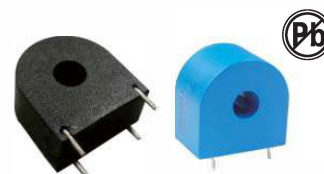
ALL DIMENSIONS IN MM

- Working Frequency range 20Hz-400Hz
- Insulation resistance: 500V DC >100MΩ
- Hi-Pot : 4000V 1mA 60S
- Temperature range: -25°C to +85°C
- Storage Temperature: -40°C to +105°C
- Resistance to soldering heat:260°C for 10 seconds
- Marking: Part number and date code

Note: All specifications subject to change without notice.

	A	B	C	D	E	F	G	H	I
FAACST010	23.5	12.5	25.0	7.0	15.0	18.5	10.5	1.0	6.0
FAACST011	26.0	17.0	29.0	9.0	15.0	18.5	15.0	1.0	6.0
FAACST012	37.0	14.0	39.0	13.0	25.0	32.5	11.0	1.0	6.0
FAACST013	49.0	20.0	54.0	18.5	29.5	37.0	17.5	1.0	6.0

AC CURRENT TRANSFORMER FACT006P-CT102 SERIES



FEATURES :

Low profile, directly to PCB
PBT 94V0 Case
burn-resistant epoxy resin, stable

APPLICATION :

Power Meter Class 0.2, 0.5, and 1.0 for accurate measurement, Indirect and Direct Type
Power Calibrator and Transducer
Street Lighting Control System
Monitoring and Protection Relay
Ground Fault CT or Grounded Neutral Sensor
Current & Power Measurement
High-end Digital Protection Relay
High-end Industrial Power Sensor

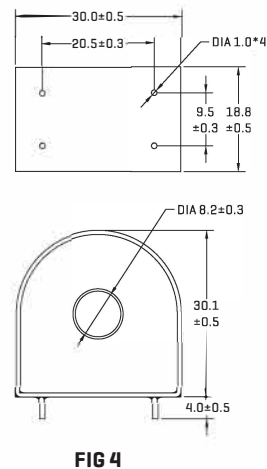
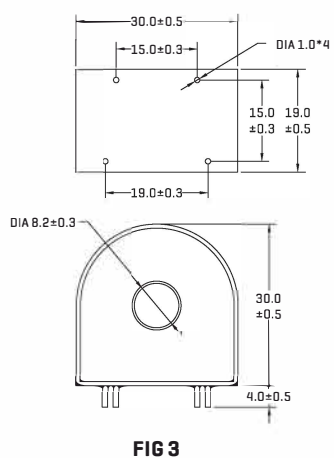
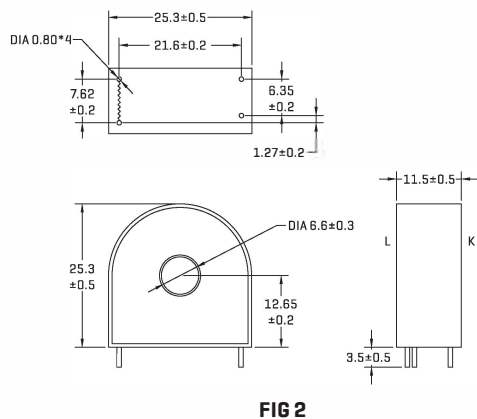
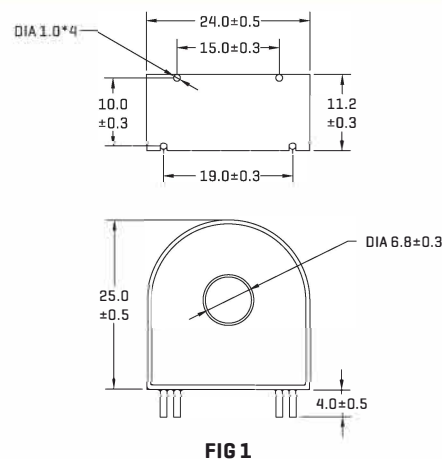
CHARACTERISTICS:

Rated Current: 0.1A-200A
Accuracy: 0.1 Class
Phase Shift Change: $\lt; 12^\circ$ during 2%-120% I_b
Linearity: 0.1L, 0.2L
Operation frequency: 20Hz-10KHz
Operation Temperature: -40°C to +80°C
Hi-pot Test between Primary and Secondary: 4KV/1min
Insulation Resistance: 500Mohm[500VDC]

ELECTRICAL CHARACTERISTICS:

Mode No.	Current [A]	Turns Ratio	DC Resistance [ohms]	Inductance [50Hz/0.5V] [H]	FIG
FACT006P-C	6	1:2000	95±15%	160±30%	FIG1
FACT006P-C1	6	1:2500	125±15%	250±30%	FIG1
FACT006P-C2	6	1:1500	53±15%	100±30%	FIG1
FACT010P-C1	10	1:2500	125±15%	250±30%	FIG1
FACT010P-C2	10	1:1500	53±15%	100±40%	FIG1
FACT010P-C6	10	1:2000	95±15%	160±30%	FIG1
FACT020P-C1	20	1:2500	125±15%	250±30%	FIG1
FACT020P-C6	20	1:1000	28±15%	45±40%	FIG1
FACT100P-C1	40	1:2500	125±15%	250±30%	FIG1
FACT100P-C2	40	1:2000	95±15%	160±30%	FIG1
FACT101P2	60	1:2000	95±15%	160±30%	FIG1
FACT006P-B1	6	1:2000	114±20%	238±30%	FIG2
FACT101P	60	1:2000	95±15%	160±30%	FIG3
FACT102-A1	80	1:1000	235±15%	95±30%	FIG4

SHAPE AND DIMENSIONS



DIMENSIONS:MM

AC CURRENT TRANSFORMER FACT104P-CT105W SERIES



FEATURES:

Low profile, directly to PCB
PBT 94V0 Case
burn-resistant epoxy resin, stable

APPLICATION:

Power Meter Class 0.2, 0.5, and 1.0 for accurate measurement, Indirect and Direct Type
Power Calibrator and Transducer
Street Lighting Control System
Monitoring and Protection Relay
Ground Fault CT or Grounded Neutral Sensor
Current & Power Measurement
High-end Digital Protection Relay
High-end Industrial Power Sensor

CHARACTERISTICS:

Rated Current: 0.1A~200A
Accuracy: 0.1 Class
Phase Shift Change: $\lt; 12^\circ$ during 2%~120% Ib
Linearity: 0.1L, 0.2L
Operation frequency: 20Hz~10KHz
Operation Temperature: -40°C to +80°C
Hi-pot Test between Primary and Secondary: 4KV/1min
Insulation Resistance: 500Mohm[500VDC]

ELECTRICAL CHARACTERISTICS:

Mode No.	Current [A]	Turns Ratio	DC Resistance [ohms]	Inductance [50Hz/0.5V] [H]	FIG
FACT104P	100	1:2500	113±15%	340±30%	FIG1
FACT105P	120	1:2500	113±15%	340±30%	FIG1
FACT006W-C1	6	1:2000	95±15%	160±30%	FIG2
FACT010W-C1	10	1:2500	125±15%	250±30%	FIG2
FACT100W-C	40	1:2000	95±15%	160±30%	FIG2
FACT100W-C1	40	1:2500	125±15%	250±30%	FIG2
FACT020W-C2	20	1:2000	95±15%	160±30%	FIG3
FACT101W-C1	60	1:2000	95±15%	160±30%	FIG3
FACT104W	100	1:2000	113±15%	340±30%	FIG4
FACT105W	120	1:2000	113±15%	340±30%	FIG4

SHAPE AND DIMENSIONS

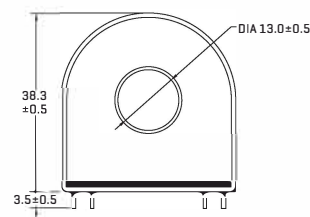
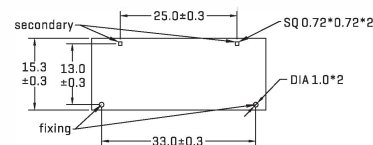


FIG 1

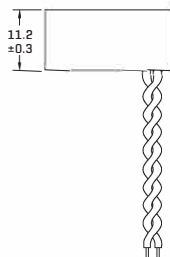
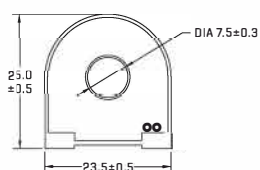


FIG 2

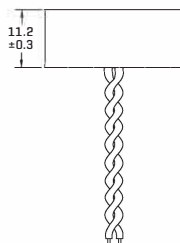
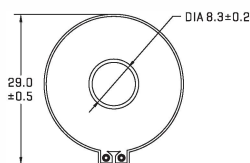


FIG 3

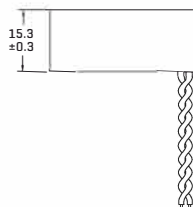
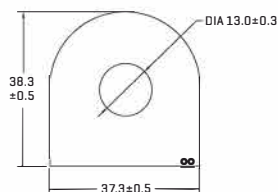


FIG 4

DIMENSIONS:MM

AC CURRENT TRANSFORMER FACT106W2,CT108W1 SERIES



FEATURES :

Low profile, directly to PCB
PBT 94V0 Case
burn-resistant epoxy resin, stable

APPLICATION :

Power Meter Class 0.2, 0.5, and 1.0 for accurate measurement, Indirect and Direct Type
Power Calibrator and Transducer
Street Lighting Control System
Monitoring and Protection Relay
Ground Fault CT or Grounded Neutral Sensor
Current & Power Measurement
High-end Digital Protection Relay
High-end Industrial Power Sensor

CHARACTERISTICS:

Rated Current: 60A-100A
Accuracy: 0.1 Class
Phase Shift Change: < 12' during 2%-120% Ib
Linearity: 0.1L, 0.2L
Operation frequency: 20Hz-10KHz
Operation Temperature: -40°C to +80°C
Hi-pot Test between Primary and Secondary: 4KV/1min
Insulation Resistance: 1000Mohm Min [500VDC]

ELECTRICAL CHARACTERISTICS:

Mode No.	Current [A]	Turns Ratio	DC Resistance [ohms Max]	FIG
FACT106W2	60	1:2000	20	FIG1
FACT108W1	100	1:2500	12.5	FIG2

SHAPE AND DIMENSIONS

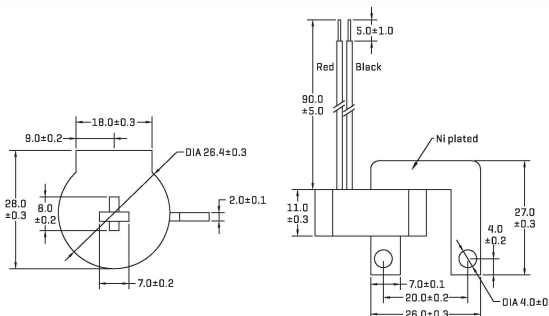


FIG 1

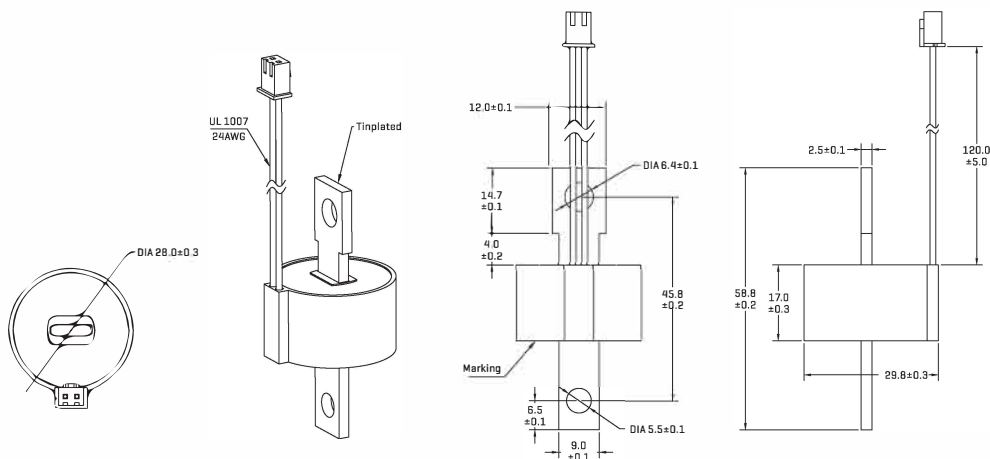


FIG 2

DIMENSIONS:MM

HIGH FREQUENCY CURRENT SENSOR TRANSFORMER FAACST SERIES



FEATURES

Meets UL94-V0 Requirements
Precise Current Sensing

OPTIONS

Bulk Packaging is Standard
Custom Design Available
Thru Hole Available

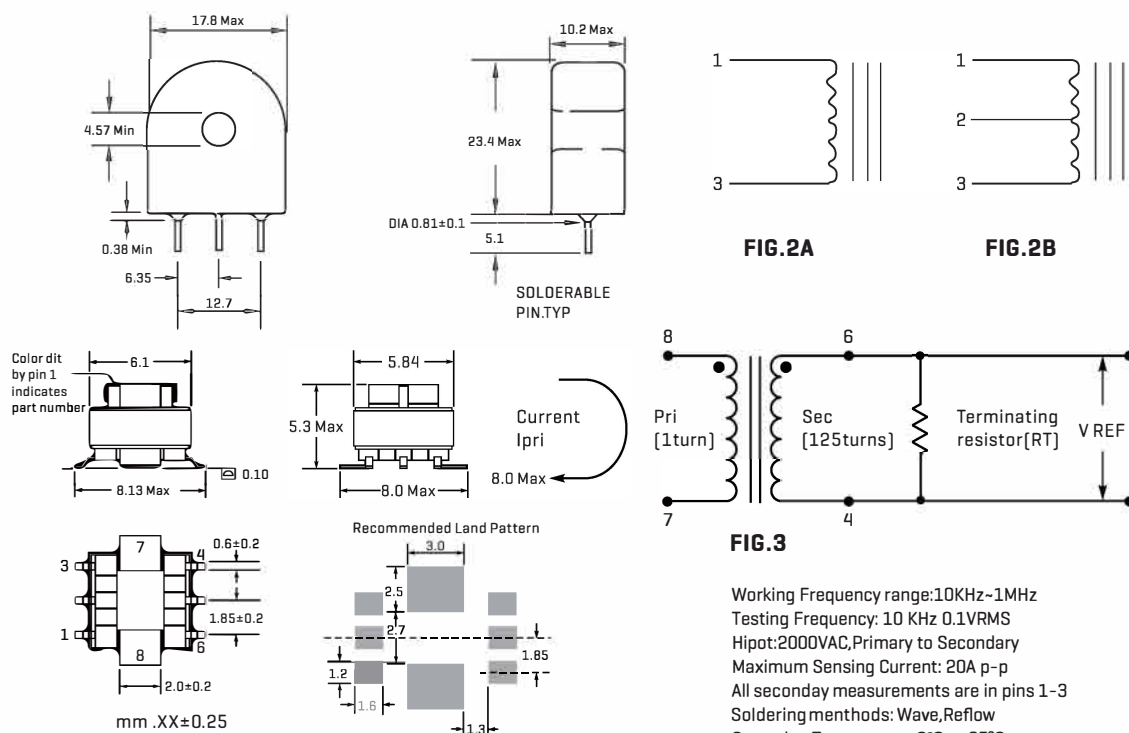
COMMON APPLICATIONS

SMPS Control Circuits
Current Sensing
Switching power regulators
Pulse current test

STANDARD SPECIFICATIONS @250°C

Part Number	SCHEMATIC	TURNS [±1% Max]	OCL [mH Min]	DCR [ΩMax]	ET [V-μSEC-Min]
FAACST-001	2A	50	5.0	0.7	150
FAACST-002	2A	100	20.0	1.40	300
FAACST-003	2A	200	80.0	4.50	600
FAACST-004	2A	300	180.0	11.0	900
FAACST-005	2B	50CT	5.0	0.7	150
FAACST-006	2B	100CT	20.0	1.40	300
FAACST-007	2B	200CT	80.0	4.50	600
FAACST-008	2B	300CT	180.0	11.0	900
FAACST-E51	3	100	2.0	5.50	120
FAACST-E52	3	125	3.0	6.50	130

TECHNICAL INFORMATION & PHYSICAL CHARACTERISTICS



ALL DIMENSIONS IN MM

Working Frequency range:10KHz-1MHz
Testing Frequency: 10 KHz 0.1VRMS
Hipot:2000VAC,Primary to Secondary
Maximum Sensing Current: 20A p-p
All secondary measurements are in pins 1-3
Soldering methods: Wave,Reflow
Operating Temperature:0°C to 85°C
Storage Temperature:-25°C to 85°C
Note:All specifications subject to change without notice

RF TRANSFORMERS FARF 5S,5SL SERIES



FEATURES

Pair wire coil for high stability.
Base pin terminal treated
Excellent Frequency Response
Low Profile Low Cost

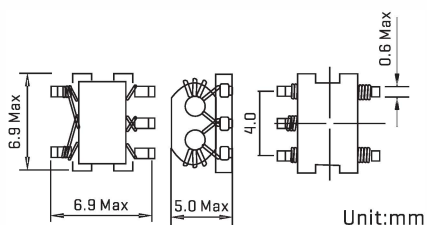
OPTIONS

Bulk Packaging is Standard
Custom design available dip Available

APPLICATIONS:

Double balance mixers, broad-band impedance transformers
Directional Couplers for Mixers
Matching Power Combining and Splitting
Step-Top box and cable modem

PHYSICAL CHARACTERISTICS



Pin Connections

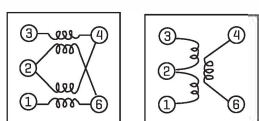


Fig.1

Fig.2

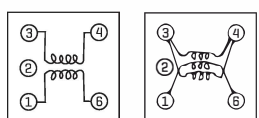
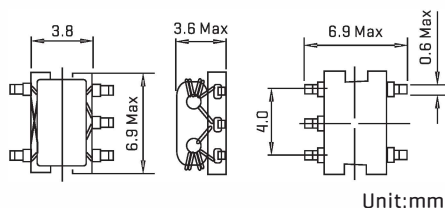


Fig.3

Fig.4



Unit:mm

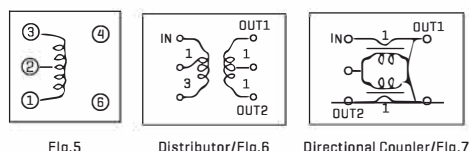


Fig.5

Distributor/Flg.6

Directional Coupler/Flg.7

TECHNICAL INFORMATION:

Soldering methods: Wave, Reflow
Operating Temperature: 0°C to 70°C
Storage Temperature: -55°C to 125°C

Note: All specifications subject to change without notice.

STANDARD SPECIFICATIONS

	Part Number	Number of Turns per Winding	Operating Frequency Range	Insertion Loss	Fig
Double Balanced Mixer	FARF-5S-1012	1	50MHz-400MHz	10dB max.	1
	FARF-5S-1013	2	100MHz-1.0GHz	6dB max.	1
	FARF-5S-1003	3	8MHz-800MHz	3.5dB max.	1
	FARF-5S-1008	4	6MHz-600MHz	2.5dB max.	1
	FARF-5S-1011	5	5MHz-500MHz	2dB max.	1
Frequency Mixer	FARF-5S-1005	2	400MHz-1.3MHz	4dB max.	1
	FARF-5S-1085	1		3dB max.	2
	FARF-5S-1052	2	9MHz-350MHz	3dB max.	2
	FARF-5S-1024	3	3.5MHz-470GHz	3dB max.	2
	FARF-5S-1086	4	2.2MHz-400MHz	3dB max.	2
Power Divider /Combiner	FARF-5S-1087	5	1.5MHz-300MHz	3dB max	2
	FARF-5S-1014		20MHz-600MHz	IN to OUT-1.2 4.5dB max. OUT-1 to OUT-2 [ISOLATION] 10dB min.	6
Directional Coupler	FARF-5S-1015	4	6MHz-600MHz	IN to OUT-11.3dB max. IN to OUT-2.11dB -14dB	7
	FARF-5S-1006	5	6MHz-600MHz	IN to OUT-10.9dB max. IN to OUT-2.13dB -16dB	7
	FARF-5S-1007	6	6MHz-600MHz	IN to OUT-10.8dB max. IN to OUT-2.15dB -17dB	7
Double Balanced Mixer	FARF-5SL-1001	2	30MHz-850MHz	3dB	1
	FARF-5SL-1002	3	6.5MHz-1000MHz	3dB	1
	FARF-5SL-1003	4	3.5MHz-1600MHz	3dB	1
	FARF-5SL-1004	5	2.5MHz-1500MHz	3dB	1
	FARF-5SL-1027	1	-	3dB	2
Frequency Mixer	FARF-5SL-1028	2	8MHz-550MHz	3dB	2
	FARF-5SL-1029	3	3.5MHz-500MHz	3dB	2
	FARF-5SL-1030	4	2MHz-370MHz	3dB	2
	FARF-5SL-1037	1	-	3dB	2
	FARF-5SL-1038	2	500MHz-850MHz	3dB	2
	FARF-5SL-1039	3	240MHz-500MHz	3dB	2
	FARF-5SL-1040	4	85MHz-380MHz	3dB	2
	FARF-5SL-1048	11/2	5.5MHz-850MHz	3dB	3
Balun Transformer	FARF-5SL-1049	21/2	2.5MHz-2200MHz	3dB	3
	FARF-5SL-1050	31/2	1.2MHz-1700MHz	3dB	3
	FARF-5SL-1051	41/2	0.8MHz-1400MHz	3dB	3
	FARF-5SL-1078	51/2	0.6MHz-1300MHz	3dB	3
Balun Transformer	FARF-5SL-1053	11/2	160MHz-2200MHz	3dB	4
	FARF-5SL-1017	21/2	55MHz-1700MHz	3dB	4
	FARF-5SL-1054	31/2	30MHz-1400MHz	3dB	4

Note: J=±5%, K=±10%, M=±20%