



CAZN 正成

工业连接技术专家

欧标连接器系列
EUROPEAN STANDARD CONNECTOR





深圳市正成电气有限公司是一家专业专注工业连接技术的企业，国家高新技术企业。公司成立于2009年深圳，公司的产品涉及欧标连接器，美标连接器，防水连接器，射频连接器，成品线束及OEM/ODM业务，为客户全面提供专业的连接解决方案。

Shenzhen CAZN Electrics Co., LTD is a national high-tech enterprise specializing in industrial connection technology. Founded in shenzhen in 2009, the company's products are related to European standard connector, American standard connector, waterproof connector, RF connector, finished wire harness and OEM/ODM business, to provide customers with a comprehensive professional connection solutions.



经过多年的发展，优良的产品，丰富的产品线及极高的性价比越来越受广大客户欢迎。在无人驾驶，工业4.0的大环境下，正成产品广泛应用于风能发电，高铁，汽车制造，智能交通，智能制造等等，逐步成为国内工业连接器中坚力量。公司内部通过ISO9001体系认证及实行6S管理方针，有效地保障产品质量。

公司销售网络逐步健全，在国内主要城市都将设立办事处及世界各地建立更多的合作伙伴。“专业专注做好每一个产品”的理念，“至高品质，至诚服务”的宗旨真诚地为广大客户服务。

After years of development, because of excellent products, rich product lines and high cost performance, our company is more and more popular with the majority of customers. In the environment of unmanned driving and industry 4.0, CAZN products are widely used in wind power generation, high-speed rail, automobile manufacturing, intelligent transportation, intelligent manufacturing and so on, and gradually become the backbone of domestic industrial connectors. We have passed the ISO9001 system certification, and the implementation of 6S management policy, effectively ensure the quality of products.

Our company's sales network has been gradually built, and offices will be set up in major cities in China and more partners will be established around the world. We take "professional focus to do a good job in each product" concept, "to the highest quality, sincere service" the purpose of sincere service for customers.





M5
成型式插头
插座 10

M8
组装式插头
成型式插头
插座 13

M9
组装式插头
成型式插头
插座 22

M12
组装式插头
成型式插头
插座 26

M16
组装式插头
成型式插头
插座 49

M23
623信号连接器
923电源连接器 54

7/8
组装式插头
成型式插头
插座 59



咨询服务

正成为您提供全方位的服务

CAZN ELECTRICS PROVIDES YOU WITH A FULL RANGE OF SERVICES

我们乐于为您提供一对一的专业咨询。完善的售后体系用专业服务每一个客户。专业的售后团队，24小时专人服务，针对客户反馈的情况，及时有效的进行响应，专门成立文档中心，对每一个客户进行建档管理，实时跟踪您的需求。

We are happy to provide you with one-to-one professional consultation. Perfect after-sales system with professional service to every customer. Professional after-sales team, 24 hours dedicated service, according to the customer feedback, timely and effective response, a special document control center, for each customer file management, real-time tracking your needs.

量身定制的个性化产品，从预装配到工程服务应有尽有。

Customised products, from pre-installation to engineering services.



咨询服务

不论客户需要产品选型、解决方案还是售后服务，我们正成电气都以客户为中心，以“至高品质，至诚服务”为宗旨。尽所能最快时效、最优方式处理咨询和服务。

Whether customers need product selection, solutions or after-sales service, we take the customer as the center, to the "highest quality, sincere service" for the purpose. We'll do our best to deal with inquiries and services in the fastest and most efficient way.

在线目录选型

在线产品目录提供全面的、最新的信息，涵盖超过2000多种正成电气产品，具有中英文两种语言版本。您可以从在线目录中摸查找到相关产品信息，如技术参数、尺寸图等相关资料。只要轻轻一点就可以下载详细的产品PDF格式规格书文件。

选型网址：www.caznlink.com

We offer the most comprehensive and up-to-date catalogue online, covering more than 2,000 electronic products, available in Both Chinese and English. You can find related product information, such as technical parameters and size drawings, from the online catalog. You can download detailed product specifications in PDF format with a single click. Website for selection: <http://www.caznlink.com/>



微信公众号：[caznlink](https://www.caznlink.com)
WECHAT OFFICIAL ACCOUNT: [caznlink](https://www.caznlink.com)

网络时代的到来，特别是移动网络时代的兴起。正成电气与时俱进，与客户一起分享最新前沿技术、公司动态、产品最新资讯。

With the advent of the network era, especially the rise of the mobile network era, CAZN Electric keeps pace with The Times and will share the latest cutting-edge technology, company trends and latest product information with customers.

关注公众号



品质管理

严格按照ISO9001质量管理体系

STRICTLY IN ACCORDANCE WITH THE ISO9001 QUALITY MANAGEMENT SYSTEM

1



丰富经验的研发团队

正成电气从连接器的研发、模具制作到生产加工每一个环节都由资深的工程师把关，整个团队都有丰富的连接器及线束加工从业经验。

From connector research and development, mold making to production and processing, each link is controlled by senior engineers, and the whole team has rich experience in connector and wire harness processing.

2

高品质的生产检测设备

从五金加工、组装、焊接、注塑到检测，都采购先进的生产设备和检测设备，确保生产产品高品质，低不良的要求。

From hardware processing, assembly, welding, injection molding and testing, we purchase advanced production equipment and testing equipment to ensure the production of high quality products, low production defect rate requirements.



3



高素质的生产人员

随着业务高速增长，企业生产人员快速增长，公司建立完善的岗前培训、在岗深造等培训体系，打造一批高素质的生产人员。

With the rapid growth of business and the rapid growth of production personnel, we have also established a perfect pre-job training, on-the-job further education and other training systems, so as to create a group of high-quality production personnel.



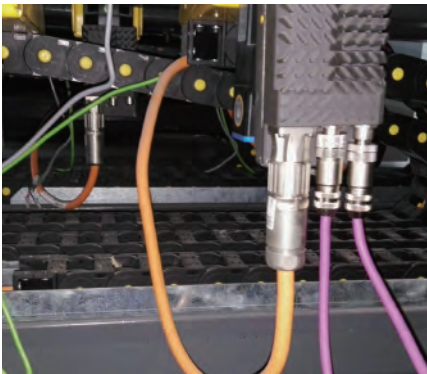
应用案例

专业专注提供多样的信号、数据、动力传输连接器

PROFESSIONAL FOCUS ON PROVIDING A VARIETY OF SIGNAL, DATA, POWER TRANSMISSION CONNECTORS

伺服电机

SERVO MOTOR



工业相机

INDUSTRIAL CAMERA



风力发电

WIND POWER GENERATION



网络化、运动化的趋势，伺服电机连接方式也在升级，拖链电缆、高防护等级的连接需求应用加快。正成电气开发的M12 A、D、X、S、T类型及M17、M23系列满足各种规格电机的需求。

With the trend of networking and movement, the connection mode of servo motor is also upgraded, and the application of the connection demand of drag chain cable and high protection class is accelerated. The M12 A, D, X, S, T types and The M17, M23 series developed by CAZN Electrics meet the needs of various specifications of motors.

物联网IOT的发展促进了工业相机的快速发展，工业相机在工业制造，物流行业举足轻重的地位。恶劣的环境及超高的传输要求，正成开发的M12连接器更好的解决了工业相机的连接。

The development of the Internet of Things IOT has promoted the rapid development of industrial cameras, which play a pivotal role in the industrial manufacturing and logistics industries. Harsh environment and ultra-high transmission requirements, CAZN Electrics developed the M12 connector to better solve the industrial camera connection.

新能源的开发利用，风力发电在近几年得到的快速发展。正成开发的M12网络连接器及MIL-C-5015系列传感器连接方案，方便解决风机监测及远程网络控制。

The development and utilization of new energy, wind power and other fields have been developed rapidly in recent years. CAZN Electrics' M12 network connector and MIL-C-5015 series sensor connection scheme are being developed to facilitate fan monitoring and remote network control.



CAZN 正成

精密个性化连接解决方案设计与制造

DESIGN AND MANUFACTURE OF PRECISION PERSONALIZED CONNECTION SOLUTIONS



无人驾驶

DRIVERLESS



最近几年无人机、无人车、巡逻机器人及无人船应用越来越广，对射频天线需求增多。螺旋天线、胶棒天线对应线束广泛使用。

Drones, unmanned vehicles, patrol robots and unmanned boats have become more widely used in recent years, and the demand for RF antennas has increased. Spiral antennas, Rubber duck antennas and their harnesses are also widely used.

工业4.0

INDUSTRIAL 4.0



工业4.0主要是工业网络化进程，无线网关，设备无线化管理广泛应用到射频天线，主要是胶棒天线为主。

Industry 4.0 is mainly industrial networking process, wireless gateway, wireless equipment management, widely used products are radio frequency antenna, mainly Rubber duck antenna.

智慧城市

SMART CITY



智慧城市的普及，交通智能化、数据采集，对视频传输及数据传输更高的要求。交通信号，视频监控等连接器及馈及大量应用。

With the popularity of smart city, traffic intelligence, data collection and other industries have higher requirements for video transmission and data transmission. Traffic signals, video surveillance and other connectors and feeder cable have also been a large number of applications.



协议介绍

IO-link连接技术

IO-LINK TECHNOLOGY

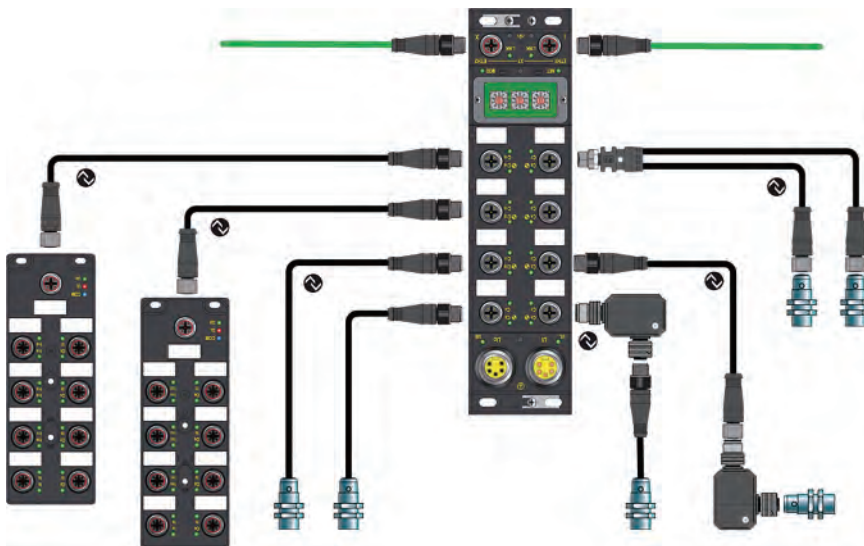
标准化数据接口在工业上越来越广泛，满足了复杂生产系统的分布式控制以及日益提高的信息和数据快速交换的要求，与办公领域不同的是，工业环境应用对于连接器、连接技术以及接线提出了非常严格的要求，正成电气产品已经覆盖了目前大部分主流的网络总线协议和现场总线协议产品。

系列产品包含了组装式、预制电缆、穿板式连接、PCB板式等各种类型的全方面的安装解决方案。

Standardized data interfaces are more and more widely used in industry to meet the distributed control of complex production systems and the increasing demand for rapid exchange of information and data. Different from the office field, the industrial environment applications put forward very strict requirements for connectors, connection technology and wiring, CAZN-LINK electric products have covered most of the current mainstream network bus protocol and field bus protocol products.

The series of products include assembly, prefabricated cable, through panel mount, PCB board and other types of installation solutions in all aspects.





IO-link连接技术示意图
Schematic diagram of IO-link connection technology

CANopen®

SERCOS
the automation bus

EtherNet/IP™

CC-Link IE Field

CC-Link

DeviceNet™

EtherCAT®

PROFI[®]
BUS

PROFI[®]
NET

INTERBUS

ASI[®]
INTERFACE
SAFETY AT WORK

CAT6A
10 GIGABIT

连接技术

连接器或组件完全符合客户的规格需求

CONNECTORS OR COMPONENTS FULLY MEETS THE CUSTOMER'S SPECIFICATIONS

使用说明：连接器及其附件在正常使用情况下不允许带电或者带负载进行操作。

Instructions for use: Connectors and accessories are not allowed to be operated with power on or with load under normal use.

螺钉连接 SCREW CONNECTION

螺钉连接是指导线螺丝钉端子之间可拆卸的电连接方式。依据DIN/EN 60999/VDE 0609标准设计的。

Screw connection is a detachable electrical connection between the guide wire, screw, and terminal. Designed according to DIN/EN 60999/VDE 0609.

适用的导线规格范围广，不用专用的工具，可现场操作的特点。

Wide range of applicable wire specifications, no special tools, can be operated on site.

螺钉尺寸 Screw size	M2.5	M3	M3.5
扭矩(Ncm) Torque(Ncm)	40	50	60

焊接连接 WELDING CONNECTION

焊接连接可以导线跟导体通过电烙铁和焊机连接，也可以使连接器与印刷电路板连接。焊点和附件的测试和签定参考DIN EN 60068第2-20部分操作。

Welding connections can be wired to conductors via electro-solder irons and weld'ers, or connectors to printed circuit boards. Solder joints and accessories are tested and signed according to DIN EN 60068 part 2-20 operation.

适用于预制线缆连接，印刷电路板上，操作方便快捷，插针密度高。

Suitable for prefabricated cable connection, printed circuit board, easy and fast operation, high pin density.

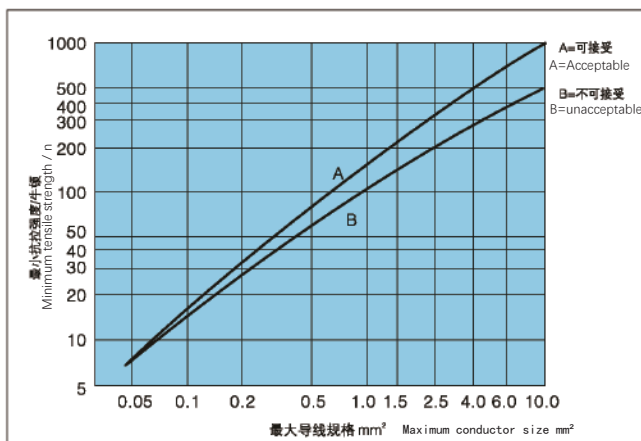
压接连接 CRIMP CONNECTION

压接连接是使用压接工具将导线和导体通过物理形式绞合一起的连接方式，是一种不可拆卸的电连接方式。连接要求依据DIN IEC 60352第2部分。

Crimp connection is to use crimping tools to physically twist wires and conductors together, is a non-detachable electrical connection. Connection requirements according to DIN IEC 60352 Part 2.

可适用于现场接线，可靠性高，连接密度大的特点。

Suitable for field wiring, high reliability, high connection density characteristics.





防水等级

专业防固保护及IP防水保护

PROFESSIONAL ANTI-SOLID PROTECTION AND IP WATERPROOF PROTECTION

连接器上的外壳，密封件及锁扣装置使连接器的电气部件免受外界环境影响，比如冲击、异物、湿气、灰尘、水或清洁剂、冷却液、油等其它液体的入侵。

下面是防护等级一览表



数字 Protection Level	保护范围 First Digit: Solids Protection	数字 Protection Level	保护范围 Second Digit: Moisture Protection
0	无安全防护：无接触保护，无防固体异物保护。 Not rated for protection against contact or ingress (or no rating supplied).	0	无防水保护。 Not rated (or no rating supplied) for protection against ingress of this type.
1	防大件异物保护：防止手部大面积接触，防止直径大于50mm的异物。 Protection against solid objects larger than 50 mm (e.g. accidental contact with any large surface of the body, but not deliberate body contact).	1	防滴水保护：防止垂直滴落的水滴。 Protection against vertically dripping water. No harmful effects when the item is upright.
2	防中等大小异物保护：防止手指接触，防止直径大于12.5mm的异物。 Protection against solid objects larger than 12 mm (e.g. accidental finger contact).	2	防倾斜滴水保护：防止倾斜滴落的水滴（在垂直面15°以内的任意角度）。 Protection against vertically dripping water. No harmful effects when tilted up to 15° from normal position.
3	防小件异物保护：防止工具，铁丝等直径大于2.5mm的物体接触，防止直径大于2.5mm的异物。 Protection against solid objects larger than 2.5 mm (e.g. tools).	3	防洒水保护：防止来自垂直面60°以内任意角度的洒水。 Protection against water sprayed directly at any angle up to 60° off vertical.
4	防颗粒状异物保护：同3中所述，防异物直径大于1mm。 Protection against solid objects larger than 1 mm (e.g. small objects such as nails, screws, insects).	4	防溅水保护：防止来自各个方向的溅水。 Protection against splashing water from any direction. No harmful effects when tested for at least 10 minutes with an oscillating spray (limited ingress permitted).
5	防灰尘沉积保护：防止接触，防止内部灰尘沉积。 Dust protected: partial protection against dust and other particulates (permitted ingress will not compromise the performance of internal components).	5	防射水保护：防止来自任意角度的冲射喷水（喷嘴）。 Protection against low-pressure jets. No harmful effects when water projected in jets from 6.3 mm nozzle, from any direction.
6	防灰尘进入保护：全面防止接触，防止灰尘进入。 Dust tight: full protection against dust and other particulates.	6	防强烈喷水保护：防止暂时性的淹水。 Protection against powerful water jets. No harmful effects when water projected in jets from 12.5 mm nozzle, from any direction.
		7	防浸水保护：防止暂时性的浸水。 Protection against full immersion at up to 1 meter depth for up to 30 minutes. Limited ingress permitted with no harmful effects.
		8	防潜水保护：防止长时间浸没时加压水进入。 Protection against immersion beyond 1 meter. Equipment is suitable for continuous immersion in water. The manufacturer may specify conditions.



订货规则

全新客户定制编号规则及说明

NEW CUSTOM NUMBERING RULES AND INSTRUCTIONS

订货号说明

第一部分组成：系列号+类型号，画册详情页每款产品都有安排好的号码，客户可看图选号；

第二部分组成：芯数+接口型号+线材+长度，根据下面的说明，客户可根据需要填写对应参数，方便定制。

Order NO. Description

The first part: series number + type number, each product has its part number on the album details page, and customers can choose according to the picture and part number;

The second part: number of cores + interface model + wire + length. According to the following instructions, customers can fill in corresponding parameters as required to facilitate customization.

12 1234 - 12 A 1 12345

系列号(Serie): _____
05、08、09、12、16、23、7/8、RD24等
05、08、09、12、16、23、7/8、RD24 .ect

类型号(Type): _____
按照类型号，参考详情页
Please refer to the details page for the type number

线长(Cable length):
以 (mm) 毫米为单位
in mm

线材(Cable material):
1-PVC、2-PUR、3-TPU、4-橡胶线、5-铁氟龙
1-PVC, 2-PUR, 3-TPU, 4-Rubber, 5-Teflon

接口型号(Code):
A、B、C、D、K、L、M、S、T、Y、X等
A、B、C、D、K、L、M、S、T、Y、X .ect

芯数(Contacts number):
02、03、04、05、06、07、08、12、17、18、21、24等
02、03、04、05、06、07、08、12、17、18、21、24 .ect

各个系列起始编号 (Each series' starting number) :

M5:050001
M8:080001
M9:090001
M12:120001
M16:160001
M23:230001
7/8:780001

线材 (Cable material) :

PVC: 1
PUR: 2
TPU: 3
橡胶线 (Rubber-RU) : 4
铁氟龙 (Teflon-PTFE) : 5

(备注: 若不存在参数以0代替)
(Note: If no parameter exists, use 0 instead.)

M5系列 M5 SERIE

产品芯数：3、4芯

Pins number: 3-4 pins

插头：带电缆长度可任意定制

Plug: The length of cable can be customized

插座：板前安装 板后安装焊线及PCB板式

Socket: Front Mount Solder Type, Back Mount Solder Type and PCB board type

防水等级：IP65 IP67

Waterproof grade: IP65 IP67


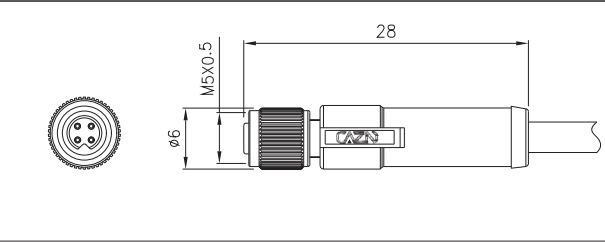

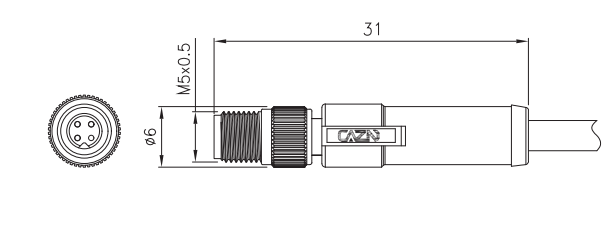

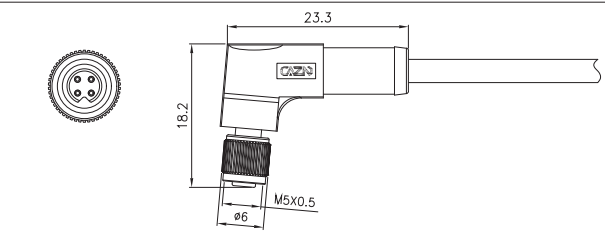

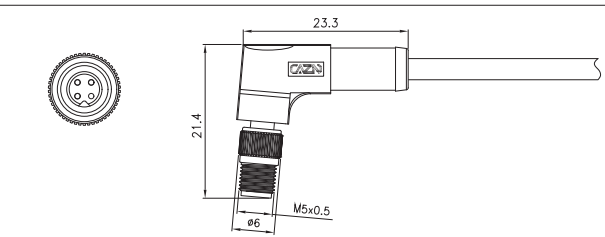

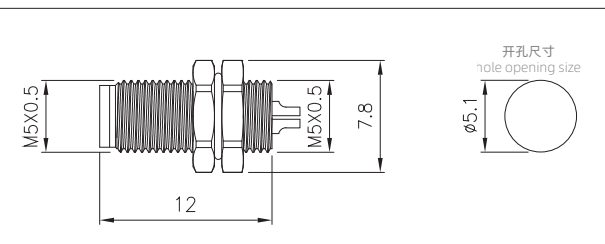

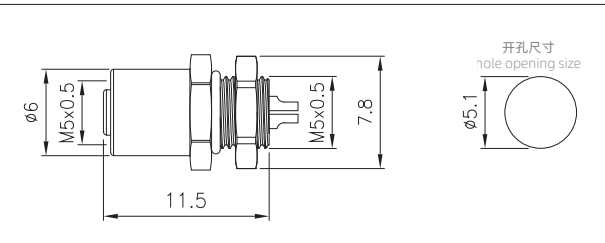

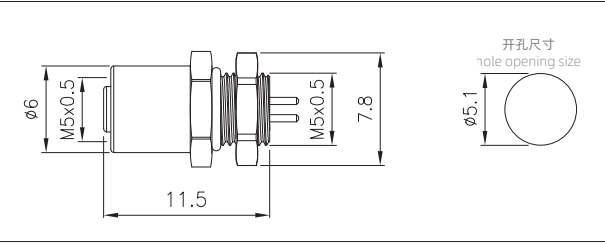

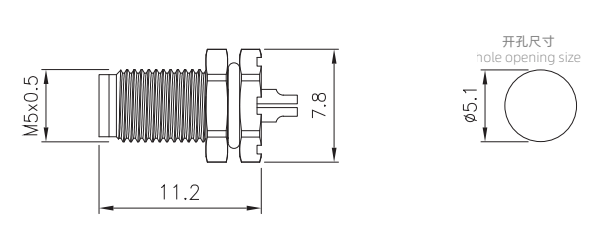
产品符合IEC 61076-2-105标准

The products comply with IEC 61076-2-105 standard



产品参数 PRODUCT PARAMETERS

壳体材料 Shell material	黄铜镀镍 Brass nickel plated	接触阻抗 Contact impedance	≤3mΩ
密封材料 Sealing material	环氧树脂/橡胶 Epoxy resin/Rubber	插拔次数 Durability	≥500次(Cycles)
插针材料 Contact material	磷铜镀金/黄铜镀金 Phosphorus copper gold-plated/Brass copper gold-plated	绝缘阻抗 Insulation impedance	≥100MΩ
胶芯材料 Insulator material	PA66	适用温度 Applicable temperature	-25°C ~ +85°C
成型材料 Molding material	TPU/PVC		

产品图 PRODUCT FIGURE	名称/类型号 NAME/TYPE No.	尺寸图 DIMENSIONS
	<p>直式孔型成型插头 M5 Straight Female overmolded plug</p> <p>050001-04 0 0 00000</p> <p>UNS: No. 050001 SHD: No. 050002</p> <p>3 4</p> <p>1-PVC 2-PUR 3-TPU 4-RU 5-PTFE</p> <p>L (mm)</p>	
	<p>直式针型成型插头 M5 Straight Male overmolded plug</p> <p>050003-04 0 0 00000</p> <p>UNS: No. 050003 SHD: No. 050004</p> <p>3 4</p> <p>1-PVC 2-PUR 3-TPU 4-RU 5-PTFE</p> <p>L (mm)</p>	
	<p>弯式孔型成型插头 M5 Angled Female overmolded plug</p> <p>050005-04 0 0 00000</p> <p>UNS: No. 050005 SHD: No. 050006</p> <p>3 4</p> <p>1-PVC 2-PUR 3-TPU 4-RU 5-PTFE</p> <p>L (mm)</p>	
	<p>弯式针型成型插头 M5 Angled Male overmolded plug</p> <p>050007-04 0 0 00000</p> <p>UNS: No. 050007 SHD: No. 050008</p> <p>3 4</p> <p>1-PVC 2-PUR 3-TPU 4-RU 5-PTFE</p> <p>L (mm)</p>	
	<p>板前安装针型插座 焊线式 螺牙M5x0.5 M5 Male Front Mount Socket (Solder, Screw M5*0.5)</p> <p>050009-03 0 0 00000</p> <p>No. 050009</p> <p>3 4</p> <p>1-PVC 2-PUR 3-TPU 4-RU 5-PTFE</p> <p>L (mm)</p>	
	<p>板前安装孔型插座 焊接式 M5 Female Front Mount Socket (Solder)</p> <p>050011-04 0 0 00000</p> <p>No. 050011</p> <p>3 4</p> <p>1-PVC 2-PUR 3-TPU 4-RU 5-PTFE</p> <p>L (mm)</p>	
	<p>板前安装孔型插座 PCB式 M5 Female Front Mount Socket (PCB)</p> <p>050012-04 0 0 00000</p> <p>No. 050012</p> <p>3 4</p> <p>线材</p> <p>L (mm)</p>	
	<p>板后安装针型插座 焊线式 M5 Male Back Mount Socket (Solder)</p> <p>050013-04 0 0 00000</p> <p>No. 050013</p> <p>3 4</p> <p>1-PVC 2-PUR 3-TPU 4-RU 5-PTFE</p> <p>L (mm)</p>	

M8系列 M8 SERIE

产品芯数：3、4、5、6、8芯

Pins Number: 3 4 5 6 8 pins

大部分连接器360°极佳全屏蔽

Most connectors are excellent for full shielding at 360 degrees

插头：组装式，注塑带电缆式（长度可任意定制）

Plug: assembly, overmolded cable type (length can be customized at will)

插座：板前安装、板后安装焊线及PCB板式

Socket: Front Mount Solder Type, Back Mount Solder Type and PCB board type

防水等级：IP65、IP67

Waterproof grade: Ip65 IP67


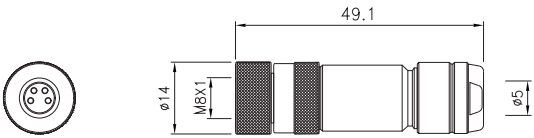

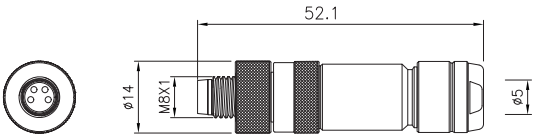

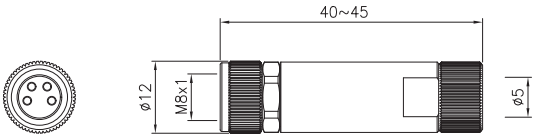

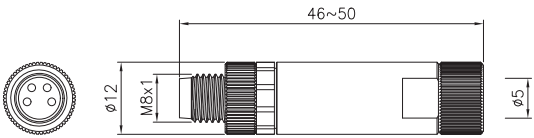

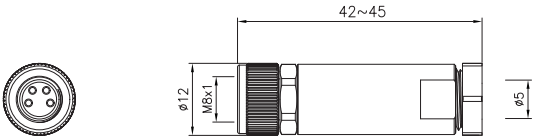

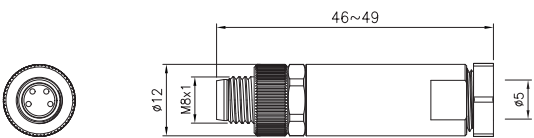

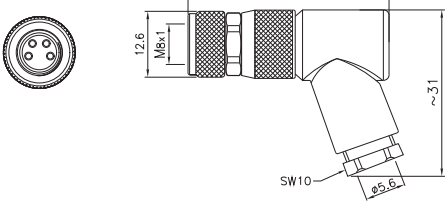

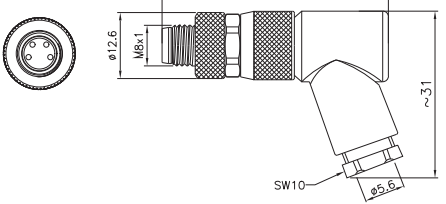
产品符合IEC 61076-2-104标准


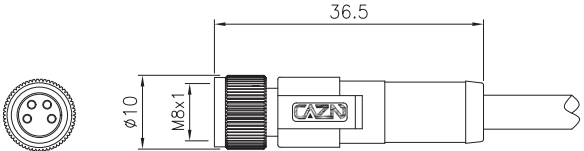

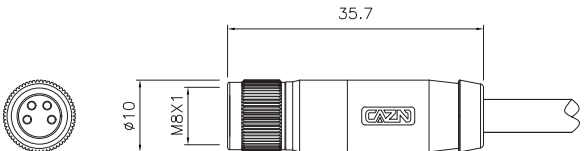

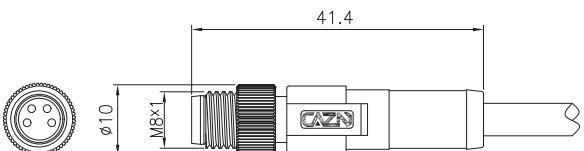

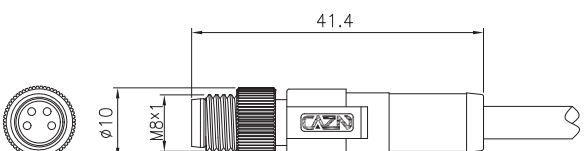

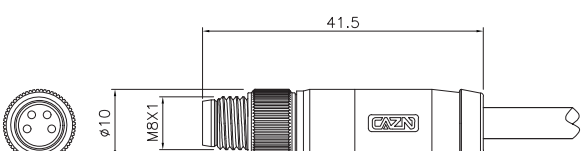

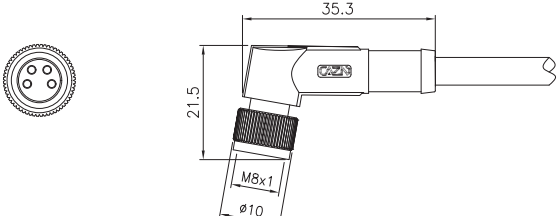

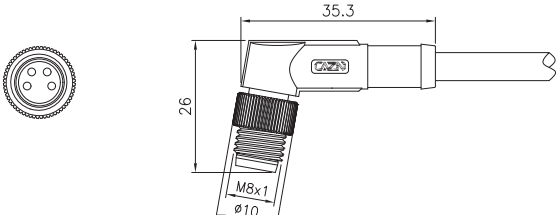

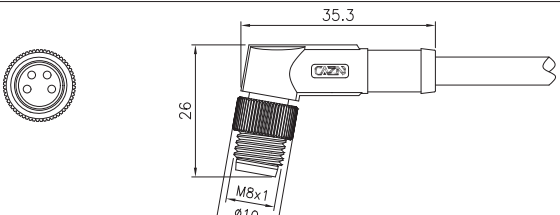
Products comply with IEC 61076-2-104 standard



产品参数 PRODUCT PARAMETERS

壳体材料 Shell material	锌合金镀镍/黄铜镀镍 Brass nickel-plated/Zinc alloy nickel-plated	接触阻抗 Contact impedance	≤5mΩ
密封材料 Sealing material	环氧树脂/橡胶 Epoxy resin/Rubber	插拔次数 Durability	≥500次(Cycles)
插针材料 Contact material	黄铜/磷铜镀金 Brass/Phosphorus copper gold-plated	绝缘阻抗 Insulation impedance	≥100MΩ
胶芯材料 Insulator material	PA66	适用温度 Applicable temperature	-25°C ~ +80°C
成型材料 Molding material	TPU/PVC		

产品图 PRODUCT FIGURE	名称/类型号 NAME/TYPE No.	尺寸图 DIMENSIONS
	<p>直式孔型金属插头 焊接式 PG M8 Straight Female Metal Plug (Solder PG)</p> <p>080001-04 A 0 00000</p> <p>No. 080001 A: 3 4 1-PVC 2-PUR 3-TPU 4-RU 5-PTFE L (mm)</p>	
	<p>直式针型金属插头 焊接式 PG M8 Straight Male Metal Plug (Solder PG)</p> <p>080002-03 A 0 00000</p> <p>No. 080002 A: 3 4 1-PVC 2-PUR 3-TPU 4-RU 5-PTFE L (mm)</p>	
	<p>直式孔型塑胶插头 焊接式 PG M8 Straight Female Metal Plug (Solder PG)</p> <p>080003-04 A 0 00000</p> <p>No. 080003 A: 3 4 1-PVC 2-PUR 3-TPU 4-RU 5-PTFE L (mm)</p>	
	<p>直式针型塑胶插头 焊接式 PG M8 Straight Male Metal Plug (Solder PG)</p> <p>080004-04 A 0 00000</p> <p>No. 080004 A: 3 4 1-PVC 2-PUR 3-TPU 4-RU 5-PTFE L (mm)</p>	
	<p>直式孔型塑胶插头 焊接式 PG M8 Straight Female Plastic Plug (Solder PG)</p> <p>080005-03 A 0 00000</p> <p>No. 080005 A: 3 4 1-PVC 2-PUR 3-TPU 4-RU 5-PTFE L (mm)</p>	
	<p>直式针型塑胶插头 焊接式 PG M8 Straight Male Plastic Plug (Solder PG)</p> <p>080006-03 A 0 00000</p> <p>No. 080006 A: 3 4 1-PVC 2-PUR 3-TPU 4-RU 5-PTFE L (mm)</p>	
	<p>弯式孔型塑胶插头 焊接式 PG M8 Angled Female Plastic Plug (Solder PG)</p> <p>080007-04 A 0 00000</p> <p>No. 080007 A: 3 4 1-PVC 2-PUR 3-TPU 4-RU 5-PTFE L (mm)</p>	
	<p>弯式针型塑胶插头 焊接式 PG M8 Angled Male Plastic Plug (Solder PG)</p> <p>080008-04 A 0 00000</p> <p>No. 080008 A: 3 4 1-PVC 2-PUR 3-TPU 4-RU 5-PTFE L (mm)</p>	

产品图 PRODUCT FIGURE	名称/类型号 NAME/TYPE No.	尺寸图 DIMENSIONS
	直式孔型成型插头 M8 Straight Female overmolded plug 080009-04 A 0 00000 UNS: No. 080009 SHD: No. 080010 A: 3 4 6 B B: 5B D: 4D 1-PVC 2-PUR 3-TPU 4-RU 5-PTFE L (mm)	 36.5 10 M8x1
	直式孔型成型插 带阻尼 M8 Straight Female overmolded plug (with damping) 080011-04 A 0 00000 UNS: No. 080011 SHD: No. 080012 A: 3 4 6 B B: 5B D: 4D 1-PVC 2-PUR 3-TPU 4-RU 5-PTFE L (mm)	 35.7 10 M8x1
	直式针型成型插头 M8 Straight Male overmolded plug 080013-04 A 0 00000 UNS: No. 080013 SHD: No. 080014 A: 3 4 6 B B: 5B D: 4D 1-PVC 2-PUR 3-TPU 4-RU 5-PTFE L (mm)	 41.4 10 M8x1
	直式针型成型插头 金属口 M8 Straight Male overmolded plug (Metal interface) 080015-05 B 0 00000 UNS: No. 080015 SHD: No. 080016 A: 3 4 B: 5B 1-PVC 2-PUR 3-TPU 4-RU 5-PTFE L (mm)	 41.4 10 M8x1
	直式针型成型插 带阻尼 M8 Straight Male overmolded plug (with damping) 080017-04 A 0 00000 UNS: No. 080017 SHD: No. 080018 A: 3 4 6 B B: 5B D: 4D 1-PVC 2-PUR 3-TPU 4-RU 5-PTFE L (mm)	 41.5 10 M8x1
	弯式孔型成型插头 M8 Angled Female overmolded plug 080019-04 A 0 00000 UNS: No. 080019 SHD: No. 080020 A: 3 4 6 B B: 5B D: 4D 1-PVC 2-PUR 3-TPU 4-RU 5-PTFE L (mm)	 35.3 21.5 10 M8x1
	弯式针型成型插头 M8 Angled Male overmolded plug 080021-04 A 0 00000 UNS: No. 080021 SHD: No. 080022 A: 3 4 6 B B: 5B D: 4D 1-PVC 2-PUR 3-TPU 4-RU 5-PTFE L (mm)	 35.3 26 10 M8x1
	弯式针型成型插头 金属口 M8 Angled Male overmolded plug (Metal interface) 080023-05 B 0 00000 UNS: No. 080023 SHD: No. 080024 A: 3 4 B: 5B 1-PVC 2-PUR 3-TPU 4-RU 5-PTFE L (mm)	 35.3 26 10 M8x1

产品图 PRODUCT FIGURE	名称/类型号 NAME/TYPE No.	尺寸图 DIMENSIONS
	直式孔型成型插头 快插式 M8 Straight Female overmolded plug (push-pull) 080025-05 B 0 00000 No. 080025 A: 3 4 1-PVC B: 5B 2-PUR 3-TPU 4-RU 5-PTFE L (mm)	
	直式针型成型插头 快插式 M8 Straight Male overmolded plug (push-pull) 080026-05 B 0 00000 No. 080026 A: 3 4 1-PVC B: 5B 2-PUR 3-TPU 4-RU 5-PTFE L (mm)	
非屏蔽款/Unshielded 屏蔽款/Shielded	一分二孔型成型插头 M8 Female 1 to 2 overmolded plug 080027-04 A 0 00000 UNS: No. 080027 A: 3 4 6 8 1-PVC SHD: No. 080028 B: 5B 2-PUR 3-TPU 4-RU 5-PTFE L (mm)	
非屏蔽款/Unshielded 屏蔽款/Shielded	一分二针型成型插头 M8 Male 1 to 2 overmolded plug 080029-04 A 0 00000 UNS: No. 080029 A: 3 4 6 8 1-PVC SHD: No. 080030 B: 5B 2-PUR 3-TPU 4-RU 5-PTFE L (mm)	
	板前安装针型插座 焊线式 螺牙M8x1 M8 Male Front Mount Socket (Solder, Screw M8*1) 080031-08 A 0 00000 No. 080031 A: 3 4 6 8 1-PVC B: 5B 2-PUR D: 4D 3-TPU 4-RU 5-PTFE L (mm)	
	板前安装针型插座 PCB式 螺牙M8x1 M8 Male Front Mount Socket (PCB, Screw M8*1) 080032-05 B 0 00000 No. 080032 A: 3 4 6 8 线材 L (mm) B: 5B D: 4D	
	板前安装针型插座 焊线式 螺牙M8x1 金属口 M8 Male Front Mount Socket (Solder, Screw M8*1) (Metal interface) 080033-04 A 0 00000 No. 080033 A: 3 4 1-PVC B: 5B 2-PUR 3-TPU 4-RU 5-PTFE L (mm)	
	板前安装针型插座 PCB式 螺牙M8x1 金属口 M8 Male Front Mount Socket (PCB, Screw M8*1) (Metal interface) 080034-04 A 0 00000 No. 080034 A: 3 4 线材 L (mm) B: 5B	


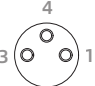

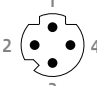
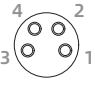
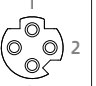

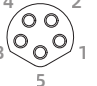


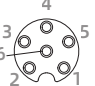

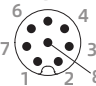
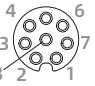
产品图 PRODUCT FIGURE	名称/类型号 NAME/TYPE No.	尺寸图 DIMENSIONS
	板前安装孔型插座 焊线式 螺牙M8x1 M8 Female Front Mount Socket (Solder, Screw M8*1) 080035-06 A 0 00000 No. 080035 A: 3 4 6 B 1-PVC L(mm) B: 5B 2-PUR D: 4D 3-TPU 4-RU 5-PTFE	 11.2 ø9.5 M8x1 15.5 M8x0.5 开孔尺寸 hole opening size ø8.1 7.2
	板前安装孔型插座 PCB式 螺牙M8x1 M8 Female Front Mount Socket (PCB, Screw M8*1) 080036-05 B 0 00000 No. 080036 A: 3 4 6 B 线材 L(mm) B: 5B D: 4D	 11.2 ø9.5 M8x1 15.5 M8x0.5 开孔尺寸 hole opening size ø8.1 7.2
	板前安装孔型插座 子弹型 焊线式 螺牙M8x1 M8 Female Front Mount Socket (Solder, Screw M8*1) (bullet type) 080037-04 A 0 00000 No. 080037 A: 3 4 6 B 1-PVC L(mm) B: 5B 2-PUR D: 4D 3-TPU 4-RU 5-PTFE	 11 M8x1 16 M8x0.5 开孔尺寸 hole opening size ø8.1 7.2
	板后安装针型插座 焊线式 螺牙M8x1 M8 Male Back Mount Socket (Solder, Screw M8*1) 080038-03 A 0 00000 No. 080038 A: 3 4 6 B 1-PVC L(mm) B: 5B 2-PUR D: 4D 3-TPU 4-RU 5-PTFE	 M8x1 ø8.5 11.2 17.8 开孔尺寸 hole opening size ø8.1 7.2
	板后安装针型插座 PCB式 螺牙M8x1 M8 Male Back Mount Socket (PCB, Screw M8*1) 080039-04 A 0 00000 No. 080039 A: 3 4 6 B 线材 L(mm) B: 5B D: 4D	 M8x1 ø8.5 11.2 17.8 开孔尺寸 hole opening size ø8.1 7.2
	板后安装针型插座 焊线式 螺牙M8x1 金属口 M8 Male Back Mount Socket (Solder, Screw M8*1) (Metal interface) 080040-04 A 0 00000 No. 080040 A: 3 4 1-PVC L(mm) B: 5B 2-PUR 3-TPU 4-RU 5-PTFE	 M8x1 ø8.5 11.2 17.8 开孔尺寸 hole opening size ø8.1 7.2
	板后安装针型插座 PCB式 螺牙M8x1 金属口 M8 Male Back Mount Socket (PCB, Screw M8*1) (Metal interface) 080041-04 A 0 00000 No. 080041 A: 3 4 线材 L(mm) B: 5B	 M8x1 ø8.5 11.2 17.5 开孔尺寸 hole opening size ø8.1 7.2
	板后安装针型插座 焊线式 螺牙M11x1 M8 Male Back Mount Socket (Solder, Screw M11*1) 080042-04 D 0 00000 No. 080042 A: 3 4 6 B 1-PVC L(mm) B: 5B 2-PUR D: 4D 3-TPU 4-RU 5-PTFE	 M11x1 M8x1 8 17.8 开孔尺寸 hole opening size ø11.1 ø10.1

M8·防尘盖 M8 DUST COVER

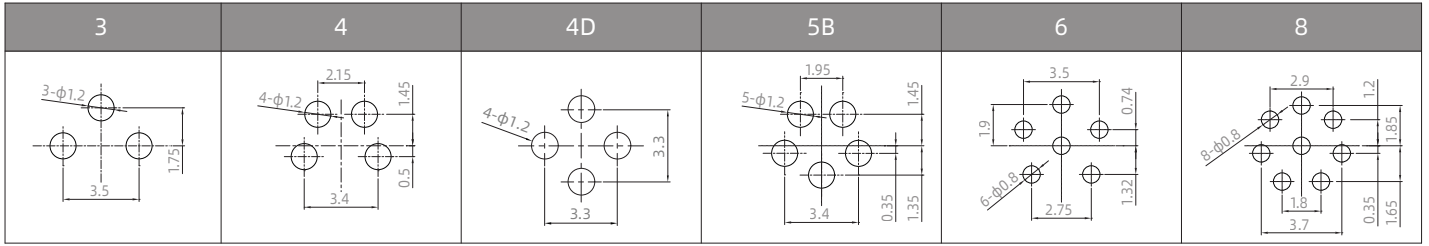
M8 塑胶防尘盖 内牙 M8 Plastic Dust Cover (Inner screw)		
	环内直径 Ring inner diameter	订货号 No.
	φ 7.5mm	080059-000000001
M8 塑胶防尘盖 外牙 M8 Plastic Dust Cover (Outer screw)		
	环内直径 Ring inner diameter	订货号 No.
	φ 7.5mm	080060-000000001
M8 塑胶防尘盖 外牙 M8 Plastic Dust Cover (Outer screw)		
	环内直径 Ring inner diameter	订货号 No.
	φ M8	080063-000000001

M8 全金属防尘盖 内牙 M8 All-Metal Dust Cover (Inner screw)		
	环内直径 Ring inner diameter	订货号 No.
	φ 8mm	080061-000000001
	φ 10mm	080061-000000002
M8 全金属防尘盖 外牙 M8 All-Metal Dust Cover (Outer screw)		
	环内直径 Ring inner diameter	订货号 No.
	φ 8mm	080062-000000001
	φ 10mm	080062-000000002

M8·电气参数 M8 ELECTRICAL PARAMETERS

芯数 Pins	针型 Male			额定电流 Rated current	额定电压 Rated voltage		导体规格 Conductor size		孔型 Female		
	A	B	D		A/C	D/C	AWG	mm ²	A	B	D
3				3A	60V	60V	24	0.25			
4				A型(A-Code):3A D型(D-Code):4A	60V	60V	24	0.25			
5				3A	30V	30V	24	0.25			
6				1.5A	30V	30V	26	0.14			
8				1.5A	30V	30V	26	0.14			

M8·PCB芯位图 M8 PCB PINS ARRANGEMENT



M8·接线定义 M8 WIRE DEFINITION

芯位 Pins	线芯颜色 Wire core color	
	3芯(Pins)	
1	BN	
2	-	
3	BU	
4	BK	

芯位 Pins	线芯颜色 Wire core color			
	4芯A编码(4 Pins A-Code)		4芯D编码(4 Pins D-Code)	
1	BN		YE	
2	WH		WH	
3	BU		OG	
4	BK		BU	

芯位 Pins	线芯颜色 Wire core color			
	5芯A编码(5 Pins A-Code)		5芯B编码(5 Pins B-Code)	
1	BN		BN	
2	WH		WH	
3	BU		BU	
4	BK		BK	
5	GY		GY	

芯位 Pins	线芯颜色 Wire core color	
	6芯(Pins)	
1	BN	
2	WH	
3	BU	
4	BK	
5	GY	
6	PK	

芯位 Pins	线芯颜色 Wire core color	
	8芯(Pins)	
1	WH	
2	BN	
3	GN	
4	YE	
5	GY	
6	PK	
7	BU	
8	RD	

*接线定义按常规标准，如按协议或者其他请联系我司业务。
Wiring definition according to conventional standards, if according to the agreement or other please contact our sales.

M9系列 M9 SERIE

产品芯数：2~8芯

Pins Number: 2-8 pins

大部分连接器360°极佳全屏蔽

Most connectors are excellent for full shielding at 360 degrees

插头：组装式，注塑带电缆式（长度可任意定制）

Plug: assembly, overmolded cable type (length can be customized at will)

插座：板前安装、板后安装焊线及PCB板式

Socket: Front Mount Solder Type, Back Mount Solder Type and PCB board type


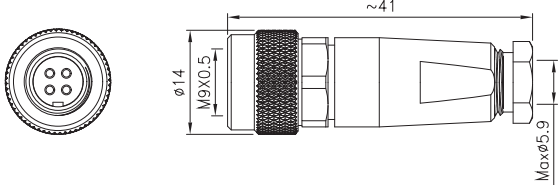

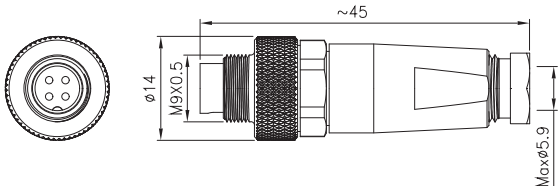

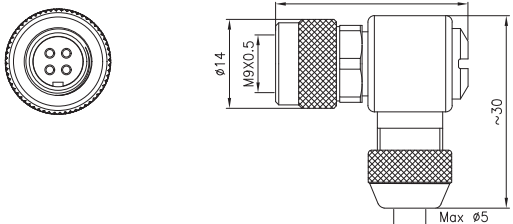

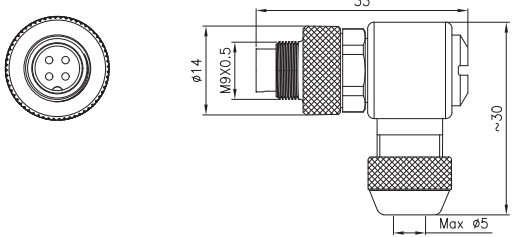

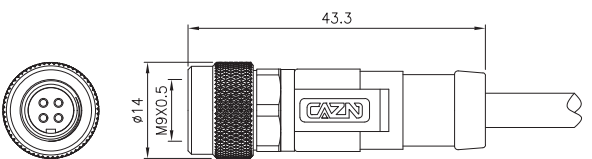

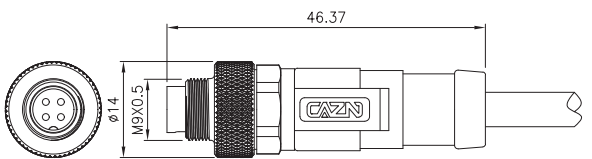

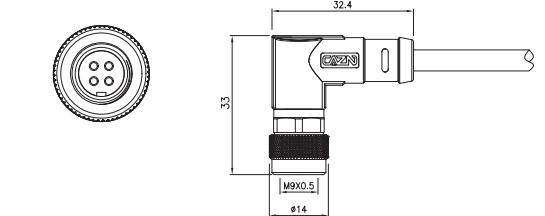
防水等级：IP65、IP67

Waterproof grade: IP65、IP67



产品参数 PRODUCT PARAMETERS

壳体材料 Shell material	锌合金镀镍/黄铜镀镍 Brass nickel-plated/Zinc alloy nickel-plated	接触阻抗 Contact impedance	≤3mΩ
密封材料 Sealing material	环氧树脂/橡胶 Epoxy resin/Rubber	接线范围 Wiring range	3.0~5.0mm
插针材料 Contact material	黄铜/磷铜镀金 Brass/Phosphorus copper gold-plated	绝缘阻抗 Insulation impedance	≥100MΩ
胶芯材料 Insulator material	PA66	适用温度 Applicable temperature	-25°C ~ +80°C
成型材料 Molding material	TPU/PVC		

产品图 <small>PRODUCT FIGURE</small>	名称/类型号 <small>NAME/TYPE No.</small>	尺寸图 <small>DIMENSIONS</small>
	<p>直式孔型金属插头 焊线式 M9 Straight Female Metal Plug (Solder)</p> <p>090001-05 A 0 00000</p> <p>No. 090001 A: 2 3 4 5 6 7 8 1-PVC 2-PUR 3-TPU 4-RU 5-PTFE L (mm)</p>	
	<p>直式针型金属插头 焊线式 M9 Straight Male Metal Plug (Solder)</p> <p>090002-05 A 0 00000</p> <p>No. 090002 A: 2 3 4 5 6 7 8 1-PVC 2-PUR 3-TPU 4-RU 5-PTFE L (mm)</p>	
	<p>弯式孔型金属插头 焊线式 M9 Angled Female Metal Plug (Solder)</p> <p>090003-05 A 0 00000</p> <p>No. 090003 A: 2 3 4 5 6 7 8 1-PVC 2-PUR 3-TPU 4-RU 5-PTFE L (mm)</p>	
	<p>弯式针型金属插头 焊线式 M9 Angled Male Metal Plug (Solder)</p> <p>090004-05 A 0 00000</p> <p>No. 090004 A: 2 3 4 5 6 7 8 1-PVC 2-PUR 3-TPU 4-RU 5-PTFE L (mm)</p>	
<p>非屏蔽款/Unshielded 屏蔽款/Shielded</p> 	<p>直式孔型成型插头 M9 Straight Female overmolded plug</p> <p>090005-04 A 0 00000</p> <p>UNS: No. 090005 SHD: No. 090006 A: 2 3 4 5 6 7 8 1-PVC 2-PUR 3-TPU 4-RU 5-PTFE L (mm)</p>	
<p>非屏蔽款/Unshielded 屏蔽款/Shielded</p> 	<p>直式针型成型插头 M9 Straight Male overmolded plug</p> <p>090007-04 A 0 00000</p> <p>UNS: No. 090007 SHD: No. 090008 A: 2 3 4 5 6 7 8 1-PVC 2-PUR 3-TPU 4-RU 5-PTFE L (mm)</p>	
<p>非屏蔽款/Unshielded 屏蔽款/Shielded</p> 	<p>弯式孔型成型插头 M9 Angled Female overmolded plug</p> <p>090009-04 A 0 00000</p> <p>UNS: No. 090009 SHD: No. 090010 A: 2 3 4 5 6 7 8 1-PVC 2-PUR 3-TPU 4-RU 5-PTFE L (mm)</p>	

产品图 PRODUCT FIGURE	名称/类型号 NAME/TYPE No.	尺寸图 DIMENSIONS
 <p>非屏蔽款/Unshielded 屏蔽款/Shielded</p>	<p>弯式针型成型插头 M9 Angled Male overmolded plug</p> <p>090011-04 A 0 00000</p> <p>UNS: No. 090011 SHD: No. 090012</p> <p>A: 2 3 4 5 6 7 8</p> <p>1-PVC 2-PUR 3-TPU 4-RU 5-PTFE</p> <p>L (mm)</p>	
	<p>板前安装针型插座 焊接式 M9 Male Front Mount Socket (Solder)</p> <p>090013-05 A 0 00000</p> <p>No. 090013</p> <p>A: 2 3 4 5 6 7 8</p> <p>1-PVC 2-PUR 3-TPU 4-RU 5-PTFE</p> <p>L (mm)</p>	 <p>开孔尺寸 hole opening size</p> <p>12.1</p>
	<p>板前安装孔型插座 焊接式 M9 Male Front Mount Socket (Solder)</p> <p>090014-05 A 0 00000</p> <p>No. 090014</p> <p>A: 2 3 4 5 6 7 8</p> <p>1-PVC 2-PUR 3-TPU 4-RU 5-PTFE</p> <p>L (mm)</p>	 <p>开孔尺寸 hole opening size</p> <p>12.1</p>
	<p>板后安装针型插座 焊接式 M9 Male Back Mount Socket (Solder)</p> <p>090015-05 A 0 00000</p> <p>No. 090015</p> <p>A: 2 3 4 5 6 7 8</p> <p>1-PVC 2-PUR 3-TPU 4-RU 5-PTFE</p> <p>L (mm)</p>	 <p>开孔尺寸 hole opening size</p> <p>12.1</p>
	<p>板后安装针型插座 PCB式 M9 Male Back Mount Socket (PCB)</p> <p>090016-04 A 0 00000</p> <p>No. 090016</p> <p>A: 2 3 4 5 6 7 8</p> <p>线材</p> <p>L (mm)</p>	 <p>开孔尺寸 hole opening size</p> <p>12.1</p>
	<p>板后安装孔型插座 焊接式 M9 Female Back Mount Socket (Solder)</p> <p>090017-06 A 0 00000</p> <p>No. 090017</p> <p>A: 2 3 4 5 6 7 8</p> <p>1-PVC 2-PUR 3-TPU 4-RU 5-PTFE</p> <p>L (mm)</p>	 <p>开孔尺寸 hole opening size</p> <p>12.1</p>
	<p>板后安装孔型插座 PCB式 M9 Female Back Mount Socket (PCB)</p> <p>090018-04 A 0 00000</p> <p>No. 090018</p> <p>A: 2 3 4 5 6 7 8</p> <p>线材</p> <p>L (mm)</p>	 <p>开孔尺寸 hole opening size</p> <p>12.1</p>

M9·电气参数 M9 ELECTRICAL PARAMETERS

芯数 Pins	针型 Male	额定电流 Rated current	额定电压 Rated voltage		导体规格 Conductor size		孔型 Female
			A/C	D/C	AWG	mm ²	
2		4A	125V	125V	24	0.25	
3		4A	125V	125V	24	0.25	
4		3A	125V	125V	24	0.25	
5		3A	125V	125V	24	0.25	
6		1A	125V	125V	26	0.14	
7		1A	125V	125V	26	0.14	
8		1A	125V	125V	26	0.14	

M9·PCB芯位图 M9 PCB PINS ARRANGEMENT

芯数 Pins	2A	3A	4A	5A	6A	7A	8A
针型 Male							
孔型 Female							

M9·接线定义 M9 WIRE DEFINITION

芯数 Pins	线芯颜色 Wire core color
2芯(Pins)	
1	BN
2	BU

芯数 Pins	线芯颜色 Wire core color
3芯(Pins)	
1	BN
2	BU
3	BK

芯数 Pins	线芯颜色 Wire core color
6芯(Pins)	
1	BN
2	WH
3	BU
4	BK
5	GY
6	PK

芯数 Pins	线芯颜色 Wire core color
7芯(Pins)	
1	WH
2	BN
3	GN
4	YE
5	GY
6	PK
7	BU

芯数 Pins	线芯颜色 Wire core color
8芯(Pins)	
1	WH
2	BN
3	GN
4	YE
5	GY
6	PK
7	BU
8	RD

芯数 Pins	线芯颜色 Wire core color
4芯(Pins)	
1	BN
2	WH
3	BU
4	BK

芯数 Pins	线芯颜色 Wire core color
5芯(Pins)	
1	BN
2	WH
3	BU
4	BK
5	GY

*接线定义按常规标准，
如按协议或者其他请联系我司业务。
Wiring definition according to conventional standards,
if according to the agreement or other please contact our sales.



M12系列 M12 SERIE

金属外壳连接器极佳的360°全屏蔽，新款更有阻尼设计

Metal housing connector excellent 360° full shielding, new more damped design

产品符合IEC 61076-2-101 工业4.0协议，NEMA2000标准

Products comply with IEC 61076-2-101 Industry 4.0 agreement, NEMA2000 standard

插头：组装式，注塑带电缆式（长度可任意定制）

Plug: assembled type, injection molding with cable type (length can be customized)

插座：板前安装、板后安装焊线及PCB板式

Socket: Front Mount Solder type, Back Mount Solder type and PCB type

产品芯数：2、3、4、5、6、8、12、17芯

Number of pins: 2, 3, 4, 5, 6, 8, 12, 17 pins


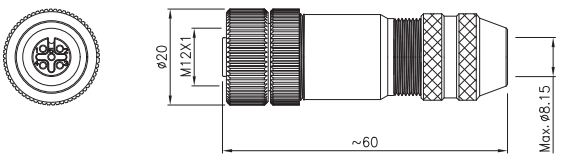

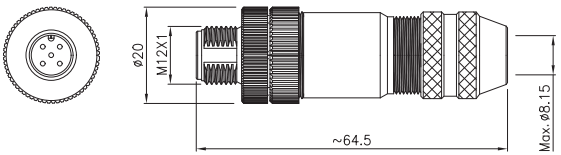

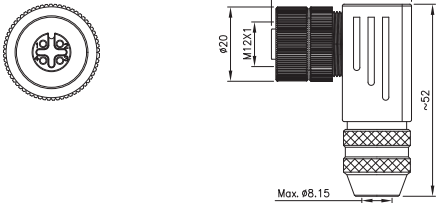

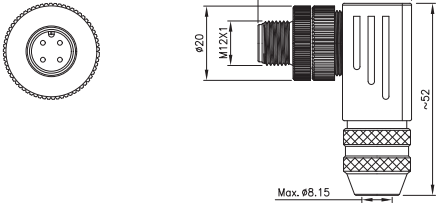

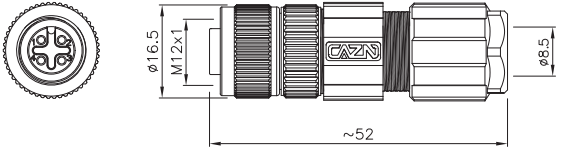

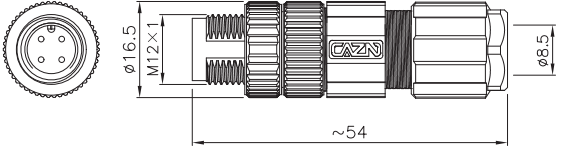

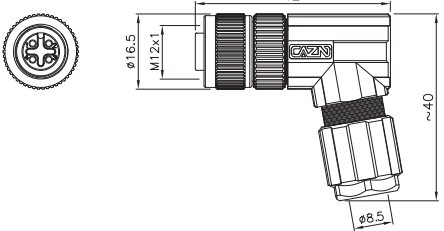
防水等级：IP65、IP67


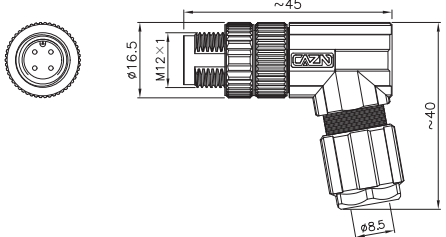

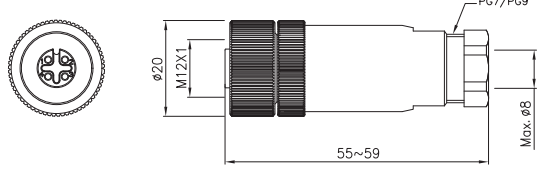

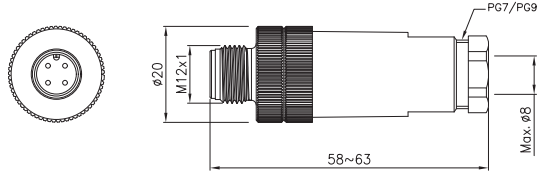

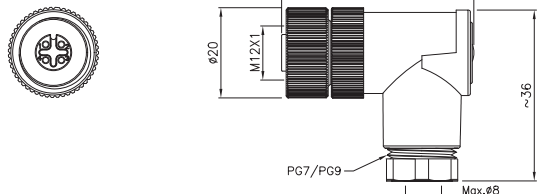

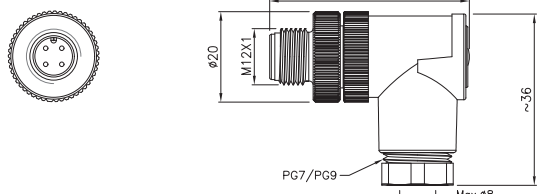

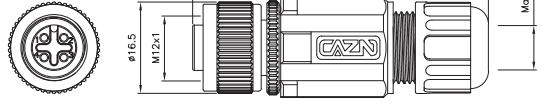

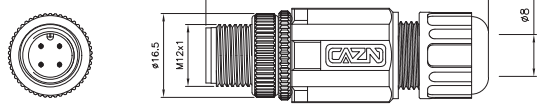
Waterproof grade: IP65, IP67


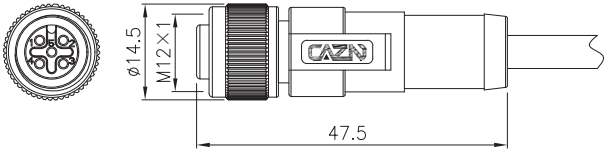

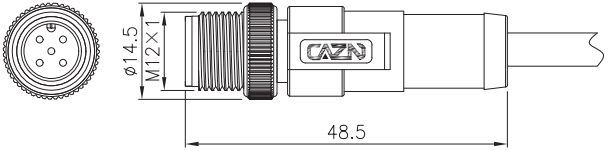

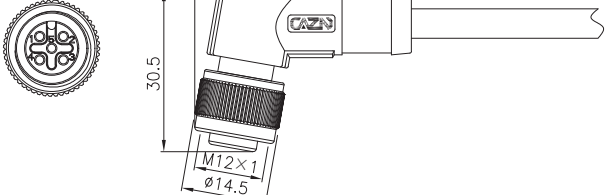

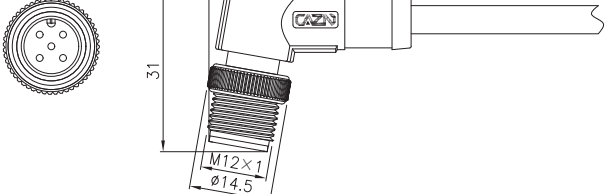

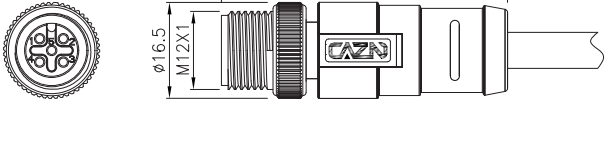

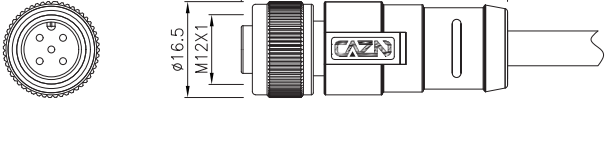

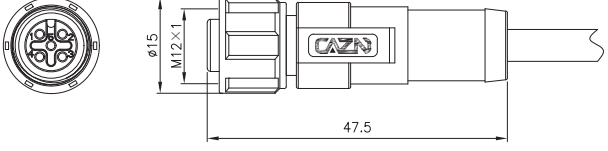



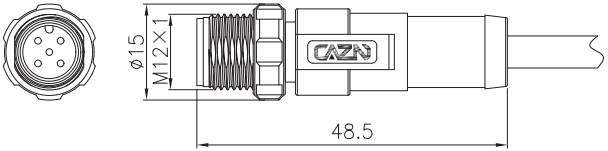

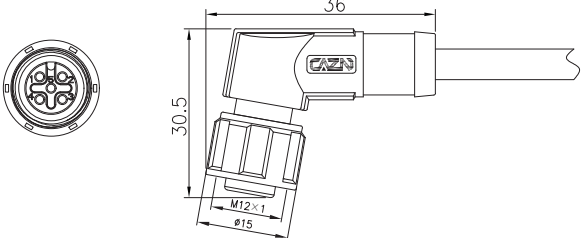

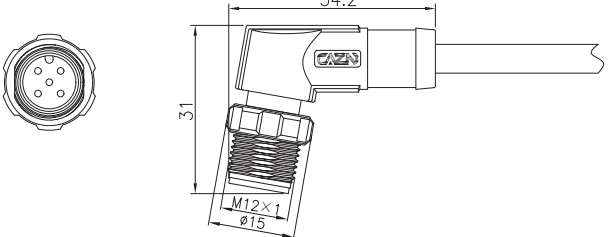

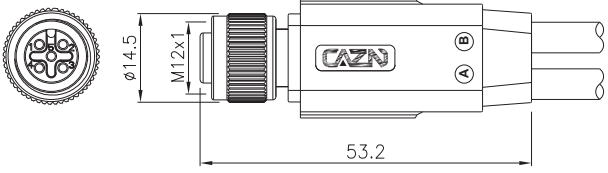

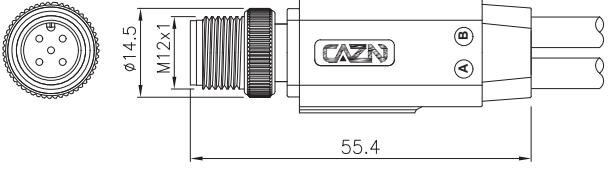

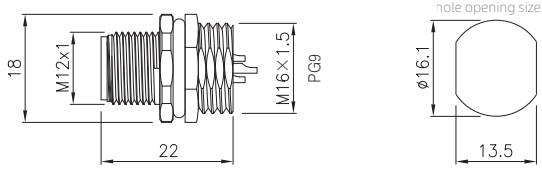

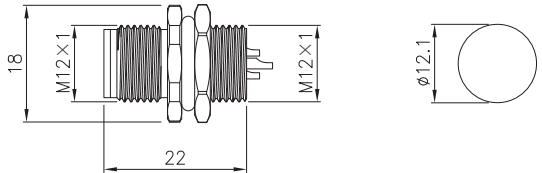
产品参数 PRODUCT PARAMETERS


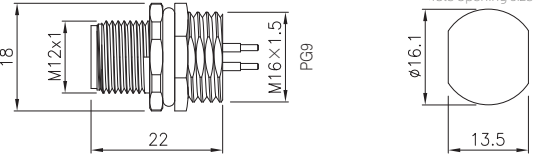

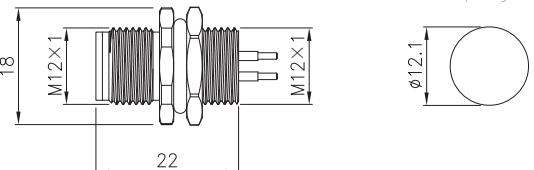

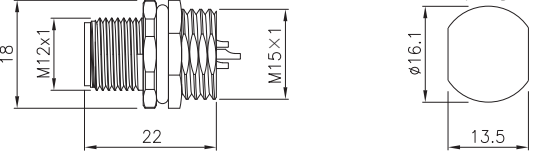

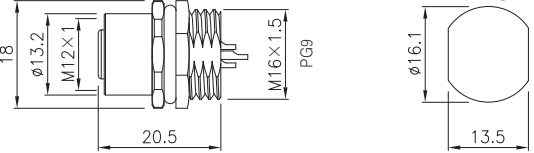

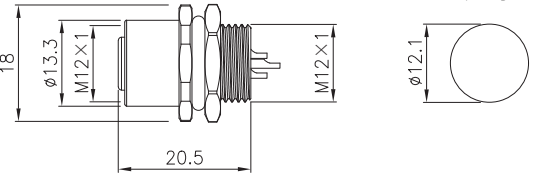

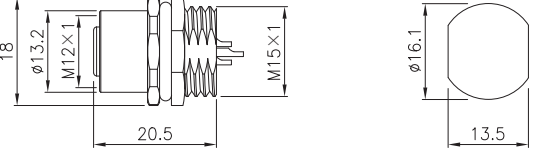

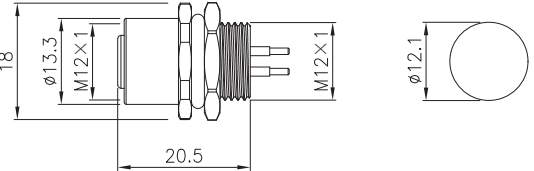
壳体材料 Shell material	黄铜镀镍/锌合金度镍/PA+GF Brass nickel-plated/Zinc alloy nickel-plated/PA-GF	接触阻抗 Contact impedance	≤5mΩ
密封材料 Sealing material	环氧树脂/橡胶 Epoxy resin/Rubber	插拔次数 Durability	≥500次(Cycles)
插针材料 Contact material	黄铜/磷铜镀金 Brass/Phosphorus copper gold-plated	执行标准 Execution standard	IEC 61076-2-101
胶芯材料 Insulator material	PA+GF/TPU	适用温度 Applicable temperature	-25°C ~ +80°C
成型材料 Molding material	TPU/PVC	防水等级 Waterproof grade	IP67


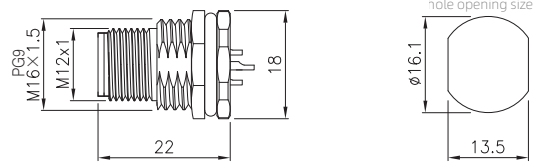

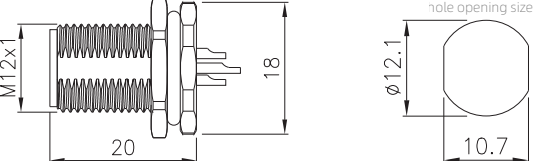

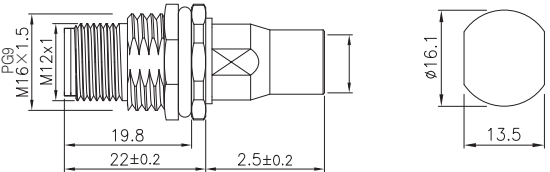

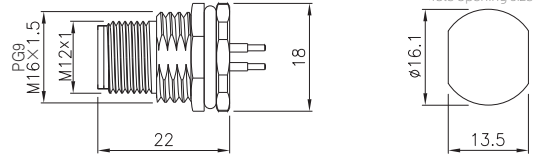

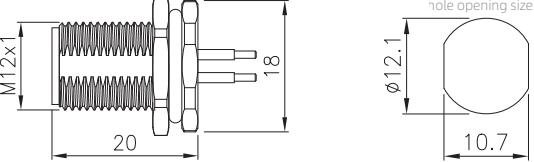

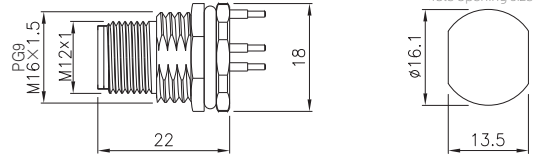

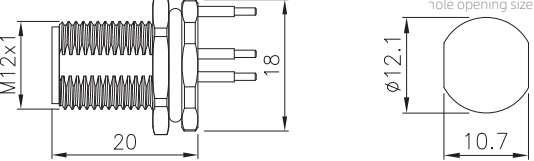
产品图 PRODUCT FIGURE	名称/类型号 NAME/TYPE No.	尺寸图 DIMENSIONS				
	<p>直式孔型金属插头 螺钉式 M12 Straight Female Metal Plug (Screw)</p> <p>120001-05 A 0 00000</p> <table border="1"> <tr> <td>PG7: No. 120001 PG9: No. 120002</td> <td>A: 2 3 4 5 6 8 B: 5B D: 4D</td> <td>1-PVC 2-PUR 3-TPU 4-RU 5-PTFE</td> <td>L (mm)</td> </tr> </table>	PG7: No. 120001 PG9: No. 120002	A: 2 3 4 5 6 8 B: 5B D: 4D	1-PVC 2-PUR 3-TPU 4-RU 5-PTFE	L (mm)	 <p>Dimensions: $\phi 20$, M12x1, ~ 60, Max. $\phi 8.15$</p>
PG7: No. 120001 PG9: No. 120002	A: 2 3 4 5 6 8 B: 5B D: 4D	1-PVC 2-PUR 3-TPU 4-RU 5-PTFE	L (mm)			
	<p>直式针型金属插头 螺钉式 M12 Straight Male Metal Plug (Screw)</p> <p>120003-05 A 0 00000</p> <table border="1"> <tr> <td>PG7: No. 120003 PG9: No. 120004</td> <td>A: 2 3 4 5 6 8 B: 5B D: 4D</td> <td>1-PVC 2-PUR 3-TPU 4-RU 5-PTFE</td> <td>L (mm)</td> </tr> </table>	PG7: No. 120003 PG9: No. 120004	A: 2 3 4 5 6 8 B: 5B D: 4D	1-PVC 2-PUR 3-TPU 4-RU 5-PTFE	L (mm)	 <p>Dimensions: $\phi 20$, M12x1, ~ 64.5, Max. $\phi 8.15$</p>
PG7: No. 120003 PG9: No. 120004	A: 2 3 4 5 6 8 B: 5B D: 4D	1-PVC 2-PUR 3-TPU 4-RU 5-PTFE	L (mm)			
	<p>弯式孔型金属插头 螺钉式 M12 Angled Female Metal Plug (Screw)</p> <p>120005-05 A 0 00000</p> <table border="1"> <tr> <td>PG7: No. 120005 PG9: No. 120006</td> <td>A: 2 3 4 5 6 8 B: 5B D: 4D</td> <td>1-PVC 2-PUR 3-TPU 4-RU 5-PTFE</td> <td>L (mm)</td> </tr> </table>	PG7: No. 120005 PG9: No. 120006	A: 2 3 4 5 6 8 B: 5B D: 4D	1-PVC 2-PUR 3-TPU 4-RU 5-PTFE	L (mm)	 <p>Dimensions: $\phi 20$, M12x1, ~ 38, ~ 52, Max. $\phi 8.15$</p>
PG7: No. 120005 PG9: No. 120006	A: 2 3 4 5 6 8 B: 5B D: 4D	1-PVC 2-PUR 3-TPU 4-RU 5-PTFE	L (mm)			
	<p>弯式针型金属插头 螺钉式 M12 Angled Male Metal Plug (Screw)</p> <p>120007-05 A 0 00000</p> <table border="1"> <tr> <td>PG7: No. 120007 PG9: No. 120008</td> <td>A: 2 3 4 5 6 8 B: 5B D: 4D</td> <td>1-PVC 2-PUR 3-TPU 4-RU 5-PTFE</td> <td>L (mm)</td> </tr> </table>	PG7: No. 120007 PG9: No. 120008	A: 2 3 4 5 6 8 B: 5B D: 4D	1-PVC 2-PUR 3-TPU 4-RU 5-PTFE	L (mm)	 <p>Dimensions: $\phi 20$, M12x1, ~ 41, ~ 52, Max. $\phi 8.15$</p>
PG7: No. 120007 PG9: No. 120008	A: 2 3 4 5 6 8 B: 5B D: 4D	1-PVC 2-PUR 3-TPU 4-RU 5-PTFE	L (mm)			
	<p>直式孔型金属组装式插头 焊接式 M12 Straight Female Metal Plug (Solder)</p> <p>120009-05 A 0 00000</p> <table border="1"> <tr> <td>PG7: No. 120009</td> <td>A: 2 3 4 5 6 8 12 17 B: 5B D: 4D</td> <td>1-PVC 2-PUR 3-TPU 4-RU 5-PTFE</td> <td>L (mm)</td> </tr> </table>	PG7: No. 120009	A: 2 3 4 5 6 8 12 17 B: 5B D: 4D	1-PVC 2-PUR 3-TPU 4-RU 5-PTFE	L (mm)	 <p>Dimensions: $\phi 16.5$, M12x1, ~ 52, $\phi 8.5$</p>
PG7: No. 120009	A: 2 3 4 5 6 8 12 17 B: 5B D: 4D	1-PVC 2-PUR 3-TPU 4-RU 5-PTFE	L (mm)			
	<p>直式针型金属组装式插头 焊接式 M12 Straight Male Metal Plug (Solder)</p> <p>120010-05 A 0 00000</p> <table border="1"> <tr> <td>PG7: No. 120010</td> <td>A: 2 3 4 5 6 8 12 17 B: 5B D: 4D</td> <td>1-PVC 2-PUR 3-TPU 4-RU 5-PTFE</td> <td>L (mm)</td> </tr> </table>	PG7: No. 120010	A: 2 3 4 5 6 8 12 17 B: 5B D: 4D	1-PVC 2-PUR 3-TPU 4-RU 5-PTFE	L (mm)	 <p>Dimensions: $\phi 16.5$, M12x1, ~ 54, $\phi 8.5$</p>
PG7: No. 120010	A: 2 3 4 5 6 8 12 17 B: 5B D: 4D	1-PVC 2-PUR 3-TPU 4-RU 5-PTFE	L (mm)			
	<p>弯式孔型金属组装式插头 焊接式 M12 Angled Female Metal Plug (Solder)</p> <p>120011-05 A 0 00000</p> <table border="1"> <tr> <td>PG7: No. 120011</td> <td>A: 2 3 4 5 6 8 12 17 B: 5B D: 4D</td> <td>1-PVC 2-PUR 3-TPU 4-RU 5-PTFE</td> <td>L (mm)</td> </tr> </table>	PG7: No. 120011	A: 2 3 4 5 6 8 12 17 B: 5B D: 4D	1-PVC 2-PUR 3-TPU 4-RU 5-PTFE	L (mm)	 <p>Dimensions: $\phi 16.5$, M12x1, ~ 42, ~ 40, $\phi 8.5$</p>
PG7: No. 120011	A: 2 3 4 5 6 8 12 17 B: 5B D: 4D	1-PVC 2-PUR 3-TPU 4-RU 5-PTFE	L (mm)			


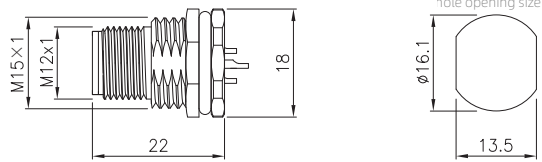

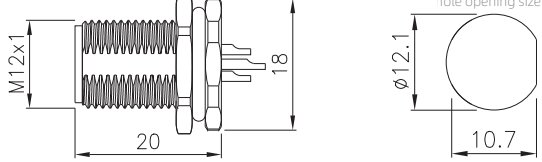

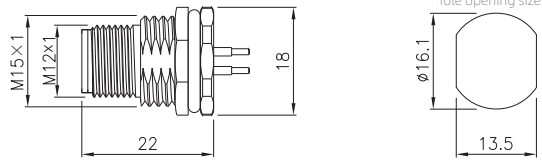

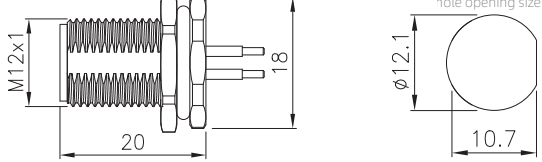

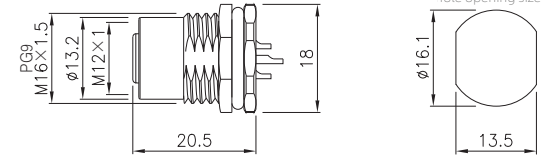

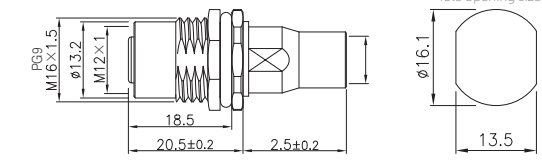

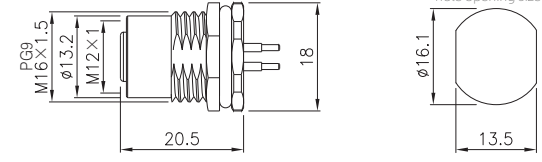
产品图 PRODUCT FIGURE	名称/类型号 NAME/TYPE No.	尺寸图 DIMENSIONS
	<p>弯式针型金属组装式插头 焊接式 M12 Angled Male Metal Plug (Solder)</p> <p>120012-05 A 0 00000</p> <p>PG7: No. 120012 A: 2 3 4 5 6 8 B: 5B D: 4D</p> <p>1-PVC 2-PUR 3-TPU 4-RU 5-PTFE</p> <p>L (mm)</p>	 <p>~45 $\phi 16.5$ M12x1 $\phi 8.5$ ~40</p>
	<p>直式孔型塑胶插头 螺钉式 M12 Straight Female Plastic Plug (Screw)</p> <p>120013-05 A 0 00000</p> <p>PG7: No. 120013 PG9: No. 120014 A: 2 3 4 5 6 8</p> <p>1-PVC 2-PUR 3-TPU 4-RU 5-PTFE</p> <p>L (mm)</p>	 <p>$\phi 20$ M12x1 PG7/PG9 55~59 Max. $\phi 8$</p>
	<p>直式针型塑胶插头 螺钉式 M12 Straight Male Plastic Plug (Screw)</p> <p>120015-05 A 0 00000</p> <p>PG7: No. 120015 PG9: No. 120016 A: 2 3 4 5 6 8</p> <p>1-PVC 2-PUR 3-TPU 4-RU 5-PTFE</p> <p>L (mm)</p>	 <p>$\phi 20$ M12x1 PG7/PG9 58~63 Max. $\phi 8$</p>
	<p>弯式孔型塑胶插头 螺钉式 M12 Angled Female Plastic Plug (Screw)</p> <p>120017-05 A 0 00000</p> <p>PG7: No. 120017 PG9: No. 120018 A: 2 3 4 5 6 8</p> <p>1-PVC 2-PUR 3-TPU 4-RU 5-PTFE</p> <p>L (mm)</p>	 <p>$\phi 20$ M12x1 ~38 ~36 PG7/PG9 Max. $\phi 8$</p>
	<p>弯式针型塑胶插头 螺钉式 M12 Angled Male Plastic Plug (Screw)</p> <p>120019-05 A 0 00000</p> <p>PG7: No. 120019 PG9: No. 120020 A: 2 3 4 5 6 8</p> <p>1-PVC 2-PUR 3-TPU 4-RU 5-PTFE</p> <p>L (mm)</p>	 <p>$\phi 20$ M12x1 ~43 ~36 PG7/PG9 Max. $\phi 8$</p>
	<p>直式孔型塑胶插头 焊接式 M12 Straight Female Plastic Plug (Solder)</p> <p>120021-05 A 0 00000</p> <p>PG7: No. 120021 A: 2 3 4 5 6 8 B: 5B D: 4D</p> <p>1-PVC 2-PUR 3-TPU 4-RU 5-PTFE</p> <p>L (mm)</p>	 <p>$\phi 16.5$ M12x1 53.4 Max. $\phi 8$</p>
	<p>直式针型塑胶插头 焊接式 M12 Straight Male Plastic Plug (Solder)</p> <p>120022-05 A 0 00000</p> <p>PG7: No. 120022 A: 2 3 4 5 6 8 B: 5B D: 4D</p> <p>1-PVC 2-PUR 3-TPU 4-RU 5-PTFE</p> <p>L (mm)</p>	 <p>$\phi 16.5$ M12x1 53.9 $\phi 8$ max.</p>


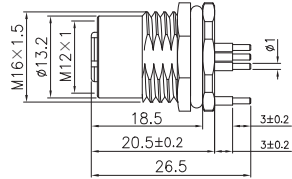

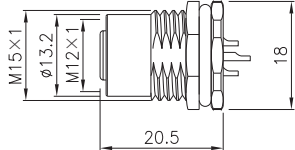

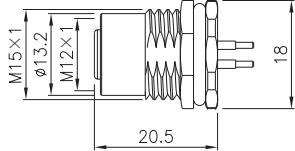

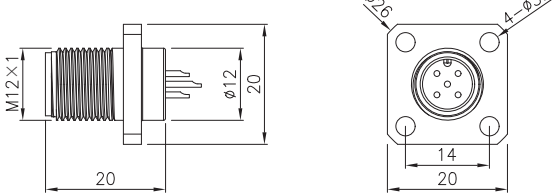

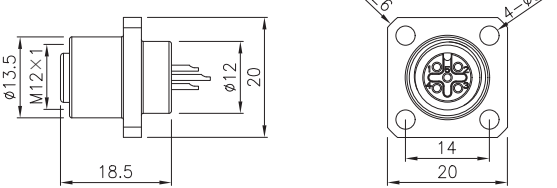

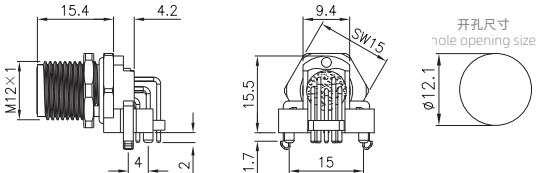

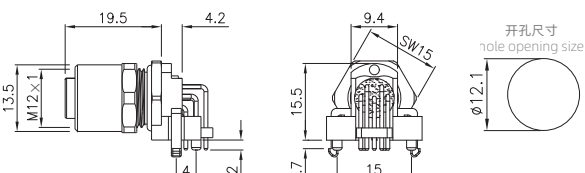
产品图 PRODUCT FIGURE	名称/类型号 NAME/TYPE No.	尺寸图 DIMENSIONS																
 <p>非屏蔽款/Unshielded 屏蔽款/Shielded</p>	<p>直式孔型成型插头 M12 Straight Female overmolded plug</p> <p>120023-06 A 0 00000</p> <table border="1"> <tr> <td>UNS: No. 120023 SHD: No. 120024</td> <td>A: 2 3 4 5 6 8 12 17</td> <td>1-PVC 2-PUR 3-TPU 4-RU 5-PTFE</td> <td>L (mm)</td> </tr> <tr> <td></td> <td>B: 5B</td> <td></td> <td></td> </tr> <tr> <td></td> <td>C: 3C 4C 5C 6C</td> <td></td> <td></td> </tr> <tr> <td></td> <td>D: 4D</td> <td></td> <td></td> </tr> </table>	UNS: No. 120023 SHD: No. 120024	A: 2 3 4 5 6 8 12 17	1-PVC 2-PUR 3-TPU 4-RU 5-PTFE	L (mm)		B: 5B				C: 3C 4C 5C 6C				D: 4D			
UNS: No. 120023 SHD: No. 120024	A: 2 3 4 5 6 8 12 17	1-PVC 2-PUR 3-TPU 4-RU 5-PTFE	L (mm)															
	B: 5B																	
	C: 3C 4C 5C 6C																	
	D: 4D																	
 <p>非屏蔽款/Unshielded 屏蔽款/Shielded</p>	<p>直式针型成型插头 M12 Straight Male overmolded plug</p> <p>120025-06 A 0 00000</p> <table border="1"> <tr> <td>UNS: No. 120025 SHD: No. 120026</td> <td>A: 2 3 4 5 6 8 12 17</td> <td>1-PVC 2-PUR 3-TPU 4-RU 5-PTFE</td> <td>L (mm)</td> </tr> <tr> <td></td> <td>B: 5B</td> <td></td> <td></td> </tr> <tr> <td></td> <td>C: 3C 4C 5C 6C</td> <td></td> <td></td> </tr> <tr> <td></td> <td>D: 4D</td> <td></td> <td></td> </tr> </table>	UNS: No. 120025 SHD: No. 120026	A: 2 3 4 5 6 8 12 17	1-PVC 2-PUR 3-TPU 4-RU 5-PTFE	L (mm)		B: 5B				C: 3C 4C 5C 6C				D: 4D			
UNS: No. 120025 SHD: No. 120026	A: 2 3 4 5 6 8 12 17	1-PVC 2-PUR 3-TPU 4-RU 5-PTFE	L (mm)															
	B: 5B																	
	C: 3C 4C 5C 6C																	
	D: 4D																	
 <p>非屏蔽款/Unshielded 屏蔽款/Shielded</p>	<p>弯式孔型成型插头 M12 Angled Female overmolded plug</p> <p>120027-04 A 0 00000</p> <table border="1"> <tr> <td>UNS: No. 120027 SHD: No. 120028</td> <td>A: 2 3 4 5 6 8 12 17</td> <td>1-PVC 2-PUR 3-TPU 4-RU 5-PTFE</td> <td>L (mm)</td> </tr> <tr> <td></td> <td>B: 5B</td> <td></td> <td></td> </tr> <tr> <td></td> <td>C: 3C 4C 5C 6C</td> <td></td> <td></td> </tr> <tr> <td></td> <td>D: 4D</td> <td></td> <td></td> </tr> </table>	UNS: No. 120027 SHD: No. 120028	A: 2 3 4 5 6 8 12 17	1-PVC 2-PUR 3-TPU 4-RU 5-PTFE	L (mm)		B: 5B				C: 3C 4C 5C 6C				D: 4D			
UNS: No. 120027 SHD: No. 120028	A: 2 3 4 5 6 8 12 17	1-PVC 2-PUR 3-TPU 4-RU 5-PTFE	L (mm)															
	B: 5B																	
	C: 3C 4C 5C 6C																	
	D: 4D																	
 <p>非屏蔽款/Unshielded 屏蔽款/Shielded</p>	<p>弯式针型成型插头 M12 Angled Male overmolded plug</p> <p>120029-04 A 0 00000</p> <table border="1"> <tr> <td>UNS: No. 120029 SHD: No. 120030</td> <td>A: 2 3 4 5 6 8 12 17</td> <td>1-PVC 2-PUR 3-TPU 4-RU 5-PTFE</td> <td>L (mm)</td> </tr> <tr> <td></td> <td>B: 5B</td> <td></td> <td></td> </tr> <tr> <td></td> <td>C: 3C 4C 5C 6C</td> <td></td> <td></td> </tr> <tr> <td></td> <td>D: 4D</td> <td></td> <td></td> </tr> </table>	UNS: No. 120029 SHD: No. 120030	A: 2 3 4 5 6 8 12 17	1-PVC 2-PUR 3-TPU 4-RU 5-PTFE	L (mm)		B: 5B				C: 3C 4C 5C 6C				D: 4D			
UNS: No. 120029 SHD: No. 120030	A: 2 3 4 5 6 8 12 17	1-PVC 2-PUR 3-TPU 4-RU 5-PTFE	L (mm)															
	B: 5B																	
	C: 3C 4C 5C 6C																	
	D: 4D																	
 <p>非屏蔽款/Unshielded 屏蔽款/Shielded</p>	<p>直式孔型成型插头 阻尼 M12 Straight Female overmolded plug (with damping)</p> <p>120031-04 A 0 00000</p> <table border="1"> <tr> <td>UNS: No. 120031 SHD: No. 120032</td> <td>A: 2 3 4 5 6 8 12 17</td> <td>1-PVC 2-PUR 3-TPU 4-RU 5-PTFE</td> <td>L (mm)</td> </tr> <tr> <td></td> <td>B: 5B</td> <td></td> <td></td> </tr> <tr> <td></td> <td>C: 3C 4C 5C 6C</td> <td></td> <td></td> </tr> <tr> <td></td> <td>D: 4D</td> <td></td> <td></td> </tr> </table>	UNS: No. 120031 SHD: No. 120032	A: 2 3 4 5 6 8 12 17	1-PVC 2-PUR 3-TPU 4-RU 5-PTFE	L (mm)		B: 5B				C: 3C 4C 5C 6C				D: 4D			
UNS: No. 120031 SHD: No. 120032	A: 2 3 4 5 6 8 12 17	1-PVC 2-PUR 3-TPU 4-RU 5-PTFE	L (mm)															
	B: 5B																	
	C: 3C 4C 5C 6C																	
	D: 4D																	
 <p>非屏蔽款/Unshielded 屏蔽款/Shielded</p>	<p>直式针型成型插头 阻尼 M12 Straight Male overmolded plug (with damping)</p> <p>120033-04 A 0 00000</p> <table border="1"> <tr> <td>UNS: No. 120033 SHD: No. 120034</td> <td>A: 2 3 4 5 6 8 12 17</td> <td>1-PVC 2-PUR 3-TPU 4-RU 5-PTFE</td> <td>L (mm)</td> </tr> <tr> <td></td> <td>B: 5B</td> <td></td> <td></td> </tr> <tr> <td></td> <td>C: 3C 4C 5C 6C</td> <td></td> <td></td> </tr> <tr> <td></td> <td>D: 4D</td> <td></td> <td></td> </tr> </table>	UNS: No. 120033 SHD: No. 120034	A: 2 3 4 5 6 8 12 17	1-PVC 2-PUR 3-TPU 4-RU 5-PTFE	L (mm)		B: 5B				C: 3C 4C 5C 6C				D: 4D			
UNS: No. 120033 SHD: No. 120034	A: 2 3 4 5 6 8 12 17	1-PVC 2-PUR 3-TPU 4-RU 5-PTFE	L (mm)															
	B: 5B																	
	C: 3C 4C 5C 6C																	
	D: 4D																	
 <p>非屏蔽款/Unshielded 屏蔽款/Shielded</p>	<p>直式孔型成型插头 塑胶螺帽 非屏蔽式 M12 Straight Female overmolded plug (Plastic nut, Unshielded)</p> <p>120039-05 A 0 00000</p> <table border="1"> <tr> <td>UNS: No. 120039</td> <td>A: 2 3 4 5 6 8 12 17</td> <td>1-PVC 2-PUR 3-TPU 4-RU 5-PTFE</td> <td>L (mm)</td> </tr> <tr> <td></td> <td>B: 5B</td> <td></td> <td></td> </tr> <tr> <td></td> <td>C: 3C 4C 5C 6C</td> <td></td> <td></td> </tr> <tr> <td></td> <td>D: 4D</td> <td></td> <td></td> </tr> </table>	UNS: No. 120039	A: 2 3 4 5 6 8 12 17	1-PVC 2-PUR 3-TPU 4-RU 5-PTFE	L (mm)		B: 5B				C: 3C 4C 5C 6C				D: 4D			
UNS: No. 120039	A: 2 3 4 5 6 8 12 17	1-PVC 2-PUR 3-TPU 4-RU 5-PTFE	L (mm)															
	B: 5B																	
	C: 3C 4C 5C 6C																	
	D: 4D																	


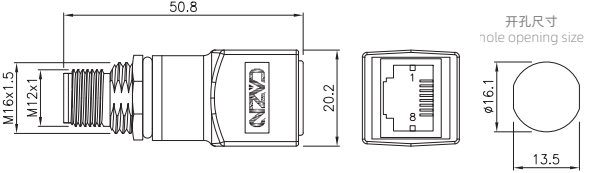

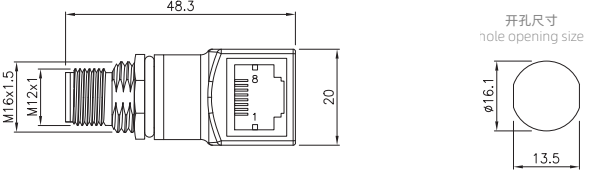

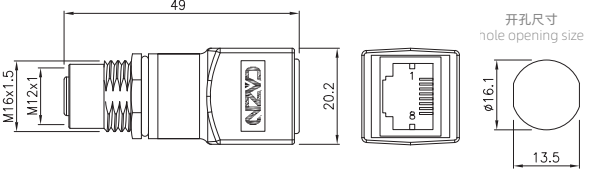

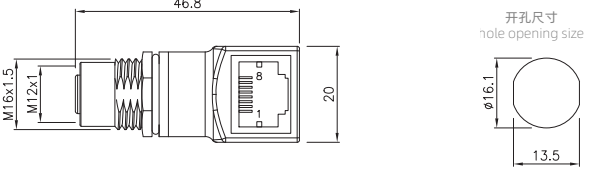

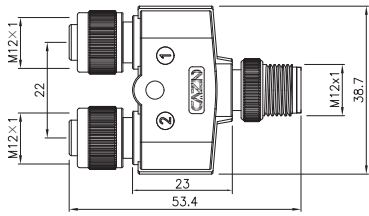

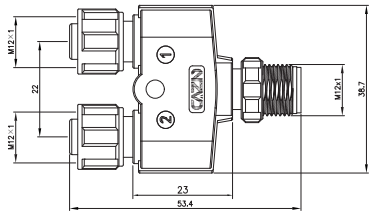

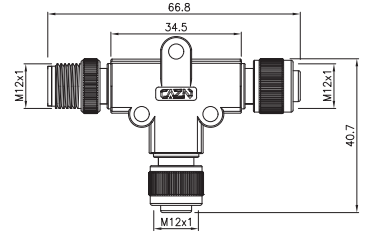
产品图 <small>PRODUCT FIGURE</small>	名称/类型号 <small>NAME/TYPE No.</small>	尺寸图 <small>DIMENSIONS</small>																
	<p>直式针型成型插头 塑胶螺母 非屏蔽式 M12 Straight Male overmolded plug (Plastic nut, Unshielded)</p> <p>120040-05 A 0 00000</p> <table border="1"> <tr> <td>UNS: No. 120040</td> <td>A: 2 3 4 5 6 8 12 17</td> <td>1-PVC 2-PUR 3-TPU 4-RU 5-PTFE</td> <td>L (mm)</td> </tr> <tr> <td></td> <td>B: 5B</td> <td></td> <td></td> </tr> <tr> <td></td> <td>C: 3C 4C 5C 6C</td> <td></td> <td></td> </tr> <tr> <td></td> <td>D: 4D</td> <td></td> <td></td> </tr> </table>	UNS: No. 120040	A: 2 3 4 5 6 8 12 17	1-PVC 2-PUR 3-TPU 4-RU 5-PTFE	L (mm)		B: 5B				C: 3C 4C 5C 6C				D: 4D			
UNS: No. 120040	A: 2 3 4 5 6 8 12 17	1-PVC 2-PUR 3-TPU 4-RU 5-PTFE	L (mm)															
	B: 5B																	
	C: 3C 4C 5C 6C																	
	D: 4D																	
	<p>弯式孔型成型插头 塑胶螺母 非屏蔽式 M12 Angled Female overmolded plug (Plastic nut, Unshielded)</p> <p>120041-05 A 0 00000</p> <table border="1"> <tr> <td>UNS: No. 120041</td> <td>A: 2 3 4 5 6 8 12 17</td> <td>1-PVC 2-PUR 3-TPU 4-RU 5-PTFE</td> <td>L (mm)</td> </tr> <tr> <td></td> <td>B: 5B</td> <td></td> <td></td> </tr> <tr> <td></td> <td>C: 3C 4C 5C 6C</td> <td></td> <td></td> </tr> <tr> <td></td> <td>D: 4D</td> <td></td> <td></td> </tr> </table>	UNS: No. 120041	A: 2 3 4 5 6 8 12 17	1-PVC 2-PUR 3-TPU 4-RU 5-PTFE	L (mm)		B: 5B				C: 3C 4C 5C 6C				D: 4D			
UNS: No. 120041	A: 2 3 4 5 6 8 12 17	1-PVC 2-PUR 3-TPU 4-RU 5-PTFE	L (mm)															
	B: 5B																	
	C: 3C 4C 5C 6C																	
	D: 4D																	
	<p>弯式针型成型插头 塑胶螺母 非屏蔽式 M12 Angled Male overmolded plug (Plastic nut, Unshielded)</p> <p>120042-05 A 0 00000</p> <table border="1"> <tr> <td>UNS: No. 120042</td> <td>A: 2 3 4 5 6 8 12 17</td> <td>1-PVC 2-PUR 3-TPU 4-RU 5-PTFE</td> <td>L (mm)</td> </tr> <tr> <td></td> <td>B: 5B</td> <td></td> <td></td> </tr> <tr> <td></td> <td>C: 3C 4C 5C 6C</td> <td></td> <td></td> </tr> <tr> <td></td> <td>D: 4D</td> <td></td> <td></td> </tr> </table>	UNS: No. 120042	A: 2 3 4 5 6 8 12 17	1-PVC 2-PUR 3-TPU 4-RU 5-PTFE	L (mm)		B: 5B				C: 3C 4C 5C 6C				D: 4D			
UNS: No. 120042	A: 2 3 4 5 6 8 12 17	1-PVC 2-PUR 3-TPU 4-RU 5-PTFE	L (mm)															
	B: 5B																	
	C: 3C 4C 5C 6C																	
	D: 4D																	
	<p>一分二孔型成型插头 M12 Female 1 to 2 overmolded plug</p> <p>120043-05 A 0 00000</p> <table border="1"> <tr> <td>No. 120043</td> <td>A: 2 3 4 5 6 8 12 17</td> <td>1-PVC 2-PUR 3-TPU 4-RU 5-PTFE</td> <td>L (mm)</td> </tr> <tr> <td></td> <td>B: 5B</td> <td></td> <td></td> </tr> <tr> <td></td> <td>C: 3C 4C 5C 6C</td> <td></td> <td></td> </tr> <tr> <td></td> <td>D: 4D</td> <td></td> <td></td> </tr> </table>	No. 120043	A: 2 3 4 5 6 8 12 17	1-PVC 2-PUR 3-TPU 4-RU 5-PTFE	L (mm)		B: 5B				C: 3C 4C 5C 6C				D: 4D			
No. 120043	A: 2 3 4 5 6 8 12 17	1-PVC 2-PUR 3-TPU 4-RU 5-PTFE	L (mm)															
	B: 5B																	
	C: 3C 4C 5C 6C																	
	D: 4D																	
	<p>一分二针型成型插头 M12 Male 1 to 2 overmolded plug</p> <p>120044-05 A 0 00000</p> <table border="1"> <tr> <td>No. 120044</td> <td>A: 2 3 4 5 6 8 12 17</td> <td>1-PVC 2-PUR 3-TPU 4-RU 5-PTFE</td> <td>L (mm)</td> </tr> <tr> <td></td> <td>B: 5B</td> <td></td> <td></td> </tr> <tr> <td></td> <td>C: 3C 4C 5C 6C</td> <td></td> <td></td> </tr> <tr> <td></td> <td>D: 4D</td> <td></td> <td></td> </tr> </table>	No. 120044	A: 2 3 4 5 6 8 12 17	1-PVC 2-PUR 3-TPU 4-RU 5-PTFE	L (mm)		B: 5B				C: 3C 4C 5C 6C				D: 4D			
No. 120044	A: 2 3 4 5 6 8 12 17	1-PVC 2-PUR 3-TPU 4-RU 5-PTFE	L (mm)															
	B: 5B																	
	C: 3C 4C 5C 6C																	
	D: 4D																	
<p>螺钉/Screw M16x1.5 螺钉/Screw PG9</p> 	<p>板前安装针型插座 焊线式 M12 Male Front Mount Socket (Solder)</p> <p>120045-04 A 0 00000</p> <table border="1"> <tr> <td>M16x1.5: No. 120045 PG9: No. 120046</td> <td>A: 2 3 4 5 6 8 12 17</td> <td>1-PVC 2-PUR 3-TPU 4-RU 5-PTFE</td> <td>L (mm)</td> </tr> <tr> <td></td> <td>B: 5B</td> <td></td> <td></td> </tr> <tr> <td></td> <td>C: 3C 4C 5C 6C</td> <td></td> <td></td> </tr> <tr> <td></td> <td>D: 4D</td> <td></td> <td></td> </tr> </table>	M16x1.5: No. 120045 PG9: No. 120046	A: 2 3 4 5 6 8 12 17	1-PVC 2-PUR 3-TPU 4-RU 5-PTFE	L (mm)		B: 5B				C: 3C 4C 5C 6C				D: 4D			
M16x1.5: No. 120045 PG9: No. 120046	A: 2 3 4 5 6 8 12 17	1-PVC 2-PUR 3-TPU 4-RU 5-PTFE	L (mm)															
	B: 5B																	
	C: 3C 4C 5C 6C																	
	D: 4D																	
	<p>板前安装针型插座 焊线式 螺钉M12x1 M12 Male Front Mount Socket (Solder, Screw M12*1)</p> <p>120047-05 A 0 00000</p> <table border="1"> <tr> <td>No. 120047</td> <td>A: 2 3 4 5 6 8 12 17</td> <td>1-PVC 2-PUR 3-TPU 4-RU 5-PTFE</td> <td>L (mm)</td> </tr> <tr> <td></td> <td>B: 5B</td> <td></td> <td></td> </tr> <tr> <td></td> <td>C: 3C 4C 5C 6C</td> <td></td> <td></td> </tr> <tr> <td></td> <td>D: 4D</td> <td></td> <td></td> </tr> </table>	No. 120047	A: 2 3 4 5 6 8 12 17	1-PVC 2-PUR 3-TPU 4-RU 5-PTFE	L (mm)		B: 5B				C: 3C 4C 5C 6C				D: 4D			
No. 120047	A: 2 3 4 5 6 8 12 17	1-PVC 2-PUR 3-TPU 4-RU 5-PTFE	L (mm)															
	B: 5B																	
	C: 3C 4C 5C 6C																	
	D: 4D																	


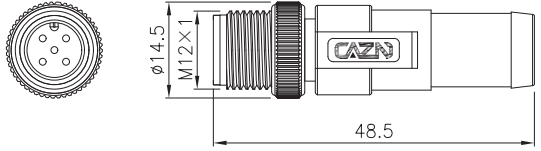

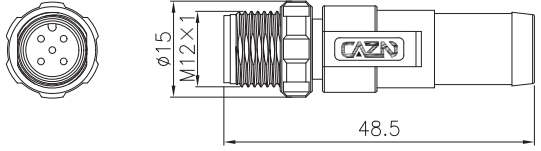
产品图 PRODUCT FIGURE	名称/类型号 NAME/TYPE No.	尺寸图 DIMENSIONS
 <p>螺钉/Screw M16x1.5 螺钉/Screw PG9</p>	<p>板前安装针型插座 PCB式 M12 Male Front Mount Socket (PCB)</p> <p>120048-05 A 0 00000</p> <p>M16x1.5: No. 120048 PG9: No. 120049</p> <p>A: 2 3 4 5 6 8 12 17</p> <p>B: 5B</p> <p>C: 3C 4C 5C 6C</p> <p>D: 4D</p> <p>线材</p> <p>L (mm)</p>	 <p>开孔尺寸 hole opening size</p> <p>13.5</p> <p>16.1</p> <p>18</p> <p>22</p> <p>M12x1</p> <p>M16x1.5</p> <p>PG9</p>
	<p>板前安装针型插座 PCB式 螺钉M12x1 M12 Male Front Mount Socket (PCB, Screw M12*1)</p> <p>120050-05 A 0 00000</p> <p>No. 120050</p> <p>A: 2 3 4 5 6 8 12 17</p> <p>B: 5B</p> <p>C: 3C 4C 5C 6C</p> <p>D: 4D</p> <p>线材</p> <p>L (mm)</p>	 <p>开孔尺寸 hole opening size</p> <p>12.1</p> <p>18</p> <p>22</p> <p>M12x1</p> <p>M12x1</p>
	<p>板前安装针型插座 焊线式 螺钉M15x1 塑胶版 M12 Male Front Mount Socket (Solder, Screw M15*1) Plastic type</p> <p>120051-05 A 0 00000</p> <p>No. 120051</p> <p>A: 2 3 4 5 6 8 12 17</p> <p>B: 5B</p> <p>C: 3C 4C 5C 6C</p> <p>D: 4D</p> <p>1-PVC 2-PUR 3-TPU 4-RU 5-PTFE</p> <p>L (mm)</p>	 <p>开孔尺寸 hole opening size</p> <p>13.5</p> <p>16.1</p> <p>18</p> <p>22</p> <p>M12x1</p> <p>M15x1</p>
 <p>螺钉/Screw M16x1.5 螺钉/Screw PG9</p>	<p>板前安装孔型插座 焊线式 M12 Female Front Mount Socket (Solder)</p> <p>120052-08 A 0 00000</p> <p>M16x1.5: No. 120052 PG9: No. 120053</p> <p>A: 2 3 4 5 6 8 12 17</p> <p>B: 5B</p> <p>C: 3C 4C 5C 6C</p> <p>D: 4D</p> <p>1-PVC 2-PUR 3-TPU 4-RU 5-PTFE</p> <p>L (mm)</p>	 <p>开孔尺寸 hole opening size</p> <p>13.5</p> <p>16.1</p> <p>18</p> <p>20.5</p> <p>M12x1</p> <p>M16x1.5</p> <p>PG9</p>
	<p>板前安装孔型插座 焊线式 螺钉M12x1 M12 Female Front Mount Socket (Solder, Screw M12*1)</p> <p>120054-05 A 0 00000</p> <p>No. 120054</p> <p>A: 2 3 4 5 6 8 12 17</p> <p>B: 5B</p> <p>C: 3C 4C 5C 6C</p> <p>D: 4D</p> <p>1-PVC 2-PUR 3-TPU 4-RU 5-PTFE</p> <p>L (mm)</p>	 <p>开孔尺寸 hole opening size</p> <p>12.1</p> <p>18</p> <p>20.5</p> <p>M12x1</p> <p>M12x1</p>
	<p>板前安装孔型插座 焊线式 螺钉M15x1 塑胶版 M12 Female Front Mount Socket (Solder, Screw M15*1) Plastic type</p> <p>120055-05 A 0 00000</p> <p>No. 120055</p> <p>A: 2 3 4 5 6 8 12 17</p> <p>B: 5B</p> <p>C: 3C 4C 5C 6C</p> <p>D: 4D</p> <p>1-PVC 2-PUR 3-TPU 4-RU 5-PTFE</p> <p>L (mm)</p>	 <p>开孔尺寸 hole opening size</p> <p>13.5</p> <p>16.1</p> <p>18</p> <p>20.5</p> <p>M12x1</p> <p>M15x1</p>
	<p>板前安装孔型插座 PCB式 螺钉M12x1 M12 Female Front Mount Socket (PCB, Screw M12*1)</p> <p>120058-05 A 0 00000</p> <p>No. 120058</p> <p>A: 2 3 4 5 6 8 12 17</p> <p>B: 5B</p> <p>C: 3C 4C 5C 6C</p> <p>D: 4D</p> <p>线材</p> <p>L (mm)</p>	 <p>开孔尺寸 hole opening size</p> <p>12.1</p> <p>18</p> <p>20.5</p> <p>M12x1</p> <p>M12x1</p>

产品图 PRODUCT FIGURE	名称/类型号 NAME/TYPE No.	尺寸图 DIMENSIONS
螺钉/Screw M16x1.5 螺钉/Screw PG9 	板后安装针型插座 焊线式 M12 Male Back Mount Socket (Solder) 120059-05 A 0 00000 M16x1.5: No. 120059 PG9: No. 120060 A: 2 3 4 5 6 8 12 17 B: 5B C: 3C 4C 5C 6C D: 4D 1-PVC 2-PUR 3-TPU 4-RU 5-PTFE L (mm)	 <p>开孔尺寸 hole opening size</p> <p>ø16.1 13.5</p>
	板后安装针型插座 焊线式 螺牙M12x1 M12 Male Back Mount Socket (Solder, Screw M12*1) 120061-05 A 0 00000 No. 120061 A: 2 3 4 5 6 8 12 17 B: 5B C: 3C 4C 5C 6C D: 4D 1-PVC 2-PUR 3-TPU 4-RU 5-PTFE L (mm)	 <p>开孔尺寸 hole opening size</p> <p>ø12.1 10.7</p>
螺钉/Screw M16x1.5 螺钉/Screw PG9 	板后安装针型插座 焊线式 屏蔽 M12 Male Back Mount Socket (Solder, Shielded) 120062-05 A 0 00000 M16x1.5: No. 120062 PG9: No. 120063 A: 2 3 4 5 6 8 12 17 B: 5B C: 3C 4C 5C 6C D: 4D 1-PVC 2-PUR 3-TPU 4-RU 5-PTFE L (mm)	 <p>开孔尺寸 hole opening size</p> <p>ø16.1 13.5</p>
螺钉/Screw M16x1.5 螺钉/Screw PG9 	板后安装针型插座 PCB式 M12 Male Back Mount Socket (PCB) 120065-12 A 0 00000 M16x1.5: No. 120065 PG9: No. 120066 A: 2 3 4 5 6 8 12 17 B: 5B C: 3C 4C 5C 6C D: 4D 线材 L (mm)	 <p>开孔尺寸 hole opening size</p> <p>ø16.1 13.5</p>
	板后安装针型插座 PCB式 螺牙M12x1 M12 Male Back Mount Socket (PCB, Screw M12*1) 120067-08 A 0 00000 No. 120067 A: 2 3 4 5 6 8 12 17 B: 5B C: 3C 4C 5C 6C D: 4D 线材 L (mm)	 <p>开孔尺寸 hole opening size</p> <p>ø12.1 10.7</p>
螺钉/Screw M16x1.5 螺钉/Screw PG9 	板后安装针型插座 PCB式 接地 M12 Male Back Mount Socket (PCB, Grounded type) 120068-12 A 0 00000 M16x1.5: No. 120068 PG9: No. 120069 A: 2 3 4 5 6 8 12 17 B: 5B C: 3C 4C 5C 6C D: 4D 线材 L (mm)	 <p>开孔尺寸 hole opening size</p> <p>ø16.1 13.5</p>
	板后安装针型插座 PCB式 螺牙M12x1 接地 M12 Male Back Mount Socket (PCB, Screw M12*1, Grounded type) 120070-08 A 0 00000 No. 120070 A: 2 3 4 5 6 8 12 17 B: 5B C: 3C 4C 5C 6C D: 4D 线材 L (mm)	 <p>开孔尺寸 hole opening size</p> <p>ø12.1 10.7</p>


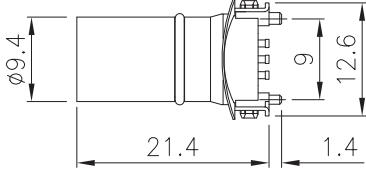

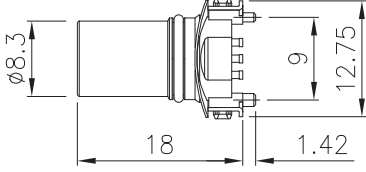
产品图 PRODUCT FIGURE	名称/类型号 NAME/TYPE No.	尺寸图 DIMENSIONS																
	<p>板后安装针型插座 焊线式 螺牙M15x1 塑胶版 M12 Male Back Mount Socket (Solder, Screw M15*1) Plastic type</p> <p>120071-05 A 0 00000</p> <table border="1"> <tr> <td>No. 120071</td> <td>A: 2 3 4 5 6 8 12 17</td> <td>1-PVC 2-PUR 3-TPU 4-RU 5-PTFE</td> <td>L (mm)</td> </tr> <tr> <td></td> <td>B: 5B</td> <td></td> <td></td> </tr> <tr> <td></td> <td>C: 3C 4C 5C 6C</td> <td></td> <td></td> </tr> <tr> <td></td> <td>D: 4D</td> <td></td> <td></td> </tr> </table>	No. 120071	A: 2 3 4 5 6 8 12 17	1-PVC 2-PUR 3-TPU 4-RU 5-PTFE	L (mm)		B: 5B				C: 3C 4C 5C 6C				D: 4D			
No. 120071	A: 2 3 4 5 6 8 12 17	1-PVC 2-PUR 3-TPU 4-RU 5-PTFE	L (mm)															
	B: 5B																	
	C: 3C 4C 5C 6C																	
	D: 4D																	
	<p>板后安装针型插座 焊线式 螺牙M12x1 塑胶版 M12 Male Back Mount Socket (Solder, Screw M12*1) Plastic type</p> <p>120072-05 A 0 00000</p> <table border="1"> <tr> <td>No. 120072</td> <td>A: 2 3 4 5 6 8 12 17</td> <td>1-PVC 2-PUR 3-TPU 4-RU 5-PTFE</td> <td>L (mm)</td> </tr> <tr> <td></td> <td>B: 5B</td> <td></td> <td></td> </tr> <tr> <td></td> <td>C: 3C 4C 5C 6C</td> <td></td> <td></td> </tr> <tr> <td></td> <td>D: 4D</td> <td></td> <td></td> </tr> </table>	No. 120072	A: 2 3 4 5 6 8 12 17	1-PVC 2-PUR 3-TPU 4-RU 5-PTFE	L (mm)		B: 5B				C: 3C 4C 5C 6C				D: 4D			
No. 120072	A: 2 3 4 5 6 8 12 17	1-PVC 2-PUR 3-TPU 4-RU 5-PTFE	L (mm)															
	B: 5B																	
	C: 3C 4C 5C 6C																	
	D: 4D																	
	<p>板后安装针型插座 PCB式 螺牙M15x1 塑胶版 M12 Male Back Mount Socket (PCB, Screw M15*1) Plastic type</p> <p>120073-05 A 0 00000</p> <table border="1"> <tr> <td>No. 120073</td> <td>A: 2 3 4 5 6 8 12</td> <td>线材</td> <td>L (mm)</td> </tr> <tr> <td></td> <td>B: 5B</td> <td></td> <td></td> </tr> <tr> <td></td> <td>C: 3C 4C 5C 6C</td> <td></td> <td></td> </tr> <tr> <td></td> <td>D: 4D</td> <td></td> <td></td> </tr> </table>	No. 120073	A: 2 3 4 5 6 8 12	线材	L (mm)		B: 5B				C: 3C 4C 5C 6C				D: 4D			
No. 120073	A: 2 3 4 5 6 8 12	线材	L (mm)															
	B: 5B																	
	C: 3C 4C 5C 6C																	
	D: 4D																	
	<p>板后安装针型插座 PCB式 螺牙M12x1 塑胶版 M12 Male Back Mount Socket (PCB, Screw M12*1) Plastic type</p> <p>120074-12 A 0 00000</p> <table border="1"> <tr> <td>No. 120074</td> <td>A: 2 3 4 5 6 8 12</td> <td>线材</td> <td>L (mm)</td> </tr> <tr> <td></td> <td>B: 5B</td> <td></td> <td></td> </tr> <tr> <td></td> <td>C: 3C 4C 5C 6C</td> <td></td> <td></td> </tr> <tr> <td></td> <td>D: 4D</td> <td></td> <td></td> </tr> </table>	No. 120074	A: 2 3 4 5 6 8 12	线材	L (mm)		B: 5B				C: 3C 4C 5C 6C				D: 4D			
No. 120074	A: 2 3 4 5 6 8 12	线材	L (mm)															
	B: 5B																	
	C: 3C 4C 5C 6C																	
	D: 4D																	
<p>螺牙/Screw M16x1.5 螺牙/Screw PG9</p> 	<p>板后安装孔型插座 焊线式 M12 Female Back Mount Socket (Solder)</p> <p>120075-05 A 0 00000</p> <table border="1"> <tr> <td>M16x1.5: No. 120075 PG9: No. 120076</td> <td>A: 2 3 4 5 6 8 12 17</td> <td>1-PVC 2-PUR 3-TPU 4-RU 5-PTFE</td> <td>L (mm)</td> </tr> <tr> <td></td> <td>B: 5B</td> <td></td> <td></td> </tr> <tr> <td></td> <td>C: 3C 4C 5C 6C</td> <td></td> <td></td> </tr> <tr> <td></td> <td>D: 4D</td> <td></td> <td></td> </tr> </table>	M16x1.5: No. 120075 PG9: No. 120076	A: 2 3 4 5 6 8 12 17	1-PVC 2-PUR 3-TPU 4-RU 5-PTFE	L (mm)		B: 5B				C: 3C 4C 5C 6C				D: 4D			
M16x1.5: No. 120075 PG9: No. 120076	A: 2 3 4 5 6 8 12 17	1-PVC 2-PUR 3-TPU 4-RU 5-PTFE	L (mm)															
	B: 5B																	
	C: 3C 4C 5C 6C																	
	D: 4D																	
<p>螺牙/Screw M16x1.5 螺牙/Screw PG9</p> 	<p>板后安装孔型插座 焊线式 屏蔽 M12 Female Back Mount Socket (Solder, Shielded)</p> <p>120077-05 A 0 00000</p> <table border="1"> <tr> <td>M16x1.5: No. 120077 PG9: No. 120078</td> <td>A: 2 3 4 5 6 8 12 17</td> <td>1-PVC 2-PUR 3-TPU 4-RU 5-PTFE</td> <td>L (mm)</td> </tr> <tr> <td></td> <td>B: 5B</td> <td></td> <td></td> </tr> <tr> <td></td> <td>C: 3C 4C 5C 6C</td> <td></td> <td></td> </tr> <tr> <td></td> <td>D: 4D</td> <td></td> <td></td> </tr> </table>	M16x1.5: No. 120077 PG9: No. 120078	A: 2 3 4 5 6 8 12 17	1-PVC 2-PUR 3-TPU 4-RU 5-PTFE	L (mm)		B: 5B				C: 3C 4C 5C 6C				D: 4D			
M16x1.5: No. 120077 PG9: No. 120078	A: 2 3 4 5 6 8 12 17	1-PVC 2-PUR 3-TPU 4-RU 5-PTFE	L (mm)															
	B: 5B																	
	C: 3C 4C 5C 6C																	
	D: 4D																	
<p>螺牙/Screw M16x1.5 螺牙/Screw PG9</p> 	<p>板后安装孔型插座 PCB式 M12 Female Back Mount Socket (PCB)</p> <p>120079-05 A 0 00000</p> <table border="1"> <tr> <td>M16x1.5: No. 120079 PG9: No. 120080</td> <td>A: 2 3 4 5 6 8 12 17</td> <td>线材</td> <td>L (mm)</td> </tr> <tr> <td></td> <td>B: 5B</td> <td></td> <td></td> </tr> <tr> <td></td> <td>C: 3C 4C 5C 6C</td> <td></td> <td></td> </tr> <tr> <td></td> <td>D: 4D</td> <td></td> <td></td> </tr> </table>	M16x1.5: No. 120079 PG9: No. 120080	A: 2 3 4 5 6 8 12 17	线材	L (mm)		B: 5B				C: 3C 4C 5C 6C				D: 4D			
M16x1.5: No. 120079 PG9: No. 120080	A: 2 3 4 5 6 8 12 17	线材	L (mm)															
	B: 5B																	
	C: 3C 4C 5C 6C																	
	D: 4D																	

产品图 PRODUCT FIGURE	名称/类型号 NAME/TYPE No.	尺寸图 DIMENSIONS
螺钉/Screw M16x1.5 螺钉/Screw PG9 	板后安装孔型插座 PCB式 接地 M12 Female Back Mount Socket (PCB, Grounded type) 120081-04 A 0 00000 M16x1.5: No. 120081 PG9: No. 120082 A: 2 3 4 5 6 8 12 17 B: 5B C: 3C 4C 5C 6C D: 4D 线材 L (mm)	
	板后安装孔型插座 焊线式 螺钉M15x1 塑胶版 M12 Female Back Mount Socket (Solder, Screw M15*1) Plastic type 120083-05 A 0 00000 No. 120083 A: 2 3 4 5 6 8 12 B: 5B C: 3C 4C 5C 6C D: 4D 1-PVC 2-PUR 3-TPU 4-RU 5-PTFE L (mm)	
	板后安装孔型插座 PCB式 螺钉M15x1 塑胶版 M12 Female Back Mount Socket (PCB, Screw M15*1) Plastic type 120084-04 A 0 00000 No. 120084 A: 2 3 4 5 6 8 12 B: 5B C: 3C 4C 5C 6C D: 4D 线材 L (mm)	
	针型方形插座 焊线式 14x14 M12 Male Square Socket (Solder, 14*14) 120085-05 A 0 00000 No. 120085 A: 2 3 4 5 6 8 12 17 B: 5B C: 3C 4C 5C 6C D: 4D 1-PVC 2-PUR 3-TPU 4-RU 5-PTFE L (mm)	
	孔型方形插座 焊线式 14x14 M12 Female Square Socket (Solder, 14*14) 120086-05 A 0 00000 No. 120086 A: 2 3 4 5 6 8 12 17 B: 5B C: 3C 4C 5C 6C D: 4D 1-PVC 2-PUR 3-TPU 4-RU 5-PTFE L (mm)	
不接地款/Ungrounded 接地款/Grounded 	针型弯针插座 PCB式 螺钉M12x1 M12 Angled Male Back Mount Socket (PCB, Screw M12*1) 120087-12 A 0 00000 UGND: No. 120087 GND: No. 120088 A: 2 3 4 5 6 8 12 B: 5B D: 4D 线材 L (mm)	
不接地款/Ungrounded 接地款/Grounded 	孔型弯针插座 PCB式 螺钉M12x1 M12 Angled Female Back Mount Socket (PCB, Screw M12*1) 120089-04 A 0 00000 UGND: No. 120089 GND: No. 120090 A: 2 3 4 5 6 8 12 B: 5B D: 4D 线材 L (mm)	

产品图 <small>PRODUCT FIGURE</small>	名称/型号 <small>NAME/TYPE No.</small>	尺寸图 <small>DIMENSIONS</small>
	<p>针型转RJ45直式转接器 M12 Male to Straight RJ45 Adapter</p> <p>120093-04 A 0 00000</p> <p>No. 120093 A: 4 8 1-PVC D: 4D 2-PUR 3-TPU 4-RU 5-PTFE</p> <p>L (mm)</p>	
	<p>针型转RJ45弯式转接器 M12 Male to Angled RJ45 Adapter</p> <p>120094-04 A 0 00000</p> <p>No. 120094 A: 4 8 1-PVC D: 4D 2-PUR 3-TPU 4-RU 5-PTFE</p> <p>L (mm)</p>	
	<p>孔型转RJ45直式转接器 M12 Female to Straight RJ45 Adapter</p> <p>120095-04 A 0 00000</p> <p>No. 120095 A: 4 8 1-PVC D: 4D 2-PUR 3-TPU 4-RU 5-PTFE</p> <p>L (mm)</p>	
	<p>孔型转RJ45弯式转接器 M12 Female to Angled RJ45 Adapter</p> <p>120096-04 A 0 00000</p> <p>No. 120096 A: 4 8 1-PVC D: 4D 2-PUR 3-TPU 4-RU 5-PTFE</p> <p>L (mm)</p>	
	<p>Y型转接器 PSS型 M12 Y-Type Adapter (PSS)</p> <p>120097-04 A 0 00000</p> <p>No. 120097 A: 2 3 4 5 6 8 1-PVC B: 5B 2-PUR 3-TPU D: 4D 4-RU 5-PTFE</p> <p>L (mm)</p>	
	<p>Y型转接器 塑胶式 PSS型 M12 Y-Type Adapter (Plastic, PSS)</p> <p>120098-05 A 0 00000</p> <p>No. 120098 A: 2 3 4 5 6 8 1-PVC B: 5B 2-PUR 3-TPU D: 4D 4-RU 5-PTFE</p> <p>L (mm)</p>	
	<p>T型转接器 PSS型 M12 T-Type Adapter (PSS)</p> <p>120099-05 A 0 00000</p> <p>No. 120099 A: 2 3 4 5 6 8 1-PVC B: 5B 2-PUR 3-TPU D: 4D 4-RU 5-PTFE</p> <p>L (mm)</p>	

产品图 PRODUCT FIGURE	名称/型号 NAME/TYPE No.	尺寸图 DIMENSIONS																
	<p>终端电阻针型插头 120Ω M12 Male Ohm terminal plug 120Ω</p> <p>120107-05 A 0 00000</p> <table border="1"> <tr> <td>No. 120107</td> <td>A: 2 3 4 5 6 8 12 17</td> <td>1-PVC 2-PUR 3-TPU 4-RU 5-PTFE</td> <td>L (mm)</td> </tr> <tr> <td></td> <td>B: 5B</td> <td></td> <td></td> </tr> <tr> <td></td> <td>C: 3C 4C 5C 6C</td> <td></td> <td></td> </tr> <tr> <td></td> <td>D: 4D</td> <td></td> <td></td> </tr> </table>	No. 120107	A: 2 3 4 5 6 8 12 17	1-PVC 2-PUR 3-TPU 4-RU 5-PTFE	L (mm)		B: 5B				C: 3C 4C 5C 6C				D: 4D			
No. 120107	A: 2 3 4 5 6 8 12 17	1-PVC 2-PUR 3-TPU 4-RU 5-PTFE	L (mm)															
	B: 5B																	
	C: 3C 4C 5C 6C																	
	D: 4D																	
	<p>终端电阻针型插头 120Ω 塑胶版 M12 Male Ohm terminal plug 120Ω (Plastic type)</p> <p>120108-05 A 0 00000</p> <table border="1"> <tr> <td>No. 120108</td> <td>A: 2 3 4 5 6 8 12 17</td> <td>1-PVC 2-PUR 3-TPU 4-RU 5-PTFE</td> <td>L (mm)</td> </tr> <tr> <td></td> <td>B: 5B</td> <td></td> <td></td> </tr> <tr> <td></td> <td>C: 3C 4C 5C 6C</td> <td></td> <td></td> </tr> <tr> <td></td> <td>D: 4D</td> <td></td> <td></td> </tr> </table>	No. 120108	A: 2 3 4 5 6 8 12 17	1-PVC 2-PUR 3-TPU 4-RU 5-PTFE	L (mm)		B: 5B				C: 3C 4C 5C 6C				D: 4D			
No. 120108	A: 2 3 4 5 6 8 12 17	1-PVC 2-PUR 3-TPU 4-RU 5-PTFE	L (mm)															
	B: 5B																	
	C: 3C 4C 5C 6C																	
	D: 4D																	

M12·SMD插座配件 M12 SMD RECEPTACLE ASSEMBLY

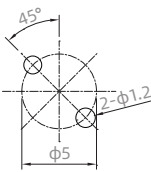
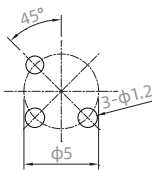
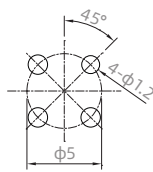
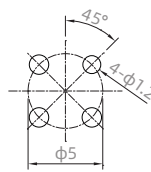
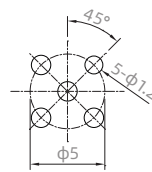
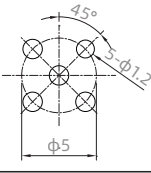
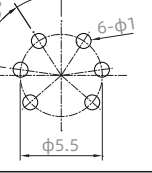
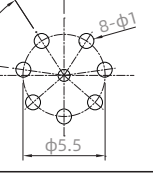
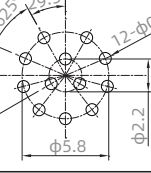
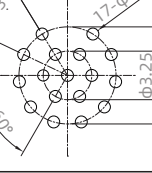
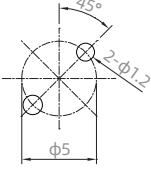
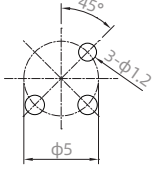
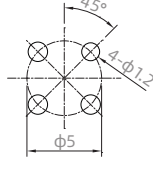
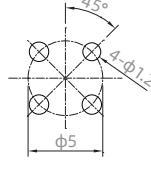
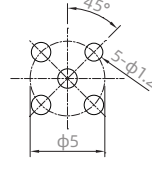
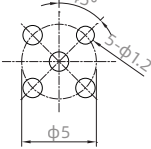
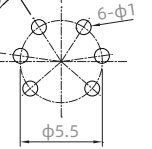
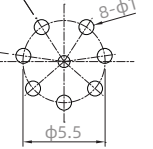
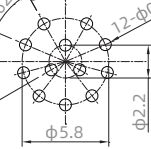
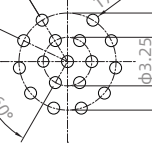
	<p>针型SMD插座 M12 Male SMD Type Socket</p> <p>120091-05 A 0 00000</p> <table border="1"> <tr> <td>No. 120091</td> <td>A: 2 3 4 5 6 8 12 17</td> <td>1-PVC 2-PUR 3-TPU 4-RU 5-PTFE</td> <td>L (mm)</td> </tr> <tr> <td></td> <td>B: 5B</td> <td></td> <td></td> </tr> <tr> <td></td> <td>D: 4D</td> <td></td> <td></td> </tr> </table>	No. 120091	A: 2 3 4 5 6 8 12 17	1-PVC 2-PUR 3-TPU 4-RU 5-PTFE	L (mm)		B: 5B				D: 4D			
No. 120091	A: 2 3 4 5 6 8 12 17	1-PVC 2-PUR 3-TPU 4-RU 5-PTFE	L (mm)											
	B: 5B													
	D: 4D													
	<p>孔型SMD插座 M12 Female SMD Type Socket</p> <p>120092-05 A 0 00000</p> <table border="1"> <tr> <td>No. 120092</td> <td>A: 2 3 4 5 6 8 12 17</td> <td>1-PVC 2-PUR 3-TPU 4-RU 5-PTFE</td> <td>L (mm)</td> </tr> <tr> <td></td> <td>B: 5B</td> <td></td> <td></td> </tr> <tr> <td></td> <td>D: 4D</td> <td></td> <td></td> </tr> </table>	No. 120092	A: 2 3 4 5 6 8 12 17	1-PVC 2-PUR 3-TPU 4-RU 5-PTFE	L (mm)		B: 5B				D: 4D			
No. 120092	A: 2 3 4 5 6 8 12 17	1-PVC 2-PUR 3-TPU 4-RU 5-PTFE	L (mm)											
	B: 5B													
	D: 4D													

 <p>板前安装针型外壳 螺牙M12x1 Front Mount Male Shell (Screw M12*1) 120091-00 0 0 00001</p>	 <p>板前安装孔型外壳 螺牙M12x1 Front Mount Female Shell (Screw M12*1) 120092-00 0 0 00001</p>	 <p>板后安装针型外壳 螺牙M12x1 Back Mount Male Shell (Screw M12*1) 120091-00 0 0 00002</p>	 <p>板后安装针型外壳 螺牙M15x1 Back Mount Male Shell (Screw M15*1) 120091-00 0 0 00003</p>	 <p>板后安装孔型外壳 螺牙M15x1 Back Mount Female Shell (Screw M15*1) 120092-00 0 0 00002</p>
--	--	---	---	---

M12·防尘盖 M12 DUST COVER

M12 塑胶防尘盖 内牙 M12 Plastic Dust Cover (Inner screw)			M12 金属防尘盖 内牙 M12 Metal Dust Cover (Inner screw)		
	环内直径 Ring inner diameter	订货号 No.		环内直径 Ring inner diameter	订货号 No.
	φ 3mm	120109-000000001		φ 3mm	120111-000000001
	φ 11.5mm	120109-000000002		φ 12mm	120111-000000002
	φ 13mm	120109-000000003		φ 16mm	120111-000000003
	φ 15mm	120109-000000004			
M12 塑胶防尘盖 外牙 M12 Plastic Dust Cover (Outer screw)			M12 金属防尘盖 外牙 M12 Metal Dust Cover (Outer screw)		
	环内直径 Ring inner diameter	订货号 No.		环内直径 Ring inner diameter	订货号 No.
	φ 3mm	120110-000000001		φ 3mm	120112-000000001
	φ 11.5mm	120110-000000002		φ 12mm	120112-000000002
	φ 13mm	120110-000000003		φ 16mm	120112-000000003
	φ 15mm	120110-000000004			
M12 塑胶防尘盖 外牙 M12 Plastic Dust Cover (Outer screw)					
	环内直径 Ring inner diameter	订货号 No.			
	φ M12	120165-000000001			

M12·PCB芯位图 M12 PCB PINS ARRANGEMENT

芯数 Pins	2A	3A	4A	4D	5A
针型 PCB芯位分布图 Male PCB Pins Arrangement					
					
芯数 Pins	2A	3A	4A	4D	5A
孔型 PCB芯位分布图 Female PCB Pins Arrangement					
					

M12·电气参数 M12 ELECTRICAL PARAMETERS

芯数 Pins	针型 Male				额定电流 Rated current	额定电压 Rated voltage		导体规格 Conductor size		孔型 Female			
	A	B	C	D		A/C	D/C	AWG	mm ²	A	B	C	D
2					4A	250V	250V	22	0.34				
3					4A	250V	250V	22	0.34				
4					4A	250V	250V	22	0.34				
5					4A:A型(A-Code) B型(B-Code) 2A:C型(C-Code)	60V	60V	22	0.34				
6					2A	30V	30V	24	0.25				
8					2A	30V	30V	24	0.25				
12					1.5A	30V	30V	26	0.14				
17					1.5A	30V	30V	26	0.14				

M12·接线定义 M12 WIRE DEFINITION

芯位 Pins	线芯颜色 Wire core color	
	2芯(Pins)	
1	BN	
2	-	
3	BU	

芯位 Pins	线芯颜色 Wire core color	
	3芯(Pins)	
1	BN	
2	-	
3	BU	
4	BK	

芯位 Pins	线芯颜色 Wire core color					
	4芯A编码(4 Pins A-Code)		4芯B编码(4 Pins B-Code)		4芯D编码(4 Pins D-Code)	
1	BN		BN		YE	
2	WH		WH		WH	
3	BU		BU		OG	
4	BK		BK		BU	

芯位 Pins	线芯颜色 Wire core color			
	5芯A编码(5 Pins A-Code)		5芯B编码(5 Pins B-Code)	
1	BN		BN	
2	WH		WH	
3	BU		BU	
4	BK		BK	
5	GY		GY	

芯位 Pins	线芯颜色 Wire core color	
	12芯(Pins)	
1	BN	
2	BU	
3	WH	
4	GN	
5	PK	
6	YE	
7	BK	
8	GY	
9	RD	
10	VT	
11	OG	
12	LTGN	

芯位 Pins	线芯颜色 Wire core color	
	17芯(Pins)	
1	BN	
2	BU	
3	WH	
4	GN	
5	PK	
6	YE	
7	BK	
8	GY	
9	RD	
10	VT	
11	OG	
12	LTGN	
13	LTBU	
14	BKWH	
15	BNWH	
16	RDWH	
17	BUWH	

芯位 Pins	线芯颜色 Wire core color	
	6芯(Pins)	
1	BN	
2	WH	
3	BU	
4	BK	
5	-	
6	GY	
7	RD	


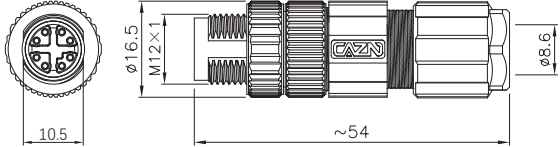

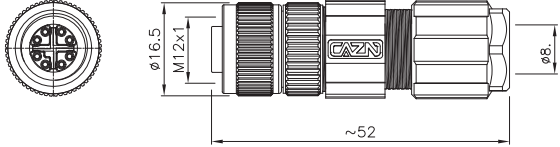

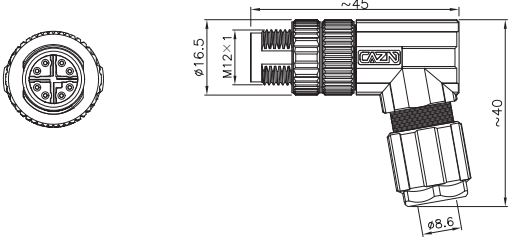

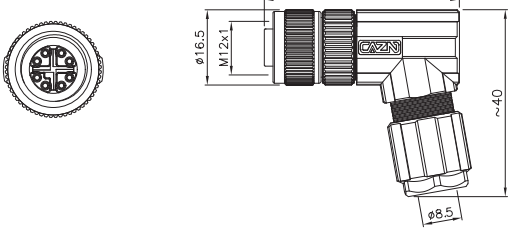

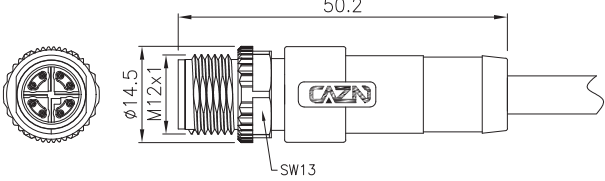

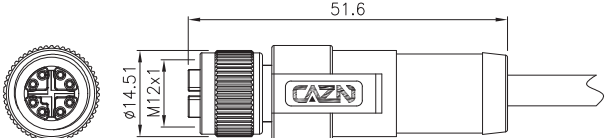
芯位 Pins	线芯颜色 Wire core color	
	8芯(Pins)	
1	WH	
2	BN	
3	GN	
4	YE	
5	GY	
6	PK	
7	BU	
8	RD	


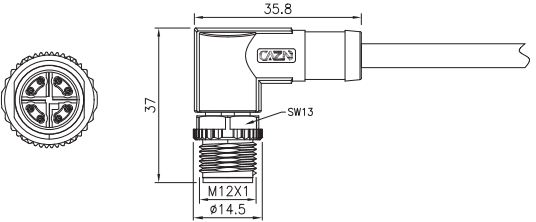

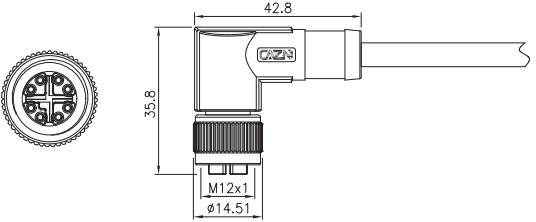

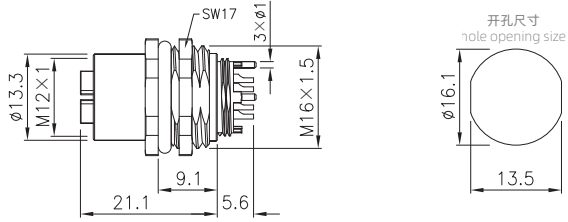

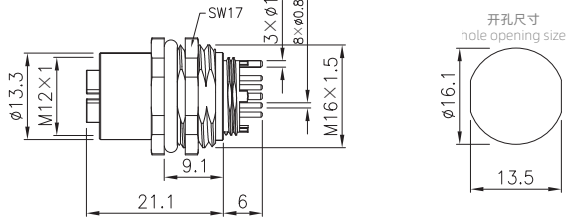

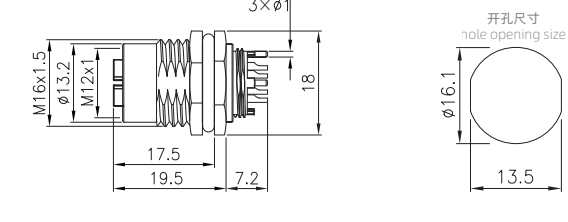

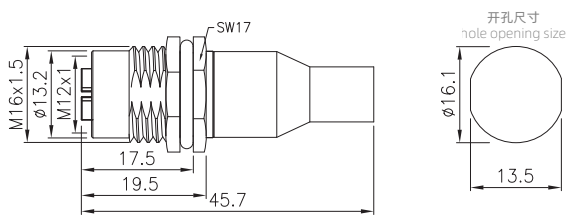

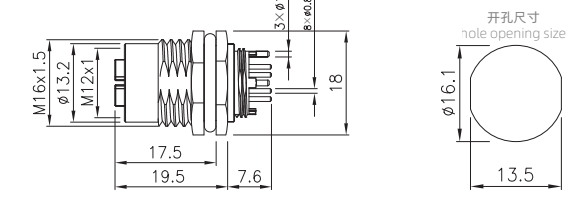
*接线定义按常规标准，如按协议或者其他请联系我司业务。


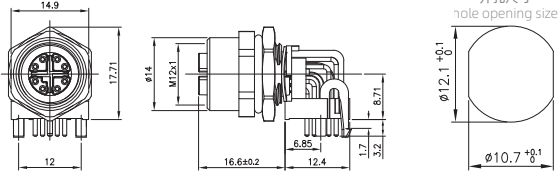

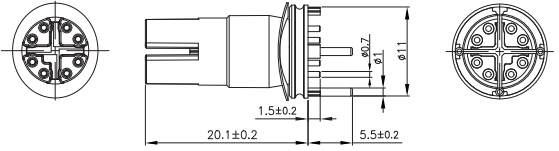

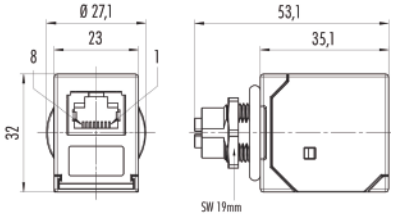

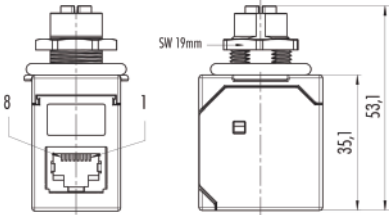
Wiring definition according to conventional standards, if according to the agreement or other please contact our sales.

M12数据型——X型Y型

M12 DATA TYPE -- X CODE/Y CODE

产品图 PRODUCT FIGURE	名称/类型号 NAME/TYPE No.	尺寸图 DIMENSIONS
	<p>直式针型金属插头 数据型 压接 PG7 M12 Straight Female Metal Plug (Crimp) PG7 for Data</p> <p>120113-08 X 0 00000</p> <ul style="list-style-type: none"> No. 120113 X: 8X Y: 6Y 8Y 1-PVC 2-PUR 3-TPU 4-RU 5-PTFE L (mm) 	 <p>Dimensions: $\phi 16.5$, M12x1, 10.5, $\phi 8.6$, ~54</p>
	<p>直式孔型金属插头 数据型 压接 PG7 M12 Straight Male Metal Plug (Crimp) PG7 for Data</p> <p>120114-08 X 0 00000</p> <ul style="list-style-type: none"> No. 120114 X: 8X Y: 6Y 8Y 1-PVC 2-PUR 3-TPU 4-RU 5-PTFE L (mm) 	 <p>Dimensions: $\phi 16.5$, M12x1, ~52, $\phi 8.6$</p>
	<p>弯式针型金属插头 数据型 压接 PG7 M12 Angled Female Metal Plug (Crimp) PG7 for Data</p> <p>120115-08 X 0 00000</p> <ul style="list-style-type: none"> No. 120115 X: 8X Y: 6Y 8Y 1-PVC 2-PUR 3-TPU 4-RU 5-PTFE L (mm) 	 <p>Dimensions: $\phi 16.5$, M12x1, ~45, ~40, $\phi 8.6$</p>
	<p>弯式孔型金属插头 数据型 压接 PG7 M12 Angled Male Metal Plug (Crimp) PG7 for Data</p> <p>120116-08 X 0 00000</p> <ul style="list-style-type: none"> No. 120116 X: 8X Y: 6Y 8Y 1-PVC 2-PUR 3-TPU 4-RU 5-PTFE L (mm) 	 <p>Dimensions: $\phi 16.5$, M12x1, ~42, ~40, $\phi 8.5$</p>
	<p>直式针型成型插头 数据型 屏蔽式 M12 Straight Female overmolded plug (Data Type, Shielded)</p> <p>120117-08 X 0 00000</p> <ul style="list-style-type: none"> No. 120117 X: 8X Y: 6Y 8Y 1-PVC 2-PUR 3-TPU 4-RU 5-PTFE L (mm) 	 <p>Dimensions: $\phi 14.5$, M12x1, 50.2, SW13</p>
	<p>直式孔型成型插头 数据型 屏蔽式 M12 Straight Male overmolded plug (Data Type, Shielded)</p> <p>120118-08 X 0 00000</p> <ul style="list-style-type: none"> No. 120118 X: 8X Y: 6Y 8Y 1-PVC 2-PUR 3-TPU 4-RU 5-PTFE L (mm) 	 <p>Dimensions: $\phi 14.51$, M12x1, 51.6</p>

产品图 PRODUCT FIGURE	名称/类型号 NAME/TYPE No.	尺寸图 DIMENSIONS
	<p>弯式针型成型插头 数据型 屏蔽式 M12 Angled Female overmolded plug (Data Type, Shielded)</p> <p>120119-08 X 0 00000</p> <p>No. 120119 X: 8X 1-PVC Y: 6Y 8Y 2-PUR 3-TPU 4-RU 5-PTFE L (mm)</p>	
	<p>弯式孔型成型插头 数据型 屏蔽式 M12 Angled Male overmolded plug (Data Type, Shielded)</p> <p>120120-08 X 0 00000</p> <p>No. 120120 X: 8X 1-PVC Y: 6Y 8Y 2-PUR 3-TPU 4-RU 5-PTFE L (mm)</p>	
	<p>板前安装孔型插座 数据型 焊接式 螺牙M16x1.5 M12 Female Front Mount Socket (Data Type) (Solder, Screw M16*1.5)</p> <p>120121-08 X 0 00000</p> <p>No. 120121 X: 8X 1-PVC Y: 6Y 8Y 2-PUR 3-TPU 4-RU 5-PTFE L (mm)</p>	
	<p>板前安装孔型插座 PCB式 螺牙M16x1.5 M12 Female Front Mount Socket (PCB, Screw M16*1.5)</p> <p>120122-08 X 0 00000</p> <p>No. 120122 X: 8X 线材 Y: 6Y 8Y L (mm)</p>	
	<p>板后安装孔型插座 焊接式 螺牙M16x1.5 M12 Female Back Mount Socket (Data Type) (Solder, Screw M16*1.5)</p> <p>120123-08 X 0 00000</p> <p>No. 120123 X: 8X 线材 Y: 6Y 8Y L (mm)</p>	
	<p>板后安装孔型插座 焊接式 螺牙M16x1.5 屏蔽型 M12 Female Back Mount Socket (Solder, Screw M16*1.5, Shielded)</p> <p>120124-08 X 0 00000</p> <p>No. 120124 X: 8X 1-PVC Y: 6Y 8Y 2-PUR 3-TPU 4-RU 5-PTFE L (mm)</p>	
	<p>板后安装孔型插座 数据型 PCB式 螺牙M16x1.5 接地 M12 Female Back Mount Socket (PCB, Data Type) (Screw M16*1.5, Grounded)</p> <p>120125-08 X 0 00000</p> <p>No. 120125 X: 8X 线材 Y: 6Y 8Y L (mm)</p>	

产品图 PRODUCT FIGURE	名称/型号 NAME/TYPE No.	尺寸图 DIMENSIONS
	<p>孔型弯针插座 数据型 PCB式 螺钉M16x1.5 接地 M12 Angled Female Mount Socket (PCB, Data Type) (Screw M16*1.5, Grounded)</p> <p>120127-08 X 0 00000</p> <p>No. 120127 X: 8X Y: 6Y 8Y 线材 L (mm)</p>	 <p>开孔尺寸 hole opening size</p>
	<p>孔型SMD插座 贴片式 M12 Female SMD Type Socket</p> <p>120129-08 X 0 00000</p> <p>No. 120129 X: 8X Y: 6Y 8Y 1-PVC 2-PUR 3-TPU 4-RU 5-PTFE L (mm)</p>	
	<p>孔型转RJ45直式转接器 180° M12 Female to Straight RJ45 Adapter 180°</p> <p>120130-08 X 0 00000</p> <p>No. 120130 X: 8X 1-PVC 2-PUR 3-TPU 4-RU 5-PTFE L (mm)</p>	 <p>SW 19mm</p>
	<p>孔型转RJ45弯式转接器 90° M12 Female to Angled RJ45 Adapter 90°</p> <p>120131-08 X 0 00000</p> <p>No. 120131 X: 8X 1-PVC 2-PUR 3-TPU 4-RU 5-PTFE L (mm)</p>	 <p>SW 19mm</p>

M12(XY)·电气参数 M12(XY) ELECTRICAL PARAMETERS

芯数 Pins	针型 Male	额定电流 Rated current	额定电压 Rated voltage		导体规格 Conductor size		孔型 Female	PCB芯位分布图 PCB Pins Arrangement
			A/C	D/C	AWG	mm ²		
8X		0.5A	50V	60V	26~24	0.14~0.25		
6Y		0.5A/12A	30V	30V	2x26AWG+ 4x20AWG	0.14~0.5		
8Y		0.5A/6A	30V	30V	4x26AWG+ 4x20AWG	0.14~0.5		

M12(XY)·接线定义 M12(XY) WIRE DEFINITION


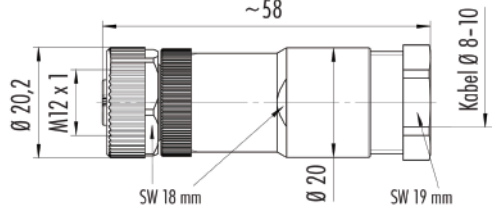

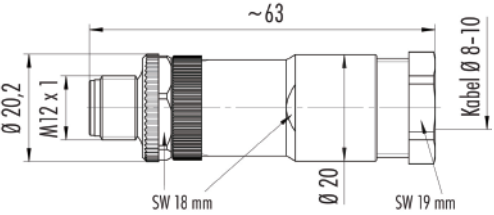

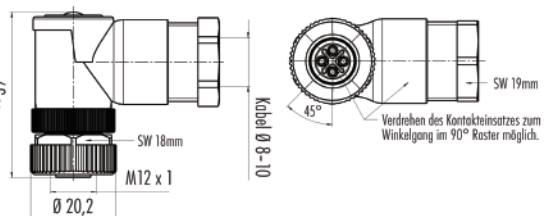

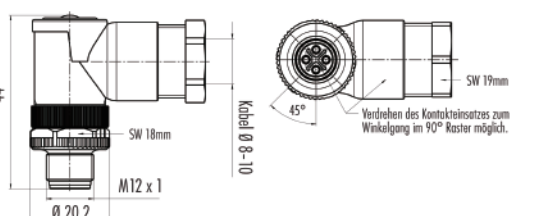

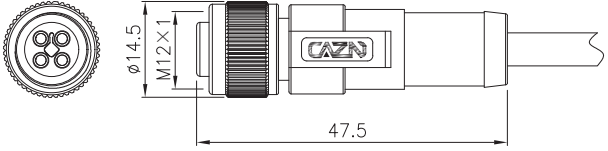

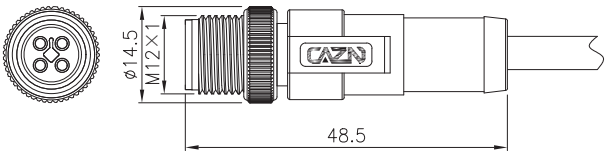
芯位 Pins	线芯颜色 Wire core color		
	8X(8 Pins X-Code)		
1	WHOG		D1+
2	OG		D1-
3	WHGN		D2+
4	GN		D2-
5	WHBN		D4+
6	BN		D4-
7	WHBU		D3-
8	BU		D3+


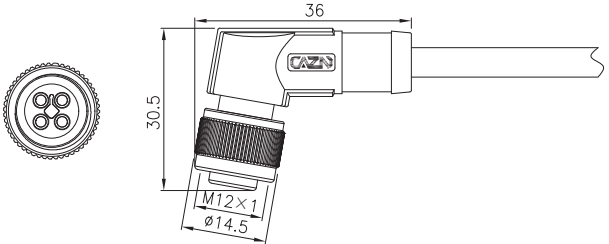

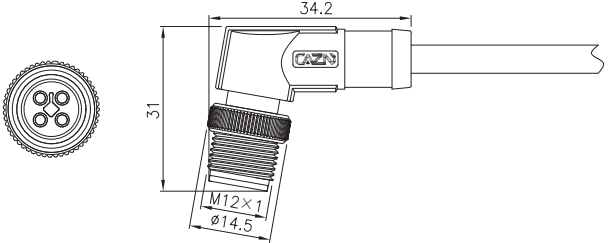

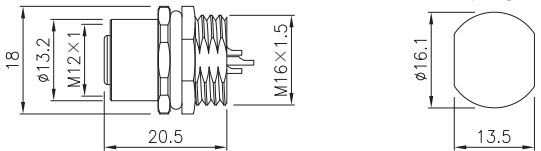

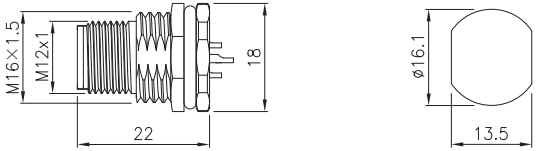

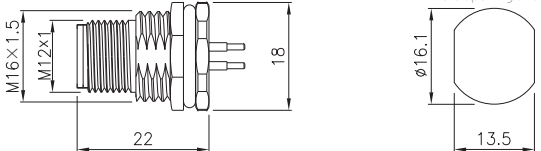

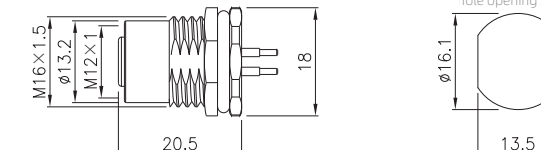

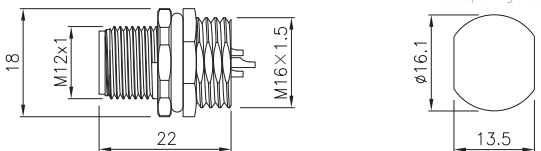
芯位 Pins	线芯颜色 Wire core color		
	8Y(8 Pins Y-Code)		
1	WHOG		TD+
2	OG		TD-
3	WHGN		RD+
4	GN		RD-
5	BU		
6	WH		
7	BN		
8	BK		


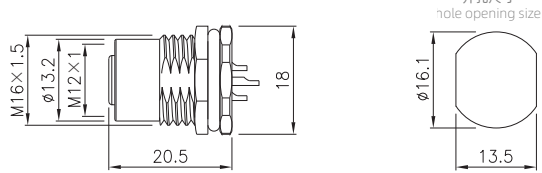

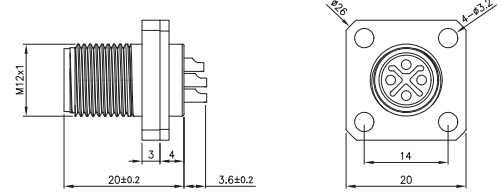

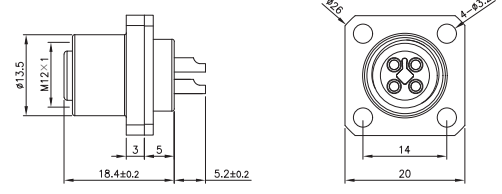
*接线定义按常规标准，
如按协议或者其他请联系我司业务。
Wiring definition according to conventional standards,
if according to the agreement or other please contact
our sales.

M12电源型 —— STKLM型





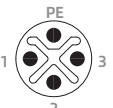



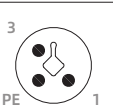





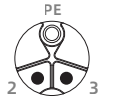

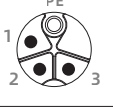

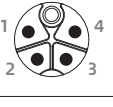



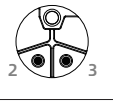

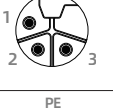
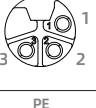


M12 POWER TYPE -- STKLM CODE

产品图 PRODUCT FIGURE	名称/型号 NAME/TYPE No.	尺寸图 DIMENSIONS				
	<p>直式孔型塑胶插头 电源型 螺钉式 M12 Straight Female Plastic Plug (Screw) (Power Type)</p> <p>120134-04 S 0 00000</p> <table border="1"> <tr> <td>PG9: No. 120134 PG11: No. 120135</td> <td>S: 2S, 2PS, 3PS T: 2T, 2PT, 3PT K: 2K, 2PK, 3PK, 4PK L: 2L, 2FL, 3L, 3FL, 4L, 4FL M: 2M, 2PM, 3PM, 4PM, 5PM</td> <td>1-PVC 2-PUR 3-TPU 4-RU 5-PTFE</td> <td>L (mm)</td> </tr> </table>	PG9: No. 120134 PG11: No. 120135	S: 2S, 2PS, 3PS T: 2T, 2PT, 3PT K: 2K, 2PK, 3PK, 4PK L: 2L, 2FL, 3L, 3FL, 4L, 4FL M: 2M, 2PM, 3PM, 4PM, 5PM	1-PVC 2-PUR 3-TPU 4-RU 5-PTFE	L (mm)	 <p>~58</p> <p>Ø 20,2</p> <p>M12 x 1</p> <p>SW 18 mm</p> <p>Ø 20</p> <p>SW 19 mm</p> <p>Kabel Ø 8-10</p>
PG9: No. 120134 PG11: No. 120135	S: 2S, 2PS, 3PS T: 2T, 2PT, 3PT K: 2K, 2PK, 3PK, 4PK L: 2L, 2FL, 3L, 3FL, 4L, 4FL M: 2M, 2PM, 3PM, 4PM, 5PM	1-PVC 2-PUR 3-TPU 4-RU 5-PTFE	L (mm)			
	<p>直式针型塑胶插头 电源型 螺钉式 M12 Straight Male Plastic Plug (Screw) (Power Type)</p> <p>120136-04 S 0 00000</p> <table border="1"> <tr> <td>PG9: No. 120136 PG11: No. 120137</td> <td>S: 2S, 2PS, 3PS T: 2T, 2PT, 3PT K: 2K, 2PK, 3PK, 4PK L: 2L, 2FL, 3L, 3FL, 4L, 4FL M: 2M, 2PM, 3PM, 4PM, 5PM</td> <td>1-PVC 2-PUR 3-TPU 4-RU 5-PTFE</td> <td>L (mm)</td> </tr> </table>	PG9: No. 120136 PG11: No. 120137	S: 2S, 2PS, 3PS T: 2T, 2PT, 3PT K: 2K, 2PK, 3PK, 4PK L: 2L, 2FL, 3L, 3FL, 4L, 4FL M: 2M, 2PM, 3PM, 4PM, 5PM	1-PVC 2-PUR 3-TPU 4-RU 5-PTFE	L (mm)	 <p>~63</p> <p>Ø 20,2</p> <p>M12 x 1</p> <p>SW 18 mm</p> <p>Ø 20</p> <p>SW 19 mm</p> <p>Kabel Ø 8-10</p>
PG9: No. 120136 PG11: No. 120137	S: 2S, 2PS, 3PS T: 2T, 2PT, 3PT K: 2K, 2PK, 3PK, 4PK L: 2L, 2FL, 3L, 3FL, 4L, 4FL M: 2M, 2PM, 3PM, 4PM, 5PM	1-PVC 2-PUR 3-TPU 4-RU 5-PTFE	L (mm)			
	<p>弯式孔型塑胶插头 电源型 焊接式 PG9 M12 Angled Female Plastic Plug (Solder) (Power Type) PG9</p> <p>120138-04 S 0 00000</p> <table border="1"> <tr> <td>No. 120138</td> <td>S: 2S, 2PS, 3PS T: 2T, 2PT, 3PT K: 2K, 2PK, 3PK, 4PK L: 2L, 2FL, 3L, 3FL, 4L, 4FL M: 2M, 2PM, 3PM, 4PM, 5PM</td> <td>1-PVC 2-PUR 3-TPU 4-RU 5-PTFE</td> <td>L (mm)</td> </tr> </table>	No. 120138	S: 2S, 2PS, 3PS T: 2T, 2PT, 3PT K: 2K, 2PK, 3PK, 4PK L: 2L, 2FL, 3L, 3FL, 4L, 4FL M: 2M, 2PM, 3PM, 4PM, 5PM	1-PVC 2-PUR 3-TPU 4-RU 5-PTFE	L (mm)	 <p>~39</p> <p>Ø 20,2</p> <p>M12 x 1</p> <p>SW 18 mm</p> <p>Ø 20</p> <p>SW 19 mm</p> <p>Kabel Ø 8-10</p> <p>45°</p> <p>Verdrehen des Kontakteinsatzes zum Winkelgang im 90° Raster möglich.</p>
No. 120138	S: 2S, 2PS, 3PS T: 2T, 2PT, 3PT K: 2K, 2PK, 3PK, 4PK L: 2L, 2FL, 3L, 3FL, 4L, 4FL M: 2M, 2PM, 3PM, 4PM, 5PM	1-PVC 2-PUR 3-TPU 4-RU 5-PTFE	L (mm)			
	<p>弯式针型塑胶插头 电源型 焊接式 PG9 M12 Angled Male Plastic Plug (Solder) (Power Type) PG9</p> <p>120139-04 S 0 00000</p> <table border="1"> <tr> <td>No. 120139</td> <td>S: 2S, 2PS, 3PS T: 2T, 2PT, 3PT K: 2K, 2PK, 3PK, 4PK L: 2L, 2FL, 3L, 3FL, 4L, 4FL M: 2M, 2PM, 3PM, 4PM, 5PM</td> <td>1-PVC 2-PUR 3-TPU 4-RU 5-PTFE</td> <td>L (mm)</td> </tr> </table>	No. 120139	S: 2S, 2PS, 3PS T: 2T, 2PT, 3PT K: 2K, 2PK, 3PK, 4PK L: 2L, 2FL, 3L, 3FL, 4L, 4FL M: 2M, 2PM, 3PM, 4PM, 5PM	1-PVC 2-PUR 3-TPU 4-RU 5-PTFE	L (mm)	 <p>~44</p> <p>Ø 20,2</p> <p>M12 x 1</p> <p>SW 18 mm</p> <p>Ø 20</p> <p>SW 19 mm</p> <p>Kabel Ø 8-10</p> <p>45°</p> <p>Verdrehen des Kontakteinsatzes zum Winkelgang im 90° Raster möglich.</p>
No. 120139	S: 2S, 2PS, 3PS T: 2T, 2PT, 3PT K: 2K, 2PK, 3PK, 4PK L: 2L, 2FL, 3L, 3FL, 4L, 4FL M: 2M, 2PM, 3PM, 4PM, 5PM	1-PVC 2-PUR 3-TPU 4-RU 5-PTFE	L (mm)			
<p>非屏蔽款/Unshielded 屏蔽款/Shielded</p> 	<p>直式孔型成型插头 电源型 M12 Straight Female Plastic Plug (Power Type)</p> <p>120140-04 T 0 00000</p> <table border="1"> <tr> <td>UNS: No. 120140 SHD: No. 120141</td> <td>S: 2S, 2PS, 3PS T: 2T, 2PT, 3PT K: 2K, 2PK, 3PK, 4PK L: 2L, 2FL, 3L, 3FL, 4L, 4FL M: 2M, 2PM, 3PM, 4PM, 5PM</td> <td>1-PVC 2-PUR 3-TPU 4-RU 5-PTFE</td> <td>L (mm)</td> </tr> </table>	UNS: No. 120140 SHD: No. 120141	S: 2S, 2PS, 3PS T: 2T, 2PT, 3PT K: 2K, 2PK, 3PK, 4PK L: 2L, 2FL, 3L, 3FL, 4L, 4FL M: 2M, 2PM, 3PM, 4PM, 5PM	1-PVC 2-PUR 3-TPU 4-RU 5-PTFE	L (mm)	 <p>Ø 14,5</p> <p>M12 x 1</p> <p>47,5</p>
UNS: No. 120140 SHD: No. 120141	S: 2S, 2PS, 3PS T: 2T, 2PT, 3PT K: 2K, 2PK, 3PK, 4PK L: 2L, 2FL, 3L, 3FL, 4L, 4FL M: 2M, 2PM, 3PM, 4PM, 5PM	1-PVC 2-PUR 3-TPU 4-RU 5-PTFE	L (mm)			
<p>非屏蔽款/Unshielded 屏蔽款/Shielded</p> 	<p>直式针型成型插头 电源型 M12 Straight Male Plastic Plug (Power Type)</p> <p>120142-04 T 0 00000</p> <table border="1"> <tr> <td>UNS: No. 120142 SHD: No. 120143</td> <td>S: 2S, 2PS, 3PS T: 2T, 2PT, 3PT K: 2K, 2PK, 3PK, 4PK L: 2L, 2FL, 3L, 3FL, 4L, 4FL M: 2M, 2PM, 3PM, 4PM, 5PM</td> <td>1-PVC 2-PUR 3-TPU 4-RU 5-PTFE</td> <td>L (mm)</td> </tr> </table>	UNS: No. 120142 SHD: No. 120143	S: 2S, 2PS, 3PS T: 2T, 2PT, 3PT K: 2K, 2PK, 3PK, 4PK L: 2L, 2FL, 3L, 3FL, 4L, 4FL M: 2M, 2PM, 3PM, 4PM, 5PM	1-PVC 2-PUR 3-TPU 4-RU 5-PTFE	L (mm)	 <p>Ø 14,5</p> <p>M12 x 1</p> <p>48,5</p>
UNS: No. 120142 SHD: No. 120143	S: 2S, 2PS, 3PS T: 2T, 2PT, 3PT K: 2K, 2PK, 3PK, 4PK L: 2L, 2FL, 3L, 3FL, 4L, 4FL M: 2M, 2PM, 3PM, 4PM, 5PM	1-PVC 2-PUR 3-TPU 4-RU 5-PTFE	L (mm)			

产品图 PRODUCT FIGURE	名称/类型号 NAME/TYPE No.	尺寸图 DIMENSIONS
	弯式孔型成型插头 电源型 M12 Angled Female Overmolded Plug (Power Type) 120144-04 T 0 00000 UNS: No. 120144 SHD: No. 120145 S: 2S, 2PS, 3PS T: 2T, 2PT, 3PT K: 2K, 2PK, 3PK, 4PK L: 2L, 2FL, 3L, 3FL, 4L, 4FL M: 2M, 2PM, 3PM, 4PM, 5PM 1-PVC 2-PUR 3-TPU 4-RU 5-PTFE L (mm)	
	弯式针型成型插头 电源型 M12 Angled Male Overmolded Plug (Power Type) 120146-04 T 0 00000 UNS: No. 120146 SHD: No. 120147 S: 2S, 2PS, 3PS T: 2T, 2PT, 3PT K: 2K, 2PK, 3PK, 4PK L: 2L, 2FL, 3L, 3FL, 4L, 4FL M: 2M, 2PM, 3PM, 4PM, 5PM 1-PVC 2-PUR 3-TPU 4-RU 5-PTFE L (mm)	
	板前安装孔型插座 电源型 焊接式 螺母M16x1.5 M12 Female Front Mount Socket (Solder, Power Type) (Screw M16*1.5) 120149-04 T 0 00000 No. 120149 S: 2S, 2PS, 3PS T: 2T, 2PT, 3PT K: 2K, 2PK, 3PK, 4PK L: 2L, 2FL, 3L, 3FL, 4L, 4FL M: 2M, 2PM, 3PM, 4PM, 5PM 1-PVC 2-PUR 3-TPU 4-RU 5-PTFE L (mm)	
	板后安装针型插座 电源型 焊接式 螺母M16x1.5 M12 Male Back Mount Socket (Solder, Power Type) (Screw M16*1.5) 120150-04 T 0 00000 No. 120150 S: 2S, 2PS, 3PS T: 2T, 2PT, 3PT K: 2K, 2PK, 3PK, 4PK L: 2L, 2FL, 3L, 3FL, 4L, 4FL M: 2M, 2PM, 3PM, 4PM, 5PM 1-PVC 2-PUR 3-TPU 4-RU 5-PTFE L (mm)	
	板后安装针型插座 PCB式 电源型 螺母M16x1.5 M12 Male Back Mount Socket (PCB, Power Type) (Screw M16*1.5) 120154-04 S 0 00000 No. 120154 S: 2S, 2PS, 3PS T: 2T, 2PT, 3PT K: 2K, 2PK, 3PK, 4PK L: 2L, 2FL, 3L, 3FL, 4L, 4FL M: 2M, 2PM, 3PM, 4PM, 5PM 线材 L (mm)	
	板后安装孔型插座 PCB式 电源型 螺母M16x1.5 M12 Female Back Mount Socket (PCB, Power Type) (Screw M16*1.5) 120155-04 S 0 00000 No. 120155 S: 2S, 2PS, 3PS T: 2T, 2PT, 3PT K: 2K, 2PK, 3PK, 4PK L: 2L, 2FL, 3L, 3FL, 4L, 4FL M: 2M, 2PM, 3PM, 4PM, 5PM 线材 L (mm)	
	板前安装针型插座 电源型 焊接式 螺母M16x1.5 M12 Male Front Mount Socket (Solder, Power Type) (Screw M16*1.5) 120156-04 L 0 00000 No. 120156 S: 2S, 2PS, 3PS T: 2T, 2PT, 3PT K: 2K, 2PK, 3PK, 4PK L: 2L, 2FL, 3L, 3FL, 4L, 4FL M: 2M, 2PM, 3PM, 4PM, 5PM 1-PVC 2-PUR 3-TPU 4-RU 5-PTFE L (mm)	

产品图 PRODUCT FIGURE	名称/类型号 NAME/TYPE No.	尺寸图 DIMENSIONS				
	<p>板后安装孔型插座 电源型 焊接式 螺牙M16x1.5 M12 Female Back Mount Socket (Solder, Power Type) (Screw M16*1.5)</p> <p>120157-05 L 0 00000</p> <table border="1"> <tr> <td>No. 120157</td> <td>S: 2S, 2PS, 3PS T: 2T, 2PT, 3PT K: 2K, 2PK, 3PK, 4PK L: 2L, 2FL, 3L, 3FL, 4L, 4FL M: 2M, 2PM, 3PM, 4PM, 5PM</td> <td>1-PVC 2-PUR 3-TPU 4-RU 5-PTFE</td> <td>L (mm)</td> </tr> </table>	No. 120157	S: 2S, 2PS, 3PS T: 2T, 2PT, 3PT K: 2K, 2PK, 3PK, 4PK L: 2L, 2FL, 3L, 3FL, 4L, 4FL M: 2M, 2PM, 3PM, 4PM, 5PM	1-PVC 2-PUR 3-TPU 4-RU 5-PTFE	L (mm)	 <p>开孔尺寸 hole opening size</p>
No. 120157	S: 2S, 2PS, 3PS T: 2T, 2PT, 3PT K: 2K, 2PK, 3PK, 4PK L: 2L, 2FL, 3L, 3FL, 4L, 4FL M: 2M, 2PM, 3PM, 4PM, 5PM	1-PVC 2-PUR 3-TPU 4-RU 5-PTFE	L (mm)			
	<p>针型方形插座 焊线式 14x14 M12 Male Square Socket (Solder, 14*14)</p> <p>120161-04 S 0 00000</p> <table border="1"> <tr> <td>No. 120161</td> <td>S: 2S, 2PS, 3PS T: 2T, 2PT, 3PT K: 2K, 2PK, 3PK, 4PK L: 2L, 2FL, 3L, 3FL, 4L, 4FL M: 2M, 2PM, 3PM, 4PM, 5PM</td> <td>1-PVC 2-PUR 3-TPU 4-RU 5-PTFE</td> <td>L (mm)</td> </tr> </table>	No. 120161	S: 2S, 2PS, 3PS T: 2T, 2PT, 3PT K: 2K, 2PK, 3PK, 4PK L: 2L, 2FL, 3L, 3FL, 4L, 4FL M: 2M, 2PM, 3PM, 4PM, 5PM	1-PVC 2-PUR 3-TPU 4-RU 5-PTFE	L (mm)	
No. 120161	S: 2S, 2PS, 3PS T: 2T, 2PT, 3PT K: 2K, 2PK, 3PK, 4PK L: 2L, 2FL, 3L, 3FL, 4L, 4FL M: 2M, 2PM, 3PM, 4PM, 5PM	1-PVC 2-PUR 3-TPU 4-RU 5-PTFE	L (mm)			
	<p>孔型方形插座 焊线式 14x14 M12 Female Square Socket (Solder, 14*14)</p> <p>120162-04 T 0 00000</p> <table border="1"> <tr> <td>No. 120162</td> <td>S: 2S, 2PS, 3PS T: 2T, 2PT, 3PT K: 2K, 2PK, 3PK, 4PK L: 2L, 2FL, 3L, 3FL, 4L, 4FL M: 2M, 2PM, 3PM, 4PM, 5PM</td> <td>1-PVC 2-PUR 3-TPU 4-RU 5-PTFE</td> <td>L (mm)</td> </tr> </table>	No. 120162	S: 2S, 2PS, 3PS T: 2T, 2PT, 3PT K: 2K, 2PK, 3PK, 4PK L: 2L, 2FL, 3L, 3FL, 4L, 4FL M: 2M, 2PM, 3PM, 4PM, 5PM	1-PVC 2-PUR 3-TPU 4-RU 5-PTFE	L (mm)	
No. 120162	S: 2S, 2PS, 3PS T: 2T, 2PT, 3PT K: 2K, 2PK, 3PK, 4PK L: 2L, 2FL, 3L, 3FL, 4L, 4FL M: 2M, 2PM, 3PM, 4PM, 5PM	1-PVC 2-PUR 3-TPU 4-RU 5-PTFE	L (mm)			

M12(STLKM)·电气参数 M12(STLKM) ELECTRICAL PARAMETERS

接口类型 Interface Code type	芯数 Pins	针型 Male	额定电流 Rated current	额定电压 Rated voltage		导体规格 Conductor size		孔型 Female
				A/C	D/C	AWG	mm ²	
S型 S-Code	2		12A	630V	630V	16	1.5	
	2+PE		12A	630V	630V	16	1.5	
	3+PE		12A	630V	630V	16	1.5	
T型 T-Code	2		12A	60V	60V	16	1.5	
	2+PE		12A	60V	60V	16	1.5	
	3+PE		12A	60V	60V	16	1.5	
K型 K-Code	2		16A	800V	800V	16	2.5	
	2+PE		16A	800V	800V	16	2.5	
	3+PE		16A	800V	800V	16	2.5	
	4+PE		16A	800V	800V	16	2.5	
L型 L-Code	2		16A	63V	63V	14	2.5	
	2+PE		16A	63V	63V	14	2.5	
	3		16A	63V	63V	14	2.5	
	3+PE		16A	63V	63V	14	2.5	

接口类型 Interface Code type	芯数 Pins	针型 Male	额定电流 Rated current	额定电压 Rated voltage		导体规格 Conductor size		孔型 Female
				A/C	D/C	AWG	mm ²	
L型 L-Code	4		16A	63V	63V	14	2.5	
	4+PE		16A	63V	63V	14	2.5	
M型 M-Code	2		8A	630V	630V	16	1.5	
	2+PE		8A	630V	630V	16	1.5	
	3+PE		8A	630V	630V	16	1.5	
	4+PE		8A	630V	630V	16	1.5	
	5+PE		8A	630V	630V	16	1.5	

M12(STLKM)·接线定义 M12(STLKM) WIRE DEFINITION

芯位 Pins	线芯颜色 Wire core color	
	2+PE, S编码(S-Code)	
1	BK1	
2	BK2	
PE	GNYE	

芯位 Pins	线芯颜色 Wire core color	
	4芯, T编码(4 Pins T-Code)	
1	BN	
2	WH	
3	BU	
4	BK	

芯位 Pins	线芯颜色 Wire core color	
	4+PE, K编码(K-Code)	
1	BK1	
2	BK2	
3	BK3	
4	BK4	
PE	GNYE	

芯位 Pins	线芯颜色 Wire core color	
	5+PE, M编码(M-Code)	
1	BK1	
2	BK2	
3	BK3	
4	BK4	
5	BK5	
PE	GNYE	

芯位 Pins	线芯颜色 Wire core color	
	3+PE, S编码(S-Code)	
1	BK1	
2	BK2	
3	BK3	
PE	GNYE	

芯位 Pins	线芯颜色 Wire core color	
	4/4+PE, L编码(L-Code)	
1	BN	
2	WH	
3	BU	
4	BK	
FE*	GY	

*省略4芯(Omit 4 pins)

*接线定义按常规标准, 如按协议或者其他请联系我司业务。

Wiring definition according to conventional standards, if according to the agreement or other please contact our sales.

M16系列 M16 SERIE

产品符合IEC 61076-2-106-2012 AISG标准
Products comply with IEC 61076-2-106-2012 AISG Standard

大部分连接器360°极佳全屏蔽
Most connectors are excellent for full shielding at 360 degrees

插头：组装式，注塑带电缆式（长度可任意定制）
Plug: assembly, overmolded cable type (length can be customized at will)

插座：板前安装、板后安装焊线及PCB板式
Socket: Front Mount Solder Type, Back Mount Solder Type and PCB board type


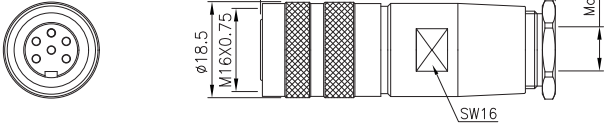

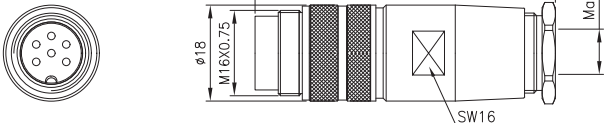

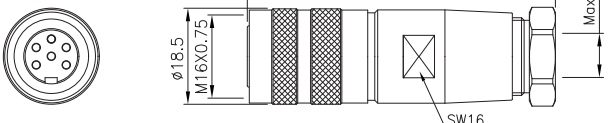

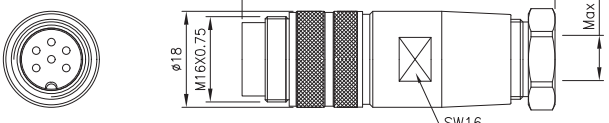

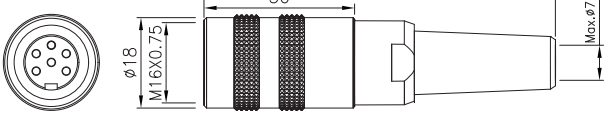

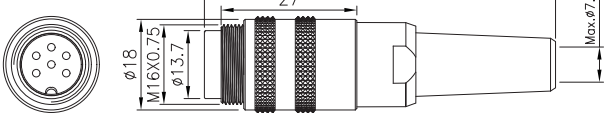

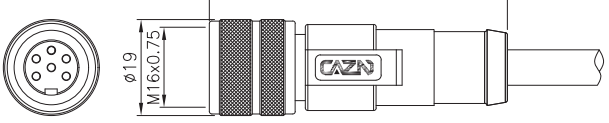

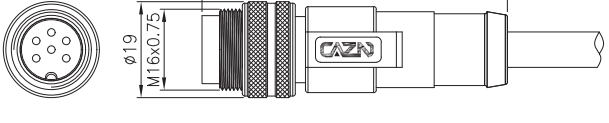
防水等级：IP65、IP67
Waterproof grade: IP65、IP67


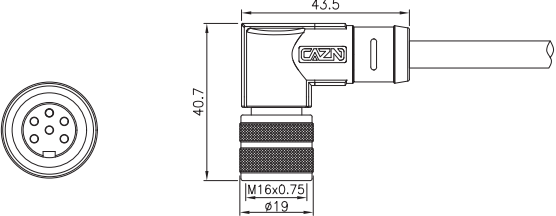

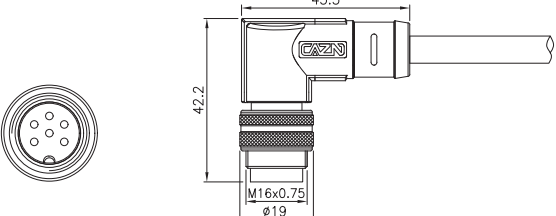

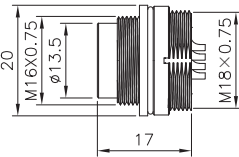
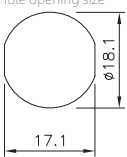

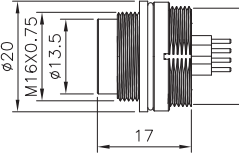
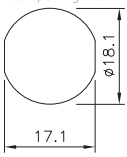

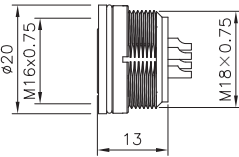
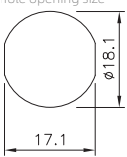

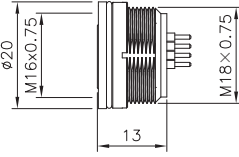
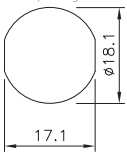

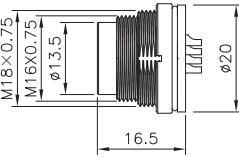
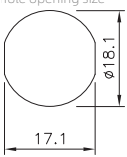

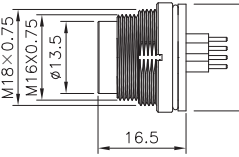
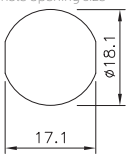
产品芯数：2~24芯
Pins Number: 2-24 pins



产品参数 PRODUCT PARAMETERS

壳体材料 Shell material	黄铜/锌合金度镍/黄铜镀镍 Brass/Zinc alloy nickel/Brass nickel plated	接触阻抗 Contact impedance	≤5mΩ
密封材料 Sealing material	环氧树脂/橡胶 Epoxy resin/Rubber	插拔次数 Durability	≥500次(Cycles)
插针材料 Contact material	黄铜/磷铜镀金 Brass/Phosphorus copper gold-plated	接线范围 Wiring range	PG7:4~6mm; PG9:6~8mm
胶芯材料 Insulator material	PA66	适用温度 Applicable temperature	-25°C ~ +80°C
成型材料 Molding material	TPU/PVC		

产品图 PRODUCT FIGURE	名称/类型号 NAME/TYPE No.	尺寸图 DIMENSIONS				
	<p>直式孔型金属插头 焊接式 M16 Straight Female Metal Plug (Solder)</p> <p>160001-19 0 0 00000</p> <table border="1"> <tr> <td>PG7: No. 160001 PG9: No. 160002</td> <td>2 3 4 5 6 7 8 12 14 16 19 24 A: 5 7 14</td> <td>1-PVC 2-PUR 3-TPU 4-RU 5-PTFE</td> <td>L (mm)</td> </tr> </table>	PG7: No. 160001 PG9: No. 160002	2 3 4 5 6 7 8 12 14 16 19 24 A: 5 7 14	1-PVC 2-PUR 3-TPU 4-RU 5-PTFE	L (mm)	 <p>~55 Max. ϕ8.5 ϕ18.5 M16x0.75 SW16</p>
PG7: No. 160001 PG9: No. 160002	2 3 4 5 6 7 8 12 14 16 19 24 A: 5 7 14	1-PVC 2-PUR 3-TPU 4-RU 5-PTFE	L (mm)			
	<p>直式孔型金属插头 焊接式 M16 Straight Male Metal Plug (Solder)</p> <p>160003-19 0 0 00000</p> <table border="1"> <tr> <td>PG7: No. 160003 PG9: No. 160004</td> <td>2 3 4 5 6 7 8 12 14 16 19 24 A: 5 7 14</td> <td>1-PVC 2-PUR 3-TPU 4-RU 5-PTFE</td> <td>L (mm)</td> </tr> </table>	PG7: No. 160003 PG9: No. 160004	2 3 4 5 6 7 8 12 14 16 19 24 A: 5 7 14	1-PVC 2-PUR 3-TPU 4-RU 5-PTFE	L (mm)	 <p>~56 Max. ϕ8.5 ϕ18 M16x0.75 SW16</p>
PG7: No. 160003 PG9: No. 160004	2 3 4 5 6 7 8 12 14 16 19 24 A: 5 7 14	1-PVC 2-PUR 3-TPU 4-RU 5-PTFE	L (mm)			
	<p>直式孔型金属插头 压接式 M16 Straight Female Metal Plug (Crimp)</p> <p>160005-08 0 0 00000</p> <table border="1"> <tr> <td>PG7: No. 160005 PG9: No. 160006</td> <td>2 3 4 5 6 7 8 12 14 16 19 24 A: 5 7 14</td> <td>1-PVC 2-PUR 3-TPU 4-RU 5-PTFE</td> <td>L (mm)</td> </tr> </table>	PG7: No. 160005 PG9: No. 160006	2 3 4 5 6 7 8 12 14 16 19 24 A: 5 7 14	1-PVC 2-PUR 3-TPU 4-RU 5-PTFE	L (mm)	 <p>~57 Max. ϕ8.5 ϕ18.5 M16x0.75 SW16</p>
PG7: No. 160005 PG9: No. 160006	2 3 4 5 6 7 8 12 14 16 19 24 A: 5 7 14	1-PVC 2-PUR 3-TPU 4-RU 5-PTFE	L (mm)			
	<p>直式针型金属插头 压接式 M16 Straight Male Metal Plug (Crimp)</p> <p>160007-08 0 0 00000</p> <table border="1"> <tr> <td>PG7: No. 160007 PG9: No. 160008</td> <td>2 3 4 5 6 7 8 12 14 16 19 24 A: 5 7 14</td> <td>1-PVC 2-PUR 3-TPU 4-RU 5-PTFE</td> <td>L (mm)</td> </tr> </table>	PG7: No. 160007 PG9: No. 160008	2 3 4 5 6 7 8 12 14 16 19 24 A: 5 7 14	1-PVC 2-PUR 3-TPU 4-RU 5-PTFE	L (mm)	 <p>~58 Max. ϕ8.5 ϕ18 M16x0.75 SW16</p>
PG7: No. 160007 PG9: No. 160008	2 3 4 5 6 7 8 12 14 16 19 24 A: 5 7 14	1-PVC 2-PUR 3-TPU 4-RU 5-PTFE	L (mm)			
	<p>直式孔型塑胶插头 焊接式 尾管 M16 Straight Female Plug (Solder, Plastic tube)</p> <p>160009-05 0 0 00000</p> <table border="1"> <tr> <td>No. 160009</td> <td>2 3 4 5 6 7 8 12 14 16 19 24 A: 5 7 14</td> <td>1-PVC 2-PUR 3-TPU 4-RU 5-PTFE</td> <td>L (mm)</td> </tr> </table>	No. 160009	2 3 4 5 6 7 8 12 14 16 19 24 A: 5 7 14	1-PVC 2-PUR 3-TPU 4-RU 5-PTFE	L (mm)	 <p>70.8 Max. ϕ7.0mm ϕ18 M16x0.75 30</p>
No. 160009	2 3 4 5 6 7 8 12 14 16 19 24 A: 5 7 14	1-PVC 2-PUR 3-TPU 4-RU 5-PTFE	L (mm)			
	<p>直式针型塑胶插头 焊接式 尾管 M16 Straight Male Plug (Solder, Plastic tube)</p> <p>160010-05 0 0 00000</p> <table border="1"> <tr> <td>No. 160010</td> <td>2 3 4 5 6 7 8 12 14 16 19 24 A: 5 7 14</td> <td>1-PVC 2-PUR 3-TPU 4-RU 5-PTFE</td> <td>L (mm)</td> </tr> </table>	No. 160010	2 3 4 5 6 7 8 12 14 16 19 24 A: 5 7 14	1-PVC 2-PUR 3-TPU 4-RU 5-PTFE	L (mm)	 <p>70.8 Max. ϕ7.0mm ϕ18 M16x0.75 27 ϕ13.7</p>
No. 160010	2 3 4 5 6 7 8 12 14 16 19 24 A: 5 7 14	1-PVC 2-PUR 3-TPU 4-RU 5-PTFE	L (mm)			
<p>非屏蔽款/Unshielded 屏蔽款/Shielded</p> 	<p>直式孔型成型插头 M16 Straight Female overmolded plug</p> <p>160011-05 0 0 00000</p> <table border="1"> <tr> <td>UNS: No. 160011 SHD: No. 160012</td> <td>2 3 4 5 6 7 8 12 14 16 19 24 A: 5 7 14</td> <td>1-PVC 2-PUR 3-TPU 4-RU 5-PTFE</td> <td>L (mm)</td> </tr> </table>	UNS: No. 160011 SHD: No. 160012	2 3 4 5 6 7 8 12 14 16 19 24 A: 5 7 14	1-PVC 2-PUR 3-TPU 4-RU 5-PTFE	L (mm)	 <p>59 Max. ϕ7.0mm ϕ19 M16x0.75 CAZN</p>
UNS: No. 160011 SHD: No. 160012	2 3 4 5 6 7 8 12 14 16 19 24 A: 5 7 14	1-PVC 2-PUR 3-TPU 4-RU 5-PTFE	L (mm)			
<p>非屏蔽款/Unshielded 屏蔽款/Shielded</p> 	<p>直式针型成型插头 M16 Straight Male overmolded plug</p> <p>160013-05 0 0 00000</p> <table border="1"> <tr> <td>UNS: No. 160013 SHD: No. 160014</td> <td>2 3 4 5 6 7 8 12 14 16 19 24 A: 5 7 14</td> <td>1-PVC 2-PUR 3-TPU 4-RU 5-PTFE</td> <td>L (mm)</td> </tr> </table>	UNS: No. 160013 SHD: No. 160014	2 3 4 5 6 7 8 12 14 16 19 24 A: 5 7 14	1-PVC 2-PUR 3-TPU 4-RU 5-PTFE	L (mm)	 <p>60.5 Max. ϕ7.0mm ϕ19 M16x0.75 CAZN</p>
UNS: No. 160013 SHD: No. 160014	2 3 4 5 6 7 8 12 14 16 19 24 A: 5 7 14	1-PVC 2-PUR 3-TPU 4-RU 5-PTFE	L (mm)			

产品图 PRODUCT FIGURE	名称/类型号 NAME/TYPE No.	尺寸图 DIMENSIONS	
 <p>非屏蔽款/Unshielded 屏蔽款/Shielded</p>	<p>弯式孔型成型插头 M16 Angled Female overmolded plug</p> <p>160015-02 0 0 00000</p> <p>UNS: No. 160015 SHD: No. 160016</p> <p>2 3 4 5 6 7 8 12 14 16 19 24 A: 5 7 14</p> <p>1-PVC 2-PUR 3-TPU 4-RU 5-PTFE</p> <p>L (mm)</p>	 <p>43.5</p> <p>40.7</p> <p>M16x0.75 ø19</p>	
 <p>非屏蔽款/Unshielded 屏蔽款/Shielded</p>	<p>弯式针型成型插头 M16 Angled Male overmolded plug</p> <p>160017-19 0 0 00000</p> <p>UNS: No. 160017 SHD: No. 160018</p> <p>2 3 4 5 6 7 8 12 14 16 19 24 A: 5 7 14</p> <p>1-PVC 2-PUR 3-TPU 4-RU 5-PTFE</p> <p>L (mm)</p>	 <p>43.5</p> <p>42.2</p> <p>M16x0.75 ø19</p>	
	<p>板前安装针型插座 焊接式 螺牙M18*0.75 M16 Male Front Mount Socket (Solder, Screw M18*0.75)</p> <p>160019-02 0 0 00000</p> <p>No. 160019</p> <p>2 3 4 5 6 7 8 12 14 16 19 24 A: 5 7 14</p> <p>1-PVC 2-PUR 3-TPU 4-RU 5-PTFE</p> <p>L (mm)</p>	 <p>20</p> <p>M16x0.75 ø13.5</p> <p>M18x0.75</p> <p>17</p>	<p>开孔尺寸 nole opening size</p>  <p>ø18.1</p> <p>17.1</p>
	<p>板前安装针型插座 PCB式 螺牙M18*0.75 M16 Male Front Mount Socket (PCB, Screw M18*0.75)</p> <p>160020-04 0 0 00000</p> <p>No. 160020</p> <p>2 3 4 5 6 7 8 12 14 16 19 24 A: 5 7 14</p> <p>线材</p> <p>L (mm)</p>	 <p>ø20</p> <p>M16x0.75 ø13.5</p> <p>M18x0.75</p> <p>17</p>	<p>开孔尺寸 nole opening size</p>  <p>ø18.1</p> <p>17.1</p>
	<p>板前安装孔型插座 焊接式 螺牙M18*0.75 M16 Male Front Mount Socket (PCB, Screw M18*0.75)</p> <p>160021-02 0 0 00000</p> <p>No. 160021</p> <p>2 3 4 5 6 7 8 12 14 16 19 24 A: 5 7 14</p> <p>1-PVC 2-PUR 3-TPU 4-RU 5-PTFE</p> <p>L (mm)</p>	 <p>ø20</p> <p>M16x0.75</p> <p>M18x0.75</p> <p>13</p>	<p>开孔尺寸 nole opening size</p>  <p>ø18.1</p> <p>17.1</p>
	<p>板前安装孔型插座 PCB式 螺牙M18*0.75 M16 Female Front Mount Socket (PCB, Screw M18*0.75)</p> <p>160022-04 0 0 00000</p> <p>No. 160022</p> <p>2 3 4 5 6 7 8 12 14 16 19 24 A: 5 7 14</p> <p>线材</p> <p>L (mm)</p>	 <p>ø20</p> <p>M16x0.75</p> <p>M18x0.75</p> <p>13</p>	<p>开孔尺寸 nole opening size</p>  <p>ø18.1</p> <p>17.1</p>
	<p>板后安装针型插座 焊接式 螺牙M18*0.75 M16 Male Back Mount Socket (Solder, Screw M18*0.75)</p> <p>160023-12 0 0 00000</p> <p>No. 160023</p> <p>2 3 4 5 6 7 8 12 14 16 19 24 A: 5 7 14</p> <p>1-PVC 2-PUR 3-TPU 4-RU 5-PTFE</p> <p>L (mm)</p>	 <p>M18x0.75</p> <p>M16x0.75 ø13.5</p> <p>ø20</p> <p>16.5</p>	<p>开孔尺寸 nole opening size</p>  <p>ø18.1</p> <p>17.1</p>
	<p>板后安装针型插座 PCB式 螺牙M18*0.75 M16 Male Back Mount Socket (PCB, Screw M18*0.75)</p> <p>160024-19 0 0 00000</p> <p>No. 160024</p> <p>2 3 4 5 6 7 8 12 14 16 19 24 A: 5 7 14</p> <p>线材</p> <p>L (mm)</p>	 <p>M18x0.75</p> <p>M16x0.75 ø13.5</p> <p>ø20</p> <p>16.5</p>	<p>开孔尺寸 hole opening size</p>  <p>ø18.1</p> <p>17.1</p>

产品图 PRODUCT FIGURE	名称/类型号 NAME/TYPE No.	尺寸图 DIMENSIONS
	板后安装孔型插座 焊接式 螺牙M18*0.75 M16 Female Back Mount Socket (Solder, Screw M18*0.75) 160025-02 0 0 00000 No. 160025 2 3 4 5 6 7 8 1-PVC L (mm) 12 14 16 19 24 2-PUR A: 5 7 14 3-TPU 4-RU 5-PTFE	 开孔尺寸 hole opening size $\phi 18.1$ 17.1 $\phi 20$ 13 M18x0.75 M16x0.75
	板后安装孔型插座 PCB式 螺牙M18*0.75 M16 Female Back Mount Socket (PCB, Screw M18*0.75) 160026-03 0 0 00000 No. 160026 2 3 4 5 6 7 8 线材 L (mm) 12 14 16 19 24 A: 5 7 14	 开孔尺寸 hole opening size $\phi 18.1$ 17.1 $\phi 20$ 13 M18x0.75 M16x0.75
	方形针型插座 焊接式 安装孔20x20 M16 Male Square Socket (Solder type) 20*20 160027-05 0 0 00000 No. 160027 2 3 4 5 6 7 8 1-PVC L (mm) 12 14 16 19 24 2-PUR A: 5 7 14 3-TPU 4-RU 5-PTFE	 $\phi 18$ 26 20 20 26 4- $\phi 3.2$ R3 17 M16x0.75 $\phi 13.5$
	方形孔型插座 焊接式 安装孔20x20 M16 Female Square Socket (Solder type) 20*20 160028-05 0 0 00000 No. 160028 2 3 4 5 6 7 8 1-PVC L (mm) 12 14 16 19 24 2-PUR A: 5 7 14 3-TPU 4-RU 5-PTFE	 $\phi 18$ 26 20 20 26 4- $\phi 3.2$ R3 14.2 M16x0.75

M16·防尘盖 M16 DUST COVER

M16 塑胶防尘盖 内牙 M16 Plastic Dust Cover (Inner screw)		M16 金属防尘盖 内牙 M16 Metal Dust Cover (Inner screw)		
	环内直径 Ring inner diameter	订货号 No.	环内直径 Ring inner diameter	订货号 No.
	$\phi 3\text{mm}$	160029-000000001	$\phi 3\text{mm}$	160031-000000001
	$\phi 18\text{mm}$	160029-000000002	$\phi 18\text{mm}$	160031-000000002
M16 塑胶防尘盖 外牙 M16 Plastic Dust Cover (Outer screw)		M16 金属防尘盖 外牙 M16 Metal Dust Cover (Outer screw)		
	环内直径 Ring inner diameter	订货号 No.	环内直径 Ring inner diameter	订货号 No.
	$\phi 3\text{mm}$	160030-000000001	$\phi 3\text{mm}$	160032-000000001
	$\phi 18\text{mm}$	160030-000000002	$\phi 18\text{mm}$	160032-000000002

M16·配件 M16 ACCESSORIES

M16 螺母扳手 M16 Nut wrench		
	半圆型/Semicircle: No. 160033-000000001	圆型/Round style: No. 160033-000000002
	铁片式/Iron sheet type: No. 160033-000000003	

M16·PCB芯位图 M16 PCB PINS ARRANGEMENT

芯数 Pins	2P	3P	4P	5P	6P	7P	8P	12P
针型 Male								
	14P	16P	19P	24P	5A	7A	14A	
芯数 Pins	2P	3P	4P	5P	6P	7P	8P	12P
孔型 Female								
	14P	16P	19P	24P	5A	7A	14A	

M16·电气参数 M16 ELECTRICAL PARAMETERS

芯数 Pins	针型 Male		额定电流 Rated current	额定电压 Rated voltage		导体规格 Conductor size		孔型 Female	
	常规编码 General coding	A型 A-code		A/C	D/C	AWG	mm ²	常规编码 General coding	A型 A-code
2			7A	250V	32V	20	0.75		
3			7A	250V	32V	20	0.75		
4			6A	250V	32V	20	0.75		
5			6A	250V	32V	20	0.75		
6			5A	250V	32V	20	0.75		
7			5A	125V	32V	20	0.75		
8			5A	60V	32V	20	0.75		
12			3A	60V	32V	24	0.25		
14			3A	60V	32V	24	0.25		
16			3A	60V	32V	24	0.25		
19			3A	60V	32V	24	0.25		
24			1A	60V	32V	26	0.14		

M23系列 M23 SERIE

产品芯数(信号): 6、7、9、12、17、19芯 (电源): 6、8芯
 Pins Number: Signal-6 7 9 12 17 19 pins; Power-6 8 pins

信号及电源型二种类型
 Two types: Signal and Power

插头: 组装式冷压式结构
 Plug: assembly, cold-pressure construction

插座: 直式、弯式冷、冷压式结构
 Socket: Straight/Angled cold-pressure construction


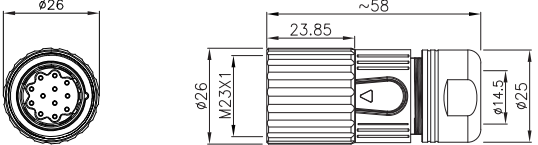

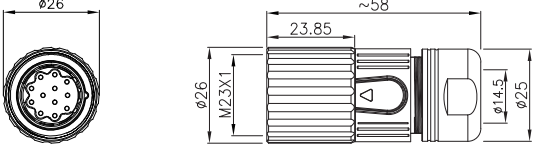

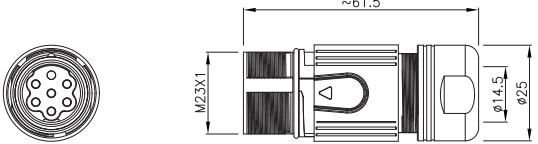

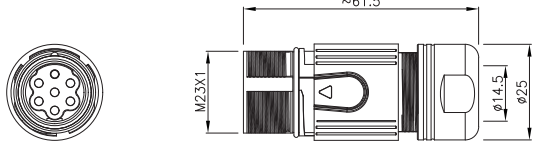

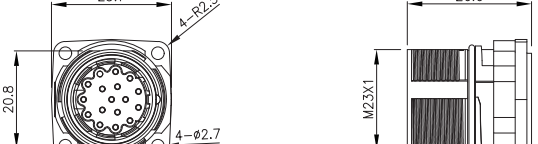

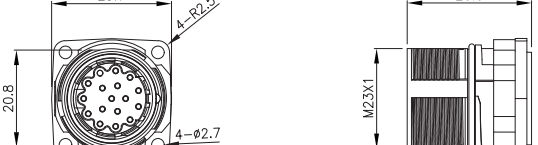

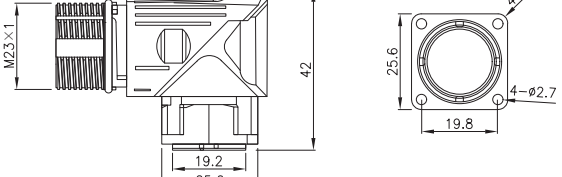
全部连接器360°极佳全屏蔽
 All connectors are excellent for full shielding at 360 degrees


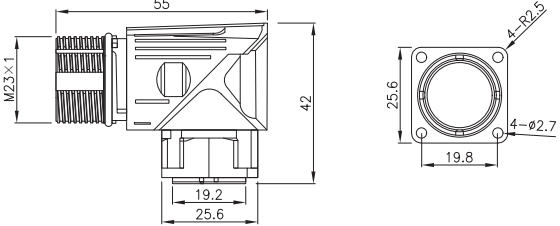

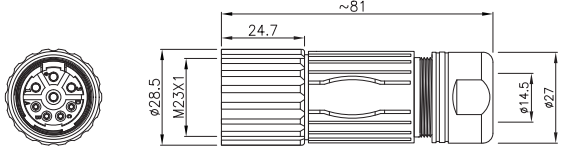

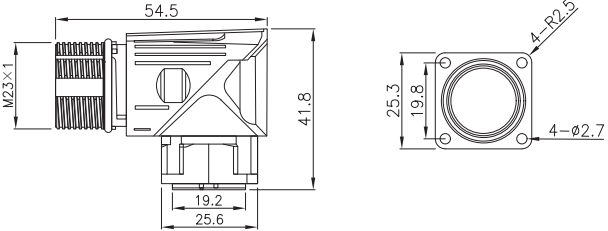

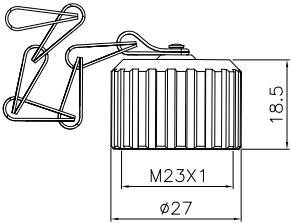
防水等级: IP67
 Waterproof grade: IP67





产品参数 PRODUCT PARAMETERS

壳体材料 Shell material	黄铜镀镍 Brass nickel plated	接触阻抗 Contact impedance	≤5mΩ
密封材料 Sealing material	环氧树脂/橡胶 Epoxy resin/Rubber	插拔次数 Durability	≥500次(Cycles)
插针材料 Contact material	黄铜/磷铜镀金 Brass/Phosphorus copper gold-plated	接线范围 Wiring range	6~10mm
胶芯材料 Insulator material	PBT/PA66	适用温度 Applicable temperature	-40°C ~ +125°C
成型材料 Molding material	TPU/PVC		

产品图 <small>PRODUCT FIGURE</small>	名称/类型号 <small>NAME/TYPE No.</small>	尺寸图 <small>DIMENSIONS</small>				
	<p>M623信号直式孔型金属插头 压接式 PG M623 Signal Straight Female Metal Plug (Crimp)PG</p> <p>230001-17 E 0 00000</p> <table border="1"> <tr> <td>No. 230001</td> <td>623 P/E: 6 7 9 9P 12 17</td> <td>1-PVC 2-PUR 3-TPU 4-RU 5-PTFE</td> <td>L (mm)</td> </tr> </table>	No. 230001	623 P/E: 6 7 9 9P 12 17	1-PVC 2-PUR 3-TPU 4-RU 5-PTFE	L (mm)	
No. 230001	623 P/E: 6 7 9 9P 12 17	1-PVC 2-PUR 3-TPU 4-RU 5-PTFE	L (mm)			
	<p>M623信号直式针型金属插头 压接式 PG M623 Signal Male Female Metal Plug (Crimp)PG</p> <p>230002-17 P 0 00000</p> <table border="1"> <tr> <td>No. 230002</td> <td>623 P/E: 6 7 9 9P 12 17</td> <td>1-PVC 2-PUR 3-TPU 4-RU 5-PTFE</td> <td>L (mm)</td> </tr> </table>	No. 230002	623 P/E: 6 7 9 9P 12 17	1-PVC 2-PUR 3-TPU 4-RU 5-PTFE	L (mm)	
No. 230002	623 P/E: 6 7 9 9P 12 17	1-PVC 2-PUR 3-TPU 4-RU 5-PTFE	L (mm)			
	<p>M623信号直式针型对接插头 压接式 PG M623 Signal Straight Mating Male Metal Plug (Crimp)PG</p> <p>230003-12 P 0 00000</p> <table border="1"> <tr> <td>No. 230003</td> <td>623 P/E: 6 7 9 9P 12 17</td> <td>1-PVC 2-PUR 3-TPU 4-RU 5-PTFE</td> <td>L (mm)</td> </tr> </table>	No. 230003	623 P/E: 6 7 9 9P 12 17	1-PVC 2-PUR 3-TPU 4-RU 5-PTFE	L (mm)	
No. 230003	623 P/E: 6 7 9 9P 12 17	1-PVC 2-PUR 3-TPU 4-RU 5-PTFE	L (mm)			
	<p>M623信号直式孔型对接插头 压接式 PG M623 Signal Straight Mating Female Metal Plug (Crimp)PG</p> <p>230004-12 E 0 00000</p> <table border="1"> <tr> <td>No. 230004</td> <td>623 P/E: 6 7 9 9P 12 17</td> <td>1-PVC 2-PUR 3-TPU 4-RU 5-PTFE</td> <td>L (mm)</td> </tr> </table>	No. 230004	623 P/E: 6 7 9 9P 12 17	1-PVC 2-PUR 3-TPU 4-RU 5-PTFE	L (mm)	
No. 230004	623 P/E: 6 7 9 9P 12 17	1-PVC 2-PUR 3-TPU 4-RU 5-PTFE	L (mm)			
	<p>M623信号直式针型插座 压接式 安装孔19.8x19.8 M623 Signal Straight Male Socket (Crimp) Mount hole 19.8*19.8</p> <p>230005-17 P 0 00000</p> <table border="1"> <tr> <td>No. 230005</td> <td>623 P/E: 6 7 9 9P 12 17</td> <td>1-PVC 2-PUR 3-TPU 4-RU 5-PTFE</td> <td>L (mm)</td> </tr> </table>	No. 230005	623 P/E: 6 7 9 9P 12 17	1-PVC 2-PUR 3-TPU 4-RU 5-PTFE	L (mm)	
No. 230005	623 P/E: 6 7 9 9P 12 17	1-PVC 2-PUR 3-TPU 4-RU 5-PTFE	L (mm)			
	<p>M623信号直式孔型插座 压接式 安装孔19.8x19.8 M623 Signal Straight Female Socket (Crimp) Mount hole 19.8*19.8</p> <p>230006-17 E 0 00000</p> <table border="1"> <tr> <td>No. 230006</td> <td>623 P/E: 6 7 9 9P 12 17</td> <td>1-PVC 2-PUR 3-TPU 4-RU 5-PTFE</td> <td>L (mm)</td> </tr> </table>	No. 230006	623 P/E: 6 7 9 9P 12 17	1-PVC 2-PUR 3-TPU 4-RU 5-PTFE	L (mm)	
No. 230006	623 P/E: 6 7 9 9P 12 17	1-PVC 2-PUR 3-TPU 4-RU 5-PTFE	L (mm)			
	<p>M623信号弯式针型插座 压接式 安装孔19.8x19.8 Angled M623 Signal Male Square Socket (Crimp) Mount hole 19.8*19.8</p> <p>230007-17 P 0 00000</p> <table border="1"> <tr> <td>No. 230007</td> <td>623 P/E: 6 7 9 9P 12 17</td> <td>1-PVC 2-PUR 3-TPU 4-RU 5-PTFE</td> <td>L (mm)</td> </tr> </table>	No. 230007	623 P/E: 6 7 9 9P 12 17	1-PVC 2-PUR 3-TPU 4-RU 5-PTFE	L (mm)	
No. 230007	623 P/E: 6 7 9 9P 12 17	1-PVC 2-PUR 3-TPU 4-RU 5-PTFE	L (mm)			

产品图 PRODUCT FIGURE	名称/型号 NAME/TYPE No.	尺寸图 DIMENSIONS
	<p>M623信号弯式孔型插座 压接式 安装孔19.8x19.8 Angled M623 Signal Female Square Socket (Crimp) Mount hole 19.8*19.8</p> <p>230008-17 E 0 00000</p> <p>No. 230008 623 P/E: 6 7 9 9P 12 17 1-PVC 2-PUR 3-TPU 4-RU 5-PTFE L (mm)</p>	
	<p>M923电源直式孔型金属插头 压接式 PG M923 Power Straight Female Metal Plug (Crimp)PG</p> <p>230009-08 0 0 00000</p> <p>No. 230009 923: 6 8 1-PVC 2-PUR 3-TPU 4-RU 5-PTFE L (mm)</p>	
	<p>M923电源弯式针型插座 压接式 安装孔19.8x19.8 Angled M923 Power Male Square Socket (Crimp) Mount hole 19.8*19.8</p> <p>230010-08 0 0 00000</p> <p>No. 230010 923: 6 8 1-PVC 2-PUR 3-TPU 4-RU 5-PTFE L (mm)</p>	
	<p>M23金属防尘盖 内螺牙 M23 Metal dust cover (inner screw)</p> <p>230011-00 0 0 00001</p>	

M923·电气参数 M923 ELECTRICAL PARAMETERS

芯数 Pins	针型 Male	额定电流 Rated current	额定电压 Rated voltage		导体规格 Conductor size		孔型 Female
			A/C	D/C	AWG	mm ²	
6		30A	630V	630V	14	2.5	
8		9A/20A	250V/630V	250V/630V	18/14	1/2.5	

芯数 Pins	P型 P-code	额定电流 Rated current	额定电压 Rated voltage		导体规格 Conductor size		E型 E-code
			A/C	D/C	AWG	mm ²	
6		20A	300V	300V	14	2.5	
7		20A	300V	300V	14	2.5	
9		8A	150V	150V	16	1.5	
9P(8+1)		8A/20A	300V	150V	16/14	1.5/2.5	
12		8A	150V	150V	18	1	
17		8A	150V	150V	18	1	

M623·信号插针参数表 M623 SIGNAL CONTACT PINS PARAMETER TABLE

M623 铆压插针 Riveting pressure pin

接触直径: $\phi 1$
Contact diameter: $\phi 1$

材料: 铜镀金
Material: Brass with gold plating

M623 铆压式公针 Riveted Male Pin

线规(Wire size)	AWG	订货号(No.)
0.08-0.5mm ²	AWG 28-20	230013-000000001
0.5-1.0mm ²	AWG 20-17	230013-000000002
1.0-1.5mm ²	AWG 17-16	230013-000000003

M623 铆压式母针 Riveted Female Pin

线规(Wire size)	AWG	订货号(No.)
0.08-0.5mm ²	AWG 28-20	230014-000000001
0.5-1.0mm ²	AWG 20-17	230014-000000002
1.0-1.5mm ²	AWG 17-16	230014-000000003

M623 铆压插针 Riveting pressure pin

接触直径: $\phi 2$
Contact diameter: $\phi 2$

材料: 铜镀金
Material: Brass with gold plating

M623 铆压式公针 Riveted Male Pin

线规(Wire size)	AWG	订货号(No.)
0.75-2.5mm ²	AWG 18-13	230015-000000001

M623 铆压式母针 Riveted Female Pin

线规(Wire size)	AWG	订货号(No.)
0.75-2.5mm ²	AWG 18-13	230016-000000001

M923·电源插针参数表 M923 POWER CONTACT PINS PARAMETER TABLE

M923 铆压插针 Riveting pressure pin

接触直径: $\phi 1$
Contact diameter: $\phi 1$

材料: 铜镀金
Material: Brass with gold plating

M923 铆压式公针 Riveted Male Pin

线规(Wire size)	订货号(No.)
0.25-1.0mm ² AWG 23-17	230017-000000001

M923 铆压式母针 Riveted Female Pin

线规(Wire size)	订货号(No.)
0.25-1.0mm ² AWG 23-17	230018-000000001

M923 铆压插针 Riveting pressure pin

接触直径: $\phi 2$
Contact diameter: $\phi 2$

材料: 铜镀金
Material: Brass with gold plating

M923 铆压式公针 Riveted Male Pin

线规(Wire size)	订货号(No.)
1.0-2.5mm ² AWG 18-13	230019-000000001
2.5-4.0mm ² AWG 13-12	230019-000000002

M923 铆压式母针 Riveted Female Pin

线规(Wire size)	订货号(No.)
1.0-2.5mm ² AWG 18-13	230020-000000001
2.5-4.0mm ² AWG 13-12	230020-000000002

M23·接线定义 M23 WIRE DEFINITION

芯位 Pins	线芯颜色 Wire core color	导体规格 Conductor size
6芯(Pins)		
1	BK U	1.5mm ²
2	BN V	1.5mm ²
3	GN YE	1.5mm ²
4	BK	1.5mm ²
5	WH	1.5mm ²
6	BN K	1.5mm ²

芯位 Pins	线芯颜色 Wire core color	导体规格 Conductor size
8芯(Pins)		
1	BK 1	1.5mm ²
PE	GN YE	1.5mm ²
3	BK 2	1.5mm ²
4	BK 3	1.5mm ²
A	BK 5	0.75mm ²
B	BK 6	0.75mm ²
C	BK 7	0.75mm ²
D	BK 8	0.75mm ²

芯位 Pins	线芯颜色 Wire core color	导体规格 Conductor size
12芯(Pins)		
1	PK	0.25mm ²
2	RD	0.25mm ²
3	BK	0.25mm ²
4	BU	0.25mm ²
5	BN	0.25mm ²
6	GN	0.25mm ²
7	VT	0.25mm ²
8	GY	0.25mm ²
9	外部护套	(Outer sheath)
10	WH	0.5mm ²
11	NC	
12	BN	0.5mm ²

芯位 Pins	线芯颜色 Wire core color	导体规格 Conductor size
17芯(Pins)		
1	YE	0.14mm ²
2	GN	0.14mm ²
3	RD	0.14mm ²
4	NC	
5	BU	0.14mm ²
6	NC	
7	BNBU	0.5mm ²
8	GNBK	0.22mm ²
9	GNRD	0.22mm ²
10	BNRD	0.5mm ²
11	BK	0.14mm ²
12	BN	0.14mm ²
13	OG	0.14mm ²
14	WHBK	0.14mm ²
15	BNGY	0.22mm ²
16	BNYE	0.22mm ²
17	内部护套	(Inner sheath)

*接线定义按常规标准, 如按协议或者其他请联系我司业务。

Wiring definition according to conventional standards, if according to the agreement or other please contact our sales.

7/8系列 7/8 SERIE

产品符合IEC 61076-2-101 工业4.0协议，NEMA2000标准
 Products comply with IEC 61076-2-101 Industry 4.0 Agreement NEMA2000 standard

插头：组装式，注塑带电缆式（长度可任意定制）
 Plug: assembly, overmolded cable type (length can be customized at will)

插座：板前安装、板后安装焊线及PCB板式
 Socket: Front Mount Solder Type, Back Mount Solder Type and PCB board type

主要用于电源连接器
 Mainly used in power connectors




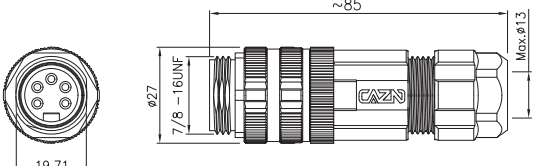

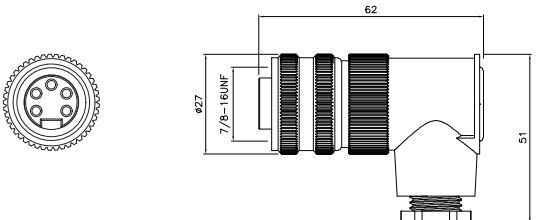

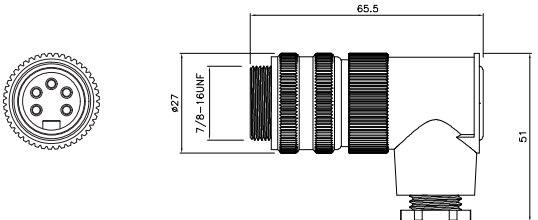

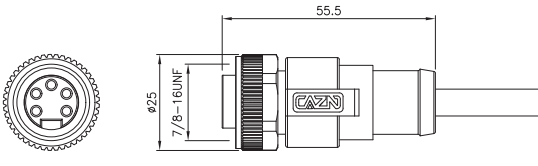

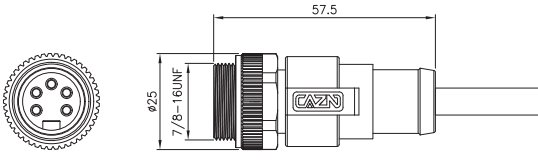

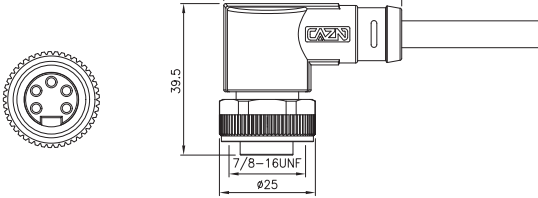
产品芯数：3~6芯
 Pins Number: 3-6 pins


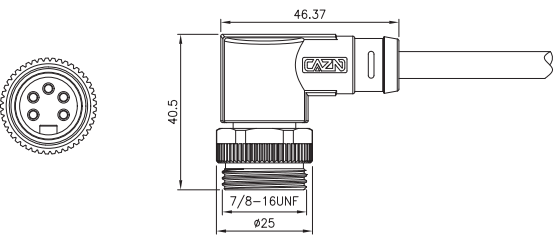

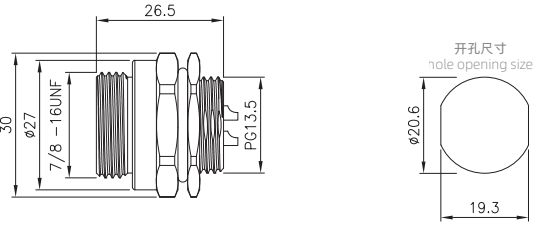

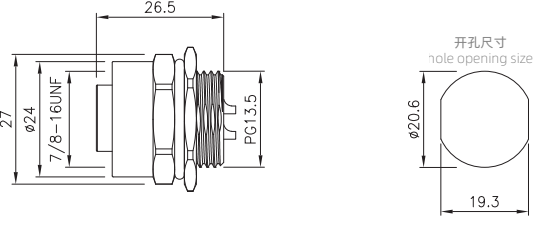

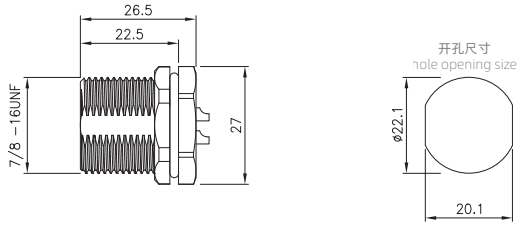

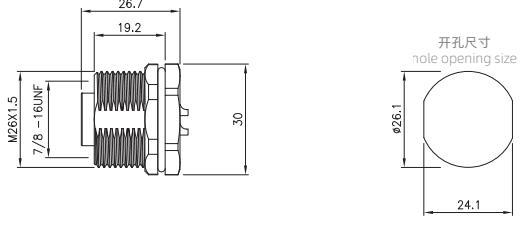

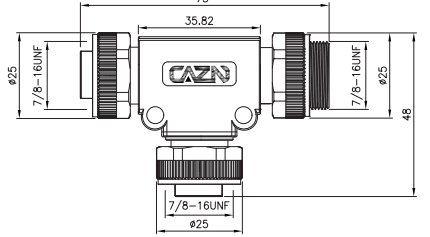
防水等级：IP65、IP67
 Waterproof grade: Ip65、IP67



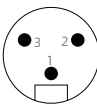
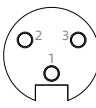
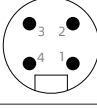
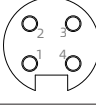
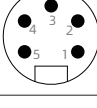
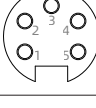


产品参数 PRODUCT PARAMETERS

壳体材料 Shell material	黄铜镀镍/锌合金度镍/PA+GF Brass nickel-plated/Zinc alloy nickel-plated/PA-GF	接触阻抗 Contact impedance	≤5mΩ
密封材料 Sealing material	环氧树脂/橡胶 Epoxy resin/Rubber	插拔次数 Durability	≥500次(Cycles)
插针材料 Contact material	黄铜/磷铜镀金 Brass/Phosphorus copper gold-plated	绝缘阻抗 Insulation impedance	≥100mΩ
胶芯材料 Insulator material	PA+GF/TPU	适用温度 Applicable temperature	-25°C ~ +80°C
成型材料 Molding material	TPU/PVC		

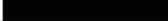




产品图 PRODUCT FIGURE	名称/类型号 NAME/TYPE No.	尺寸图 DIMENSIONS
	<p>7/8直式孔型塑胶插头 螺钉式 7/8 Straight Female Plastic Plug (Screw)</p> <p>780001-05 0 0 00000</p> <p>PG7: No. 780001 PG9: No. 780002</p> <p>3 4 5 6</p> <p>1-PVC 2-PUR 3-TPU 4-RU 5-PTFE</p> <p>L (mm)</p>	 <p>~80</p> <p>Max. Ø13</p> <p>7/8 - 16UNF</p> <p>Ø27</p>
	<p>7/8直式针型塑胶插头 螺钉式 7/8 Straight Male Plastic Plug (Screw)</p> <p>780003-05 0 0 00000</p> <p>PG7: No. 780003 PG9: No. 780004</p> <p>3 4 5 6</p> <p>1-PVC 2-PUR 3-TPU 4-RU 5-PTFE</p> <p>L (mm)</p>	 <p>~85</p> <p>Max. Ø13</p> <p>7/8 - 16UNF</p> <p>Ø27</p> <p>19.71</p>
	<p>7/8弯式孔型塑胶插头 螺钉式 7/8 Angled Female Plastic Plug (Screw)</p> <p>780005-05 0 0 00000</p> <p>PG7: No. 780005 PG9: No. 780006</p> <p>3 4 5 6</p> <p>1-PVC 2-PUR 3-TPU 4-RU 5-PTFE</p> <p>L (mm)</p>	 <p>62</p> <p>51</p> <p>7/8 - 16UNF</p> <p>Ø27</p>
	<p>7/8弯式针型塑胶插头 螺钉式 7/8 Angled Male Plastic Plug (Screw)</p> <p>780007-05 0 0 00000</p> <p>PG7: No. 780007 PG9: No. 780008</p> <p>3 4 5 6</p> <p>1-PVC 2-PUR 3-TPU 4-RU 5-PTFE</p> <p>L (mm)</p>	 <p>65.5</p> <p>51</p> <p>7/8 - 16UNF</p> <p>Ø27</p>
<p>非屏蔽款/Unshielded 屏蔽款/Shielded</p> 	<p>7/8直式孔型成型插头 7/8 Straight Female overmolded plug</p> <p>780009-05 0 0 00000</p> <p>UNS: No. 780009 SHD: No. 780010</p> <p>3 4 5 6</p> <p>1-PVC 2-PUR 3-TPU 4-RU 5-PTFE</p> <p>L (mm)</p>	 <p>55.5</p> <p>7/8 - 16UNF</p> <p>Ø25</p>
<p>非屏蔽款/Unshielded 屏蔽款/Shielded</p> 	<p>7/8直式针型成型插头 7/8 Straight Male overmolded plug</p> <p>780011-05 0 0 00000</p> <p>UNS: No. 780011 SHD: No. 780012</p> <p>3 4 5 6</p> <p>1-PVC 2-PUR 3-TPU 4-RU 5-PTFE</p> <p>L (mm)</p>	 <p>57.5</p> <p>7/8 - 16UNF</p> <p>Ø25</p>
<p>非屏蔽款/Unshielded 屏蔽款/Shielded</p> 	<p>7/8弯式孔型成型插头 7/8 Angled Female overmolded plug</p> <p>780013-05 0 0 00000</p> <p>UNS: No. 780013 SHD: No. 780014</p> <p>3 4 5 6</p> <p>1-PVC 2-PUR 3-TPU 4-RU 5-PTFE</p> <p>L (mm)</p>	 <p>46.37</p> <p>39.5</p> <p>7/8 - 16UNF</p> <p>Ø25</p>

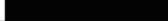




产品图 PRODUCT FIGURE	名称/类型号 NAME/TYPE No.	尺寸图 DIMENSIONS
 <p>非屏蔽款/Unshielded 屏蔽款/Shielded</p>	<p>7/8弯式针型成型插头 7/8 Angled Male overmolded plug</p> <p>780015-05 0 0 00000</p> <p>UNS: No. 780015 SHD: No. 780016</p> <p>3 4 5 6</p> <p>1-PVC 2-PUR 3-TPU 4-RU 5-PTFE</p> <p>L (mm)</p>	
	<p>7/8板前安装针型插座 焊接式 螺牙PG13.5 7/8 Male Front Mount Socket (Solder, Screw PG13.5)</p> <p>780017-04 0 0 00000</p> <p>No. 780017</p> <p>3 4 5 6</p> <p>1-PVC 2-PUR 3-TPU 4-RU 5-PTFE</p> <p>L (mm)</p>	
	<p>7/8板前安装孔型插座 焊接式 螺牙PG13.5 7/8 Female Front Mount Socket (Solder, Screw PG13.5)</p> <p>780018-04 0 0 00000</p> <p>No. 780018</p> <p>3 4 5 6</p> <p>1-PVC 2-PUR 3-TPU 4-RU 5-PTFE</p> <p>L (mm)</p>	
	<p>7/8板后安装针型插座 焊接式 螺牙7/8-16UHF 7/8 Male Back Mount Socket (Solder, Screw 7/8-16UHF)</p> <p>780019-04 0 0 00000</p> <p>No. 780019</p> <p>3 4 5 6</p> <p>1-PVC 2-PUR 3-TPU 4-RU 5-PTFE</p> <p>L (mm)</p>	
	<p>7/8板后安装孔型插座 焊接式 螺牙M25x1.5 7/8 Female Back Mount Socket (Solder, Screw M25*1.5)</p> <p>780020-04 0 0 00000</p> <p>No. 780020</p> <p>3 4 5 6</p> <p>1-PVC 2-PUR 3-TPU 4-RU 5-PTFE</p> <p>L (mm)</p>	
	<p>7/8 T型插头 PSS型 7/8 T Type Adapter (PSS)</p> <p>780021-05 0 0 00000</p> <p>No. 780021</p> <p>3 4 5 6</p> <p>1-PVC 2-PUR 3-TPU 4-RU 5-PTFE</p> <p>L (mm)</p>	

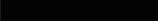




7/8·电气参数 7/8 ELECTRICAL PARAMETERS

芯数 Pins	针型 Male	额定电流 Rated current	额定电压 Rated voltage		导体规格 Conductor size		孔型 Female
			A/C	D/C	AWG	mm ²	
3		13A	300V	300V	18	1	
4		9A	300V	300V	18	1	
5		9A	300V	300V	20	0.5	
6		9A	300V	300V	20	0.5	

7/8·接线定义 7/8 WIRE DEFINITION

芯位 Pins	线芯颜色 Wire core color	
	3芯(Pins)	
1	BK	
2	BN	
3	BU	
4	-	
5	-	

芯位 Pins	线芯颜色 Wire core color	
	4芯(Pins)	
1	BK	
2	BU	
3	BN	
4	WH	
5	-	

芯位 Pins	线芯颜色 Wire core color	
	5芯(Pins)	
1	BK	
2	BU	
3	GNYE	
4	BN	
5	WH	

*接线定义按常规标准，如按协议或者其他请联系我司业务。

Wiring definition according to conventional standards, if according to the agreement or other please contact our sales.