

HEAVY-DUTY CONNECTOR



产品目录 DIRECTORY

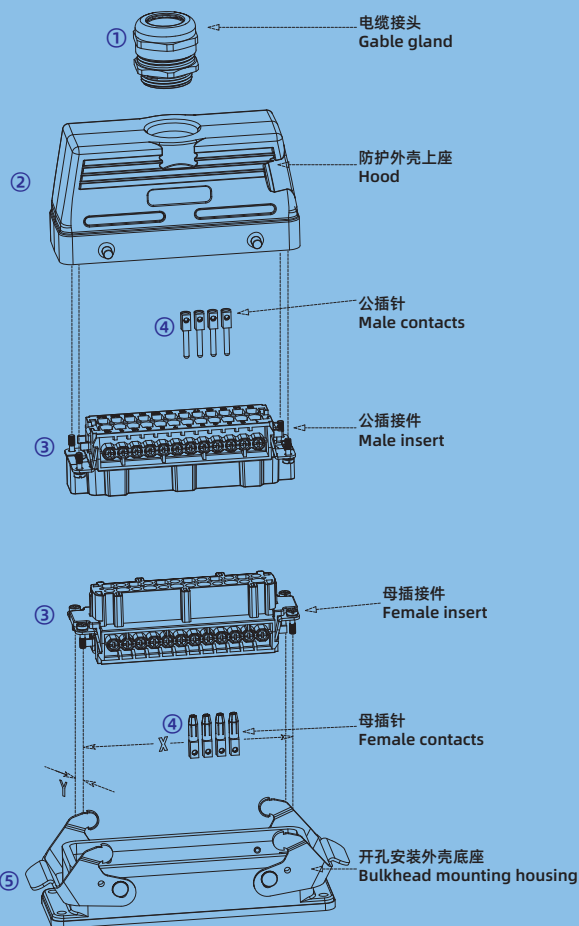
深圳市正成电气有限公司是一家专业专注工业连接技术的企业，国家高新技术企业。公司成立于2009年深圳，公司的产品涉及欧标连接器，美标连接器，防水连接器，射频连接器，成品线束及OEM/ODM业务，为客户全面提供专业的连接解决方案。

经过多年的发展，优良的产品，丰富的产品线及极高的性价比越来越受广大客户欢迎。在无人驾驶，工业4.0的大环境下，正成产品广泛应用于风能发电，高铁，汽车制造，智能交通，智能制造等等，逐步成为国内工业连接器中坚力量。公司内部通过ISO9001体系认证及实行6S管理方针，有效地保障产品质量。

公司销售网络逐步健全，在国内主要城市都将设立办事处及世界各地建立更多的合作伙伴。“专业专注做好每一个产品”的理念，“至高品质，至诚服务”的宗旨真诚地为广大客户服务。

如何订购 How to order	1
接线端子类型 Terminal type	2
电缆接头选型指南 Cable plug selection guide	3
电缆接头技术信息 Cable plug Technical information	4
插芯部分 Insert series	5
插芯选型指南 Insert Selection guide	6
HA系列 小型插芯 HA series Small insert	8
HE系列 常规型插芯及配件 HE series Normal insert and accessories	10
HEE系列 高密度型插芯及配件 HEE series High density insert and accessories	14
HD系列 超高密度型插芯及配件 HD series Ultra-High density inserts and accessories	17
HDD系列 超高密度型插芯 HDD series Ultra-High density inserts	20
HSB系列 大电流型插芯 HSB series high current type insert	22
HK系列 组合型插芯 HK series combination insert	23
HM系列 模块组合型 HM series modular model	27
HQ系列 紧凑小体积型插芯及配件 HQ series compact small volume insert and accessories	53
壳体系列 Shell series	64
冷压针系列 Crimp contact series	90
用编码销编号 Coding system with code pins	92
固定框架&工具 Frame & Tool	93
电缆接头 Cable gland	94

如何订购 HOW TO ORDER



① 电缆接头 (Cable gland)

- 尼龙或黄铜镀镍 (Nylon or brass nickel plated)
- 通用电缆接头 (Universal cable glands)
- 软管电缆接头 (Cable gland with normal or multiple seal)
- EMC 电缆接头 (EMC Cable gland)
- 其他电缆接头 (Other Cable gland)

② 上壳 (Hoods)

- 标准或高结构 (Standard or high construction)
- 顶部出线或侧面出线 (Top entry or Side entry)
- 2耳, 4耳或2扣 (2, 4 bolts or 2 levers)

③ 公插体、母插体 (Male Insert、Female Insert)

- 螺丝连接 (Screw terminal)
- 冷压连接 (不带插针) (cold-pressed crimp (without contact))
- 弹片连接 (Spring terminal)

④ 冷压针 (适用于冷压接线的插体) (Crimp contacts (only for crimp connection insert))

- 镀金或镀银 (Gold plated or silver plated)
- 额定电流 (Rated current):
- 5A, 10A, 16A, 40A, 70A, 100A, 200A, 250A, 350A, 650A

⑤ 下壳 (Housing)

- 开孔安装, 表面安装或电缆对接 (Bulkhead mounting or surface mounting or cable to cable)
- 标准或高结构 (Standard or high construction)
- 1扣, 2扣或4耳 (1 or 2 locking levers or 4 bolts)
- 带塑料盖或带金属盖或不带盖 (With or without thermoplastic/metal covers)

除常规标准的外壳以外, 还有高防护等级 (IP68) 及电磁屏蔽外壳 (EMC) 等特殊外壳可供客户选用客户定制产品, 请直接与我司联系
 Except standard hoods/housings, special hoods/housings with high protection level (IP68) and EMC screening are also available for clients.

上壳 Hood

H24B - TE - 4B - M25

螺纹规格 (Screw size): M/PG

锁扣方式 (Locking way)

- 2B: 2耳 (bolts)
- 4B: 4耳 (bolts)
- 2L: 2扣 (Lever)

类别 (Type)

- TE: 顶出线 (Top entry)
- SE: 侧出线 (Side entry)
- TEH: 顶出线高结构 (Top entry high structure)
- SEH: 侧出线高结构 (Side entry high structure)

尺寸 (Size)

下壳 Housing

H24B - BK - 4B - CV

盖子 (Cover)

- CV: 塑料盖 (Plastic Cover)
- MCV: 金属盖 (Metal Cover)

锁扣方式 (Locking way)

- 4B: 4耳 (bolts)
- 1L: 1扣 (Lever)
- 2L: 2扣 (Lever)

BK: 不封底 (Bulkhead mounted)

尺寸 (Size)

H24B - SF - 1L - M25 - CV

盖子 (Cover)

- CV: 塑料盖 (Plastic Cover)
- MCV: 金属盖 (Metal Cover)

螺纹规格 (Screw size): M/PG

锁扣方式 (Locking way)

- 4B: 4耳 (bolts)
- 1L: 1扣 (Lever)
- 2L: 2扣 (Lever)

类别 (Type)

- SF: 表面安装 (Surface mounted)
- SFH: 表面安装高结构 (Surface mounted high structure)
- CCT: 电缆对接 (飞线下壳) (cable to cable)
- CCTH: 电缆对接 (飞线下壳) 高结构 (cable to cable high structure)

尺寸 (Size)

插体 Insert

HE - 024 - M

接线方式 (Termination method)

螺丝连接 (Screw terminal)

- M: 公插 (Male)
- F: 母插 (Female)

弹片连接 (Spring terminal)

- MS, MSS: 公插 (Male)
- FS, FSS: 母插 (Female)

冷压连接 (Crimp (cold-press))

- MC: 公插 (Male)
- m: 母插 (Female)

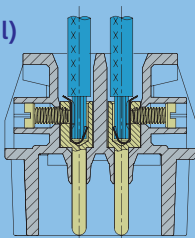
极数 (Pins number)

尺寸 (Size)

接线端子类型 TERMINAL TYPE

螺钉压接形式(Screw Terminal)

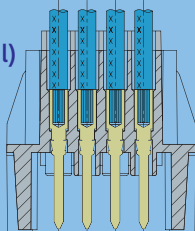
HA系列(Series)
HE/HVE系列(Series)
HSB系列(Series)
HK系列(Series)



接插芯(Insert)	最大线规 (Max. Wire gauge)		剥线长度 (Wire stripped length) L(mm ²)
	mm ²	AWG	
HA-003,HA-004	2.5	14	4.5
HE,HA	2.5	14	7.5
HE,HVE	4.0	12	7.5
HSB	6.0	10	11.5
HK	16.0	5.0	14

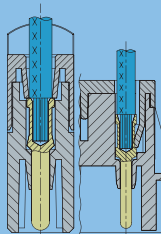
冷压针压接形式 (Crimp(Cold pressing) Terminal)

HD系列(Series)
HDD系列(Series)



接插芯 (Insert)	最大线规 (Max. Wire gauge)		剥线长度(mm ²) (Wire stripped length)	
	mm ²	AWG	HDD/HD	HEC/HAC
HD HDD HM(10A)	0.5	20	8.0	7.5
	0.75	18	8.0	7.5
	1.0	18	8.0	7.5
	1.5	16	8.0	7.5
	2.5	14	8.0	7.5
	4.0	12	-	7.5

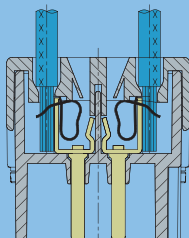
HEE系列(Series)
HEEE系列(Series)
HM系列(Series)(40A)



接插芯 (Insert)	最大线规 (Max. Wire gauge)		剥线长度(mm ²) (Wire stripped length) HEE/HM(40A)
	mm ²	AWG	
HEE HEEE HM(40A)	0.5	20	7.5
	0.75	18	7.5
	1.0	18	7.5
	1.5	16	7.5
	2.5	14	7.5
	4.0	12	7.5

弹片压接端子形式 (Spring Terminal)

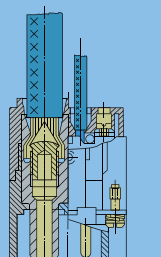
HES系列(Series)



接插芯 (Insert)	最大线规 (Max. Wire gauge)		剥线长度(mm ²) (Wire stripped length)
	mm ²	AWG	
HES	0.14-2.5	26-14	9-11

轴向螺栓压接形式 (Axial screw terminal)

HK6/6
HK6/12
HK8/0



接插芯 (Insert)	最大线规 (Max. Wire gauge)		剥线长度(mm ²) (Wire stripped length)
	mm ²	AWG	
HK6/6	16-35	5-2	13-14
HK6/12	2.5-10	13/-1	8-9
HK8/0	10-25	13/-1	6-7

建议使用的拧紧力矩和螺丝刀的尺寸 Recommended tightening torque and screwdriver dimensions

螺钉尺寸 Screw type	接插件类型 Inserts	拧紧力矩(φ) tightening torque recommandation (Nm)	拧紧力矩(φ) tightening torque recommandation (Lbft)	建议使用螺丝刀尺寸 screwdriver size recommandation
M3	螺钉端子(Screw terminal) HA-003, HA-004, HQ-005	0.25	0.20	0.4x2.5
M3	螺钉端子(Screw terminal) HA-010, HA-016	0.50	0.40	0.5x3.5 or±size 1
M3	螺钉端子HE, HVAE定位及固定用 (Screw terminal HE, HVAE positioning and fixing)	0.50	0.40	0.5x3.5
M4	接地端子螺钉(Ground terminal screw) HA, HE, HD, HDD	1.20	0.90	0.5x3.5 or±size 1+2
M4	端子块(Terminal Block)HSB	1.20	0.90	0.8x4.5
M5	接地端子螺钉(Ground terminal screw)HSB	2.00	1.40	0.8x4.5 1.2x8.0

电缆接头选型指南 CABLE GLAND SELECTION GUIDE

PG接头选型指南 PG Cable gland Selection guide

适用于标准电缆的 PG 制接头规格 Suitable for standard cable PG joint specification

线径 Wire diameter 0.5 mm ²	芯数 Contact No.	电缆直径范围φ Cable diameter range φ	PG 制带多层密封圈接头 PG with multi-layer sealing ring gland
AWG 20	6	7.6 - 10.6	11 13.5 16
	10	9.4 - 12.8	11 13.5 16
	16	10.7 - 13.9	11 13.5 16
	24	13.5 - 16.7	13.5 16 21
	30	14.3 - 17.5	13.5 16 21
	35	16 - 18.6	16 21
	40	16.6 - 19.2	21
	61	20.3 - 23.1	21 29

线径 Wire diameter 1.5 mm ²	芯数 Contact No.	电缆直径范围φ Cable diameter range φ	PG 制带多层密封圈接头 PG with multi-layer sealing ring gland
AWG 16	6	10.8 - 14.2	11 13.5 16
	11	13.6 - 16.8	13.5 16 21
	16	15.8 - 18.4	16 21
	25	20.2 - 23	21 29
	32	23.8 - 24.5	29 36
	42	25.8 - 29	29 36
	50	27 - 30.2	29 36
	61	28.6 - 31.8	29 36

线径 Wire diameter 0.75 mm ²	芯数 Contact No.	电缆直径范围φ Cable diameter range φ	PG 制带多层密封圈接头 PG with multi-layer sealing ring gland
AWG 18	6	8.9 - 12.3	11
	10	10.4 - 13.8	11 13.5 16
	18	13 - 16.2	13.5 16
	25	15.9 - 18.5	16 21
	32	17.1 - 19.7	21 29
	40	19 - 21.4	21 29
	50	21.3 - 24.1	21 29
	61	22.6 - 25.4	21 29

线径 Wire diameter 2.5 mm ²	芯数 Contact No.	电缆直径范围φ Cable diameter range φ	PG 制带多层密封圈接头 PG with multi-layer sealing ring gland
AWG 12 - 14	4	11.7 - 14.4	11 13.5 16
	6	13.3 - 16.7	13.5 16 21
	7	13.3 - 16.7	13.5 16 21
	11	18 - 20.6	21 29
	16	20.6 - 23.4	21 29
	18	21.7 - 24.5	29 36
	25	26.4 - 29.6	29 36
	34	31.3 - 33.1	29 36
	50	37 - 39.4	42

线径 Wire diameter 1 mm ²	芯数 Contact No.	电缆直径范围φ Cable diameter range φ	PG 制带多层密封圈接头 PG with multi-layer sealing ring gland
AWG 16 - 18	4	8.4 - 10.7	11 13.5
	6	9.2 - 12.6	11 13.5 16
	10	11 - 14.4	11 13.5 16 21
	16	13 - 16.2	13.5 16 21
	24	16.5 - 19.1	21 29
	34	19.4 - 21.8	21 29
	48	22 - 24.8	21 29
	61	24.5 - 27.2	29

线径 Wire diameter 4 mm ²	芯数 Contact No.	电缆直径范围φ Cable diameter range φ	PG 制带多层密封圈接头 PG with multi-layer sealing ring gland
AWG 10 - 12	2	10.7 - 14.1	11 13.5 16 21
	4	13 - 16.4	13.5 16 21
	5	14.3 - 17.7	16 21
	7	16.2 - 19.6	21 29 36
	11	approx. 24.5	29 36

M 制接头选型指南 M TYPE CABLE GLAND SELECTION GUIDE

适用于标准电缆的 M 制接头规格 Suitable for standard M cable gland

请注意您选择的 M 制电缆接头的压接范围 Please note the crimping range of m-type cable gland you choose

线径 Wire diameter 0.5 mm ²	芯数 Contact No.	电缆直径范围φ Cable diameter range φ	M 制带多层密封圈接头 M Type with multi-layer sealing ring gland
AWG 20	6	7.6 - 10.6	16 20 16
	10	9.4 - 12.8	16 20 16 25
	16	10.7 - 13.9	20 16 25
	24	13.5 - 16.7	16 25 32
	35	16 - 18.6	25 32
	40	16.6 - 19.2	25 32
	61	20.3 - 23.1	32

线径 Wire diameter 1.5 mm ²	芯数 Contact No.	电缆直径范围φ Cable diameter range φ	M 制带多层密封圈接头 M Type with multi-layer sealing ring gland
AWG 16	6	10.8 - 14.2	16 20 25
	11	13.6 - 16.8	20 25
	16	15.8 - 18.4	25 32
	25	20.2 - 23	25 32
	32	23.8 - 24.5	32 40
	42	25.8 - 29	40
	61	28.6 - 31.8	40

线径 Wire diameter 0.75 mm ²	芯数 Contact No.	电缆直径范围φ Cable diameter range φ	M 制带多层密封圈接头 M Type with multi-layer sealing ring gland
AWG 18	6	8.9 - 12.3	16 20 25
	10	10.4 - 13.8	16 20 25
	18	13 - 16.2	20 25
	25	15.9 - 18.5	25 32
	32	17.1 - 19.7	25 32
	40	19 - 21.4	32 40
	50	21.3 - 24.1	32 40
	61	22.6 - 25.4	40

线径 Wire diameter 2.5 mm ²	芯数 Contact No.	电缆直径范围φ Cable diameter range φ	M 制带多层密封圈接头 M Type with multi-layer sealing ring gland
AWG 12 - 14	4	11.7 - 14.4	20 25
	6	13.3 - 16.7	25 32
	11	18 - 20.6	25 32 40
	16	20.6 - 23.4	32 40
	25	26.4 - 29.6	40 50
	34	31.3 - 33.1	40 50
	50	37 - 39.4	50
	61	39 - 41.5	50

线径 Wire diameter 1 mm ²	芯数 Contact No.	电缆直径范围φ Cable diameter range φ	M 制带多层密封圈接头 M Type with multi-layer sealing ring gland
AWG 16 - 18	4	8.4 - 10.7	16 20
	6	9.2 - 12.6	16 20 25
	10	11 - 14.4	20 25 32
	16	13 - 16.2	25 32
	24	16.5 - 19.1	25 32 40
	34	19.4 - 21.8	25 32 40
	48	22 - 24.8	32 40
	61	24.5 - 27.2	32 40

线径 Wire diameter 4 mm ²	芯数 Contact No.	电缆直径范围φ Cable diameter range φ	M 制带多层密封圈接头 M Type with multi-layer sealing ring gland
AWG 10 - 12	2	10.7 - 14.1	20 25
	4	13 - 16.4	25 32
	5	14.3 - 17.7	25 32
	7	16.2 - 19.6	25 32
	11	approx. 24.5	40

电缆接头技术信息 CABLE GLAND INFORMATION

由于产品描述中含有螺纹尺寸，采用公制螺纹可方便的理解电缆接头的规格尺寸。

请注意采用公制的电缆接头，最大可夹紧的电缆直径可能变小。

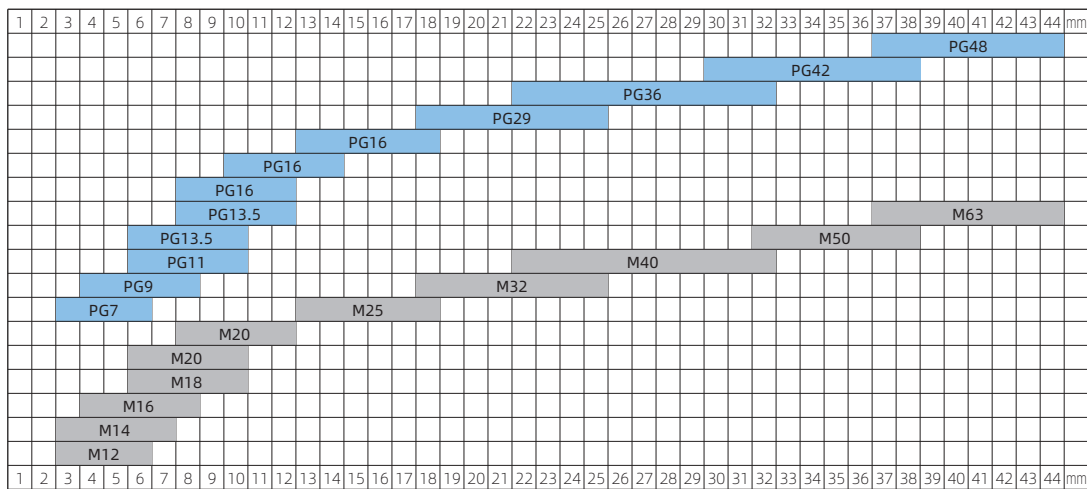
The Cross Reference table shows the correlation between the Pg versions and the new metric types.

Please notice that the maximum cable diameter will be reduced by the new metric cable glands.

PG 制螺纹与公制螺纹对照表 Cross Reference:

PG	公制/M
PG11	M20
PG13.5	
PG16	
PG21	M25
PG29	M32
PG36	M40
PG42	M50
PG48	M63

电缆接头的卡口范围如下 Below is shown the cable range of metric glands:

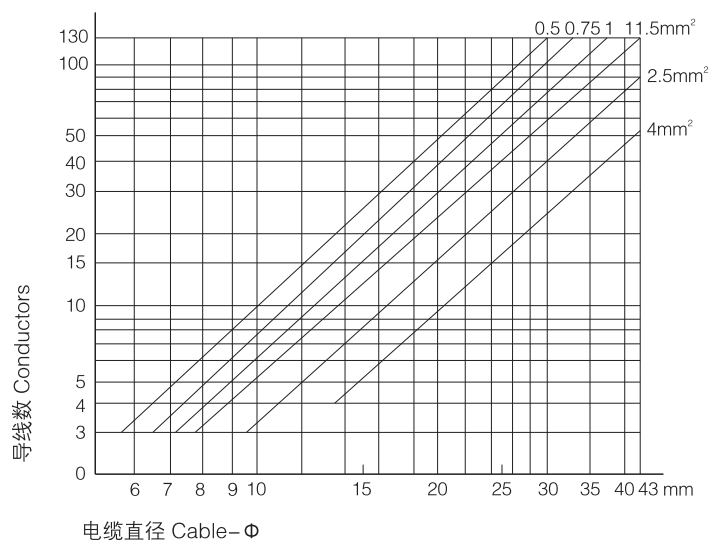


电缆 Cable:

电缆直径与导线规格及导线数的关系图如右:

The diagram shows different cable-diagrams, being dependent on wire gauges and number of conductors.

All data are averages for commercial cables





插芯 *Insert*

插芯选型指南 Insert Selection guide	6
HA系列 小型插芯 HA series Small insert	8
HE系列 常规型插芯及配件 HE series Normal insert and accessories	10
HEE系列 高密度型插芯及配件 HEE series High density insert and accessories	14
HD系列 超高密度型插芯及配件 HD series Ultra-High density inserts and accessories	17
HDD系列 超高密度型插芯 HDD series Ultra-High density inserts	20
HSB系列 大电流型插芯 HSB series high current type insert	22
HK系列 组合型插芯 HK series combination insert	23
HM系列 模块组合型 HM series modular model	27
HQ系列 紧凑小体积型插芯及配件 HQ series compact small volume insert and accessories	53

选型指南 SELECTION GUIDE

芯件对应针数和电气参数 Insert's pins number and Electrical parameters

系列Serie	型号P/N	针数量Contacts' Number	工作电流 Operating current A	工作电压 Operating voltage V	接线形式Wire Connection	冷压针镀银&镀金 Crimp Contacts Silver & Gold plated	适用外壳Suitable housings	
HA	HA-003	3+PE	10	250	螺钉压接 Screw	-	H3A	
	HA-004	4+PE	10	250	螺钉压接 Screw	-	H3A	
	HA-010	10+PE	16	250	螺钉压接 Screw	-	H10A	
	HA-016	16+PE	16	250	螺钉压接 Screw	-	H16A	
	HA-032	32+PE	16	250	螺钉压接 Screw	-	H32A	
	HAS-003	3+PE	10	400	弹片压接 Spring	-	H3A	
	HAS-004	4+PE	10	400	弹片压接 Spring	-	H3A	
系列Serie	型号P/N	针数量Contacts' Number	工作电流 Operating current A	工作电压 Operating voltage V	接线形式Wire Connection	冷压针镀银&镀金 Crimp Contacts Silver & Gold plated	适用外壳Suitable housings	
HE	HE-006	6+PE	16	500	螺钉压接 Screw	冷压针镀银&镀金 Crimp Contacts Silver & Gold plated	H6B	
	HE-010	10+PE	16	500	弹片压接 Spring		H10B	
	HE-016	16+PE	16	500	冷压接线 Crimp(Cold pressing)		镀银MCS16/FC16 Silver plated MCS16 / FCS16	H16B
	HE-024	24+PE	16	500	快速压接Fast Crimp		镀金MCG16/FCG16 Gold plated MCS16 / FCS16	H24B
	HE-032	32+PE	16	500	双弹片压接 Double Spring			H32B
	HE-048	48+PE	16	500				H48B
	系列Serie	型号P/N	针数量+高压保险针数量 Contacts' Number+High pressure safety contact numbers	工作电流 Operating current A	工作电压 Operating voltage V		接线形式 Wire Connection	冷压针镀银&镀金 Crimp Contacts Silver & Gold plated
HVE	HVE-003	3+PE+2	16	830	螺钉压接 Screw	-	H10B	
	HVE-006	6+PE+2	16	830		-	H16B	
	HVE-010	10+PE+2	16	830		-	H24B	
系列Serie	型号P/N	针数量Contacts' Number	工作电流 Operating current A	工作电压 Operating voltage V	接线形式Wire Connection	冷压针镀银&镀金 Crimp Contacts Silver & Gold plated	适用外壳Suitable housings	
HEE	HEE-010	10+PE	16	500	冷压接线 Crimp(Cold pressing)	冷压针镀银&镀金 Crimp Contacts Silver & Gold plated	H6B	
	HEE-018	18+PE	16	500			镀银MCS16/FC16 Silver plated MCS16 / FCS16	H10B
	HEE-032	32+PE	16	500			镀金MCG16/FCG16 Gold plated MCS16 / FCS16	H16B
	HEE-046	46+PE	16	500				H24B
	HEE-064	64+PE	16	500				H32B
	HEE-092	92+PE	16	500				H48B
	系列Serie	型号P/N	针数量Contacts' Number	工作电流 Operating current A			工作电压 Operating voltage V	接线形式Wire Connection
HEEE	HEEE-016	16+PE	16	400	冷压接线 Crimp(Cold pressing)	冷压针镀银&镀金 Crimp Contacts Silver & Gold plated	H6B	
	HEEE-024	24+PE	16	400			H10B	
	HEEE-040	40+PE	16	400			镀银MCS16/FC16 Silver plated MCS16 / FCS16	H16B
	HEEE-064	64+PE	16	400			镀金MCG16/FCG16 Gold plated MCS16 / FCS16	H24B
	HEEE-072	72+PE	16	400				H24B
	HEEE-080	80+PE	16	400				H32B
	HEEE-128	128+PE	16	400				H48B
	HEEE-144	144+PE	16	400				H48B
系列Serie	型号P/N	针数量Contacts' Number	工作电流 Operating current A	工作电压 Operating voltage V	接线形式Wire Connection	冷压针镀银&镀金 Crimp Contacts Silver & Gold plated	适用外壳Suitable housings	
HD	HD-007	7+PE	10	250	冷压接线 Crimp(Cold pressing)	冷压针镀银&镀金 Crimp Contacts Silver & Gold plated	H3A	
	HD-008	8	10	50			H3A	
	HD-015	15+PE	10	250			H10A	
	HD-025	25+PE	10	250			镀银MCNS10/FCNS10 Silver plated MCNS10 / FCNS10	H16A
	HD-040	40+PE	10	250			镀金MCNG10/FCNG10 Gold plated MCNG10 / FCNG10	H16B
	HD-050	50+PE	10	250				H32A
	HD-064	64+PE	10	250				H24B
	HD-080	80+PE	10	250				H32B
	HD-128	128+PE	10	250				H48B
系列Serie	型号P/N	针数量Contacts' Number	工作电流 Operating current A	工作电压 Operating voltage V	接线形式Wire Connection	冷压针镀银&镀金 Crimp Contacts Silver & Gold plated	适用外壳Suitable housings	
HDD	HDD-016	16+PE	10	250	冷压接线 Crimp(Cold pressing)	冷压针镀银&镀金 Crimp Contacts Silver & Gold plated	H6B	
	HDD-024	24+PE	10	250			H6B	
	HDD-042	42+PE	10	250			镀银MCNS10/FCNS10 Silver plated MCNS10 / FCNS10	H10B
	HDD-072	72+PE	10	250			镀金MCNG10/FCNG10 Gold plated MCNG10 / FCNG10	H16B
	HDD-108	108+PE	10	250				H24B
	HDD-144	144+PE	10	250				H32B
	HDD-216	216+PE	10	250				H48B
系列Serie	型号P/N	针数量Contacts' Number	工作电流 Operating current A	工作电压 Operating voltage V	接线形式Wire Connection	冷压针镀银&镀金 Crimp Contacts Silver & Gold plated	适用外壳Suitable housings	
HSB	HSB-006	6+PE	35	690	螺钉压接 Screw	-	H16B	
	HSB-012	12+PE	35	690	螺钉压接 Screw	-	H32B	
系列Serie	型号P/N	针数量Contacts' Number	工作电流 Operating current A	工作电压 Operating voltage V	接线形式Wire Connection	冷压针镀银&镀金 Crimp Contacts Silver & Gold plated	适用外壳Suitable housings	
HEAV	HEAV-006	6+PE	16	500	螺钉压接 Screw	-	H6B	
	HEAV-010	10+PE	16	500		-	H10B	
	HEAV-016	16+PE	16	500		弹片压接 Spring	-	H16B
	HEAV-024	24+PE	16	500		-	H24B	

选型指南 SELECTION GUIDE

芯件对应针数和电气参数 Insert's pins number and Electrical parameters

系列Serie	型号P/N	针数量Contacts' Number	工作电流Operating current A	工作电压Operating voltage V	接线形式Wire Connection	冷压针镀银&镀金 Crimp Contacts Silver & Gold plated	适用外壳Suitable housings	
HDAV	HDAV-040	40+PE	10	250	螺钉压接 Screw	-	H16B	
	HDAV-064	64+PE	10	250		-	H24B	
系列Serie	型号P/N	针数量Contacts' Number	工作电流Operating current A	工作电压Operating voltage V	接线形式Wire Connection			
HK HKW	HKN-4/0	4+PE	80	690	轴向压接 Axial Crimp	-	6B	
	HK-4/0	4+PE	80	690	螺钉压接 Screw	-	16B	
	HK-4/2	4/2+PE	80/16	690/400		-	16B	
	HK-4/8	4/8+PE	80/16	400/400		-	24B	
	HK-6/6	6/6+PE	100/16	690/400		-	24B	
	HK-8/0	8+PE	100	690	轴向压接 Axial Crimp	-	24B	
	HK-6/12	6/12+PE	40/10	690/400	冷压接 Crimp(Cold pressing)	-	16B	
	HK-6/36	6/36+PE	40/10	690/250		MCS40/FCS40 MCNS10/FCNS10	16B	
	HK-8/24	8/24+PE	16/10	400/250		MCS16/FCS16 MCNS10/FCNS10	10B	
	HK-12/2	12/2+PE	40/10	500/250	MCS40/FCS40 MCNS10/FCNS10	16B		
	HWK4/4	4/4+PE	40/16	690/400	螺钉压接 Screw	-	10B	
	HWK4/6	4/6+PE	40/16	690/400		-	16B	
	HWK6/6	6/6+PE	40/16	690/400		-	16B	
	HWK3/6/6	3/6/6+PE	100/40/16	690/690/400		-	24B	
系列Serie	型号P/N	针数量Contacts' Number	工作电流Operating current A	工作电压Operating voltage V	接线形式Wire Connection	冷压针镀银&镀金 Crimp Contacts Silver & Gold plated	适用外壳Suitable housings	
HQ	HQ-005	5+PE	16	400	冷压针接线 Crimp(Cold pressing)	MCS16/FCS16(MCG16/FCG16)	3A	
	HQ-007	7+PE	10	400	冷压针接线 Crimp(Cold pressing)D	MCNS10/FCNS10(MCNG10/FCNG10)	3A	
	HQ-008	8+PE	16	500	冷压针接线 Crimp(Cold pressing)E	MCS16/FCS16(MCG16/FCG16)	8A	
	HQ-017	17+PE	10	250	冷压针接线 Crimp(Cold pressing)D	MCNS10/FCNS10(MCNG10/FCNG10)	8A	
	HQ4/2	4/2	40/10	690	冷压针接线 Crimp(Cold pressing)E/D	MCS40/FCS40 MCNS10/FCNS10	8A	
	HQ-012	12+PE	10	400	冷压针接线 Crimp(Cold pressing)D	MCNS10/FCNS10(MCNG10/FCNG10)	3A	
系列Serie	型号P/N	针数量Contacts' Number	工作电流Operating current A	工作电压Operating voltage V	接线形式Wire Connection	冷压针镀银&镀金 Crimp Contacts Silver & Gold plated	适用外壳Suitable housings	
HM	H2MK-001	1	200	1000	冷压针接线 Crimp(Cold pressing) 轴向压接 Axial Crimp	MCK5200/FCK5200	HF6B HF10B HF16B HF24B	
	HMK-001	1	100	830	冷压针接线 Crimp(Cold pressing)	MCK5100/FCK5100		
	H2MK-002	2	100	1000	冷压针接线 Crimp(Cold pressing)	MCK5100/FCK5100		
	HMK-70-002	2	70	1000		MCK570/FCK570		
	HMK-002	2	40	1000	轴向压接 Axial Crimp	MCS40/FCS40		
	HMK-003	3	40	690	MCS40/FCS40			
	HMK-003/4	3/4	40/10	500	冷压接线 Crimp(Cold pressing)	MCS40/FCS40 MCNS10/FCNS10		
	HMK-004	4	40	830	MCS40/FCS40			
	HME-005	5	40	830	弹片压接 Spring	-		
	HME-006	6	16	400	冷压接线 Crimp(Cold pressing)	MCS16/FCS16(MCG16/FCG16)		
	HVME-006	6	16	500		MCS16/FCS16(MCG16/FCG16)		
	HMEE-008	8	16	400		MCS16/FCS16(MCG16/FCG16)		
	H2MEE-020	20	16	500		MCS16/FCS16(MCG16/FCG16)		
	HMD-012	12	10	250		MCNS10/FCNS10(MCNG10/FCNG10)		
	HMD-017	17	10	160		MCNS10/FCNS10(MCNG10/FCNG10)		
	HMD-009	9	5	50		MCS5/FCS5(MCG5/FCG5)		
	HMD-025	20	4	50		MCS5/FCS5(MCG5/FCG5)		
	HM-RJ45	8	1	50		RJ45接口 interface		-
	HMP-002	2	-	-		气动接口 Pneumatic interface		-
	HMP-003	3	-	-	-	-		
	PC-1.6	1	-	-	气动针 Pneumatic pin	-		
	PC-3.0	1	-	-		-		
	PC-4.0	1	-	-		-		
PC-6.0	1	-	-	-				
PCS-6.0	1	-	-	-				
HM-000	-	-	-	空置模块 Vacant modules	-			
系列Serie	型号P/N	可装配模块数量 Number of Assembly module					适用外壳 Suitable housings	
模块	HF6B	2					H6B	
	HF10B	3					10B	
	HF16B	4					16B	
	HF24B	6					24B	

HA 系列/ HA SERIES

技术参数 Technical Characteristics

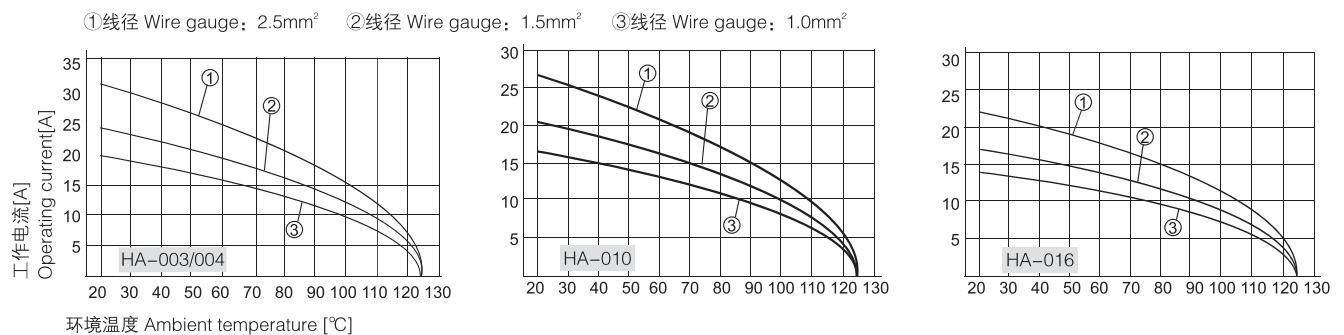
规范	Specifications	
规范	Specifications	DIN EN 60 664 DIN EN 61 984
插芯	Inserts	
接插件针数	Number Of Contacts	3,4,10,16,32(2x16)+PE
HA-003/004		
额定电流	Rated Current	10A
相对地额定电压	Rated Voltage Conductor-ground	230V
相间额定电压	Rated Voltage Conductor-conductor	400V
额定脉冲电压	Rated Impulse Voltage	4kV
污染程度	Pollution Degree	3
或	Or	10A 250V 4kV 3
HA-010/016		
额定电流	Rated Current	16A
额定电压	Rated Voltage	250V
额定脉冲电压	Rated Impulse Voltage	4kV
污染程度	Pollution Degree	3
污染等级2时的参数	Pollution Degree 2 Also	16A 230/400V 4kV 2
依据UL/CSA额定电压	Rated Voltage Acc.To UI CSA	600V
绝缘电阻	Insulation Resistance	$\geq 10^{10}\Omega$
材料	Material	聚碳酸酯 Polycarbonate
工作温度范围	Limiting Temperatures	-40°C...+125°C
阻燃等级	Flammability Acc.To UI94	V0
可拔插次数	Mechanical Working Life-mating Cycles	≥ 500
插针	Contacts	
材料	Material	铜合金 Copper Alloy
表面处理	Surface	镀金 Hard-gold Plated 镀银 Hard-silver Plated
接触电阻	Contact Resistance	$\leq 1m\Omega$
螺钉连接	Screw Terminal	
导线规格	Wire Gauge	1.0-2.5mm ²
AWG	AWG	18-14
拧紧力矩	Tightening Torque	0.25Nm (HA-003/004) or 0.5Nm (HA-010/016)

电流负载能力 Current Carrying Capacity


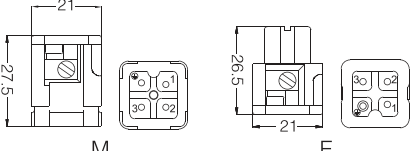

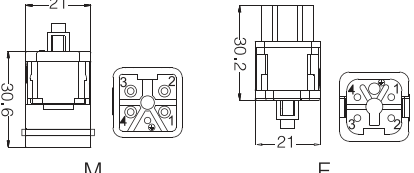

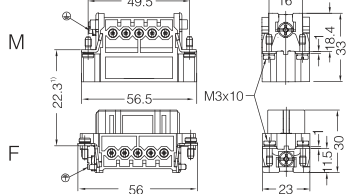

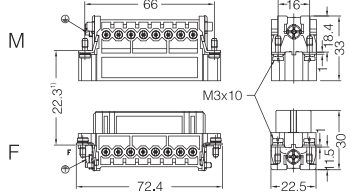

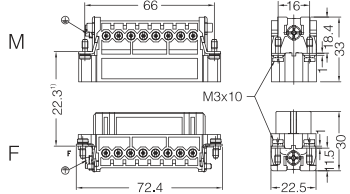
电流负载能力所受的限制主要来自包含接插针的接插体可承受的最大温度

The current carrying is limited by maximum temperature of materials for Inserts and contacts including terminals.

测试和控制过程依据 Measuring and testing techniques according to DIN EN 60512-5



HA 小型插芯 The Slim Inserts

HA 小型插芯 The Slim Inserts		插芯 Inserts	型号 Type	尺寸图 Dimensions
HA-003 螺丝连接		公 Male 母 Female	HA-003-M HA-003-F	
HA-004 螺丝连接		公 Male 母 Female	HA-004-M HA-004-F	
HA-010 螺丝连接		公 Male 母 Female	HA-010-M HA-010-F	
HA-016 螺丝连接		公 Male 母 Female	HA-016-M HA-016-F	
HA-032 螺丝连接		公 Male	HA-016-M(1-16) HA-016-M(17-32)	
		母 Female	HA-016-F(1-16) HA-016-F(17-32)	
	HA-032 Screw terminal			

技术参数 Technical Characteristics

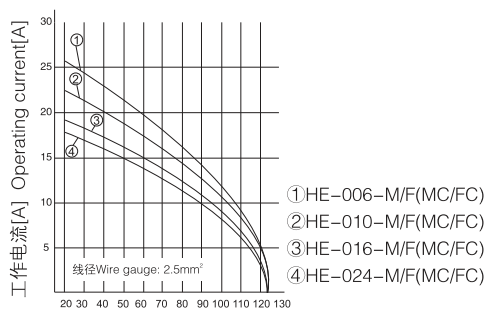
规范	Specifications	
规范	Specifications	DIN EN 60 664 DIN EN 61 984
插芯	Inserts	
依据 EN 61 984 的电气数据	Electrical Data Acc. To EN 61 984	
接插件针数	Number Of Contacts	6,10,16,24,32(2x16),48(2x24)+PE
额定电流	Rated Current	16A
额定电压	Rated Voltage	500V
额定脉冲电压	Rated Impulse Voltage	6kV
污染程度	Pollution Degree	3
污染等级2时的参数	Pollution Degree 2 Also	16A 400/690V 6kV 2
依据UL/CSA额定电压	Rated Voltage Acc.To UI CSA	600V
绝缘电阻	Insulation Resistance	≥10 ¹⁰ Ω
材料	Material	聚碳酸酯 Polycarbonate
工作温度范围	Limiting Temperatures	-40°C...+125°C
依据UL94阻燃等级	Flammability Acc.To UL94	V0
可拔插次数	Mechanical Working Life-mating Cycles	≥500
插针	Contacts	
材料	Material	铜合金 Copper Alloy
表面处理	Surface	镀金 Hard-gold Plated 镀银 Hard-silver Plated
接触电阻	Contact Resistance	≤1mΩ
螺钉连接	Screw Terminal	
导线规格	Wire Gauge	0.14-2.5mm ²
AWG	AWG	26-14
拧紧力矩	Tightening Torque	0.5Nm
剥线长度	Stripping length	7.0mm
冷压连接	Crimp Terminal	
导线规格	Wire Gauge	0.14-4.0mm ²
AWG	AWG	26-12
剥线长度	Stripping length	7.5mm
弹片连接	Cage-clamp	
导线规格	Wire Gauge	0.14-2.5mm ²
AWG	AWG	26-14
剥线长度	Stripping length	7-9mm

电流负载能力 Current Carrying Capacity

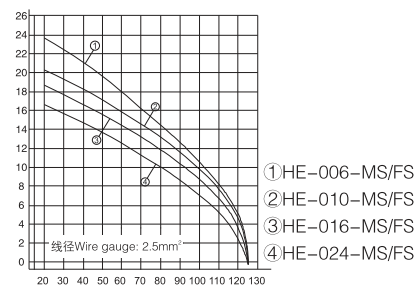
电流负载能力所受的限制主要来自包含接插针的接插体可承受的最大温度

The current carrying is limited by maximum temperature of materials for Inserts and contacts including terminals.


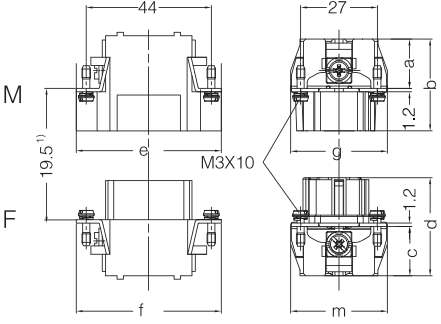



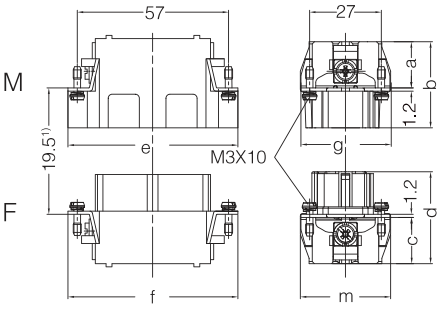



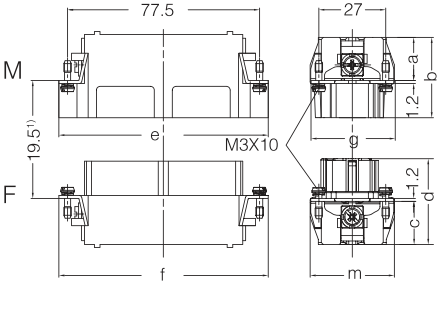


测试和控制过程依据 Measuring and testing techniques according to DIN EN 60512-5





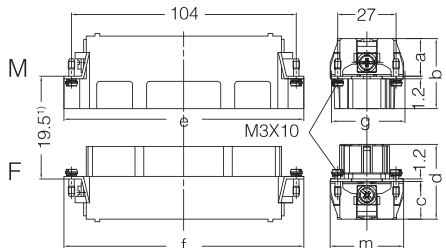

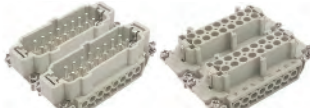

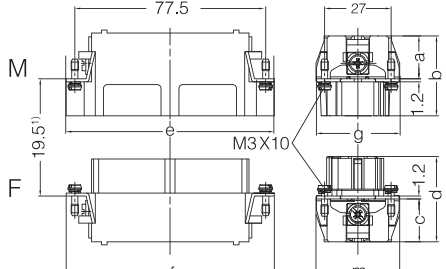



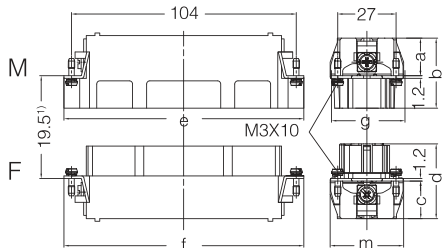

环境温度 Ambient temperature [°C]




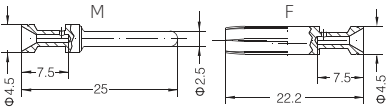



HE 常规型插芯 Standard Inserts

		插芯 Inserts	型号 Type	尺寸图 Dimensions																																				
HE-006 螺丝连接		公 Male 母 Female	HE-006-M HE-006-F	<p>500V 16A 6+ ⊕</p> <p>接插体之间的最大距离21mm 匹配 6B 外壳 Distance for contact max.21mm Matching 6B Hood Housing</p>  <table border="1"> <thead> <tr> <th></th> <th>a</th> <th>b</th> <th>e</th> <th>g</th> <th>c</th> <th>d</th> <th>f</th> <th>m</th> </tr> </thead> <tbody> <tr> <td>M/F</td> <td>16</td> <td>32.4</td> <td>51</td> <td>34</td> <td>16.8</td> <td>34.5</td> <td>50.5</td> <td>34</td> </tr> <tr> <td>MC/FC</td> <td>18</td> <td>33</td> <td>51</td> <td>34</td> <td>18</td> <td>35</td> <td>50.5</td> <td>34</td> </tr> <tr> <td>MS/FS</td> <td>18</td> <td>33.3</td> <td>51</td> <td>34</td> <td>18.2</td> <td>35.4</td> <td>50.5</td> <td>34</td> </tr> </tbody> </table>		a	b	e	g	c	d	f	m	M/F	16	32.4	51	34	16.8	34.5	50.5	34	MC/FC	18	33	51	34	18	35	50.5	34	MS/FS	18	33.3	51	34	18.2	35.4	50.5	34
	a	b	e		g	c	d	f	m																															
M/F	16	32.4	51		34	16.8	34.5	50.5	34																															
MC/FC	18	33	51		34	18	35	50.5	34																															
MS/FS	18	33.3	51	34	18.2	35.4	50.5	34																																
HE-006 冷压连接		公 Male 母 Female	HE-006-MC HE-006-FC																																					
HE-006 弹片连接		公 Male 母 Female	HE-006-MS HE-006-FS																																					
HE-006 弹片连接	HE-006 Cage-clamp																																							
HE-010 螺丝连接		公 Male 母 Female	HE-010-M HE-010-F	<p>500V 16A 10+ ⊕</p> <p>接插体之间的最大距离21mm 匹配 10B 外壳 Distance for contact max.21mm Matching 10B Hood Housing</p>  <table border="1"> <thead> <tr> <th></th> <th>a</th> <th>b</th> <th>e</th> <th>g</th> <th>c</th> <th>d</th> <th>f</th> <th>m</th> </tr> </thead> <tbody> <tr> <td>M/F</td> <td>16.5</td> <td>32</td> <td>64.5</td> <td>34</td> <td>16.8</td> <td>34.2</td> <td>64</td> <td>34</td> </tr> <tr> <td>MC/FC</td> <td>18</td> <td>33</td> <td>64</td> <td>34</td> <td>17.5</td> <td>35.2</td> <td>64</td> <td>34</td> </tr> <tr> <td>MS/FS</td> <td>18.5</td> <td>33.5</td> <td>64</td> <td>34</td> <td>18.5</td> <td>35.6</td> <td>64</td> <td>34</td> </tr> </tbody> </table>		a	b	e	g	c	d	f	m	M/F	16.5	32	64.5	34	16.8	34.2	64	34	MC/FC	18	33	64	34	17.5	35.2	64	34	MS/FS	18.5	33.5	64	34	18.5	35.6	64	34
	a	b	e		g	c	d	f	m																															
M/F	16.5	32	64.5		34	16.8	34.2	64	34																															
MC/FC	18	33	64		34	17.5	35.2	64	34																															
MS/FS	18.5	33.5	64	34	18.5	35.6	64	34																																
HE-010 冷压连接		公 Male 母 Female	HE-010-MC HE-010-FC																																					
HE-010 弹片连接		公 Male 母 Female	HE-010-MS HE-010-FS																																					
HE-010 弹片连接	HE-010 Cage-clamp																																							
HE-016 螺丝连接		公 Male 母 Female	HE-016-M HE-016-F	<p>500V 16A 16+ ⊕</p> <p>接插体之间的最大距离21mm 匹配 16B 外壳 Distance for contact max.21mm Matching 16B Hood Housing</p>  <table border="1"> <thead> <tr> <th></th> <th>a</th> <th>b</th> <th>e</th> <th>g</th> <th>c</th> <th>d</th> <th>f</th> <th>m</th> </tr> </thead> <tbody> <tr> <td>M/F</td> <td>17</td> <td>32.5</td> <td>84.2</td> <td>34</td> <td>17</td> <td>34.5</td> <td>84.2</td> <td>33.5</td> </tr> <tr> <td>MC/FC</td> <td>18</td> <td>33.5</td> <td>84.5</td> <td>34</td> <td>18</td> <td>35</td> <td>84.5</td> <td>34</td> </tr> <tr> <td>MS/FS</td> <td>18</td> <td>33.7</td> <td>84.5</td> <td>34</td> <td>18.2</td> <td>35.5</td> <td>84.5</td> <td>34</td> </tr> </tbody> </table>		a	b	e	g	c	d	f	m	M/F	17	32.5	84.2	34	17	34.5	84.2	33.5	MC/FC	18	33.5	84.5	34	18	35	84.5	34	MS/FS	18	33.7	84.5	34	18.2	35.5	84.5	34
	a	b	e		g	c	d	f	m																															
M/F	17	32.5	84.2		34	17	34.5	84.2	33.5																															
MC/FC	18	33.5	84.5		34	18	35	84.5	34																															
MS/FS	18	33.7	84.5	34	18.2	35.5	84.5	34																																
HE-016 冷压连接		公 Male 母 Female	HE-016-MC HE-016-FC																																					
HE-016 弹片连接		公 Male 母 Female	HE-016-MS HE-016-FS																																					
HE-016 弹片连接	HE-016 Cage-clamp																																							

HE 常规型插芯 Standard Inserts

		插芯 Inserts	型号 Type	尺寸图 Dimensions																																				
HE-024 螺丝连接		公 Male 母 Female	HE-024-M HE-024-F	500V 16A 24 \pm 接插体之间的最大距离21mm 匹配 24B 外壳 Distance for contact max.21mm Matching 24B Hood Housing																																				
HE-024 冷压连接		公 Male 母 Female	HE-024-MC HE-024-FC	 <table border="1" data-bbox="1029 668 1476 765"> <thead> <tr> <th></th> <th>a</th> <th>b</th> <th>e</th> <th>g</th> <th>c</th> <th>d</th> <th>f</th> <th>m</th> </tr> </thead> <tbody> <tr> <td>M/F</td> <td>17</td> <td>32.5</td> <td>111</td> <td>33.5</td> <td>17</td> <td>34.5</td> <td>111</td> <td>33.5</td> </tr> <tr> <td>MC/FC</td> <td>18.3</td> <td>33.5</td> <td>111</td> <td>34</td> <td>18.3</td> <td>35.5</td> <td>111</td> <td>34</td> </tr> <tr> <td>MS/FS</td> <td>18.5</td> <td>33.6</td> <td>111</td> <td>34</td> <td>18.5</td> <td>35.6</td> <td>111</td> <td>34</td> </tr> </tbody> </table>		a	b	e	g	c	d	f	m	M/F	17	32.5	111	33.5	17	34.5	111	33.5	MC/FC	18.3	33.5	111	34	18.3	35.5	111	34	MS/FS	18.5	33.6	111	34	18.5	35.6	111	34
	a	b	e		g	c	d	f	m																															
M/F	17	32.5	111		33.5	17	34.5	111	33.5																															
MC/FC	18.3	33.5	111	34	18.3	35.5	111	34																																
MS/FS	18.5	33.6	111	34	18.5	35.6	111	34																																
HE-024 弹片连接		公 Male 母 Female	HE-024-MS HE-024-FS																																					
HE-032 螺丝连接		公 Male 母 Female	HE-016-M(1-16) HE-016-M(17-32) HE-016-F(1-16) HE-016-F(17-32)	500V 16A 32 \pm 接插体之间的最大距离21mm 匹配 32B 外壳 Distance for contact max.21mm Matching 32B Hood Housing																																				
HE-032 冷压连接		公 Male 母 Female	HE-016-MC(1-16) HE-016-MC(17-32) HE-016-FC(1-16) HE-016-FC(17-32)	 <table border="1" data-bbox="1029 1315 1476 1412"> <thead> <tr> <th></th> <th>a</th> <th>b</th> <th>e</th> <th>g</th> <th>c</th> <th>d</th> <th>f</th> <th>m</th> </tr> </thead> <tbody> <tr> <td>M/F</td> <td>17</td> <td>32.5</td> <td>84.2</td> <td>34</td> <td>17</td> <td>34.5</td> <td>84.2</td> <td>33.5</td> </tr> <tr> <td>MC/FC</td> <td>18</td> <td>33.5</td> <td>84.5</td> <td>34</td> <td>18</td> <td>35</td> <td>84.5</td> <td>34</td> </tr> <tr> <td>MS/FS</td> <td>18</td> <td>33.7</td> <td>84.5</td> <td>34</td> <td>18.2</td> <td>35.5</td> <td>84.5</td> <td>34</td> </tr> </tbody> </table>		a	b	e	g	c	d	f	m	M/F	17	32.5	84.2	34	17	34.5	84.2	33.5	MC/FC	18	33.5	84.5	34	18	35	84.5	34	MS/FS	18	33.7	84.5	34	18.2	35.5	84.5	34
	a	b	e		g	c	d	f	m																															
M/F	17	32.5	84.2		34	17	34.5	84.2	33.5																															
MC/FC	18	33.5	84.5	34	18	35	84.5	34																																
MS/FS	18	33.7	84.5	34	18.2	35.5	84.5	34																																
HE-032 弹片连接		公 Male 母 Female	HE-016-MS(1-16) HE-016-MS(17-32) HE-016-FS(1-16) HE-016-FS(17-32)																																					
HE-048 螺丝连接		公 Male 母 Female	HE-024-M(1-24) HE-024-M(25-48) HE-024-F(1-24) HE-024-F(25-48)	500V 16A 48 \pm 接插体之间的最大距离21mm 匹配 48B 外壳 Distance for contact max.21mm Matching 48B Hood Housing																																				
HE-048 冷压连接		公 Male 母 Female	HE-024-MC(1-24) HE-024-MC(25-48) HE-024-FC(1-24) HE-024-FC(25-48)	 <table border="1" data-bbox="1029 1961 1476 2058"> <thead> <tr> <th></th> <th>a</th> <th>b</th> <th>e</th> <th>g</th> <th>c</th> <th>d</th> <th>f</th> <th>m</th> </tr> </thead> <tbody> <tr> <td>M/F</td> <td>17</td> <td>32.5</td> <td>111</td> <td>33.5</td> <td>17</td> <td>34.5</td> <td>111</td> <td>33.5</td> </tr> <tr> <td>MC/FC</td> <td>18.3</td> <td>33.5</td> <td>111</td> <td>34</td> <td>18.3</td> <td>35.5</td> <td>111</td> <td>34</td> </tr> <tr> <td>MS/FS</td> <td>18.5</td> <td>33.6</td> <td>111</td> <td>34</td> <td>18.5</td> <td>35.6</td> <td>111</td> <td>34</td> </tr> </tbody> </table>		a	b	e	g	c	d	f	m	M/F	17	32.5	111	33.5	17	34.5	111	33.5	MC/FC	18.3	33.5	111	34	18.3	35.5	111	34	MS/FS	18.5	33.6	111	34	18.5	35.6	111	34
	a	b	e		g	c	d	f	m																															
M/F	17	32.5	111		33.5	17	34.5	111	33.5																															
MC/FC	18.3	33.5	111	34	18.3	35.5	111	34																																
MS/FS	18.5	33.6	111	34	18.5	35.6	111	34																																
HE-048 弹片连接		公 Male 母 Female	HE-024-MS(1-24) HE-024-MS(25-48) HE-024-FS(1-24) HE-024-FS(25-48)																																					

附件 Accessories

16A 冷压针 Crimp contacts	公 Male	母 Female	尺寸图 Dimensions																																			
接触电阻 Contact resistance $\leq 1m\Omega$ 镀银 Silver plated 	MCS16-0.37 MCS16-0.5 MCS16-0.75 MCS16-1.0 MCS16-1.5 MCS16-2.5 MCS16-3.0 MCS16-4.0	FCS16-0.37 FCS16-0.5 FCS16-0.75 FCS16-1.0 FCS16-1.5 FCS16-2.5 FCS16-3.0 FCS16-4.0	 <table border="1"> <thead> <tr> <th>标示 Identification</th> <th>线规 Wire gauge</th> <th>剥线长度 Stripping length</th> </tr> </thead> <tbody> <tr> <td>no groove</td> <td>0.14-0.37mm²</td> <td>AWG 26-22</td> <td>7.5mm</td> </tr> <tr> <td>no groove</td> <td>0.5mm²</td> <td>AWG 20</td> <td>7.5mm</td> </tr> <tr> <td>1 groove</td> <td>0.75mm²</td> <td>AWG 18</td> <td>7.5mm</td> </tr> <tr> <td>1 groove</td> <td>1.0mm²</td> <td>AWG 18</td> <td>7.5mm</td> </tr> <tr> <td>2 groove</td> <td>1.5mm²</td> <td>AWG 16</td> <td>7.5mm</td> </tr> <tr> <td>3 groove</td> <td>2.5mm²</td> <td>AWG 14</td> <td>7.5mm</td> </tr> <tr> <td>wide groove</td> <td>3mm²</td> <td>AWG 12</td> <td>7.5mm</td> </tr> <tr> <td>no groove</td> <td>4mm²</td> <td>AWG 12</td> <td>7.5mm</td> </tr> </tbody> </table>	标示 Identification	线规 Wire gauge	剥线长度 Stripping length	no groove	0.14-0.37mm ²	AWG 26-22	7.5mm	no groove	0.5mm ²	AWG 20	7.5mm	1 groove	0.75mm ²	AWG 18	7.5mm	1 groove	1.0mm ²	AWG 18	7.5mm	2 groove	1.5mm ²	AWG 16	7.5mm	3 groove	2.5mm ²	AWG 14	7.5mm	wide groove	3mm ²	AWG 12	7.5mm	no groove	4mm ²	AWG 12	7.5mm
标示 Identification	线规 Wire gauge	剥线长度 Stripping length																																				
no groove	0.14-0.37mm ²	AWG 26-22	7.5mm																																			
no groove	0.5mm ²	AWG 20	7.5mm																																			
1 groove	0.75mm ²	AWG 18	7.5mm																																			
1 groove	1.0mm ²	AWG 18	7.5mm																																			
2 groove	1.5mm ²	AWG 16	7.5mm																																			
3 groove	2.5mm ²	AWG 14	7.5mm																																			
wide groove	3mm ²	AWG 12	7.5mm																																			
no groove	4mm ²	AWG 12	7.5mm																																			
镀金 Gold plated 	MCG16-0.37 MCG16-0.5 MCG16-0.75 MCG16-1.0 MCG16-1.5 MCG16-2.5 MCG16-4.0	FCG16-0.37 FCG16-0.5 FCG16-0.75 FCG16-1.0 FCG16-1.5 FCG16-2.5 FCG16-4.0																																				
冷压钳 Crimping tool 	压接线径 Wire gauge 0.5-4mm ²	型号 Type TL02																																				
退针器 Removal tool 	适用类型 For 16A 冷压针 16A Crimp contacts	型号 Type TL01																																				

技术参数 Technical Characteristics

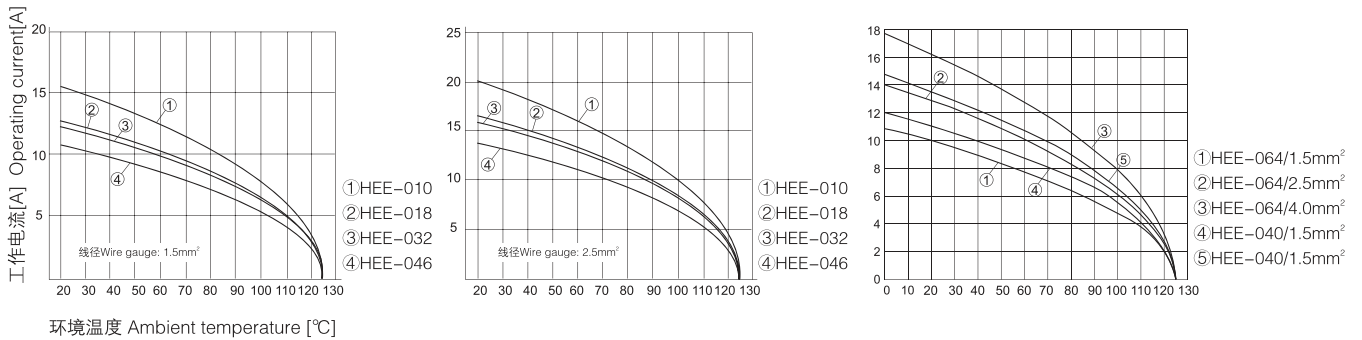
规范	Specifications	
规范	Specifications	DIN EN 60 664 DIN EN 61 984
插芯	Inserts	
依据 EN 61 984的电气数据	Electrical Data Acc. To EN 61 984	
接插件针数	Number Of Contacts	10,18,32,46,40,64(2x32),92(2x46)+PE
额定电流	Rated Current	16A
额定电压	Rated Voltage	500V
额定脉冲电压	Rated Impulse Voltage	6kV
污染程度	Pollution Degree	3
污染等级2时的参数	Pollution Degree 2 Also	16A 830 8kV 2
依据UL/CSA额定电压	Rated Voltage Acc.To UI CSA	600V
绝缘电阻	Insulation Resistance	≥10 ¹⁰ Ω
材料	Material	聚碳酸酯 Polycarbonate
工作温度范围	Limiting Temperatures	-40°C...+125°C
依据阻燃等级	Flammability Acc.To UL94	V0
可拔插次数	Mechanical Working Life-mating Cycles	≥500
插针	Contacts	
材料	Material	铜合金 Copper Alloy
表面处理	Surface	镀金 Hard-gold Plated 镀银 Hard-silver Plated
接触电阻	Contact Resistance	≤1mΩ
冷压连接	Crimp Terminal	
导线规格	Wire Gauge	0.14-4.0mm ²
AWG	Awg	26-12
剥线长度	Stripping length	7.5mm

电流负载能力 Current Carrying Capacity

电流负载能力所受的限制主要来自包含接插针的接插体可承受的最大温度

The current carrying is limited by maximum temperature of materials for Inserts and contacts including terminals.

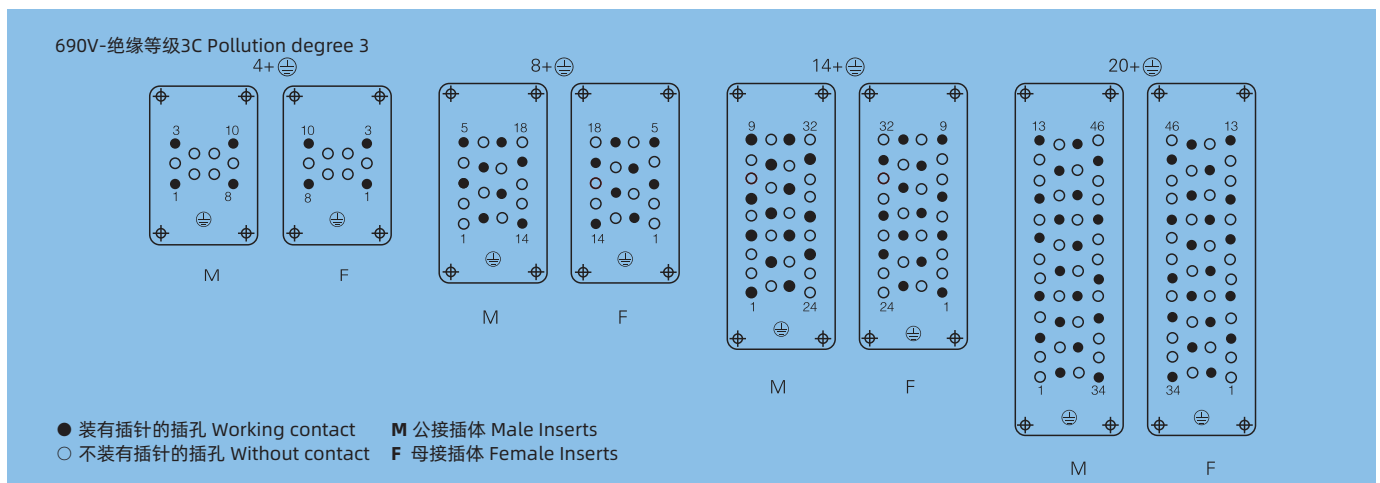
测试和控制过程依据 Measuring and testing techniques according to DIN EN 60512-5



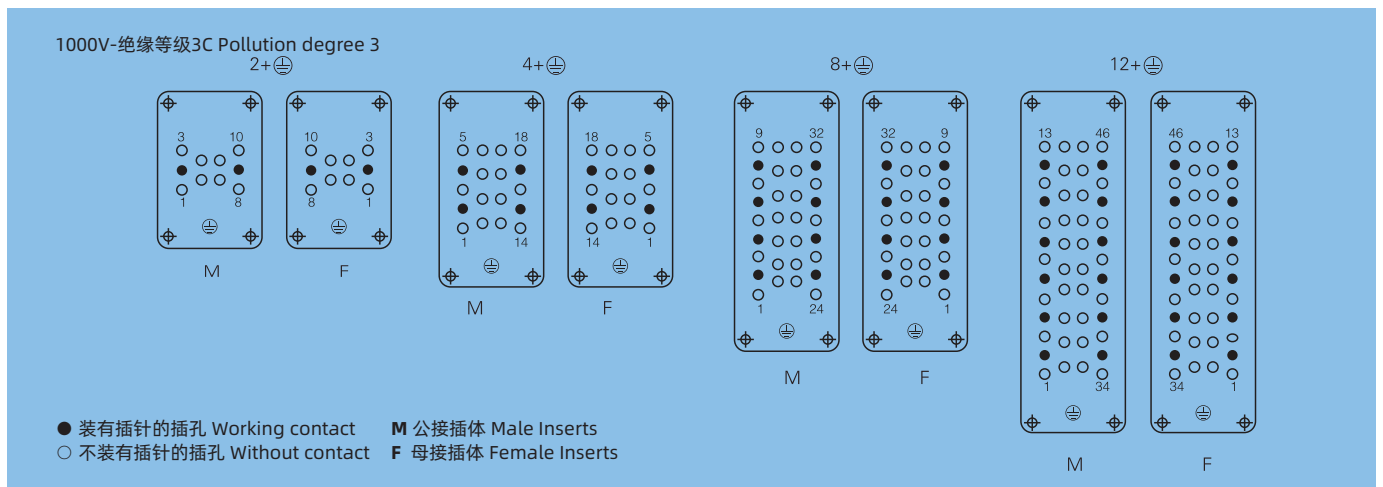
HEE调整插针分布可提高工作电压至1000V/ Modified contact arrangement up to 1000V

HEE接插体在装满针时,在绝缘等级3(C)时,其工作电压可达到500V。但其插针分布经过调整,同样在绝缘等级3(C)时,其工作电压允许值可达到1000V。
The connector seris HEE equipped with all contacts may be used for voltages up to 500V ~ pollution degree 3.A modified contact loading arrangement permits use up to 1000V ~ pollution degree also in pollution degree C.

调整后插针分布 Contact arrangement view from termination side

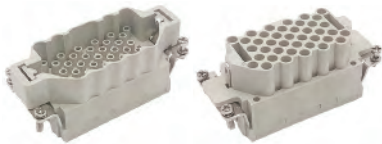
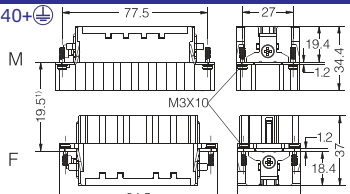

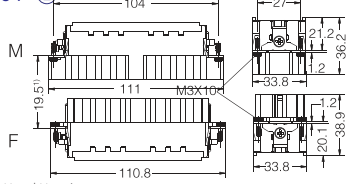


调整后插针分布 Contact arrangement view from termination side


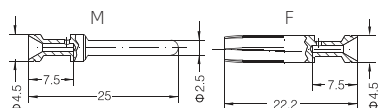





高密度型插芯 High-Density Inserts

	插芯 Inserts	型号 Type	尺寸图 Dimensions
<p>HEE-010 冷压连接</p> <p>HEE-010 Crimp terminal</p>	公 Male 母 Female	HEE-010-MC HEE-010-FC	<p>500V 16A 10+ ⊕</p> <p>匹配 6B 外壳 Matching 6B Hood Housing</p>
<p>HEE-018 冷压连接</p> <p>HEE-018 Crimp terminal</p>	公 Male 母 Female	HEE-018-MC HEE-018-FC	<p>500V 16A 18+ ⊕</p> <p>匹配 10B 外壳 Matching 10B Hood Housing</p>
<p>HEE-032 冷压连接</p> <p>HEE-032 Crimp terminal</p>	公 Male 母 Female	HEE-032-MC HEE-032-FC	<p>500V 16A 32+ ⊕</p> <p>匹配 16B 外壳 Matching 16B Hood Housing</p>
<p>HEE-046 冷压连接</p> <p>HEE-046 Crimp terminal</p>	公 Male 母 Female	HEE-046-MC HEE-046-FC	<p>500V 16A 46+ ⊕</p> <p>匹配 24B 外壳 Matching 24B Hood Housing</p>
<p>HEE-064 冷压连接</p> <p>HEE-064 Crimp terminal</p>	公 Male 母 Female	HEE-032-MC(1-32) HEE-032-MC(33-64) HEE-032-FC(1-32) HEE-032-FC(33-64)	<p>500V 16A 64+ ⊕</p> <p>匹配 32B 外壳 Matching 32B Hood Housing</p>
<p>HEE-092 冷压连接</p> <p>HEE-092 Crimp terminal</p>	公 Male 母 Female	HEE-046-MC(1-46) HEE-046-MC(47-92) HEE-046-FC(1-46) HEE-046-FC(47-92)	<p>500V 16A 92+ ⊕</p> <p>匹配 48B 外壳 Matching 48B Hood Housing</p>

<p>HEEE-040 冷压连接</p>  <p>HEEE-040 Crimp terminal</p>	<p>插芯 Inserts 公 Male 母 Female</p>	<p>型号 Type HEEE-040-MC HEEE-040-FC</p>	<p>500V 16A 40+ \oplus</p> <p>尺寸图 Dimensions</p>  <p>匹配 16B 外壳 Matching 16B Hood Housing</p>
<p>HEEE-064 冷压连接</p>  <p>HEEE-064 Crimp terminal</p>	<p>公 Male 母 Female</p>	<p>HEEE-064-MC HEEE-064-FC</p>	<p>500V 16A 64+ \oplus</p>  <p>匹配 24B 外壳 Matching 24B Hood Housing</p>

附件 Accessories

<p>16A 冷压针 Crimp contacts 接触电阻 Contact resistance $\leq 1m\Omega$ 镀银 Silver plated</p> 	<p>公 Male MCS16-0.37 MCS16-0.5 MCS16-0.75 MCS16-1.0 MCS16-1.5 MCS16-2.5 MCS16-3.0 MCS16-4.0</p>	<p>母 Female FCS16-0.37 FCS16-0.5 FCS16-0.75 FCS16-1.0 FCS16-1.5 FCS16-2.5 FCS16-3.0 FCS16-4.0</p>	<p>尺寸图 Dimensions</p>  <table border="1" data-bbox="1061 786 1444 1002"> <thead> <tr> <th>标示 Identification</th> <th>线规 Wire gauge</th> <th>剥线长度 Stripping length</th> </tr> </thead> <tbody> <tr> <td>no groove</td> <td>0.14-0.37mm²</td> <td>AWG 26-22</td> <td>7.5mm</td> </tr> <tr> <td>no groove</td> <td>0.5mm²</td> <td>AWG 20</td> <td>7.5mm</td> </tr> <tr> <td>1 groove</td> <td>0.75mm²</td> <td>AWG 18</td> <td>7.5mm</td> </tr> <tr> <td>1 groove</td> <td>1.0mm²</td> <td>AWG 18</td> <td>7.5mm</td> </tr> <tr> <td>2 groove</td> <td>1.5mm²</td> <td>AWG 16</td> <td>7.5mm</td> </tr> <tr> <td>3 groove</td> <td>2.5mm²</td> <td>AWG 14</td> <td>7.5mm</td> </tr> <tr> <td>wide groove</td> <td>3mm²</td> <td>AWG 12</td> <td>7.5mm</td> </tr> <tr> <td>no groove</td> <td>4mm²</td> <td>AWG 12</td> <td>7.5mm</td> </tr> </tbody> </table>	标示 Identification	线规 Wire gauge	剥线长度 Stripping length	no groove	0.14-0.37mm ²	AWG 26-22	7.5mm	no groove	0.5mm ²	AWG 20	7.5mm	1 groove	0.75mm ²	AWG 18	7.5mm	1 groove	1.0mm ²	AWG 18	7.5mm	2 groove	1.5mm ²	AWG 16	7.5mm	3 groove	2.5mm ²	AWG 14	7.5mm	wide groove	3mm ²	AWG 12	7.5mm	no groove	4mm ²	AWG 12	7.5mm
标示 Identification	线规 Wire gauge	剥线长度 Stripping length																																				
no groove	0.14-0.37mm ²	AWG 26-22	7.5mm																																			
no groove	0.5mm ²	AWG 20	7.5mm																																			
1 groove	0.75mm ²	AWG 18	7.5mm																																			
1 groove	1.0mm ²	AWG 18	7.5mm																																			
2 groove	1.5mm ²	AWG 16	7.5mm																																			
3 groove	2.5mm ²	AWG 14	7.5mm																																			
wide groove	3mm ²	AWG 12	7.5mm																																			
no groove	4mm ²	AWG 12	7.5mm																																			
<p>镀金 Gold plated</p> 	<p>MCG16-0.37 MCG16-0.5 MCG16-0.75 MCG16-1.0 MCG16-1.5 MCG16-2.5 MCG16-4.0</p>	<p>FCG16-0.37 FCG16-0.5 FCG16-0.75 FCG16-1.0 FCG16-1.5 FCG16-2.5 FCG16-4.0</p>																																				
<p>冷压钳 Crimping tool</p> 	<p>压接线径 Wire gauge 0.5-4mm²</p>	<p>型号 Type TL02</p>																																				
<p>退针器 Removal tool</p> 	<p>适用类型 For 16A 冷压针 16A Crimp contacts</p>	<p>型号 Type TL01</p>																																				

技术参数 Technical Characteristics

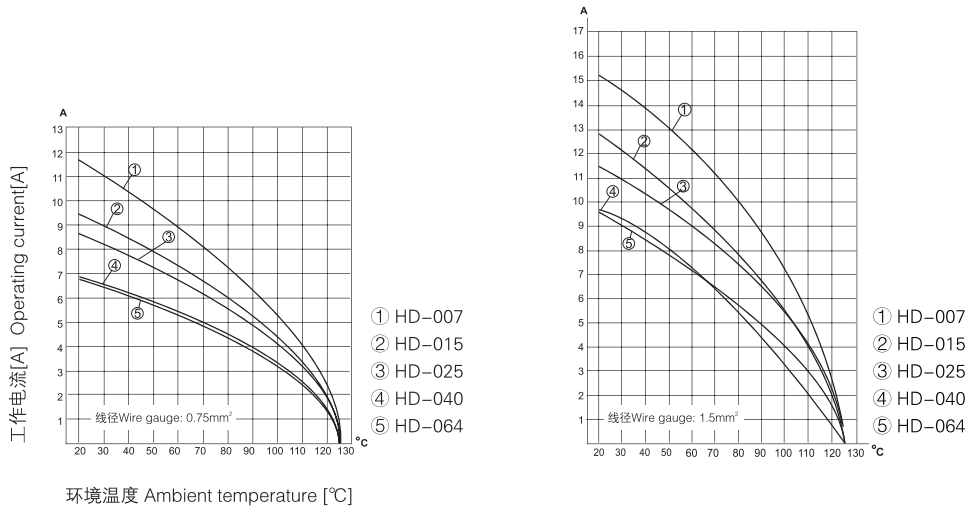
规范	Specifications	
规范	Specifications	DIN EN 60 664 DIN EN 61 984
插芯	Inserts	
依据 EN 61 984 的电气数据	Electrical Data Acc. To EN 61 984	
接插件针数	Number Of Contacts	7,8,15,25,40,50(25x2),64,80(40x2),128(64x2)+PE
额定电流	Rated Current	10A
额定电压	Rated Voltage	250V
额定脉冲电压	Rated Impulse Voltage	4kV
污染程度	Pollution Degree	3
污染等级2时的参数	Pollution Degree 2 Also	10A 230/400V 4kV 2
依据UL/CSA额定电压	Rated Voltage Acc.To UI CSA	600V
依据CSA绕线连接的额定电压	Rated Voltage For Wrap Terminal Acc.To CSA	2A 30V
HD-008的电气数据		
额定电流	Rated Current	10A
额定电压	Rated Voltage	~50V/-120V
额定脉冲电压	Rated Impulse Voltage	4kV
污染程度	Pollution Degree	3
依据UL/CSA额定电压	Rated Voltage Acc.To UI CSA	50V
额定电压 (直流电压)	Rated Voltage	120V
绝缘电阻	Insulation Resistance	≥10 ¹⁰ Ω
材料	Material	聚碳酸酯 Polycarbonate
工作温度范围	Limiting Temperatures	-40°C...+125°C
依据UL94阻燃等级	Flammability Acc.To UL94	V0
可拔插次数	Mechanical Working Life-mating Cycles	≥500
插针	Contacts	
材料	Material	铜合金 Copper Alloy
表面处理	Surface	镀金 Hard-gold Plated 镀银 Hard-silver Plated
接触电阻	Contact Resistance	≤3mΩ
冷压连接	Crimp Terminal	
导线规格	Wire Gauge	0.14-2.5mm ²
AWG	AWG	26-14

电流负载能力 Current Carrying Capacity

电流负载能力所受的限制主要来自包含接插针的接插体可承受的最大温度

The current carrying is limited by maximum temperature of materials for Inserts and contacts including terminals.

测试和控制过程依据 Measuring and testing techniques according to DIN EN 60512-5

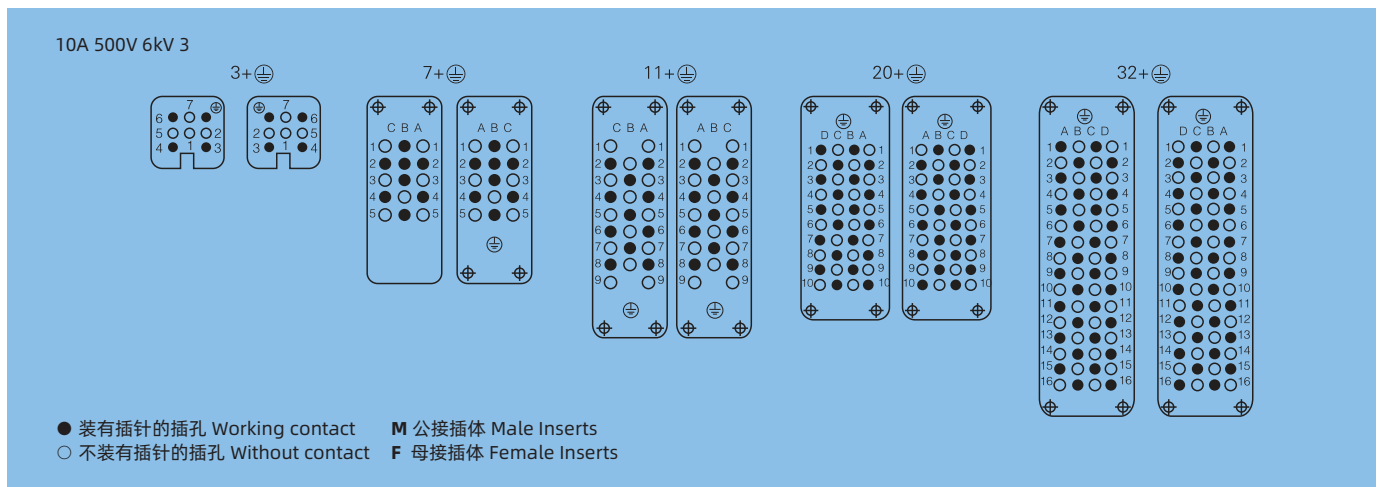


HD调整插针分布可提高工作电压至500V/ Modified contact arrangement up to 500V


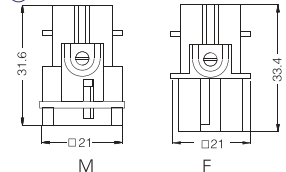

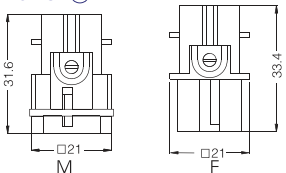

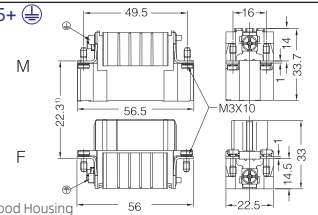
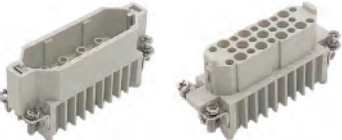
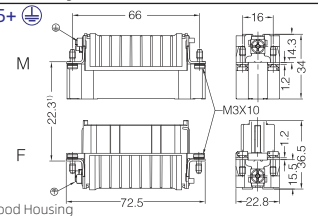

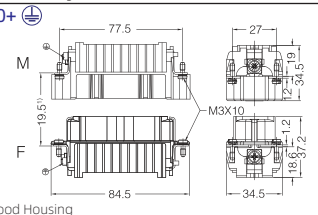
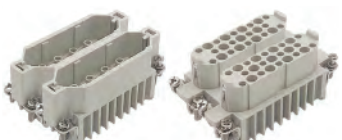
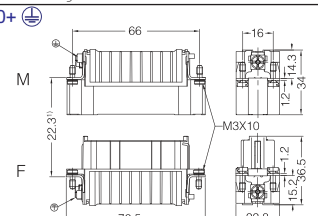
HD接插体在装满针时,在绝缘等级3(C)时,其工作电压可达到250V。但其插针分布经过调整,同样在绝缘等级3(C)时,其工作电压允许值可达到500V。

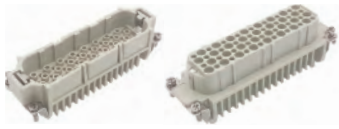
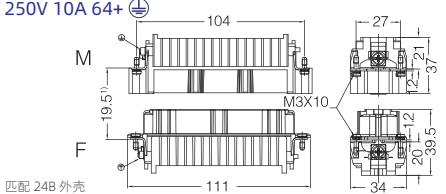

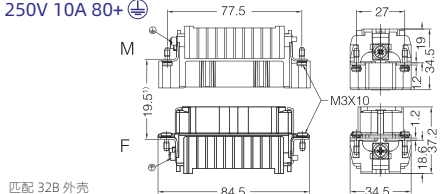
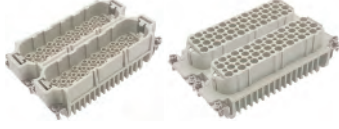
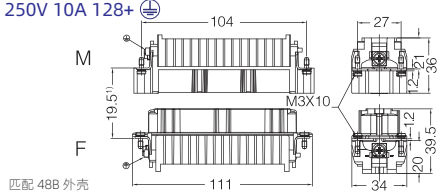
The connector seris HD equipped with all contacts may be used for voltages up to 250V ~ pollution degree 3. A modified contact loading arrangement permits use up to 500V ~ pollution degree also in pollution degree C.

调整后插针分布 Contact arrangement view from termination side


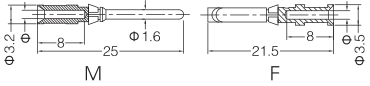





HD 超高密度型插芯 Ultra-High Density Inserts

HD-007 冷压连接	插芯 Inserts 公 Male 母 Female	型号 Type HD-007-MCN HD-007-FCN	尺寸图 Dimensions 250V 10A 7+ ⊕
 HD-007 Crimp terminal			 匹配 3A 外壳 Matching 3A Hood Housing
 HD-008 Crimp terminal	公 Male 母 Female	HD-008-MCN HD-008-FCN	 匹配 3A 外壳 Matching 3A Hood Housing
 HD-015 Crimp terminal	公 Male 母 Female	HD-015-MCN HD-015-FCN	 匹配 10A 外壳 Matching 10A Hood Housing
 HD-025 Crimp terminal	公 Male 母 Female	HD-025-MCN HD-025-FCN	 匹配 16A 外壳 Matching 16A Hood Housing
 HD-040 Crimp terminal	公 Male 母 Female	HD-040-MCN HD-040-FCN	 匹配 16B 外壳 Matching 16B Hood Housing
 HD-050 Crimp terminal	公 Male	HD-025-MCN(1-25) HD-025-MCN(1-25)	 匹配 32A 外壳 Matching 32A Hood Housing
	母 Female	HD-025-FCN(1-25) HD-025-FCN(1-25)	

		插芯 Inserts	型号 Type	尺寸图 Dimensions
HD-064 冷压连接  HD-064 Crimp terminal	公 Male	HD-064-MCN	250V 10A 64+	 匹配 24B 外壳 Matching 24B Hood Housing
	母 Female	HD-064-FCN		
HD-080 冷压连接  HD-080 Crimp terminal	公 Male	HD-040-MCN(1-40)	250V 10A 80+	 匹配 32B 外壳 Matching 32B Hood Housing
	母 Female	HD-040-FCN(1-40)		
HD-128 冷压连接  HD-128 Crimp terminal	公 Male	HD-064-MCN(1-64)	250V 10A 128+	 匹配 48B 外壳 Matching 48B Hood Housing
	母 Female	HD-064-FCN(1-64)		

附件 Accessories

		公 Male	母 Female	尺寸图 Dimensions																											
10A 冷压针 Crimp contacts 接触电阻 Contact resistance $\leq 3m\Omega$ 镀银 Silver plated 		MCNS10-0.37	FCNS10-0.37																												
		MCNS10-0.5	FCNS10-0.5																												
镀金 Gold plated 		MCNG10-0.37	FCNG10-0.37	<table border="1"> <thead> <tr> <th>线规 Wire gauge</th> <th>Φ</th> <th>剥线长度 Stripping length</th> </tr> </thead> <tbody> <tr> <td>0.14-0.37mm²</td> <td>AWG 26-22</td> <td>0.9</td> <td>8 mm</td> </tr> <tr> <td>0.5mm²</td> <td>AWG 20</td> <td>1.1</td> <td>8 mm</td> </tr> <tr> <td>0.75mm²</td> <td>AWG 18</td> <td>1.3</td> <td>8 mm</td> </tr> <tr> <td>1.0mm²</td> <td>AWG 18</td> <td>1.45</td> <td>8 mm</td> </tr> <tr> <td>1.5mm²</td> <td>AWG 16</td> <td>1.75</td> <td>8 mm</td> </tr> <tr> <td>2.5mm²</td> <td>AWG 14</td> <td>2.25</td> <td>6 mm</td> </tr> </tbody> </table>	线规 Wire gauge	Φ	剥线长度 Stripping length	0.14-0.37mm ²	AWG 26-22	0.9	8 mm	0.5mm ²	AWG 20	1.1	8 mm	0.75mm ²	AWG 18	1.3	8 mm	1.0mm ²	AWG 18	1.45	8 mm	1.5mm ²	AWG 16	1.75	8 mm	2.5mm ²	AWG 14	2.25	6 mm
	线规 Wire gauge	Φ	剥线长度 Stripping length																												
0.14-0.37mm ²	AWG 26-22	0.9	8 mm																												
0.5mm ²	AWG 20	1.1	8 mm																												
0.75mm ²	AWG 18	1.3	8 mm																												
1.0mm ²	AWG 18	1.45	8 mm																												
1.5mm ²	AWG 16	1.75	8 mm																												
2.5mm ²	AWG 14	2.25	6 mm																												
	MCNG10-0.5	FCNG10-0.5																													
	MCNG10-0.75	FCNG10-0.75																													
	MCNG10-1.0	FCNG10-1.0																													
	MCNG10-1.5	FCNG10-1.5																													
	MCNG10-2.5	FCNG10-2.5																													
冷压钳 Crimping tool 	压接线径 Wire gauge 0.14-4mm ²	型号 Type TL02																													
退针器 Removal tool 	适用类型 For 10A 冷压针 10A Crimp contacts	型号 Type TL00																													

技术参数 Technical Characteristics

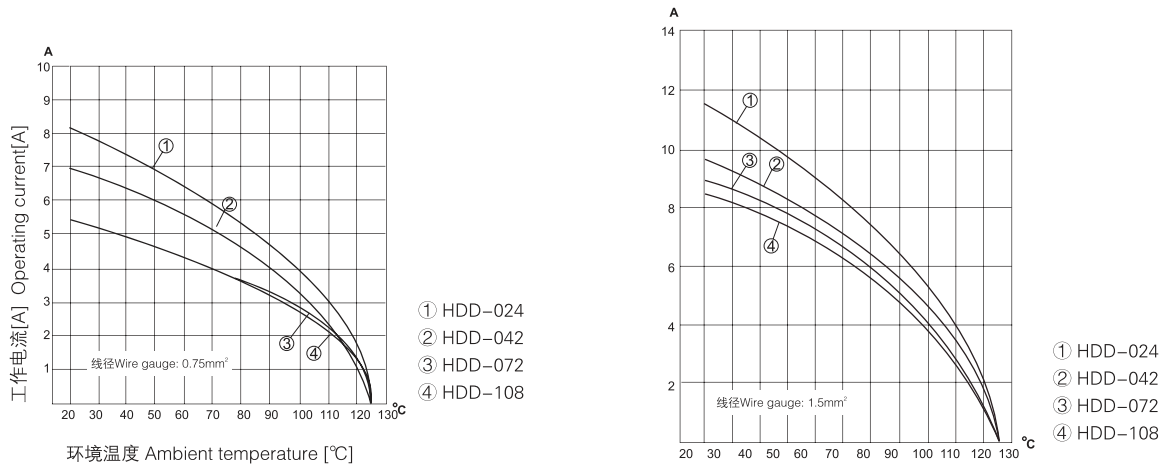
规范	Specifications	
规范	Specifications	DIN EN 60 664 DIN EN 61 984
插芯	Inserts	
依据 EN 61 984 的电气数据	Electrical Data Acc. To EN 61 984	
接插件针数	Number Of Contacts	24,42,72,108,144(72x2),216(108x2)+PE
额定电流	Rated Current	10A
额定电压	Rated Voltage	250V
额定脉冲电压	Rated Impulse Voltage	4kV
污染程度	Pollution Degree	3
污染等级2时的参数	Pollution Degree 2 Also	10A 230/400V 4kV 2
依据UL/CSA额定电压	Rated Voltage Acc.To UI CSA	600V
绝缘电阻	Insulation Resistance	≥10 ¹⁰ Ω
材料	Material	聚碳酸酯 Polycarbonate
工作温度范围	Limiting Temperatures	-40°C...+125°C
依据UL94阻燃等级	Flammability Acc.To UL94	V0
可拔插次数	Mechanical Working Life-mating Cycles	≥500
插针	Contacts	
材料	Material	铜合金 Copper Alloy
表面处理	Surface	镀金 Hard-gold Plated 镀银 Hard-silver Plated
接触电阻	Contact Resistance	≤3mΩ
冷压连接	Crimp Terminal	
导线规格	Wire Gauge	0.14-2.5mm ²
AWG	AWG	26-14

电流负载能力 Current Carrying Capacity

电流负载能力所受的限制主要来自包含接插针的接插体可承受的最大温度

The current carrying is limited by maximum temperature of materials for Inserts and contacts including terminals.

测试和控制过程依据 Measuring and testing techniques according to DIN EN 60512-5



HDD调整插针分布可提高工作电压至500V/ Modified contact arrangement up to 500V

HDD接插体在装满针时,在绝缘等级3(C)时,其工作电压可达到250V。但其插针分布经过调整,同样在绝缘等级3(C)时,其工作电压允许值可达到500V。

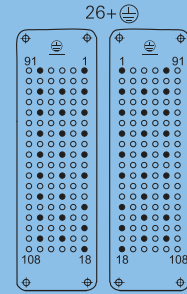
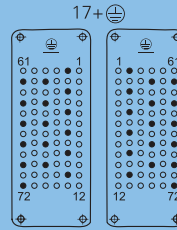
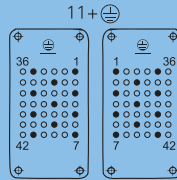
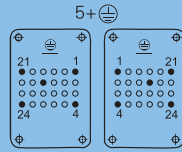
The connector seris HDD equipped with all contacts may be used for voltages up to 250V ~ pollution degree 3.A modified contact loading arrangement permits use up to 500V ~ pollution degree also in pollution degree C.

调整后插针分布 Contact arrangement view from termination side

10A 400V 6kV 3

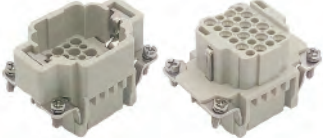
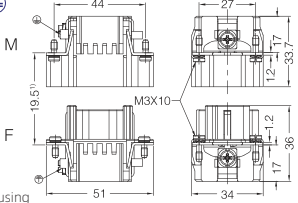

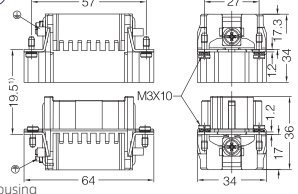

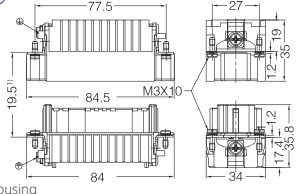

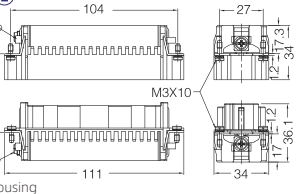
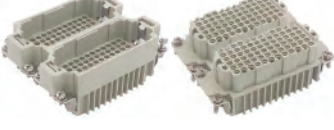
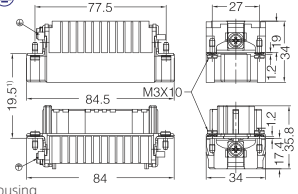

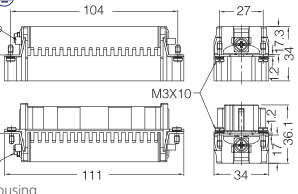
● 装有插针的插孔 Working contact M 公接插体 Male Inserts
○ 不装有插针的插孔 Without contact F 母接插体 Female Inserts

10A 500V 6kV 3



- 装有插针的插孔 Working contact M 公接插体 Male Inserts
- 不装有插针的插孔 Without contact F 母接插体 Female Inserts

HDD 超高密度型插芯 Ultra-High Density Inserts

HDD 冷压连接	插芯 Inserts 公 Male 母 Female	型号 Type HDD-024-MCN HDD-024-FCN	尺寸图 Dimensions 250V 10A 24+ ⊕
 <p>HDD-024 Crimp terminal</p>			 <p>匹配 6B 外壳 Matching 6B Hood Housing</p>
 <p>HDD-042 Crimp terminal</p>		HDD-042-MCN HDD-042-FCN	 <p>匹配 10B 外壳 Matching 10B Hood Housing</p>
 <p>HDD-072 Crimp terminal</p>		HDD-072-MCN HDD-072-FCN	 <p>匹配 16B 外壳 Matching 16B Hood Housing</p>
 <p>HDD-108 Crimp terminal</p>		HDD-108-MCN HDD-108-FCN	 <p>匹配 24B 外壳 Matching 24B Hood Housing</p>
 <p>HDD-144 Crimp terminal</p>	公 Male	HDD-072-MCN(1-72) HDD-072-MCN(73-144)	 <p>匹配 32B 外壳 Matching 32B Hood Housing</p>
	母 Female	HDD-072-FCN(1-72) HDD-072-FCN(73-144)	
 <p>HDD-216 Crimp terminal</p>	公 Male	HDD-108-MCN(1-108) HDD-108-MCN(109-216)	 <p>匹配 48B 外壳 Matching 48B Hood Housing</p>
	母 Female	HDD-108-FCN(1-108) HDD-108-FCN(109-216)	

HSB 系列/ HSB SERIES

技术参数 Technical Characteristics

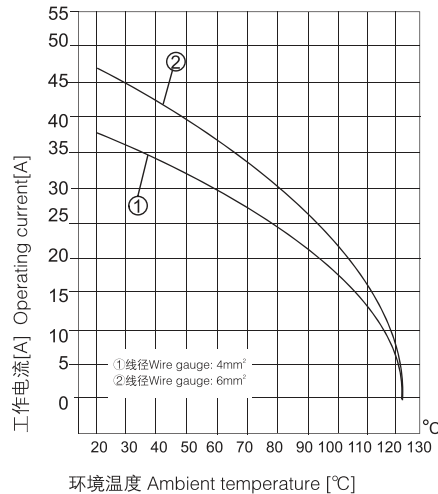
规范	Specifications	
规范	Specifications	DIN EN 60 664 DIN EN 61 984
插芯	Inserts	
依据 EN 61 984 的电气数据	Electrical Data Acc. To EN 61 984	
接插件针数	Number Of Contacts	6,12+PE
额定电流	Rated Current	35A
相对地额定电压	Rated Voltage Conductor-ground	400V
相间额定电压	Rated Voltage Conductor-conductor	690V
额定脉冲电压	Rated Impulse Voltage	6kV
污染程度	Pollution Degree	3
或	Or	35A 500V 6kV 3
依据UL/CSA额定电压	Rated Voltage Acc.To UI CSA	600V
绝缘电阻	Insulation Resistance	$\geq 10^{10}\Omega$
材料	Material	聚碳酸酯 Polycarbonate
工作温度范围	Limiting Temperatures	-40°C...+125°C
依据UL94阻燃等级	Flammability Acc.To UL94	V0
可拔插次数	Mechanical Working Life-mating Cycles	≥ 500
插针	Contacts	
材料	Material	铜合金 Copper Alloy
表面处理	Surface	镀银 Hard-silver Plated
接触电阻	Contact Resistance	$\leq 1m\Omega$
螺钉连接	Screw Terminal	
导线规格	Wire Gauge	6mm ²
AWG	AWG	10
拧紧力矩	Tightening Torque	1.2Nm

电流负载能力 Current Carrying Capacity


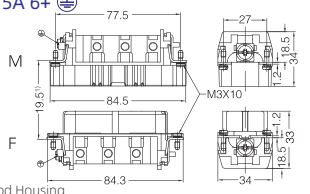

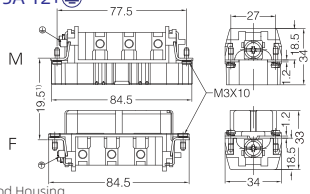
电流负载能力所受的限制主要来自包含接插针的接插体可承受的最大温度

The current carrying is limited by maximum temperature of materials for Inserts and contacts including terminals.

测试和控制过程依据 Measuring and testing techniques according to DIN EN 60512-5



HSB 大电流型插芯 Heavy-Current Inserts

	插芯 Inserts	型号 Type	尺寸图 Dimensions
HSB-006 螺丝连接  HSB-006 Screw terminal	公 Male 母 Female	HSB-006-M HSB-006-F	400V/690V 35A 6+ \oplus  匹配 16B 外壳 Matching 16B Hood Housing
HSB-012 螺丝连接  HSB-012 Screw terminal	公 Male 母 Female	HSB-006-M(1-6) HSB-006-M(7-12) HSB-006-F(1-6) HSB-006-F(7-12)	400V/690V 35A 12+ \oplus  匹配 32B 外壳 Matching 32B Hood Housing

HK-004/0,004/2 组合型插芯 Combination inserts

技术参数 Technical Characteristics

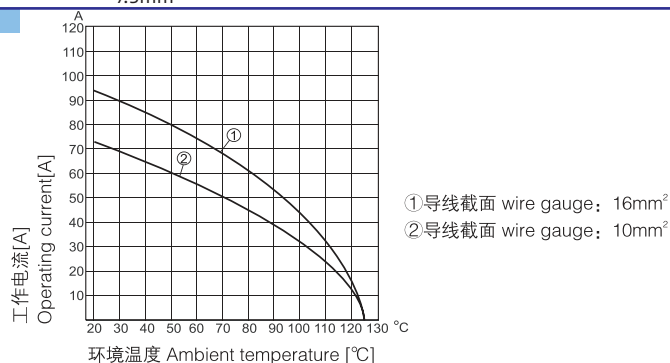
规范	Specifications	DIN EN 60 664	DIN EN 61 984				
规范	Specifications	DIN EN 60 664	DIN EN 61 984				
插芯	Inserts						
接插件针数	Number Of Contacts	4/0, 4/2+PE					
依据 EN 61 984 的电气数据	Electrical Data Acc. To EN 61 984						
电力区	Power Area						
额定电流	Rated Current	80A					
额定电压	Rated Voltage	830V					
额定脉冲电压	Rated Impulse Voltage	6kV					
污染程度	Pollution Degree	3					
污染等级2时的参数	Pollution Degree 2 Also	80A 1000V 8kV 2					
信号区	Signal Area						
额定电流	Rated Current	16A					
额定电压	Rated Voltage	400V					
额定脉冲电压	Rated Impulse Voltage	6kV					
污染程度	Pollution Degree	3					
污染等级2时的参数	Pollution Degree 2 Also	16A 400/690V 6kV 2					
依据UL/CSA额定电压	Rated Voltage Acc.To UI CSA	600V/300V					
绝缘电阻	Insulation Resistance	≥10 ¹⁰ Ω					
材料	Material	聚碳酸酯 Polycarbonate					
工作温度范围	Limiting Temperatures	-40°C...+125°C					
依据UL94阻燃等级	Flammability Acc.To UL94	V0					
可拔插次数	Mechanical Working Life-mating Cycles	≥500					
插针	Contacts						
电力区	Power Area						
材料	Material	铜合金 Copper Alloy					
表面处理	Surface	镀银 Hard-silver Plated					
接触电阻	Contact Resistance	≤0.3mΩ					
螺钉连接	Screw Terminal						
导线规格	Wire Gauge	1.5-16mm ²					
AWG	AWG	16-6					
拧紧力矩	Tightening Torque						
mm ²	mm ²	1.5	2.5	4	6	10	16
N.m	N.m	1.2	2	3	3	3	3
剥线长度	Stripping length	14mm					
信号区	Signal Area						
材料	Material	铜合金 Copper Alloy					
表面处理	Surface	镀银 Hard-silver Plated					
接触电阻	Contact Resistance	≤1mΩ					
螺钉连接	Screw Terminal						
导线规格	Wire Gauge	0.5-2.5mm ²					
AWG	AWG	20-14					
拧紧力矩	Tightening Torque	0.5Nm					
剥线长度	Stripping length	7.5mm					

电流负载能力 Current Carrying Capacity


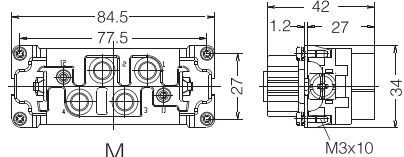

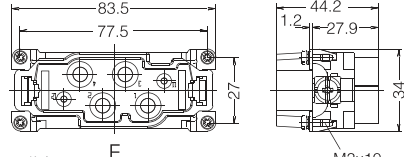
电流负载能力所受的限制主要来自包含接插针的接插体可承受的最大温度
The current carrying is limited by maximum temperature of materials for Inserts and contacts including terminals.

测试和控制过程依据

Measuring and testing techniques according to DIN EN 60512-5



HK 组合型插芯 Combination Inserts

	插芯 Inserts	型号 Type	尺寸图 Dimensions
HK-004/0 螺丝连接 	公 Male 母 Female	HK-004/0-M HK-004/0-F	830/400V 80/16A 4/0,4/2+⊕ 
HK-004/2 螺丝连接 	公 Male 母 Female	HK-004/2-M HK-004/2-F	 匹配 16B 外壳 Matching 16B Hood Housing

HK-012/2 组合型插芯 Combination inserts

技术参数 Technical Characteristics

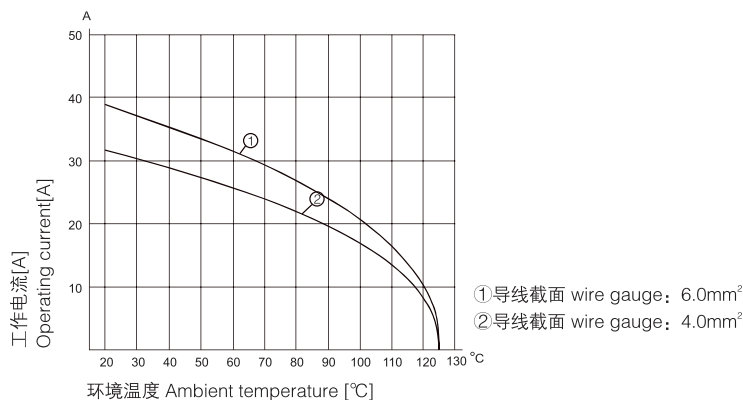
规范	Specifications	
规范	Specifications	DIN EN 60 664 DIN EN 61 984
插芯	Inserts	
接插件针数	Number Of Contacts	12/2+PE
依据 EN 61 984的电气数据	Electrical Data Acc. To EN 61 984	
电力区	Power Area	
额定电流	Rated Current	40A
额定电压	Rated Voltage	690V
额定脉冲电压	Rated Impulse Voltage	8kV
污染程度	Pollution Degree	3
信号区	Signal Area	
额定电流	Rated Current	10A
额定电压	Rated Voltage	250V
额定脉冲电压	Rated Impulse Voltage	4kV
污染程度	Pollution Degree	3
依据UL/CSA额定电压	Rated Voltage Acc.To UI CSA	600V/300V
绝缘电阻	Insulation Resistance	$\geq 10^{10}\Omega$
材料	Material	聚碳酸酯 Polycarbonate
工作温度范围	Limiting Temperatures	-40°C...+125°C
依据UL94阻燃等级	Flammability Acc.To UL94	V0
可拔插次数	Mechanical Working Life-mating Cycles	≥ 500
插针	Contacts	
强电针	Power Contacts	
材料	Material	铜合金 Copper Alloy
表面处理	Surface	镀银 Hard-silver Plated 镀金 Hard-gold Plated
接触电阻	Contact Resistance	$\leq 0.3m\Omega$
冷压连接	Crimp Terminal	
导线规格	Wire Gauge	1.5-6mm ²
AWG	AWG	16-10
最大绝缘直径	Max. Insulation Diameter	
信号针	Signal Contacts	
材料	Material	铜合金 Copper Alloy
表面处理	Surface	镀银 Hard-silver Plated 镀金 Hard-gold Plated
接触电阻	Contact Resistance	$\leq 3m\Omega$
冷压连接	Crimp Terminal	
导线规格	Wire Gauge	0.14-2.5mm ²
AWG	AWG	26-14

电流负载能力 Current Carrying Capacity

电流负载能力所受的限制主要来自包含接插针的接插体可承受的最大温度

The current carrying is limited by maximum temperature of materials for Inserts and contacts including terminals.

测试和控制过程依据 Measuring and testing techniques according to DIN EN 60512-5



HK 组合型插芯 Combination Inserts

HK-012/2 冷压连接	插芯 Inserts 公 Male 母 Female	型号 Type HK-012/2-MC HK-012/2-FC	尺寸图 Dimensions 690V/250V 40/10A 12/2+⊕
<p>HK-012/2 Crimp terminal</p>			<p>匹配 16B 外壳 Matching 16B Hood Housing</p>

附件 Accessories

10A 冷压针 Crimp contacts		公 Male	母 Female	尺寸图 Dimensions																				
接触电阻 Contact resistance $\leq 3m\Omega$ 镀银 Silver plated 	MCNS10-0.37 MCNS10-0.5 MCNS10-0.75 MCNS10-1.0 MCNS10-1.5 MCNS10-2.5	FCNS10-0.37 FCNS10-0.5 FCNS10-0.75 FCNS10-1.0 FCNS10-1.5 FCNS10-2.5																						
镀金 Gold plated 	MCNG10-0.37 MCNG10-0.5 MCNG10-0.75 MCNG10-1.0 MCNG10-1.5 MCNG10-2.5	FCNG10-0.37 FCNG10-0.5 FCNG10-0.75 FCNG10-1.0 FCNG10-1.5 FCNG10-2.5	<table border="1"> <thead> <tr> <th>线规 Wire gauge</th> <th>Φ</th> <th>剥线长度 Stripping length</th> </tr> </thead> <tbody> <tr> <td>0.14-0.37mm²</td> <td>AWG 26-22</td> <td>0.9</td> </tr> <tr> <td>0.5mm²</td> <td>AWG 20</td> <td>1.1</td> </tr> <tr> <td>0.75mm²</td> <td>AWG 18</td> <td>1.3</td> </tr> <tr> <td>1.0mm²</td> <td>AWG 18</td> <td>1.45</td> </tr> <tr> <td>1.5mm²</td> <td>AWG 16</td> <td>1.75</td> </tr> <tr> <td>2.5mm²</td> <td>AWG 14</td> <td>2.25</td> </tr> </tbody> </table>	线规 Wire gauge	Φ	剥线长度 Stripping length	0.14-0.37mm ²	AWG 26-22	0.9	0.5mm ²	AWG 20	1.1	0.75mm ²	AWG 18	1.3	1.0mm ²	AWG 18	1.45	1.5mm ²	AWG 16	1.75	2.5mm ²	AWG 14	2.25
线规 Wire gauge	Φ	剥线长度 Stripping length																						
0.14-0.37mm ²	AWG 26-22	0.9																						
0.5mm ²	AWG 20	1.1																						
0.75mm ²	AWG 18	1.3																						
1.0mm ²	AWG 18	1.45																						
1.5mm ²	AWG 16	1.75																						
2.5mm ²	AWG 14	2.25																						
40A 冷压针 Crimp contacts 接触电阻 Contact resistance $\leq 1m\Omega$ 镀银 Silver plated 	MCS40-1.5 MCS40-2.5 MCS40-4.0 MCS40-6.0	FCS40-1.5 FCS40-2.5 FCS40-4.0 FCS40-6.0																						
镀金 Gold plated 	MCG40-1.5 MCG40-2.5 MCG40-4.0 MCG40-6.0	FCG40-1.5 FCG40-2.5 FCG40-4.0 FCG40-6.0	<table border="1"> <thead> <tr> <th>线规 Wire gauge</th> <th>Φ</th> <th>剥线长度 Stripping length</th> </tr> </thead> <tbody> <tr> <td>1.5mm²</td> <td>AWG 16</td> <td>1.75</td> </tr> <tr> <td>2.5mm²</td> <td>AWG 14</td> <td>2.25</td> </tr> <tr> <td>4mm²</td> <td>AWG 12</td> <td>2.85</td> </tr> <tr> <td>6mm²</td> <td>AWG 10</td> <td>3.5</td> </tr> </tbody> </table>	线规 Wire gauge	Φ	剥线长度 Stripping length	1.5mm ²	AWG 16	1.75	2.5mm ²	AWG 14	2.25	4mm ²	AWG 12	2.85	6mm ²	AWG 10	3.5						
线规 Wire gauge	Φ	剥线长度 Stripping length																						
1.5mm ²	AWG 16	1.75																						
2.5mm ²	AWG 14	2.25																						
4mm ²	AWG 12	2.85																						
6mm ²	AWG 10	3.5																						
冷压钳 Crimping tool 	压接线径 Wire gauge 0.14-4mm ² 1.5-6mm ²	型号 Type TL02 TL02-0																						
退针器 Removal tool 	适用类型 For 10A 冷压针 Crimp contacts 40A 冷压针 Crimp contacts	型号 Type TL00 TL06																						

HK-004/8 组合型插芯 Combination inserts

技术参数 Technical Characteristics

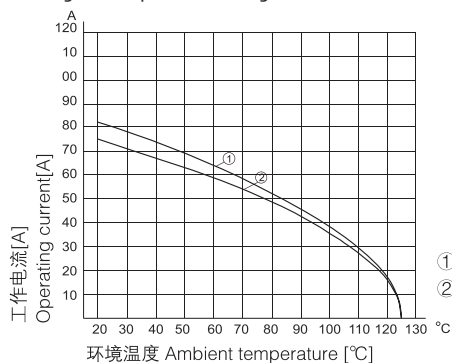
规范	Specifications	
规范	Specifications	DIN EN 60 664 DIN EN 61 984
插芯	Inserts	
接插件针数	Number Of Contacts	4/8+PE
依据 EN 61 984 的电气数据	Electrical Data Acc. To EN 61 984	
电力区	Power Area	
额定电流	Rated Current	80A
额定电压	Rated Voltage	400V
额定脉冲电压	Rated Impulse Voltage	6kV
污染程度	Pollution Degree	3
污染等级2时的参数	Pollution Degree 2 Also	80A 400/690V 6kV 2
信号区	Signal Area	
额定电流	Rated Current	16A
额定电压	Rated Voltage	400V
额定脉冲电压	Rated Impulse Voltage	6kV
污染程度	Pollution Degree	3
依据UL/CSA额定电压	Rated Voltage Acc.To UI CSA	600V/600V
绝缘电阻	Insulation Resistance	$\geq 10^{10}\Omega$
材料	Material	聚碳酸酯 Polycarbonate
工作温度范围	Limiting Temperatures	-40°C...+125°C
依据UL94阻燃等级	Flammability Acc.To UL94	V0
可拔插次数	Mechanical Working Life-mating Cycles	≥ 500
插针	Contacts	
电力区	Power Area	
材料	Material	铜合金 Copper Alloy
表面处理	Surface	镀银 Hard-silver Plated
接触电阻	Contact Resistance	$\leq 0.3m\Omega$
螺钉连接	Screw Terminal	
导线规格	Wire Gauge	1.5-16mm ²
AWG	AWG	16-6
拧紧力矩	Tightening Torque	
mm ²	mm ²	1.5 2.5 4 6 10 16
N.m	N.m	1.2 2 3 3 3 3
剥线长度	Stripping length	14mm
信号区	Signal Area	
材料	Material	铜合金 Copper Alloy
表面处理	Surface	镀银 Hard-silver Plated
接触电阻	Contact Resistance	$\leq 1m\Omega$
螺钉连接	Screw Terminal	
导线规格	Wire Gauge	0.5-2.5mm ²
AWG	AWG	20-14
拧紧力矩	Tightening Torque	0.5Nm
剥线长度	Stripping length	7.5mm

电流负载能力 Current Carrying Capacity

电流负载能力所受的限制主要来自包含接插针的接插体可承受的最大温度

The current carrying is limited by maximum temperature of materials for Inserts and contacts including terminals.

测试和控制过程依据 Measuring and testing techniques according to DIN EN 60512-5



①导线截面 wire gauge: 16mm²

②导线截面 wire gauge: 10mm²

HK 组合型插芯 Combination Inserts

HK-004/8 螺丝连接	插芯 Inserts 公 Male 母 Female	型号 Type HK-004/8-M HK-004/8-F	尺寸图 Dimensions 400V/400V 80/16A 4/8+⊕
<p>HK-004/8 Screw terminal</p>			<p>匹配 24B 外壳 Matching 24B Hood Housing</p>

HM章节概要 Summary

模块一览 Module list



H2MK-001-M
H2MK-001-F



H2MK-001-MC
H2MK-001-FC



HMK-004-MC
HMK-004-FC



HME-005-MS
HME-005-FS



HMK-001-MC
HMK-001-FC



H2MK-002-M
H2MK-002-F



HME-006-MC
HME-006-FC



HVME-006-MC
HVME-006-FC



H2MK-002-MC
H2MK-002-FC



HMK70-002-M
HMK70-002-F



HMEE-008-MC
HMEE-008-FC



H2MEE-020-MC
H2MEE-020-FC



HMK70-002-MC
HMK70-002-FC



HMK-002-M
HMK-002-F



HMD-012-MC
HMD-012-FC



HMDD-017-MC
HMDD-017-FC



HMK-002-MC
HMK-002-FC



HMK-003-M
HMK-003-F



HMDS-009-MC
HMDS-009-FC



HMDS-025-MC
HMDS-025-FC



HMK-003-MC
HMK-003-FC



HMK-003/4-MC
HMK-003/4-FC



HM-RJ45-M
HM-RJ45-F



HMP-002

φ 6mm


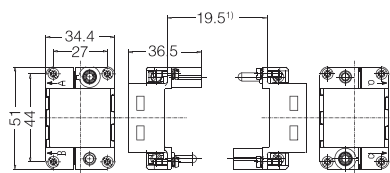

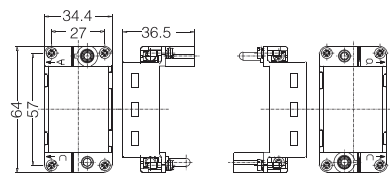

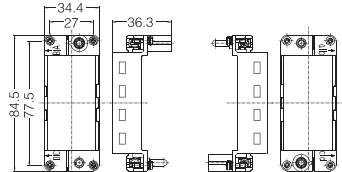

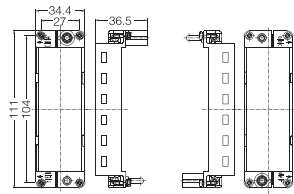



HMP-003

φ 1.6mm
φ 3.0mm
φ 4.0mm

HM 模块框架 Hinged Frames

结构框架类型 Construction Frame Version

		描述 Description	标示 Marking	型号 Type	尺寸图 Dimensions
6B 活动框架  6B Frame	用于2个模块 for 2 modules	A-B	HF6B-NUA	适用所有6B外壳 Size 6B hoods/housings 	
	用于2个模块 for 2 modules	a-b	HF6B-NLA		
10B 活动框架  10B Frame	用于3个模块 for 3 modules	A-C	HF10B-NUA	适用所有10B外壳 Size 10B hoods/housings 	
	用于3个模块 for 3 modules	a-c	HF10B-NLA		
16B 活动框架  16B Frame	用于4个模块 for 4 modules	A-D	HF16B-NUA	适用所有16B外壳 Size 16B hoods/housings 	
	用于4个模块 for 4 modules	a-d	HF16B-NLA		
24B 活动框架  24B Frame	用于6个模块 for 6 modules	A-F	HF24B-NUA	适用所有24B外壳 Size 24B hoods/housings 	
	用于6个模块 for 6 modules	a-f	HF24B-NLA		
空间模块  Filling module	用于填充固定框架内剩余的模块空间 Used to fill the remaining module space within the fixed frame		HM-000		

H2MK-001 冷压型模块 Crimp Module 1000V 200A

插芯 Inserts



可与框架及其他所有模块产品组合使用
Combination with hinged frame and other modules possible.

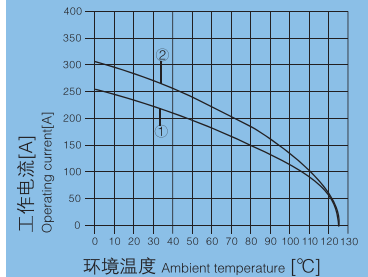
技术参数 Technical Characteristics

规范	Specifications	
规范	Specifications	DIN EN 60 664 DIN EN 61 984
插芯	Inserts	
接插件针数	Number Of Contacts	1
依据 EN 61 984 的电气数据	Electrical Data Acc. To EN 61 984	
额定电流	Rated Current	200A
额定电压	Rated Voltage	1000V
额定脉冲电压	Rated Impulse Voltage	8kV
污染程度	Pollution Degree	3
绝缘电阻	Insulation Resistance	$\geq 10^{10}\Omega$
材料	Material	聚碳酸酯 Polycarbonate
工作温度范围	Limiting Temperatures	-40°C...+125°C
依据 UL94 的阻燃等级	Flammability Acc. To UL94	V0
可拔插次数	Mechanical Working Life-mating Cycles	≥ 500
插针	Contacts	
材料	Material	铜合金 Copper Alloy
表面处理	Surface	镀银 Hard-silver Plated
接触电阻	Contact Resistance	$\leq 0.3m\Omega$
冷压连接	Crimp Terminal	
导线规格	Wire Gauge	25-70mm ²
剥线长度	Stripping length	22.5mm
最大电缆直径	Max. insulation diameter	18mm

电流负载能力 Current Carrying Capacity

电流负载能力所受的限制主要来自包含接插针的接插体可承受的最大温度
测试和控制过程依据 DIN EN 60512-5

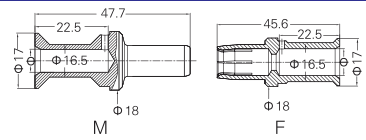
The current carrying is limited by maximum temperature of materials for Inserts and contacts including Terminals. Measuring and testing techniques according to DIN EN 60512-5



- ① 24B外壳带3个模块，导线截面：50mm²
- ② 24B外壳带3个模块，导线截面：70mm²
- ① 24 B hoods/housings with 3 modules, wire gauge:50mm²
- ② 24 B hoods/housings with 3 modules, wire gauge:70mm²


H2MK-001 冷压连接	插芯 Inserts	型号 Type	尺寸图 Dimensions
 <p>H2MK-001 Crimp Terminal</p>	公 Male 母 Female	H2MK-001-MC H2MK-001-FC	

附件 Accessories

200A 冷压针 Crimp contacts	公 Male	母 Female	尺寸图 Dimensions															
接触电阻 Contact resistance $\leq 0.3m\Omega$ 镀银 Silver plated	MCK5200-25 MCK5200-35 MCK5200-50 MCK5200-70	FCK5200-25 FCK5200-35 FCK5200-50 FCK5200-70	 <table border="1"> <thead> <tr> <th>线规 Wire gauge</th> <th>ϕ</th> <th>剥线长度 Stripping length</th> </tr> </thead> <tbody> <tr> <td>25 mm²</td> <td>7</td> <td>22.5 mm</td> </tr> <tr> <td>35 mm²</td> <td>8.2</td> <td>22.5 mm</td> </tr> <tr> <td>50 mm²</td> <td>10</td> <td>22.5 mm</td> </tr> <tr> <td>70 mm²</td> <td>11.5</td> <td>22.5 mm</td> </tr> </tbody> </table> <p>电缆绞线依据 IEC 60 228-5 for stranded wire according to IEC 60 228 Class 5</p>	线规 Wire gauge	ϕ	剥线长度 Stripping length	25 mm ²	7	22.5 mm	35 mm ²	8.2	22.5 mm	50 mm ²	10	22.5 mm	70 mm ²	11.5	22.5 mm
线规 Wire gauge	ϕ	剥线长度 Stripping length																
25 mm ²	7	22.5 mm																
35 mm ²	8.2	22.5 mm																
50 mm ²	10	22.5 mm																
70 mm ²	11.5	22.5 mm																
工具 Tools	压接线径 Wire gauge	型号 Type																
液压钳 Manual hydraulic clamp	10-240 mm ²	TL05																

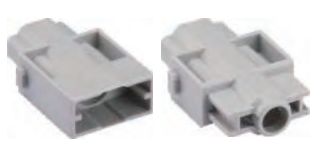
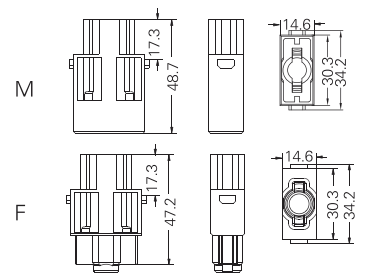
HMK-001 冷压型模块 Crimp Module 830V 100A

插芯 Inserts

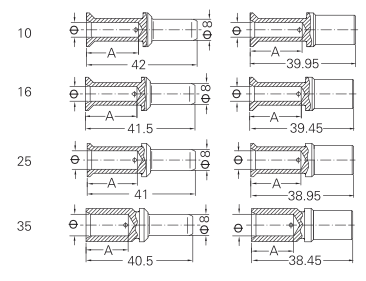



 可与框架及其他所有模块产品组合使用
Combination with hinged frame and other modules possible.

技术参数 Technical Characteristics

规范	Specifications	
规范	Specifications	DIN EN 60 664 DIN EN 61 984
插芯	Inserts	
接插件针数	Number Of Contacts	1
依据 EN 61 984 的电气数据	Electrical Data Acc. To EN 61 984	
额定电流	Rated Current	100A
额定电压	Rated Voltage	830V
额定脉冲电压	Rated Impulse Voltage	8kV
污染程度	Pollution Degree	3
绝缘电阻	Insulation Resistance	≥10 ¹⁰ Ω
材料	Material	聚碳酸酯 Polycarbonate
工作温度范围	Limiting Temperatures	-40°C...+125°C
依据 UL94 的阻燃等级	Flammability Acc. To UL94	V0
可拔插次数	Mechanical Working Life-mating Cycles	≥500
最大电缆直径	Max. insulation diameter	13mm
插针	Contacts	
材料	Material	铜合金 Copper Alloy
表面处理	Surface	镀银 Hard-silver Plated
接触电阻	Contact Resistance	≤0.3mΩ
冷压连接	Crimp Terminal	
导线规格	Wire Gauge	10-35mm ²

HMK-001 冷压连接	插芯 Inserts	型号 Type	尺寸图 Dimensions
 HMK-001 Crimp Terminal	公 Male	HMK-001-MC	
	母 Female	HMK-001-FC	

附件 Accessories

100A 冷压针 Crimp contacts	公 Male	母 Female	尺寸图 Dimensions														
接触电阻 Contact resistance ≤0.3mΩ 镀银 Silver plated	MCKS100-10 MCKS100-16 MCKS100-25 MCKS100-35	FCKS100-10 FCKS100-16 FCKS100-25 FCKS100-30															
	<table border="1"> <thead> <tr> <th>线规 Wire gauge</th> <th>φ</th> <th>剥线长度 Stripping length</th> </tr> </thead> <tbody> <tr> <td>10 mm²</td> <td>4.3</td> <td>19 mm</td> </tr> <tr> <td>16 mm²</td> <td>5.5</td> <td>19 mm</td> </tr> <tr> <td>25 mm²</td> <td>7</td> <td>19 mm</td> </tr> <tr> <td>35 mm²</td> <td>8.2</td> <td>19 mm</td> </tr> </tbody> </table> <p>电缆绞线依据 IEC 60 228-5 for stranded wire according to IEC 60 228 Class 5</p>	线规 Wire gauge		φ	剥线长度 Stripping length	10 mm ²	4.3	19 mm	16 mm ²	5.5	19 mm	25 mm ²	7	19 mm	35 mm ²	8.2	19 mm
线规 Wire gauge	φ	剥线长度 Stripping length															
10 mm ²	4.3	19 mm															
16 mm ²	5.5	19 mm															
25 mm ²	7	19 mm															
35 mm ²	8.2	19 mm															
工具 Tools	压接线径 Wire gauge	型号 Type															
 液压钳 Manual hydraulic clamp	10-240 mm ²	TL05															
退针器 Removal tool	适用类型 For	型号 Type															
 退针器 Removal tool	100A 冷压针 100A Crimp contacts	TL11															

H2MK-002 轴向压接型模块 Axial Module 1000V 100A

插芯 Inserts



可与框架及其他所有模块产品组合使用
Combination with hinged frame and other modules possible.

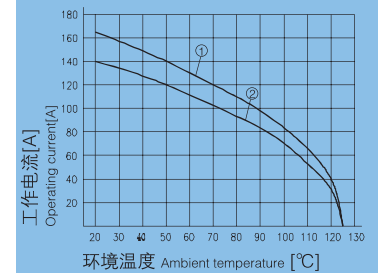
技术参数 Technical Characteristics

规范	Specifications	
规范	Specifications	DIN EN 60 664 DIN EN 61 984
插芯	Inserts	
接插件针数	Number Of Contacts	2
依据 EN 61 984 的电气数据	Electrical Data Acc. To EN 61 984	
额定电流	Rated Current	100A
额定电压	Rated Voltage	1000V
额定脉冲电压	Rated Impulse Voltage	8kV
污染程度	Pollution Degree	3
依据UL的额定电压	Rated Voltage Acc.To UL	600V
绝缘电阻	Insulation Resistance	$\geq 10^{10}\Omega$
材料	Material	聚碳酸酯 Polycarbonate
工作温度范围	Limiting Temperatures	-40°C...+125°C
依据UL94的阻燃等级	Flammability Acc.To UL94	V0
可拔插次数	Mechanical Working Life-mating Cycles	≥ 500
插针	Contacts	
材料	Material	铜合金 Copper Alloy
表面处理	Surface	镀银 Hard-silver Plated
接触电阻	Contact Resistance	0.3m Ω
电缆绞线依据IEC 60 228-5	To IEC 60 228 Class 5	
轴向螺栓连接	Axial Screw Terminal	
导线规格	Wire Gauge	10-38mm ²
AWG	AWG	6-2
内六角扳手	Hexagonal Driver	SW 4
剥线长度	Stripping length	13mm
拧紧力矩	Tightening Torque	
导线规格	Wire Gauge	10 16 25 35
Nm	Nm	6 6 7 8

电流负载能力 Current Carrying Capacity

电流负载能力所受的限制主要来自包含接插针的接插体可承受的最大温度
测试和控制过程依据 DIN EN 60512-5

The current carrying is limited by maximum temperature of materials for Inserts and contacts including Terminals. Measuring and testing techniques according to DIN EN 60512-5



- ① 24B外壳带3个模块，导线截面：35mm²
- ② 24B外壳带3个模块，导线截面：25mm²
- ① 24 B hoods/housings with 3 modules, wire gauge:35mm²
- ② 24 B hoods/housings with 3 modules, wire gauge:25mm²

H2MK-002 轴向螺栓连接	插芯 Inserts	型号 Type	尺寸图 Dimensions
<p>H2MK-002 Axial Screw Terminal</p>	公 Male	H2MK-002.1-M(10-25mm ²) H2MK-002.2-M(16-35mm ²) H2MK-002.1-M(38mm ²)	<p>M</p> <p>F</p>
	母 Female	H2MK-002.1-F(10-25mm ²) H2MK-002.2-F(16-35mm ²) H2MK-002.1-F(38mm ²)	

附件 Accessories

电缆终端 Cable shoe 16mm ²	描述 Description	型号 Type	尺寸图 Dimensions
	用于PE扩展 For PE extension	PE-E16	
工具 Tools	描述 Description	型号 Type	
	用于轴向夹紧螺栓 带T型把手 For Axial Setscrew With Grip	SW-4x100	

H2MK-002 冷压型模块 Crimp Module 1000V 100A

插芯 Inserts



可与框架及其他所有模块产品组合使用

Combination with hinged frame and other modules possible.

技术参数 Technical Characteristics

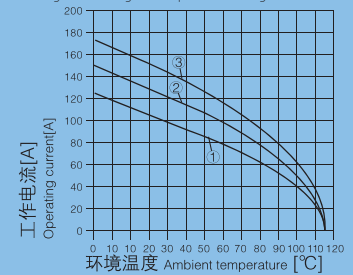
规范	Specifications	
规范	Specifications	DIN EN 60 664
		DIN EN 61 984
插芯	Inserts	
接插件针数	Number Of Contacts	2
依据 EN 61 984 的电气数据	Electrical Data Acc. To EN 61 984	
额定电流	Rated Current	100A
额定电压	Rated Voltage	1000V
额定脉冲电压	Rated Impulse Voltage	8kV
污染程度	Pollution Degree	3
绝缘电阻	Insulation Resistance	$\geq 10^{10}\Omega$
材料	Material	聚碳酸酯 Polycarbonate
工作温度范围	Limiting Temperatures	-40°C...+125°C
依据UL94的阻燃等级	Flammability Acc.To UL94	V0
可拔插次数	Mechanical Working Life-mating Cycles	≥ 500
插针	Contacts	
材料	Material	铜合金 Copper Alloy
表面处理	Surface	镀银 Hard-silver Plated
接触电阻	Contact Resistance	$\leq 0.3m\Omega$
冷压连接	Crimp Terminal	
导线规格	Wire Gauge	10-35mm ²
最大电缆直径	Max. insulation diameter	14mm

电流负载能力 Current Carrying Capacity

电流负载能力所受的限制主要来自包含接插针的接插体可承受的最大温度

测试和控制过程依据 DIN EN 60512-5

The current carrying is limited by maximum temperature of materials for Inserts and contacts including Terminals. Measuring and testing techniques according to DIN EN 60512-5



① 24B外壳带3个模块, 导线截面: 16mm²

② 24B外壳带3个模块, 导线截面: 25mm²

③ 24B外壳带3个模块, 导线截面: 35mm²

① 24 B hoods/housings with 3 modules, wire gauge:16mm²

② 24 B hoods/housings with 3 modules, wire gauge:25mm²

③ 24 B hoods/housings with 3 modules, wire gauge:35mm²

H2MK-002 冷压连接	插芯 Inserts	型号 Type	尺寸图 Dimensions
<p>H2MK-002 Crimp Terminal</p>	公 Male 母 Female	H2MK-002-MC H2MK-002-FC	

附件 Accessories

100A 冷压针 Crimp contacts	公 Male	母 Female	尺寸图 Dimensions															
接触电阻 Contact resistance $\leq 0.3m\Omega$ 镀银 Silver plated	MCKS100-10 MCKS100-16 MCKS100-25 MCKS100-35	FCKS100-10 FCKS100-16 FCKS100-25 FCKS100-30																
	<table border="1"> <thead> <tr> <th>线规 Wire gauge</th> <th>φ</th> <th>剥线长度 Stripping length</th> </tr> </thead> <tbody> <tr> <td>10 mm²</td> <td>4.3</td> <td>19 mm</td> </tr> <tr> <td>16 mm²</td> <td>5.5</td> <td>19 mm</td> </tr> <tr> <td>25 mm²</td> <td>7</td> <td>19 mm</td> </tr> <tr> <td>35 mm²</td> <td>8.2</td> <td>19 mm</td> </tr> </tbody> </table>	线规 Wire gauge	φ	剥线长度 Stripping length	10 mm ²	4.3	19 mm	16 mm ²	5.5	19 mm	25 mm ²	7	19 mm	35 mm ²	8.2	19 mm		
线规 Wire gauge	φ	剥线长度 Stripping length																
10 mm ²	4.3	19 mm																
16 mm ²	5.5	19 mm																
25 mm ²	7	19 mm																
35 mm ²	8.2	19 mm																
电缆绞线依据 IEC 60 228-5 for stranded wire according to IEC 60 228 Class 5																		
工具 Tools	压接线径 Wire gauge	型号 Type																
液压钳 Manual hydraulic clamp	10-240 mm ²	TL05																
退针器 Removal tool	适用类型 For	型号 Type																
	100A 冷压针 100A Crimp contacts	TL07																

HMK70-002 轴向压接型模块 Axial Module 1000V 70A

插芯 Inserts



可与框架及其他所有模块产品组合使用

Combination with hinged frame and other modules possible.

技术参数 Technical Characteristics

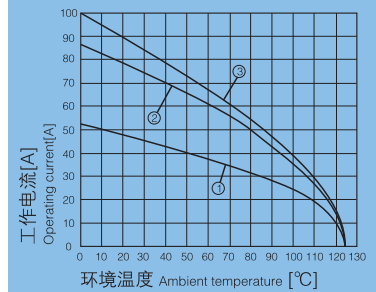
规范	Specifications	
规范	Specifications	DIN EN 60 664 DIN EN 61 984
插芯	Inserts	
接插件针数	Number Of Contacts	2
依据 EN 61 984 的电气数据	Electrical Data Acc. To EN 61 984	
额定电流	Rated Current	70A
额定电压	Rated Voltage	1000V
额定脉冲电压	Rated Impulse Voltage	8kV
污染程度	Pollution Degree	3
依据UL的额定电压	Rated Voltage Acc.To UL	600V
绝缘电阻	Insulation Resistance	$\geq 10^{10}\Omega$
材料	Material	聚碳酸酯 Polycarbonate
工作温度范围	Limiting Temperatures	-40°C...+125°C
依据UL94的阻燃等级	Flammability Acc.To UL94	V0
可拔插次数	Mechanical Working Life-mating Cycles	≥ 500
插针	Contacts	
材料	Material	铜合金 Copper Alloy
表面处理	Surface	镀银 Hard-silver Plated
接触电阻	Contact Resistance	0.5m Ω
电缆绞线依据IEC 60 228-5	To IEC 60 228 Class 5	
轴向螺栓连接	Axial Screw Terminal	
导线规格	Wire Gauge	6-22mm ²
AWG	AWG	8-4
内六角扳手	Hexagonal Driver	SW 2.5
剥线长度	Stripping length	
导线规格	Wire Gauge	6 10 16 22
mm	mm	11 ⁺ 11 ⁺ 11 ⁺ 12.5 ⁺
拧紧力矩	Tightening Torque	
导线规格	Wire Gauge	6 10 16 22
Nm	Nm	2 3 4 5

电流负载能力 Current Carrying Capacity

电流负载能力所受的限制主要来自包含接插针的接插体可承受的最大温度

测试和控制过程依据 DIN EN 60512-5

The current carrying is limited by maximum temperature of materials for Inserts and contacts including Terminals. Measuring and testing techniques according to DIN EN 60512-5



- ① 24B外壳带6个模块，导线截面：6mm²
- ② 24B外壳带6个模块，导线截面：16mm²
- ③ 24B外壳带6个模块，导线截面：22mm²
- ① 24 B hoods/housings with 6 modules, wire gauge:6mm²
- ② 24 B hoods/housings with 6 modules, wire gauge:16mm²
- ③ 24 B hoods/housings with 6 modules, wire gauge:22mm²

HMK70-002 轴向螺栓连接	插芯 Inserts	型号 Type	尺寸图 Dimensions
<p>HMK70-002 Axial Screw Terminal</p>	公 Male	HMK70-002.1-M(6-16mm ²) HMK70-002.2-M(14-22mm ²)	
	母 Female	HMK70-002.1-F(6-16mm ²) HMK70-002.2-F(14-22mm ²)	

附件 Accessories

工具 Tools	描述 Description	型号 Type
内六角扳手 Hexagonal driver	用于轴向夹紧螺栓 带T型把手 For Axial Setscrew With Grip	SW-2.5x100

插芯 Inserts



可与框架及其他所有模块产品组合使用
Combination with hinged frame and other modules possible.

技术参数 Technical Characteristics

规范	Specifications	
规范	Specifications	DIN EN 60 664 DIN EN 61 984
插芯	Inserts	
接插件针数	Number Of Contacts	2
依据 EN 61 984 的电气数据	Electrical Data Acc. To EN 61 984	
额定电流	Rated Current	70A
额定电压	Rated Voltage	1000V
额定脉冲电压	Rated Impulse Voltage	8kV
污染程度	Pollution Degree	3
绝缘电阻	Insulation Resistance	$\geq 10^{10}\Omega$
材料	Material	聚碳酸酯 Polycarbonate
工作温度范围	Limiting Temperatures	-40°C...+125°C
依据 UL94 的阻燃等级	Flammability Acc. To UL94	V0
可拔插次数	Mechanical Working Life-mating Cycles	≥ 500
插针	Contacts	
材料	Material	铜合金 Copper Alloy
表面处理	Surface	镀银 Hard-silver Plated
接触电阻	Contact Resistance	$\leq 0.5m\Omega$
冷压连接	Crimp Terminal	
导线规格	Wire Gauge	10-25mm ²
剥线长度	Stripping length	15.5mm ²
最大电缆直径	Max. insulation diameter	11mm

HMK70-002 冷压连接	插芯 Inserts 公 Male 母 Female	型号 Type HMK70-002-MC HMK70-002-FC	尺寸图 Dimensions
<p>HMK70-002 Crimp Terminal</p>			

附件 Accessories

70A 冷压针 Crimp contacts 接触电阻 Contact resistance $\leq 0.5m\Omega$ 镀银 Silver plated	公 Male MCK570-10 MCK570-16 MCK570-25	母 Female FCK570-10 FCK570-16 FCK570-25	尺寸图 Dimensions												
			<table border="1"> <thead> <tr> <th>线规 Wire gauge</th> <th>ϕ</th> <th>剥线长度 Stripping length</th> </tr> </thead> <tbody> <tr> <td>10 mm²</td> <td>4.3</td> <td>15.5 mm</td> </tr> <tr> <td>16 mm²</td> <td>5.5</td> <td>15.5 mm</td> </tr> <tr> <td>25 mm²</td> <td>7</td> <td>15.5 mm</td> </tr> </tbody> </table> <p>电缆绞线依据 IEC 60 228-5 for stranded wire according to IEC 60 228 Class 5</p>	线规 Wire gauge	ϕ	剥线长度 Stripping length	10 mm ²	4.3	15.5 mm	16 mm ²	5.5	15.5 mm	25 mm ²	7	15.5 mm
线规 Wire gauge	ϕ	剥线长度 Stripping length													
10 mm ²	4.3	15.5 mm													
16 mm ²	5.5	15.5 mm													
25 mm ²	7	15.5 mm													
工具 Tools 液压钳 Manual hydraulic clamp	压接线径 Wire gauge 10-240 mm ²	型号 Type TL05													

插芯 Inserts

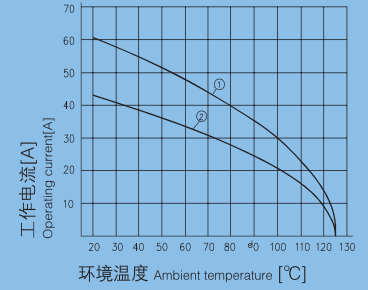


可与框架及其他所有模块产品组合使用
Combination with hinged frame and other modules possible.

技术参数 Technical Characteristics

规范	Specifications	
规范	Specifications	DIN EN 60 664 DIN EN 61 984
插芯	Inserts	
接插件针数	Number Of Contacts	2
依据 EN 61 984 的电气数据	Electrical Data Acc. To EN 61 984	
额定电流	Rated Current	40A
额定电压	Rated Voltage	1000V
额定脉冲电压	Rated Impulse Voltage	8kV
污染程度	Pollution Degree	3
依据UL的额定电压	Rated Voltage Acc.To UL	600V
绝缘电阻	Insulation Resistance	≥10 ¹⁰ Ω
材料	Material	聚碳酸酯 Polycarbonate
工作温度范围	Limiting Temperatures	-40°C...+125°C
依据UL94的阻燃等级	Flammability Acc.To UL94	V0
可拔插次数	Mechanical Working Life-mating Cycles	≥500
插针	Contacts	
材料	Material	铜合金 Copper Alloy
表面处理	Surface	镀银 Hard-silver Plated
接触电阻	Contact Resistance	0.5mΩ
电缆绞线依据IEC 60 228-5	To IEC 60 228 Class 5	
轴向螺栓连接	Axial Screw Terminal	
导线规格	Wire Gauge	2.5-10mm ²
AWG	AWG	14-8
内六角扳手	Hexagonal Driver	SW 2
剥线长度	Stripping length	
导线规格	Wire Gauge	2.5 4 6 10
mm	mm	5 ⁺¹ 5 ⁺¹ 8 ⁺¹ 11 ⁺¹
拧紧力矩	Tightening Torque	
导线规格	Wire Gauge	2.5 4 6 10
Nm	Nm	1.5 1.5 2 2

电流负载能力 Current Carrying Capacity
 电流负载能力所受的限制主要来自包含接插针的接插体可承受的最大温度
 测试和控制过程依据 DIN EN 60512-5
 The current carrying is limited by maximum temperature of materials for Inserts and contacts including Terminals.
 Measuring and testing techniques according to DIN EN 60512-5

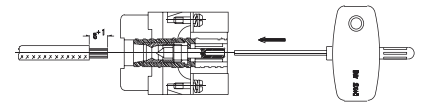


- ① 24B外壳带6个模块，导线截面：10mm²
- ② 24B外壳带6个模块，导线截面：6mm²
- ① 24 B hoods/housings with 6 modules, wire gauge:10mm²
- ② 24 B hoods/housings with 6 modules, wire gauge:6mm²

HMK-002 轴向螺栓连接	插芯 Inserts	型号 Type	尺寸图 Dimensions
 <p>HMK-002 Axial Screw Terminal</p>	公 Male	HMK-002.1-M(2.5-8mm ²) HMK-002.2-M(6-10mm ²)	
	母 Female	HMK-002.1-F(2.5-8mm ²) HMK-002.2-F(6-10mm ²)	

附件 Accessories

工具 Tools	描述 Description	型号 Type
 <p>内六角扳手 Hexagonal driver</p>	<p>用于轴向夹紧螺栓 带T型把手 For Axial Setscrew With Grip</p>	SW-2x40



插芯 Inserts



可与框架及其他所有模块产品组合使用
Combination with hinged frame and other modules possible.

技术参数 Technical Characteristics

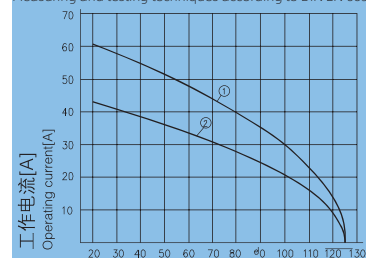
规范	Specifications	
规范	Specifications	DIN EN 60 664 DIN EN 61 984
插芯	Inserts	
接插件针数	Number Of Contacts	2
依据 EN 61 984 的电气数据	Electrical Data Acc. To EN 61 984	
额定电流	Rated Current	40A
额定电压	Rated Voltage	1000V
额定脉冲电压	Rated Impulse Voltage	8kV
污染程度	Pollution Degree	3
绝缘电阻	Insulation Resistance	≥10 ¹⁰ Ω
材料	Material	聚碳酸酯 Polycarbonate
工作温度范围	Limiting Temperatures	-40°C...+125°C
依据UL94的阻燃等级	Flammability Acc.To UL94	V0
可拔插次数	Mechanical Working Life-mating Cycles	≥500
插针	Contacts	
材料	Material	铜合金 Copper Alloy
表面处理	Surface	镀银 Hard-silver Plated
接触电阻	Contact Resistance	≤0.3mΩ
冷压连接	Crimp Terminal	
导线规格	Wire Gauge	1.5-10mm ²
AWG	AWG	16-8

电流负载能力 Current Carrying Capacity

电流负载能力所受的限制主要来自包含接插针的接插体可承受的最大温度

测试和控制过程依据 DIN EN 60512-5

The current carrying is limited by maximum temperature of materials for Inserts and contacts including Terminals. Measuring and testing techniques according to DIN EN 60512-5


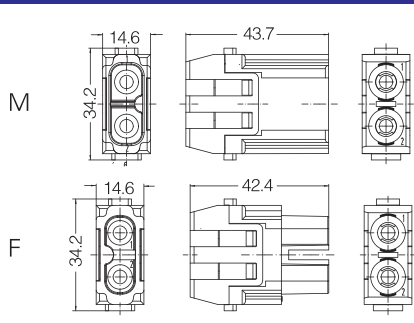


① 24B外壳带6个模块, 导线截面: 10mm²


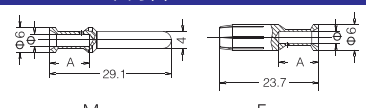


② 24B外壳带6个模块, 导线截面: 6mm²

① 24 B hoods/housings with 6 modules, wire gauge: 10mm²

② 24 B hoods/housings with 6 modules, wire gauge: 6mm²

HMK-002 冷压连接	插芯 Inserts	型号 Type	尺寸图 Dimensions
 <p>HMK-002 Crimp Terminal</p>	公 Male 母 Female	HMK-002-MC HMK-002-FC	

附件 Accessories

40A 冷压针 Crimp contacts	公 Male	母 Female	尺寸图 Dimensions																		
接触电阻 Contact resistance ≤0.3mΩ 镀银 Silver plated 	MCS40-1.5 MCS40-2.5 MCS40-4.0 MCS40-6.0 MCS40-10.0	FCS40-1.5 FCS40-2.5 FCS40-4.0 FCS40-6.0 FCS40-10.0	 <table border="1"> <thead> <tr> <th>线规 Wire gauge</th> <th>Φ</th> <th>剥线长度 Stripping length</th> </tr> </thead> <tbody> <tr><td>1.5 mm²</td><td>AWG 16</td><td>1.75</td></tr> <tr><td>2.5 mm²</td><td>AWG 14</td><td>2.25</td></tr> <tr><td>4 mm²</td><td>AWG 12</td><td>2.85</td></tr> <tr><td>6 mm²</td><td>AWG 10</td><td>3.5</td></tr> <tr><td>10 mm²</td><td>AWG 8</td><td>4.3</td></tr> </tbody> </table> <p>剥线长度 A = 15 mm 用于电缆 ≥ 5 mm 剥线长度 A = 18 mm 用于电缆 ≥ 6.4 mm Stripping length A = 15 mm for cables ≥ 5 mm Stripping length A = 18 mm for cables ≥ 6.4 mm</p>	线规 Wire gauge	Φ	剥线长度 Stripping length	1.5 mm ²	AWG 16	1.75	2.5 mm ²	AWG 14	2.25	4 mm ²	AWG 12	2.85	6 mm ²	AWG 10	3.5	10 mm ²	AWG 8	4.3
线规 Wire gauge	Φ	剥线长度 Stripping length																			
1.5 mm ²	AWG 16	1.75																			
2.5 mm ²	AWG 14	2.25																			
4 mm ²	AWG 12	2.85																			
6 mm ²	AWG 10	3.5																			
10 mm ²	AWG 8	4.3																			
工具 Tools	压接线径 Wire gauge	型号 Type																			
冷压钳 Manual hydraulic clamp 	1.5-6 mm ² 4/6/10 mm ²	TL02-0 TL02-3																			
退针器 Removal tool	适用类型 For	型号 Type																			
	40A 冷压针 40A Crimp contacts	TL06																			

插芯 Inserts

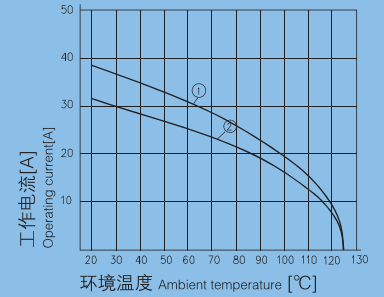


可与框架及其他所有模块产品组合使用
Combination with hinged frame and other modules possible.

技术参数 Technical Characteristics

规范	Specifications	
规范	Specifications	DIN EN 60 664 DIN EN 61 984
插芯	Inserts	
接插件针数	Number Of Contacts	3
依据 EN 61 984 的电气数据	Electrical Data Acc. To EN 61 984	
额定电流	Rated Current	40A
额定电压	Rated Voltage	690V
额定脉冲电压	Rated Impulse Voltage	8kV
污染程度	Pollution Degree	3
依据UL的额定电压	Rated Voltage Acc.To UL	600V
绝缘电阻	Insulation Resistance	≥10 ¹⁰ Ω
材料	Material	聚碳酸酯 Polycarbonate
工作温度范围	Limiting Temperatures	-40°C...+125°C
依据UL94的阻燃等级	Flammability Acc.To UL94	V0
可拔插次数	Mechanical Working Life-mating Cycles	≥500
插针	Contacts	
材料	Material	铜合金 Copper Alloy
表面处理	Surface	镀银 Hard-silver Plated
接触电阻	Contact Resistance	0.3mΩ
电缆绞线依据IEC 60 228-5	To IEC 60 228 Class 5	
轴向螺栓连接	Axial Screw Terminal	
导线规格	Wire Gauge	2.5-10mm ²
AWG	AWG	14-8
内六角扳手	Hexagonal Driver	SW 2
剥线长度	Stripping length	
导线规格	Wire Gauge	2.5 4 6 10
mm	mm	5 ⁺¹ 5 ⁺¹ 8 ⁺¹ 11 ⁺¹
拧紧力矩	Tightening Torque	
导线规格	Wire Gauge	2.5 4 6 10
Nm	Nm	1.5 1.5 2 2

电流负载能力 Current Carrying Capacity
 电流负载能力所受的限制主要来自包含接插针的接插体可承受的最大温度
 测试和控制过程依据 DIN EN 60512-5
 The current carrying is limited by maximum temperature of materials for Inserts and contacts including Terminals.
 Measuring and testing techniques according to DIN EN 60512-5



- ① 24B外壳带6个模块，导线截面：6mm²
- ② 24B外壳带6个模块，导线截面：4mm²
- ① 24 B hoods/housings with 6 modules, wire gauge:6mm²
- ② 24 B hoods/housings with 6 modules, wire gauge:4mm²

HMK-003 轴向螺栓连接	插芯 Inserts	型号 Type	尺寸图 Dimensions
<p>HMK-003 Axial Screw Terminal</p>	公 Male	HMK-003.1-M(2.5-8mm ²) HMK-003.2-M(6-10mm ²)	
	母 Female	HMK-003.1-F(2.5-8mm ²) HMK-003.2-F(6-10mm ²)	

附件 Accessories

工具 Tools	描述 Description	型号 Type	尺寸图 Dimensions
内六角扳手 Hexagonal driver	用于轴向夹紧螺栓 带T型把手 For Axial Setscrew With Grip	SW-2x40	

插芯 Inserts

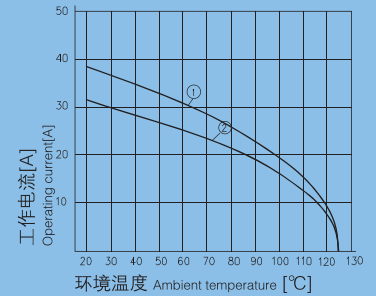


可与框架及其他所有模块产品组合使用
Combination with hinged frame and other modules possible.

技术参数 Technical Characteristics

规范	Specifications	
规范	Specifications	DIN EN 60 664 DIN EN 61 984
插芯	Inserts	
接插件针数	Number Of Contacts	3
依据 EN 61 984 的电气数据	Electrical Data Acc. To EN 61 984	
额定电流	Rated Current	40A
额定电压	Rated Voltage	400/690V
额定脉冲电压	Rated Impulse Voltage	6kV
污染程度	Pollution Degree	3
依据UL/CSA的额定电压	Rated Voltage Acc.To UL/CSA	600V
依据UL/CSA的额定电流	Rated Current Acc.To UL/CSA	32A
绝缘电阻	Insulation Resistance	≥10 ¹⁰ Ω
材料	Material	聚碳酸酯 Polycarbonate
工作温度范围	Limiting Temperatures	-40°C...+125°C
依据UL94的阻燃等级	Flammability Acc.To UL94	V0
可拔插次数	Mechanical Working Life-mating Cycles	≥500
插针	Contacts	
材料	Material	铜合金 Copper Alloy
表面处理	Surface	镀银 Hard-silver Plated
接触电阻	Contact Resistance	≤0.3mΩ
冷压连接	Crimp Terminal	
导线规格	Wire Gauge	1.5-10mm ²
AWG	AWG	16-8

电流负载能力 Current Carrying Capacity
 电流负载能力所受的限制主要来自包含插针的接插体可承受的最大温度
 测试和控制过程依据 DIN EN 60512-5
 The current carrying is limited by maximum temperature of materials for Inserts and contacts including Terminals.
 Measuring and testing techniques according to DIN EN 60512-5



- ① 24B外壳带6个模块, 导线截面: 6mm²
- ② 24B外壳带6个模块, 导线截面: 4mm²
- ① 24 B hoods/housings with 6 modules, wire gauge:6mm²
- ② 24 B hoods/housings with 6 modules, wire gauge:4mm²

HMK-003 冷压连接	插芯 Inserts 公 Male 母 Female	型号 Type HMK-003-MC HMK-003-FC	尺寸图 Dimensions
HMK-003 Crimp Terminal			

附件 Accessories

40A 冷压针 Crimp contacts 接触电阻 Contact resistance ≤0.3mΩ 镀银 Silver plated	公 Male MCS40-1.5 MCS40-2.5 MCS40-4.0 MCS40-6.0 MCS40-10.0	母 Female FCS40-1.5 FCS40-2.5 FCS40-4.0 FCS40-6.0 FCS40-10.0	尺寸图 Dimensions																												
			<table border="1"> <thead> <tr> <th colspan="2">M</th> <th colspan="2">F</th> </tr> <tr> <th>线规 Wire gauge</th> <th>Φ</th> <th colspan="2">剥线长度 Stripping length</th> </tr> </thead> <tbody> <tr> <td>1.5 mm²</td> <td>AWG 16</td> <td>1.75</td> <td>9 mm</td> </tr> <tr> <td>2.5 mm²</td> <td>AWG 14</td> <td>2.25</td> <td>9 mm</td> </tr> <tr> <td>4 mm²</td> <td>AWG 12</td> <td>2.85</td> <td>9.6 mm</td> </tr> <tr> <td>6 mm²</td> <td>AWG 10</td> <td>3.5</td> <td>9.6 mm</td> </tr> <tr> <td>10 mm²</td> <td>AWG 8</td> <td>4.3</td> <td>15 mm</td> </tr> </tbody> </table> <p>剥线长度 A = 15 mm 用于电缆 ≥ 5 mm 剥线长度 A = 18 mm 用于电缆 ≥ 6.4 mm Stripping length A = 15 mm for cables ≥ 5 mm Stripping length A = 18 mm for cables ≥ 6.4 mm</p>	M		F		线规 Wire gauge	Φ	剥线长度 Stripping length		1.5 mm ²	AWG 16	1.75	9 mm	2.5 mm ²	AWG 14	2.25	9 mm	4 mm ²	AWG 12	2.85	9.6 mm	6 mm ²	AWG 10	3.5	9.6 mm	10 mm ²	AWG 8	4.3	15 mm
M		F																													
线规 Wire gauge	Φ	剥线长度 Stripping length																													
1.5 mm ²	AWG 16	1.75	9 mm																												
2.5 mm ²	AWG 14	2.25	9 mm																												
4 mm ²	AWG 12	2.85	9.6 mm																												
6 mm ²	AWG 10	3.5	9.6 mm																												
10 mm ²	AWG 8	4.3	15 mm																												
工具 Tools 冷压钳 Manual hydraulic clamp	压接线径 Wire gauge 1.5-6 mm ² 4/6/10 mm ²	型号 Type TL02-0 TL02-3																													
退针器 Removal tool	适用类型 For 40A 冷压针 40A Crimp contacts	型号 Type TL06																													

插芯 Inserts



可与框架及其他所有模块产品组合使用
Combination with hinged frame and other modules possible.

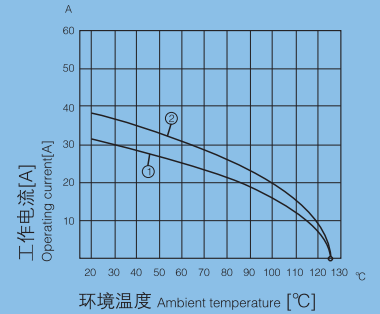
技术参数 Technical Characteristics

规范	Specifications	
规范	Specifications	DIN EN 60 664 DIN EN 61 984
插芯	Inserts	
接插件针数	Number Of Contacts	3/4
依据 EN 61 984 的电气数据	Electrical Data Acc. To EN 61 984	
电力区	Power Contacts	
额定电流	Rated Current	40A
额定电压	Rated Voltage	830V
额定脉冲电压	Rated Impulse Voltage	8kV
污染程度	Pollution Degree	3
信号区	Signal Contacts	
额定电流	Rated Current	10A
额定电压	Rated Voltage	830V
额定脉冲电压	Rated Impulse Voltage	8kV
污染程度	Pollution Degree	3
依据UL的额定电压	Rated Voltage Acc.To UL	600V
绝缘电阻	Insulation Resistance	$\geq 10^{10}\Omega$
材料	Material	聚碳酸酯 Polycarbonate
工作温度范围	Limiting Temperatures	-40°C...+125°C
依据UL94的阻燃等级	Flammability Acc.To UL94	V0
可拔插次数	Mechanical Working Life-mating Cycles	≥ 500
插针	Contacts	
材料	Material	铜合金 Copper Alloy
表面处理	Surface	镀银 Hard-silver Plated 镀金 Hard-gold Plated
接触电阻	Contact Resistance	
电力区	Power Contacts	$\leq 0.3m\Omega$
信号区	Signal Contacts	$\leq 3m\Omega$
冷压连接	Crimp Terminal	
导线规格	Wire Gauge	
电力区	Power Contacts	1.5-6mm ²
信号区	Signal Contacts	0.14-2.5mm ²
AWG	AWG	
电力区	Power Contacts	16-10
信号区	Signal Contacts	26-14
最大电缆直径	Max. insulation diameter	5mm

电流负载能力 Current Carrying Capacity

电流负载能力所受的限制主要来自包含接插针的接插体可承受的最大温度
测试和控制过程依据 DIN EN 60512-5

The current carrying is limited by maximum temperature of materials for Inserts and contacts including Terminals. Measuring and testing techniques according to DIN EN 60512-5



- ① 24B外壳带6个模块，导线截面：4mm²
- ② 24B外壳带6个模块，导线截面：6mm²
- ① 24 B hoods/housings with 6 modules, wire gauge:4mm²
- ② 24 B hoods/housings with 6 modules, wire gauge:6mm²


HMK-003/4 冷压连接	插芯 Inserts	型号 Type	尺寸图 Dimensions
<p>HMK-003/4 Crimp Terminal</p>	公 Male 母 Female	HMK-003/4-MC HMK-003/4-FC	

附件 Accessories

40A/10A 冷压针 Crimp contacts	公 Male	母 Female	尺寸图 Dimensions																				
接触电阻 Contact resistance $\leq 0.3m\Omega$ 镀银 Silver plated 	MCS40-1.5 MCS40-2.5 MCS40-4.0 MCS40-6.0 MCS40-10.0	FCS40-1.5 FCS40-2.5 FCS40-4.0 FCS40-6.0 FCS40-10.0	<table border="1"> <thead> <tr> <th>线规 Wire gauge</th> <th>AWG</th> <th>Φ</th> <th>剥线长度 Stripping length</th> </tr> </thead> <tbody> <tr> <td>1.5 mm²</td> <td>AWG 16</td> <td>1.75</td> <td>9 mm</td> </tr> <tr> <td>2.5 mm²</td> <td>AWG 14</td> <td>2.25</td> <td>9 mm</td> </tr> <tr> <td>4 mm²</td> <td>AWG 12</td> <td>2.85</td> <td>9.6 mm</td> </tr> <tr> <td>6 mm²</td> <td>AWG 10</td> <td>3.5</td> <td>9.6 mm</td> </tr> </tbody> </table>	线规 Wire gauge	AWG	Φ	剥线长度 Stripping length	1.5 mm ²	AWG 16	1.75	9 mm	2.5 mm ²	AWG 14	2.25	9 mm	4 mm ²	AWG 12	2.85	9.6 mm	6 mm ²	AWG 10	3.5	9.6 mm
线规 Wire gauge	AWG	Φ	剥线长度 Stripping length																				
1.5 mm ²	AWG 16	1.75	9 mm																				
2.5 mm ²	AWG 14	2.25	9 mm																				
4 mm ²	AWG 12	2.85	9.6 mm																				
6 mm ²	AWG 10	3.5	9.6 mm																				

HMK-004 冷压型模块 Crimp Module 830V 40A

插芯 Inserts

 可与框架及其他所有模块产品组合使用
Combination with hinged frame and other modules possible.

技术参数 Technical Characteristics

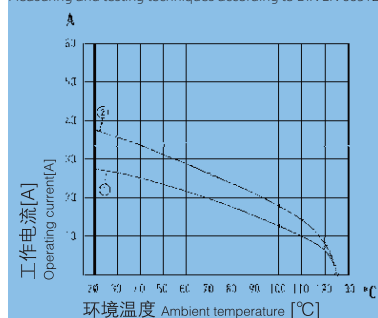
规范	Specifications	
规范	Specifications	DIN EN 60 664 DIN EN 61 984
插芯	Inserts	
接插件针数	Number Of Contacts	4
依据 EN 61 984 的电气数据	Electrical Data Acc. To EN 61 984	
额定电流	Rated Current	40A
额定电压	Rated Voltage	830V
额定脉冲电压	Rated Impulse Voltage	8kV
污染程度	Pollution Degree	3
依据 UL 的额定电压	Rated Voltage Acc.To UL	600V
绝缘电阻	Insulation Resistance	$\geq 10^{10}\Omega$
材料	Material	聚碳酸酯 Polycarbonate
工作温度范围	Limiting Temperatures	-40°C...+125°C
依据 UL94 的阻燃等级	Flammability Acc.To UL94	V0
可拔插次数	Mechanical Working Life-mating Cycles	≥ 500
插针	Contacts	
材料	Material	铜合金 Copper Alloy
表面处理	Surface	镀银 Hard-silver Plated
接触电阻	Contact Resistance	$\leq 0.3m\Omega$
冷压连接	Crimp Terminal	
导线规格	Wire Gauge	1.5-6mm ²
AWG	AWG	16-10

电流负载能力 Current Carrying Capacity


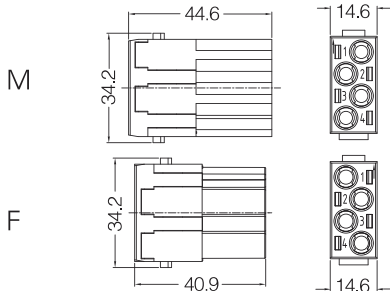
电流负载能力所受的限制主要来自包含插针的接插体可承受的最大温度

测试和控制过程依据 DIN EN 60512-5


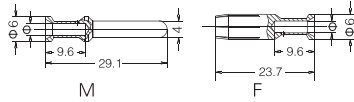


The current carrying is limited by maximum temperature of materials for Inserts and contacts including Terminals. Measuring and testing techniques according to DIN EN 60512-5



- ① 24B外壳带6个模块, 导线截面: 4mm²
- ② 24B外壳带6个模块, 导线截面: 6mm²
- ① 24 B hoods/housings with 6 modules, wire gauge:4mm²
- ② 24 B hoods/housings with 6 modules, wire gauge:6mm²

HMK-004 冷压连接	插芯 Inserts	型号 Type	尺寸图 Dimensions
 <p>HMK-004 Crimp Terminal</p>	公 Male 母 Female	HMK-004-MC HMK-004-FC	

附件 Accessories

40A 冷压针 Crimp contacts	公 Male	母 Female	尺寸图 Dimensions																			
接触电阻 Contact resistance $\leq 0.3m\Omega$ 镀银 Silver plated 	MCS40-1.5 MCS40-2.5 MCS40-4.0 MCS40-6.0	FCS40-1.5 FCS40-2.5 FCS40-4.0 FCS40-6.0																				
工具 Tools 冷压钳 Manual hydraulic clamp 	压接线径 Wire gauge 1.5-6 mm ²	型号 Type TL02-0	<table border="1"> <thead> <tr> <th>线规 Wire gauge</th> <th>Φ</th> <th>剥线长度 Stripping length</th> </tr> </thead> <tbody> <tr> <td>1.5 mm²</td> <td>AWG 16</td> <td>1.75</td> <td>9 mm</td> </tr> <tr> <td>2.5 mm²</td> <td>AWG 14</td> <td>2.25</td> <td>9 mm</td> </tr> <tr> <td>4 mm²</td> <td>AWG 12</td> <td>2.85</td> <td>9.6 mm</td> </tr> <tr> <td>6 mm²</td> <td>AWG 10</td> <td>3.5</td> <td>9.6 mm</td> </tr> </tbody> </table>	线规 Wire gauge	Φ	剥线长度 Stripping length	1.5 mm ²	AWG 16	1.75	9 mm	2.5 mm ²	AWG 14	2.25	9 mm	4 mm ²	AWG 12	2.85	9.6 mm	6 mm ²	AWG 10	3.5	9.6 mm
线规 Wire gauge	Φ	剥线长度 Stripping length																				
1.5 mm ²	AWG 16	1.75	9 mm																			
2.5 mm ²	AWG 14	2.25	9 mm																			
4 mm ²	AWG 12	2.85	9.6 mm																			
6 mm ²	AWG 10	3.5	9.6 mm																			
退针器 Removal tool 	适用类型 For 40A 冷压针 40A Crimp contacts	型号 Type TL06																				

HME-005 弹片型模块 Cage-clamp Module 400V 16A

插芯 Inserts

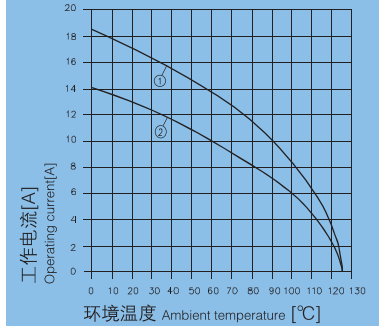


可与框架及其他所有模块产品组合使用
Combination with hinged frame and other modules possible.

技术参数 Technical Characteristics

规范	Specifications	
规范	Specifications	DIN EN 60 664 DIN EN 61 984
插芯	Inserts	
接插件针数	Number Of Contacts	5
依据 EN 61 984 的电气数据	Electrical Data Acc. To EN 61 984	
额定电流	Rated Current	16A
额定电压	Rated Voltage	400V
额定脉冲电压	Rated Impulse Voltage	6kV
污染程度	Pollution Degree	3
依据UL的额定电压	Rated Voltage Acc.To UL	600V
绝缘电阻	Insulation Resistance	$\geq 10^{10}\Omega$
材料	Material	聚碳酸酯 Polycarbonate
工作温度范围	Limiting Temperatures	-40°C...+125°C
依据UL94的阻燃等级	Flammability Acc.To UL94	V0
可拔插次数	Mechanical Working Life-mating Cycles	≥ 500
插针	Contacts	
材料	Material	铜合金 Copper Alloy
表面处理	Surface	镀银 Hard-silver Plated
接触电阻	Contact Resistance	$\leq 3m\Omega$
弹片连接	Cage Clamp Terminal	
导线规格	Wire Gauge	0.14-2.5mm ²
AWG	AWG	26-14

电流负载能力 Current Carrying Capacity
 电流负载能力所受的限制主要来自包含接插针的接插体可承受的最大温度
 测试和控制过程依据 DIN EN 60512-5
 The current carrying is limited by maximum temperature of materials for Inserts and contacts including Terminals. Measuring and testing techniques according to DIN EN 60512-5



- ① 24 B外壳带6个模块，导线截面:2.5mm²
 ② 24 B外壳带6个模块，导线截面:1.5mm²
 ① 24 B hoods/housings with 6 modules, wire gauge:2.5mm²
 ② 24 B hoods/housings with 6 modules, wire gauge:1.5mm²

HME-005 弹片连接	插芯 Inserts	型号 Type	尺寸图 Dimensions
<p>HME-005 Cage Clamp Terminal</p>	公 Male 母 Female	HME-005-MC HME-005-FC	

插芯 Inserts

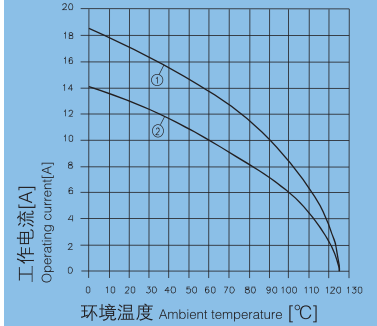


可与框架及其他所有模块产品组合使用
Combination with hinged frame and other modules possible.

技术参数 Technical Characteristics

规范	Specifications	
规范	Specifications	DIN EN 60 664 DIN EN 61 984
插芯	Inserts	
接插件针数	Number Of Contacts	6
依据 EN 61 984 的电气数据	Electrical Data Acc. To EN 61 984	
额定电流	Rated Current	16A
额定电压	Rated Voltage	500V
额定脉冲电压	Rated Impulse Voltage	6kV
污染程度	Pollution Degree	3
依据UL/CSA的额定电压	Rated Voltage Acc.To UL/CSA	600V
绝缘电阻	Insulation Resistance	≥10 ¹⁰ Ω
材料	Material	聚碳酸酯 Polycarbonate
工作温度范围	Limiting Temperatures	-40°C...+125°C
依据UL94的阻燃等级	Flammability Acc.To UL94	V0
可拔插次数	Mechanical Working Life-mating Cycles	≥500
插针	Contacts	
材料	Material	铜合金 Copper Alloy
表面处理	Surface	镀银 Hard-silver Plated 镀金 Hard-gold Plated
接触电阻	Contact Resistance	≤1mΩ
冷压连接	Cage Clamp Terminal	
导线规格	Wire Gauge	0.14-4mm ²
AWG	AWG	26-12

电流负载能力 Current Carrying Capacity
 电流负载能力所受的限制主要来自包含接插针的接插体可承受的最大温度
 测试和控制过程依据 DIN EN 60512-5
 The current carrying is limited by maximum temperature of materials for Inserts and contacts including Terminals. Measuring and testing techniques according to DIN EN 60512-5



- ① 24 B外壳带6个模块, 导线截面:2.5mm²
- ② 24 B外壳带6个模块, 导线截面:1.5mm²
- ① 24 B hoods/housings with 6 modules, wire gauge:2.5mm²
- ② 24 B hoods/housings with 6 modules, wire gauge:1.5mm²

HME-006 冷压连接	插芯 Inserts	型号 Type	尺寸图 Dimensions
<p>HME-006 Crimp Terminal</p>	公 Male 母 Female	HME-006-MC HME-006-FC	

附件 Accessories

16A 冷压针 Crimp contacts	公 Male	母 Female	尺寸图 Dimensions																																			
接触电阻 Contact resistance ≤1mΩ 镀银 Silver plated 	MCS16-0.37 MCS16-0.5 MCS16-0.75 MCS16-1.0 MCS16-1.5 MCS16-2.5 MCS16-3.0 MCS16-4.0	FCS16-0.37 FCS16-0.5 FCS16-0.75 FCS16-1.0 FCS16-1.5 FCS16-2.5 FCS16-3.0 FCS16-4.0																																				
镀金 Gold plated 	MCG16-0.37 MCG16-0.5 MCG16-0.75 MCG16-1.0 MCG16-1.5 MCG16-2.5 MCG16-4.0	FCG16-0.37 FCG16-0.5 FCG16-0.75 FCG16-1.0 FCG16-1.5 FCG16-2.5 FCG16-4.0	<table border="1"> <thead> <tr> <th>标示 Identification</th> <th>线规 Wire gauge</th> <th>剥线长度 Stripping length</th> </tr> </thead> <tbody> <tr> <td>no groove</td> <td>0.14-0.37 mm²</td> <td>AWG 26-22</td> <td>7.5 mm</td> </tr> <tr> <td>no groove</td> <td>0.5 mm²</td> <td>AWG 20</td> <td>7.5 mm</td> </tr> <tr> <td>1 groove</td> <td>0.75 mm²</td> <td>AWG 18</td> <td>7.5 mm</td> </tr> <tr> <td>1 groove</td> <td>1 mm²</td> <td>AWG 18</td> <td>7.5 mm</td> </tr> <tr> <td>2 groove</td> <td>1.5 mm²</td> <td>AWG 16</td> <td>7.5 mm</td> </tr> <tr> <td>3 groove</td> <td>2.5 mm²</td> <td>AWG 14</td> <td>7.5 mm</td> </tr> <tr> <td>wide groove</td> <td>3 mm²</td> <td>AWG 12</td> <td>7.5 mm</td> </tr> <tr> <td>no groove</td> <td>4 mm²</td> <td>AWG 12</td> <td>7.5 mm</td> </tr> </tbody> </table>	标示 Identification	线规 Wire gauge	剥线长度 Stripping length	no groove	0.14-0.37 mm ²	AWG 26-22	7.5 mm	no groove	0.5 mm ²	AWG 20	7.5 mm	1 groove	0.75 mm ²	AWG 18	7.5 mm	1 groove	1 mm ²	AWG 18	7.5 mm	2 groove	1.5 mm ²	AWG 16	7.5 mm	3 groove	2.5 mm ²	AWG 14	7.5 mm	wide groove	3 mm ²	AWG 12	7.5 mm	no groove	4 mm ²	AWG 12	7.5 mm
标示 Identification	线规 Wire gauge	剥线长度 Stripping length																																				
no groove	0.14-0.37 mm ²	AWG 26-22	7.5 mm																																			
no groove	0.5 mm ²	AWG 20	7.5 mm																																			
1 groove	0.75 mm ²	AWG 18	7.5 mm																																			
1 groove	1 mm ²	AWG 18	7.5 mm																																			
2 groove	1.5 mm ²	AWG 16	7.5 mm																																			
3 groove	2.5 mm ²	AWG 14	7.5 mm																																			
wide groove	3 mm ²	AWG 12	7.5 mm																																			
no groove	4 mm ²	AWG 12	7.5 mm																																			
工具 Tools 冷压钳 Crimping tool 	压接线径 Wire gauge 0.5-4 mm ²	型号 Type TL02																																				
	压接线径: 0.14-0.37mm ² 请选择TL02冷压钳 Wire gauge: 0.14-0.37mm ² please select TL02 Crimping tool																																					
退针器 Removal tool 	适用类型 For 16A 冷压针 16A Crimp contacts	型号 Type TL01																																				

插芯 Inserts

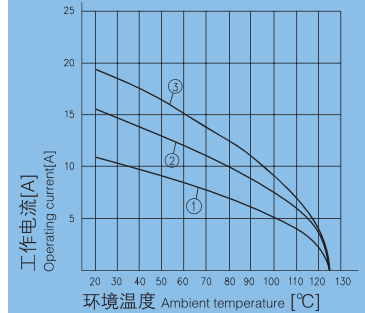


可与框架及其他所有模块产品组合使用
Combination with hinged frame and other modules possible.

技术参数 Technical Characteristics

规范	Specifications	
规范	Specifications	DIN EN 60 664 DIN EN 61 984
插芯	Inserts	
接插件针数	Number Of Contacts	6
依据 EN 61 984 的电气数据	Electrical Data Acc. To EN 61 984	
额定电流	Rated Current	16A
额定电压	Rated Voltage	830V
额定脉冲电压	Rated Impulse Voltage	8kV
污染程度	Pollution Degree	3
依据UL/CSA的额定电压	Rated Voltage Acc.To UL/CSA	600V
绝缘电阻	Insulation Resistance	≥10 ¹⁰ Ω
材料	Material	聚碳酸酯 Polycarbonate
工作温度范围	Limiting Temperatures	-40°C...+125°C
依据UL94的阻燃等级	Flammability Acc.To UL94	V0
可拔插次数	Mechanical Working Life-mating Cycles	≥500
插针	Contacts	
材料	Material	铜合金 Copper Alloy
表面处理	Surface	镀银 Hard-silver Plated 镀金 Hard-gold Plated
接触电阻	Contact Resistance	≤1mΩ
冷压连接	Cage Clamp Terminal	
导线规格	Wire Gauge	0.14-4mm ²
AWG	AWG	26-12

电流负载能力 Current Carrying Capacity
 电流负载能力所受的限制主要来自包含接插针的接插体可承受的最大温度
 测试和控制过程依据 DIN EN 60512-5
 The current carrying is limited by maximum temperature of materials for Inserts and contacts including Terminals.
 Measuring and testing techniques according to DIN EN 60512-5



- ① 24 B 外壳带6个模块, 导线截面:1.5mm²
- ② 24 B 外壳带6个模块, 导线截面:2.5mm²
- ③ 24 B 外壳带6个模块, 导线截面:4.0mm²
- ① 24 B hoods/housings with 6 modules, wire gauge:1.5mm²
- ② 24 B hoods/housings with 6 modules, wire gauge:2.5mm²
- ③ 24 B hoods/housings with 6 modules, wire gauge:4.0mm²

HVME-006 冷压连接	插芯 Inserts	型号 Type	尺寸图 Dimensions
<p>HVME-006 Crimp Terminal</p>	公 Male 母 Female	HVME-006-MC HVME-006-FC	

附件 Accessories

16A 冷压针 Crimp contacts	公 Male	母 Female	尺寸图 Dimensions																																			
接触电阻 Contact resistance ≤1mΩ 镀银 Silver plated 	MCS16-0.37 MCS16-0.5 MCS16-0.75 MCS16-1.0 MCS16-1.5 MCS16-2.5 MCS16-3.0 MCS16-4.0	FCS16-0.37 FCS16-0.5 FCS16-0.75 FCS16-1.0 FCS16-1.5 FCS16-2.5 FCS16-3.0 FCS16-4.0																																				
镀金 Gold plated 	MCG16-0.37 MCG16-0.5 MCG16-0.75 MCG16-1.0 MCG16-1.5 MCG16-2.5 MCG16-4.0	FCG16-0.37 FCG16-0.5 FCG16-0.75 FCG16-1.0 FCG16-1.5 FCG16-2.5 FCG16-4.0	<table border="1"> <thead> <tr> <th>标识 Identification</th> <th>线规 Wire gauge</th> <th>剥线长度 Stripping length</th> </tr> </thead> <tbody> <tr> <td>no groove</td> <td>0.14-0.37 mm²</td> <td>AWG 26-22</td> <td>7.5 mm</td> </tr> <tr> <td>no groove</td> <td>0.5 mm²</td> <td>AWG 20</td> <td>7.5 mm</td> </tr> <tr> <td>1 groove</td> <td>0.75 mm²</td> <td>AWG 18</td> <td>7.5 mm</td> </tr> <tr> <td>1 groove</td> <td>1 mm²</td> <td>AWG 18</td> <td>7.5 mm</td> </tr> <tr> <td>2 groove</td> <td>1.5 mm²</td> <td>AWG 16</td> <td>7.5 mm</td> </tr> <tr> <td>3 groove</td> <td>2.5 mm²</td> <td>AWG 14</td> <td>7.5 mm</td> </tr> <tr> <td>wide groove</td> <td>3 mm²</td> <td>AWG 12</td> <td>7.5 mm</td> </tr> <tr> <td>no groove</td> <td>4 mm²</td> <td>AWG 12</td> <td>7.5 mm</td> </tr> </tbody> </table>	标识 Identification	线规 Wire gauge	剥线长度 Stripping length	no groove	0.14-0.37 mm ²	AWG 26-22	7.5 mm	no groove	0.5 mm ²	AWG 20	7.5 mm	1 groove	0.75 mm ²	AWG 18	7.5 mm	1 groove	1 mm ²	AWG 18	7.5 mm	2 groove	1.5 mm ²	AWG 16	7.5 mm	3 groove	2.5 mm ²	AWG 14	7.5 mm	wide groove	3 mm ²	AWG 12	7.5 mm	no groove	4 mm ²	AWG 12	7.5 mm
标识 Identification	线规 Wire gauge	剥线长度 Stripping length																																				
no groove	0.14-0.37 mm ²	AWG 26-22	7.5 mm																																			
no groove	0.5 mm ²	AWG 20	7.5 mm																																			
1 groove	0.75 mm ²	AWG 18	7.5 mm																																			
1 groove	1 mm ²	AWG 18	7.5 mm																																			
2 groove	1.5 mm ²	AWG 16	7.5 mm																																			
3 groove	2.5 mm ²	AWG 14	7.5 mm																																			
wide groove	3 mm ²	AWG 12	7.5 mm																																			
no groove	4 mm ²	AWG 12	7.5 mm																																			
工具 Tools 冷压钳 Crimping tool 	压接线径 Wire gauge 0.5-4 mm ²	型号 Type TL02																																				
	压接线径: 0.14-0.37mm ² 请选择TL02冷压钳 Wire gauge: 0.14-0.37mm ² please select TL02 Crimping tool																																					
退针器 Removal tool 	适用类型 For 16A 冷压针 16A Crimp contacts	型号 Type TL01																																				

HMEE-008 冷压型模块 Crimp Module 400V 16A

插芯 Inserts



可与框架及其他所有模块产品组合使用
Combination with hinged frame and other modules possible.

技术参数 Technical Characteristics

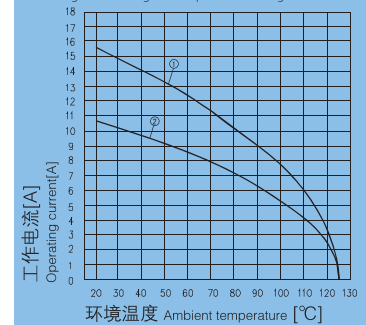
规范	Specifications	
规范	Specifications	DIN EN 60 664 DIN EN 61 984
插芯	Inserts	
接插件针数	Number Of Contacts	8
依据 EN 61 984 的电气数据	Electrical Data Acc. To EN 61 984	
额定电流	Rated Current	16A
额定电压	Rated Voltage	400V
额定脉冲电压	Rated Impulse Voltage	6kV
污染程度	Pollution Degree	3
依据UL/CSA的额定电压	Rated Voltage Acc.To UL/CSA	600V
绝缘电阻	Insulation Resistance	≥10 ¹⁰ Ω
材料	Material	聚碳酸酯 Polycarbonate
工作温度范围	Limiting Temperatures	-40°C...+125°C
依据UL94的阻燃等级	Flammability Acc.To UL94	V0
可拔插次数	Mechanical Working Life-mating Cycles	≥500
插针	Contacts	
材料	Material	铜合金 Copper Alloy
表面处理	Surface	镀银 Hard-silver Plated 镀金 Hard-gold Plated
接触电阻	Contact Resistance	≤1mΩ
冷压连接	Cage Clamp Terminal	
导线规格	Wire Gauge	0.14-4mm ²
AWG	AWG	26-12

电流负载能力 Current Carrying Capacity

电流负载能力所受的限制主要来自包含接插针的接插体可承受的最大温度

测试和控制过程依据 DIN EN 60512-5

The current carrying is limited by maximum temperature of materials for Inserts and contacts including Terminals. Measuring and testing techniques according to DIN EN 60512-5



- ① 24 B外壳带6个模块, 导线截面:2.5mm²
- ② 24 B外壳带6个模块, 导线截面:1.5mm²
- ① 24 B hoods/housings with 6 modules, wire gauge:2.5mm²
- ② 24 B hoods/housings with 6 modules, wire gauge:1.5mm²

HMEE-008 冷压连接	插芯 Inserts	型号 Type	尺寸图 Dimensions
<p>HMEE-008 Crimp Terminal</p>	公 Male 母 Female	HMEE-008-MC HMEE-008-FC	

附件 Accessories

16A 冷压针 Crimp contacts	公 Male	母 Female	尺寸图 Dimensions																																			
接触电阻 Contact resistance ≤1mΩ 镀银 Silver plated 	MCS16-0.37 MCS16-0.5 MCS16-0.75 MCS16-1.0 MCS16-1.5 MCS16-2.5 MCS16-3.0 MCS16-4.0	FCS16-0.37 FCS16-0.5 FCS16-0.75 FCS16-1.0 FCS16-1.5 FCS16-2.5 FCS16-3.0 FCS16-4.0																																				
镀金 Gold plated 	MCG16-0.37 MCG16-0.5 MCG16-0.75 MCG16-1.0 MCG16-1.5 MCG16-2.5 MCG16-4.0	FCG16-0.37 FCG16-0.5 FCG16-0.75 FCG16-1.0 FCG16-1.5 FCG16-2.5 FCG16-4.0	<table border="1"> <thead> <tr> <th>标识 Identification</th> <th>线规 Wire gauge</th> <th>剥线长度 Stripping length</th> </tr> </thead> <tbody> <tr><td>no groove</td><td>0.14-0.37 mm²</td><td>AWG 26-22</td><td>7.5 mm</td></tr> <tr><td>no groove</td><td>0.5 mm²</td><td>AWG 20</td><td>7.5 mm</td></tr> <tr><td>1 groove</td><td>0.75 mm²</td><td>AWG 18</td><td>7.5 mm</td></tr> <tr><td>1 groove</td><td>1 mm²</td><td>AWG 18</td><td>7.5 mm</td></tr> <tr><td>2 groove</td><td>1.5 mm²</td><td>AWG 16</td><td>7.5 mm</td></tr> <tr><td>3 groove</td><td>2.5 mm²</td><td>AWG 14</td><td>7.5 mm</td></tr> <tr><td>wide groove</td><td>3 mm²</td><td>AWG 12</td><td>7.5 mm</td></tr> <tr><td>no groove</td><td>4 mm²</td><td>AWG 12</td><td>7.5 mm</td></tr> </tbody> </table>	标识 Identification	线规 Wire gauge	剥线长度 Stripping length	no groove	0.14-0.37 mm ²	AWG 26-22	7.5 mm	no groove	0.5 mm ²	AWG 20	7.5 mm	1 groove	0.75 mm ²	AWG 18	7.5 mm	1 groove	1 mm ²	AWG 18	7.5 mm	2 groove	1.5 mm ²	AWG 16	7.5 mm	3 groove	2.5 mm ²	AWG 14	7.5 mm	wide groove	3 mm ²	AWG 12	7.5 mm	no groove	4 mm ²	AWG 12	7.5 mm
标识 Identification	线规 Wire gauge	剥线长度 Stripping length																																				
no groove	0.14-0.37 mm ²	AWG 26-22	7.5 mm																																			
no groove	0.5 mm ²	AWG 20	7.5 mm																																			
1 groove	0.75 mm ²	AWG 18	7.5 mm																																			
1 groove	1 mm ²	AWG 18	7.5 mm																																			
2 groove	1.5 mm ²	AWG 16	7.5 mm																																			
3 groove	2.5 mm ²	AWG 14	7.5 mm																																			
wide groove	3 mm ²	AWG 12	7.5 mm																																			
no groove	4 mm ²	AWG 12	7.5 mm																																			
工具 Tools 冷压钳 Crimping tool 	压接线径 Wire gauge 0.5-4 mm ²	型号 Type TL02																																				
	压接线径: 0.14-0.37mm ² 请选择TL02冷压钳 Wire gauge: 0.14-0.37mm ² please select TL02 Crimping tool																																					
退针器 Removal tool 	适用类型 For 16A 冷压针 16A Crimp contacts	型号 Type TL01																																				

H2MEE-020 冷压型模块 Crimp Module 500V 16A

插芯 Inserts



可与框架及其他所有模块产品组合使用

Combination with hinged frame and other modules possible.

技术参数 Technical Characteristics

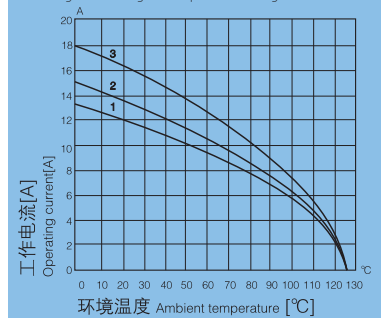
规范	Specifications	
规范	Specifications	DIN EN 60 664 DIN EN 61 984
插芯	Inserts	
接插件针数	Number Of Contacts	20
依据 EN 61 984 的电气数据	Electrical Data Acc. To EN 61 984	
额定电流	Rated Current	16A
额定电压	Rated Voltage	500V
额定脉冲电压	Rated Impulse Voltage	6kV
污染程度	Pollution Degree	3
依据UL/CSA的额定电压	Rated Voltage Acc.To UL/CSA	600V
绝缘电阻	Insulation Resistance	$\geq 10^{10}\Omega$
材料	Material	聚碳酸酯 Polycarbonate
工作温度范围	Limiting Temperatures	-40°C...+125°C
依据UL94的阻燃等级	Flammability Acc.To UL94	V0
可拔插次数	Mechanical Working Life-mating Cycles	≥ 500
插针	Contacts	
材料	Material	铜合金 Copper Alloy
表面处理	Surface	镀银 Hard-silver Plated 镀金 Hard-gold Plated
接触电阻	Contact Resistance	$\leq 1m\Omega$
冷压连接	Cage Clamp Terminal	
导线规格	Wire Gauge	0.14-4mm ²
AWG	AWG	26-12

电流负载能力 Current Carrying Capacity

电流负载能力所受的限制主要来自包含接插针的接插体可承受的最大温度

测试和控制过程依据 DIN EN 60512-5

The current carrying is limited by maximum temperature of materials for Inserts and contacts including Terminals. Measuring and testing techniques according to DIN EN 60512-5



- ① 24 B外壳带3个模块，导线截面:1.5mm²
- ② 24 B外壳带3个模块，导线截面:2.5mm²
- ③ 24 B外壳带3个模块，导线截面:4.0mm²
- ① 24 B hoods/housings with 3 modules, wire gauge:1.5mm²
- ② 24 B hoods/housings with 3 modules, wire gauge:2.5mm²
- ③ 24 B hoods/housings with 3 modules, wire gauge:4.0mm²

H2MEE-020 冷压连接	插芯 Inserts 公 Male 母 Female	型号 Type H2MEE-020-MC H2MEE-020-FC	尺寸图 Dimensions
<p>H2MEE-020 Crimp Terminal</p>			

附件 Accessories

16A 冷压针 Crimp contacts	公 Male	母 Female	尺寸图 Dimensions																																			
接触电阻 Contact resistance $\leq 1m\Omega$ 镀银 Silver plated 	MCS16-0.37 MCS16-0.5 MCS16-0.75 MCS16-1.0 MCS16-1.5 MCS16-2.5 MCS16-3.0 MCS16-4.0	FCS16-0.37 FCS16-0.5 FCS16-0.75 FCS16-1.0 FCS16-1.5 FCS16-2.5 FCS16-3.0 FCS16-4.0																																				
镀金 Gold plated 	MCG16-0.37 MCG16-0.5 MCG16-0.75 MCG16-1.0 MCG16-1.5 MCG16-2.5 MCG16-4.0	FCG16-0.37 FCG16-0.5 FCG16-0.75 FCG16-1.0 FCG16-1.5 FCG16-2.5 FCG16-4.0	<table border="1"> <thead> <tr> <th>标识 Identification</th> <th>线规 Wire gauge</th> <th>剥线长度 Stripping length</th> </tr> </thead> <tbody> <tr> <td>no groove</td> <td>0.14-0.37 mm²</td> <td>AWG 26-22</td> <td>7.5 mm</td> </tr> <tr> <td>no groove</td> <td>0.5 mm²</td> <td>AWG 20</td> <td>7.5 mm</td> </tr> <tr> <td>1 groove</td> <td>0.75 mm²</td> <td>AWG 18</td> <td>7.5 mm</td> </tr> <tr> <td>1 groove</td> <td>1 mm²</td> <td>AWG 18</td> <td>7.5 mm</td> </tr> <tr> <td>2 groove</td> <td>1.5 mm²</td> <td>AWG 16</td> <td>7.5 mm</td> </tr> <tr> <td>3 groove</td> <td>2.5 mm²</td> <td>AWG 14</td> <td>7.5 mm</td> </tr> <tr> <td>wide groove</td> <td>3 mm²</td> <td>AWG 12</td> <td>7.5 mm</td> </tr> <tr> <td>no groove</td> <td>4 mm²</td> <td>AWG 12</td> <td>7.5 mm</td> </tr> </tbody> </table>	标识 Identification	线规 Wire gauge	剥线长度 Stripping length	no groove	0.14-0.37 mm ²	AWG 26-22	7.5 mm	no groove	0.5 mm ²	AWG 20	7.5 mm	1 groove	0.75 mm ²	AWG 18	7.5 mm	1 groove	1 mm ²	AWG 18	7.5 mm	2 groove	1.5 mm ²	AWG 16	7.5 mm	3 groove	2.5 mm ²	AWG 14	7.5 mm	wide groove	3 mm ²	AWG 12	7.5 mm	no groove	4 mm ²	AWG 12	7.5 mm
标识 Identification	线规 Wire gauge	剥线长度 Stripping length																																				
no groove	0.14-0.37 mm ²	AWG 26-22	7.5 mm																																			
no groove	0.5 mm ²	AWG 20	7.5 mm																																			
1 groove	0.75 mm ²	AWG 18	7.5 mm																																			
1 groove	1 mm ²	AWG 18	7.5 mm																																			
2 groove	1.5 mm ²	AWG 16	7.5 mm																																			
3 groove	2.5 mm ²	AWG 14	7.5 mm																																			
wide groove	3 mm ²	AWG 12	7.5 mm																																			
no groove	4 mm ²	AWG 12	7.5 mm																																			
工具 Tools 冷压钳 Crimping tool 	压接线径 Wire gauge 0.5-4 mm ²	型号 Type TL02																																				
	压接线径: 0.14-0.37mm ² 请选择TL02冷压钳 Wire gauge: 0.14-0.37mm ² please select TL02 Crimping tool																																					
退针器 Removal tool 	适用类型 For 16A 冷压针 16A Crimp contacts	型号 Type TL01																																				

HMD-012 冷压型模块 Crimp Module 250V 10A

插芯 Inserts

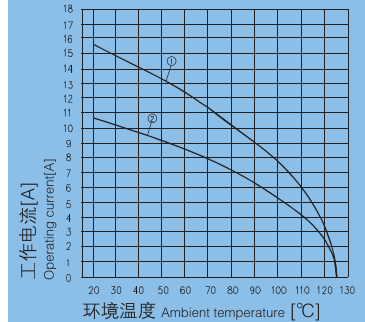


可与框架及其他所有模块产品组合使用
Combination with hinged frame and other modules possible.

技术参数 Technical Characteristics

规范	Specifications	
规范	Specifications	DIN EN 60 664 DIN EN 61 984
插芯	Inserts	
接插件针数	Number Of Contacts	12
依据 EN 61 984 的电气数据	Electrical Data Acc. To EN 61 984	
额定电流	Rated Current	10A
额定电压	Rated Voltage	250V
额定脉冲电压	Rated Impulse Voltage	4kV
污染程度	Pollution Degree	3
依据UL/CSA的额定电压	Rated Voltage Acc.To UL/CSA	600V
绝缘电阻	Insulation Resistance	$\geq 10^{10}\Omega$
材料	Material	聚碳酸酯 Polycarbonate
工作温度范围	Limiting Temperatures	-40°C...+125°C
依据UL94的阻燃等级	Flammability Acc.To UL94	V0
可拔插次数	Mechanical Working Life-mating Cycles	≥ 500
插针	Contacts	
材料	Material	铜合金 Copper Alloy
表面处理	Surface	镀银 Hard-silver Plated 镀金 Hard-gold Plated
接触电阻	Contact Resistance	$\leq 3m\Omega$
冷压连接	Cage Clamp Terminal	
导线规格	Wire Gauge	0.14-2.5mm ²
AWG	AWG	26-14

电流负载能力 Current Carrying Capacity
电流负载能力所受的限制主要来自包含接插针的接插体可承受的最大温度
测试和控制过程依据 DIN EN 60512-5
The current carrying is limited by maximum temperature of materials for Inserts and contacts including Terminals. Measuring and testing techniques according to DIN EN 60512-5



- ① 24 B外壳带6个模块, 导线截面:2.5mm²
- ② 24 B外壳带6个模块, 导线截面:1.5mm²
- ① 24 B hoods/housings with 6 modules, wire gauge:2.5mm²
- ② 24 B hoods/housings with 6 modules, wire gauge:1.5mm²

HMD-012 冷压连接	插芯 Inserts	型号 Type	尺寸图 Dimensions
<p>HMD-012 Crimp Terminal</p>	公 Male 母 Female	HMD-012-MC HMD-012-FC	

附件 Accessories

10A 冷压针 Crimp contacts	公 Male	母 Female	尺寸图 Dimensions																					
接触电阻 Contact resistance $\leq 3m\Omega$ 镀银 Silver plated 	MCNS10-0.37 MCNS10-0.5 MCNS10-0.75 MCNS10-1.0 MCNS10-1.5 MCNS10-2.5	FCNS10-0.37 FCNS10-0.5 FCNS10-0.75 FCNS10-1.0 FCNS10-1.5 FCNS10-2.5																						
镀金 Gold plated 	MCNG10-0.37 MCNG10-0.5 MCNG10-0.75 MCNG10-1.0 MCNG10-1.5 MCNG10-2.5	FCNG10-0.37 FCNG10-0.5 FCNG10-0.75 FCNG10-1.0 FCNG10-1.5 FCNG10-2.5	<table border="1"> <thead> <tr> <th>线规 Wire gauge</th> <th>ϕ</th> <th>剥线长度 Stripping length</th> </tr> </thead> <tbody> <tr><td>0.14-0.37 mm²</td><td>AWG 26-22</td><td>0.9</td></tr> <tr><td>0.5 mm²</td><td>AWG 20</td><td>1.1</td></tr> <tr><td>0.75 mm²</td><td>AWG 18</td><td>1.3</td></tr> <tr><td>1 mm²</td><td>AWG 18</td><td>1.45</td></tr> <tr><td>1.5 mm²</td><td>AWG 16</td><td>1.75</td></tr> <tr><td>2.5 mm²</td><td>AWG 14</td><td>2.25</td></tr> </tbody> </table>	线规 Wire gauge	ϕ	剥线长度 Stripping length	0.14-0.37 mm ²	AWG 26-22	0.9	0.5 mm ²	AWG 20	1.1	0.75 mm ²	AWG 18	1.3	1 mm ²	AWG 18	1.45	1.5 mm ²	AWG 16	1.75	2.5 mm ²	AWG 14	2.25
线规 Wire gauge	ϕ	剥线长度 Stripping length																						
0.14-0.37 mm ²	AWG 26-22	0.9																						
0.5 mm ²	AWG 20	1.1																						
0.75 mm ²	AWG 18	1.3																						
1 mm ²	AWG 18	1.45																						
1.5 mm ²	AWG 16	1.75																						
2.5 mm ²	AWG 14	2.25																						
工具 Tools 冷压钳 Crimping tool 	压接线径 Wire gauge 0.14-4 mm ²	型号 Type TL02																						
退针器 Removal tool 	适用类型 For 10A 冷压针 10A Crimp contacts	型号 Type TL00																						

HMDD-017 冷压型模块 Crimp Module 160V 10A

插芯 Inserts

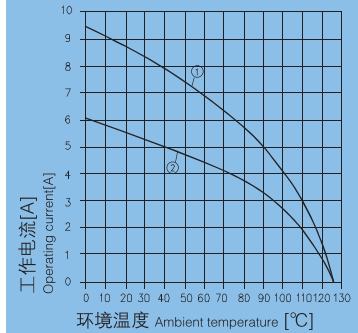


可与框架及其他所有模块产品组合使用
Combination with hinged frame and other modules possible.

技术参数 Technical Characteristics

规范	Specifications	
规范	Specifications	DIN EN 60 664 DIN EN 61 984
插芯	Inserts	
接插件针数	Number Of Contacts	17
依据 EN 61 984 的电气数据	Electrical Data Acc. To EN 61 984	
额定电流	Rated Current	10A
额定电压	Rated Voltage	160V
额定脉冲电压	Rated Impulse Voltage	2.5kV
污染程度	Pollution Degree	3
依据 UL/CSA 的额定电压	Rated Voltage Acc.To UL/CSA	250V
绝缘电阻	Insulation Resistance	≥10 ¹⁰ Ω
材料	Material	聚碳酸酯 Polycarbonate
工作温度范围	Limiting Temperatures	-40°C...+125°C
依据 UL94 的阻燃等级	Flammability Acc.To UL94	V0
可拔插次数	Mechanical Working Life-mating Cycles	≥500
插针	Contacts	
材料	Material	铜合金 Copper Alloy
表面处理	Surface	镀银 Hard-silver Plated 镀金 Hard-gold Plated
接触电阻	Contact Resistance	≤3mΩ
冷压连接	Cage Clamp Terminal	
导线规格	Wire Gauge	0.14-2.5mm ²
AWG	AWG	26-14

电流负载能力 Current Carrying Capacity
电流负载能力所受的限制主要来自包含接插针的接插体可承受的最大温度
测试和控制过程依据 DIN EN 60512-5
The current carrying is limited by maximum temperature of materials for Inserts and contacts including Terminals. Measuring and testing techniques according to DIN EN 60512-5



- ① 24 B外壳带6个模块, 导线截面:1.5mm²
- ② 24 B外壳带6个模块, 导线截面:1.0mm²
- ① 24 B hoods/housings with 6 modules, wire gauge:1.5mm²
- ② 24 B hoods/housings with 6 modules, wire gauge:1.0mm²

HMDD-017 冷压连接	插芯 Inserts 公 Male 母 Female	型号 Type HMDD-017-MC HMDD-017-FC	尺寸图 Dimensions
HMDD-017 Crimp Terminal			

附件 Accessories

10A 冷压针 Crimp contacts	公 Male	母 Female	尺寸图 Dimensions																					
接触电阻 Contact resistance ≤3mΩ 镀银 Silver plated	MCNS10-0.37 MCNS10-0.5 MCNS10-0.75 MCNS10-1.0 MCNS10-1.5 MCNS10-2.5	FCNS10-0.37 FCNS10-0.5 FCNS10-0.75 FCNS10-1.0 FCNS10-1.5 FCNS10-2.5																						
镀金 Gold plated	MCNG10-0.37 MCNG10-0.5 MCNG10-0.75 MCNG10-1.0 MCNG10-1.5 MCNG10-2.5	FCNG10-0.37 FCNG10-0.5 FCNG10-0.75 FCNG10-1.0 FCNG10-1.5 FCNG10-2.5	<table border="1"> <thead> <tr> <th>线规 Wire gauge</th> <th>Φ</th> <th>剥线长度 Stripping length</th> </tr> </thead> <tbody> <tr><td>0.14-0.37 mm²</td><td>AWG 26-22</td><td>0.9</td></tr> <tr><td>0.5 mm²</td><td>AWG 20</td><td>1.1</td></tr> <tr><td>0.75 mm²</td><td>AWG 18</td><td>1.3</td></tr> <tr><td>1 mm²</td><td>AWG 18</td><td>1.45</td></tr> <tr><td>1.5 mm²</td><td>AWG 16</td><td>1.75</td></tr> <tr><td>2.5 mm²</td><td>AWG 14</td><td>2.25</td></tr> </tbody> </table>	线规 Wire gauge	Φ	剥线长度 Stripping length	0.14-0.37 mm ²	AWG 26-22	0.9	0.5 mm ²	AWG 20	1.1	0.75 mm ²	AWG 18	1.3	1 mm ²	AWG 18	1.45	1.5 mm ²	AWG 16	1.75	2.5 mm ²	AWG 14	2.25
线规 Wire gauge	Φ	剥线长度 Stripping length																						
0.14-0.37 mm ²	AWG 26-22	0.9																						
0.5 mm ²	AWG 20	1.1																						
0.75 mm ²	AWG 18	1.3																						
1 mm ²	AWG 18	1.45																						
1.5 mm ²	AWG 16	1.75																						
2.5 mm ²	AWG 14	2.25																						
工具 Tools 冷压钳 Crimping tool	压接线径 Wire gauge 0.14-4 mm ²	型号 Type TL02																						
退针器 Removal tool	适用类型 For 10A 冷压针 10A Crimp contacts	型号 Type TL00																						

插芯 Inserts



可与框架及其他所有模块产品组合使用
Combination with hinged frame and other modules possible.

技术参数 Technical Characteristics

规范	Specifications	
规范	Specifications	DIN EN 60 664 DIN EN 61 984
插芯	Inserts	
接插件针数	Number Of Contacts	9
依据 EN 61 984 的电气数据	Electrical Data Acc. To EN 61 984	
额定电流	Rated Current	5A
额定电压	Rated Voltage	50V
额定脉冲电压	Rated Impulse Voltage	0.8kV
污染程度	Pollution Degree	3
绝缘电阻	Insulation Resistance	≥10 ¹⁰ Ω
材料	Material	聚碳酸酯 Polycarbonate
工作温度范围	Limiting Temperatures	-40°C...+125°C
依据UL94的阻燃等级	Flammability Acc.To UL94	V0
可拔插次数	Mechanical Working Life-mating Cycles	≥500
插针	Contacts	
材料	Material	铜合金 Copper Alloy
表面处理	Surface	镀银 Hard-silver Plated 镀金 Hard-gold Plated
接触电阻	Contact Resistance	≤3mΩ
冷压连接	Cage Clamp Terminal	
导线规格	Wire Gauge	0.09-0.82mm ²
AWG	AWG	28-18

HMDS-009 冷压连接	插芯 Inserts 公 Male 母 Female	型号 Type HMDS-009-MC HMDS-009-FC	尺寸图 Dimensions
<p>HMDS-009 Crimp Terminal</p>			

附件 Accessories

5A 冷压针 Crimp contacts	公 Male	母 Female	尺寸图 Dimensions																														
接触电阻 Contact resistance ≤3mΩ 镀银 Silver plated 	MCS5-0.25 MCS5-0.33 MCS5-0.52 MCS5-0.82	FCS5-0.25 FCS5-0.33 FCS5-0.52 FCS5-0.82	<table border="1"> <thead> <tr> <th>a</th> <th>b</th> <th>c</th> <th>d</th> <th>e</th> <th>f</th> </tr> </thead> <tbody> <tr> <td>8.23</td> <td>4.2</td> <td>14.0</td> <td>1.35</td> <td>1.75</td> <td>13.6</td> </tr> <tr> <td>8.10</td> <td>4.0</td> <td>14.8</td> <td>1.12</td> <td>1.66</td> <td>14.4</td> </tr> <tr> <td>8.10</td> <td>4.0</td> <td>14.8</td> <td>0.90</td> <td>1.66</td> <td>14.4</td> </tr> <tr> <td>8.10</td> <td>4.0</td> <td>14.8</td> <td>0.64</td> <td>1.66</td> <td>14.4</td> </tr> </tbody> </table>	a	b	c	d	e	f	8.23	4.2	14.0	1.35	1.75	13.6	8.10	4.0	14.8	1.12	1.66	14.4	8.10	4.0	14.8	0.90	1.66	14.4	8.10	4.0	14.8	0.64	1.66	14.4
a	b	c		d	e	f																											
8.23	4.2	14.0	1.35	1.75	13.6																												
8.10	4.0	14.8	1.12	1.66	14.4																												
8.10	4.0	14.8	0.90	1.66	14.4																												
8.10	4.0	14.8	0.64	1.66	14.4																												
镀金 Gold plated 	MCG5-0.25 MCG5-0.33 MCG5-0.52 MCG5-0.82	FCG5-0.25 FCG5-0.33 FCG5-0.52 FCG5-0.82																															
工具 Tools 冷压钳 Crimping tool 	压接线径 Wire gauge 0.09-0.82 mm ²	型号 Type TL03	<table border="1"> <thead> <tr> <th>线规 Wire gauge</th> <th>剥线长度 Stripping length</th> </tr> </thead> <tbody> <tr> <td>0.09-0.21 mm²</td> <td>AWG 28-24</td> <td>5 mm</td> </tr> <tr> <td>0.13-0.33 mm²</td> <td>AWG 26-22</td> <td>5 mm</td> </tr> <tr> <td>0.33-0.52 mm²</td> <td>AWG 22-20</td> <td>5 mm</td> </tr> <tr> <td>0.33-0.82 mm²</td> <td>AWG 22-18</td> <td>5 mm</td> </tr> </tbody> </table>	线规 Wire gauge	剥线长度 Stripping length	0.09-0.21 mm ²	AWG 28-24	5 mm	0.13-0.33 mm ²	AWG 26-22	5 mm	0.33-0.52 mm ²	AWG 22-20	5 mm	0.33-0.82 mm ²	AWG 22-18	5 mm																
线规 Wire gauge	剥线长度 Stripping length																																
0.09-0.21 mm ²	AWG 28-24	5 mm																															
0.13-0.33 mm ²	AWG 26-22	5 mm																															
0.33-0.52 mm ²	AWG 22-20	5 mm																															
0.33-0.82 mm ²	AWG 22-18	5 mm																															
退针器 Removal tool 	适用类型 For 5A 冷压针 5A Crimp contacts	型号 Type TL08																															

插芯 Inserts

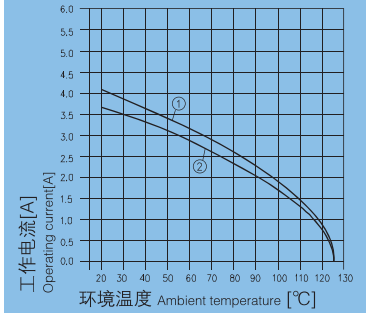


可与框架及其他所有模块产品组合使用
Combination with hinged frame and other modules possible.

技术参数 Technical Characteristics

规范	Specifications	
规范	Specifications	DIN EN 60 664 DIN EN 61 984
插芯	Inserts	
接插件针数	Number Of Contacts	25
依据 EN 61 984 的电气数据	Electrical Data Acc. To EN 61 984	
额定电流	Rated Current	4A
额定电压	Rated Voltage	50V
额定脉冲电压	Rated Impulse Voltage	0.8kV
污染程度	Pollution Degree	3
绝缘电阻	Insulation Resistance	≥10 ¹⁰ Ω
材料	Material	聚碳酸酯 Polycarbonate
工作温度范围	Limiting Temperatures	-40°C...+125°C
依据UL94的阻燃等级	Flammability Acc.To UL94	V0
可拔插次数	Mechanical Working Life-mating Cycles	≥500
插针	Contacts	
材料	Material	铜合金 Copper Alloy
表面处理	Surface	镀银 Hard-silver Plated 镀金 Hard-gold Plated
接触电阻	Contact Resistance	≤3mΩ
冷压连接	Cage Clamp Terminal	
导线规格	Wire Gauge	0.09-0.52mm ²
AWG	AWG	28-20

电流负载能力 Current Carrying Capacity
 电流负载能力所受的限制主要来自包含接插针的接插体可承受的最大温度
 测试和控制过程依据 DIN EN 60512-5
 The current carrying is limited by maximum temperature of materials for Inserts and contacts including Terminals.
 Measuring and testing techniques according to DIN EN 60512-5



- ① 24B外壳带6个模块，导线截面0.5mm² (车削针)
- ② 24B外壳带6个模块，导线截面0.5mm² (冲压针)
- ① 24 B hoods/housings with 6 modules, wire gauge:1.5mm² (turned contacts)
- ② 24 B hoods/housings with 6 modules, wire gauge:1.0mm² (stamped contacts)

HMDS-025 冷压连接	插芯 Inserts 公 Male 母 Female	型号 Type HMDS-025-MC HMDS-025-FC	尺寸图 Dimensions
<p>HMDS-025 Crimp Terminal</p>			<p>M: 34, 34.2, 14.6 F: 30.7, 34.2, 14.6</p>

附件 Accessories

5A 冷压针 Crimp contacts	公 Male	母 Female	尺寸图 Dimensions																																								
接触电阻 Contact resistance ≤3mΩ 镀银 Silver plated 	MCS5-0.25 MCS5-0.33 MCS5-0.52 MCS5-0.82	FCS5-0.25 FCS5-0.33 FCS5-0.52 FCS5-0.82	<table border="1"> <thead> <tr> <th>a</th> <th>b</th> <th>c</th> <th>d</th> <th>e</th> <th>f</th> </tr> </thead> <tbody> <tr> <td>8.23</td> <td>4.2</td> <td>14.0</td> <td>1.35</td> <td>1.75</td> <td>13.6</td> </tr> <tr> <td>8.10</td> <td>4.0</td> <td>14.8</td> <td>1.12</td> <td>1.66</td> <td>14.4</td> </tr> <tr> <td>8.10</td> <td>4.0</td> <td>14.8</td> <td>0.90</td> <td>1.66</td> <td>14.4</td> </tr> <tr> <td>8.10</td> <td>4.0</td> <td>14.8</td> <td>0.64</td> <td>1.66</td> <td>14.4</td> </tr> </tbody> </table> <table border="1"> <thead> <tr> <th>线规 Wire gauge</th> <th>剥线长度 Stripping length</th> </tr> </thead> <tbody> <tr> <td>0.09-0.25 mm²</td> <td>AWG 28-24 5 mm</td> </tr> <tr> <td>0.13-0.33 mm²</td> <td>AWG 26-22 5 mm</td> </tr> <tr> <td>0.33-0.52 mm²</td> <td>AWG 22-20 5 mm</td> </tr> <tr> <td>0.33-0.82 mm²</td> <td>AWG 22-18 5 mm</td> </tr> </tbody> </table>	a	b	c	d	e	f	8.23	4.2	14.0	1.35	1.75	13.6	8.10	4.0	14.8	1.12	1.66	14.4	8.10	4.0	14.8	0.90	1.66	14.4	8.10	4.0	14.8	0.64	1.66	14.4	线规 Wire gauge	剥线长度 Stripping length	0.09-0.25 mm ²	AWG 28-24 5 mm	0.13-0.33 mm ²	AWG 26-22 5 mm	0.33-0.52 mm ²	AWG 22-20 5 mm	0.33-0.82 mm ²	AWG 22-18 5 mm
a	b	c		d	e	f																																					
8.23	4.2	14.0	1.35	1.75	13.6																																						
8.10	4.0	14.8	1.12	1.66	14.4																																						
8.10	4.0	14.8	0.90	1.66	14.4																																						
8.10	4.0	14.8	0.64	1.66	14.4																																						
线规 Wire gauge	剥线长度 Stripping length																																										
0.09-0.25 mm ²	AWG 28-24 5 mm																																										
0.13-0.33 mm ²	AWG 26-22 5 mm																																										
0.33-0.52 mm ²	AWG 22-20 5 mm																																										
0.33-0.82 mm ²	AWG 22-18 5 mm																																										
镀金 Gold plated 	MCG5-0.25 MCG5-0.33 MCG5-0.52 MCG5-0.82	FCG5-0.25 FCG5-0.33 FCG5-0.52 FCG5-0.82																																									
工具 Tools 冷压钳 Crimping tool 	压接线径 Wire gauge 0.09-0.82 mm ²	型号 Type TL03																																									
退针器 Removal tool 	适用类型 For 5A 冷压针 5A Crimp contacts	型号 Type TL08																																									

插芯 Inserts



可与框架及其他所有模块产品组合使用
Combination with hinged frame and other modules possible.

技术参数 Technical Characteristics

规范	Specifications	
规范	Specifications	DIN EN 60 664 DIN EN 61 984
插芯	Inserts	
接插件针数	Number Of Contacts	8
依据 EN 61 984的电气数据	Electrical Data Acc. To EN 61 984	
额定电流	Rated Current	1A
额定电压	Rated Voltage	50V
额定脉冲电压	Rated Impulse Voltage	0.8kV
污染程度	Pollution Degree	3
依据UL的额定电压	Rated Voltage Acc.To UL	< 30V
传输特性	Transmission Features	Category 6 /Class E up to 500 MHz; acc. to ISO/IEC 11 801:2002 and EN 50 173-1
传输速率	Transmission Rate	10/100/1000 Mbit/s
绝缘电阻	Insulation Resistance	≥10 ¹⁰ Ω
材料	Material	聚碳酸酯 Polycarbonate
工作温度范围	Limiting Temperatures	-40°C...+125°C
依据UL94的阻燃等级	Flammability Acc.To UL94	V0
可拔插次数	Mechanical Working Life-mating Cycles	≥500

HM-RJ45 插芯 用于接缆线	插芯 Inserts	型号 Type	尺寸图 Dimensions
<p>HM-RJ45 Inserts For Patch Cable</p>	公 Male 母 Female	HM-RJ45-M HM-RJ45-F	
适配器 <p>Adapter</p>	描述 Description 与公插芯搭配 go with male insert 仅用于标准电缆接线 for standard cable	型号 Type HM-RJ45-APT	

HMP-002 气动模块 Pneumatic Module


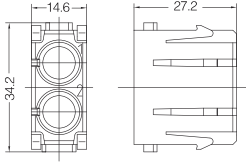
插芯 Inserts




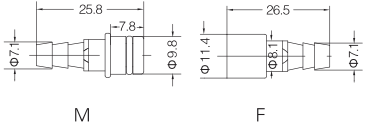
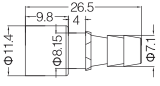
可与框架及其他所有模块产品组合使用
Combination with hinged frame and other modules possible.

技术参数 Technical Characteristics

规范	Specifications	
规范	Specifications	DIN EN 60 664 DIN EN 61 984
插芯	Inserts	
接插件针数	Number Of Contacts	2
材料	Material	聚碳酸酯 Polycarbonate
工作温度范围	Limiting Temperatures	-40°C...+80°C
依据UL94的阻燃等级	Flammability Acc.To UL94	V0
可拔插次数	Mechanical Working Life-mating Cycles	≥500
插针	Contacts	
材料	Material	聚甲醛 Delrin Acetal
颜色	Colour	黑色 Black
软管连接	Tube Termination	
内径	Internal Diameter (id)	6.0mm/1/4"
工作压力	Working Pressure	最大(Up To) 8 Bar/116 Psi
密封圈	Sealing	
材料	Material	丁晴橡胶 Buna-n
闭锁阀	Shut Off Valve	
材料	Material	聚丙烯 Polypropylen

	描述 Description	型号 Type	尺寸图 Dimensions
HMP-002 气动模块		HMP-002	
			
HMP-002 Pneumatic Mdule			

附件 Accessories

针 用于软管内径(ID)	描述 Description	类别 Category	ID	型号 Type	
	无锁止 Without Shut Off	公 Male	6.0mm	PCM-6.0	
	无锁止 Without Shut Off	母 Female	6.0mm	PCF-6.0	
针 用于软管内径(ID)	带锁止 With Shut Off	母 Female	6.0mm	PCFS-6.0	
For Tubeinternal Dinameter (ID)					
For Tubeinternal Dinameter (ID)					

HMP-003 气动模块 Pneumatic Module

插芯 Inserts



可与框架及其他所有模块产品组合使用
Combination with hinged frame and other modules possible.

技术参数 Technical Characteristics

规范	Specifications	
规范	Specifications	DIN EN 60 664 DIN EN 61 984
插芯	Inserts	
接插件针数	Number Of Contacts	3
材料	Material	聚碳酸酯 Polycarbonate
工作温度范围	Limiting Temperatures	-40°C...+80°C
依据UL94的阻燃等级	Flammability Acc.To UL94	V0
可拔插次数	Mechanical Working Life-mating Cycles	≥500
插针	Contacts	
材料	Material	聚甲醛 Delrin Acetal
颜色	Colour	黑色 Black
软管连接	Tube Termination	
内径	Internal Diameter (id)	1.6mm/1/16" 3mm 4mm/1/8"
工作压力	Working Pressure	最大(Up To) 8 Bar/116 Psi
密封圈	Sealing	
材料	Material	丁晴橡胶 Buna-n
闭锁阀	Shut Off Valve	
材料	Material	聚丙烯 Polypropylen

描述 Description	型号 Type	尺寸图 Dimensions
<p>HMP-003 气动模块</p> <p>HMP-003 Pneumatic Module</p>	HMP-003	

附件 Accessories

描述 Description	类别 Category	ID	型号 Type	
<p>针 用于软管内径(ID)</p> <p>For Tubeinternal Dinameter (ID)</p>	<p>无锁止 Without Shut Off</p> <p>公 Male</p>	<p>1.6mm</p> <p>3.0mm</p> <p>4.0mm</p>	<p>PCM-1.6</p> <p>PCM-3.0</p> <p>PCM-4.0</p>	<p>M F</p>
<p>针 用于软管内径(ID)</p> <p>For Tubeinternal Dinameter (ID)</p>	<p>带锁止 With Shut Off</p> <p>母 Female</p>	<p>1.6mm</p> <p>3.0mm</p> <p>4.0mm</p>	<p>PCFS-1.6</p> <p>PCFS-3.0</p> <p>PCFS-4.0</p>	

HQ-004/2 紧凑小体积型插芯/ Compact Series

技术参数 Technical Characteristics

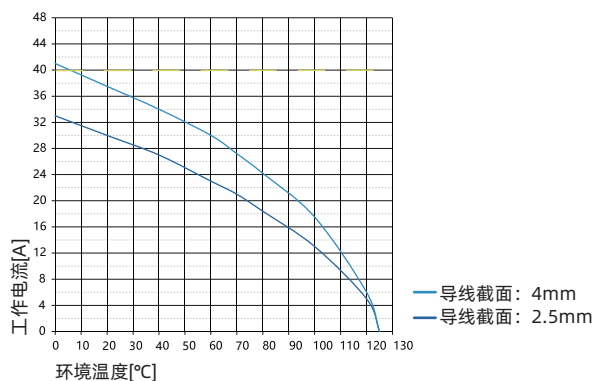
规范	Specifications	
规范	Specifications	DIN EN 60 664 DIN EN 61 984
插芯	Inserts	
依据 EN 61 984的电气数据	Electrical Data Acc. To EN 61 984	
电力区	Power District	
额定电流	Rated Current	40A
相对地额定电压	Rated Voltage Conductor-Ground	400V
相间额定电压	Rated Voltage Conductor-Conductor	690V
额定脉冲电压	Rated Impulse Voltage	6kV
污染程度	Pollution Degree	3
信号区	Power District	
额定电流	Rated Current	10A
额定电压	Rated Voltage	250V
额定脉冲电压	Rated Impulse Voltage	4kV
污染程度	Pollution Degree	3
依据UL/CSA额定电压	Rated Voltage Acc.To UI CSA	600V/250V
绝缘电阻	Insulation Resistance	≥10 ¹⁰ Ω
材料	Material	聚碳酸酯 Polycarbonate
工作温度范围	Limiting Temperatures	-40°C...+125°C
依据UL94阻燃等级	Flammability Acc.To UL94	V0
可拔插次数	Mechanical Working Life-mating Cycles	≥500
插针	Contacts	
材料	Material	铜合金 Copper Alloy
表面处理	Surface	镀金 Hard-gold Plated 镀银 Hard-silver Plated
接触电阻	Contact Resistance	≤1mΩ
冷压连接	Crimp Terminal	
导线规格	Wire Gauge	1.5-6mm ² /0.14-2.5mm ²
AWG	AWG	16-10/26-14
最大绝缘直径	Maximum insulation diameter	
强电针	Strong electroacupuncture	5mm
外壳	Hoods/Housings	
塑料外壳	Plastic Hoods/Housings	
材料	Material	热塑性塑料 Thermoplastic
联锁元件	Interlocking elements	聚酰胺(尼龙) Polyamide (nylon)
外壳密封	Shell sealing	丁腈橡胶 NBR
工作温度范围	Operating temperature range	-40°C...+125°C
依据UL94阻燃等级	Flammability Acc.To UL94	V0
连锁状态下依据DIN	Degree Of Protection Acc.To DIN	
EN60 529的防护等级	EN60 529 For Coupled Connector	IP67

电流负载能力 Current Carrying Capacity


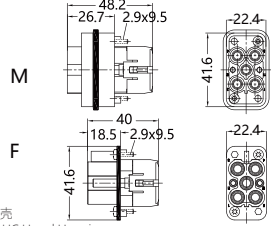
电流负载能力所受的限制主要来自包含接插针的接插体可承受的最大温度

The current carrying is limited by maximum temperature of materials for Inserts and contacts including terminals.

测试和控制过程依据 Measuring and testing techniques according to DIN EN 60512-5



HQ-004/2 紧凑型插芯 Compact Series

HQ-004/2 冷压连接		插芯 Inserts	型号 Type	尺寸图 Dimensions
		公 Male 母 Female	HQ-004/2-MC HQ-004/2-FC	400V/690V 40/10A 4/2 ⊕  匹配 HC 外壳 Matching HC Hood Housing
HQ-005/0 Crimp terminal				

附件 Accessories

10A 冷压针 Crimp contacts		公 Male	母 Female	尺寸图 Dimensions																					
接触电阻 Contact resistance $\leq 3m\Omega$ 镀银 Silver plated 		MCNS10-0.25 MCNS10-0.37 MCNS10-0.5 MCNS10-0.75 MCNS10-1.0 MCNS10-1.5 MCNS10-2.5	FCNS10-0.25 FCNS10-0.37 FCNS10-0.5 FCNS10-0.75 FCNS10-1.0 FCNS10-1.5 FCNS10-2.5	 <table border="1"> <thead> <tr> <th>线规 Wire gauge</th> <th>Φ</th> <th>剥线长度 Stripping length</th> </tr> </thead> <tbody> <tr> <td>0.14-0.37 mm²</td> <td>AWG 26-22</td> <td>0.9</td> </tr> <tr> <td>0.5 mm²</td> <td>AWG 20</td> <td>1.1</td> </tr> <tr> <td>0.75 mm²</td> <td>AWG 18</td> <td>1.3</td> </tr> <tr> <td>1 mm²</td> <td>AWG 18</td> <td>1.45</td> </tr> <tr> <td>1.5 mm²</td> <td>AWG 16</td> <td>1.75</td> </tr> <tr> <td>2.5 mm²</td> <td>AWG 14</td> <td>2.25</td> </tr> </tbody> </table> 当线规小于0.75mm ² 时, 建议使用辅助装针工具TL15	线规 Wire gauge	Φ	剥线长度 Stripping length	0.14-0.37 mm ²	AWG 26-22	0.9	0.5 mm ²	AWG 20	1.1	0.75 mm ²	AWG 18	1.3	1 mm ²	AWG 18	1.45	1.5 mm ²	AWG 16	1.75	2.5 mm ²	AWG 14	2.25
线规 Wire gauge	Φ	剥线长度 Stripping length																							
0.14-0.37 mm ²	AWG 26-22	0.9																							
0.5 mm ²	AWG 20	1.1																							
0.75 mm ²	AWG 18	1.3																							
1 mm ²	AWG 18	1.45																							
1.5 mm ²	AWG 16	1.75																							
2.5 mm ²	AWG 14	2.25																							
镀金 Gold plated 		MCNG10-0.25 MCNG10-0.37 MCNG10-0.5 MCNG10-0.75 MCNG10-1.0 MCNG10-1.5 MCNG10-2.5	FCNG10-0.25 FCNG10-0.37 FCNG10-0.5 FCNG10-0.75 FCNG10-1.0 FCNG10-1.5 FCNG10-2.5																						
40A 冷压针 Crimp contacts		公 Male	母 Female	尺寸图 Dimensions																					
接触电阻 Contact resistance $\leq 1m\Omega$ 镀银 Silver plated 		MCS40-1.5 MCS40-2.5 MCS40-4.0 MCS40-6.0	FCS40-1.5 FCS40-2.5 FCS40-4.0 FCS40-6.0	 <table border="1"> <thead> <tr> <th>线规 Wire gauge</th> <th>Φ</th> <th>剥线长度 Stripping length</th> </tr> </thead> <tbody> <tr> <td>1.5 mm²</td> <td>AWG 16</td> <td>1.75</td> </tr> <tr> <td>2.5 mm²</td> <td>AWG 14</td> <td>2.25</td> </tr> <tr> <td>4 mm²</td> <td>AWG 12</td> <td>2.85</td> </tr> <tr> <td>6 mm²</td> <td>AWG 10</td> <td>3.5</td> </tr> </tbody> </table>	线规 Wire gauge	Φ	剥线长度 Stripping length	1.5 mm ²	AWG 16	1.75	2.5 mm ²	AWG 14	2.25	4 mm ²	AWG 12	2.85	6 mm ²	AWG 10	3.5						
线规 Wire gauge	Φ	剥线长度 Stripping length																							
1.5 mm ²	AWG 16	1.75																							
2.5 mm ²	AWG 14	2.25																							
4 mm ²	AWG 12	2.85																							
6 mm ²	AWG 10	3.5																							
工具 Tools		压接线径 Wire gauge	型号 Type																						
冷压钳 Crimping tool 		0.14-4 mm ² 1.5-6 mm ²	TL02 TL02-0																						
退针器 Removal tool		适用类型 For	型号 Type																						
		10A 冷压针 10A Crimp contacts 40A 冷压针 40A Crimp contacts	TL00 TL06																						

HQ-005/0 紧凑小体积型插芯/ Compact Series

技术参数 Technical Characteristics

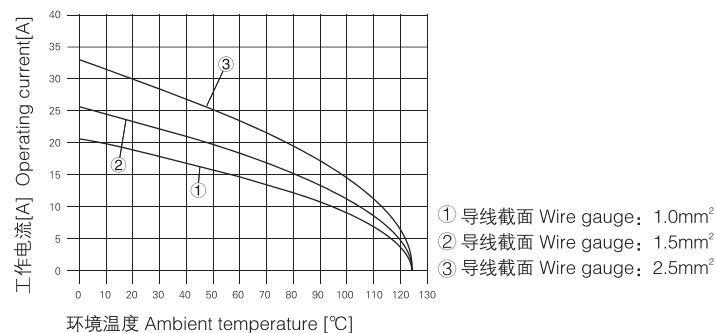
规范	Specifications	
规范	Specifications	DIN EN 60 664 DIN EN 61 984
插芯	Inserts	
依据 EN 61 984的电气数据	Electrical Data Acc. To EN 61 984	
接插件针数	Number Of Contacts	5+PE
额定电流	Rated Current	16A
相对地额定电压	Rated Voltage Conductor-Ground	230V
相间额定电压	Rated Voltage Conductor-Conductor	400V
额定脉冲电压	Rated Impulse Voltage	4kV
污染程度	Pollution Degree	3
污染等级2时的参数	Pollution Degree 2 Also	16A 320/500V 4kV 2
依据UL/CSA额定电压	Rated Voltage Acc.To UI CSA	600V
绝缘电阻	Insulation Resistance	$\geq 10^{10}\Omega$
材料	Material	聚碳酸酯 Polycarbonate
工作温度范围	Limiting Temperatures	-40°C...+125°C
依据UL94阻燃等级	Flammability Acc.To UL94	V0
可拔插次数	Mechanical Working Life-mating Cycles	≥ 500
插针	Contacts	
材料	Material	铜合金 Copper Alloy
表面处理	Surface	镀金 Hard-gold Plated 镀银 Hard-silver Plated
接触电阻	Contact Resistance	$\leq 1m\Omega$
冷压连接	Crimp Terminal	
导线规格	Wire Gauge	0.14-2.5mm ²
AWG	AWG	26-14
PE螺钉连接	PE Screw Terminal	
导线规格	Wire Gauge	2.5mm ²
AWG	AWG	14
外壳	Hoods/Housings	
塑料外壳	Plastic Hoods/Housings	
材料	Material	聚碳酸酯 Polycarbonate
依据UL94阻燃等级	Flammability Acc.To UL94	V0
连锁状态下依据DIN	Degree Of Protection Acc.To DIN	
EN60 529的防护等级	EN60 529 For Coupled Connector	IP67
金属外壳	Hoods/Housings, Metal	
材料	Material	锌合金 Zinc Die-Cast
连锁状态下依据DIN	Degree Of Protection Acc.To DIN	IP44
EN60 529的防护等级	EN60 529 For Coupled Connector	IP67(实现螺栓密封) is achieved with seal screw

电流负载能力 Current Carrying Capacity


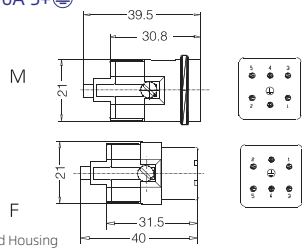
电流负载能力所受的限制主要来自包含接插针的接插体可承受的最大温度

The current carrying is limited by maximum temperature of materials for Inserts and contacts including terminals.

测试和控制过程依据 Measuring and testing techniques according to DIN EN 60512-5



HQ-005/0 紧凑小体积型插芯 Compact Series

HQ-005/0 冷压连接	插芯 Inserts 公 Male 母 Female	型号 Type HQ-005/0-MC HQ-005/0-FC	尺寸图 Dimensions 230V/400V 16A 5+ \oplus
 <p>HQ-005/0 Crimp terminal</p>			 <p>匹配 3A 外壳 Matching 3A Hood Housing</p>

附件 Accessories

16A 冷压针 Crimp contacts 接触电阻 Contact resistance $\leq 1\text{m}\Omega$ 镀银 Silver plated	公 Male	母 Female	尺寸图 Dimensions																					
	MCS16-0.37 MCS16-0.5 MCS16-0.75 MCS16-1.0 MCS16-1.5 MCS16-2.5	FCS16-0.37 FCS16-0.5 FCS16-0.75 FCS16-1.0 FCS16-1.5 FCS16-2.5																						
镀金 Gold plated 	MCG16-0.37 MCG16-0.5 MCG16-0.75 MCG16-1.0 MCG16-1.5 MCG16-2.5	FCG16-0.37 FCG16-0.5 FCG16-0.75 FCG16-1.0 FCG16-1.5 FCG16-2.5	<table border="1"> <thead> <tr> <th>标示 Identification</th> <th>线规 Wire gauge</th> <th>剥线长度 Stripping length</th> </tr> </thead> <tbody> <tr> <td>no groove</td> <td>0.14-0.37 mm² AWG 26-22</td> <td>7.5 mm</td> </tr> <tr> <td>no groove</td> <td>0.5 mm² AWG 20</td> <td>7.5 mm</td> </tr> <tr> <td>1 groove</td> <td>0.75 mm² AWG 18</td> <td>7.5 mm</td> </tr> <tr> <td>1 groove</td> <td>1 mm² AWG 18</td> <td>7.5 mm</td> </tr> <tr> <td>2 groove</td> <td>1.5 mm² AWG 16</td> <td>7.5 mm</td> </tr> <tr> <td>3 groove</td> <td>2.5 mm² AWG 14</td> <td>7.5 mm</td> </tr> </tbody> </table>	标示 Identification	线规 Wire gauge	剥线长度 Stripping length	no groove	0.14-0.37 mm ² AWG 26-22	7.5 mm	no groove	0.5 mm ² AWG 20	7.5 mm	1 groove	0.75 mm ² AWG 18	7.5 mm	1 groove	1 mm ² AWG 18	7.5 mm	2 groove	1.5 mm ² AWG 16	7.5 mm	3 groove	2.5 mm ² AWG 14	7.5 mm
标示 Identification	线规 Wire gauge	剥线长度 Stripping length																						
no groove	0.14-0.37 mm ² AWG 26-22	7.5 mm																						
no groove	0.5 mm ² AWG 20	7.5 mm																						
1 groove	0.75 mm ² AWG 18	7.5 mm																						
1 groove	1 mm ² AWG 18	7.5 mm																						
2 groove	1.5 mm ² AWG 16	7.5 mm																						
3 groove	2.5 mm ² AWG 14	7.5 mm																						
保险延迟针 Relay contact 镀银 Silver plated 	线规 Wire gauge(mm ²) 1 1.5 2.5	型号 Type CESM-1.0R CESM-1.5R CESM-2.5R																						
编码元件 Coding Element 	描述 Description 编码、防呆 Coding、Pokayoke	型号 Type CODE-E																						
工具 Tools 冷压钳 Crimping tool 	压接线径 Wire gauge 0.5-4 mm ²	型号 Type TL02																						
退针器 Removal tool 	适用类型 For 16A 冷压针 16A Crimp contacts	型号 Type TL01																						

HQ-007/0 紧凑小体积型插芯/ Compact Series

技术参数 Technical Characteristics

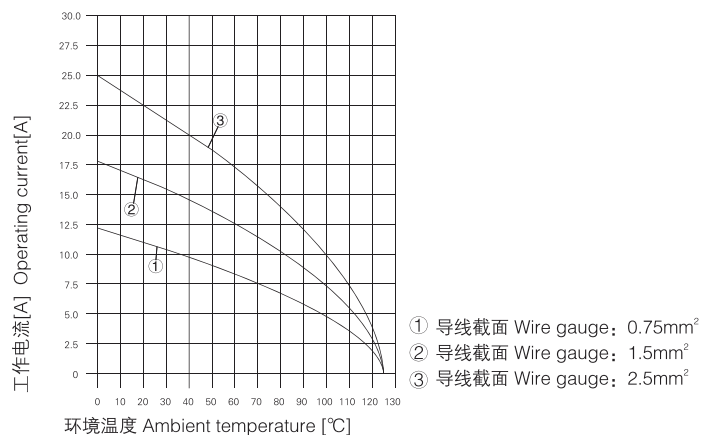
规范	Specifications	
规范	Specifications	DIN EN 60 664 DIN EN 61 984
插芯	Inserts	
依据 EN 61 984 的电气数据	Electrical Data Acc. To EN 61 984	
接插件针数	Number Of Contacts	7+PE
额定电流	Rated Current	10A
额定电压	Rated Voltage	400V
额定脉冲电压	Rated Impulse Voltage	6kV
污染程度	Pollution Degree	3
污染等级2时的参数	Pollution Degree 2 Also	10A 400/690V 6kV 2
依据UL/CSA额定电压	Rated Voltage Acc.To UI CSA	600V
绝缘电阻	Insulation Resistance	$\geq 10^{10}\Omega$
材料	Material	聚碳酸酯 Polycarbonate
工作温度范围	Limiting Temperatures	-40°C...+125°C
依据UL94阻燃等级	Flammability Acc.To UL94	V0
可拔插次数	Mechanical Working Life-mating Cycles	≥ 500
插针	Contacts	
材料	Material	铜合金 Copper Alloy
表面处理	Surface	镀金 Hard-gold Plated 镀银 Hard-silver Plated
接触电阻	Contact Resistance	$\leq 3m\Omega$
冷压连接	Crimp Terminal	
导线规格	Wire Gauge	0.14-2.5mm ²
AWG	AWG	26-14
PE螺钉连接	PE Screw Terminal	
导线规格	Wire Gauge	2.5mm ²
AWG	AWG	14
外壳	Hoods/Housings	
塑料外壳	Plastic Hoods/Housings	
材料	Material	聚碳酸酯 Polycarbonate
依据UL94阻燃等级	Flammability Acc.To UL94	V0
连锁状态下依据DIN	Degree Of Protection Acc.To DIN	
EN60 529的防护等级	EN60 529 For Coupled Connector	IP67
金属外壳	Hoods/Housings, Metal	
材料	Material	锌合金 Zinc Die-Cast
连锁状态下依据DIN	Degree Of Protection Acc.To DIN	IP44
EN60 529的防护等级	EN60 529 For Coupled Connector	IP67(实现螺栓密封) is achieved with seal screw

电流负载能力 Current Carrying Capacity


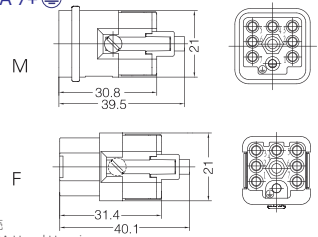
电流负载能力所受的限制主要来自包含接插针的接插体可承受的最大温度

The current carrying is limited by maximum temperature of materials for Inserts and contacts including terminals.

测试和控制过程依据 Measuring and testing techniques according to DIN EN 60512-5



HQ-007/0 紧凑型插芯 Compact Series

<p>HQ-007/0 冷压连接</p>  <p>HQ-007/0 Crimp terminal</p>	<p>插芯 Inserts 公 Male 母 Female</p>	<p>型号 Type HQ-007/0-MC HQ-007/0-FC</p>	<p>400V 10A 7+ ⊕</p> <p>尺寸图 Dimensions</p>  <p>匹配 3A 外壳 Matching 3A Hood Housing</p>
---	---	--	---

附件 Accessories

<p>10A 冷压针 Crimp contacts</p> <p>接触电阻 Contact resistance $\leq 3m\Omega$ 镀银 Silver plated</p>  <p>镀金 Gold plated</p> 	<p>公 Male MCNS10-0.37 MCNS10-0.5 MCNS10-0.75 MCNS10-1.0 MCNS10-1.5 MCNS10-2.5</p> <p>母 Female FCNS10-0.37 FCNS10-0.5 FCNS10-0.75 FCNS10-1.0 FCNS10-1.5 FCNS10-2.5</p>	<p>尺寸图 Dimensions</p>  <table border="1" data-bbox="1077 689 1428 873"> <thead> <tr> <th>线规 Wire gauge</th> <th>Φ</th> <th>剥线长度 Stripping length</th> </tr> </thead> <tbody> <tr> <td>0.14-0.37 mm²</td> <td>AWG 26-22</td> <td>0.9</td> </tr> <tr> <td>0.5 mm²</td> <td>AWG 20</td> <td>1.1</td> </tr> <tr> <td>0.75 mm²</td> <td>AWG 18</td> <td>1.3</td> </tr> <tr> <td>1 mm²</td> <td>AWG 18</td> <td>1.45</td> </tr> <tr> <td>1.5 mm²</td> <td>AWG 16</td> <td>1.75</td> </tr> <tr> <td>2.5 mm²</td> <td>AWG 14</td> <td>2.25</td> </tr> </tbody> </table>	线规 Wire gauge	Φ	剥线长度 Stripping length	0.14-0.37 mm ²	AWG 26-22	0.9	0.5 mm ²	AWG 20	1.1	0.75 mm ²	AWG 18	1.3	1 mm ²	AWG 18	1.45	1.5 mm ²	AWG 16	1.75	2.5 mm ²	AWG 14	2.25
线规 Wire gauge	Φ	剥线长度 Stripping length																					
0.14-0.37 mm ²	AWG 26-22	0.9																					
0.5 mm ²	AWG 20	1.1																					
0.75 mm ²	AWG 18	1.3																					
1 mm ²	AWG 18	1.45																					
1.5 mm ²	AWG 16	1.75																					
2.5 mm ²	AWG 14	2.25																					
<p>编码元件 Coding Element</p> 	<p>描述 Description 编码、防呆 Coding、Pokayoke</p>	<p>类别 Category 公 Male 母 Female</p> <p>型号 Type CODE-Q7M CODE-Q7F</p>																					
<p>工具 Tools 冷压钳 Crimping tool</p> 	<p>压接线径 Wire gauge 0.14-4 mm²</p>	<p>型号 Type TL02</p>																					
<p>退针器 Removal tool</p> 	<p>适用类型 For 10A 冷压针 10A Crimp contacts</p>	<p>型号 Type TL00</p>																					

HQ-008/0 紧凑小体积型插芯/ Compact Series

技术参数 Technical Characteristics

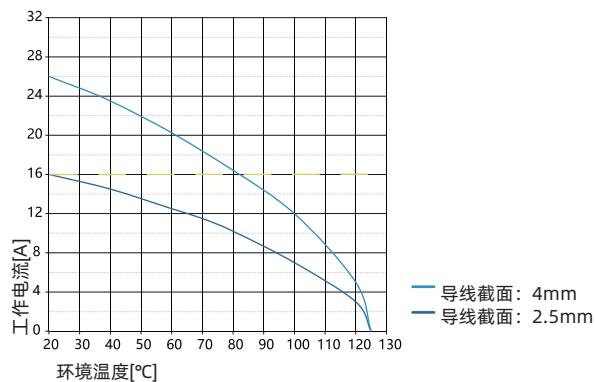
规范	Specifications	
规范	Specifications	DIN EN 60 664 DIN EN 61 984
插芯	Inserts	
依据DIN EN 61 984的电气数据	Electrical Data Acc. To DIN EN 61 984	
接插件针数	Number Of Contacts	8+PE
额定电流	Rated Current	16A
额定电压	Rated Voltage	500V
额定脉冲电压	Rated Impulse Voltage	6kV
污染程度	Pollution Degree	3
污染等级2时的参数	Pollution Degree 2 Also	16A 400/690V 6kV 2
安装金属外壳时	When installing a metal casing	16A 230/400V 4kV 3
依据UL/CSA额定电压	Rated Voltage Acc.To UI CSA	600V
绝缘电阻	Insulation Resistance	$\geq 10^{10}\Omega$
材料	Material	聚碳酸酯 Polycarbonate
工作温度范围	Limiting Temperatures	-40°C...+125°C
依据UL94阻燃等级	Flammability Acc.To UL94	V0
可拔插次数	Mechanical Working Life-mating Cycles	≥ 500
插针	Contacts	
材料	Material	铜合金 Copper Alloy
表面处理	Surface	镀金 Hard-gold Plated 镀银 Hard-silver Plated
接触电阻	Contact Resistance	$\leq 1\text{m}\Omega$
冷压连接	Crimp Terminal	
导线规格	Wire Gauge	0.14-4mm ² (部分装备情况下可达到4mm ²)
AWG	AWG	26-12
外壳	Hoods/Housings	
塑料外壳	Plastic Hoods/Housings	
材料	Material	热塑性塑料 Thermoplastic
联锁元件	Interlocking elements	聚酰胺(尼龙) Polyamide (nylon)
外壳密封	Shell sealing	丁晴橡胶 NBR
工作温度范围	Operating temperature range	-40°C...+125°C
依据UL94阻燃等级	Flammability Acc.To UL94	V0
连锁状态下依据DIN	Degree Of Protection Acc.To DIN	
EN60 529的防护等级	EN60 529 For Coupled Connector	IP65
金属外壳	Metal case	
材料	Material	金属 Metal
联锁元件	Interlocking elements	不锈钢 Stainless steel
外壳密封	Shell sealing	丁晴橡胶 NBR
工作温度范围	Operating temperature range	-40°C...+125°C
连锁状态下依据DIN	Degree Of Protection Acc.To DIN	
EN60 529的防护等级	EN60 529 For Coupled Connector	IP65

电流负载能力 Current Carrying Capacity


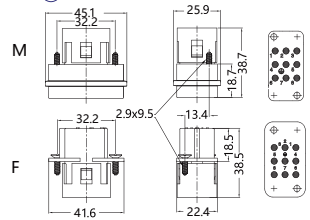
电流负载能力所受的限制主要来自包含接插针的接插体可承受的最大温度

The current carrying is limited by maximum temperature of materials for Inserts and contacts including terminals.

测试和控制过程依据 Measuring and testing techniques according to DIN EN 60512-5



HQ-008/0 紧凑小体积型插芯 Compact Series

	插芯 Inserts	型号 Type	尺寸图 Dimensions
<p>HQ-008/0 冷压连接</p>  <p>HQ-005/0 Crimp terminal</p>	<p>公 Male 母 Female</p>	<p>HQ-008/0-MC HQ-004/2-FC</p>	<p>500V 16A 8+⊕</p>  <p>匹配 HC 外壳 Matching HC Hood Housing</p>

附件 Accessories

16A 冷压针 Crimp contacts	公 Male	母 Female	尺寸图 Dimensions																																			
<p>接触电阻 Contact resistance $\leq 1\text{m}\Omega$ 镀银 Silver plated</p>  <p>镀金 Gold plated</p> 	<p>MCS16-0.37 MCS16-0.5 MCS16-0.75 MCS16-1.0 MCS16-1.5 MCS16-2.5 MCS16-3.0 MCS16-4.0</p> <p>MCG16-0.37 MCG16-0.5 MCG16-0.75 MCG16-1.0 MCG16-1.5 MCG16-2.5 MCG16-4.0</p>	<p>FCS16-0.37 FCS16-0.5 FCS16-0.75 FCS16-1.0 FCS16-1.5 FCS16-2.5 FCS16-3.0 FCS16-4.0</p> <p>FCG16-0.37 FCG16-0.5 FCG16-0.75 FCG16-1.0 FCG16-1.5 FCG16-2.5 FCG16-4.0</p>	 <table border="1" data-bbox="1085 722 1428 937"> <thead> <tr> <th>标示 Identification</th> <th>线规 Wire gauge</th> <th>剥线长度 Stripping length</th> </tr> </thead> <tbody> <tr> <td>no groove</td> <td>0.14-0.37 mm²</td> <td>AWG 26-22</td> <td>7.5 mm</td> </tr> <tr> <td>no groove</td> <td>0.5 mm²</td> <td>AWG 20</td> <td>7.5 mm</td> </tr> <tr> <td>1 groove</td> <td>0.75 mm²</td> <td>AWG 18</td> <td>7.5 mm</td> </tr> <tr> <td>1 groove</td> <td>1 mm²</td> <td>AWG 18</td> <td>7.5 mm</td> </tr> <tr> <td>2 groove</td> <td>1.5 mm²</td> <td>AWG 16</td> <td>7.5 mm</td> </tr> <tr> <td>3 groove</td> <td>2.5 mm²</td> <td>AWG 14</td> <td>7.5 mm</td> </tr> <tr> <td>wide groove</td> <td>3 mm²</td> <td>AWG 12</td> <td>7.5 mm</td> </tr> <tr> <td>no groove</td> <td>4 mm²</td> <td>AWG 12</td> <td>7.5 mm</td> </tr> </tbody> </table> <p>当线规小于0.75mm²时, 建议使用辅助装针工具TL15</p>	标示 Identification	线规 Wire gauge	剥线长度 Stripping length	no groove	0.14-0.37 mm ²	AWG 26-22	7.5 mm	no groove	0.5 mm ²	AWG 20	7.5 mm	1 groove	0.75 mm ²	AWG 18	7.5 mm	1 groove	1 mm ²	AWG 18	7.5 mm	2 groove	1.5 mm ²	AWG 16	7.5 mm	3 groove	2.5 mm ²	AWG 14	7.5 mm	wide groove	3 mm ²	AWG 12	7.5 mm	no groove	4 mm ²	AWG 12	7.5 mm
标示 Identification	线规 Wire gauge	剥线长度 Stripping length																																				
no groove	0.14-0.37 mm ²	AWG 26-22	7.5 mm																																			
no groove	0.5 mm ²	AWG 20	7.5 mm																																			
1 groove	0.75 mm ²	AWG 18	7.5 mm																																			
1 groove	1 mm ²	AWG 18	7.5 mm																																			
2 groove	1.5 mm ²	AWG 16	7.5 mm																																			
3 groove	2.5 mm ²	AWG 14	7.5 mm																																			
wide groove	3 mm ²	AWG 12	7.5 mm																																			
no groove	4 mm ²	AWG 12	7.5 mm																																			
<p>保险延迟针 Insurance delay needle 镀银 Silver plated</p> 	<p>线规 Description (mm²)</p> <p>1 1.5 2.5</p>	<p>型号 Type</p> <p>MCS-1.0R MCS-1.5R MCS-2.5R</p>																																				
<p>工具 Tools 冷压钳 Crimping tool</p> 	<p>压接线径 Wire gauge</p> <p>0.14-4 mm²</p>	<p>型号 Type</p> <p>TL02</p>	<p>压接线径: 0.14-0.37mm² 请选择TL02冷压钳</p>																																			
<p>退针器 Removal tool</p> 	<p>适用类型 For</p> <p>16A 冷压针 16A Crimp contacts</p>	<p>型号 Type</p> <p>TL01</p>																																				
<p>编码元件 Coding Element</p> 	<p>描述 Description</p> <p>编码、防呆 Coding、Pokayoke</p>	<p>型号 Type</p> <p>CODE-E</p>																																				

HQ-012/0 紧凑小体积型插芯/ Compact Series

技术参数 Technical Characteristics

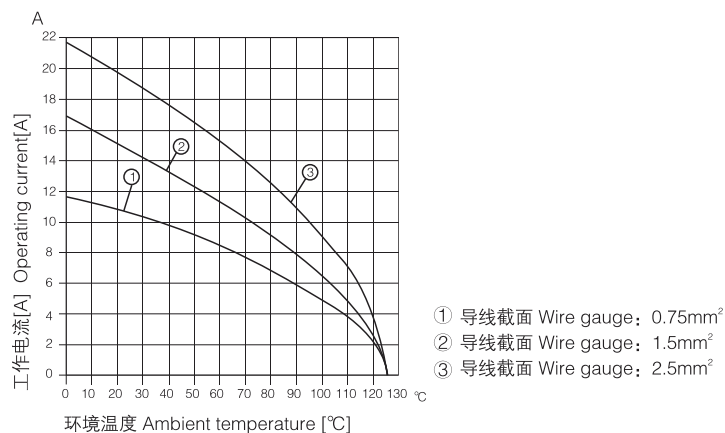
规范	Specifications	
规范	Specifications	DIN EN 60 664 DIN EN 61 984
插芯	Inserts	
依据 EN 61 984 的电气数据	Electrical Data Acc. To EN 61 984	
接插件针数	Number Of Contacts	12+PE
额定电流	Rated Current	10A
额定电压	Rated Voltage	400V
额定脉冲电压	Rated Impulse Voltage	6kV
污染程度	Pollution Degree	3
污染等级2时的参数	Pollution Degree 2 Also	10A 400/690V 6kV 2
依据UL/CSA额定电压	Rated Voltage Acc.To UI CSA	600V
绝缘电阻	Insulation Resistance	$\geq 10^{10}\Omega$
材料	Material	聚碳酸酯 Polycarbonate
工作温度范围	Limiting Temperatures	-40°C...+125°C
依据UL94阻燃等级	Flammability Acc.To UL94	V0
可拔插次数	Mechanical Working Life-mating Cycles	≥ 500
插针	Contacts	
材料	Material	铜合金 Copper Alloy
表面处理	Surface	镀金 Hard-gold Plated 镀银 Hard-silver Plated
接触电阻	Contact Resistance	$\leq 3m\Omega$
冷压连接	Crimp Terminal	
导线规格	Wire Gauge	0.14-2.5mm ²
AWG	AWG	26-14
PE螺钉连接	PE Screw Terminal	快速锁定终止 Quick Lock Termination
导线规格	Wire Gauge	0.5-2.5mm ²
AWG	AWG	20-14
外壳	Hoods/Housings	
塑料外壳	Plastic Hoods/Housings	
材料	Material	聚碳酸酯 Polycarbonate
依据UL94阻燃等级	Flammability Acc.To UL94	V0
连锁状态下依据DIN	Degree Of Protection Acc.To DIN	
EN60 529 的防护等级	EN60 529 For Coupled Connector	IP67
金属外壳	Hoods/Housings, Metal	
材料	Material	锌合金 Zinc Die-Cast
连锁状态下依据DIN	Degree Of Protection Acc.To DIN	IP44
EN60 529 的防护等级	EN60 529 For Coupled Connector	IP67(实现螺栓密封) is achieved with seal screw

电流负载能力 Current Carrying Capacity



电流负载能力所受的限制主要来自包含接插针的接插体可承受的最大温度

The current carrying is limited by maximum temperature of materials for Inserts and contacts including terminals.

测试和控制过程依据 Measuring and testing techniques according to DIN EN 60512-5



HQ-012/0 紧凑小体积型插芯 Compact Series

<p>HQ-012/0 冷压连接</p>  <p>HQ-012/0 Crimp terminal</p>	<p>插芯 Inserts 公 Male 母 Female</p>	<p>型号 Type HQ-012/0-MC HQ-012/0-FC</p>	<p>400V 10A 12+ </p> <p>尺寸图 Dimensions</p>  <p>匹配 3A 外壳 Matching 3A Hood Housing</p>
---	---	--	--

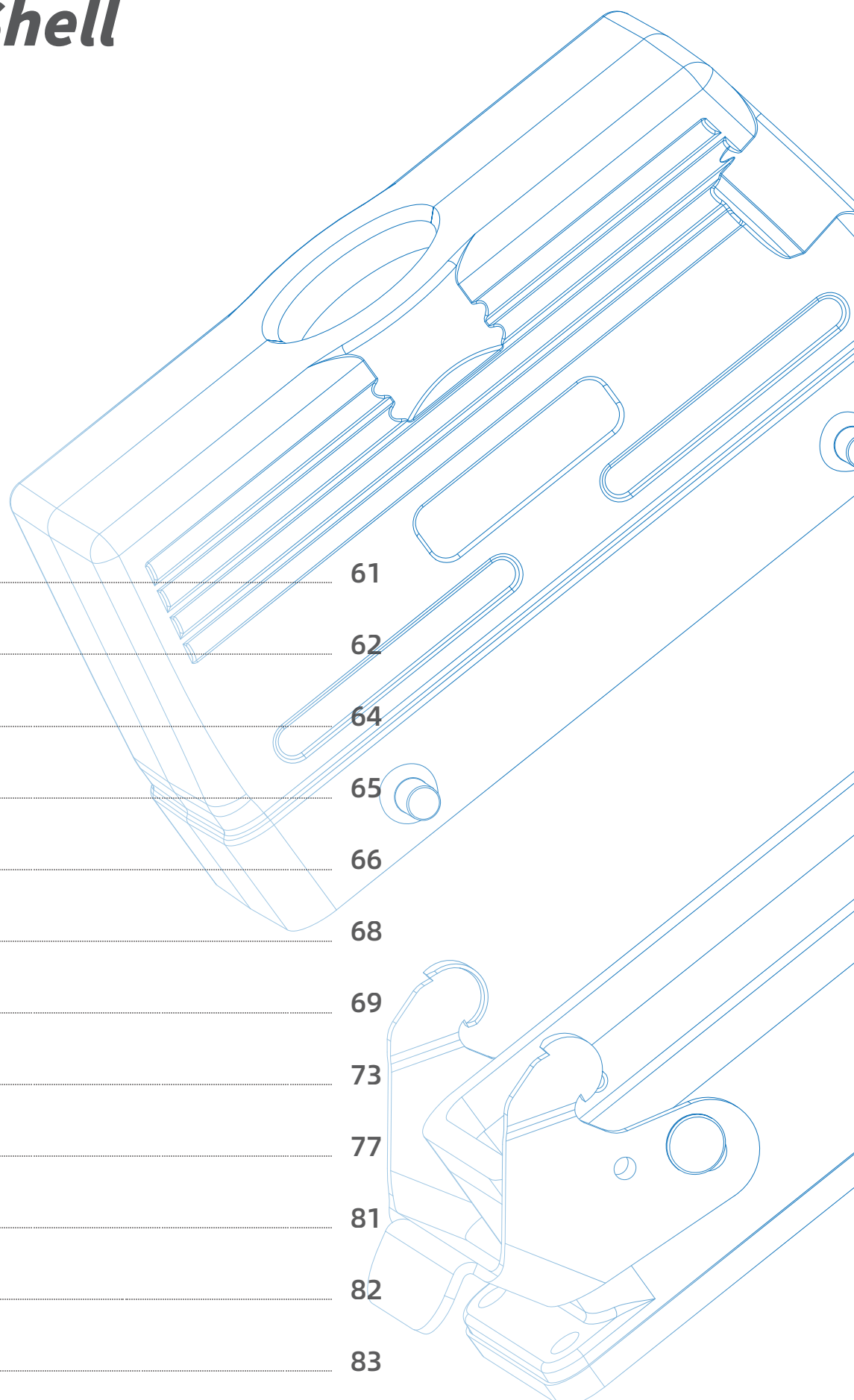
附件 Accessories

<p>10A 冷压针 Crimp contacts</p> <p>接触电阻 Contact resistance $\leq 3m\Omega$ 镀银 Silver plated</p>  <p>镀金 Gold plated</p> 	<p>公 Male</p> <p>MCNS10-0.37 MCNS10-0.5 MCNS10-0.75 MCNS10-1.0 MCNS10-1.5 MCNS10-2.5</p> <p>母 Female</p> <p>FCNS10-0.37 FCNS10-0.5 FCNS10-0.75 FCNS10-1.0 FCNS10-1.5 FCNS10-2.5</p>	<p>尺寸图 Dimensions</p>  <table border="1" data-bbox="1069 689 1420 862"> <thead> <tr> <th>线规 Wire gauge</th> <th>Φ</th> <th>剥线长度 Stripping length</th> </tr> </thead> <tbody> <tr> <td>0.14-0.37 mm²</td> <td>AWG 26-22</td> <td>0.9</td> </tr> <tr> <td>0.5 mm²</td> <td>AWG 20</td> <td>1.1</td> </tr> <tr> <td>0.75 mm²</td> <td>AWG 18</td> <td>1.3</td> </tr> <tr> <td>1 mm²</td> <td>AWG 18</td> <td>1.45</td> </tr> <tr> <td>1.5 mm²</td> <td>AWG 16</td> <td>1.75</td> </tr> <tr> <td>2.5 mm²</td> <td>AWG 14</td> <td>2.25</td> </tr> </tbody> </table>	线规 Wire gauge	Φ	剥线长度 Stripping length	0.14-0.37 mm ²	AWG 26-22	0.9	0.5 mm ²	AWG 20	1.1	0.75 mm ²	AWG 18	1.3	1 mm ²	AWG 18	1.45	1.5 mm ²	AWG 16	1.75	2.5 mm ²	AWG 14	2.25
线规 Wire gauge	Φ	剥线长度 Stripping length																					
0.14-0.37 mm ²	AWG 26-22	0.9																					
0.5 mm ²	AWG 20	1.1																					
0.75 mm ²	AWG 18	1.3																					
1 mm ²	AWG 18	1.45																					
1.5 mm ²	AWG 16	1.75																					
2.5 mm ²	AWG 14	2.25																					
<p>编码元件 Coding Element</p> 	<p>描述 Description 编码、防呆 Coding、Pokayoke</p>	<p>型号 Type CODE-Q12</p>																					
<p>工具 Tools 冷压钳 Crimping tool</p> 	<p>压接线径 Wire gauge 0.14-4 mm²</p>	<p>型号 Type TL02</p>																					
<p>退针器 Removal tool</p> 	<p>适用类型 For 10A 冷压针 10A Crimp contacts</p>	<p>型号 Type TL00</p>																					

HC 塑料外壳 Plastic Hoods & Housings IP65

	螺纹 Thread	型号 Type	尺寸图 Dimensions																														
上壳 侧出线  Hoods, side entry	PG16	HC.P-SE-2B-PG16																															
上壳 顶出线  Hoods, top entry	M25 PG16 PG21	HC.P-TE-2B-M25 HC.P-TE-2B-PG16 HC.P-TE-2B-PG21																															
不封底下壳  Housings, bulkhead mounting	---	HC.P-BK-1L																															
电缆接头 用于上壳  Cable joint, For upper shell	M25 M25 M25 PG16 PG21 PG21	APC-M25B(D6.5-9.5) APC-M25B(D10.5-14) APC-M25B(D14-17) APC-PG16B(D11.5-15.5) APC-PG21B(D14-18) APC-PG21B(D17-20.5)	 <table border="1"> <thead> <tr> <th rowspan="2"></th> <th colspan="2">cable</th> <th rowspan="2">SW</th> </tr> <tr> <th>min.</th> <th>max.</th> </tr> </thead> <tbody> <tr> <td>WNAPC-M25B/(D6.5-9.5)</td> <td>6.5mm</td> <td>9.5mm</td> <td>30</td> </tr> <tr> <td>WNAPC-M25B/(D10.5-14)</td> <td>10.5mm</td> <td>14mm</td> <td>30</td> </tr> <tr> <td>WANPC-M25B/(D14-17)</td> <td>14mm</td> <td>17mm</td> <td>30</td> </tr> <tr> <td>WANPC-PG16B/(D11.5-15.5)</td> <td>11.5mm</td> <td>15.5mm</td> <td>27</td> </tr> <tr> <td>WANPC-PG21B/(D14-18)</td> <td>14mm</td> <td>18mm</td> <td>33</td> </tr> <tr> <td>WANPC-PG21B/(D17-20.5)</td> <td>17mm</td> <td>20.5mm</td> <td>33</td> </tr> </tbody> </table>		cable		SW	min.	max.	WNAPC-M25B/(D6.5-9.5)	6.5mm	9.5mm	30	WNAPC-M25B/(D10.5-14)	10.5mm	14mm	30	WANPC-M25B/(D14-17)	14mm	17mm	30	WANPC-PG16B/(D11.5-15.5)	11.5mm	15.5mm	27	WANPC-PG21B/(D14-18)	14mm	18mm	33	WANPC-PG21B/(D17-20.5)	17mm	20.5mm	33
	cable		SW																														
	min.	max.																															
WNAPC-M25B/(D6.5-9.5)	6.5mm	9.5mm	30																														
WNAPC-M25B/(D10.5-14)	10.5mm	14mm	30																														
WANPC-M25B/(D14-17)	14mm	17mm	30																														
WANPC-PG16B/(D11.5-15.5)	11.5mm	15.5mm	27																														
WANPC-PG21B/(D14-18)	14mm	18mm	33																														
WANPC-PG21B/(D17-20.5)	17mm	20.5mm	33																														

壳体 *Shell*



3A 塑料外壳 61
3A Plastic housing

3A 金属外壳 62
3A Metal housing

10A 金属外壳 64
10A Metal housing

16A 金属外壳 65
16A Metal housing

32A 金属外壳 66
32A Metal housing

6B 金属外壳 68
6B Metal housing

10B 金属外壳 69
10B Metal housing

16B 金属外壳 73
16B Metal housing

24B 金属外壳 77
24B Metal housing

32B 金属外壳 81
32B Metal housing

48B 金属外壳 82
48B Metal housing

扣子款式 83
Lock Type

外壳部分 / Hoods & Housings Contents


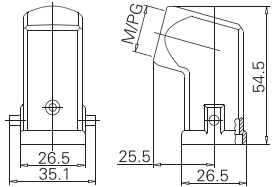

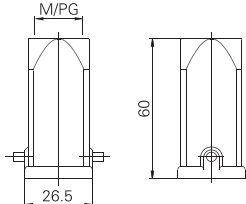

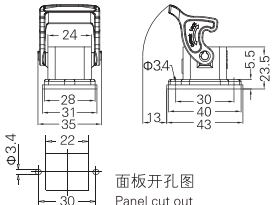

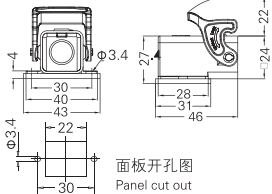

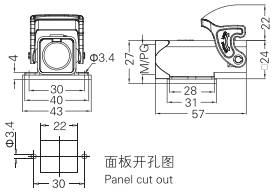

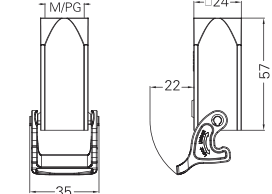



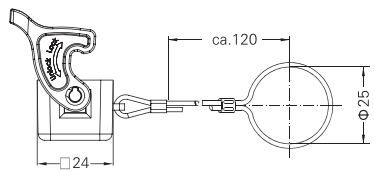





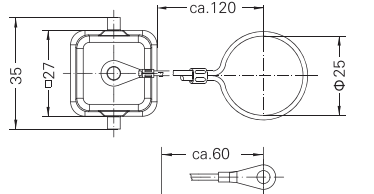
3A 塑料外壳 IP65/ Size 3A Plastic Hoods & Housings IP65		
材料	Material	聚碳酸酯 Polycarbonate
颜色	Colour	灰白 Light Grey(RAL 7032)
联锁元件	Locking Element	
联锁方式	Lever Type	塑料弹性压合 Lever, Plastic
材料	Material	聚酰胺 Polyamide
密封元件	Hoods & Housings Seal	NBR
适用温度范围	Limiting Temperatures	-40°C...+125°C
阻燃等级	Flammability Acc.To UL 94	V0
防护等级 (联锁状态,EN60529)	Degree Of Protection Acc. To DIN EN 60 529 For Coupled Connector	IP65

3A 金属外壳 IP65/ Size 3A Metal Hoods & Housings IP65		
材料	Material	铸锌 Zinc Die-Cast
颜色	Colour	灰色 Grey
联锁元件	Locking Element	
联锁方式	Lever Type	金属弹性压合 Lever
材料	Material	金属(铁)镀锌 Metal Galvanized / Nickel Plating
密封元件	Hoods & Housings Seal	NBR
适用温度范围	Limiting Temperatures	-40°C...+125°C
阻燃等级	Flammability Acc.To UL 94	V0
防护等级 (联锁状态,EN60529)	Degree Of Protection Acc. To DIN EN 60 529 For Coupled Connector	IP65


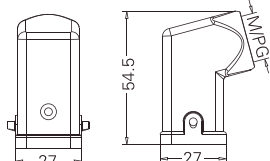

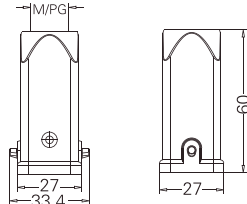

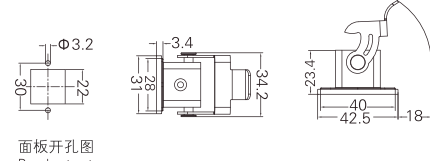

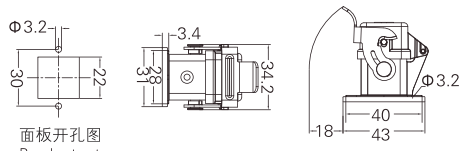


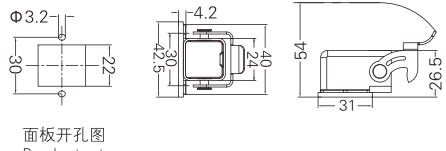

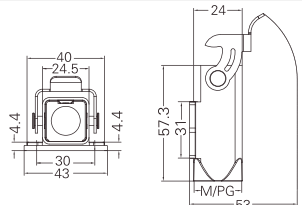


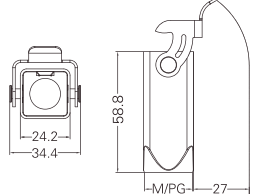
B型 金属外壳 IP65/ Metal Hoods & Housings IP65		
材料	Material	铸铝合金 Aluminium Die-Cast, Corrosion Resistant
颜色	Colour	灰色 Grey
联锁元件	Locking Element	
联锁方式	Lever Type	金属弹性压合 Lever
材料	Material	金属(铁)镀锌 Metal Galvanized / Nickel Plating
密封元件	Hoods & Housings Seal	NBR
适用温度范围	Limiting Temperatures	-40°C...+125°C
阻燃等级	Flammability Acc.To UL 94	V0
防护等级 (联锁状态,EN60529)	Degree Of Protection Acc. To DIN EN 60 529 For Coupled Connector	IP65

3A 高防护外壳 IP68/ Size 3A Pressure Tight Hoods & Housings IP68		
表面处理	Surface	喷涂/Epoxy Power Paint
材料	Material	铸锌 Zinc Die-Cast
颜色	Colour	黑色/灰色 Black or Grey
联锁元件	Locking Element	
联锁方式	Lever Type	螺栓连接 Screw Locking
材料	Material	不锈钢 Stainless Steel
密封元件	Hoods & Housings Seal	NBR
适用温度范围	Limiting Temperatures	-40°C...+125°C
阻燃等级	Flammability Acc.To UL 94	V0
防护等级 (联锁状态,EN60529)	Degree Of Protection Acc. To DIN EN 60 529 For Coupled Connector	IP68


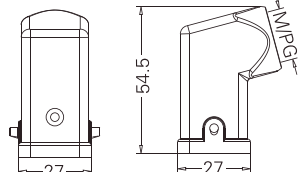
3A 塑料外壳 Plastic Hoods & Housings IP65


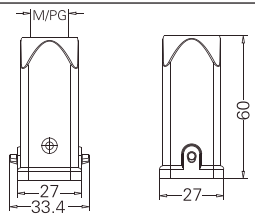

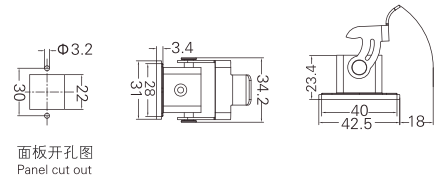

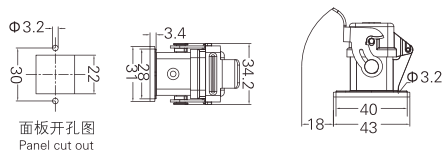


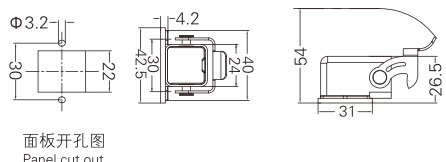

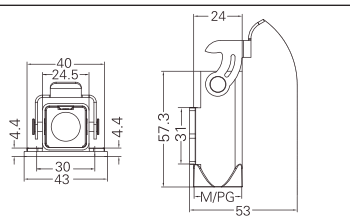

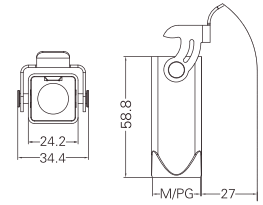
	螺纹 Thread	型号 Type	尺寸图 Dimensions
上壳 侧出线  Hoods, side entry	M20 PG11	H3A.P-SE-2B-M20 H3A.P-SE-2B-PG11	
上壳 顶出线  Hoods, top entry	M20 PG11	H3A.P-TE-2B-M20 H3A.P-TE-2B-PG11	
不封底下壳  Housings, bulkhead mounting	---	H3A.P-BK-1L	 面板开孔图 Panel cut out
不封底下壳  Housings, bulkhead mounting	---	H3A.P-BK.S-1L	 面板开孔图 Panel cut out
封底下壳  Housings, surface mounting	M20 PG11	H3A.P-SF-1L-M20 H3A.P-SF-1L-PG11	 面板开孔图 Panel cut out
飞线下壳  Housings, cable to cable	M20 PG11	H3A.P-CCT-1L-M20 H3A.P-CCT-1L-PG11	
防护盖  Protection covers	 	H3A-CV-1L/1M (配公芯for male insert) H3A-CV-1L/1F (配母芯for female insert)	
防护盖  Protection covers	   	H3A-CV-2B/1M (配公芯for male insert) H3A-CV-2B/2M (配公芯for male insert) H3A-CV-2B/1F (配母芯for female insert) H3A-CV-2B/2F (配母芯for female insert)	

3A 金属外壳 Metal Hoods & Housings IP65



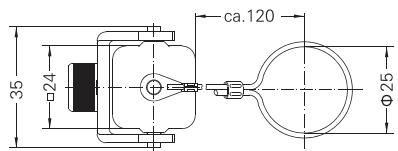



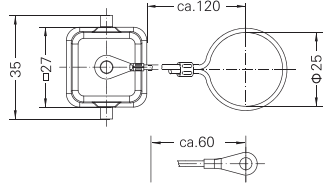



	螺纹 Thread	型号 Type	尺寸图 Dimensions
上壳 侧出线  Hoods, side entry	M20 PG11	H3A-SE-2B-M20 H3A-SE-2B-PG11	
上壳 顶出线  Hoods, top entry	M20 PG11 PG13.5	H3A-TE-2B-M20 H3A-TE-2B-PG11 H3A-TE-2B-PG13.5	
不封底下壳  Housings, bulkhead mounting	---	H3A-BK-1L	 面板开孔图 Panel cut out
不封底下壳  Housings, bulkhead mounting	---	H3A-BK-1L-MCV/M (配公芯 for male insert)	 面板开孔图 Panel cut out
不封底下壳  Housings, bulkhead mounting	---	H3A-BK-1L-MCV/F (配母芯 for female insert)	
不封底下壳  Housings, bulkhead mounting	---	H3A-BK.S-1L	 面板开孔图 Panel cut out
封底下壳  Housings, surface mounting	M20 PG11 PG13.5	H3A-SF-1L-M20 H3A-SF-1L-PG11 H3A-SF-1L-PG13.5	
封底下壳  Housings, surface mounting	M20 PG11 PG13.5	底部封闭 Bottom closed H3A.BC-SF-1L-M20 H3A.BC-SF-1L-PG11 H3A.BC-SF-1L-PG13.5	
飞线下壳  Housings, cable to cable	M20 PG11 PG13.5	H3A-CCT-1L-M20 H3A-CCT-1L-PG11 H3A-CCT-1L-PG13.5	

3A 金属外壳(EMC) Metal Hoods & Housings IP65


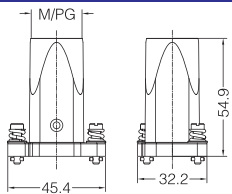

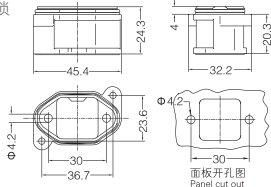

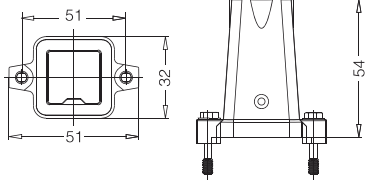

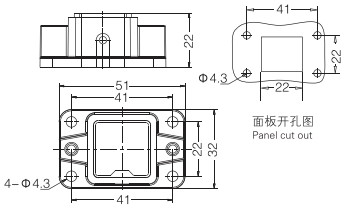
	螺纹 Thread	型号 Type	尺寸图 Dimensions
上壳 侧出线  Hoods, side entry	M20 PG11	EMC.H3A-SE-2B-M20 EMC.H3A-SE-2B-PG11	

上壳 顶出线  Hoods, top entry	M20 PG11	EMC.H3A-TE-2B-M20 EMC.H3A-TE-2B-PG11	
不封底下壳  Housings, bulkhead mounting	---	EMC.H3A-BK-1L	 面板开孔图 Panel cut out
不封底下壳  Housings, bulkhead mounting	---	EMC.H3A-BK-1L-MCV/M (配公芯 for male insert)	 面板开孔图 Panel cut out
不封底下壳  Housings, bulkhead mounting	---	EMC.H3A-BK-1L-MCV/F (配母芯 for female insert)	
不封底下壳  Housings, bulkhead mounting	---	EMC.H3A-BK-1L-SE	 面板开孔图 Panel cut out
封底下壳  Housings, surface mounting	M20 PG11	EMC.H3A-SF-1L-M20 EMC.H3A-SF-1L-PG11	
飞线下壳  Housings, cable to cable	M20 PG11	EMC.H3A-CCT-1L-M20 EMC.H3A-CCT-1L-PG11	


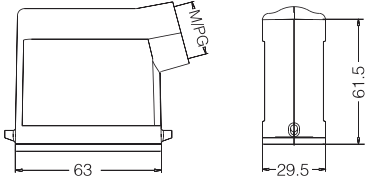

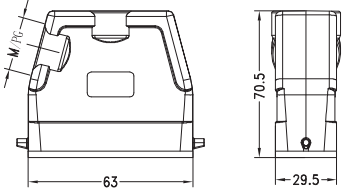

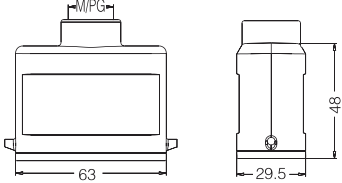

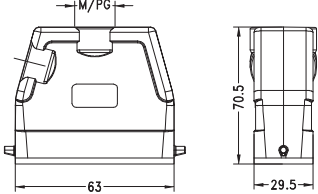
3A 金属外壳 Metal Hoods & Housings IP65


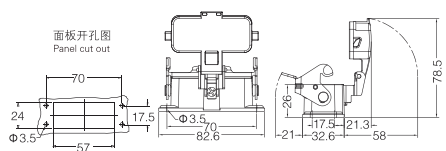

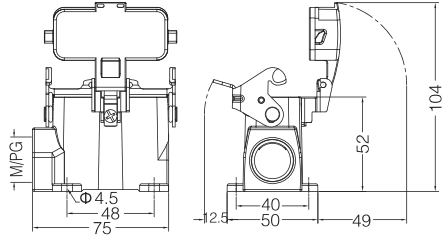


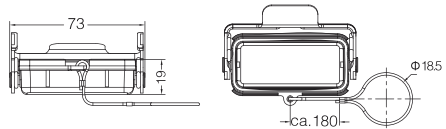


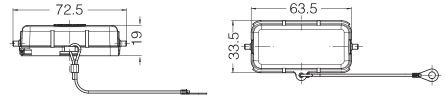
	接线方式 Connect way	型号 Type	尺寸图 Dimensions
防尘盖  Protection covers		H3A-MCV-1L/1M (配公芯 for male insert)	
		H3A-MCV-1L/1F (配母芯 for female insert)	
防尘盖  Protection covers		H3A-MCV-2B/1M (配公芯 for male insert)	
		H3A-MCV-2B/2M (配公芯 for male insert)	
		H3A-MCV-2B/1F (配母芯 for female insert)	
		H3A-MCV-2B/2F (配母芯 for female insert)	

3A 高防护外壳 Pressure tight Hoods & Housings IP68 喷涂 Epoxy power paint


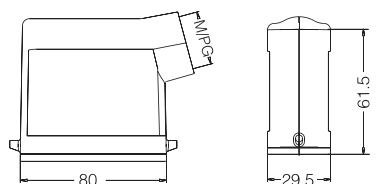

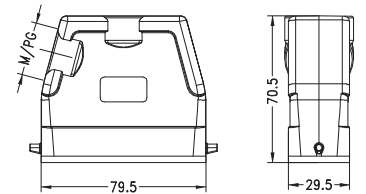

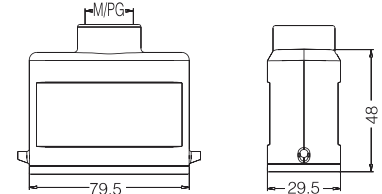
	螺纹 Thread	型号 Type	尺寸图 Dimensions
上壳 顶出线  Hoods, top entry	M20 PG13.5	HP3A/H-TE-2S-M20 HP3A/H-TE-2S-PG13.5	喷涂 • 螺栓联锁  Epoxy Power paint • Screw locking
不封底下壳  Housings, bulkhead mounting*	---	HP3A/H-BK-2H	喷涂 • 螺栓联锁  Epoxy Power paint • Screw locking
上壳 顶出线  Hoods, top entry	M20 PG11	HP3A-TE-2S-M20 HP3A-TE-2S-PG11	
不封底下壳  Housings, bulkhead mounting	---	HP3A-BK-2H	


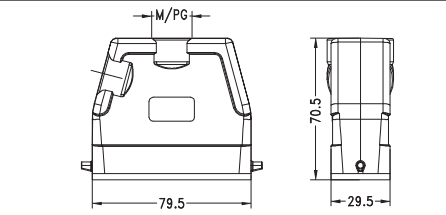

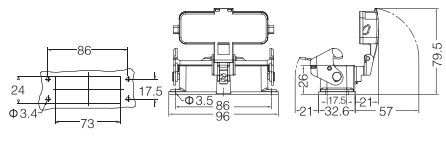

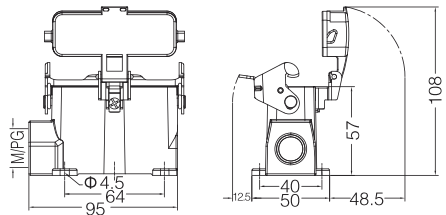
10A 金属外壳 Metal Hoods & Housings IP65



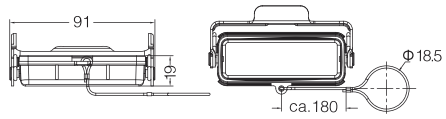


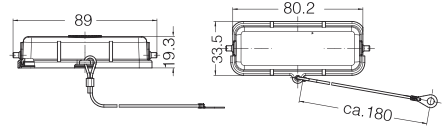
	螺纹 Thread	型号 Type	尺寸图 Dimensions
上壳 侧出线  Hoods, side entry	M20 PG16	H10A-SE-2B-M20 H10A-SE-2B-PG16	
上壳 侧出线 高结构  Hoods, side entry, high construction	M25 PG16 PG21	H10A-SEH-2B-M25 H10A-SEH-2B-PG16 H10A-SEH-2B-PG21	
上壳 顶出线  Hoods, top entry	M20 PG13.5	H10A-TE-2B-M20 H10A-TE-2B-PG13.5	
上壳 顶出线 高结构  Hoods, top entry, high construction	M25 PG16 PG21	H10A-TEH-2B-M25 H10A-TEH-2B-PG16 H10A-TEH-2B-PG21	

不封底下壳		---	H10A-BK-1L	
		---	带塑料盖 With plastic cover H10A-BK-1L-CV	
		---	带金属盖 With metal cover H10A-BK-1L-MCV	
封底下壳		M20 2M20 M25 PG16 2PG16 PG21	H10A-SF-1L-M20 H10A-SF-1L-2M20 H10A-SF-1L-M25 H10A-SF-1L-PG16 H10A-SF-1L-2PG16 H10A-SF-1L-PG21	
		M20 2M20 M25 PG16 2PG16 PG21	带塑料盖 With plastic cover H10A-SF-1L-CV-M20 H10A-SF-1L-CV-2M20 H10A-SF-1L-CV-M25 H10A-SF-1L-CV-PG16 H10A-SF-1L-CV-2PG16 H10A-SF-1L-CV-PG21	
		M20 2M20 M25 PG16 2PG16 PG21	带金属盖 With metal cover H10A-SF-1L-MCV-M20 H10A-SF-1L-MCV-2M20 H10A-SF-1L-MCV-M25 H10A-SF-1L-MCV-PG16 H10A-SF-1L-MCV-2PG16 H10A-SF-1L-MCV-PG21	
防尘盖			金属盖/用于上壳 For hoods H10A-MCV-1L.1	
防尘盖			金属盖/用于下壳 For housings H10A-MCV-2B/1S H10A-MCV-2B/2S	


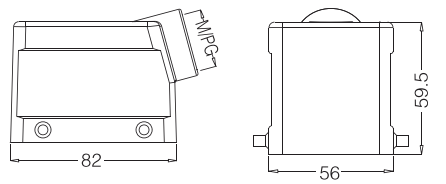

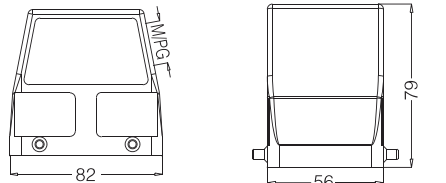
16A 金属外壳 Metal Hoods & Housings IP65

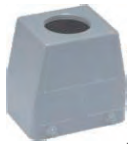
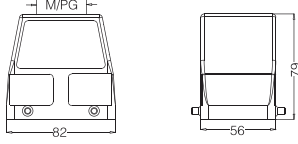

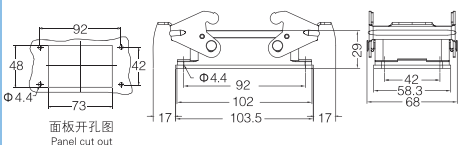

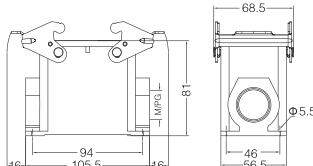

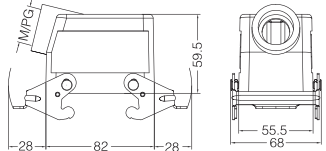

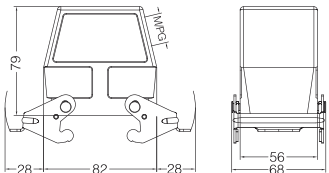

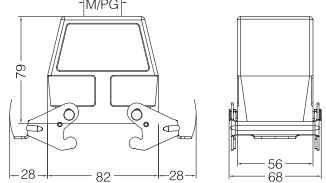

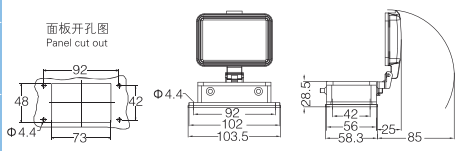

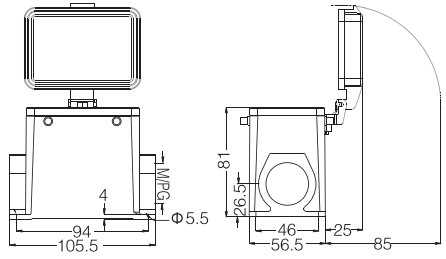
	螺纹 Thread	型号 Type	尺寸图 Dimensions
上壳 侧出线 	M20 PG16	H16A-SE-2B-M20 H16A-SE-2B-PG16	
上壳 侧出线 高结构 	M25 PG16 PG21	H16A-SEH-2B-M25 H16A-SEH-2B-PG16 H16A-SEH-2B-PG21	
上壳 顶出线 	M20 PG16	H16A-TE-2B-M20 H16A-TE-2B-PG16	

上壳 顶出线 高结构  Hoods, top entry, high construction	M25 PG16 PG21	H16A-TEH-2B-M25 H16A-TEH-2B-PG16 H16A-TEH-2B-PG21	
不封底下壳  Housings, bulkhead mounting	--- --- ---	H16A-BK-1L 带塑料盖 With plastic cover H16A-BK-1L-CV 带金属盖 With metal cover H16A-BK-1L-MCV	
封底下壳  Housings, surface mounting	M20 2M20 M25 2M25 PG16 2PG16 PG21 M20 2M20 M25 2M25 PG16 2PG16 PG21 M20 2M20 M25 2M25 PG16 2PG16 PG21	H16A-SF-1L-M20 H16A-SF-1L-2M20 H16A-SF-1L-M25 H16A-SF-1L-2M25 H16A-SF-1L-PG16 H16A-SF-1L-2PG16 H16A-SF-1L-PG21 带塑料盖 With plastic cover H16A-SF-1L-CV-M20 H16A-SF-1L-CV-2M20 H16A-SF-1L-CV-M25 H16A-SF-1L-CV-2M25 H16A-SF-1L-CV-PG16 H16A-SF-1L-CV-2PG16 H16A-SF-1L-CV-PG21 带金属盖 With metal cover H16A-SF-1L-MCV-M20 H16A-SF-1L-MCV-2M20 H16A-SF-1L-MCV-M25 H16A-SF-1L-MCV-2M25 H16A-SF-1L-MCV-PG16 H16A-SF-1L-MCV-2PG16 H16A-SF-1L-MCV-PG21	


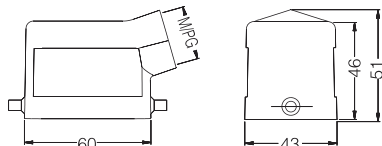

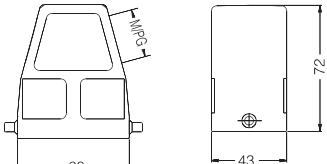

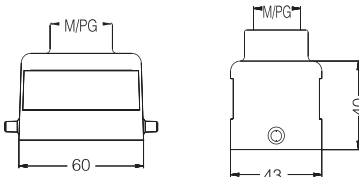

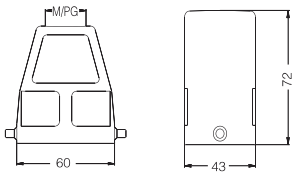

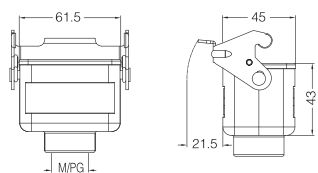

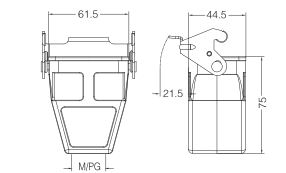

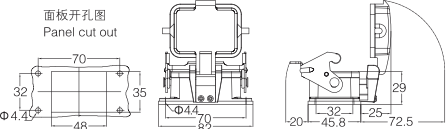

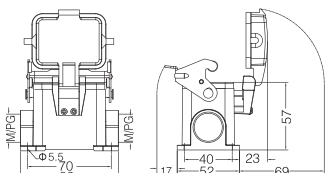
防尘盖	接线方式 Connect way	型号 Type	尺寸图 Dimensions
 Protection covers		金属盖/用于上壳 For hoods H16A-MCV-1L.1	
 Protection covers		金属盖/用于下壳 For housings H16A-MCV-2B/1S H16A-MCV-2B/2S	


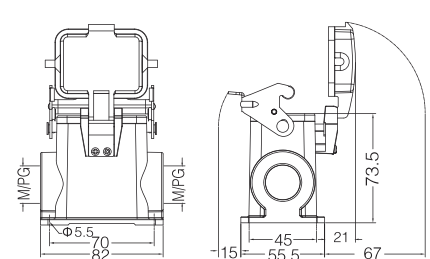
32A 金属外壳 Metal Hoods & Housings IP65



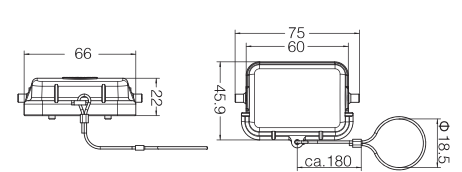

上壳 侧出线	螺纹 Thread	型号 Type	尺寸图 Dimensions
 Hoods, side entry	M25 PG21	H32A-SE-4B-M25 H32A-SE-4B-PG21	
 Hoods, side entry, high construction	M32 PG21 PG29	H32A-SEH-4B-M32 H32A-SEH-4B-PG21 H32A-SEH-4B-PG29	

<p>上壳 顶出线 高结构</p>  <p>Hoods, top entry, high construction</p>	<p>M25 M32 PG21 PG29</p>	<p>H32A-TEH-4B-M25 H32A-TEH-4B-M32 H32A-TEH-4B-PG21 H32A-TEH-4B-PG29</p>	
<p>不封底下壳</p>  <p>Housings, bulkhead mounting</p>	<p>---</p>	<p>H32A-BK-2L</p>	 <p>面板开孔图 Panel cut out</p>
<p>封底下壳</p>  <p>Housings, surface mounting</p>	<p>M25 M32 2M32 PG21 2PG21 PG29 2PG29</p>	<p>H32A-SF-2L-M25 H32A-SF-2L-M32 H32A-SF-2L-2M32 H32A-SF-2L-PG21 H32A-SF-2L-2PG21 H32A-SF-2L-PG29 H32A-SF-2L-2PG29</p>	
<p>上壳 侧出线</p>  <p>Hoods, side entry</p>	<p>M25 PG21</p>	<p>H32A-SE-2L-M25 H32A-SE-2L-PG21</p>	
<p>上壳 侧出线 高结构</p>  <p>Hoods, side entry, high construction</p>	<p>M32 PG21 PG29</p>	<p>H32A-SEH-2L-M32 H32A-SEH-2L-PG21 H32A-SEH-2L-PG29</p>	
<p>上壳 顶出线 高结构</p>  <p>Hoods, top entry, high construction</p>	<p>M25 M32 PG21 PG29</p>	<p>H32A-TEH-2L-M25 H32A-TEH-2L-M32 H32A-TEH-2L-PG21 H32A-TEH-2L-PG29</p>	
<p>不封底下壳</p>  <p>Housings, bulkhead mounting</p>	<p>---</p>	<p>H32A-BK-4B</p>	 <p>面板开孔图 Panel cut out</p>
<p>封底下壳</p>  <p>Housings, surface mounting</p>	<p>M25 M32 2M32 PG21 2PG21 PG29 2PG29</p>	<p>H32A-SF-4B-M25 H32A-SF-4B-M32 H32A-SF-4B-2M32 H32A-SF-4B-PG21 H32A-SF-4B-2PG21 H32A-SF-4B-PG29 H32A-SF-4B-2PG29</p>	
	<p>M25 M32 2M32 PG21 2PG21 PG29 2PG29</p>	<p>带塑料盖 With plastic cover H32A-SF-4B-CV-M25 H32A-SF-4B-CV-M32 H32A-SF-4B-CV-2M32 H32A-SF-4B-CV-PG21 H32A-SF-4B-CV-2PG21 H32A-SF-4B-CV-PG29 H32A-SF-4B-CV-2PG29</p>	
	<p>M25 M32 2M32 PG21 2PG21 PG29 2PG29</p>	<p>带金属盖 With metal cover H32A-SF-4B-MCV-M25 H32A-SF-4B-MCV-M32 H32A-SF-4B-MCV-2M32 H32A-SF-4B-MCV-PG21 H32A-SF-4B-MCV-2PG21 H32A-SF-4B-MCV-PG29 H32A-SF-4B-MCV-2PG29</p>	


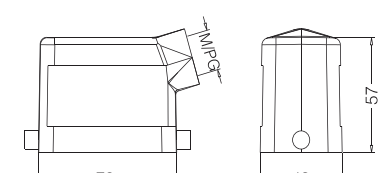
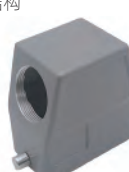
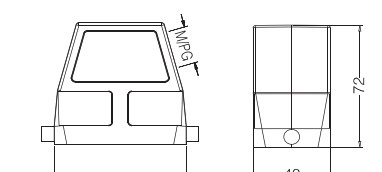

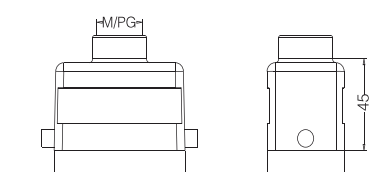
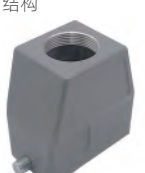
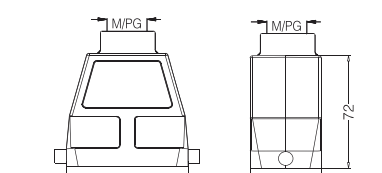
6B 金属外壳 Metal Hoods & Housings IP65


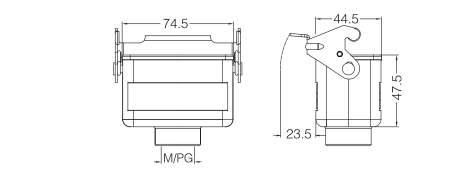

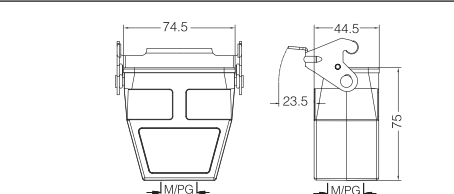

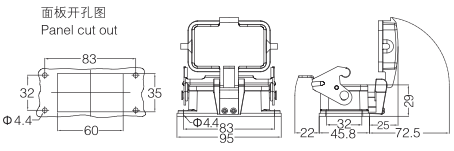

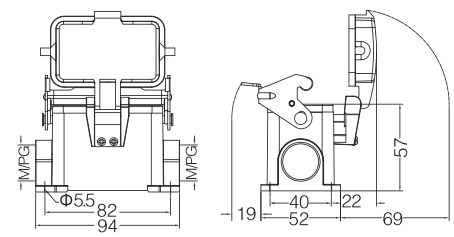

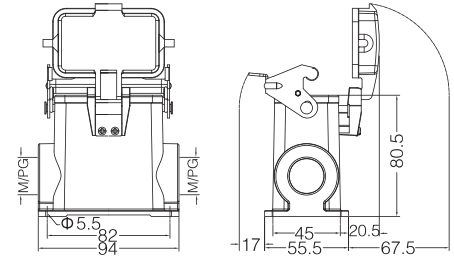

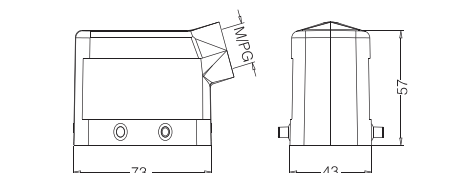
	螺纹 Thread	型号 Type	尺寸图 Dimensions
上壳 侧出线  Hoods, side entry	M20 M25 PG13.5 PG16	H6B-SE-2B-M20 H6B-SE-2B-M25 H6B-SE-2B-PG13.5 H6B-SE-2B-PG16	
上壳 侧出线 高结构  Hoods, side entry, high construction	M25 M32 PG21 PG29	H6B-SEH-2B-M25 H6B-SEH-2B-M32 H6B-SEH-2B-PG21 H6B-SEH-2B-PG29	
上壳 顶出线  Hoods, top entry	M20 M25 PG13.5 PG16	H6B-TE-2B-M20 H6B-TE-2B-M25 H6B-TE-2B-PG13.5 H6B-TE-2B-PG16	
上壳 顶出线 高结构  Hoods, top entry, high construction	M20 M25 M32 PG16 PG21 PG29	H6B-TEH-2B-M20 H6B-TEH-2B-M25 H6B-TEH-2B-M32 H6B-TEH-2B-PG16 H6B-TEH-2B-PG21 H6B-TEH-2B-PG29	
飞线下壳  Housings, cable to cable	M20 PG13.5 PG16	H6B-CCT-1L-M20 H6B-CCT-1L-PG13.5 H6B-CCT-1L-PG16	
飞线下壳 高结构  Housings, cable to cable, high construction	M25 PG21 PG29	H6B-CCTH-1L-M25 H6B-CCTH-1L-PG21 H6B-CCTH-1L-PG29	
不封底下壳  Housings, bulkhead mounting	---	H6B-BK-1L	
	---	带塑料盖 With plastic cover H6B-BK-1L-CV	
	---	带金属盖 With metal cover H6B-BK-1L-MCV	
封底下壳  Housings, surface mounting	M20 2M20 M25 2M25 PG16 2PG16 M20 2M20 M25 2M25 PG16 2PG16 M20 2M20 M25 2M25 PG16 2PG16	H6B-SF-1L-M20 H6B-SF-1L-2M20 H6B-SF-1L-M25 H6B-SF-1L-2M25 H6B-SF-1L-PG16 H6B-SF-1L-2PG16 带塑料盖 With plastic cover H6B-SF-1L-CV-M20 H6B-SF-1L-CV-2M20 H6B-SF-1L-CV-M25 H6B-SF-1L-CV-2M25 H6B-SF-1L-CV-PG16 H6B-SF-1L-CV-2PG16 带金属盖 With metal cover H6B-SF-1L-MCV-M20 H6B-SF-1L-MCV-2M20 H6B-SF-1L-MCV-M25 H6B-SF-1L-MCV-2M25 H6B-SF-1L-MCV-PG16 H6B-SF-1L-MCV-2PG16	


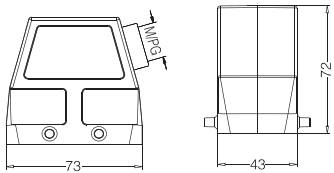

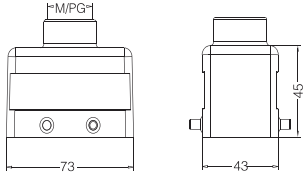

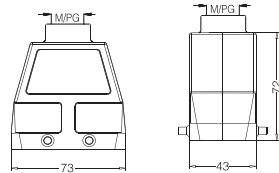

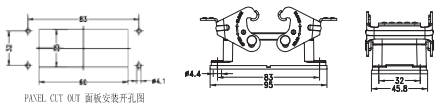

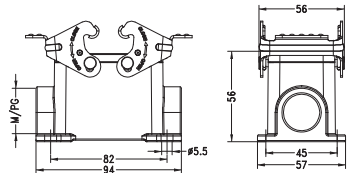

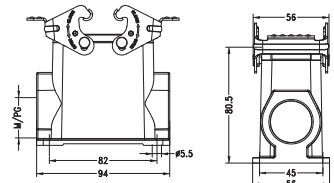

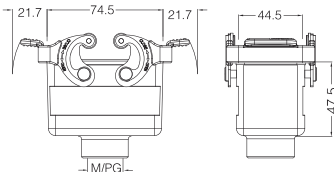

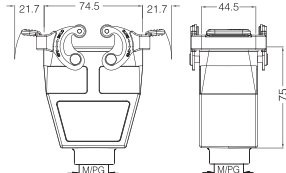
封底下壳 高结构  Housings, surface mounting, high construction	M25 2M25 M32 2M32 PG21 2PG21 PG29 2PG29	H6B-SFH-1L-M25 H6B-SFH-1L-2M25 H6B-SFH-1L-M32 H6B-SFH-1L-2M32 H6B-SFH-1L-PG21 H6B-SFH-1L-2PG21 H6B-SFH-1L-PG29 H6B-SFH-1L-2PG29	
	M25 2M25 M32 2M32 PG21 2PG21 PG29 2PG29	带塑料盖 With plastic cover H6B-SFH-1L-CV-M25 H6B-SFH-1L-CV-2M25 H6B-SFH-1L-CV-M32 H6B-SFH-1L-CV-2M32 H6B-SFH-1L-CV-PG21 H6B-SFH-1L-CV-2PG21 H6B-SFH-1L-CV-PG29 H6B-SFH-1L-CV-2PG29	
	M25 2M25 M32 2M32 PG21 2PG21 PG29 2PG29	带金属盖 With metal cover H6B-SFH-1L-MCV-M25 H6B-SFH-1L-MCV-2M25 H6B-SFH-1L-MCV-M32 H6B-SFH-1L-MCV-2M32 H6B-SFH-1L-MCV-PG21 H6B-SFH-1L-MCV-2PG21 H6B-SFH-1L-MCV-PG29 H6B-SFH-1L-MCV-2PG29	




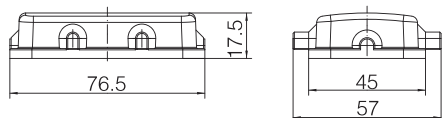
接线方式 Connect way		型号 Type	尺寸图 Dimensions
防尘盖  Protection covers		塑料盖/用于上壳 For hoods H6B-CV-2B/1	
		塑料盖/用于下壳 For housings H6B-CV-2B/2	

10B 金属外壳 Metal Hoods & Housings IP65


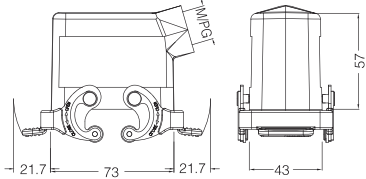

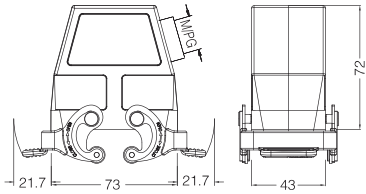

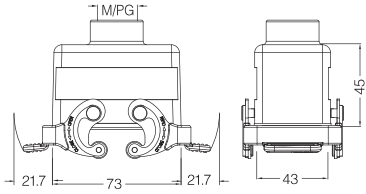

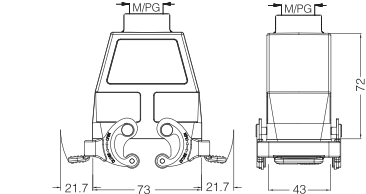

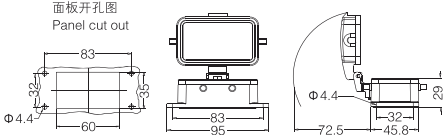

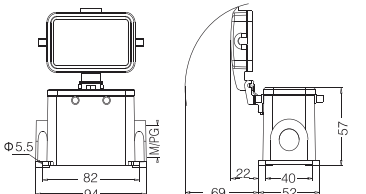
	螺纹 Thread	型号 Type	尺寸图 Dimensions
上壳 侧出线  Hoods, side entry	M20 M25 PG16	H10B-SE-2B-M20 H10B-SE-2B-M25 H10B-SE-2B-PG16	
上壳 侧出线 高结构  Hoods, side entry, high construction	M25 M32 PG21 PG29	H10B-SEH-2B-M25 H10B-SEH-2B-M32 H10B-SEH-2B-PG21 H10B-SEH-2B-PG29	
上壳 顶出线  Hoods, top entry	M20 M25 PG16	H10B-TE-2B-M20 H10B-TE-2B-M25 H10B-TE-2B-PG16	
上壳 顶出线 高结构  Hoods, top entry, high construction	M25 M32 PG21 PG29	H10B-TEH-2B-M25 H10B-TEH-2B-M32 H10B-TEH-2B-PG21 H10B-TEH-2B-PG29	


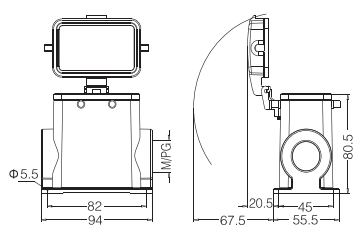
飞线下壳 	M20 PG16	H10B-CCT-1L-M20 H10B-CCT-1L-PG16	
飞线下壳 高结构 	M25 M32 PG21 PG29	H10B-CCTH-1L-M25 H10B-CCTH-1L-M32 H10B-CCTH-1L-PG21 H10B-CCTH-1L-PG29	
不封底下壳 	---	H10B-BK-1L	
	---	带塑料盖 With plastic cover H10B-BK-1L-CV	
	---	带金属盖 With metal cover H10B-BK-1L-MCV	
封底下壳 	M20 2M20 M25 2M25 PG16 2PG16	H10B-SF-1L-M20 H10B-SF-1L-2M20 H10B-SF-1L-M25 H10B-SF-1L-2M25 H10B-SF-1L-PG16 H10B-SF-1L-2PG16	
	M20 2M20 M25 2M25 PG16 2PG16	带塑料盖 With plastic cover H10B-SF-1L-CV-M20 H10B-SF-1L-CV-2M20 H10B-SF-1L-CV-M25 H10B-SF-1L-CV-2M25 H10B-SF-1L-CV-PG16 H10B-SF-1L-CV-2PG16	
	M20 2M20 M25 2M25 PG16 2PG16	带金属盖 With metal cover H10B-SF-1L-MCV-M20 H10B-SF-1L-MCV-2M20 H10B-SF-1L-MCV-M25 H10B-SF-1L-MCV-2M25 H10B-SF-1L-MCV-PG16 H10B-SF-1L-MCV-2PG16	
封底下壳 高结构 	M25 2M25 M32 2M32 PG21 2PG21 PG29 2PG29	H10B-SFH-1L-M25 H10B-SFH-1L-2M25 H10B-SFH-1L-M32 H10B-SFH-1L-2M32 H10B-SFH-1L-PG21 H10B-SFH-1L-2PG21 H10B-SFH-1L-PG29 H10B-SFH-1L-2PG29	
	M25 2M25 M32 2M32 PG21 2PG21 PG29 2PG29	带塑料盖 With plastic cover H10B-SFH-1L-CV-M25 H10B-SFH-1L-CV-2M25 H10B-SFH-1L-CV-M32 H10B-SFH-1L-CV-2M32 H10B-SFH-1L-CV-PG21 H10B-SFH-1L-CV-2PG21 H10B-SFH-1L-CV-PG29 H10B-SFH-1L-CV-2PG29	
	M25 2M25 M32 2M32 PG21 2PG21 PG29 2PG29	带金属盖 With metal cover H10B-SFH-1L-MCV-M25 H10B-SFH-1L-MCV-2M25 H10B-SFH-1L-MCV-M32 H10B-SFH-1L-MCV-2M32 H10B-SFH-1L-MCV-PG21 H10B-SFH-1L-MCV-2PG21 H10B-SFH-1L-MCV-PG29 H10B-SFH-1L-MCV-2PG29	
上壳 侧出线 	M20 M25 PG16	H10B-SE-4B-M20 H10B-SE-4B-M25 H10B-SE-4B-PG16	


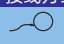
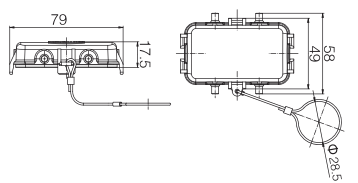

上壳 侧出线 高结构  Hoods, side entry, high construction	M25 M32 PG21 PG29	H10B-SEH-4B-M25 H10B-SEH-4B-M32 H10B-SEH-4B-PG21 H10B-SEH-4B-PG29	
上壳 顶出线  Hoods, top entry	M20 M25 PG16	H10B-TE-4B-M20 H10B-TE-4B-M25 H10B-TE-4B-PG16	
上壳 顶出线 高结构  Hoods, top entry, high construction	M25 M32 2M20 PG16 PG21 PG29	H10B-TEH-4B-M25 H10B-TEH-4B-M32 H10B-TEH-4B-2M20 H10B-TEH-4B-PG16 H10B-TEH-4B-PG21 H10B-TEH-4B-PG29	
不封底下壳  Housings, bulkhead mounting	---	H10B-BK-2L	 PANEL CUT OUT 面板安装开孔图
封底下壳  Housings, surface mounting	M20 2M20 M25 2M25 PG16 2PG16	H10B-SF-2L-M20 H10B-SF-2L-2M20 H10B-SF-2L-M25 H10B-SF-2L-2M25 H10B-SF-2L-PG16 H10B-SF-2L-2PG16	
封底下壳 高结构  Housings, surface mounting, high construction	M25 2M25 M32 2M32 PG21 2PG21 PG29 2PG29	H10B-SFH-2L-M25 H10B-SFH-2L-2M25 H10B-SFH-2L-M32 H10B-SFH-2L-2M32 H10B-SFH-2L-PG21 H10B-SFH-2L-2PG21 H10B-SFH-2L-PG29 H10B-SFH-2L-2PG29	
飞线下壳  Housings, cable to cable	M20 PG16	H10B-CCT-2L-M20 H10B-CCT-2L-PG16	
飞线下壳 高结构  Housings, cable to cable, high construction	M25 M32 PG21 PG29	H10B-CCTH-2L-M25 H10B-CCTH-2L-M32 H10B-CCTH-2L-PG21 H10B-CCTH-2L-PG29	

	接线方式 Connect way	型号 Type	尺寸图 Dimensions
塑料防尘盖  Protection covers, Plastic	 	塑料盖/用于飞线下壳 For housings, cable to cable H10B-CV-4B/1 塑料盖/用于不封底,封底下壳 For housing, bulkhead/ surface mounting H10B-CV-4B/2	


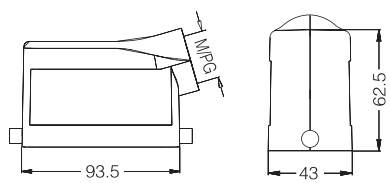

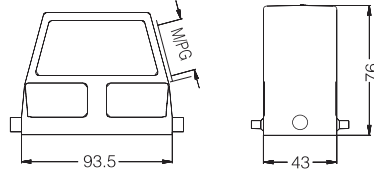

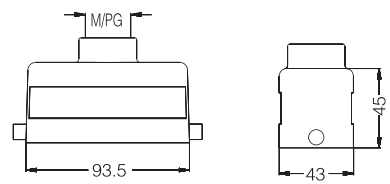

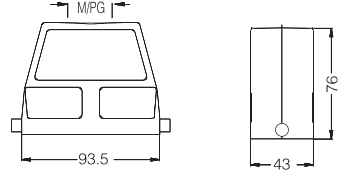
10B 金属外壳 Metal Hoods & Housings IP65


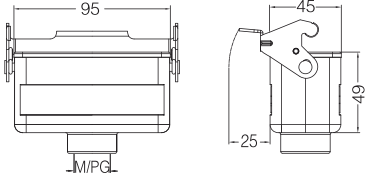

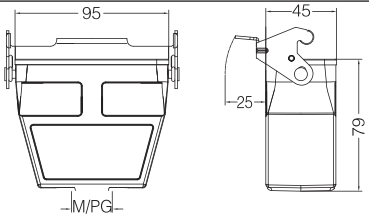

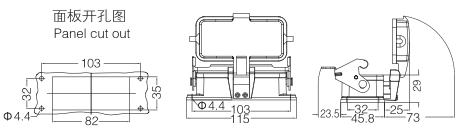

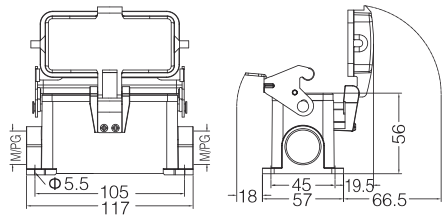

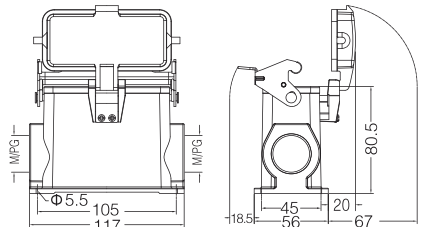

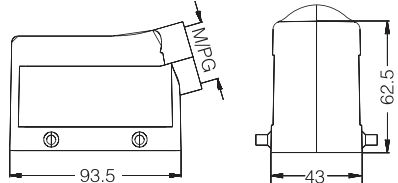

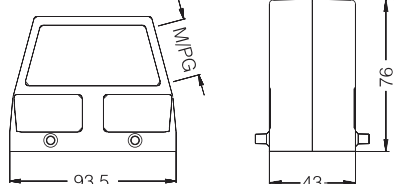
	螺纹 Thread	型号 Type	尺寸图 Dimensions
上壳 侧出线  Hoods, side entry	M20 PG16	H10B-SE-2L-M20 H10B-SE-2L-PG16	
上壳 侧出线 高结构  Hoods, side entry, high construction	M25 M32 PG21 PG29	H10B-SEH-2L-M25 H10B-SEH-2L-M32 H10B-SEH-2L-PG21 H10B-SEH-2L-PG29	
上壳 顶出线  Hoods, top entry	M20 PG16	H10B-TE-2L-M20 H10B-TE-2L-PG16	
上壳 顶出线 高结构  Hoods, top entry, high construction	M25 M32 PG21 PG29	H10B-TEH-2L-M25 H10B-TEH-2L-M32 H10B-TEH-2L-PG21 H10B-TEH-2L-PG29	
不封底下壳  Housings, bulkhead mounting	---	H10B-BK-4B	
	---	带塑料盖 With plastic cover H10B-BK-4B-CV	
	---	带金属盖 With metal cover H10B-BK-4B-MCV	
封底下壳  Housings, surface mounting	M20 2M20 M25 2M25 PG16 2PG16	H10B-SF-4B-M20 H10B-SF-4B-2M20 H10B-SF-4B-M25 H10B-SF-4B-2M25 H10B-SF-4B-PG16 H10B-SF-4B-2PG16	
	M20 2M20 M25 2M25 PG16 2PG16	带塑料盖 With plastic cover H10B-SF-4B-CV-M20 H10B-SF-4B-CV-2M20 H10B-SF-4B-CV-M25 H10B-SF-4B-CV-2M25 H10B-SF-4B-CV-PG16 H10B-SF-4B-CV-2PG16	
	M20 2M20 M25 2M25 PG16 2PG16	带金属盖 With metal cover H10B-SF-4B-MCV-M20 H10B-SF-4B-MCV-2M20 H10B-SF-4B-MCV-M25 H10B-SF-4B-MCV-2M25 H10B-SF-4B-MCV-PG16 H10B-SF-4B-MCV-2PG16	


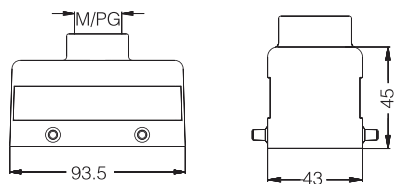

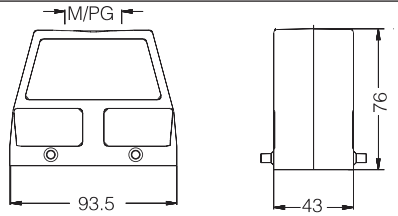

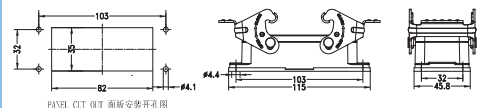

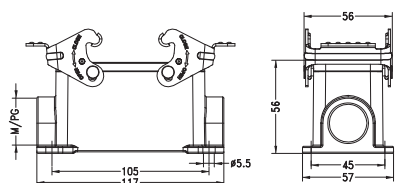

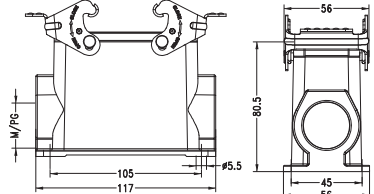

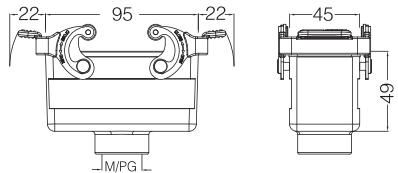

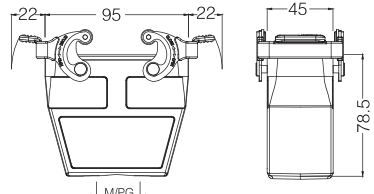
 <p>Housings, surface mounting, high construction</p>	M25 2M25 M32 2M32 PG21 2PG21 PG29 2PG29	H10B-SFH-4B-M25 H10B-SFH-4B-2M25 H10B-SFH-4B-M32 H10B-SFH-4B-2M32 H10B-SFH-4B-PG21 H10B-SFH-4B-2PG21 H10B-SFH-4B-PG29 H10B-SFH-4B-2PG29	
	M25 2M25 M32 2M32 PG21 2PG21 PG29 2PG29	带塑料盖 With plastic cover H10B-SFH-4B-CV-M25 H10B-SFH-4B-CV-2M25 H10B-SFH-4B-CV-M32 H10B-SFH-4B-CV-2M32 H10B-SFH-4B-CV-PG21 H10B-SFH-4B-CV-2PG21 H10B-SFH-4B-CV-PG29 H10B-SFH-4B-CV-2PG29	
	M25 2M25 M32 2M32 PG21 2PG21 PG29 2PG29	带金属盖 With metal cover H10B-SFH-4B-MCV-M25 H10B-SFH-4B-MCV-2M25 H10B-SFH-4B-MCV-M32 H10B-SFH-4B-MCV-2M32 H10B-SFH-4B-MCV-PG21 H10B-SFH-4B-MCV-2PG21 H10B-SFH-4B-MCV-PG29 H10B-SFH-4B-MCV-2PG29	



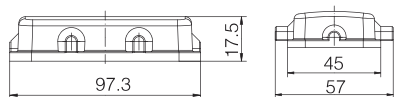

塑料防尘盖		接线方式 Connect way	型号 Type	尺寸图 Dimensions
 <p>Protection covers, Plastic</p>		塑料盖/用于上壳 For hoods H10B-CV-4B/1		
		塑料盖/用于下壳 For housings H10B-CV-4B/2		


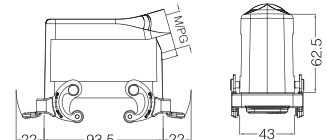
16B 金属外壳 Metal Hoods & Housings IP65


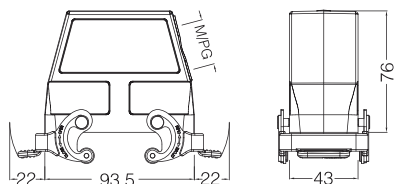

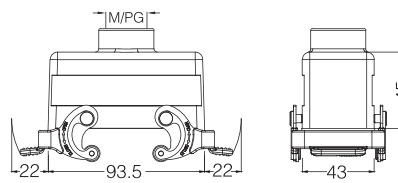

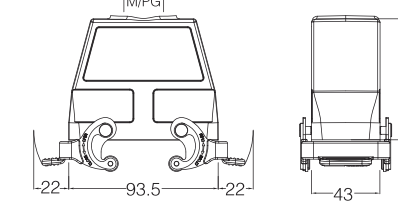

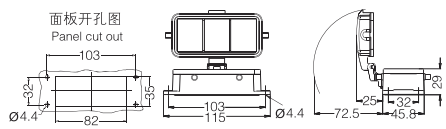

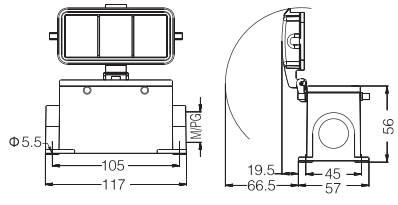

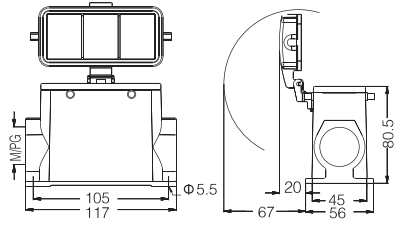

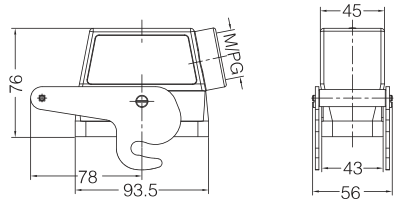
上壳 侧出线		螺纹 Thread	型号 Type	尺寸图 Dimensions
 <p>Hoods, side entry</p>	M25 M32 PG21	H16B-SE-2B-M25 H16B-SE-2B-M32 H16B-SE-2B-PG21		
 <p>Hoods, side entry, high construction</p>	M32 M40 PG21 PG29	H16B-SEH-2B-M32 H16B-SEH-2B-M40 H16B-SEH-2B-PG21 H16B-SEH-2B-PG29		
 <p>Hoods, top entry</p>	M25 M32 PG21	H16B-TE-2B-M25 H16B-TE-2B-M32 H16B-TE-2B-PG21		
 <p>Hoods, top entry, high construction</p>	M32 M40 PG21 PG29	H16B-TEH-2B-M32 H16B-TEH-2B-M40 H16B-TEH-2B-PG21 H16B-TEH-2B-PG29		


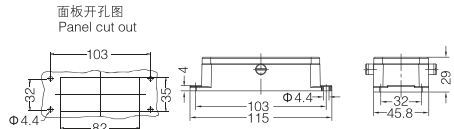
飞线下壳  Housings, cable to cable	M25 M32 PG21	H16B-CCT-1L-M25 H16B-CCT-1L-M32 H16B-CCT-1L-PG21	
飞线下壳 高结构  Housings, cable to cable, high construction	M32 M40 PG21 PG29	H16B-CCTH-1L-M32 H16B-CCTH-1L-M40 H16B-CCTH-1L-PG21 H16B-CCTH-1L-PG29	
不封底下壳  Housings, bulkhead mounting	---	H16B-BK-1L	
	---	带塑料盖 With plastic cover H16B-BK-1L-CV	
	---	带金属盖 With metal cover H16B-BK-1L-MCV	
封底下壳  Housings, surface mounting	M25 2M25 PG21 2PG21	H16B-SF-1L-M25 H16B-SF-1L-2M25 H16B-SF-1L-PG21 H16B-SF-1L-2PG21	
	M25 2M25 PG21 2PG21	带塑料盖 With plastic cover H16B-SF-1L-CV-M25 H16B-SF-1L-CV-2M25 H16B-SF-1L-CV-PG21 H16B-SF-1L-CV-2PG21	
	M25 2M25 PG21 2PG21	带金属盖 With metal cover H16B-SF-1L-MCV-M25 H16B-SF-1L-MCV-2M25 H16B-SF-1L-MCV-PG21 H16B-SF-1L-MCV-2PG21	
封底下壳 高结构  Housings, surface mounting, high construction	M32 2M25 2M32 PG21 2PG21 PG29 2PG29	H16B-SFH-1L-M32 H16B-SFH-1L-2M25 H16B-SFH-1L-2M32 H16B-SFH-1L-PG21 H16B-SFH-1L-2PG21 H16B-SFH-1L-PG29 H16B-SFH-1L-2PG29	
	M32 2M32 PG21 2PG21 PG29 2PG29	带塑料盖 With plastic cover H16B-SFH-1L-CV-M32 H16B-SFH-1L-CV-2M32 H16B-SFH-1L-CV-PG21 H16B-SFH-1L-CV-2PG21 H16B-SFH-1L-CV-PG29 H16B-SFH-1L-CV-2PG29	
	M32 2M32 PG21 2PG21 PG29 2PG29	带金属盖 With metal cover H16B-SFH-1L-MCV-M32 H16B-SFH-1L-MCV-2M32 H16B-SFH-1L-MCV-PG21 H16B-SFH-1L-MCV-2PG21 H16B-SFH-1L-MCV-PG29 H16B-SFH-1L-MCV-2PG29	
上壳 侧出线  Hoods, side entry	M25 M32 PG21	H16B-SE-4B-M25 H16B-SE-4B-M32 H16B-SE-4B-PG21	
上壳 侧出线 高结构  Hoods, side entry, high construction	M25 M32 M40 PG21 PG29	H16B-SEH-4B-M25 H16B-SEH-4B-M32 H16B-SEH-4B-M40 H16B-SEH-4B-PG21 H16B-SEH-4B-PG29	

上壳 顶出线 	M25 M32 PG21	H16B-TE-4B-M25 H16B-TE-4B-M32 H16B-TE-4B-PG21	
上壳 顶出线 高结构 	M32 M40 PG21 PG29 2M25 2PG16 2PG21	H16B-TEH-4B-M32 H16B-TEH-4B-M40 H16B-TEH-4B-PG21 H16B-TEH-4B-PG29 H16B-TEH-4B-2M25 H16B-TEH-4B-2PG16 H16B-TEH-4B-2PG21	
不封底下壳 	---	H16B-BK-2L	 PANEL CUT OUT 面板安装开孔图
封底下壳 	M25 2M25 PG21 2PG21	H16B-SF-2L-M25 H16B-SF-2L-2M25 H16B-SF-2L-PG21 H16B-SF-2L-2PG21	
封底下壳 高结构 	2M25 M32 2M32 2M40 PG21 2PG21 PG29 2PG29	H16B-SFH-2L-2M25 H16B-SFH-2L-M32 H16B-SFH-2L-2M32 H16B-SFH-2L-2M40 H16B-SFH-2L-PG21 H16B-SFH-2L-2PG21 H16B-SFH-2L-PG29 H16B-SFH-2L-2PG29	
飞线下壳 	M25 M32 PG21	H16B-CCT-2L-M25 H16B-CCT-2L-M32 H16B-CCT-2L-PG21	
飞线下壳 高结构 	M25 M32 M40 PG21 PG29	H16B-CCTH-2L-M25 H16B-CCTH-2L-M32 H16B-CCTH-2L-M40 H16B-CCTH-2L-PG21 H16B-CCTH-2L-PG29	


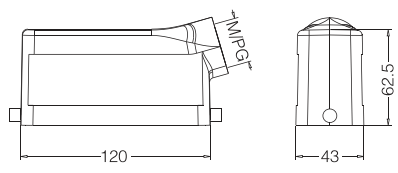

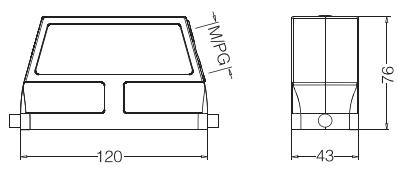

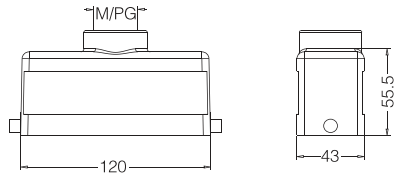
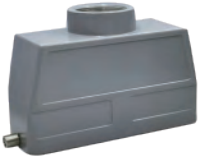
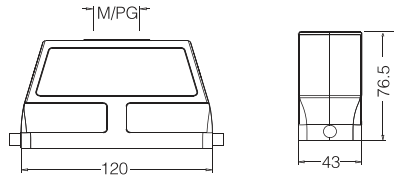

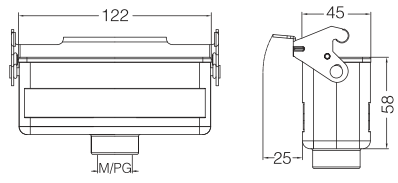

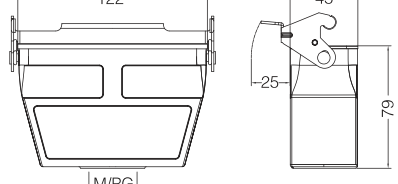

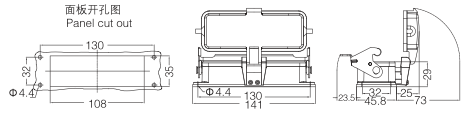
	接线方式 Connect way	型号 Type	尺寸图 Dimensions
塑料防尘盖 		塑料盖/用于飞线上壳 For housings, cable to cable H16B-CV-4B/1	
		塑料盖/用于不封底,封底下壳 For housing, bulkhead/ surface mounting H10B-CV-4B/2	


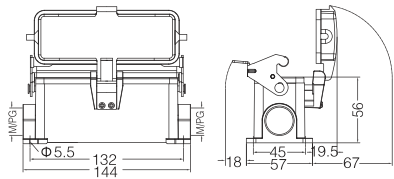

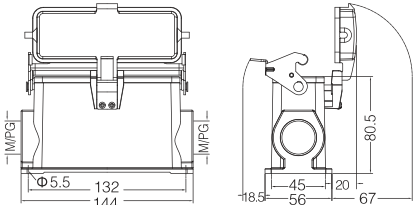

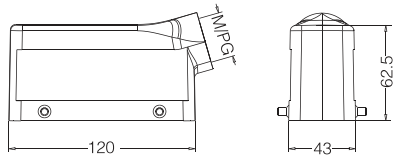

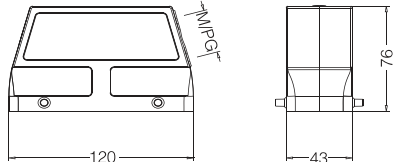

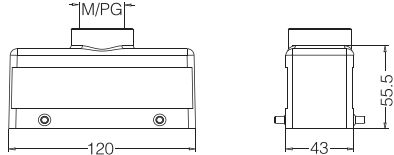

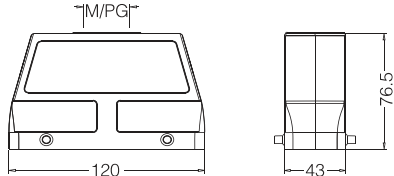

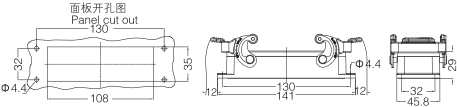
	螺纹 Thread	型号 Type	尺寸图 Dimensions
上壳 侧出线 	M25 M32 PG21	H16B-SE-2L-M25 H16B-SE-2L-M32 H16B-SE-2L-PG21	


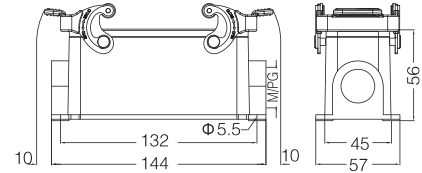

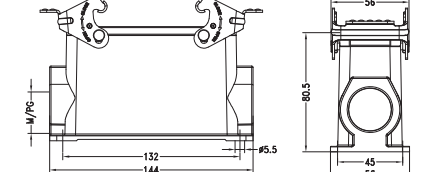

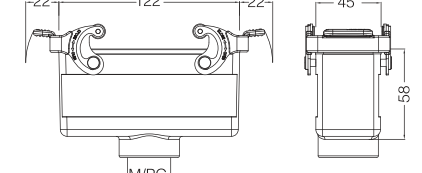

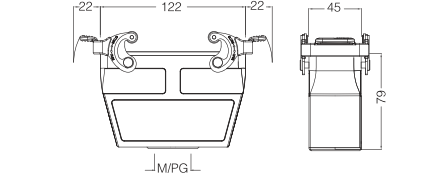
<p>上壳 侧出线 高结构</p>  <p>Hoods, side entry, high construction</p>	<p>M25 M32 M40 PG21 PG29</p>	<p>H16B-SEH-2L-M25 H16B-SEH-2L-M32 H16B-SEH-2L-M40 H16B-SEH-2L-PG21 H16B-SEH-2L-PG29</p>	
<p>上壳 顶出线</p>  <p>Hoods, top entry</p>	<p>M25 M32 PG21</p>	<p>H16B-TE-2L-M25 H16B-TE-2L-M32 H16B-TE-2L-PG21</p>	
<p>上壳 顶出线 高结构</p>  <p>Hoods, top entry, high construction</p>	<p>M32 M40 PG21 PG29</p>	<p>H16B-TEH-2L-M32 H16B-TEH-2L-M40 H16B-TEH-2L-PG21 H16B-TEH-2L-PG29</p>	
<p>不封底下壳</p>  <p>Housings, bulkhead mounting</p>	<p>---</p> <p>---</p> <p>---</p>	<p>H16B-BK-4B</p> <p>带塑料盖 With plastic cover H16B-BK-4B-CV</p> <p>带金属盖 With metal cover H16B-BK-4B-MCV</p>	<p>面板开孔图 Panel cut out</p> 
<p>封底下壳</p>  <p>Housings, surface mounting</p>	<p>M25 2M25 PG21 2PG21</p> <p>M25 2M25 PG21 2PG21</p> <p>M25 2M25 PG21 2PG21</p>	<p>H16B-SF-4B-M25 H16B-SF-4B-2M25 H16B-SF-4B-PG21 H16B-SF-4B-2PG21</p> <p>带塑料盖 With plastic cover H16B-SF-4B-CV-M25 H16B-SF-4B-CV-2M25 H16B-SF-4B-CV-PG21 H16B-SF-4B-CV-2PG21</p> <p>带金属盖 With metal cover H16B-SF-4B-MCV-M25 H16B-SF-4B-MCV-2M25 H16B-SF-4B-MCV-PG21 H16B-SF-4B-MCV-2PG21</p>	
<p>封底下壳 高结构</p>  <p>Housings, surface mounting, high construction</p>	<p>M25 M32 M40 PG21 PG29 2PG29</p> <p>M32 2M32 PG21 2PG21 PG29 2PG29</p> <p>M32 2M32 PG21 2PG21 PG29 2PG29</p>	<p>H16B-SFH-4B-M25 H16B-SFH-4B-M32 H16B-SFH-4B-M40 H16B-SFH-4B-PG21 H16B-SFH-4B-PG29 H16B-SFH-4B-2PG29</p> <p>带塑料盖 With plastic cover H16B-SFH-4B-CV-M32 H16B-SFH-4B-CV-2M32 H16B-SFH-4B-CV-PG21 H16B-SFH-4B-CV-2PG21 H16B-SFH-4B-CV-PG29 H16B-SFH-4B-CV-2PG29</p> <p>带金属盖 With metal cover H16B-SFH-4B-MCV-M32 H16B-SFH-4B-MCV-2M32 H16B-SFH-4B-MCV-PG21 H16B-SFH-4B-MCV-2PG21 H16B-SFH-4B-MCV-PG29 H16B-SFH-4B-MCV-2PG29</p>	
<p>上壳 侧出线 高结构</p>  <p>Hoods, side entry, high construction</p>	<p>M25 M32 PG21 PG29</p>	<p>H16B-SEH-1L/C-M25 H16B-SEH-1L/C-M32 H16B-SEH-1L/C-PG21 H16B-SEH-1L/C-PG29</p>	



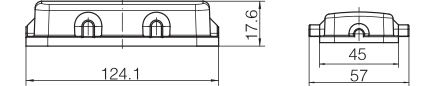

不封底下壳	---	H16B-BK-2B/C	 Housings, bulkhead mounting	 面板开孔图 Panel cut out
-------	-----	--------------	--	---


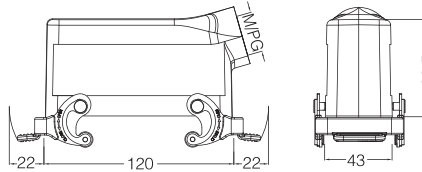

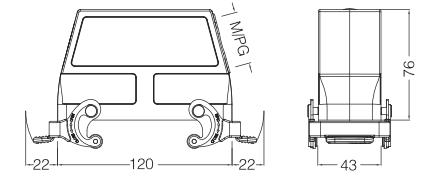

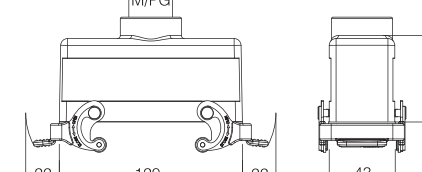

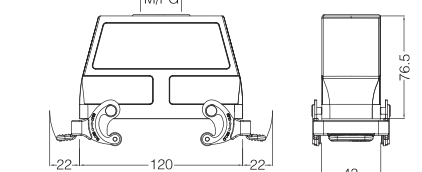
24B 金属外壳 Metal Hoods & Housings IP65


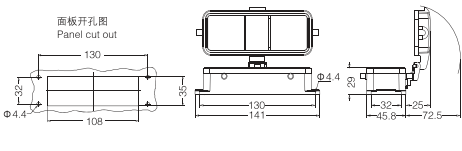

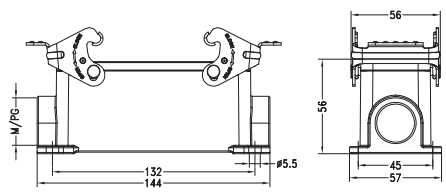

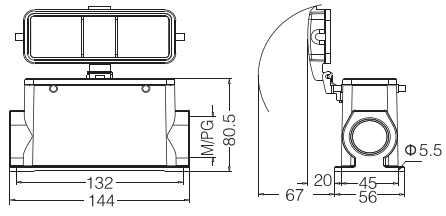

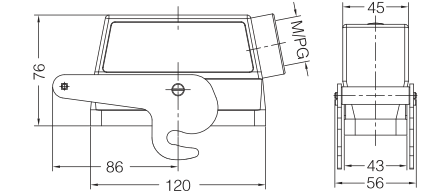

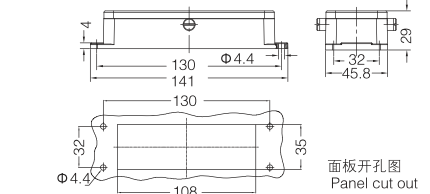
	螺纹 Thread	型号 Type	尺寸图 Dimensions
上壳 侧出线  Hoods, side entry	M25 M32 PG21	H24B-SE-2B-M25 H24B-SE-2B-M32 H24B-SE-2B-PG21	
上壳 侧出线 高结构  Hoods, side entry, high construction	M25 M32 M40 PG21 PG29 PG36	H24B-SEH-2B-M25 H24B-SEH-2B-M32 H24B-SEH-2B-M40 H24B-SEH-2B-PG21 H24B-SEH-2B-PG29 H24B-SEH-2B-PG36	
上壳 顶出线  Hoods, top entry	M25 M32 PG21 PG29	H24B-TE-2B-M25 H24B-TE-2B-M32 H24B-TE-2B-PG21 H24B-TE-2B-PG29	
上壳 顶出线 高结构  Hoods, top entry, high construction	M32 M40 PG21 PG29 PG36	H24B-TEH-2B-M32 H24B-TEH-2B-M40 H24B-TEH-2B-PG21 H24B-TEH-2B-PG29 H24B-TEH-2B-PG36	
飞线下壳  Housings, cable to cable	M25 M32 PG21 PG29	H24B-CCT-1L-M25 H24B-CCT-1L-M32 H24B-CCT-1L-PG21 H24B-CCT-1L-PG29	
飞线下壳 高结构  Housings, cable to cable, high construction	M32 M40 PG21 PG29	H24B-CCTH-1L-M32 H24B-CCTH-1L-M40 H24B-CCTH-1L-PG21 H24B-CCTH-1L-PG29	
不封底下壳  Housings, bulkhead mounting	---	H24B-BK-1L	 面板开孔图 Panel cut out
	---	带塑料盖 With plastic cover H24B-BK-1L-CV	
	---	带金属盖 With metal cover H24B-BK-1L-MCV	

<p>封底下壳</p>  <p>Housings, surface mounting</p>	<p>M25 2M25 PG21 2PG21</p> <p>M25 2M25 PG21 2PG21</p> <p>M25 2M25 PG21 2PG21</p>	<p>H24B-SF-1L-M25 H24B-SF-1L-2M25 H24B-SF-1L-PG21 H24B-SF-1L-2PG21</p> <p>带塑料盖 With plastic cover H24B-SF-1L-CV-M25 H24B-SF-1L-CV-2M25 H24B-SF-1L-CV-PG21 H24B-SF-1L-CV-2PG21</p> <p>带金属盖 With metal cover H24B-SF-1L-MCV-M25 H24B-SF-1L-MCV-2M25 H24B-SF-1L-MCV-PG21 H24B-SF-1L-MCV-2PG21</p>	
<p>封底下壳 高结构</p>  <p>Housings, surface mounting, high construction</p>	<p>M32 2M32 M40 2M40 PG21 2PG21 PG29 2PG29</p> <p>M32 2M32 PG21 2PG21 PG29 2PG29</p> <p>M32 2M32 PG21 2PG21 PG29 2PG29</p>	<p>H24B-SFH-1L-M32 H24B-SFH-1L-2M32 H24B-SFH-1L-M40 H24B-SFH-1L-2M40 H24B-SFH-1L-PG21 H24B-SFH-1L-2PG21 H24B-SFH-1L-PG29 H24B-SFH-1L-2PG29</p> <p>带塑料盖 With plastic cover H24B-SFH-1L-CV-M32 H24B-SFH-1L-CV-2M32 H24B-SFH-1L-CV-PG21 H24B-SFH-1L-CV-2PG21 H24B-SFH-1L-CV-PG29 H24B-SFH-1L-CV-2PG29</p> <p>带金属盖 With metal cover H24B-SFH-1L-MCV-M32 H24B-SFH-1L-MCV-2M32 H24B-SFH-1L-MCV-PG21 H24B-SFH-1L-MCV-2PG21 H24B-SFH-1L-MCV-PG29 H24B-SFH-1L-MCV-2PG29</p>	
<p>上壳 侧出线</p>  <p>Hoods, side entry</p>	<p>M25 M32 PG21</p>	<p>H24B-SE-4B-M25 H24B-SE-4B-M32 H24B-SE-4B-PG21</p>	
<p>上壳 侧出线 高结构</p>  <p>Hoods, side entry, high construction</p>	<p>M25 M32 M40 PG21 PG29</p>	<p>H24B-SEH-4B-M25 H24B-SEH-4B-M32 H24B-SEH-4B-M40 H24B-SEH-4B-PG21 H24B-SEH-4B-PG29</p>	
<p>上壳 顶出线</p>  <p>Hoods, top entry</p>	<p>M25 M32 PG21 PG29</p>	<p>H24B-TE-4B-M25 H24B-TE-4B-M32 H24B-TE-4B-PG21 H24B-TE-4B-PG29</p>	
<p>上壳 顶出线 高结构</p>  <p>Hoods, top entry, high construction</p>	<p>M32 M40 PG21 PG29 2M25 2M32 2PG21 2PG29</p>	<p>H24B-TEH-4B-M32 H24B-TEH-4B-M40 H24B-TEH-4B-PG21 H24B-TEH-4B-PG29 H24B-TEH-4B-2M25 H24B-TEH-4B-2M32 H24B-TEH-4B-2PG21 H24B-TEH-4B-2PG29</p>	
<p>不封底下壳</p>  <p>Housings, bulkhead mounting</p>	<p>---</p>	<p>H24B-BK-2L</p>	


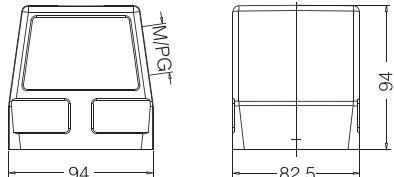

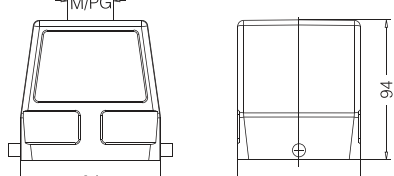

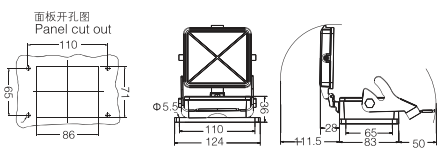

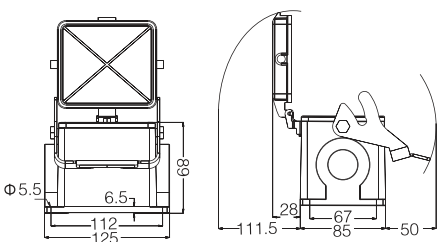

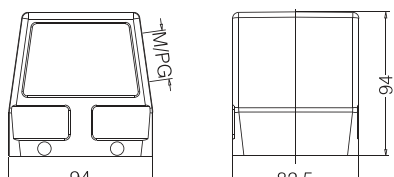

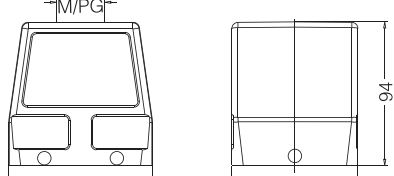
封底下壳  Housings, surface mounting	M25 2M25 PG21 2PG21	H24B-SF-2L-M25 H24B-SF-2L-2M25 H24B-SF-2L-PG21 H24B-SF-2L-2PG21	
封底下壳 高结构  Housings, surface mounting, high construction	M32 2M32 M40 2M40 PG21 2PG21 PG29 2PG29	H24B-SFH-2L-M32 H24B-SFH-2L-2M32 H24B-SFH-2L-M40 H24B-SFH-2L-2M40 H24B-SFH-2L-PG21 H24B-SFH-2L-2PG21 H24B-SFH-2L-PG29 H24B-SFH-2L-2PG29	
飞线下壳  Housings, cable to cable	M25 M32 PG21 PG29	H24B-CCT-2L-M25 H24B-CCT-2L-M32 H24B-CCT-2L-PG21 H24B-CCT-2L-PG29	
飞线下壳 高结构  Housings, cable to cable, high construction	M32 M40 PG21 PG29	H24B-CCTH-2L-M32 H24B-CCTH-2L-M40 H24B-CCTH-2L-PG21 H24B-CCTH-2L-PG29	


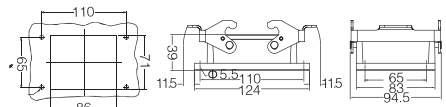

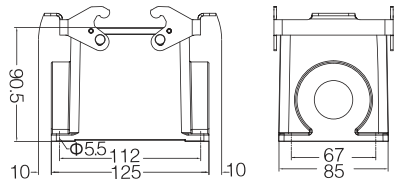

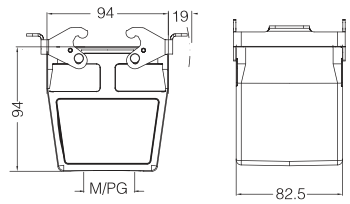

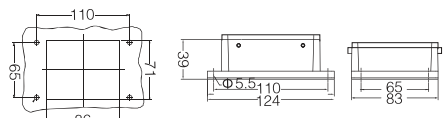
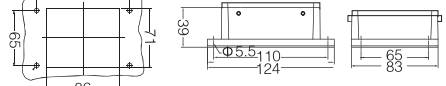

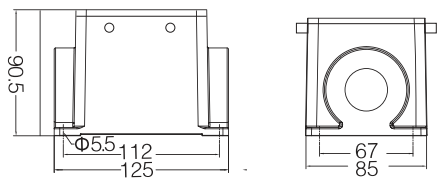

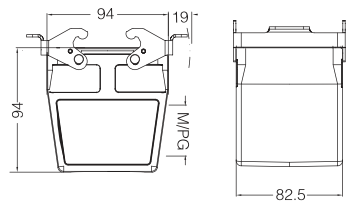

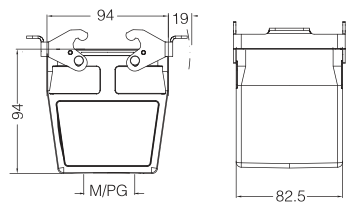
	接线方式 Connect way	型号 Type	尺寸图 Dimensions
塑料防尘盖  Protection covers, plastic		塑料盖/用于飞线下壳 For housings, cable to cable H24B-CV-4B/1	
		塑料盖/用于不封底,封底下壳 For housing, bulkhead/ surface mounting H24B-CV-4B/2	

	螺纹 Thread	型号 Type	尺寸图 Dimensions
上壳 侧出线  Hoods, side entry	M25 M32 PG21	H24B-SE-2L-M25 H24B-SE-2L-M32 H24B-SE-2L-PG21	
上壳 侧出线 高结构  Hoods, side entry, high construction	M32 M40 PG21 PG29	H24B-SEH-2L-M32 H24B-SEH-2L-M40 H24B-SEH-2L-PG21 H24B-SEH-2L-PG29	
上壳 顶出线  Hoods, top entry	M25 M32 PG21 PG29	H24B-TE-2L-M25 H24B-TE-2L-M32 H24B-TE-2L-PG21 H24B-TE-2L-PG29	
上壳 顶出线 高结构  Hoods, top entry, high construction	M32 M40 PG21 PG29	H24B-TEH-2L-M32 H24B-TEH-2L-M40 H24B-TEH-2L-PG21 H24B-TEH-2L-PG29	


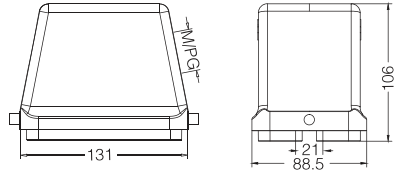
<p>不封底下壳</p>  <p>Housings, bulkhead mounting</p>	<p>---</p>	<p>H24B-BK-4B</p>	
<p>封底下壳</p>  <p>Housings, surface mounting</p>	<p>M25 2M25 PG21 2PG21</p>	<p>H24B-SF-4B-M25 H24B-SF-4B-2M25 H24B-SF-4B-PG21 H24B-SF-4B-2PG21</p>	
<p>封底下壳 高结构</p>  <p>Housings, surface mounting, high construction</p>	<p>M32 2M32 2M40 PG21 2PG21 PG29 2PG29</p>	<p>H24B-SFH-4B-M32 H24B-SFH-4B-2M32 H24B-SFH-4B-2M40 H24B-SFH-4B-PG21 H24B-SFH-4B-2PG21 H24B-SFH-4B-PG29 H24B-SFH-4B-2PG29</p>	
<p>上壳 侧出线 高结构</p>  <p>Hoods, side entry, high construction</p>	<p>M25 M32 M40 PG21 PG29</p>	<p>H24B-SEH-1L/C-M25 H24B-SEH-1L/C-M32 H24B-SEH-1L/C-M40 H24B-SEH-1L/C-PG21 H24B-SEH-1L/C-PG29</p>	
<p>不封底下壳</p>  <p>Housings, bulkhead mounting</p>	<p>---</p>	<p>H24B-BK-2B/C</p>	


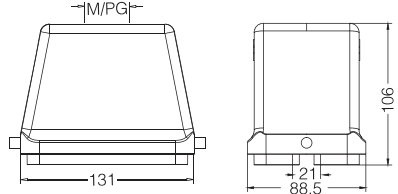

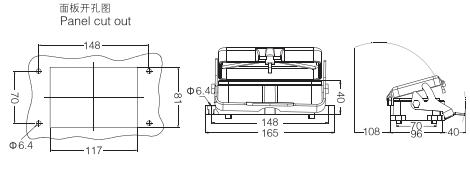

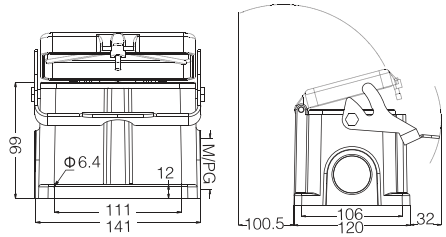
32B 金属外壳 Metal Hoods & Housings IP65

	螺纹 Thread	型号 Type	尺寸图 Dimensions
上壳 侧出线  Hoods, side entry	M32 M40 M50 PG29 PG36 PG42	H32B-SE-2B-M32 H32B-SE-2B-M40 H32B-SE-2B-M50 H32B-SE-2B-PG29 H32B-SE-2B-PG36 H32B-SE-2B-PG42	
上壳 顶出线  Hoods, top entry	M32 M40 M50 PG29 PG36 PG42	H32B-TE-2B-M32 H32B-TE-2B-M40 H32B-TE-2B-M50 H32B-TE-2B-PG29 H32B-TE-2B-PG36 H32B-TE-2B-PG42	
不封底下壳  Housings, bulkhead mounting	--- --- ---	H32B-BK-1L 带塑料盖 With plastic cover H32B-BK-1L-CV 带金属盖 With metal cover H32B-BK-1L-MCV	
封底下壳  Housings, surface mounting	M32 2M32 M40 2M40 M50 PG29 2PG29 PG36 2PG36 M32 2M32 M40 2M40 PG29 2PG29 PG36 2PG36 M32 2M32 M40 2M40 PG29 2PG29 PG36 2PG36	H32B-SF-1L-M32 H32B-SF-1L-2M32 H32B-SF-1L-M40 H32B-SF-1L-2M40 H32B-SF-1L-M50 H32B-SF-1L-PG29 H32B-SF-1L-2PG29 H32B-SF-1L-PG36 H32B-SF-1L-2PG36 带塑料盖 With plastic cover H32B-SF-1L-CV-M32 H32B-SF-1L-CV-2M32 H32B-SF-1L-CV-M40 H32B-SF-1L-CV-2M40 H32B-SF-1L-CV-PG29 H32B-SF-1L-CV-2PG29 H32B-SF-1L-CV-PG36 H32B-SF-1L-CV-2PG36 带金属盖 With metal cover H32B-SF-1L-MCV-M32 H32B-SF-1L-MCV-2M32 H32B-SF-1L-MCV-M40 H32B-SF-1L-MCV-2M40 H32B-SF-1L-MCV-PG29 H32B-SF-1L-MCV-2PG29 H32B-SF-1L-MCV-PG36 H32B-SF-1L-MCV-2PG36	
上壳 侧出线  Hoods, side entry	M32 M40 M50 PG29 PG36 PG42 G2	H32B-SE-4B-M32 H32B-SE-4B-M40 H32B-SE-4B-M50 H32B-SE-4B-PG29 H32B-SE-4B-PG36 H32B-SE-4B-PG42 H32B-SE-4B-G2	
上壳 顶出线  Hoods, top entry	M32 M40 M50 PG29 PG36 PG42	H32B-TE-4B-M32 H32B-TE-4B-M40 H32B-TE-4B-M50 H32B-TE-4B-PG29 H32B-TE-4B-PG36 H32B-TE-4B-PG42	




不封底下壳  Housings, bulkhead mounting	---	H32B-BK-2L	 面板开孔图 Panel cut out
封底下壳  Housings, surface mounting	M32 2M32 M40 2M40 M50 PG29 2PG29 PG36 2PG36 PG42 2PG42	H32B-SF-2L-M32 H32B-SF-2L-2M32 H32B-SF-2L-M40 H32B-SF-2L-2M40 H32B-SF-2L-M50 H32B-SF-2L-PG29 H32B-SF-2L-2PG29 H32B-SF-2L-PG36 H32B-SF-2L-2PG36 H32B-SF-2L-PG42 H32B-SF-2L-2PG42	
飞线下壳  Housings, cable to cable	M32 M40 M50 PG29 PG36 PG42	H32B-CCT-2L-M32 H32B-CCT-2L-M40 H32B-CCT-2L-M50 H32B-CCT-2L-PG29 H32B-CCT-2L-PG36 H32B-CCT-2L-PG42	
不封底下壳  Housings, bulkhead mounting	---	H32B-BK-4B	面板开孔图 Panel cut out
	---	带塑料盖 With plastic cover H32B-BK-4B-CV	
	---	带金属盖 With metal cover H32B-BK-4B-MCV	
封底下壳  Housings, surface mounting	M32 2M32 M40 2M40 PG29 2PG29 PG36 2PG36 PG42	H32B-SF-4B-M32 H32B-SF-4B-2M32 H32B-SF-4B-M40 H32B-SF-4B-2M40 H32B-SF-4B-PG29 H32B-SF-4B-2PG29 H32B-SF-4B-PG36 H32B-SF-4B-2PG36 H32B-SF-4B-PG42 H32B-SF-4B-2PG42	
上壳 侧出线  Hoods, side entry	M32 PG29	H32B-SE-2L-M32 H32B-SE-2L-PG29	
上壳 顶出线  Hoods, top entry	M32 M40 M50 PG29 PG36 PG42	H32B-TE-2L-M32 H32B-TE-2L-M40 H32B-TE-2L-M50 H32B-TE-2L-PG29 H32B-TE-2L-PG36 H32B-TE-2L-PG42	

48B 金属外壳 Metal Hoods & Housings IP65

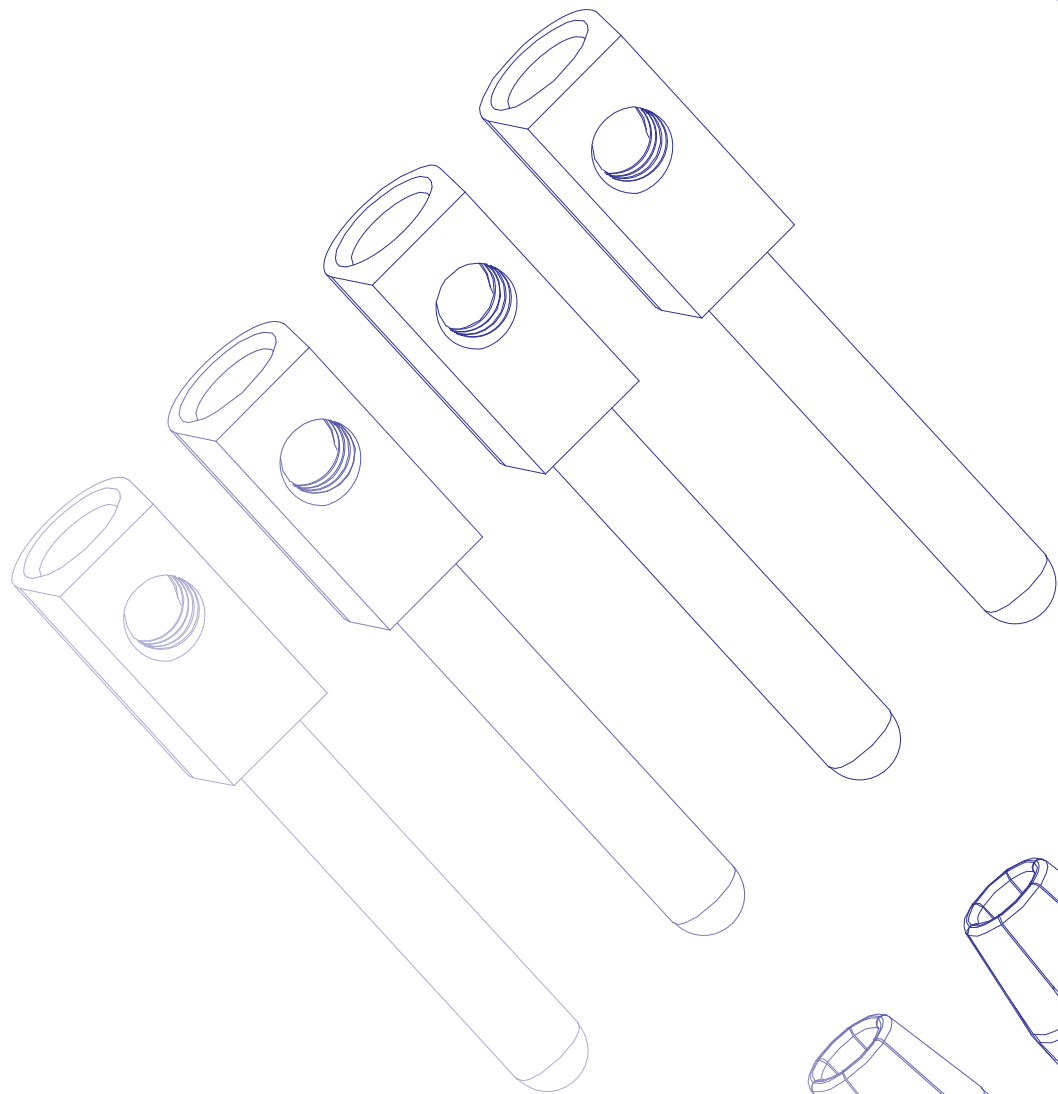
	螺纹 Thread	型号 Type	尺寸图 Dimensions
上壳 侧出线  Hoods, side entry	M32 M40 M50 PG29 PG36 PG42	H48B-SE-2B-M32 H48B-SE-2B-M40 H48B-SE-2B-M50 H48B-SE-2B-PG29 H48B-SE-2B-PG36 H48B-SE-2B-PG42	

上壳 顶出线  Hoods, top entry	M32 M40 M50 PG29 PG36 PG42	H48B-TE-2B-M32 H48B-TE-2B-M40 H48B-TE-2B-M50 H48B-TE-2B-PG29 H48B-TE-2B-PG36 H48B-TE-2B-PG42	
不封底下壳  Housings, bulkhead mounting	---	H48B-BK-1L	
	---	带塑料盖 With plastic cover H48B-BK-1L-CV	
	---	带金属盖 With metal cover H48B-BK-1L-MCV	
封底下壳  Housings, surface mounting	M32 2M32 M40 2M40 M50 2M50 PG29 2PG29 PG36 2PG36	H48B-SF-1L-M32 H48B-SF-1L-2M32 H48B-SF-1L-M40 H48B-SF-1L-2M40 H48B-SF-1L-M50 H48B-SF-1L-2M50 H48B-SF-1L-PG29 H48B-SF-1L-2PG29 H48B-SF-1L-PG36 H48B-SF-1L-2PG36	
	M32 2M32 M40 2M40 PG29 2PG29 PG36 2PG36	带塑料盖 With plastic cover H48B-SF-1L-CV-M32 H48B-SF-1L-CV-2M32 H48B-SF-1L-CV-M40 H48B-SF-1L-CV-2M40 H48B-SF-1L-CV-PG29 H48B-SF-1L-CV-2PG29 H48B-SF-1L-CV-PG36 H48B-SF-1L-CV-2PG36	
	M32 2M32 M40 2M40 PG29 2PG29 PG36 2PG36	带金属盖 With metal cover H48B-SF-1L-MCV-M32 H48B-SF-1L-MCV-2M32 H48B-SF-1L-MCV-M40 H48B-SF-1L-MCV-2M40 H48B-SF-1L-MCV-PG29 H48B-SF-1L-MCV-2PG29 H48B-SF-1L-MCV-PG36 H48B-SF-1L-MCV-2PG36	

扣子款式 Lock Type

	名称 Name	描述 Description	举例 Examples
	L/SC	不锈钢扣 Stainless Steel Buckle	H24B-BK-2L/SC
	L/W	普通金属扣 Buckles of common metal	H24B-BK-2L/W
	L/P	塑料不锈钢扣 Plastic buckle	H24B-BK-2L/P

其他 *Other*

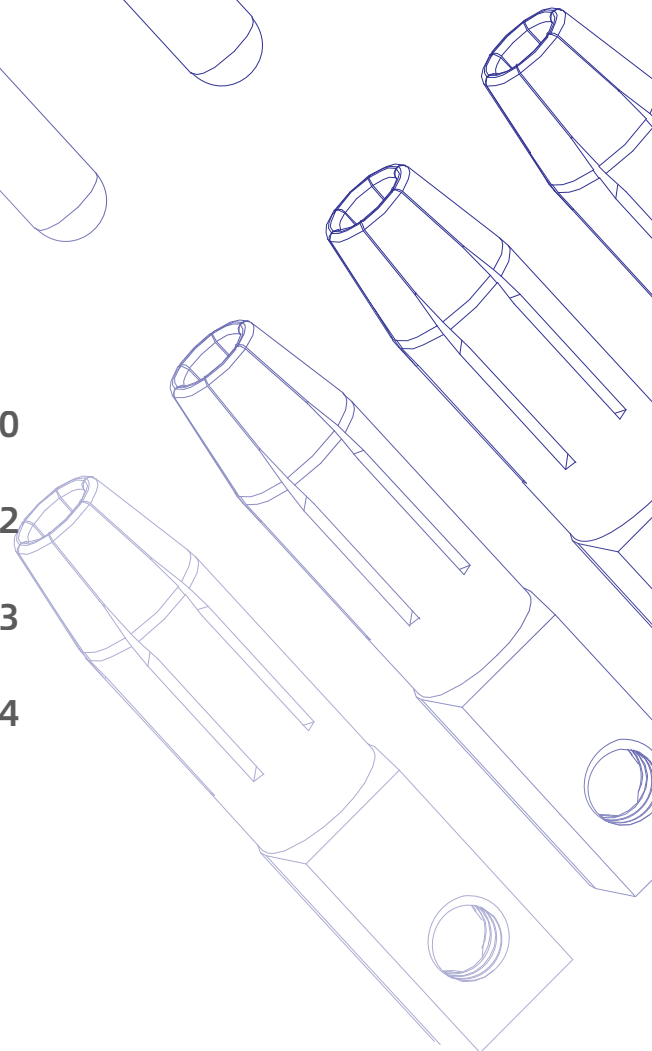


冷压针 90
Crimp contacts

用编码销编号 92
Coding system with code pins

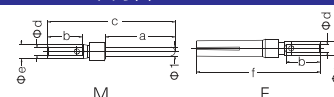
固定框架&工具 93
Frame & Tool

电缆接头 94
Cable gland

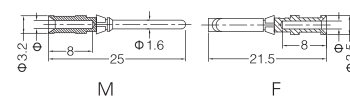


冷压针 Crimp contacts

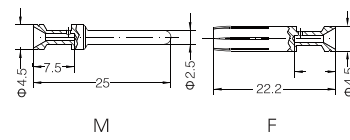
5A 冷压接插针(适用于HM,EMC-008,D-SUB 插芯) / 5A Crimp contacts (for HM,EMC-008,D-SUB inserts)

	公 Male	母 Female	尺寸图 Dimensions																																												
接触电阻 Contact resistance $\leq 3m\Omega$ 镀银 Silver plated	MCS5-0.25 MCS5-0.33 MCS5-0.52 MCS5-0.82	FCS5-0.25 FCS5-0.33 FCS5-0.52 FCS5-0.82	 <table border="1"> <thead> <tr> <th>a</th> <th>b</th> <th>c</th> <th>d</th> <th>e</th> <th>f</th> </tr> </thead> <tbody> <tr> <td>8.23</td> <td>4.2</td> <td>14.0</td> <td>1.35</td> <td>1.75</td> <td>13.6</td> </tr> <tr> <td>8.10</td> <td>4.0</td> <td>14.8</td> <td>1.12</td> <td>1.66</td> <td>14.4</td> </tr> <tr> <td>8.10</td> <td>4.0</td> <td>14.8</td> <td>0.90</td> <td>1.66</td> <td>14.4</td> </tr> <tr> <td>8.10</td> <td>4.0</td> <td>14.8</td> <td>0.64</td> <td>1.66</td> <td>14.4</td> </tr> </tbody> </table> <table border="1"> <thead> <tr> <th>线规 Wire gauge</th> <th>剥线长度 Stripping length</th> </tr> </thead> <tbody> <tr> <td>0.09-0.25 mm²</td> <td>AWG 28-24</td> <td>5 mm</td> </tr> <tr> <td>0.13-0.33 mm²</td> <td>AWG 26-22</td> <td>5 mm</td> </tr> <tr> <td>0.33-0.52 mm²</td> <td>AWG 22-20</td> <td>5 mm</td> </tr> <tr> <td>0.33-0.82 mm²</td> <td>AWG 22-18</td> <td>5 mm</td> </tr> </tbody> </table>	a	b	c	d	e	f	8.23	4.2	14.0	1.35	1.75	13.6	8.10	4.0	14.8	1.12	1.66	14.4	8.10	4.0	14.8	0.90	1.66	14.4	8.10	4.0	14.8	0.64	1.66	14.4	线规 Wire gauge	剥线长度 Stripping length	0.09-0.25 mm ²	AWG 28-24	5 mm	0.13-0.33 mm ²	AWG 26-22	5 mm	0.33-0.52 mm ²	AWG 22-20	5 mm	0.33-0.82 mm ²	AWG 22-18	5 mm
a	b	c		d	e	f																																									
8.23	4.2	14.0	1.35	1.75	13.6																																										
8.10	4.0	14.8	1.12	1.66	14.4																																										
8.10	4.0	14.8	0.90	1.66	14.4																																										
8.10	4.0	14.8	0.64	1.66	14.4																																										
线规 Wire gauge	剥线长度 Stripping length																																														
0.09-0.25 mm ²	AWG 28-24	5 mm																																													
0.13-0.33 mm ²	AWG 26-22	5 mm																																													
0.33-0.52 mm ²	AWG 22-20	5 mm																																													
0.33-0.82 mm ²	AWG 22-18	5 mm																																													
镀金 Gold plated	MCG5-0.25 MCG5-0.33 MCG5-0.52 MCG5-0.82	FCG5-0.25 FCG5-0.33 FCG5-0.52 FCG5-0.82																																													

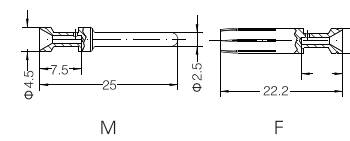
10A 冷压接插针(适用于HD,HDD,HM,HK,HQ 插芯) / 10A Crimp contacts (for HD,HDD,HM,HK,HQ inserts)

	公 Male	母 Female	尺寸图 Dimensions																											
接触电阻 Contact resistance $\leq 3m\Omega$ 镀银 Silver plated	MCNS10-0.37 MCNS10-0.5 MCNS10-0.75 MCNS10-1.0 MCNS10-1.5 MCNS10-2.5	FCNS10-0.37 FCNS10-0.5 FCNS10-0.75 FCNS10-1.0 FCNS10-1.5 FCNS10-2.5	 <table border="1"> <thead> <tr> <th>线规 Wire gauge</th> <th>ϕ</th> <th>剥线长度 Stripping length</th> </tr> </thead> <tbody> <tr> <td>0.14-0.37 mm²</td> <td>AWG 26-22</td> <td>0.9</td> <td>8 mm</td> </tr> <tr> <td>0.5 mm²</td> <td>AWG 20</td> <td>1.1</td> <td>8 mm</td> </tr> <tr> <td>0.75 mm²</td> <td>AWG 18</td> <td>1.3</td> <td>8 mm</td> </tr> <tr> <td>1 mm²</td> <td>AWG 18</td> <td>1.45</td> <td>8 mm</td> </tr> <tr> <td>1.5 mm²</td> <td>AWG 16</td> <td>1.75</td> <td>8 mm</td> </tr> <tr> <td>2.5 mm²</td> <td>AWG 14</td> <td>2.25</td> <td>8 mm</td> </tr> </tbody> </table>	线规 Wire gauge	ϕ	剥线长度 Stripping length	0.14-0.37 mm ²	AWG 26-22	0.9	8 mm	0.5 mm ²	AWG 20	1.1	8 mm	0.75 mm ²	AWG 18	1.3	8 mm	1 mm ²	AWG 18	1.45	8 mm	1.5 mm ²	AWG 16	1.75	8 mm	2.5 mm ²	AWG 14	2.25	8 mm
线规 Wire gauge	ϕ	剥线长度 Stripping length																												
0.14-0.37 mm ²	AWG 26-22	0.9	8 mm																											
0.5 mm ²	AWG 20	1.1	8 mm																											
0.75 mm ²	AWG 18	1.3	8 mm																											
1 mm ²	AWG 18	1.45	8 mm																											
1.5 mm ²	AWG 16	1.75	8 mm																											
2.5 mm ²	AWG 14	2.25	8 mm																											
镀金 Gold plated	MCNG10-0.37 MCNG10-0.5 MCNG10-0.75 MCNG10-1.0 MCNG10-1.5 MCNG10-2.5	FCNG10-0.37 FCNG10-0.5 FCNG10-0.75 FCNG10-1.0 FCNG10-1.5 FCNG10-2.5																												

16A 冷压接插针(适用于HA,HE,HEE,HM,HK 插芯) / 16A Crimp contacts (for HA,HE,HEE,HM,HK inserts)

	公 Male	母 Female	尺寸图 Dimensions																																			
接触电阻 Contact resistance $\leq 1m\Omega$ 镀银 Silver plated	MCS16-0.37 MCS16-0.5 MCS16-0.75 MCS16-1.0 MCS16-1.5 MCS16-2.5 MCS16-3.0 MCS16-4.0	FCS16-0.37 FCS16-0.5 FCS16-0.75 FCS16-1.0 FCS16-1.5 FCS16-2.5 FCS16-3.0 FCS16-4.0	 <table border="1"> <thead> <tr> <th>标示 Identification</th> <th>线规 Wire gauge</th> <th>剥线长度 Stripping length</th> </tr> </thead> <tbody> <tr> <td>no groove</td> <td>0.14-0.37 mm²</td> <td>AWG 26-22</td> <td>7.5 mm</td> </tr> <tr> <td>no groove</td> <td>0.5 mm²</td> <td>AWG 20</td> <td>7.5 mm</td> </tr> <tr> <td>1 groove</td> <td>0.75 mm²</td> <td>AWG 18</td> <td>7.5 mm</td> </tr> <tr> <td>1 groove</td> <td>1 mm²</td> <td>AWG 18</td> <td>7.5 mm</td> </tr> <tr> <td>2 groove</td> <td>1.5 mm²</td> <td>AWG 16</td> <td>7.5 mm</td> </tr> <tr> <td>3 groove</td> <td>2.5 mm²</td> <td>AWG 14</td> <td>7.5 mm</td> </tr> <tr> <td>wide groove</td> <td>3 mm²</td> <td>AWG 12</td> <td>7.5 mm</td> </tr> <tr> <td>no groove</td> <td>4 mm²</td> <td>AWG 12</td> <td>7.5 mm</td> </tr> </tbody> </table>	标示 Identification	线规 Wire gauge	剥线长度 Stripping length	no groove	0.14-0.37 mm ²	AWG 26-22	7.5 mm	no groove	0.5 mm ²	AWG 20	7.5 mm	1 groove	0.75 mm ²	AWG 18	7.5 mm	1 groove	1 mm ²	AWG 18	7.5 mm	2 groove	1.5 mm ²	AWG 16	7.5 mm	3 groove	2.5 mm ²	AWG 14	7.5 mm	wide groove	3 mm ²	AWG 12	7.5 mm	no groove	4 mm ²	AWG 12	7.5 mm
标示 Identification	线规 Wire gauge	剥线长度 Stripping length																																				
no groove	0.14-0.37 mm ²	AWG 26-22	7.5 mm																																			
no groove	0.5 mm ²	AWG 20	7.5 mm																																			
1 groove	0.75 mm ²	AWG 18	7.5 mm																																			
1 groove	1 mm ²	AWG 18	7.5 mm																																			
2 groove	1.5 mm ²	AWG 16	7.5 mm																																			
3 groove	2.5 mm ²	AWG 14	7.5 mm																																			
wide groove	3 mm ²	AWG 12	7.5 mm																																			
no groove	4 mm ²	AWG 12	7.5 mm																																			
镀金 Gold plated	MCG16-0.37 MCG16-0.5 MCG16-0.75 MCG16-1.0 MCG16-1.5 MCG16-2.5 MCG16-4.0	FCG16-0.37 FCG16-0.5 FCG16-0.75 FCG16-1.0 FCG16-1.5 FCG16-2.5 FCG16-4.0																																				

16A 冷压接插针(采用冠簧接触)(适用于HA,HE,HEE,HM,HK 插芯) 16A Crimp contacts (with crown contact)(for HA,HE,HEE,HM,HK inserts)

	公 Male	母 Female	尺寸图 Dimensions																																			
接触电阻 Contact resistance $\leq 1m\Omega$ 镀银 Silver plated	MCS16-0.37 MCS16-0.5 MCS16-0.75 MCS16-1.0 MCS16-1.5 MCS16-2.5 MCS16-3.0 MCS16-4.0	FCS16-0.37 FCS16-0.5 FCS16-0.75 FCS16-1.0 FCS16-1.5 FCS16-2.5 FCS16-3.0 FCS16-4.0	 <table border="1"> <thead> <tr> <th>标示 Identification</th> <th>线规 Wire gauge</th> <th>剥线长度 Stripping length</th> </tr> </thead> <tbody> <tr> <td>no groove</td> <td>0.14-0.37 mm²</td> <td>AWG 26-22</td> <td>7.5 mm</td> </tr> <tr> <td>no groove</td> <td>0.5 mm²</td> <td>AWG 20</td> <td>7.5 mm</td> </tr> <tr> <td>1 groove</td> <td>0.75 mm²</td> <td>AWG 18</td> <td>7.5 mm</td> </tr> <tr> <td>1 groove</td> <td>1 mm²</td> <td>AWG 18</td> <td>7.5 mm</td> </tr> <tr> <td>2 groove</td> <td>1.5 mm²</td> <td>AWG 16</td> <td>7.5 mm</td> </tr> <tr> <td>3 groove</td> <td>2.5 mm²</td> <td>AWG 14</td> <td>7.5 mm</td> </tr> <tr> <td>wide groove</td> <td>3 mm²</td> <td>AWG 12</td> <td>7.5 mm</td> </tr> <tr> <td>no groove</td> <td>4 mm²</td> <td>AWG 12</td> <td>7.5 mm</td> </tr> </tbody> </table>	标示 Identification	线规 Wire gauge	剥线长度 Stripping length	no groove	0.14-0.37 mm ²	AWG 26-22	7.5 mm	no groove	0.5 mm ²	AWG 20	7.5 mm	1 groove	0.75 mm ²	AWG 18	7.5 mm	1 groove	1 mm ²	AWG 18	7.5 mm	2 groove	1.5 mm ²	AWG 16	7.5 mm	3 groove	2.5 mm ²	AWG 14	7.5 mm	wide groove	3 mm ²	AWG 12	7.5 mm	no groove	4 mm ²	AWG 12	7.5 mm
标示 Identification	线规 Wire gauge	剥线长度 Stripping length																																				
no groove	0.14-0.37 mm ²	AWG 26-22	7.5 mm																																			
no groove	0.5 mm ²	AWG 20	7.5 mm																																			
1 groove	0.75 mm ²	AWG 18	7.5 mm																																			
1 groove	1 mm ²	AWG 18	7.5 mm																																			
2 groove	1.5 mm ²	AWG 16	7.5 mm																																			
3 groove	2.5 mm ²	AWG 14	7.5 mm																																			
wide groove	3 mm ²	AWG 12	7.5 mm																																			
no groove	4 mm ²	AWG 12	7.5 mm																																			
镀金 Gold plated	MCG16-0.37 MCG16-0.5 MCG16-0.75 MCG16-1.0 MCG16-1.5 MCG16-2.5 MCG16-4.0	FCG16-0.37 FCG16-0.5 FCG16-0.75 FCG16-1.0 FCG16-1.5 FCG16-2.5 FCG16-4.0																																				

40A 冷压接插针(适用于HM, HK 等插芯) / 40A Crimp contacts (for HM, HK inserts)

	公 Male	母 Female	尺寸图 Dimensions																		
接触电阻 Contact resistance $\leq 0.3m\Omega$ 镀银 Silver plated	MCS40-1.5 MCS40-2.5 MCS40-4.0 MCS40-6.0 MCS40-10.0	FCS40-1.5 FCS40-2.5 FCS40-4.0 FCS40-6.0 FCS40-10.0																			
镀金 Gold plated	MCG40-1.5 MCG40-2.5 MCG40-4.0 MCG40-6.0 MCG40-10.0	FCG40-1.5 FCG40-2.5 FCG40-4.0 FCG40-6.0 FCG40-10.0																			
			<table border="1"> <thead> <tr> <th>线规 Wire gauge</th> <th>ϕ</th> <th>剥线长度 Stripping length</th> </tr> </thead> <tbody> <tr> <td>1.5 mm²</td> <td>AWG 16</td> <td>1.75</td> </tr> <tr> <td>2.5 mm²</td> <td>AWG 14</td> <td>2.25</td> </tr> <tr> <td>4 mm²</td> <td>AWG 12</td> <td>2.85</td> </tr> <tr> <td>6 mm²</td> <td>AWG 10</td> <td>3.5</td> </tr> <tr> <td>10 mm²</td> <td>AWG 8</td> <td>4.3</td> </tr> </tbody> </table>	线规 Wire gauge	ϕ	剥线长度 Stripping length	1.5 mm ²	AWG 16	1.75	2.5 mm ²	AWG 14	2.25	4 mm ²	AWG 12	2.85	6 mm ²	AWG 10	3.5	10 mm ²	AWG 8	4.3
线规 Wire gauge	ϕ	剥线长度 Stripping length																			
1.5 mm ²	AWG 16	1.75																			
2.5 mm ²	AWG 14	2.25																			
4 mm ²	AWG 12	2.85																			
6 mm ²	AWG 10	3.5																			
10 mm ²	AWG 8	4.3																			

70A 冷压接插针(适用于HM 等插芯) / 70A Crimp contacts (for HM inserts)

	公 Male	母 Female	尺寸图 Dimensions												
接触电阻 Contact resistance $\leq 0.5m\Omega$ 镀银 Silver plated	MCKS70-10 MCKS70-16 MCKS70-25	FCKS70-10 FCKS70-16 FCKS70-25													
				<table border="1"> <thead> <tr> <th>线规 Wire gauge</th> <th>ϕ</th> <th>剥线长度 Stripping length</th> </tr> </thead> <tbody> <tr> <td>10 mm²</td> <td>4.3</td> <td>15.5 mm</td> </tr> <tr> <td>16 mm²</td> <td>5.5</td> <td>15.5 mm</td> </tr> <tr> <td>25 mm²</td> <td>7</td> <td>15.5 mm</td> </tr> </tbody> </table> <p>电缆绞线依据 IEC 60 228-5 for stranded wire according to IEC 60 228 Class 5</p>	线规 Wire gauge	ϕ	剥线长度 Stripping length	10 mm ²	4.3	15.5 mm	16 mm ²	5.5	15.5 mm	25 mm ²	7
线规 Wire gauge	ϕ	剥线长度 Stripping length													
10 mm ²	4.3	15.5 mm													
16 mm ²	5.5	15.5 mm													
25 mm ²	7	15.5 mm													



100A 冷压接插针(适用于HM, HK 插芯) / 100A Crimp contacts (for HM, HK inserts)

	公 Male	母 Female	尺寸图 Dimensions															
接触电阻 Contact resistance $\leq 0.3m\Omega$ 镀银 Silver plated	MCKS100-10 MCKS100-16 MCKS100-25 MCKS100-30	FCKS100-10 FCKS100-16 FCKS100-25 FCKS100-30																
				<table border="1"> <thead> <tr> <th>线规 Wire gauge</th> <th>ϕ</th> <th>剥线长度 Stripping length</th> </tr> </thead> <tbody> <tr> <td>10 mm²</td> <td>4.3</td> <td>19 mm</td> </tr> <tr> <td>16 mm²</td> <td>5.5</td> <td>19 mm</td> </tr> <tr> <td>25 mm²</td> <td>7</td> <td>19 mm</td> </tr> <tr> <td>35 mm²</td> <td>8.2</td> <td>16 mm</td> </tr> </tbody> </table> <p>电缆绞线依据 IEC 60 228-5 for stranded wire according to IEC 60 228 Class 5</p>	线规 Wire gauge	ϕ	剥线长度 Stripping length	10 mm ²	4.3	19 mm	16 mm ²	5.5	19 mm	25 mm ²	7	19 mm	35 mm ²	8.2
线规 Wire gauge	ϕ	剥线长度 Stripping length																
10 mm ²	4.3	19 mm																
16 mm ²	5.5	19 mm																
25 mm ²	7	19 mm																
35 mm ²	8.2	16 mm																


200A 冷压接插针(适用于HM 插芯) / 200A Crimp contacts (for HM inserts)

	公 Male	母 Female	尺寸图 Dimensions															
接触电阻 Contact resistance $\leq 0.3m\Omega$ 镀银 Silver plated	MCKS200-25 MCKS200-35 MCKS200-50 MCKS200-70	FCKS200-25 FCKS200-35 FCKS200-50 FCKS200-70																
				<table border="1"> <thead> <tr> <th>线规 Wire gauge</th> <th>ϕ</th> <th>剥线长度 Stripping length</th> </tr> </thead> <tbody> <tr> <td>25 mm²</td> <td>7</td> <td>22.5 mm</td> </tr> <tr> <td>35 mm²</td> <td>8.2</td> <td>22.5 mm</td> </tr> <tr> <td>50 mm²</td> <td>10</td> <td>22.5 mm</td> </tr> <tr> <td>70 mm²</td> <td>11.5</td> <td>22.5 mm</td> </tr> </tbody> </table> <p>电缆绞线依据 IEC 60 228-5 for stranded wire according to IEC 60 228 Class 5</p>	线规 Wire gauge	ϕ	剥线长度 Stripping length	25 mm ²	7	22.5 mm	35 mm ²	8.2	22.5 mm	50 mm ²	10	22.5 mm	70 mm ²	11.5
线规 Wire gauge	ϕ	剥线长度 Stripping length																
25 mm ²	7	22.5 mm																
35 mm ²	8.2	22.5 mm																
50 mm ²	10	22.5 mm																
70 mm ²	11.5	22.5 mm																

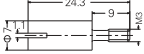
用编码销编号 / Coding system with code pins

用编码销编号 / Coding system with code pins		型号 Designation
编码销 Code pin		CODE-M3
模块型编码销 Modular code pin		MCODE-M3

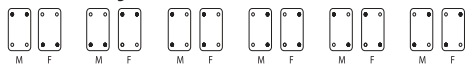
编码销
Code pin



模块型编码销
Modular code pin

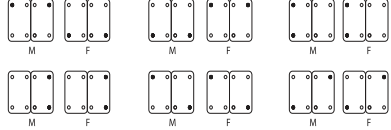


适用于可安装一个插芯或框架的外壳
For hoods housings with one insert one frame







- - 编码销
- - Code pin
- - 正常螺丝
- - Normal mounting screw
- M - 公插芯
- M - Male insert
- F - 公插芯
- F - Female insert

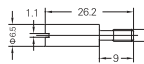
适用于可安装两个插芯或框架的外壳
For hoods housings with two insert two frame



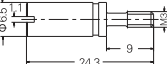
用导向销和导向孔编号 / Coding system with guide pins bushes

用导向销和导向孔编号 / Coding system with guide pins bushes		型号 Designation
导向孔 Guide bush		GBUSH-M3
导向销 Guide pin		GPIN-M3
模块型导向孔 Modular guide bush		MGBUSH-M3
模块型导向销 Modular guide pin		MGPIN-M3


导向孔
Guide bush




模块型导向孔
Modular guide bush



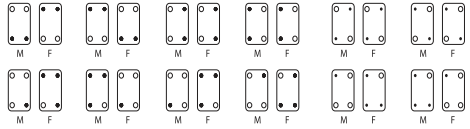
导向销
Guide pin



模块型导向销
Modular guide pin

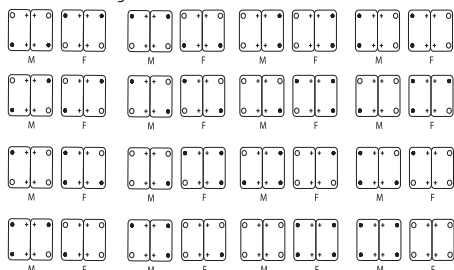


适用于可安装一个插芯或框架的外壳
For hoods housings with one insert one frame



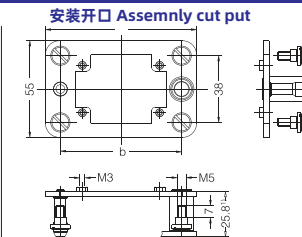

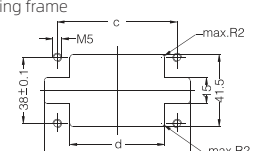
- - 导向孔
- - Guide bush
- - 导向销
- - Guide pin
- + 正常螺丝
- + Normal mounting screw
- M - 公插芯
- M - Male insert
- F - 公插芯
- F - Female insert

适用于可安装两个插芯或框架的外壳
For hoods housings with two insert two frame






固定框架 / Frame

安装架 / Mounting



规格 Size	型号 Designation	技术参数 Technical characteristics	安装开口 Assembly cut put																														
对接架 Docking frame	H6B-ADK H10B-ADK H16B-ADK H24B-ADK	材料 Material 对接架: 不锈钢 Docking frame: Stainless steel 固定螺栓: 铁, 镀锌 Fixing screws: Steel, Zinc-plated 插入容差 Pull-in-range x 轴: ±1.5mm X-axis: y 轴: ±1.5mm Y-axis: 插拔次数: ≥500 Mechanical working life:	 <p>1) 距离 电气针和光电缆距离最大27mm 气动针距离最大26.5mm Distance for electrical and F.O. contacts max. 27mm; for pneumatic contacts max. 26.5mm</p>																														
		产品包括 Range of delivery: 1个架子 1 Frame 4个带平头的螺栓, 用于固定对接架 4 cheese head shoulder screws to fix the docking frame																															
<table border="1"> <thead> <tr> <th>规格 Size</th> <th>a</th> <th>b</th> <th>c</th> <th>d</th> <th>e</th> </tr> </thead> <tbody> <tr> <td>6B</td> <td>86</td> <td>69</td> <td>69</td> <td>54.5</td> <td>84</td> </tr> <tr> <td>10B</td> <td>99</td> <td>82</td> <td>82</td> <td>67.5</td> <td>97</td> </tr> <tr> <td>16B</td> <td>119.5</td> <td>102.5</td> <td>102.5</td> <td>88</td> <td>117.5</td> </tr> <tr> <td>24B</td> <td>146</td> <td>129</td> <td>129</td> <td>114.5</td> <td>144</td> </tr> </tbody> </table>		规格 Size	a	b	c	d	e	6B	86	69	69	54.5	84	10B	99	82	82	67.5	97	16B	119.5	102.5	102.5	88	117.5	24B	146	129	129	114.5	144		
规格 Size	a	b	c	d	e																												
6B	86	69	69	54.5	84																												
10B	99	82	82	67.5	97																												
16B	119.5	102.5	102.5	88	117.5																												
24B	146	129	129	114.5	144																												

工具 / Tool

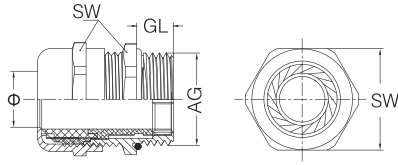
退针器 / Removal tool

适用范围	型号 Type
HD 退针器  HD Removal tool 10A 冷压针 10A Crimp contacts 16A 带三爪的公插针 16A Male pin with three claws	TL00
HEE 退针器  HEE Removal tool 16A 冷压针 16A Crimp contacts	TL01
K型 退针器  K-Type Removal tool 40A 冷压针 40A Crimp contacts	TL06

压接工具 / Crimp Tools

压接线径 Wire gauge	型号 Type
5A 冷压钳  5A Crimping tool 0.09-0.82mm ²	TL03
10A/16A 冷压钳  10A/16A Crimping tool 0.14-4mm ² 1.5-6mm ²	TL02 TL02-0

普通金属防水电缆接头 / Waterproof metal cable gland

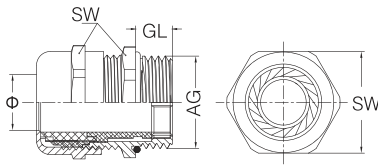


材料: 黄铜镀镍
密封件: 尼龙6和丁晴橡胶
防护等级: IP68(要使用O型圈的情况下)
温度范围: 静态: -40°C...+100°C
动态: -20°C...+80°C

Material: Nickel-plate brass
Sealing: Nylon and NBR
Degree of protection: IP68(with O-sealing)
Temperature range: Stat: -40°C...+100°C
Dyn: -20°C...+80°C

螺纹尺寸 Thread side	卡口范围(φ) Clamping range(φ)	螺纹外径(AG) Thread diameter(AG)	型号 Designation
PG7	3 ~ 6.5	12.5	CA-PG7(D3-6.5)
PG9	4 ~ 8	15.2	CA-PG9(D4-8)
PG11	5 ~ 10	18.6	CA-PG11(D5-10)
PG13.5	6 ~ 12	20.4	CA-PG13.5(D6-12)
PG16	8 ~ 14	22.5	CA-PG16(D8-14)
PG21	13 ~ 18	28.3	CA-PG21(D13-18)
PG29	18 ~ 25	37.0	CA-PG29(D18-25)
PG36	22 ~ 32	47.0	CA-PG36(D22-32)
PG42	31 ~ 38	54.0	CA-PG42(D31-38)
PG48	37 ~ 44	59.3	CA-PG48(D37-44)
M12 x 1.5	3 ~ 6.5	12	CA-M12(D3-6.5)
M14 x 1.5	3 ~ 6.5	14	CA-M14(D3-6.5)
M16 x 1.5	4 ~ 8	16	CA-M16(D4-8)
M16 x 1.5	5 ~ 10	16	CA-M16(D5-10)
M16 x 1.5	5 ~ 10	18	CA-M18(D5-10)
M20 x 1.5	6 ~ 12	20	CA-M20(D6-12)
M20 x 1.5	8 ~ 14	20	CA-M20(D8-14)
M22 x 1.5	8 ~ 14	22	CA-M22(D8-14)
M25 x 1.5	9 ~ 16	25	CA-M25(D9-16)
M25 x 1.5	13 ~ 18	25	CA-M25(D13-18)
M32 x 1.5	15 ~ 22	32	CA-M32(D15-22)
M32 x 1.5	18 ~ 25	32	CA-M32(D18-25)
M40 x 1.5	18 ~ 25	40	CA-M40(D18-25)
M40 x 1.5	22 ~ 32	40	CA-M40(D22-32)
M50 x 1.5	22 ~ 32	50	CA-M50(D22-32)
M50 x 1.5	31 ~ 38	50	CA-M50(D31-38)
M63 x 1.5	37 ~ 44	63	CA-M63(D37-44)

普通塑料防水电缆接头 / Waterproof plastic cable gland

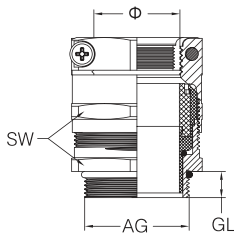


材料: 尼龙
密封件: 丁晴橡胶
防护等级: IP68(要使用O型圈的情况下)
温度范围: 静态: -40°C...+100°C
动态: -20°C...+80°C

Material: Nylon
Sealing: NBR
Degree of protection: IP68(with O-sealing)
Temperature range: Stat: -40°C...+100°C
Dyn: -20°C...+80°C

螺纹尺寸 Thread side	卡口范围(φ) Clamping range(φ)	螺纹外径(AG) Thread diameter(AG)	型号(灰色) Designation(Grey)	型号(黑色) Designation(Black)
PG7	3 ~ 6.5	12.5	CAP-PG7G	CAP-PB7B
PG9	4 ~ 8	15.2	CAP-PG9G	CAP-PB9B
PG11	5 ~ 10	18.6	CAP-PG11G	CAP-PB11B
PG13.5	6 ~ 12	20.4	CAP-PG13.5G	CAP-PB13.5B
PG16	8 ~ 14	22.5	CAP-PG16G	CAP-PB16B
PG21	13 ~ 18	28.3	CAP-PG21G	CAP-PB21B
PG29	18 ~ 25	37.0	CAP-PG29G	CAP-PB29B
PG36	22 ~ 32	47.0	CAP-PG36G	CAP-PB36B
PG42	31 ~ 38	54.0	CAP-PG42G	CAP-PB42B
PG48	37 ~ 44	59.3	CAP-PG48G	CAP-PB48B
M12 x 1.5	3 ~ 6.5	12	CAP-M12G	CAP-M12B
M16 x 1.5	4 ~ 8	16	CAP-M16G	CAP-M16B
M20 x 1.5	5 ~ 10	20	CAP-M20G	CAP-M20B
M20 x 1.5	6 ~ 12	20	CAP-M20G(D6-12)	CAP-M20B(D6-12)
M22 x 1.5	8 ~ 14	22	CAP-M22G	CAP-M22B
M25 x 1.5	13 ~ 18	25	CAP-M25G	CAP-M25B
M32 x 1.5	18 ~ 25	32	CAP-M32G	CAP-M32B
M40 x 1.5	22 ~ 32	40	CAP-M40G	CAP-M40B
M50 x 1.5	31 ~ 38	50	CAP-M50G	CAP-M50B
M63 x 1.5	37 ~ 44	63	CAP-M63G	CAP-M63B

双锁紧型金属电缆接头 / Gland with external strain relief via clamping jaws

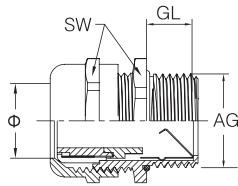


材料: 黄铜镀镍(外壳), 尼龙PA66(芯套)
防护等级: IP68(要使用O型圈的情况下)

Material: Nickel-plate brass, Nylon
Degree of protection: IP68(with O-sealing)

螺纹尺寸 Thread side	卡口范围(φ) Clamping range(φ)	螺纹外径(AG) Thread diameter(AG)	型号 Designation
PG9	4 ~ 8	15.2	CKS-PG9(4-8)
PG11	5 ~ 10	18.6	CKS-PG11(5-10)
PG13.5	6 ~ 12	20.4	CKS-PG13.5(6-12)
PG16	10 ~ 14	22.5	CKS-PG16(10-14)
PG21	13 ~ 18	28.3	CKS-PG21(13-18)
PG29	18 ~ 25	37.0	CKS-PG29(18-25)
PG36	22 ~ 32	47.0	CKS-PG36(22-32)
PG42	30 ~ 38	54.0	CKS-PG42(30-38)
M16 x 1.5	4 ~ 8	16	CKS-M16(4-8)
M16 x 1.5	5 ~ 10	16	CKS-M16(5-10)
M20 x 1.5	6 ~ 12	20	CKS-M20(6-12)
M25 x 1.5	10 ~ 16	25	CKS-M25(10-16)
M25 x 1.5	13 ~ 18	25	CKS-M25(13-18)
M32 x 1.5	16 ~ 22	32	CKS-M32(16-22)
M32 x 1.5	18 ~ 25	32	CKS-M32(18-25)
M40 x 1.5	22 ~ 30	40	CKS-M40(22-30)
M40 x 1.5	22 ~ 32	40	CKS-M40(22-32)
M50 x 1.5	30 ~ 38	50	CKS-M50(30-38)

普通兼容金属防水电缆接头 / EMC Cable gland

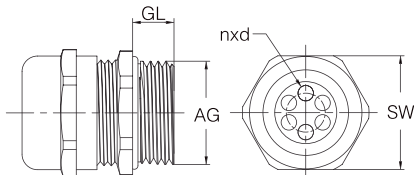


材料: 黄铜镀镍
密封件: 尼龙66和丁晴橡胶
防护等级: IP68(要使用O型圈的情况下)
温度范围: -40°C...+100°C, 短时间可以达到120°C

Material: Nickel-plate brass
Sealing: Nylon and NBR
Degree of protection: IP68(with O-sealing)
Temperature range: -40°C...+100°C, short-term 120°C

螺纹尺寸 Thread side	卡口范围(φ) Clamping range(φ)	螺纹外径(AG) Thread diameter(AG)	型号 Designation
PG7	3 ~ 6.5	12.5	CAC-PG7(D3-6.5)
PG9	4 ~ 8	15.2	CAC-PG9(D4-8)
PG11	5 ~ 10	18.6	CAC-PG11(D5-10)
PG13.5	6 ~ 12	20.4	CAC-PG13.5(D6-12)
PG16	8 ~ 14	22.5	CAC-PG16(D8-14)
PG21	13 ~ 18	28.3	CAC-PG21(D13-18)
PG29	18 ~ 25	37.0	CAC-PG29(D18-25)
PG36	22 ~ 32	47.0	CAC-PG36(D22-32)
PG42	30 ~ 38	54.0	CAC-PG42(D30-38)
M12 x 1.5	3 ~ 6.5	12	CAC-M12(D3-6.5)
M16 x 1.5	4 ~ 8	16	CAC-M16(D4-8)
M18 x 1.5	5 ~ 10	18	CAC-M18(D5-10)
M20 x 1.5	6 ~ 12	20	CAC-M20(D6-12)
M24 x 1.5	8 ~ 14	24	CAC-M24(D8-14)
M25 x 1.5	10 ~ 16	25	CAC-M25(D10-16)
M25 x 1.5	13 ~ 18	25	CAC-M25(D13-18)
M30 x 1.5	13 ~ 18	30	CAC-M30(D13-18)
M32 x 1.5	15 ~ 22	32	CAC-M32(D15-22)
M32 x 1.5	18 ~ 25	32	CAC-M32(D18-25)
M36 x 1.5	18 ~ 25	36	CAC-M36(D18-25)
M40 x 1.5	21 ~ 30	40	CAC-M40(D21-30)
M40 x 1.5	22 ~ 32	40	CAC-M40(D22-32)
M48 x 1.5	22 ~ 32	48	CAC-M48(D22-32)
M50 x 1.5	30 ~ 38	50	CAC-M50(D30-38)
M56 x 1.5	30 ~ 38	56	CAC-M56(D31-38)
M63 x 1.5	37 ~ 44	63	CAC-M63(D37-44)

多芯金属防水电缆接头 / Metal cable gland with multi core

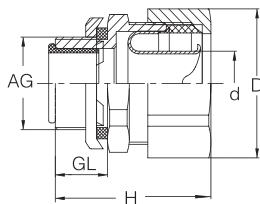


材料: 黄铜镀镍
密封件: 尼龙66和丁晴橡胶
防护等级: IP65
温度范围: -40°C...+100°C, 短时间可以达到120°C

Material: Nickel-plate brass
Sealing: Nylon and NBR
Degree of protection: IP65
Temperature range: -40°C...+100°C, short-term 120°C

螺纹尺寸 Thread side	卡口范围(φ) Clamping range(φ)	螺纹外径(AG) Thread diameter(AG)	型号 Designation
PG9	2x3	15.2	CAM-PG9/(2x3)
PG21	4x6	28.3	CAM-PG21/(4x6)
PG21	3x7	28.3	CAM-PG21/(3x7)
PG21	2x6	28.3	CAM-PG21/(2x6)
PG21	2x7	28.3	CAM-PG21/(2x7)
PG21	2x8	28.3	CAM-PG21/(2x8)
PG29	4x9	37.0	CAM-PG29/(4x9)
PG36	5x9	47.0	CAM-PG36/(5x9)
M16 x 1.5	2x3	16	CAM-M16/(2x3)
M20 x 1.5	6x3	20	CAM-M20/(6x3)
M20 x 1.5	2x5	20	CAM-M20/(2x5)
M25 x 1.5	2x7	25	CAM-M25/(2x7)
M25 x 1.5	4x6	25	CAM-M25/(4x6)
M25 x 1.5	3x7	25	CAM-M25/(3x7)
M25 x 1.5	2x8	33	CAM-M25/(2x8)
M32 x 1.5	4x9	32	CAM-M32/(4x9)
M40 x 1.5	5x9	40	CAM-M40/(5x9)
M40 x 1.5	2x15	40	CAM-M40/(2x15)

外螺纹金属软管接头 / Outer thread tube connector

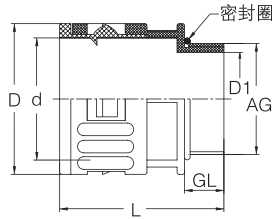


材料: 锌合金镀锌或镀铬
密封件: 一端连接软管, 另一端由螺纹连接箱体或设备, 具有结构紧凑, 耐腐蚀等特点
应用场合: 机电、电缆桥架、电气工程安装、电控箱等

Material: Zinc alloy, Zinc plated or Chromium plated
Specialty: one end is connector to flexible tube, the other thread end connected to switch chest or equipment, the structure is compact, the surface is a niroten
Applications: Electromotor, Cable bridge trame, Electric engineering, Electric control etc.

螺纹尺寸 Thread side	配用软管(d) Fits to tubing size(d)	外圆直径(D) External diameter(D)	型号 Designation
PG9	10	26	CC-PG9/D10
PG11	12	27.5	CC-PG11/D12
PG13.5	15	31.5	CC-PG13.5/D15
PG16	15	32	CC-PG16/D15
PG21	20	38	CC-PG21/D20
PG29	25	45.5	CC-PG29/D25
PG29	32	55	CC-PG29/D32
PG36	38	62	CC-PG36/D38
PG42	38	62	CC-PG42/D38
PG48	51	77.5	CC-PG48/D51
M16 x 1.5	8	24	CC-M16/D8
M16 x 1.5	10	25.5	CC-M16/D10
M20 x 1.5	12	27.5	CC-M20/D12
M24 x 1.5	15	32	CC-M24/D15
M30 x 2.0	20	38	CC-M30/D20
M36 x 2.0	25	45	CC-M36/D25

快速软管接头 / Quick tube connector

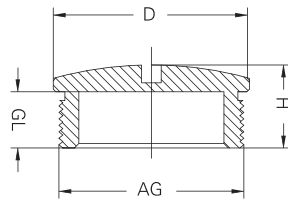


材料: 尼龙
温度范围: -40°C...+120°C

Material: Nylon
Temperature range: -40°C...+120°C

螺纹尺寸 Thread side	配用软管(d) Fits to tubing size(d)	外圆直径(D) External diameter(D)	型号(黑色) Designation(Black)
PG7	AD10.0	17.0	CCP-PG7B
PG9	AD13.0	20.0	CCP-PG9B
PG11	AD15.8	23.0	CCP-PG11B
PG13.5	AD18.5	26.0	CCP-PG13.5B
PG16	AD21.2	29.5	CCP-PG16B
PG21	AD28.5	37.0	CCP-PG21B
PG29	AD34.5	43.5	CCP-PG29B
PG36	AD42.5	51.0	CCP-PG36B
M12 x 1.5	AD10.0	17.0	CCP-M12B
M16 x 1.5	AD13.0	20.0	CCP-M16B
M18 x 1.5	AD15.8	23.0	CCP-M18B
M20 x 1.5	AD18.5	26.0	CCP-M20B/AD18.5
M20 x 1.5	AD21.2	29.5	CCP-M20B/AD21.2
M25 x 1.5	AD21.2	29.5	CCP-M25B
M25 x 1.5	AD28.5	37.0	CCP-M25B/AD28.5
M32 x 1.5	AD28.5	37.0	CCP-M32B
M40 x 1.5	AD34.5	43.5	CCP-M40B
M40 x 1.5	AD42.5	51.0	CCP-M40B/AD42.5
M50 x 1.5	AD54.5	63.5	CCP-M50B/AD54.5
M63 x 1.5	AD54.5	63.5	CCP-M63B

塑料蒙盖 / Nylon plug

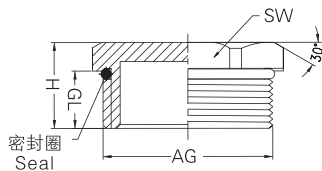


材料: 尼龙
温度范围: -40°C...+120°C
防护等级: IP68(要使用O型圈的情况下)

Material: Nylon 6
Temperature range: -40°C...+120°C
Degree of protection: IP68(with O-searing)

螺纹尺寸 Thread side	高度(H) Height(H)	外圆直径(D) External diameter(D)	型号(灰白色) Designation(Grey)
PG7	10.0	15.5	CPP-PG7G/R
PG9	10.0	18.5	CPP-PG9G/R
PG11	11.5	22.0	CPP-PG11G/R
PG13.5	11.5	24.0	CPP-PG13.5G/R
PG16	12.0	27.0	CPP-PG16G/R
PG21	12.0	33.0	CPP-PG21G/R
PG29	12.0	43.0	CPP-PG29G/R
PG36	14.0	55.0	CPP-PG36G/R
PG42	15.5	62.0	CPP-PG42G/R
PG48	17.0	68.5	CPP-PG48G/R
M12 x 1.5	10.0	15.5	CPP-M12G/R
M16 x 1.5	10.0	18.5	CPP-M16G/R
M20 x 1.5	11.5	25.0	CPP-M20G/R
M25 x 1.5	12.5	29.5	CPP-M25G/R
M32 x 1.5	13.5	39.0	CPP-M32G/R
M40 x 1.5	15.0	48.0	CPP-M40G/R
M50 x 1.5	18.0	61.5	CPP-M50G/R
M63 x 1.5	18.0	70.5	CPP-M63G/R

金属盖 / Metal plug

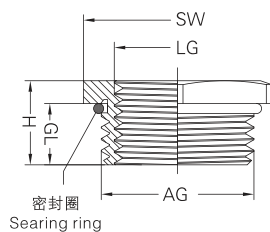


材料: 黄铜镀镍
温度范围: -40°C...+120°C
防护等级: IP68(要使用O型圈的情况下)

Material: Nickel-plate brass
Temperature range: -40°C...+120°C
Degree of protection: IP68(with O-searing)

螺纹尺寸 Thread side	高度(H) Height(H)	螺纹外径(AG) Thread diameter(AG)	型号(黑色) Designation(Black)
PG7	8.0	12.5	CNP-PG7
PG9	9.0	15.2	CNP-PG9
PG11	10.0	18.6	CNP-PG11
PG13.5	10.0	20.4	CNP-PG13.5
PG16	10.0	22.5	CNP-PG16
PG21	11.0	28.3	CNP-PG21
PG29	13.0	37.0	CNP-PG29
PG36	13.0	47.0	CNP-PG36
PG42	15.0	54.0	CNP-PG42
PG48	17.0	59.3	CNP-PG48
M12 x 1.5	8.0	12.0	CNP-M12
M16 x 1.5	9.0	16.0	CNP-M16
M18 x 1.5	10.0	18.0	CNP-M18
M20 x 1.5	9.5	20.0	CNP-M20
M22 x 1.5	10.0	22.0	CNP-M22
M24 x 1.5	11.0	24.0	CNP-M24
M25 x 1.5	11.0	25.0	CNP-M25
M32 x 1.5	11.0	32.0	CNP-M32
M36 x 1.5	12.0	36.0	CNP-M36
M40 x 1.5	13.0	40.0	CNP-M40
M48 x 1.5	15.0	48.0	CNP-M48
M50 x 1.5	13.0	50.0	CNP-M50
M63 x 1.5	17.0	63.0	CNP-M63

金属减径环 / Metal reducer



材 料: 黄铜镀镍

形 状: 六角

使用场合: 适用于需要装螺纹直径减小的场合

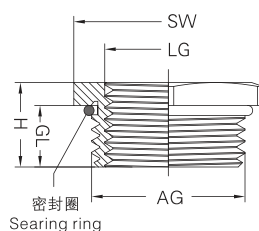
Material: Nickel-plate brass

Shape: Round, Hexagonal

Applications: Apply to the situation of the diameter need to be reduced

外螺纹(AG) Outside thread(AG)	内螺纹(LG) Insidethread(LG)	总长(H) Total length(H)	型号(六角) Designation(Hexagonal)
PG9	PG7	9.0	CSC-PG9PG7
PG11	PG9	11.0	CSC-PG11PG9
PG13.5	PG11	10.0	CSC-PG13.5PG11
PG16	PG13.5	11.0	CSC-PG16G13.5
PG21	PG16	11.0	CSC-PG21PG16
PG29	PG21	13.0	CSC-PG29PG21
PG36	PG29	13.0	CSC-PG36PG29
PG42	PG36	15.0	CSC-PG42PG36
PG48	PG42	15.0	CSC-PG48PG42
M16 x 1.5	M12 x 1.5	9.0	CSC-M16M12
M20 x 1.5	M16 x 1.5	10.0	CSC-M20M16
M25 x 1.5	M20 x 1.5	10.0	CSC-M25M20
M32 x 2.0	M25 x 1.5	11.5	CSC-M32M25
M40 x 2.0	M32 x 2.0	13.0	CSC-M40M32
M50 x 2.0	M40 x 2.0	14.0	CSC-M50M40
M63 x 2.0	M50 x 2.0	14.0	CSC-M63M50

尼龙减径环 / Polyamide reducer



材 料: 尼龙66

颜 色: 黑色

温度范围: -40°C...+100°C

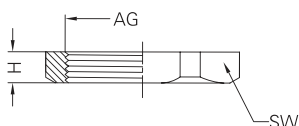
Material: Polyamide

Color: Black

Temperature range: -40°C...+100°C

外螺纹(AG) Outside thread(AG)	内螺纹(LG) Insidethread(LG)	总长(H) Total length(H)	型号 Designation
PG11	PG9	15.0	CSCP-PG11PG9
PG13.5	PG11	21.5	CSCP-PG13.5PG11
PG16	PG11	16.0	CSCP-PG16PG11
PG16	PG13.5	17.0	CSCP-PG16PG13.5
PG21	PG16	17.0	CSCP-PG21PG16
PG29	PG21	17.0	CSCP-PG29PG21
M20 x 1.5	M16 x 1.5	15.0	CSCP-M20M16
M25 x 1.5	M20 x 1.5	17.0	CSCP-M25M20
M32 x 1.5	M20 x 1.5	17.0	CSCP-M32M20
M32 x 1.5	M25 x 1.5	17.0	CSCP-M32M25
M40 x 1.5	M32 x 1.5	17.0	CSCP-M40M32

金属螺母 / Metal lock nut



材 料: 黄铜镀镍

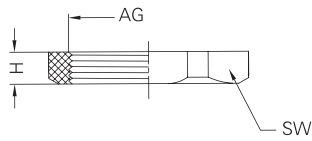
温度范围: -40°C...+100°C

Material: Nickel-plate brass

Temperature range: -40°C...+100°C

螺纹尺寸 Thread side	扳手尺寸(SW) Wrench size(SW)	厚度(H) Thickness(H)	型号 Designation
PG7	15	2.8	CA-PG7/S
PG9	18	2.8	CA-PG9/S
PG11	21	3.0	CA-PG11/S
PG13.5	22	3.0	CA-PG13.5/S
PG16	24	3.0	CA-PG16/S
PG21	30	3.5	CA-PG21/S
PG29	40	4.0	CA-PG29/S
PG36	50	4.5	CA-PG36/S
PG42	57	5.0	CA-PG42/S
PG48	65	5.5	CA-PG48/S
M12 x 1.5	15	2.8	CA-M12/S
M16 x 1.5	18	2.8	CA-M16/S
M20 x 1.5	22	3.0	CA-M20/S
M25 x 1.5	27	3.0	CA-M25/S
M32 x 2.0	35	3.5	CA-M32/S
M40 x 2.0	50	4.5	CA-M40/S
M50 x 2.0	57	5.0	CA-M50/S
M63 x 2.0	70	5.5	CA-M63/S

尼龙螺母 / Polyamide lock nut



材料: 尼龙66
颜色: 灰色、黑色
温度范围: -40°C...+100°C

Material: Polyamide
Color: Grey, Black
Temperature range: -40°C...+100°C

螺纹尺寸 Thread side	厚度(H) Thickness(H)	型号(灰色) Designation(Grey)	型号(黑色) Designation(Black)
PG7	5.0	CAP-PG7G/S	CAP-PG7B/S
PG9	5.0	CAP-PG9G/S	CAP-PG9B/S
PG11	5.0	CAP-PG11G/S	CAP-PG11B/S
PG13.5	6.0	CAP-PG13.5G/S	CAP-PG13.5B/S
PG16	6.0	CAP-PG16G/S	CAP-PG16B/S
PG21	7.0	CAP-PG21G/S	CAP-PG21B/S
PG29	7.0	CAP-PG29G/S	CAP-PG29B/S
PG36	8.0	CAP-PG36G/S	CAP-PG36B/S
PG42	8.0	CAP-PG42G/S	CAP-PG42B/S
PG48	8.0	CAP-PG48G/S	CAP-PG48B/S
M12 x 1.5	5.0	CAP-M12G/S	CAP-M12B/S
M16 x 1.5	5.0	CAP-M16G/S	CAP-M16B/S
M18 x 1.5	5.0	CAP-M18G/S	CAP-M18B/S
M20 x 1.5	6.0	CAP-M20G/S	CAP-M20B/S
M22 x 1.5	6.0	CAP-M22G/S	CAP-M22B/S
M24 x 1.5	6.0	CAP-M24G/S	CAP-M24B/S
M25 x 1.5	7.0	CAP-M25G/S	CAP-M25B/S
M32 x 2.0	7.0	CAP-M32G/S	CAP-M32B/S
M40 x 2.0	8.0	CAP-M40G/S	CAP-M40B/S
M50 x 2.0	8.0	CAP-M50G/S	CAP-M50B/S
M63 x 2.0	8.0	CAP-M63G/S	CAP-M63B/S