



## 塑胶防水连接器

PLASTIC WATERPROOF CONNECTOR





### E7系列

E7 SERIES

8

### E10系列

E10 SERIES

12

### E13系列

E13 SERIES

19

### 防水RJ45

WATERPROOF RJ45

26

### 防水USB

WATERPROOF USB

29

### 防水FDDI

WATERPROOF FDDI

36

### 防水HDMI

WATERPROOF HDMI

38





# 咨询服务

## 正成为您提供全方位的服务

CAZN ELECTRICS PROVIDES YOU WITH A FULL RANGE OF SERVICES

我们乐于为您提供一对一的专业咨询。完善的售后体系用专业服务每一个客户。专业的售后团队，24小时专人服务，针对客户反馈的情况，及时有效的进行响应，专门成立文档中心，对每一个客户进行建档管理，实时跟踪您的需求。

We are happy to provide you with one-to-one professional consultation. Perfect after-sales system with professional service to every customer. Professional after-sales team, 24 hours dedicated service, according to the customer feedback, timely and effective response, a special document control center, for each customer file management, real-time tracking your needs.

量身定制的个性化产品，从预装配到工程服务应有尽有。

Customised products, from pre-installation to engineering services.



### 咨询服务

不论客户需要产品选型、解决方案还是售后服务，我们正成电气都以客户为中心，以“至高品质，至诚服务”为宗旨。尽所能最快时效、最优方式处理咨询和服务。

Whether customers need product selection, solutions or after-sales service, we take the customer as the center, to the "highest quality, sincere service" for the purpose. We'll do our best to deal with inquiries and services in the fastest and most efficient way.

### 在线目录选型

在线产品目录提供全面的、最新的信息，涵盖超过2000多种正成电气产品，具有中英文两种语言版本。您可以从在线目录中摸查找到相关产品信息，如技术参数、尺寸图等相关资料。只要轻轻一点就可以下载详细的产品PDF格式规格书文件。

选型网址：[www.caznlink.com](http://www.caznlink.com)

We offer the most comprehensive and up-to-date catalogue online, covering more than 2,000 electronic products, available in Both Chinese and English. You can find related product information, such as technical parameters and size drawings, from the online catalog. You can download detailed product specifications in PDF format with a single click.

Website for selection: <http://www.caznlink.com/>



微信公众号：[caznlink](https://www.caznlink.com)  
WECHAT OFFICIAL ACCOUNT: [caznlink](https://www.caznlink.com)

网络时代的到来，特别是移动网络时代的兴起。正成电气与时俱进，与客户一起分享最新前沿技术、公司动态、产品最新资讯。

With the advent of the network era, especially the rise of the mobile network era, CAZN Electric keeps pace with The Times and will share the latest cutting-edge technology, company trends and latest product information with customers.

关注公众号



# 品质管理

## 严格按照ISO9001质量管理体系

STRICTLY IN ACCORDANCE WITH THE ISO9001 QUALITY MANAGEMENT SYSTEM

# 1



### 丰富经验的研发团队

正成电气从连接器的研发、模具制作到生产加工每一个环节都由资深的工程师把关，整个团队都有丰富的连接器及线束加工从业经验。

From connector research and development, mold making to production and processing, each link is controlled by senior engineers, and the whole team has rich experience in connector and wire harness processing.

# 2

### 高品质的生产检测设备

从五金加工、组装、焊接、注塑到检测，都采购先进的生产设备和检测设备，确保生产产品高品质，低不良的要求。

From hardware processing, assembly, welding, injection molding and testing, we purchase advanced production equipment and testing equipment to ensure the production of high quality products, low production defect rate requirements.



# 3



### 高素质的生产人员

随着业务高速增长，企业生产人员快速增长，公司建立完善的岗前培训、在岗深造等培训体系，打造一批高素质的生产人员。

With the rapid growth of business and the rapid growth of production personnel, we have also established a perfect pre-job training, on-the-job further education and other training systems, so as to create a group of high-quality production personnel.



# 应用案例

## 专业专注提供多样的信号、数据、动力传输连接器

PROFESSIONAL FOCUS ON PROVIDING A VARIETY OF SIGNAL, DATA, POWER TRANSMISSION CONNECTORS

### 智慧农业 SMART AGRICULTURE



正成电气防水连接器提供全面性的连接器解决方案，适用于各式重型机具与农耕机械相关应用，我们的连接器产品坚固耐用，可满足各式的应用需求。在各重型机械的使用场地中耐用性是现场的必备条件，而正成电气连接器防水、坚固耐用、高抗震，满足您的各式需求。

CAZN electronic Waterproof Connector provides a comprehensive connector solution for all kinds of heavy machinery and agricultural machinery related applications. Our connectors are waterproof, durable and highly earthquake resistant, which can meet the needs of all heavy machinery field requirements.

### 5G



世界日新月异已进行到无线世代，无线网络的发展速度跟范围都以惊人的速度成长，无线宽带及无线电发展的新技术使网络运营公司和一般企业可以随时随地传输数据和使用网络服务。无论网络运营公司在哪里安装系统，正成电气都能为客户提供“防水连接器的最佳解决方案”。

The speed and scope of wireless networks are growing at an amazing rate. New technologies in wireless broadband and radio development enable network operators and businesses to transmit data and use web services anytime, anywhere. No matter where network operators want to install systems, CAZN electronics can provide customers with "the best solution for waterproof connectors".

### LED应用 LED APPLICATION



无论您需要各种型式防水连接器：讯号类、电源类、或两者兼具的连接器类型，或各种客制方案，正成电气防水连接器均可为您的户外LED应用提供整体解决方案。可根据业务需求灵活地调整产品规格。无论是创建新系统还是增强现有设计，正成电气都是您的照明防水连接器解决方案提供商，可以无缝整合各建筑物间的电源与数据传输需求。

No matter what type of waterproof connector you need: signal, power, a combination of both, or a variety of customized solutions, the CAZN Electronic Waterproof Connector is the total solution for your outdoor LED application. Product specifications can be flexibly adjusted according to business requirements. Whether creating new systems or enhancing existing designs, CAZN Electronics is your trusted provider of waterproof lighting connector solutions that seamlessly integrate power and data transmission needs between buildings.



# CAZN 正成

精密个性化连接解决方案设计与制造

DESIGN AND MANUFACTURE OF PRECISION PERSONALIZED CONNECTION SOLUTIONS



## 航海应用 MARINE APPLICATION



正成电气专精于防水连接器的研发与生产，防水连接器系列产品提供塑料跟金属材质的选择，不管是板端、带线端、组装式或配件都是专门为了船舶上的连接器使用需求设计。正成电气系列产品遵循数据通信网络的要求，以互连船舶上的电子设备的数据传输和状态控制为目的。此外，正成电气防水连接器解决方案是您船舶电子设备的完美选择。

CAZN electronics specializes in the development and production of waterproof connectors, available in plastic and metal materials, whether panel mount, solder with wire, assembly or accessories are designed specifically for the use of connectors on ships. The CAZN electronics waterproof connector complies with the requirements of data communication networks for the purpose of interconnecting data transmission and state control of electronic equipment on ships. The CAZN electronic Waterproof Connector solution is the perfect choice for your Marine electronics.

## 现代养殖业 MODERN AQUACULTURE



大多数现代养殖业设施都安装在户外极端的环境和温度下，因户外连接器的基本需求为防水、抗紫外线并可以在恶劣的温度环境下稳定工作。正成电气防水连接器具有专精的技术及多年的经验，我们的专业团队进一步构思出创新的解决方案适用于特殊环境的产品，更专精于提供各种客制的现代养殖应用解决方案。

Most modern breeding facilities are installed outdoors in extreme environments and temperatures because the basic requirements of outdoor connectors are waterproof, uv resistant and stable in harsh temperatures. Based on our years of experience and expertise in the waterproof connector industry, our professional team further develops innovative solutions and products suitable for special environments. We specialize in providing a wide range of customized solutions for modern farming applications.

## 智能交通 INTELLIGENT TRANSPORTATION



随着科技的普及，PC监控系统、数字录像主机、高效能视讯编码器，智能交通安全监控系统在企业与消费市场中日渐普及，已经变成日常基础设备的一环。因此，寻求更符合经济成本及效率的产品是各品牌的发展重点。正成电气提供多种防水连接器解决方案，可以满足急速增长的智能交通安全监控系统需求。

With the popularization of science and technology, PC monitoring system, digital video host, high efficiency video encoder, intelligent traffic safety monitoring system in the enterprise and consumer market is increasingly popular, has become a daily basic equipment. Therefore, seeking more in line with the economic cost and efficiency of the product is the focus of the development of each brand. CAZN Electronics offers a variety of waterproof connector solutions to meet the rapidly growing demand for intelligent traffic safety monitoring systems.

# 连接技术

## 连接器或组件完全符合客户的规格需求

CONNECTORS OR COMPONENTS FULLY MEETS THE CUSTOMER'S SPECIFICATIONS

使用说明：连接器及其附件在正常使用情况下不允许带电或者带负载进行操作。

Instructions for use: Connectors and accessories are not allowed to be operated with power on or with load under normal use.

### 螺钉连接 SCREW CONNECTION

螺钉连接是指导线螺丝钉端子之间可拆卸的电连接方式。依据DIN/EN 60999/VDE 0609标准设计的。

Screw connection is a detachable electrical connection between the guide wire, screw, and terminal. Designed according to DIN/EN 60999/VDE 0609.

适用的导线规格范围广，不用专用的工具，可现场操作的特点。

Wide range of applicable wire specifications, no special tools, can be operated on site.

螺钉尺寸 Screw size	M2.5	M3	M3.5
扭矩(Ncm) Torque(Ncm)	40	50	60

### 焊接连接 WELDING CONNECTION

焊接连接可以导线跟导体通过电烙铁和焊机连接，也可以使连接器与印刷电路板连接。焊点和附件的测试和签定参考DIN EN 60068第2-20部分操作。

Welding connections can be wired to conductors via electro-solder irons and weld'ers, or connectors to printed circuit boards. Solder joints and accessories are tested and signed according to DIN EN 60068 part 2-20 operation.

适用于预制线缆连接，印刷电路板上，操作方便快捷，插针密度高。

Suitable for prefabricated cable connection, printed circuit board, easy and fast operation, high pin density.

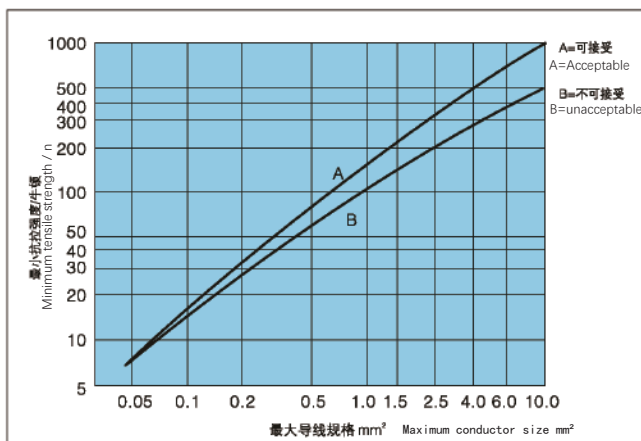
### 压接连接 CRIMP CONNECTION

压接连接是使用压接工具将导线和导体通过物理形式绞合一起的连接方式，是一种不可拆卸的电连接方式。连接要求依据DIN IEC 60352第2部分。

Crimp connection is to use crimping tools to physically twist wires and conductors together, is a non-detachable electrical connection. Connection requirements according to DIN IEC 60352 Part 2.

可适用于现场接线，可靠性高，连接密度大的特点。

Suitable for field wiring, high reliability, high connection density characteristics.





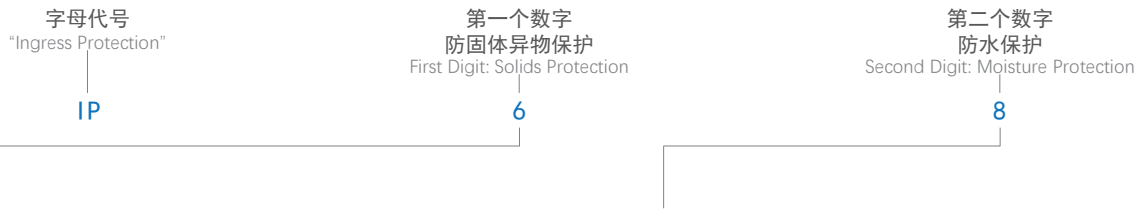
# 防水等级

## 专业防固保护及IP防水保护

PROFESSIONAL ANTI-SOLID PROTECTION AND IP WATERPROOF PROTECTION

连接器上的外壳，密封件及锁扣装置使连接器的电气部件免受外界环境影响，比如冲击、异物、湿气、灰尘、水或清洁剂、冷却液、油等其它液体的入侵。  
The housing, seals and latching devices on the connector protect the electrical part of the connector from external environmental influences such as shock, foreign bodies, moisture, dust, water or detergents, coolants, oils and other liquids.

下面是防护等级一览表 BELOW IS A LIST OF PROTECTION LEVELS



数字 Protection Level	保护范围 First Digit: Solids Protection	数字 Protection Level	保护范围 Second Digit: Moisture Protection
0	无安全防护：无接触保护，无防固体异物保护。 Not rated for protection against contact or ingress (or no rating supplied).	0	无防水保护。 Not rated (or no rating supplied) for protection against ingress of this type.
1	防大件异物保护：防止手部大面积接触，防止直径大于50mm的异物。 Protection against solid objects larger than 50 mm (e.g. accidental contact with any large surface of the body, but not deliberate body contact).	1	防滴水保护：防止垂直滴落的水滴。 Protection against vertically dripping water. No harmful effects when the item is upright.
2	防中等大小异物保护：防止手指接触，防止直径大于12.5mm的异物。 Protection against solid objects larger than 12 mm (e.g. accidental finger contact).	2	防倾斜滴水保护：防止倾斜滴落的水滴（在垂直面15°以内的任意角度）。 Protection against vertically dripping water. No harmful effects when tilted up to 15° from normal position.
3	防小件异物保护：防止工具，铁丝等直径大于2.5mm的物体接触，防止直径大于2.5mm的异物。 Protection against solid objects larger than 2.5 mm (e.g. tools).	3	防洒水保护：防止来自垂直面60°以内任意角度的洒水。 Protection against water sprayed directly at any angle up to 60° off vertical.
4	防颗粒状异物保护：同3中所述，防异物直径大于1mm。 Protection against solid objects larger than 1 mm (e.g. small objects such as nails, screws, insects).	4	防溅水保护：防止来自各个方向的溅水。 Protection against splashing water from any direction. No harmful effects when tested for at least 10 minutes with an oscillating spray (limited ingress permitted).
5	防灰尘沉积保护：防止接触，防止内部灰尘沉积。 Dust protected: partial protection against dust and other particulates (permitted ingress will not compromise the performance of internal components).	5	防射水保护：防止来自任意角度的冲射喷水（喷嘴）。 Protection against low-pressure jets. No harmful effects when water projected in jets from 6.3 mm nozzle, from any direction.
6	防灰尘进入保护：全面防止接触，防止灰尘进入。 Dust tight: full protection against dust and other particulates.	6	防强烈喷水保护：防止暂时性的淹水。 Protection against powerful water jets. No harmful effects when water projected in jets from 12.5 mm nozzle, from any direction.
		7	防浸水保护：防止暂时性的浸水。 Protection against full immersion at up to 1 meter depth for up to 30 minutes. Limited ingress permitted with no harmful effects.
		8	防潜水保护：防止长时间浸没时加压水进入。 Protection against immersion beyond 1 meter. Equipment is suitable for continuous immersion in water. The manufacturer may specify conditions.





# 订货规则

## 全新客户定制编号规则及说明

NEW CUSTOM NUMBERING RULES AND INSTRUCTIONS

### 订货号说明

第一部分组成：系列类型号，画册详情页每款产品都有安排好的号码，客户可看图选号；

第二部分组成：芯数+接口型号+线材+长度，根据下面的说明，客户可根据需要填写对应参数，方便定制。

### Order NO. Description

The first part: Series Type, each product has its part number on the album details page, and customers can choose according to the picture and part number;

The second part: number of cores + interface model + wire + length. According to the following instructions, customers can fill in corresponding parameters as required to facilitate customization.

123456 - 12 A 1 12345

#### 系列类型号(Serie Type):

系列包括E7、E10、E13、E16、Type-c、MircoUSB、USB2.0、USB3.0、RJ45、HDMI、FDDI等；详细类型号请参考详情页

include E7, E10, E13, E16, TYPE-C, Micro-USB, USB2.0, USB3.0, RJ45, HDMI, FDDI .ect; Please refer to the details page for the type number

#### 线长(Cable length):

以 (mm) 毫米为单位  
in mm

#### 线材(Cable material):

1-PVC、2-PUR、3-TPU、4-橡胶线、5-铁氟龙  
1-PVC, 2-PUR, 3-TPU, 4-Rubber, 5-Teflon

#### 接口型号(Code):

A、B、C、D、K、L、M、S、T、Y、X等  
A、B、C、D、K、L、M、S、T、Y、X.ect

#### 芯数(Contacts number):

02、03、04、05、06、07、08、12、17、18、21、24等  
02、03、04、05、06、07、08、12、17、18、21、24.ect

#### 各个系列起始编号 (Each series' starting number):

E7:	.....E07001
E10:	.....E10001
E13:	.....E13001
E16:	.....E16001
E10 Type-c USB:	.....E10501
E10 Mirco USB:	.....E10551
E13 USB 2.0:	.....E13501
E13 USB 3.0:	.....E13551
E13 RJ45:	.....E13601
E13 FDDI:	.....E13651
E13 HDMI:	.....E13701
E16:	.....E16001
E16 Type-c USB:	.....E16051
E16 Mirco USB:	.....E160551
E16 USB 2.0:	.....E163501
E16 USB 3.0:	.....E163551
E16 RJ45:	.....E163601
E16 FDDI:	.....E163651
E16 HDMI:	.....E163701
E16:	.....E16001
E16 Type-c USB:	.....E16051
E16 Mirco USB:	.....E160551
E16 USB 2.0:	.....E163501
E16 USB 3.0:	.....E163551
E16 RJ45:	.....E163601
E16 FDDI:	.....E163651
E16 HDMI:	.....E163701
E16:	.....E16001
E16 Type-c USB:	.....E16051
E16 Mirco USB:	.....E160551
E16 USB 2.0:	.....E163501
E16 USB 3.0:	.....E163551
E16 RJ45:	.....E163601
E16 FDDI:	.....E163651
E16 HDMI:	.....E163701

#### 线材(Cable material):

PVC:	..... 1
PUR:	..... 2
TPU:	..... 3
橡胶线 (rubber):	..... 4
铁氟龙 (Teflon):	..... 5

(备注: 若不存在参数以0代替)

(Note: If no parameter exists, use 0 instead.)



# E7系列 E7 SERIE

产品规格: 7/16"-28UNS 美标牙规  
Specifications: 7/16"-28UNS U.S. standard screw

广泛应用于LED显示, 监控, 自动化设备及户外通讯设备。  
Widely used in LED display, monitoring, automation equipment and outdoor communication equipment.

产品芯数: 2-19芯, 有大电流  
Pins number: 2-19 pins, with high current

有螺纹, 卡扣, 两种连接方式  
2 Coupling way: Threaded, Bayonet

结构丰富  
Rich structure

插头: 组装式, 注塑式  
Plug: Assembly type, Injection type

插座: 板前安装, 板后安装, PCB板多种安装方式  
Socket: Front Mount, Back Mount, PCB Mount

防护等级: IP67, IP68  
Protection grade: IP67, IP68


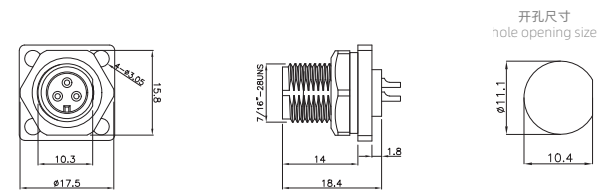

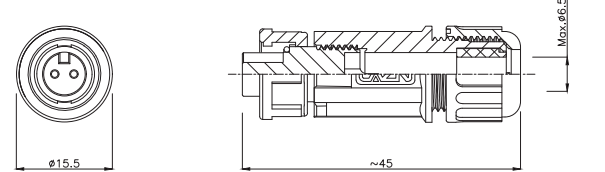

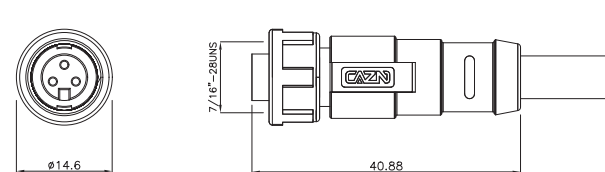

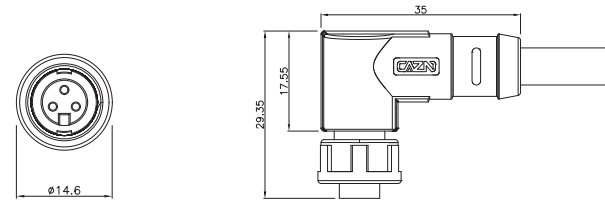

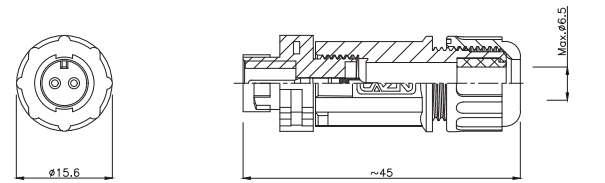

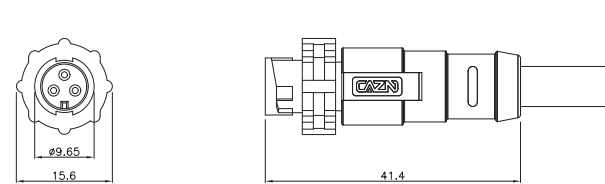

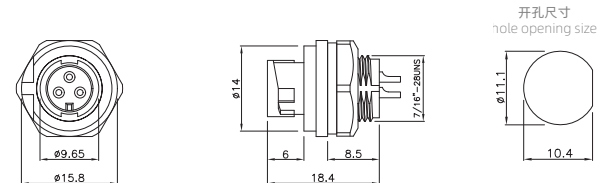

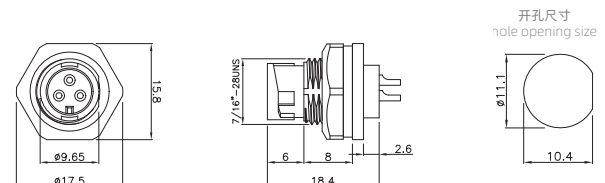


## 产品参数 PRODUCT PARAMETERS

外壳材料 Shell material	热塑性塑料PA66 阻燃等级: V-0 Thermoplastic plastic PA66, flame retardant grade: V-0	接触阻抗 Contact impedance	≤5mΩ
插针材料 Contact material	黄铜/磷铜镀金 Brass/Phosphorus copper gold-plated	插拔次数 Durability	≥50000次(Cycles)
密封材料 Sealing material	环氧树脂/橡胶 Epoxy resin/Rubber	绝缘阻抗 Insulation impedance	≥100mΩ
连接方式 Coupling	螺纹锁紧(T);卡扣锁紧(B) Thread (T); Bayonet(B)	适用温度 Applicable temperature	-25°C ~ +105°C
接线方式 Termination way	焊接 Solder	接线范围 Wiring range	3.5mm~6.8mm

产品图 PRODUCT FIGURE	名称/类型号 NAME/TYPE No.	尺寸图 DIMENSIONS	
	组装式孔型直式插头(螺纹) E7 Straight Female Field Installable Plug(Threated) E07001-03 0 0 00000 No. E07001    2 3 4 5 6    1-PVC 2-PUR 3-TPU 4-RU 5-PTFE    L(mm)		
	成型式孔型直式插头(螺纹) E7 Straight Female Overmolded Plug(Threated) E07002-03 0 0 00000 No. E07002    2 3 4 5 6    1-PVC 2-PUR 3-TPU 4-RU 5-PTFE    L(mm)		
	成型式孔型弯式插头(螺纹) E7 Right angle Female Overmolded Plug(Threated) E07003-03 0 0 00000 No. E07003    2 3 4 5 6    1-PVC 2-PUR 3-TPU 4-RU 5-PTFE    L(mm)		
	组装式对接针型直式插头(螺纹) E7 Straight Male Field Installable Mating Plug(Threated) E07004-02 0 0 00000 No. E07004    2 3 4 5 6    1-PVC 2-PUR 3-TPU 4-RU 5-PTFE    L(mm)		
	成型式针型直式对接插头(螺纹) E7 Straight Male Overmolded Mating Plug(Threated) E07005-03 0 0 00000 No. E07005    2 3 4 5 6    1-PVC 2-PUR 3-TPU 4-RU 5-PTFE    L(mm)		
	板前安装针型插座(螺纹) E7 Male Front Mount Solder Receptacle(Threated) E07006-03 0 0 00000 No. E07006    2 3 4 5 6    1-PVC 2-PUR 3-TPU 4-RU 5-PTFE    L(mm)		开孔尺寸 hole opening size
	板后安装针型插座(螺纹) E7 Male Back Mount Solder Receptacle(Threated) E07007-03 0 0 00000 No. E07007    2 3 4 5 6    1-PVC 2-PUR 3-TPU 4-RU 5-PTFE    L(mm)		开孔尺寸 hole opening size
	板后安装针型PCB板式插座(螺纹) E7 Male Back Mount PCB Receptacle(Threated) E07008-03 0 0 00000 No. E07008    2 3 4 5 6    1-PVC 2-PUR 3-TPU 4-RU 5-PTFE    L(mm)		开孔尺寸 hole opening size

E7 螺纹 Threaded

产品图 PRODUCT FIGURE	名称/类型号 NAME/TYPE No.	尺寸图 DIMENSIONS
	<p>方形法兰针型插座(螺纹) E7 Male Square Receptacle(Threated)</p> <p>E07009-03 0 0 00000</p> <p>No. E07009    2 3 4 5 6    1-PVC 2-PUR 3-TPU 4-RU 5-PTFE    L (mm)</p>	 <p>开孔尺寸 hole opening size</p>
	<p>组装式孔型直式插头(卡扣) E7 Straight Female Field Installable Plug(Bayonet)</p> <p>E07010-03 0 0 00000</p> <p>No. E07010    2 3 4 5 6    1-PVC 2-PUR 3-TPU 4-RU 5-PTFE    L (mm)</p>	
	<p>成型式孔型直式插头(卡扣) E7 Straight Female Overmolded Plug(Bayonet)</p> <p>E07011-03 0 0 00000</p> <p>No. E07011    2 3 4 5 6    1-PVC 2-PUR 3-TPU 4-RU 5-PTFE    L (mm)</p>	
	<p>成型式孔型弯式插头(卡扣) E7 Right angle Female Overmolded Plug(Bayonet)</p> <p>E07012-03 0 0 00000</p> <p>No. E07012    2 3 4 5 6    1-PVC 2-PUR 3-TPU 4-RU 5-PTFE    L (mm)</p>	
	<p>组装式对接针型直式插头(卡扣) E7 Straight Male Field Installable Mating Plug(Bayonet)</p> <p>E07013-03 0 0 00000</p> <p>No. E07013    2 3 4 5 6    1-PVC 2-PUR 3-TPU 4-RU 5-PTFE    L (mm)</p>	
	<p>成型式针型直式对接插头(卡扣) E7 Straight Male Overmolded Mating Plug(Bayonet)</p> <p>E07014-03 0 0 00000</p> <p>No. E07014    2 3 4 5 6    1-PVC 2-PUR 3-TPU 4-RU 5-PTFE    L (mm)</p>	
	<p>板前安装针型插座(卡扣) E7 Male Front Mount Solder Receptacle(Bayonet)</p> <p>E07015-03 0 0 00000</p> <p>No. E07015    2 3 4 5 6    1-PVC 2-PUR 3-TPU 4-RU 5-PTFE    L (mm)</p>	 <p>开孔尺寸 hole opening size</p>
	<p>板后安装针型插座(卡扣) E7 Male Back Mount Solder Receptacle(Bayonet)</p> <p>E07016-03 0 0 00000</p> <p>No. E07016    2 3 4 5 6    1-PVC 2-PUR 3-TPU 4-RU 5-PTFE    L (mm)</p>	 <p>开孔尺寸 hole opening size</p>

E7 卡扣 Bayonet

产品图 PRODUCT FIGURE	名称/类型号 NAME/TYPE No.	尺寸图 DIMENSIONS		
	板后安装针型PCB板式插座(卡扣) E7 Male Back Mount PCB Receptacle(Bayonet) E07017-03 0 0 00000 No. E07017    2 3 4 5 6    1-PVC 2-PUR 3-TPU 4-RU 5-PTFE    L (mm)			
	方形法兰针型插座(卡扣) E7 Male Square Receptacle(Bayonet) E07018-03 0 0 00000 No. E07018    2 3 4 5 6    1-PVC 2-PUR 3-TPU 4-RU 5-PTFE    L (mm)			

E7·PCB芯位图 E7 PCB PINS ARRANGEMENT

芯数 Pins	2	3	4	5	6
芯位图 Pins arrangement					

E7·电气参数 E7 ELECTRICAL PARAMETERS

芯数排列及技术参数 PINS ARRANGEMENT & TECHNICAL PARAMETERS					
芯数 Pins	2	3	4	5	6
芯位排布 Pins arrangement					
规格 SPECIFICATIONS					
芯数 Pins	2	3	4	5	6
线规 Wire gauge	0.519mm <sup>2</sup> (20AWG)			0.34mm <sup>2</sup> (20AWG)	
引脚类型 Pin type	φ1.0mm			φ0.8mm	
接线范围 Wiring range	3.5mm~6.8mm				
防水等级 Waterproof grade	IP67/IP68				
插拔次数 Durability	500				
适应温度 Applicable temperature	-45°C~105°C				
额定电压 Rated voltage	125V	125V	60V	60V	60V
额定电流 Rated current	5A	5A	2A	2A	2A

# E10系列 E10 SERIE

产品规格：5/8"-27UNS 美标牙规

Specifications: 5/8"-27UNS U.S. standard screw

广泛应用于LED显示，监控，自动化设备及户外通讯设备。

Widely used in LED display, monitoring, automation equipment and outdoor communication equipment.

产品芯数：2-12芯，有大电流，小电流及混装，

Pins number: 2-12 pins, Current: 2A, 5A, 10A and Mix-current

有螺纹，卡扣，两种连接方式

2 Coupling way: Threaded, Bayonet

结构丰富

Rich structure

插头：组装式，注塑式

Plug: Assembly type, Injection type

插座：板前安装，板后安装，PCB板多种安装方式

Socket: Front Mount, Back Mount, PCB Mount

防护等级：IP67，IP68

Protection grade: IP67, IP68


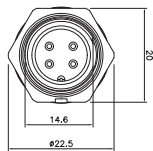
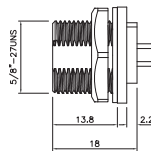
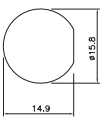

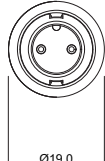
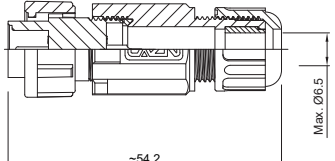

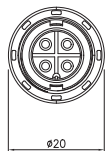
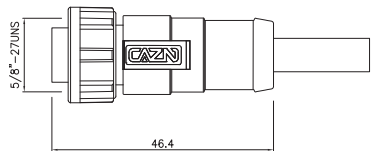


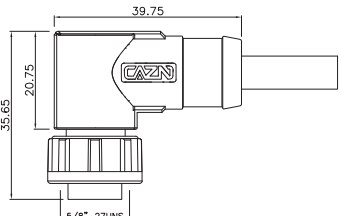

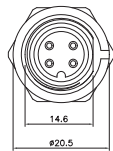
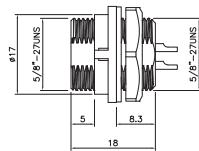
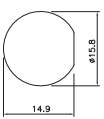

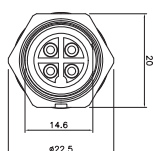
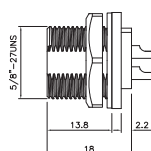
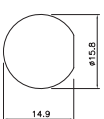

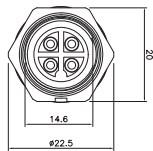
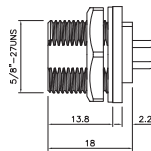
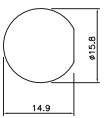


## 产品参数 PRODUCT PARAMETERS

外壳材料 Shell material	热塑性塑料PA66 阻燃等级：V-0 Thermoplastic plastic PA66, flame retardant grade: V-0	绝缘电阻 Insulation resistance	2000 mΩ
插针材料 Contact material	铜镀金 Copper gold-plated	适用温度 Applicable temperature	-40°C ~ +105°C
连接方式 Coupling	螺纹锁紧(T);卡扣锁紧(B) Thread (T); Bayonet(B)	电缆线径 Cable diameter	4.0mm~8.0mm
接线方式 Termination way	焊接 Solder	防水等级 Waterproof grade	IP67、IP68
插拔次数 Durability	≥50000次(Cycles)		

产品图 PRODUCT FIGURE	名称/类型号 NAME/TYPENo.	尺寸图 DIMENSIONS	
	<p>                             组装式孔型直式插头(螺纹)                              E10 Straight Female Field Installable Plug(Threated)                         </p> <p>                             E10001-06 A 0 00000                         </p> <p>                             No. E10001    A: 2 3 4 5 6 7                                                8 10 12    1-PVC                                                B: 2B 3B 4B    2-PUR                                                C: 2C 3C 4C    3-TPU                                                                4-RU                                                                5-PTFE    L (mm)                         </p>		
	<p>                             成型式孔型直式插头(螺纹)                              E10 Straight Female Overmolded Plug(Threated)                         </p> <p>                             E10002-06 A 0 00000                         </p> <p>                             No. E10002    A: 2 3 4 5 6 7                                                8 10 12    1-PVC                                                B: 2B 3B 4B    2-PUR                                                C: 2C 3C 4C    3-TPU                                                                4-RU                                                                5-PTFE    L (mm)                         </p>		
	<p>                             成型式孔型弯式插头(螺纹)                              E10 Right angle Female Overmolded Plug(Threated)                         </p> <p>                             E10003-05 A 0 00000                         </p> <p>                             No. E10003    A: 2 3 4 5 6 7                                                8 10 12    1-PVC                                                B: 2B 3B 4B    2-PUR                                                C: 2C 3C 4C    3-TPU                                                                4-RU                                                                5-PTFE    L (mm)                         </p>		
	<p>                             组装式对接针型直式插头(螺纹)                              E10 Straight Male Field Installable Mating Plug(Threated)                         </p> <p>                             E10004-04 A 0 00000                         </p> <p>                             No. E10004    A: 2 3 4 5 6 7                                                8 10 12    1-PVC                                                B: 2B 3B 4B    2-PUR                                                C: 2C 3C 4C    3-TPU                                                                4-RU                                                                5-PTFE    L (mm)                         </p>		
	<p>                             成型式针型直式对接插头(螺纹)                              E10 Straight Male Overmolded Mating Plug(Threated)                         </p> <p>                             E10005-05 A 0 00000                         </p> <p>                             No. E10005    A: 2 3 4 5 6 7                                                8 10 12    1-PVC                                                B: 2B 3B 4B    2-PUR                                                C: 2C 3C 4C    3-TPU                                                                4-RU                                                                5-PTFE    L (mm)                         </p>		
	<p>                             板前安装针型插座(螺纹)                              E10 Male Front Mount Solder Receptacle(Threated)                         </p> <p>                             E10006-04 A 0 00000                         </p> <p>                             No. E10006    A: 2 3 4 5 6 7                                                8 10 12    1-PVC                                                B: 2B 3B 4B    2-PUR                                                C: 2C 3C 4C    3-TPU                                                                4-RU                                                                5-PTFE    L (mm)                         </p>		
	<p>                             板后安装针型插座(螺纹)                              E10 Male Back Mount Solder Receptacle (Threaded)                         </p> <p>                             E10007-02 A 0 00000                         </p> <p>                             No. E10007    A: 2 3 4 5 6 7                                                8 10 12    1-PVC                                                B: 2B 3B 4B    2-PUR                                                C: 2C 3C 4C    3-TPU                                                                4-RU                                                                5-PTFE    L (mm)                         </p>		

正装 Fromal

<p>产品图 PRODUCT FIGURE</p>	<p>名称/类型号 NAME/TYP NO.</p>	<p>尺寸图 DIMENSIONS</p>		
	<p>板后安装针型PCB板式插座(螺纹) E10 Male Back Mount PCB Receptacle(Threaded)</p> <p><b>E10008-04 B 0 00000</b></p> <p>No. E10008</p> <p>A: 2 3 4 5 6 7 8 10 12</p> <p>B: 2B 3B 4B</p> <p>C: 2C 3C 4C</p> <p>1-PVC 2-PUR 3-TPU 4-RU 5-PTFE</p> <p>L (mm)</p>			<p>开孔尺寸 hole opening size</p> 
	<p>组装式针型直式插头(螺纹) E10 Straight Male Field Installable Plug(Threaded)</p> <p><b>E10009-04 A 0 00000</b></p> <p>No. E10009</p> <p>A: 2 3 4 5 6 7 8 10 12</p> <p>B: 2B 3B 4B</p> <p>C: 2C 3C 4C</p> <p>1-PVC 2-PUR 3-TPU 4-RU 5-PTFE</p> <p>L (mm)</p>			<p>反装 Reverse</p>
	<p>成型式针型直式插头(螺纹) E10 Straight Male Overmolded Plug(Threaded)</p> <p><b>E10010-06 A 0 00000</b></p> <p>No. E10010</p> <p>A: 2 3 4 5 6 7 8 10 12</p> <p>B: 2B 3B 4B</p> <p>C: 2C 3C 4C</p> <p>1-PVC 2-PUR 3-TPU 4-RU 5-PTFE</p> <p>L (mm)</p>			
	<p>成型式针型弯式插头(螺纹) E10 Right angle Male Overmolded Plug(Threaded)</p> <p><b>E10011-06 A 0 00000</b></p> <p>No. E10011</p> <p>A: 2 3 4 5 6 7 8 10 12</p> <p>B: 2B 3B 4B</p> <p>C: 2C 3C 4C</p> <p>1-PVC 2-PUR 3-TPU 4-RU 5-PTFE</p> <p>L (mm)</p>			
	<p>板前安装孔型插座(螺纹) E10 Female Front Mount Solder Receptacle(Threaded)</p> <p><b>E10012-04 A 0 00000</b></p> <p>No. E10012</p> <p>A: 2 3 4 5 6 7 8 10 12</p> <p>B: 2B 3B 4B</p> <p>C: 2C 3C 4C</p> <p>1-PVC 2-PUR 3-TPU 4-RU 5-PTFE</p> <p>L (mm)</p>			<p>开孔尺寸 hole opening size</p> 
	<p>板后安装孔型插座(螺纹) E10 Female Back Mount Solder Receptacle(Threaded)</p> <p><b>E10013-04 A 0 00000</b></p> <p>No. E10013</p> <p>A: 2 3 4 5 6 7 8 10 12</p> <p>B: 2B 3B 4B</p> <p>C: 2C 3C 4C</p> <p>1-PVC 2-PUR 3-TPU 4-RU 5-PTFE</p> <p>L (mm)</p>			<p>开孔尺寸 hole opening size</p> 
	<p>板后安装孔型PCB板式插座(螺纹) E10 Female Back Mount PCB Receptacle(Threaded)</p> <p><b>E10014-04 A 0 00000</b></p> <p>No. E10014</p> <p>A: 2 3 4 5 6 7 8 10 12</p> <p>B: 2B 3B 4B</p> <p>C: 2C 3C 4C</p> <p>1-PVC 2-PUR 3-TPU 4-RU 5-PTFE</p> <p>L (mm)</p>			<p>开孔尺寸 hole opening size</p> 



产品图 PRODUCT FIGURE	名称/型号 NAME/TYPE No.	尺寸图 DIMENSIONS
	防尘盖圆孔(螺纹) E10 Dust Cover Round Hole(Thread)  E10015-00 0 0 00001	
	防尘盖插销(螺纹) E10 Dust Cover Latch(Thread)  E10016-00 0 0 00001	

配件  
Accessories

E10·PCB芯位图 E10 PCB PINS ARRANGEMENT


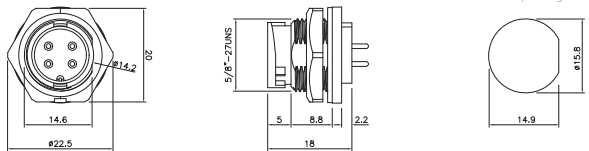

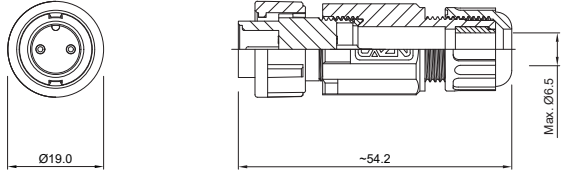

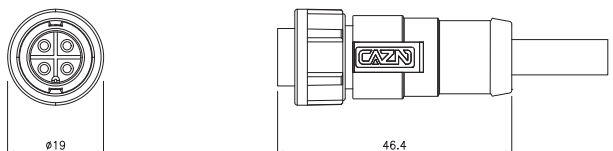

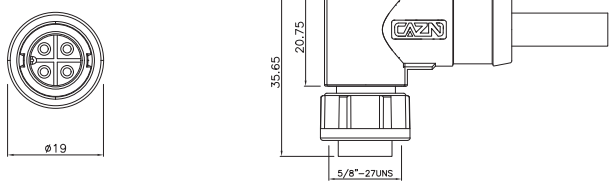

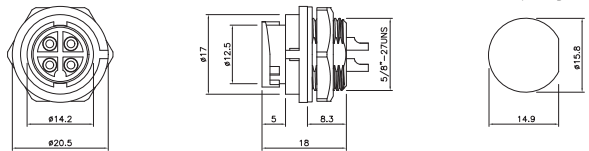

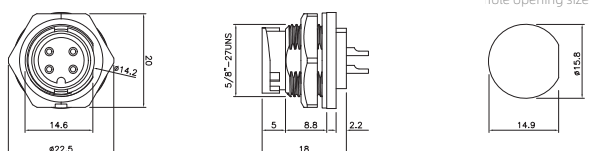

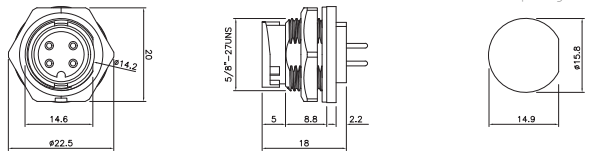
芯数 Pins	2	3	4	5	6	7	8	10	12	
A编码 A-Code										
芯数 Pins	2B	3B	4B				芯数 Pins	2C	3C	4C
B编码 B-Code							C编码 C-Code			

E10·电气参数 E10 ELECTRICAL PARAMETERS


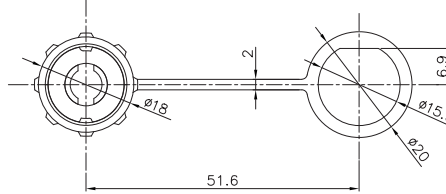

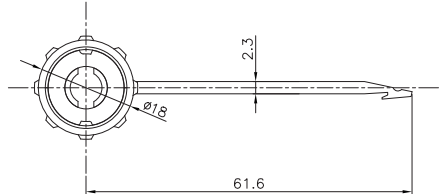
芯数排列及技术参数 PINS ARRANGEMENT & TECHNICAL PARAMETERS																
芯数 Pins	2B	3B	4B	2C	3C	4C										
芯位排布 Pins arrangement																
芯数 Pins	2	3	4	5	6	7	8	10	12							
芯位排布 Pins arrangement																
规格 SPECIFICATIONS																
芯数 Pins	2B	3B	4B	2C	3C	4C	2	3	4	5	6	7	8	10	12	
线规 Wire gauge	0.823mm <sup>2</sup> (18AWG)						0.519mm <sup>2</sup> (20AWG)						0.34mm <sup>2</sup> (22AWG)			
引脚类型 Pin type	∅ 1.6mm						∅ 1.0mm						∅ 0.8mm			
接线范围 Wiring range	3.5mm~10.0mm															
防水等级 Waterproof grade	IP67/IP68															
插拔次数 Durability	500															
适应温度 Applicable temperature	-45℃~105℃															
额定电压 Rated voltage	300V	300V	300V	125V	125V	125V	60V	60V	60V	60V	60V	60V	60V	60V	30V	30V
额定电流 Rated current	10A	10A	10A	10A	10A	10A	5A	5A	5A	5A	5A	5A	5A	5A	2A	2A

<p>产品图 PRODUCT FIGURE</p>	<p>名称/类型号 NAME/TYPE No.</p>	<p>尺寸图 DIMENSIONS</p>	
	<p>组装式孔型直式插头(卡扣) E10 Straight Female Field Installable Plug(Bayonet)</p> <p><b>E10017-06 A 0 00000</b></p> <p>No. E10017</p> <p>A: 2 3 4 5 6 7 8 10 12</p> <p>B: 2B 3B 4B</p> <p>C: 2C 3C 4C</p> <p>1-PVC 2-PUR 3-TPU 4-RU 5-PTFE</p> <p>L (mm)</p>		
	<p>成型式孔型直式插头(卡扣) E10 Straight Female Overmolded Plug(Bayonet)</p> <p><b>E10018-06 A 0 00000</b></p> <p>No. E10018</p> <p>A: 2 3 4 5 6 7 8 10 12</p> <p>B: 2B 3B 4B</p> <p>C: 2C 3C 4C</p> <p>1-PVC 2-PUR 3-TPU 4-RU 5-PTFE</p> <p>L (mm)</p>		
	<p>成型式孔型弯式插头(卡扣) E10 Right angle Female Overmolded Plug(Bayonet)</p> <p><b>E10019-12 A 0 00000</b></p> <p>No. E10019</p> <p>A: 2 3 4 5 6 7 8 10 12</p> <p>B: 2B 3B 4B</p> <p>C: 2C 3C 4C</p> <p>1-PVC 2-PUR 3-TPU 4-RU 5-PTFE</p> <p>L (mm)</p>		
	<p>组装式对接针型直式插头(卡扣) E10 Straight Male Field Installable Mating Plug(Bayonet)</p> <p><b>E10020-04 A 0 00000</b></p> <p>No. E10020</p> <p>A: 2 3 4 5 6 7 8 10 12</p> <p>B: 2B 3B 4B</p> <p>C: 2C 3C 4C</p> <p>1-PVC 2-PUR 3-TPU 4-RU 5-PTFE</p> <p>L (mm)</p>		
	<p>成型式针型直式对接插头(卡扣) E10 Straight Male Overmolded Mating Plug(Bayonet)</p> <p><b>E10021-06 A 0 00000</b></p> <p>No. E10021</p> <p>A: 2 3 4 5 6 7 8 10 12</p> <p>B: 2B 3B 4B</p> <p>C: 2C 3C 4C</p> <p>1-PVC 2-PUR 3-TPU 4-RU 5-PTFE</p> <p>L (mm)</p>		
	<p>板前安装针型插座(卡扣) E10 Male Front Mount Solder Receptacle(Bayonet)</p> <p><b>E10022-12 A 0 00000</b></p> <p>No. E10022</p> <p>A: 2 3 4 5 6 7 8 10 12</p> <p>B: 2B 3B 4B</p> <p>C: 2C 3C 4C</p> <p>1-PVC 2-PUR 3-TPU 4-RU 5-PTFE</p> <p>L (mm)</p>		
	<p>板后安装针型插座(卡扣) E10 Male Back Mount Solder Receptacle(Bayonet)</p> <p><b>E10023-03 B 0 00000</b></p> <p>No. E10023</p> <p>A: 2 3 4 5 6 7 8 10 12</p> <p>B: 2B 3B 4B</p> <p>C: 2C 3C 4C</p> <p>1-PVC 2-PUR 3-TPU 4-RU 5-PTFE</p> <p>L (mm)</p>		

正装 Fromal

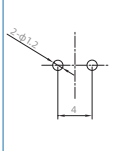
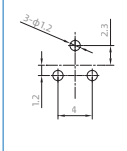
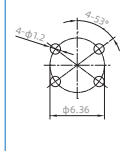
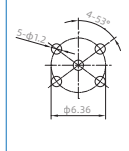
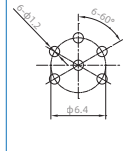
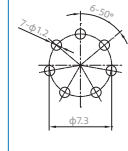
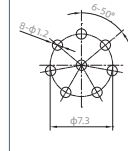
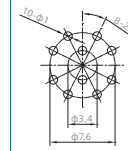
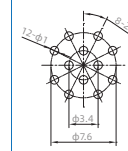
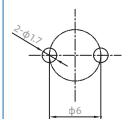
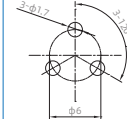
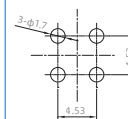
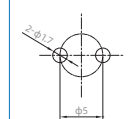
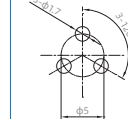
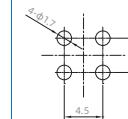
<p>产品图 PRODUCT FIGURE</p>	<p>名称/类型号 NAME/TYPE No.</p>	<p>尺寸图 DIMENSIONS</p>
	<p>板后安装针型PCB板式插座(卡扣) E10 Male Back Mount PCB Receptacle(Bayonet)</p> <p><b>E10024-12 A 0 00000</b></p> <p>No. E10024</p> <p>A: 2 3 4 5 6 7 8 10 12 B: 2B 3B 4B C: 2C 3C 4C</p> <p>1-PVC 2-PUR 3-TPU 4-RU 5-PTFE</p> <p>L (mm)</p>	 <p>开孔尺寸 hole opening size</p>
	<p>组装式针型直式插头(卡扣) E10 Straight Male Field Installable Plug(Bayonet)</p> <p><b>E10025-04 A 0 00000</b></p> <p>No. E10025</p> <p>A: 2 3 4 5 6 7 8 10 12 B: 2B 3B 4B C: 2C 3C 4C</p> <p>1-PVC 2-PUR 3-TPU 4-RU 5-PTFE</p> <p>L (mm)</p>	
	<p>成型式针型直式插头(卡扣) E10 Straight Male Overmolded Plug(Bayonet)</p> <p><b>E10026-06 A 0 00000</b></p> <p>No. E10026</p> <p>A: 2 3 4 5 6 7 8 10 12 B: 2B 3B 4B C: 2C 3C 4C</p> <p>1-PVC 2-PUR 3-TPU 4-RU 5-PTFE</p> <p>L (mm)</p>	
	<p>成型式针型弯式插头(卡扣) E10 Right angle Male Overmolded Plug(Bayonet)</p> <p><b>E10027-06 A 0 00000</b></p> <p>No. E10027</p> <p>A: 2 3 4 5 6 7 8 10 12 B: 2B 3B 4B C: 2C 3C 4C</p> <p>1-PVC 2-PUR 3-TPU 4-RU 5-PTFE</p> <p>L (mm)</p>	
	<p>板前安装孔型插座(卡扣) E10 Female Front Mount Solder Receptacle(Bayonet)</p> <p><b>E10028-04 A 0 00000</b></p> <p>No. E10028</p> <p>A: 2 3 4 5 6 7 8 10 12 B: 2B 3B 4B C: 2C 3C 4C</p> <p>1-PVC 2-PUR 3-TPU 4-RU 5-PTFE</p> <p>L (mm)</p>	 <p>开孔尺寸 hole opening size</p>
	<p>板后安装孔型插座(卡扣) E10 Female Back Mount Solder Receptacle(Bayonet)</p> <p><b>E10029-04 A 0 00000</b></p> <p>No. E10029</p> <p>A: 2 3 4 5 6 7 8 10 12 B: 2B 3B 4B C: 2C 3C 4C</p> <p>1-PVC 2-PUR 3-TPU 4-RU 5-PTFE</p> <p>L (mm)</p>	 <p>开孔尺寸 hole opening size</p>
	<p>板后安装孔型PCB板式插座(卡扣) E10 Female Back Mount PCB Receptacle(Bayonet)</p> <p><b>E10030-04 A 0 00000</b></p> <p>No. E10030</p> <p>A: 2 3 4 5 6 7 8 10 12 B: 2B 3B 4B C: 2C 3C 4C</p> <p>1-PVC 2-PUR 3-TPU 4-RU 5-PTFE</p> <p>L (mm)</p>	 <p>开孔尺寸 hole opening size</p>

Reverse

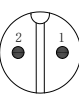
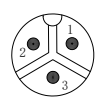
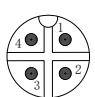
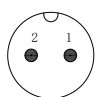
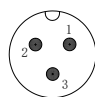
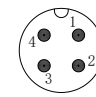

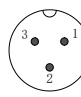
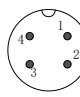

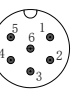


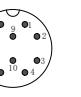

产品图 PRODUCT FIGURE	名称/型号 NAME/TYPE No.	尺寸图 DIMENSIONS
	防尘盖圆孔(卡扣) E10 Dust Cover Round Hole(Bayonet)  E10031-00 0 0 00001	
	防尘盖插销(卡扣) E10 Dust Cover Latch(Bayonet)  E10032-00 0 0 00001	

配件  
Accessories

E10·PCB芯位图 E10 PCB PINS ARRANGEMENT

芯数 Pins	2	3	4	5	6	7	8	10	12	
A编码 A-Code										
芯数 Pins	2B	3B	4B				芯数 Pins	2C	3C	4C
B编码 B-Code							C编码 C-Code			

E10·电气参数 E10 ELECTRICAL PARAMETERS

芯数排列及技术参数 PINS ARRANGEMENT & TECHNICAL PARAMETERS																
芯数 Pins	2B		3B		4B		2C		3C		4C					
芯位排布 Pins arrangement																
芯数 Pins	2	3	4	5	6	7	8	10	12							
芯位排布 Pins arrangement																
规格 SPECIFICATIONS																
芯数 Pins	2B	3B	4B	2C	3C	4C	2	3	4	5	6	7	8	10	12	
线规 Wire gauge	0.823mm <sup>2</sup> (18AWG)						0.519mm <sup>2</sup> (20AWG)						0.34mm <sup>2</sup> (22AWG)			
引脚类型 Pin type	∅ 1.6mm						∅ 1.0mm						∅ 0.8mm			
接线范围 Wiring range	3.5mm~10.0mm															
防水等级 Waterproof grade	IP67/IP68															
插拔次数 Durability	500															
适应温度 Applicable temperature	-45°C~105°C															
额定电压 Rated voltage	300V	300V	300V	125V	125V	125V	60V	60V	60V	60V	60V	60V	60V	30V	30V	
额定电流 Rated current	10A	10A	10A	10A	10A	10A	5A	5A	5A	5A	5A	5A	5A	2A	2A	

# E13系列 E13 SERIE

产品规格：13/16"-28UNS 美标牙规

Specifications: 13/16"-28UNS U.S. standard screw

广泛应用于LED显示，监控，自动化设备及户外通讯设备。

Widely used in LED display, monitoring, automation equipment and outdoor communication equipment.

产品芯数：2-18芯，有大电流，小电流及混装，

Pins number: 2-18 pins, Current: 2A, 5A, 10A, 20A and 15+2A(Mix-current)

有螺纹，卡扣，两种连接方式

2 Coupling way: Threaded, Bayonet

结构丰富

Rich structure

插头：组装式，注塑式

Plug: Assembly type, Injection type

插座：板前安装，板后安装，PCB板多种安装方式

Socket: Front Mount, Back Mount, PCB Mount

防护等级：IP67，IP68

Protection grade: IP67, IP68

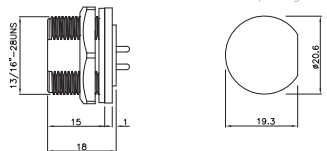

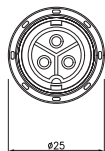
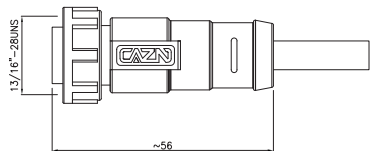

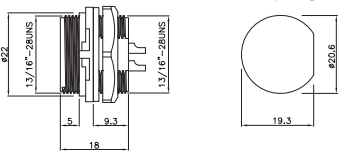
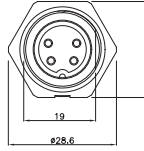
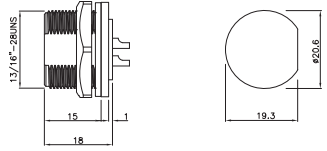
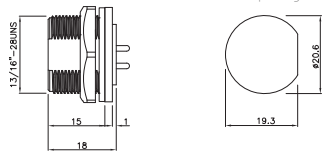


## 产品参数 PRODUCT PARAMETERS

外壳材料 Shell material	热塑性塑料PA66 阻燃等级：V-0 Thermoplastic plastic PA66, flame retardant grade: V-0	绝缘电阻 Insulation resistance	2000 mΩ
插针材料 Contact material	铜镀金 Copper gold-plated	适用温度 Applicable temperature	-40°C ~ +105°C
连接方式 Coupling	螺纹锁紧(T);卡扣锁紧(B) Thread (T); Bayonet(B)	电缆线径 Cable diameter	6.0mm~10.0mm
接线方式 Termination way	焊接 Solder	防水等级 Waterproof grade	IP67、IP68
插拔次数 Durability	≥50000次(Cycles)		

<p>产品图 PRODUCT FIGURE</p>	<p>名称/型号 NAME/TYPE NO.</p>	<p>尺寸图 DIMENSIONS</p>					
	<p><b>组装式孔型直式插头(螺纹)</b> E13 Straight Female Field Installable Plug(Threaded)</p> <p><b>E13001-03 D 0 00000</b></p> <table border="1"> <tr> <td>No. E13001</td> <td>2 3 4 5 6 7 8 9 10 12 14 18 B: 8B D: 2D 3D 4D</td> <td>1-PVC 2-PUR 3-TPU 4-RU 5-PTFE</td> <td>L (mm)</td> </tr> </table>	No. E13001	2 3 4 5 6 7 8 9 10 12 14 18 B: 8B D: 2D 3D 4D	1-PVC 2-PUR 3-TPU 4-RU 5-PTFE	L (mm)	 <p>ø25.0</p>	 <p>~58.0</p> <p>ø10.8 ±0.0</p>
No. E13001	2 3 4 5 6 7 8 9 10 12 14 18 B: 8B D: 2D 3D 4D	1-PVC 2-PUR 3-TPU 4-RU 5-PTFE	L (mm)				
	<p><b>成型式孔型直式插头(螺纹)</b> E13 Straight Female Overmolded Plug(Threaded)</p> <p><b>E13002-03 D 0 00000</b></p> <table border="1"> <tr> <td>No. E13002</td> <td>2 3 4 5 6 7 8 9 10 12 14 18 B: 8B D: 2D 3D 4D</td> <td>1-PVC 2-PUR 3-TPU 4-RU 5-PTFE</td> <td>L (mm)</td> </tr> </table>	No. E13002	2 3 4 5 6 7 8 9 10 12 14 18 B: 8B D: 2D 3D 4D	1-PVC 2-PUR 3-TPU 4-RU 5-PTFE	L (mm)	 <p>ø25</p>	 <p>13/16"-28UNS</p> <p>~56</p>
No. E13002	2 3 4 5 6 7 8 9 10 12 14 18 B: 8B D: 2D 3D 4D	1-PVC 2-PUR 3-TPU 4-RU 5-PTFE	L (mm)				
	<p><b>成型式孔型弯式插头(螺纹)</b> E13 Right angle Female Overmolded Plug(Threaded)</p> <p><b>E13003-03 D 0 00000</b></p> <table border="1"> <tr> <td>No. E13003</td> <td>2 3 4 5 6 7 8 9 10 12 14 18 B: 8B D: 2D 3D 4D</td> <td>1-PVC 2-PUR 3-TPU 4-RU 5-PTFE</td> <td>L (mm)</td> </tr> </table>	No. E13003	2 3 4 5 6 7 8 9 10 12 14 18 B: 8B D: 2D 3D 4D	1-PVC 2-PUR 3-TPU 4-RU 5-PTFE	L (mm)	 <p>ø25</p>	 <p>46</p> <p>25</p> <p>39.3</p> <p>13/16"-28UNS</p>
No. E13003	2 3 4 5 6 7 8 9 10 12 14 18 B: 8B D: 2D 3D 4D	1-PVC 2-PUR 3-TPU 4-RU 5-PTFE	L (mm)				
	<p><b>组装式对接针型直式插头(螺纹)</b> E13 Straight Male Field Installable Mating Plug(Threaded)</p> <p><b>E13004-03 D 0 00000</b></p> <table border="1"> <tr> <td>No. E13004</td> <td>2 3 4 5 6 7 8 9 10 12 14 18 B: 8B D: 2D 3D 4D</td> <td>1-PVC 2-PUR 3-TPU 4-RU 5-PTFE</td> <td>L (mm)</td> </tr> </table>	No. E13004	2 3 4 5 6 7 8 9 10 12 14 18 B: 8B D: 2D 3D 4D	1-PVC 2-PUR 3-TPU 4-RU 5-PTFE	L (mm)	 <p>24.6</p>	 <p>~57.9</p> <p>ø10.8 ±0.0</p>
No. E13004	2 3 4 5 6 7 8 9 10 12 14 18 B: 8B D: 2D 3D 4D	1-PVC 2-PUR 3-TPU 4-RU 5-PTFE	L (mm)				
	<p><b>成型式针型直式对接插头(螺纹)</b> E13 Straight Male Overmolded Mating Plug(Threaded)</p> <p><b>E13005-12 D 0 00000</b></p> <table border="1"> <tr> <td>No. E13005</td> <td>2 3 4 5 6 7 8 9 10 12 14 18 B: 8B D: 2D 3D 4D</td> <td>1-PVC 2-PUR 3-TPU 4-RU 5-PTFE</td> <td>L (mm)</td> </tr> </table>	No. E13005	2 3 4 5 6 7 8 9 10 12 14 18 B: 8B D: 2D 3D 4D	1-PVC 2-PUR 3-TPU 4-RU 5-PTFE	L (mm)	 <p>24.6</p>	 <p>13/16"-28UNS</p> <p>~57</p>
No. E13005	2 3 4 5 6 7 8 9 10 12 14 18 B: 8B D: 2D 3D 4D	1-PVC 2-PUR 3-TPU 4-RU 5-PTFE	L (mm)				
	<p><b>板前安装针型插座(螺纹)</b> E13 Male Front Mount Solder Receptacle(Threaded)</p> <p><b>E13006-03 D 0 00000</b></p> <table border="1"> <tr> <td>No. E13006</td> <td>2 3 4 5 6 7 8 9 10 12 14 18 B: 8B D: 2D 3D 4D</td> <td>1-PVC 2-PUR 3-TPU 4-RU 5-PTFE</td> <td>L (mm)</td> </tr> </table>	No. E13006	2 3 4 5 6 7 8 9 10 12 14 18 B: 8B D: 2D 3D 4D	1-PVC 2-PUR 3-TPU 4-RU 5-PTFE	L (mm)	 <p>ø25</p>	 <p>ø27</p> <p>13/16"-28UNS</p> <p>5</p> <p>9.3</p> <p>18</p> <p>开孔尺寸 hole opening size</p>  <p>ø20.6</p> <p>19.3</p>
No. E13006	2 3 4 5 6 7 8 9 10 12 14 18 B: 8B D: 2D 3D 4D	1-PVC 2-PUR 3-TPU 4-RU 5-PTFE	L (mm)				
	<p><b>板后安装针型插座(螺纹)</b> E13 Male Back Mount Solder Receptacle(Threaded)</p> <p><b>E13007-03 D 0 00000</b></p> <table border="1"> <tr> <td>No. E13007</td> <td>2 3 4 5 6 7 8 9 10 12 14 18 B: 8B D: 2D 3D 4D</td> <td>1-PVC 2-PUR 3-TPU 4-RU 5-PTFE</td> <td>L (mm)</td> </tr> </table>	No. E13007	2 3 4 5 6 7 8 9 10 12 14 18 B: 8B D: 2D 3D 4D	1-PVC 2-PUR 3-TPU 4-RU 5-PTFE	L (mm)	 <p>19</p> <p>ø28.6</p> <p>9.3</p>	 <p>13/16"-28UNS</p> <p>15</p> <p>18</p> <p>开孔尺寸 hole opening size</p>  <p>ø20.6</p> <p>19.3</p>
No. E13007	2 3 4 5 6 7 8 9 10 12 14 18 B: 8B D: 2D 3D 4D	1-PVC 2-PUR 3-TPU 4-RU 5-PTFE	L (mm)				

正装  
Fromal

产品图 PRODUCT FIGURE	名称/型号 NAME/TYPE NO.	尺寸图 DIMENSIONS	
	<p>板后安装针型PCB版式插座(螺纹) E13 Male Back Mount PCB Receptacle(Threated)</p> <p><b>E13008-12 0 0 00000</b></p> <ul style="list-style-type: none"> <li>No. E13008</li> <li>2 3 4 5 6 7 8 9 10 12 14 18</li> <li>B: 8B D: 2D 3D 4D</li> <li>1-PVC 2-PUR 3-TPU 4-RU 5-PTFE</li> <li>L (mm)</li> </ul>		
	<p>组装式针型直式插头(螺纹) E13 Straight Male Field Installable Plug(Threated)</p> <p><b>E13009-03 D 0 00000</b></p> <ul style="list-style-type: none"> <li>No. E13009</li> <li>2 3 4 5 6 7 8 9 10 12 14 18</li> <li>B: 8B D: 2D 3D 4D</li> <li>1-PVC 2-PUR 3-TPU 4-RU 5-PTFE</li> <li>L (mm)</li> </ul>		
	<p>成型式针型直式插头(螺纹) E13 Straight Male Overmolded Plug(Threated)</p> <p><b>E13010-03 D 0 00000</b></p> <ul style="list-style-type: none"> <li>No. E13010</li> <li>2 3 4 5 6 7 8 9 10 12 14 18</li> <li>B: 8B D: 2D 3D 4D</li> <li>1-PVC 2-PUR 3-TPU 4-RU 5-PTFE</li> <li>L (mm)</li> </ul>		
	<p>成型式针型弯式插头(螺纹) E13 Right angle Male Overmolded Plug(Threated)</p> <p><b>E13011-03 D 0 00000</b></p> <ul style="list-style-type: none"> <li>No. E13011</li> <li>2 3 4 5 6 7 8 9 10 12 14 18</li> <li>B: 8B D: 2D 3D 4D</li> <li>1-PVC 2-PUR 3-TPU 4-RU 5-PTFE</li> <li>L (mm)</li> </ul>		
	<p>板前安装孔型插座(螺纹) E13 Female Front Mount Solder Receptacle(Threated)</p> <p><b>E13012-08 0 0 00000</b></p> <ul style="list-style-type: none"> <li>No. E13012</li> <li>2 3 4 5 6 7 8 9 10 12 14 18</li> <li>B: 8B D: 2D 3D 4D</li> <li>1-PVC 2-PUR 3-TPU 4-RU 5-PTFE</li> <li>L (mm)</li> </ul>		
	<p>板后安装孔型插座(螺纹) E13 Female Back Mount Solder Receptacle(Threated)</p> <p><b>E13013-08 0 0 00000</b></p> <ul style="list-style-type: none"> <li>No. E13013</li> <li>2 3 4 5 6 7 8 9 10 12 14 18</li> <li>B: 8B D: 2D 3D 4D</li> <li>1-PVC 2-PUR 3-TPU 4-RU 5-PTFE</li> <li>L (mm)</li> </ul>		
	<p>板后安装孔型PCB版式插座(螺纹) E13 Female Back Mount PCB Receptacle(Threated)</p> <p><b>E13014-08 0 0 00000</b></p> <ul style="list-style-type: none"> <li>No. E13014</li> <li>2 3 4 5 6 7 8 9 10 12 14 18</li> <li>B: 8B D: 2D 3D 4D</li> <li>1-PVC 2-PUR 3-TPU 4-RU 5-PTFE</li> <li>L (mm)</li> </ul>		

Reverse

产品图 PRODUCT FIGURE	名称/型号 NAME/TYPE No.	尺寸图 DIMENSIONS
	防尘盖圆孔(螺纹) E13 Dust Cover Round Hole(Thread)  E13015-00 0 0 00001	
	防尘盖插销(螺纹) E13 Dust Cover Latch(Thread)  E13016-00 0 0 00001	

配件  
Accessories


E13·PCB芯位图 E13 PCB PINS ARRANGEMENT

4	5	6	7	8	9
10	12	14	18		

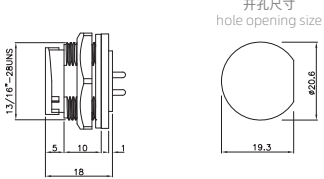
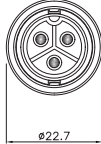

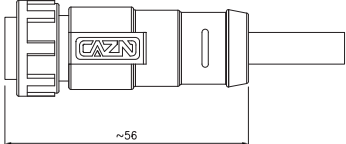

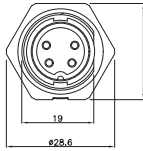
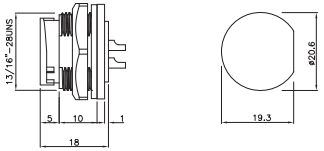
E13·电气参数 E13 ELECTRICAL PARAMETERS

芯数排列及技术参数 PINS ARRANGEMENT & TECHNICAL PARAMETERS																
芯数 Pins	2D	3D	4D	2	3	4	5	6	8B	7	8	9	10	12	14	18
芯位排布 Pins arrangement																
芯数 Pins	8B	7	8	9	10	12	14	18								
芯位排布 Pins arrangement																
规格 SPECIFICATIONS																
芯数 Pins	2D	3D	4D	2	3	4	5	6	8B	7	8	9	10	12	14	18
线规 Wire gauge	2.5mm <sup>2</sup> (14AWG)			0.823mm <sup>2</sup> (18AWG)			16AWG+ 22AWG			0.519mm <sup>2</sup> (20AWG)						
引脚类型 Pin type	∅ 2.4mm			∅ 1.6mm			∅ 2.0mm+ ∅ 0.8mm			∅ 1.0mm						
接线范围 Wiring range	6.0mm~10.0mm															
防水等级 Waterproof grade	IP67/IP68															
插拔次数 Durability	500															
适应温度 Applicable temperature	-45°C~105°C															
额定电压 Rated voltage	300V	300V	300V	125V	125V	125V	125V	125V	125+30V	60V	60V	60V	60V	60V	60V	30V
额定电流 Rated current	20A	20A	20A	20A	20A	10A	10A	10A	15+2A	5A	5A	5A	5A	5A	5A	2A



<p>产品图 PRODUCT FIGURE</p>	<p>名称/型号 NAME/TYPE NO.</p>	<p>尺寸图 DIMENSIONS</p>					
	<p><b>组装式孔型直式插头(卡扣)</b> E13 Straight Female Field Installable Plug(Bayonet)</p> <p><b>E13017-03 D 0 00000</b></p> <table border="1"> <tr> <td>No. E13017</td> <td>2 3 4 5 6 7 8 9 10 12 14 18 B: 8B D: 2D 3D 4D</td> <td>1-PVC 2-PUR 3-TPU 4-RU 5-PTFE</td> <td>L (mm)</td> </tr> </table>	No. E13017	2 3 4 5 6 7 8 9 10 12 14 18 B: 8B D: 2D 3D 4D	1-PVC 2-PUR 3-TPU 4-RU 5-PTFE	L (mm)	 <p>ø22.7</p>	 <p>~58.0</p> <p>ø10.8 ±0.05</p>
No. E13017	2 3 4 5 6 7 8 9 10 12 14 18 B: 8B D: 2D 3D 4D	1-PVC 2-PUR 3-TPU 4-RU 5-PTFE	L (mm)				
	<p><b>成型式孔型直式插头(卡扣)</b> E13 Straight Female Overmolded Plug(Bayonet)</p> <p><b>E13018-03 D 0 00000</b></p> <table border="1"> <tr> <td>No. E13018</td> <td>2 3 4 5 6 7 8 9 10 12 14 18 B: 8B D: 2D 3D 4D</td> <td>1-PVC 2-PUR 3-TPU 4-RU 5-PTFE</td> <td>L (mm)</td> </tr> </table>	No. E13018	2 3 4 5 6 7 8 9 10 12 14 18 B: 8B D: 2D 3D 4D	1-PVC 2-PUR 3-TPU 4-RU 5-PTFE	L (mm)	 <p>ø22.7</p>	 <p>~56</p>
No. E13018	2 3 4 5 6 7 8 9 10 12 14 18 B: 8B D: 2D 3D 4D	1-PVC 2-PUR 3-TPU 4-RU 5-PTFE	L (mm)				
	<p><b>成型式孔型弯式插头(卡扣)</b> E13 Right angle Female Overmolded Plug(Bayonet)</p> <p><b>E13019-03 D 0 00000</b></p> <table border="1"> <tr> <td>No. E13019</td> <td>2 3 4 5 6 7 8 9 10 12 14 18 B: 8B D: 2D 3D 4D</td> <td>1-PVC 2-PUR 3-TPU 4-RU 5-PTFE</td> <td>L (mm)</td> </tr> </table>	No. E13019	2 3 4 5 6 7 8 9 10 12 14 18 B: 8B D: 2D 3D 4D	1-PVC 2-PUR 3-TPU 4-RU 5-PTFE	L (mm)	 <p>ø22.7</p>	 <p>46</p> <p>39.3</p> <p>25</p>
No. E13019	2 3 4 5 6 7 8 9 10 12 14 18 B: 8B D: 2D 3D 4D	1-PVC 2-PUR 3-TPU 4-RU 5-PTFE	L (mm)				
	<p><b>组装式对接针型直式插头(卡扣)</b> E13 Straight Male Field Installable Mating Plug(Bayonet)</p> <p><b>E13020-03 D 0 00000</b></p> <table border="1"> <tr> <td>No. E13020</td> <td>2 3 4 5 6 7 8 9 10 12 14 18 B: 8B D: 2D 3D 4D</td> <td>1-PVC 2-PUR 3-TPU 4-RU 5-PTFE</td> <td>L (mm)</td> </tr> </table>	No. E13020	2 3 4 5 6 7 8 9 10 12 14 18 B: 8B D: 2D 3D 4D	1-PVC 2-PUR 3-TPU 4-RU 5-PTFE	L (mm)	 <p>24.6</p>	 <p>~58.0</p> <p>ø10.8 ±0.05</p>
No. E13020	2 3 4 5 6 7 8 9 10 12 14 18 B: 8B D: 2D 3D 4D	1-PVC 2-PUR 3-TPU 4-RU 5-PTFE	L (mm)				
	<p><b>成型式针型直式对接插头(卡扣)</b> E13 Straight Male Overmolded Mating Plug(Bayonet)</p> <p><b>E13021-12 0 0 00000</b></p> <table border="1"> <tr> <td>No. E13021</td> <td>2 3 4 5 6 7 8 9 10 12 14 18 B: 8B D: 2D 3D 4D</td> <td>1-PVC 2-PUR 3-TPU 4-RU 5-PTFE</td> <td>L (mm)</td> </tr> </table>	No. E13021	2 3 4 5 6 7 8 9 10 12 14 18 B: 8B D: 2D 3D 4D	1-PVC 2-PUR 3-TPU 4-RU 5-PTFE	L (mm)	 <p>ø18</p> <p>24.6</p>	 <p>~57</p>
No. E13021	2 3 4 5 6 7 8 9 10 12 14 18 B: 8B D: 2D 3D 4D	1-PVC 2-PUR 3-TPU 4-RU 5-PTFE	L (mm)				
	<p><b>板前安装针型插座(卡扣)</b> E13 Male Front Mount Solder Receptacle(Bayonet)</p> <p><b>E13022-03 D 0 00000</b></p> <table border="1"> <tr> <td>No. E13022</td> <td>2 3 4 5 6 7 8 9 10 12 14 18 B: 8B D: 2D 3D 4D</td> <td>1-PVC 2-PUR 3-TPU 4-RU 5-PTFE</td> <td>L (mm)</td> </tr> </table>	No. E13022	2 3 4 5 6 7 8 9 10 12 14 18 B: 8B D: 2D 3D 4D	1-PVC 2-PUR 3-TPU 4-RU 5-PTFE	L (mm)	 <p>ø18</p> <p>ø25</p>	 <p>22</p> <p>5</p> <p>9.3</p> <p>18</p> <p>13/16"-28UNS</p> <p>开孔尺寸 hole opening size</p>  <p>ø20.6</p> <p>19.3</p>
No. E13022	2 3 4 5 6 7 8 9 10 12 14 18 B: 8B D: 2D 3D 4D	1-PVC 2-PUR 3-TPU 4-RU 5-PTFE	L (mm)				
	<p><b>板后安装针型插座(卡扣)</b> E13 Male Back Mount Solder Receptacle(Bayonet)</p> <p><b>E13023-12 0 0 00000</b></p> <table border="1"> <tr> <td>No. E13023</td> <td>2 3 4 5 6 7 8 9 10 12 14 18 B: 8B D: 2D 3D 4D</td> <td>1-PVC 2-PUR 3-TPU 4-RU 5-PTFE</td> <td>L (mm)</td> </tr> </table>	No. E13023	2 3 4 5 6 7 8 9 10 12 14 18 B: 8B D: 2D 3D 4D	1-PVC 2-PUR 3-TPU 4-RU 5-PTFE	L (mm)	 <p>ø25.4</p> <p>19</p> <p>ø28.6</p>	 <p>13/16"-28UNS</p> <p>5</p> <p>10</p> <p>18</p> <p>开孔尺寸 hole opening size</p>  <p>ø20.6</p> <p>19.3</p>
No. E13023	2 3 4 5 6 7 8 9 10 12 14 18 B: 8B D: 2D 3D 4D	1-PVC 2-PUR 3-TPU 4-RU 5-PTFE	L (mm)				

正装  
Fromal

<p>产品图 PRODUCT FIGURE</p>	<p>名称/型号 NAME/TYPE NO.</p>	<p>尺寸图 DIMENSIONS</p>	
	<p>板后安装针型PCB版式插座(卡扣) E13 Male Back Mount PCB Receptacle(Bayonet)</p> <p><b>E13024-09 0 0 00000</b></p> <p>No. E13024</p> <p>2 3 4 5 6 7 8 9 10 12 14 18 B: 8B D: 2D 3D 4D</p> <p>1-PVC 2-PUR 3-TPU 4-RU 5-PTFE</p> <p>L (mm)</p>		<p>开孔尺寸 hole opening size</p> 
	<p>组装式针型直式插头(卡扣) E13 Straight Male Field Installable Plug(Bayonet)</p> <p><b>E13025-03 D 0 00000</b></p> <p>No. E13025</p> <p>2 3 4 5 6 7 8 9 10 12 14 18 B: 8B D: 2D 3D 4D</p> <p>1-PVC 2-PUR 3-TPU 4-RU 5-PTFE</p> <p>L (mm)</p>		
	<p>成型式针型直式插头(卡扣) E13 Straight Male Overmolded Plug(Bayonet)</p> <p><b>E13026-03 D 0 00000</b></p> <p>No. E13026</p> <p>2 3 4 5 6 7 8 9 10 12 14 18 B: 8B D: 2D 3D 4D</p> <p>1-PVC 2-PUR 3-TPU 4-RU 5-PTFE</p> <p>L (mm)</p>		
	<p>成型式针型弯式插头(卡扣) E13 Right angle Male Overmolded Plug(Bayonet)</p> <p><b>E13027-03 D 0 00000</b></p> <p>No. E13027</p> <p>2 3 4 5 6 7 8 9 10 12 14 18 B: 8B D: 2D 3D 4D</p> <p>1-PVC 2-PUR 3-TPU 4-RU 5-PTFE</p> <p>L (mm)</p>		
	<p>板前安装孔型插座(卡扣) E13 Female Front Mount Solder Receptacle(Bayonet)</p> <p><b>E13028-08 0 0 00000</b></p> <p>No. E13028</p> <p>2 3 4 5 6 7 8 9 10 12 14 18 B: 8B D: 2D 3D 4D</p> <p>1-PVC 2-PUR 3-TPU 4-RU 5-PTFE</p> <p>L (mm)</p>		<p>开孔尺寸 hole opening size</p> 
	<p>板后安装孔型插座(卡扣) E13 Female Back Mount Solder Receptacle(Bayonet)</p> <p><b>E13029-08 0 0 00000</b></p> <p>No. E13029</p> <p>2 3 4 5 6 7 8 9 10 12 14 18 B: 8B D: 2D 3D 4D</p> <p>1-PVC 2-PUR 3-TPU 4-RU 5-PTFE</p> <p>L (mm)</p>		<p>开孔尺寸 hole opening size</p> 
	<p>板后安装孔型PCB版式插座(卡扣) E13 Female Back Mount PCB Receptacle(Bayonet)</p> <p><b>E13030-08 0 0 00000</b></p> <p>No. E13030</p> <p>2 3 4 5 6 7 8 9 10 12 14 18 B: 8B D: 2D 3D 4D</p> <p>1-PVC 2-PUR 3-TPU 4-RU 5-PTFE</p> <p>L (mm)</p>		<p>开孔尺寸 hole opening size</p> 

Reverse

产品图 PRODUCT FIGURE	名称/型号 NAME/TYPE No.	尺寸图 DIMENSIONS
	防尘盖圆孔(卡扣) E13 Dust Cover Round Hole(Bayonet)  E13031-00 0 0 00001  No. E13031	
	防尘盖插销(卡扣) E13 Dust Cover Latch(Bayonet)  E13032-00 0 0 00001  No. E13032	

配件  
Accessories

E13·PCB芯位图 E13 PCB PINS ARRANGEMENT

4	5	6	7	8	9
10	12	14	18		

E13·电气参数 E13 ELECTRICAL PARAMETERS

芯数排列及技术参数 PINS ARRANGEMENT & TECHNICAL PARAMETERS																
芯数 Pins	2D	3D	4D	2	3	4	5	6	8B	7	8	9	10	12	14	18
芯位排布 Pins arrangement																
芯数 Pins	8B	7	8	9	10	12	14	18								
芯位排布 Pins arrangement																
规格 SPECIFICATIONS																
芯数 Pins	2D	3D	4D	2	3	4	5	6	8B	7	8	9	10	12	14	18
线规 Wire gauge	2.5mm <sup>2</sup> (14AWG)			0.823mm <sup>2</sup> (18AWG)			16AWG+ 22AWG			0.519mm <sup>2</sup> (20AWG)						
引脚类型 Pin type	∅ 2.4mm			∅ 1.6mm			∅ 2.0mm+ ∅ 0.8mm			∅ 1.0mm						
接线范围 Wiring range	6.0mm~10.0mm															
防水等级 Waterproof grade	IP67/IP68															
插拔次数 Durability	500															
适应温度 Applicable temperature	-45°C~105°C															
额定电压 Rated voltage	300V	300V	300V	125V	125V	125V	125V	125V	125+30V	60V	60V	60V	60V	60V	60V	30V
额定电流 Rated current	20A	20A	20A	20A	20A	10A	10A	10A	15+2A	5A	5A	5A	5A	5A	5A	2A

# 防水RJ45 WATERPROOF RJ45

产品有CAT5e、CAT6a两个标准规格

The product has two standard specifications: CAT5E、CAT6A

有螺纹，卡扣两种连接方式

Two coupling way: Threaded、Bayonet

插头组装式，插座板前安装，板后安装及PCB板多种安装方式

A variety of installation: Assembly Plug, Front Mount Socket, Back Mount Socket and PCB Mount Socket

防护等级：IP67

Protection class: IP67



## 产品参数 PRODUCT PARAMETERS

壳体材料 Shell material	热塑性塑料PA66 阻燃等级：V-0 Thermoplastic plastic PA66, flame retardant grade: V-0	接触阻抗 Contact impedance	≤5mΩ
密封材料 Sealing material	环氧树脂/橡胶 Epoxy resin/Rubber	插拔次数 Durability	≥750次(Cycles)
插针材料 Contact material	磷铜镀金 Phosphorus copper gold-plated	适用温度 Applicable temperature	-30°C ~ +105°C
符合标准 Conform standard	CAT5e, CAT6a	接线范围 Wiring range	5.5mm~7.0mm

产品图  
PRODUCT FIGURE

名称/类型号  
NAME/TYPE No.

尺寸图  
DIMENSIONS

	<p>RJ45直式公塑胶插头(螺纹) RJ45 Straight Male Plastic Plug(Threaded)</p> <p>E13601-00 0 0 00000</p> <p>No. E13601      L (mm)</p>	
	<p>RJ45直式公塑胶插头(螺纹) RJ45 Straight Male Plastic Plug(Threaded)</p> <p>E13602-00 0 0 00000</p> <p>No. E13602      L (mm)</p>	
	<p>RJ45直式公成型插头(螺纹) RJ45 Straight Male Overmolded Plug(Threaded)</p> <p>E13603-00 0 1 00000</p> <p>No. E13603      1-PVC      L (mm)</p>	
	<p>RJ45弯式公成型插头(螺纹) RJ45 Right angle Male Overmolded Plug(Threaded)</p> <p>E13604-00 0 1 00000</p> <p>No. E13604      1-PVC      L (mm)</p>	
	<p>RJ45母/母板前插座(螺纹) RJ45 Female to Female Front Mount Receptacle(Threaded)</p> <p>E13605-00 0 0 00000</p> <p>No. E13605      L (mm)</p>	 <p>开孔尺寸 hole opening size</p>
	<p>RJ45母/母180°板后插座(螺纹) RJ45 Female to Female(180°) Back Mount Receptacle(Threaded)</p> <p>E13606-00 0 0 00000</p> <p>No. E13606      L (mm)</p>	 <p>开孔尺寸 hole opening size</p>
	<p>RJ45母/母90°板后插座(螺纹) RJ45 Female to Female(90°) Back Mount Receptacle(Threaded)</p> <p>E13607-00 0 0 00000</p> <p>No. E13607      L (mm)</p>	 <p>开孔尺寸 hole opening size</p>

产品图  
PRODUCT FIGURE

名称/类型号  
NAME/TYPE No.

尺寸图  
DIMENSIONS

	<p>RJ45母焊线板后插座(灌胶)(螺纹) RJ45 Female Back Mount Receptacle with wire(Threaded)</p> <p>E13608-00 0 0 00000</p> <p>No. E13608    1-PVC    L (mm)</p>	<p>Dimensions: <math>\phi 28.6</math>, 25.4, 13/16"-28UNS, 17.4, 21.4, L(mm)</p>
	<p>RJ45母焊线板后插座(无灌胶)(螺纹) RJ45 Female Back Mount Receptacle with PCB Board(Threaded)</p> <p>E13609-00 0 0 00000</p> <p>No. E13609    1-PVC    L (mm)</p>	<p>Dimensions: <math>\phi 28.6</math>, 25.4, 13/16"-28UNS, 17.4, 21.4, L(mm)</p>
	<p>RJ45母PCB式板后插座(螺纹) RJ45 Female Back Mount PCB Receptacle(Threaded)</p> <p>E13610-00 0 0 00000</p> <p>No. E13610    L (mm)</p>	<p>Dimensions: 13/16"-28UNS, 21.4, 4, <math>\phi 27</math>, 15-<math>\phi 3.2</math>, P.C.B 开孔尺寸 RECOMMENDED P.C.B LAYOUT, <math>\phi 28.6</math>, 25.4, 19.4, <math>\phi 20.8</math></p> <p>开孔尺寸 hole opening size</p>
	<p>RJ45母/母中继插座(螺纹) RJ45 Female to Female Relay Receptacle(Threaded)</p> <p>E13611-00 0 0 00000</p> <p>No. E13611    L (mm)</p>	<p>Dimensions: 13/16"-28UNS, 31.6, 13/16"-28UNS, <math>\phi 25</math></p>
	<p>E13防尘盖圆孔(螺纹) E13 Dust Cover Round Hole(Thread)</p> <p>E13015-00 0 0 00001</p>	<p>Dimensions: 13/16"-28UNS, <math>\phi 23.4</math>, 2.3, 9.1, <math>\phi 20.6</math>, <math>\phi 24.8</math>, 51.6</p>
	<p>E13防尘盖插销(螺纹) E13 Dust Cover latch(Thread)</p> <p>E13016-00 0 0 00001</p>	<p>Dimensions: 13/16"-28UNS, <math>\phi 23.4</math>, 2.3, 61.6</p>



# 防水USB WATERPROOF USB

广泛应用于机械设备，户外设备，灯具，IOT物联网设备等一些防水应用场景

Widely used in mechanical equipment, outdoor equipment, lamps, IOT equipment and other waterproof application scenarios

结构丰富，有线对线，板前安装，板后安装，PCB板式及带线各种规格

Rich structure, wire to wire, Front Mount, Back Mount, PCB type and various specifications with wire

产品规格：USB2.0、USB3.0、type-c、micro usb

Product types: USB2.0, USB3.0, Type-C, MICRO USB

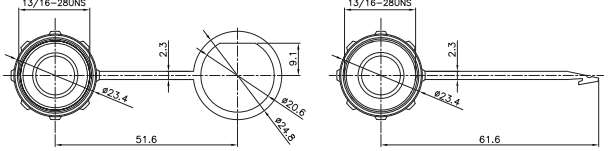
防水等级高，IP67，IP68

High waterproof grade, IP67, IP68



## 产品参数 PRODUCT PARAMETERS

壳体材料 Shell material	热塑性塑料PA66 阻燃等级：V-0 Thermoplastic plastic PA66, flame retardant grade: V-0	额定电压 Rated voltage	30V
导体材料 Conductor materia	黄铜 Brass	额定电流 Rated current	1.5A
线缆材料 Cable material	PVC外被 PVC Jacket	绝缘电阻 Insulation impedance	2000 mΩ
连接方式 Coupling	螺纹锁紧(T);卡扣锁紧(B) Thread (T); Bayonet(B)	适用温度 Applicable temperature	-40°C ~ +105°C
防水等级 Waterproof grade	IP67, IP68	插拔次数 Durability	≥2000~10000次(Cycles)

产品图 PRODUCT FIGURE	名称/类型号 NAME/TYPE No.	尺寸图 DIMENSIONS
	<p>USB 2.0公/公成型直式插头(螺纹)            USB 2.0 Male to Male Overmolded with Cable(Threaded)</p> <p>E13501-00 0 1 00000</p> <p>No. E13501   1-PVC   L(mm)</p>	
	<p>USB 2.0公/母成型直式插头(螺纹)            USB 2.0 Female to Male Overmolded with Cable(Threaded)</p> <p>E13502-00 0 1 00000</p> <p>No. E13502   1-PVC   L(mm)</p>	
	<p>USB 2.0母/公带线板后插座(螺纹)            USB 2.0 Female Receptacle to Male Overmolded with Cable (Threaded)</p> <p>E13503-00 0 1 00000</p> <p>No. E13503   1-PVC   L(mm)</p>	
	<p>USB 2.0母/母板后插座(螺纹)            USB 2.0 Female to Female Receptacle(Threaded)</p> <p>E13504-00 0 0 00000</p> <p>No. E13504   L(mm)</p>	
	<p>USB 2.0母PCB板后插座(螺纹)            USB 2.0 Female Back Mount PCB Receptacle(Threaded)</p> <p>E13505-00 0 0 00000</p> <p>No. E13505   L(mm)</p>	
	<p>USB 2.0母带电子线板后插座(螺纹)            USB 2.0 Female Back Mount Receptacle with wire(Threaded)</p> <p>E13506-00 0 1 00000</p> <p>No. E13506   1-PVC   L(mm)</p>	
	<p>E13防尘盖(螺纹)            E13 Dust cover(Thread)</p> <p>E13015-00 0 0 00001</p> <p>圆孔/Round Hole: No. E13015            插销/Latch: No. E13016</p> <p>共用E13配件/Share E13 Accessories</p>	

USB 2.0



产品图 PRODUCT FIGURE	名称/类型号 NAME/TYPE No.	尺寸图 DIMENSIONS
	<p>USB 3.0公/公成型直式插头(螺纹)            USB 3.0 Male to Male Overmolded with Cable(Threaded)</p> <p>E13551-00 0 1 00000</p> <p>No. E13551   1-PVC   L(mm)</p>	
	<p>USB 3.0公/母成型直式插头(螺纹)            USB 3.0 Female to Male Overmolded with Cable(Threaded)</p> <p>E13552-00 0 1 00000</p> <p>No. E13552   1-PVC   L(mm)</p>	
	<p>USB 3.0母/公带线板后插座(螺纹)            USB 3.0 Female Receptacle to Male Overmolded with Cable (Threaded)</p> <p>E13553-00 0 1 00000</p> <p>No. E13553   1-PVC   L(mm)</p>	 <p>开孔尺寸 hole opening size</p>
	<p>USB 3.0母/母板后插座(螺纹)            USB 3.0 Female to Female Receptacle(Threaded)</p> <p>E13554-00 0 0 00000</p> <p>No. E13554   L(mm)</p>	 <p>开孔尺寸 hole opening size</p>
	<p>USB 3.0母PCB板后插座(螺纹)            USB 3.0 Female Back Mount PCB Receptacle(Threaded)</p> <p>E13555-00 0 0 00000</p> <p>No. E13555   L(mm)</p>	 <p>开孔尺寸 hole opening size</p> <p>PCB开孔尺寸 PCB hole opening size</p>
	<p>USB 3.0母带电子线板后插座(螺纹)            USB 3.0 Female Back Mount Receptacle with wire(Threaded)</p> <p>E13556-00 0 1 00000</p> <p>No. E13556   1-PVC   L(mm)</p>	 <p>开孔尺寸 hole opening size</p>
	<p>E13防尘盖(螺纹)            E13 Dust cover(Thread)</p> <p>E13015-00 0 0 00001</p> <p>圆孔/Round Hole: No. E13015            插销/Latch: No. E13016</p> <p>共用E13配件/Share E13 Accessories</p>	

USB 3.0

产品图 PRODUCT FIGURE	名称/类型号 NAME/TYPE No.	尺寸图 DIMENSIONS
	<p>TYPE C公/公成型直式插头(螺纹) TYPE C Male to Male Overmolded Cable(Threaded)</p> <p>E10501-00 0 1 00000</p> <p>No. E10501   1-PVC   L(mm)</p>	
	<p>TYPE C公/USB3.0公成型直式插头(螺纹) TYPE C Male to USB 3.0 Male Overmolded Cable(Threaded)</p> <p>E10502-00 0 1 00000</p> <p>No. E10502   1-PVC   L(mm)</p>	
	<p>TYPE C母/公带线板后插座(螺纹) TYPE C Male to Female Back mount Receptacle Overmolded Cable(Threaded)</p> <p>E10503-00 0 1 00000</p> <p>No. E10503   1-PVC   L(mm)</p>	 <p>开孔尺寸 hole opening size</p>
	<p>TYPE C母/USB3.0公带线板后插座(螺纹) TYPE C Female Back mount Receptacle to USB 3.0 Male Overmolded Cable(Threaded)</p> <p>E10504-00 0 1 00000</p> <p>No. E10504   1-PVC   L(mm)</p>	 <p>开孔尺寸 hole opening size</p>
	<p>TYPE C母/母板后插座(螺纹) TYPE C Female to Female Back Mount Receptacle(Threaded)</p> <p>E10505-00 0 0 00000</p> <p>No. E10505   L(mm)</p>	 <p>开孔尺寸 hole opening size</p>
	<p>TYPE C母PCB板后插座(螺纹) TYPE C Female Back Mount PCB Receptacle(Threaded)</p> <p>E10506-00 0 0 00000</p> <p>No. E10506   L(mm)</p>	 <p>开孔尺寸 hole opening size</p> <p>PCB开孔尺寸 PCB hole opening size</p>
	<p>TYPE C母带电子线板后插座(螺纹) TYPE C Female Back Mount Receptacle with wire(Threaded)</p> <p>E10506-00 0 1 00000</p> <p>No. E10506   1-PVC   L(mm)</p>	 <p>开孔尺寸 hole opening size</p>
	<p>E10防尘盖(螺纹) E10 Dust cover(Thread)</p> <p>E10015-00 0 0 00001</p> <p>圆孔/Round Hole: No. E10015 插槽/Latch: No. E10016</p> <p>共用E10配件/Share E10 Accessories</p>	

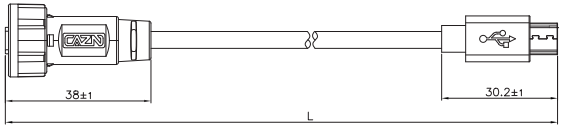


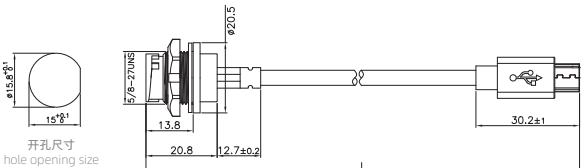

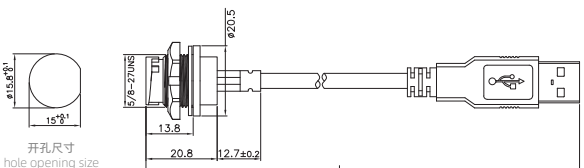
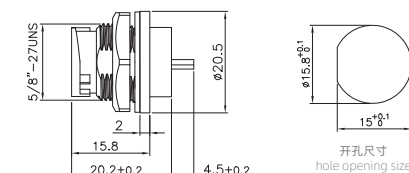

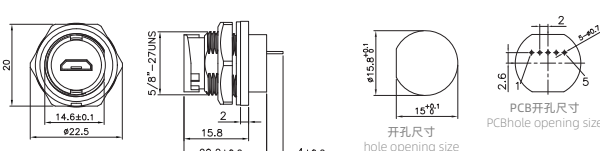


Type-c

产品图 PRODUCT FIGURE	名称/类型号 NAME/TYPE No.	尺寸图 DIMENSIONS
	<p>TYPE C公/公成型直式插头(卡扣) TYPE C Male to Male Overmolded Cable(Bayonet)</p> <p>E10508-00 0 1 00000</p> <p>No. E10508   1-PVC   L(mm)</p>	
	<p>TYPE C公/USB3.0公成型直式插头(卡扣) TYPE C Male to USB 3.0 Male Overmolded Cable(Bayonet)</p> <p>E10509-00 0 1 00000</p> <p>No. E10509   1-PVC   L(mm)</p>	
	<p>TYPE C母/公带线板后插座(卡扣) TYPE C Male to Female Back mount Receptacle Overmolded Cable(Bayonet)</p> <p>E10510-00 0 1 00000</p> <p>No. E10510   1-PVC   L(mm)</p>	
	<p>TYPE C母/USB3.0公带线板后插座(卡扣) TYPE C Female Back mount Receptacle to USB 3.0 Male Overmolded Cable(Bayonet)</p> <p>E10511-00 0 1 00000</p> <p>No. E10511   1-PVC   L(mm)</p>	
	<p>TYPE C母/母板后插座(卡扣) TYPE C Female to Female Back Mount Receptacle(Bayonet)</p> <p>E10512-00 0 0 00000</p> <p>No. E10512   L(mm)</p>	
	<p>TYPE C母PCB板后插座(卡扣) TYPE C Female Back Mount PCB Receptacle(Bayonet)</p> <p>E10513-00 0 0 00000</p> <p>No. E10513   L(mm)</p>	
	<p>TYPE C母带电子线板后插座(卡扣) TYPE C Female Back Mount Receptacle with wire(Bayonet)</p> <p>E10514-00 0 1 00000</p> <p>No. E10514   1-PVC   L(mm)</p>	
	<p>E10防尘盖(卡扣) E10 Dust cover(Bayonet)</p> <p>E10031-00 0 0 00001</p> <p>圆孔/Round Hole: No. E10031 插槽/Latch: No. E10032</p> <p>共用E10配件/Share E10 Accessories</p>	

Type-c

产品图 PRODUCT FIGURE	名称/类型号 NAME/TYPE No.	尺寸图 DIMENSIONS
	<p><b>MICRO USB公/公成型直式插头(螺纹)</b>            MICRO USB Male to Male Overmolded Cable(Threaded)</p> <p>E10551-00 0 1 00000</p> <p>No. E10551   1-PVC   L(mm)</p>	
	<p><b>MICRO USB公/USB2.0公成型直式插头(螺纹)</b>            MICRO USB Male to USB 2.0 Male Overmolded Cable(Threaded)</p> <p>E10552-00 0 1 00000</p> <p>No. E10552   1-PVC   L(mm)</p>	
	<p><b>MICRO USB母/公带线板后插座(螺纹)</b>            MICRO USB Male to Female Back mount Receptacle Overmolded Cable(Threaded)</p> <p>E10553-00 0 1 00000</p> <p>No. E10553   1-PVC   L(mm)</p>	
	<p><b>MICRO USB母/USB2.0公带线板后插座(螺纹)</b>            MICRO USB Female Back mount Receptacle to USB 2.0 Male Overmolded Cable(Threaded)</p> <p>E10554-00 0 1 00000</p> <p>No. E10554   1-PVC   L(mm)</p>	
	<p><b>MICRO USB母/母板后插座(螺纹)</b>            MICRO USB Female to Female Back Mount Receptacle(Threaded)</p> <p>E10555-00 0 0 00000</p> <p>No. E10555   L(mm)</p>	
	<p><b>MICRO USB母PCB板后插座(螺纹)</b>            MICRO USB Female Back Mount PCB Receptacle(Threaded)</p> <p>E10556-00 0 0 00000</p> <p>No. E10556   L(mm)</p>	
	<p><b>MICRO USB母带电子线板后插座(螺纹)</b>            MICRO USB Female Back Mount Receptacle with wire(Threaded)</p> <p>E10557-00 0 1 00000</p> <p>No. E10557   1-PVC   L(mm)</p>	
	<p><b>E10防尘盖(螺纹)</b>            E10 Dust cover(Threaded)</p> <p>E10015-00 0 0 00001</p> <p>圆孔/Round Hole: No. E10015            插槽/Latch: No. E10016</p> <p>共用E10配件/Share E10 Accessories</p>	

Micro USB

产品图 PRODUCT FIGURE	名称/类型号 NAME/TYPE No.	尺寸图 DIMENSIONS
	<p><b>MICRO USB公/公成型直式插头(卡扣)</b>            MICRO USB Male to Male Overmolded Cable(Bayonet)</p> <p>E10558-00 0 1 00000</p> <p>No. E10558   1-PVC   L(mm)</p>	
	<p><b>MICRO USB公/USB2.0公成型直式插头(卡扣)</b>            MICRO USB Male to USB 2.0 Male Overmolded Cable(Bayonet)</p> <p>E10559-00 0 1 00000</p> <p>No. E10559   1-PVC   L(mm)</p>	
	<p><b>MICRO USB母/公带线板后插座(卡扣)</b>            MICRO USB Male to Female Back mount Receptacle Overmolded Cable(Bayonet)</p> <p>E10560-00 0 1 00000</p> <p>No. E10560   1-PVC   L(mm)</p>	 <p>开孔尺寸 hole opening size</p>
	<p><b>MICRO USB母/USB2.0公带线板后插座(卡扣)</b>            MICRO USB Female Back mount Receptacle to USB 2.0 Male Overmolded Cable(Bayonet)</p> <p>E10561-00 0 1 00000</p> <p>No. E10561   1-PVC   L(mm)</p>	 <p>开孔尺寸 hole opening size</p>
	<p><b>MICRO USB母/母板后插座(卡扣)</b>            MICRO USB Female to Female Back Mount Receptacle(Bayonet)</p> <p>E10562-00 0 0 00000</p> <p>No. E10562   L(mm)</p>	 <p>开孔尺寸 hole opening size</p>
	<p><b>MICRO USB母PCB板后插座(卡扣)</b>            MICRO USB Female Back Mount PCB Receptacle(Bayonet)</p> <p>E10563-00 0 0 00000</p> <p>No. E10563   L(mm)</p>	 <p>开孔尺寸 hole opening size</p> <p>PCB开孔尺寸 PCBhole opening size</p>
	<p><b>MICRO USB母带电子线板后插座(卡扣)</b>            MICRO USB Female Back Mount Receptacle with wire(Bayonet)</p> <p>E10564-00 0 1 00000</p> <p>No. E10564   1-PVC   L(mm)</p>	 <p>开孔尺寸 hole opening size</p>
	<p><b>E10防尘盖(卡扣)</b>            E10 Dust cover(Bayonet)</p> <p>E10031-00 0 0 00001</p> <p>圆孔/Round Hole: No. E10031            插槽/Latch: No. E10032</p> <p>共用E10配件/Share E10 Accessories</p>	

Micro USB



# 防水FDDI WATERPROOF FDDI

产品广泛应用于LED屏，照明，视听设备，医疗设备，检测和测量设备，通讯行业，电信设备等多个领域，  
The products are widely used in LED screen, lighting, audio-visual equipment, medical equipment, detection and measurement equipment, communication industry, telecommunications equipment and other fields.

并能满足各种定制化需求。  
Can meet a variety of customized requirements.

PBT材质外壳，稳定的电气性能，高强的抗耐压，抗高温，抗爆，抗腐蚀性。  
PBT material housing, stable electrical performance, high strength pressure resistance, high temperature resistance, anti-explosion, corrosion resistance.

镀金触点，高强的耐腐蚀性及导电性，有效应对电流产生的温升变化。  
The ergonomic structure is designed for the rigorous testing environment.


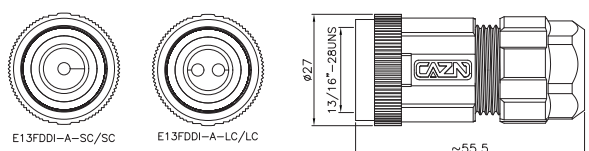


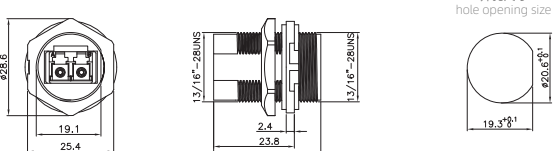



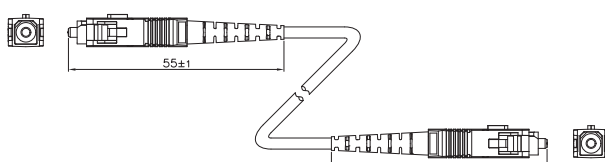

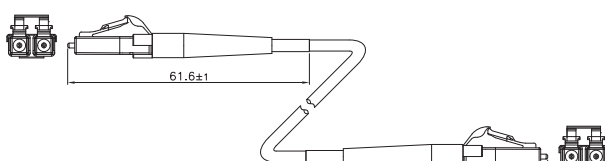
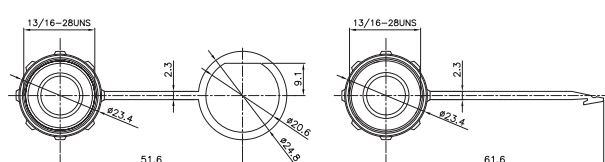
人体工程学结构工艺设计，为严苛的测试环境打造而成。  
Gold plated contact, high strength corrosion resistance and electrical conductivity, effectively respond to the temperature change caused by current.

弹簧按扣式设计，紧锁对接，安全牢固。  
Spring Snap button design, locked, safe and firm.



## 产品参数 PRODUCT PARAMETERS

壳体材料 Shell material	高性能工程塑料/金属+塑胶 High performance engineering plastics/Metal+Plastic	工作电压 Working voltage	125V
导体材料 Conductor material	铜合金(镀金) Copper alloy(Gold plated)	额定电流 Rated current	5A
阻燃等级 Flame retardant grade	UL94-V0	绝缘电阻 Insulation resistance	> 500 mΩ
连接方式 Termination	焊接式/压接式/快速插拔连接 Welding/Crimping/Quick plug connect	适用温度 Working temperature	-40°C ~ +80°C
防水等级 Waterproof level	IP67, IP68	传输速率 Baud rate	100Mbit/s

产品图 PRODUCT FIGURE	名称/类型号 NAME/TYPE No.	尺寸图 DIMENSIONS
	<p><b>FDDI单模塑胶插头(螺纹)</b> FDDI Single-mode Plastic Plug(Threaded)</p> <p>E13701-00 0 0 00000</p> <p>单芯/Single-Core: No. E13701 双芯/Double-Core: No. E13702</p> <p>L (mm)</p>	 <p>E13FDDI-A-SC/SC      E13FDDI-A-LC/LC</p> <p>~55.5</p>
	<p><b>FDDI单模单芯板前安装插头(螺纹)</b> FDDI Single-mode Single-core Front Mount Receptacle(Threaded)</p> <p>E13703-00 0 0 00000</p> <p>No. E13703</p> <p>L (mm)</p>	 <p>开孔尺寸 hole opening size</p>
	<p><b>FDDI单模双芯板前安装插头(螺纹)</b> FDDI Single-mode Double-core Front Mount Receptacle(Threaded)</p> <p>E13704-00 0 0 00000</p> <p>No. E13704</p> <p>L (mm)</p>	 <p>开孔尺寸 hole opening size</p>
	<p><b>FDDI单模单芯板后安装插头(螺纹)</b> FDDI Single-mode Single-core Back Mount Receptacle(Threaded)</p> <p>E13705-00 0 0 00000</p> <p>No. E13705</p> <p>L (mm)</p>	 <p>开孔尺寸 hole opening size</p>
	<p><b>FDDI单模双芯板后安装插头(螺纹)</b> FDDI Single-mode Double-core Back Mount Receptacle(Threaded)</p> <p>E13706-00 0 0 00000</p> <p>No. E13706</p> <p>L (mm)</p>	 <p>开孔尺寸 hole opening size</p>
	<p><b>SC单模单芯光纤线</b> SC Single-mode Single-core Optical fiber Cable</p> <p>E13707-00 0 0 00000</p> <p>No. E13707</p> <p>L (mm)</p>	 <p>55±1</p>
	<p><b>LC单模双芯光纤线</b> LC Single-mode Double-core Optical fiber Cable</p> <p>E13708-00 0 0 00000</p> <p>No. E13708</p> <p>L (mm)</p>	 <p>61.6±1</p>
	<p><b>E13防尘盖(螺纹)</b> E13 Dust cover(Threaded)</p> <p>E13015-00 0 0 00001</p> <p>圆孔/Round Hole: No. E13015 插槽/Latch: No. E13016</p> <p>共用E13配件/Share E13 Accessories</p>	 <p>13/16-28UNS      13/16-28UNS</p> <p>51.6      61.6</p>

# HDMI系列

产品规格: 13/16"-28UNS 美标牙规

Specifications: 13/16"-28UNS U.S. standard screw

广泛应用于户外监控, 高清显示, 工业自动化等。

Specifications: 13/16"-28UNS U.S. standard screw

产品标准: TYPE-A, 螺纹锁紧连接方式, 结构丰富, 最高可达4K高清

Product standard: Type-A, threaded locking connection, rich structure, up to 4K HD

插头: 组装式, 注塑式

Plug: Assembly type, Injection type

插座: 板前安装, 板后安装, PCB板多种安装方式

Socket: Front Mount, Back Mount, PCB Mount

防护等级: IP67


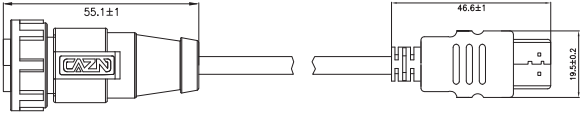

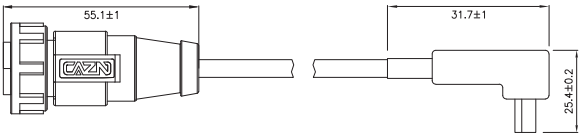

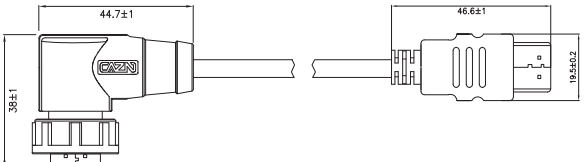

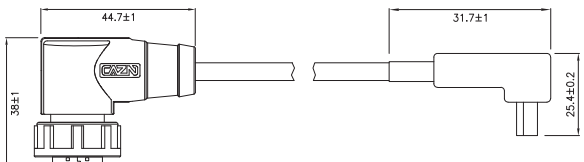

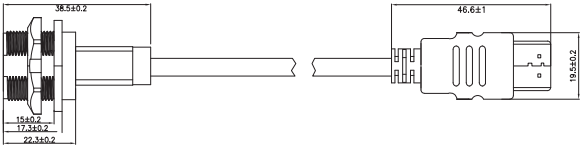

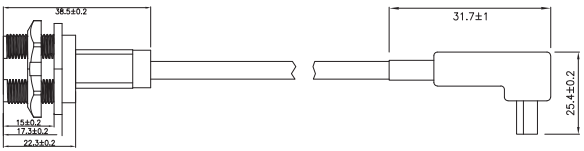

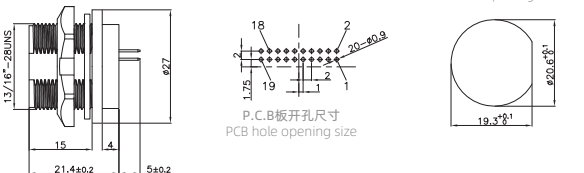

Protection grade: IP67



## 产品参数 PRODUCT PARAMETERS

塑料材料 Plastic Material	PA66, 尼龙, 增强尼龙, 硅胶 PA66, Nylon, Reinforced Nylon, Silicone	绝缘电阻 Insulation resistance	≥100 mΩ DC500V
金属材料 Metal Material	铜镀金 Copper gold-plated	接触电阻 Contact resistance	30 mΩ
连接方式 Coupling	螺纹锁紧(T) Threaded lock (T)	适用温度 Applicable temperature	-40°C ~ +105°C
接线方式 Termination way	焊接、焊板 Solder, Welding plate	额定电流 Rated current	50 mA
插拔次数 Durability	≥10000次(Cycles)	防水等级 Waterproof grade	IP67



<b>产品图</b> PRODUCT FIGURE	<b>名称/类型号</b> NAME/TYPE No.	<b>尺寸图</b> DIMENSIONS
	<p>HDMI 公直头/公直式带线插头(螺纹)            HDMI Str.Male to Str.Male Cable plug(Threaded)</p> <p>E13651-00 0 1 00000</p> <p>No. E13651   1-PVC   L(mm)</p>	
	<p>HDMI 公直头/公弯式带线插头(螺纹)            HDMI Str.Male to R/A Male Cable plug(Threaded)</p> <p>E13652-00 0 1 00000</p> <p>No. E13652   1-PVC   L(mm)</p>	
	<p>HDMI 公弯头/公直式带线插头(螺纹)            HDMI R/A Male to Str.Male Cable plug(Threaded)</p> <p>E13653-00 0 1 00000</p> <p>No. E13653   1-PVC   L(mm)</p>	
	<p>HDMI 公弯头/公弯式带线插头(螺纹)            HDMI R/A Male to R/A Male Cable plug(Threaded)</p> <p>E13654-00 0 1 00000</p> <p>No. E13654   1-PVC   L(mm)</p>	
	<p>HDMI 母板后/公直式带线插座(螺纹)            HDMI Female Back Panel Mount Receptacle to Str.Male Cable (Threaded)</p> <p>E13655-00 0 1 00000</p> <p>No. E13655   1-PVC   L(mm)</p>	
	<p>HDMI 母板后/公弯式带线插座(螺纹)            HDMI Female Back Panel Mount Receptacle to R/A Male Cable (Threaded)</p> <p>E13656-00 0 1 00000</p> <p>No. E13656   1-PVC   L(mm)</p>	
	<p>HDMI 母板后PCB插座(螺纹)            HDMI Female Back Mount PCB Receptacle(Threaded)</p> <p>E13657-00 0 0 00000</p> <p>No. E13657   L(mm)</p>	
	<p>E13防尘盖(螺纹)            E13 Dust cover(Thread)</p> <p>E13015-00 0 0 00001</p> <p>圆孔/Round Hole: No. E13015            插槽/Latch: No. E13016</p> <p>共用E13配件/Share E13 Accessories</p>	