



ACCORD CO., LTD.

KEYPAD MART

ACCORD (SINCE 1980) OFFERS THE FOLLOWING KEYPADS:

1) STANDARD KEYPADS: WATERPROOF KEYPAD (WORLDWIDE PATENT), METAL KEYPAD, TELEPHONE KEYPAD, ACCESS CONTROL KEYPAD

2) CUSTOM KEYPADS, MILITARY KEYPAD

3) BACKLIGHTING KEYPAD

4) SILICONE RUBBER KEYPADS

Over two decades, Accord has been a leader in keypad technology. We do everything from design to mold making and final assembly.

This self-contained production makes it possible for us to handle all unique and standard models from prototype to volume orders at fastest delivery time and best prices.

ACCORD CO., LTD.

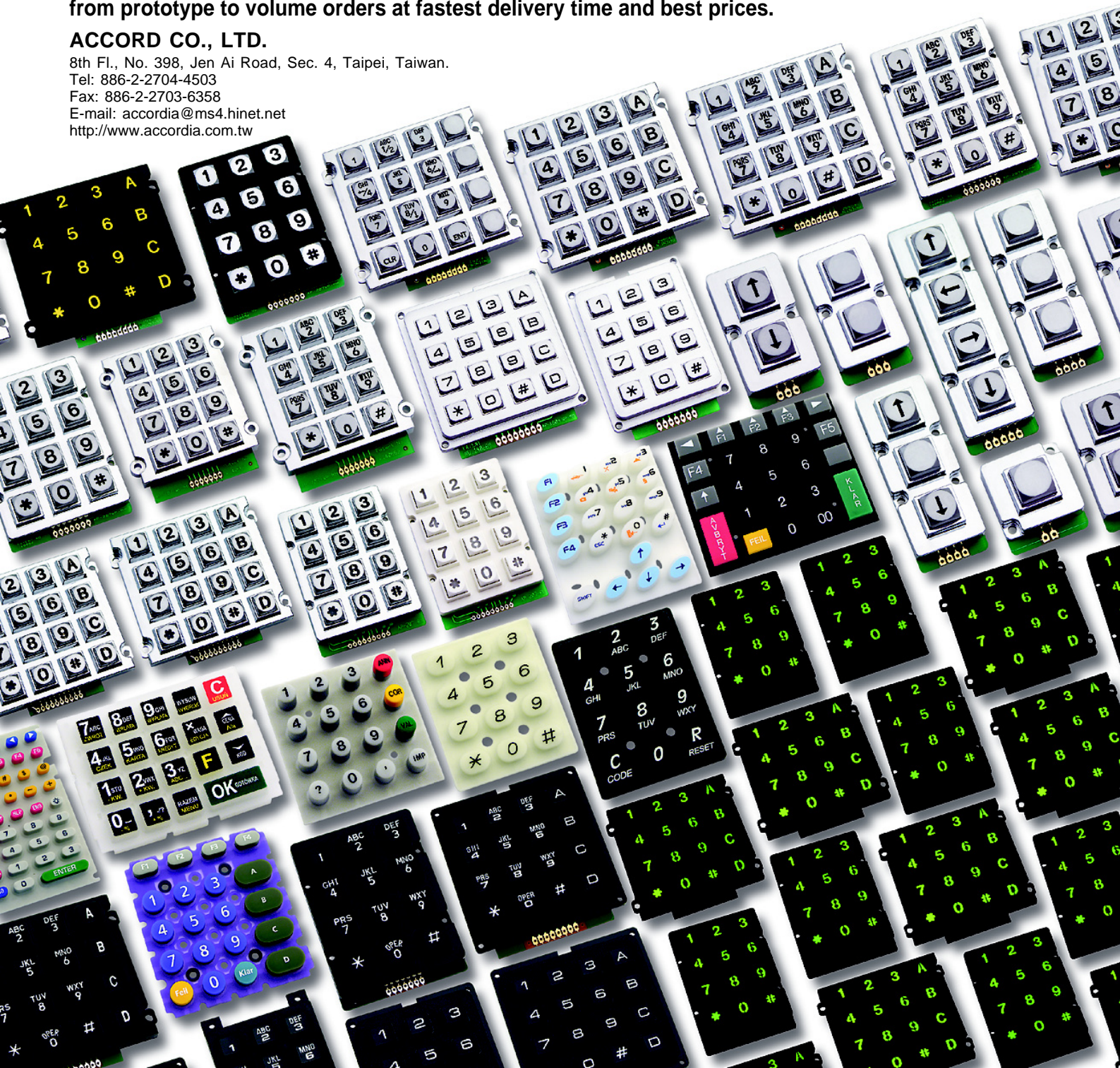
8th Fl., No. 398, Jen Ai Road, Sec. 4, Taipei, Taiwan.

Tel: 886-2-2704-4503

Fax: 886-2-2703-6358

E-mail: accordia@ms4.hinet.net

<http://www.accordia.com.tw>



ACCORD STANDARD KEYPADS

GENERAL SPECIFICATION

- Contact rating: 20mA, 24VDC
- Contact resistance: 200 ohm max
- Life: 1,000,000 cycles per key
- Operating Temperature: -20°C to +60°C
- Storage Temperature: -40°C to +65°C

KEYPAD PART NUMBER INFORMATION

AK-X X X X - X - X X X - X X - X X

(a) (b) (c)(d)(e) (f) (g)

(a) **MODEL NUMBER:** 101, 102, 103, 104, 206, 207, 304, 304-FM, 507, 707, 804, 1604, 1607

(b) **LEGEND (CHARACTER) TYPE:** A (ALPHA-NUMERIC LEGEND)
N (NUMERIC LEGEND)
B (BLANK)
AR (ARROW)

(c) **BEZEL COLOR:** W: WHITE COLOR
B: BLACK COLOR
G: GRAY COLOR
I: IVORY COLOR
S: SILVER COLOR FOR METAL BEZEL

(d) **KEYTOP COLOR:** W: WHITE COLOR
B: BLACK COLOR
G: GRAY COLOR
I: IVORY COLOR
S: SILVER COLOR FOR METAL KEYTOP

(e) **LEGEND (CHARACTER) COLOR:** W: WHITE COLOR
B: BLACK COLOR
Y: YELLOW COLOR
L: LED LIGHTING (BACKLIGHTING)

(f) **WATER PROOF:** WP

(g) **METAL BEZEL, METAL KEYTOP:** MM

STANDARD MATRIX CIRCUIT DIAGRAM

CIRCUIT DIAGRAM



AK-101

OUTPUT ARRANGEMENT	
OUTPUT PIN NO.	SYMBOL
1	COL 1
2	ROW 1

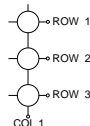
CIRCUIT DIAGRAM



AK-102

OUTPUT ARRANGEMENT	
OUTPUT PIN NO.	SYMBOL
1	ROW 1
2	ROW 2
3	COL 1

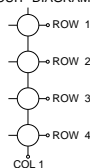
CIRCUIT DIAGRAM



AK-103

OUTPUT ARRANGEMENT	
OUTPUT PIN NO.	SYMBOL
1	ROW 1
2	ROW 2
3	ROW 3
4	COL 1

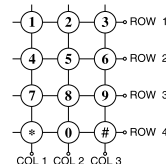
CIRCUIT DIAGRAM



AK-104

OUTPUT ARRANGEMENT	
OUTPUT PIN NO.	SYMBOL
1	ROW 1
2	ROW 2
3	ROW 3
4	ROW 4
5	COL 1

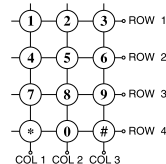
CIRCUIT DIAGRAM



AK-207, 304, 507, 707, 804

OUTPUT ARRANGEMENT	
OUTPUT PIN NO.	SYMBOL
1	COL 2
2	ROW 1
3	COL 1
4	ROW 4
5	COL 3
6	ROW 3
7	ROW 2

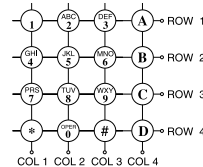
CIRCUIT DIAGRAM



AK-304-FM

OUTPUT ARRANGEMENT	
OUTPUT PIN NO.	SYMBOL
1	ROW 1
2	ROW 2
3	ROW 3
4	ROW 4
5	COL 1
6	COL 2
7	COL 3

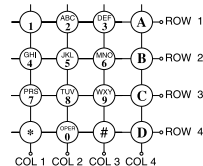
CIRCUIT DIAGRAM



AK-1604

OUTPUT ARRANGEMENT	
OUTPUT PIN NO.	SYMBOL
1	COL 1
2	COL 2
3	COL 3
4	COL 4
5	ROW 1
6	ROW 2
7	ROW 3
8	ROW 4

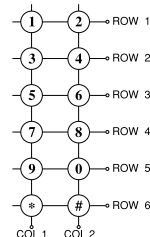
CIRCUIT DIAGRAM



AK-1607

OUTPUT ARRANGEMENT	
OUTPUT PIN NO.	SYMBOL
1	ROW 2
2	ROW 3
3	COL 1
4	ROW 4
5	COL 2
6	COL 3
7	COL 4
8	ROW 1

CIRCUIT DIAGRAM



AK-206

OUTPUT ARRANGEMENT	
OUTPUT PIN NO.	SYMBOL
1	ROW 1
2	ROW 2
3	ROW 3
4	ROW 4
5	ROW 5
6	ROW 6
7	COL 2
8	COL 1

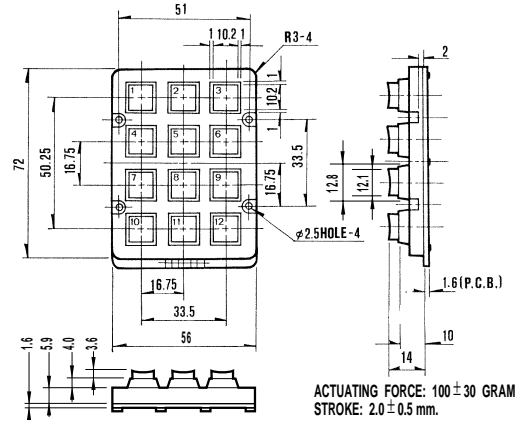
TELEPHONE KEYPAD (PLASTIC)



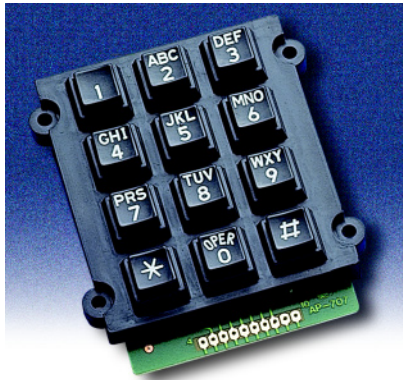
AK-207-A-BBW



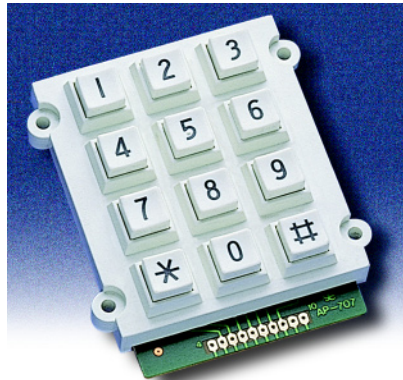
AK-207-N-WWB



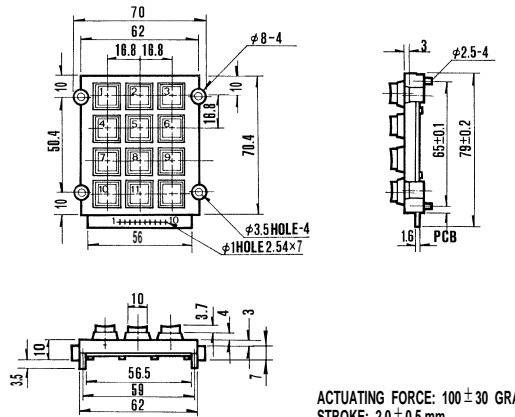
ACTUATING FORCE: 100 ± 30 GRAMS.
STROKE: 2.0 ± 0.5 mm.



AK-707-A-BBW



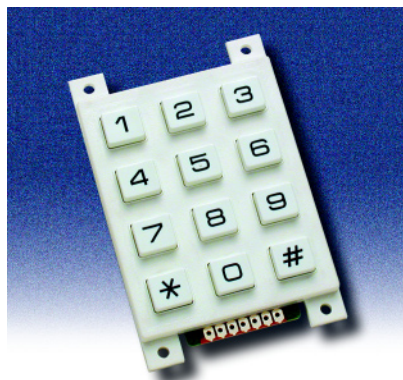
AK-707-N-WWB



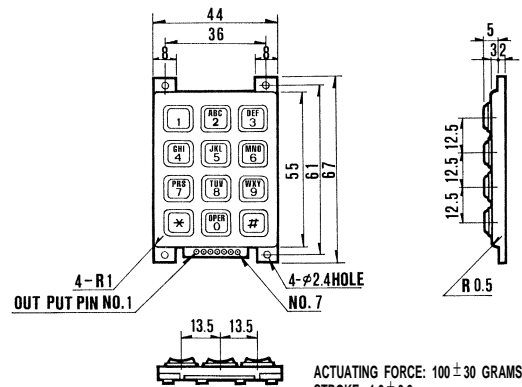
ACTUATING FORCE: 100 ± 30 GRAMS.
STROKE: 2.0 ± 0.5 mm.



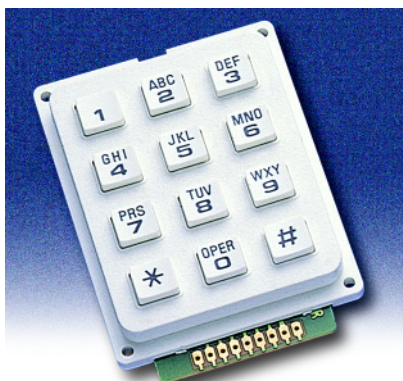
AK-804-A-BBW-BOT



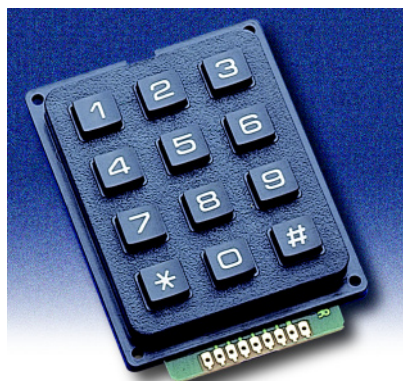
AK-804-N-WWB-BOT



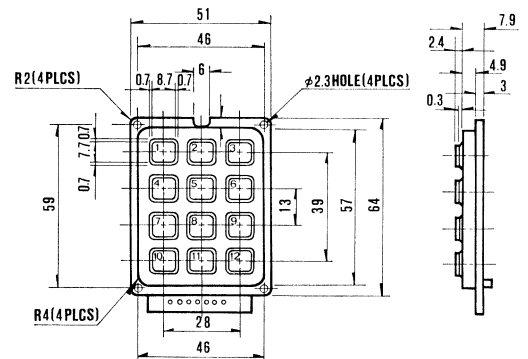
ACTUATING FORCE: 100 ± 30 GRAMS.
STROKE: 1.0 ± 0.2 mm.



AK-304-A-WWB



AK-304-N-BBW



ACTUATING FORCE: 100 ± 30 GRAMS.
STROKE: 1.4 ± 0.4 mm.

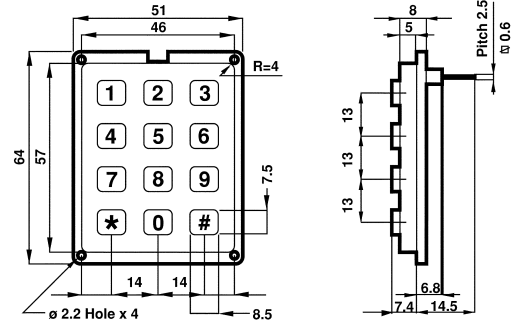
TELEPHONE KEYPAD (PLASTIC)



AK-304FM-A-WWB



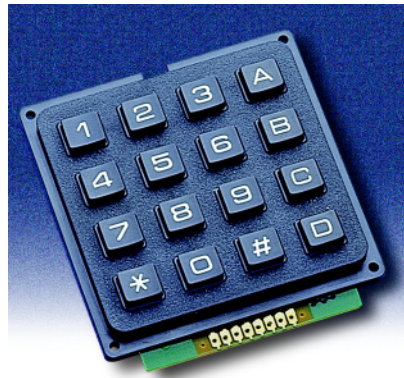
AK-304FM-N-BBW



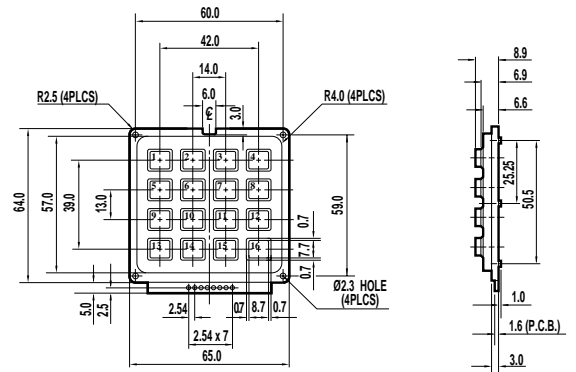
ACTUATING FORCE: 100 ± 30 GRAMS.
STROKE: 1.4 ± 0.3 mm.



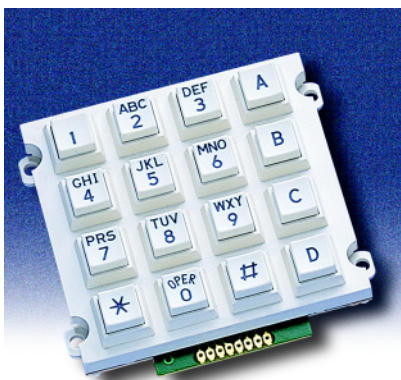
AK-1604-A-WWB



AK-1604-N-BBW



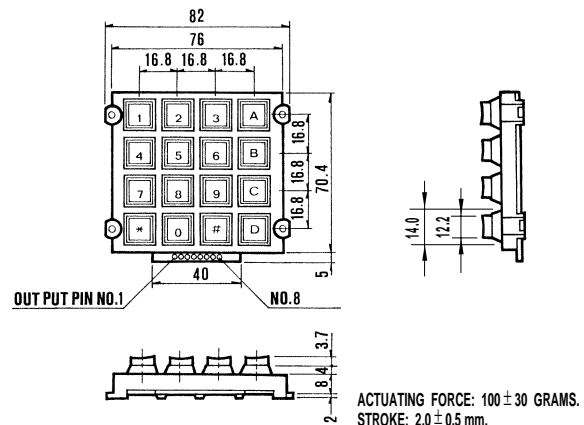
ACTUATING FORCE: 100 ± 30 GRAMS.
STROKE: 1.5 ± 0.5 mm.



AK-1607-A-WWB



AK-1607-N-BBW

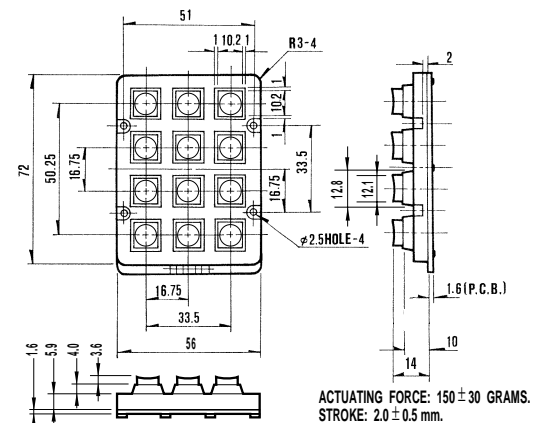


ACTUATING FORCE: 100 ± 30 GRAMS.
STROKE: 2.0 ± 0.5 mm.

BACKLIGHTING PLASTIC KEYPAD (WATERPROOF) (WORLDWIDE PATENT)



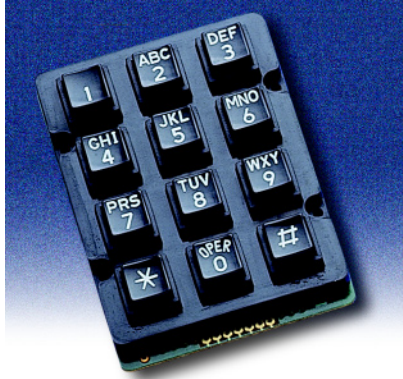
AK-207-N-WWL-WP



ACTUATING FORCE: 150 ± 30 GRAMS.
STROKE: 2.0 ± 0.5 mm.

+39 02.33611626 www.elitaliaweb.it
CONTACT US info@elitaliaweb.it

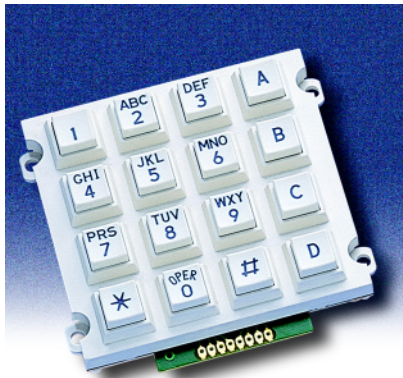
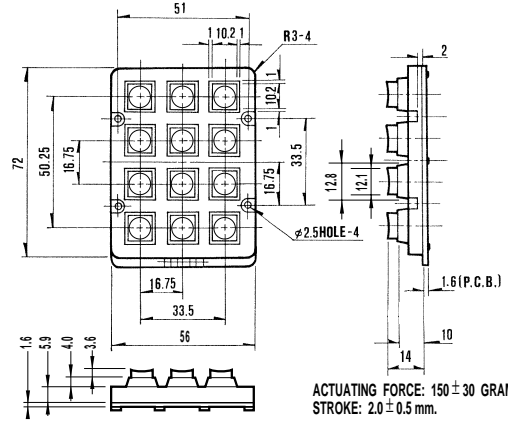
WATERPROOF PLASTIC KEYPAD (WORLDWIDE PATENT)



AK-207-A-BBW-WP



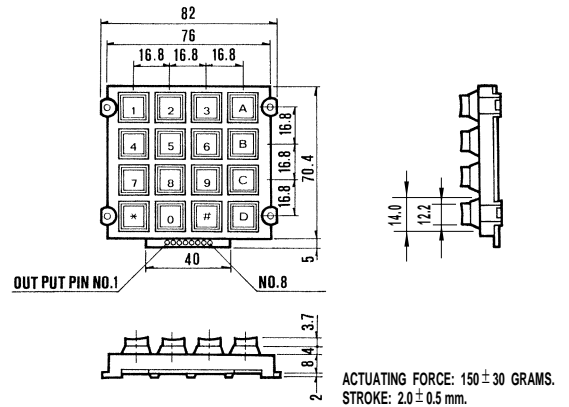
AK-207-N-WWB-WP



AK-1607-A-WWB-WP

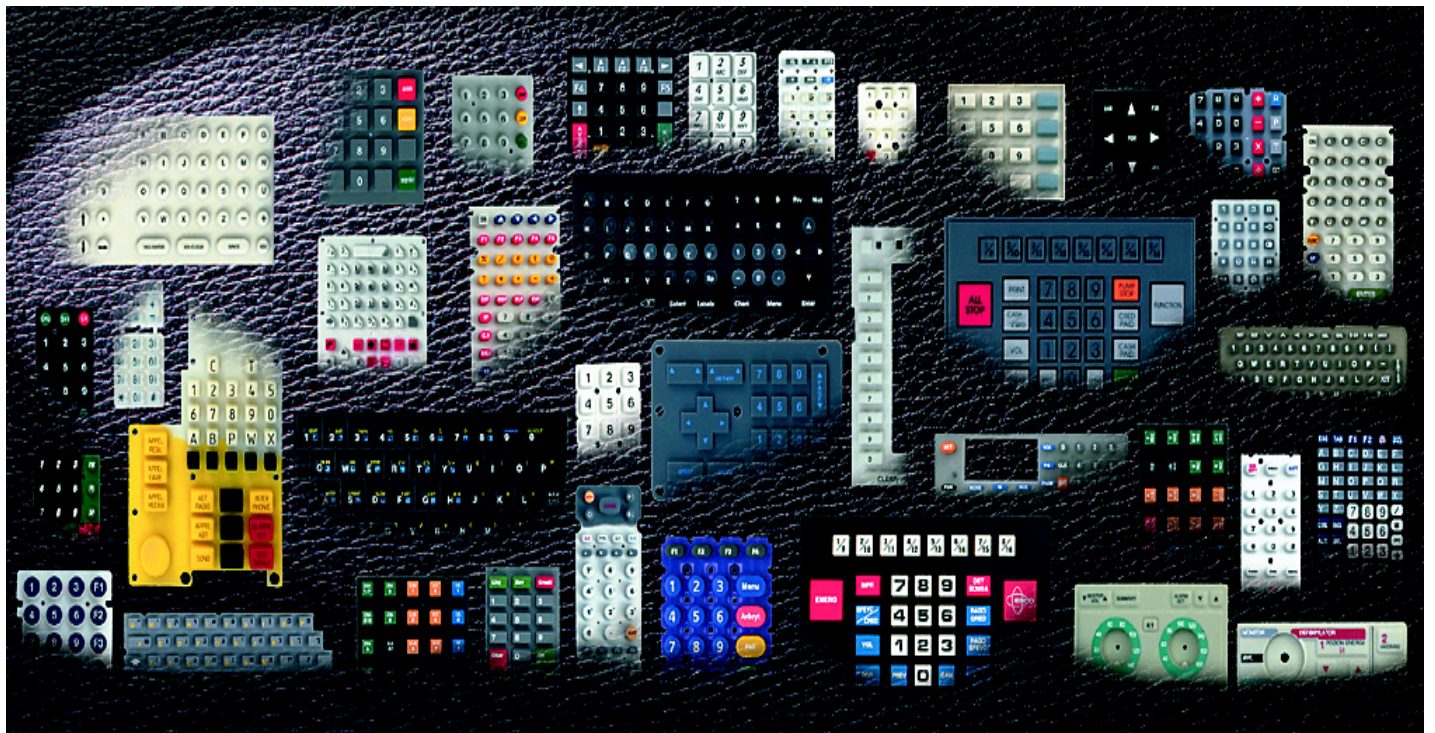


AK-1607-N-BBW-WP

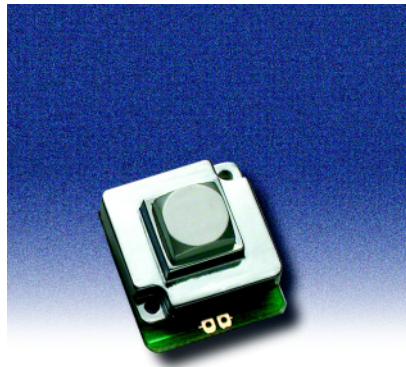


ACCORD SILICONE RUBBER KEYPADS

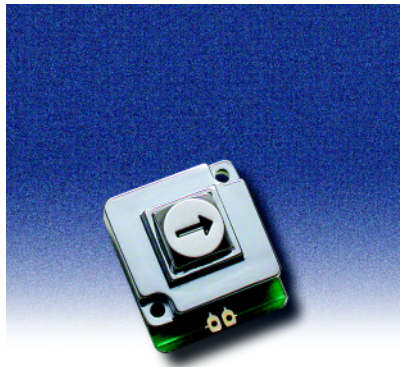
ACCORD HAS OVER 20 YEARS EXPERIENCE FROM DESIGN, TOOLING, TO MASS PRODUCTION OF SILICONE RUBBER KEYPADS, CUSTOM DESIGN WELCOME.



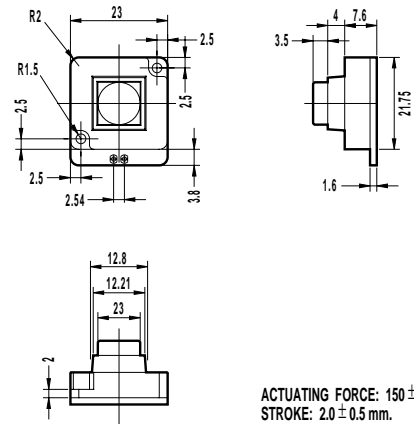
WATERPROOF METAL KEYPAD (WORLDWIDE PATENT)



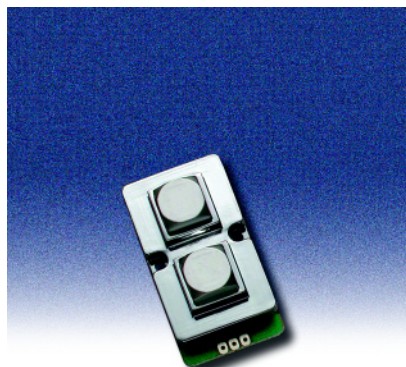
AK-101-B-SSS-WP-MM



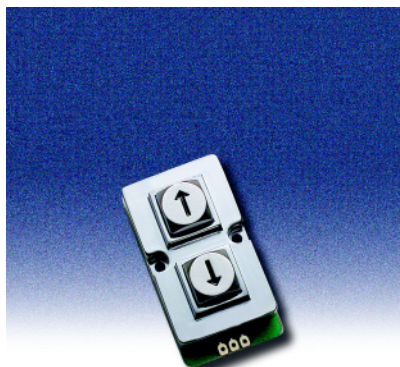
AK-101-AR-SSB-WP-MM



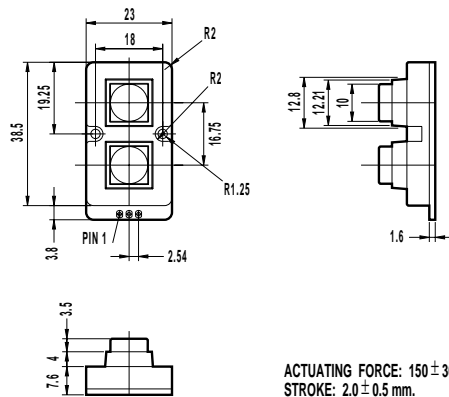
ACTUATING FORCE: 150 ± 30 GRAMS.
STROKE: 2.0 ± 0.5 mm.



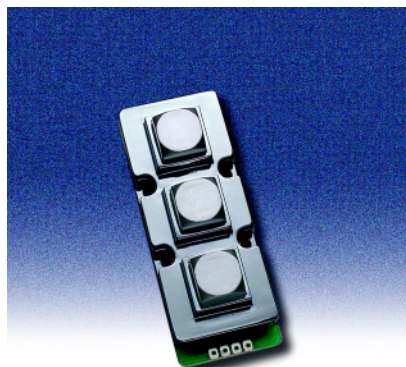
AK-102-B-SSS-WP-MM



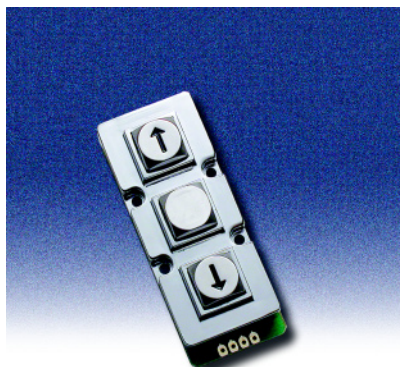
AK-102-AR-SSB-WP-MM



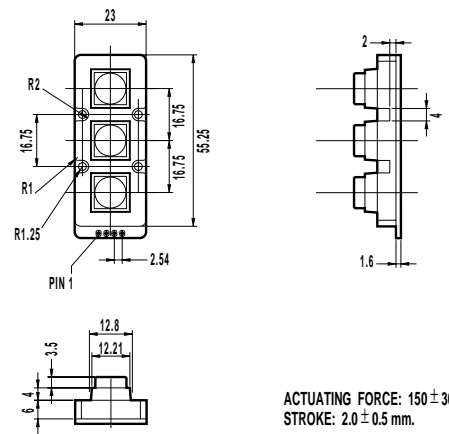
ACTUATING FORCE: 150 ± 30 GRAMS.
STROKE: 2.0 ± 0.5 mm.



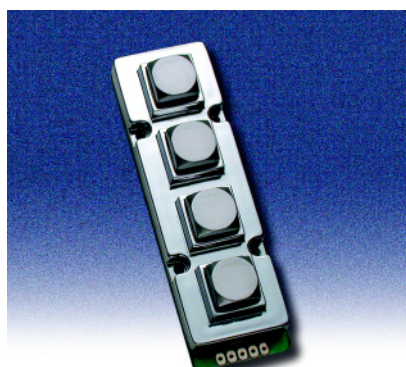
AK-103-B-SSS-WP-MM



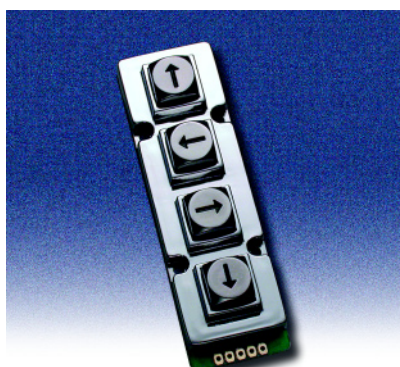
AK-103-AR-SSB-WP-MM



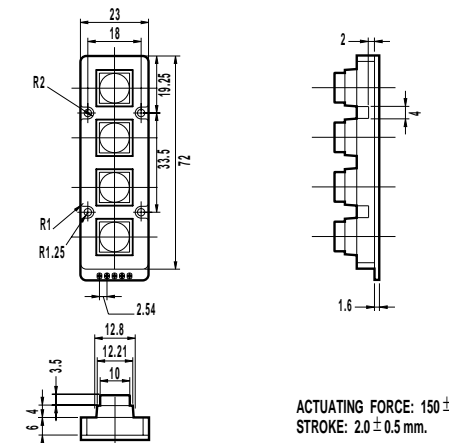
ACTUATING FORCE: 150 ± 30 GRAMS.
STROKE: 2.0 ± 0.5 mm.



AK-104-B-SSS-WP-MM

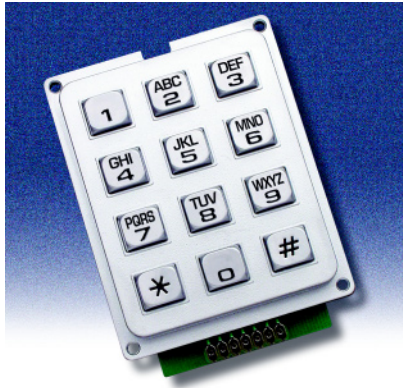


AK-104-AR-SSB-WP-MM



ACTUATING FORCE: 150 ± 30 GRAMS.
STROKE: 2.0 ± 0.5 mm.

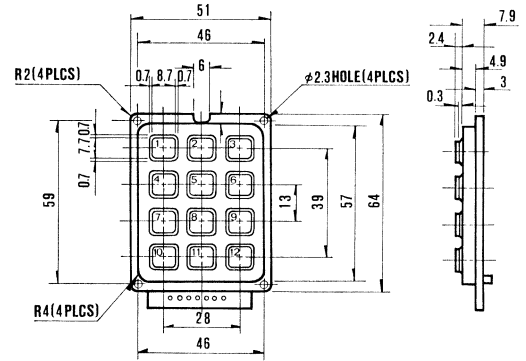
WATERPROOF METAL KEYPAD (WORLDWIDE PATENT)



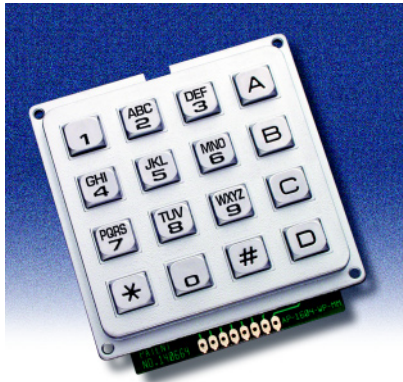
AK-304-A-SSB-WP-MM



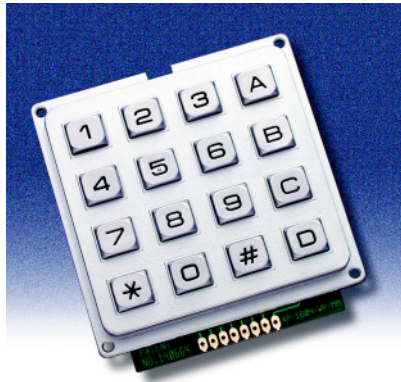
AK-304-N-SSB-WP-MM



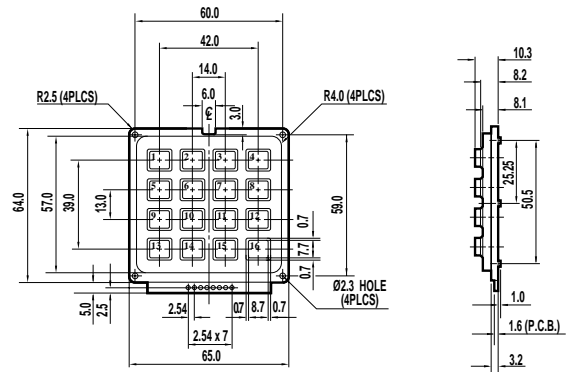
ACTUATING FORCE: 120 ± 30 GRAMS.
STROKE: 1.4 ± 0.4 mm.



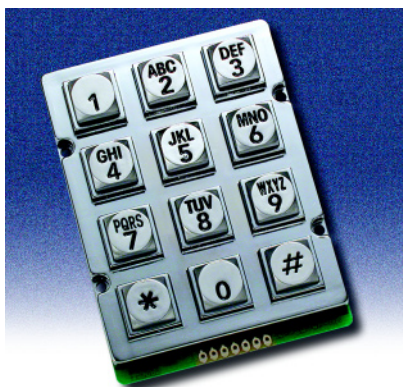
AK-1604-A-SSB-WP-MM



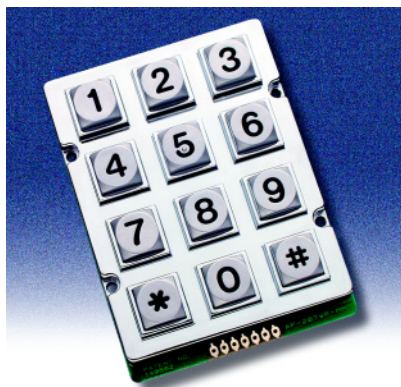
AK-1604-N-SSB-WP-MM



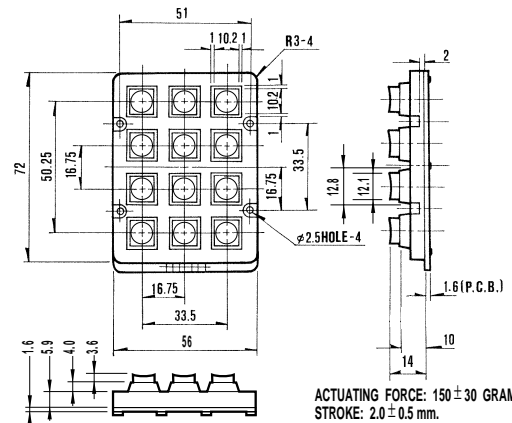
ACTUATING FORCE: 120 ± 30 GRAMS.
STROKE: 1.5 ± 0.5 mm.



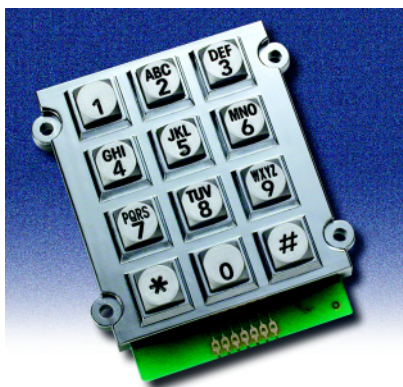
AK-207-A-SSB-WP-MM



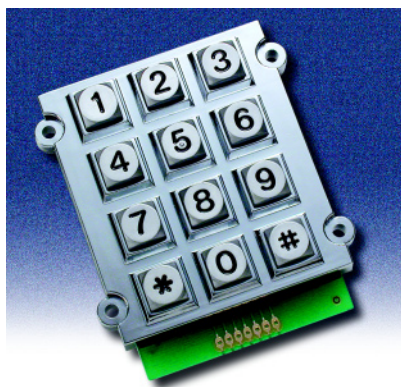
AK-207-N-SSB-WP-MM



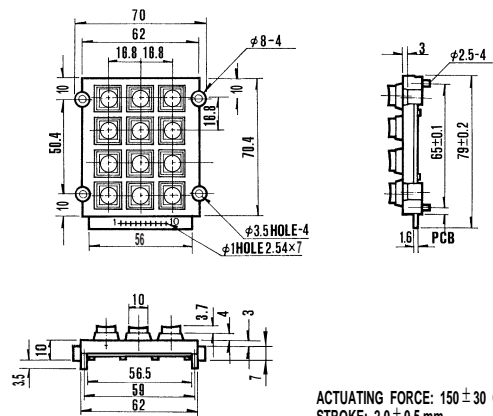
ACTUATING FORCE: 150 ± 30 GRAMS.
STROKE: 2.0 ± 0.5 mm.



AK-707-A-SSB-WP-MM

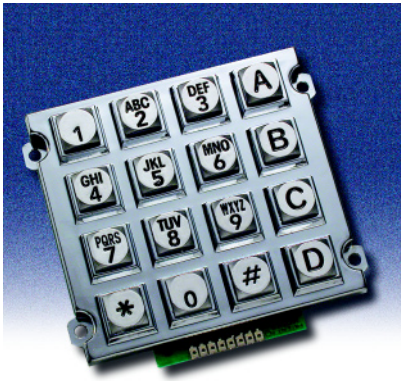


AK-707-N-SSB-WP-MM

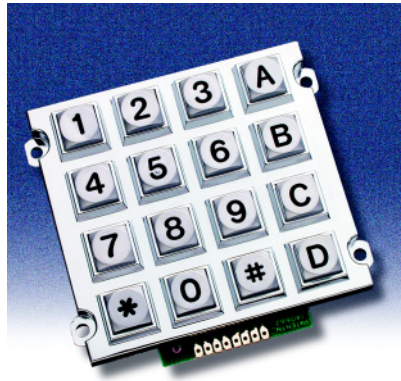


ACTUATING FORCE: 150 ± 30 GRAMS.
STROKE: 2.0 ± 0.5 mm.

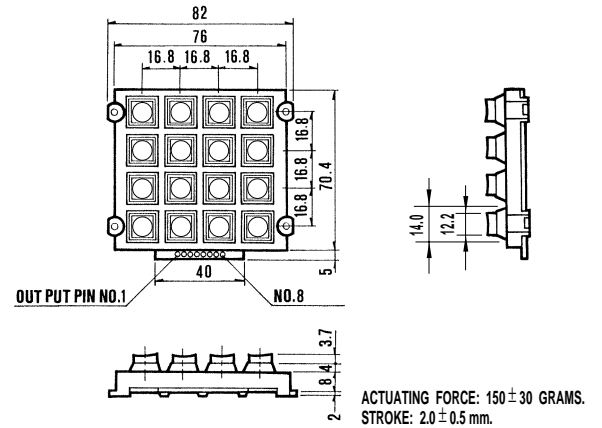
WATERPROOF METAL KEYPAD (WORLDWIDE PATENT)



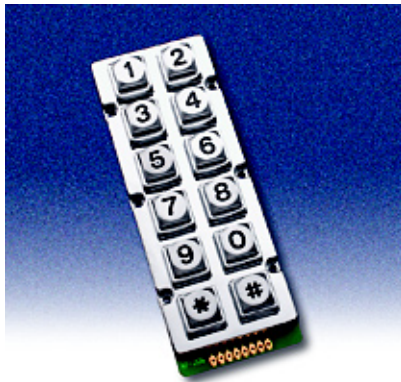
AK-1607-A-SSB-WP-MM



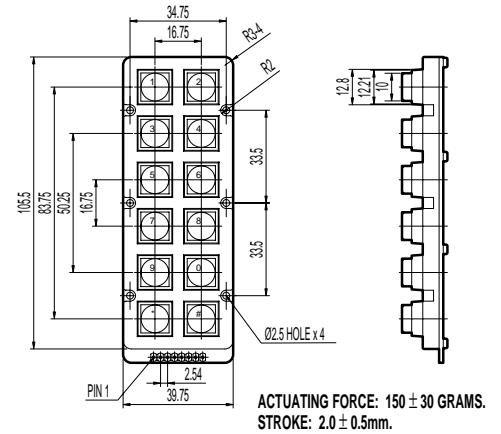
AK-1607-N-SSB-WP-MM



AK-206-N-SSB-WP-MM-CE



AK-206-N-SSB-WP-MM

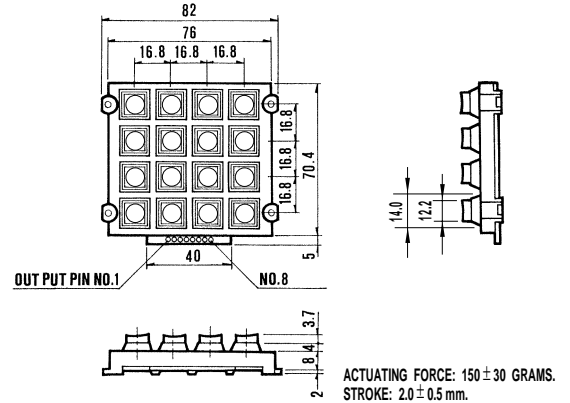


MILITARY METAL KEYPAD (WATERPROOF) (WORLDWIDE PATENT)



AK-1607-N-BBY-WP-MM

- MEET MILITARY SPECIFICATIONS
- LOW COST
- CUSTOM DESIGN WELCOME
- SEALED AND SUBMERSIBLE
- WORLDWIDE PATENT OF WATERPROOF



WORLDWIDE PATENT WATERPROOF KEYPAD

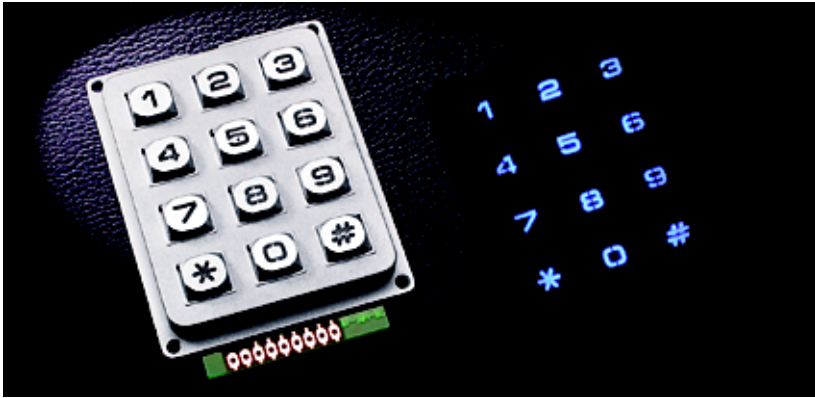


BACKLIGHTING METAL KEYPAD (WATERPROOF) (WORLDWIDE PATENT)

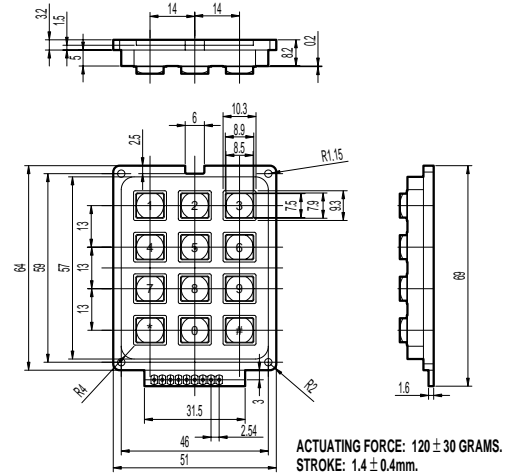
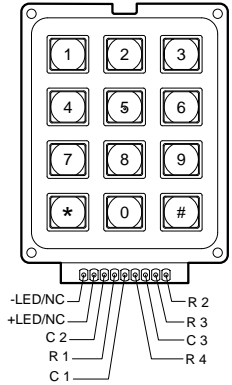
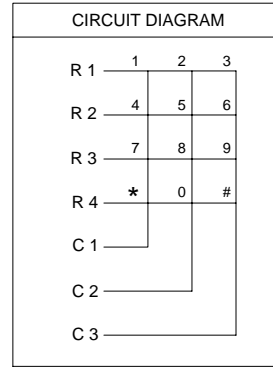
AK-304-N-SSL-WP-MM

GENERAL SPECIFICATION

- Contact rating: 20mA, 24VDC
- LED Contact rating: $V_{max}=3.7V$, $V_{nom}=2.7V$
- Contact resistance: 200 ohm max
- Life: 2,000,000 cycles per key
- Operating Temperature: $-20^{\circ}C$ to $+60^{\circ}C$
- Storage Temperature: $-40^{\circ}C$ to $+65^{\circ}C$



AK-304-N-SSL-WP-MM



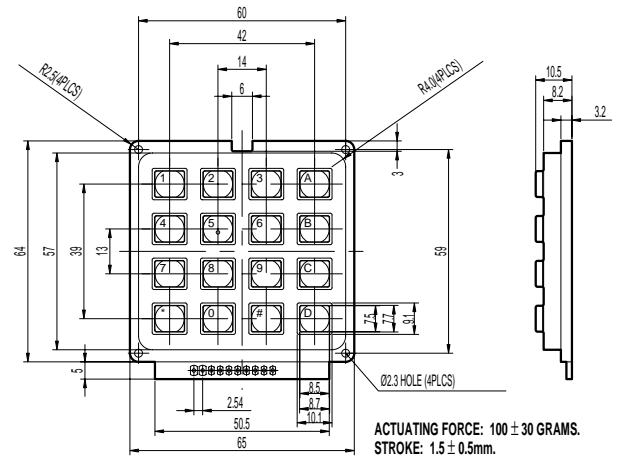
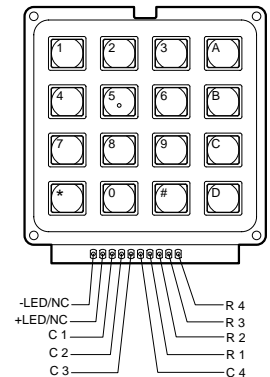
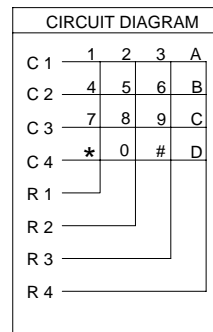
AK-1604-N-SSL-WP-MM

GENERAL SPECIFICATION

- Contact rating: 20mA, 24VDC
- LED Contact rating: $V_{max}=3.7V$, $V_{nom}=2.7V$
- Contact resistance: 200 ohm max
- Life: 2,000,000 cycles per key
- Operating Temperature: $-20^{\circ}C$ to $+60^{\circ}C$
- Storage Temperature: $-40^{\circ}C$ to $+65^{\circ}C$



AK-1604-N-SSL-WP-MM

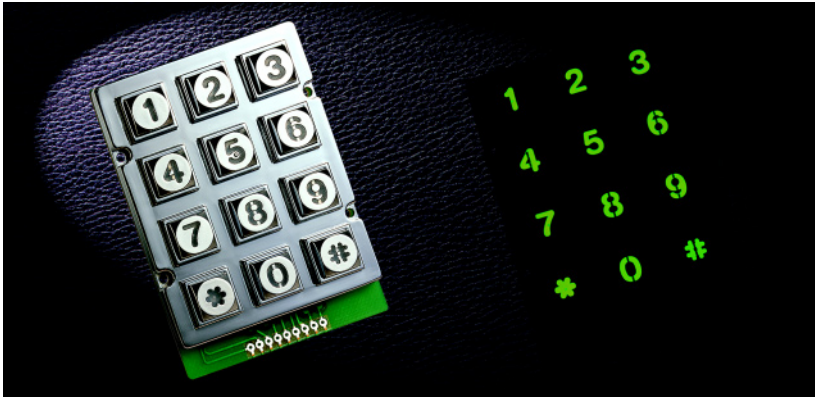


BACKLIGHTING METAL KEYPAD (WATERPROOF) (WORLDWIDE PATENT)

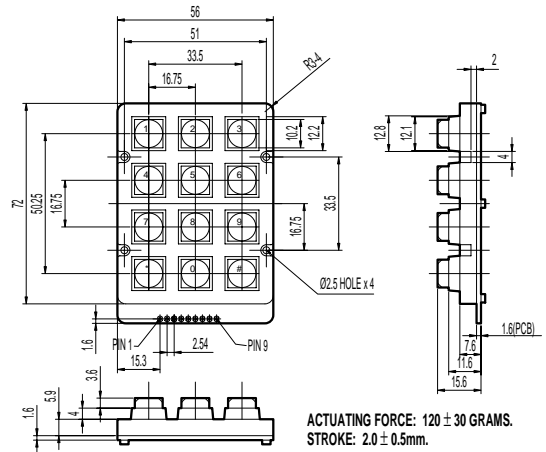
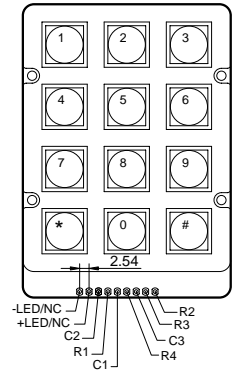
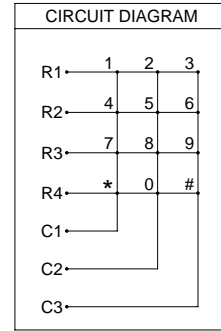
AK-207-N-SSL-WP-MM

GENERAL SPECIFICATION

- Contact rating: 20mA, 24VDC
- LED Contact rating: $V_{max}=2.8V$, $V_{nom}=2.1V$
- Contact resistance: 200 ohm max
- Life: 2,000,000 cycles per key
- Operating Temperature: $-20^{\circ}C$ to $+60^{\circ}C$
- Storage Temperature: $-40^{\circ}C$ to $+65^{\circ}C$



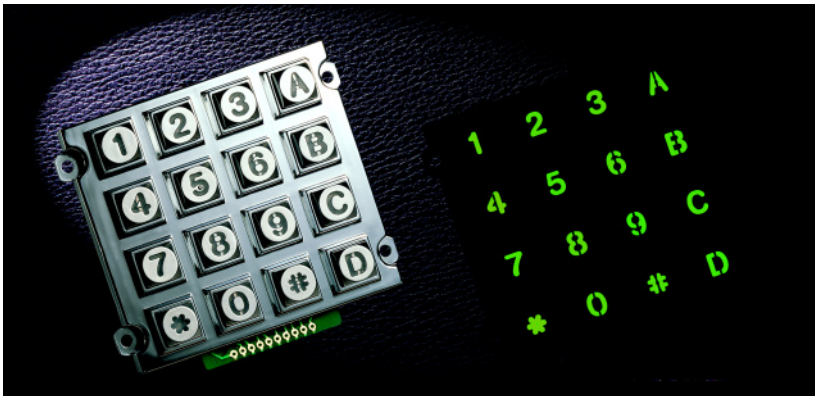
AK-207-N-SSL-WP-MM



AK-1607-N-SSL-WP-MM

GENERAL SPECIFICATION

- Contact rating: 20mA, 24VDC
- LED Contact rating: $V_{max}=2.8V$, $V_{nom}=2.1V$
- Contact resistance: 200 ohm max
- Life: 2,000,000 cycles per key
- Operating Temperature: $-20^{\circ}C$ to $+60^{\circ}C$
- Storage Temperature: $-40^{\circ}C$ to $+65^{\circ}C$



AK-1607-N-SSL-WP-MM

