



Molded Powder Inductor



Current-Compensated Frame Core Double Choke



Differential Mode Inductor



Lan Discrete Transformer Module



Shielded Power Inductor



Telecom Inductor



Matching/Coupling Transformer



High Inductance-Dip Type



Switching Transformer



Frame Core Choke



Common Mode Choke



Low Frequency Transformer



High Current Power Inductor



Ceramic Chip Inductor



FUAN ELECTRONIC CO.,LTD

Office Phone: 0514-87693589
Office Fax:0514-87693159
E-mail: sales@fuantronics.net

FUAN PARTNERS



**TRANSFORMERS
INDUCTORS**

PAIRUI-Fuan
www.fuantronics.net



PAIRUI-FUAN

Your Reliable Partner



During last 34 years, with global competition growing constantly more fierce, Pairui group is consistently at the forefront of the market with qualified products and hospitable service. This has allowed us to become a world leading company, establishing on-site production and sales subsidiaries in 7 countries all over the world.

Fuan's main products are electronic components which are the basic building blocks used in all kinds of electric and electronic devices. These components include ferrite cores, bobbins, coils, transformers, inductors, and sensors, to name but a few.

Over the years, Pairui has developed our design, development and manufacturing capabilities to become an industry leader for reliable and affordable products. This accumulated knowledge, and the technology and know-how born from it have enabled Fuan to develop and manufacture magnetics, power supplies and the like.

Fuan is committed to being a truly excellent global company. We will continue to take up the challenge of creating electronic components that combine great originality and high value, and so make a tangible contribution to society.

We are well aware of the fact that Fuan's achievements is because of the continuous support and trust from the customers.

We are always grateful for all of your support.

Thank you.

Chairman & CEO of PAIRUI GROUP
Fuan Lin

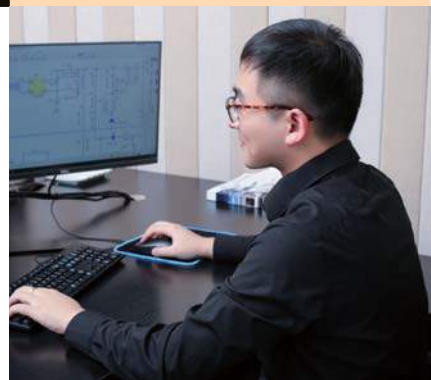


www.fuantronics.net



Focus

- High quality control & continues improvement/development
- Professional solutions of all magnetic components
- Customer satisfaction
- High-performance organization structure
- Reliable friendship and win-win business with customers



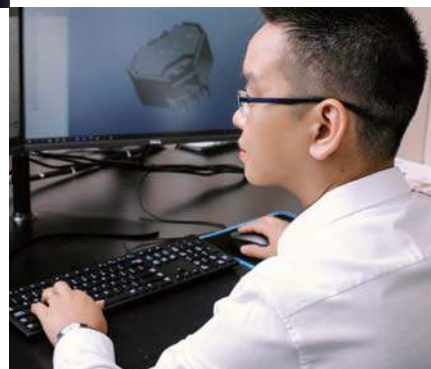
Products

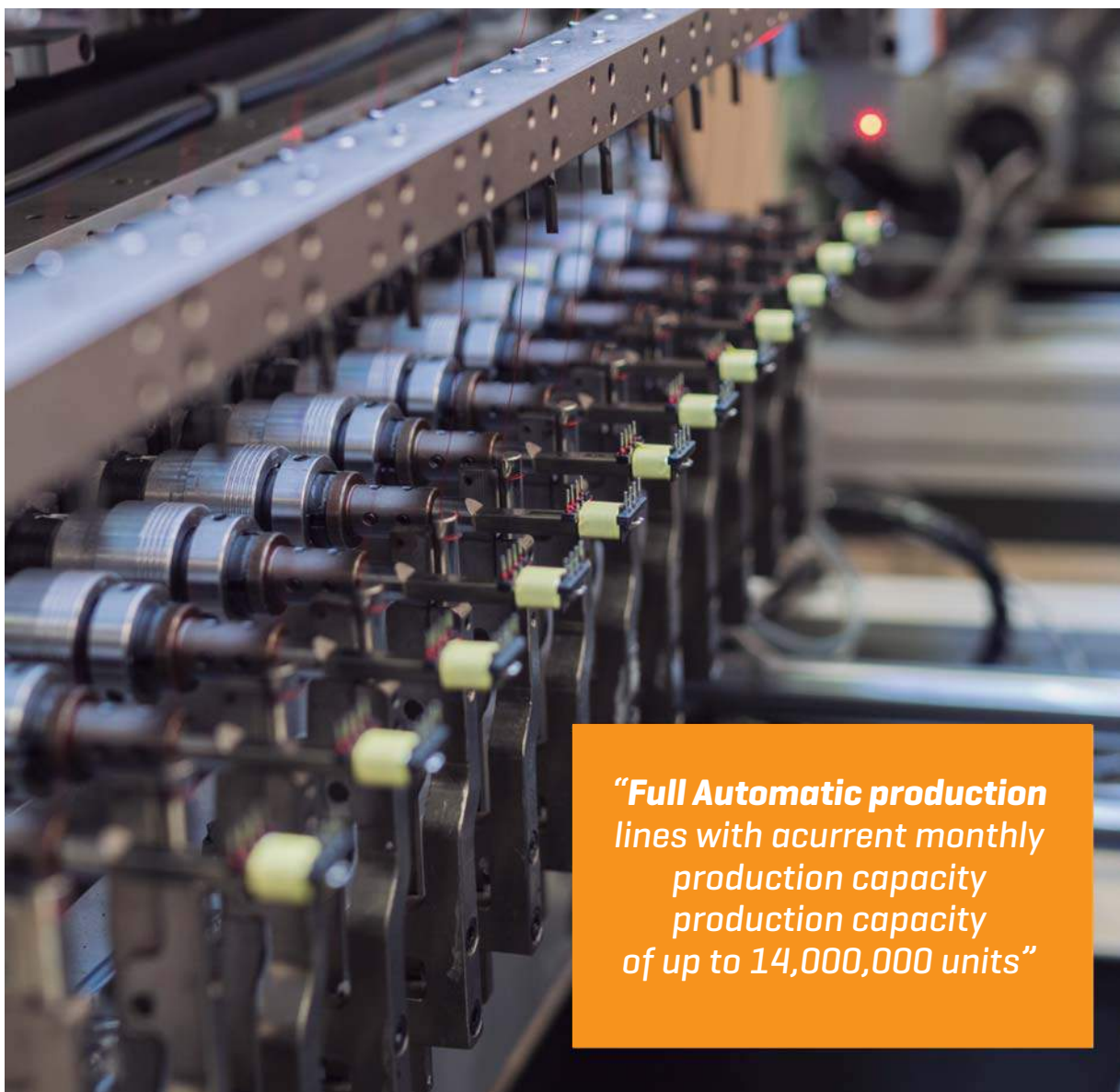
- Power ferrite transformer
- High/low frequency transformer
- Current transformer
- Toroidal transformer
- Telecom transformer
- CM/DM/DR inductor
- SMD inductor
- Frame core chokes



Main application

- Lighting & Power supply
- Industry & New energy
- Automotive & Medical
- Telecommunication & Consumer electronics
- Spaceflight & Military

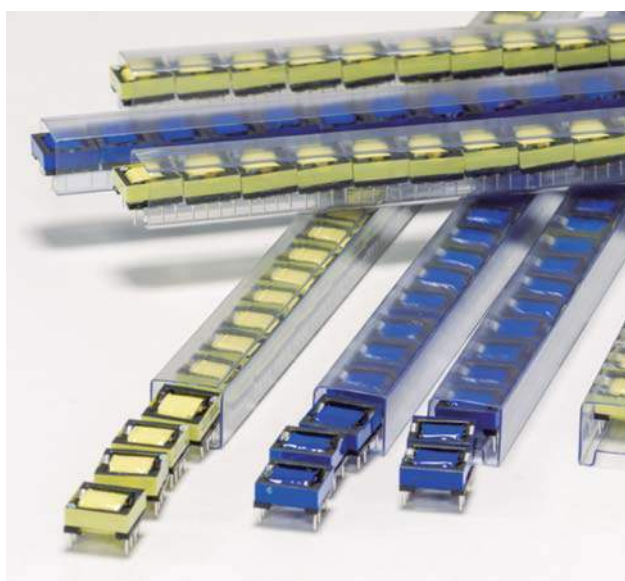




“Full Automatic production lines with a current monthly production capacity of up to 14,000,000 units”



“The rate of rejection is close to 0%”



Custom magnetics specialists

While standard transformers and inductors meet most of today's typical electronic circuit requirements, they have their limitations. If you're designing advanced equipment for the automation, computer, industrial controls, medical, networking, telecom, alternative energy, or other industries, then you may need a custom magnetics solution. The best time to make that decision is early in the design process, which gives you the maximum flexibility.

Fuan Electronic specializes in custom magnetics technology solutions. We're a global leader in the design and manufacture of transformers and inductors for industrial, commercial and consumer applications. Our expert engineering staff, modern test labs, automated factories, certified quality, excellent service and competitive cost ensures your success. Bring us your next applications challenge, and we're ready with advanced magnetics technology solutions.

Our facility houses our standard product magnetics business, which is sold directly through our extensive distributor network and finds application in a wide range of industrial, commercial and consumer devices. The Fuan's customer service, field applications engineering and design engineering staff offers hundreds of years of collective experience in magnetic components. We also utilize the latest in automated design, laboratory testing, manufacturing software and equipment.

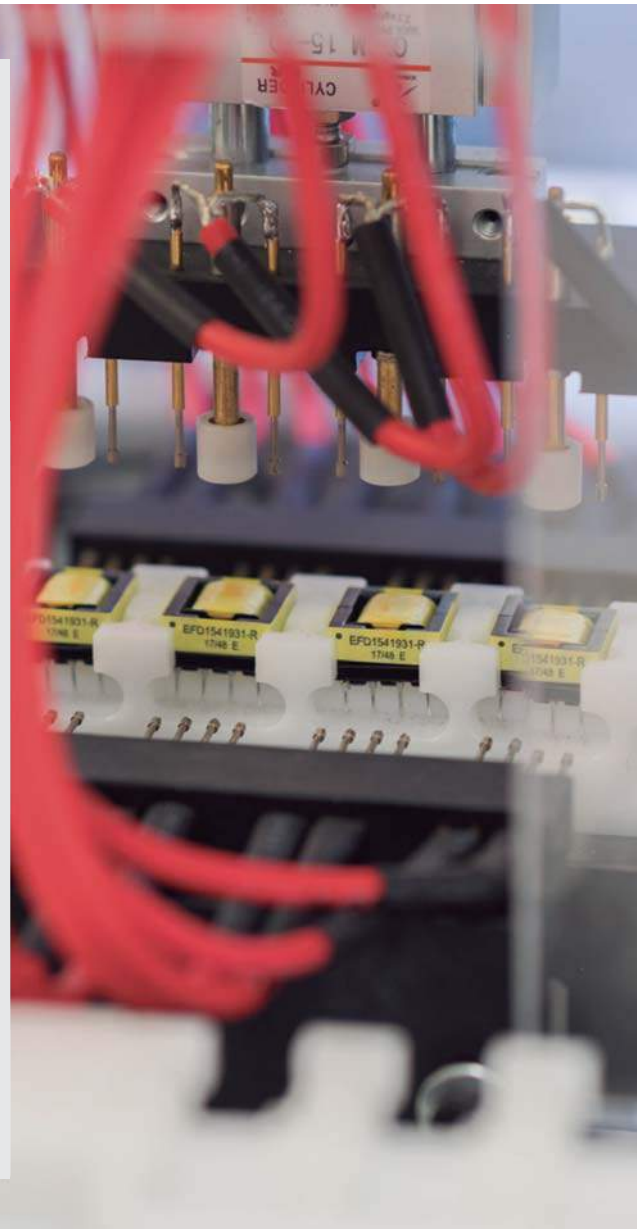
Let us help you by asking the right questions to develop a custom magnetics component that meets your performance, reliability, long-life and cost requirements. Our capabilities include designing to a wide range of internationally recognized quality and performance standards:

- ISO 9001:2015
- ISO 14001:2015
- OHSAS 18001:2007
- IATF 16949:2016
- UL Insulation System Class B(130C)
- UL Insulation System Class F(155C)
- UL Insulation System Class H(180C)
- CE, TUV, CQC, VDE, ENEC, UL, CUL, FCC

In addition to ISO 9001-2015 certification, we are dedicated to a continuous improvement process based on Kaizen principles. We are constantly refining all aspects of our business based on the Kaizen 5S Disciplines that include:

- **Sorting:** Keeping our work areas free of unnecessary clutter
- **Setting In Order:** Organizing our assembly line work flows
- **Shining:** Maintaining all equipment for peak performance
- **Standardizing:** Documenting all process methodologies
- **Sustaining:** Auditing our performance to our own standards

Our manufacturing facilities employ more than 1500 people, who are well educated and trained in all aspects of electronics manufacturing. Our staff is highly trained, motivated and rewarded when the company meets its business objectives. Our precision core gapping machines allow us to control performance characteristics with computer accuracy, making it possible to modify standard materials without assistance from external core vendors.



Wire winding

Our CNC wire winding machines ensure reliable, high-quality coils and bobbins. They are designed to process fine to heavy gauge wire from 54 to 4 AWG.

High-temperature soldering

We use fine pitch solder printing machines and high temperature soldering equipment. Lead-free processes meet environmental requirements including ROHS.

Inspection

Automated optical inspection and in-line circuit testing systems are located throughout the manufacturing process for high quality and reliability.

Environmental Testing

Our environmental test chambers ensure that our product meets your operating specifications for resistance to temperature, shock, humidity and vibration to MIL-T-27E criteria or higher upon request.


ITEM	PERFORMANCE	TEST CONDITION															
OPERATING TEMPERATURE	-55~+125°C																
STORAGE TEMPERATURE AND HUMIDITY RANGE	-55~+125°C																
ELECTRICAL PERFORMANCE TEST																	
INDUCTANCE	Refer to standard electrical Characteristics list.	HP428A,CH11025,CH3302,CH1320, CH1320S,LCR Meter.															
DCR		CH16502,Agilent33420A Micro-OhmMeter															
SATURATION CURRENT[ISAT]	$\Delta L=20\%$	Saturation Current [Isat] will cause Lo to drop approximately($\Delta L\%$)															
HEAT RATED CURRENT [IRMS]	Heat Rated Current [Irms]will cause the coil temperature rise approximately $\Delta T[^\circ C]$ without core loss 1.Applied the allowed DC current. 2.Temperature measured by digital surface thermometer																
SOLDER HEAT RESISTANCE	Appearance: No significant abnormality. Inductance change: Within $\pm 20\%$																
SOLDERABILITY TEST	More than 90% of the terminal electrode should be covered with solder.																
RELIABILITY TEST																	
HIGH TEMPERATURE LIFE TEST	Appearance: no damage. Inductance: within $\pm 20\%$ of initial value. No disconnection or short circuit.	Temperature: 125 $\pm 5^\circ C$ Duration: 500 ± 12 hrs. Measured at room temperature after placing for 2 to 3hrs.															
LOW TEMPERATURE LIFE TEST	Appearance:no damage. Inductance: within $\pm 20\%$ of initial value. No disconnection or short circuit.	Temperature:-55 $\pm 5^\circ C$. Duration:500 ± 12 hrs. Measured at room temperature after placing for 2 to 3hrs.															
THERMAL SHOCK	Appearance: no damage. Inductance: within $\pm 20\%$ of initial value. No disconnection or short circuit.	<table border="1"> <thead> <tr> <th>class</th> <th>Temperature</th> <th>Time</th> </tr> </thead> <tbody> <tr> <td>1</td> <td>-55°C$\pm 3^\circ C$</td> <td>30± 3min</td> </tr> <tr> <td>2</td> <td>normal</td> <td>within3</td> </tr> <tr> <td>3</td> <td>+125°C$\pm 3^\circ C$</td> <td>30± 3min</td> </tr> <tr> <td>4</td> <td>normal</td> <td>within3</td> </tr> </tbody> </table>	class	Temperature	Time	1	-55°C $\pm 3^\circ C$	30 ± 3 min	2	normal	within3	3	+125°C $\pm 3^\circ C$	30 ± 3 min	4	normal	within3
class	Temperature	Time															
1	-55°C $\pm 3^\circ C$	30 ± 3 min															
2	normal	within3															
3	+125°C $\pm 3^\circ C$	30 ± 3 min															
4	normal	within3															
HUMIDITY RESISTANCE	Appearance: no damage. Inductance: within $\pm 20\%$ of initial value. No disconnection or short circuit.	Humidity : 90~95%RH Temperature: 40 $\pm 5^\circ C$ Applied current: rated current. Duration: 500 ± 12 hrs. Measured at room temperature after placing for 2 to 3hrs.															

CONTENTS


P₁₋₄ 0.08-0.6W
EE20/4-20/10
FAPE20 Series




P₅₋₂₀ 0.6-3.2W
EI30/5-30/23
FAPE30 Series




P₂₁₋₂₈ 3.2-50W
EI38/13-EI66/34.7
FAPE38-FAPE66 Series




P₂₉₋₃₃ 2.0-10W
UI30/5-30/16.5
FAUI30 Series




P₃₄₋₃₈ 10-30W
UI39/8-39/21
FAUI39 Series




P₃₉₋₄₀ 40-60W
UI48/17-48/26
FAUI48 Series




P₄₁₋₄₃ Spark-Line
IT22/19-35/23
FAIT Series




P₄₄₋₄₅ Power Supplies
1.0-60W
ASQ,ASP Series




P₄₆₋₄₇ Power Transformers
FACT/PA Series




P₄₈₋₄₉ Low profile plug-in
transformers
FAPG/PL Series




P₅₀₋₅₁ Low profile plug-in
transformers
FAPT/SB Series




P₅₂₋₆₉ Flyback Transformers
1.0-180W
FAT Series



P₇₀₋₇₄ SMT POWER & ISOLATION
TRANSFORMERS
FARM/POT/EFD/ER/EP Series




P₇₅₋₈₀ Switching Transformers
FAEE/EI/ER/ETD
/PQ/EFD Series




P₈₁ TELECOM INDUCTOR
XDSL TRANSFORMER
FAADSL Series




P₈₂₋₈₆ Matching/Coupling
Transformers
FAAT/LP Series



P₈₇₋₉₇ LAN DISCRETE TRANSFORMER
MODULES
FAHS/NS/LAN/HPN Series




P₉₈₋₁₀₃ THT CURRENT SENSE
MAGNETICS
FAACST/CT Series



◆ TRANSFORMERS INDUCTORS

CONTENTS

P
104-106 RF Transformers/Baluns
FARF/SB/CM Series




P
107-112 Ceramic Chip Inductors
FAAISC Series




P
113-116 Wolded Chip Inductors
FAAISM Series




P
117-126 Wire-Wound Inductors
FALQH Series




P
127 Ferrite Bead Inductor
FASMB Series




P
128-131 Chip Common
Mode Chokes
FASCCM Series




P
132-138 Air Cpre Coil
FASCR/SCRQ Series




P
139 Chip Chokes TM
FASFB Series




P
140-149 Surface-Mount Common
Mode Chokes
FASF Series




P
150-151 High Current Surface-Mount
Power[Shielded]Inductors
FASDR/SDRS Series




P
152-155 [Shielded]Surface-Mount Power
Wound Chip Inductors
FASPI/SPI-T Series




P
156-159 Surface-Mount High Current Inductors
Low Profile Surface-Mount
Power Inductors
FASPI-HC/SPI Series




P
160-175 Magnetic Shielded
Surface-Mount Power Inductors
SMD Common Mode Chokes
FASDRH/SRF Series




P
176-182 Powewr Surface-Mount Wire-Wound
Chip Inductors Shielded Surface-Mount
Power Inductors
Surface-Mount Power Inductors
FASDR/SB Series




P
183-195 Surface-Mount Power Inductors
FASMD/SNR/SNRV Series




P
196-203 Molded Powder Inductors
High Current Molded
Power Inductor
FAMPI/HPI Series



P
204-205 SMD Common Mode Chokes
Surface-Mount Wire Wound
Dual Chip Inductors
FASQD/SDRH Series




P
206-252 High Current Power Inductor
FASCB/CSB/CSCG/CSCM/CSCI/HR
/CSCF/CSCE/CPCF/CPCE/CPER
/CPU/CPQ/CPFL/CPFX/CSCD
/CSI/CPI/CPFSCPT Series




◆ TRANSFORMERS INDUCTORS

CONTENTS


P
253-259 Through-Hole Axial Conformal Coated Inductors
FALGA Series




P
260-262 Through-Hole Axial Conformal Molded Inductors
FALTM Series




P
263-265 Through-Hole Axial Epoxy Coated Inductors
FALGB Series




P
266 Through-Hole Axial UL Tube Power Chokes
FALCHA Series




P
267 Through-Hole Radial UL Tube Power Chokes
FALCHB Series




P
268-269 Through-Hole Radial Power Chokes
FALCH/LCH4W Series




P
270 Through-Hole Radial Flat Power Chokes
FAAIFC Series




P
271-274 Through-Hole Radial Encapsulated Power Inductors Through-Hole Radial Shielded Power Inductors
FALGB/LGS Series




P
275-285 Through-Hole Radial High Current Power Chokes
Radial Leaded Power Line Chokes
FAAIRD Series




P
286-287 Through-Hole Radial Rod Core Power Inductors
FARCH/RC Series




P
288 Through-Hole Axial Hash Chokes
FACHA Series




P
289-290 Cable Shields Ferrite Tubular Core For EMI-Suppression Through-Hole Axial Ferrite Beads For EMI suppression
FARH Series




P
291 Through-Hole Axial Wide Band Chokes
FAR6H Series




P
292 Split EMI Suppression Ferrite Core For Cable
FARU Series



P
293 Through-Hole EMI Suppression Filter
FADW Series




P
294-295 Surface-Mount Toroidal Chokes
FATR Series



P
296-301 Shielded SMD Power Inductor
SMD Line Filter
FASB/SF Series



P
302-308 SMD Common Mode Chokes
FASCM/SCMT Series



◆ TRANSFORMERS INDUCTORS

CONTENTS

P
309-310 Surface-Mount Toroidal Coils And
Common Mode Toroidal Chokes
Surface-Mount Toroidal Chokes
FASTC Series



P
311-312 Surface-Mount Toroidal
Common Mode Chokes
FASTR/STRF Series



P
313-317 High Current Toroid Inductors
FA2111/2414/3216/ Series



P
318-320 Current-Compensated Frame
Core Double Chokes
FACM12/25/31/36/42 Series



P
321-322 Current-Compensated Frame
Core Double Chokes
FACM2505/2510/2512
/2515 Series



P
323-324 Current-Compensated Frame
Core Double Chokes
FACM18/22/25/28 Series



P
325-326 Current-Compensated Frame
Core Double Chokes
FACM14/22/25/26 Series



P
327 SMD Current-Compensated
Frame Core Double Chokes
FACM12 Series



P
328-330 Current-Compensated Frame
Core Double Chokes
FACM12/16/22 Series



P
331-333 Common Mode Filter Inductor
FAPL09/10/16 Series



P
334-337 Common Mode Filter Inductor
FACM20/24/28/35 Series



P
338-340 Frame Core Chokes
FAPK Series



P
341-345 Flat line Frame Core Chokes
FACCF Series



P
346-351 Frame Core Chokes
FACCF Series



PAIRUI-Fuan

◆ TRANSFORMERS INDUCTORS

0.08W EE20/4 FAPE2004 SERIES



FEATURES

Frequency 50/60Hz
 Potted under vacuum
 Split-bobbin
 Temperature class ta 70°C/B
 Short-circuit-proof [where noted:
 1/2/3* under Agency Approvals]
 Weight: 0.018kg
 Packaging unit: 40 pieces [tray]

OPTIONS

Bulk packaging is standard
 Custom design available

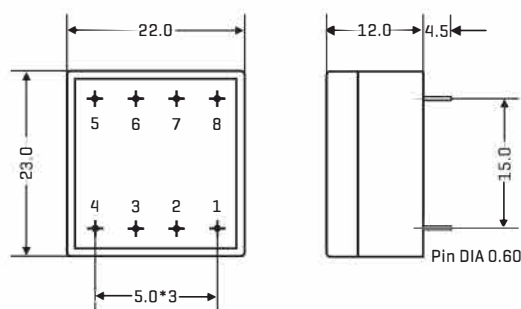
COMMON APPLICATIONS

Medical equipments
 Industrial equipments
 Industrial controls
 Test equipments
 Industrial computers
 Avionics & telecom

ELECTRICAL CHARACTERISTICS AT 25°C

Part Number	Primary [V]	Secondary [V/mA]	No-load voltage[V]	Fig.	Part Number	Primary [V]	Secondary [V/mA]	No-load voltage[V]	Fig.
FAPE200401	230	6 / 13.3	9.2	1	FAPE200406	115	6 / 13.3	9.2	1/2
FAPE200402	230	9 / 8.88	13.6	1	FAPE200407	115	9 / 8.88	13.6	1/2
FAPE200403	230	12 / 6.67	18.3	1	FAPE200408	115	12 / 6.67	18.3	1/2
FAPE200404	230	15 / 5.33	22.6	1	FAPE200409	115	15 / 5.33	22.6	1/2
FAPE200405	230	18 / 4.44	27.2	1	FAPE200410	115	18 / 4.44	27.2	1/2

PHYSICAL CHARACTERISTICS



ALL DIMENSIONS IN MM

TECHNICAL INFORMATION

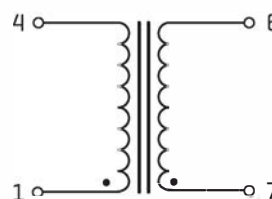


FIG 1

0.35W EE20/6.1 FAPE2006 SERIES



FEATURES

- It is miniaturised to be easily PCB mounted
- It has very high insulation of 4000Vrms Hi-pot
- It accords with UL94V-0 flammability requirements
- Heat-resistance reaches 130°C
- Frequency 50/60Hz
- Split-bobbin
- Short-circuit-proof
- Potted under vacuum
- Temperature class to 70°C/B
- Weight: 0.024kg
- Packaging unit: 50 pieces

OPTIONS

- Bulk packaging is standard
- Custom design available

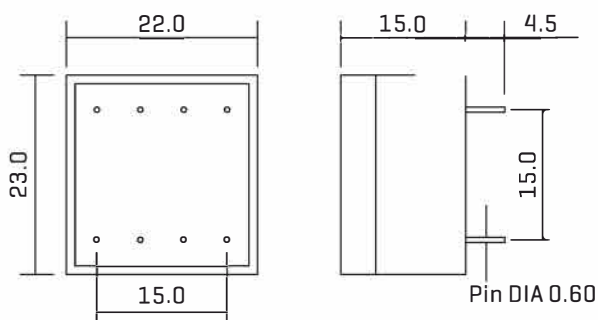
COMMON APPLICATIONS

- Medical equipments
- Industrial equipments
- Industrial controls
- Test equipments
- Industrial computers
- Avionics & telecom

ELECTRICAL CHARACTERISTICS AT 25°C

Part Number	Primary [V]	Secondary [V/mA]	No-load voltage[V]	Fig.	Part Number	Primary [V]	Secondary [V/mA]	No-load voltage[V]	Fig.
FAPE200601	230	6 / 58.0	10.80	1	FAPE200613	115	6 / 58.0	10.80	1
FAPE200602	230	9 / 39.0	16.50	1	FAPE200614	115	9 / 39.0	16.50	1
FAPE200603	230	12 / 29.0	21.90	1	FAPE200615	115	12 / 29.0	21.90	1
FAPE200604	230	15 / 23.0	27.00	1	FAPE200616	115	15 / 23.0	27.00	1
FAPE200605	230	18 / 19.0	31.50	1	FAPE200617	115	18 / 19.0	31.50	1
FAPE200606	230	24 / 14.0	41.70	1	FAPE200618	115	24 / 14.0	41.70	1
FAPE200607	230	2*6 / 29.0	2*10.95	2	FAPE200619	115	2*6 / 29.0	2*10.95	2
FAPE200608	230	2*9 / 19.0	2*15.60	2	FAPE200620	115	2*9 / 19.0	2*15.60	2
FAPE200609	230	2*12 / 14.0	2*20.70	2	FAPE200621	115	2*12 / 14.0	2*20.70	2
FAPE200610	230	2*15 / 12.0	2*26.00	2	FAPE200622	115	2*15 / 12.0	2*26.00	2
FAPE200611	230	2*18 / 9.5	2*31.20	2	FAPE200623	115	2*18 / 9.5	2*31.20	2
FAPE200612	230	2*24 / 7.0	2*41.90	2	FAPE200624	115	2*24 / 7.0	2*41.90	2

PHYSICAL CHARACTERISTICS



ALL DIMENSIONS IN MM

TECHNICAL INFORMATION

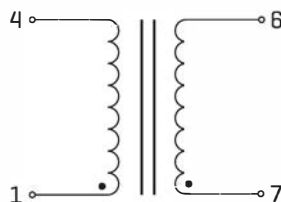


FIG 1

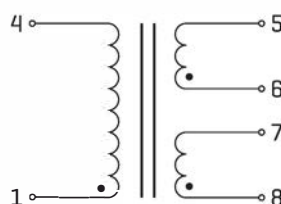


FIG 2

0.5W EE20/10 FAPE2010 SERIES



FEATURES

It is miniaturised to be easily PCB mounted
 It has very high insulation of 4000Vrms Hi-pot
 It accords with UL94V-0 flammability requirements
 Heat-resistance reaches 130°C
 Frequency 50/60Hz
 Split-bobbin
 Short-circuit-proof
 Potted under vacuum.
 Temperature class to 70°C/B
 Weight: 0.035kg
 Packaging unit: 50 pieces

OPTIONS

Bulk packaging is standard
 Custom design available

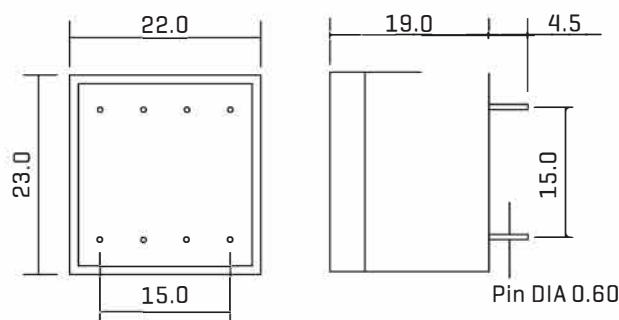
COMMON APPLICATIONS

Medical equipments
 Industrial equipments
 Industrial controls
 Test equipments
 Industrial computers
 Avionics & telecom

ELECTRICAL CHARACTERISTICS AT 25°C

Part Number	Primary [V]	Secondary [V/mA]	No-load voltage[V]	Fig.	Part Number	Primary [V]	Secondary [V/mA]	No-load voltage[V]	Fig.
FAPE201011	230	6 / 83	8.9	1	FAPE201023	115	6 / 83	8.9	1
FAPE201012	230	9 / 55	13.5	1	FAPE201024	115	9 / 55	13.5	1
FAPE201013	230	12 / 42	19.4	1	FAPE201025	115	12 / 42	19.4	1
FAPE201014	230	15 / 34	24.6	1	FAPE201026	115	15 / 34	24.6	1
FAPE201015	230	18 / 28	29.5	1	FAPE201027	115	18 / 28	29.5	1
FAPE201016	230	24 / 21	39.6	1	FAPE201028	115	24 / 21	39.6	1
FAPE201017	230	2*6 / 42	2*9.6	2	FAPE201029	115	2*6 / 42	2*9.6	2
FAPE201018	230	2*9 / 28	2*15.2	2	FAPE201030	115	2*9 / 28	2*15.2	2
FAPE201019	230	2*12 / 21	2*19.1	2	FAPE201031	115	2*12 / 21	2*19.1	2
FAPE201020	230	2*15 / 16	2*23.3	2	FAPE201032	115	2*15 / 16	2*23.3	2
FAPE201021	230	2*18 / 14	2*29.2	2	FAPE201033	115	2*18 / 14	2*29.2	2
FAPE201022	230	2*24 / 10	2*38.8	2	FAPE201034	115	2*24 / 10	2*38.8	2

PHYSICAL CHARACTERISTICS



ALL DIMENSIONS IN MM

TECHNICAL INFORMATION

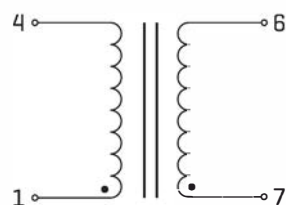


FIG 1

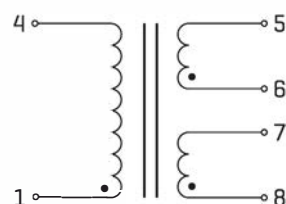


FIG 2

0.6W EE20/10 FAPE2010 SERIES



FEATURES

It is miniaturised to be easily PCB mounted
 It has very high insulation of 4000Vrms Hi-pot
 It accords with UL94V-0 flammability requirements
 Heat-resistance reaches 130°C
 Frequency 50/60Hz
 Split-bobbin
 Short-circuit-proof
 Potted under vacuum
 Temperature class to 40°C/B
 Weight: 0.035kg

OPTIONS

Packaging unit: 50 pieces
 Bulk packaging is standard
 Custom design available

COMMON APPLICATIONS

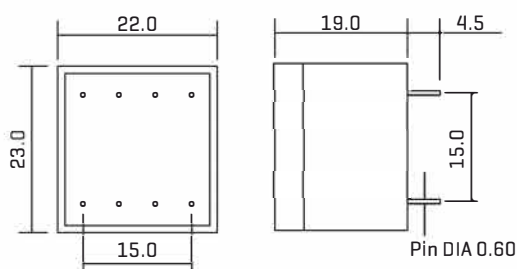
Medical equipments
 Industrial equipments
 Industrial controls
 Test equipment
 Industrial computers
 Industrial computers
 Avionics & telecom

ELECTRICAL CHARACTERISTICS AT 25°C

Part Number	Primary [V]	Secondary [V/mA]	No-load voltage[V]	Fig.
FAPE201035	230	6/100	11.5Max	1
FAPE201036	230	9/67	14.5Max	1
FAPE201037	230	12/50	18.5Max	1
FAPE201038	230	15/40	22.5Max	1
FAPE201039	230	18/33	26.5Max	1
FAPE201040	230	24/25	33.5Max	1
FAPE201041	230	2*6/50	2*11.5Max	2
FAPE201042	230	2*9/33	2*14.5Max	2
FAPE201043	230	2*12/25	2*18.5Max	2
FAPE201044	230	2*15/20	2*24.5Max	2
FAPE201045	230	2*18/16	2*27.5Max	2
FAPE201046	230	2*24/13	2*35.5Max	2

Part Number	Primary [V]	Secondary [V/mA]	No-load voltage[V]	Fig.
FAPE201047	115	6/100	11.5Max	1
FAPE201048	115	9/67	14.5Max	1
FAPE201049	115	12/50	18.5Max	1
FAPE201050	115	15/40	22.5Max	1
FAPE201051	115	18/33	26.5Max	1
FAPE201052	115	24/25	33.5Max	1
FAPE201053	115	2*6/50	2*11.5Max	2
FAPE201054	115	2*9/33	2*14.5Max	2
FAPE201055	115	2*12/25	2*18.5Max	2
FAPE201056	115	2*15/20	2*24.5Max	2
FAPE201057	115	2*18/16	2*27.5Max	2
FAPE201058	115	2*24/13	2*35.5Max	2

PHYSICAL CHARACTERISTICS



ALL DIMENSIONS IN MM

TECHNICAL INFORMATION

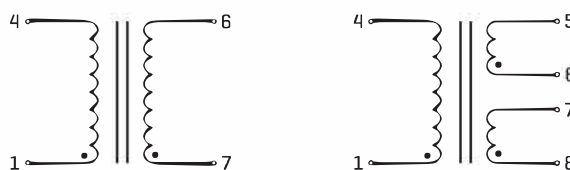


FIG 1

FIG 2

0.6W EI30/5 FAPE3005 SERIES



FEATURES

- Potted Under Vacuum
- Two compartments bobbin
- Self-extinguishing plastics UL94V-0
- Degree of protection IP67
- Weight: 0.04kg
- Temperature class to 40 °C/B

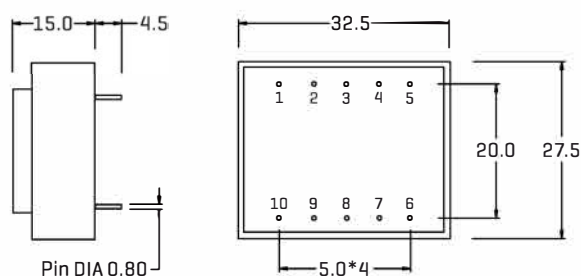
OPTIONS

- Bulk packaging is standard
- Custom design available

COMMON APPLICATIONS

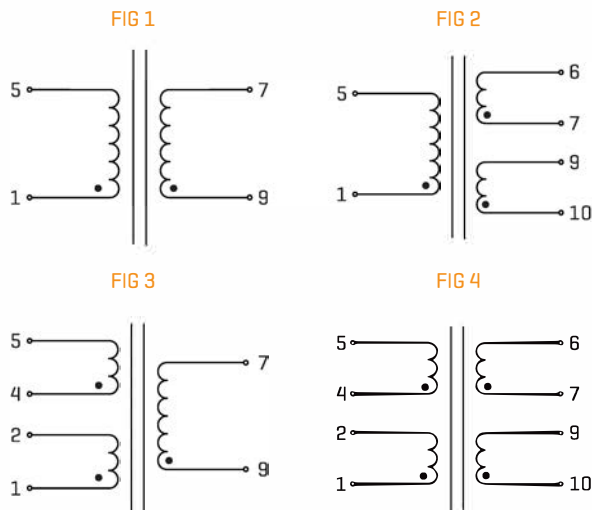
- Medical equipments
- Industrial equipments
- Industrial controls
- Test equipments
- Industrial computers
- Avionics & telecom

PHYSICAL CHARACTERISTICS



ALL DIMENSIONS IN MM

TECHNICAL INFORMATION



ELECTRICAL CHARACTERISTICS AT 25°C

Part Number	Primary (V)	Secondary (V/mA)	No-load voltage(V)	Fig.
FAPE300513	230	6/100	9.94	1
FAPE300514	230	9/67	14.95	1
FAPE300515	230	12/50	19.9	1
FAPE300516	230	15/40	24.9	1
FAPE300517	230	18/33	29.9	1
FAPE300518	230	24/25	39.8	1
FAPE300519	230	2*6/50	2*9.94	2
FAPE300520	230	2*9/33	2*14.95	2
FAPE300521	230	2*12/25	2*19.9	2
FAPE300522	230	2*15/20	2*24.9	2
FAPE300523	230	2*18/17	2*29.9	2
FAPE300524	230	2*24/12	2*39.8	2
FAPE300525	115	6/100	9.94	1
FAPE300526	115	9/67	14.95	1
FAPE300527	115	12/50	19.9	1
FAPE300528	115	15/40	24.9	1
FAPE300529	115	18/33	29.9	1
FAPE300530	115	24/25	39.8	1
FAPE300531	115	2*6/50	2*9.94	2
FAPE300532	115	2*9/33	2*14.95	2
FAPE300533	115	2*12/25	2*19.9	2
FAPE300534	115	2*15/20	2*24.9	2
FAPE300535	115	2*18/17	2*29.9	2
FAPE300536	115	2*24/12	2*39.8	2
FAPE300537	2*115	6/100	9.94	3
FAPE300538	2*115	9/67	14.95	3
FAPE300539	2*115	12/50	19.9	3
FAPE300540	2*115	15/40	24.9	3
FAPE300541	2*115	18/33	29.9	3
FAPE300542	2*115	24/25	39.8	3
FAPE300543	2*115	2*6/50	2*9.94	4
FAPE300544	2*115	2*9/33	2*14.95	4
FAPE300545	2*115	2*12/25	2*19.9	4
FAPE300546	2*115	2*15/20	2*24.9	4
FAPE300547	2*115	2*18/17	2*29.9	4
FAPE300548	2*115	2*24/12	2*39.8	4

1.4W EI30/8 FAPE3008 SERIES

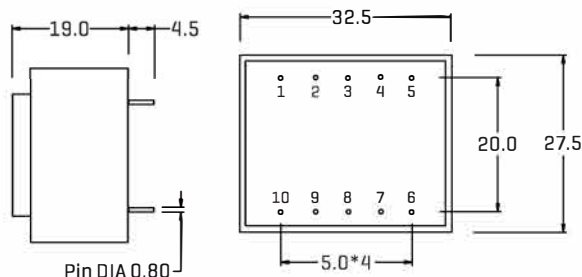
FEATURES

- Potted Under Vacuum
- Two compartments bobbins
- Self-extinguishing plastics UL94V-0
- Degree of protection IP67
- Weight: 0.06kg
- Temperature class to 70 °C/B

COMMON APPLICATIONS

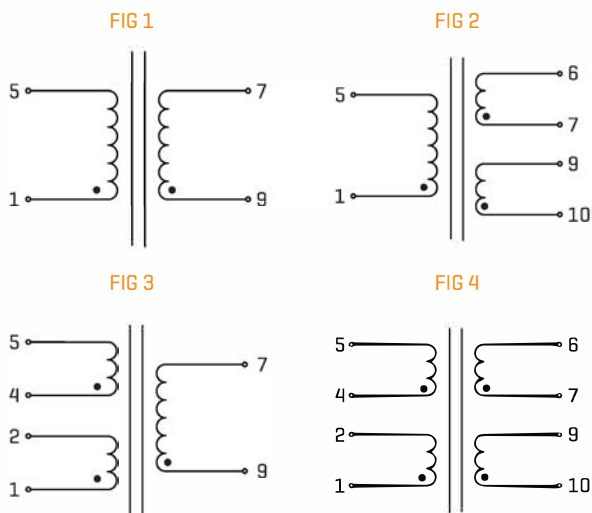
- Medical equipments
- Industrial equipments
- Industrial controls
- Test equipments
- Industrial computers
- Avionics & telecom

PHYSICAL CHARACTERISTICS



ALL DIMENSIONS IN MM

TECHNICAL INFORMATION



OPTIONS

- Bulk packaging is standard
- Custom design available



ELECTRICAL CHARACTERISTICS AT 25°C

Part Number	Primary [V]	Secondary [V/mA]	No-load voltage[V]	Fig.
FAPE300810	230	6/233	11.0	1
FAPE300811	230	9/155	16.0	1
FAPE300812	230	12/116	21.0	1
FAPE300813	230	15/93	26.2	1
FAPE300814	230	18/77	30.5	1
FAPE300815	230	24/58	41.5	1
FAPE300816	230	2*6/116	2*11.0	2
FAPE300817	230	2*9/77	2*16.0	2
FAPE300818	230	2*12/58	2*21.0	2
FAPE300819	230	2*15/47	2*26.2	2
FAPE300820	230	2*18/39	2*30.5	2
FAPE300821	230	2*24/29	2*41.5	2
FAPE300822	115	6/233	11.0	1
FAPE300823	115	9/155	16.0	1
FAPE300824	115	12/116	21.0	1
FAPE300825	115	15/93	26.2	1
FAPE300826	115	18/77	30.5	1
FAPE300827	115	24/58	41.5	1
FAPE300828	115	2*6/116	2*11.0	2
FAPE300829	115	2*9/77	2*16.0	2
FAPE300830	115	2*12/58	2*21.0	2
FAPE300831	115	2*15/47	2*26.2	2
FAPE300832	115	2*18/39	2*30.5	2
FAPE300833	115	2*24/29	2*41.5	2
FAPE300834	2*115	6/233	11.0	3
FAPE300835	2*115	9/155	16.0	3
FAPE300836	2*115	12/116	21.0	3
FAPE300837	2*115	15/93	26.2	3
FAPE300838	2*115	18/77	30.5	3
FAPE300839	2*115	24/58	41.5	3
FAPE300840	2*115	2*6/116	2*11.0	4
FAPE300841	2*115	2*9/77	2*16.0	4
FAPE300842	2*115	2*12/58	2*21.0	4
FAPE300843	2*115	2*15/47	2*26.2	4
FAPE300844	2*115	2*18/39	2*30.5	4
FAPE300845	2*115	2*24/29	2*41.5	4

1W EI30/10.5 FAPE3010 SERIES

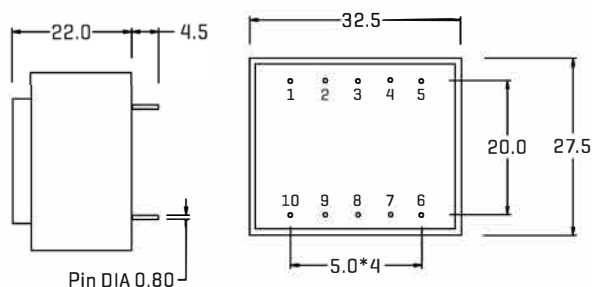
FEATURES

- Potted Under Vacuum
- Two compartments bobbins
- Self-extinguishing plastics UL94V-0
- Degree of protection IP67
- Weight: 0.07kg
- Temperature class to 70 °C/B

COMMON APPLICATIONS

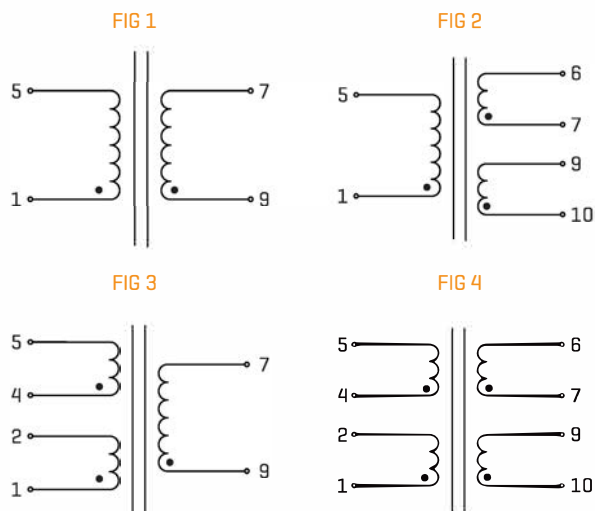
- Medical equipments
- Industrial equipments
- Industrial controls
- Test equipments
- Industrial computers
- Avionics & telecom

PHYSICAL CHARACTERISTICS



ALL DIMENSIONS IN MM

TECHNICAL INFORMATION



OPTIONS

- Bulk packaging is standard
- Custom design available



ELECTRICAL CHARACTERISTICS AT 25°C

Part Number	Primary [V]	Secondary [V/mA]	No-load voltage[V]	Fig.
FAPE301049	230	6/167	8.5	1
FAPE301050	230	9/111	12.45	1
FAPE301051	230	12/83	16.3	1
FAPE301052	230	15/66	20.2	1
FAPE301053	230	18/56	24.2	1
FAPE301054	230	24/42	32.2	1
FAPE301055	230	2*6/83	2*8.3	2
FAPE301056	230	2*9/56	2*11.9	2
FAPE301057	230	2*12/42	2*16.2	2
FAPE301058	230	2*15/33	2*20.4	2
FAPE301059	230	2*18/28	2*24.2	2
FAPE301060	230	2*24/21	2*32.1	2
FAPE301061	115	6/167	8.5	1
FAPE301062	115	9/111	12.45	1
FAPE301063	115	12/83	16.3	1
FAPE301064	115	15/66	20.2	1
FAPE301065	115	18/56	24.2	1
FAPE301066	115	24/42	32.2	1
FAPE301067	115	2*6/83	2*8.3	2
FAPE301068	115	2*9/56	2*11.9	2
FAPE301069	115	2*12/42	2*16.2	2
FAPE301070	115	2*15/33	2*20.4	2
FAPE301071	115	2*18/28	2*24.2	2
FAPE301072	115	2*24/21	2*32.1	2
FAPE301073	2*115	6/167	8.5	3
FAPE301074	2*115	9/111	12.45	3
FAPE301075	2*115	12/83	16.3	3
FAPE301076	2*115	15/66	20.2	3
FAPE301077	2*115	18/56	24.2	3
FAPE301078	2*115	24/42	32.2	3
FAPE301079	2*115	2*6/83	2*8.3	4
FAPE301080	2*115	2*9/56	2*11.9	4
FAPE301081	2*115	2*12/42	2*16.2	4
FAPE301082	2*115	2*15/33	2*20.4	4
FAPE301083	2*115	2*18/28	2*24.2	4
FAPE301084	2*115	2*24/21	2*32.1	4

1.2W EI30/10.5 FAPE3010 SERIES



FEATURES

- Vacuum filling
- Two compartments bobbin
- Self-extinguishing plastics UL94V-0
- Degree of protection IP 00
- Weight: 0.07kg
- Temperature class to 70°C/B

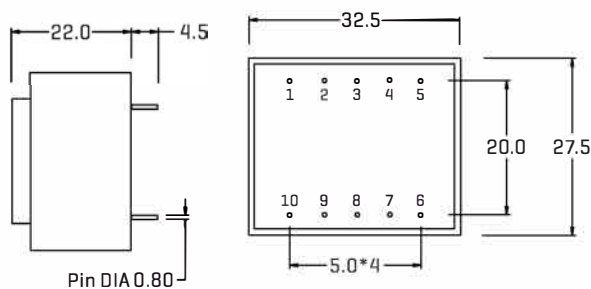
OPTIONS

- Bulk packaging is standard
- Custom design available

COMMON APPLICATIONS

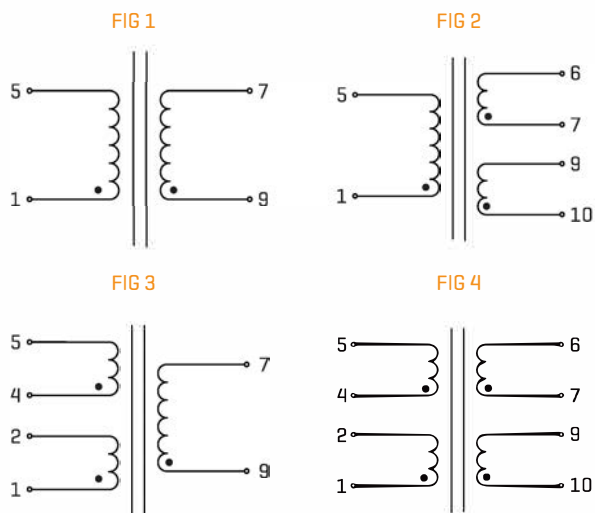
- Medical equipments
- Industrial equipments
- Industrial controls
- Test equipment
- Industrial computers
- Avionics & telecom

PHYSICAL CHARACTERISTICS



ALL DIMENSIONS IN MM

TECHNICAL INFORMATION



ELECTRICAL CHARACTERISTICS AT 25°C

Part Number	Primary [V]	Secondary [V/mA]	No-load voltage[V]	Fig.
FAPE301085	230	6/200	8.3	1
FAPE301086	230	9/133	12.5	1
FAPE301087	230	12/100	16.6	1
FAPE301088	230	15/80	20.8	1
FAPE301089	230	18/66	25.7	1
FAPE301090	230	24/50	33.3	1
FAPE301091	230	2*6/100	2*8.3	2
FAPE301092	230	2*9/66	2*12.5	2
FAPE301093	230	2*12/50	2*16.6	2
FAPE301094	230	2*15/40	2*20.8	2
FAPE301095	230	2*18/33	2*25.7	2
FAPE301096	230	2*24/25	2*33.3	2
FAPE301097	115	6/200	8.3	1
FAPE301098	115	9/133	12.5	1
FAPE301099	115	12/100	16.6	1
FAPE3010100	115	15/80	20.8	1
FAPE3010101	115	18/66	25.7	1
FAPE3010102	115	24/50	33.3	1
FAPE3010103	115	2*6/100	2*8.3	2
FAPE3010104	115	2*9/66	2*12.5	2
FAPE3010105	115	2*12/50	2*16.6	2
FAPE3010106	115	2*15/40	2*20.8	2
FAPE3010107	115	2*18/33	2*25.7	2
FAPE3010108	115	2*24/25	2*33.3	2
FAPE3010109	2*115	6/200	8.3	3
FAPE3010110	2*115	9/133	12.5	3
FAPE3010111	2*115	12/100	16.6	3
FAPE3010112	2*115	15/80	20.8	3
FAPE3010113	2*115	18/66	25.7	3
FAPE3010114	2*115	24/50	33.3	3
FAPE3010115	2*115	2*6/100	2*8.3	4
FAPE3010116	2*115	2*9/66	2*12.5	4
FAPE3010117	2*115	2*12/50	2*16.6	4
FAPE3010118	2*115	2*15/40	2*20.8	4
FAPE3010119	2*115	2*18/33	2*25.7	4
FAPE3010120	2*115	2*24/25	2*33.3	4

1.5W EI30/10.5 FAPE3010 SERIES

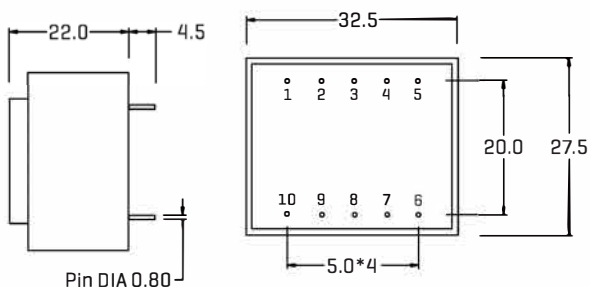
FEATURES

- Vacuum filling
- Two compartments bobbin
- Self-extinguishing plastics UL94V-0
- Degree of protection IP 00
- Weight: 0.07kg
- Temperature class to 40°C/B

COMMON APPLICATIONS

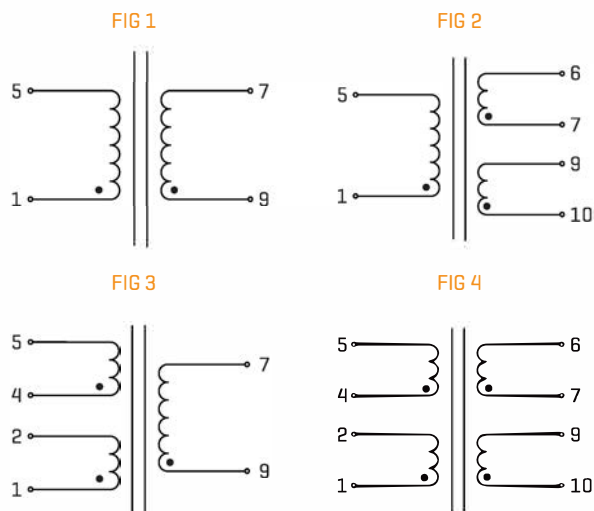
- Medical equipments
- Industrial equipments
- Industrial controls
- Test equipment
- Industrial computers
- Avionics & telecom

PHYSICAL CHARACTERISTICS



ALL DIMENSIONS IN MM

TECHNICAL INFORMATION



OPTIONS

- Bulk packaging is standard
- Custom design available



ELECTRICAL CHARACTERISTICS AT 25°C

Part Number	Primary [V]	Secondary [V/mA]	No-load voltage[V]	Fig.
FAPE3010121	230	6/250	10.1	1
FAPE3010122	230	9/167	15.3	1
FAPE3010123	230	12/125	20.2	1
FAPE3010124	230	15/100	25.3	1
FAPE3010125	230	18/83	31.2	1
FAPE3010126	230	24/62	43.3	1
FAPE3010127	230	2*6/125	2*10.1	2
FAPE3010128	230	2*9/83	2*15.3	2
FAPE3010129	230	2*12/62	2*20.2	2
FAPE3010130	230	2*15/50	2*25.3	2
FAPE3010131	230	2*18/41	2*31.2	2
FAPE3010132	230	2*24/31	2*43.3	2
FAPE3010133	115	6/250	10.1	1
FAPE3010134	115	9/167	15.3	1
FAPE3010135	115	12/125	20.2	1
FAPE3010136	115	15/100	25.3	1
FAPE3010137	115	18/83	31.2	1
FAPE3010138	115	24/62	43.3	1
FAPE3010139	115	2*6/125	2*10.1	2
FAPE3010140	115	2*9/83	2*15.3	2
FAPE3010141	115	2*12/62	2*20.2	2
FAPE3010142	115	2*15/50	2*25.3	2
FAPE3010143	115	2*18/41	2*31.2	2
FAPE3010144	115	2*24/31	2*43.3	2
FAPE3010145	2*115	6/250	10.1	3
FAPE3010146	2*115	9/167	15.3	3
FAPE3010147	2*115	12/125	20.2	3
FAPE3010148	2*115	15/100	25.3	3
FAPE3010149	2*115	18/83	31.2	3
FAPE3010150	2*115	24/62	43.3	3
FAPE3010151	2*115	2*6/125	2*10.1	4
FAPE3010152	2*115	2*9/83	2*15.3	4
FAPE3010153	2*115	2*12/62	2*20.2	4
FAPE3010154	2*115	2*15/50	2*25.3	4
FAPE3010155	2*115	2*18/41	2*31.2	4
FAPE3010156	2*115	2*24/31	2*43.3	4

1.5W EI30/12.5 FAPE3012 SERIES



FEATURES

- Potted Under Vacuum
- Two compartments bobbin
- Self-extinguishing plastics UL94V-0
- Degree of protection IP67
- Weight: 0.08kg
- Temperature class to 70°C/B

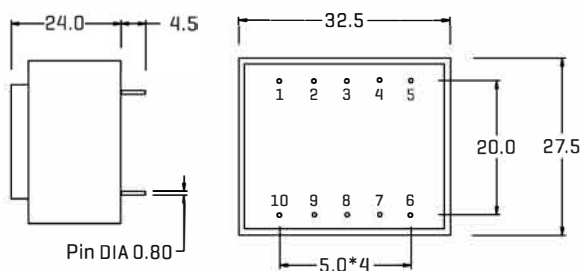
OPTIONS

- Bulk packaging is standard
- Custom design available

COMMON APPLICATIONS

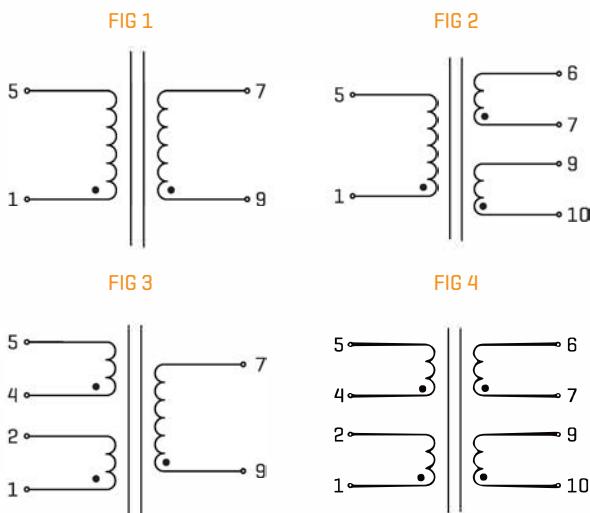
- Medical equipments
- Industrial equipments
- Industrial controls
- Test equipments
- Industrial computers
- Avionics & telecom

PHYSICAL CHARACTERISTICS



ALL DIMENSIONS IN MM

TECHNICAL INFORMATION



ELECTRICAL CHARACTERISTICS AT 25°C

Part Number	Primary [V]	Secondary [V/mA]	No-load voltage[V]	Fig.
FAPE301285	230	6/250	9.0	1
FAPE301286	230	9/167	14.5	1
FAPE301287	230	12/125	19.3	1
FAPE301288	230	15/100	24.7	1
FAPE301289	230	18/83	29.5	1
FAPE301290	230	24/62	35.8	1
FAPE301291	230	2*6/125	2*9.2	2
FAPE301292	230	2*9/83	2*14.5	2
FAPE301293	230	2*12/62	2*19.3	2
FAPE301294	230	2*15/50	2*24.7	2
FAPE301295	230	2*18/41	2*29.4	2
FAPE301296	230	2*24/31	2*35.8	2
FAPE301297	115	6/250	9.0	1
FAPE301298	115	9/167	14.5	1
FAPE301299	115	12/125	19.3	1
FAPE3012100	115	15/100	24.7	1
FAPE3012101	115	18/83	29.5	1
FAPE3012102	115	24/62	35.8	1
FAPE3012103	115	2*6/125	2*9.2	2
FAPE3012104	115	2*9/83	2*14.5	2
FAPE3012105	115	2*12/62	2*19.3	2
FAPE3012106	115	2*15/50	2*24.7	2
FAPE3012107	115	2*18/41	2*29.4	2
FAPE3012108	115	2*24/31	2*35.8	2
FAPE3012109	2*115	6/250	9.0	3
FAPE3012110	2*115	9/167	14.5	3
FAPE3012111	2*115	12/125	16.7	3
FAPE3012112	2*115	15/100	24.7	3
FAPE3012113	2*115	18/83	29.5	3
FAPE3012114	2*115	24/62	35.8	3
FAPE3012115	2*115	2*6/125	2*9.2	4
FAPE3012116	2*115	2*9/83	2*14.5	4
FAPE3012117	2*115	2*12/62	2*19.3	4
FAPE3012118	2*115	2*15/50	2*24.7	4
FAPE3012119	2*115	2*18/41	2*29.4	4
FAPE3012120	2*115	2*24/31	2*35.8	4

1.7W EI30/12.5 FAPE3012 SERIES

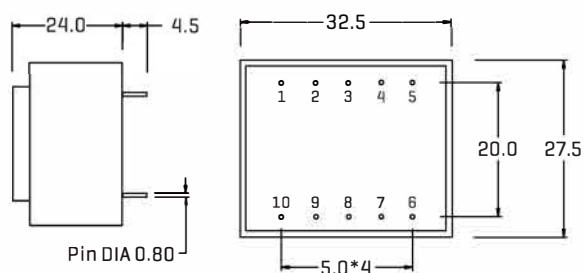
FEATURES

- Vacuum filling
- Two compartments bobbin
- Self-extinguishing plastics UL94V-0
- Degree of protection IP 00
- Weight: 0.08kg
- Temperature class to 50°C/B

COMMON APPLICATIONS

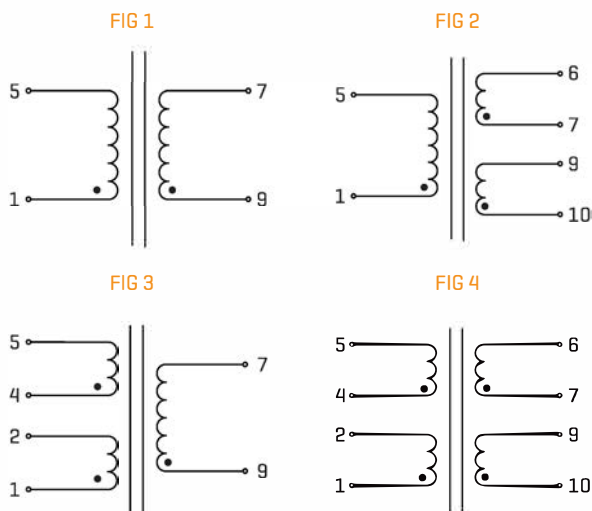
- Bulk packaging is standard
- Custom desi. Medical equipments
- Industrial equipments
- Industrial controls
- Test equipment
- Industrial computers
- Avionics & telecom

PHYSICAL CHARACTERISTICS



ALL DIMENSIONS IN MM

TECHNICAL INFORMATION



OPTIONS

- Bulk packaging is standard
- Custom design available



ELECTRICAL CHARACTERISTICS AT 25°C

Part Number	Primary [V]	Secondary [V/mA]	No-load voltage[V]	Fig.
FAPE3012121	230	6/283	9.8	1
FAPE3012122	230	9/189	14.8	1
FAPE3012123	230	12/142	19.7	1
FAPE3012124	230	15/113	24.6	1
FAPE3012125	230	18/94	30.3	1
FAPE3012126	230	24/71	39.3	1
FAPE3012127	230	2*6/142	2*9.8	2
FAPE3012128	230	2*9/94	2*14.8	2
FAPE3012129	230	2*12/71	2*19.7	2
FAPE3012130	230	2*15/57	2*24.6	2
FAPE3012131	230	2*18/47	2*30.3	2
FAPE3012132	230	2*24/35	2*39.3	2
FAPE3012133	115	6/283	9.8	1
FAPE3012134	115	9/189	14.8	1
FAPE3012135	115	12/142	19.7	1
FAPE3012136	115	15/113	24.6	1
FAPE3012137	115	18/94	30.3	1
FAPE3012138	115	24/71	39.3	1
FAPE3012139	115	2*6/142	2*9.8	2
FAPE3012140	115	2*9/94	2*14.8	2
FAPE3012141	115	2*12/71	2*19.7	2
FAPE3012142	115	2*15/57	2*24.6	2
FAPE3012143	115	2*18/47	2*30.3	2
FAPE3012144	115	2*24/35	2*39.3	2
FAPE3012145	2*115	6/283	9.8	3
FAPE3012146	2*115	9/189	14.8	3
FAPE3012147	2*115	12/142	19.7	3
FAPE3012148	2*115	15/113	24.6	3
FAPE3012149	2*115	18/94	30.3	3
FAPE3012150	2*115	24/71	39.3	3
FAPE3012151	2*115	2*6/142	2*9.8	4
FAPE3012152	2*115	2*9/94	2*14.8	4
FAPE3012153	2*115	2*12/71	2*19.7	4
FAPE3012154	2*115	2*15/57	2*24.6	4
FAPE3012155	2*115	2*18/47	2*30.3	4
FAPE3012156	2*115	2*24/35	2*39.3	4

1.8W EI30/12.5 FAPE3012 SERIES



FEATURES

- Vacuum filling
- Two compartments bobbin
- Self-extinguishing plastics UL94V-0
- Degree of protection IP 00
- Weight: 0.08kg
- Temperature class to 40°C/B

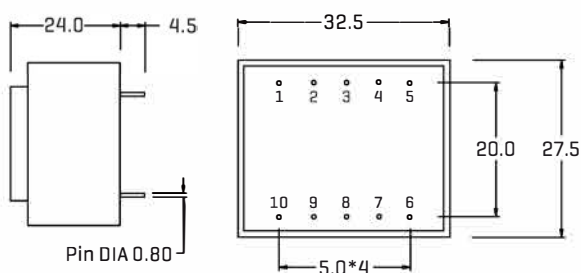
OPTIONS

- Bulk packaging is standard
- Custom design available

COMMON APPLICATIONS

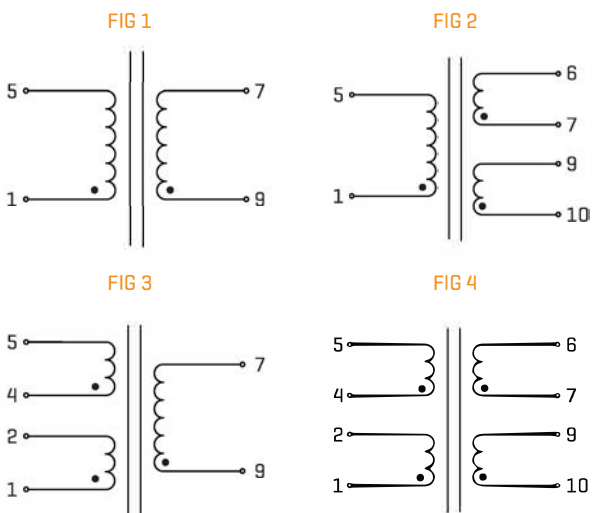
- Bulk packaging is standard
- Medical equipments
- Industrial equipments
- Industrial controls
- Test equipment
- Industrial computers
- Avionics & telecom

PHYSICAL CHARACTERISTICS



ALL DIMENSIONS IN MM

TECHNICAL INFORMATION



ELECTRICAL CHARACTERISTICS AT 25°C

Part Number	Primary [V]	Secondary [V/mA]	No-load voltage[V]	Fig.
FAPE3012157	230	6/300	9.8	1
FAPE3012158	230	9/200	14.8	1
FAPE3012159	230	12/150	19.7	1
FAPE3012160	230	15/120	24.6	1
FAPE3012161	230	18/100	30.3	1
FAPE3012162	230	24/75	39.3	1
FAPE3012163	230	2*6/150	2*9.8	2
FAPE3012164	230	2*9/100	2*14.8	2
FAPE3012165	230	2*12/75	2*19.7	2
FAPE3012166	230	2*15/60	2*24.6	2
FAPE3012167	230	2*18/50	2*30.3	2
FAPE3012168	230	2*24/37	2*39.3	2
FAPE3012169	115	6/300	9.8	1
FAPE3012170	115	9/200	14.8	1
FAPE3012171	115	12/150	19.7	1
FAPE3012172	115	15/120	24.6	1
FAPE3012173	115	18/100	30.3	1
FAPE3012174	115	24/75	39.3	1
FAPE3012175	115	2*6/150	2*9.8	2
FAPE3012176	115	2*9/100	2*14.8	2
FAPE3012177	115	2*12/75	2*19.7	2
FAPE3012178	115	2*15/60	2*24.6	2
FAPE3012179	115	2*18/50	2*30.3	2
FAPE3012180	115	2*24/37	2*39.3	2
FAPE3012181	2*115	6/300	9.8	3
FAPE3012182	2*115	9/200	14.8	3
FAPE3012183	2*115	12/150	19.7	3
FAPE3012184	2*115	15/120	24.6	3
FAPE3012185	2*115	18/100	30.3	3
FAPE3012186	2*115	24/75	39.3	3
FAPE3012187	2*115	2*6/150	2*9.8	4
FAPE3012188	2*115	2*9/100	2*14.8	4
FAPE3012189	2*115	2*12/75	2*19.7	4
FAPE3012190	2*115	2*15/60	2*24.6	4
FAPE3012191	2*115	2*18/50	2*30.3	4
FAPE3012192	2*115	2*24/37	2*39.3	4

2W EI30/15.5 FAPE3015 SERIES

FEATURES

Two compartments bobbin
 Self-extinguishing plastics UL94V-0
 Degree of protection IP67
 Weight: 0.1kg
 Temperature class to 70°C/B

OPTIONS

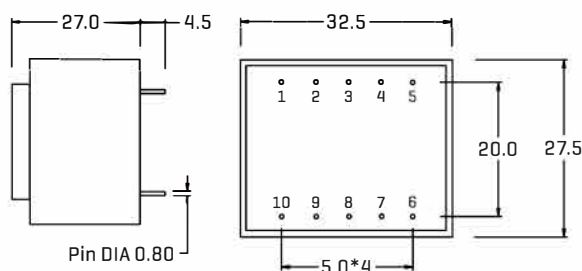
Bulk packaging is standard
 Custom design available



COMMON APPLICATIONS

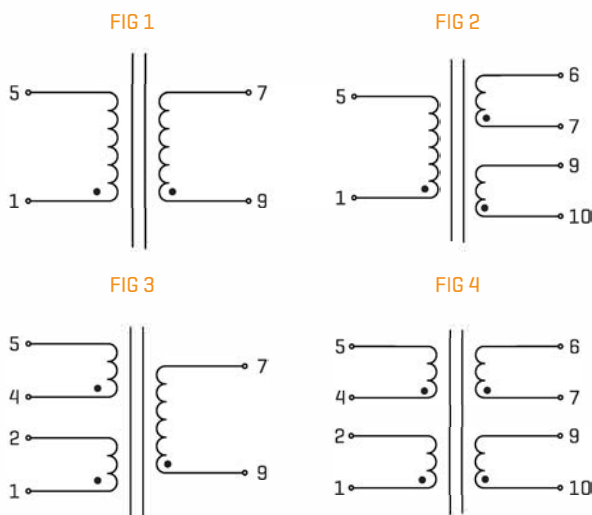
Medical equipments
 Industrial equipments
 Industrial controls
 Test equipments
 Industrial computers
 Avionics & telecom

PHYSICAL CHARACTERISTICS



ALL DIMENSIONS IN MM

TECHNICAL INFORMATION



ELECTRICAL CHARACTERISTICS AT 25°C

Part Number	Primary [V]	Secondary [V/mA]	No-load voltage[V]	Fig.
FAPE301521	230	6/333	10.4	1
FAPE301522	230	9/222	14.6	1
FAPE301523	230	12/167	20.0	1
FAPE301524	230	15/133	25.8	1
FAPE301525	230	18/111	29.6	1
FAPE301526	230	24/83	37.2	1
FAPE301527	230	2*6/167	2*10.4	2
FAPE301528	230	2*9/111	2*14.6	2
FAPE301529	230	2*12/83	2*20.0	2
FAPE301530	230	2*15/66	2*25.8	2
FAPE301531	230	2*18/55	2*29.6	2
FAPE301532	230	2*24/42	2*37.2	2
FAPE301533	115	6/333	10.4	1
FAPE301534	115	9/222	14.6	1
FAPE301535	115	12/167	20.0	1
FAPE301536	115	15/133	25.8	1
FAPE301537	115	18/111	29.6	1
FAPE301538	115	24/83	37.2	1
FAPE301539	115	2*6/167	2*10.4	2
FAPE301540	115	2*9/111	2*14.6	2
FAPE301541	115	2*12/83	2*20.0	2
FAPE301542	115	2*15/66	2*25.8	2
FAPE301543	115	2*18/55	2*29.6	2
FAPE301544	115	2*24/42	2*37.2	2
FAPE301545	2*115	6/333	10.4	3
FAPE301546	2*115	9/222	14.6	3
FAPE301547	2*115	12/167	20.0	3
FAPE301548	2*115	15/133	25.8	3
FAPE301549	2*115	18/111	29.6	3
FAPE301550	2*115	24/83	37.2	3
FAPE301551	2*115	2*6/167	2*10.4	4
FAPE301552	2*115	2*9/111	2*14.6	4
FAPE301553	2*115	2*12/83	2*20.0	4
FAPE301554	2*115	2*15/66	2*25.8	4
FAPE301555	2*115	2*18/55	2*29.6	4
FAPE301556	2*115	2*24/42	2*37.2	4

2.3W EI30/15.5 FAPE3015 SERIES



FEATURES

- Vacuum filling
- Two compartments bobbin
- Self-extinguishing plastics UL94V-0
- Degree of protection IP 00
- Weight: 0.10kg
- Temperature class to 50 °C/B

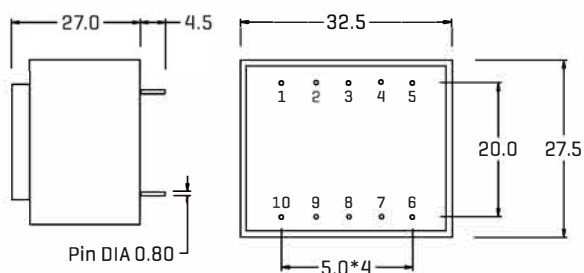
OPTIONS

- Bulk packaging is standard
- Custom design available

COMMON APPLICATIONS

- Medical equipments
- Industrial equipments
- Industrial controls
- Test equipment
- Industrial computers
- Avionics & telecom

PHYSICAL CHARACTERISTICS

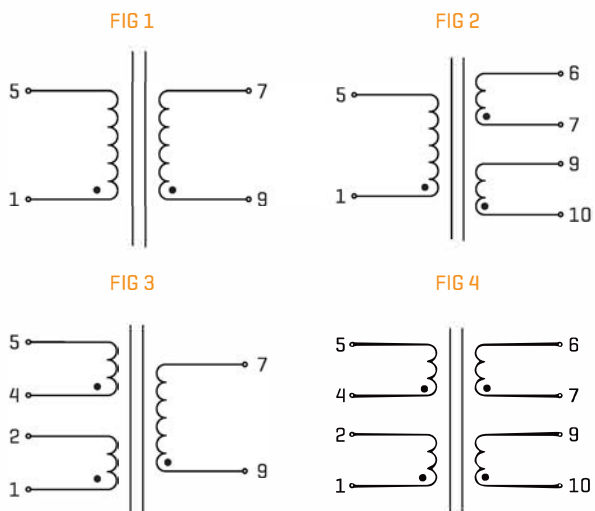


ALL DIMENSIONS IN MM

ELECTRICAL CHARACTERISTICS AT 25°C

Part Number	Primary (V)	Secondary (V/mA)	No-load voltage[V]	Fig.
FAPE301557	230	6/384	10.5	1
FAPE301558	230	9/256	15.5	1
FAPE301559	230	12/192	21.0	1
FAPE301560	230	15/154	25.3	1
FAPE301561	230	18/128	31.0	1
FAPE301562	230	24/96	42.0	1
FAPE301563	230	2*6/192	2*10.5	2
FAPE301564	230	2*9/128	2*15.5	2
FAPE301565	230	2*12/96	2*21.0	2
FAPE301566	230	2*15/77	2*25.3	2
FAPE301567	230	2*18/64	2*31.0	2
FAPE301568	230	2*24/48	2*42.0	2
FAPE301569	115	6/384	10.5	1
FAPE301570	115	9/256	15.5	1
FAPE301571	115	12/192	21.0	1
FAPE301572	115	15/154	25.3	1
FAPE301573	115	18/128	31.0	1
FAPE301574	115	24/96	42.0	1
FAPE301575	115	2*6/192	2*10.5	2
FAPE301576	115	2*9/128	2*15.5	2
FAPE301577	115	2*12/96	2*21.0	2
FAPE301578	115	2*15/77	2*25.3	2
FAPE301579	115	2*18/64	2*31.0	2
FAPE301580	115	2*24/48	2*42.0	2
FAPE301581	2*115	6/384	10.5	3
FAPE301582	2*115	9/256	15.5	3
FAPE301583	2*115	12/192	21.0	3
FAPE301584	2*115	15/154	25.3	3
FAPE301585	2*115	18/128	31.0	3
FAPE301586	2*115	24/96	42.0	3
FAPE301587	2*115	2*6/192	2*10.5	4
FAPE301588	2*115	2*9/128	2*15.5	4
FAPE301589	2*115	2*12/96	2*21.0	4
FAPE301590	2*115	2*15/77	2*25.3	4
FAPE301591	2*115	2*18/64	2*31.0	4
FAPE301592	2*115	2*24/48	2*42.0	4

TECHNICAL INFORMATION



2.4W EI30/15.5 FAPE3015 SERIES

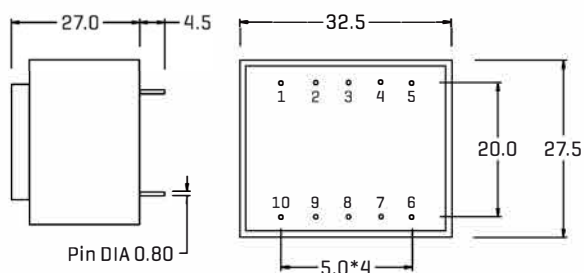
FEATURES

- Vacuum filling
- Two compartments bobbin
- Self-extinguishing plastics UL94V-0
- Degree of protection IP 00
- Weight: 0.10kg
- Temperature class to 40 °C/B

COMMON APPLICATIONS

- Medical equipments
- Industrial equipments
- Industrial controls
- Test equipment
- Industrial computers
- Avionics & telecom

PHYSICAL CHARACTERISTICS



ALL DIMENSIONS IN MM

OPTIONS

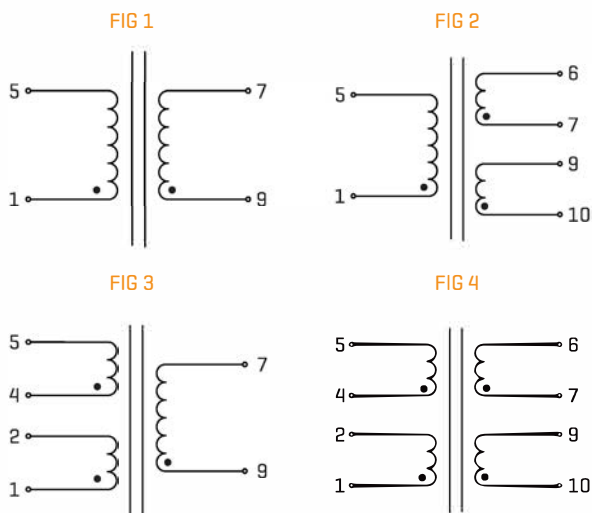
- Bulk packaging is standard
- Custom design available



ELECTRICAL CHARACTERISTICS AT 25°C

Part Number	Primary [V]	Secondary [V/mA]	No-load voltage[V]	Fig.
FAPE301593	230	6/400	10.5	1
FAPE301594	230	9/267	15.5	1
FAPE301595	230	12/200	21.0	1
FAPE301596	230	15/160	25.3	1
FAPE301597	230	18/133	31.0	1
FAPE301598	230	24/100	42.0	1
FAPE301599	230	2*6/200	2*10.5	2
FAPE3015100	230	2*9/133	2*15.5	2
FAPE3015101	230	2*12/100	2*21.0	2
FAPE3015102	230	2*15/80	2*25.3	2
FAPE3015103	230	2*18/67	2*31.0	2
FAPE3015104	230	2*24/50	2*42.0	2
FAPE3015105	115	6/400	10.5	1
FAPE3015106	115	9/267	15.5	1
FAPE3015107	115	12/200	21.0	1
FAPE3015108	115	15/160	25.3	1
FAPE3015109	115	18/133	31.0	1
FAPE3015110	115	24/100	42.0	1
FAPE3015111	115	2*6/200	2*10.5	2
FAPE3015112	115	2*9/133	2*15.5	2
FAPE3015113	115	2*12/100	2*21.0	2
FAPE3015114	115	2*15/80	2*25.3	2
FAPE3015115	115	2*18/67	2*31.0	2
FAPE3015116	115	2*24/50	2*42.0	2
FAPE3015117	2*115	6/400	10.5	3
FAPE3015118	2*115	9/267	15.5	3
FAPE3015119	2*115	12/200	21.0	3
FAPE3015120	2*115	15/160	25.3	3
FAPE3015121	2*115	18/133	31.0	3
FAPE3015122	2*115	24/100	42.0	3
FAPE3015123	2*115	2*6/200	2*10.5	4
FAPE3015124	2*115	2*9/133	2*15.5	4
FAPE3015125	2*115	2*12/100	2*21.0	4
FAPE3015126	2*115	2*15/80	2*25.3	4
FAPE3015127	2*115	2*18/67	2*31.0	4
FAPE3015128	2*115	2*24/50	2*42.0	4

TECHNICAL INFORMATION



2.3W EI30/18 FAPE3018 SERIES



FEATURES

Two compartments bobbin
 Self-extinguishing plastics UL94V-0
 Degree of protection IP67
 Weight: 0.112kg
 Temperature class to 70°C/B

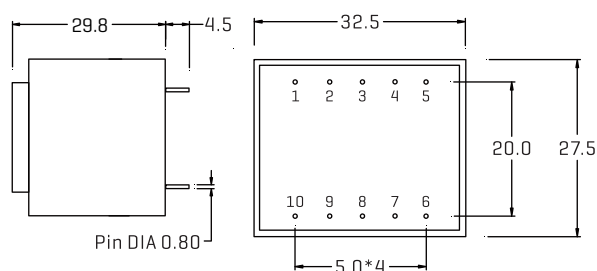
OPTIONS

Bulk packaging is standard
 Custom design available

COMMON APPLICATIONS

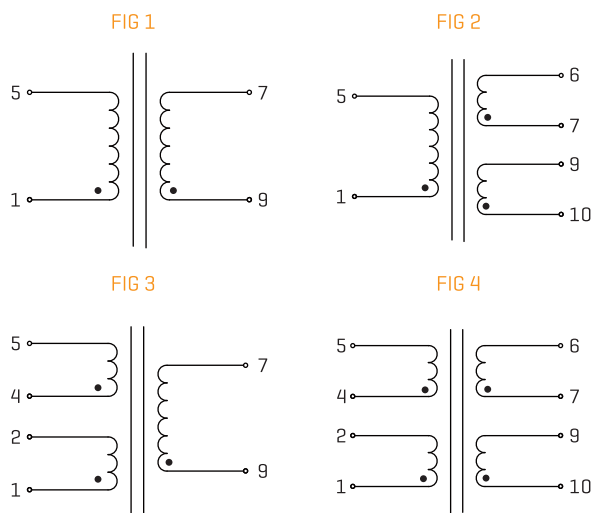
Medical equipments
 Industrial equipments
 Industrial controls
 Test equipments
 Industrial computers
 Avionics & telecom

PHYSICAL CHARACTERISTICS



ALL DIMENSIONS IN MM

TECHNICAL INFORMATION



ELECTRICAL CHARACTERISTICS AT 25°C

Part Number	Primary [V]	Secondary [V/mA]	No-load voltage[V]	Fig.
FAPE301857	230	6/384	10.0	1
FAPE301858	230	9/256	13.8	1
FAPE301859	230	12/192	18.6	1
FAPE301860	230	15/154	23.8	1
FAPE301861	230	18/128	27.8	1
FAPE301862	230	24/96	34.7	1
FAPE301863	230	2*6/192	2*10.0	2
FAPE301864	230	2*9/128	2*14.0	2
FAPE301865	230	2*12/96	2*17.5	2
FAPE301866	230	2*15/77	2*24.4	2
FAPE301867	230	2*18/64	2*29.3	2
FAPE301868	230	2*24/48	2*35.8	2
FAPE301869	115	6/384	10.0	1
FAPE301870	115	9/256	13.8	1
FAPE301871	115	12/192	18.6	1
FAPE301872	115	15/154	23.8	1
FAPE301873	115	18/128	27.8	1
FAPE301874	115	24/96	34.7	1
FAPE301875	115	2*6/192	2*10.0	2
FAPE301876	115	2*9/128	2*14.0	2
FAPE301877	115	2*12/96	2*17.5	2
FAPE301878	115	2*15/77	2*24.4	2
FAPE301879	115	2*18/64	2*29.3	2
FAPE301880	115	2*24/48	2*35.8	2
FAPE301881	2*115	6/384	10.0	3
FAPE301882	2*115	9/256	13.8	3
FAPE301883	2*115	12/192	18.6	3
FAPE301884	2*115	15/154	23.8	3
FAPE301885	2*115	18/128	27.8	3
FAPE301886	2*115	24/96	34.7	3
FAPE301887	2*115	2*6/192	2*10.0	4
FAPE301888	2*115	2*9/128	2*14.0	4
FAPE301889	2*115	2*12/96	2*17.5	4
FAPE301890	2*115	2*15/77	2*24.4	4
FAPE301891	2*115	2*18/64	2*29.3	4
FAPE301892	2*115	2*24/48	2*35.8	4

2.7W EI30/18 FAPE3018 SERIES

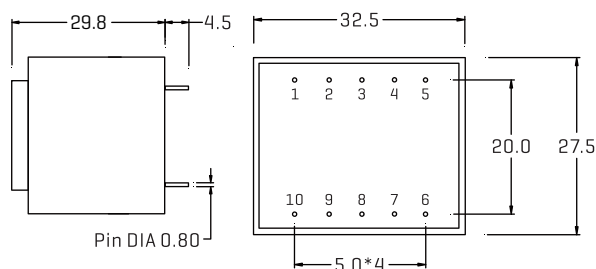
FEATURES

- Vacuum filling
- Two compartments bobbin
- Self-extinguishing plastics UL94V-0
- Degree of protection IP 00
- Weight: 0.112kg
- Temperature class to 50 °C/B

COMMON APPLICATIONS

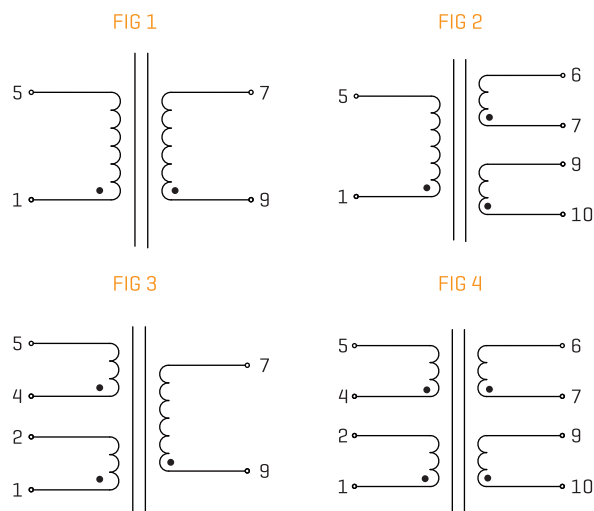
- Medical equipments
- Industrial equipments
- Industrial controls
- Test equipment
- Industrial computers
- Avionics & telecom

PHYSICAL CHARACTERISTICS



ALL DIMENSIONS IN MM

TECHNICAL INFORMATION



OPTIONS

- Bulk packaging is standard
- Custom design available



ELECTRICAL CHARACTERISTICS AT 25°C

Part Number	Primary [V]	Secondary [V/mA]	No-load voltage[V]	Fig.
FAPE301893	230	6/450	10.5	1
FAPE301894	230	9/300	15.4	1
FAPE301895	230	12/225	21.1	1
FAPE301896	230	15/180	26.3	1
FAPE301897	230	18/150	30.9	1
FAPE301898	230	24/113	42	1
FAPE301899	230	2*6/225	2*10.5	2
FAPE3018100	230	2*9/150	2*15.4	2
FAPE3018101	230	2*12/113	2*21.1	2
FAPE3018102	230	2*15/90	2*26.3	2
FAPE3018103	230	2*18/75	2*30.9	2
FAPE3018104	230	2*24/57	2*42.0	2
FAPE3018105	115	6/450	10.5	1
FAPE3018106	115	9/300	15.4	1
FAPE3018107	115	12/225	21.1	1
FAPE3018108	115	15/180	26.3	1
FAPE3018109	115	18/150	30.9	1
FAPE3018110	115	24/113	42	1
FAPE3018111	115	2*6/225	2*10.5	2
FAPE3018112	115	2*9/150	2*15.4	2
FAPE3018113	115	2*12/113	2*21.1	2
FAPE3018114	115	2*15/90	2*26.3	2
FAPE3018115	115	2*18/75	2*30.9	2
FAPE3018116	115	2*24/57	2*42.0	2
FAPE3018117	2*115	6/450	10.5	3
FAPE3018118	2*115	9/300	15.4	3
FAPE3018119	2*115	12/225	21.1	3
FAPE3018120	2*115	15/180	26.3	3
FAPE3018121	2*115	18/150	30.9	3
FAPE3018122	2*115	24/113	42	3
FAPE3018123	2*115	2*6/225	2*10.5	4
FAPE3018124	2*115	2*9/150	2*15.4	4
FAPE3018125	2*115	2*12/113	2*21.1	4
FAPE3018126	2*115	2*15/90	2*26.3	4
FAPE3018127	2*115	2*18/75	2*30.9	4
FAPE3018128	2*115	2*24/57	2*42.0	4

2.8W EI30/18 FAPE3018 SERIES

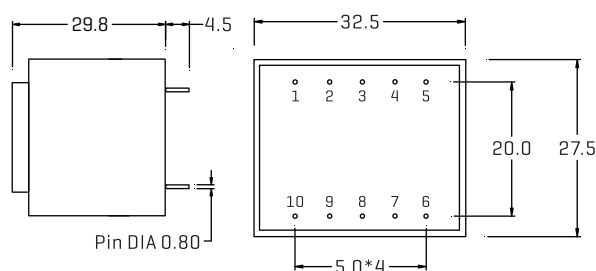
FEATURES

- Vacuum filling
- Two compartments bobbin
- Self-extinguishing plastics UL94V-0
- Degree of protection IP 00
- Weight: 0.112kg
- Temperature class to 40 °C/B

COMMON APPLICATIONS

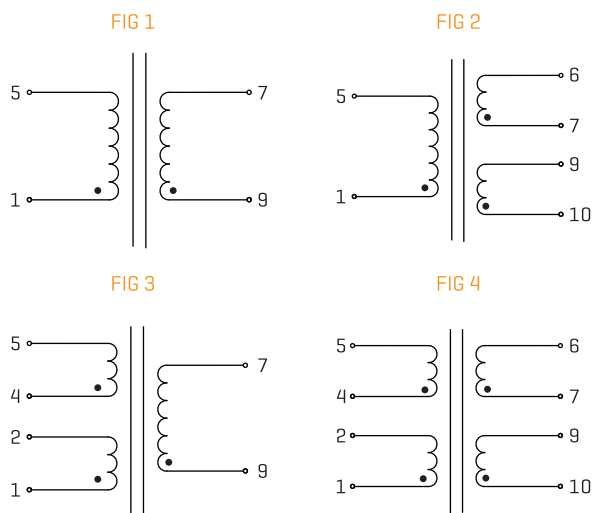
- Medical equipments
- Industrial equipments
- Industrial controls
- Test equipment
- Industrial computers
- Avionics & telecom

PHYSICAL CHARACTERISTICS



ALL DIMENSIONS IN MM

TECHNICAL INFORMATION



OPTIONS

- Bulk packaging is standard
- Custom design available



ELECTRICAL CHARACTERISTICS AT 25°C

Part Number	Primary [V]	Secondary [V/mA]	No-load voltage[V]	Fig.
FAPE3018129	230	6/467	10.5	1
FAPE3018130	230	9/311	15.4	1
FAPE3018131	230	12/233	21.1	1
FAPE3018132	230	15/187	26.3	1
FAPE3018133	230	18/156	30.9	1
FAPE3018134	230	24/117	42	1
FAPE3018135	230	2*6/233	2*10.5	2
FAPE3018136	230	2*9/156	2*15.4	2
FAPE3018137	230	2*12/117	2*21.1	2
FAPE3018138	230	2*15/93	2*26.3	2
FAPE3018139	230	2*18/77	2*30.9	2
FAPE3018140	230	2*24/58	2*42.0	2
FAPE3018141	115	6/467	10.5	1
FAPE3018142	115	9/311	15.4	1
FAPE3018143	115	12/233	21.1	1
FAPE3018144	115	15/187	26.3	1
FAPE3018145	115	18/156	30.9	1
FAPE3018146	115	24/117	42	1
FAPE3018147	115	2*6/233	2*10.5	2
FAPE3018148	115	2*9/156	2*15.4	2
FAPE3018149	115	2*12/117	2*21.1	2
FAPE3018150	115	2*15/93	2*26.3	2
FAPE3018151	115	2*18/77	2*30.9	2
FAPE3018152	115	2*24/58	2*42.0	2
FAPE3018153	2*115	6/467	10.5	3
FAPE3018154	2*115	9/311	15.4	3
FAPE3018155	2*115	12/233	21.1	3
FAPE3018156	2*115	15/187	26.3	3
FAPE3018157	2*115	18/156	30.9	3
FAPE3018158	2*115	24/117	42	3
FAPE3018159	2*115	2*6/233	2*10.5	4
FAPE3018160	2*115	2*9/156	2*15.4	4
FAPE3018161	2*115	2*12/117	2*21.1	4
FAPE3018162	2*115	2*15/93	2*26.3	4
FAPE3018163	2*115	2*18/77	2*30.9	4
FAPE3018164	2*115	2*24/58	2*42.0	4

2.8W EI30/23 FAPE3023 SERIES

FEATURES

Two compartments bobbin
 Self-extinguishing plastics UL94V-0
 Degree of protection IP67
 Weight: 0.134kg
 Temperature class to 70 °C/B

OPTIONS

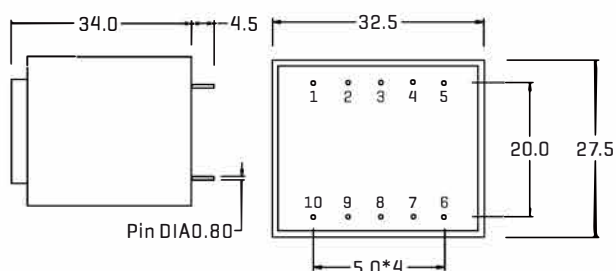
Bulk packaging is standard
 Custom design available



COMMON APPLICATIONS

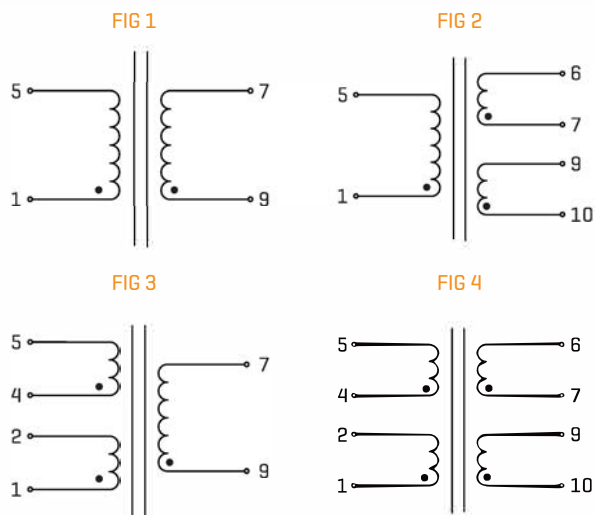
Medical equipments
 Industrial equipments
 Industrial controls
 Test equipments
 Industrial computers
 Avionics & telecom

PHYSICAL CHARACTERISTICS



ALL DIMENSIONS IN MM

TECHNICAL INFORMATION



ELECTRICAL CHARACTERISTICS AT 25°C

Part Number	Primary [V]	Secondary [V/mA]	No-load voltage[V]	Fig.
FAPE302301	230	6/466	10.7	1
FAPE302302	230	9/311	14.8	1
FAPE302303	230	12/233	20.8	1
FAPE302304	230	15/186	24.0	1
FAPE302305	230	18/155	29.9	1
FAPE302306	230	24/116	38.8	1
FAPE302307	230	2*6/233	2*10.7	2
FAPE302308	230	2*9/155	2*16.0	2
FAPE302309	230	2*12/116	2*20.4	2
FAPE302310	230	2*15/93	2*25.0	2
FAPE302311	230	2*18/77	2*30.5	2
FAPE302312	230	2*24/58	2*38.7	2
FAPE302313	115	6/466	10.7	1
FAPE302314	115	9/311	14.8	1
FAPE302315	115	12/233	20.8	1
FAPE302316	115	15/186	24.0	1
FAPE302317	115	18/155	29.9	1
FAPE302318	115	24/116	38.8	1
FAPE302319	115	2*6/233	2*10.7	2
FAPE302320	115	2*9/155	2*16.0	2
FAPE302321	115	2*12/116	2*20.4	2
FAPE302322	115	2*15/93	2*25.0	2
FAPE302323	115	2*18/77	2*30.5	2
FAPE302324	115	2*24/58	2*38.7	2
FAPE302325	2*115	6/466	10.7	3
FAPE302326	2*115	9/311	14.8	3
FAPE302327	2*115	12/233	20.8	3
FAPE302328	2*115	15/186	24.0	3
FAPE302329	2*115	18/155	29.9	3
FAPE302330	2*115	24/116	38.8	3
FAPE302331	2*115	2*6/233	2*10.7	4
FAPE302332	2*115	2*9/155	2*16.0	4
FAPE302333	2*115	2*12/116	2*20.4	4
FAPE302334	2*115	2*15/93	2*25.0	4
FAPE302335	2*115	2*18/77	2*30.5	4
FAPE302336	2*115	2*24/58	2*38.7	4

3.2W EI30/23 FAPE3023 SERIES

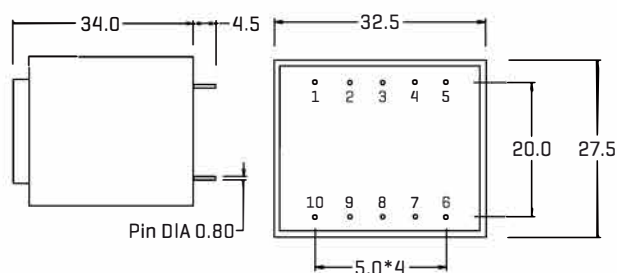
FEATURES

- Vacuum filling
- Two compartments bobbin
- Self-extinguishing plastics UL94V-0
- Degree of protection IP 00
- Weight: 0.134kg
- Temperature class to 40 °C/B

COMMON APPLICATIONS

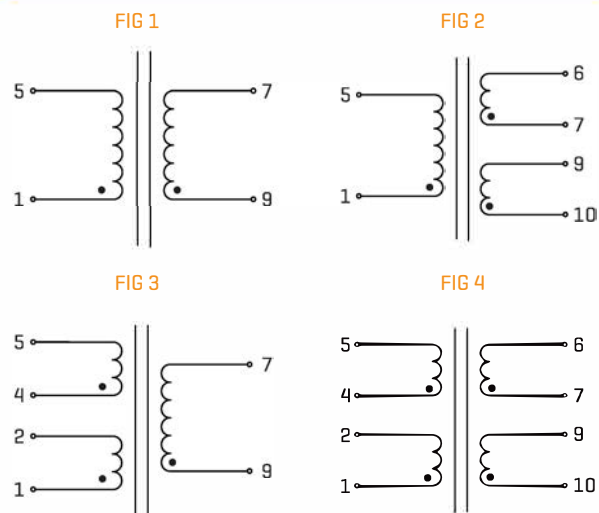
- Medical equipments
- Industrial equipments
- Industrial controls
- Test equipment
- Industrial computers
- Avionics & telecom

PHYSICAL CHARACTERISTICS



ALL DIMENSIONS IN MM

TECHNICAL INFORMATION



OPTIONS

- Bulk packaging is standard
- Custom design available



ELECTRICAL CHARACTERISTICS AT 25°C

Part Number	Primary (V)	Secondary (V/mA)	No-load voltage[V]	Fig.
FAPE302337	230	6/533	10.7	1
FAPE302338	230	9/356	14.8	1
FAPE302339	230	12/267	20.8	1
FAPE302340	230	15/213	24.0	1
FAPE302341	230	18/178	29.9	1
FAPE302342	230	24/133	38.8	1
FAPE302343	230	2*6/267	2*10.7	2
FAPE302344	230	2*9/178	2*16.0	2
FAPE302345	230	2*12/133	2*20.4	2
FAPE302346	230	2*15/107	2*25.0	2
FAPE302347	230	2*18/89	2*30.5	2
FAPE302348	230	2*24/67	2*38.7	2
FAPE302349	115	6/533	10.7	1
FAPE302350	115	9/356	14.8	1
FAPE302351	115	12/267	20.8	1
FAPE302352	115	15/213	24.0	1
FAPE302353	115	18/178	29.9	1
FAPE302354	115	24/133	38.8	1
FAPE302355	115	2*6/267	2*10.7	2
FAPE302356	115	2*9/178	2*16.0	2
FAPE302357	115	2*12/133	2*20.4	2
FAPE302358	115	2*15/107	2*25.0	2
FAPE302359	115	2*18/89	2*30.5	2
FAPE302360	115	2*24/67	2*38.7	2
FAPE302361	2*115	6/533	10.7	3
FAPE302362	2*115	9/356	14.8	3
FAPE302363	2*115	12/267	20.8	3
FAPE302364	2*115	15/213	24.0	3
FAPE302365	2*115	18/178	29.9	3
FAPE302366	2*115	24/133	38.8	3
FAPE302367	2*115	2*6/267	2*10.7	4
FAPE302368	2*115	2*9/178	2*16.0	4
FAPE302369	2*115	2*12/133	2*20.4	4
FAPE302370	2*115	2*15/107	2*25.0	4
FAPE302371	2*115	2*18/89	2*30.5	4
FAPE302372	2*115	2*24/67	2*38.7	4

3.2W EI38/13.6 FAPE3813 SERIES

FEATURES

Two compartments bobbin
 Self-extinguishing plastics UL94V-0
 Degree of protection IP67
 Weight: 0.155kg
 Temperature class to 70 °C/B

OPTIONS

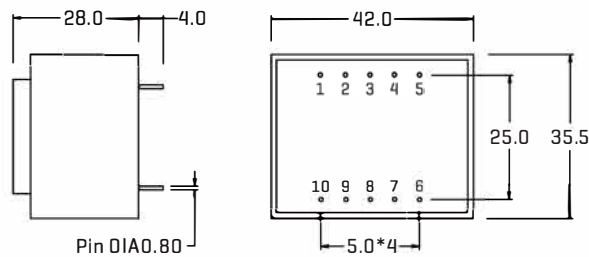
Bulk packaging is standard
 Custom design available



COMMON APPLICATIONS

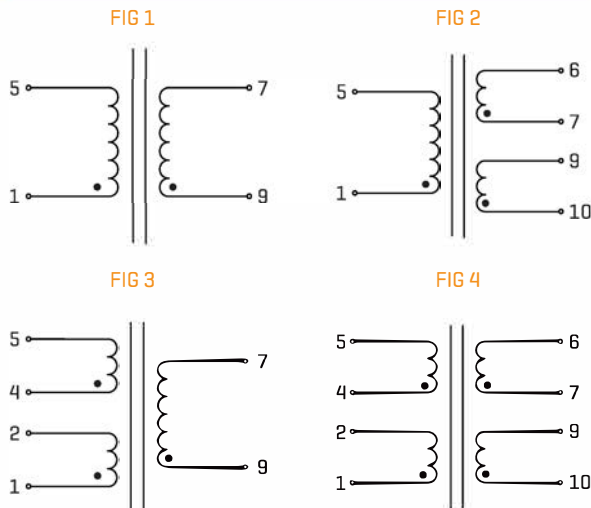
Medical equipments
 Industrial equipments
 Industrial controls
 Test equipments
 Industrial computers
 Avionics & telecom

PHYSICAL CHARACTERISTICS



ALL DIMENSIONS IN MM

TECHNICAL INFORMATION



ELECTRICAL CHARACTERISTICS AT 25°C

Part Number	Primary [V]	Secondary [V/mA]	No-load voltage[V]	Fig.
FAPE381393	230	6/533	8.0	1
FAPE381394	230	9/356	12.0	1
FAPE381395	230	12/267	16.0	1
FAPE381396	230	15/214	20.0	1
FAPE381397	230	18/178	24.1	1
FAPE381398	230	24/134	32.1	1
FAPE381399	230	2*6/267	2*8.0	2
FAPE3813100	230	2*9/178	2*12.0	2
FAPE3813101	230	2*12/134	2*16.0	2
FAPE3813102	230	2*15/107	2*20.0	2
FAPE3813103	230	2*18/89	2*24.1	2
FAPE3813104	230	2*24/67	2*32.1	2
FAPE3813105	115	6/533	8.0	1
FAPE3813106	115	9/356	12.0	1
FAPE3813107	115	12/267	16.0	1
FAPE3813108	115	15/214	20.0	1
FAPE3813109	115	18/178	24.1	1
FAPE3813110	115	24/134	32.1	1
FAPE3813111	115	2*6/267	2*8.0	2
FAPE3813112	115	2*9/178	2*12.0	2
FAPE3813113	115	2*12/134	2*16.0	2
FAPE3813114	115	2*15/107	2*20.0	2
FAPE3813115	115	2*18/89	2*24.1	2
FAPE3813116	115	2*24/67	2*32.1	2
FAPE3813117	2*115	6/533	8.0	3
FAPE3813118	2*115	9/356	12.0	3
FAPE3813119	2*115	12/267	16.0	3
FAPE3813120	2*115	15/214	20.0	3
FAPE3813121	2*115	18/178	24.1	3
FAPE3813122	2*115	24/134	32.1	3
FAPE3813123	2*115	2*6/267	2*8.0	4
FAPE3813124	2*115	2*9/178	2*12.0	4
FAPE3813125	2*115	2*12/134	2*16.0	4
FAPE3813126	2*115	2*15/107	2*20.0	4
FAPE3813127	2*115	2*18/89	2*24.1	4
FAPE3813128	2*115	2*24/67	2*32.1	4

5W EI42/14.8 FAPE4214 SERIES



FEATURES

- Two compartments bobbin
- Self-extinguishing plastics UL94V-0
- Degree of protection IP67
- Weight: 0.2kg
- Temperature class to 70 °C/B

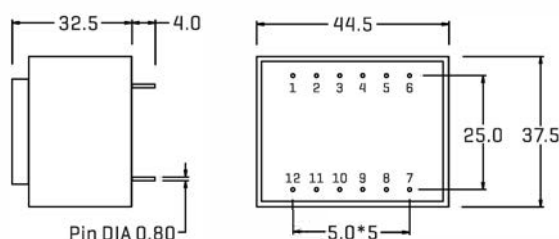
OPTIONS

- Bulk packaging is standard
- Custom design available

COMMON APPLICATIONS

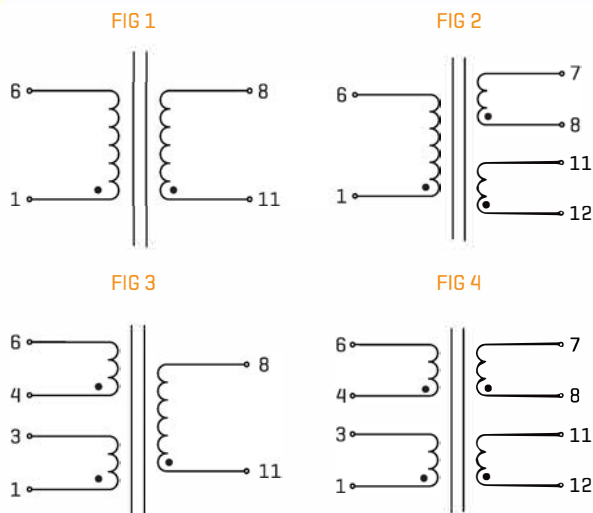
- Medical equipments
- Industrial equipments
- Industrial controls
- Test equipments
- Industrial computers
- Avionics & telecom

PHYSICAL CHARACTERISTICS



ALL DIMENSIONS IN MM

TECHNICAL INFORMATION



ELECTRICAL CHARACTERISTICS AT 25°C

Part Number	Primary [V]	Secondary [V/mA]	No-load voltage[V]	Fig.
FAPE421429	230	6/833	8.1	1
FAPE421430	230	9/556	12.0	1
FAPE421431	230	12/417	15.5	1
FAPE421432	230	15/334	19.2	1
FAPE421433	230	18/278	23.0	1
FAPE421434	230	24/208	30.5	1
FAPE421435	230	2*6/417	2*7.7	2
FAPE421436	230	2*9/278	2*11.6	2
FAPE421437	230	2*12/208	2*15.5	2
FAPE421438	230	2*15/167	2*19.4	2
FAPE421439	230	2*18/139	2*23.1	2
FAPE421440	230	2*24/104	2*30.8	2
FAPE421441	115	6/833	8.1	1
FAPE421442	115	9/556	12.0	1
FAPE421443	115	12/417	15.5	1
FAPE421444	115	15/334	19.2	1
FAPE421445	115	18/278	23.0	1
FAPE421446	115	24/208	30.5	1
FAPE421447	115	2*6/417	2*7.7	2
FAPE421448	115	2*9/278	2*11.6	2
FAPE421449	115	2*12/208	2*15.5	2
FAPE421450	115	2*15/167	2*19.4	2
FAPE421451	115	2*18/139	2*23.1	2
FAPE421452	115	2*24/104	2*30.8	2
FAPE421453	2*115	6/833	8.1	3
FAPE421454	2*115	9/556	12.0	3
FAPE421455	2*115	12/417	15.5	3
FAPE421456	2*115	15/334	19.2	3
FAPE421457	2*115	18/278	23.0	3
FAPE421458	2*115	24/208	30.5	3
FAPE421459	2*115	2*6/417	2*7.7	4
FAPE421460	2*115	2*9/278	2*11.6	4
FAPE421461	2*115	2*12/208	2*15.2	4
FAPE421462	2*115	2*15/167	2*19.4	4
FAPE421463	2*115	2*18/139	2*23.1	4
FAPE421464	2*115	2*24/104	2*30.8	4

10W EI48/16.8 FAPE4816 SERIES



FEATURES

- Two compartments bobbin
- Self-extinguishing plastics UL94V-0
- Degree of protection IP67
- Weight: 0.3kg
- Temperature class to 40 °C/B

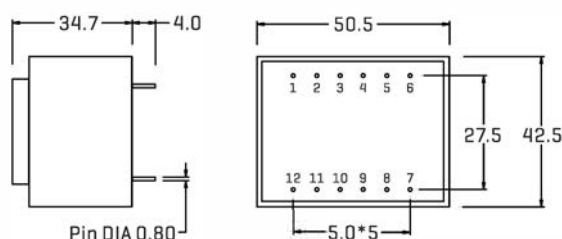
OPTIONS

- Bulk packaging is standard
- Custom design available

COMMON APPLICATIONS

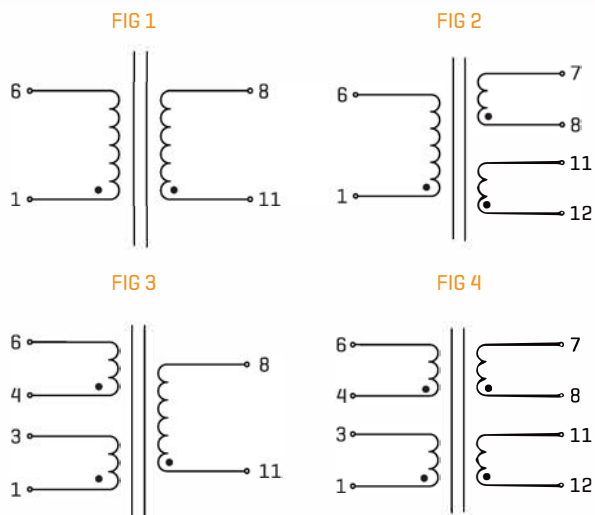
- Medical equipments
- Industrial equipments
- Industrial controls
- Test equipments
- Industrial computers
- Avionics & telecom

PHYSICAL CHARACTERISTICS



ALL DIMENSIONS IN MM

TECHNICAL INFORMATION



ELECTRICAL CHARACTERISTICS AT 25°C

Part Number	Primary [V]	Secondary [V/mA]	No-load voltage[V]	Fig.
FAPE481665	230	6/1666	7.9	1
FAPE481666	230	9/1111	12.0	1
FAPE481667	230	12/834	14.7	1
FAPE481668	230	15/666	19.2	1
FAPE481669	230	18/555	22.9	1
FAPE481670	230	24/416	30.6	1
FAPE481671	230	2*6/834	2*8.1	2
FAPE481672	230	2*9/555	2*11.6	2
FAPE481673	230	2*12/416	2*15.7	2
FAPE481674	230	2*15/333	2*19.5	2
FAPE481675	230	2*18/277	2*23.5	2
FAPE481676	230	2*24/208	2*30.0	2
FAPE481677	115	6/1666	7.9	1
FAPE481678	115	9/1111	12.0	1
FAPE481679	115	12/834	14.7	1
FAPE481680	115	15/666	19.2	1
FAPE481681	115	18/555	22.9	1
FAPE481682	115	24/416	30.6	1
FAPE481683	115	2*6/834	2*8.1	2
FAPE481684	115	2*9/555	2*11.6	2
FAPE481685	115	2*12/416	2*15.7	2
FAPE481686	115	2*15/333	2*19.5	2
FAPE481687	115	2*18/277	2*23.5	2
FAPE481688	115	2*24/208	2*30.0	2
FAPE481689	2*115	6/1666	7.9	3
FAPE481690	2*115	9/1111	12.0	3
FAPE481691	2*115	12/834	14.7	3
FAPE481692	2*115	15/666	19.2	3
FAPE481693	2*115	18/555	22.9	3
FAPE481694	2*115	24/416	30.6	3
FAPE481695	2*115	2*6/834	2*8.1	4
FAPE481696	2*115	2*9/555	2*11.6	4
FAPE481697	2*115	2*12/416	2*15.7	4
FAPE481698	2*115	2*15/333	2*19.5	4
FAPE481699	2*115	2*18/277	2*23.5	4
FAPE4816100	2*115	2*24/208	2*30.0	4

16W EI54/18.8 FAPE5418 SERIES



FEATURES

- Two compartments bobbin
- Self-extinguishing plastics UL94V-0
- Degree of protection IP67
- Weight: 0.42kg
- Temperature class to 40 °C/B

OPTIONS

- Bulk packaging is standard
- Custom design available



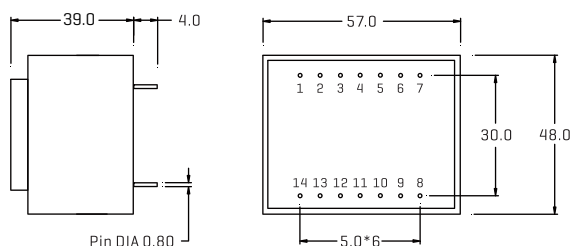
COMMON APPLICATIONS

- Medical equipments
- Industrial equipments
- Industrial controls
- Test equipments
- Industrial computers
- Avionics & telecom

ELECTRICAL CHARACTERISTICS AT 25°C

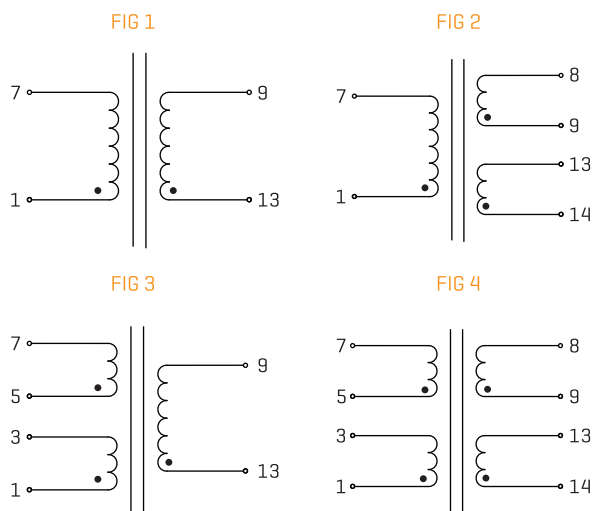
Part Number	Primary [V]	Secondary [V/mA]	No-load voltage[V]	Fig.
FAPE541801	230	6/2666	7.6	1
FAPE541802	230	9/1777	11.3	1
FAPE541803	230	12/1333	15.0	1
FAPE541804	230	15/1066	18.4	1
FAPE541805	230	18/888	22.4	1
FAPE541806	230	24/666	29.6	1
FAPE541807	230	2*6/1333	2*7.6	2
FAPE541808	230	2*9/888	2*11.3	2
FAPE541809	230	2*12/666	2*15.0	2
FAPE541810	230	2*15/533	2*18.4	2
FAPE541811	230	2*18/444	2*22.4	2
FAPE541812	230	2*24/333	2*29.0	2
FAPE541813	115	6/2666	7.6	1
FAPE541814	115	9/1777	11.3	1
FAPE541815	115	12/1333	15.0	1
FAPE541816	115	15/1066	18.4	1
FAPE541817	115	18/888	22.4	1
FAPE541818	115	24/666	29.6	1
FAPE541819	115	2*6/1333	2*7.6	2
FAPE541820	115	2*9/888	2*11.3	2
FAPE541821	115	2*12/666	2*15.0	2
FAPE541822	115	2*15/533	2*18.4	2
FAPE541823	115	2*18/444	2*22.4	2
FAPE541824	115	2*24/333	2*29.0	2
FAPE541825	2*115	6/2666	7.6	3
FAPE541826	2*115	9/1777	11.3	3
FAPE541827	2*115	12/1333	15.0	3
FAPE541828	2*115	15/1066	18.4	3
FAPE541829	2*115	18/888	22.4	3
FAPE541830	2*115	24/666	29.6	3
FAPE541831	2*115	2*6/1333	2*7.6	4
FAPE541832	2*115	2*9/888	2*11.3	4
FAPE541833	2*115	2*12/666	2*15.0	4
FAPE541834	2*115	2*15/533	2*18.4	4
FAPE541835	2*115	2*18/444	2*22.4	4
FAPE541836	2*115	2*24/333	2*29.0	4

PHYSICAL CHARACTERISTICS



ALL DIMENSIONS IN MM

TECHNICAL INFORMATION



25W EI60/25.5 FAPE6025H SERIES



FEATURES

Frequency 50/60Hz
 Potted under vacuum
 Split-bobbin
 Temperature class ta 40°C/B
 Weight: 0.67kg
 Packaging unit: 6 pieces [tray]

OPTIONS

Bulk packaging is standard
 Custom design available

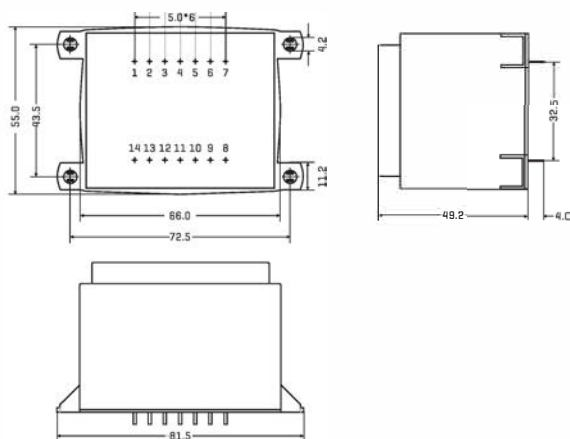
COMMON APPLICATIONS

Medical equipments
 Industrial equipments
 Industrial controls
 Test equipments
 Industrial computers
 Avionics & telecom

ELECTRICAL CHARACTERISTICS AT 25°C

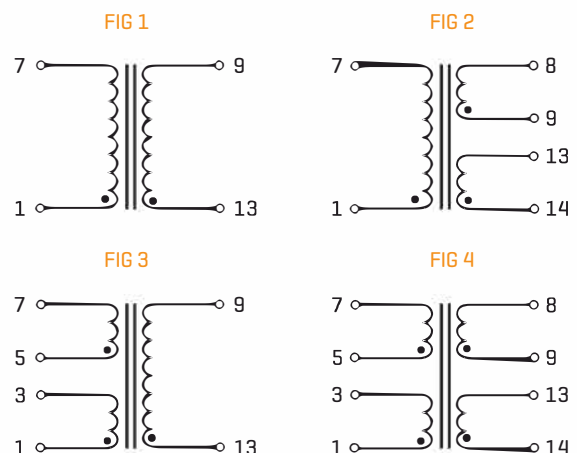
Part Number	Primary [V]	Secondary [V/mA]	No-load voltage[V]	Fig.	Part Number	Primary [V]	Secondary [V/mA]	No-load voltage[V]	Fig.
FAPE602501H	230	6/4170	6.9	1	FAPE602511H	2*115	6/4170	6.9	3
FAPE602502H	230	9/2780	10.3	1	FAPE602512H	2*115	9/2780	10.3	3
FAPE602503H	230	12/2080	13.6	1	FAPE602513H	2*115	12/2080	13.6	3
FAPE602504H	230	15/1670	17	1	FAPE602514H	2*115	15/1670	17	3
FAPE602505H	230	18/1390	20.5	1	FAPE602515H	2*115	18/1390	20.5	3
FAPE602506H	230	24/1040	27	1	FAPE602516H	2*115	24/1040	27	3
FAPE602507H	230	2*6/2080	2*6.9	2	FAPE602517H	2*115	2*6/2080	2*6.9	4
FAPE602508H	230	2*9/1390	2*10.5	2	FAPE602518H	2*115	2*9/1390	2*10.5	4
FAPE602509H	230	2*12/1040	2*13.6	2	FAPE602519H	2*115	2*12/1040	2*13.6	4
FAPE602510H	230	2*15/830	2*17.3	2	FAPE602520H	2*115	2*15/830	2*17.3	4

PHYSICAL CHARACTERISTICS



ALL DIMENSIONS IN MM

TECHNICAL INFORMATION



36W EI66/23 FAPE6623H SERIES



FEATURES

Frequency 50/60Hz
 Potted under vacuum
 Split-bobbin
 Temperature class ta 40°C/B
 Weight: 0.75kg
 Packaging unit: 6 pieces [tray]

OPTIONS

Bulk packaging is standard
 Custom design available

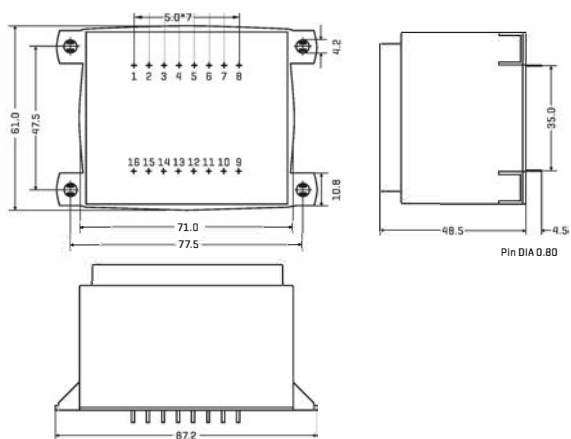
COMMON APPLICATIONS

Medical equipments
 Industrial equipments
 Industrial controls
 Test equipments
 Industrial computers
 Avionics & telecom

ELECTRICAL CHARACTERISTICS AT 25°C

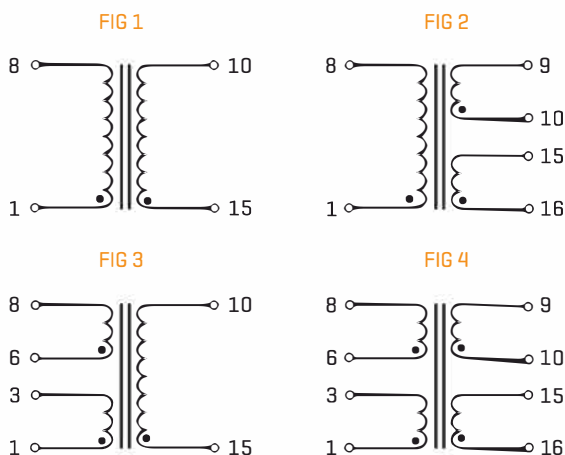
Part Number	Primary [V]	Secondary [V/mA]	No-load voltage[V]	Fig.	Part Number	Primary [V]	Secondary [V/mA]	No-load voltage[V]	Fig.
FAPE662301H	230	6/6000	6.9	1	FAPE662311H	2*115	6/6000	6.9	3
FAPE662302H	230	9/4000	10.3	1	FAPE662312H	2*115	9/4000	10.3	3
FAPE662303H	230	12/3000	13.6	1	FAPE662313H	2*115	12/3000	13.6	3
FAPE662304H	230	15/2400	17	1	FAPE662314H	2*115	15/2400	17	3
FAPE662305H	230	18/2000	20.5	1	FAPE662315H	2*115	18/2000	20.5	3
FAPE662306H	230	24/1500	27	1	FAPE662316H	2*115	24/1500	27	3
FAPE662307H	230	2*6/3000	2*6.9	2	FAPE662317H	2*115	2*6/3000	2*6.9	4
FAPE662308H	230	2*9/2000	2*10.5	2	FAPE662318H	2*115	2*9/2000	2*10.5	4
FAPE662309H	230	2*12/1500	2*13.6	2	FAPE662319H	2*115	2*12/1500	2*13.6	4
FAPE662310H	230	2*15/1200	2*17.3	2	FAPE662320H	2*115	2*15/1200	2*17.3	4

PHYSICAL CHARACTERISTICS



ALL DIMENSIONS IN MM

TECHNICAL INFORMATION



50W EI66/34.7 FAPE6634H SERIES



FEATURES

Frequency 50/60Hz
 Potted under vacuum
 Split-bobbin
 Temperature class ta 40°C/B
 Weight: 1.04kg
 Packaging unit: 6 pieces [tray]

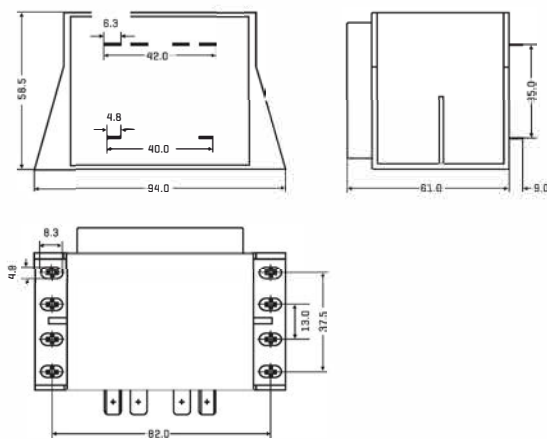
OPTIONS

Bulk packaging is standard
 Custom design available

COMMON APPLICATIONS

Medical equipments
 Industrial equipments
 Industrial controls
 Test equipments
 Industrial computers
 Avionics & telecom

PHYSICAL CHARACTERISTICS



ELECTRICAL CHARACTERISTICS AT 25°C

Part Number	Primary [V]	Secondary [V/mA]	No-load voltage[V]	Fig.
FAPE663401H	230	6/8333	7.2	1
FAPE663402H	230	9/5560	10.4	1
FAPE663403H	230	12/4170	13.4	1
FAPE663404H	230	15/3330	17	1
FAPE663405H	230	18/2780	20.5	1
FAPE663406H	230	24/2080	27.1	1
FAPE663407H	230	2*6/4170	2*7	2
FAPE663408H	230	2*9/2780	2*10.4	2
FAPE663409H	230	2*12/2080	2*13.6	2
FAPE663410H	230	2*15/1670	2*17.6	2

TECHNICAL INFORMATION

FIG 1

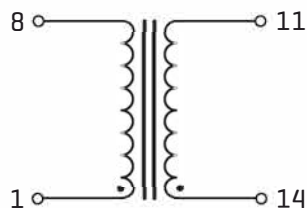
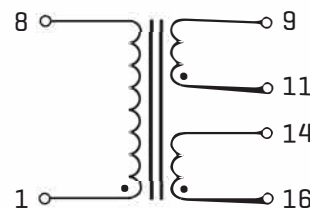


FIG 2



ALL DIMENSIONS IN MM

50W EI66/34.7 FAPE6634H SERIES



FEATURES

Frequency 50/60Hz
 Potted under vacuum
 Split-bobbin
 Temperature class ta 40°C/B
 Weight: 1.04kg
 Packaging unit: 6 pieces [tray]

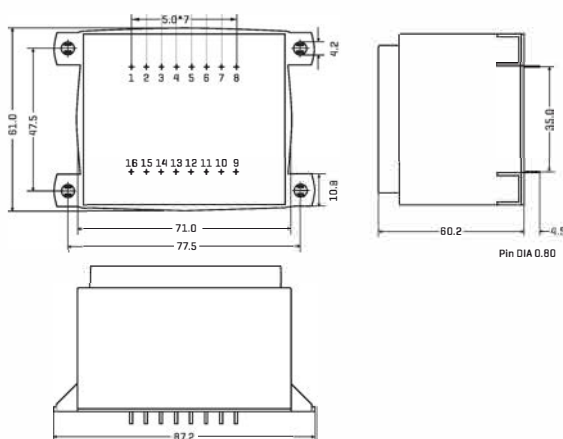
OPTIONS

Bulk packaging is standard
 Custom design available

COMMON APPLICATIONS

Medical equipments
 Industrial equipments
 Industrial controls
 Test equipments
 Industrial computers
 Avionics & telecom

PHYSICAL CHARACTERISTICS



ELECTRICAL CHARACTERISTICS AT 25°C

Part Number	Primary (V)	Secondary (V/mA)	No-load voltage[V]	Fig.
FAPE663411H	2*115	6/8333	7.2	1
FAPE663412H	2*115	9/5560	10.4	1
FAPE663413H	2*115	12/4170	13.4	1
FAPE663414H	2*115	15/3330	17	1
FAPE663415H	2*115	18/2780	20.5	1
FAPE663416H	2*115	24/2080	27.1	1
FAPE663417H	2*115	2*6/4170	2*7	2
FAPE663418H	2*115	2*9/2780	2*10.4	2
FAPE663419H	2*115	2*12/2080	2*13.6	2
FAPE663420H	2*115	2*15/1670	2*17.6	2

TECHNICAL INFORMATION

FIG 1

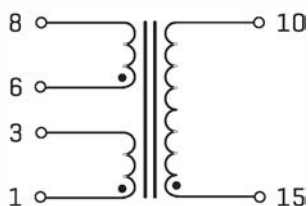
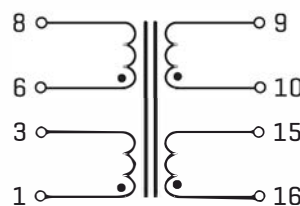


FIG 2



ALL DIMENSIONS IN MM

2W UI30/5.5 FAUI3005 SERIES



FEATURES

- Frequency 50/60Hz
- Potted under vacuum
- Split-bobbin
- Temperature class ta 70°C/B
- Weight: 0.115kg
- Packaging unit: 15 pieces [tray]
- Fixing material for 2.5mm [0.098 inch]
- Self-tapping screws: DIN 7513 [M 3x8]
- Sheet-metal screws: DIN 7971 [2.9x6.5]

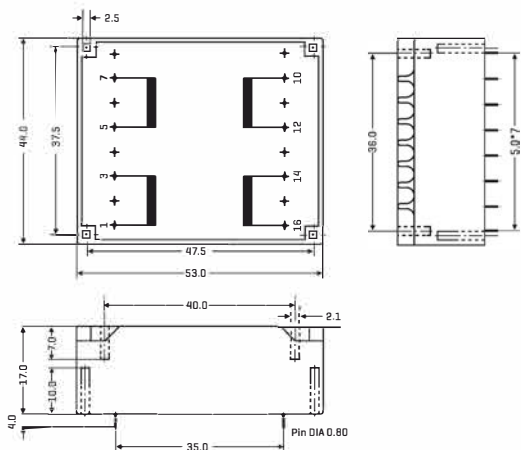
OPTIONS

- Bulk packaging is standard
- Custom design available

COMMON APPLICATIONS

- Medical equipments
- Industrial equipments
- Industrial controls
- Test equipments
- Industrial computers
- Avionics & telecom

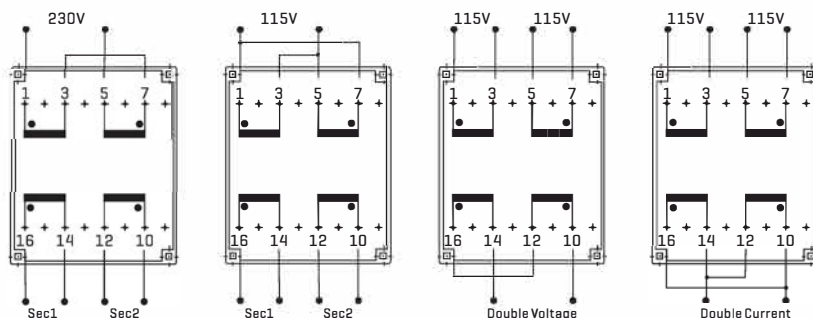
PHYSICAL CHARACTERISTICS



ELECTRICAL CHARACTERISTICS AT 25°C

Part Number	Primary (V)	Secondary (V/mA)	No-load voltage(V)
FAUI300507	2*115	2*6/166	2*10.2
FAUI300508	2*115	2*9/111	2*15.3
FAUI300509	2*115	2*12/83	2*20.4
FAUI300510	2*115	2*15/66	2*25.5
FAUI300511	2*115	2*18/55	2*30.6
FAUI300512	2*115	2*24/42	2*40.8

TECHNICAL INFORMATION



ALL DIMENSIONS IN MM

3W UI30/5.5 FAUI3005 SERIES



FEATURES

- Frequency 50/60Hz
- Potted under vacuum
- Split-bobbin
- Temperature class ta 50°C/B
- Weight: 0.115kg
- Packaging unit: 15 pieces [tray]
- Fixing material for 2.5mm [0.098 inch]
- Self-tapping screws: DIN 7513 [M 3x8]
- Sheet-metal screws: DIN 7971 [2.9x6.5]

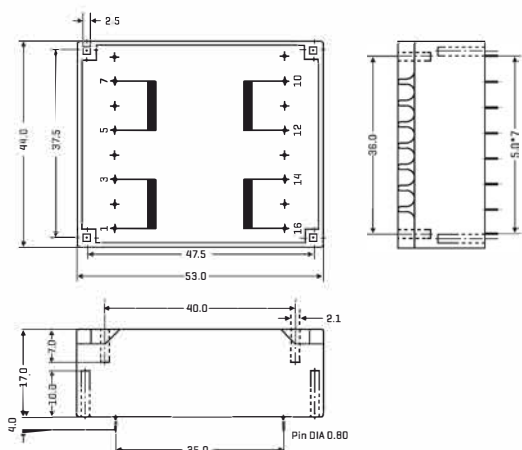
OPTIONS

- Bulk packaging is standard
- Custom design available

COMMON APPLICATIONS

- Medical equipments
- Industrial equipments
- Industrial controls
- Test equipments
- Industrial computers
- Avionics & telecom

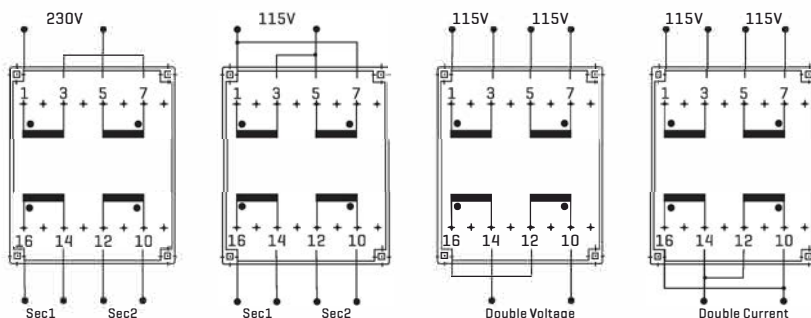
PHYSICAL CHARACTERISTICS



ELECTRICAL CHARACTERISTICS AT 25°C

Part Number	Primary [V]	Secondary [V/mA]	No-load voltage[V]
FAUI300513	2*115	2*6/250	2* 9.8
FAUI300514	2*115	2*9/167	2*14.7
FAUI300515	2*115	2*12/125	2*19.6
FAUI300516	2*115	2*15/100	2*24.5
FAUI300517	2*115	2*18/83	2*29.5
FAUI300518	2*115	2*24/63	2*39.3

TECHNICAL INFORMATION



ALL DIMENSIONS IN MM

4W UI30/7.5 FAUI3007 SERIES



FEATURES

- Frequency 50/60Hz
- Potted under vacuum
- Split-bobbin
- Temperature class ta 70°C/B
- Weight: 0.145kg
- Packaging unit: 15 pieces [tray]
- Fixing material for 2.5mm [0.098 inch]
- Self-tapping screws: DIN 7513 [M 3x8]
- Sheet-metal screws: DIN 7971 [2.9x6.5]

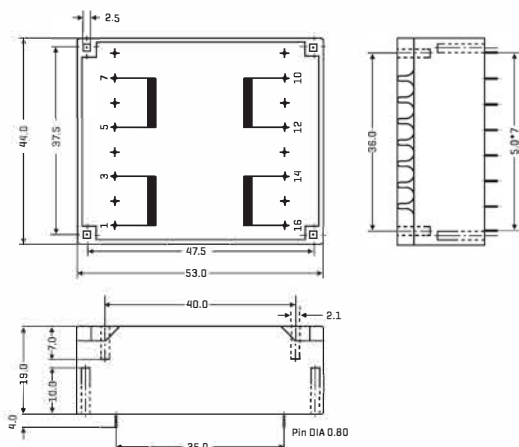
OPTIONS

- Bulk packaging is standard
- Custom design available

COMMON APPLICATIONS

- Medical equipments
- Industrial equipments
- Industrial controls
- Test equipments
- Industrial computers
- Avionics & telecom

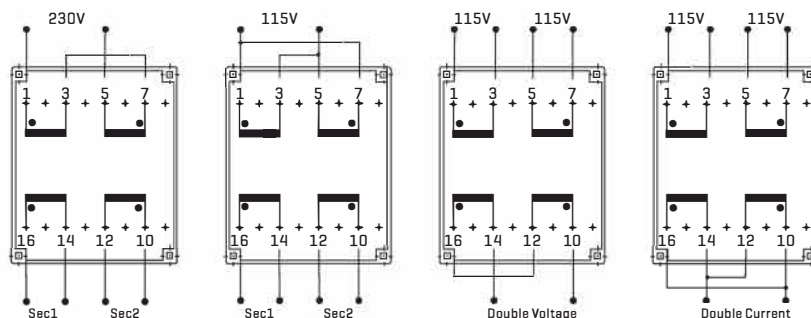
PHYSICAL CHARACTERISTICS



ELECTRICAL CHARACTERISTICS AT 25°C

Part Number	Primary [V]	Secondary [V/mA]	No-load voltage[V]
FAUI300719	2*115	2*6/333	2*9.4
FAUI300720	2*115	2*9/222	2*14.0
FAUI300721	2*115	2*12/166	2*18.6
FAUI300722	2*115	2*15/133	2*23.3
FAUI300723	2*115	2*18/111	2*28.0
FAUI300724	2*115	2*24/83	2*37.4

TECHNICAL INFORMATION



ALL DIMENSIONS IN MM

6W UI30/10.5 FAUI3010 SERIES



FEATURES

- Frequency 50/60Hz
- Potted under vacuum
- Split-bobbin
- Temperature class ta 40°C/B
- Weight: 0.175kg
- Packaging unit: 15 pieces [tray]
- Fixing material for 2.5mm [0.098 inch]
- Self-tapping screws: DIN 7513 [M 3x8]
- Sheet-metal screws: DIN 7971 [2.9x6.5]

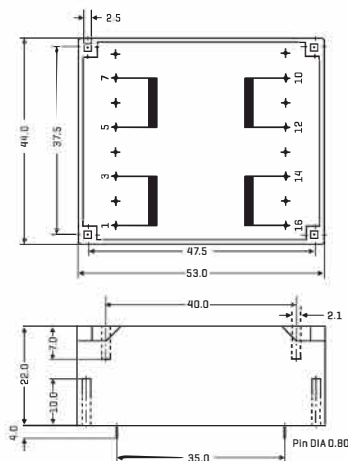
OPTIONS

- Bulk packaging is standard
- Custom design available

COMMON APPLICATIONS

- Medical equipments
- Industrial equipments
- Industrial controls
- Test equipments
- Industrial computers
- Avionics & telecom

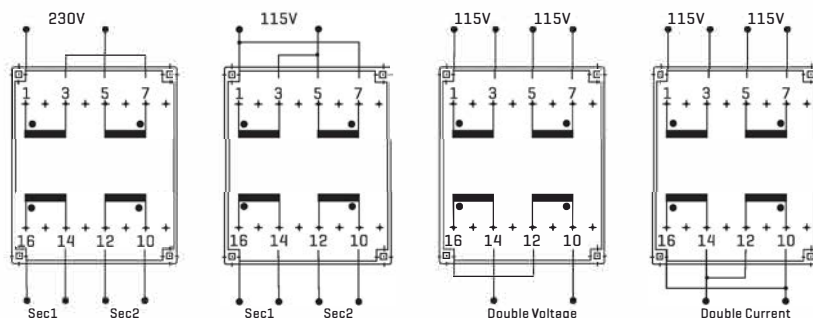
PHYSICAL CHARACTERISTICS



ELECTRICAL CHARACTERISTICS AT 25°C

Part Number	Primary [V]	Secondary [V/mA]	No-load voltage[V]
FAUI301025	2*115	2*6/500	2*8.1
FAUI301026	2*115	2*9/333	2*12.1
FAUI301027	2*115	2*12/250	2*16.2
FAUI301028	2*115	2*15/200	2*20.2
FAUI301029	2*115	2*18/166	2*24.3
FAUI301030	2*115	2*24/125	2*32.3

TECHNICAL INFORMATION



ALL DIMENSIONS IN MM

10W UI30/16.5 FAUI3016 SERIES



FEATURES

- Frequency 50/60Hz
- Potted under vacuum
- Split-bobbin
- Temperature class ta 40°C/B
- Weight: 0.24kg
- Packaging unit: 15 pieces (tray)
- Fixing material for 2.5mm [0.098 inch]
- Self-tapping screws: DIN 7513 [M 3x8]
- Sheet-metal screws: DIN 7971 [2.9x6.5]

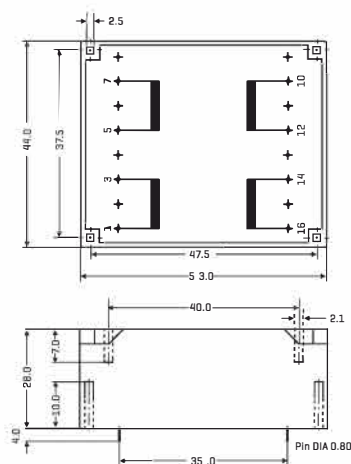
OPTIONS

- Bulk packaging is standard
- Custom design available

COMMON APPLICATIONS

- Medical equipments
- Industrial equipments
- Industrial controls
- Test equipments
- Industrial computers
- Avionics & telecom

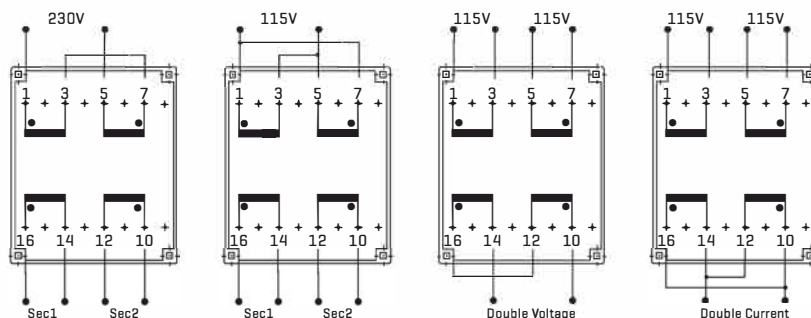
PHYSICAL CHARACTERISTICS



ELECTRICAL CHARACTERISTICS AT 25°C

Part Number	Primary [V]	Secondary [V/mA]	No-load voltage[V]
FAUI301631	2*115	2*6/833	2*7.9
FAUI301632	2*115	2*9/556	2*11.9
FAUI301633	2*115	2*12/417	2*15.9
FAUI301634	2*115	2*15/333	2*19.8
FAUI301635	2*115	2*18/278	2*23.7
FAUI301636	2*115	2*24/208	2*31.7

TECHNICAL INFORMATION



ALL DIMENSIONS IN MM

10W UI39/8 FAUI3908 SERIES



FEATURES

- Frequency 50/60Hz
- Potted under vacuum
- Split-bobbin
- Temperature class ta 40°C/B
- Weight: 0.28kg
- Packaging unit: 10 pieces [tray]
- Fixing material for 2.5mm [0.098 inch]
- Self-tapping screws: DIN 7513 [M 3x8]
- Sheet-metal screws: DIN 7971 [2.9x6.5]

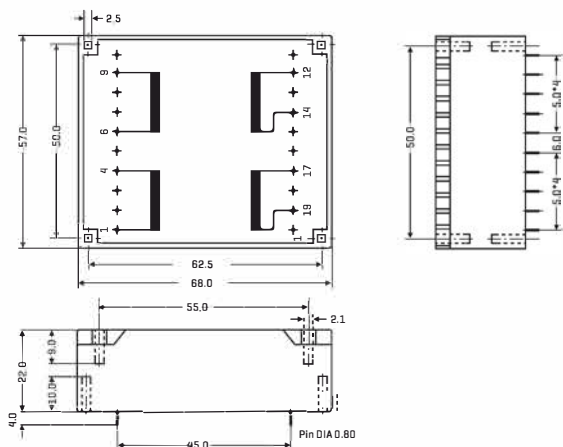
OPTIONS

- Bulk packaging is standard
- Custom design available

COMMON APPLICATIONS

- Medical equipments
- Industrial equipments
- Industrial controls
- Test equipments
- Industrial computers
- Avionics & telecom

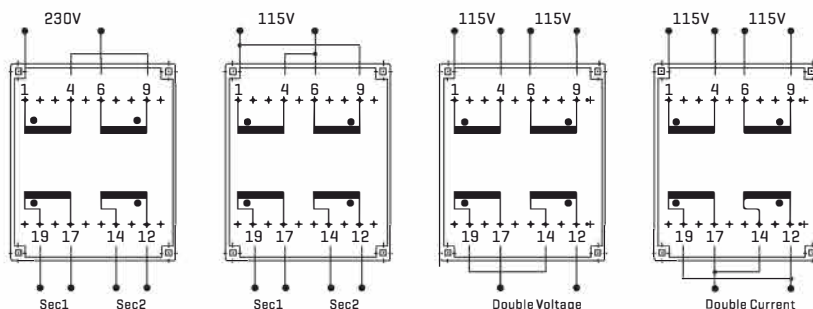
PHYSICAL CHARACTERISTICS



ELECTRICAL CHARACTERISTICS AT 25°C

Part Number	Primary [V]	Secondary [V/mA]	No-load voltage[V]
FAUI390837	2*115	2*6/833	2*8.2
FAUI390838	2*115	2*9/555	2*12.3
FAUI390839	2*115	2*12/416	2*16.4
FAUI390840	2*115	2*15/333	2*20.5
FAUI390841	2*115	2*18/277	2*24.6
FAUI390842	2*115	2*24/208	2*32.8

TECHNICAL INFORMATION



ALL DIMENSIONS IN MM

14W UI39/10.2 FAUI3910 SERIES



FEATURES

- Frequency 50/60Hz
- Potted under vacuum
- Split-bobbin
- Temperature class ta 40°C/B
- Weight: 0.315kg
- Packaging unit: 10 pieces [tray]
- Fixing material for 2.5mm [0.098 inch]
- Self-tapping screws: DIN 7513 [M 3x8]
- Sheet-metal screws: DIN 7971 [2.9x6.5]

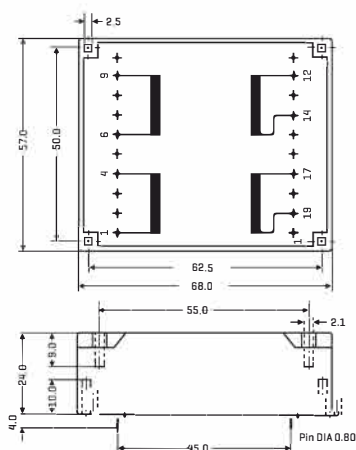
OPTIONS

- Bulk packaging is standard
- Custom design available

COMMON APPLICATIONS

- Medical equipments
- Industrial equipments
- Industrial controls
- Test equipments
- Industrial computers
- Avionics & telecom

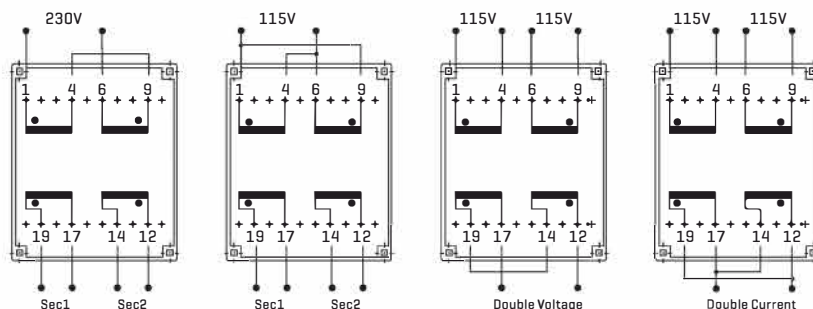
PHYSICAL CHARACTERISTICS



ELECTRICAL CHARACTERISTICS AT 25°C

Part Number	Primary [V]	Secondary [V/mA]	No-load voltage[V]
FAUI391043	2*115	2*6/1166	2*7.5
FAUI391044	2*115	2*9/778	2*11.2
FAUI391045	2*115	2*12/583	2*15.0
FAUI391046	2*115	2*15/467	2*18.8
FAUI391047	2*115	2*18/389	2*22.4
FAUI391048	2*115	2*24/292	2*30.0

TECHNICAL INFORMATION



ALL DIMENSIONS IN MM

18W UI39/13.5 FAUI3913 SERIES



FEATURES

- Frequency 50/60Hz
- Potted under vacuum
- Split-bobbin
- Temperature class ta 40°C/B
- Weight: 0.375kg
- Packaging unit: 10 pieces [tray]
- Fixing material for 2.5mm [0.098 inch]
- Self-tapping screws: DIN 7513 [M 3x8]
- Sheet-metal screws: DIN 7971 [2.9x6.5]

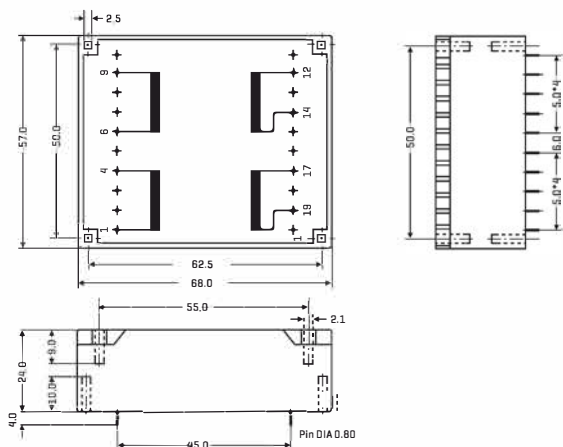
OPTIONS

- Bulk packaging is standard
- Custom design available

COMMON APPLICATIONS

- Medical equipments
- Industrial equipments
- Industrial controls
- Test equipments
- Industrial computers
- Avionics & telecom

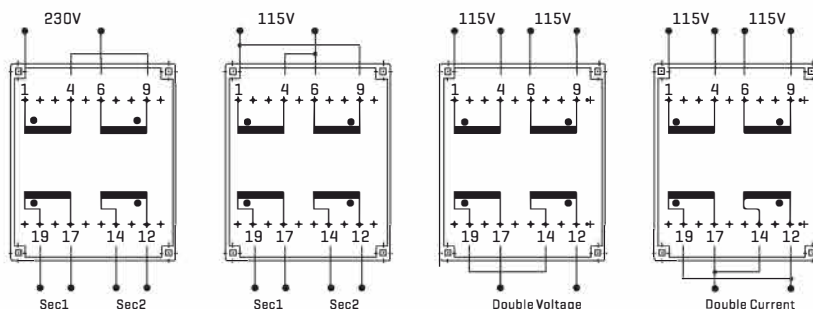
PHYSICAL CHARACTERISTICS



ELECTRICAL CHARACTERISTICS AT 25°C

Part Number	Primary [V]	Secondary [V/mA]	No-load voltage[V]
FAUI391349	2*115	2*6/1500	2*7.7
FAUI391350	2*115	2*9/1000	2*11.3
FAUI391351	2*115	2*12/750	2*15.3
FAUI391352	2*115	2*15/600	2*19.4
FAUI391353	2*115	2*18/500	2*22.5
FAUI391354	2*115	2*24/375	2*30.6

TECHNICAL INFORMATION



ALL DIMENSIONS IN MM

24W UI39/17 FAUI3917 SERIES



FEATURES

- Frequency 50/60Hz
- Potted under vacuum
- Split-bobbin
- Temperature class ta 40°C/B
- Weight: 0.445kg
- Packaging unit: 10 pieces (tray)
- Fixing material for 2.5mm [0.098 inch]
- Self-tapping screws: DIN 7513 [M 3x8]
- Sheet-metal screws: DIN 7971 [2.9x6.5]

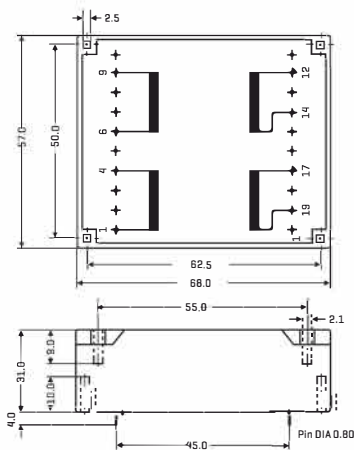
OPTIONS

- Bulk packaging is standard
- Custom design available

COMMON APPLICATIONS

- Medical equipments
- Industrial equipments
- Industrial controls
- Test equipments
- Industrial computers
- Avionics & telecom

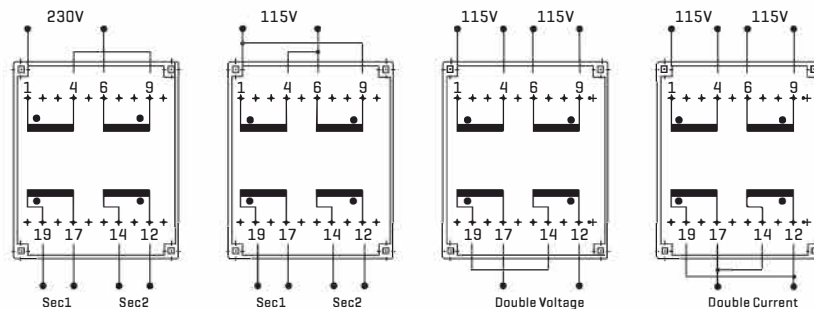
PHYSICAL CHARACTERISTICS



ELECTRICAL CHARACTERISTICS AT 25°C

Part Number	Primary [V]	Secondary [V/mA]	No-load voltage[V]
FAUI391755	2*115	2*6/2000	2*7.2
FAUI391756	2*115	2*9/1333	2*11.1
FAUI391757	2*115	2*12/1000	2*14.4
FAUI391758	2*115	2*15/800	2*19.2
FAUI391759	2*115	2*18/666	2*22.1
FAUI391760	2*115	2*24/500	2*28.8

TECHNICAL INFORMATION



ALL DIMENSIONS IN MM

30W UI39/21 FAUI3921 SERIES



FEATURES

- Frequency 50/60Hz
- Potted under vacuum
- Split-bobbin
- Temperature class ta 40°C/B
- Weight: 0.53kg
- Packaging unit: 10 pieces [tray]
- Fixing material for 2.5mm [0.098 inch]
- Self-tapping screws: DIN 7513 [M 3x8]
- Sheet-metal screws: DIN 7971 [2.9x6.5]

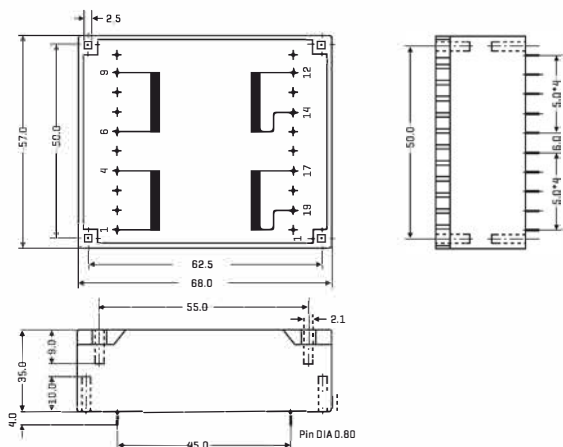
OPTIONS

- Bulk packaging is standard
- Custom design available

COMMON APPLICATIONS

- Medical equipments
- Industrial equipments
- Industrial controls
- Test equipments
- Industrial computers
- Avionics & telecom

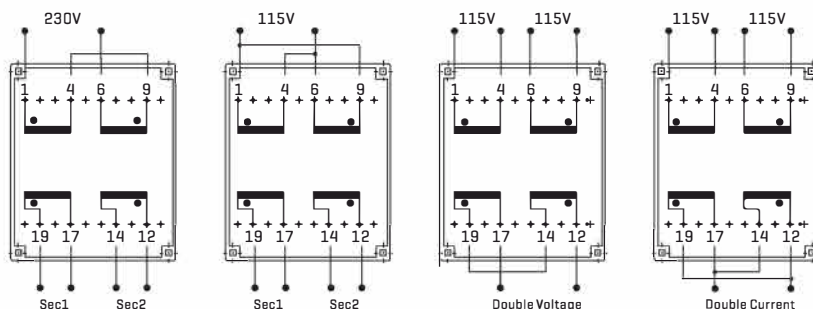
PHYSICAL CHARACTERISTICS



ELECTRICAL CHARACTERISTICS AT 25°C

Part Number	Primary [V]	Secondary [V/mA]	No-load voltage[V]
FAUI392161	2*115	2*6/2500	2*6.7
FAUI392162	2*115	2*9/1666	2*10.3
FAUI392163	2*115	2*12/1250	2*13.5
FAUI392164	2*115	2*15/1000	2*16.8
FAUI392165	2*115	2*18/833	2*20.6
FAUI392166	2*115	2*24/625	2*27.0

TECHNICAL INFORMATION



ALL DIMENSIONS IN MM

40W UI48/17 FAUI4817 SERIES



FEATURES

- Frequency 50/60Hz
- Potted under vacuum
- Split-bobbin
- Temperature class ta 40°C/B
- Weight: 0.445kg
- Packaging unit: 10 pieces [tray]
- Fixing material for 2.5mm [0.098 inch]
- Self-tapping screws: DIN 75 13 [M 3x8]
- Sheet-metal screws: DIN 7971 [2.9x6.5]

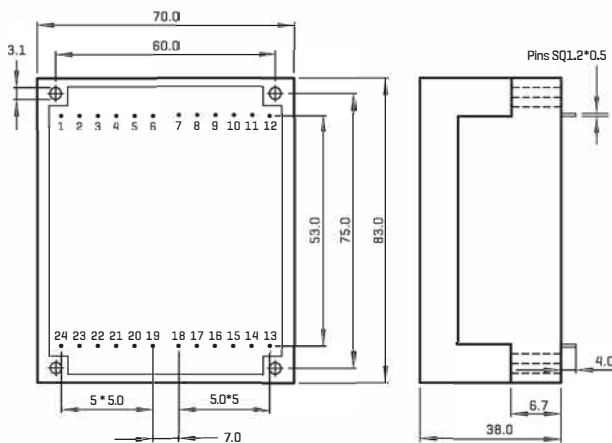
OPTIONS

- Bulk packaging is standard
- Custom design available

COMMON APPLICATIONS

- Medical equipments
- Industrial equipments
- Industrial controls
- Test equipments
- Industrial computers
- Avionics & telecom

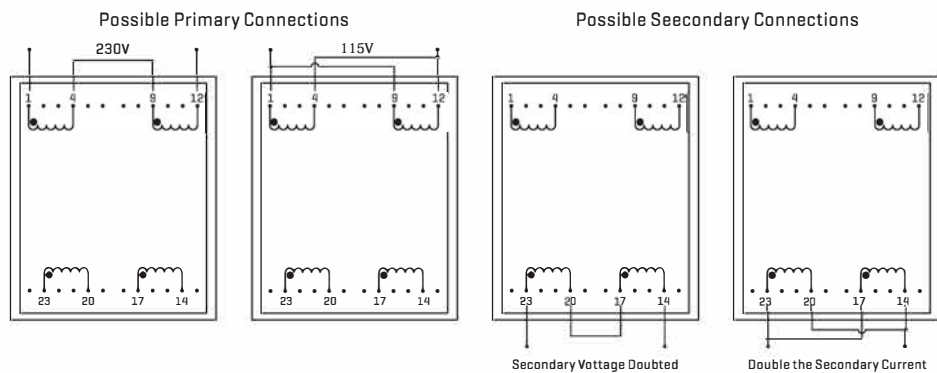
PHYSICAL CHARACTERISTICS



ELECTRICAL CHARACTERISTICS AT 25°C

Part Number	Primary [V]	Secondary [V/mA]	No-load voltage[V]	Fig.
FAUI 481767	2*6	2*3333	2*6.7	1
FAUI 481768	2*9	2*2222	2*10.0	1
FAUI 481769	2*12	2*1667	2*13.4	1
FAUI 481770	2*15	2*1333	2*16.7	1
FAUI 481771	2*18	2*1111	2*20.1	1
FAUI 481772	2*24	2*833	2*26.8	1

TECHNICAL INFORMATION



ALL DIMENSIONS IN MM

60W UI48/26 FAUI4826 SERIES



FEATURES

- Frequency 50/60Hz
- Potted under vacuum
- Split-bobbin
- Temperature class ta 40°C/B
- Weight: 0.53kg
- Packaging unit: 10 pieces [tray]
- Fixing material for 2.5mm [0.098 inch]
- Self-tapping screws: DIN 7513 [M 3x8]
- Sheet-metal screws: DIN 7971 [2.9x6.5]

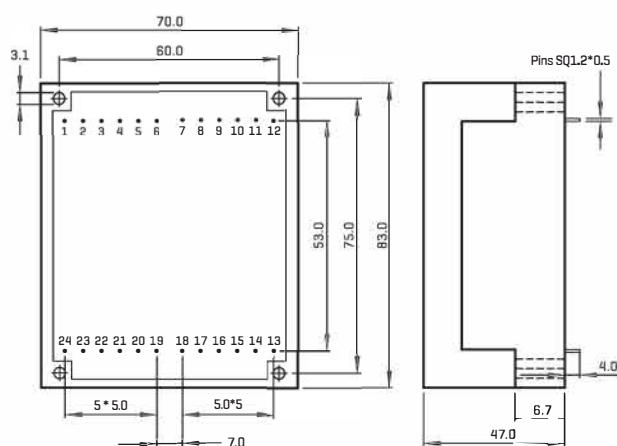
OPTIONS

- Bulk packaging is standard
- Custom design available

COMMON APPLICATIONS

- Medical equipments
- Industrial equipments
- Industrial controls
- Test equipments
- Industrial computers
- Avionics & telecom

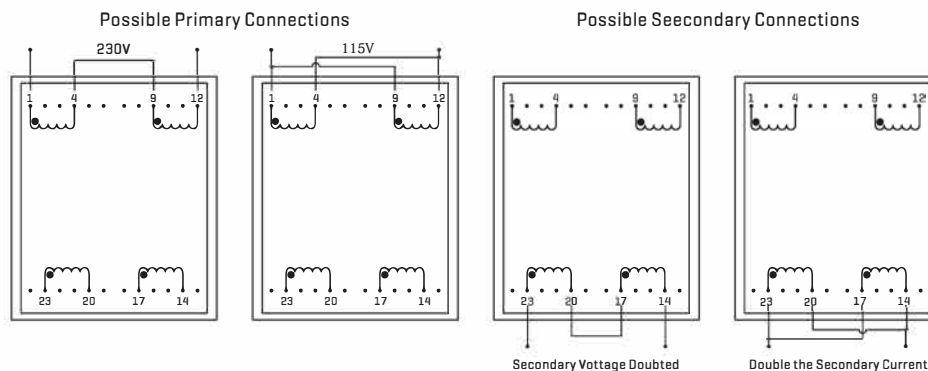
PHYSICAL CHARACTERISTICS



ELECTRICAL CHARACTERISTICS AT 25°C

Part Number	Primary [V]	Secondary [V/mA]	No-load voltage[V]	Fig.
FAUI 482673	2*6	2*5000	2*6.6	1
FAUI 482674	2*9	2*3333	2*9.9	1
FAUI 482675	2*12	2*2500	2*13.1	1
FAUI 482676	2*15	2*2000	2*16.4	1
FAUI 482677	2*18	2*1667	2*19.7	1
FAUI 482678	2*24	2*1250	2*26.3	1

TECHNICAL INFORMATION



ALL DIMENSIONS IN MM

SPARK-LINE-233mH-375mH FAIT2219 SERIES



FEATURES

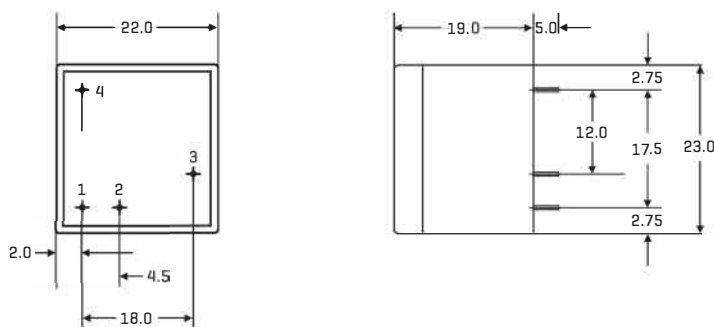
- Compact Design
- Available up to 23kV
- Ambient Temperature 70 °C
- Weight: 0.018kg
- Packaging unit: 55 pieces [tray]



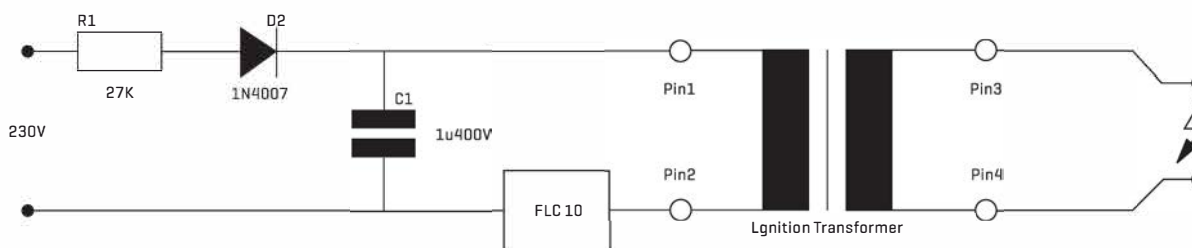
ELECTRICAL CHARACTERISTICS AT 25°C

Part Number	Primary Resistance [±10%] [Pin 1-2]	Secondary Resistance [±10%] [Pin 3-4]	Primary Inductance [±15%] [Pin 1-2]	Secondary Inductance [±15%] [Pin 3-4]	Winding Ratio	Secondary Voltage @ load 30pF	Ambient Temperature	No-Load Operation
FAIT2219-200	26mΩ	520Ω	6μH	240mH	1:200	>20kV	70°C	30s
FAIT2219-256	26mΩ	786Ω	6μH	375mH	1:256	>20kV	70°C	30s
FAIT2219-175	59mΩ	822Ω	12μH	340mH	1:175	>23kV	70°C	30s
FAIT2219-150	59mΩ	590Ω	12μH	233mH	1:150	>23kV	70°C	30s

PHYSICAL CHARACTERISTICS



TECHNICAL INFORMATION



SPARK-LINE-SECONDARY EXTERNAL(1X) FAIT3523 SERIES



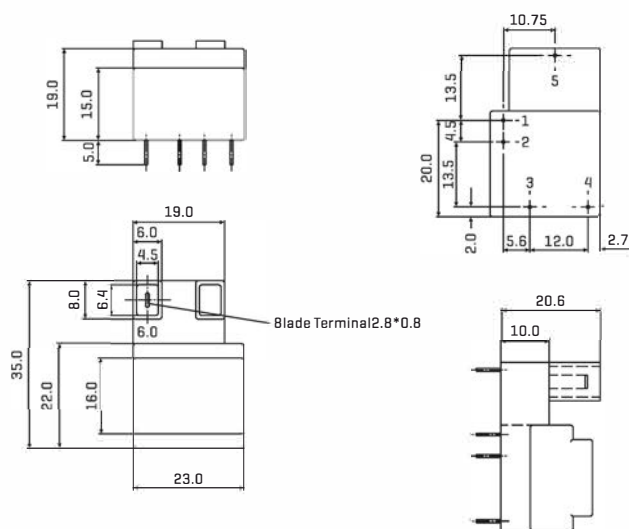
FEATURES

- Compact Design
- Available up to 22kV
- Ambient Temperature 70°C
- Weight: 0.019kg
- Packaging unit: 45 pieces [tray]

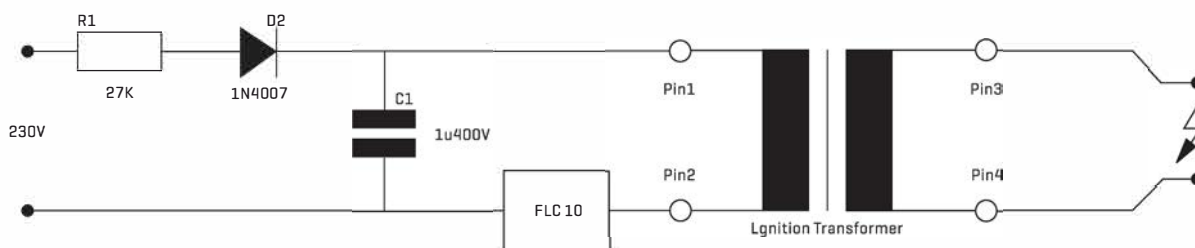
ELECTRICAL CHARACTERISTICS AT 25°C

Part Number	Primary Resistance [±10%] [Pin 1-2]	Secondary Resistance [±10%] [Pin 3-4]	Primary Inductance [±15%] [Pin 1-2]	Secondary Inductance [±15%] [Pin 3-4]	Winding Ratio	Secondary Voltage @ load 30pF >22kV	Ambient Temperature 70°C	No-Load Operation [MAX] 30s
FAIT3523-200	26mΩ	520Ω	6μH	240mH	1:200			

PHYSICAL CHARACTERISTICS



TECHNICAL INFORMATION



SPARK-LINE-SECONDARY EXTERNAL(2X) FAIT3523B SERIES



FEATURES

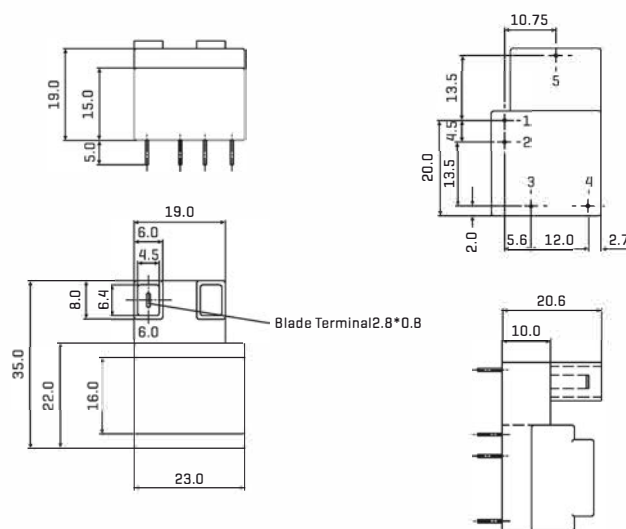
- Compact Design
- Available up to 23kV
- Ambient Temperature 70°C
- Weight: 0.018kg
- Packaging unit: 45 pieces [tray]



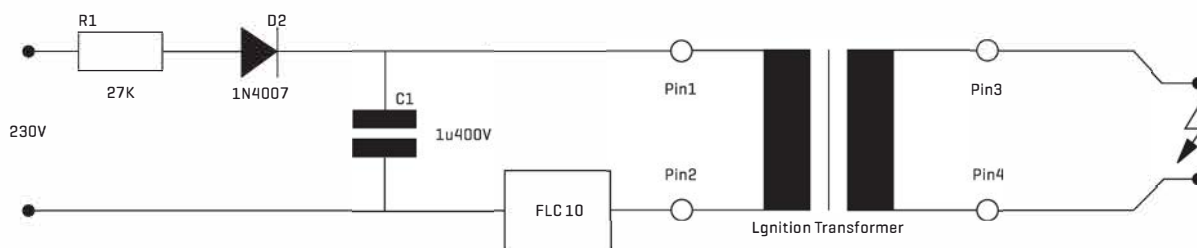
ELECTRICAL CHARACTERISTICS AT 25°C

Part Number	Primary Resistance [±10%] [Pin 1-2]	Secondary Resistance [±10%] [Pin 6-7]	Primary Inductance [±15%] [Pin 1-2]	Secondary Inductance [±15%] [Pin 6-7]	Winding Ratio	Secondary Voltage @ load 30pF	Ambient Temperature	No-Load Operation [MAX]
FAIT3523B-200	26mΩ	520Ω	6μH	240mH	1:200	>22kV	70°C	30s
FAIT3523B-175	59mΩ	822Ω	12μH	340mH	1:175	>23kV	70°C	30s

PHYSICAL CHARACTERISTICS



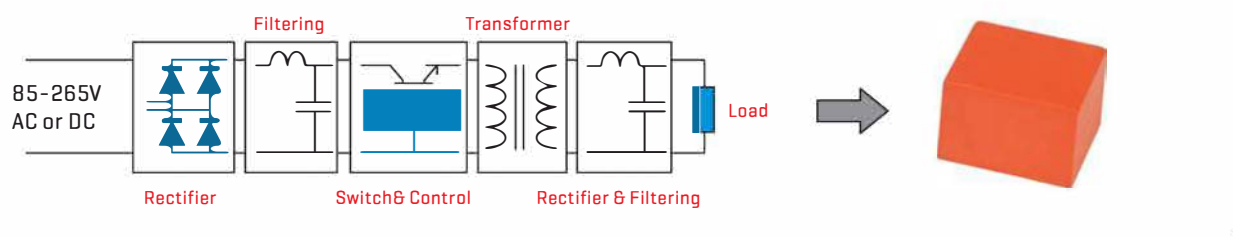
TECHNICAL INFORMATION



POWER SUPPLIES 1W to 60W



Series ASQ1~5W, ASP7~60W



FUAN encapsulated Switched Mode Power Supplies is based on Flyback topology.

They constitute an interesting alternative to the traditional supply in the most common applications of power from 1W to 60W.

ENERGY SAVING due to high efficiency and low standby power.

Application for our Power Supplies:

- Alternative to the linear transformers in all AC/DC applications of power up to 60W
- Alternative to DC/DC converters for application in D.C. current [Telecom supplies, electric substations etc.]
- Industrial, domestic and consumer electronics applications
- Standby devices and others DC or AC auxiliary supplies

With the same footprint as an Ei30 transformer, they will replace:

- 50 Hz Transformer
- Fuse
- Bridge Rectifier
- Filtering Capacitor

Regulated types will also replace linear regulator and heatsink

MAIN FEATURES

Wide input voltage range

Increased power: 3 x compared to standard EE20-EI30-EI38 transformers

Better energetic efficiency: 70% typical compared to 40% for the conventional supply

Very low Standby Power consumption: meets requirements of Energy Star or EC Code of Conduct

**Same footprint as EE20-EI30-EI38-EI48 transformer: [1W~10W]
Upgrade your application without redesign of PCB**

SAFETY STANDARDS

- Meets all requirements of:
- EN 60950
 - EN 60335
 - EN 61558-2-16
 - EN 61558-1
 - UL 60950-1
 - CSA 22.2 N°60950-1
 - UL 94-V0

EMC STANDARDS

- Conducted and radiated emissions conform to
- EN 55014-1
 - EN 55032 class B
- Immunity conform to
- EN 55014-2
 - EN 61000-4-x

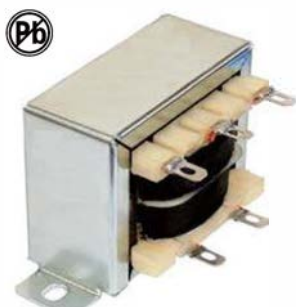
SELECTION GUIDE FOR STANDARD MODLES

Part No.	Cross to Myrra	Output Power	Input Range	Output Parameters	Max.Ambient	Efficiency	Dimension (mm)
ASQ03020	48021	1W,2.5W,3W	85-265VAC	3.3V@300mA,750mA,830mA	80°C ,60°C ,50°C	60%,63%,63%	25.0x25.0x16.0
ASQ03021	48022	1W,2.5W,3W	85-265VAC	5V@200mA,500mA,600mA	80°C ,60°C ,50°C	60%,65%,65%	25.0x25.0x16.0
ASQ03022	48023	1W,2.5W,3W	85-265VAC	9V@110mA,280mA,330mA	80°C ,70°C ,60°C	67%,70%,70%	25.0x25.0x16.0
ASQ03023	48024	1W,2.5W,3W	85-265VAC	12V@84mA,210mA,250mA	80°C ,70°C ,60°C	67%,72%,72%	25.0x25.0x16.0
ASQ03024	48025	1W,2.5W,3W	85-265VAC	15V@67mA,170mA,200mA	80°C ,70°C ,60°C	67%,72%,72%	25.0x25.0x16.0
ASQ03025	48026	1W,2.5W,3W	85-265VAC	18V@56mA,140mA,170mA	80°C ,70°C ,60°C	67%,72%,72%	25.0x25.0x16.0
ASQ03026	48027	1W,2.5W,3W	85-265VAC	24V@42mA,105mA,125mA	80°C ,70°C ,60°C	70%,74%,74%	25.0x25.0x16.0
ASQ05020	47121 47151	2.5W,4.5W	85-265VAC	3.3V@750mA,1350mA	70°C ,50°C	65%	32.8x27.8x21.8
ASQ05021	47122 47152 47132 47162	2.5W,5W	85-265VAC	5V@500mA,900mA	70°C ,50°C	68%	32.8x27.8x21.8
ASQ05022	47123 47153 47133 47163	3.2W,5W	85-265VAC	9V@360mA,560mA	70°C ,50°C	73%	32.8x27.8x21.8
ASQ05023	47124 47154 47134 47164	3.2W,5W	85-265VAC	12V@270mA,420mA	70°C ,50°C	75%	32.8x27.8x21.8
ASQ05024	47125 47155	2.5W,5W	85-265VAC	15V@170mA,320mA	70°C ,50°C	75%	32.8x27.8x21.8
ASQ05025	47135 47165	3.2W,5W	85-265VAC	18V@180mA,280mA	70°C ,50°C	78%	32.8x27.8x21.8
ASQ05026	47126 47156 47136 47166	3.2W,5W	85-265VAC	24V@130mA,210mA	70°C ,50°C	80%	32.8x27.8x21.8
ASQ05027	47157	4.5W	85-265VAC	3.8V@1180mA	50°C	66%	32.8x27.8x21.8
ASP07200	47206	7.5W	85-265VAC	3.3V@2270mA	50°C	74%	41.0x35.0x21.5
ASP07201	47200	7.5W	85-265VAC	5V@1500mA	70°C	77%	41.0x35.0x21.5
ASP07202	47201	7.5W	85-265VAC	9V@830mA	70°C	80%	41.0x35.0x21.5
ASP07203	47202	7.5W	85-265VAC	12V@625mA	70°C	82%	41.0x35.0x21.5
ASP07204	47203	7.5W	85-265VAC	15V@500mA	70°C	82%	41.0x35.0x21.5
ASP07205	47204	7.5W	85-265VAC	18V@420mA	70°C	82%	41.0x35.0x21.5
ASP07206	47205	7.5W	85-265VAC	24V@310mA	70°C	82%	41.0x35.0x21.5
ASP10210	47216	10W	85-265VAC	3.3V@3000mA	50°C	72%	48.0x40.0x26.0
ASP10211	47210	10W	85-265VAC	5V@2000mA	60°C	74%	48.0x40.0x26.0
ASP10212	47211	10W	85-265VAC	9V@1100mA	60°C	80%	48.0x40.0x26.0
ASP10213	47212	10W	85-265VAC	12V@830mA	60°C	82%	48.0x40.0x26.0
ASP10214	47213	10W	85-265VAC	15V@560mA	60°C	82%	48.0x40.0x26.0
ASP10215	47214	10W	85-265VAC	18V@560mA	60°C	82%	48.0x40.0x26.0
ASP10216	47215	10W	85-265VAC	24V@420mA	60°C	82%	48.0x40.0x26.0



L.P.S I.T.E product

CHASSIS-TRAN POWER TRANSFORMERS

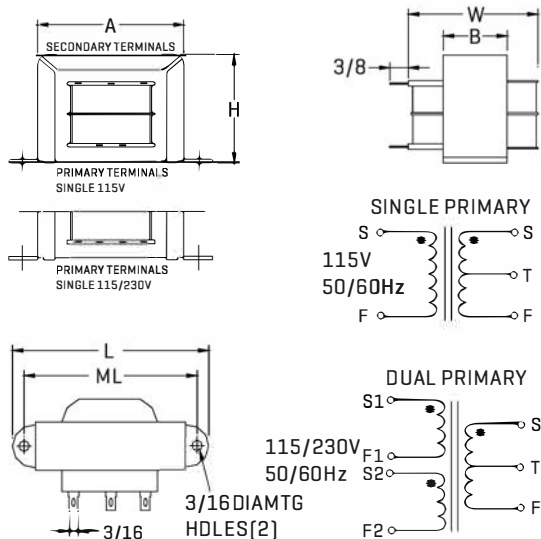


Quick connect or hard wiring ; high isolation.
All parts meet RoHS compliance.

FEATURES

- Channel frame mounting
- High [2500V] isolation ; 2500V RMS HIPOT
- No crossover between primary and secondary winding leads
- Vacuum impregnated
- Available in single or dual primary
- Center tapped secondary offers dual outputs

PHYSICAL CHARACTERISTICS



Size	VA	L	W	H	A	B	ML	Wgt
3	2.4	52.3	26.9	30.0	41.1	14.2	44.4	113g
4	6	60.2	31.7	35.0	42.6	17.3	50.8	199g
5	12	71.4	34.8	41.1	49.0	20.6	60.2	317g
6	30	82.5	42.6	49.0	58.6	26.9	71.3	498g
7	56	93.5	45.9	57.1	68.0	26.9	79.2	771g
8	100	102	57.1	65.0	77.7	33.3	88.9	1247g

ALL DIMENSIONS IN MM

ELECTRICAL CHARACTERISTICS AT 25°C

Part Number	Secondary RMS Rating	
	Single 115V	Dual 115/230V
FACT-3-10	not available	10V C.T. @ 0.25A
FACT-4-10	FADCT-4-10	10V C.T. @ 0.6A
FACT-5-10	FADCT-5-10	10V C.T. @ 1.2A
FACT-6-10	FADCT-6-10	10V C.T. @ 3.0A
FACT-7-10	FADCT-7-10	10V C.T. @ 5.0A
FACT-8-10	FADCT-8-10	10V C.T. @ 10A
FACT-3-12	not available	12.6V C.T. @ 0.2A
FACT-4-12	FADCT-4-12	12.6V C.T. @ 0.5A
FACT-5-12	FADCT-5-12	12.6V C.T. @ 1.0A
FACT-6-12	FADCT-6-12	12.6V C.T. @ 2.5A
FACT-7-12	FADCT-7-12	12.6V C.T. @ 4.0A
FACT-8-12	DCT-8-12	12.6V C.T. @ 8.0A
FACT-3-16	not available	16V C.T. @ 0.15A
FACT-4-16	FADCT-4-16	16V C.T. @ 0.4A
FACT-5-16	FADCT-5-16	16V C.T. @ 0.8A
FACT-6-16	FADCT-6-16	16V C.T. @ 2.0A
FACT-7-16	FADCT-7-16	16V C.T. @ 3.5A
FACT-8-16	DCT-8-16	16V C.T. @ 6.25A
FACT-3-20	not available	20V C.T. @ 0.12A
FACT-4-20	FADCT-4-20	20V C.T. @ 0.3A
FACT-5-20	FADCT-5-20	20V C.T. @ 0.6A
FACT-6-20	FADCT-6-20	20V C.T. @ 1.5A
FACT-7-20	FADCT-7-20	20V C.T. @ 2.8A
FACT-8-20	FADCT-8-20	20V C.T. @ 5.0A
FACT-3-24	not available	24V C.T. @ 0.1A
FACT-4-24	FADCT-4-24	24V C.T. @ 0.25A
FACT-5-24	FADCT-5-24	24V C.T. @ 0.5A
FACT-6-24	FADCT-6-24	24V C.T. @ 1.25A
FACT-7-24	FADCT-7-24	24V C.T. @ 2.4A
FACT-8-24	FADCT-8-24	24V C.T. @ 4.0A
FACT-3-28	not available	28V C.T. @ 0.085A
FACT-4-28	FADCT-4-28	28V C.T. @ 0.2A
FACT-5-28	FADCT-5-28	28V C.T. @ 0.42A
FACT-6-28	FADCT-6-28	28V C.T. @ 1.1A
FACT-7-28	FADCT-7-28	28V C.T. @ 2.0A
FACT-8-28	FADCT-8-28	28V C.T. @ 3.6A
FACT-3-36	not available	36V C.T. @ 0.065A
FACT-4-36	FADCT-4-36	36V C.T. @ 0.17A
FACT-5-36	FADCT-5-36	36V C.T. @ 0.35A
FACT-6-36	FADCT-6-36	36V C.T. @ 0.85A
FACT-7-36	FADCT-7-36	36V C.T. @ 1.5A
FACT-8-36	FADCT-8-36	36V C.T. @ 2.8A
FACT-3-48	not available	48V C.T. @ 0.05A
FACT-4-48	FADCT-4-48	48V C.T. @ 0.125A
FACT-5-48	FADCT-5-48	48V C.T. @ 0.25A
FACT-6-48	FADCT-6-48	48V C.T. @ 0.63A
FACT-7-48	FADCT-7-48	48V C.T. @ 1.2A
FACT-8-48	FADCT-8-48	48V C.T. @ 2.0A
FACT-3-56	not available	56V C.T. @ 0.045A
FACT-4-56	FADCT-4-56	56V C.T. @ 0.11A
FACT-5-56	FADCT-5-56	56V C.T. @ 0.22A
FACT-6-56	FADCT-6-56	56V C.T. @ 0.54A
FACT-7-56	FADCT-7-56	56V C.T. @ 1.0A
FACT-8-56	FADCT-8-56	56V C.T. @ 1.8A
FACT-3-120	not available	120V C.T. @ 0.02A
FACT-4-120	FADCT-4-120	120V C.T. @ 0.05A
FACT-5-120	FADCT-5-120	120V C.T. @ 0.1A
FACT-6-120	FADCT-6-120	120V C.T. @ 0.25A
FACT-7-120	FADCT-7-120	120V C.T. @ 0.5A
FACT-8-120	FADCT-8-120	120V C.T. @ 0.85A

INTERNATIONAL HIGH POWER TRANSFORMERS

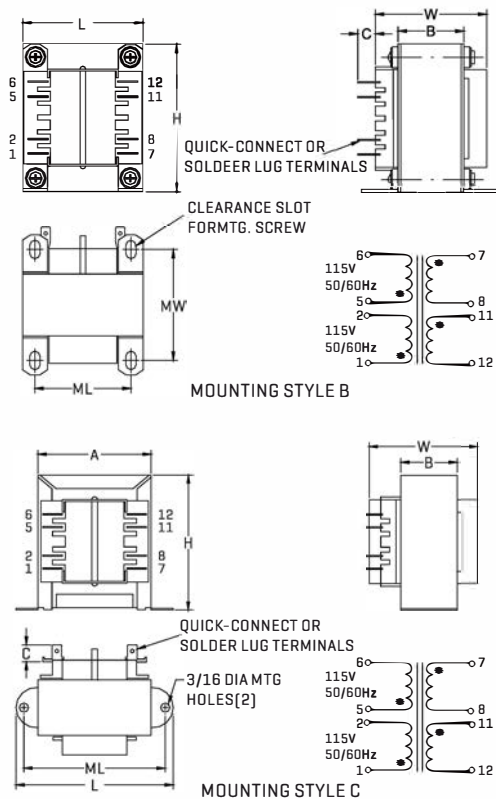


All parts meet RoHS compliance.

FEATURES

- Power - 25VA to 175VA
- Chassis mounting
- Dual bobbin; double reinforced insulation
- High (4000V) isolation
- No crossover between primary and secondary winding leads
- Primaries : Dual primaries [115V/230V - 50/60Hz]
- Secondaries can be series or parallel connected

PHYSICAL CHARACTERISTICS



ELECTRICAL CHARACTERISTICS AT 25°C

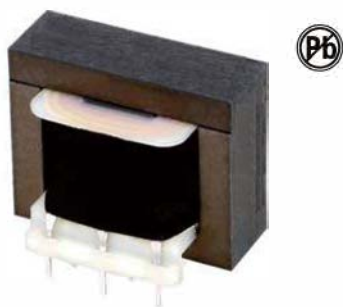
Part Number	VA	Secondary RMS Rating	
		Series	Parallel
FAPA-25-10	25	10V C.T. @ 2.5A	5V @ 5.0A
FAPA-43-10	43	10V C.T. @ 4.3A	5V @ 8.6A
FAPA-80-10	80	10V C.T. @ 8.0A	5V @ 16.0A
FAPA-130-10	130	10V C.T. @ 13.0A	5V @ 26.0A
FAPA-175-10	175	10V C.T. @ 17.5A	5V @ 35.0A
FAPA-25-12	25	12.6V C.T. @ 2.0A	6.3V @ 4.0A
FAPA-43-12	43	12.6V C.T. @ 3.4A	6.3V @ 6.8A
FAPA-80-12	80	12.6V C.T. @ 6.3A	6.3V @ 12.6A
FAPA-130-12	130	12.6V C.T. @ 10.3A	6.3V @ 20.6A
FAPA-175-12	175	12.6V C.T. @ 14.0A	6.3V @ 28.0A
FAPA-25-16	25	16V C.T. @ 1.6A	8V @ 3.2A
FAPA-43-16	43	16V C.T. @ 2.7A	8V @ 5.4A
FAPA-80-16	80	16V C.T. @ 5.0A	8V @ 10.0A
FAPA-130-16	130	16V C.T. @ 8.1A	8V @ 16.2A
FAPA-175-16	175	16V C.T. @ 11.0A	8V @ 22.0A
FAPA-25-20	25	20V C.T. @ 1.25A	10V @ 2.5A
FAPA-43-20	43	20V C.T. @ 2.2A	10V @ 4.4A
FAPA-80-20	80	20V C.T. @ 4.0A	10V @ 8.0A
FAPA-130-20	130	20V C.T. @ 6.5A	10V @ 13.0A
FAPA-175-20	175	20V C.T. @ 8.8A	10V @ 17.6A
FAPA-25-24	25	24V C.T. @ 1A	12V @ 2A
FAPA-43-24	43	24V C.T. @ 1.8A	12V @ 3.6A
FAPA-80-24	80	24V C.T. @ 3.3A	12V @ 6.6A
FAPA-130-24	130	24V C.T. @ 5.4A	12V @ 10.8A
FAPA-175-24	175	24V C.T. @ 7.3A	12V @ 14.6A
FAPA-25-28	25	28V C.T. @ 0.9A	14V @ 1.86A
FAPA-43-28	43	28V C.T. @ 1.5A	14V @ 3.0A
FAPA-80-28	80	28V C.T. @ 2.8A	14V @ 5.6A
FAPA-130-28	130	28V C.T. @ 4.6A	14V @ 9.2A
FAPA-175-28	175	28V C.T. @ 6.25A	14V @ 12.5A
FAPA-25-36	25	36V C.T. @ 0.7A	18V @ 1.4A
FAPA-43-36	43	36V C.T. @ 1.2A	18V @ 2.4A
FAPA-80-36	80	36V C.T. @ 2.2A	18V @ 4.4A
FAPA-130-36	130	36V C.T. @ 3.6A	18V @ 7.2A
FAPA-175-36	175	36V C.T. @ 4.8A	18V @ 9.6A
FAPA-25-230	25	230V C.T. @ 0.11A	115V @ 0.22A
FAPA-43-230	43	230V C.T. @ 0.19A	115V @ 0.38A
FAPA-80-230	80	230V C.T. @ 0.35A	115V @ 0.7A
FAPA-130-230	130	230V C.T. @ 0.57A	115V @ 1.14A
FAPA-175-230	175	230V C.T. @ 0.76A	115V @ 1.52A

VA	Dimensions						Terminals C
	L	W	H	A	B	C	
25	71.4	47.5	58.7	50.8	28.4	7.9	4.7
43	79.2	52.3	68.1	57.2	28.4	7.9	4.7
80	63.5	60.2	76.2	---	34.8	7.9	4.7
130	71.4	72.9	85.6	---	41.1	9.4	6.4
175	79.2	72.9	95.3	---	41.1	9.4	6.4

VA	Mtg. Style	Mtg. Dim.		Mtg. Screw	Wgt
		ML	MW		
25	C	60.2	---	#6	566g
43	C	71.4	---	#6	724g
80	B	50.8	55.4	#6	1268g
130	B	57.2	63.5	#8	1857g
175	B	63.5	63.5	#8	2491g

ALL DIMENSIONS IN MM

CONCENTRIC AND SPLIT BOBBIN VERTICAL PROFILE PLUG-IN TRANSFORMERS



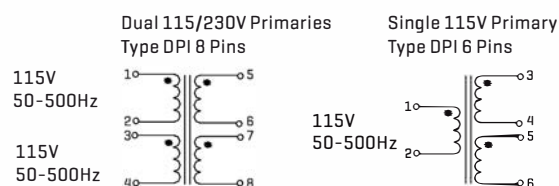
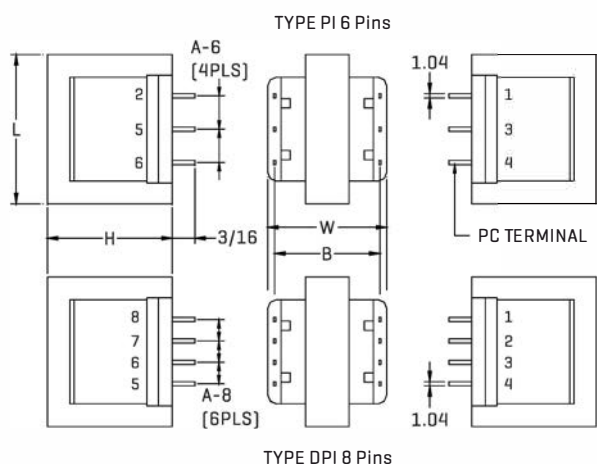
for PC board power isolation

PI SERIES CONCENTRIC VERTICAL MOUNT models provide operation frequencies from 50 to 500Hz. All parts meet RoHS compliance.

FEATURES

- Power - 1.0VA to 24VA
- Dielectric Strength - 1500V RMS HIPOT
- Vacuum impregnated
- Insulation - Class B insulation [130 °C]
- Primaries - Single or dual primaries [115V or 115/230V - 50-500Hz]
- Secondaries - series or parallel Secondary

PHYSICAL CHARACTERISTICS



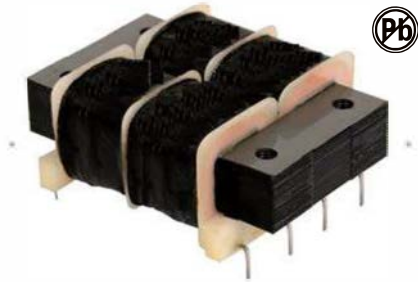
ELECTRICAL CHARACTERISTICS AT 25°C

Part Number		VA	Secondary RMS Rating	
Single 115V 6 Pin	Dual 115/230V 8 Pin		Series V.C.T @ mA	Parallel V @ mA
FAPG-10-90	FADPG-10-90	1.0	10 @ 90	5 @ 180
FAPG-10-120	FADPG-10-120	1.2	10 @ 120	5 @ 240
FAPG-10-440	FADPG-10-440	4.4	10 @ 440	5 @ 880
FAPG-10-1000	FADPG-10-1000	10	10 @ 1000	5 @ 2000
FAPG10-2400	FADPG-10-2400	24	10 @ 2400	5 @ 4800
FAPG-12-70	FADPG-12-70	1.0	12.6 @ 70	6.3 @ 140
FAPG-12-100	FADPG-12-100	1.2	12.6 @ 100	6.3 @ 200
FAPG-12-350	FADPG-12-350	4.4	12.6 @ 350	6.3 @ 700
FAPG-12-800	FADPG-12-800	10	12.6 @ 800	6.3 @ 1600
FAPG-12-2000	FADPG-12-2000	24	12.6 @ 2000	6.3 @ 4000
FAPG-16-55	FADPG-16-55	1.0	16 @ 55	8 @ 110
FAPG-16-75	FADPG-16-75	1.2	16 @ 75	8 @ 150
FAPG-16-260	FADPG-16-260	4.4	16 @ 260	8 @ 520
FAPG-16-640	FADPG-16-640	10	16 @ 640	8 @ 1280
FAPG-16-1500	FADPG-16-1500	24	16 @ 1500	8 @ 3000
FAPG-20-45	FADPG-20-45	1.0	20 @ 45	10 @ 90
FAPG-20-60	FADPG-20-60	1.2	20 @ 60	10 @ 120
FAPG-20-220	FADPG-20-220	4.4	20 @ 220	10 @ 440
FAPG-20-500	FADPG-20-500	10	20 @ 500	10 @ 1000
FAPG-20-1200	FADPG-20-1200	24	20 @ 1200	10 @ 2400
FAPG-24-35	FADPG-24-35	1.0	24 @ 35	12 @ 70
FAPG-24-50	FADPG-24-50	1.2	24 @ 50	12 @ 100
FAPG-24-180	FADPG-24-180	4.4	24 @ 180	12 @ 360
FAPG-24-450	FADPG-24-450	10	24 @ 450	12 @ 900
FAPG-24-1000	FADPG-24-1000	24	24 @ 1000	12 @ 2000
FAPG-28-30	FADPG-28-30	1.0	28 @ 30	14 @ 60
FAPG-28-40	FADPG-28-40	1.2	28 @ 40	14 @ 80
FAPG-28-160	FADPG-28-160	4.4	28 @ 160	14 @ 320
FAPG-28-360	FADPG-28-360	10	28 @ 360	14 @ 720
FAPG-28-800	FADPG-28-800	24	28 @ 800	14 @ 1600
FAPG-34-25	FADPG-34-25	1.0	34 @ 25	17 @ 50
FAPG-34-35	FADPG-34-35	1.2	34 @ 35	17 @ 70
FAPG-34-125	FADPG-34-125	4.4	34 @ 125	17 @ 250
FAPG-34-300	FADPG-34-300	10	34 @ 300	17 @ 600
FAPG-34-700	FADPG-34-700	24	34 @ 700	17 @ 1400
FAPG-40-20	FADPG-40-20	1.0	40 @ 20	20 @ 40
FAPG-40-30	FADPG-40-30	1.2	40 @ 30	20 @ 60
FAPG-40-110	FADPG-40-110	4.4	40 @ 110	20 @ 220
FAPG-40-250	FADPG-40-250	10	40 @ 250	20 @ 500
FAPG-40-600	FADPG-40-600	24	40 @ 600	20 @ 1200
FAPG-56-15	FADPG-56-15	1.0	56 @ 15	28 @ 30
FAPG-56-20	FADPG-56-20	1.2	56 @ 20	28 @ 40
FAPG-56-80	FADPG-56-80	4.4	56 @ 80	28 @ 160
FAPG-56-180	FADPG-56-180	10	56 @ 180	28 @ 360
FAPG-56-420	FADPG-56-420	24	56 @ 420	28 @ 840
FAPG-120-8	FADPG-120-8	1.0	120 @ 8	60 @ 16
FAPG-120-10	FADPG-120-10	1.2	120 @ 10	60 @ 20
FAPG-120-35	FADPG-120-35	4.4	120 @ 35	60 @ 70
FAPG-120-85	FADPG-120-85	10	120 @ 85	60 @ 170
FAPG-120-200	FADPG-120-200	24	120 @ 200	60 @ 400
FAPG-230-4	FADPG-230-4	1.0	230 @ 4	115 @ 8
FAPG-230-5	FADPG-230-5	1.2	230 @ 5	115 @ 10
FAPG-230-20	FADPG-230-20	4.4	230 @ 20	115 @ 40
FAPG-230-40	FADPG-230-40	10	230 @ 40	115 @ 80
FAPG-230-100	FADPG-230-100	24	230 @ 100	115 @ 200

Size	VA	L	W	H	A-6 (6 pin)	A-8 (8 pin)	ML	Wgt
25	1.0	25.4	34.9	21.1	6.35	5.08	30.5	71g
37	1.2	34.9	28.6	30.2	7.92	5.08	25.4	85g
50	4.4	41.3	31.7	34.9	10.2	6.35	27.9	142g
62	10	47.6	36.5	41.3	10.2	6.35	33.0	255g
24	24	41.3	57.1	34.9	10.2	6.35	53.3	340g

ALL DIMENSIONS IN MM

LOW PROFILE PLUG-IN TRANSFORMERS



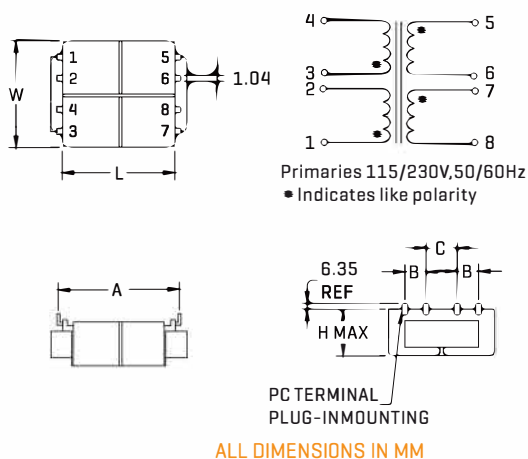
for limited-space PC board applications

These low-profile Plug-in power transformers are wound in a semi-toroidal configuration to minimize both EMI and unit height. They are designed for low-height critical pc board applications in semi-conductor control and instrumentation and for use in single, dual, or reference dc supplies and isolated control circuits. Available in five sizes. All parts meet RoHS compliance.

FEATURES

- Low height profile
- 1500V RMS HIPOT
- PRIMARY : dual primaries [115V/230V] 50/60Hz
- SECONDARY : Series or parallel
- Vacuum impregnated
- Baked resin - - provides fully cured and environmentally
- Sizes 2, 6, and 12 are available as encapsulated and hermetically sealed [request drawings].

PHYSICAL CHARACTERISTICS



Size	L	W	H	A	B	C	Wgt	Reg. [%] (Typ)
2	47.6	39.7	16.5	40.6	9.5	9.5	141g	20
6	47.6	39.7	21.6	40.6	9.5	9.5	198g	18
12	63.5	50.8	27.1	50.8	12.7	12.7	311g	15
24	73.0	57.2	31.8	48.3	15.2	13.5	425g	15
48	79.4	63.5	34.9	55.4	15.2	16.8	595g	12

ELECTRICAL CHARACTERISTICS AT 25°C

Part Number	VA	Secondary RMS Rating	
		Series	Parallel
FAPL-10-250	2	10V C.T. @ 250mA	5V @ 500mA
FAPL-10-600	6	10V C.T. @ 600mA	5V @ 1.20A
FAPL-10-1200	12	10V C.T. @ 1.20A	5V @ 2.40A
FAPL-10-2400	24	10V C.T. @ 2.40A	5V @ 4.80A
FAPL-10-4800	48	10V C.T. @ 4.80A	5V @ 9.60A
FAPL-12-200	2	12.6V C.T. @ 200mA	6.3V @ 400mA
FAPL-12-450	6	12.6V C.T. @ 450mA	6.3V @ 900mA
FAPL-12-900	12	12.6V C.T. @ 900mA	6.3V @ 1.80A
FAPL-12-1900	24	12.6V C.T. @ 1.90A	6.3V @ 3.80A
FAPL-12-3800	48	12.6V C.T. @ 3.80A	6.3V @ 7.60A
FAPL-16-150	2	16V C.T. @ 150mA	8V @ 300mA
FAPL-16-350	6	16V C.T. @ 350mA	8V @ 700mA
FAPL-16-700	12	16V C.T. @ 700mA	8V @ 1.40A
FAPL-16-1500	24	16V C.T. @ 1.50A	8V @ 3.00A
FAPL-16-3000	48	16V C.T. @ 3.00A	8V @ 6.00A
FAPL-18-135	2	18V C.T. @ 135mA	9V @ 270mA
FAPL-18-325	6	18V C.T. @ 325mA	9V @ 650mA
FAPL-18-650	12	18V C.T. @ 650mA	9V @ 1.30A
FAPL-18-1300	24	18V C.T. @ 1.30A	9V @ 2.60A
FAPL-18-2600	48	18V C.T. @ 2.60A	9V @ 5.20A
FAPL-20-125	2	20V C.T. @ 125mA	10V @ 250mA
FAPL-20-300	6	20V C.T. @ 300mA	10V @ 600mA
FAPL-20-600	12	20V C.T. @ 600mA	10V @ 1.20A
FAPL-20-1200	24	20V C.T. @ 1.20A	10V @ 2.40A
FAPL-20-2400	48	20V C.T. @ 2.40A	10V @ 4.80A
FAPL-24-100	2	24V C.T. @ 100mA	12V @ 200mA
FAPL-24-250	6	24V C.T. @ 250mA	12V @ 500mA
FAPL-24-500	12	24V C.T. @ 500mA	12V @ 1.00A
FAPL-24-1000	24	24V C.T. @ 1.00A	12V @ 2.00A
FAPL-24-2000	48	24V C.T. @ 2.00A	12V @ 4.00A
FAPL-28-90	2	28V C.T. @ 90mA	14V @ 180mA
FAPL-28-215	6	28V C.T. @ 215mA	14V @ 430mA
FAPL-28-430	12	28V C.T. @ 430mA	14V @ 860mA
FAPL-28-850	24	28V C.T. @ 850mA	14V @ 1.70A
FAPL-28-1700	48	28V C.T. @ 1.70A	14V @ 3.40A
FAPL-30-85	2	30V C.T. @ 85mA	15V @ 170mA
FAPL-30-200	6	30V C.T. @ 200mA	15V @ 400mA
FAPL-30-400	12	30V C.T. @ 400mA	15V @ 800mA
FAPL-30-800	24	30V C.T. @ 800mA	15V @ 1.60A
FAPL-30-1600	48	30V C.T. @ 1.60A	15V @ 3.20A
FAPL-34-75	2	34V C.T. @ 75mA	17V @ 150mA
FAPL-34-170	6	34V C.T. @ 170mA	17V @ 340mA
FAPL-34-340	12	34V C.T. @ 340mA	17V @ 680mA
FAPL-34-700	24	34V C.T. @ 700mA	17V @ 1.40A
FAPL-34-1400	48	34V C.T. @ 1.40A	17V @ 2.80A
FAPL-40-60	2	40V C.T. @ 60mA	20V @ 120mA
FAPL-40-150	6	40V C.T. @ 150mA	20V @ 300mA
FAPL-40-300	12	40V C.T. @ 300mA	20V @ 600mA
FAPL-40-600	24	40V C.T. @ 600mA	20V @ 1.20A
FAPL-40-1200	48	40V C.T. @ 1.20A	20V @ 2.40A
FAPL-56-45	2	56V C.T. @ 45mA	28V @ 90mA
FAPL-56-100	6	56V C.T. @ 100mA	28V @ 200mA
FAPL-56-200	12	56V C.T. @ 200mA	28V @ 400mA
FAPL-56-425	24	56V C.T. @ 425mA	28V @ 850mA
FAPL-56-850	48	56V C.T. @ 850mA	28V @ 1.70A
FAPL-88-28	2	88V C.T. @ 28mA	44V @ 56mA
FAPL-88-65	6	88V C.T. @ 65mA	44V @ 130mA
FAPL-88-130	12	88V C.T. @ 130mA	44V @ 260mA
FAPL-120-20	2	120V C.T. @ 20mA	60V @ 40mA
FAPL-120-50	6	120V C.T. @ 50mA	60V @ 100mA
FAPL-120-100	12	120V C.T. @ 100mA	60V @ 200mA
FAPL-230-10	2	230V C.T. @ 10mA	115V @ 20mA
FAPL-230-25	6	230V C.T. @ 25mA	115V @ 50mA
FAPL-230-50	12	230V C.T. @ 50mA	115V @ 100mA

INTERNATIONAL PC PLUG-IN POWER TRANSFORMERS

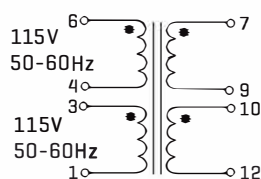
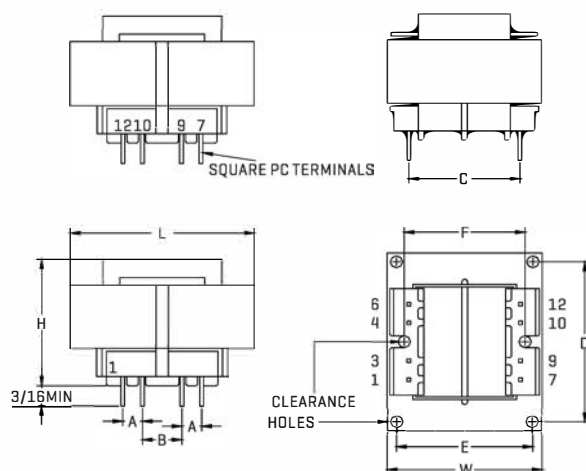


All parts meet RoHS compliance.

FEATURES

- Power – 2.5VA to 56VA
- PC board plug-in mounting
- Dual bobbin; double reinforced insulation
- High (4000V) isolation
- Vacuum impregnated
- Primaries : Dual primaries [115/230V - 50/60Hz]
- Secondaries can be series or parallel connected

PHYSICAL CHARACTERISTICS



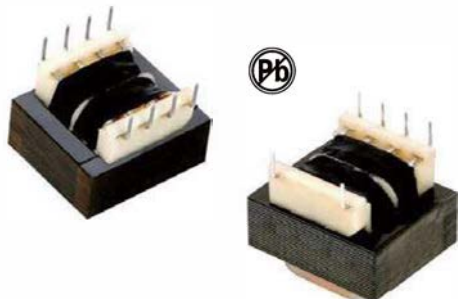
ELECTRICAL CHARACTERISTICS AT 25°C

Part Number	VA	Secondary RMS Rating	
		Series	Parallel
FAPT-2.5-10	2.5	10V C.T. @ 0.25A	10V C.T. @ 0.25A
FAPT-5.0-10	5.0	10V C.T. @ 0.5A	10V C.T. @ 0.5A
FAPT-10-10	10	10V C.T. @ 1.0A	10V C.T. @ 1.0A
FAPT-20-10	20	10V C.T. @ 2.0A	10V C.T. @ 2.0A
FAPT-30-10	30	10V C.T. @ 3.0A	10V C.T. @ 3.0A
FAPT-56-10	56	10V C.T. @ 5.6A	10V C.T. @ 5.6A
FAPT-2.5-12	2.5	12.6V C.T. @ 0.2A	12.6V C.T. @ 0.2A
FAPT-5.0-12	5.0	12.6V C.T. @ 0.4A	12.6V C.T. @ 0.4A
FAPT-10-12	10	12.6V C.T. @ 0.8A	12.6V C.T. @ 0.8A
FAPT-20-12	20	12.6V C.T. @ 1.6A	12.6V C.T. @ 1.6A
FAPT-30-12	30	12.6V C.T. @ 2.4A	12.6V C.T. @ 2.4A
FAPT-56-12	56	12.6V C.T. @ 4.4A	12.6V C.T. @ 4.4A
FAPT-2.5-16	2.5	16V C.T. @ 0.15A	16V C.T. @ 0.15A
FAPT-5.0-16	5.0	16V C.T. @ 0.31A	16V C.T. @ 0.31A
FAPT-10-16	10	16V C.T. @ 0.62A	16V C.T. @ 0.62A
FAPT-20-16	20	16V C.T. @ 1.25A	16V C.T. @ 1.25A
FAPT-30-16	30	16V C.T. @ 1.9A	16V C.T. @ 1.9A
FAPT-56-16	56	16V C.T. @ 3.5A	16V C.T. @ 3.5A
FAPT-2.5-20	2.5	20V C.T. @ 0.12A	20V C.T. @ 0.12A
FAPT-5.0-20	5.0	20V C.T. @ 0.25A	20V C.T. @ 0.25A
FAPT-10-20	10	20V C.T. @ 0.5A	20V C.T. @ 0.5A
FAPT-20-20	20	20V C.T. @ 1.0A	20V C.T. @ 1.0A
FAPT-30-20	30	20V C.T. @ 1.5A	20V C.T. @ 1.5A
FAPT-56-20	56	20V C.T. @ 2.8A	20V C.T. @ 2.8A
FAPT-2.5-24	2.5	24V C.T. @ 0.1A	24V C.T. @ 0.1A
FAPT-5.0-24	5.0	24V C.T. @ 0.21A	24V C.T. @ 0.21A
FAPT-10-24	10	24V C.T. @ 0.42A	24V C.T. @ 0.42A
FAPT-20-24	20	24V C.T. @ 0.83A	24V C.T. @ 0.83A
FAPT-30-24	30	24V C.T. @ 1.25A	24V C.T. @ 1.25A
FAPT-56-24	56	24V C.T. @ 2.33A	24V C.T. @ 2.33A
FAPT-2.5-28	2.5	28V C.T. @ 0.09A	28V C.T. @ 0.09A
FAPT-5.0-28	5.0	28V C.T. @ 0.18A	28V C.T. @ 0.18A
FAPT-10-28	10	28V C.T. @ 0.36A	28V C.T. @ 0.36A
FAPT-20-28	20	28V C.T. @ 0.72A	28V C.T. @ 0.72A
FAPT-30-28	30	28V C.T. @ 1.06A	28V C.T. @ 1.06A
FAPT-56-28	56	28V C.T. @ 2.0A	28V C.T. @ 2.0A
FAPT-2.5-36	2.5	36V C.T. @ 0.07A	36V C.T. @ 0.07A
FAPT-5.0-36	5.0	36V C.T. @ 0.14A	36V C.T. @ 0.14A
FAPT-10-36	10	36V C.T. @ 0.28A	36V C.T. @ 0.28A
FAPT-20-36	20	36V C.T. @ 0.56A	36V C.T. @ 0.56A
FAPT-30-36	30	36V C.T. @ 0.82A	36V C.T. @ 0.82A
FAPT-56-36	56	36V C.T. @ 1.56A	36V C.T. @ 1.56A

VA	Dimensions					
	L	W	H	A	B	C
2.5	41.3	33.3	28.6	5.08	6.35	24.4
5.0	41.3	33.3	34.9	5.08	10.2	25.4
10	47.6	39.7	34.9	5.08	10.2	29.0
20	57.2	47.6	41.3	10.2	10.2	37.1
30	66.7	55.5	39.7	14.0	6.99	42.7
56	76.2	63.5	46	15.2	7.62	48.3
VA	D	E	F	PIN DIM	MTG	Wgt
2.5	---	---	27.0	SQ0.64	#4	113g
5.0	---	---	27.0	SQ0.64	#4	167g
10	---	---	31.8	SQ0.97	#4	240g
20	---	---	38.1	SQ0.97	#4	407g
30	55.4	44.5	---	SQ1.14	#6	520g
56	63.5	50.8	---	SQ1.14	#6	770g

ALL DIMENSIONS IN MM

SPLIT BOBBIN PLUG-IN TRANSFORMERS



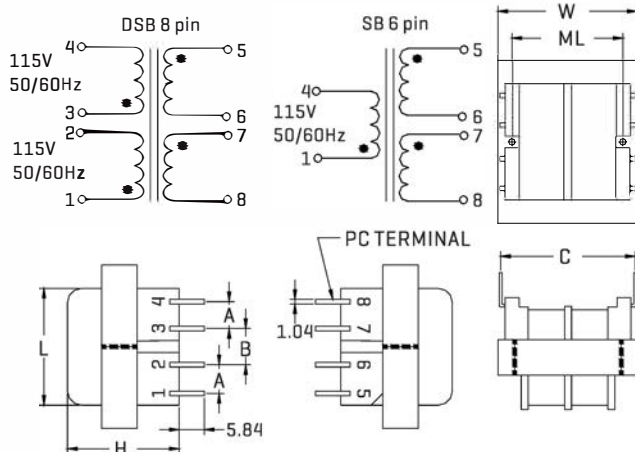
for PC board power isolation

Split bobbin : primaries and secondaries are wound side-by-side rather than concentrically to obtain the benefits listed below. All parts meet RoHS compliance.

FEATURES

- High [2500V] isolation ; 2500V RMS HIPOT
- No crossover contact between primary and secondary leads
- Vacuum impregnated - - withstands modern board washing systems and reduces audible noise
- Class B insulation [130 C]
- Available in single or dual primary
- Series or parallel secondaries

PHYSICAL CHARACTERISTICS



ALL DIMENSIONS IN MM

Size	VA	L	W	H	ML	A	B	C	Wgt
2	1.1	28.7	28.7	23.9	---	6.35	6.35	30.5	77g
3	2.4	35.1	28.7	30.2	---	6.35	6.35	30.5	113g
4	6	40.6	33.3	33.3	2.69	6.35	6.35	32.5	199g
5	12	47.2	39.6	36.6	31.8	7.62	7.62	35.8	317g
6	20	57.2	47.2	36.6	38.1	7.62	7.62	40.6	362g
7	36	66.8	55.6	39.6	Note	10.2	10.2	45.7	498g

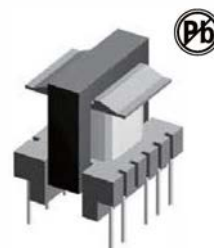
Notes : Size 7 has 4 mtg. holes on 2 3/16 x 13/4 centers.

ELECTRICAL CHARACTERISTICS AT 25°C

Part Number		Secondary RMS Rating	
Single 115V 6Pin	Dual 115/230V 8Pin	Series	Parallel
FASB-2-10	FADSB-2-10	10V C.T. @ 0.11A	5V @ 0.22A
FASB-3-10	FADSB-3-10	10V C.T. @ 0.25A	5V @ 0.5A
FASB-4-10	FADSB-4-10	10V C.T. @ 0.6A	5V @ 1.2A
FASB-5-10	FADSB-5-10	10V C.T. @ 1.2A	5V @ 2.4A
FASB-6-10	FADSB-6-10	10V C.T. @ 2A	5V @ 4A
FASB-7-10	FADSB-7-10	10V C.T. @ 3.6A	5V @ 7.2A
FASB-2-12	FADSB-2-12	12.6V C.T. @ 0.09A	6.3V @ 0.18A
FASB-3-12	FADSB-3-12	12.6V C.T. @ 0.2A	6.3V @ 0.4A
FASB-4-12	FADSB-4-12	12.6V C.T. @ 0.5A	6.3V @ 1.0A
FASB-5-12	FADSB-5-12	12.6V C.T. @ 1.0A	6.3V @ 2.0A
FASB-6-12	FADSB-6-12	12.6V C.T. @ 1.6A	6.3V @ 3.2A
FASB-7-12	FADSB-7-12	12.6V C.T. @ 2.85A	6.3V @ 5.7A
FASB-2-16	FADSB-2-16	16V C.T. @ 0.07A	8V @ 0.14A
FASB-3-16	FADSB-3-16	16V C.T. @ 0.15A	8V @ 0.3A
FASB-4-16	FADSB-4-16	16V C.T. @ 0.4A	8V @ 0.8A
FASB-5-16	FADSB-5-16	16V C.T. @ 0.8A	8V @ 1.6A
FASB-6-16	FADSB-6-16	16V C.T. @ 1.25A	8V @ 2.5A
FASB-7-16	FADSB-7-16	16V C.T. @ 2.25A	8V @ 4.5A
FASB-2-20	FADSB-2-20	20V C.T. @ 0.055A	10V @ 0.11A
FASB-3-20	FADSB-3-20	20V C.T. @ 0.12A	10V @ 0.24A
FASB-4-20	FADSB-4-20	20V C.T. @ 0.3A	10V @ 0.6A
FASB-5-20	FADSB-5-20	20V C.T. @ 0.6A	10V @ 1.2A
FASB-6-20	FADSB-6-20	20V C.T. @ 1A	10V @ 2A
FASB-7-20	FADSB-7-20	20V C.T. @ 1.8A	10V @ 3.6A
FASB-2-24	FADSB-2-24	24V C.T. @ 0.045A	12V @ 0.09A
FASB-3-24	FADSB-3-24	24V C.T. @ 0.1A	12V @ 0.2A
FASB-4-24	FADSB-4-24	24V C.T. @ 0.25A	12V @ 0.5A
FASB-5-24	FADSB-5-24	24V C.T. @ 0.5A	12V @ 1.0A
FASB-6-24	FADSB-6-24	24V C.T. @ 0.8A	12V @ 1.6A
FASB-7-24	FADSB-7-24	24V C.T. @ 1.5A	12V @ 3.0A
FASB-2-28	FADSB-2-28	28V C.T. @ 0.04A	14V @ 0.08A
FASB-3-28	FADSB-3-28	28V C.T. @ 0.085A	14V @ 0.17A
FASB-4-28	FADSB-4-28	28V C.T. @ 0.2A	14V @ 0.4A
FASB-5-28	FADSB-5-28	28V C.T. @ 0.42A	14V @ 0.84A
FASB-6-28	FADSB-6-28	28V C.T. @ 0.7A	14V @ 1.4A
FASB-7-28	FADSB-7-28	28V C.T. @ 1.3A	14V @ 2.6A
FASB-2-36	FADSB-2-36	36V C.T. @ 0.03A	18V @ 0.06A
FASB-3-36	FADSB-3-36	36V C.T. @ 0.065A	18V @ 0.13A
FASB-4-36	FADSB-4-36	36V C.T. @ 0.17A	18V @ 0.34A
FASB-5-36	FADSB-5-36	36V C.T. @ 0.35A	18V @ 0.7A
FASB-6-36	FADSB-6-36	36V C.T. @ 0.55A	18V @ 1.1A
FASB-7-36	FADSB-7-36	36V C.T. @ 1.0A	18V @ 2.0A
FASB-2-48	FADSB-2-48	48V C.T. @ 0.023A	24V @ 0.046A
FASB-3-48	FADSB-3-48	48V C.T. @ 0.05A	24V @ 0.1A
FASB-4-48	FADSB-4-48	48V C.T. @ 0.125A	24V @ 0.25A
FASB-5-48	FADSB-5-48	48V C.T. @ 0.25A	24V @ 0.5A
FASB-6-48	FADSB-6-48	48V C.T. @ 0.4A	24V @ 0.8A
FASB-7-48	FADSB-7-48	48V C.T. @ 0.75A	24V @ 1.5A
FASB-2-56	FADSB-2-56	56V C.T. @ 0.02A	28V @ 0.04A
FASB-3-56	FADSB-3-56	56V C.T. @ 0.045A	28V @ 0.09A
FASB-4-56	FADSB-4-56	56V C.T. @ 0.11A	28V @ 0.22A
FASB-5-56	FADSB-5-56	56V C.T. @ 0.22A	28V @ 0.44A
FASB-6-56	FADSB-6-56	56V C.T. @ 0.35A	28V @ 0.7A
FASB-7-56	FADSB-7-56	56V C.T. @ 0.65A	28V @ 1.3A
FASB-2-120	FADSB-2-120	120V C.T. @ 0.01A	60V @ 0.02A
FASB-3-120	FADSB-3-120	120V C.T. @ 0.02A	60V @ 0.04A
FASB-4-120	FADSB-4-120	120V C.T. @ 0.05A	60V @ 0.1A
FASB-5-120	FADSB-5-120	120V C.T. @ 0.1A	60V @ 0.2A
FASB-6-120	FADSB-6-120	120V C.T. @ 0.16A	60V @ 0.32A
FASB-7-120	FADSB-7-120	120V C.T. @ 0.3A	60V @ 0.6A

Primary Ratings : "SB" 115V 50/60Hz 6-pin
 "DSB" 115/230V 50/60Hz 8-pin
 [Other primary ratings available on request.]

1-6W E16-SINGLE OUTPUT FLYBACK TRANSFORMERS FAT74001,74002 SERIES



FEATURES

Primary / Secondary Insulation $\geq 4000V$
 Primary Auxillary Insulation $\geq 1500V$
 Creepage distances Primary / secondary $\geq 6mm$

OPTIONS

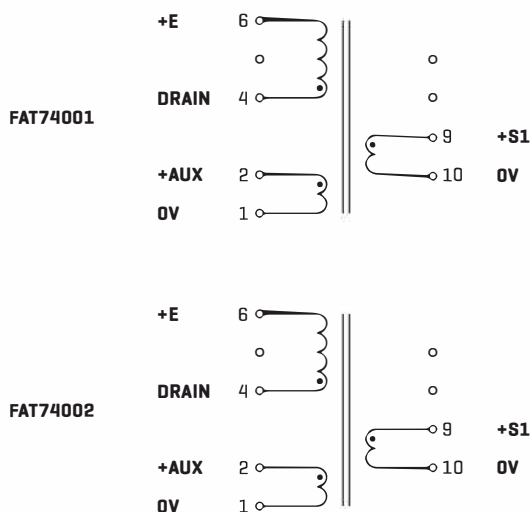
Bulk packaging is standard
 Custom design available

COMMON APPLICATIONS

AC-DC converters
 DC-DC converters
 Switch Power supplies
 SMPS: Flyback, Forward and Push-pull
 SMPS: Half Bridge and Full Bridge

TECHNICAL INFORMATION

Ambient temperature $< 60^{\circ}C$
 Construction confirms to CEI950, CEI335, CEI61558 for reinforced insulation
 Exclusively uses UL94-V0 listed materials



Note: PIN 3 Removed, PCB Drilling Diameter = 1.1mm

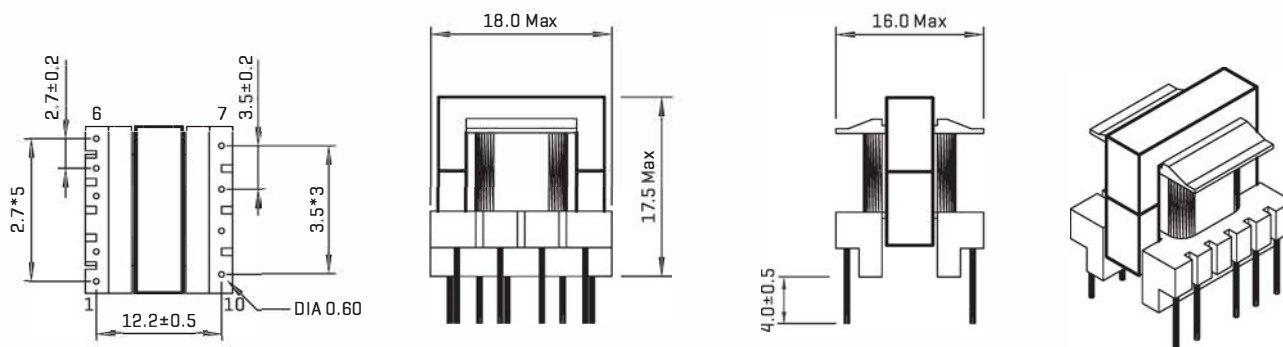
ELECTRICAL CHARACTERISTICS AT 25°C

Control IC Manufacturer	Input voltage	Power	Frequency
Infineon	185-265Vrms	6 W	100 kHz
Motorola	85-265Vrms	6 W	100 kHz
Power Integrations	85-265Vrms	6 W	132 kHz
ST Microelectronics	85-265Vrms	6 W	70 kHz
ST Microelectronics	85-265Vrms	3 W	40 kHz

Part Number	Output Power max	Windings				
		Pins	Turns	Voltage	Current max	Inductance [+/-10%]
FAT 74001	6W	Pri 4-6	138	85-265Vrms	0.35 Apeak	3000μH
		Aux 2-1	16	8-16Vdc	0.1 Adc	
		S1 9-10	8	3-6Vdc	1.2 Adc	
FAT 74002	6W	Pri 4-6	150	85-265Vrms	0.38 Apeak	3000μH
		Aux 2-1	22	8.5-17Vdc	0.1 Adc	
		S1 9-10	24	9-18Vdc	0.5 Adc	

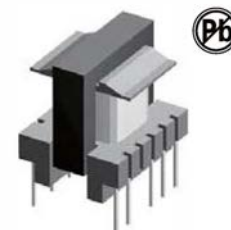
Note: Regulation with auxiliary winding

PHYSICAL CHARACTERISTICS



ALL DIMENSIONS IN MM

1-6W E16-2 OUTPUT FLYBACK TRANSFORMERS FAT74000,74003 SERIES



FEATURES

Primary / Secondary Insulation $\geq 4000V$
 Primary Auxiliary Insulation $\geq 1500V$
 Creepage distances Primary / secondary $\geq 6mm$

OPTIONS

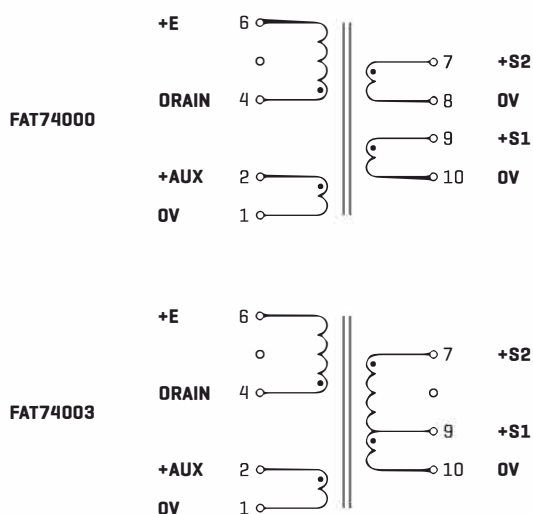
Bulk packaging is standard
 Custom design available

COMMON APPLICATIONS

AC-DC converters
 DC-DC converters
 Switch Power supplies
 SMPS: Flyback, Forward and Push-pull
 SMPS: Half Bridge and Full Bridge

TECHNICAL INFORMATION

Ambient temperature $< 70^{\circ}C$
 Construction confirms to CEI950, CEI335, CEI61558 for reinforced insulation
 Exclusively uses UL94-V0 listed materials



Note: PIN 3 Removed, PCB Drilling Diameter = 1.1mm

ELECTRICAL CHARACTERISTICS AT 25°C

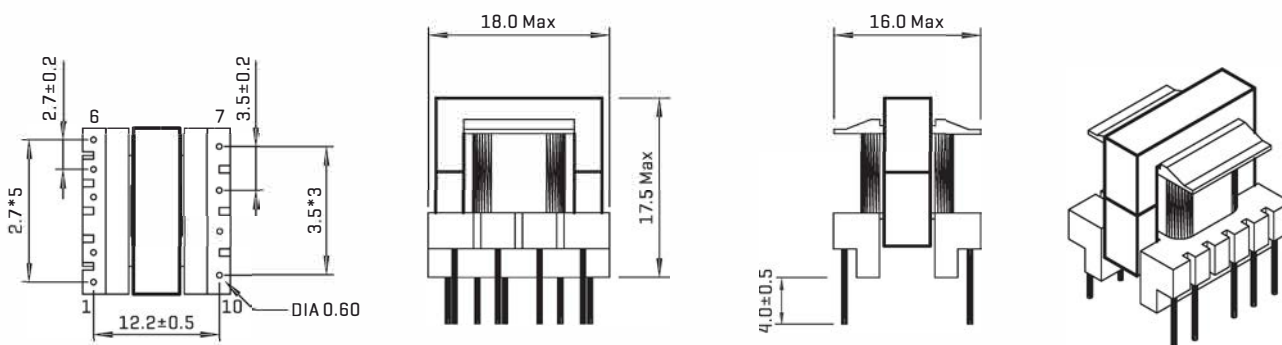
74000 E16 5w 5/12V			
Control IC Manufacturer	Input voltage	Power	Frequency
Power Integrations	85-265Vrms	5 W	132 kHz
ST Microelectronics	85-265Vrms	4 W	70 kHz

74003 E16 5w 5/12V			
Control IC Manufacturer	Input voltage	Power	Frequency
Infineon	185-265Vrms	6 W	100 kHz
Motorola	85-265Vrms	6 W	100 kHz
Power Integrations	85-265Vrms	5 W	132 kHz
ST Microelectronics	85-265Vrms	6 W	70 kHz
ST Microelectronics	85-265Vrms	3 W	40 kHz

SIZE E16 - SINGLE OUTPUT : 5 or 12V - FLYBACK TRANSFORMER						
Part Number	Output Power max	Windings				
		Pins	Turns	Voltage	Current max	Inductance [+/-10%]
FAT 74000	5W	Pri 4-6	138	85-265Vrms	0.27Apeak	3900µH
		Aux 2-1	16	7-14Vdc	0.1Adc	
		S1 9-10	8	3.3-7Vdc	1.2Adc	
		S2 7-8	19	8-17Vdc	0.4Adc	
FAT 74003	5W	Pri 4-6	120	85-265Vrms	0.3Apeak	3000µH
		Aux 2-1	17	8-16Vdc	0.1Adc	
		S1 9-10	5	2-4Vdc	1.8Adc	
		S2 7-10	7	3-6Vdc	1.2Adc	

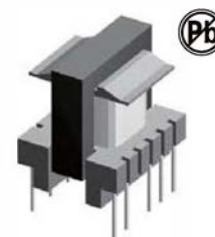
Note: Regulation with auxiliary winding

PHYSICAL CHARACTERISTICS



ALL DIMENSIONS IN MM

1-9W E16-SINGLE OUTPUT FLYBACK TRANSFORMERS FAT74090,74091 SERIES



FEATURES

Primary / Secondary Insulation $\geq 4000V$
 Creepage distances Primary / secondary $\geq 6mm$

OPTIONS

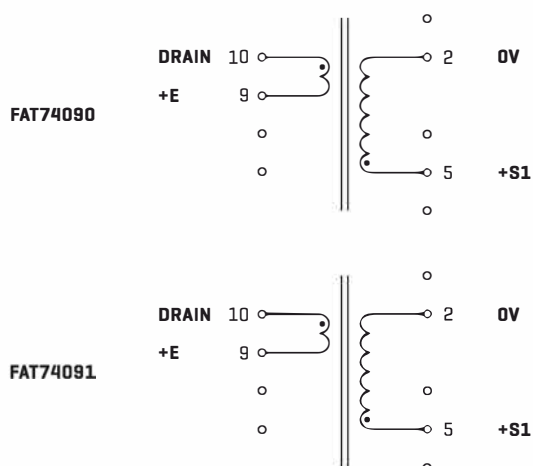
Bulk packaging is standard
 Custom design available

COMMON APPLICATIONS

AC-DC converters
 DC-DC converters
 Switch Power supplies
 SMPS: Flyback, Forward and Push-pull
 SMPS: Half Bridge and Full Bridge

TECHNICAL INFORMATION

Ambient temperature $< 85^{\circ}C$
 Construction confirms to CEI950, CEI335, CEI61558 for reinforced insulation
 Exclusively uses UL94-V0 listed materials



ELECTRICAL CHARACTERISTICS AT 25°C

74090			
Control IC Manufacturer	Input voltage	Power	Frequency
Power Integrations	85-265Vrms	1.5W	44kHz

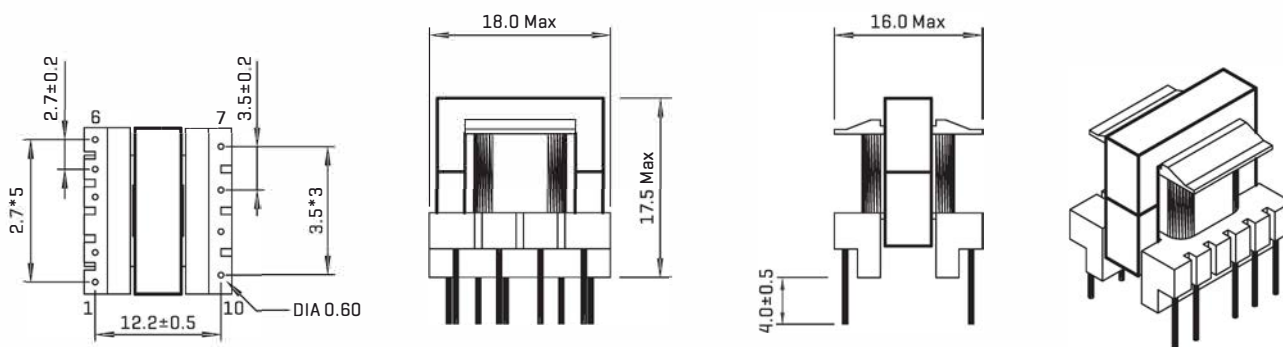
74091			
Control IC Manufacturer	Input voltage	Power	Frequency
Power Integrations	85-265Vrms	1.5W	44kHz

SIZE E16 - SINGLE OUTPUT : 5 or 12V - FLYBACK TRANSFORMER						
Part Number	Output Power max	Windings				
		Pins	Turns	Voltage	Current max	Inductance (+/-10%)
FAT 74090	1.5W	Pri 10-9	228	85-265Vrms	0.28 Apeak	6000μH
		S1 5-2	16	3.3-6Vdc	0.4 Adc	
FAT 74091	1.5W	Pri 10-9	228	85-265Vrms	0.28 Apeak	6000μH
		S1 5-2	28	7.5-15Vdc	0.2 Adc	

Note: PIN 3 Removed, PCB Drilling Diameter = 1.1mm

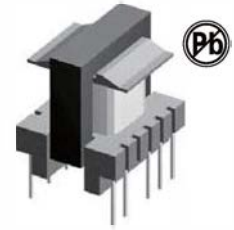
Note: Regulation with auxiliary winding

PHYSICAL CHARACTERISTICS



ALL DIMENSIONS IN MM

1-9W E16-SINGLE OUTPUT FLYBACK TRANSFORMERS FAT74092,74093 SERIES



FEATURES

Primary / Secondary Insulation $\geq 4000V$
 Creepage distances Primary / secondary $\geq 6mm$

OPTIONS

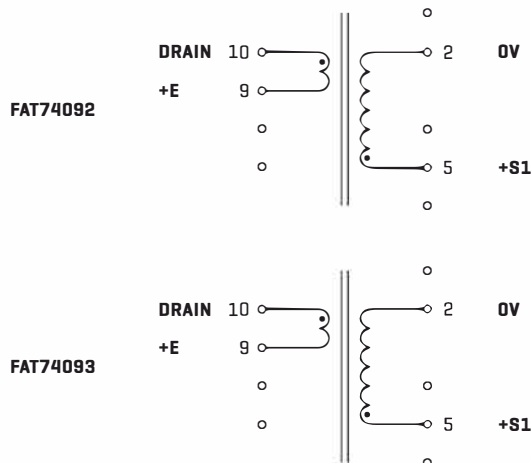
Bulk packaging is standard
 Custom design available

COMMON APPLICATIONS

AC-DC converters
 DC-DC converters
 Switch Power supplies
 SMPS: Flyback, Forward and Push-pull
 SMPS: Half Bridge and Full Bridge

TECHNICAL INFORMATION

Ambient temperature $< 70^{\circ}C$
 Construction confirms to CEI950, CEI335, CEI61558 for reinforced insulation
 Exclusively uses UL94-V0 listed materials



ELECTRICAL CHARACTERISTICS AT 25°C

74092			
Control IC Manufacture	Input voltage	Power	Frequency
Power Integrations	85-265Vrms	3.1W	44kHz

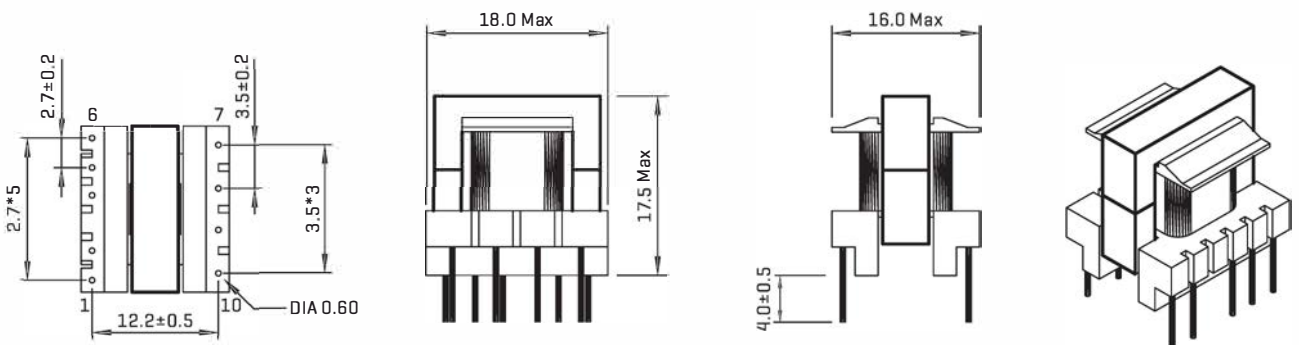
74093			
Control IC Manufacturer	Input voltage	Power	Frequency
Power Integrations	85-265Vrms	3.1W	44kHz

SIZE E16 - SINGLE OUTPUT : 5 or 12V - FLYBACK TRANSFORMER						
Part Number	Output Power max	Windings				
		Pins	Turns	Voltage	Current max	Inductance [+/-10%]
FAT 74092	3.1W	Pri 10-9	191	85-265Vrms	0.34Apeak	4200μH
		S1 5-2	13	3.3-6Vdc	0.9Adc	
FAT 74093	3.1W	Pri 10-9	191	85-265Vrms	0.34Apeak	4200μH
		S1 5-2	24	7.5-15Vdc	0.4Adc	

Note: PIN 3 Removed, PCB Drilling Diameter = 1.1mm

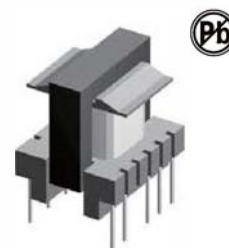
Note: Regulation with auxiliary winding

PHYSICAL CHARACTERISTICS



ALL DIMENSIONS IN MM

1-9W E16-SINGLE OUTPUT FLYBACK TRANSFORMERS FAT74094,74095 SERIES



FEATURES

Primary / Secondary Insulation $\geq 4000V$
 Creepage distances Primary / secondary $\geq 6mm$

OPTIONS

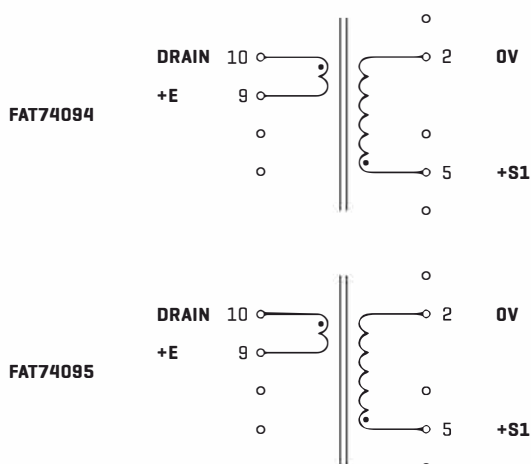
Bulk packaging is standard
 Custom design available

COMMON APPLICATIONS

AC-DC converters
 DC-DC converters
 Switch Power supplies
 SMPS: Flyback, Forward and Push-pull
 SMPS: Half Bridge and Full Bridge

TECHNICAL INFORMATION

Ambient temperature $< 60^{\circ}C$
 Construction conforms to CEI950, CEI335, CEI61558 for reinforced insulation
 Exclusively uses UL94-V0 listed materials



Note: PIN 3 Removed, PCB Drilling Diameter = 1.1mm

ELECTRICAL CHARACTERISTICS AT 25°C

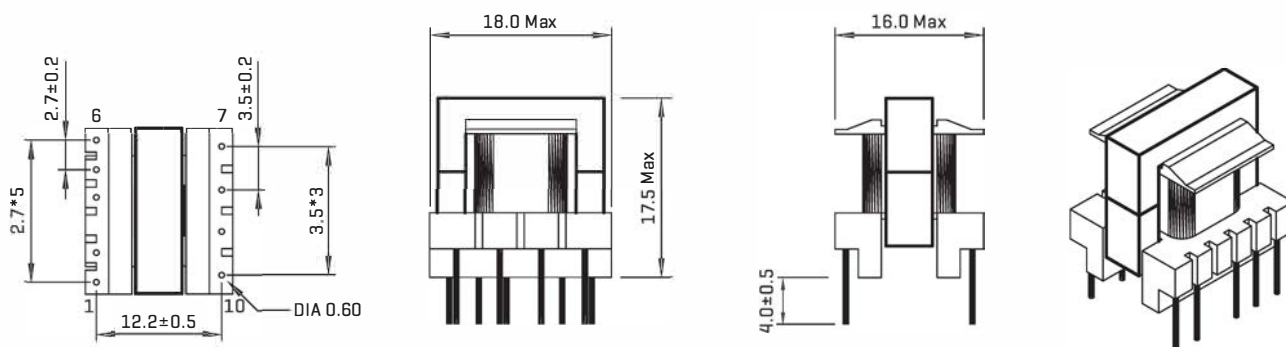
		74094		
Control IC Manufacturer	Input voltage	Power	Frequency	
Power Integrations	85-265Vrms	4.2 w	44 kHz	
Power Integrations	85-265Vrms	5 w	132 kHz	
Power Integrations	85-265Vrms	9 w	132 kHz	

		74095		
Control IC Manufacturer	Input voltage	Power	Frequency	
Power Integrations	85-265Vrms	5 w	44 kHz	
Power Integrations	85-265Vrms	5 w	132 kHz	
Power Integrations	85-265Vrms	9 w	132 kHz	

SIZE E16 - SINGLE OUTPUT : 5 or 12V TRANSFORMER FOR TINYSWITCH						
Part Number	Output Power max	Windings				
		Pins	Turns	Voltage	Current max	Inductance [+/-10%]
FAT 74094	9W	Pri 10-9	135	85-265Vrms	0.48Apeak	2100μH
		S1 5-2	9	3.3-6Vdc	1.5Adc	
FAT 74095	9W	Pri 10-9	135	85-265Vrms	0.48Apeak	2100μH
		S1 5-2	17	7.5-15Vdc	0.9Adc	

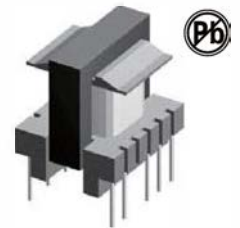
Note: Regulation with auxiliary winding

PHYSICAL CHARACTERISTICS



ALL DIMENSIONS IN MM

6-12W E16-2 OUTPUT FLYBACK TRANSFORMERS FAT74010 SERIES



FEATURES

Primary / Secondary Insulation $\geq 4000V$
 Primary Auxiliary Insulation $\geq 1500V$
 Creepage distances Primary / secondary $\geq 6mm$

OPTIONS

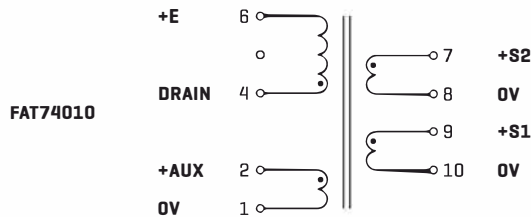
Bulk packaging is standard
 Custom design available

COMMON APPLICATIONS

AC-DC converters
 DC-DC converters
 Switch Power supplies
 SMPS: Flyback, Forward and Push-pull
 SMPS: Half Bridge and Full Bridge

TECHNICAL INFORMATION

Ambient temperature $< 50^{\circ}C$
 Construction conforms to CEI950, CEI335, CEI61558 for reinforced insulation
 Exclusively uses UL94-V0 listed materials



ELECTRICAL CHARACTERISTICS AT 25°C

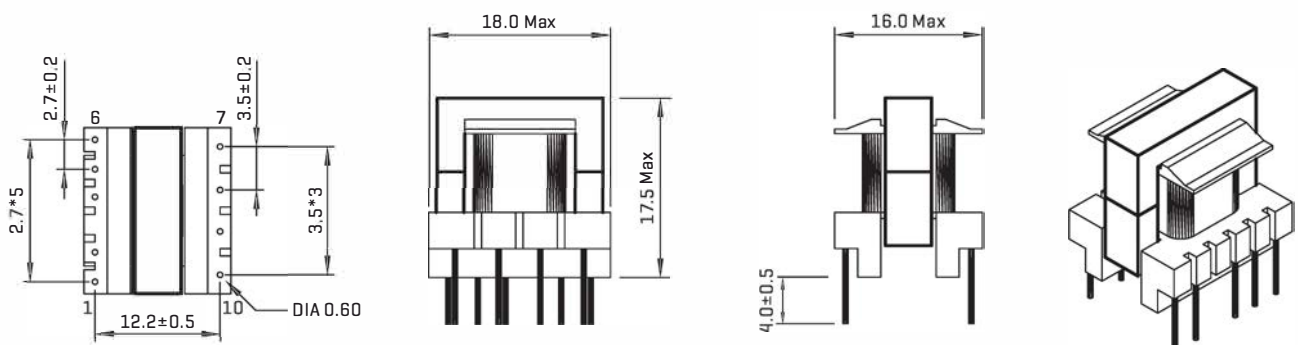
Control IC Manufacturer	Input voltage	Power	Frequency
Fairchild	185-265Vrms	10 w	100 kHz
Fairchild	85-265Vrms	7 w	50 kHz
Infineon	92-265Vrms	7.5 w	100 kHz
Infineon	185-265Vrms	10 w	100 kHz
Motorola	85-265Vrms	8 w	100 kHz
Motorola	185-265Vrms	10 w	100 kHz
Power Integrations	185-265Vrms	12 w	132 kHz
Power Integrations	85-265Vrms	10 w	132 kHz
Power Integrations	185-265Vrms	12 w	132 kHz
Power Integrations	85-265Vrms	10 w	132 kHz
ST Microelectronics	85-265Vrms	8 w	70 kHz
ST Microelectronics	185-265Vrms	10 w	70 kHz

SIZE E16 - 2 OUTPUTS : 5 & 12V - FLYBACK TRANSFORMER							
Part Number	Output Power max	Windings				Inductance [+/-10%]	
		Pins	Turns	Voltage	Current max		
FAT 74010	12W	Pri	4-6	120	85-265Vrms	0.55Apeak	1660µH
		Aux	2-1	14	7-14Vdc	0.1 Adc	
		S1	9-10	7	3.3-7Vdc	2 Adc	
		S2	7-8	17	8-17Vdc	1 Adc	

Note: PIN 3 Removed, PCB Drilling Diameter = 1.1mm

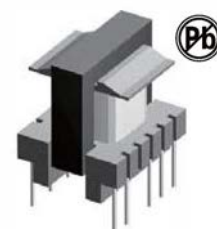
Note: Regulation with auxiliary winding

PHYSICAL CHARACTERISTICS



ALL DIMENSIONS IN MM

6-12W E16-2 OUTPUT FLYBACK TRANSFORMERS FAT74014 SERIES



FEATURES

Primary / Secondary Insulation $\geq 4000V$
 Creepage distances Primary / secondary $\geq 6mm$

OPTIONS

Bulk packaging is standard
 Custom design available

COMMON APPLICATIONS

AC-DC converters
 DC-DC converters
 Switch Power supplies
 SMPS: Flyback, Forward and Push-pull
 SMPS: Half Bridge and Full Bridge

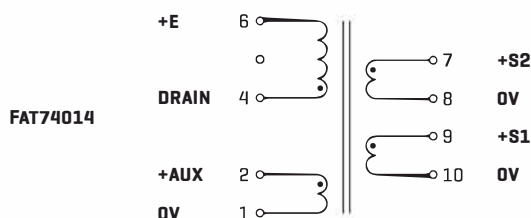
TECHNICAL INFORMATION

Ambient temperature $< 50^{\circ}C$
 Construction confirms to CEI950, CEI335, CEI61558 for reinforced insulation
 Exclusively uses UL94-V0 listed materials

Typical outputs : + 24V 0.5A with S1 - S2 in parallel
 + 48V 0.25A with S1 - S2 in series [8-9 connected]
 +15V / -15V 0.4A with pins 8-9 connected to 0V

ELECTRICAL CHARACTERISTICS

Control IC Manufacturer	Input voltage	Power	Frequency
Power Integrations	185-265Vrms	12 w	132 kHz
Power Integrations	85-265Vrms	8 w	132 kHz
Power Integrations	185-265Vrms	12 w	132 kHz
Power Integrations	85-265Vrms	8 w	132 kHz

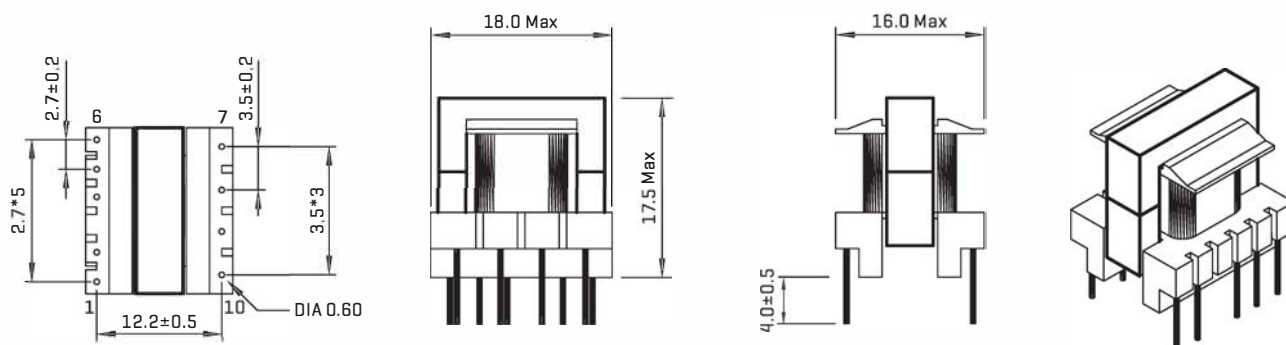


SIZE E16 - 2 OUTPUTS : 5 & 12V - FLYBACK TRANSFORMER						
Part Number	Output Power max	Windings			Current max	Inductance [+/-10%]
		Pins	Turns	Voltage		
FAT 74014	12W	Pri	4-6	120	85-265Vrms	0.5 Apeak
		Aux	2-1	17	9-18 Vdc	0.2 Adc
		S1	9-10	27	15-30 Vdc	0.4 Adc
		S2	7-8	27	15-30 Vdc	0.4 Adc

Note: PIN 3 Removed, PCB Drilling Diameter = 1.1mm

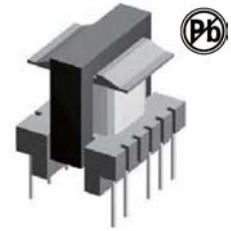
Note: Regulation with auxiliary winding

PHYSICAL CHARACTERISTICS



ALL DIMENSIONS IN MM

6-12W E16-3 OUTPUT FLYBACK TRANSFORMERS FAT74015 SERIES



FEATURES

Primary / Secondary Insulation $\geq 4000V$
 Creepage distances Primary / secondary $\geq 6mm$

OPTIONS

Bulk packaging is standard
 Custom design available

COMMON APPLICATIONS

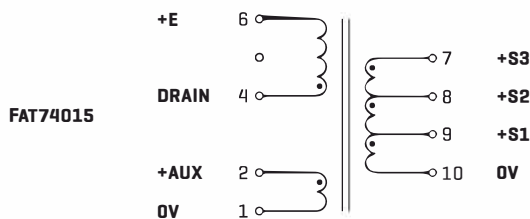
AC-DC converters
 DC-DC converters
 Switch Power supplies
 SMPS: Flyback, Forward and Push-pull
 SMPS: Half Bridge and Full Bridge

TECHNICAL INFORMATION

Ambient temperature $< 50^{\circ}C$
 Construction conforms to CEI950, CEI335, CEI61558 for reinforced insulation
 Exclusively uses UL94-V0 listed materials

ELECTRICAL CHARACTERISTICS

Control IC Manufacturer	Input voltage	Power	Frequency
Power Integrations	185-265Vrms	10 w	132 kHz
Power Integrations	85-265Vrms	8 w	132 kHz
Power Integrations	185-265Vrms	12 w	132 kHz
Power Integrations	85-265Vrms	9 w	132 kHz

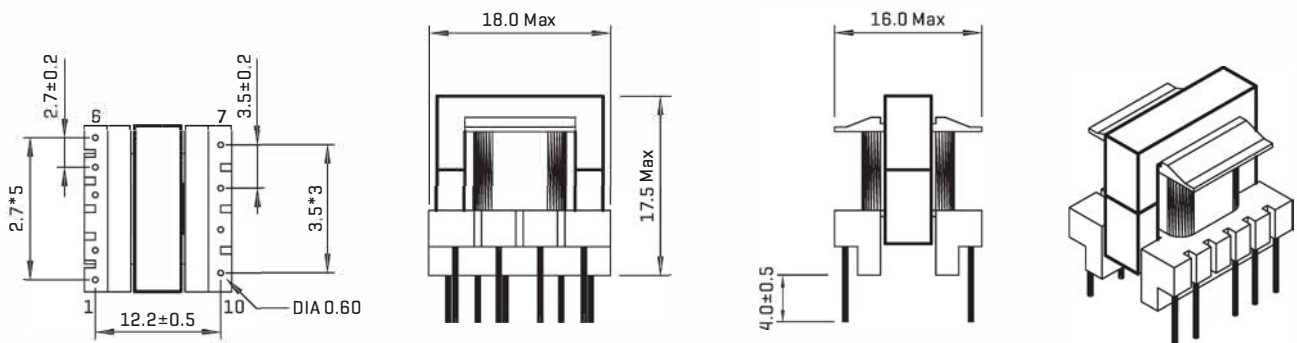


SIZE E16 - 3 OUTPUTS : 5 & 12V - FLYBACK TRANSFORMER						
Part Number	Output Power max	Windings			Current max	Inductance [+/-10%]
		Pins	Turns	Voltage		
FAT 74015	12W	Pri	4-6	120	85-265Vrms	0.5 Apeak
		Aux	2-1	14	12 Vdc	0.2 Adc
		S1	9-10	6	5 Vdc	1.5 Adc
		S2	8-10	17	15 Vdc	0.6 Adc
		S3	7-10	27	24 Vdc	0.4 Adc

Note: PIN 3 Removed, PCB Drilling Diameter = 1.1mm

Note: Regulation with auxiliary winding

PHYSICAL CHARACTERISTICS



ALL DIMENSIONS IN MM

10-18W E19-2 OUTPUT FLYBACK TRANSFORMERS FAT74020 SERIES



FEATURES

Primary / Secondary Insulation $\geq 4000V$
 Primary Auxiliary Insulation $\geq 1500V$
 Creepage distances Primary / secondary $\geq 6mm$

OPTIONS

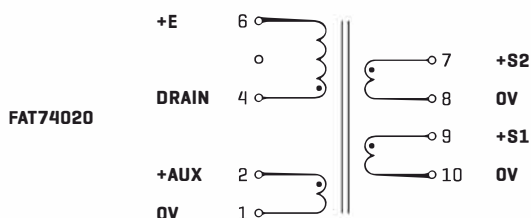
Bulk packaging is standard
 Custom design available

COMMON APPLICATIONS

AC-DC converters
 DC-DC converters
 Switch Power supplies
 FAPS: Flyback, Forward and Push-pull
 FAPS: Half Bridge and Full Bridge

TECHNICAL INFORMATION

Ambient temperature $< 50^{\circ}C$
 Construction conforms to CEI950, CEI335, CEI61558 for reinforced insulation
 Exclusively uses UL94-V0 listed materials



ELECTRICAL CHARACTERISTICS

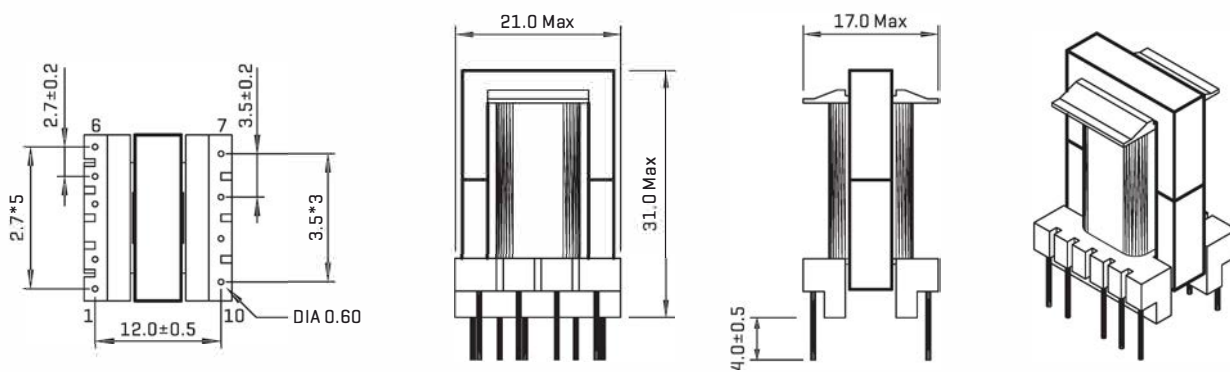
Control IC Manufacturer	Input voltage	Power	Frequency
Power Integrations	185-265Vrms	18 w	132 kHz
Power Integrations	185-265Vrms	18 w	132 kHz
Power Integrations	85-265Vrms	12 w	132 kHz
ST Microelectronics	85-265Vrms	10 w	100 kHz
ST Microelectronics	185-265Vrms	12 w	100 kHz
ST Microelectronics	185-265Vrms	16 w	100 kHz
Motorola	185-265Vrms	16 w	100 kHz
Infineon	185-265Vrms	16 w	70 kHz

SIZE EL19 - 2 OUTPUTS : 5 & 12V - FLYBACK TRANSFORMER						
Part Number	Output Power max	Windings			Current max	Inductance max [+/-10%]
		Pins	Turns	Voltage		
FAT 74020	18W	Pri	4-6	108	85-265Vrms	0.8 Apeak
		Aux	2-1	12	7-14 Vdc	0.1 Adc
		S1	9-10	6	3.3-7 Vdc	3 Adc
		S2	7-8	14	8-16.5 Vdc	1.4 Adc

Note: PIN 3 Removed, PCB Drilling Diameter = 1.1mm

Note: Regulation with auxiliary winding

PHYSICAL CHARACTERISTICS



ALL DIMENSIONS IN MM

10-18W EL19-2 OUTPUT FLYBACK TRANSFORMERS FAT74021 SERIES



FEATURES

Primary / Secondary Insulation $\geq 4000V$
 Primary Auxiliary Insulation $\geq 1500V$
 Creepage distances Primary / secondary $\geq 6mm$

OPTIONS

Bulk packaging is standard
 Custom design available

COMMON APPLICATIONS

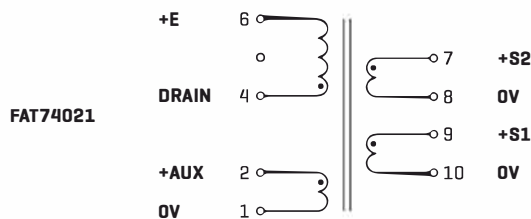
AC-DC converters
 DC-DC converters
 Switch Power supplies
 FAPS: Flyback, Forward and Push-pull
 FAPS: Half Bridge and Full Bridge

TECHNICAL INFORMATION

Ambient temperature $< 50^{\circ}C$
 Construction confirms to CEI950, CEI335, CEI61558 for reinforced insulation
 Exclusively uses UL94-V0 listed materials

ELECTRICAL CHARACTERISTICS

Control IC Manufacture	Input voltage	Power	Frequency
Power Integrations	185-265Vrms	18 w	132kHz
Power Integrations	85-265Vrms	12 w	66/132kHz
ST Microelectronics	85-265Vrms	13 w	70kHz
Motorola	85-265Vrms	13 w	100kHz
Infineon	92-265Vrms	10 w	100kHz

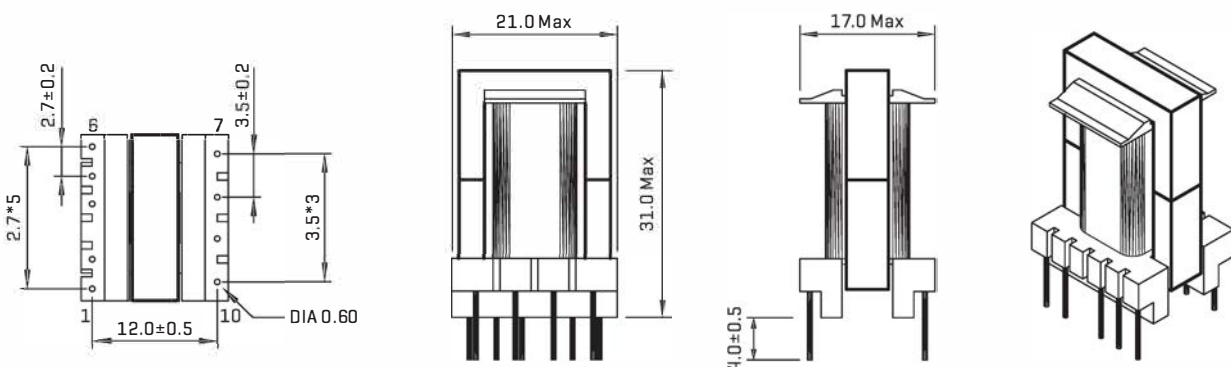


SIZE EL19 - 2 OUTPUTS : 5 & 12V - FLYBACK TRANSFORMER						
Part Number	Output Power max	Windings			Current max	Inductance max [+/-10%]
		Pins	Turns	Voltage		
FAT 74021	18W	Pri	4-6	108	85-265Vrms	1.1Apeak
		Aux	2-1	12	7-14 Vdc	0.1 Adc
		S1	9-10	6	3.3-7 Vdc	3 Adc
		S2	7-8	14	8-16.5 Vdc	1.4 Adc

Note: PIN 3 Removed, PCB Drilling Diameter = 1.1mm

Note: Regulation with auxiliary winding

PHYSICAL CHARACTERISTICS



ALL DIMENSIONS IN MM

10-18W EL19-5 OUTPUT FLYBACK TRANSFORMERS FAT74023 SERIES



FEATURES

Primary / Secondary Insulation $\geq 4000V$
 Primary Auxiliary Insulation $\geq 1500V$
 Creepage distances Primary / secondary $\geq 6mm$

OPTIONS

Bulk packaging is standard
 Custom design available

COMMON APPLICATIONS

AC-DC converters
 DC-DC converters
 Switch Power supplies
 FAPS: Flyback, Forward and Push-pull
 FAPS: Half Bridge and Full Bridge

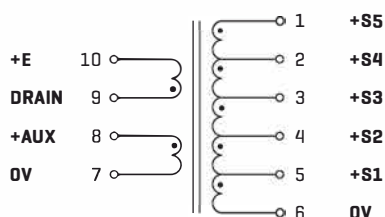
TECHNICAL INFORMATION

Ambient temperature $< 60^{\circ}C$
 Construction conforms to CEI950, CEI335, CEI61558 for reinforced insulation
 Exclusively uses UL94-V0 listed materials

ELECTRICAL CHARACTERISTICS

Control IC Manufacturer	Input voltage	Power	Frequency
Power Integrations	185-265Vrms	16 w	132 kHz
Power Integrations	85-265Vrms	12 w	132 kHz

FAT74023

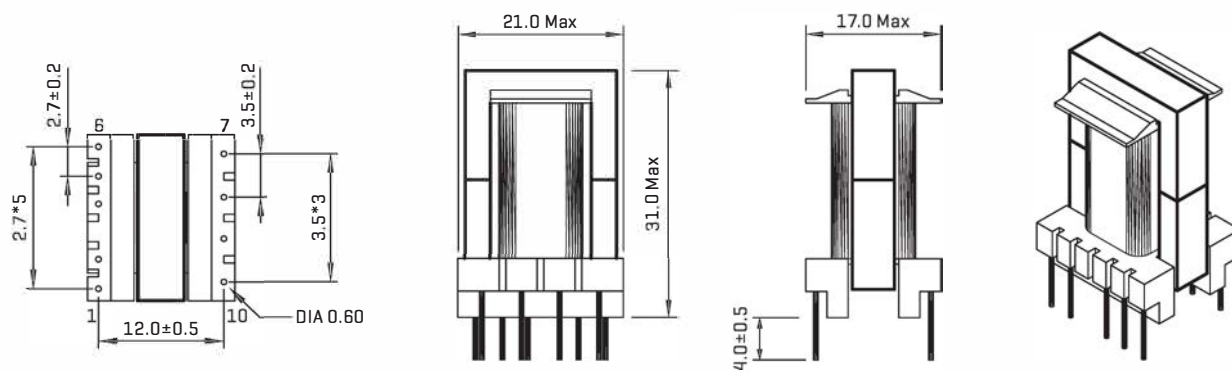


SIZE EL19 - 5 OUTPUTS : 3.3/5/12/18/30v - FLYBACK TRANSFORMER						
Part Number	Output Power max	Windings			Current max	Inductance [+/-10%]
		Pins	Turns	Voltage		
FAT 74023	16W	Pri	9-10	120	85-265Vrms	0.85 Apeak
		Aux	8-7	17	15 Vdc	0.2 Adc
		S1	5-6	4	3.3 Vdc	2 Adc
		S2	4-6	6	5 Vdc	Sum S1+S2
		S3	3-6	14	12 Vdc	0.8 Adc
		S4	2-6	20	18 Vdc	0.8 Adc
		S5	1-6	33	30 Vdc	0.2 Adc

Note: PCB Drilling Diameter = 1.1mm

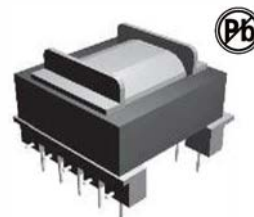
Note: Regulation with auxiliary winding

PHYSICAL CHARACTERISTICS



ALL DIMENSIONS IN MM

12-24W EL20-2 OUTPUT FLYBACK TRANSFORMERS FAT74080,74082 SERIES



FEATURES

Primary / Secondary Insulation $\geq 4000V$
 Primary Auxiliary Insulation $\geq 1500V$
 Creepage distances Primary / secondary $\geq 8mm$

OPTIONS

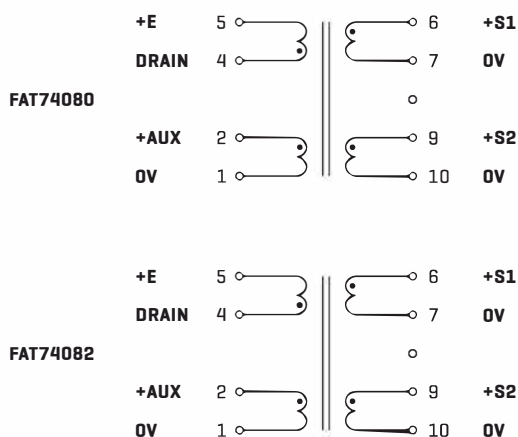
Bulk packaging is standard
 Custom design available

COMMON APPLICATIONS

AC-DC converters
 DC-DC converters
 Switch Power supplies
 FAPS: Flyback, Forward and Push-pull
 FAPS: Half Bridge and Full Bridge

TECHNICAL INFORMATION

Ambient temperature $< 50^{\circ}C$
 Construction confirms to CEI950, CEI335, CEI61558 for reinforced insulation
 Exclusively uses UL94-V0 listed materials



Note: PIN 3 Removed, PCB Drilling Diameter = 1.2mm

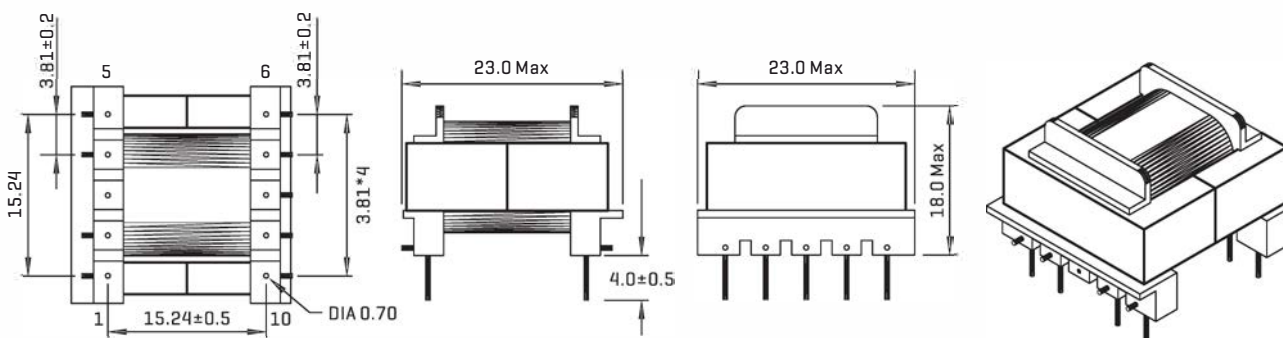
ELECTRICAL CHARACTERISTICS

Part No.	Control IC Manufacturer	Input voltage	Power	Frequency
FAT 74080	Power Integrations	185-265Vrms	24 w	132 kHz
	Power Integrations	85-265Vrms	15 w	132 kHz
FAT 74082	Power Integrations	185-265Vrms	20 w	132 kHz
	Power Integrations	85-265Vrms	14 w	132 kHz

SIZE EF20 2 OUTPUTS : 5 /5v or 12/12v - FLYBACK TRANSFORMER							
Part Number	Output Power max	Pins	Turns	Voltage	Current max	Inductance [+/-10%]	
FAT 74080	24W	Pri	4-5	86	85-265Vrms	1Apeak	1000μH
		Aux	2-1	12	11- 8 Vdc	0.3 Adc	
		S1	6-7	10	9- 5 Vdc	1.5 Adc	
		S2	9-10	10	9-15 Vdc	1.5 Adc	
FAT 74082	20W	Pri	4-5	86	85-265Vrms	0.9Apeak	1300μH
		Aux	2-1	12	7-18 Vdc	0.3 Adc	
		S1	6-7	5	3-7.5 Vdc	2.0 Adc	
		S2	9-10	5	3 - 7.5 Vdc	2.0 Adc	

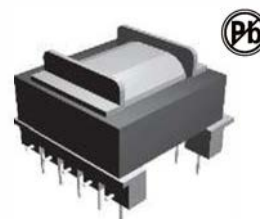
Note: S1 and S2 can be connected in series or in parallel

PHYSICAL CHARACTERISTICS



ALL DIMENSIONS IN MM

12-24W EL20-3 OUTPUT FLYBACK TRANSFORMERS FAT74081 SERIES



FEATURES

Primary / Secondary Insulation $\geq 4000V$
 Primary Auxiliary Insulation $\geq 1500V$
 Creepage distances Primary / secondary $\geq 8mm$

OPTIONS

Bulk packaging is standard
 Custom design available

COMMON APPLICATIONS

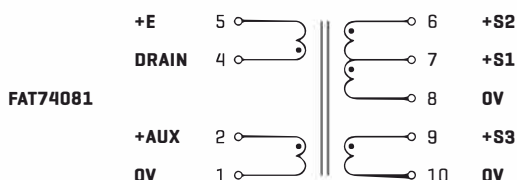
AC-DC converters
 DC-DC converters
 Switch Power supplies
 FAPS: Flyback, Forward and Push-pull
 FAPS: Half Bridge and Full Bridge

TECHNICAL INFORMATION

Ambient temperature $< 50^{\circ}C$
 Construction conforms to CEI950, CEI335, CEI61558 for reinforced insulation
 Exclusively uses UL94-V0 listed materials

ELECTRICAL CHARACTERISTICS

Part No.	Control IC Manufacturer	Control IC P/N	Input voltage	Power	Frequency
FAT 74081	Power Integrations	TOP243P	185-265Vrms	20 w	132 kHz
FAT 74081	Power Integrations	TOP243P	85-265Vrms	14 w	132 kHz

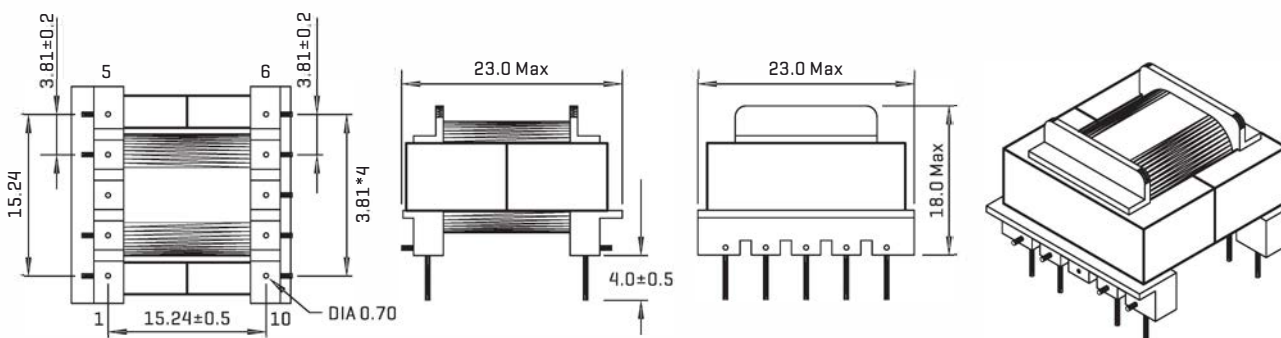


SIZE EL20- 3 OUTPUTS : 5/5v or 12/12v - FLYBACK TRANSFORMER							
Part Number	Output Power max	Windings			Current max	Inductance [+/-10%]	
		Pins	Turns	Voltage			
FAT 74081	20W	Pri	4-5	80	85-265Vrms	0.9 Apeak	
		Aux	2-1	17	15 Vdc	0.3 Adc	
		S1	7-8	4	3.3 Vdc	3 Adc	1100µH
		S2	6-8	6	5 Vdc	sum S1+S2	
		S3	9-10	14	12 Vdc	1.3 Adc	

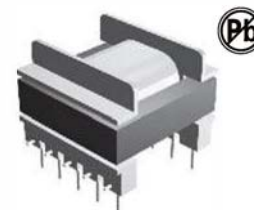
Note: PIN 3 Removed, PCB Drilling Diameter = 1.2mm

Note: Regulation with auxiliary winding

PHYSICAL CHARACTERISTICS



15-30W E25-3 OR 1 OUT PUT FLYBACK TRANSFORMERS FAT74030,74032 SERIES



FEATURES

Primary / Secondary Insulation $\geq 4000V$
 Primary Auxiliary Insulation $\geq 1500V$
 Creepage distances Primary / secondary $\geq 8mm$

OPTIONS

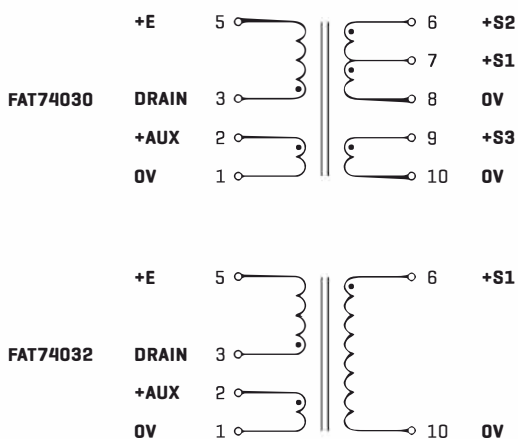
Bulk packaging is standard
 Custom design available

COMMON APPLICATIONS

AC-DC converters
 DC-DC converters
 Switch Power supplies
 FAPS: Flyback, Forward and Push-pull
 FAPS: Half Bridge and Full Bridge

TECHNICAL INFORMATION

Ambient temperature $< 50^{\circ}C$
 Construction conforms to CEI950, CEI335, CEI61558 for reinforced insulation
 Exclusively uses UL94-V0 listed materials



Note: PIN 3 Removed, PCB Drilling Diameter = 1.4mm

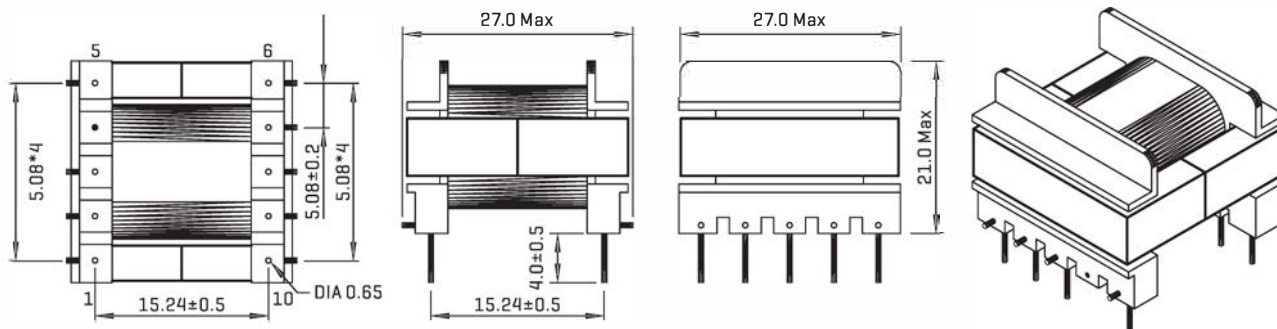
ELECTRICAL CHARACTERISTICS

Part No.	Control IC Manufacturer	Input voltage	Power	Frequency
FAT 74030	Fairchild	85-265 Vrms	22 w	100 kHz
	Infineon	185-265 Vrms	30 w	100 kHz
	Motorola	85-265 Vrms	22 w	100 kHz
	Motorola	185-265 Vrms	30 w	100 kHz
	Power Integrations	185-265 Vrms	30 w	132 kHz
	Power Integrations	85-265 Vrms	25 w	66/132kHz
FAT74032	ST Microelectronics	85-265 Vrms	22 w	70 kHz
	ST Microelectronics	185- 65 Vrms	30 w	70 kHz
	Power Integrations	185-265 Vrms	25 w	132 kHz

SIZE E25 - 3 or 1 OUTPUTS : 5 + 12/12v or 24v - FLYBACK TRANSFORMER							
Part Number	Output Power max	Windings					
		Pins	Turns	Voltage	Current max	Inductance max [+/-10%]	
FAT 74030	30W	Pri	3-5	70	85-265Vrms	1.5Apeak	750μH
		Aux	2-1	8	7-14.5 Vdc	1 Adc	
		S1	7-8	4	3.3-7Vdc	3 Adc	
		S2	6-8	9	8-16 Vdc	1.5 Adc	
		S3	9-10	9	8-16 Vdc	1.5 Adc	
FAT 74032	35W	Pri	3-5	72	85-265Vrms	1.1 Apeak	1100μH
		Aux	2-1	10	8-16 Vdc	1 Adc	
		S1	6-10	18	15-30 Vdc	1.4 Adc	

Note to 74030 : S2 and S3 can be connected in series or in parallel

PHYSICAL CHARACTERISTICS



ALL DIMENSIONS IN MM

30-60W ERL28-4 OUTPUT FLYBACK TRANSFORMERS FAT74043 SERIES



FEATURES

Primary / Secondary Insulation $\geq 4000V$
 Primary Auxiliary Insulation $\geq 1500V$
 Creepage distances Primary / secondary $\geq 6mm$

OPTIONS

Bulk packaging is standard
 Custom design available

COMMON APPLICATIONS

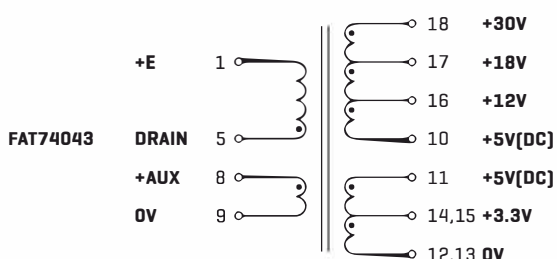
AC-DC converters
 DC-DC converters
 Switch Power supplies
 FAPS: Flyback, Forward and Push-pull
 FAPS: Half Bridge and Full Bridge

TECHNICAL INFORMATION

Ambient temperature $< 50^{\circ}C$
 Construction confirms to CEI950, CEI335, CEI61558 for reinforced insulation
 Exclusively uses UL94-V0 listed materials

ELECTRICAL CHARACTERISTICS

Control IC Manufacturer	Input voltage	Power	Frequency
Power Integrations	185-265Vrms	60 w	66/132 kHz
Power Integrations	85-265Vrms	45 w	66/132 kHz

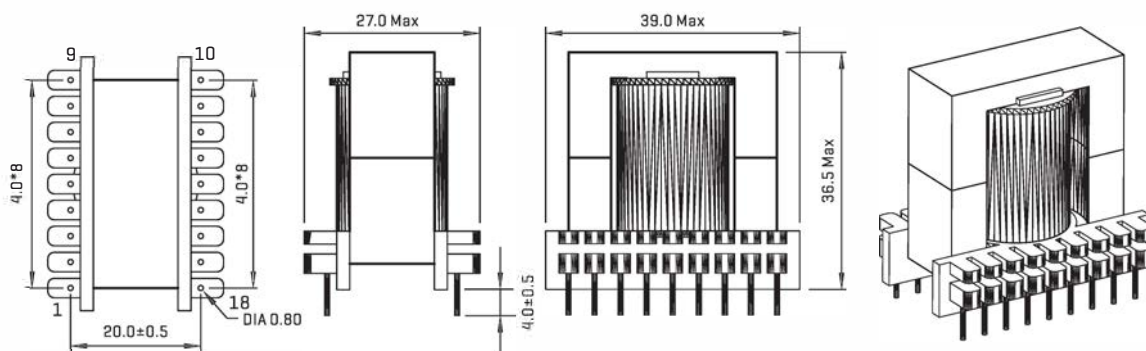


SIZE ETD29 - 4 OUTPUTS : 5 + 12/5 + 12v - FLYBACK TRANSFORMER							
Part Number	Output Power max	Pins	Windings		Current max	Inductance [+/-10%]	
			Turns	Voltage			
FAT 74043	60W	Pri	5-1	45	85-265Vrms	3Apeak	
		Aux	8-9	7	15 Vdc	0.5 Adc	
		S1	14+15/12+13	2	3.3 Vdc	S1+S2:7 Adc	500μH
		S2	11/12+13	3	5 Vdc	S1+S2:7 Adc	
		S3	16-10	4	12 Vdc	2 Adc	
S4	17-10	7	18 Vdc	2 Adc			
S5	18-10	13	30 Vdc	0.5 Adc			

Note: PCB Drilling Diameter = 1.3mm

Note: Regulation with auxiliary winding

PHYSICAL CHARACTERISTICS



60-90W ETD34-4 OUTPUT FLYBACK TRANSFORMERS FAT74050 SERIES



FEATURES

Primary / Secondary Insulation $\geq 4000V$
 Primary Auxiliary Insulation $\geq 1500V$
 Creepage distances Primary / secondary $\geq 8mm$

OPTIONS

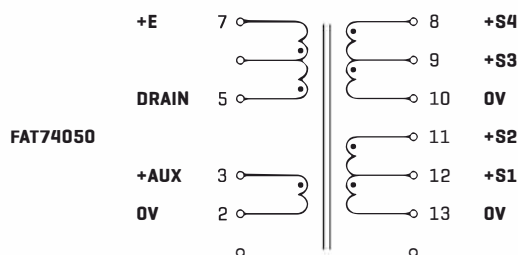
Bulk packaging is standard
 Custom design available

COMMON APPLICATIONS

AC-DC converters
 DC-DC converters
 Switch Power supplies
 FAPS: Flyback, Forward and Push-pull
 FAPS: Half Bridge and Full Bridge

TECHNICAL INFORMATION

Ambient temperature $< 50^{\circ}C$
 Construction conforms to CEI950, CEI335, CEI61558 for reinforced insulation
 Exclusively uses UL94-V0 listed materials



ELECTRICAL CHARACTERISTICS

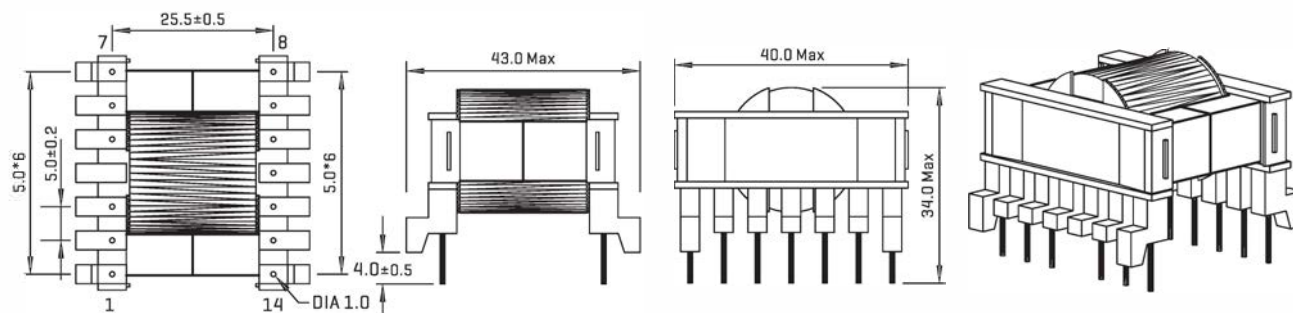
Control IC Manufacturer	Input voltage	Power F	requency
Infineon	185-265 Vrms	80 w	100 kHz
Infineon	85-265 Vrms	60 w	100 kHz
Motorola	185-265 Vrms	80 w	100 kHz
Motorola	85-265 Vrms	60 w	100 kHz
Power Integrations	185-265 Vrms	90 w	132 kHz
Power Integrations	85-265 Vrms	60 w	66/132kHz
ST Microelectronics	185-265 Vrms	80 w	70 kHz
ST Microelectronics	85-265 Vrms	60 w	70 kHz

SIZE ETD29 - 4 OUTPUTS : 5 + 12/5 + 12v - FLYBACK TRANSFORMER							
Part Number	Output Power max	Windings					
		Pins	Turns	Voltage	Current max	Inductance [+/-10%]	
FAT 74050		Pri	5-7	36	85-265Vrms	2.8Apeak	500μH
		Aux	3-2	4	7-14 Vdc	0.5 Adc	
	90W	S1	12-13	2	3.3-6.5Vdc	5 Adc	
		S2	11-13	5	8.5-17 Vdc	3 Adc	
		S3	9-10	2	3.3-6.5Vdc	5 Adc	
		S4	8-10	5	8.5-17 Vdc	3 Adc	

Note: PIN 4 Removed, PCB Drilling Diameter = 1.5mm

Note : S1/S3 or S2/S4 can be connected in series or in parallel

PHYSICAL CHARACTERISTICS



ALL DIMENSIONS IN MM

70-140W ETD39-4 OUTPUT FLYBACK TRANSFORMERS FAT74060 SERIES



FEATURES

Primary / Secondary Insulation $\geq 4000V$
 Primary Auxiliary Insulation $\geq 1500V$
 Creepage distances Primary / secondary $\geq 8mm$

OPTIONS

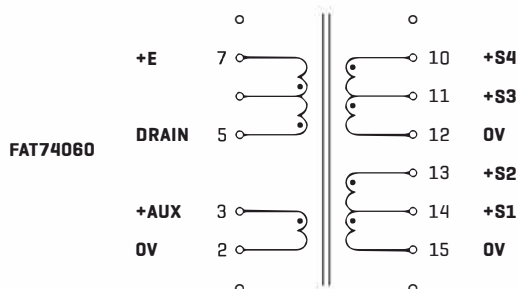
Bulk packaging is standard
 Custom design available

COMMON APPLICATIONS

AC-DC converters
 DC-DC converters
 Switch Power supplies
 FAPS: Flyback, Forward and Push-pull
 FAPS: Half Bridge and Full Bridge

TECHNICAL INFORMATION

Ambient temperature $< 50^{\circ}C$
 Construction confirms to CEI950, CEI335, CEI61558 for reinforced insulation
 Exclusively uses UL94-V0 listed materials



Note: PIN 4 Removed, PCB Drilling Diameter = 1.5mm

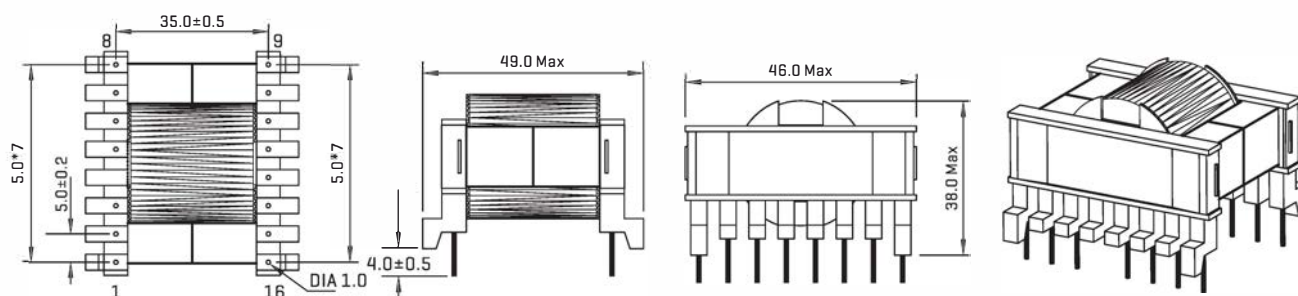
ELECTRICAL CHARACTERISTICS

Control IC Manufacturer	Input voltage	Power	Frequency
Fairchild	85-265Vrms	70 w	100 kHz
Fairchild	185-265Vrms	120 w	100 kHz
Infineon	85-265Vrms	70 w	100 kHz
Infineon	185-265Vrms	120 w	100 kHz
Motorola	85-265Vrms	70 w	100 kHz
Motorola	185-265Vrms	120 w	100 kHz
Power Integrations	185-265Vrms	140 w	132 kHz
Power Integrations	85-265Vrms	90 w	66/132 kHz
ST Microelectronics	85-265Vrms	70 w	70 kHz
ST Microelectronics	185-265Vrms	120 w	100 kHz

SIZE ETD39 - 4 OUTPUTS : 5 + 12/5 + 12v - FLYBACK TRANSFORMER							
Part Number	Output Power max	Windings					
		Pins	Turns	Voltage	Current max	Inductance [+/-10%]	
FAT 74060	90W	Pri	5-1	36	85-265Vrms	4 Apeak	440μH
		Aux	3-2	4	7-14Vdc	0.5 Adc	
		S1	12-13	2	3.3-6.5Vdc	5 Adc	
		S2	11-13	5	8.5-17Vdc	5 Adc	
		S3	9-10	2	3.3-6.5Vdc	5 Adc	
		S4	5-10	5	8.5-17Vdc	5 Adc	

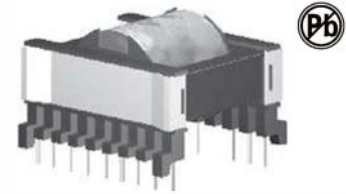
Note: S1/S3 or S2/S4 can be connected in series or in parallel

PHYSICAL CHARACTERISTICS



ALL DIMENSIONS IN MM

120-180W ETD44-4 OUTPUT FLYBACK TRANSFORMERS FAT74070 SERIES



FEATURES

Primary / Secondary Insulation $\geq 4000V$
 Primary Auxiliary Insulation $\geq 1500V$
 Creepage distances Primary / secondary $\geq 8mm$

OPTIONS

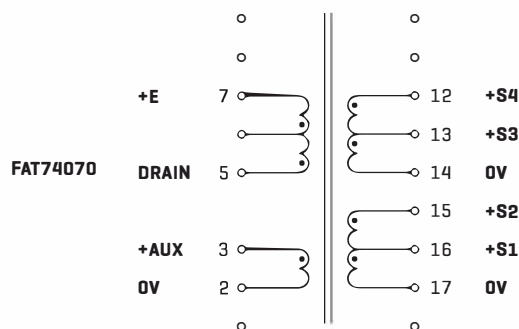
Bulk packaging is standard
 Custom design available

COMMON APPLICATIONS

AC-DC converters
 DC-DC converters
 Switch Power supplies
 FAPS: Flyback, Forward and Push-pull
 FAPS: Half Bridge and Full Bridge

TECHNICAL INFORMATION

Ambient temperature $< 50^{\circ}C$
 Construction confirms to CEI950, CEI335, CEI61558 for reinforced insulation
 Exclusively uses UL94-V0 listed materials



ELECTRICAL CHARACTERISTICS

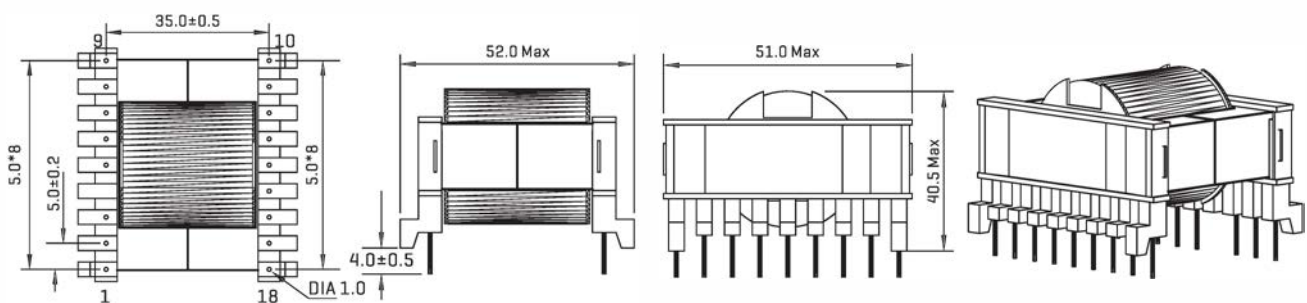
Control IC Manufacturer	Input voltage	Power	Frequency
Fairchild	185-265Vrms	160w	100 kHz
Infineon	185-265Vrms	160w	100 kHz
Philips	185-265Vrms	120w	50 kHz
Power Integrations	185-265Vrms	180w	66/132kHz
Power Integrations	85-265Vrms	120w	66 kHz

SIZE ETD44 - 4 OUTPUTS : 5 + 12 / 5 + 12v - FLYBACK TRANSFORMER							
Part Number	Output Power max	Windings			Current max	Inductance [+/-10%]	
		Pins	Turns	Voltage			
FAT 74070	180W	Pri	5-7	38	85-265Vrms	8 Apeak	
		Aux	3-2	4	7-14	0.5 Adc	
		S1	16-17	2	3.3-6.5Vdc	6 Adc	300µH
		S2	15-17	5	8.5-17 Vdc	5 Adc	
		S3	13-14	2	3.3-6.5Vdc	6 Adc	
S4	12-14	5	8.5-17 Vdc	5 Adc			

Note: PIN 4 Removed, PCB Drilling Diameter = 1.5mm

Note : S1/S3 or S2/S4 can be connected in series or in parallel

PHYSICAL CHARACTERISTICS



ALL DIMENSIONS IN MM

TELECOM TRANSFORMERS FARM, POT SERIES



FEATURES

High inductance.
Low leakage inductance
Low interwind capacitance
Compact size and Surface-mounted
Designed to meet UL, CSA, VDE, BABT safety standard

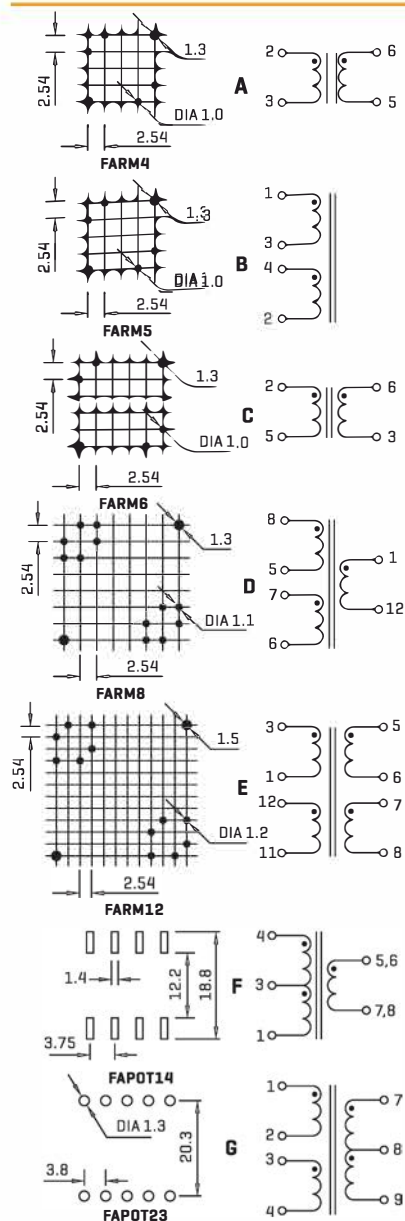
OPTIONS

Tape and reel is standard
Bulk packaging available for Smaller quantities
Custom design available
Tolerance: 5% is standard, Tighter tolerance available
RM 4, 5, 6, 7, 8, 10, 12, 14 available
POT 3.2, 4.5, 6, 7, 9, 11, 14, 18, 22, 26, 30, 36, 42, 48 available

COMMON APPLICATIONS

Modem
Fax machine, Hub
ISDN, ADSL, HDSL, PABX
Other telecommunication facilities etc
Switching power supplies
AC-DC, DC-DC converters

TECHNICAL INFORMATION

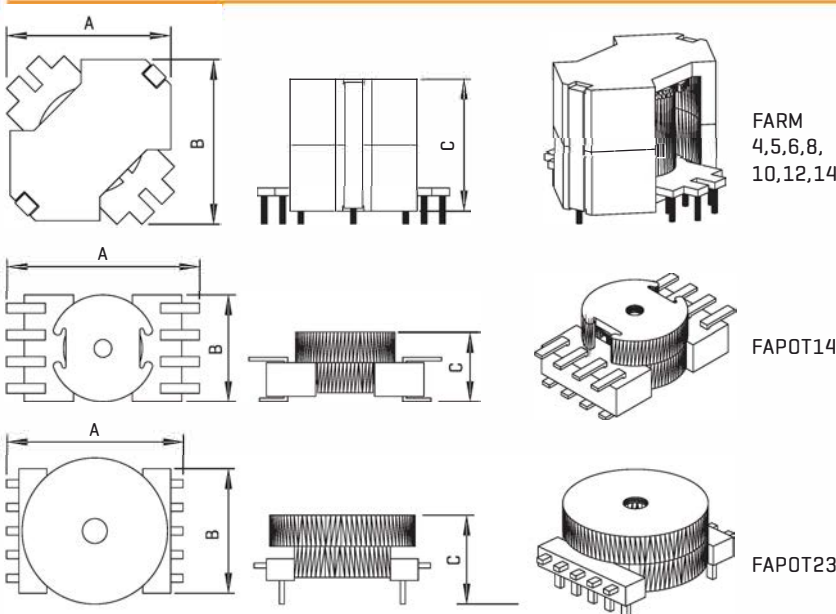


ALL DIMENSIONS IN MM

ELECTRICAL CHARACTERISTICS

Part No.	Inductance [10kHz/0.1V Typ]	Turn Ratio	DCR[Ωmax]	Hi-pot [Pri-Sec]	Schematic
FARM4	45.2mH±35%(3-4)	1:1[2-3:5-6]	2.5:2.5[2-3:5-6]	500VDC	A
FARM5	43.5mH±6%(1-3=3-4)	1:1[1-3:4-2]	4.6:4.6[1-3:4-2]	1000VDC	B
FARM6	20mH±6%(2-3 tie 6+5)	1:1[2-5:6-3]	4.0:4.0[2-5:6-3]	850VDC	C
FARM8	3.0mH±6%[8-6 tie 5+7]	5.24:1[8-6:1-12 tie 5-7]	1.7:1.7:0.42[8-5:7-6:1-12]	2500VAC	D
FARM12	140µHmin[3-1=2-11]	1:1:2:2[3-1:12-11:5-6:7-8]	0.012:0.05[3-1=12-11:5-6=7-8]	500VDC	E
FAPOT14	450µH±25%(4-1)	3.75:1[4-1:6-8]	0.04:0.012:0.012[4-3:5-7:6-8]	1250VDC	F
FAPOT23	15.5mH±10%(1-4 tie 2+3)	1:0.6[1-4:7-9 tie 2+3]	13:7.8[1-4:7-9 tie 2+3]	1500DC	G

PHYSICAL CHARACTERISTICS



PartNo.	FARM4	FARM5	FARM6	FARM8	FARM12	FAPOT14	FAPOT23
A	10.5max	13.5max	16.6max	22.0max	31.7max	21.0max	24.4max
B	10.5max	13.5max	16.6max	22.0max	31.7max	15.0max	23.5max
C	11.0max	11.5max	12.7max	17.5max	25.4max	9.0max	11.6max

TELECOM TRANSFORMERS FAEFD,ER SERIES



FEATURES

High inductance.
Low leakage inductance
Low interwind capacitance
Compact size and Surface-mounted
Designed to meet UL, CSA, VDE, BABT safety standard

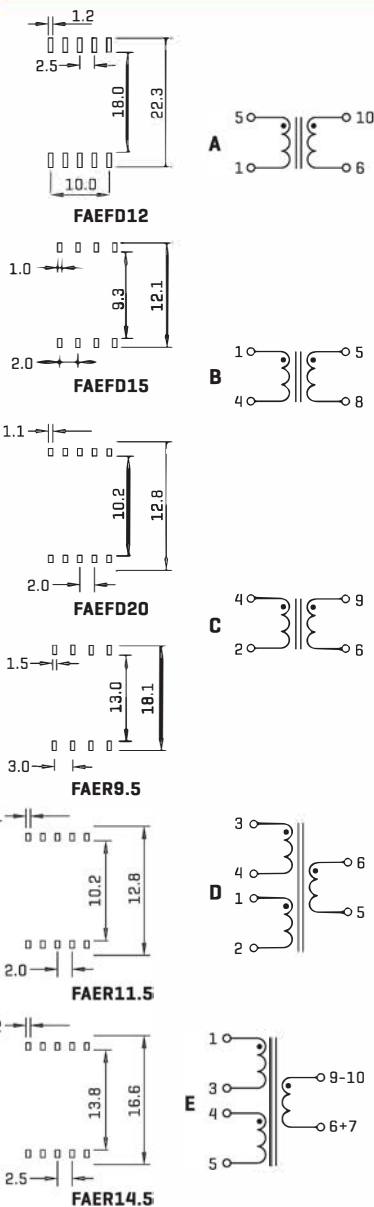
OPTIONS

Tape and reel is standard
Bulk packaging available for Smaller quantities
Custom design available
Tolerance: 5% is standard, tight FATER available
SMD EFD 25/30 available

COMMON APPLICATIONS

Modem
Fax machine, Hub
ISDN, ADSL, HDSL, PABX
Other telecommunication facilities etc
Switching power supplies
AC-DC, DC-DC converters

TECHNICAL INFORMATION

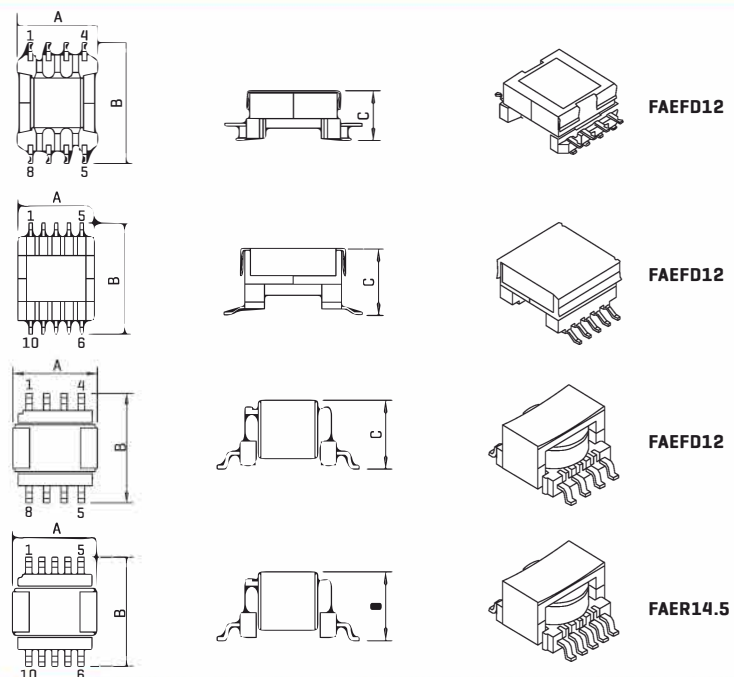


ALL DIMENSIONS IN MM

ELECTRICAL CHARACTERISTICS

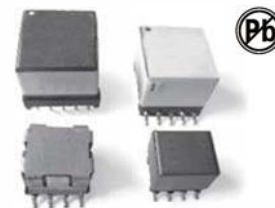
Part No.	Inductance (10kHz/0.1V Typ)	Turn Ratio	DCR(Ω max)	Hi-pot (Pri-Sec)	Schematic
FAEFD12	27 μ H \pm 10% (3-4)	0.74:1.0:71(3-4:1-2:6-5)	0.21:1.15:0.35(3-4:1-2:6-5)	1250VAC	D
FAEFD15	4.0mH \pm 6%(1-5=10-6)	1:1(1-5:10-6)	6.25:6.25(1-5:10-6)	1000VDC	A
FAEFD20	20mH \pm 6%(1-5 tie 10+6)	1:1(1-5:10-6)	5.5:5.5(1-5:10-6)	1000VDC	A
FAER9.5	200 μ H Typ.(1-4)	1:1(1-4:5-8)	0.12:0.132(1-4:5-8)	1000VDC	B
FAER11.5	58 μ H \pm 10% (4-2)	1:2(4-2:9-6)	0.35:1.75(4-2:9-6)	500VAC	C
FAER14.5	14.4 μ H \pm 10%(1-3)	1:1:1(1-3:4-5:10-6)	0.063:0.28:0.066(1-3:4-5:10+9-6+7)	500AC	E

PHYSICAL CHARACTERISTICS



Part No.	FAEFD12	FAEFD15	FAEFD20	FAER9.5	FAER11.5	FAER14.5
A	14.0max	16.5max	22.0max	10.5max	12.2max	15.2max
B	21.5max	22.3max	26.0max	12.1max	12.7max	16.5max
C	7.4max	8.6max	11.4max	6.2max	6.5max	7.2max

TELECOM TRANSFORMERS FAEP SERIES



FEATURES

Low inFATERwind capacitance
Low total harmonic distortion(THD)
Compact size and Surface-mounted
Designed to meet UL, CSA, VDE, BABT safety standard

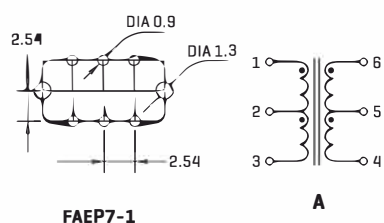
OPTIONS

Tape and reel is standard
Bulk packaging available for Smaller quantities
Custom design available
Tolerance: 5% is standard,
Tigh FATER tolerance available

COMMON APPLICATIONS

Modem
Fax machine, Hub
ISDN, ADSL, HDSL, PABX
Dther telecommunication facilities etc
Switching power supplies
AC-DC, DC-DC converters

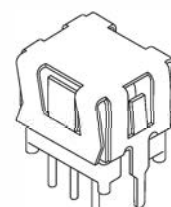
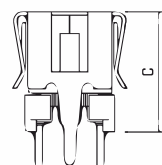
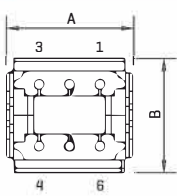
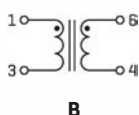
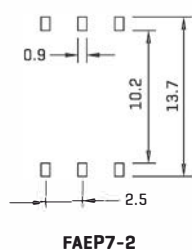
TECHNICAL INFORMATION



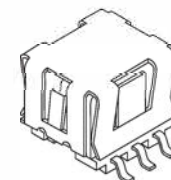
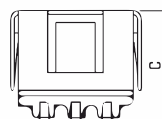
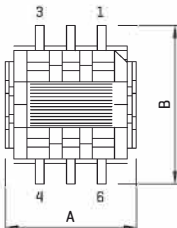
ELECTRICAL CHARACTERISTICS

Part No.	Inductance (10kHz/0.1V Typ)	Cs (max)	Turn Ratio	DCR(Ωmax)	THD (max)	Hi-pot (Pri-Sec)	Schematic
FAEP7-1	2.0mH min (1-3)	27pF (pri-sec)	1.66:1(1-3:6-4)	0.8:0.7(1-3:6-4)		1250VAC	A
FAEP7-2	530 μH±6% (6-4)	27pF (pri-sec)	1:1(1-3:6-4)	2.1:2.1(1-3:6-4)	-54dB	1250VAC	B
FAEP10	1.75mH min (8-2)	100pF (pri-sec)	1:0.653:0.184 (8-2:6-7:3-5)	0.9:0.58:0.09 (8-2:6-7:3-5)		500VDC	C

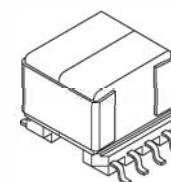
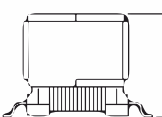
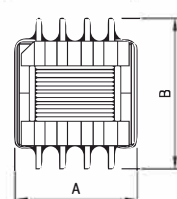
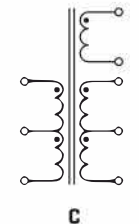
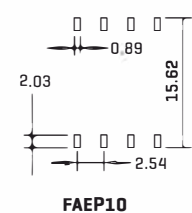
PHYSICAL CHARACTERISTICS



FAEP7-1



FAEP7-2

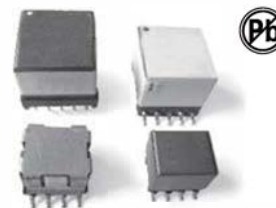


FAEP10

Part No.	FAEP7-1	FAEP7-2	FAEP10
A	10.5max	13.5max	24.4max
B	10.5max	13.5max	23.5max
C	11.0max	11.5max	11.6max

ALL DIMENSIONS IN MM

TELECOM TRANSFORMERS FAEP SERIES



FEATURES

Low inFATERwind capacitance
Low total harmonic distortion[THD]
Compact size and Surface-mounted
Designed to meet UL, CSA, VDE, BABT safety standard

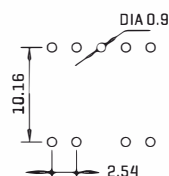
OPTIONS

Tape and reel is standard
Bulk packaging available for Smaller quantities
Custom design available
Tolerance: 5% is standard,
Tigh FATER tolerance available

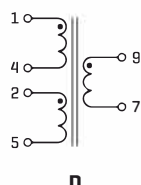
COMMON APPLICATIONS

Modem
Fax machine, Hub
ISDN, ADSL, HDSL, PABX
Other telecommunication facilities etc
Switching power supplies
AC-DC, DC-DC converters

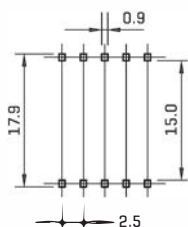
TECHNICAL INFORMATION



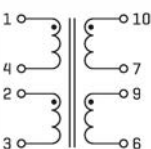
FAEP13-1



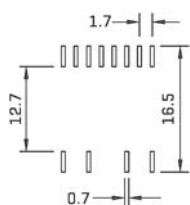
D



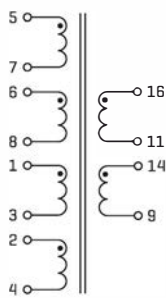
FAEP13-2



E



FAEP13-3

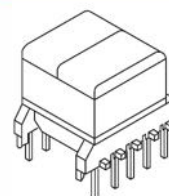
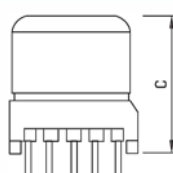
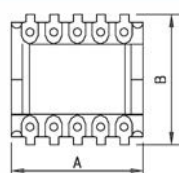


F

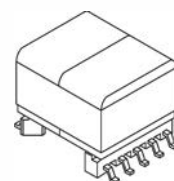
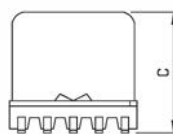
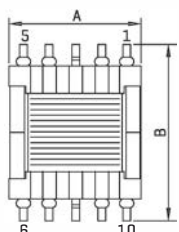
ELECTRICAL CHARACTERISTICS

Part No.	Inductance (10kHz/0.1V Typ)	Cs (max)	Turn Ratio	DCR(Ωmax)	THD (max)	Hi-pot (Pri-Sec)	Schematic
FAEP13-1	2.0mH±10% [1-5 tie 2, 4]		4:1 [1-5:9-7 tie 2,4]	1.25:1.25:1.0 [1-4:2-5:9-7]	-72dB	2050VAC	D
FAEP13-2	410 μH±6% [1-5 tie 2, 4]		2:1 [1-5:10-6 tie 2+4,7+9]	0.48:0.23 [1-4:10-7]	-72dB	1875VAC	E
FAEP13-3	400 μH ±6% [16-9 tie 11,14]	21pF (pri-sec)	4.25:1 [16-9:5-8 tie 11+14,7+6]	0.49:0.28:0.96 [14-9:5-7:1-3]	-68dB	1875VAC	F

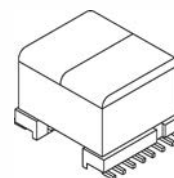
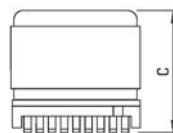
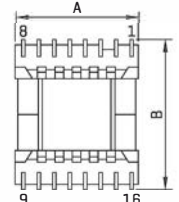
PHYSICAL CHARACTERISTICS



FAEP13-1



FAEP13-2

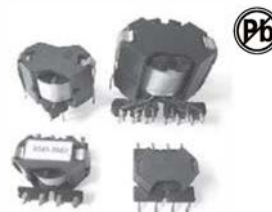


FAEP13-3

Part No.	FAEP13-1	FAEP13-2	FAEP13-3
A	14.2max	13.6max	14.0max
B	14.2max	17.9max	16.4max
C	13.0max	12.4max	12.6max

ALL DIMENSIONS IN MM

TELECOM TRANSFORMERS & POWER TRANSFORMERS FARM SERIES



FEATURES

Low inFATERwind capacitance
 Low total harmonic distortion[THD]
 Compact size and Surface-mounted
 Designed to meet UL, CSA, VDE, BABT safety standard

OPTIONS

Tape and reel is standard
 Bulk packaging available for Smaller quantities
 Custom design available
 Tolerance: 5% is standard, Tigh FATER available
 RM 5, 6, SMD available
 RM 6, 8, 10, 12, 14 Power available

COMMON APPLICATIONS

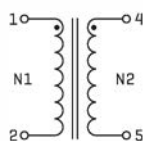
Modem
 Fax machine, Hub
 ISDN, ADSL, HDSL, PABX
 Other telecommunication facilities etc
 Switching power supplies
 AC-DC, DC-DC converters

TECHNICAL INFORMATION

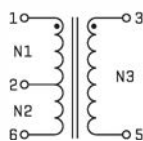
Soldering temperature: 260°C for 4 ± 1 seconds
 Operating temperature: 0°C to 70°C
 Storage Temperature: -25°C to 85°C
 Different package available per special request

ELECTRICAL CHARACTERISTICS

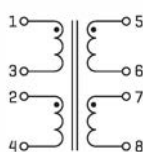
Part No.	N1 Inductance [1kHz/0.1V Typ]	Turn Ratio	N1 DCR[Qmax]	Hi-pot (Pri-Sec)	Schematic
FATP 6012	3.6mH min	N1:N2=1:2.5	4.5	1250V	1
FATM 5001	2.5mH min	N1:N2:N3=1:1:3	6.5	1250V	2
FATM 5002	1H min	N1:N2:N3:N4=1:1:1:1	30.0	1250V	3



Schematic 1

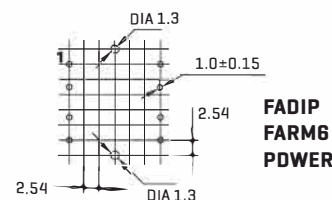
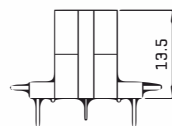
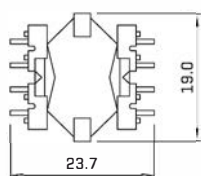


Schematic 2

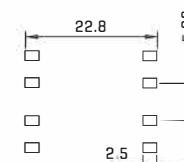
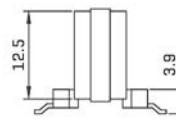
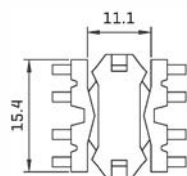


Schematic 3

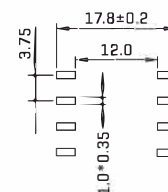
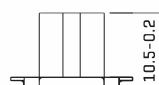
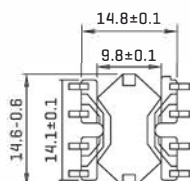
PHYSICAL CHARACTERISTICS



FADIP FARM6 PDWER



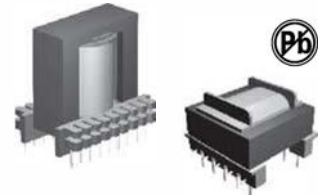
FARM5 FASMD



FARM5 FASMD

ALL DIMENSIONS IN MM

SWITCHING TRANSFORMERS FAEE,FAEI SERIES



FEATURES

Possessing of high permeability
High saturation flux density
Low loss, at 100°C the power loss goes bottom

OPTIONS

Bulk packaging is standard
Custom design available

COMMON APPLICATIONS

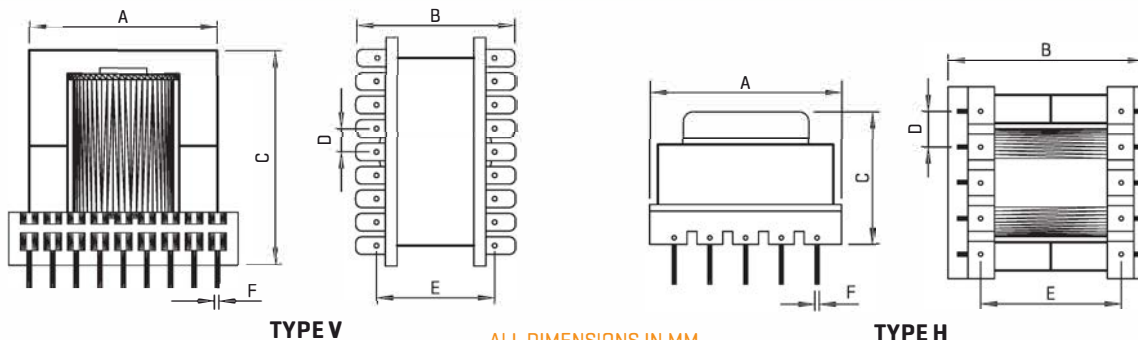
Drive transformers
Main transformers
Smoothing chokes
General purpose use

ELECTRICAL CHARACTERISTICS

Part No.	Type	No. of FATERminal pin.	Dimensions(mm)						Max. output [VA]
			Max A	Max B	Max C	±0.3 D	±0.5 E	±0.1 F	
FATEI 8.3-A	V	6	8.5	8.5	9.0	2.5	6.0	0.5	3
FATEE 8.3-B	H	6	8.5	8.5	7.0	2.5	6.0	0.5	3
FATEE 8.3-C	H	4	8.5	9.5	9.0	5.0	6.8	0.5	3
FATEI 10-A	V	8	10.5	11.0	11.0	2.5	8.0	0.5	5
FATEI 10-B	H	8	11.0	13.0	10.5	2.5	10.5	0.5	5
FATEI 10-C	H	4	10.0	9.5	10.0	5.0	6.8	0.5	5
FATEI 12.5-A	V	10	13.0	13.0	10.0	2.5	7.5	0.6	8
FATEE 12-A	H	4	12.5	11.0	12.5	8.0	9.0	0.6	8
FATEE 13-A	V	10	13.5	13.0	12.0	2.5	8.7	0.6	9
FATEI 14-A	V	6	14.5	14.5	13.0	3.5	11.0	0.6	15
FATEE 16-A	V	6	16.5	13.5	13.0	3.0	9.0	0.6	25
FATEE 16-B	H	8	16.5	14.5	15.0	3.0	11.0	0.6	25
FATEE 16-C	H	8	16.5	14.5	15.0	3.5	12.0	0.6	25
FATEE 16-O	V	10	16.5	13.5	14.5	3.25	10.5	0.6	25
FATEE 16-F	H	10	16.5	19.0	14.0	3.2	15.5	0.8	25
FATEEL 16-A	V	10	22.0	16.5	30.0	4.0	10.3	0.6	25
FATEE 19-A	V	6	20.0	18.0	18.0	4.1	14.0	0.7	35
FATEE 19-B	V	6	20.0	16.0	18.0	4.7	11.6	0.6	35
FATEE 19-C	H	8	20.0	18.0	16.5	3.8/5	12.5	0.7	35
FATEEL 19-A	V	8	20.0	20.5	32.0	3.8/4.8	15.0	0.8	35
FATEE 19-B	H	6	19.5	32.0	13.0	5	24.2	0.8	35
FATEEL 19-C	V	10	23.0	16.5	32.0	4	10.0	0.8	35
FATEE 20-A	H	8	20.5	19.0	13.0	5	15.0	0.8	35
FATEE 22-A	V	10	22.5	16.5	20.0	4	10.2	0.8	45
FATEE 22-B	V	8	22.5	17.0	20.0	5	12.4	0.8	45
FATEE 22-C	H	9	22.5	24.5	16.5	3.5/5	17.2	0.8	45
FATEE 25-A	V	8	25.5	18.0	22.0	5	12.4	0.8	65
FATEE 25-B	V	10	26.0	20.5	22.0	5	15.2	0.8	65
FATEE25-C	H	10	27.0	24.0	24.0	4.0/5	14.6	0.8	65
FATEEL 25-A	H	14	27.5	33.5	21.0	4.0	27.1	0.8	65
FATEL 25-B	V	14	27.5	21.0	35.0	4.0	15.0	0.8	65
FATEI 28-A	V	12	29.5	25.0	24.0	5.0	17.5	0.8	100
FATEI 28-B	V	10	28.5	25.0	35.0	5.0	20.0	0.8	100
FATEI 28-C	H	8	28.5	25.0	25.0	5.0	17.5	0.8	100
FATEI 30-A	V	10	31.0	22.0	26.0	5.0	17.6	0.8	155
FATEI 30-B	V	12	31.0	26.0	26.0	5.0	20.0	0.8	155
FATEE 30-A	H	10	30.5	30.0	20.5	5.0	25.0	0.8	155
FATEE 30-B	H	12	30.5	30.0	20.5	5.0	25.0	0.8	155
FATEI 33-A	V	14	34.0	28.0	30.0	5.0	22.5	0.8	200
FATEI 33-B	V	12	34.0	28.0	30.0	5.0	22.5	0.8	200
FATEI 33-C	V	16	39.0	29.0	30.0	5.0	22.5	0.8	200
FATEE 35-A	H	12	38.0	30.0	26.0	3.8/5.1	22.0	0.8	215
FATEE 35-B	V	10	35.5	26.0	28.0	5.0	20.0	0.8	215
FATEE 35-C	V	14	35.5	26.0	28.0	5.0	20.0	0.8	215
FATEEL 35-A	V	15	36.5	27.5	50.0	5.0	22.5	0.8	215
FATEI 35-A	V	12	35.5	28.5	29.0	5/7.5	20.0	1.0	215
FATEI 40-A	V	12	40.5	29.0	32.0	5.0	22.5	0.8	345
FATEI 40-B	H	12	40.5	37.0	27.0	5.0	28.2	1.0	345
FATEI 40-C	V	16	42.0	28.0	35.0	5.0	22.5	0.8	345
FAFATEI 40-O	H	14	40.5	35.0	29.0	5.0	25.8	0.8	345
FATEE 42-A	H	16	44.5	42.0	41.5	5.0	34.0	1.0	400
FATEE 42-B	H	12	47.0	42.0	39.5	5/7.5	33.0	1.0	400
FATEE 42-C	V	18	46.0	32.5	46.0	5.0	27.5	1.0	400
FATEE 42-O	V	12	46.0	42.5	37.0	7.4	36.4	1.0	420
FATEE 42-E	V	12	43.0	40.5	45.0	5.0	32.5	1.0	420
FATEE 42-F	H	17	43.0	47.0	45.0	2.5/5	37.7	1.0	420
FATEE 42-G	V	18	46.0	38.0	47.0	5.0	30.0	1.0	420
FATEE 50-A	V	18	51.0	40.0	40.0	5.0	30.5	1.0	500
FAFATEE 55-A	H	20	56.0	55.0	50.5	5/7.5	45.2	1.0	814

Note: The output power is only for forward model and the frequency at 100kHz

PHYSICAL CHARACTERISTICS

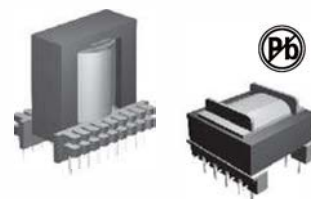


TYPE V

ALL DIMENSIONS IN MM

TYPE H

SWITCHING TRANSFORMERS FAER SERIES



FEATURES

Centre section of the core is round easily design high-powerswitch transformers
Low leakage

OPTIONS

Bulk packaging is standard
Custom design available

COMMON APPLICATIONS

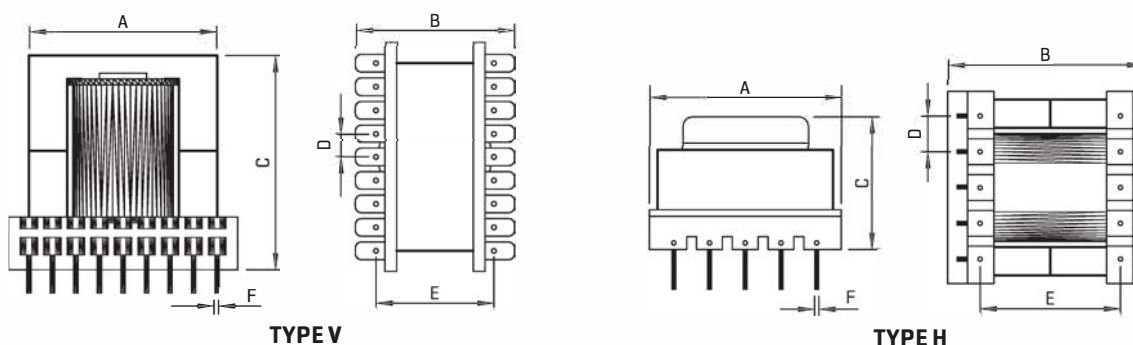
Drive transformers
Main transformers
Smoothing chokes
General purpose use

ELECTRICAL CHARACTERISTICS

Part No.	Type	No. of FAERterminal pin	Dimensions(mm)						Max. output (VA)
			Max A	Max B	Max C	±0.3 D	±0.5 E	±0.1 F	
FATER 11.5-A	V	8	14	14	12	2.6	9.0	0.6	3
FATER 25-A	V	8	27	22	28	5.0	12.5	0.8	87
FATER 25-B	V	10	27	22	28	5.0	15.0	0.8	87
FATER 28-A	H	20	35	32	25	2.54	28.0	0.5	203
FATER 25-B	H	12	31	32	25	5.0	25.0	0.8	203
FATER 28-C	V	10	27	25	32	5.0	17.3	0.8	203
FATER 28-D	V	12	32	28	32	4.9	22.0	0.6	203
FATERL 28-A	V	10	32	25	36	5.0	17.5	0.8	228
FATERL 28-B	V	12	32	25	38	5.0	17.5	0.8	228
FATERL 28-C	V	12	32	25	36	5.0	20.2	0.8	228
FATERL 28-D	V	18	30	25	38	4.0	20.0	0.8	228
FATERL 28-E	V	10	30	25	38	5.0	17.5	0.8	228
FATERL 28-F	V	14	32	28	38	5.0	20.0	0.8	228
FATERL 28-G	H	11	36	38	26	5.0	25.5	0.8	228
FATERL 28-H	H	12	32	38	28	5.0	30.4	0.8	228
FATER 33-A	V	14	37	31	40	5.0	25.0	1.0	235
FATER 33-B	V	14	37	29	40	5.0	22.5	1.0	235
FATER 34-A	V	14	36	29	40	5.0	22.3	1.0	240
FATER 35-A	V	12	38	30	46	5.0	22.5	1.0	325
FATER 35-B	V	14	37	30	44	5.0	22.5	1.0	325
FATER 35-C	V	16	41	30	46	5.0	22.55	1.0	325
FATER 35-D	H	16	41	45	29	5.0	35.0	1.0	325
FATER 35-E	H	12	38	45	27	5.3	37.1	1.0	325
FATER 35-F	H	12	45	37	30	5.4	37.1	1.0	325
FATER 39-A	V	16	44	32	53	5.0	25.0	1.0	370
FATER 39-B	V	14	40	32	54	5.0	25.2	1.0	370
FATER 39-C	V	18	45	32	53	5.0	25.0	1.0	370
FATER 39-D	H	16	43	45	35	5.0	30.6	1.0	370
FATER 39-E	H	16	43	47	35	5.0	35.3	1.0	370
FATER 40-A	V	16	42	33	51	5.0	25.2	1.0	421
FATER 40-B	V	16	42	34	52	5.0	27.5	1.0	421
FATER 40-C	V	12	42	33	48	5.0	25.0	1.0	421
FATER 40-D	H	16	42	50	37	5.0	35.2	1.0	421
FATER 42-A	V	18	47	33	47	5.0	27.4	1.0	433
FATER 42-B	V	14	44	32	49	5.0	24.8	1.0	433
FATER 42-C	V	18	47	39	52	5.0	30.2	1.0	509
FATER 42-D	H	14	45	45	36	5.0	34.8	1.0	509
FATER 49-A	V	22	55	37	62	5.0	27.5	1.0	680
FATER 49-B	V	18	52	38	57	5.0	27.5	1.0	680
FATER 49-C	V	20	55	41	60	5.0	32.5	1.0	680
FATER 53-A	V	18	55	41	55	5.0	32.5	1.0	800
FATER 54-B	V	18	60	42	60	5.0	32.0	1.0	850

Note: The output power is only for forward model and the frequency at 100kHz

PHYSICAL CHARACTERISTICS



ALL DIMENSIONS IN MM

SWITCHING TRANSFORMERS FAETD SERIES



FEATURES

Centre section of the core is round easily design high-powerswitch transformers
Low leakage

OPTIONS

Bulk packaging is standard
Custom design available

COMMON APPLICATIONS

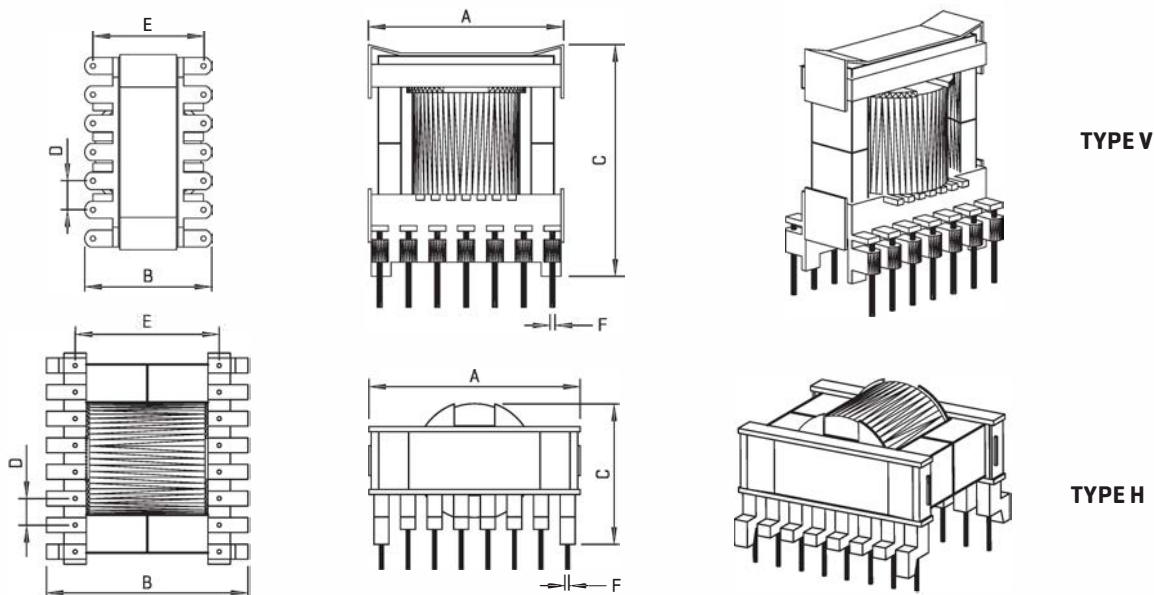
Drive transformers
Main transformers
Smoothing chokes
General purpose use

ELECTRICAL CHARACTERISTICS

Part Number	Type	No. of Terminal pins	Dimensions(mm)						Max. output [VA]
			Max A	Max B	Max C	±0.3 D	±0.5 E	±0.1 F	
FATETD 24-A	V	12	36.5	25.0	38.0	5.08	17.8	1.1	110
FATETD 29-A	H	14	36.0	36.0	25.5	5.0	25.6	0.8	170
FATETD 29-B	H	13	37.0	37.0	27.0	5.0	25.8	0.8	170
FATETD 29-C	V	12	42.0	24.5	43.0	5.08	20.32	0.8	170
FATETD 34-A	V	12	34.5	30.0	37.0	5.0	25.5	1.0	270
FATETD 34-B	H	14	41.0	41.0	27.0	5.0	25.5	2.0	270
FATETD 34-C	V	14	39.0	28.0	45.0	5.0	22.9	1.0	270
FATETD 39-A	V	16	46.0	30.5	49.6	5.0	25.4	1.0	380
FATETD 39-B	H	16	45.0	45.0	36.0	5.0	30.2	1.0	380
FATETD 44-A	H	18	50.0	51.0	40.0	5.0	35.8	1.0	520
FATETD 44-B	V	18	46.0	33.0	51.0	5.0	27.5	1.0	520
FATETD 49-A	V	22	55.0	37.0	55.0	5.0	27.5	1.0	680
FATETD 49-B	H	20	56.0	55.0	41.0	5.0	40.4	1.0	680
FATETD 54-A	H	22	61.0	60.0	47.0	5.0	44.8	1.0	750
FATETD 59-A	H	24	68.0	68.0	52.5	5.0	51.0	1.0	900

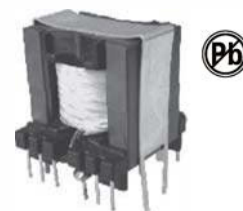
Note: The output power is only for forward model and the frequency at 100kHz

PHYSICAL CHARACTERISTICS



ALL DIMENSIONS IN MM

SWITCHING TRANSFORMERS FAPQ SERIES



FEATURES

Design in the fittest shape
Applied in the power: [50W-1kW]100kHz
Cut down installation cubage with multi-pluge and boobins, easily wire connection to meet the request
Low leakage

OPTIONS

Bulk packaging is standard
Custom design available

COMMON APPLICATIONS

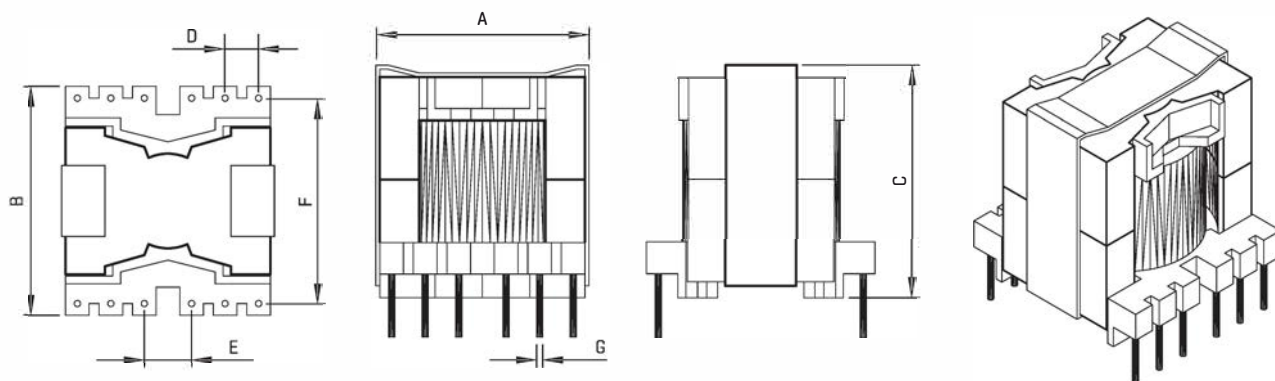
Drive transformers
Main transformers
Smoothing chokes
Switching power supplies
AC-DC, DC-DC converters

ELECTRICAL CHARACTERISTICS

Part Number	Type	No. of Terminal pins	Dimensions[mm]						Max. output [VA]
			Max A	Max B	Max C	±0.3 D	±0.5 E	±0.1 F	
FATPQ 2020-A	V	14(6+8)	24.0	24.0	3.8/2.5	5.1	20.3	0.6	92
FATPQ 2620-A	V	12	28.0	32.0	3.8	7.6	25.4	0.6	170
FATPQ 2620-B	V	12	28.0	32.0	3.8	7.6	25.4	0.6	170
FATPQ 2625-A	V	12	28.5	31.0	3.8	7.5	25.5	0.7	195
FATPQ 3220-A	V	12	33.0	35.0	5.0	7.5	30.0	0.8	232
FATPQ 3220-B	V	12	33.0	36.0	5.1	7.6	30.5	0.8	232
FATPQ 3225-A	V	12	35.5	35.0	5.0	7.4	30.0	0.8	280
FATPQ 3230-A	V	12	33.0	36.0	5.05	7.6	30.3	0.8	331
FATPQ 3535-A	V	12	37.0	41.0	5.0	10.0	35.0	0.8	452
FATPQ 4040-A	V	12	41.0	44.0	5.0	15.1	38.0	0.8	596
FATPQ 5050-A	V	12	52.0	53.0	7.62	15.24	45.72	1.2	1045

Note: The output power is only for forward model and the frequency at 100kHz

PHYSICAL CHARACTERISTICS



TYPE V

ALL DIMENSIONS IN MM

SWITCHING TRANSFORMERS FAEFD SERIES



FEATURES

Horizontal installation
Multi out-put applied
in denseness installation

OPTIONS

Bulk packaging is standard
Custom design available

COMMON APPLICATIONS

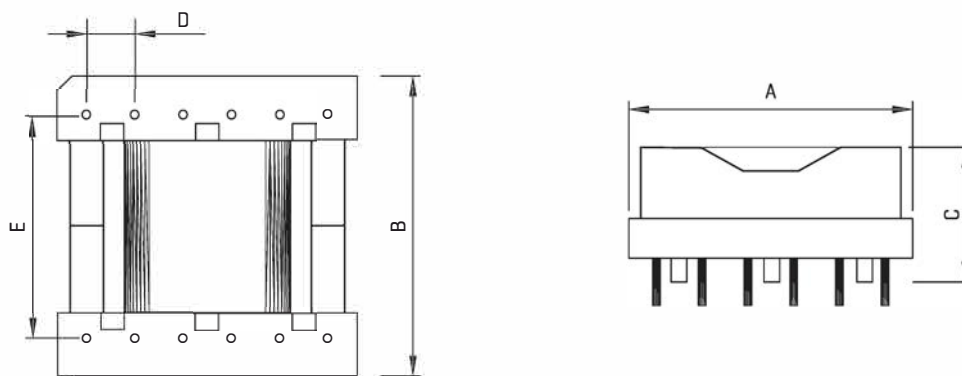
Drive transformers
Main transformers
Smoothing chokes
General purpose use
Switching power supplies
AC-DC, DC-DC converters

ELECTRICAL CHARACTERISTICS

Part Number	Type	No. of Terminal pins	Dimensions(mm)						Max. output [VA]
			Max A	Max B	Max C	±0.3 D	±0.5 E	±0.1 F	
FATEFD 15-A	H	8	17	18	9.5	3.7	13.7	0.6	5
FATEFD 15-B	H	8	17	18	9.5	3.75	13.75	0.6	5
FATEFD 15-C	H	8	17	18	9.5	3.8	13.7	0.6	5
FATEFD 20-A	H	8	22	23	11.0	5.0	17.5	0.6	18
FATEFD 20-B	H	9	22	23	11.0	5.0	17.5	0.6	18
FATEFD 20-C	H	10	22	26	15.0	3.8	23.8	0.6	18
FATEFD 25-A	H	10	27	28	13.0	5.0	22.45	0.8	45
FATEFD 25-B	H	10	27	28	15.0	5.0	22.5	0.8	45
FATEFD 30-A	H	12	32	33	14.0	5.0	27.4	0.8	70
FATEFD 30-B	H	12	32	36	18.0	5.0	30.0	0.8	70
FATEFD 30-C	H	12	32	37	14.0	5.0	32.0	0.8	70

Note: The output power is only for forward model and the frequency at 100kHz

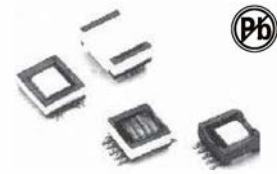
PHYSICAL CHARACTERISTICS



TYPE H

ALL DIMENSIONS IN MM

SMD LOW PROFILE SWITCHING TRANSFORMER FASPT SERIES FASPT-01,02,03



FEATURES

Multiple Combination
Series Mode or Parallel Mode
Low Profile

OPTIONS

Bulk Packaging is Standard
Custom Design Available
Thru Hole Available

COMMON APPLICATIONS

SMPS DC-DC converter
CMC, Differential
Flyback, Boost, Buck
ADSL/VDSL
Switching power supplier

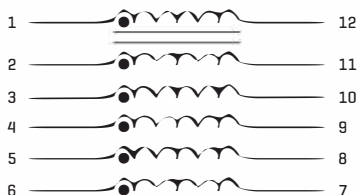
STANDARD SPECIFICATIONS

Part Number	L[μH]±20%	Leakage [μH]Typ.	DCR [ΩMax]	I _{rms} Typ [mA]Typ.	
FASPT-01 FAEFD-17 Package	FASPT-01-3R8	3.8	0.08	0.06	1.8
	FASPT-01-5R0	5.0	0.08	0.06	1.8
	FASPT-01-6R2	6.2	0.08	0.06	1.8
	FASPT-01-11R5	11.5	0.08	0.06	1.8
	FASPT-01-700	70	0.08	0.06	1.8
FASPT-02 FAEFD-15 Package	FASPT-02-3R8	3.8	0.06	0.07	1.5
	FASPT-02-4R5	4.5	0.06	0.07	1.5
	FASPT-02-6R8	6.8	0.06	0.07	1.5
	FASPT-02-11R3	11.3	0.06	0.07	1.5
	FASPT-02-630	63	0.06	0.07	1.5
FASPT-03 FAEFD-20 Package	FASPT-03-3R5	3.5	0.11	0.05	2.1
	FASPT-03-4R5	4.5	0.11	0.05	2.1
	FASPT-03-5R3	5.3	0.11	0.05	2.1
	FASPT-03-100	10	0.11	0.05	2.1
	FASPT-03-770	77	0.11	0.05	2.1

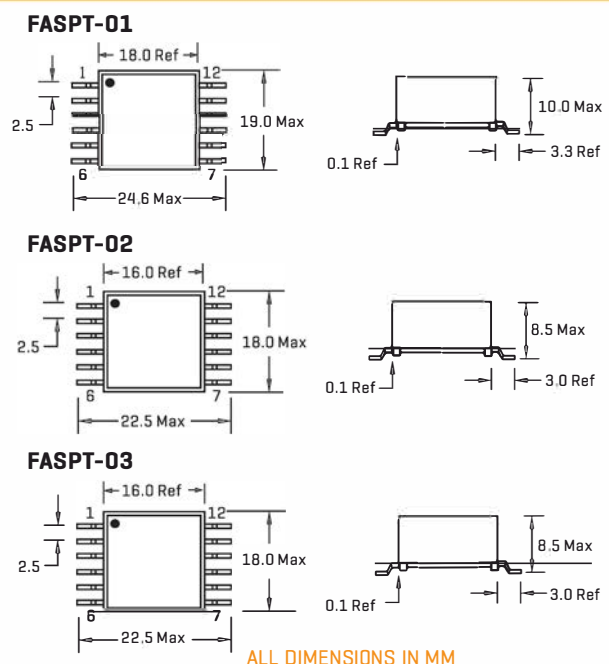
TECHNICAL INFORMATION

Inductance measure at Pin 1-2, 100KHz 0.1 Vrms.
DCR measure at individual winding
Leakage measure at pin 1-12 with all other windings shorted
Insulation Resistance: 500VDC, 1KM Ohm min.
Turns ratio: 1:1:1:1:1
Soldering temperature: 260°C for 4±1 seconds
Operating temperature: 0°C to 70°C
Storage Temperature: -25°C to 85°C
Different package available per special request

Note: All specifications subject to change without notice.

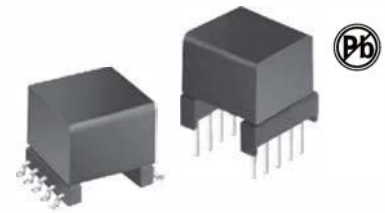


PHYSICAL CHARACTERISTICS



FAADSL TRANSFORMERS

FAADSL-100 SERIES



FEATURES

High Frequency Design
Excellent THD
High Reliability

OPTIONS

Tape & Reel is Standard
Custom design available

COMMON APPLICATIONS

FAADSL VDSL Router
Analog Devices, Alcatel, Globespan.
Central Office/Customer Premise

STANDARD SPECIFICATIONS

Part Number	Application	Turns Ratio ±2% Line to Chip	OCL [mH±10%] Line Size	L _L [µH Max]	Longitudinal Balance [dB Min]	DCR [ΩMax]	THD [dB Min]	SCH	Applicable IC
FAADSL-101	CPE	1:1	5.0 [1]	15 [2]	40[25KHz-1.1MHz]	3.0	80@30KHz	1	A020msP910/918
FAADSL-102	CPE	1:1	0.48 [1]	10 [2]	40[30KHz-1.1MHz]	1.0	72@10KHz	1	MTK-20/40
FAADSL-102A	CO	1:1	0.41 [1]	6.5 [2]	40[30KHz-1.1MHz]	0.6	72@20KHz	1	MTK-20/40
FAADSL-103	CPE	2:1	0.43 [3]	10 [4]	40[25KHz-1.1MHz]	0.45	80@100KHz	2	G7000
FAADSL-105	CPE	1:1	0.407 [1]	9 [2]	40[25KHz-1.1MHz]	0.66	80@100KHz	1	EL-1501

Inertion Loss: 0.5dB max Inductance measured @10KHz 0.1 VRMS Hipot: 1500 VRMS

Remark: Add "S" after Part No. for SMT package

Example: FAADSL-101S for SMT Package: Package B

Notes:

- 1.Measure inductance at pin 1-4 with pin 2-3 shorted.
- 2.Measure leakage inductance at pin 1-4 with 2-3 shorted, and 7-8-9-10 shorted.
- 3.Measure inductance at pin 1-5 with pin 2-4 shorted.
- 4.Measure leakage inductance at pin 1-5 with 2-4 shorted, and pin 6-9-7-10 shorted.

TECHNICAL INFORMATION

Soldering methods: Wave, Reflow

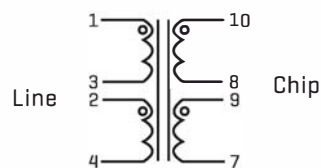
Operating Temperature: 0°C to +70°C

Storage Temperature: -55°C to 125°C

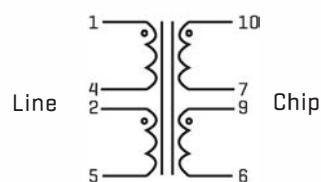
Note:

All specifications subject to change without notice.

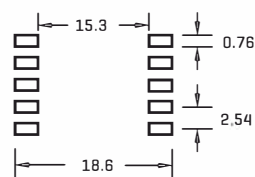
Schematic 1



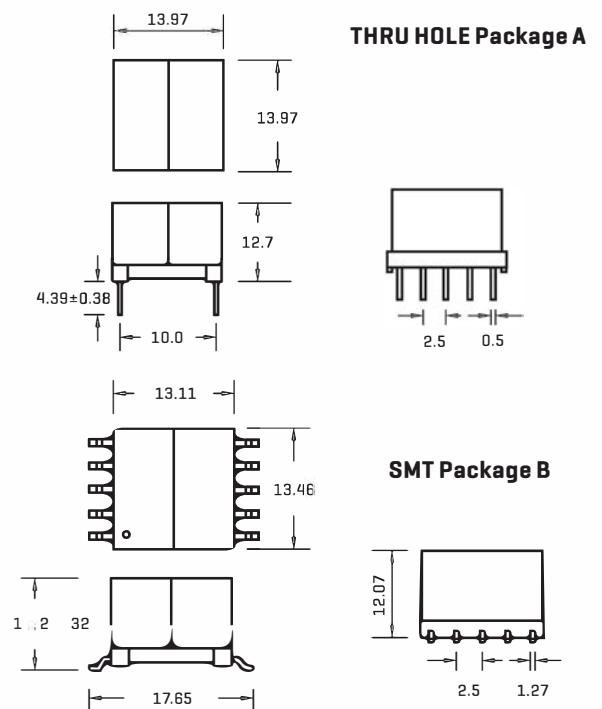
Schematic 2



Recommended Pad Layout



PHYSICAL CHARACTERISTICS



ALL DIMENSIONS IN MM



SURFACE MOUNT LINE MATCHING TRANSFORMERS FAAT 16XX SERIES

FEATURES

Fully encapsulated
Low profile
High dielectric strength
Ten models available
Ex stock
Competitively priced
Lead free
RoHS compliant

OPTIONS

Tape and reel is standard
[400 pcs. per reel]
Bulk packaging available for
faller quantities
Custom design available
Tolerance: 5% is standard,
Tighter tolerance available

COMMON APPLICATIONS

Line matching
Modems
Fax modems
Laptop Computer
Telecommunications
Instrumentation
PCMCIA

ELECTRICAL CHARACTERISTICS

Parameters		Unit	Part Number										
			FAAT1601	FAAT1602	FAAT1603	FAAT1604	FAAT1605	FAAT1601A	FAAT1602A	FAAT1603A	FAAT1604A	FAAT1605A	
Ref. Temperature Data		°C	25	25	25	25	25	25	25	25	25	25	25
Impedance [min./at 1.0kHz]	Primary	Ω	600	600	600	600 [150,150]	600 [150+150]	600	600	600	600 [150,150]	600 [150+150]	
	Secondary	Ω	600	600 [150,150]	600 [150+150]	600 [150,150]	600 [150+150]	600	600 [150,150]	600 [150+150]	600 [150,150]	600 [150+150]	
Inductance [min./at 0.2 kHz]	Primary	H	2.8	2.8	2.8	2.8 [0.7,0.7]	2.8 [0.7+0.7]	2.8	2.8	2.8	2.8 [0.7,0.7]	2.8 [0.7+0.7]	
	Secondary	H	2.8	2.8 [0.7,0.7]	2.8 [0.7+0.7]	2.8 [0.7,0.7]	2.8 [0.7+0.7]	2.8	2.8 [0.7,0.7]	2.8 [0.7+0.7]	2.8 [0.7,0.7]	2.8 [0.7+0.7]	
DC-Resistance [Typical/±10%]	Primary	Ω	66	66	66	66 [33,33]	66 [33+33]	90	90	90	90 [45,45]	90 [45+45]	
	Secondary	Ω	66	66 [33,33]	66 [33+33]	66 [33,33]	66 [33+33]	90	90 [45,45]	90 [45+45]	90 [45,45]	90 [45+45]	
Turns Ratio[±2%]		-	1:1	1:1	1:1	1:1	1:1	1:1	1:1	1:1	1:1	1:1	
Winding Configurations		-	-	one winding centre tapped	one winding split	both windings centre tapped	both windings split	-	one winding centre tapped	one winding split	both windings centre tapped	both windings split	
Insertion Loss [at 2.0kHz]		dB	≤ 1.5					≤ 2.0					
Return Loss Transformer [0.2-4.0kHz] In Networks		dB	≥ 10.0 ≥ 21.0					≥ 8.0 ≥ 20.0					
Shunt Loss [Typical]		kΩ	9.0					9.0					
Frequency Response [Typ./0.2-3.5kHz]		dB	-0.3					-0.5					
Wide Band Response[0.2-10kHz]		dB	-2.5					-4.5					
Power Level		dBm	-45.0-+3.0					-43.0-+3.0					
Longitudinal Balance[0.3-4.0kHz]		dB	-80.0					-70.0					
Distortion[0 dB/at 1.0kHz]		%	≤ 0.1					≤ 0.25					
Leakage Induction[Typical]		mH	14.0					14.0					
Dielectric Strength[P/S]		kVDC	6.5					6.5					
Temperature Range	Operation	°C	-10-+60					-10-+60					
	Storage	°C	-20-+70					-20-+70					
Specifications Met			BS 6240: Construction and flammability [UL 94 V0] BS 6310: Isolation BS 6305: Return loss [1982/paragraph 4.3.2.2/b]					CCITT: Rec. T/CD 1-1 [Sept.1982]					

SURFACE MOUNT LINE MATCHING TRANSFORMERS FAAT 16XX SERIES



FEATURES

- Fully encapsulated
- Low profile
- High dielectric strength
- Ten models available
- Ex stock
- Competitively priced
- Lead free
- RoHS compliant

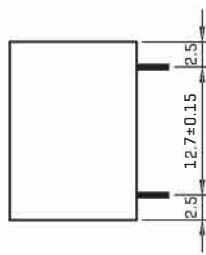
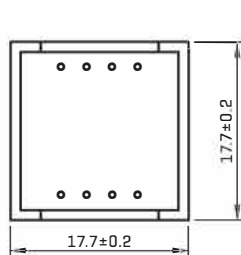
OPTIONS

- Tape and reel is standard [400 pcs. per reel]
- Bulk packaging available for smaller quantities
- Custom design available
- Tolerance: 5% is standard, Tighter tolerance available

COMMON APPLICATIONS

- Line matching
- Modems
- Fax modems
- Laptop Computer
- Telecommunications
- Instrumentation
- PCMCIA

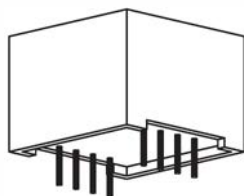
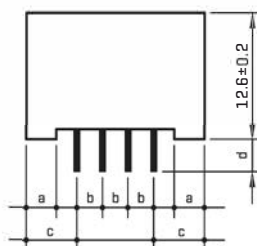
PHYSICAL CHARACTERISTICS



Note:
The FAAT1600 Series Line Matching Transformers meet the return loss specifications of BS 6305.

It is important, however, to use the circuit recommended by BS 6305 for return loss

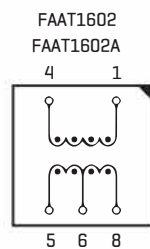
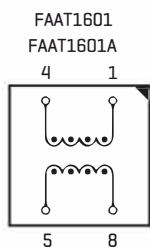
The FAAT1600 Series meet EN41003.



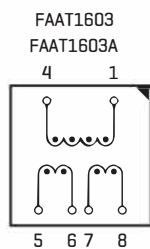
- a=3.0
- b=2.54
- c=5.04
- d=3.2±0.8

ALL DIMENSIONS IN MM

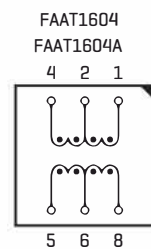
TECHNICAL INFORMATION



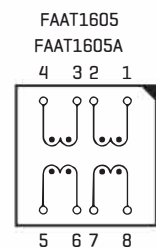
one-winding
centre-tapped



one-winding
split



both-winding
centre-tapped



both-winding
split

Due to the unique design and the most advanced manufacturing techniques the 2 coils are fully identical, meaning there is no real primary nor secondary winding. Depending on the application, the transformers can be used either way.

SURFACE MOUNT LINE MATCHING TRANSFORMERS FALP-5001 SERIES



FEATURES

Subminiature in FAT
7.36mm seated height
Tested at 4600 Vrms, 1minute
Distortion of only 0.015%
Vacuum encapsulated
UL60950 certified
RoHS compliant

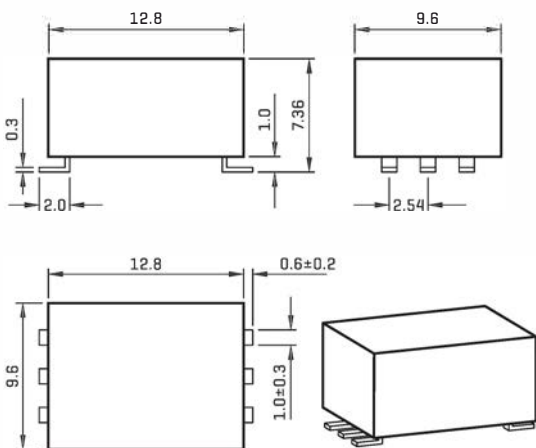
OPTIONS

Tape and reel is standard
(400 pcs. per reel)
Bulk packaging available for
faller quantities
Custom design available
Tolerance: 5% is standard,
Tighter tolerance available

COMMON APPLICATIONS

Modems[V32]
Laptop Computer
Telecommunications
Instrumentation
PCMCIA

PHYSICAL CHARACTERISTICS

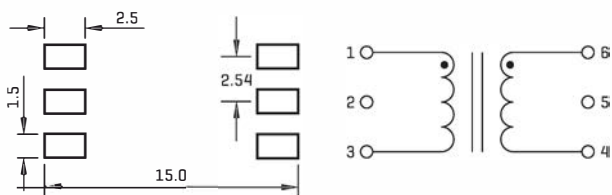


ALL DIMENSIONS IN MM

ELECTRICAL CHARACTERISTICS

Nominal Impedance:	600Ω
Turns Ratio:	1:1
Insertion Loss:	2.0dB max. at 2kHz
Frequency Response:	±0.25dB max. 200-4kHz
Return Loss:	24dB min. 200-4kHz *
Balance:	80dB min.
Distortion:	-76dB max. @600Hz, -10dBm
Dielectric Strength:	4600 Vrms for 1 min.
Insulation Resistance:	100MΩ@500V
DC Resistance * *	
Primary:	115 Ω±15%
Secondary:	115 Ω±15%
Shunt Inductance:	3.8H min.
Shunt:	7500 Ω min.
Leakage Inductance:	6mH typ. @1kHz
Power Level:	10dBm
Operating Temperature:	-20°C-+85°C
Storage Temperature:	-40°C-+85°C
Terminal Plating Material	AgSn

TECHNICAL INFORMATION



Suggested PCB Layout

Schematic

ALL DIMENSIONS IN MM

* For use with recommended circuit [BS6305 impedance Class A non-speech or Class B speech]

* * FA-LP-5001 is symmetrical, meaning there is no real primary nor secondary winding.

SURFACE MOUNT LINE MATCHING TRANSFORMERS FALP-5002 SERIES



FEATURES

Subminiature in FAT
7.36mm seated height
Tested at 4600 Vrms, 1minute
Distortion of only 0.015%
Vacuum encapsulated
UL60950 certified
RoHS compliant

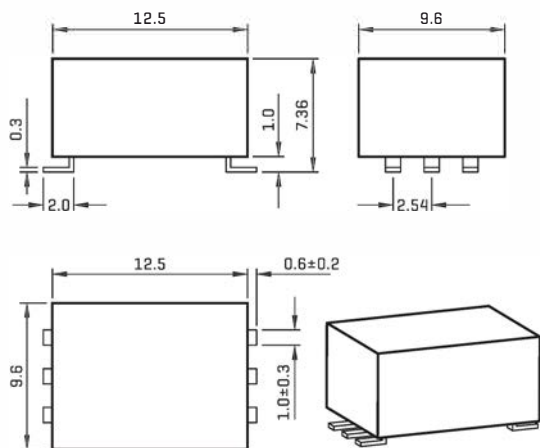
OPTIONS

Tape and reel is standard
(400 pcs. per reel)
Bulk packaging available for
faller quantities
Custom design available
Tolerance: 5% is standard,
Tighter tolerance available

COMMON APPLICATIONS

Modems [V32]
Laptop Computer
Telecommunications
Instrumentation
PCMCIA

PHYSICAL CHARACTERISTICS

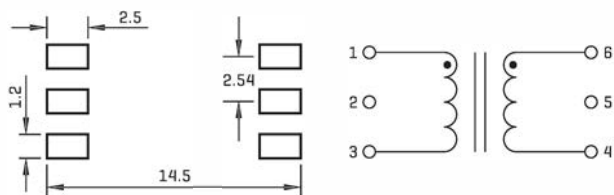


ALL DIMENSIONS IN MM

ELECTRICAL CHARACTERISTICS

Nominal Impedance:	600°C
Turns Ratio:	1:1
Insertion Loss:	2.0dB max. at 2kHz
Frequency Response:	±0.25dB max. 200-4kHz
Return Loss:	24dB min. 200-4kHz *
Balance:	80dB min.
Distortion:	-85dB max. @600Hz, -10dBm
Dielectric Strength:	4600 Vrms for 1 min.
Insulation Resistance:	100MΩ@500V
DC Resistance * *	
Primary:	136 Ω±12%
Secondary:	136 Ω±12%
Shunt Inductance:	3.8H min.
Shunt:	7500 Ω min.
Leakage Inductance:	6-7mH typ. @1kHz
Power Level:	10dBm
Operating Temperature:	-20°C-+85°C
Storage Temperature:	-40°C-+85°C
Terminal Plating Material	AgSn

TECHNICAL INFORMATION



Suggested PCB Layout

Schematic

ALL DIMENSIONS IN MM

* For use with recommended circuit [BS6305 impedance Class A non-speech or Class B speech]

* * FA-LP-5002 is symmetrical, meaning there is no real primary nor secondary winding.

ECONOMY AUDIO DRY(NO DC) COUPLING TRANSFORMERS FAAT SERIES



FEATURES

Metric size
 Low cost
 Dielectric strength-1000VAC (PRI-SEC-CORE)
 Resistances $\pm 20\%$
 All impedances $\pm 10\%$ [at 1kHz]

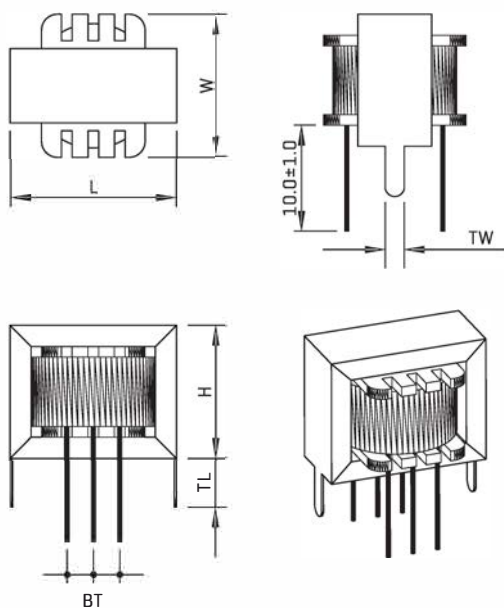
OPTIONS

Bulk packaging is standard
 Custom design available

COMMON APPLICATIONS

Telephony
 Audio coupling / isolating
 Alarm system

PHYSICAL CHARACTERISTICS



ALL DIMENSIONS IN MM

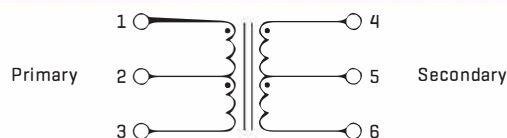
Part No.	size 1 EI-14	size 2 EI-16	size 3 EI-19	size 4 EI-24
L	15.2	17.7	20.3	25.3
H	11.0	14.0	16.2	19.0
W	12.0	16.0	14.5	16.9
TW	2.0	2.2	2.2	2.6
TL	3.8	4.0	4.2	4.8
BT	2.5	2.8	3.0	4.5

Size 1: EI-14 series 0.75watts max. / TCW leads 0.4mm DIA.
 Size 2: EI-16 series 0.1watts max. / TCW leads 0.43mm DIA.
 Size 3: EI-19 series 0.2watts max. / TCW leads 0.4mm DIA.
 Size 4: EI-24 series 0.46watts max. / TCW leads 0.48mm DIA.

ELECTRICAL CHARACTERISTICS

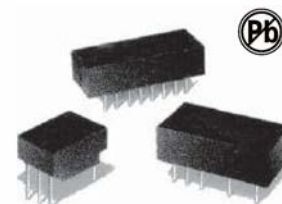
Part No.	Size	Description	Impedance[°C]		DC Resistance	
			Pri.	Sec.	Pri.	Sec.
FAAT-201	1	Output	500 C.T.	8 C.T.	35	0.8
FAAT-130	1	Coupling	600 C.T.	600 C.T.	45	40
FAAT-202	1	Output	1K C.T.	8 C.T.	60	0.8
FAAT-203	1	Coupling	10K C.T.	600 C.T.	450	100
FAAT-204	1	Driver	10K C.T.	2K C.T.	500	200
FAAT-301	2	Output	500 C.T.	8 C.T.	22	0.8
FAAT-302	2	Interstage	500 C.T.	500 C.T.	30	28
FAAT-303	2	Output	1.2K C.T.	8 C.T.	80	0.8
FAAT-304	2	Output	48 C.T.	8 C.T.	2.5	0.5
FAAT-305	2	Output	200 C.T.	8 C.T.	12	0.8
FAAT-400	3	Output	200 C.T.	8 C.T.	12	0.8
FAAT-401	3	Output	500 C.T.	8 C.T.	26	0.8
FAAT-129	3	Coupling	600 C.T.	600 C.T.	65	55
FAAT-402	3	Output	800 C.T.	8 C.T.	40	0.8
FAAT-403	3	Output	1.2K C.T.	8 C.T.	80	0.8
FAAT-404	3	Interstage	1.5K C.T.	500 C.T.	120	50
FAAT-405	3	Coupling	10K C.T.	600 C.T.	600	100
FAAT-406	3	Driver	10K C.T.	2K C.T.	600	155
FAAT-500	4	Output	48 C.T.	8 C.T.	2.5	0.5
FAAT-501	4	Output	120 C.T.	8 C.T.	7	0.7
FAAT-502	4	Output	200 C.T.	8 C.T.	12	0.5
FAAT-503	4	Output	500 C.T.	8 C.T.	18	0.7
FAAT-504	4	Interstage	500 C.T.	500 C.T.	35	28
FAAT-505	4	Driver	10K C.T.	2K C.T.	600	155
FAAT-506	4	Output	1.2K C.T.	8 C.T.	75	0.8
FAAT-507	4	Coupling	600 C.T.	600 C.T.	65	55

TECHNICAL INFORMATION



Schematic

10/100BASE-TX MAGNETICS MODULES FAHS1606, 2007



FEATURES:

Designed to meet IEEE 802.3 requirements
Through-hole Low cost design

OPTIONS:

Tape & Reel is Standard
Bulk upon request

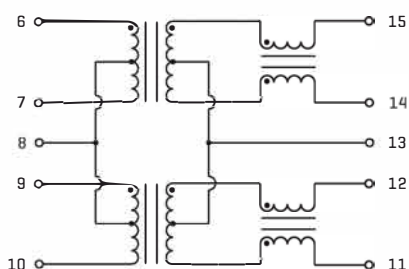
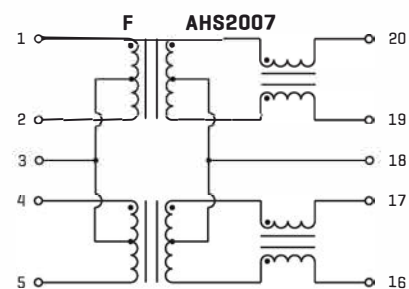
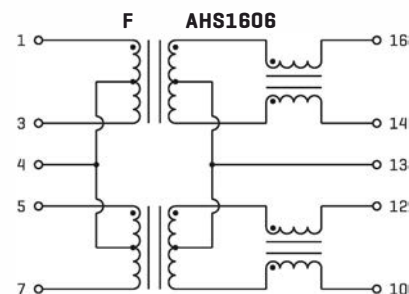
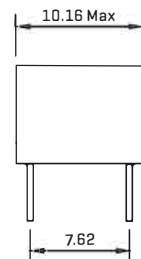
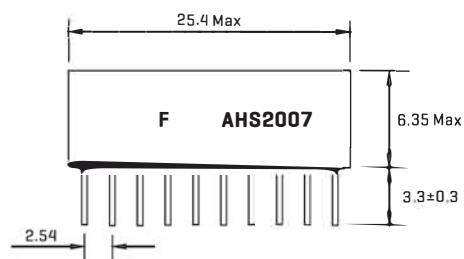
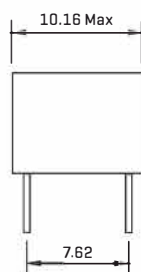
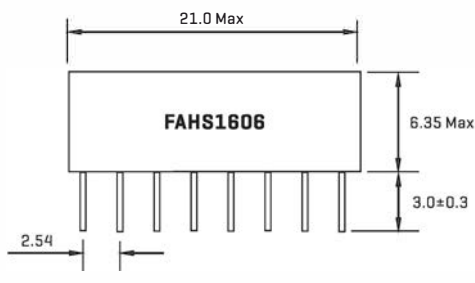
COMMON APPLICATIONS:

Multiport Repeater & Ethernet Switching HUB
Cable interface for isolation and low common mode emissions

ELECTRICAL SPECIFICATION@25°C -Operating Temperature 0°C to 70°C

Part number	Turns Ratio [±2%]	Insertion Loss [Max]	Return Loss [dB Min]					Crosstalk [dB Min]				Differential to Common Mode Rejection [dB Min]		Hi-pot [Vrms Min]
			0.1-100MHz	2-30MHz	40MHz	50MHz	60-80MHz	1KHz	30MHz	60MHz	100MHz	1-60MHz	60-200MHz	
FAHS1606	1CT:1CT	-1.1	-16	-15.0	-13.0	-12	-38	-38	-38	-38	-38	-38	15	
FAHS2007	1CT:1CT	-1.0	-16	-12.0	-10.0	-37	-25	-40	-40	-35	-40	-35	1500	

TECHNICAL INFORMATION & PHYSICAL CHARACTERISTICS:



OCL:350uH Min 8mA DC bias[Line side]
Hi-Pot:1500 VRMS Min
Soldering methods:Wave,Reflow
Operating Temperature:0°C to 70°C
Storage Temperature:-25°C to 85°C

DIMENSIONS:mm
Unless otherwise specified all tolerances are±0.25

Note:All specifications subject to change without notice.

10/100BASE-TX MAGNETICS MODULES FAHS16001S-16002S



FEATURES:

Designed to meet IEEE 802.3 requirements

OPTIONS:

Tape & Reel is Standard
Bulk upon request

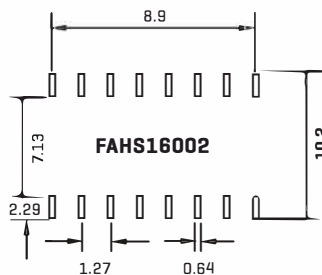
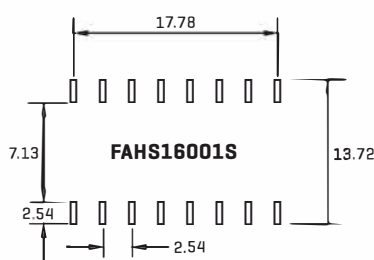
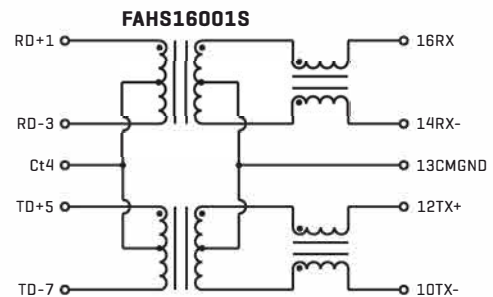
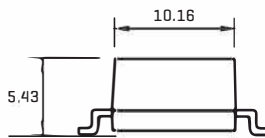
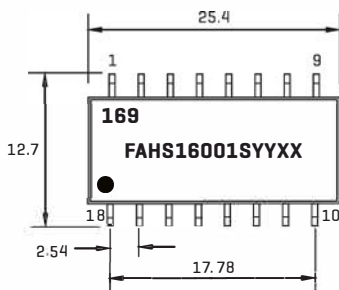
COMMON APPLICATIONS:

Cable interface for isolation and low common mode emissions
Multiport Repeater & Ethernet Switching HUB

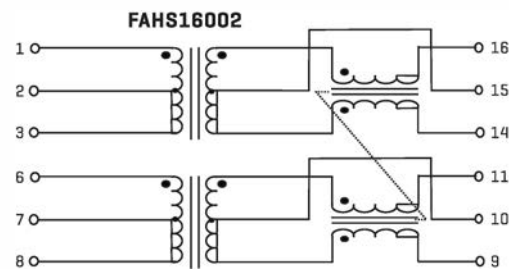
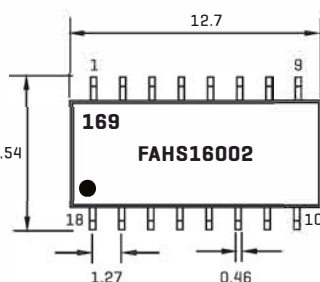
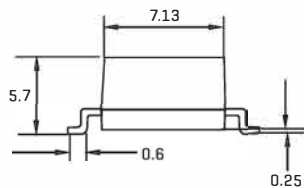
ELECTRICAL SPECIFICATION@25°C -Operating Temperature 0°C to 70°C

Part number	Turns Ratio [±2%]	Insertion Loss [Max]	Return Loss [dB Min]					Crosstalk [dB Min]				Differential to Common Mode Rejection[dB Min]		Hi-pot [Vrms Min]
			0.1-100MHz	2-30MHz	40MHz	50MHz	60-80MHz	1KHz	30MHz	60MHz	100MHz	1-60MHz	60-200MHz	
FAHS16001S	1CT:1CT	-1.0	-18	-14.4	-13.1	-12	-55	-45	-40	-32	-37	-25	1500	
FAHS16002	1CT:1CT	-1.0	-20	-20	-18	-14	-50	-40	-40	-42	-36	-33	1500	

TECHNICAL INFORMATION & PHYSICAL CHARACTERISTICS:



DIMENSIONS:mm
Unless otherwise specified all tolerances are±0.25



OCL:350uH Min 8mA DC bias[Line side]
Hi-Pot:1500 VRMS Min
Soldering methods:Wave,Reflow
Operating Temperature:0°C to 70°C
Storage Temperature:-25°C to 85°C

Note:All specifications subject to change without notice.

10/100/1000BASE-T MAGNETICS MODULES FAHS7201



FEATURES:

Compliant with IEEE 802.3ab Standard for 1000BASE-T

OPTIONS:

Tape & Reel is Standard
Bulk upon request

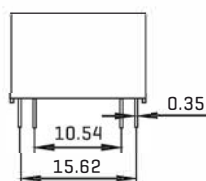
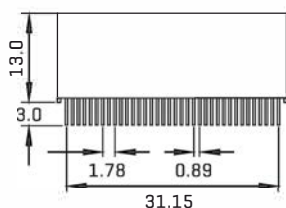
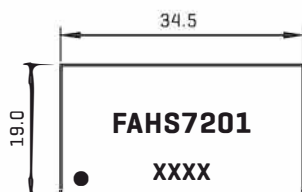
COMMON APPLICATIONS:

Designed for Ethernet 1000BASE-T, full Quad Port applications
Supports 16 pairs of category 5UTP cable
Cable interface for isolation and low common mode emissions

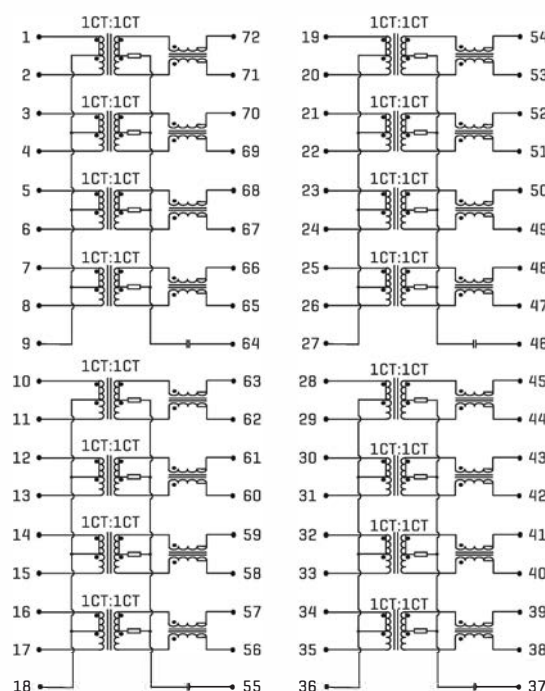
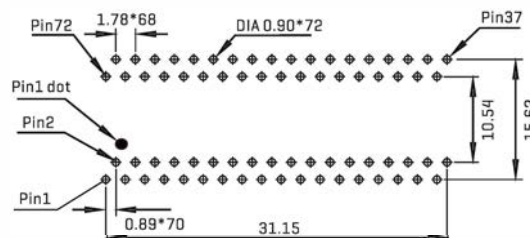
ELECTRICAL SPECIFICATION@25°C - Operating Temperature 0°C to 70°C

Part number	Turns Ratio [±2%]	Insertion Loss [Max]	Return Loss [dB Min]					Crosstalk [dB Min]				Differential to Common Mode Rejection [dB Min]		Hi-pot [Vrms Min]
			0.1-100MHz	2-30MHz	40MHz	50MHz	60-80MHz	1KHz	30MHz	60MHz	100MHz	1-60MHz	60-200MHz	
FAHS7201	1CT:1CT	-1.0	-18	-14.4	-18	-13.1	-40	-35	-30	-40	-35	-30	1500	

TECHNICAL INFORMATION & PHYSICAL CHARACTERISTICS:



Recommended Pad Layout



OCL:350uH Min 8mA DC bias (Line side)
Hi-Pot:1500 VRMS Min
Soldering methods:Wave,Reflow
Operating Temperature:0°C to 70°C
Storage Temperature:-25°C to 85°C

DIMENSIONS:mm
Unless otherwise specified all tolerances are±0.25

Note:All specifications subject to change without notice.

10/100/1000BASE-T MAGNETICS MODULES FAHS16015S,16063S



FEATURES:

Designed to fit with Broadcom, Intel, Micrel, National, Seemiconductor, ICS
Compliant with IEE 802.3u and ANSI X.3.263 standards Including 350uH OCL with 8mA bias

OPTIONS:

Tape & Reel is Standard
Bulk upon request

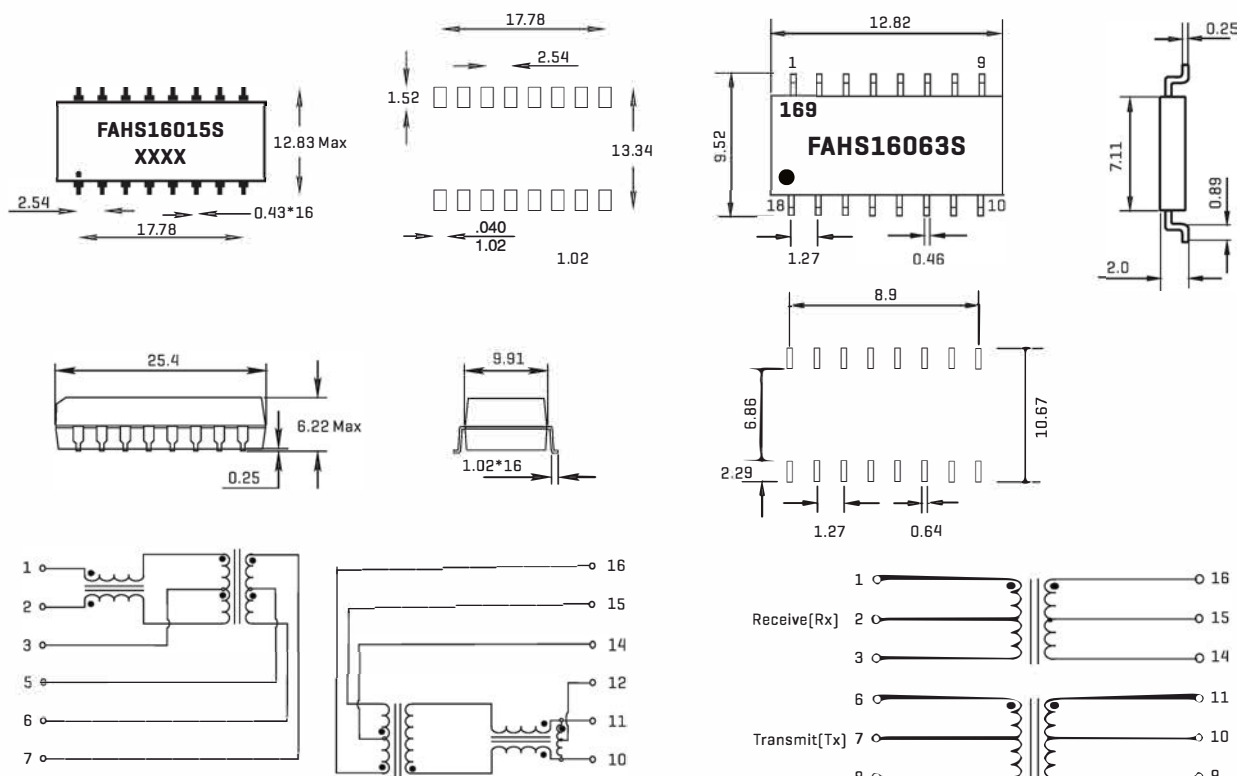
COMMON APPLICATIONS:

Cable interface for isolation and low common mode emissions
Multiport Repeater & Ethernet Switching HUB

ELECTRICAL SPECIFICATION@25°C -Operating Temperature 0°C to 70°C

Part number	Turns Ratio [±2%]	Insertion Loss [Max]	Return Loss [dB Min]				Crosstalk [dB Min]				Differential to Common Mode Rejection [dB Min]		Hi-pot (Vrms Min)	
			0.1-100MHz	2-30MHz	40MHz	50MHz	60-80MHz	1KHz	30MHz	60MHz	100MHz	1-60MHz		60-200MHz
FAHS16015S	1CT:1CT	-1.0	-20	-20	-20	-18	-14	-50	-40	-40	-42	-36	-33	1500
FAHS16063S	1CT:1CT	-1.0	-18	-14.4	-13.1	-12	-65	-50	-40	-35	-40	-35	1500	

TECHNICAL INFORMATION & PHYSICAL CHARACTERISTICS:



OCL:350uH Min 8mA DC bias [Line side]
Hi-Pot:1500 VRMS Min
Soldering methods:Wave,Reflow
Operating Temperature:0°C to 70°C
Storage Temperature:-25°C to 85°C

DIMENSIONS:mm
Unless otherwise specified all tolerances are±0.25

Note:All specifications subject to change without notice.

10/100/1000BASE-T MAGNETICS MODULES FAHS2410,2411



FEATURES:

1:1 Turns Ratio
Full Duplex Compatible
Poe MAGNETICS
Compliant with IEE 802.3u and ANSI X.3.263 standards including 350uH OCL with 8mA bias

OPTIONS:

Bulk upon request
Custom Design Available
Thru Hole Available

COMMON APPLICATIONS:

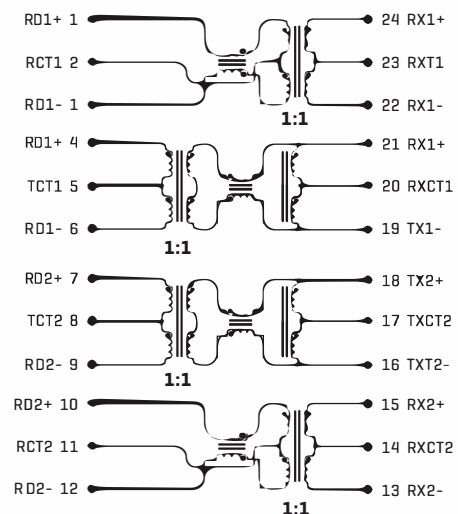
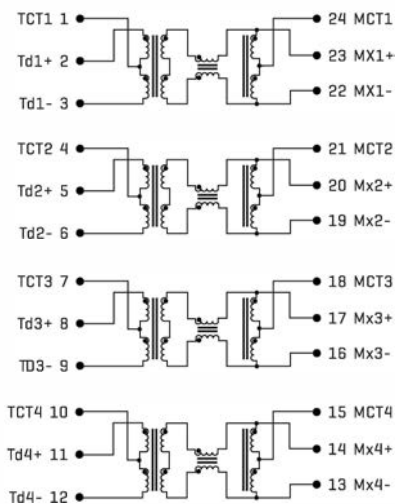
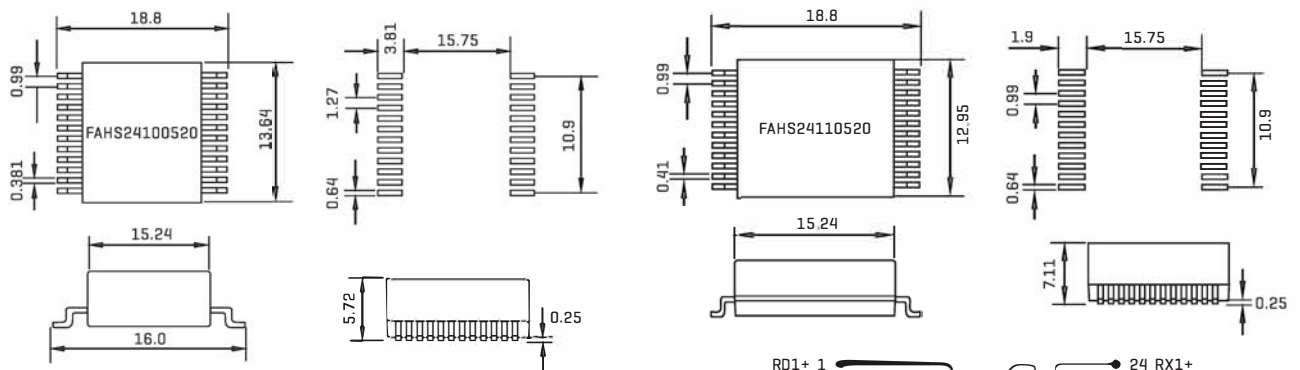
Cable interface for isolation and low common mode emissions
Designed to fit behind 1*1 RJ45 connector
Hs2411 Designed for IP phone or Switch

ELECTRICAL SPECIFICATION@25°C -Operating Temperature 0°C to 70°C

Part number	Turns Ratio [±2%]	Insertion Loss [Max]	Return Loss [dB Min]				Crosstalk [dB Min]				Differential to Common Mode Rejection[dB Min]		Hi-pot [Vrms Min]
			0.1-100MHz	2-30MHz	40MHz	50MHz	60-80MHz	1KHz	30MHz	60MHz	100MHz	1-60MHz	
FAHS2410	1CT:1CT	-1.0	-18	-14.4	-13.1	-12	-65	-50	-40	-35	-40	-35	1500
FAHS2411	1CT:1CT	-1.2	-16	-14.0	-13.0	-12	-43	-37	-33	-50	-43	-35	1500

TECHNICAL INFORMATION & PHYSICAL CHARACTERISTICS:

Primary OCL Tx & Rx:350uH Min@Idc=8mA
Hi-Pot:1500VRMS



Soldering methods:Wave,Reflow
Operating Temperature:0°C to 70°C
Storage Temperature:-55°C to 70°C

DIMENSIONS:mm
Unless otherwise specified all tolerances are±0.25
Note:All specifications subject to change without notice.

ISDN S-INTERFACE MAGNETICS MODULES FAHS5011-5015



FEATURES :

Meet Industry Standard Footprints
Designed for enhanced EMC performance
ISDN Interface Isolation
Through-Hole Dual 1500Vrms

OPTIONS:

Bulk upon request
Custom Design Available

COMMON APPLICATIONS:

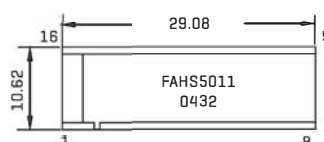
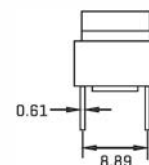
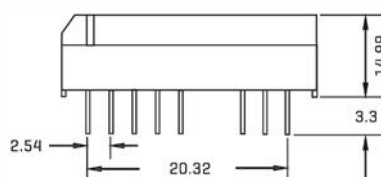
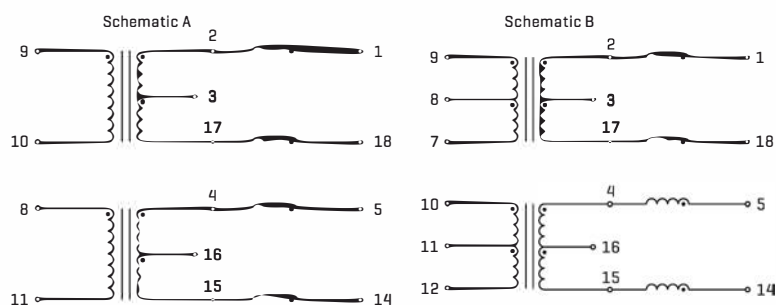
Cable interface for isolation and low common mode emissions
Designed to fit behind 1*1 RJ45 connector
ISDN S-Interface Single Port

STANDARD SPECIFICATIONS

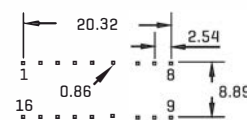
Part number	Transformer						Choke				Schematic
	Inductance OCL [mH Min]	Inductance Leakage [uH Max]	Interwinding Capacitance [pF Max]	DC Resistance [ohms Max]		Turn Ratio Pri:Sec [±3%]	Inductance OCL [mH Min]	Inductance Leakage [uH Max]	DC Resistance [ohms Max]	Turns [±5%]	
				Pri	Sec						
FAHS5011	30	10	150	4.00	4.00	1CT:1CT	4.70	0.6	1.20	1:1:1	A
FAHS5012	30	30	150	4.00	6	1CT:2CT	4.70	0.6	1.20	1:1:1	A
FAHS5013	30	30	150	4.00	9	1CT:2.5CT	4.70	0.6	1.20	1:1:1	A
FAHS5015	30	30	150	4.00	6	1CT:2CT	4.70	0.6	1.20	1:1:1	B

TECHNICAL INFORMATION & PHYSICAL CHARACTERISTICS:

Dimension:mm
Isolation Hi-Pot:1500 VRMS(Pri/Sec)
Soldering methods:Wave,Reflow
Operating Temperature:0°C to 70°C
Storage Temperature:-55°C to 125°C
Note:All specifications subject to change without notice



Recommended Pad Layout



10 BASE-T COUPLING TRANSFORMER FAHS16005-16025



FEATURES:

Compliant with IEE 802.3u and ANSI X.3.263
Cable interface for isolation and low common mode emissions
Meet FCC Class B Approval
SMT Pick & Place Available

OPTIONS:

Bulk upon request
Custom Design Available
Thru Hole Available

COMMON APPLICATIONS:

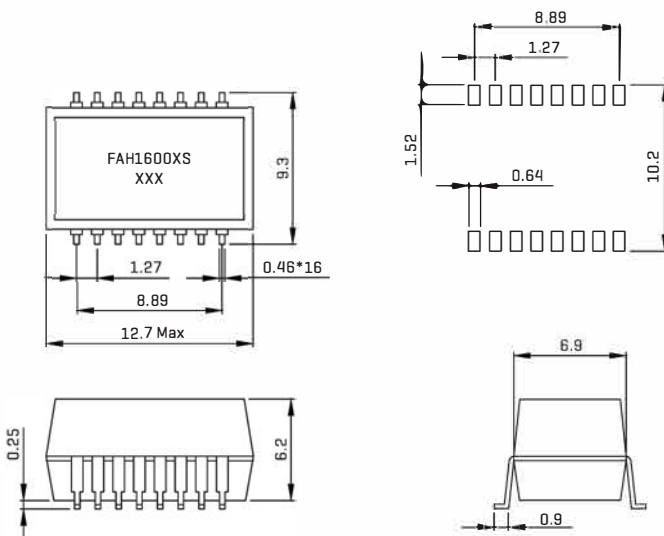
Cable interface for isolation and low common mode emissions
Designed for reflow soldering at temperature up to 234°C non-RoHS, 260°C RoHS

ELECTRICAL SPECIFICATION @ 25°C - Operating Temperature 0°C to 70°C

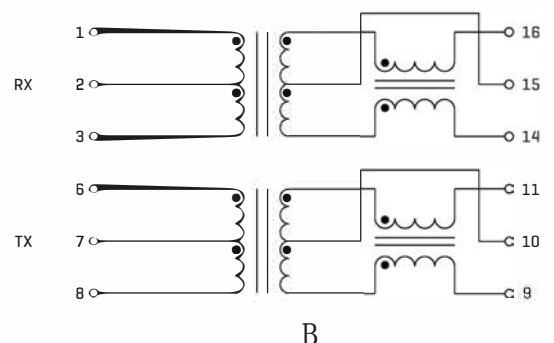
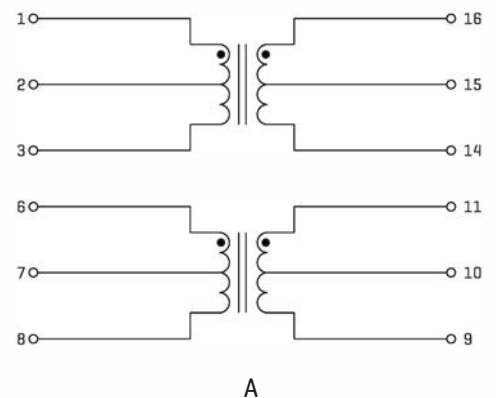
Part number	Turns Ratio [±5%]		Primary Inductance [uH]	Primary Capacitance [uH]	Leakage Inductance [uH]	DCR PRI [ohms Max]	Primary Pins	HI-PDT Vrms	Fig
	Receive [1-3:16-14]	Transmit [6-8:11-9]							
FAHS16005S	1CT:1CT	1CT:2.5CT	200/35min	15	0.4	0.5	6-881-3	2000	B
FAHS16020S	1CT:1CT	1CT:2.0CT	140Typ	15	0.4	0.3	6-881-3	2000	A
FAHS16021S	1CT:1CT	1CT:2.0CT	140Typ	15	0.4	0.3	6-881-3	2000	B
FAHS16022S	2CT:1CT	2CT:1.0CT	150min	10	0.4	0.35	6-881-3	2000	A
FAHS16023S	2CT:1CT	2CT:1.0CT	150min	10	0.4	0.35	6-881-3	2000	B
FAHS16024S	1CT:1CT	1CT:2.0CT	140/25Typ	15	0.4	0.3	6-881-3	2000	A
FAHS16025S	1CT:1CT	1CT:2.0CT	140/25Typ	15	0.4	0.3	6-881-3	2000	B

TECHNICAL INFORMATION & PHYSICAL CHARACTERISTICS:

Dimension:mm
Isolation Hi-Pot:1500 VRMS[Pri/Sec]
Soldering methods:Wave,Reflow
Operating Temperature:0°C to 70°C
Storage Temperature:-55°C to 125°C
Note:All specifications subject to change without notice



Unless otherwise specified all tolerances are ±0.25





1000 BASE-T COUPLING TRANSFORMER FANS16008S,16009S

FEATURES :

Compliant with IEE 802.3u and ANSI X.3.263
Standards including 350uH OCL with 8mA bias
Cable interface for isolation and low common mode emissions
Meet FCC Class B Approval
SMT Pick & Place Available

OPTIONS:

Bulk upon request
Custom Design Available
Thru Hole Available

COMMON APPLICATIONS:

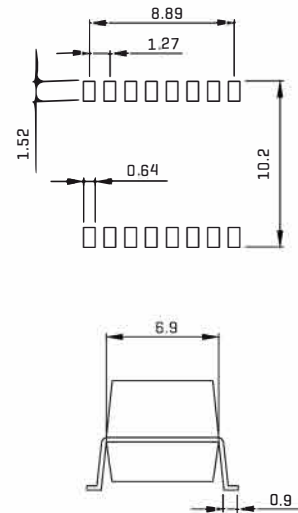
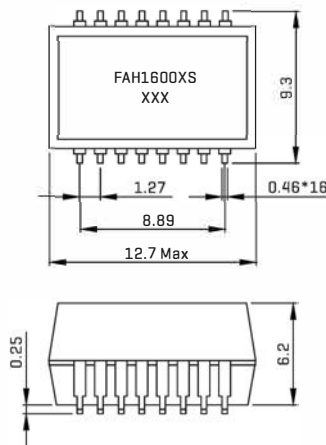
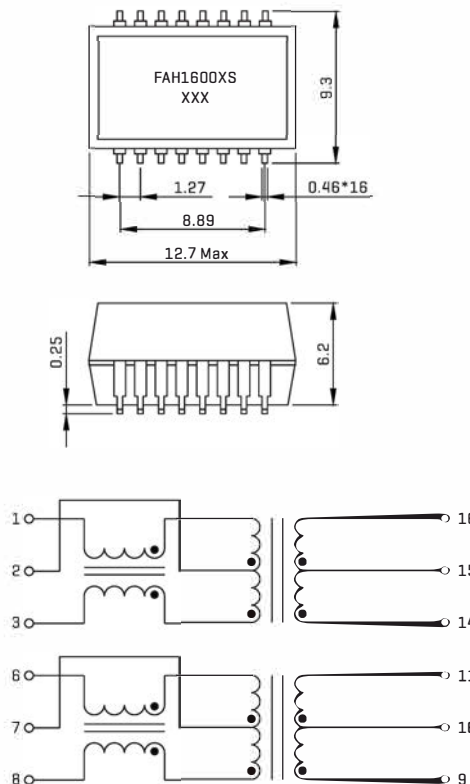
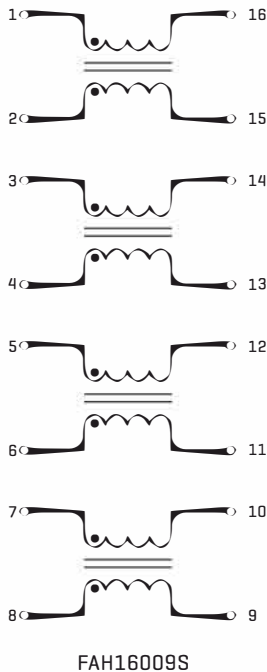
Cable interface for isolation and low common mode emissions
Designed to fit with Intel, Panasonic, Asus, Semiconductor
Designed for reflow soldering at temperature up to 234°C non-RoHS, 260°C RoHS

ELECTRICAL SPECIFICATION@25°C -Operating Temperature 0°C to 70°C

Part number	Turns Ratio	Insertion Loss [dB Max] 100K-100MHz	Return Loss [dB Min @ 100 ohms]				Crosstalk [dB Type]			Differential to common mode rejection [dB Min]			Isolation Volage [Vrms]
	Rx:Tx		0.5-30 MHz	40 MHz	50 MHz	60-80 MHz	30 MHz	60 MHz	100 MHz	30 MHz	50 MHz	100 MHz	
	±2% Max												
FAHS16008S	1CT:1CT	-0.1	-18	-16	-14	-12	-35	-35	-35	-40	-40	-40	1500CT
FAHS16009S	1:1:1:1:1:1:1:1	-0.1	-20	-20	-18	-14	-50	-40	-40	-42	-36	-33	1500CT

TECHNICAL INFORMATION & PHYSICAL CHARACTERISTICS:

Dimmension:mm
Isolation Hi-Pot:1500 VRMS(Pri/Sec)
Soldering methods:Wave,Reflow
Operating Temperature:0°C to 70°C
Storage Temperature:-55°C to 125°C
Note:All specifications subject to change without notice



Unless otherwise specified all tolerances are ±0.25

FAH16008S

10/100 BASE-T COUPLING TRANSFORMER

FALAN-100 ,125 SERIES



FEATURES:

IEE 802.3u and ANSI X.3.263
SMT Pick & Place Available
Miniature size

OPTIONS:

Tape & Reel is Standard
Custom Design Available

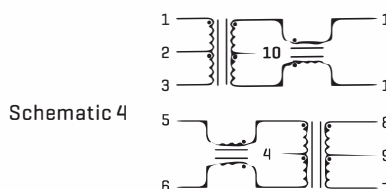
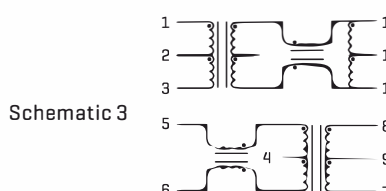
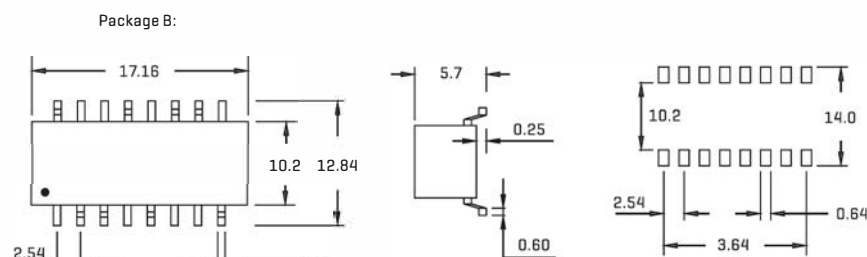
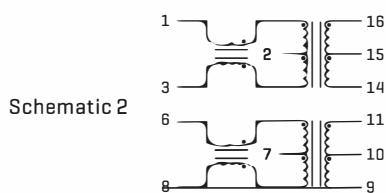
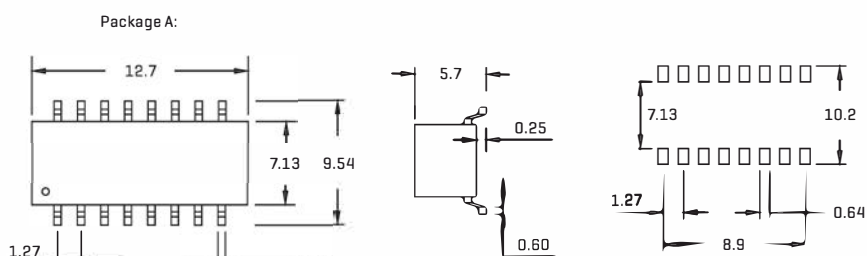
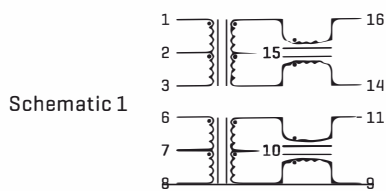
COMMON APPLICATIONS:

10/100 Base-T Single Port

STANDARD SPECIFICATIONS

Part number	Turns Ratio±2%		Insertion Loss 1-100MHz [dB Max]	Cross Talk 0.1-100MHz [dB Max]	CMR 0.1-100MHz [dB Max]	Return Loss[dB Max]			SCH	Package
	TX	RX				30MHz	50MHz	80MHz		
FALAN-101	1CT:1CT	1CT:1CT	1:1	35	30	18	15	13	1	A
FALAN-102	1CT:1CT	1CT:1CT	1:1	35	30	18	15	13	2	A
FALAN-103	2CT:1CT	1CT:1CT	1:1	35	30	18	13	13	1	A
FALAN-104	1.41CT:1CT	1CT:1CT	1:1	35	30	18	13	13	1	A
FALAN-121	1CT:1CT	1CT:1CT	1:1	38	42	18	13	12	3	B
FALAN-122	1CT:1CT	1CT:1CT	1:1	38	38	16	13	12	4	B
FALAN-123	2CT:1CT?	1CT:1CT	1:1	38	35	16	13	12	4	B
FALAN-124	1CT:1.41CT	1CT:1CT	1:1	38	42	16	13	12	3	B
FALAN-125	1CT:1.41CT	1CT:1CT	1:1	38	38	16	13	12	4	B

Primary DCL TX & RX:350uH Min @ I_{dc}=8mA
Hi-Pot:1500VRMS



TECHNICAL INFORMATION:

Dimension:mm
Soldering methods:Wave,Reflow
Operating Temperature:0°C to 70°C
Storage Temperature:-55°C to 125°C
Note:All specifications subject to change without notice

HOME PHONE NETWORKING MAGNETIC MODULES FAHPN-101



FEATURES :

Bandpass filter
Isolation and EMI Filtering

OPTIONS:

Tape & Reel is Standard
Bulk upon request

COMMON APPLICATIONS:

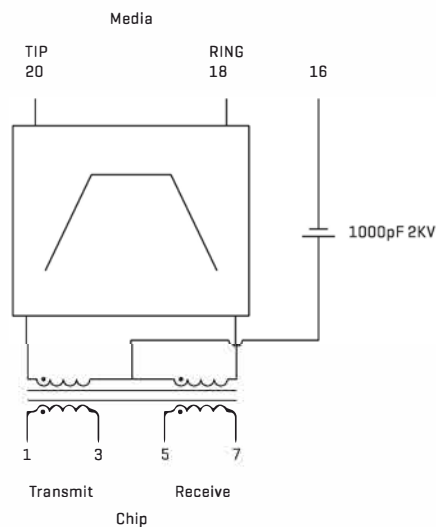
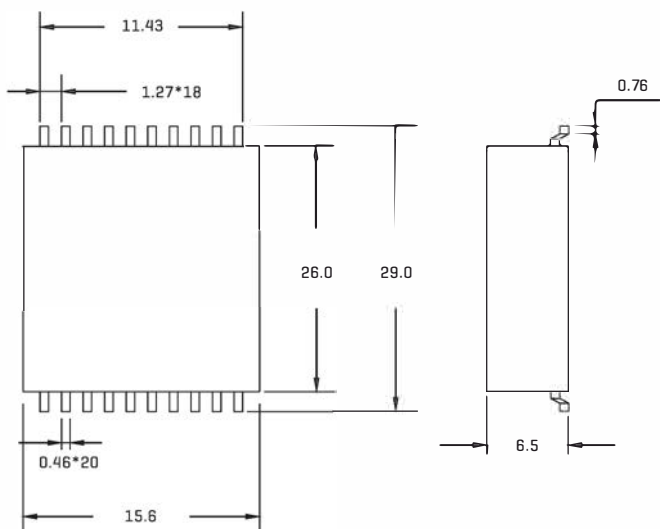
Home Phone Networking

STANDARD SPECIFICATIONS

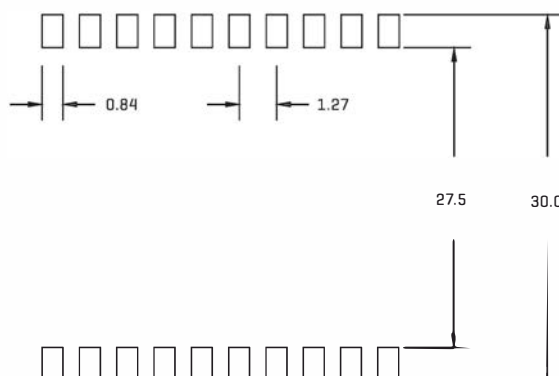
Part number	Cut-off Frequency		Insertion Loss 4.25MHz-9.75MHz		Return Loss MHz	Allenuation		CMR	Turns Ratio		
	Lower Band	Higher Band	[dB] Min	[dB] Max	[dB Min] 6.0MHz-9.0MHz Max	[dB] 1.1MHz-22MHz	[dB] 54MHz	[dB Min] 200KHz-22MHz	20-18 :1-3	20-18 :5-7	
FAHPN-101	3.5 MHz	11.5 MHz	1.0	2.2	12	60	35	40	40	1:0667	1:2

Hi-Pot:1500VRMS1-3 TO 18-20,5-7 TO 18-12

SCHEMATIC:



Recommended Pad Layout



TECHNICAL INFORMATION:

Dimmension:mm
Soldering methods:Wave,Reflow
Operating Temperature:0°C to 70°C
Storage Temperature:-55°C to 125°C
Note:All specifications subject to change without notice

10/100BASE-TX MAGNETICS MODULES FAHS1164



FEATURES:

Compliant with IEE 802.3u and ANSI X.3.263 Standards including 350uH DCL with 8mA bias
Cable interface for isolation and low common mode emissions

OPTIONS:

Tape & Reel is Standard
Bulk upon request

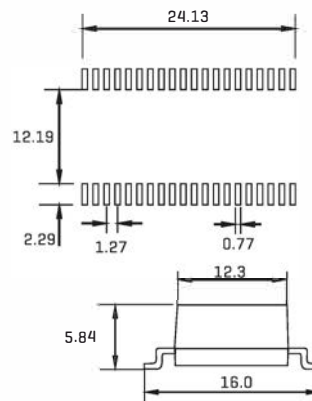
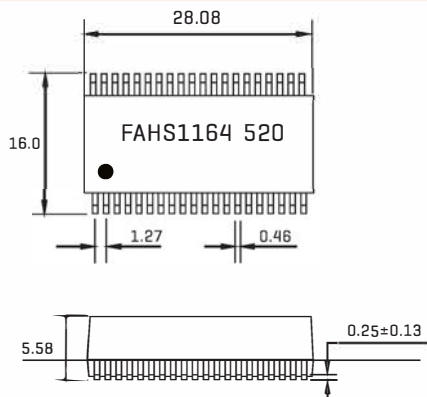
COMMON APPLICATIONS:

Symmrtria TX and RX channels for auto MDI/MDIX capability.
Approved for use with Broadcom BCM5226/BCM5228 and Level One LXT9784
Multiport Repeater & Ethernet Switching HUB

ELECTRICAL SPECIFICATION@25°C -Operating Temperature 0°C to 70°C

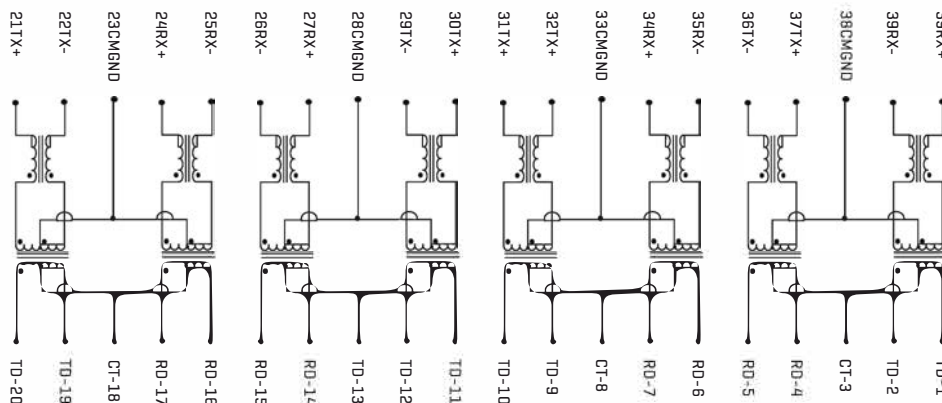
Part number	Turns Ratio [±2%]	Insertion Loss [Max]	Return Loss [dB Min]					Crosstalk [dB Min]				Differential to Common Mode Rejection[dB Min]		Hi-pot [VRms Min]
			0.1-100MHz	2-30MHz	40MHz	50MHz	60-80MHz	1KHz	30MHz	60MHz	100MHz	1-60MHz	60-200MHz	
FAHS1164	1CT:1CT	-1.0	-18	-14.4	-13.1	-12	-55	-45	-40	-33	-37	-25	1500	

TECHNICAL INFORMATION & PHYSICAL CHARACTERISTICS:



DIMENSIONS:mm

Unless otherwise specified all tolerances are 60.25



OCL:350uH Min 8mA DC bias[Line side]
Hi-Pot:1500 VRMS Min
Soldering methods:Wave,Reflow
Operating Temperature:0°C to 70°C
Storage Temperature:-25°C to 85°C

Note:All specifications subject to change without notice.

THROUGH-HOLE CURRENT SENSING TRANSFORMERS FAACST014-016 SERIES



FEATURES

Low profile, directly to PCB.
PBT 94V0 Case burn-resistant epoxy resin, stable.

OPTIONS

Bulk is standard
Custom design acceptable

COMMON APPLICATIONS

Air-Conditioner Current Control
Protection current transformer
Testing Protection system
Electronical monitoring system

ELECTRICAL CHARACTERISTICS

Performance&Specification for 50/60Hz series

Part Number	Rated primary current(A)	Max primary current(A)	Rated secondary current(mA)	Resistance load (Ohm)	Output ratio (Ω)	Accuracy class
FAACST014	5	12	2.5	1000	2.5	1
FAACST014	5	15	5	100	0.5	1
FAACST015	5	15	2	2000	4.0	1
FAACST015	3	10	1	2500	2.5	1

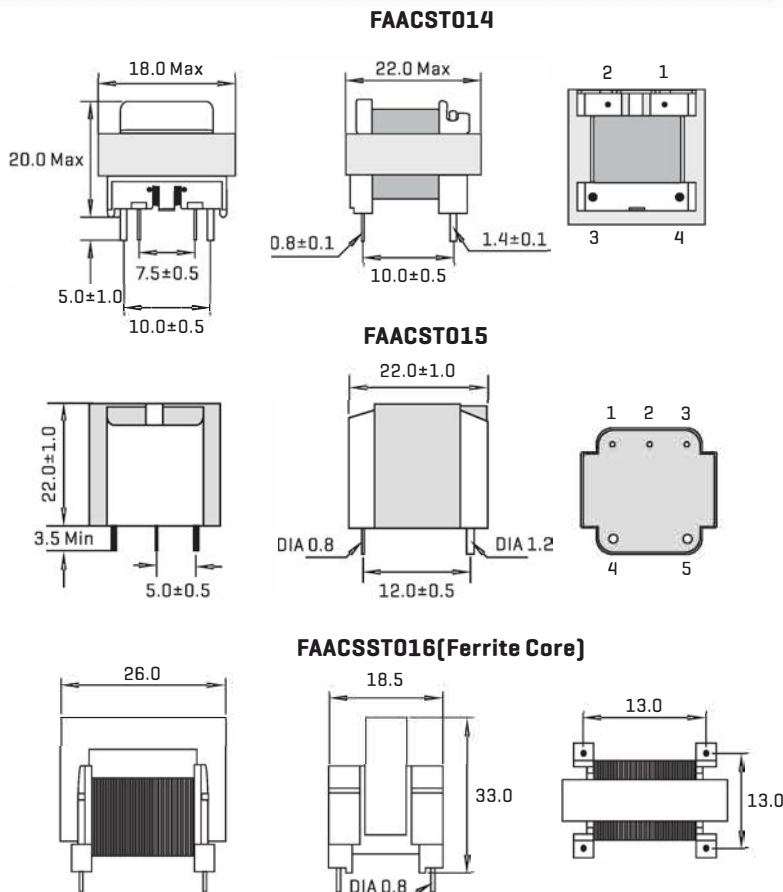
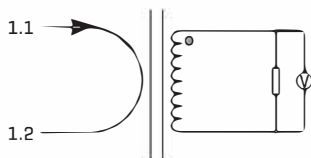
Performance&Specification for High frequency(10KHz~200KHz)

Part Number	Rated primary current(A)	Max primary current(A)	Rated secondary current(mA)	Resistance load (Ohm)	Output ratio (Ω)	Accuracy class
FAACST016	5	20	2	1000	2	2
FAACST016	10	20	5	500	2.5	2

TECHNICAL INFORMATION & PHYSICAL CHARACTERISTICS

- Insulation resistance: 500V DC >100MΩ
- Hi-Pot : 4000V 1mA 60S
- Temperature range: -25°C to +85°C
- Storage Temperature: -40°C to +105°C
- Resistance to soldering heat:260°C for 10 seconds
- Marking: Part number and date code

Note: All specifications subject to change without notice.



ALL DIMENSIONS IN MM

THROUGH-HOLE CURRENT SENSOR TRANSFORMERS FAACST010-013 SERIES



FEATURES

Low profile, directly to PCB.
PBT 94V0 Case burn-resistant epoxy resin, stable.

OPTIONS

Bulk packaging is standard
Custom design available

COMMON APPLICATIONS

AC energy Meter Power transducer RTU
Protection current transformer
AC kilowatt hour meter
Electronical monitoring system

ELECTRICAL CHARACTERISTICS

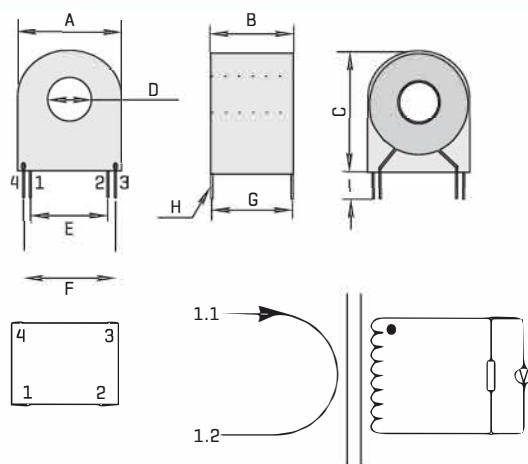
Performance & Specification for High Precision Current Test

Part Number	Rated primary current(A)	Max primary current(A)	Rated secondary current(mA)	Current ratio	Output ratio (Ω)	Accuracy class
FAACST010A/5	5	40	2.5	2000:1	100	0.2,0.5
FAACST010A/10	10	40	4	2500:1	100	0.2,0.5
FAACST010A/20	20	40	10	2000:1	100	0.1,0.2,0.5
FAACST011A/10	10	60	4	2500:1	100	0.1,0.2,0.5
FAACST011A/20	20	60	10	2000:1	100	0.1,0.2,0.5
FAACST011A/40	40	60	20	2000:1	100	0.1,0.2,0.5
FAACST012A/60	60	120	24	2500:1	100	0.1,0.2,0.5
FAACST012A/80	80	120	32	2500:1	100	0.1,0.2,0.5
FAACST012A/120	120	120	48	2500:1	100	0.1,0.2,0.5
FAACST013A/100	100	200	40	2500:1	100	0.1,0.2,0.5
FAACST013A/100	100	200	50	2000:1	100	0.1,0.2,0.5
FAACST013A/200	200	200	80	2500:1	100	0.1,0.2,0.5

Performance & Specification for Protection Precision Current Test

Part Number	Rated primary current(A)	Max primary current(A)	Rated secondary current(mA)	Resistance load (Ohm)	Output ratio (Ω)	Accuracy class
FAACST010B	5	60	5	100	0.5	0.5,1.0
FAACST010B	10	60	10	100	1.0	0.5,1.0
FAACST010B	15	60	15	100	1.5	0.5,1.0
FAACST011B	20	60	20	100	2.0	0.5,1.0
FAACST011B	25	75	25	100	2.5	0.5,1.0
FAACST011B	30	75	30	100	3.0	0.5,1.0
FAACST012B	40	75	40	100	4.0	0.5,1.0
FAACST012B	50	125	50	100	5.0	0.5,1.0
FAACST012B	60	125	60	100	6.0	0.5,1.0
FAACST013B	75	125	75	100	7.5	0.5,1.0
FAACST013B	100	250	100	100	10.0	0.5,1.0
FAACST013B	150	250	150	100	15.0	0.5,1.0

TECHNICAL INFORMATION & PHYSICAL CHARACTERISTICS:



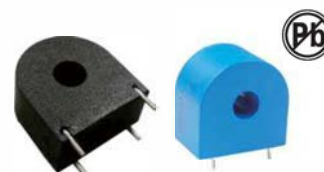
ALL DIMENSIONS IN MM

- Working Frequency range 20Hz-400Hz
- Insulation resistance: 500V DC >100MΩ
- Hi-Pot : 4000V 1mA 60S
- Temperature range: -25°C to +85°C
- Storage Temperature: -40°C to +105°C
- Resistance to soldering heat:260°C for 10 seconds
- Marking: Part number and date code

Note: All specifications subject to change without notice.

	A	B	C	D	E	F	G	H	I
FAACST010	23.5	12.5	25.0	7.0	15.0	18.5	10.5	1.0	6.0
FAACST011	26.0	17.0	29.0	9.0	15.0	18.5	15.0	1.0	6.0
FAACST012	37.0	14.0	39.0	13.0	25.0	32.5	11.0	1.0	6.0
FAACST013	49.0	20.0	54.0	18.5	29.5	37.0	17.5	1.0	6.0

AC CURRENT TRANSFORMER FACT006P-CT102 SERIES



FEATURES :

Low profile, directly to PCB
PBT 94V0 Case
burn-resistant epoxy resin, stable

APPLICATION :

Power Meter Class 0.2, 0.5, and 1.0 for accurate measurement, Indirect and Direct Type
Power Calibrator and Transducer
Street Lighting Control System
Monitoring and Protection Relay
Ground Fault CT or Grounded Neutral Sensor
Current & Power Measurement
High-end Digital Protection Relay
High-end Industrial Power Sensor

CHARACTERISTICS:

Rated Current: 0.1A-200A
Accuracy: 0.1 Class
Phase Shift Change: 12° during 2% - 120% I_b
Linearity: 0.1L, 0.2L
Operation frequency: 20Hz - 10KHz
Operation Temperature: -40°C to +80°C
Hi-pot Test between Primary and Secondary: 4KV/1min
Insulation Resistance: 500Mohm [500VDC]

ELECTRICAL CHARACTERISTICS:

Mode No.	Current [A]	Turns Ratio	DC Resistance [ohms]	Inductance [50Hz/0.5V] [H]	FIG
FACT006P-C	6	1:2000	95±15%	160±30%	FIG1
FACT006P-C1	6	1:2500	125±15%	250±30%	FIG1
FACT006P-C2	6	1:1500	53±15%	100±30%	FIG1
FACT010P-C1	10	1:2500	125±15%	250±30%	FIG1
FACT010P-C2	10	1:1500	53±15%	100±40%	FIG1
FACT010P-C6	10	1:2000	95±15%	160±30%	FIG1
FACT020P-C1	20	1:2500	125±15%	250±30%	FIG1
FACT020P-C6	20	1:1000	28±15%	45±40%	FIG1
FACT100P-C1	40	1:2500	125±15%	250±30%	FIG1
FACT100P-C2	40	1:2000	95±15%	160±30%	FIG1
FACT101P2	60	1:2000	95±15%	160±30%	FIG1
FACT006P-B1	6	1:2000	114±20%	238±30%	FIG2
FACT101P	60	1:2000	95±15%	160±30%	FIG3
FACT102-A1	80	1:1000	235±15%	95±30%	FIG4

SHAPE AND DIMENSIONS

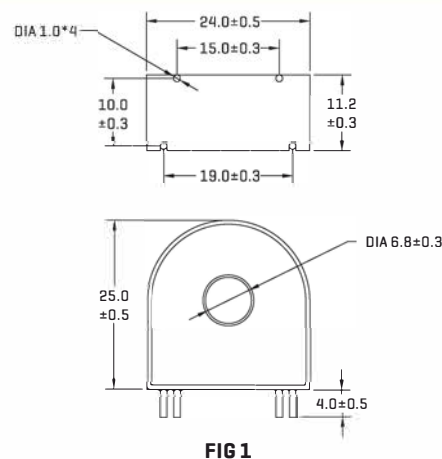


FIG 1

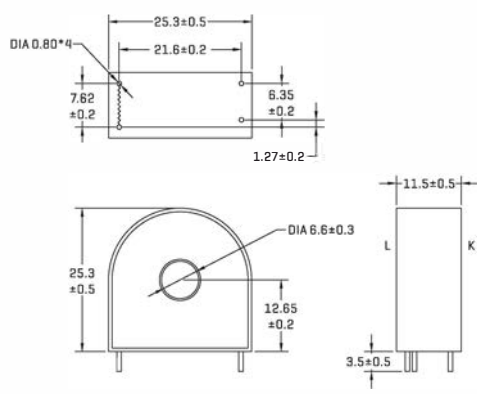


FIG 2

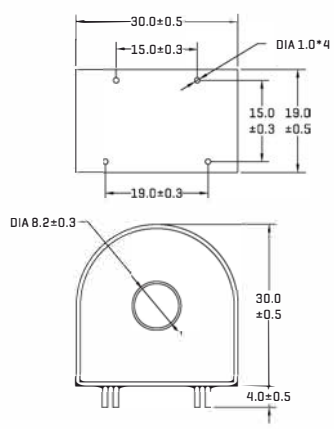


FIG 3

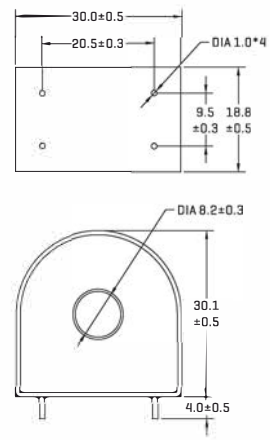


FIG 4

DIMENSIONS:MM

AC CURRENT TRANSFORMER FACT104P-CT105W SERIES



FEATURES:

Low profile, directly to PCB
PBT 94V0 Case
burn-resistant epoxy resin, stable

APPLICATION:

Power Meter Class 0.2, 0.5, and 1.0 for accurate measurement, Indirect and Direct Type
Power Calibrator and Transducer
Street Lighting Control System
Monitoring and Protection Relay
Ground Fault CT or Grounded Neutral Sensor
Current & Power Measurement
High-end Digital Protection Relay
High-end Industrial Power Sensor

CHARACTERISTICS:

Rated Current: 0.1A~200A
Accuracy: 0.1 Class
Phase Shift Change: $\lt; 12^\circ$ during 2%~120% Ib
Linearity: 0.1L, 0.2L
Operation frequency: 20Hz~10KHz
Operation Temperature: -40°C to +80°C
Hi-pot Test between Primary and Secondary: 4KV/1min
Insulation Resistance: 500Mohm[500VDC]

ELECTRICAL CHARACTERISTICS:

Mode No.	Current [A]	Turns Ratio	DC Resistance [ohms]	Inductance [50Hz/0.5V] [H]	FIG
FACT104P	100	1:2500	113±15%	340±30%	FIG1
FACT105P	120	1:2500	113±15%	340±30%	FIG1
FACT006W-C1	6	1:2000	95±15%	160±30%	FIG2
FACT010W-C1	10	1:2500	125±15%	250±30%	FIG2
FACT100W-C	40	1:2000	95±15%	160±30%	FIG2
FACT100W-C1	40	1:2500	125±15%	250±30%	FIG2
FACT020W-C2	20	1:2000	95±15%	160±30%	FIG3
FACT101W-C1	60	1:2000	95±15%	160±30%	FIG3
FACT104W	100	1:2000	113±15%	340±30%	FIG4
FACT105W	120	1:2000	113±15%	340±30%	FIG4

SHAPE AND DIMENSIONS

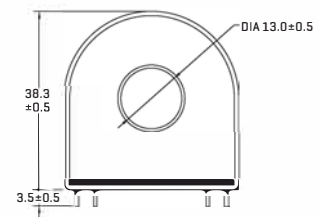
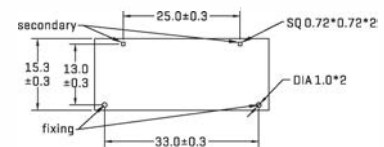


FIG 1

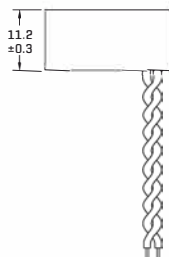
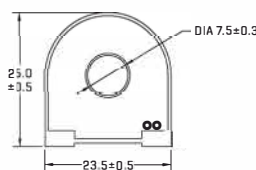


FIG 2

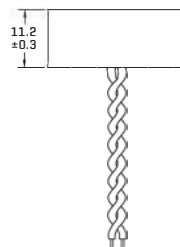
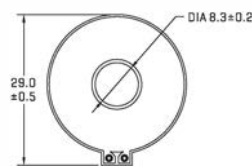


FIG 3

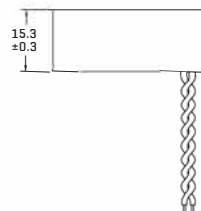
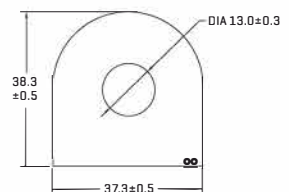


FIG 4

DIMENSIONS:MM

AC CURRENT TRANSFORMER FACT106W2,CT108W1 SERIES



FEATURES :

Low profile, directly to PCB
PBT 94V0 Case
burn-resistant epoxy resin, stable

APPLICATION :

Power Meter Class 0.2, 0.5, and 1.0 for accurate measurement, Indirect and Direct Type
Power Calibrator and Transducer
Street Lighting Control System
Monitoring and Protection Relay
Ground Fault CT or Grounded Neutral Sensor
Current & Power Measurement
High-end Digital Protection Relay
High-end Industrial Power Sensor

CHARACTERISTICS:

Rated Current: 60A~100A
Accuracy: 0.1 Class
Phase Shift Change: < 12' during 2%~120% Ib
Linearity: 0.1L, 0.2L
Operation frequency: 20Hz~10KHz
Operation Temperature: -40°C to +80°C
Hi-pot Test between Primary and Secondary: 4KV/1min
Insulation Resistance: 1000Mohm Min [500VDC]

ELECTRICAL CHARACTERISTICS:

Mode No.	Current [A]	Turns Ratio	DC Resistance [ohms Max]	FIG
FACT106W2	60	1:2000	20	FIG1
FACT108W1	100	1:2500	12.5	FIG2

SHAPE AND DIMENSIONS

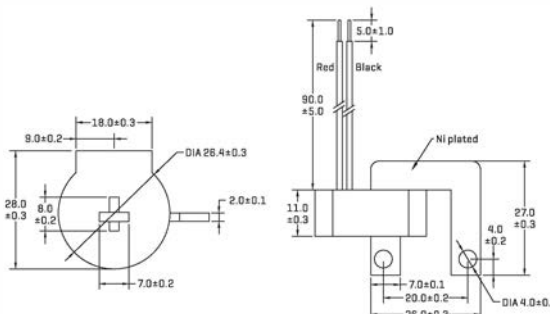


FIG 1

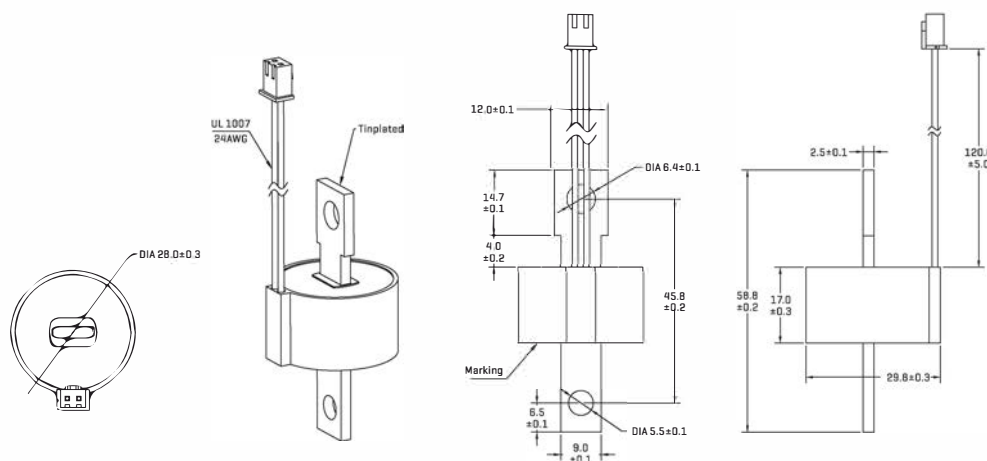
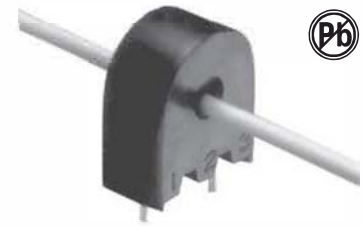


FIG 2

DIMENSIONS:MM

HIGH FREQUENCY CURRENT SENSOR TRANSFORMER FAACST SERIES



FEATURES

Meets UL94-V0 Requirements
Precise Current Sensing

OPTIONS

Bulk Packaging is Standard
Custom Design Available
Thru Hole Available

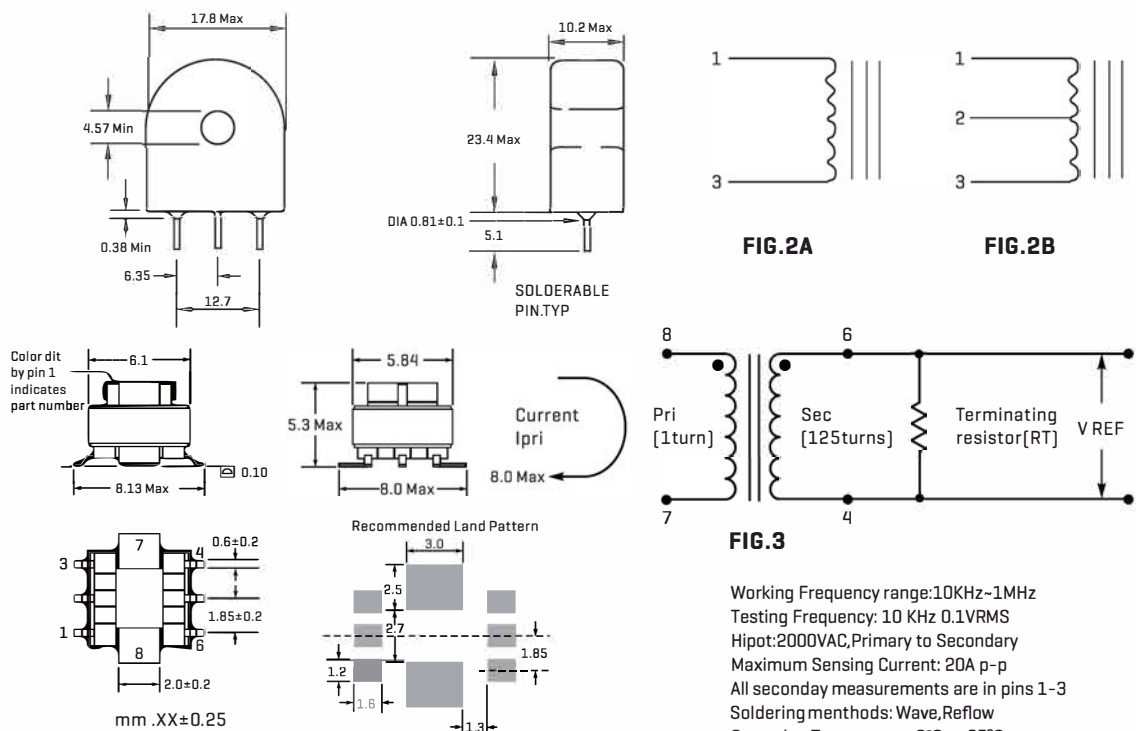
COMMON APPLICATIONS

SMPS Control Circuits
Current Sensing
Switching power regulators
Pulse current test

STANDARD SPECIFICATIONS @250°C

Part Number	SCHEMATIC	TURNS [±1% Max]	OCL [mH Min]	DCR [ΩMax]	ET [V-μSEC-Min]
FAACST-001	2A	50	5.0	0.7	150
FAACST-002	2A	100	20.0	1.40	300
FAACST-003	2A	200	80.0	4.50	600
FAACST-004	2A	300	180.0	11.0	900
FAACST-005	2B	50CT	5.0	0.7	150
FAACST-006	2B	100CT	20.0	1.40	300
FAACST-007	2B	200CT	80.0	4.50	600
FAACST-008	2B	300CT	180.0	11.0	900
FAACST-E51	3	100	2.0	5.50	120
FAACST-E52	3	125	3.0	6.50	130

TECHNICAL INFORMATION & PHYSICAL CHARACTERISTICS



ALL DIMENSIONS IN MM

Working Frequency range:10KHz~1MHz
Testing Frequency: 10 KHz 0.1VRMS
Hipot:2000VAC,Primary to Secondary
Maximum Sensing Current: 20A p-p
All secondary measurements are in pins 1-3
Soldering methods: Wave,Reflow
Operating Temperature:0°C to 85°C
Storage Temperature:-25°C to 85°C
Note:All specifications subject to change without notice

RF TRANSFORMERS FARF 5S,5SL SERIES



FEATURES

Pair wire coil for high stability.
Base pin terminal treated
Excellent Frequency Response
Low Profile Low Cost

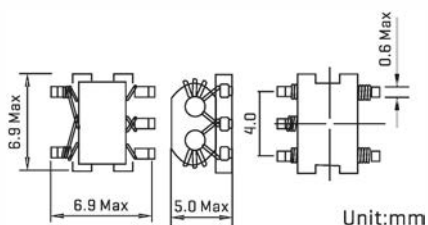
OPTIONS

Bulk Packaging is Standard
Custom design available dip Available

APPLICATIONS:

Double balance mixers,broad-band impedance transformers
Directional Couplers for Mixers
Matching Power Combining and Splitting
Step-Top box and cable modem

PHYSICAL CHARACTERISTICS



Pin Connections

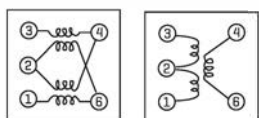


Fig.1

Fig.2

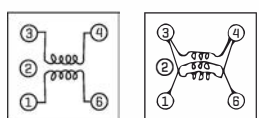
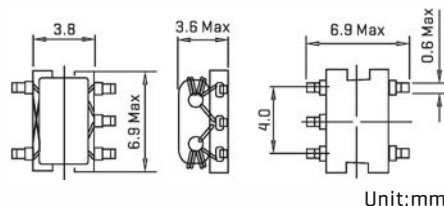


Fig.3

Fig.4



Unit:mm

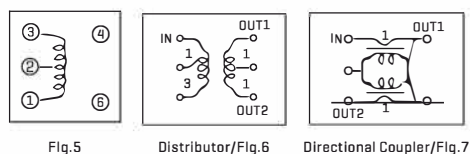


Fig.5

Distributor/Flg.6

Directional Coupler/Flg.7

TECHNICAL INFORMATION:

Soldering methods: Wave,Reflow
Operating Temperature: 0°C to 70°C
Storage Temperature: -55°C to 125°C

Note: All specifications subject to change without notice.

STANDARD SPECIFICATIONS

	Part Number	Number of Turns per Winding	Operating Frequency Range	Insertion Loss	Fig
Double Balanced Mixer	FARF-5S-1012	1	50MHz-400MHz	10dB max.	1
	FARF-5S-1013	2	100MHz-1.0GHz	6dB max.	1
	FARF-5S-1003	3	8MHz-800MHz	3.5dB max.	1
	FARF-5S-1008	4	6MHz-600MHz	2.5dB max.	1
	FARF-5S-1011	5	5MHz-500MHz	2dB max.	1
Frequency Mixer	FARF-5S-1005	2	400MHz-1.3MHz	4dB max.	1
	FARF-5S-1085	1		3dB max.	2
	FARF-5S-1052	2	9MHz-350MHz	3dB max.	2
	FARF-5S-1024	3	3.5MHz-470GHz	3dB max.	2
	FARF-5S-1086	4	2.2MHz-400MHz	3dB max.	2
Power Divider /Combiner	FARF-5S-1087	5	1.5MHz-300MHz	3dB max	2
	FARF-5S-1014		20MHz-600MHz	IN to OUT-1.2 4.5dB max. OUT-1 to OUT-2 [ISOLATION] 10dB min.	6
Directional Coupler	FARF-5S-1015	4	6MHz-600MHz	IN to OUT-11.3dB max. IN to OUT-2.11dB -14dB	7
	FARF-5S-1006	5	6MHz-600MHz	IN to OUT-10.9dB max. IN to OUT-2.13dB -16dB	7
	FARF-5S-1007	6	6MHz-600MHz	IN to OUT-10.8dB max. IN to OUT-2.15dB -17dB	7
Double Balanced Mixer	FARF-5SL-1001	2	30MHz-850MHz	3dB	1
	FARF-5SL-1002	3	6.5MHz-1000MHz	3dB	1
	FARF-5SL-1003	4	3.5MHz-1600MHz	3dB	1
	FARF-5SL-1004	5	2.5MHz-1500MHz	3dB	1
	FARF-5SL-1027	1	-	3dB	2
Frequency Mixer	FARF-5SL-1028	2	8MHz-550MHz	3dB	2
	FARF-5SL-1029	3	3.5MHz-500MHz	3dB	2
	FARF-5SL-1030	4	2MHz-370MHz	3dB	2
	FARF-5SL-1037	1	-	3dB	2
	FARF-5SL-1038	2	500MHz-850MHz	3dB	2
	FARF-5SL-1039	3	240MHz-500MHz	3dB	2
	FARF-5SL-1040	4	85MHz-380MHz	3dB	2
	FARF-5SL-1048	11/2	5.5MHz-850MHz	3dB	3
Balun Transformer	FARF-5SL-1049	21/2	2.5MHz-2200MHz	3dB	3
	FARF-5SL-1050	31/2	1.2MHz-1700MHz	3dB	3
	FARF-5SL-1051	41/2	0.8MHz-1400MHz	3dB	3
	FARF-5SL-1078	51/2	0.6MHz-1300MHz	3dB	3
Balun Transformer	FARF-5SL-1053	11/2	160MHz-2200MHz	3dB	4
	FARF-5SL-1017	21/2	55MHz-1700MHz	3dB	4
	FARF-5SL-1054	31/2	30MHz-1400MHz	3dB	4

Note:J=±5%, K=±10%,M=±20%

COMMON MODE CHOKES FASB0404SS,0604 SERIES



FEATURES

High common mode impedance in small size.
 It is effective for common mode noise suppression in digital equipment which radiation is caused from cables.
 Suitable for reflow soldering.
 Rated current:0.65A to 3.0A.
 Parameters Test Temp:20°C.
 Test Frequency:100MHz.
 Operating temperature:-25°C to +105°C.
 Storage Temp:-0°C to +40°C.
 Resistance to Soldering Heat:260°C for 10 sec.
 Temperature Rise:40°C Typ. at Rated Current.
 All parts meet ROHS compliance:

APPLICATIONS

Effective in high frequency noise suppression and suitable for suppression of radiation noise in signal cables.
 The dual winding type common mode choke coil choke coil structure enables noise suppression without degrading the signal.

GENERAL SPECIFICATIONS

SB XXXX - XXX
 For example:SB0604-015

ELECTRICAL CHARACTERISTICS

Part Number	Impedance [Ohm]Min	D.C.R [Ohm]Max at 20°C	Rated current [mA]Max	Hi-Pot
FASB0404SS-334R	334	100	3000	AC250/1mA/1S

Part Number	Impedance [Ohm]Min	D.C.R [Ohm]Max at 20°C	Rated current [mA]Max	Hi-Pot
FASB0604-015	70	60	900	AC250/1mA/1S
FASB0604-025	180	65	800	AC250/1mA/1S
FASB0604-035	280	80	700	AC250/1mA/1S
FASB0604-045	380	120	650	AC250/1mA/1S

TECHNICAL INFORMATION AND ELECTRICAL SCHEMATIC & PAD LAYOUT

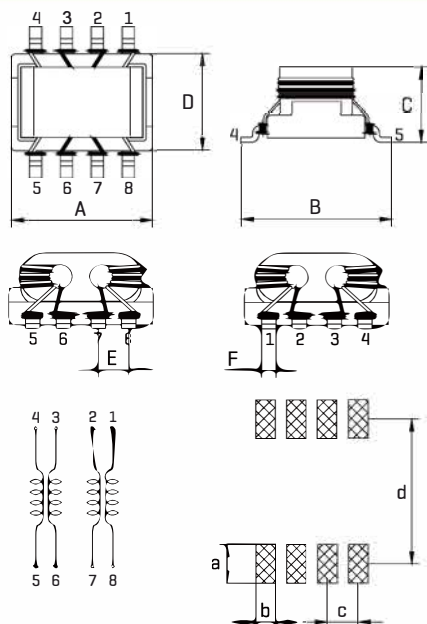


FIG1.

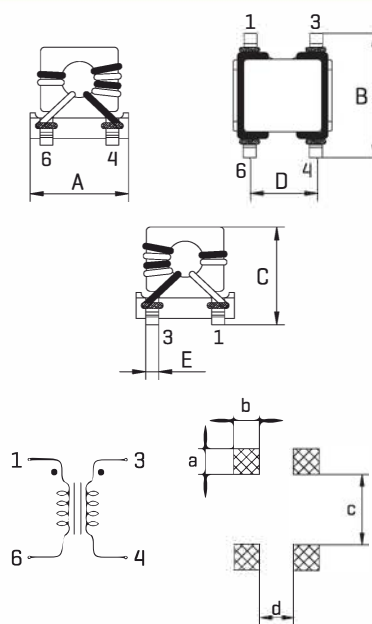


FIG2.

DIMENSIONS:MM

Part number	A	B	C	D	E	F	a	b	c	d	FIG
FASB0404SS	3.8±0.3	4.90±0.3	5.00 Max	2.54±0.2	0.50 REF		1.10 REF	1.10 REF	3.00 REF	1.44 REF	1
FASB0604	5.85±0.3	6.25±0.3	3.60 Max	4.00±0.3	1.27 REF	0.50 REF	1.60 REF	0.80 REF	1.27 REF	6.00 REF	2

SURFACE-MOUNT COMMON MODE CHOKES FACM09-10 SERIES



FEATURES:

LCP Base
High Frequency Design
Excellent Mechanical Strength
Excellent Solderability
High Reliability
Low Profile

OPTIONS:

Packaging: Tape & Reel is standard
(Qty: 2000 pcs)
Bulk packaging available for smaller quantities
Tolerance: 10% and 5% is standard
tighter tolerances available

COMMON APPLICATIONS:

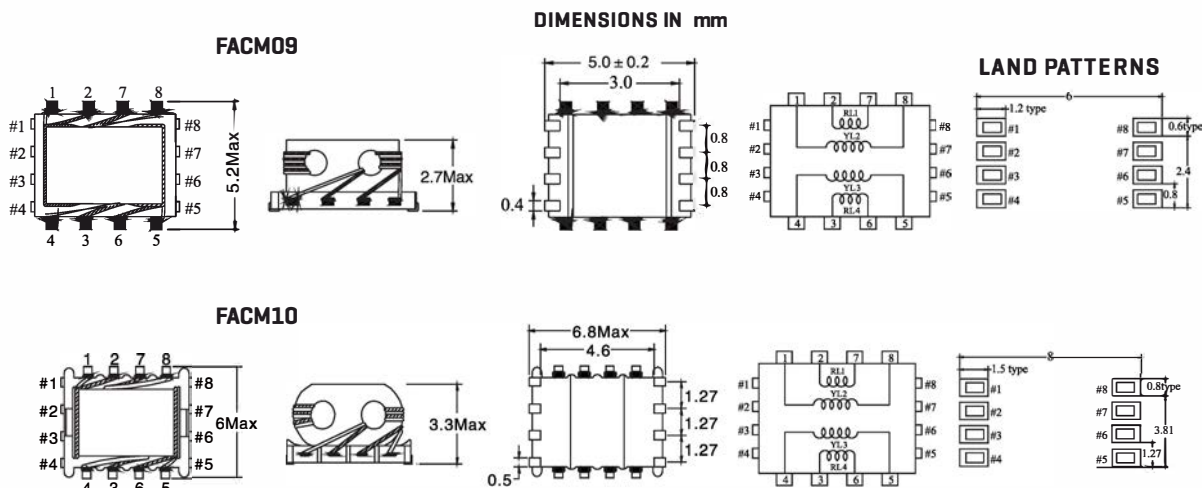
Datalline Noise Suppression
Video Cameras
Communication System
Automotive Systems
Liquid Crystal Televisions
Hard Disk Drives
Network Systems
Computer Peripheral Equipment

ELECTRICAL CHARACTERISTICS

Part Number	Insertion Loss[dB]				DCR Ω Max	IDC A Max	Impedance [Typical]		Wistanding Voltage [CH-901]
	50MHz	100MHz	300MHz	500MHz			100MHz	100MHz	
FACM 09- 1394A	2.8±2.0	7.3±2.5	12.0±3.0	14.0±3.0	0.3	0.65	220 Ω	100MHz	50VDC
FACM 10- 121	1.3±0.5	4.0±1.5	8.0±2.0	11.0±3.0	0.3	0.65	120 Ω	100MHz	100VAC
FACM 10- 151	2.5±1.0	3.0±1.5	4.0±2.0	5.0±3.0	0.3	0.30	150 Ω	100MHz	100VAC
FACM 10- 161	3.0±1.0	8.0±2.0	13.0±2.5	15.0±3.0	0.3	0.30	160 Ω	100MHz	100VAC
FACM 10- 221	2.0±1.0	6.0±2.0	12.0±2.5	14.0±3.0	0.12	0.65	220 Ω	100MHz	100VAC

Note: 1. K=±10%, M=±20%, N=±30%

TECHNICAL INFORMATION & PHYSICAL CHARACTERISTICS



- Inductance Testing: 1KHz 1V HP4284A
 - Z test with HP4191A or HP4395A
 - RDC: QuadTech 1880 Milliohm meter
 - Operating temperature: -40°C to +105°C
 - Storage Temperature: -40°C to +105°C
 - Resistance to soldering heat: 260°C for 10 seconds
 - Marking: Part number and date code
- Note: All specifications subject to change without notice.

SURFACE-MOUNT WIRE-WOUND CERAMIC CHIP INDUCTORS FAAISC-0402 SERIES



FEATURES:

Ceramic Core
High frequency design
Excellent Qvalues
Excellent SRF
High reliability
Excellent thermal stability

OPTIONS:

Packaging:Tape & Reel is standard
[Qty:4000pcs]
Bulk packaging available for smaller quantities
Tolerance:10% and 5% is standard, tighter tolerances available

COMMON APPLICATIONS:

Modems
Mobile Radios
Cordless Telephones
Global Positioning Systems
Telecommunications Systems

ELECTRICAL CHARACTERISTICS:

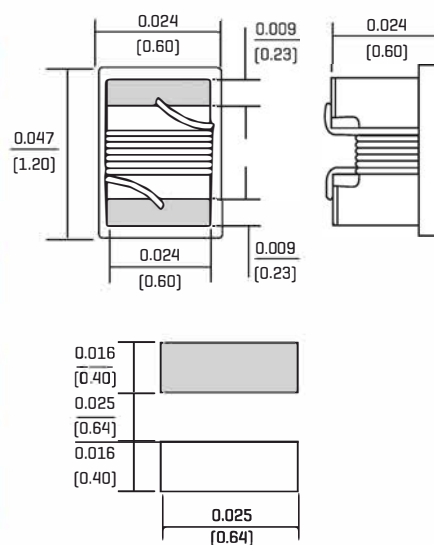
Part Number	L [uH]	To %	Q Min	Test Freq MHz	SRF Mhz Min	DCR ohm Max	IDC Max mA
FAAISC-0402-0010K	.0010	±10	16	250	>6000	0.045	1360
FAAISC-0402-0020K	.0020	±10	16	250	>6000	0.070	1040
FAAISC-0402-0022K	.0022	±10	19	250	>6000	0.070	960
FAAISC-0402-0033K	.0033	±10	19	250	6000	0.066	840
FAAISC-0402-0036K	.0036	±10	19	250	6000	0.066	840
FAAISC-0402-0039K	.0039	±10	19	250	5800	0.066	840
FAAISC-0402-0051K	.0051	±10	20	250	5800	0.083	800
FAAISC-0402-0056K	.0056	±10	20	250	5800	0.083	760
FAAISC-0402-0062K	.0062	±10	20	250	5800	0.083	760
FAAISC-0402-0075K	.0075	±10	22	250	5800	0.104	680
FAAISC-0402-0082K	.0082	±10	22	250	4400	0.104	680
FAAISC-0402-0090K	.0090	±10	22	250	4160	0.104	680
FAAISC-0402-011K	.011	±10	24	250	3860	0.120	640
FAAISC-0402-012J	.012	±5	24	250	3600	0.120	640
FAAISC-0402-015J	.015	±5	24	250	3280	0.172	560
FAAISC-0402-019J	.019	±5	24	250	3040	0.202	480
FAAISC-0402-023J	0.23	±5	24	250	2720	0.214	400
FAAISC-0402-027J	.027	±5	24	250	2480	0.298	400
FAAISC-0402-036J	0.36	±5	24	250	2320	0.403	320
FAAISC-0402-040J	0.40	±5	24	250	2240	0.438	320

Note:J=±5%, K=±10%,M=±20%,N=±30%

TECHNICAL INFORMATION:

Testing: [Equivalent acceptable]
Inductance: HP4191A
Q:HP4291A
SRF:HP8753B
RDC:measured @ 25°C
Operating Temperature:
Ceramic:-55°C to +125°C
Pad metalization: Tungsten-nickel with gold flash
Solder methods: Wave, Reflow, Vapor Phase
Solderability: Max 260°C for 10 seconds
Marking: EIA color code

PHYSICAL CHARACTERISTICS:



Dimensions: Inches[mm]

SURFACE-MOUNT WIRE-WOUND CERAMIC CHIP INDUCTORS FAAISC-0603 SERIES



FEATURES :

- Ceramic Core
- High frequency design
- Excellent Qvalues
- Excellent SRF
- High reliability
- Excellent thermal stability

OPTIONS:

- Packaging:Tape & Reel is standard [Qty:3000pcs]
- Bulk packaging available for smaller quantities
- Tolerance:10% and 5% is standard, tighter tolerances available

COMMON APPLICATIONS:

- Modems
- Mobile Radios
- Cordless Telephones
- Global Positioning Systems
- Telecommunications Systems

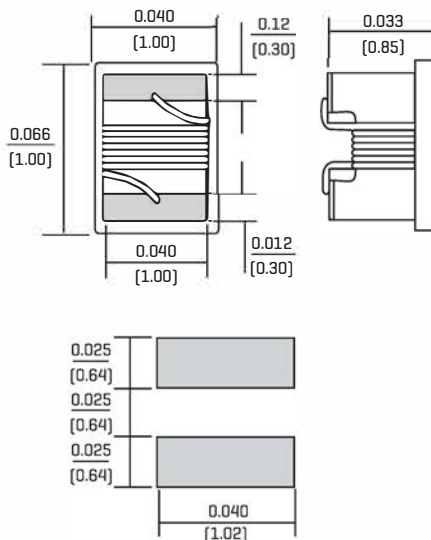
ELECTRICAL CHARACTERISTICS:

TECHNICAL INFORMATION:

Part Number	L [uH]	Tol %	Q Min	Test Freq MHz	SRF Mhz Min	DCR ohm Max	IDC Max mA
FAAISC-0603-0016K	.0016	±10	24	250	12500	0.030	700
FAAISC-0603-0018K	.0018	±10	16	250	12500	0.045	700
FAAISC-0603-0036K	.0036	±10	22	250	5900	0.075	700
FAAISC-0603-0039K	.0039	±10	22	250	6900	0.080	700
FAAISC-0603-0043K	.0043	±10	22	250	5900	0.075	700
FAAISC-0603-0047K	.0047	±10	20	250	5800	0.116	700
FAAISC-0603-0051K	.0051	±10	20	250	5700	0.120	700
FAAISC-0603-0068K	.0068	±10	27	250	5800	0.110	700
FAAISC-0603-0075K	.0075	±10	28	250	4800	0.110	700
FAAISC-0603-0087K	.0087	±10	28	250	4600	0.120	700
FAAISC-0603-0095K	.0095	±10	28	250	5400	0.135	700
FAAISC-0603-010J	0.010	±5	31	250	4800	0.130	700
FAAISC-0603-011J	0.011	±5	33	250	4000	0.130	700
FAAISC-0603-012J	0.012	±5	35	250	4000	0.130	700
FAAISC-0603-015J	0.015	±5	35	250	4000	0.150	700
FAAISC-0603-016J	0.016	±5	34	250	3300	0.160	700
FAAISC-0603-018J	0.018	±5	35	250	3100	0.170	700
FAAISC-0603-022J	0.022	±5	38	250	3000	0.190	700
FAAISC-0603-024J	0.024	±5	37	250	2650	0.200	700
FAAISC-0603-027J	0.027	±5	40	250	2800	0.220	600
FAAISC-0603-030J	0.030	±5	37	250	2250	0.220	600
FAAISC-0603-033J	0.033	±5	40	250	2300	0.220	600
FAAISC-0603-036J	0.036	±5	38	250	2080	0.250	600
FAAISC-0603-039J	0.039	±5	40	250	2200	0.250	600
FAAISC-0603-043J	0.043	±5	39	250	2000	0.280	600
FAAISC-0603-047J	0.047	±5	38	200	2000	0.280	600
FAAISC-0603-056J	0.056	±5	38	200	1900	0.280	600
FAAISC-0603-068J	0.068	±5	37	200	1700	0.340	400
FAAISC-0603-072J	0.072	±5	34	150	1700	0.380	400
FAAISC-0603-082J	0.082	±5	34	150	1700	0.480	400
FAAISC-0603-R10J	0.10	±5	34	150	1400	0.580	400
FAAISC-0603-R11J	0.11	±5	32	150	1350	0.610	300
FAAISC-0603-R12J	0.12	±5	32	150	1300	0.650	300
FAAISC-0603-R15J	0.15	±5	28	150	990	0.750	280
FAAISC-0603-R18K	0.18	±10	25	100	990	1.050	240
FAAISC-0603-R22K	0.22	±10	25	100	900	1.200	200
FAAISC-0603-R27K	0.27	±10	24	100	900	1.400	170
FAAISC-0603-R33K	0.33	±10	24	100	850	1.600	160
FAAISC-0603-R39K	0.39	±10	24	100	800	2.200	150

- Testing: [Equivalent acceptable]
- Inductance:HP4191A
- Q:HP4291A
- SRF:HP8753B
- RDC:measured @ 25°C
- Operating Temperature: Ceramic-55°C to +125°C
- Pad metalization:Tungsten-nickel with gold flash
- Solder methods: Wave, Reflow, Vapor Phase
- Solderability:Max 260°C for 10 seconds
- Marking: EIA color code

PHYSICAL CHARACTERISTICS:



Dimensions:Inches[mm]

Note:J=±5%, K=±10%, M=±20%, N=±30%

SURFACE-MOUNT WIRE-WOUND CERAMIC CHIP INDUCTORS FAAISC-0805 SERIES



FEATURES :

- Ceramic Core
- 0805F:Specify Ferrite
- High frequency design
- Excellent Qvalues
- Excellent SRF
- High reliability
- Excellent thermal stability

OPTIONS:

- Packaging:Tape & Reel is standard [Qty:3000pcs]
- Bulk packaging available for smaller quantities
- Tolerance:10% and 5% is standard, tighter tolerances available

COMMON APPLICATIONS:

- Modems
- Mobile Radios
- Cordless Telephones
- Global Positioning Systems
- Telecommunications Systems

ELECTRICAL CHARACTERISTICS:

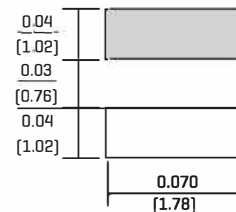
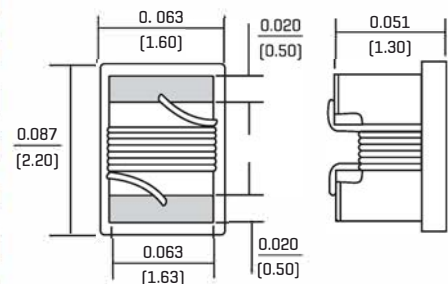
Part Number	L [μH]	Tol %	Q Min	Test Freq MHz	SRF MHz Min	DCR ohm Max	IDC Max mA
FAAISC-0805-0022K	.0022	±10	50	1500	8500	0.030	800
FAAISC-0805-0027K	.0027	±10	50	1500	8000	0.045	800
FAAISC-0805-0033K	.0033	±10	50	1500	7900	0.090	600
FAAISC-0805-0056K	.0056	±10	65	1000	5500	0.065	600
FAAISC-0805-0068K	.0068	±10	50	1000	5500	0.110	600
FAAISC-0805-0082J	.0082	±5	50	1000	4700	0.120	600
FAAISC-0805-010J	0.010	±5	60	500	4200	0.150	600
FAAISC-0805-012J	0.012	±5	50	500	4000	0.150	600
FAAISC-0805-015J	0.015	±5	50	500	3400	0.170	600
FAAISC-0805-018J	0.018	±5	50	500	3300	0.200	600
FAAISC-0805-022J	0.022	±5	55	500	2600	0.220	500
FAAISC-0805-027J	0.027	±5	55	500	2500	0.250	500
FAAISC-0805-033J	0.033	±5	60	500	2050	0.270	500
FAAISC-0805-039J	0.039	±5	60	500	2000	0.290	500
FAAISC-0805-047J	0.047	±5	60	500	1650	0.310	500
FAAISC-0805-056J	0.056	±5	60	500	1550	0.340	500
FAAISC-0805-062J	0.062	±5	60	500	1500	0.380	500
FAAISC-0805-068J	0.068	±5	60	500	1450	0.380	500
FAAISC-0805-082J	0.082	±5	65	500	1300	0.420	400
FAAISC-0805-R10J	0.100	±5	65	500	1200	0.460	400
FAAISC-0805-R12J	0.120	±5	50	250	1100	0.510	400
FAAISC-0805-R15J	0.150	±5	50	250	920	0.560	400
FAAISC-0805-R18J	0.180	±5	50	250	870	0.640	400
FAAISC-0805-R20J	0.200	±5	50	250	850	1.000	400
FAAISC-0805-R22J	0.220	±5	50	250	850	1.050	400
FAAISC-0805-R27J	0.270	±5	48	250	650	1.100	350
FAAISC-0805-R33J	0.330	±5	48	250	600	1.400	310
FAAISC-0805-039K	0.390	±10	48	250	560	1.500	290
FAAISC-0805-R47K	0.470	±10	33	100	375	1.760	250
FAAISC-0805-R56K	0.560	±10	23	50	340	1.900	230
FAAISC-0805-062K	0.620	±10	23	50	320	2.080	200
FAAISC-0805-R68K	0.680	±10	23	50	300	2.100	190
FAAISC-0805-075K	0.750	±10	23	50	280	2.120	180
FAAISC-0805-082K	0.820	±10	23	50	250	2.140	180
FAAISC-0805-091K	0.910	±10	23	50	220	2.280	180
FAAISC-0805-1R0K	1.000	±10	23	50	200	2.400	170
FAAISC-0805-1R2K	1.200	±10	22	50	180	2.550	170
FAAISC-0805-1R5K	1.500	±10	21	50	170	2.800	160
FAAISC-0805-1R8K	1.800	±10	21	50	160	3.200	150
FAAISC-0805-2R2K	2.200	±10	21	50	150	3.800	150
FAAISC-0805F-1R2J	1.200	±5	23	7.96	350	1.05	600
FAAISC-0805F-1R5J	1.500	±5	23	7.96	300	1.20	580
FAAISC-0805F-1R8J	1.800	±5	23	7.96	260	1.35	550
FAAISC-0805F-2R2J	2.200	±5	20	7.96	210	1.50	510
FAAISC-0805F-2R7J	2.700	±5	20	7.96	160	1.70	460
FAAISC-0805F-3R3J	3.300	±5	20	7.96	130	1.80	430
FAAISC-0805F-3R9J	3.900	±5	20	7.96	115	1.95	400
FAAISC-0805F-4R7J	4.700	±5	20	7.96	105	2.05	370
FAAISC-0805F-5R6J	5.600	±5	20	7.96	90	2.30	360
FAAISC-0805F-6R8J	6.800	±5	20	7.96	85	2.60	330

Note:J=±5%, K=±10%,M=±20%,N=±30%

TECHNICAL INFORMATION:

- Testing: [Equivalent acceptable]
- Inductance:HP4191A
- Q:HP4291A
- SRF:HP8753B
- ROC:measured @ 25°C
- Operating Temperature: Ceramic-55°C to +125°C
- Pad metalization:Tungsten-nickel with gold flash
- Solder methods: Wave, Reflow, Vapor Phase
- Solderability: Max 260°C for 10 seconds
- Marking: EIA color code

PHYSICAL CHARACTERISTICS:



Dimensions:Inches[mm]

SURFACE-MOUNT WIRE-WOUND CERAMIC CHIP INDUCTORS FAAISC-1008 SERIES



FEATURES :

Construction: Ceramic to 1.2uH
 Ferrite 1.5uH to 10uH
 High frequency design
 Excellent Q values
 Excellent SRF
 High reliability
 Excellent thermal stability

OPTIONS:

Packaging: Tape & Reel is standard
 [Qty: 3000 pcs]
 Bulk packaging available for smaller quantities
 Tolerance: 10% and 5% is standard,
 tighter tolerances available

COMMON APPLICATIONS:

Modems
 Mobile Radios
 Cordless Telephones
 Global Positioning Systems
 Telecommunications Systems

ELECTRICAL CHARACTERISTICS:

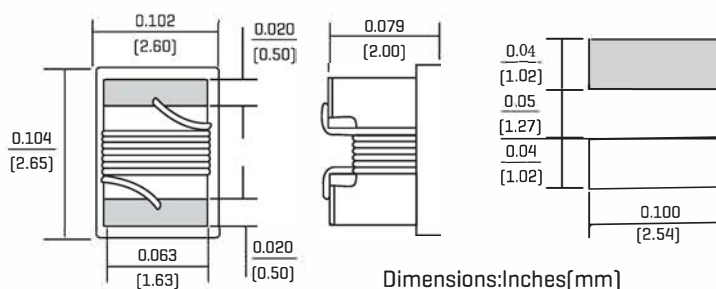
Part Number	L [μH]	Tol %	Q Min	Test Freq MHz	SRF MHz Min	DCR ohm Max	IDC Max mA	Part Number	L [μH]	Tol %	Q Min	Test Freq MHz	SRF MHz Min	DCR ohm Max	IDC Max mA
FAAISC-1008-0039K	.0039	±10	50	1500	6000	0.035	1000	FAAISC-1008-R22J	0.22	±5	45	100	700	0.840	500
FAAISC-1008-0047K	.0047	±10	50	1500	6000	0.045	1000	FAAISC-1008-R24J	0.24	±5	45	100	600	0.880	500
FAAISC-1008-0056K	.0056	±10	50	1000	6000	0.080	1000	FAAISC-1008-R27J	0.27	±5	45	100	600	0.910	500
FAAISC-1008-0082K	.0082	±10	50	1000	5000	0.050	1000	FAAISC-1008-R33J	0.33	±5	45	100	570	1.050	450
FAAISC-1008-010J	0.010	±5	50	500	4100	0.080	1000	FAAISC-1008-R39J	0.39	±5	45	100	500	1.120	470
FAAISC-1008-012J	0.012	±5	50	500	3300	0.090	1000	FAAISC-1008-R47J	0.47	±5	45	100	450	1.190	470
FAAISC-1008-015J	0.015	±5	50	500	2500	0.100	1000	FAAISC-1008-R56J	0.56	±5	45	100	415	1.330	400
FAAISC-1008-018J	0.018	±5	50	350	2500	0.110	1000	FAAISC-1008-R62J	0.62	±5	45	100	375	1.400	400
FAAISC-1008-022J	0.022	±5	55	350	2400	0.120	1000	FAAISC-1008-R68J	0.68	±5	45	100	375	1.470	400
FAAISC-1008-027J	0.027	±5	55	350	1600	0.130	1000	FAAISC-1008-R75J	0.75	±5	45	100	360	1.540	360
FAAISC-1008-033J	0.033	±5	60	350	1600	0.140	1000	FAAISC-1008-R82J	0.82	±5	45	100	350	1.610	400
FAAISC-1008-039J	0.039	±5	60	350	1500	0.150	1000	FAAISC-1008-R91J	0.91	±5	35	50	320	1.680	380
FAAISC-1008-047J	0.047	±5	65	350	1500	0.160	1000	FAAISC-1008-1R0J	1.00	±5	35	50	290	1.750	370
FAAISC-1008-056J	0.056	±5	65	350	1300	0.180	1000	FAAISC-1008-1R2J	1.20	±5	35	50	250	2.000	310
FAAISC-1008-062J	0.062	±5	65	350	1300	0.200	1000	FAAISC-1008-1R5J	1.50	±5	28	50	200	2.300	330
FAAISC-1008-068J	0.068	±5	65	350	1300	0.200	1000	FAAISC-1008-1R8J	1.80	±5	28	50	160	2.600	300
FAAISC-1008-075J	0.075	±5	60	350	1200	0.200	1000	FAAISC-1008-2R2J	2.20	±5	28	50	160	2.800	280
FAAISC-1008-082J	0.082	±5	60	350	1000	0.200	1000	FAAISC-1008-2R7J	2.70	±5	22	25	140	3.200	290
FAAISC-1008-R10J	0.01	±5	60	350	1000	0.560	650	FAAISC-1008-3R3J	3.30	±5	22	25	110	3.400	290
FAAISC-1008-R12J	0.12	±5	60	350	950	0.630	650	FAAISC-1008-3R9J	3.90	±5	20	25	100	3.600	260
FAAISC-1008-R15J	0.15	±5	45	100	850	0.700	580	FAAISC-1008-4R7K	4.70	±10	20	25	90	4.000	260
FAAISC-1008-R18J	0.18	±5	45	100	750	0.770	620	FAAISC-1008-5R6K	5.60	±10	20	7.9	60	7.600	240
FAAISC-1008-R20J	0.20	±5	45	100	750	0.800	550	FAAISC-1008-6R8K	6.80	±10	20	7.9	60	8.200	200

Note: J=±5%, K=±10%, M=±20%, N=±30%

TECHNICAL INFORMATION:

Testing: [Equivalent acceptable]
 Inductance: HP4191A
 Q: HP4291A
 SRF: HP8553B
 RDC: measured @ 25°C
 Operating Temperature:
 Ceramic: -55°C to +125°C
 Ferrite: -55°C to +85°C
 Pad metalization:
 Ceramic: Tungsten-nickel with gold flash
 Ferrite: Silver-nickel with 90/10 solder
 Optional gold flash
 Solder methods: Wave, Reflow, Vapor Phase
 Solderability: Max 260°C for 10 seconds
 Marking: EIA color code

PHYSICAL CHARACTERISTICS:



SURFACE-MOUNT WIRE-WOUND CERAMIC CHIP INDUCTORS

FAAISC-1210 SERIES



FEATURES:

Construction: Ceramic to 1.2uH
1210F Ferrite 1.5uH to 470uH
High frequency design
Excellent Q values
Excellent SRF
High reliability
Excellent thermal stability

OPTIONS:

Packaging: Tape & Reel is standard
(Qty: 3000 pcs)
Bulk packaging available for smaller quantities
Tolerance: 10% and 5% is standard,
tighter tolerances available

COMMON APPLICATIONS:

Modems
Mobile Radios
Cordless Telephones
Global Positioning Systems
Telecommunications Systems

ELECTRICAL CHARACTERISTICS:

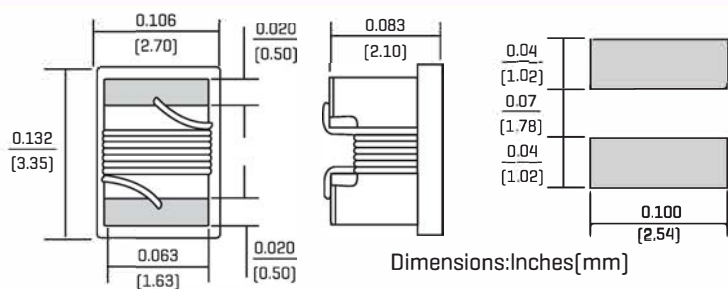
Part Number	L (µH)	Tol %	Q Min	Test Freq MHz	SRF MHz Min	DCR ohm Max	IDC Max mA	Part Number	L (µH)	Tol %	Q Min	Test Freq MHz	SRF MHz Min	DCR ohm Max	IDC Max mA
FAAISC-1210-0039K	.0039	±10	30	1500	6000	0.050	1000	FAAISC-1210-4R7K	4.70	±10	25	7.96	75	9.0	280
FAAISC-1210-0047K	.0047	±10	30	1500	5800	0.065	1000	FAAISC-1210-5R6K	5.60	±10	20	7.96	70	8.0	250
FAAISC-1210-0082K	.0082	±10	40	1000	5500	0.070	1000	FAAISC-1210-6R8K	6.80	±10	20	7.96	70	5.0	230
FAAISC-1210-010J	0.010	±5	40	1000	4000	0.080	1000	FAAISC-1210-8R6K	8.60	±10	20	7.96	55	4.0	160
FAAISC-1210-012J	0.012	±5	40	500	3200	0.080	1000	FAAISC-1210F-1R2K	1.2	±10	28	7.96	210	0.3	450
FAAISC-1210-015J	0.015	±5	50	500	3200	0.100	1000	FAAISC-1210F-1R5K	1.5	±10	28	7.96	200	0.4	450
FAAISC-1210-018J	0.018	±5	50	350	2800	0.100	1000	FAAISC-1210F-1R8K	1.8	±10	28	7.96	195	0.5	450
FAAISC-1210-022J	0.022	±5	50	350	2200	0.100	1000	FAAISC-1210F-2R2K	2.2	±10	28	7.96	175	0.6	450
FAAISC-1210-027J	0.027	±5	55	350	1800	0.110	1000	FAAISC-1210F-2R7K	2.7	±10	28	7.96	160	0.7	420
FAAISC-1210-033J	0.033	±5	55	350	1800	0.110	1000	FAAISC-1210F-3R3K	3.3	±10	28	7.96	120	1.1	380
FAAISC-1210-039J	0.039	±5	55	350	1800	0.120	1000	FAAISC-1210F-3R9K	3.9	±10	28	7.96	110	1.2	360
FAAISC-1210-043J	0.043	±5	55	350	1500	0.120	1000	FAAISC-1210F-4R7K	4.7	±10	28	7.96	105	1.3	350
FAAISC-1210-047J	0.047	±5	55	350	1500	0.130	1000	FAAISC-1210F-5R6K	5.6	±10	28	7.96	100	2.0	320
FAAISC-1210-056J	0.056	±5	55	350	1450	0.140	900	FAAISC-1210F-6R8K	6.8	±10	28	7.96	80	1.5	310
FAAISC-1210-068J	0.068	±5	55	350	1200	0.150	900	FAAISC-1210F-8R2K	8.2	±10	28	7.96	75	1.6	305
FAAISC-1210-082J	0.082	±5	55	350	1200	0.200	850	FAAISC-1210F-100K	10	±10	25	2.52	70	1.0	300
FAAISC-1210-R10J	0.01	±5	55	350	1100	0.210	800	FAAISC-1210F-120K	12	±10	25	2.52	65	1.2	285
FAAISC-1210-R12J	0.12	±5	60	100	1100	0.210	750	FAAISC-1210F-150K	15	±10	25	2.52	60	2.0	225
FAAISC-1210-R15J	0.15	±5	60	100	950	0.250	700	FAAISC-1210F-180K	18	±10	25	2.52	45	2.1	210
FAAISC-1210-R18J	0.18	±5	60	100	900	0.300	670	FAAISC-1210F-220K	22	±10	25	2.52	35	2.2	200
FAAISC-1210-R22J	0.22	±5	60	100	760	0.320	630	FAAISC-1210F-270K	27	±10	25	2.52	30	2.6	180
FAAISC-1210-R27J	0.27	±5	55	100	730	0.340	590	FAAISC-1210F-330K	33	±10	25	2.52	23	2.9	160
FAAISC-1210-R33J	0.33	±5	45	100	650	0.380	530	FAAISC-1210F-390K	39	±10	25	2.52	21	3.7	150
FAAISC-1210-R39J	0.39	±5	45	50	600	0.580	490	FAAISC-1210F-470K	47	±10	25	2.52	20	4.8	140
FAAISC-1210-R47J	0.47	±5	45	50	550	0.800	460	FAAISC-1210F-560K	56	±10	25	2.52	15	5.1	125
FAAISC-1210-R56J	0.56	±5	45	50	470	1.100	430	FAAISC-1210F-680K	68	±10	25	2.52	15	4.7	110
FAAISC-1210-R68J	0.68	±5	45	50	450	1.200	400	FAAISC-1210F-820K	82	±10	25	2.52	13	5.6	100
FAAISC-1210-R82J	0.82	±5	45	50	420	1.820	320	FAAISC-1210F-101K	100	±10	15	0.796	6.0	6.5	95
FAAISC-1210-1R0J	1.0	±5	45	50	400	1.850	300	FASIAc-1210F-121K	120	±10	15	0.796	5.0	7.1	85
FAAISC-1210-1R2J	1.2	±5	45	25.2	380	1.870	310	FAAISC-1210F-151K	150	±10	15	0.796	4.5	8.2	80
FASIAc-1210-1R5J	1.5	±5	30	25.2	160	1.950	310	FAAISC-1210F-181K	180	±10	15	0.796	3.0	12.5	70
FAAISC-1210-1R8J	1.8	±5	30	25.2	160	2.250	310	FAAISC-1210F-221K	220	±10	15	0.796	3.0	15.3	65
FAAISC-1210-2R2J	2.2	±5	30	25.2	160	2.410	300	FAAISC-1210F-271K	270	±10	15	0.796	2.5	16.4	60
FAAISC-1210-2R7J	2.7	±5	28	25.2	140	2.850	300	FAAISC-1210F-331K	330	±10	15	0.796	2.3	17.8	55
FAAISC-1210-3R3J	3.3	±5	25	7.96	110	3.120	290	FAAISC-1210F-391K	390	±10	10	0.796	2.2	19.5	45
FAAISC-1210-3R9J	3.9	±5	25	7.96	100	3.600	280	FAAISC-1210F-471K	470	±10	10	0.796	2.0	21.0	40

Note: J=±5%, K=±10%, M=±20%, N=±30%

TECHNICAL INFORMATION:

Testing: [Equivalent acceptable]
Inductance: HP4191A
Q: HP4291A
SRF: HP8553B ROC: measured @ 25°C
Operating Temperature:
Ceramic: -55°C to +125°C
Ferrite: -55°C to +85°C
Pad metalization:
Ceramic: Tungsten-nickel with gold flash
Ferrite: Silver-nickel with 90/10 solder Optional gold flash
Solder methods: Wave, Reflow, Vapor Phase
Solderability: Max 260°C for 10 seconds
Marking: EIA color code

PHYSICAL CHARACTERISTICS:



SURFACE-MOUNT WIRE-WOUND CERAMIC CHIP INDUCTORS FAAISC-1812 SERIES



FEATURES:

Construction: Ferrite Core
High frequency design
Excellent Q values
Excellent SRF
High reliability
Excellent thermal stability

OPTIONS:

Packaging: Tape & Reel is standard
{Qty: 500 pcs}
Bulk packaging available for smaller quantities
Tolerance: 10% and 5% is standard, tighter tolerances available

COMMON APPLICATIONS:

Modems
Mobile Radios
Cordless Telephones
Global Positioning Systems
Telecommunications Systems

ELECTRICAL CHARACTERISTICS:

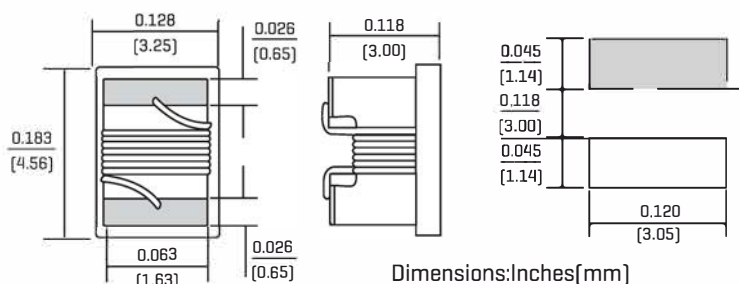
Part Number	L (μH)	Tol %	Q Min	Test Freq MHz	SRF MHz Min	DCR ohm Max	IDC Max mA	Part Number	L (μH)	Tol %	Q Min	Test Freq MHz	SRF MHz Min	DCR ohm Max	IDC Max mA
FAAISC-1812-1R0K	1.0	±10	30	7.96	200	0.20	1000	FAAISC-1812F-390K	39	±10	28	2.52	14	1.8	350
FAAISC-1812-1R2K	1.2	±10	30	7.96	200	0.21	1000	FAAISC-1812F-470K	47	±10	28	2.52	14	2.0	300
FAAISC-1812-1R5K	1.5	±10	30	7.96	180	0.22	1000	FAAISC-1812F-560K	56	±10	25	2.52	14	2.2	290
FAAISC-1812-1R8K	1.8	±10	35	7.96	160	0.24	950	FAAISC-1812F-680K	68	±10	20	2.52	5.4	2.4	260
FAAISC-1812-2R2K	2.2	±10	35	7.96	150	0.25	900	FAAISC-1812F-820K	82	±10	20	2.52	5.4	2.8	240
FAAISC-1812-2R7K	2.7	±10	35	7.96	145	0.30	850	FAAISC-1812F-101K	100	±10	20	0.796	4.2	3.0	220
FAAISC-1812-3R3K	3.3	±10	35	7.96	140	0.32	800	FAAISC-1812F-121K	120	±10	20	0.796	3.3	3.3	220
FAAISC-1812-3R9K	3.9	±10	35	7.96	135	0.40	750	FAAISC-1812F-151K	150	±10	20	0.796	3.0	3.7	200
FAAISC-1812-4R7K	4.7	±10	35	7.96	120	0.50	700	FAAISC-1812F-181K	180	±10	20	0.796	3.0	4.0	200
FAAISC-1812-5R6K	5.6	±10	35	7.96	110	0.55	650	FAAISC-1812F-221K	220	±10	15	0.796	2.5	7.0	170
FAAISC-1812-6R8K	6.8	±10	35	7.96	98	0.80	600	FAAISC-1812F-271K	270	±10	15	0.796	2.5	7.6	160
FAAISC-1812-8R2K	8.2	±10	35	7.96	95	0.85	600	FAAISC-1812F-331K	330	±10	15	0.796	2.0	8.5	150
FAAISC-1812-100K	10	±10	30	2.52	75	1.0	550	FAAISC-1812F-391K	390	±10	15	0.796	2.0	9.2	130
FAAISC-1812-120K	12	±10	30	2.52	70	1.1	550	FAAISC-1812F-471K	470	±10	10	0.796	2.0	10.4	120
FAAISC-1812-150K	15	±10	30	2.52	60	1.2	500	FAAISC-1812F-561K	560	±10	10	0.796	2.0	12.0	110
FAAISC-1812-180K	18	±10	30	2.52	29	1.2	500	FAAISC-1812F-681K	680	±10	10	0.796	1.8	14.0	100
FAAISC-1812-220K	22	±10	30	2.52	25	1.3	450	FAAISC-1812F-821K	820	±10	10	0.796	1.6	15.0	95
FAAISC-1812-270K	27	±10	28	2.52	22	1.5	400	FAAISC-1812F-102K	1000	±10	10	0.252	1.6	16.5	90
FAAISC-1812-330K	33	±10	28	2.52	18	1.7	350								

Note: J=±5%, K=±10%, M=±20%, N=±30%

TECHNICAL INFORMATION:

- Testing: [Equivalent acceptable]
- Inductance: HP4191A
- Q: HP4291A
- SRF: HP8553B
- RDC: measured @ 25°C
- Operating Temperature: Ceramic -55°C to +125°C
- Pad metalization: Tungsten-nickel with gold flash
- Solder methods: Wave, Reflow, Vapor Phase
- Solderability: Max 260°C for 10 seconds
- Marking: EIA color code

PHYSICAL CHARACTERISTICS:



SURFACE-MOUNT WOUND WOLDED CHIP INDUCTORS FAAISM-1008 SERIES



FEATURES:

Molded construction
Heat Resistant Molded Resin
Excellent Mechanical Strength
Excellent Solderability
High reliability
Low Profile
Lead free are RoHS complaint

OPTIONS:

Packaging:Tape & Reel is standard
[Qty:2000pcs]
Bulk packaging available for smaller quantities
Tolerance:10% and 5% is standard,
tighter tolerances available

COMMON APPLICATIONS:

VCRs DC/DC Converts
Video Cameras CTV,VCR HIC
Communication System
Automotive Systems
LCD/PDP Televisions
Hard Disk Drives
Network Systems
Computer Peripheral Equipment

ELECTRICAL CHARACTERISTICS:

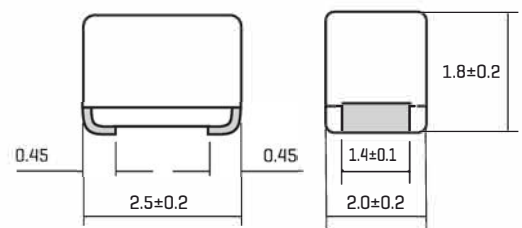
Part Number	L μ H	Tol %	Q Min	SRF MHz Min	DCR ohm Max	IDC Max mA	Test Freq MHz	Part Number	L μ H	Tol %	Q Min	SRF MHz Min	DCR ohm Max	IDC Max mA	Test Freq MHz
FAAISM-1008-R010K	.010	\pm 10	10	2150	0.26	530	100	FAAISM-1008-1R2J	1.2	\pm 5	30	180	1.20	230	7.96
FAAISM-1008-R012K	.012	\pm 10	15	2050	0.27	500	100	FAAISM-1008-1R5J	1.5	\pm 5	30	135	1.30	200	7.96
FAAISM-1008-R015K	.015	\pm 10	15	1850	0.31	480	100	FAAISM-1008-1R8J	1.8	\pm 5	30	100	1.45	210	7.96
FAAISM-1008-R018K	.018	\pm 10	15	1650	0.34	450	100	FAAISM-1008-2R2J	2.2	\pm 5	30	75	1.55	200	7.96
FAAISM-1008-R022K	.022	\pm 10	15	1550	0.38	420	100	FAAISM-1008-2R7J	2.7	\pm 5	30	55	1.70	195	7.96
FAAISM-1008-R027K	.027	\pm 10	15	1400	0.42	410	100	FAAISM-1008-3R3J	3.3	\pm 5	30	48	1.90	185	7.96
FAAISM-1008-R033K	.033	\pm 10	15	1250	0.46	400	100	FAAISM-1008-3R9J	3.9	\pm 5	30	43	2.10	180	7.96
FAAISM-1008-R039K	.039	\pm 10	20	1100	0.50	380	100	FAAISM-1008-4R7J	4.7	\pm 5	30	40	2.30	175	7.96
FAAISM-1008-R047K	0.47	\pm 10	20	1050	0.56	360	100	FAAISM-1008-5R6J	5.6	\pm 5	25	36	2.50	170	7.96
FAAISM-1008-R056K	0.56	\pm 10	20	950	0.65	340	100	FAAISM-1008-6R8J	6.8	\pm 5	25	33	2.70	165	7.96
FAAISM-1008-R068K	0.68	\pm 10	20	900	0.70	320	100	FAAISM-1008-8R2J	8.2	\pm 5	25	30	3.05	160	7.96
FAAISM-1008-R082K	0.82	\pm 10	20	850	0.75	300	100	FAAISM-1008-100J	10	\pm 5	25	27	3.50	155	2.52
FAAISM-1008-R10K	.10	\pm 10	20	700	0.80	280	100	FAAISM-1008-120J	12	\pm 5	25	23	3.80	150	2.52
FAAISM-1008-R12K	.12	\pm 10	30	600	0.37	520	25.2	FAAISM-1008-150J	15	\pm 5	25	20	4.40	140	2.52
FAAISM-1008-R15K	.15	\pm 10	30	550	0.42	480	25.2	FAAISM-1008-180J	18	\pm 5	25	18	4.80	130	2.52
FAAISM-1008-R18K	.18	\pm 10	30	500	0.46	460	25.2	FAAISM-1008-220J	22	\pm 5	25	17	5.50	125	2.52
FAAISM-1008-R22K	.22	\pm 10	30	450	0.52	430	25.2	FAAISM-1008-270J	27	\pm 5	25	16	6.30	115	2.52
FAAISM-1008-R27K	.27	\pm 10	30	425	0.56	420	25.2	FAAISM-1008-330J	33	\pm 5	20	15	7.10	110	2.52
FAAISM-1008-R33K	.33	\pm 10	30	400	0.60	400	25.2	FAAISM-1008-390J	39	\pm 5	20	14	9.50	90	2.52
FAAISM-1008-R39K	.39	\pm 10	30	375	0.65	375	25.2	FAAISM-1008-470J	47	\pm 5	20	13	11.10	80	2.25
FAAISM-1008-R47K	.47	\pm 10	30	350	0.68	350	25.2	FAAISM-1008-560J	56	\pm 5	20	12	12.10	75	2.52
FAAISM-1008-R56K	.56	\pm 10	30	300	0.75	325	25.2	FAAISM-1008-680J	68	\pm 5	20	11	16.60	70	2.52
FAAISM-1008-R68K	.68	\pm 10	30	270	0.85	300	25.2	FAAISM-1008-820J	82	\pm 5	20	10	19.00	65	2.52
FAAISM-1008-R82K	.82	\pm 10	30	250	1.00	260	25.2	FAAISM-1008-101J	100	\pm 5	15	9	21.00	60	0.796
FAAISM-1008-1R0J	1.00	\pm 5	30	220	1.10	245	7.96								

Note:J= \pm 5%, K= \pm 10%,M= \pm 20%,N= \pm 30%

TECHNICAL INFORMATION:

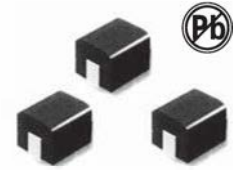
Testing: [Equivalent acceptable]
Q: .010uH to .10uH-HP4291A
12uH to 100uH-HP4285A
SRF: .010uH to .10uH-HP8720B
12uH to 100uH-HP4191A
RDC: QuadTech 1880 Milliohm meter
Inductance:.010uH to .10uH-HP4291A: .12uH to 10uH-HP4285A
Solderability:90% Terminal coverage Preheat @ 230°C \pm 5°C for 5 \pm .5 seconds
Flux: Methanol solution with 25% colophony
IDC:The maximum DCvalue having L decrease within 10% and Temperature Increase only 20°C with the application of DC bias
Operating Temperature: -40°C to +105°C
Storage Temperature: -40°C to +105°C
Note:All specifications subject to change without notice.

PHYSICAL CHARACTERISTICS:



Dimensions:mm

SURFACE-MOUNT WOUND WOLDED CHIP INDUCTORS FAAISM-1210 SERIES



FEATURES :

Molded construction
Heat Resistant Molded Resin
Excellent Mechanical Strength
Excellent Solderability
High reliability
Low Profile

OPTIONS:

Packaging:Tape & Reel is standard
[Qty:2000pcs]
Bulk packaging available for smaller quantities
Tolerance:10% and 5% is standard,
tighter tolerances available

COMMON APPLICATIONS:

VCRs
Video Cameras
Communication System
Automotive Systems
Liquid Crystal Televisions
Hard Disk Drives
Network Systems
Computer Peripheral Equipment

ELECTRICAL CHARACTERISTICS:

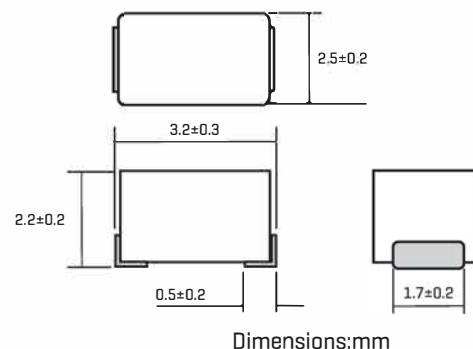
Part Number	L μ H	Tol %	Q Min	SRF MHz Min	DCR ohm Max	IDC Max mA	Test Freq MHz	Part Number	L μ H	Tol %	Q Min	SRF MHz Min	DCR ohm Max	IDC Max mA	Test Freq MHz
FAAISM-1210-R12M	0.12	± 20	30	500	0.22	450	25.2	FAAISM-1210-8R2K	8.2	± 10	30	40	2.0	170	7.96
FAAISM-1210-R15M	0.15	± 20	30	450	0.25	450	25.2	FAAISM-1210-100K	10	± 10	30	36	2.1	150	2.52
FAAISM-1210-R18M	0.18	± 20	30	400	0.28	450	25.2	FAAISM-1210-120K	12	± 10	30	33	2.5	140	2.52
FAAISM-1210-R22M	0.22	± 20	30	350	0.32	450	25.2	FAAISM-1210-150K	15	± 10	30	30	2.8	130	2.52
FAAISM-1210-R27M	0.27	± 20	30	320	0.36	450	25.2	FAAISM-1210-180K	18	± 10	30	27	3.3	120	2.52
FAAISM-1210-R33M	0.33	± 20	30	300	0.40	450	25.2	FAAISM-1210-220K	22	± 10	30	25	3.7	110	2.52
FAAISM-1210-R39M	0.39	± 20	30	250	0.45	450	25.2	FAAISM-1210-270K	27	± 10	30	20	5.0	80	2.52
FAAISM-1210-R47M	0.47	± 20	30	220	0.50	450	25.2	FAAISM-1210-330K	33	± 10	30	17	5.6	70	2.52
FAAISM-1210-R56M	0.56	± 20	30	180	0.55	450	25.2	FAAISM-1210-390K	39	± 10	30	16	6.4	65	2.52
FAAISM-1210-R68M	0.68	± 20	30	160	0.60	450	25.2	FAAISM-1210-470K	47	± 10	30	15	7.0	60	2.52
FAAISM-1210-R82M	0.82	± 20	30	140	0.65	450	25.2	FAAISM-1210-560K	56	± 10	30	13	8.0	55	2.52
FAAISM-1210-1R0K	1.0	± 10	30	120	0.70	400	7.96	FAAISM-1210-680K	68	± 10	30	12	9.0	50	2.52
FAAISM-1210-1R2K	1.2	± 10	30	100	0.75	390	7.96	FAAISM-1210-820K	82	± 10	30	11	10	45	2.52
FAAISM-1210-1R5K	1.5	± 10	30	85	0.85	370	7.96	FAAISM-1210-101K	100	± 10	20	10	10	40	0.796
FAAISM-1210-1R8K	1.8	± 10	30	80	0.90	350	7.96	FAAISM-1210-121K	120	± 10	20	10	11	70	0.796
FAAISM-1210-2R2K	2.2	± 10	30	75	1.0	320	7.96	FAAISM-1210-151K	150	± 10	20	8	15	65	0.796
FAAISM-1210-2R7K	2.7	± 10	30	70	1.1	290	7.96	FAAISM-1210-181K	180	± 10	20	7	17	60	0.796
FAAISM-1210-3R3K	3.3	± 10	30	60	1.2	270	7.96	FAAISM-1210-221K	220	± 10	20	7	21	50	0.796
FAAISM-1210-3R9K	3.9	± 10	30	55	1.3	250	7.96	FAAISM-1210-271K	270	± 10	20	6	28	45	0.796
FAAISM-1210-4R7K	4.7	± 10	30	50	1.5	220	7.96	FAAISM-1210-331K	330	± 10	20	5	34	40	0.796
FAAISM-1210-5R6K	5.6	± 10	30	47	1.6	200	7.96	FAAISM-1210-391K	390	± 10	20	5	42	35	0.796
FAAISM-1210-6R8K	6.8	± 10	30	43	1.8	180	7.96	FAAISM-1210-471K	470	± 10	20	4	40	25	0.796

Note:J= $\pm 5\%$, K= $\pm 10\%$, M= $\pm 20\%$, N= $\pm 30\%$

TECHNICAL INFORMATION:

Testing: [Equivalent acceptable]
Inductance:HP4285A
RDC:QuadTech 1880 Milliohm meter
Q:HP4342A
SRF:HP4291A
IDC Max:Determined when superimposed DC current is decreased 10% against its initial value
Operating temperature:-25°C to +85°C
Storage Temperature:-40°C to +85°C
Solder methods:Wave,Vapor Phase,Infrared
Resistance to soldering heat:260°C for 10 seconds
Solvent resistance: Conforms to MIL-STD-202E
Marking: Inductance & Tolerance
Note:All specifications subject to change without notice.

PHYSICAL CHARACTERISTICS:



SURFACE-MOUNT WOUND WOLDED CHIP INDUCTORS FAAISM-1812 SERIES



FEATURES:

Molded construction
Heat Resistant Molded Resin
Excellent Mechanical Strength
Excellent Solderability
High reliability
Low Profile

OPTIONS:

Packaging:Tape & Reel is standard
(Qty:500pcs)
Bulk packaging available for smaller quantities
Tolerance:10% and 5% is standard,
tighter tolerances available

COMMON APPLICATIONS:

VCRs
Video Cameras
Communication System
Automotive Systems
Liquid Crystal Televisions
Hard Disk Drives
Network Systems
Computer Peripheral Equipment

ELECTRICAL CHARACTERISTICS

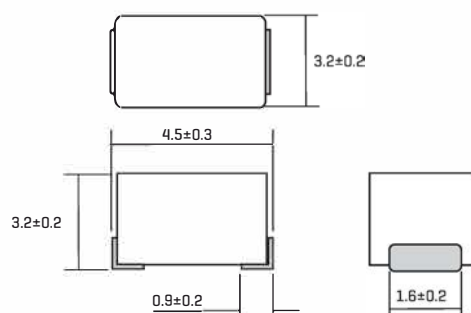
Part Number	L μ H	Tol %	Q Min	SRF MHz Min	DCR ohm Max	IDC Max mA	Test Freq MHz	Part Number	L μ H	Tol %	Q Min	SRF MHz Min	DCR ohm Max	IDC Max mA	Test Freq MHz
FAAISM-1812-R10M	.10	\pm 20	35	300	0.18	800	25.2	FAAISM-1812-150K	15	\pm 10	50	17	2.50	200	2.52
FAAISM-1812-R12M	.12	\pm 20	35	280	0.20	770	25.2	FAAISM-1812-180K	18	\pm 10	50	15	2.80	190	2.52
FAAISM-1812-R15M	.15	\pm 20	35	250	0.22	730	25.2	FAAISM-1812-220K	22	\pm 10	50	13	3.20	180	2.52
FAAISM-1812-R18M	.18	\pm 20	35	220	0.24	700	25.2	FAAISM-1812-270K	27	\pm 10	50	12	3.60	170	2.52
FAAISM-1812-R22M	.22	\pm 20	40	200	0.25	665	25.2	FAAISM-1812-330K	33	\pm 10	50	11	4.00	160	2.52
FAAISM-1812-R27M	.27	\pm 20	40	180	0.26	635	25.2	FAAISM-1812-390K	39	\pm 10	50	10	4.50	150	2.52
FAAISM-1812-R33M	.33	\pm 20	40	165	0.28	605	25.2	FAAISM-1812-470K	47	\pm 10	50	10	5.00	140	2.52
FAAISM-1812-R39M	.39	\pm 20	40	150	0.30	575	25.2	FAAISM-1812-560K	56	\pm 10	50	9.0	5.50	135	2.52
FAAISM-1812-R47M	.47	\pm 20	40	145	0.32	545	25.2	FAAISM-1812-680K	68	\pm 10	50	9.0	6.00	130	2.52
FAAISM-1812-R56M	.56	\pm 20	40	140	0.36	520	25.2	FAAISM-1812-820K	82	\pm 10	50	8.0	7.00	120	2.52
FAAISM-1812-R68M	.68	\pm 20	40	135	0.40	500	25.2	FAAISM-1812-101K	100	\pm 10	40	8.0	8.00	110	.796
FAAISM-1812-R82M	.82	\pm 20	40	130	0.45	475	25.2	FAAISM-1812-121K	120	\pm 10	40	6.0	8.00	110	.796
FAAISM-1812-1R0K	1.0	\pm 10	50	100	0.50	450	7.96	FAAISM-1812-151K	150	\pm 10	40	5.0	9.00	105	.796
FAAISM-1812-1R2K	1.2	\pm 10	50	80	0.55	430	7.96	FAAISM-1812-181K	180	\pm 10	40	5.0	9.50	102	.796
FAAISM-1812-1R8K	1.8	\pm 10	50	60	0.65	390	7.96	FAAISM-1812-221K	220	\pm 10	40	4.0	10.0	100	.796
FAAISM-1812-2R2K	2.2	\pm 10	50	55	0.70	380	7.96	FAAISM-1812-271K	270	\pm 10	40	4.0	12.0	92	.796
FAAISM-1812-3R3K	3.3	\pm 10	50	45	0.80	355	7.96	FAAISM-1812-331K	330	\pm 10	40	3.5	14.0	85	.796
FAAISM-1812-3R9K	3.9	\pm 10	50	40	0.90	330	7.96	FAAISM-1812-391K	390	\pm 10	40	3.0	18.0	80	.796
FAAISM-1812-4R7K	4.7	\pm 10	50	35	1.00	315	7.96	FAAISM-1812-471K	470	\pm 10	40	3.0	26.0	62	.796
FAAISM-1812-5R6K	5.6	\pm 10	50	33	1.10	300	7.96	FAAISM-1812-561K	560	\pm 10	30	3.0	30.0	50	.796
FAAISM-1812-6R8K	6.8	\pm 10	50	27	1.20	285	7.96	FAAISM-1812-681K	680	\pm 10	30	3.0	30.0	50	.796
FAAISM-1812-8R2K	8.2	\pm 10	50	25	1.40	270	7.96	FAAISM-1812-821K	820	\pm 10	30	2.5	35.0	30	.796
FAAISM-1812-100K	10	\pm 10	50	20	1.60	250	2.52	FAAISM-1812-102K	1000	\pm 10	20	2.5	40.0	30	.252
FAAISM-1812-120K	12	\pm 10	50	18	2.00	225	2.52								

Note:J= \pm 5%, K= \pm 10%,M= \pm 20%,N= \pm 30%

TECHNICAL INFORMATION:

Testing: [Equivalent acceptable]
Inductance:HP4285A
RDC:QuadTech 1880 Milliohmmerter -Q- HP4342A - SRF-HP4191A
IDC Max:Determined when superimposed
DC current is decreased 10% against its initial value
Operating temperature: -40°C to +105°C
Storage Temperature: -40°C to +105°C
Solder methods: Vapor Phase,Infrared Reflow
Resistance to soldering heat:260°C for 10 seconds
Solvent resistance: Conforms to MIL-STD-202E
Marking: Inductance & Tolerance
Note:All specifications subject to change without notice.

PHYSICAL CHARACTERISTICS:



Dimensions:mm

SURFACE-MOUNT WOUND WOLDED CHIP INDUCTORS FAAISM-2220 SERIES



FEATURES :

- Molded construction
- Heat Resistant Molded Resin
- Excellent Mechanical Strength
- Excellent Solderability
- High reliability
- Low Profile

OPTIONS:

- Packaging:Tape & Reel is standard [Qty:500pcs]
- Bulk packaging available for smaller quantities
- Tolerance:10% and 5% is standard, tighter tolerances available

COMMON APPLICATIONS:

- VCRs
- Video Cameras
- Communication System
- Automotive Systems
- Liquid Crystal Televisions
- Hard Disk Drives
- Network Systems
- Computer Peripheral Equipment

ELECTRICAL CHARACTERISTICS

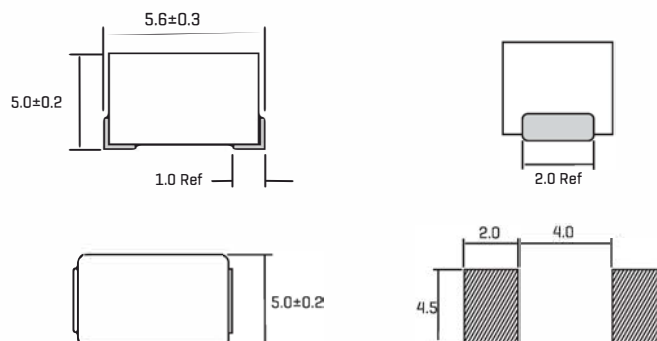
Part Number	L μ H	Q Min	SRF MHz Min	DCR ohm Max	IDC Max mA	Test Freq MHz	Part Number	L μ H	Q Min	SRF MHz Min	DCR ohm Max	IDC Max mA	Test Freq MHz
FAAISM-2220-1R0K	1.00	10	95	0.030	1800	7.96	FAAISM-2220-121K	120	20	5.4	1.9	230	0.796
FAAISM-2220-1R2K	1.20	10	70	0.035	1700	7.96	FAAISM-2220-151K	150	20	4.8	2.2	210	0.796
FAAISM-2220-1R5K	1.50	10	55	0.04	1600	7.96	FAAISM-2220-181K	180	20	4.4	2.8	190	0.796
FAAISM-2220-1R8K	1.80	10	47	0.05	1400	7.96	FAAISM-2220-221K	220	20	3.9	3.4	170	0.796
FAAISM-2220-2R2K	2.20	10	42	0.06	1300	7.96	FAAISM-2220-271K	270	20	3.6	4.2	155	0.796
FAAISM-2220-2R7K	2.70	10	37	0.07	1200	7.96	FAAISM-2220-331K	330	20	3.2	4.9	140	0.796
FAAISM-2220-3R3K	3.30	10	34	0.08	1120	7.96	FAAISM-2220-391K	390	20	2.9	5.8	130	0.796
FAAISM-2220-3R9K	3.90	10	32	0.09	1050	7.96	FAAISM-2220-471K	470	20	2.6	7.0	120	0.796
FAAISM-2220-4R7K	4.70	10	29	0.11	950	7.96	FAAISM-2220-561K	560	20	2.4	8.5	110	0.796
FAAISM-2220-5R6K	5.60	10	26	0.13	880	7.96	FAAISM-2220-681K	680	20	2.2	10	100	0.796
FAAISM-2220-6R8K	6.80	10	24	0.15	810	7.96	FAAISM-2220-821K	820	20	2.0	13	90	0.796
FAAISM-2220-8R2K	8.20	10	22	0.18	750	7.96	FAAISM-2220-102K	1000	20	1.8	15	85	0.252
FAAISM-2220-100K	10.00	10	19	0.21	690	2.52	FAAISM-2220-122J	1200	30	1.5	17	75	0.252
FAAISM-2220-120K	12.00	10	17	0.25	630	2.52	FAAISM-2220-152J	1500	30	1.4	20	70	0.252
FAAISM-2220-150K	15.00	10	16	0.30	580	2.52	FAAISM-2220-182J	1800	30	1.3	30	60	0.252
FAAISM-2220-180K	18.00	10	14	0.36	530	2.52	FAAISM-2220-222J	2200	30	1.2	35	55	0.252
FAAISM-2220-220K	22.00	10	13	0.43	480	2.52	FAAISM-2220-272J	2700	30	1.1	55	45	0.252
FAAISM-2220-270K	27.00	10	11.5	0.52	440	2.52	FAAISM-2220-332J	3300	30	1.0	60	40	0.252
FAAISM-2220-330K	33.00	10	10.5	0.62	400	2.52	FAAISM-2220-392J	3900	30	1.0	70	38	0.252
FAAISM-2220-390K	39.00	10	9.5	0.72	370	2.52	FAAISM-2220-472J	4700	30	0.9	78	36	0.252
FAAISM-2220-470K	47.00	10	8.5	0.85	340	2.52	FAAISM-2220-562J	5600	30	0.8	85	33	0.252
FAAISM-2220-560K	56.00	10	7.8	1.0	310	2.52	FAAISM-2220-682J	6800	30	0.7	110	30	0.252
FAAISM-2220-680K	68.00	10	7.0	1.2	290	2.52	FAAISM-2220-822J	8200	30	0.6	125	28	0.252
FAAISM-2220-820K	82.00	10	6.4	1.4	270	2.52	FAAISM-2220-103J	10000	20	0.5	150	25	0.0796
FAAISM-2220-101K	100	20	6.0	1.6	250	0.796							

Note:1. J=±5%,K=±10%,M=±20%.

TECHNICAL INFORMATION:

- Testing: [Equivalent acceptable]
- Inductance:HP4285A
- RDC:QuadTech 1880 Milliohmmeter
- Q- HP4342A - SRF-HP4191A
- IDC Max:Determined when superimposed
- DC current is decreased 10% against its initial value
- Operating temperature: -40°C to +105°C
- Storage Temperature: -40°C to +105°C
- Solder methods: Vapor Phase,Infrared Reflow
- Resistance to soldering heat:260°C for 10 seconds
- Solvent resistance: Conforms to MIL-STD-202E
- Marking: Inductance & Tolerance
- Note:All specifications subject to change without notice.

PHYSICAL CHARACTERISTICS:



HIGH CURRENT SURFACE-MOUNT WIRE-WOUND INDUCTORS FALQH1008 SERIES



FEATURES:

Ferrite Core
 High Frequency Design
 Lower DCR permits High Idc
 Available in E12 series
 Excellent Q SRF Values
 Lead free versions
 RoHS compliant
 Excellent Thermal Stability

OPTIONS:

Tape & Reel is Standard
 (Qty: 2000pcs)
 Bulk packaging Available
 for Smaller Quantities
 Tolerance: K=10%,M=20% is
 Standard,Tighter Tolerances Available

COMMON APPLICATIONS:

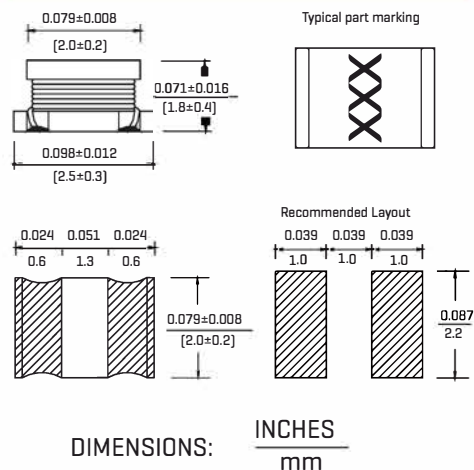
Modems PDP,LCD TVs converter
 Mobile Radios DC/DC converter
 Cordless Telephones Car radios
 Global Positioning Systems
 Wireless Communications Equipment
 Networking System,xDSL Filter
 Computer Products and Peripherals

STANDARD SPECIFICATION:

Part Number	L [μH]	L Test Freq [KHz]	Q [Min]	Q Test Freq [MHz]	SRF [MHz]	DCR [ohmMax]	IDC [mAMax]
FALQH-1008-1R0M	1.0	1	35	1	100	0.078	300
FALQH-1008-1R2M	1.2	1	35	1	100	0.090	290
FALQH-1008-1R5M	1.5	1	35	1	75	0.10	280
FALQH-1008-1R8M	1.8	1	35	1	60	0.11	270
FALQH-1008-2R2M	2.2	1	35	1	50	0.12	250
FALQH-1008-2R7M	2.7	1	35	1	43	0.20	240
FALQH-1008-3R3M	3.3	1	35	1	38	0.24	230
FALQH-1008-3R9M	3.9	1	35	1	35	0.28	220
FALQH-1008-4R7K	4.7	1	35	1	31	0.30	210
FALQH-1008-5R6K	5.6	1	35	1	28	0.34	205
FALQH-1008-6R8K	6.8	1	35	1	25	0.44	200
FALQH-1008-8R2K	8.2	1	35	1	23	0.59	195
FALQH-1008-100K	10	1	35	1	20	0.68	190
FALQH-1008-120K	12	1	35	1	18	0.77	185
FALQH-1008-150K	15	1	35	1	16	0.87	180
FALQH-1008-180K	18	1	35	1	15	1.20	175
FALQH-1008-220K	22	1	40	1	14	1.34	170
FALQH-1008-270K	27	1	40	1	13	1.86	165
FALQH-1008-330K	33	1	40	1	12	2.10	160
FALQH-1008-390K	39	1	40	1	11	2.35	155
FALQH-1008-470K	47	1	40	1	11	3.30	150
FALQH-1008-560K	56	1	40	1	10	3.70	145
FALQH-1008-680K	68	1	40	1	9.0	6.00	135
FALQH-1008-820K	82	1	40	1	8.0	6.90	125
FALQH-1008-101K	100	1	40	1	8.0	7.75	110

Note:1. K=±10%,M=±20%

PHYSICAL CHARACTERISTICS:



ELECTRONICAL SCHEMATIC:

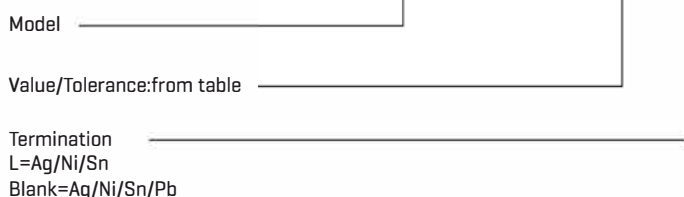


TECHNICAL INFORMATION:

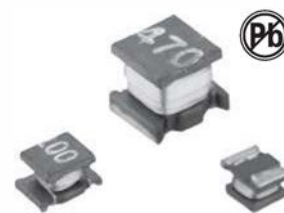
- Inductance Testing: HP4291A,HP16193A,HP4286A or equivalent
- RDC:QuadTech 1880 Milliohmeter
- Q- HP4342A
- SRF-HP4191A
- Rated Current L value drop10%typ.at IDC against its initial value
- Temperature rise 40°C Max Reference ambient temperature
- Solderability: 75% of the terminal electrode shall be covered
- Soldering Methods: Wave,Reflow
- Operating Temperature: -25°C to +85°C
- Storage Temperature: -55°C to +125°C

Note: All specifications subject to change without notice.

FALQH1008 - 100 M



HIGH CURRENT SURFACE-MOUNT WIRE-WOUND INDUCTORS FALQH1206 SERIES



FEATURES :

- Ferrite Core
- High Frequency Design
- Lower DCR permits High I_{dc}
- Available in E12 series
- Excellent Q SRF Values
- Lead free versions
- RoHS compliant
- Excellent Thermal Stability

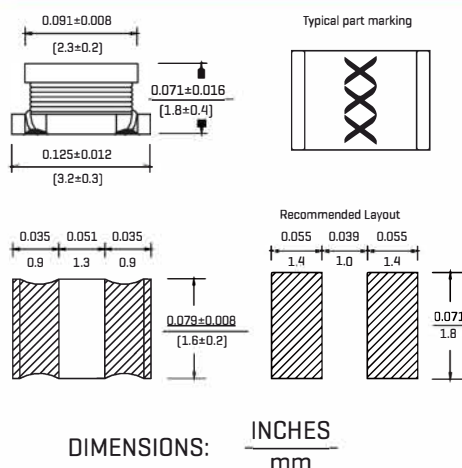
OPTIONS:

- Tape & Reel is Standard (Qty : 2000pcs)
- Bulk packaging Available for Smaller Quantities
- Tolerance : K=±10%,M=±20% is Standard,Tighter Tolerances Available

COMMON APPLICATIONS:

- Modems PDP,LCD TVs converter
- Mobile Radios DC/DC converter
- Cordless Telephones Car radios
- Global Positioning Systems
- Wireless Communications Equipment
- Networking System,xDSL Filter
- Computer Products and Peripherals

PHYSICAL CHARACTERISTICS:



STANDARD SPECIFICATION:

Part Number	L (μH)	L Test Freq (KHz)	Q (Min)	Q Test Freq (MHz)	SRF (MHz)	DCR (ohmMax)	IDC (mA Max)
FALQH-1206-1R0M	1.0	1	35	1	100	0.49	175
FALQH-1206-1R2M	1.2	1	35	1	90	0.90	165
FALQH-1206-1R5M	1.5	1	35	1	75	1.00	155
FALQH-1206-1R8M	1.8	1	35	1	60	1.60	150
FALQH-1206-2R2M	2.2	1	35	1	50	0.70	140
FALQH-1206-2R7M	2.7	1	35	1	43	0.55	135
FALQH-1206-3R3M	3.3	1	35	1	38	0.61	130
FALQH-1206-3R9M	3.9	1	35	1	35	1.50	125
FALQH-1206-4R7K	4.7	1	35	1	31	1.70	120
FALQH-1206-5R6K	5.6	1	35	1	28	1.80	115
FALQH-1206-6R8K	6.8	1	35	1	25	2.00	110
FALQH-1206-8R2K	8.2	1	35	1	23	2.20	105
FALQH-1206-100K	10	1	35	1	20	2.50	100
FALQH-1206-120K	12	1	35	1	18	2.70	95
FALQH-1206-150K	15	1	35	1	16	3.00	90
FALQH-1206-180K	18	1	35	1	15	3.40	85
FALQH-1206-220K	22	1	40	1	14	3.10	85
FALQH-1206-270K	27	1	40	1	13	3.40	85
FALQH-1206-330K	33	1	40	1	12	3.80	80
FALQH-1206-390K	39	1	40	1	11	7.20	85
FALQH-1206-470K	47	1	40	1	10	8.00	85
FALQH-1206-560K	56	1	40	1	9.0	8.90	50
FALQH-1206-680K	68	1	40	1	8.5	9.90	50
FALQH-1206-820K	82	1	40	1	7.5	11.00	45
FALQH-1206-101K	100	1	40	1	7.0	12.00	45

ELECTRONICAL SCHEMATIC:



TECHNICAL INFORMATION:

- Inductance Testing: HP4291A,HP16193A,HP4286A or equivalent
- RDC:QuadTech 1880 Milliohm meter
- Q- HP4342A
- SRF-HP4191A
- Rated Current L value drop 10% typ. at IDC against its initial value
- Temperature rise 40°C Max Reference ambient temperature
- Solderability: 75% of the terminal electrode shall be covered
- Soldering Methods: Wave,Reflow
- Operating Temperature: -25°C to +85°C
- Storage Temperature: -55°C to +125°C

Note: All specifications subject to change without notice.

Note: 1. K=±10%,M=±20%

FALQH1206 - 100 M

Model _____

Value/Tolerance: from table _____

Termination _____

L=Ag/Ni/Sn
Blank=Ag/Ni/Sn/Pb

HIGH CURRENT SURFACE-MOUNT WIRE-WOUND INDUCTORS FALQH1210 SERIES



FEATURES :

Ferrite Core
High Frequency Design
Lower DCR permits High Idc
Available in E12 series
Excellent Q SRF Values
Lead free versions
RoHS compliant
Excellent Thermal Stability

OPTIONS:

Tape & Reel is Standard
[Qty: 2000pcs]
Bulk packaging Available
for Smaller Quantities
Tolerance: K=10%,M=20% is
Standard,Tighter Tolerances Available

COMMON APPLICATIONS:

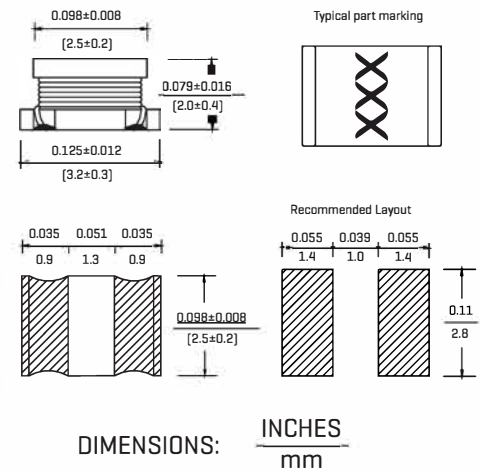
Modems PDP,LCD TVs converter
Mobile Radios DC/DC converter
Cordless Telephones Car radios
Global Positioning Systems
Wireless Communications Equipment
Networking System,xDSL Filter
Computer Products and Peripherals

STANDARD SPECIFICATION:

Part Number	L [μH]	L Test Freq [KHz]	Q [Min]	Q Test Freq [MHz]	SRF [MHz]	DCR [ohmMax]	IDC [mA Max]
FALQH-1210-R10M	0.1	1	10	25.2	200	0.25	700
FALQH-1210-R18M	0.18	1	10	25.2	200	0.25	650
FALQH-1210-R27M	0.27	1	10	25.2	200	0.25	600
FALQH-1210-R39M	0.39	1	10	25.2	200	0.25	530
FALQH-1210-R56M	0.56	1	10	25.2	160	0.25	530
FALQH-1210-R68M	0.68	1	10	25.2	160	0.25	470
FALQH-1210-R82M	0.82	1	10	25.21	120	0.25	450
FALQH-1210-1R0M	1.0	1	10	1	100	0.5	445
FALQH-1210-1R2M	1.2	1	10	1	100	0.6	425
FALQH-1210-1R5M	1.5	1	10	1	75	0.6	400
FALQH-1210-1R8M	1.8	1	10	1	60	0.7	390
FALQH-1210-2R2M	2.2	1	10	1	50	0.8	370
FALQH-1210-2R7M	2.7	1	10	1	43	0.9	320
FALQH-1210-3R3M	3.3	1	10	1	38	1.0	300
FALQH-1210-3R9M	3.9	1	10	1	35	1.1	290
FALQH-1210-4R7K	4.7	1	20	1	31	1.2	270
FALQH-1210-5R6K	5.6	1	20	1	28	1.3	250
FALQH-1210-6R8K	6.8	1	20	1	25	1.5	240
FALQH-1210-8R2K	8.2	1	20	1	23	1.6	225
FALQH-1210-100K	10	1	25	1	20	1.8	190
FALQH-1210-120K	12	1	25	1	18	2.0	180
FALQH-1210-150K	15	1	25	1	16	2.2	170
FALQH-1210-180K	18	1	25	1	15	2.5	165
FALQH-1210-220K	22	1	25	1	14	2.8	150
FALQH-1210-270K	27	1	25	1	13	3.1	125
FALQH-1210-330K	33	1	25	1	12	3.5	115
FALQH-1210-390K	39	1	25	1	11	3.9	110
FALQH-1210-470K	47	1	25	1	11	4.3	100
FALQH-1210-560K	56	1	25	1	10	4.9	85
FALQH-1210-680K	68	1	25	1	9.0	5.5	80
FALQH-1210-820K	82	1	25	1	8.5	6.2	70
FALQH-1210-101K	100	1	30	0.796	8.0	7.0	80
FALQH-1210-121K	120	1	30	0.796	7.5	8.0	75
FALQH-1210-151K	150	1	30	0.796	7.0	9.3	70
FALQH-1210-181K	180	1	30	0.796	6.0	10.2	65
FALQH-1210-221K	220	1	30	0.796	5.5	11.8	65
FALQH-1210-271K	270	1	30	0.796	5.0	12.5	65
FALQH-1210-331K	330	1	30	0.796	5.0	13.0	65
FALQH-1210-391K	390	1	30	0.796	5.0	22.0	50
FALQH-1210-471K	470	0.001	30	0.796	5.0	25.0	45
FALQH-1210-561K	560	0.001	30	0.796	5.0	28.0	40

Note:1. K=±10%,M=±20%

PHYSICAL CHARACTERISTICS:

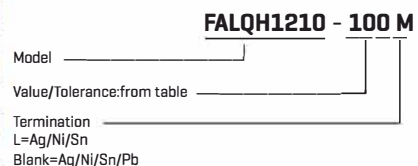


ELECTRONICAL SCHEMATIC:



TECHNICAL INFORMATION:

- Inductance Testing: HP4291A,HP16193A,HP4286A or equivalent
- RDC:QuadTech 1880 Milliohm meter
- Q- HP4342A
- SRF-HP4191A
- Rated Current L value drop 10% typ.at IDC against its initial value
- Temperature rise 40°C Max Reference ambient temperature
- Solderability: 75% of the terminal electrode shall be covered
- Soldering Methods: Wave,Reflow
- Operating Temperature:-25°C to +85°C
- Storage Temperature:-55°C to +125°C
- Note: All specifications subject to change without notice.



HIGH CURRENT SURFACE-MOUNT WIRE-WOUND INDUCTORS FALQH1812 SERIES



FEATURES :

- Ferrite Core
- High Frequency Design
- Lower DCR permits High Idc
- Available in E12 series
- Excellent Q SRF Values
- Lead free versions
- RoHS compliant
- Excellent Thermal Stability

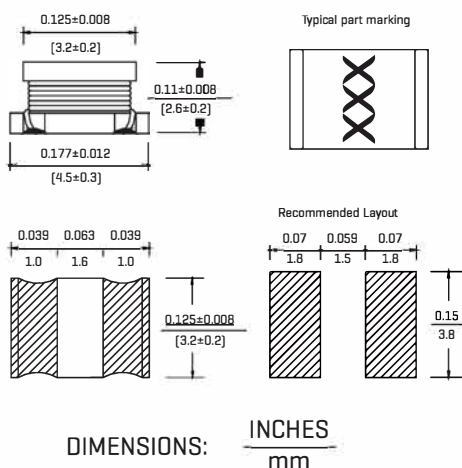
OPTIONS:

- Tape & Reel is Standard [Qty: 500pcs]
- Bulk packaging Available for Smaller Quantities
- Tolerance: K=10%,M=20% is Standard,Tighter Tolerances Available

COMMON APPLICATIONS:

- Modems PDP,LCD TVs converter
- Mobile Radios DC/DC converter
- Cordless Telephones Car radios
- Global Positioning Systems
- Wireless Communications Equipment
- Networking System,xDSL Filter
- Computer Products and Peripherals

PHYSICAL CHARACTERISTICS:



STANDARD SPECIFICATION:

Part Number	L (μH)	L Test Freq (KHz)	Q (Min)	Q Test Freq (MHz)	SRF (MHz)	DCR (ohmMax)	IDC (mA Max)
FALQH-1812-1R0M	1.0	1	20	1	120	0.20	550
FALQH-1812-1R2M	1.2	1	20	1	100	0.25	530
FALQH-1812-1R5M	1.5	1	20	1	85	0.28	500
FALQH-1812-1R8M	1.8	1	20	1	75	0.30	500
FALQH-1812-2R2M	2.2	1	20	1	62	0.30	500
FALQH-1812-2R7M	2.7	1	20	1	53	0.32	500
FALQH-1812-3R3M	3.3	1	20	1	47	0.35	500
FALQH-1812-3R9M	3.9	1	20	1	42	0.38	500
FALQH-1812-4R7M	4.7	1	30	1	38	0.40	500
FALQH-1812-5R6K	5.6	1	30	1	35	0.47	500
FALQH-1812-6R8K	6.8	1	30	1	32	0.50	500
FALQH-1812-8R2K	8.2	1	30	1	28	0.56	500
FALQH-1812-100K	10	1	35	1	24	0.56	450
FALQH-1812-120K	12	1	35	1	22	0.62	450
FALQH-1812-150K	15	1	35	1	19	0.73	390
FALQH-1812-180K	18	1	35	1	17	0.82	370
FALQH-1812-220K	22	1	35	1	15	0.94	350
FALQH-1812-270K	27	1	35	1	14	1.1	330
FALQH-1812-330K	33	1	35	1	12	1.2	310
FALQH-1812-390K	39	1	35	1	11	1.4	280
FALQH-1812-470K	47	1	35	1	10	1.5	250
FALQH-1812-560K	56	1	35	1	9.5	1.7	225
FALQH-1812-680K	68	1	35	1	8.5	1.9	200
FALQH-1812-820K	82	1	35	1	7.5	2.2	185
FALQH-1812-101K	100	1	35	0.796	8.8	2.5	175
FALQH-1812-121K	120	1	40	0.796	6.2	3.0	165
FALQH-1812-151K	150	1	40	0.796	5.5	3.7	155
FALQH-1812-181K	180	1	40	0.796	5.0	4.5	135
FALQH-1812-221K	220	1	40	0.796	4.5	5.4	125
FALQH-1812-271K	270	1	40	0.796	4.0	6.8	115
FALQH-1812-331K	330	1	40	0.796	3.7	8.2	100
FALQH-1812-391K	390	1	40	0.796	3.3	9.7	90
FALQH-1812-471K	470	0.001	40	0.796	3.0	12	80
FALQH-1812-561K	560	0.001	40	0.796	2.7	15	70
FALQH-1812-681K	680	0.001	40	0.796	2.5	17	65
FALQH-1812-821K	820	0.001	40	0.796	2.2	21	60
FALQH-1812-102K	1000	0.001	40	0.252	2.0	25	50
FALQH-1812-122K	1200	0.001	40	0.252	1.8	30	45
FALQH-1812-152K	1500	0.001	40	0.252	1.6	37	40
FALQH-1812-182K	1800	0.001	40	0.252	1.5	45	35
FALQH-1812-222K	2200	0.001	40	0.252	1.3	50	30

Note:1. K=±10%,M=±20%

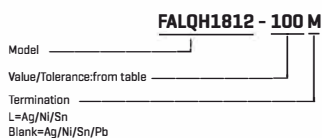
ELECTRONICAL SCHEMATIC:



TECHNICAL INFORMATION:

- Inductance Testing: HP4291A,HP16193A,HP4286A or equivalent
- RDC:QuadTech 1880 Milliohm meter
- Q- HP4342A
- SRF-HP4191A
- Rated Current L value drop10%typ.at IDCagainst its initial value
- Temperature rise 40°C Max Reference ambient temperature
- Solderability: 75% of the terminal electrode shall be covered
- Soldering Methods: Wave,Reflow
- Operating Temperature:-25°C to +85°C
- Storage Temperature: -55°C to +125°C

Note: All specifications subject to change without notice.



HIGH CURRENT SURFACE-MOUNT WIRE-WOUND INDUCTORS FALQH2220 SERIES



FEATURES :

Ferrite Core
High Frequency Design
Lower DCR permits High Idc
Available in E12 series
Excellent Q SRF Values
Lead free versions
RoHS compliant
Excellent Thermal Stability

OPTIONS:

Tape & Reel is Standard
(Qty : 500pcs)
Bulk packaging Available
for Smaller Quantities
Tolerance : K=10%,M=20% is
Standard,Tighter Tolerances Available

COMMON APPLICATIONS:

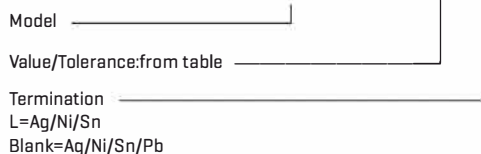
Modems PDP.LCD TVs converter
Mobile Radios DC/DC converter
Cordless Telephones Car radios
Global Positioning Systems
Wireless Communications Equipment
Networking System,xDSL Filter
Computer Products and Peripherals

STANDARD SPECIFICATION:

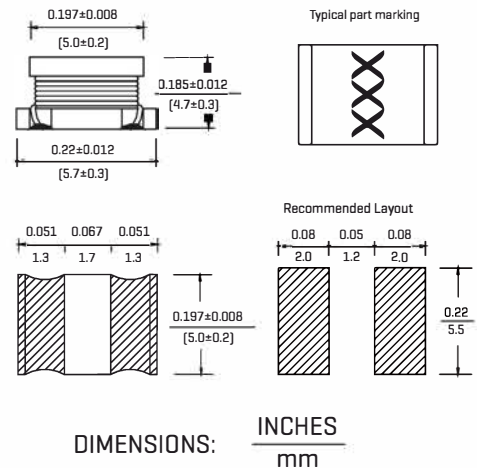
Part Number	L [μH]	L Test Freq [KHz]	Q [Min]	Q Test Freq [MHz]	SRF [MHz]	DCR [ohmMax]	IDC [A Max]
FALQH-2220-R12M	0.12	1	10	1	450	0.010	6.0
FALQH-2220-R27M	0.27	1	10	1	300	0.014	5.3
FALQH-2220-R47M	0.47	1	10	1	200	0.018	4.8
FALQH-2220-1R0M	1.0	1	20	1	150	0.027	4.0
FALQH-2220-1R5M	1.5	1	20	1	110	0.031	3.7
FALQH-2220-2R2M	2.2	1	20	1	80	0.041	3.2
FALQH-2220-3R3M	3.3	1	20	1	40	0.050	2.9
FALQH-2220-4R7M	4.7	1	30	1	30	0.057	2.7
FALQH-2220-6R8M	6.8	1	30	1	25	0.10	2.0
FALQH-2220-100K	10	1	35	1	20	0.13	1.7
FALQH-2220-150K	15	1	35	1	17	0.21	1.4
FALQH-2220-220K	22	1	35	1	15	0.27	1.2
FALQH-2220-330K	33	1	35	1	12	0.45	0.9
FALQH-2220-470K	47	1	35	1	10	0.56	0.8
FALQH-2220-680K	68	1	35	1	7.6	0.94	0.64
FALQH-2220-101K	100	0.1	35	0.796	6.5	1.20	0.56
FALQH-2220-151K	150	0.1	40	0.796	5.0	2.66	0.42
FALQH-2220-221K	220	0.1	40	0.796	4.0	3.36	0.32
FALQH-2220-331K	330	0.1	40	0.796	3.1	6.16	0.27
FALQH-2220-471K	470	0.1	40	0.796	2.4	7.56	0.24
FALQH-2220-681K	680	0.1	40	0.796	1.9	11.3	0.19
FALQH-2220-102K	1000	0.01	40	0.796	1.7	14.4	0.15
FALQH-2220-152K	1500	0.01	40	0.796	1.2	30.1	0.10
FALQH-2220-222K	2200	0.01	40	0.796	1.1	45.0	0.09
FALQH-2220-332K	3300	0.01	40	0.796	1.0	50.0	0.08
FALQH-2220-472K	4700	0.01	40	0.796	0.8	61.0	0.07
FALQH-2220-682K	6800	0.01	40	0.796	0.7	100	0.06
FALQH-2220-822K	8200	0.01	40	0.796	0.6	125	0.05
FALQH-2220-103K	10000	0.01	40	0.796	0.5	140	0.05

Note:1. K=±10%,M=±20%

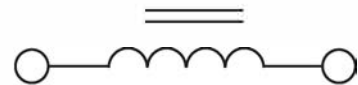
FALQH2220 - 100 M



PHYSICAL CHARACTERISTICS:



ELECTRONICAL SCHEMATIC:



TECHNICAL INFORMATION:

- Inductance Testing: HP4291A,HP16193A,HP4286A or equivalent
- RDC:QuadTech 1880 Milliohm meter
- Q- HP4342A
- SRF-HP4191A
- Rated Current L value drop10%typ.at IDCagainst its initial value
- Temperature rise 40°C Max Reference ambient temperature
- Solderability: 75% of the terminal electrode shall be covered
- Soldering Methods: Wave,Reflow
- Operating Temperature:-25°C to +85°C
- Storage Temperature: -55°C to +125°C

Note: All specifications subject to change without notice.

HIGH CURRENT SURFACE-MOUNT WIRE-WOUND INDUCTORS FALQH1206C SERIES



FEATURES :

- Ceramic Core
- High Frequency Design
- Lower DCR permits High I_{dc}
- Available in E12 series
- Excellent Q SRF Values
- Lead free versions
- RoHS compliant
- Excellent Thermal Stability

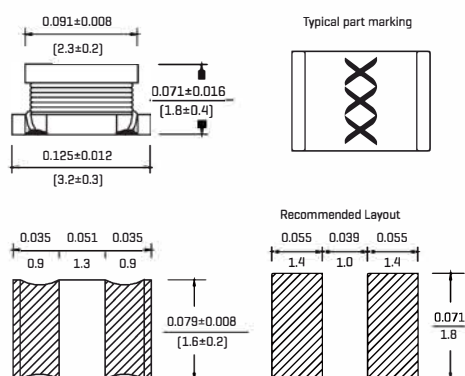
OPTIONS:

- Tape & Reel is Standard [Qty: 2000pcs]
- Bulk packaging Available for Smaller Quantities
- Tolerance: K=10%,M=20% is Standard,Tighter Tolerances Available

COMMON APPLICATIONS:

- Modems PDP,LCD TVs converter
- Mobile Radios DC/DC converter
- Cordless Telephones Car radios
- Global Positioning Systems
- Wireless Communications Equipment
- Networking System,xDSL Filter
- Computer Products and Peripherals

PHYSICAL CHARACTERISTICS:



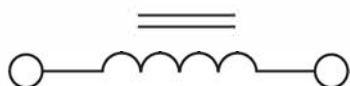
DIMENSIONS: INCHES
mm

STANDARD SPECIFICATION:

Part Number	L (μH)	L Test Freq (KHz)	Q (Min)	Q Test Freq (MHz)	SRF (MHz)	DCR (ohmMax)	IDC (mA Max)
FALQH-1206C-R12M	0.12	1	10	1	250	0.112	970
FALQH-1206C-R22M	0.22	1	10	1	250	0.140	850
FALQH-1206C-R47M	0.47	1	10	1	180	0.210	700
FALQH-1206C-1R0M	1.0	1	20	1	100	0.392	510
FALQH-1206C-2R2M	2.2	1	20	1	50	0.574	430
FALQH-1206C-4R7M	4.7	1	20	1	31	0.910	340
FALQH-1206C-100K	10	1	20	1	20	1.82	230
FALQH-1206C-220K	22	1	20	1	14	4.20	160
FALQH-1206C-470K	47	1	20	1	10	11.2	100
FALQH-1206C-101K	100	1	30	0.796	7.0	16.8	80

Note:1. K=±10%,M=±20%

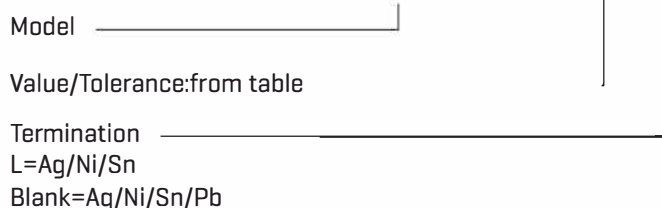
ELECTRONICAL SCHEMATIC:



TECHNICAL INFORMATION:

- Inductance Testing: HP4291A,HP16193A,HP4286A or equivalent
 - RDC:QuadTech 1880 Milliohm meter
 - Q- HP4342A
 - SRF-HP4191A
 - Rated Current L value drop 10% typ. at IDC against its initial value
 - Temperature rise 40°C Max Reference ambient temperature
 - Solderability: 75% of the terminal electrode shall be covered
 - Soldering Methods: Wave,Reflow
 - Operating Temperature: -25°C to +85°C
 - Storage Temperature: -55°C to +125°C
- Note: All specifications subject to change without notice.

FALQH1206C - 100 M



HIGH CURRENT SURFACE-MOUNT WIRE-WOUND INDUCTORS FALQH1210C SERIES



FEATURES :

- Ceramic Core
- High Frequency Design
- Lower DCR permits High Idc
- Available in E12 series
- Excellent Q SRF Values
- Lead free versions
- RoHS compliant
- Excellent Thermal Stability

OPTIONS:

- Tape & Reel is Standard (Qty: 2000pcs)
- Bulk packaging Available for Smaller Quantities
- Tolerance : K= 10%,M=20% is Standard,Tighter Tolerances Available

COMMON APPLICATIONS:

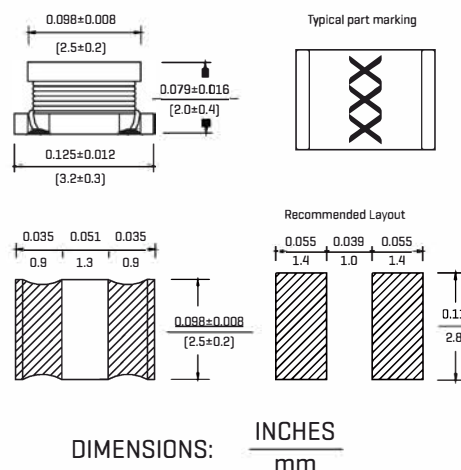
- Modems PDP,LCD TVs converter
- Mobile Radios DC/DC converter
- Cordless Telephones Car radios
- Global Positioning Systems
- Wireless Communications Equipment
- Networking System,xDSL Filter
- Computer Products and Peripherals

STANDARD SPECIFICATION:

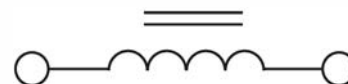
Part Number	L (μH)	L Test Freq [KHz]	Q [Min]	Q Test Freq [MHz]	SRF [MHz]	DCR [ohmMax]	IDC [mAMax]
FALQH-1210C-1R0M	1.0	1	10	1	96	0.117	800
FALQH-1210C-2R2M	2.2	1	10	1	64	0.169	600
FALQH-1210C-4R7M	4.7	1	10	1	43	0.260	450
FALQH-1210C-100K	10	1	20	1	26	0.572	300
FALQH-1210C-220K	22	1	20	1	19	0.923	250
FALQH-1210C-470K	47	1	20	1	15	1.69	170
FALQH-1210C-101K	100	1	30	0.796	10	4.55	100
FALQH-1210C-221K	220	1	30	0.796	6.8	10.9	70
FALQH-1210C-331K	330	1	30	0.796	5.6	13.0	60
FALQH-1210C-391K	390	1	30	0.796	5.0	22.1	60
FALQH-1210C-471K	470	1	30	0.796	5.0	24.7	60
FALQH-1210C-561K	560	0.001	30	0.796	5.0	28.6	60

Note:1. K=±10%,M=±20%

PHYSICAL CHARACTERISTICS:



ELECTRONICAL SCHEMATIC:

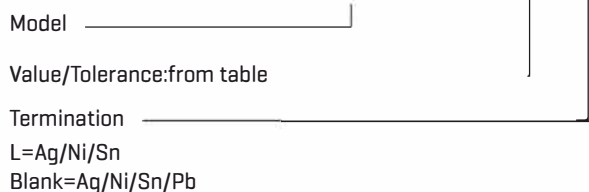


TECHNICAL INFORMATION:

- Inductance Testing: HP4291A,HP16193A,HP4286A or equivalent
- DCR:QuadTech 1880 Milliohm meter
- Q- HP4342A
- SRF-HP4191A
- Rated Current L value drop10%typ.atIDC against its initial value
- Temperature rise 40°C Max Reference ambient temperature
- Solderability: 75% of the terminal electrode shall be covered
- Soldering Methods: Wave,Reflow
- Operating Temperature:-25°C to +85°C
- Storage Temperature: -55°C to +125°C

Note: All specifications subject to change without notice.

FALQH1210C - 100 M



HIGH CURRENT SURFACE-MOUNT WIRE-WOUND INDUCTORS FALQH1812C SERIES



FEATURES :

- Ceramic Core
- High Frequency Design
- Lower DCR permits High Idc
- Available in E12 series
- Excellent Q SRF Values
- Lead free versions
- RoHS compliant
- Excellent Thermal Stability

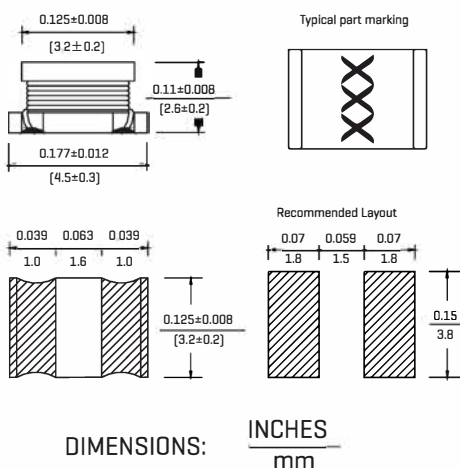
OPTIONS:

- Tape & Reel is Standard (Qty: 5000pcs)
- Bulk packaging Available for Smaller Quantities
- Tolerance: K=10%,M=20% is Standard,Tighter Tolerances Available

COMMON APPLICATIONS:

- Modems PDP.LCD TVs converter
- Mobile Radios DC/DC converter
- Cordless Telephones Car radios
- Global Positioning Systems
- Wireless Communications Equipment
- Networking System,xDSL Filter
- Computer Products and Peripherals

PHYSICAL CHARACTERISTICS:

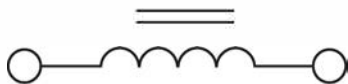


STANDARD SPECIFICATION:

Part Number	L (μH)	L Test Freq (KHz)	Q (Min)	Q Test Freq (MHz)	SRF (MHz)	DCR [ohmMax]	IDC (mA Max)
FALQH-1812C-1R0M	1.0	1	10	1	100	0.08	1080
FALQH-1812C-1R5M	1.5	1	10	1	85	0.09	1000
FALQH-1812C-2R2M	2.2	1	10	1	60	0.11	900
FALQH-1812C-3R3M	3.3	1	10	1	47	0.13	800
FALQH-1812C-4R7M	4.7	1	10	1	35	0.15	750
FALQH-1812C-6R8M	6.8	1	10	1	30	0.20	720
FALQH-1812C-100K	10.0	1	20	1	23	0.24	650
FALQH-1812C-150K	15.0	1	20	1	20	0.32	570
FALQH-1812C-220K	22.0	1	20	1	15	0.60	420
FALQH-1812C-330K	33.0	1	20	1	12	1.00	310
FALQH-1812C-470K	47.0	1	20	1	10	1.10	280
FALQH-1812C-680K	68.0	1	20	1	8.4	1.70	220
FALQH-1812C-101K	100	1	20	0.796	6.8	2.20	190
FALQH-1812C-151K	150	1	30	0.796	5.5	3.50	130
FALQH-1812C-221K	220	1	30	0.796	4.5	4.00	110
FALQH-1812C-331K	330	1	30	0.796	3.6	6.80	100
FALQH-1812C-471K	470	1	30	0.796	3.0	8.50	90

Note:1. K=±10%,M=±20%

ELECTRONICAL SCHEMATIC



TECHNICAL INFORMATION

- Inductance Testing: HP4291A,HP16193A,HP4286A or equivalent
 - RDC:QuadTech 1880 Milliohm meter
 - Q- HP4342A
 - SRF-HP4191A
 - Rated Current L value drop 10% typ. at IDC against its initial value
 - Temperature rise 40°C Max Reference ambient temperature
 - Solderability: 75% of the terminal electrode shall be covered
 - Soldering Methods: Wave,Reflow
 - Operating Temperature: -25°C to +85°C
 - Storage Temperature: -55°C to +125°C
- Note: All specifications subject to change without notice.

FALQH1812C - 100 M

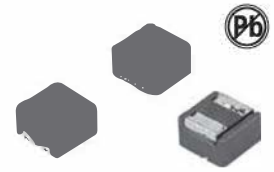
Model _____

Value/Tolerance: from table

Termination _____

L=Ag/Ni/Sn
Blank=Ag/Ni/Sn/Pb

HIGH CURRENT SURFACE-MOUNT WIRE-WOUND INDUCTORS FALQH1210C SERIES



FEATURES:

Ferrite shielded structure
 High Frequency Design
 Lower DCR permits High Idc
 Available in E12 series
 Excellent Q SRF Values
 Lead free versions
 RoHS compliant
 Excellent Thermal Stability

OPTIONS:

Tape & Reel is Standard
 [Qty: 2000pcs]
 Bulk packaging Available
 for Smaller Quantities
 Tolerance: K=10%,M=20% is
 Standard,Tighter Tolerances Available

COMMON APPLICATIONS:

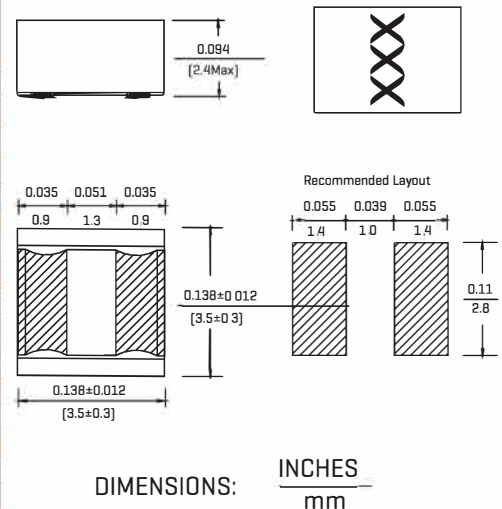
Modems PDP.LCD TVs converter
 Mobile Radios DC/DC converter
 Cordless Telephones Car radios
 Global Positioning Systems
 Wireless Communications Equipment
 Networking System,xDSL Filter
 Computer Products and Peripherals

STANDARD SPECIFICATION:

Part Number	L [μH]	L Test Freq [KHz]	Q [Min]	Q Test Freq [MHz]	SRF [MHz]	DCR [ohmMax]	IDC [mA Max]
FALQH-1210S-1R0M	1.0	1	30	1	120	0.02	1000
FALQH-1210S-2R2M	2.2	1	30	1	60	0.06	800
FALQH-1210S-4R7M	4.7	1	35	1	35	0.11	600
FALQH-1210S-100K	10	1	35	1	22	0.15	300
FALQH-1210S-220K	22	1	40	1	15	0.32	180
FALQH-1210S-470K	47	1	45	1	12	0.64	150
FALQH-1210S-101K	100	1	45	0.796	9.0	1.74	90
FALQH-1210S-221K	220	1	50	0.796	6.0	4.51	80
FALQH-1210S-331K	330	1	50	0.796	4.2	8.63	70
FALQH-1210S-391K	390	1	50	0.796	3.8	9.11	60
FALQH-1210S-471K	470	1	50	0.796	3.5	9.52	50
FALQH-1210S-561K	560	1	50	0.796	3.0	10.14	50
FALQH-1210S-681K	680	1	50	0.796	2.6	11.83	40
FALQH-1210S-102K	1000	1	50	0.796	2.1	14.3	30
FALQH-1210S-152K	1500	1	50	0.796	1.7	29.9	25
FALQH-1210S-222K	2200	1	50	0.796	1.5	36.4	20

Note:1. K=±10%,M=±20%

PHYSICAL CHARACTERISTICS:



ELECTRONICAL SCHEMATIC:



TECHNICAL INFORMATION:

- Inductance Testing: HP4291A,HP16193A,HP4286A or equivalent
- RDC:QuadTech 1880 Milliohm meter
- Q- HP4342A
- SRF-HP4191A
- Rated Current L value drop10%typ.atIDCagainst its initial value
- Temperature rise 40°C Max Reference ambient temperature
- Solderability: 75% of the terminal electrode shall be covered
- Soldering Methods: Wave,Reflow
- Operating Temperature:-25°C to +85°C
- Storage Temperature: -55°C to +125°C

Note: All specifications subject to change without notice.

FALQH1210S - 100 M

Model _____

Value/Tolerance:from table _____

Termination _____

L=Ag/Ni/Sn _____

Blank=Ag/Ni/Sn/Pb _____

HIGH CURRENT SURFACE-MOUNT WIRE-WOUND INDUCTORS FALQH2220S SERIES



FEATURES :

- Ferrite shielded structure
- High Frequency Design
- Lower DCR permits High Idc
- Available in E12 series
- Excellent Q SRF Values
- Lead free versions
- RoHS compliant
- Excellent Thermal Stability

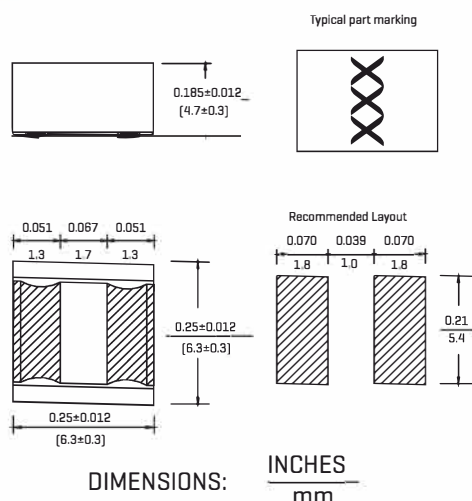
OPTIONS:

- Tape & Reel is Standard [Qty: 500pcs]
- Bulk packaging Available for Smaller Quantities
- Tolerance: K=10%,M=20% is Standard,Tighter Tolerances Available

COMMON APPLICATIONS:

- Modems PDP,LCD TVs converter
- Mobile Radios DC/DC converter
- Cordless Telephones Car radios
- Global Positioning Systems
- Wireless Communications Equipment
- Networking System,xDSL Filter
- Computer Products and Peripherals

PHYSICAL CHARACTERISTICS:



STANDARD SPECIFICATION:

Part Number	L (μH)	L Test Freq (KHz)	Q (Min)	Q Test Freq (MHz)	SRF (MHz)	DCR (ohmMax)	IDC (mA Max)
FALQH-2220S-R27M	0.27	1	20	1	300	0.007	6000
FALQH-2220S-R68M	0.68	1	20	1	180	0.010	5300
FALQH-2220S-1R0M	1.0	1	30	1	150	0.013	4700
FALQH-2220S-1R5M	1.5	1	30	1	110	0.016	3800
FALQH-2220S-2R2M	2.2	1	30	1	80	0.019	3300
FALQH-2220S-3R3M	3.3	1	30	1	40	0.022	2600
FALQH-2220S-4R7M	4.7	1	30	1	30	0.025	2200
FALQH-2220S-6R8M	6.8	1	30	1	25	0.029	1800
FALQH-2220S-100K	10	1	30	1	20	0.036	1600
FALQH-2220S-150K	15	1	35	1	17	0.069	1300
FALQH-2220S-220K	22	1	35	1	15	0.087	1100
FALQH-2220S-470K	33	1	35	1	12	0.14	860
FALQH-2220S-680K	47	1	35	1	10	0.17	760
FALQH-2220S-101K	68	1	35	1	7.6	0.29	600
FALQH-2220S-151K	100	0.1	40	0.796	6.5	0.36	520
FALQH-2220S-221K	150	0.1	45	0.796	5.5	0.63	420
FALQH-2220S-331K	220	0.1	45	0.796	4.0	0.79	350
FALQH-2220S-391K	330	0.1	45	0.796	3.2	1.8	280
FALQH-2220S-471K	470	0.1	50	0.796	2.5	2.2	240
FALQH-2220S-681K	680	0.1	50	0.796	2.0	3.9	200
FALQH-2220S-102K	1000	0.01	50	0.252	1.7	4.9	160
FALQH-2220S-222K	2200	0.01	50	0.252	1.2	9.4	100
FALQH-2220S-472K	4700	0.01	50	0.252	0.8	19.5	70
FALQH-2220S-103K	10000	0.01	50	0.252	0.5	39.7	50

Note:1. K=±10%,M=±20%

ELECTRONICAL SCHEMATIC



TECHNICAL INFORMATION

- Inductance Testing: HP4291A,HP16193A,HP4286A or equivalent
- RDC:QuadTech 1880 Milliohmometer
- Q- HP4342A
- SRF-HP4191A
- IDC Max: L value drop 10% typ. at IDC against its initial value
- Temperature rise 40°C Max Reference ambient temperature
- Solderability: 75% of the terminal electrode shall be covered
- Soldering Methods: Wave,Reflow
- Operating Temperature:-25°C to +85°C
- Storage Temperature: -55°C to +125°C

Note: All specifications subject to change without notice.

FALQH2220S - 100 M

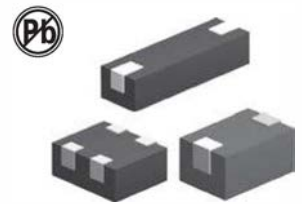
Model _____

Value/Tolerance:from table

Termination _____

L=Ag/Ni/Sn
Blank=Ag/Ni/Sn/Pb

HIGH CURRENT SURFACE-MOUNT WIRE-WOUND BEADS FASMB SERIES



FEATURES :

- High Frequency Design
- Lower DCR permits High Idc
- EMI Suppression
- Lead free versions
- RoHS compliant
- Excellent Thermal Stability

OPTIONS:

- Tape & Reel is Standard (Qty:2000pcs)
- Bulk packaging Available for Smaller Quantities
- Tolerance:K=10%,M=20% is Standard,Tighter Tolerances Available

COMMON APPLICATIONS:

- Modems PDP.LCD TVs convertor
- Mobile Radios DC/DC convertor
- Cordless Telephones Car radios
- Global Positioning Systems
- Wireless Communications Equipment
- Networking System,xDSL Filter
- Computer Products and Peripherals

STANDARD SPECIFICATIONS :

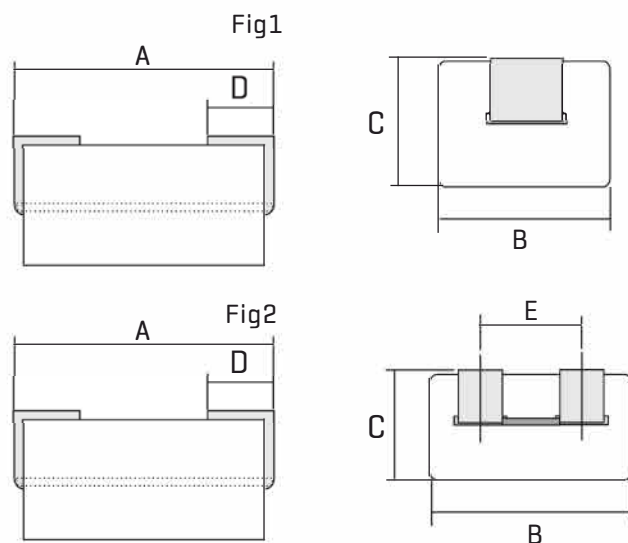
Part Number	IMPEDANCE [ohm]		DCR [mohm]	IDC [A]	DIMENSIONS[mm]					Fig Number
	25MHz	100MHz			A	B	C	D	E	
FASMB302520M	20	30	0.8	6	3.0±0.15	2.5±0.15	2.0±0.15	1.15±0.15		Fig1
FASMB473029M	30	47	0.8	6	4.7±0.15	3.0±0.15	2.9±0.15	1.5±0.2		
FASMB903029M	33	45	1.2	6	9.0±0.15	3.0±0.15	2.9±0.15	1.5±0.2		
FASMB403025M	70	94	0.8	6	4.0±0.15	3.1±0.15	2.6±0.15	1.35±0.2		
FASMBB53025M	60	90	1.2	6	8.5±0.15	3.1±0.15	2.6±0.15	2.0±0.2		
FASMB488031M	68	100	0.6	6	8.0±0.15	4.8±0.15	3.1±0.15	1.5±0.2		
FASMB275647M	22	38	0.8	6	4.76±0.15	5.59±0.15	2.72±0.15	1.46±0.15	2.5±0.15	Fig2

Note:1. K=±10%,M=±20% DIMENSIONS:mm

TECHNICAL INFORMATION:

- Impedance Testing: HP4191A,
- RDC:QuadTech 1880 Milliohmmer
- Solderability: 75% of the terminal electrode shall be covered
- Soldering Methods: Wave,Reflow
- Operating Temperature:-25°C to +85°C
- Storage Temperature: -55°C to +125°C

PHYSICAL CHARACTERISTICS:



Note: All specifications subject to change without notice.

CHIP COMMON MODE CHOKES FASCCM0608,1210CE SERIES



FEATURES :

Powerful components with composite co-fired material to solve EMI problem for high speed differential signal transmission line as USB, and LVDS without distortion to high speed signal transmission

APPLICATIONS:

MIPI, MHL serial interface in mobile device

GENERAL SPECIFICATIONS:

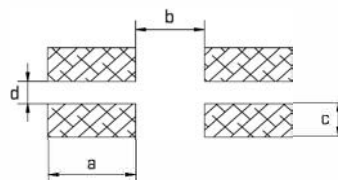
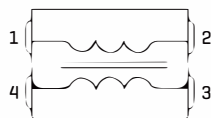
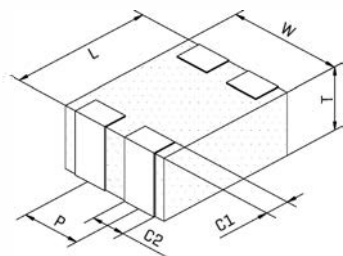
Rated current:0.13A to 0.16A
Parameters Test Temp:25°C
Test Frequency:100MHz
Operating temperature:-20°C to +85°C
Storage Temp:-0°C to +40°C
Resistance to Soldering Heat:260°C for 10 sec
Temperature Rise:40°C Typ. at Rated Current
All parts meet ROHS compliance

ELECTRICAL CHARACTERISTICS

Part Number	Impedance [ohm]±25%	D.C.R [ohm]Max at 25°C	Rated current [mA]Max	Rated Voltage [V]	Withstand Voltage [V]	Part Number	Impedance [ohm]±25% Common Mode	D.C.R [ohm]Max at 25°C	Rated current [mA]Max	Rated Voltage [V]	Impedance [ohm]Max Differential Mode
FASCCM0608-650	65	2.5	130	5.0	25	FASCCM1210CE-900	90	1.75	160	5.0	15
FASCCM0608-900	90	2.5	130	5.0	25	FASCCM1210CE-121	120	2.20	140	5.0	18
						FASCCM1210CE-201	200	2.70	130	5.0	20

TECHNICAL INFORMATION:

PAD LAYOUT:



DIMENSIONS:MM

Partnumber	L	W	T	P	C1	C2	a	b	c	d
FASCCM0608	0.65 ± 0.05	0.85 ± 0.05	0.45 ± 0.05	0.50 ± 0.1	0.10 Min	0.27 ± 0.1	0.30 REF	0.30 REF	0.30 REF	0.20 REF
FASCCM1210CE	1.25 ± 0.2	1.00 ± 0.2	0.50 ± 0.2	0.55 ± 0.2	0.20 ± 0.15	0.30 ± 0.2	0.70 REF	0.55 REF	0.30 REF	0.20 REF

CHIP COMMON MODE CHOKES FASCCM0608,1210CE SERIES



FEATURES :

Powerful components with composite co-fired material to solve EMI problem for high speed differential signal transmission line as USB, and LVDS without distortion to high speed signal transmission

APPLICATIONS:

MIPI, MHL serial interface in mobile device

GENERAL SPECIFICATIONS:

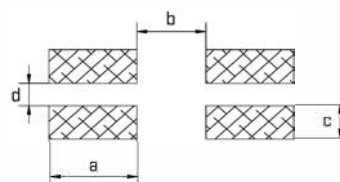
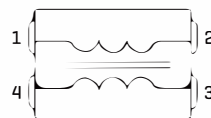
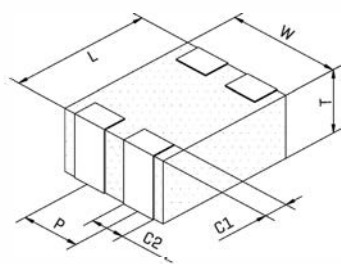
Rated current:0.13A to 0.16A
Parameters Test Temp:25°C
Test Frequency:100MHz
Operating temperature:-20°C to +85°C
Storage Temp:-0°C to +40°C
Resistance to Soldering Heat:260°C for 10 sec
Temperature Rise:40°C Typ. at Rated Current
All parts meet ROHS compliance

ELECTRICAL CHARACTERISTICS

Part Number	Impedance [ohm]±25%	D.C.R [ohm]Max at 25°C	Rated current [mA]Max	Rated Voltage [V]	Withstand Voltage [V]	Part Number	Impedance [ohm]±25% Common Mode	D.C.R [ohm]Max at 25°C	Rated current [mA]Max	Rated Voltage [V]	Impedance [ohm]Max Differential Mode
FASCCM0608-650	65	2.5	130	5.0	25	FASCCM1210CE-900	90	1.75	160	5.0	15
FASCCM0608-900	90	2.5	130	5.0	25	FASCCM1210CE-121	120	2.20	140	5.0	18
						FASCCM1210CE-201	200	2.70	130	5.0	20

TECHNICAL INFORMATION:

PAD LAYOUT:



DIMENSIONS:MM

Part number	L	W	T	P	C1	C2	a	b	c	d
FASCCM0608	0.65±0.05	0.85±0.05	0.45±0.05	0.50±0.1	0.10 Min	0.27±0.1	0.30 REF	0.30 REF	0.30 REF	0.20 REF
FASCCM1210CE	1.25±0.2	1.00±0.2	0.50±0.2	0.55±0.2	0.20±0.15	0.30±0.2	0.70 REF	0.55 REF	0.30 REF	0.20 REF

CHIP COMMON MODE CHOKES FASCCM2012,2012HS SERIES



FEATURES :

Powerful components with composite co-fired material to solve EMI problem for high speed differential signal transmission line as USB, and LVDS without distortion to high speed signal transmission

APPLICATIONS:

MIPI, MHL serial interface in mobile device

GENERAL SPECIFICATIONS:

Rated current:0.1A to 0.5A
Parameters Test Temp:25°C
Test Frequency:100MHz
Operating temperature:-20°C to +85°C
Storage Temp:-0°C to +40°C
Resistance to Soldering Heat:260°C for 10 sec
Temperature Rise:40°C Typ. at Rated Current
All parts meet ROHS compliance

ELECTRICAL CHARACTERISTICS

Part Number	Impedance [ohm]±25%	D.C.R [ohm]Max at 25°C	Rated current [mA]Max	Rated Voltage [V]	Withstand Voltage [V]	Part Number	Impedance [ohm]±25% Common Mode	D.C.R [ohm]Max at 25°C	Rated current [mA]Max	Rated Voltage [V]	Impedance [ohm]Max Differential Mode
FASCCM2012-670	67	0.40	400	10	200	FASCCM2012HSH-670A	67	1.0	200	10	100
FASCCM2012-900	90	0.40	400	10	200	FASCCM2012HSH-900A	90	1.0	200	10	100
FASCCM2012-121	120	0.40	400	10	200	FASCCM2012HSD-500A	50	1.0	100	10	100
FASCCM2012-161	160	0.50	400	10	200	FASCCM2012HSD-900A	90	1.0	200	10	100
FASCCM2012-181	180	0.50	400	10	200	FASCCM2012HSD-121A	120	1.2	100	10	100
FASCCM2012-221	220	0.50	300	10	200	FASCCM2012HSS-500A	50	1.0	100	10	100

TECHNICAL INFORMATION AND PAD LAYOUT:

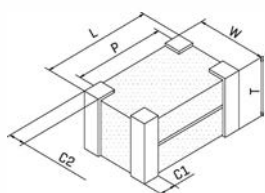


FIG1.

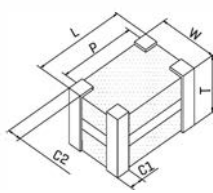
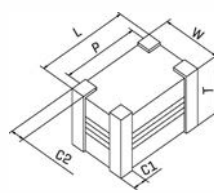
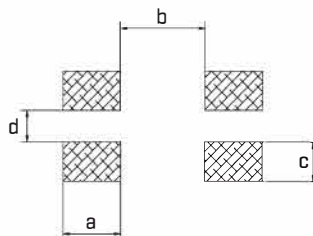
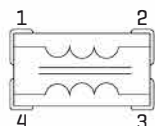


FIG2.



FASCCM2012HSS-500A FIG2.



DIMENSIONS:MM

Part number	L	W	T	P	C1	C2	a	b	c	d	FIG
FASCCM2012	2.00±0.2	1.25±0.2	1.00±0.1	1.60±0.2	0.40±0.2	0.30±0.2	0.75 REF	1.10 REF	0.50 REF	0.40 REF	1
FASCCM2012HS	2.00±0.2	1.20±0.2	1.00±0.2	1.60±0.2	0.40±0.2	0.30±0.2	0.75 REF	1.10 REF	0.50 REF	0.4 REF	2

CHIP COMMON MODE CHOKES FASCCM3216 SERIES



FEATURES:

Powerful components with composite co-fired material to solve EMI problem for high speed differential signal transmission line as USB, and LVDS without distortion to high speed signal transmission

APPLICATIONS:

MIPI, MHL serial interface in mobile device

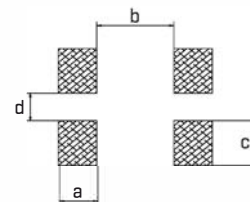
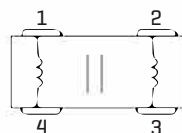
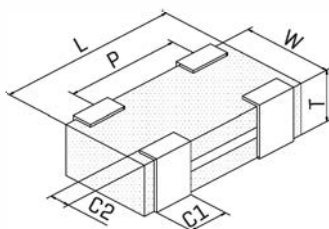
GENERAL SPECIFICATIONS:

Rated current:0.5A
Parameters Test Temp:25°C
Test Frequency:100MHz
Operating temperature:-20°C to +85°C
Storage Temp:-0°C to +40°C
Resistance to Soldering Heat:260°C for 10 sec
Temperature Rise:40°C Typ. at Rated Current
All parts meet ROHS compliance

ELECTRICAL CHARACTERISTICS

Part Number	Impedance [ohm]±25%	D.C.R [ohm]Max at 25°C	Rated current [mA]Max	Rated Voltage [V]	Withstand Voltage [V]	Insulation Resistance [Mohm]Min
FASCCM3216-900	90	0.50	500	10	25	200
FASCCM3216-121	120	0.50	500	10	25	200

TECHNICAL INFORMATION AND PAD LAYOUT:



DIMENSIONS:MM

Part number	L	W	T	P	C1	C2	a	b	c	d
FASCCM3216	3.20±0.2	1.60±0.2	1.00±0.1	2.10±0.2	0.70±0.2	0.30±0.2	0.70 REF	1.40 REF	1.00 REF	0.60 REF

AIR CPRE COIL FASCR2215,4015 SERIES



FEATURES :

Air core inductors feature high Q and high current handling
Low loss
Low DCR

APPLICATIONS:

Base Station
LNA
LNB
Satellite

GENERAL SPECIFICATIONS:

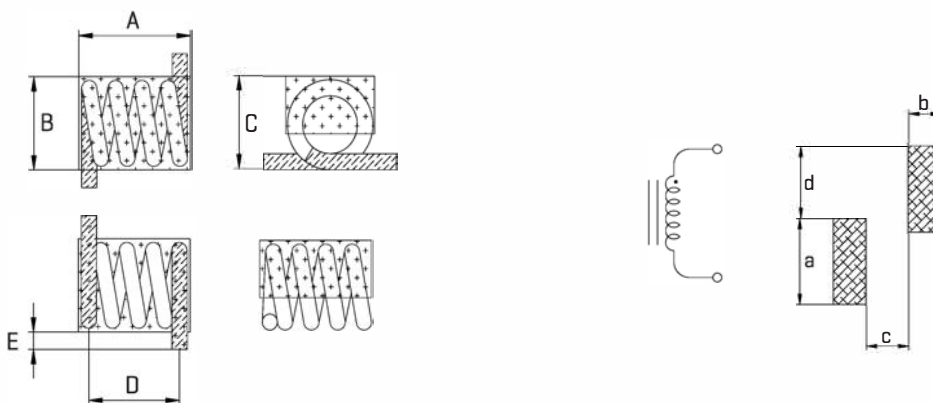
Rated current:1.6A
Parameters Test Temp:25°C
Test Frequency:100MHz
Operating temperature:-40°C to +125°C
Storage Temp:-0°C to +40°C
Resistance to Soldering Heat:260°C for 10 sec
Temperature Rise:40°C Typ. at Rated Current
All parts meet ROHS compliance

ELECTRICAL CHARACTERISTICS

Part Number	Inductance [nH]	Q [Min]	Test Freq [MHz]	D.C.R [mohm] Max at 25°C	SRF [GHZ] Min	Rated current [A]Max
FASCR2215-02T	1.65±10%	100	800	5.50	3.00	1.60
FASCR2215-03T	2.70±10%	100	800	6.50	3.00	1.60
FASCR2215-04T	3.85±10%	100	800	7.50	3.00	1.60
FASCR2215-05T	5.45±5%	100	800	9.50	3.00	1.60
FASCR4015-06T	5.60±5%	100	800	10.5	3.00	1.60
FASCR4015-07T	7.15±5%	100	800	11.5	3.00	1.60
FASCR4015-08T	8.80±5%	100	800	13.5	3.00	1.60
FASCR4015-09T	9.85±5%	100	800	14.5	3.00	1.60
FASCR4015-10T	12.55±5%	100	800	15.5	3.00	1.60

TECHNICAL INFORMATION:

ELECTRICAL SCHEMATIC AND PAD LAYOUT:



DIMENSIONS:MM

Part number	A	B	C	D	E	a	b	c	d
FASCR2215	2.20±0.3	1.40±0.3	1.40±0.3	1.80±0.3	0.90±0.4	2.46 REF	0.79 REF	1.01 REF	1.00 REF
FASCR4015	4.00±0.3	1.40±0.3	1.40±0.3	3.50±0.3	0.90±0.4	2.46 REF	0.79 REF	2.71 REF	1.00 REF

AIR CPRE COIL FASCR3730,7030 SERIES



FEATURES:

Air core inductors feature high Q and high current handling
Low loss
Low DCR

APPLICATIONS:

Base Station
LNA
LNB
Satellite

GENERAL SPECIFICATIONS:

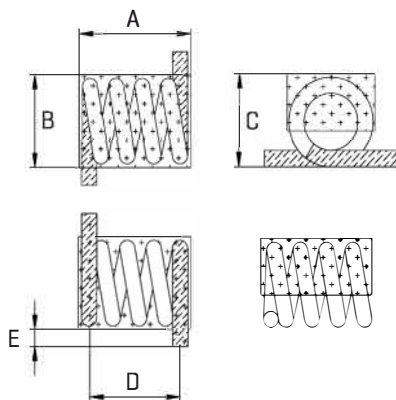
Rated current:4.0A
Parameters Test Temp:25°C
Test Frequency:100MHz
Operating temperature:-40°C to +125°C
Storage Temp:-0°C to +40°C
Resistance to Soldering Heat:260°C for 10 sec
Temperature Rise:40°C Typ. at Rated Current
All parts meet ROHS compliance

ELECTRICAL CHARACTERISTICS

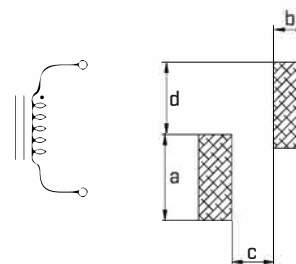
Part Number	Inductance (nH)	Q [Min]	Test Freq [MHz]	D.C.R [mohm] Max at 25°C	SRF [GHZ] Min	Rated current [A]Max
FASCR3730-01T	2.50±10%	145	150	0.80	3.00	4.00
FASCR3730-02T	5.00±10%	140	150	1.50	3.00	4.00
FASCR3730-03T	8.00±10%	140	150	2.30	3.00	4.00
FASCR3730-04T	12.5±5%	137	150	3.00	3.00	4.00
FASCR3730-05T	18.5±5%	132	150	3.90	2.50	4.00

Part Number	Inductance (nH)	Q [Min]	Test Freq [MHz]	D.C.R [mohm] Max at 25°C	SRF [GHZ] Min	Rated current [A]Max
FASCR7030-06T	17.5±5%	100	150	4.50	2.20	4.00
FASCR7030-07T	22.0±5%	100	150	5.00	2.00	4.00
FASCR7030-08T	28.0±5%	100	150	5.60	1.80	4.00
FASCR7030-09T	35.5±5%	100	150	6.20	1.20	4.00
FASCR7030-10T	43.5±5%	100	150	6.70	1.00	4.00

TECHNICAL INFORMATION:



ELECTRICAL SCHEMATIC AND PAD LAYOUT:



DIMENSIONS:MM

Partnumber	A	B	C	D	E	a	b	c	d
FASCR3730	3.30±0.3	2.60±0.3	2.70±0.3	2.90±0.3	0.70±0.4	3.30 REF	1.27 REF	1.63 REF	2.80 REF
FASCR7030	6.00±0.3	2.60±0.3	2.70±0.3	5.80±0.3	0.70±0.4	3.30 REF	1.27 REF	4.53 REF	2.80 REF

AIR CPRE COIL FASCR1812,132 SERIES



FEATURES :

Air core inductors feature high Q and high current handling
Low loss
Low DCR

APPLICATIONS:

Base Station
LNA
LNB
Satellite

GENERAL SPECIFICATIONS:

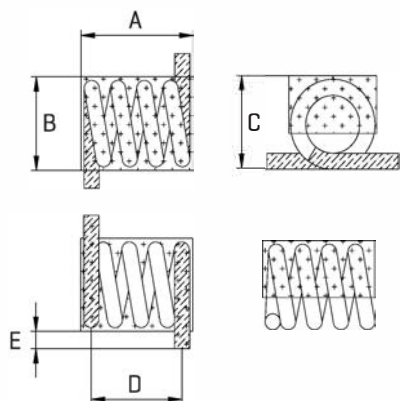
Rated current:2.0A to 3.5A
Parameters Test Temp:25°C
Test Frequency:100MHz
Operating temperature:-40°C to +125°C
Storage Temp:-0°C to +40°C
Resistance to Soldering Heat:260°C for 10 sec
Temperature Rise:40°C Typ. at Rated Current
All parts meet ROHS compliance

ELECTRICAL CHARACTERISTICS

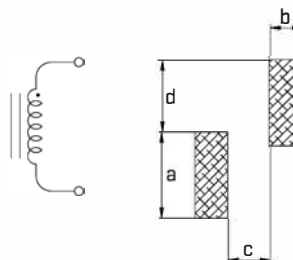
Part Number	Inductance [nH]	Q [Min]	Test Freq [MHz]	D.C.R [mohm] Max at 25°C	SRF [GHz] Min	Rated current [A]Max
FASCR1812-22N	22±10%	100	150	4.80	3.20	3.20
FASCR1812-27N	27±10%	100	150	4.60	2.70	3.50
FASCR1812-33N	33±10%	100	150	5.90	2.50	3.00
FASCR1812-39N	39±5%	100	150	5.60	2.10	3.00
FASCR1812-47N	47±5%	100	150	6.90	2.10	2.80
FASCR1812-56N	56±5%	100	150	6.40	1.50	2.90
FASCR1812-68N	68±5%	100	150	8.10	1.50	2.90
FASCR1812-82N	82±5%	100	150	8.90	1.30	2.60
FASCR1812-R10	100±5%	100	150	10.0	1.20	2.50
FASCR1812-R12	120±5%	100	150	11.5	1.10	2.40
FASCR1812-R15	150±5%	100	150	13.0	1.00	2.20

Part Number	Inductance [nH]	Q [Min]	Test Freq [MHz]	D.C.R [mohm] Max at 25°C	SRF [GHz] Min	Rated current [A]Max
FASCR132-09T	90±5%	100	50	14.0	1.00	3.50
FASCR132-10T	111±5%	100	50	9.5	1.00	3.50
FASCR132-11T	130±5%	100	50	10.8	0.90	3.00
FASCR132-12T	169±5%	100	50	12.0	0.80	3.00
FASCR132-13T	206±5%	100	50	10.5	0.70	3.00
FASCR132-14T	222±5%	100	50	14.0	0.60	3.00
FASCR132-15T	246±5%	100	50	17.0	0.60	3.00
FASCR132-16T	307±5%	100	50	22.0	0.50	3.00
FASCR132-17T	380±5%	100	50	25.5	0.50	2.50
FASCR132-18T	422±5%	100	50	39.0	0.40	2.50
FASCR132-19T	491±5%	100	50	40.0	0.40	2.00
FASCR132-20T	538±5%	100	50	42.0	0.40	2.00

TECHNICAL INFORMATION:



ELECTRICAL SCHEMATIC AND PAD LAYOUT:



DIMENSIONS:MM

Partnumber	A	B	C	D	E	a	b	c	d
FASCR1812	4.70±0.3	3.50±0.3	3.50±0.3	4.30±0.3	1.00±0.4	5.16 REF	1.48 REF	2.82 REF	2.70 REF
FASCR132	9.50 Max	4.50±0.5	4.60±0.4	8.00±0.5	1.30±0.4	4.70 REF	2.04 REF	5.96 REF	2.41 REF

AIR CPRE COIL FASCR0805,1008 SERIES



FEATURES:

Air core inductors feature high Q and high current handling
Low loss
Low DCR

APPLICATIONS:

Base Station
LNA
LNB
Satellite

GENERAL SPECIFICATIONS:

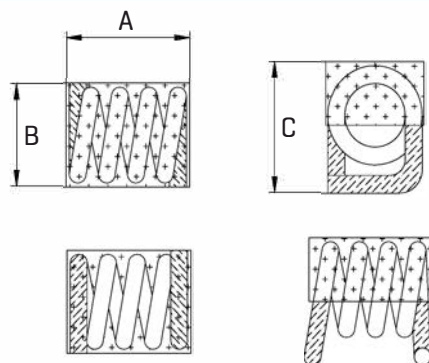
Rated current:0.32A to 1.2A
Parameters Test Temp:25°C
Test Frequency:100MHz
Operating temperature:-40°C to +125°C
Storage Temp:-0°C to +40°C
Resistance to Soldering Heat:260°C for 10 sec
Temperature Rise:40°C Typ. at Rated Current
All parts meet ROHS compliance

ELECTRICAL CHARACTERISTICS

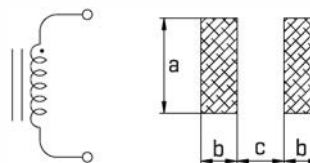
Part Number	Inductance (nH)	Q [Min]	Test Freq [MHz]	D.C.R (mohm) Max at 25°C	SRF [GHZ] Min	Rated current [A]Max
FASCR0805-3N9K	3.9±10%	80	300	2.60	3.00	1.20
FASCR0805-4N7K	4.7±10%	80	300	3.60	3.00	0.90
FASCR0805-5N6K	5.6±10%	80	300	3.70	3.00	0.95
FASCR0805-6N8K	6.8±10%	80	300	4.50	3.00	0.90
FASCR0805-8N2K	8.2±10%	80	300	5.30	3.00	0.84
FASCR0805-10NK	10±10%	70	300	5.40	3.00	0.90
FASCR0805-12NK	12±10%	70	300	6.30	3.00	0.90
FASCR0805-15NK	15±10%	70	300	7.20	2.50	0.90
FASCR0805-18NK	18±10%	70	300	12.5	2.50	0.50
FASCR0805-22NK	22±10%	70	300	12.9	2.40	0.55
FASCR0805-27NK	27±10%	70	300	14.5	1.60	0.55
FASCR0805-33NK	33±10%	70	300	18.7	1.60	0.50
FASCR0805-39NK	39±10%	70	300	25.7	1.50	0.38
FASCR0805-47NK	47±10%	70	300	34.5	1.50	0.32
FASCR0805-56NK	56±10%	70	300	38.4	1.30	0.32
FASCR0805-68NK	68±10%	70	300	42.2	1.30	0.32

Part Number	Inductance (nH)	Q [Min]	Test Freq [MHz]	D.C.R (mohm) Max at 25°C	SRF [GHZ] Min	Rated current [A]Max
FASCR1008-6N8K	6.8±10%	80	300	4.00	3.00	1.20
FASCR1008-8N2K	8.2±10%	80	300	5.00	3.00	0.95
FASCR1008-10NK	10±10%	70	300	6.00	3.00	0.95
FASCR1008-12NK	12±10%	70	300	6.50	3.00	0.90
FASCR1008-15NK	15±10%	70	300	7.30	2.50	0.90
FASCR1008-18NK	18±10%	70	300	9.60	2.50	0.84
FASCR1008-22NK	22±10%	70	300	10.8	2.40	0.84
FASCR1008-27NK	27±10%	70	300	13.9	1.60	0.60
FASCR1008-33NK	33±10%	70	300	19.5	1.60	0.50
FASCR1008-39NK	39±10%	70	300	21.6	1.50	0.50
FASCR1008-47NK	47±10%	70	300	25.2	1.50	0.47
FASCR1008-56NK	56±10%	70	300	27.5	1.30	0.47
FASCR1008-68NK	68±10%	70	300	37.1	1.30	0.38
FASCR1008-82NK	82±10%	70	300	51.5	1.00	0.32
FASCR1008-R10K	100±10%	70	300	55.5	1.00	0.32
FASCR1008-R12K	120±10%	70	300	63.4	0.95	0.32

TECHNICAL INFORMATION:



ELECTRICAL SCHEMATIC AND PAD LAYOUT:



DIMENSIONS:MM

Part number	A	B	C	a	b	c
FASCR0805	2.85 Max	1.80 Max	2.10 Max	2.30 REF	1.02 REF	0.76 REF
FASCR1008	3.20 Max	1.90 Max	2.20 Max	2.80 REF	1.02 REF	1.27 REF

AIR CPRE COIL FASCRQ0806 SERIES



FEATURES :

Air core inductors feature high Q and high current handling
Low loss
Low DCR

APPLICATIONS:

Base Station
LNA
LNB
Satellite

GENERAL SPECIFICATIONS:

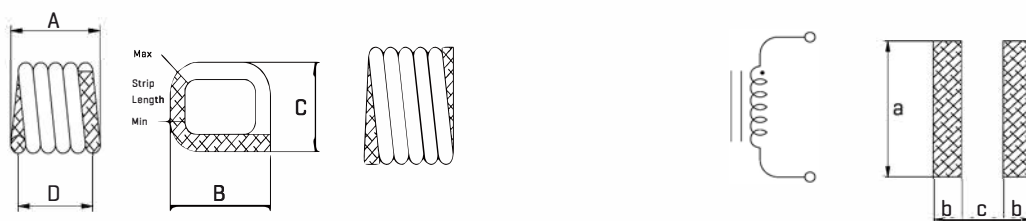
Rated current:2.9A
Parameters Test Temp:25°C
Test Frequency:100MHz
Operating temperature:-40°C to +125°C
Storage Temp:-0°C to +40°C
Resistance to Soldering Heat:260°C for 10 sec
Temperature Rise:40°C Typ. at Rated Current
All parts meet ROHS compliance

ELECTRICAL CHARACTERISTICS

Part Number	Inductance [nH]	Q [Min]	Test Freq [MHz]	D.C.R [mohm] Max at 25°C	SRF [GHZ] Min	Rated current [A]Max
FASCRQ0806-5N5J	5.50±5%	60	400	3.40	4.90	2.90
FASCRQ0806-6N0J	6.00±5%	64	400	6.00	5.20	2.90
FASCRQ0806-8N9J	8.90±5%	90	400	7.00	4.30	2.90
FASCRQ0806-12NJ	12.3±5%	90	400	8.00	4.80	2.90
FASCRQ0806-16NJ	15.7±5%	90	400	9.00	4.40	2.90
FASCRQ0806-19NJ	19.4±5%	90	400	10.0	4.00	2.90

TECHNICAL INFORMATION:

ELECTRICAL SCHEMATIC AND PAD LAYOUT:



DIMENSIONS:MM

Part number	A	B	C	D	a	b	c
	±0.152	±0.152	±0.152	REF	REF	REF	REF
FASCRQ0806-5N5J	1.346	1.829	1.397	0.962	2.600	0.510	0.452
FASCRQ0806-6N0J	1.295	1.829	1.397	0.990	2.600	0.510	0.480
FASCRQ0806-8N9J	1.626	1.829	1.397	1.270	2.600	0.510	0.760
FASCRQ0806-12NJ	1.930	1.829	1.397	1.630	2.600	0.510	1.120
FASCRQ0806-16NJ	2.286	1.829	1.397	1.960	2.600	0.510	1.450
FASCRQ0806-19NJ	2.591	1.829	1.397	2.290	2.600	0.510	1.780

AIR CORE COIL FASCRQ0806 SERIES



FEATURES:

Air core inductors feature high Q and high current handling
Low loss
Low DCR

APPLICATIONS:

Base Station
LNA
LNB
Satellite

GENERAL SPECIFICATIONS:

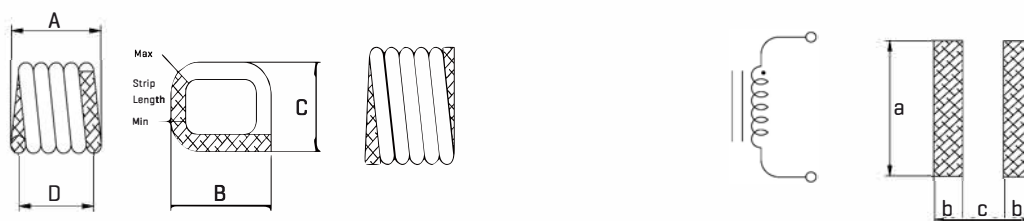
Rated current:2.9A
Parameters Test Temp:25°C
Test Frequency:100MHz
Operating temperature:-40°C to +125°C
Storage Temp:-0°C to +40°C
Resistance to Soldering Heat:260°C for 10 sec
Temperature Rise:40°C Typ. at Rated Current
All parts meet ROHS compliance

ELECTRICAL CHARACTERISTICS

Part Number	Inductance [nH]	Q [Min]	Test Freq [MHz]	D.C.R [mohm] Max at 25°C	SRF [GHz] Min	Rated current [A]Max
FASCRQ0806-5N5J	5.50±5%	60	400	3.40	4.90	2.90
FASCRQ0806-6N0J	6.00±5%	64	400	6.00	5.20	2.90
FASCRQ0806-8N9J	8.90±5%	90	400	7.00	4.30	2.90
FASCRQ0806-12NJ	12.3±5%	90	400	8.00	4.80	2.90
FASCRQ0806-16NJ	15.7±5%	90	400	9.00	4.40	2.90
FASCRQ0806-19NJ	19.4±5%	90	400	10.0	4.00	2.90

TECHNICAL INFORMATION:

ELECTRICAL SCHEMATIC AND PAD LAYOUT:



DIMENSIONS:MM

Part number	A	B	C	D	a	b	c
	±0.152	±0.152	±0.152	REF	REF	REF	REF
FASCRQ0806-5N5J	1.346	1.829	1.397	0.962	2.600	0.510	0.452
FASCRQ0806-6N0J	1.295	1.829	1.397	0.990	2.600	0.510	0.480
FASCRQ0806-8N9J	1.626	1.829	1.397	1.270	2.600	0.510	0.760
FASCRQ0806-12NJ	1.930	1.829	1.397	1.630	2.600	0.510	1.120
FASCRQ0806-16NJ	2.286	1.829	1.397	1.960	2.600	0.510	1.450
FASCRQ0806-19NJ	2.591	1.829	1.397	2.290	2.600	0.510	1.780

AIR CPRE COIL FASCRQ0908 SERIES



FEATURES :

Air core inductors feature high Q and high current handling
Low loss
Low DCR

APPLICATIONS:

Base Station
LNA
LNB
Satellite

GENERAL SPECIFICATIONS:

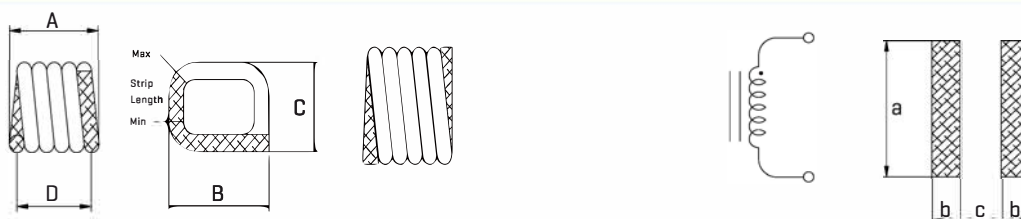
Rated current:4.4A
Parameters Test Temp:25°C
Test Frequency:100MHz
Operating temperature:-40°C to +125°C
Storage Temp:-0°C to +40°C
Resistance to Soldering Heat:260°C for 10 sec
Temperature Rise:40°C Typ. at Rated Current
All parts meet ROHS compliance

ELECTRICAL CHARACTERISTICS

Part Number	Inductance [nH]	Q [Min]	Test Freq [MHz]	D.C.R [mohm]Max at 25°C	SRF [GHZ] Min	Rated current [A]Max
FASCRQ0908-8N1J	8.1±5%	130	400	6.00	5.20	4.40
FASCRQ0908-12NJ	12.1±5%	130	400	7.00	4.30	4.40
FASCRQ0908-14NJ	14.7±5%	90	400	7.20	3.00	4.40
FASCRQ0908-17NJ	16.6±5%	130	400	8.00	3.40	4.40
FASCRQ0908-22NJ	21.5±5%	130	400	9.00	3.70	4.40
FASCRQ0908-23NJ	23.0±5%	120	400	10.0	2.60	4.40
FASCRQ0908-25NJ	25.0±5%	130	400	10.0	2.50	4.40
FASCRQ0908-27NJ	27.3±5%	130	400	10.0	3.20	4.40

TECHNICAL INFORMATION:

ELECTRICAL SCHEMATIC AND PAD LAYOUT:



DIMENSIONS:MM

Part number	A	B	C	D	a	b	c
	±0.152	±0.152	±0.152	REF	REF	REF	REF
FASCRQ0908-8N1J	1.473	2.134	1.829	1.120	2.800	0.640	0.480
FASCRQ0908-12NJ	1.854	2.134	1.829	1.450	2.800	0.640	0.810
FASCRQ0908-14NJ	1.549	2.134	1.829	1.240	2.800	0.640	0.600
FASCRQ0908-17NJ	2.210	2.134	1.829	1.830	2.800	0.640	1.190
FASCRQ0908-22NJ	2.565	2.134	1.829	2.180	2.800	0.640	1.540
FASCRQ0908-23NJ	2.235	2.134	1.829	1.900	2.800	0.640	1.260
FASCRQ0908-25NJ	2.972	2.134	1.829	2.570	2.800	0.640	1.930
FASCRQ0908-27NJ	2.972	2.134	1.829	2.570	2.800	0.640	1.930

BALUN TRANSFORMERS FASFB2012 SERIES



FEATURES:

Components for AV e quipment.
 Realized balun fuction in a ultra-small SMD design.
 Wound Chip constructure with standard 201212 size.
 Impedance tolerance: Min at 20°C
 Operating temperature: -20°C to +105°C.
 Storage Temp: -0°C to +40°C.
 Resistance to Soldering Heat: 260°C for 10 sec.
 Temperature Rise: 40°C Typ. at Rated Current.
 All parts meet RO HS compliance.

APPLICATIONS:

CATV, D igital/Analog Tuner,
 1 Segment Broadcasting Tuner.

PRODUCT IDENTIFICATION:

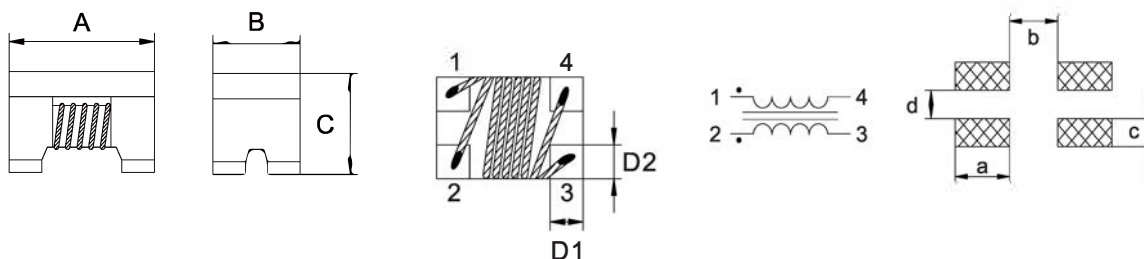
SFB XXXX - XXXXXX
 Fpr example: SFB2012-5011M01

ELECTRICAL CHARACTERISTICS

Part Number	Impedance [ohm]	Test Frequency	Insertion Loss [dB]Max	CMRR [dB]mm	D.C.Resistor [mohm] Max at 20°C	Rated current [mA]
FASFB2012-5011M01	50/50	45-870MHz	1.20	20	0.80	200
FASFB2012-7511M01	75/75	45-870MHz	1.10	18	0.77	200
FASFB2012-7511M02	75/75	50-1200MHz	1.60	19	0.40	300
FASFB2012-7511G01	75/75	1000-1500MHz	1.40	20	0.42	290
FASFB2012-7511G02	75/75	950-2150MHz	1.50	20	0.42	290
FASFB2012-7511G03	75/75	400-1800MHZ	2.00	10	0.42	290

TECHNICAL INFORMATION

ELECTRICAL SCHEMATIC & PAD LAYOUT



DIMENSIONS:MM

Part number	A	B	C	D1	D2	a	b	c	d
FASFB2012	2.00±0.2	1.20±0.2	1.20±0.2	0.45 REF	0.40 REF	0.90 REF	0.80 REF	0.40 REF	0.40 REF

COMMON MODE CHOKES FASF1210,2012HS SERIES



FEATURES:

Low profile and very small size SMD Design, Wound Chip construction with standard 121009 and 201212 size, Best EMI suppression effect least impact to High Speed signal integrity.

APPLICATIONS:

High Speed signal.

GENERAL SPECIFICATIONS:

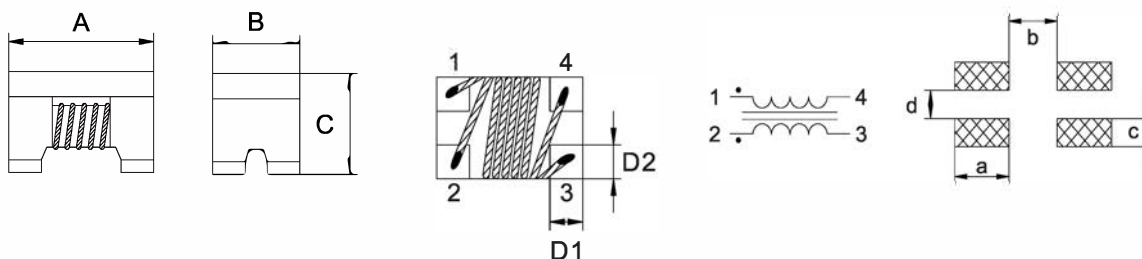
Impedance tolerance: Min at 20°C.
Operating temperature: -20°C to +105°C.
Storage Temp: -0°C to +40°C.
Resistance to Soldering Heat: 260°C for 10 sec.
Temperature Rise: 40°C Typ. at Rated Current.
All parts meet ROHS compliance.

ELECTRICAL CHARACTERISTICS

Part Number	Impedance [ohm] ± 25%	Test Frequency	CUT-OFF FREQUENC [GHz]Typ	D.C. Resistor [mohm] Max at 20°C	Rated current [mA]
FASF1210HS-250	25	100MHz	7.5	0.25	420
FASF1210HS-600	60	100MHz	6.0	0.25	400
FASF1210HS-900	90	100MHz	6.0	0.30	400
FASF2012HS-120	12	100MHz	7.5	0.20	450
FASF2012HS-240	24	100MHz	7.5	0.25	420
FASF2012HS-320	32	100MHz	7.5	0.25	400
FASF2012HS-670	67	100MHz	6.0	0.25	400
FASF2012HS-900	90	100MHz	6.0	0.30	400

TECHNICAL INFORMATION

ELECTRICAL SCHEMATIC & PAD LAYOUT



DIMENSIONS:MM

Part number	A	B	C	D1	D2	a	b	c	d
FASF1210HS	1.20±0.2	1.00±0.2	0.90±0.2	0.36 REF	0.38 REF	0.45 REF	0.60 REF	0.45 REF	0.30 REF
FASF2012HS	2.00±0.2	1.20±0.2	1.20±0.2	0.45 REF	0.40 REF	0.90 REF	0.80 REF	0.40 REF	0.40 REF

COMMON MODE CHOKES FASF1608,2012LP SERIES



FEATURES:

Special very Low profile and very small size SMD Design, Wound chip construction with standard 160808 or 201209 size, with best EMI suppression effect at higher frequency 500MHz~up And least impact to signal wave form.

APPLICATIONS:

Preventive measure against high speed signal radiation emissions such as USB 2.0 IEEE 1394 or LAN interface Best for NB, DSC, mobile device design.

GENERAL SPECIFICATIONS:

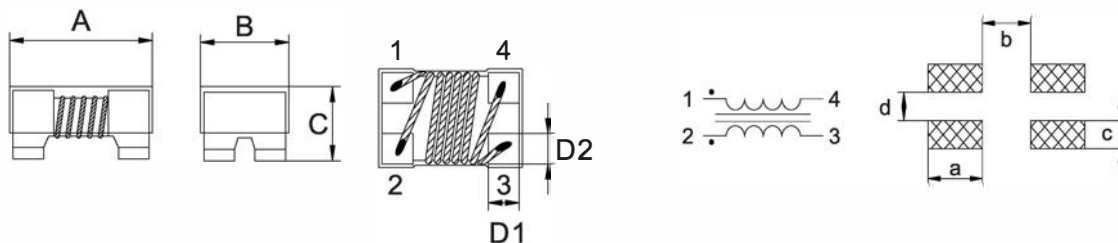
Impedance tolerance: Min at 20°C.
Operating temperature: -20°C to +105°C.
Storage Temp: -0°C to +40°C.
Resistance to Soldering Heat: 260°C for 10 sec.
Temperature Rise: 40°C Typ. at Rated Current.
All parts meet ROHS compliance.

ELECTRICAL CHARACTERISTICS

Part Number	Impedance [Ω] ±25% 100MHz	D.C. Resistor [Ω] Max at 20°C	Rated current (mA)Max	Part Number	Impedance [Ω] ±25% 100MHz	D.C. Resistor [Ω] Max at 20°C	Rated current (mA)Max
FASF1608LP-100	10	0.30	500	FASF2012LP-120	12	0.25	500
FASF1608LP-200	20	0.40	400	FASF2012LP-900	90	0.35	400
FASF1608LP-300	30	0.45	350	FASF2012LP-121	120	0.40	500
FASF1608LP-450	45	0.50	300	FASF2012LP-181	180	0.50	250
FASF1608LP-600	60	0.50	300				
FASF1608LP-670	67	0.50	300				
FASF1608LP-900	90	0.55	250				
FASF1608LP-121	120	0.80	200				
FASF1608LP-161	160	0.80	200				

TECHNICAL INFORMATION

ELECTRICAL SCHEMATIC & PAD LAYOUT



DIMENSIONS:MM

Part number	A	B	C	D1	D2	a	b	c	d
FASF1608LP	1.20±0.2	1.00±0.2	0.90±0.2	0.36 REF	0.38 REF	0.45 REF	0.60 REF	0.45 REF	0.30 REF
FASF2012LP	2.00±0.2	1.20±0.2	1.20±0.2	0.45 REF	0.40 REF	0.90 REF	0.80 REF	0.40 REF	0.40 REF

COMMON MODE CHOKES FASF2012,3216 SERIES



FEATURES:

Low profile and very small size SMD design, Wound Chip constructure with standard 201212 to 482822 size, with best EMI suppression effect but least impact to data signal wave form.

APPLICATIONS:

Preventive measure against high speed signal radiation emissions such as USB 2.0 IEEE 1394 or LAN interface. Best for NB, DSC, mobile device design.

GENERAL SPECIFICATIONS:

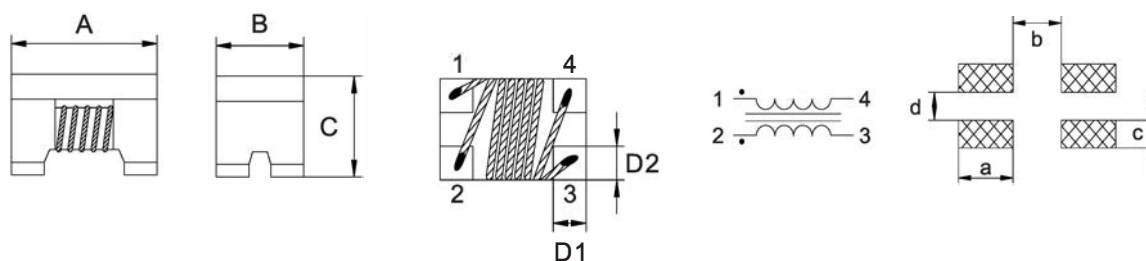
Impedance tolerance: M in at 20°C.
 Operating temperature: -20°C to +105°C.
 Storage Temp: -0°C to +40°C.
 Resistance to Soldering Heat: 260°C for 10 sec.
 Temperature Rise: 40°C Typ. at Rated Current.
 All parts meet ROHS compliance.

ELECTRICAL CHARACTERISTICS

Part Number	Impedance [Ω] ±25% 100MHz	D.C.Resistor [Ω] Max at 20°C	Rated current [mA]Max	Part Number	Impedance [Ω] ±25% 100MHz	D.C.Resistor [Ω] Max at 20°C	Rated current [mA]Max
FASF2012-120	12	0.20	450	FASF3216-330	33	0.20	400
FASF2012-240	24	0.25	420	FASF3216-500	50	0.25	400
FASF2012-320	32	0.25	400	FASF3216-900	90	0.30	400
FASF2012-500	50	0.25	400	FASF3216-121	120	0.30	400
FASF2012-670	67	0.25	400	FASF3216-161	160	0.40	350
FASF2012-750	75	0.70	280	FASF3216-221	220	0.45	300
FASF2012-900	90	0.30	400	FASF3216-261	260	0.50	300
FASF2012-121	120	0.30	370	FASF3216-501	500	0.80	260
FASF2012-141	140	0.32	360	FASF3216-601	600	0.80	260
FASF2012-161	160	0.35	350	FASF3216-102	1000	1.00	250
FASF2012-181	180	0.35	330	FASF3216-222	2200	1.20	200
FASF2012-201	200	0.40	300				
FASF2012-221	220	0.40	300				
FASF2012-261	260	0.40	300				
FASF2012-371	370	0.45	280				

TECHNICAL INFORMATION

ELECTRICAL SCHEMATIC & PAD LAYOUT



DIMENSIONS:MM

Part number	A	B	C	D1	D2	a	b	c	d
FASF2012	2.00 ± 0.2	1.20 ± 0.2	1.20 ± 0.2	0.45 REF	0.40 REF	0.90 REF	0.80 REF	0.40 REF	0.40 REF
FASF3216	3.20 ± 0.2	1.60 ± 0.2	2.00 ± 0.2	0.60 REF	0.60 REF	1.05 REF	1.60 REF	0.60 REF	0.40 REF

COMMON MODE CHOKES FASF4532,4828 SERIES



FEATURES:

Low profile and very small size SMD design, Wound chip constructure with standard 201212 to 482822 size, with best EMI suppression effect but least impact to data signal wave form.

APPLICATIONS:

Preventive measure against high speed signal radiation emissions such as USB 2.0 IEEE 1394 or LAN interface. Best for NB, D SC, mobile device design.

GENERAL SPECIFICATIONS:

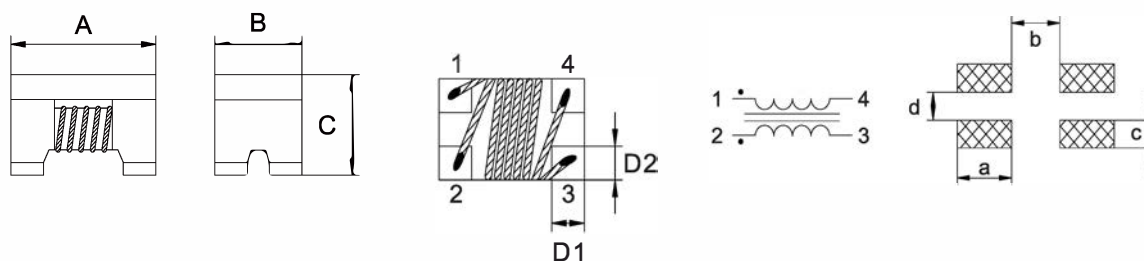
Impedance tolerance: Min at 20°C.
Operating temperature: -20°C to +105°C.
Storage Temp: -0°C to +40°C
Resistance to Soldering Heat: 260°C for 10 sec.
Temperature Rise: 40°C Typ. at Rated Current.
All parts meet ROHS compliance.

ELECTRICAL CHARACTERISTICS

Part Number	Impedance [Ω] ±25% 100MHz	D.C.Resistor [Ω] Max at 20°C	Rated current [mA]Max	Part Number	Impedance [Ω] ±25% 100MHz	D.C.Resistor [Ω] Max at 20°C	Rated current [mA]Max
FASF4532-900	90	0.050	4000	FASF4828-600	60	0.10	3000
FASF4532-231	230	0.051	3500	FASF4828-121	120	0.20	2000
FASF4532-421	420	0.052	3200	FASF4828-221	220	0.20	2000
FASF4532-601	600	0.065	2500	FASF4828-601	600	0.20	2000
FASF4532-801	800	0.100	2300	FASF4828-701	700	0.15	2000
FASF4532-901	900	0.100	2200	FASF4828-102	1000	0.40	1000
FASF4532-102	1000	0.110	2100	FASF4828-122	1200	0.40	1000
FASF4532-142	1400	0.120	2000	FASF4828-142	1400	0.40	1000

TECHNICAL INFORMATION

ELECTRICAL SCHEMATIC & PAD LAYOUT



DIMENSIONS:MM

Part number	A	B	C	D1	D2	a	b	c	d
FASF4532	4.50 ± 0.2	3.20 ± 0.2	2.80 ± 0.2	1.00 REF	1.00 REF	1.40 REF	2.10 REF	1.60 REF	0.40 REF
FASF4828	4.80 ± 0.2	2.80 ± 0.2	2.20 ± 0.2	0.75 REF	0.75 REF	1.25 REF	3.00 REF	1.00 REF	0.70 REF

COMMON MODE CHOKES FASF453226,453228L SERIES



FEATURES:

Low profile and very small size SMD Design, Wound Chip constructure with standard 453226 to 453228 size, with best EMI suppression effect but least impact to data signal wave form.

APPLICATIONS:

Preventive measure against high speed signal radiation emissions such as U SB 2.0 IEEE 1394 or LAN interface. Best for NB, D SC, mobile device design.

GENERAL SPECIFICATIONS:

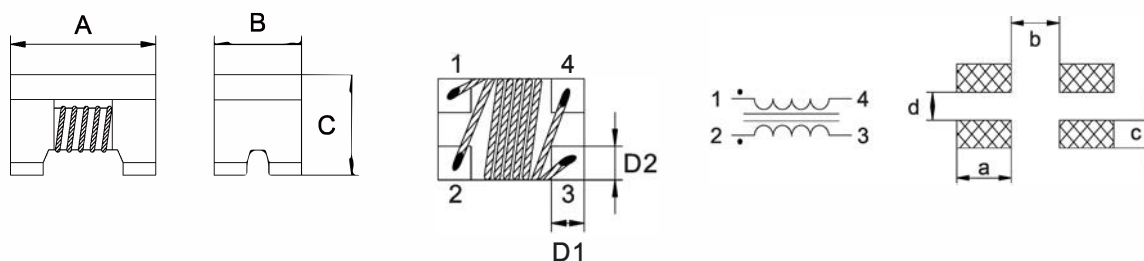
Impedance tolerance: Min at 20°C.
Operating temperature: -20°C to +105°C
Storage Temp: -0°C to +40°C
Resistance to Soldering Heat: 260°C for 10 sec.
Temperature Rise: 40°C Typ. at Rated Current.
All parts meet RO HS compliance.

ELECTRICAL CHARACTERISTICS

Part Number	Inductance (uH) 100KHz/100mV	Tolerance	Impedance [Ω] Typ 10MHz	D.C.Resistor [Ω] Max at 20°C	Rated current (mA)Max
FASF453226L-101	100	+50[-30]%	5800	2.0	250
FASF453228L-110	11	+50[-30]%	600	0.6	250
FASF453228L-220	22	+50[-30]%	1200	1.0	200
FASF453228L-510	51	+50[-30]%	2800	1.0	200

TECHNICAL INFORMATION

ELECTRICAL SCHEMATIC & PAD LAYOUT



DIMENSIONS:MM

Part number	A	B	C	D1	D2	a	b	c	d
FASF453226	4.50±0.2	3.20±0.2	2.60±0.2	1.00 REF	1.00 REF	1.40 REF	2.10 REF	1.60 REF	0.40 REF
FASF453228	4.80±0.2	3.20±0.2	2.80±0.2	1.00 REF	1.00 REF	1.40 REF	2.10 REF	1.60 REF	0.40 REF

COMMON MODE CHOKES FASF2012HDMI SERIES



FEATURES:

Low profile and very small size SMD Design, Wound Chip constructure with standard 201212 size, with best EMI suppression effect but least impact to data signal wave form.

APPLICATIONS:

HDMI

GENERAL SPECIFICATIONS:

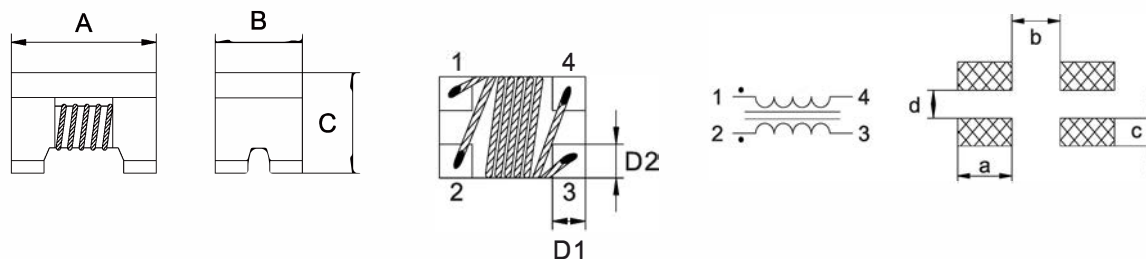
Impedance tolerance: Min at 20°C.
 Operating temperature: -20°C to +105°C
 Storage Temp: -0°C to +40°C
 Resistance to Soldering Heat: 260°C for 10 sec.
 Temperature Rise: 40°C Typ. at Rated Current.
 All parts meet ROHS compliance.

ELECTRICAL CHARACTERISTICS

Part Number	Impedance [Ω]	Tolerance	Test Frequency	D.C. Resistor [Ω] Max at 20°C	Rated current (mA)Max
FASF2012HDMI-400	40	± 25%	100MHz	0.25	400
FASF2012HDMI-670	67	± 25%	100MHz	0.25	400
FASF2012HDMI-900	90	± 25%	100MHz	0.30	400
FASF2012HDMI-121	120	± 25%	100MHz	0.30	370

TECHNICAL INFORMATION

ELECTRICAL SCHEMATIC & PAD LAYOUT



DIMENSIONS:MM

Part number	A	B	C	D1	D2	a	b	c	d
FASF2012HDMI	2.00±0.2	1.20±0.2	1.20±0.2	0.45 REF	0.40 REF	0.90 REF	0.80 REF	0.40 REF	0.40 REF

COMMON MODE CHOKES FASF4532A SERIES



FEATURES:

For Automotive wire wound common mode choke coil, Effective for EMI suppression of common mode noise emission. Compatible with RoHS Directive and AEC-Q200. Compatible with Automotive required operating temperature.

APPLICATIONS:

Preventive measure against high speed signal radiation emission such as CAN-BusFax, Modem, ISDNs... etc.

GENERAL SPECIFICATIONS:

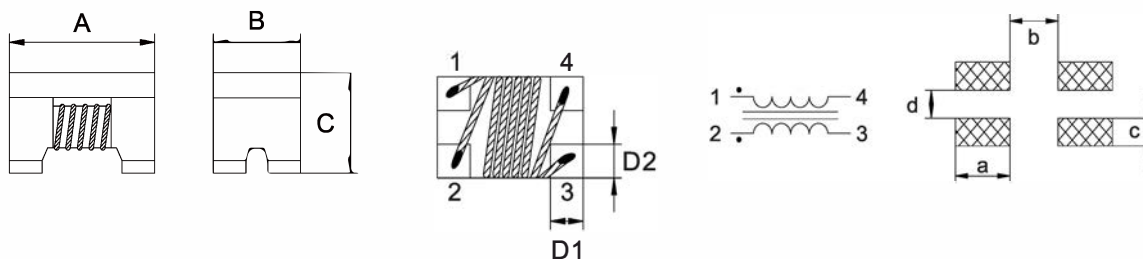
Impedance tolerance: Min at 20°C.
Operating temperature: -40°C to +125°C
Storage Temp: -0°C to +40°C
Resistance to Soldering Heat: 260 for 10 sec.
Temperature Rise: 40°C Typ. at Rated Current.
All parts meet ROHS compliance.

ELECTRICAL CHARACTERISTICS

Part Number	Inductance [uH] 100KHz/100mV	Tolerance	Impedance [Ω] Typ 10MHz	D.C. Resistor [Ω] Max at 20°C	Rated current [mA]Max
FASF4532A-110	11	+50(-30)%	600MHz	0.60	250
FASF4532A-220	22	+50(-30)%	1200MHz	1.00	200
FASF4532A-510	51	+50(-30)%	2800MHz	1.00	200
FASF4532A-101	100	+50(-30)%	5800MHz	2.00	150

TECHNICAL INFORMATION

ELECTRICAL SCHEMATIC & PAD LAYOUT



DIMENSIONS:MM

Part number	A	B	C	D1	D2	a	b	c	d
FASF4532A	4.50 ± 0.2	3.20 ± 0.2	2.80 ± 0.2	1.00 REF	1.00 REF	1.40 REF	2.10 REF	1.60 REF	0.40 REF

COMMON MODE CHOKES FASF7060,9070 SERIES



FEATURES:

From big to small size
SMD Design, Wire
wound constructure
common mode choke
with best EMI suppression
effect high impedance
but very high rated
current and low DCR.

APPLICATIONS:

Preventive measure against
common mode noise radiation
emissions from power line or
else Best for high current circuit
such as car, wireless charging
and power device design.

GENERAL SPECIFICATIONS:

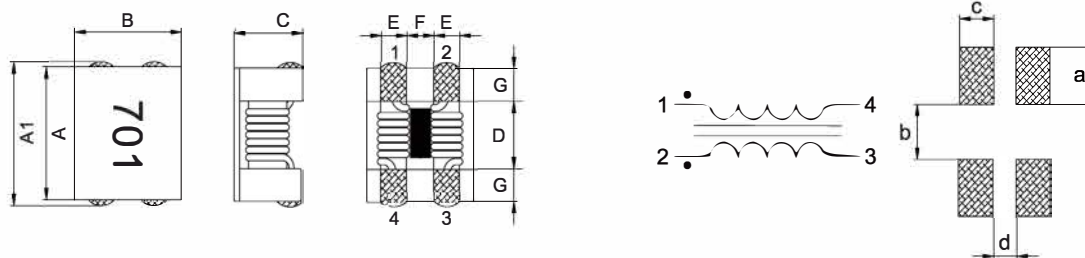
Impedance tolerance: Min at 20°C.
Operating temperature: -40°C to +125°C
Storage Temp: -0°C to +40°C
Resistance to Soldering Heat: 260°C for 10 sec.
Temperature Rise: 40°C Typ. at Rated Current.
All parts meet ROHS compliance.

ELECTRICAL CHARACTERISTICS

Part Number	Impedance (Ω) Min 100MHz	D.C.Resistor (mΩ) Max at 20°C	Rated current (A) Max	Part Number	Impedance (Ω) Min 100MHz	D.C.Resistor (mΩ) Max at 20°C	Rated current (A) Max
FASF7060-400	40	5	15	FASF9070-301	225	6	6.0
FASF7060-101	100	10	9	FASF9070-501	400	8	5.5
FASF7060-301	225	10	5	FASF9070-701	500	10	5.0
FASF7060-501	400	10	5	FASF9070-102	750	13	4.0
FASF7060-701	500	15	4	FASF9070-222	1700	60	2.5
FASF7060-102	750	17	3	FASF9070-272	2000	86	2.0
FASF7060-132	910	21	2.5	FASF9070-302	2500	90	1.9
FASF7060-272	2000	63	1.0				
FASF7060-302	2500	75	0.9				

TECHNICAL INFORMATION

ELECTRICAL SCHEMATIC & PAD LAYOUT



DIMENSIONS:MM

Part number	A	A1	B	C	D	E	F	G	a	b	c	d
FASF7060	7.00±0.5	7.50±0.6	6.0±0.5	4.0 Max	3.5 REF	1.5 REF	1.5 REF	1.7 REF	3.0 REF	2.9 REF	1.9 REF	1.3 REF
FASF9070	9.00±0.5	9.50±0.6	7.0±0.5	5.0 Max	5.7 REF	1.5 REF	2.0 REF	1.7 REF	3.0 REF	5.0 REF	2.0 REF	1.8 REF

COMMON MODE CHOKES FASF1211,1513 SERIES



FEATURES:

From big to small size SMD Design, Wire wound constructure common mode choke with best EMI suppression effect high impedance but very high rated current and low DCR.

APPLICATIONS:

Preventive measure against common mode noise radiation emissions from power line or else Best for high current circuit such as car, wireless charging and power device design.

GENERAL SPECIFICATIONS:

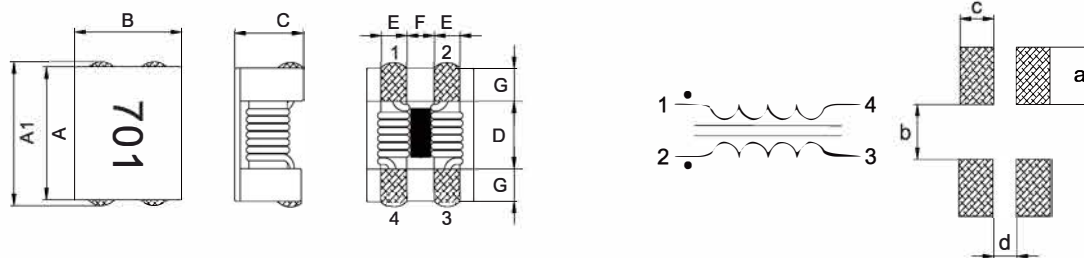
Impedance tolerance: Min at 20°C.
Operating temperature: -40°C to +125°C
Storage Temp: -0°C to +40°C
Resistance to Soldering Heat: 260°C for 10 sec.
Temperature Rise: 40°C Typ. at Rated Current.
All parts meet ROHS compliance.

ELECTRICAL CHARACTERISTICS

Part Number	Impedance [Ω]Min 100MHz	D.C. Resistor [mΩ] Max at 20°C	Rated current [A]Max	Part Number	Impedance [Ω]Min 100MHz	D.C. Resistor [mΩ] Max at 20°C	Rated current [A]Max
FASF1211-800	80	4.0	10	FASF1513-301	100	5.0	13
FASF1211-701	500	6.0	8.0	FASF1513-551	450	5.5	10
FASF1211-102	750	14.0	6.0	FASF1513-701	500	7.0	10
FASF1211-222	1700	35.0	1.8				
FASF1211-272	2000	50.0	1.5				

TECHNICAL INFORMATION

ELECTRICAL SCHEMATIC & PAD LAYOUT



DIMENSIONS:MM

Part number	A	A1	B	C	D	E	F	G	a	b	c	d
FASF1211	12.0±0.5	12.5±0.6	10.8±0.5	6.6 Max	7.0 REF	2.7 REF	2.5 REF	2.5 REF	3.9 REF	6.1 REF	3.1 REF	2.3 REF
FASF1513	15.0±0.5	15.5±0.6	13.0±0.5	6.3 Max	9.0 REF	2.7 REF	3.8 REF	3.0 REF	4.2 REF	8.2 REF	3.1 REF	3.2 REF

COMMON MODE CHOKES FASF4520 SERIES



FEATURES:

Small size SMD Design, Wire wound constructure common mode choke with best EMI suppression effect high impedance but very high rated current and low DCR.

APPLICATIONS:

Preventive measure against common mode noise radiation emissions from power line or else Best for high current circuit such as car, wireless charging and power device design.

GENERAL SPECIFICATIONS:

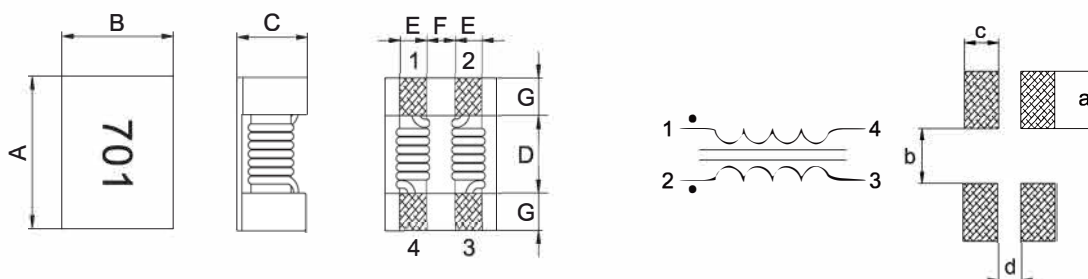
Impedance tolerance: Min at 20°C.
Operating temperature: -40°C to +125°C.
Storage Temp: -0°C to +40°C.
Resistance to Soldering Heat: 260°C for 10 sec.
Temperature Rise: 40°C Typ. at Rated Current.
All parts meet ROHS compliance.

ELECTRICAL CHARACTERISTICS

Part Number	Impedance [Ω]Min 100MHz	D.C.Resistor [mΩ] Max at 20°C	Rated current [mA]	Rated Voltage [V]Max	Insulation Resistance [MΩ]Min
FASF4520-900	30	35	3.2	50	10
FASF4520-151	80	38	3.1	50	10
FASF4520-231	180	39	3.0	50	10
FASF4520-301	180	39	3.0	50	10
FASF4520-401	200	50	2.5	50	10
FASF4520-501	300	55	2.4	50	10
FASF4520-701	500	59	2.2	50	10
FASF4520-901	700	68	2.1	50	10
FASF4520-102	800	68	2.1	50	10
FASF4520-122	1000	74	2.0	50	10
FASF4520-142	1200	81	1.9	50	10

TECHNICAL INFORMATION

ELECTRICAL SCHEMATIC & PAD LAYOUT



DIMENSIONS:MM

Part number	A	B	C	D	E	F	G	a	b	c	d
FASF4520	4.70±0.5	4.50±0.5	2.0 Max	2.7 REF	0.75 REF	1.25 REF	1.00 REF	1.75 REF	2.00 REF	1.75 REF	0.90 REF

HIGH CURRENT SURFACE-MOUNT POWER INDUCTORS FASDR SERIES 0302,0403,0504,0703,0705,1004,1005



FEATURES :

- Current up to 6.8A
- Larg Current
- Flat-top for Pick & Place
- Low cost

OPTIONS:

- Tape & Reel is Standard
- Bulk packaging Available for Smaller Quantities
- Tolerance : K=10%,M=20% is Standard
- Custom Design Available

COMMON APPLICATIONS:

- Ideal for Palm-Top and Laptop
- DC/DC Conveerters
- PDAis Flash Memory
- Step-up,Step-down Converters
- Top-box

STANDARD SPECIFICATION:

Part Number	Inductance μ H	DCR(ohm)										IDC(A) Max									
		0302	0403	0503	0504	0703	0705	1004	1005	1008	0302	0403	0503	0504	0703	0705	1004	1005	1008		
1R0	1.0	0.07	0.049	0.03	0.028						2.080	2.560	4.500	3.000							
1R4	1.4	0.09	0.057	0.04	0.029						1.860	2.520	4.000	2.800							
1R8	1.8	0.11	0.064	0.05	0.030						1.800	1.950	3.300	2.600							
2R2	2.2	0.13	0.072	0.06	0.042						1.390	1.750	2.940	2.300							
2R7	2.7	0.14	0.079	0.07	0.044						1.320	1.580	2.500	2.100							
3R3	3.3	0.20	0.087	0.08	0.045						1.250	1.440	2.350	2.000							
3R9	3.9	0.21	0.094	0.09	0.047						1.200	1.330	2.200	1.950							
4R7	4.7	0.33	0.109	0.14	0.048						1.030	1.150	2.000	1.900							
5R6	5.6	0.35	0.126	0.15	0.050						0.910	1.100	1.800	1.800							
6R8	6.8	0.38	0.132	0.16	0.060						0.850	1.080	1.700	1.600							
8R2	8.2	0.43	0.147	0.17	0.090						0.820	1.050	1.400	1.500							
100	10	0.50	0.182	0.18	0.10	0.08	0.07	0.05	0.06	0.036	0.740	1.040	1.200	1.440	1.440	2.300	2.380	2.600	4.050		
120	12	0.65	0.210	0.20	0.12	0.09	0.08	0.06	0.07	0.038	0.640	0.970	1.180	1.400	1.390	2.000	2.130	2.450	3.600		
150	15	0.82	0.235	0.22	0.14	0.10	0.09	0.07	0.08	0.04	0.600	0.850	1.150	1.300	1.240	1.800	1.870	2.270	3.340		
180	18	0.90	0.338	0.25	0.15	0.11	0.10	0.08	0.09	0.05	0.540	0.740	1.100	1.230	1.120	1.600	1.730	2.150	3.050		
220	22	1.14	0.378	0.35	0.18	0.13	0.11	0.09	0.10	0.06	0.500	0.680	1.000	1.110	1.070	1.500	1.600	1.950	2.800		
270	27	1.39	0.522	0.45	0.20	0.15	0.12	0.10	0.11	0.07	0.430	0.620	0.860	0.970	0.940	1.300	1.440	1.760	2.500		
330	33	1.55	0.540	0.56	0.23	0.17	0.13	0.12	0.12	0.08	0.400	0.560	0.760	0.880	0.850	1.200	1.260	1.500	2.400		
390	39	2.15	0.587	0.698	0.32	0.22	0.16	0.15	0.14	0.09	0.370	0.520	0.750	0.800	0.740	1.100	1.200	1.370	2.200		
470	47	2.44	0.844	0.72	0.37	0.25	0.18	0.17	0.17	0.11	0.360	0.440	0.730	0.720	0.680	1.100	1.100	1.280	2.000		
560	56	2.68	0.937	0.84	0.42	0.28	0.24	0.20	0.19	0.12	0.310	0.420	0.550	0.680	0.640	0.940	1.010	1.170	1.900		
680	68	3.05	1.117	0.90	0.46	0.33	0.28	0.22	0.22	0.15	0.300	0.370	0.520	0.610	0.590	0.850	0.910	1.110	1.800		
820	82	3.48	1.200	0.95	0.60	0.41	0.37	0.25	0.25	0.19	0.280	0.300	0.500	0.580	0.540	0.780	0.850	1.000	1.600		
101	100	3.84	1.440	1.30	0.70	0.48	0.43	0.34	0.35	0.23	0.250	0.280	0.400	0.520	0.510	0.720	0.740	0.970	1.500		
121	120	5.76	1.660	1.38	0.93	0.54	0.47	0.40	0.40	0.32	0.200	0.240	0.360	0.480	0.490	0.660	0.690	0.890	1.400		
151	150	6.62	1.880	1.81	1.10	0.75	0.64	0.54	0.47	0.37	0.190	0.220	0.300	0.400	0.400	0.580	0.610	0.780	1.300		
181	180	7.36	2.180	1.95	1.38	1.02	0.71	0.62	0.63	0.42	0.170	0.210	0.260	0.380	0.360	0.510	0.560	0.720	1.200		
221	220	8.38	2.570	2.10	1.57	1.20	0.96	0.72	0.73	0.44	0.160	0.200	0.250	0.350	0.310	1R0	0.530	0.660	1.000		
271	270	13.69	3.520	2.42	1.85	1.31	1.11	0.95	0.97	0.55	0.140	0.180	0.210	0.280	0.290	0.420	0.450	0.570	0.950		
331	330	15.78	5.000	3.82	2.00	1.50	1.26	1.10	1.15	0.60	0.130	0.120	0.180	0.260	0.280	0.400	0.420	0.520	0.900		
391	390	17.40	6.000	4.68	2.60	2.700	1.77	1.24	1.30	0.67	0.120	0.115	0.160	0.240	0.270	0.360	0.380	0.480	0.800		
471	470	20.00	7.000	5.10	3.00	3.000	1.96	1.53	1.48	0.88	0.084	0.110	0.150	0.220	0.250	0.340	0.350	0.420	0.700		
561	560			6.00	4.19			1.80	1.90	1.04			0.140	0.180			0.320	0.330	0.650		
681	680			7.60	4.44				2.25	1.18			0.130	0.160				0.280	0.600		
821	820			9.12	5.12				2.55	1.38			0.070	0.110				0.240	0.500		
102	1000			9.87						1.74			0.050	0.080					0.480		
122	1200									1.92									0.380		

TECHNICAL INFORMATION:

1.TEST FREQ.[L] with HP4284A and HP4285A [equivalent acceptable]
1.0-8.2 μ H[7.95MHz] 10-82 μ H[2.52MHz] 100-1200 μ H[1KHz]

2.Tolerance of inductance

- FASDR0302 1.0-470 μ H \pm 20%(M)
- FASDR0403 1.0-27 μ H \pm 20%(M) 33-470 μ H \pm 10%(K)
- FASDR0503 1.0-2.7 μ H \pm 20%(M) 33-100 μ H \pm 10%(K)
- FASDR0504 1.0-27 μ H \pm 20%(M) 33-47 μ H \pm 15%(L) 56-1000 μ H \pm 10%(K)
- FASDR0703 10-47 μ H \pm 20%(M) 56-470 μ H \pm 10%(K)
- FASDR0705 10-470 μ H \pm 20%(M)
- FASDR1004 10-47 μ H \pm 20%(M) 56-560 μ H \pm 10%(K)
- FASDR1005 10-39 μ H \pm 20%(M) 47-820 μ H \pm 10%(K)
- FASDR1008 10-82 μ H \pm 20%(M) 100-1200 μ H \pm 10%(K)

3.DCR: GWB13 or QuadTech 1880 Milliohmeter

4.IDC Max is decreased 10% against its initial value

·Operating Temperature:-40°C to+85°C

·Storage Temperature: -40°C to +105°C

·Solder methods: Vapor Phase,Infrared Reflow

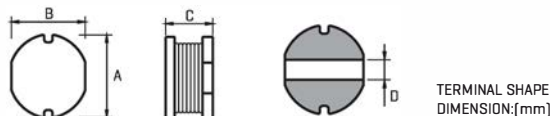
·Resistance to soldering heat:260°C for 10 seconds

·Solvent resistance: Conforms to MIL-STD-202E

·Marking: Inductance & Tolerance

Note:All specification subject to change without noticed.

CHARACTERISTICS:



TYPE	A	B	C	D
FASDR 0302	3.0 \pm 0.3	2.8 \pm 0.3	2.5 \pm 0.3	0.8
FASDR 0403	4.5 \pm 0.3	4.0 \pm 0.3	3.2 \pm 0.3	1.3
FASDR 0503	5.8 \pm 0.3	5.2 \pm 0.3	2.5 \pm 0.3	1.3
FASDR 0504	5.8 \pm 0.3	5.2 \pm 0.3	4.5 \pm 0.3	1.3
FASDR 0703	7.8 \pm 0.3	7.0 \pm 0.3	3.5 \pm 0.3	2.1
FASDR 0705	7.8 \pm 0.3	7.0 \pm 0.3	5.0 \pm 0.3	2.1
FASDR 1004	10.0 \pm 0.3	9.0 \pm 0.3	4.0 \pm 0.3	2.1
FASDR 1005	10.0 \pm 0.3	9.0 \pm 0.4	5.4 \pm 0.3	2.1
FASDR 1006	11.0Max	10.0Max	7.5Max	2.1
FASDR 1008	11.0Max	10.0Max	8.5Max	2.1

HIGH CURRENT SURFACE-MOUNT POWER SHIELDED INDUCTORS FASDRS0603,0704,1005,1205 SERIES



FEATURES :

Current up to 2.6A
Very Small Foot Print
Flat-top for Pick & Place
Shielded structure

OPTIONS:

Tape & Reel is Standard
Bulk packaging Available
for Smaller Quantities
Tolerance : K=10%,M=20% is
Standard,Tighter Tolerances Available

COMMON APPLICATIONS:

Power supply for VTRs
DA equipment
LCD televisions
Notebook PCs
Portable communication equipment
DC/DC converters,etc

STANDARD SPECIFICATION:

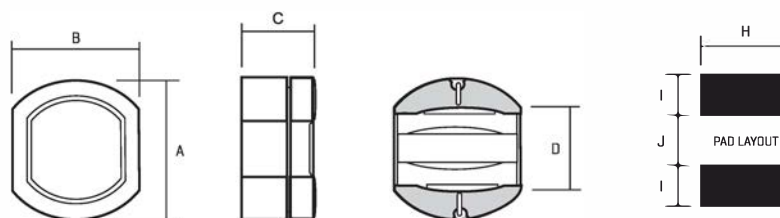
Part Number	L[μH]	DCR[ohm]Max.				IDC[A]			
		FASDRS 0603	FASDRS 0704	FASDRS 1005	FASDRS 1205	FASDRS 0603	FASDRS 0704	FASDRS 1005	FASDRS 1205
100M	10	0.14	0.07	0.06	0.05	1.00	1.65	2.06	2.65
120M	12	0.16	0.07	0.07	0.05	0.94	1.57	1.94	2.50
150M	15	0.18	0.08	0.07	0.06	0.86	1.39	1.72	2.45
180M	18	0.25	0.10	0.08	0.06	0.78	1.9	1.58	2.40
220M	22	0.32	0.13	0.08	0.07	0.76	1.12	1.42	2.20
270M	27	0.36	0.16	0.10	0.08	0.64	1.06	1.32	2.00
330M	33	0.41	0.18	0.11	0.10	0.61	0.97	1.16	1.80
390M	39	0.47	0.18	0.12	0.11	0.53	0.91	1.10	1.65
470M	47	0.51	0.27	0.14	0.12	0.50	0.80	1.00	1.50
560M	56	0.72	0.29	0.19	0.15	0.46	0.76	0.93	1.38
680M	68	0.82	0.33	0.21	0.17	0.42	0.68	0.85	1.26
820M	82	0.82	0.43	0.28	0.20	0.42	0.62	0.79	1.14
101M	100	0.82	0.49	0.34	0.25	0.42	0.55	0.72	1.05
121M	120	0.82	0.68	0.37	0.28	0.42	0.49	0.63	0.95
151M	150	0.82	0.94	0.51	0.40	0.42	0.44	0.55	0.85
181M	180	0.82	1.00	0.57	0.48	0.42	0.40	0.50	0.77
221M	220	0.82	1.18	0.78	0.52	0.42	0.36	0.47	0.70
271M	270	0.82	1.30	0.87	0.70	0.42	0.33	0.41	0.63
331M	330	0.82	1.30	1.20	0.80	0.42	0.33	0.37	0.57
391M	390	0.82	1.30	1.34	1.08	0.42	0.33	0.5	0.52
471M	470	0.82	1.30	1.50	1.20	0.42	0.33	0.33	0.48
561M	560	0.82	1.30	1.50	1.34	0.42	0.33	0.33	0.44
681M	680	0.82	1.30	1.50	1.78	0.42	0.33	0.33	0.40
821M	820	0.82	1.30	1.50	2.00	0.42	0.33	0.33	0.36

Note:1. K=±10%,M=±20%,N=±30%

TECHNICAL INFORMATION:

- Testing: [Equivalent acceptable]
- Inductance:HP4285A
- ROC:QuadTech 1880 Milliohmmer
- Q- HP4342A-SRF-HP4191A
- IDC Max:Determined when superimposed
- DC current is decreased 10% against its initial value
- Operating temperature: -40°C to +85°C
- Storage Temperature: -40°C to +105°C
- Solder methods: Vapor Phase,Infrared Reflow
- Resistance to soldering heat:260°C for 10 seconds
- Solvent resistance: Conforms to MIL-STD-202E
- Marking: Inductance & Tolerance
- Ordering information:
- Type:Surface Mounting Type.
- Style:DR Core with RL core.
- Inductance:101 for 100uH.
- Inductance tolerance:M:±20%.
- Note:All specification subject to change without noticed.

PHYSICAL CHARACTERISTICS:



DIMENSIONS IN: mm

Part Number	A	B	C	D	H	I	J
FASDRS-0603	6.2±0.3	5.6±0.3	3.2±0.3	1.7	5.5	2.25	1.7
FASDRS-0704	7.8±0.35	7.0±0.35	4.5±0.4	1.9	7.5	4.0	2.0
FASDRS-1005	10.0±0.4	9.0±0.4	5.0±0.5	2.5	9.5	5.0	2.5
FASDRS-1205	12.6±0.5	11.6±0.5	5.4±0.5	3.0	12.0	6.0	3.0

SURFACE-MOUNT POWER WOUND CHIP INDUCTORS FASPI-0603 SERIES



FEATURES :

Current up to 1.34A
High Frequency design
Heat Resistant Molded Resin
Excellent Mechanical Strength
Excellent Solderability
Low Profile, Low cost
Low DCR

OPTIONS:

Tape & Reel is Standard
[Qty:2000pcs]
Bulk packaging Available
for Smaller Quantities
Tolerance : K=10%,M=20% is
Standard, Tighter Tolerances Available

COMMON APPLICATIONS:

Power supply for VTRs
DA equipment
LCD televisions
Notebook Pcs
Portable communication equipment
DC/DC converters, etc

ELECTRICAL CHARACTERISTICS:

Part Number	L [μH]	Tol %	Q Min	DCR ohm Max	IDC Max A	Test Freq kHz
FASPI-0603T-1R0K	1.0	±10	35	0.072	1.34	100
FASPI-0603T-1R5K	1.5	±10	35	0.084	1.22	100
FASPI-0603T-2R2K	2.2	±10	35	0.108	1.08	100
FASPI-0603T-3R3K	3.3	±10	35	0.134	0.97	100
FASPI-0603T-4R7K	4.7	±10	40	0.160	0.91	100
FASPI-0603T-6R8K	6.8	±10	40	0.197	0.79	100
FASPI-0603T-100K	10.0	±10	40	0.330	0.63	100
FASPI-0603T-120K	12.0	±10	40	0.350	0.59	100
FASPI-0603T-150K	15.0	±10	40	0.400	0.56	100
FASPI-0603T-180K	18.0	±10	40	0.450	0.51	100
FASPI-0603T-220K	22.0	±10	40	0.534	0.47	100
FASPI-0603T-270K	27.0	±10	40	0.618	0.43	100
FASPI-0603T-330K	33.0	±10	50	0.903	0.37	100
FASPI-0603T-390K	39.0	±10	50	1.010	0.4	100
FASPI-0603T-470K	47.0	±10	50	1.355	0.29	100
FASPI-0603T-560K	56.0	±10	50	1.515	0.28	100
FASPI-0603T-680K	68.0	±10	50	1.713	0.26	100
FASPI-0603T-820K	82.0	±10	50	2.312	0.22	100
FASPI-0603T-101K	100.0	±10	50	2.640	0.21	100
FASPI-0603T-121K	120.0	±10	50	3.502	0.19	100
FASPI-0603T-151K	150.0	±10	50	4.132	0.17	100
FASPI-0603T-181K	180.0	±10	50	4.534	0.16	100
FASPI-0603T-221K	220.0	±10	50	6.646	0.13	100
FASPI-0603T-271K	270.0	±10	50	7.523	0.12	100
FASPI-0603S-101M	100	±20	30	0.65	32.0mA	100
FASPI-0603S-151M	150	±20	35	0.80	28.0mA	100
FASPI-0603S-221M	220	±20	35	1.10	22.0mA	100
FASPI-0603S-331M	330	±20	35	1.30	16.0mA	100
FASPI-0603S-471M	470	±20	35	1.90	14.0mA	100
FASPI-0603S-681M	680	±20	35	2.50	11.0mA	100
FASPI-0603S-102M	1000	±20	35	3.10	9.0mA	100
FASPI-0603S-152M	1500	±20	35	5.30	8.0mA	100
FASPI-0603S-222M	2200	±20	35	8.40	7.0mA	100
FASPI-0603S-332M	3300	±20	35	10.10	5.0mA	100
FASPI-0603S-472M	4700	±20	35	13.0	4.0mA	100

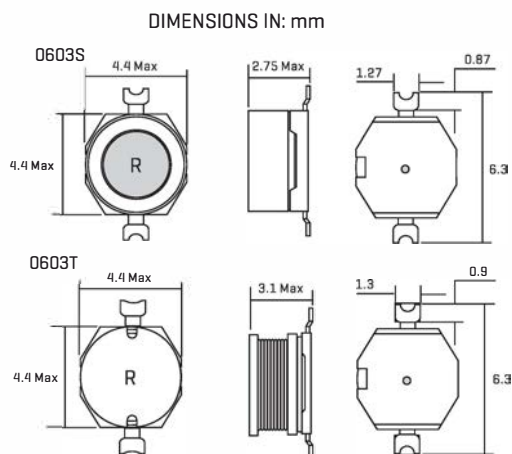
Note:1. K=±10%,M=±20%,N=±30%

TECHNICAL INFORMATION:

- Testing: [Equivalent acceptable]
- Inductance:HP4284A
- RDC:QuadTech 1880
- Milliohm meter -Q- HP4342A - SRF-HP4191A
- IOC Max:Determined when superimposed
- DC current is decreased 10% against its initial value
- Operating temperature: -40°C to +105°C
- Storage Temperature: -40°C to +105°C
- Solder methods: Vapor Phase, Infrared Reflow
- Resistance to soldering heat:260°C for 10 seconds
- Solvent resistance: Conforms to MIL-STD-202E
- Marking: Inductance & Tolerance

Note:All specifications subject to change without notice.

PHYSICAL CHARACTERISTICS:



SURFACE-MOUNT POWER WOUND CHIP INDUCTORS FASPI-T SERIES 0402T,0802T,0804T,0810T,1109T,1306T



FEATURES :

Very Small Foot Print
Flat-top for Pick & Place
Increased Size Selection Guide

OPTIONS:

Tape & Reel is Standard
[Qty:2000pcs]
Bulk packaging Available
for Smaller Quantities
Tolerance: 20% is Standard
Custom Design Available

COMMON APPLICATIONS:

Ideal for Palm-Top and Laptop
DC to DC converters
PDA's flash memory
Step-up,step down Converters

STANDARD SPECIFICATION:

Part Number	L[μH] ±20	DCR[ohm]Max						IDC[A]Max					
		FASPI 0402T	FASPI 0802T	FASPI 0804T	FASPI 0810T	FASPI 1109T	FASPI 1306T	FASPI 0402T	FASPI 0802T	FASPI 0804T	FASPI 0810T	FASPI 1109T	FASPI 1306T
1R0	1.0	0.05		0.009			0.011	2.90		9.0			20.00
1R5	1.5	0.05		0.010				2.60		8.0			
2R2	2.2	0.06		0.012			0.014	2.30		7.0			16.00
3R3	3.3	0.07		0.015			0.016	2.00		6.4			14.00
4R7	4.7	0.08		0.018				1.50		5.4			
5R6	5.6			0.025			0.022			5.0			12.00
6R8	6.8	0.11		0.027				1.20		4.6			
100	10	0.14	0.09	0.038	0.033	0.06	0.032	1.10	2.40	3.8	8.00	3.50	10.00
120	12					0.07							3.40
150	15	0.20	0.12	0.046	0.042	0.08	0.036	0.90	2.00	3.0	7.00	3.10	8.00
180	18					0.09							3.00
220	22	0.32	0.19	0.085	0.054	0.10	0.047	0.70	1.60	2.6	5.50	2.60	7.00
270	27					0.11							2.40
330	33	0.44	0.25	0.10	0.08	0.12	0.066	0.58	1.40	2.0	4.00	2.30	5.50
390	39					0.14							2.10
470	47	0.56	0.32	0.14	0.10	0.17	0.087	0.50	1.00	1.6	3.80	1.95	4.50
560	56					0.19							1.85
680	68	0.75	0.55	0.20	0.17	0.22	0.13	0.40	0.90	1.4	3.00	1.65	3.50
820	82					0.25							1.50
101	100	1.10	0.70	0.28	0.22	0.35	0.19	0.31	0.70	1.2	2.50	1.40	3.00
121	120					0.40							1.30
151	150	1.70	1.00	0.40	0.34	0.47	0.25	0.27	0.60	1.0	2.00	1.20	2.60
181	180					0.63							1.00
221	220	2.30	1.60	0.61	0.44	0.73	0.38	0.22	0.50	0.8	1.60	0.95	2.40
271	270					0.97							0.90
331	330	3.30	2.20	1.02	0.70	1.15	0.56	0.18	0.40	0.6	1.20	0.80	1.90
391	390					1.30							0.75
471	470	4.40	3.30	1.27	0.95	1.48	0.85	0.16	0.30	0.5	1.00	0.65	1.40
561	560					1.90							0.60
681	680	6.80	4.40	2.02	1.20	2.45	1.2	0.14	0.20	0.4	1.00	0.50	1.20
821	820					2.55							0.48
102	1000	12.00	7.00	3.00	2.00	3.00	1.8	0.10	0.10	0.3	0.80	0.46	1.00
122	1200					3.50							0.35

TECHNICAL INFORMATION:

- measuring Frequency[L]:1KHz,0.1Vrms,HP4284A
- Operating Temperature:-40°C to+85°C
- Storage Temperature: -40°C to +105°C
- Solder methods: Vapor Phase,Infrared Reflow
- Resistance to soldering heat:260°C for 10 seconds
- Solvent resistance: Conforms to MIL-STD-202E
- Marking: Inductance & Tolerance

PHYSICAL CHARACTERISTICS

Outline drawings
refer to next Page

Note: All specifications subject to change without notice.

SURFACE-MOUNT POWER INDUCTORS FASPI-T SERIES 0402T,0802T,0804T,0810T,1109T,1306T



FEATURES:

Very Small Foot Print
Flat-top for Pick & Place
Increased Size Selection
Guide

OPTIONS:

Tape & Reel is Standard
Bulk Packaging Available
for Smaller Quantities
Tolerance:20% is Standard
Custom Design Available

COMMON APPLICATIONS:

Ideal for Palm-Top and Laptop
DC to DC converters
PDA's flash memory
Step-up,step-down Converters

PHYSICAL CHARACTERISTICS Dimensions:(Inch)

Part Numbers	PHYSICAL CHARACTERISTICS
FASPI-1306T-XXX	
FASPI-0402T-XXX	
FASPI-0802T-XXX	
FASPI-0804T-XXX	
FASPI-0810T-XXX	
FASPI-1109T-XXX	

Tolerance:X.XX=±0.030.X.XXX=±0.0

SHIELDED SURFACE-MOUNT POWER INDUCTORS FASPI-T SERIES 0402,0802,0804,1306



FEATURES:

Current up to 8
Very Small Foot Print
Flat-top for Pick & Place

OPTIONS:

Tape & Reel is Standard
Bulk Packaging Available
for Smaller Quantities
Tolerance:10% and 20%
is Standard
Custom Design Available

COMMON APPLICATIONS:

Ideal for Palm-Top and Lapto
DC-DC Converters
PDA's Flash Memory
Step-up, Step-down Converter

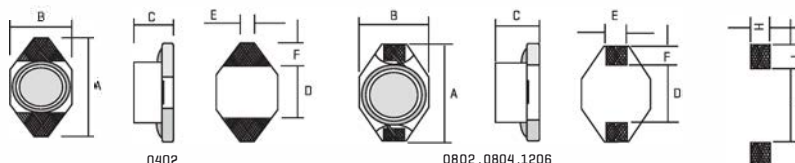
ELECTRICAL CHARACTERISTICS

Part Number	L[μH] ±20%	DCR[Ω]				IDC[A]M			
		FASPI 0402S	FASPI 0802S	FASPI 0804S	FASPI 1306S	FASPI 0402S	FASPI 0802S	FASPI 0804S	FASPI 1306S
1R0	1.0	0.040		0.021		3.0		5.0	
1R5	1.5	0.045	0.038	0.022		2.8	4.00	4.5	
2R2	2.2	0.050	0.045	0.032		1.8	3.50	3.8	
3R3	3.3	0.055	0.062	0.039		1.6	3.00	3.3	
4R7	4.7	0.060	0.78	0.054		1.4	2.50	2.7	
6R8	6.8	0.065	0.10	0.075		1.2	2.20	2.2	
100	10	0.075	0.145	0.101	0.040	1.0	2.00	2.0	3.9
150	15	0.090	0.20	0.150	0.048	0.80	1.50	1.5	3.4
220	22	0.11	0.30	0.207	0.059	0.70	1.30	1.3	3.1
330	33	0.19	0.45	0.334	0.075	0.60	1.10	1.1	2.8
470	47	0.23	0.65	0.472	0.097	0.50	0.80	0.80	2.4
680	68	0.29	0.80		0.138	0.40	0.70		2.0
101	100	0.48	1.40		0.207	0.30	0.60		1.7
151	150	0.59	1.80		0.293	0.26	0.50		1.3
221	220	0.90	2.20		0.470	0.22	0.40		1.1
331	330	1.40	3.60		0.780	0.20	0.30		0.86
471	470	1.80	5.10		1.08	0.19	0.20		0.73
681	680	2.20			1.40	0.18			0.64
102	100	3.40			2.01	0.15			0.53
152	1500	4.20				0.12			
222	2200	8.50				0.10			
332	3300	11.0				0.08			
472	4700	13.9				0.06			
682	6800	25.0				0.04			
103	10000	32.8				0.02			

TECHNICAL INFORMATION:

Testing: [Equivalent acceptable]
Inductance: HP4285A
RDC: QuadTech 1880 Milliohm meter
-Q-HP4342A -SRF-HP4191A
IDC Max: Determined when superimposed
DC current is decreased 10% against its initial value
Operating Temperature: -40°C to +85°C
Storage Temperature: -40°C to +105°C
Solder methods: Vapor Phase, Infrared Reflow
Resistance to soldering heat: 260°C for 10 seconds
Solvent resistance: Conforms to MIL-STD-202E
Marking: Inductance & Tolerance
Note: All specifications subject to change without notice.

PHYSICAL CHARACTERISTICS



DIMENSION:[mm]

Part number	A	B	C	D	E	F	H	I	J
FASPI-0402S	6.60	4.45	2.92	4.32	1.27	1.02	3.56	1.4	4.06
FASPI-0802S	12.7	10.1	2.70	7.6	2.2	2.4	2.8	3.0	7.3
FASPI-0804S	12.95	9.40	5.08	7.62	2.54	2.54	2.79	2.92	7.37
FASPI-1306S	18.54	15.24	7.62	12.70	2.54	2.54	2.79	2.92	12.45

SURFACE-MOUNT HIGH CURRENT INDUCTORS

FASPI-HC SERIES

0605HC, 1006HC, 1306HC, 1608HC



FEATURES:

Current up to 50A
Flat-top for Pick & Place
Very low DC Resistance
Low profile

OPTIONS:

Tape & Reel is Standard
Bulk Packaging Available
for Smaller Quantities
Custom Design Available

COMMON APPLICATIONS:

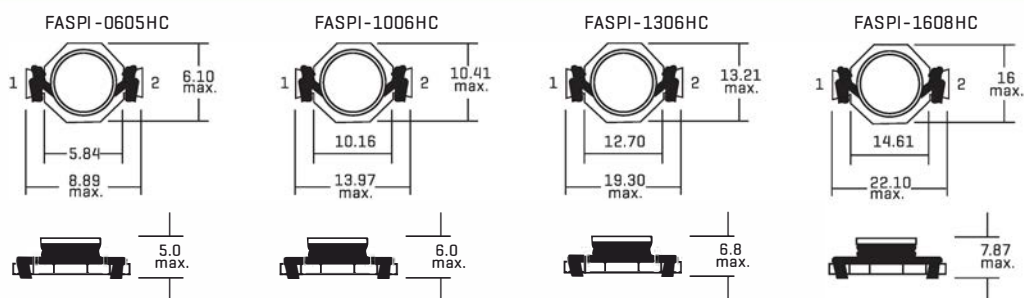
Ideal for High Current, Low Voltage
DC - DC Converters
Designed for 3.3V Microprocessor

STANDARD SPECIFICATION:

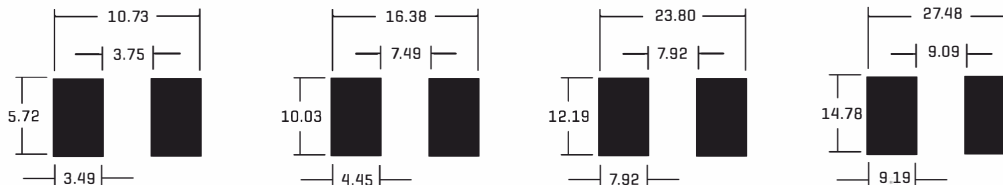
Part Number FASPI-XXX	0605HC				1006HC			1306HC			1608HC		
	L μH[rated]	IRMS A(max)	ISAT A(max)	OCR [Ohm]max	IRMS A(max)	ISAT A(max)	DCR [Ohm]max	IRMS A(max)	ISAT A(max)	DCR [Ohm]max	IRMS A(max)	ISAT A(max)	DCR [Ohm]max
R47	0.47	6.0	7.7	0.0097	10.6	11.4	0.0049	16.0	25.1	0.0021	19.2	51.7	0.0019
1R0	1.0	4.4	5.3	0.0177	9.3	9.9	0.0065	12.5	15.2	0.0034	17.3	37.3	0.0023
1R5	1.5	4.2	4.5	0.0200	8.3	7.9	0.0081	10.0	12.0	0.0053	13.4	28.9	0.0039
2R2	2.2	3.1	3.5	0.0363	7.2	6.1	0.0107	9.2	10.2	0.0074	12.0	23.7	0.0048
3R3	3.3	2.9	3.0	0.0428	6.5	5.1	0.0128	8.0	9.3	0.0083	11.0	20.2	0.0057
4R7	4.7	2.2	2.6	0.0544	5.5	4.2	0.0165	6.5	7.7	0.0114	8.6	15.6	0.0093
6R8	6.8	1.7	2.2	0.0897	5.0	3.6	0.0202	5.8	6.2	0.0183	8.3	14.1	0.0100
100	10.0	1.5	1.9	0.1107	4.3	3.3	0.0267	4.3	5.2	0.0261	6.8	11.5	0.0150
150	15.0	1.2	1.5	0.1747	3.5	2.4	0.0410	3.9	4.3	0.0317	5.5	9.1	0.0230
220	22.0	1.0	1.2	0.2541	2.8	2.0	0.0617	3.1	3.7	0.0491	4.5	7.6	0.0340
330	33.0	0.82	0.99	0.3670	2.1	1.7	0.0917	2.4	3.0	0.0688	3.7	6.1	0.0520
470	47.0	0.72	0.87	0.4740	1.7	1.4	0.1388	1.9	2.4	0.1082	3.1	5.2	0.0740
680	68.0	0.58	0.67	0.7320	1.5	1.2	0.1787	1.6	2.0	0.1558	2.4	4.3	0.1200
101	100.0	0.47	0.53	1.1090	1.2	0.95	0.2707	1.4	1.8	0.2053	2.0	3.6	0.1700

PHYSICAL CHARACTERISTICS DIMENSIONS (mm)

MECHANICAL DIAGRAM



PCB PAD LAYOUT



TECHNICAL INFORMATION:

- Notes: [1]Open Circuit Inductance Test Parameters: 100KHz, 250Vrms, 0.0Aac.
 [2]RMS current for an approximate ΔT of 40°C at an ambient temperature of 85°C.
 [3]Peak current for approximately 30% roll off.
 [4]DCR limits 20°C.
 [5]Operating Temperature: -40°C to + 85°C
 All specifications subject to change without notice.

LOW PROFILE SURFACE-MOUNT POWER INDUCTORS FASPI-0401C SERIES



FEATURES:

Ceramic housing
High Frequency Design
Excellent Q Values
Excellent SRF
Excellent Thermal Stability
Low profile
Small Foot Print

OPTIONS:

Tape & Reel is Standard
[Qty:2000pcs.]
Bulk packaging Available
for Smaller Quantities
Tolerance:K=10%,M=20% is
Standard,Tighter Tolerances Available

COMMON APPLICATIONS:

Modems
Mobile Radios
Cordless Telephones
Global Positioning Systems
Wireless Communications Equipment
Networking System,xDSL Filter
Computer Products and Peripherals

ELECTRICAL CHARACTERISTICS:

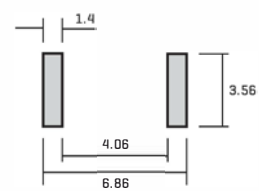
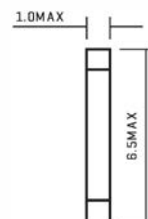
Part Number	Inductance [uH±20]	Test Frequency	DCR Max [Ω]	Last [A]
FASPI0401C - 1R0M	1.0	100KHz	0.08	0.55
FASPI0401C - 1R5M	1.5	100KHz	0.10	0.54
FASPI0401C - 2R2M	2.2	100KHz	0.12	0.53
FASPI0401C - 3R3M	3.3	100KHz	0.16	0.45
FASPI0401C - 4R7M	4.7	100KHz	0.20	0.43
FASPI0401C - 6R8M	6.8	100KHz	0.32	0.38
FASPI0401C - 100M	10	100KHz	0.41	0.3
FASPI0401C - 150M	15	100KHz	0.55	0.27
FASPI0401C - 220M	22	100KHz	0.85	0.22
FASPI0401C - 330M	33	100KHz	1.30	0.18
FASPI0401C - 470M	47	100KHz	1.80	0.14
FASPI0401C - 680M	68	100KHz	2.50	0.12
FASPI0401C - 101M	100	100KHz	3.50	0.095
FASPI0401C - 151M	150	100KHz	5.00	0.075
FASPI0401C - 221M	220	100KHz	7.00	0.06
FASPI0401C - 331M	330	100KHz	15.0	0.045

Note:1. K=±10%,M=±20%,N=±30%

TECHNICAL INFORMATION & PHYSICAL CHARACTERISTICS:

Inductance[L]measured@noted frequencies with ODC bias HP 4284A
Operating Temperature:-55°C to85°C
Inductance Drops By 10% at Max rated in uH
Marking per EIA Standard colour code in uH
Dimensions in mm
Specifications subject to change without notice

DIMENSIONS IN: mm



LAND PATTERNS

LOW PROFILE SURFACE-MOUNT POWER INDUCTORS FASPI-0402C SERIES



FEATURES:

- Ceramic housing
- High Frequency Design
- Excellent Q Values
- Excellent SRF
- Excellent Thermal Stability
- Low profile
- Small Foot Print

OPTIONS:

- Tape & Reel is Standard [Qty:2000pcs.]
- Bulk packaging Available for Smaller Quantities
- Tolerance:K=10%,M=20% is Standard,Tighter Tolerances Available

COMMON APPLICATIONS:

- Modems
- Mobile Radios
- Cordless Telephones
- Global Positioning Systems
- Wireless Communications Equipment
- Networking System,xDSL Filter
- Computer Products and Peripherals

ELECTRICAL CHARACTERISTICS:

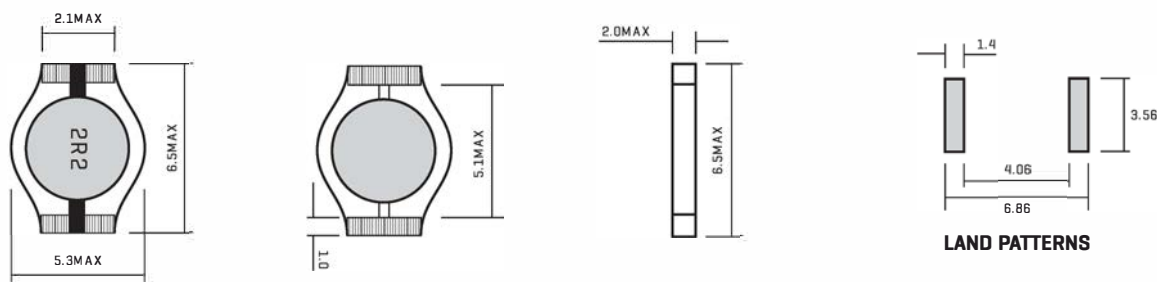
Part Number	Inductance [uH±20%]	DCR Max [Ω]	Last [A]
FASPI0402C - 1R0M	1.0	0.040	2.5
FASPI0402C - 1R5M	1.5	0.06	2.2
FASPI0402C - 2R2M	2.2	0.070	1.8
FASPI0402C - 3R3M	3.3	0.10	1.4
FASPI0402C - 4R7M	4.7	0.120	1.2
FASPI0402C - 6R8M	6.8	0.19	1.1
FASPI0402C - 100M	10	0.26	1.0
FASPI0402C - 150M	15	0.40	0.8
FASPI0402C - 220M	22	0.54	0.6
FASPI0402C - 330M	33	0.74	0.5
FASPI0402C - 470M	47	1.1	0.45
FASPI0402C - 680M	68	1.6	0.35
FASPI0402C - 101M	100	2.3	0.30
FASPI0402C - 151M	150	3.2	0.25
FASPI0402C - 221M	220	5.7	0.20
FASPI0402C - 331M	330	8.2	0.16
FASPI0402C - 471M	470	10.8	0.14
FASPI0402C - 681M	680	17.2	0.12
FASPI0402C - 102M	1000	22.6	0.08

Note:1 K=±10% M=±20% N=±30%

TECHNICAL INFORMATION & PHYSICAL CHARACTERISTICS:

- Inductance[L]measured@noted frequencies with DDC bias
- Operating Temperature:-55°C to 85°C
- Inductance Drops By 10% at Max rated in uH
- Marking per EIA Standard colour code in uH
- Dimensions in mm
- Specifications subject to changewithout notice

DIMENSIONS IN: mm



LOW PROFILE SURFACE-MOUNT POWER INDUCTORS FASPI-0602C SERIES



FEATURES:

- Ceramic housing
- High Frequency Design
- Excellent Q Values
- Excellent SRF
- Excellent Thermal Stability
- Low profile
- Small Foot Print

OPTIONS:

- Tape & Reel is Standard (Qty:2000pcs.)
- Bulk packaging Available for Smaller Quantities
- Tolerance:K=10%,M=20% is Standard,Tighter Tolerances Available

COMMON APPLCATIONS:

- Modems
- Mobile Radios
- Cordless Telephones
- Global Positioning Systems
- Wireless Communications Equipment
- Networking System,xDSL Filter
- Computer Products and Peripherals

ELECTRICAL CHARACTERISTICS:

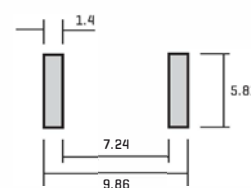
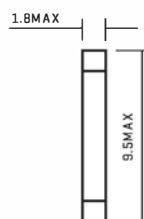
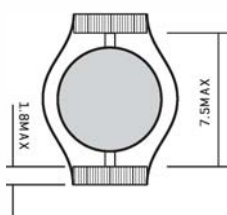
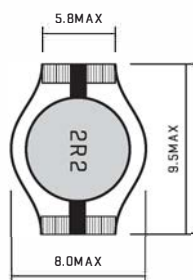
Part Number	Inductance [uH±20%]	Test Frequency	DCR Max [Ω]	Last [A]
FASPI0602C - 4R7M	4.7	100KH z	0.145	1.60
FASPI0602C - 6R8M	6.8	100KH z	0.165	1.30
FASPI0602C - 100M	10	100KH z	0.240	1.00
FASPI0602C - 150M	15	100KH z	0.300	0.90
FASPI0602C - 220M	22	100KH z	0.420	0.70
FASPI0602C - 330M	33	100KH z	0.550	0.60
FASPI0602C - 470M	47	100KH z	0.765	0.50
FASPI0602C - 680M	68	100KH z	1.10	0.40
FASPI0602C - 101M	100	100KH z	1.60	0.30
FASPI0602C - 151M	150	100KH z	2.50	0.25
FASPI0602C - 221M	220	100KH z	3.65	0.22
FASPI0602C - 331M	330	100KH z	4.65	0.18
FASPI0602C - 471M	470	100KH z	6.75	0.14
FASPI0602C - 681M	680	100KH z	9.15	0.12
FASPI0602C - 102M	1000	100KH z	14.20	0.10

Note:1 K=±10% M=±20% N=±30%

TECHNICAL INFORMATION & PHYSICAL CHARACTERISTICS:

- Inductance[L]measured@noted frequencies with ODC bias
- Operating Temperature:-55°C to 85°C
- Inductance Drops By 10% at Max rated in uH
- Marking per EIA Standard colour code in uH
- Dimensions in mm
- Specifications subject to change without notice

DIMENSIONS IN: mm



LAND PATTERNS

MAGNETIC SHIELDED SURFACE-MOUNT POWER INDUCTORS FASDRH SERIES



FEATURES:

- Shielded Structure
- Flat-top for pick and place
- Low Resistance Allow high Current
- Excellent Thermal Stability
- Low profile

OPTIONS:

- Tape & Reel is Standard (Q ty:2000pcs.)
- Bulk packaging Available for Smaller Q quantities
- Tolerance:K=10%, M=20% is Standard, Tighter Tolerances Available

COMMON APPLICATIONS:

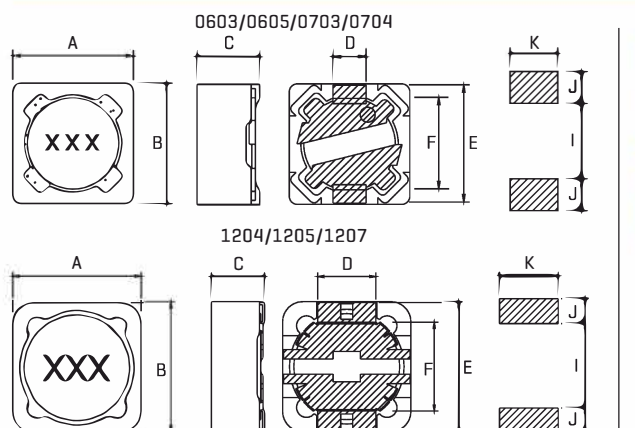
- Ideal for a variety of DC-DC converter Inductors Applications
- DC/DC converter
- Power supplies for: portable communication equipment, Camcorder, CD, TV, PDA, PD P, Lotebook computer

STANDARD SPECIFICATION:

Part Number	Inductance L[μ]	DCR[Ω]							IDC[A]						
		FASDRH 0603	FASDRH 0605	FASDRH 0703	FASDRH 0704	FASDRH 1204	FASDRH 1205	FASDRH 1207	FASDRH 0603	FASDRH 0605	FASDRH 0703	FASDRH 0704	FASDRH 1204	FASDRH 1205	FASDRH 1207
1R2	1.2							0.007							9.80
2R4	2.4							0.0115							8.00
3R5	3.5	0.027						0.0135	3.0						7.50
4R7	4.7	0.031						0.0158	2.4						6.80
6R1	6.1	0.035						0.0176	3.25						6.60
7R6	7.6	0.054						0.0200	2.10						5.90
100	10	0.065	0.12	0.076	0.056	0.028	0.025	0.0220	1.70	1.35	1.68	1.84	4.50	4.00	5.40
120	12	0.070	0.13	0.098	0.06	0.038	0.027	0.0243	1.55	1.20	1.52	1.71	4.00	3.50	4.90
150	15	0.084	0.18	0.15	0.085	0.050	0.030	0.0270	1.40	1.10	1.33	1.47	3.20	3.30	4.50
180	18	0.095	0.24	0.17	0.10	0.057	0.030	0.0392	1.32	1.00	1.20	1.31	3.10	3.00	3.90
220	22	0.128	0.27	0.19	0.11	0.066	0.036	0.0432	1.20	0.91	1.07	1.23	2.90	2.80	3.60
270	27	0.142	0.30	0.23	0.18	0.080	0.051	0.0459	1.05	0.82	0.96	1.12	2.80	2.30	3.40
330	33	0.165	0.33	0.28	0.25	0.097	0.057	0.0648	0.97	0.75	0.91	0.96	2.70	2.10	3.00
390	39	0.210	0.37	0.34	0.26	0.132	0.068	0.0729	0.86	0.69	0.77	0.91	2.10	2.00	2.75
470	47	0.238	0.52	0.36	0.28	0.150	0.075	0.100	0.80	0.62	0.76	0.88	1.90	1.80	2.50
560	56	0.277	0.56	0.47	0.40	0.190	0.11	0.110	0.73	0.58	0.68	0.75	1.80	1.70	2.35
680	68	0.304	0.63	0.52	0.43	0.220	0.12	0.140	0.65	0.52	0.61	0.69	1.50	1.50	2.10
820	82	0.390	0.71	0.69	0.61	0.260	0.14	0.160	0.60	0.47	0.57	0.61	1.30	1.40	1.95
101	100	0.535	1.03	0.79	0.66	0.308	0.16	0.220	0.54	0.43	0.50	0.60	1.20	1.30	1.70
121	120	0.650	1.15	0.89	0.88	0.380	0.17	0.250	0.30	0.39	0.49	0.52	1.10	1.10	1.60
151	150	0.820	1.68	1.27	0.98	0.530	0.23	0.280	0.30	0.35	0.43	0.46	0.95	1.00	1.42
181	180	1.10	1.87	1.45	1.17	0.620	0.29	0.350	0.28	0.32	0.39	0.42	0.85	0.90	1.30
221	220	1.45	2.08	1.65	1.86	0.700	0.40	0.390	0.24	0.29	0.35	0.36	0.80	0.80	1.16
271	270	1.72	2.37	2.31	2.85	0.870	0.46	0.560	0.22	0.26	0.32	0.34	0.60	0.75	1.06
331	330	2.05	2.67	2.62	3.01	0.990	0.51	0.640	0.20	0.25	0.28	0.32	0.50	0.68	0.95
391	390	2.52	2.94	2.94	3.62		0.69	0.700	0.18	0.22	0.26	0.29		0.65	0.88
471	470	3.12	3.93	4.18	4.63		0.77	0.980	0.16	0.20	0.24	0.26		0.58	0.79
561	560	3.85	5.45	4.67	5.20		0.86	1.070	0.12	0.18	0.22	0.23		0.54	0.73
681	680	4.52	7.32	5.73	6.00		1.20	1.460	0.11	0.17	0.19	0.22		0.48	0.67
821	820	5.29	8.24	6.54	6.00		1.34	1.640	0.10	0.15	0.18	0.20		0.43	0.60
102	1000	7.22	9.24	9.44	6.00		1.53	1.820	0.08	0.14	0.16	0.18		0.40	0.55

TECHNICAL INFORMATION & CHARACTERISTICS:

SHAPE AND DIMENSION



TYPE	FASDRH 0603	FASDRH 0605	FASDRH 0703	FASDRH 0704	FASDRH 1204	FASDRH 1205	FASDRH 1207
A	6.5Max	6.5Max	7.5Max	7.5Max	12.3Max	12.3Max	12.3Max
B	6.5Max	6.5Max	7.5Max	7.5Max	12.3Max	12.3Max	12.3Max
C	3.0Max	5.0Max	3.4Max	4.5Max	4.5Max	6.0Max	8.0Max
D	1.5	1.5	1.8	1.8	5.0	5.0	5.0
E	6.6	6.6	7.2	7.2	11.8	11.8	11.8
F	4.6	4.6	5.4	5.4	7.6	7.6	7.6
I	4.6	4.6	4.8	4.8	7.0	7.0	7.0
J	1.4	1.4	1.5	1.5	2.8	2.8	2.8
K	1.9	1.9	2.2	2.2	5.4	5.4	5.4

Test Equipment and Conditions
 Inductance is measured with HP-4284A LCR meter or equivalent
 Maximum allowable DC current is that which causes a 25% inductance reduction of the initial value, or coil temperature to rise by 40°C, whichever is smaller. [Reference ambient temperature 20°C]
 Operating temperature: -25°C ~ +85°C

SMD COMMON MODE CHOKES FASRF5025 SERIES



FEATURES:

Ferrite toroid core construction
Magnetically shielded
Enable common-mode noise suppression without influence signals

APPLICATIONS:

EMI countermeasures at signal lines of personal computers, microcomputers peripheral devices etc
Countermeasures against common-mode noise at composite video signals

GENERAL SPECIFICATIONS:

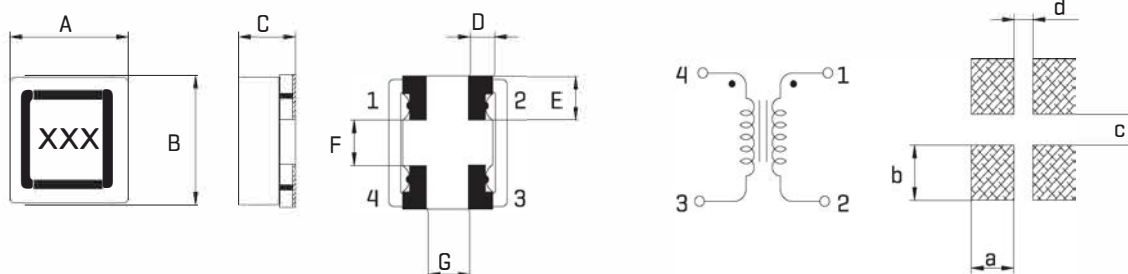
Rated current 1.5A to 6.5A
Turns ratio: N1:N2=1:1 ± 2%
Parameters Test Temp: 20°C
Operating temperature: -40°C to +125°C
Storage Temp: -0°C to +40°C
Resistance to Soldering Heat: 260°C for 10 sec
Temperature Rise: 40°C Typ. at Rated Current
All parts meet ROHS compliance

ELECTRICAL CHARACTERISTICS

Part Number	Impedance [Ω]Typ	Test Frequency	D.C. Resistor [mΩ] 40% at 20°C	Rated current [A]	Rated Voltage [V]Max	Withstand Voltage [V]	Insulation Resistance [mΩ]Min
FASRF5025-101	100	100MHz	9	6.5	50	50	125
FASRF5025-251	250	100MHz	14	5.0	50	50	125
FASRF5025-351	350	100MHz	28	4.0	50	50	125
FASRF5025-501	500	100MHz	19	4.0	50	50	125
FASRF5025-102	1000	100MHz	24	2.0	50	50	125
FASRF5025-142	1400	100MHz	40	1.5	50	50	125

TECHNICAL INFORMATION

ELECTRICAL SCHEMATIC & PAD LAYOUT



DIMENSIONS:MM

Part number	A	B	C	D	E	F	G	a	b	c	d
FASRF5025	4.8±0.3	5.0±0.3	2.50 Max	1.25 REF	1.70 REF	1.60 REF	1.00 REF	1.80 REF	2.40 REF	1.20 REF	0.80 REF

MAGNETIC SHIELDED SURFACE-MOUNT POWER INDUCTORS FASDRH4D18-4D28 SERIES



FEATURES:

- Magnetically Shielded Structure
- Low DC Resistance
- Large current up to 2.56A
- Excellent Mechanical Strength
- High Reliability and Excellent Solderability
- Low and square Profile
- High heat resistance

OPTIONS:

- Packaging: Tape & Reel is standard [Qty:2000pcs]
- Bulk packaging available for smaller quantities
- Tolerance: 10% and 5% is standard tighter tolerances available

COMMON APPLICATIONS:

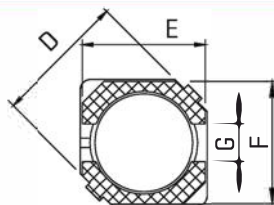
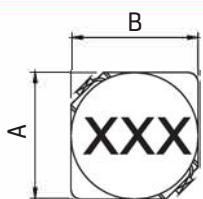
- VCRs, Notebook, DC/DC Converters
- Video Digital Cameras
- Communication System
- Automotive Systems Power supplier
- LCD PDP Televisions
- Hard Disk Drives, Topset, XDSL
- Network Systems
- Computer Peripheral Equipment

ELECTRICAL CHARACTERISTICS

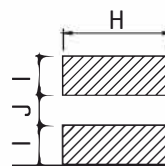
Part Number	L μ H	Test Freq KHz	DCR ohm Max	IDC Max A	Part Number	L μ H	Test Freq KHz	DCR ohm Max	IDC Max A
FASDRH4D18-1R0N	1.0	100	0.034	1.72	FASDRH4D28-1R0N	1.0	100	25.3	2.56
FASDRH4D18-2R2N	2.2	100	0.045	1.32	FASDRH4D28-1R5N	1.5	100	31.8	2.38
FASDRH4D18-2R7N	2.7	100	0.058	1.28	FASDRH4D28-1R8N	1.8	100	36.9	2.20
FASDRH4D18-3R3N	3.3	100	0.070	1.04	FASDRH4D28-2R7N	2.7	100	50.4	1.60
FASDRH4D18-3R9N	3.9	100	0.082	0.88	FASDRH4D28-3R3N	3.3	100	57.6	1.57
FASDRH4D18-4R7N	4.7	100	0.093	0.84	FASDRH4D28-3R9N	3.9	100	66.4	1.44
FASDRH4D18-5R6N	5.6	100	0.112	0.80	FASDRH4D28-4R7N	4.7	100	72.0	1.32
FASDRH4D18-6R8N	6.8	100	0.140	0.76	FASDRH4D28-5R6N	5.6	100	80.0	1.17
FASDRH4D18-8R2N	8.2	100	0.174	0.68	FASDRH4D28-6R8N	6.8	100	92.0	1.12
FASDRH4D18-100N	10	100	0.200	0.61	FASDRH4D28-8R2N	8.2	100	98.0	1.04
FASDRH4D18-120N	12	100	0.229	0.56	FASDRH4D28-100N	10	100	103	1.00
FASDRH4D18-150N	15	100	0.261	0.50	FASDRH4D28-120N	12	100	128	0.84
FASDRH4D18-180N	18	100	0.295	0.48	FASDRH4D28-150N	15	100	144	0.76
FASDRH4D18-220N	22	100	0.397	0.41	FASDRH4D28-180N	18	100	186	0.72
FASDRH4D18-270N	27	100	0.441	0.35	FASDRH4D28-220N	22	100	218	0.70
FASDRH4D18-330N	33	100	0.525	0.32	FASDRH4D28-270N	27	100	252	0.58
FASDRH4D18-390N	39	100	0.60	0.30	FASDRH4D28-330N	33	100	285	0.56
FASDRH4D18-470N	47	100	0.72	0.28	FASDRH4D28-390N	39	100	408	0.50
FASDRH4D18-560N	56	100	0.83	0.25	FASDRH4D28-470N	47	100	440	0.48
FASDRH4D18-680N	68	100	0.97	0.23	FASDRH4D28-560N	56	100	550	0.41
FASDRH4D18-820N	82	100	1.53	0.21	FASDRH4D28-680N	68	100	620	0.35
FASDRH4D18-101N	100	100	1.68	0.20	FASDRH4D28-820N	82	100	920	0.32
FASDRH4D18-121N	120	100	2.06	0.19	FASDRH4D28-101N	100	100	1030	0.29
FASDRH4D18-151N	150	100	2.58	0.17	FASDRH4D28-121N	120	100	1520	0.27
FASDRH4D18-181N	180	100	2.95	0.16	FASDRH4D28-151N	150	100	1680	0.24
FASDRH4D18-221N	220	100	4.17	0.15	FASDRH4D28-181N	180	100	1900	0.22
FASDRH4D18-271N	270	100	4.70	0.13					
FASDRH4D18-331N	330	100	5.37	0.12					
FASDRH4D18-391N	390	100	8.91	0.11					

Note: 1. K=±10%, M=±20%, N=±30%

TECHNICAL INFORMATION & PHYSICAL CHARACTERISTICS:



LAND PATTERNS



CONSTRUCTION



DIMENSIONS IN: mm

Part number	A	B	C	D	E	F	G	H	I	J
FASDRH4D18	5.0Max	5.0Max	2.0Max	6.9Max	4.5	4.5	1.5	5.3	1.9	1.5
FASDRH4D28	5.0Max	5.0Max	3.1Max	6.9Max	4.5	4.5	1.5	5.3	1.9	1.5

Inductance Testing: HP4284A (Equivalent acceptable)
 DCR: QuadTech 1880 Milliohm meter
 Q- HP4342A - SRF- HP4191A
 IDCMax current is decreased 10% against its initial value
 Operating temperature: -40°C to +105°C
 Storage Temperature: -40°C to +105°C
 Solder methods: Vapor Phase, Infrared Reflow
 Resistance to soldering heat: 260°C for 10 seconds
 Solvent resistance: Conforms to MIL-STD-202E
 Marking: Inductance & Tolerance
 Note: All specifications subject to change without notice.

MAGNETIC SHIELDED SURFACE-MOUNT POWER INDUCTORS FASDRH5D18-5D28 SERIES



FEATURES:

- Magnetically Shielded Structure
- Low DC Resistance
- Large current up to 3.86A
- Excellent Mechanical Strength
- High Reliability and Excellent Solderability
- Low and square Profile
- High heat resistance

OPTIONS:

- Packaging: Tape & Reel is standard [Qty:2000pcs]
- Bulk packaging available for smaller quantities
- Tolerance: 10% and 5% is standard tighter tolerances available

COMMON APPLICATIONS:

- VCRs, Notebook, DC/DC Converters
- Video Digital Cameras
- Communication System
- Automotive Systems Power supplier
- LCD PDP Televisions
- Hard Disk Drives, Topset, XDSL
- Network Systems
- Computer Peripheral Equipment

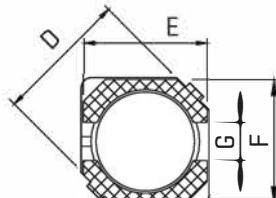
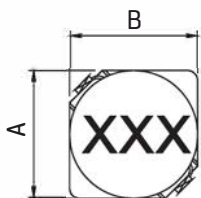
ELECTRICAL CHARACTERISTICS

Part Number	L μ H	Test Freq KHz	DCR ohm Max	IDC Max A	Part Number	L μ H	Test Freq KHz	DCR ohm Max	IDC Max A
FASDRH5D18-1R0N	1.0	10	0.028	3.86	FASDRH5D28-2R5N	2.5	10	0.018	2.60
FASDRH5D18-1R5N	1.5	10	0.036	3.12	FASDRH5D28-3R0N	3.0	10	0.024	2.40
FASDRH5D18-2R2N	2.2	10	0.043	2.63	FASDRH5D28-4R2N	4.2	10	0.031	2.20
FASDRH5D18-2R7N	2.7	10	0.051	2.38	FASDRH5D28-5R3N	5.3	10	0.038	1.90
FASDRH5D18-3R5N	3.5	10	0.063	1.95	FASDRH5D28-6R2N	6.2	10	0.045	1.80
FASDRH5D18-4R7N	4.7	10	0.072	1.76	FASDRH5D28-8R2N	8.2	10	0.053	1.60
FASDRH5D18-5R6N	5.6	10	0.083	1.60	FASDRH5D28-100N	10	10	0.065	1.30
FASDRH5D18-6R8N	6.8	10	0.102	1.40	FASDRH5D28-120N	12	10	0.076	1.20
FASDRH5D18-8R2N	8.2	10	0.116	1.25	FASDRH5D28-150N	15	10	0.103	1.10
FASDRH5D18-100N	10	10	0.124	1.20	FASDRH5D28-180N	18	10	0.110	1.00
FASDRH5D18-120N	12	10	0.162	1.10	FASDRH5D28-220N	22	10	0.112	0.90
FASDRH5D18-150N	15	10	0.204	0.97	FASDRH5D28-270N	27	10	0.175	0.85
FASDRH5D18-180N	18	10	0.226	0.85	FASDRH5D28-330N	33	10	0.189	0.75
FASDRH5D18-220N	22	10	0.265	0.80	FASDRH5D28-390N	39	10	0.212	0.70
FASDRH5D18-270N	27	10	0.320	0.75	FASDRH5D28-470N	47	10	0.250	0.62
FASDRH5D18-330N	33	10	0.380	0.65	FASDRH5D28-560N	56	10	0.305	0.58
FASDRH5D18-390N	39	10	0.496	0.57	FASDRH5D28-680N	68	10	0.355	0.52
FASDRH5D18-470N	47	10	0.525	0.54	FASDRH5D28-820N	82	10	0.463	0.46
FASDRH5D18-560N	56	10	0.795	0.50	FASDRH5D28-101N	100	10	0.520	0.42
FASDRH5D18-680N	68	10	0.860	0.43					
FASDRH5D18-820N	82	10	0.980	0.41					
FASDRH5D18-101N	100	10	1.250	0.36					

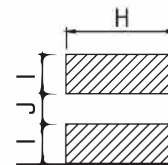
Note: 1. K=±10%, M=±20%, N=±30%

TECHNICAL INFORMATION:

PHYSICAL CHARACTERISTICS:



LAND PATTERNS



CONSTRUCTION



Inductance Testing: HP4284A [Equivalent acceptable]
 DCR: QuadTech 1880 Milliohm meter
 Q - HP4342A - SRF - HP4191A
 IDCMax current is decreased 10% against its initial value
 Operating temperature: -40°C to +105°C
 Storage Temperature: -40°C to +105°C
 Solder methods: Vapor Phase, Infrared Reflow
 Resistance to soldering heat: 260°C for 10 seconds
 Solvent resistance: Conforms to MIL-STD-202E
 Marking: Inductance & Tolerance
 Note: All specifications subject to change without notice.

DIMENSIONS IN: mm

Part number	A	B	C	D	E	F	G	H	I	J
FASDRH5D18	6.0Max	6.0Max	2.2Max	8.2Max	5.5	5.5	2.0	6.3	2.15	2.0
FASDRH5D28	5.7Max	5.7Max	3.2Max	8.2Max	5.5	5.5	2.0	6.3	2.15	2.0

MAGNETIC SHIELDED SURFACE-MOUNT POWER INDUCTORS

FASDRH6D28-6D38 SERIES



FEATURES:

- Magnetically Shielded Structure
- Low DC Resistance
- Large current up to 3.2A
- Excellent Mechanical Strength
- High Reliability and Excellent Solderability
- Low and square Profile
- High heat resistance

OPTIONS:

- Packaging:Tape & Reel is standard (Qty:2000pcs)
- Bulk packaging available for smaller quantities
- Tolerance:10% and 5% is standard tighter tolerances available

COMMON APPLICATIONS:

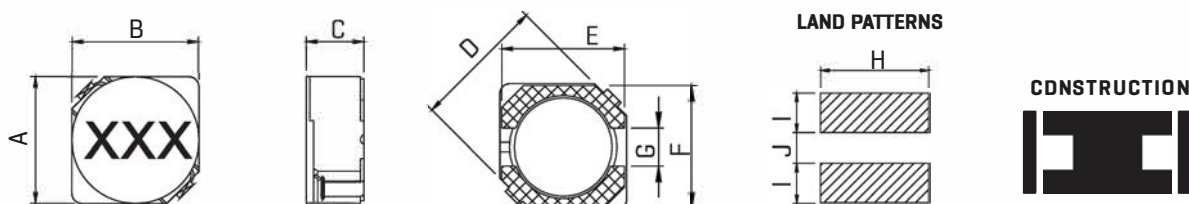
- VCRs, Notebook, DC/DC Converters
- Video Digital Cameras
- Communication System
- Automotive Systems Power supplier
- LCD PDP Televisions
- Hard Disk Drives, Topset, XDSL
- Network Systems
- Computer Peripheral Equipment

ELECTRICAL CHARACTERISTICS

Part Number	L μ H	Test Freq KHz	DCR ohm Max	IDC Max A	Part Number	L μ H	Test Freq KHz	DCR ohm Max	IDC Max A
FASDRH6D28-3R0N	3.0	10	24	3.00	FASDRH6D38-3R3N	3.3	10	20	3.20
FASDRH6D28-3R9N	3.9	10	27	2.60	FASDRH6D38-5R0N	5.0	10	24	2.60
FASDRH6D28-5R0N	5.0	10	31	2.40	FASDRH6D38-6R2N	6.2	10	27	2.30
FASDRH6D28-6R0N	6.0	10	35	2.25	FASDRH6D38-7R4N	7.4	10	31	2.10
FASDRH6D28-7R3N	7.3	10	54	2.10	FASDRH6D38-8R7N	8.7	10	34	2.00
FASDRH6D28-8R6N	8.6	10	58	1.85	FASDRH6D38-100N	10	10	44	1.80
FASDRH6D28-100N	10	10	65	1.70	FASDRH6D38-120N	12	10	53	1.70
FASDRH6D28-120N	12	10	70	1.55	FASDRH6D38-150N	15	10	57	1.45
FASDRH6D28-150N	15	10	84	1.40	FASDRH6D38-180N	18	10	92	1.40
FASDRH6D28-180N	18	10	95	1.32	FASDRH6D38-220N	22	10	96	1.20
FASDRH6D28-220N	22	10	128	1.20	FASDRH6D38-270N	27	10	109	1.10
FASDRH6D28-270N	27	10	142	1.05	FASDRH6D38-330N	33	10	124	1.00
FASDRH6D28-330N	33	10	165	0.97	FASDRH6D38-390N	39	10	138	0.95
FASDRH6D28-390N	39	10	210	0.86	FASDRH6D38-470N	47	10	155	0.85
FASDRH6D28-470N	47	10	238	0.80	FASDRH6D38-560N	56	10	202	0.75
FASDRH6D28-560N	56	10	277	0.73	FASDRH6D38-680N	68	10	234	0.70
FASDRH6D28-680N	68	10	304	0.65	FASDRH6D38-820N	82	10	324	0.62
FASDRH6D28-820N	82	10	390	0.60	FASDRH6D38-101N	100	10	358	0.58
FASDRH6D28-101N	100	10	535	0.54					

Note:1. K=±10%,M=±20%,N=±30%

TECHNICAL INFORMATION & PHYSICAL CHARACTERISTICS:



Inductance Testing: HP4284A [Equivalent acceptable]
 DCR:QuadTech 1880 Milliohmmer
 Q- HP4342A - SRF-HP4191A
 IDCMax current is decreased 10% against its initial value
 Operating temperature: -40°C to +105°C
 Storage Temperature: -40°C to +105°C
 Solder methods: Vapor Phase,Infrared Reflow
 Resistance to soldering heat:260°C for 10 seconds
 Solvent resistance: Conforms to MIL-STD-202E
 Marking: Inductance & Tolerance
 Note:All specifications subject to change without notice.

DIMENSIONS IN: mm

Part number	A	B	C	D	E	F	G	H	I	J
FASDRH6D28	7.0Max	7.0Max	3.2Max	9.5Max	6.5	6.5	2.0	7.3	2.65	2.0
FASDRH6D38	7.0Max	7.0Max	4.2Max	9.5Max	6.5	6.5	2.0	7.3	2.65	2.0

MAGNETIC SHIELDED SURFACE-MOUNT POWER INDUCTORS FASDRH8D28-8D43 SERIES



FEATURES:

Magnetically Shielded Structure
Low DC Resistance
Large current up to 6.4A
Excellent Mechanical Strength
High Reliability and Excellent Solderability
Low and square Profile
High heat resistance

OPTIONS:

Packaging: Tape & Reel is standard
(Qty: 2000pcs)
Bulk packaging available for smaller quantities
Tolerance: 10% and 5% is standard
tighter tolerances available

COMMON APPLICATIONS:

VCRs, Notebook, DC/DC Converters
Video Digital Cameras
Communication System
Automotive Systems Power supplier
LCD PDP Televisions
Hard Disk Drives, Topset, XDSL
Network Systems
Computer Peripheral Equipment

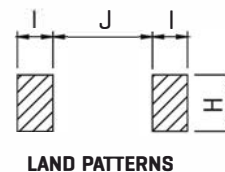
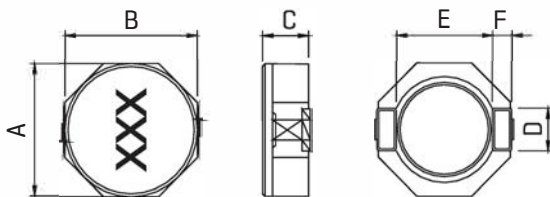
ELECTRICAL CHARACTERISTICS

Part Number	L μ H	Test Freq KHz	DCR mohm Max	IDC Max A	Part Number	L μ H	Test Freq KHz	DCR mohm Max	IDC Max A
FASDRH8D28-2R5N	2.5	100	18.5	5.4	FASDRH8D43-2R0N	2.0	100	14	6.4
FASDRH8D28-3R3N	3.3	100	24.6	4.8	FASDRH8D43-3R9N	3.9	100	19	5.0
FASDRH8D28-4R7N	4.7	100	36.8	4.0	FASDRH8D43-4R7N	4.7	100	22	4.6
FASDRH8D28-6R8N	6.8	100	48.4	3.2	FASDRH8D43-6R8N	6.8	100	32	4.2
FASDRH8D28-100N	100	100	62.2	2.7	FASDRH8D43-100N	10	100	40	3.6
FASDRH8D28-150N	150	100	93.5	2.2	FASDRH8D43-150N	15	100	58	2.6
FASDRH8D28-220N	220	100	156.6	1.8	FASDRH8D43-220N	22	100	96	2.1
FASDRH8D28-330N	330	100	205.2	1.4	FASDRH8D43-330N	33	100	144	1.6
FASDRH8D28-470N	470	100	266.1	1.25	FASDRH8D43-470N	47	100	195	1.4
FASDRH8D28-680N	680	100	368.5	0.96	FASDRH8D43-680N	68	100	240	1.2
FASDRH8D28-101N	101	100	610.8	0.78	FASDRH8D43-101N	100	100	360	0.9

Note: 1. K=±10%, M=±20%, N=±30%

TECHNICAL INFORMATION:

PHYSICAL CHARACTERISTICS:



Inductance Testing: HP4284A [Equivalent acceptable]
DCR: QuadTech 1880 Milliohm meter
Q- HP4342A - SRF-HP4191A
IDC Max current is decreased 10% against its initial value
Operating temperature: -40°C to +105°C
Storage Temperature: -40°C to +105°C
Solder methods: Vapor Phase, Infrared Reflow
Resistance to soldering heat: 260°C for 10 seconds
Solvent resistance: Conforms to MIL-STD-202E
Marking: Inductance & Tolerance
Note: All specifications subject to change without notice.

DIMENSIONS IN: mm

Part number	A	B	C	D	E	F	H	I	J
FASDRH8D28	8.3Max	8.3Max	3.0Max	2.5	6.3	1.2	2.8	2.0	6.1
FASDRH8D43	8.3Max	8.3Max	4.5Max	2.5	6.3	1.2	2.8	2.0	6.1

MAGNETIC SHIELDED SURFACE-MOUNT POWER INDUCTORS FASDRH2D11-3D16 SERIES



FEATURES:

- Magnetically Shielded Structure
- Low DC Resistance
- Large current up to 1.8A
- Excellent Mechanical Strength
- High Reliability and Excellent Solderability
- Low and square Profile
- High heat resistance

OPTIONS:

- Packaging: Tape & Reel is standard (Qty:2000pcs)
- Bulk packaging available for smaller quantities
- Tolerance: 30% and 20% is standard tighter tolerances available

COMMON APPLICATIONS:

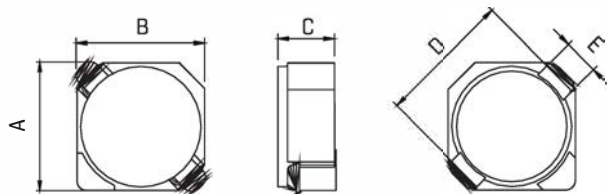
- VCRs, Notebook, DC/DC Converters
- Video Digital Cameras
- Communication System
- Automotive Systems Power supplier
- LCD PDP Televisions
- Hard Disk Drives, Topset, XDSL
- Network Systems
- Computer Peripheral Equipment

ELECTRICAL CHARACTERISTICS

Part Number	L μ H	Test Freq KHz	DCR ohm Max	IDC Max A	Part Number	L μ H	Test Freq KHz	DCR ohm Max	IDC Max A
FASDRH2D11-1R5N	1.5	100	0.068	0.90	FASDRH3D16-1R0N	1.0	100	0.048	1.80
FASDRH2D11-2R2N	2.2	100	0.098	0.78	FASDRH3D16-1R5N	1.5	100	0.054	1.55
FASDRH2D11-3R3N	3.3	100	0.123	0.60	FASDRH3D16-2R2N	2.2	100	0.072	1.20
FASDRH2D11-4R7N	4.7	100	0.170	0.50	FASDRH3D16-3R3N	3.3	100	0.105	1.03
FASDRH2D11-6R8N	6.8	100	0.260	0.44	FASDRH3D16-3R9N	3.9	100	0.118	1.02
FASDRH2D11-100N	10	100	0.400	0.35	FASDRH3D16-4R7N	4.7	100	0.132	0.95
FASDRH2D11-220N	22	100	1.000	0.25	FASDRH3D16-5R6N	5.6	100	0.148	0.75
FASDRH2D18-2R2N	2.2	100	0.041	0.85	FASDRH3D16-6R8N	6.8	100	0.195	0.73
FASDRH2D18-3R3N	3.3	100	0.054	0.75	FASDRH3D16-8R2N	8.2	100	0.250	0.65
FASDRH2D18-4R7N	4.7	100	0.078	0.63	FASDRH3D16-100N	10	100	0.275	0.58
FASDRH2D18-6R8N	6.8	100	0.106	0.52	FASDRH3D16-120N	12	100	0.312	0.50
FASDRH2D18-100N	10	100	0.180	0.43	FASDRH3D16-150N	15	100	0.412	0.46
FASDRH2D18-150N	15	100	0.220	0.35	FASDRH3D16-180N	18	100	0.462	0.43
FASDRH2D18-220N	22	100	0.320	0.30	FASDRH3D16-220N	22	100	0.600	0.40
FASDRH2D18-330N	33	100	0.460	0.24	FASDRH3D16-270N	27	100	0.712	0.35
FASDRH2D18-470N	47	100	0.660	0.20	FASDRH3D16-330N	33	100	0.925	0.32
					FASDRH3D16-390N	39	100	1.062	0.28
					FASDRH3D16-470N	47	100	1.175	0.26

Note: L, K=±10%, M=±20%, N=±30%

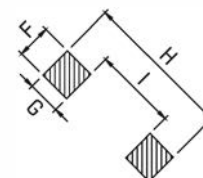
TECHNICAL INFORMATION & PHYSICAL CHARACTERISTICS:



LAND PATTERNS



CONSTRUCTION



Inductance Testing: HP4284A [Equivalent acceptable]
 DCR: QuadTech 1880 Milliohm meter
 Q: HP4342A - SRF-HP4191A
 IDC Max current is decreased 10% against its initial value
 Operating temperature: -40°C to +105°C
 Storage Temperature: -40°C to +105°C
 Solder methods: Vapor Phase, Infrared Reflow
 Resistance to soldering heat: 260°C for 10 seconds
 Solvent resistance: Conforms to MIL-STD-202E
 Marking: Inductance & Tolerance
 Note: All specifications subject to change without notice.

DIMENSIONS IN: mm

Part number	A	B	C	D	E	F	G	H	I
FASDRH2D11	3.2Max	3.2Max	1.2Max	3.3	1.0	1.3	1.3	4.3	1.7
FASDRH2D18	3.2Max	3.2Max	2.0Max	3.3	1.0	1.3	1.3	4.3	1.7
FASDRH3D16	4.0Max	4.0Max	1.9Max	4.4	1.1	1.5	1.4	5.2	2.4

MAGNETIC SHIELDED SURFACE-MOUNT POWER INDUCTORS

FASDRH3818,5018 SERIES



FEATURES:

- Magnetically Shielded Structure
- Low DC Resistance
- Large current up to 2.7A
- Excellent Mechanical Strength
- High Reliability and Excellent Solderability
- Low and square Profile
- High heat resistance

OPTIONS:

- Packaging: Tape & Reel is standard [Qty:2500pcs]
- Bulk packaging available for smaller quantities
- Tolerance: 10% and 5% is standard tighter tolerances available

COMMON APPLICATIONS:

- VCRs, Notebook, DC/DC Converters
- Video Digital Cameras
- Communication System
- Automotive Systems Power supplier
- LCD PDP Televisions
- Hard Disk Drives, Topset, XDSL
- Network Systems
- Computer Peripheral Equipment

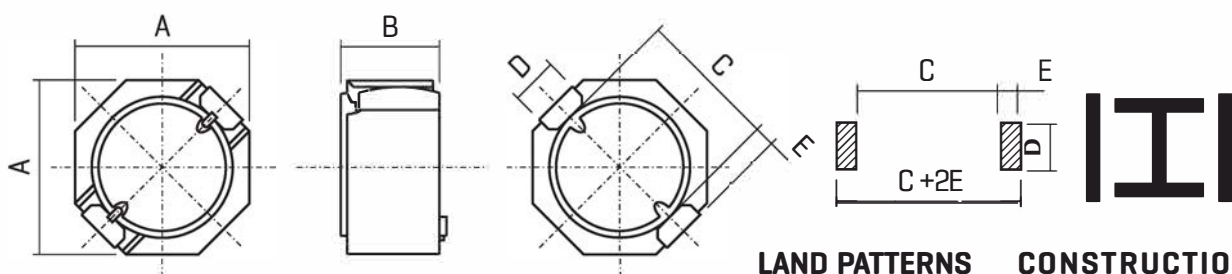
ELECTRICAL CHARACTERISTICS

Part Number	L (μH)	Test Freq (kHz)	DCR ohm Max	IDC Max A
FASDRH3818-1R0M	1.0	100	0.030	1.80
FASDRH3818-2R2M	2.2	100	0.058	1.50
FASDRH3818-3R3M	3.3	100	0.064	1.30
FASDRH3818-4R7M	4.7	100	0.146	1.10
FASDRH3818-5R6M	5.6	100	0.176	0.95
FASDRH3818-6R8M	6.8	100	0.238	0.90
FASDRH3818-8R2M	8.2	100	0.272	0.80
FASDRH3818-100M	10	1	0.299	0.70
FASDRH3818-150M	15	1	0.472	0.61
FASDRH3818-220M	22	1	0.592	0.52
FASDRH3818-270M	27	1	0.630	0.44
FASDRH3818-330M	33	1	1.075	0.43
FASDRH3818-470M	47	1	1.309	0.34
FASDRH3818-680M	68	1	2.613	0.25
FASDRH3818-820M	82	1	2.950	0.20
FASDRH3818-101M	100	1	3.255	0.19
FASDRH3818-151M	150	1	3.500	0.12

Part Number	L (μH)	Test Freq (kHz)	DCR ohm Max	IDC Max A
FASDRH5018-1R2M	1.2	100	0.054	1.80
FASDRH5018-1R8M	1.8	100	0.065	1.60
FASDRH5018-2R3M	2.3	100	0.076	1.50
FASDRH5018-3R6M	3.6	100	0.097	1.20
FASDRH5018-4R3M	4.3	100	0.100	1.10
FASDRH5018-5R1M	5.1	100	0.130	1.00
FASDRH5018-6R8M	6.8	100	0.150	0.94
FASDRH5018-100M	10	100	0.220	0.80
FASDRH5018-150M	15	100	0.325	0.64
FASDRH5018-180M	18	100	0.380	0.56
FASDRH5018-220M	22	100	0.540	0.49
FASDRH5018-330M	33	100	0.770	0.41
FASDRH5018-470M	47	100	1.120	0.33

Note: 1. K=±10%, M=±20%, N=±30%

PHYSICAL CHARACTERISTICS & TECHNICAL INFORMATION



DIMENSIONS IN: mm

Part number	A	B	C	D	E	C+2E
FASDRH3818	3.85±0.	1.8Max	3.2	1.6	0.5	4.2
FASDRH5018	5.20Max	3.0Max	4.2±0.	1.4±0.	0.6±0.	5.4

Inductance Testing: HP4284A [Equivalent acceptable]
 DCR: QuadTech 1880 Milliohm meter Q - HP4342A - SRF-HP4191A IDC Max
 Current is decreased 10% against its initial value
 Operating temperature: -40°C to +105°C
 Storage temperature: -40°C to +105°C
 Solder methods: Vapor Phase, Infrared Reflow
 Resistance to soldering heat: 260°C for 10 seconds
 Solvent resistance: Conforms to MIL-STD-202E
 Marking: Inductance & Tolerance
 Note: All specifications subject to change without notice

MAGNETIC SHIELDED SURFACE-MOUNT POWER INDUCTORS

FASDRH5020,5028 SERIES



FEATURES:

- Magnetically Shielded Structure
- Low DC Resistance
- Large current up to 2.7A
- Excellent Mechanical Strength
- High Reliability and Excellent Solderability
- Low and square Profile
- High heat resistance

OPTIONS:

- Packaging:Tape & Reel is standard (Qty:2500pcs)
- Bulk packaging available for smaller quantities
- Tolerance:10% and 5% is standard tighter tolerances available

COMMON APPLICATIONS:

- VCRs, Notebook, DC/DC Converters
- Video Digital Cameras
- Communication System
- Automotive Systems Power supplier
- LCD PDP Televisions
- Hard Disk Drives, Topset, XDSL
- Network Systems
- Computer Peripheral Equipment

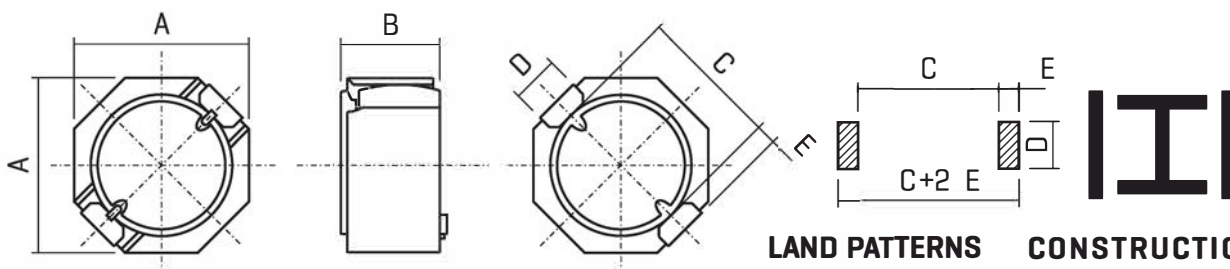
ELECTRICAL CHARACTERISTICS

Part Number	L (μH)	Test Freq [kHz]	DCR ohm Max	IDC Max A
FASDRH5020-1R2M	1.2	100	0.044	2.15
FASDRH5020-2R2M	2.2	100	0.059	1.63
FASDRH5020-3R3M	3.3	100	0.062	1.50
FASDRH5020-4R7M	4.7	100	0.087	1.14
FASDRH5020-6R8M	6.8	100	0.105	0.95
FASDRH5020-8R2M	8.2	100	0.139	0.90
FASDRH5020-100M	10	1	0.150	0.76
FASDRH5020-150M	15	1	0.210	0.63
FASDRH5020-220M	22	1	0.275	0.56
FASDRH5020-330M	33	1	0.455	0.44
FASDRH5020-470M	47	1	0.730	0.35
FASDRH5020-680M	68	1	0.935	0.30
FASDRH5020-101M	100	1	1.500	0.23
FASDRH5020-121M	120	1	1.910	0.22
FASDRH5020-151M	150	1	2.680	0.21
FASDRH5020-181M	180	1	3.040	0.20
FASDRH5020-221M	220	1	3.520	0.195
FASDRH5020-271M	270	1	4.380	0.193
FASDRH5020-331M	330	1	5.560	0.190
FASDRH5020-471M	470	1	7.820	0.180

Part Number	L (μH)	Test Freq [kHz]	DCR ohm Max	IDC Max A
FASDRH5028-1R0M	1.0	100	0.015	4.00
FASDRH5028-2R2M	2.2	100	0.029	2.41
FASDRH5028-3R3M	3.3	100	0.034	2.36
FASDRH5028-4R7M	4.7	100	0.045	1.87
FASDRH5028-5R6M	5.6	100	0.052	1.60
FASDRH5028-6R8M	6.8	100	0.068	1.51
FASDRH5028-100M	10	1	0.090	1.33
FASDRH5028-150M	15	1	0.142	1.05
FASDRH5028-220M	22	1	0.208	0.86
FASDRH5028-330M	33	1	0.257	0.72
FASDRH5028-470M	47	1	0.352	0.62
FASDRH5028-680M	68	1	0.525	0.51
FASDRH5028-101M	100	1	0.801	0.43
FASDRH5028-121M	120	1	0.850	0.34
FASDRH5028-151M	150	1	1.100	0.26
FASDRH5028-181M	180	1	1.190	0.24
FASDRH5028-221M	220	1	1.530	0.20

Note:1. K=±10%,M=±20%,N=±30%

PHYSICAL CHARACTERISTICS & TECHNICAL INFORMATION



DIMENSIONS IN: mm

Part number	A	B	C	D	E	C+2E
FASDRH5020	5.00±0.3	2.0Max	4.2	1.6	0.6	5.4
FASDRH5028	5.30±0.3	2.8Max	4.2	1.6	0.6	5.4

Inductance Testing: HP4284A [Equivalent acceptable]
 DCR:QuadTech 1880 Milliohmeter Q- HP4342A - SRF-HP4191A IDCMax
 Current is decreased 10% against its initial value
 Operating temperature: -40°C to +105°C
 Storage temperature: -40°C to +105°C
 Solder methods: Vapor Phase,Infrared Reflow
 Resistance to soldering heat:260°C for 10 seconds
 Solvent resistance: Conforms to MIL-STD-202E
 Marking: Inductance & Tolerance
 Note:All specifications subject to change without notice

MAGNETIC SHIELDED SURFACE-MOUNT POWER INDUCTORS FASDRH6025-6028 SERIES



FEATURES:

Magnetically Shielded Structure
Low DC Resistance
Large current up to 2.7A
Excellent Mechanical Strength
High Reliability and Excellent Solderability
Low and square Profile
High heat resistance

OPTIONS:

Packaging: Tape & Reel is standard
[Qty:2000pcs]
Bulk packaging available for smaller quantities
Tolerance: 10% and 5% is standard
tighter tolerances available

COMMON APPLICATIONS:

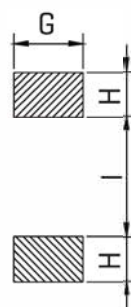
VCRs, Notebook, DC/DC Converters
Video Digital Cameras
Communication System
Automotive Systems Power supplier
LCD PDP Televisions
Hard Disk Drives, Topset, XDSL
Network Systems
Computer Peripheral Equipment

ELECTRICAL CHARACTERISTICS

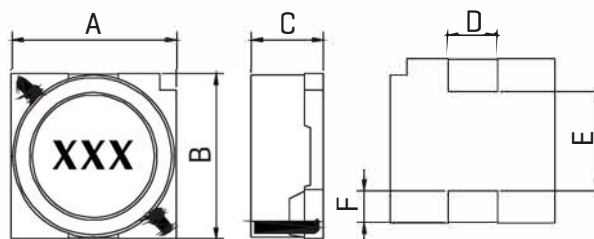
Part Number	L [μH]	Test Freq [kHz]	DCR ohm Max	IDC Max A
FASDRH6025-1R0N	1.0	100	0.016	2.70
FASDRH6025-2R7N	2.7	100	0.022	1.80
FASDRH6025-4R7N	4.7	100	0.037	1.50
FASDRH6025-6R8N	6.8	100	0.054	1.30
FASDRH6025-100M	10	100	0.069	1.00
FASDRH6025-150M	15	100	0.102	0.88
FASDRH6025-220M	22	100	0.147	0.73
FASDRH6025-330K	33	100	0.216	0.59
FASDRH6025-470M	47	100	0.288	0.48
FASDRH6025-680K	68	100	0.444	0.42
FASDRH6025-101M	100	100	0.600	0.33
FASDRH6028-4R7N	4.7	1	0.035	1.60
FASDRH6028-6R8N	6.8	1	0.043	1.50
FASDRH6028-100M	10	1	0.064	1.30
FASDRH6028-150M	15	1	0.090	1.00
FASDRH6028-220M	22	1	0.125	0.77
FASDRH6028-330K	33	1	0.178	0.69
FASDRH6028-470M	47	1	0.252	0.59
FASDRH6028-680K	68	1	0.348	0.50
FASDRH6028-101M	100	1	0.516	0.42

Note: 1. K=±10%, M=±20%, N=±30%

PHYSICAL CHARACTERISTICS



LAND PATTERNS CONSTRUCTION



TECHNICAL INFORMATION

Inductance Testing: HP4284A (Equivalent acceptable)
DCR: QuadTech 1880 Milliohm meter
Q- HP4342A - SRF-HP4191A
IDC Max current is decreased 10% against its initial value
Operating temperature: -40°C to +105°C
Storage Temperature: -40°C to +105°C
Solder methods: Vapor Phase, Infrared Reflow
Resistance to soldering heat: 260°C for 10 seconds
Solvent resistance: Conforms to MIL-STD-202E
Marking: Inductance & Tolerance
Note: All specifications subject to change without notice.

DIMENSIONS IN: mm

Part number	A	B	C	D	E	F	G	H	I
FASDRH6025	6.3Max	6.3Max	2.8Max	2.0	4.0	1.2	2.8	2.0	2.0
FASDRH6028	6.3Max	6.3Max	3.1Max	2.0	4.0	1.2	2.8	2.0	2.0

MAGNETIC SHIELDED SURFACE-MOUNT POWER INDUCTORS

FASDRH7028-7030 SERIES



FEATURES:

- Magnetically Shielded Structure
- Low DC Resistance
- Large current up to 1.6A
- Excellent Mechanical Strength
- High Reliability and Excellent Solderability
- Low and square Profile
- High heat resistance

OPTIONS:

- Packaging: Tape & Reel is standard [Qty:2000pcs]
- Bulk packaging available for smaller quantities
- Tolerance: 10% and 5% is standard tighter tolerances available

COMMON APPLICATIONS:

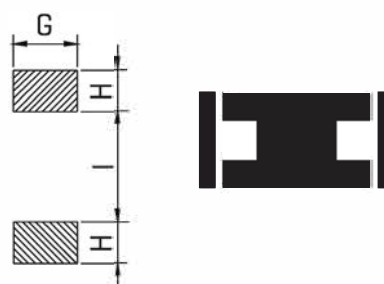
- VCRs, Notebook, DC/DC Converters
- Video Digital Cameras
- Communication System
- Automotive Systems Power supplier
- LCD PDP Televisions
- Hard Disk Drives, Topset, XDSL
- Network Systems
- Computer Peripheral Equipment

ELECTRICAL CHARACTERISTICS

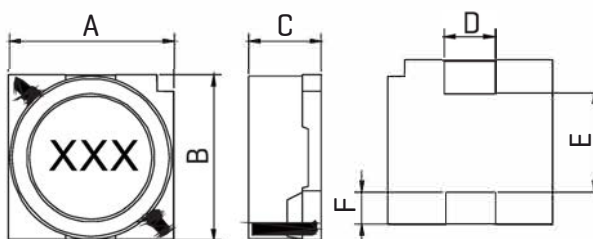
Part Number	L (μH)	Test Freq (kHz)	DCR ohm Max	IDC Max A
FASDRH7028-3R3N	3.3	1	0.045	1.60
FASDRH7028-4R7N	4.7	1	0.054	1.50
FASDRH7028-6R8N	6.8	1	0.071	1.30
FASDRH7028-100M	10	1	0.100	1.10
FASDRH7028-150M	15	1	0.156	0.88
FASDRH7028-220M	22	1	0.216	0.75
FASDRH7028-330M	33	1	0.288	0.65
FASDRH7028-470M	47	1	0.408	0.54
FASDRH7030-3R3N	3.3	1	0.028	1.80
FASDRH7030-4R7N	4.7	1	0.044	1.60
FASDRH7030-6R8N	6.8	1	0.050	1.50
FASDRH7030-100M	10	1	0.064	1.30
FASDRH7030-150M	15	1	0.110	1.00
FASDRH7030-220M	22	1	0.132	0.86
FASDRH7030-330M	33	1	0.192	0.65
FASDRH7030-470M	47	1	0.288	0.57
FASDRH7030-680M	68	1	0.372	0.49
FASDRH7030-101M	100	1	0.540	0.35

Note: 1. K=±10%, M=±20%, N=±30%

PHYSICAL CHARACTERISTICS



LAND PATTERNS CONSTRUCTION



TECHNICAL INFORMATION

- Inductance Testing: HP4284A [Equivalent acceptable]
- DCR: QuadTech 1880 Milliohm meter
- Q- HP4342A - SRF-HP4191A
- IDC Max current is decreased 10% against its initial value
- Operating temperature: -40°C to +105°C
- Storage Temperature: -40°C to +105°C
- Solder methods: Vapor Phase, Infrared Reflow
- Resistance to soldering heat: 260°C for 10 seconds
- Solvent resistance: Conforms to MIL-STD-202E
- Marking: Inductance & Tolerance
- Note: All specifications subject to change without notice

DIMENSIONS IN: mm

Part number	A	B	C	D	E	F	G	H	I
FASDRH7028	7.3Max	7.3Max	3.2Max	2.0	4.9	1.1	2.8	2.0	2.0
FASDRH7030	7.3Max	7.3Max	3.4Max	2.0	4.9	1.1	2.8	2.0	2.0

MAGNETIC SHIELDED SURFACE-MOUNT POWER INDUCTORS

FASDRH7032-7045 SERIES



FEATURES:

- Magnetically Shielded Structure
- Low DC Resistance
- Large current up to 1.9A
- Excellent Mechanical Strength
- High Reliability and Excellent Solderability
- Low and square Profile
- High heat resistance

OPTIONS:

- Packaging: Tape & Reel is standard (Qty:2000pcs)
- Bulk packaging available for smaller quantities
- Tolerance: 10% and 5% is standard tighter tolerances available

COMMON APPLICATIONS:

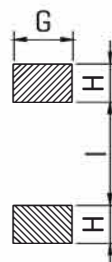
- VCRs, Notebook, DC/DC Converters
- Video Digital Cameras
- Communication System
- Automotive Systems Power supplier
- LCD PDP Televisions
- Hard Disk Drives, Topset, XDSL
- Network Systems
- Computer Peripheral Equipment

ELECTRICAL CHARACTERISTICS

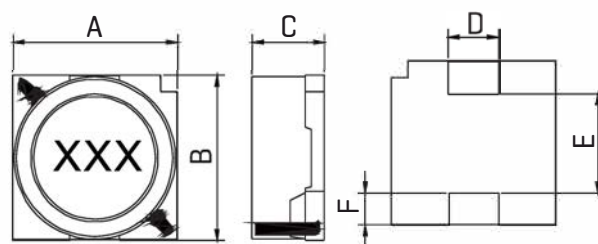
Part Number	L [μ H]	Test Freq [kHz]	DCR ohm Max	IDC Max A
FASDRH7032-3R3N	3.3	1	0.028	1.90
FASDRH7032-4R7N	4.7	1	0.044	1.70
FASDRH7032-6R8N	6.8	1	0.050	1.60
FASDRH7032-100M	10	1	0.064	1.40
FASDRH7032-150M	15	1	0.090	1.10
FASDRH7032-220M	22	1	0.132	0.96
FASDRH7032-330M	33	1	0.192	0.75
FASDRH7032-470M	47	1	0.288	0.67
FASDRH7032-680M	68	1	0.372	0.59
FASDRH7032-101M	100	1	0.542	0.45
FASDRH7032-151M	150	1	0.780	0.37
FASDRH7032-221M	220	1	1.260	0.29
FASDRH7032-331M	330	1	2.010	0.22
FASDRH7032-471M	470	1	2.460	0.20
FASDRH7032-681M	680	1	3.780	0.16
FASDRH7032-102M	1000	1	5.740	0.13
FASDRH7045-3R3N	3.3	1	0.034	2.20
FASDRH7045-4R7N	4.7	1	0.038	2.10
FASDRH7045-6R8N	6.8	1	0.047	1.90
FASDRH7045-100M	10	1	0.057	1.80
FASDRH7045-150M	15	1	0.082	1.46
FASDRH7045-220M	22	1	0.099	1.25
FASDRH7045-330M	33	1	0.144	1.10
FASDRH7045-470M	47	1	0.216	0.90
FASDRH7045-680M	68	1	0.324	0.75
FASDRH7045-101M	100	1	0.468	0.60
FASDRH7045-151M	150	1	0.660	0.50
FASDRH7045-221M	220	1	0.996	0.40
FASDRH7045-331M	330	1	1.380	0.35
FASDRH7045-471M	470	1	2.160	0.31

Note: 1. K=±10%, M=±20%, N=±30%

PHYSICAL CHARACTERISTICS



LAND PATTERNS CONSTRUCTION



TECHNICAL INFORMATION

Inductance Testing: HP4284A (Equivalent acceptable)
 DCR: QuadTech 1880 Milliohm meter
 Q - HP4342A - SRF - HP4191A
 IDC Max current is decreased 10% against its initial value
 Operating temperature: -40°C to +105°C
 Storage Temperature: -40°C to +105°C
 Solder methods: Vapor Phase, Infrared Reflow
 Resistance to soldering heat: 260°C for 10 second
 Solvent resistance: Conforms to MIL-STD-202E
 Marking: Inductance & Tolerance
 Note: All specifications subject to change without notice

DIMENSIONS IN: mm

Part number	A	B	C	D	E	F	G	H	I
FASDRH7032	7.3Max	7.3Max	3.8Max	2.0	4.9	1.1	2.8	2.0	2.0
FASDRH7045	7.3Max	7.3Max	4.8Max	2.0	4.9	1.1	2.8	2.0	2.0

MAGNETIC SHIELDED SURFACE-MOUNT POWER INDUCTORS

FASDRH10145-12555 SERIES



FEATURES:

- Magnetically Shielded Structure
- Low DC Resistance
- Large current up to 3.7A
- Excellent Mechanical Strength
- High Reliability and Excellent Solderability
- Low and square Profile
- High heat resistance

OPTIONS:

- Packaging:Tape & Reel is standard (Qty:2000pcs)
- Bulk packaging available for smaller quantities
- Tolerance:10% and 5% is standard tighter tolerances available

COMMON APPLICATIONS:

- VCRs, Notebook, DC/DC Converters
- Video Digital Cameras
- Communication System
- Automotive Systems Power supplier
- LCD PDP Televisions
- Hard Disk Drives, Topset, XDSL
- Network Systems
- Computer Peripheral Equipment

ELECTRICAL CHARACTERISTICS

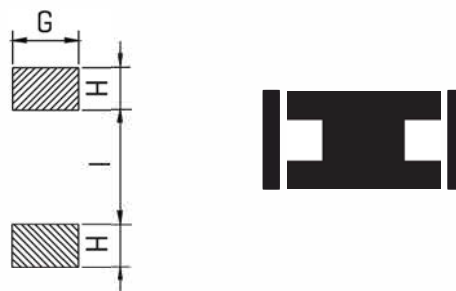
Part Number	L (μH)	Test Freq [kHz]	DCR ohm Max	IDC Max A
FASDRH10145-3R3N	3.3	1	0.020	3.70
FASDRH10145-5R6N	5.6	1	0.027	3.20
FASDRH10145-100M	10	1	0.044	2.50
FASDRH10145-150M	15	1	0.057	2.20
FASDRH10145-220M	22	1	0.070	1.90
FASDRH10145-330K	33	1	0.100	1.70
FASDRH10145-470M	47	1	0.120	1.50
FASDRH10145-680M	68	1	0.168	1.30
FASDRH10145-101M	100	1	0.240	1.10
FASDRH10145-151M	150	1	0.420	0.81
FASDRH10145-221M	220	1	0.564	0.70
FASDRH10145-331M	330	1	0.816	0.58
FASDRH10145-471M	470	1	1.236	0.47
FASDRH10145-681M	680	1	1.920	0.38
FASDRH10145-102M	1000	1	3.360	0.29
FASDRH10145-122M	1200	1	3.600	0.25
FASDRH10145-152M	1500	1	4.080	0.22
FASDRH12555-6R0N	6.0	1	0.020	3.60
FASDRH12555-100M	10	1	0.026	3.40
FASDRH12555-150M	15	1	0.032	2.80
FASDRH12555-220M	22	1	0.041	2.30
FASDRH12555-330M	33	1	0.050	1.90
FASDRH12555-470M	47	1	0.075	1.60
FASDRH12555-680M	68	1	0.100	1.30
FASDRH12555-101M	100	1	0.150	1.10
FASDRH12555-151M	150	1	0.230	0.88
FASDRH12555-221M	220	1	0.330	0.72
FASDRH12555-331M	330	1	0.492	0.59
FASDRH12555-471M	470	1	0.624	0.49
FASDRH12555-681M	680	1	0.912	0.43
FASDRH12555-102M	1000	1	1.344	0.34
FASDRH12555-152M	1500	1	2.076	0.29

Note:1. K=±10%,M=±20%,N=±30%

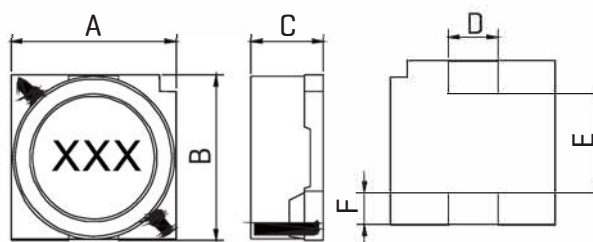
DIMENSIONS IN: mm

Part number	A	B	C	D	E	F	G	H	I
FASDRH10145	10.4Max	10.4Max	4.8Max	3.0	6.0	2.0	3.8	2.5	5.8
FASDRH12555	12.8Max	12.8Max	5.8Max	3.0	8.6	2.0	3.8	2.5	8.5

PHYSICAL CHARACTERISTICS



LAND PATTERNS CONSTRUCTION



TECHNICAL INFORMATION

- Inductance Testing: HP4284A [Equivalent acceptable]
- DCR:QuadTech 1880 Milliohmometer
- Q- HP4342A - SRF-HP4191A
- IDCMax current is decreased 10% against its initial value
- Operating temperature: -40°C to +105°C
- Storage Temperature: -40°C to +105°C
- Solder methods: Vapor Phase,Infrared Reflow
- Resistance to soldering heat:260°C for 10 secon
- Solvent resistance: Conforms to MIL-STD-202E
- Marking: Inductance & Tolerance
- Note:All specifications subject to change without notice.

MAGNETIC SHIELDED SURFACE-MOUNT POWER INDUCTORS FASDRH12565-12575 SERIES



FEATURES:

Magnetically Shielded Structure
Low DC Resistance
Large current up to 6.2A
Excellent Mechanical Strength
High Reliability and Excellent Solderability
Low and square Profile
High heat resistance

OPTIONS:

Packaging: Tape & Reel is standard
(Qty: 2000 pcs)
Bulk packaging available for smaller quantities
Tolerance: 10% and 5% is standard
tighter tolerances available

COMMON APPLICATIONS:

VCRs, Notebook, DC/DC Converters
Video Digital Cameras
Communication System
Automotive Systems Power supplier
LCD PDP Televisions
Hard Disk Drives, Topset, XDSL
Network Systems
Computer Peripheral Equipment

ELECTRICAL CHARACTERISTICS

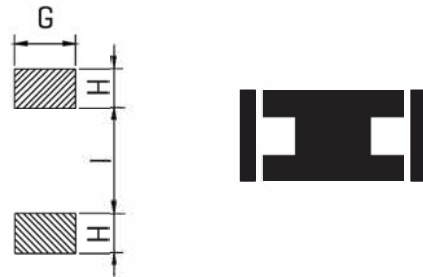
Part Number	L (µH)	Test Freq (kHz)	DCR ohm Max	IDC Max A
FASDRH12565-2R2N	2.2	1	0.014	6.20
FASDRH12565-4R2N	4.2	1	0.018	5.50
FASDRH12565-7R0N	7.0	1	0.022	5.00
FASDRH12565-100M	10	1	0.025	4.80
FASDRH12565-150M	15	1	0.029	4.40
FASDRH12565-220M	22	1	0.038	3.80
FASDRH12565-330M	33	1	0.049	3.40
FASDRH12565-470M	47	1	0.070	2.80
FASDRH12565-680M	68	1	0.095	2.40
FASDRH12565-101M	100	1	0.150	1.90
FASDRH12565-151M	150	1	0.260	1.40
FASDRH12565-221M	220	1	0.330	1.20
FASDRH12565-331M	330	1	0.600	0.95
FASDRH12575-1R2N	1.2	1	0.009	8.20
FASDRH12575-2R7N	2.7	1	0.012	7.00
FASDRH12575-3R9N	3.9	1	0.013	6.70
FASDRH12575-5R6N	5.6	1	0.014	6.30
FASDRH12575-6R8N	6.8	1	0.016	5.90
FASDRH12575-100M	10	1	0.019	5.40
FASDRH12575-150M	15	1	0.023	5.00
FASDRH12575-220M	22	1	0.032	4.00
FASDRH12575-330M	33	1	0.048	3.20
FASDRH12575-470M	47	1	0.064	2.70
FASDRH12575-680M	68	1	0.094	2.00
FASDRH12575-101M	100	1	0.150	1.90
FASDRH12575-151M	150	1	0.210	1.50
FASDRH12575-221M	220	1	0.310	1.30
FASDRH12575-331M	330	1	0.410	1.00

Note: 1. K=±10%, M=±20%, N=±30%

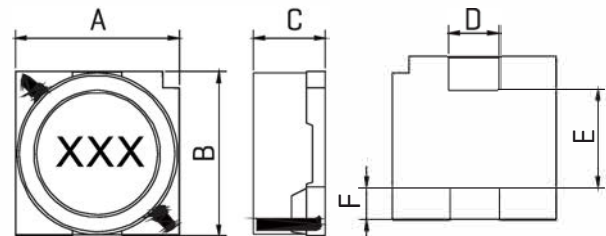
DIMENSIONS IN: mm

Part number	A	B	C	D	E	F	G	H	I
FASDRH12565	12.8Max	12.8Max	6.8Max	3.0	8.6	2.0	3.8	2.5	8.5
FASDRH12575	12.8Max	12.8Max	7.8Max	3.0	8.6	2.0	3.8	2.5	8.5

PHYSICAL CHARACTERISTICS



LAND PATTERNS CONSTRUCTION



TECHNICAL INFORMATION

Inductance Testing: HP4284A [Equivalent acceptable]
DCR: QuadTech 1880 Milliohm meter
Q - HP4342A - SRF-HP4191A
IDCMax current is decreased 10% against its initial value
Operating temperature: -40°C to +105°C
Storage Temperature: -40°C to +105°C
Solder methods: Vapor Phase, Infrared Reflow
Resistance to soldering heat: 260°C for 10 seconds
Solvent resistance: Conforms to MIL-STD-202E
Marking: Inductance & Tolerance
Note: All specifications subject to change without notice

MAGNETIC SHIELDED SURFACE-MOUNT POWER INDUCTORS

FASDRH103-104 SERIES



FEATURES:

Magnetically Shielded Structure
 Low DC Resistance
 Large current up to 2.7A
 Excellent Mechanical Strength
 High Reliability and Excellent Solderability
 Low and square Profile
 High heat resistance

OPTIONS:

Packaging: Tape & Reel is standard (Qty:2000pcs)
 Bulk packaging available for smaller quantities
 Tolerance: 10% and 5% is standard tighter tolerances available

COMMON APPLICATIONS:

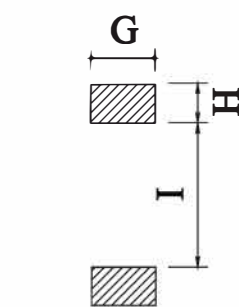
VCRs, Notebook, DC/DC Converters
 Video Digital Cameras
 Communication System
 Automotive Systems Power supplier
 LCD POP Televisions
 Hard Disk Drives, Topset, XDSL
 Network Systems
 Computer Peripheral Equipment

ELECTRICAL CHARACTERISTICS

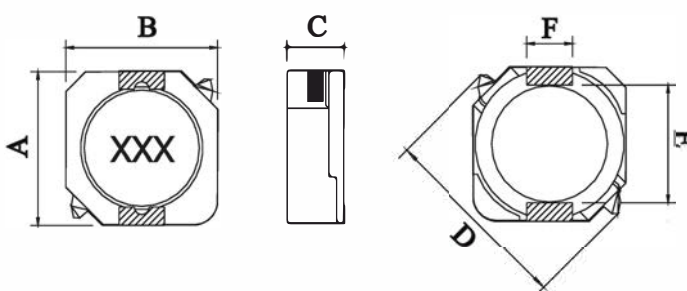
Part Number	L [μH]	Test Freq [kHz]	DCR ohm Max	IDC Max A
FASDRH103-100M	10	100	0.0581	2.70
FASDRH103-120M	12	100	0.0721	2.25
FASDRH103-150M	15	100	0.0865	2.22
FASDRH103-180M	18	100	0.1161	1.90
FASDRH103-220M	22	100	0.1454	1.78
FASDRH103-270M	27	100	0.1759	1.63
FASDRH103-330M	33	100	0.2134	1.46
FASDRH103-390M	39	100	0.2689	1.32
FASDRH103-470M	47	100	0.2986	1.18
FASDRH103-560M	56	100	0.3358	1.10
FASDRH103-680M	68	100	0.4513	1.04
FASDRH103-820M	82	100	0.5138	0.94
FASDRH103-101M	100	100	0.7000	0.84
FASDRH103-121M	120	100	0.7650	0.76
FASDRH103-151M	150	100	0.8763	0.70
FASDRH104-1R3N	1.3	100	0.008	10.0
FASDRH104-2R5N	2.5	100	0.010	7.50
FASDRH104-3R8N	3.8	100	0.013	6.00
FASDRH104-5R2N	5.2	100	0.022	5.50
FASDRH104-7R0N	7.0	100	0.027	4.80
FASDRH104-100M	10	100	0.035	4.40
FASDRH104-150M	15	100	0.050	3.60
FASDRH104-220M	22	100	0.073	2.90
FASDRH104-330M	33	100	0.093	2.30
FASDRH104-470M	47	100	0.128	2.10
FASDRH104-680M	68	100	0.213	1.50
FASDRH104-101M	100	100	0.304	1.35
FASDRH104-151M	150	100	0.506	1.15
FASDRH104-221M	220	100	0.756	0.92
FASDRH104-331M	330	100	1.090	0.70

Note: 1. K=±10%, M=±20%, N=±30%

PHYSICAL CHARACTERISTICS



LAND PATTERNS



CONSTRUCTION

TECHNICAL INFORMATION

Inducance Testing: HP4284A (Equivalent acceptable)
 DCR: QuadTech 1880 Milliohm meter
 Q- HP4342A - SRF-HP4191A
 IDCMax current is decreased 10% against its initial value
 Operating temperature: -40°C to +105°C
 Storage Temperature: -40°C to +105°C
 Solder methods: Vapor Phase, Infrared Reflow
 Resistance to soldering heat: 260°C for 10 seconds
 Solvent resistance: Conforms to MIL-STD-202E
 Marking: Inductance & Tolerance
 Note: All specifications subject to change without notice.

DIMENSIONS IN: mm

Part number	A	B	C	D	E	F	G	H	I
FASDRH103	10.3Max	10.4Max	3.0Max	13.5Max	7.7	3.0	3.6	1.7	7.3
FASDRH104	10.3Max	10.4Max	4.0Max	13.5Max	7.7	3.0	3.6	1.7	7.3

MAGNETIC SHIELDED SURFACE-MOUNT POWER INDUCTORS

FASDRH105 SERIES



FEATURES:

Magnetically Shielded Structure
 Low DC Resistance
 Large current up to 3.45A
 Excellent Mechanical Strength
 High Reliability and Excellent Solderability
 Low and square Profile
 High heat resistance

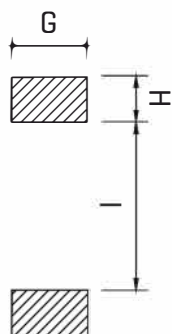
OPTIONS:

Packaging:Tape & Reel is standard (Qty:2000pcs)
 Bulk packaging available for smaller quantities
 Tolerance:10% and 5% is standard tighter tolerances available

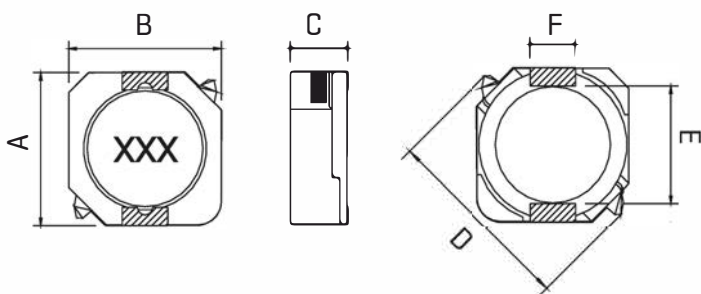
COMMON APPLICATIONS:

VCRs, Notebook, DC/DC Converters
 Video Digital Cameras
 Communication System
 Automotive Systems Power supplier
 LCD PDP Televisions
 Hard Disk Drives, Topset, XDSL
 Network Systems
 Computer Peripheral Equipment

PHYSICAL CHARACTERISTICS:



LAND PATTERNS



CONSTRUCTION



DIMENSIONS IN: mm

Part number	A	B	C	D	E	F	G	H	I
FASDRH105	10.3Max	10.4Max	5.0Max	13.5Max	7.7	3.0	3.6	1.7	7.3

ELECTRICAL CHARACTERISTICS

Part Number	L [μH]	Test Freq [kHz]	DCR ohm Max	IDC Max A
FASDRH105-100M	10	100	0.0258	3.45
FASDRH105-120M	12	100	0.0320	3.40
FASDRH105-150M	15	100	0.0400	2.83
FASDRH105-180M	18	100	0.0460	2.62
FASDRH105-220M	22	100	0.0585	2.44
FASDRH105-270M	27	100	0.0654	2.24
FASDRH105-330M	33	100	0.0814	1.88
FASDRH105-390M	39	100	0.1031	1.70
FASDRH105-470M	47	100	0.1221	1.56
FASDRH105-560M	56	100	0.1448	1.39
FASDRH105-680M	68	100	0.1930	1.36
FASDRH105-820M	82	100	0.2194	1.20
FASDRH105-101M	100	100	0.2470	1.09
FASDRH105-121M	120	100	0.2984	1.00
FASDRH105-151M	150	100	0.3551	0.91
FASDRH105-181M	180	100	0.3943	0.84
FASDRH105-221M	220	100	0.4838	0.75
FASDRH105-271M	270	100	0.6325	0.68
FASDRH105-331M	330	100	0.7800	0.60
FASDRH105-391M	390	100	0.9575	0.57
FASDRH105-471M	470	100	1.2204	0.50
FASDRH105-561M	560	100	1.3524	0.47
FASDRH105-681M	680	100	1.5192	0.43
FASDRH105-821M	820	100	1.6944	0.39
FASDRH105-102M	1000	100	1.9464	0.35

Note:1. K=±10%,M=±20%,N=±30%

TECHNICAL INFORMATION:

Inductance Testing: HP4284A, HP4285A or equivalent
 RDC: QuadTech 1880 Milliohm meter
 Q- HP4342A
 SRF- HP4191A or HP4194A
 Rated Current L value drop 10% typ. at IDC against its initial value
 Temperature rise 40°C Max
 Reference ambient temperature
 Solderability: 75% of the lead wire shall be covered
 Soldering Methods: Wave, Reflow
 Operating Temperature: -25°C to +85°C
 Storage Temperature: -55°C to +125°C
 Terminal bending strength: 24.5N Min
 Moisture resistance
 ΔL/L ≤ ±10% ΔQ/Q ≤ ±25%

POWER SURFACE-MOUNT WIRE-WOUND CHIP INDUCTORS

FASDR0703T-0704T SERIES



FEATURES:

- Magnetically Shielded Structure
- Low DC Resistance
- Large current up to 3.6A
- Excellent Mechanical Strength
- High Reliability and Excellent Solderability
- Low and square Profile
- High heat resistance

OPTIONS:

- Packaging: Tape & Reel is standard (Qty:2000pcs)
- Bulk packaging available for smaller quantities
- Tolerance: 10% and 5% is standard tighter tolerances available

COMMON APPLICATIONS:

- VCRs, Notebook, DC/DC Converters
- Video Digital Cameras
- Communication System
- Automotive Systems Power supplier
- LCD PDP Televisions
- Hard Disk Drives, Topset, XDSL
- Network Systems
- Computer Peripheral Equipment

ELECTRICAL CHARACTERISTICS

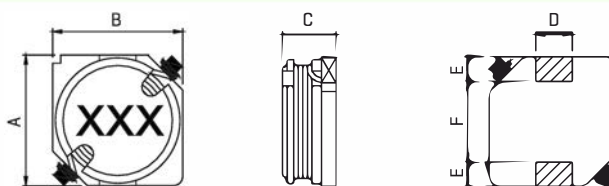
Part Number	L μ H	Test Freq KHz	DCR ohm Max	IDC Max A	Part Number	L μ H	Test Freq KHz	DCR ohm Max	IDC Max A
FASDR0703T-1R0M	1.0	100	0.02	3.60	FASDR0704T-100M	10	100	0.120	1.50
FASDR0703T-1R5M	1.5	100	0.03	3.40	FASDR0704T-120M	12	100	0.130	1.44
FASDR0703T-2R2M	2.2	100	0.03	2.68	FASDR0704T-150M	15	100	0.150	1.36
FASDR0703T-3R3M	3.3	100	0.04	2.40	FASDR0704T-180M	18	100	0.160	1.30
FASDR0703T-4R7M	4.7	100	0.048	2.26	FASDR0704T-220M	22	100	0.190	1.23
FASDR0703T-6R8M	6.8	100	0.062	1.66	FASDR0704T-270M	27	100	0.210	1.11
FASDR0703T-100M	10	100	0.078	1.50	FASDR0704T-330M	33	100	0.240	1.00
FASDR0703T-120M	12	100	0.088	1.40	FASDR0704T-390M	39	100	0.270	0.93
FASDR0703T-150M	15	100	0.120	1.20	FASDR0704T-470M	47	100	0.390	0.85
FASDR0703T-180M	18	100	0.145	1.15	FASDR0704T-560M	56	100	0.450	0.75
FASDR0703T-220M	22	100	0.165	1.02	FASDR0704T-680M	68	100	0.500	0.70
FASDR0703T-270M	27	100	0.185	0.88	FASDR0704T-820M	82	100	0.560	0.65
FASDR0703T-330M	33	100	0.260	0.85	FASDR0704T-101K	100	100	1.000	0.52
FASDR0703T-390M	39	100	0.286	0.82	FASDR0704T-121K	120	100	1.050	0.50
FASDR0703T-470M	47	100	0.340	0.72	FASDR0704T-151K	150	100	1.200	0.45
FASDR0703T-560M	56	100	0.420	0.65	FASDR0704T-181K	180	100	1.350	0.40
FASDR0703T-680M	68	100	0.510	0.56	FASDR0704T-221K	220	100	1.520	0.38
FASDR0703T-820M	82	100	0.650	0.52	FASDR0704T-271K	270	100	1.720	0.35
FASDR0703T-101K	100	100	0.725	0.46	FASDR0704T-331K	330	100	2.700	0.30
FASDR0703T-151K	150	100	0.920	0.40	FASDR0704T-391K	390	100	2.960	0.28
FASDR0703T-221K	220	100	1.620	0.32	FASDR0704T-471K	470	100	3.360	0.26
FASDR0703T-331K	330	100	2.200	0.26	FASDR0704T-561K	560	100	3.790	0.24
FASDR0703T-471K	470	100	2.800	0.22	FASDR0704T-681K	680	100	4.330	0.21
FASDR0703T-681K	680	100	4.350	0.18	FASDR0704T-821K	820	100	5.260	0.19
FASDR0703T-102K	1000	100	6.200	0.15	FASDR0704T-102K	1000	100	6.220	0.17

Note: 1. K=±10%, M=±20%, N=±30%

TECHNICAL INFORMATION:

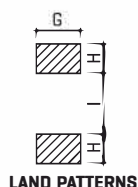
Inductance Testing: HP4284A [Equivalent acceptable]
 DCR: QuadTech 1880 Milliohm meter
 Q- HP4342A - SRF-HP4191A
 IDCMax current is decreased 10% against its initial value
 Operating temperature: -40°C to +105°C
 Storage Temperature: -40°C to +105°C
 Solder methods: Vapor Phase, Infrared Reflow
 Resistance to soldering heat: 260°C for 10 seconds
 Solvent resistance: Conforms to MIL-STD-202E
 Marking: Inductance & Tolerance
 Note: All specifications subject to change without notice

CHARACTERISTICS:



DIMENSIONS IN mm

Part Number	A	B	C	D	E	F	H	I	J
FASDR0703T	7.6Max	7.6Max	3.0Max	2.0	1.3	4.4	3.0	2.0	4.4
FASDR0704T	7.6Max	7.6Max	5.0Max	1.7	1.2	4.6	2.7	2.0	4.4



POWER SURFACE-MOUNT WIRE-WOUND CHIP INDUCTORS

FASDR7030T-7045T SERIES



FEATURES:

Magnetically Shielded Structure
 Low DC Resistance
 Large current up to 3.8A
 Excellent Mechanical Strength
 High Reliability and Excellent Solderability
 Low and square Profile
 High heat resistance

OPTIONS:

Packaging: Tape & Reel is standard
 [Qty:2000pcs]
 Bulk packaging available for smaller quantities
 Tolerance: 10% and 5% is standard
 tighter tolerances available

COMMON APPLICATIONS:

VCRs, Notebook, DC/DC Converters
 Video Digital Cameras
 Communication System
 Automotive Systems Power supplier
 LCD PDP Televisions
 Hard Disk Drives, Topset, XDSL
 Network Systems
 Computer Peripheral Equipment

ELECTRICAL CHARACTERISTICS

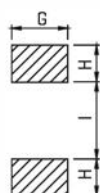
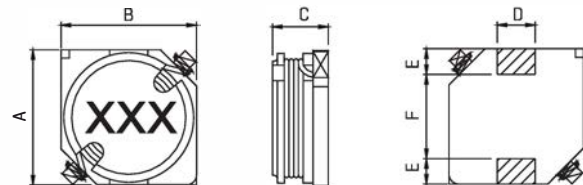
Part Number	L μ H [100KHz]	Q Typ	Test Freq Mhz	DCR ohm Max	IDC Max A	Part Number	L μ H [100KHz]	Q Typ	Test Freq Mhz	DCR ohm Max	IDC Max A
FASDR-7030T-1R0M	1.0	18	7.96	0.022	3.00	FASDR-7045T-1R0M	1.0	25	7.96	0.022	3.80
FASDR-7030T-1R5M	1.5	17	7.96	0.027	2.75	FASDR-7045T-1R5M	1.5	26	7.96	0.027	3.50
FASDR-7030T-2R2M	2.2	17	7.96	0.030	2.60	FASDR-7045T-2R2M	2.2	24	7.96	0.032	3.30
FASDR-7030T-3R5M	3.5	17	7.96	0.038	2.20	FASDR-7045T-3R3M	3.3	23	7.96	0.036	2.80
FASDR-7030T-4R7M	4.7	14	7.96	0.048	1.85	FASDR-7045T-4R7M	4.7	23	7.96	0.042	2.60
FASDR-7030T-6R2M	6.2	17	7.96	0.058	1.65	FASDR-7045T-6R8M	6.8	22	7.96	0.054	2.25
FASDR-7030T-100M	10.0	16	2.52	0.075	1.50	FASDR-7045T-100M	10.0	28	2.52	0.070	2.00
FASDR-7030T-150M	15.0	14	2.52	0.115	1.20	FASDR-7045T-150M	15.0	24	2.52	0.086	1.60
FASDR-7030T-220M	22.0	14	2.52	0.160	1.02	FASDR-7045T-220M	22.0	26	2.52	0.125	1.40
FASDR-7030T-330M	33.0	13	2.52	0.230	0.85	FASDR-7045T-330M	33.0	20	2.52	0.150	1.22
FASDR-7030T-470K	47.0	12	2.52	0.340	0.70	FASDR-7045T-470K	47.0	21	2.52	0.230	1.00
FASDR-7030T-680K	68.0	12	2.52	0.480	0.58	FASDR-7045T-680K	68.0	17	2.52	0.280	0.90
FASDR-7030T-101K	100.0	18	0.796	0.720	0.46	FASDR-7045T-101K	100.0	17	0.796	0.430	0.75
FASDR-7030T-151K	150.0	18	0.796	0.920	0.40	FASDR-7045T-151K	150.0	17	0.796	0.580	0.62
FASDR-7030T-221K	220.0	23	0.796	1.600	0.32	FASDR-7045T-221K	220.0	22	0.796	0.930	0.50
FASDR-7030T-331K	330.0	24	0.796	2.200	0.26	FASDR-7045T-331K	330.0	20	0.796	1.240	0.42
FASDR-7030T-471K	470.0	30	0.796	2.800	0.22	FASDR-7045T-471K	470.0	20	0.796	1.850	0.34
FASDR-7030T-681K	680.0	28	0.796	4.350	0.18	FASDR-7045T-681K	680.0	18	0.796	2.400	0.30
FASDR-7030T-102K	1000.0	66	0.796	6.200	0.15	FASDR-7045T-102K	1000.0	48	0.252	4.000	0.22

Note: 1. K=±10%, M=±20%, N=±30%

TECHNICAL INFORMATION:

Inductance Testing: HP4284A [Equivalent acceptable]
 DCR: QuadTech 1880 Milliohmeter
 Q- HP4342A - SRF-HP4191A
 IDC Max current is decreased 10% against its initial value
 Operating temperature: -40°C to +105°C
 Storage Temperature: -40°C to +105°C
 Solder methods: Vapor Phase, Infrared Reflow
 Resistance to soldering heat: 260°C for 10 seconds
 Solvent resistance: Conforms to MIL-STD-202E
 Marking: Inductance & Tolerance
 Note: All specifications subject to change without notice

CHARACTERISTICS:



CONSTRUCTION



DIMENSIONS IN mm

Part Number	A	B	C	D	E	F	G	H	I
FASDR-7030T	7.2±0.	7.2±0.	3.0±0.	2.0	1.5	4.0	2.4	1.8	4.2
FASDR-7045T	7.0±0.	7.0±0.	4.5±0.	2.0	1.5	4.0	2.4	1.8	4.2

POWER SURFACE-MOUNT WIRE-WOUND CHIP INDUCTORS

FASDR1030T-1045T SERIES



FEATURES:

- Magnetically Shielded Structure
- Low DC Resistance
- Large current up to 4.8A
- Excellent Mechanical Strength
- High Reliability and Excellent Solderability
- Low and square Profile
- High heat resistance

OPTIONS:

- Packaging: Tape & Reel is standard [Qty: 2000 pcs]
- Bulk packaging available for smaller quantities
- Tolerance: 10% and 5% is standard tighter tolerances available

COMMON APPLICATIONS:

- VCRs
- Video Cameras
- Communication System
- Automotive Systems
- Liquid Crystal Televisions
- Hard Disk Drives, Topset XDSL
- Network Systems
- Computer Peripheral Equipment

ELECTRICAL CHARACTERISTICS

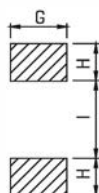
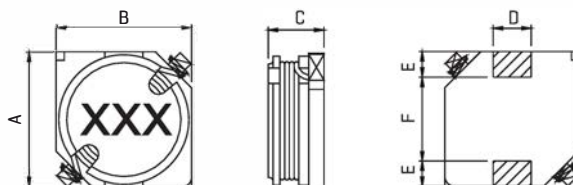
Part Number	L μ H [100KHz]	Q Typ	Test Freq Mhz	DCR ohm Max	IDC Max A	Part Number	L μ H [100KHz]	Q Typ	Test Freq Mhz	DCR ohm Max	IDC Max A
FASDR-1030T-2R7M	2.7	13	7.96	0.028	3.00	FASDR-1045T-2R7M	2.7	25	7.96	0.026	4.80
FASDR-1030T-4R7M	4.7	13	7.96	0.040	2.60	FASDR-1045T-4R5M	4.5	25	7.96	0.033	4.20
FASDR-1030T-6R8M	6.8	15	7.96	0.052	2.20	FASDR-1045T-6R8M	6.8	22	7.96	0.040	3.50
FASDR-1030T-100M	10.0	15	2.52	0.064	2.00	FASDR-1045T-100M	10.0	26	2.52	0.064	3.20
FASDR-1030T-150M	15.0	18	2.52	0.100	1.65	FASDR-1045T-150M	15.0	26	2.52	0.100	2.50
FASDR-1030T-220M	22.0	20	2.52	0.145	1.38	FASDR-1045T-220M	22.0	22	2.52	0.145	2.20
FASDR-1030T-330M	33.0	16	2.52	0.220	1.10	FASDR-1045T-330M	33.0	20	2.52	0.220	1.90
FASDR-1030T-470M	47.0	10	2.52	0.270	0.96	FASDR-1045T-470M	47.0	21	2.52	0.270	1.60
FASDR-1030T-680M	68.0	12	2.52	0.360	0.82	FASDR-1045T-680M	68.0	21	2.52	0.360	1.30
FASDR-1030T-101K	100.0	14	0.796	0.540	0.70	FASDR-1045T-101K	100.0	14	0.796	0.540	1.10
FASDR-1030T-151K	150.0	23	0.796	0.700	0.60	FASDR-1045T-151K	150.0	16	0.796	0.700	0.85
FASDR-1030T-221K	220.0	23	0.796	1.150	0.46	FASDR-1045T-221K	220.0	15	0.796	1.150	0.72
FASDR-1030T-331K	330.0	25	0.796	1.700	0.38	FASDR-1045T-331K	330.0	12	0.796	1.700	0.62
FASDR-1030T-471K	470.0	20	0.796	2.250	0.28	FASDR-1045T-471K	470.0	12	0.796	2.250	0.52
FASDR-1030T-681K	680.0	18	0.796	3.300	0.23	FASDR-1045T-681K	680.0	13	0.796	3.300	0.43
FASDR-1030T-102K	1000.0	42	0.796	4.700	0.20	FASDR-1045T-102K	1000.0	25	0.252	4.700	0.38

Note: 1. K=±10%, M=±20%, N=±30%

TECHNICAL INFORMATION:

- Inductance Testing: HP4284A (Equivalent acceptable)
- DCR: QuadTech 1880 Milliohm meter
- Q: HP4342A - SRF-HP4191A
- IDC Max current is decreased 10% against its initial value
- Operating temperature: -40°C to +105°C
- Storage Temperature: -40°C to +105°C
- Solder methods: Vapor Phase, Infrared Reflow
- Resistance to soldering heat: 260°C for 10 seconds
- Solvent resistance: Conforms to MIL-STD-202E
- Marking: Inductance & Tolerance
- Note: All specifications subject to change without notice

CHARACTERISTICS:



CONSTRUCTION



DIMENSIONS IN mm

Part Number	A	B	C	D	E	F	G	H	I
FASDR-1030T	10.0±0.3	10.0±0.3	3.0±0.3	2.4	2.0	6.0	2.8	2.4	5.6
FASDR-1045T	10.0±0.3	10.0±0.3	4.5±0.3	2.4	2.0	6.0	2.8	2.4	5.6

POWER SURFACE-MOUNT WIRE-WOUND CHIP INDUCTORS

FASDR1305T-1308T SERIES



FEATURES:

- Ferrite Core Structure
- Low DC Resistance
- Large current up to 7.2A
- Excellent Mechanical Strength
- High Reliability and Excellent Solderability
- Low and square Profile
- High heat resistance

OPTIONS:

- Packaging: Tape & Reel is standard [Qty: 2000pcs]
- Bulk packaging available for smaller quantities
- Tolerance: 10% and 5% is standard tighter tolerances available

COMMON APPLICATIONS:

- VCRs, Notebook, DC/DC Converters
- Video Digital Cameras
- Communication System
- Automotive Systems Power supplier
- LCD PDP Televisions
- Hard Disk Drives, Topset, XDSL
- Network Systems
- Computer Peripheral Equipment

ELECTRICAL CHARACTERISTICS

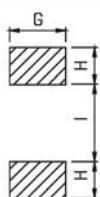
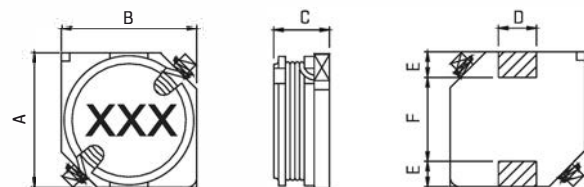
Part Number	L μ H [100KHz]	Q Typ	Test Freq Mhz	DCR ohm Max	IDC Max A	Part Number	L μ H [100KHz]	Q Typ	Test Freq Mhz	DCR ohm Max	IDC Max A
FASDR-1305T-2R5M	2.5	19	7.96	0.0098	7.20	FASDR-1308T-100M	10	20	2.52	0.036	4.050
FASDR-1305T-3R5M	3.5	20	7.96	0.0105	6.00	FASDR-1308T-150M	15	20	2.52	0.040	3.340
FASDR-1305T-4R6M	4.7	18	7.96	0.0165	5.20	FASDR-1308T-220M	22	20	2.52	0.060	2.800
FASDR-1305T-6R8M	6.8	17	7.96	0.0240	4.30	FASDR-1308T-330M	33	20	2.52	0.080	2.400
FASDR-1305T-100M	10.0	35	2.52	0.0370	3.60	FASDR-1308T-470M	47	20	2.52	0.110	2.000
FASDR-1305T-150M	15.0	28	2.52	0.0460	3.30	FASDR-1308T-560M	56	20	2.52	0.120	1.900
FASDR-1305T-220M	22.0	27	2.52	0.0620	2.90	FASDR-1308T-680M	68	20	2.52	0.150	1.800
FASDR-1305T-330M	33.0	23	2.52	0.0850	2.50	FASDR-1308T-820M	82	20	2.52	0.190	1.600
FASDR-1305T-470M	47.0	24	2.52	0.1300	1.90	FASDR-1308T-101K	100	15	0.796	0.230	1.500
FASDR-1305T-680M	68.0	22	2.52	0.1650	1.65	FASDR-1308T-121K	120	15	0.796	0.320	1.400
FASDR-1305T-101K	100.0	20	0.796	0.2550	1.40	FASDR-1308T-151K	150	15	0.796	0.370	1.300
FASDR-1305T-151K	150.0	17	0.796	0.3800	1.20	FASDR-1308T-221K	220	15	0.796	0.440	1.000
FASDR-1305T-221K	220.0	16	0.796	0.5000	1.00	FASDR-1308T-331K	330	15	0.796	0.600	0.900
FASDR-1305T-331K	330.0	11	0.796	0.7000	0.85	FASDR-1308T-471K	470	15	0.796	0.880	0.700
FASDR-1305T-471K	470.0	14	0.796	1.1500	0.67	FASDR-1308T-681K	680	10	0.796	1.180	0.500
FASDR-1305T-681K	680.0	12	0.796	1.4000	0.60	FASDR-1308T-102K	1000	10	0.252	1.740	0.480
FASDR-1305T-102K	1000.0	41	0.252	2.3500	0.46	FASDR-1308T-122K	1200	10	0.252	1.920	0.380

Note: 1. K=±10%, M=±20%, N=±30%

TECHNICAL INFORMATION:

- Inductance Testing: HP4284A [Equivalent acceptable]
- DCR: QuadTech 1880 Milliohm meter
- Q- HP4342A - SRF-HP4191A
- IDC Max current is decreased 10% against its initial value
- Operating temperature: -405°C to +105°C
- Storage Temperature: -405°C to +105°C
- Solder methods: Vapor Phase, Infrared Reflow
- Resistance to soldering heat: 260°C for 10 seconds
- Solvent resistance: Conforms to MIL-STD-202E
- Marking: Inductance & Tolerance
- Note: All specifications subject to change without notice

CHARACTERISTICS:



CONSTRUCTION



DIMENSIONS IN mm

Part Number	A	B	C	D	E	F	G	H	I
FASDR-1305T	12.7±0.3	12.7±0.3	4.8±0.5	3.0	2.0	8.6	3.60	2.6	8.4
FASDR-1308T	12.7±0.3	12.7±0.3	8.5±0.5	3.0	2.0	8.6	3.60	2.6	8.4

SURFACE-MOUNT POWER INDUCTORS FASB0602T-0603T SERIES



FEATURES:

- Ferrite Core Structure
- Low DC Resistance
- Large current up to 3.4A
- Excellent Mechanical Strength
- High Reliability and Excellent Solderability
- Low and square Profile
- High heat resistance

OPTIONS:

- Packaging: Tape & Reel is standard (Qty:2000pcs)
- Bulk packaging available for smaller quantities
- Tolerance: 10% and 5% is standard tighter tolerances available

COMMON APPLICATIONS:

- VCRs, Notebook, DC/DC Converters
- Video Digital Cameras
- Communication System
- Automotive Systems Power supplier
- LCD PDP Televisions
- Hard Disk Drives, Topset, XDSL
- Network Systems
- Computer Peripheral Equipment

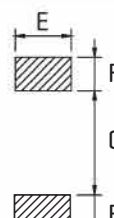
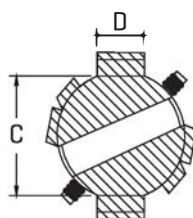
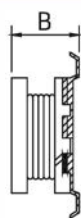
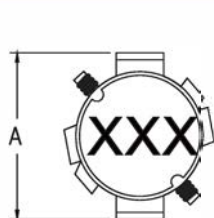
ELECTRICAL CHARACTERISTICS

Part Number	L μ H	Test Freq KHz	DCR ohm Max	IDC Max A	Part Number	L μ H	Test Freq KHz	DCR ohm Max	IDC Max A
FASB0602T-1R2M	1.2	100	0.02	3.40	FASB0603T-151K	150	100	1.9	0.38
FASB0602T-1R5M	1.5	100	0.03	3.10	FASB0603T-181K	180	100	2.3	0.35
FASB0602T-2R4M	2.4	100	0.04	2.40	FASB0603T-221K	220	100	3.0	0.30
FASB0602T-3R3M	3.3	100	0.05	2.20	FASB0603T-271K	270	100	3.5	0.26
FASB0602T-4R7M	4.7	100	0.07	1.80	FASB0603T-331K	330	100	4.2	0.23
FASB0602T-6R8M	6.8	100	0.10	1.60	FASB0603T-391K	390	100	4.8	0.21
FASB0602T-100M	10	100	0.14	1.30	FASB0603T-471K	470	100	5.7	0.19
FASB0602T-120M	12	100	0.18	1.20	FASB0603T-561K	560	100	6.4	0.18
FASB0602T-150M	15	100	0.20	1.00	FASB0603T-681K	680	100	7.6	0.17
FASB0602T-180M	18	100	0.24	0.95	FASB0603T-821K	820	100	10	0.14
FASB0602T-220M	22	100	0.27	0.90	FASB0603T-102K	1000	100	12	0.13
FASB0602T-270M	27	100	0.37	0.75	FASB0603T-122K	1200	100	16	0.11
FASB0602T-330M	33	100	0.43	0.70	FASB0603T-152K	1500	100	19	0.10
FASB0602T-390M	39	100	0.47	0.62	FASB0603T-182K	1800	100	28	0.08
FASB0602T-470M	47	100	0.66	0.56	FASB0603T-222K	2200	100	30	0.075
FASB0602T-560M	56	100	0.74	0.51	FASB0603T-272K	2700	100	36	0.070
FASB0602T-680M	68	100	1.01	0.45	FASB0603T-332K	3300	100	48	0.065
FASB0602T-820M	82	100	1.13	0.43	FASB0603T-392K	3900	100	54	0.055
FASB0602T-101K	100	100	1.31	0.41	FASB0603T-472K	4700	100	63	0.050
					FASB0603T-562K	5600	100	72	0.048

Note: 1. K=±10%, M=±20%, N=±30%

TECHNICAL INFORMATION:

CHARACTERISTICS:



CONSTRUCTION



LAND PATTERNS

DIMENSIONS IN mm

Part Number	A	B	C	D	E	F	G
FASB0602T	7.3Max	2.9Max	5.0	2.0	3.0	2.0	4.4
FASB0603T	7.3Max	3.3Max	5.0	2.0	3.0	2.0	4.4

Inductance Testing: HP4284A [Equivalent ac eptable]
 DCR: QuadTech 1880 Milliohm meter
 Q: HP4342A - SRF-HP4191A
 IDCMax current is decreased 10% against its initial value
 Operating temperature: -40°C to +105°C
 Storage Temperature: -40°C to +105°C
 Solder methods: Vapor Phase, Infrared Reflow
 Resistance to soldering heat: 260°C for 10 seconds
 Solvent resistance: Conforms to MIL-STD-202E
 Marking: Inductance & Toleranc
 Note: All specifications subject to change without notice

SHIELDED SURFACE-MOUNT POWER INDUCTORS FASDR62LCB-62CB SERIES



FEATURES:

Magnetically Shielded Structure
Low DC Resistance
Large current up to 3.5A
Excellent Mechanical Strength
High Reliability and Excellent Solderability
Low and square Profile
High heat resistance

OPTIONS:

Packaging: Tape & Reel is standard [Qty:2000pcs]
Bulk packaging available for smaller quantities
Tolerance: 10% and 5% is standard tighter tolerances available

COMMON APPLICATIONS:

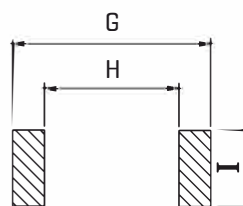
VCRs, Notebook, DC/DC Converters
Video Digital Cameras
Communication System
Automotive Systems Power supplier
LCD PDP Televisions
Hard Disk Drives, Topset, XDSL
Network Systems
Computer Peripheral Equipment

ELECTRICAL CHARACTERISTICS

Part Number	L [μH]	Test Freq [kHz]	DCR ohm Max	IDC Max A
FASDR62LCB-1R2M	1.2	100	0.0298	3.50
FASDR62LCB-1R5M	1.5	100	0.0423	2.94
FASDR62LCB-2R0M	2.0	100	0.0456	2.47
FASDR62LCB-3R3M	3.3	100	0.0680	1.99
FASDR62LCB-4R7M	4.7	100	0.0860	1.59
FASDR62LCB-6R2M	6.2	100	0.1120	1.49
FASDR62LCB-8R2M	8.2	100	0.1380	1.25
FASDR62LCB-100M	10	100	0.1720	1.22
FASDR62LCB-120M	12	100	0.1900	0.99
FASDR62LCB-150M	15	100	0.2480	0.94
FASDR62LCB-180M	18	100	0.2640	0.83
FASDR62LCB-220M	22	100	0.3300	0.80
FASDR62LCB-270M	27	100	0.3640	0.65
FASDR62LCB-330M	33	100	0.5600	0.63
FASDR62LCB-390M	39	100	0.5800	0.55
FASDR62LCB-470M	47	100	0.6900	0.50
FASDR62CB-R82M	0.82	100	0.013	3.48
FASDR62CB-1R2M	1.2	100	0.018	2.83
FASDR62CB-1R8M	1.8	100	0.023	2.44
FASDR62CB-2R7M	2.7	100	0.033	1.89
FASDR62CB-3R3M	3.3	100	0.043	1.65
FASDR62CB-5R6M	5.6	100	0.057	1.37
FASDR62CB-100M	10	100	0.097	1.07
FASDR62CB-120M	12	100	0.116	0.97
FASDR62CB-150M	15	100	0.144	0.87
FASDR62CB-180M	18	100	0.163	0.79
FASDR62CB-220M	22	100	0.179	0.71
FASDR62CB-270M	27	100	0.246	0.64
FASDR62CB-330M	33	100	0.304	0.58
FASDR62CB-390M	39	100	0.341	0.53
FASDR62CB-470M	47	100	0.367	0.48
FASDR62CB-560M	56	100	0.438	0.44
FASDR62CB-680M	68	100	0.491	0.40
FASDR62CB-820M	82	100	0.596	0.36
FASDR62CB-101K	100	100	0.917	0.33

Note: 1. K=±10%, M=±20%, N=±30%

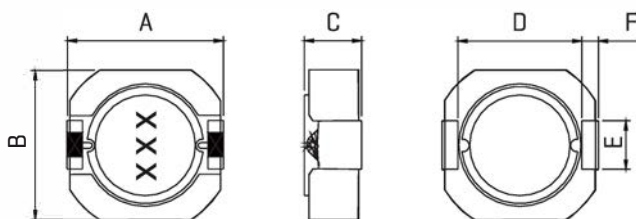
PHYSICAL CHARACTERISTICS:



LAND PATTERNS



CONSTRUCTION



DIMENSIONS IN mm

TECHNICAL INFORMATION:

Inductance Testing: HP4284A, HP4285A or equivalent
RDC: QuadTech 1880 Milliohm meter
Q- HP4342A
SRF- HP4191A or HP4194A
Rated Current L value drop 10% typ. at DC against its initial value
Temperature rise 40°C Max Reference ambient temperature
Solderability: 75% of the lead wire shall be covered
Soldering Methods: Wave, Reflow
Operating Temperature: -25°C to +85°C
Storage Temperature: -55°C to +125°C
Terminal bending strength: 24.5N Min
Moisture resistance: ΔL/L ≤ ±10% ΔQ/Q ≤ ±25%

Part number	A	B	C	D	E	F	G	H	I
FASDR62LCB	6.3Max	6.2Max	2.5Max	4.8	2.0	0.6	6.6	4.6	2.6
FASDR62CB	6.3Max	6.2Max	2.0Max	4.8	2.0	0.6	6.6	4.6	2.6

Note: All specifications subject to change without notice.

SHIELDED SURFACE-MOUNT POWER INDUCTORS FASDR63LCB-63CB SERIES



FEATURES:

- Magnetically Shielded Structure
- Low DC Resistance
- Large current up to 3.59A
- Excellent Mechanical Strength
- High Reliability and Excellent Solderability
- Low and square Profile
- High heat resistance

OPTIONS:

- Packaging: Tape & Reel is standard (Qty: 2000pcs)
- Bulk packaging available for smaller quantities
- Tolerance: 10% and 5% is standard tighter tolerances available

COMMON APPLICATIONS:

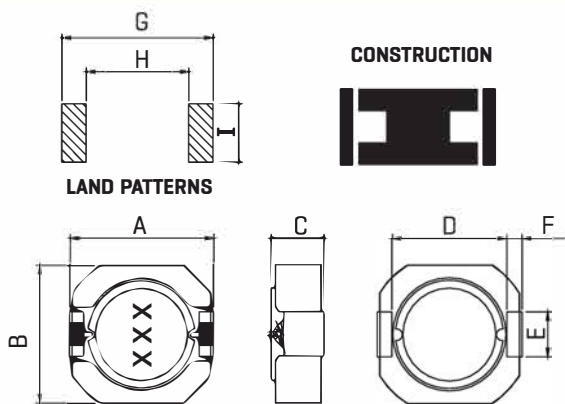
- VCRs, Notebook, DC/DC Converters
- Video Digital Cameras
- Communication System
- Automotive Systems Power supplier
- LCD PDP Televisions
- Hard Disk Drives, Topset, XDSL
- Network Systems
- Computer Peripheral Equipment

ELECTRICAL CHARACTERISTICS:

Part Number	L [μH]	Test Freq [kHz]	DCR ohm Max	IDC Max A	Part Number	L [μH]	Test Freq [kHz]	DCR ohm Max	IDC Max A
FASDR63LCB-1R0M	1.0	100	0.013	3.59	FASDR63CB-2R0M	2.0	100	0.022	3.00
FASDR63LCB-1R5M	1.5	100	0.018	2.93	FASDR63CB-2R7M	2.7	100	0.024	2.69
FASDR63LCB-2R2M	2.2	100	0.021	2.42	FASDR63CB-3R3M	3.3	100	0.027	2.57
FASDR63LCB-3R3M	3.3	100	0.027	1.89	FASDR63CB-4R7M	4.7	100	0.036	2.08
FASDR63LCB-4R7M	4.7	100	0.039	1.66	FASDR63CB-6R8M	6.8	100	0.046	1.84
FASDR63LCB-6R2M	6.2	100	0.053	1.45	FASDR63CB-8R2M	8.2	100	0.052	1.54
FASDR63LCB-100M	10	100	0.079	1.14	FASDR63CB-100M	10	100	0.059	1.49
FASDR63LCB-120M	12	100	0.094	1.04	FASDR63CB-120M	12	100	0.070	1.28
FASDR63LCB-150M	15	100	0.115	0.93	FASDR63CB-150M	15	100	0.091	1.10
FASDR63LCB-180M	18	100	0.130	0.85	FASDR63CB-180M	18	100	0.104	1.05
FASDR63LCB-220M	22	100	0.145	0.77	FASDR63CB-220M	22	100	0.148	0.97
FASDR63LCB-270M	27	100	0.157	0.70	FASDR63CB-270M	27	100	0.158	0.82
FASDR63LCB-330M	33	100	0.211	0.63	FASDR63CB-330M	33	100	0.173	0.76
FASDR63LCB-390M	39	100	0.233	0.58	FASDR63CB-390M	39	100	0.205	0.70
FASDR63LCB-470M	47	100	0.276	0.53	FASDR63CB-470M	47	100	0.226	0.68
FASDR63LCB-560M	56	100	0.308	0.48	FASDR63CB-560M	56	100	0.275	0.60
FASDR63LCB-680M	68	100	0.330	0.44	FASDR63CB-680M	68	100	0.321	0.56
FASDR63LCB-820M	82	100	0.445	0.40	FASDR63CB-820M	82	100	0.369	0.47
FASDR63LCB-101K	100	100	0.540	0.36	FASDR63CB-101K	100	100	0.495	0.45
FASDR63LCB-151K	150	100	0.700	0.31	FASDR63CB-151K	150	100	0.640	0.37

Note: 1. K=±10%, M=±20%, N=±30%

PHYSICAL CHARACTERISTICS:



DIMENSIONS IN mm

Part number	A	B	C	D	E	F	G	H	I
FASDR63LCB	6.3Max	6.2Max	3.0Max	4.8	2.0	0.6	6.6	4.6	2.6
FASDR63CB	6.3Max	6.2Max	3.5Max	4.8	2.0	0.6	6.6	4.6	2.6

Note: All specifications subject to change without notice.

TECHNICAL INFORMATION:

- Inductance Testing: HP4284A
- HP4285A or equivalent
- RDC: QuadTech 1880 Milliohmmete
- Q- HP4342A
- SRF-HP4191A or HP4194A
- Rated Current L value drop 10% typ. at I DC against its initial value
- Temperature rise 40°C Max
- Reference ambient temperature
- Solderability: 75% of the lead wire
- Shall be covered
- Soldering Methods: Wave, Reflow
- Operating Temperature: -25°C to +85°C
- Storage Temperature: -55°C to +125°C
- Terminal bending strength: 24.5N Min
- Moisture resistance
- ΔL/L ≤ ±10% ΔQ/Q ≤ ±25%

SURFACE-MOUNT POWER INDUCTORS

FASMD4D06-4D08 SERIES



FEATURES:

- Low DC Resistance
- Large current up to 0.95A
- Excellent Mechanical Strength
- High Reliability and Excellent Solderability
- Low and square Profile
- High heat resistance

OPTIONS:

- Packaging: Tape & Reel is standard [Qty:2000pcs]
- Bulk packaging available for smaller quantities
- Tolerance: 10% and 5% is standard tighter tolerances available

COMMON APPLICATIONS:

- VCRs, Notebook, DC/DC Converters
- Video Digital Cameras
- Communication System
- Automotive Systems Power supplier
- LCD PDP Televisions
- Hard Disk Drives, Topset, XDSL
- Network Systems
- Computer Peripheral Equipment

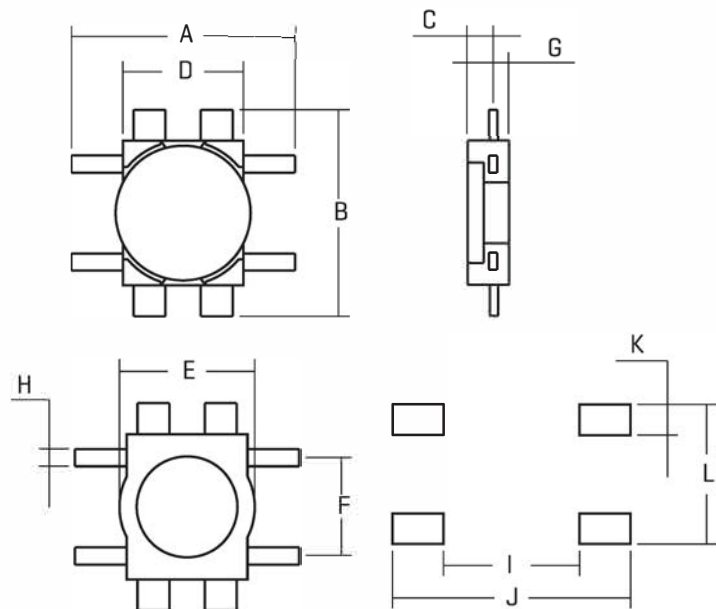
ELECTRICAL CHARACTERISTICS

Part Number	L μ H	Test Freq KHz	DCR ohm Max	IDC Max A	Part Number	L μ H	Test Freq KHz	DCR ohm Max	IDC Max A
FASMD4D06-2R2M	2.2	100	0.116	0.95	FASMD4D08-3R3M	3.3	100	0.060	0.85
FASMD4D06-3R3M	3.3	100	0.174	0.77	FASMD4D08-4R7M	4.7	100	0.194	0.80
FASMD4D06-4R7M	4.7	100	0.216	0.75	FASMD4D08-6R8M	6.8	100	0.276	0.65
FASMD4D06-6R8M	6.8	100	0.296	0.62	FASMD4D08-100M	10	100	0.335	0.57
FASMD4D06-100M	10	100	0.457	0.50	FASMD4D08-150M	15	100	0.508	0.45
FASMD4D06-150M	15	100	0.676	0.40	FASMD4D08-220M	22	100	0.766	0.37
FASMD4D06-220M	22	100	1.066	0.30	FASMD4D08-330M	33	100	1.162	0.28
FASMD4D06-330M	33	100	1.647	0.24	FASMD4D08-470M	47	100	1.658	0.22
FASMD4D06-470M	47	100	2.843	0.18	FASMD4D08-680M	68	100	2.534	0.18

Note: 1. K=±10%, M=±20%, N=±30%

TECHNICAL INFORMATION & PHYSICAL CHARACTERISTICS

- Inductance Testing: HP4284A
- HP4285A or equivalent
- RDC: QuadTech 1880 Milliohmmete
- Q- HP4342A
- SRF- HP4191A or HP4194A
- Rated Current L value drop 10% typ. at
- I DC against its initial value
- Temperature rise 40°C Max
- Reference ambient temperature
- Solderability: 75% of the lead wire
- Shall be covered
- Soldering Methods: Wave, Reflow
- Operating Temperature: -25°C to +85°C
- Storage Temperature: -55°C to +125°C
- Terminal bending strength: 24.5N Min
- Moisture resistance
- $\Delta L/L \leq \pm 10\%$ $\Delta Q/Q \leq \pm 25\%$



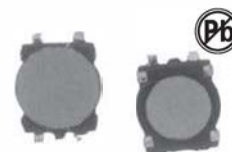
DIMENSIONS IN mm

Part number	A	B	C	D	E	F	G	H	I	J	K	L
FASMD4D06	6.5M ax	6.0M ax	0.8M ax	3.5	4.1	3.2	0.4	0.5	4	7	0.9	4.1
FASMD4D08	6.2M ax	5.8M ax	1.0M ax	3.5	4.1	3.2	0.4	0.5	4	7	0.9	4.1

Note: All specifications subject to change without notice.

SURFACE-MOUNT POWER INDUCTORS

FASMD4D11-4D13 SERIES



FEATURES:

Ferrite Core Structure
 Low DC Resistance
 Large current up to 0.95A
 Excellent Mechanical Strength
 High Reliability and Excellent Solderability
 Low and square Profile
 High heat resistance

OPTIONS:

Packaging:Tape & Reel is standard
 (Qty:2000pcs)
 Bulk packaging available for smaller quantities
 Tolerance:10% and 5% is standard
 tighter tolerances available

COMMON APPLICATIONS:

VCRs, Notebook, DC/DC Converters
 Video Digital Cameras
 Communication System
 Automotive Systems Power supplier
 LCD PDP Televisions
 Hard Disk Drives, Topset, XDSL
 Network Systems
 Computer Peripheral Equipment

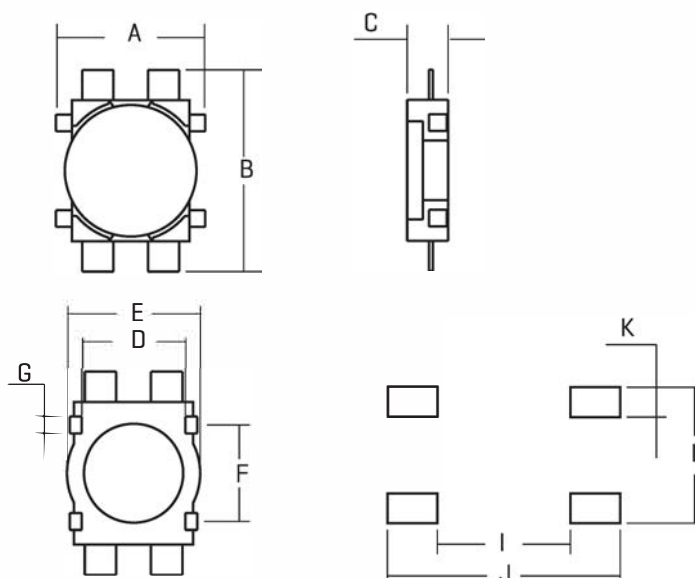
ELECTRICAL CHARACTERISTICS

Part Number	L μ H	Test Freq KHz	DCR ohm Max	IDC Max A	Part Number	L μ H	Test Freq KHz	DCR ohm Max	IDC Max A
FASMD4D11-2R2M	2.2	100	0.116	0.95	FASMD4D13-2R2M	2.2	100	0.160	0.85
FASMD4D11-3R3M	3.3	100	0.174	0.77	FASMD4D13-3R3M	3.3	100	0.194	0.80
FASMD4D11-4R7M	4.7	100	0.216	0.75	FASMD4D13-4R7M	4.7	100	0.276	0.65
FASMD4D11-6R8M	6.8	100	0.296	0.62	FASMD4D13-6R8M	6.8	100	0.335	0.57
FASMD4D11-100M	10	100	0.457	0.50	FASMD4D13-120M	12	100	0.508	0.45
FASMD4D11-150M	15	100	0.676	0.40	FASMD4D13-180M	18	100	0.766	0.37
FASMD4D11-220M	22	100	1.066	0.30	FASMD4D13-330M	33	100	1.162	0.28
FASMD4D11-330M	33	100	1.647	0.24	FASMD4D13-470M	47	100	1.658	0.22
FASMD4D11-470M	47	100	2.843	0.18	FASMD4D13-680M	68	100	2.534	0.18
					FASMD4D13-101M	100	100	3.904	0.17

Note:1.K=±10%,M=±20%,N=±30%

TECHNICAL INFORMATION & PHYSICAL CHARACTERISTICS

Inductance Testing: HP4284A
 HP4285A or equivalent
 RDC:QuadTech 1880 Milliohmmete
 Q- HP4342A
 SRF-HP4191A or HP4194A
 Rated Current L value drop10%typ.at
 I DC against its initial value
 Temperature rise 40°C Max
 Reference ambient temperature
 Solderability: 75% of the lead wire
 Shall be covered
 Soldering Methods: Wave,Reflow
 Operating Temperature:-25°C to +85°C
 Storage Temperature:-55°C to +125°C
 Terminal bending strength:24.5N Min
 Moisture resistance
 $\Delta L/L \leq \pm 10\%$ $\Delta Q/Q \leq \pm 25\%$



LAND PATTERNS

DIMENSIONS IN mm

Part number	A	B	C	D	E	F	G	I	J	K	L
FASMD4D11	4.5Max	6.0Max	1.3Max	2.9	3.7	3.2	0.5	3.0	5.8	0.8	4.1
FASMD4D13	4.4Max	5.8Max	1.45Max	2.9	3.7	3.7	0.5	2.5	5.3	0.8	4.0

Note:All specifications subject to change without notice.

SURFACE-MOUNT POWER INDUCTORS FASNR3010,3012 SERIES



FEATURES:

Low profile, low RDC, high current handling capacities
Magnetically shielded structure that ensures the high-density mounting configurations
Provided in embossed carrier tape packaging for use with automatic mounting machines

OPTIONS:

Ideally used in Portable telephones, PDA, DSC, DC-DC Converter, etc

COMMON APPLICATIONS:

$\frac{SNR}{a} \frac{3010}{b} \frac{1R0}{c} \frac{N}{d}$
a: Series name
b: Product dimensions
c: Inductance Value [1R0: 1.0uH; 100; 10uH; 101: 100uH]
d: Inductance Tolerance [K: 10%; M: 20%; N: 30%]

ELECTRICAL CHARACTERISTICS

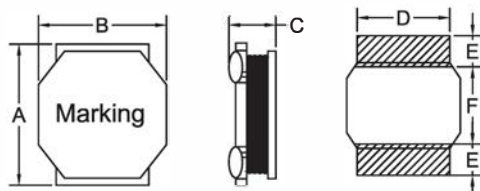
Part Number	Inductance [uH]	DCR [mΩ] Max	Isat [A]
FASNR3010-1R0N	1.0	85	1.40
FASNR3010-1R5N	1.5	104	1.27
FASNR3010-2R2N	2.2	143	1.15
FASNR3010-3R3N	3.3	189	0.97
FASNR3010-4R7N	4.7	293	0.75
FASNR3010-6R8N	6.8	397	0.55
FASNR3010-100M	10	520	0.55
FASNR3010-150M	15	850	0.42
FASNR3010-220M	22	1300	0.35
FASNR3010-330M	33	2050	0.29
FASNR3010-470M	47	2535	0.22

Part Number	Inductance [uH]	DCR [mΩ] Max	Isat [A]
FASNR3012-1R0N	1.0	60	2.20
FASNR3012-1R5N	1.5	63	1.62
FASNR3012-2R2N	2.2	105	1.20
FASNR3012-3R3N	3.3	140	1.05
FASNR3012-4R7N	4.7	168	0.90
FASNR3012-6R8N	6.8	266	0.75
FASNR3012-100M	10	358	0.60
FASNR3012-150M	15	486	0.45
FASNR3012-220M	22	872	0.42
FASNR3012-330M	33	1182	0.36
FASNR3012-470M	47	1485	0.27
FASNR3012-680M	68	2255	0.24
FASNR3012-101M	100	3861	0.21

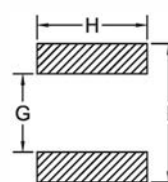
TEST CONDITIONS

L = 8.2uH TEST FREQUENCY AT 100KHz/0.25V.
L > 8.2uH TEST FREQUENCY AT 1KHz/0.25V.

TECHNICAL INFORMATION



PHYSICAL CHARACTERISTICS



DIMENSIONS IN mm

Part number	A	B	C	D	E	F	G	H	I
FASNR3010	3.0±0.2	3.0±0.2	1.2 Max	2.5 REF	0.9 REF	1.2 REF	3.5 REF	2.8 REF	0.9 REF
FASNR3012	3.0±0.2	3.0±0.2	1.2 Max	2.5 REF	0.9 REF	1.2 REF	3.5 REF	3.0 REF	0.9 REF

SURFACE-MOUNT POWER INDUCTORS FASNR3015,4010 SERIES



FEATURES:

Low profile, low R_{DC}, high current handling capacities
Magnetically shielded structure that ensures the high-density mounting configurations
Provided in embossed carrier tape packaging for use with automatic mounting machines

OPTIONS:

Ideally used in Portable telephones, PDA, DSC
DC-DC converters, etc

COMMON APPLICATIONS:

$\frac{SNR}{a} \frac{3010}{b} \frac{1R0}{c} \frac{N}{d}$
a: Series name
b: Product dimensions
c: Inductance Value [1R0: 1.0uH; 100; 10uH; 101: 100uH]
d: Inductance Tolerance [K: 10%; M: 20%; N: 30%]

ELECTRICAL CHARACTERISTICS

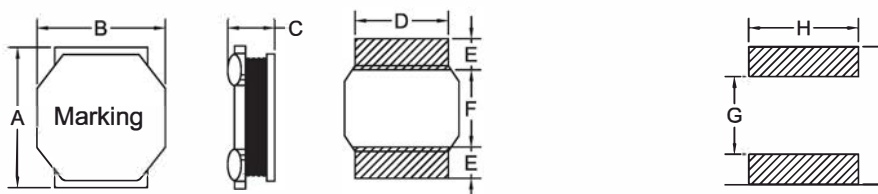
Part Number	Inductance [uH]	DCR [mΩ] Max	Isat [A]	Part Number	Inductance [uH]	DCR [mΩ] Max	Isat [A]
FASNR3015-1R0N	1.0	48	2.32	FASNR4010-1R0N	1.0	92	2.20
FASNR3015-1R5N	1.5	65	2.10	FASNR4010-2R2N	2.2	152	1.60
FASNR3015-2R2N	2.2	78	1.60	FASNR4010-3R3N	3.3	206	1.40
FASNR3015-3R3N	3.3	104	1.30	FASNR4010-4R7N	4.7	286	1.10
FASNR3015-4R7N	4.7	160	1.10	FASNR4010-6R8N	6.8	378	1.00
FASNR3015-6R8N	6.8	234	0.85	FASNR4010-8R2N	8.2	436	0.85
FASNR3015-100M	10	338	0.70	FASNR4010-100M	10	480	0.80
FASNR3015-150M	15	439	0.60	FASNR4010-220M	22	1430	0.50
FASNR3015-220M	22	600	0.52	FASNR4010-470M	47	2389	0.23
FASNR3015-330M	33	1066	0.44				
FASNR3015-470M	47	1600	0.35				

TEST CONDITIONS

L = 8.2uH TEST FREQUENCY AT 100KHz/0.25V.
L > 8.2uH TEST FREQUENCY AT 1KHz/0.25V.

TECHNICAL INFORMATION

PHYSICAL CHARACTERISTICS



DIMENSIONS IN mm

Part number	A	B	C	D	E	F	G	H	I
FASNR3015	3.0±0.2	3.0±0.2	1.5 Max	2.6 REF	0.9 REF	1.2 REF	3.5 REF	2.9 REF	0.9 REF
FASNR4010	4.0±0.2	4.0±0.2	1.15 Max	3.5 REF	1.3 REF	1.4 REF	4.5 REF	3.8 REF	1.1 REF

SURFACE-MOUNT POWER INDUCTORS FASNR4012,4018 SERIES



FEATURES:

Low profile, low R DC, high current handling capacities
Magnetically shielded structure that ensures the
high-density mounting configurations
Provided in embossed carrier tape packaging for use with automatic mounting machines

OPTIONS:

Ideally used in Portable telephones, PDA, DSC
DC-DC Converter, etc

COMMON APPLICATIONS:

SNR $\frac{3010}{a}$ $\frac{1R0}{c}$ $\frac{N}{d}$
a: Series name
b: Product dimensions
c: Inductance Value [1R0: 1.0uH; 100; 10uH; 101: 100uH]
d: Inductance Tolerance [K: 10%; M: 20%; N: 30%]

ELECTRICAL CHARACTERISTICS

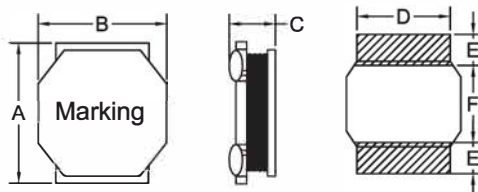
Part Number	Inductance [uH]	DCR [mΩ] Max	Isat [A]
FASNR4012-1R0N	1.0	65	2.61
FASNR4012-1R5N	1.5	85	2.10
FASNR4012-2R2N	2.2	104	1.76
FASNR4012-3R3N	3.3	147	1.25
FASNR4012-4R7N	4.7	163	1.15
FASNR4012-6R8N	6.8	260	0.95
FASNR4012-100M	10	345	0.80
FASNR4012-150M	15	442	0.56
FASNR4012-220M	22	611	0.54
FASNR4012-330M	33	1053	0.42
FASNR4012-470M	47	1430	0.35
FASNR4012-680M	68	1950	0.30

Part Number	Inductance [uH]	DCR [mΩ] Max	Isat [A]
FASNR4018-1R0N	1.0	33	4.50
FASNR4018-1R2N	1.2	48	3.50
FASNR4018-2R2N	2.2	59	2.70
FASNR4018-3R3N	3.3	84	2.15
FASNR4018-4R7N	4.7	117	2.00
FASNR4018-5R6N	5.6	130	1.65
FASNR4018-6R8N	6.8	143	1.60
FASNR4018-100M	10	234	1.30
FASNR4018-150M	15	325	0.95
FASNR4018-220M	22	468	0.80
FASNR4018-330M	33	689	0.65
FASNR4018-470M	47	845	0.57
FASNR4018-680M	68	1300	0.46
FASNR4018-101M	100	1950	0.41
FASNR4018-151M	150	3120	0.32
FASNR4018-221M	220	4800	0.28

TEST CONDITIONS

L = 8.2uH TEST FREQUENCY AT 100KHz/0.25V.
L > 8.2uH TEST FREQUENCY AT 1KHz/0.25V.

TECHNICAL INFORMATION



DIMENSIONS IN mm

Part number	A	B	C	D	E	F	G	H	I
FASNR4012	4.0±0.2	4.0±0.2	1.35 Max	3.5 REF	1.25 REF	1.5 REF	4.5 REF	3.8 REF	1.2 REF
FASNR4018	4.0±0.2	4.0±0.2	1.8 Max	3.5 REF	1.2 REF	1.6 REF	4.5 REF	3.8 REF	1.3 REF

PHYSICAL CHARACTERISTICS

SURFACE-MOUNT POWER INDUCTORS FASNR4020,4026 SERIES



FEATURES:

Low profile, low R_{DC}, high current handling capacities
Magnetically shielded structure that ensures the high-density mounting configurations
Provided in embossed carrier tape packaging for use with automatic mounting machines

OPTIONS:

Ideally used in Portable telephones, PDA, DSC
DC-DC converters, etc

COMMON APPLICATIONS:

$\frac{SNR}{a} \frac{3010}{b} \frac{1R0}{c} \frac{N}{d}$
a: Series name
b: Product dimensions
c: Inductance Value [1R0: 1.0uH; 100; 10uH; 101: 100uH]
d: Inductance Tolerance [K: 10%; M: 20%; N: 30%]

ELECTRICAL CHARACTERISTICS

Part Number	Inductance [uH]	DCR [mΩ] Max	Isat [A]
FASNR4020-1R0N	1.0	41.8	4.78
FASNR4020-1R5N	1.5	50.6	4.45
FASNR4020-2R2N	2.2	54.6	3.40
FASNR4020-3R3N	3.3	95.8	3.20
FASNR4020-4R7N	4.7	102.9	2.35
FASNR4020-6R8N	6.8	171.2	2.15
FASNR4020-100M	10	225	1.60
FASNR4020-150M	15	314	1.35
FASNR4020-220M	22	477	1.05
FASNR4020-330M	33	750	0.85
FASNR4020-470M	47	969	0.74
FASNR4020-680M	68	1449	0.61
FASNR4020-820M	82	1596	0.50
FASNR4020-101M	100	2210	0.46

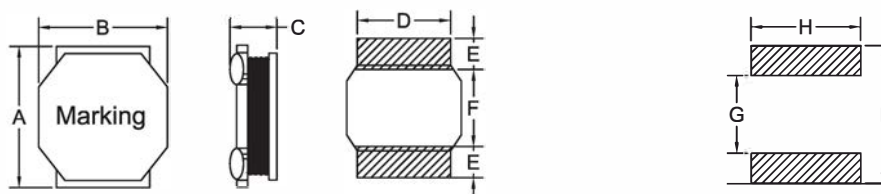
Part Number	Inductance [uH]	DCR [mΩ] Max	Isat [A]
FASNR4026-1R0N	1.0	45	3.30
FASNR4026-2R2N	2.2	60	2.90
FASNR4026-3R3N	3.3	88	2.50
FASNR4026-4R7N	4.7	128	2.25
FASNR4026-6R8N	6.8	145	1.90
FASNR4026-8R2N	8.2	160	1.75
FASNR4026-100M	10	180	1.65
FASNR4026-150M	15	300	1.55
FASNR4026-220M	22	330	1.40
FASNR4026-330M	33	482	1.20
FASNR4026-470M	47	950	1.00
FASNR4026-680M	68	1300	0.80

TEST CONDITIONS

L = 8.2uH TEST FREQUENCY AT 100KHz/0.25V.
L > 8.2uH TEST FREQUENCY AT 1KHz/0.25V.

TECHNICAL INFORMATION

PHYSICAL CHARACTERISTICS



DIMENSIONS IN mm

Part number	A	B	C	D	E	F	G	H	I
FASNR4020	4.0±0.2	4.0±0.2	2.1 Max	3.5 REF	1.2 REF	1.6 REF	4.5 REF	3.8 REF	1.3 REF
FASNR4026	4.0±0.2	4.0±0.2	2.6 Max	3.5 REF	1.2 REF	1.6 REF	4.5 REF	3.8 REF	1.3 REF

SURFACE-MOUNT POWER INDUCTORS FASNR4030,5012 SERIES



FEATURES:

Low profile, low RDC, high current handling capacities.
Magnetically shielded structure that ensures the high-density mounting configurations.
Provided in embossed carrier tape packaging for use with automatic mounting machines.

OPTIONS:

Ideally used in Portable telephones, PDA, DSC, DC-DC Converter, etc.

COMMON APPLICATIONS:

SNR $\frac{3010}{a}$ $\frac{1R0}{b}$ $\frac{N}{c}$ $\frac{N}{d}$
a: Series name
b: Product dimensions
c: Inductance Value [1R0: 1.0uH; 100; 10uH; 101: 100uH]
d: Inductance Tolerance [K: 10%; M: 20%; N: 30%]

ELECTRICAL CHARACTERISTICS

Part Number	Inductance [uH]	DCR [mΩ] Max	Isat [A]
FASNR4030-1R0N	1.0	28.6	5.00
FASNR4030-1R5N	1.5	42	4.80
FASNR4030-2R2N	2.2	46	4.50
FASNR4030-3R3N	3.3	65	3.00
FASNR4030-4R7N	4.7	78	2.90
FASNR4030-6R8N	6.8	130	2.20
FASNR4030-100M	10	156	2.00
FASNR4030-150M	15	260	1.70
FASNR4030-220M	22	293	1.30
FASNR4030-330M	33	468	1.10
FASNR4030-470M	47	598	0.98
FASNR4030-560M	56	685	0.88
FASNR4030-680M	68	1087	0.77
FASNR4030-101M	100	1443	0.70
FASNR4030-151M	150	1820	0.50
FASNR4030-220M	220	4550	0.33

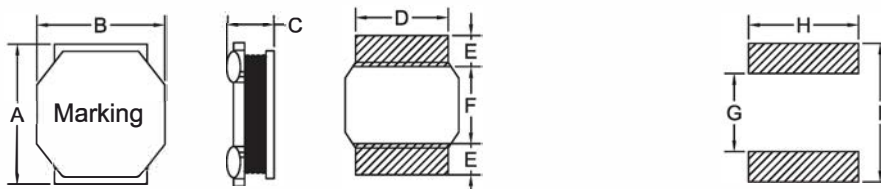
Part Number	Inductance [uH]	DCR [mΩ] Max	Isat [A]
FASNR5012-1R0N	1.0	78	4.00
FASNR5012-1R5N	1.5	85	3.20
FASNR5012-2R2N	2.2	120	3.10
FASNR5012-3R3N	3.3	200	2.20
FASNR5012-4R7N	4.7	230	1.98
FASNR5012-6R8N	6.8	390	1.50
FASNR5012-100M	10	624	1.40
FASNR5012-150M	15	804	1.20
FASNR5012-220M	22	1300	1.10

TEST CONDITIONS

L = 8.2uH TEST FREQUENCY AT 100KHz/0.25V.
L > 8.2uH TEST FREQUENCY AT 1KHz/0.25V.

TECHNICAL INFORMATION

PHYSICAL CHARACTERISTICS



DIMENSIONS IN mm

Part number	A	B	C	D	E	F	G	H	I
FASNR4030	4.0±0.2	4.0±0.2	3.0 Max	3.5 REF	1.35 REF	1.3 REF	4.5 REF	3.8 REF	1.0 REF
FASNR5012	5.0±0.2	5.0±0.2	1.3 Max	4.0 REF	1.5 REF	2.0 REF	5.5 REF	4.3 REF	1.7 REF

SURFACE-MOUNT POWER INDUCTORS FASNR5020,5040 SERIES



FEATURES:

Low profile, low R DC, high current handling capacities
Magnetically shielded structure that ensures the high-density mounting configurations
Provided in embossed carrier tape packaging for use with automatic mounting machines

OPTIONS:

Ideally used in Portable telephones, PDA, DSC
DC-DC Converter, etc

COMMON APPLICATIONS:

SNR $\frac{3010}{a}$ $\frac{1R0}{b}$ $\frac{N}{c}$ $\frac{N}{d}$
a: Series name
b: Product dimensions
c: Inductance Value [1R0: 1.0uH; 100; 10uH; 101: 100uH]
d: Inductance Tolerance [K: 10%; M: 20%; N: 30%]

ELECTRICAL CHARACTERISTICS

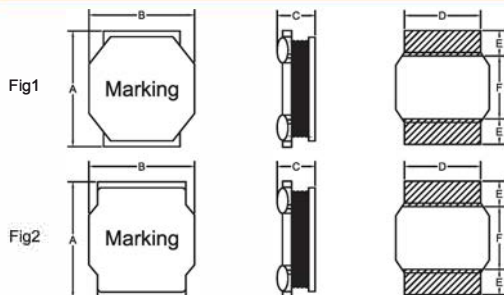
Part Number	Inductance (uH)	DCR (mΩ) Max	Isat (A)
FASNR5020-1R0N	1.0	26	4.33
FASNR5020-1R5N	1.5	34	4.10
FASNR5020-2R2N	2.2	50	3.60
FASNR5020-3R3N	3.3	59	3.00
FASNR5020-4R7N	4.7	78	2.50
FASNR5020-6R8N	6.8	108	2.05
FASNR5020-100M	10	156	1.44
FASNR5020-150M	15	234	1.40
FASNR5020-220M	22	294	1.15
FASNR5020-270M	27	390	1.05
FASNR5020-330M	33	465	1.00
FASNR5020-470M	47	657	0.82
FASNR5020-680M	68	835	0.59
FASNR5020-101M	100	1328	0.55
FASNR5020-221M	220	2860	0.28
FASNR5020-102K	1000	18200	0.10

Part Number	Inductance (uH)	DCR (mΩ) Max	Isat (A)
FASNR5040-1R0N	1.0	18	7.35
FASNR5040-1R5N	1.5	28	5.00
FASNR5040-2R2N	2.2	28	4.90
FASNR5040-3R3N	3.3	34	3.95
FASNR5040-4R7N	4.7	42	3.50
FASNR5040-6R8N	6.8	59	2.90
FASNR5040-100M	10	78	2.30
FASNR5040-150M	15	104	2.00
FASNR5040-220M	22	169	1.60
FASNR5040-270M	27	208	1.40
FASNR5040-330M	33	234	1.30
FASNR5040-470M	47	403	1.02
FASNR5040-560M	56	442	1.00
FASNR5040-680M	68	650	0.85
FASNR5040-101M	100	728	0.66
FASNR5040-221M	220	2340	0.40

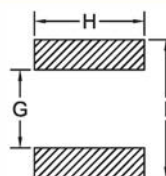
TEST CONDITIONS

L = 8.2uH TEST FREQUENCY AT 100KHz/0.25V.
L > 8.2uH TEST FREQUENCY AT 1KHz/0.25V.

TECHNICAL INFORMATION



PHYSICAL CHARACTERISTICS



DIMENSIONS IN mm

Part number	A	B	C	D	E	F	G	H	I	FIG
FASNR 5020	5.0±0.2	5.0±0.2	2.0 Max	4.0 REF	1.35 REF	2.3 REF	5.5 REF	4.3 REF	2.0 REF	2
FASNR 5040	5.0±0.2	5.0±0.2	4.0 Max	4.0 REF	1.5 REF	2.0 REF	5.5 REF	4.3 REF	1.7 REF	1

SURFACE-MOUNT POWER INDUCTORS FASNR5045,6012 SERIES



FEATURES:

Low profile, low RDC, high current handling capacities
Magnetically shielded structure that ensures the high-density mounting configurations
Provided in embossed carrier tape packaging for use with automatic mounting machines

OPTIONS:

Ideally used in Portable telephones, PDA, DSC DC-DC Converter, etc

COMMON APPLICATIONS:

SNR $\frac{3010}{a}$ $\frac{1R0}{b}$ $\frac{N}{c}$ $\frac{N}{d}$
a: Series name
b: Product dimensions
c: Inductance Value [1R0: 1.0uH; 100; 10uH; 101: 100uH]
d: Inductance Tolerance [K: 10%; M: 20%; N: 30%]

ELECTRICAL CHARACTERISTICS

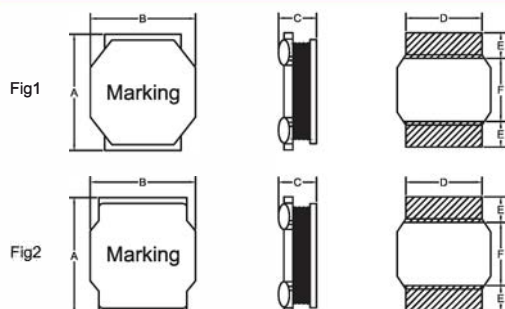
Part Number	Inductance [uH]	DCR [mΩ] Max	Isat [A]
FASNR5045-1R0N	1.0	20	6.00
FASNR5045-1R5N	1.5	21	5.80
FASNR5045-2R2N	2.2	22	5.00
FASNR5045-3R3N	3.3	29	4.00
FASNR5045-4R7N	4.7	34	3.30
FASNR5045-220M	22	170	1.75
FASNR5045-151M	150	1700	0.55
FASNR5045-221M	220	1950	0.50
FASNR5045-471M	470	4300	0.20

Part Number	Inductance [uH]	DCR [mΩ] Max	Isat [A]
FASNR6012-3R3N	3.3	130	1.65
FASNR6012-6R8N	6.8	243	1.30
FASNR6012-100M	10	270	1.00

TEST CONDITIONS

L = 8.2uH TEST FREQUENCY AT 100KHz/0.25V.
L > 8.2uH TEST FREQUENCY AT 1KHz/0.25V.

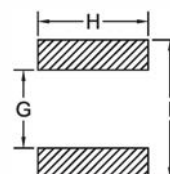
TECHNICAL INFORMATION



DIMENSIONS IN mm

Part number	A	B	C	D	E	F	G	H	I	FIG
FASNR5045	5.0±0.2	5.0±0.2	4.5 Max	4.0 REF	1.5 REF	2.0 REF	5.5 REF	4.3 REF	1.7 REF	1
FASNR6012	6.0±0.2	6.0±0.2	1.3 Max	5.0 REF	1.65 REF	2.7 REF	6.5 REF	5.3 REF	2.4 REF	2

PHYSICAL CHARACTERISTICS





SURFACE-MOUNT POWER INDUCTORS FASNR6020,6028 SERIES

FEATURES:

Low profile, low RDC, high current handling capacities
Magnetically shielded structure that ensures the high-density mounting configurations
Provided in embossed carrier tape packaging for use with automatic mounting machines

OPTIONS:

Ideally used in Portable telephones, PDA, DSC
DC-DC converters, etc

COMMON APPLICATIONS:

SNR $\frac{3010}{a}$ $\frac{1R0}{c}$ $\frac{N}{d}$
a: Series name
b: Product dimensions
c: Inductance Value [1R0:1.0uH;100;10uH;101:100uH]
d: Inductance Tolerance [K:10%;M:20%;N:30%]

ELECTRICAL CHARACTERISTICS

Part Number	Inductance [uH]	DCR [mΩ] Max	Isat [A]
FASNR6020-1R0N	1.0	28	4.27
FASNR6020-1R5N	1.5	35	4.20
FASNR6020-2R2N	2.2	45	3.20
FASNR6020-3R3N	3.3	46	3.15
FASNR6020-4R7N	4.7	90	2.80
FASNR6020-6R8N	6.8	140	2.20
FASNR6020-100M	10	175	185
FASNR6020-120M	12	190	1.70
FASNR6020-150M	15	200	1.35
FASNR6020-220M	22	280	1.29
FASNR6020-330M	33	400	1.00
FASNR6020-470M	47	650	0.90
FASNR6020-680M	68	950	0.65
FASNR6020-101M	100	1430	0.50

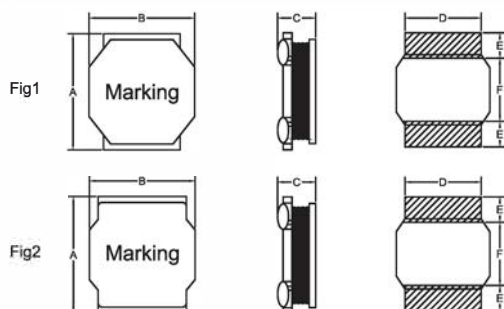
Part Number	Inductance [uH]	DCR [mΩ] Max	Isat [A]
FASNR6028-1R0N	1.0	20	5.75
FASNR6028-1R5N	1.5	25	5.25
FASNR6028-2R2M	2.2	28	5.10
FASNR6028-3R3M	3.3	40	3.80
FASNR6028-4R7M	4.7	45	3.70
FASNR6028-5R6M	5.6	60	3.15
FASNR6028-6R8M	6.8	65	3.00
FASNR6028-100M	10	85	2.50
FASNR6028-120M	12	96	2.00
FASNR6028-150M	15	125	2.00
FASNR6028-220M	22	185	1.45
FASNR6028-270M	27	210	1.50
FASNR6028-330M	33	260	1.20
FASNR6028-470M	47	410	1.15
FASNR6028-560M	56	420	0.85
FASNR6028-680M	68	546	0.85
FASNR6028-820M	82	680	0.80
FASNR6028-101M	100	750	0.750
FASNR6028-151M	150	860	0.50
FASNR6028-331M	330	2400	0.27
FASNR6028-471M	470	3500	0.23
FASNR6028-102M	1000	7800	0.20

TEST CONDITIONS

L = 82uH TEST FREQUENCY AT 100KHz/0.25V.
L > 82uH TEST FREQUENCY AT 1KHz/0.25V.

TECHNICAL INFORMATION

PHYSICAL CHARACTERISTICS



DIMENSIONS IN mm

Part number	A	B	C	D	E	F	G	H	I	FIG
FASNR6020	6.0±0.2	6.0±0.2	2.0 Max	5.0 REF	1.65 REF	2.7 REF	6.5 REF	5.3 REF	2.4 REF	1
FASNR6028	6.0±0.2	6.0±0.2	3.0 Max	5.0 REF	1.85 REF	2.3 REF	6.5 REF	5.3 REF	2.0 REF	2

SURFACE-MOUNT POWER INDUCTORS FASNR6045,6050 SERIES



FEATURES:

Low profile, low RDC, high current handling capacities
Magnetically shielded structure that ensures the
high-density mounting configurations
Provided in embossed carrier tape packaging for use with automatic mounting machines

OPTIONS:

Ideally used in Portable telephones, PDA, DSC, DC-DC Converter, etc

COMMON APPLICATIONS:

SNR $\frac{3010}{a}$ $\frac{1R0}{b}$ $\frac{N}{c}$ $\frac{N}{d}$
a: Series name
b: Product dimensions
c: Inductance Value [1R0:1.0uH;100;10uH;101:100uH]
d: Inductance Tolerance [K:10%;M:20%;N:30%]

ELECTRICAL CHARACTERISTICS

Part Number	Inductance (uH)	DCR (mΩ) Max	Isat (A)
FASNR6045-1R0N	1.0	14.3	9.85
FASNR6045-1R5N	1.5	15.6	9.00
FASNR6045-1R8N	1.8	23.4	7.00
FASNR6045-2R2N	2.2	23.4	6.90
FASNR6045-3R3N	3.3	27.3	5.90
FASNR6045-4R7N	4.7	33.8	5.00
FASNR6045-5R6N	5.6	36.4	4.27
FASNR6045-6R8N	6.8	40.3	3.90
FASNR6045-8R2N	8.2	59.8	3.30
FASNR6045-100M	10	59.8	3.30
FASNR6045-120M	12	78	2.80
FASNR6045-150M	15	85	2.58
FASNR6045-220M	22	150	2.08
FASNR6045-270M	27	156	1.90
FASNR6045-330M	33	182	1.65
FASNR6045-470M	47	260	1.44
FASNR6045-680M	68	377	1.40
FASNR6045-101M	100	541	0.98
FASNR6045-121M	120	606	0.88
FASNR6045-151M	150	754	0.80
FASNR6045-221M	220	1044	0.72
FASNR6045-331M	330	2600	0.50
FASNR6045-102K	1000	6760	0.24

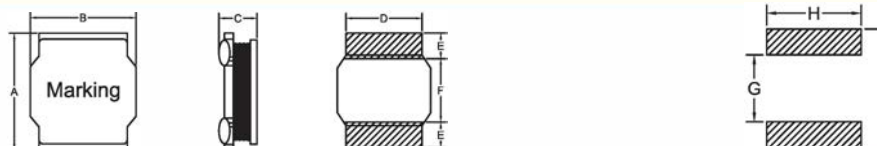
Part Number	Inductance (uH)	DCR (mΩ) Max	Isat (A)
FASNR6050-2R2M	2.2	20	8.50
FASNR6050-3R3M	3.3	26	7.20
FASNR6050-4R7M	4.7	36	6.40
FASNR6050-6R8M	6.8	46	5.20
FASNR6050-100M	10	60	4.20
FASNR6050-150M	15	90	3.30
FASNR6050-220M	22	120	3.10
FASNR6050-330M	33	175	2.20

TEST CONDITIONS

L = 82uH TEST FREQUENCY AT 100KHz/0.25V.
L > 82uH TEST FREQUENCY AT 1KHz/0.25V.

TECHNICAL INFORMATION

PHYSICAL CHARACTERISTICS



DIMENSIONS IN mm

Part number	A	B	C	D	E	F	G	H	I
FASNR6045	6.0±0.2	6.0±0.2	4.5Max	5.0 REF	1.65 REF	2.7 REF	6.5 REF	5.3 REF	2.4 REF
FASNR6050	6.0±0.2	6.0±0.2	5.0Max	5.0 REF	1.85 REF	2.3 REF	6.5 REF	5.3 REF	2.0 REF

SURFACE-MOUNT POWER INDUCTORS FASNR6060,8040 SERIES



FEATURES:

Low profile, low RDC, high current handling capacities
Magnetically shielded structure that ensures the high-density mounting configurations
Provided in embossed carrier tape packaging for use with automatic mounting machines

OPTIONS:

Ideally used in Portable telephones, PDA, DSC, DC-DC Converter, etc

COMMON APPLICATIONS:

SNR $\frac{3010}{a} \frac{1R0}{c} \frac{N}{d}$
a: Series name
b: Product dimensions
c: Inductance Value [1R0: 1.0uH; 100: 10uH; 101: 100uH]
d: Inductance Tolerance [K: 10%; M: 20%; N: 30%]

ELECTRICAL CHARACTERISTICS

Part Number	Inductance [uH]	DCR [mΩ] Max	Isat [A]
FASNR6060-1R0N	1.0	10	10.0
FASNR6060-2R0N	2.0	20	8.80
FASNR6060-2R2N	2.2	20	8.80
FASNR6060-3R3N	3.3	25	7.50
FASNR6060-4R7N	4.7	32.5	6.80
FASNR6060-6R8N	6.8	40	5.90
FASNR6060-100M	10	72	4.60
FASNR6060-150M	15	97.5	3.80
FASNR6060-220M	22	110.5	3.40
FASNR6060-330M	33	156	2.80

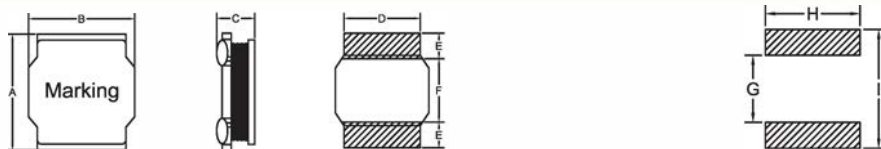
Part Number	Inductance [uH]	DCR [mΩ] Max	Isat [A]
FASNR8040-1R0N	1.0	9.1	10.15
FASNR8040-1R5N	1.5	13	8.15
FASNR8040-2R2M	2.2	15.6	8.00
FASNR8040-3R3M	3.3	22.1	6.50
FASNR8040-4R7M	4.7	24.7	5.90
FASNR8040-6R8M	6.8	31.2	4.95
FASNR8040-100M	10	52	4.30
FASNR8040-150M	15	61	2.95
FASNR8040-220M	22	85.8	2.50
FASNR8040-330M	33	143	2.07
FASNR8040-470M	47	195	1.75
FASNR8040-680M	68	255	1.45
FASNR8040-101M	100	377	1.15
FASNR8040-221M	220	780	0.85
FASNR8040-331M	330	1157	0.65
FASNR8040-471M	470	1950	0.55
FASNR8040-681M	680	2650	0.48

TEST CONDITIONS

L = 82uH TEST FREQUENCY AT 100KHz/0.25V.
L > 82uH TEST FREQUENCY AT 1KHz/0.25V.

TECHNICAL INFORMATION

PHYSICAL CHARACTERISTICS



DIMENSIONS IN mm

Part number	A	B	C	D	E	F	G	H	I
FASNR6060	6.0±0.2	6.0±0.2	6.3 Max	5.0 REF	1.65 REF	2.7 REF	6.5 REF	5.3 REF	2.4 REF
FASNR8040	8.0±0.2	8.0±0.2	4.2 Max	6.3 REF	2.45 REF	3.1 REF	8.5 REF	6.6 REF	2.8 REF

SURFACE-MOUNT POWER INDUCTORS FASNRV3012,4012,4020 SERIES



FEATURES:

Low profile, low RDC, high current handling capacities
Magnetically shielded structure that ensures the high-density mounting configurations
Provided in embossed carrier tape packaging for use with automatic mounting machines

OPTIONS:

Ideally used in Portable telephones, PDA, DSC, DC-DCC converters, etc

COMMON APPLICATIONS:

$\frac{\text{FASNRV}}{a} \frac{3010}{b} \frac{1R0}{c} \frac{N}{d}$
a: Series name
b: Product dimensions
c: Inductance Value [1R0: 1.0uH; 100; 10uH; 101: 100uH]
d: Inductance Tolerance [K: 10%; M: 20%; N: 30%]

ELECTRICAL CHARACTERISTICS

Part Number	Inductance [uH]	DCR [mΩ] Max	Isat [A]
FASNRV3012-R33N	0.33	30	7.20
FASNRV3012-R47N	0.47	36	6.80
FASNRV3012-R68N	0.68	44	5.80
FASNRV3012-1R0N	1.0	58	4.20
FASNRV3012-1R5N	1.5	77	3.40
FASNRV3012-2R2N	2.2	110	2.80
FASNRV3012-3R3N	3.3	158	2.20
FASNRV3012-4R7N	4.7	235	2.00
FASNRV3012-6R8N	6.8	340	1.60
FASNRV3012-100M	10	474	1.20

Part Number	Inductance [uH]	DCR [mΩ] Max	Isat [A]
FASNRV4012-R33N	0.33	32	10.3
FASNRV4012-R47N	0.47	41	9.10
FASNRV4012-R68N	0.68	41	5.50
FASNRV4012-1R0N	1.0	59	5.70
FASNRV4012-1R2N	1.2	59	4.00
FASNRV4012-1R5N	1.5	70	3.90
FASNRV4012-2R2N	2.2	79	2.80
FASNRV4012-3R3N	3.3	125	2.80
FASNRV4012-4R7N	4.7	166	2.30
FASNRV4012-6R8N	6.8	226	1.60
FASNRV4012-100M	10	335	1.55
FASNRV4012-220M	22	720	1.05

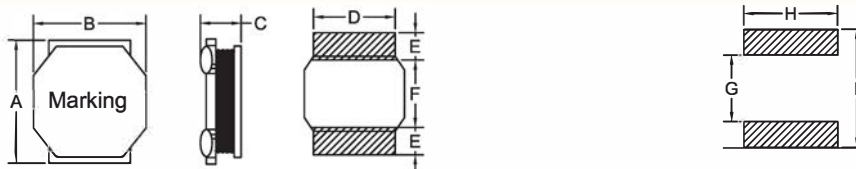
Part Number	Inductance [uH]	DCR [mΩ] Max	Isat [A]
FASNRV4020-1R0N	1.0	28	8.70
FASNRV4020-1R5N	1.5	38	7.70
FASNRV4020-2R2N	2.2	50	6.10
FASNRV4020-3R3N	3.3	74	4.70
FASNRV4020-4R7N	4.7	110	4.00
FASNRV4020-6R8N	6.8	158	3.00
FASNRV4020-100M	10	218	2.80

TEST CONDITIONS

L = 82uH TEST FREQUENCY AT 100KHz/0.25V.
L > 82uH TEST FREQUENCY AT 1KHz/0.25V.

TECHNICAL INFORMATION

PHYSICAL CHARACTERISTICS



DIMENSIONS IN mm

Part number	A	B	C	D	E	F	G	H	I
FASNRV3012	3.0±0.2	3.0±0.2	1.35 Max	2.6 REF	1.13 REF	0.82 REF	3.5 REF	2.9 REF	0.5 REF
FASNRV4012	4.0±0.2	4.0±0.2	1.35 Max	3.5 REF	1.3 REF	1.4 REF	4.5 REF	3.8 REF	1.1 REF
FASNRV4020	4.0±0.2	4.0±0.2	2.05 Max	3.5 REF	1.0 REF	2.0 REF	4.5 REF	3.8 REF	1.7 REF

SMD POWER INDUCTORS FAMPI0412-0515 SERIES



FEATURES :

Carbonyl powder inductor
Low loss realized with low DCR
Very low acoustic noise and very low leakage flux noise
Frequency up to 3MHz
High reliability
Halogen Free & RoHS compliant

OPTIONS :

Laptops and Pcs
Switch and servers
Base stations
DC/DC converters
Battery powered devices
SSD modules

GENERAL SPECIFICATIONS:

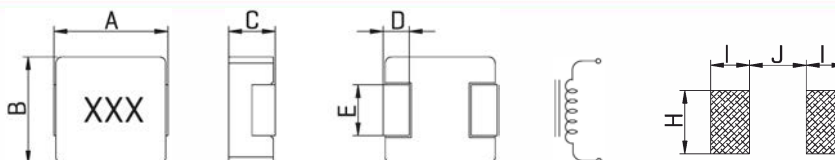
Test Frequency [Voltage]: 100KHz/1.0V
Parameters Test Temp: 25
Operation Temp: -40°C to +125°C
(Including temperature Rise)
Storage Temp: 0 - 40°C
Storage Humidity: <70% RH
Resistance to Soldering Heat: 260°C for 10 sec
Rated Current: Ind. drops of 25% typ at Isat
Temperature Rise: 40°C typ at Irms

ELECTRICAL CHARACTERISTICS:

Stamp	Inductance [uH]	FAMPI0412			FAMPI0418			FAMPI0420			FAMPI0512			FAMPI0515		
		DCR [mohm] Max	Isat [A]	Irms [A]	DCR [mohm] Max	Isat [A]	Irms [A]	DCR [mohm] Max	Isat [A]	Irms [A]	DCR [mohm] Max	Isat [A]	Irms [A]	DCR [mohm] Max	Isat [A]	Irms [A]
R10	0.10	5.50	25.0	11.5				4.00	35.0	12.0	5.20	14.5	14.0			
R18	0.18							5.40	28.0	11.5						
R22	0.22	12.0	20.0	8.50				7.30	24.0	11.0	6.70	14.0	10.7			
R33	0.33							8.60	18.0	10.0	9.40	13.5	8.50	9.80	16.0	9.00
R36	0.36										11.5	13.0	8.00			
R47	0.47	20.0	6.50	6.00				14.0	12.0	8.00	15.8	11.0	7.00	13.8	15.0	8.00
R56	0.56							17.0	10.0	7.30						
R68	0.68							19.0	10.0	7.00	24.5	9.00	6.00	16.2	13.0	7.00
1R0	1.00	50.0	6.00	4.00	30.0	6.90	4.80	27.5	8.50	5.00	30.0	6.00	5.00	25.3	9.00	6.00
1R2	1.20							30.0	7.80	4.80	40.0	5.50	4.50			
1R5	1.50	73.0	4.00	3.00				42.0	7.00	4.50	44.0	5.00	4.00	45.0	7.00	4.50
2R2	2.20	80.0	3.50	2.80	45.0	4.20	3.50	61.0	6.00	4.00	75.0	4.00	3.50	52.0	6.00	4.00
3R3	3.30	97.0	3.00	2.30				90.0	4.00	3.50	86.0	3.80	3.00	90.0	4.50	3.20
4R7	4.70	185	2.50	2.00				105	3.50	2.60	115	3.20	2.50	118	4.00	2.70
5R6	5.60	208	2.30	1.70				125	3.00	2.20	201	3.20	2.40	152	3.20	2.40
6R8	6.80	360	1.70	1.50				172	2.80	2.10	222	3.00	2.00	171	3.00	2.30
8R2	8.20	376	1.60	1.40				180	2.50	2.00	378	2.80	1.70	210	2.60	2.10
100	10.0	463	1.40	1.30				243	2.30	1.80	385	1.80	1.50	235	2.30	2.00
150	15.0							374	1.90	1.50						
220	22.0							500	1.40	1.20						

Note: When ordering, please specify tolerance code. Tolerance: K=±10%, M=±20%, N=±30%
Beyond the above specification also can meet the special requirements. Need detailed content Please to the website query or contact us

SHAPE AND DIMENSIONS AND ELECTRICAL SCHEMATIC & PAD LAYOUT



TYPE	A	B	C	D	E	H	I	J
	±0.35	±0.30	±0.20	REF	REF	REF	REF	REF
FAMPI0412	4.40	4.20	1.00	0.80	2.00	2.50	1.50	2.20
FAMPI0418	4.40	4.20	1.60	0.80	2.00	2.50	1.50	2.20
FAMPI0420	4.40	4.20	1.80	0.80	2.00	2.50	1.50	2.20
FAMPI0512	5.70	5.20	1.00	1.20	2.20	2.70	2.00	2.20
FAMPI0515	5.70	5.20	1.30	1.20	2.20	2.70	2.00	2.20

SMD POWER INDUCTORS FAMPI0518-0615 SERIES



FEATURES :

Carbonyl powder inductor
Low loss realized with low DCR
Very low acoustic noise and very low leakage flux noise
Frequency up to 3MHz
High reliability
Halogen Free & RoHS compliant

OPTIONS :

Laptops and Pcs
Switch and servers
Base stations
DC/DC converters
Battery powered devices
SSD modules

GENERAL SPECIFICATIONS:

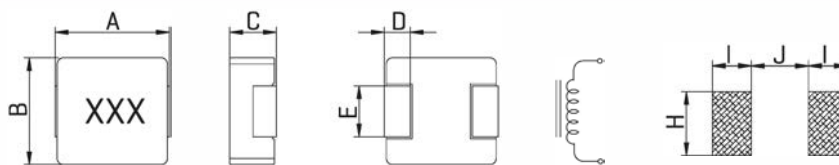
Test Frequency[Voltage]:100KHz/1.0V
Parameters Test Temp:25
Operation Temp:-40°C to +125°C
[Including temperature Rise]
Storage Temp:0 - 40°C
Storage Humidity:<70% RH
Resistance to Soldering Heat:260°C for 10 sec
Rated Current:Ind. drops of 25% typ at Isat
Temperature Rise:40°C typ at Irms

ELECTRICAL CHARACTERISTICS:

Stamp	Inductance [uH]	FAMPI0518			FAMPI0520			FAMPI0530			FAMPI0612			FAMPI0615		
		DCR [mohm] Max	Isat [A]	Irms [A]	DCR [mohm] Max	Isat [A]	Irms [A]	DCR [mohm] Max	Isat [A]	Irms [A]	DCR [mohm] Max	Isat [A]	Irms [A]	DCR [mohm] Max	Isat [A]	Irms [A]
R22	0.22										7.50	19.0	11.0	5.20	22.0	14.0
R33	0.33	8.60	15.0	11.0	7.30	21.3	12.0	5.00	18.0	14.0	10.0	16.0	9.50	7.60	18.0	11.0
R47	0.47	11.3	14.0	10.0	8.60	18.0	11.5	7.40	16.0	12.0	17.0	12.0	8.50	10.3	16.0	9.50
R68	0.68	14.3	13.0	9.00	12.4	12.8	10.0	11.5	14.0	8.50	19.0	9.00	7.00	15.2	15.0	7.50
1R0	1.00	21.0	10.0	6.80	19.2	11.7	7.00	13.5	11.0	7.00	30.0	7.00	6.00	25.8	12.0	6.50
1R2	1.20				28.0	11.0	6.20	15.5	11.0	6.50	36.0	6.80	5.00	34.0	10.5	5.60
1R5	1.50	30.0	9.00	6.00	30.5	9.80	5.50	23.0	10.0	6.00	40.0	6.50	4.50	42.5	9.50	5.00
2R2	2.20	48.3	7.50	4.50	50.0	9.00	4.20	35.0	9.00	5.50	61.0	5.00	4.00	54.0	6.50	4.50
3R3	3.30	69.0	5.00	3.50	70.0	7.30	3.30	38.0	8.00	5.00	100	4.00	3.20	70.0	6.00	4.20
4R7	4.70	98.0	4.50	3.00	106	5.00	2.80	53.0	6.00	4.60	150	3.80	2.50	108	5.00	3.80
5R6	5.60	127	4.00	2.50	122	4.00	2.50	63.0	4.50	4.25				138	4.50	3.00
6R8	6.80	137	3.50	2.40	145	3.80	2.40	76.2	4.30	4.00	198	3.00	2.10	146	3.50	2.60
8R2	8.20	165	3.00	2.30	168	3.50	2.30							184	3.20	2.40
100	10.0	190	2.80	2.30	189	3.40	2.30	126	3.50	2.75	290	2.50	1.80	216	2.80	2.30

Note:When ordering,please specify tolerance code.Tolerance:K=±10%,M=±20%,N=±30%
Beyond the above specification also can meet the special requirements.Need detailed content Please to the website query or contact us

SHAPE AND DIMENSIONS AND ELECTRICAL SCHEMATIC & PAD LAYOUT



TYPE	A	B	C	D	E	H	I	J
	±0.35	±0.30	±0.20	REF	REF	REF	REF	REF
FAMPI0518	5.70	5.20	1.60	1.20	2.20	2.70	2.00	2.20
FAMPI0520	5.70	5.20	1.80	1.20	2.20	2.70	2.00	2.20
FAMPI0530	5.70	5.20	2.80	1.20	2.20	2.70	2.00	2.20
FAMPI0612	7.30	6.60	1.00	1.60	3.00	3.50	2.35	3.70
FAMPI0615	7.30	6.60	1.30	1.60	3.00	3.50	2.35	3.70

SMD POWER INDUCTORS FAMPI0618-0650 SERIES



FEATURES:

Carbonyl powder inductor
 Low loss realized with low DCR
 Very low acoustic noise and very low leakage flux noise
 Frequency up to 3MHz
 High reliability
 Halogen Free & RoHS compliant

OPTIONS:

Laptops and Pcs
 Switch and servers
 Base stations
 DC/DC converters
 Battery powered devices
 SSD modules

GENERAL SPECIFICATIONS:

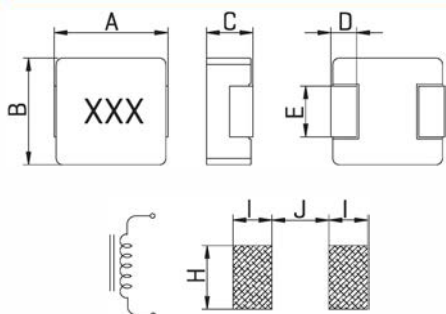
Test Frequency(Voltage):100KHz/1.0V
 Parameters Test Temp:25°C
 Operation Temp:-40°C to +125°C
 [Including temperature Rise]
 Storage Temp:0 - 40°C
 Storage Humidity:<70% RH
 Resistance to Soldering Heat:260°C for 10 sec
 Rated Current:Ind. drops of 25% typ at Isat
 Temperature Rise:40°C typ at Irms

ELECTRICAL CHARACTERISTICS:

Stamp	Inductance [uH]	FAMPI0618			FAMPI0620			FAMPI0624			FAMPI0630			FAMPI0650		
		DCR [mohm] Max	Isat [A]	Irms [A]	DCR [mohm] Max	Isat [A]	Irms [A]	DCR [mohm] Max	Isat [A]	Irms [A]	DCR [mohm] Max	Isat [A]	Irms [A]	DCR [mohm] Max	Isat [A]	Irms [A]
R10	0.10				2.40	40.0	21.0	1.70	70.0	30.0						
R15	0.15							2.30	45.0	30.0						
R20	0.20				3.00	35.0	18.0	2.80	40.0	23.0						
R22	0.22							3.20	34.0	21.0	2.80	40.0	23.0			
R33	0.33	5.80	22.0	14.0	5.00	25.0	14.0	4.40	30.0	18.0	3.90	32.0	20.0			
R36	0.36							4.60	29.0	17.0						
R47	0.47	7.40	18.0	12.0	8.30	20.0	11.7	5.50	26.0	15.0	4.20	26.0	17.5	3.90	30.0	22.0
R56	0.56							6.80	24.0	13.0	5.00	25.5	16.5	4.20	27.0	20.0
R60	0.60							6.90	22.0	13.0				4.30	25.0	19.0
R68	0.68	11.0	17.0	10.0	10.0	16.0	10.5	7.20	21.0	13.0	5.50	25.0	15.5	4.50	24.0	18.0
R75	0.75										6.60	24.5	14.5			
R82	0.82	14.0	15.5	8.50				9.50	17.0	11.0	7.80	24.0	13.0	4.90	22.0	16.5
1R0	1.00	17.0	14.0	7.00	16.5	14.0	8.00	13.5	16.0	11.0	9.50	22.0	11.0	6.50	20.2	15.0
1R2	1.20	24.0	13.5	6.50										7.50	18.0	14.0
1R5	1.50	25.2	13.0	6.00	24.6	12.0	7.00	20.7	15.0	9.00	15.0	18.0	9.00	9.00	16.5	12.0
1R8	1.80										17.0	16.0	8.50	11.0	15.0	12.0
2R2	2.20	35.0	11.0	6.00	34.0	10.0	6.00	27.5	14.0	7.00	20.0	14.0	8.00	11.6	14.0	10.0
2R5	2.50										22.0	13.0	7.00			
3R3	3.30	46.0	9.00	5.00	48.0	8.00	5.00	37.8	10.0	6.00	29.5	12.5	6.00	20.9	12.0	8.00
4R7	4.70	76.0	7.00	4.00	59.5	7.00	4.50	50.0	9.00	5.50	39.5	10.0	5.50	30.2	10.0	6.50
5R6	5.60	86.0	6.00	3.50	68.0	6.00	4.00	62.0	8.00	5.00	47.5	9.00	5.00	49.0	9.00	6.00
6R8	6.80	104	5.50	3.00	73.0	5.50	4.00	70.5	7.00	4.00	55.0	8.00	4.50	50.5	8.50	5.50
8R2	8.20	140	4.50	2.60	116	5.00	3.20	95.0	6.00	3.60	68.0	7.50	4.00	60.0	8.00	5.00
100	10.0	160	3.50	2.30	154	4.00	2.80	101	5.00	3.20	83.2	6.00	3.50	69.0	7.50	4.00
220	22.0				280	2.50	1.50	215	3.00	1.80	186	3.50	2.00	160	5.50	2.50

Note:When ordering, please specify tolerance code. Tolerance: K=±10%, M=±20%, N=±30%
 Beyond the above specification also can meet the special requirements. Need detailed content Please to the website query or contact us

SHAPE AND DIMENSIONS AND ELECTRICAL SCHEMATIC & PAD LAYOUT



DIMENSIONS:MM

TYPE	A	B	C	D	E	H	I	J
	±0.35	±0.30	±0.20	REF	REF	REF	REF	REF
FAMPI0518	5.70	5.20	1.60	1.20	2.20	2.70	2.00	2.20
FAMPI0520	5.70	5.20	1.80	1.20	2.20	2.70	2.00	2.20
FAMPI0530	5.70	5.20	2.80	1.20	2.20	2.70	2.00	2.20
FAMPI0612	7.30	6.60	1.00	1.60	3.00	3.50	2.35	3.70
FAMPI0615	7.30	6.60	1.30	1.60	3.00	3.50	2.35	3.70

SMD POWER INDUCTORS FAMPI1040-1265 SERIES



FEATURES:

- Carbonyl powder inductor
- Low loss realized with low DCR
- Very low acoustic noise and very low leakage flux noise
- Frequency up to 3MHz
- High reliability
- Halogen Free & RoHS compliant

OPTIONS:

- Laptops and Pcs
- Switch and servers
- Base stations
- DC/DC converters
- Battery powered devices
- SSD modules

GENERAL SPECIFICATIONS:

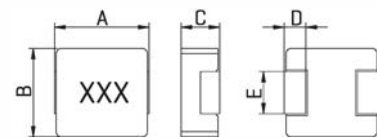
- Test Frequency(Voltage):100KHz/1.0V
- Parameters Test Temp:25°C
- Operation Temp:-40°C to +125°C
(Including temperature Rise)
- Storage Temp:0 - 40°C
- Storage Humidity:<70% RH
- Resistance to Soldering Heat:260°C for 10 sec
- Rated Current:Ind. drops of 25% typ at Isat
- Temperature Rise:40°C typ at Irms

ELECTRICAL CHARACTERISTICS:

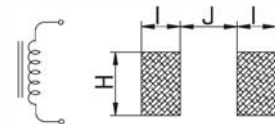
Stamp	Inductance [μH]	FAMPI1040			FAMPI1260			FAMPI1265		
		DCR [mohm] Max	Isat [A]	Irms [A]	DCR [mohm] Max	Isat [A]	Irms [A]	DCR [mohm] Max	Isat [A]	Irms [A]
R15	0.15	0.65	100	52.0				0.60	118	55.0
R22	0.22	0.95	90.0	40.0				0.60	112	53.0
R30	0.30							0.72	72.0	48.0
R33	0.33							0.80	68.0	46.0
R36	0.36	1.25	70.0	30.0				0.90	66.0	45.0
R40	0.40							1.00	64.0	44.0
R47	0.47							1.20	63.0	41.0
R50	0.50							1.25	60.0	40.0
R56	0.56	1.80	45.0	25.0				1.35	58.0	37.0
R68	0.68	2.10	43.0	22.0				1.50	55.0	35.0
R82	0.82							1.90	50.0	33.0
1R0	1.00	3.20	41.0	20.0	2.40	45.0	29.0	2.30	48.0	30.0
1R2	1.20				2.80	44.0	28.0			
1R5	1.50	4.20	38.0	16.0	3.20	43.0	26.0	3.00	45.0	27.0
2R2	2.20	7.00	27.0	12.5	4.70	34.0	21.0	4.20	37.0	22.0
3R3	3.30	11.8	25.5	10.7	7.10	28.0	17.0	6.80	30.0	18.0
4R7	4.70	18.6	19.0	9.60	11.5	25.0	16.0	8.40	28.0	13.5
5R6	5.60	19.3	18.0	9.00	12.6	22.0	15.5	10.0	23.0	12.5
6R8	6.80				13.8	19.0	15.0	11.5	18.0	11.5
8R2	8.20				16.0	17.0	11.0	15.5	16.0	10.5
100	10.0				20.7	15.5	11.0			
120	12.0				23.0	13.5	9.50			
130	13.0							24.0	13.0	9.00
150	15.0				29.0	13.0	9.00	28.0	12.5	9.00
180	18.0				35.0	12.0	8.50			
220	22.0				39.5	11.0	8.00	37.0	12.0	9.00
270	27.0				56.0	9.00	7.00			
330	33.0				75.0	8.00	6.00			
470	47.0				90.0	7.00	5.50	90.0	9.50	6.50
560	56.0				118	6.50	5.330			
680	68.0				140	6.00	5.00			
820	82.0				161	5.50	4.50			
101	100				200	5.00	4.00			
121	120				235	4.50	3.50			
151	150				350	4.00	3.00			
221	220				550	3.00	2.00			

Note:When ordering,please specify tolerance code.Tolerance:K=±10%,M=±20%,N=±30%
Beyond the above specification also can meet the special requirements.Need detailed content Please to the website query or contact us

SHAPE AND DIMENSIONS



ELECTRICAL SCHEMATIC & PAD LAYOUT



DIMENSIONS:MM

TYPE	A	B	C	D
	±0.35	±0.30	±0.20	REF
FAMPI1040	11.5±0.5	10.0	3.80	2.00
FAMPI1260	13.5±0.5	12.6	5.70±0.3	2.00
FAMPI1265	13.5±0.5	12.6	6.20±0.3	2.00

TYPE	E	H	I	J
	REF	REF	REF	REF
FAMPI1040	3.00	4.10	4.10	5.40
FAMPI1260	3.50	5.00	3.25	8.00
FAMPI1265	3.50	5.00	3.25	8.00

SMD POWER INDUCTORS FAHPI0412-0530 SERIES



FEATURES :

- High rated current
- Frequency up to 3MHz
- 125°C maximum total temperature operation
- Low core loss
- Ultra low buzz noise due to molding construction
- Halogen Free & RoHS compliant

OPTIONS :

- Laptops and Pcs
- Switch and servers
- Base stations
- DC/DC converters
- Battery powered devices
- SSD modules

GENERAL SPECIFICATIONS:

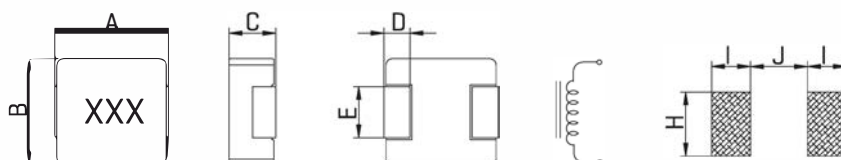
- Test Frequency(Voltage):100KHz/1.0V
- Parameters Test Temp:25
- Operation Temp:-55°C to +125°C
[Including temperature Rise]
- Storage Temp:0 - 40°C
- Storage Humidity:<70% RH
- Resistance to Soldering Heat:260°C for 10 sec
- Rated Current:Ind. drops of 30% typ at Isat
- Temperature Rise:40°C typ at Irms

ELECTRICAL CHARACTERISTICS:

Stamp	Inductance [uH]	FAHPI0412			FAHPI0420			FAHPI0518			FAHPI0530		
		DCR [mohm] Max	Isat (A)	Irms (A)	DCR [mohm] Max	Isat (A)	Irms (A)	DCR [mohm] Max	Isat (A)	Irms (A)	DCR [mohm] Max	Isat (A)	Irms (A)
R10	0.10				4.00	22.0	13.0				3.00	30.0	25.0
R15	0.15	9.00	15.0	7.50									
R20	0.20										3.90	20.0	14.0
R22	0.22	11.0	11.0	7.00	6.60	12.5	9.50						
R33	0.33	19.0	8.40	6.50	11.0	12.0	10.0				5.50	18.0	14.0
R47	0.47	21.0	6.80	6.00	14.0	9.50	7.50	9.00	12.0	10.5	8.50	15.0	11.0
R56	0.56				16.0	9.00	7.00	10.0	11.0	9.50			
R68	0.68	36.0	6.00	4.70	18.0	8.00	7.00				12.0	11.5	9.00
1R0	1.00	47.0	5.50	4.50	27.0	7.00	6.00	17.0	9.00	8.00	14.0	10.0	8.50
1R2	1.20				27.0	6.50	6.00				16.0	9.50	8.50
1R5	1.50	75.0	4.00	3.25	46.0	5.50	5.00	26.0	8.00	7.50	25.0	9.00	8.20
2R2	2.20	83.5	3.00	2.75	58.0	5.00	4.50	35.0	6.00	5.00	29.0	7.00	7.00
3R3	3.30				87.0	3.50	3.30	58.0	4.80	4.50	38.0	6.00	5.50
4R7	4.70	195	2.20	1.80	98.0	3.20	2.80	85.0	4.00	3.50	60.0	4.60	4.50
6R8	6.80				175	2.50	2.40	120	3.40	2.80	90.0	3.60	3.50
100	10.0				282	2.00	1.60	155	2.50	2.50	125	3.50	3.20
220	22.0				363	1.40	1.20						

Note:When ordering,please specify tolerance code.Tolerance:K=±10%,M=±20%,N=±30%
Beyond the above specification also can meet the special requirements.Need detailed content Please to the website query or contact us

SHAPE AND DIMENSIONS AND ELECTRICAL SCHEMATIC & PAD LAYOUT



TYPE	A	B	C	D	E	H	I	J
	±0.35	±0.20	±0.20	REF	REF	REF	REF	REF
FAHPI0412	4.40	4.20±0.25	1.00	0.80	2.00	2.50	1.50	2.20
FAHPI0420	4.40	4.20±0.25	1.80	0.80	2.00	2.50	1.50	2.20
FAHPI0518	5.40	5.20	1.60	1.20	2.20	2.50	1.90	2.20
FAHPI0530	5.40	5.20	2.80	1.20	2.20	2.50	1.90	2.20

SMD POWER INDUCTORS FAHPI0618-0640 SERIES



FEATURES:

High rated current
Frequency up to 3MHz
125°C maximum total temperature operation
Low core loss
Ultra low buzz noise due to molding construction
Halogen Free & RoHS compliant

OPTIONS:

Laptops and Pcs
Switch and servers
Base stations
DC/DC converters
Battery powered devices
SSD modules

GENERAL SPECIFICATIONS:

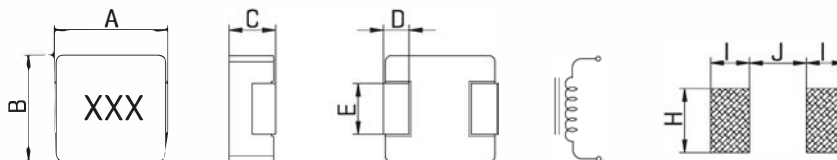
Test Frequency(Voltage):100KHz/1.0V
Parameters Test Temp:25°C
Operation Temp:-55°C to +125°C
(Including temperature Rise)
Storage Temp:0 - 40°C
Storage Humidity:<70% RH
Resistance to Soldering Heat:260°C for 10 sec
Rated Current:Ind. drops of 30% typ at Isat
Temperature Rise:40°C typ at Irms

ELECTRICAL CHARACTERISTICS:

Stamp	Inductance [uH]	FAHPI0618			FAHPI0624			FAHPI0630			FAHPI0640		
		DCR [mohm] Max	Isat [A]	Irms [A]	DCR [mohm] Max	Isat [A]	Irms [A]	DCR [mohm] Max	Isat [A]	Irms [A]	DCR [mohm] Max	Isat [A]	Irms [A]
R10	0.10	2.30	38.0	25.0									
R22	0.22	3.50	24.0	22.0	3.00	30.0	21.0	3.00	34.0	24.0			
R33	0.33				4.10	24.5	18.0	3.50	25.0	21.0			
R47	0.47	8.40	18.0	11.5	5.10	20.0	15.0	4.10	20.0	18.0			
R56	0.56				6.50	17.0	13.0	4.50	18.0	16.5			
R68	0.68	12.0	16.5	9.50	7.00	16.0	12.0	5.30	17.0	16.0			
R82	0.82							6.00	16.0	14.0			
1R0	1.00	16.0	12.0	8.50	13.5	15.0	9.00	7.40	15.0	12.0			
1R5	1.50	26.0	9.20	8.00	20.0	13.5	8.20	12.1	12.0	12.0			
2R2	2.20	35.0	8.00	7.00	28.0	10.0	7.00	15.0	10.0	9.50	14.0	11.0	9.00
3R3	3.30	50.0	6.00	4.50	39.0	8.00	5.50	22.0	9.50	8.50			
4R7	4.70	62.0	5.00	4.00	50.0	6.50	5.00	33.0	9.00	6.00	30.0	9.00	7.00
5R6	5.60							42.0	6.50	5.50			
6R8	6.80	110	4.50	3.00	70.0	6.00	4.00	48.0	6.00	5.00			
8R2	8.20							60.0	5.50	5.00			
100	10.0	155	4.00	2.30	101	4.00	3.10	68.0	5.50	4.50			
150	15.0				160	3.30	2.50	113	4.00	3.00	110	4.50	3.50
220	22.0	350	2.30	1.80	230	2.50	2.00	170	3.00	2.50			
330	33.0							270	2.50	2.00			
470	47.0							385	2.00	1.50			

Note:When ordering,please specify tolerance code.Toerance:K=±10%,M=±20%,N=±30%
Beyond the above specification also can meet the special requirements.Need detailed content Please to the website query or contact us

SHAPE AND DIMENSIONS AND ELECTRICAL SCHEMATIC & PAD LAYOUT



TYPE	A	B	C	D	E	H	I	J
	±0.30	±0.20	±0.20	REF	REF	REF	REF	REF
FAHPI0618	7.00	6.60	1.60	1.60	3.00	3.50	2.35	3.70
FAHPI0624	7.00	6.60	2.20	1.60	3.00	3.50	2.35	3.70
FAHPI0630	7.00	6.60	2.80	1.60	3.00	3.50	2.35	3.70
FAHPI0640	7.00	6.60	3.80	1.60	3.00	3.50	2.35	3.70

SMD POWER INDUCTORS FAHPI0650-1040 SERIES



FEATURES :

- High rated current
- Frequency up to 3MHz
- 125°C maximum total temperature operation
- Low core loss
- Ultra low buzz noise due to molding construction
- Halogen Free & RoHS compliant

OPTIONS :

- Laptops and Pcs
- Switch and servers
- Base stations
- DC/DC converters
- Battery powered devices
- SSD modules

GENERAL SPECIFICATIONS:

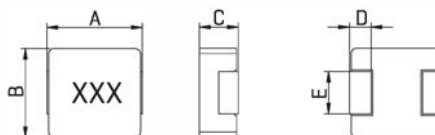
- Test Frequency [Voltage]: 100KHz/1.0V
- Parameters Test Temp: 25°C
- Operation Temp: -55°C to +125°C [Including temperature Rise]
- Storage Temp: 0 - 40°C
- Storage Humidity: < 70% RH
- Resistance to Soldering Heat: 260°C for 10 sec
- Rated Current: Ind. drops of 30% typ at Isat
- Temperature Rise: 40°C typ at Irms

ELECTRICAL CHARACTERISTICS:

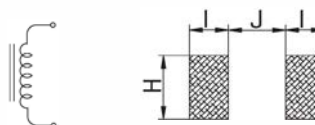
Stamp	Inductance [uH]	FAHPI0650			FAHPI1040		
		DCR [mohm] Max	Isat [A]	Irms [A]	DCR [mohm] Max	Isat [A]	Irms [A]
R15	0.15				0.65	75.0	45.0
R22	0.22				1.00	60.0	35.0
R30	0.30				1.10	45.0	35.0
R36	0.36				1.20	45.0	30.0
R47	0.47	3.90	21.0	20.0	1.70	40.0	30.0
R50	0.50						
R56	0.56				1.80	33.0	25.0
R68	0.68	4.50	18.0	16.5	2.40	30.0	23.0
R80	0.80				2.70	29.0	23.0
R82	0.82						
1R0	1.00	6.60	16.0	12.0	3.30	28.0	19.0
1R5	1.50	10.0	13.0	9.50	4.20	24.0	16.0
2R2	2.20	12.5	11.0	9.00	7.00	16.5	12.0
3R3	3.30	22.0	10.0	8.50	11.8	16.0	11.0
4R7	4.70	29.0	8.00	6.00	20.0	13.0	9.00
5R6	5.60						
6R8	6.80	41.0	6.30	5.80	25.0	12.0	8.50
8R2	8.20	48.0	5.50	5.50	27.0	9.00	8.00
100	10.0	60.0	5.30	4.50	30.0	8.50	7.80
120	12.0						
150	15.0	90.0	4.00	3.10	45.0	7.00	6.50
180	18.0						
220	22.0	140	3.50	2.60	66.0	5.50	5.00
270	27.0						
330	33.0	190	3.00	2.30	92.0	4.80	4.40
470	47.0	230	2.60	2.00	145	3.50	3.30
680	68.0				195	3.00	2.50

Note: When ordering, please specify tolerance code. Tolerance: K=±10%, M=±20%, N=±30%
Beyond the above specification also can meet the special requirements. Need detailed content Please to the website query or contact us

SHAPE AND DIMENSIONS



ELECTRICAL SCHEMATIC & PAD LAYOUT



DIMENSIONS:MM

TYPE	A	B	C	D	E	H	I	J
	±0.30	±0.20	±0.20	REF	REF	REF	REF	REF
FAHPI0650	7.00	6.60	4.80	1.60	3.00	3.50	2.35	3.70
FAHPI1040	11.0±0.5	10.0±0.3	3.80	2.00	3.00	4.10	4.10	5.40

SMD POWER INDUCTORS FAHPI1240-1260 SERIES



FEATURES:

- High rated current
- Frequency up to 3MHz
- 125°C maximum total temperature operation
- Low core loss
- Ultra low buzz noise due to molding construction
- Halogen Free & RoHS compliant

OPTIONS:

- Laptops and Pcs
- Switch and servers
- Base stations
- DC/DC converters
- Battery powered devices
- SSD modules

GENERAL SPECIFICATIONS:

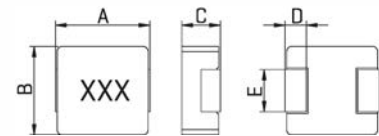
- Test Frequency[Voltage]:100KHz/1.0V
- Parameters Test Temp:25°C
- Operation Temp:-55°C to +125°C (Including temperature Rise)
- Storage Temp:0 - 40°C
- Storage Humidity:<70% RH
- Resistance to Soldering Heat:260°C for 10 sec
- Rated Current:Ind. drops of 30% typ at Isat
- Temperature Rise:40°C typ at Irms

ELECTRICAL CHARACTERISTICS:

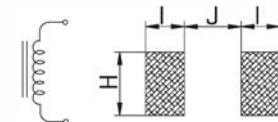
Stamp	Inductance [uH]	FAHPI1240			FAHPI1250			FAHPI1260		
		DCR [mohm] Max	Isat [A]	Irms [A]	DCR [mohm] Max	Isat [A]	Irms [A]	DCR [mohm] Max	Isat [A]	Irms [A]
R15	0.15									
R22	0.22	0.90	50.0	42.0	0.70	75.0	50.0			
R30	0.30									
R36	0.36				0.85	50.0	42.0			
R47	0.47	2.00	48.0	33.0						
R50	0.50				1.15	48.0	38.0			
R56	0.56									
R68	0.68	3.50	47.0	28.0	1.55	46.0	33.0			
R80	0.80									
R82	0.82	4.50	40.0	28.0	1.67	39.0	30.0			
1R0	1.00	7.50	35.0	24.0	2.20	35.0	26.0			
1R5	1.50	9.50	30.5	20.0	3.20	33.0	23.0			
2R2	2.20	11.5	26.0	18.0	5.00	24.0	15.0			
3R3	3.30	13.0	21.0	15.0	7.00	22.0	14.0			
4R7	4.70	14.5	18.0	13.0	9.00	20.0	13.0	9.00	24.0	15.0
5R6	5.60							11.0	22.5	13.0
6R8	6.80	20.0	14.0	9.00	18.0	16.0	12.0	13.5	19.0	12.0
8R2	8.20							16.0	13.5	11.0
100	10.0	25.0	10.0	8.00	22.0	12.0	9.00	20.7	12.5	10.0
120	12.0							23.0	10.0	9.00
150	15.0	39.0	7.50	6.50	30.0	10.0	8.00	29.0	9.00	8.50
180	18.0							35.0	8.00	7.50
220	22.0	51.0	6.00	4.50	58.0	6.50	4.50	39.5	7.50	7.00
270	27.0							56.0	6.50	6.00
330	33.0				84.0	6.00	3.50	75.0	6.00	5.50
470	47.0				130	5.00	3.00	90.0	5.50	5.50
680	68.0							140	4.50	4.00
101	100							200	3.50	3.00
121	120							235	3.20	2.00
151	150							350	2.70	1.50

Note:When ordering, please specify tolerance code.Tolerance:K=±10%,M=±20%,N=±30%
Beyond the above specification also can meet the special requirements.Need detailed content Please to the website query or contact us

SHAPE AND DIMENSIONS



ELECTRICAL SCHEMATIC & PAD LAYOUT



DIMENSIONS:MM

TYPE	A	B	C	D
	±0.35	±0.30	±0.20	REF
FAHPI1240	13.45	12.8±0.5	3.80	2.00
FAHPI1250	13.45	12.6	4.80	2.00
FAHPI1260	13.45	12.6	5.80	2.00

TYPE	E	H	I	J
	REF	REF	REF	REF
FAHPI1240	See Remarks	5.50	3.25	8.00
FAHPI1250	See Remarks	5.50	3.25	8.00
FAHPI1260	5.00	5.50	3.25	8.00

SERIES	E(REF)	DIMENSIONS
FAHPI1240	3.85	R22/R47
	5.00	R68/R82/1R0/1R5/2R2/3R3/4R7/6R8/100/150/220
FAHPI1250	3.85	R22/R36/R50/R68/R82/1R0/1R5/2R2
	5.00	3R3/4R7/6R8/100/150/220/330/470

SMD COMMON MODE CHOKES FASQD50T,57T,75T,105,125T SERIES



FEATURES:

High impedance for common mode noise and low impedance for differential mode signal.
Large rated current available.
Wide band or sharp type impedance curve available.

APPLICATIONS:

Prevention of common mode noise on signal Lines and power lines for computer related or electronic products.

GENERAL SPECIFICATIONS:

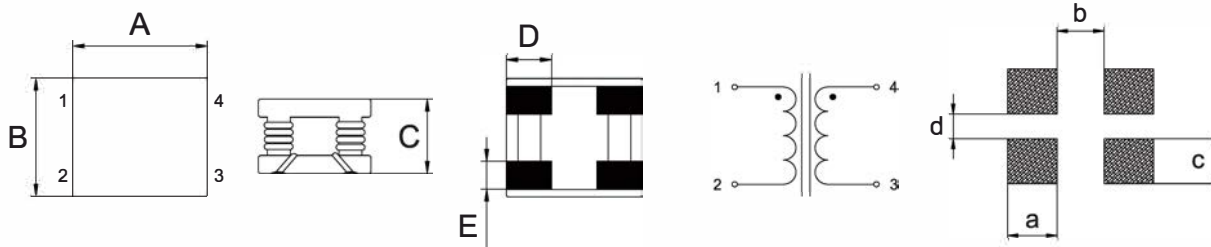
Rated current 0.5A to 6A.
Turns ratio: N1:N2=1:1 ± 2%.
Impedance tolerance: Typ at 20°C.
Operating temperature: -25°C to +125°C.
Storage Temp: -0°C to +40°C.
Resistance to Soldering Heat: 260°C for 10 sec.
Temperature Rise: 40°C Typ. at Rated Current.
All parts meet ROHS compliance.

ELECTRICAL CHARACTERISTICS

Stamp	FASQD50T			FASQD57T			FASQD75T			FASQD105T			FASQD125T		
	Impedance (Ω) Typ @100MHz	Rated current (A)	D.C.R (mΩ) Max at 20°C	Impedance (Ω) Typ @100MHz	Rated current (A)	D.C.R (mΩ) Max at 20°C	Impedance (Ω) Typ @100MHz	Rated current (A)	D.C.R (mΩ) Max at 20°C	Impedance (Ω) Typ @100MHz	Rated current (A)	D.C.R (mΩ) Max at 20°C	Impedance (Ω) Typ @100MHz	Rated current (A)	D.C.R (mΩ) Max at 20°C
1T				150	1.0	50									
2T				350	0.5	70	200	2.0	20				200	6.0	15
3T	600	4.0	50				300	1.5	25	600	4.0	50	300	5.5	20
4T	700	3.0	55				600	1.0	45	700	3.0	55	400	5.0	25

TECHNICAL INFORMATION

ELECTRICAL SCHEMATIC & PAD LAYOUT



DIMENSIONS:MM

Part number	A	B	C	D	E	a	b	c	d
FASQD50T	5.0±0.3	8.5±0.3	5.0±0.5	1.70 REF	2.90 REF	2.1 REF	1.2 REF	3.6 REF	1.8 REF
FASQD57T	5.7±0.3	4.6±0.3	1.7±0.5	2.10 REF	1.20 REF	2.5 REF	1.0 REF	1.6 REF	1.8 REF
FASQD75T	7.5±0.3	6.0±0.3	3.2±0.5	2.55 REF	1.80 REF	3.1 REF	1.5 REF	2.4 REF	1.0 REF
FASQD105T	10.0±0.3	8.0±0.3	5.0±0.5	2.55 REF	1.75 REF	4.2 REF	3.6 REF	3.0 REF	2.0 REF
FASQD125T	12.0±0.3	10.0±0.3	6.0±0.5	3.60 REF	2.35 REF	4.75 REF	4.5 REF	4.5 REF	3.0 REF

SURFACE-MOUNT WIRE WOUND DUAL CHIP INDUCTORS

FASDRH0602D,1205D SERIES



FEATURES:

Higher Frequency
High Saturation Material
Low EMI Radiation
Pick and lace
Low DC Resistance

OPTIONS:

Packaging:Tape & Reel is standard [Qty:2000pcs]
Bulk packaging available for smaller quantities
Tolerance:10% and 5% is standard tighter tolerances available

COMMON APPLICATIONS:

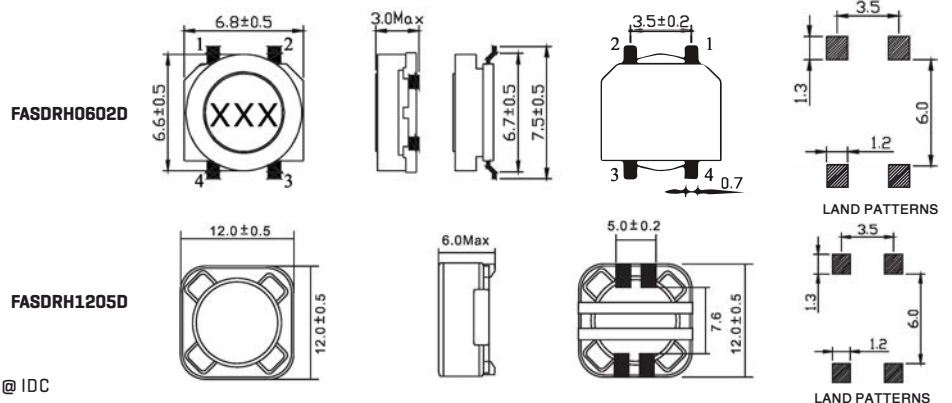
Electronic Appliances
DC - DC Conversion [Paraller Mode]
Isolation/Coupling[Transformer]
Input Filter[Serial Mode]
EMI/RFI Suppression

ELECTRICAL CHARACTERISTICS

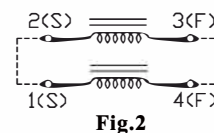
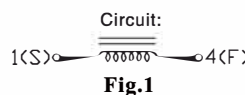
Part Number	L μ 1KHz	DCR (Ω) Max	IDC (mA) Max	Circuit Fig	Part Number	L μ 1KHz	DCR (Ω) Max	IDC (A) Max	Circuit Fig
FASDRH 0602D-100M	10	0.200	700	2	FASDRH 1205D-100M	10	0.025	4.00	2
FASDRH 0602D-120M	12	0.220	616	2	FASDRH 1205D-120M	12	0.027	3.50	2
FASDRH 0602D-150M	15	0.291	572	2	FASDRH 1205D-150M	15	0.030	3.30	2
FASDRH 0602D-180M	18	0.307	524	2	FASDRH 1205D-180M	18	0.030	3.00	2
FASDRH 0602D-220M	22	0.355	468	2	FASDRH 1205D-220M	22	0.036	2.80	2
FASDRH 0602D-270M	27	0.412	432	1	FASDRH 1205D-270M	27	0.051	2.30	2
FASDRH 0602D-330M	33	0.456	392	1	FASDRH 1205D-330M	33	0.057	2.10	2
FASDRH 0602D-390M	39	0.580	372	1	FASDRH 1205D-390M	39	0.068	2.00	2
FASDRH 0602D-470M	47	0.671	340	1	FASDRH 1205D-470M	47	0.075	1.80	2
FASDRH 0602D-560M	56	0.735	284	1	FASDRH 1205D-560M	56	0.11	1.70	2
FASDRH 0602D-680M	68	0.981	276	1	FASDRH 1205D-680M	68	0.12	1.50	2
FASDRH 0602D-820M	82	1.11	256	1	FASDRH 1205D-820M	82	0.14	1.40	2
FASDRH 0602D-101M	100	1.25	228	1	FASDRH 1205D-101M	100	0.16	1.30	2
FASDRH 0602D-121M	120	1.40	208	1	FASDRH 1205D-121M	120	0.17	1.10	2
FASDRH 0602D-151M	150	1.85	188	1	FASDRH 1205D-151M	150	0.23	1.00	2
FASDRH 0602D-181M	180	2.11	168	1	FASDRH 1205D-181M	180	0.29	0.90	2
FASDRH 0602D-221M	220	2.54	160	1	FASDRH 1205D-221M	220	0.40	0.80	2
FASDRH 0602D-271M	270	4.13	144	2	FASDRH 1205D-271M	270	0.46	0.75	2
FASDRH 0602D-331M	330	4.35	128	2	FASDRH 1205D-331M	330	0.51	0.68	2
FASDRH 0602D-391M	390	4.86	120	2	FASDRH 1205D-391M	390	0.69	0.65	2
FASDRH 0602D-471M	470	6.64	104	1	FASDRH 1205D-471M	470	0.77	0.58	2
FASDRH 0602D-561M	560	7.25	96	1	FASDRH 1205D-561M	560	0.86	0.54	2
FASDRH 0602D-681M	680	8.18	88	1	FASDRH 1205D-681M	680	1.20	0.48	2
FASDRH 0602D-821M	820	9.68	80	1	FASDRH 1205D-821M	820	1.34	0.43	2
FASDRH 0602D-102M	1000	15.4	72	1	FASDRH 1205D-102M	1000	1.53	0.40	2

Note:1. K=±10%,M=±20%,N=±30%

TECHNICAL INFORMATION & PHYSICAL CHARACTERISTICS



Testing: [Equivalent acceptable
Inductance:Reduced by 10% to 20%@ IDC
RDC:QuadTech 1880 Milliohmmer
IDC Max:Lowes inductance by 10-20%
Temperature range: -55°C to +125°C
Note:All specifications subject to change without notice.



DIMENSIONS:MM

HIGH CURRENT POWER INDUCTOR FACSB0530,0630 SERIES



FEATURES:

- Magnetic shielding structure, excellent resistance to electro magnetic interference
- Flat wire winding, achieve a low D.C. R resistance
- Low loss, high efficiency, wide application frequency and application
- Vertical structure design, save space
- Operating temperature: -40°C~ +125°C
[Including coils temperature rise]

PRODUCT IDENTIFICATION:

$$\frac{\text{CSB}}{\text{a}} \frac{\text{0530}}{\text{b}} - \frac{\text{R32}}{\text{c}} \frac{\text{M}}{\text{d}}$$

- a: Series name
- b: Product dimensions
- c: Inductance Value [1R0:1.0uH;100;10uH;101:100uH]
- d: Inducatance Tolerance [K:10%;M:20%;N:30%]

ELECTRICAL CHARACTERISTICS

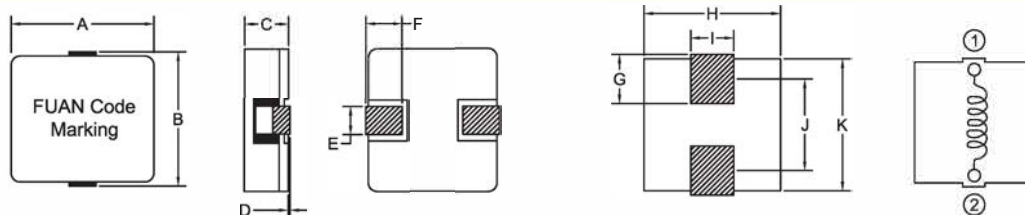
Part Number	Inductance [uH]±20%	DCR(mΩ)		Saturation Current(A) Typical	Temperature Current(A) Typical	Part Number	Inductance [uH]±20%	DCR(mΩ)		Saturation Current(A) Typical	Temperature Current(A) Typical
		Typical	Max					Typical	Max		
FACSB0530-R32M	0.32	2.45	3.00	19.0	18.0	FACSB0630-R13M	0.13	0.91	1.00	48.0	22.0
FACSB0530-R47M	0.47	3.90	4.30	15.0	13.0	FACSB0630-R22M	0.22	1.80	1.98	40.0	18.0
FACSB0530-R68M	0.68	6.40	7.10	11.5	11.0	FACSB0630-R52M	0.52	3.70	4.07	20.0	14.0
FACSB0530-1R0M	1.00	11.5	12.6	10.5	7.50	FACSB0630-R95M	0.95	6.20	6.82	13.0	11.0
FACSB0530-1R5M	1.50	13.2	14.5	7.50	7.00	FACSB0630-1R2M	1.20	8.60	9.46	13.0	8.50
						FACSB0630-1R5M	1.50	12.7	14.0	12.0	7.50
						FACSB0630-2R0M	2.00	14.2	15.6	9.00	6.50
						FACSB0630-3R3M	3.30	18.6	21.0	7.00	6.00

TEST CONDITIONS

- All data is tested based on 25°C ambient temperature.
- Inductance measure condition at 100kHz, 0.1V.
- Saturation current : the actual value of DC current when the inductance decrease 30% of its initial value.
- Temperature rise current : the actual value of DC current when the temperature rise is ΔT 50 [Ta=25°C].
- Special remind : Circuit design, component placement, PWB size and thickness, cooling system and etc. all will affect the product temperature. Please verify the product temperature in the final application.

TECHNICAL INFORMATION

ELECTRICAL SCHEMATIC & PAD LAYOUT



DIMENSIONS:MM

Part number	A	B	C	D	E	F	G	H	I	J	K
FACSB0530	5.3±0.3	5.6±0.5	3.0±0.3	0.0-0.2	1.0±0.3	1.2±0.3	1.9 REF	5.6 REF	2.0 REF	4.1 REF	5.6 REF
FACSB0630	6.9±0.3	7.0±0.5	3.0±0.3	0.0-0.2	1.2±0.3	1.8±0.3	2.5 REF	7.2 REF	2.5 REF	5.0 REF	7.2 REF

HIGH CURRENT POWER INDUCTOR FACSB0640,0650 SERIES



FEATURES :

- Magnetic shielding structure, excellent resistance to electro magnetic interference
- Flat wire winding, achieve a low D.C. R resistance
- Low loss, high efficiency, wide application frequency and application
- Vertical structure design, save space
- Operating temperature: -40°C~ +125°C
[Including coils temperature rise]

PRODUCT IDENTIFICATION:

CSB 0640 - R22 M

a b c d

- a: Series name
- b: Product dimensions
- c: Inductance Value [1R0:1.0uH;100;10uH;101:100uH]
- d: Inductance Tolerance [K:10%;M:20%;N:30%]

ELECTRICAL CHARACTERISTICS

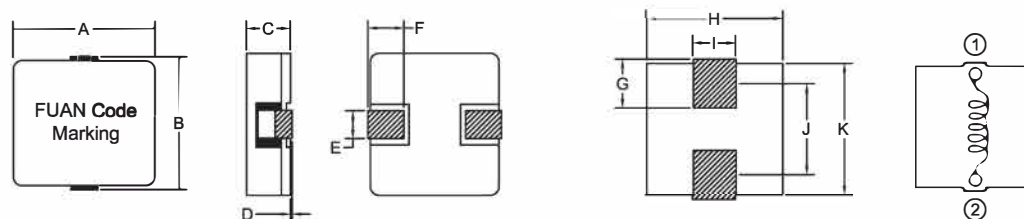
Part Number	Inductance [uH]±20%	DCR(mΩ)		Saturation Current(A) Typical	Temperature Current(A) Typical	Part Number	Inductance [uH]±20%	DCR(mΩ)		Saturation Current(A) Typical	Temperature Current(A) Typical
		Typical	Max					Typical	Max		
FACSB0640-R22M	0.22	1.18	1.30	32.0	21.0	FACSB0650-R24M	0.24	1.00	1.10	28.0	20.0
FACSB0640-R47M	0.47	1.85	2.04	25.0	19.0	FACSB0650-R47M	0.47	1.35	1.49	20.0	18.0
FACSB0640-R68M	0.68	3.10	3.40	20.0	17.0	FACSB0650-R76M	0.76	2.25	2.48	15.0	15.5
FACSB0640-1R0M	1.00	4.60	5.10	19.0	15.0	FACSB0650-1R1M	1.10	3.15	3.47	13.0	15.0
FACSB0640-1R5M	1.50	6.60	7.30	14.0	11.0	FACSB0650-1R5M	1.50	4.30	4.73	11.0	13.0
FACSB0640-2R2M	2.20	11.4	12.5	13.0	9.00	FACSB0650-2R2M	2.20	5.85	6.44	9.00	11.0
FACSB0640-3R3M	3.30	17.2	18.5	11.0	6.50	FACSB0650-3R3M	3.30	9.00	9.90	8.00	9.00
FACSB0640-4R7M	4.70	19.5	21.5	7.00	6.00	FACSB0650-4R9M	4.90	14.5	16.0	6.50	6.50
						FACSB0650-6R5M	6.50	21.5	23.7	6.00	6.00
						FACSB0650-7R6M	7.60	28.2	31.0	4.80	4.20
						FACSB0650-8R5M	8.50	30.5	33.6	4.50	4.00
						FACSB0650-100M	10.0	33.0	36.3	4.00	3.50

TEST CONDITIONS

- All data is tested based on 25°C ambient temperature.
- Inductance measure condition at 100kHz, 0.1V.
- Saturation current : the actual value of DC current when the inductance decrease 30% of its initial value.
- Temperature rise current : the actual value of DC current when the temperature rise is ΔT50 [Ta=25°C].
- Special remind : Circuit design, component placement, PWB size and thickness, cooling system and etc. all will affect the product temperature. Please verify the product temperature in the final application.

TECHNICAL INFORMATION

ELECTRICAL SCHEMATIC & PAD LAYOUT



DIMENSIONS:MM

Part number	A	B	C	D	E	F	G	H	I	J	K
FACSB0640	6.9±0.3	7.0±0.5	3.8±0.3	0.0-0.2	1.2±0.3	1.8±0.3	2.5 REF	7.2 REF	2.5 REF	5.0 REF	7.2 REF
FACSB0650	6.9±0.3	7.0±0.5	4.8±0.3	0.0-0.2	1.2±0.3	1.8±0.3	2.5 REF	7.2 REF	2.5 REF	5.0 REF	7.2 REF

HIGH CURRENT POWER INDUCTOR FACSB1030,1040 SERIES



FEATURES :

- Magnetic shielding structure, excellent resistance to electro magnetic interference
- Flat wire winding, a achieve a low D.C. R resistance
- Low loss, high efficiency, wide application frequency and application
- Vertical structure design, save space
- Operating temperature: -40°C~ +125°C
[Including coil's temperature rise]

PRODUCT IDENTIFICATION:

CSB $\frac{1030}{a}$ - R $\frac{20}{b}$ $\frac{M}{c}$ $\frac{M}{d}$

- a: Series name
- b: Product dimensions
- c: Inductance Value [1R0:1.0uH;100;10uH;101:100uH]
- d: Inductance Tolerance [K:10%;M:20%;N:30%]

ELECTRICAL CHARACTERISTICS

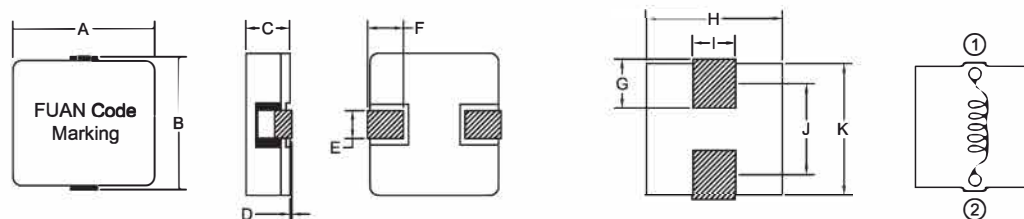
Part Number	Inductance [uH]±20%	DCR(mΩ)		Saturation Current(A) Typical	Temperature Current(A) Typical	Part Number	Inductance [uH]±20%	DCR(mΩ)		Saturation Current(A) Typical	Temperature Current(A) Typical
		Typical	Max					Typical	Max		
FACSB1030-R20M	0.20	0.82	0.98	50.0	22.0	FACSB1040-R15M	0.15	0.58	0.60	60.0	25.0
FACSB1030-R33M	0.33	2.17	2.50	36.0	18.0	FACSB1040-R30M	0.30	1.10	1.20	50.0	22.0
FACSB1030-R56M	0.56	2.17	2.50	30.0	18.0	FACSB1040-R56M	0.56	1.60	1.80	30.0	20.0
FACSB1030-R68M	0.68	4.79	5.40	23.0	14.0	FACSB1040-1R0M	1.00	3.30	3.60	20.0	16.0
FACSB1030-1R0M	1.00	4.79	5.40	21.0	14.0	FACSB1040-1R5M	1.50	5.30	5.80	17.0	14.0
FACSB1030-1R2M	1.20	6.60	7.40	20.0	12.0	FACSB1040-2R0M	2.00	7.30	8.00	13.0	11.0
FACSB1030-1R5M	1.50	6.60	7.40	18.0	12.0	FACSB1040-2R8M	2.80	10.6	11.7	11.0	9.50
FACSB1030-2R2M	2.20	11.4	12.5	15.0	9.00	FACSB1040-4R3M	4.30	14.1	15.5	8.00	8.00
						FACSB1040-5R6M	5.60	20.6	22.7	7.50	6.70

TEST CONDITIONS

- All data is tested based on 25°C ambient temperature.
- Inductance measure condition at 100kHz, 0.1V.
- Saturation current : the actual value of DC current when the inductance decrease 30% of its initial value.
- Temperature rise current : the actual value of DC current when the temperature rise is ΔT50 [Ta=25°C].
- Special remind : Circuit design, component placement, PWB size and thickness, cooling system and etc. all will affect the product temperature. Please verify the product temperature in the final application.

TECHNICAL INFORMATION

ELECTRICAL SCHEMATIC & PAD LAYOUT



DIMENSIONS:MM

Part number	A	B	C	D	E	F	G	H	I	J	K
FACSB1030	10.2±0.5	10.5±1.0	2.8±0.3	0.0-0.2	2.25±0.75	2.5±1.0	3.5 REF	10.7 REF	5.0 REF	8.0 REF	10.7 REF
FACSB1040	10.2±0.5	10.5±1.0	4.0±0.3	0.0-0.2	2.25±0.75	2.5±1.0	3.5 REF	10.7 REF	5.0 REF	8.0 REF	10.7 REF

HIGH CURRENT POWER INDUCTOR FACSB1050,1060 SERIES



FEATURES:

- Magnetic shielding structure, excellent resistance to electro magnetic interference
- Flat wire winding, achieve a low D.C. Resistance
- Low loss, high efficiency, wide application frequency and application
- Vertical structure design, save space
- Operating temperature: -40°C~ +125°C
[Including coils temperature rise]

PRODUCT IDENTIFICATION:

$$\frac{CSB}{a} \frac{1050}{b} - \frac{R16}{c} \frac{M}{d}$$

- a: Series name
- b: Product dimensions
- c: Inductance Value [1R0:1.0uH;100;10uH;101:100uH]
- d: Inductance Tolerance [K:10%;M:20%;N:30%]

ELECTRICAL CHARACTERISTICS

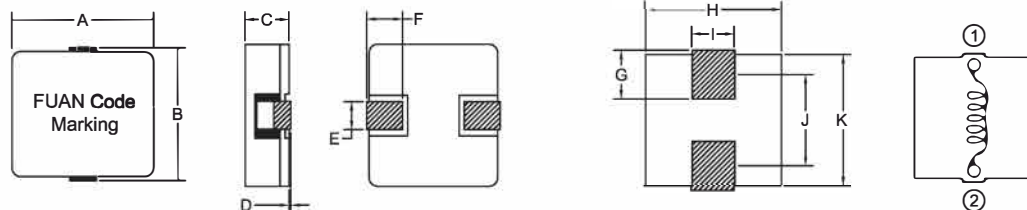
Part Number	Inductance [uH]±20%	DCR(mΩ)		Saturation Current(A) Typical	Temperature Current(A) Typical	Part Number	Inductance [uH]±20%	DCR(mΩ)		Saturation Current(A) Typical	Temperature Current(A) Typical
		Typical	Max					Typical	Max		
FACSB1050-R16M	0.16	0.56	0.70	58.0	25.0	FACSB1060-R60M	0.60	0.94	1.10	45.0	25.0
FACSB1050-R40M	0.40	0.67	0.74	37.0	24.0	FACSB1060-R73M	0.73	1.65	2.00	35.0	24.0
FACSB1050-R72M	0.72	1.30	1.43	35.0	22.0	FACSB1060-1R2M	1.20	2.45	2.70	25.0	20.0
FACSB1050-1R2M	1.20	1.80	1.98	25.0	20.0	FACSB1060-2R2M	2.20	4.26	5.00	20.0	18.0
FACSB1050-1R8M	1.80	3.50	3.85	18.0	16.0	FACSB1060-3R3M	3.30	5.10	6.20	17.0	13.0
FACSB1050-2R4M	2.40	4.75	5.23	17.0	14.0	FACSB1060-4R7M	4.70	6.72	10.0	10.0	10.0
FACSB1050-3R3M	3.30	5.90	6.49	15.0	12.0	FACSB1060-8R2M	8.20	11.6	12.7	7.50	7.50
FACSB1050-4R2M	4.20	7.10	7.81	14.0	11.0	FACSB1060-100M	10.0	18.0	22.0	7.00	7.00
FACSB1050-5R5M	5.50	10.3	11.3	12.0	10.0						
FACSB1050-6R5M	6.50	12.5	13.8	10.0	8.40						
FACSB1050-7R8M	7.80	13.6	15.0	9.50	8.00						
FACSB1050-100M	10.0	16.3	18.0	8.50	7.20						
FACSB1050-160M	16.0	34.5	38.0	6.50	5.00						

TEST CONDITIONS

- All data is tested based on 25°C ambient temperature.
- Inductance measure condition at 100kHz, 0.1V.
- Saturation current : the actual value of DC current when the inductance decrease 30% of its initial value.
- Temperature rise current : the actual value of DC current when the temperature rise is ΔT 50 [Ta=25°C].
- Special remind : Circuit design, component placement, PWB size and thickness, cooling system and etc. all will affect the product temperature. Please verify the product temperature in the final application.

TECHNICAL INFORMATION

ELECTRICAL SCHEMATIC & PAD LAYOUT



DIMENSIONS:MM

Part number	A	B	C	D	E	F	G	H	I	J	K
FACSB1030	10.2±0.5	10.5±1.0	4.7±0.3	0.0-0.2	2.25±0.75	2.5±1.0	3.5 REF	10.7 REF	5.0 REF	8.0 REF	10.7 REF
FACSB1040	10.2±0.5	10.5±1.0	5.7±0.3	0.0-0.2	2.25±0.75	2.5±1.0	3.5 REF	10.7 REF	5.0 REF	8.0 REF	10.7 REF

HIGH CURRENT POWER INDUCTOR FACSB1085,1140 SERIES



FEATURES:

Magnetic shielding structure, excellent resistance to electro magnetic interference
 Flat wire winding, achieve a low D.C. Resistance
 Low loss, high efficiency, wide application frequency and application
 Vertical structure design, save space
 Operating temperature: -40°C~ +125°C
 [Including coil's temperature rise]

PRODUCT IDENTIFICATION:

CSB 1085 - R47 M
 $\frac{\quad}{a} \frac{\quad}{b} \frac{\quad}{c} \frac{\quad}{d}$

a: Series name
 b: Product dimensions
 c: Inductance Value [1R0:1.0uH;100;10uH;101:100uH]
 d: Inductance Tolerance [K:10%;M:20%;N:30%]

ELECTRICAL CHARACTERISTICS

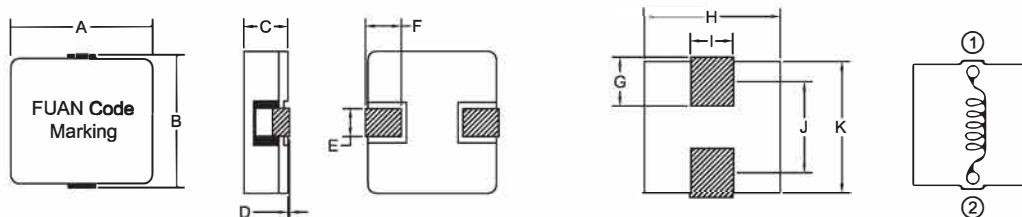
Part Number	Inductance [uH]±20%	DCR(mΩ)		Saturation Current(A) Typical	Temperature Current(A) Typical	Part Number	Inductance [uH]±20%	DCR(mΩ)		Saturation Current(A) Typical	Temperature Current(A) Typical
		Typical	Max					Typical	Max		
FACSB1085-R47M	0.47	1.45	1.70	110	25.0	FACSB1140-R68M	0.68	1.61	1.80	40.0	21.0
FACSB1085-1R0M	1.00	1.45	1.70	40.0	25.0	FACSB1140-2R2M	2.20	5.20	6.40	20.0	15.0
FACSB1085-4R7M	4.70	5.33	6.40	16.0	13.0						

TEST CONDITIONS

- All data is tested based on 25°C ambient temperature.
- Inductance measure condition at 100kHz, 0.1V.
- Saturation current : the actual value of DC current when the inductance decrease 30% of its initial value.
- Temperature rise current : the actual value of DC current when the temperature rise is ΔT 50 [Ta=25°C].
- Special remind : Circuit design, component placement, PWB size and thickness, cooling system and etc. all will affect the product temperature. Please verify the product temperature in the final application.

TECHNICAL INFORMATION

ELECTRICAL SCHEMATIC & PAD LAYOUT



DIMENSIONS:MM

Part number	A	B	C	D	E	F	G	H	I	J	K
FACSB1085	10.2±0.5	10.5±1.0	4.7±0.3	0.0-0.2	2.25±0.75	2.5±1.0	3.5 REF	10.7 REF	5.0 REF	8.0 REF	10.7 REF
FACSB1140	12.7±0.3	11.8±1.0	4.0±0.3	0.0-0.2	2.15±0.75	3.0±1.0	4.5 REF	13.0 REF	4.0 REF	8.5 REF	12.3 REF

HIGH CURRENT POWER INDUCTOR FACSB1235,1240 SERIES



FEATURES:

- Magnetic shielding structure, excellent resistance to electro magnetic interference
- Flat wire winding, achieve a low D.C. R resistance
- Low loss, high efficiency, wide application frequency and application
- Vertical structure design, save space
- Operating temperature: -40°C~ +125°C
[Including coils temperature rise]

PRODUCT IDENTIFICATION:

$$\frac{CSB}{a} \frac{1235}{b} - \frac{1R2}{c} \frac{M}{d}$$

- a:Series name
- b:Product dimensions
- c:Inductance Value[1R0:1.0uH;100;10uH;101:100uH]
- d:Inducatance Tolerance [K:10%;M:20%;N:30%]

ELECTRICAL CHARACTERISTICS

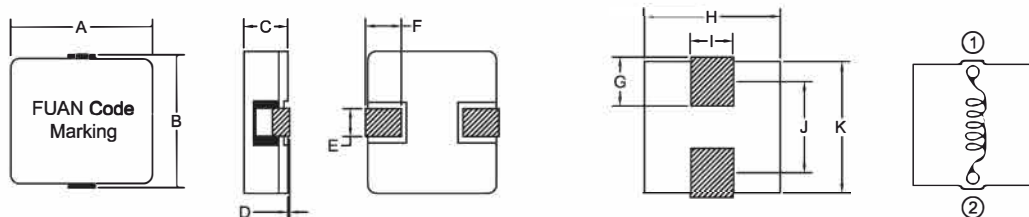
Part Number	Inductance [uH]±20%	DCR(mΩ)		Saturation Current(A) Typical	Temperature Current(A) Typical	Part Number	Inductance [uH]±20%	DCR(mΩ)		Saturation Current(A) Typical	Temperature Current(A) Typical
		Typical	Max					Typical	Max		
FACSB1235-R25M	0.25	0.75	0.80	60.0	24.0	FACSB1240-R47M	0.47	1.03	1.25	50.0	25.0
FACSB1235-R47M	0.47	1.67	2.00	48.0	22.0	FACSB1240-2R2M	2.20	5.20	6.50	18.0	14.5
FACSB1235-R68M	0.68	1.58	1.70	30.0	22.0	FACSB1240-3R3M	3.30	8.20	9.40	14.0	12.0
FACSB1235-1R2M	1.20	28.5	3.10	28.0	17.0	FACSB1240-4R7M	4.70	9.20	10.5	12.0	10.0
FACSB1235-1R8M	1.80	5.60	6.20	22.0	14.0						
FACSB1235-2R2M	2.20	5.70	6.30	18.0	14.0						
FACSB1235-3R3M	3.30	8.10	8.90	14.0	12.0						

TEST CONDITIONS

- All data is tested based on 25°C ambient temperature.
- Inductance measure condition at 100kHz, 0.1V.
- Saturation current : the actual value of DC current when the inductance decrease 30% of its initial value.
- Temperature rise current : the actual value of DC current when the temperature rise is ΔT 50 [Ta=25°C].
- Special remind : Circuit design, component placement, PWB size and thickness, cooling system and etc. all will affect the product temperature. Please verify the product temperature in the final application.

TECHNICAL INFORMATION

ELECTRICAL SCHEMATIC & PAD LAYOUT



DIMENSIONS:MM

Part number	A	B	C	D	E	F	G	H	I	J	K
FACSB1235	12.8±0.5	13.0±1.0	3.3±0.3	0.0-0.2	2.25±0.75	3.0±1.0	4.5 REF	13.3 REF	5.5 REF	10.5 REF	13.3 REF
FACSB1240	12.8±0.5	13.0±1.0	3.7±0.3	0.0-0.2	2.25±0.75	3.0±1.0	4.5 REF	13.3 REF	5.5 REF	10.5 REF	13.3 REF

HIGH CURRENT POWER INDUCTOR FACSB1250,1260 SERIES



FEATURES:

- Magnetic shielding structure, excellent resistance to electro magnetic interference
- Flat wire winding, achieve a low D.C. R resistance
- Low loss, high efficiency, wide application frequency and application
- Vertical structure design, save space
- Operating temperature: -40°C~ +125°C
[Including coil's temperature rise]

PRODUCT IDENTIFICATION:

$$\frac{\text{CSB}}{a} \frac{1250}{b} - \frac{1R4}{c} \frac{M}{d}$$

- a:Series name
- b:Product dimensions
- c:Inductance Value[1R0:1.0uH;100;10uH;101:100uH]
- d:Inductance Tolerance[K:10%;M:20%;N:30%]

ELECTRICAL CHARACTERISTICS

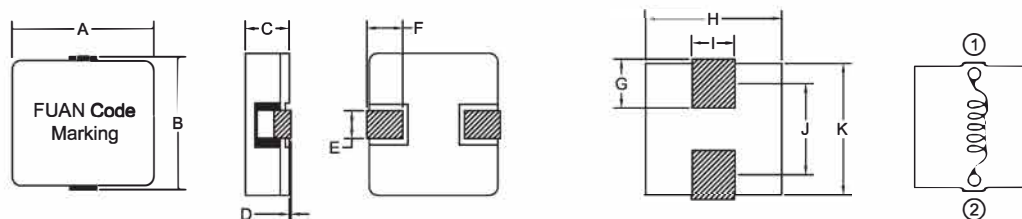
Part Number	Inductance [uH]±20%	DCR(mΩ)		Saturation Current[A] Typical	Temperature Current[A] Typical	Part Number	Inductance [uH]±20%	DCR(mΩ)		Saturation Current[A] Typical	Temperature Current[A] Typical
		Typical	Max					Typical	Max		
FACSB1250-R19M	0.19	0.50	0.55	60.0	29.0	FACSB1260-R50M	0.50	0.71	0.78	48.0	28.0
FACSB1250-R47M	0.47	0.90	0.99	50.0	26.0	FACSB1260-R82M	0.82	1.24	1.36	30.0	26.0
FACSB1250-R90M	0.90	1.60	1.76	28.0	24.0	FACSB1260-1R3M	1.30	1.80	2.00	25.0	25.0
FACSB1250-1R4M	1.40	2.40	2.64	26.0	22.0	FACSB1260-1R5M	1.50	2.60	2.90	23.0	23.0
FACSB1250-2R3M	2.30	3.70	4.07	17.0	17.5	FACSB1260-2R0M	2.00	2.60	2.90	22.0	23.0
FACSB1250-3R2M	3.20	5.30	5.83	15.0	16.0	FACSB1260-2R2M	2.20	2.60	2.90	21.0	23.0
FACSB1250-4R8M	4.80	10.5	11.6	13.0	11.0	FACSB1260-2R7M	2.70	3.60	4.00	17.5	20.0
FACSB1250-8R2M	8.20	11.6	12.8	11.0	10.0	FACSB1260-3R3M	3.30	3.90	4.30	15.0	16.0
FACSB1250-100M	10.0	14.1	15.5	10.0	8.50	FACSB1260-4R7M	4.70	6.60	7.30	13.0	15.0
						FACSB1260-6R0M	6.00	8.40	9.20	12.0	14.0
						FACSB1260-6R8M	6.80	8.40	9.20	12.0	14.0
						FACSB1260-100M	10.0	10.4	12.0	10.0	10.0

TEST CONDITIONS

- All data is tested based on 25°C ambient temperature.
- Inductance measure condition at 100kHz, 0.1V.
- Saturation current : the actual value of DC current when the inductance decrease 30% of its initial value.
- Temperature rise current : the actual value of DC current when the temperature rise is ΔT50 (Ta=25°C).
- Special remind : Circuit design, component placement, PWB size and thickness, cooling system and etc. all will affect the product temperature. Please verify the product temperature in the final application.

TECHNICAL INFORMATION

ELECTRICAL SCHEMATIC & PAD LAYOUT



DIMENSIONS:MM

Part number	A	B	C	D	E	F	G	H	I	J	K
FACSB1250	12.8±0.5	13.0±1.0	4.7±0.3	0.0-0.2	2.25±0.75	3.0±1.0	4.5 REF	13.3 REF	5.5 REF	10.5 REF	13.3 REF
FACSB1260	12.8±0.5	13.0±1.0	5.7±0.3	0.0-0.2	2.25±0.75	3.0±1.0	4.5 REF	13.3 REF	5.5 REF	10.5 REF	13.3 REF

HIGH CURRENT POWER INDUCTOR FACSB1265,1660 SERIES



FEATURES :

- Magnetic shielding structure, excellent resistance to electro magnetic interference
- Flat wire winding, achieve a low D.C. Resistance
- Low loss, high efficiency, wide application frequency and application
- Vertical structure design, save space
- Operating temperature: -40°C ~ +125°C
[Including coils temperature rise]

PRODUCT IDENTIFICATION:

$$\frac{CSB}{a} \frac{1265}{b} - \frac{1R3}{c} \frac{M}{d}$$

- a: Series name
- b: Product dimensions
- c: Inductance Value [1R0:1.0uH;100;10uH;101:100uH]
- d: Inductance Tolerance [K:10%;M:20%;N:30%]

ELECTRICAL CHARACTERISTICS

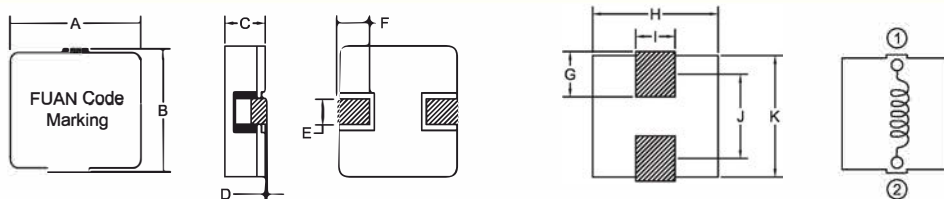
Part Number	Inductance [uH]±20%	DCR(mΩ)		Saturation Current(A) Typical	Temperature Current(A) Typical	Part Number	Inductance [uH]±20%	DCR(mΩ)		Saturation Current(A) Typical	Temperature Current(A) Typical
		Typical	Max					Typical	Max		
FACSB1265-R20M	0.20	0.35	0.40	65.0	32.0	FACSB1660-3R3M	3.30	0.82	1.00	80.0	30.0
FACSB1265-R47M	0.47	0.67	0.85	50.0	30.0						
FACSB1265-R82M	0.82	0.90	1.10	35.0	27.0						
FACSB1265-1R3M	1.30	1.80	2.00	25.0	25.0						
FACSB1265-2R0M	2.00	2.60	2.90	22.0	23.0						
FACSB1265-2R8M	2.80	3.30	3.60	17.5	20.0						
FACSB1265-3R7M	3.70	4.90	5.40	16.0	17.0						
FACSB1265-4R7M	4.70	7.00	7.70	15.0	13.0						
FACSB1265-6R0M	6.00	8.40	9.20	14.0	12.0						
FACSB1265-7R3M	7.30	5.90	6.50	12.0	13.0						
FACSB1265-9R2M	9.20	7.80	8.60	10.5	12.0						
FACSB1265-110M	11.0	9.10	10.0	9.50	11.0						
FACSB1265-130M	13.0	11.2	12.3	9.00	10.0						
FACSB1265-150M	15.0	14.8	16.3	8.00	9.00						
FACSB1265-180M	18.0	22.0	24.2	7.50	7.50						
FACSB1265-220M	22.0	24.7	27.2	6.50	6.00						
FACSB1265-330M	33.0	30.5	33.6	5.50	5.50						

TEST CONDITIONS

- All data is tested based on 25°C ambient temperature.
- Inductance measure condition at 100kHz, 0.1V.
- Saturation current : the actual value of DC current when the inductance decrease 30% of its initial value.
- Temperature rise current : the actual value of DC current when the temperature rise is ΔT50 (Ta=25°C).
- Special remind : C circuit design, component placement, PWB size and thickness, cooling system and etc. all will affect the product temperature. Please verify the product temperature in the final application.

TECHNICAL INFORMATION

ELECTRICAL SCHEMATIC & PAD LAYOUT



DIMENSIONS:MM

Part number	A	B	C	D	E	F	G	H	I	J	K
FACSB1265	12.8±0.5	13.0±1.0	6.2±0.3	0.0-0.2	2.25±0.75	3.0±1.0	4.5 REF	13.3 REF	5.5 REF	10.5 REF	13.3 REF
FACSB1660	16.0±0.5	16.0±1.0	6.0±0.3	0.0-0.2	2.95±0.75	4.0±1.0	6.0 REF	16.5 REF	5.5 REF	12.0 REF	16.5 REF

HIGH CURRENT POWER INDUCTOR FACSB1809,2212 SERIES



FEATURES :

- Magnetic shielding structure, excellent resistance to electro magnetic interference
- Flat wire winding, achieve a low D.C. Resistance
- Low loss, high efficiency, wide application frequency and application
- Vertical structure design, save space
- Operating temperature: -40°C ~ +125°C
[Including coils temperature rise]

PRODUCT IDENTIFICATION:

$$\text{CSB } \frac{1809}{a} - \frac{1R3}{b} \frac{M}{c} \frac{M}{d}$$

- a: Series name
- b: Product dimensions
- c: Inductance Value [1R0:1.0uH;100;10uH;101:100uH]
- d: Inductance Tolerance [K:10%;M:20%;N:30%]

ELECTRICAL CHARACTERISTICS

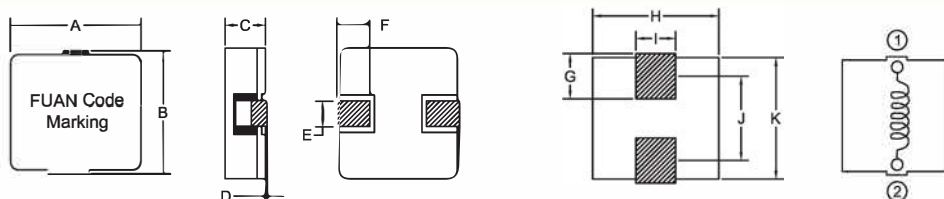
Part Number	Inductance [uH]±20%	DCR(mΩ)		Saturation Current[A] Typical	Temperature Current[A] Typical	Part Number	Inductance [uH]±20%	DCR(mΩ)		Saturation Current[A] Typical	Temperature Current[A] Typical
		Typical	Max					Typical	Max		
FACSB1809-R82M	0.82	0.54	0.59	65.0	41.5	FACSB2212-4R7M	4.70	1.83	2.10	32.0	32.0
FACSB1809-1R3M	1.30	0.94	1.03	62.0	34.5	FACSB2212-330M	33.0	10.8	12.5	15.0	13.0
FACSB1809-1R9M	1.90	1.20	1.30	52.0	32.5						
FACSB1809-2R6M	2.60	1.58	1.74	50.0	31.5						
FACSB1809-3R5M	3.50	3.10	3.40	37.0	22.5						
FACSB1809-4R5M	4.50	3.40	3.70	37.0	20.5						
FACSB1809-5R6M	5.60	3.70	4.10	33.0	19.0						
FACSB1809-6R8M	6.80	4.10	4.50	27.0	18.5						
FACSB1809-100M	10.0	6.90	7.60	21.5	15.0						

TEST CONDITIONS

- All data is tested based on 25°C ambient temperature.
- Inductance measure condition at 100kHz, 0.1V.
- Saturation current : the actual value of DC current when the inductance decrease 30% of its initial value.
- Temperature rise current : the actual value of DC current when the temperature rise is ΔT50 [Ta=25°C].
- Special remind : Circuit design, component placement, PWB size and thickness, cooling system and etc. all will affect the product temperature. Please verify the product temperature in the final application.

TECHNICAL INFORMATION

ELECTRICAL SCHEMATIC & PAD LAYOUT



DIMENSIONS:MM

Part number	A	B	C	D	E	F	G	H	I	J	K
FACSB1809	18.2±0.5	18.3±1.0	8.9±0.3	0.0-0.3	4.0±0.5	4.5±1.0	6.0 REF	18.7 REF	6.0 REF	14.0 REF	18.7 REF
FACSB2212	22.0±0.5	22.5±1.0	12.0±0.5	0.0-0.3	4.0±0.5	5.0±1.0	6.5 REF	23.0 REF	6.0 REF	17.5 REF	23.0 REF

HIGH CURRENT POWER INDUCTOR FACSCG1056 SERIES



FEATURES :

- Magnetic shielding structure, excellent resistance to electro magnetic interference
- Assemblage design, sturdy structure
- Small volume, high current, low magnetic loss, low ESR small parasitic capacitance
- Temperature rise current and saturation current is less influenced by environment
- Operating temperature: -40°C ~ +125°C [Including coils temperature rise]

PRODUCT IDENTIFICATION:

$$\frac{C}{a} \frac{S}{b} \frac{G}{c} \frac{1056}{d} - \frac{4R7}{c} \frac{M}{d}$$

- a: Series name
- b: Product dimensions
- c: Inductance Value [1R0:1.0uH;100;10uH;101:100uH]
- d: Inductance Tolerance [K:10%;M:20%;N:30%]

ELECTRICAL CHARACTERISTICS

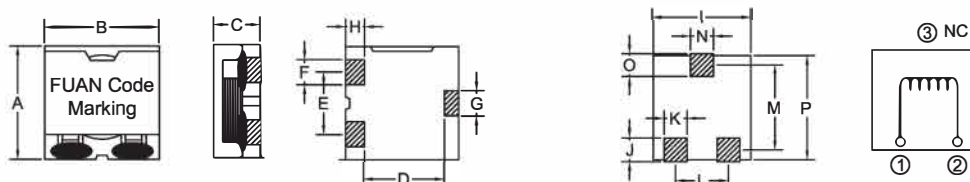
Part Number	Inductance [uH]±20%	D.C.Resistor[mΩ]		Saturation Current [A]Typical	Temperature Current [A]Typical
		Typical	Max		
FACSCG1056-R60M	0.60	1.32	1.60	45.0	24.0
FACSCG1056-R68M	0.68	1.32	1.60	38.0	24.0
FACSCG1056-1R0M	1.00	2.50	2.80	30.0	13.0
FACSCG1056-1R3M	1.30	2.50	2.80	19.0	13.0
FACSCG1056-4R7M	4.70	9.20	11.0	10.0	11.0
FACSCG1056-8R2M	8.20	17.0	19.0	8.00	9.00

TEST CONDITIONS

- All data is tested based on 25°C ambient temperature.
- Inductance measure condition at 100kHz, 0.1V.
- Saturation current : the actual value of DC current when the inductance decrease 20% of its initial value.
- Temperature rise current : the actual value of DC current when the temperature rise is ΔT40 [Ta=25°C].
- Special remind : Circuit design, component placement, PWB size and thickness, cooling system and etc. all will affect the product temperature. Please verify the product temperature in the final application.

TECHNICAL INFORMATION

ELECTRICAL SCHEMATIC & PAD LAYOUT



DIMENSIONS:MM

Part number	A	B	C	D	E	F	G	H	I	J	K
FACSCG1056	9.0 Max	10.5 Max	5.6 Max	1.8±0.2	5.6 REF	2.6±0.5	1.8 REF	1.8 REF	10.5 REF	4.0 REF	3.0 REF
Part number	L	M	N	O	P						
FACSCG1056	5.6 REF	5.75 REF	2.8 REF	2.5 REF	9.0 REF						

HIGH CURRENT POWER INDUCTOR FACSCG1360,1365 SERIES



FEATURES:

- Magnetic shielding structure, excellent resistance to electro magnetic interference
- Assemblage design, sturdy structure
- Small volume, high current, low magnetic loss, low ESR small parasitic capacitance
- Temperature rise current and saturation current is less influenced by environment
- Operating temperature: -40°C~ +125°C [Including coilis temperature rise]

PRODUCT IDENTIFICATION:

$$\frac{C}{a} \frac{S}{b} \frac{C}{c} \frac{G}{d} \frac{1}{c} \frac{R}{d} \frac{M}{d}$$

- a: Series name
- b: Product dimensions
- c: Inductance Value [1R0:1.0uH;100;10uH;101:100uH]
- d: Inductance Tolerance [K:10%;M:20%;N:30%]

ELECTRICAL CHARACTERISTICS

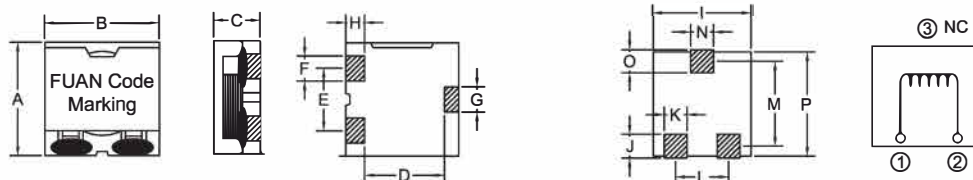
Part Number	Inductance [uH]±20%	DCR[mΩ]		Saturation Current[A] Typical	Temperature Current[A] Typical
		Typical	Max		
FACSCG1360-1R0M	1.00	1.50	1.80	30.0	24.0
FACSCG1365-1R0M	1.00	2.00	2.50	50.0	25.0

TEST CONDITIONS

- All data is tested based on 25°C ambient temperature.
- Inductance measure condition at 100kHz, 0.1V.
- Saturation current : the actual value of DC current when the inductance decrease 20% of its initial value.
- Temperature rise current : the actual value of DC current when the temperature rise is ΔT 40 (Ta=25°C).
- Special remind : Circuit design, component placement, PWB size and thickness, cooling system and etc. all will affect the product temperature. Please verify the product temperature in the final application.

TECHNICAL INFORMATION

ELECTRICAL SCHEMATIC & PAD LAYOUT



DIMENSIONS:MM

Part number	A	B	C	D	E	F	G	H	I	J
FACSCG1360	11.8 Max	14.0 Max	6.5 Max	2.0±0.3	8.5 REF	3.0±1.0	1.8 REF	1.8 REF	14.0 REF	5.0 REF
FACSCG1365	11.8 Max	14.0 Max	6.5±0.3	2.0±0.3	8.5 REF	3.0±1.0	1.8 REF	1.8 REF	14.0 REF	5.0 REF

Part number	K	L	M	N	O	P
FACSCG1360	4.0 REF	8.5 REF	9.0 REF	3.5 REF	3.5 REF	11.8 REF
FACSCG1365	4.0 REF	8.5 REF	9.0 REF	3.5 REF	3.5 REF	11.8 REF

HIGH CURRENT POWER INDUCTOR FACSCM1250,1256 SERIES



FEATURES :

High inductance, high current, low magnetic loss
 low ESR, small parasitic capacitance
 Small volume, high current, low magnetic loss, low ESR
 small parasitic capacitance
 Temperature rise current and saturation current
 is less influenced by environment
 Operating temperature: -40°C~ +125°C
 [Including coils temperature rise]

PRODUCT IDENTIFICATION:

CSCM 1250 - 2R2 M
 $\frac{\quad}{a} \quad \frac{\quad}{b} \quad \frac{\quad}{c} \quad \frac{\quad}{d}$

a:Series name
 b:Product dimensions
 c:Inductance Value[1R0:1.0uH;100;10uH;101:100uH]
 d:Inductance Tolerance[K:10%;M:20%;N:30%]

ELECTRICAL CHARACTERISTICS

Part Number	Inductance [uH]±20%	DCR[mΩ]		Saturation Current[A] Typical	Temperature Current[A] Typical
		Typical	Max		
FACSCM1250-R47M	0.47	0.85	0.96	31.0	26.5
FACSCM1250-1R0M	1.00	1.68	1.90	21.0	19.0
FACSCM1250-1R5M	1.50	2.74	3.20	18.0	15.0
FACSCM1250-2R2M	2.20	3.40	3.80	14.0	13.0
FACSCM1250-2R7M	2.70	6.30	7.20	14.0	10.0
FACSCM1250-3R3M	3.30	6.30	7.20	12.0	10.0
FACSCM1250-4R0M	4.00	6.30	7.20	11.0	10.0
FACSCM1250-6R8M	6.80	12.5	14.5	8.00	7.00

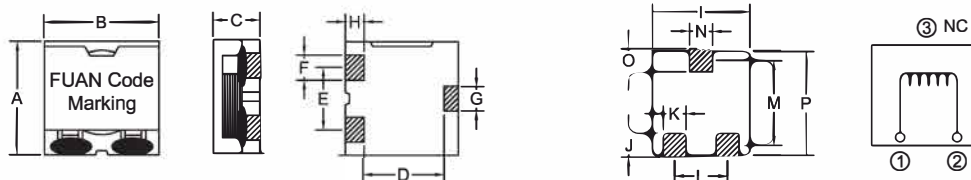
Part Number	Inductance [uH]±20%	DCR[mΩ]		Saturation Current[A] Typical	Temperature Current[A] Typical
		Typical	Max		
FACSCM1256-R33M	0.33	0.90	1.08	40.0	27.0
FACSCM1256-R80M	0.80	0.90	1.08	23.0	27.0
FACSCM1256-1R8M	1.80	4.10	4.50	20.0	12.0
FACSCM1256-4R0M	4.00	6.60	7.80	13.0	10.0
FACSCM1256-4R7M	4.70	6.00	7.00	11.0	10.0
FACSCM1256-5R6M	5.60	9.10	10.0	11.0	8.00
FACSCM1256-100M	10.0	10.2	11.7	4.00	7.00

TEST CONDITIONS

- All data is tested based on 25°C ambient temperature.
- Inductance measure condition at 100kHz, 0.1V.
- Saturation current : the actual value of DC current when the inductance decrease 20% of its initial value.
- Temperature rise current : the actual value of DC current when the temperature rise is ΔT 40 [Ta=25°C].
- Special remind : C circuit design, component placement, PWB size and thickness, cooling system and etc. all will affect the product temperature. Please verify the product temperature in the final application.

TECHNICAL INFORMATION

ELECTRICAL SCHEMATIC & PAD LAYOUT



DIMENSIONS:MM

Part number	A	B	C	D	E	F	G	H	I	J
FACSCM1250	13.5 Max	12.5±0.4	5.0±0.3	9.0 REF	6.9 REF	2.0-2.6	2.6 REF	2.0 REF	12.9 REF	3.0 REF
FACSCM1256	13.5 Max	12.5±0.4	5.6±0.3	9.0 REF	6.9 REF	2.0-2.6	2.6 REF	2.0 REF	12.9 REF	3.0 REF

Part number	K	L	M	N	O	P				
FACSCM1250	3.0 REF	6.9 REF	11.1 REF	3.0 REF	2.8 REF	13.5 REF				
FACSCM1256	3.0 REF	6.9 REF	11.1 REF	3.0 REF	2.8 REF	13.5 REF				

HIGH CURRENT POWER INDUCTOR FACSCM1260,1265 SERIES



FEATURES:

- Assemblage design, sturdy structure
- High inductance, high current, low magnetic loss
- low ESR, small parasitic capacitance
- Small volume, high current, low magnetic loss, low ESR
- small parasitic capacitance
- Temperature rise current and saturation current is less influenced by environment
- Operating temperature: -40°C - +125°C
[Including coilis temperature rise]

PRODUCT IDENTIFICATION:

$$\frac{C}{a} \frac{S}{b} \frac{M}{c} \frac{1260}{d} - \frac{2R2}{c} \frac{M}{d}$$

- a:Series name
- b:Product dimensions
- c:Inductance Value[1R0:1.0uH;100;10uH;101:100uH]
- d:Inductance Tolerance[K:10%;M:20%;N:30%]

ELECTRICAL CHARACTERISTICS

Part Number	Inductance (uH)±20%	DCR(mΩ)		Saturation Current(A) Typical	Temperature Current(A) Typical
		Typical	Max		
FACSCM1260-1R0M	1.00	1.70	2.00	28.0	20.0
FACSCM1260-1R2M	1.20	1.75	2.10	21.0	19.0
FACSCM1260-2R2M	2.20	2.20	2.60	19.0	17.0
FACSCM1260-4R0M	4.00	5.30	6.30	13.0	11.5
FACSCM1260-4R7M	4.70	5.30	6.30	10.0	11.5
FACSCM1260-6R8M	6.80	5.30	6.30	8.50	11.5
FACSCM1260-100M	10.0	9.86	11.5	7.00	8.00
FACSCM1260-170M	17.0	20.9	24.0	5.00	5.50

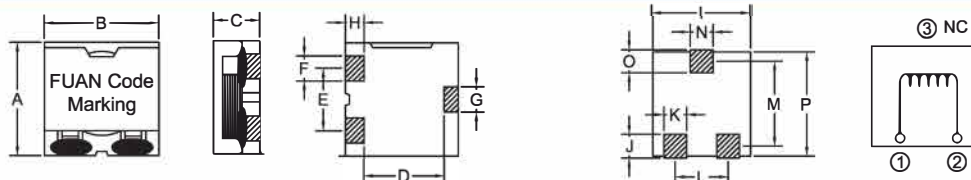
Part Number	Inductance (uH)±20%	DCR(mΩ)		Saturation Current(A) Typical	Temperature Current(A) Typical
		Typical	Max		
FACSCM1265-R50M	0.50	0.80	0.90	35.0	29.5
FACSCM1265-1R5M	1.50	2.26	2.65	26.0	17.5
FACSCM1265-2R2M	2.20	2.94	3.40	22.0	15.5
FACSCM1265-3R3M	3.30	5.30	6.30	16.0	11.0
FACSCM1265-4R0M	4.00	5.30	6.30	13.0	11.0
FACSCM1265-4R7M	4.70	5.30	6.30	12.0	11.0
FACSCM1265-5R6M	5.60	7.30	8.20	10.5	10.0
FACSCM1265-6R8M	6.80	7.30	8.20	8.50	10.0
FACSCM1265-8R2M	8.20	7.98	9.50	8.00	9.00
FACSCM1265-100M	10.0	7.98	9.50	6.00	9.00
FACSCM1265-170M	17.0	18.3	22.0	5.00	6.00
FACSCM1265-250M	25.0	19.8	23.0	3.80	5.80
FACSCM1265-420M	42.0	23.5	27.0	2.40	5.30

TEST CONDITIONS

- All data is tested based on 25°C ambient temperature.
- Inductance measure condition at 100kHz, 0.1V.
- Saturation current : the actual value of DC current when the inductance decrease 20% of its initial value.
- Temperature rise current : the actual value of DC current when the temperature rise is ΔT 40 (Ta=25°C).
- Special remind : Circuit design, component placement, PWB size and thickness, cooling system and etc. all will affect the product temperature. Please verify the product temperature in the final application.

TECHNICAL INFORMATION

ELECTRICAL SCHEMATIC & PAD LAYOUT



DIMENSIONS:MM

Part number	A	B	C	D	E	F	G	H	I	J
FACSCM1260	13.5 Max	12.5±0.4	6.0±0.3	9.0 REF	6.9 REF	2.0-2.6	2.6 REF	2.0 REF	12.9 REF	3.0 REF
FACSCM1265	13.5 Max	12.5±0.4	6.5 Max	9.0 REF	6.9 REF	2.0-2.6	2.6 REF	2.0 REF	12.9 REF	3.0 REF

Part number	K	L	M	N	O	P				
FACSCM1260	3.0 REF	6.9 REF	11.1 REF	3.0 REF	2.8 REF	13.5 REF				
FACSCM1265	3.0 REF	6.9 REF	11.1 REF	3.0 REF	2.8 REF	13.5 REF				

HIGH CURRENT POWER INDUCTOR FACSCM1460,1480 SERIES



FEATURES :

- Assemblage design, sturdy structure
- High inductance, high current, low magnetic loss
- low ESR, small parasitic capacitance
- Small volume, high current, low magnetic loss, low ESR
- small parasitic capacitance
- Temperature rise current and saturation current is less influenced by environment
- Operating temperature: -40°C ~ +125°C
- [Including coils temperature rise]

PRODUCT IDENTIFICATION:

$$\frac{\text{CSCM}}{a} \frac{1460}{b} - \frac{2R2}{c} \frac{M}{d}$$

- a:Series name
- b:Product dimensions
- c:Inductance Value[1R0:1.0uH;100;10uH;101:100uH]
- d:Inductance Tolerance[K:10%;M:20%;N:30%]

ELECTRICAL CHARACTERISTICS

Part Number	Inductance [uH]±20%	DCR(mΩ)		Saturation Current(A) Typical	Temperature Current(A) Typical
		Typical	Max		
FACSCM1460-R50M	0.50	1.48	1.70	40.0	23.0
FACSCM1460-R60M	0.60	1.48	1.70	40.0	23.0
FACSCM1460-1R2M	1.20	2.70	3.00	37.3	19.5
FACSCM1460-1R5M	1.50	2.70	3.00	29.8	19.5
FACSCM1460-2R2M	2.20	4.35	4.80	26.0	15.0
FACSCM1460-2R7M	2.70	4.35	4.80	22.0	15.0
FACSCM1460-3R5M	3.50	5.67	6.24	21.7	12.0
FACSCM1460-4R2M	4.20	5.67	6.24	18.5	12.0
FACSCM1460-5R0M	5.00	8.42	9.26	18.2	9.50
FACSCM1460-6R1M	6.10	8.42	9.26	15.5	9.50

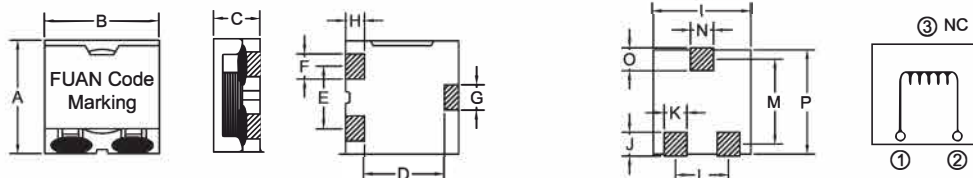
Part Number	Inductance [uH]±20%	DCR(mΩ)		Saturation Current(A) Typical	Temperature Current(A) Typical
		Typical	Max		
FACSCM1480-R30M	0.30	0.98	1.18	87.6	23.0
FACSCM1480-R50M	0.50	0.98	1.18	59.5	23.0
FACSCM1480-R90M	0.90	1.22	1.46	45.0	21.5
FACSCM1480-1R2M	1.20	1.69	2.02	44.7	20.0
FACSCM1480-1R8M	1.80	2.70	3.23	37.0	17.5
FACSCM1480-2R4M	2.40	2.70	3.23	28.0	17.5
FACSCM1480-3R4M	3.40	4.14	4.97	23.0	16.0
FACSCM1480-4R7M	4.70	5.02	6.03	19.0	12.5
FACSCM1480-6R1M	6.10	5.02	6.03	18.5	12.5
FACSCM1480-8R0M	8.00	6.50	7.80	12.2	11.0
FACSCM1480-100M	10.0	8.21	9.85	11.5	10.0
FACSCM1480-120M	12.0	11.1	13.3	10.0	8.50

TEST CONDITIONS

- All data is tested based on 25°C ambient temperature.
- Inductance measure condition at 100kHz, 0.1V.
- Saturation current : the actual value of DC current when the inductance decrease 20% of its initial value.
- Temperature rise current : the actual value of DC current when the temperature rise is ΔT40 (Ta=25°C).
- Special remind : Circuit design, component placement, PWB size and thickness, cooling system and etc. all will affect the product temperature. Please verify the product temperature in the final application.

TECHNICAL INFORMATION

ELECTRICAL SCHEMATIC & PAD LAYOUT



DIMENSIONS:MM

Part number	A	B	C	D	E	F	G	H	I	J
FACSCM1260	15.5 Max	14.5±0.4	6.0 Max	10.0 REF	9.0 REF	2.0-2.6	2.5 REF	2.0 REF	14.9 REF	4.0 REF
FACSCM1265	15.5 Max	14.5±0.4	8.0 Max	10.0 REF	9.0 REF	2.0-2.6	2.5 REF	2.0 REF	14.9 REF	4.0 REF

Part number	K	L	M	N	O	P				
FACSCM1260	3.8 REF	9.0 REF	13.0 REF	3.5 REF	4.0 REF	14.9 REF				
FACSCM1265	3.8 REF	9.0 REF	13.0 REF	3.5 REF	4.0 REF	14.9 REF				

HIGH CURRENT POWER INDUCTOR FACSCI1045,1050 SERIES



FEATURES:

- Magnetic shielding structure, excellent resistance to electro magnetic interference
- Assemblage design, sturdy structure
- Small volume, high current, low magnetic loss, low ESR small parasitic capacitance
- Temperature rise current and saturation current is less influenced by environment
- Operating temperature: -40°C ~ +125°C
[Including coils temperature rise]

PRODUCT IDENTIFICATION:

$$\frac{C}{a} \frac{S}{b} \frac{C}{c} \frac{I}{d} \frac{1045}{e} - \frac{R}{f} \frac{22}{g} \frac{M}{h}$$

- a: Series name
- b: Product dimensions
- c: Inductance Value [1R0:1.0uH; 100; 10uH; 101:100uH]
- d: Inductance Tolerance [K:10%; M:20%; N:30%]

ELECTRICAL CHARACTERISTICS

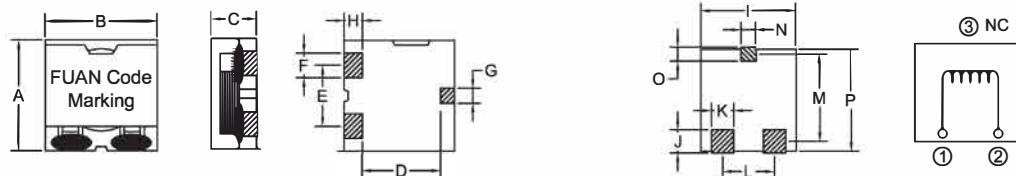
Part Number	Inductance [uH]±20%	DCR(mΩ)		Saturation Current(A) Typical	Temperature Current(A) Typical	Part Number	Inductance [uH]±20%	DCR(mΩ)		Saturation Current(A) Typical	Temperature Current(A) Typical
		Typical	Max					Typical	Max		
FACSCI1045-R22M	0.22	1.60	2.20	39.6	18.0	FACSCI1050-1R5M	1.50	8.20	9.00	18.0	10.0
FACSCI1045-2R2M	2.20	6.90	8.00	11.0	9.00	FACSCI1050-2R2M	2.20	7.30	8.00	11.0	8.50
FACSCI1045-2R5M	2.50	6.90	8.00	8.00	9.00						

TEST CONDITIONS

- All data is tested based on 25°C ambient temperature.
- Inductance measure condition at 100kHz, 0.1V.
- Saturation current: the actual value of DC current when the inductance decrease 20% of its initial value.
- Temperature rise current: the actual value of DC current when the temperature rise is ΔT40 [Ta=25°C].
- Special remind: Circuit design, component placement, PWB size and thickness, cooling system and etc. all will affect the product temperature. Please verify the product temperature in the final application.

TECHNICAL INFORMATION

ELECTRICAL SCHEMATIC & PAD LAYOUT



DIMENSIONS:MM

Part number	A	B	C	D	E	F	G	H	I	J
FACSCI1045	10.5 Max	10.0±0.4	4.5±0.3	6.7 REF	5.6 REF	2.0-2.6	1.5 REF	2.0 REF	10.4 REF	2.5 REF
FACSCI1050	10.5 Max	10.0±0.4	5.0±0.3	6.7 REF	5.6 REF	2.0-2.6	1.5 REF	2.0 REF	10.4 REF	2.5 REF

Part number	K	L	M	N	O	P				
FACSCI1045	3.0 REF	5.6 REF	8.85 REF	2.0 REF	1.8 REF	10.5 REF				
FACSCI1050	3.0 REF	5.6 REF	8.85 REF	2.0 REF	1.8 REF	10.5 REF				

HIGH CURRENT POWER INDUCTOR FACSCI1056,1065 SERIES



FEATURES :

- Magnetic shielding structure, excellent resistance to electro magnetic interference
- Assemblage design, sturdy structure
- Small volume, high current, low magnetic loss, low ESR
- small parasitic capacitance
- Temperature rise current and saturation current is less influenced by environment
- Operating temperature: -40°C ~ +125°C
(Including coils temperature rise)

PRODUCT IDENTIFICATION:

C S C I 1045 - R 22 M
a b c d

- a:Series name
- b:Product dimensions
- c:Inductance Value [1R0:1.0uH;100;10uH;101:100uH]
- d:Inducatance Tolerance [K:10%;M:20%;N:30%]

ELECTRICAL CHARACTERISTICS

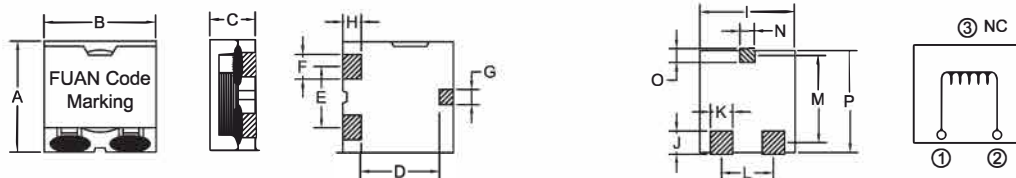
Part Number	Inductance (uH)±20%	DCR(mΩ)		Saturation Current(A) Typical	Temperature Current(A) Typical	Part Number	Inductance (uH)±20%	DCR(mΩ)		Saturation Current(A) Typical	Temperature Current(A) Typical
		Typical	Max					Typical	Max		
FACSCI1056-1R3M	1.30	4.20	4.90	16.0	11.0	FACSCI1065-R36M	0.36	1.09	1.30	30.0	23.0
FACSCI1056-1R5M	1.50	4.20	4.90	14.0	11.0	FACSCI1065-1R4M	1.40	2.00	2.40	17.0	16.5
FACSCI1056-2R2M	2.20	4.80	5.70	12.0	10.5	FACSCI1065-1R5M	1.50	2.87	3.50	17.0	14.0
FACSCI1056-4R0M	4.00	11.2	13.5	12.0	7.00	FACSCI1065-2R2M	2.20	3.30	4.00	14.0	13.0
FACSCI1056-5R6M	5.60	11.7	14.0	8.00	6.70	FACSCI1065-5R6M	5.60	7.80	9.50	9.00	8.00
FACSCI1056-6R8M	6.80	16.5	20.0	7.00	5.60	FACSCI1065-6R8M	6.80	10.5	12.5	8.00	7.20
FACSCI1056-8R8M	8.80	17.5	21.5	6.00	5.40	FACSCI1065-100M	10.0	17.2	21.0	6.00	5.70

TEST CONDITIONS

- All data is tested based on 25°C ambient temperature.
- Inductance measure condition at 100kHz, 0.1V.
- Saturation current : the actual value of DC current when the inductance decrease 20% of its initial value.
- Temperature rise current : the actual value of DC current when the temperature rise is ΔT40 (Ta=25°C).
- Special remind : Circuit design, component placement, PWB size and thickness, cooling system and etc. all will affect the product temperature. Please verify the product temperature in the final application.

TECHNICAL INFORMATION

ELECTRICAL SCHEMATIC & PAD LAYOUT



DIMENSIONS:MM

Part number	A	B	C	D	E	F	G	H	I	J
FACSCI1056	10.5 Max	10.0±0.4	5.6±0.3	6.7 REF	5.6 REF	2.0-2.6	1.5 REF	2.0 REF	10.4 REF	2.5 REF
FACSCI1065	10.5 Max	10.0±0.4	6.5±0.3	6.7 REF	5.6 REF	2.0-2.6	1.5 REF	2.0 REF	10.4 REF	2.5 REF

Part number	K	L	M	N	O	P				
FACSCI1056	3.0 REF	5.6 REF	8.85 REF	2.0 REF	1.8 REF	10.5 REF				
FACSCI1065	3.0 REF	5.6 REF	8.85 REF	2.0 REF	1.8 REF	10.5 REF				

HIGH CURRENT POWER INDUCTOR FACSCI1250,1256 SERIES



FEATURES :

- Magnetic shielding structure, excellent resistance to electro magnetic interference
- Assemblage design, sturdy structure
- Small volume, high current, low magnetic loss, low ESR small parasitic capacitance
- Temperature rise current and saturation current is less influenced by environment
- Operating temperature: -40°C~ +125°C [Including coil's temperature rise]

PRODUCT IDENTIFICATION:

C S C I 1045 - R22 M
a b c d

- a:Series name
- b:Product dimensions
- c: Inductance Value [1R0:1.0uH;100;10uH;101:100uH]
- d: Inductance Tolerance [K:10%;M:20%;N:30%]

ELECTRICAL CHARACTERISTICS

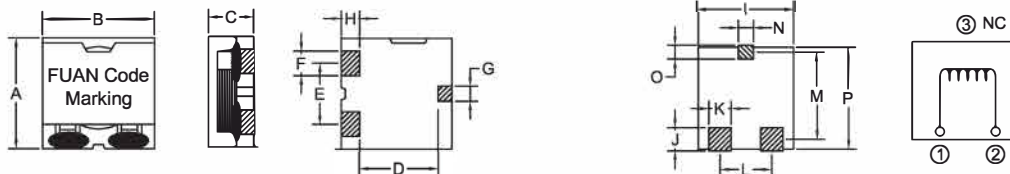
Part Number	Inductance [uH]±20%	DCR(mΩ)		Saturation Current(A) Typical	Temperature Current(A) Typical	Part Number	Inductance [uH]±20%	DCR(mΩ)		Saturation Current(A) Typical	Temperature Current(A) Typical
		Typical	Max					Typical	Max		
FACSCI1250-1R0M	1.00	2.20	2.50	25.0	20.0	FACSCI1256-R90M	0.90	2.45	2.75	28.0	22.0
FACSCI1250-4R0M	4.00	7.30	8.20	8.00	11.0	FACSCI1256-1R4M	1.40	2.90	3.30	27.0	20.0
FACSCI1250-5R6M	5.60	11.6	13.0	8.00	8.00	FACSCI1256-2R2M	2.20	7.00	7.80	21.0	13.0
FACSCI1250-7R2M	7.20	12.6	14.0	6.00	7.50	FACSCI1256-4R7M	4.70	9.94	11.2	10.0	12.0
FACSCI1250-8R8M	8.80	18.0	20.0	5.00	7.00	FACSCI1256-100M	10.0	20.8	23.5	8.00	6.00

TEST CONDITIONS

- All data is tested based on 25°C ambient temperature.
- Inductance measure condition at 100kHz, 0.1V.
- Saturation current : the actual value of DC current when the inductance decrease 20% of its initial value.
- Temperature rise current : the actual value of DC current when the temperature rise is ΔT40 [Ta=25°C].
- Special remind : Circuit design, component placement, PWB size and thickness, cooling system and etc. all will affect the product temperature. Please verify the product temperature in the final application.

TECHNICAL INFORMATION

ELECTRICAL SCHEMATIC & PAD LAYOUT



DIMENSIONS:MM

Part number	A	B	C	D	E	F	G	H	I	J
FACSCI1250	13.5 Max	12.5±0.4	5.0±0.3	9.0 REF	6.9 REF	2.0-2.6	2.6 REF	2.0 REF	12.9 REF	3.0 REF
FACSCI1256	13.5 Max	12.5±0.4	5.6 Max	9.0 REF	6.9 REF	2.0-2.6	2.6 REF	2.0 REF	12.9 REF	3.0 REF

Part number	K	L	M	N	O	P				
FACSCI1250	3.0 REF	6.9 REF	11.1 REF	3.0 REF	2.8 REF	13.5 REF				
FACSCI1256	3.0 REF	6.9 REF	11.1 REF	3.0 REF	2.8 REF	13.5 REF				

HIGH CURRENT POWER INDUCTOR FACSCI1260,1265 SERIES



FEATURES :

- Magnetic shielding structure, excellent resistance to electro magnetic interference
- Assemblage design, sturdy structure
- Small volume, high current, low magnetic loss, low ESR
- small parasitic capacitance
- Temperature rise current and saturation current is less influenced by environment
- Operating temperature: -40°C ~ +125°C
- [Including coils temperature rise]

PRODUCT IDENTIFICATION:

CSC | 1045 - R22 M
a b c d

- a: Series name
- b: Product dimensions
- c: Inductance Value [1R0:1.0uH;100;10uH;101:100uH]
- d: Inductance Tolerance [K:10%;M:20%;N:30%]

ELECTRICAL CHARACTERISTICS

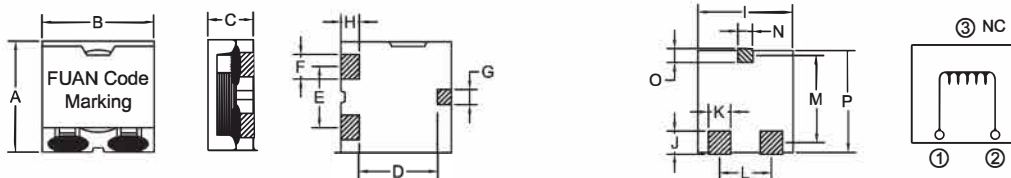
Part Number	Inductance [uH]±20%	DCR(mΩ)		Saturation Current(A) Typical	Temperature Current(A) Typical	Part Number	Inductance [uH]±20%	DCR(mΩ)		Saturation Current(A) Typical	Temperature Current(A) Typical
		Typical	Max					Typical	Max		
FACSCI1260-1R2M	1.20	2.60	3.00	20.0	20.0	FACSCI1265-1R0M	1.00	1.90	2.20	22.0	18.0
FACSCI1260-1R5M	1.50	2.92	3.30	20.0	18.0	FACSCI1265-2R0M	2.00	3.50	4.00	14.0	18.0
FACSCI1260-2R4M	2.40	6.00	6.70	18.0	15.0	FACSCI1265-6R0M	6.00	9.10	10.2	8.50	12.0
FACSCI1260-3R3M	3.30	7.00	7.80	17.0	12.0	FACSCI1265-7R0M	7.00	11.0	12.4	8.00	10.0
FACSCI1260-4R0M	4.00	8.52	9.50	12.0	10.0	FACSCI1265-8R0M	8.00	12.0	13.5	7.50	9.50
FACSCI1260-4R7M	4.70	10.0	11.2	12.0	9.00	FACSCI1265-120M	12.0	21.0	23.5	7.00	9.00
FACSCI1260-100M	10.0	16.4	18.4	8.00	8.00						

TEST CONDITIONS

- All data is tested based on 25°C ambient temperature.
- Inductance measure condition at 100kHz, 0.1V.
- Saturation current : the actual value of DC current when the inductance decrease 20% of its initial value.
- Temperature rise current : the actual value of DC current when the temperature rise is ΔT 40(Ta=25°C).
- Special remind : Circuit design, component placement, PWB size and thickness, cooling system and etc. all will affect the product temperature. Please verify the product temperature in the final application.

TECHNICAL INFORMATION

ELECTRICAL SCHEMATIC & PAD LAYOUT



DIMENSIONS:MM

Part number	A	B	C	D	E	F	G	H	I	J
FACSCI1260	13.5 Max	12.5±0.4	6.0 Max	9.0 REF	6.9 REF	2.0-2.6	2.6 REF	2.0 REF	12.9 REF	3.0 REF
FACSCI1265	13.5 Max	12.5±0.4	6.5±0.3	9.0 REF	6.9 REF	2.0-2.6	2.6 REF	2.0 REF	12.9 REF	3.0 REF

Part number	K	L	M	N	O	P				
FACSCI1260	3.0 REF	6.9 REF	11.1 REF	3.0 REF	2.8 REF	13.5 REF				
FACSCI1265	3.0 REF	6.9 REF	11.1 REF	3.0 REF	2.8 REF	13.5 REF				

ON-BOARD TYPE HIGH CURRENT POWER INDUCTORS FAHR 129N, FAHR 1310 SERIES



FEATURES:

Lowest Height
[9.0mm/max](FAHR 129N Series)
[10.0mm/max](FAHR 1310 Series)
in this package footprint
Shielded Construction. (FAHR Series)
Lowest DCR/ μ , in this package size
Handles High Transient Current Spikes Without Saturation
The Products Contain no Lead and also Support Lead-free Soldering

OPTIONS:

Reel & Tape is Standard
Bulk packaging Available for Smaller Quantities
Tolerance: M \pm 0% Standard
Tighter Tolerances Available

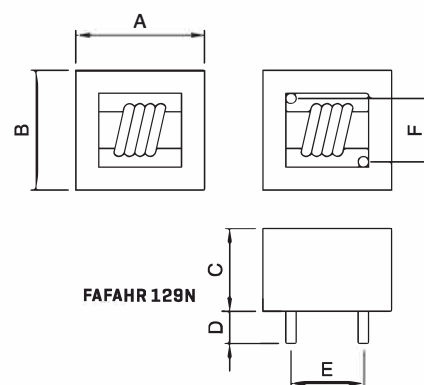
COMMON APPLICATIONS:

Power Line Filter for DC-DC Converter
Switching Power Supplier
Personal Computers and Other handheld Electronic Equipment

ELECTRICAL CHARACTERISTICS:

Part Number	Inductance Lo[uH]	Test Frequency [Hz]Max	DCR [m Ω]Ma	Irms [A] max.	Isat [A] max.
FAHR 129N-R60M	0.60 \pm 20	0.25V/100K	1.0	30	40
FAHR 1310-R50M	0.50 \pm 20	0.25V/100K	0.85	45	50

PHYSICAL CHARACTERISTICS



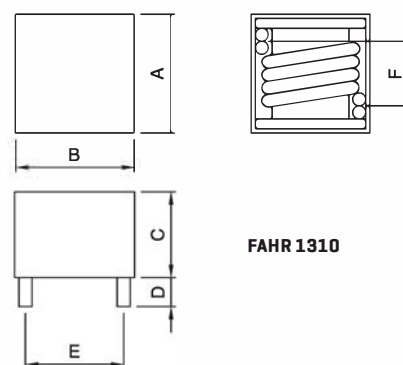
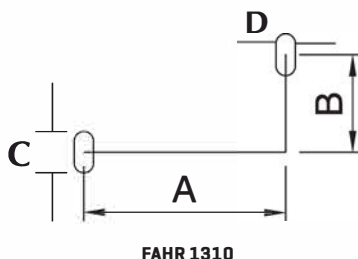
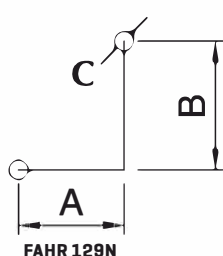
TECHNICAL INFORMATION

1. Testing Instrument: L: HP4192A, CH1302, CH3320, CH3320S LCR METER / Odc: Agilent33420A Micro OHMMETER.
2. Heat Rated Current(Irms) will cause the coil temperature rise Approximately $\Delta T=60^{\circ}C$ without core loss
3. Isat(A) will cause LD to drop approximately 20%.
4. The part temperature [ambient + temp rise] should not exceed 125 $^{\circ}C$ under worst case operating conditions.
5. Operating Temperature & Storage Temperature: -40 $^{\circ}C$ - +105 $^{\circ}C$

Dimensions[mm]

Part Number	A	B	C	D	E	F
FAHR 129N-R60M	13.0max	14.0max	9.0max	3.5 \pm 0.5	6.0 \pm 0.5	7.3 \pm 0.5
FAHR 1310-R50M	14.0max	14.0max	10.0max	3.4 \pm 0.5	11.5 \pm 0.5	5.5 \pm 0.5

SOLDERING AND MOUNTING



Size	Land Patterns For Reflow Soldering			
	A[mm]	B[mm]	C[mm]	D[mm]
FAHR 129N-R60M	6.0 \pm 0.5	7.3 \pm 0.5	2.0 \pm 0.5	—
FAHR 1310-R50M	11.5 \pm 0.5	5.5 \pm 0.5	2.7 \pm 0.5	1.6 \pm 0.5

Note: All specifications subject to change without notice.

ON-BOARD TYPE HIGH CURRENT POWER INDUCTORS FAHR 118S, FAHR 1320 SERIES



FEATURES:

Lowest Height
[9.0mm/max][FAHR 118S Series]
[10.0mm/max][FAHR 1320 Series]
in this package footprint
Shielded Construction.[FAHR Series]
Lowest DCR/ μ , in this
package size
Handles High Transient
Current Spikes Without
Saturation
The Products Contain no Lead and also
Support Lead-free Soldering

OPTIONS:

Reel & Tape is Standard
Bulk packaging Available
for Smaller Quantities
Tolerance: M = $\pm 0\%$ S Standard
Tighter Tolerances Available

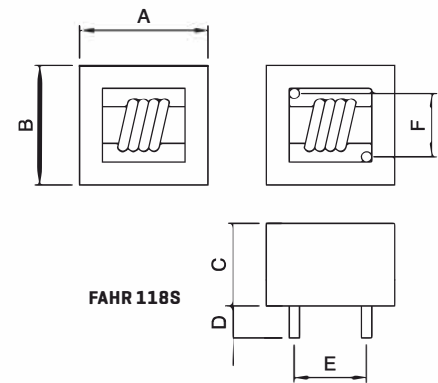
COMMON APPLICATIONS:

Power Line Filter for DC-DC Converter
Switching Power Supply
Personal Computers and Other handheld
Electronic Equipment

ELECTRICAL CHARACTERISTICS:

Part Number	Inductance Lo[uH]	Test Frequency [Hz]Max	DCR [m Ω]Ma	I _{rms} [A] max.	I _{sat} [A] max.
FAHR 118S-2R0M	2.00 \pm 20	0.25V/100K	3.5	15	20
FAHR 1320-R40M	0.40 \pm 20	0.25V/100K	1.0	38	48
FAHR 1320-R50M	0.50 \pm 20	0.25V/100K	1.3	35	45

PHYSICAL CHARACTERISTICS



FAHR 118S

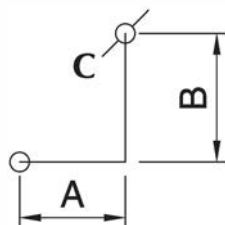
TECHNICAL INFORMATION

1. Testing Instrument: L: HP4192A, CH1302, CH3320, CH3320S LCR METER / Ddc: Agilent33420A Micro OHMMETER.
2. Heat Rated Current(I_{rms}) will cause the coil temperature rise approximately $\Delta T=60^{\circ}\text{C}$ without core loss
3. I_{sat}[A] will cause LO to drop approximately 20%.
4. The part temperature [ambient + temp rise] should not exceed 125 $^{\circ}\text{C}$ under worst case operating conditions.
5. Operating Temperature & Storage Temperature: -40 $^{\circ}\text{C}$ - +105 $^{\circ}\text{C}$

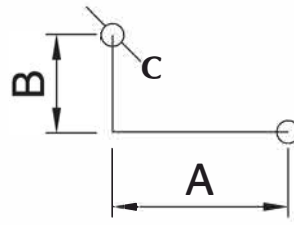
Dimensions[mm]

Part Number	A	B	C	D	E	F
FAHR 118S-2R0M	11.30max	11.30max	8.0max	3.4 \pm 0.5	7.5 \pm 0.5	7.5 \pm 0.5
FAHR 1320 series	12.80 \pm 0.2	9.20 \pm 0.2	10.0max	4.5 \pm 0.5	6.2 \pm 0.2	10.0 \pm 0.2

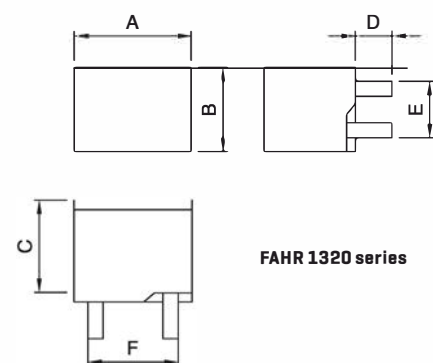
SOLDERING AND MOUNTING



FAHR 118S



FAHR 1320 series



FAHR 1320 series

Size	Land Patterns For Reflow Soldering		
	A[mm]	B[mm]	C[mm]
FAHR 118S	6.0 \pm 0.5	7.3 \pm 0.5	1.0max
FAHR 1320 series	8.5 \pm 0.2	4.7 \pm 0.2	2.0 \pm 0.2

Note: All specifications subject to change without notice.

HIGH CURRENT POWER INDUCTOR FACSCF2012,2014 SERIES



FEATURES:

Assemblage design, sturdy structure.
High inductance, high current, low magnetic loss, low ESR, small parasitic capacitance.
Flat wire winding, achieve a low D.C. Resistance.
Temperature rise current and saturation current is less influenced by environment.
Operating temperature: -40°C ~ +125°C
[Including coils temperature rise].

PRODUCT IDENTIFICATION:

C S C F 2012 - 2 R 2 M C
a b c d

a:Series name
b:Product dimensions
c:Inductance Value [1R0:1.0uH;100;10uH;101:100uH]
d:Inductance Tolerance [K:10%;M:20%;N:30%]

ELECTRICAL CHARACTERISTICS:

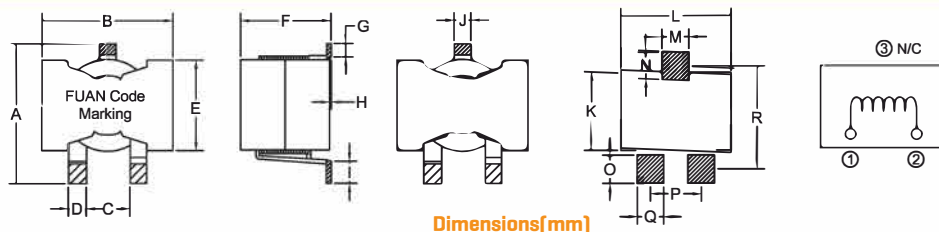
Part Number	Inductance [uH]±20%	DCR[mΩ]		Saturation Current[A] Typical	Temperature Current[A] Typical	Part Number	Inductance [uH]±20%	DCR[mΩ]		Saturation Current[A] Typical	Temperature Current[A] Typical
		Typical	Max					Typical	Max		
FACSCF2012-R47MC	0.47	0.45	0.55	75.0	45.0	FACSCF2014-2R2MC	2.20	1.70	2.20	55.0	28.0
FACSCF2012-R82MC	0.82	0.45	0.55	55.0	45.0	FACSCF2014-2R7MC	2.70	1.70	2.20	48.0	28.0
FACSCF2012-1R0MC	1.00	1.38	1.60	85.0	35.0	FACSCF2014-3R3MC	3.30	3.28	3.80	48.0	24.0
FACSCF2012-1R5MC	1.50	1.38	1.60	60.0	35.0	FACSCF2014-4R7MC	4.70	3.28	3.80	35.0	24.0
FACSCF2012-2R2MC	2.20	2.11	2.40	50.0	28.0	FACSCF2014-5R6MC	5.60	3.28	3.80	30.0	24.0
FACSCF2012-3R3MC	3.30	2.11	2.40	35.0	28.0	FACSCF2014-6R8MC	6.80	6.60	7.30	34.0	18.0
FACSCF2012-4R7MC	4.70	2.11	2.40	24.0	28.0	FACSCF2014-8R2MC	8.20	6.60	7.30	29.0	18.0
FACSCF2012-6R8MC	6.80	2.11	2.40	16.0	28.0	FACSCF2014-100MC	10.0	6.60	7.30	23.0	18.0
FACSCF2012-8R2MC	8.20	2.11	2.40	13.0	28.0	FACSCF2014-150MC	15.0	8.60	9.50	18.0	16.0
FACSCF2012-100MC	10.0	5.87	7.00	13.0	16.0	FACSCF2014-220MC	22.0	8.60	9.50	13.0	16.0
FACSCF2012-150MC	15.0	5.87	7.00	10.0	16.0	FACSCF2014-330MC	33.0	8.60	9.50	9.00	16.0
FACSCF2012-220MC	22.0	8.17	9.80	10.0	14.0						
FACSCF2012-300MC	33.0	8.17	9.80	7.00	14.0						

TEST CONDITIONS

- All data is tested based on 25°C ambient temperature.
- Inductance measure condition at 100kHz, 0.1V.
- Saturation current : the actual value of DC current when the inductance decrease 20% of its initial value.
- Temperature rise current : the actual value of DC current when the temperature rise is ΔT40 [Ta=25°C].
- Special remind : Circuit design, component placement, PWB size and thickness, cooling system and etc. all will affect the product temperature. Please verify the product temperature in the final application.

TECHNICAL INFORMATION

ELECTRICAL SCHEMATIC & PAD LAYOUT



Part number	A	B	C	D	E	F	G	H	I	J
FACSCF2012	22.5 Max	21.8 Max	7.6±0.6	2.5±0.2	14.0±0.5	12.0 Max	2.0 REF	0.0-0.15	2.5±0.5	2.5 REF
FACSCF2014	22.5 Max	21.8 Max	7.6±0.6	2.5±0.2	14.0±0.5	14.5 Max	2.0 REF	0.0-0.15	2.5±0.5	2.5 REF

Part number	K	L	M	N	O	P	Q	R		
FACSCF2012	14.5 REF	21.8 REF	5.0 REF	5.0 REF	5.0 REF	9.5 REF	5.0 REF	19.25 REF		
FACSCF2014	14.5 REF	21.8 REF	5.0 REF	5.0 REF	5.0 REF	9.5 REF	5.0 REF	19.25 REF		

HIGH CURRENT POWER INDUCTOR FACSCF2016 SERIES



FEATURES:

Assemblage design, sturdy structure.
High inductance, high current, low magnetic loss,
low ESR, small parasitic capacitance.
Flat wire winding, achieve a low D.C. Resistance.
Temperature rise current and saturation current
is less influenced by environment.
Operating temperature: -40°C ~ +125°C
[Including coils temperature rise].

PRODUCT IDENTIFICATION:

$\frac{C}{a} \frac{S}{b} \frac{C}{c} \frac{F}{d} \frac{2016}{e} - \frac{4R}{f} \frac{7}{g} \frac{MC}{h}$

a: Series name
b: Product dimensions
c: Inductance Value [1R0:1.0uH;100;10uH;101:100uH]
d: Inductance Tolerance [K:10%;M:20%;N:30%]

ELECTRICAL CHARACTERISTICS:

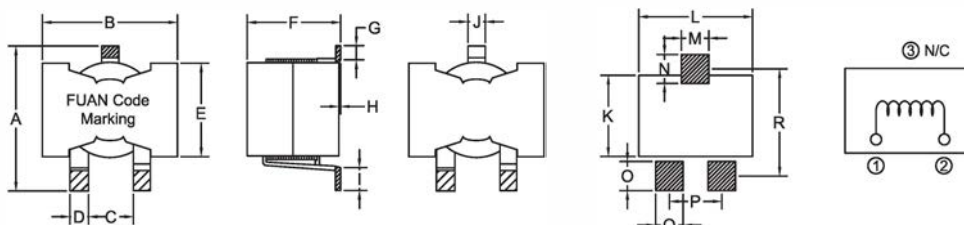
Part Number	Inductance [uH]±20%	D.C. Resistor[mΩ]		Saturation Current [A]Typical	Temperature Current [A]Typical
		Typical	Max		
FACSCF2016-4R7MC	4.70	3.30	4.00	42.0	21.0
FACSCF2016-6R8MC	6.80	3.57	4.30	25.0	20.0
FACSCF2016-8R2MC	8.20	3.57	4.30	25.0	20.0
FACSCF2016-100MC	10.0	5.28	6.30	24.0	16.0
FACSCF2016-220MC	22.0	5.28	6.30	10.0	16.0
FACSCF2016-330MC	33.0	13.0	15.0	9.00	12.0
FACSCF2016-470MC	47.0	13.0	15.0	9.00	12.0

TEST CONDITIONS

- All data is tested based on 25°C ambient temperature.
- Inductance measure condition at 100kHz, 0.1V.
- Saturation current : the actual value of DC current when the inductance decrease 20% of its initial value.
- Temperature rise current : the actual value of DC current when the temperature rise is ΔT 40 [Ta=25°C].
- Special remind : Circuit design, component placement, PWB size and thickness, cooling system and etc. All will affect the product temperature. Please verify the product temperature in the final application.

TECHNICAL INFORMATION

ELECTRICAL SCHEMATIC & PAD LAYOUT



Dimensions[mm]

Part number	A	B	C	D	E	F	G	H	I	J	K
FACSCF2016	22.5 Max	21.8 Max	7.6±0.6	2.5±0.2	14.0±0.5	16.5 Max	2.0 REF	0.0-0.15	2.5±0.5	2.5 REF	14.5 REF
Part number	L	M	N	O	P	Q	R				
FACSCF2016	21.8 REF	5.0 REF	5.0 REF	5.0 REF	9.5 REF	5.0 REF	19.25 REF				

HIGH CURRENT POWER INDUCTOR FACSCF2915 SERIES



FEATURES:

Assemblage design, sturdy structure.
High inductance, high current, low magnetic loss,
low ESR, small parasitic capacitance.
Flat wire winding, achieve a low D.C. R resistance.
Temperature rise current and saturation current
is less influenced by environment.
Operating temperature: -40°C ~ +125°C
[Including coil's temperature rise].

PRODUCT IDENTIFICATION:

C S C F 2915 - 4R7 M C
a b c d

a:Series name

b:Product dimensions

c:Inductance Value[1R0:1.0uH;100;10uH;101:100uH]

d:Inductance Tolerance[K:10%;M:20%;N:30%]

ELECTRICAL CHARACTERISTICS:

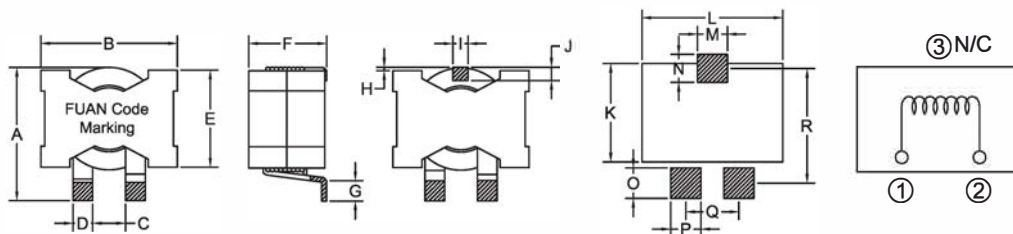
Part Number	Inductance [uH]±20%	D.C.Resistor(mΩ)		Saturation Current [A]Typical	Temperature Current [A]Typical
		Typical	Max		
FACSCF2915-1R5MC	1.50	1.60	1.76	100	30.0
FACSCF2915-2R2MC	2.20	1.60	1.76	84.0	30.0
FACSCF2915-3R3MC	3.30	1.60	1.76	54.0	30.0
FACSCF2915-4R7MC	4.70	1.60	1.76	36.9	30.0
FACSCF2915-6R8MC	6.80	1.60	1.76	26.0	30.0
FACSCF2915-100MC	10.0	1.60	1.76	16.2	30.0
FACSCF2915-150MC	15.0	1.60	1.76	9.80	30.0
FACSCF2915-220MC	22.0	1.60	1.76	6.00	30.0
FACSCF2915-330MC	33.0	1.60	1.76	2.60	30.0

TEST CONDITIONS

- All data is tested based on 25°C ambient temperature.
- Inductance measure condition at 100kHz, 0.1V.
- Saturation current : the actual value of DC current when the inductance decrease 20% of its initial value.
- Temperature rise current : the actual value of DC current when the temperature rise is ΔT40 [Ta=25°C].
- Special remind : Circuit design, component placement, PWB size and thickness, cooling system and etc. All will affect the product temperature. Please verify the product temperature in the final application.

TECHNICAL INFORMATION

ELECTRICAL SCHEMATIC & PAD LAYOUT



Dimensions[mm]

Part number	A	B	C	D	E	F	G	H	I	J	K
FACSCF2915	27.9 Max	27.9 Max	6.63±0.5	3.8±0.3	19.7 Max	15.4 Max	3.8 Min	0.5 REF	3.0 REF	2.5 REF	19.5 REF
Part number	L	M	N	D	P	Q	R				
FACSCF2915	28.0 REF	6.0 REF	5.5 REF	6.0 REF	6.0 REF	10.43 REF	22.75 REF				

HIGH CURRENT POWER INDUCTOR FACSCF2918 SERIES



FEATURES:

Assemblage design, sturdy structure.
High inductance, high current, low magnetic loss,
low ESR, small parasitic capacitance.
Flat wire winding, achieve a low D.C. R resistance.
Temperature rise current and saturation current
is less influenced by environment.
Operating temperature: -40°C~ +125°C
[Including coils temperature rise].

PRODUCT IDENTIFICATION:

$$\frac{C}{a} \frac{S}{b} \frac{2918}{c} - \frac{4R7}{d} \frac{MC}{d}$$

a: Series name

b: Product dimensions

c: Inductance Value [1R0:1.0uH;100;10uH;101:100uH]

d: Inductance Tolerance [K:10%;M:20%;N:30%]

ELECTRICAL CHARACTERISTICS:

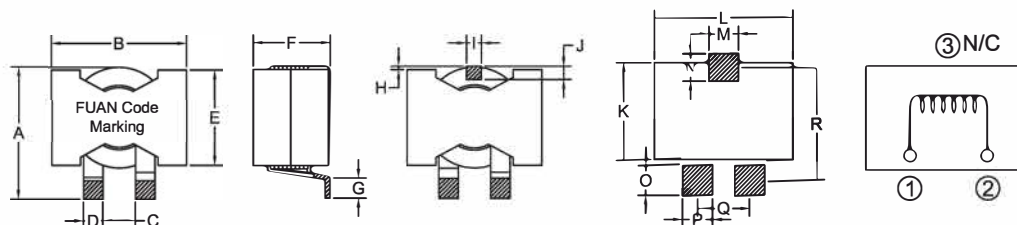
Part Number	Inductance [uH]±20%	D.C. Resistor[mΩ]		Saturation Current [A]Typical	Temperature Current [A]Typical
		Typical	Max		
FACSCF2918-1R0MC	1.00	0.50	0.60	120	60.0
FACSCF2918-1R5MC	1.50	0.72	0.87	110	50.0
FACSCF2918-2R2MC	2.20	0.72	0.87	85.0	50.0
FACSCF2918-3R3MC	3.30	2.60	2.86	91.0	28.0
FACSCF2918-4R7MC	4.70	2.60	2.86	61.2	28.0
FACSCF2918-6R8MC	6.80	2.60	2.86	45.0	28.0
FACSCF2918-100MC	10.0	2.60	2.86	31.2	28.0
FACSCF2918-150MC	15.0	2.60	2.86	21.2	28.0
FACSCF2918-220MC	22.0	2.60	2.86	14.0	28.0
FACSCF2918-330MC	33.0	2.60	2.86	8.70	28.0

TEST CONDITIONS

- All data is tested based on 25°C ambient temperature.
- Inductance measure condition at 100kHz, 0.1V.
- Saturation current : the actual value of DC current when the inductance decrease 20% of its initial value.
- Temperature rise current : the actual value of DC current when the temperature rise is $\Delta T 40$ [Ta=25°C].
- Special remind : Circuit design, component placement, PWB size and thickness, cooling system and etc. all will affect the product temperature. Please verify the product temperature in the final application.

TECHNICAL INFORMATION

ELECTRICAL SCHEMATIC & PAD LAYOUT



Dimensions[mm]

Part number	A	B	C	D	E	F	G	H	I	J	K
FACSCF2918	27.9 Max	27.9 Max	6.63±0.5	3.8±0.3	19.7 Max	17.8 Max	3.8 Min	0.5 REF	3.0 REF	2.5 REF	19.5 REF
Part number	L	M	N	O	P	Q	R				
FACSCF2918	28.0 REF	6.0 REF	5.5 REF	6.0 REF	6.0 REF	10.43 REF	22.75 REF				

HIGH CURRENT POWER INDUCTOR FACSCF3218 SERIES



FEATURES:

Assemblage design, sturdy structure.
High inductance, high current, low magnetic loss,
low ESR, small parasitic capacitance.
Flat wire winding, achieve a low D.C. R resistance.
Temperature rise current and saturation current
is less influenced by environment.
Operating temperature: -40°C~ +125°C
[Including coils temperature rise].

PRODUCT IDENTIFICATION:

C S C F 3 2 1 8 - 3 R 3 M C

a:Series name
b:Product dimensions
c:Inductance Value[1R0:1.0uH;100;10uH;101:100uH]
d:Inductance Tolerance[K:10%;M:20%;N:30%]

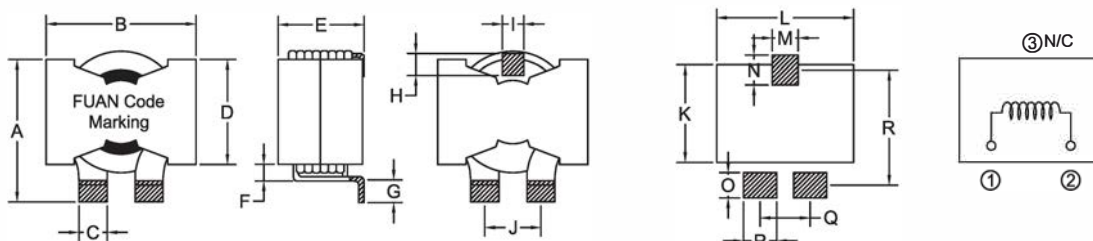
ELECTRICAL CHARACTERISTICS:

Part Number	Inductance [uH]±20%	D.C.Resistor[mΩ]		Saturation Current [A]Typical	Temperature Current [A]Typical
		Typical	Max		
FACSCF3218-3R3MC	3.30	1.00	1.20	86.0	55.0
FACSCF3218-170MC	17.0	3.50	4.20	35.0	30.0

TEST CONDITIONS

- All data is tested based on 25°C ambient temperature.
- Inductance measure condition at 100kHz, 0.1V.
- Saturation current : the actual value of DC current when the inductance decrease 20% of its initial value.
- Temperature rise current : the actual value of DC current when the temperature rise is ΔT 40(Ta=25°C).
- Special remind : C circuit design, component placement, PWB size and thickness, cooling system and etc. all will affect the product temperature. Please verify the product temperature in the final application.

TECHNICAL INFORMATION ELECTRICAL SCHEMATIC & PAD LAYOUT



Dimensions[mm]

Part number	A	B	C	D	E	F	G	H	I	J	K
FACSCF3218	34.5 Max	32.0±1.0	6.0±0.3	22.5±1.0	18.5±0.5	4.0 Max	3.8 Min	4.5 REF	4.5 REF	12.0±0.5	23.5 REF
Part number	L	M	N	D	P	Q	R				
FACSCF3218	33.0 REF	6.0 REF	7.0 REF	6.0 REF	8.0 REF	12.0 REF	27.75 REF				

HIGH CURRENT POWER INDUCTOR FACSCF2918T SERIES



FEATURES:

Assemblage design, sturdy structure.
High inductance, high current, low magnetic loss,
low E SR, small parasitic capacitance.
Flat wire winding, achieve a low D.C. R resistance.
Temperature rise current and saturation current
is less influenced by environment.
Operating temperature: -40°C ~ +125°C
[Including coils temperature rise].

PRODUCT IDENTIFICATION:

CSCF 2918T - 4R7 MC

a: Series name
b: Product dimensions
c: Inductance Value [1R0:1.0uH;100;10uH;101:100uH]
d: Inductance Tolerance [K:10%;M:20%;N:30%]

ELECTRICAL CHARACTERISTICS:

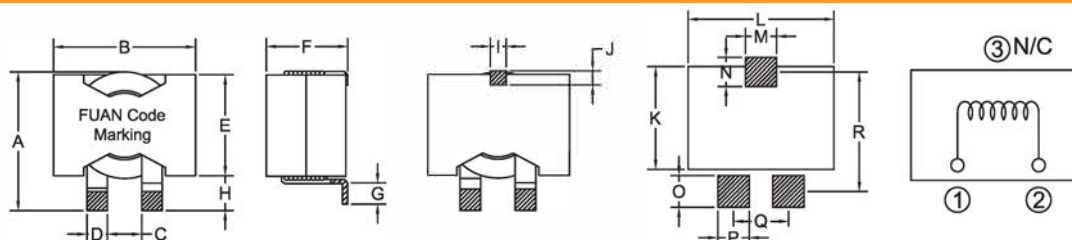
Part Number	Inductance (uH)±20%	D.C. Resistor(mΩ)		Saturation Current (A)Typical	Temperature Current (A)Typical
		Typical	Max		
FACSCF2918T-3R3MC	3.30	2.60	2.86	92.5	28.0
FACSCF2918T-4R7MC	4.70	2.60	2.86	61.2	28.0
FACSCF2918T-6R8MC	6.80	2.60	2.86	45.0	28.0
FACSCF2918T-100MC	10.0	2.60	2.86	31.2	28.0
FACSCF2918T-150MC	15.0	2.60	2.86	21.2	28.0
FACSCF2918T-220MC	22.0	2.60	2.86	14.0	28.0
FACSCF2918T-330MC	33.0	2.60	2.86	8.70	28.0

TEST CONDITIONS

- All data is tested based on 25°C ambient temperature.
- Inductance measure condition at 100kHz, 0.1V.
- Saturation current : the actual value of DC current when the inductance decrease 20% of its initial value.
- Temperature rise current : the actual value of DC current when the temperature rise is ΔT 40 (Ta=25°C).
- Special remind : Circuit design, component placement, PWB size and thickness, cooling system and etc. all will affect the product temperature. Please verify the product temperature in the final application.

TECHNICAL INFORMATION

ELECTRICAL SCHEMATIC & PAD LAYOUT



Dimensions[mm]

Part number	A	B	C	D	E	F	G	H	I	J	K
FACSCF2918T	27.9 Max	27.9 Max	6.63±0.5	3.8±0.3	19.7 Max	17.8 Max	3.8 Min	6.5±1.0	5.0 REF	4.5 REF	19.7 REF
Part number	L	M	N	O	P	Q	R				
FACSCF2918T	27.9 REF	6.5 REF	5.5 REF	6.0 REF	6.0 REF	10.43 REF	22.1 REF				

HIGH CURRENT POWER INDUCTOR FACSCF2014B SERIES



FEATURES:

Assemblage design, sturdy structure.
High inductance, high current, low magnetic loss, low ESR, small parasitic capacitance.
Flat wire winding, achieve a low D.C. Resistance.
Temperature rise current and saturation current is less influenced by environment.
Operating temperature: -40°C ~ +125°C
[Including coil's temperature rise].

PRODUCT IDENTIFICATION:

C S C F 2014 B - 100 M C
a b c d

a: Series name

b: Product dimensions

c: Inductance Value [1R0:1.0uH;100;10uH;101:100uH]

d: Inductance Tolerance [K:10%;M:20%;N:30%]

ELECTRICAL CHARACTERISTICS:

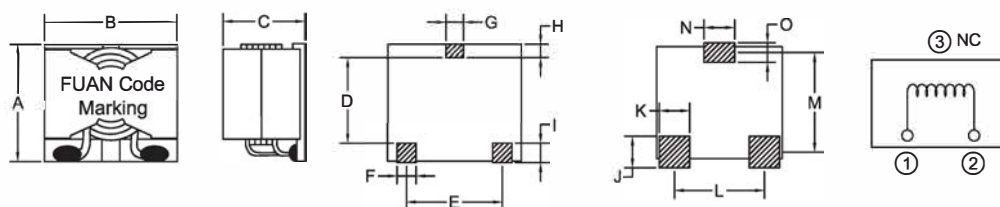
Part Number	Inductance [uH]±20%	D.C. Resistor(mΩ)		Saturation Current [A]Typical	Temperature Current [A]Typical
		Typical	Max		
FACSCF2014B-100MC	10.0	11.1	13.3	25.5	14.0
FACSCF2014B-150MC	15.0	11.1	13.3	18.0	14.0
FACSCF2014B-220MC	22.0	11.1	13.3	13.5	14.0
FACSCF2014B-330MC	33.0	11.1	13.3	7.30	14.0
FACSCF2014B-470MC	47.0	11.1	13.3	5.30	14.0

TEST CONDITIONS

- All data is tested based on 25°C ambient temperature.
- Inductance measure condition at 100kHz, 0.1V.
- Saturation current : the actual value of DC current when the inductance decrease 20% of its initial value.
- Temperature rise current : the actual value of DC current when the temperature rise is ΔT40 [Ta=25°C].
- Special remind : Circuit design, component placement, PWB size and thickness, cooling system and etc. all will affect the product temperature. Please verify the product temperature in the final application.

TECHNICAL INFORMATION

ELECTRICAL SCHEMATIC & PAD LAYOUT



Dimensions(mm)

Part number	A	B	C	D	E	F	G	H	I	J	K
FACSCF2014B	18.5±0.5	21.0±0.5	14.5 Max	13.8±0.5	14.3±0.5	2.5 REF	2.5 REF	1.65 REF	2.7 REF	5.0 REF	4.5 REF
Part number	L	M	N	O							
FACSCF2014B	14.3 REF	16.0 REF	4.5 REF	3.12 REF							

HIGH CURRENT POWER INDUCTOR FACSCE1470,2212 SERIES



FEATURES:

Assemblage design, sturdy structure.
High inductance, high current, low magnetic loss,
low ESR, small parasitic capacitance.
Flat wire winding, achieve a low D.C. R resistance.
Temperature rise current and saturation current
is less influenced by environment.
Operating temperature: -40°C ~ +125°C
[Including coils temperature rise].

PRODUCT IDENTIFICATION:

$$\frac{C}{a} \frac{S}{b} \frac{C}{c} \frac{E}{d} \frac{1}{c} \frac{R}{c} \frac{5}{c} \frac{M}{d}$$

- a: Series name
- b: Product dimensions
- c: Inductance Value [1R0:1.0uH;100;10uH;101:100uH]
- d: Inductance Tolerance [K:10%;M:20%;N:30%]

ELECTRICAL CHARACTERISTICS:

Part Number	Inductance (uH)±20%	DCR(mΩ)		Saturation Current(A) Typical	Temperature Current(A) Typical
		Typical	Max		
FACSCE1470-2R5M	2.50	2.74	3.50	16.0	18.0
FACSCE1470-3R3M	3.30	2.74	3.50	12.0	18.0
FACSCE1470-4R7M	4.70	2.74	3.50	8.00	18.0

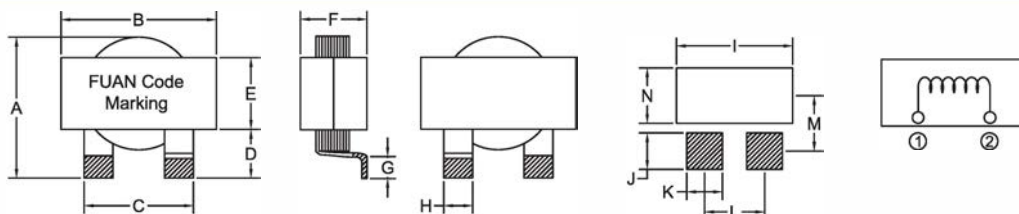
Part Number	Inductance (uH)±20%	DCR(mΩ)		Saturation Current(A) Typical	Temperature Current(A) Typical
		Typical	Max		
FACSCE2212-R82M	0.82	0.57	0.62	70.0	40.0
FACSCE2212-2R2M	2.20	2.68	2.98	64.0	22.0
FACSCE2212-3R3M	3.30	4.30	4.80	49.0	19.0
FACSCE2212-4R7M	4.70	4.30	4.80	33.0	19.0
FACSCE2212-6R8M	6.80	4.30	4.80	29.0	19.0
FACSCE2212-100M	10.0	4.60	5.20	20.0	16.0
FACSCE2212-220M	22.0	12.7	14.0	15.0	13.0
FACSCE2212-330M	33.0	12.7	14.0	10.5	13.0
FACSCE2212-470M	47.0	12.7	14.0	8.00	13.0
FACSCE2212-560M	56.0	12.7	14.0	5.00	13.0

TEST CONDITIONS

- All data is tested based on 25°C ambient temperature.
- Inductance measure condition at 100kHz, 0.1V.
- Saturation current : the actual value of DC current when the inductance decrease 20% of its initial value.
- Temperature rise current : the actual value of DC current when the temperature rise is ΔT40 (Ta=25°C).
- Special remind : Circuit design, component placement, PWB size and thickness, cooling system and etc. all will affect the product temperature. Please verify the product temperature in the final application.

TECHNICAL INFORMATION

ELECTRICAL SCHEMATIC & PAD LAYOUT



Dimensions[mm]

Part number	A	B	C	D	E	F	G	H	I	J
FACSCE1470	14.0 Max	14.5±0.3	10.1±0.5	4.5±0.5	6.7±0.3	6.7 Max	2.0±0.5	2.6±0.2	14.8 REF	4.5 REF
FACSCE2212	22.5 Max	22.6±0.6	14.5±0.5		14.0±0.3	12.0 Max	2.5±0.5	4.5±0.2	23.2 REF	5.0 REF

Part number	K	L	M	N						
FACSCE1470	4.5 REF	7.5 REF	7.0 REF	7.0 REF						
FACSCE2212	6.0 REF	10.0 REF	11.0 REF	14.3 REF						

HIGH CURRENT POWER INDUCTOR FACSC E2580 SERIES



FEATURES:

Assemblage design, sturdy structure.
Small volume, high current, low magnetic loss,
low ESR, small parasitic capacitance.
Closed magnetic circuit, ultra low buzz noise.
Temperature rise current and saturation current
is less influenced by environment.
Operating temperature: -40°C ~ +125°C
[Including coil's temperature rise].

PRODUCT IDENTIFICATION:

C S C E 2 5 8 0 - 1 R 5 M
a b c d

a:Series name

b:Product dimensions

c:Inductance Value[1R0:1.0uH;100;10uH;101:100uH]

d:Inductance Tolerance[K:10%;M:20%;N:30%]

ELECTRICAL CHARACTERISTICS:

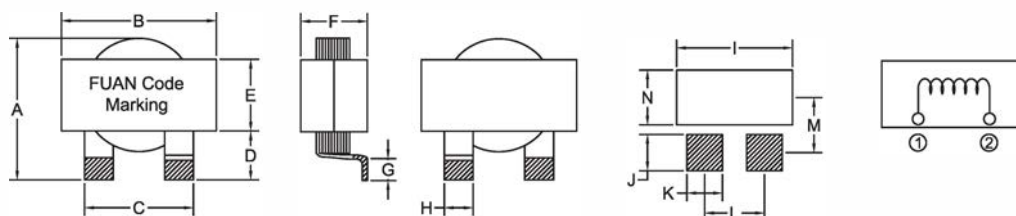
Part Number	Inductance [uH]±20%	D.C.Resistor[mΩ]		Saturation Current [A]Typical	Temperature Current [A]Typical
		Typical	Max		
FACSC E2580-1R5M	1.50	1.60	1.80	60.0	28.0
FACSC E2580-3R3M	3.30	2.60	3.00	38.0	26.0
FACSC E2580-4R7M	4.70	2.60	3.00	30.0	26.0
FACSC E2580-6R8M	6.80	3.10	3.50	23.0	23.0
FACSC E2580-100M	10.0	4.96	6.00	20.0	20.0
FACSC E2580-150M	15.0	4.96	6.00	11.0	20.0
FACSC E2580-220M	22.0	4.96	6.00	8.00	20.0
FACSC E2580-330M	33.0	4.96	6.00	6.00	20.0
FACSC E2580-560M	56.0	4.96	6.00	3.00	20.0

TEST CONDITIONS

- All data is tested based on 25°C ambient temperature.
- Inductance measure condition at 100kHz, 0.1V.
- Saturation current : the actual value of DC current when the inductance decrease 20% of its initial value.
- Temperature rise current : the actual value of DC current when the temperature rise is ΔT 40 [Ta=25°C].
- Special remind : Circuit design, component placement, PWB size and thickness, cooling system and etc. all will affect the product temperature. Please verify the product temperature in the final application.

TECHNICAL INFORMATION

ELECTRICAL SCHEMATIC & PAD LAYOUT



Dimensions[mm]

Part number	A	B	C	D	E	F	G	H	I	J	K
FACSC E2580	25.0 Max	25.0±0.5	14.5±0.5		18.0±0.5	8.4 Max	2.5±0.5	4.5±0.2	25.4 REF	5.0 REF	6.0 REF
Part number	L	M	N								
FACSC E2580	10.0 REF	13.0 REF	18.4 REF								

HIGH CURRENT POWER INDUCTOR FACPCF2919 SERIES



FEATURES:

Assemblage design, sturdy structure.
High inductance, high current, low magnetic loss,
low ESR, small parasitic capacitance.
Flat wire winding, achieve a low D.C. R resistance.
Temperature rise current and saturation current
is less influenced by environment.
Operating temperature: -40°C~ +125°C
[Including coils temperature rise].

PRODUCT IDENTIFICATION:

CPCF 2919 - 100 MC

a:Series name
b:Product dimensions
c:Inductance Value(1R0:1.0uH;100;10uH;101:100uH)
d:Inductance Tolerance(K:10%;M:20%;N:30%)

ELECTRICAL CHARACTERISTICS:

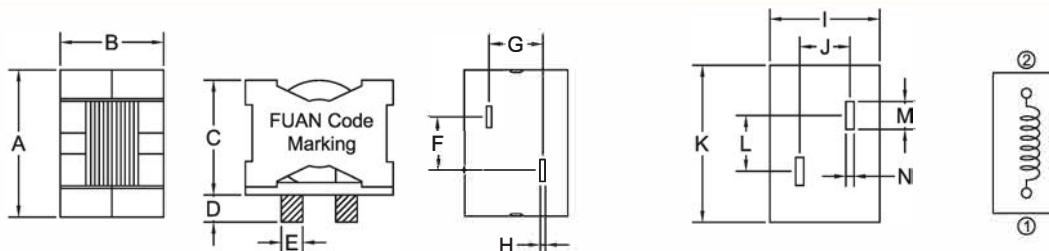
Part Number	Inductance [uH]±20%	D.C.Resistor[mΩ]		Saturation Current [A]Typical	Temperature Current [A]Typical
		Typical	Max		
FACPCF2919-4R7MC	4.70	2.76	3.60	60.0	26.0
FACPCF2919-5R6MC	5.60	2.76	3.60	49.0	26.0
FACPCF2919-6R8MC	6.80	2.76	3.60	46.0	26.0
FACPCF2919-100MC	10.0	3.70	4.80	32.0	24.0
FACPCF2919-150MC	15.0	3.70	4.80	23.0	24.0
FACPCF2919-220MC	22.0	4.80	6.20	18.0	22.0
FACPCF2919-330MC	33.0	4.80	6.20	13.0	22.0
FACPCF2919-470MC	47.0	4.80	6.20	9.00	22.0

TEST CONDITIONS

- All data is tested based on 25°C ambient temperature.
- Inductance measure condition at 100kHz, 0.1V.
- Saturation current : the actual value of DC current when the inductance decrease 20% of its initial value.
- Temperature rise current : the actual value of DC current when the temperature rise is ΔT40 [Ta=25°C].
- Special remind : Circuit design, component placement, PWB size and thickness, cooling system and etc. all will affect the product temperature. Please verify the product temperature in the final application.

TECHNICAL INFORMATION

ELECTRICAL SCHEMATIC & PAD LAYOUT



Part No.	R47-150	220-470
Dimension A	0.80	0.70
Dimension B	1.40	1.30

Dimensions[mm]

Part number	A	B	C	D	E	F	G	H	I	J	K
FACPCF2919	27.5±0.5	19.0±0.5	21.5 Max	5.0±0.5	3.8±0.2	10.0±1.0	9.0±1.0	**A±0.2	19.5 REF	9.0 REF	28.0 REF
Part number	L	M	N								
FACPCF2919	10.0 REF	5.0 REF	**B REF								

HIGH CURRENT POWER INDUCTOR FACPCF2012A SERIES



FEATURES:

Assemblage design, sturdy structure.
High inductance, high current, low magnetic loss,
low ESR, small parasitic capacitance.
Flat wire winding, achieve a low D.C. Resistance.
Temperature rise current and saturation current
is less influenced by environment.
Operating temperature: -40°C ~ +125°C
[Including coils temperature rise].

PRODUCT IDENTIFICATION:

$$\frac{CPCF}{a} \frac{2012A}{b} - \frac{100}{c} \frac{MC}{d}$$

a:Series name
b:Product dimensions
c:Inductance Value[1R0:1.0uH;100;10uH;101:100uH]
d:Inductance Tolerance[K:10%;M:20%;N:30%]

ELECTRICAL CHARACTERISTICS:

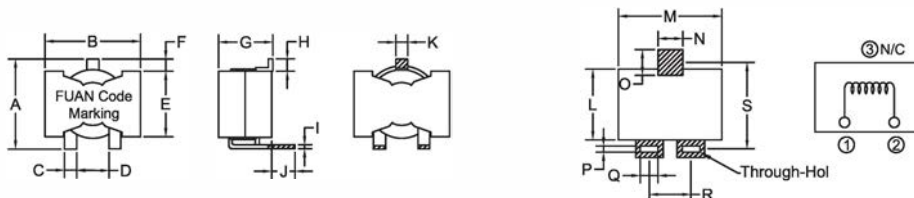
Part Number	Inductance [uH]±20%	D.C.Resistor[mΩ]		Saturation Current [A]Typical	Temperature Current [A]Typical
		Typical	Max		
FACPCF2012A-R47MC	0.47	0.45	0.55	75.0	45.0
FACPCF2012A-R82MC	0.82	0.45	0.55	55.0	45.0
FACPCF2012A-1R0MC	1.00	1.38	1.60	85.0	35.0
FACPCF2012A-1R5MC	1.50	1.38	1.60	60.0	35.0
FACPCF2012A-2R2MC	2.20	2.11	2.40	50.0	28.0
FACPCF2012A-3R3MC	3.30	2.11	2.40	35.0	28.0
FACPCF2012A-4R7MC	4.70	2.11	2.40	24.0	28.0
FACPCF2012A-6R8MC	6.80	2.11	2.40	16.0	28.0
FACPCF2012A-8R2MC	8.20	2.11	2.40	13.0	28.0
FACPCF2012A-100MC	10.0	5.87	7.00	13.0	16.0
FACPCF2012A-150MC	15.0	5.87	7.00	10.0	16.0
FACPCF2012A-220MC	22.0	8.17	9.80	10.0	14.0
FACPCF2012A-330MC	33.0	8.17	9.80	7.00	14.0

TEST CONDITIONS

- All data is tested based on 25°C ambient temperature.
- Inductance measure condition at 100kHz, 0.1V.
- Saturation current : the actual value of DC current when the inductance decrease 20% of its initial value.
- Temperature rise current : the actual value of DC current when the temperature rise is ΔT 40 [Ta=25°C].
- Special remind : Circuit design, component placement, PWB size and thickness, cooling system and etc. all will affect the product temperature. Please verify the product temperature in the final application.

TECHNICAL INFORMATION

ELECTRICAL SCHEMATIC & PAD LAYOUT



Part No.	R47-R82	1R0-1R5	2R2-8R2	100-150	220-330
Dimension A	1.40	0.90	0.70	0.40	0.35
Dimension B	1.90	1.40	1.20	0.90	0.85

Dimensions[mm]

Part number	A	B	C	D	E	F	G	H	I	J	K
FACPCF2012A	21.0 Max	21.8 Max	2.5±0.3	7.0±0.6	14.0±0.5	2.5 REF	12.0 Max	2.0 REF	**A±0.0	5.0±1.0	2.5 REF
Part number	L	M	N	O	P	Q	R	S			
FACPCF2012A	14.5 REF	21.8 REF	5.0 REF	5.0 REF	**B REF	3.5 REF	9.5 REF	17.5 REF			

HIGH CURRENT POWER INDUCTOR FACPCF2014A SERIES



FEATURES:

Assemblage design, sturdy structure.
High inductance, high current, low magnetic loss,
low E SR, small parasitic capacitance.
Flat wire winding, achieve a low D.C. R resistance.
Temperature rise current and saturation current
is less influenced by environment.
Operating temperature: -40°C ~ +125°C
[Including coils temperature rise].

PRODUCT IDENTIFICATION:

$$\frac{CPCF}{a} \frac{2014A}{b} - \frac{100}{c} \frac{MC}{d}$$

a: Series name
b: Product dimensions
c: Inductance Value [1R0:1.0uH;100;10uH;101:100uH]
d: Inductance Tolerance [K:10%;M:20%;N:30%]

ELECTRICAL CHARACTERISTICS:

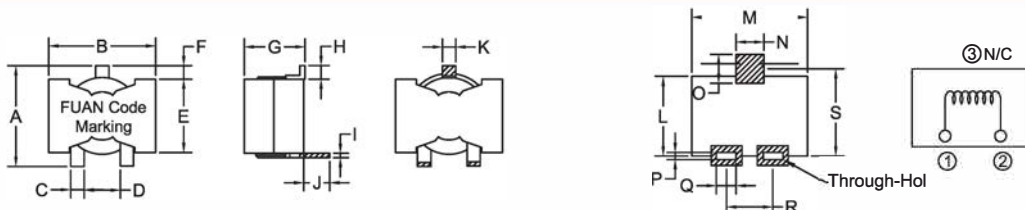
Part Number	Inductance [uH]±20%	D.C. Resistor[mΩ]		Saturation Current [A]Typical	Temperature Current [A]Typical
		Typical	Max		
FACPCF2014A-2R2MC	2.20	1.70	2.20	55.0	28.0
FACPCF2014A-2R7MC	2.70	1.70	2.20	48.0	28.0
FACPCF2014A-3R3MC	3.30	3.28	3.80	48.0	24.0
FACPCF2014A-4R7MC	4.70	3.28	3.80	35.0	24.0
FACPCF2014A-5R6MC	5.60	3.28	3.80	30.0	24.0
FACPCF2014A-6R8MC	6.80	6.60	7.30	34.0	18.0
FACPCF2014A-8R2MC	8.20	6.60	7.30	29.0	18.0
FACPCF2014A-100MC	10.0	6.60	7.30	23.0	18.0
FACPCF2014A-150MC	15.0	8.60	9.50	18.0	16.0
FACPCF2014A-220MC	22.0	8.60	9.50	13.0	16.0
FACPCF2014A-330MC	33.0	8.60	9.50	9.00	16.0

TEST CONDITIONS

- All data is tested based on 25°C ambient temperature.
- Inductance measure condition at 100kHz, 0.1V.
- Saturation current : the actual value of DC current when the inductance decrease 20% of its initial value.
- Temperature rise current : the actual value of DC current when the temperature rise is ΔT40 (Ta=25°C).
- Special remind : Circuit design, component placement, PWB size and thickness, cooling system and etc. all will affect the product temperature. Please verify the product temperature in the final application.

TECHNICAL INFORMATION

ELECTRICAL SCHEMATIC & PAD LAYOUT



Part No.	2R2-2R7	3R3-5R6	6R8-100	150-330
Dimension A	1.00	0.70	0.50	0.45
Dimension B	1.50	1.20	1.00	0.95

Dimensions[mm]

Part number	A	B	C	D	E	F	G	H	I	J	K
FACPCF2014A	21.0 Max	21.8 Max	2.5±0.3	7.0±0.6	14.5 Max	2.5 REF	14.5 Max	2.0 REF	**A±0.0	5.0±1.0	2.5 REF
Part number	L	M	N	O	P	Q	R	S			
FACPCF2014A	14.5 REF	21.8 REF	5.0 REF	5.0 REF	**B REF	3.5 REF	9.5 REF	15.7 REF			

HIGH CURRENT POWER INDUCTOR FACPCF2016A SERIES



FEATURES:

Assemblage design, sturdy structure.
High inductance, high current, low magnetic loss,
low ESR, small parasitic capacitance.
Flat wire winding, achieve a low D.C. R resistance.
Temperature rise current and saturation current
is less influenced by environment.
Operating temperature: -40°C ~ +125°C
[Including coilis temperature rise].

PRODUCT IDENTIFICATION:

CPCF 2016A - 100 MC

a: Series name

b: Product dimensions

c: Inductance Value[1R0:1.0uH;100;10uH;101:100uH]

d: Inductance Tolerance[K:10%;M:20%;N:30%]

ELECTRICAL CHARACTERISTICS:

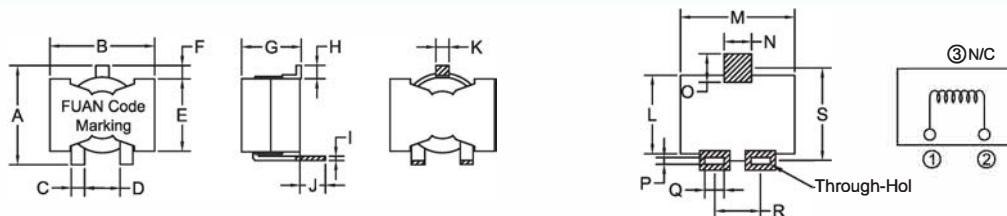
Part Number	Inductance [uH]±20%	D.C.Resistor[mΩ]		Saturation Current [A]Typical	Temperature Current [A]Typical
		Typical	Max		
FACPCF2016A-4R7MC	4.70	3.30	4.00	42.0	21.0
FACPCF2016A-6R8MC	6.80	3.57	4.30	25.0	20.0
FACPCF2016A-8R2MC	8.20	3.57	4.30	25.0	20.0
FACPCF2016A-100MC	10.0	5.28	6.30	24.0	16.0
FACPCF2016A-220MC	22.0	5.28	6.30	10.0	16.0
FACPCF2016A-330MC	33.0	13.0	15.0	9.00	12.0
FACPCF2016A-470MC	47.0	13.0	15.0	6.50	12.0

TEST CONDITIONS

- All data is tested based on 25°C ambient temperature.
- Inductance measure condition at 100kHz, 0.1V.
- Saturation current : the actual value of DC current when the inductance decrease 20% of its initial value.
- Temperature rise current : the actual value of DC current when the temperature rise is ΔT40 [Ta=25°C].
- Special remind : Circuit design, component placement, PWB size and thickness, cooling system and etc. all will affect the product temperature. Please verify the product temperature in the final application.

TECHNICAL INFORMATION

ELECTRICAL SCHEMATIC & PAD LAYOUT



Part No.	4R7-8R2	100-220	330-470
Dimension A	0.80	0.65	0.40
Dimension B	1.30	1.15	0.90

Dimensions[mm]

Part number	A	B	C	D	E	F	G	H	I	J	K
FACPCF2016A	21.0 Max	21.8 Max	2.5±0.3	7.0±0.6	14.5 Max	2.5 REF	16.5 Max	2.0 REF	**A±0.0	5.0±1.0	2.5 REF
Part number	L	M	N	O	P	Q	R	S			
FACPCF2016A	14.5 REF	21.8 REF	5.0 REF	5.0 REF	**B REF	3.5 REF	9.5 REF	16.8 REF			

HIGH CURRENT POWER INDUCTOR FACPCF2915A SERIES



FEATURES:

- Assemblage design, sturdy structure.
- High inductance, high current, low magnetic loss, low ESR, small parasitic capacitance.
- Flat wire winding, achieve a low D.C. Resistance.
- Temperature rise current and saturation current is less influenced by environment.
- Operating temperature: -40°C~ +125°C [Including coils temperature rise].

PRODUCT IDENTIFICATION:

CPCF 2915A - 100 MC

- a: Series name
- b: Product dimensions
- c: Inductance Value [1R0:1.0uH;100;10uH;101:100uH]
- d: Inductance Tolerance [K:10%;M:20%;N:30%]

ELECTRICAL CHARACTERISTICS:

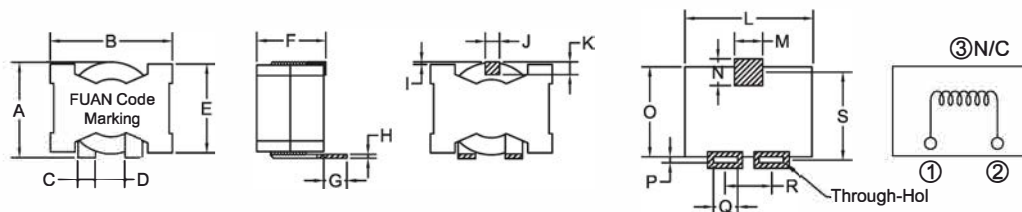
Part Number	Inductance [uH]±20%	D.C.Resistor[mΩ]		Saturation Current [A]Typical	Temperature Current [A]Typical
		Typical	Max		
FACPCF2915A-1R5MC	1.50	1.60	1.76	100	30.0
FACPCF2915A-2R2MC	2.20	1.60	1.76	84	30.0
FACPCF2915A-3R3MC	3.30	1.60	1.76	54	30.0
FACPCF2915A-4R7MC	4.70	1.60	1.76	36.9	30.0
FACPCF2915A-6R8MC	6.80	1.60	1.76	26.0	30.0
FACPCF2915A-100MC	10.0	1.60	1.76	16.2	30.0
FACPCF2915A-150MC	15.0	1.60	1.76	9.80	30.0
FACPCF2915A-220MC	22.0	1.60	1.76	6.00	30.0
FACPCF2915A-330MC	33.0	1.60	1.76	2.60	30.0

TEST CONDITIONS

- All data is tested based on 25°C ambient temperature.
- Inductance measure condition at 100kHz, 0.1V.
- Saturation current : the actual value of DC current when the inductance decrease 20% of its initial value.
- Temperature rise current : the actual value of DC current when the temperature rise is ΔT 40 (Ta=25°C).
- Special remind : Circuit design, component placement, PWB size and thickness, cooling system and etc. all will affect the product temperature. Please verify the product temperature in the final application.

TECHNICAL INFORMATION

ELECTRICAL SCHEMATIC & PAD LAYOUT



Dimensions[mm]

Part number	A	B	C	D	E	F	G	H	I	J	K
FACPCF2915A	23.0 Max	27.9 Max	3.8±0.3	6.63±0.5	19.7 Max	15.4 Max	5.0±0.5	0.80±0.2	0.5 REF	3.0 REF	2.5 REF
Part number	L	M	N	O	P	Q	R	S			
FACPCF2915A	28.0 REF	6.0 REF	5.5 REF	19.7 REF	1.4 REF	5.5 REF	10.4 REF	19.35 REF			

HIGH CURRENT POWER INDUCTOR FACPCF2918A SERIES



FEATURES:

Assemblage design, sturdy structure.
 High inductance, high current, low magnetic loss,
 low ESR, small parasitic capacitance.
 Flat wire winding, achieve a low D.C. Resistance.
 Temperature rise current and saturation current is less
 influenced by environment.
 Operating temperature: -40°C ~ +125°C
 (including coils temperature rise).

PRODUCT IDENTIFICATION:

CPCF 2918A - 100 MC

a: Series name
 b: Product dimensions
 c: Inductance Value [1R0:1.0uH;100;10uH;101:100uH]
 d: Inductance Tolerance [K:10%;M:20%;N:30%]

ELECTRICAL CHARACTERISTICS

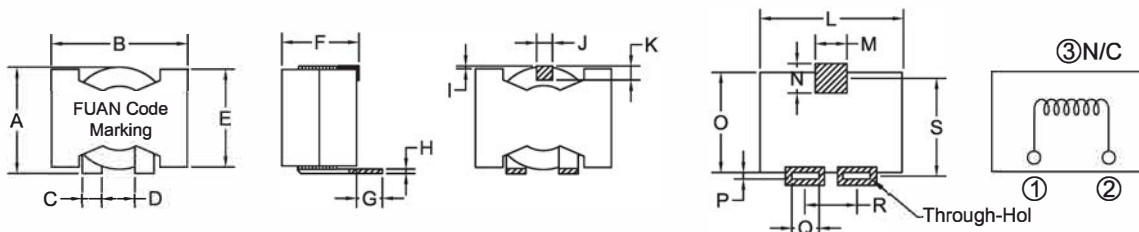
Part Number	Inductance [uH]±20%	D.C.Resistor[mΩ]		Saturation Current [A]Typical	Temperature Current [A]Typical
		Typical	Max		
FACPCF2918A-1R0MC	1.00	0.50	0.60	120	60.0
FACPCF2918A-1R5MC	1.50	0.72	0.87	110	50.0
FACPCF2918A-2R2MC	2.20	0.72	0.87	85.0	50.0
FACPCF2918A-3R3MC	3.30	2.60	2.86	91.0	28.0
FACPCF2918A-4R7MC	4.70	2.60	2.86	61.2	28.0
FACPCF2918A-6R8MC	6.80	2.60	2.86	45.0	28.0
FACPCF2918A-100MC	10.0	2.60	2.86	31.2	28.0
FACPCF2918A-150MC	15.0	2.60	2.86	21.2	28.0
FACPCF2918A-220MC	22.0	2.60	2.86	14.0	28.0
FACPCF2918A-330MC	33.0	2.60	2.86	8.70	28.0

TEST CONDITIONS

- All data is tested based on 25°C ambient temperature.
- Inductance measure condition at 100kHz, 0.1V.
- Saturation current : the actual value of DC current when the inductance decrease 20% of its initial value.
- Temperature rise current : the actual value of DC current when the temperature rise is ΔT40 (Ta=25°C).
- Special remind : Circuit design, component placement, PWB size and thickness, cooling system and etc. all will affect the product temperature. Please verify the product temperature in the final application.

TECHNICAL INFORMATION

ELECTRICAL SCHEMATIC & PAD LAYOUT



DIMENSIONS:MM

Part number	A	B	C	D	E	F	G	H	I	J	K
FACPCF2918A	23.0 Max	27.9 Max	3.8±0.3	6.63±0.5	19.7 Max	17.8 Max	5.0±0.5	0.85±0.2	0.5 REF	3.0 REF	2.5 REF
Part number	L	M	N	D	P	Q	R	S			
FACPCF2918A	28.0 REF	6.0 REF	5.5 REF	19.7 REF	1.4 REF	5.5 REF	10.4 REF	19.35 REF			

HIGH CURRENT POWER INDUCTOR FACPCF3218A,3517A SERIES



FEATURES:

- Magnetic shielding structure, excellent resistance to electro magnetic interference.
- Flat wire winding, achieve a low D.C. R resistance.
- Low loss, high efficiency, wide application frequency and application.
- Vertical structure design, save space.
- Operating temperature: -40°C~ +125 [Including coils temperature rise].

PRODUCT IDENTIFICATION:

CPCF 3218A - 3R3 MC
a b c d

- a:Series name
- b:Product dimensions
- c:Inductance Value[1R0:1.0uH;100;10uH;101:100uH]
- d:Inductance Tolerance[K:10%;M:20%;N:30%]

ELECTRICAL CHARACTERISTICS

Part Number	Inductance [uH]±20%	DCR[mΩ]		Saturation Current[A] Typical	Temperature Current[A] Typical
		Typical	Max		
FACPCF3218A-3R3MC	3.30	1.00	1.20	80.0	55.0
FACPCF3218A-6R8MC	6.80	1.35	1.60	55.0	50.0

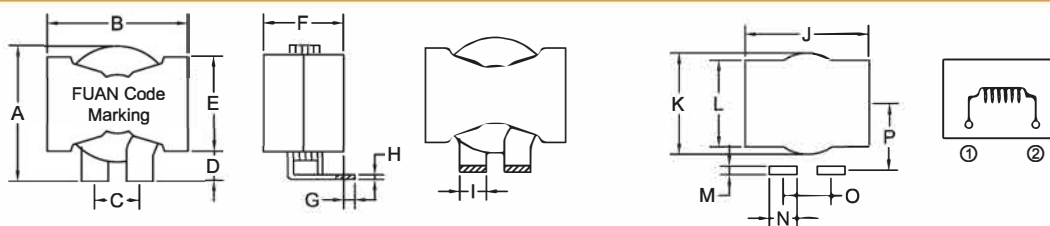
Part Number	Inductance [uH]±20%	DCR[mΩ]		Saturation Current[A] Typical	Temperature Current[A] Typical
		Typical	Max		
FACPCF3517A-1R5MC	1.50	0.31	0.40	113	65.0

TEST CONDITIONS

- All data is tested based on 25°C ambient temperature.
- Inductance measure condition at 100kHz, 0.1V.
- Saturation current : the actual value of DC current when the inductance decrease 20% of its initial value.
- Temperature rise current : the actual value of DC current when the temperature rise is ΔT40 (Ta=25°C).
- Special remind : Circuit design, component placement, PWB size and thickness, cooling system and etc. all will affect the product temperature. Please verify the product temperature in the final application.

TECHNICAL INFORMATION

ELECTRICAL SCHEMATIC & PAD LAYOUT



Part No.	3R3	6R8
Dimension A	1.20	1.00
Dimension B	1.80	1.60

DIMENSIONS:MM

Part number	A	A	C	D	E	F	G	H	I	J
FACPCF3218A	30.7±1.0	32.0±1.0	12.0±0.5	6.7±0.5	22.5±1.0	18.0±0.5	2.5±0.3	**A±0.2	6.0±0.3	33.0 REF
FACPCF3517A	35.0 Max	36.0 Max	13.5±0.5		27.0 Max	17.0±0.5	5.0±0.5	1.5±0.15	8.0±0.3	36.0 REF

Part number	K	L	M	N	D	P				
FACSCI1045	28.0 REF	23.5 REF	**B REF	7.0 REF	12.0 REF	17.3 REF				
FACSCI1050	27.0 REF		2.0 REF	9.0 REF	13.5 REF	16.5 REF				

HIGH CURRENT POWER INDUCTOR FACPCE2624A SERIES



FEATURES:

- Assemblage design, sturdy structure.
- High inductance, high current, low magnetic loss, low E SR, small parasitic capacitance .
- Flat wire winding, a achieve a low D.C. R esistance.
- Temperature rise current and saturation current is less influenced by e nvironment.
- Operating temperature: -40°C~ +125°C [ncluding coils temperature rise].

PRODUCT IDENTIFICATION:

C P C E 2 6 2 4 A - 1 3 0 M
a b c d

- a:Series name
- b:Product dimensions
- c:Inductance Value[1R 0:1.0uH;100;10uH;101:100uH]
- d:Inductance Tolerance[K:10%;M:20%;N:30%]

ELECTRICAL CHARACTERISTICS

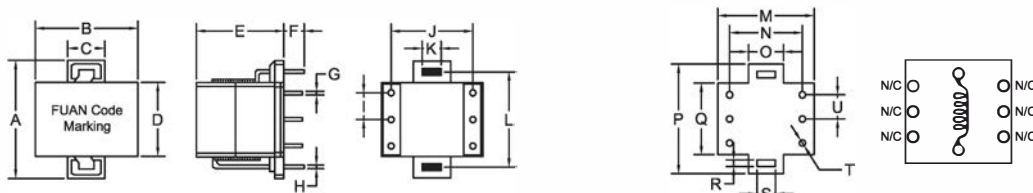
Part Number	Inductance [uH]±20%	D.C.Resistor[mΩ]		Saturation Current [A]Typical	Temperature C urrent [A]Typical
		Typical	Max		
FACPCE2624A-130M	13.0	1.90	2.10	35.0	26.0
FACPCE2624A-150M	15.0	2.50	2.90	33.0	25.0
FACPCE2624A-180M	18.0	2.70	3.10	30.0	24.0
FACPCE2624A-250M	25.0	3.60	4.10	28.0	23.0
FACPCE2624A-270M	27.0	3.90	4.50	26.0	22.0
FACPCE2624A-330M	33.0	4.20	4.80	24.0	20.0

TEST CONDITIONS

- All data is tested based on 25°C ambient temperature.
- Inductance measure condition at 100kHz, 0.1V.
- Saturation current : the actual value of DC current when the inductance decrease 30% of its initial value.
- Temperature rise current : the actual value of DC current when the temperature rise is ΔT 50 (Ta=25°C).
- Special remind : C ircuit design, component placement, PWB size and thickness, cooling system and etc. all will affect the product temperature. Please verify the product temperature in the final application.

TECHNICAL INFORMATION

ELECTRICAL SCHEMATIC & PAD LAYOUT



Part No.	130	150-180	250	270-330
Dimension A	1.20	1.00	0.90	0.80
Dimension B	1.80	1.60	1.50	1.40

DIMENSIONS:MM

Part number	A	B	C	D	E	F	G	H	I	J	K
FACPCE2624A	30.0±1.0	26.4±1.0	9.5±0.5	19.0±1.0	22.5±1.0	5.0±0.5	1.0±0.2	**A±0.2	6.8±0.5	20.8±0.5	4.0±0.2
Part number	L	M	N	O	P	Q	R	S	T	U	
FACPCE2624A	25.0±1.0	27.4 REF	20.8 REF	10.0 REF	31.0 REF	20.0 REF	**B REF	5.0 REF	1.5 REF	6.8 REF	

HIGH CURRENT POWER INDUCTOR FACPER3231 SERIES



FEATURES:

Assemblage design, sturdy structure.
 High inductance, high current, low magnetic loss,
 low ESR, small parasitic capacitance .
 Flat wire winding, achieve a low D.C. R resistance.
 Temperature rise current and saturation current is less
 influenced by environment.
 Operating temperature: -40°C~ +125°C
 [ncluding coils temperature rise].

PRODUCT IDENTIFICATION:

C P E R 3 2 3 1 - 1 0 1 M
 a b c d

a:Series name
 b:Product dimensions
 c:Inductance Value [1R0:1.0uH;100;10uH;101:100uH]
 d:Inducatance Tolerance[K:10%;M:20%;N:30%]

ELECTRICAL CHARACTERISTICS

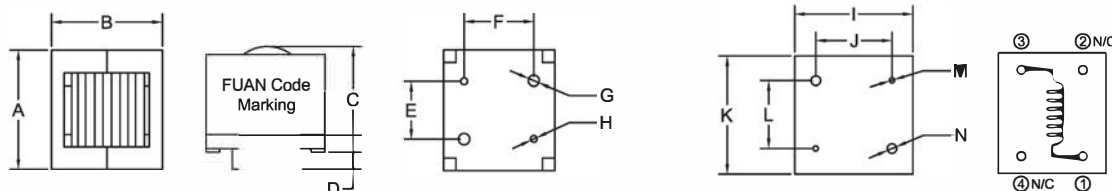
Part Number	Inductance [uH]±20%	D.C.Resistor[mΩ]		Saturation Current [A]Typical	Temperature Current [A]Typical
		Typical	Max		
FACPER3231-101M	100	9.02	12.0	23.0	23.0

TEST CONDITIONS

- All data is tested based on 25°C ambient temperature.
- Inductance measure condition at 100kHz, 0.1V.
- Saturation current : the actual value of DC current when the inductance decrease 30% of its initial value.
- Temperature rise current : the actual value of DC current when the temperature rise is ΔT 40 (Ta=25°C).
- Special remind : Circuit design, component placement, PWB size and thickness, cooling system and etc. all will affect the product temperature. Please verify the product temperature in the final application.

TECHNICAL INFORMATION

ELECTRICAL SCHEMATIC & PAD LAYOUT



DIMENSIONS:MM

Part number	A	B	C	D	E	F	G	H	I	J	K
FACPER3231	32.8 Max	31.0 Max	29.0 Max	5.0±0.5	15.7±0.5	19.1±0.5	2.0±0.2	1.0±0.1	31.0 REF	19.1 REF	32.8 REF
Part number	L	M	N								
FACPER3231	15.7 REF	1.5 REF	2.5 REF								

HIGH CURRENT POWER INDUCTOR FACPU2916 SERIES



FEATURES:

Assemblage design, sturdy structure.
High inductance, high current, low magnetic loss,
low ESR, small parasitic capacitance.
Flat wire winding, achieve a low D.C. Resistance.
Temperature rise current and saturation current is less
influenced by environment.
Operating temperature: -40°C ~ +125°C
[including coils temperature rise].

PRODUCT IDENTIFICATION:

CPU 2916 - 3R3 MC

a: Series name
b: Product dimensions
c: Inductance Value [1R0:1.0uH;100;10uH;101:100uH]
d: Inductance Tolerance [K:10%;M:20%;N:30%]

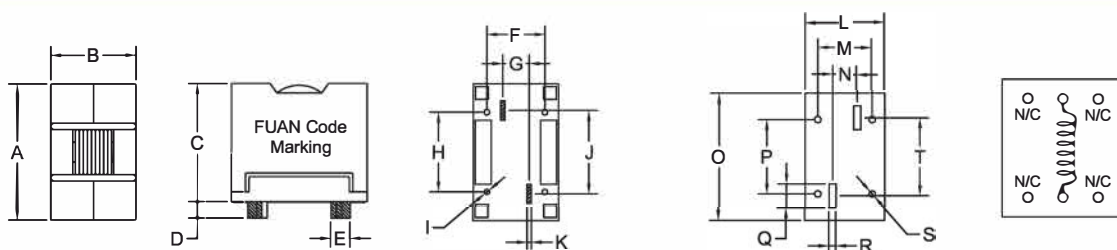
ELECTRICAL CHARACTERISTICS

Part Number	Inductance [uH]±20%	D.C.Resistor[mΩ]		Saturation Current [A]Typical	Temperature Current [A]Typical
		Typical	Max		
FACPU2916-3R3MC	3.30	2.30	2.60	104	26
FACPU2916-4R7MC	4.70	2.30	2.60	69	26
FACPU2916-6R8MC	6.80	2.30	2.60	53	26
FACPU2916-100MC	10.0	2.30	2.60	34	26
FACPU2916-150MC	15.0	2.30	2.60	23	26
FACPU2916-220MC	22.0	2.30	2.60	14.7	26
FACPU2916-330MC	33.0	2.30	2.60	9.20	26

TEST CONDITIONS

- All data is tested based on 25°C ambient temperature.
- Inductance measure condition at 100kHz, 0.1V.
- Saturation current : the actual value of DC current when the inductance decrease 30% of its initial value.
- Temperature rise current : the actual value of DC current when the temperature rise is ΔT 40 [Ta=25°C].
- Special remind : Circuit design, component placement, PWB size and thickness, cooling system and etc. all will affect the product temperature. Please verify the product temperature in the final application.

TECHNICAL INFORMATION ELECTRICAL SCHEMATIC & PAD LAYOUT



DIMENSIONS:MM

Part number	A	B	C	D	E	F	G	H	I	J	K
FACPU2916	26.9±0.5	16.9 Max	24.0 Max	3.3±0.5	3.8±0.3	11.4±0.3	5.2±0.3	15.8±0.3	1.0±0.1	16.5±0.3	0.8±0.15
Part number	L	M	N	O	P	Q	R	S	T		
FACPU2916	16.9 REF	11.4 REF	5.2 REF	27.4 REF	15.8 REF	5.0 REF	1.4 REF	1.3 REF	16.5 REF		

HIGH CURRENT POWER INDUCTOR FACPQ4228 SERIES



FEATURES:

- Assemblage design, sturdy structure.
- High inductance, high current, low magnetic loss, low ESR, small parasitic capacitance .
- Flat wire winding, achieve a low D.C. Resistance.
- Temperature rise current and saturation current is less influenced by environment.
- Operating temperature: -40°C~ +125°C [including coils temperature rise].

PRODUCT IDENTIFICATION:

$$\frac{CPQ}{a} \frac{4228}{b} - \frac{100}{c} \frac{M}{d}$$

- a:Series name
- b:Product dimensions
- c:Inductance Value[1R0:1.0uH;100;10uH;101:100uH]
- d:Inductance Tolerance[K:10%;M:20%;N:30%]

ELECTRICAL CHARACTERISTICS

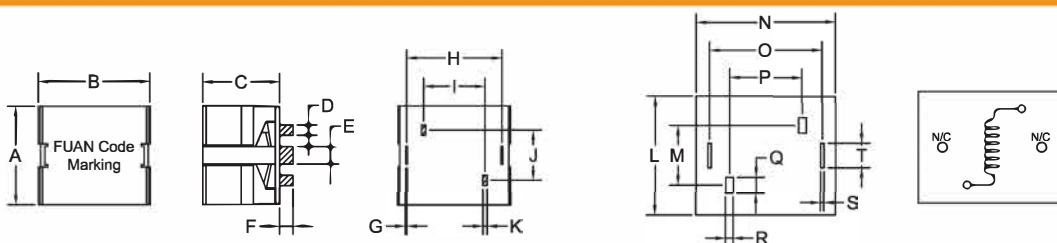
Part Number	Inductance [uH]±20%	D.C.Resistor[mΩ]		Saturation Current [A]Typical	Temperature C current [A]Typical
		Typical	Max		
FACPQ 4228-6R8M	6.80	2.80	2.95	75	34.0
FACPQ 4228-100M	10.0	2.80	2.95	60	34.0
FACPQ 4228-150M	15.0	2.80	2.95	47	34.0
FACPQ 4228-220M	22.0	2.80	2.95	35.4	34.0
FACPQ 4228-330M	33.0	2.80	2.95	24.7	34.0
FACPQ 4228-470M	47.0	2.80	2.95	17.6	34.0
FACPQ 4228-680M	68.0	2.80	2.95	12.2	34.0
FACPQ 4228-101M	100	2.80	2.95	7.80	34.0
FACPQ 4228-151M	150	2.80	2.95	4.96	34.0
FACPQ 4228-221M	220	10.5	11.5	7.20	17.5
FACPQ 4228-331M	330	10.5	11.5	4.70	17.5
FACPQ 4228-471M	470	10.5	11.5	3.20	17.5

TEST CONDITIONS

- All data is tested based on 25°C ambient temperature.
- Inductance measure condition at 100kHz, 0.1V.
- Saturation current : the actual value of DC current when the inductance decrease 20% of its initial value.
- Temperature rise current : the actual value of DC current when the temperature rise is ΔT40 [Ta=25°C].
- Special remind : Circuit design, component placement, PWB size and thickness, cooling system and etc. all will affect the product temperature. Please verify the product temperature in the final application.

TECHNICAL INFORMATION

ELECTRICAL SCHEMATIC & PAD LAYOUT



Part No.	6R8-151	221-471
Dimension A	1.50	0.80
Dimension B	2.30	1.40

DIMENSIONS:MM

Part number	A	B	C	D	E	F	G	H	I	J	K
FACPQ 4228	35.8±1.0	42.0±1.0	28.0±1.0	3.8±0.5	6.5±0.5	5.0±1.0	0.5±0.1	35.0±0.5	22.5±0.5	18.5±0.5	**A±0.3
Part number	L	M	N	D	P	Q	R	S	T		
FACPQ 4228	36.8 REF	18.5 REF	43.0 REF	35.0 REF	22.5 REF	4.8 REF	**B REF	1.0 REF	7.5 REF		

HIGH CURRENT POWER INDUCTOR FACPFL3020 SERIES



FEATURES:

Assemblage design, sturdy structure.
 High inductance, high current, low magnetic loss,
 low ESR, small parasitic capacitance .
 Litz wire winding, effectively reduces skin effect.
 Temperature rise current and saturation current is less
 influenced by environment.
 Operating temperature: -40°C ~ +125°C
 [including coil's temperature rise].

PRODUCT IDENTIFICATION:

CPFL 3020 - 100 M
 $\frac{a}{b} \frac{c}{d}$
 a:Series name
 b:Product dimensions
 c:Inductance Value[1R0:1.0uH;100;10uH;101:100uH]
 d:Inductance Tolerance[K:10%;M:20%;N:30%]

ELECTRICAL CHARACTERISTICS

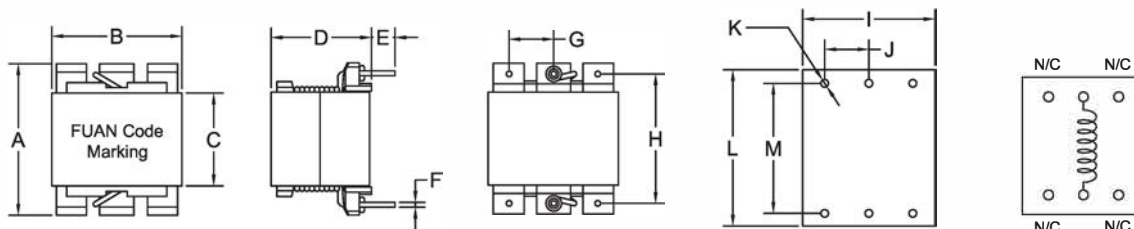
Part Number	Inductance [uH]±20%	D.C.Resistor(mΩ)		Saturation Current [A]Typical	Temperature Current [A]Typical
		Typical	Max		
FACPFL3020-100M	10.0	7.70	9.30	39.0	19.0
FACPFL3020-120M	12.0	8.60	10.4	35.0	18.0
FACPFL3020-150M	15.0	9.70	11.7	31.0	17.0
FACPFL3020-220M	22.0	20.7	24.9	27.0	13.0
FACPFL3020-270M	27.0	21.8	26.2	23.5	12.5
FACPFL3020-330M	33.0	25.1	30.2	21.0	12.0
FACPFL3020-470M	47.0	31.9	38.3	18.0	11.0
FACPFL3020-560M	56.0	35.8	42.3	16.0	10.0

TEST CONDITIONS

- All data is tested based on 25°C ambient temperature.
- Inductance measure condition at 100kHz, 0.1V.
- Saturation current : the actual value of DC current when the inductance decrease 30% of its initial value.
- Temperature rise current : the actual value of DC current when the temperature rise is ΔT50 [Ta=25°C].
- Special remind : Circuit design, component placement, PWB size and thickness, cooling system and etc. all will affect the product temperature. Please verify the product temperature in the final application.

TECHNICAL INFORMATION

ELECTRICAL SCHEMATIC & PAD LAYOUT



DIMENSIONS:MM

Part number	A	B	C	D	E	F	G	H	I	J	K
FACPFL3020	32.0 Max	26.7±0.5	19.0±0.5	20.5±0.5	5.0±0.5	1.0±0.2	9.1±0.5	26.6±1.0	27.2 REF	9.1 REF	1.5 REF
Part number	L	M									
FACPFL3020	32.0 REF	26.6 REF									

HIGH CURRENT POWER INDUCTOR FACPEX2722 SERIES



FEATURES:

Assemblage design, sturdy structure.
High inductance, high current, low magnetic loss,
low E SR, small parasitic capacitance .
Flat wire winding, achieve a low D.C. R resistance.
Temperature rise current and saturation current is less
influenced by environment.
Operating temperature: -40°C~ +125°C
(including coils temperature rise).

PRODUCT IDENTIFICATION:

$$\frac{CPEX}{a} \frac{2722}{b} - \frac{100}{c} \frac{M}{d}$$

a: Series name

b: Product dimensions

c: Inductance Value [1R0:1.0uH;100;10uH;101:100uH]

d: Inductance Tolerance [K:10%;M:20%;N:30%]

ELECTRICAL CHARACTERISTICS

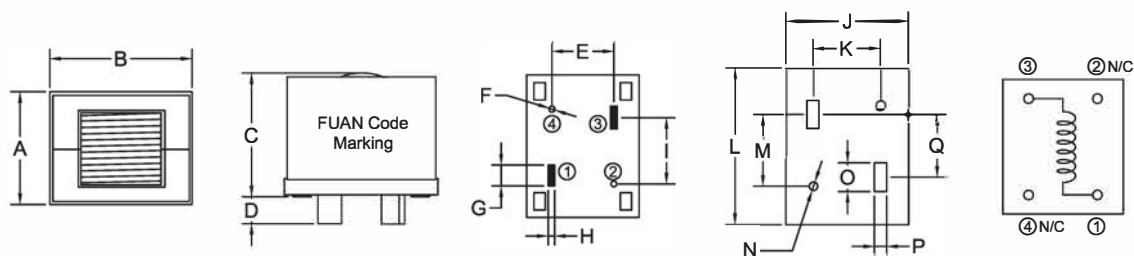
Part Number	Inductance [uH]±20%	D.C.Resistor[mΩ]		Saturation Current [A]Typical	Temperature Current [A]Typical
		Typical	Max		
FACPEX2722-100M	10.0	3.60	4.10	95.0	25.0
FACPEX2722-120M	12.0	3.60	4.10	80.0	25.0
FACPEX2722-150M	15.0	3.60	4.10	63.0	25.0
FACPEX2722-180M	18.0	3.60	4.10	48.0	25.0
FACPEX2722-220M	22.0	3.60	4.10	33.0	25.0
FACPEX2722-270M	27.0	3.60	4.10	30.0	25.0

TEST CONDITIONS

- All data is tested based on 25°C ambient temperature.
- Inductance measure condition at 100kHz, 0.1V.
- Saturation current : the actual value of DC current when the inductance decrease 30% of its initial value.
- Temperature rise current : the actual value of DC current when the temperature rise is ΔT40 [Ta=25°C].
- Special remind : Circuit design, component placement, PWB size and thickness, cooling system and etc. all will affect the product temperature. Please verify the product temperature in the final application.

TECHNICAL INFORMATION

ELECTRICAL SCHEMATIC & PAD LAYOUT



DIMENSIONS:MM

Part number	A	B	C	D	E	F	G	H	I	J	K
FACPEX2722	21.5±0.5	27.3±0.3	22.3±0.5	5.0±0.5	12.0±0.5	1.0±0.2	4.0±0.5	1.0±0.3	12.8±0.5	22.0 REF	12.0 REF
Part number	L	M	N	O	P	Q					
FACPEX2722	27.8 REF	12.8 REF	1.5 REF	5.0 REF	2.0 REF	11.2 REF					

HIGH CURRENT POWER INDUCTOR FACSCD1250 SERIES



FEATURES:

Magnetic shielding structure, excellent resistance to electro magnetic interference.
 Assemblage design, sturdy structure.
 Small volume, high current, low magnetic loss, low ESR, small parasitic capacitance.
 Temperature rise current and saturation current is less influenced by environment.
 Operating temperature: -40°C ~ +125°C
 (including coils temperature rise).

PRODUCT IDENTIFICATION:

$\frac{C}{a} \frac{S}{b} \frac{D}{c} \frac{1250}{d} - \frac{1R0}{c} \frac{M}{d}$

a: Series name
 b: Product dimensions
 c: Inductance Value [1R0:1.0uH;100;10uH;101:100uH]
 d: Inductance Tolerance [K:10%;M:20%;N:30%]

ELECTRICAL CHARACTERISTICS

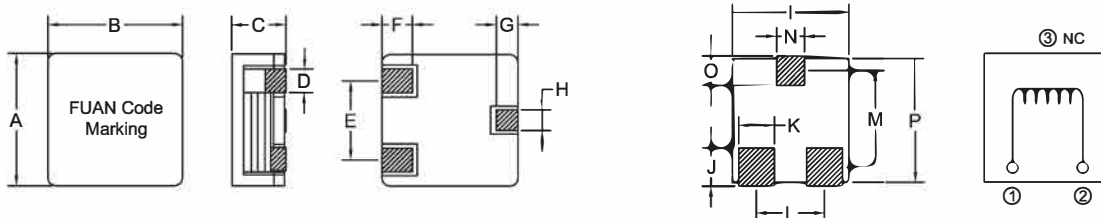
Part Number	Inductance [uH]±20%	D.C.Resistor[mΩ]		Saturation Current [A]Typical	Temperature Current [A]Typical
		Typical	Max		
FACSCD1250-R50M	0.50	0.70	0.90	42.0	29.0
FACSCD1250-1R0M	1.00	1.50	1.80	23.0	21.0
FACSCD1250-1R5M	1.50	2.80	3.50	18.0	16.0
FACSCD1250-2R2M	2.20	3.50	4.00	15.0	14.0
FACSCD1250-3R3M	3.30	6.00	6.75	15.0	13.0
FACSCD1250-4R7M	4.70	6.00	6.75	12.0	13.0
FACSCD1250-100M	10.0	13.8	15.5	6.00	10.0

TEST CONDITIONS

- All data is tested based on 25°C ambient temperature.
- Inductance measure condition at 100kHz, 0.1V.
- Saturation current : the actual value of DC current when the inductance decrease 30% of its initial value.
- Temperature rise current : the actual value of DC current when the temperature rise is ΔT 40 [Ta=25°C].
- Special remind : Circuit design, component placement, PWB size and thickness, cooling system and etc. all will affect the product temperature. Please verify the product temperature in the final application.

TECHNICAL INFORMATION

ELECTRICAL SCHEMATIC & PAD LAYOUT



DIMENSIONS:MM

Part number	A	B	C	D	E	F	G	H	I	J	K
FACSCD1250	13.5 Max	12.8±0.2	5.3 Max	2.4±0.2	7.6 REF	2.5±0.5	2.0 REF	2.0 REF	13.0 REF	4.0 REF	4.0 REF
Part number	L	M	N	O	P						
FACSCD1250	7.6 REF	10.5 REF	3.0 REF	3.0 REF	13.5 REF						

HIGH CURRENT POWER INDUCTOR FACSI1060,1580 SERIES



FEATURES:

- Magnetic shielding structure, excellent resistance to electromagnetic interference.
- Flat wire winding, achieve a low D.C. R resistance.
- Low loss, high efficiency, wide application frequency and application.
- Vertical structure design, save space.
- Operating temperature: -40°C ~ +125°C [Including coils temperature rise].

PRODUCT IDENTIFICATION:

- CSI 1060 - R56 M
 $\frac{c}{a} \frac{d}{b} \frac{M}{c} \frac{M}{d}$
- a: Series name
 - b: Product dimensions
 - c: Inductance Value [1R0:1.0uH;100;10uH;101:100uH]
 - d: Inductance Tolerance [K:10%;M:20%;N:30%]

ELECTRICAL CHARACTERISTICS

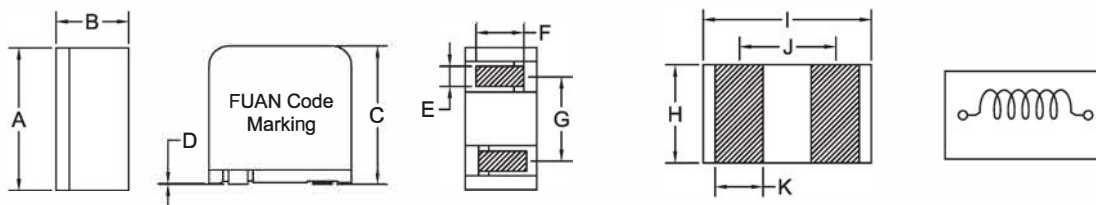
Part Number	Inductance [uH]±20%	DCR(mΩ)		Saturation Current[A] Typical	Temperature Current[A] Typical	Part Number	Inductance [uH]±20%	DCR(mΩ)		Saturation Current[A] Typical	Temperature Current[A] Typical
		Typical	Max					Typical	Max		
FACSI1060-R56M	0.56	1.03	1.10	45.0	25.0	FACSI1580-R47M	0.47	0.62	0.75	120	40
						FACSI1580-R68M	0.68	0.62	0.75	120	40
						FACSI1580-1R0M	1.00	0.96	1.30	80	37

TEST CONDITIONS

- All data is tested based on 25°C ambient temperature.
- Inductance measure condition at 100kHz, 0.1V.
- Saturation current : the actual value of DC current when the inductance decrease 30% of its initial value.
- Temperature rise current : the actual value of DC current when the temperature rise is ΔT 50(Ta=25°C).
- Special remind : Circuit design, component placement, PWB size and thickness, cooling system and etc. all will affect the product temperature. Please verify the product temperature in the final application.

TECHNICAL INFORMATION

ELECTRICAL SCHEMATIC & PAD LAYOUT



DIMENSIONS:MM

Part number	A	B	C	D	E	F	G	H	I	J	K
FACSI1060	10.0±0.5	5.7±0.3	12.0 Max	0.0-0.2	2.0±0.3	3.8±0.7	6.0±0.5	6.0 REF	10.5 REF	6.0±0.5	3.0 REF
FACSI1580	16.0±0.3	8.0±0.3	15.9 Max	0.0-0.2	2.7±0.3	4.0 Min	9.5±0.5	8.0 REF	16.3 REF	9.5±0.5	4.0 REF

HIGH CURRENT POWER INDUCTOR FACPI1060,1580 SERIES



FEATURES:

- Magnetic shielding structure, excellent resistance to electro magnetic interference.
- Flat wire winding, achieve a low D.C. Resistance.
- Low loss, high efficiency, wide application frequency and application.
- Vertical structure design, save space.
- Operating temperature: -40°C~ +125°C [Including coils temperature rise].

PRODUCT IDENTIFICATION:

CPI 1060 - R56 M
 $\frac{a}{b} \frac{c}{d}$
 a:Series name
 b:Product dimensions
 c:Inductance Value [1R0:1.0uH;100;10uH;101:100uH]
 d:Inductance Tolerance [K:10%;M:20%;N:30%]

ELECTRICAL CHARACTERISTICS

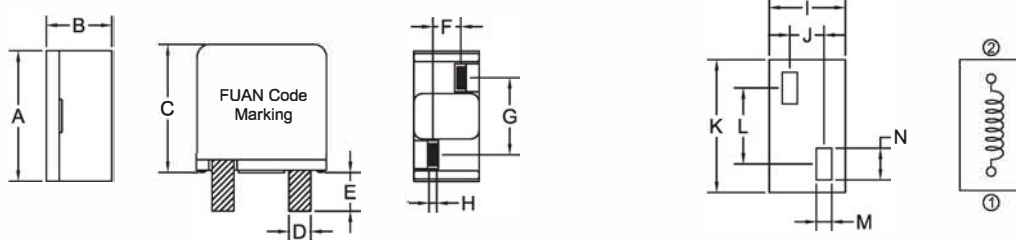
Part Number	Inductance (uH)±20%	DCR(mΩ)		Saturation Current(A) Typical	Temperature Current(A) Typical	Part Number	Inductance (uH)±20%	DCR(mΩ)		Saturation Current(A) Typical	Temperature Current(A) Typical
		Typical	Max					Typical	Max		
FACPI1060-R56M	0.56	1.03	1.10	45.0	25.0	FACPI1580-R47M	0.47	0.62	0.75	120	40
						FACPI1580-R68M	0.68	0.62	0.75	120	40
						FACPI1580-1R0M	1.00	0.96	1.30	80	37

TEST CONDITIONS

- All data is tested based on 25°C ambient temperature.
- Inductance measure condition at 100kHz, 0.1V.
- Saturation current : the actual value of DC current when the inductance decrease 30% of its initial value.
- Temperature rise current : the actual value of DC current when the temperature rise is ΔT 50 [Ta=25°C].
- Special remind : Circuit design, component placement, PWB size and thickness, cooling system and etc. all will affect the product temperature. Please verify the product temperature in the final application.

TECHNICAL INFORMATION

ELECTRICAL SCHEMATIC & PAD LAYOUT



Part No.	R47-R68	1R0
Dimension A	0.90	0.90
Dimension B	2.40	2.70

DIMENSIONS:MM

Part number	A	B	C	D	E	F	G	H	I	J	K
FACSI1060	10.0±0.5	5.7±0.3	12.0 Max	0.0-0.2	2.0±0.3	3.8±0.7	6.0±0.5	6.0 REF	10.5 REF	6.0±0.5	3.0 REF
FACSI1580	16.0±0.3	8.0±0.3	15.9 Max	0.0-0.2	2.7±0.3	4.0 Min	9.5±0.5	8.0 REF	16.3 REF	9.5±0.5	4.0 REF

Part number	L	M	N								
FACSI1060	10.0±0.5	5.7±0.3	12.0 Max								
FACSI1580	16.0±0.3	8.0±0.3	15.9 Max								

HIGH CURRENT POWER INDUCTOR FACPFS6560 SERIES



FEATURES:

- Assemblage design, sturdy structure.
- High inductance, high current, low magnetic loss, low ESR, small parasitic capacitance.
- Flat wire winding, achieve a low D.C. Resistance.
- Temperature rise current and saturation current is less influenced by environment.
- Operating temperature: -40°C ~ +125°C [Including coils temperature rise].

PRODUCT IDENTIFICATION:

$\frac{C}{a} \frac{PFS}{b} \frac{6560}{c} - \frac{301}{d} \frac{M}{d}$
 a: Series name
 b: Product dimensions
 c: Inductance Value [1R0:1.0uH;100;10uH;101:100uH]
 d: Inductance Tolerance [K:10%;M:20%;N:30%]

ELECTRICAL CHARACTERISTICS

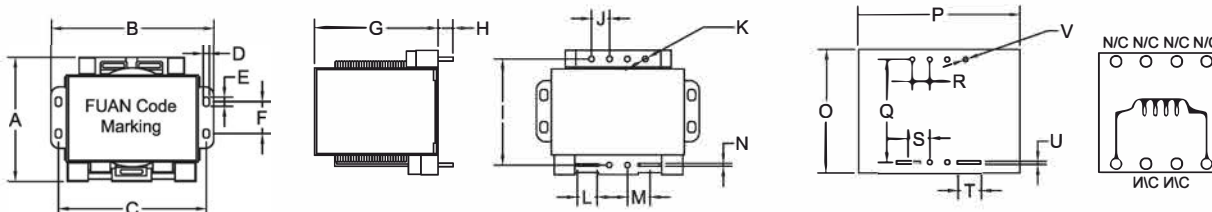
Part Number	Inductance [uH]±20%	D.C. Resistor[mΩ]		Saturation Current [A]Typical	Temperature Current [A]Typical
		Typical	Max		
FACPFS6560-301M	300	9.66	11.6	27.0	25.0

TEST CONDITIONS

- All data is tested based on 25°C ambient temperature.
- Inductance measure condition at 100kHz, 0.1V.
- Saturation current : the actual value of DC current when the inductance decrease 30% of its initial value.
- Temperature rise current : the actual value of DC current when the temperature rise is ΔT 50 [Ta=25°C].
- Special remind : Circuit design, component placement, PWB size and thickness, cooling system and etc. all will affect the product temperature. Please verify the product temperature in the final application.

TECHNICAL INFORMATION

ELECTRICAL SCHEMATIC & PAD LAYOUT



DIMENSIONS:MM

Part number	A	B	C	D	E	F	G	H	I	J	K
FACPFS6560	63.0±1.0	83.0±1.0	75.0±1.0	3.0 REF	4.3 REF	16.0±0.5	62.4±1.0	7.0±0.5	53.6±1.0	9.1±0.5	2.0±0.3
Part number	L	M	N	O	P	Q	R	S	T	U	V
FACPFS6560	10.0±0.5	11.3±0.3	1.0±0.3	64.0 REF	84.0 REF	53.6 REF	9.1 REF	11.3 REF	12.0 REF	1.8 REF	3.0 REF

HIGH CURRENT POWER INDUCTOR FACPT3020 SERIES



FEATURES:

- Magnetic shielded structure: excellent resistance to electromagnetic interference.
- Assemblage design, sturdy structure.
- High inductance, high current, low magnetic loss, low E SR, small parasitic capacitance.
- High temperature wire, closed magnetic circuit, ultra low buzz noise.
- Operating temperature: -40°C~ +125°C [Including coils temperature rise].

PRODUCT IDENTIFICATION:

- CPT 3020 - 100 M
- a:Series name
b:Product dimensions
c:Inductance Value [1R0:1.0uH;100;10uH;101:100uH]
d:Inductance Tolerance [K:10%;M:20%;N:30%]

ELECTRICAL CHARACTERISTICS

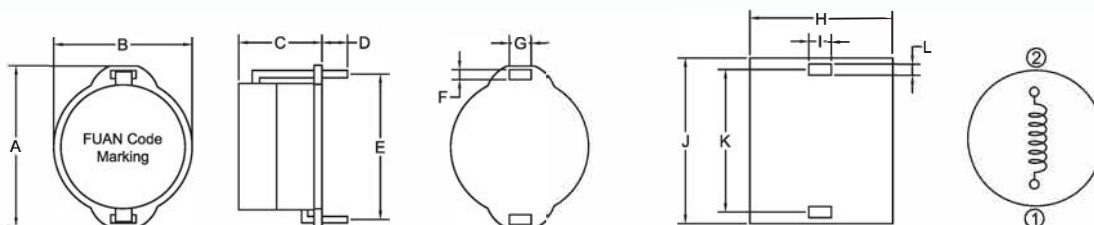
Part Number	Inductance [uH]±20%	D.C.Resistor[mΩ]		Saturation Current [A]Typical	Temperature Current [A]Typical
		Typical	Max		
FACPT3020-100M	10	1.45	1.70	30.0	25.0

TEST CONDITIONS

- All data is tested based on 25°C ambient temperature.
- Inductance measure condition at 100kHz, 0.1V.
- Saturation current : the actual value of IDC current when the inductance decrease 30% of its initial value.
- Temperature rise current : the actual value of IDC current when the temperature rise is ΔT 40 (Ta=25°C).
- Special remind : Circuit design, component placement, PWB size and thickness, cooling system and etc. all will affect the product temperature. Please verify the product temperature in the final application.

TECHNICAL INFORMATION

ELECTRICAL SCHEMATIC & PAD LAYOUT



DIMENSIONS:MM

Part number	A	B	C	D	E	F	G	H	I	J	K	L
FACPT3020	38.0±1.0	32.5±1.0	21.0 Max	5.0±0.5	33.5±1.0	1.5±0.3	4.0±0.3	33.5 REF	5.0 REF	39.0 REF	33.5 REF	2.0 REF

THROUGH-HOLE AXIAL CONFORMAL COATED INDUCTORS FALGA0204 SERIES



FEATURES:

Magnetic Core
Wire-wound construction
Heat resistant epoxy resin
High reliability - Ideal for automatic insertion
Small size - Low Cost

OPTIONS:

Packaging: Tape & Reel is Standard [Qty: 5000 pcs]
Bulk packaging available for smaller quantities
Tolerance:10% is standard tighter tolerances available.

COMMON APPLICATIONS:

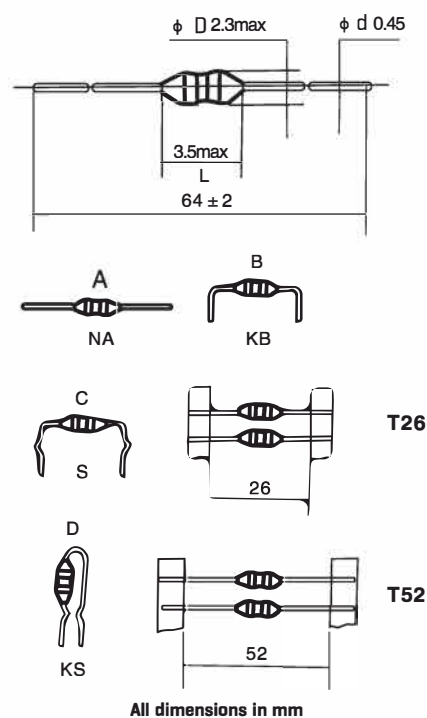
VCRs
Automotive Systems
Computer Peripheral Equipment
Televisions
Electronic Games
Mobile Communications Equipment
General Electronic Applications

STANDARD SPECIFICATIONS

Part Number	L [μH]	Tol ±%	Q min	L Test Freq [MHz]	S.R.F [MHz]	RDC (Ω) Max	IDC [mA]
FALGA0204-R22M	0.22	20	35	25.2	150	0.40	400
FALGA0204-R27M	0.27	20	35	25.2	150	0.43	380
FALGA0204-R33M	0.33	20	35	25.2	150	0.48	370
FALGA0204-R39M	0.39	20	35	25.2	150	0.51	350
FALGA0204-R47M	0.47	20	35	25.2	150	0.56	330
FALGA0204-R56M	0.56	20	35	25.2	150	0.61	320
FALGA0204-R68M	0.68	20	35	25.2	150	0.67	310
FALGA0204-R82M	0.82	20	35	25.2	150	0.74	290
FALGA0204-1R0M	1.0	20	35	25.2	150	0.80	270
FALGA0204-1R2M	1.2	20	40	7.96	110	0.90	260
FALGA0204-1R5M	1.5	20	40	7.96	80	1.0	250
FALGA0204-1R8M	1.8	20	40	7.96	60	1.1	240
FALGA0204-2R2M	2.2	20	40	7.96	45	1.2	230
FALGA0204-2R7M	2.7	20	40	7.96	40	1.3	220
FALGA0204-3R3K	3.3	10	40	7.96	38	1.4	210
FALGA0204-3R9K	3.9	10	40	7.96	35	1.5	200
FALGA0204-4R7K	4.7	10	40	7.96	32	1.6	190
FALGA0204-5R6K	5.6	10	40	7.96	30	1.7	180
FALGA0204-6R8K	6.8	10	40	7.96	28	1.9	175
FALGA0204-8R2K	8.2	10	40	7.96	26	2.0	165
FALGA0204-100K	10	10	40	7.96	24	2.2	160
FALGA0204-120K	12	10	40	25.2	22	2.5	150
FALGA0204-150K	15	10	40	25.2	20	2.8	145
FALGA0204-180K	18	10	40	25.2	18	3.1	140
FALGA0204-220K	22	10	40	25.2	17	3.4	130
FALGA0204-270K	27	10	40	25.2	16	4.3	80
FALGA0204-330K	33	10	40	25.2	14	4.7	76
FALGA0204-390K	39	10	40	25.2	13	5.2	74
FALGA0204-470K	47	10	40	25.2	12	5.8	70
FALGA0204-560K	56	10	40	25.2	11	6.4	68
FALGA0204-680K	68	10	40	25.2	10	7.2	64
FALGA0204-820K	82	10	40	25.2	9.5	11	46
FALGA0204-101K	100	10	40	25.2	9	12	44
FALGA0204-121K	120	10	40	0.796	8	13	42
FALGA0204-151K	150	10	40	0.796	6	16	39
FALGA0204-181K	180	10	40	0.796	5.5	18	37
FALGA0204-221K	220	10	40	0.796	5	20	35
FALGA0204-271K	220	10	40	0.796	4.6	26	28
FALGA0204-331K	220	10	40	0.796	4.2	30	26
FALGA0204-391K	220	10	40	0.796	3.8	34	25
FALGA0204-471K	220	10	40	0.796	3.5	38	24

Note:1. K=±10%,M=±20%

PHYSICAL CHARACTERISTICS



All dimensions in mm

TECHNICAL INFORMATION

1- Ordering Cod
 FALGA 04 10 KB - 101 K T52
 (1) (2) (3) (4) (5) (6) (7)

[1] Type
 [2] Outside
 [3] Body Length
 [4] Formed Type
 [5] Nominal Inductance
 [6] Inductance Tolerance
 [7] Tape Type

Testing:[Equivalent acceptable
 Inductance-Hp 4285A
 RDC:QuadTech 1880 Milliohmmer
 Q-HP 4342A
 SRF-HP 4191A

IDC Max:The maximum DC value having inductance decrease within 10% and temperature increase within 20°C by the application of DC Bias
 Operating temperature:-25°C to +105°C
 Storage temperature:-40°C to +85
 Solderability:Temperature @ 230°C ±5°C for 2 seconds
 Marking:EIA 4 band color code
 Note: All specifications subject to change without notice.

THROUGH-HOLE AXIAL CONFORMAL COATED INDUCTORS FALGA0305 SERIES



FEATURES:

Ferrite Core
Wire-wound construction
Heat resistant epoxy resin
High reliability- Ideal for automatic insertion
Small size、Low Cost

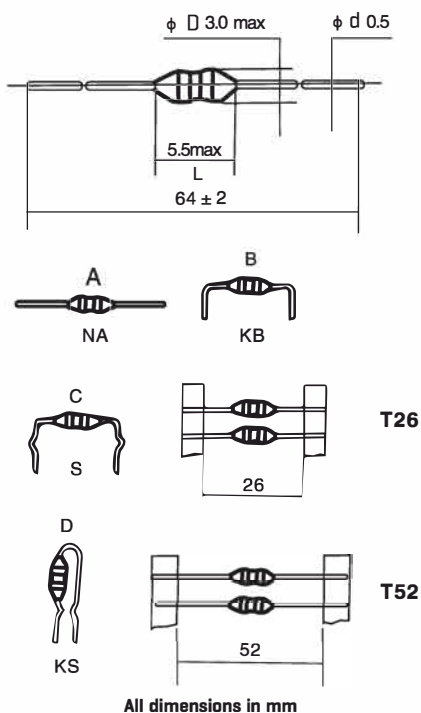
OPTIONS:

Packaging: Tape & Reel is Standard
[Qty: 1000 pcs]
Bulk packaging available for smaller quantities
Tolerance:10% is standard
tighter tolerances available.

COMMON APPLICATIONS:

VCRs, PDP, LCD, TV set
Automotive Systems
Computer Peripheral Equipment
GPS, DC/DC converter, XDSL Modem
Electronic Games
Mobile Communications Equipment
General Electronic Applications

PHYSICAL CHARACTERISTICS



STANDARD SPECIFICATIONS

Part Number	L [μH]	Tol ± %	Q min	L Test Freq [MHz]	S.R.F [MHz]	RDC (Ω) Max	IDC [mA]
FALGA0305-R22M	0.22	20	35	25.2	150	0.40	400
FALGA0305-R27M	0.27	20	35	25.2	150	0.43	380
FALGA0305-R33M	0.33	20	35	25.2	150	0.48	370
FALGA0305-R39M	0.39	20	35	25.2	150	0.51	350
FALGA0305-R47M	0.47	20	35	25.2	150	0.56	330
FALGA0305-R56M	0.56	20	40	25.2	150	0.61	320
FALGA0305-R68M	0.68	20	40	25.2	150	0.67	310
FALGA0305-R82M	0.82	20	40	25.2	150	0.74	290
FALGA0305-1R0M	1.0	20	40	25.2	150	0.80	270
FALGA0305-1R2M	1.2	20	50	7.96	144	0.90	260
FALGA0305-1R5M	1.5	20	50	7.96	131	1.0	250
FALGA0305-1R8M	1.8	20	50	7.96	121	1.1	240
FALGA0305-2R2M	2.2	20	50	7.96	110	1.2	230
FALGA0305-2R7M	2.7	20	50	7.96	100	1.3	220
FALGA0305-3R3K	3.3	10	50	7.96	90	1.4	210
FALGA0305-3R9K	3.9	10	50	7.96	60	1.6	200
FALGA0305-4R7K	4.7	10	50	7.96	50	1.7	190
FALGA0305-5R6K	5.6	10	50	7.96	42	1.9	180
FALGA0305-6R8K	6.8	10	50	7.96	34	2.0	175
FALGA0305-8R2K	8.2	10	50	7.96	25	2.2	165
FALGA0305-100K	10	10	50	7.96	21	2.5	160
FALGA0305-120K	12	10	50	25.2	19	2.5	150
FALGA0305-150K	15	10	50	25.2	17	2.8	145
FALGA0305-180K	18	10	50	25.2	13	3.1	140
FALGA0305-220K	22	10	50	25.2	9.6	3.4	130
FALGA0305-270K	27	10	50	25.2	7.2	3.8	125
FALGA0305-330K	33	10	50	25.2	6.3	4.1	120
FALGA0305-390K	39	10	50	25.2	6.3	4.5	115
FALGA0305-470K	47	10	50	25.2	6.3	4.9	110
FALGA0305-560K	56	10	50	25.2	6.2	5.3	105
FALGA0305-680K	68	10	50	25.2	5.7	5.8	100
FALGA0305-820K	82	10	50	25.2	5.3	6.3	95
FALGA0305-101K	100	10	50	25.2	4.8	7.0	90
FALGA0305-121K	120	10	50	0.796	3.8	13.0	90
FALGA0305-151K	150	10	50	0.796	3.5	15.0	85
FALGA0305-181K	180	10	50	0.796	3.3	16.0	80
FALGA0305-221K	220	10	50	0.796	3.0	17.0	75
FALGA0305-271K	270	10	50	0.796	2.8	19.0	65

TECHNICAL INFORMATION

1. Ordering Cod

FALGA 04 10 KB - 101 K T52
(1) (2) (3) (4) (5) (6) (7)

- (1) Type
- (2) Outside
- (3) Body Length
- (4) Formed Type
- (5) Nominal Inductance
- (6) Inductance Tolerance
- (7) Tape Type

Testing: [Equivalent acceptable

Inductance- Hp 4285A

RDC: QuadTech 1880 Milliohmeter

Q- HP 4342A

SRF- HP 4191A

IDC Max: The maximum DC value having inductance decrease within 10% and temperature increase within 20°C by the application of DC Bias

Operating temperature: -25°C to +105°C

Storage temperature: -40°C to +85°C

Solderability: Temperature @ 230°C ±5°C for 2 seconds

Marking: EIA 4 band color code

Note: All specifications subject to change without notice.

Note: 1. K=±10%, M=±20%

THROUGH-HOLE AXIAL CONFORMAL COATED INDUCTORS FALGA0307 SERIES



FEATURES:

Magnetic Core
Wire-wound construction
Heat resistant epoxy resin
High reliability- Ideal for automatic insertion
Small size - Low Cost

OPTIONS:

Packaging: Tape & Reel is Standard
(Qty: 5000 pcs)
Bulk packaging available for smaller quantities
Tolerance: 10% is standard
tighter tolerances available.

COMMON APPLICATIONS:

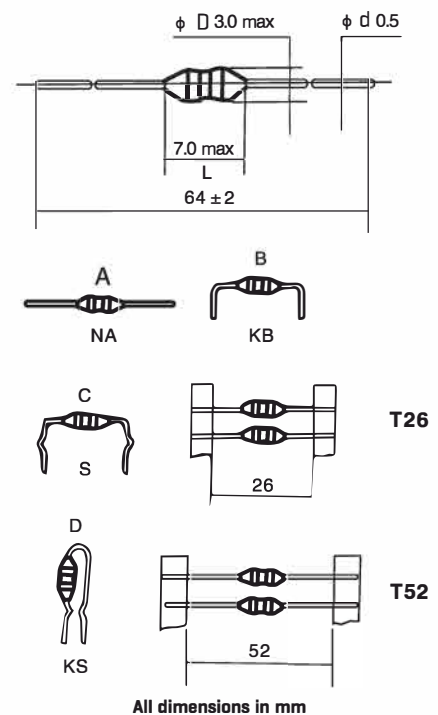
VCRs
Automotive Systems
Computer Peripheral Equipment
Televisions
Electronic Games
Mobile Communications Equipment
General Electronic Applications

STANDARD SPECIFICATIONS

Part Number	L [μH]	Tol ±%	Q min	L Test Freq [MHz]	S.R.F [MHz]	RDC (Ω) Max	IDC [mA]
FALGA0307-R22M	0.22	20	35	25.2	150	0.40	400
FALGA0307-R27M	0.27	20	35	25.2	150	0.43	380
FALGA0307-R33M	0.33	20	35	25.2	150	0.48	370
FALGA0307-R39M	0.39	20	35	25.2	150	0.51	350
FALGA0307-R47M	0.47	20	35	25.2	150	0.56	330
FALGA0307-R56M	0.56	20	40	25.2	150	0.61	320
FALGA0307-R68M	0.68	20	40	25.2	150	0.67	310
FALGA0307-R82M	0.82	20	40	25.2	150	0.74	290
FALGA0307-1R0M	1.0	20	40	25.2	150	0.80	270
FALGA0307-1R2M	1.2	20	50	7.96	144	0.90	260
FALGA0307-1R5M	1.5	20	50	7.96	131	1.0	250
FALGA0307-1R8M	1.8	20	50	7.96	121	1.1	240
FALGA0307-2R2M	2.2	20	50	7.96	110	1.2	230
FALGA0307-2R7M	2.7	20	50	7.96	100	1.3	220
FALGA0307-3R3K	3.3	10	50	7.96	94	1.4	210
FALGA0307-3R9K	3.9	10	50	7.96	85	1.6	200
FALGA0307-4R7K	4.7	10	50	7.96	76	1.7	190
FALGA0307-5R6K	5.6	10	50	7.96	68	1.9	180
FALGA0307-6R8K	6.8	10	50	7.96	60	2.0	175
FALGA0307-8R2K	8.2	10	50	7.96	52	2.2	165
FALGA0307-100K	10	10	50	7.96	44	2.5	160
FALGA0307-120K	12	10	50	2.52	37	2.5	150
FALGA0307-150K	15	10	50	2.52	30	2.8	145
FALGA0307-180K	18	10	50	2.52	24	3.1	140
FALGA0307-220K	22	10	50	2.52	19	3.4	130
FALGA0307-270K	27	10	50	2.52	15	3.8	125
FALGA0307-330K	33	10	50	2.52	12	4.1	120
FALGA0307-390K	39	10	50	2.52	10	4.5	115
FALGA0307-470K	47	10	50	2.52	8	4.9	110
FALGA0307-560K	56	10	50	2.52	6.5	5.3	105
FALGA0307-680K	68	10	50	2.52	5.3	5.8	100
FALGA0307-820K	82	10	50	2.52	4.3	6.3	95
FALGA0307-101K	100	10	50	2.52	3.5	7.0	90
FALGA0307-121K	120	10	50	0.796	2.8	13.0	90
FALGA0307-151K	150	10	50	0.796	2.2	15.0	85
FALGA0307-181K	180	10	50	0.796	1.8	16.0	80
FALGA0307-221K	220	10	50	0.796	1.5	17.0	75
FALGA0307-271K	270	10	50	0.796	1.2	19.0	65
FALGA0307-331K	330	10	50	0.796	1.0	20.0	60
FALGA0307-391K	390	10	50	0.796	0.8	22.0	55
FALGA0307-471K	470	10	50	0.796	0.65	24.0	55
FALGA0307-561K	560	10	50	0.796	0.55	26.0	50
FALGA0307-681K	680	10	50	0.796	0.45	28.0	45
FALGA0307-821K	820	10	50	0.796	0.35	30.0	40
FALGA0307-102K	1000	10	50	0.796	0.25	33.0	40

Note: 1. K=±10%, M=±20%

PHYSICAL CHARACTERISTICS



All dimensions in mm

TECHNICAL INFORMATION

1- Ordering Cod
FALGA 04 10 KB - 101 K T52
(1) (2) (3) (4) (5) (6) (7)

- [1] Type
- [2] Outside
- [3] Body Length
- [4] Formed Type
- [5] Nominal Inductance
- [6] Inductance Tolerance
- [7] Tape Type

Testing: [Equivalent acceptable
Inductance-Hp 4285A
RDC: QuadTech 1880 Milliohm meter
Q-HP 4342A
SRF-HP 4191A

IDC Max: The maximum DC value having inductance decrease within 10% and temperature increase within 20°C by the application of DC Bias
Operating temperature: -25°C to +105°C
Storage temperature: -40°C to +85°C
Solderability: Temperature @ 230°C ±5°C for 2 seconds
Marking: EIA 4 band color code
Note: All specifications subject to change without notice.

THROUGH-HOLE AXIAL CONFORMAL COATED INDUCTORS FALGA0410 SERIES



FEATURES:

Magnetic Core
Wire-wound construction
Heat resistant epoxy resin
High reliability - Ideal for automatic insertion
Small size - Low Cost

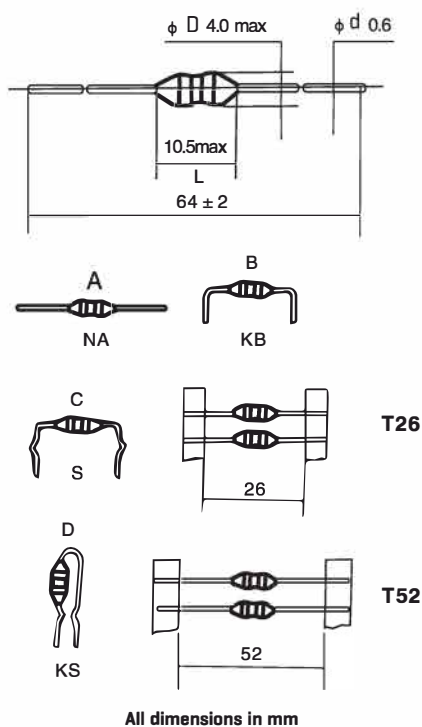
OPTIONS:

Packaging: Tape & Reel is Standard
(Qty: 5000 pcs)
Bulk packaging available for smaller quantities
Tolerance: 10% is standard
tighter tolerances available.

COMMON APPLICATIONS:

VCRs
Automotive Systems
Computer Peripheral Equipment
Televisions
Electronic Games
Mobile Communications Equipment
General Electronic Applications

PHYSICAL CHARACTERISTICS



STANDARD SPECIFICATIONS

Part Number	L [μH]	Tol ±%	Q min	L Test Freq [MHz]	S.R.F [MHz]	RDC (Ω) Max	IDC [mA]
FALGA0410-R22M	0.22	20	45	25.2	300	0.10	1400
FALGA0410-R27M	0.27	20	45	25.2	270	0.11	1320
FALGA0410-R33M	0.33	20	45	25.2	250	0.12	1280
FALGA0410-R39M	0.39	20	45	25.2	230	0.13	1200
FALGA0410-R47M	0.47	20	45	25.2	220	0.14	1150
FALGA0410-R56M	0.56	20	45	25.2	200	0.15	1100
FALGA0410-R68M	0.68	20	45	25.2	190	0.16	1030
FALGA0410-R82M	0.82	20	45	25.2	172	0.17	980
FALGA0410-1R0M	1.0	20	45	25.2	157	0.19	920
FALGA0410-1R2M	1.2	20	50	7.96	144	0.21	880
FALGA0410-1R5M	1.5	20	50	7.96	131	0.23	830
FALGA0410-1R8M	1.8	20	55	7.96	121	0.25	790
FALGA0410-2R2M	2.2	20	55	7.96	110	0.28	750
FALGA0410-2R7M	2.7	20	60	7.96	100	0.30	720
FALGA0410-3R3K	3.3	10	65	7.96	94	0.34	670
FALGA0410-3R9K	3.9	10	65	7.96	55	0.37	640
FALGA0410-4R7K	4.7	10	70	7.96	56	0.39	620
FALGA0410-5R6K	5.6	10	70	7.96	48	0.43	590
FALGA0410-6R8K	6.8	10	75	7.96	37	0.48	550
FALGA0410-8R2K	8.2	10	80	7.96	25	0.52	530
FALGA0410-100K	10	10	65	7.96	21	0.58	500
FALGA0410-120K	12	10	50	2.52	19	1.63	480
FALGA0410-150K	15	10	50	2.52	17	0.72	460
FALGA0410-180K	18	10	50	2.52	13	0.77	430
FALGA0410-220K	22	10	50	2.52	9.6	0.84	410
FALGA0410-270K	27	10	55	2.52	7.2	0.94	390
FALGA0410-330K	33	10	55	2.52	6.6	1.03	370
FALGA0410-390K	39	10	50	2.52	6.6	1.12	350
FALGA0410-470K	47	10	45	2.52	6.3	1.22	340
FALGA0410-560K	56	10	40	2.52	6.2	1.34	320
FALGA0410-680K	68	10	40	2.52	5.7	1.47	305
FALGA0410-820K	82	10	35	2.52	5.3	1.62	290
FALGA0410-101K	100	10	30	2.52	4.8	1.80	275
FALGA0410-121K	120	10	55	0.796	3.8	3.70	185
FALGA0410-151K	150	10	45	0.796	3.5	4.20	175
FALGA0410-181K	180	10	50	0.796	3.3	4.60	165
FALGA0410-221K	220	10	55	0.796	3.0	5.10	155
FALGA0410-271K	270	10	65	0.796	2.8	5.80	145
FALGA0410-331K	330	10	65	0.796	2.6	6.40	137
FALGA0410-391K	390	10	65	0.796	2.4	7.00	133
FALGA0410-471K	470	10	60	0.796	2.25	7.70	126
FALGA0410-561K	560	10	60	0.796	2.10	8.50	120
FALGA0410-681K	680	10	55	0.796	1.95	9.40	113
FALGA0410-821K	820	10	55	0.796	1.85	10.5	105
FALGA0410-102K	1000	10	50	0.796	1.40	14.0	100

TECHNICAL INFORMATION

1. Ordering Cod

LGA 04 10 KB - 101 K T52
(1) (2) (3) (4) (5) (6) (7)

- [1] Type
- [2] Outside
- [3] Body Length
- [4] Formed Type
- [5] Nominal Inductance
- [6] Inductance Tolerance
- [7] Tape Type

Testing: [Equivalent acceptable]
Inductance-Hp 4285A
RDC: QuadTech 1880 Milliohmmeter
Q-HP 4342A
SRF-HP 4191A

IDC Max: The maximum DC value having inductance decrease within 10% and temperature increase within 20 °C by the application of DC Bias
Operating temperature: -25°C to +10
Storage temperature: -40°C to +85°C
Solderability: Temperature @ 230°C ±5°C for 2 seconds
Marking: EIA 4 band color code
Note: All specifications subject to change without notice.

Note: 1. K=±10%, M=±20%

THROUGH-HOLE AXIAL CONFORMAL COATED INDUCTORS FALGA0510 SERIES



FEATURES:

Magnetic Core
Wire-wound construction
Heat resistant epoxy resin
High reliability- Ideal for automatic insertion
Small size 、 Low Cost

OPTIONS:

Packaging: Tape & Reel is Standard
(Qty: 5000 pcs)
Bulk packaging available for smaller quantities
Tolerance:10% is standard
tighter tolerances available.

COMMON APPLICATIONS:

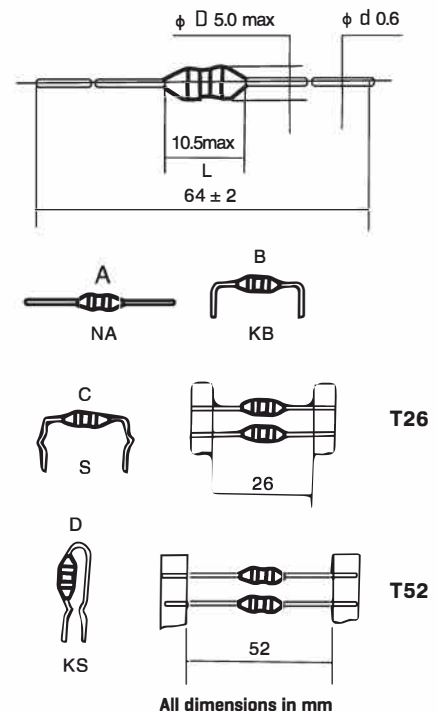
VCRs
Automotive Systems
Computer Peripheral Equipment
Televisions
Electronic Games
Mobile Communications Equipment
General Electronic Applications

STANDARD SPECIFICATIONS

Part Number	L [μ H]	Tol \pm %	Q min	L Test Freq [MHz]	S.R.F [MHz]	RDC (Ω) Max	IDC [mA]
FALGA0510-471K	470	10	60	0.796	1.9	7.70	126
FALGA0510-561K	560	10	50	0.796	1.8	8.50	120
FALGA0510-681K	680	10	55	0.796	1.5	9.00	113
FALGA0510-821K	820	10	45	0.796	1.2	10.5	105
FALGA0510-102K	1000	10	45	0.796	1.0	14.0	100
FALGA0510-122K	1200	10	40	0.252	0.95	16.9	95
FALGA0510-152K	1500	10	40	0.252	0.90	21.6	90
FALGA0510-182K	1800	10	40	0.252	0.85	24.0	85
FALGA0510-222K	2200	10	40	0.252	0.80	34.7	80
FALGA0510-272K	2700	10	40	0.252	0.75	40.0	75
FALGA0510-332K	3300	10	40	0.252	0.70	59.5	62
FALGA0510-392K	3900	10	40	0.252	0.65	66.0	59
FALGA0510-472K	4700	10	40	0.252	0.60	74.0	55
FALGA0510-562K	5600	10	30	0.252	0.50	80.0	40
FALGA0510-682K	6800	10	30	0.252	0.45	85.0	35
FALGA0510-822K	8200	10	30	0.252	0.40	95.0	30
FALGA0510-103K	10000	10	20	0.252	0.35	105.0	25

Note:1. K= \pm 10%,M= \pm 20%

PHYSICAL CHARACTERISTICS



TECHNICAL INFORMATION

1. Ordering Cod

LGA 04 10 KB - 101 K T52
(1) (2) (3) (4) (5) (6) (7)

- [1] Type
- [2] Outside
- [3] Body Length
- [4] Formed Type
- [5] Nominal Inductance
- [6] Inductance Tolerance
- [7] Tape Type

Testing:[Equivalent acceptable

Inductance-Hp 4285A

RDC:QuadTech 1880 Milliohm meter

Q-HP 4342A

SRF-HP 4191A

IDC Max:The maximum DC value having inductance decrease within 10% and temperature increase within 20°C by the application of DC Bias

Operating temperature:-25°C to +105°C

Storage temperature:-40°C to +85°C

Solderability:Temperature @ 230°C \pm 5°C for 2 seconds

Marking:EIA 4 band color code

Note: All specifications subject to change without notice.

THROUGH-HOLE AXIAL CONFORMAL COATED INDUCTORS FALGA0512 SERIES



FEATURES:

- Ferrite Core
- Wire-wound construction
- Heat resistant epoxy resin
- High reliability - Ideal for automatic insertion
- Small size - Low Cost

OPTIONS:

- Packaging: Tape & Reel is Standard (Qty: 1000 pcs)
- Bulk packaging available for smaller quantities
- Tolerance: 10% is standard tighter tolerances available.

COMMON APPLICATIONS:

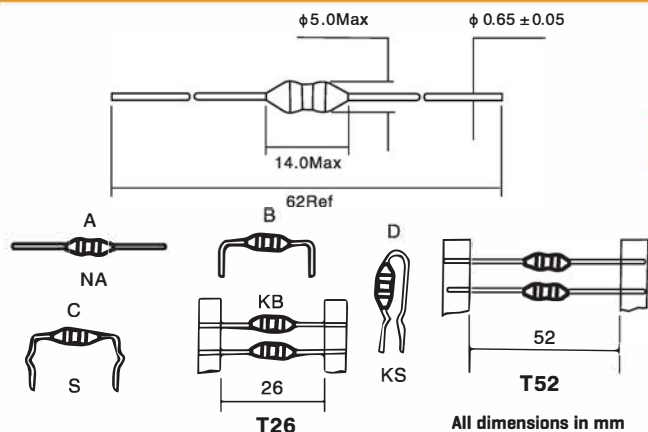
- VCRs, PDP, LCD, TV set
- Automotive Systems
- Computer Peripheral Equipment
- GPS, DC/DC convertor, XDSL Modem
- Electronic Games
- Mobile Communications Equipment
- General Electronic Applications

STANDARD SPECIFICATIONS

Part Number	L (μH)	L Test Freq (MHz)	Q (Min)	Q Test Freq (MHz)	SRF (MHz)	DCR (Ω)Max	IDC (mA)Max	Part Number	L (μH)	L Test Freq (MHz)	Q (Min)	Q Test Freq (MHz)	SRF (MHz)	DCR (Ω)Max	IDC (mA)Max
FALGA0512-1R0M	1.0	7.96	10	7.96	300	0.022	3800	FALGA0512-181K	180	0.796	15	0.796	4.0	1.10	400
FALGA0512-1R2M	1.2	7.96	10	7.96	260	0.024	3700	FALGA0512-221K	220	0.796	15	0.796	3.8	1.25	390
FALGA0512-1R5M	1.5	7.96	10	7.96	250	0.026	3600	FALGA0512-271K	270	0.796	15	0.796	3.5	1.85	330
FALGA0512-1R8M	1.8	7.96	10	7.96	240	0.029	3100	FALGA0512-331K	330	0.796	15	0.796	3.0	2.10	310
FALGA0512-2R2M	2.2	7.96	10	7.96	220	0.031	2900	FALGA0512-391K	390	0.796	15	0.796	2.8	2.28	300
FALGA0512-2R7M	2.7	7.96	10	7.96	195	0.034	2700	FALGA0512-471K	470	0.796	15	0.796	2.5	3.22	280
FALGA0512-3R3K	3.3	7.96	10	7.96	155	0.038	2600	FALGA0512-561K	560	0.796	15	0.796	2.2	3.85	270
FALGA0512-3R9K	3.9	7.96	10	7.96	115	0.040	2500	FALGA0512-681K	680	0.796	15	0.796	2.1	4.00	240
FALGA0512-4R7K	4.7	7.96	10	7.96	85	0.044	2400	FALGA0512-821K	820	0.796	15	0.796	2.0	5.00	230
FALGA0512-5R6K	5.6	7.96	10	7.96	55	0.048	2100	FALGA0512-102K	1000	0.796	15	0.796	1.8	5.80	190
FALGA0512-6R8K	6.8	7.96	10	7.96	50	0.051	2000	FALGA0512-122K	1200	0.796	15	0.796	1.6	7.10	180
FALGA0512-8R2K	8.2	7.96	10	7.96	38	0.056	1950	FALGA0512-152K	1500	0.796	15	0.796	1.5	7.8	170
FALGA0512-100K	10	7.96	10	7.96	24	0.062	1900	FALGA0512-182K	1800	0.796	15	0.796	1.3	11.0	150
FALGA0512-120K	12	2.52	10	2.52	18	0.076	1800	FALGA0512-222K	2200	0.796	35	0.796	1.2	14.0	120
FALGA0512-150K	15	2.52	10	2.52	16	0.088	1700	FALGA0512-272K	2700	0.796	35	0.796	1.1	18.0	100
FALGA0512-180K	18	2.52	10	2.52	15	0.11	1600	FALGA0512-332K	3300	0.796	35	0.796	1.0	22.0	80
FALGA0512-220K	22	2.52	10	2.52	14	0.13	1550	FALGA0512-392K	3900	0.252	40	0.252	0.9	26.0	60
FALGA0512-270K	27	2.52	10	2.52	13	0.14	1300	FALGA0512-472K	4700	0.252	50	0.252	0.7	32.0	50
FALGA0512-330K	33	2.52	10	2.52	11	0.20	1200	FALGA0512-562K	5600	0.252	70	0.252	0.6	34.0	40
FALGA0512-390K	39	2.52	10	2.52	10	0.22	1000	FALGA0512-682K	6800	0.252	70	0.252	0.5	45.0	34
FALGA0512-430K	43	2.52	10	2.52	9.5	0.28	950	FALGA0512-822K	8200	0.252	50	0.252	0.4	60.0	30
FALGA0512-470K	47	2.52	10	2.52	9.5	0.28	950	FALGA0512-103K	10000	0.0796	40	0.0796	0.4	70.0	28
FALGA0512-560K	56	2.52	10	2.52	8.0	0.30	900	FALGA0512-123K	12000	0.0796	40	0.0796	0.3	82.0	24
FALGA0512-680K	68	2.52	10	2.52	7.5	0.34	800	FALGA0512-153K	15000	0.0796	40	0.0796	0.3	89.0	22
FALGA0512-820K	82	2.52	10	2.52	7.0	0.385	750	FALGA0512-183K	18000	0.0796	40	0.0796	0.3	141.0	15
FALGA0512-101K	100	2.52	10	2.52	6.5	0.48	700	FALGA0512-223K	22000	0.0796	40	0.0796	0.2	170.0	12
FALGA0512-121K	120	0.796	15	0.796	5.0	0.595	600	FALGA0512-333K	33000	0.0796	40	0.0796	0.2	250.0	8
FALGA0512-151K	150	0.796	15	0.796	4.5	0.90	500								

Note: L, K=±10%, M=±20%

PHYSICAL CHARACTERISTICS



ELECTRONICAL SCHEMATIC

DIMENSIONS in mm



TECHNICAL INFORMATION

Inductance Testing: HP4284A, HP4285A or equivalent
 RDC: QuadTech 1880 Milliohmmer
 Q - HP4342A
 SRF - HP4191A or HP4194A
 Rated Current L value drop 10% typ. at DC against its initial value
 Temperature rise 40 °C Max Reference ambient temperature
 Solderability: 75% of the lead wire shall be covered
 Soldering Methods: Wave, Reflow
 Operating Temperature: -25°C to +85°C
 Storage Temperature: -40°C to +85°C
 Terminal bending strength: 24.5N Mi
 Moisture resistance: ΔL/L ≤ ±10% ΔQ/Q ≤ ±25%
 Note: All specifications subject to change without notice.

THROUGH-HOLE AXIAL CONFORMAL COATED INDUCTORS FALGA0612 SERIES



FEATURES:

Magnetic Core
Wire-wound construction
Heat resistant epoxy resin
High reliability、 Ideal for automatic insertion
Small size、 Low Cost

OPTIONS:

Packaging: Tape & Reel is Standard
[Qty: 5000 pcs]
Bulk packaging available for smaller quantities
Tolerance:10% is standard
tighter tolerances available.

COMMON APPLICATIONS:

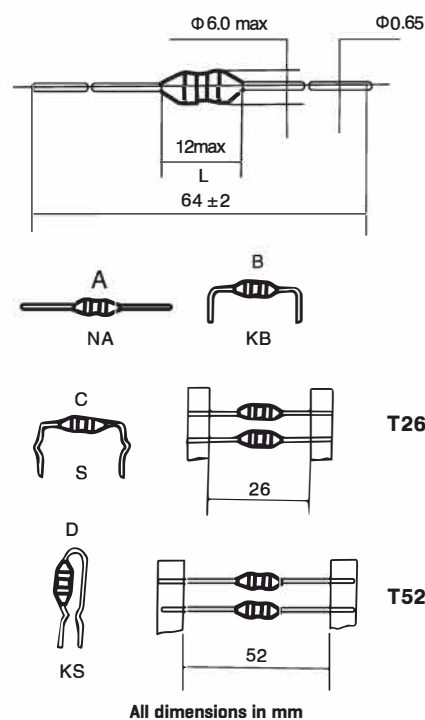
VCRs
Automotive Systems
Computer Peripheral Equipment
Televisions
Electronic Games
Mobile Communications Equipment
General Electronic Applications

STANDARD SPECIFICATIONS

Part Number	L [μH]	Tol ±%	Q min	L Test Freq [MHz]	S.R.F [MHz]	RDC (Ω) Max	IDC [mA]
FALGA0612-471K	470	10	50	0.796	2.00	1.90	340
FALGA0612-561K	560	10	50	0.796	1.7	2.05	310
FALGA0612-681K	680	10	50	0.796	1.6	2.30	280
FALGA0612-821K	820	10	50	0.796	1.3	2.94	260
FALGA0612-102K	1000	10	50	0.796	1.0	3.85	230
FALGA0612-122K	1200	10	50	0.252	0.90	5.70	210
FALGA0612-152K	1500	10	50	0.252	0.80	6.75	200
FALGA0612-182K	1800	10	50	0.252	0.70	7.55	160
FALGA0612-222K	2200	10	50	0.252	0.65	8.74	130
FALGA0612-272K	2700	10	50	0.252	0.60	11.4	90
FALGA0612-332K	3300	10	50	0.252	0.58	13.1	86
FALGA0612-392K	3900	10	50	0.252	0.55	17.4	82
FALGA0612-472K	4700	10	50	0.252	0.50	24.8	80
FALGA0612-562K	5600	10	50	0.252	0.45	26.8	76
FALGA0612-682K	6800	10	50	0.252	0.41	31.6	72
FALGA0612-822K	8200	10	40	0.252	0.35	40.8	70
FALGA0612-103K	10000	10	40	0.252	0.30	45.3	60

Note:1. K=±10%,M=±20%

PHYSICAL CHARACTERISTICS



TECHNICAL INFORMATION

1. Ordering Cod
 FALGA 04 10 KB - 101 K T52
 [1] [2] [3] [4] [5] [6] [7]

[1] Type
 [2] Outside
 [3] Body Length
 [4] Formed Type
 [5] Nominal Inductance
 [6] Inductance Tolerance
 [7] Tape Type

Testing:(Equivalent acceptable
 Inductance-Hp 4285A
 RDC:QuadTech 1880 Milliohmmeter
 Q-HP 4342A
 SRF-HP 4191A
 IDC Max:The maximum DC value having inductance decrease within 10% and temperature increase within 20°C by the application of DC Bias
 Operating temperature:-25°C to +105°C
 Storage temperature:-40°C to +85°C
 Solderability:Temperature @ 230°C ±5°C for 2 seconds
 Marking:EIA 4 band color code
 Note: All specifications subject to change without notice.

THROUGH-HOLE AXIAL CONFORMAL MOLDED INDUCTORS FALTM0307 SERIES



FEATURES:

Ferrite Core
Wire-wound construction
Heat resistant epoxy molded resin
High reliability - Ideal for automatic insertion
Small size - Low Cost

OPTIONS:

Packaging: Tape & Reel is Standard (Qty: 1000 pcs)
Bulk packaging available for smaller quantities
Tolerance: 10% is standard tighter tolerances available.

COMMON APPLICATIONS:

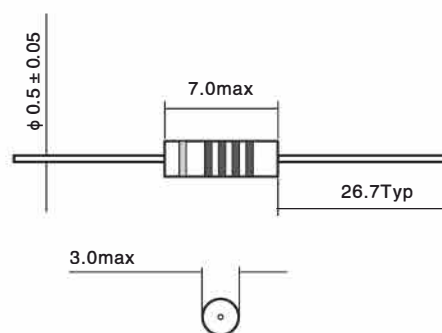
VCRs, PDP, LCD, TV set
Automotive Systems
Computer Peripheral Equipment
GPS, DC/DC converter, XDSL Modem
Electronic Games
Mobile Communications Equipment
General Electronic Applications

STANDARD SPECIFICATIONS

Part Number	L [μH]	Tol ± %	Q min	L Test Freq [MHz]	S.R.F [MHz]	RDC (Ω) Max	IDC [mA]
FALTM0307-R22M	0.22	20	35	25.2	150	0.40	400
FALTM0307-R27M	0.27	20	35	25.2	150	0.43	380
FALTM0307-R33M	0.33	20	35	25.2	150	0.48	370
FALTM0307-R39M	0.39	20	35	25.2	150	0.51	350
FALTM0307-R47M	0.47	20	35	25.2	150	0.56	330
FALTM0307-R56M	0.56	20	40	25.2	150	0.61	320
FALTM0307-R68M	0.68	20	40	25.2	150	0.67	310
FALTM0307-R82M	0.82	20	40	25.2	150	0.74	290
FALTM0307-1R0M	1.0	20	40	25.2	150	0.80	270
FALTM0307-1R2M	1.2	20	50	7.96	144	0.90	260
FALTM0307-1R5M	1.5	20	50	7.96	131	1.0	250
FALTM0307-1R8M	1.8	20	50	7.96	121	1.1	240
FALTM0307-2R2M	2.2	20	50	7.96	110	1.2	230
FALTM0307-2R7M	2.7	20	50	7.96	100	1.3	220
FALTM0307-3R3K	3.3	10	50	7.96	94	1.4	210
FALTM0307-3R9K	3.9	10	50	7.96	65	1.6	200
FALTM0307-4R7K	4.7	10	50	7.96	56	1.7	190
FALTM0307-5R6K	5.6	10	50	7.96	48	1.9	180
FALTM0307-6R8K	6.8	10	50	7.96	37	2.0	175
FALTM0307-8R2K	8.2	10	50	7.96	25	2.2	165
FALTM0307-100K	10	10	50	7.96	21	2.5	160
FALTM0307-120K	12	10	50	2.52	19	2.5	150
FALTM0307-150K	15	10	50	2.52	17	2.8	145
FALTM0307-180K	18	10	50	2.52	13	3.1	140
FALTM0307-220K	22	10	50	2.52	9.6	3.4	130
FALTM0307-270K	27	10	50	2.52	7.2	3.8	125
FALTM0307-330K	33	10	50	2.52	6.3	4.1	120
FALTM0307-390K	39	10	50	2.52	6.3	4.5	115
FALTM0307-470K	47	10	50	2.52	6.3	4.9	110
FALTM0307-560K	56	10	50	2.52	6.2	5.3	105
FALTM0307-680K	68	10	50	2.52	5.7	5.8	100
FALTM0307-820K	82	10	50	2.52	5.3	6.3	95
FALTM0307-101K	100	10	50	2.52	4.8	7.0	90
FALTM0307-121K	120	10	50	0.796	3.8	13.0	90
FALTM0307-151K	150	10	50	0.796	3.5	15.0	85
FALTM0307-181K	180	10	50	0.796	3.3	16.0	80
FALTM0307-221K	220	10	50	0.796	3.0	17.0	75
FALTM0307-271K	270	10	50	0.796	2.8	19.0	65
FALTM0307-331K	330	10	50	0.796	2.6	20.0	60
FALTM0307-391K	390	10	50	0.796	2.4	22.0	55
FALTM0307-471K	470	10	50	0.796	2.25	24.0	55
FALTM0307-561K	560	10	50	0.796	2.10	26.0	50
FALTM0307-681K	680	10	50	0.796	1.95	28.0	45
FALTM0307-821K	820	10	50	0.796	1.85	30.0	40
FALTM0307-102K	1000	10	50	0.796	1.40	33.0	40

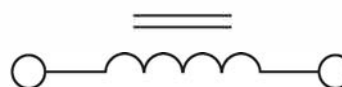
Note: 1. K=±10%, M=±20%

PHYSICAL CHARACTERISTICS



DIMENSIONS in mm

ELECTRONICAL SCHEMATIC



TECHNICAL INFORMATION

Inductance Testing: HP4284A, HP4285A or equivalent
 RDC: QuadTech 1880 Milliohmmetre
 Q- HP4342A
 SRF- HP4191A or HP4194A
 Rated Current L value drop 10% typ. at IDC against its initial value
 Temperature rise 40°C Max Reference ambient temperature
 Solderability: 75% of the lead wire shall be covered
 Soldering Methods: Wave, Reflow
 Operating Temperature: -25°C to +85°C
 Storage Temperature: -55°C to +125°C
 Terminal bending strength: 24.5N Min
 Moisture resistance: $\Delta L/L \leq \pm 10\%$ $\Delta Q/Q \leq \pm 25\%$

Note: All specifications subject to change without notice.

THROUGH-HOLE AXIAL CONFORMAL MOLDED INDUCTORS FALTM0410 SERIES



FEATURES:

Ferrite Core
Wire-wound construction
Heat resistant epoxy molded resin
High reliability - Ideal for automatic insertion
Small size - Low Cost

OPTIONS:

Packaging: Tape & Reel is Standard [Qty: 1000 pcs]
Bulk packaging available for smaller quantities
Tolerance: 10% is standard tighter tolerances available.

COMMON APPLICATIONS:

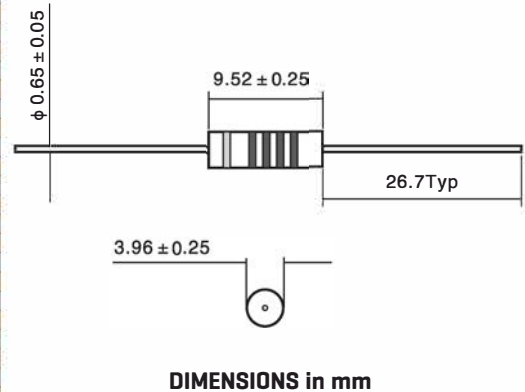
VCRs, PDP, LCD, TV ses
Automotive Systems
Computer Peripheral Equipment
GPS, DC/DC convertor, XDSL Modem
Electronic Games
Mobile Communications Equipment
General Electronic Applications

STANDARD SPECIFICATIONS PHYSICAL CHARACTERISTICS

Part Number	L (µH)	L Test Freq [MHz]	Q [Min]	Q test Freq [MHz]	SRF [MHz]	DCR (Ω)Max	IDC [mA]Max
FALTM0410-R10M	0.10	25	50	25	525	0.03	2740
FALTM0410-R15M	0.15	25	50	25	525	0.03	2740
FALTM0410-R22M	0.22	25	50	25	450	0.055	2020
FALTM0410-R33M	0.33	25	45	25	360	0.09	1580
FALTM0410-R39M	0.39	25	45	25	330	0.11	1420
FALTM0410-R47M	0.47	25	45	25	310	0.12	1370
FALTM0410-R56M	0.56	25	50	25	280	0.14	1290
FALTM0410-R68M	0.68	25	50	25	250	0.15	1220
FALTM0410-R82M	0.82	25	50	25	220	0.22	1020
FALTM0410-1R0K	1.00	25	50	25	180	0.29	880
FALTM0410-1R2K	1.20	7.9	33	7.9	160	0.42	730
FALTM0410-1R5K	1.50	7.9	33	7.9	150	0.50	670
FALTM0410-1R8K	1.80	7.9	33	7.9	135	0.65	590
FALTM0410-2R2K	2.20	7.9	33	7.9	120	0.95	485
FALTM0410-2R7K	2.70	7.9	33	7.9	110	1.2	430
FALTM0410-3R3K	3.30	7.9	33	7.9	100	2.0	335
FALTM0410-3R9K	3.90	7.9	33	7.9	90	2.3	310
FALTM0410-4R7K	4.70	7.9	33	7.9	55	2.6	294
FALTM0410-5R6K	5.60	7.9	45	7.9	55	0.32	565
FALTM0410-6R8K	6.80	7.9	50	7.9	50	0.50	450
FALTM0410-8R2K	8.20	7.9	50	7.9	45	0.60	410
FALTM0410-100K	10	7.9	55	7.9	42	0.90	335
FALTM0410-120K	12	2.5	65	2.5	40	1.1	305
FALTM0410-150K	15	2.5	75	2.5	34	1.4	271
FALTM0410-180K	18	2.5	75	2.5	30	2.3	213
FALTM0410-220K	22	2.5	60	2.5	26	2.5	202
FALTM0410-240K	24	2.5	60	2.5	25	2.5	202
FALTM0410-270K	27	2.5	65	2.5	21	2.6	198
FALTM0410-300K	30	2.5	65	2.5	19	2.8	191
FALTM0410-330K	33	2.5	60	2.5	15.5	3.0	185
FALTM0410-360K	36	2.5	60	2.5	14.5	2.5	202
FALTM0410-390K	39	2.5	60	2.5	13.7	2.6	198
FALTM0410-430K	43	2.5	55	2.5	13.0	2.8	194
FALTM0410-470K	47	2.5	55	2.5	12.7	2.8	193
FALTM0410-510K	51	2.5	55	2.5	12.0	2.9	189
FALTM0410-560K	56	2.5	55	2.5	11.5	3.0	184
FALTM0410-620K	62	2.5	55	2.5	11.0	3.2	180
FALTM0410-680K	68	2.5	55	2.5	10.3	3.3	176
FALTM0410-750K	75	2.5	55	2.5	10.0	3.7	166
FALTM0410-820K	82	2.5	50	2.5	9.5	3.9	162
FALTM0410-910K	91	2.5	50	2.5	8.9	4.3	154
FALTM0410-101K	100	2.5	50	2.5	8.7	4.5	151
FALTM0410-111K	110	0.79	60	0.79	8.5	4.9	144
FALTM0410-121K	120	0.79	65	0.79	8.0	5.2	140
FALTM0410-131K	130	0.79	65	0.79	7.5	5.5	137
FALTM0410-151K	150	0.79	65	0.79	8.0	6.1	130
FALTM0410-161K	160	0.79	65	0.79	7.5	6.4	126
FALTM0410-181K	180	0.79	65	0.79	8.0	6.1	130
FALTM0410-201K	200	0.79	65	0.79	6.5	7.1	123
FALTM0410-221K	220	0.79	65	0.79	6.2	7.5	117
FALTM0410-241K	240	0.79	65	0.79	5.9	7.8	115
FALTM0410-271K	270	0.79	65	0.79	5.7	11.0	143
FALTM0410-301K	300	0.79	65	0.79	5.4	11.5	140
FALTM0410-331K	330	0.79	65	0.79	5.1	12.0	136
FALTM0410-361K	360	0.79	65	0.79	4.8	12.5	134
FALTM0410-391K	390	0.79	65	0.79	4.5	16.3	117
FALTM0410-431K	430	0.79	65	0.79	4.2	17.1	115
FALTM0410-471K	470	0.79	65	0.79	3.9	17.9	112
FALTM0410-511K	510	0.79	65	0.79	3.7	18.8	109
FALTM0410-561K	560	0.79	65	0.79	3.8	19.5	107
FALTM0410-621K	620	0.79	65	0.79	3.3	25.9	93
FALTM0410-681K	680	0.79	65	0.79	3.1	27.2	91
FALTM0410-751K	750	0.79	65	0.79	2.9	28.6	88
FALTM0410-821K	820	0.79	65	0.79	2.7	30.0	86
FALTM0410-911K	910	0.79	65	0.79	2.5	31.5	84
FALTM0410-102K	100	0.79	65	0.79	2.3	33.0	82

Note: 1. K=±10%, M=±20%

PHYSICAL CHARACTERISTICS



DIMENSIONS in mm

ELECTRONICAL SCHEMATIC



TECHNICAL INFORMATION

Inductance Testing: HP4284A, HP4285A or equivalent
RDC: QuadTech 1880 Milliohm meter
Q - HP4342A
SRF - HP4191A or HP4194A
Rated Current L value drop 10% typ. at DC against its initial value
Temperature rise 40°C Max Reference ambient temperature
Solderability: 75% of the lead wire shall be covered
Soldering Methods: Wave, Reflow
Operating Temperature: -25°C to +85°C
Storage Temperature: -55°C to +125°C
Terminal bending strength: 24.5N Min
Moisture resistance: ΔL/L ≤ ±10% ΔQ/Q ≤ ±25%

Note: All specifications subject to change without notice.

THROUGH-HOLE AXIAL CONFORMAL MOLDED INDUCTORS FALTM0511 SERIES



FEATURES:

Ferrite Core
Wire-wound construction
Heat resistant epoxy molded resin
High reliability - Ideal for automatic insertion
Small size - Low Cost

OPTIONS:

Packaging: Tape & Reel is Standard (Qty: 1000 pcs)
Bulk packaging available for smaller quantities
Tolerance: 10% is standard tighter tolerances available.

COMMON APPLICATIONS:

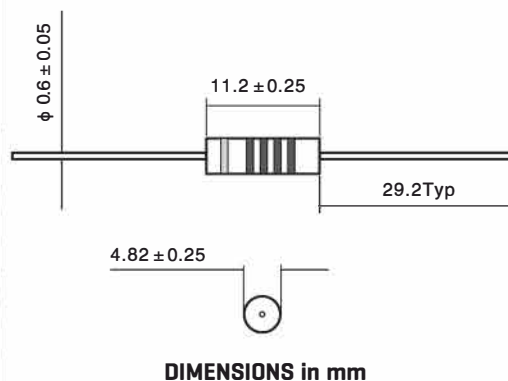
VCRs, PDP, LCD, TV ses
Automotive Systems
Computer Peripheral Equipment
GPS, DC/DC convertor, XDSL Modem
Electronic Games
Mobile Communications Equipment
General Electronic Applications

STANDARD SPECIFICATIONS

Part Number	L [μ H]	L Test Freq [MHz]	Q [Min]	Qtest Freq [MHz]	SRF [MHz]	DCR (Ω)Max	IDC [mA]Max
FALTM0511-R15M	0.15	25	50	25	510	0.03	3050
FALTM0511-R22M	0.22	25	50	25	415	0.035	2800
FALTM0511-R33M	0.33	25	50	25	350	0.065	2000
FALTM0511-R47M	0.47	25	50	25	300	0.085	1700
FALTM0511-R56M	0.56	25	50	25	270	0.125	1450
FALTM0511-R68M	0.68	25	45	25	250	0.15	1300
FALTM0511-R82M	0.82	25	40	25	210	0.21	1100
FALTM0511-1R0K	1.00	25	40	25	200	0.29	930
FALTM0511-1R2K	1.20	7.9	30	7.9	180	0.40	785
FALTM0511-1R5K	1.50	7.9	30	7.9	170	0.49	700
FALTM0511-1R8K	1.80	7.9	30	7.9	150	0.74	550
FALTM0511-2R2K	2.20	7.9	30	7.9	140	0.97	505
FALTM0511-2R7K	2.70	7.9	30	7.9	120	1.2	460
FALTM0511-3R3K	3.30	7.9	30	7.9	70	0.14	990
FALTM0511-3R9K	3.90	7.9	30	7.9	65	0.155	870
FALTM0511-4R7K	4.70	7.9	30	7.9	60	0.21	745
FALTM0511-5R6K	5.60	7.9	30	7.9	50	0.28	645
FALTM0511-6R8K	6.80	7.9	30	7.9	50	0.375	560
FALTM0511-8R2K	8.20	7.9	30	7.9	48	0.44	540
FALTM0511-100K	10	7.9	50	7.9	42	0.61	440
FALTM0511-120K	12	2.5	55	2.5	36	1.1	370
FALTM0511-150K	15	2.5	60	2.5	30	1.2	310
FALTM0511-180K	18	2.5	60	2.5	30	2.0	255
FALTM0511-220K	22	2.5	65	2.5	24	2.2	240
FALTM0511-270K	27	2.5	55	2.5	22	2.8	205
FALTM0511-330K	33	2.5	55	2.5	18	2.3	300
FALTM0511-390K	39	2.5	55	2.5	16	2.5	285
FALTM0511-470K	47	2.5	55	2.5	14	3.4	245
FALTM0511-560K	56	2.5	55	2.5	14	4.1	225
FALTM0511-680K	68	2.5	55	2.5	11	4.2	220
FALTM0511-820K	82	2.5	55	2.5	9.3	4.4	215
FALTM0511-101K	100	0.79	45	0.79	8.5	4.9	205
FALTM0511-121K	120	0.79	60	0.79	7.3	5.4	195
FALTM0511-151K	150	0.79	60	0.79	6.2	6.2	180
FALTM0511-181K	180	0.79	60	0.79	5.7	7.1	170
FALTM0511-221K	220	0.79	60	0.79	5.2	7.9	160
FALTM0511-271K	270	0.79	65	0.79	5.6	8.2	110
FALTM0511-331K	330	0.79	65	0.79	5.0	9.1	105
FALTM0511-391K	390	0.79	65	0.79	4.5	10.0	100
FALTM0511-471K	470	0.79	65	0.79	4.0	11.1	95
FALTM0511-561K	560	0.79	65	0.79	3.8	12.3	91
FALTM0511-681K	680	0.79	60	0.79	3.4	13.7	85
FALTM0511-821K	820	0.79	60	0.79	3.1	15.1	81
FALTM0511-102K	100	0.79	60	0.79	2.8	16.5	78

Note: 1. K = $\pm 10\%$, M = $\pm 20\%$

PHYSICAL CHARACTERISTICS



ELECTRONICAL SCHEMATIC



TECHNICAL INFORMATION:

Inductance Testing: ,HP4284A,HP4285A or equivalent
 RDC: QuadTech 1880 Milliohm meter
 Q - HP4342A
 SRF- HP4191A or HP4194A
 Rated Current L value drop 10% typ. at DC against its initial value
 Temperature rise 40°C Max Reference ambient temperature
 Solderability: 75% of the lead wire shall be covered
 Soldering Methods: Wave, Reflow
 Operating Temperature: -25°C to +85°C
 Storage Temperature: -55°C to +125°C
 Terminal bending strength: 24.5N Min
 Moisture resistance: $\Delta L/L \leq 10\%$ $\Delta Q/Q \leq 25\%$

Note: All specifications subject to change without notice.

THROUGH-HOLE RADIAL EPOXY COATED INDUCTORS

FALGB0606 SERIES



FEATURES:

Ferrite Core
Wire-wound construction
Epoxy coated, High reliability
Ideal for automatic insertion
Small size, Low Cost

OPTIONS:

Packaging: Tape & Reel is Standard
(Qty: 5000 pcs)
Bulk packaging available for smaller quantities
Tolerance: 10% is standard
tighter tolerances available.

COMMON APPLICATIONS:

VCRs
Automotive Systems
Computer Peripheral Equipment
Televisions
Electronic Games
Mobile Communications Equipment
General Electronic Applications

ELECTRICAL CHARACTERISTICS

Part number	L (μH)	TOL ±%	LQ (MHz)	Q min	SRF (MHz) Min	DCR (Ω) max	IDC (mA)
FALGB0606-R22M	0.22	±20	25.2	50	150	0.15	816
FALGB0606-R27M	0.27	±20	25.2	50	150	0.15	816
FALGB0606-R33M	0.33	±20	25.2	50	150	0.15	816
FALGB0606-R39M	0.39	±20	25.2	50	130	0.15	816
FALGB0606-R47M	0.47	±20	25.2	50	130	0.15	816
FALGB0606-R56M	0.56	±20	25.2	50	130	0.20	707
FALGB0606-R68M	0.68	±20	25.2	50	120	0.20	707
FALGB0606-R82M	0.82	±20	25.2	50	120	0.20	707
FALGB0606-1R0K	1.0	±10	7.96	50	100	0.20	707
FALGB0606-1R2K	1.2	±10	7.96	50	85	0.20	707
FALGB0606-1R5K	1.5	±10	7.96	50	70	0.22	674
FALGB0606-1R8K	1.8	±10	7.96	50	60	0.22	674
FALGB0606-2R2K	2.2	±10	7.96	50	55	0.25	632
FALGB0606-2R7K	2.7	±10	7.96	50	50	0.27	608
FALGB0606-3R3K	3.3	±10	7.96	50	45	0.30	577
FALGB0606-3R9K	3.9	±10	7.96	50	40	0.32	559
FALGB0606-4R7K	4.7	±10	7.96	50	35	0.35	534
FALGB0606-5R6K	5.6	±10	7.96	50	33	0.37	519
FALGB0606-6R8K	6.8	±10	7.96	50	27	0.40	500
FALGB0606-8R2K	8.2	±10	2.52	50	25	0.45	471
FALGB0606-100K	10	±10	2.52	50	20	0.80	353
FALGB0606-120K	12	±10	2.52	50	18	0.90	333
FALGB0606-150K	15	±10	2.52	50	17	1.00	316
FALGB0606-180K	18	±10	2.52	50	15	1.20	288
FALGB0606-220K	22	±10	2.52	50	13	1.40	267
FALGB0606-270K	27	±10	2.52	50	11	1.70	242
FALGB0606-330K	33	±10	2.52	50	10.5	2.00	223
FALGB0606-390K	39	±10	2.52	50	10	2.40	204
FALGB0606-470K	47	±10	2.52	50	9.5	2.70	192
FALGB0606-560K	56	±10	2.52	50	9	2.90	185
FALGB0606-680K	68	±10	2.52	50	8.5	3.10	179
FALGB0606-820K	82	±10	2.52	50	7.5	3.30	174
FALGB0606-101K	100	±10	0.796	45	6.8	3.30	174
FALGB0606-121K	120	±10	0.796	45	6.2	3.50	169
FALGB0606-151K	150	±10	0.796	45	5.7	3.70	164
FALGB0606-181K	180	±10	0.796	45	5.3	4.00	158
FALGB0606-221K	220	±10	0.796	45	4.0	5.20	138
FALGB0606-271K	270	±10	0.796	45	3.6	5.80	131
FALGB0606-331K	330	±10	0.796	45	3.3	6.50	124
FALGB0606-391K	390	±10	0.796	45	3.0	7.50	115
FALGB0606-471K	470	±10	0.796	45	2.8	8.0	111
FALGB0606-561K	560	±10	0.796	45	2.4	12.5	89
FALGB0606-681K	680	±10	0.796	45	2.2	14.0	84
FALGB0606-821K	820	±10	0.796	45	2.0	15.5	80
FALGB0606-102K	1000	±10	0.252	40	1.8	18.5	73
FALGB0606-122K	1200	±10	0.252	30	1.7	29.0	58
FALGB0606-152K	1500	±10	0.252	30	1.5	34.0	54
FALGB0606-182K	1800	±10	0.252	30	1.4	37.0	51
FAFALGB0606-222K	2200	±10	0.252	30	1.2	42.0	48

Note: 1. K=±10%, M=±20%

1. Ordering Code

LGB 06 06 SS - 10k k T
(1) (2) (3) (4) (5) (6) (7)

- [1] Type
- [2] Outside
- [3] Length
- [4] formed Type
- [5] Nominal Inductance
- [6] Inductance Tolerance
- [7] Tape

TECHNICAL INFORMATION

Testing: [Equivalent acceptable]

Inductance-HP 4342A

RDC: QuadTech 1880 Milliohmmer

Q-HP4342A

SRF-HP 4191A

IDC Max: The maximum DC value having inductance decrease within 10% and temperature increase within 20°C by the application of DC Bias

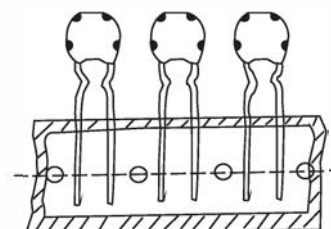
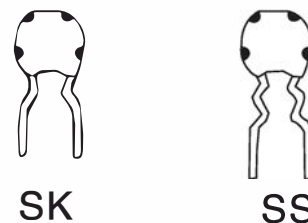
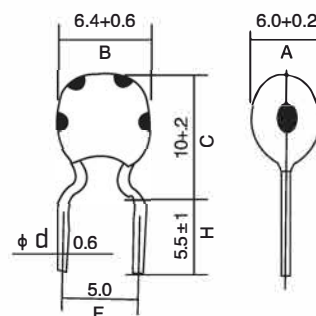
Operating temperature: -25°C to +105°C

Storage temperature: -40°C to +85°C

Solderability: Temperature @ 230°C ±5°C for 2 seconds

Marking: inductance value

PHYSICAL CHARACTERISTICS



T

THROUGH-HOLE RADIAL EPOXY COATED INDUCTORS FALGB0810 SERIES



FEATURES:

Ferrite Core
Wire-wound construction
Epoxy coated - High reliability
Ideal for automatic insertion
Small size - Low Cost

OPTIONS:

Packaging: Tape & Reel is Standard (Qty: 5000 pcs)
Bulk packaging available for smaller quantities
Tolerance: 10% is standard tighter tolerances available.

COMMON APPLICATIONS:

VCRs
Automotive Systems
Computer Peripheral Equipment
Televisions
Electronic Games
Mobile Communications Equipment
General Electronic Applications

ELECTRICAL CHARACTERISTICS

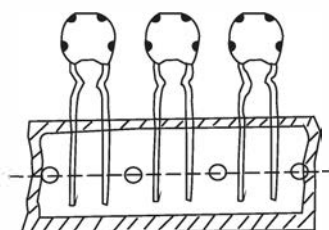
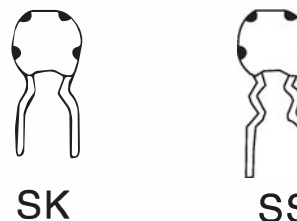
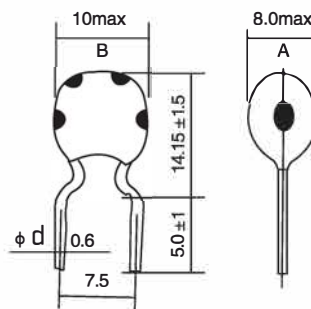
Part number	L (μH)	TOL ±%	LQ (MHz)	Q min	SRF [MHz] Min	DCR (Ω) max	IDC (mA)
FALGB0810-1R0K	1.0	±10	7.96	30	30	0.80	330
FALGB0810-1R2K	1.2	±10	7.96	30	30	0.90	320
FALGB0810-1R5K	1.5	±10	7.96	30	30	1.0	315
FALGB0810-1R8K	1.8	±10	7.96	30	30	1.1	310
FALGB0810-2R2K	2.2	±10	7.96	30	30	1.2	300
FALGB0810-2R7K	2.7	±10	7.96	30	30	1.3	295
FALGB0810-3R3K	3.3	±10	7.96	30	30	1.4	285
FALGB0810-3R9K	3.9	±10	7.96	30	30	1.6	280
FALGB0810-4R7K	4.7	±10	7.96	30	30	1.7	275
FALGB0810-5R6K	5.6	±10	7.96	30	30	1.9	270
FALGB0810-6R8K	6.8	±10	7.96	30	30	2.0	260
FALGB0810-8R2K	8.2	±10	2.52	30	30	2.2	255
FALGB0810-100K	10	±10	2.52	30	30	2.5	250
FALGB0810-120K	12	±10	2.52	30	30	2.5	245
FALGB0810-150K	15	±10	2.52	30	30	2.8	235
FALGB0810-180K	18	±10	2.52	30	30	3.1	225
FALGB0810-220K	22	±10	2.52	30	30	3.4	220
FALGB0810-270K	27	±10	2.52	30	30	3.8	215
FALGB0810-330K	33	±10	2.52	30	30	4.1	205
FALGB0810-390K	39	±10	2.52	30	30	4.5	200
FALGB0810-470K	47	±10	2.52	30	30	4.9	190
FALGB0810-560K	56	±10	2.52	30	30	5.3	180
FALGB0810-680K	68	±10	2.52	30	30	5.8	170
FALGB0810-820K	82	±10	2.52	30	30	6.8	160
FALGB0810-101K	100	±10	0.796	30	30	7.0	150
FALGB0810-121K	120	±10	0.796	30	30	13.0	145
FALGB0810-151K	150	±10	0.796	30	30	15.0	130
FALGB0810-181K	180	±10	0.796	30	30	16.0	120
FALGB0810-221K	220	±10	0.796	30	30	17.0	115
FALGB0810-271K	270	±10	0.796	30	30	19.0	105
FALGB0810-331K	330	±10	0.796	30	30	20.0	100
FALGB0810-391K	390	±10	0.796	30	30	22.0	90
FALGB0810-471K	470	±10	0.796	30	30	24.0	85
FALGB0810-561K	560	±10	0.796	30	30	26.0	80
FALGB0810-681K	680	±10	0.796	30	30	28.0	68
FALGB0810-821K	820	±10	0.796	30	30	30.0	58
FALGB0810-102K	1000	±10	0.252	30	30	33.0	50
FALGB0810-122K	1200	±10	0.252	30	30		
FALGB0810-152K	1500	±10	0.252	30	30		
FALGB0810-182K	1800	±10	0.252	30	30		
FALGB0810-222K	2200	±10	0.252	30	30		

Note: 1. K=±10%, M=±20%

TECHNICAL INFORMATION

Testing: [Equivalent acceptable
Inductance - Hp4342A
RDC: QuadTech 1880 Milliohm meter
Q - HP4342A
SRF - HP 4191A
IDC Max: The maximum DC value having inductance decrease within 10% and temperature increase within 20°C by the application of DC Bias
Operating temperature: -25°C to +105°C
Storage temperature: -40°C to +85°C
Solderability: Temperature @ 230°C ±5°C for 2 seconds
Marking: inductance value

PHYSICAL CHARACTERISTICS



T

Ordering Code

LGB	06	06	SS	101	k	T
[1]	[2]	[3]	[4]	[5]	[6]	[7]

- [1] Type
- [2] Outside
- [3] Length
- [4] formed Type
- [5] Nominal Inductance
- [6] Inductance Tolerance
- [7] Tape

THROUGH-HOLE RADIAL EPOXY COATED INDUCTORS FALGB0909 SERIES



FEATURES:

Ferrite Core
Wire-wound construction
Epoxy coated, High reliability
Ideal for automatic insertion
Small size, Low Cost

OPTIONS:

Packaging: Tape & Reel is Standard (Qty: 5000 pcs)
Bulk packaging available for smaller quantities
Tolerance: 10% is standard tighter tolerances available.

COMMON APPLICATIONS:

VCRs
Automotive Systems
Computer Peripheral Equipment
Televisions
Electronic Games
Mobile Communications Equipment
General Electronic Applications

ELECTRICAL CHARACTERISTICS

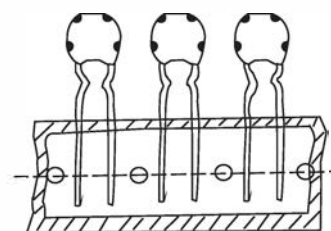
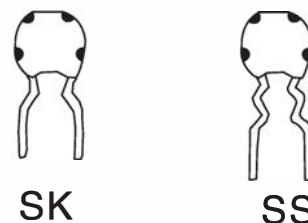
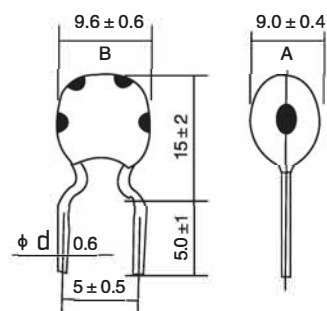
Part number	L [μH]	TOL ±%	LQ [MHz]	Q min	SRF [Mhz] Min	DCR (Ω) max	IDC [mA]
FALGB0909-101K	100	±10	0.796	55	4.3	0.85	343
FALGB0909-121K	120	±10	0.796	55	4.1	0.95	324
FALGB0909-151K	150	±10	0.796	55	3.7	1.05	309
FALGB0909-181K	180	±10	0.796	55	3.3	1.15	295
FALGB0909-221K	220	±10	0.796	50	2.3	1.30	277
FALGB0909-271K	270	±10	0.796	50	2.0	1.50	258
FALGB0909-331K	330	±10	0.796	50	1.95	1.70	243
FALGB0909-391K	390	±10	0.796	50	1.85	1.85	232
FALGB0909-471K	470	±10	0.796	50	1.57	2.30	209
FALGB0909-561K	560	±10	0.796	45	1.50	2.55	198
FALGB0909-681K	680	±10	0.796	40	1.40	2.85	187
FALGB0909-821K	820	±10	0.796	35	1.32	3.0	180
FALGB0909-102K	1000	±10	0.252	60	1.25	4.1	156
FALGB0909-122K	1200	±10	0.252	60	1.20	4.7	146
FALGB0909-152K	1500	±10	0.252	60	1.00	5.8	131
FALGB0909-182K	1800	±10	0.252	60	0.95	7.4	116
FALGB0909-222K	2200	±10	0.252	65	0.90	8.4	109
FALGB0909-272K	2700	±5	0.252	65	0.84	11.2	94
FALGB0909-332J	3300	±5	0.252	65	0.75	14.7	82
FALGB0909-392J	3900	±5	0.252	65	0.67	19.5	72
FALGB0909-472J	4700	±5	0.252	60	0.62	21.5	68
FALGB0909-562J	5600	±5	0.252	60	0.57	24.5	64
FALGB0909-682J	6800	±5	0.252	55	0.47	32.5	55
FALGB0909-822J	8200	±5	0.252	50	0.43	38	51
FALGB0909-103J	10000	±5	0.252	50	0.38	43	48
FALGB0909-123J	12000	±5	0.0796	50	0.37	62	40
FALGB0909-153J	15000	±5	0.0796	50	0.33	74	37
FALGB0909-183J	18000	±5	0.0796	50	0.29	103	31
FALGB0909-223J	22000	±5	0.0796	50	0.26	118	29
FALGB0909-273J	27000	±5	0.0796	50	0.25	131	28
FALGB0909-333J	33000	±5	0.0796	50	0.25	152	26
FALGB0909-393J	39000	±5	0.0796	40	0.23	205	22
FALGB0909-473J	47000	±5	0.0796	35	0.21	260	20
FALGB0909-563J	56000	±5	0.0796	35	0.20	295	18

Note: 1. J=±5%, K=±10%, M=±20%

TECHNICAL INFORMATION

Testing: [Equivalent acceptable
Inductance-HP 4342A
RDC: QuadTech 1880 Milliohm meter
Q-HP4342A
SRF-HP 4191A
IDC Max: The maximum DC value having inductance decrease within 10% and temperature increase within 20°C by the application of DC Bias
Operating temperature: -25°C to +105°C
Storage temperature: -40°C to +85°C
Solderability: Temperature @ 230°C ±5°C for 2 seconds
Marking: inductance value

PHYSICAL CHARACTERISTICS



1. Ordering Code

LGB 06 06 SS - 10k k T
(1) (2) (3) (4) (5) (6) (7)

- (1) Type
- (2) Outside
- (3) Length
- (4) formed Type
- (5) Nominal Inductance
- (6) Inductance Tolerance
- (7) Tape

THROUGH-HOLE AXIAL UL TUBE POWER CHOKES FALCHA1425,1122,0617,0410 SERIES



FEATURES:

Wire-wound Construction
Polyolefin Shrink Tubing
Excellent Environmental Characteristics
High Reliability
High Inductance and Lower RDC

OPTIONS:

Bulk Packaging is Standard
[Qty: 500 pcs.]
Tolerance: 10% is Standard
Tighter Tolerances Available

COMMON APPLICATIONS:

Power Supplies
SCR and TRIAC Controls
RFI Suppression
Filters
Switching Regulators

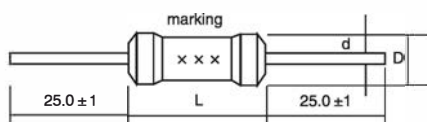
STANDARD SPECIFICATIONS:

Part Number FALCHA-xx-	L [μH]	1425			1122			0617			0410		
		DCR Max. ohm @+20%	I Sat A(max)	Idc A(max)	DCR Max. ohm @+20%	I Sat A(max)	Idc A(max)	DCR Max. ohm @+20%	I Sat A(max)	Idc A(max)	DCR Max. ohm @+20%	I Sat mA(max)	Idc mA(max)
3R9K	3.9	.007	47.0	6.0	.007	15.5	4.0	.019	7.3	1.70	.060	1800	1500
4R7K	4.7	.008	42.0	6.0	.008	13.9	4.0	.022	6.3	1.50	.068	1700	1400
5R6K	5.6	.009	35.0	6.0	.011	12.6	4.0	.024	5.6	1.40	.074	1600	1300
6R8K	6.8	.010	29.0	6.0	.011	11.6	4.0	.026	5.3	1.35	.080	1600	1200
8R2K	8.2	.011	24.0	6.0	.013	9.89	4.0	.028	4.5	1.30	.087	1500	1100
100K	10	.012	19.0	6.0	.017	8.70	4.0	.033	4.1	1.30	.095	1500	970
120K	12	.013	16.0	6.0	.019	8.21	4.0	.037	3.6	1.30	.110	1400	880
150K	15	.014	14.8	6.0	.022	7.34	4.0	.040	3.3	1.28	.115	1200	790
180K	18	.015	13.4	6.0	.023	6.64	4.0	.044	3.0	1.28	.160	1100	710
220K	22	.016	12.4	6.0	.026	6.07	4.0	.050	2.7	1.00	.190	1000	640
270K	27	.017	11.2	6.0	.027	5.36	4.0	.058	2.5	1.00	.220	950	580
330K	33	.021	10.2	6.0	.032	4.82	4.0	.075	2.2	1.00	.350	910	530
390K	39	.023	9.3	6.0	.033	4.36	4.0	.094	2.0	1.00	.260	880	480
470K	47	.025	8.7	6.0	.035	3.98	4.0	.109	1.8	1.00	.350	760	430
560K	56	.028	8.0	6.0	.037	3.66	3.2	.140	1.7	.840	.470	650	400
680K	68	.039	7.0	4.7	.047	3.31	2.5	.145	1.5	.610	.530	610	370
820K	82	.043	6.3	4.7	.060	3.10	2.0	.152	1.4	.520	.600	580	330
101K	100	.055	5.7	3.8	.090	2.79	1.6	.208	1.2	.520	.670	550	300
121K	120	.076	5.3	3.0	.113	5.54	1.6	.283	1.1	.420	.900	470	270
151K	150	.084	4.7	3.0	.129	2.22	1.6	.340	1.0	.420	1.20	410	250
181K	180	.096	4.3	3.0	.150	1.98	1.6	.362	.95	.420	1.40	380	220
221K	220	.108	4.0	3.0	.162	1.89	1.6	.430	.86	.420	1.90	320	200
271K	270	.151	3.6	2.3	.208	1.63	1.6	.557	.77	.330	2.10	310	180
331K	330	.168	3.2	2.3	.212	1.51	1.6	.665	.70	.330	2.40	290	170
391K	390	.182	2.9	2.3	.281	1.39	1.6	.772	.64	.330	3.0	260	150
471K	470	.202	2.6	2.3	.380	1.24	1.2	1.15	.59	.315	3.40	240	140
561K	560	.348	2.4	1.4	.420	1.17	1.0	1.27	.54	.315	4.70	210	130
681K	680	.470	2.2	1.2	.548	1.05	1.0	1.61	.49	.250	6.40	180	110
821K	820	.500	2.0	1.2	.655	.97	0.8	1.96	.44	.200	7.1	170	100
102K	1000	.570	1.8	1.2	.844	.87	0.8	2.30	.40	.200	7.9	160	95
122K	1200	.648	1.70	1.200	1.04	.79	0.6	2.65	.35	.200	9.0	150	87
152K	1500	.888	1.55	0.900	1.18	.70	0.6	3.45	.33	.158	12.0	130	78
182K	1800	1.16	1.40	0.750	1.56	.64	0.6	4.03	.29	.158	14.0	120	71
222K	2200	1.20	1.25	0.750	2.00	.58	0.5	4.48	.27	.158	19.0	100	64
272K	2700	1.44	1.10	0.750	2.06	.53	0.4	5.90	.24	.125	25.0	90	58
332K	3300	1.92	1.000	0.590	2.53	.47	0.4	6.56	.220	.125	29.0	83	52
392K	3900	2.16	0.900	0.590	2.75	.43	0.4	8.63	.200	.100	34.0	77	48
472K	4700	2.50	0.850	0.590	3.19	.39	0.4	10.50	.180	.100	37.0	74	44
562K	5600	3.20	0.780	0.450	3.92	.359	0.315	13.90	.166	.082	50.0	63	40
682K	6800	4.00	0.700	0.450	5.69	.322	0.250	16.30	.151	.082	58.0	59	36
822K	8200	5.20	0.650	0.350	6.32	.293	0.250	20.80	.136	.065	68.0	54	33
103K	10000	6.00	0.600	0.350	7.30	.266	0.250	26.40	.125	.050	75.0	52	30
123K	12000	8.00	0.540	0.270	9.21	.241	0.200	29.90	.114	.050			
153K	15000	10.00	0.480	0.200	10.50	.214	0.200	42.50	.098	.039			
183K	18000	11.00	0.460	0.200	14.80	.198	0.158	48.30	.091	.039			
223K	22000	13.00	0.390	0.200	21.8	.180	0.125						
273K	27000	15.00	0.355	0.200	22.7	.162	0.125						
333K	33000	21.00	0.330	0.160	25.7	.146	0.125						
393K	39000	23.20	0.300	0.160	31.8	.135	0.100						
473K	47000	32.00	0.270	0.120	36.1	.122	0.100						
563K	56000	35.00	0.175	0.120	40.9	.112	0.100						
683K	68000	48.00	0.145	0.095	57.3	.101	0.082						
823K	82000	54.30	0.120	0.095	79.3	.090	0.065						
104K	100000	68.50	0.100	0.070	89.7	.081	0.065						
124K	120000	75.00	0.080	0.070									
154K	150000	84.30	0.060	0.070									

Note:1. K=±10%,M=±20%

TECHNICAL INFORMATION

Testing:LCR Bridge measured @ 1KHz 0.1V HP 4284A
(Equivalent acceptable)
RDC: QuadTech 1880 Milliohmeter
IDC Max: Lowers Inductance by 10%
Operating temperature: -55°C to +125°C
Shrink tube: Flame retardant UL type VW-1
Marking: Inductance and tolerance



Part Number	dimension(mm)		
	L	D(φ)	D(φ)
FALCHA0410	10.8	4	0.6±0.05
FALCHA0617	17.8	6.6	0.8±0.05
FALCHA1122	22	11	0.8±0.05
FALCHA1425	25	14	0.8±0.05

Note:All specifications subject to change without notice.

THROUGH-HOLE RADIAL UL TUBE POWER CHOKES FALCHB SERIES

0304,0406,0608,0806,0810,0912,1012,1016,1215,1415,1419,1618



FEATURES:

Wire-wound Construction
Polyolefin Shrink Tubing
Excellent heat resistance
Excellent environmental characteristics
High reliability

OPTIONS:

Packaging: Bulk is standard
Tolerance: 10% is standard
tighter tolerances available

COMMON APPLICATIONS:

Power Supplies
SCR and TRIAC Controls
RFI Suppression
Filters
Switching Regulators

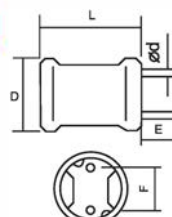
ELECTRICAL CHARACTERISTICS

TECHNICAL INFORMATION

Part No. FALCHB-XXXX	Inductance [µH]	IDC[A]								DCR(Ω)Max							
		0406	0608	0806	0810	0912	1012	1016	1415	0406	0608	0806	0810	0912	1012	1016	1415
100K	10	0.620	1.3		2.6	4.5	5.3	5.0	5.0	0.060	0.041		0.04	0.027	0.022	0.031	0.016
120K	12	0.620	1.3		2.6	4.1	4.9	5.0	5.0	0.072	0.046		0.04	0.031	0.023	0.036	0.017
150K	15	0.620	1.3		2.1	3.7	4.4	5.0	5.0	0.078	0.050		0.05	0.036	0.026	0.040	0.019
180K	18	0.490	1.0		2.0	3.4	4.0	5.0	5.0	0.108	0.062		0.05	0.049	0.033	0.041	0.021
220K	22	0.385	1.0	1.27	1.7	3.1	3.6	5.0	5.0	0.144	0.071	0.11	0.06	0.055	0.037	0.043	0.023
270K	27	0.300	1.0	1.14	1.6	2.8	3.3	5.0	5.0	0.168	0.073	0.14	0.06	0.062	0.048	0.046	0.027
330K	33	0.300	0.8	1.03	1.4	2.5	2.9	3.6	4.0	0.200	0.090	0.17	0.07	0.079	0.055	0.051	0.029
390K	39	0.300	0.8	0.95	1.4	2.3	2.7	3.6	4.0	0.220	0.102	0.19	0.08	0.087	0.073	0.054	0.031
470K	47	0.300	0.8	0.87	1.3	2.1	2.5	3.6	4.0	0.240	0.120	0.23	0.10	0.099	0.083	0.063	0.035
560K	56	0.300	0.62	0.80	1.2	1.9	2.3	3.0	4.0	0.265	0.162	0.26	0.11	0.13	0.092	0.075	0.041
680K	68	0.250	0.62	0.72	1.1	1.7	2.1	3.0	4.0	0.380	0.186	0.28	0.14	0.14	0.12	0.078	0.052
820K	82	0.250	0.49	0.66	1.0	1.6	1.9	2.6	4.0	0.445	0.240	0.39	0.16	0.16	0.14	0.088	0.056
101K	100	0.190	0.49	0.59	0.90	1.4	1.7	2.0	4.0	0.590	0.270	0.43	0.19	0.21	0.16	0.108	0.060
121K	120	0.190	0.49	0.54	0.82	1.3	1.5	2.0	3.3	0.640	0.310	0.54	0.22	0.24	0.20	0.127	0.078
151K	150	0.190	0.49	0.48	0.74	1.2	1.4	1.6	3.3	0.730	0.372	0.64	0.27	0.32	0.23	0.182	0.096
181K	180	0.190	0.385	0.44	0.71	1.1	1.3	1.3	3.3	0.850	0.456	0.74	0.31	0.35	0.31	0.128	0.147
221K	220	0.150	0.385	0.40	0.64	0.96	1.1	1.3	2.6	1.20	0.535	0.96	0.38	0.45	0.34	0.252	0.175
271K	270	0.150	0.385	0.36	0.57	0.87	1.0	1.3	2.6	1.32	0.625	1.12	0.53	0.61	0.40	0.290	0.192
331K	330	0.120	0.300	0.33	0.51	0.79	0.93	1.0	2.0	1.75	0.816	1.48	0.61	0.69	0.52	0.394	0.210
391K	390	0.120	0.250	0.30	0.48	0.72	0.86	1.0	2.0	1.95	1.0	1.66	0.69	0.78	0.65	0.416	0.240
471K	470	0.120	0.250	0.27	0.43	0.66	0.78	0.8	2.0	2.00	1.2	1.91	0.89	1.0	0.71	0.568	0.315
561K	560	0.095	0.250	0.25	0.40	0.60	0.71	0.8	1.60	2.90	1.3	2.31	1.01	1.2	1.0	0.650	0.360
681K	680	0.095	0.190	0.23	0.35	0.55	0.65	0.8	1.60	3.10	1.8	2.67	1.81	1.4	1.0	0.740	0.460
821K	820	0.076	0.190	0.21	0.32	0.50	0.59	0.62	1.30	4.30	2.1	3.10	1.57	1.8	1.3	1.00	0.540
102K	1000	0.060	0.150	0.19	0.30	0.45	0.53	0.55	1.30	5.50	3.0	4.45	1.84	2.1	1.7	1.20	0.660
122K	1200	0.060	0.150		0.27			0.49	1.30	6.30	3.3		2.10			1.50	0.780
152K	1500	0.060	0.150		0.23			0.49	1.0	7.20	3.5		2.80			1.70	0.990
182K	1800	0.046	0.120		0.21			0.385	1.0	9.60	5.7		3.21			1.80	1.20
222K	2200	0.046	0.095		0.19			0.385	0.80	11.5	6.2		4.21			2.40	1.32
272K	2700	0.046	0.095		0.17			0.385	0.80	13.0	7.6		4.94			2.80	1.80
332K	3300	0.036	0.095		0.15			0.300	0.62	17.0	8.5		6.16			3.70	2.10
392K	3900	0.036	0.076		0.14			0.250	0.62	19.0	10.3		6.84			5.00	2.70
472K	4700	0.030	0.076		0.13			0.250	0.49	24.0	11.3		7.89			5.60	3.15
562K	5600	0.030	0.076		0.12			0.250	0.49	29.0	13.0		11.5			6.30	3.60
682K	6800	0.024	0.060		0.11			0.190	0.49	42.0	17.0		13.2			8.40	4.30
822K	8200	0.018	0.060		0.10			0.190	0.385	48.0	20.0		15.2			9.60	5.15
103K	10000	0.018	0.046		0.089			0.190	0.385	55.0	27.0		22.0			10.50	2.85
123K	12000	0.018	0.046		0.073			0.150	0.385	64.0	31.0		25.0			14.05	8.30
153K	15000	0.015	0.036		0.068			0.120	0.30	82.0	45.0		29.0			20.5	10.20
183K	18000	0.015	0.036		0.066			0.095	0.25	96.0	51.0		38.1			27.5	11.70
223K	22000	0.015	0.030		0.059			0.095	0.25	110.0	60.0		44.9			31.0	13.00
273K	27000		0.030		0.052			0.095	0.25		66.0		55.7			35.5	18.40
333K	33000		0.030		0.048			0.095	0.19		100.0		64.2			40.0	21.00
393K	39000				0.042			0.095	0.19				74.2			51.0	27.00
473K	47000				0.038			0.095	0.15				96.4			56.0	35.00

TECHNICAL INFORMATION

Testing:LCR Bridge measured @ 1KHz 0.1V HP 4284A
[Equivalent acceptable]
RDC: QuadTech 1880 Milliohmmer
IDC Max: Lowers inductance by 10%
Operating temperature: -55°C to +125°C
Shrinktube: Flame retardant UL type VW-1
Marking: Inductance and tolerance
Note:All specifications subject to change without notice.



Dimension: mm

Note:1. K=±10%,M=±20%

Part Number	D	L	E	F	φ
FALCHB0406	5.7	8.5	5/15	2	0.5
FALCHB0608	7.2	9.5	5/15	3	0.6
FALCHB0806	9.0	8.0	5/15	5	0.6
FALCHB0810	9.0	12.0	5/15	5	0.6
FALCHB0912	10.5	14	5/15	5	0.6
FALCHB1012	11.5	14	5/15	5	0.8
FALCHB1016	11.5	18	5/15	5.0	0.8
FALCHB1415	16.5	18	5/15	7.5	0.8

THROUGH-HOLE RADIAL POWER CHOKES FALCH SERIES 0605,0606,0805,0807,0809



FEATURES:

- Wire-wound Structure
- Excellent heat resistance
- Excellent environmental characteristics
- High reliability

OPTIONS:

- Packaging: Bulk is standard
- Tolerance: 10% is standard
- tighter tolerances available

COMMON APPLICATIONS:

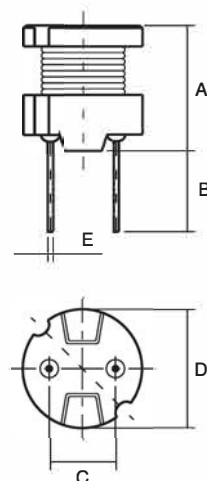
- Power Supplies
- SCR and TRIAC Controls
- RFI Suppression
- Filters
- Switching Regulators

ELECTRICAL CHARACTERISTICS

PHYSICAL CHARACTERISTICS

Part number FALCH-xxxx-	Inductance [μH]	DCR(Ω)Max					IDC(A)				
		0605	0606	0805	0807	0809	0605	0606	0805	0807	0809
100M	10			0.07	0.05	0.04			2.50	2.90	2.60
120M	12			0.08	0.06	0.04			2.40	2.50	2.60
150M	15			0.09	0.07	0.05			2.10	2.20	2.10
180M	18			0.10	0.08	0.05			2.00	1.90	2.00
220M	22	0.18	0.11	0.12	0.09	0.06	0.90	1.27	1.70	1.80	1.70
270M	27	0.21	0.14	0.14	0.11	0.06	0.81	1.14	1.60	1.70	1.60
330M	33	0.27	0.17	0.17	0.13	0.07	0.74	1.03	1.40	1.50	1.40
390M	39	0.29	0.19	0.21	0.14	0.08	0.68	0.95	1.30	1.30	1.40
470M	47	0.34	0.23	0.24	0.15	0.10	0.62	0.87	1.20	1.30	1.30
560M	56	0.42	0.26	0.31	0.18	0.11	0.57	0.80	1.10	1.20	1.20
680M	68	0.48	0.28	0.34	0.20	0.14	0.51	0.72	1.00	1.10	1.10
820M	82	0.55	0.39	0.40	0.24	0.16	0.47	0.66	0.93	1.00	1.00
101K	100	0.68	0.43	0.52	0.28	0.19	0.42	0.59	0.81	0.89	0.90
121K	120	0.77	0.54	0.59	0.36	0.22	0.39	0.54	0.76	0.81	0.82
151K	150	0.95	0.64	0.71	0.42	0.27	0.35	0.48	0.67	0.72	0.74
181K	180	1.15	0.74	0.89	0.57	0.31	0.32	0.44	0.62	0.66	0.71
221K	220	1.30	0.96	1.04	0.63	0.38	0.29	0.40	0.54	0.57	0.64
271K	270	1.55	1.12	1.28	0.88	0.53	0.26	0.36	0.49	0.51	0.57
331K	330	2.18	1.48	1.47	1.05	0.61	0.23	0.33	0.44	0.46	0.51
391K	390	2.47	1.66	1.67	1.17	0.69	0.21	0.30	0.41	0.44	0.48
471K	470	2.92	1.91	1.95	1.34	0.89	0.20	0.28	0.38	0.41	0.43
561K	560	3.97	2.31	2.83	1.72	1.01	0.18	0.25	0.35	0.36	0.40
681K	680	4.57	2.67	3.25	1.96	1.18	0.16	0.23	0.32	0.33	0.35
821K	820	5.28	3.10	3.82	2.56	1.57	0.15	0.21	0.31	0.30	0.32
102K	1000	7.06	4.45	5.28	2.94	1.84	0.13	0.19	0.25	0.27	0.30
122K	1200			6.03	4.04	2.10			0.23	0.24	0.27
152K	1500			7.15	4.70	2.80			0.21	0.22	0.23
182K	1800			8.26	5.05	3.21			0.20	0.20	0.21
222K	2200			11.1	6.25	4.21			0.18	0.18	0.19
272K	2700			13.1	8.72	4.94			0.16	0.16	0.17
332K	3300			15.9	10.6	6.16			0.14	0.15	0.15
392K	3900			18.0	14.2	6.84			0.13	0.14	0.14
472K	4700			23.9	16.7	7.89			0.12	0.12	0.13
562K	5600			26.8	18.7	11.5			0.11	0.11	0.12
682K	6800			31.7	21.8	13.2			0.098	0.10	0.11
822K	8200			46.5	28.7	15.2			0.088	0.093	0.10
103K	10000			55.7	33.0	22.0			0.081	0.084	0.089
123K	12000					25.0					0.073
153K	15000					29.1					0.068
183K	18000					38.9					0.066
223K	22000					44.9					0.059
273K	27000					55.7					0.052
333K	33000					64.2					0.048
393K	39000					74.2					0.042
473K	47000					96.4					0.038

Note: L.K=±10%, M=±20%



Dimension: mm

Part Number	A	B	C	D	E
FALCH0605	5.2Max	4.06	4.06	6.5Max	0.5
FALCH0606	6.5Max	4.06	4.06	6.5Max	0.5
FALCH0805	5.5Max	5.06	5.06	8.3Max	0.7
FALCH0807	7.5Max	5.06	5.06	8.3Max	0.7
FALCH0809	9.5Max	5.06	5.06	8.3Max	0.7

TECHNICAL INFORMATION

IDC Max: Determined when superimposed
 Testing: [Equivalent acceptable]
 Inductance: HP4284A 1kHz 0.1V
 RDC: QuadTech 1880 Milliohm meter
 IDC Max: Lowers inductance by 10%
 Operating temperature: -40°C to +105°C
 Storage Temperature: -40°C to +105°C
 Solder methods: Vapor Phase, Infrared Reflow
 Resistance to soldering heat: 260°C for 10 seconds
 Solvent resistance: Conforms to MIL-STD-202E
 Marking: Inductance & Tolerance

Note: All specifications subject to change without notice.

THROUGH-HOLE RADIAL POWER CHOKES FALCH4W SERIES 1006,1008,1010,1014



FEATURES:

Wire-wound Structure
Excellent heat resistance
Excellent environmental characteristics
High reliability

OPTIONS:

Packaging: Bulk is standard
Tolerance: 10% is standard
tighter tolerances available

COMMON APPLICATIONS:

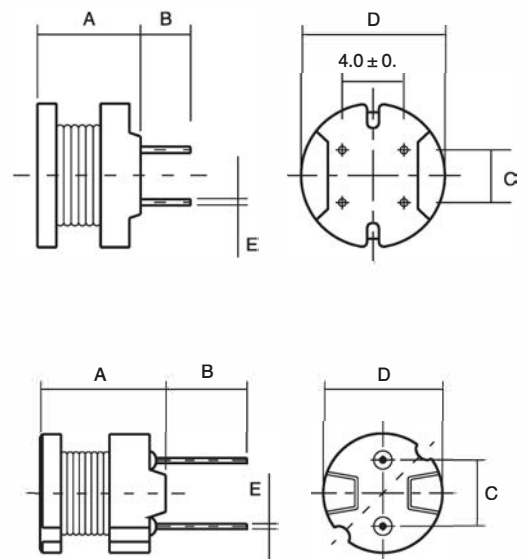
Power Supplies
SCR and TRIAC Controls
RFI Suppression
Filters
Switching Regulators

ELECTRICAL CHARACTERISTICS

Part number FALCHB-xxxx-	Inductance [μ H]	DCR(Ω)Max				IDC(A)			
		1006	1008	1010	1014	1006	1008	1010	1014
6R3M	6.3				0.260				4.30
7R5M	7.5				0.290				4.20
100M	10	0.040	0.027	0.022	0.033	3.60	4.50	5.30	4.00
120M	12	0.044	0.031	0.023	0.035	3.30	4.10	4.90	3.90
150M	15	0.058	0.035	0.026	0.039	2.90	3.70	4.40	3.70
180M	18	0.064	0.049	0.033	0.047	2.70	3.40	4.00	3.50
220M	22	0.088	0.055	0.037	0.051	2.40	3.10	3.60	3.30
270M	27	0.100	0.062	0.048	0.057	2.20	2.80	3.30	3.10
330M	33	0.110	0.079	0.055	0.064	2.00	2.50	2.90	2.90
390M	39	0.140	0.087	0.073	0.074	1.80	2.30	2.70	2.70
470M	47	0.160	0.099	0.083	0.083	1.70	2.10	2.50	2.50
560M	56	0.190	0.130	0.092	0.104	1.50	1.90	2.30	2.30
680M	68	0.220	0.140	0.120	0.117	1.40	1.70	2.10	2.10
820M	82	0.290	0.160	0.140	0.130	1.30	1.60	1.90	1.90
101K	100	0.320	0.210	0.160	0.143	1.30	1.40	1.70	1.70
121K	120	0.380	0.240	0.200	0.195	1.20	1.30	1.50	1.50
151K	150	0.500	0.320	0.230	0.221	1.00	1.20	1.40	1.40
181K	180	0.560	0.350	0.310	0.260	0.84	1.10	1.30	1.30
221K	220	0.780	0.450	0.340	0.350	0.76	0.96	1.10	1.20
271K	270	0.920	0.610	0.400	0.390	0.69	0.87	1.00	1.10
331K	330	1.10	0.690	0.520	0.520	0.62	0.79	0.93	1.00
391K	390	1.30	0.780	0.650	0.570	0.57	0.72	0.86	0.92
471K	470	1.50	1.00	0.710	0.650	0.52	0.66	0.78	0.84
561K	560	1.90	1.20	1.00	0.790	0.48	0.60	0.71	0.75
681K	680	2.20	1.40	1.10	0.960	0.43	0.55	0.65	0.69
821K	820	2.60	1.80	1.30	1.22	0.40	0.50	0.59	0.62
102K	1000	3.20	2.10	1.70	1.60	0.36	0.45	0.53	0.52
122K	1200				2.20				0.46
152K	1500				2.50				0.41
182K	1800				2.90				0.36
222K	2200				3.20				0.32
272K	2700				3.70				0.29
332K	3300				5.00				0.27
392K	3900				5.60				0.25
472K	4700				7.40				0.23
562K	5600				8.20				0.21
682K	6800				11.9				0.19
822K	8200				14.0				0.17
103K	10000				16.0				0.16
123K	12000				21.0				0.15
153K	15000				24.0				0.14
183K	18000				27.0				0.13
223K	22000				34.0				0.12
273K	27000				39.0				0.11
333K	33000				51.0				0.10
393K	39000				58.0				0.09

Note: 1. K=±10%, M=±20%

PHYSICAL CHARACTERISTICS



Dimension: mm

Part Number	A	B	C	D	E
FALCH4W1006	6.5Max	3.5±1.5	5.0±0.3	10.5Max	0.7
FALCH4W1008	8.5Max	3.5±1.5	5.0±0.3	10.5Max	0.7
FALCH4W1010	10.5Max	3.5±1.5	5.0±0.3	10.5Max	0.7
FALCH 1014	14.4Max	5.0±1.5	5.0±0.3	10.5Max	0.7
FALCH4W1014	14.4Max	5.0±1.5	5.0±0.3	10.5Max	0.7

TECHNICAL INFORMATION

Testing: LCR Bridge measured @ 1KHz

[Equivalent acceptable]

RDC: QuadTech 1880 Milliohmeter

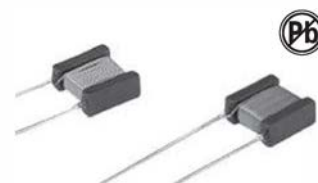
IDC Max: Lowers inductance by 10%

Operating temperature: -55°C to +125°C

Marking: Inductance and tolerance

Note: All specifications subject to change without notice.

THROUGH-HOLE RADIAL FLAT POWER INDUCTORS FAAIFC1010 SERIES



FEATURES:

Ferrite Core
Wire-wound construction
Narrow Design for densely mount
High reliability - Ideal for automatic insertion
Small Size - Low Cost
Wide Range of Inductance Values
High Q SRF

OPTIONS:

Packaging: Tape & Reel is Standard
(Qty: 1000 pcs)
Bulk packaging available for smaller quantities
Tolerance: 10% is standard
tighter tolerances available.

COMMON APPLICATIONS:

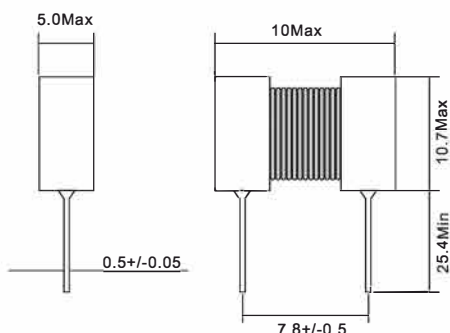
VCRs, PDP, LCD, TV see
Automotive Systems
Computer Peripheral Equipment
GPS, DC/DC convertor, XDSL Modem
Electronic Games
Communications Equipment
General Electronic Applications

STANDARD SPECIFICATIONS

Part Number	L (μH)	L Test Freq (MHz)	Q (Min)	Q Test Freq (MHz)	DCR (Ω Max)	IDC (Amax)	Part Number	L (μH)	L Test Freq (MHz)	Q (Min)	Q Test Freq (MHz)	DCR (Ω Max)	IDC (Amax)
FAAIFC1010-1R0K	1.0	7.96	45	7.96	0.015	7.0	FAAIFC1010-820K	82	2.52	50	2.52	1.198	0.86
FAAIFC1010-1R2K	1.2	7.96	39	7.96	0.012	6.0	FAAIFC1010-101K	100	0.796	80	0.796	1.600	0.70
FAAIFC1010-1R5K	1.5	7.96	33	7.96	0.014	5.0	FAAIFC1010-121K	120	0.796	70	0.796	1.725	0.65
FAAIFC1010-1R8K	1.8	7.96	37	7.96	0.020	4.8	FAAIFC1010-151K	150	0.796	70	0.796	1.855	0.60
FAAIFC1010-2R2K	2.2	7.96	38	7.96	0.025	4.4	FAAIFC1010-181K	180	0.796	70	0.796	2.070	0.58
FAAIFC1010-2R5K	2.5	7.96	40	7.96	0.030	4.1	FAAIFC1010-221K	220	0.796	50	0.796	2.105	0.49
FAAIFC1010-2R7K	2.7	7.96	43	7.96	0.028	4.0	FAAIFC1010-251K	250	0.796	40	0.796	2.700	0.49
FAAIFC1010-3R3K	3.3	7.96	35	7.96	0.036	3.7	FAAIFC1010-331K	330	0.796	50	0.796	3.335	0.41
FAAIFC1010-3R9K	3.9	7.96	37	7.96	0.050	3.4	FAAIFC1010-391K	390	0.796	45	0.796	3.450	0.39
FAAIFC1010-4R7K	4.7	7.96	37	7.96	0.053	3.2	FAAIFC1010-471K	470	0.796	40	0.796	5.290	0.35
FAAIFC1010-5R0K	5.0	7.96	40	7.96	0.080	2.90	FAAIFC1010-561K	560	0.796	40	0.796	5.405	0.32
FAAIFC1010-5R6K	5.6	7.96	38	7.96	0.092	2.80	FAAIFC1010-681K	680	0.796	45	0.796	5.930	0.29
FAAIFC1010-6R8K	6.8	7.96	29	7.96	0.113	2.60	FAAIFC1010-751K	750	0.796	30	0.796	4.200	0.28
FAAIFC1010-8R2K	8.2	2.52	30	2.52	0.110	2.50	FAAIFC1010-821K	820	0.796	40	0.796	6.325	0.27
FAAIFC1010-100K	10	2.52	80	2.52	0.190	2.10	FAAIFC1010-102K	1000	0.252	70	0.252	8.600	0.21
FAAIFC1010-120K	12	2.52	40	2.52	0.140	2.00	FAAIFC1010-122K	1200	0.252	70	0.252	10.00	0.21
FAAIFC1010-150K	15	2.52	40	2.52	0.158	1.60	FAAIFC1010-152K	1500	0.252	62	0.252	14.26	0.19
FAAIFC1010-180K	18	2.52	40	2.52	0.180	1.60	FAAIFC1010-182K	1800	0.252	62	0.252	15.76	0.17
FAAIFC1010-220K	22	2.52	40	2.52	0.230	1.40	FAAIFC1010-222K	2200	0.252	60	0.252	17.70	0.15
FAAIFC1010-250K	25	2.52	50	2.52	0.500	1.30	FAAIFC1010-252K	2500	0.252	60	0.252	18.00	0.14
FAAIFC1010-270K	27	2.52	50	2.52	0.2835	1.30	FAAIFC1010-272K	2700	0.252	60	0.252	19.10	0.14
FAAIFC1010-330K	33	2.52	45	2.52	0.346	1.20	FAAIFC1010-332K	3300	0.252	50	0.252	21.74	0.13
FAAIFC1010-390K	39	2.52	45	2.52	0.371	1.10	FAAIFC1010-392K	3900	0.252	50	0.252	26.00	0.12
FAAIFC1010-470K	47	2.52	45	2.52	0.502	1.03	FAAIFC1010-472K	4700	0.252	50	0.252	28.90	0.11
FAAIFC1010-500K	50	2.52	40	2.52	1.100	1.00	FAAIFC1010-602K	6000	0.252	35	0.252	31.00	0.10
FAAIFC1010-560K	56	2.52	40	2.52	0.687	0.95	FAAIFC1010-752K	7500	0.252	25	0.252	50.00	0.08
FAAIFC1010-680K	68	2.52	40	2.52	0.808	0.90	FAAIFC1010-103K	10000	0.252	25	0.252	70.00	0.07
FAAIFC1010-750K	75	2.52	40	2.52	1.200	0.86							

Note: 1. K=±10%, M=±20%

PHYSICAL CHARACTERISTICS



ELECTRONICAL SCHEMATIC

DIMENSIONS in mm



TECHNICAL INFORMATION

IDC Max: Determined when superimposed
Testing: [Equivalent acceptable] Inductance: HP4342
RDC: QuadTech 1880 Milliohm meter
Q - HP4342A - SRF-HP4191A
DC current is decreased 10% against its initial value
Operating temperature: -40°C to +105°C
Storage Temperature: -40°C to +105°C
Solder methods: Vapor Phase, Infrared Reflow
Resistance to soldering heat: 260 for 10 sec
Solvent resistance: Conforms to MIL-STD-202E
Marking: Inductance & Tolerance

Note: All specifications subject to change without notice.

THROUGH-HOLE RADIAL ENCAPSULATED POWER INDUCTORS FALGB0709C-0809C SERIES



FEATURES:

- Plastic housing
- Water proof structure Ferrite Core
- Excellent Mechanical Strength
- Excellent Solderability
- High Reliability

OPTIONS:

- Packaging:Tape & Reel is standard (Qty:2000pcs)
- Bulk packaging available for smaller quantities
- Tolerance:10% and 5% is standard tighter tolerances available

COMMON APPLICATIONS:

- VCRs, PDP, LCD, TV set
- Automotive Systems
- Computer Peripheral Equipment
- GPS, DC/DC convertor, XDSL Modem
- Electronic Games
- Communications Equipment
- General Electronic Applications

ELECTRICAL CHARACTERISTICS

Part Number	L μ H	Test Freq KHz	DCR ohm Max	IDC Max A	Part Number	L μ H	Test Freq KHz	DCR ohm Max	IDC Max A
FALG B0709C -1R0M	1.00	1	0.006	5.00	FALG B0809C -2R2M	2.20	1	0.011	4.00
FALG B0709C -1R5M	1.50	1	0.008	4.30	FALG B0809C -3R3M	3.30	1	0.013	3.40
FALG B0709C -2R2M	2.20	1	0.011	3.70	FALG B0809C -4R7M	4.70	1	0.017	3.00
FALG B0709C -3R3M	3.30	1	0.018	2.90	FALG B0809C -6R8M	6.80	1	0.023	2.60
FALG B0709C -4R7M	4.70	1	0.022	2.60	FALG B0809C -100M	10	1	0.031	2.20
FALG B0709C -6R8M	6.80	1	0.028	2.30	FALG B0809C -150M	15	1	0.042	1.90
FALG B0709C -100M	10	1	0.043	1.90	FALG B0809C -220M	22	1	0.070	1.50
FALG B0709C -150M	15	1	0.056	1.60	FALG B0809C -330M	33	1	0.092	1.20
FALG B0709C -220M	22	1	0.086	1.30	FALG B0809C -470M	47	1	0.130	1.00
FALG B0709C -330M	33	1	0.140	1.00	FALG B0809C -680M	68	1	0.160	0.97
FALG B0709C -470M	47	1	0.170	0.94	FALG B0809C -101K	100	1	0.230	0.81
FALG B0709C -680M	68	1	0.280	0.73	FALG B0809C -151K	150	1	0.400	0.61
FALG B0709C -101K	100	1	0.330	0.67	FALG B0809C -221K	220	1	0.530	0.53
FALG B0709C -151K	150	1	0.560	0.52	FALG B0809C -331K	330	1	0.780	0.44
FALG B0709C -221K	220	1	0.720	0.46	FALG B0809C -471K	470	1	1.000	0.39
FALG B0709C -331K	330	1	1.100	0.37	FALG B0809C -681K	680	1	1.500	0.32
FALG B0709C -471K	470	1	1.700	0.30	FALG B0809C -102K	1000	1	2.200	0.26
FALG B0709C -681K	680	1	2.300	0.26	FALG B0809C -152K	1500	1	3.500	0.21
FALG B0709C -102K	1000	1	4.300	0.19					
FALG B0709C -152K	1500	1	5.000	0.16					

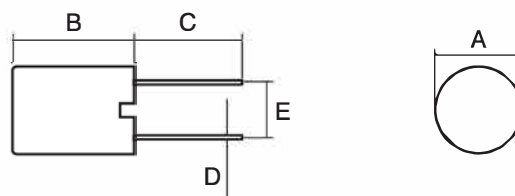
Note:1. K=±10%,M=±20%,N=±30%

TECHNICAL INFORMATION

- Testing: [Equivalent acceptable] Inductance:HP4284A
- RDC:QuadTech 1880 Milliohmmer
- Q- HP4342A - SRF-HP4191A
- IDC Max is decreased 10% against its initial value
- Operating temperature: -40°C to +105°C
- Storage Temperature: -40°C to +105°C
- Solder methods: Vapor Phase,Infrared Reflo
- Resistance to soldering heat:260°C for 10 seconds
- Solvent resistance: Conforms to MIL-STD-202E
- Marking: Inductance & Tolerance

Note:All specifications subject to change without notice.

PHYSICAL CHARACTERISTICS



DIMENSIDNS in mm

Part number	A	B	C	D	E
FA LG B0709C	8.0Max	9.6Max	5.0Min	0.6	5.0
FA LG B0809C	9.0Max	9.6Max	5.0Min	0.6	5.0

THROUGH-HOLE RADIAL ENCAPSULATED POWER INDUCTOR FALGB1112C-1315C SERIES



FEATURES:

Plastic housing
Water proof structure Ferrite Core
Excellent Mechanical Strength
Excellent Solderability
High Reliability

OPTIONS:

Packaging:Tape & Reel is standard (Qty:2000pcs)
Bulk packaging available for smaller quantities
Tolerance:10% and 5% is standard tighter tolerances available

COMMON APPLICATIONS:

VCRs, PDP, LCD, TV set
Automotive Systems
Computer Peripheral Equipment
GPS, DC/DC converter, XDSL Modem
Electronic Games
Communications Equipment
General Electronic Applications

ELECTRICAL CHARACTERISTICS

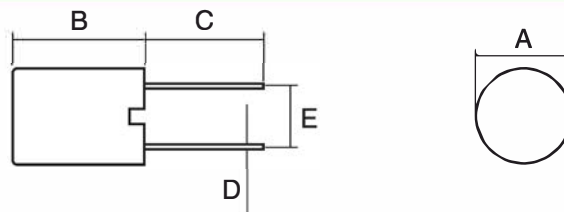
Part Number	L μ H	Test Freq KHz	DCR ohm Max	IDC Max A	Part Number	L μ H	Test Freq KHz	DCR ohm Max	IDC Max A
FALGB1112C-3R3M	3.30	1	0.010	5.90	FALGB1315C-100M	10	1	0.023	5.10
FALGB1112C-4R7M	4.70	1	0.015	4.80	FALGB1315C-150M	15	1	0.028	4.50
FALGB1112C-6R8M	6.80	1	0.016	4.60	FALGB1315C-220M	22	1	0.035	4.20
FALGB1112C-100M	10	1	0.025	3.70	FALGB1315C-330M	33	1	0.043	3.70
FALGB1112C-150M	15	1	0.029	3.40	FALGB1315C-470M	47	1	0.052	3.40
FALGB1112C-220M	22	1	0.040	2.90	FALGB1315C-680M	68	1	0.068	3.00
FALGB1112C-330M	33	1	0.062	2.30	FALGB1315C-101K	100	1	0.097	2.50
FALGB1112C-470M	47	1	0.075	2.10	FALGB1315C-151K	150	1	0.140	2.10
FALGB1112C-680M	68	1	0.130	1.60	FALGB1315C-221K	220	1	0.200	1.70
FALGB1112C-101K	100	1	0.160	1.40	FALGB1315C-331K	330	1	0.300	1.40
FALGB1112C-151K	150	1	0.260	1.10	FALGB1315C-471K	470	1	0.430	1.10
FALGB1112C-221K	220	1	0.330	1.00	FALGB1315C-681K	680	1	0.610	0.99
FALGB1112C-331K	330	1	0.520	0.82	FALGB1315C-102K	1000	1	1.000	0.78
FALGB1112C-471K	470	1	0.660	0.72	FALGB1315C-152K	1500	1	1.300	0.68
FALGB1112C-681K	680	1	1.100	0.56	FALGB1315C-222K	2200	1	2.000	0.55
FALGB1112C-102K	1000	1	1.400	0.50	FALGB1315C-332K	3300	1	3.100	0.44
FALGB1112C-152K	1500	1	2.400	0.38	FALGB1315C-472K	4700	1	4.400	0.37
FALGB1112C-222K	2200	1	3.200	0.33	FALGB1315C-682K	6800	1	6.500	0.30
FALGB1112C-332K	3300	1	4.900	0.26	FALGB1315C-103K	10000	1	10.00	0.24
FALGB1112C-472K	4700	1	7.600	0.21					
FALGB1112C-682K	6800	1	9.800	0.18					
FALGB1112C-103K	10000	1	18.00	0.14					
FALGB1112C-153K	15000	1	24.00	0.12					

Note:1. K=±10%,M=±20%,N=±30%

TECHNICAL INFORMATION

IDC Max:Determined when superimposed
Testing: [Equivalent acceptable] Inductance:HP4284A
RDC:QuadTech 1880 Milliohm meter
Q- HP4342A - SRF-HP4191A
DC current is decreased 10% against its initial value
Operating temperature: -40°C to +105°C
Storage Temperature: -40°C to +105°C
Solder methods: Vapor Phase,Infrared Reflo
Resistance to soldering heat:260°C for 10 seconds
Solvent resistance: Conforms to MIL-STD-202E
Marking: Inductance & Tolerance
Note:All specifications subject to change without notice.

PHYSICAL CHARACTERISTICS



DIMENSIDNS in mm

Part number	A	B	C	D	E
FALGB1112C	11.5Max	12.5Max	5.0Min	0.6	5.0
FALGB1315C	14.0Max	17.0Max	5.0Min	0.6	5.0

THROUGH-HOLE RADIAL SHIELDED POWER INDUCTOR FALGS0606-0708 SERIES



FEATURES:

Magnetically Shielded Construction
Heat Resistant Molded Resin
Excellent Mechanical Strength
Excellent Solderability
High Reliability
Low Profile

OPTIONS:

Packaging: Tape & Reel is standard [Qty: 2000 pcs]
Bulk packaging available for smaller quantities
Tolerance: 10% and 5% is standard tighter tolerances available

COMMON APPLICATIONS:

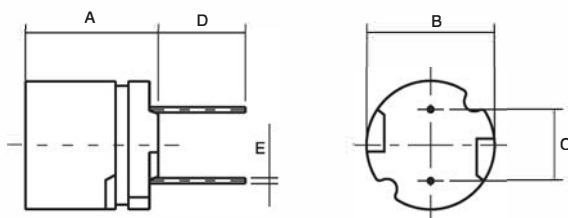
VCRs, AC/DC, DC/DC Converter
Video Cameras
Communication Systems
Automotive Systems
Liquid Crystal Televisions
Power Supplier
Network Systems
Computer Peripheral Equipment

ELECTRICAL CHARACTERISTICS

Part Number	L μ H	Test Freq Mhz	DCR ohm Max	IDC Max mA	Part Number	L μ H	Test Freq Mhz	DCR ohm Max	IDC Max mA
FALGS0606-220M	22	2.52	0.13	960	FALGS0708-220M	22	2.52	0.08	1600
FALGS0606-270M	27	2.52	0.18	870	FALGS0708-270M	27	2.52	0.10	1400
FALGS0606-330M	33	2.52	0.21	780	FALGS0708-330M	33	2.52	0.14	1300
FALGS0606-390M	39	2.52	0.26	720	FALGS0708-390M	39	2.52	0.15	1200
FALGS0606-470M	47	2.52	0.29	660	FALGS0708-470M	47	2.52	0.17	1100
FALGS0606-560K	56	2.52	0.33	600	FALGS0708-560K	56	2.52	0.19	990
FALGS0606-680K	68	2.52	0.36	550	FALGS0708-680K	68	2.52	0.21	890
FALGS0606-820K	82	2.52	0.39	500	FALGS0708-820K	82	2.52	0.27	810
FALGS0606-101K	100	0.001	0.54	450	FALGS0708-101K	100	0.001	0.32	740
FALGS0606-121K	120	0.001	0.62	410	FALGS0708-121K	120	0.001	0.36	670
FALGS0606-151K	150	0.001	0.72	370	FALGS0708-151K	150	0.001	0.51	600
FALGS0606-181K	180	0.001	0.88	340	FALGS0708-181K	180	0.001	0.57	550
FALGS0606-221K	220	0.001	0.99	300	FALGS0708-221K	220	0.001	0.76	500
FALGS0606-271K	270	0.001	1.52	270	FALGS0708-271K	270	0.001	0.86	450
FALGS0606-331K	330	0.001	1.69	250	FALGS0708-331K	330	0.001	0.97	410
FALGS0606-391K	390	0.001	1.85	230	FALGS0708-391K	390	0.001	1.28	370
FALGS0606-471K	470	0.001	2.85	210	FALGS0708-471K	470	0.001	1.44	340
FALGS0606-561K	560	0.001	3.21	190	FALGS0708-561K	560	0.001	1.61	310
FALGS0606-681K	680	0.001	3.60	170	FALGS0708-681K	680	0.001	2.07	280
FALGS0606-821K	820	0.001	4.87	160	FALGS0708-821K	820	0.001	2.33	260
FALGS0606-102K	1000	0.001	5.65	140	FALGS0708-102K	1000	0.001	2.72	230
					FALGS0708-122K	1200	0.001	3.98	210
					FALGS0708-152K	1500	0.001	4.50	190
					FALGS0708-182K	1800	0.001	6.81	170
					FALGS0708-222K	2200	0.001	7.56	160
					FALGS0708-272K	2700	0.001	8.54	140
					FALGS0708-332K	3300	0.001	9.74	130
					FALGS0708-392K	3900	0.001	12.9	120
					FALGS0708-472K	4700	0.001	14.7	110
					FALGS0708-562K	5600	0.001	20.4	99
					FALGS0708-682K	6800	0.001	23.0	89
					FALGS0708-822K	8200	0.001	30.6	81
					FALGS0708-102K	10000	0.001	35.0	74

Note: 1. K=±10%, M=±20%, N=±30%

PHYSICAL CHARACTERISTICS



DIMENSIONS in mm

Part number	A	B	C	D	E
FALGS0606	6.5Max	6.0±0.5	4.0±0.5	4.0Min	0.55
FALGS0708	7.5Max	7.8±0.5	5.0±0.5	4.0Min	0.65

TECHNICAL INFORMATION

Testing: [Equivalent acceptable] Inductance: HP4342A HP4284A
RDC: QuadTech 1880 Milliohm meter
Q- HP4342A - SRF-HP4191A
DC current is decreased 10% against its initial value
Operating temperature: -40°C to +105°C
Storage Temperature: -40°C to +105°C
Solder methods: Vapor Phase, Infrared Reflow
Resistance to soldering heat: 260°C for 10 seconds
Solvent resistance: Conforms to MIL-STD-202E
Marking: Inductance & Tolerance
Note: All specifications subject to change without notice.

THROUGH-HOLE RADIAL SHIELDED POWER INDUCTOR FALGS1009-1159 SERIES



FEATURES:

- Magnetically Shielded Construction
- Heat Resistant Molded Resin
- Excellent Mechanical Strength
- Excellent Solderability
- High Reliability
- Low DCR Large Current

OPTIONS:

- Packaging: Tape & Reel is standard [Qty: 2000pcs]
- Bulk packaging available for smaller quantities
- Tolerance: 10% and 5% is standard tighter tolerances available

COMMON APPLICATIONS:

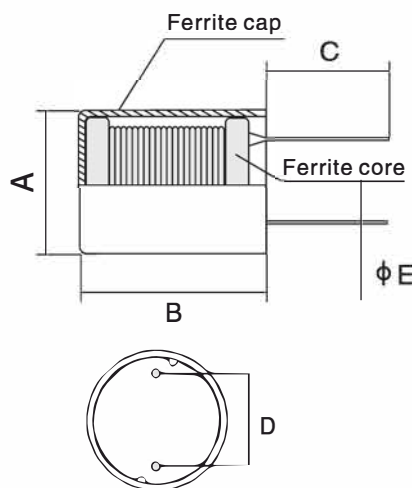
- VCRs, AC/DC, DC/DC Converter
- Video Cameras
- Communication System
- Automotive Systems
- Liquid Crystal Televisions
- Power Supplier
- Network Systems
- Computer Peripheral Equipment

ELECTRICAL CHARACTERISTICS

Part Number	L mH	Test Freq KHz	Q Min	DCR (Ω) Max	IDC Max mA
FALGS1014-122K	1.2	1	50	1.2	200
FALGS1014-152K	1.5	1	50	1.5	200
FALGS1014-182K	1.8	1	50	1.6	200
FALGS1014-222K	2.2	1	50	1.8	200
FALGS1014-272K	2.7	1	40	1.9	200
FALGS1014-332K	3.3	1	40	2.3	200
FALGS1014-392K	3.9	1	40	2.5	200
FALGS1014-472K	4.7	1	40	3.7	140
FALGS1014-502K	5.0	1	40	3.8	140
FALGS1014-562K	5.6	1	40	4.0	140
FALGS1014-682K	6.8	1	40	4.2	140
FALGS1014-822K	8.2	1	40	5.3	140
FALGS1014-103K	10	1	100	7.3	100
FALGS1014-123K	12	1	100	8.3	100
FALGS1014-153K	15	1	100	11.0	90
FALGS1014-183K	18	1	100	13.6	75
FALGS1014-223K	22	1	100	15.4	75
FALGS1014-273K	27	1	100	17.9	75
FALGS1014-333K	33	1	100	23.3	60
FALGS1014-393K	39	1	100	25.9	60
FALGS1014-473K	47	1	80	30.4	60
FALGS1014-503K	50	1	80	37.8	50
FALGS1014-563K	56	1	80	39.1	50
FALGS1014-683K	68	1	50	40	50
FALGS1014-823K	82	1	50	47	40
FALGS1014-104K	100	1	120	50	40
FALGS1014-124K	120	1	100	91	30
FALGS1014-154K	150	1	90	140	20
FALGS1014-184K	180	1	90	164	20
FALGS1014-224K	220	1	90	182	20
FALGS1014-274K	270	1	90	200	20
FALGS1014-334K	330	1	80	275	15
FALGS1014-394K	390	1	80	300	15
FALGS1014-474K	470	1	80	345	15
FALGS1014-564K	560	1	60	520	8.4
FALGS1014-684K	680	1	60	590	8.4
FALGS1014-824K	820	1	50	675	8.4
FALGS1014-105K	1000	1	50	770	8.4
FALGS1014-125K	1200	1	50	845	8.4

Note: L: K=±10%, M=±20%, N=±30%

PHYSICAL CHARACTERISTICS



DIMENSIONS in mm

Part Number	A	B	C	D	E
FALGS1009	11.0Max	9.5Max	5.0Min	5.0±0.5	0.7
FALGS1014	11.0Max	14.0Max	5.0Min	5.0±0.5	0.7
FALGS1216	12.5Max	16.0Max	5.0Min	5.0±0.5	0.8
FALGS1519	16.0Max	19.5Max	5.0Min	7.5±0.5	0.8

TECHNICAL INFORMATION

IDC Max: Determined when superimposed
 Testing: [Equivalent acceptable] Inductance: HP4342A, HP4284A
 RDC: QuadTech 1880 Milliohm meter
 Q- HP4342A - SRF-HP4191A
 DC current is decreased 10% against its initial value
 Operating temperature: -40°C to +105°C
 Storage Temperature: -40°C to +105°C
 Solder methods: Vapor Phase, Infrared Reflow
 Resistance to soldering heat: 260°C for 10 secon
 Solvent resistance: Conforms to MIL-STD-202E
 Marking: Inductance & Tolerance
 Note: All specifications subject to change without notice.

THROUGH-HOLE RADIAL HIGH CURRENT POWER CHOKES FAAIRD01 SERIES



FEATURES:

High Saturation Material
Polyolefin Shrink Tubing
Low DC Resistance
High Reliability Low cost

OPTIONS:

Packaging: Tape & Reel is Standard
(Qty: 1000 pcs)
Bulk packaging available for smaller quantities
Tolerance:10% is standard
tightertolerances available.

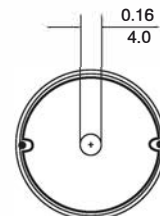
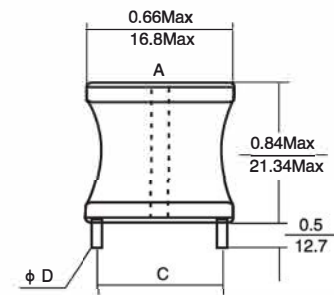
COMMON APPLICATIONS:

Switching Regulators
RFI Suppression Filters
SCR and TRIAC Controls
Automotive Systems

STANDARD SPECIFICATIONS					
Part Number	L [μ H] @1KHz	DCR (Ω)Max	IDC [A Max]	Dim[Inches/mm] C Approx.	Dim[Inches/mm] D Nom.
FAAIRD01-1R0M	1.0	0.003	9	0.55/13.97	0.051/1.30
FAAIRD01-1R2M	1.2	0.003	9	0.55/13.97	0.051/1.30
FAAIRD01-1R5M	1.5	0.004	9	0.55/13.97	0.051/1.30
FAAIRD01-1R8M	1.8	0.004	9	0.55/13.97	0.051/1.30
FAAIRD01-2R2M	2.2	0.005	9	0.55/13.97	0.051/1.30
FAAIRD01-2R7M	2.7	0.005	9	0.55/13.97	0.051/1.30
FAAIRD01-3R3M	3.3	0.005	9	0.55/13.97	0.051/1.30
FAAIRD01-3R9M	3.9	0.006	9	0.55/13.97	0.051/1.30
FAAIRD01-4R7M	4.7	0.007	9	0.55/13.97	0.051/1.30
FAAIRD01-5R6M	5.6	0.007	9	0.55/13.97	0.051/1.30
FAAIRD01-6R8M	6.8	0.008	9	0.55/13.97	0.051/1.30
FAAIRD01-8R2M	8.2	0.009	9	0.55/13.97	0.051/1.30
FAAIRD01-100K	10	0.010	9	0.55/13.97	0.051/1.30
FAAIRD01-120K	12	0.011	9	0.55/13.97	0.051/1.30
FAAIRD01-150K	15	0.015	7.2	0.53/13.46	0.043/1.10
FAAIRD01-180K	18	0.016	7.2	0.53/13.46	0.043/1.10
FAAIRD01-220K	22	0.020	5.5	0.53/13.46	0.043/1.10
FAAIRD01-270K	27	0.030	4.5	0.53/13.46	0.039/1.00
FAAIRD01-330K	33	0.040	4.0	0.53/13.46	0.039/1.00
FAAIRD01-390K	39	0.046	4.0	0.53/13.46	0.039/1.00
FAAIRD01-470K	47	0.062	2.8	0.53/13.46	0.035/0.90
FAAIRD01-560K	56	0.069	2.8	0.53/13.46	0.035/0.90
FAAIRD01-680K	68	0.077	2.8	0.50/12.70	0.032/0.80
FAAIRD01-820K	82	0.083	2.8	0.50/12.70	0.032/0.80
FAAIRD01-101K	100	0.095	2.8	0.50/12.70	0.032/0.80
FAAIRD01-121K	120	0.127	2.0	0.50/12.70	0.030/0.75
FAAIRD01-151K	150	0.181	1.6	0.50/12.70	0.030/0.75
FAAIRD01-181K	180	0.217	1.6	0.50/12.70	0.025/0.63
FAAIRD01-221K	220	0.240	1.6	0.50/12.70	0.025/0.63
FAAIRD01-271K	270	0.300	1.6	0.47/11.94	0.020/0.50
FAAIRD01-331K	330	0.336	1.3	0.47/11.94	0.020/0.50
FAAIRD01-391K	390	0.460	1.0	0.47/11.94	0.020/0.50
FAAIRD01-471K	470	0.636	0.8	0.47/11.94	0.020/0.50
FAAIRD01-561K	560	0.696	0.8	0.47/11.94	0.020/0.50

Note:1. K=±10%,M=±20%

PHYSICAL CHARACTERISTICS



DIMENSIONS: $\frac{\text{INCHES}}{\text{mm}}$

ELECTRONICAL SCHEMATIC



TECHNICAL INFORMATION

Inductance Testing: ,HP4284A,HP4285A or equivalent
RDC:QuadTech 1880 Milliohmometer
Q- HP4342A
SRF-HP4191A or HP4194A
Rated Current L value drop10%typ.at IDC against its initial value
Temperature rise 40 C Max Reference ambient temperature
Solderability: 75% of the lead wire shall be covered
Soldering Methods: Wave,Reflow
Operating Temperature:-25°C to +85°C
Storage Temperature: -55°C to +125°C
Terminal bending strength:24.5N Min
Moisture resistance: $\Delta L/L \leq \pm 10\%$ $\Delta Q/Q \leq \pm 25\%$

Note: All specifications subject to change without notice.

THROUGH-HOLE RADIAL HIGH CURRENT POWER CHOKES FAAIRD02 SERIES



FEATURES:

High Saturation Material
Polyolefin Shrink Tubing
Low DC Resistance
High Reliability Low cost

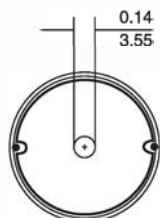
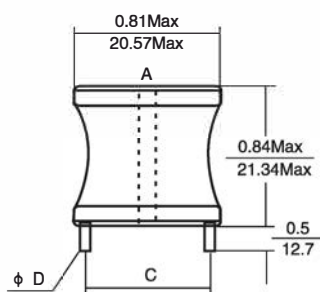
OPTIONS:

Packaging: Tape & Reel is Standard (Qty: 1000 pcs)
Bulk packaging available for smaller quantities
Tolerance:10% is standard
tighter tolerances available.

COMMON APPLICATIONS:

Switching Regulators
RFI Suppression Filters
SCR and TRIAC Controls
Automotive Systems

PHYSICAL CHARACTERISTICS



DIMENSIONS: **INCHES**
mm

STANDARD SPECIFICATIONS

Part Number	L [μH] @1KHz	DCR [Ω Max]	IDC [A Max]	Dim(Inches/mm) C Approx.	Dim(Inches/mm) D Nom.
FAAIRD02-1R0M	1.0	0.003	11.4	0.63/16.00	0.071/1.80
FAAIRD02-1R2M	1.2	0.003	11.4	0.63/16.00	0.071/1.80
FAAIRD02-1R5M	1.5	0.003	11.4	0.63/16.00	0.071/1.80
FAAIRD02-1R8M	1.8	0.003	11.4	0.63/16.00	0.071/1.80
FAAIRD02-2R2M	2.2	0.004	11.4	0.63/16.00	0.071/1.80
FAAIRD02-2R7M	2.7	0.005	11.4	0.63/16.00	0.063/1.60
FAAIRD02-3R3M	3.3	0.005	11.4	0.63/16.00	0.063/1.60
FAAIRD02-3R9M	3.9	0.005	11.4	0.63/16.00	0.063/1.60
FAAIRD02-4R7M	4.7	0.005	11.4	0.63/16.00	0.063/1.60
FAAIRD02-5R6M	5.6	0.006	11.4	0.63/16.00	0.063/1.60
FAAIRD02-6R8M	6.8	0.007	11.4	0.63/16.00	0.063/1.60
FAAIRD02-8R2M	8.2	0.007	11.4	0.63/16.00	0.063/1.60
FAAIRD02-10K	10	0.009	11.4	0.63/16.00	0.063/1.60
FAAIRD02-120K	12	0.009	11.4	0.63/16.00	0.055/1.40
FAAIRD02-150K	15	0.013	9.0	0.63/16.00	0.055/1.40
FAAIRD02-180K	18	0.018	7.2	0.63/16.00	0.051/1.30
FAAIRD02-220K	22	0.019	7.2	0.63/16.00	0.051/1.30
FAAIRD02-270K	27	0.026	5.5	0.63/16.00	0.051/1.30
FAAIRD02-330K	33	0.029	5.5	0.60/15.24	0.043/1.10
FAAIRD02-390K	39	0.030	5.5	0.60/15.24	0.043/1.10
FAAIRD02-470K	47	0.035	5.5	0.62/15.74	0.043/1.10
FAAIRD02-560K	56	0.039	5.5	0.62/15.74	0.039/1.00
FAAIRD02-680K	68	0.053	4.8	0.62/15.74	0.039/1.00
FAAIRD02-820K	82	0.060	4.8	0.62/15.74	0.039/1.00
FAAIRD02-101K	100	0.080	4.0	0.62/15.74	0.035/0.90
FAAIRD02-121K	120	0.090	4.0	0.62/15.74	0.035/0.90
FAAIRD02-151K	150	0.098	4.0	0.62/15.74	0.032/0.80
FAAIRD02-181K	180	0.110	4.0	0.62/15.74	0.032/0.80
FAAIRD02-221K	220	0.150	2.8	0.62/15.74	0.032/0.80
FAAIRD02-271K	270	0.213	2.0	0.60/15.24	0.030/0.75
FAAIRD02-331K	330	0.305	1.6	0.60/15.24	0.030/0.75
FAAIRD02-391K	390	0.320	1.6	0.60/15.24	0.026/0.65
FAAIRD02-471K	470	0.355	1.6	0.60/15.24	0.026/0.65
FAAIRD02-561K	560	0.388	1.6	0.60/15.24	0.026/0.65
FAAIRD02-681K	680	0.430	1.6	0.60/15.24	0.026/0.65
FAAIRD02-821K	820	0.590	1.3	0.60/15.24	0.024/0.60
FAAIRD02-102K	1000	0.818	1.0	0.60/15.24	0.020/0.50
FAAIRD02-122K	1200	1.14	0.8	0.60/15.24	0.020/0.50
FAAIRD02-152K	1500	1.26	0.8	0.60/15.24	0.020/0.50
FAAIRD02-182K	1800	1.39	0.8	0.60/15.24	0.018/0.45
FAAIRD02-222K	2200	1.54	0.8	0.60/15.24	0.018/0.45

Note:1. K=±10%,M=±20%

ELECTRONICAL SCHEMATIC



TECHNICAL INFORMATION

Inductance Testing: ,HP4284A,HP4285A or equivalent
RDC:QuadTech 1880 Milliohmeter
Q- HP4342A
SRF-HP4191A or HP4194A
Rated Current L value drop10%typ.at IDC against its initial value
Temperature rise 40°C Max Reference ambient temperature
Solderability: 75% of the lead wire shall be covered
Soldering Methods: Wave,Reflow
Operating Temperature:-25°C to +85°C
Storage Temperature: -55°C to +125°C
Terminal bending strength:24.5N Min
Moisture resistance:ΔL/L≤±10% ΔQ/Q≤±25%

Note: All specifications subject to change without notice.

THROUGH-HOLE RADIAL HIGH CURRENT POWER CHOKES FAAIRD03 SERIES



FEATURES:

High Saturation Material
Polyo efn Shrink Tubing
Low DC Resistance
High Reliability Low cost

OPTIONS:

Packaging: Tape & Reel is Standard
(Qty: 1000 pcs)
Bulk packaging available for smaller quantities
Tolerance:10% is standard
tightertolerances available.

COMMON APPLICATIONS:

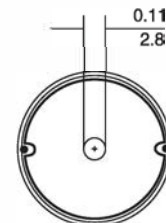
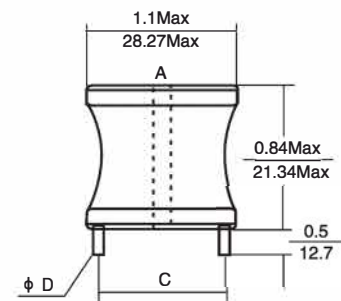
Switching Regulators
RFI Suppression Filters
SCR and TRIAC Controls
Automotive Systems

STANDARD SPECIFICATIONS

Part Number	L [μH] @1KHz	DCR [Ω Max]	IDC [A Max]	Dim(Inches/mm) C Approx.	Dim(Inches/mm) ØD Nom.
FAAIRD03-1R0M	1.0	0.003	21	0.80/20.32	0.079/2.00
FAAIRD03-1R2M	1.2	0.003	21	0.80/20.32	0.079/2.00
FAAIRD03-1R5M	1.5	0.003	21	0.80/20.32	0.079/2.00
FAAIRD03-1R8M	1.8	0.003	21	0.80/20.32	0.079/2.00
FAAIRD03-2R2M	2.2	0.003	21	0.80/20.32	0.079/2.00
FAAIRD03-2R7M	2.7	0.003	21	0.80/20.32	0.079/2.00
FAAIRD03-3R3M	3.3	0.003	21	0.80/20.32	0.079/2.00
FAAIRD03-3R9M	3.9	0.003	21	0.80/20.32	0.079/2.00
FAAIRD03-4R7M	4.7	0.003	21	0.80/20.32	0.079/2.00
FAAIRD03-5R6M	5.6	0.003	21	0.82/20.82	0.079/2.00
FAAIRD03-6R8M	6.8	0.004	21	0.82/20.82	0.079/2.00
FAAIRD03-8R2M	8.2	0.004	21	0.82/20.82	0.079/2.00
FAAIRD03-100K	10	0.006	17	0.82/20.82	0.079/2.00
FAAIRD03-120K	12	0.008	13.5	0.80/20.32	0.071/1.80
FAAIRD03-150K	15	0.009	13.5	0.80/20.32	0.071/1.80
FAAIRD03-180K	18	0.010	13.5	0.80/20.32	0.071/1.80
FAAIRD03-220K	22	0.011	13.5	0.79/20.06	0.063/1.60
FAAIRD03-270K	27	0.012	13.5	0.79/20.06	0.063/1.60
FAAIRD03-330K	33	0.017	13.5	0.79/20.06	0.063/1.60
FAAIRD03-390K	39	0.022	11.4	0.79/20.06	0.055/1.40
FAAIRD03-470K	47	0.024	9.0	0.79/20.06	0.055/1.40
FAAIRD03-560K	56	0.026	9.0	0.79/20.06	0.055/1.40
FAAIRD03-680K	68	0.029	9.0	0.79/20.06	0.055/1.40
FAAIRD03-820K	82	0.032	9.0	0.79/20.06	0.055/1.40
FAAIRD03-101K	100	0.034	9.0	0.79/20.06	0.055/1.40
FAAIRD03-121K	120	0.046	7.2	0.79/20.06	0.055/1.40
FAAIRD03-151K	150	0.064	5.5	0.77/19.56	0.043/1.10
FAAIRD03-181K	180	0.072	5.5	0.77/19.56	0.043/1.10
FAAIRD03-221K	220	0.080	5.5	0.77/19.56	0.039/1.00
FAAIRD03-271K	270	0.110	4.5	0.77/19.56	0.039/1.00
FAAIRD03-331K	330	0.122	4.5	0.77/19.56	0.039/1.00
FAAIRD03-391K	390	0.169	4.0	0.77/19.56	0.035/0.90
FAAIRD03-471K	470	0.187	4.0	0.77/19.56	0.035/0.90
FAAIRD03-561K	560	0.205	4.0	0.77/19.56	0.031/0.80
FAAIRD03-681K	680	0.256	2.8	0.77/19.56	0.031/0.80
FAAIRD03-821K	820	0.288	2.8	0.77/19.56	0.031/0.80
FAAIRD03-102K	1000	0.426	2.0	0.75/19.05	0.030/0.75
FAAIRD03-122K	1200	0.426	2.0	0.75/19.05	0.030/0.75
FAAIRD03-152K	1500	0.518	2.0	0.75/19.05	0.026/0.65
FAAIRD03-182K	1800	0.705	1.6	0.75/19.05	0.026/0.65
FAAIRD03-222K	2200	1.02	1.3	0.75/19.05	0.026/0.65
FAAIRD03-272K	2700	1.14	1.3	0.75/19.05	0.022/0.57
FAAIRD03-332K	3300	1.27	1.3	0.75/19.05	0.020/0.50
FAAIRD03-392K	3900	1.67	1.0	0.75/19.05	0.020/0.50
FAAIRD03-472K	4700	1.86	1.0	0.75/19.05	0.020/0.50

Note:1. K=±10%,M=±20%

PHYSICAL CHARACTERISTICS



DIMENSIONS: INCHES
mm

ELECTRONICAL SCHEMATIC



TECHNICAL INFORMATION

Inductance Testing: ,HP4284A,HP4285A or equivalent
RDC:QuadTech 1880 Milliohmmer
Q- HP4342A
SRF-HP4191A or HP4194A
Rated Current L value drop10%typ.at DC against its initial value
Temperature rise 40°C Max Reference ambient temperaturu
Solderability: 75% of the lead wire shall be covere
Soldering Methods: Wave,Reflow
Operating Temperature:- 25°C to +85°C
Storage Temperature: -55°C to +125°C
Terminal bending strength:24.5N Min
Moisture resistance:ΔL/L≤±10% ΔQ/Q≤±25%

Note: All specifications subject to change without notice.

THROUGH-HOLE RADIAL HIGH CURRENT POWER CHOKES FAAIRD04 SERIES



FEATURES:

High Saturation Material
Polyolefin Shrink Tubing
Low DC Resistance
High Reliability Low cost

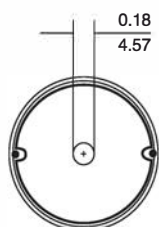
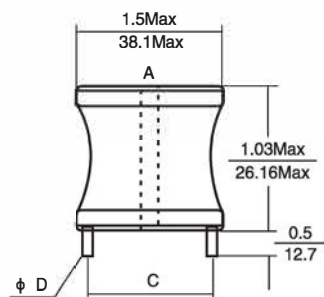
OPTIONS:

Packaging: Tape & Reel is Standard
[Qty: 1000 pcs]
Bulk packaging available for smaller quantities
Tolerance:10% is standard
tighter tolerances available.

COMMON APPLICATIONS:

Switching Regulators
RFI Suppression Filters
SCR and TRIAC Controls
Automotive Systems

PHYSICAL CHARACTERISTICS



DIMENSIONS: INCHES
mm

ELECTRONICAL SCHEMATIC



TECHNICAL INFORMATION

Inductance Testing: HP4284A, HP4285A or equivalent
RDC: QuadTech 1880 Milliohmmer
Q- HP4342A
SRF- HP4191A or HP4194A
Rated Current L value drop 10% typ. at IDC against its initial value
Temperature rise 40°C Max Reference ambient temperature
Solderability: 75% of the lead wire shall be covered
Soldering Methods: Wave, Reflow
Operating Temperature: -25°C to +85°C
Storage Temperature: -55°C to +125°C
Terminal bending strength: 24.5N Min
Moisture resistance: $\Delta L/L \leq \pm 10\%$ $\Delta Q/Q \leq \pm 25\%$

Note: All specifications subject to change without notice.

STANDARD SPECIFICATIONS

Part Number	L [μ H] @1KHz	DCR [Ω Max]	IDC [A Max]	Dim [Inches/mm] C Approx.	Dim [Inches/mm] D Nom.
FAAIRD04-1R8M	1.8	0.002	27	1.11/28.19	0.0791/2.00
FAAIRD04-2R2M	2.2	0.002	27	1.11/28.19	0.0791/2.00
FAAIRD04-2R7M	2.7	0.003	27	1.11/28.19	0.0791/2.00
FAAIRD04-3R3M	3.3	0.003	27	1.11/28.19	0.0791/2.00
FAAIRD04-3R9M	3.9	0.003	27	1.11/28.19	0.0791/2.00
FAAIRD04-4R7M	4.7	0.003	27	1.11/28.19	0.0791/2.00
FAAIRD04-5R6M	5.6	0.004	27	1.11/28.19	0.0791/2.00
FAAIRD04-6R8M	6.8	0.004	27	1.15/29.21	0.0791/2.00
FAAIRD04-8R2M	8.2	0.004	27	1.15/29.21	0.0791/2.00
FAAIRD04-100K	10	0.005	27	1.15/29.21	0.0791/2.00
FAAIRD04-120K	12	0.005	27	1.15/29.21	0.0791/2.00
FAAIRD04-150K	15	0.006	27	1.15/29.21	0.0791/2.00
FAAIRD04-180K	18	0.008	27	1.15/29.21	0.0791/2.00
FAAIRD04-220K	22	0.009	21	1.15/29.21	0.0791/2.00
FAAIRD04-270K	27	0.010	21	1.15/29.21	0.0791/2.00
FAAIRD04-330K	33	0.011	21	1.15/29.21	0.071/1.80
FAAIRD04-390K	39	0.012	21	1.15/29.21	0.071/1.80
FAAIRD04-470K	47	0.018	14.4	1.15/29.21	0.071/1.80
FAAIRD04-560K	56	0.019	14.4	1.15/29.21	0.063/1.60
FAAIRD04-680K	68	0.021	14.4	1.15/29.21	0.063/1.60
FAAIRD04-820K	82	0.023	14.4	1.15/29.21	0.063/1.60
FAAIRD04-101K	100	0.025	14.4	1.15/29.21	0.063/1.60
FAAIRD04-121K	120	0.028	14.4	1.15/29.21	0.055/1.40
FAAIRD04-151K	150	0.040	14.4	1.15/29.21	0.055/1.40
FAAIRD04-181K	180	0.045	14.4	1.15/29.21	0.055/1.40
FAAIRD04-221K	220	0.050	14.4	1.15/29.21	0.055/1.40
FAAIRD04-271K	270	0.056	14.4	1.15/29.21	0.055/1.40
FAAIRD04-331K	330	0.074	14.4	1.15/29.21	0.055/1.40
FAAIRD04-391K	390	0.082	9.0	1.15/29.21	0.043/1.10
FAAIRD04-471K	470	0.114	7.2	1.15/29.21	0.043/1.10
FAAIRD04-561K	560	0.125	7.2	1.15/29.21	0.039/1.00
FAAIRD04-681K	680	0.139	7.2	1.15/29.21	0.039/1.00
FAAIRD04-821K	820	0.154	7.2	1.15/29.21	0.039/1.00
FAAIRD04-102K	1000	0.216	5.5	1.15/29.21	0.039/1.00
FAAIRD04-122K	1200	0.232	5.5	1.14/28.95	0.035/0.90
FAAIRD04-152K	1500	0.324	4.5	1.14/28.95	0.035/0.90
FAAIRD04-182K	1800	0.360	4.5	1.14/28.95	0.035/0.90
FAAIRD04-222K	2200	0.494	4.0	1.10/27.94	0.031/0.80
FAAIRD04-272K	2700	0.555	4.0	1.12/28.44	0.031/0.80
FAAIRD04-332K	3300	0.773	2.8	1.10/27.94	0.030/0.75
FAAIRD04-392K	3900	0.845	2.8	1.10/27.94	0.030/0.75
FAAIRD04-472K	4700	1.14	2.0	1.12/28.44	0.030/0.75
FAAIRD04-562K	5600	1.60	2.0	1.09/27.68	0.026/0.65
FAAIRD04-682K	6800	1.76	1.6	1.12/28.44	0.026/0.65
FAAIRD04-822K	8200	1.95	1.6	1.09/27.68	0.022/0.57
FAAIRD04-103K	10000	2.76	1.3	1.11/28.19	0.022/0.57
FAAIRD04-123K	12000	3.04	1.3	1.08/27.43	0.020/0.50
FAAIRD04-153K	15000	3.39	1.3	1.10/27.94	0.020/0.50

Note: 1. K = $\pm 10\%$, M = $\pm 20\%$

RADIAL LEADED POWER LINE CHOKES FAAIRD05 SERIES



FEATURES:

- High Saturation Material
- Polyolefin Shrink Tubing
- Low DC Resistance
- High Reliability Low cost

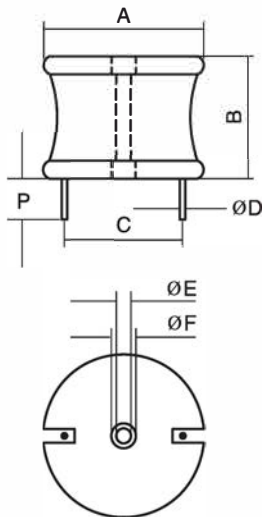
OPTIONS:

Packaging: Tape & Reel is Standard (Qty: 1000 pcs)
Bulk packaging available for smaller quantities
Tolerance: 10% is standard tighter tolerances available.

COMMON APPLICATIONS:

- Switching Regulators
- RFI Suppression Filters
- Power Amplifiers
- Power Supplies
- SCR and Triac Controls
- Speaker Crossover Networks
- Automotive Systems
- Filters

PHYSICAL CHARACTERISTICS



DIMENSIONS: inches/mm

A	B	P[mm]	ØE	ØF
1.60/40.64	1.45/36.83	0.50/12.7	0.10/2.54	0.25/6.35

ELECTRONICAL SCHEMATIC



TECHNICAL INFORMATION

The AIRD-05,06,07,08 Series of Power Line Choke is available in 367 standard values covering a wide range of inductance and current. The use of high saturation flux density material make these coils ideal for use in switching regulated power supply applications and wherever high current choke values in a small physical size are needed.

Inductance Testing: HP4284A, HP4285A or equivalent
RDC: QuadTech 1880 Milliohm meter
Rated Current: L value drop 10% typ. at IDC against its initial value
Temperature rise 40°C Max Reference ambient temperature
Solderability: 75% of the lead wire shall be covered
Soldering Methods: Wave, Reflow
Operating Temperature: -25°C to +85°C
Storage Temperature: -55°C to +125°C
Terminal bending strength: 24.5N Min
Moisture resistance: $\Delta L/L \leq \pm 10\%$

Note: All specifications subject to change without notice.

STANDARD SPECIFICATIONS

Part Number	L [μ H] @1KHz	DCR [Ω Max]	IDC [A Max]	Dim C [Inches/mm] Approx.	Dim ØD [Inches/mm] Nom.
FAAIR005-1R8M	1.8	0.002	35.0	1.11/28.194	0.102/2.60
FAAIR005-2R2M	2.2	0.002	35.0	1.11/28.194	0.102/2.60
FAAIR005-2R7M	2.7	0.002	35.0	1.11/28.194	0.102/2.60
FAAIR005-3R3M	3.3	0.002	35.0	1.11/28.194	0.102/2.60
FAAIR005-3R9M	3.9	0.003	35.0	1.11/28.194	0.102/2.60
FAAIR005-4R7M	4.7	0.003	35.0	1.11/28.194	0.102/2.60
FAAIR005-5R6M	5.6	0.003	35.0	1.11/28.194	0.102/2.60
FAAIR005-6R8M	6.8	0.003	35.0	1.11/28.194	0.102/2.60
FAAIR005-8R2M	8.2	0.003	35.0	1.11/28.194	0.102/2.60
FAAIR005-100k	10.0	0.004	35.0	1.11/28.194	0.102/2.60
FAAIR005-120K	12.0	0.004	35.0	1.16/29.464	0.102/2.60
FAAIR005-150K	15.0	0.005	35.0	1.16/29.464	0.102/2.60
FAAIR005-180K	18.0	0.007	27.0	1.16/29.464	0.094/2.40
FAAIR005-220K	22.0	0.007	27.0	1.16/29.464	0.094/2.40
FAAIR005-270K	27.0	0.008	27.0	1.16/29.464	0.094/2.40
FAAIR005-330K	33.0	0.009	27.0	1.16/29.464	0.094/2.40
FAAIR005-390K	39.0	0.010	27.0	1.16/29.464	0.094/2.40
FAAIR005-470K	47.0	0.011	27.0	1.16/29.464	0.094/2.40
FAAIR005-560K	56.0	0.013	21.0	1.16/29.464	0.094/2.40
FAAIR005-680K	68.0	0.015	21.0	1.25/31.750	0.83/2.10
FAAIR005-820K	82.0	0.017	21.0	1.28/32.512	0.84/2.10
FAAIR005-101K	100.0	0.018	21.0	1.25/31.750	0.84/2.10
FAAIR005-121K	120.0	0.022	17.0	1.16/29.464	0.075/1.90
FAAIR005-151K	150.0	0.025	17.0	1.16/29.464	0.075/1.90
FAAIR005-181K	180.0	0.035	13.5	1.10/27.94	0.067/1.70
FAAIR005-221K	220.0	0.040	13.5	1.10/27.94	0.067/1.70
FAAIR005-271K	270.0	0.044	13.5	1.10/27.94	0.067/1.70
FAAIR005-331K	330.0	0.049	13.5	1.11/28.194	0.067/1.70
FAAIR005-390K	390.0	0.070	11.4	1.15/29.21	0.059/1.50
FAAIR005-471K	470.0	0.078	11.4	1.07/27.178	0.059/1.50
FAAIR005-561K	560.0	0.105	9.0	1.07/27.178	0.055/1.40
FAAIR005-681K	680.0	0.115	9.0	1.07/27.178	0.055/1.40
FAAIR005-820K	820.0	0.127	9.0	1.12/28.448	0.055/1.40
FAAIR005-102K	1000.0	0.176	7.2	1.12/28.448	0.047/1.20
FAAIR005-122K	1200.0	0.195	7.2	1.12/28.448	0.047/1.20
FAAIR005-152K	1500.0	0.274	5.5	1.12/28.448	0.043/1.10
FAAIR005-182K	1800.0	0.302	5.5	1.13/28.702	0.043/1.10
FAAIR005-222K	2200.0	0.338	5.5	1.16/29.464	0.043/1.10
FAAIR005-272K	2700.0	0.459	4.5	1.02/25.908	0.039/1.00
FAAIR005-332K	3300.0	0.642	4.0	1.02/25.908	0.035/0.90
FAAIR005-392K	3900.0	0.699	4.0	1.14/28.956	0.035/0.90
FAAIR005-472K	4700.0	0.775	4.0	1.14/28.956	0.035/0.90
FAAIR005-562K	5600.0	0.843	4.0	1.14/28.956	0.035/0.90
FAAIR005-682K	6800.0	1.15	2.8	1.06/26.924	0.031/0.80
FAAIR005-822K	8200.0	1.26	2.8	1.16/29.464	0.031/0.80
FAAIR005-103K	10000.0	1.74	2.0	1.13/28.702	0.028/0.70
FAAIR005-123K	12000.0	1.92	2.0	1.13/28.702	0.028/0.70
FAAIR005-153K	15000.0	2.17	2.0	1.13/28.702	0.028/0.70

Note: 1. K=±10%, M=±20%

RADIAL LEADED POWER LINE CHOKES FAAIRD06 SERIES



FEATURES:

High Saturation Material
Polyolefin Shrink Tubing
Low DC Resistance
High Reliability Low cost

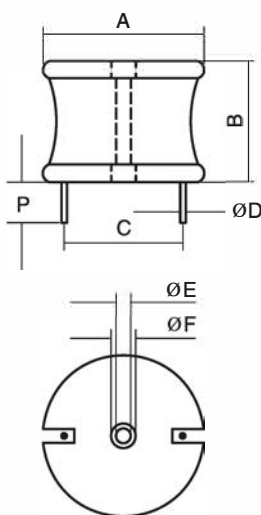
OPTIONS:

Packaging: Tape & Reel is Standard
(Qty: 1000 pcs)
Bulk packaging available for smaller quantities
Tolerance:10% is standard
tighter tolerances available.

COMMON APPLICATIONS:

Switching Regulators
RFI Suppression Filters
Power Amplifiers
Power Supplies
SCR and Triac Controls
Speaker Crossover Networks
Automotive Systems
Filters

PHYSICAL CHARACTERISTICS



DIMENSIONS: inches/mm

A	B	P[mm]	ØE	ØF
2.00/50.80	1.50/38.10	0.50/12.70	0.10/2.54	0.25/6.35

ELECTRONICAL SCHEMATIC



TECHNICAL INFORMATION

The AIRD-05,06,07,08 Series of Power Line Choke is available in 367 standard values covering a wide range of inductance and current. The use of high saturation flux density material make these coils ideal for use in switching regulated power supply applications and wherever high current choke values in a small physical size are needed.
Inductance Testing: HP4284A, HP4285A or equivalent
RDC: QuadTech 1880 Milliohm meter
Rated Current L value drop 10% typ at DC against its initial value
Temperature rise 40°C Max Reference ambient temperature
Solderability: 75% of the lead wire shall be covered
Soldering Methods: Wave, Reflow
Operating Temperature: -25°C to +85°C
Storage Temperature: -55°C to +125°C
Terminal bending strength: 24.5N Min
Moisture resistance: ΔL/L ≤ ±10%

Note: All specifications subject to change without notice.

STANDARD SPECIFICATIONS

Part Number	L [μH] @1KHz	DCR [Ω Max]	IDC [A Max]	Dim C [Inches/mm] Approx.	Dim ØD [Inches/mm] Nom.
FAAIRD06-4R7M	4.7	0.002	35.0	1.40/35.56	0.102/2.60
FAAIRD06-5R6M	5.6	0.002	35.0	1.40/35.56	0.102/2.60
FAAIRD06-6R8M	6.8	0.003	35.0	1.40/35.56	0.102/2.60
FAAIRD06-8R2M	8.2	0.003	35.0	1.40/35.56	0.102/2.60
FAAIRD06-100K	10.0	0.003	35.0	1.48/37.592	0.102/2.60
FAAIRD06-120K	12.0	0.004	35.0	1.48/37.592	0.102/2.60
FAAIRD06-150K	15.0	0.004	35.0	1.48/37.592	0.102/2.60
FAAIRD06-180K	18.0	0.005	35.0	1.48/37.592	0.102/2.60
FAAIRD06-220K	22.0	0.006	35.0	1.48/37.592	0.102/2.60
FAAIRD06-270K	27.0	0.006	35.0	1.48/37.592	0.102/2.60
FAAIRD06-330K	33.0	0.006	35.0	1.48/37.592	0.102/2.60
FAAIRD06-390K	39.0	0.008	35.0	1.48/37.592	0.102/2.60
FAAIRD06-470K	47.0	0.008	35.0	1.48/37.592	0.102/2.60
FAAIRD06-560K	56.0	0.009	35.0	1.48/37.592	0.102/2.60
FAAIRD06-680K	68.0	0.009	35.0	1.48/37.592	0.102/2.60
FAAIRD06-820K	82.0	0.010	35.0	1.48/37.592	0.102/2.60
FAAIRD06-101K	100.0	0.014	27.0	1.53/38.862	0.094/2.40
FAAIRD06-121K	120.0	0.015	27.0	1.53/38.862	0.094/2.40
FAAIRD06-151K	150.0	0.023	21.0	1.49/37.846	0.083/2.10
FAAIRD06-181K	180.0	0.025	21.0	1.49/37.846	0.083/2.10
FAAIRD06-221K	220.0	0.028	21.0	1.49/37.846	0.083/2.10
FAAIRD06-271K	270.0	0.030	21.0	1.49/37.846	0.083/2.10
FAAIRD06-331K	330.0	0.040	17.0	1.31/33.274	0.075/1.90
FAAIRD06-390K	390.0	0.055	13.5	1.31/33.274	0.067/1.70
FAAIRD06-471K	470.0	0.061	13.5	1.31/33.274	0.067/1.70
FAAIRD06-561K	560.0	0.068	13.5	1.40/35.560	0.067/1.70
FAAIRD06-681K	680.0	0.094	11.4	1.42/36.068	0.059/1.50
FAAIRD06-820K	820.0	0.104	11.4	1.42/36.068	0.059/1.50
FAAIRD06-102K	1000.0	0.143	9.0	1.36/34.544	0.055/1.40
FAAIRD06-122K	1200.0	0.156	9.0	1.36/34.544	0.055/1.40
FAAIRD06-152K	1500.0	0.219	7.2	1.31/33.274	0.047/1.20
FAAIRD06-182K	1800.0	0.241	7.2	1.31/33.274	0.047/1.20
FAAIRD06-222K	2200.0	0.270	7.2	1.40/35.560	0.047/1.20
FAAIRD06-272K	2700.0	0.364	5.5	1.36/34.544	0.043/1.10
FAAIRD06-332K	3300.0	0.498	4.5	1.24/31.496	0.039/1.00
FAAIRD06-392K	3900.0	0.548	4.5	1.32/33.528	0.039/1.00
FAAIRD06-472K	4700.0	0.608	4.5	1.32/33.528	0.039/1.00
FAAIRD06-562K	5600.0	0.671	4.5	1.36/34.544	0.039/1.00
FAAIRD06-682K	6800.0	0.750	4.5	1.40/35.560	0.039/1.00
FAAIRD06-822K	8200.0	1.030	4.0	1.45/36.830	0.035/0.90
FAAIRD06-103K	10000.0	1.160	4.0	1.45/36.830	0.035/0.90
FAAIRD06-123K	12000.0	1.540	2.8	1.40/35.560	0.031/0.80
FAAIRD06-153K	15000.0	1.750	2.8	1.40/35.560	0.028/0.70
FAAIRD06-183K	18000.0	1.940	2.8	1.45/36.830	0.028/0.70
FAAIRD06-223K	22000.0	2.740	2.0	1.37/34.798	0.028/0.70
FAAIRD06-273K	27000.0	3.710	1.7	1.37/34.798	0.025/0.63
FAAIRD06-333K	33000.0	4.160	1.7	1.37/34.798	0.025/0.63
FAAIRD06-393K	39000.0	5.560	1.4	1.35/34.290	0.025/0.63
FAAIRD06-473K	47000.0	6.190	1.4	1.35/34.290	0.022/0.55

Note: 1. K=±10%, M=±20%

RADIAL LEADED POWER LINE CHOKES FAAIRD07 SERIES



FEATURES:

- High Saturation Material
- Polyolefin Shrink Tubing
- Low DC Resistance
- High Reliability Low cost

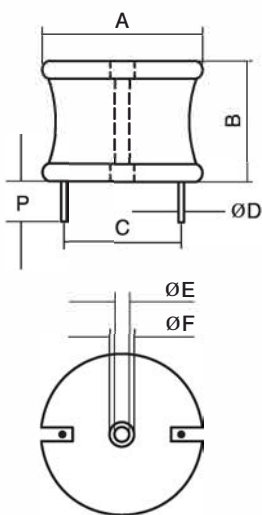
OPTIONS:

- Packaging: Tape & Reel is Standard [Qty: 1000 pcs]
- Bulk packaging available for smaller quantities
- Tolerance: 10% is standard tighter tolerances available.

COMMON APPLICATIONS:

- Switching Regulators
- RFI Suppression Filters
- Power Amplifiers
- Power Supplies
- SCR and Triac Controls
- Speaker Crossover Networks
- Automotive Systems
- Filters

PHYSICAL CHARACTERISTICS



DIMENSIONS: inches/mm

A	B	P[mm]	ØE	ØF
2.40/60.96	1.50/38.10	0.50/12.70	0.10/2.54	0.25/6.35

ELECTRONICAL SCHEMATIC



TECHNICAL INFORMATION

The AIRD-05,06,07,08 Series of Power Line Choke is available in 367 standard values covering a wide range of inductance and current. The use of high saturation flux density material make these coils ideal for use in switching regulated power supply applications and wherever high current choke values in a small physical size are needed.

Inductance Testing: HP4284A, HP4285A or equivalent
 ROC: QuadTech 1880 Milliohm meter
 Rated Current L value drop 10% typ. at IDC against its initial value
 Temperature rise 40°C Max Reference ambient temperature
 Solderability: 75% of the lead wire shall be covered
 Soldering Methods: Wave, Reflow
 Operating Temperature: -25°C to +85°C
 Storage Temperature: -55°C to +125°C
 Terminal bending strength: 24.5N Min
 Moisture resistance: ΔL/L ≤ ±10%

Note: All specifications subject to change without notice.

STANDARD SPECIFICATIONS

Part Number	L [μH] @1KHz	DCR [Ω Max]	IDC [A Max]	Dim C [Inches/mm] Approx.	Dim ØD [Inches/mm] Nom.
FAAIRD07-5R6M	5.6	0.0018	45.0	1.60/40.64	0.118/3.00
FAAIRD07-6R8M	6.8	0.0021	45.0	1.60/40.64	0.118/3.00
FAAIRD07-8R2M	8.2	0.0022	45.0	1.60/40.64	0.118/3.00
FAAIRD07-100k	10.0	0.0024	45.0	1.60/40.64	0.118/3.00
FAAIRD07-120K	12.0	0.0025	45.0	1.60/40.64	0.118/3.00
FAAIRD07-150K	15.0	0.0028	42.0	1.70/43.18	0.118/3.00
FAAIRD07-180K	18.0	0.0032	40.0	1.70/43.18	0.118/3.00
FAAIRD07-220K	22.0	0.0036	38.0	1.70/43.18	0.118/3.00
FAAIRD07-270K	27.0	0.0042	38.0	1.70/43.18	0.118/3.00
FAAIRD07-330K	33.0	0.0045	37.0	1.70/43.18	0.118/3.00
FAAIRD07-390K	39.0	0.0048	36.0	1.80/45.72	0.118/3.00
FAAIRD07-470K	47.0	0.0057	35.0	1.80/45.72	0.118/3.00
FAAIRD07-560K	56.0	0.0069	35.0	1.80/45.72	0.118/3.00
FAAIRD07-680K	68.0	0.0078	35.0	1.80/45.72	0.118/3.00
FAAIRD07-820K	82.0	0.0093	35.0	1.80/45.72	0.118/3.00
FAAIRD07-101K	100.0	0.0103	27.0	1.80/45.72	0.118/3.00
FAAIRD07-121K	120.0	0.0108	27.0	1.80/45.72	0.118/3.00
FAAIRD07-151K	150.0	0.0120	25.0	1.80/45.72	0.118/3.00
FAAIRD07-181K	180.0	0.0156	22.0	1.80/45.72	0.118/3.00
FAAIRD07-221K	220.0	0.0168	22.0	1.80/45.72	0.102/2.60
FAAIRD07-271K	270.0	0.0228	21.0	1.80/45.72	0.102/2.60
FAAIRD07-331K	330.0	0.0300	17.0	1.80/45.72	0.094/2.40
FAAIRD07-390K	390.0	0.0432	13.5	1.70/43.18	0.083/2.10
FAAIRD07-471K	470.0	0.0456	13.5	1.70/43.18	0.075/1.90
FAAIRD07-561K	560.0	0.0480	13.5	1.75/44.45	0.075/1.90
FAAIRD07-681K	680.0	0.0516	12.0	1.80/45.72	0.075/1.90
FAAIRD07-820K	820.0	0.0648	11.5	1.80/45.72	0.075/1.90
FAAIRD07-102K	1000.0	0.0936	10.0	1.75/44.45	0.067/1.70
FAAIRD07-122K	1200.0	0.1020	9.50	1.78/45.212	0.067/1.70
FAAIRD07-152K	1500.0	0.1176	8.00	1.80/45.72	0.067/1.70
FAAIRD07-182K	1800.0	0.1536	7.50	1.70/43.18	0.059/1.50
FAAIRD07-222K	2200.0	0.2160	7.20	1.70/43.18	0.055/1.40
FAAIRD07-272K	2700.0	0.2424	6.00	1.75/44.45	0.055/1.40
FAAIRD07-332K	3300.0	0.2640	5.50	1.80/45.72	0.055/1.40
FAAIRD07-392K	3900.0	0.3480	5.20	1.75/44.75	0.047/1.20
FAAIRD07-472K	4700.0	0.3924	5.00	1.78/45.212	0.047/1.20
FAAIRD07-562K	5600.0	0.4320	4.70	1.80/45.72	0.047/1.20
FAAIRD07-682K	6800.0	0.5940	4.50	1.70/43.18	0.043/1.10
FAAIRD07-822K	8200.0	0.6600	4.00	1.75/44.45	0.043/1.10
FAAIRD07-103K	10000.0	0.7560	4.00	1.80/45.72	0.043/1.10
FAAIRD07-123K	12000.0	0.9840	3.50	1.80/45.72	0.039/1.00
FAAIRD07-153K	15000.0	1.4160	2.80	1.75/44.45	0.035/0.90
FAAIRD07-183K	18000.0	1.5240	2.80	1.78/45.212	0.035/0.90
FAAIRD07-223K	22000.0	1.8000	2.30	1.80/45.72	0.035/0.90
FAAIRD07-273K	27000.0	2.3760	2.00	1.75/44.45	0.031/0.80
FAAIRD07-333K	33000.0	2.6400	1.90	1.80/45.72	0.031/0.80
FAAIRD07-393K	39000.0	3.5760	1.60	1.75/44.45	0.028/0.70
FAAIRD07-473K	47000.0	3.9360	1.60	1.78/45.212	0.028/0.70
FAAIRD07-563K	56000.0	4.3200	1.50	1.80/45.72	0.028/0.70
FAAIRD07-683K	68000.0	5.2200	1.30	1.85/46.99	0.028/0.70

Note: 1. K=±10%, M=±20%

RADIAL LEADED POWER LINE CHOKES FAAIRD08 SERIES



FEATURES:

High Saturation Material
Polyolefin Shrink Tubing
Low DC Resistance
High Reliability Low cost

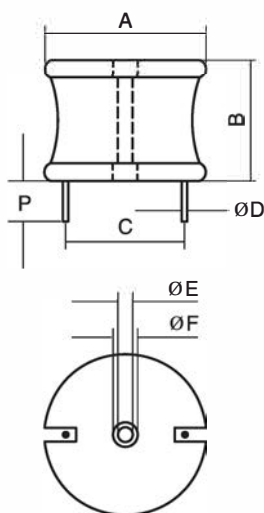
OPTIONS:

Packaging: Tape & Reel is Standard
(Qty: 1000 pcs)
Bulk packaging available for smaller quantities
Tolerance: 10% is standard
tighter tolerances available.

COMMON APPLICATIONS:

Switching Regulators
RFI Suppression Filters
Power Amplifiers
Power Supplies
SCR and Triac Controls
Speaker Crossover Networks
Automotive Systems
Filters

PHYSICAL CHARACTERISTICS



DIMENSIONS: inches/mm

A	B	P[mm]	ØE	ØF
2.40/60.96	2.50/63.50	0.50/12.70	0.10/2.54	0.25/6.35

ELECTRONICAL SCHEMATIC



TECHNICAL INFORMATION

The AIRD-05,06,07,08 Series of Power Line Choke is available in 367 standard values covering a wide range of inductance and current. The use of high saturation flux density material make these coils ideal for use in switching regulated power supply applications and wherever high current choke values in a small physical size are needed.

Inductance Testing: HP4284A, HP4285A or equivalent
RDC: QuadTech 1860 Milliohm meter
Rated Current: L value drop 10% typ. at IDC against its initial value
Temperature rise 40°C Max Reference ambient temperature
Solderability: 75% of the lead wire shall be covered
Soldering Methods: Wave, Reflow
Operating Temperature: -25°C to +85°C
Storage Temperature: -55°C to +125°C
Terminal bending strength: 24.5N Min
Moisture resistance: $\Delta L/L \leq \pm 10\%$

Note: All specifications subject to change without notice.

STANDARD SPECIFICATIONS

Part Number	L [µH] @1KHz	DCR [Ω Max]	IDC [A Max]	Dim C [Inches/mm] Approx.	Dim ØD [Inches/mm] Nom.
FAAIRD08-5R6M	5.6	0.0012	55.0	*	0.224/5.70
FAAIRD08-6R8M	6.8	0.0013	55.0	*	0.224/5.70
FAAIRD08-8R2M	8.2	0.0015	55.0	*	0.224/5.70
FAAIRD08-100K	10.0	0.0017	55.0	*	0.224/5.70
FAAIRD08-120K	12.0	0.0020	55.0	*	0.224/5.70
FAAIRD08-150K	15.0	0.0021	55.0	*	0.224/5.70
FAAIRD08-180K	18.0	0.0023	55.0	*	0.224/5.70
FAAIRD08-220K	22.0	0.0025	55.0	*	0.224/5.70
FAAIRD08-270K	27.0	0.0026	55.0	*	0.224/5.70
FAAIRD08-330K	33.0	0.0029	55.0	*	0.224/5.70
FAAIRD08-390K	39.0	0.0033	55.0	*	0.224/5.70
FAAIRD08-470K	47.0	0.0035	55.0	*	0.224/5.70
FAAIRD08-560K	56.0	0.0039	55.0	*	0.224/5.70
FAAIRD08-680K	68.0	0.0043	50.0	*	0.224/5.70
FAAIRD08-820K	82.0	0.0048	45.0	*	0.209/5.30
FAAIRD08-101K	100.0	0.0052	40.0	*	0.209/5.30
FAAIRD08-121K	120.0	0.0071	39.0	*	0.209/5.30
FAAIRD08-151K	150.0	0.0079	38.0	*	0.209/5.30
FAAIRD08-181K	180.0	0.0087	37.0	*	0.209/5.30
FAAIRD08-221K	220.0	0.0120	33.0	*	0.189/4.80
FAAIRD08-271K	270.0	0.0140	30.0	*	0.189/4.80
FAAIRD08-331K	330.0	0.0180	27.0	1.80/45.72	0.118/3.00
FAAIRD08-390K	390.0	0.0200	25.0	1.70/43.18	0.118/3.00
FAAIRD08-471K	470.0	0.0280	21.0	1.70/43.18	0.102/2.15
FAAIRD08-561K	560.0	0.0310	20.0	1.45/44.45	0.102/2.15
FAAIRD08-681K	680.0	0.034	19.0	1.80/45.72	0.102/2.15
FAAIRD08-820K	820.0	0.047	16.0	1.80/45.72	0.094/2.40
FAAIRD08-102K	1000.0	0.052	15.5	1.75/44.45	0.094/2.40
FAAIRD08-122K	1200.0	0.057	15	1.78/45.212	0.094/2.40
FAAIRD08-152K	1500.0	0.080	13.0	1.80/45.72	0.079/2.00
FAAIRD08-182K	1800.0	0.088	12.0	1.70/43.18	0.079/2.00
FAAIRD08-222K	2200.0	0.122	10.0	1.70/43.18	0.075/1.90
FAAIRD08-272K	2700.0	0.135	10.0	1.75/44.45	0.075/1.90
FAAIRD08-332K	3300.0	0.188	8.0	1.80/45.72	0.067/1.70
FAAIRD08-392K	3900.0	0.205	8.0	1.75/44.45	0.067/1.70
FAAIRD08-472K	4700.0	0.283	6.7	1.78/45.212	0.059/1.50
FAAIRD08-562K	5600.0	0.309	6.4	1.80/45.72	0.059/1.50
FAAIRD08-682K	6800.0	0.431	5.4	1.70/43.18	0.055/1.40
FAAIRD08-822K	8200.0	0.472	5.2	1.75/44.45	0.055/1.40
FAAIRD08-103K	10000.0	0.521	5.0	1.80/45.72	0.055/1.40
FAAIRD08-123K	12000.0	0.717	4.2	1.80/45.72	0.047/1.20
FAAIRD08-153K	15000.0	0.803	4.0	1.75/44.45	0.047/1.20
FAAIRD08-183K	18000.0	1.111	3.4	1.78/45.212	0.043/1.10
FAAIRD08-223K	22000.0	1.228	3.2	1.80/45.72	0.043/1.10
FAAIRD08-273K	27000.0	1.716	2.7	1.75/44.45	0.039/1.00
FAAIRD08-333K	33000.0	1.896	2.6	1.80/45.72	0.039/1.00
FAAIRD08-393K	39000.0	2.590	2.3	1.75/44.45	0.035/0.90
FAAIRD08-473K	47000.0	2.840	2.2	1.78/45.212	0.035/0.90
FAAIRD08-563K	56000.0	3.104	2.1	1.80/45.72	0.035/0.90
FAAIRD08-683K	68000.0	4.331	1.7	1.85/46.99	0.031/0.80
FAAIRD08-823K	82000.0	4.756	1.6	1.90/48.26	0.031/0.80
FAAIRD08-104K	100000.0	6.652	1.4	1.95/49.53	0.028/0.70

* Inductors wound with 2 standards of wire. Consult Engineering for dimension. K=±10%, M=±20%

RADIAL LEADED POWER LINE CHOKES FAAIRD04A SERIES



FEATURES:

High Saturation Material
Polyolefin Shrink Tubing
Low DC Resistance
High Reliability Low cost

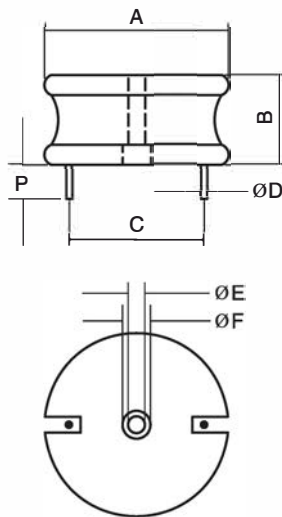
OPTIONS:

Packaging: Tape & Reel is Standard
(Qty: 1000 pcs)
Bulk packaging available for smaller quantities
Tolerance: 10% is standard
tighter tolerances available.

COMMON APPLICATIONS:

Switching Regulators
RFI Suppression Filters
Power Amplifiers
Power Supplies
SCR and Triac Controls
Speaker Crossover Networks
Automotive Systems
Filters

PHYSICAL CHARACTERISTICS



DIMENSIONS: inches/mm

A	B	P[mm]	ØE	ØF
1.60/40.64	0.68/17.27	0.50/12.70	0.25/6.35	0.29/7.366

ELECTRONICAL SCHEMATIC



TECHNICAL INFORMATION

The AIRD -05,06,07,08,04A,06A,08A Series of Power Line Choke is available in 367 standard values covering a wide range of inductance and current. The use of high saturation flux density material make these coils ideal for use in switching regulated power supply applications and wherever high current choke values in a small physical size are needed.
Inductance Testing: HP4284A, HP4285A or equivalent
RDC: QuadTech 1880 Milliohmmeter
Rated Current: L value drop 10% typ. at DC against its initial value
Temperature rise 40°C Max Reference ambient temperature
Solderability: 75% of the lead wire shall be covered
Soldering Methods: Wave, Reflow
Operating Temperature: -25°C to +85°C
Storage Temperature: -55°C to +125°C
Terminal bending strength: 24.5N Min
Moisture resistance: $\Delta L/L \leq \pm 10\%$

Note: All specifications subject to change without notice.

STANDARD SPECIFICATIONS

Part Number	L [μ H] @1KHz	DCR [Ω Max]	IDC [A Max]	Dim C [Inches/mm] Approx.	Dim ØD [Inches/mm] Nom.
FAAIRD04A-2R2M	2.2	0.0028	28.2	1.10/27.94	0.094/2.3876
FAAIRD04A-3R9M	3.9	0.0037	27.2	1.10/27.94	0.094/2.3876
FAAIRD04A-4R7M	4.7	0.0040	25.7	1.10/27.94	0.094/2.3876
FAAIRD04A-6R8M	6.8	0.0048	23.7	1.10/27.94	0.094/2.3876
FAAIRD04A-8R2M	8.2	0.0055	22.0	1.16/29.46	0.094/2.3876
FAAIRD04A-120K	12.0	0.0067	20.7	1.16/29.46	0.084/2.1336
FAAIRD04A-150K	15.0	0.0070	20.5	1.16/29.46	0.084/2.1336
FAAIRD04A-180K	18.0	0.0094	20.5	1.16/29.46	0.084/2.1336
FAAIRD04A-220K	22.0	0.0103	20.4	1.18/29.97	0.084/2.1336
FAAIRD04A-270K	27.0	0.0121	18.9	1.18/29.97	0.084/2.1336
FAAIRD04A-330K	33.0	0.0163	14.0	1.17/29.72	0.068/1.7272
FAAIRD04A-390K	39.0	0.0173	13.6	1.17/29.72	0.068/1.7272
FAAIRD04A-470K	47.0	0.0196	12.8	1.17/29.72	0.068/1.7272
FAAIRD04A-560K	56.0	0.0208	12.4	1.18/29.97	0.068/1.7272
FAAIRD04A-680K	68.0	0.0292	10.7	1.17/29.72	0.060/1.5240
FAAIRD04A-820K	82.0	0.0319	10.2	1.18/29.97	0.060/1.5240
FAAIRD04A-101K	100.0	0.0348	9.8	1.18/29.97	0.060/1.5240
FAAIRD04A-121K	120.0	0.0480	8.3	1.18/29.97	0.048/1.2192
FAAIRD04A-151K	150	0.0530	7.90	1.18/29.97	0.048/1.219
FAAIRD04A-181K	180	0.0743	6.40	1.18/29.97	0.048/1.219
FAAIRD04A-221K	220	0.0833	6.00	1.19/30.23	0.043/1.092
FAAIRD04A-271K	270	0.0940	5.70	1.19/30.23	0.043/1.092
FAAIRD04A-331K	330	0.1270	4.80	1.12/28.48	0.039/0.991
FAAIRD04A-391K	390	0.1380	4.60	1.12/28.48	0.039/0.991
FAAIRD04A-471K	470	0.1840	4.10	1.12/28.48	0.039/0.991
FAAIRD04A-561K	560	0.2030	3.90	1.12/28.48	0.033/0.838
FAAIRD04A-681K	680	0.2790	3.20	1.12/28.48	0.033/0.838
FAAIRD04A-821K	820	0.3140	3.10	1.12/28.48	0.033/0.838
FAAIRD04A-102K	1000	0.3480	2.90	1.14/28.96	0.031/0.787
FAAIRD04A-122K	1200	0.4940	2.40	1.15/29.21	0.031/0.787
FAAIRD04A-152K	1500	0.5480	2.30	1.14/28.96	0.031/0.787
FAAIRD04A-182K	1800	0.7320	1.95	1.14/28.96	0.028/0.711
FAAIRD04A-222K	2200	0.8090	1.80	1.12/28.45	0.028/0.711
FAAIRD04A-272K	2700	1.1200	1.53	1.13/28.70	0.025/0.635
FAAIRD04A-332K	3300	1.8200	1.46	1.13/28.70	0.025/0.635
FAAIRD04A-392K	3900	1.3800	1.40	1.13/28.70	0.025/0.635

Note: 1. K=±10%, M=±20%

RADIAL LEADED POWER LINE CHOKES FAAIRD06A SERIES



FEATURES:

High Saturation Material
Polyolefin Shrink Tubing
Low DC Resistance
High Reliability Low cost

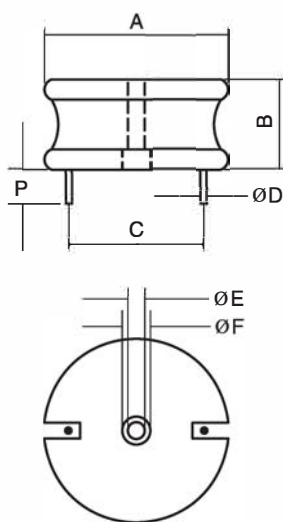
OPTIONS:

Packaging: Tape & Reel is Standard
(Qty: 1000 pcs)
Bulk packaging available for smaller quantities
Tolerance:10% is standard
tighter tolerances available.

COMMON APPLICATIONS:

Switching Regulators
RFI Suppression Filters
Power Amplifiers
Power Supplies
SCR and Triac Controls
Speaker Crossover Networks
Automotive Systems
Filters

PHYSICAL CHARACTERISTICS



DIMENSIONS: inches/mm

A	B	P[mm]	ØE	ØF
2.00/50.80	0.74/18.80	0.50/12.70	0.25/6.35	0.375/9.525

ELECTRONICAL SCHEMATIC



TECHNICAL INFORMATION

The AIRD-05,06,07,08,04A,06A,08A Series of Power Line Choke is available in 367 standard values covering a wide range of inductance and current. The use of high saturation flux density material make these coils ideal for use in switching regulated power supply applications and wherever high current choke values in a small physical size are needed.

Inductance Testing: HP4284A, HP4285A or equivalent
RDC: Quad Tech 1880 Milliohm meter
Rated Current: L value drop 10% typ. at IDC against its initial value
Temperature rise 40°C Max Reference ambient temperature
Solderability: 75% of the lead wire shall be covered
Soldering Methods: Wave, Reflow
Operating Temperature: -25°C to +85°C
Storage Temperature: -55°C to +125°C
Terminal bending strength: 24.5N Min
Moisture resistance: ΔL/L ≤ ±10%

Note: All specifications subject to change without notice.

STANDARD SPECIFICATIONS

Part Number	L [μH] @1KHz	DCR [Ω Max]	IDC [A Max]	Dim C [Inches/mm] Approx.	Dim ØD [Inches/mm] Nom.
FAAIRD06A-2R2M	2.2	0.0021	34.7	1.21/30.73	0.105/2.667
FAAIRD06A-3R3M	3.3	0.0026	33.7	1.29/32.77	0.105/2.667
FAAIRD06A-5R6M	5.6	0.0036	31.0	1.29/32.77	0.105/2.667
FAAIRD06A-8R2M	8.2	0.0041	30.4	1.29/32.77	0.105/2.667
FAAIRD06A-120K	12.0	0.0047	29.6	1.37/34.80	0.105/2.667
FAAIRD06A-150K	15.0	0.0055	27.6	1.39/35.31	0.094/2.388
FAAIRD06A-180K	18.0	0.0062	25.9	1.37/34.80	0.094/2.388
FAAIRD06A-220K	22.0	0.0068	24.5	1.37/34.80	0.094/2.388
FAAIRD06A-270K	27.0	0.0077	23.3	1.37/34.80	0.094/2.388
FAAIRD06A-330K	33.0	0.0084	22.3	1.37/34.80	0.094/2.388
FAAIRD06A-390K	39.0	0.0112	18.4	1.17/29.72	0.084/2.134
FAAIRD06A-470K	47.0	0.0132	18.0	1.17/29.72	0.084/2.134
FAAIRD06A-560K	56.0	0.0142	17.5	1.44/36.58	0.075/1.915
FAAIRD06A-680K	68.0	0.0180	15.6	1.44/36.58	0.075/1.915
FAAIRD06A-820K	82.0	0.0202	14.8	1.43/36.32	0.075/1.915
FAAIRD06A-101K	100.0	0.0223	14.0	1.43/36.32	0.075/1.915
FAAIRD06A-121K	120.0	0.0324	11.7	1.44/36.58	0.060/1.524
FAAIRD06A-151K	150.0	0.0368	11.0	1.44/36.58	0.060/1.524
FAAIRD06A-181K	180.0	0.0468	9.5	1.44/36.58	0.054/1.372
FAAIRD06A-221K	220.0	0.0520	9.0	1.44/36.58	0.054/1.372
FAAIRD06A-271K	270	0.0587	8.50	1.46/37.08	0.054/1.372
FAAIRD06A-331K	330	0.0780	7.80	1.46/37.08	0.054/1.372
FAAIRD06A-391K	390	0.0844	7.50	1.45/36.83	0.048/1.219
FAAIRD06A-471K	470	0.1200	6.50	1.43/36.32	0.048/1.219
FAAIRD06A-561K	560	0.1310	6.20	1.44/36.58	0.048/1.219
FAAIRD06A-681K	680	0.1420	6.00	1.46/37.08	0.048/1.219
FAAIRD06A-821K	820	0.1870	4.90	1.45/36.83	0.043/1.092
FAAIRD06A-102K	1000	0.2060	4.70	1.45/36.83	0.043/1.092
FAAIRD06A-122K	1200	0.3010	3.85	1.45/36.83	0.035/0.889
FAAIRD06A-152K	1500	0.3530	3.74	1.46/37.08	0.035/0.889
FAAIRD06A-182K	1800	0.3830	3.43	1.46/37.08	0.035/0.889
FAAIRD06A-222K	2200	0.5480	2.90	1.45/36.83	0.031/0.787
FAAIRD06A-272K	2700	0.7930	2.28	1.46/37.08	0.031/0.787
FAAIRD06A-332K	3300	0.8740	2.15	1.45/36.83	0.031/0.787
FAAIRD06A-392K	3900	0.9480	2.08	1.46/37.08	0.031/0.787
FAAIRD06A-472K	4700	1.2400	2.00	1.46/37.08	0.028/0.711
FAAIRD06A-562K	5600	1.4000	1.88	1.46/37.08	0.028/0.711
FAAIRD06A-682K	6800	1.8400	1.80	1.46/37.08	0.028/0.711
FAAIRD06A-822K	8200	2.3800	1.50	1.47/37.34	0.028/0.711
FAAIRD06A-103K	10000	2.7500	1.40	1.47/37.34	0.028/0.711

Note: 1. K=±10%, M=±20%

RADIAL LEADED POWER LINE CHOKES FAAIRD07A SERIES



FEATURES:

High Saturation Material
Polyolefin Shrink Tubing
Low DC Resistance
High Reliability Low cost

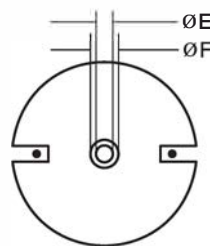
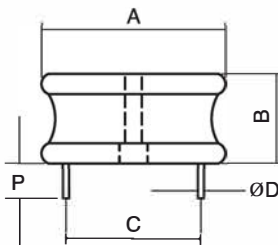
OPTIONS:

Packaging: Tape & Reel is Standard
(Qty: 1000 pcs)
Bulk packaging available for smaller quantities
Tolerance: 10% is standard
tighter tolerances available.

COMMON APPLICATIONS:

Switching Regulators
RFI Suppression Filters
Power Amplifiers
Power Supplies
SCR and Triac Controls
Speaker Crossover Networks
Automotive Systems
Filters

PHYSICAL CHARACTERISTICS



DIMENSIONS: inches/mm

A	B	P(min)	ØE	ØF
2.40/60.96	0.74/18.80	0.50/12.70	0.25/6.35	0.425/10.795

ELECTRONICAL SCHEMATIC



TECHNICAL INFORMATION

The AIRD-05,06,07,08,04A,06A,08A Series of Power Line Choke is available in 367 standard values covering a wide range of inductance and current. The use of high saturation flux density material make these coils ideal for use in switching regulated power supply applications and wherever high current choke values in a small physical size are needed.

Inductance Testing: HP4284A, HP4285A or equivalent
RDC: QuadTech 1880 Milliohmmeter
Rated Current: L value drop 10% typ. at IDC against its initial value
Temperature rise 40°C Max Reference ambient temperature
Solderability: 75% of the lead wire shall be covered
Soldering Methods: Wave, Reflow
Operating Temperature: -25°C to +85°C
Storage Temperature: -55°C to +125°C
Terminal bending strength: 24.5N Min
Moisture resistance: ΔL/L ≤ ±10%

Note: All specifications subject to change without notice.

STANDARD SPECIFICATIONS

Part Number	L [μH] @1KHz	DCR [Ω Max]	IDC [A Max]	Dim C [Inches/mm] Approx.	Dim ØD [Inches/mm] Nom.
FAAIR007A-1R0M	1.0	0.0018	44.0	1.52/38.61	0.120/3.048
FAAIR007A-2R2M	2.2	0.0024	40.0	1.52/38.61	0.120/3.048
FAAIR007A-4R7M	4.7	0.0030	36.0	1.60/40.64	0.109/2.769
FAAIR007A-8R2M	8.2	0.0042	32.0	1.29/32.77	0.109/2.769
FAAIR007A-120K	12.0	0.0053	30.0	1.64/41.66	0.109/2.769
FAAIR007A-150K	15.0	0.0060	28.0	1.69/42.93	0.094/2.388
FAAIR007A-180K	18.0	0.0067	27.0	1.77/44.96	0.094/2.388
FAAIR007A-220K	22.0	0.0076	26.0	1.77/44.96	0.094/2.388
FAAIR007A-270K	27.0	0.0085	24.0	1.77/44.96	0.094/2.388
FAAIR007A-330K	33.0	0.0094	23.0	1.86/47.24	0.094/2.388
FAAIR007A-390K	39.0	0.0130	20.0	1.86/47.24	0.084/2.134
FAAIR007A-470K	47.0	0.0150	19.0	1.78/45.21	0.084/2.134
FAAIR007A-560K	56.0	0.0160	18.0	1.88/47.75	0.084/2.134
FAAIR007A-680K	68.0	0.0210	16.0	1.88/47.75	0.084/2.134
FAAIR007A-820K	82.0	0.0240	14.0	1.82/46.23	0.084/2.134
FAAIR007A-101K	100.0	0.0310	13.0	1.77/44.96	0.068/1.727
FAAIR007A-121K	120.0	0.0350	12.0	1.87/47.50	0.068/1.727
FAAIR007A-151K	150.0	0.0450	11.0	1.77/44.96	0.068/1.727
FAAIR007A-181K	180.0	0.0550	9.5	1.83/46.48	0.054/1.372
FAAIR007A-221K	220	0.076	8.0	1.75/44.45	0.054/1.372
FAAIR007A-271K	270	0.084	8.0	1.80/45.72	0.054/1.372
FAAIR007A-331K	330	0.093	7.5	1.80/45.72	0.048/1.219
FAAIR007A-391K	390	0.127	6.5	1.80/45.72	0.048/1.219
FAAIR007A-471K	470	0.138	6.0	1.80/45.72	0.048/1.219
FAAIR007A-561K	560	0.192	5.0	1.80/45.75	0.043/1.092
FAAIR007A-681K	680	0.210	5.0	1.76/44.70	0.043/1.092
FAAIR007A-821K	820	0.287	4.0	1.69/42.93	0.039/0.991
FAAIR007A-102K	1000	0.320	4.0	1.72/43.69	0.039/0.991
FAAIR007A-122K	1200	0.349	3.8	1.76/44.70	0.039/0.991
FAAIR007A-152K	1500	0.492	3.2	1.72/43.69	0.039/0.991
FAAIR007A-182K	1800	0.544	3.0	1.75/44.45	0.031/0.787
FAAIR007A-222K	2200	0.691	2.3	1.71/43.42	0.031/0.787
FAAIR007A-272K	2700	0.764	2.2	1.77/44.96	0.031/0.787
FAAIR007A-332K	3300	1.027	1.98	1.71/43.43	0.028/0.711
FAAIR007A-392K	3900	1.113	1.90	1.70/43.18	0.028/0.711
FAAIR007A-472K	4700	1.565	1.65	1.72/43.69	0.025/0.635
FAAIR007A-562K	5600	1.700	1.58	1.72/43.69	0.025/0.635
FAAIR007A-682K	6800	1.854	1.50	1.46/37.08	0.025/0.635

Note: 1. K = ±10%, M = ±20%

THROUGH-HOLE RADIAL ROD CORE POWER INDUCTORS FARCH-110A&B SERIES



FEATURES:

High Saturation Material
Polyolefin Shrink Tubing
Low DC Resistance
High Reliability Low cost

OPTIONS:

Bulk Packaging is standard
Custom Design Available

COMMON APPLICATIONS:

Switching Regulators
RFI Suppression Filters
SCR and TRIAC Controls
Automotive Systems

STANDARD SPECIFICATIONS

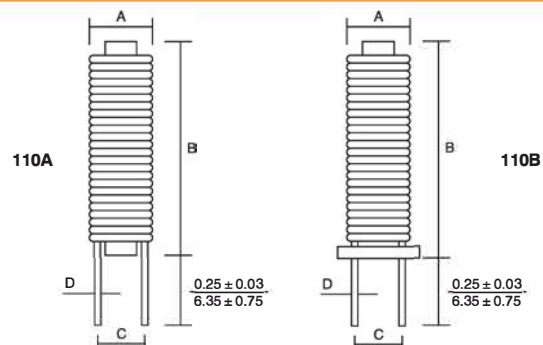
Part Number FARCH-110A&B	L (μ H)	IDC (A)	RDC (Ω)Max	A Max	B Max	C $\pm 0.015/0.3$	D $\pm 0.004/0.1$
FARCH-110A-1R0L-25	1	25	0.002	0.60/15.2	0.68/17.3	0.42/10.7	0.067/1.70
FARCH-110A-1R0L-10	1	10	0.002	0.50/12.7	0.75/19.1	0.42/10.7	0.055/1.40
FARCH-110A-3R3L-10	3.3	10	0.005	0.5/12.7	1.0/25.4	0.42/10.7	0.055/1.40
FARCH-110A-4R7L-03	4.7	3	0.021	0.51/13.0	0.75/19.1	0.42/10.7	0.035/0.90
FARCH-110A-4R7L-05	4.7	5	0.012	0.50/12.7	0.75/19.1	0.42/10.7	0.043/1.10
FARCH-110A-4R7L-10	4.7	10	0.012	0.50/12.7	1.0/25.4	0.42/10.7	0.055/1.40
FARCH-110A-4R7L-20	4.7	20	0.004	0.53/13.5	1.2/30.5	0.42/10.7	0.067/1.70
FARCH-110A-100K-03	10	3	0.023	0.50/12.7	0.75/19.1	0.42/10.7	0.035/0.90
FARCH-110A-100K-05	10	5	0.017	0.50/12.7	0.75/19.1	0.42/10.7	0.043/1.10
FARCH-110A-100K-10	10	10	0.015	0.52/13.2	1.0/25.4	0.42/10.7	0.055/1.40
FARCH-110A-100K-20	10	20	0.006	0.75/19.1	1.8/45.7	0.60/15.2	0.075/1.90
FARCH-110A-150K-03	15	3	0.025	0.50/12.7	1.0/25.4	0.42/10.7	0.035/0.90
FARCH-110A-150K-10	15	10	0.020	0.52/13.2	1.0/25.4	0.42/10.7	0.055/1.40
FARCH-110A-220K-03	22	3	0.035	0.50/12.7	1.0/25.4	0.42/10.7	0.035/0.90
FARCH-110A-220K-05	22	5	0.023	0.50/12.7	1.0/25.4	0.42/10.7	0.043/1.10
FARCH-110A-220K-10	22	10	0.015	0.66/16.8	1.3/33.0	0.42/10.7	0.059/1.50
FARCH-110A-270K-05	27	5	0.024	0.50/12.7	1.0/25.4	0.49/12.5	0.043/1.10
FARCH-110A-330K-12	33	12	0.017	0.70/17.8	1.3/33.0	0.55/14.0	0.059/1.50
FARCH-110A-470K-03	47	3	0.050	0.55/14.0	1.0/25.4	0.42/10.7	0.035/0.90
FARCH-110A-470K-05	47	5	0.035	0.65/16.5	1.1/28.0	0.70/17.8	0.043/1.10
FARCH-110A-470K-10	47	10	0.022	0.85/21.8	1.3/33.0	0.70/17.8	0.059/1.50
FARCH-110A-820K-03	82	3	0.110	0.50/12.7	0.65/16.5	0.375/9.5	0.028/0.70
FARCH-110A-101K-01	100	1	0.190	0.40/10.2	0.90/22.9	0.30/7.6	0.020/0.50
FARCH-110A-101K-03	100	3	0.072	0.55/14.0	1.2/30.5	0.70/17.8	0.035/0.90
FARCH-110A-101K-05	100	5	0.055	0.65/16.5	1.3/33.0	0.70/17.8	0.043/1.10
FARCH-110A-151K-03	150	3	0.140	0.60/15.2	1.2/30.5	0.43/10.9	0.028/0.70
FARCH-110A-151K-05	150	5	0.065	0.65/16.5	1.3/33.0	0.70/17.8	0.043/1.10
FARCH-110A-181K-05	180	5	0.110	0.65/16.5	1.3/33.0	0.70/17.8	0.043/1.10
FARCH-110A-221K-03	220	3	0.210	0.55/14.0	1.2/30.5	0.42/10.7	0.025/0.63
FARCH-110A-271K-04	270	4	0.250	0.95/24	0.72/18.3	0.71/18	0.030/0.75
FARCH-110A-271K-10	270	10	0.160	1.1/28	1.0/25.4	0.72/18.3	0.039/1.00
FARCH-110A-391K-03	390	3	0.250	1.1/28	1.0/25.4	0.72/18.3	0.035/0.90
FARCH-110A-391K-05	390	5	0.190	1.1/28	1.0/25.4	0.72/18.3	0.039/1.00

Note:1. K=±10%,M=±20%,N=±30%

TECHNICAL INFORMATION

Testing: [Equivalent acceptable] Inductance: HP4284A
RDC: QuadTech 1880 Milliohm meter
DC current is decreased 10% against its initial value
Operating temperature: -40°C to +105°C
Storage Temperature: -40°C to +105°C
Solder methods: Vapor Phase, Infrared Reflow
Resistance to soldering heat: 260°C for 10 seconds
Solvent resistance: Conforms to MIL-STD-202E
Marking: Inductance & Tolerance
Note: All specifications subject to change without notice.

PHYSICAL CHARACTERISTICS



All Dimension in inches/mm

THROUGH-HOLE HIGH CURRENT RADIAL ROD CHOKES FARC-SERIES 0205,0310,0415,0520,0630



FEATURES:

Low cost design general Purpose inductor
High Saturation current
Easy construction that uses Ferrite rod cores

OPTIONS:

Packaging: Tape & Reel is standard (Qty: 2000 pcs)
Bulk packaging available for smaller quantities
Tolerance: 10% and 5% is standard, tighter tolerances available

COMMON APPLICATIONS:

Switching Regulators
Automotive Systems
Power Amplifiers
Power Supplies
EMI/RFI suppression
DC line Filters

PHYSICAL CHARACTERISTICS

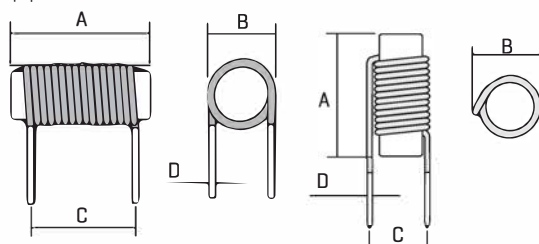
Part Number	L μ H	DCR Ω Max	IDC A Max	SRF [MHz] Min	Wire size [mm]	Turns
FARC0205-1R0K	1.0	0.040	0.56	200	0.30	11.5
FARC0205-1R2K	1.2	0.040	0.56	180	0.30	12.5
FARC0310-1R8K	1.8	0.026	1.90	160	0.55	11.5
FARC0310-2R2K	2.2	0.028	1.57	150	0.50	13.5
FARC0310-2R7K	2.7	0.030	1.57	140	0.50	15.5
FARC0310-3R3K	3.3	0.035	1.27	135	0.45	17.5
FARC0310-3R9K	3.9	0.050	1.00	110	0.40	18.5
FARC0310-4R7K	4.7	0.070	0.76	90	0.35	19.5
FARC0415-4R7K	4.7	0.024	2.26	90	0.60	17.5
FARC0415-5R6K	5.6	0.030	1.90	80	0.55	18.5
FARC0415-6R8K	6.8	0.040	1.57	80	0.50	18.5
FARC0415-8R2K	8.2	0.060	1.27	80	0.45	21.5
FARC0415-100K	10	0.080	1.00	70	0.40	24.5
FARC0520-100K	10	0.040	2.65	60	0.65	22.5
FARC0520-120K	12	0.044	2.26	55	0.60	23.5
FARC0520-150K	15	0.060	1.90	45	0.55	27.5
FARC0520-180K	18	0.080	1.57	40	0.50	29.5
FARC0520-220K	22	0.100	1.27	38	0.45	32.5
FARC0520-270K	27	0.150	1.00	36	0.40	36.5
FARC0630-4R7K	4.7	0.005	16.08	85	1.60	12.5
FARC0630-5R6K	5.6	0.005	16.08	80	1.60	14.5
FARC0630-6R8K	6.8	0.008	10.61	75	1.30	15.5
FARC0630-8R2K	8.2	0.009	9.04	67	1.20	16.5
FARC0630-100K	10	0.010	9.04	64	1.20	19.5
FARC0630-120K	12	0.018	6.28	57	1.00	20.5
FARC0630-150K	15	0.023	5.08	53	0.90	23.5
FARC0630-180K	18	0.030	4.02	49	0.80	24.5
FARC0630-220K	22	0.045	3.07	44	0.70	27.5
FARC0630-270K	27	0.050	3.07	42	0.70	31.5
FARC0630-330K	33	0.060	2.65	36	0.65	35.5
FARC0630-390K	39	0.080	2.26	34	0.60	40.5
FARC0630-470K	47	0.110	1.90	32	0.55	44.5
FARC0630-560K	56	0.140	1.57	30	0.50	46.5

Note: 1. K=±10%, M=±20%

TECHNICAL INFORMATION & PHYSICAL CHARACTERISTICS:

Inductance measured with zero D.C current
Increment current reduces inductance by ≤10%
Operating temperature: -20°C ~ +80°C
Test Equipment

DIMENSIONS in mm



Part number	A	B	C	D
FARC0205	6.00Max	3.50Max	TBD	TBD
FARC0310	11.00Max	5.00Max	TBD	TBD
FARC0415	16.00Max	5.50Max	TBD	TBD
FARC0520	21.00Max	7.00Max	TBD	TBD
FARC0630	31.00Max	9.50Max	TBD	TBD

Note: All specifications subject to change without notice.

THROUGH-HOLE AXIAL HASH CHOKES FACHA SERIES 01,02,03,04,05



FEATURES:

Wire-wound Construction
Narrow Design for Densely
Populated Boards
Wide Range of Inductance
Values
Excellent Q Values
High Reliability

OPTIONS:

Packaging is Standard
Tolerance:20%is Standard
Tighter Tolerances
Available
UL approved Polyolefi
shrink tubing

COMMON APPLICATIONS:

Power supplies
Amplifiers
Oscilloscopes
Medical Equipment
Converters
Analyzers

PHYSICAL CHARACTERISTICS

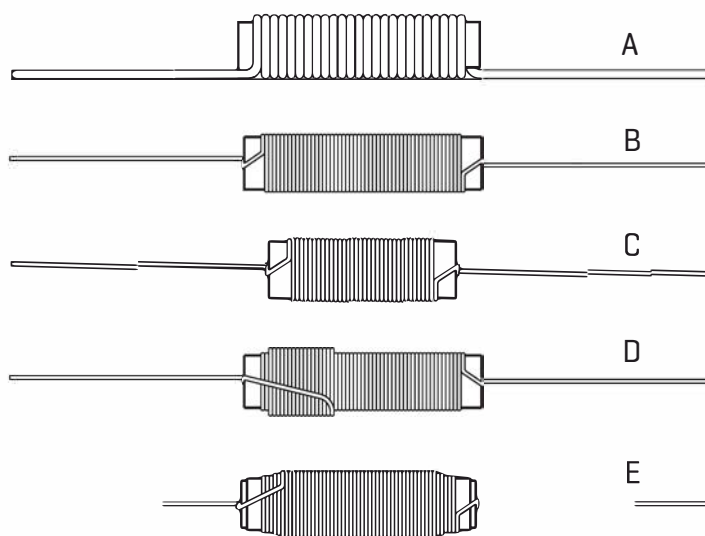
Part Number	L μ H	Tol %	DCR ohm Max	IDC Max A	Coil Diameter Inches max	Lead Wire Size	Lead Length in.Inches	Body Length Max Inches	Refer to Figure #	Core Material
FACHA-01-3R3M	3.35	± 2	0.01	20	.60	12AWG	1.25	1.25	A	IRON
FACHA-01-4R9M	4.9	± 2	.016	15	.60	14AWG	1.25	1.25	A	IRON
FACHA-01-8R8M	8.8	± 2	.021	10	.56	16AWG	1.25	1.25	A	IRON
FACHA-02-4R0M	4.0	± 2	.012	8.0	.38	20AWG	1.25	1.25	B	FERRITE
FACHA-03-400M	40	± 2	.082	3.0	.31	20AWG	1.25	1.25	C	FERRITE
FACHA-04-680M	68	± 2	.054	5.0	.56	20AWG	1.25	1.25	D	FERRITE
FACHA-05-101M	100	± 2	.216	2.0	.38	20AWG	1.25	1.25	E	FERRITE
FACHA-04-125M	125	± 2	.080	3.5	.50	20AWG	1.25	1.25	D	FERRITE
FACHA-04-251M	250	± 2	.170	2.5	.44	20AWG	1.25	1.25	D	FERRITE
FACHA-04-501M	500	± 2	.260	2.0	.44	20AWG	1.25	1.25	D	FERRITE
FACHA-04-102M	1000	± 2	.550	1.0	.50	20AWG	1.25	1.25	D	FERRITE

Note:1. K= $\pm 10\%$,M= $\pm 20\%$

TECHNICAL INFORMATION:

Testing: [Equivalent acceptable]
HP4284A @1kHz 0.1V
RDC:QuadTech 1880 Milliohm meter
IDC Max:Lowers inductance by 10%
Operating temperature: -55°C to +105°C
Storage Temperature: -40°C to +85°C
Optional Shrink tube: Flame retardant UL type VW-1
Marking: Inductance and Tolerance on optional tubing only
Note:All specifications subject to change without notice.

PHYSICAL CHARACTERISTICS:



CABLE SHIELDS FERRITE TUBULAR CORE FOR EMI-SUPPRESSION FARH SERIES



FEATURES:

EMI filtration
 Regged construction
 Counter measures for FCC,VDE
 CSA,CE,VCCI
 EMI/RFI suppression
 High reliability
 Long term stability

OPTIONS:

Packaging: Bulk is standard
 Tolerance: 10% is standard
 tighter tolerances available

COMMON APPLICATIONS:

Telecommunication Equipment
 EMI/RFI Suppression is required
 Noise Filtering
 Switching Regulators Cable
 Power Supplies Cable

PHYSICAL CHARACTERISTICS

Part number	Dimensions			Z [Ω]TYP	
	D	d	H	Z 25MHz	Z 100MHz
FARH7.8X5.3X9.8	7.8±0.2	5.3±0.3	9.8±0.2	33	50
FARH8.0X5.3X10.0	8.0-0.4	5.3±0.3	10.0-0.4	36	50
FARH8.3X3.5X10.0	8.3-0.4	3.5±0.3	10.0-0.6	70	96
FARH9.5X4.8X4.8	9.5±0.25	4.75±0.25	4.8±0.2	18	35
FARH9.5X4.8X6.4	9.5±0.25	4.75±0.25	6.35±0.35	23	50
FARH9.5X4.8X9.5	9.5±0.25	4.75±0.25	9.5±0.3	40	70
FARH9.5X4.8X10.0	9.5±0.25	4.75±0.25	10.4±0.25	53	80
FARH9.5X4.8X13.0	9.5±0.25	4.75±0.25	12.7±0.5	60	95
FARH9.5X4.8X19.0	9.5±0.25	4.75±0.25	19.05±0.7	100	145
FARH9.5X5.1X15.0	9.5±0.3	5.1±0.15	14.5±0.45	66	110
FARH9.7X5.0X5.1	9.65±0.25	5.0±0.25	5.05-0.45	26	43
FARH14X6.4X5.3	14.3±0.45	6.35±0.25	5.3-0.45	35	60
FARH14X6.4X10.0	14.3±0.45	6.35±0.25	10.1±0.4	70	105
FARH14X6.4X14.0	14.3±0.45	6.35±0.25	13.8±0.4	90	150
FARH14X6.4X15.0	14.3±0.45	6.35±0.25	15.0±0.45	100	170
FARH14X6.4X29.0	14.3±0.45	6.35±0.25	28.6±0.75	170	250
FARH14X7.3X29.0	14.3±0.45	7.25±0.15	28.6±0.75	143	215
FARH16X7.9X14.0	16.25-0.75	7.9±0.25	14.3±0.35	70	113
FARH16X7.9X29.0	16.25-0.75	7.9±0.25	28.6±0.75	130	213
FARH17X9.5X13.0	17.45±0.35	9.53±0.25	12.7±0.75	55	90
FARH17X9.5X29.0	17.45±0.35	9.53±0.25	28.55±0.75	125	200
FARH17X11X60	17.2-1.2	11.0±0.5	60.0-2.5	200	320
FARH19X10X15	19.0-0.65	10.15±0.25	14.65-0.75	70	110
FARH19X10X29	19.0-0.65	10.15±0.25	28.6±0.75	128	196
FARH19X11X12	19.0±0.4	10.6±0.3	11.5±0.5	50	75
FARH26X13X21	25.9±0.75	12.8±0.25	21.3±0.5	110	180
FARH26X13X29	25.9±0.75	12.8±0.25	28.6±0.8	145	225
FARH29X19X7.5	29.0±0.75	19.0±0.3	7.5±0.25	28	47
FARH31x8x19	31.0±1.0	8.00±0.3	19.0±0.8	130	170
FARH31x12x19	31.0±1.0	12.0±0.3	19.0±0.8	180	241
FARH31x12.5x19	31.0±1.0	12.5±0.3	19.0±0.8	170	267

Note: 1. K=±10%, M=±20%

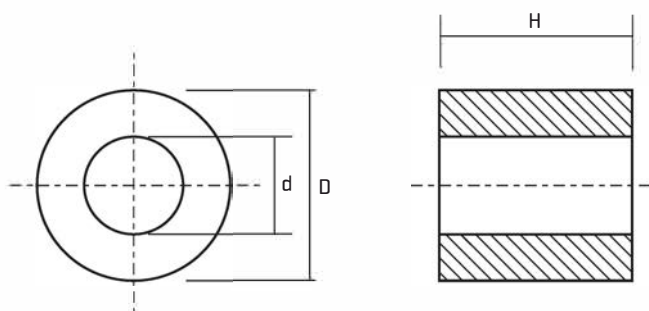
TECHNICAL INFORMATION:

Impedance: HP4191A or HP4194A HP4395A
 Soldering Methods: Wave, Reflow
 Operating Temperature: -25 to +85°C
 Storage Temperature: -55°C to +125°C
 Terminal bending strength: 24.5N Min

Note: All specifications subject to change without notice.

PHYSICAL CHARACTERISTICS:

DIMENSIONS: INCHES



THROUGH-HOLE AXIAL FERRITE BEADS FOR EMI SUPPRESSION FARH SERIES



FEATURES:

Ferrite Core
Regged construction
Counter measures for FCC,VDE
CSA,CE,VCC
EMI/RFI suppression
Small size - Low Cost

OPTIONS:

Packaging: Tape & Reel is Standard
(Qty: 1500 pcs)
Bulk packaging available for smaller quantities
Tolerance:10% is standard
tighter tolerances available.

COMMON APPLICATIONS:

Noise Filtering
Amplifiers
Switching Regulators
Power Supplies
Triac Control Circuits
SCR Control Circuits

PHYSICAL CHARACTERISTICS

Part Number	Impedance @25MHz (Ω)Min	Impedance @100MHz (Ω)Min	A	B	C	D	L1-L2
FARH-3530	25	40	3.5+/-0.2	3.0+/-0.3	62+/-2.0	0.6	1
FARH-3545	30	60	3.5+/-0.2	4.5+/-0.3	62+/-2.0	0.6	1
FARH-3547	35	60	3.5+/-0.2	4.7+/-0.3	62+/-2.0	0.6	1
FARH-3560	50	75	3.5+/-0.2	6.0+/-0.3	62+/-2.0	0.6	1
FARH-3575	60	90	3.5+/-0.2	7.5+/-0.3	62+/-2.0	0.6	1
FARH-3580	60	100	3.5+/-0.2	8.0+/-0.3	62+/-2.0	0.6	1
FARH-3590	80	120	3.5+/-0.2	9.0+/-0.3	62+/-2.0	0.6	1
FARH-3512	30	130	3.5+/-0.2	12+/-0.3	62+/-2.0	0.6	1
FARH-3514	50	150	3.5+/-0.2	14+/-0.3	62+/-2.0	0.6	1

Note:1. K=±10%,M=±20%

TECHNICAL INFORMATION:

PHYSICAL CHARACTERISTICS:

DIMENSIONS IN MM

Impedance: HP4191A or HP4194A HP4395A
Soldering Methods: Wave,Reflow
Operating Temperature:-25°C to +85°C
Storage Temperature: -55°C to +125°C
Terminal bending strength:24.5N Min

Note: All specifications subject to change without notice.

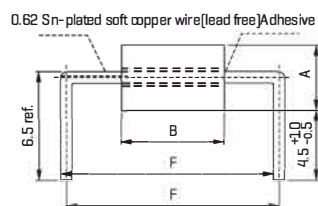


Fig3

Dimensions in mm

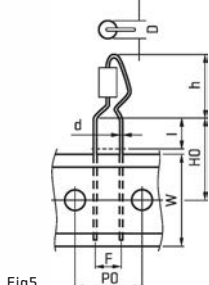


Fig5

Weight: 0.3g

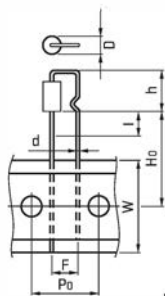


Fig6

Weight: 0.3g

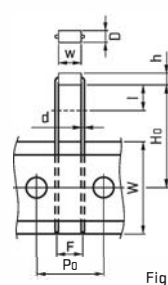


Fig7

Weight: 0.1g

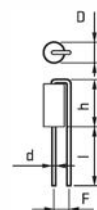


Fig8

Weight: 0.3g

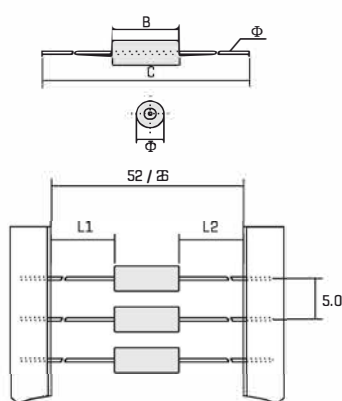


Fig1

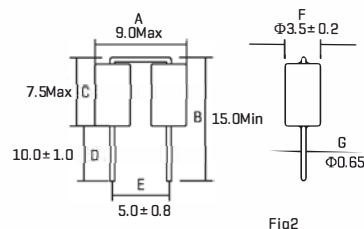


Fig2

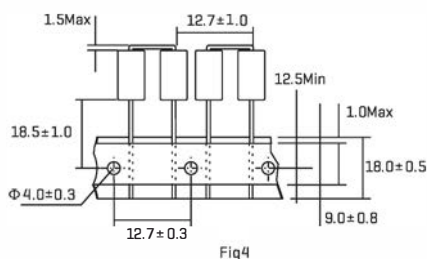


Fig4

THROUGH-HOLE AXIAL WIDE BAND CHOKES FAR6H SERIES

01,02,03,04,05,06,07



FEATURES:

Regged construction
 Counter measures for FCC,VDE
 CSA,CE,VCCI
 EMI/RFI suppression
 High reliability
 Long term stability

OPTIONS:

Packaging: Bulk is standard
 Tolerance: 25% is standard

COMMON APPLICATIONS:

Telecommunication Equipment
 Wireless Communications Equipment
 Computer Products
 General Electronic Applications where
 EMI/RFI suppression is required

PHYSICAL CHARACTERISTICS

Part Number	Number of Turns	Impedance @25MHz	Impedance @100MHz
FAR6H-01	1.5	300	500
FAR6H-02	2.0	400	600
FAR6H-03	2.5	600	800
FAR6H-04	2.5	500	600
FAR6H-05	3.0	800	900
FAR6H-06	3.0	700	600
FAR6H-07	1.5x2	300	500

TECHNICAL INFORMATION:

Testing: [Equivalent acceptable]
 HP4191A Impedance Analyzer

PHYSICAL CHARACTERISTICS:

CORE	1.5Ts	2Ts	2.5Ts	3Ts	2x .5Ts

Ferrite core TYPE	A	B	C	D
FAR6H 6x10	6.0±0.25	10.0±0.30	0.75±0.15	3.5 ref

SPLIT EMI SUPPRESSION FERRITE CORE FOR CABLE FARU-SERIES -35,-50,-65,-70,-90,-110,-130,-150



FEATURES:

Hinged-camp
Regged construction
Counter measures for FCC,VDE
CSA,CE,VCCI
EMI/RFI suppression

OPTIONS:

Bulk is standard
(Qty:200pcs/box)
Custom-made

COMMON APPLICATIONS:

Interface/data line cables
Computers, Peripherals, terminals
equipment and data terminals
Common-mode noise filtration
data line communication terminals,
digital equipment

PHYSICAL CHARACTERISTICS

PART NUMBER	Cable Dia. Mm Max	Z 25MHz	Z 100MHz	PART NUMBER	Cable Dia. Mm Max	Z 25MHz	Z 100MHz	PART NUMBER	Cable Dia. Mm Max	Z 25MHz	Z 100MHz	PART NUMBER	Cable Dia. Mm Max	Z 25MHz	Z 100MHz
FARU-35A	3.5	90	130	FARU-70A	7.0	35	60	FARU-110A	11.0	120	230	FARU-140	13.6	30	60
FARU-35B	3.5	55	130	FARU-70B	7.0	35	60	FARU-110B	11.0	120	230	FARU-80A	8.0	35	80
FARU-50	5.0	60	130	FARU-90A	9.0	70	165	FARU-110C	11.4	40	90	FARU-80B	8.0	55	120
FARU-60	6.0	120	230	FARU-90B	9.0	70	165	FARU-130A	13.0	110	230	FARU-40F	4.0	90	180
FARU-65	6.5	120	240	FARU-100A	10.0	90	190	FARU-130B	13.0	110	230				
				FARU-100B	10.0	35	70	FARU-130C	13.0	120	200				

Note:1. K=±10%,M=±20%

PHYSICAL CHARACTERISTICS

TYPE	FARU-35A	FARU-35B	FARU-50	FARU-60	FARU-65	FARU-70A	FARU-70B
Shape Dimensions							
TYPE	FARU-90A	FARU-90B	FARU-100A	FARU-100B	FARU-110A	FARU-110B	FARU-110C
Shape Dimensions							
TYPE	FARU-130A	FARU-130B	FARU-130C	FARU-140	FARU-80A	FARU-80B	FARU-40F
Shape Dimensions							

Impedence test by HP4191A or HP4395A.

Note:All specifications subject to change without notice.

THROUGH-HOLE EMI SUPPRESSION FILTER FADW SERIES



FEATURES:

- 3 terminal structure
- Heat Resistant Resin
- Excellent Mechanical Strength
- Excellent frequency performance
- High Reliability
- Low

OPTIONS:

- Packaging: Tape & Reel is standard (Qty: 2000 pcs)
- Bulk packaging available for smaller quantities
- Tolerance: 10% and 5% is standard tighter tolerances available

COMMON APPLICATIONS:

- VCRs, DC/DC AC/DC converter
- Video Cameras
- Communication System
- Automotive Systems
- Liquid Crystal Televisions
- Hard Disk Drives
- Network Systems
- Computer Peripheral Equipment

ELECTRICAL CHARACTERISTICS

Part Number	Capacitance [pF]	Capacitance Change	Rated Voltage [Vdc]	Rated Current [A]	Operating Temperature Range [°C]	Part Number	Capacitance [pF]	Capacitance Change	Rated Voltage [Vdc]	Rated Current [A]	Operating Temperature Range [°C]
FADW0802-220	22±20%, -20%	±22%	100	6	-25to85	FADW0802-222	2200+80%, -20%	+22/-56%	100	6	-25to85
FADW0802-330	33±20%, -20%	±22%	100	6	-25to85	FADW0802-103	10000+30%, -30%	+30/-85%	100	6	-25to85
FADW0802-470	47±20%, -20%	±22%	100	6	-25to85	FADW0802-223	22000+80%, -20%	+30/-80%	16	6	-25to85
FADW0802-101	100±20%, -20%	±22%	100	6	-25to85	FADW1205-220	22±20%	+30/-85%	100	7	-25to85
FADW0802-151	150±20%, -20%	±22%	100	6	-25to85	FA0W1205-470	47±20%	+30/-80%	100	7	-25to85
FADW0802-221	220±20%, -20%	±22%	100	6	-25to85	FADW1205-101	100±20%	+30/-85%	100	7	-25to85
FADW0802-271	270±20%, -20%	±22%	100	6	-25to85	FADW1205-222	2200±20%	±22%	100	7	-25to85
FADW0802-471	470±20%, -20%	±22%	100	6	-25to85	FADW1205-223	22000+50/-20%	±22%	50	7	-25to85
FADW0802-102	1000±20%, -20%	±22%	100	6	-25to85	FADW1205-223A	22000+50/-20%	±10%	50	7	-25to85

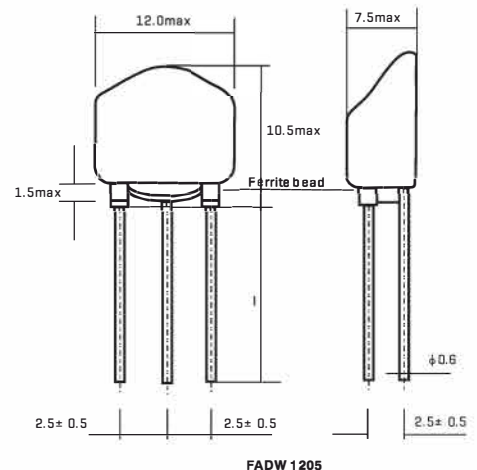
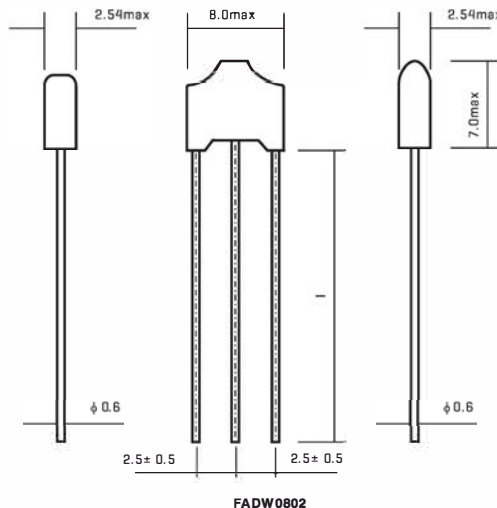
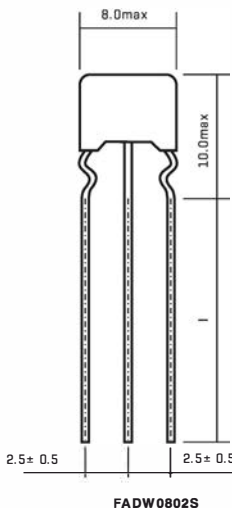
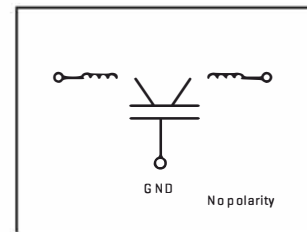
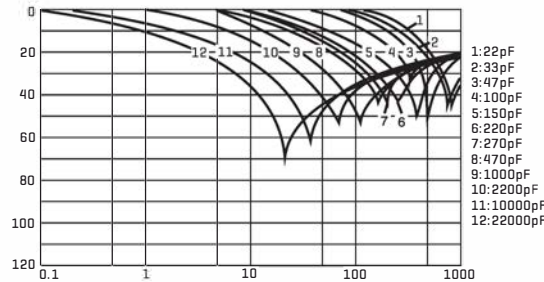
Note: 1. K=±10%, M=±20%, Y=25%, N=±30%

TECHNICAL INFORMATION:

- Insertion Loss: HP4395A
- Impedance -HP4191A
- Operating temperature -25°C to +85°C
- Storage Temperature: -40°C to +105°C
- Solder methods Vapor Phase, Infrared Reflow
- Resistance to soldering heat 260°C for 10 second
- Solvent resistance: Conforms to MIL-STD-202E
- Marking: Capacitance code
- Note: All specifications subject to change without notice.

PHYSICAL CHARACTERISTICS:

DIMENSIONS IN: mm



SURFACE-MOUNT TOROIDAL CHOKES FASTR30-38 SERIES



FEATURES:

Higher Frequency
High Saturation Material
Low EMI Radiation
Pick and Place
Low DC Resistance

OPTIONS:

Packaging: Tape & Reel is standard
(Qty: 2000 pcs)
Bulk packaging available for smaller quantities
Tolerance: 10% and 5% is standard
tighter tolerances available

COMMON APPLICATIONS:

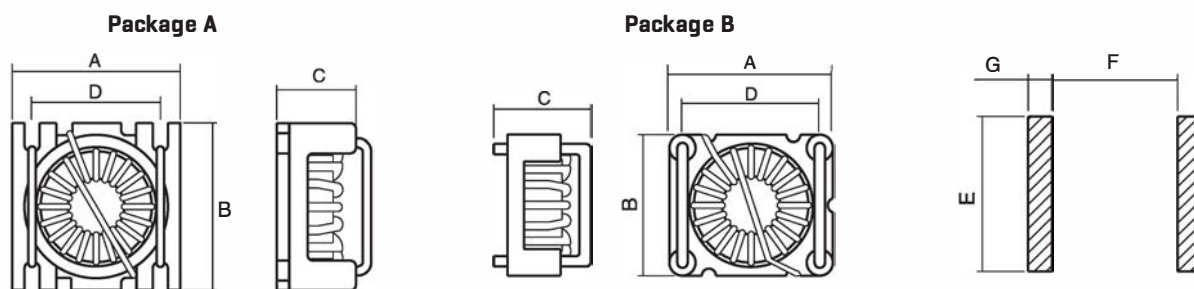
Electronic Appliances
DC - DC Conversion (Parallel Mode)
Isolation/Coupling (Transformer)
Input Filter (Serial Mode)
EMI/RFI Suppression

ELECTRICAL CHARACTERISTICS

Part Number	L μH 100KHz	SRF MHz TYP	DCR (mΩ) Max	IDC [A] Max	Part Number	L μH 100KHz	SRF MHz TYP	DCR (mΩ) Max	IDC [A] Max
FASTR30-8/90-1R8M	1.8	140	12.0	12	FASTR38-8/90-1R5M	1.5	133	9.3	18
FASTR30-8/90-3R3M	3.3	110	19.9	10	FASTR38-8/90-3R3M	3.3	73	18.7	12
FASTR30-8/90-6R8M	6.8	55	47.2	6.5	FASTR38-8/90-8R2M	8.2	24	63	7.5
FASTR30-8/90-220M	22	15	166	3.5	FASTR38-8/90-270M	27	12	290	4.0
FASTR30-8/90-101M	100	5.0	640	1.6	FASTR38-8/90-101M	100	4.0	657	8.8
FASTR30-18-2R7M	2.7	125	12.0	7.5	FASTR38-18-3R8M	3.8	133	9.3	5.8
FASTR30-18-5R2M	5.2	102	19.9	5.4	FASTR38-18-7R5M	7.5	73	18.7	3.5
FASTR30-18-120M	12	52	47.2	3.5	FASTR38-18-220M	22	34	63	2.0
FASTR30-18-350M	35	12	166	2.0	FASTR38-18-730M	73	5.0	290	0.98
FASTR30-18-171M	170	4.0	640	0.95	FASTR38-18-291M	290	2.0	657	6.5
FASTR30-52-3R6M	3.6	150	12.0	5.0	FASTR38-52-4R7M	4.7	133	9.3	4.4
FASTR30-52-6R8M	6.8	110	19.9	3.7	FASTR38-52-100M	10	62	18.7	2.4
FASTR30-52-150M	15	45	47.2	2.5	FASTR38-52-330M	33	25	63	1.4
FASTR30-52-470M	47	14	166	1.4	FASTR38-52-101M	100	5.0	290	0.71
FASTR30-52-221M	220	4.2	640	0.64	FASTR38-52-391M	390	133	657	6.2
FASTR30-M125-6R0M	6.0	95	12.0	4.6	FASTR38-M125-6R8M	6.8	58	9.3	4.2
FASTR30-M125-120M	12	75	19.9	3.4	FASTR38-M125-150M	15	18	18.7	2.6
FASTR30-M125-220M	22	50	47.2	2.4	FASTR38-M125-390M	39	4.0	63	1.6
FASTR30-M125-820M	82	10	166	1.3	FASTR38-M126-121M	120	1.2	290	0.74
FASTR30-M125-391M	390	3	640	0.60	FASTR38-M127-471M	470	1.8	657	2.1

Note: 1. K=±10%, M=±20%, N=±30%

TECHNICAL INFORMATION & PHYSICAL CHARACTERISTICS



LAND PATTERNS

IDC Max: Determine when superimposed
Inductance test: HP4284A 10KHz 0.1V
RDC: QuadTech 1880 Milliohm meter
Operating temperature: -40°C to +105°C
Storage Temperature: -40°C to +105°C
Solder methods: Vapor Phase, Infrared Reflow
Resistance to soldering heat: 260°C for 10 seconds
Solvent resistance: Conforms to MIL-STD-202E
Marking: Inductance & Tolerance
Note: All specifications subject to change without notice.

DIMENSIONS IN mm

Part number	A	B	C	D	E	F	G
FASTR30	11.05Max	11.18Max	9.50Max	8.89	10.16	9.14	1.52
FASTR38	14.22Max	14.35Max	9.50Max	11.43	13.21	11.68	1.52

SURFACE-MOUNT TOROIDAL CHOKES FASTR44-50 SERIES



FEATURES:

Higher Frequency
High Saturation Material
Low EMI Radiation
Pick and Place
Low DC Resistance

OPTIONS:

Packaging:Tape & Reel is standard
[Qty:2000pcs]
Bulk packaging available for smaller quantities
Tolerance:10% and 5% is standard
tighter tolerances available

COMMON APPLICATIONS:

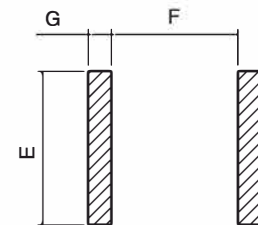
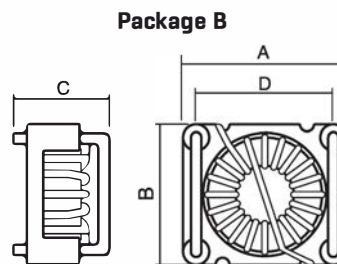
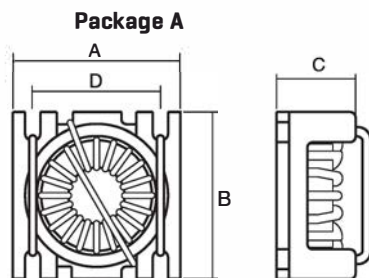
Electronic Appliances
DC - DC Conversion [Paraller Mode]
Isolation/Coupling[Transformer]
Input Filter[Serial Mode]
EMI/RFI Suppression

ELECTRICAL CHARACTERISTICS

Part Number	L μH 100KHz	SRF M z TYP	DCR mohm Max	IDC A Max	Part Number	L μH 100KHz	SRF MHz TYP	DCR mohm Max	IDC A Max
FASTR44-8/90-5R6M	5.6	65	16.2	11.0	FASTR50-8/90-100M	10	35	19.7	9.0
FASTR44-8/90-100M	10.0	40	23.6	9.0	FASTR50-8/90-150M	15	27	32	7.5
FASTR44-8/90-150M	15.0	25	39.0	7.4	FASTR50-8/90-470M	47	7.0	133	4.3
FASTR44-8/90-270M	27.0	12	85.0	5.4	FASTR50-8/90-101M	100	3.8	220	2.9
FASTR44-8/90-681M	680	1.4	1908	1.0	FASTR50-8/90-152M	1500	0.72	1932	0.76
FASTR44-18-7R9M	7.9	49	16.2	6.6	FASTR50-18-160M	16	24	19.7	5.4
FASTR44-18-140M	14.0	33	23.6	5.2	FASTR50-18-260M	26	11	32	4.3
FASTR44-18-220M	22.0	23	39.0	4.1	FASTR50-18-730M	73	4.5	133	2.5
FASTR44-18-410M	41.0	9.5	85.0	3.0	FASTR50-18-151M	150	2.6	220	1.8
FASTR44-18-112M	1100	12	1908	0.58	FASTR50-18-202M	2000	0.60	1932	0.50
FASTR44-52-120M	12	62	16.2	4.5	FASTR50-52-180M	18	35	19.7	4.4
FASTR44-52-180M	18	35	23.6	3.5	FASTR50-52-270M	27	27	32	3.6
FASTR44-52-270M	27	26	39.0	2.8	FASTR50-52-101M	100	5.2	133	1.9
FASTR44-52-560M	56	9.0	85.0	2.0	FASTR50-52-221M	220	2.2	220	1.3
FASTR44-52-152M	1500	0.85	1908	0.39	FASTR50-52-272M	2700	0.50	1932	0.37
FASTR44-M125-180M	18	49	16.2	4.3	FASTR50-M125-330M	33	19	19.7	3.5
FASTR44-M125-270M	27	33	23.6	3.4	FASTR50-M125-470M	47	16	32	2.8
FASTR44-M125-470M	47	23	39.0	2.6	FASTR50-M125-151M	150	3.6	133	1.6
FASTR44-M125-101M	100	7.5	85.0	1.8	FASTR50-M125-331M	330	2.0	220	1.2
FASTR44-M125-222M	2200	0.60	1908	0.38	FASTR50-M125-472M	4700	0.45	1932	0.31

Note:1. K=±10%,M=±20%,N=±30%

TECHNICAL INFORMATION & PHYSICAL CHARACTERISTICS



LAND PATTERNS

IDC Max:Determined when superimposed
Testing: [Equivalent acceptable] Inductance:HP4284A
RDC:QuadTech 1880 Milliohmeter
DC current is decreased 10% against its initial value
Operating temperature: -40°C to +105°C
Storage Temperature: -40°C to +105°C
Solder methods: Vapor Phase,Infrared Reflow
Resistance to soldering heat:260°C for 10 seconds
Solvent resistance: Conforms to MIL-STD-202E
Marking: Inductance & Tolerance

Note:All specifications subject to change without notice.

DIMENSIONS IN mm

Part number	A	B	C	D	E	F	G
FASTR44	14.99Max	15.62Max	10.50Max	12.70	13.97	12.95	1.52
FASTR50	17.02Max	17.78Max	10.50Max	14.73	15.75	14.99	1.52

SHIELDED SMD POWER INDUCTOR FASB0906, FASB0908 SERIES



FEATURES:

Magnetic Shielded Surface Mount Inductor with High Current Rating.
Low Resistance to Keep Power Loss Minimum.

OPTIONS:

ape & Reel is Standard (Qty: SB0906: 6000pcs, SB0908: 4000pcs) Bulk packaging Available for Smaller Qty quantities
olerance: M = 20%, Y = 15% is Standard, Tighter Tolerances Available

COMMON APPLICATIONS:

Excellent for Power Line DC-DC Converter Applications used in Hard disk, Notebook Computers and Other Electronic Equipment.

ELECTRICAL CHARACTERISTICS

Part Number	Inductance [μH]	Q ref.	Test F req. [Hz]		SRF [MHz] min.	DCR [Ω] max.	IDC [A] max.	Part Number	Inductance [μH]	Q ref.	Test F req. [Hz]		SRF [MHz] min.	DCR [Ω] max.	IDC [A] max.
			L	Q							L	Q			
FASB0906								FASB0906							
2R7M	2.70±20%	23	1K	7.96 M	85.00	0.032	3.200	560M	56.00±20%	35	1K	2.520 M	12.00	0.300	0.930
3R5M	3.50±20%	23	1K	7.96 M	80.00	0.036	2.900	680M	68.00±20%	40	1K	2.520 M	9.00	0.350	0.850
4R7M	4.70±20%	23	1K	7.96 M	70.00	0.040	2.700	820M	82.00±20%	40	1K	2.520 M	8.00	0.370	0.780
5R6M	5.60±20%	23	1K	7.96 M	57.00	0.046	2.500	101Y	100.0±15%	40	1K	0.796 M	7.50	0.420	0.700
6R8M	6.80±20%	23	1K	7.96 M	38.00	0.050	2.300	120Y	120.0±15%	40	1K	0.796 M	7.00	0.480	0.650
8R2M	8.20±20%	23	1K	7.96 M	30.00	0.055	2.100	150Y	150.0±15%	40	1K	0.796 M	6.00	0.550	0.600
100M	10.00±20%	35	1K	2.520 M	29.00	0.080	1.800	180Y	180.0±15%	40	1K	0.796 M	5.50	0.820	0.520
120M	12.00±20%	35	1K	2.520 M	26.00	0.085	1.700	221Y	220.0±15%	40	1K	0.796 M	5.00	1.000	0.480
150M	15.00±20%	35	1K	2.520 M	29.00	0.100	1.600	270Y	270.0±15%	40	1K	0.796 M	5.00	1.100	0.440
180M	18.00±20%	35	1K	2.520 M	22.00	0.110	1.500	331Y	330.0±15%	40	1K	0.796 M	4.50	1.300	0.400
220M	22.00±20%	35	1K	2.520 M	19.00	0.130	1.400	391Y	390.0±15%	40	1K	0.796 M	4.20	1.400	0.380
270M	27.00±20%	35	1K	2.520 M	17.00	0.140	1.300	471Y	470.0±15%	40	1K	0.796 M	4.00	1.600	0.350
330M	33.00±20%	35	1K	2.520 M	15.00	0.150	1.200	561Y	560.0±15%	60	1K	0.796 M	3.20	2.700	0.280
390M	39.00±20%	35	1K	2.520 M	14.00	0.160	1.100	681Y	680.0±15%	60	1K	0.796 M	2.70	3.200	0.250
470M	47.00±20%	35	1K	2.520 M	12.00	0.180	1.000	821Y	820.0±15%	85	1K	0.796 M	2.60	3.500	0.230

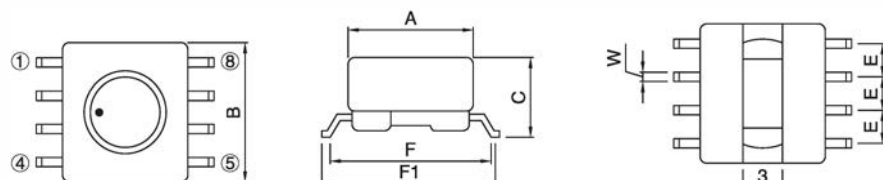
TECHNICAL INFORMATION & PHYSICAL CHARACTERISTICS

Materials:

1. Core: Ferrite DR Core & RI Core
2. Wire: Enamelled Copper Wire
3. Base: LCP E4008
4. Terminal: Tinned Copper Plate
5. Adhesive: Epoxy Resin

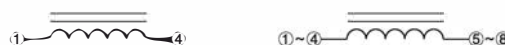
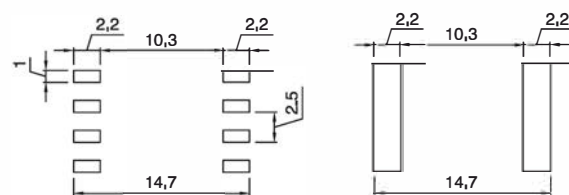
General Specification

1. Storage Temperature: -40°C - +125°C
2. Operation Temperature: -40°C - +105°C
3. Rated Current: Base on Temperature
 $\Delta L/LDA = 10\% \text{ max}$
4. Resistance to solder heat: 260°C, 10 secs



DIMENSIONS:MM

Series	A	B	C	E	F	F1	W
FASB0906	9.50±0.3	10.50±0.3	6.00±0.3	2.50±0.3	11.0±0.3	12.7±0.8	0.7±0.1
FASB0908	9.50±0.3	10.50±0.3	7.50±0.3	2.50±0.3	11.0±0.3	12.7±0.8	0.7±0.1



FASB 0906 Series
FASB 0908 101Y-153Y

FASB 0908 1R5M-820M

Note: All specifications subject to change without notice.

SHIELDED SMD POWER INDUCTOR FASB0906, FASB0908 SERIES



FEATURES:

Magnetic Shielded Surface Mount Inductor with High Current Rating.
Low Resistance to Keep Power Loss Minimum.

OPTIONS:

Standard & Reel is Standard (Qty: SB0906: 6000 pcs, SB0908: 4000 pcs) Bulk packaging Available for Smaller Q quantities
Tolerance: M = 20%, Y = 15% is Standard, Tighter Tolerances Available

COMMON APPLICATIONS:

Excellent for Power Line DC-DC Converter Applications used in Hard disk, Notebook Computers and Other Electronic Equipment.

ELECTRICAL CHARACTERISTICS

Part Number	Inductance [μ H]	Q ref.	Test F req. (Hz)		SRF [MHz] min.	DCR [Ω] max.	IDC [A] max.	Part Number	Inductance [μ H]	Q ref.	Test F req. (Hz)		SRF [MHz] min.	DCR [Ω] max.	IDC [A] max.
			L	Q							L	Q			
FASB0906								FASB0908							
102Y	1000.0 \pm 15%	100	1K	0.252 M	2.30	4.00	0.220	1R5M	1.50 \pm 20%	20	1K	7.960 M	65.0	0.014	5600
122Y	1200.0 \pm 15%	100	1K	0.252 M	2.30	4.40	0.200	2R7M	2.70 \pm 20%	20	1K	7.960 M	50.0	0.019	4800
152Y	1500.0 \pm 15%	100	1K	0.252 M	2.00	5.20	0.180	3R9M	3.90 \pm 20%	20	1K	7.960 M	35.0	0.021	4400
182Y	1800.0 \pm 15%	100	1K	0.252 M	1.70	7.00	0.170	5R6M	5.60 \pm 20%	18	1K	7.960 M	25.0	0.027	3800
222Y	2200.0 \pm 15%	100	1K	0.252 M	1.50	8.50	0.160	7R5M	7.50 \pm 20%	18	1K	7.960 M	15.0	0.032	3400
272Y	2700.0 \pm 15%	100	1K	0.252 M	1.40	9.20	0.140	100M	10.00 \pm 20%	33	1K	2.520 M	11.0	0.040	3000
332Y	3300.0 \pm 15%	100	1K	0.252 M	1.30	11.0	0.120	120M	12.00 \pm 20%	40	1K	2.520 M	11.0	0.050	2500
392Y	3900.0 \pm 15%	100	1K	0.252 M	1.20	16.0	0.110	150M	15.00 \pm 20%	45	1K	2.520 M	8.50	0.065	2200
472Y	4700.0 \pm 15%	100	1K	0.252 M	1.00	19.0	0.100	180M	18.00 \pm 20%	40	1K	2.520 M	8.50	0.075	2000
562Y	5600.0 \pm 15%	100	1K	0.252 M	0.90	21.0	0.090	220M	22.00 \pm 20%	35	1K	2.520 M	6.00	0.080	1900
682Y	6800.0 \pm 15%	100	1K	0.252 M	0.90	24.0	0.090	270M	27.00 \pm 20%	45	1K	2.520 M	6.00	0.090	1800
822Y	8200.0 \pm 15%	100	1K	0.252 M	0.80	31.0	0.080	330M	33.00 \pm 20%	40	1K	2.520 M	5.00	0.100	1700
103Y	10000.0 \pm 15%	100	1K	79.60 K	0.70	38.0	0.070	390M	39.00 \pm 20%	45	1K	2.520 M	5.00	0.135	1500

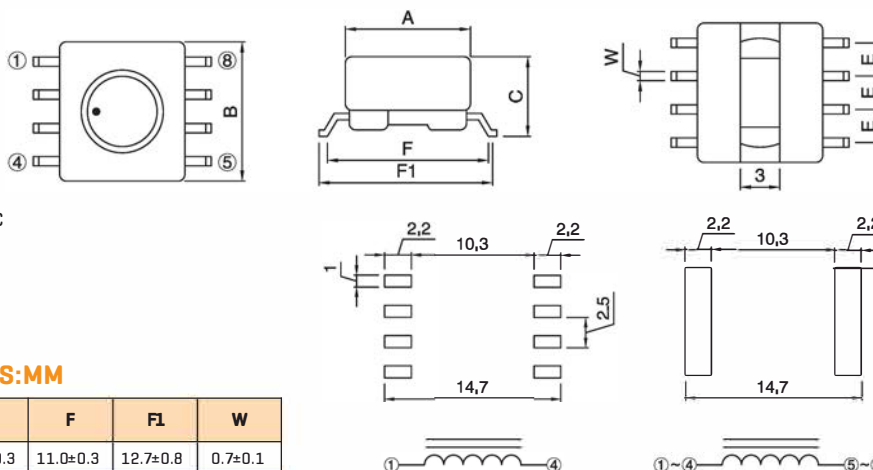
TECHNICAL INFORMATION & PHYSICAL CHARACTERISTICS

Materials:

- Core: Ferrite DR Core & RI Core
- Wire: Enamelled Copper Wire
- Base: LCP E4008
- Terminal: Tinned Copper Plate
- Adhesive: Epoxy Resin

General Specification

- Storage Temperature: -40°C - +125°C
- Operation Temperature: -40°C - +105°C
- Rated Current: Base on Temperature
 $\Delta L/LOA=10\%$ max
- Resistance to solder heat: 260°C, 10 secs



DIMENSIONS:MM

Series	A	B	C	E	F	F1	W
FASB0906	9.50 \pm 0.3	10.50 \pm 0.3	6.00 \pm 0.3	2.50 \pm 0.3	11.0 \pm 0.3	12.7 \pm 0.8	0.7 \pm 0.1
FASB0908	9.50 \pm 0.3	10.50 \pm 0.3	7.50 \pm 0.3	2.50 \pm 0.3	11.0 \pm 0.3	12.7 \pm 0.8	0.7 \pm 0.1

Note: All specifications subject to change without notice.

FASB 0906 Series
FASB 0908 101Y-153Y

FASB 0908 1R5M-820M

SHIELDED SMD POWER INDUCTOR FASB0906, FASB0908 SERIES



FEATURES:

Magnetic Shielded Surface Mount Inductor with High Current Rating.
Low Resistance to Keep Power Loss Minimum.

OPTIONS:

tape & Reel is Standard [Qty: SB0906: 6000pcs, SB0908: 4000pcs] Bulk packaging Available for Smaller Qty quantities
tolerance: M = 20%, Y = 15% is Standard, Tighter Tolerances Available

COMMON APPLICATIONS:

Excellent for Power Line DC-DC Converter Applications used in Hard disk, Notebook Computers and Other Electronic Equipment.

ELECTRICAL CHARACTERISTICS

Part Number	Inductance [μ H]	Q ref.	Test Freq. [Hz]		SRF [MHz] min.	DCR [Ω] max.	IDC [A] max.	Part Number	Inductance [μ H]	Q ref.	Test Freq. [Hz]		SRF [MHz] min.	DCR [Ω] max.	IDC [A] max.
			L	Q							L	Q			
FASB0908								FASB0908							
470M	47.00 \pm 20%	40	1K	2.520M	4.00	0.150	1400	561Y	560.00 \pm 15%	35	1K	0.796M	2.20	1.500	380
560M	56.00 \pm 20%	35	1K	2.520M	3.00	0.165	1350	681Y	680.00 \pm 15%	30	1K	0.796M	2.00	1.700	350
680M	68.00 \pm 20%	30	1K	2.520M	2.50	0.184	1250	821Y	820.00 \pm 15%	35	1K	0.796M	1.90	2.200	320
820M	82.00 \pm 20%	30	1K	2.520M	2.40	0.260	1050	102Y	1000.00 \pm 15%	85	1K	0.252M	1.80	2.500	300
101Y	100.00 \pm 15%	40	1K	0.796M	6.00	0.280	1000	152Y	1500.00 \pm 15%	120	1K	0.252M	1.30	4.000	250
121Y	120.00 \pm 15%	42	1K	0.796M	5.70	0.340	900	222Y	2200.00 \pm 15%	95	1K	0.252M	1.00	5.000	200
151Y	150.00 \pm 15%	45	1K	0.796M	4.60	0.450	800	332Y	3300.00 \pm 15%	95	1K	0.252M	0.90	8.000	150
181Y	180.00 \pm 15%	35	1K	0.796M	4.20	0.500	700	472Y	4700.00 \pm 15%	90	1K	0.252M	0.80	12.00	120
221Y	220.00 \pm 15%	35	1K	0.796M	3.80	0.600	650	682Y	6800.00 \pm 15%	90	1K	0.252M	0.60	16.50	100
271Y	270.00 \pm 15%	30	1K	0.796M	3.40	0.700	600	822Y	8200.00 \pm 15%	85	1K	0.252M	0.50	24.00	97
331Y	330.00 \pm 15%	30	1K	0.796M	3.00	0.800	550	103Y	10000.00 \pm 15%	110	1K	79.60K	0.50	26.00	95
391Y	390.00 \pm 15%	33	1K	0.796M	2.60	1.000	500	153Y	15000.00 \pm 15%	130	1K	79.60K	0.40	40.00	75
471Y	470.00 \pm 15%	30	1K	0.796M	2.30	1.150	450								

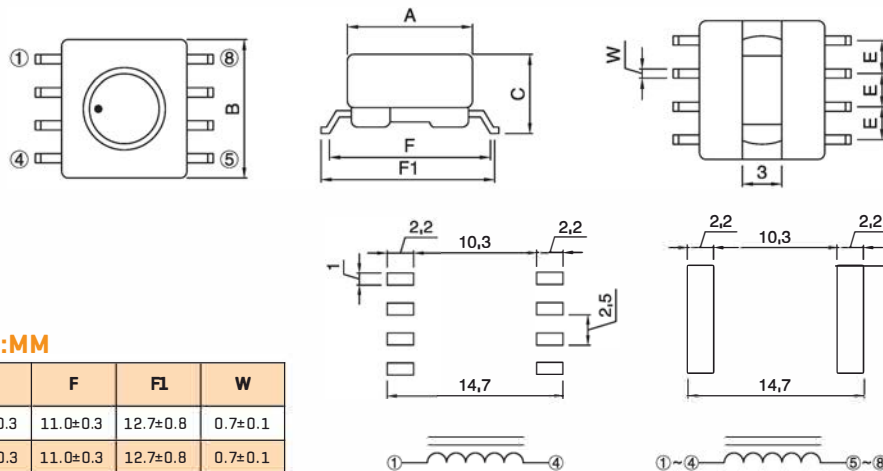
TECHNICAL INFORMATION & PHYSICAL CHARACTERISTICS

Materials:

1. Core: Ferrite DR Core & RI Core
2. Wire: Enamelled Copper Wire
3. Base: LCP E4008
4. Terminal: Tinned Copper Plate
5. Adhesive: Epoxy Resin

General Specification

1. Storage Temperature: $-40^{\circ}\text{C} - +125^{\circ}\text{C}$
2. Operation Temperature: $-40^{\circ}\text{C} - +105^{\circ}\text{C}$
3. Rated Current: Base on Temperature
 $\Delta L/LDA=10\%$ max
4. Resistance to solder heat: $260^{\circ}\text{C}, 10$ secs



DIMENSIONS:MM

Series	A	B	C	E	F	F1	W
FASB0906	9.50 \pm 0.3	10.50 \pm 0.3	6.00 \pm 0.3	2.50 \pm 0.3	11.0 \pm 0.3	12.7 \pm 0.8	0.7 \pm 0.1
FASB0908	9.50 \pm 0.3	10.50 \pm 0.3	7.50 \pm 0.3	2.50 \pm 0.3	11.0 \pm 0.3	12.7 \pm 0.8	0.7 \pm 0.1

Note: All specifications subject to change without notice.

SMD LINE FILTER FASF0905 SERIES



FEATURES:

Low profile very effective in space conscious applications
Low resistance filters have been designed for excellent electrical isolation
High quality toroidal core
Wide frequency range over 1000MHz

OPTIONS:

Reel & Reel is Standard [Qty: 1000pcs]
Bulk packaging Available for Smaller Q quantities

COMMON APPLICATIONS:

Provide common mode noise attenuation
Reduce conducted noise
For the suppression of EMI in data lines and signal lines, e.g., CAN Bus

ELECTRICAL CHARACTERISTICS

Part Number	Inductance L1,L2 [μH]	Test Condition	DC Resistance N1,N2 [Ω]	Nominal voltage vac[V]	Rated Current [A]	Impedance [Ω]	Freq. range [MHz.]
FASF 0905							
100YS	10±30%	0.1V, 1KHz	0.080 max.	50	1.60	200 min	20~300
250YS	25±30%	0.1V, 1KHz	0.160max.	50	1.00	600min	20~150
400YS	40±30%	0.1V, 1KHz	0.250max.	50	0.90	800min	20~100
500YS	50±30%	0.1V, 1KHz	0.320max.	50	0.80	1500min	20~100
251YS	250±30%	0.1V, 100KHz	0.130max.	50	1.20	600min	3~20
471YS	470±30%	0.1V, 100KHz	0.140max.	50	1.10	1000min	2~20
501YS	500±30%	0.1V, 100KHz	0.150max.	50	1.300	1000 min	1~20
102YS	1000±30%	0.1V, 100KHz	0.310max.	50	0.80	1500 min	1~15
202YS	2000±30%	0.1V, 100KHz	0.420max.	50	0.60	3000 min	1~5
472YS	4700±30%	0.1V, 100KHz	0.900max.	50	0.40	4000 min	0.3~3
652YS	6500±30%	0.1V, 100KHz	1.050max.	50	0.30	5000 min	0.3~2

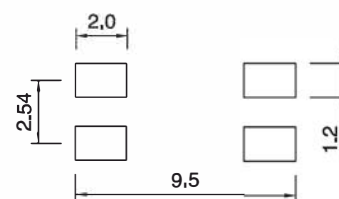
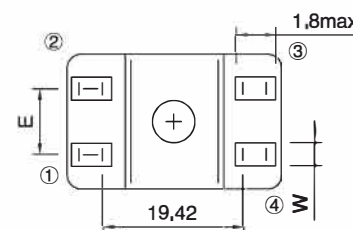
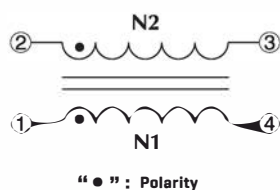
TECHNICAL INFORMATION & PHYSICAL CHARACTERISTICS

Materials:

- Core: Ferrite Toroidal Core
- Wire: Enamelled Copper Wire
- Base: LCP
- Case: LCP
- Terminal: Tinned Copper Plate

General Specification

- Storage Temperature: -40°C — +105°C
- Operation Temperature: -40°C — +85°C
- Temperature Rise: 45°C max. at Rated Current
- Resistance to solder heat: 260°C, 10 secs



DIMENSIONS:MM

Series	A	B	C	E	F	W
FASF 0905	9.20 ± 3.0	6.00 ± 0.30	5.00 ± 0.30	2.54 ± 0.20	5.70 ref.	1.00 ± 0.10

Note: All specifications subject to change without notice.

SMD LINE FILTER FASF1306 SERIES



FEATURES:

Low profile very effective in space conscious applications
 Low resistance filters have been designed for excellent electrical isolation
 High quality toroidal core
 Wide frequency range over 1000MHz
 Lead free construction

OPTIONS:

Reel is Standard [Qty:600pcs]
 Bulk packaging Available for Smaller Q quantities

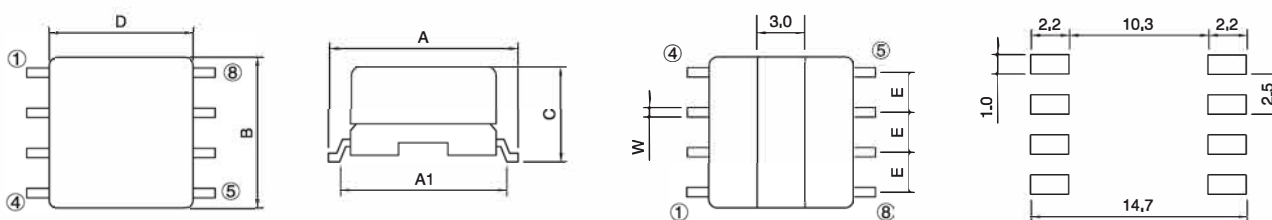
COMMON APPLICATIONS:

Provide common mode noise attenuation
 Reduce conducted noise
 For the suppression of EMI in data lines and signal lines, e.g., CAN Bus

ELECTRICAL CHARACTERISTICS

Part Number	Inductance [μH]		DC resistance N1,N2[Ω]	Rated Current [A]	Impedance [Ω]	Freq. rang [MHz]	Fig
	L1,L2	L1-L2					
350YA	35±35%	4 max.	0.035 max	2.70max	400 min	5.0~250	B
600YA	60±35%	5 max.	0.065max	2.00max	600min	5.0~100	B
101YA	100±35%	15 max.	0.100max	0.70max	300min	1.0~50	A
251YA	250±35%	25 max.	0.150max	0.60max	600min	1.0~40	A
501YA	500±35%	35 max.	0.300max	0.40max	1200min	1.0~40	A
102YA	1000±35%	45 max.	0.400max	0.35max	2200min	0.5~10	A
501YA	500±35%	35 max.	0.300max	0.40max	1200min	1.0~40	A
102YA	1000±35%	45 max.	0.400max	0.35max	2200min	0.5~10	A

TECHNICAL INFORMATION & PHYSICAL CHARACTERISTICS

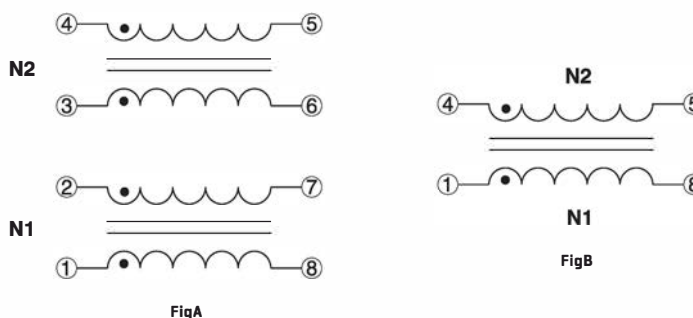


Materials:

1. Core: Ferrite Toroidal Core
2. Wire: Enamelled Copper Wire
3. Base: LCP
4. Terminal: Tinned Copper Plate
5. Adhesive: Epoxy Resin [0904]
6. Case: LCP

General Specification

1. Storage Temperature: -25°C ~ +85°C
2. Operating Temperature: -20°C ~ -80°C
3. Resistance to solder heat: 260°C, 10 secs



DIMENSIONS:MM

Series	A	A1	B	C	D	E	W
FASF1306	12.7±0.8	11.00±0.5	10.50max	5.75 0.30	9.50 0.20	2.50 0.20	0.70 0.10

Note: All specifications subject to change without notice.

SMD LINE FILTER FASF0503,0602 SERIES



FEATURES:

Low profile very effective in space conscious applications
 Low resistance filters have been designed for excellent electrical isolation
 High quality toroidal core
 Wide frequency range over 1000MHz
 Lead free construction

OPTIONS:

ape & Reel is Standard
 [Qty:0503:500pcs,
 0602:1000pcs]
 Bulk packaging Available
 for Smaller Quantities

COMMON APPLICATIONS:

Provide common mode noise attenuation
 Reduce conducted noise
 For the suppression of EMI in data lines and signal lines, e.g., CAN Bus

ELECTRICAL CHARACTERISTICS

Part Number	L1,L2 @10KHz @0.1Vrms [μH] +50% -30%	Freq. rang [μH]	Impedance min[Ω]	DCR[Ω] (each Winding)		Rated Current [mA]typ.
				max.	typ.	
110YL	11	100-500	450	0.180	0.130	100
220YL	22	40-300	900	0.230	0.170	100
330YL	33	30-250	1000	0.270	0.200	100
500YL	50	20-150	1400	0.320	0.240	100

Part Number	L [μH]	L-L [μH] max.	DCR[Ω] max. N1=N2	Rated Current [mA]	Impedance[Z]	
					Freq.range MHz	min [Ω]
FASF060						
100YL	10±50%	1	0.240	300	350~570	600
470YL	47±50%	4	2.160	300	4~1600	140
820YL	82±50%	4	2.200	300	3~850	220
101YL	100±50%	8	0.220	300	3~660	260
181YL	180±50%	8	0.250	300	3~250	500
221YL	220±50%	10	0.280	300	3~210	600
331YL	330±50%	10	0.300	300	3~120	900

TECHNICAL INFORMATION

Materials:

- Core: Ferrite Core[0503], Ferrite Toroidal Core[0602]
- Wire: Enamelled Copper Wire(Class F)
- Base: LCP [UL 94V-0][0503], LCP[0602]
- Terminal: Cu / Ni / Sn
- Adhesive: Epoxy Resin

General Specification

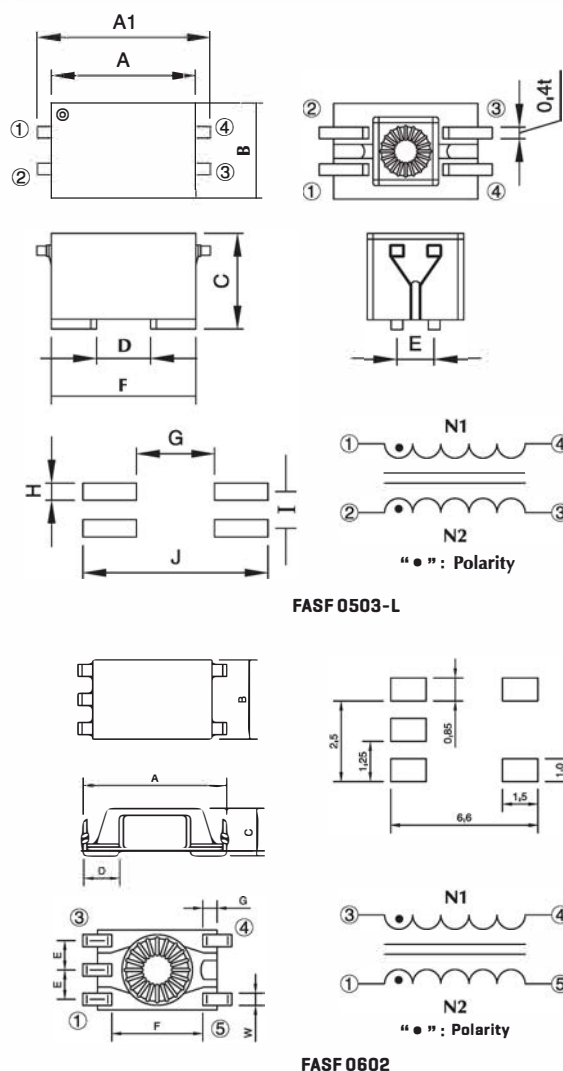
- Storage Temperature: -40°C - +125°C [0503], -40°C - +85°C[0602]
- Operation Temperature: -40°C - +105°C [0503], -40°C - +85°C[0602]
- Temperature Rise Included: 25°C max[0503], 20°C max[0602] at Rated Current
- Resistance to solder heat: 260°C, 10 secs

DIMENSIONS:MM

Series	A1	A	B	C	D	E	F	G	H	I	J
FASF0503L	6.00±0.3	5.00±0.3	3.30±0.3	3.30±0.2	3.10 typ.	1.27 typ.	5.00 typ.	2.70 typ.	0.60ref.	1.27ref.	6.40ref.

Series	A	B	C	D	E	F	G	W
FASF0602L	6.50 max	3.60±0.15	1.65±0.15	0.90min	1.25±0.10	3.4±0.2	0.8max	0.55±0.10

PHYSICAL CHARACTERISTICS:



Note:All specifications subject to change without notice.

SMD COMMON MODE CHOKES FASCM1310 SERIES



FEATURES:

High impedance for common mode noise and low impedance for differential mode signal.
Large rated current available.
Wide band or sharp type impedance curve available.

APPLICATIONS:

Prevention of common mode noise on signal Lines and power lines for computer related or electronic products.

GENERAL SPECIFICATIONS:

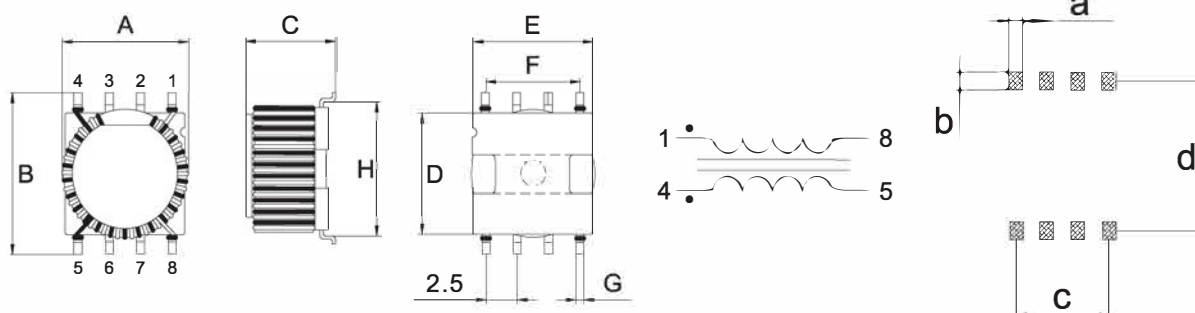
Rated current 2.0A to 3.5A.
Impedance: 364Ω to 1567Ω .
Turns ratio: N1:N2=1:1±2%.
Impedance tolerance: Min at 20°C.
Operating temperature: -25°C to +105°C
Storage Temp: -0°C to +40°C
Resistance to Soldering Heat: 260°C for 10 sec.
Temperature Rise: 40°C Typ. at Rated Current.
All parts meet ROHS compliance.

ELECTRICAL CHARACTERISTICS

Part Number	Impedance [Ω]Min	Test Frequency	Rated current [mA]	D.C. Resistor [mΩ] Max at 20°C	Hi-Pot [1-8 to 4-5]
FASCM1310-364R	364	100MHz	3500	50	AC 250V/1mA/1Second
FASCM1310-400R	330	100MHz	2500	50	AC 250V/1mA/1Second
FASCM1310-412R	325	100MHz	4500	50	AC 250V/1mA/1Second
FASCM1310-1K5R	1492	1MHz	2500	80	AC 250V/1mA/1Second
FASCM1310-1K6R	1567	250KHz	2000	91	AC 250V/1mA/1Second

TECHNICAL INFORMATION

ELECTRICAL SCHEMATIC & PAD LAYOUT



DIMENSIONS:MM

Part number	A	B	C	D	E	F	G	H	a	b	c	d
FASCM1310	13.0 Max	12.5±0.5	8.50 Max	9.5±0.3	9.7±0.3	7.5±0.3	0.65 REF	10.9 REF	1.10 REF	1.40 REF	7.50 REF	11.7 REF

SMD COMMON MODE CHOKES FASCM9085 SERIES



FEATURES:

Wire wound constructure common mode choke with best EMI suppression effect high impedance but very high rated current and low DCR

APPLICATIONS:

Preventive measure against common mode noise radiation emissions from power line or else Best for high current circuit such as car, wireless charging and power device design.

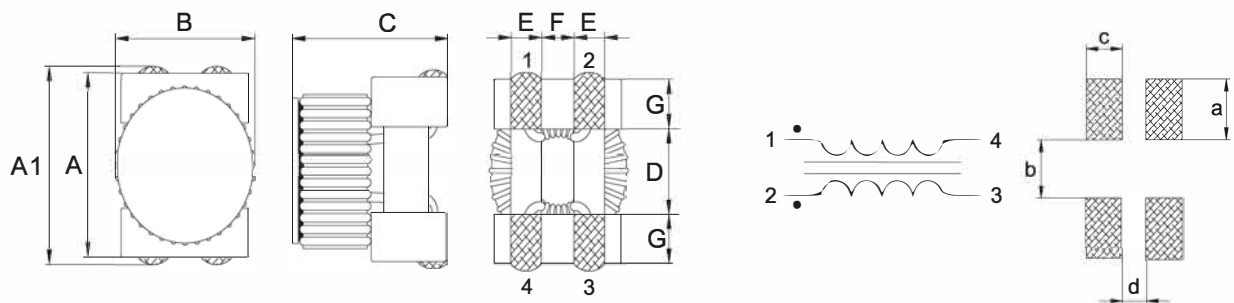
GENERAL SPECIFICATIONS:

Rated current 0.25A to 1.4A.
Inductance: 1.0mH to 1.6mH.
Turns ratio: N1:N2=1:1±2%.
Inductance tolerance: ±40% at 20°C
Operating temperature: -25°C to +125°C
Storage Temp: -0 to +40°C
Resistance to Soldering Heat: 260°C for 10 sec.
Temperature Rise: 40°C Typ. at Rated Current.
All parts meet ROHS compliance.

ELECTRICAL CHARACTERISTICS

Part Number	Inductance [uH] ± 40%	Test Frequency	Rated current [mA]	D.C. Resistor [mΩ] Max at 20°C
FASCM9085-102	1000	100KHz/250mV	2500	100
FASCM9085-132	1300	100KHz/250mV	2400	115
FASCM9085-162	1600	100KHz/250mV	2300	130

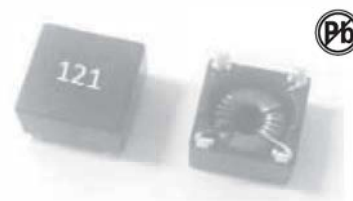
TECHNICAL INFORMATION ELECTRICAL SCHEMATIC & PAD LAYOUT



DIMENSIONS:MM

Part number	A	A1	B	C	D	E	F	G	a	b	c	d
FASCM9085	9.0±0.5	9.5±0.6	9.2 Max	9.5±0.3	5.7 REF	1.5 REF	2.0 REF	1.7 REF	3.0 REF	5.0 REF	2.2 REF	1.8 REF

SMD COMMON MODE CHOKES FASCM0805 SERIES



FEATURES:

High rated currents, reduced components height
Wire wound construction
Common mode choke with best EMI suppression effect
High impedance

APPLICATIONS:

Preventive measure against common mode noise radiation emissions from power line or else Best for high current circuit such as car, wireless charging and power device design.

GENERAL SPECIFICATIONS:

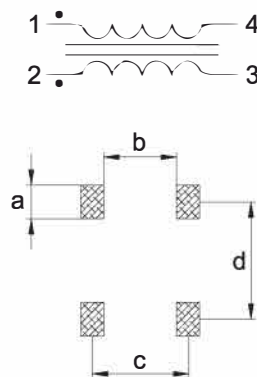
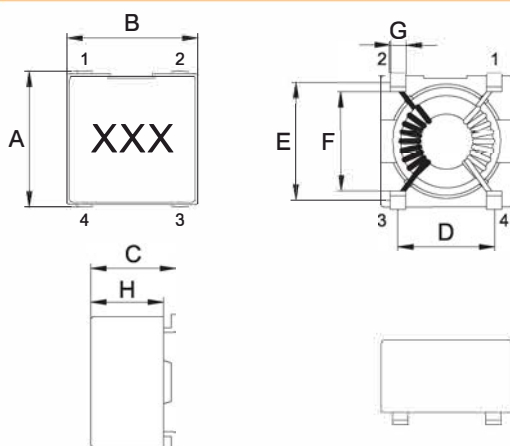
Rated current 0.25A to 1.4A.
Inductance: 0.12mH to 5.0mH.
Turns ratio: N1:N2=1:1 ± 2%.
Inductance tolerance: ± 40% at 20°C.
Operating temperature: -25°C to +105°C.
Storage Temp: -0°C to +40°C.
Resistance to Soldering Heat: 260°C for 10 sec.
Temperature Rise: 45°C Typ. at Rated Current.
All parts meet RO HS compliance.

ELECTRICAL CHARACTERISTICS

Part Number	Impedance [Ω]Min	Inductance [μH] ± 40% 100KHz/100mV	Rated current [A]	D.C. Resistor [mΩ] Max at 20°C	Test Frequency
FASCM0805-121	200	120	1.40	25	10~200MHz
FASCM0805-251	400	250	1.25	30	5~100MHz
FASCM0805-501	800	500	0.90	60	2~50MHz
FASCM0805-102	1400	1000	0.50	180	1~40MHz
FASCM0805-202	2000	2000	0.45	250	0.5~15MHz
FASCM0805-302	3000	3000	0.40	300	0.5~10MHz
FASCM0805-402	4000	4000	0.30	580	0.5~5MHz
FASCM0805-502	5000	5000	0.25	630	0.5~3MHz

TECHNICAL INFORMATION

ELECTRICAL SCHEMATIC & PAD LAYOUT



DIMENSIONS:MM

Part number	A	B	C	D	E	F	G	H	a	b	c	d
FASCM0805	8.8±0.5	8.5±0.5	6.0 Max	6.22±0.3	7.62±0.3	6.45 REF	1.00 REF	4.7 REF	1.50 REF	2.20 REF	6.22 REF	7.62 REF

SMD COMMON MODE CHOKES FASCM1006C SERIES



FEATURES:

High rated currents, reduced components height
Wire wound constructive common mode choke with best EMI suppression effect
high impedance

APPLICATIONS:

Preventive measure against common mode noise radiation emissions from power line or else Best for high current circuit such as car, wireless charging and power device design.
Industrial applications

GENERAL SPECIFICATIONS:

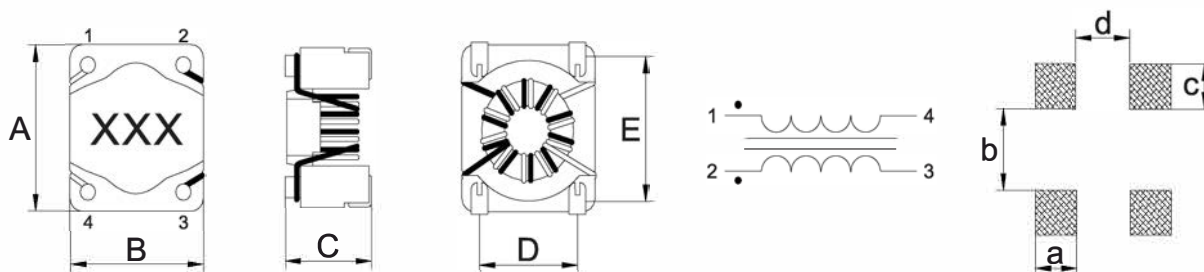
Rated current 0.25A to 1.4A.
Inductance: 0.12mH to 5.0mH.
Turns ratio: N1:N2=1:1±2%.
Inductance tolerance: ±40% at 20°C.
Operating temperature: -25°C to +125°C.
Storage Temp: -0°C to +40°C.
Resistance to Soldering Heat: 260°C for 10 sec.
Temperature Rise: 40°C Typ. at Rated Current.
All parts meet RO HS compliance.

ELECTRICAL CHARACTERISTICS

Part Number	Impedance [Ω]Min	Inductance [μH] ±40% 100KHz/100mV	Rated current [A]	D.C. Resistor [mΩ] Max at 20°C	Test Frequency
FASCM1006C-121	200	120	1.40	25	10~200MHz
FASCM1006C-251	400	250	1.25	30	5~100MHz
FASCM1006C-501	800	500	0.90	60	2~50MHz
FASCM1006C-102	1400	1000	0.50	180	1~40MHz
FASCM1006C-202	2000	2000	0.45	250	0.5~15MHz
FASCM1006C-302	3000	3000	0.40	300	0.5~10MHz
FASCM1006C-402	4000	4000	0.30	580	0.5~5MHz
FASCM1006C-502	5000	5000	0.25	630	0.5~3MHz

TECHNICAL INFORMATION

ELECTRICAL SCHEMATIC & PAD LAYOUT



DIMENSIONS:MM

Part number	A	B	C	D	E	a	b	c	d
FASCM1006C	10.0±0.3	8.70±0.3	6.5 Max	6.22±0.3	7.62±0.3	2.70 REF	4.92 REF	2.70 REF	3.52 REF

SMD COMMON MODE CHOKES FASCMT0905 SERIES



FEATURES:

High rated currents, reduced components height
Wire wound constructive common mode choke with best EMI suppression effect
high impedance

APPLICATIONS:

Preventive measure against common mode noise radiation emissions from power line or else Best for high current circuit such as car, wireless charging and power device design.
Industrial applications

GENERAL SPECIFICATIONS:

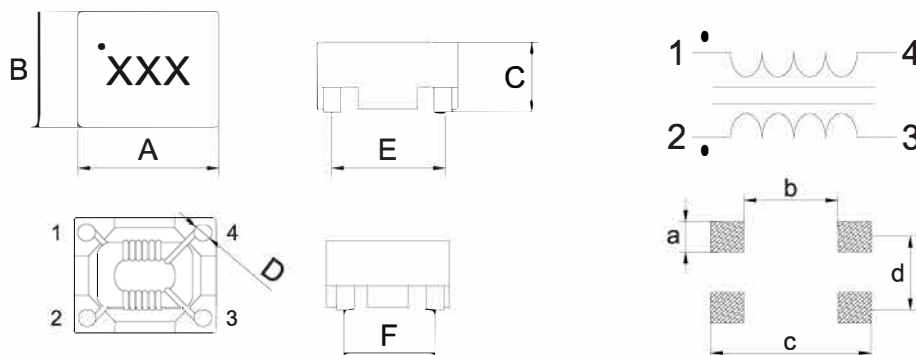
Rated current 1.4A to 5.0A.
Inductance: 5.0uH to 30uH.
Turns ratio: N1:N2=1:1 ± 2%.
Inductance tolerance: Typ at 20°C.
Operating temperature: -25°C to +105°C.
Storage Temp: -0°C to +40°C.
Resistance to Soldering Heat: 260°C for 10 sec.
Temperature Rise: 40°C Typ. at Rated Current.
All parts meet ROHS compliance.

ELECTRICAL CHARACTERISTICS

Part Number	Impedance [Ω]Min	Inductance [uH]Typ 100KHz/100mV	Rated current [A]	D.C. Resistor [mΩ] Max at 20°C	Test Frequency
FASCMT0905-501	500	5.0	5.0	7.5	100MHz
FASCMT0905-801	800	9.0	3.5	15.0	100MHz
FASCMT0905-102	1000	11.0	2.5	35.0	100MHz
FASCMT0905-152	1500	18.0	2.0	50.0	100MHz
FASCMT0905-222	2200	30.0	1.4	60.0	100MHz

TECHNICAL INFORMATION

ELECTRICAL SCHEMATIC & PAD LAYOUT



DIMENSIONS:MM

Part number	A	B	C	D	E	F	a	b	c	d
FASCMT0905	9.80 Max	8.60 Max	5.30 Max	1.20 REF	7.50±0.3	6.30±0.3	2.70 REF	4.90 REF	10.3 REF	6.30 REF

SMD COMMON MODE CHOKES FASCM0904 SERIES



FEATURES:

High rated currents, reduced components height
Wire wound construction common mode choke with best EMI suppression effect
high impedance

APPLICATIONS:

Preventive measure against common mode noise radiation emissions from power line or else Best for high current circuit such as car, wireless charging and power device design.
Industrial applications

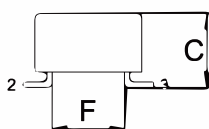
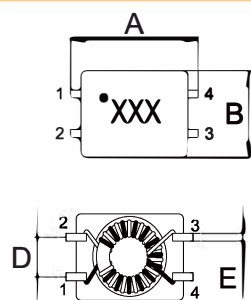
GENERAL SPECIFICATIONS:

Rated current 0.4A to 1.0A.
Inductance: 11uH to 4700uH.
Turns ratio: N1:N2=1:1±2%.
Inductance tolerance: +50/ - 30% at 20°C.
Operating temperature: -25°C to +105°C.
Storage Temp: -0°C to +40°C.
Resistance to Soldering Heat: 260°C for 10 sec.
Temperature Rise: 40°C Typ. at Rated Current.
All parts meet ROHS compliance.

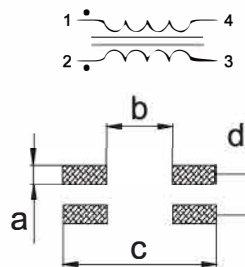
ELECTRICAL CHARACTERISTICS

Part Number	Impedance [Ω]Min	Inductance [uH]+50/-30% 100KHz/100mV	Leakage Inductance [1-4] [2-3short] [uH]Typ	Rated current [A]	D.C. Resistor [mΩ] Max at 20°C	Test Frequency
FASCM0904-110	160	11	0.08	1.00	120	20~300MHz
FASCM0904-250	450	25	0.15	0.90	120	20~150MHz
FASCM0904-10	800	51	0.20	0.80	150	20~100MHz
FASCM0904-101	600	100	0.25	0.70	100	3~20MHz
FASCM0904-471	1200	470	0.28	0.70	280	2~15MHz
FASCM0904-102	1800	1000	0.28	0.70	300	1~10MHz
FASCM0904-222	3000	2200	0.29	0.50	400	0.8~5MHz
FASCM0904-472	5000	4700	0.30	0.40	700	0.5~3MHz

TECHNICAL INFORMATION



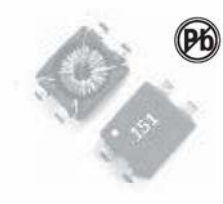
ELECTRICAL SCHEMATIC & PAD LAYOUT



DIMENSIONS:MM

Part number	A	B	C	D	E	F	a	b	c	d
FASCM0904	9.00±0.5	5.50±0.4	4.70±0.4	2.54±0.3	0.50 REF	5.50 REF	1.20 REF	4.50 REF	10.5 REF	2.54 REF

SMD COMMON MODE CHOKES FASCM0803HC SERIES



FEATURES:

High rated currents, reduced components height
Wire wound constructive common mode choke with best EMI suppression effect
high impedance

APPLICATIONS:

Preventive measure against common mode noise radiation emissions from power line or else Best for high current circuit such as car, wireless charging and power device design.
Industrial applications

GENERAL SPECIFICATIONS:

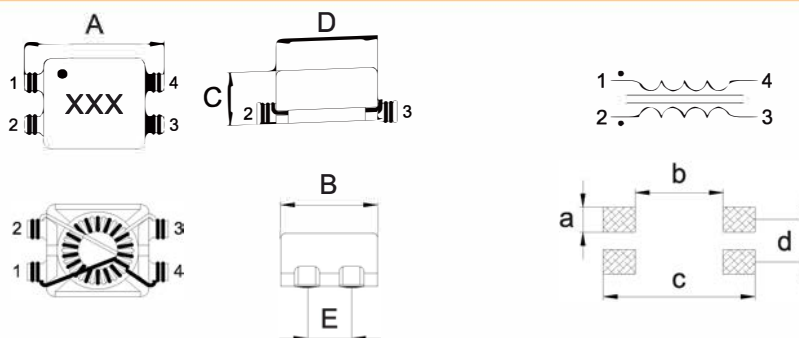
Rated current 0.4A to 2.0A .
Inductance:6uH to 2200uH.
Turns ratio:N1:N2=1:1±2%.
Inductance tolerance:±40% at 20°C .
Operating temperature: -25°C to +85°C.
Storage Temp: -0°C to +40°C.
Resistance to Soldering Heat:260°C for 10 sec.
Temperature Rise:40°C Typ. at Rated Current.
All parts meet ROHS compliance.

ELECTRICAL CHARACTERISTICS

Part Number	Inductance [uH] ± 40%	Test Frequency	D.C. Resistor [mΩ] Max at 20°C	Rated current [A]	Impedance [Ω] Min	Test Frequency
FASCM0803HC -6R0	6	100KHz/0.1mV	50	2.00	90	30-500MHz
FASCM0803HC -250	25	100KHz/0.1mV	80	1.60	300	20-200MHz
FASCM0803HC -550	55	100KHz/0.1mV	150	1.10	500	6-80MHz
FASCM0803HC -101	100	100KHz/0.1mV	270	0.90	600	4-40MHz
FASCM0803HC -151	150	100KHz/0.1mV	420	0.65	900	3-30MHz
FASCM0803HC -102	1000	100KHz/0.1mV	400	0.50	2800	1-10MHz
FASCM0803HC -222	2200	100KHz/0.1mV	600	0.40	3800	1-5MHz

TECHNICAL INFORMATION

ELECTRICAL SCHEMATIC & PAD LAYOUT



DIMENSIONS:MM

Part number	A	B	C	D	E	a	b	c	d
FASCM0803HC	8.00±0.3	5.30±0.3	3.50 Max	5.80±0.3	2.54±0.3	1.80 REF	5.00 REF	8.60 REF	2.54 REF

SURFACE-MOUNT TOROIDAL COILS AND COMMON MODE TOROIDAL CHOKES FASTC SERIES



FEATURES:

Higher Frequency
High Saturation Material
Low EMI Radiation
Pick and Place
Low DC Resistance

OPTIONS:

Tape and Reel is Standard
Custom Design Available
CMC Design Available
Tolerance:20% is Standard
Tighter Tolerances Available

COMMON APPLICATIONS:

Electronic Appliances
DC - DC Conversion (Paraller Mode)
Isolation/Coupling(Transformer)
Input Filter[Serial Mode]
EMI/RFI Suppression

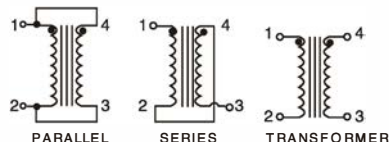
STANDARD SPECIFICATION

Part Number FASTC-XX-	Parallel Ratings 01			Parallel Ratings 02			Parallel Ratings 03			Parallel Ratings 04		
	OCL nominal +/- 25% [μH]	DC. A(max)	DCR ohm @20°C	OCL nominal +/- 25% [μH]	DC. A(max)	DCR ohm @20°C	OCL nominal +/- 25% [μH]	DC. A(max)	DCR ohm @20°C	OCL nominal +/- 25% [μH]	DC. A(max)	DCR ohm @20°C
0.33	0.402	10.0	0.0032	0.284	10.9	0.0028	0.368	11.4	0.0027	0.313	12.2	0.0026
0.68	0.752	9.0	0.0039	0.675	9.4	0.0039	0.688	9.3	0.0041	0.744	10.6	0.0034
1.0	1.18	7.26	0.0060	1.26	8.22	0.0050	1.08	8.38	0.0051	1.39	9.23	0.0045
2.0	2.30	5.64	0.010	1.98	6.74	0.0077	2.11	7.26	0.0068	2.18	8.38	0.0054
5.0	4.70	4.27	0.017	5.06	4.34	0.018	5.20	5.24	0.013	4.26	7.21	0.0073
8.0	7.94	3.37	0.028	7.90	3.50	0.027	8.43	4.23	0.020	8.70	5.49	0.013
10.0	10.58	2.84	0.039	11.38	2.89	0.040	9.68	3.64	0.027	10.53	4.67	0.017
15.0	15.23	2.07	0.075	15.48	2.69	0.046	15.52	3.25	0.033	14.70	3.87	0.025
20.0	20.73	1.71	0.109	20.22	2.24	0.067	20.81	2.43	0.061	19.58	3.62	0.029
25.0	24.86	1.46	0.148	25.60	1.89	0.095	24.77	2.34	0.065	25.14	3.02	0.041
33.0	34.26	1.22	0.213	34.84	1.56	0.138	33.71	1.93	0.096	34.80	2.49	0.061
50.0	51.18	0.99	0.327	49.38	1.28	0.206	49.71	1.56	0.147	50.11	2.05	0.089
68.0	67.87	0.92	0.375	66.44	1.07	0.293	68.80	1.28	0.217	68.21	1.70	0.131
100.0	99.45	0.74	0.588	102.38	0.75	0.596	99.07	1.05	0.325	100.57	1.37	0.201
150.0	147.4	0.67	0.713	152.9	0.68	0.722	149.7	0.86	0.489	153.5	1.10	0.313
200.0	198.6	0.62	0.825	197.5	0.64	0.814	198.8	0.71	0.711	200.4	0.92	0.447
300.0	300.8	0.56	1.012	303.7	0.58	1.006	296.2	0.56	1.122	302.8	0.75	0.675

PHYSICAL CHARACTERISTICS

DIMENSIONS:INCHES

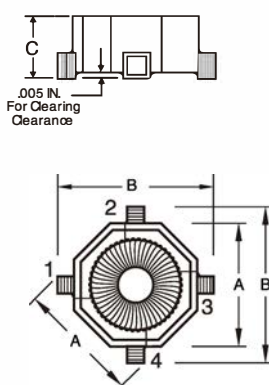
CONNECTION DIAGRAMS



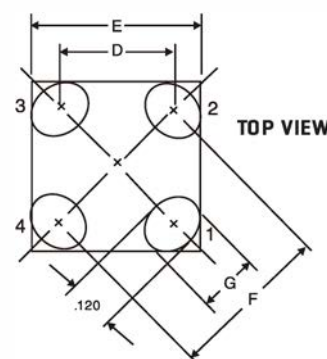
Case Size	A	B	C	D	E	F	G
FASTC-01	.350	.450	.165	.277	.422	.392	.145
FASTC-02	.350	.450	.235	.277	.422	.392	.145
FASTC-03	.450	.550	.190	.348	.492	.492	.160
FASTC-04	.450	.550	.250	.348	.492	.492	.160

Dimensions in inches, typical

MECHANICAL DIAGRAM



RECOMENDED LAYOUT



TECHNICAL INFORMATION

Inductance measure at 100KHz 0.1VRms.
Insulation Resistance: 100Vdc 1KMΩ min.
Turns Ratio: 1.1±0%
RDC:QuadTech 1880 Milliohmmer
Soldering temperature:260°C for 4±1 seconds
Operating temperature:-40°C to +125°C
Storage Temperature: -55°C to +125°C
Different package available per special request
Max of 35% saturation on DC bias applied

SURFACE-MOUNT TOROIDAL CHOKES FASTC-05,06P SERIES



FEATURES:

Higher Frequency
High Saturation Material
Low EMI Radiation
Pick and Place
Low DC Resistance

OPTIONS:

Packaging:Tape & Reel is standard
(Qty:2000pcs)
Bulk packaging available for smaller quantities
Tolerance:10% and 5% is standard, tighter tolerances available

COMMON APPLICATIONS:

Electronic Appliances
DC - DC Conversion (Parallel Mode)
Isolation/Coupling(Transformer)
Input Filter(Serial Mode)
EMI/RFI Suppression

ELECTRICAL CHARACTERISTICS

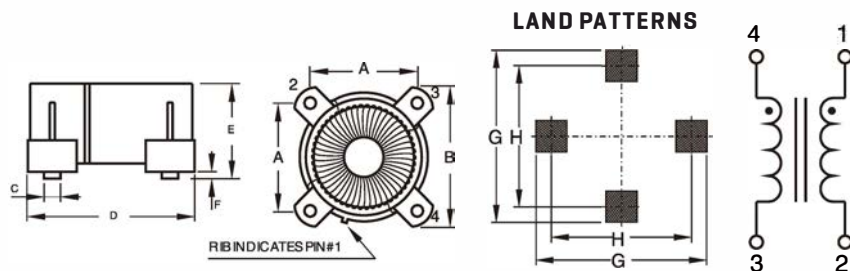
POWDERED IRON CORE				MPP ALLOY CORE			
Part Number	L (μH)	DCR (Ω) Max	IDC (A) Max	Part Number	L (μH)	DCR (Ω) Max	IDC (A) Max
FASTC-05-R47M	0.47	0.005	7.90	FASTC-06P-R47M	0.47	0.004	7.90
FASTC-05-R68M	0.68	0.006	7.20	FASTC-06P-R68M	0.68	0.005	7.00
FASTC-05-1R0M	1.00	0.009	5.90	FASTC-06P-1R0M	1.00	0.006	6.50
FASTC-05-2R0M	2.00	0.014	4.60	FASTC-06P-2R0M	2.00	0.007	5.90
FASTC-05-5R0M	5.00	0.027	3.30	FASTC-06P-5R0M	5.00	0.014	4.40
FASTC-05-8R0M	8.00	0.033	3.00	FASTC-06P-8R0M	8.00	0.019	3.50
FASTC-05-100M	10.0	0.047	2.50	FASTC-06P-100M	10.0	0.020	3.40
FASTC-05-150M	15.0	0.057	2.30	FASTC-06P-150M	15.0	0.024	3.00
FASTC-05-200M	20.0	0.085	1.90	FASTC-06P-200M	20.0	0.055	2.10
FASTC-05-250M	25.0	0.116	1.60	FASTC-06P-250M	25.0	0.064	2.00
FASTC-05-330M	33.0	0.166	1.30	FASTC-06P-330M	33.0	0.072	1.80
FASTC-05-500M	50.0	0.202	1.20	FASTC-06P-500M	50.0	0.111	1.50
FASTC-05-680M	68.0	0.238	1.10	FASTC-06P-680M	68.0	0.158	1.20
FASTC-05-101M	100	0.565	0.72	FASTC-06P-101M	100	0.303	0.92
FASTC-05-151M	150	0.696	0.64	FASTC-06P-151M	150	0.372	0.82
FASTC-05-201M	200	0.810	0.60	FASTC-06P-201M	200	0.545	0.64
FASTC-05-301M	300	1.003	0.54	FASTC-06P-301M	300	0.672	0.62

Note:1. K=±10%,M=±20%,N=±30%

TECHNICAL INFORMATION

Testing: [Equivalent acceptable]
Inductance:Reduced by 10% to 20%@ IDC
RDC:QuadTech 1880 Milliohm-meter
IDC Max:Lowers inductance by 10-20%
Temperature range: -55°C to +125°C

PHYSICAL CHARACTERISTICS



DIMENSIONS:MM

Part number	A	B	C	D	E	F	G	H
FASTC05	7.00±0.25	9.14±0.25	1.52±0.25	8.90±0.25	5.08±0.25	1.02Max	12.7	10.3
FASTC06P	10.2±0.25	13.5±0.25	3.20±0.25	12.4±0.25	7.87Max	1.02Max	17.4	14.35

Note:All specifications subject to change without notice.

SURFACE-MOUNT TOROIDAL COMMON MODE CHOKES

FASTR1206-0603 SERIES



FEATURES:

- SMD Housing
- High Frequency Design
- Excellent Mechanical Strength
- Excellent Solderability
- High Reliability
- Low Profile

OPTIONS:

- Packaging: Tape & Reel is standard (Qty:2000pcs)
- Bulk packaging available for smaller quantities
- Tolerance: 10% and 5% is standard tighter tolerances available

COMMON APPLICATIONS:

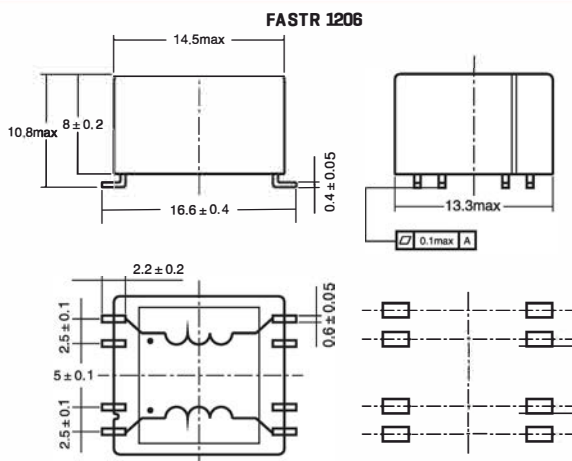
- VCRs
- Video Cameras
- Communication System
- Automotive Systems
- Liquid Crystal Televisions
- Hard Disk Drives
- Network Systems
- Computer Peripheral Equipment

ELECTRICAL CHARACTERISTICS

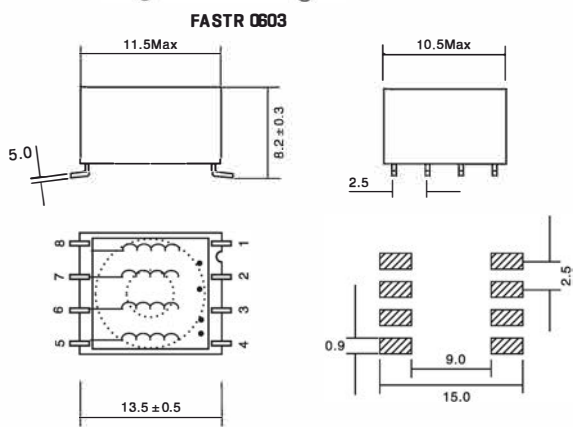
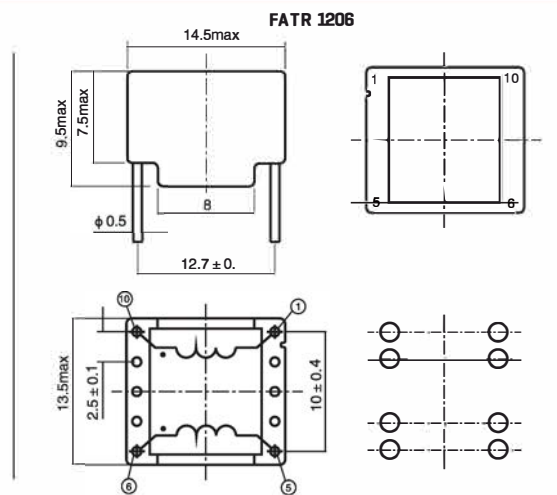
Part Number	L mH	Test Freq KHz	DCR ohm Max	IDC A Max	Part Number	L μH	Test Freq KHz	DCR ohm Max	IDC A Max
FASTR1206-123Y	12.0	1	1.15	0.3	FATR1206-123Y	12.0	1	1.15	0.3
FASTR1206-442Y	4.4	1	0.43	0.6	FATR1206-442Y	4.4	1	0.43	0.6
FASTR1206-302Y	3.0	1	0.23	1.0	FATR1206-302Y	3.0	1	0.23	1.0
FASTR1206-112Y	1.1	1	0.07	2.0	FATR1206-112Y	1.1	1	0.07	2.0
FASTR0603-102Y	1.0	1	0.82	0.5					
FASTR0603-501Y	0.5	1	0.45	0.6					
FASTR0603-221Y	0.22	1	0.22	0.8					
FASTR0603-151Y	0.15	1	0.15	1.0					

Note: Y Min

TECHNICAL INFORMATION



DIMENSIONS:mm
Unless otherwise specified all tolerances are 60.25



IDC Max: Determined when superimposed
Testing: [Equivalent acceptable] Inductance: HP4284
RDC: QuadTech 1880 Milliohm meter
Operating temperature: -40°C to +105°C
Storage Temperature: -40°C to +105°C
Solder methods: Vapor Phase, Infrared Reflow
Resistance to soldering heat: 260 C for 10 seconds
Solvent resistance: Conforms to MIL-STD-202E
Marking: Inductance & Tolerance
Note: All specifications subject to change without notice.

SURFACE-MOUNT TOROIDAL COMMON MODE CHOKES FASTRF01-06 SERIES



FEATURES:

- Toroid core
- SMD construction
- Excellent Mechanical Strength
- Excellent Solderability
- High Reliability
- Low Profile

OPTIONS:

- Packaging:Tape & Reel is standard (Qty:2000pcs)
- Bulk packaging available for smaller quantities
- Tolerance:20% is standard tighter tolerances available

COMMON APPLICATIONS:

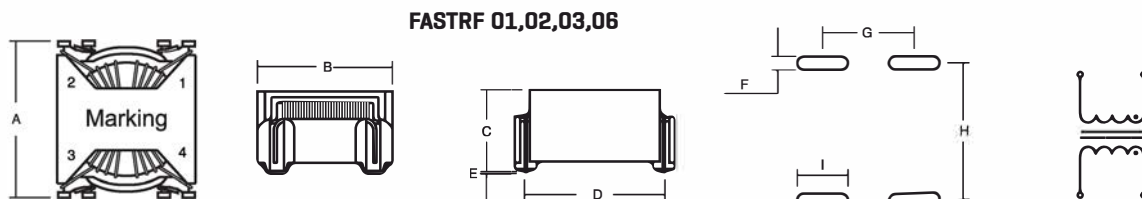
- DC/DC, AC/DC converter
- Filter and Noise suppression
- Communication System
- Automotive Systems
- Liquid Crystal Televisions
- Network Systems
- Computer Peripheral Equipment

ELECTRICAL CHARACTERISTICS

Part Number	L mH	Test Freq KHz	DCR (Ω) Max	IDC (A) Max
FASTRF-01-102Y	1.00	10	0.060	1.5
FASTRF-01-103Y	10.00	10	0.450	1.0
FASTRF-01-223Y	22.00	10	0.850	0.50
FASTRF-02-102Y	1.00	10	0.050	3.60
FASTRF-02-302Y	3.00	10	0.080	2.50
FASTRF-03-221Y	0.220	10	0.060	6.7
FASTRF-03-801Y	0.800	10	0.040	4.70
FASTRF-03-132Y	1.320	10	0.060	3.30
FASTRF-03-591Y	0.590	10	0.020	5.60
FASTRF-03-162Y	1.600	10	0.080	2.80
FASTRF-06-122Y	1.200	10	0.220	1.22
FASTRF-06-881Y	0.880	10	0.110	1.63

Note:1. K=±10%,M=±20%,N=±30%,Y=±40%

TECHNICAL INFORMATION & PHYSICAL CHARACTERISTICS



DIMENSIONS IN mm

Part number	A	B	C	D	E	F	G	H	I
FASTRF-01	16.0Typ	14.0Typ	7.87	13.46	0.63	1.52	8.63	13.46	4.5
FASTRF-02	19.0Typ	16.5Typ	8.89	16.76	0.63	1.52	11.3	16.76	4.5
FASTRF-03	19.0Typ	16.5Typ	8.89	16.76	0.63	1.52	11.3	16.76	4.5
FASTRF-06	12.2Typ	13.7Typ	6.35	8.38	0.63	1.52	8.38	10.40	4.5

IDC Max:Determined when superimposed
 Inductance test: HP4284A 10KHz 0.1V
 RDC:QuadTech 1880 Milliohmeter
 Operating temperature: -40°C to +105°C
 Storage Temperature: -40°C to +105°C
 Solder methods: Vapor Phase,Infrared Reflow
 Resistance to soldering heat:260°C for 10 seconds
 Solvent resistance: Conforms to MIL-STD-202E
 Marking: Inductance & Tolerance
 Note:All specifications subject to change without notice.

HIGH CURRENT TOROID INDUCTORS FA2111-V&H SERIES



FEATURES:

- DC/DC converter, EMI filter applications.
- Low radiation.
- Low core loss.
- Test Frequency Response: 1KHz, 0.3mV.
- High current capacity.
- Operating temperature: -55°C to +105°C
- Current to cause 30°C Max. temperature rise.

PRODUCT IDENTIFICATION:

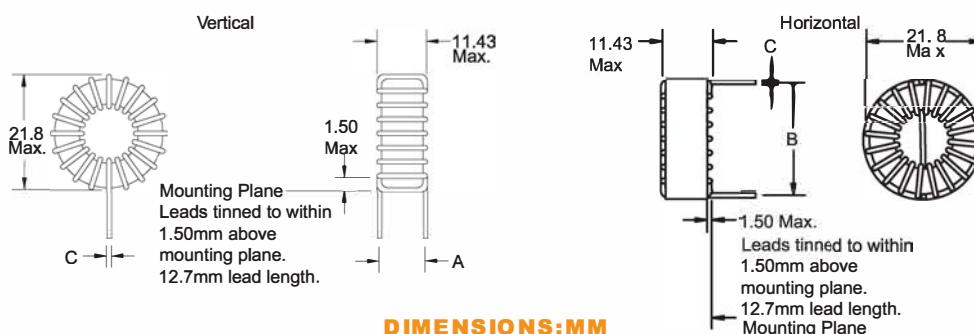
$$\frac{2111}{a} \frac{V}{b} \frac{330}{c} \frac{L}{d} \frac{5R0}{e}$$

- a: Size
- b: V is the vertical form, 'H' is to the horizontal form
- c: Inductance Value [101:100uH; 102:1000uH; 103:10000uH]
- d: Positive and negative tolerances [K:±10%; L:±15%; M:±20%]
- e: Rated current [0R2:0.2A; 1R2:1.2A; 10R2:12A]

ELECTRICAL CHARACTERISTICS

Part Number	Inductance [uH] at 20°C	D.C. Resistance [Ω] Typ at 20°C	Rated current [A]	Inductance [uH] @Rated	Dimension A Nom	Dimension B Nom	Dimension C Nom
FA2111-V/H-100L10R8	10	0.003	10.8	6.6	8.6	19.5	1.40
FA2111-V/H-120L10R3	12	0.004	10.3	7.5	8.6	19.5	1.40
FA2111-V/H-150L7R7	15	0.010	7.7	10.6	8.4	19.3	1.10
FA2111-V/H-180L7R4	18	0.011	7.4	11.8	8.4	19.3	1.10
FA2111-V/H-220L7R0	22	0.012	7.0	14.2	8.4	19.3	1.10
FA2111-V/H-270L6R0	27	0.014	6.0	17.6	8.1	19.0	1.00
FA2111-V/H-330L5R0	33	0.020	5.0	23.4	8.1	19.0	0.90
FA2111-V/H-390L4R5	39	0.025	4.5	27.7	8.1	19.0	0.85
FA2111-V/H-470L3R8	47	0.030	3.8	35.1	7.8	19.0	0.80
FA2111-V/H-560L3R4	56	0.040	3.4	40.8	7.8	19.0	0.70
FA2111-V/H-680L3R3	68	0.045	3.3	47.6	7.8	19.0	0.70
FA2111-V/H-101L2R4	100	0.08	2.4	75.3	7.8	18.8	0.57
FA2111-V/H-121L2R2	120	0.09	2.2	89.8	7.8	18.8	0.57
FA2111-V/H-151L3R4	150	0.062	3.4	86.1	8.9	20.0	0.70
FA2111-V/H-181L2R6	180	0.10	2.6	114	8.6	19.5	0.63
FA2111-V/H-221L2R4	220	0.11	2.4	138	8.6	19.5	0.63
FA2111-V/H-271L1R8	270	0.14	1.8	187	8.4	19.3	0.55
FA2111-V/H-331L1R7	330	0.16	1.7	221	8.4	19.3	0.55
FA2111-V/H-391L1R7	390	0.18	1.7	251	8.4	19.3	0.55
FA2111-V/H-471L1R6	470	0.20	1.6	296	8.9	19.3	0.55
FA2111-V/H-561L1R5	560	0.22	1.5	351	8.9	20.0	0.55
FA2111-V/H-681L1R4	680	0.28	1.4	417	8.9	20.0	0.50
FA2111-V/H-821L1R4	820	0.30	1.4	477	8.9	20.0	0.50
FA2111-V/H-102L1R3	1000	0.35	1.3	574	9.4	20.5	0.50

TECHNICAL INFORMATION:



HIGH CURRENT TOROID INDUCTORS FA2111HT-V&H SERIES



FEATURES:

- DC/DC converter, EMI filter applications.
- Low radiation.
- Low core loss.
- Test Frequency Response: 1KHz, 0.3mV.
- High current capacity.
- Operating temperature: -55°C to +105°C.
- Current to cause 50°C Max. temperature rise.

PRODUCT IDENTIFICATION:

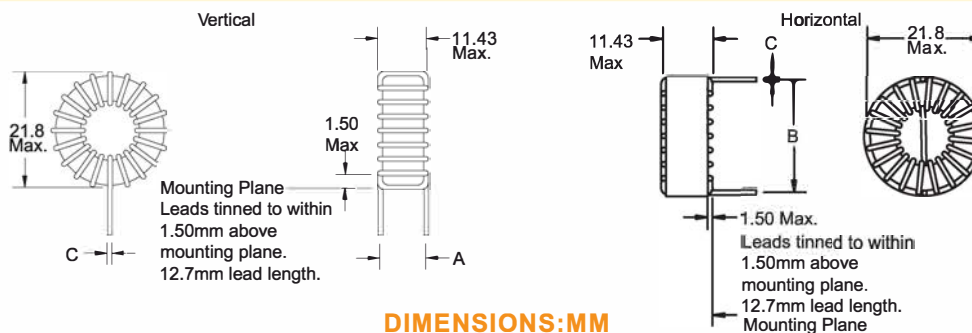
$\frac{2111HT}{a} \frac{V}{b} \frac{330}{c} \frac{L}{d} \frac{6R1}{e}$

- a: Size
- b: Vis to the vertical form, 'H' is to the horizontal form
- c: Inductance Value [101:100uH; 102:1000uH; 103:10000uH]
- d: Positive and negative tolerances [K:±10%; L:±15%; M:±20%]
- e: Rated current [0R2:0.2A; 1R2; 1.2A; 10R2:1.2A]

ELECTRICAL CHARACTERISTICS

Part Number	Inductance [uH] at 20°C	D.C. Resistance [Ω] Typ at 20°C	Rated current [A]	Inductance [uH] @Rated	Dimension A Nom	Dimension B Nom	Dimension C Nom
FA2111HT-V/H-100L9R9	10	0.012	9.9	7.6	8.4	19.3	1.10
FA2111HT-V/H-120L9R6	12	0.013	9.6	9.0	8.4	19.3	1.10
FA2111HT-V/H-150L9R1	15	0.014	9.1	11.0	8.4	19.3	1.10
FA2111HT-V/H-180L8R6	18	0.016	8.6	13.0	8.4	19.3	1.10
FA2111HT-V/H-220L7R7	22	0.020	7.7	16.6	8.1	19.0	1.00
FA2111HT-V/H-270L6R4	27	0.025	6.4	20.1	8.1	19.0	0.90
FA2111HT-V/H-330L6R1	33	0.028	6.1	24.0	8.1	19.0	0.90
FA2111HT-V/H-390L5R9	39	0.030	5.9	28.0	8.1	19.0	0.80
FA2111HT-V/H-470L5R6	47	0.030	5.6	33.1	8.9	20.0	0.80
FA2111HT-V/H-560L5R3	56	0.035	5.3	38.5	8.9	20.0	0.80
FA2111HT-V/H-680L5R1	68	0.040	5.1	46.0	8.9	20.0	0.80
FA2111HT-V/H-820L4R8	82	0.045	4.8	54.0	8.9	20.0	0.80
FA2111HT-V/H-101L4R6	100	0.050	4.6	64.5	8.9	20.0	0.80
FA2111HT-V/H-121L3R5	120	0.08	3.5	84.4	8.6	19.5	0.70
FA2111HT-V/H-151L3R3	150	0.10	3.3	102.8	8.6	19.5	0.70
FA2111HT-V/H-181L3R1	180	0.12	3.1	120.7	8.6	19.5	0.70
FA2111HT-V/H-221L3R0	220	0.13	3.0	144.2	8.6	19.5	0.70
FA2111HT-V/H-271L2R8	270	0.14	2.8	172.6	8.9	20.0	0.70
FA2111HT-V/H-331L2R7	330	0.16	2.7	206.0	8.9	20.0	0.70
FA2111HT-V/H-391L2R1	390	0.22	2.1	266.7	8.4	19.3	0.55
FA2111HT-V/H-471L2R0	470	0.28	2.0	314.4	8.9	19.3	0.55
FA2111HT-V/H-561L1R9	560	0.32	1.9	366.9	8.9	20.0	0.55
FA2111HT-V/H-681L1R8	680	0.35	1.8	432.0	8.9	20.0	0.50
FA2111HT-V/H-821L1R7	820	0.39	1.7	512.0	9.4	20.5	0.55
FA2111HT-V/H-102L1R6	1000	0.43	1.6	608.2	9.4	20.5	0.55

TECHNICAL INFORMATION



HIGH CURRENT TOROID INDUCTORS FA2414-V&H SERIES



FEATURES:

- DC/DC converter, EMI filter applications.
- Low radiation.
- Low core loss.
- Test Frequency Response: 1KHz, 0.3mV.
- High current capacity.
- Operating temperature: -55°C to +105°C.
- Current to cause 30°C Max. temperature rise.

PRODUCT IDENTIFICATION:

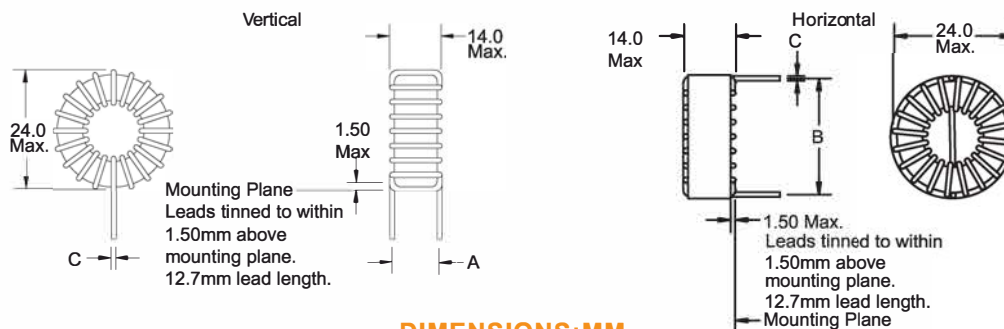
$$\frac{2414}{a} \frac{V}{b} \frac{330}{c} \frac{L}{d} \frac{7R4}{e}$$

- a: Size
- b: V is the vertical form, 'H' is to the horizontal form
- c: Inductance Value [101:100uH; 102:1000uH; 103:10000uH]
- d: Positive and negative tolerances [K:±10%; L:±15%; M:±20%]
- e: Rated current [0R 2:0.2A; 1R 2:1.2A; 10R 2:12A]

ELECTRICAL CHARACTERISTICS

Part Number	Inductance [uH] at 20°C	D.C. Resistance [Ω] Typ at 20°C	Rated current [A]	Inductance [uH] @Rated	Dimension A Nom	Dimension B Nom	Dimension C Nom
FA2414-V/H-100L12R5	10	0.005	12.5	7.0	11.68	22.35	1.50
FA2414-V/H-120L12R0	12	0.006	12.0	7.9	11.68	22.35	1.50
FA2414-V/H-150L11R3	15	0.007	11.3	9.6	11.68	22.35	1.50
FA2414-V/H-180L10R8	18	0.008	10.8	11.3	11.68	22.35	1.50
FA2414-V/H-220L10R3	22	0.009	10.3	13.4	11.68	22.35	1.50
FA2414-V/H-270L9R8	27	0.010	9.8	16.0	11.68	22.35	1.40
FA2414-V/H-330L7R4	33	0.012	7.4	21.6	11.43	22.1	1.30
FA2414-V/H-390L7R1	39	0.014	7.1	25.0	11.43	22.1	1.20
FA2414-V/H-470L6R7	47	0.018	6.7	29.3	11.43	22.1	1.10
FA2414-V/H-560L6R4	56	0.022	6.4	34.1	11.43	22.1	1.00
FA2414-V/H-680L4R9	68	0.028	4.9	45.7	11.12	21.8	0.90
FA2414-V/H-101L4R4	100	0.040	4.4	65.0	11.12	21.8	0.90
FA2414-V/H-121L3R3	120	0.045	3.3	86.4	11.12	21.8	0.90
FA2414-V/H-151L3R1	150	0.050	3.1	105	11.12	21.8	0.90
FA2414-V/H-181L3R8	180	0.055	3.8	108	11.12	21.8	0.90
FA2414-V/H-221L3R6	220	0.060	3.6	127	11.12	21.8	0.90
FA2414-V/H-271L3R4	270	0.065	3.4	153	11.12	21.8	0.90
FA2414-V/H-331L3R3	330	0.090	3.3	176	11.12	21.8	0.80
FA2414-V/H-391L2R5	390	0.13	2.5	237	11.12	21.8	0.70
FA2414-V/H-471L2R3	470	0.14	2.3	281	11.12	21.8	0.70
FA2414-V/H-561L2R2	560	0.18	2.2	327	11.12	21.8?	0.65
FA2414-V/H-681L2R1	680	0.22	2.1	387	11.12	21.8	0.60
FA2414-V/H-821L2R0	820	0.25	2.0	453	11.12	21.8	0.60
FA2414-V/H-102L1R9	1000	0.28	1.9	537	11.12	21.8	0.60

TECHNICAL INFORMATION



HIGH CURRENT TOROID INDUCTORS FA2414-V&H SERIES



FEATURES:

- DC/DC converter, EMI filter applications.
- Low radiation.
- Low core loss.
- Test Frequency Response: 1KHz, 0.3mV.
- High current capacity.
- Operating temperature: -55°C to +105°C.
- Current to cause 30°C Max. temperature rise.

PRODUCT IDENTIFICATION:

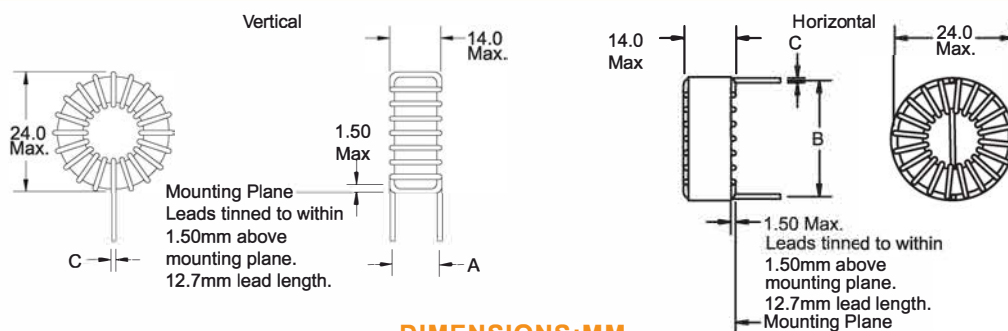
$$\frac{2414}{a} \frac{V}{b} \frac{330}{c} \frac{L}{d} \frac{7R4}{e}$$

- a: Size
- b: V is to the vertical form, 'H' is to the horizontal form
- c: Inductance Value [101:100uH;102:1000uH;103:10000uH]
- d: Positive and negative tolerances [K:±10%;L:±15%;M:±20%]
- e: Rated current [0R2:0.2A;1R2;1.2A;10R2:12A]

ELECTRICAL CHARACTERISTICS

Part Number	Inductance [uH] at 20°C	D.C. Resistance [Ω] Typ at 20°C	Rated current [A]	Inductance [uH] @Rated	Dimension A Nom	Dimension B Nom	Dimension C Nom
FA2414-V/H-100L12R5	10	0.005	12.5	7.0	11.68	22.35	1.50
FA2414-V/H-120L12R0	12	0.006	12.0	7.9	11.68	22.35	1.50
FA2414-V/H-150L11R3	15	0.007	11.3	9.6	11.68	22.35	1.50
FA2414-V/H-180L10R8	18	0.008	10.8	11.3	11.68	22.35	1.50
FA2414-V/H-220L10R3	22	0.009	10.3	13.4	11.68	22.35	1.50
FA2414-V/H-270L9R8	27	0.010	9.8	16.0	11.68	22.35	1.40
FA2414-V/H-330L7R4	33	0.012	7.4	21.6	11.43	22.1	1.30
FA2414-V/H-390L7R1	39	0.014	7.1	25.0	11.43	22.1	1.20
FA2414-V/H-470L6R7	47	0.018	6.7	29.3	11.43	22.1	1.10
FA2414-V/H-560L6R4	56	0.022	6.4	34.1	11.43	22.1	1.00
FA2414-V/H-680L4R9	68	0.028	4.9	45.7	11.12	21.8	0.90
FA2414-V/H-101L4R4	100	0.040	4.4	65.0	11.12	21.8	0.90
FA2414-V/H-121L3R3	120	0.045	3.3	86.4	11.12	21.8	0.90
FA2414-V/H-151L3R1	150	0.050	3.1	105	11.12	21.8	0.90
FA2414-V/H-181L3R8	180	0.055	3.8	108	11.12	21.8	0.90
FA2414-V/H-221L3R6	220	0.060	3.6	127	11.12	21.8	0.90
FA2414-V/H-271L3R4	270	0.065	3.4	153	11.12	21.8	0.90
FA2414-V/H-331L3R3	330	0.090	3.3	176	11.12	21.8	0.80
FA2414-V/H-391L2R5	390	0.13	2.5	237	11.12	21.8	0.70
FA2414-V/H-471L2R3	470	0.14	2.3	281	11.12	21.8	0.70
FA2414-V/H-561L2R2	560	0.18	2.2	327	11.12	21.8?	0.65
FA2414-V/H-681L2R1	680	0.22	2.1	387	11.12	21.8	0.60
FA2414-V/H-821L2R0	820	0.25	2.0	453	11.12	21.8	0.60
FA2414-V/H-102L1R9	1000	0.28	1.9	537	11.12	21.8	0.60

TECHNICAL INFORMATION



HIGH CURRENT TOROID INDUCTORS FA3216-V&H SERIES



FEATURES:

- DC/DC converter, EMI filter applications.
- Low radiation.
- Low core loss.
- Test Frequency Response: 1KHz, 0.3mV.
- High current capacity.
- Operating temperature: -55°C to +125°C.
- Current to cause 30°C Max. temperature rise.

PRODUCT IDENTIFICATION:

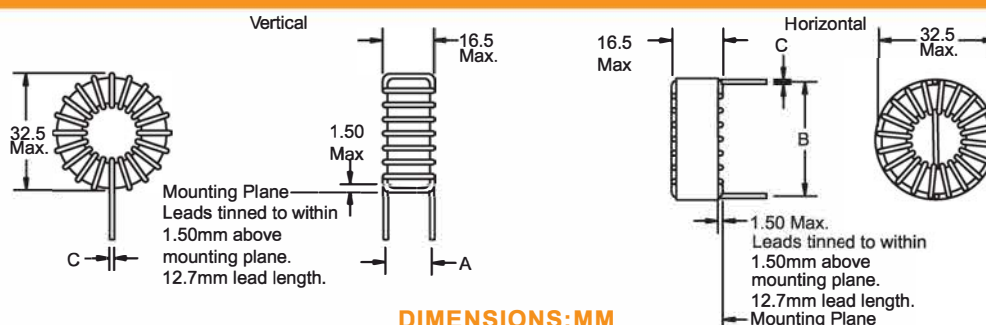
$$\frac{3216}{a} \frac{V}{b} \frac{330}{c} \frac{L}{d} \frac{13R0}{e}$$

- a: Size
- b: V is to the vertical form, 'H' is to the horizontal form
- c: Inductance Value [101:100uH; 102:1000uH; 103:10000uH]
- d: Positive and negative tolerances [K:±10%; L:±15%; M:±20%]
- e: Rated current [0R2:0.2A; 1R2; 1.2A; 10R2:12A]

ELECTRICAL CHARACTERISTICS

Part Number	Inductance [uH] at 20°C	D.C. Resistance [Ω] Typ at 20°C	Rated current [A]	Inductance [uH] @Rated	Dimension A Nom	Dimension B Nom	Dimension C Nom
FA3216-V/H-100L20R8	10	0.004	20.8	5.5	15.0	30.7	1.60
FA3216-V/H-120L19R6	12	0.004	19.6	6.5	15.0	30.7	1.60
FA3216-V/H-150L18R6	15	0.056	18.6	8.3	15.0	30.7	1.60
FA3216-V/H-180L18R5	18	0.005	18.5	9.2	15.0	30.7	1.60
FA3216-V/H-220L17R7	22	0.006	17.7	10.4	15.0	30.7	1.60
FA3216-V/H-270L17R0	27	0.006	17.0	12.6	15.0	30.7	1.60
FA3216-V/H-330L13R0	33	0.009	13.0	17.6	14.2	30.0	1.40
FA3216-V/H-390L12R2	39	0.010	12.2	21.0	14.2	30.0	1.40
FA3216-V/H-470L11R8	47	0.011	11.8	24.2	14.2	30.0	1.40
FA3216-V/H-560L8R9	56	0.020	8.9	32.6	13.7	29.5	1.10
FA3216-V/H-680L8R5	68	0.023	8.5	37.4	13.7	29.5	1.10
FA3216-V/H-820L8R1	82	0.025	8.1	44.4	13.7	29.5	1.10
FA3216-V/H-101L7R8	100	0.027	7.8	51.7	13.7	29.5	1.10
FA3216-V/H-121L7R4	120	0.030	7.4	60.0	13.7	29.5	1.10
FA3216-V/H-151L7R0	150	0.033	7.0	71.4	13.7	29.5	1.10
FA3216-V/H-181L6R7	180	0.037	6.7	83.3	13.7	29.5	1.10
FA3216-V/H-221L5R1	220	0.06	5.1	116	13.2	29.0	0.90
FA3216-V/H-271L4R8	270	0.07	4.8	138	13.2	29.0	0.90
FA3216-V/H-331L4R6	330	0.08	4.6	162	13.2	29.0	0.90
FA3216-V/H-391L4R4	390	0.085	4.4	189	13.2	29.0	0.90
FA3216-V/H-471L4R2	470	0.09	4.2	215	13.2	29.0	0.90
FA3216-V/H-561L4R0	560	0.10	4.0	251	13.2	29.0	0.90
FA3216-V/H-681L3R8	680	0.12	3.8	294	13.2	29.0	0.80
FA3216-V/H-821L3R6	820	0.13	3.6	343	13.2	29.0	0.80
FA3216-V/H-102L3R5	1000	0.15	3.5	396	13.2	29.0	0.80

TECHNICAL INFORMATION



CURRENT-COMPENSATED FRAME CORE DOUBLE CHOKES FACM12 CP,12 BS SERIES



FEATURES:

- Rated voltage 250 VAC.
- Rated current 0.3A to 3A.
- Rated inductance 0.22mH to 27 mH.
- Turns ratio:N1:N2=1:1±2%.
- Hi-Pot: Pri-Sec:1500VAC /5mA /2Seconds.
- Test Frequency R esponse:10KHz,100mV.
- Inductance tolerance: Min and +50% -30% at 20°C.
- Operating temperature: -40°C to +105°C.
- All parts meet RO HS compliance.

PRODUCT IDENTIFICATION:

$\frac{CM}{a} \frac{12}{b} \frac{CP}{c} \frac{273}{d} \frac{Y}{e} \frac{OR3}{f}$

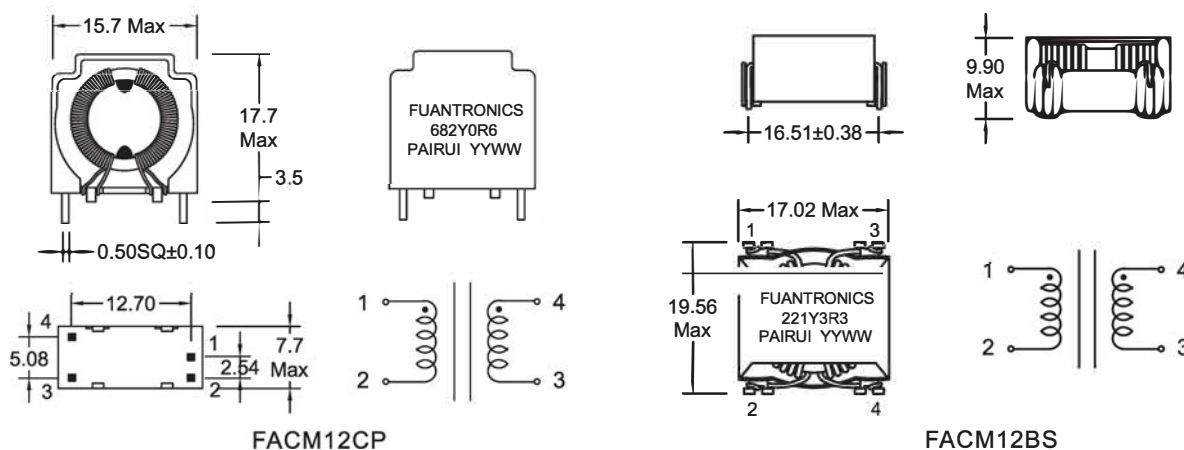
- a:Common mode
- b:Size
- c:Install shape
- d:Inductance Value [101:100uH;102:1000uH;103:10000uH]
- e:Inductance tolerance: minimum value
- f:Rated current [OR 2:0.2A;1R 2:1.2A;10R 2:12A]

ELECTRICAL CHARACTERISTICS

Part Number	Inductance [mH]Min	D.C.Resistance [Ω] Max at 20°C	Rated current [A]
FACM12CP-273YOR3	27	1.5	0.30
FACM12CP-183YOR35	18	1.0	0.35
FACM12CP-153YOR4	15	0.8	0.40
FACM12CP-103YOR5	10	0.6	0.50
FACM12CP-682YOR6	6.8	0.4	0.60
FACM12CP-472YOR7	4.7	0.3	0.70
FACM12CP-392YOR8	3.9	0.2	0.80
FACM12CP-272YOR9	2.7	0.15	0.90
FACM12CP-222Y1R0	2.2	0.13	1.00
FACM12CP-152Y1R2	1.5	0.10	1.20

Part Number	Inductance [mH]Min	D.C.Resistance [Ω] Max at 20°C	Rated current [A]
FACM12BS-222YOR6	2.2	0.16	0.60
FACM12BS-152YOR7	1.5	0.13	0.70
FACM12BS-122Y1R0	1.2	0.08	1.0
FACM12BS-102Y1R2	1.0	0.07	1.2
FACM12BS-821Y1R5	0.82	0.06	1.5
FACM12BS-681Y2R0	0.68	0.05	2.0
FACM12BS-331Y2R5	0.33	0.04	2.5
FACM12BS-221Y3R0	0.22	0.03	3.0

TECHNICAL INFORMATION



DIMENSIONS:MM Tolerance: .X ±0.50 .XX ±0.25

CURRENT-COMPENSATED FRAME CORE DOUBLE CHOKES FACM25,31BPV SERIES



FEATURES:

- Rated voltage 250 VAC.
- Rated current 1.5A to 20A.
- Rated inductance 0.68mH to 33 mH.
- Turns ratio: N1:N2=1:1 ± 2%.
- Hi-Pot: Pri-Sec: 1500VAC/5mA/2Seconds.
- Test Frequency Response: 10KHz, 100mV.
- Inductance tolerance: Min at 20°C.
- Operating temperature: -40°C to +105°C.
- All parts meet RO HS compliance.

PRODUCT IDENTIFICATION:

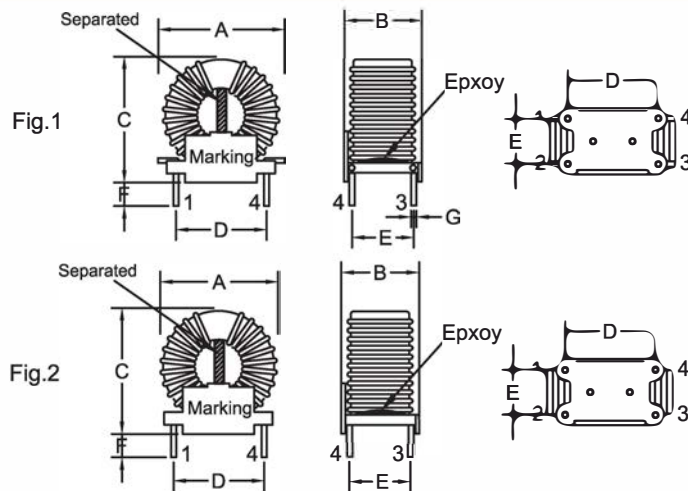
$\frac{CM}{a} \frac{25}{b} \frac{BPV}{c} \frac{333}{d} \frac{Y}{e} \frac{1R5}{f}$

- a: Common mode
- b: Size
- c: Vertical Install shape
- d: Inductance Value [101: 100uH; 102: 1000uH; 103: 10000uH]
- e: Inductance tolerance: minimum value
- f: Rated current [OR 2: 0.2A; 1R 2: 1.2A; 10R 2: 12A]

ELECTRICAL CHARACTERISTICS

Part Number	Inductance [mH] Min	D.C. Resistance [Ω] Max at 20°C	Rated current [A]	Part Number	Inductance [mH] Min	D.C. Resistance [Ω] Max at 20°C	Rated current [A]
FACM25BPV-333Y1R5	33	0.40	1.5	FACM31BPV-333Y2R0	33	0.25	2.0
FACM25BPV-223Y2R0	22	0.25	2.0	FACM31BPV-253Y3R0	25	0.15	3.0
FACM25BPV-103Y2R5	10	0.15	2.5	FACM31BPV-153Y4R0	15	0.10	4.0
FACM25BPV-682Y3R0	6.8	0.10	3.0	FACM31BPV-103Y5R0	10	0.06	5.0
FACM25BPV-392Y4R0	3.9	0.05	4.0	FACM31BPV-682Y6R0	6.8	0.04	6.0
FACM25BPV-332Y6R0	3.3	0.04	5.0	FACM31BPV-332Y8R0	3.3	0.025	8.0
FACM25BPV-222Y9R0	2.2	0.02	9.0	FACM31BPV-222Y12R0	2.2	0.010	12.0
FACM25BPV-102Y15R0	1.0	0.01	15.0	FACM31BPV-102Y20R0	1.0	0.006	20.0
FACM25BPV-681Y20R0	0.68	0.006	20.0				

TECHNICAL INFORMATION



DIMENSIONS:MM

Part number	A	B	C	D	E	F	G	Fig
FACM25BPV	30.5 Max	15.2±0.3	31.5 Max	20.3±0.5	10.2±0.5	3.0 Min	1.2 DIA	1 or 2
FACM31BPV	35.0 Max	20.3±0.3	33.5 Max	22.8±0.5	15.2±0.5	3.0 Min	1.2 DIA	1 or 2

CURRENT-COMPENSATED FRAME CORE DOUBLE CHOKES FACM36,42BPV SERIES



FEATURES:

- Rated voltage 250 VAC.
- Rated current 2.0A to 30A.
- Rated inductance 1.0mH to 100 mH.
- Turns ratio: N1:N2=1:1±2%.
- Hi-Pot: Pri-Sec: 1500VAC/5mA/2Seconds.
- Test Frequency Response: 10KHz, 100mV.
- Inductance tolerance: Min at 20°C.
- Operating temperature: -40°C to +105°C.
- All parts meet ROHS compliance.

PRODUCT IDENTIFICATION:

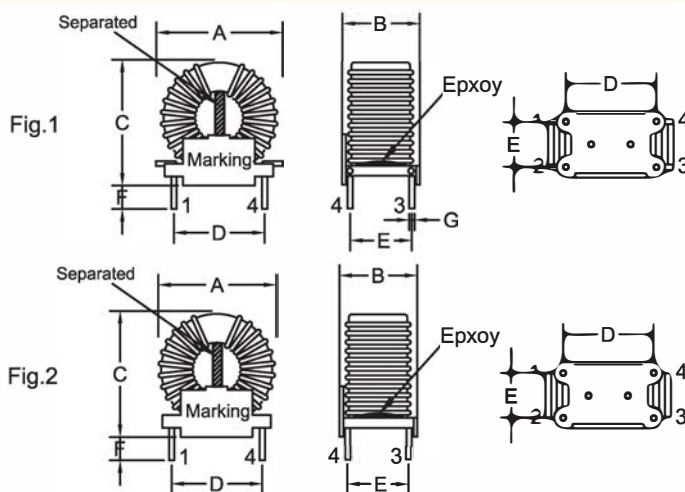
$\frac{CM}{a} \frac{36}{b} \frac{BPV}{c} \frac{333}{d} \frac{Y}{e} \frac{4R0}{f}$

- a: Common mode
- b: Size
- c: Vertical Install shape
- d: Inductance Value [101: 100uH; 102: 1000uH; 103: 10000uH]
- e: Inductance tolerance: minimum value
- f: Rated current [0R 2: 0.2A; 1R 2: 1.2A; 10R 2: 12A]

ELECTRICAL CHARACTERISTICS

Part Number	Inductance [mH]Min	D.C. Resistance [Ω] Max at 20°C	Rated current [A]	Part Number	Inductance [mH]Min	D.C. Resistance [Ω] Max at 20°C	Rated current [A]
FACM36BPV-333Y4R0	33	0.12	4.0	FACM42BPV-104Y2R0	100	0.50	2.0
FACM36BPV-223Y5R0	22	0.08	5.0	FACM42BPV-563Y4R0	56	0.20	4.0
FACM36BPV-153Y6R0	15	0.052	6.0	FACM42BPV-333Y7R0	33	0.10	7.0
FACM36BPV-103Y7R0	10	0.035	7.0	FACM42BPV-183Y10R0	18	0.05	10.0
FACM36BPV-682Y8R0	6.8	0.028	8.0	FACM42BPV-103Y15R0	10	0.03	15.0
FACM36BPV-472Y10R0	4.7	0.022	10.0	FACM42BPV-682Y17R0	6.8	0.02	17.0
FACM36BPV-332Y15R0	3.3	0.015	15.0	FACM42BPV-422Y20R0	4.2	0.015	20.0
FACM36BPV-222Y18R0	2.2	0.0085	18.0	FACM42BPV-302Y25R0	3.0	0.012	25.0
FACM36BPV-152Y25R0	1.5	0.005	25.0	FACM42BPV-222Y30R0	2.2	0.009	30.0
FACM36BPV-102Y30R0	1.0	0.0035	30.0				

TECHNICAL INFORMATION



DIMENSIONS:MM

Part number	A	B	C	D	E	F	G	Fig
FACM36BPV	44.7 Max	22.8±0.3	42.0 Max	30.5±0.5	17.8±0.5	3.0 Min	1.2 DIA	1 or 2
FACM42BPV	52.0 Max	27.8±0.3	58.0 Max	38.0±0.5	22.8±0.5	4.0 Min	1.2 DIA	1 or 2

CURRENT-COMPENSATED FRAME CORE DOUBLE CHOKES

FACM2505,2510 BPH SERIES



FEATURES:

- Rated voltage 250 VAC.
- Rated current 1.8A to 15A.
- Rated inductance 0.35mH to 15 mH.
- Turns ratio: N1:N2=1:1 ± 2%.
- Hi-Pot: Pri-Sec: 1500VAC/5mA/2Seconds.
- Test Frequency R response: 10KHz, 100mV.
- Inductance tolerance: Min in at 20°C.
- Operating temperature: -40°C to +105°C.
- All parts meet RO HS compliance.

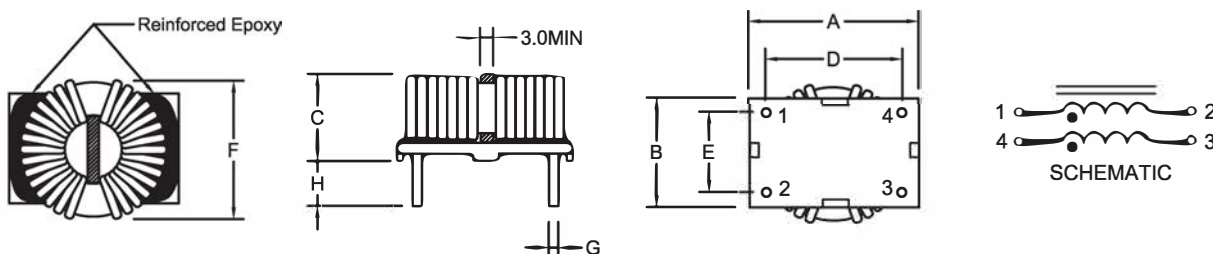
PRODUCT IDENTIFICATION:

- $\frac{CM}{a}$ $\frac{2505}{b}$ $\frac{BPH}{c}$ $\frac{103}{d}$ $\frac{Y}{e}$ $\frac{1R8}{f}$
- a: Common mode
 - b: Size
 - c: Horizontal Install shape
 - d: Inductance Value [101:100uH; 102:1000uH; 103:10000uH]
 - e: Inductance tolerance: minimum value
 - f: Rated current [0R2:0.2A; 1R2:1.2A; 10R2:12A]

ELECTRICAL CHARACTERISTICS

Part Number	Inductance [mH]Min	D.C.R [Ω] Max at 20°C	Rated current [A]	Part Number	Inductance [mH]Min	D.C.R [Ω] Max at 20°C	Rated current [A]
FACM2505BPH-103Y1R8	10.0	0.15	1.8	FACM2510BPH-153Y2R5	15.0	0.15	2.5
FACM2505BPH-682Y2R5	6.8	0.10	2.5	FACM2510BPH-103Y3R5	10.0	0.08	3.5
FACM2505BPH-502Y3R5	5.0	0.06	3.5	FACM2510BPH-682Y4R5	6.8	0.06	4.5
FACM2505BPH-352Y4R5	3.5	0.04	4.5	FACM2510BPH-502Y6R0	5.0	0.04	6.0
FACM2505BPH-272Y6R0	2.7	0.03	6.0	FACM2510BPH-402Y7R0	4.0	0.03	7.0
FACM2505BPH-202Y7R0	2.0	0.02	7.0	FACM2510BPH-122Y8R0	1.2	0.015	8.0
FACM2505BPH-102Y7R0	1.0	0.015	7.0	FACM2510BPH-102Y10R0	1.0	0.010	10.0
FACM2505BPH-681Y8R0	0.68	0.010	8.0	FACM2510BPH-681Y15R0	0.68	0.007	15.0
FACM2505BPH-501Y10R0	0.50	0.008	10.0				
FACM2505BPH-351Y15R0	0.35	0.005	15.0				

TECHNICAL INFORMATION



DIMENSIONS:MM

Part number	A	B	C	D	E	F	G	H
FACM2505BPH	32.0±0.5	20.0±0.5	13.5 Max	22.5±0.5	15.0±0.5	27.5 Max		3.0 Min
FACM2510BPH	32.0±0.5	20.0±0.5	18.5 Max	22.5±0.5	15.0±0.5	27.5 Max		3.0 Min

CURRENT-COMPENSATED FRAME CORE DOUBLE CHOKES FACM2512,2515 BPH SERIES



FEATURES:

- Rated voltage 250 VAC.
- Rated current 2.5A to 15A.
- Rated inductance 0.82mH to 20 mH.
- Turns ratio: N1:N2=1:1 ±2%.
- Hi-Pot: Pri-Sec: 1500VAC /5mA /2Seconds.
- Test Frequency Response: 10KHz, 100mV.
- Inductance tolerance: Min at 20°C.
- Operating temperature: -40°C to +105°C.
- All parts meet ROHS compliance.

PRODUCT IDENTIFICATION:

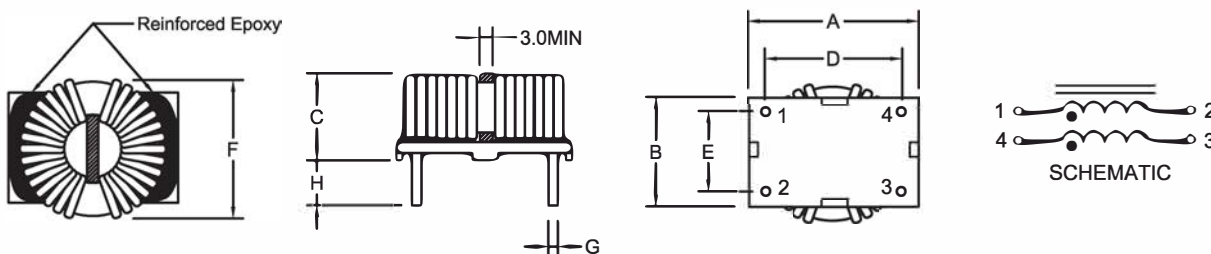
CM 2510 BPH 103 Y 4R5
a b c d e f

- a: Common mode
- b: Size
- c: Horizontal Install shape
- d: Inductance Value (101:100uH;102:1000uH;103:10000uH)
- e: Inductance tolerance: minimum value
- f: Rated current (0R2:0.2A;1R2;1.2A;10R2:12A)

ELECTRICAL CHARACTERISTICS

Part Number	Inductance (mH)Min	D.C.R (Ω) Max at 20°C	Rated current (A)	Part Number	Inductance (mH)Min	D.C.R (Ω) Max at 20°C	Rated current (A)
FACM2510BPH-203Y2R5	20.0	0.15	2.5	FACM2515BPH-153Y3R5	15.0	0.10	3.5
FACM2510BPH-123Y3R5	12.0	0.10	3.5	FACM2515BPH-103Y4R5	10.0	0.07	4.5
FACM2510BPH-103Y4R5	10.0	0.07	4.5	FACM2515BPH-802Y6R0	8.0	0.05	6.0
FACM2510BPH-682Y6R0	6.8	0.05	6.0	FACM2515BPH-602Y7R0	6.0	0.03	7.0
FACM2510BPH-502Y7R0	5.0	0.03	7.0	FACM2515BPH-202Y8R0	2.0	0.02	8.0
FACM2510BPH-152Y8R0	1.5	0.02	8.0	FACM2515BPH-152Y10R0	1.5	0.015	10.0
FACM2510BPH-122Y10R0	1.2	0.012	10.0	FACM2515BPH-102Y15R0	1.0	0.010	15.0
FACM2510BPH-821Y15R0	0.82	0.008	15.0				

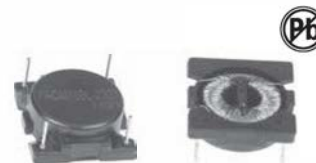
TECHNICAL INFORMATION



DIMENSIONS:MM

Part number	A	B	C	D	E	F	G	H
FACM2505BPH	32.0±0.5	20.0±0.5	13.5 Max	22.5±0.5	15.0±0.5	27.5 Max		3.0 Min
FACM2510BPH	32.0±0.5	20.0±0.5	18.5 Max	22.5±0.5	15.0±0.5	27.5 Max		3.0 Min

CURRENT-COMPENSATED FRAME CORE DOUBLE CHOKES FACM18,22BL SERIES



FEATURES:

- Rated voltage 250 VAC.
- Rated current 0.8A to 5.0A.
- Rated inductance 0.68mH to 22 mH.
- Turns ratio: N1:N2=1:1± 2%.
- Hi-Pot: Pri-Sec:1500VAC/5mA/2Seconds.
- Test Frequency Response:10KHz,100mV.
- Inductance tolerance: M in at 20°C.
- Operating temperature: -40°C to +105°C.
- All parts meet RO HS compliance.

PRODUCT IDENTIFICATION:

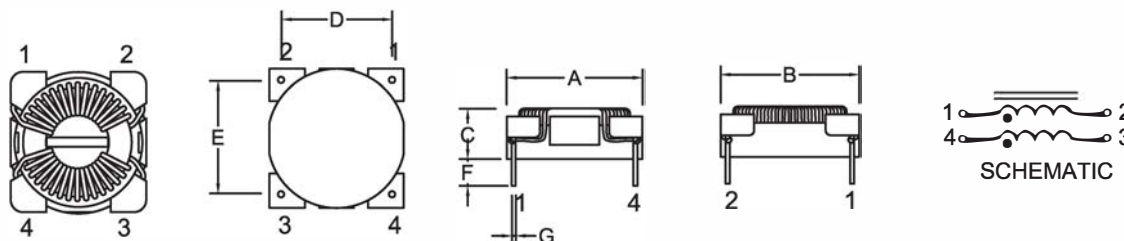
$\frac{CM}{a} \frac{18}{b} \frac{BL}{c} \frac{103}{d} \frac{Y}{e} \frac{1R2}{f}$

- a: Common mode
- b: Size
- c: Horizontal Install shape
- d: Inductance Value [101:100uH;102;1000uH;103:10000uH]
- e: Inductance tolerance: minimum value
- f: Rated current [OR 2:0.2A;1R2;1.2A;10R2:12A]

ELECTRICAL CHARACTERISTICS

Part Number	Inductance (mH)Min	D.C.R (Ω) Max at 20°C	Rated current (A)	Part Number	Inductance (mH)Min	D.C.R (Ω) Max at 20°C	Rated current (A)
FACM18BL-223Y0R8	22	0.35	0.8	FACM22BL-223Y1R5	22	0.25	1.5
FACM18BL-103Y1R2	10	0.20	1.2	FACM22BL-123Y1R8	12	0.20	1.8
FACM18BL-802Y1R5	8.2	0.13	1.5	FACM22BL-103Y2R0	10	0.15	2.0
FACM18BL-562Y1R8	5.6	0.10	1.8	FACM22BL-682Y2R5	6.8	0.08	2.5
FACM18BL-392Y2R5	3.9	0.06	2.5	FACM22BL-182Y3R5	1.8	0.03	3.5
FACM18BL-102Y3R5	1.0	0.03	3.5	FACM22BL-122Y4R5	1.2	0.03	4.0
FACM18BL-681Y4R5	0.68	0.02	4.5	FACM22BL-681Y5R0	0.68	0.015	5.0
FACM18BL-471Y5R0	0.47	0.01	5.0				

TECHNICAL INFORMATION



DIMENSIONS:MM

Part number	A	B	C	D	E	F	G
FACM18BL	26.0±0.5	25.0±0.5	10.5 Max	22.5±0.5	20.0±0.5	3.5 Typ	0.80±0.1
FACM22BL	27.0±0.5	27.0±0.5	10.5 Max	20.5±0.5	22.5±0.5	3.5 Typ	1.00±0.1

CURRENT-COMPENSATED FRAME CORE DOUBLE CHOKES FACM25,28BL SERIES



FEATURES:

Rated voltage 250 VAC.
 Rated current 1.0A to 8.0A.
 Rated inductance 1.0mH to 33 mH.
 Turns ratio: N1:N2=1:1 ± 2%.
 Hi-Pot: Pri-Sec: 1500VAC/5mA/2Seconds.
 Test Frequency Response: 10KHz, 100mV.
 Inductance tolerance: M in at 20°C.
 Operating temperature: -40°C to +105°C.
 All parts meet ROHS compliance.

PRODUCT IDENTIFICATION:

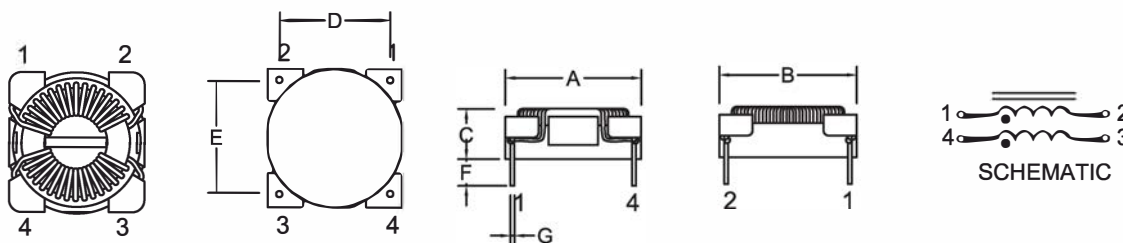
$\frac{CM}{a} \frac{25}{b} \frac{BL}{c} \frac{103}{d} \frac{Y}{e} \frac{1R5}{f}$

a: Common mode
 b: Size
 c: Horizontal Install shape
 d: Inductance Value [101:100uH; 102:1000uH; 103:10000uH]
 e: Inductance tolerance: minimum value
 f: Rated current [0R2:0.2A; 1R2; 1.2A; 10R2:12A]

ELECTRICAL CHARACTERISTICS

Part Number	Inductance (mH)Min	D.C.R (Ω) Max at 20°C	Rated current (A)	Part Number	Inductance (mH)Min	D.C.R (Ω) Max at 20°C	Rated current (A)
FACM25BL-203Y1R0	20	0.30	1.0	FACM28BL-333Y2R0	33	0.25	2.0
FACM25BL-153Y1R2	15	0.25	1.2	FACM28BL-223Y2R5	22	0.15	2.5
FACM25BL-103Y1R5	10	0.15	1.5	FACM28BL-103Y3R0	10	0.08	3.0
FACM25BL-682Y1R8	6.8	0.12	2.0	FACM28BL-272Y4R0	2.7	0.03	4.0
FACM25BL-252Y2R0	2.5	0.07	2.0	FACM28BL-152Y6R0	1.5	0.02	6.0
FACM25BL-202Y3R0	2.0	0.05	3.0	FACM28BL-102Y8R0	1.0	0.01	8.0
FACM25BL-152Y4R0	1.5	0.03	4.0				
FACM25BL-122Y5R0	1.2	0.02	5.0				
FACM25BL-102Y6R0	1.0	0.015	6.0				

TECHNICAL INFORMATION



DIMENSIONS:MM

Part number	A	B	C	D	E	F	G
FACM25BL	31.4±0.5	31.4±0.5	9.5 Max	26.8±0.5	26.8±0.5	4.0 Typ	1.00±0.1
FACM28BL	39.5±0.5	39.5±0.5	12.5 Max	33.5±0.5	33.5±0.5	4.0 Typ	1.00±0.1

CURRENT-COMPENSATED FRAME CORE DOUBLE CHOKES FACM14,20 BV SERIES



FEATURES

- Rated voltage 250 VAC.
- Rated current 0.5A to 15A.
- Rated inductance 1.0mH to 20 mH.
- Turns ratio: N1:N2=1:1 ± 2%.
- Hi-Pot: Pri-Sec: 1500VAC /5mA /2Seconds.
- Test Frequency Response: 10KHz, 100mV.
- Inductance tolerance: Min at 20°C.
- Operating temperature: -40°C to +105°C.
- All parts meet ROHS compliance.

PRODUCT IDENTIFICATION

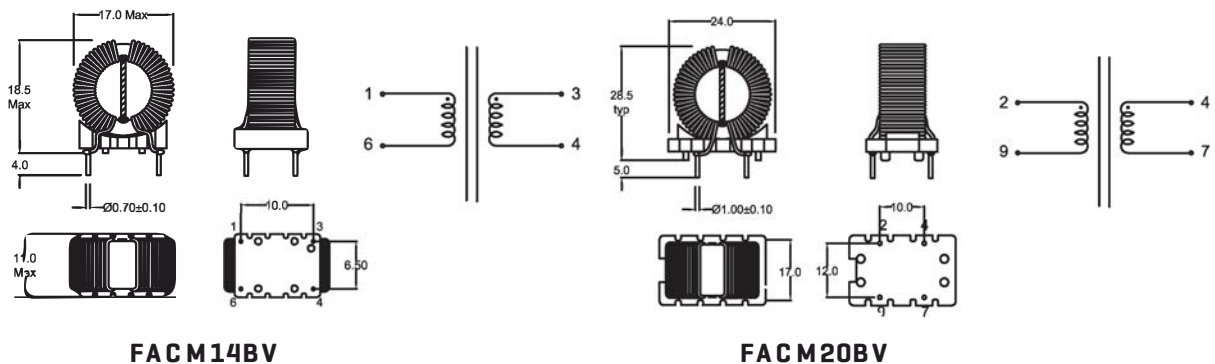
CM 14 BV 103 Y OR7
a b c d e f

- a: Common mode
- b: Size
- c: Vertical Install shape
- d: Inductance Value [101:100uH; 102:1000uH; 103:10000uH]
- e: Inductance tolerance: minimum value
- f: Rated current [OR2:0.2A; 1R2:1.2A; 10R2:12A]

ELECTRICAL CHARACTERISTICS

Part Number	Inductance [mH]Min	D.C.R [Ω] Max at 20°C	Rated current [A]	Part Number	Inductance [mH]Min	D.C.R [Ω] Max at 20°C	Rated current [A]
FACM14BV-153YOR5	15	0.50	0.5	FACM20BV-203Y1R2	20	0.25	1.2
FACM14BV-123YOR6	12	0.40	0.6	FACM20BV-153Y1R5	15	0.17	1.5
FACM14BV-103YOR7	10	0.30	0.7	FACM20BV-103Y2R0	10	0.13	2.0
FACM14BV-822Y1R0	8.2	0.20	1.0	FACM20BV-822Y2R5	8.2	0.10	2.5
FACM14BV-562Y1R3	5.6	0.15	1.3	FACM20BV-682Y3R0	6.8	0.08	3.0
FACM14BV-392Y1R5	3.9	0.10	1.5	FACM20BV-562Y3R5	5.6	0.06	3.5
FACM14BV-332Y2R0	3.3	0.08	2.0	FACM20BV-472Y4R0	4.7	0.05	4.0
FACM14BV-272Y2R5	2.7	0.06	2.5	FACM20BV-392Y5R0	3.9	0.04	5.0
FACM14BV-202Y3R0	2.0	0.04	3.0	FACM20BV-272Y6R5	2.7	0.03	6.5
FACM14BV-152Y3R5	1.5	0.03	3.5	FACM20BV-222Y8R0	2.2	0.02	8.0
FACM14BV-102Y4R0	1.0	0.02	4.0	FACM20BV-182Y10R0	1.8	0.015	10.0
				FACM20BV-152Y12R0	1.5	0.010	12.0
				FACM20BV-102Y15R0	1.0	0.007	15.0

TECHNICAL INFORMATION



FACM14BV

FACM20BV

DIMENSIONS:MM Tolerance: .X ±0.50 .XX ±0.25

CURRENT-COMPENSATED FRAME CORE DOUBLE CHOKES FACM25,26 BV SERIES



FEATURES

Rated voltage 250 VAC.
 Rated current 2.0A to 32A.
 Rated inductance 0.9mH to 200 mH.
 Turns ratio: N1:N2=1:1±2%.
 Hi-Pot: Pri-Sec:1500VAC /5mA /2Seconds.
 Test Frequency Response:10KHz,100mV.
 Inductance tolerance: Min and +50%/-30% at 20°C .
 Operating temperature: -40°C to +105°C .
 All parts meet ROHS compliance.

PRODUCT IDENTIFICATION

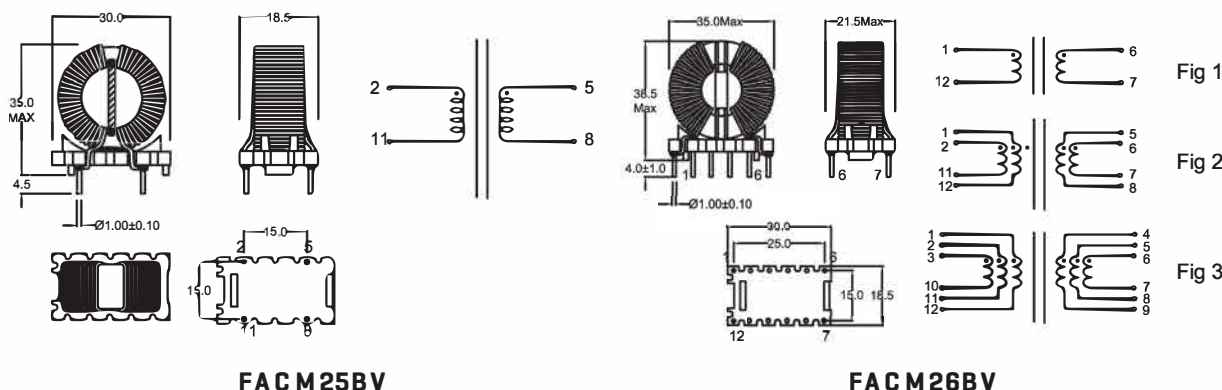
CM 25 BV 103 Y 4R0
 a b c d e f

a:Common mode
 b:Siez
 c:Vertica Install shape
 d:Inductance Value [101:100uH ;102:1000uH ;103:10000uH]
 e:Inductance tolerance: minimum value and +50%/-30%
 f:Rated current [0R2:0.2A ;1R2:1.2A ;10R2:12A]

ELECTRICAL CHARACTERISTICS

Part Number	Inductance [mH]Min	D.C.R [Ω] Max at 20°C	Rated current [A]	Part Number	Inductance [mH] +50%/-30%	D.C.R [mΩ] Max at 20°C	Rated current [A]
FACM25BV-223Y2R0	22	0.20	2.0	FACM26BV-204Y2R0	200	250	2.0
FACM25BV-183Y3R0	18	0.13	3.0	FACM26BV-154Y2R5	150	200	2.5
FACM25BV-153Y3R5	15	0.10	3.5	FACM26BV-104Y3R0	100	120	3.0
FACM25BV-103Y4R0	10	0.08	4.0	FACM26BV-903Y3R5	90	110	3.5
FACM25BV-822Y5R0	8.2	0.06	5.0	FACM26BV-683Y4R0	68	85	4.0
FACM25BV-562Y6R5	5.6	0.04	6.5	FACM26BV-473Y5R0	47	60	5.0
FACM25BV-472Y8R0	4.7	0.03	8.0	FACM26BV-303Y7R0	30	30	7.0
FACM25BV-392Y10R0	3.9	0.02	10.0	FACM26BV-203Y8R5	20	25	8.5
FACM25BV-272Y15R0	2.7	0.015	15.0	FACM26BV-123Y10R0	12	15	10
FACM25BV-102Y20R0	1.0	0.010	20.0	FACM26BV-103Y12R0	10	10	12
				FACM26BV-682Y15R0	6.8	6	15
				FACM26BV-452Y18R0	4.5	4.2	18
				FACM26BV-302Y23R0	3.0	3.0	23
				FACM26BV-252Y25R0	2.5	2.2	25
				FACM26BV-901Y32R0	0.9	1.1	32

TECHNICAL INFORMATION



FACM25BV

FACM26BV

DIMENSIONS:MM Tolerance: .X ±0.50 .XX ±0.25

CURRENT-COMPENSATED FRAME CORE DOUBLE CHOKES FACM12V1,V2-S SERIES



FEATURES

- Rated voltage 250VAC.
- Rated current 0.3A to 6A.
- Rated inductance 0.2mH to 47 mH.
- Turns ratio: N1:N2=1:1 ± 2%.
- Hi-Pot: Pri-Sec: 1500VAC / 5mA / 2Seconds.
- Test Frequency Response: 10KHz, 100mV.
- Inductance tolerance: + 50/-30% at 20°C.
- Operating temperature: -40°C to +105°C.
- All parts meet ROHS compliance.

PRODUCT IDENTIFICATION

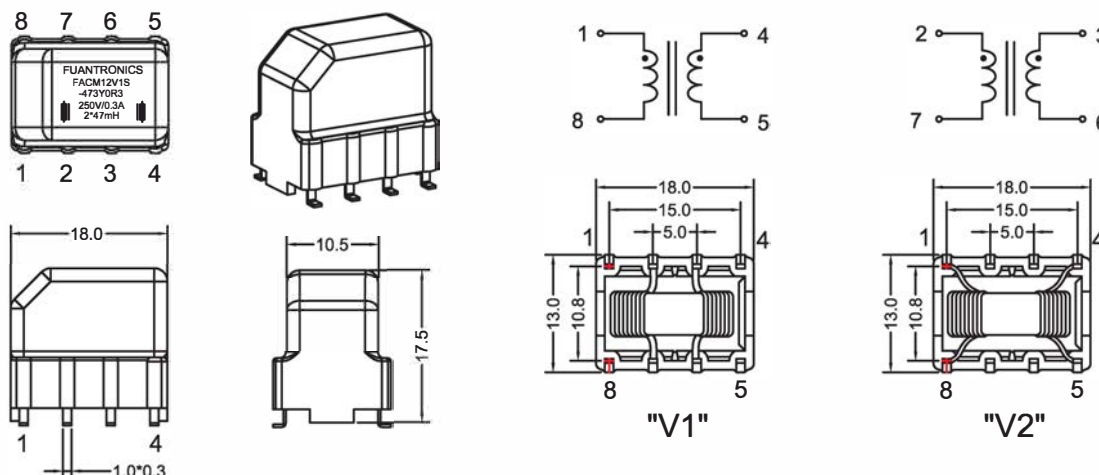
CM 12 V1 S 473 Y OR3 E
a b c d e f g h

- a: Common mode
- b: Size
- c: Vertical Install shape
- d: SMD Type
- e: Inductance Value (101: 100uH; 102: 1000uH; 103: 10000uH)
- f: Inductance tolerance: + 50/-30%
- g: Rated current (OR2: 0.2A; 1R2: 1.2A; 1OR2: 12A)
- h: Epoxy Encapsulation

ELECTRICAL CHARACTERISTICS

Part Number		Inductance [mH] +50/-30%	Leakage inductance [uH]typ	D.C. Resistance [mΩ] Typ at 20°C	Rated current [mA]
FACM12V1S-473YOR3	FACM12V2S-473YOR3	47	500	2200	300
FACM12V1S-393YOR4	FACM12V2S-393YOR4	39	450	2000	400
FACM12V1S-273YOR5	FACM12V2S-273YOR5	27	290	1400	500
FACM12V1S-183YOR5	FACM12V2S-183YOR5	18	250	1100	500
FACM12V1S-153YOR6	FACM12V2S-153YOR6	15	170	700	600
FACM12V1S-103YOR7	FACM12V2S-103YOR7	10	110	550	700
FACM12V1S-682Y1R2	FACM12V2S-682Y1R2	6.8	80	280	1200
FACM12V1S-332Y1R5	FACM12V2S-332Y1R5	3.3	37	180	1500
FACM12V1S-102Y2R0	FACM12V2S-102Y2R0	1.0	13	80	2000
FACM12V1S-601Y2R5	FACM12V2S-601Y2R5	0.6	8	60	2500
FACM12V1S-401Y3R6	FACM12V2S-401Y3R6	0.4	6	35	3600
FACM12V1S-301Y4R0	FACM12V2S-301Y4R0	0.3	4	30	4000
FACM12V1S-201Y6R0	FACM12V2S-201Y6R0	0.2	2.5	15	6000

TECHNICAL INFORMATION



DIMENSIONS:MM Tolerance: .X ±0.50 .XX ±0.25

CURRENT-COMPENSATED FRAME CORE DOUBLE CHOKES FACM12V1,V2,H SERIES



FEATURES

- Rated voltage 250 VAC.
- Rated current 0.3A to 6A.
- Rated inductance 0.2mH to 47 mH.
- Turns ratio: N1:N2=1:1±2%.
- Hi-Pot: Pri-Sec: 1500VAC /5mA /2Seconds.
- Test Frequency Response: 10KHz, 100mV.
- Inductance tolerance: +50/-30% at 20°C.
- Operating temperature: -40°C to +105°C.
- All parts meet ROHS compliance.

PRODUCT IDENTIFICATION

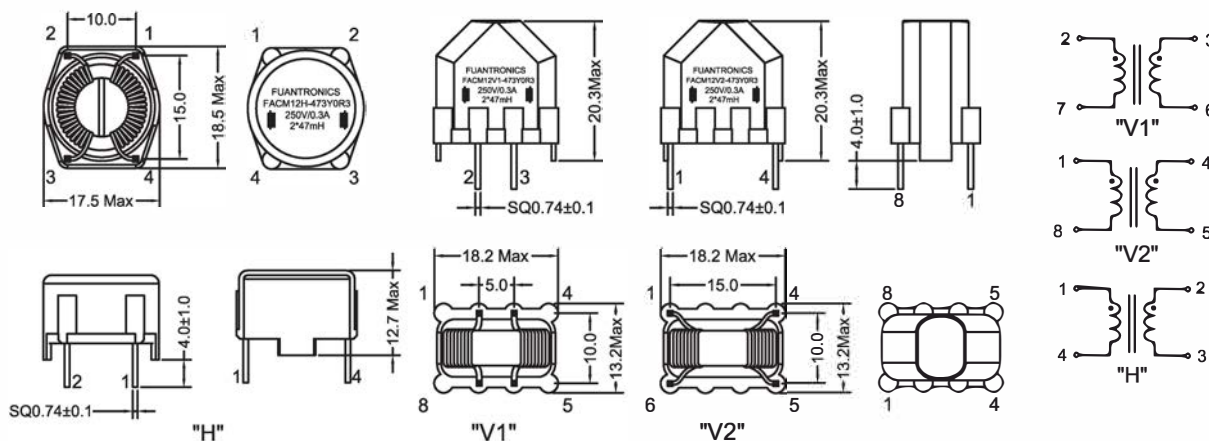
CM 12 V1 473 Y OR3 E
a b c d e f g

- a: Common mode
- b: Size
- c: ÷V Vertical Install shape, ÷H Horizontal Install shape
- d: Inductance Value [101:100uH; 102:1000uH; 103:10000uH]
- e: Inductance tolerance: +50/-30%
- f: Rated current [OR2:0.2A; 1R2:1.2A; 10R2:12A]
- g: Epoxy Encapsulation

ELECTRICAL CHARACTERISTICS

Part Number			Inductance (mH) +50/-30%	Leakage inductance (uH) typ	D.C. Resistance (mΩ) Typ at 20°C	Rated current (mA)
FACM12V1-473YOR3	FACM12V2-473YOR3	FACM12H-473YOR3	47	500	2200	300
FACM12V1-393YOR4	FACM12V2-393YOR4	FACM12H-393YOR4	39	450	2000	400
FACM12V1-273YOR5	FACM12V2-273YOR5	FACM12H-273YOR5	27	290	1400	500
FACM12V1-183YOR5	FACM12V2-183YOR5	FACM12H-183YOR5	18	250	1100	500
FACM12V1-153YOR6	FACM12V2-153YOR6	FACM12H-153YOR6	15	170	700	600
FACM12V1-103YOR7	FACM12V2-103YOR7	FACM12H-103YOR7	10	110	550	700
FACM12V1-682Y1R2	FACM12V2-682Y1R2	FACM12H-682Y1R2	6.8	80	280	1200
FACM12V1-332Y1R5	FACM12V2-332Y1R5	FACM12H-332Y1R5	3.3	37	180	1500
FACM12V1-102Y2R0	FACM12V2-102Y2R0	FACM12H-102Y2R0	1.0	13	80	2000
FACM12V1-601Y2R5	FACM12V2-601Y2R5	FACM12H-601Y2R5	0.6	8	60	2500
FACM12V1-401Y3R6	FACM12V2-401Y3R6	FACM12H-401Y3R6	0.4	6	35	3600
FACM12V1-301Y4R0	FACM12V2-301Y4R0	FACM12H-301Y4R0	0.3	4	30	4000
FACM12V1-201Y6R0	FACM12V2-201Y6R0	FACM12H-201Y6R0	0.2	2.5	15	6000

TECHNICAL INFORMATION



DIMENSIONS:MM Tolerance: .X ±0.50 .XX ±0.25

CURRENT-COMPENSATED FRAME CORE DOUBLE CHOKES FACM16V1,V2,H SERIES



FEATURES

Rated voltage 250 VAC.
 Rated current 0.3A to 3A.
 Rated inductance 1.2mH to 68 mH.
 Turns ratio:N1:N2=1:1±2%.
 Hi-Pot: Pri-Sec:1500VAC/5mA/2Seconds.
 Test Frequency Response:10KHz,100mV.
 Inductance tolerance: +50/-30% at 20°C.
 Operating temperature:-40°C to +105°C.
 All parts meet ROHS compliance.

PRODUCT IDENTIFICATION

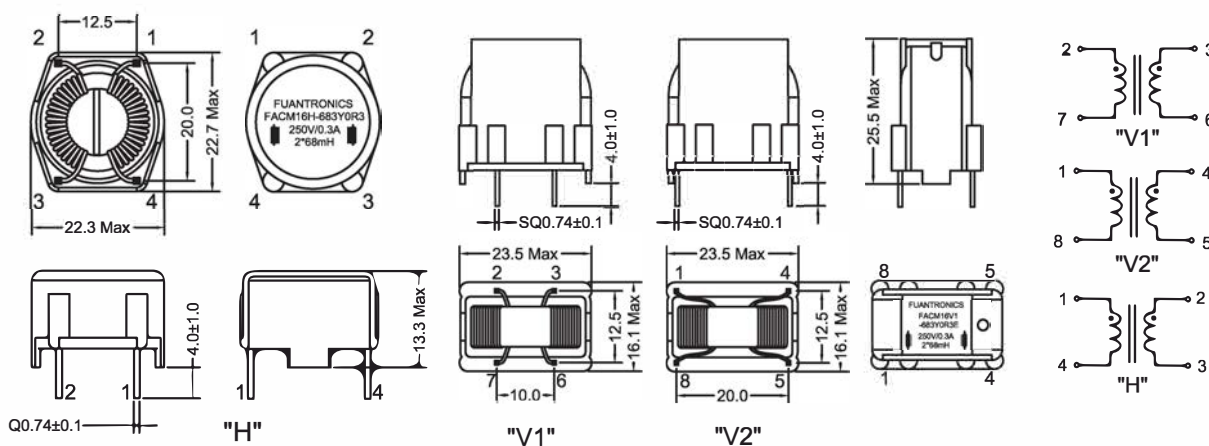
$\frac{CM}{a} \frac{16}{b} \frac{V1}{c} \frac{473}{d} \frac{Y}{e} \frac{OR5}{f} \frac{E}{g}$

a:Common mode
 b:Size
 c:Vertical Install shape, Horizontal Install shape
 d:Inductance Value[101:100uH;102:1000uH;103:10000uH]
 e:Inductance tolerance: +50/-30%
 f:Rated current[OR2:0.2A;1R2;1.2A;10R2:12A]
 g:Epoxy Encapsulation

ELECTRICAL CHARACTERISTICS

Part Number			Inductance (mH) +50/-30%	Leakage inductance (uH)typ	D.C. Resistance (mΩ) Typ at 20°C	Rated current (mA)
FACM16V1-683YOR3	FACM16V2-683YOR3	FACM16H-683YOR3	68	800	2500	300
FACM16V1-563YOR5	FACM16V2-563YOR5	FACM16H-563YOR5	56	600	2000	500
FACM16V1-473YOR5	FACM16V2-473YOR5	FACM16H-473YOR5	47	550	1500	500
FACM16V1-393YOR5	FACM16V2-393YOR5	FACM16H-393YOR5	39	400	1120	500
FACM16V1-273YOR8	FACM16V2-273YOR8	FACM16H-273YOR8	27	270	600	800
FACM16V1-153Y1R0	FACM16V2-153Y1R0	FACM16H-153Y1R0	15	170	540	1000
FACM16V1-103Y1R3	FACM16V2-103Y1R3	FACM16H-103Y1R3	10	90	240	1300
FACM16V1-682Y1R5	FACM16V2-682Y1R5	FACM16H-682Y1R5	6.8	90	230	1500
FACM16V1-422Y1R7	FACM16V2-422Y1R7	FACM16H-422Y1R7	4.2	45	175	1700
FACM16V1-402Y2R0	FACM16V2-402Y2R0	FACM16H-402Y2R0	4.0	45	133	2000
FACM16V1-332Y2R0	FACM16V2-332Y2R0	FACM16H-332Y2R0	3.3	35	130	2000
FACM16V1-222Y2R0	FACM16V2-222Y2R0	FACM16H-222Y2R0	2.2	30	130	2000
FACM16V1-172Y2R5	FACM16V2-172Y2R5	FACM16H-172Y2R5	1.7	20	80	2500
FACM16V1-122Y3R0	FACM16V2-122Y3R0	FACM16H-122Y3R0	1.2	17	56	3000

TECHNICAL INFORMATION



DIMENSIONS:MM Tolerance: .X ±0.50 .XX ±0.25

CURRENT-COMPENSATED FRAME CORE DOUBLE CHOKES FACM22V1,V2-S SERIES



FEATURES

- Rated voltage 250 VAC.
- Rated current 0.5A to 8A.
- Rated inductance 0.45mH to 56 mH.
- Turns ratio: N1:N2=1:1±2%.
- Hi-Pot: Pri-Sec: 1500VAC /5mA /2Seconds.
- Test Frequency Response: 10KHz, 100mV.
- Inductance tolerance: +50/-30% at 20°C.
- Operating temperature: -40°C to +105°C.
- All parts meet ROHS compliance.

PRODUCT IDENTIFICATION

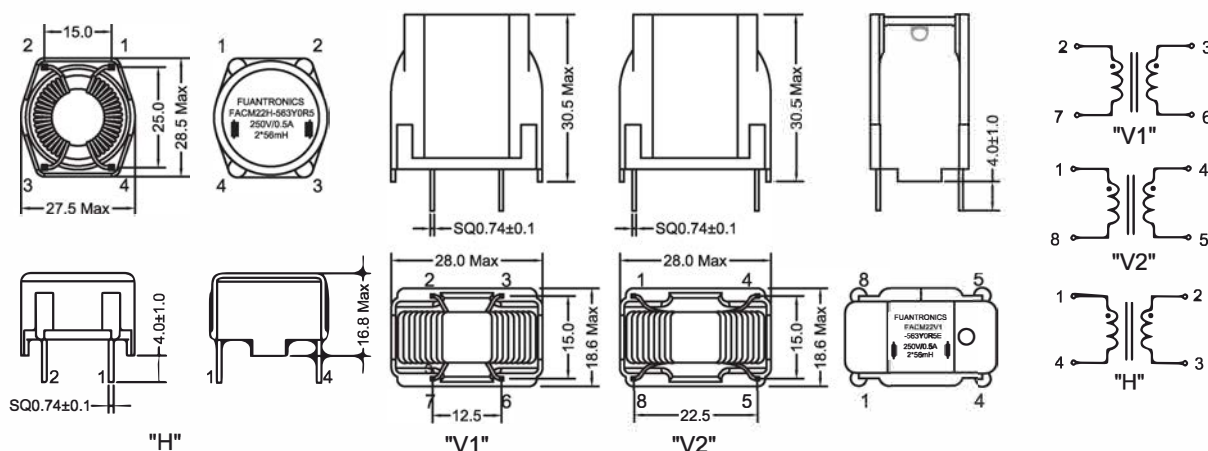
CM 22 V1 473 Y OR6 E
a b c d e f g

- a: Common mode
- b: Size
- c: V Vertical Install shape, H Horizontal Install shape
- d: Inductance Value [101:100uH; 102:1000uH; 103:10000uH]
- e: Inductance tolerance: +50/-30%
- f: Rated current [OR2:0.2A; 1R2:1.2A; 10R2:12A]
- g: Epoxy Encapsulation

ELECTRICAL CHARACTERISTICS

Part Number			Inductance (mH) +50/-30%	Leakage inductance (uH) typ	D.C. Resistance (mΩ) Typ at 20°C	Rated current (mA)
FACM22V1-563YOR5	FACM22V2-563YOR5	FACM22H-563YOR5	56	680	1800	500
FACM22V1-473YOR6	FACM22V2-473YOR6	FACM22H-473YOR6	47	580	1450	600
FACM22V1-393Y1R0	FACM22V2-393Y1R0	FACM22H-393Y1R0	39	430	750	1000
FACM22V1-273Y1R4	FACM22V2-273Y1R4	FACM22H-273Y1R4	27	270	440	1400
FACM22V1-103Y1R8	FACM22V2-273Y1R4	FACM22H-273Y1R4	10	130	240	1800
FACM22V1-562Y2R0	FACM22V2-562Y2R0	FACM22H-562Y2R0	5.6	70	160	2000
FACM22V1-272Y4R0	FACM22V2-272Y4R0	FACM22H-272Y4R0	2.7	30	60	4000
FACM22V1-102Y6R0	FACM22V2-102Y6R0	FACM22H-102Y6R0	1.0	12	22	6000
FACM22V1-451Y8R0	FACM22V2-451Y8R0	FACM22H-451Y8R0	0.45	5	11	8000

TECHNICAL INFORMATION



DIMENSIONS:MM Tolerance: .X ±0.50 .XX ±0.25

COMMON-MODE FILTER INDUCTOR FAPL09V&H SETRIES



FEATURES:

- Rated voltage [V]: 85 to 265VAC, 50/60Hz.
- Insulation resistance: 100mΩ Min at 500DC.
- Turns ratio: N1:N2=1:1±2%.
- Test Frequency Response: 10KHz, 100mV.
- Hi-Pot: Pri-Sec: 1500VAC/3mA/2Second.
- Operating temperature range:
- Temperature Rise: 40°C Max.
- All parts meet ROHS compliance.
- Weight: approximately 4.2g.

PRODUCT IDENTIFICATION:

$\frac{PL}{a} \frac{09}{b} \frac{V}{c} \frac{103}{d} \frac{Y}{e} \frac{OR2}{f}$

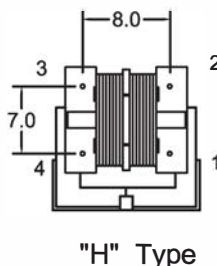
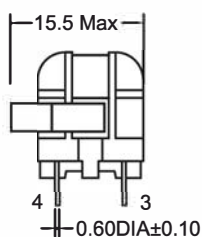
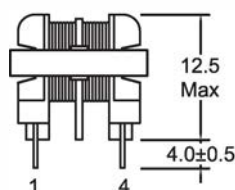
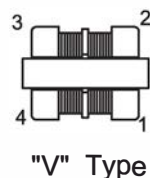
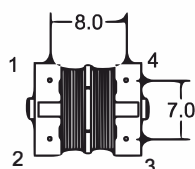
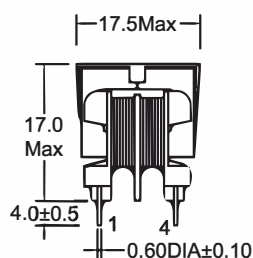
- a: Series name
- b: Product dimensions
- c: V is to the vertical form, 'H' is to the horizontal form
- d: Inductance Value [101:100uH; 102:1000uH; 103:10000uH]
- e: minimum value
- f: Rated current [OR2:0.2A; 1R2:1.2A; 10R2:12A]

ELECTRICAL CHARACTERISTICS

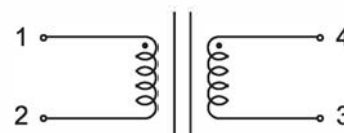
Part Number	Inductance [mH] Min	D.C. Resistance [Ω] Typ at 20°C	Rated current [mA]
FAPL09V-333YOR1	33.0	5.50	100
FAPL09V-273YOR15	27.0	3.50	150
FAPL09V-203YOR2	20.0	2.40	200
FAPL09V-152YOR3	15.0	1.50	300
FAPL09V-103YOR4	10.0	1.00	400
FAPL09V-602YOR5	6.0	0.50	500
FAPL09V-352YOR6	3.5	0.38	600
FAPL09V-252YOR7	2.5	0.25	700
FAPL09V-152YOR8	1.5	0.19	800
FAPL09V-102YOR9	1.0	0.15	900
FAPL09V-801Y1R0	0.8	0.11	1000
FAPL09V-701Y1R2	0.7	0.09	1200
FAPL09V-501Y1R3	0.5	0.07	1300

Part Number	Inductance [mH] Min	D.C. Resistance [Ω] Typ at 20°C	Rated current [mA]
FAPL09H-333YOR1	33.0	5.50	100
FAPL09H-273YOR15	27.0	3.50	150
FAPL09H-203YOR2	20.0	2.40	200
FAPL09H-152YOR3	15.0	1.50	300
FAPL09H-103YOR4	10.0	1.00	400
FAPL09H-602YOR5	6.0	0.50	500
FAPL09H-352YOR6	3.5	0.38	600
FAPL09H-252YOR7	2.5	0.25	700
FAPL09H-152YOR8	1.5	0.19	800
FAPL09H-102YOR9	1.0	0.15	900
FAPL09H-801Y1R0	0.8	0.11	1000
FAPL09H-701Y1R2	0.7	0.09	1200
FAPL09H-501Y1R3	0.5	0.07	1300

TECHNICAL INFORMATION



CIRCUIT MAP



Dimensions in mm
Tolerance: .X ±0.50
.XX ±0.25

COMMON-MODE FILTER INDUCTOR FAPL10VH&VL SETRIES



FEATURES:

- Rated voltage[V]:85 to 265VAC, 50/60Hz.
- Insulation resistance:100M Ω Min at 500DC.
- Turns ratio:N1:N2=1:1 \pm 2%.
- Test Frequency Response:10KHz,100mV.
- Hi-Pot: Pri-Sec:2500VAc/1mA/60Second.
- Operating temperature range: -40°C to +105 °C.
- Temperature Rise: 40°C Max.
- All parts meet ROHS compliance.

PRODUCT IDENTIFICATION:

- PL 10 VH 103 Y 0R5
a b c d e f
- a: Series name
 - b: Product dimensions
 - c: 'VH' Vertical High Size and 'VL' Vertical Low Size
 - d: Inductance Value[101:100uH;102:1000uH;103:10000uH]
 - e: minimum value
 - f: Rated current[0R2:0.2A;1R2;1.2A;10R2:12A]

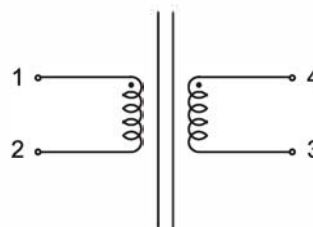
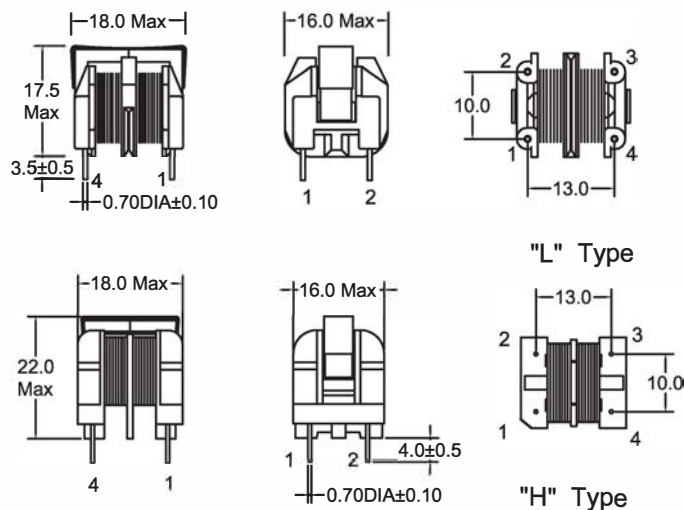
ELECTRICAL CHARACTERISTICS

Part Number	Inductance [mH]Min	D.C. Resistance [Ω] Typ at 20°C	Rated current [mA]
FAPL10VH-433Y0R25	43	3.55	250
FAPL10VH-303Y0R3	30	2.45	300
FAPL10VH-203Y0R35	20	1.80	350
FAPL10VH-153Y0R4	15	1.34	400
FAPL10VH-103Y0R5	10	0.84	500
FAPL10VH-742Y0R6	7.4	0.59	600
FAPL10VH-502Y0R7	5.0	0.41	700
FAPL10VH-352Y0R8	3.5	0.29	800
FAPL10VH-302Y0R9	3.0	0.25	900
FAPL10VH-222Y1R0	2.0	0.19	1000
FAPL10VH-182Y1R2	1.8	0.14	1200
FAPL10VH-152Y1R3	1.5	0.12	1300
FAPL10VH-102Y1R5	1.0	0.087	1500

Part Number	Inductance [mH]Min	D.C. Resistance [Ω] Typ at 20°C	Rated current [mA]
FAPL10VL-433Y0R25	43	3.55	250
FAPL10VL-303Y0R3	30	2.45	300
FAPL10VL-203Y0R35	20	1.80	350
FAPL10VL-153Y0R4	15	1.34	400
FAPL10VL-103Y0R5	10	0.84	500
FAPL10VL-742Y0R6	7.4	0.59	600
FAPL10VL-502Y0R7	5.0	0.41	700
FAPL10VL-352Y0R8	3.5	0.29	800
FAPL10VL-302Y0R9	3.0	0.25	900
FAPL10VL-222Y1R0	2.0	0.19	1000
FAPL10VL-182Y1R2	1.8	0.14	1200
FAPL10VL-152Y1R3	1.5	0.12	1300
FAPL10VL-102Y1R5	1.0	0.087	1500

TECHNICAL INFORMATION

CIRCUIT MAP



Dimensions in mm
Tolerance: .X \pm 0.50
.XX \pm 0.25

COMMON-MODE FILTER INDUCTOR FAPL16V&H SETRIES



FEATURES:

Rated voltage[V]:85 to 265VAC,50/60Hz.
 Insulation resistance:100mΩ Min at 500DC.
 Turns ratio:N1:N2=1:1±2%.
 Test Frequency Response:10KHz,100mV.
 Hi-Pot: Pri-Sec: 2500VA ac/1mA /60Second.
 Operating temperature range: -40°C to +105°C.
 Temperature Rise: 40°C Max.
 All parts meet ROHS compliance.
 Weight: approximately 20g.

PRODUCT IDENTIFICATION:

PL 16 V 103 Y 1R3
 a b c d e f

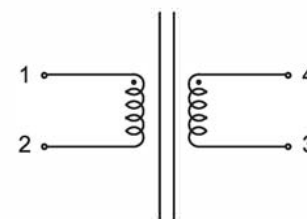
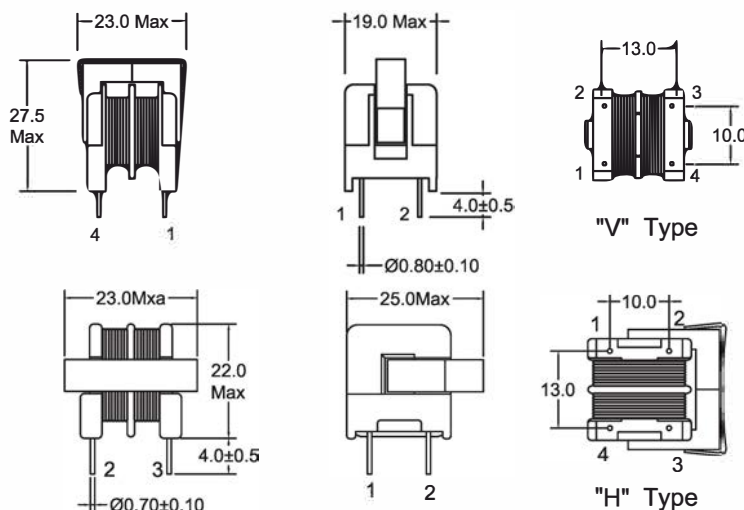
a:Series name
 b:Product dimensions
 c:è V is to the vertical form, 'H' is to the horizontal form
 d:Inductance Value[101:100uH;102;1000uH;103:10000uH]
 e:minimum value
 f:Rated current[0R2:0.2A;1R2;1.2A;10R2:12A]

ELECTRICAL CHARACTERISTICS

Part Number	Inductance [mH]Min	D.C.Resistance [Ω] Typ at 20°C	Rated current [mA]	Part Number	Inductance [mH]Min	D.C.Resistance [Ω] Typ at 20	Rated current [mA]
FAPL16V-503Y0R5	50	1.87	500	FACM16H-503Y0R5	50	1.87	500
FAPL16V-453Y0R7	45	1.32	700	FACM16H-453Y0R7	45	1.32	700
FAPL16V-333Y0R8	33	0.98	800	FAPL16H-333Y0R8	33	0.98	800
FAPL16V-273Y1R0	27	0.78	1000	FAPL16H-273Y1R0	27	0.78	1000
FAPL16V-203Y1R1	20	0.57	1100	FAPL16H-203Y1R1	20	0.57	1100
FAPL16V-153Y1R2	15	0.44	1200	FAPL16H-153Y1R2	15	0.44	1200
FAPL16V-103Y1R3	10	0.32	1300	FAPL16H-103Y1R3	10	0.32	1300
FAPL16V-802Y1R5	8	0.26	1500	FAPL16H-802Y1R5	8	0.26	1500
FAPL16V-602Y1R7	6	0.19	1700	FAPL16H-602Y1R7	6	0.19	1700
FAPL16V-472Y1R9	4.7	0.15	1900	FAPL16H-472Y1R9	4.7	0.15	1900
FAPL16V-352Y2R1	3.5	0.12	2100	FAPL16H-352Y2R1	3.5	0.12	2100
FAPL16V-252Y3R0	2.5	0.08	3000	FAPL16H-252Y3R0	2.5	0.08	3000
FAPL16V-102Y3R3	1.0	0.04	3300	FAPL16H-102Y3R3	1.0	0.04	3300

TECHNICAL INFORMATION

CIRCUIT MAP



Dimensions in mm
 Tolerance: .X ±0.50
 .XX ±0.25

COMMON-MODE FILTER INDUCTOR FACM20V&H SETRIES



FEATURES:

- Rated voltage[V]:85 to 265VAC,50/60Hz.
- Insulation resistance:100MΩ in at 500DC.
- Turns ratio:N1:N2=1:1±2%.
- Test Frequency Response:10KHz,100mV.
- Hi-Pot: Pri-Sec:1500V ac/3mA/2Second.
- Operating temperature range: -40°C to +105 °C .
- Temperature Rise:50°C Max.
- All parts meet ROHS compliance.
- Weight:approximately 10g.

PRODUCT IDENTIFICATION:

CM 20 V 103 Y 0R8
a b c d e f

- a:Series name
- b:Product dimensions
- c:Ø/iis to the vertical form, 'H' is to the horizontal form
- d:Inductance Value [101:100uH;102:1000uH;103:10000uH]
- e:minimum value
- f:Rated current [0R2:0.2A;1R2:1.2A;10R2:12A]

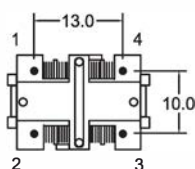
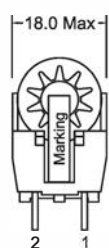
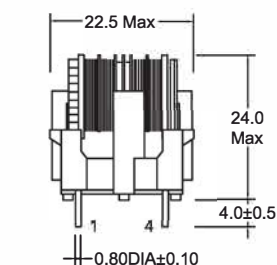
ELECTRICAL CHARACTERISTICS

Part Number	Inductance [mH]Min	D.C.Resistance [Ω] Typ at 20°C	Rated current [mA]
FACM20V-333Y0R3	33	2.24	300
FACM20V-253Y0R35	25	1.54	350
FACM20V-183Y0R5	18	1.04	500
FACM20V-153Y0R6	15	0.82	600
FACM20V-123Y0R7	12	0.65	700
FACM20V-103Y0R8	10	0.49	800
FACM20V-682Y0R9	6.8	0.35	900
FACM20V-622Y1R0	6.2	0.31	1000
FACM20V-242Y1R7	2.4	0.13	1700
FACM20V-102Y2R0	1.0	0.06	2000
FACM20V-601Y3R0	0.6	0.04	3000

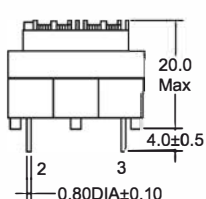
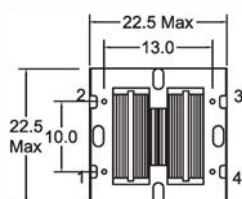
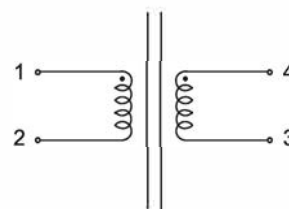
Part Number	Inductance [mH]Min	D.C.Resistance [Ω] Typ at 20°C	Rated current [mA]
FACM20H-333Y0R3	33	1.82	300
FACM20H-253Y0R35	25	1.25	350
FACM20H-183Y0R5	18	0.81	500
FACM20H-153Y0R6	15	0.66	600
FACM20H-123Y0R7	12	0.51	700
FACM20H-103Y0R8	10	0.40	800
FACM20H-682Y0R9	6.8	0.28	900
FACM20H-622Y1R0	6.2	0.24	1000
FACM20H-242Y1R7	2.4	0.10	1700
FACM20H-102Y2R0	1.0	0.046	2000
FACM20H-601Y3R0	0.6	0.030	3000

TECHNICAL INFORMATION

CIRCUIT MAP



"V" Type



"H" Type

Dimensions in mm
Tolerance: .X ±0.50
.XX ±0.25

COMMON-MODE FILTER INDUCTOR FACM24V&H SETRIES



FEATURES:

- Rated voltage[V]:85 to 265VAC,50/60Hz.
- Insulation resistance:100mΩ Min at 500DC.
- Turns ratio:N1:N2=1:1±2%.
- Test Frequency Response:10KHz,100mV.
- Hi-Pot: Pri-Sec:1500VA ac/3mA/2Second.
- Operating temperature range: -40°C to +105 °C.
- Temperature Rise:50°C Max.
- All parts meet ROHS compliance.
- Weight:approximately 19.5g.

PRODUCT IDENTIFICATION:

$\frac{CM}{a} \frac{24}{b} \frac{V}{c} \frac{103}{d} \frac{Y}{e} \frac{1R2}{f}$

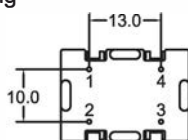
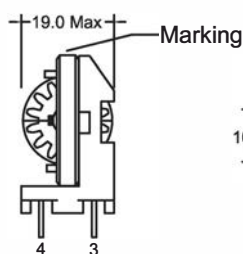
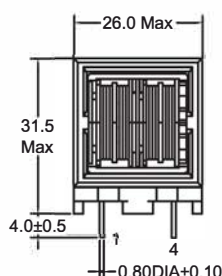
- a:Series name
- b:Product dimensions
- c:Ø iis to the vertical form, 'H' is to the horizontal form
- d:Inductance Value[101:100uH;102:1000uH;103:10000uH]
- e:minimum value
- f:Rated current[OR2:0.2A;1R2:1.2A;1OR2:12A]

ELECTRICAL CHARACTERISTICS

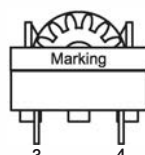
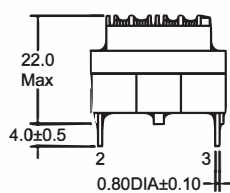
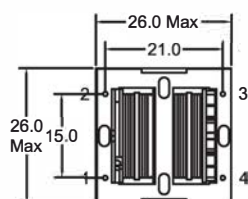
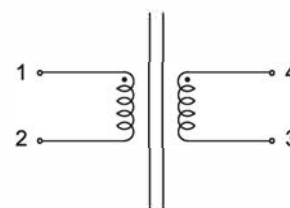
Part Number	Inductance [mH]Min	D.C.Resistance [Ω] Typ at 20°C	Rated current [mA]
FACM24V-683YOR4	68	2.31	400
FACM24V-453YOR5	45	1.50	500
FACM24V-333YOR6	33	1.09	600
FACM24V-253YOR8	25	0.74	800
FACM24V-203Y1R0	20	0.52	1000
FACM24V-103Y1R2	10	0.28	1200
FACM24V-452Y1R5	4.5	0.15	1500
FACM24V-392Y1R8	3.9	0.12	1800
FACM24V-332Y2R0	3.3	0.10	2000
FACM24V-242Y2R5	2.4	0.07	2500

Part Number	Inductance [mH]Min	D.C.Resistance [Ω] Typ at 20°C	Rated current [mA]
FACM24H-683YOR4	68	2.31	400
FACM24H-453YOR5	45	1.50	500
FACM24H-333YOR6	33	1.09	600
FACM24H-253YOR8	25	0.74	800
FACM24H-203Y1R0	20	0.52	1000
FACM24H-103Y1R2	10	0.28	1200
FACM24H-452Y1R5	4.5	0.15	1500
FACM24H-392Y1R8	3.9	0.12	1800
FACM24H-332Y2R0	3.3	0.10	2000
FACM24H-242Y2R5	2.4	0.07	2500

TECHNICAL INFORMATION



"V" Type



"H" Type

Dimensions in mm
Tolerance: .X ±0.50
.XX ±0.25

COMMON-MODE FILTER INDUCTOR FACM28V&H SETRIES



FEATURES:

- Rated voltage[V]: 85 to 265VAC, 50/60Hz.
- Insulation resistance: 100mΩ Min at 500DC.
- Turns ratio: N1:N2=1:1±2%.
- Test Frequency Response: 10KHz, 100mV.
- Hi-Pot: Pri-Sec: 1500VAc/3mA/2Second.
- Operating temperature range: -40°C to +105°C.
- Temperature Rise: 50°C Max.
- All parts meet ROHS compliance.
- Weight: approximately 30g.

PRODUCT IDENTIFICATION:

CM 28 V 1 23 Y 1 R8
a b c d e f

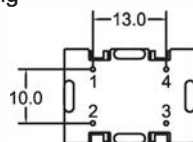
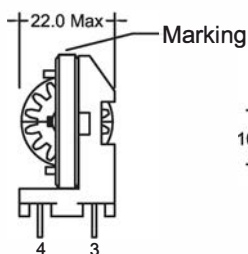
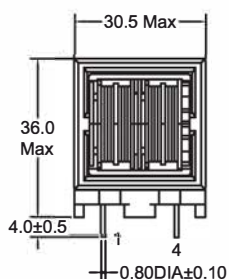
- a: Series name
- b: Product dimensions
- c: V is to the vertical form, 'H' is to the horizontal form
- d: Inductance Value [101:100uH;102:1000uH;103:10000uH]
- e: minimum value
- f: Rated current [OR2:0.2A;1R2;1.2A;10R2:12A]

ELECTRICAL CHARACTERISTICS

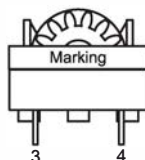
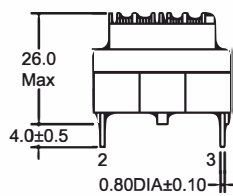
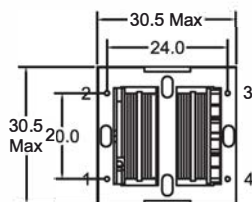
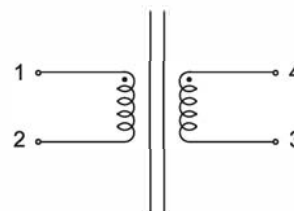
Part Number	Inductance (mH)Min	D.C.Resistance (Ω) Typ at 20°C	Rated current (mA)
FACM28V-353Y1R0	35	0.78	1000
FACM28V-253Y0R2	25	0.55	1200
FACM28V-203Y1R5	20	0.40	1500
FACM28V-123Y1R8	12	0.27	1800
FACM28V-802Y2R0	8.0	0.18	2000
FACM28V-562Y2R5	5.6	0.13	2500
FACM28V-472Y2R8	4.7	0.10	2800
FACM28V-332Y3R0	3.3	0.09	3000
FACM28V-182Y4R0	1.8	0.05	4000

Part Number	Inductance (mH)Min	D.C.Resistance (Ω) Typ at 20°C	Rated current (mA)
FACM28H-353Y1R0	35	0.78	1000
FACM28H-253Y0R2	25	0.55	1200
FACM28H-203Y1R5	20	0.40	1500
FACM28H-123Y1R8	12	0.27	1800
FACM28H-802Y2R0	8.0	0.18	2000
FACM28H-562Y2R5	5.6	0.13	2500
FACM28H-472Y2R8	4.7	0.10	2800
FACM28H-332Y3R0	3.3	0.09	3000
FACM28H-182Y4R0	1.8	0.05	4000

TECHNICAL INFORMATION



"V" Type



"H" Type

Dimensions in mm
Tolerance: .X ±0.50
.XX ±0.25

COMMON-MODE FILTER INDUCTOR FACM35V&H SERIES



FEATURES:

- Rated voltage[V]:85 to 265VAC, 50/60Hz.
- Insulation resistance:100m Ω Min at 500DC.
- Turns ratio:N1:N2=1:1 \pm 2%.
- Test Frequency Response:10KHz,100mV.
- Hi-Pot: Pri-Sec:1500V ac/3mA/2Second.
- Operating temperature range: -40 $^{\circ}$ C to +105 $^{\circ}$ C.
- Temperature Rise:50 $^{\circ}$ C Max.
- All parts meet ROHS compliance.
- Weight:approximately 65g.

PRODUCT IDENTIFICATION:

$\frac{CM}{a} \frac{35}{b} \frac{V}{c} \frac{103}{d} \frac{Y}{e} \frac{2R7}{f}$

- a:Series name
- b:Product dimensions
- c:V is to the vertical form, 'H' is to the horizontal form
- d:Inductance Value[101:100uH;102:1000uH;103:10000uH]
- e:minimum value
- f:Rated current[0R2:0.2A;1R2:1.2A;10R2:12A]

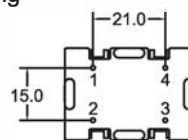
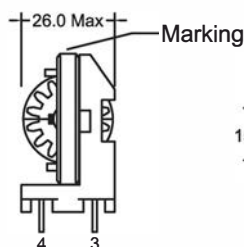
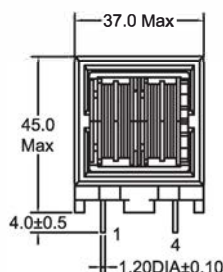
ELECTRICAL CHARACTERISTICS

Part Number	Inductance [mH]Min	D.C.Resistance [Ω] Typ at 20 $^{\circ}$ C	Rated current [mA]
FACM35V-333Y1R5	33	0.42	1500
FACM35V-223Y1R8	22	0.30	1800
FACM35V-183Y2R0	18	0.23	2000
FACM35V-153Y2R2	15	0.21	2200
FACM35V-123Y2R5	12	0.17	2500
FACM35V-103Y2R7	10	0.13	2700
FACM35V-822Y3R3	8.2	0.10	3300
FACM35V-562Y3R5	5.6	0.08	3500
FACM35V-472Y4R0	4.7	0.06	4000

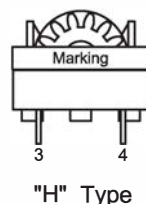
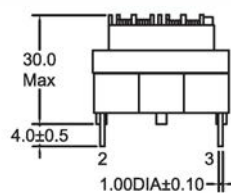
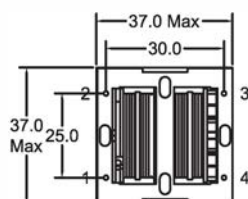
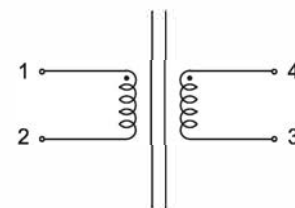
Part Number	Inductance [mH]Min	D.C.Resistance [Ω] Typ at 20 $^{\circ}$ C	Rated current [mA]
FACM35H-333Y1R5	33	0.42	1500
FACM35H-223Y1R8	22	0.30	1800
FACM35H-183Y2R0	18	0.23	2000
FACM35H-153Y2R2	15	0.21	2200
FACM35H-123Y2R5	12	0.17	2500
FACM35H-103Y2R7	10	0.13	2700
FACM35H-822Y3R3	8.2	0.10	3300
FACM35H-562Y3R5	5.6	0.08	3500
FACM35H-472Y4R0	4.7	0.06	4000

TECHNICAL INFORMATION

CIRCUIT MAP



"V" Type



"H" Type

Dimensions in mm
Tolerance: .X \pm 0.50
.XX \pm 0.25

FRAME CORE CHOKES FAPK17 001 SERIES



FEATURES:

Rated voltage[V]:85 to 265VAC ,50/60Hz.
 Insulation resistance:100m Ω M in at 5000C.
 Turns ratio:N1:N2=1:1 \pm 2%.
 Test Frequency Response:10KHz,100mV.
 Hi-Pot: Pri-Sec:1500VA ac/1mA/60Second.
 Operating temperature range: -40 $^{\circ}$ C to +105 $^{\circ}$ C.
 Temperature Rise:40 $^{\circ}$ C Max.
 All parts meet ROHS compliance.
 Weight:approximately 11.5g.

PRODUCT IDENTIFICATION:

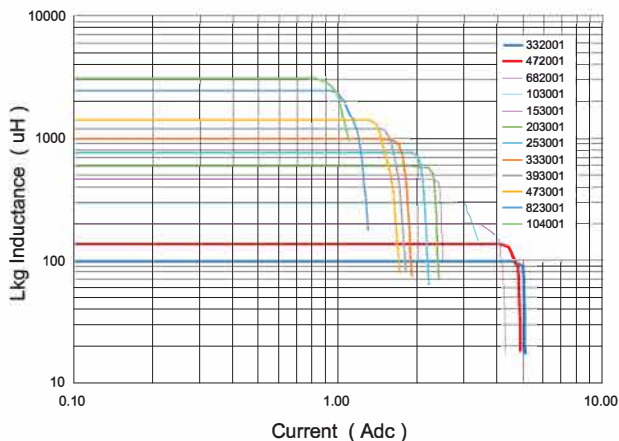
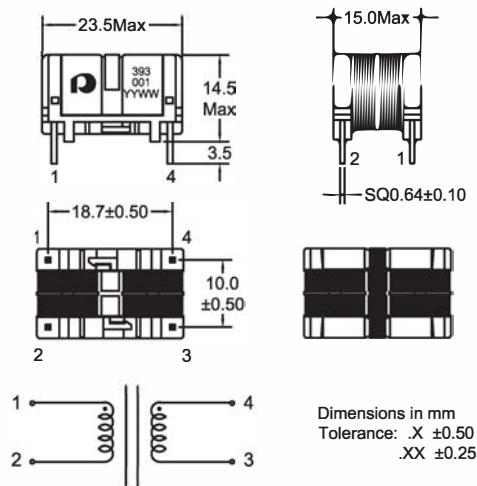
$\frac{PK}{a} \frac{17}{b} \frac{103}{c} \frac{001}{d}$
 a:Series name
 b:Product dimensions
 c:Inductance Value[101:100uH;102;1000uH;103:10000uH]
 d:Classification of air gap in magnetic core

ELECTRICAL CHARACTERISTICS

Part Number	Inductance [mH]+50%-30%	Leakage Inductance [uH]Typ	Saturation Current[A] >90%LOA[$\times 2+3$]	D.C.Resistance [m Ω] Typ at 20 $^{\circ}$ C	Rated current [A]
FAPK17-104001	100	3000	0.6	3000	0.3
FAPK17-823001	82	2400	0.7	2200	0.35
FAPK17-473001	47	1400	0.9	1280	0.45
FAPK17-393001	39	1200	1.0	1000	0.5
FAPK17-333001	33	985	1.2	800	0.6
FAPK17-253001	25	750	1.5	670	0.65
FAPK17-203001	20	585	1.8	440	0.75
FAPK17-153001	15	455	2.0	350	0.85
FAPK17-103001	10	295	2.5	235	1.0
FAPK17-682001	6.8	195	3.5	155	1.3
FAPK17-472001	4.7	135	4.0	115	1.6
FAPK17-332001	3.3	96	4.5	78	2.0

TECHNICAL INFORMATION CURRENT[ADC]

DIMENSIONS:MM



FRAME CORE CHOKES FAPK17 002 SERIES



FEATURES:

- Rated voltage[V]:85 to 265VAC, 50/60Hz.
- Insulation resistance:100m Ω Min at 500DC.
- Turns ratio:N1:N2=1:1 \pm 2%.
- Test Frequency Response:10KHz,100mV.
- Hi-Pot: Pri-Sec: 1500VA ac/1mA/60S second.
- Operating temperature range: -40 $^{\circ}$ C to +105 $^{\circ}$ C.
- Temperature Rise: 40 $^{\circ}$ C Max.
- All parts meet ROHS compliance.
- Weight:approximately 11.5g.

PRODUCT IDENTIFICATION:

$\frac{PK}{a} \frac{17}{b} \frac{103}{c} \frac{001}{d}$

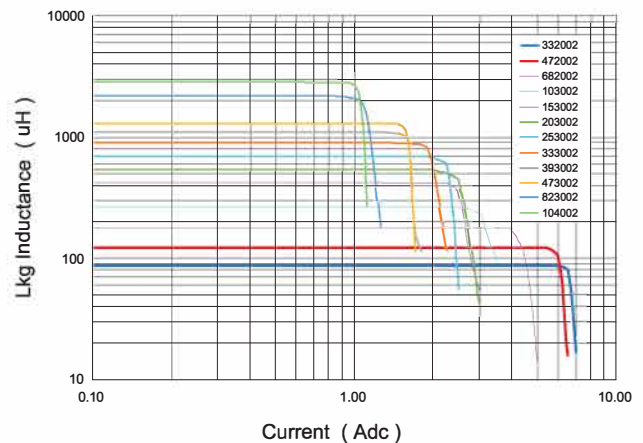
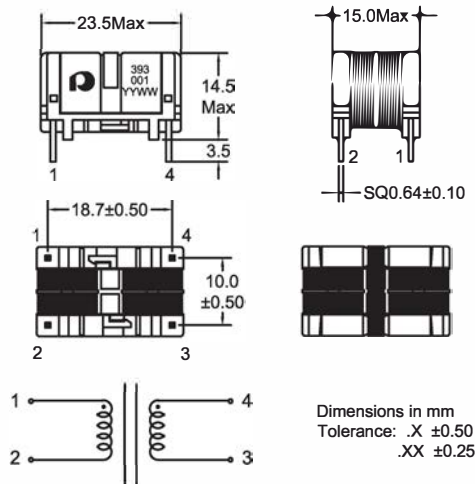
- a:Series name
- b:Product dimensions
- c:Inductance Value (101:100 μ H;102;1000 μ H;103:10000 μ H)
- d:Classification of air gap in magnetic core

ELECTRICAL CHARACTERISTICS

Part Number	Inductance [mH]+50%-30%	Leakage Inductance [μ H]Typ	Saturation Current[A] >90%LOA[tie2+3]	D.C. Resistance [m Ω] Typ at 20 $^{\circ}$ C	Rated current [A]
FAPK17-104002	100	2800	0.7	3000	0.3
FAPK17-823002	82	2200	0.8	2200	0.35
FAPK17-473002	47	1300	1.0	1280	0.45
FAPK17-393002	39	1100	1.2	1000	0.5
FAPK17-333002	33	900	1.4	800	0.6
FAPK17-253002	25	700	1.6	670	0.65
FAPK17-203002	20	540	1.8	440	0.75
FAPK17-153002	15	410	2.0	350	0.85
FAPK17-103002	10	270	2.5	235	1.0
FAPK17-682002	6.8	180	3.5	155	1.3
FAPK17-472002	4.7	125	4.0	115	1.6
FAPK17-332002	3.3	87	5.0	78	2.0

TECHNICAL INFORMATION

CURRENT[ADC]



FRAME CORE CHOKES FAPK17 003 SERIES



FEATURES:

- Reted voltage[V]:85 to 265VAC, 50/60Hz.
- Insulation resistance:100m Ω M in at 500DC.
- Turns ratio: N1:N2=1:1 \pm 2%.
- Test Frequency R esponse:10KHz,100mV.
- Hi-Pot: Pri-Sec: 1500VA ac/1mA/60Scond.
- Operating temperature range: -40 $^{\circ}$ C to +105 $^{\circ}$ C.
- Lemperature Rise: 40 $^{\circ}$ C Max.
- All parts meet RO HS compliance.
- Weight:approximately 11.5g.

PRODUCT IDENTIFICATION:

PK 17 103 001
a b c d

a:Series name

b:Product dimensions

c:Inductance Value [101:100uH;102;1000uH;103:10000uH]

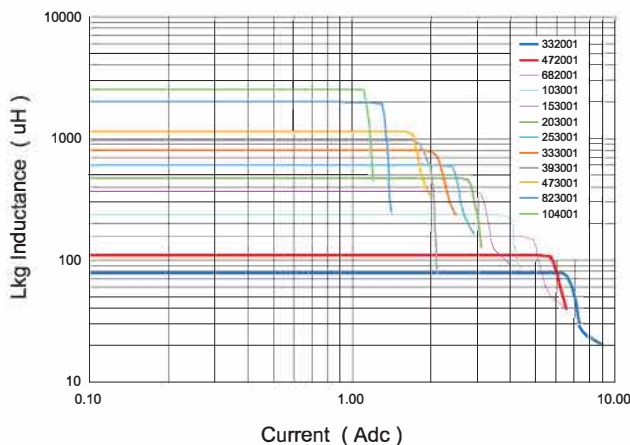
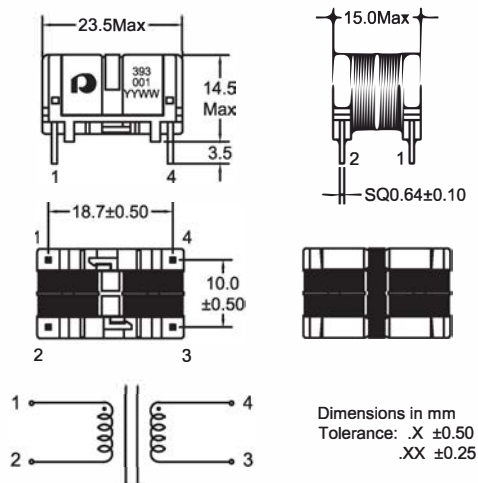
d:C lassification of air gap in magnetic core

ELECTRICAL CHARACTERISTICS

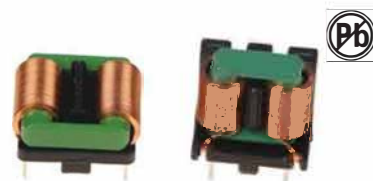
Part Number	Inductance [mH]+50%-30%	Leakage Inductance [uH]Typ	Saturation Current[A] >90% LOA [tie2+3]	D.C. Resistance [m Ω] Typ at 20 $^{\circ}$ C	Rated current [A]
FAPK17-104003	100	2500	0.8	3000	0.3
FAPK17-823003	82	2000	1.0	2200	0.35
FAPK17-473003	47	1100	1.2	1280	0.45
FAPK17-393003	39	950	1.4	1000	0.5
FAPK17-333003	33	800	1.7	800	0.6
FAPK17-253003	25	600	2.0	670	0.65
FAPK17-203003	20	470	2.2	440	0.75
FAPK17-153003	15	365	2.5	350	0.85
FAPK17-103003	10	235	3.0	235	1.0
FAPK17-682003	6.8	155	4.0	155	1.3
FAPK17-472003	4.7	108	4.5	115	1.6
FAPK17-332003	3.3	78	5.5	78	2.0

TECHNICAL INFORMATION

CURRENT(ADC)



FRAME CORE CHOKES FACCF12V&H SERIES



FEATURES:

Small size, Low leakage flux due to D SQ core.
 Low stray capacitance, High attenuation of a wide frequency band.
 There is no danger of the layer short for the single-layer rolling.
 High attenuation to the normal mode noise.
 Winding time 90% down.
 High inductance was achieved by the ferrite mixing and the baking technology that developed originally.

SPECIFICATION:

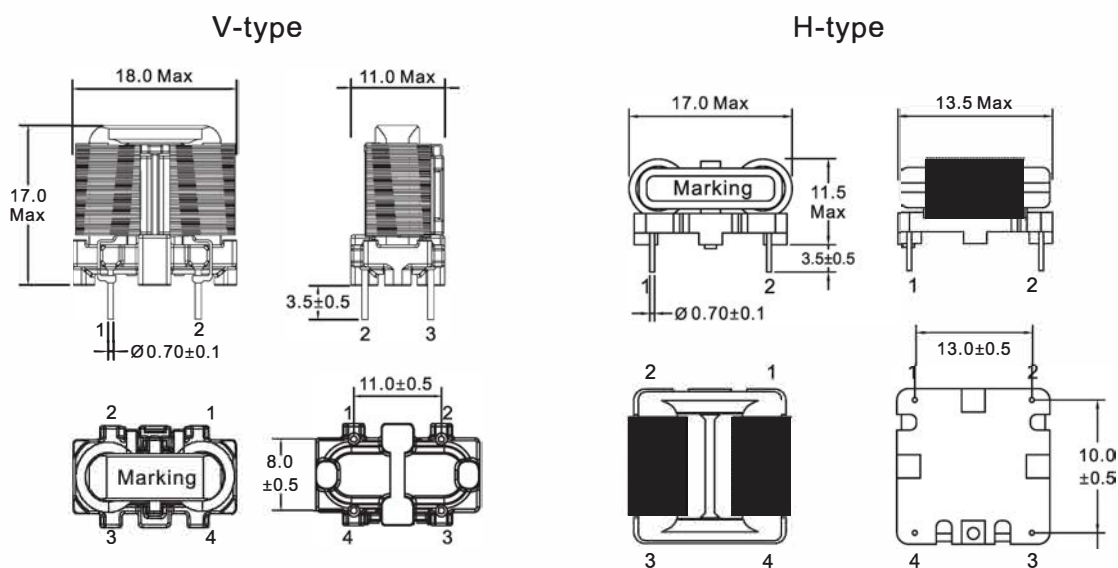
Rated Voltage: AC/DC 2.50V.
 Operating Temperature Range: -40°C ~ 120°C
 Withstanding Voltage: AC 2000V 60sec or AC 2400V
 1~2sec[LIN E to LIN E].
 Insulation Resistance: DC 500V, 100Mohm Min
 [LIN E to LIN E].
 Temperature Rise: 40°C Max. at Rated Current.

ELECTRICAL CHARACTERISTICS

Part Number		Inductance [mH]Min	Rated current [A]Max	Power Range [W]
FACCF12V-253YDR5	FACCF12H-253YDR5	25	0.50	40
FACCF12V-223YDR6	FACCF12H-223YDR6	22	0.60	48
FACCF12V-183YDR65	FACCF12H-183YDR65	18	0.65	52
FACCF12V-153YDR7	FACCF12H-153YDR7	15	0.70	56
FACCF12V-103YDR75	FACCF12H-103YDR75	10	0.75	60

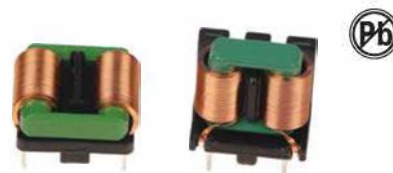
Rated Inductance LRM measured at 1KHz, 250mV, 20°C

TECHNICAL INFORMATION



DIMENSIONS: mm

FRAME CORE CHOKES FACCF15V&H SERIES



FEATURES:

Small size, Lowleakage flux due to 0 SQ core.
 Low stray capacitance, High attenuation of a wide frequency band.
 There is no danger of the layer short for the single-layer rolling.
 High attenuation to the normal mode noise.
 Winding time 90% down.
 High inductance was achieved by the ferrite mixing and the baking technology that developed originally.

SPECIFICATION:

Rated Voltage: AC /DC 2 50V.
 Operating Temperature Range: -40°C ~ 120°C
 Withstanding Voltage: AC 2000V 6 0sec or AC 2400V
 1 ~ 2sec[LINE to LINE].
 Insulation Resistance: DC 500V, 100Mohm Min
 [LINE to LINE].
 Temperature Rise: 40°C Max. at Rated Current.

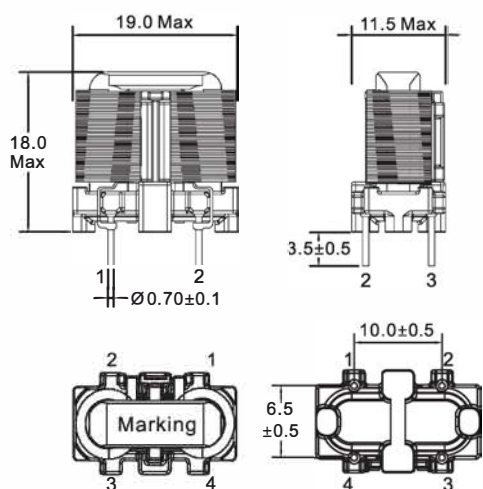
ELECTRICAL CHARACTERISTICS

Part Number	Inductance (mH)Min	Rated current (A)Max	Power Range (W)	
FACCF15V-353Y0R5	FACCF15H-353Y0R5	35	0.5	40
FACCF15V-303Y0R6	FACCF15H-303Y0R6	30	0.6	48
FACCF15V-253Y0R65	FACCF15H-253Y0R65	25	0.65	52
FACCF15V-223Y0R7	FACCF15H-223Y0R7	22	0.7	56
FACCF15V-203Y0R9	FACCF15H-203Y0R9	20	0.9	72
FACCF15V-203Y1R0	FACCF15H-203Y1R0	20	1.0	88
FACCF15V-183Y1R2	FACCF15H-183Y1R2	18	1.2	72
FACCF15V-153Y1R25	FACCF15H-153Y1R25	15	1.25	96
FACCF15V-153Y1R5	FACCF15H-153Y1R5	15	1.5	120
FACCF15V-802Y1R5	FACCF15H-802Y1R5	8.0	1.5	120
FACCF15V-602Y1R8	FACCF15H-602Y1R8	6.0	1.8	144

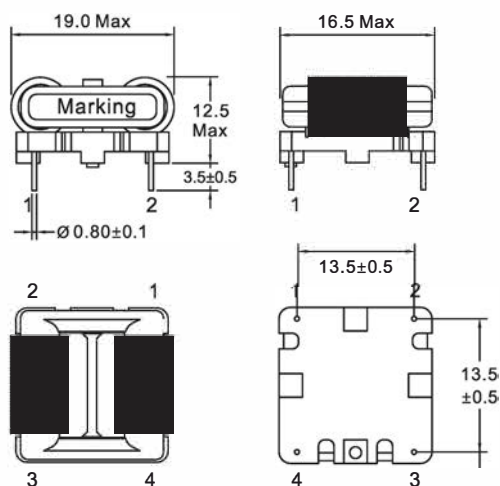
Rated Inductance L R M easured at 1KHz, 250mV, 20°C

TECHNICAL INFORMATION

V-type

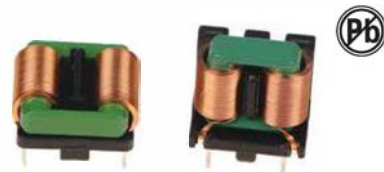


H-type



DIMENSIONS:mm

FRAME CORE CHOKES FACCF19V&H SERIES



FEATURES:

Small size, Low leakage flux due to 0 SQ core.
 Low stray capacitance, High attenuation of a wide frequency band.
 There is no danger of the layer short for the single-layer rolling.
 High attenuation to the normal mode noise.
 Winding time 90% down.
 High inductance was achieved by the ferrite mixing and the baking technology that developed originally.

SPECIFICATION:

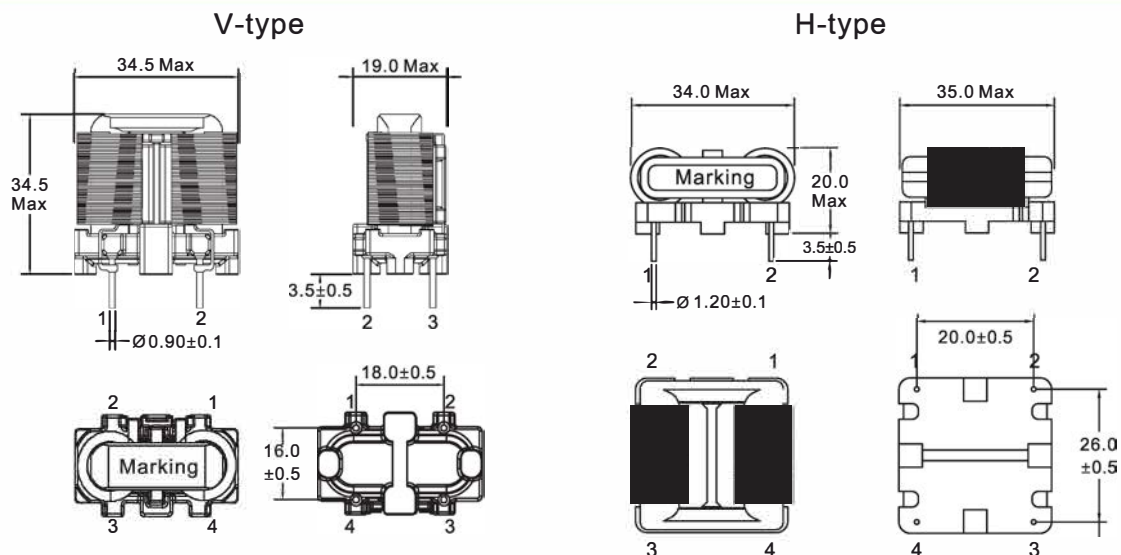
Rated Voltage: AC/DC 250V.
 Operating Temperature Range: -40°C~120°C
 Withstanding Voltage: AC 2000V 60sec or AC 2400V
 1~2sec[LINe to LINe].
 Insulation Resistance: 0 C 500V, 100Mohm Min
 [LINe to LINe].
 Temperature Rise: 40°C Max. at Rated Current

ELECTRICAL CHARACTERISTICS

Part Number	Inductance (mH)Min	Rated current (A)Max	Power Range (W)	
FACCF19V-453Y0R5	FACCF19H-453Y0R5	45	0.5	40
FACCF19V-403Y0R6	FACCF19H-403Y0R6	40	0.6	48
FACCF19V-353Y0R65	FACCF19H-353Y0R65	35	0.65	52
FACCF19V-303Y0R7	FACCF19H-303Y0R7	30	0.7	56
FACCF19V-253Y0R9	FACCF19H-253Y0R9	25	0.9	72
FACCF19V-253Y1R1	FACCF19H-253Y1R1	25	1.1	88
FACCF19V-223Y0R9	FACCF19H-223Y0R9	22	0.9	72
FACCF19V-203Y1R2	FACCF19H-203Y1R2	20	1.2	96
FACCF19V-203Y1R5	FACCF19H-203Y1R5	20	1.5	120
FACCF19V-183Y1R1	FACCF19H-183Y1R1	18	1.1	88
FACCF19V-153Y1R25	FACCF19H-153Y1R25	15	1.25	100
FACCF19V-153Y1R5	FACCF19H-153Y1R5	15	1.5	120
FACCF19V-123Y1R8	FACCF19H-123Y1R8	12	1.8	144
FACCF19V-103Y2R25	FACCF19H-103Y2R25	10	2.25	180

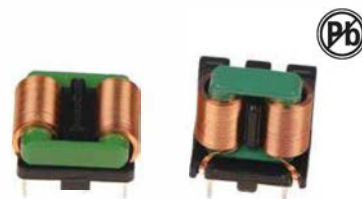
Rated Inductance L R M measured at 1KHz, 250mV, 20°C

TECHNICAL INFORMATION



DIMENSIONS:mm

FRAME CORE CHOKES FACCF24V&H SERIES



FEATURES:

Small size, Low leakage flux due to 0 SQ core.
 Low stray capacitance, High attenuation of a wide frequency band.
 There is no danger of the layer short for the single-layer rolling.
 High attenuation to the normal mode noise.
 Winding time 90% down.
 High inductance was achieved by the ferrite mixing and the baking technology that developed originally.

SPECIFICATION:

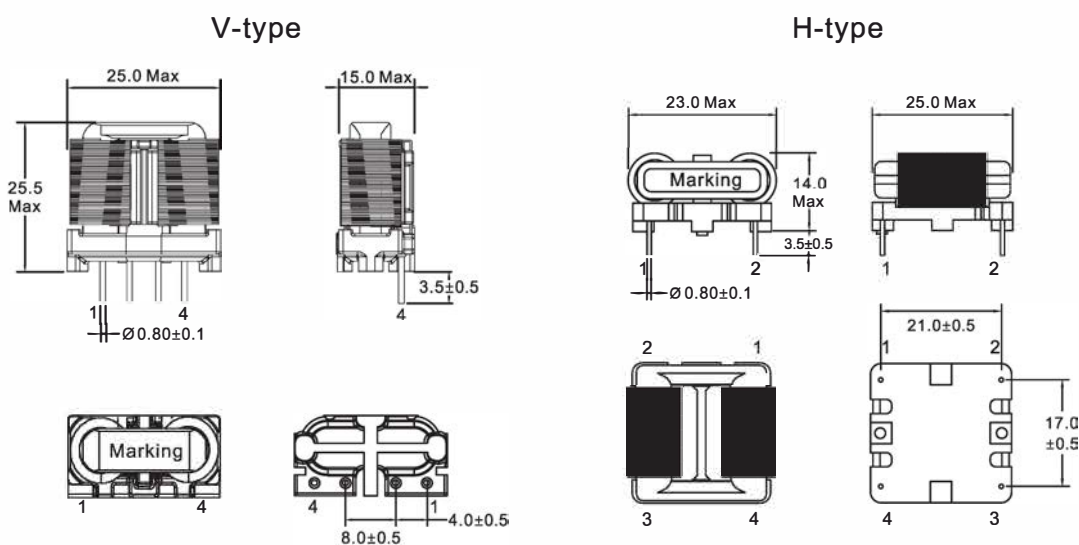
Rated Voltage: AC/DC 250V.
 Operating Temperature Range: -40°C ~ 120°C
 Withstanding Voltage: AC 2000V 60sec or AC 2400V
 1 ~ 2sec [LINE to LINE].
 Insulation Resistance: DC 500V, 100Mohm Min
 [LINE to LINE].
 Temperature Rise: 40°C Max. at Rated Current.

ELECTRICAL CHARACTERISTICS

Part Number		Inductance [mH]Min	Rated current [A]Max	Power Range [W]
FACCF24V-153Y2R7	FACCF24H-153Y2R7	15	2.70	216
FACCF24V-103Y3R15	FACCF24H-103Y3R15	10	3.15	252
FACCF24V-802Y3R6	FACCF24H-802Y3R6	8.0	3.60	288
FACCF24V-602Y4R5	FACCF24H-602Y4R5	6.0	4.50	360
FACCF24V-402Y5R4	FACCF24H-402Y5R4	4.0	5.40	432

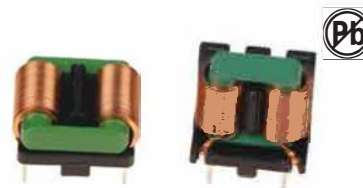
Rated Inductance LR Measured at 1KHz, 250mV, 20°C

TECHNICAL INFORMATION



DIMENSIONS:mm

FRAME CORE CHOKES FACCF33V&H SERIES



FEATURES:

Small size, Low leakage flux due to D SQ core.
 Low stray capacitance, High attenuation of a wide frequency band.
 There is no danger of the layer short for the single-layer rolling.
 High attenuation to the normal mode noise.
 Winding time 90% down.
 High inductance was achieved by the ferrite mixing and the baking technology that developed originally.

SPECIFICATION:

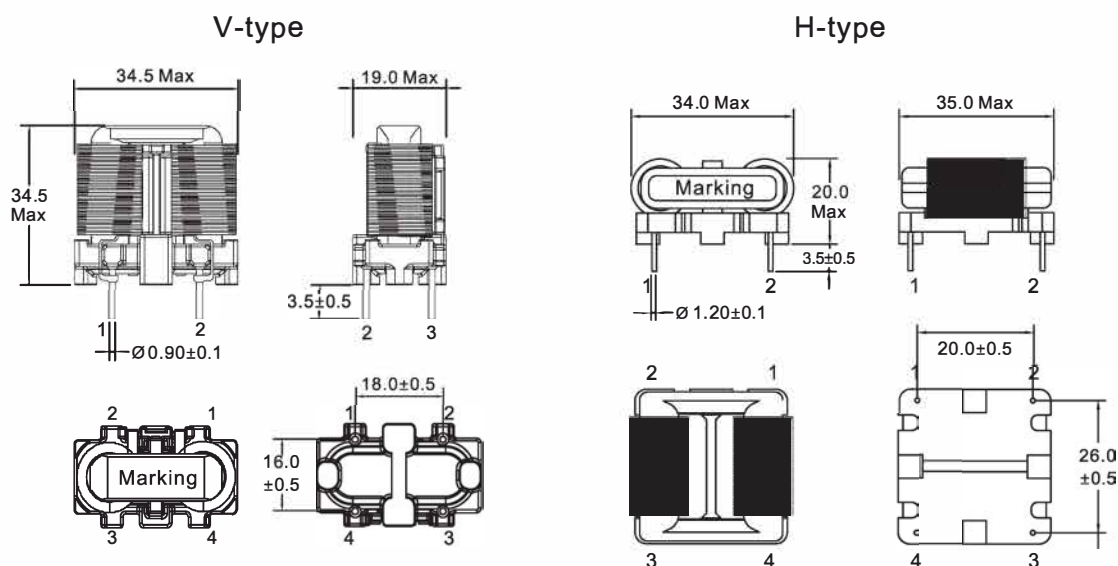
Rated Voltage: AC/DC 250V.
 Operating Temperature Range: -40°C ~ 120°C
 Withstanding Voltage: AC 2000V 60sec or AC 2400V
 1 ~ 2sec [LINE to LINE].
 Insulation Resistance: DC 500V, 100Mohm Min
 [LINE to LINE].
 Temperature Rise: 40°C Max. at Rated Current.

ELECTRICAL CHARACTERISTICS

Part Number	Inductance (mH)Min	Rated current (A)Max	Power Range (W)	
FACCF33V-153Y5R4	FACCF33H-153Y5R4	15	5.4	432
FACCF33V-103Y6R3	FACCF33H-103Y6R3	10	6.3	504
FACCF33V-802Y8R6	FACCF33H-802Y8R6	8.0	8.6	688
FACCF33V-602Y12R0	FACCF33H-602Y12R0	6.0	12.0	960

Rated Inductance L R M measured at 1KHz, 250mV, 20°C

TECHNICAL INFORMATION



DIMENSIONS:mm

FRAME CORE CHOKES

FACCF16 Series for Power Lines

- Rated current: L_R at 50Hz and $T_A=40^\circ\text{C}$
- Rated voltage: 250VAC
- Clearance and creepage distance: $>3\text{mm}$
- Lead spacing: $18.75 \times 10.0 \pm 0.2\text{mm}$
- Climatic category 40/125/56 (to IEC 60068-1)
- Excellent differential-mode suppression
- Weight: approximately 9g

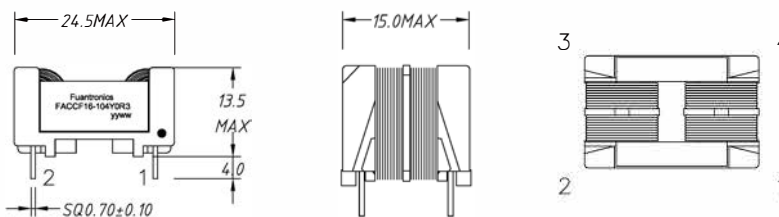


FACCF16 Series

$L_R +30/-50\%$	mH	10	15	27	39	47	68	100
L_R typ	A	1.6	1.3	0.9	0.8	0.7	0.6	0.45
L_{stray} typ	μH	200	290	520	760	920	1340	1930
R_{typ}	m Ω	290	430	770	1100	1260	1970	2930
Ordering code		FACCF16-103Y1R6	FACCF16-153Y1R3	FACCF16-273Y0R9	FACCF16-393Y0R8	FACCF16-473Y0R7	FACCF16-683Y0R6	FACCF16-104Y0R45

Rated inductance L_R : measured at 10kHz, 0.1 mA, 20°C

Frame Core Chokes for Power Lines



APPLICATIONS

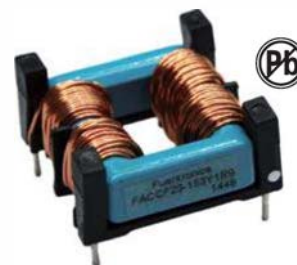
- LIGHTING
- MEDICAL
- INDUSTRIAL



FRAME CORE CHOKES

FACCF23H Series for Power Lines

- Rated current: L_R at 50Hz and $T_A=40^\circ\text{C}$
- Rated voltage: 250VAC
- Clearance and creepage distance: >3mm
- Lead spacing: $22.5 \times 20.0 \pm 0.2\text{mm}$
- Climatic category 40/125/56 (to IEC 60068-1)
- Excelent differential-mode suppression
- Weight: approximately 17g

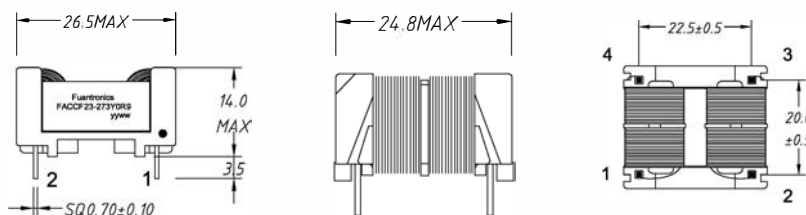


FACCF23H Series

$L_R +30/-50\%$	mH	10	15	27	39	47	68	100
$L_{R\text{ typ}}$	A	2.3	1.9	1.4	1.2	1.1	0.9	0.7
$L_{\text{stray typ}}$	μH	200	310	530	800	970	1440	2100
R_{typ}	m Ω	188	279	440	696	804	1100	1810
Ordering code		FACCF23H-103Y2R3	FACCF23H-153Y1R9	FACCF23H-273Y1R4	FACCF23H-393Y1R2	FACCF23H-473Y1R1	FACCF23H-683Y0R9	FACCF23H-104Y0R7

Rated inductance L_R : measured at 10kHz, 0.1 mA, 20°C

Frame Core Chokes for Power Lines



APPLICATIONS

- OUTDOOR LIGHTING
- INDOOR LIGHTING
- STREET LIGHTING



FRAME CORE CHOKES

FACCF23V Series for Power Lines

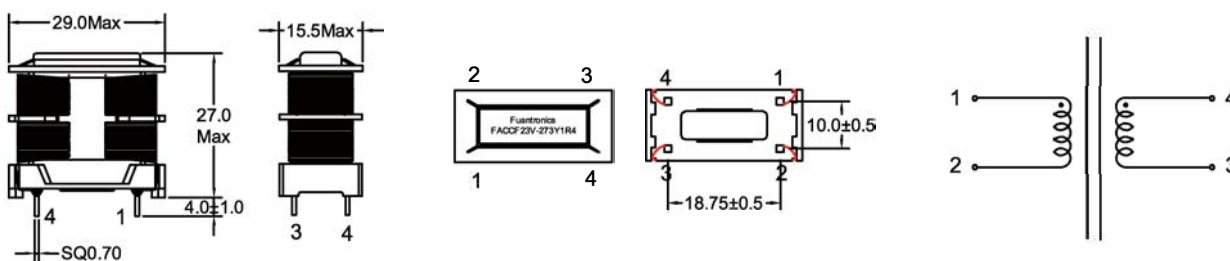
- Rated current 0.7 A to 2.3 A
- Rated voltage 250 VAC
- Turns ratio: N1 : N2 = 1 : 1 ±2%
- Hi-Pot: Pri-Sec: 1500VAC/5mA/2Second
- Test frequency response: 10KHz 100mV
- Operating temperature range: -40°C to +120°C
- Inductance tolerance: +50/-30% at 20C
- All parts meet RoHS compliance
- Weight: approximately 17g



FACCF23V Series

L _R +30/-50%	mH	10	15	27	39	47	68	100
L _R typ	A	2.3	1.9	1.4	1.2	1.1	0.9	0.7
L _{stray} typ	μH	200	310	530	800	970	1440	2100
R _{typ}	mΩ	188	279	440	696	804	1100	1810
Ordering code		FACCF23V -103Y2R3	FACCF23V -153Y1R9	FACCF23V -273Y1R4	FACCF23V -393Y1R2	FACCF23V -473Y1R1	FACCF23V -683Y0R9	FACCF23V -104Y0R7

Rated inductance L_R : measured at 10kHz, 0.1 mA, 20°C



APPLICATIONS

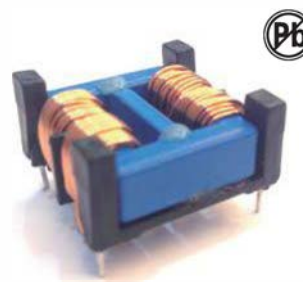
- LIGHTING
- MEDICAL
- INDUSTRIAL



FRAME CORE CHOKES

FACCF23BH Series for Power Lines

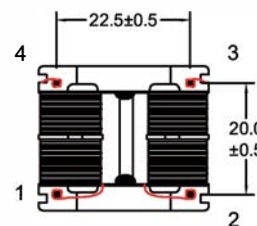
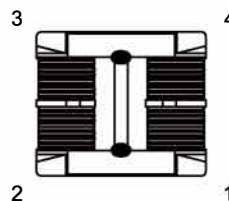
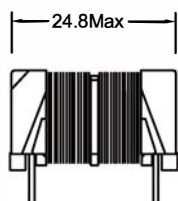
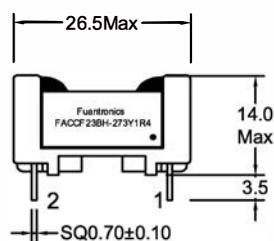
- Rated current 0.7 A to 2.3 A
- Rated voltage 250 VAC
- Turns ratio: N1 : N2 = 1 : 1 ±2%
- Hi-Pot: Pri-Sec: 1500VAC/5mA/2Second
- Test frequency response: 10KHz 100mV
- Operating temperature range: -40°C to +120°C
- Inductance tolerance: +50/-30% at 20C
- All parts meet RoHS compliance
- Weight: approximately 19g



FACCF23BH Series

L_R +30/-50%	mH	10	15	27	39	47	68	100
L _R typ	A	2.3	1.9	1.4	1.2	1.1	0.9	0.7
L _{stray} typ	μH	375	530	1000	1440	1800	2500	3600
R _{typ}	mΩ	188	279	440	696	804	1100	1810
Ordering code		FACCF23BH-103Y2R3	FACCF23BH-153Y1R9	FACCF23BH-273Y1R4	FACCF23BH-393Y1R2	FACCF23BH-473Y1R1	FACCF23BH-683Y0R9	FACCF23BH-104Y0R7

Rated inductance L_R : measured at 10kHz, 0.1 mA, 20°C



APPLICATIONS

- LIGHTING
- MEDICAL
- INDUSTRIAL



FRAME CORE CHOKES

FACCF23BV Series for Power Lines

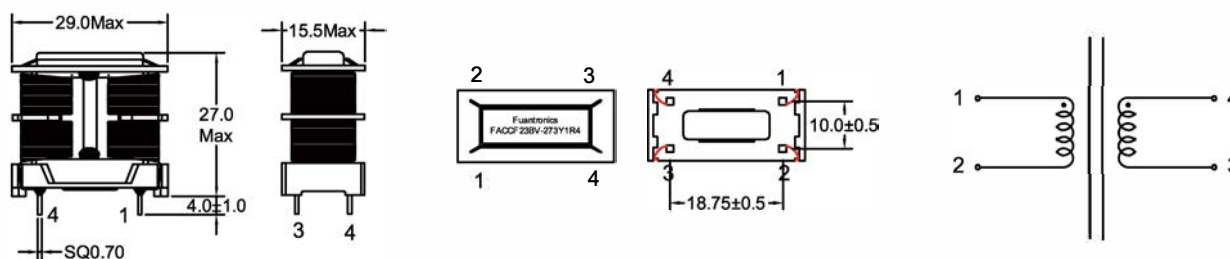
- Rated current 0.7 A to 2.3 A
- Rated voltage 250 VAC
- Turns ratio: N1 : N2 = 1 : 1 ±2%
- Hi-Pot: Pri-Sec: 1500VAC/5mA/2Second
- Test frequency response: 10KHz 100mV
- Operating temperature range: -40°C to +120°C
- Inductance tolerance: +50/-30% at 20C
- All parts meet RoHS compliance
- Weight: approximately 19g



FACCF23BV Series

L _R +30/-50%	mH	10	15	27	39	47	68	100
L _R typ	A	2.3	1.9	1.4	1.2	1.1	0.9	0.7
L _{stray} typ	μH	375	530	1000	1440	1800	2500	3600
R _{typ}	mΩ	188	279	440	696	804	1100	1810
Ordering code		FACCF23BV -103Y2R3	FACCF23BV -153Y1R9	FACCF23BV -273Y1R4	FACCF23BV -393Y1R2	FACCF23BV -473Y1R1	FACCF23BV -683Y0R9	FACCF23BV -104Y0R7

Rated inductance L_R : measured at 10kHz, 0.1 mA, 20°C



APPLICATIONS

- OUTDOOR LIGHTING
- INDOOR LIGHTING
- STREET LIGHTING



FRAME CORE CHOKES

FEATURES

- Small size, low leakage flux due to OSQ core
- Low stray capacitance, High attenuation of a wide frequency band
- There is no danger of the layer short for the single-layer rolling
- High attenuation to the normal mode noise
- Winding time 90% down
- High inductance was achieved by the ferrite mixing and the baking technology that developed originally.
- Weight: approximately 50g



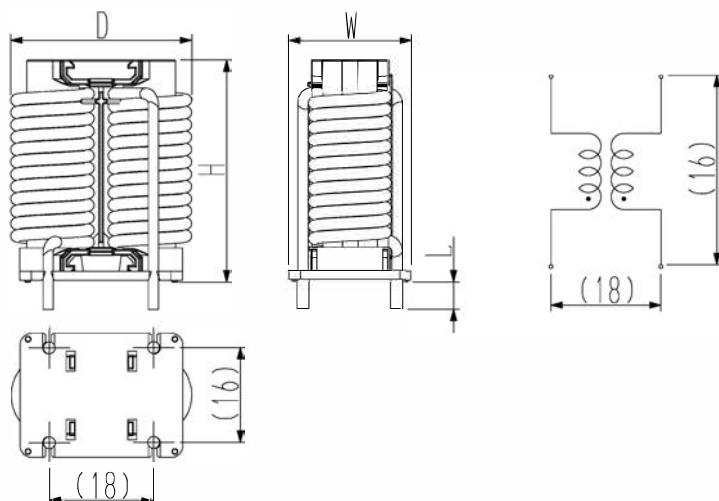
SPECIFICATION

- Rated Voltage: AC/DC 250V
- Operating Temperature Range: -40~120°C
- Withstanding Voltage: AC2000V 60sec. or AC2400V 1~2sec.(LINE to LINE)
- Insulation Resistance: DC500V, 100MΩmin.(LINE to LINE)

FACCF35V Series

L_R +30/-50%	mH	0.6	0.8	0.8	0.9	1.1	1.2	1.5
$L_{R typ}$	A	25	20	17	16	15	13	10
R_{typ}	mΩ	4.5	6.5	7	8	9.5	12.5	14
Ordering code		FACCF35V -25A004	FACCF35V -20A006	FACCF35V -17A006	FACCF35V -16A007	FACCF35V -15A007	FACCF35V -13A008	FACCF35V -10A010

Rated inductance L_R : measured at 10kHz, 0.1 mA, 20°C



D = 34 max.
H = 39 max.
W = 24 max.
L = (5)

Today Pairui-Fuan is one of the leading companies in China market for production of transformers, inductors, and wound components etc.

Competence of our human resources, constant development of know-how and extreme flexibility: this is the formula which has allowed the success of our company, with total satisfaction and loyalty of the customer.

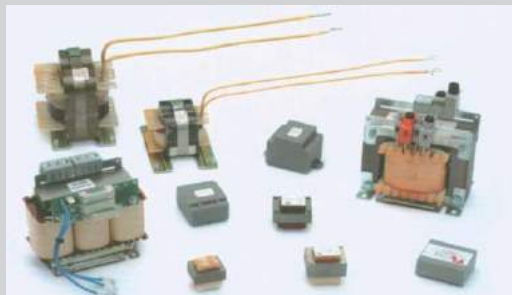
This is demonstrated by the high number of pieces produced every year in relation to the wide range of types that Fuan is able to conceive, design and produce.

Below are some main transformers of our company.



Switching transformers for PCBs in SMD

This kind of transformers particularly suitable in the use of low power SMPS power supply units. They have the advantage of being less encumbering in height.



Transformers with laminated cores

50-60Hz components for power supply boards, UPS, inverters etc.
Available with standard and rectangular wires.
Available impregnated with insulating at atmospheric pressure or under vacuum.



Power inductors for PCBs

Inductors for common and differential mode filters, output inductors for low and medium power SMPS power supply units. Ferrite cores, μ M Kool, iron powders, amorphous cores.
Available with standard wires, Litz, copper foil, TEX-E.
Available impregnated with insulating varnish at atmospheric pressure or under vacuum.



Switching transformers for PCBs in THT

Printed circuit transformers suitable for the use of low and medium power SMPS power supply units. They are economical.
Available with standard wires, Litz, copper foil, TEX-E.
Available impregnated with insulating varnish at atmospheric pressure or under vacuum.



Power switching transformer

Transformers suitable for the use of SMPS power supply units, inverters, UPS, rectifiers, high frequency and high power battery charges. Reduced size with very high power.
Available with standard wires, Litz, copper foil, TEX-E.
Available impregnated with insulating varnish at atmospheric pressure or under vacuum.



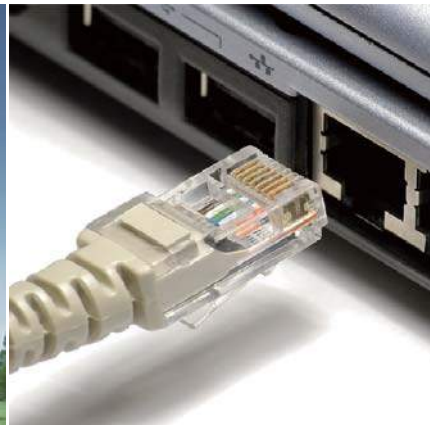
Transformers and inductors for telecommunications

Wound components in SMD or TH version suitable for broadband applications, LAN, XDSL, telephonic band, impedance adaptation etc. Low EMC emission, low level of harmonic distortion.
Available with standard wires, Litz, TEX-E.

◆ APPLICATION



- HOME APPLIANCES APPS
- ELECTRIC METER APPS
- INDUSTRIAL APPS



- AUTOMOTIVE APPS
- LED LIGHTING APPS
- MILITARY APPS



- DC-DC CONVERTER APPS
- TELECOM APPS
- ADSL APPS