

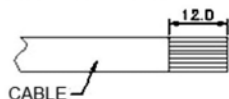
CAT. WPS-P (INDEX 1)

| <u>DESCRIPTION</u> | <u>PAGE NO.</u> |
|--|-----------------|
| <u>WATERPROOF RJ45, FIBER OPTIC, SMB, HDMI & USB SERIES</u> | |
| WATERPROOF RJ45 MODULAR JACK, COUPLER & PLUG PLASTIC LOCK TYPE----- | P1001~P1006 |
| WATERPROOF RJ45 MODULAR JACK, COUPLER & PLUG METAL LOCK TYPE----- | P1101~P1108 |
| WATERPROOF RJ45 MODULAR JACK, COUPLER & PLUG PLASTIC SCREW TYPE----- | P1201~P1219 |
| WATERPROOF RJ45 MODULAR JACK & PLUG PUSH-PULL TYPE----- | P1301~P1308 |
| WATERPROOF LC FIBER OPTIC JACK & PLUG PUSH-PULL TYPE----- | P1401~P1407 |
| WATERPROOF RJ45 CABLE ASSEMBLIES----- | P1501~P1509 |
| WATERPROOF USB A TYPE JACKS & CABLE ASSEMBLIES----- | P1601~P1626 |
| WATERPROOF USB 2.0 A TYPE JACKS & CABLE ASSEMBLIES----- | P1661~P1664 |
| WATERPROOF USB 3.0 A TYPE JACKS & CABLE ASSEMBLIES----- | P1671~P1676 |
| WATERPROOF USB B TYPE JACKS & CABLE ASSEMBLIES----- | P1701~P1706 |
| WATERPROOF MINI USB JACKS & CABLE ASSEMBLIES----- | P1801~P1827 |
| WATERPROOF MICRO USB AB TYPE JACKS & CABLE ASSEMBLIES----- | P1851~P1854 |
| WATERPROOF SMB CAP & CABLE ASSEMBLIES----- | P1901~P1904 |
| WATERPROOF HDMI JACKS & CABLE ASSEMBLIES----- | P1981~P1984 |
| <u>WATERPROOF D-SUB. & HIGH DENSITY D-SUB. SERIES</u> | |
| WATERPROOF D-SUB. MALE CABLE SOLDER CONNECTORS----- | P3001~P3007 |
| WATERPROOF D-SUB. FEMALE CABLE SOLDER CONNECTORS----- | P3051~P3054 |
| WATERPROOF D-SUB. MALE STRAIGHT PCB MOUNT CONNECTORS----- | P3101~P3104 |
| WATERPROOF D-SUB. FEMALE STRAIGHT PCB MOUNT CONNECTORS----- | P3151~P3154 |
| WATERPROOF D-SUB. MALE RIGHT ANGLE PCB MOUNT CONNECTORS----- | P3201~P3204 |
| WATERPROOF D-SUB. FEMALE RIGHT ANGLE PCB MOUNT CONNECTORS----- | P3251~P3254 |
| WATERPROOF HIGH DENSITY D-SUB. MALE SOLDER CONNECTORS----- | P3301~P3304 |
| WATERPROOF HIGH DENSITY D-SUB. FEMALE SOLDER CONNECTORS----- | P3351~P3355 |
| WATERPROOF HIGH DENSITY D-SUB. MALE STRAIGHT PCB MOUNT CONNECTORS----- | P3401~P3404 |
| WATERPROOF HIGH DENSITY D-SUB. FEMALE STRAIGHT PCB MOUNT CONNECTORS----- | P3451~P3454 |
| WATERPROOF HIGH DENSITY D-SUB. MALE R/A PCB MOUNT CONNECTORS----- | P3501~P3504 |
| WATERPROOF HIGH DENSITY D-SUB. FEMALE R/A PCB MOUNT CONNECTORS----- | P3551~P3554 |
| WATERPROOF CABLE WITH D-SUB. CONNECTORS----- | P3601 |
| <u>WATERPROOF MULTI-CONTACT SERIES</u> | |
| WATERPROOF 4P, 6P, 8P MALE & FEMALE CONNECTORS----- | P4001~P4008 |
| WATERPROOF 3P, 6P MALE & FEMALE CONNECTORS----- | P4101~P4106 |
| <u>WATERPROOF DIN & MINI DIN SERIES</u> | |
| WATERPROOF IP40 RATED DIN CABLE PLUGS----- | P4301~P4302 |
| WATERPROOF DIN JACKS & DIN SOCKETS----- | P4321~P4328 |
| WATERPROOF MINI DIN SOCKET----- | P4401 |
| WATERPROOF IP67 RATED M35 41A POWER CONNECTORS----- | P4501~P4504 |
| <u>WATERPROOF M5, M8, M9, M12, M22 & M23 SERIES</u> | |
| WATERPROOF M5 FEMALE CONNECTORS----- | P5001~P5006 |
| WATERPROOF M5 MALE CONNECTORS----- | P5101~P5106 |
| WATERPROOF M8 FEMALE CONNECTORS----- | P5201~P5219 |
| WATERPROOF M8 MALE CONNECTORS----- | P5301~P5319 |
| WATERPROOF M9 FEMALE CONNECTORS----- | P5401~P5406 |
| WATERPROOF M9 MALE CONNECTORS----- | P5451~P5455 |
| WATERPROOF M12 FEMALE CONNECTORS CABLE SOLDER & ASSEMBLY TYPE----- | P5501~P5547 |
| WATERPROOF M12 FEMALE CONNECTORS PCB MOUNT DIP TYPE----- | P5561~P5574 |
| WATERPROOF M12 MALE CONNECTORS CABLE SOLDER & ASSEMBLY TYPE----- | P5601~P5654 |
| WATERPROOF M12 MALE CONNECTORS PCB MOUNT DIP TYPE----- | P5681~P5686 |
| WATERPROOF M22 (7/8") FEMALE CONNECTORS----- | P5701~P5713 |
| WATERPROOF M22 (7/8") MALE CONNECTORS----- | P5751~P5761 |
| WATERPROOF M23 FEMALE & MALE CONNECTORS----- | P5801~P5803 |
| WATERPROOF M8, M12 & M22 ADAPTORS----- | P5841~P5845 |
| WATERPROOF M8 CABLE ASSEMBLIES----- | P5901~P5908 |
| WATERPROOF M12 CABLE ASSEMBLIES----- | P5921~P5937 |
| WATERPROOF M22 CABLE ASSEMBLIES----- | P5941~P5946 |
| WATERPROOF CIRCULAR TYPE C FEMALE & MALE CONNECTORS----- | P5951~P5956 |

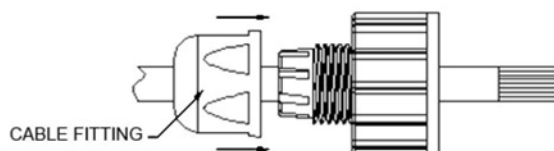
- TECHNICAL ALTERATIONS ARE SUBJECT TO CHANGE WITHOUT NOTICE.
- ALL ARTICLES ARE RoHS & REACH/SVHC COMPLIANT.

ASSEMBLY INSTRUCTION FOR WP51 SERIES WATERPROOF RJ45 PLUG

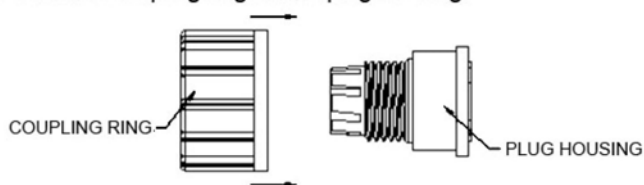
1. Strip the cable out jacket.
(It is suitable for AWG24 cable.)



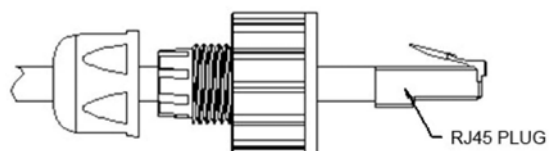
4. Insert the stripped cable through coupling ring, plug housing & cable fitting.



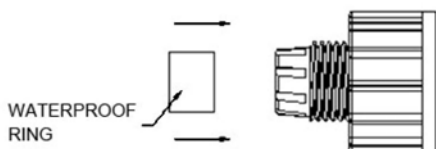
2. Put the coupling ring on the plug housing.



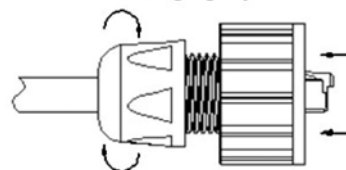
5. Crimp RJ45 plug with stripped cable.



3. Push the waterproof ring into the bottom of the plug housing inner hole.



6. Pull the crimped RJ45 plug into plug housing and screw the cable fitting tightly.



WP51 SERIES WATERPROOF RJ45 PLUG COVER:

P/N WP51-COVER1

(SEE PAGE P1002!)

WATERPROOF IP68 RATED PLASTIC LOCK TYPE RJ45 CABLE SIDE COVER

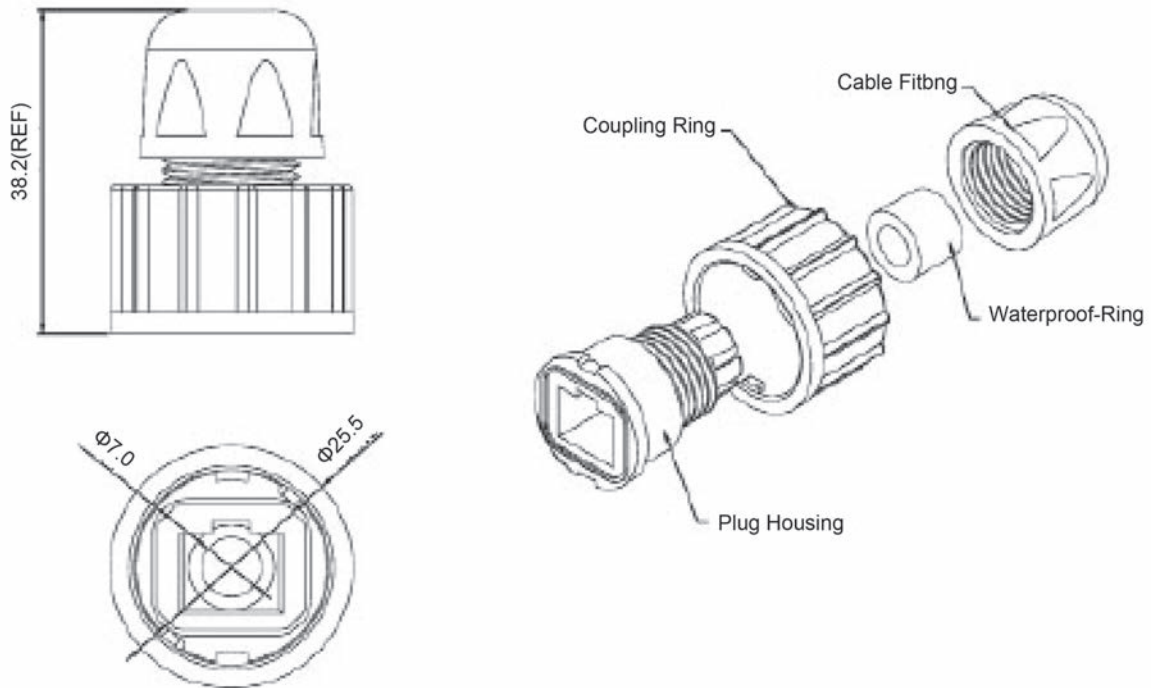
MATERIALS:

Housing: Engineering Thermoplastic
UL94V-0, Color:Black.

Seal: Silicon, Color:Red.

***RoHS & REACH compliant.**

Unit: mm



ORDERING INFORMATION:

P/N WP51-COVER1

WATERPROOF IP68 RATED PLASTIC
LOCK TYPE RJ45 CABLE SIDE COVER
FOR ETHERNET CABLE DIAMETER
RANGE $\Phi 7 \sim \Phi 5.5$ MM

NOTE: CABLE ASSEMBLY INSTRUCTION SEE PAGE P1001!

WATERPROOF IP68 RATED PLASTIC LOCK TYPE RJ45 PCB JACK

MATERIALS:

Plastic Housing: High Temp. Thermoplastic
Flammability Rating UL94V-0.

Contacts: Phosphor Bronze.

Plating: Gold Plating Over Nickel In Contact.

Tin Plating Over Nickel In Solder Area.

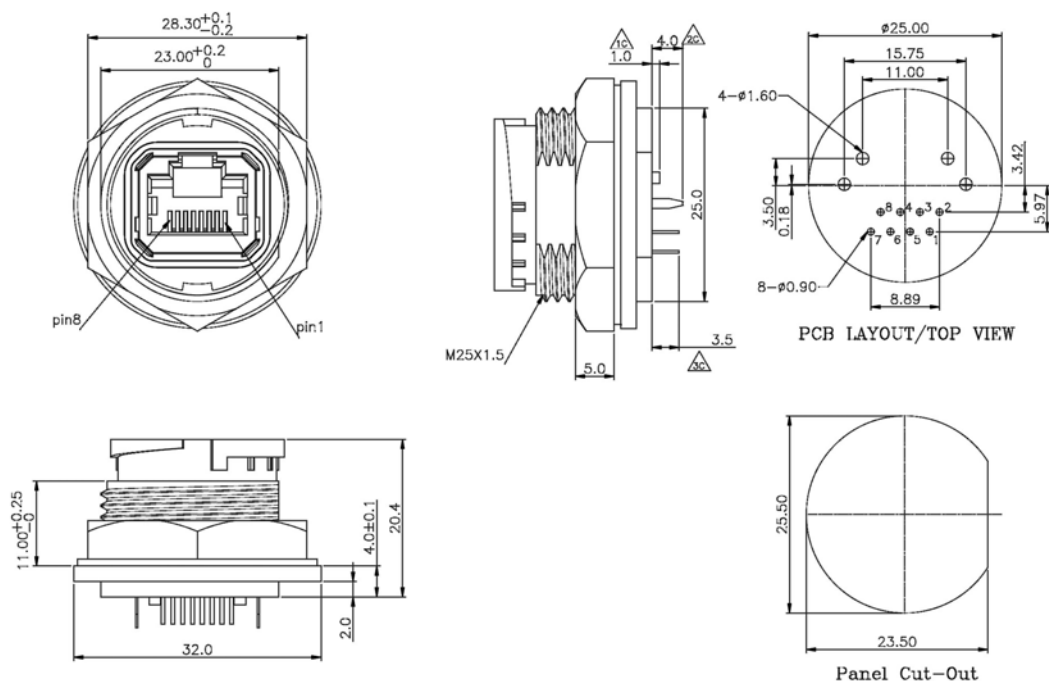
Shielded: Brass With Nickel Plated.

Nut: Engineering Thermoplastic Flammability Rating UL94V-0.

Gasket: Silicon

***RoHS & REACH compliant.**

Unit: mm



ORDERING INFORMATION:

P/N WP51-88F2

WATERPROOF IP68 RATED PLASTIC LOCK TYPE RJ45 (8P8C)
PCB MOUNT JACK FOR PANEL THICKNESS 1~3MM

NOTE: MATES WITH WATERPROOF CAP
P/N WP51-CAP01

WATERPROOF IP68 RATED PLASTIC LOCK TYPE RJ45 JACK WITH 8 PIN R/A HEADER

MATERIALS:

Plastic Housing: High Temp. Thermoplastic
Flammability Rating UL94V-0.

Contacts: Phosphor Bronze.

Plating: Gold Plating Over Nickel In Contact.

Tin Plating Over Nickel In Solder Area.

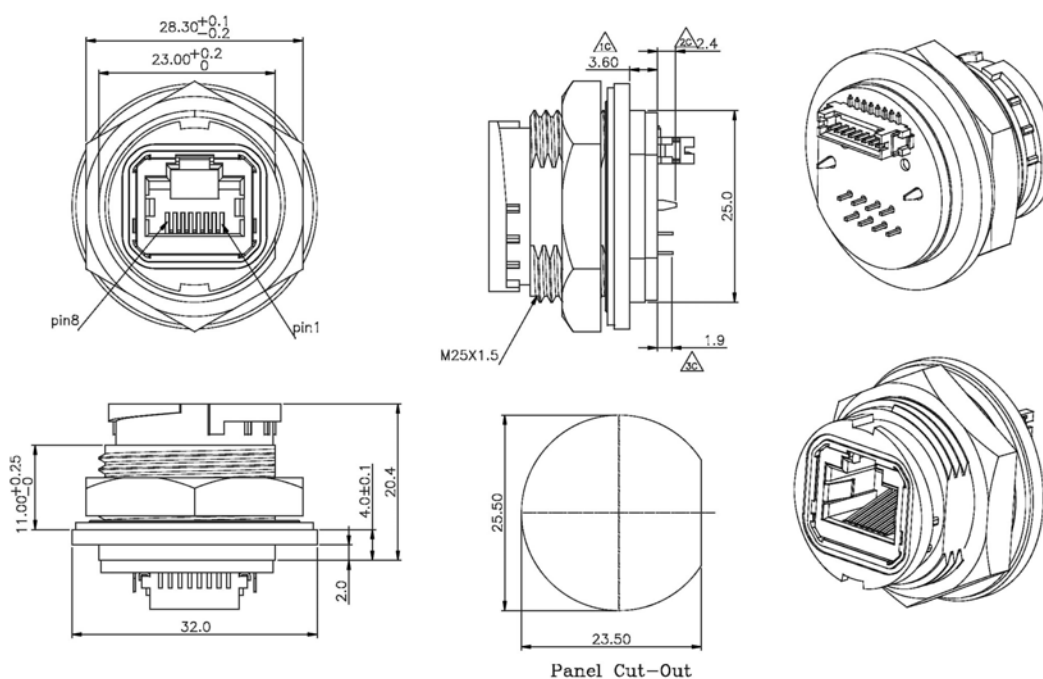
Shielded: Brass With Nickel Plated.

Nut: Engineering Thermoplastic Flammability Rating UL94V-0.

Gasket: Silicon

***RoHS & REACH compliant.**

Unit: mm



ORDERING INFORMATION:

P/N WP51-88F3

WATERPROOF IP68 RATED PLASTIC LOCK TYPE
RJ45 (8P8C) JACK WITH 1.25MM PITCH 1x8 PIN
RIGHT ANGLE HEADER FOR PANEL THICKNESS 1~3MM

**NOTE: MATES WITH WATERPROOF CAP
P/N WP51-CAP01**

WATERPROOF IP68 RATED CAT. 6 PLASTIC LOCK TYPE RJ45 KEYSTONE JACK

MATERIALS:

Plastic Housing: High Temp. Thermoplastic
Flammability Rating UL94V-0.

Contacts: Phosphor Bronze.

Contacts Plating: Gold Plating Over Nickel In Contact.

IDC Pin: Brass.

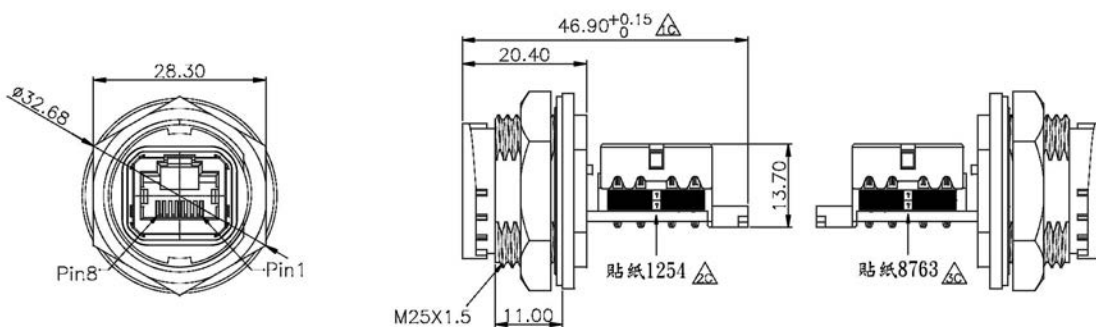
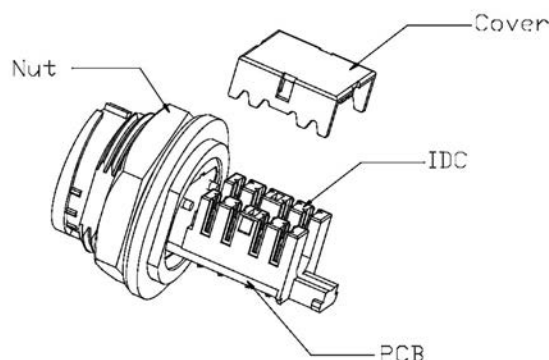
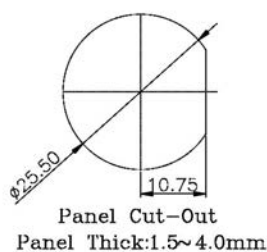
IDC Pin Plating: Tin Plating Over Nickel.

Gasket: Silicon

Specification: Cat. 6

***RoHS & REACH compliant.**

Unit: mm



ORDERING INFORMATION:

P/N WP51-06KS

WATERPROOF IP68 RATED CAT. 6 PLASTIC LOCK
TYPE RJ45 (8P8C) KEYSTONE JACK FOR CABLE
ASSEMBLY & PANEL THICKNESS 1~3MM

NOTE: MATES WITH WATERPROOF CAP
P/N WP51-CAP01

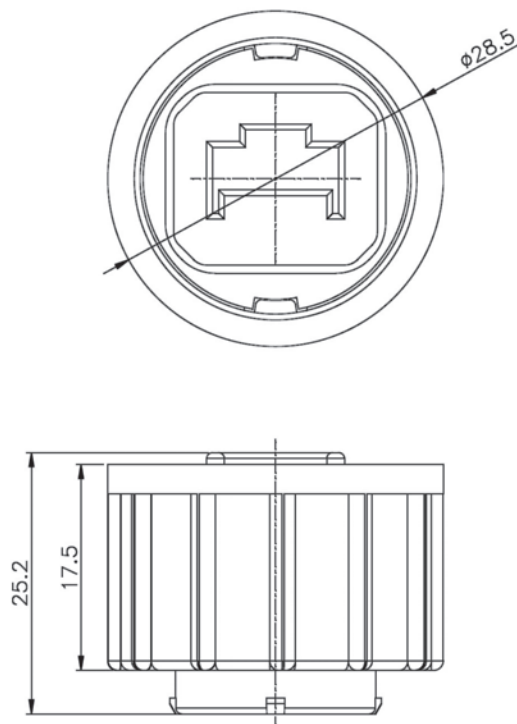
WATERPROOF IP68 RATED CAP FOR PLASTIC LOCK TYPE RJ45 JACK

MATERIALS:

Plastic Housing: Engineering Thermoplastic
Flammability Rating UL94V-0.

*RoHS & REACH compliant.

Unit: mm



ORDERING INFORMATION:

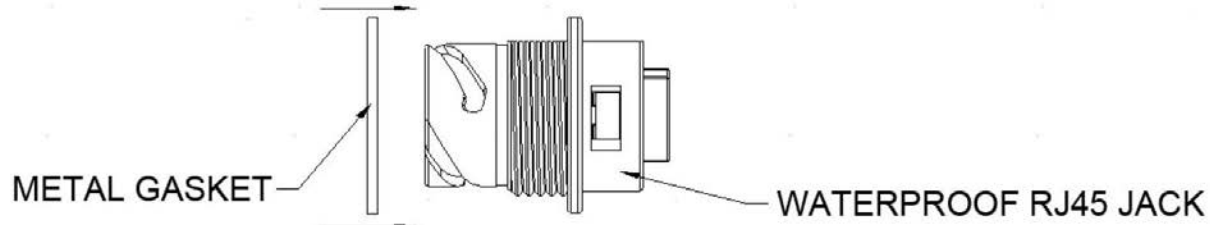
P/N WP51-CAP01

WATERPROOF IP68 RATED CAP FOR PLASTIC
LOCK TYPE RJ45 (8P8C) JACK

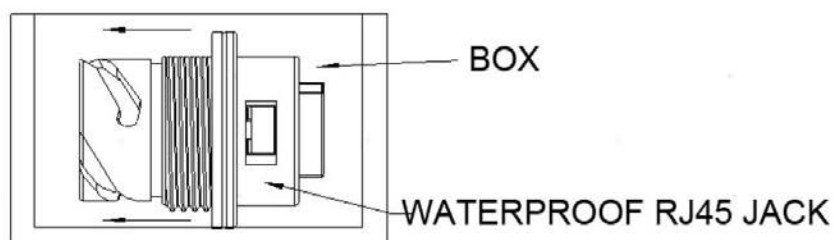
NOTE: MATES WITH WATERPROOF RJ45 JACK
P/N WP51-88F2, WP51-88F3 & WP51-06KS

ASSEMBLY INSTRUCTION FOR WP53M SERIES WATERPROOF RJ45 JACK

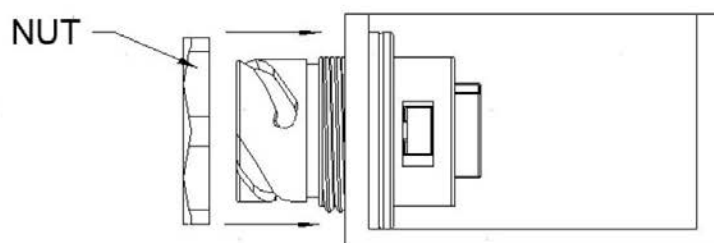
1. Put metal gasket on RJ45 jack.



2. Insert assembled RJ45 jack from box inside into the hole.



3. Put the nut on the RJ45 jack and screw it tightly.



WP53M SERIES WATERPROOF RJ45 JACKS:

P/N W P 5 3 M - 8 8 F 1

(SEE PAGE P1104!)

P/N W P 5 3 M - 5 E F 2

(SEE PAGE P1105!)

P/N W P 5 3 M - 5 E F 3

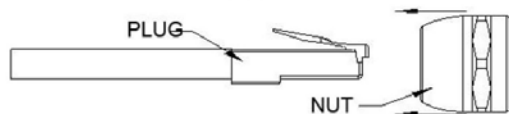
(SEE PAGE P1106!)

P/N W P 5 3 M - 5 E K S

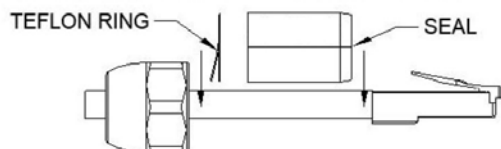
(SEE PAGE P1107!)

ASSEMBLY INSTRUCTION FOR WP53M SERIES WATERPROOF RJ45 JACK & PLUG SET

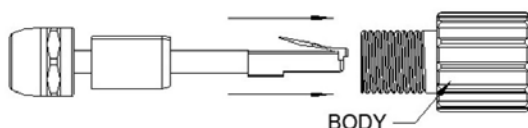
1. Insert assembled RJ45 plug into nut.



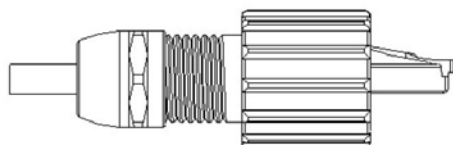
2. Put teflon ring & seal with opening on the assembled cable. (Two openings should be not in the same place.)



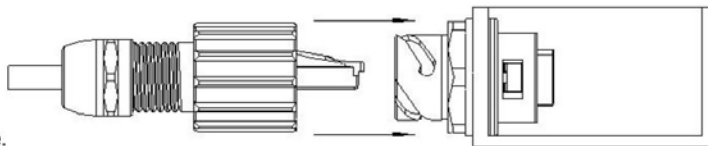
3. Insert plug, teflon ring & seal into body and screw the nut tightly.



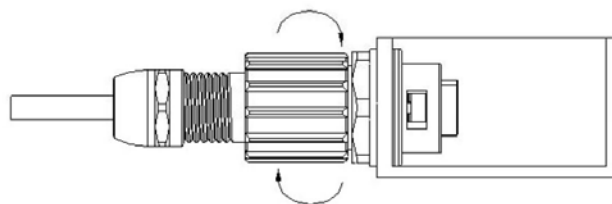
4. It shows the already assembled cable cover.



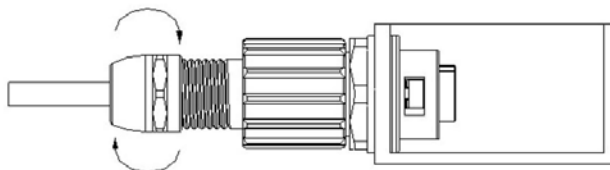
5. Insert RJ45 plug into waterproof box.



6. Screw the cable side cover into RJ45 jack tightly.



7. Screw the nut tightly.



WP53M SERIES WATERPROOF RJ45 JACK & PLUG SETS:

RJ45 JACKS

P/N W P 5 3 M - 8 8 F 1

(SEE PAGE P1104!)

P/N W P 5 3 M - 5 E F 2

(SEE PAGE P1105!)

P/N W P 5 3 M - 5 E F 3

(SEE PAGE P1106!)

P/N W P 5 3 M - 5 E K S

(SEE PAGE P1107!)

RJ45 PLUG COVER

P/N W P 5 3 M - C O V E R 1

(SEE PAGE P1103!)

WATERPROOF IP68 RATED METAL LOCK TYPE RJ45 CABLE SIDE COVER

MATERIALS:

Gasket: Silicone

Plug Housing: Zn Alloy 3, Nickel Plated

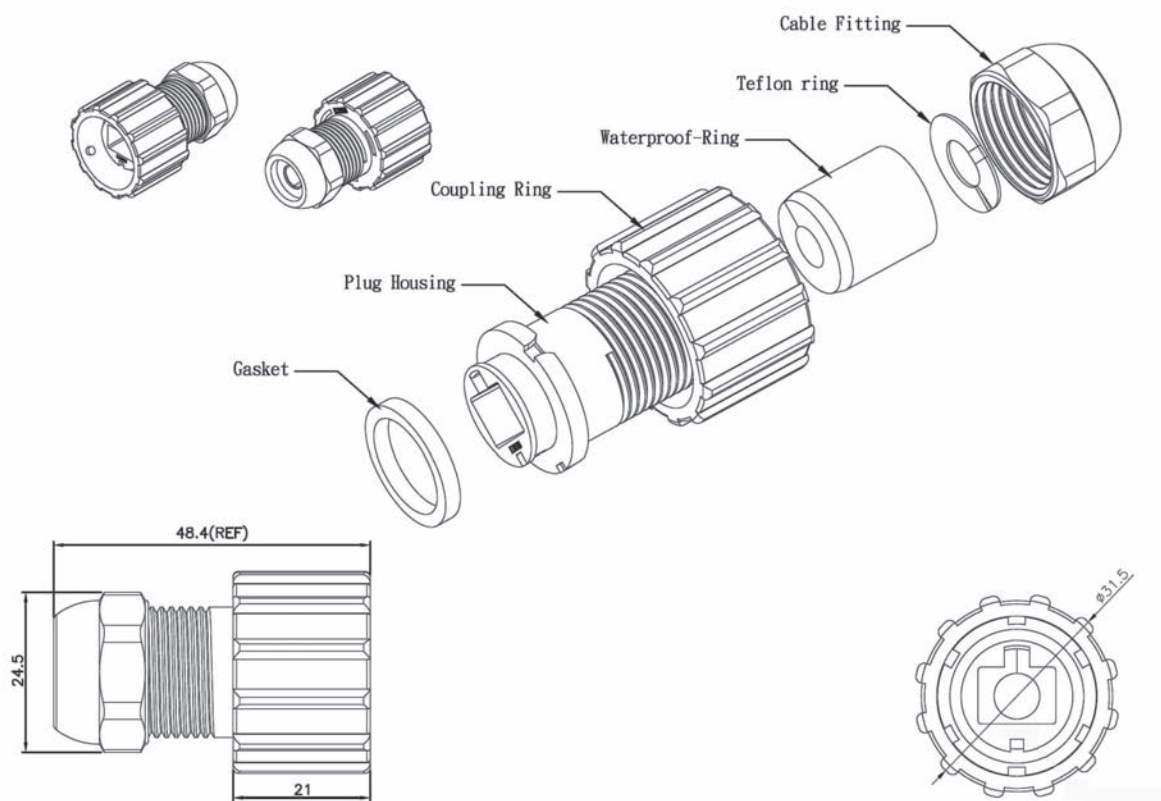
Coupling Ring: Zn Alloy 3, Nickel Plated

Waterproof-Ring: Silicone

Cable Fitting: Coper Alloy, Nickel Plated

*RoHS & REACH compliant.

Unit: mm



ORDERING INFORMATION:

P/N WP53M-COVER1

WATERPROOF IP68 RATED METAL
LOCK TYPE RJ45 CABLE SIDE COVER
FOR ETHERNET CABLE DIAMETER
RANGE $\Phi 7 \sim \Phi 5.5 \text{MM}$

NOTE: CABLE ASSEMBLY INSTRUCTION SEE PAGE P1102!

WATERPROOF IP68 RATED METAL LOCK TYPE RJ45 PCB MOUNT JACK

MATERIAL AND FINISH:

Receptacle Housing: Zn Alloy 3,Nickel Plated.

Panel Nut: Coper Alloy,Nickel Plated

Panel Gasket: Silicone

RJ45 Jack Metal Shell: Coper Alloy,Nickel Plated

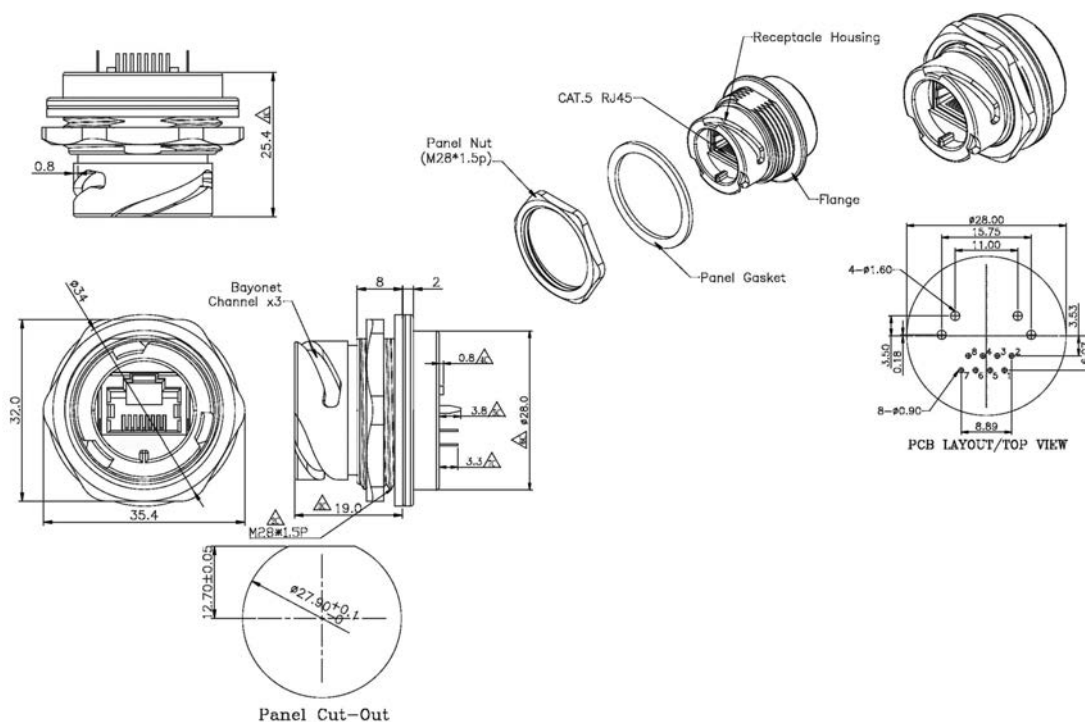
RJ45 Jack Plastic Housing: Engineering Thermoplastic
Flammability Rating UL94V-0.

RJ45 Jack Contact: Phosphor Bronze,Finish: Gold Over Nickel.

Color: Black

***RoHS & REACH compliant.**

Unit: mm



ORDERING INFORMATION:

P/N WP 53 M - 88 F 1

WATERPROOF IP68 RATED METAL LOCK TYPE RJ45 (8P8C)
PCB MOUNT JACK FOR FRONT MOUNTED TO A MAXIMUM
PANEL THICKNESS OF 3.2MM.

**NOTE1: MATES WITH WATERPROOF CAP
P/N WP53M-CAP02**

NOTE2: ASSEMBLY INSTRUCTION SEE PAGE P1101!

WATERPROOF IP68 RATED CAT. 5e METAL LOCK TYPE RJ45 JACK WITH PCB

MATERIAL AND FINISH:

Receptacle Housing: Zn Alloy 3,Nickel Plated.

Panel Nut: Coper Alloy,Nickel Plated

Panel Gasket: Silicone

RJ45 Jack Metal Shell: Coper Alloy,Nickel Plated

RJ45 Jack Plastic Housing: Engineering Thermoplastic
Flammability Rating UL94V-0.

RJ45 Jack Contact: Phosphor Bronze,Finish: Gold Over Nickel.

Color: Black

***RoHS & REACH compliant.**

Unit: mm

ELECTRICAL SPECIFICATIONS:

Meet EIA / TIA-568-B.2 Cat.5e Specification

Contact Resistance: 20 mOhm max.

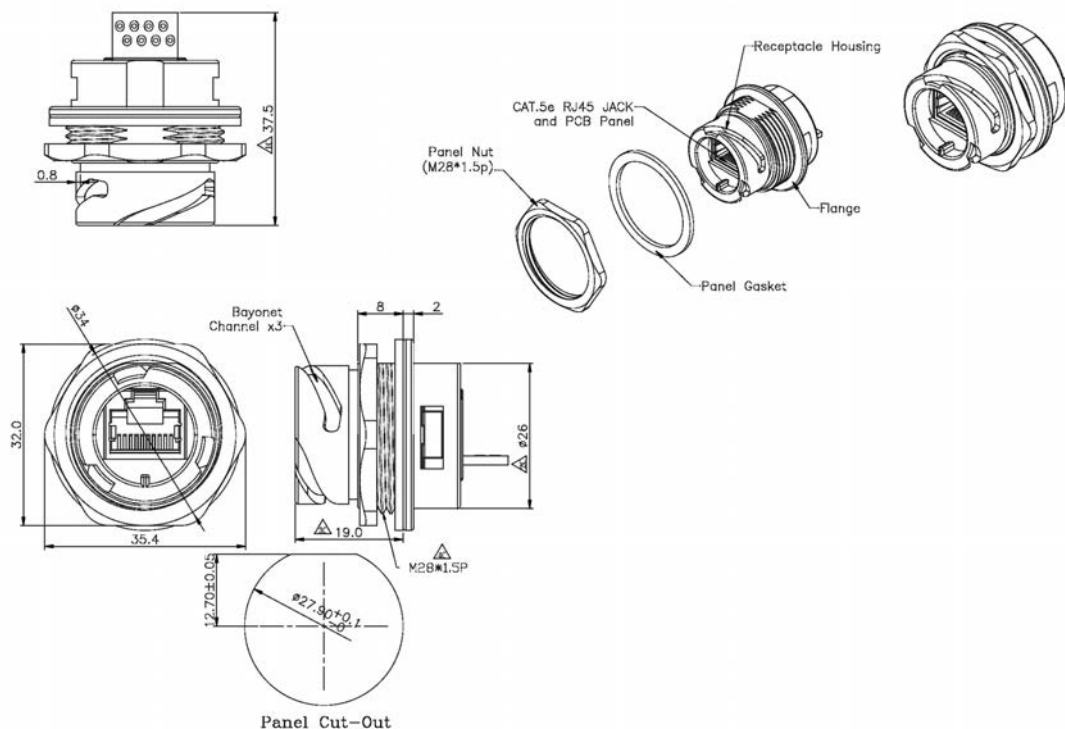
Insulation Resistance: 500 MOhm min @100V DC.

Current Rating: 1.5A max.

Voltage Rating: 100VDC

Dwv: 1000V DC/60s min Contact to Contact, 1500V DC/60s
Contact to Metal Shell.

Operating Temperature: 0°C To + 70°C



ORDERING INFORMATION:

P/N WP53M - 5EF2

WATERPROOF IP68 RATED CAT. 5e METAL LOCK TYPE
RJ45 (8P8C) JACK WITH PCB FOR FRONT MOUNTED TO
A MAXIMUM PANEL THICKNESS OF 3.2MM.

**NOTE1: MATES WITH WATERPROOF CAP
P/N WP53M-CAP02**

NOTE2: ASSEMBLY INSTRUCTION SEE PAGE P1101!

WATERPROOF IP68 RATED CAT. 5e METAL LOCK TYPE RJ45 INLINE COUPLER JACK

MATERIAL AND FINISH:

Receptacle Housing: Zn Alloy 3,Nickel Plated

Panel Nut: Coper Alloy,Nickel Plated

Panel Gasket: Silicone

RJ45 Jack Metal Shell: Coper Alloy,Nickel Plated

RJ45 Jack Plastic Housing: Engineering Thermoplastic
Flammibility Rating UL94V-0

RJ45 Jack Contact: Phosphor Bronze,Finish: Gold Over Nickel

Color: Black

***RoHS & REACH compliant.**

Unit: mm

ELECTRICAL SPECIFICATIONS:

Meet EIA / TIA-568-B.2 Cat. 5e Specification

Contact Resistance: 20 mOhm max.

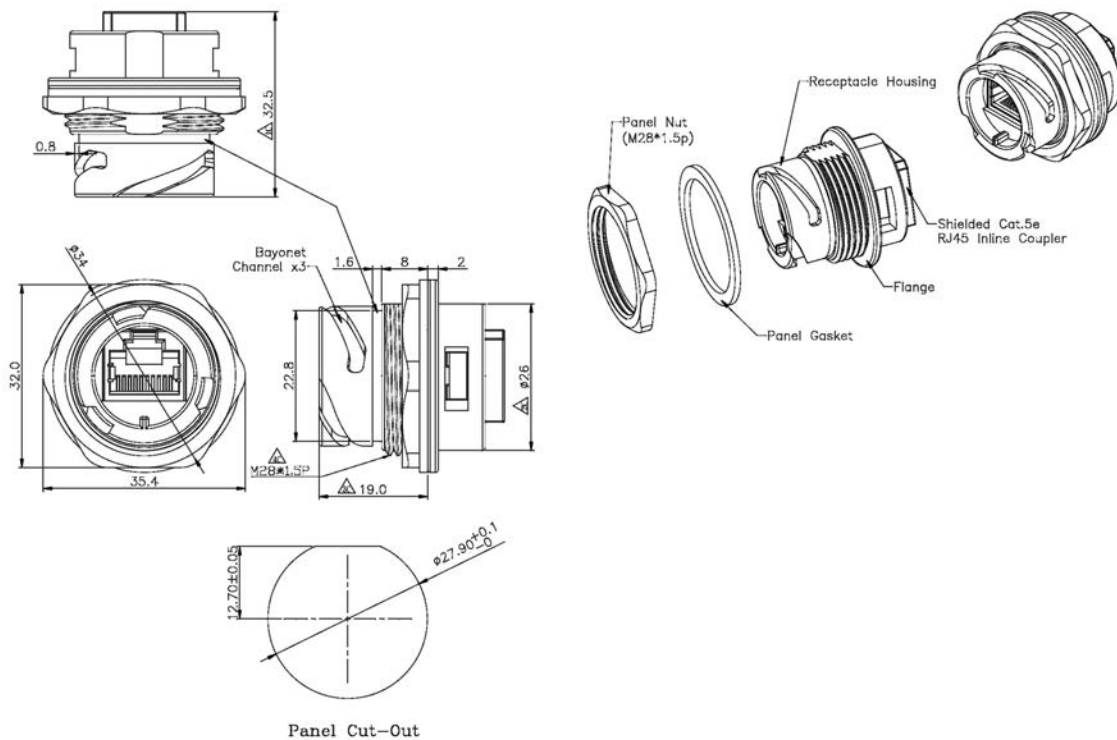
Insulation Resistance: 500 MOhm min @100V DC.

Current Rating: 1.5A max.

Voltage Rating: 100VDC

Dwv: 1000V DC/60s min Contact to Contact, 1500V DC/60s
Contact to Metal Shell.

Operating Temperature: 0°C To + 70°C



ORDERING INFORMATION:

P/N WP53M-5EFF

WATERPROOF IP68 RATED CAT. 5e METAL LOCK TYPE
RJ45 (8P8C) INLINE COUPLER JACK FOR FRONT MOUNTED
TO A MAXIMUM PANEL THICKNESS OF 3.2MM.

**NOTE1: MATES WITH WATERPROOF CAP
P/N WP53M-CAP02**

NOTE2: ASSEMBLY INSTRUCTION SEE PAGE P1101!

WATERPROOF IP68 RATED CAT. 5e METAL LOCK TYPE RJ45 KEYSTONE JACK

MATERIAL AND FINISH:

Receptacle Housing: Zn Alloy 3,Nickel Plated.

Panel Nut: Coper Alloy,Nickel Plated

Panel Gasket: Silicone

RJ45 Jack Metal Shell: Coper Alloy,Nickel Plated

RJ45 Jack Plastic Housing: Engineering Thermoplastic
Flammability Rating UL94V-0.

RJ45 Jack Contact: Phosphor Bronze,Finish: Gold Over Nickel.

Color: Black

***RoHS & REACH compliant.**

Unit: mm

ELECTRICAL SPECIFICATIONS:

Meet EIA / TIA-568-B.2 Cat.5e Specification

Contact Resistance: 20 mOhm max.

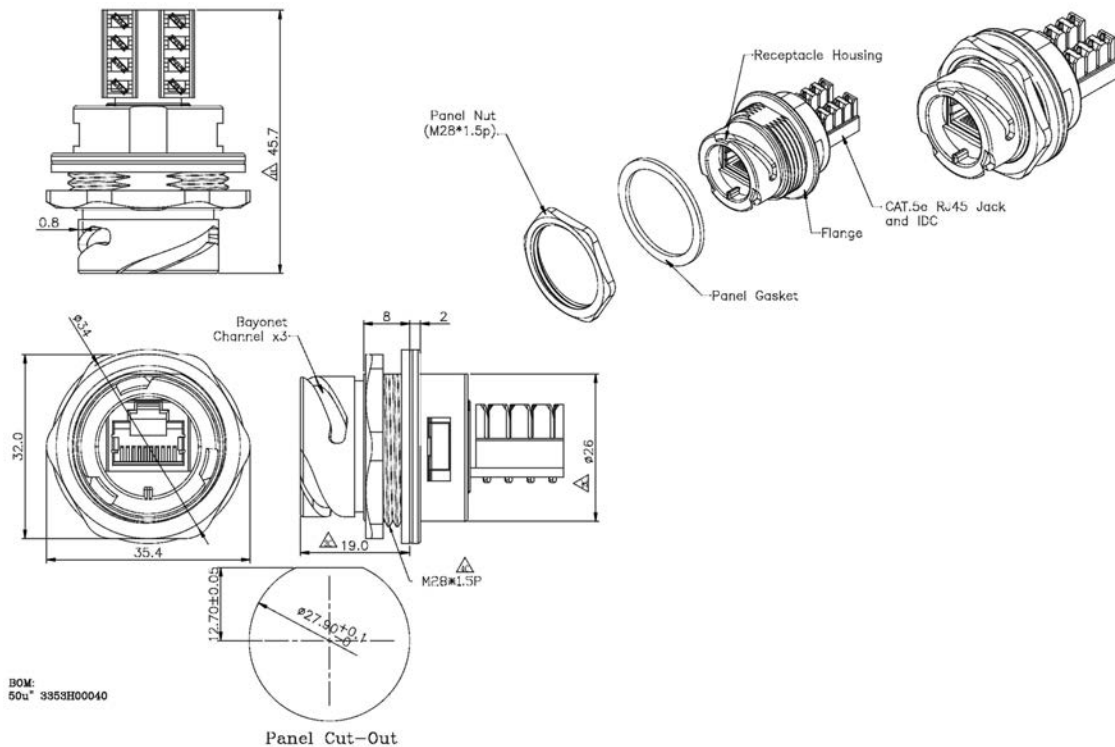
Insulation Resistance: 500 MOhm min @100V DC.

Current Rating: 1.5A max.

Voltage Rating: 100VDC

Dwv: 1000V DC/60s min Contact to Contact, 1500V DC/60s
Contact to Metal Shell.

Operating Temperature: 0°C To + 70°C



ORDERING INFORMATION:

P/N WP53M-5EKS

WATERPROOF IP68 RATED CAT. 5e METAL LOCK
TYPE RJ45 (8P8C) KEYSTONE JACK FOR FRONT
MOUNTED TO A MAXIMUM PANEL THICKNESS
OF 3.2MM

**NOTE1: MATES WITH WATERPROOF CAP
P/N WP53M-CAP02**

NOTE2: ASSEMBLY INSTRUCTION SEE PAGE P1101!

WATERPROOF IP68 RATED CAP WITH CHAIN FOR METAL LOCK TYPE RJ45 JACK

MATERIALS:

Connecting Ring: Stainless Steel

Screw: Stainless Steel

Chain Buckle: Stainless Steel

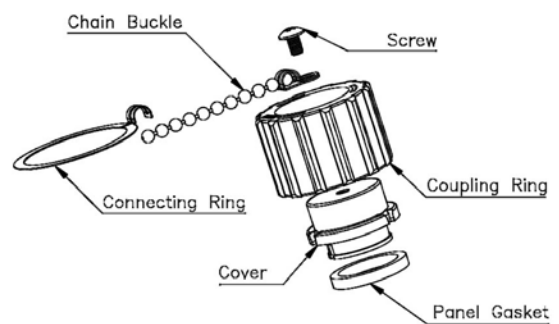
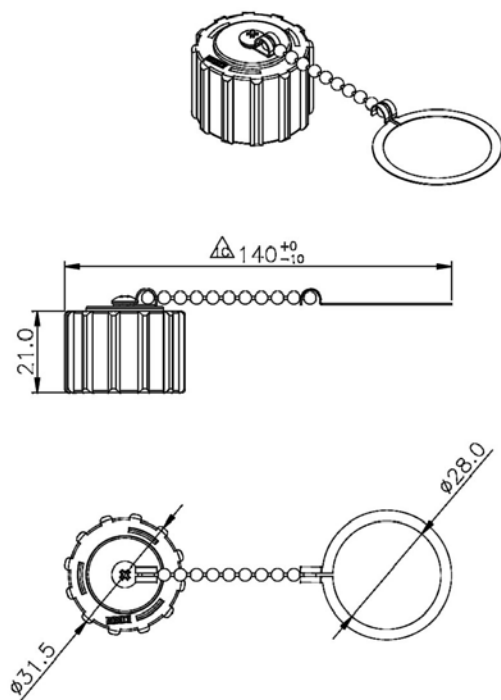
Panel Gasket: Silicon

Coupling Ring: Zn Alloy 3, Nickel Plated

Cover: Zn Alloy 3, Nickel Plated

*RoHS & REACH compliant.

Unit: mm



ORDERING INFORMATION:

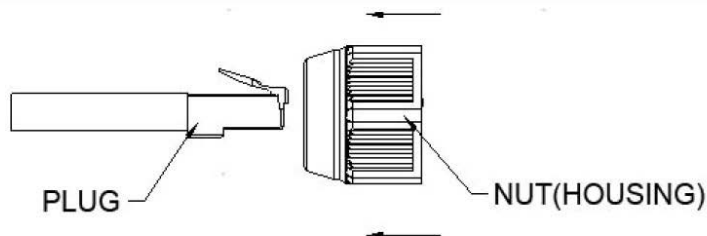
P/N WP53M-CAP02

WATERPROOF IP68 RATED METAL CAP
WITH CHAIN FOR METAL LOCK TYPE
RJ45 (8P8C) JACK

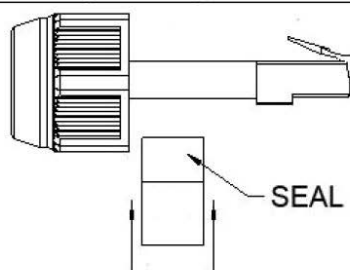
**NOTE: MATES WITH WATERPROOF RJ45 JACK P/N WP53M-88F1, WP53M-5EF2,
WP53M-5EFF & WP53M-5EKS.**

ASSEMBLY INSTRUCTION FOR WP52 SERIES WATERPROOF RJ45 PLUG

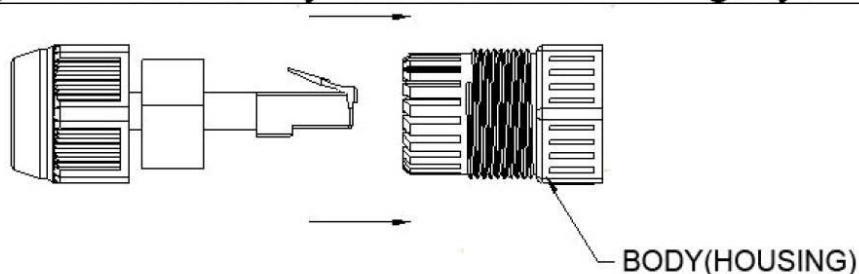
1. Insert assembled RJ45 plug into nut.



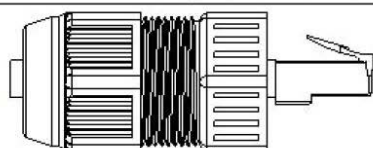
2. Put seal with opening on the assembled cable.



3. Insert plug & seal into body and screw the nut tightly.



4. It shows the already assembled cable cover.



WP52 SERIES WATERPROOF RJ45 PLUG COVERS:

P/N WP52-COVER1

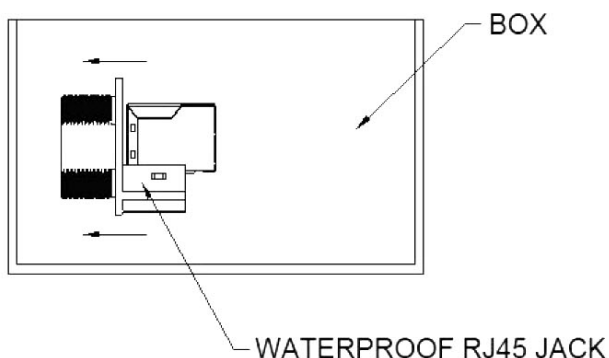
(SEE PAGE P1204!)

P/N WP52-COVER2

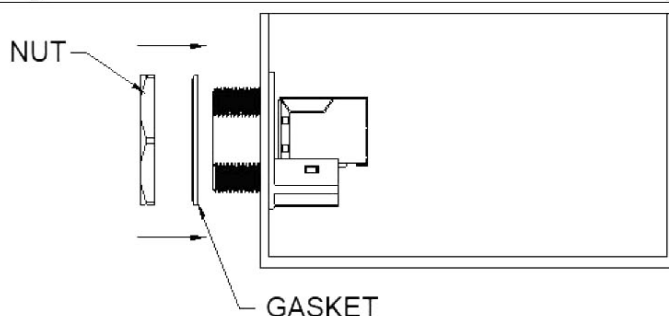
(SEE PAGE P1205!)

ASSEMBLY INSTRUCTION FOR WP52 SERIES WATERPROOF RJ45 JACK

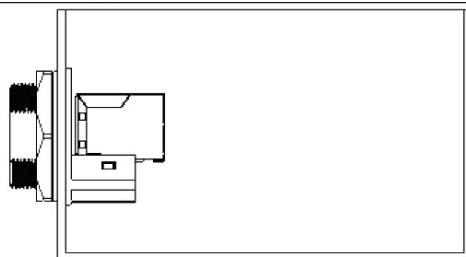
1. Insert waterproof jack from box inside into the hole.



2. Put gasket and screw the nut on RJ45 jack tightly.



3. It shows the already assembled RJ45 jack.



WP52 SERIES WATERPROOF RJ45 JACKS:

P/N WP 5 2 - 8 8 F 1

(SEE PAGE P1206!)

P/N WP 5 2 - 8 8 F 2

(SEE PAGE P1207!)

P/N WP 5 2 - 8 8 F 3

(SEE PAGE P1208!)

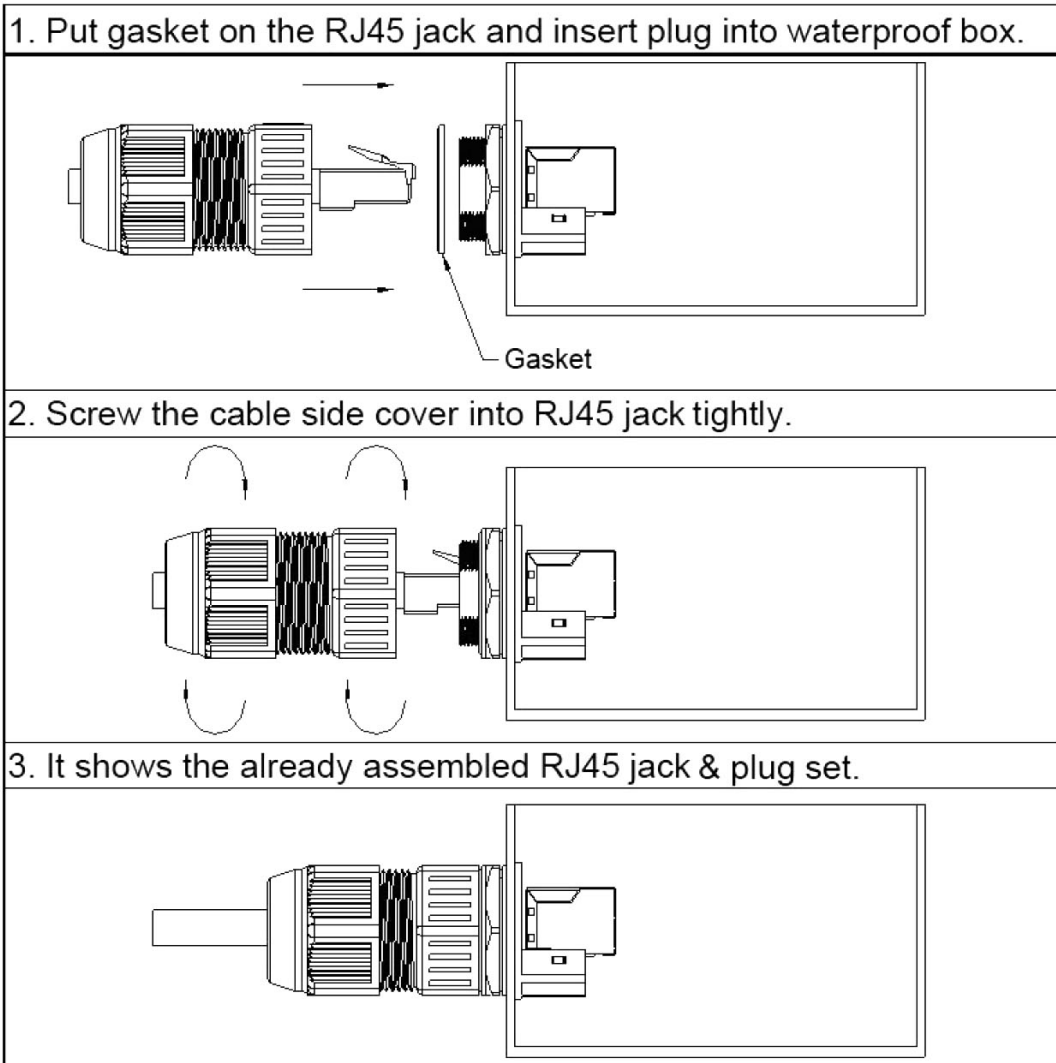
P/N WP 5 2 - 8 8 F 4

(SEE PAGE P1209!)

P/N WP 5 2 - 5 E K S

(SEE PAGE P1210!)

ASSEMBLY INSTRUCTION FOR WP52 SERIES WATERPROOF RJ45 JACK & PLUG SET



WP52 SERIES WATERPROOF RJ45 JACK & PLUG SETS:

RJ45 JACKS

P/N WP 52 - 8 8 F 1

(SEE PAGE P1206!)

P/N WP 52 - 8 8 F 2

(SEE PAGE P1207!)

P/N WP 52 - 8 8 F 3

(SEE PAGE P1208!)

P/N WP 52 - 8 8 F 4

(SEE PAGE P1209!)

P/N WP 52 - 5 E K S

(SEE PAGE P1210!)

RJ45 PLUG COVERS

P/N WP 52 - C O V E R 1

(SEE PAGE P1204!)

P/N WP 52 - C O V E R 2

(SEE PAGE P1205!)

WATERPROOF IP68 RATED PLASTIC SCREW TYPE RJ45 CABLE SIDE COVER LENGTH= 51.1MM

MATERIALS:

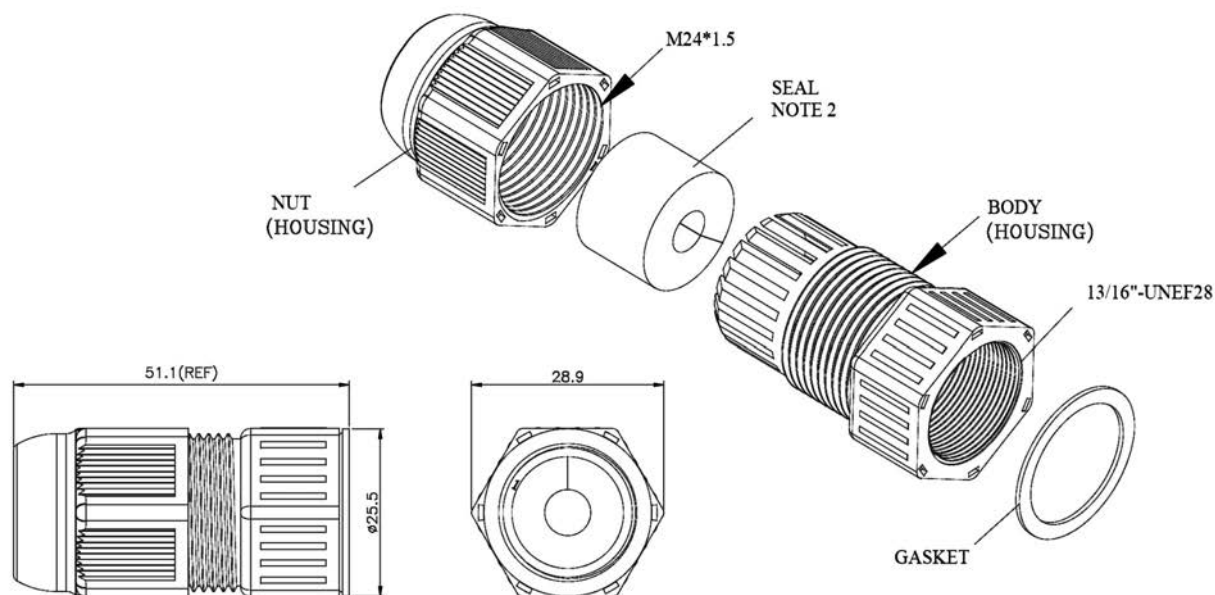
Housing: Engineering Thermoplastic
UL94V-0, Color:Black.

Seal: Silicon, Color:Red.

Gasket: Silicon, Color:Red.

*RoHS & REACH compliant.

Unit: mm



ORDERING INFORMATION:

P/N WP52-COVER1

WATERPROOF IP68 RATED PLASTIC
SCREW TYPE RJ45 CABLE SIDE COVER
FOR ETHERNET CABLE DIAMETER
RANGE $\varnothing 7 \sim \varnothing 5.5$ MM

NOTE: CABLE ASSEMBLY INSTRUCTION SEE PAGE P1201 & P1203!

WATERPROOF IP68 RATED PLASTIC SCREW TYPE RJ45 CABLE SIDE COVER LENGTH= 49.6MM

MATERIALS:

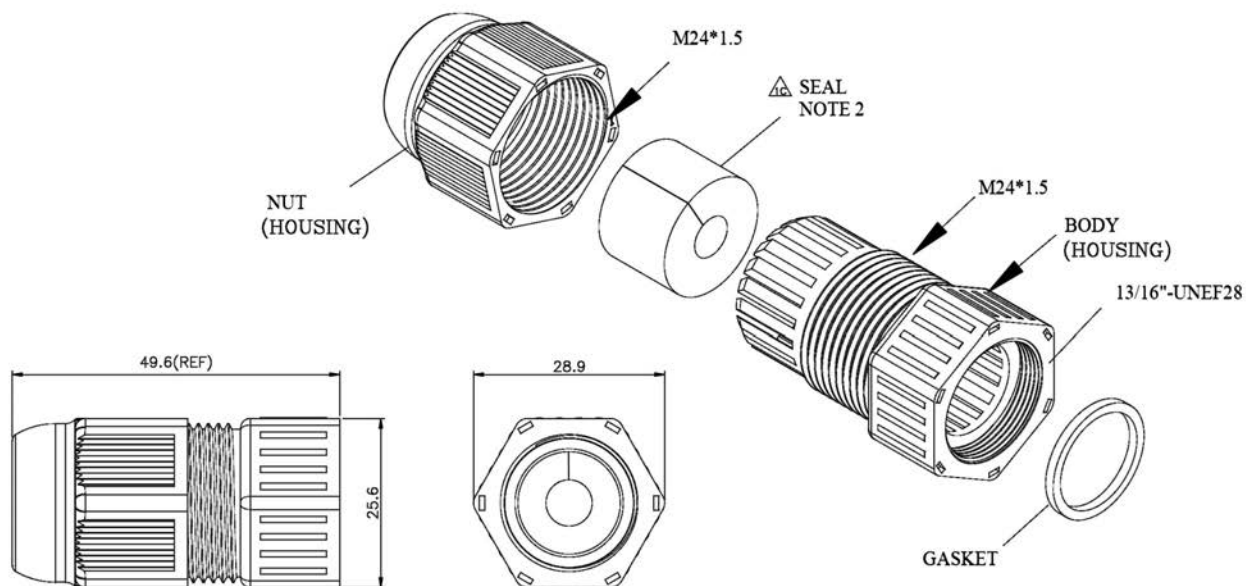
Housing: Engineering Thermoplastic
UL94V-0, Color:Black.

Seal: Silicon, Color:Red.

Gasket: Silicon, Color:Red.

*RoHS & REACH compliant.

Unit: mm



ORDERING INFORMATION:

P/N WP52-COVER2

WATERPROOF IP68 RATED PLASTIC
SCREW TYPE RJ45 CABLE SIDE COVER
FOR ETHERNET CABLE DIAMETER
RANGE $\Phi 7 \sim \Phi 5.5$ MM

NOTE: CABLE ASSEMBLY INSTRUCTION SEE PAGE P1201 & P1203!

WATERPROOF IP68 RATED PLASTIC SCREW TYPE PANEL MOUNT RJ45 JACK

MATERIALS:

Plastic Housing: Engineering Thermoplastic
Flammability Rating UL94V-0.

Contacts: Phosphor Bronze.

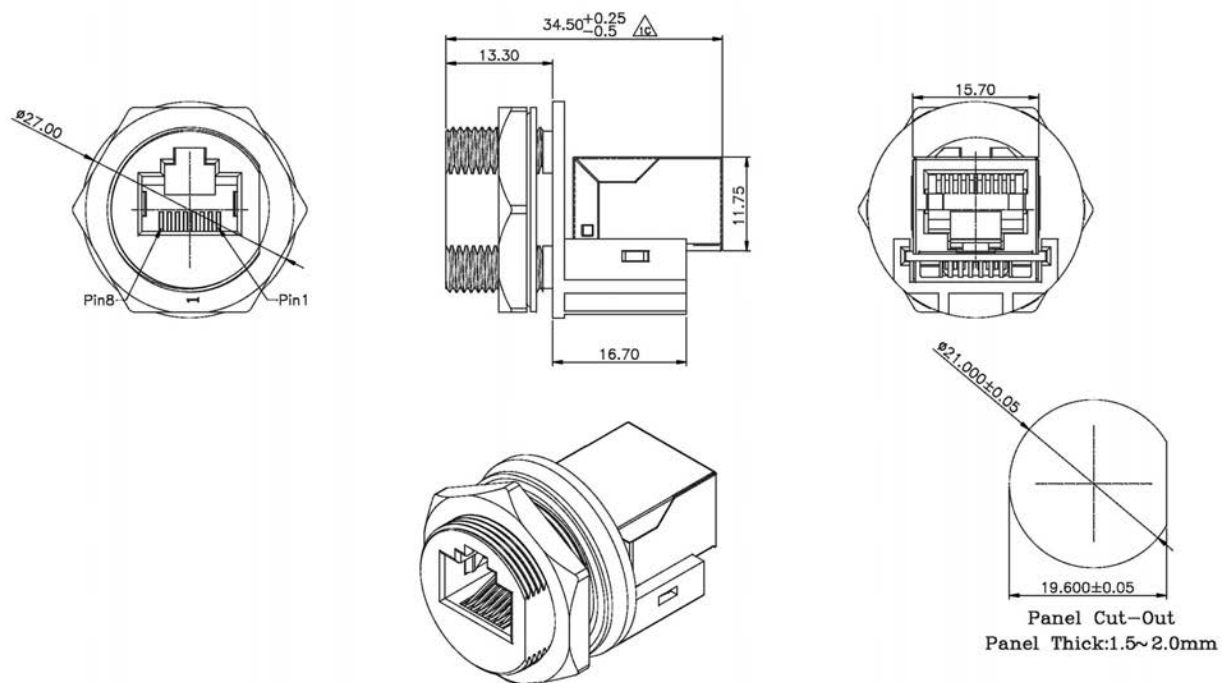
Plating: Gold Plating Over Nickel In Contact.

Nut: Engineering Thermoplastic Flammability Rating UL94V-0.

Gasket: Silicon

***RoHS & REACH compliant.**

Unit: mm



ORDERING INFORMATION:

P/N WP52-88F1

WATERPROOF IP68 RATED PLASTIC SCREW TYPE PANEL
MOUNT RJ45 (8P8C) JACK FOR PANEL THICKNESS 1.5~2.0MM

**NOTE1: MATES WITH WATERPROOF CAP P/N WP52-CAP02, WP52-CAP03,
WP52-CAP04 & WP52-CAP05**

NOTE2: ASSEMBLY INSTRUCTION SEE PAGE P1202 & 1203!

WATERPROOF IP68 RATED PLASTIC SCREW TYPE RJ45 JACK FOR PANEL THICKNESS 1.5~6.0 MM

MATERIALS:

Plastic Housing: Engineering Thermoplastic
Flammability Rating UL94V-0.

Contacts: Phosphor Bronze.

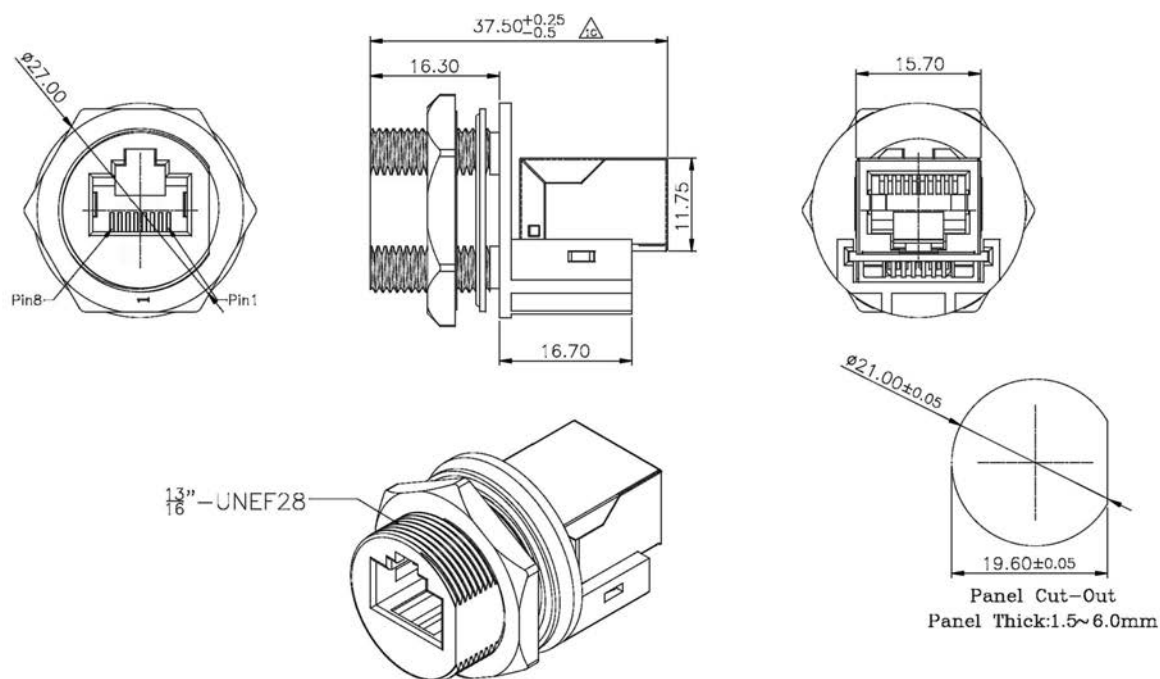
Plating: Gold Plating Over Nickel In Contact.

Nut: Engineering Thermoplastic Flammability Rating UL94V-0.

Gasket: Silicon

*RoHS & REACH compliant.

Unit: mm



ORDERING INFORMATION:

P/N WP52-88F2

WATERPROOF IP68 RATED PLASTIC SCREW TYPE PANEL
MOUNT RJ45 (8P8C) JACK FOR PANEL THICKNESS 1.5~6.0MM

**NOTE1: MATES WITH WATERPROOF CAP P/N WP52-CAP02, WP52-CAP03,
WP52-CAP04 & WP52-CAP05**

NOTE2: ASSEMBLY INSTRUCTION SEE PAGE P1202 & 1203!

WATERPROOF IP68 RATED PLASTIC SCREW TYPE PANEL MOUNT RJ45 COUPLER JACK

MATERIALS:

Housing & Nut: Engineering Thermoplastic Flammability Rating UL94V-0. Color: Black

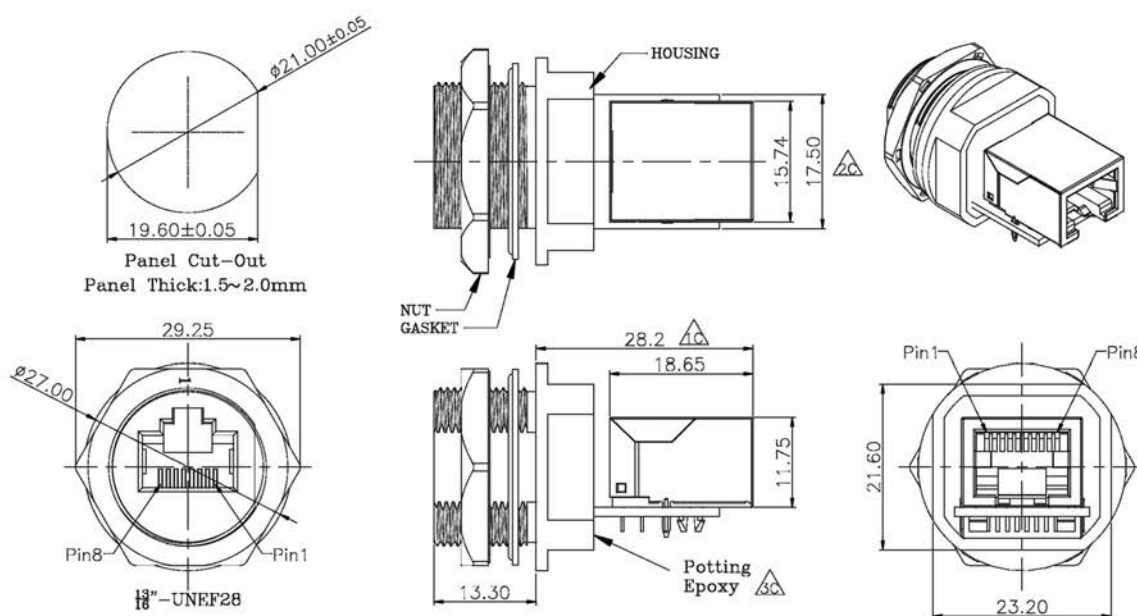
Gasket: Silicon, Color: Red

Contacts: Phosphor Bronze.

Finish: Gold Plating Over Nickel In Contact.

***RoHS & REACH compliant.**

Unit: mm



ORDERING INFORMATION:

P/N WP52-88F3

WATERPROOF IP68 RATED PLASTIC SCREW TYPE RJ45 (8P8C)
COUPLER JACK FOR PANEL THICKNESS 1.5~2.0MM

**NOTE1: MATES WITH WATERPROOF CAP P/N WP52-CAP02, WP52-CAP03,
WP52-CAP04 & WP52-CAP05**

NOTE2: ASSEMBLY INSTRUCTION SEE PAGE P1202 & P1203!

WATERPROOF IP68 RATED PLASTIC SCREW TYPE RJ45 JACK FOR PANEL THICKNESS 1.5~4.5MM

MATERIALS:

Plastic Housing: Engineering Thermoplastic
Flammability Rating UL94V-0.

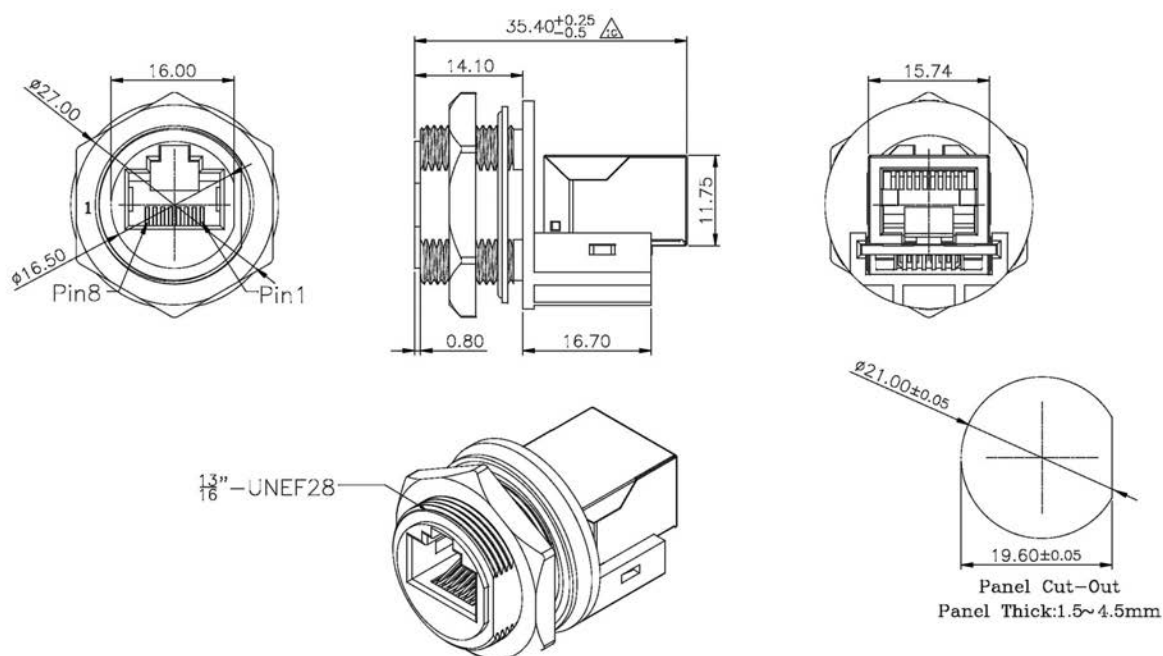
Contacts: Phosphor Bronze.

Plating: Gold Plating Over Nickel In Contact.

Nut: Engineering Thermoplastic Flammability Rating UL94V-0.

*RoHS & REACH compliant.

Unit: mm



ORDERING INFORMATION:

P/N WP52-88F4

WATERPROOF IP68 RATED PLASTIC SCREW TYPE PANEL
MOUNT RJ45 (8P8C) JACK FOR PANEL THICKNESS 1.5~4.5MM

**NOTE1: MATES WITH WATERPROOF CAP P/N WP52-CAP02, WP52-CAP03,
WP52-CAP04 & WP52-CAP05**

NOTE2: ASSEMBLY INSTRUCTION SEE PAGE P1202 & P1203!

WATERPROOF IP68 RATED CAT. 5e PLASTIC SCREW TYPE RJ45 KEYSTONE JACK

MATERIAL:

Housing & Nut: Engineering Thermoplastic Flammability Rating UL94V-0. Color: Black

Gasket: Silicon, Color: Red

Contacts: Phosphor Bronze.

Finisf: Gold Plating Over Nickel In Contact.

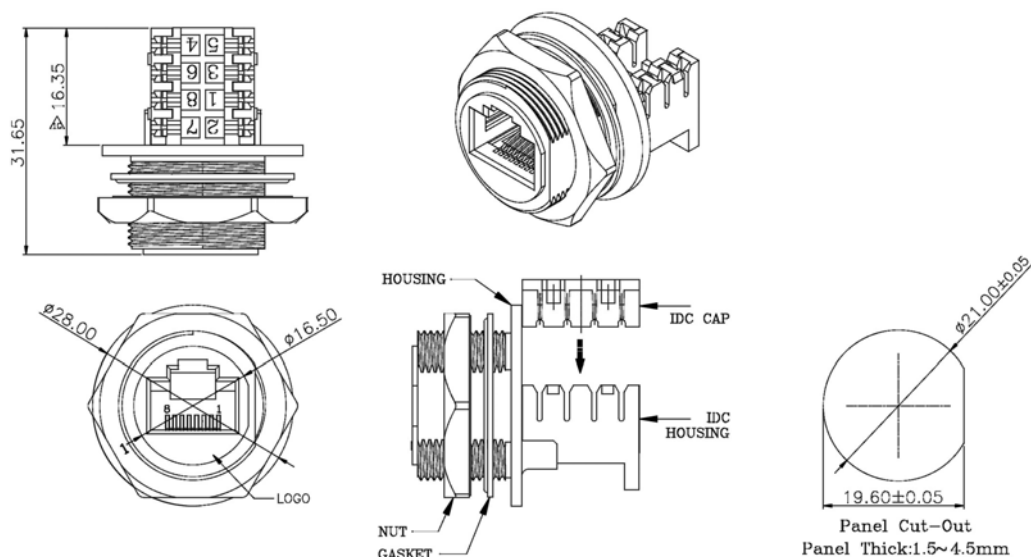
IDC Contact: Overall Tin.

Waterproof Rate: IP68, Mated With Cable Side.

Specfication: Cat. 5e

***RoHS & REACH compliant.**

Unit: mm



ORDERING INFORMATION:

P/N WP52-5EKS

WATERPROOF IP68 RATED CAT. 5e PLASTIC SCREW
TYPE RJ45 (8P8C) KEYSTONE JACK FOR CABLE
ASSEMBLY & PANEL THICKNESS 1.5~2.0MM

NOTE1: MATES WITH WATERPROOF CAP P/N WP52-CAP02, WP52-CAP03,
WP52-CAP04 & WP52-CAP05

NOTE2: ASSEMBLY INSTRUCTION SEE PAGE P1202 & P1203!

WATERPROOF IP68 RATED PLASTIC SCREW TYPE RJ45 COUPLER JACK

MATERIALS:

Plastic Housing: Engineering Thermoplastic
Flammability Rating UL94V-0.

Contacts: Phosphor Bronze.

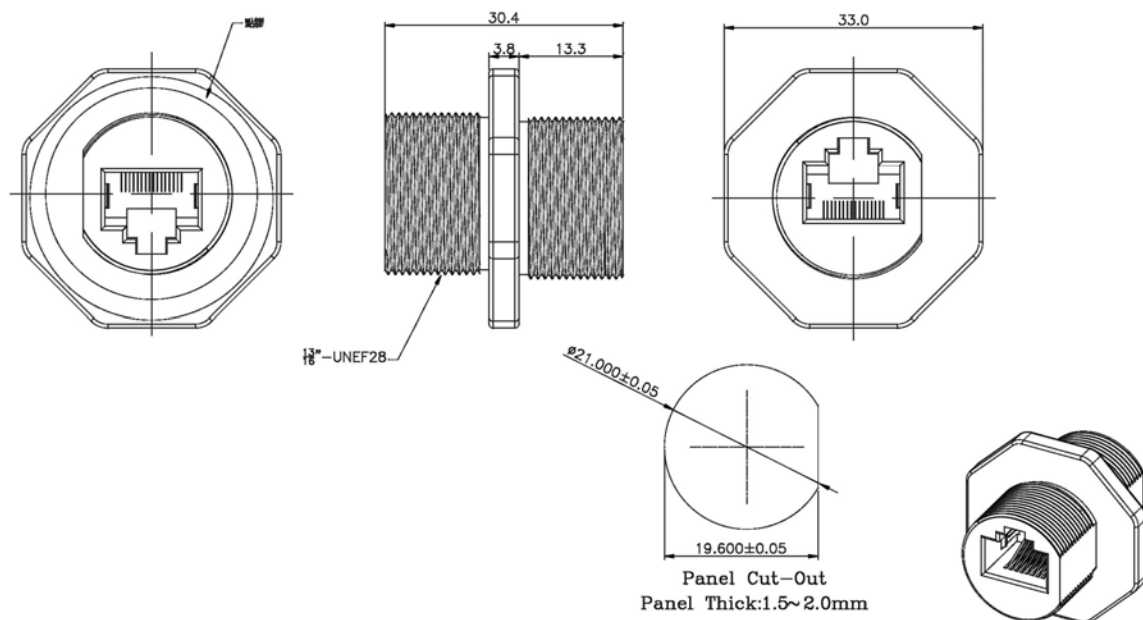
Plating: Gold Plating Over Nickel In Contact.

Ground Pader: Brass Plating Nickel Alloy.

Nut: Engineering Thermoplastic Flammability Rating UL94V-0.

***RoHS & REACH compliant.**

Unit: mm



ORDERING INFORMATION:

P/N WP52-8F8F

WATERPROOF IP68 RATED PLASTIC SCREW TYPE
RJ45 (8P8C) FEMALE TO FEMALE COUPLER

NOTE: MATES WITH WATERPROOF CAP
P/N WP52-CAP03

WATERPROOF IP68 RATED CAT. 5e PLASTIC SCREW TYPE RJ45 COUPLER JACK

MATERIAL AND FINISH:

Plastic Housing: Engineering Thermoplastic,
Flammability Rating UL94V-0

Contacts: Phosphor Bronze

Plating: Gold Plating Over Nickel In Contact

Ground Pader: Brass Plating Nickel Alloy

Nut: Engineering Thermoplastic Flammability Rating UL94V-0

Gasket: Silicon

*RoHS & REACH compliant.

Unit: mm

ELECTRICAL SPECIFICATIONS:

Meet EIA / TIA-568-B.2 Cat. 5e Specification

Contact Resistance: 20 mOhm max.

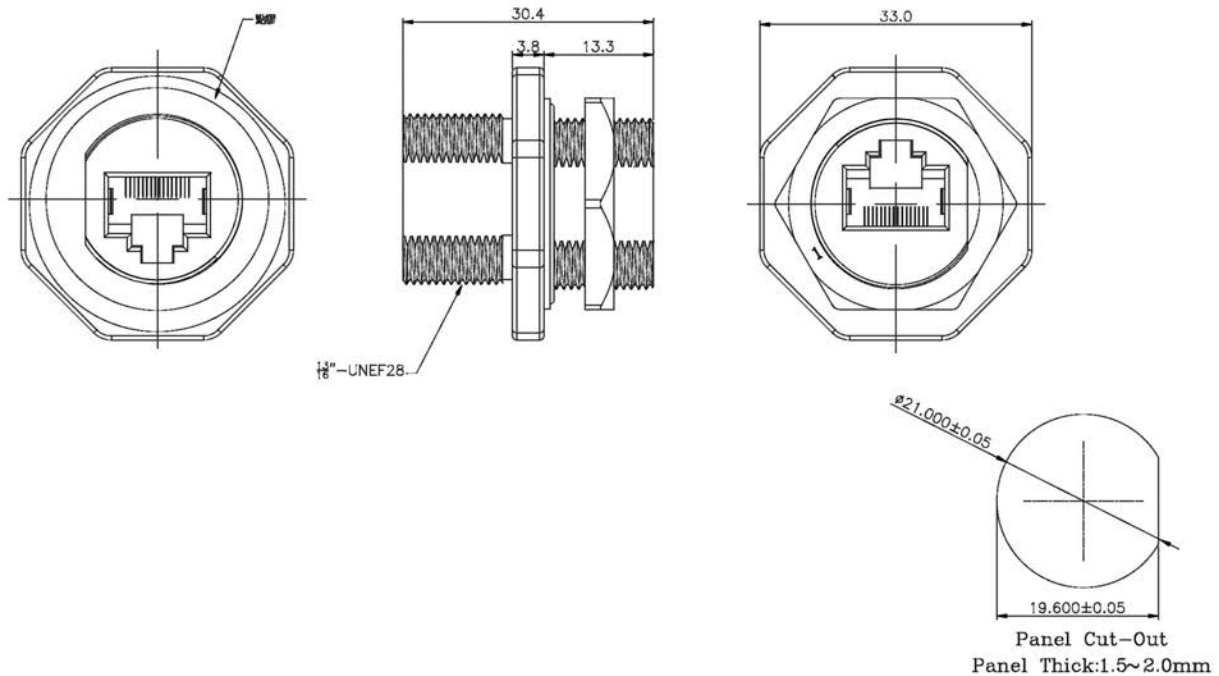
Insulation Resistance: 500 MOhm min @100V DC.

Current Rating: 1.5A max.

Voltage Rating: 100VDC

DWV: 1000V DC/60s min Contact to Contact, 1500V DC/60s
Contact to Metal Shell.

Operating Temperature: -40°C To + 85°C



ORDERING INFORMATION:

P/N WP52-5EFF

WATERPROOF IP68 RATED CAT. 5e PLASTIC
SCREW TYPE RJ45 (8P8C) FEMALE TO FEMALE
COUPLER

NOTE: MATES WITH WATERPROOF CAP
P/N WP52-CAP03

WATERPROOF IP68 RATED CAT. 6A PLASTIC SCREW TYPE RJ45 COUPLER JACK

MATERIAL:

Housing & Nut: Engineering Thermoplastic,
UL94V-0, Color: Black.

Contacts: Phosphor Bronze

Gasket: Silicon, Color: Red

Contact Finish: Gold Plating Over Nickel

*RoHS & REACH compliant.

Unit: mm

ELECTRICAL SPECIFICATIONS:

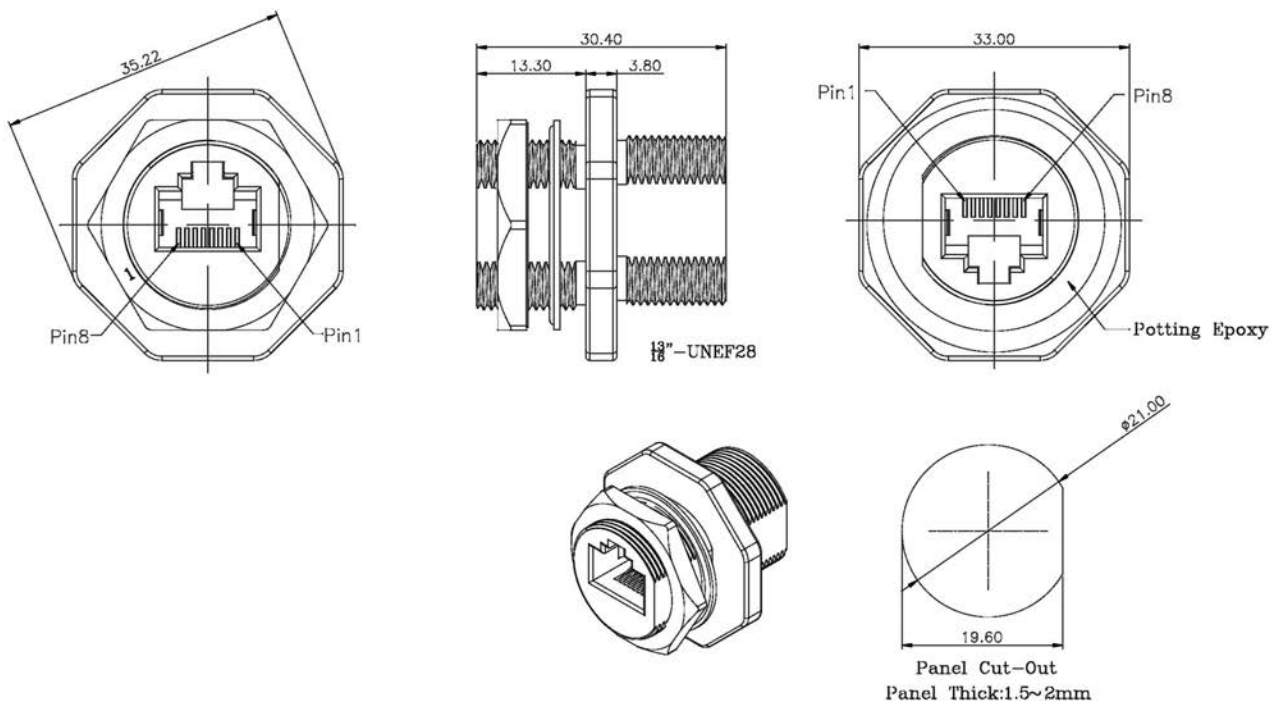
Meet EIA / TIA-568-B.2 Cat. 6A Specification

Contact Resistance: 100 mOhm max.

Insulation Resistance: 500 MOhm min @100V DC.

DWV: 1000V DC/60s min Contact to Contact

Operating Temperature: -40°C To + 80°C



ORDERING INFORMATION:

P/N WP52-6AFF

WATERPROOF IP68 RATED CAT. 6A PLASTIC
SCREW TYPE RJ45 (8P8C) FEMALE TO FEMALE
COUPLER

NOTE: MATES WITH WATERPROOF CAP
P/N WP52-CAP03

WATERPROOF IP68 RATED CAP FOR PLASTIC SCREW TYPE RJ45 JACK

MATERIALS:

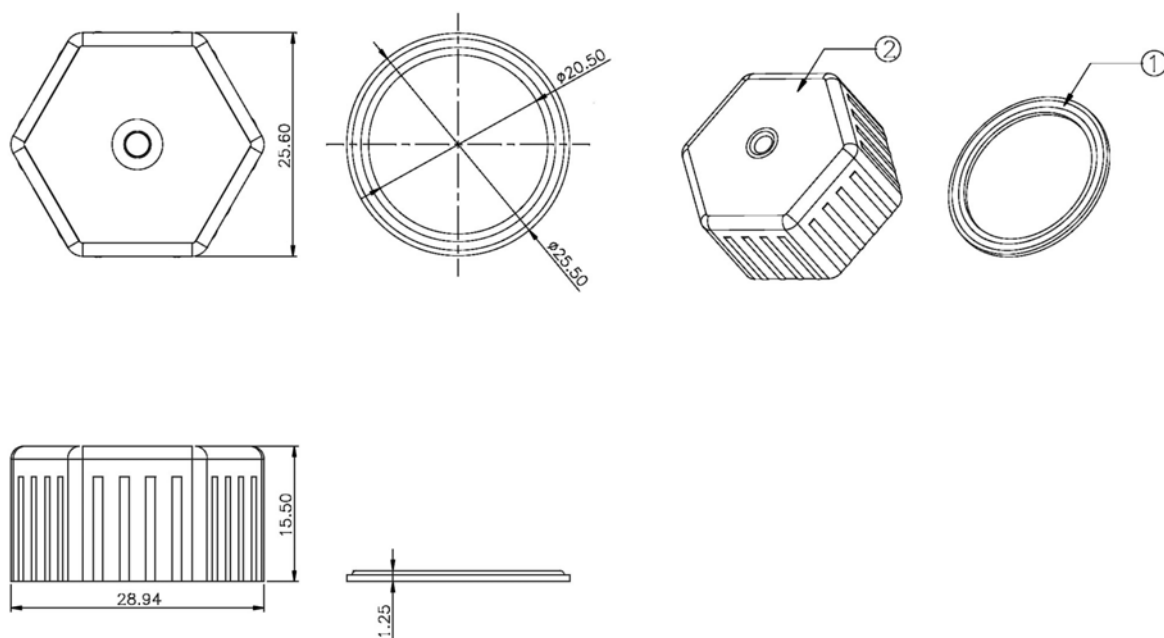
Cover: Engineering Thermoplastic
UL94V-0, Color:Black.

Gasket: Silicon. Color: Red

Waterproof Rate: IP68

***RoHS & REACH compliant.**

Unit: mm



ORDERING INFORMATION:

P/N WP52-CAP03

WATERPROOF IP68 RATED CAP FOR PLASTIC
SCREW TYPE RJ45 (8P8C) JACK

**NOTE: MATES WITH WATERPROOF RJ45 JACK P/N WP52-88F1, WP52-88F2,
WP52-88F3, WP52-88F4, WP52-5EKS, WP52-5EFF, WP52-6AFF, WP52-8F8F**

WATERPROOF IP68 RATED CAP FOR PLASTIC SCREW TYPE RJ45 JACK

MATERIALS:

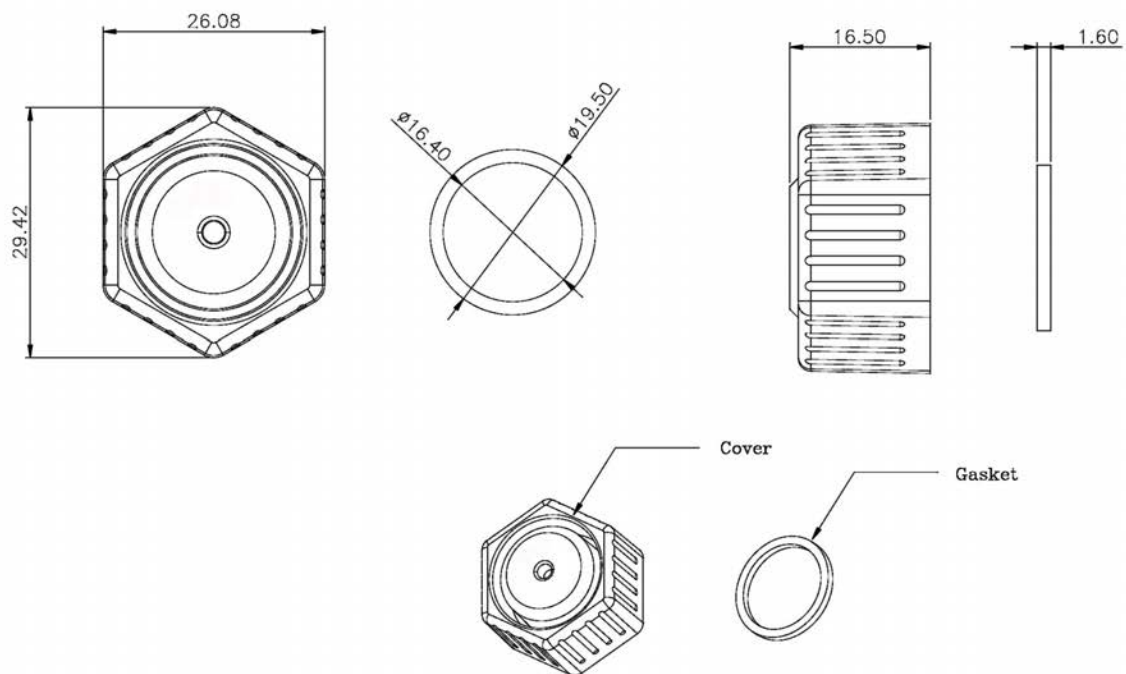
Cover: Engineering Thermoplastic
UL94V-0, Color:Black.

Gasket: Silicon

Waterproof Rate: IP68

*RoHS & REACH compliant.

Unit: mm



ORDERING INFORMATION:

P/N WP52-CAP04

WATERPROOF IP68 RATED CAP FOR
PLASTIC SCREW TYPE RJ45 JACK

**NOTE: MATES WITH WATERPROOF RJ45 JACK P/N WP52-88F1, WP52-88F2,
WP52-88F3, WP52-88F4 & WP52-5EKS**

WATERPROOF IP68 RATED CAP WITH CHAIN FOR PLASTIC SCREW TYPE RJ45 JACK

MATERIALS:

Cover: Engineering Thermoplastic
UL94V-0, Color:Black.

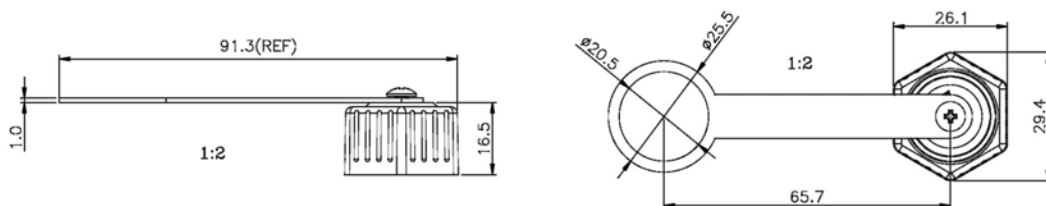
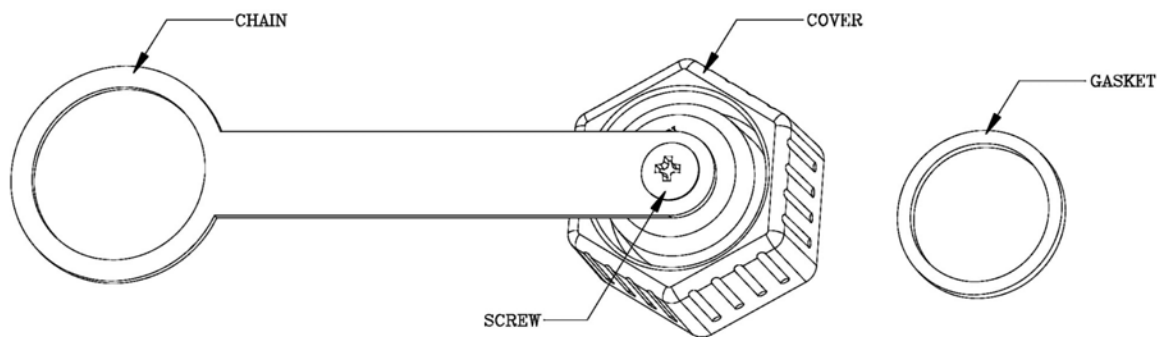
Chain: Silicon. Color: Red

Screw: Stainless

Gasket: Silicon. Color: Red

***RoHS & REACH compliant.**

Unit: mm



ORDERING INFORMATION:

P/N WP52-CAP05

WATERPROOF IP68 RATED CAP WITH CHAIN
FOR PLASTIC SCREW TYPE RJ45 JACK

**NOTE: MATES WITH WATERPROOF RJ45 JACK P/N WP52-88F1, WP52-88F2,
WP52-88F3, WP52-88F4, WP52-5EKS**

WATERPROOF IP68 RATED PLASTIC SCREW TYPE RJ45 CABLE SIDE COVER

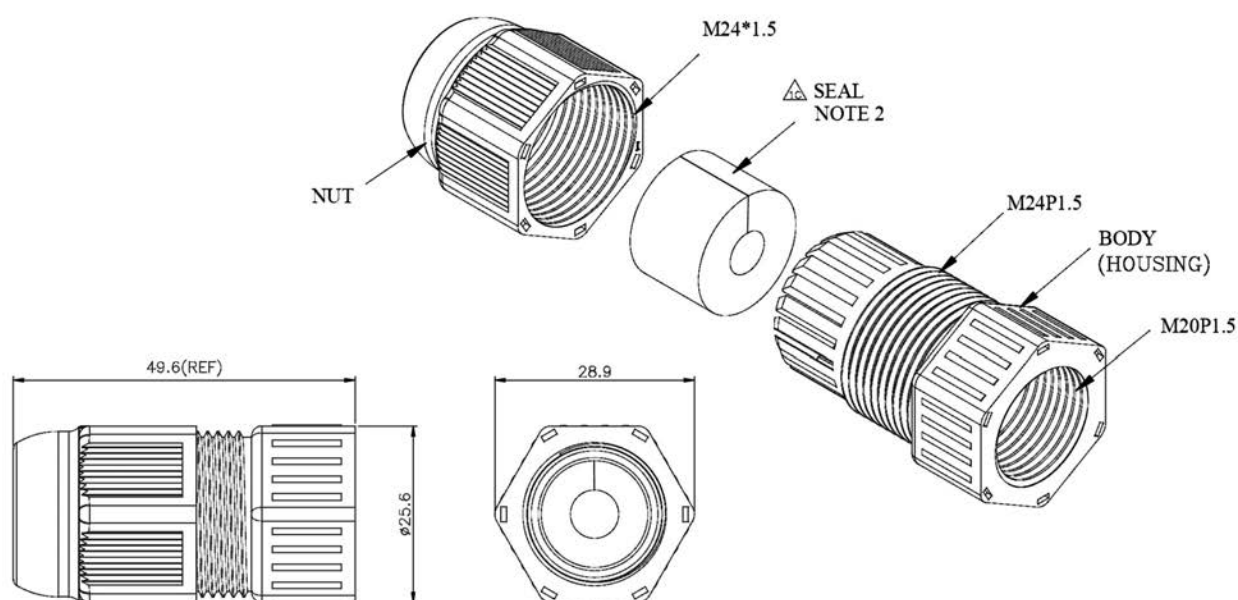
MATERIALS:

Housing: Engineering Thermoplastic
UL94V-0, Color:Black.

Seal: Silicon, Color:Red.

***RoHS & REACH compliant.**

Unit: mm



ORDERING INFORMATION:

P/N WP54-COVER1

WATERPROOF IP68 RATED PLASTIC
SCREW TYPE RJ45 CABLE SIDE COVER
FOR ETHERNET CABLE DIAMETER
RANGE $\phi 7 \sim \phi 5.5$ MM

WATERPROOF IP68 RATED CAT. 5e PLASTIC SCREW TYPE RJ45 COUPLER JACK

MATERIAL:

Housing & Nut: Engineering Thermoplastic,
UL94V-0, Color: Black.

Gasket: EPDN 70° Color: Black

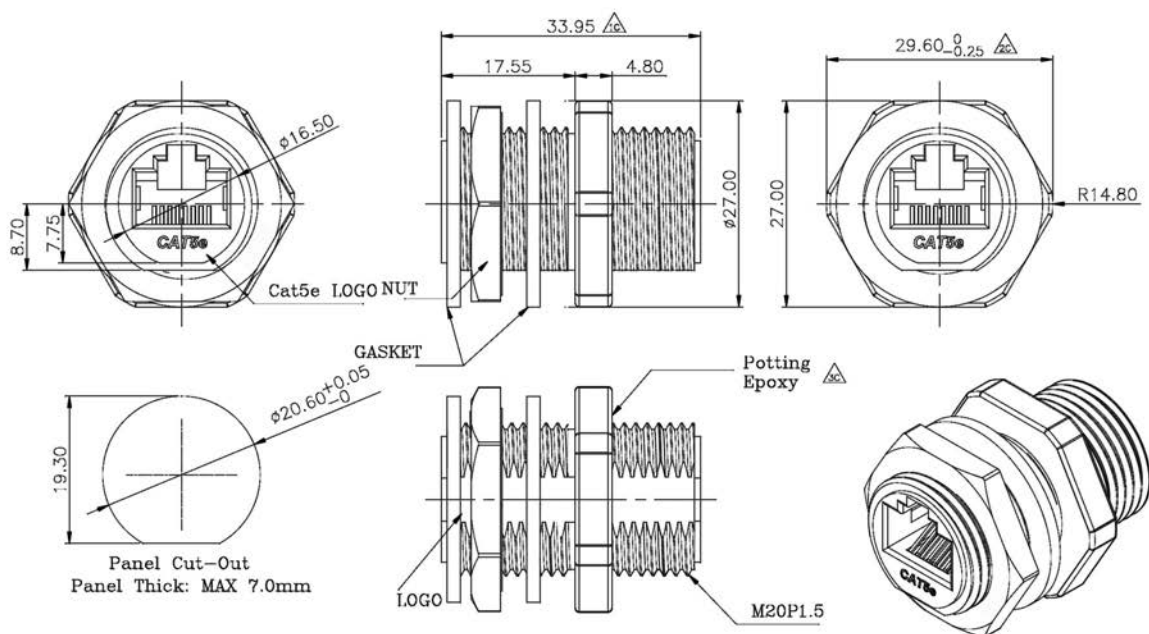
Contact: Phosphor Bronze

Contact Finish: Au 50u" Over Ni 40-60u" In Contact

Nut Torque Force Range: 12~15KG-CM

*RoHS & REACH compliant.

Unit: mm



ORDERING INFORMATION:

P/N WP54-5EFF

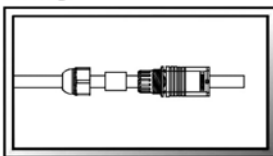
WATERPROOF IP68 RATED CAT. 5e PLASTIC
SCREW TYPE RJ45 (8P8C) FEMALE TO FEMALE
COUPLER FOR A MAXIMUM PANEL THICKNESS 7MM

ASSEMBLY INSTRUCTION FOR WP58 SERIES WATERPROOF RJ45 PLUG

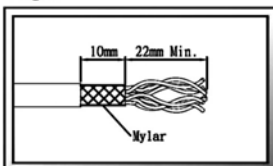
Specification:

- ⊙ RJ45 TYPE
- ⊙ IP Rating: IP68
- ⊙ Flammability Class: UL94-V0
- ⊙ ANSI/TIA/EIA-568-B.2 CAT.6A

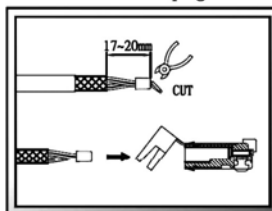
STEP: 1
Cable into nut, O-ring and housing.



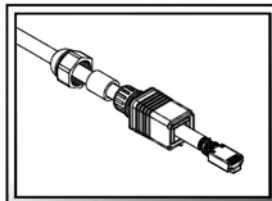
STEP: 2
Removal of the cladding in 32-mm length.



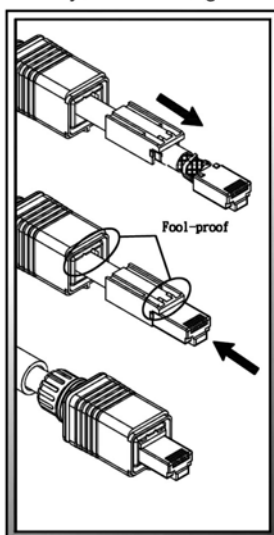
STEP: 3
Cored wire into the plug.



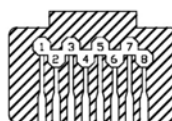
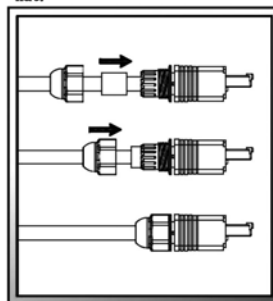
STEP: 4
Press into chips and wire with the wire tool.



STEP: 5
Assembly into the housing



STEP: 6
Insert the o-ring, and screw the nut.



Front View

WP58 SERIES WATERPROOF RJ45 PLUGS:

P/N WP58-6ACA

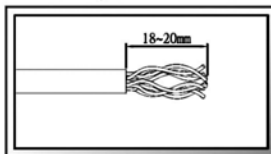
(SEE PAGE P1303!)

P/N WP58-6ACB

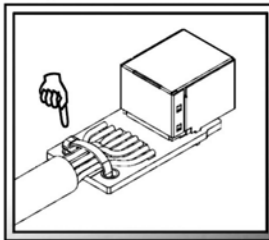
(SEE PAGE P1304!)

ASSEMBLY INSTRUCTION FOR WP58 SERIES WATERPROOF RJ45 JACK

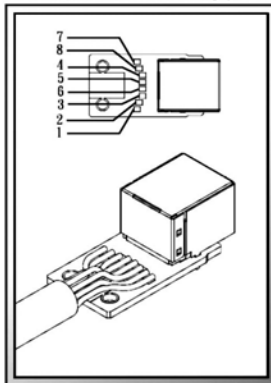
STEP: 1
Removal of the cladding to
18-20mm length



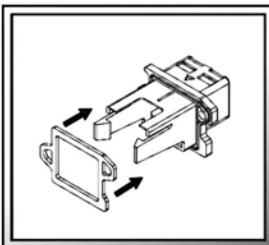
STEP: 3
Cable tie through the two holes
firmly.



STEP: 2
Solder the cable accordingly.



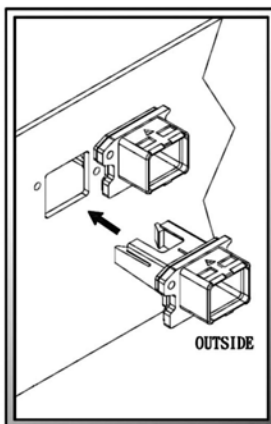
STEP: 4
The gasket onto the panel rear
housing.



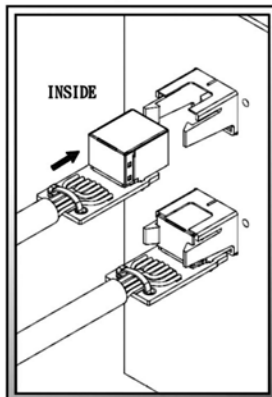
Specification:

- RJ45 TYPE
- IP Rating: IP68
- Flammability Class: UL94-V0
- ANSI/TIA/EIA-568-B.2 CAT.5c

STEP: 5
Tightening torque for panel
connector 0.3-0.5 N·m



STEP: 6
Put the RJ Jack assembly
on the housing



WP58 SERIES WATERPROOF RJ45 JACKS:

P/N WP58-01BX

(SEE PAGE P1305!)

P/N WP58-02BX

(SEE PAGE P1306!)

WATERPROOF IP68 RATED CAT. 6A PUSH-PULL TYPE RJ45 PLUG FOR $\Phi 8.0\sim 8.5\text{MM}$ CABLE

| Pos. | Part Name | Material |
|------|---------------------|-----------------------|
| 1 | Cable Inner | Polycarbonate + GF20% |
| 2 | Cable Outer | Polycarbonate + GF20% |
| 3 | Cable Nut | Polycarbonate |
| 4 | RJ45 Insert | Polycarbonate |
| 5 | RJ45 Plug(AWG22~23) | --- |
| 6 | Inner O-Ring | NBR + MoS2 |
| 7 | Cable O-Ring | Silicon |

SPECIFICATIONS

Ultraviolet Test: Continuous 720 Hours

Mating Cycles: 750 min

Temperature Range: $-40^{\circ}\text{C}\sim 80^{\circ}\text{C}$

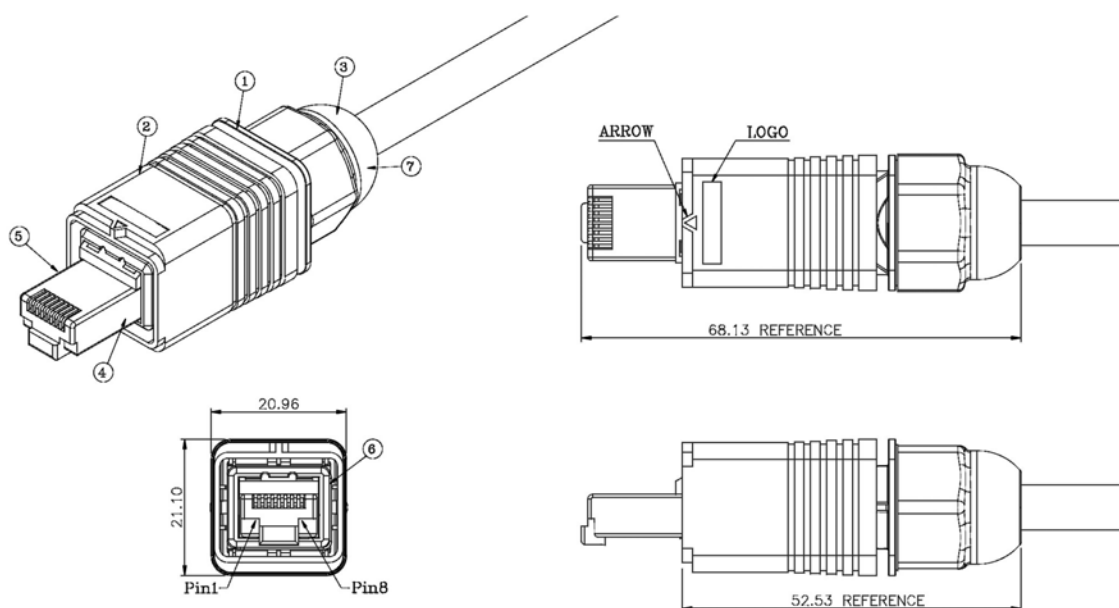
RJ45 Plug: Cat 6A (For AWG 22~23)

Waterproof Rate: IP68

Air Leak Test Spec: 1000mbar/150s/ $<10\text{mbar}$

***RoHS & REACH compliant.**

Unit: mm



ORDERING INFORMATION:

P/N WP58-6ACA

WATERPROOF IP68 RATED CAT. 6A PUSH-PULL TYPE
RJ45 PLUG FOR APPLICABLE ETHERNET CABLE DIAMETER
RANGE $\Phi 8.0\sim\Phi 8.5\text{MM}$

NOTE1: IF FOR $\Phi 7.0\text{MM}$ CABLE, USE P/N WP58-6ACB.

NOTE2: CABLE ASSEMBLY INSTRUCTION SEE PAGE P1301!

WATERPROOF IP68 RATED CAT. 6A PUSH-PULL TYPE RJ45 PLUG FOR $\Phi 7.00\text{MM}$ CABLE

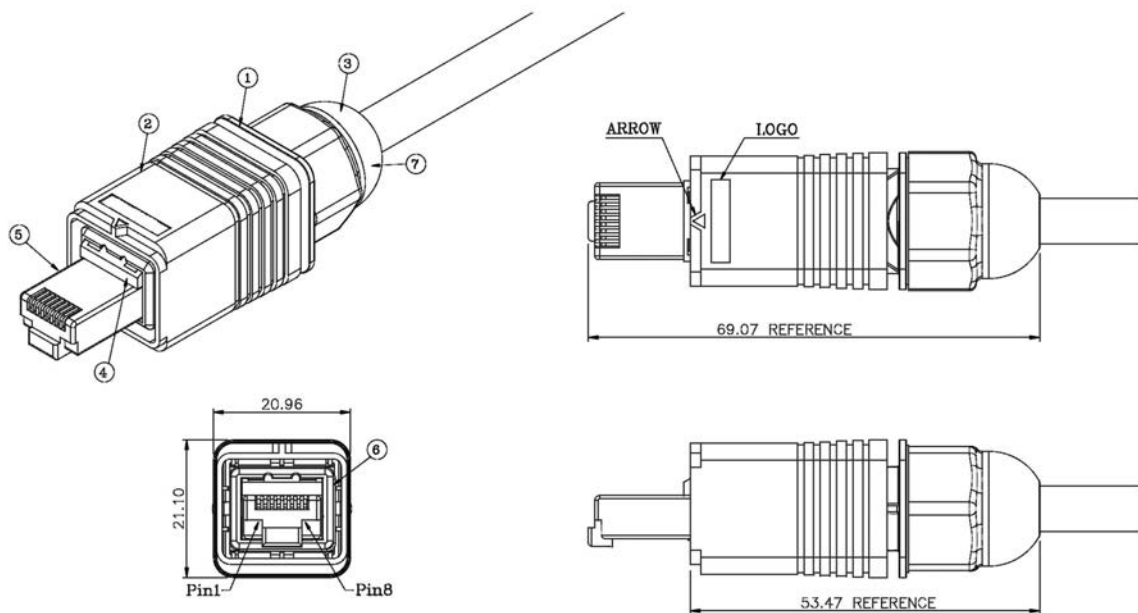
| Pos. | Part Name | Material |
|------|--------------|-----------------------|
| 1 | Cable Inner | Polycarbonate + GF20% |
| 2 | Cable Outer | Polycarbonate + GF20% |
| 3 | Cable Nut | Polycarbonate |
| 4 | RJ45 Insert | Polycarbonate |
| 5 | RJ45 Plug | --- |
| 6 | Inner O-Ring | NBR + MoS2 |
| 7 | Cable O-Ring | Silicon |

Loading Plan



SPECIFICATIONS

Ultraviolet Test: Continuous 720 Hours
Mating Cycles: 750 min
Temperature Range: -40°C~ 80°C
RJ45 Plug: Cat 6A
Waterproof Rate: IP68
Air Leak Test Spec: 1000mbar/150s/<10mbar
***RoHS & REACH compliant.**
Unit: mm



ORDERING INFORMATION:

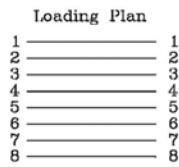
P/N WP58-6ACB

WATERPROOF IP68 RATED CAT. 6A PUSH-PULL TYPE
 RJ45 PLUG FOR APPLICABLE ETHERNET CABLE DIAMETER
 RANGE $\Phi 7.00\text{MM}$

NOTE1: IF FOR $\Phi 8.0\text{--}8.5\text{MM}$ CABLE, USE P/N WP58-6ACA.
NOTE2: CABLE ASSEMBLY INSTRUCTION SEE PAGE P1301!

WATERPROOF IP68 RATED PUSH-PULL TYPE PANEL MOUNT SINGLE RJ45 JACK

| Pos. | Part Name | Material |
|------|-----------------|-----------------------|
| 1 | RJ45 Receptacle | Polycarbonate + GF20% |
| 2 | Gasket | Silicone |
| 3 | RJ45 Jack | --- |
| 4 | PCB | --- |



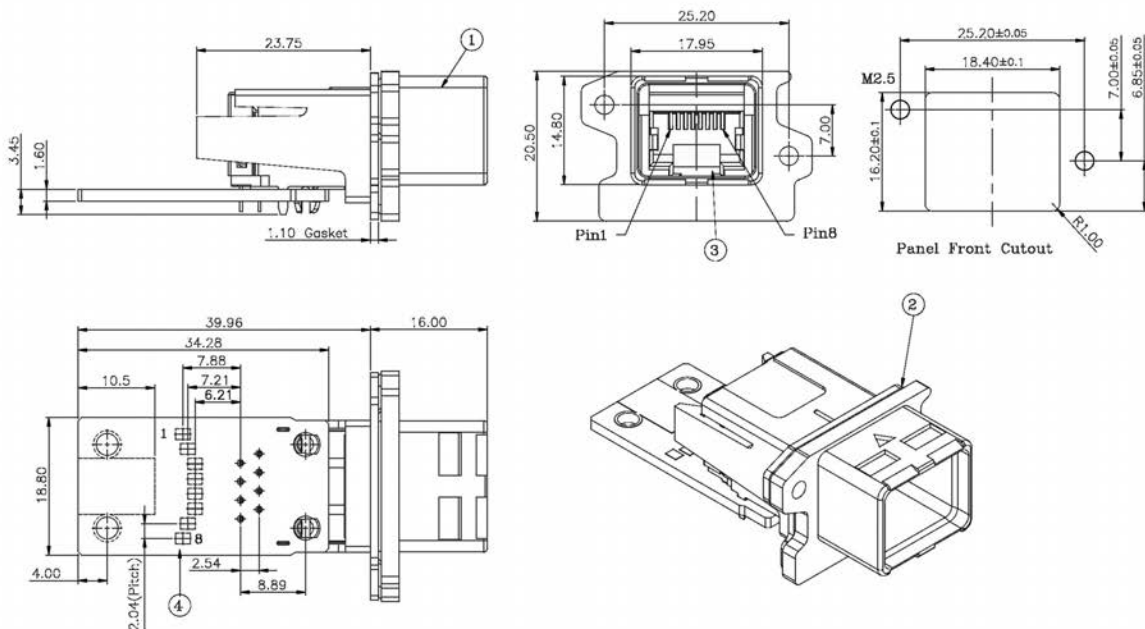
SPECIFICATIONS

Waterproof Rate: IP68

Air Leak Test Spec: 1000mbar/150s/<10mbar

*RoHS & REACH compliant.

Unit: mm



ORDERING INFORMATION:

P/N WP58-01BX

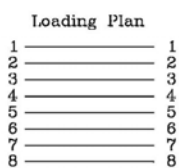
WATERPROOF IP68 RATED PUSH-PULL TYPE
PANEL MOUNT SINGLE RJ45 JACK

**NOTE1: MATES WITH WATERPROOF CAP
P/N WP58-CAP01 & P/N WP58-CAP02**

NOTE2: ASSEMBLY INSTRUCTION SEE PAGE P1302!

WATERPROOF IP68 RATED PUSH-PULL TYPE PANEL MOUNT DOUBLE RJ45 JACK

| Pos. | Part Name | Material |
|------|-----------------|-----------------------|
| 1 | RJ45 Receptacle | Polycarbonate + GF20% |
| 2 | RJ45 Jack | Silicone |
| 3 | RJ45 Jack | --- |
| 4 | PCB | --- |



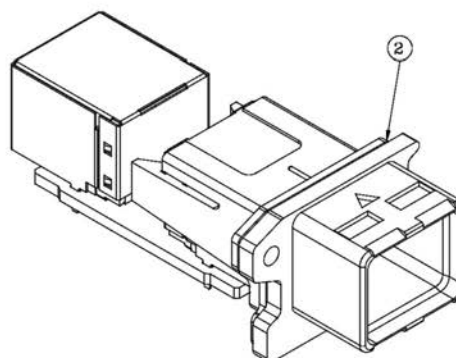
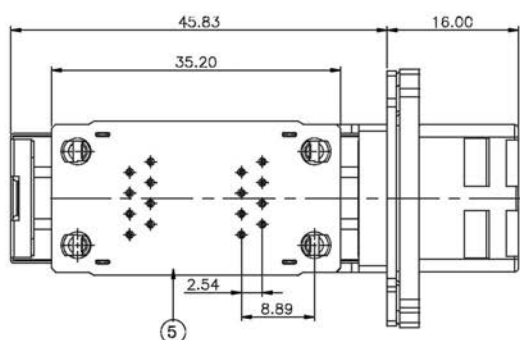
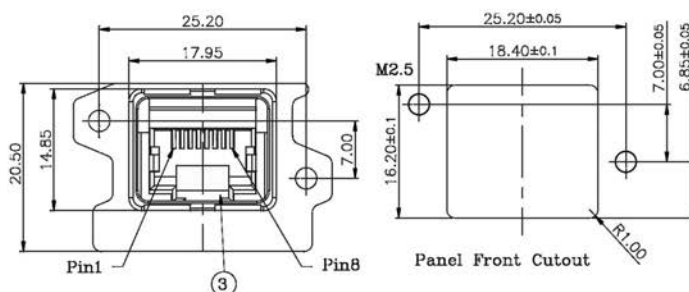
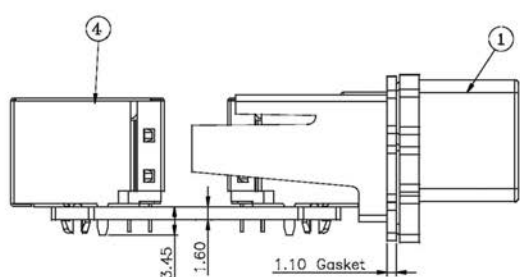
SPECIFICATIONS

Waterproof Rate: IP68

Air Leak Test Spec: 1000mbar/150s/<10mbar

*RoHS & REACH compliant.

Unit: mm



ORDERING INFORMATION:

P/N WP58-02BX

WATERPROOF IP68 RATED PUSH-PULL TYPE
PANEL MOUNT DOUBLE RJ45 JACK

**NOTE1: MATES WITH WATERPROOF CAP
P/N WP58-CAP01 & P/N WP58-CAP02**

NOTE2: ASSEMBLY INSTRUCTION SEE PAGE P1302!

WATERPROOF IP68 RATED CAP FOR PUSH-PULL TYPE RJ45 JACK

| Pos. | Part Name | Material |
|------|--------------|-----------------------|
| 1 | Cap Inner | Polycarbonate + GF20% |
| 2 | Cap Outer | Polycarbonate + GF20% |
| 3 | Inner O-Ring | NBR + MoS2 |

SPECIFICATIONS

Mating Cycles: 750 Min

Waterproof Rate: IP68

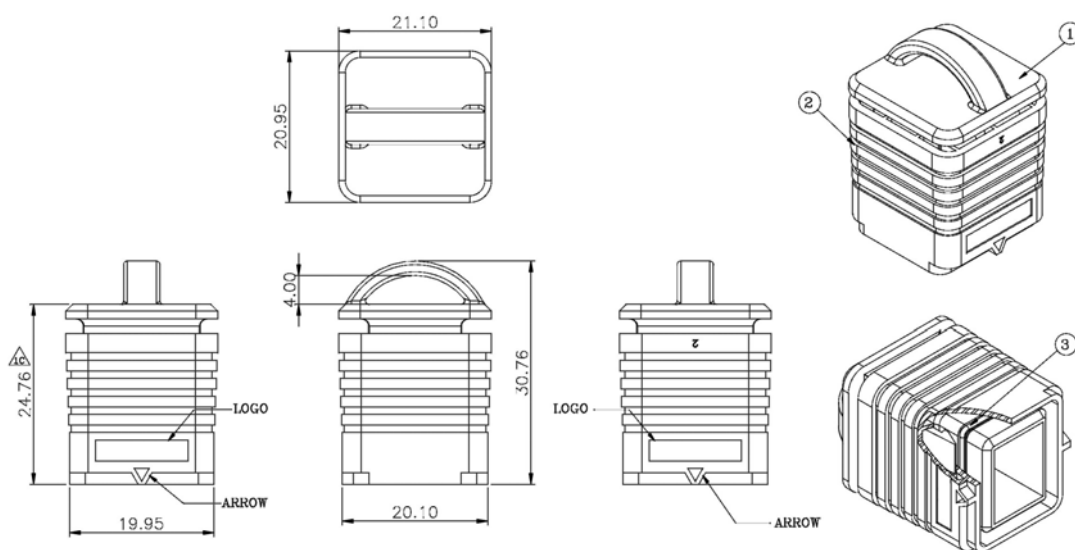
Temperature Range: -40°C~ 80°C

Ultraviolet Test: Continuous 720 Hours

Air Leak Test Spec: 1000mbar/150s/<10mbar

***RoHS & REACH compliant.**

Unit: mm



ORDERING INFORMATION:

P/N WP58-CAP01

WATERPROOF IP68 RATED CAP FOR PUSH-PULL TYPE
RJ45 (8P8C) JACK & OPTIC FIBER ADAPTOR

**NOTE: MATES WITH WATERPROOF RJ45 JACK P/N WP58-01BX,
WP58-02BX AND OPTIC FIBER ADAPTOR P/N WP58-LCBX,
WP58-LCBY**

WATERPROOF IP68 RATED CAP WITH CHAIN FOR PUSH-PULL TYPE RJ45 JACK

| Pos. | Part Name | Material |
|------|---------------------------|-----------------------|
| 1 | Cap Inner | Polycarbonate + GF20% |
| 2 | Cap Outer | Polycarbonate + GF20% |
| 3 | Inner O-Ring | NBR + MoS2 |
| 4 | Crimping Ring | SUS316 |
| 5 | M2.5 Crimping Ring Tongue | SUS316 |
| 6 | Nylon Cord | PA6 |

SPECIFICATIONS

Mating Cycles: 750 Min

Waterproof Rate: IP68

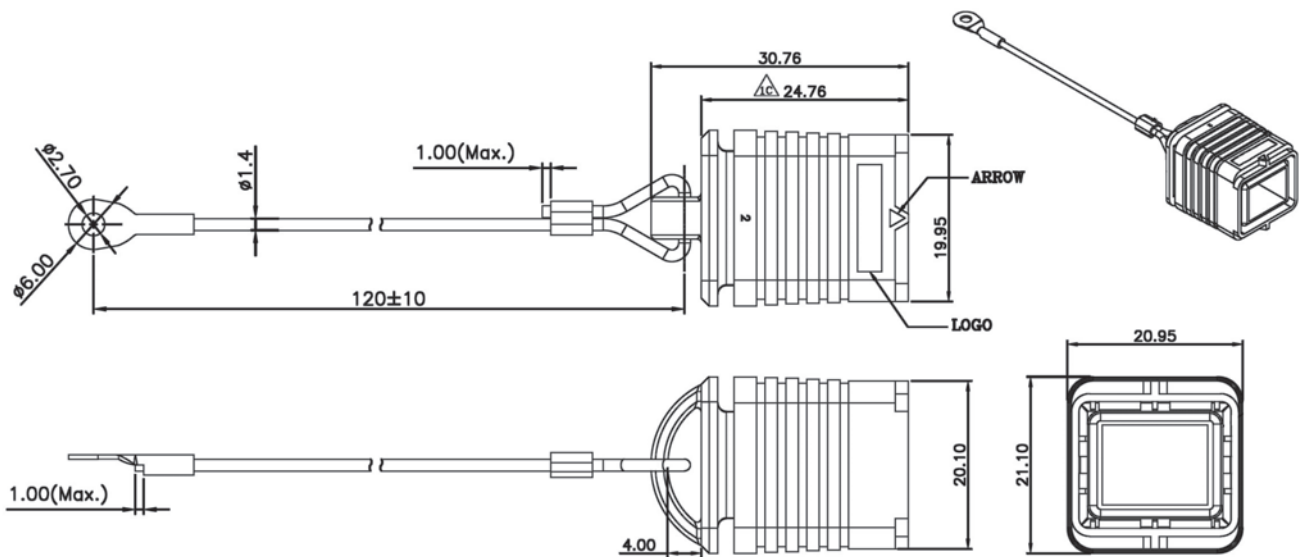
Temperature Range: -40°C~ 80°C

Ultraviolet Test: Continuous 720 Hours

Air Leak Test Spec: 1000mbar/150s/<10mbar

*RoHS & REACH compliant.

Unit: mm



ORDERING INFORMATION:

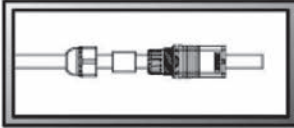
P/N WP58-CAP02

WATERPROOF IP68 RATED CAP WITH CHAIN FOR PUSH-PULL TYPE RJ45 (8P8C) JACK & OPTIC FIBER ADAPTOR

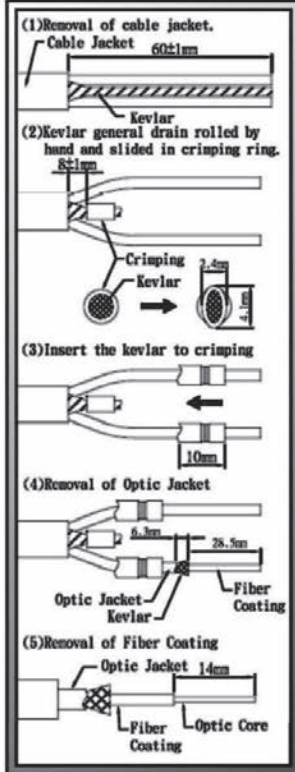
NOTE: MATES WITH WATERPROOF RJ45 JACK P/N WP58-01BX, WP58-02BX AND OPTIC FIBER ADAPTOR P/N WP58-LCBX, WP58-LCBY

ASSEMBLY INSTRUCTION FOR WP58 SERIES WATERPROOF FIBER OPTIC PLUG

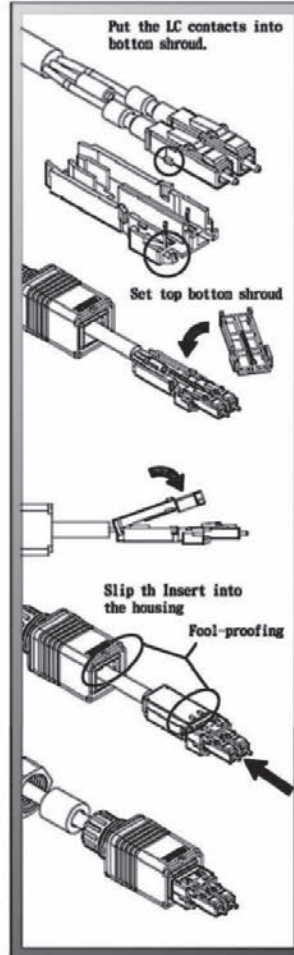
STEP: 1
Cable into nut, O-ring and housing



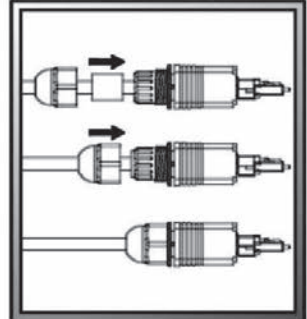
STEP: 2
Tension member crimping



STEP: 3
Assembly of LC contact

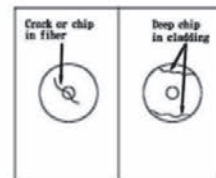
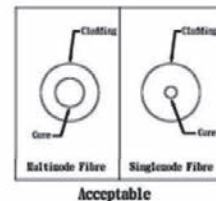


STEP: 4
Insert the o-ring and screw the nut.



Polishing:

1. Begin with polish paper in grain size 12u. Polish the connector for 30 figure-8 strokes.
2. Repeat the process with 3u and 0.3u polish paper.
3. Check with a microscope for the ferrule endface.



Specification:

- Fiber Optic LC 2.0mm(Simplex/Duplex) TYPE
- IP Rating:IP68
- Flammability Class:UL94-V0
- ANSI TIA/EIA-568-B.3

WP58 SERIES WATERPROOF OPTIC FIBER PLUG:

P/N WP58-LCCA1

(SEE PAGE P1403!)

P/N WP58-LCCA2

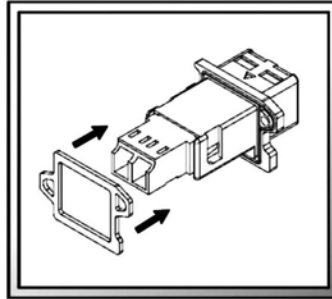
(SEE PAGE P1404!)

ASSEMBLY INSTRUCTION FOR WP58 SERIES WATERPROOF FIBER OPTIC ADAPTER

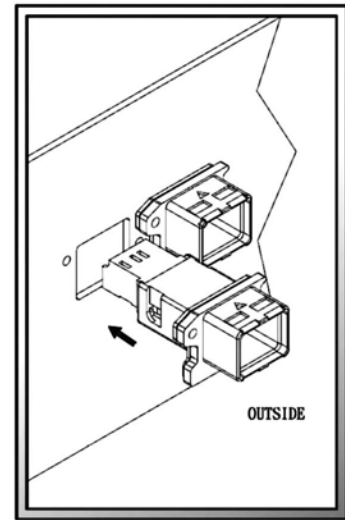
Specification:

- ◎ Fiber Optic LC Adapter(Duplex) TYPE
- ◎ IP Rating:IP68
- ◎ Flammability Class:UL94-V0
- ◎ ANSI/TIA/EIA-568-B.3

STEP: 1
Insert the gasket



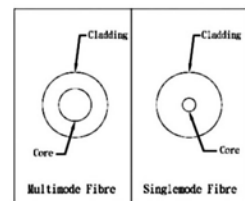
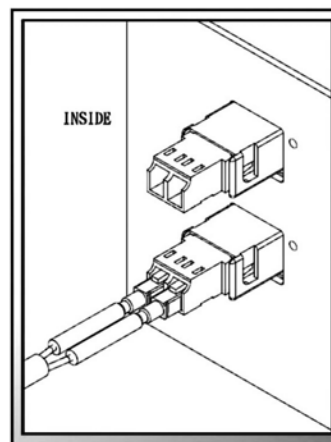
STEP: 2
Tightening torque for panel connector:0.3-0.5 N·m



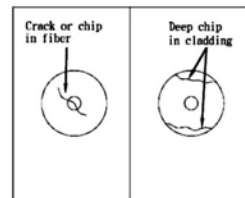
Polishing:

1. Begin with polish paper in grain size 12u. Polish the connector for 30 figure-8 strokes.
2. Repeat the process with 3u and 0.3u polish paper.
3. Check with a microscope for the ferrule endface.

STEP: 3
Done/Finished



Acceptable



Defective parts

WP58 SERIES WATERPROOF OPTIC FIBER ADAPTER:

P/N WP58-LCBX

(SEE PAGE P1405!)

P/N WP58-LC BY

(SEE PAGE P1406!)

WATERPROOF IP68 RATED PUSH-PULL TYPE SIMPLEX LC FIBER OPTIC CABLE CONNECTOR

| Pos. | Part Name | Material |
|------|----------------|-----------------------|
| 1 | Cable Inner | Polycarbonate + GF20% |
| 2 | Cable Outer | Polycarbonate + GF20% |
| 3 | Cable Nut | Polycarbonate |
| 4 | Optic Insert A | Polycarbonate |
| 5 | Optic Insert B | Polycarbonate |
| 6 | Optic LC Plug | --- |
| 7 | Inner O-Ring | NBR + MoS2 |
| 8 | Cable O-Ring | Silicon |

SPECIFICATIONS

Ultraviolet Test: Continuous 720 Hours

Mating Cycles: 750 Min

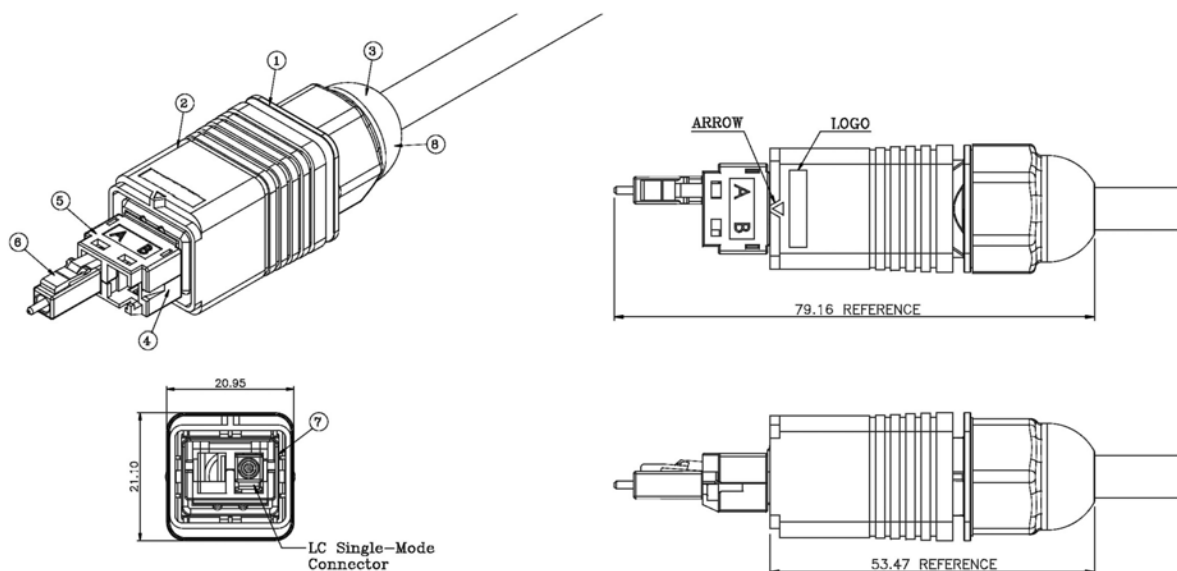
Temperature Range: -40°C~ 80°C

Waterproof Rate: IP68

Air Leak Test Spec: 1000mbar/150s/<10mbar

***RoHS & REACH compliant.**

Unit: mm



ORDERING INFORMATION:

P/N WP58-LCCA1

WATERPROOF IP68 RATED PUSH-PULL TYPE
SIMPLEX LC OPTIC FIBER CABLE CONNECTOR
FOR APPLICABLE ETHERNET CABLE DIAMETER
RANGE $\Phi 5.5 \sim \Phi 6.0$ MM

NOTE: CABLE ASSEMBLY INSTRUCTION SEE PAGE P1401!

WATERPROOF IP68 RATED PUSH-PULL TYPE DUPLEX LC FIBER OPTIC CABLE CONNECTOR

| Pos. | Part Name | Material |
|------|----------------|-----------------------|
| 1 | Cable Inner | Polycarbonate + GF20% |
| 2 | Cable Outer | Polycarbonate + GF20% |
| 3 | Cable Nut | Polycarbonate |
| 4 | Optic Insert A | Polycarbonate |
| 5 | Optic Insert B | Polycarbonate |
| 6 | Optic LC Plug | --- |
| 7 | Inner O-Ring | NBR + MoS2 |
| 8 | Cable O-Ring | Silicon |

SPECIFICATIONS

Ultraviolet Test: Continuous 720 Hours

Mating Cycles: 750 Min

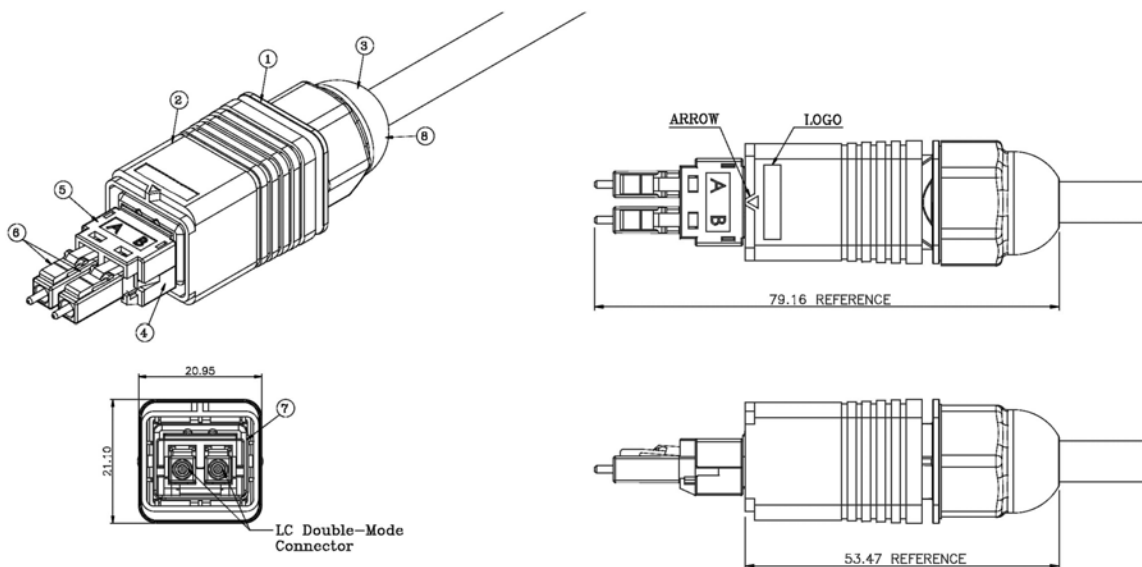
Temperature Range: -40°C~ 80°C

Waterproof Rate: IP68

Air Leak Test Spec: 1000mbar/150s/<10mbar

***RoHS & REACH compliant.**

Unit: mm



ORDERING INFORMATION:

P/N WP58-LCCA2

WATERPROOF IP68 RATED PUSH-PULL TYPE
 DUPLEX LC OPTIC FIBER CABLE CONNECTOR
 FOR APPLICABLE ETHERNET CABLE DIAMETER
 RANGE $\Phi 5.5 \sim \Phi 6.0$ MM

NOTE: CABLE ASSEMBLY INSTRUCTION SEE PAGE P1401!

WATERPROOF IP68 RATED PUSH-PULL TYPE LC FIBER OPTIC PANEL MOUNT ADAPTOR TWO BLOCK TYPE

| Pos. | Part Name | Material |
|------|-----------------------------|-----------------------|
| 1 | Optic Receptacle | Polycarbonate + GF20% |
| 2 | Optic LC Adaptor + Dust Cap | --- |
| 3 | Gasket | Silicone |

SPECIFICATIONS

Ultraviolet Test: Continuous 720 Hours

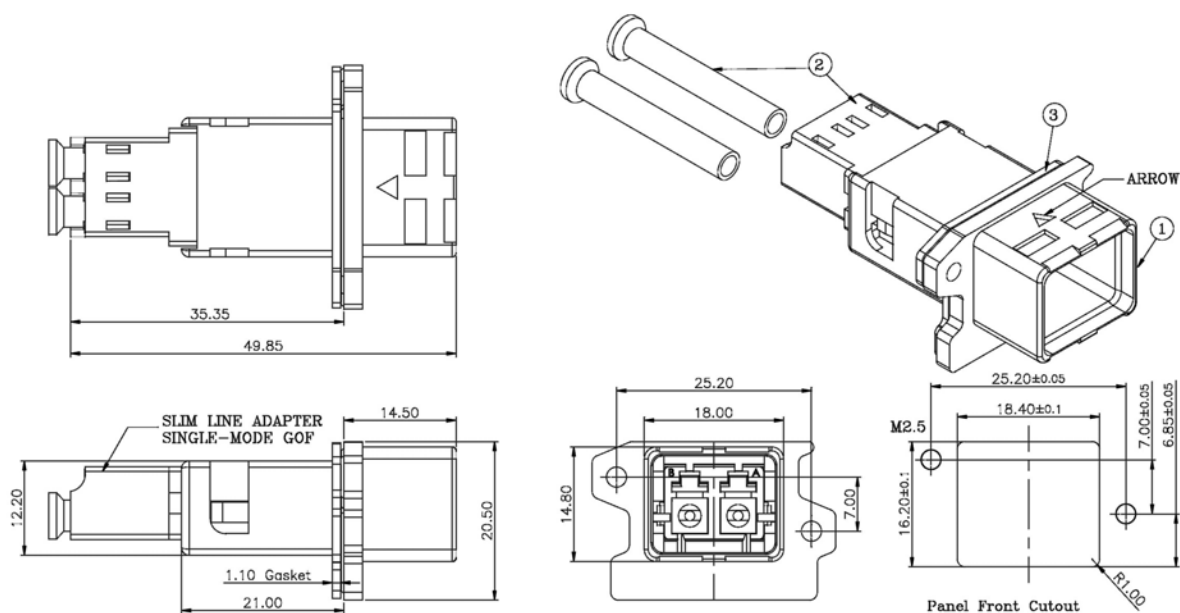
Temperature Range: -40°C~ 80°C

Waterproof Rate: IP68

Air Leak Test Spec: 1000mbar/150s/<10mbar

*RoHS & REACH compliant.

Unit: mm



ORDERING INFORMATION:

P/N WP58-LCBX

WATERPROOF IP68 RATED PUSH-PULL TYPE
LC OPTIC FIBER PANEL MOUNT ADAPTOR TWO BLOCK TYPE

**NOTE1: MATES WITH WATERPROOF CAP
P/N WP58-CAP01 & P/N WP58-CAP02**

NOTE2: ASSEMBLY INSTRUCTION SEE PAGE P1402!

WATERPROOF IP68 RATED PUSH-PULL TYPE LC FIBER OPTIC PANEL MOUNT ADAPTOR ONE BLOCK TYPE

| Pos. | Part Name | Material |
|------|-----------------------------|-----------------------|
| 1 | Optic Receptacle | Polycarbonate + GF20% |
| 2 | Optic LC Adaptor + Dust Cap | --- |
| 3 | Gasket | Silicone |

SPECIFICATIONS

Ultraviolet Test: Continuous 720 Hours

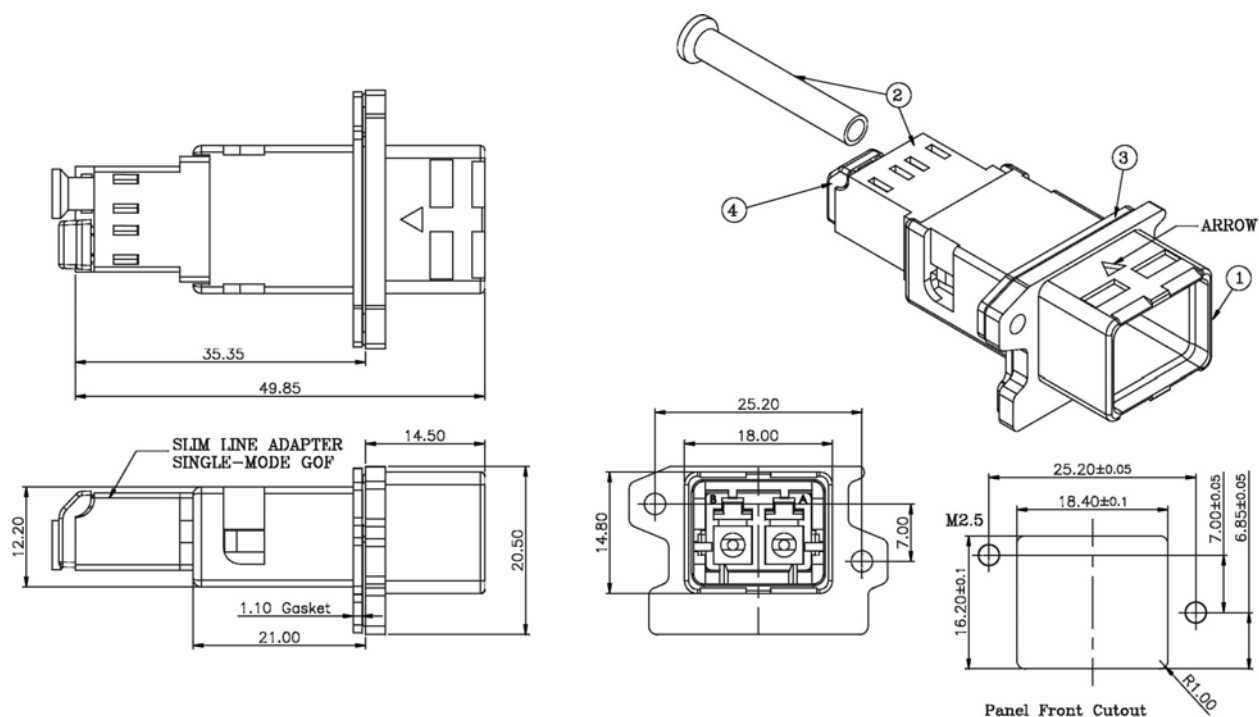
Temperature Range: -40°C~ 80°C

Waterproof Rate: IP68

Air Leak Test Spec: 1000mbar/150s/<10mbar

*RoHS & REACH compliant.

Unit: mm



ORDERING INFORMATION:

P/N WP58-LC BY

WATERPROOF IP68 RATED PUSH-PULL TYPE
LC OPTIC FIBER PANEL MOUNT ADAPTOR
ONE BLOCK TYPE

**NOTE1: MATES WITH WATERPROOF CAP
P/N WP58-CAP01 & P/N WP58-CAP02**

NOTE2: ASSEMBLY INSTRUCTION SEE PAGE P1402!

WATERPROOF IP68 RATED PUSH-PULL TYPE LC FIBER OPTIC EXTENSION CORD ADAPTOR

| Pos. | Part Name | Material |
|------|----------------------|----------|
| 1 | Adaptor Housing | --- |
| 2 | Sleeves | --- |
| 3 | Optic Extension Cord | PC+GF20% |

SPECIFICATIONS

Ultraviolet Test: Continuous 720 Hours

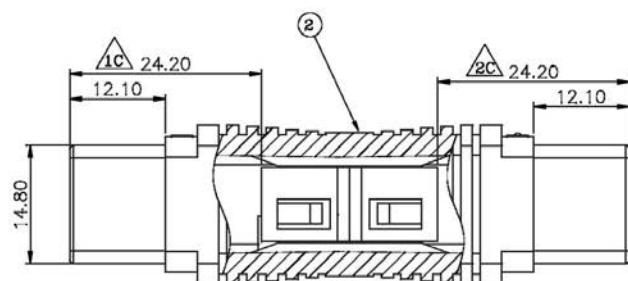
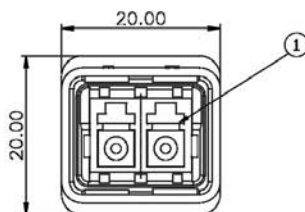
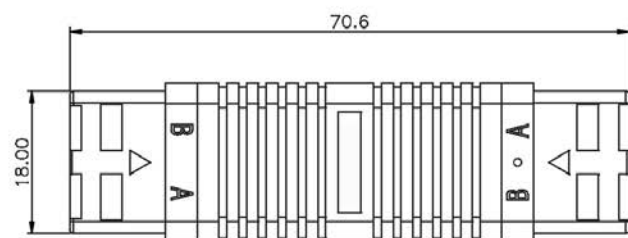
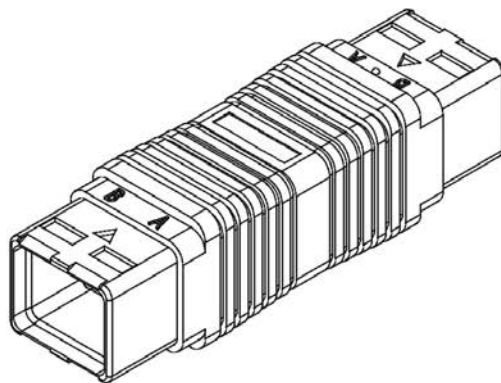
Temperature Range: -40°C~ 80°C

Waterproof Rate: IP68

Mating Cycles: 750min

***RoHS & REACH compliant.**

Unit: mm



ORDERING INFORMATION:

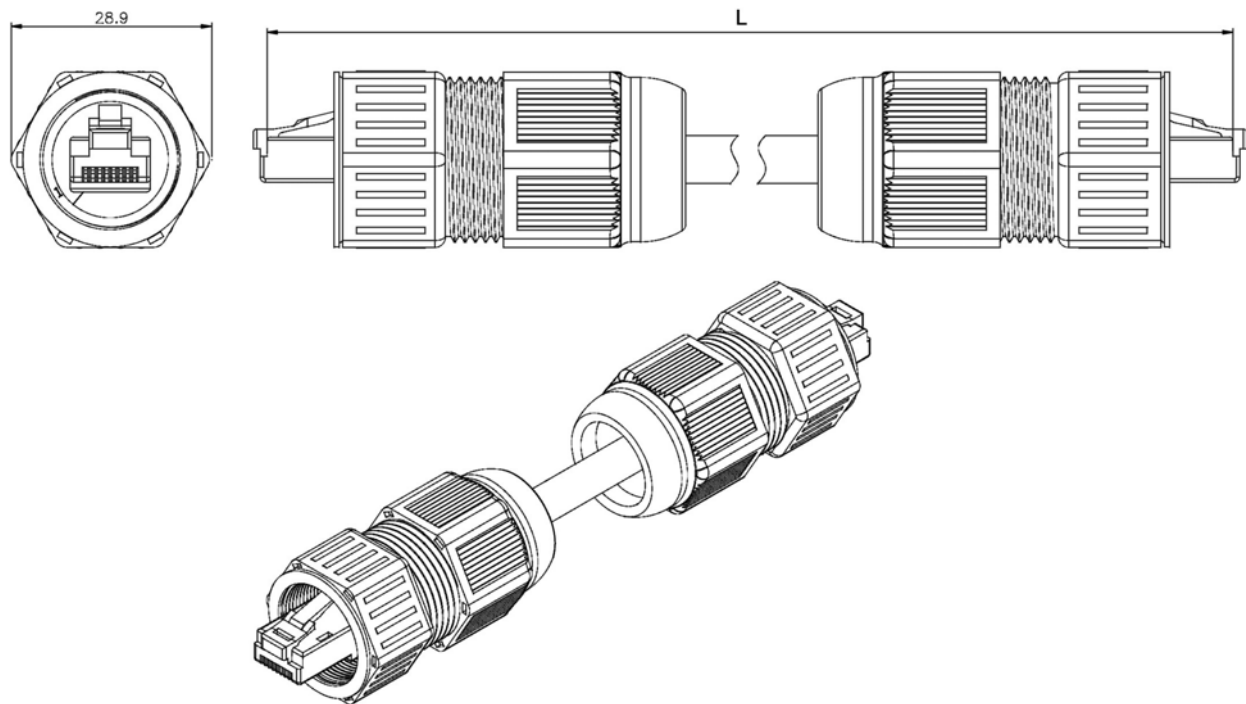
P/N WP58-LCFF

WATERPROOF IP68 RATED PUSH-PULL TYPE
LC OPTIC FIBER EXTENSION CORD ADAPTOR

WATERPROOF CABLE WITH IP68 RATED CAT. 5e RJ45 PLUG AT 2 ENDS

*RoHS & REACH compliant.

Unit: mm



ORDERING INFORMATION:

P/N KWP52A - $\frac{xxx}{1} \frac{CM}{2} B$

1. CABLE LENGTH L:

"183" L: 183 ± 3CM

"244" L: 244 ± 4CM

"427" L: 427 ± 6CM

"732" L: 732 ± 8CM

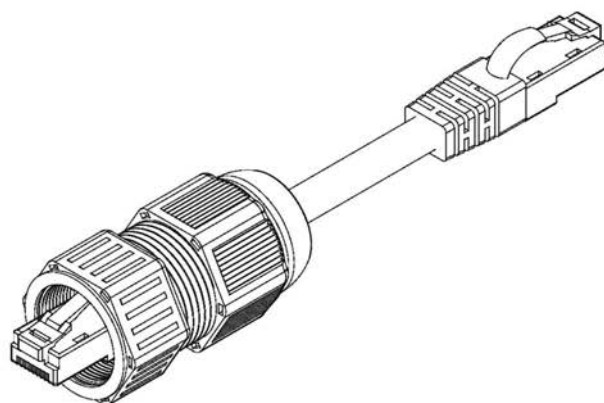
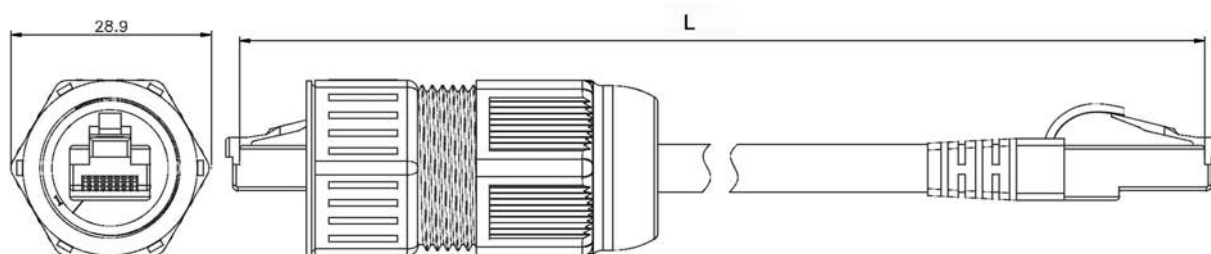
2. CABLE COLOR:

"B" BLACK

WATERPROOF CABLE WITH IP68 RATED CAT. 5e RJ45 PLUG TO NON-WATERPROOF RJ45 PLUG

*RoHS & REACH compliant.

Unit: mm



ORDERING INFORMATION:

P/N KWP52B - $\frac{xxxCM}{1} \frac{x}{2}$

1. CABLE LENGTH L:

"183" L: 183 ± 3CM

"244" L: 244 ± 4CM

"427" L: 427 ± 6CM

"732" L: 732 ± 8CM

2. CABLE COLOR:

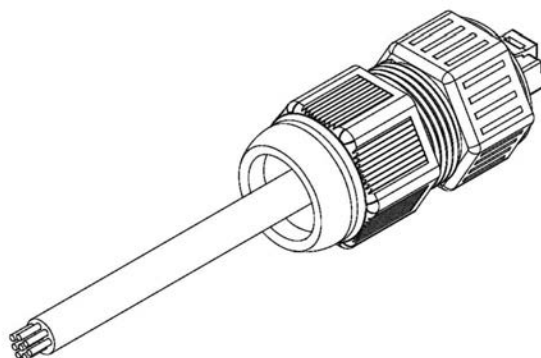
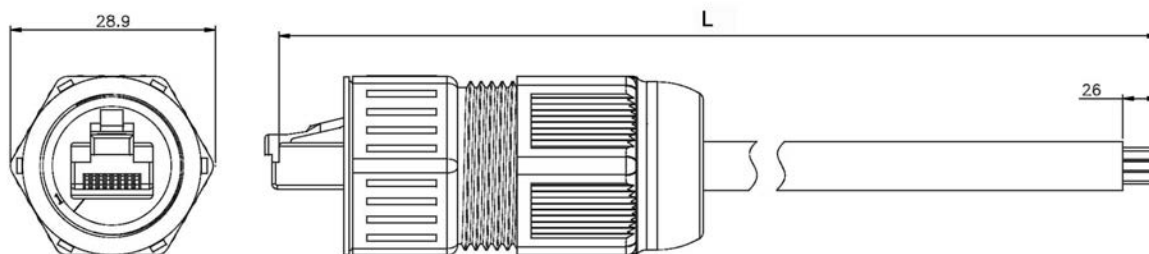
"B" BLACK (STANDARD)

"A" GRAY

WATERPROOF CABLE WITH IP68 RATED CAT. 5e RJ45 PLUG TO FLAYED END

*RoHS & REACH compliant.

Unit: mm



ORDERING INFORMATION:

P/N KWP52C - $\frac{\text{xxx}}{1}$ $\frac{\text{CM}}{2}$ B

1. CABLE LENGTH L:

"183" L: 183 ± 3CM

"244" L: 244 ± 4CM

"427" L: 427 ± 6CM

"732" L: 732 ± 8CM

2. CABLE COLOR:

"B" BLACK

WATERPROOF CABLE WITH IP68 RATED RJ45 JACK TO NON-WATERPROOF RJ45 PLUG

MATERIALS:

Plastic Housing: Engineering Thermoplastic
Flammability Rating UL94V-0.

Contacts: Phosphor Bronze.

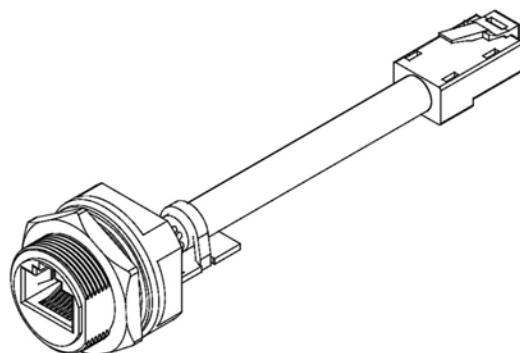
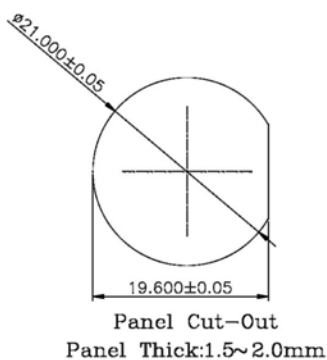
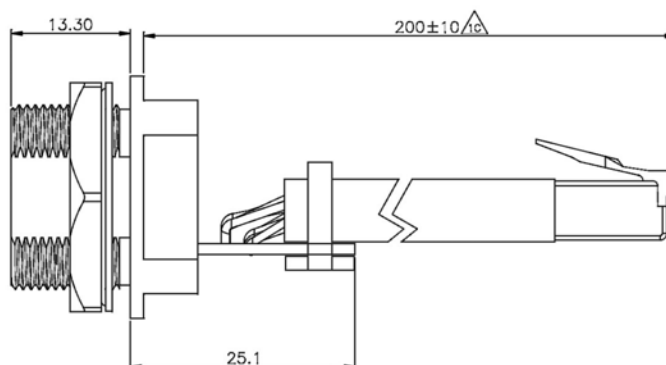
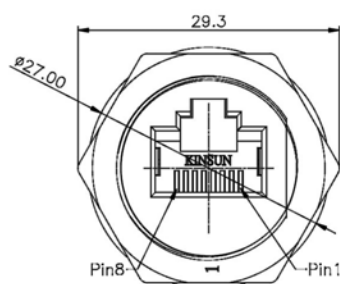
Plating: Gold Plating Over Nickel In Contact.

Nut: Engineering Thermoplastic Flammability Rating UL94V-0.

Gasket: Silicon

***RoHS & REACH compliant.**

Unit: mm



ORDERING INFORMATION:

P/N **KWP52D - 020 CM B**

1. CABLE LENGTH:
"020" 20 ± 1CM
2. CABLE COLOR:
"B" BLACK

WATERPROOF CABLE WITH IP68 RATED RJ45 JACK TO 2.00MM PITCH 10 PIN HOUSING

MATERIALS:

Plastic Housing: Engineering Thermoplastic
Flammability Rating UL94V-0.

Contacts: Phosphor Bronze.

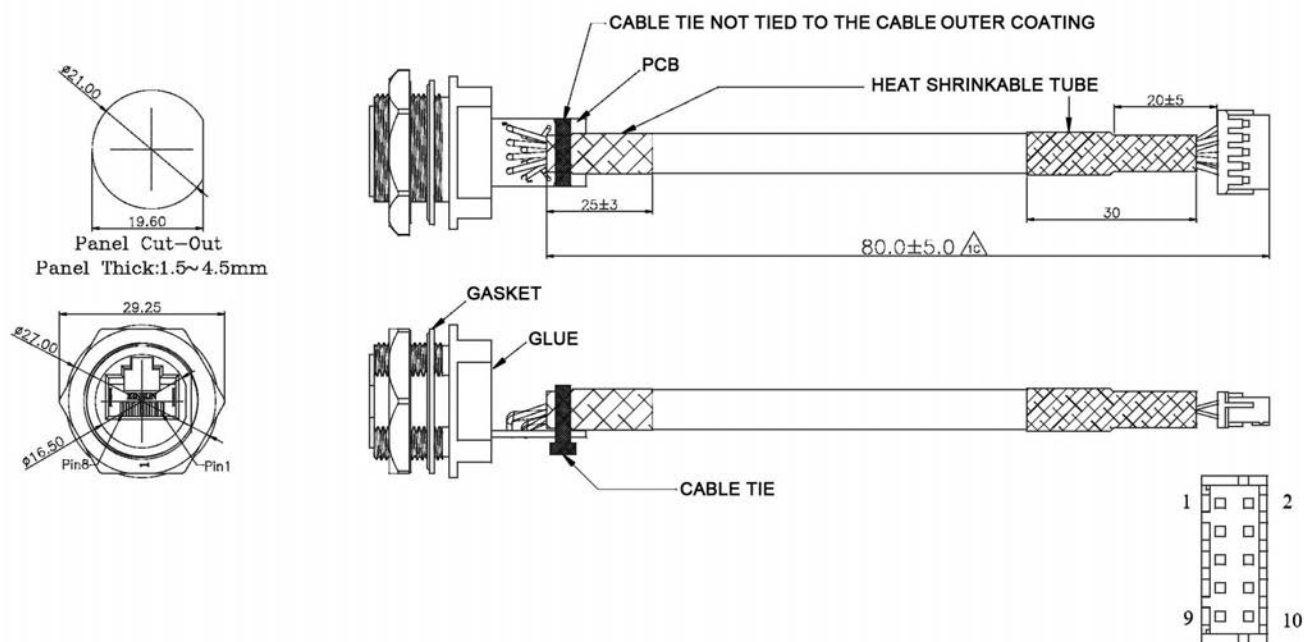
Plating: Gold Plating Over Nickel In Contact.

Nut: Engineering Thermoplastic Flammability Rating UL94V-0.

Gasket: Silicon

***RoHS & REACH compliant.**

Unit: mm



ORDERING INFORMATION:

P/N **KWP52E - 008 CM B**
1 2

1. CABLE LENGTH:
"008" 8 ± 0.5 CM
2. CABLE COLOR:
"B" BLACK

WATERPROOF CAT. 5e CABLE WITH IP68 RATED METAL SCREW TYPE RJ45 PLUG TO RJ45 MODULAR PLUG

MATERIALS:

Plastic Housing: Engineering Thermoplastic
Flammability Rating UL94V-0.

Contacts: Phosphor Bronze.

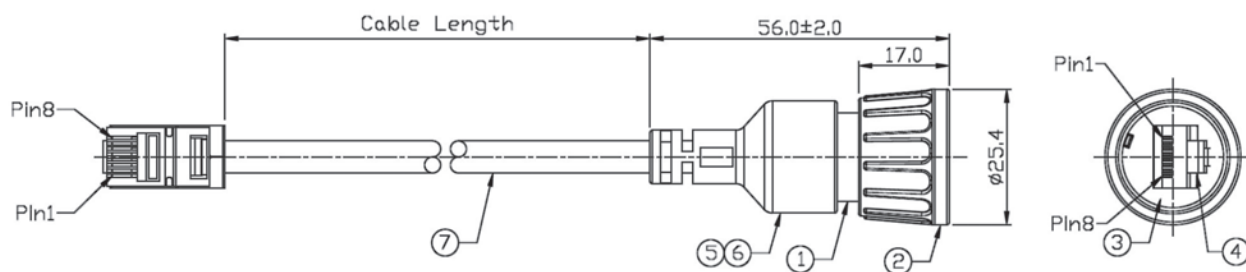
Plating: Gold Plating Over Nickel In Contact.

Nut: Engineering Thermoplastic Flammability Rating UL94V-0.

Gasket: Silicon

***RoHS & REACH compliant.**

Unit: mm



| Shell | Drain | Shell | |
|-------|--------------|-------|-------|
| 8 | Brown | 8 | Twist |
| 7 | White/Brown | 7 | |
| 6 | Green | 6 | Twist |
| 5 | White/Blue | 5 | |
| 4 | Blue | 4 | Twist |
| 3 | White/Green | 3 | |
| 2 | Orange | 2 | Twist |
| 1 | White/Orange | 1 | |
| Plug | Wire Color | Conn. | |
| | Pin Out | | |

ORDERING INFORMATION:

P/N KWP85B - $\frac{xx}{1} \frac{MB}{2}$

1. CABLE LENGTH IN METERS:

"0.5M" L=500MM

"1M" L=1000MM

"2M" L=2000MM

OTHER LENGTHES ALSO AVAILABLE!

2. CABLE COLOR:

"B" BLACK

WATERPROOF CAT. 5e CABLE WITH IP67 RATED PLASTIC SCREW TYPE RJ45 PLUG TO RJ45 MODULAR PLUG

MATERIALS:

Plastic Housing: Engineering Thermoplastic
Flammability Rating UL94V-0.

Contacts: Phosphor Bronze.

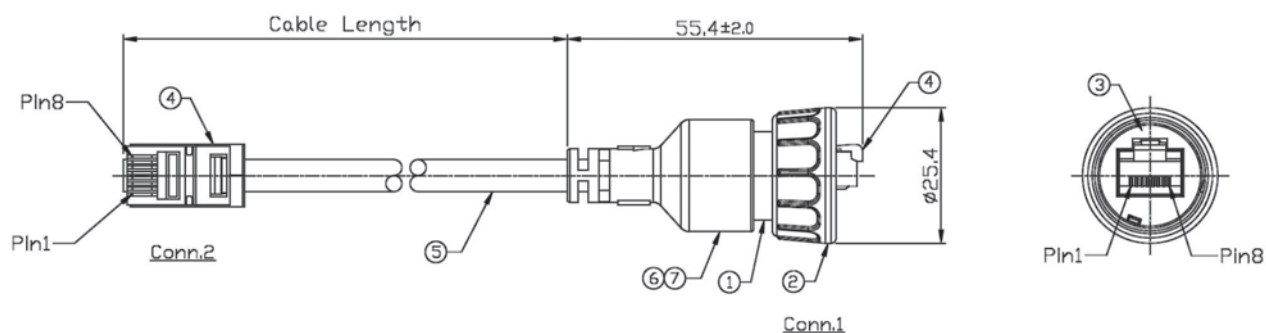
Plating: Gold Plating Over Nickel In Contact.

Nut: Engineering Thermoplastic Flammability Rating UL94V-0.

Gasket: Silicon

*RoHS & REACH compliant.

Unit: mm



| | | |
|-------|--------------|-------|
| 1 | White/Orange | 1 |
| 2 | Orange | 2 |
| 3 | White/Green | 3 |
| 4 | Blue | 4 |
| 5 | White/Blue | 5 |
| 6 | Green | 6 |
| 7 | White/Brown | 7 |
| 8 | Brown | 8 |
| Shell | Drain | Shell |

Wiring Diagram

ORDERING INFORMATION:

P/N KWP82B - $\frac{xx}{1} \frac{MB}{2}$

1. CABLE LENGTH IN METERS:

"0.5M" L=500MM

"1M" L=1000MM

"2M" L=2000MM

OTHER LENGTHES ALSO AVAILABLE!

2. CABLE COLOR:

"B" BLACK

WATERPROOF CAT. 5e CABLE WITH IP67 RATED PLASTIC SCREW TYPE RJ45 PANEL MOUNT JACK TO OPEN END

MATERIALS:

Plastic Housing: Engineering Thermoplastic
Flammability Rating UL94V-0.

Contacts: Phosphor Bronze.

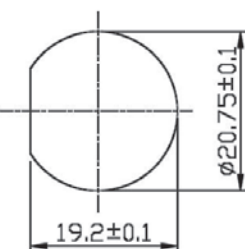
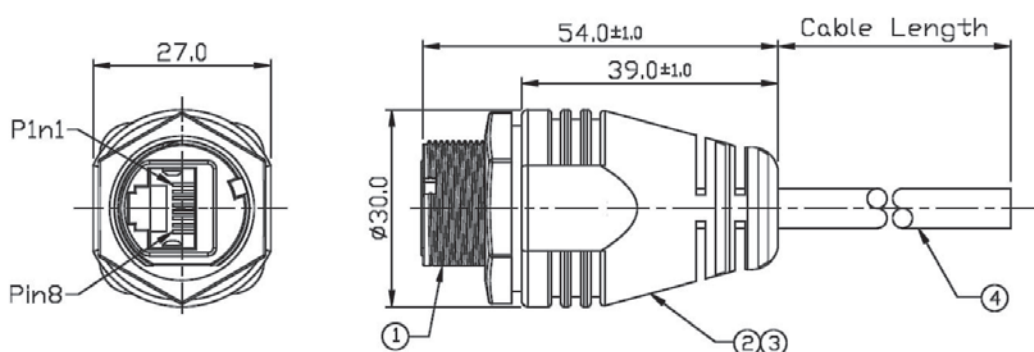
Plating: Gold Plating Over Nickel In Contact.

Nut: Engineering Thermoplastic Flammability Rating UL94V-0.

Gasket: Silicon

*RoHS & REACH compliant.

Unit: mm



Recommend
Panel Cut-Out

| Shell | Drain |
|-------|--------------|
| 8 | Brown |
| 7 | White/Brown |
| 6 | Green |
| 5 | White/Blue |
| 4 | Blue |
| 3 | White/Green |
| 2 | Orange |
| 1 | White/Orange |

Wiring Diagram

ORDERING INFORMATION:

P/N KWP82H - $\frac{x}{1} \frac{x}{2} M B$

1. CABLE LENGTH IN METERS:

"0.5M" L=500MM

"1M" L=1000MM

"2M" L=2000MM

OTHER LENGTHS ALSO AVAILABLE!

2. CABLE COLOR:

"B" BLACK

NOTE1: RECOMMEND PANEL THICKNESS 0.8~4.0MM

NOTE2: MATES WITH WATERPROOF CAP

P/N WP82-CAP02

WATERPROOF IP68 RATED METAL LOCK TYPE USB2.0 A TYPE PANEL MOUNT ADAPTOR

MATERIAL AND FINISH:

Receptacle Housing: Zn Alloy 3,Nickel Plated

Panel Nut: Coper Alloy,Nickel Plated

Panel Gasket: Silicone

Usb Overmold: ABS, Black

Usb Conn: Usba AF2.0

Durability: 1500 Mating Cycles

*RoHS & REACH compliant.

Unit: mm

ELECTRICAL SPECIFICATIONS:

Meet USB2.0 Specification

Current Rating: 1.5 A max.

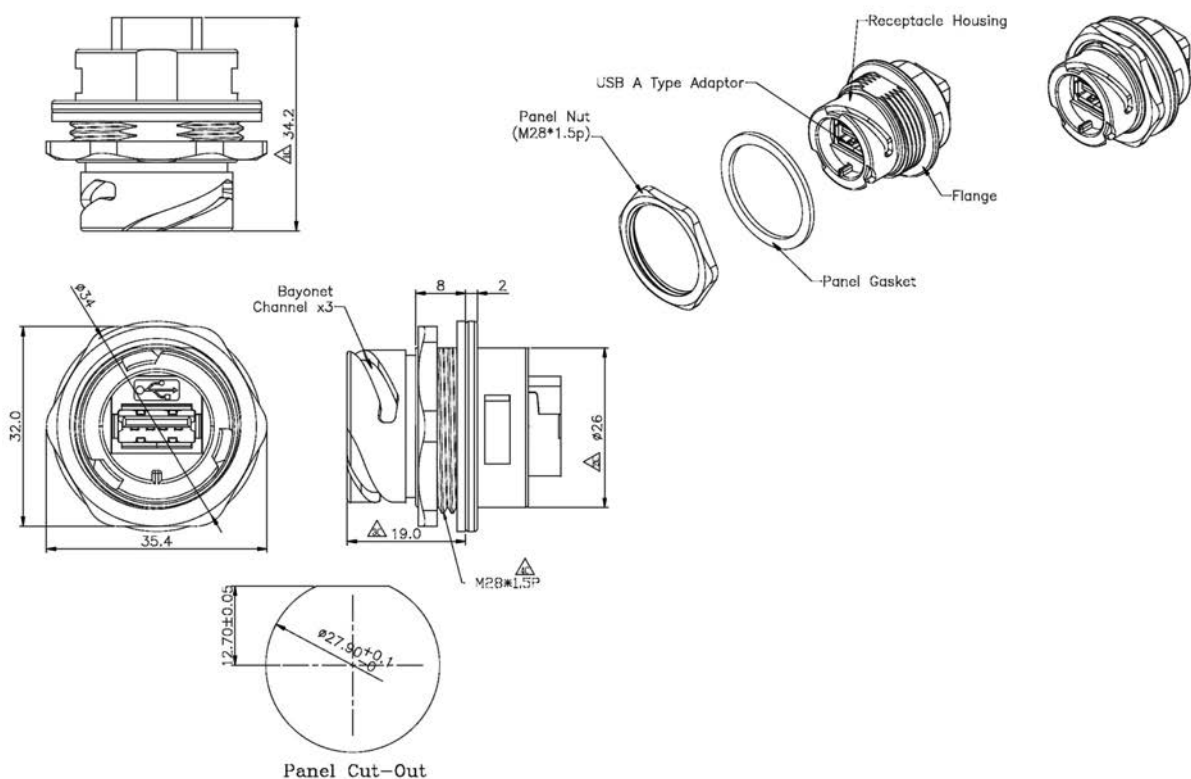
Insulation Resistance:1000 Megohms min.

Contact Resistance: 30 mOhm max.

Voltage Rating: 100VDC

Dwv: 500V AC/60s Pin To Pin;1000V AC/60s Pin To Shell.

Operating Temperature: -40°C To + 85°C



ORDERING INFORMATION:

P/N WP53M - U A F F

WATERPROOF IP68 RATED METAL LOCK TYPE
USB2.0 A TYPE PANEL MOUNT ADAPTOR FOR FRONT
MOUNTING TO A MAXIMUM PANEL THICKNESS
OF 3.2MM

**NOTE: MATES WITH WATERPROOF CAP
P/N WP53M-CAP02**

WATERPROOF IP67 RATED USB A TYPE LOCK PLATE MOUNT JACK

MATERIALS:

1.USB Connector:

Housing: PBT UL94V-0; Color: Black

Contact: Phosphor Bronze

Shell: Brass

2.Parts:

Extetal Housing: PBT UL94V-0; Color:Black

Nut: Pbt UL94V-0; Color:Black

Washer: Pbt UL94V-0; Color:Black

O-Ring: Silicon

3.Plating

Contact: Gold Palting On Contact Aera
Bright Tin On Solder Aera

Shell: Nickel Plating On Over All

Pin Header: Gold Palting

*RoHS & REACH compliant.

Unit: mm

SPECIFICATION:

1.Electrical Specification:

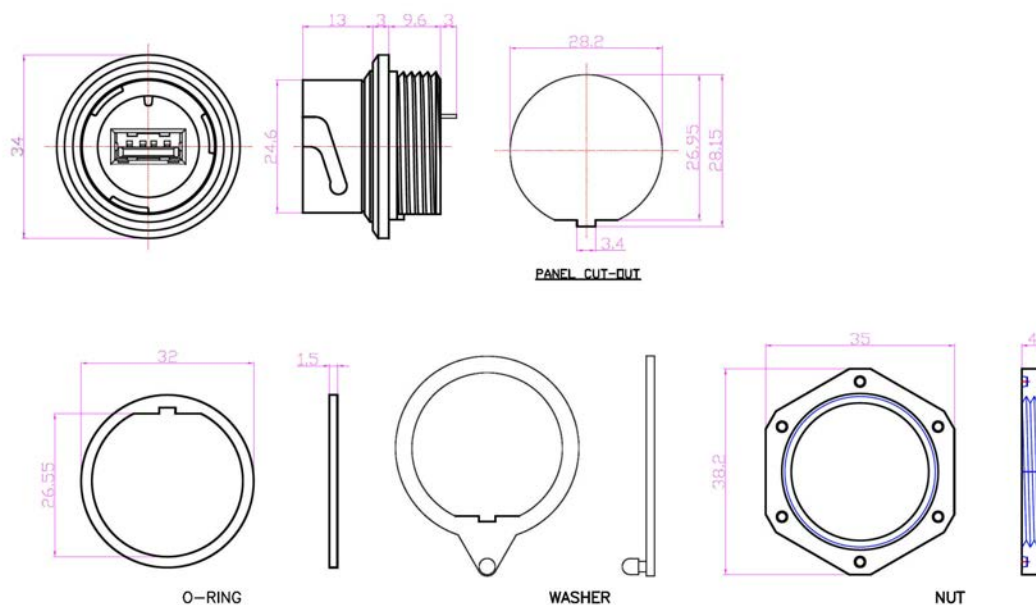
Rated Current: 1A

Rated Voltage: 30V

Water proof: IP67

2.Environmental:

Operating Temperature: -20°C ~ 85°C



ORDERING INFORMATION:

P/N WP99-UAF1

WATERPROOF IP67 RATED PLASTIC TYPE
USB A TYPE LOCK PLATE MOUNT JACK

WATERPROOF WIREHARNES CABLE WITH IP68 RATED USB2.0 A TYPE JACK TO 2.00MM PITCH 5 PIN HOUSING

NOTES:

- Material:** 1. Housing & Nut: Engineering Thermoplastic, UL94V-0. Color: Black.
 2. Gasket: Silicon, Color: Red.
 3. Contact: Phosphor Bronze.

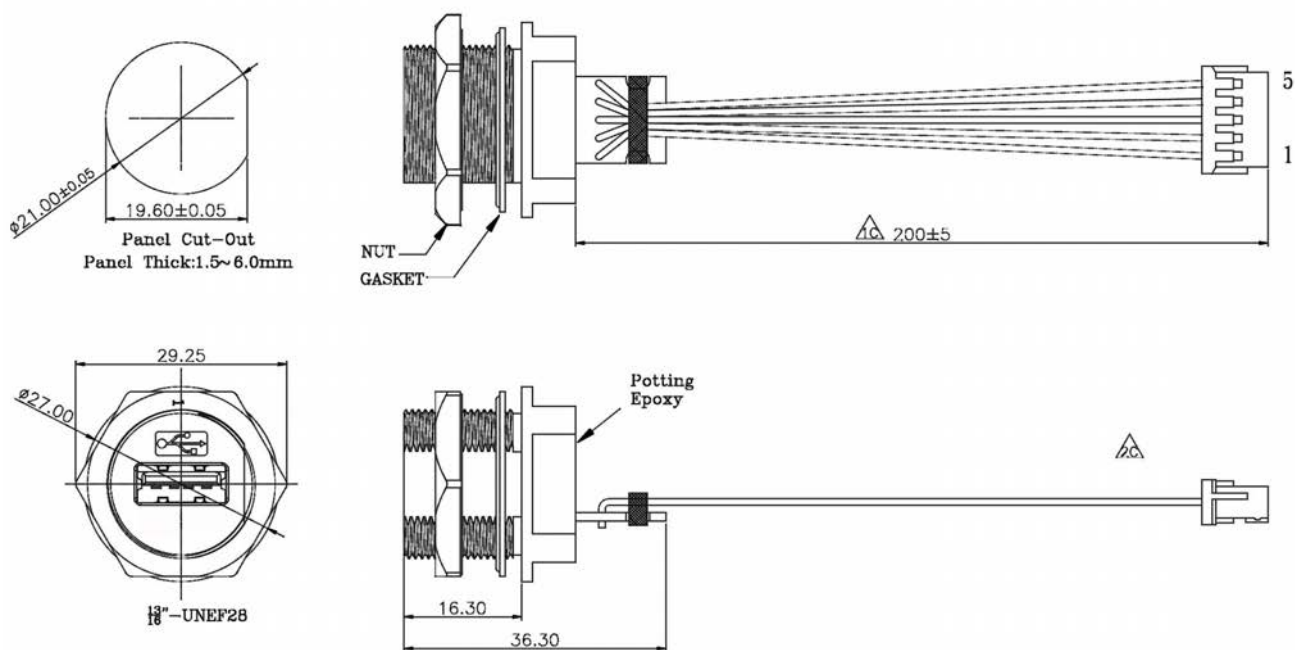
Finish: Contact: Gold Plating Over Nickel In Contact.

Durability: 1500 Mating Cycles.

***RoHS & REACH compliant.**

Unit: mm

| | |
|---------|--------|
| 1 Brown | Ground |
| 2 Black | GND |
| 3 Green | D+ |
| 4 White | D- |
| 5 Red | VBUS |



ORDERING INFORMATION:

P/N **KWP52U-020CM**
 I

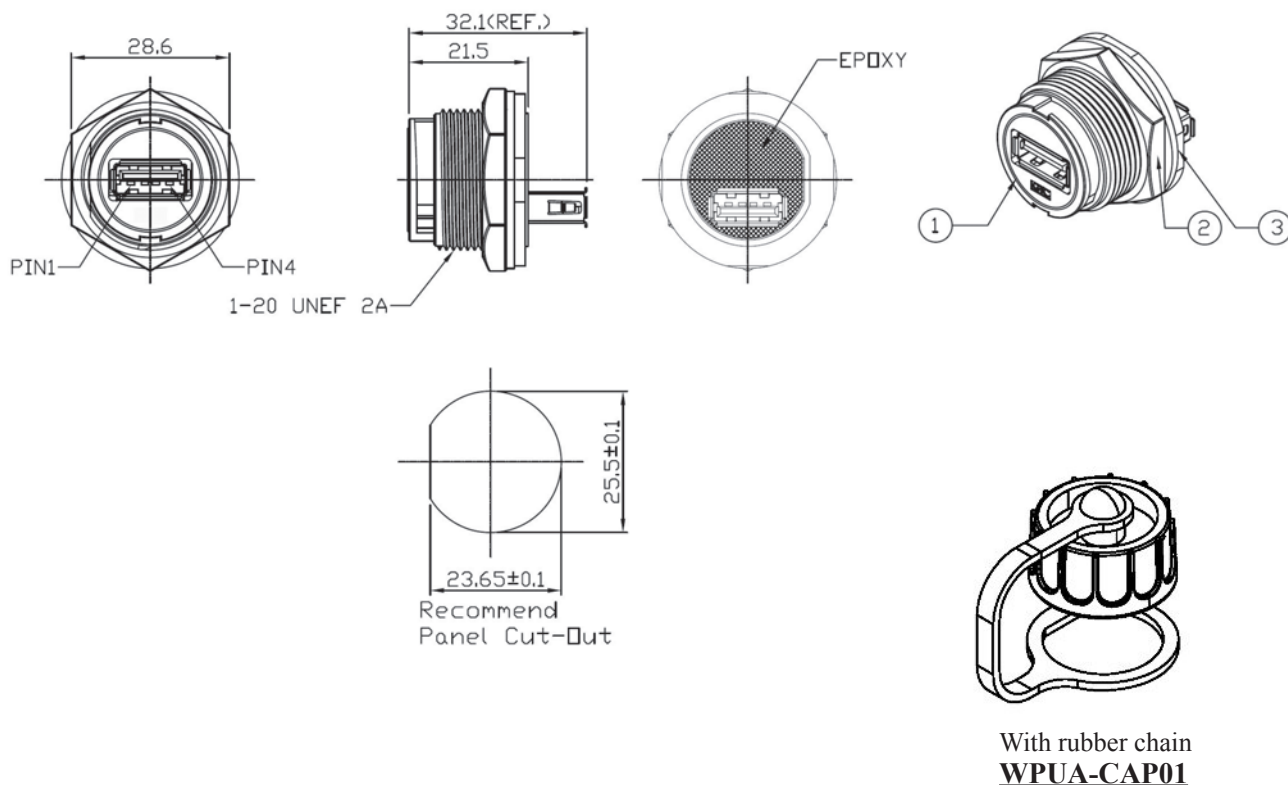
1. CABLE LENGTH:
 "020" 20 ± 0.5 CM

WATERPROOF IP67 RATED PLASTIC LOCK USB A TYPE FEMALE TO FEMALE COUPLER

RECOMMENDED PANEL THICKNESS 0.8~6.0MM

*RoHS & REACH compliant.

Unit: mm



ORDERING INFORMATION:

P/N W P U A - 4 F 4 F

WATERPROOF IP67 RATED PLASTIC LOCK USB A TYPE
4 PIN FEMALE TO FEMALE COUPLER

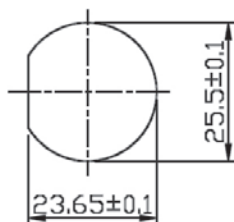
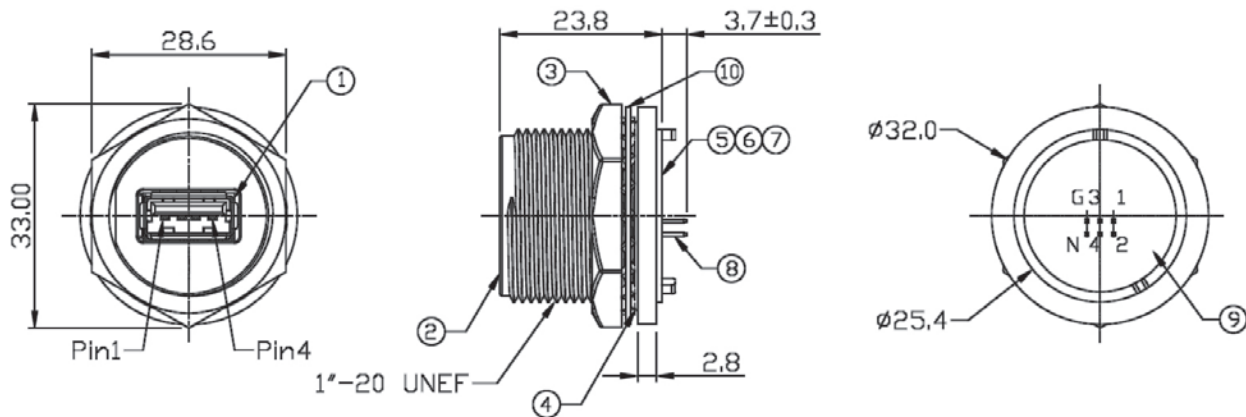
NOTE: MATES WITH CAP P/N WPUA-CAP01

WATERPROOF IP68 RATED METAL SCREW USB A TYPE JACK

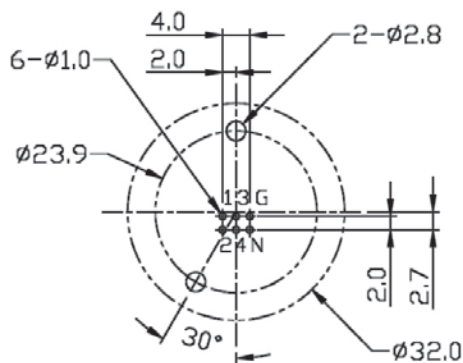
RECOMMENDED PANEL THICKNESS 0.8-8.0MM

*RoHS & REACH compliant.

Unit: mm



Recommend Panel Cut-Out



Recommended P.C. Board Layout

ORDERING INFORMATION:

P/N W P U A - 0 4 F 3

WATERPROOF IP68 RATED METAL SCREW USB A TYPE
4 PIN PANEL MOUNT JACK

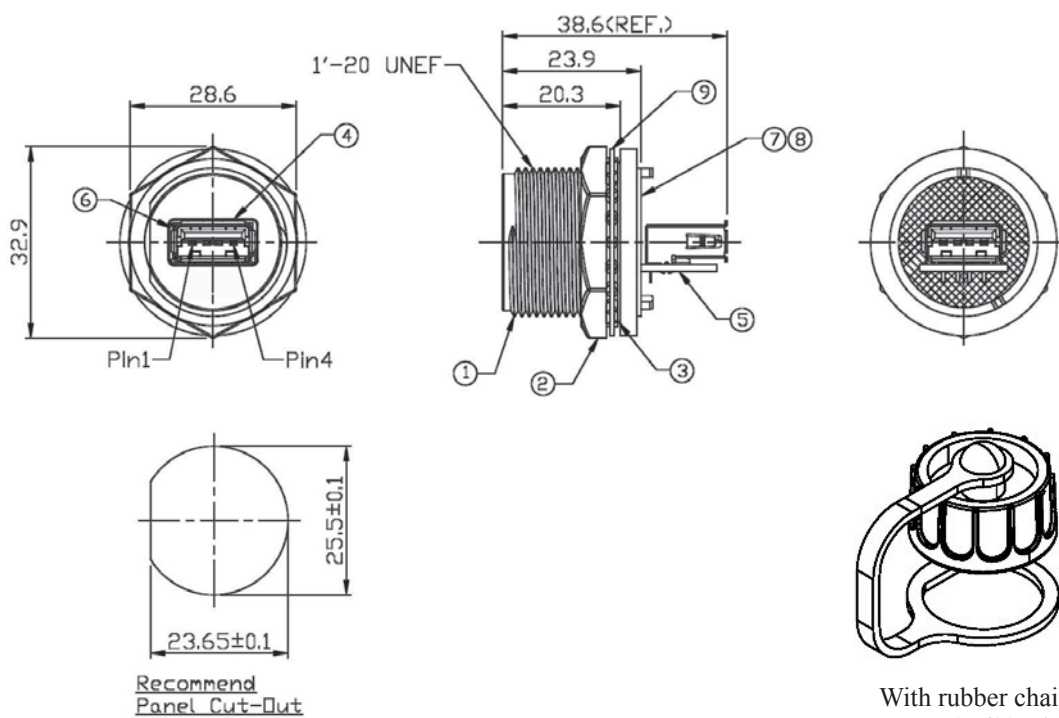
NOTE: MATES WITH CAP P/N WPUA-CAP02

WATERPROOF IP68 RATED METAL SCREW USB A TYPE PANEL MOUNT JACK

RECOMMENDED PANEL THICKNESS 0.8-8.0MM

*RoHS & REACH compliant.

Unit: mm



ORDERING INFORMATION:

P/N W P U A - 0 4 F 1

WATERPROOF IP68 RATED METAL SCREW USB A TYPE
4 PIN PANEL MOUNT FEMALE CONNECTOR

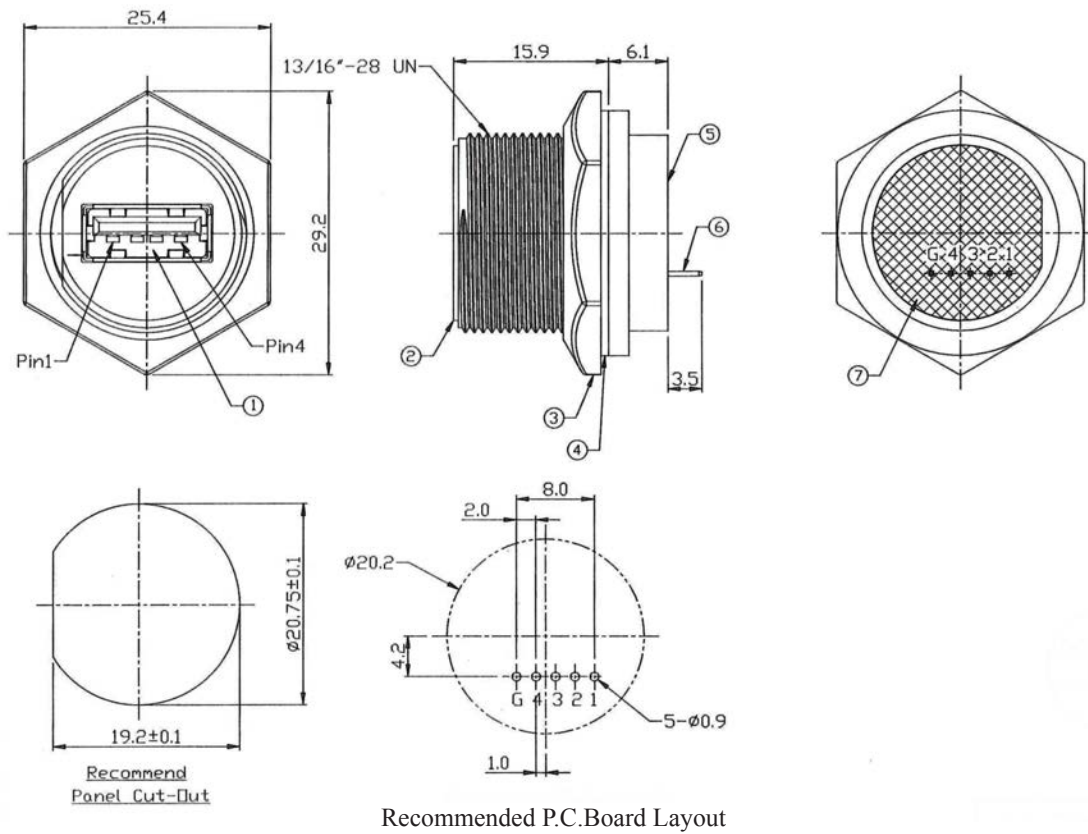
NOTE: MATES WITH CAP P/N WPUA-CAP02

WATERPROOF IP67 RATED PLASTIC SCREW USB A TYPE PANEL MOUNT DIP JACK

RECOMMENDED PANEL THICKNESS 0.8~6.0MM

*RoHS & REACH compliant.

Unit: mm



ORDERING INFORMATION:

P/N W P U A - 0 4 F 2

WATERPROOF IP67 RATED PLASTIC SCREW USB A TYPE
4 PIN PANEL MOUNT PCB MOUNT FEMALE CONNECTOR

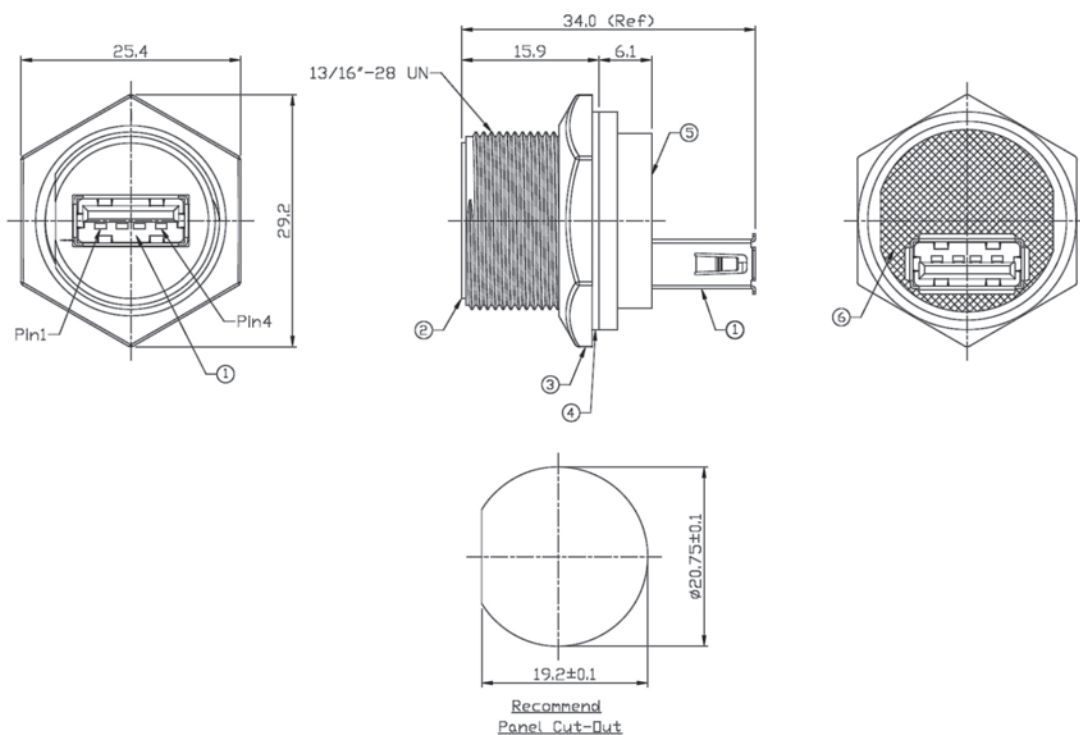
NOTE: MATES WITH WATERPROOF CAP P/N WPUA-CAP03

WATERPROOF IP67 RATED USB A TYPE PLASTIC SCREW FEMALE TO FEMALE COUPLER

RECOMMENDED PANEL THICKNESS 0.8~6.0MM

*RoHS & REACH compliant.

Unit: mm



ORDERING INFORMATION:

P/N W P U A - 4 G 4 G

WATERPROOF IP67 RATED PLASTIC SCREW USB A TYPE
4 PIN FEMALE TO FEMALE COUPLER

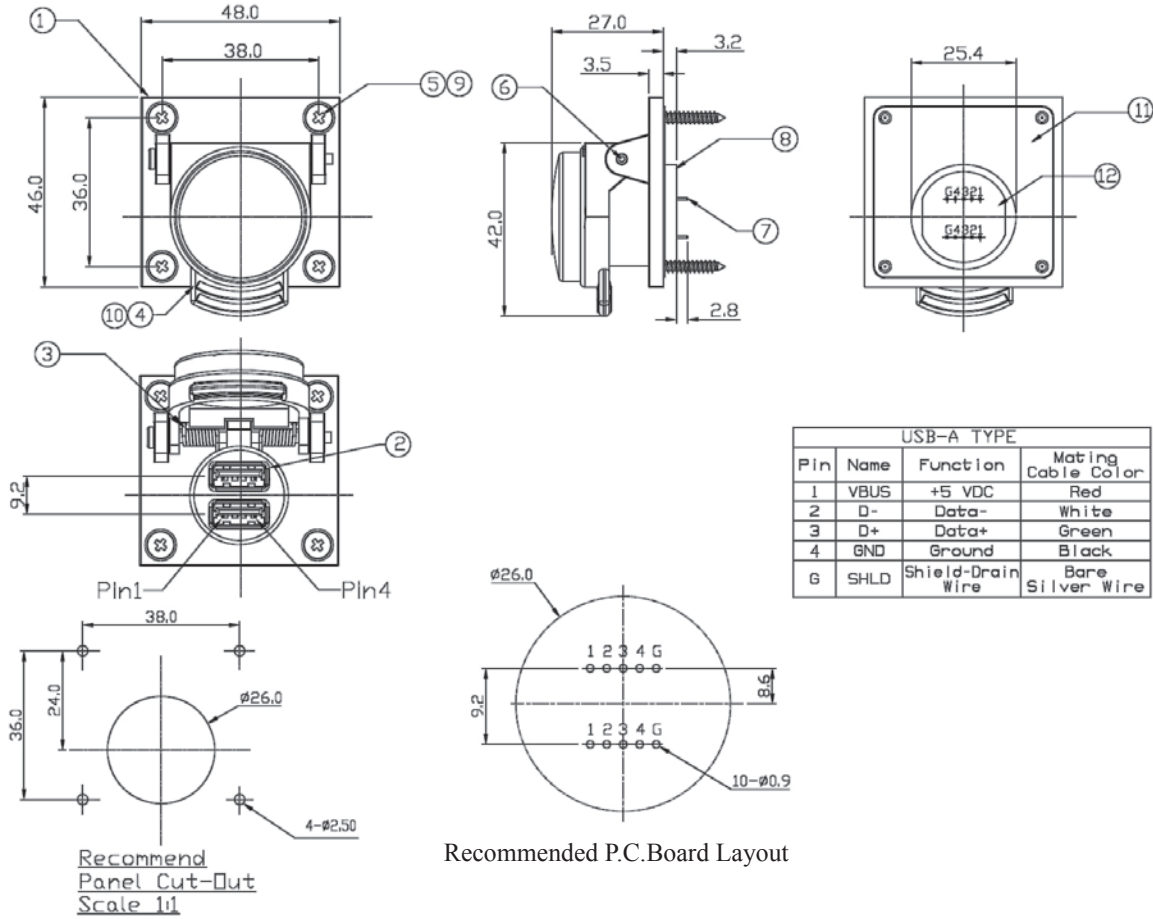
NOTE: MATES WITH WATERPROOF CAP P/N WPUA-CAP03

WATERPROOF IP65 RATED DUAL PORT USB A TYPE DIP TYPE JACK WITH CAP

RECOMMENDED PANEL THICKNESS 0.8~3.0MM

*RoHS & REACH compliant.

Unit: mm



ORDERING INFORMATION:

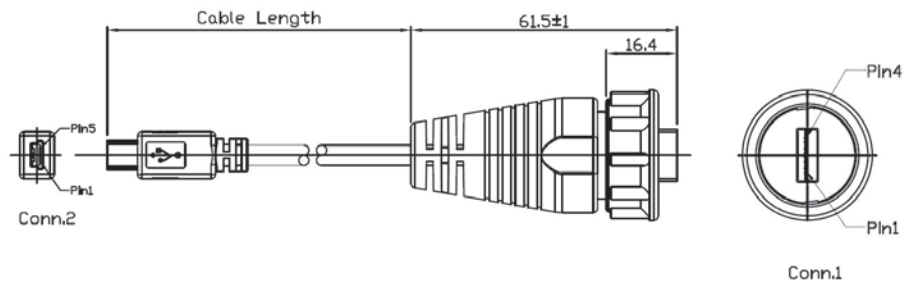
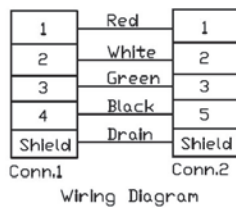
P/N W P U A - 0 8 F C

WATERPROOF IP65 RATED PANEL SQUARE FLANGE DUAL PORT
USB A TYPE 8 PIN PCB MOUNT FEMALE CONNECTOR WITH CAP

WATERPROOF CABLE WITH IP67 RATED PLASTIC LOCK USB A TYPE PLUG TO MINI USB B TYPE PLUG

*RoHS & REACH compliant.

Unit: mm



ORDERING INFORMATION:

P/N **KWP** **UA66** - **xx** **MB**

1 2

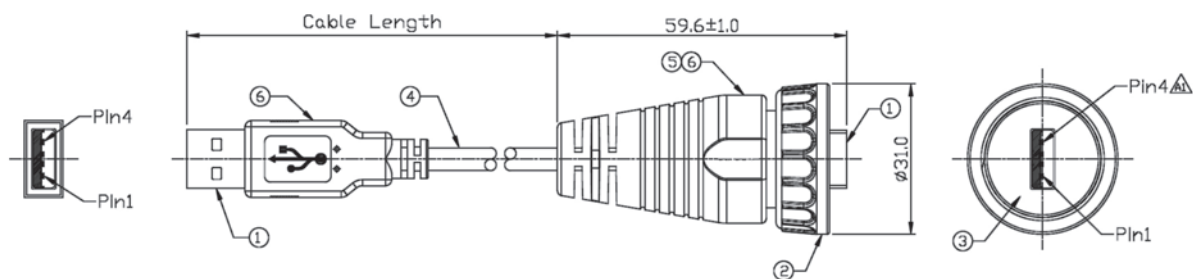
1. CABLE ASSEMBLY TYPE:
"UA66" WATERPROOF IP67 RATED PLASTIC LOCK OVER-MOLDED
USB A TYPE 4 PIN PLUG TO MINI USB B TYPE MALE CONNECTOR
2. CABLE LENGTH IN METERS:
1M, 2M, 2.5M, 3M,...etc.

NOTE: MATES WITH JACK P/N WPUA-4F4F

WATERPROOF CABLE WITH IP68 RATED METAL SCREW USB A TYPE PLUG TO USB A TYPE PLUG

*RoHS & REACH compliant.

Unit: mm



| | |
|-------|-------|
| 1 | Red |
| 2 | White |
| 3 | Green |
| 4 | Black |
| Shell | Drain |

Wiring Diagram

ORDERING INFORMATION:

P/N KWP UA 58- 1 2 MB

1. CABLE ASSEMBLY TYPE:

"UA58" WATERPROOF IP68 RATED METAL SCREW OVER-MOLDED
USB A TYPE 4 PIN PLUG TO NON-WATERPROOF USB A TYPE PLUG

2. CABLE LENGTH IN METERS:

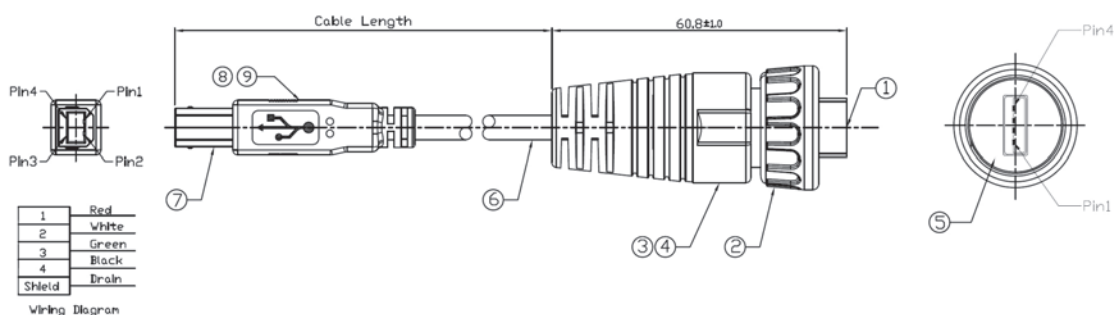
1M, 2M, 2.5M, 3M,...etc.

NOTE: MATES WITH JACK P/N WPUA-04F1 & WPUA-04F3

WATERPROOF CABLE WITH IP67 RATED PLASTIC SCREW USB A TYPE PLUG TO USB B TYPE PLUG

*RoHS & REACH compliant.

Unit: mm



ORDERING INFORMATION:

P/N **KWP** **UA72**- **xx** **MB**

1 2

1. CABLE ASSEMBLY TYPE:

"UA72" WATERPROOF IP67 RATED PLASTIC SCREW OVER-MOLDED
USB A TYPE 4 PIN PLUG TO USB B TYPE MALE CONNECTOR

2. CABLE LENGTH IN METERS:

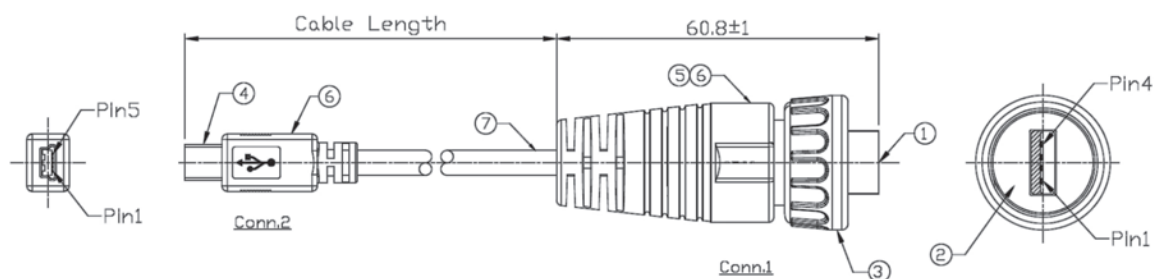
1M, 2M, 2.5M, 3M,...etc.

NOTE: MATES WITH JACK P/N WPUA-04F2 & WPUA-4G4G

WATERPROOF CABLE WITH IP67 RATED PLASTIC SCREW USB A TYPE PLUG TO MINI USB B TYPE PLUG

*RoHS & REACH compliant.

Unit: mm



| | | |
|--------|-------|--------|
| 1 | Red | 1 |
| 2 | White | 2 |
| 3 | Green | 3 |
| 5 | Black | 4 |
| Shell | Drain | Shell |
| Conn.2 | | Conn.1 |

Wiring Diagram

ORDERING INFORMATION:

P/N KWP UA54- xx M B

1. CABLE ASSEMBLY TYPE:

"UA54" WATERPROOF IP67 RATED PLASTIC SCREW OVER-MOLDED
USB A TYPE 4 PIN PLUG TO MINI USB B TYPE 5 PIN PLUG

2. CABLE LENGTH IN METERS:

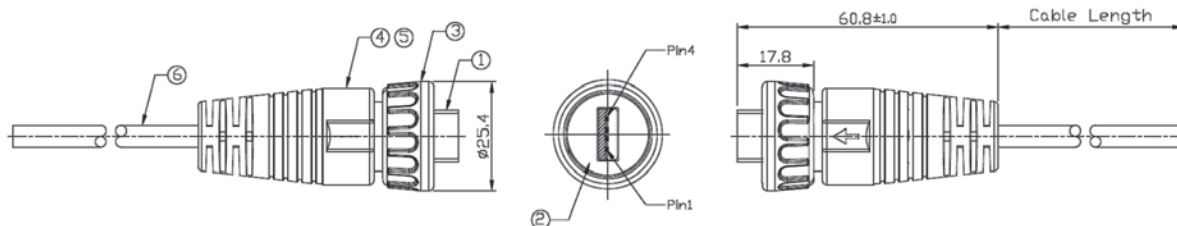
1M, 2M, 2.5M, 3M,...etc.

NOTE: MATES WITH JACK P/N WPUA-04F2 & WPUA-4G4G

WATERPROOF CABLE WITH IP67 RATED PLASTIC SCREW USB A TYPE PLUG TO OPEN END

*RoHS & REACH compliant.

Unit: mm



| | |
|-------|-------|
| 1 | Red |
| 2 | White |
| 3 | Green |
| 4 | Black |
| Shell | Drain |

Wiring Diagram

ORDERING INFORMATION:

P/N **KWP** UA71 - xx **MB**

1. CABLE ASSEMBLY TYPE:

"UA71" WATERPROOF IP67 RATED PLASTIC SCREW OVER-MOLDED
USB A TYPE 4 PIN PLUG TO OPEN END

2. CABLE LENGTH IN METERS:

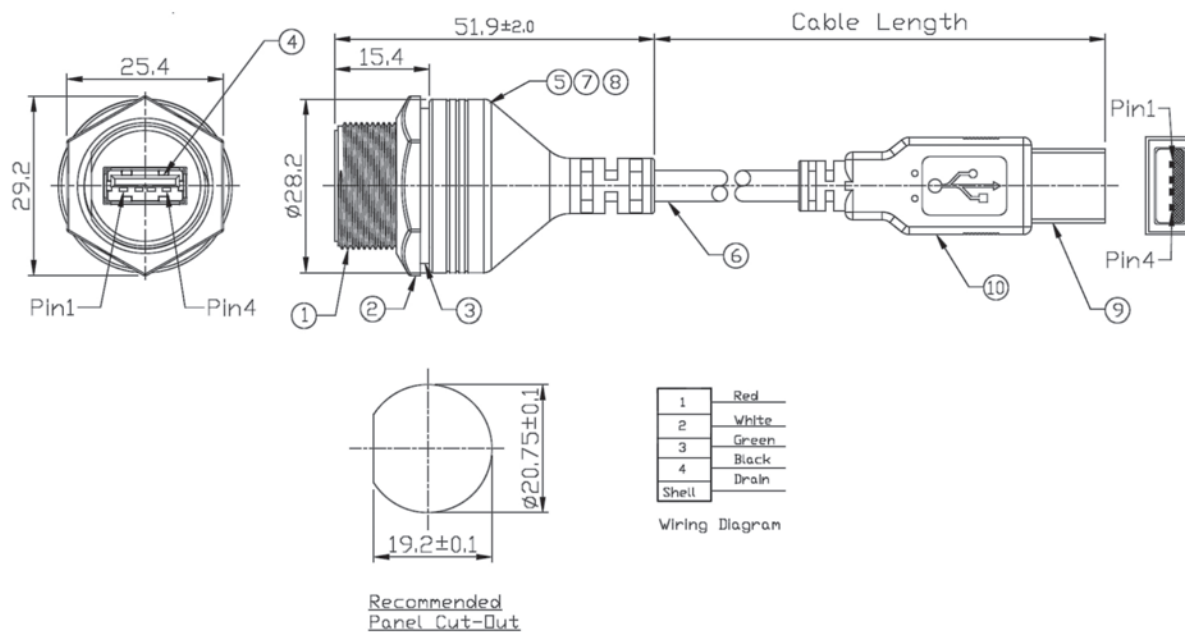
1M, 2M, 2.5M, 3M,...etc.

NOTE: MATES WITH JACK P/N WPUA-04F2 & WPUA-4G4G

WATERPROOF CABLE WITH IP67 RATED PLASTIC SCREW USB A TYPE PLUG TO USB A TYPE PLUG

*RoHS & REACH compliant.

Unit: mm



ORDERING INFORMATION:

P/N **KWP** UA51- xx **M B**

1 2

1. CABLE ASSEMBLY TYPE:

"UA51" WATERPROOF IP67 RATED PLASTIC SCREW OVER-MOLDED
USB A TYPE 4 PIN FEMALE CONNECTOR TO USB A TYPE PLUG

2. CABLE LENGTH IN METERS:

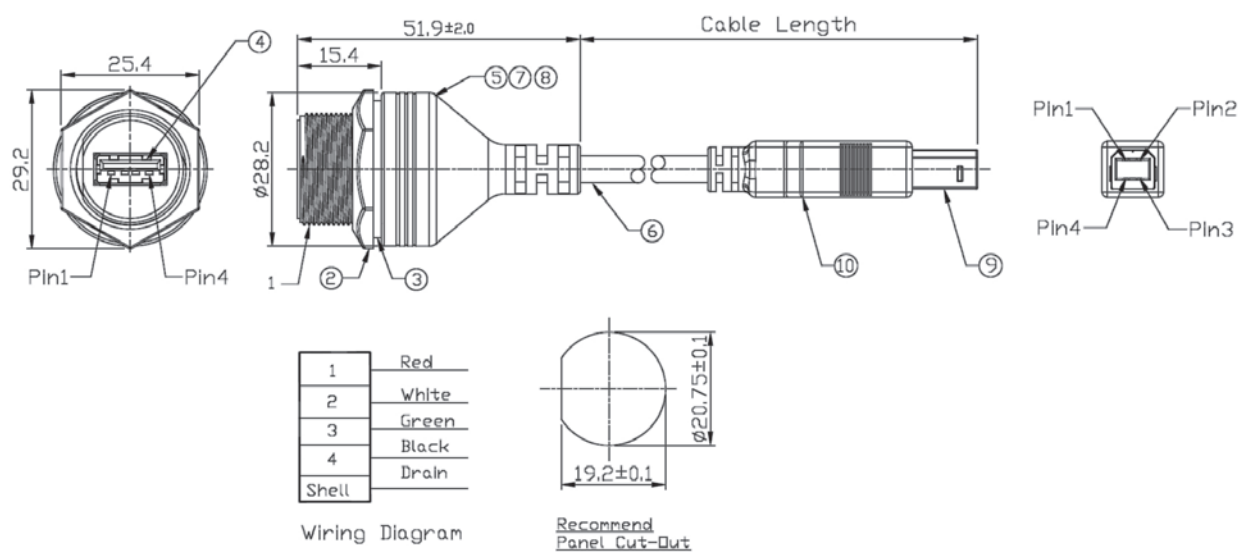
1M, 2M, 2.5M, 3M,...etc.

NOTE: MATES WITH CAP P/N WPUA-CAP03

WATERPROOF CABLE WITH IP67 RATED PLASTIC SCREW USB A TYPE JACK TO USB B TYPE PLUG

*RoHS & REACH compliant.

Unit: mm



ORDERING INFORMATION:

P/N **KWP** UA52- xx **MB**

1 2

1. CABLE ASSEMBLY TYPE:

"UA52" WATERPROOF IP67 RATED PLASTIC SCREW OVER-MOLDED
USB A TYPE 4 PIN FEMALE CONNECTOR TO USB B TYPE PLUG

2. CABLE LENGTH IN METERS:

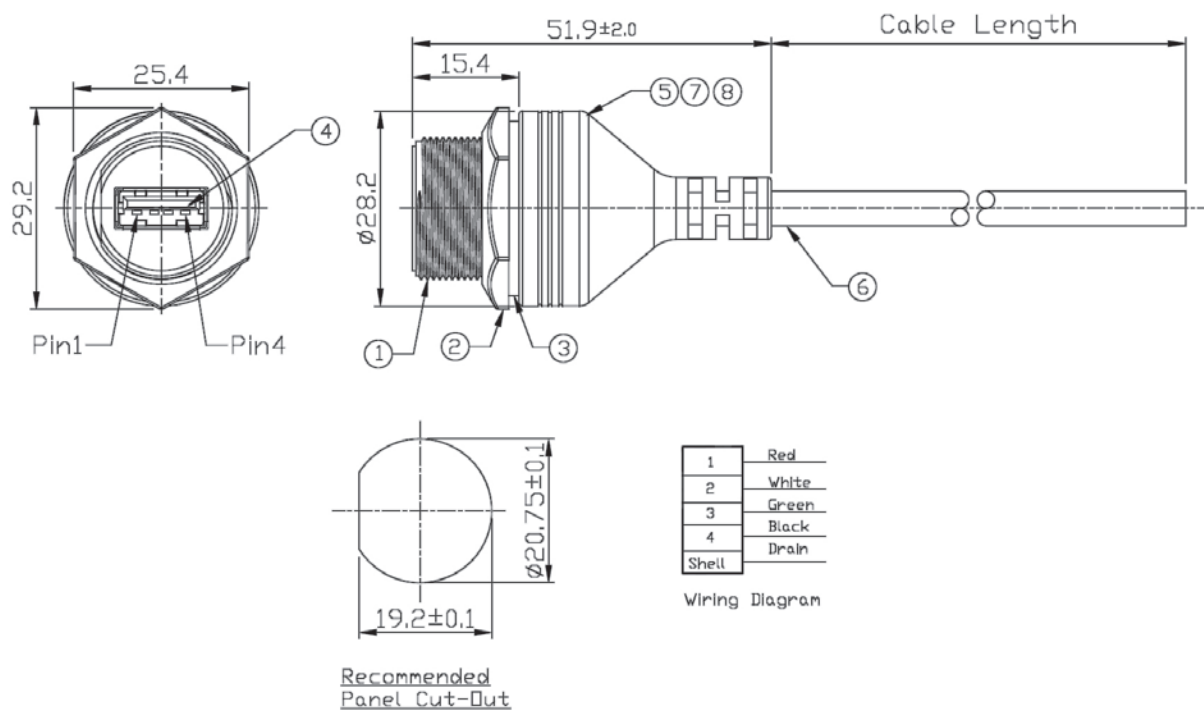
1M, 2M, 2.5M, 3M,...etc.

NOTE: MATES WITH CAP P/N WPUA-CAP01

WATERPROOF CABLE WITH IP67 RATED PLASTIC SCREW USB A TYPE JACK TO OPEN END

*RoHS & REACH compliant.

Unit: mm



ORDERING INFORMATION:

P/N **KWP** UA73-xx **MB**

1 2

1. CABLE ASSEMBLY TYPE:

"UA73" WATERPROOF IP67 RATED PLASTIC SCREW OVER-MOLDED
USB A TYPE 4 PIN FEMALE CONNECTOR TO OPEN END

2. CABLE LENGTH IN METERS:

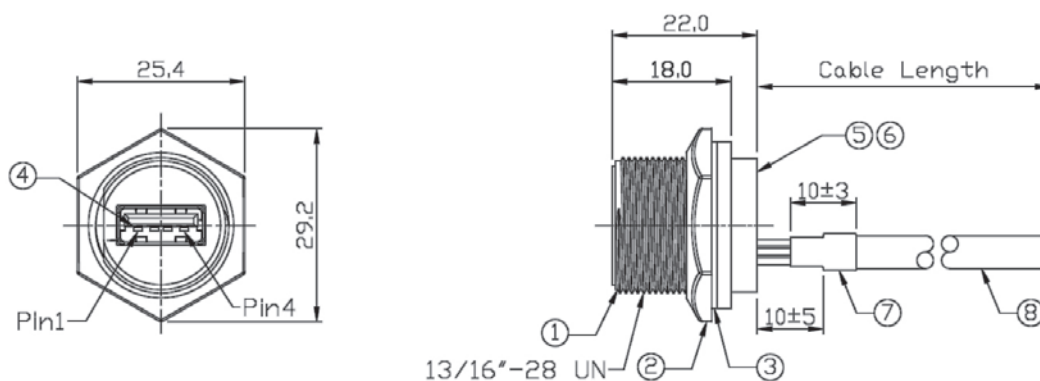
1M, 2M, 2.5M, 3M,...etc.

NOTE: MATES WITH CAP P/N WPUA-CAP03

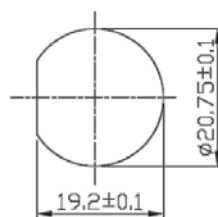
WATERPROOF CABLE WITH IP67 RATED PLASTIC SCREW USB A TYPE PANEL MOUNT JACK TO OPEN END

*RoHS & REACH compliant.

Unit: mm



Wiring Diagram



Recommend
Panel Cut-Out

ORDERING INFORMATION:

P/N **KWP** **UA74** - **xx** **MB**

1. CABLE ASSEMBLY TYPE:

"UA74" WATERPROOF IP67 RATED PLASTIC SCREW USB A TYPE
4 PIN PANEL MOUNT FEMALE CONNECTOR TO OPEN END

2. CABLE LENGTH IN METERS:

1M, 2M, 2.5M, 3M,...etc.

NOTE: MATES WITH CAP P/N WPUA-CAP03

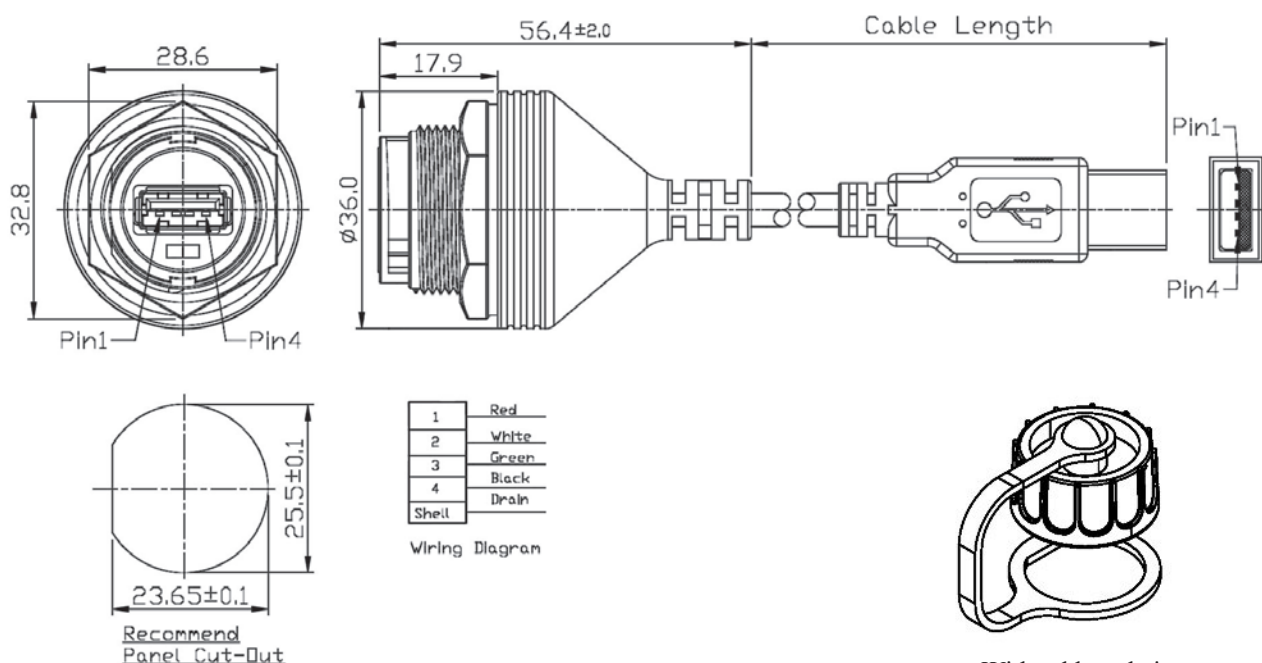
WATERPROOF CABLE WITH IP67 RATED PLASTIC LOCK USB A TYPE PANEL MOUNT JACK TO USB A TYPE PLUG

NOTES:

1. Waterproof Rate: IP67
2. Recommend Panel: 0.8 to 5.0 mm
3. Recommend Torque: 6~7 Kgf-cm
4. Mating Cap P/N: WPUA-CAP01
5. RoHS & REACH Compliance
6. Cable: 28AWG*1P+24AWG*2C

*RoHS & REACH compliant.

Unit: mm



With rubber chain
WPUA-CAP01

ORDERING INFORMATION:

P/N **K W P U A 5 9 - x x M B**

1. CABLE ASSEMBLY TYPE:

"UA59" WATERPROOF IP67 RATED PLASTIC LOCK OVER-MOLDED
USB A TYPE 4 PIN JACK TO USB A TYPE PLUG

2. CABLE LENGTH IN METERS:

1M, 2M, 2.5M, 3M,...etc.

NOTE: MATES WITH CAP P/N WPUA-CAP01

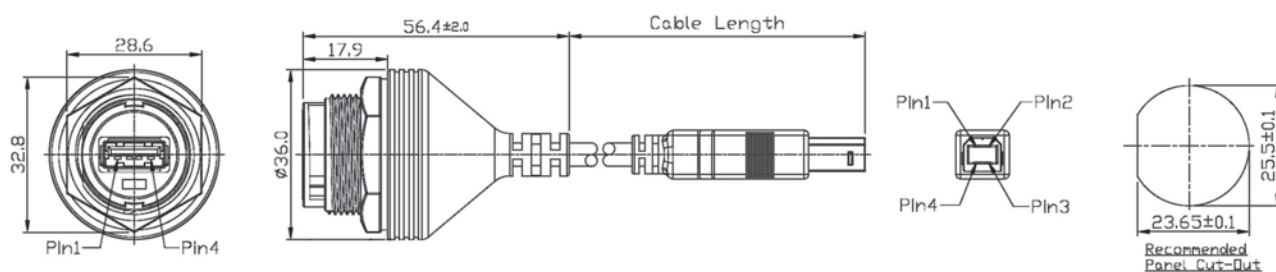
WATERPROOF CABLE WITH IP67 RATED PLASTIC LOCK USB A TYPE PANEL MOUNT JACK TO USB B TYPE PLUG

NOTES:

1. Waterproof Rate: IP67
2. Recommend Panel: 0.8 to 5.0 mm
3. Recommend Torque: 6~7 Kgf-cm
4. Mating Cap P/N: WPUA-CAP01
5. RoHS & REACH Compliance
6. Cable: 28AWG*1P+24AWG*2C

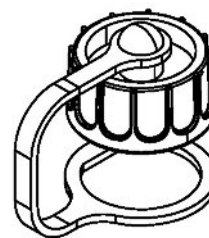
*RoHS & REACH compliant.

Unit: mm



| | |
|-------|-------|
| 1 | Red |
| 2 | White |
| 3 | Green |
| 4 | Black |
| Shell | Drain |

Wiring Diagram



With rubber chain
WPUA-CAP01

ORDERING INFORMATION:

P/N **K W P U A 6 1 - x x M B**

1. CABLE ASSEMBLY TYPE:

"UA61" WATERPROOF IP67 RATED PLASTIC LOCK OVER-MOLDED
USB A TYPE 4 PIN JACK TO USB B TYPE PLUG

2. CABLE LENGTH IN METERS:

1M, 2M, 2.5M, 3M,...etc.

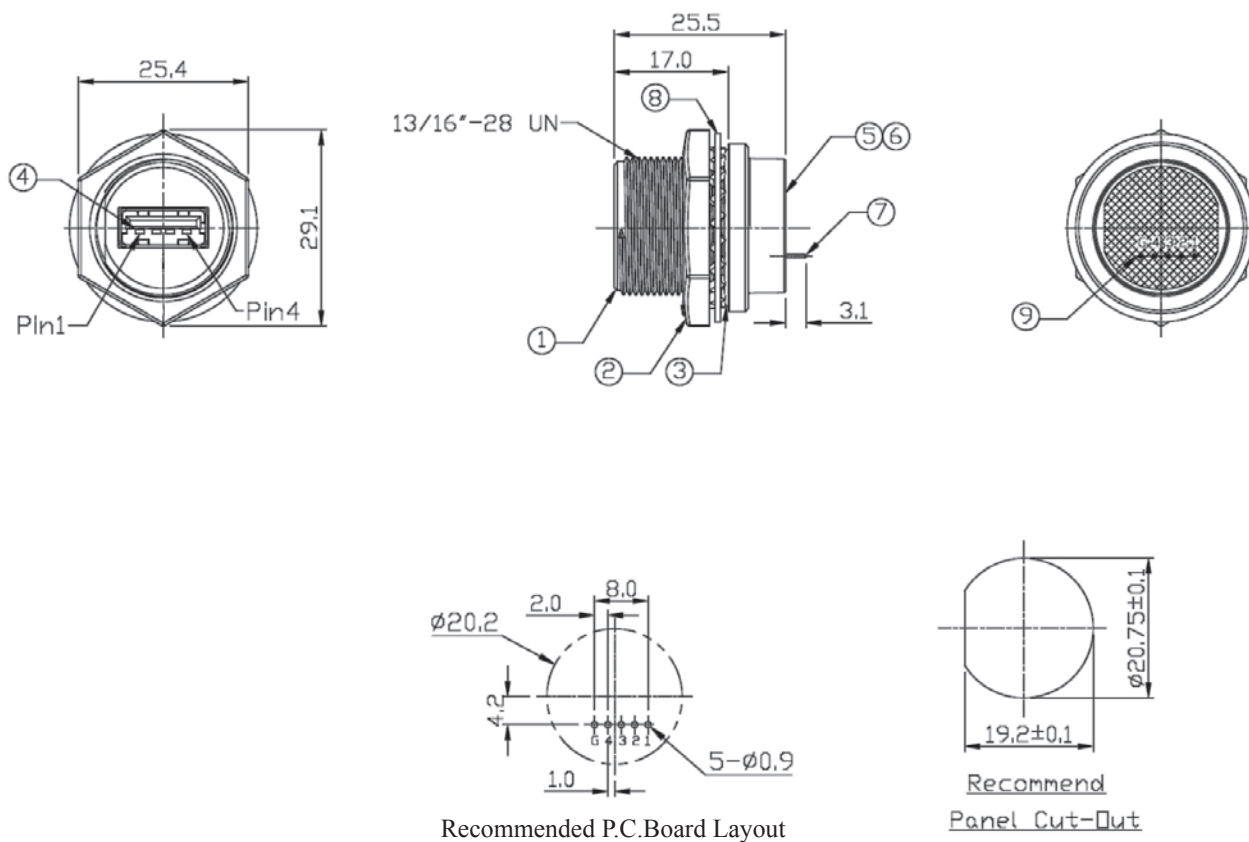
NOTE: MATES WITH CAP P/N WPUA-CAP01

WATERPROOF IP68 RATED METAL SCREW USB 2.0 A TYPE JACK

RECOMMENDED PANEL THICKNESS 0.8~6.0MM

*RoHS & REACH compliant.

Unit: mm



ORDERING INFORMATION:

P/N W P U A - 2 0 A F M

WATERPROOF IP68 RATED USB 2.0 A TYPE
4 PIN METAL SCREW PANEL MOUNT JACK

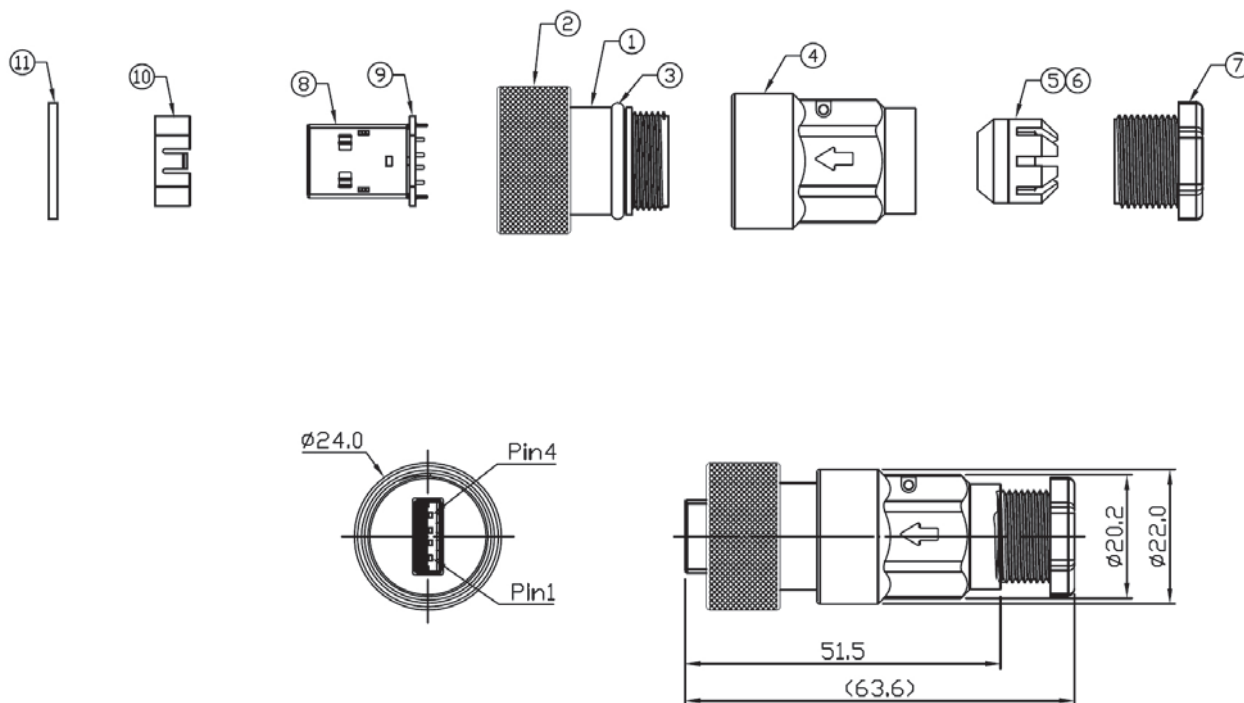
NOTE: MATES WITH CAP P/N WPUA-20CAP3 & WPUA-20CAP4

WATERPROOF IP67 RATED METAL SCREW USB 2.0 A TYPE PLUG

SUITABLE CABLE OD=4.0MM TO 6.0MM

*RoHS & REACH compliant.

Unit: mm



ORDERING INFORMATION:

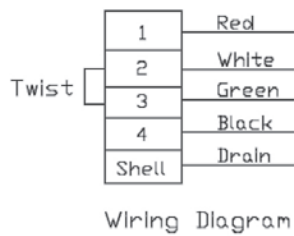
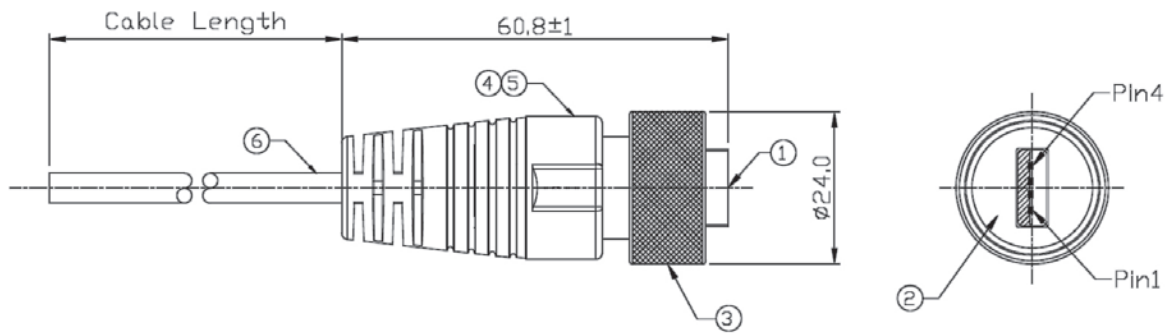
P/N W P U A - 2 0 A M A

WATERPROOF IP67 RATED USB 2.0 A TYPE
4 PIN METAL SCREW CABLE ASSEMBLY PLUG

WATERPROOF CABLE WITH IP68 RATED METAL SCREW USB2.0 A TYPE PLUG TO OPEN END

*RoHS & REACH compliant.

Unit: mm



ORDERING INFORMATION:

P/N K W P U A 2 M - x x M B

1. CABLE ASSEMBLY TYPE:

"UA2M" WATERPROOF IP68 RATED METAL SCREW USB 2.0 A TYPE
4 PIN CABLE END PLUG TO OPEN END

2. CABLE LENGTH IN METERS:

1M, 2M, 2.5M, 3M,...etc.

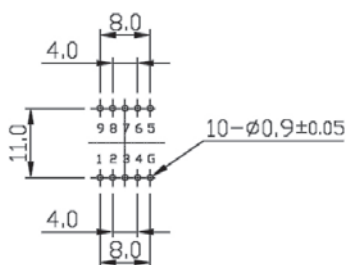
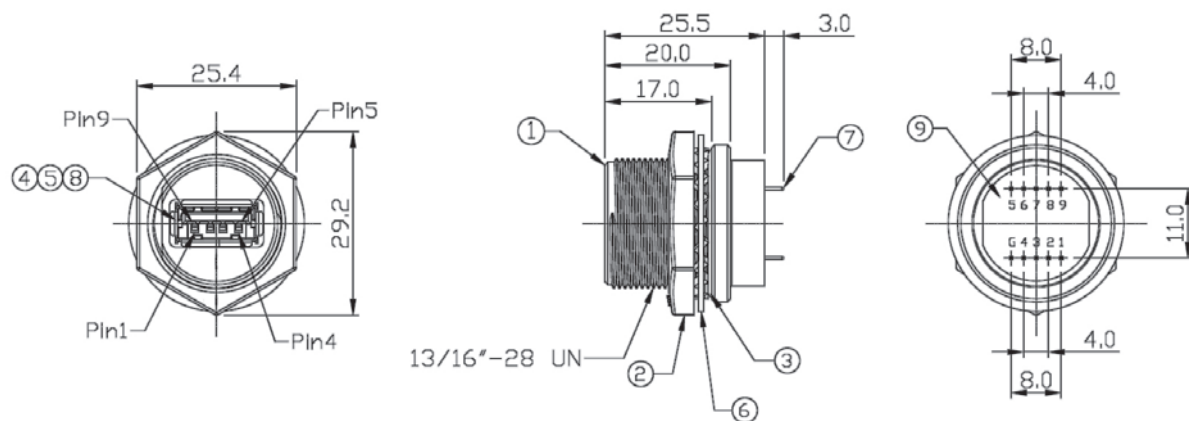
NOTE: MATES WITH JACK P/N WPUA-20AFM

WATERPROOF IP68 RATED USB 3.0 A TYPE METAL SCREW PANEL MOUNT DIP JACK

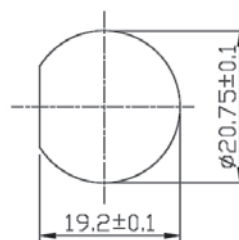
RECOMMENDED PANEL THICKNESS 0.8~6.0MM

*RoHS & REACH compliant.

Unit: mm



Recommended P.C.Board Layout



Recommend Panel Cut-Out

ORDERING INFORMATION:

P/N W P U A - 3 0 A F M

WATERPROOF IP68 RATED USB 3.0 A TYPE
9 PIN METAL SCREW PANEL MOUNT STRAIGHT
PCB MOUNT FEMALE CONNECTOR

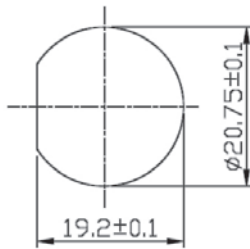
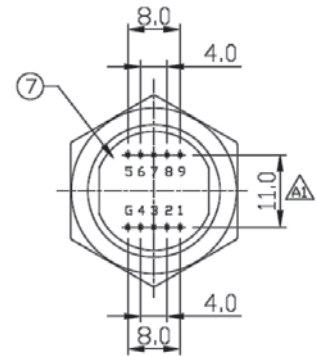
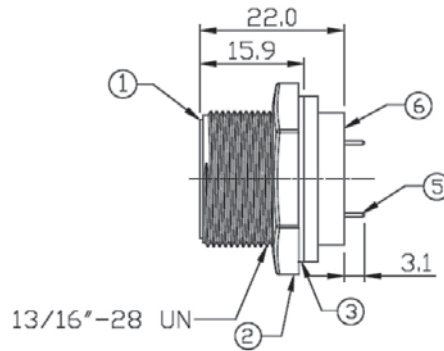
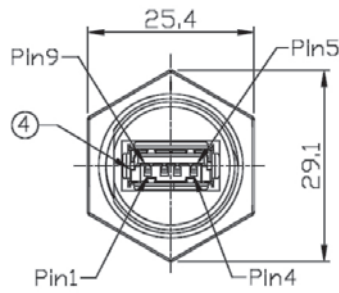
NOTE: MATES WITH CAP P/N WPUA-30CAP3 & WPUA-30CAP4

WATERPROOF IP67 RATED USB 3.0 A TYPE PLASTIC SCREW PANEL MOUNT DIP JACK

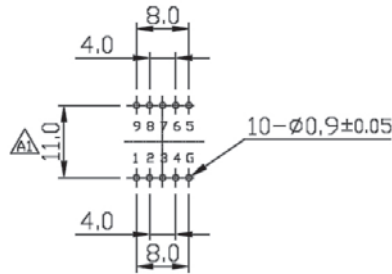
RECOMMENDED PANEL THICKNESS 0.8~6.0MM

*RoHS & REACH compliant.

Unit: mm



Recommend
Panel Cut-Out



Recommended P.C. Board Layout

ORDERING INFORMATION:

P/N W P U A - 3 0 A F P

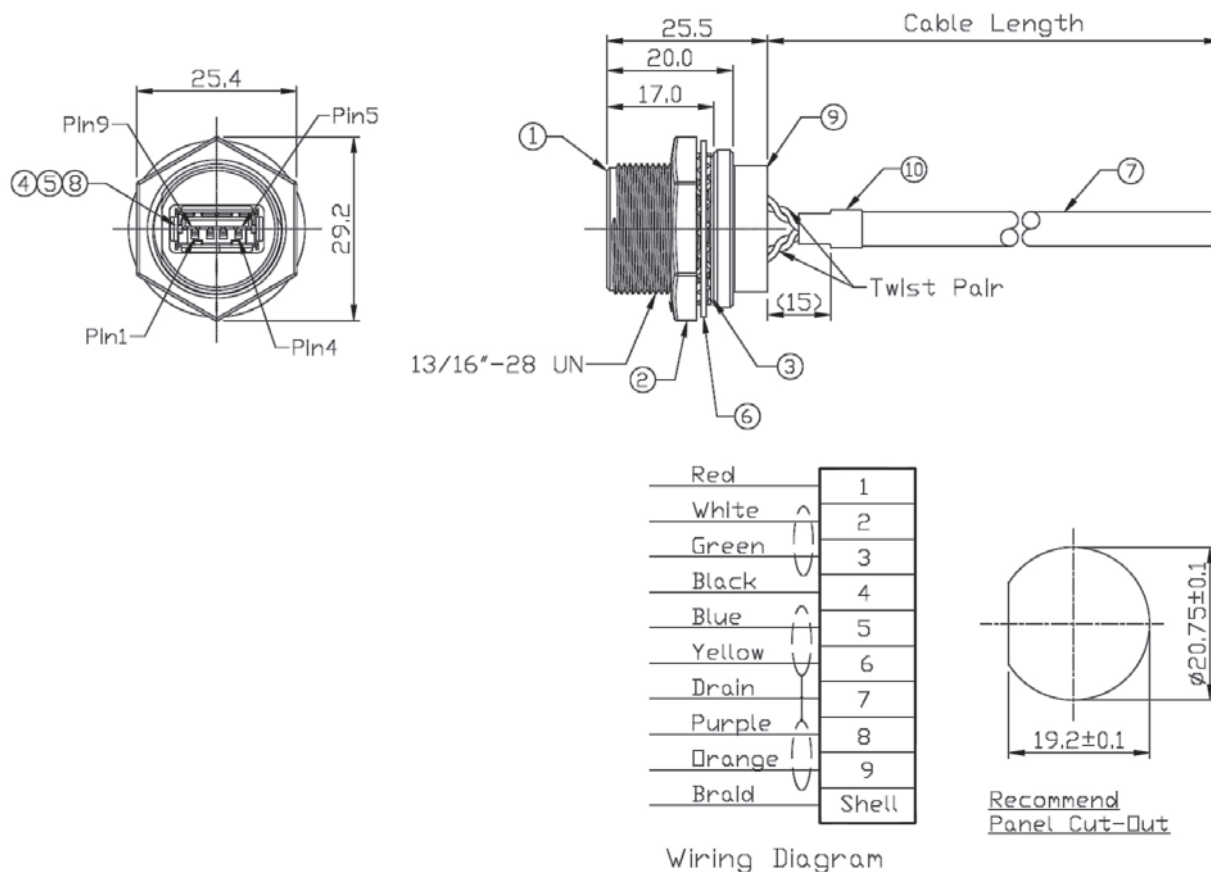
WATERPROOF IP67 RATED USB 3.0 A TYPE
9 PIN PLASTIC SCREW PANEL MOUNT STRAIGHT
PCB MOUNT FEMALE CONNECTOR

NOTE: MATES WITH CAP P/N WPUA-30CAP1 & WPUA-30CAP2

WATERPROOF CABLE WITH IP67 RATED METAL SCREW USB3.0 A TYPE JACK TO OPEN END

*RoHS & REACH compliant.

Unit: mm



ORDERING INFORMATION:

P/N **KWP** **UA3F** - **xx** **MB**

1. CABLE ASSEMBLY TYPE:

"UA3F" WATERPROOF IP67 RATED METAL SCREW
USB3.0 A TYPE FEMALE CONNECTOR TO OPEN END

2. CABLE LENGTH IN METERS:

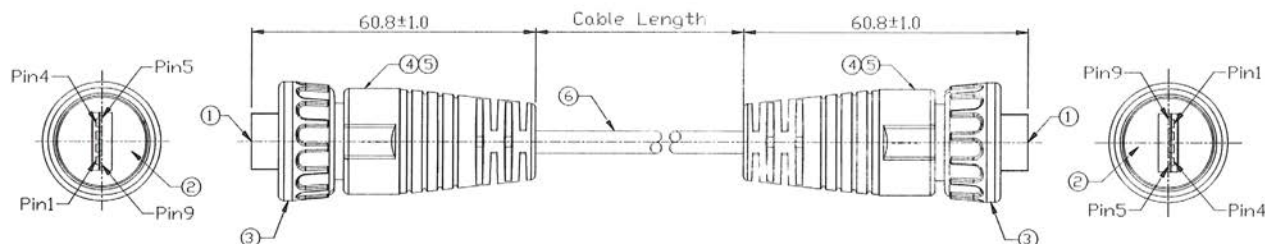
1M, 2M, 2.5M, 3M,...etc.

NOTE: MATES WITH CAP P/N WPUA-30CAP3 & WPUA-30CAP4

WATERPROOF CABLE WITH IP67 RATED PLASTIC SCREW USB3.0 A TYPE PLUG TO PLUG

*RoHS & REACH compliant.

Unit: mm



| | | |
|-------|--------|-------|
| 1 | Red | 1 |
| 2 | White | 2 |
| 3 | Green | 3 |
| 4 | Black | 4 |
| 5 | Blue | 5 |
| 6 | Yellow | 6 |
| 7 | Drain | 7 |
| 8 | Purple | 8 |
| 9 | Orange | 9 |
| Shell | Braid | Shell |

Wiring Diagram

ORDERING INFORMATION:

P/N KWP UA3E - xxMB

1. CABLE ASSEMBLY TYPE:

"UA3E" WATERPROOF IP67 RATED PLASTIC SCREW OVER-MOLDED
USB3.0 A TYPE 9 PIN PLUG TO PLUG

2. CABLE LENGTH IN METERS:

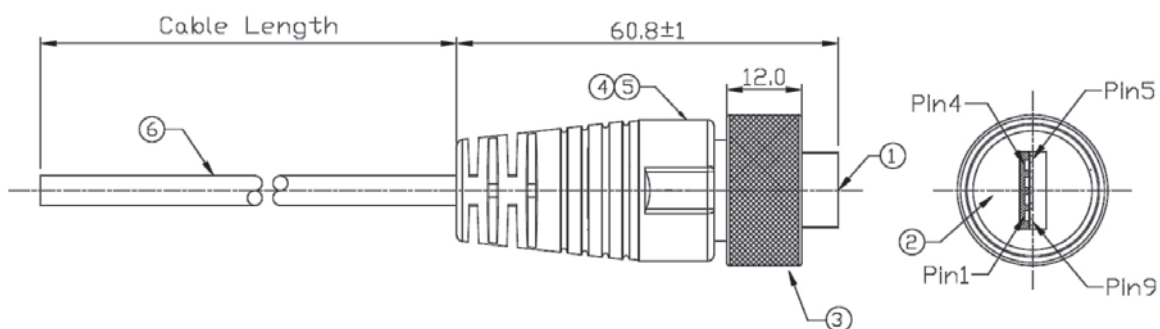
1M, 2M, 2.5M, 3M,...etc.

NOTE: MATES WITH JACK P/N WPUA-30AFP

WATERPROOF CABLE WITH IP67 RATED METAL SCREW USB3.0 A TYPE PLUG TO OPEN END

*RoHS & REACH compliant.

Unit: mm



| | | |
|-------|--------|---|
| 1 | Red | |
| 2 | White | ↕ |
| 3 | Green | ↕ |
| 4 | Black | |
| 5 | Blue | ↕ |
| 6 | Yellow | ↕ |
| 7 | Drain | |
| 8 | Purple | ↕ |
| 9 | Orange | ↕ |
| Shell | Braid | |

Wiring Diagram

ORDERING INFORMATION:

P/N **KWP** **UA3G** - **xxMB**

1 2

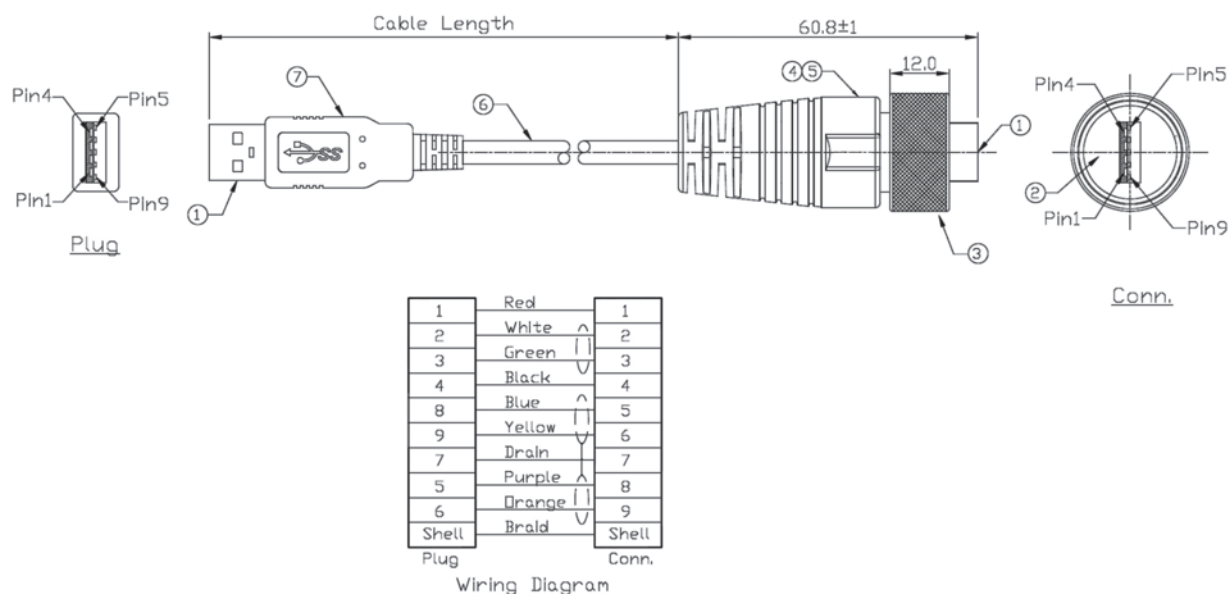
1. CABLE ASSEMBLY TYPE:
"UA3G" WATERPROOF IP67 RATED METAL SCREW
USB3.0 A TYPE 9 PIN PLUG TO OPEN END
2. CABLE LENGTH IN METERS:
1M, 2M, 2.5M, 3M,...etc.

NOTE: MATES WITH JACK P/N WPUA-30AFM

WATERPROOF CABLE WITH IP67 RATED METAL SCREW USB3.0 A TYPE PLUG TO NON-WATERPROOF USB3.0 A TYPE PLUG

*RoHS & REACH compliant.

Unit: mm



ORDERING INFORMATION:

P/N KWP UA3H - xx MB

1. CABLE ASSEMBLY TYPE:

"UA3H" WATERPROOF IP67 RATED METAL SCREW USB3.0 A TYPE 9 PIN PLUG TO NON-WATERPROOF USB3.0 A TYPE PLUG

2. CABLE LENGTH IN METERS:

1M, 2M, 2.5M, 3M,...etc.

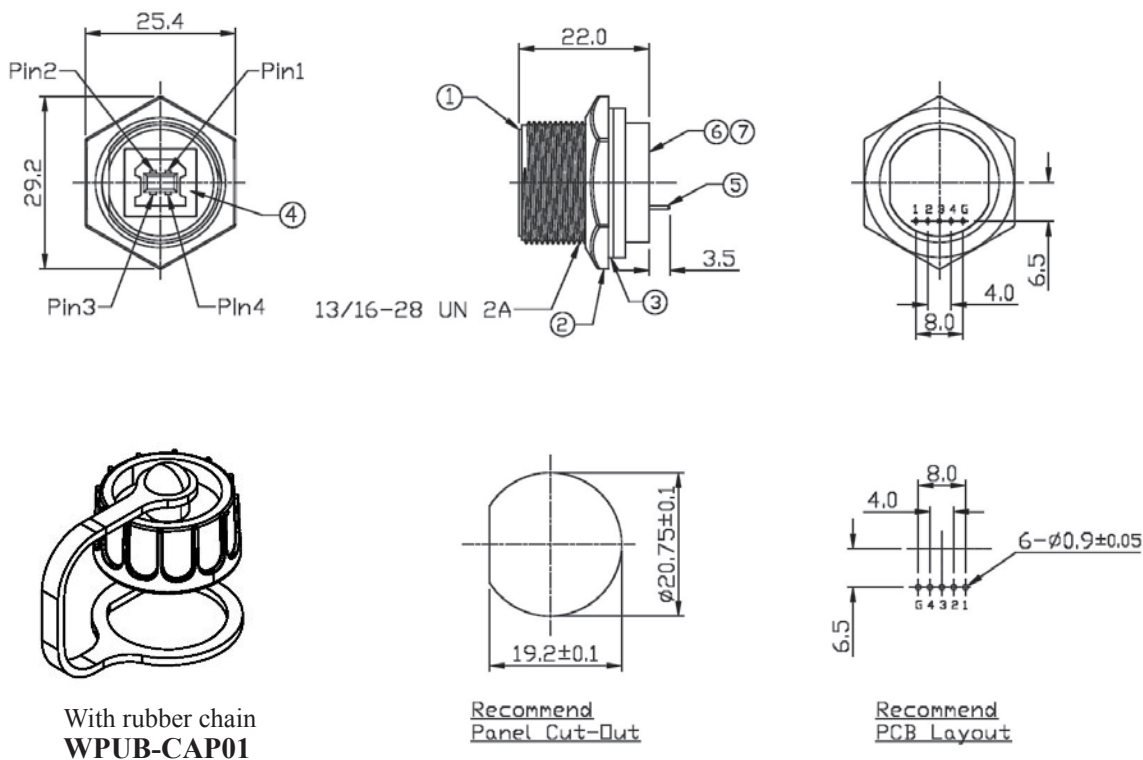
NOTE: MATES WITH JACK P/N WPUA-30AFM

WATERPROOF IP67 RATED PLASTIC LOCK USB B TYPE PANEL MOUNT DIP JACK

RECOMMENDED PANEL THICKNESS 0.8~6.0MM

*RoHS & REACH compliant.

Unit: mm



ORDERING INFORMATION:

P/N WPUB-04F2

WATERPROOF IP67 RATED PLASTIC LOCK USB B TYPE
4 PIN PANEL MOUNT DIP FEMALE CONNECTOR

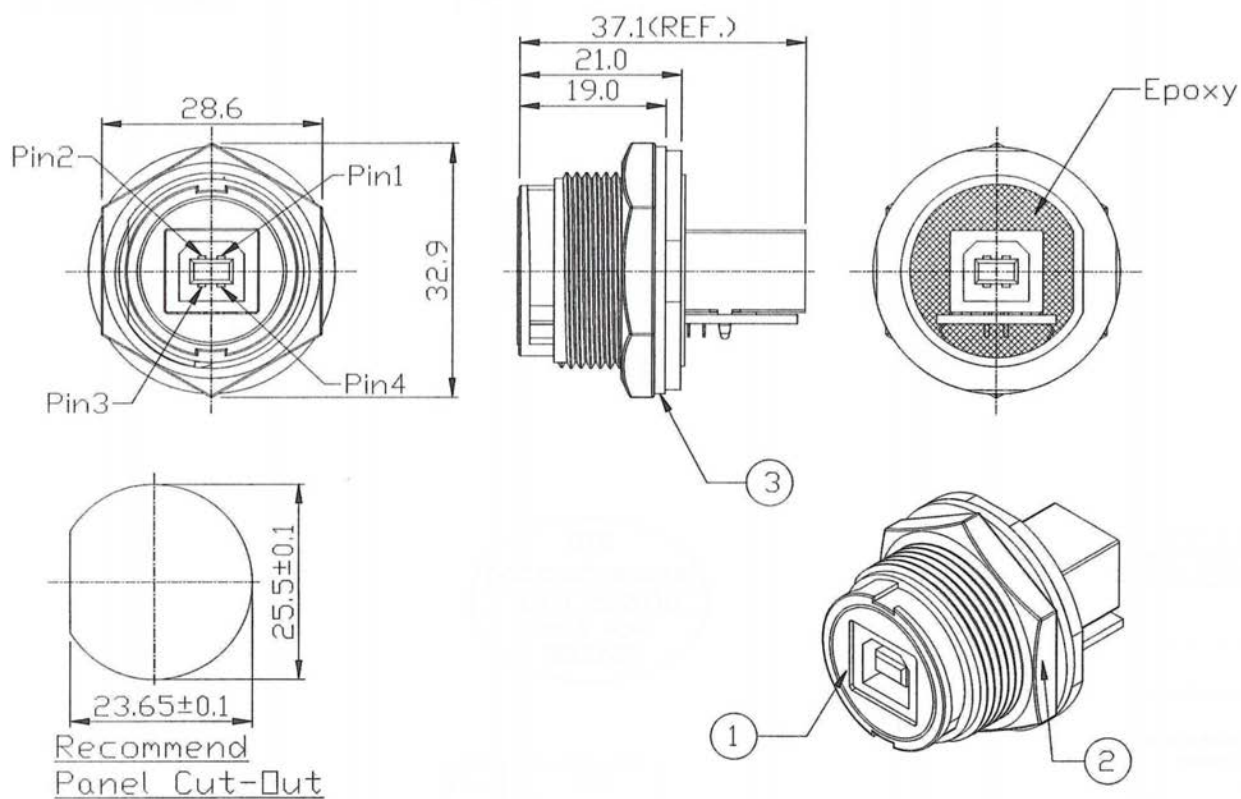
NOTE: MATES WITH WATERPROOF CAP P/N WPUB-CAP01

WATERPROOF IP67 RATED PLASTIC LOCK USB B TYPE RECEPTACLE COUPLER

RECOMMENDED PANEL THICKNESS 0.8~6.0MM

*RoHS & REACH compliant.

Unit: mm



ORDERING INFORMATION:

P/N WPUB-4F4F

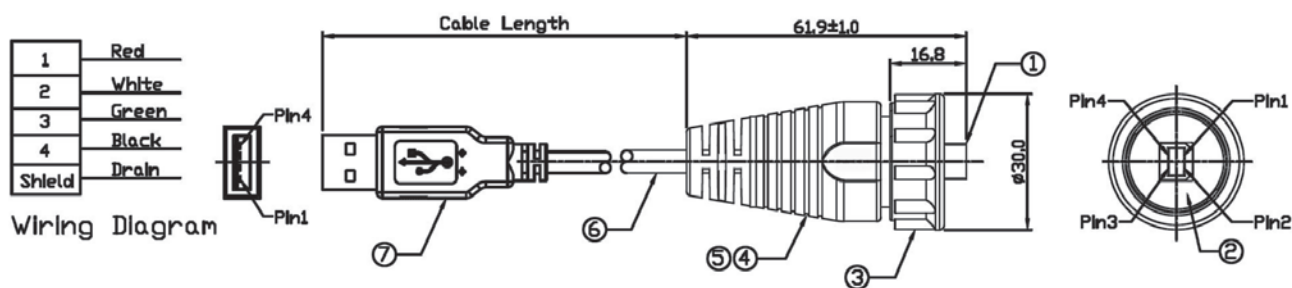
WATERPROOF IP67 RATED PLASTIC LOCK USB B TYPE
4 PIN FEMALE TO FEMALE PANEL MOUNT COUPLER

NOTE: MATES WITH CAP P/N WPUB-CAP03

WATERPROOF CABLE WITH IP67 RATED PLASTIC LOCK USB B TYPE PLUG TO USB A TYPE PLUG

*RoHS & REACH compliant.

Unit: mm



ORDERING INFORMATION:

P/N **KWPUB03 - $\frac{1}{2}$ xx MB**

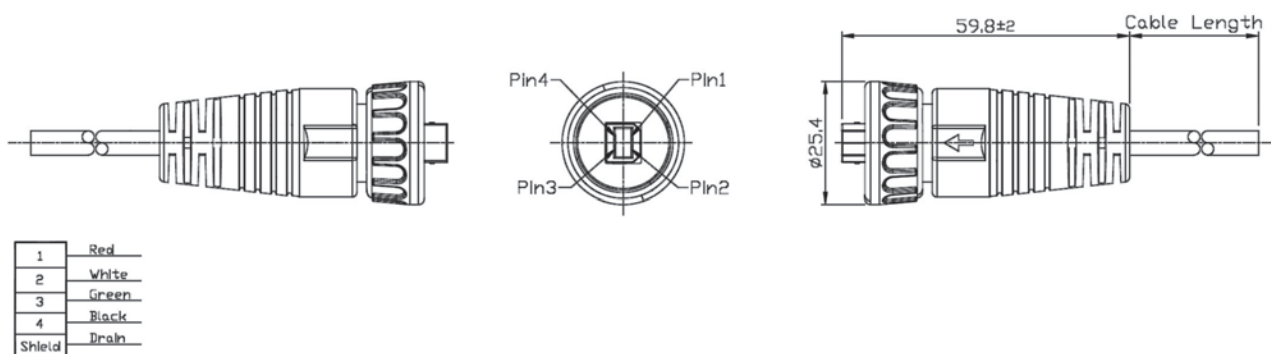
1. CABLE ASSEMBLY TYPE:
"UB03" WATERPROOF IP67 RATED PLASTIC LOCK OVER-MOLDED
USB B TYPE 4 PIN PLUG TO USB A TYPE 4 PIN PLUG
2. CABLE LENGTH IN METERS:
1M, 2M, 2.5M, 3M,...etc.

NOTE: MATES WITH JACK P/N WPUB-04F2 & WPUB-4F4F

WATERPROOF CABLE WITH IP67 RATED PLASTIC LOCK USB B TYPE PLUG TO OPEN END

*RoHS & REACH compliant.

Unit: mm



Wiring Diagram

ORDERING INFORMATION:

P/N **KWPUB02 - 1 2 MB**

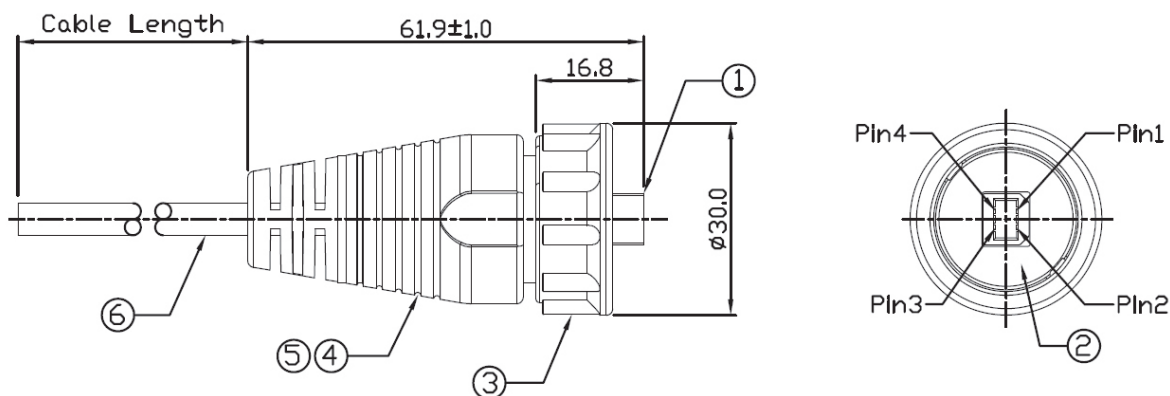
1. CABLE ASSEMBLY TYPE:
"UB02" WATERPROOF IP67 RATED PLASTIC LOCK OVER-MOLDED
USB B TYPE 4 PIN PLUG TO OPEN END
2. CABLE LENGTH IN METERS:
1M, 2M, 2.5M, 3M,...etc.

NOTE: MATES WITH JACK P/N WPUB-04F2 & WPUB-4F4F

WATERPROOF CABLE WITH IP67 RATED PLASTIC LOCK USB B TYPE PLUG TO OPEN END

*RoHS & REACH compliant.

Unit: mm



| | |
|--------|-------|
| 1 | Red |
| 2 | White |
| 3 | Green |
| 4 | Black |
| Shield | Drain |

Wiring Diagram

ORDERING INFORMATION:

P/N **KWPUB14 - XXMB**

1. CABLE ASSEMBLY TYPE:

"UB14" WATERPROOF IP67 RATED PLASTIC LOCK OVER-MOLDED
USB B TYPE 4 PIN PLUG TO OPEN END

2. CABLE LENGTH IN METERS:

1M, 2M, 2.5M, 3M,...etc.

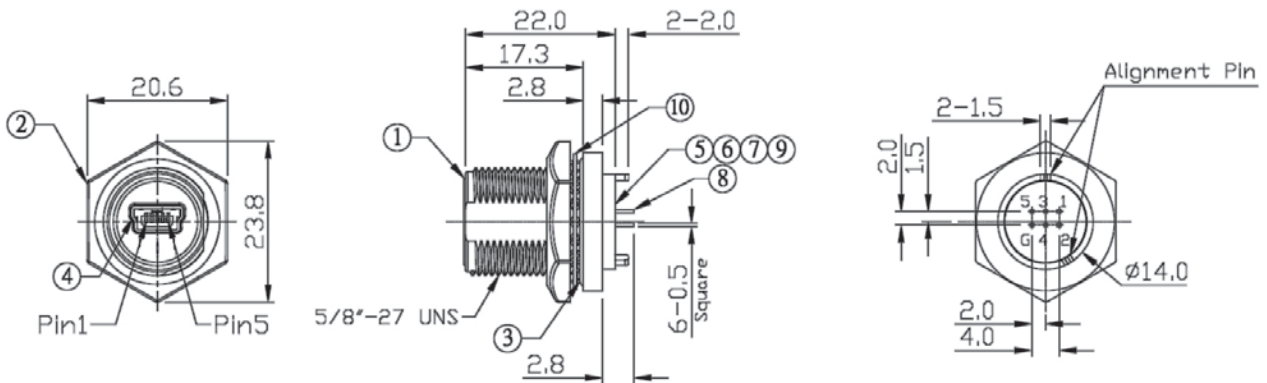
NOTE: MATES WITH JACK P/N WPUB-04F2 & WPUB-4F4F

WATERPROOF IP68 RATED MINI USB B TYPE PANEL MOUNT JACK METAL SCREW TYPE

RECOMMENDED PANEL THICKNESS 0.8~8.0MM

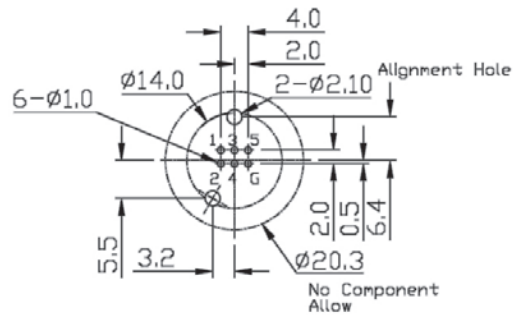
*RoHS & REACH compliant.

Unit: mm



| | |
|-------|-------|
| 1 | Red |
| 2 | White |
| 3 | Green |
| 4 | N/C |
| 5 | Black |
| Shell | Drain |

Wiring Diagram



Recommended P.C. Board Layout

ORDERING INFORMATION:

P/N WPUM-05F1

WATERPROOF IP68 RATED METAL SCREW MINI USB
B TYPE 5 PIN PANEL MOUNT JACK

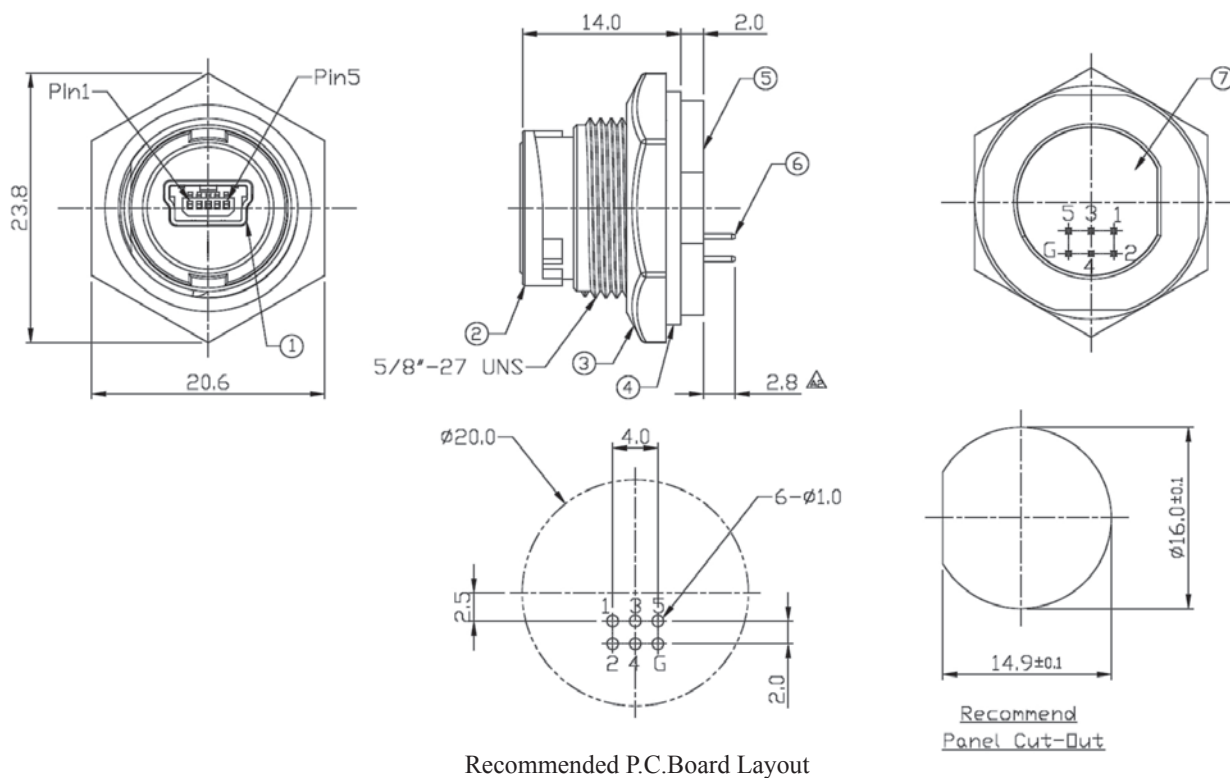
NOTE: MATES WITH CAP P/N WPUM-CAP05 & WPUM-CAP06

WATERPROOF IP67 RATED MINI USB B TYPE PANEL MOUNT JACK PLASTIC LOCK TYPE

RECOMMENDED PANEL THICKNESS 0.8~3.0MM

*RoHS & REACH compliant.

Unit: mm



ORDERING INFORMATION:

P/N WPUM-05F2

WATERPROOF IP67 RATED PLASTIC LOCK MINI USB
B TYPE 5 PIN PANEL MOUNT JACK

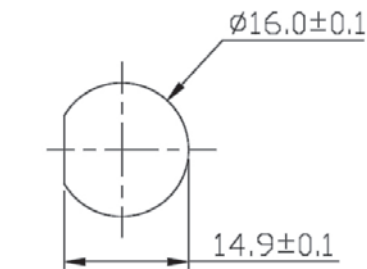
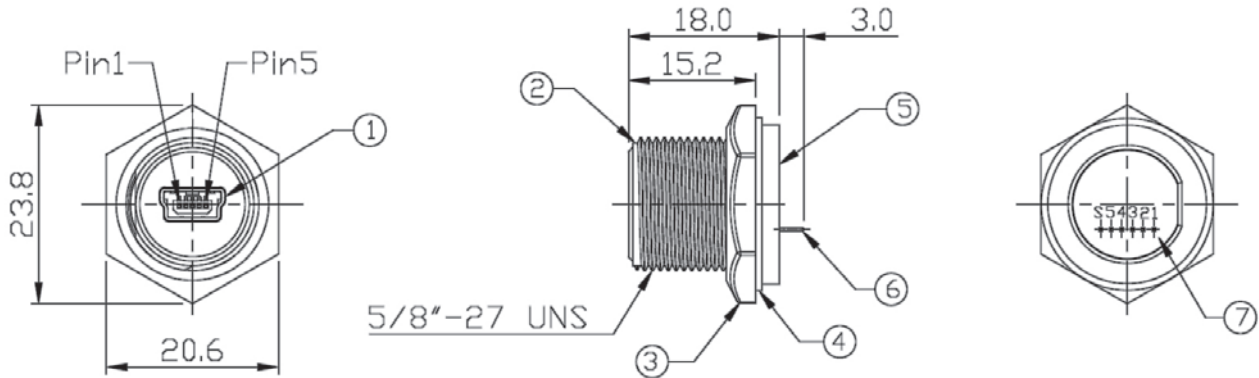
NOTE: MATES WITH CAP P/N WPUM-CAP02

WATERPROOF IP67 RATED MINI USB B TYPE PANEL MOUNT DIP JACK PLASTIC SCREW TYPE

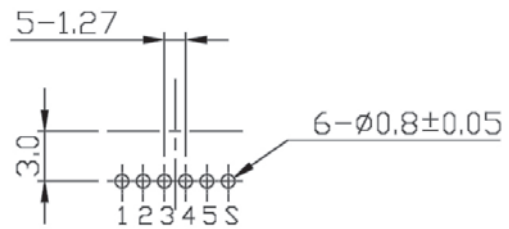
RECOMMENDED PANEL THICKNESS 0.8~6.0MM

*RoHS & REACH compliant.

Unit: mm



Recommend
Panel Cut-Out



Recommended P.C.Board Layout

ORDERING INFORMATION:

P/N WPUM-05F3

WATERPROOF IP67 RATED PLASTIC SCREW MINI USB
B TYPE 5 PIN JACK PANEL MOUNT DIP TYPE

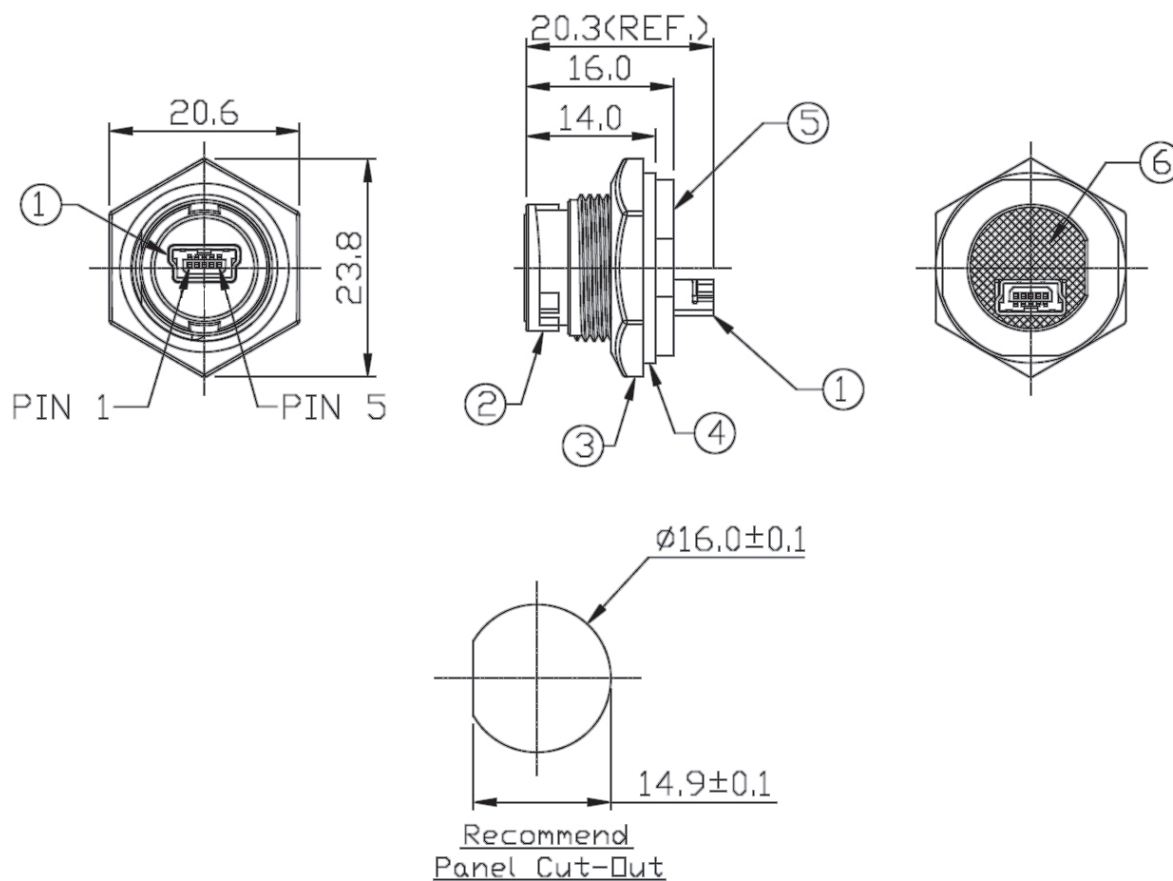
NOTE: MATES WITH CAP P/N WPUM-CAP05

WATERPROOF IP67 RATED MINI USB B TYPE FEMALE TO FEMALE PANEL MOUNT COUPLER PLASTIC LOCK TYPE

RECOMMENDED PANEL THICKNESS 0.8~3.0MM

*RoHS & REACH compliant.

Unit: mm



ORDERING INFORMATION:

P/N WPUM-5F5F

WATERPROOF IP67 RATED PLASTIC LOCK MINI USB
B TYPE 5 PIN FEMALE TO FEMALE PANEL MOUNT COUPLER

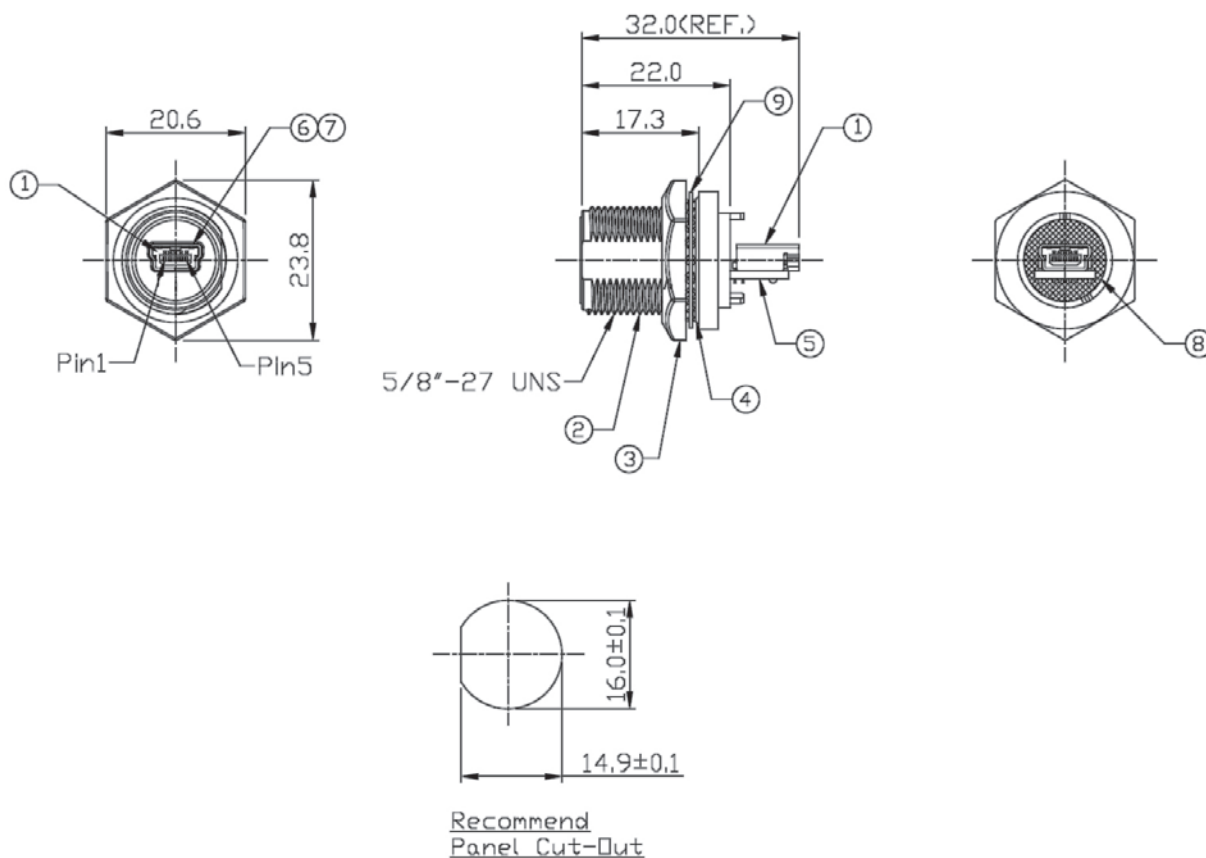
NOTE: MATES WITH CAP P/N WPUM-CAP02

WATERPROOF IP68 RATED MINI USB B TYPE FEMALE TO FEMALE PANEL MOUNT COUPLER METAL SCREW TYPE

RECOMMENDED PANEL THICKNESS 0.8~8.0MM

*RoHS & REACH compliant.

Unit: mm



ORDERING INFORMATION:

P/N WPUM - 5 G 5 G

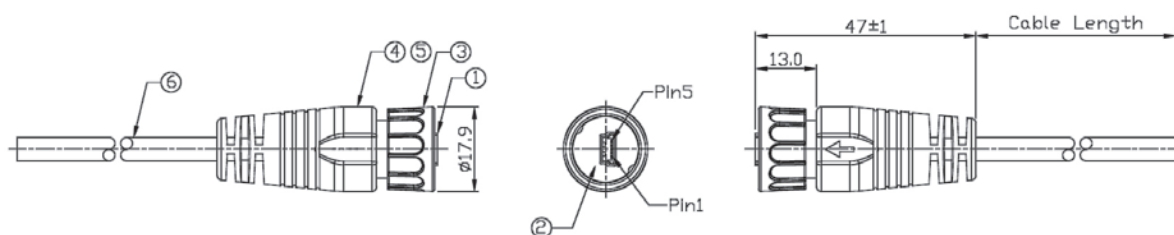
WATERPROOF IP68 RATED METAL SCREW MINI USB
B TYPE 5 PIN FEMALE TO FEMALE PANEL MOUNT COUPLER

NOTE: MATES WITH CAP P/N WPUM-CAP05 & WPUM-CAP06

WATERPROOF CABLE WITH IP67 RATED PLASTIC LOCK MINI USB B TYPE PLUG TO OPEN END

*RoHS & REACH compliant.

Unit: mm



| | |
|-------|-------|
| 1 | Red |
| 2 | White |
| 3 | Green |
| 4 | N/C |
| 5 | Black |
| Shell | Drain |

Wiring Diagram

ORDERING INFORMATION:

P/N **KWPUM11 - xxMB**

1. CABLE ASSEMBLY TYPE:

"UM11" WATERPROOF IP67 RATED PLASTIC LOCK OVER-MOLDED
MINI USB B TYPE 5 PIN PLUG TO OPEN END

2. CABLE LENGTH IN METERS:

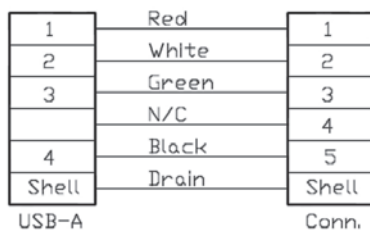
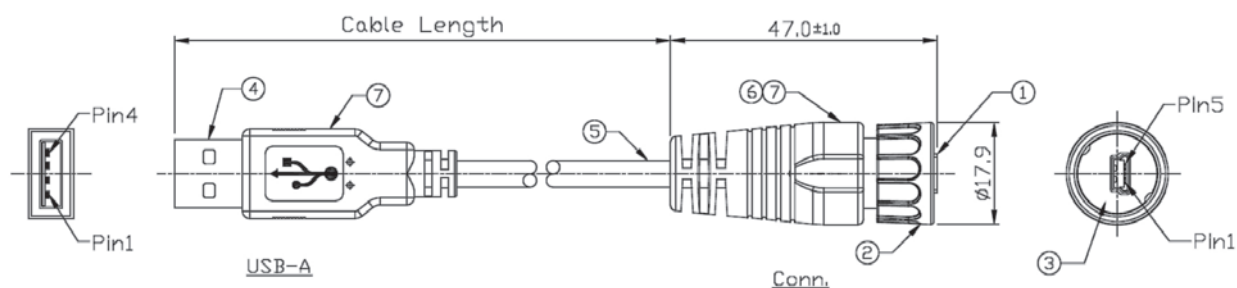
1M, 2M, 2.5M, 3M,...etc.

NOTE: MATES WITH JACK P/N WPUM-05F2 & WPUM-5F5F

WATERPROOF CABLE WITH IP67 RATED PLASTIC LOCK MINI USB B TYPE PLUG TO USB A TYPE PLUG

*RoHS & REACH compliant.

Unit: mm



Wiring Diagram

ORDERING INFORMATION:

P/N **KWPUM13** - **xx**MB
1 2

1. CABLE ASSEMBLY TYPE:

"UM13" WATERPROOF IP67 RATED PLASTIC LOCK OVER-MOLDED
MINI USB B TYPE 5 PIN PLUG TO USB A TYPE PLUG

2. CABLE LENGTH IN METERS:

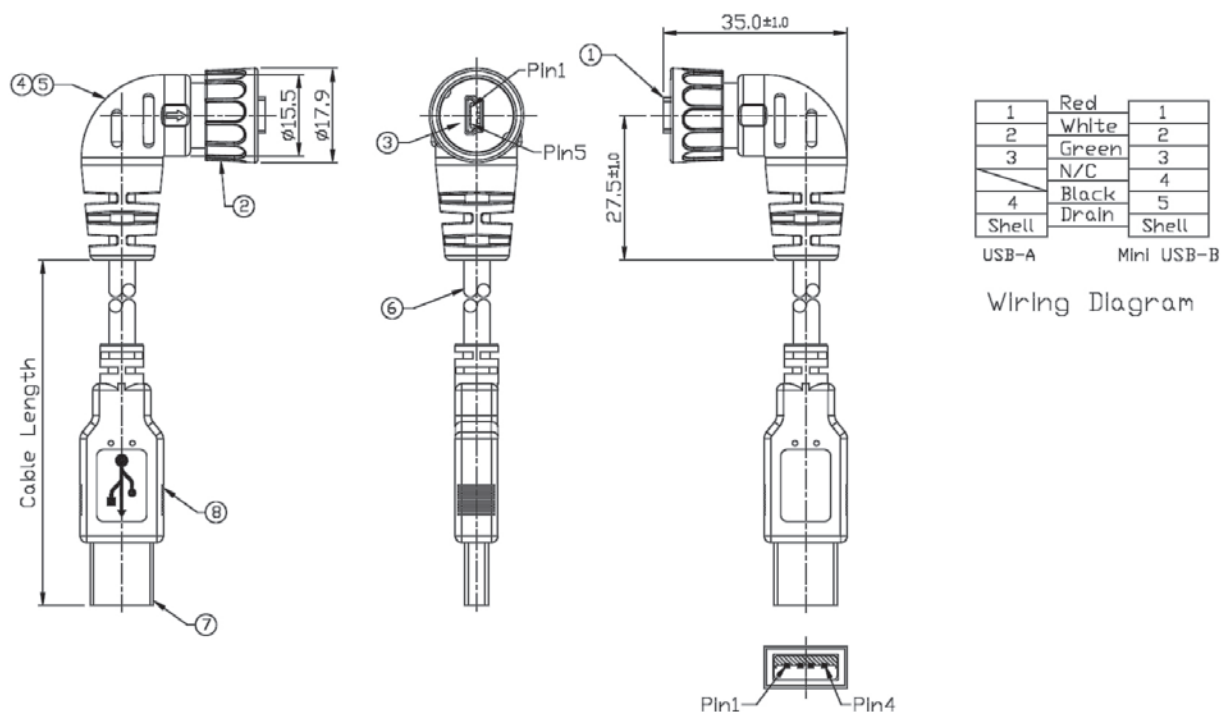
1M, 2M, 2.5M, 3M,...etc.

NOTE: MATES WITH JACK P/N WPUM-05F2 & WPUM-5F5F

WATERPROOF CABLE WITH IP67 RATED PLASTIC LOCK RIGHT ANGLE MINI USB B TYPE PLUG TO USB A TYPE PLUG

*RoHS & REACH compliant.

Unit: mm



ORDERING INFORMATION:

P/N **KWPUM15 - xxMB**

1 2

- CABLE ASSEMBLY TYPE:
"UM15" WATERPROOF IP67 RATED PLASTIC LOCK
OVER-MOLDED RIGHT ANGLE MINI USB B
TYPE 5 PIN PLUG TO USB A TYPE PLUG

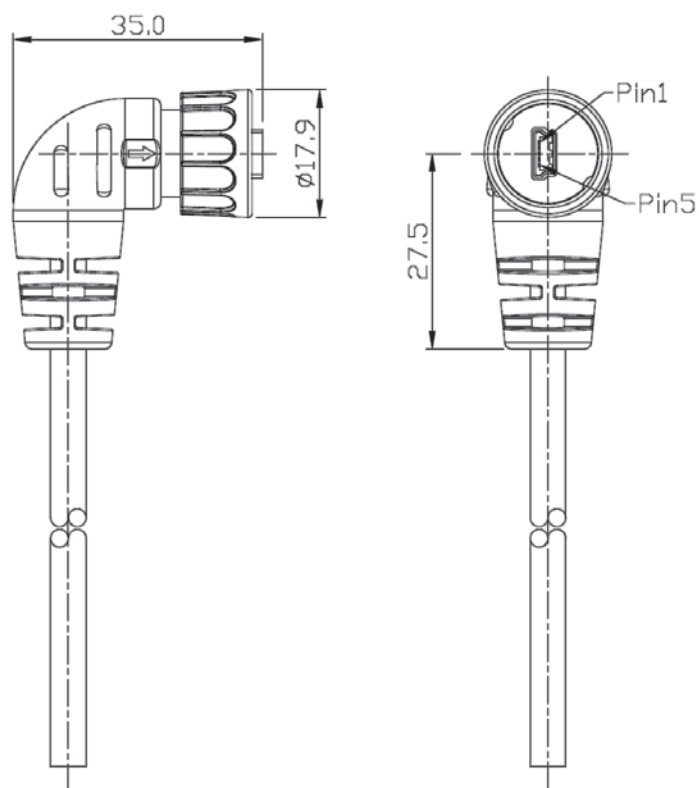
- CABLE LENGTH IN METERS:
1M, 2M, 2.5M, 3M,...etc.

NOTE: MATES WITH JACK P/N WPUM-05F2 & WPUM-5F5F

WATERPROOF CABLE WITH IP67 RATED PLASTIC LOCK RIGHT ANGLE MINI USB B TYPE PLUG TO OPEN END

*RoHS & REACH compliant.

Unit: mm



ORDERING INFORMATION:

P/N **KWPUM14 - xxMB**

1. CABLE ASSEMBLY TYPE:

"UM14" WATERPROOF IP67 RATED PLASTIC LOCK OVER-MOLDED
RIGHT ANGLE MINI USB B TYPE 5 PIN PLUG TO OPEN END

2. CABLE LENGTH IN METERS:

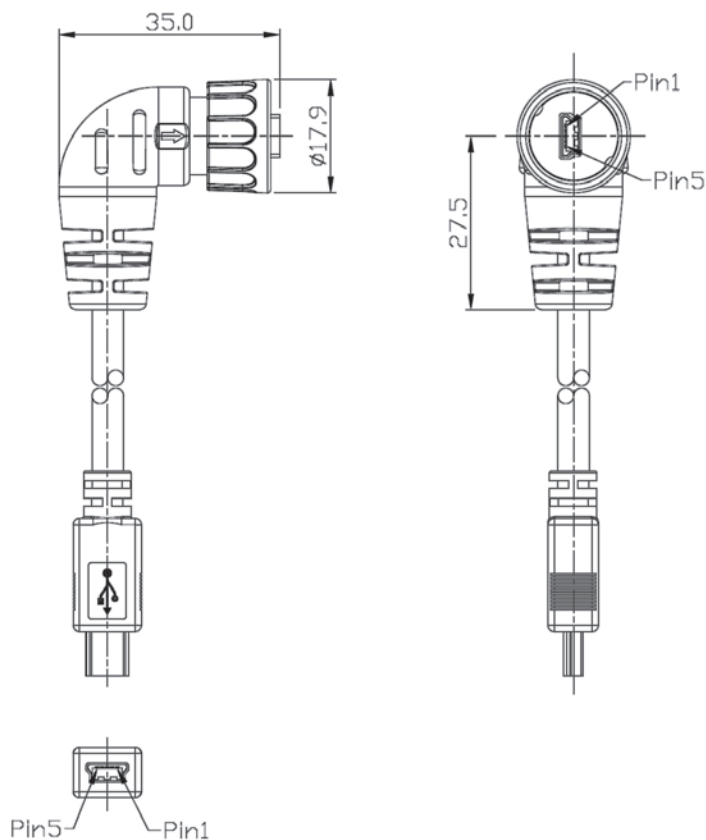
1M, 2M, 2.5M, 3M,...etc.

NOTE: MATES WITH JACK P/N WPUM-05F2 & WPUM-5F5F

WATERPROOF CABLE WITH IP67 RATED PLASTIC LOCK RIGHT ANGLE MINI USB B TYPE PLUG TO MINI USB B TYPE PLUG

*RoHS & REACH compliant.

Unit: mm



ORDERING INFORMATION:

P/N **KWPUM16** - **xx** MB
1 2

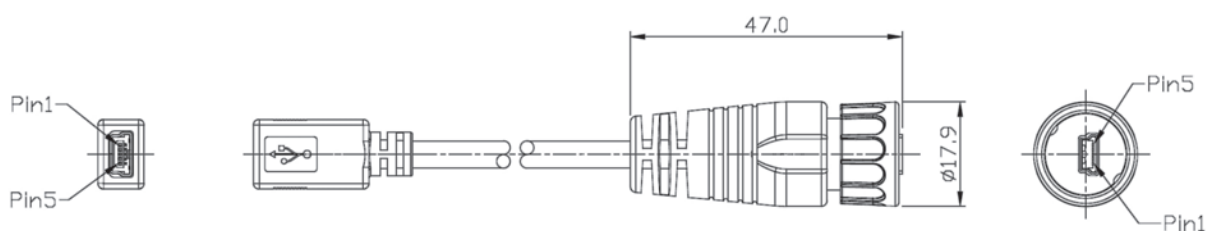
1. CABLE ASSEMBLY TYPE:
"UM16" WATERPROOF IP67 RATED PLASTIC LOCK
OVER-MOLDED RIGHT ANGLE MINI USB B
TYPE 5 PIN PLUG TO MINI USB B TYPE PLUG
2. CABLE LENGTH IN METERS:
1M, 2M, 2.5M, 3M,...etc.

NOTE: MATES WITH JACK P/N WPUM-05F2 & WPUM-5F5F

WATERPROOF CABLE WITH IP67 RATED PLASTIC LOCK MINI USB B TYPE PLUG TO MINI USB B TYPE JACK

*RoHS & REACH compliant.

Unit: mm



ORDERING INFORMATION:

P/N KWPUM12 - $\frac{1}{1}$ $\frac{2}{2}$ MB

1. CABLE ASSEMBLY TYPE:

"UM12" WATERPROOF IP67 RATED PLASTIC LOCK OVER-MOLDED
MINI USB B TYPE 5 PIN PLUG TO MINI USB B TYPE 5 PIN JACK

2. CABLE LENGTH IN METERS:

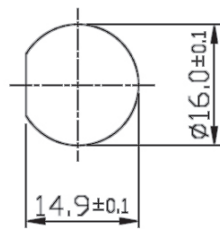
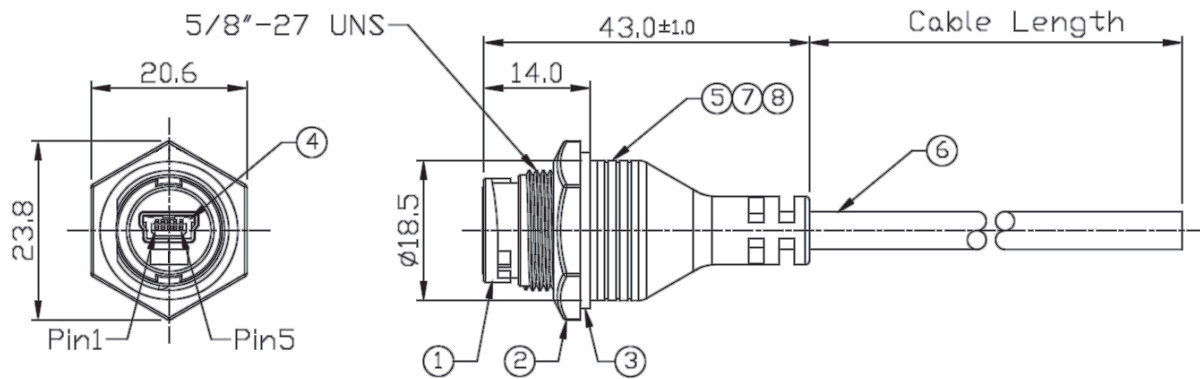
1M, 2M, 2.5M, 3M,...etc.

NOTE: MATES WITH JACK P/N WPUM-05F2 & WPUM-5F5F

WATERPROOF CABLE WITH IP67 RATED PLASTIC LOCK MINI USB B TYPE JACK TO OPEN END

*RoHS & REACH compliant.

Unit: mm



Recommend
Panel Cut-Out

| | |
|-------|-------|
| 1 | Red |
| 2 | White |
| 3 | Green |
| 4 | N/C |
| 5 | Black |
| Shell | Drain |

Wiring Diagram

ORDERING INFORMATION:

P/N KWPUM09 - xxMB

1. CABLE ASSEMBLY TYPE:

"UM09" WATERPROOF IP67 RATED PLASTIC LOCK OVER-MOLDED
MINI USB B TYPE 5 PIN PANEL MOUNT JACK TO OPEN END

2. CABLE LENGTH IN METERS:

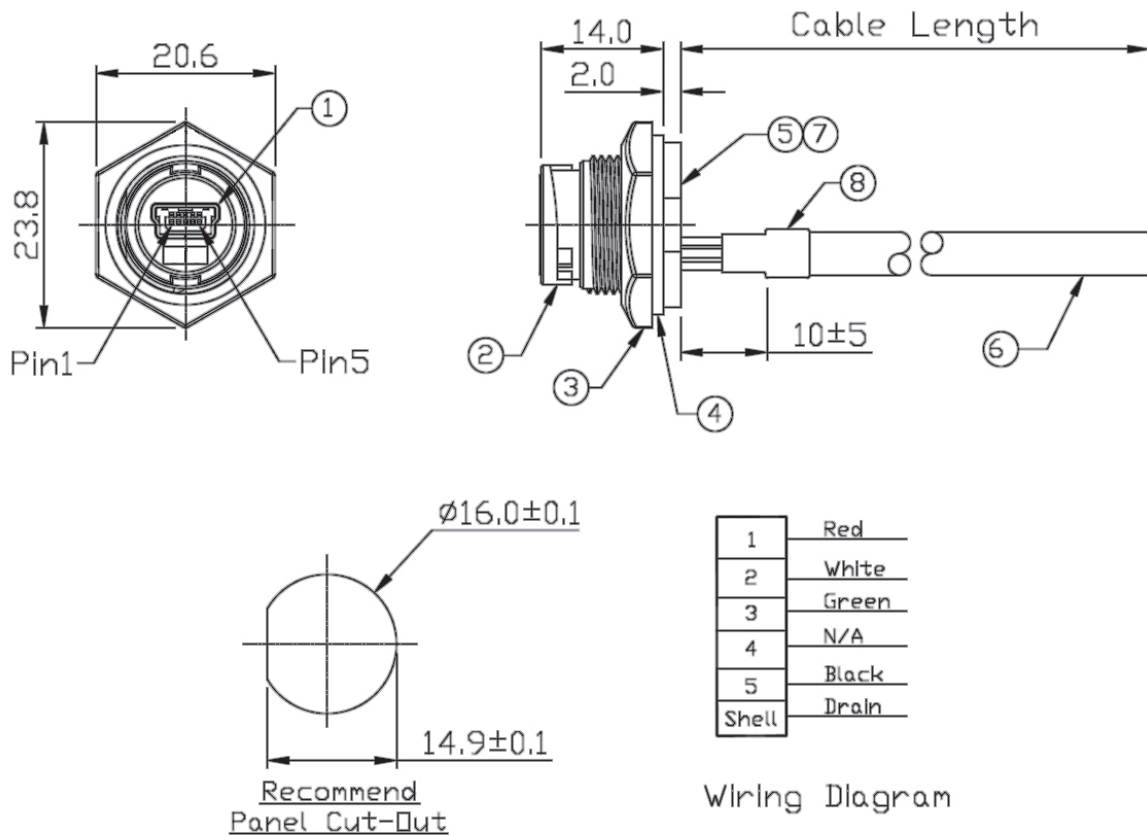
1M, 2M, 2.5M, 3M,...etc.

NOTE: MATES WITH CAP P/N WPUM-CAP02

WATERPROOF CABLE WITH IP67 RATED PLASTIC LOCK MINI USB B TYPE PANEL MOUNT JACK TO OPEN END

*RoHS & REACH compliant.

Unit: mm



ORDERING INFORMATION:

P/N **KWPUM18 - XXMB**

1. CABLE ASSEMBLY TYPE:

"UM18" WATERPROOF IP67 RATED PLASTIC LOCK MINI USB B TYPE
5 PIN PANEL MOUNT JACK TO OPEN END

2. CABLE LENGTH IN METERS:

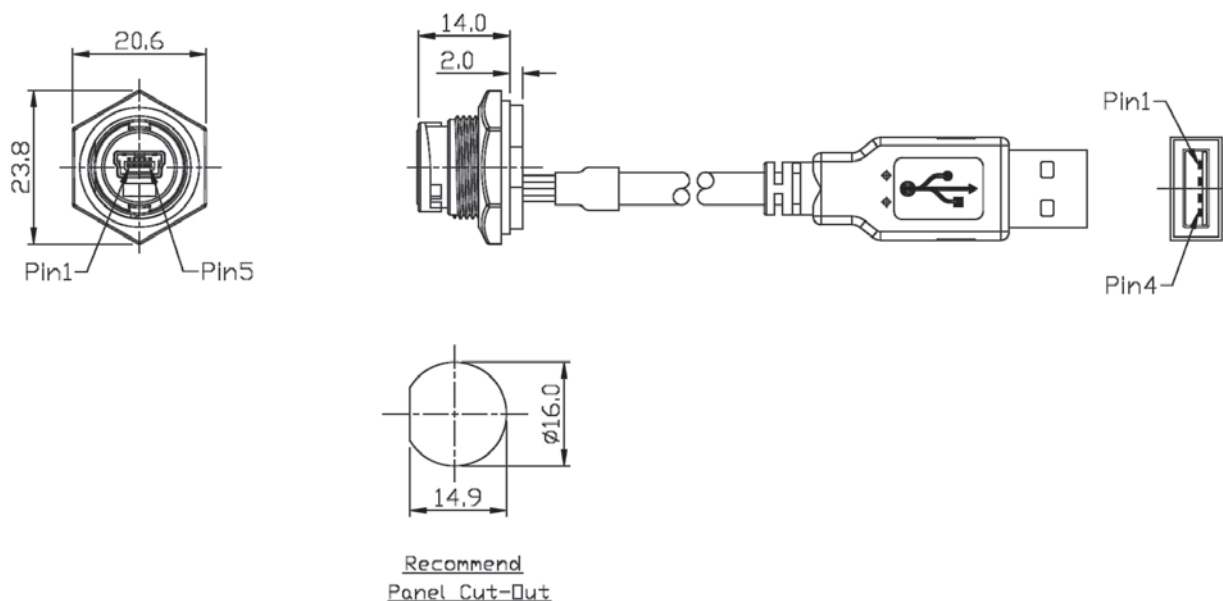
1M, 2M, 2.5M, 3M,...etc.

NOTE: MATES WITH CAP P/N WPUM-CAP03

WATERPROOF CABLE WITH IP67 RATED PLASTIC LOCK MINI USB B TYPE PANEL MOUNT JACK TO USB A TYPE PLUG

*RoHS & REACH compliant.

Unit: mm



ORDERING INFORMATION:

P/N KWPUM19 - $\frac{x}{1}$ $\frac{x}{2}$ MB

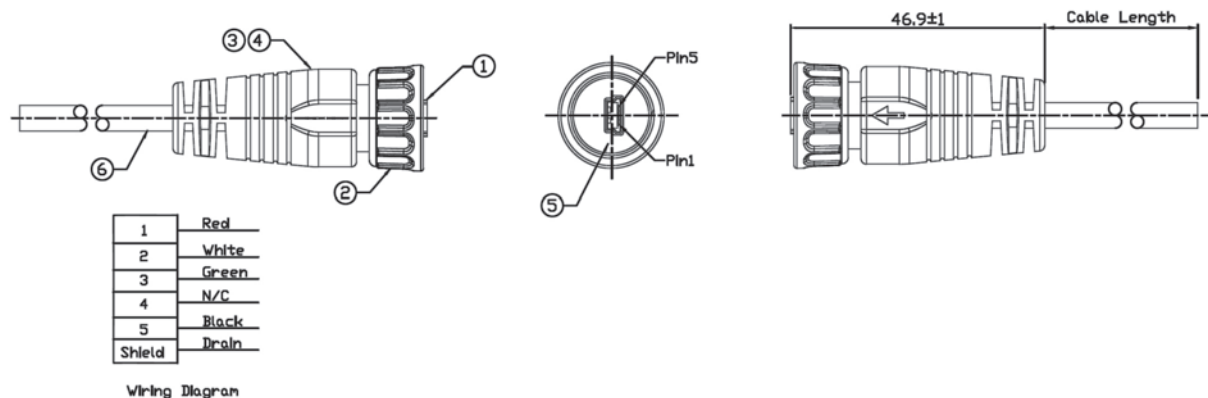
1. CABLE ASSEMBLY TYPE:
"UM19" WATERPROOF IP67 RATED PLASTIC LOCK MINI USB B TYPE
5 PIN PANEL MOUNT JACK TO USB A TYPE PLUG
2. CABLE LENGTH IN METERS:
1M, 2M, 2.5M, 3M,...etc.

NOTE: MATES WITH CAP P/N WPUM-CAP02

WATERPROOF CABLE WITH IP68 RATED METAL SCREW MINI USB B TYPE PLUG TO OPEN END

*RoHS & REACH compliant.

Unit: mm



ORDERING INFORMATION:

P/N K W P UM 25 - xx M B

1. CABLE ASSEMBLY TYPE:

"UM25" WATERPROOF IP68 RATED METAL SCREW OVER-MOLDED
MINI USB B TYPE 5 PIN PLUG TO OPEN END

2. CABLE LENGTH IN METERS:

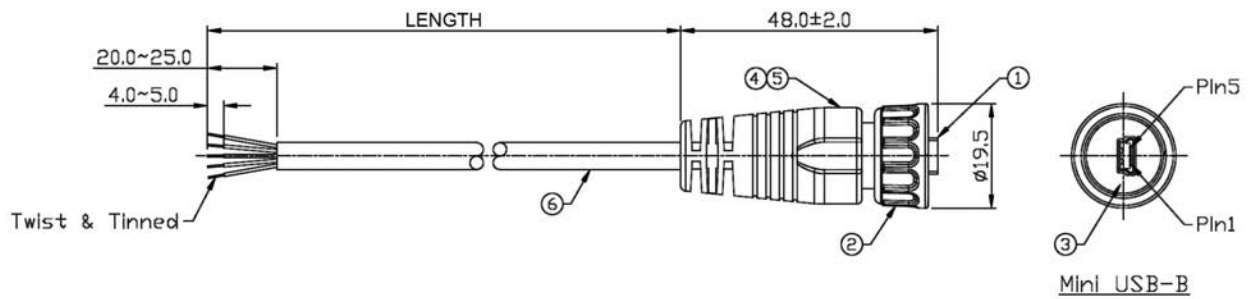
1M, 2M, 2.5M, 3M,...etc.

NOTE: MATES WITH JACK P/N WPUM-05F1 & WPUM-5G5G

WATERPROOF CABLE WITH IP68 RATED METAL SCREW MINI USB B TYPE PLUG TO TINNED END

*RoHS & REACH compliant.

Unit: mm



Mini USB-B

Wiring Diagram

ORDERING INFORMATION:

P/N **KWPUM01** - **xx**MB
1 2

1. CABLE ASSEMBLY TYPE:

"UM01" WATERPROOF IP68 RATED METAL SCREW OVER-MOLDED
MINI USB B TYPE 5 PIN PLUG TO 4~5MM TINNED END

2. CABLE LENGTH IN METERS:

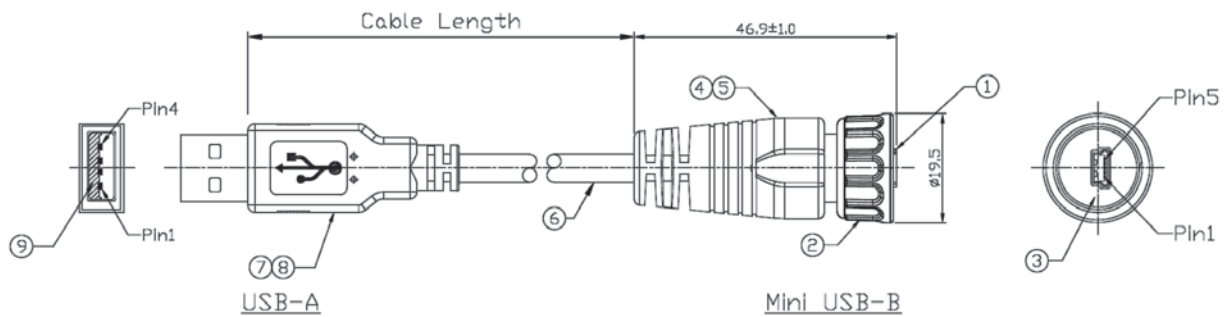
1M, 2M, 2.5M, 3M,...etc.

NOTE: MATES WITH JACK P/N WPUM-05F1 & WPUM-5G5G

WATERPROOF CABLE WITH IP68 RATED METAL SCREW MINI USB B TYPE PLUG TO USB A TYPE PLUG

*RoHS & REACH compliant.

Unit: mm



| | | | |
|-------|-------|-------|-------|
| 1 | Red | 24AWG | 1 |
| 2 | White | 28AWG | 2 |
| 3 | Green | 28AWG | 3 |
| | N/C | | 4 |
| 4 | Black | 24AWG | 5 |
| Shell | Drain | | Shell |

USB-A

Mini USB-B

Wiring Diagram

ORDERING INFORMATION:

P/N **KWPUM26-xxMB**

1. CABLE ASSEMBLY TYPE:

"UM26" WATERPROOF IP68 RATED METAL SCREW OVER-MOLDED
MINI USB B TYPE 5 PIN PLUG TO USB A TYPE PLUG

2. CABLE LENGTH IN METERS:

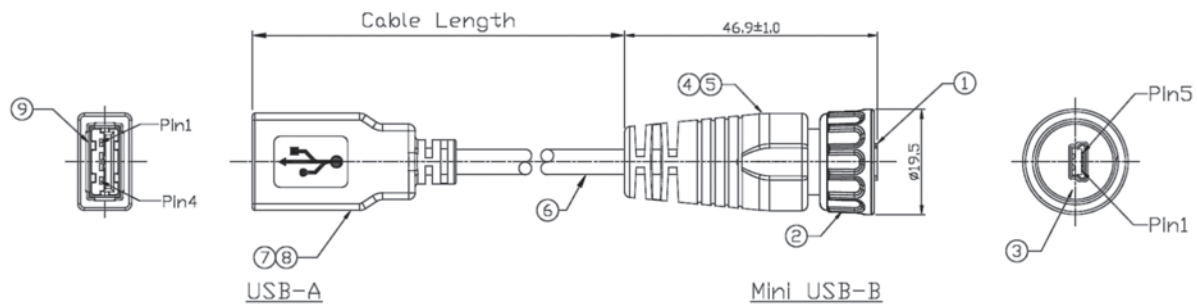
1M, 2M, 2.5M, 3M,...etc.

NOTE: MATES WITH JACK P/N WPUM-05F1 & WPUM-5G5G

WATERPROOF CABLE WITH IP68 RATED METAL SCREW MINI USB B TYPE PLUG TO USB A TYPE JACK

*RoHS & REACH compliant.

Unit: mm



| | | | |
|-------|-------|-------|-------|
| 1 | Red | 24AWG | 1 |
| 2 | White | 28AWG | 2 |
| 3 | Green | 28AWG | 3 |
| | N/C | | 4 |
| 4 | Black | 24AWG | 5 |
| Shell | Drain | | Shell |

USB-A

Mini USB-B

Wiring Diagram

ORDERING INFORMATION:

P/N **KWPUM27** - **xx** **MB**
1 2

1. CABLE ASSEMBLY TYPE:

"UM27" WATERPROOF IP68 RATED METAL SCREW OVER-MOLDED
MINI USB B TYPE 5 PIN PLUG TO USB A TYPE JACK

2. CABLE LENGTH IN METERS:

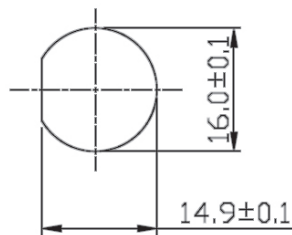
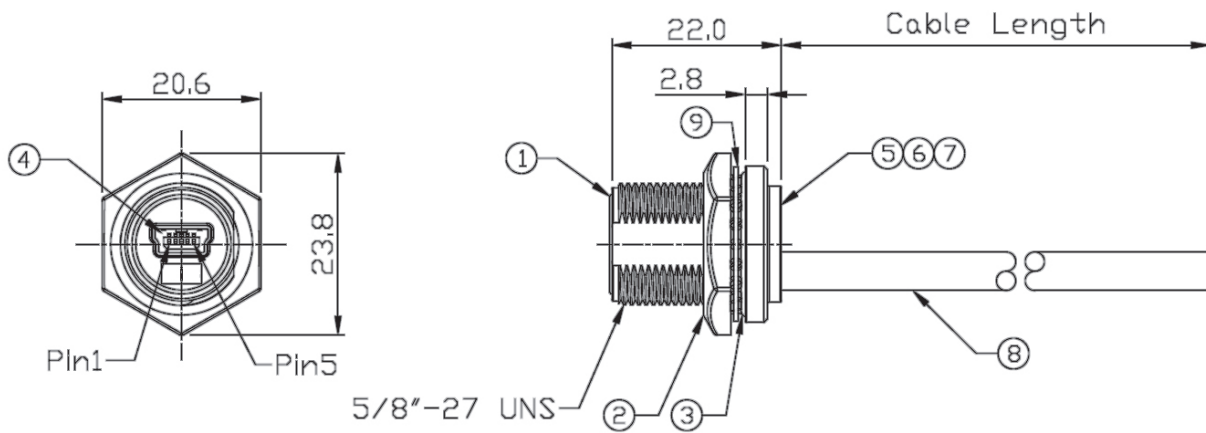
1M, 2M, 2.5M, 3M,...etc.

NOTE: MATES WITH JACK P/N WPUM-05F1 & WPUM-5G5G

WATERPROOF CABLE WITH IP68 RATED METAL SCREW MINI USB B TYPE PANEL MOUNT JACK TO OPEN END

*RoHS & REACH compliant.

Unit: mm



Recommend
Panel Cut-Out

| | |
|-------|-------|
| 1 | Red |
| 2 | White |
| 3 | Green |
| 4 | N/C |
| 5 | Black |
| Shell | Drain |

Wiring Diagram

ORDERING INFORMATION:

P/N **KWPUM21** - **xx** MB
1 2

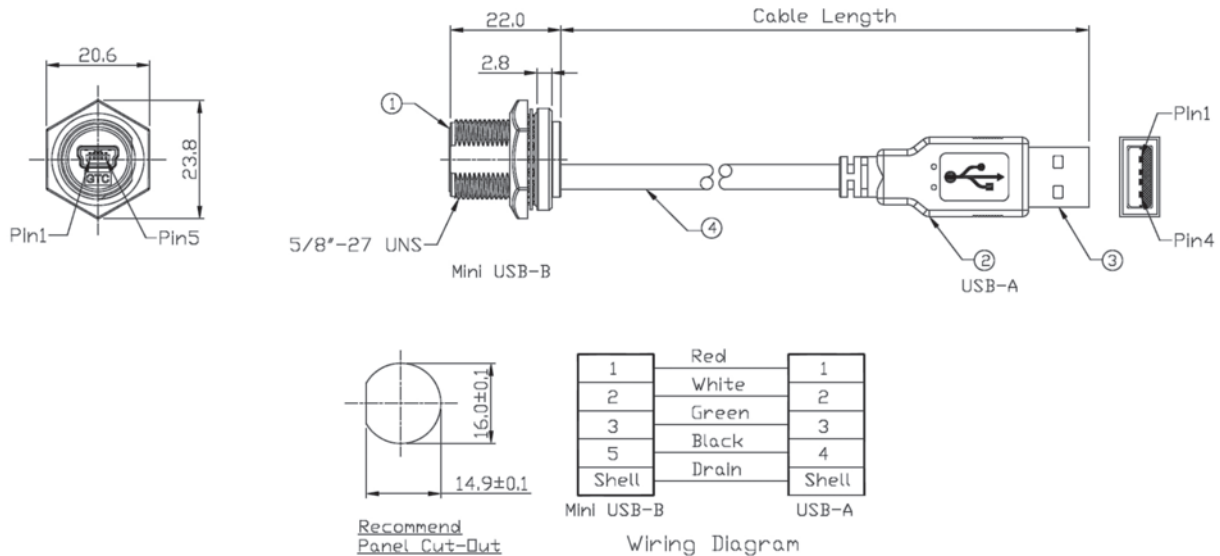
- CABLE ASSEMBLY TYPE:
"UM21" WATERPROOF IP68 RATED METAL SCREW MINI USB B TYPE
5 PIN PANEL MOUNT JACK TO OPEN END
- CABLE LENGTH IN METERS:
1M, 2M, 2.5M, 3M,...etc.

NOTE: MATES WITH CAP P/N WPUM-CAP05 & WPUM-CAP06

WATERPROOF CABLE WITH IP68 RATED METAL SCREW MINI USB B TYPE PANEL MOUNT JACK TO USB A TYPE PLUG

*RoHS & REACH compliant.

Unit: mm



ORDERING INFORMATION:

P/N **KWPUM22** - **xx** **MB**

1 2

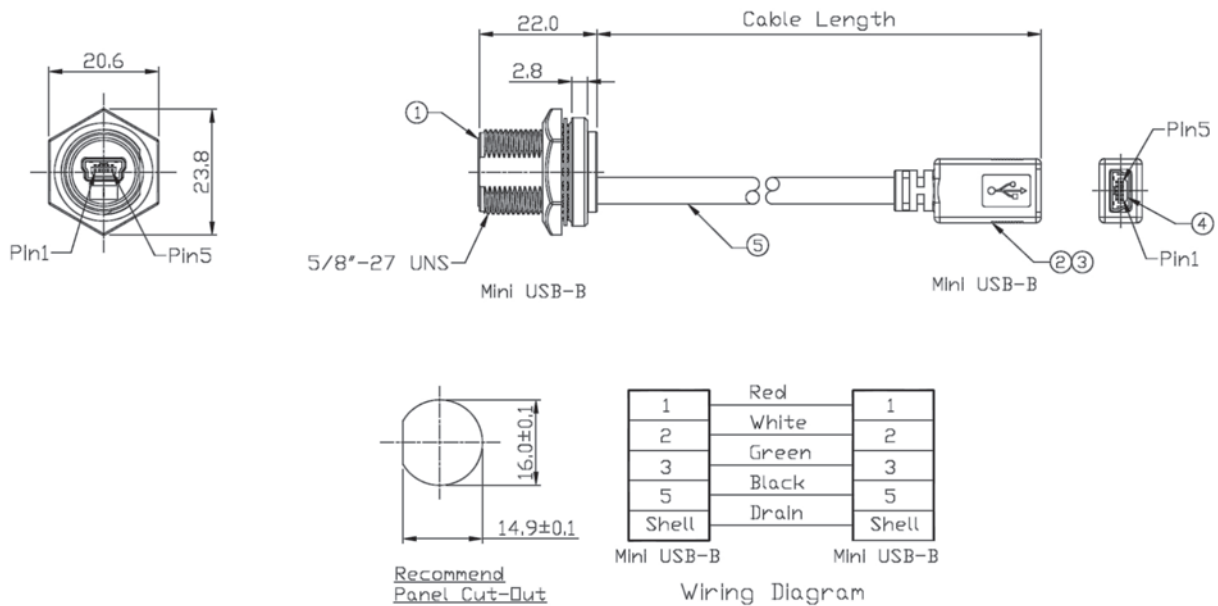
- CABLE ASSEMBLY TYPE:
"UM22" WATERPROOF IP68 RATED METAL SCREW MINI USB B TYPE
5 PIN PANEL MOUNT JACK TO USB A TYPE PLUG
- CABLE LENGTH IN METERS:
1M, 2M, 2.5M, 3M,...etc.

NOTE: MATES WITH CAP P/N WPUM-CAP05 & WPUM-CAP06

WATERPROOF CABLE WITH IP68 RATED METAL SCREW MINI USB B TYPE PANEL MOUNT JACK TO MINI USB B TYPE JACK

*RoHS & REACH compliant.

Unit: mm



ORDERING INFORMATION:

P/N **KWPUM23** - **xx** MB
1 2

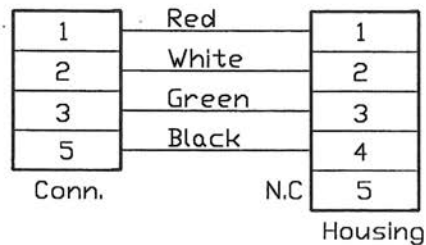
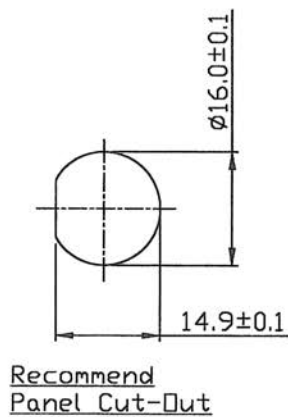
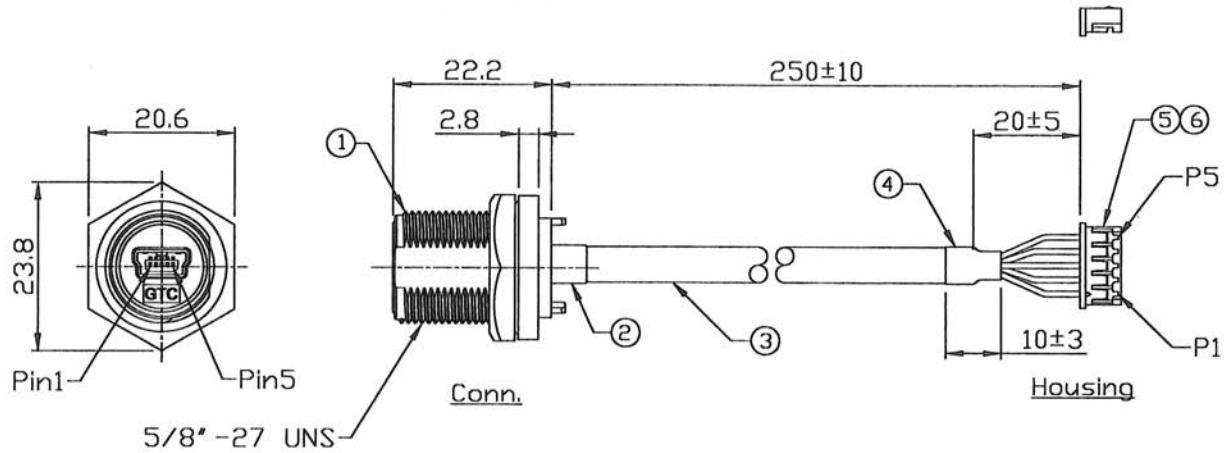
- CABLE ASSEMBLY TYPE:
"UM23" WATERPROOF IP68 RATED METAL SCREW MINI USB B TYPE
5 PIN PANEL MOUNT JACK TO MINI USB B TYPE JACK
- CABLE LENGTH IN METERS:
1M, 2M, 2.5M, 3M,...etc.

NOTE: MATES WITH CAP P/N WPUM-CAP05 & WPUM-CAP06

WATERPROOF CABLE WITH IP68 RATED METAL SCREW MINI USB B TYPE PANEL MOUNT JACK TO 2.00MM PITCH 5 PIN HOUSING

*RoHS & REACH compliant.

Unit: mm



Wiring Diagram

ORDERING INFORMATION:

P/N **KWPUM08 - 1 2 MB**

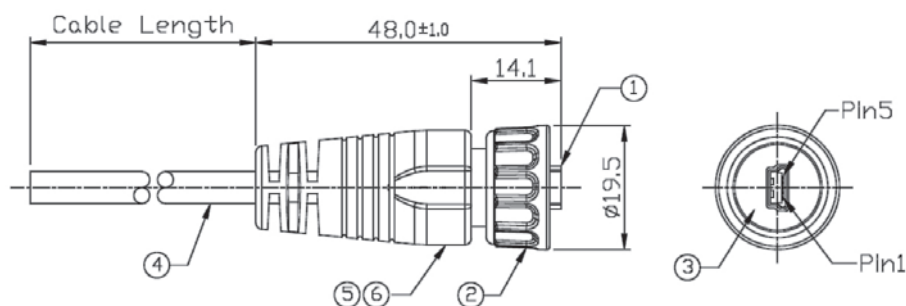
- CABLE ASSEMBLY TYPE:
"UM08" WATERPROOF IP68 RATED METAL SCREW
MINI USB B TYPE 5 PIN PANEL MOUNT JACK
TO 2.00MM PITCH MX TYPE 5 PIN HOUSING
- CABLE LENGTH IN METERS:
1M, 2M, 2.5M, 3M,...etc.

NOTE: MATES WITH CAP P/N WPUM-CAP05 & WPUM-CAP06

WATERPROOF CABLE AWG24+AWG24 WITH IP67 RATED PLASTIC SCREW MINI USB B TYPE PLUG TO OPEN END

*RoHS & REACH compliant.

Unit: mm



| | |
|-------|-------|
| 1 | Red |
| 2 | White |
| 3 | Green |
| 4 | N/C |
| 5 | Black |
| Shell | Drain |

Wiring Diagram

ORDERING INFORMATION:

P/N **KWPUM28** - **xx** MB
1 2

1. CABLE ASSEMBLY TYPE:

"UM28" WATERPROOF IP67 RATED PLASTIC SCREW OVER-MOLDED
MINI USB B TYPE 5 PIN PLUG TO OPEN END

2. CABLE LENGTH IN METERS:

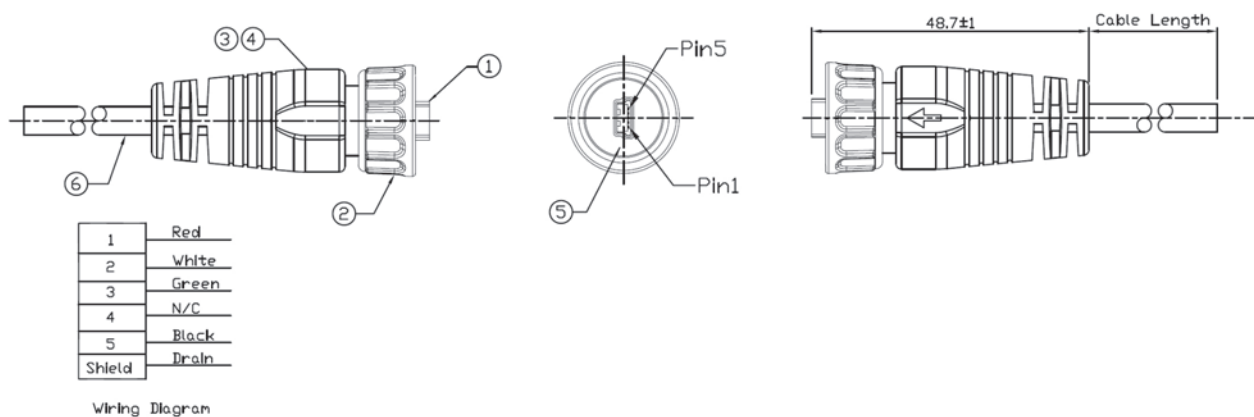
1M, 2M, 2.5M, 3M,...etc.

NOTE: MATES WITH JACK P/N WPUM-05F3

WATERPROOF CABLE AWG28+AWG24 WITH IP67 RATED PLASTIC SCREW MINI USB B TYPE PLUG TO OPEN END

*RoHS & REACH compliant.

Unit: mm



ORDERING INFORMATION:

P/N **KWPUM24 - xxMB**

1 2

- CABLE ASSEMBLY TYPE:
"UM24" WATERPROOF IP67 RATED PLASTIC SCREW OVER-MOLDED
MINI USB B TYPE 5 PIN PLUG TO OPEN END
- CABLE LENGTH IN METERS:
1M, 2M, 2.5M, 3M,...etc.

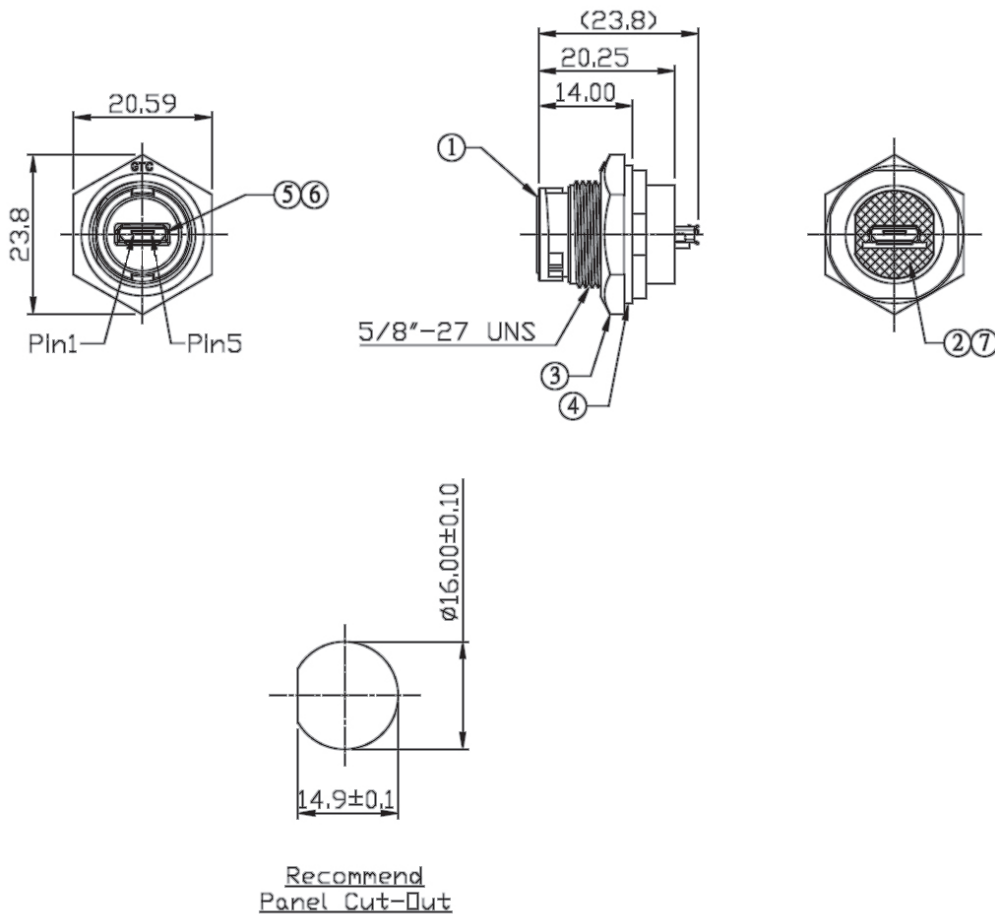
NOTE: MATES WITH JACK P/N WPUM-05F3

WATERPROOF IP67 RATED MICRO USB AB TYPE RECEPTACLE COUPLER

RECOMMENDED PANEL THICKNESS 0.8~3.0MM

*RoHS & REACH compliant.

Unit: mm



ORDERING INFORMATION:

P/N W P U R - 5 F 5 F

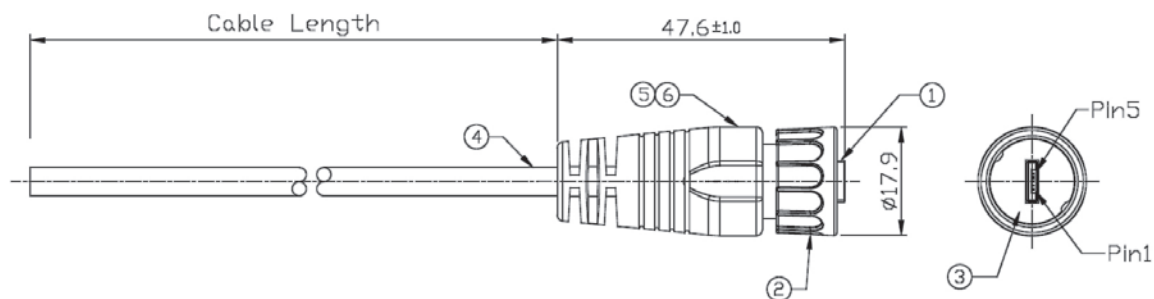
WATERPROOF IP67 RATED PLASTIC LOCK MICRO USB
AB TYPE 5 PIN FEMALE TO FEMALE PANEL MOUNT COUPLER

NOTE: MATES WITH CAP P/N WPUR-CAP01

WATERPROOF CABLE WITH IP67 RATED PLASTIC LOCK MICRO USB AB TYPE PLUG TO OPEN END

*RoHS & REACH compliant.

Unit: mm



| | |
|-------|--------|
| 1 | Red |
| 2 | White |
| 3 | Green |
| 4 | Yellow |
| 5 | Black |
| Shell | Drain |

⚠ Wiring Diagram

ORDERING INFORMATION:

P/N **KWPUR01 - XXMB**
1 2

1. CABLE ASSEMBLY TYPE:

"UR01" WATERPROOF IP67 RATED PLASTIC LOCK OVER-MOLDED
MICRO USB AB TYPE 5 PIN PLUG TO OPEN END

2. CABLE LENGTH IN METERS:

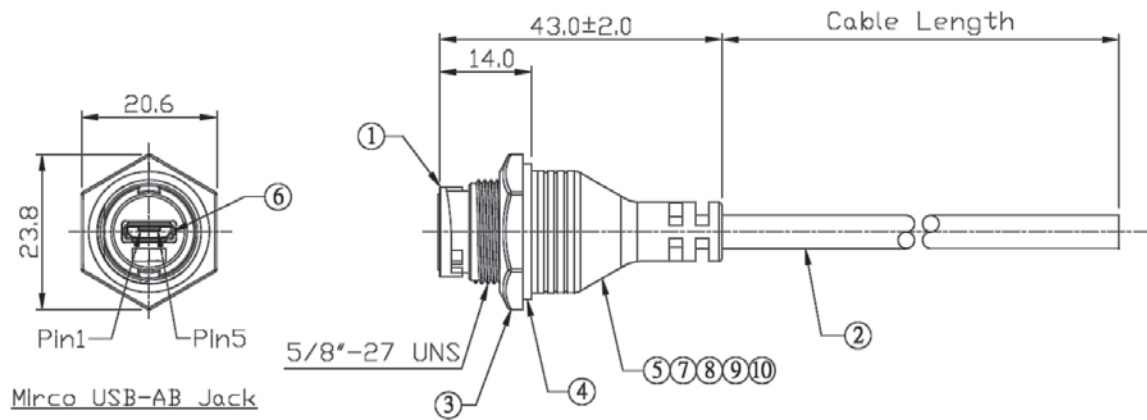
1M, 2M, 2.5M, 3M,...etc.

NOTE: MATES WITH JACK P/N WPUR-5F5F

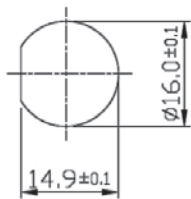
WATERPROOF CABLE WITH IP67 RATED PLASTIC LOCK MICRO USB AB TYPE JACK TO OPEN END

*RoHS & REACH compliant.

Unit: mm



Micro USB-AB Jack



Recommend
Panel Cut-Out



Micro USB-AB Jack

Wiring Diagram

ORDERING INFORMATION:

P/N **KWPUR02 - XXMB**

1. CABLE ASSEMBLY TYPE:

"UR02" WATERPROOF IP67 RATED PLASTIC LOCK OVER-MOLDED
MICRO USB AB TYPE 5 PIN FEMALE CONNECTOR TO OPEN END

2. CABLE LENGTH IN METERS:

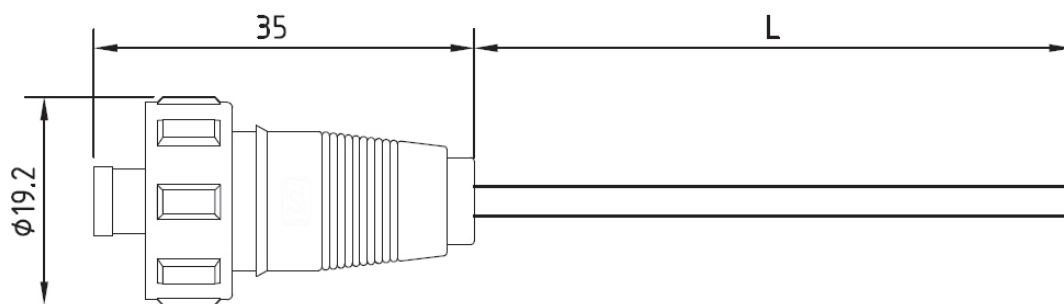
1M, 2M, 2.5M, 3M,...etc.

NOTE: MATES WITH CAP P/N WPUR-CAP01

WATERPROOF IP68 RATED SMB JACK RG174/U MOLDED CABLE

*RoHS & REACH compliant.

Unit: mm



ORDERING INFORMATION:

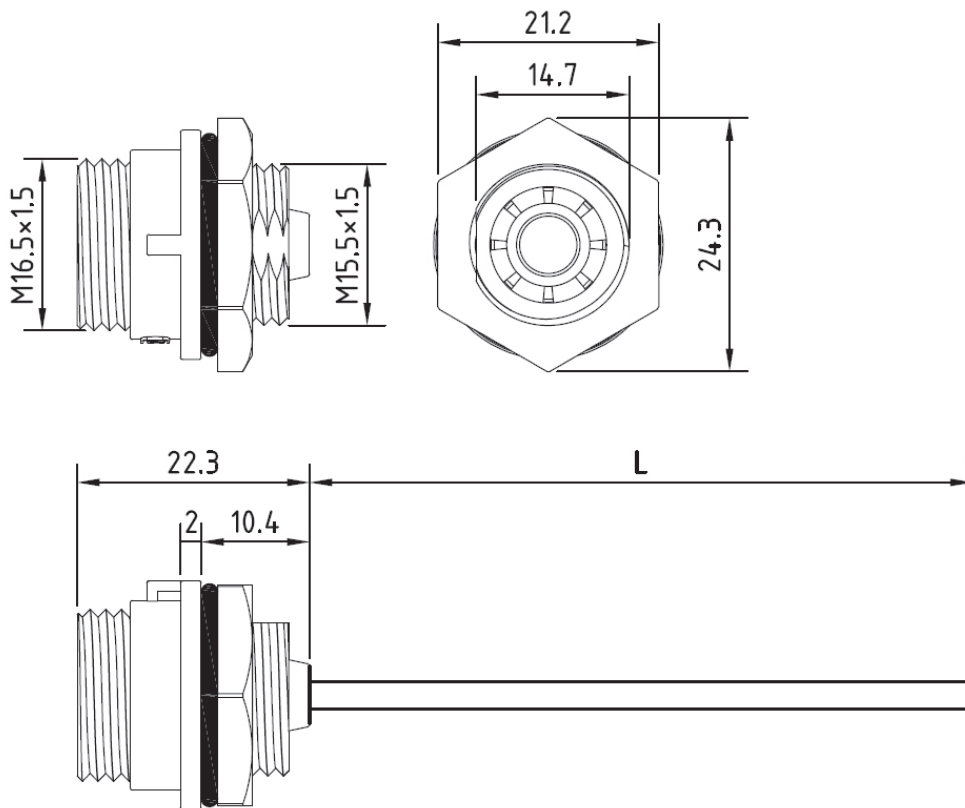
P/N K W P S B F 1 7 4 - x x M
1 2 3

1. CONNECTOR AT END:
"SBF" SMB JACK (FEMALE)
2. USED COAXIAL CABLE:
"174" RG174/U
3. CABLE LENGTH IN METERS:
1M, 3M, 5M,...etc.

WATERPROOF IP68 RATED SMB PLUG RG174/U MOLDED CABLE

*RoHS & REACH compliant.

Unit: mm



ORDERING INFORMATION:

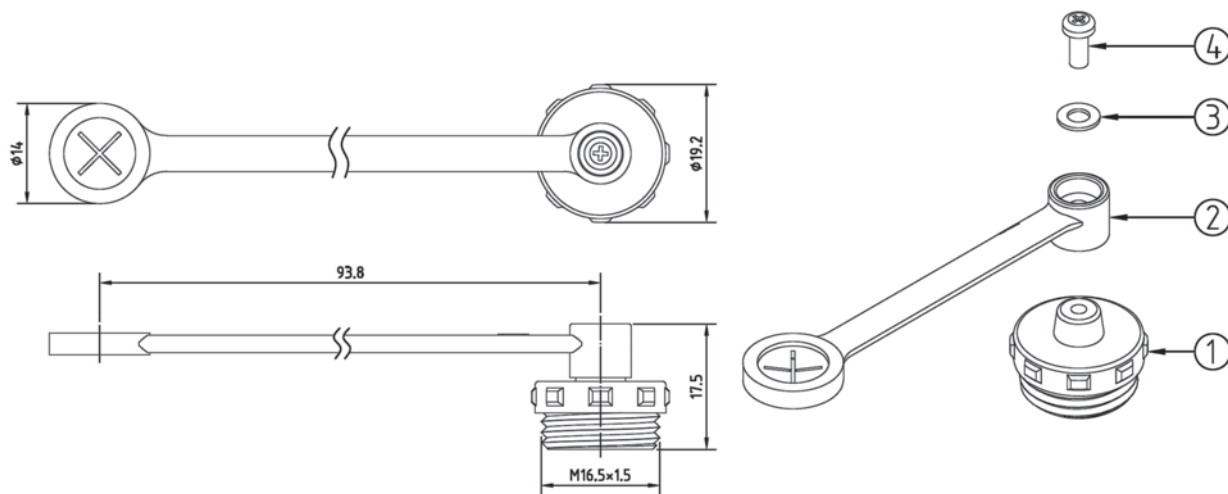
P/N K W P S B M 1 7 4 - x x M

1. CONNECTOR AT END:
"SBM" SMB PLUG (MALE)
2. USED COAXIAL CABLE:
"174" RG174/U
3. CABLE LENGTH IN METERS:
1M, 3M, 5M,...etc.

WATERPROOF IP68 RATED CAP FOR SMB JACK

*RoHS & REACH compliant.

Unit: mm



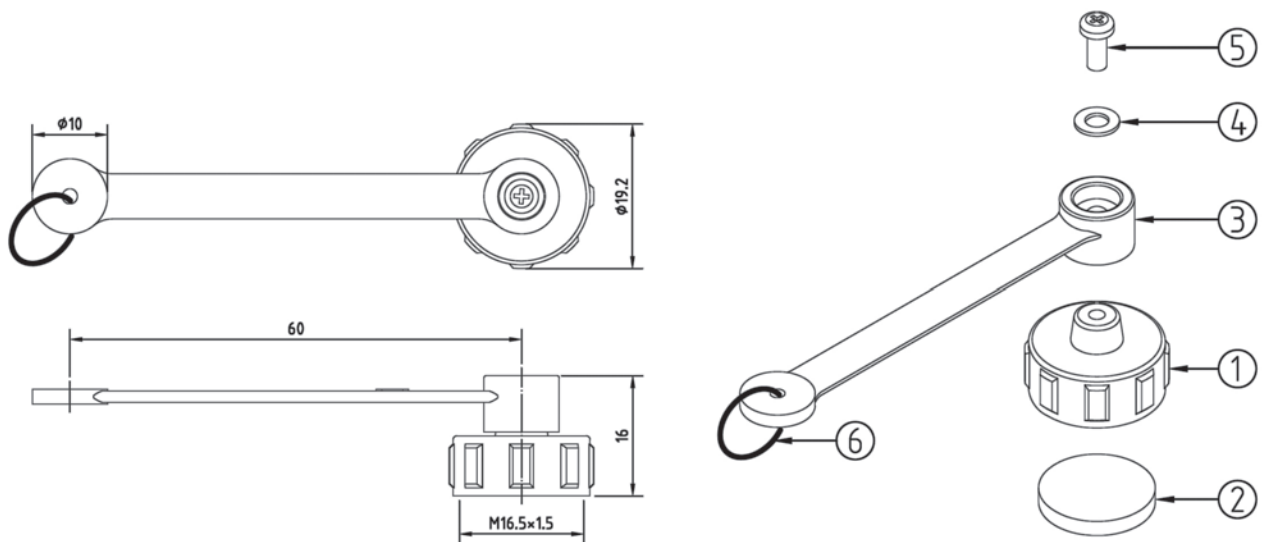
ORDERING INFORMATION:

P/N WPSBF-CAP

WATERPROOF IP68 RATED CAP FOR SMB PLUG

*RoHS & REACH compliant.

Unit: mm



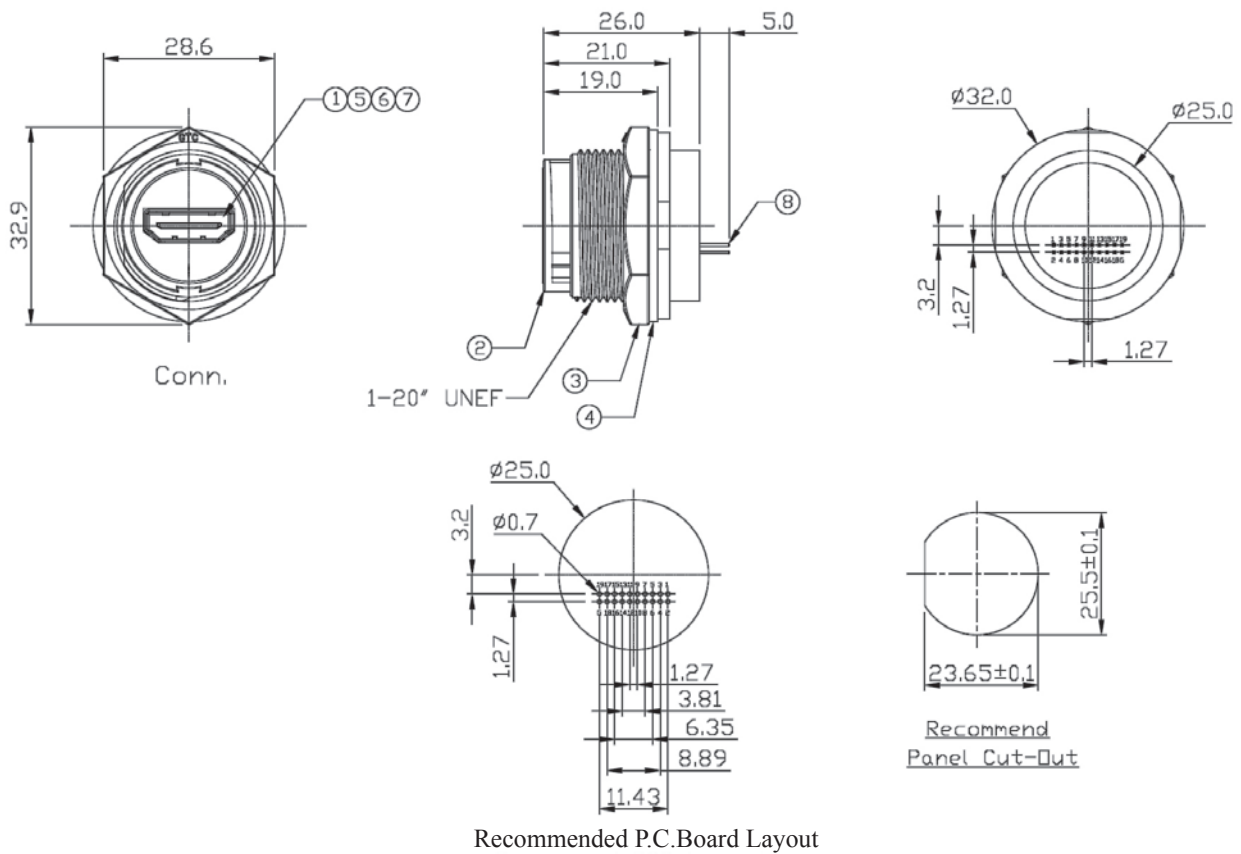
ORDERING INFORMATION:

P/N W P S B M - C A P

WATERPROOF HDMI 19 PIN JACK PLASTIC LOCK PANEL MOUNT DIP TYPE

*RoHS & REACH compliant.

Unit: mm



Recommended P.C.Board Layout

ORDERING INFORMATION:

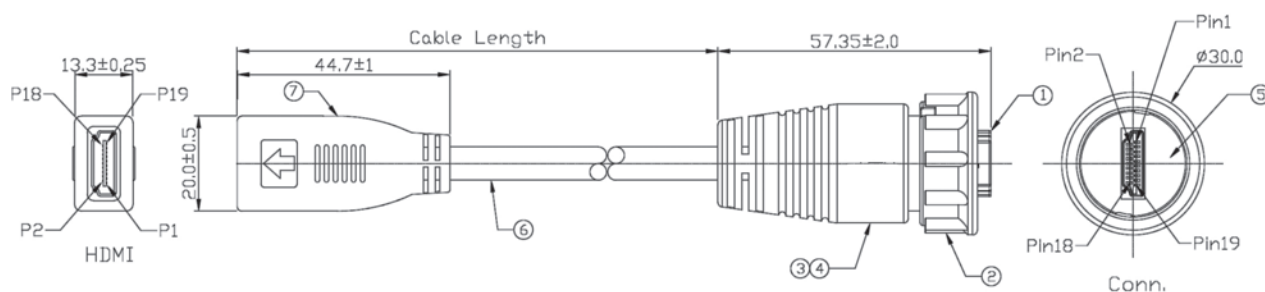
P/N W P H M - 1 9 F P

WATERPROOF IP67 RATED HDMI 19 PIN FEMALE CONNECTOR
PLASTIC LOCK PANEL MOUNT STRAIGHT PCB MOUNT TYPE

WATERPROOF HDMI 19 PIN PLUG TO HDMI JACK UL20276 AWG28 CABLE

*RoHS & REACH compliant.

Unit: mm



| | | | | | |
|---|-------|---|-------|-------------|-------|
| 1 | Brown | 1 | 10 | Blue | 10 |
| 2 | Drain | 2 | 11 | Drain | 11 |
| 3 | White | 3 | 12 | White | 12 |
| 4 | Red | 4 | 13 | Black | 13 |
| 5 | Drain | 5 | 14 | Red | 14 |
| 6 | White | 6 | 15 | Orange | 15 |
| 7 | Green | 7 | 16 | Yellow | 16 |
| 8 | Drain | 8 | 17 | Drain | 17 |
| 9 | White | 9 | 18 | Purple | 18 |
| | | | 19 | White | 19 |
| | | | Shell | Drain+Braid | Shell |

Wiring Diagram

ORDERING INFORMATION:

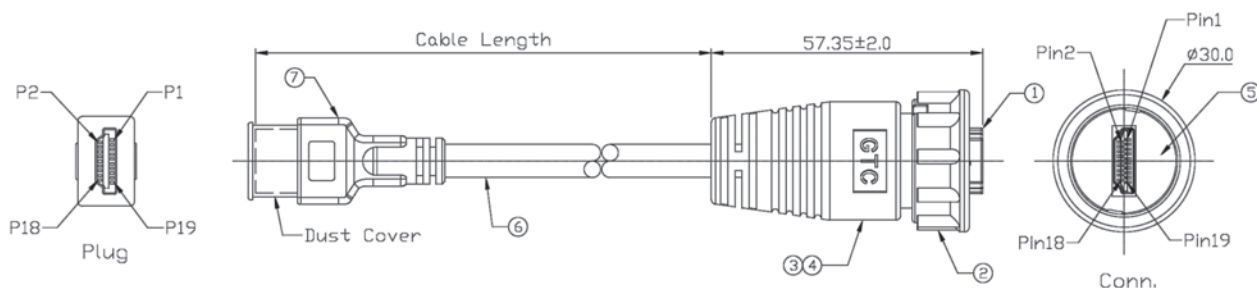
P/N K W P H M 01 - xx M B

- CONNECTORS AT 2 ENDS:
"01" WATERPROOF IP67 RATED HDMI 19 PIN MALE
TO HDMI 19 PIN FEMALE CABLE
- CABLE LENGTH IN METERS:
0.5M, 1M, 2M, 3M,...etc.
- CABLE COLOR:
"B" BLACK

WATERPROOF HDMI 19 PIN PLUG TO HDMI PLUG UL20276 AWG28 CABLE

*RoHS & REACH compliant.

Unit: mm



| | | | | | |
|---|-------|---|-------|-------------|-------|
| 1 | Brown | 1 | 10 | Blue | 10 |
| 2 | Drain | 2 | 11 | Drain | 11 |
| 3 | White | 3 | 12 | White | 12 |
| 4 | Red | 4 | 13 | Black | 13 |
| 5 | Drain | 5 | 14 | Red | 14 |
| 6 | White | 6 | 15 | Orange | 15 |
| 7 | Green | 7 | 16 | Yellow | 16 |
| 8 | Drain | 8 | 17 | Drain | 17 |
| 9 | White | 9 | 18 | Purple | 18 |
| | | | 19 | White | 19 |
| | | | Shell | Drain+Braid | Shell |

Wiring Diagram

ORDERING INFORMATION:

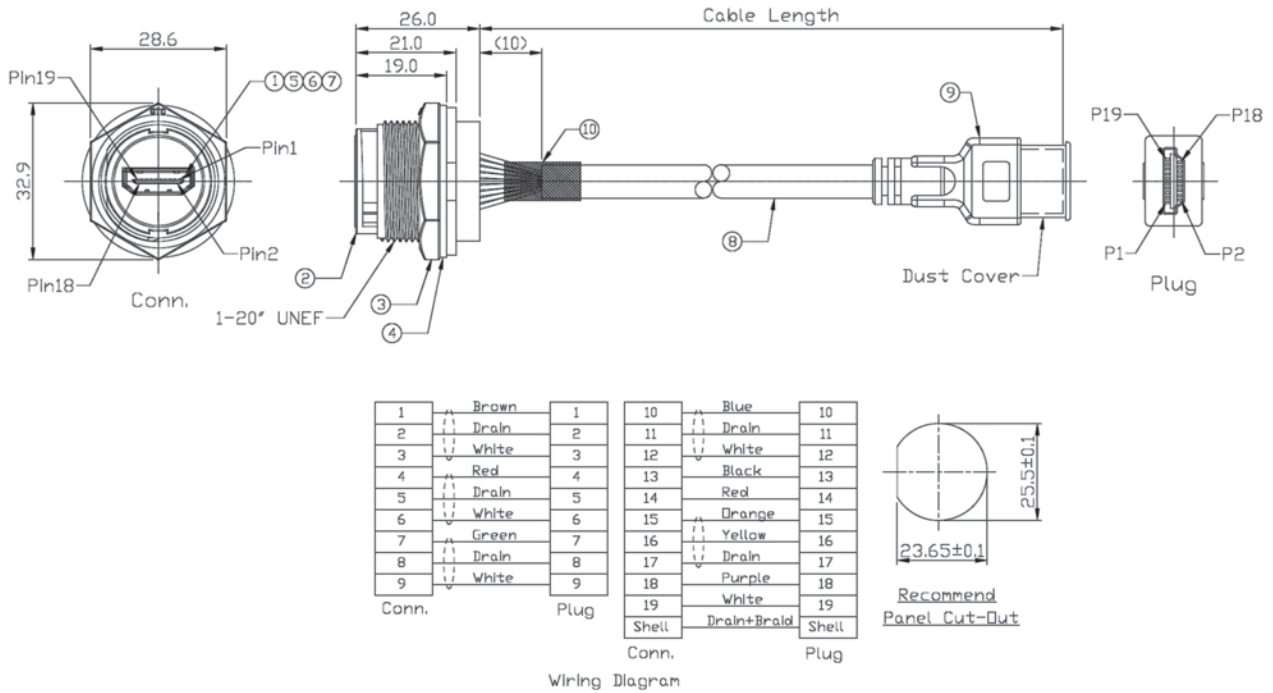
P/N K W P H M 02 - x x M B

- CONNECTORS AT 2 ENDS:
"02" WATERPROOF IP67 RATED HDMI 19 PIN MALE TO HDMI 19 PIN MALE CABLE
- CABLE LENGTH IN METERS:
0.5M, 1M, 2M, 3M,...etc.
- CABLE COLOR:
"B" BLACK

WATERPROOF HDMI 19 PIN JACK TO HDMI PLUG UL20276 AWG28 CABLE

*RoHS & REACH compliant.

Unit: mm



ORDERING INFORMATION:

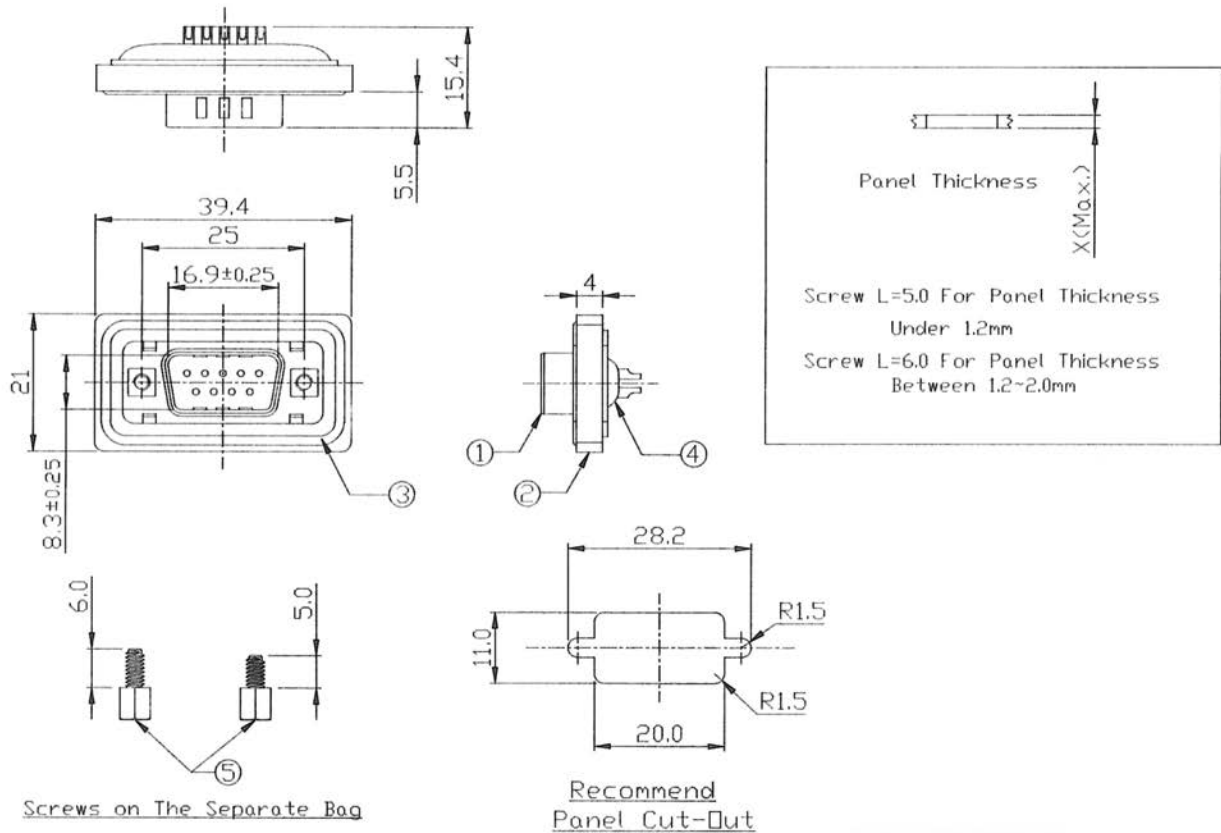
P/N K W P H M 04 - x x M B
 1 2 3

- CONNECTORS AT 2 ENDS:
 "04" WATERPROOF IP67 RATED HDMI 19 PIN FEMALE
 TO HDMI 19 PIN MALE CABLE
- CABLE LENGTH IN METERS:
 0.5M, 1M, 2M, 3M,...etc.
- CABLE COLOR:
 "B" BLACK

WATERPROOF D-SUB. 5A 9 PIN MALE CONNECTOR PANEL MOUNT SOLDER TYPE (1)

*RoHS & REACH compliant.

Unit: mm



ORDERING INFORMATION:

P/N W P D B - $\frac{09}{1}$ $\frac{M}{2}$ $\frac{56}{3}$

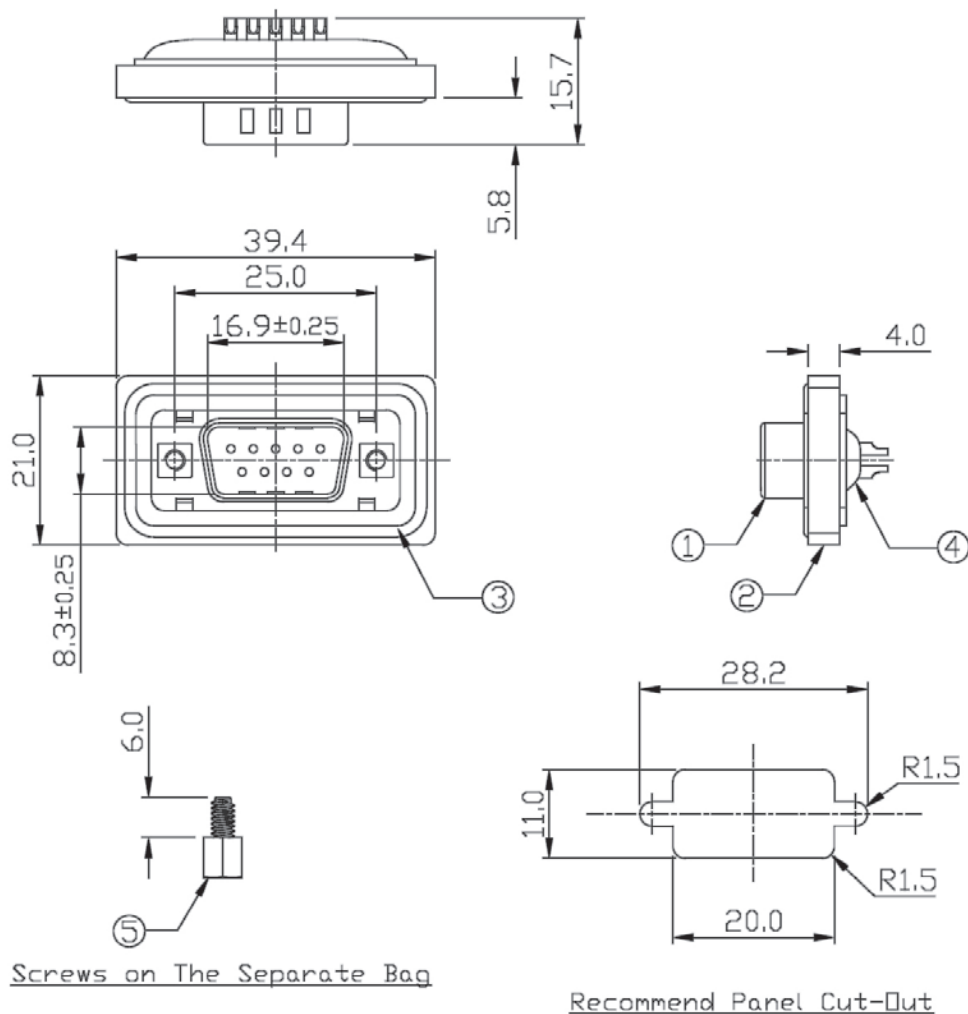
1. NO. OF CONTACTS:
09
2. CONTACT TYPE:
"M" MALE
3. SCREW THREAD LENGTHS:
"56" 5MM+6MM THREADED SCREWS

NOTE: MATES WITH CAP P/N WPDB-CAP01

WATERPROOF D-SUB. 5A 9 PIN MALE CONNECTOR PANEL MOUNT SOLDER TYPE (2)

*RoHS & REACH compliant.

Unit: mm



ORDERING INFORMATION:

P/N WPDB-09 M 66
1 2 3

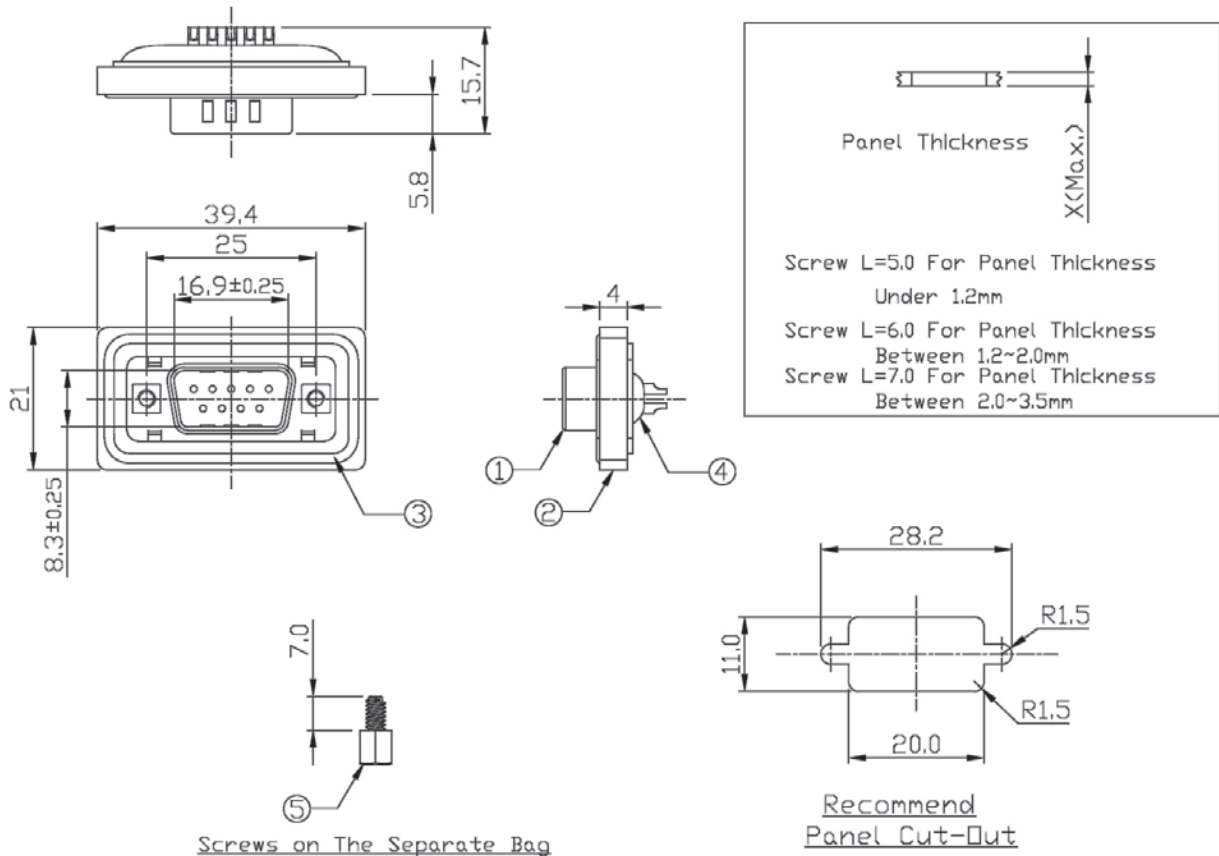
1. NO. OF CONTACTS:
09
2. CONTACT TYPE:
"M" MALE
3. SCREW THREAD LENGTHS:
"66" 6MM+6MM THREADED SCREWS

NOTE: MATES WITH CAP P/N WPDB-CAP01

WATERPROOF D-SUB. 5A 9 PIN MALE CONNECTOR PANEL MOUNT SOLDER TYPE (3)

*RoHS & REACH compliant.

Unit: mm



ORDERING INFORMATION:

P/N **W P D B - 09 M 77**
1 2 3

1. NO. OF CONTACTS:
09
2. CONTACT TYPE:
"M" MALE
3. SCREW THREAD LENGTHS:
"77" 7MM+7MM THREADED SCREWS

NOTE: MATES WITH CAP P/N WPDB-CAP02

WATERPROOF D-SUB. 9 PIN MALE CONNECTOR WITH MACHINED CONTACTS SOLDER TYPE (1)

MATERIALS:

Shell: Steel Material, Tin Finished

Insulator: PBT GF, UL 94V-0, Black

Signal Contact: Copper Alloy, Gold Flash

Metal Watertight Frame: PBT GF, UL 94V-0, Black

O-Ring: Silicone

Epoxy Sealant: Epoxy

Unit: mm

SPECIFICATION:

Signal Contact Current Rating: 5.0A

Signal Contact Resistance: 10 mΩ Max.

Dielectric Withstanding Voltage:

1000 V for 1 min.

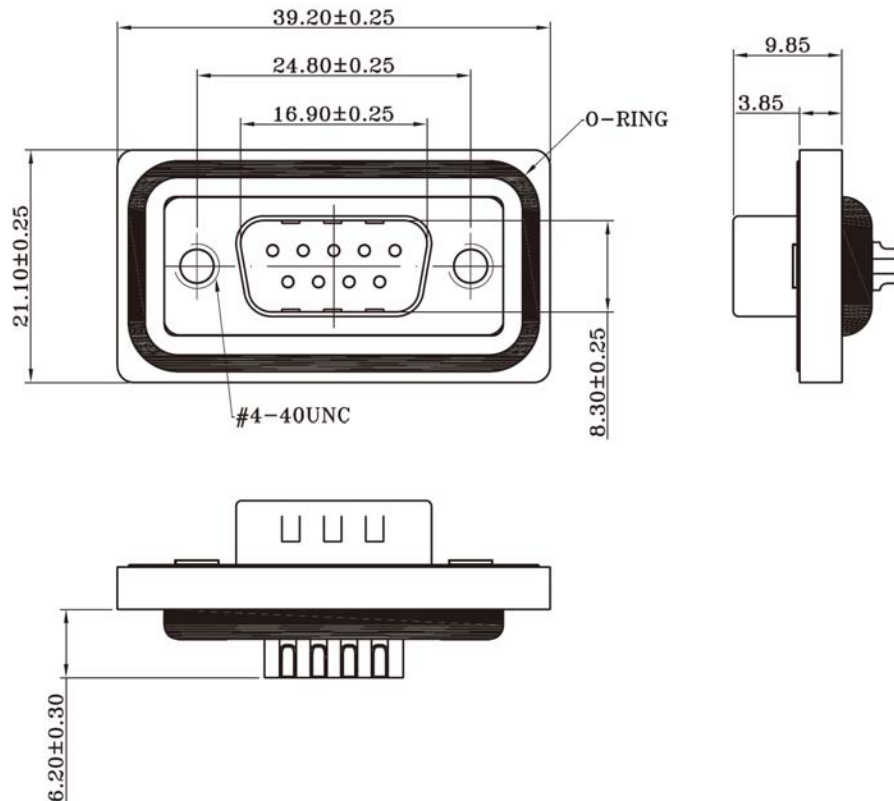
Insulation Resistance: 5GMΩ min.

Temperature Rating: -55°C to 105°

Degree of Protection:

CIP67 According to IEC 60529

All materials must be RoHS compliant.



ORDERING INFORMATION:

P/N 5 1 01 WP - 09 T B / X X

1 2 3 4

1. CONNECTOR TYPE:
"01" MALE WITH MACHINED CONTACTS
2. PROTECTION TYPE:
"WP" IP67 DEGREE WATERPROOF
3. NO. OF CONTACTS:
"09" DB9M
4. MOUNTING OPTION:
" " #4-40UNC MOUNTING HOLES
"J" RIVETED #4-40UNC 5.8MM
OPEN NUTS ON FRONT SHELL
"K" RIVETED #4-40UNC 4.0MM
OPEN NUTS ON BACK SHELL
"K6" RIVETED #4-40UNC 5.8MM
OPEN NUTS ON BACK SHELL

WATERPROOF D-SUB. 15 PIN MALE CONNECTOR WITH MACHINED CONTACTS SOLDER TYPE (2)

MATERIALS:

Shell: Steel Material, Tin Finished

Insulator: PBT GF, UL 94V-0, Black

Signal Contact: Copper Alloy, Gold Flash

Metal Watertight Frame: PBT GF, UL 94V-0, Black

O-Ring: Silicone

Epoxy Sealant: Epoxy

Unit: mm

SPECIFICATION:

Signal Contact Current Rating: 5.0A

Signal Contact Resistance: 10 mΩ Max.

Dielectric Withstanding Voltage:

1000 V for 1 min.

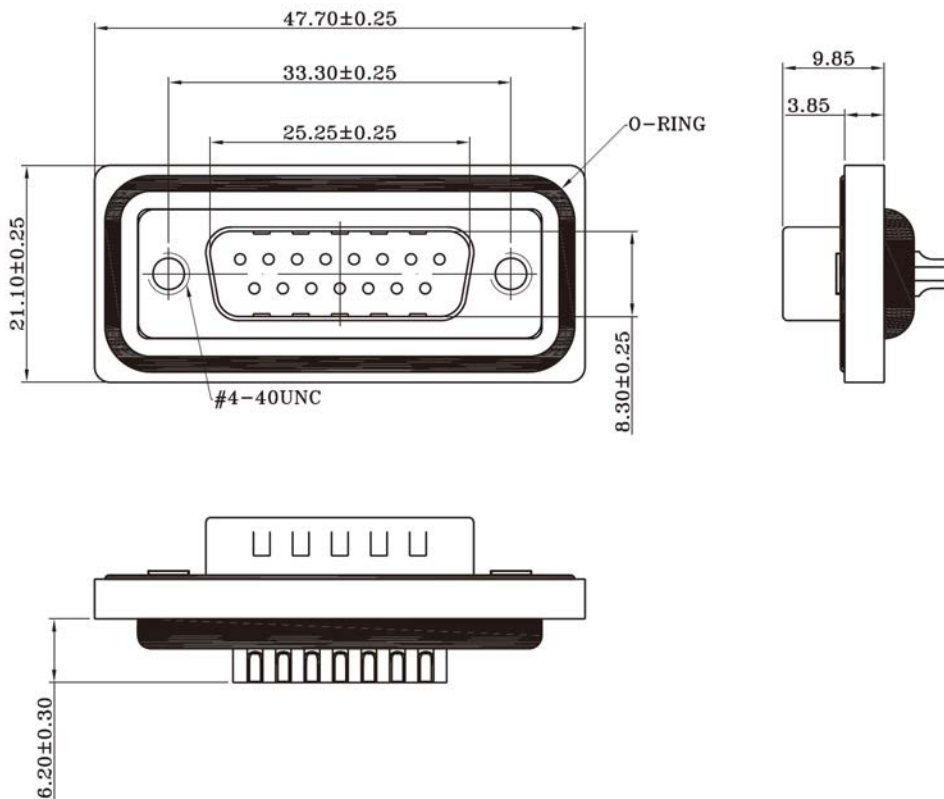
Insulation Resistance: 5GMΩ min.

Temperature Rating: -55°C to 105°

Degree of Protection:

CIP67 According to IEC 60529

All materials must be RoHS compliant.



ORDERING INFORMATION:

P/N 5 101 WP - 15 TB / XX

1 2 3 4

1. CONNECTOR TYPE:
"01" MALE WITH MACHINED CONTACTS
2. PROTECTION TYPE:
"WP" IP67 DEGREE WATERPROOF
3. NO. OF CONTACTS:
"15" DB15M
4. MOUNTING OPTION:
" " #4-40UNC MOUNTING HOLES
"J" RIVETED #4-40UNC 5.8MM
OPEN NUTS ON FRONT SHELL
"K" RIVETED #4-40UNC 4.0MM
OPEN NUTS ON BACK SHELL
"K6" RIVETED #4-40UNC 5.8MM
OPEN NUTS ON BACK SHELL

WATERPROOF D-SUB. 25 PIN MALE CONNECTOR WITH MACHINED CONTACTS SOLDER TYPE (3)

MATERIALS:

Shell: Steel Material, Tin Finished

Insulator: PBT GF, UL 94V-0, Black

Signal Contact: Copper Alloy, Gold Flash

Metal Watertight Frame: PBT GF, UL 94V-0, Black

O-Ring: Silicone

Epoxy Sealant: Epoxy

Unit: mm

SPECIFICATION:

Signal Contact Current Rating: 5.0A

Signal Contact Resistance: 10 mΩ Max.

Dielectric Withstanding Voltage:
1000 V for 1 min.

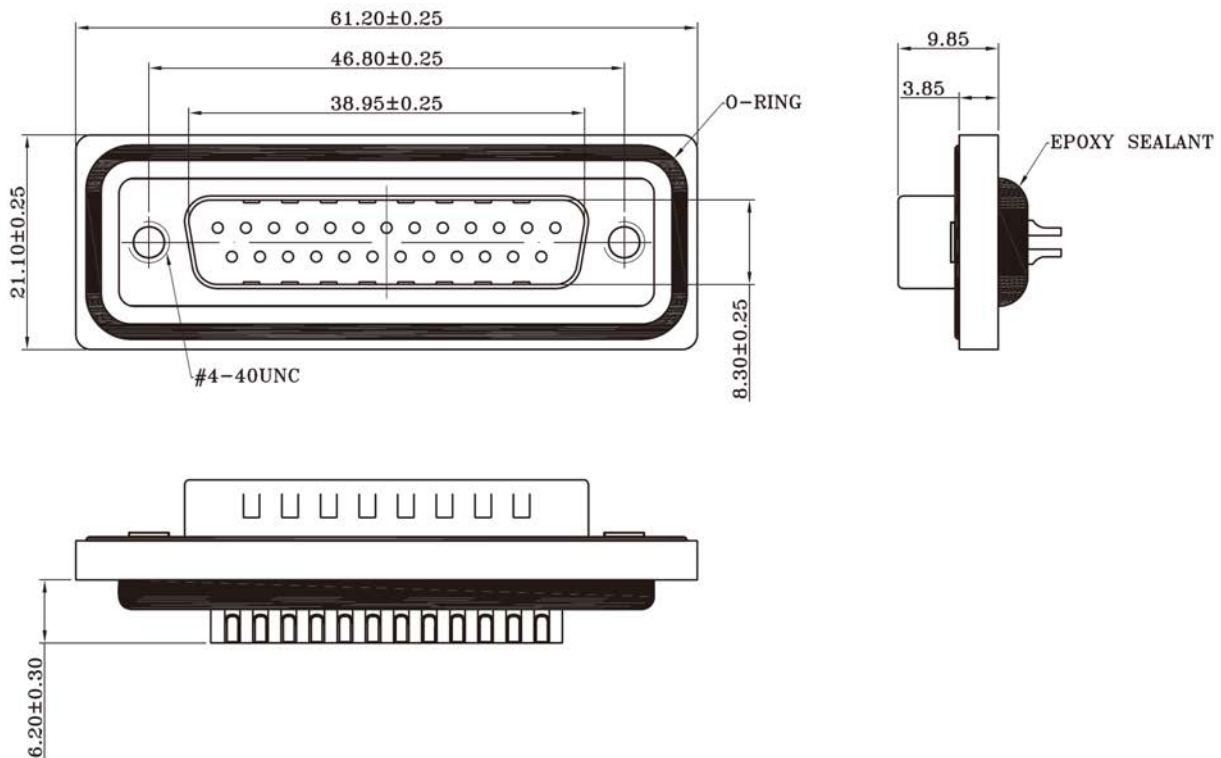
Insulation Resistance: 5GMOΩ min.

Temperature Rating: -55°C to 105°

Degree of Protection:

CIP67 According to IEC 60529

All materials must be RoHS compliant.



ORDERING INFORMATION:

P/N 5 101 WP - 25 TB / XX
1 2 3 4

1. CONNECTOR TYPE:
"01" MALE WITH MACHINED CONTACTS
2. PROTECTION TYPE:
"WP" IP67 DEGREE WATERPROOF
3. NO. OF CONTACTS:
"25" DB25M
4. MOUNTING OPTION:
" " #4-40UNC MOUNTING HOLES
"J" RIVETED #4-40UNC 5.8MM
OPEN NUTS ON FRONT SHELL
"K" RIVETED #4-40UNC 4.0MM
OPEN NUTS ON BACK SHELL
"K6" RIVETED #4-40UNC 5.8MM
OPEN NUTS ON BACK SHELL

WATERPROOF D-SUB. 37 PIN MALE CONNECTOR WITH MACHINED CONTACTS SOLDER TYPE (4)

MATERIALS:

Shell: Steel Material, Tin Finished

Insulator: PBT GF, UL 94V-0, Black

Signal Contact: Copper Alloy, Gold Flash

Metal Watertight Frame: PBT GF, UL 94V-0, Black

O-Ring: Silicone

Epoxy Sealant: Epoxy

Unit: mm

SPECIFICATION:

Signal Contact Current Rating: 5.0A

Signal Contact Resistance: 10 mΩ Max.

Dielectric Withstanding Voltage:
1000 V for 1 min.

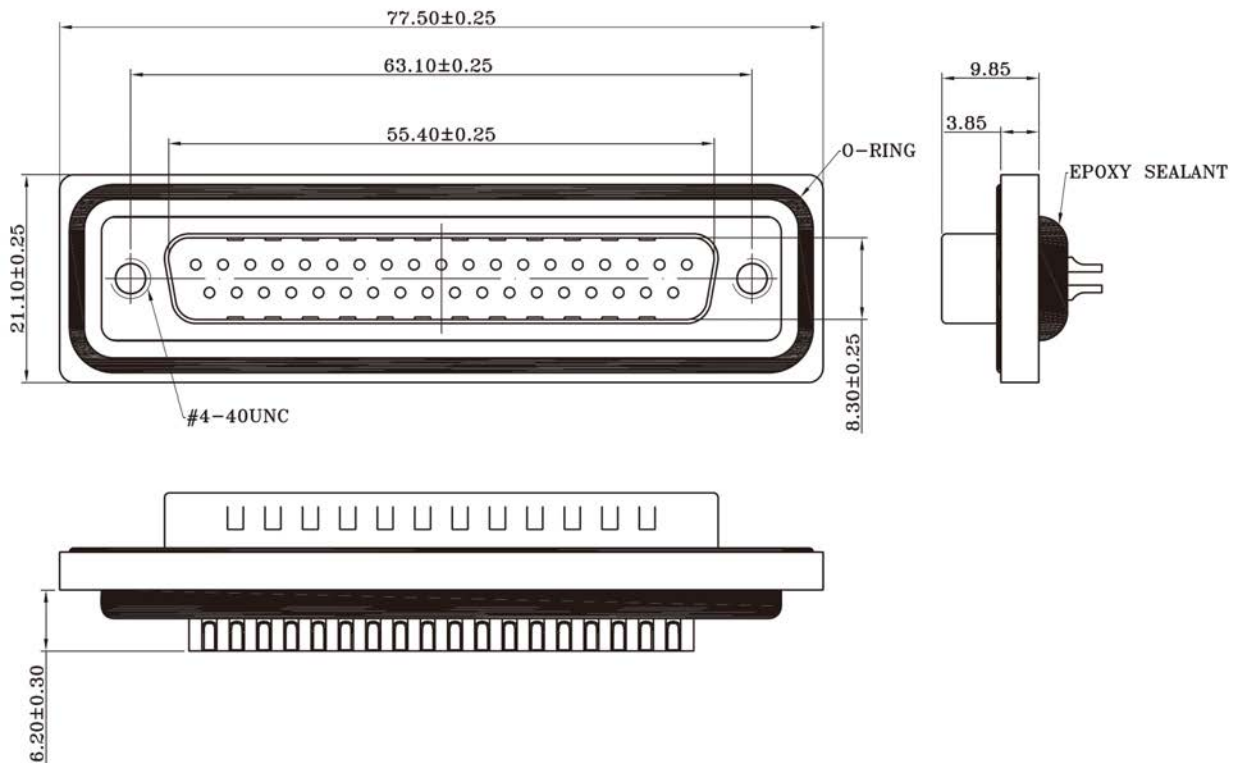
Insulation Resistance: 5GMOΩ min.

Temperature Rating: -55°C to 105°

Degree of Protection:

CIP67 According to IEC 60529

All materials must be RoHS compliant.



ORDERING INFORMATION:

P/N 5 101 WP - 37 T B / X X

1 2 3 4

1. CONNECTOR TYPE:
"01" MALE WITH MACHINED CONTACTS
2. PROTECTION TYPE:
"WP" IP67 DEGREE WATERPROOF
3. NO. OF CONTACTS:
"37" DB37M
4. MOUNTING OPTION:
" " #4-40UNC MOUNTING HOLES
"J" RIVETED #4-40UNC 5.8MM
OPEN NUTS ON FRONT SHELL
"K" RIVETED #4-40UNC 4.0MM
OPEN NUTS ON BACK SHELL
"K6" RIVETED #4-40UNC 5.8MM
OPEN NUTS ON BACK SHELL

WATERPROOF D-SUB. 9 PIN FEMALE CONNECTOR WITH MACHINED CONTACTS SOLDER TYPE (1)

MATERIALS:

Shell: Steel Material, Tin Finished

Insulator: PBT GF, UL 94V-0, Black

Singal Contact: Copper Alloy, Gold Flash

Metal Watertight Frame: PBT GF, UL 94V-0, Black

O-Ring: Silicone

Epoxy Sealant: Epoxy

Unit: mm

SPECIFICATION:

Signal Contact Current Rating: 5.0A

Signal Contact Resistance: 10 mΩ Max.

Dielectric Withstanding Voltage:

1000 V for 1 min.

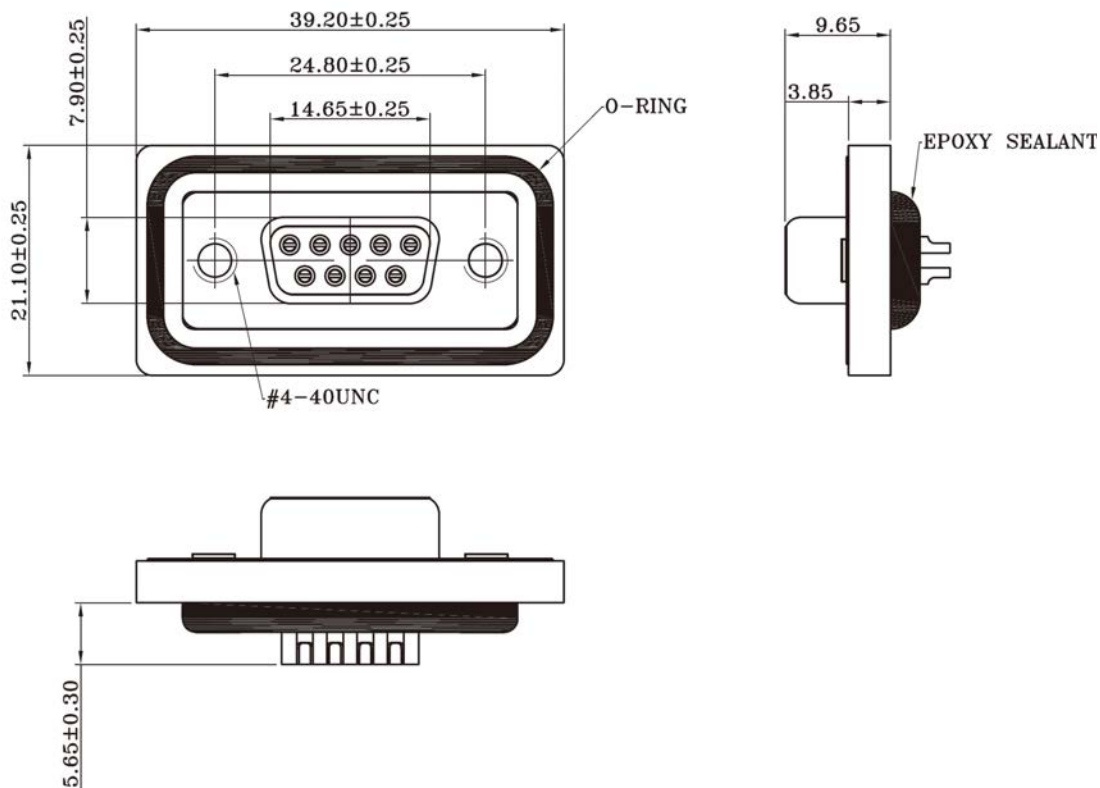
Insulation Resistance: 5GMΩ min.

Temperature Rating: -55°C to 105°

Degree of Protection:

CIP67 According to IEC 60529

All materials must be RoHS compliant.



ORDERING INFORMATION:

P/N 5 1 02 WP - 09 TB / XX
1 2 3 4

1. CONNECTOR TYPE:
"02" FEMALE WITH MACHINED CONTACTS
2. PROTECTION TYPE:
"WP" IP67 DEGREE WATERPROOF
3. NO. OF CONTACTS:
"09" DB9F
4. MOUTING OPTION:
" " #4-40UNC MOUNTING HOLES
"J" RIVETED #4-40UNC 5.8MM
OPEN NUTS ON FRONT SHELL
"K" RIVETED #4-40UNC 4.0MM
OPEN NUTS ON BACK SHELL
"K6" RIVETED #4-40UNC 5.8MM
OPEN NUTS ON BACK SHELL

WATERPROOF D-SUB. 15 PIN FEMALE CONNECTOR WITH MACHINED CONTACTS SOLDER TYPE (2)

MATERIALS:

Shell: Steel Material, Tin Finished

Insulator: PBT GF, UL 94V-0, Black

Singal Contact: Copper Alloy, Gold Flash

Metal Watertight Frame: PBT GF, UL 94V-0, Black

O-Ring: Silicone

Epoxy Sealant: Epoxy

Unit: mm

SPECIFICATION:

Signal Contact Current Rating: 5.0A

Signal Contact Resistance: 10 mΩ Max.

Dielectric Withstanding Voltage:

1000 V for 1 min.

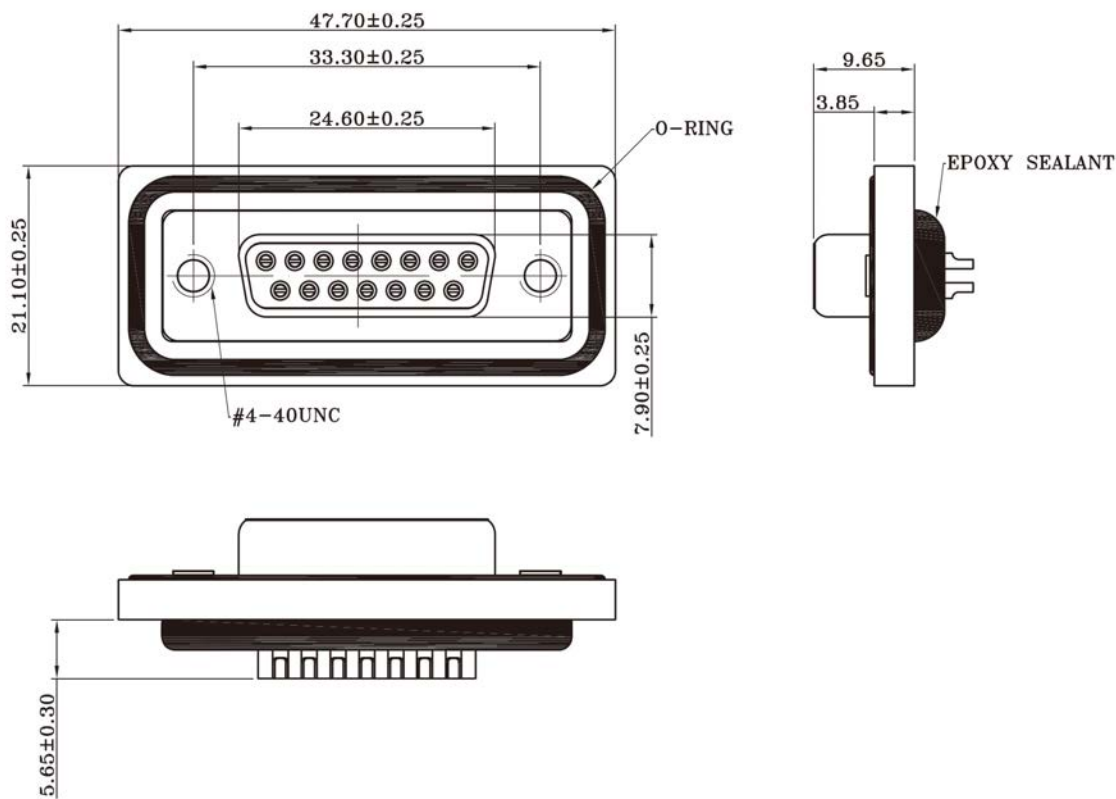
Insulation Resistance: 5GMΩ min.

Temperature Rating: -55°C to 105°

Degree of Protection:

CIP67 According to IEC 60529

All materials must be RoHS compliant.



ORDERING INFORMATION:

P/N 5 102 WP - 15 TB / XX

1 2 3 4

1. CONNECTOR TYPE:
"02" FEMALE WITH MACHINED CONTACTS
2. PROTECTION TYPE:
"WP" IP67 DEGREE WATERPROOF
3. NO. OF CONTACTS:
"15" DB15F
4. MOUTING OPTION:
" " #4-40UNC MOUNTING HOLES
"J" RIVETED #4-40UNC 5.8MM
OPEN NUTS ON FRONT SHELL
"K" RIVETED #4-40UNC 4.0MM
OPEN NUTS ON BACK SHELL
"K6" RIVETED #4-40UNC 5.8MM
OPEN NUTS ON BACK SHELL

WATERPROOF D-SUB. 25 PIN FEMALE CONNECTOR WITH MACHINED CONTACTS SOLDER TYPE (3)

MATERIALS:

Shell: Steel Material, Tin Finished

Insulator: PBT GF, UL 94V-0, Black

Signal Contact: Copper Alloy, Gold Flash

Metal Watertight Frame: PBT GF, UL 94V-0, Black

O-Ring: Silicone

Epoxy Sealant: Epoxy

Unit: mm

SPECIFICATION:

Signal Contact Current Rating: 5.0A

Signal Contact Resistance: 10 mΩ Max.

Dielectric Withstanding Voltage:

1000 V for 1 min.

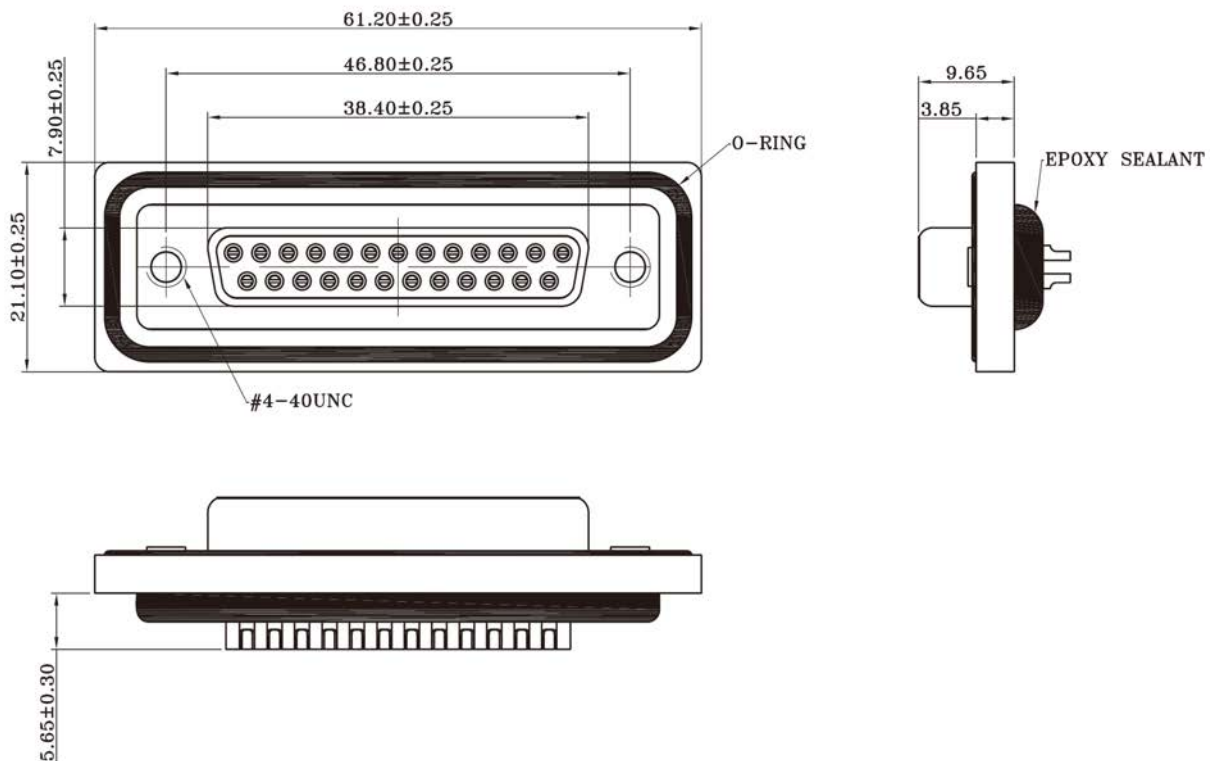
Insulation Resistance: 5GMΩ min.

Temperature Rating: -55°C to 105°

Degree of Protection:

CIP67 According to IEC 60529

All materials must be RoHS compliant.



ORDERING INFORMATION:

P/N 5 102 WP - 25 TB / XX

- CONNECTOR TYPE:
"02" FEMALE WITH MACHINED CONTACTS
- PROTECTION TYPE:
"WP" IP67 DEGREE WATERPROOF
- NO. OF CONTACTS:
"25" DB25F
- MOUNTING OPTION:
" " #4-40UNC MOUNTING HOLES
"J" RIVETED #4-40UNC 5.8MM
OPEN NUTS ON FRONT SHELL
"K" RIVETED #4-40UNC 4.0MM
OPEN NUTS ON BACK SHELL
"K6" RIVETED #4-40UNC 5.8MM
OPEN NUTS ON BACK SHELL

WATERPROOF D-SUB. 37 PIN FEMALE CONNECTOR WITH MACHINED CONTACTS SOLDER TYPE (4)

MATERIALS:

Shell: Steel Material, Tin Finished

Insulator: PBT GF, UL 94V-0, Black

Signal Contact: Copper Alloy, Gold Flash

Metal Watertight Frame: PBT GF, UL 94V-0, Black

O-Ring: Silicone

Epoxy Sealant: Epoxy

Unit: mm

SPECIFICATION:

Signal Contact Current Rating: 5.0A

Signal Contact Resistance: 10 mΩ Max.

Dielectric Withstanding Voltage:
1000 V for 1 min.

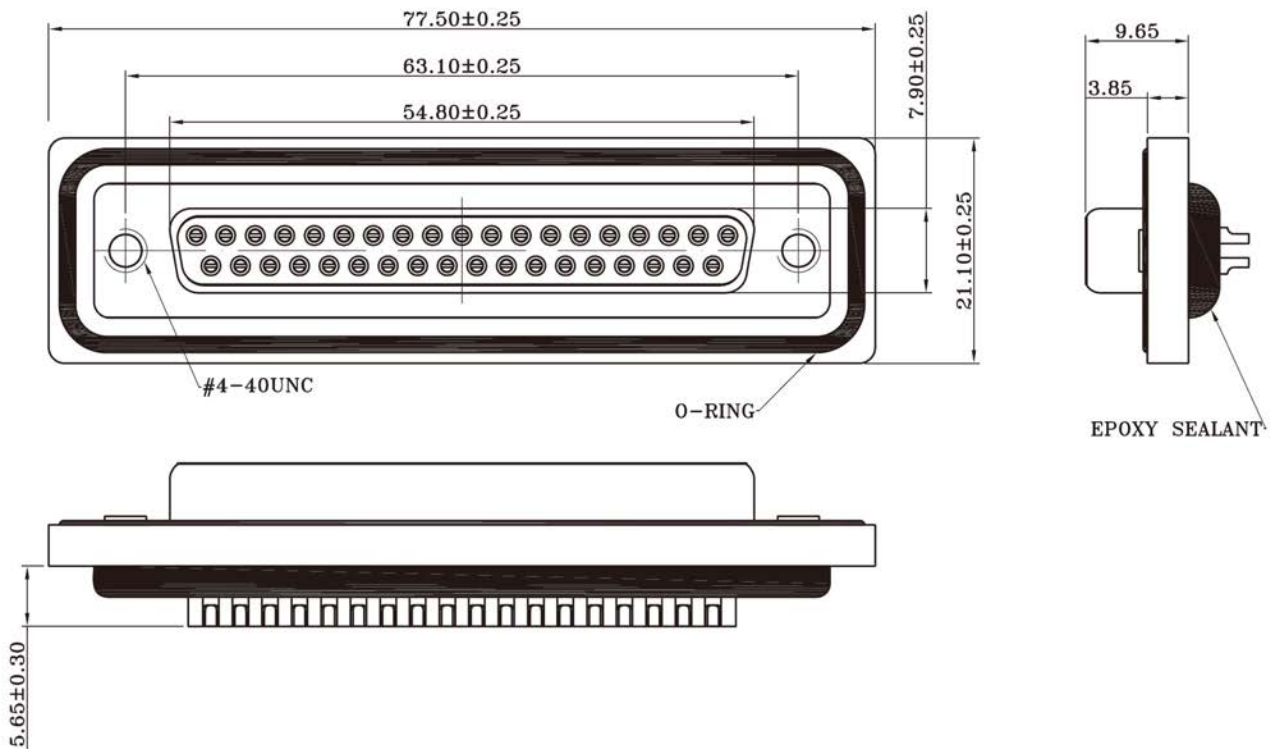
Insulation Resistance: 5GMΩ min.

Temperature Rating: -55°C to 105°

Degree of Protection:

CIP67 According to IEC 60529

All materials must be RoHS compliant.



ORDERING INFORMATION:

P/N 5 102 WP - 37 TB / XX
1 2 3 4

1. CONNECTOR TYPE:
"02" FEMALE WITH MACHINED CONTACTS
2. PROTECTION TYPE:
"WP" IP67 DEGREE WATERPROOF
3. NO. OF CONTACTS:
"37" DB37F
4. MOUNTING OPTION:
" " #4-40UNC MOUNTING HOLES
"J" RIVETED #4-40UNC 5.8MM
OPEN NUTS ON FRONT SHELL
"K" RIVETED #4-40UNC 4.0MM
OPEN NUTS ON BACK SHELL
"K6" RIVETED #4-40UNC 5.8MM
OPEN NUTS ON BACK SHELL

WATERPROOF D-SUB. 9 PIN MALE CONNECTOR WITH MACHINED CONTACTS STRAIGHT PCB MOUNT TYPE (1)

MATERIALS:

Shell: Steel Material, Tin Finished

Insulator: PBT GF, UL 94V-0, Black

Signal Contact: Copper Alloy, Gold Flash

Metal Watertight Frame: PBT GF, UL 94V-0, Black

O-Ring: Silicone

Epoxy Sealant: Epoxy

Unit: mm

SPECIFICATION:

Signal Contact Current Rating: 5.0A

Signal Contact Resistance: 10 mΩ Max.

Dielectric Withstanding Voltage:
1000 V for 1 min.

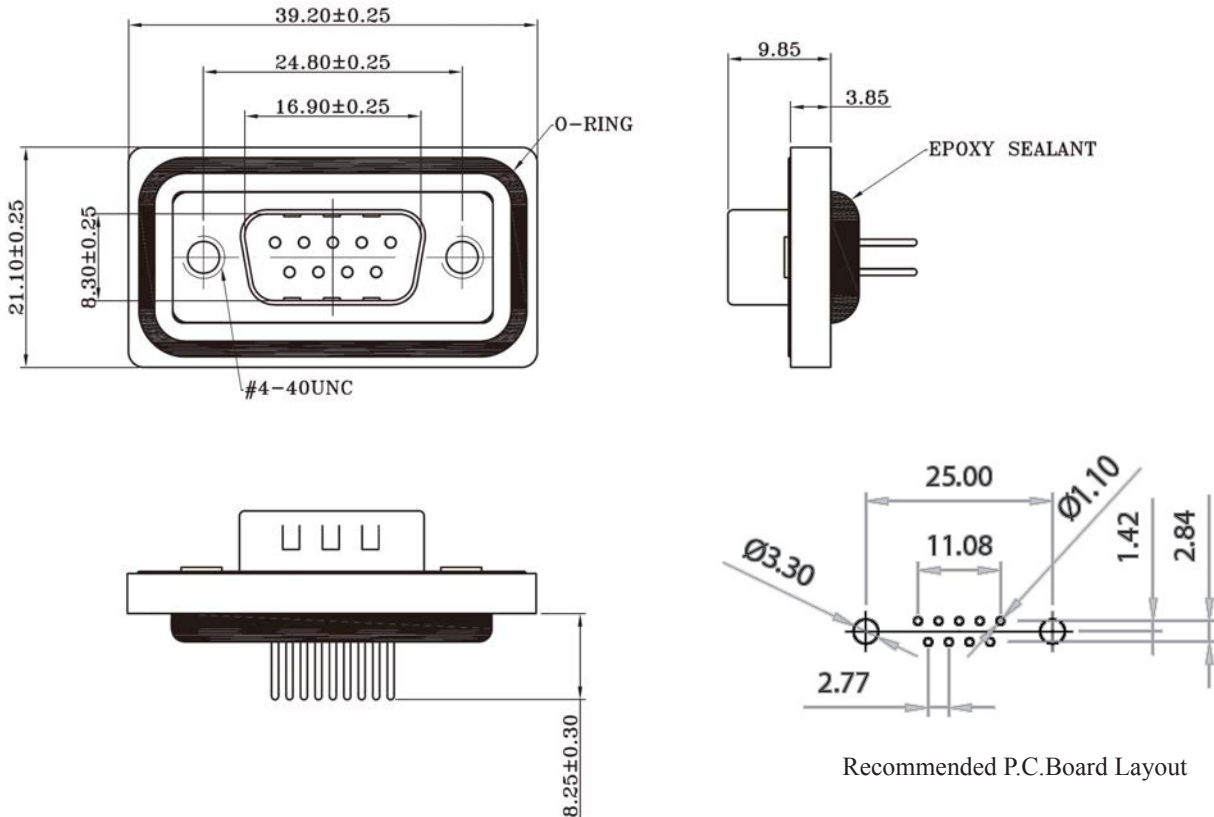
Insulation Resistance: 5GMΩ min.

Temperature Rating: -55°C to 105°

Degree of Protection:

CIP67 According to IEC 60529

All materials must be RoHS compliant.



ORDERING INFORMATION:

P/N 5 1 03 WP - 09 TB / XX
1 2 3 4

1. CONNECTOR TYPE:
"03" MALE WITH MACHINED CONTACTS
2. PROTECTION TYPE:
"WP" IP67 DEGREE WATERPROOF
3. NO. OF CONTACTS:
"09" DB9M
4. MOUNTING OPTION:
" " #4-40UNC MOUNTING HOLES
"J" RIVETED #4-40UNC 5.8MM
OPEN NUTS ON FRONT SHELL
"K" RIVETED #4-40UNC 4.0MM
OPEN NUTS ON BACK SHELL
"K6" RIVETED #4-40UNC 5.8MM
OPEN NUTS ON BACK SHELL

WATERPROOF D-SUB. 15 PIN MALE CONNECTOR WITH MACHINED CONTACTS STRAIGHT PCB MOUNT TYPE (2)

MATERIALS:

Shell: Steel Material, Tin Finished

Insulator: PBT GF, UL 94V-0, Black

Singal Contact: Copper Alloy, Gold Flash

Metal Watertight Frame: PBT GF, UL 94V-0, Black

O-Ring: Silicone

Epoxy Sealant: Epoxy

Unit: mm

SPECIFICATION:

Signal Contact Current Rating: 5.0A

Signal Contact Resistance: 10 mΩ Max.

Dielectric Withstanding Voltage:

1000 V for 1 min.

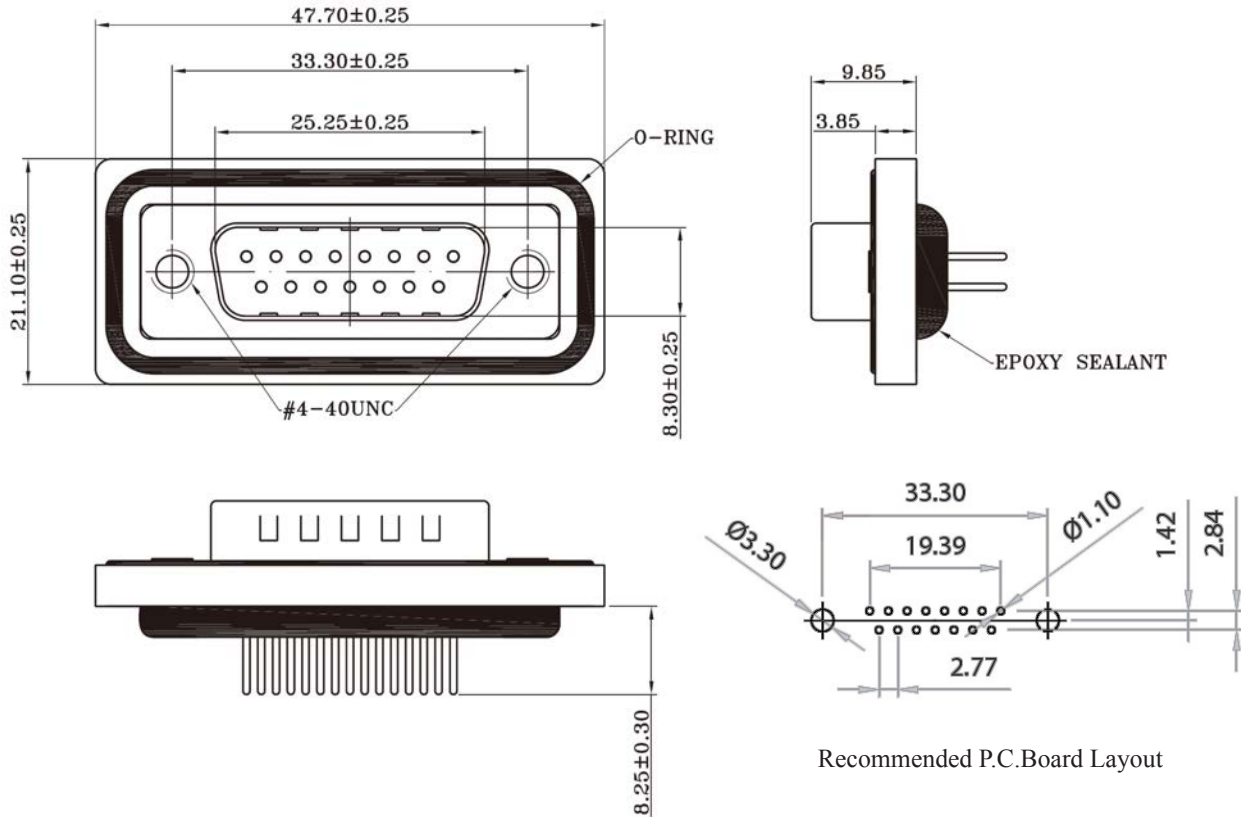
Insulation Resistance: 5GMΩ min.

Temperature Rating: -55°C to 105°

Degree of Protection:

CIP67 According to IEC 60529

All materials must be RoHS compliant.



ORDERING INFORMATION:

P/N 5 103 WP - 15 TB / XX

1. CONNECTOR TYPE:
"03" MALE WITH MACHINED CONTACTS
2. PROTECTION TYPE:
"WP" IP67 DEGREE WATERPROOF
3. NO. OF CONTACTS:
"15" DB15M
4. MOUTING OPTION:
" " #4-40UNC MOUNTING HOLES
"J" RIVETED #4-40UNC 5.8MM
OPEN NUTS ON FRONT SHELL
"K" RIVETED #4-40UNC 4.0MM
OPEN NUTS ON BACK SHELL
"K6" RIVETED #4-40UNC 5.8MM
OPEN NUTS ON BACK SHELL

WATERPROOF D-SUB. 25 PIN MALE CONNECTOR WITH MACHINED CONTACTS STRAIGHT PCB MOUNT TYPE (3)

MATERIALS:

Shell: Steel Material, Tin Finished

Insulator: PBT GF, UL 94V-0, Black

Signal Contact: Copper Alloy, Gold Flash

Metal Watertight Frame: PBT GF, UL 94V-0, Black

O-Ring: Silicone

Epoxy Sealant: Epoxy

Unit: mm

SPECIFICATION:

Signal Contact Current Rating: 5.0A

Signal Contact Resistance: 10 mΩ Max.

Dielectric Withstanding Voltage:
1000 V for 1 min.

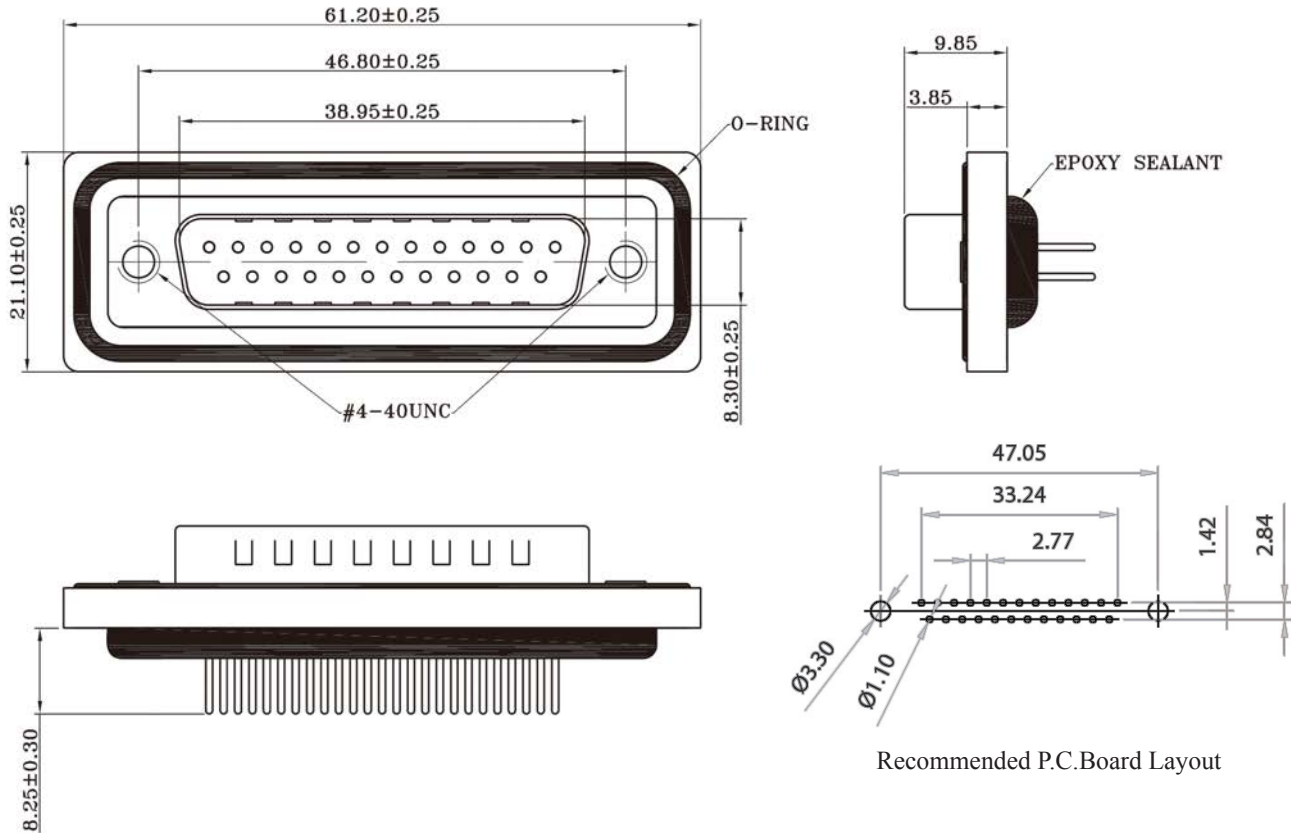
Insulation Resistance: 5GΜΩ min.

Temperature Rating: -55°C to 105°

Degree of Protection:

CIP67 According to IEC 60529

All materials must be RoHS compliant.



ORDERING INFORMATION:

P/N 5 1 03 WP - 25 TB / XX
1 2 3 4

1. CONNECTOR TYPE:
"03" MALE WITH MACHINED CONTACTS
2. PROTECTION TYPE:
"WP" IP67 DEGREE WATERPROOF
3. NO. OF CONTACTS:
"25" DB25M
4. MOUNTING OPTION:
" " #4-40UNC MOUNTING HOLES
"J" RIVETED #4-40UNC 5.8MM
OPEN NUTS ON FRONT SHELL
"K" RIVETED #4-40UNC 4.0MM
OPEN NUTS ON BACK SHELL
"K6" RIVETED #4-40UNC 5.8MM
OPEN NUTS ON BACK SHELL

WATERPROOF D-SUB. 37 PIN MALE CONNECTOR WITH MACHINED CONTACTS STRAIGHT PCB MOUNT TYPE (4)

MATERIALS:

Shell: Steel Material, Tin Finished

Insulator: PBT GF, UL 94V-0, Black

Singal Contact: Copper Alloy, Gold Flash

Metal Watertight Frame: PBT GF, UL 94V-0, Black

O-Ring: Silicone

Epoxy Sealant: Epoxy

Unit: mm

SPECIFICATION:

Signal Contact Current Rating: 5.0A

Signal Contact Resistance: 10 mΩ Max.

Dielectric Withstanding Voltage:
1000 V for 1 min.

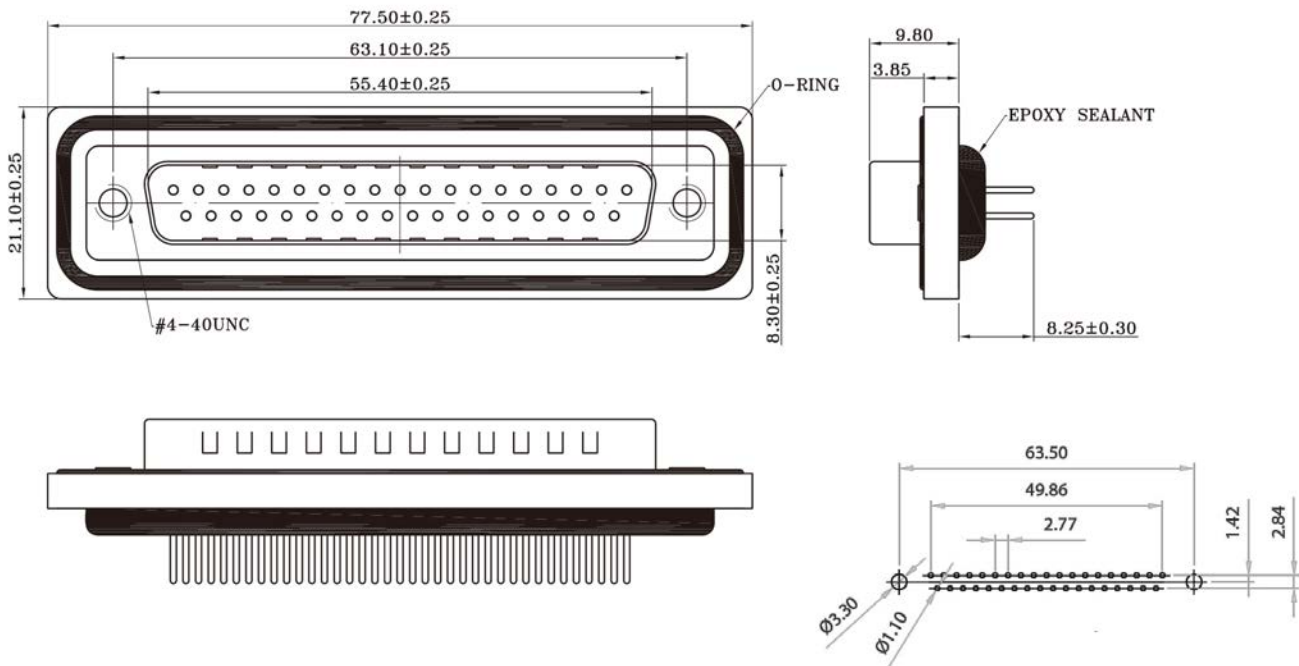
Insulation Resistance: 5GMΩ min.

Temperature Rating: -55°C to 105°

Degree of Protection:

CIP67 According to IEC 60529

All materials must be RoHS compliant.



Recommended P.C.Board Layout

ORDERING INFORMATION:

P/N 5 1 03 WP - 37 TB / XX
1 2 3 4

1. CONNECTOR TYPE:
"03" MALE WITH MACHINED CONTACTS
2. PROTECTION TYPE:
"WP" IP67 DEGREE WATERPROOF
3. NO. OF CONTACTS:
"37" DB37M
4. MOUTING OPTION:
" " #4-40UNC MOUNTING HOLES
"J" RIVETED #4-40UNC 5.8MM
OPEN NUTS ON FRONT SHELL
"K" RIVETED #4-40UNC 4.0MM
OPEN NUTS ON BACK SHELL
"K6" RIVETED #4-40UNC 5.8MM
OPEN NUTS ON BACK SHELL

WATERPROOF D-SUB. 9 PIN FEMALE CONNECTOR WITH MACHINED CONTACTS STRAIGHT PCB MOUNT TYPE (1)

MATERIALS:

Shell: Steel Material, Tin Finished

Insulator: PBT GF, UL 94V-0, Black

Singal Contact: Copper Alloy, Gold Flash

Metal Watertight Frame: PBT GF, UL 94V-0, Black

O-Ring: Silicone

Epoxy Sealant: Epoxy

Unit: mm

SPECIFICATION:

Signal Contact Current Rating: 5.0A

Signal Contact Resistance: 10 mΩ Max.

Dielectric Withstanding Voltage:
1000 V for 1 min.

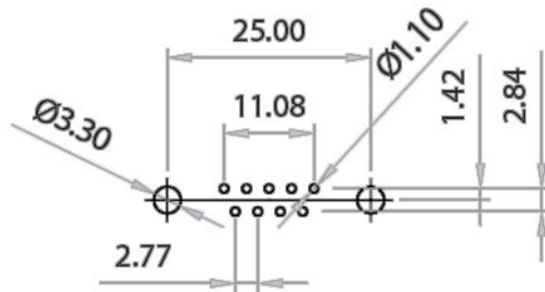
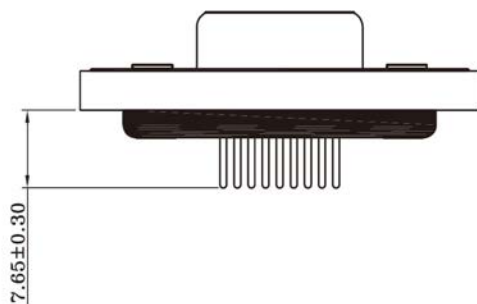
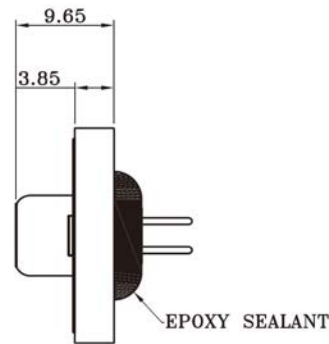
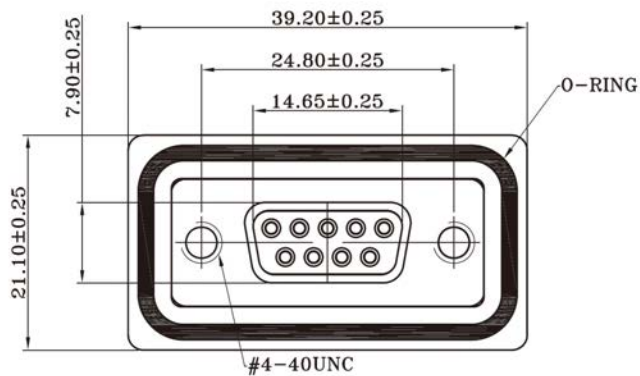
Insulation Resistance: 5GMOΩ min.

Temperature Rating: -55°C to 105°

Degree of Protection:

CIP67 According to IEC 60529

All materials must be RoHS compliant.



Recommended P.C. Board Layout

ORDERING INFORMATION:

P/N 5 1 04 WP - 09 TB / XX / X

1. CONNECTOR TYPE:
"04" FEMALE WITH MACHINED CONTACTS
2. PROTECTION TYPE:
"WP" IP67 DEGREE WATERPROOF
3. NO. OF CONTACTS:
"09" DB9F
4. MOUNTING OPTION:
" " #4-40UNC MOUNTING HOLES
"J" RIVETED #4-40UNC 5.8MM
OPEN NUTS ON FRONT SHELL
"K" RIVETED #4-40UNC 4.0MM
OPEN NUTS ON BACK SHELL
"K6" RIVETED #4-40UNC 5.8MM
OPEN NUTS ON BACK SHELL

WATERPROOF D-SUB. 15 PIN FEMALE CONNECTOR WITH MACHINED CONTACTS STRAIGHT PCB MOUNT TYPE (2)

MATERIALS:

Shell: Steel Material, Tin Finished

Insulator: PBT GF, UL 94V-0, Black

Singal Contact: Copper Alloy, Gold Flash

Metal Watertight Frame: PBT GF, UL 94V-0, Black

O-Ring: Silicone

Epoxy Sealant: Epoxy

Unit: mm

SPECIFICATION:

Signal Contact Current Rating: 5.0A

Signal Contact Resistance: 10 mΩ Max.

Dielectric Withstanding Voltage:
1000 V for 1 min.

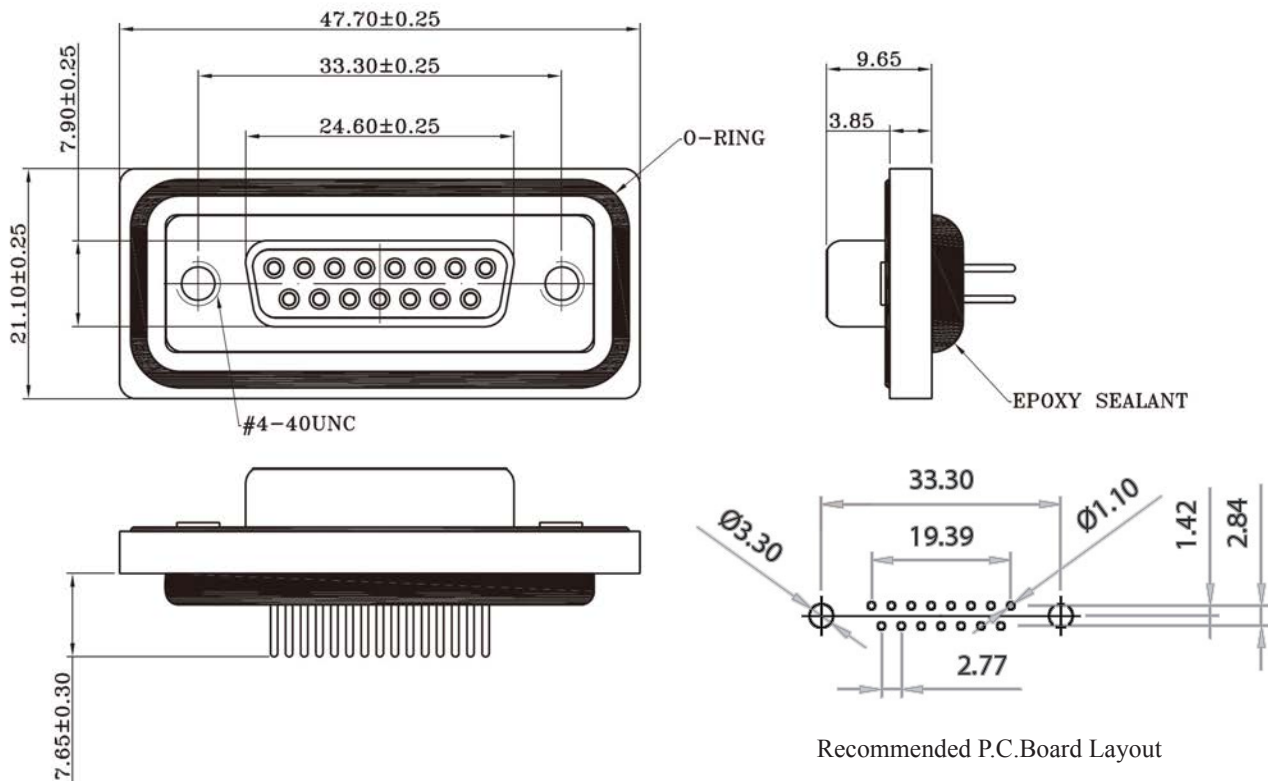
Insulation Resistance: 5GMΩ min.

Temperature Rating: -55°C to 105°

Degree of Protection:

CIP67 According to IEC 60529

All materials must be RoHS compliant.



ORDERING INFORMATION:

P/N 5 1 04 WP - 15 TB / XX
1 2 3 4

1. CONNECTOR TYPE:
"04" FEMALE WITH MACHINED CONTACTS
2. PROTECTION TYPE:
"WP" IP67 DEGREE WATERPROOF
3. NO. OF CONTACTS:
"15" DB15F
4. MOUTING OPTION:
" " #4-40UNC MOUNTING HOLES
"J" RIVETED #4-40UNC 5.8MM
OPEN NUTS ON FRONT SHELL
"K" RIVETED #4-40UNC 4.0MM
OPEN NUTS ON BACK SHELL
"K6" RIVETED #4-40UNC 5.8MM
OPEN NUTS ON BACK SHELL

WATERPROOF D-SUB. 25 PIN FEMALE CONNECTOR WITH MACHINED CONTACTS STRAIGHT PCB MOUNT TYPE (3)

MATERIALS:

Shell: Steel Material, Tin Finished

Insulator: PBT GF, UL 94V-0, Black

Signal Contact: Copper Alloy, Gold Flash

Metal Watertight Frame: PBT GF, UL 94V-0, Black

O-Ring: Silicone

Epoxy Sealant: Epoxy

Unit: mm

SPECIFICATION:

Signal Contact Current Rating: 5.0A

Signal Contact Resistance: 10 mΩ Max.

Dielectric Withstanding Voltage:

1000 V for 1 min.

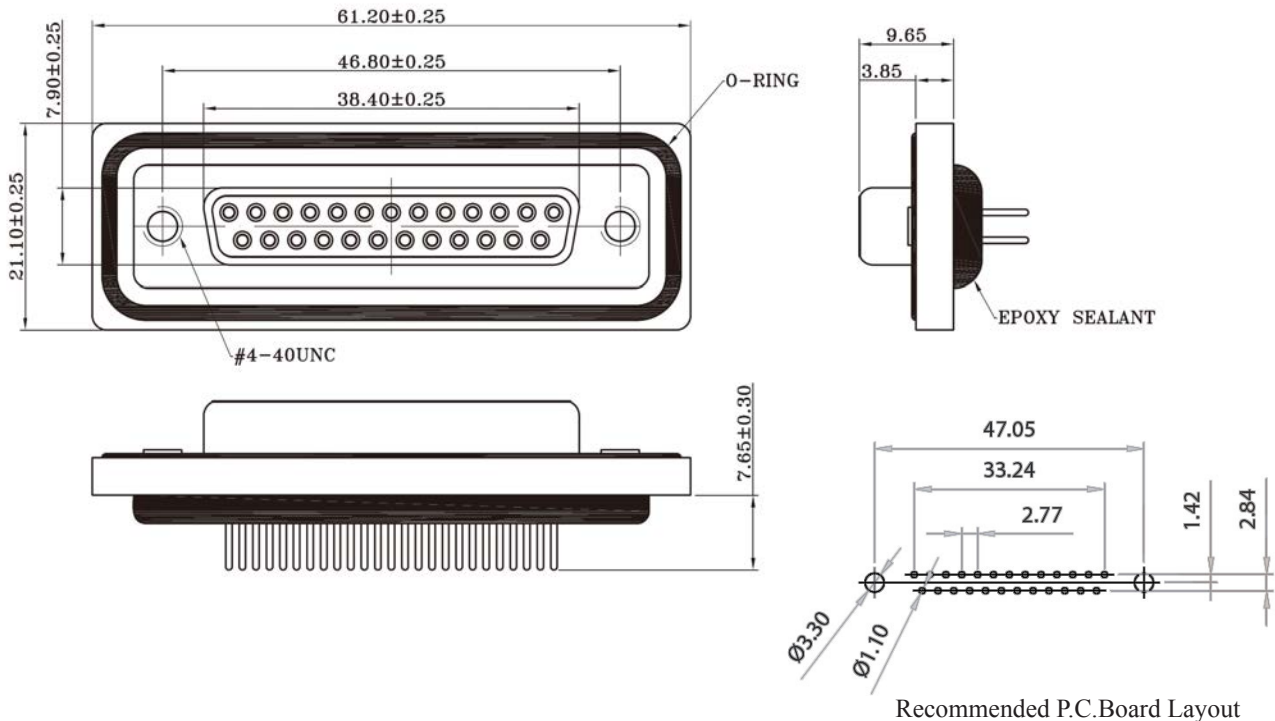
Insulation Resistance: 5GMΩ min.

Temperature Rating: -55°C to 105°

Degree of Protection:

CIP67 According to IEC 60529

All materials must be RoHS compliant.



ORDERING INFORMATION:

P/N 5 1 04 WP - 25 TB / XX
1 2 3 4

1. CONNECTOR TYPE:
"04" FEMALE WITH MACHINED CONTACTS
2. PROTECTION TYPE:
"WP" IP67 DEGREE WATERPROOF
3. NO. OF CONTACTS:
"25" DB25F
4. MOUNTING OPTION:
" " #4-40UNC MOUNTING HOLES
"J" RIVETED #4-40UNC 5.8MM
OPEN NUTS ON FRONT SHELL
"K" RIVETED #4-40UNC 4.0MM
OPEN NUTS ON BACK SHELL
"K6" RIVETED #4-40UNC 5.8MM
OPEN NUTS ON BACK SHELL

WATERPROOF D-SUB. 37 PIN FEMALE CONNECTOR WITH MACHINED CONTACTS STRAIGHT PCB MOUNT TYPE (4)

MATERIALS:

Shell: Steel Material, Tin Finished

Insulator: PBT GF, UL 94V-0, Black

Signal Contact: Copper Alloy, Gold Flash

Metal Watertight Frame: PBT GF, UL 94V-0, Black

O-Ring: Silicone

Epoxy Sealant: Epoxy

Unit: mm

SPECIFICATION:

Signal Contact Current Rating: 5.0A

Signal Contact Resistance: 10 mΩ Max.

Dielectric Withstanding Voltage:
1000 V for 1 min.

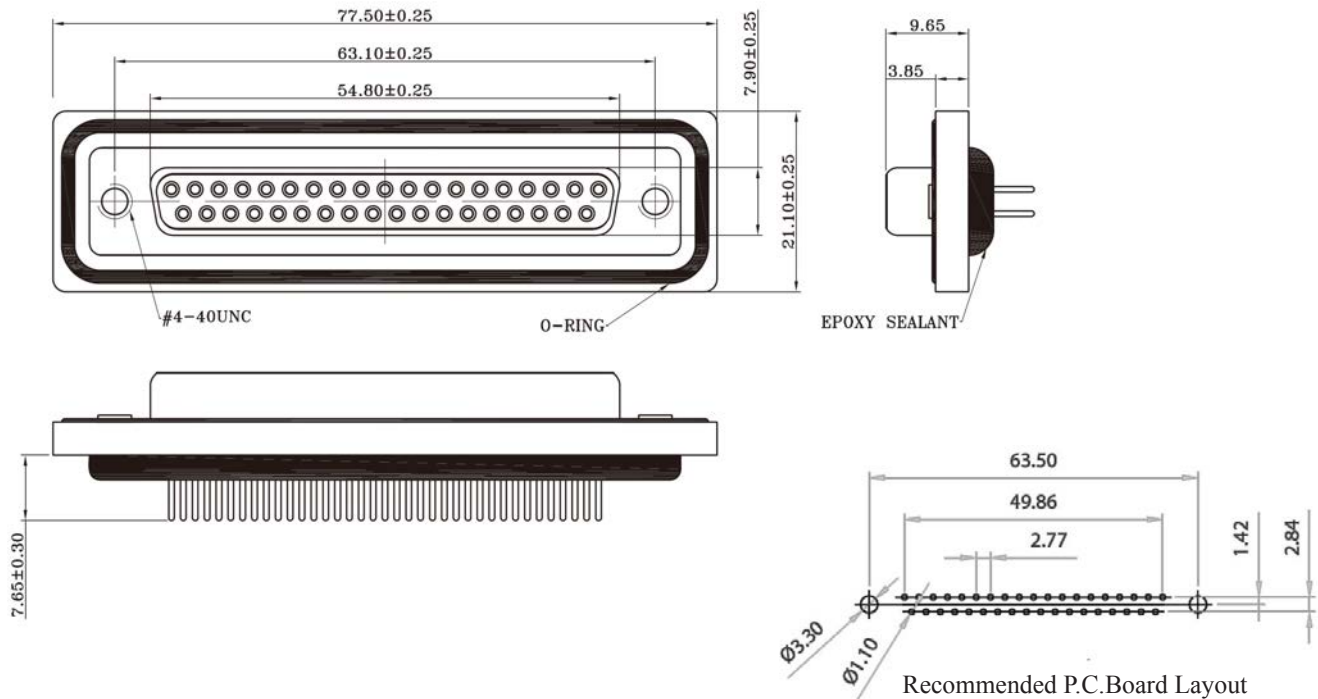
Insulation Resistance: 5GΜΩ min.

Temperature Rating: -55°C to 105°

Degree of Protection:

CIP67 According to IEC 60529

All materials must be RoHS compliant.



ORDERING INFORMATION:

P/N 5 1 04 WP - 37 TB / XX
1 2 3 4

1. CONNECTOR TYPE:
"04" FEMALE WITH MACHINED CONTACTS
2. PROTECTION TYPE:
"WP" IP67 DEGREE WATERPROOF
3. NO. OF CONTACTS:
"37" DB37F
4. MOUNTING OPTION:
" " #4-40UNC MOUNTING HOLES
"J" RIVETED #4-40UNC 5.8MM
OPEN NUTS ON FRONT SHELL
"K" RIVETED #4-40UNC 4.0MM
OPEN NUTS ON BACK SHELL
"K6" RIVETED #4-40UNC 5.8MM
OPEN NUTS ON BACK SHELL

WATERPROOF D-SUB. 9 PIN MALE CONNECTOR WITH MACHINED CONTACTS RIGHT ANGLE DIP TYPE (1)

MATERIALS:

Shell: Steel Material, Tin Finished

Insulator: PBT GF, UL 94V-0, Black

Singal Contact: Copper Alloy, Gold Flash

Metal Watertight Frame: PBT GF, UL 94V-0, Black

O-Ring: Silicone

Epoxy Sealant: Epoxy

Unit: mm

SPECIFICATION:

Signal Contact Current Rating: 5.0A

Signal Contact Resistance: 10 mΩ Max.

Dielectric Withstanding Voltage:
1000 V for 1 min.

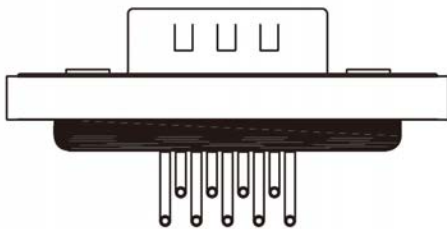
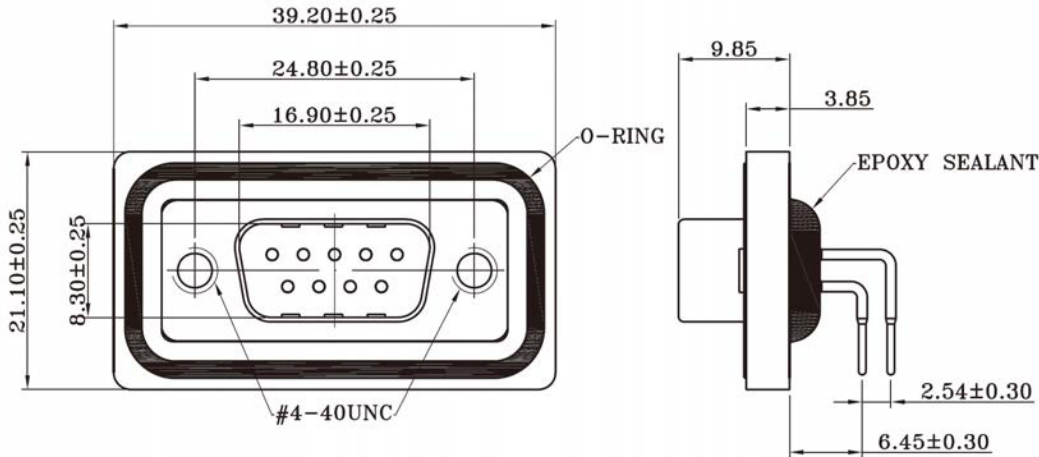
Insulation Resistance: 5GΜΩ min.

Temperature Rating: -55°C to 105°

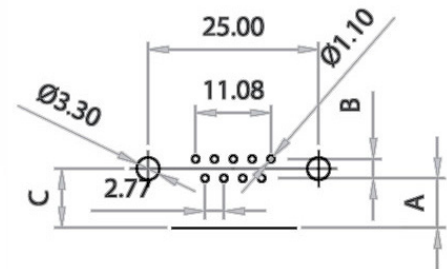
Degree of Protection:

CIP67 According to IEC 60529

All materials must be RoHS compliant.



| | Dimensions(mm) |
|---|----------------|
| A | 6.45 |
| B | 2.54 |
| C | 8.12 |



Recommended P.C.Board Layout

ORDERING INFORMATION:

P/N 5 105 WP - 09 TB / XX
1 2 3 4

- CONNECTOR TYPE:
"05" MALE WITH MACHINED CONTACTS
- PROTECTION TYPE:
"WP" IP67 DEGREE WATERPROOF
- NO. OF CONTACTS:
"09" DB9M
- MOUTING OPTION:
" " #4-40UNC MOUNTING HOLES
"1W" BRACKET #4-40UNC
WITH BOARD LOCKS
"1N" BRACKET #4-40UNC
WITHOUT BOARD LOCKS
"1S" BRACKET #4-40UNC
MOUNTING WITH BAKELITE

"1B" BRACKET #4-40UNC
MOUNTING WITH NUTS
ON FRONT SHELL

WATERPROOF D-SUB. 15 PIN MALE CONNECTOR WITH MACHINED CONTACTS RIGHT ANGLE DIP TYPE (2)

MATERIALS:

Shell: Steel Material, Tin Finished

Insulator: PBT GF, UL 94V-0, Black

Singal Contact: Copper Alloy, Gold Flash

Metal Watertight Frame: PBT GF, UL 94V-0, Black

O-Ring: Silicone

Epoxy Sealant: Epoxy

Unit: mm

SPECIFICATION:

Signal Contact Current Rating: 5.0A

Signal Contact Resistance: 10 mΩ Max.

Dielectric Withstanding Voltage:
1000 V for 1 min.

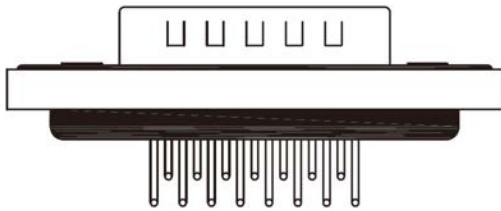
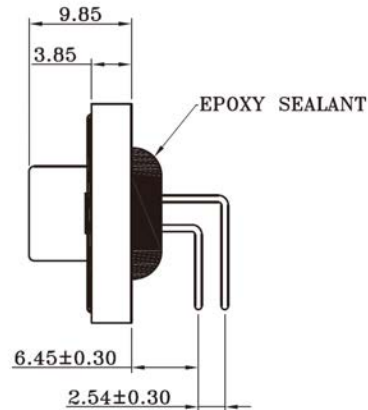
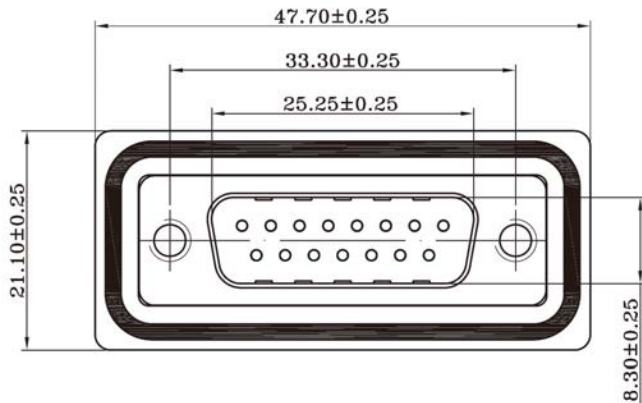
Insulation Resistance: 5GΜΩ min.

Temperature Rating: -55°C to 105°

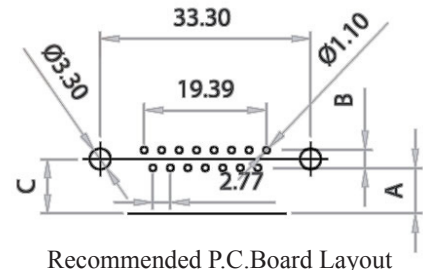
Degree of Protection:

CIP67 According to IEC 60529

All materials must be RoHS compliant.



| | Dimensions(mm) |
|---|----------------|
| A | 6.45 |
| B | 2.54 |
| C | 8.12 |



Recommended P.C.Board Layout

ORDERING INFORMATION:

P/N 5 105 WP - 15 TB / XX
1 2 3 4

- CONNECTOR TYPE:
"05" MALE WITH MACHINED CONTACTS
- PROTECTION TYPE:
"WP" IP67 DEGREE WATERPROOF
- NO. OF CONTACTS:
"15" DB15M
- MOUTING OPTION:
" " #4-40UNC MOUNTING HOLES
"1W" BRACKET #4-40UNC
WITH BOARD LOCKS
"1N" BRACKET #4-40UNC
WITHOUT BOARD LOCKS
"1S" BRACKET #4-40UNC
MOUNTING WITH BAKELITE

"1B" BRACKET #4-40UNC
MOUNTING WITH NUTS
ON FRONT SHELL

WATERPROOF D-SUB. 25 PIN MALE CONNECTOR WITH MACHINED CONTACTS RIGHT ANGLE DIP TYPE (3)

MATERIALS:

Shell: Steel Material, Tin Finished

Insulator: PBT GF, UL 94V-0, Black

Singal Contact: Copper Alloy, Gold Flash

Metal Watertight Frame: PBT GF, UL 94V-0, Black

O-Ring: Silicone

Epoxy Sealant: Epoxy

Unit: mm

SPECIFICATION:

Signal Contact Current Rating: 5.0A

Signal Contact Resistance: 10 mΩ Max.

Dielectric Withstanding Voltage:
1000 V for 1 min.

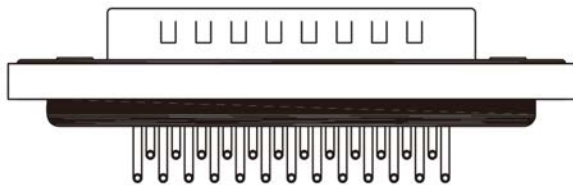
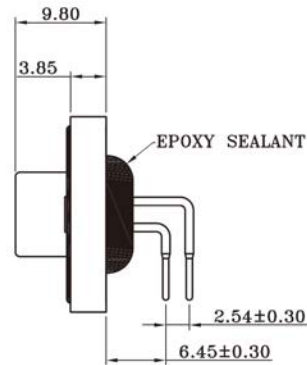
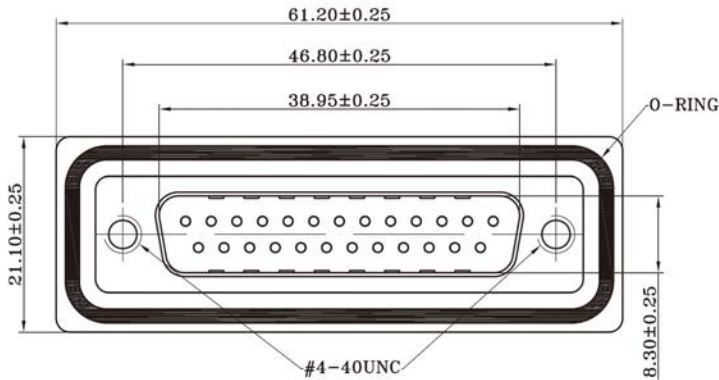
Insulation Resistance: 5GMOΩ min.

Temperature Rating: -55°C to 105°

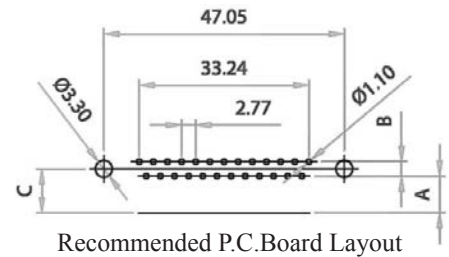
Degree of Protection:

CIP67 According to IEC 60529

All materials must be RoHS compliant.



| | Dimensions(mm) |
|---|----------------|
| A | 6.45 |
| B | 2.54 |
| C | 8.12 |



Recommended P.C.Board Layout

ORDERING INFORMATION:

P/N 5 105 WP - 25 TB / XX
1 2 3 4

- CONNECTOR TYPE:
"05" MALE WITH MACHINED CONTACTS
- PROTECTION TYPE:
"WP" IP67 DEGREE WATERPROOF
- NO. OF CONTACTS:
"25" DB25M
- MOUTING OPTION:
" " #4-40UNC MOUNTING HOLES
"1W" BRACKET #4-40UNC
WITH BOARD LOCKS
"1N" BRACKET #4-40UNC
WITHOUT BOARD LOCKS
"1S" BRACKET #4-40UNC
MOUNTING WITH BAKELITE

"1B" BRACKET #4-40UNC
MOUNTING WITH NUTS
ON FRONT SHELL

WATERPROOF D-SUB. 37 PIN MALE CONNECTOR WITH MACHINED CONTACTS RIGHT ANGLE DIP TYPE (4)

MATERIALS:

Shell: Steel Material, Tin Finished

Insulator: PBT GF, UL 94V-0, Black

Singal Contact: Copper Alloy, Gold Flash

Metal Watertight Frame: PBT GF, UL 94V-0, Black

O-Ring: Silicone

Epoxy Sealant: Epoxy

Unit: mm

SPECIFICATION:

Signal Contact Current Rating: 5.0A

Signal Contact Resistance: 10 mΩ Max.

Dielectric Withstanding Voltage:
1000 V for 1 min.

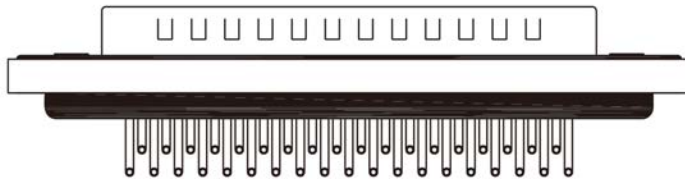
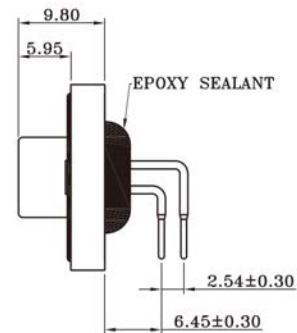
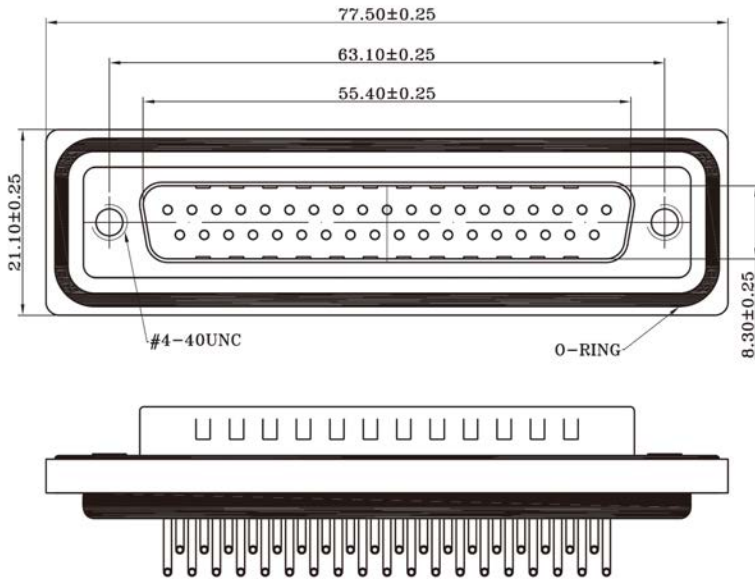
Insulation Resistance: 5GMΩ min.

Temperature Rating: -55°C to 105°

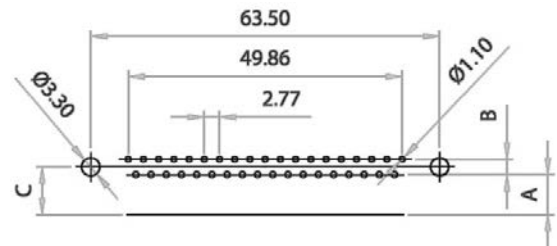
Degree of Protection:

CIP67 According to IEC 60529

All materials must be RoHS compliant.



| | Dimensions(mm) |
|---|----------------|
| A | 6.45 |
| B | 2.54 |
| C | 8.12 |



Recommended P.C.Board Layout

ORDERING INFORMATION:

P/N 5 105 WP - 37 TB / XX
1 2 3 4

- CONNECTOR TYPE:
"05" MALE WITH MACHINED CONTACTS
- PROTECTION TYPE:
"WP" IP67 DEGREE WATERPROOF
- NO. OF CONTACTS:
"37" DB37M
- MOUTING OPTION:
" " #4-40UNC MOUNTING HOLES
"1W" BRACKET #4-40UNC
WITH BOARD LOCKS
"1N" BRACKET #4-40UNC
WITHOUT BOARD LOCKS
"1S" BRACKET #4-40UNC
MOUNTING WITH BAKELITE

"1B" BRACKET #4-40UNC
MOUNTING WITH NUTS
ON FRONT SHELL

WATERPROOF D-SUB. 9 PIN FEMALE CONNECTOR WITH MACHINED CONTACTS RIGHT ANGLE DIP TYPE (1)

MATERIALS:

Shell: Steel Material, Tin Finished

Insulator: PBT GF, UL 94V-0, Black

Signal Contact: Copper Alloy, Gold Flash

Metal Watertight Frame: PBT GF, UL 94V-0, Black

O-Ring: Silicone

Epoxy Sealant: Epoxy

Unit: mm

SPECIFICATION:

Signal Contact Current Rating: 5.0A

Signal Contact Resistance: 10 mΩ Max.

Dielectric Withstanding Voltage:

1000 V for 1 min.

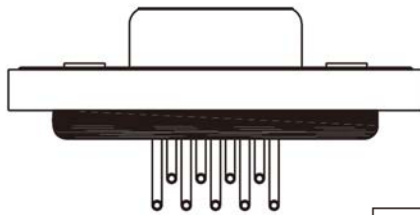
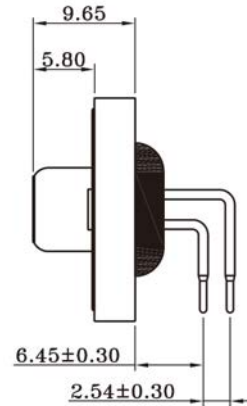
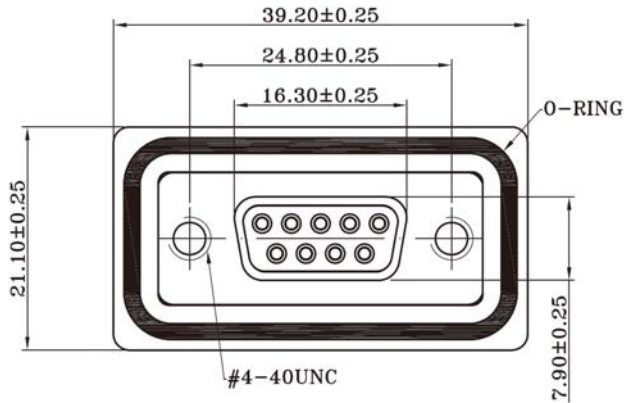
Insulation Resistance: 5GMΩ min.

Temperature Rating: -55°C to 105°

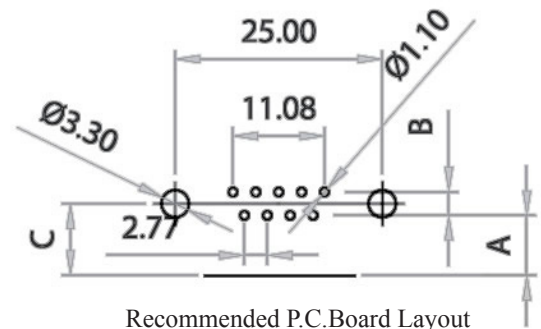
Degree of Protection:

CIP67 According to IEC 60529

All materials must be RoHS compliant.



| | Dimensions(mm) |
|---|----------------|
| A | 6.45 |
| B | 2.54 |
| C | 8.12 |



Recommended P.C.Board Layout

ORDERING INFORMATION:

P/N 5 1 06 WP - 09 TB / XX
1 2 3 4

- CONNECTOR TYPE:
"06" FEMALE WITH MACHINED CONTACTS
- PROTECTION TYPE:
"WP" IP67 DEGREE WATERPROOF
- NO. OF CONTACTS:
"09" DB9F
- MOUNTING OPTION:
" " #4-40UNC MOUNTING HOLES
"1W" BRACKET #4-40UNC
WITH BOARD LOCKS
"1N" BRACKET #4-40UNC
WITHOUT BOARD LOCKS
"1S" BRACKET #4-40UNC
MOUNTING WITH BAKELITE

"1B" BRACKET #4-40UNC
MOUNTING WITH NUTS
ON FRONT SHELL

WATERPROOF D-SUB. 15 PIN FEMALE CONNECTOR WITH MACHINED CONTACTS RIGHT ANGLE DIP TYPE (2)

MATERIALS:

Shell: Steel Material, Tin Finished

Insulator: PBT GF, UL 94V-0, Black

Signal Contact: Copper Alloy, Gold Flash

Metal Watertight Frame: PBT GF, UL 94V-0, Black

O-Ring: Silicone

Epoxy Sealant: Epoxy

Unit: mm

SPECIFICATION:

Signal Contact Current Rating: 5.0A

Signal Contact Resistance: 10 mΩ Max.

Dielectric Withstanding Voltage:
1000 V for 1 min.

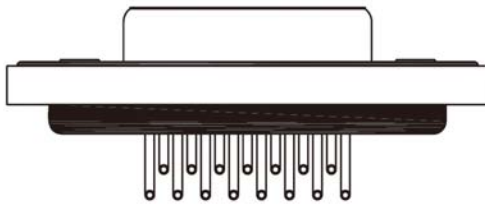
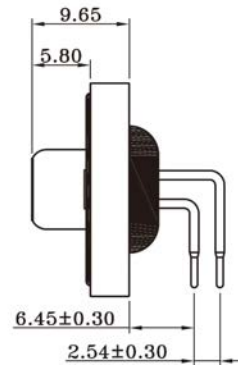
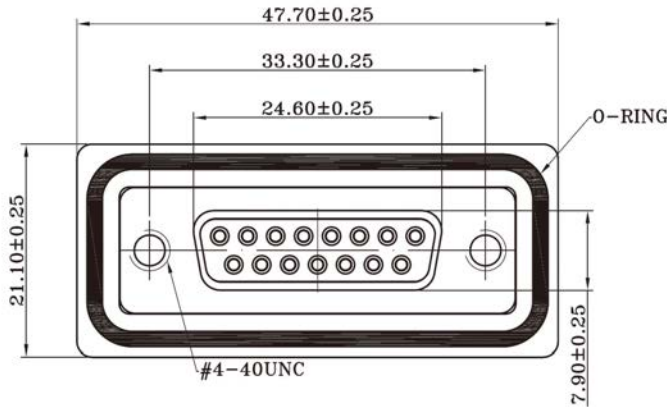
Insulation Resistance: 5GΜΩ min.

Temperature Rating: -55°C to 105°

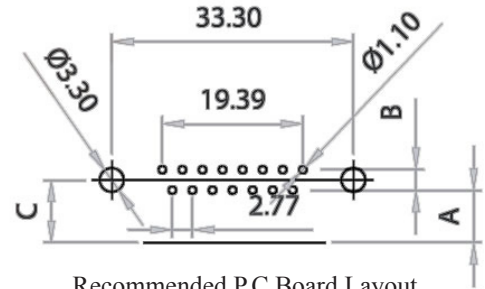
Degree of Protection:

CIP67 According to IEC 60529

All materials must be RoHS compliant.



| | Dimensions(mm) |
|---|----------------|
| A | 6.45 |
| B | 2.54 |
| C | 8.12 |



Recommended P.C. Board Layout

ORDERING INFORMATION:

P/N 5 1 06 WP - 15 TB / XX
1 2 3 4

- CONNECTOR TYPE:
"06" FEMALE WITH MACHINED CONTACTS
- PROTECTION TYPE:
"WP" IP67 DEGREE WATERPROOF
- NO. OF CONTACTS:
"15" DB15F
- MOUNTING OPTION:
" " #4-40UNC MOUNTING HOLES
"1W" BRACKET #4-40UNC
WITH BOARD LOCKS
"1N" BRACKET #4-40UNC
WITHOUT BOARD LOCKS
"1S" BRACKET #4-40UNC
MOUNTING WITH BAKELITE

"1B" BRACKET #4-40UNC
MOUNTING WITH NUTS
ON FRONT SHELL

WATERPROOF D-SUB. 25 PIN FEMALE CONNECTOR WITH MACHINED CONTACTS RIGHT ANGLE DIP TYPE (3)

MATERIALS:

Shell: Steel Material, Tin Finished

Insulator: PBT GF, UL 94V-0, Black

Singal Contact: Copper Alloy, Gold Flash

Metal Watertight Frame: PBT GF, UL 94V-0, Black

O-Ring: Silicone

Epoxy Sealant: Epoxy

Unit: mm

SPECIFICATION:

Signal Contact Current Rating: 5.0A

Signal Contact Resistance: 10 mΩ Max.

Dielectric Withstanding Voltage:
1000 V for 1 min.

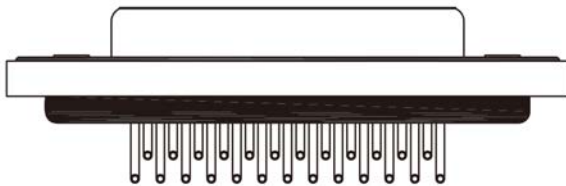
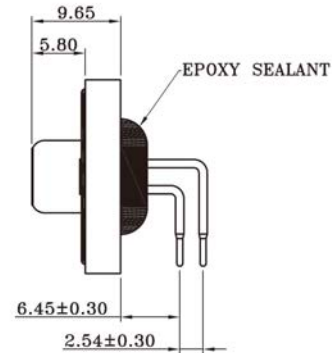
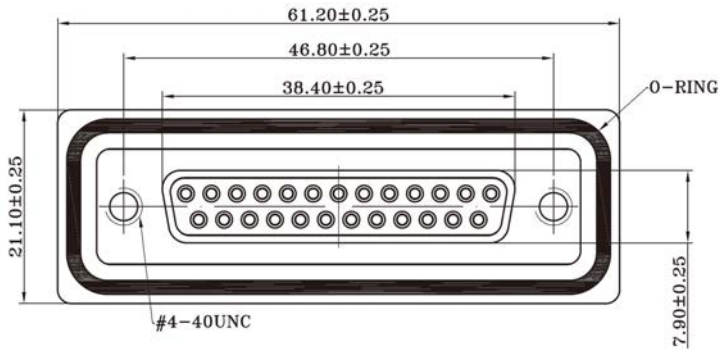
Insulation Resistance: 5GMΩ min.

Temperature Rating: -55°C to 105°

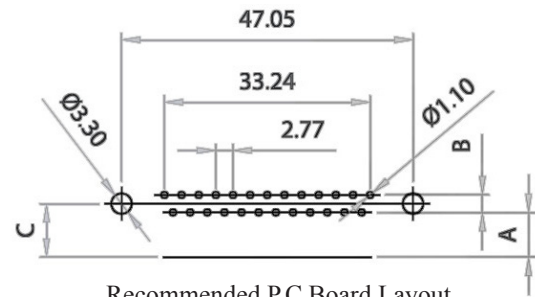
Degree of Protection:

CIP67 According to IEC 60529

All materials must be RoHS compliant.



| | Dimensions(mm) |
|---|----------------|
| A | 6.45 |
| B | 2.54 |
| C | 8.12 |



Recommended P.C.Board Layout

ORDERING INFORMATION:

P/N 5 1 06 WP - 25 TB / XX
1 2 3 4

- CONNECTOR TYPE:
"06" FEMALE WITH MACHINED CONTACTS
- PROTECTION TYPE:
"WP" IP67 DEGREE WATERPROOF
- NO. OF CONTACTS:
"25" DB25F
- MOUTING OPTION:
" " #4-40UNC MOUNTING HOLES
"1W" BRACKET #4-40UNC
WITH BOARD LOCKS
"1N" BRACKET #4-40UNC
WITHOUT BOARD LOCKS
"1S" BRACKET #4-40UNC
MOUNTING WITH BAKELITE

"1B" BRACKET #4-40UNC
MOUNTING WITH NUTS
ON FRONT SHELL

WATERPROOF D-SUB. 37 PIN FEMALE CONNECTOR WITH MACHINED CONTACTS RIGHT ANGLE DIP TYPE (4)

MATERIALS:

Shell: Steel Material, Tin Finished

Insulator: PBT GF, UL 94V-0, Black

Singal Contact: Copper Alloy, Gold Flash

Metal Watertight Frame: PBT GF, UL 94V-0, Black

O-Ring: Silicone

Epoxy Sealant: Epoxy

Unit: mm

SPECIFICATION:

Signal Contact Current Rating: 5.0A

Signal Contact Resistance: 10 mΩ Max.

Dielectric Withstanding Voltage:
1000 V for 1 min.

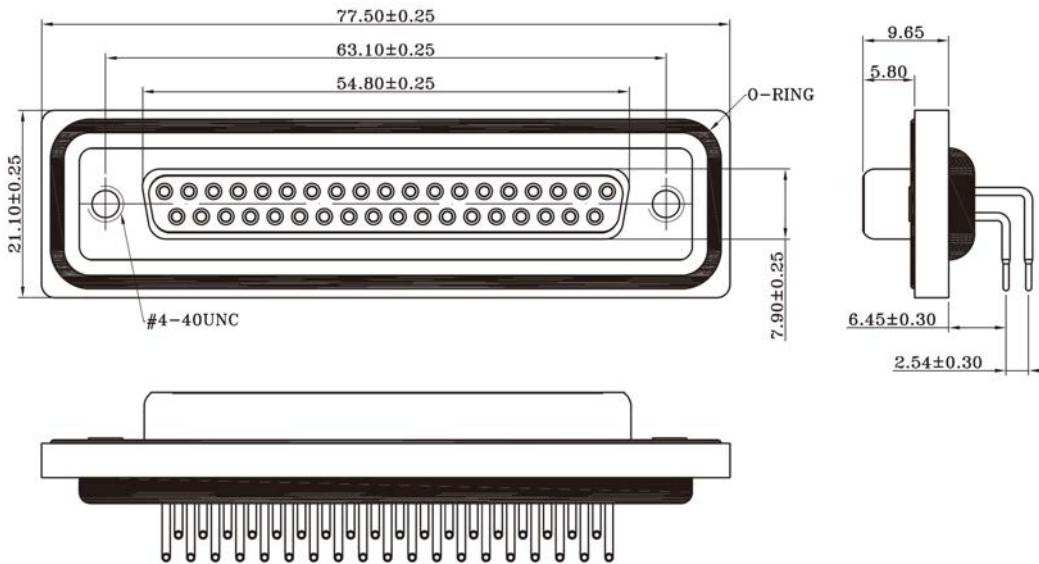
Insulation Resistance: 5GΜΩ min.

Temperature Rating: -55°C to 105°

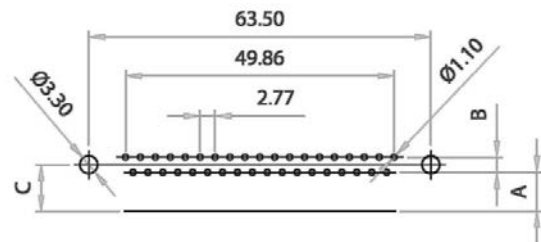
Degree of Protection:

CIP67 According to IEC 60529

All materials must be RoHS compliant.



| | Dimensions(mm) |
|---|----------------|
| A | 6.45 |
| B | 2.54 |
| C | 8.12 |



Recommended P.C. Board Layout

ORDERING INFORMATION:

P/N $\frac{5}{1}$ $\frac{1}{2}$ $\frac{06}{3}$ WP- $\frac{37}{4}$ TB / $\frac{XX}{4}$

- CONNECTOR TYPE:
"06" FEMALE WITH MACHINED CONTACTS
- PROTECTION TYPE:
"WP" IP67 DEGREE WATERPROOF
- NO. OF CONTACTS:
"37" DB37F
- MOUTING OPTION:
" " #4-40UNC MOUNTING HOLES
"1W" BRACKET #4-40UNC
WITH BOARD LOCKS
"1N" BRACKET #4-40UNC
WITHOUT BOARD LOCKS
"1S" BRACKET #4-40UNC
MOUNTING WITH BAKELITE

"1B" BRACKET #4-40UNC
MOUNTING WITH NUTS
ON FRONT SHELL

WATERPROOF HIGH DENSITY D-SUB. 15 PIN MALE CONNECTOR WITH MACHINED CONTACTS SOLDER TYPE (1)

MATERIALS:

Shell: Steel Material, Tin Finished

Insulator: PBT GF, UL 94V-0, Black

Signal Contact: Copper Alloy, Gold Flash

Metal Watertight Frame: PBT GF, UL 94V-0, Black

O-Ring: Silicone

Epoxy Sealant: Epoxy

Unit: mm

SPECIFICATION:

Signal Contact Current Rating: 3.0A

Signal Contact Resistance: 10 mΩ Max.

Dielectric Withstanding Voltage:
1000 V for 1 min.

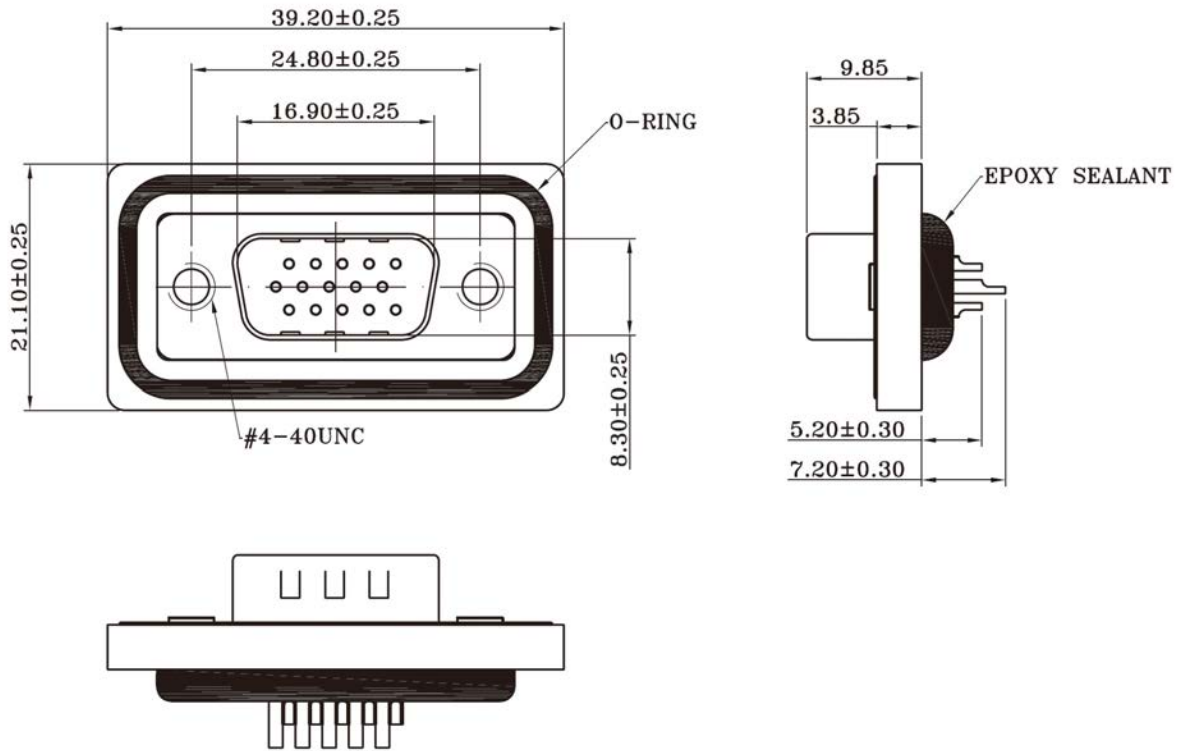
Insulation Resistance: 5GMΩ min.

Temperature Rating: -55°C to 105°

Degree of Protection:

CIP67 According to IEC 60529

All materials must be RoHS compliant.



ORDERING INFORMATION:

P/N 5 107 WP - 15 TB / XX

1 2 3 4

1. CONNECTOR TYPE:
"07" MALE WITH MACHINED CONTACTS
2. PROTECTION TYPE:
"WP" IP67 DEGREE WATERPROOF
3. NO. OF CONTACTS:
"15" HD15M
4. MOUNTING OPTION:
" " #4-40UNC MOUNTING HOLES
"J" RIVETED #4-40UNC 5.8MM
OPEN NUTS ON FRONT SHELL
"K" RIVETED #4-40UNC 4.0MM
OPEN NUTS ON BACK SHELL
"K6" RIVETED #4-40UNC 5.8MM
OPEN NUTS ON BACK SHELL

WATERPROOF HIGH DENSITY D-SUB. 26 PIN MALE CONNECTOR WITH MACHINED CONTACTS SOLDER TYPE (2)

MATERIALS:

Shell: Steel Material, Tin Finished

Insulator: PBT GF, UL 94V-0, Black

Signal Contact: Copper Alloy, Gold Flash

Metal Watertight Frame: PBT GF, UL 94V-0, Black

O-Ring: Silicone

Epoxy Sealant: Epoxy

Unit: mm

SPECIFICATION:

Signal Contact Current Rating: 3.0A

Signal Contact Resistance: 10 mΩ Max.

Dielectric Withstanding Voltage:

1000 V for 1 min.

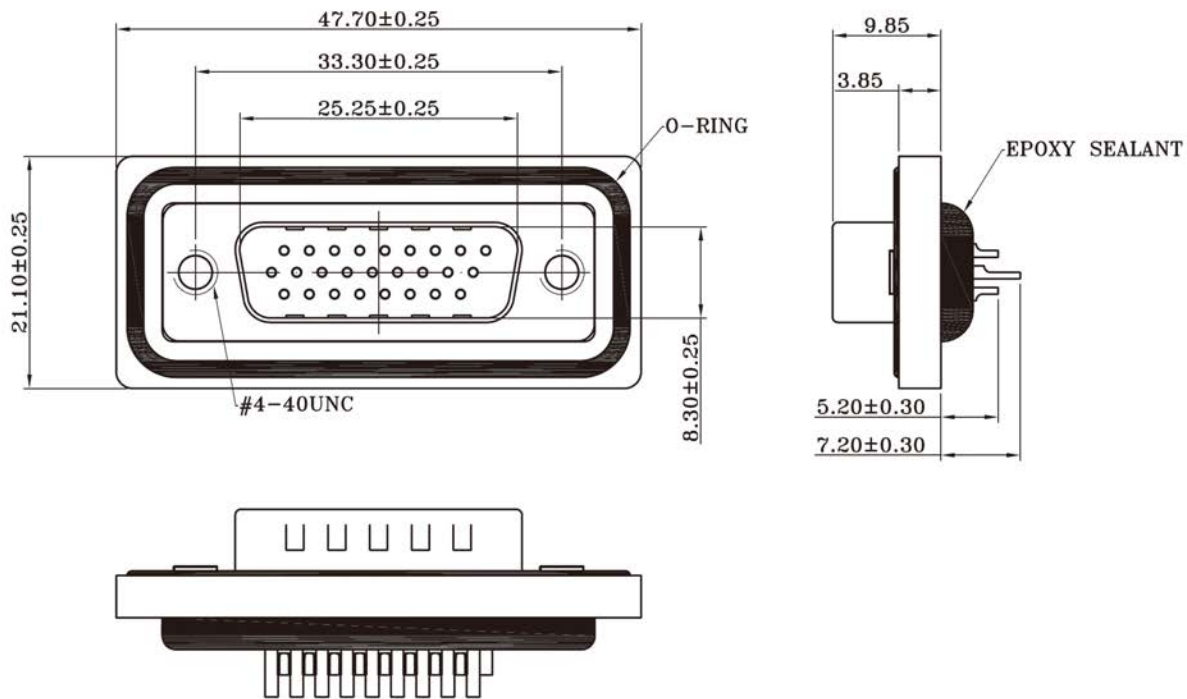
Insulation Resistance: 5GΜΩ min.

Temperature Rating: -55°C to 105°

Degree of Protection:

CIP67 According to IEC 60529

All materials must be RoHS compliant.



ORDERING INFORMATION:

P/N $\frac{5}{1}$ $\frac{107}{2}$ $\frac{WP}{3}$ - $\frac{26}{3}$ TB / $\frac{XX}{4}$

1. CONNECTOR TYPE:
"07" MALE WITH MACHINED CONTACTS
2. PROTECTION TYPE:
"WP" IP67 DEGREE WATERPROOF
3. NO. OF CONTACTS:
"26" HD26M
4. MOUNTING OPTION:
" " #4-40UNC MOUNTING HOLES
"J" RIVETED #4-40UNC 5.8MM
OPEN NUTS ON FRONT SHELL
"K" RIVETED #4-40UNC 4.0MM
OPEN NUTS ON BACK SHELL
"K6" RIVETED #4-40UNC 5.8MM
OPEN NUTS ON BACK SHELL

WATERPROOF HIGH DENSITY D-SUB. 44 PIN MALE CONNECTOR WITH MACHINED CONTACTS SOLDER TYPE (3)

MATERIALS:

Shell: Steel Material, Tin Finished

Insulator: PBT GF, UL 94V-0, Black

Singal Contact: Copper Alloy, Gold Flash

Metal Watertight Frame: PBT GF, UL 94V-0, Black

O-Ring: Silicone

Epoxy Sealant: Epoxy

Unit: mm

SPECIFICATION:

Signal Contact Current Rating: 3.0A

Signal Contact Resistance: 10 mΩ Max.

Dielectric Withstanding Voltage:

1000 V for 1 min.

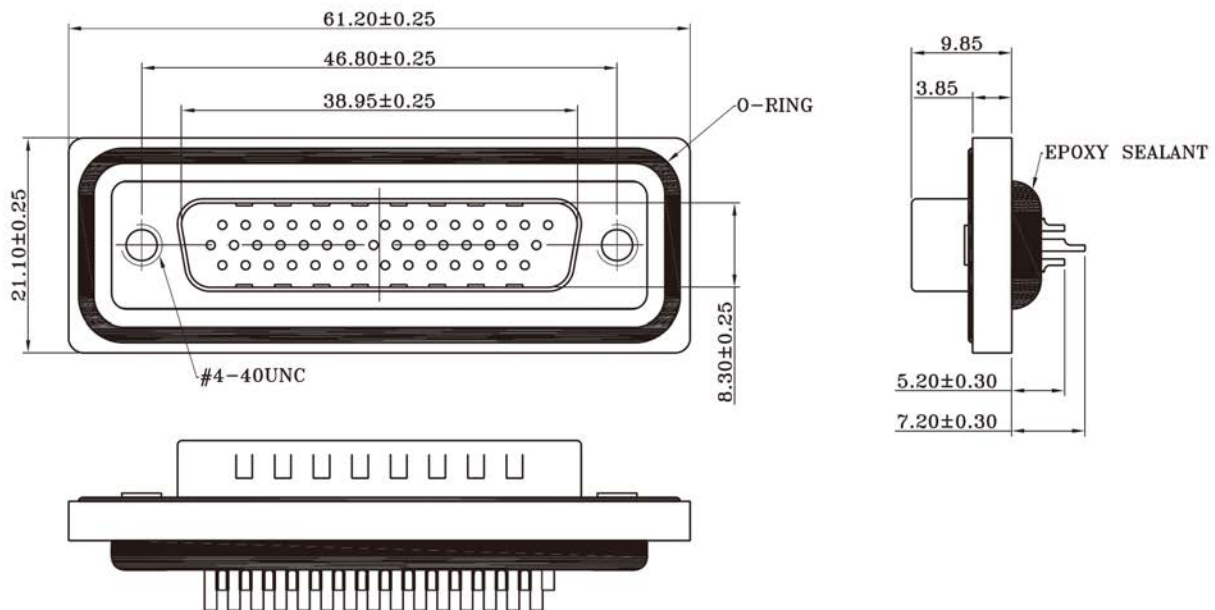
Insulation Resistance: 5GMO min.

Temperature Rating: -55°C to 105°

Degree of Protection:

CIP67 According to IEC 60529

All materials must be RoHS compliant.



ORDERING INFORMATION:

P/N 5 1 07 WP - 44 T B / X X

1. CONNECTOR TYPE:
"07" MALE WITH MACHINED CONTACTS
2. PROTECTION TYPE:
"WP" IP67 DEGREE WATERPROOF
3. NO. OF CONTACTS:
"44" HD44M
4. MOUTING OPTION:
" " #4-40UNC MOUNTING HOLES
"J" RIVETED #4-40UNC 5.8MM
OPEN NUTS ON FRONT SHELL
"K" RIVETED #4-40UNC 4.0MM
OPEN NUTS ON BACK SHELL
"K6" RIVETED #4-40UNC 5.8MM
OPEN NUTS ON BACK SHELL

WATERPROOF HIGH DENSITY D-SUB. 62 PIN MALE CONNECTOR WITH MACHINED CONTACTS SOLDER TYPE (4)

MATERIALS:

Shell: Steel Material, Tin Finished

Insulator: PBT GF, UL 94V-0, Black

Singal Contact: Copper Alloy, Gold Flash

Metal Watertight Frame: PBT GF, UL 94V-0, Black

O-Ring: Silicone

Epoxy Sealant: Epoxy

Unit: mm

SPECIFICATION:

Signal Contact Current Rating: 3.0A

Signal Contact Resistance: 10 mΩ Max.

Dielectric Withstanding Voltage:

1000 V for 1 min.

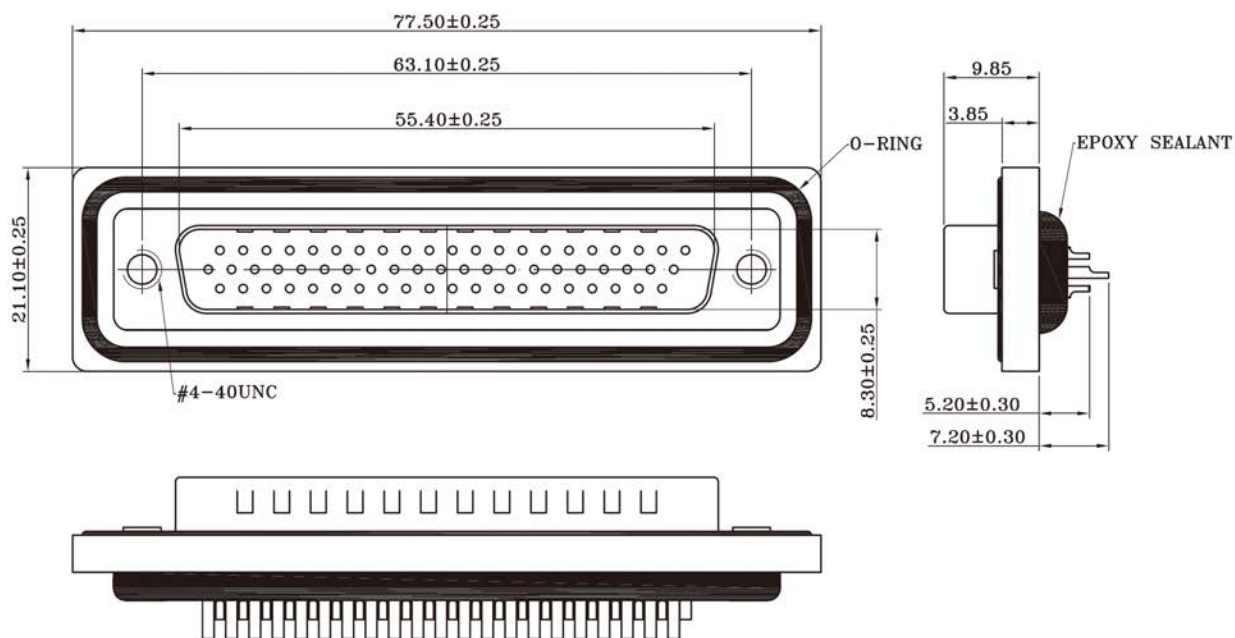
Insulation Resistance: 5GMΩ min.

Temperature Rating: -55°C to 105°

Degree of Protection:

CIP67 According to IEC 60529

All materials must be RoHS compliant.



ORDERING INFORMATION:

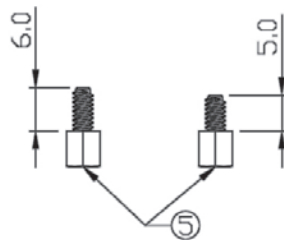
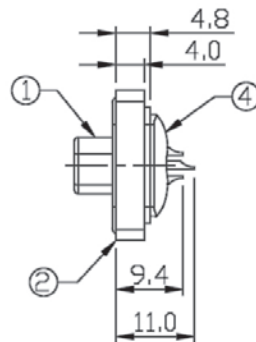
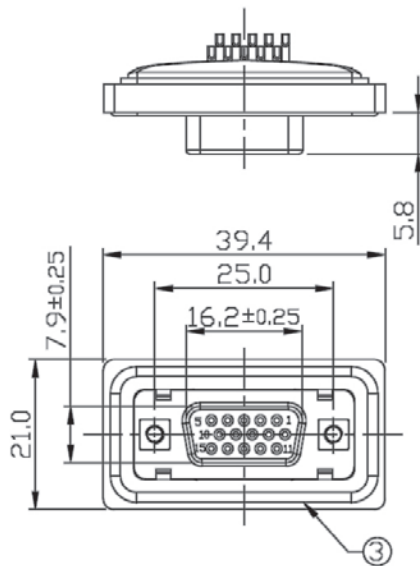
P/N 5 1 07 WP - 62 T B / X X

1. CONNECTOR TYPE:
"07" MALE WITH MACHINED CONTACTS
2. PROTECTION TYPE:
"WP" IP67 DEGREE WATERPROOF
3. NO. OF CONTACTS:
"62" HD62M
4. MOUTING OPTION:
" " #4-40UNC MOUNTING HOLES
"J" RIVETED #4-40UNC 5.8MM
OPEN NUTS ON FRONT SHELL
"K" RIVETED #4-40UNC 4.0MM
OPEN NUTS ON BACK SHELL
"K6" RIVETED #4-40UNC 5.8MM
OPEN NUTS ON BACK SHELL

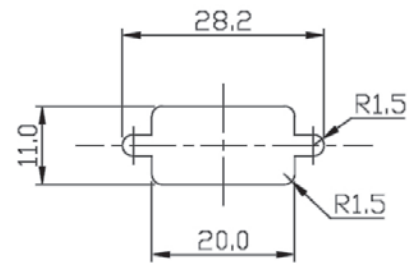
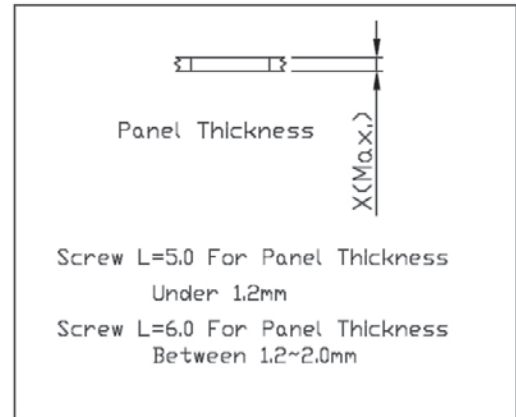
WATERPROOF HIGH DENSITY D-SUB. 5A 15 PIN FEMALE CONNECTOR PANEL MOUNT SOLDER TYPE

*RoHS & REACH compliant.

Unit: mm



Screws on The Separate Bag



Recommend Panel Cut-Out

ORDERING INFORMATION:

P/N W P H D - $\frac{15}{1}$ $\frac{F}{2}$ $\frac{56}{3}$

1. NO. OF COTACTS:
15
2. CONTACT TYPE:
"F" FEMALE
3. SCREW THREAD LENGTHS:
"56" 5MM+6MM THREADED SCREWS

NOTE: MATES WITH CAP P/N WPDB-CAP01

WATERPROOF HIGH DENSITY D-SUB. 15 PIN FEMALE CONNECTOR WITH MACHINED CONTACTS SOLDER TYPE (1)

MATERIALS:

Shell: Steel Material, Tin Finished

Insulator: PBT GF, UL 94V-0, Black

Singal Contact: Copper Alloy, Gold Flash

Metal Watertight Frame: PBT GF, UL 94V-0, Black

O-Ring: Silicone

Epoxy Sealant: Epoxy

Unit: mm

SPECIFICATION:

Signal Contact Current Rating: 3.0A

Signal Contact Resistance: 10 mΩ Max.

Dielectric Withstanding Voltage:
1000 V for 1 min.

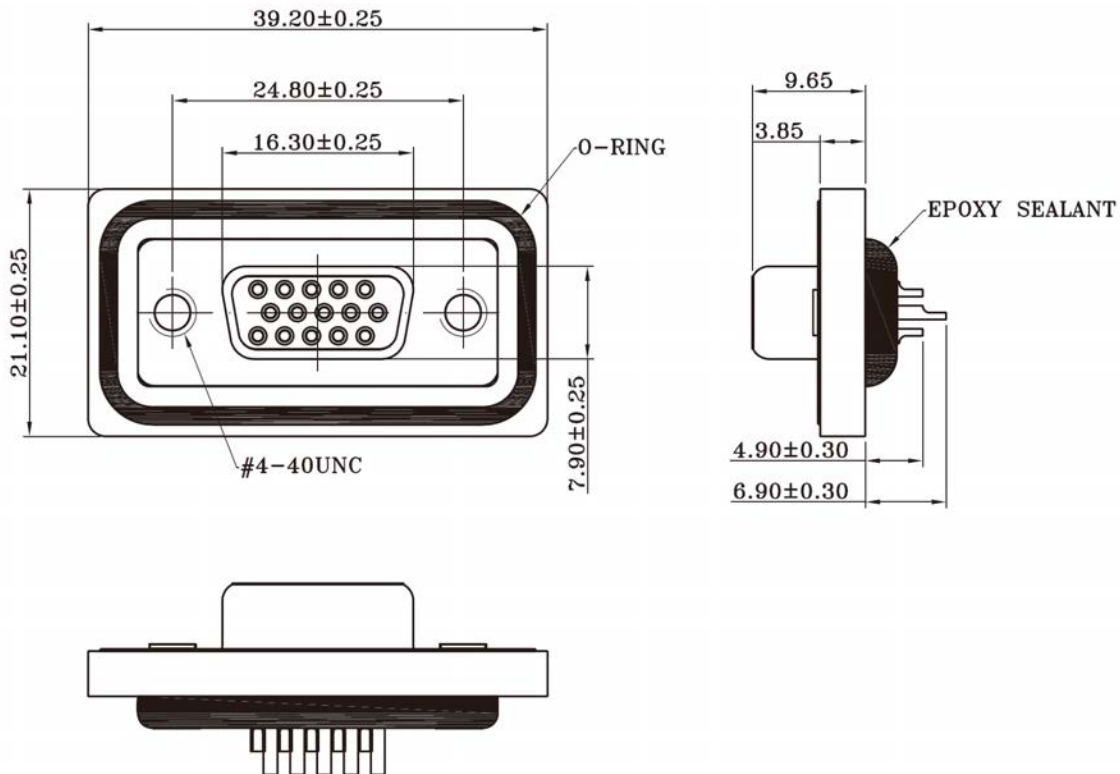
Insulation Resistance: 5GMΩ min.

Temperature Rating: -55°C to 105°

Degree of Protection:

CIP67 According to IEC 60529

All materials must be RoHS compliant.



ORDERING INFORMATION:

P/N 5 1 08 WP - 15 TB / XX
1 2 3 4

- CONNECTOR TYPE:
"08" FEMALE WITH MACHINED CONTACTS
- PROTECTION TYPE:
"WP" IP67 DEGREE WATERPROOF
- NO. OF CONTACTS:
"15" HD15F
- MOUTING OPTION:
" " #4-40UNC MOUNTING HOLES
"J" RIVETED #4-40UNC 5.8MM
OPEN NUTS ON FRONT SHELL
"K" RIVETED #4-40UNC 4.0MM
OPEN NUTS ON BACK SHELL
"K6" RIVETED #4-40UNC 5.8MM
OPEN NUTS ON BACK SHELL

WATERPROOF HIGH DENSITY D-SUB. 26 PIN FEMALE CONNECTOR WITH MACHINED CONTACTS SOLDER TYPE (2)

MATERIALS:

Shell: Steel Material, Tin Finished

Insulator: PBT GF, UL 94V-0, Black

Singal Contact: Copper Alloy, Gold Flash

Metal Watertight Frame: PBT GF, UL 94V-0, Black

O-Ring: Silicone

Epoxy Sealant: Epoxy

Unit: mm

SPECIFICATION:

Signal Contact Current Rating: 3.0A

Signal Contact Resistance: 10 mΩ Max.

Dielectric Withstanding Voltage:
1000 V for 1 min.

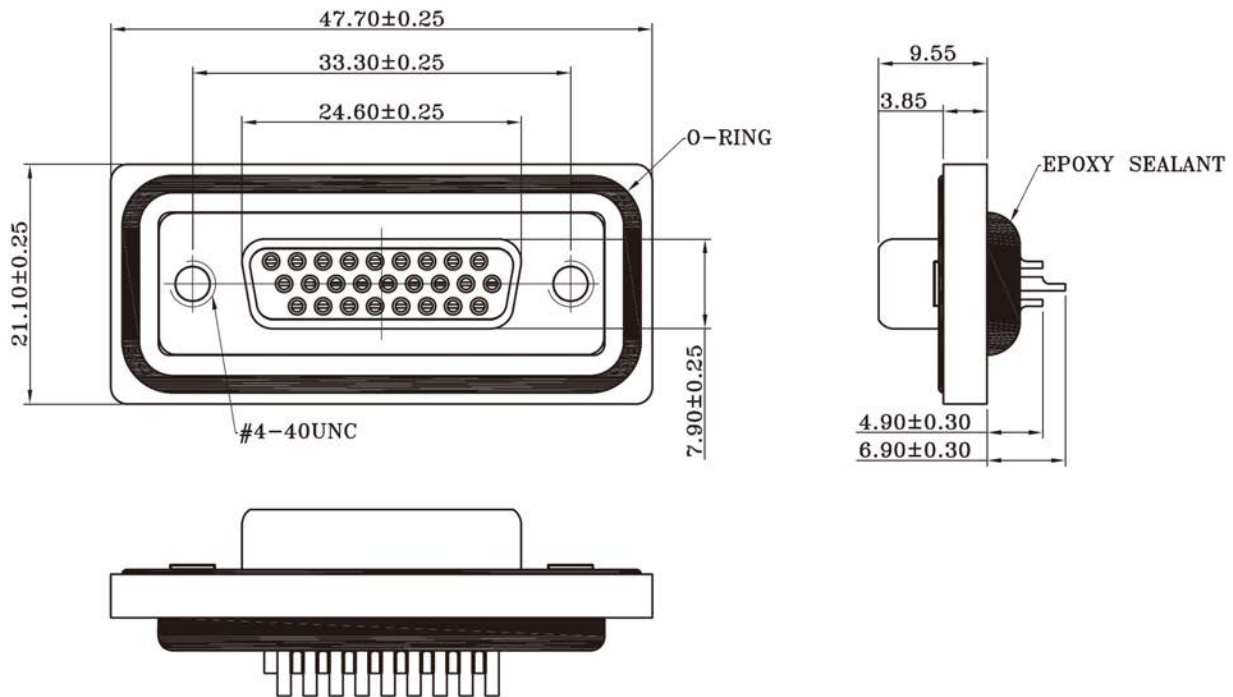
Insulation Resistance: 5GMΩ min.

Temperature Rating: -55°C to 105°

Degree of Protection:

CIP67 According to IEC 60529

All materials must be RoHS compliant.



ORDERING INFORMATION:

P/N 5 108 WP - 26 TB / XX
1 2 3 4

- CONNECTOR TYPE:
"08" FEMALE WITH MACHINED CONTACTS
- PROTECTION TYPE:
"WP" IP67 DEGREE WATERPROOF
- NO. OF CONTACTS:
"26" HD26F
- MOUTING OPTION:
" " #4-40UNC MOUNTING HOLES
"J" RIVETED #4-40UNC 5.8MM
OPEN NUTS ON FRONT SHELL
"K" RIVETED #4-40UNC 4.0MM
OPEN NUTS ON BACK SHELL
"K6" RIVETED #4-40UNC 5.8MM
OPEN NUTS ON BACK SHELL

WATERPROOF HIGH DENSITY D-SUB. 44 PIN FEMALE CONNECTOR WITH MACHINED CONTACTS SOLDER TYPE (3)

MATERIALS:

Shell: Steel Material, Tin Finished

Insulator: PBT GF, UL 94V-0, Black

Singal Contact: Copper Alloy, Gold Flash

Metal Watertight Frame: PBT GF, UL 94V-0, Black

O-Ring: Silicone

Epoxy Sealant: Epoxy

Unit: mm

SPECIFICATION:

Signal Contact Current Rating: 3.0A

Signal Contact Resistance: 10 mΩ Max.

Dielectric Withstanding Voltage:
1000 V for 1 min.

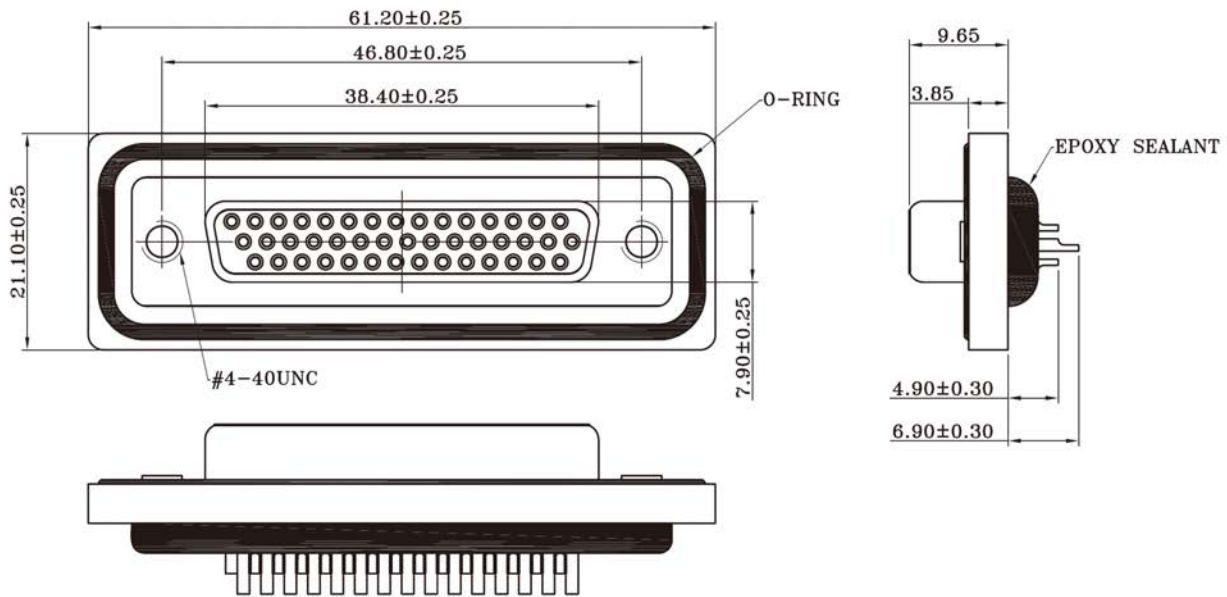
Insulation Resistance: 5GMOΩ min.

Temperature Rating: -55°C to 105°

Degree of Protection:

CIP67 According to IEC 60529

All materials must be RoHS compliant.



ORDERING INFORMATION:

P/N 5 1 08 WP - 44 T B / X X

- CONNECTOR TYPE:
"08" FEMALE WITH MACHINED CONTACTS
- PROTECTION TYPE:
"WP" IP67 DEGREE WATERPROOF
- NO. OF CONTACTS:
"44" HD44F
- MOUNTING OPTION:
" " #4-40UNC MOUNTING HOLES
"J" RIVETED #4-40UNC 5.8MM
OPEN NUTS ON FRONT SHELL
"K" RIVETED #4-40UNC 4.0MM
OPEN NUTS ON BACK SHELL
"K6" RIVETED #4-40UNC 5.8MM
OPEN NUTS ON BACK SHELL

WATERPROOF HIGH DENSITY D-SUB. 62 PIN FEMALE CONNECTOR WITH MACHINED CONTACTS SOLDER TYPE (4)

MATERIALS:

Shell: Steel Material, Tin Finished

Insulator: PBT GF, UL 94V-0, Black

Singal Contact: Copper Alloy, Gold Flash

Metal Watertight Frame: PBT GF, UL 94V-0, Black

O-Ring: Silicone

Epoxy Sealant: Epoxy

Unit: mm

SPECIFICATION:

Signal Contact Current Rating: 3.0A

Signal Contact Resistance: 10 mΩ Max.

Dielectric Withstanding Voltage:
1000 V for 1 min.

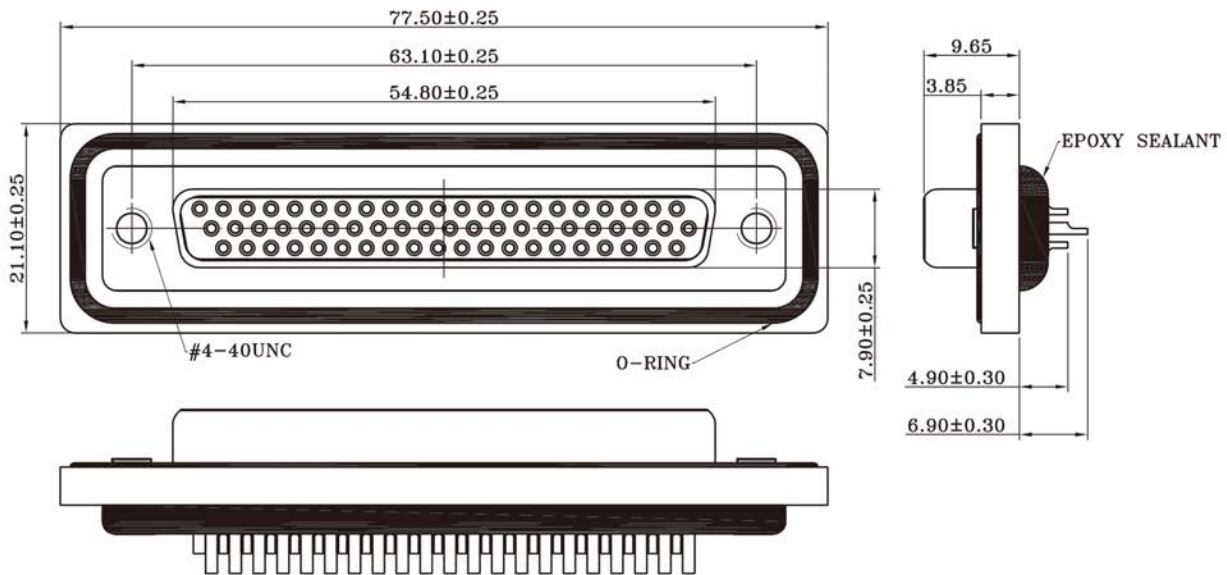
Insulation Resistance: 5GMΩ min.

Temperature Rating: -55°C to 105°

Degree of Protection:

CIP67 According to IEC 60529

All materials must be RoHS compliant.



ORDERING INFORMATION:

P/N 5 108 WP - 62 TB / XX

- CONNECTOR TYPE:
"08" FEMALE WITH MACHINED CONTACTS
- PROTECTION TYPE:
"WP" IP67 DEGREE WATERPROOF
- NO. OF CONTACTS:
"62" HD62F
- MOUNTING OPTION:
" " #4-40UNC MOUNTING HOLES
"J" RIVETED #4-40UNC 5.8MM
OPEN NUTS ON FRONT SHELL
"K" RIVETED #4-40UNC 4.0MM
OPEN NUTS ON BACK SHELL
"K6" RIVETED #4-40UNC 5.8MM
OPEN NUTS ON BACK SHELL

WATERPROOF HIGH DENSITY D-SUB. 15 PIN MALE CONNECTOR WITH MACHINED CONTACTS STRAIGHT PCB MOUNT TYPE (1)

MATERIALS:

Shell: Steel Material, Tin Finished

Insulator: PBT GF, UL 94V-0, Black

Signal Contact: Copper Alloy, Gold Flash

Metal Watertight Frame: PBT GF, UL 94V-0, Black

O-Ring: Silicone

Epoxy Sealant: Epoxy

Unit: mm

SPECIFICATION:

Signal Contact Current Rating: 3.0A

Signal Contact Resistance: 10 mΩ Max.

Dielectric Withstanding Voltage:
1000 V for 1 min.

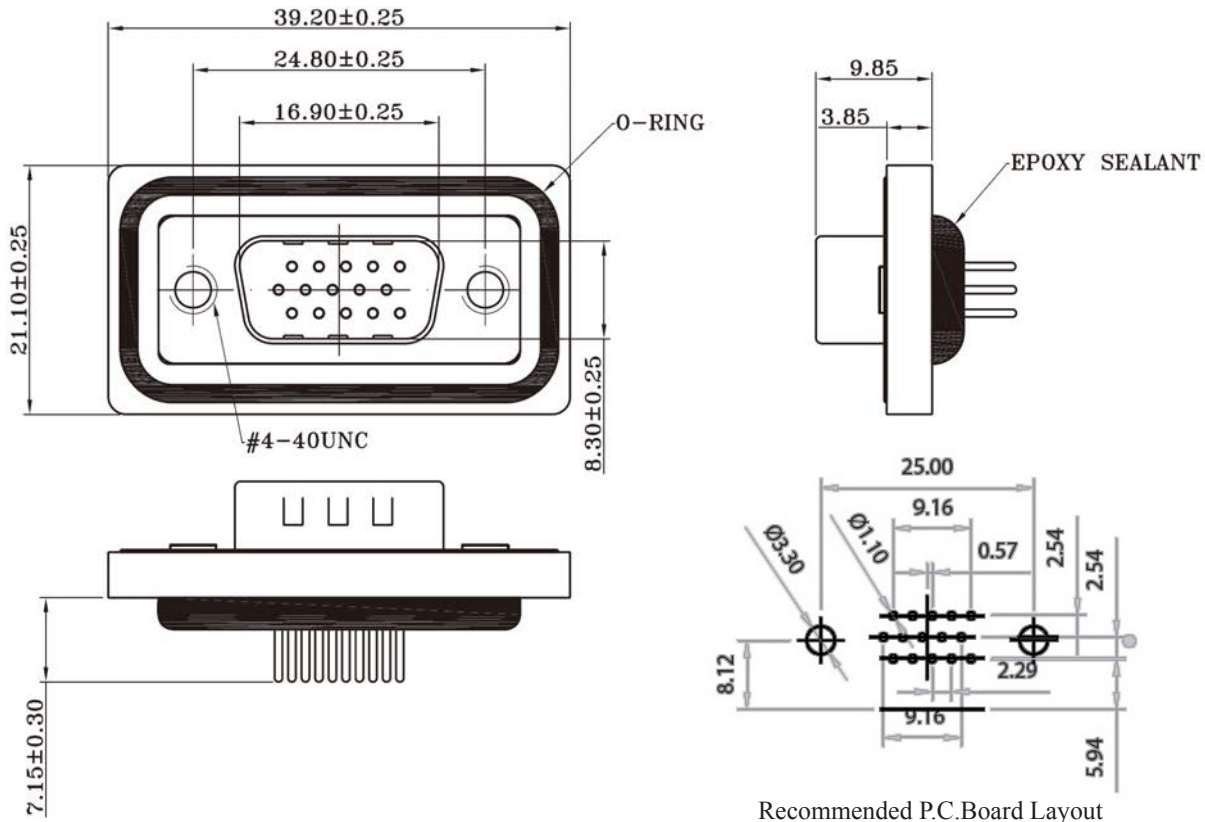
Insulation Resistance: 5GΜΩ min.

Temperature Rating: -55°C to 105°

Degree of Protection:

CIP67 According to IEC 60529

All materials must be RoHS compliant.



ORDERING INFORMATION:

P/N 5 1 09 WP - 15 TB / XX
1 2 3 4

1. CONNECTOR TYPE:
"09" MALE WITH MACHINED CONTACTS
2. PROTECTION TYPE:
"WP" IP67 DEGREE WATERPROOF
3. NO. OF CONTACTS:
"15" HD15M
4. MOUNTING OPTION:
" " #4-40UNC MOUNTING HOLES
"J" RIVETED #4-40UNC 5.8MM
OPEN NUTS ON FRONT SHELL
"K" RIVETED #4-40UNC 4.0MM
OPEN NUTS ON BACK SHELL
"K6" RIVETED #4-40UNC 5.8MM
OPEN NUTS ON BACK SHELL

WATERPROOF HIGH DENSITY D-SUB. 26 PIN MALE CONNECTOR WITH MACHINED CONTACTS STRAIGHT PCB MOUNT TYPE (2)

MATERIALS:

Shell: Steel Material, Tin Finished

Insulator: PBT GF, UL 94V-0, Black

Singal Contact: Copper Alloy, Gold Flash

Metal Watertight Frame: PBT GF, UL 94V-0, Black

O-Ring: Silicone

Epoxy Sealant: Epoxy

Unit: mm

SPECIFICATION:

Signal Contact Current Rating: 3.0A

Signal Contact Resistance: 10 mΩ Max.

Dielectric Withstanding Voltage:

1000 V for 1 min.

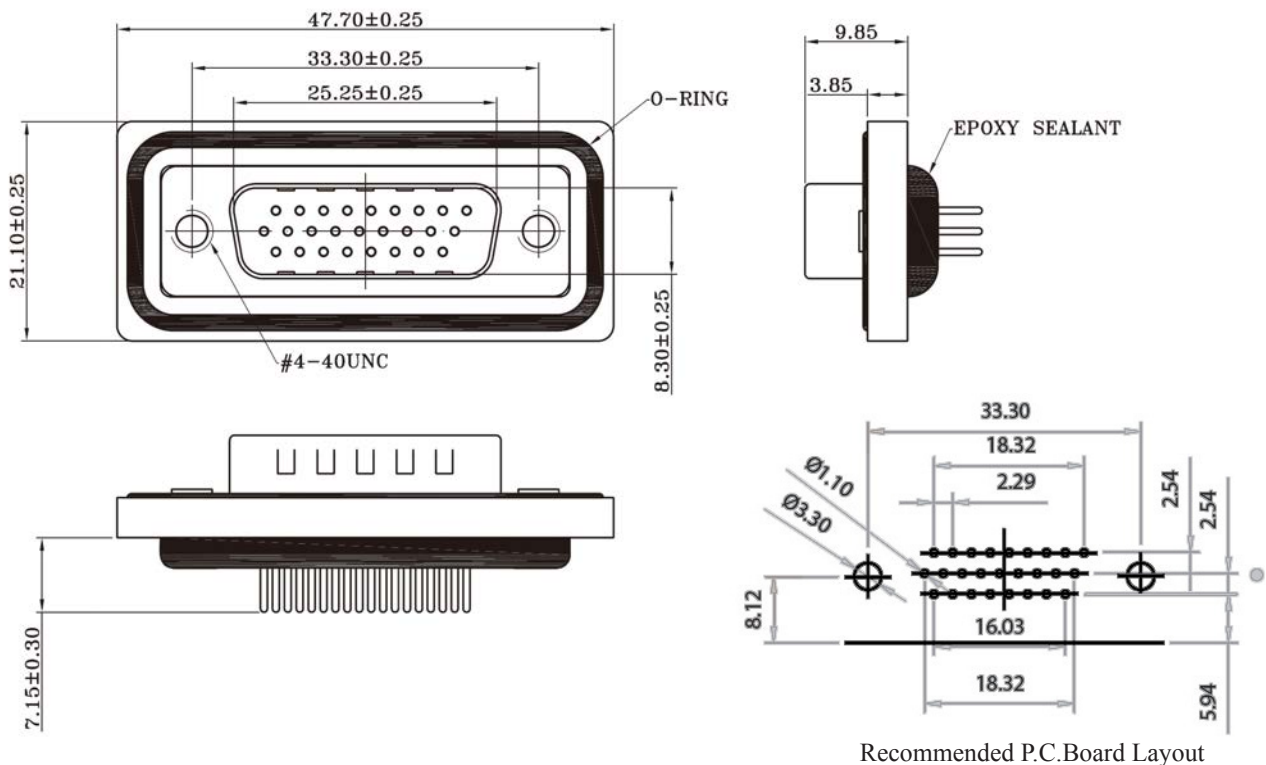
Insulation Resistance: 5GMΩ min.

Temperature Rating: -55°C to 105°

Degree of Protection:

CIP67 According to IEC 60529

All materials must be RoHS compliant.



ORDERING INFORMATION:

P/N 5 1 09 WP - 26 TB / XX
1 2 3 4

1. CONNECTOR TYPE:
"09" MALE WITH MACHINED CONTACTS
2. PROTECTION TYPE:
"WP" IP67 DEGREE WATERPROOF
3. NO. OF CONTACTS:
"26" HD26M
4. MOUTING OPTION:
" " #4-40UNC MOUNTING HOLES
"J" RIVETED #4-40UNC 5.8MM
OPEN NUTS ON FRONT SHELL
"K" RIVETED #4-40UNC 4.0MM
OPEN NUTS ON BACK SHELL
"K6" RIVETED #4-40UNC 5.8MM
OPEN NUTS ON BACK SHELL

WATERPROOF HIGH DENSITY D-SUB. 44 PIN MALE CONNECTOR WITH MACHINED CONTACTS STRAIGHT PCB MOUNT TYPE (3)

MATERIALS:

Shell: Steel Material, Tin Finished

Insulator: PBT GF, UL 94V-0, Black

Singal Contact: Copper Alloy, Gold Flash

Metal Watertight Frame: PBT GF, UL 94V-0, Black

O-Ring: Silicone

Epoxy Sealant: Epoxy

Unit: mm

SPECIFICATION:

Signal Contact Current Rating: 3.0A

Signal Contact Resistance: 10 mΩ Max.

Dielectric Withstanding Voltage:
1000 V for 1 min.

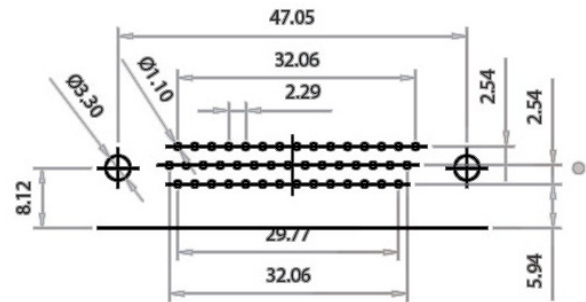
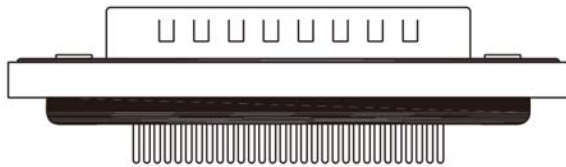
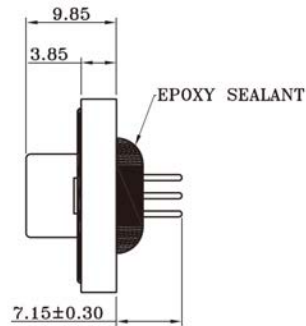
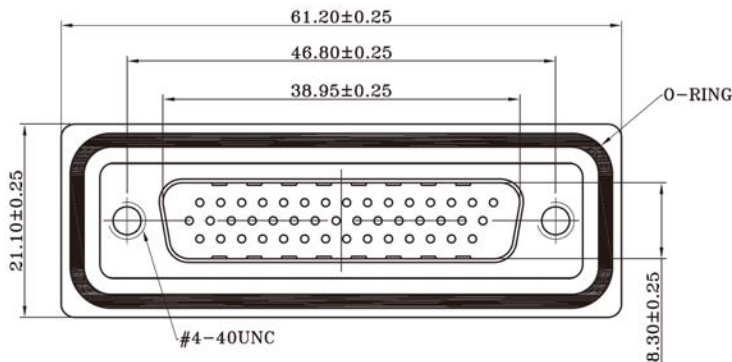
Insulation Resistance: 5GMΩ min.

Temperature Rating: -55°C to 105°

Degree of Protection:

CIP67 According to IEC 60529

All materials must be RoHS compliant.



Recommended P.C.Board Layout

ORDERING INFORMATION:

P/N 5 1 09 WP - 44 T B / X X

1 2 3 4

1. CONNECTOR TYPE:
"09" MALE WITH MACHINED CONTACTS
2. PROTECTION TYPE:
"WP" IP67 DEGREE WATERPROOF
3. NO. OF CONTACTS:
"44" HD44M
4. MOUTING OPTION:
" " #4-40UNC MOUNTING HOLES
"J" RIVETED #4-40UNC 5.8MM
OPEN NUTS ON FRONT SHELL
"K" RIVETED #4-40UNC 4.0MM
OPEN NUTS ON BACK SHELL
"K6" RIVETED #4-40UNC 5.8MM
OPEN NUTS ON BACK SHELL

WATERPROOF HIGH DENSITY D-SUB. 62 PIN MALE CONNECTOR WITH MACHINED CONTACTS STRAIGHT PCB MOUNT TYPE (4)

MATERIALS:

Shell: Steel Material, Tin Finished

Insulator: PBT GF, UL 94V-0, Black

Singal Contact: Copper Alloy, Gold Flash

Metal Watertight Frame: PBT GF, UL 94V-0, Black

O-Ring: Silicone

Epoxy Sealant: Epoxy

Unit: mm

SPECIFICATION:

Signal Contact Current Rating: 3.0A

Signal Contact Resistance: 10 mΩ Max.

Dielectric Withstanding Voltage:

1000 V for 1 min.

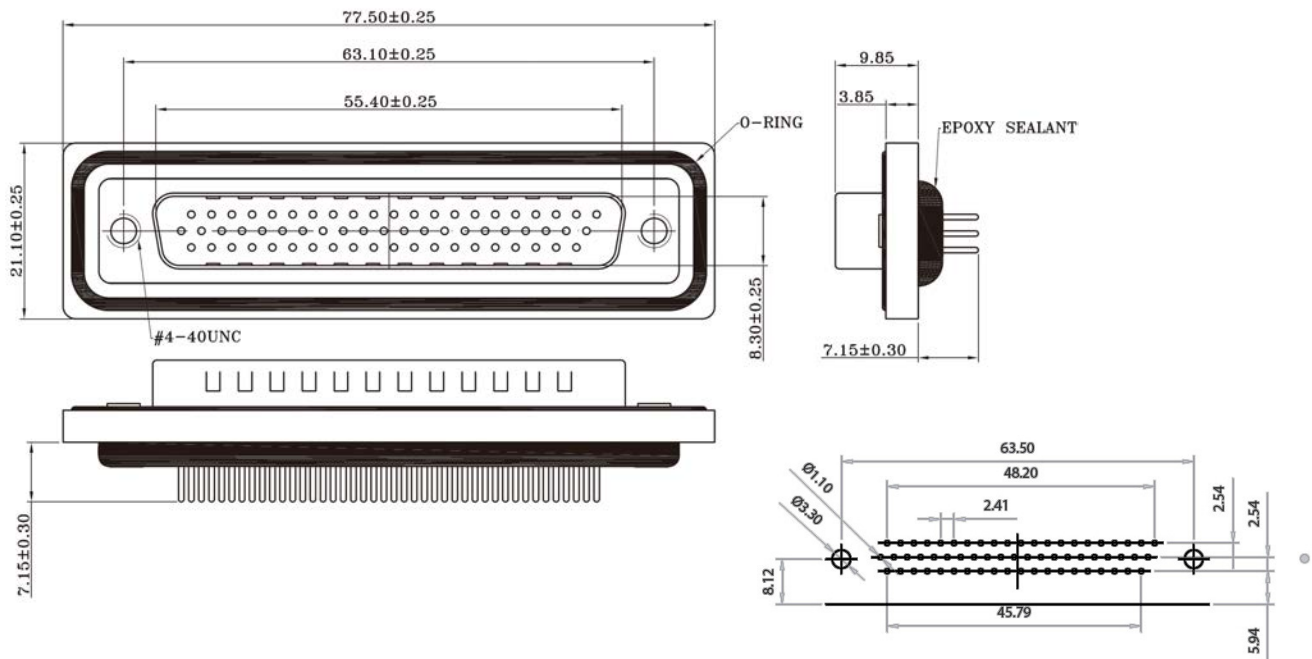
Insulation Resistance: 5GMΩ min.

Temperature Rating: -55°C to 105°

Degree of Protection:

CIP67 According to IEC 60529

All materials must be RoHS compliant.



Recommended P.C.Board Layout

ORDERING INFORMATION:

P/N 5 1 09 WP - 62 TB / X X

1. CONNECTOR TYPE:
"09" MALE WITH MACHINED CONTACTS
2. PROTECTION TYPE:
"WP" IP67 DEGREE WATERPROOF
3. NO. OF CONTACTS:
"62" HD62M
4. MOUTING OPTION:
" " #4-40UNC MOUNTING HOLES
"J" RIVETED #4-40UNC 5.8MM
OPEN NUTS ON FRONT SHELL
"K" RIVETED #4-40UNC 4.0MM
OPEN NUTS ON BACK SHELL
"K6" RIVETED #4-40UNC 5.8MM
OPEN NUTS ON BACK SHELL

WATERPROOF HIGH DENSITY D-SUB. 15 PIN FEMALE CONNECTOR WITH MACHINED CONTACTS STRAIGHT PCB MOUNT TYPE (1)

MATERIALS:

Shell: Steel Material, Tin Finished

Insulator: PBT GF, UL 94V-0, Black

Singal Contact: Copper Alloy, Gold Flash

Metal Watertight Frame: PBT GF, UL 94V-0, Black

O-Ring: Silicone

Epoxy Sealant: Epoxy

Unit: mm

SPECIFICATION:

Signal Contact Current Rating: 3.0A

Signal Contact Resistance: 10 mΩ Max.

Dielectric Withstanding Voltage:
1000 V for 1 min.

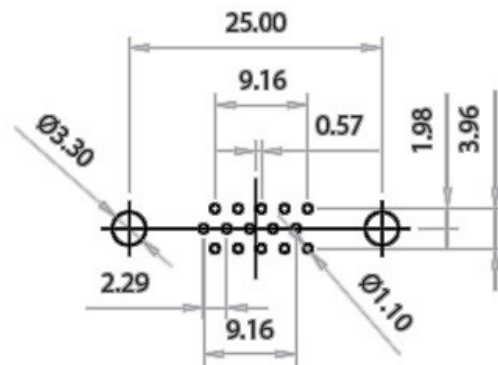
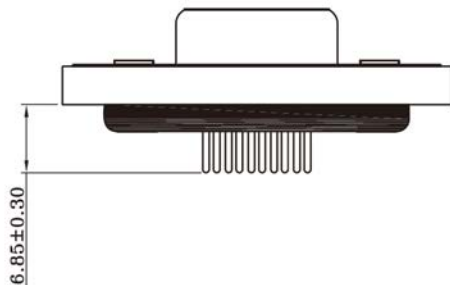
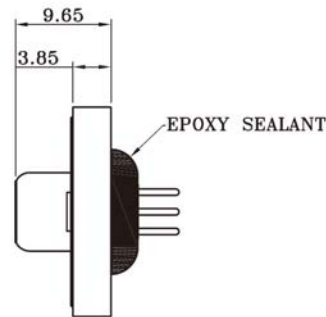
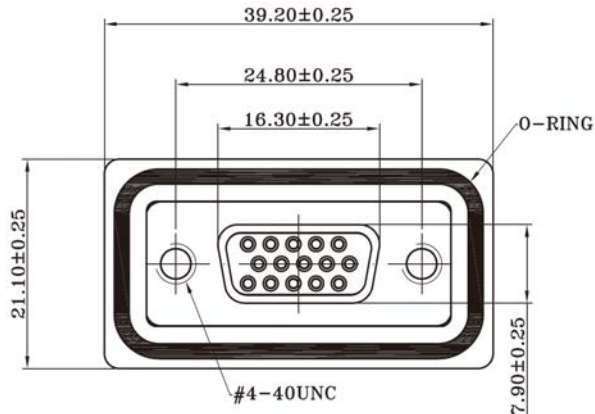
Insulation Resistance: 5GΜΩ min.

Temperature Rating: -55°C to 105°

Degree of Protection:

CIP67 According to IEC 60529

All materials must be RoHS compliant.



Recommended P.C.Board Layout

ORDERING INFORMATION:

P/N $\frac{5}{1}$ $\frac{1}{2}$ $\frac{10}{3}$ WP-15TB / $\frac{X}{4}$

1. CONNECTOR TYPE:
"10" FEMALE WITH MACHINED CONTACTS
2. PROTECTION TYPE:
"WP" IP67 DEGREE WATERPROOF
3. NO. OF CONTACTS:
"15" HD15F
4. MOUTING OPTION:
" " #4-40UNC MOUNTING HOLES
"J" RIVETED #4-40UNC 5.8MM
OPEN NUTS ON FRONT SHELL
"K" RIVETED #4-40UNC 4.0MM
OPEN NUTS ON BACK SHELL
"K6" RIVETED #4-40UNC 5.8MM
OPEN NUTS ON BACK SHELL

WATERPROOF HIGH DENSITY D-SUB. 26 PIN FEMALE CONNECTOR WITH MACHINED CONTACTS STRAIGHT PCB MOUNT TYPE (2)

MATERIALS:

Shell: Steel Material, Tin Finished

Insulator: PBT GF, UL 94V-0, Black

Singal Contact: Copper Alloy, Gold Flash

Metal Watertight Frame: PBT GF, UL 94V-0, Black

O-Ring: Silicone

Epoxy Sealant: Epoxy

Unit: mm

SPECIFICATION:

Signal Contact Current Rating: 3.0A

Signal Contact Resistance: 10 mΩ Max.

Dielectric Withstanding Voltage:
1000 V for 1 min.

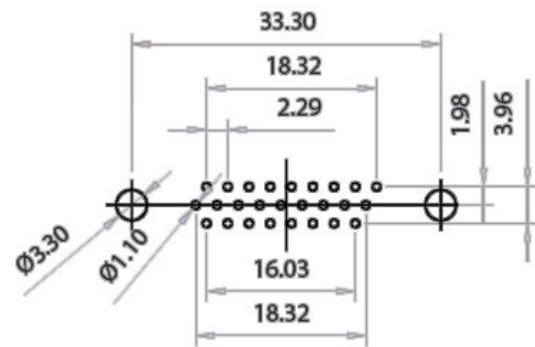
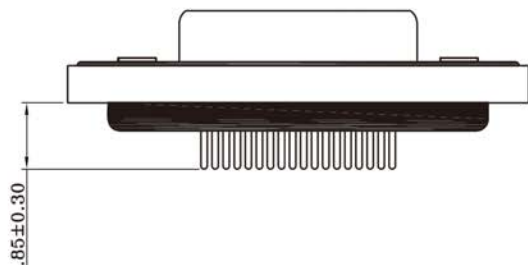
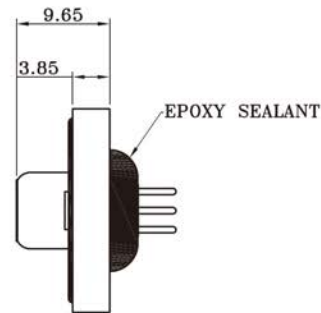
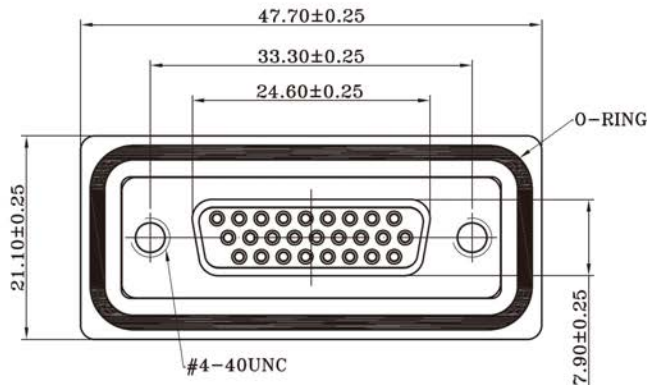
Insulation Resistance: 5GΜΩ min.

Temperature Rating: -55°C to 105°

Degree of Protection:

CIP67 According to IEC 60529

All materials must be RoHS compliant.



Recommended P.C.Board Layout

ORDERING INFORMATION:

P/N $\frac{5}{1}$ $\frac{1}{2}$ $\frac{10}{3}$ WP - $\frac{2}{4}$ 6 TB / $\frac{X}{4}$

1. CONNECTOR TYPE:
"10" FEMALE WITH MACHINED CONTACTS
2. PROTECTION TYPE:
"WP" IP67 DEGREE WATERPROOF
3. NO. OF CONTACTS:
"26" HD26F
4. MOUTING OPTION:
" " #4-40UNC MOUNTING HOLES
"J" RIVETED #4-40UNC 5.8MM
OPEN NUTS ON FRONT SHELL
"K" RIVETED #4-40UNC 4.0MM
OPEN NUTS ON BACK SHELL
"K6" RIVETED #4-40UNC 5.8MM
OPEN NUTS ON BACK SHELL

WATERPROOF HIGH DENSITY D-SUB. 44 PIN FEMALE CONNECTOR WITH MACHINED CONTACTS STRAIGHT PCB MOUNT TYPE (3)

MATERIALS:

Shell: Steel Material, Tin Finished

Insulator: PBT GF, UL 94V-0, Black

Singal Contact: Copper Alloy, Gold Flash

Metal Watertight Frame: PBT GF, UL 94V-0, Black

O-Ring: Silicone

Epoxy Sealant: Epoxy

Unit: mm

SPECIFICATION:

Signal Contact Current Rating: 3.0A

Signal Contact Resistance: 10 mΩ Max.

Dielectric Withstanding Voltage:
1000 V for 1 min.

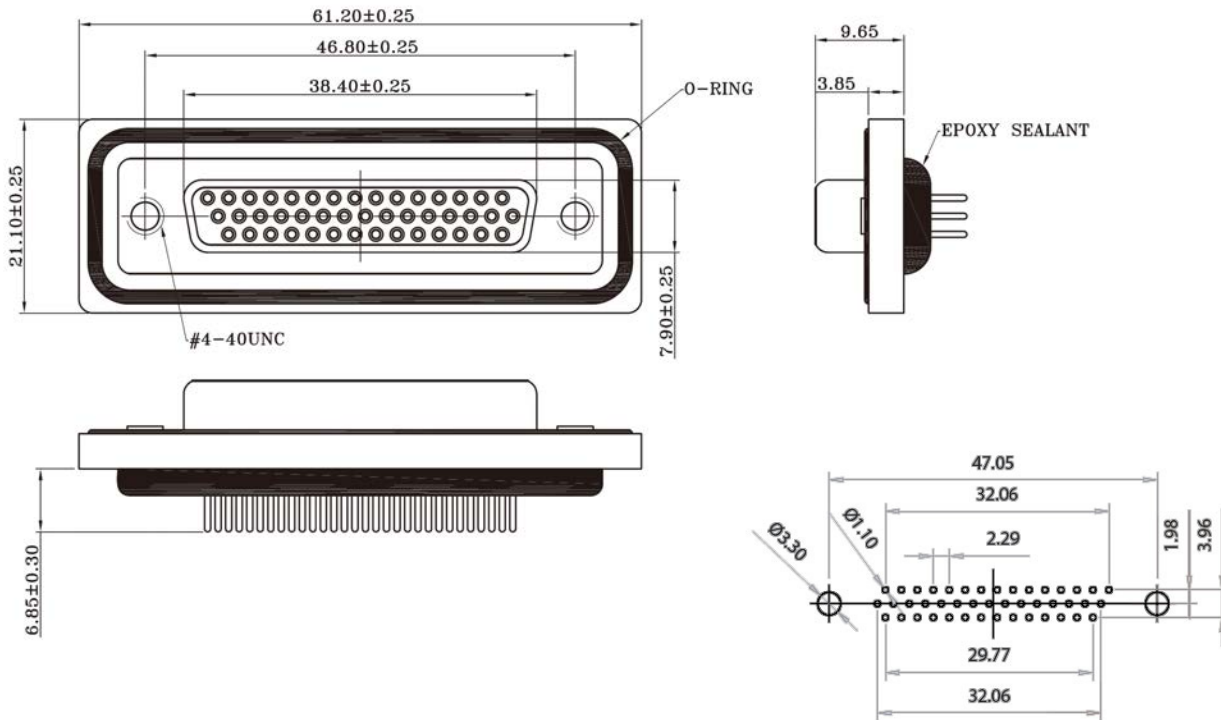
Insulation Resistance: 5GMΩ min.

Temperature Rating: -55°C to 105°

Degree of Protection:

CIP67 According to IEC 60529

All materials must be RoHS compliant.



Recommended P.C.Board Layout

ORDERING INFORMATION:

P/N $51 \frac{10}{1} \frac{WP}{2} - \frac{44}{3} \frac{TB}{4} / \frac{XX}{4}$

1. CONNECTOR TYPE:
"10" FEMALE WITH MACHINED CONTACTS
2. PROTECTION TYPE:
"WP" IP67 DEGREE WATERPROOF
3. NO. OF CONTACTS:
"44" HD44F
4. MOUNTING OPTION:
" " #4-40UNC MOUNTING HOLES
"J" RIVETED #4-40UNC 5.8MM
OPEN NUTS ON FRONT SHELL
"K" RIVETED #4-40UNC 4.0MM
OPEN NUTS ON BACK SHELL
"K6" RIVETED #4-40UNC 5.8MM
OPEN NUTS ON BACK SHELL

WATERPROOF HIGH DENSITY D-SUB. 62 PIN FEMALE CONNECTOR WITH MACHINED CONTACTS STRAIGHT PCB MOUNT TYPE (4)

MATERIALS:

Shell: Steel Material, Tin Finished

Insulator: PBT GF, UL 94V-0, Black

Singal Contact: Copper Alloy, Gold Flash

Metal Watertight Frame: PBT GF, UL 94V-0, Black

O-Ring: Silicone

Epoxy Sealant: Epoxy

Unit: mm

SPECIFICATION:

Signal Contact Current Rating: 3.0A

Signal Contact Resistance: 10 mΩ Max.

Dielectric Withstanding Voltage:

1000 V for 1 min.

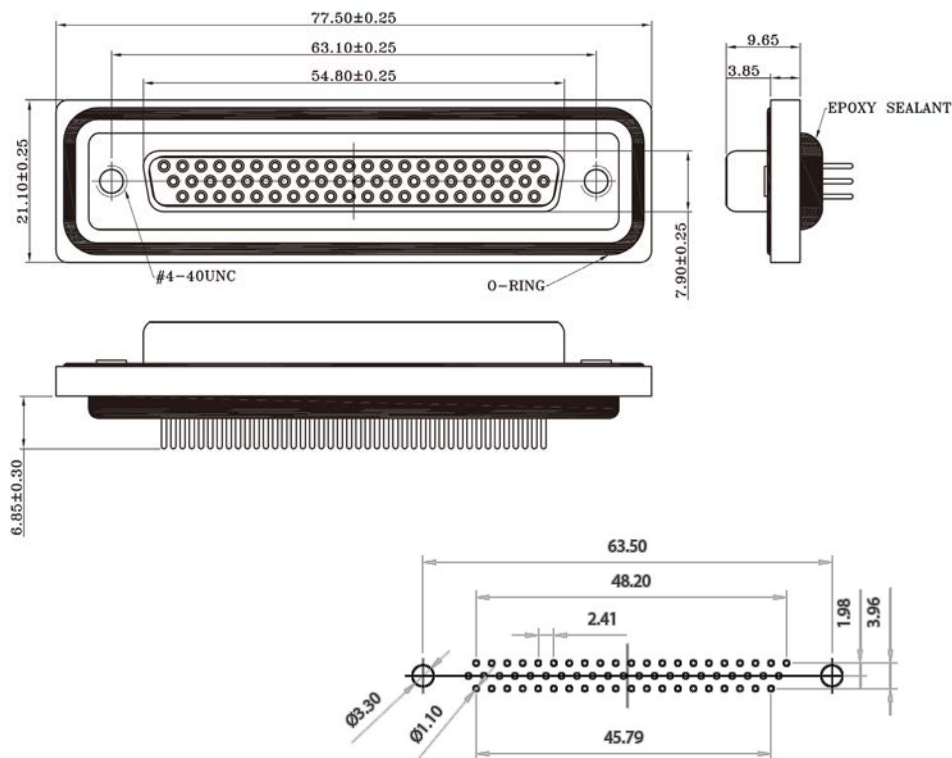
Insulation Resistance: 5GΜΩ min.

Temperature Rating: -55°C to 105°

Degree of Protection:

CIP67 According to IEC 60529

All materials must be RoHS compliant.



Recommended P.C.Board Layout

ORDERING INFORMATION:

P/N 5 1 $\frac{10}{1}$ $\frac{WP}{2}$ - $\frac{62}{3}$ T B / $\frac{XX}{4}$

1. CONNECTOR TYPE:
"10" FEMALE WITH MACHINED CONTACTS
2. PROTECTION TYPE:
"WP" IP67 DEGREE WATERPROOF
3. NO. OF CONTACTS:
"62" HD62F
4. MOUTING OPTION:
" " #4-40UNC MOUNTING HOLES
"J" RIVETED #4-40UNC 5.8MM
OPEN NUTS ON FRONT SHELL
"K" RIVETED #4-40UNC 4.0MM
OPEN NUTS ON BACK SHELL
"K6" RIVETED #4-40UNC 5.8MM
OPEN NUTS ON BACK SHELL

WATERPROOF HIGH DENSITY D-SUB. 15 PIN MALE CONNECTOR WITH MACHINED CONTACTS RIGHT ANGLE DIP TYPE (1)

MATERIALS:

Shell: Steel Material, Tin Finished

Insulator: PBT GF, UL 94V-0, Black

Singal Contact: Copper Alloy, Gold Flash

Metal Watertight Frame: PBT GF, UL 94V-0, Black

O-Ring: Silicone

Epoxy Sealant: Epoxy

Unit: mm

SPECIFICATION:

Signal Contact Current Rating: 3.0A

Signal Contact Resistance: 10 mΩ Max.

Dielectric Withstanding Voltage:
1000 V for 1 min.

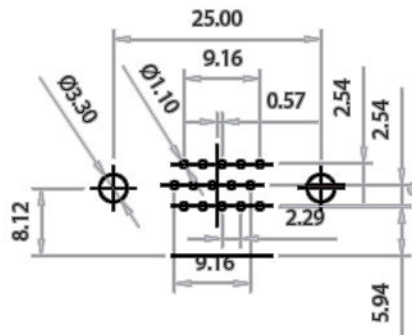
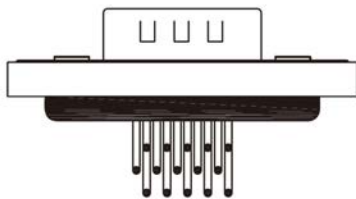
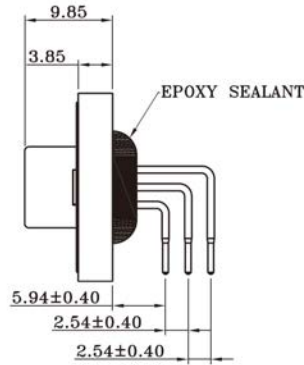
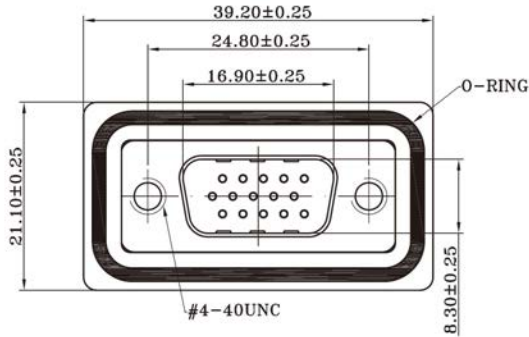
Insulation Resistance: 5GMOΩ min.

Temperature Rating: -55°C to 105°

Degree of Protection:

CIP67 According to IEC 60529

All materials must be RoHS compliant.



Recommended P.C.Board Layout

ORDERING INFORMATION:

P/N $\frac{5}{1}$ $\frac{11}{2}$ $\frac{WP}{3}$ - $\frac{15}{4}$ TB / $\frac{XX}{4}$

1. CONNECTOR TYPE:
"11" MALE WITH MACHINED CONTACTS
2. PROTECTION TYPE:
"WP" IP67 DEGREE WATERPROOF
3. NO. OF CONTACTS:
"15" HD15M
4. MOUTING OPTION:
" " #4-40UNC MOUNTING HOLES
"J" RIVETED #4-40UNC 5.8MM
OPEN NUTS ON FRONT SHELL
"K" RIVETED #4-40UNC 4.0MM
OPEN NUTS ON BACK SHELL
"K6" RIVETED #4-40UNC 5.8MM
OPEN NUTS ON BACK SHELL

WATERPROOF HIGH DENSITY D-SUB. 26 PIN MALE CONNECTOR WITH MACHINED CONTACTS RIGHT ANGLE DIP TYPE (2)

MATERIALS:

Shell: Steel Material, Tin Finished

Insulator: PBT GF, UL 94V-0, Black

Singal Contact: Copper Alloy, Gold Flash

Metal Watertight Frame: PBT GF, UL 94V-0, Black

O-Ring: Silicone

Epoxy Sealant: Epoxy

Unit: mm

SPECIFICATION:

Signal Contact Current Rating: 3.0A

Signal Contact Resistance: 10 mΩ Max.

Dielectric Withstanding Voltage:

1000 V for 1 min.

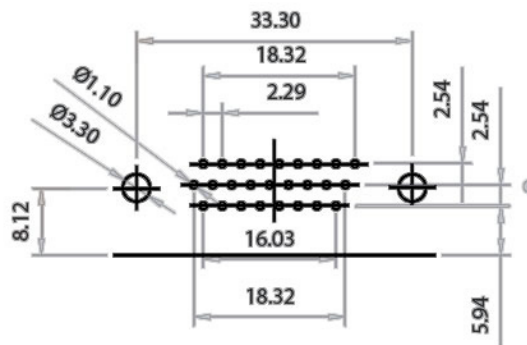
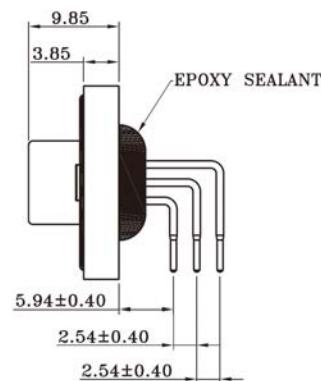
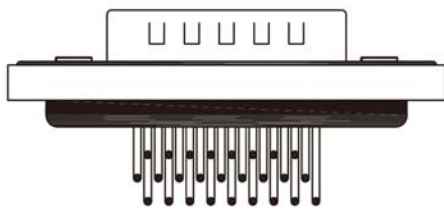
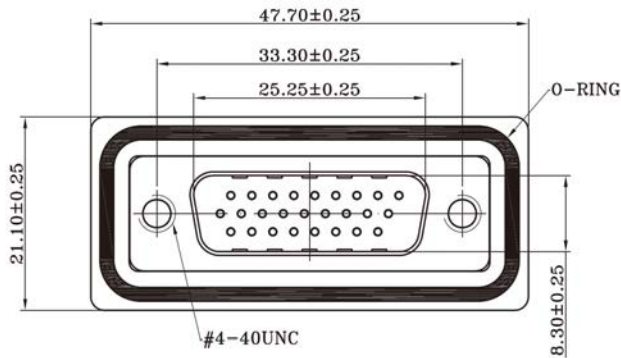
Insulation Resistance: 5GΜΩ min.

Temperature Rating: -55°C to 105°

Degree of Protection:

CIP67 According to IEC 60529

All materials must be RoHS compliant.



Recommended P.C.Board Layout

ORDERING INFORMATION:

P/N $\frac{5111}{1}$ $\frac{WP}{2}$ $\frac{26TB}{3}$ / $\frac{XX}{4}$

1. CONNECTOR TYPE:
"11" MALE WITH MACHINED CONTACTS
2. PROTECTION TYPE:
"WP" IP67 DEGREE WATERPROOF
3. NO. OF CONTACTS:
"26" HD26M
4. MOUTING OPTION:
" " #4-40UNC MOUNTING HOLES
"J" RIVETED #4-40UNC 5.8MM
OPEN NUTS ON FRONT SHELL
"K" RIVETED #4-40UNC 4.0MM
OPEN NUTS ON BACK SHELL
"K6" RIVETED #4-40UNC 5.8MM
OPEN NUTS ON BACK SHELL

WATERPROOF HIGH DENSITY D-SUB. 44 PIN MALE CONNECTOR WITH MACHINED CONTACTS RIGHT ANGLE DIP TYPE (3)

MATERIALS:

Shell: Steel Material, Tin Finished

Insulator: PBT GF, UL 94V-0, Black

Singal Contact: Copper Alloy, Gold Flash

Metal Watertight Frame: PBT GF, UL 94V-0, Black

O-Ring: Silicone

Epoxy Sealant: Epoxy

Unit: mm

SPECIFICATION:

Signal Contact Current Rating: 3.0A

Signal Contact Resistance: 10 mΩ Max.

Dielectric Withstanding Voltage:

1000 V for 1 min.

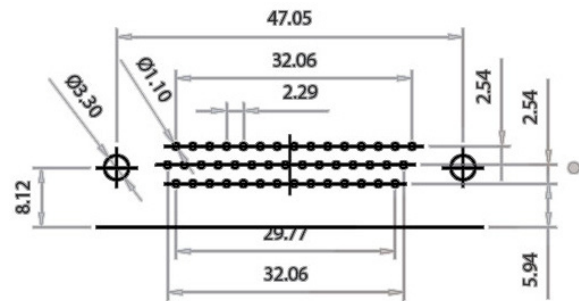
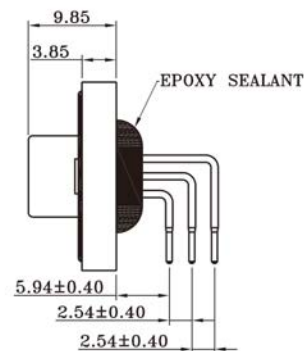
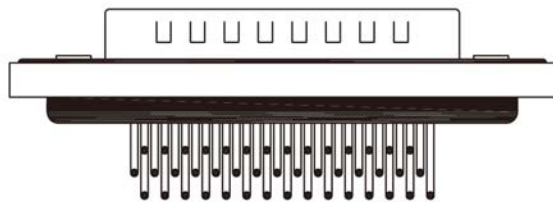
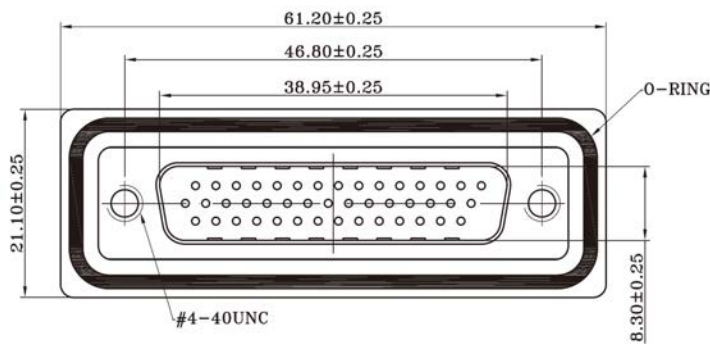
Insulation Resistance: 5GΜΩ min.

Temperature Rating: -55°C to 105°

Degree of Protection:

CIP67 According to IEC 60529

All materials must be RoHS compliant.



Recommended P.C.Board Layout

ORDERING INFORMATION:

P/N $\frac{5}{1}$ $\frac{11}{2}$ $\frac{WP}{3}$ - $\frac{44}{3}$ T B / $\frac{XX}{4}$

1. CONNECTOR TYPE:
"11" MALE WITH MACHINED CONTACTS
2. PROTECTION TYPE:
"WP" IP67 DEGREE WATERPROOF
3. NO. OF CONTACTS:
"44" HD44M
4. MOUTING OPTION:
" " #4-40UNC MOUNTING HOLES
"J" RIVETED #4-40UNC 5.8MM
OPEN NUTS ON FRONT SHELL
"K" RIVETED #4-40UNC 4.0MM
OPEN NUTS ON BACK SHELL
"K6" RIVETED #4-40UNC 5.8MM
OPEN NUTS ON BACK SHELL

WATERPROOF HIGH DENSITY D-SUB. 62 PIN MALE CONNECTOR WITH MACHINED CONTACTS RIGHT ANGLE DIP TYPE (4)

MATERIALS:

Shell: Steel Material, Tin Finished

Insulator: PBT GF, UL 94V-0, Black

Singal Contact: Copper Alloy, Gold Flash

Metal Watertight Frame: PBT GF, UL 94V-0, Black

O-Ring: Silicone

Epoxy Sealant: Epoxy

Unit: mm

SPECIFICATION:

Signal Contact Current Rating: 3.0A

Signal Contact Resistance: 10 mΩ Max.

Dielectric Withstanding Voltage:
1000 V for 1 min.

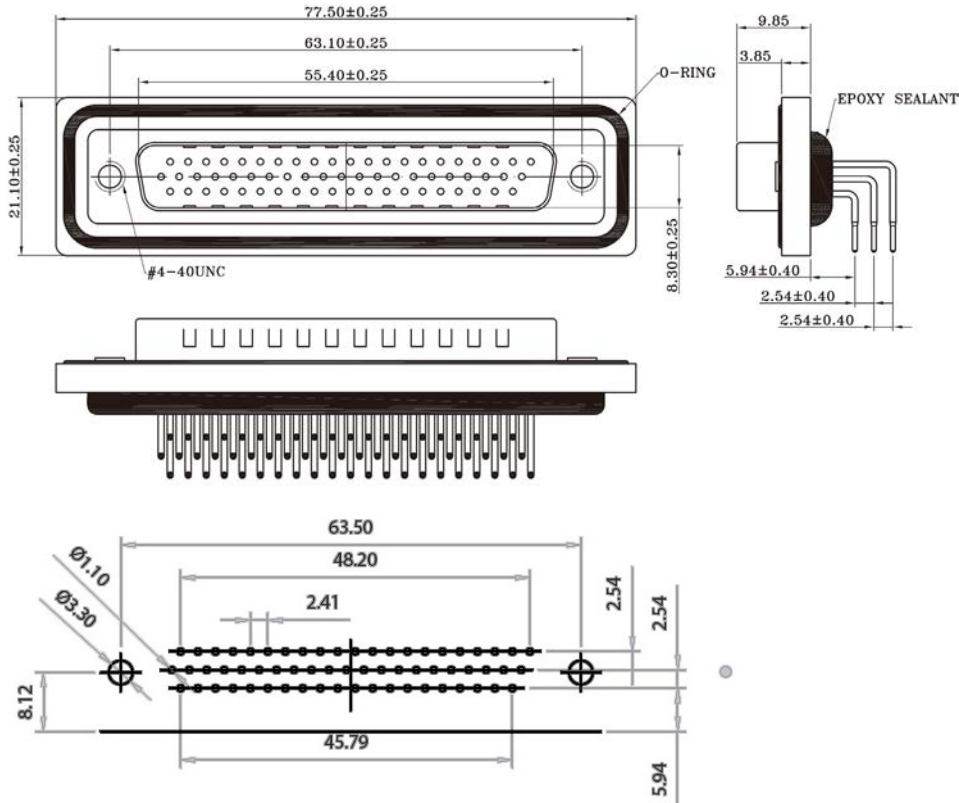
Insulation Resistance: 5GMΩ min.

Temperature Rating: -55°C to 105°

Degree of Protection:

CIP67 According to IEC 60529

All materials must be RoHS compliant.



Recommended P.C.Board Layout

ORDERING INFORMATION:

P/N $51 \frac{11}{1} \frac{WP}{2} - \frac{62}{3} \frac{TB}{4} / \frac{XX}{4}$

1. CONNECTOR TYPE:
"11" MALE WITH MACHINED CONTACTS
2. PROTECTION TYPE:
"WP" IP67 DEGREE WATERPROOF
3. NO. OF CONTACTS:
"62" HD62M
4. MOUTING OPTION:
" " #4-40UNC MOUNTING HOLES
"J" RIVETED #4-40UNC 5.8MM
OPEN NUTS ON FRONT SHELL
"K" RIVETED #4-40UNC 4.0MM
OPEN NUTS ON BACK SHELL
"K6" RIVETED #4-40UNC 5.8MM
OPEN NUTS ON BACK SHELL

WATERPROOF HIGH DENSITY D-SUB. 15 PIN FEMALE CONNECTOR WITH MACHINED CONTACTS RIGHT ANGLE DIP TYPE (1)

MATERIALS:

Shell: Steel Material, Tin Finished

Insulator: PBT GF, UL 94V-0, Black

Signal Contact: Copper Alloy, Gold Flash

Metal Watertight Frame: PBT GF, UL 94V-0, Black

O-Ring: Silicone

Epoxy Sealant: Epoxy

Unit: mm

SPECIFICATION:

Signal Contact Current Rating: 3.0A

Signal Contact Resistance: 10 mΩ Max.

Dielectric Withstanding Voltage:
1000 V for 1 min.

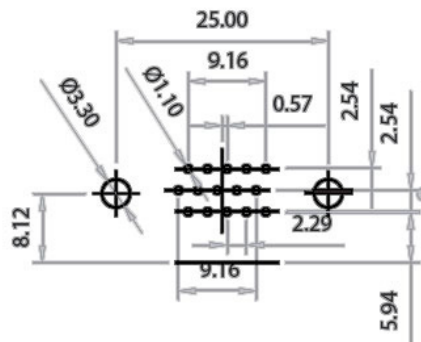
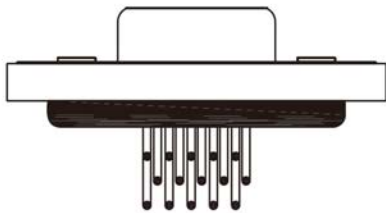
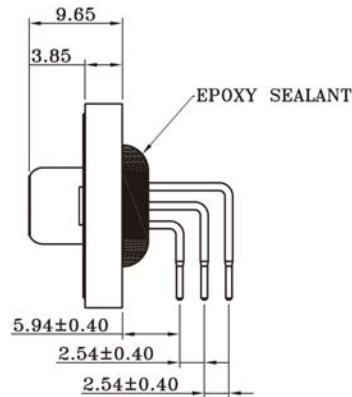
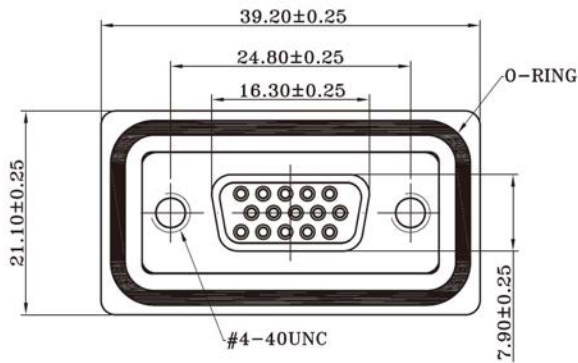
Insulation Resistance: 5GΜΩ min.

Temperature Rating: -55°C to 105°

Degree of Protection:

CIP67 According to IEC 60529

All materials must be RoHS compliant.



Recommended P.C.Board Layout

ORDERING INFORMATION:

P/N $\frac{5}{1}$ $\frac{1}{2}$ $\frac{1}{3}$ $\frac{1}{4}$ WP-15TB / XX

1. CONNECTOR TYPE:
"12" FEMALE WITH MACHINED CONTACTS
2. PROTECTION TYPE:
"WP" IP67 DEGREE WATERPROOF
3. NO. OF CONTACTS:
"15" HD15F
4. MOUNTING OPTION:
" " #4-40UNC MOUNTING HOLES
"J" RIVETED #4-40UNC 5.8MM
OPEN NUTS ON FRONT SHELL
"K" RIVETED #4-40UNC 4.0MM
OPEN NUTS ON BACK SHELL
"K6" RIVETED #4-40UNC 5.8MM
OPEN NUTS ON BACK SHELL

WATERPROOF HIGH DENSITY D-SUB. 26 PIN FEMALE CONNECTOR WITH MACHINED CONTACTS RIGHT ANGLE DIP TYPE (2)

MATERIALS:

Shell: Steel Material, Tin Finished

Insulator: PBT GF, UL 94V-0, Black

Singal Contact: Copper Alloy, Gold Flash

Metal Watertight Frame: PBT GF, UL 94V-0, Black

O-Ring: Silicone

Epoxy Sealant: Epoxy

Unit: mm

SPECIFICATION:

Signal Contact Current Rating: 3.0A

Signal Contact Resistance: 10 mΩ Max.

Dielectric Withstanding Voltage:
1000 V for 1 min.

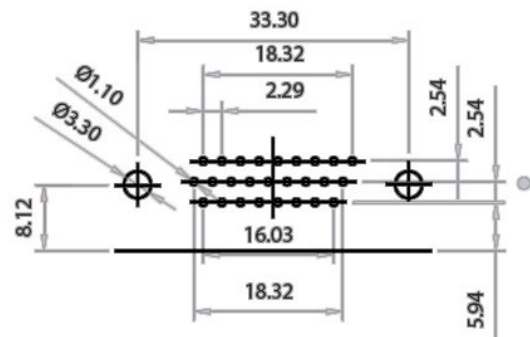
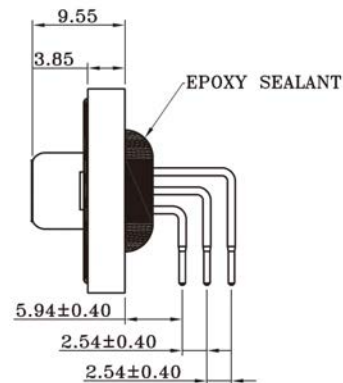
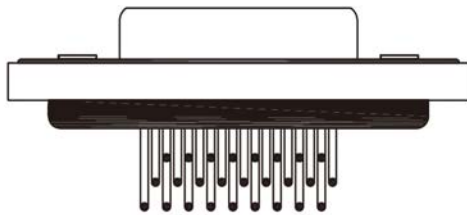
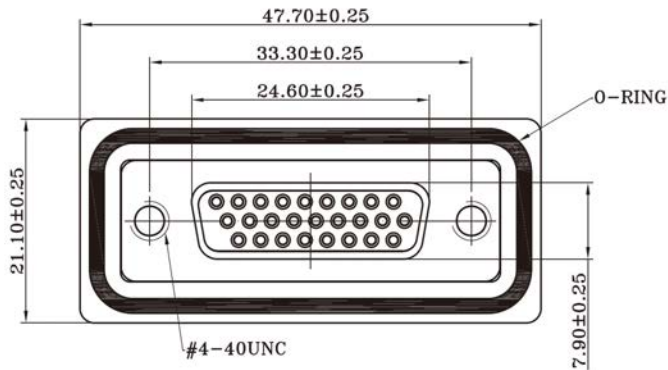
Insulation Resistance: 5GΜΩ min.

Temperature Rating: -55°C to 105°

Degree of Protection:

CIP67 According to IEC 60529

All materials must be RoHS compliant.



Recommended P.C.Board Layout

ORDERING INFORMATION:

P/N $\frac{5}{1}$ $\frac{12}{2}$ $\frac{WP}{3}$ - $\frac{26}{3}$ $\frac{TB}{4}$ / $\frac{XX}{4}$

1. CONNECTOR TYPE:
"12" FEMALE WITH MACHINED CONTACTS
2. PROTECTION TYPE:
"WP" IP67 DEGREE WATERPROOF
3. NO. OF CONTACTS:
"26" DB26F
4. MOUTING OPTION:
" " #4-40UNC MOUNTING HOLES
"J" RIVETED #4-40UNC 5.8MM
OPEN NUTS ON FRONT SHELL
"K" RIVETED #4-40UNC 4.0MM
OPEN NUTS ON BACK SHELL
"K6" RIVETED #4-40UNC 5.8MM
OPEN NUTS ON BACK SHELL

WATERPROOF HIGH DENSITY D-SUB. 44 PIN FEMALE CONNECTOR WITH MACHINED CONTACTS RIGHT ANGLE DIP TYPE (3)

MATERIALS:

Shell: Steel Material, Tin Finished

Insulator: PBT GF, UL 94V-0, Black

Singal Contact: Copper Alloy, Gold Flash

Metal Watertight Frame: PBT GF, UL 94V-0, Black

O-Ring: Silicone

Epoxy Sealant: Epoxy

Unit: mm

SPECIFICATION:

Signal Contact Current Rating: 3.0A

Signal Contact Resistance: 10 mΩ Max.

Dielectric Withstanding Voltage:
1000 V for 1 min.

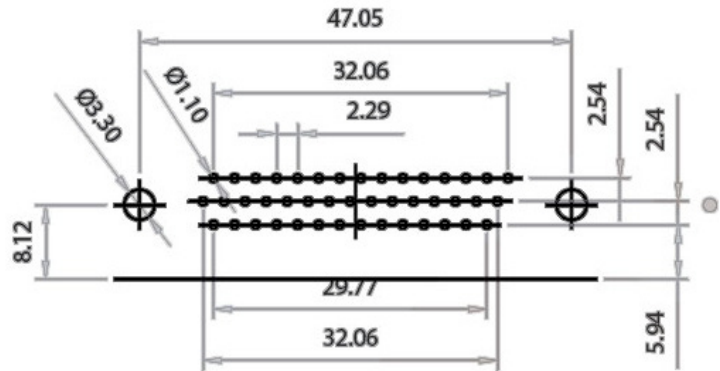
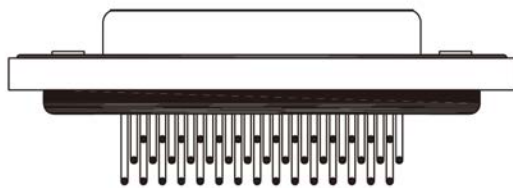
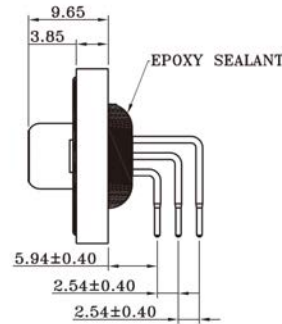
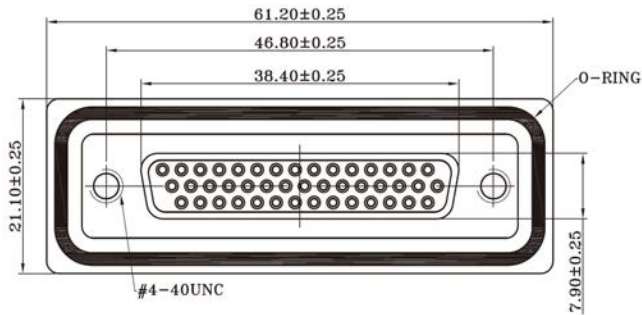
Insulation Resistance: 5GΜΩ min.

Temperature Rating: -55°C to 105°

Degree of Protection:

CIP67 According to IEC 60529

All materials must be RoHS compliant.



Recommended P.C.Board Layout

ORDERING INFORMATION:

P/N $\frac{5}{1}$ $\frac{12}{2}$ $\frac{WP}{3}$ - $\frac{44}{3}$ T B / $\frac{XX}{4}$

1. CONNECTOR TYPE:
"12" FEMALE WITH MACHINED CONTACTS
2. PROTECTION TYPE:
"WP" IP67 DEGREE WATERPROOF
3. NO. OF CONTACTS:
"44" HD44F
4. MOUTING OPTION:
" " #4-40UNC MOUNTING HOLES
"J" RIVETED #4-40UNC 5.8MM
OPEN NUTS ON FRONT SHELL
"K" RIVETED #4-40UNC 4.0MM
OPEN NUTS ON BACK SHELL
"K6" RIVETED #4-40UNC 5.8MM
OPEN NUTS ON BACK SHELL

WATERPROOF HIGH DENSITY D-SUB. 62 PIN FEMALE CONNECTOR WITH MACHINED CONTACTS RIGHT ANGLE DIP TYPE (4)

MATERIALS:

Shell: Steel Material, Tin Finished

Insulator: PBT GF, UL 94V-0, Black

Singal Contact: Copper Alloy, Gold Flash

Metal Watertight Frame: PBT GF, UL 94V-0, Black

O-Ring: Silicone

Epoxy Sealant: Epoxy

Unit: mm

SPECIFICATION:

Signal Contact Current Rating: 3.0A

Signal Contact Resistance: 10 mΩ Max.

Dielectric Withstanding Voltage:

1000 V for 1 min.

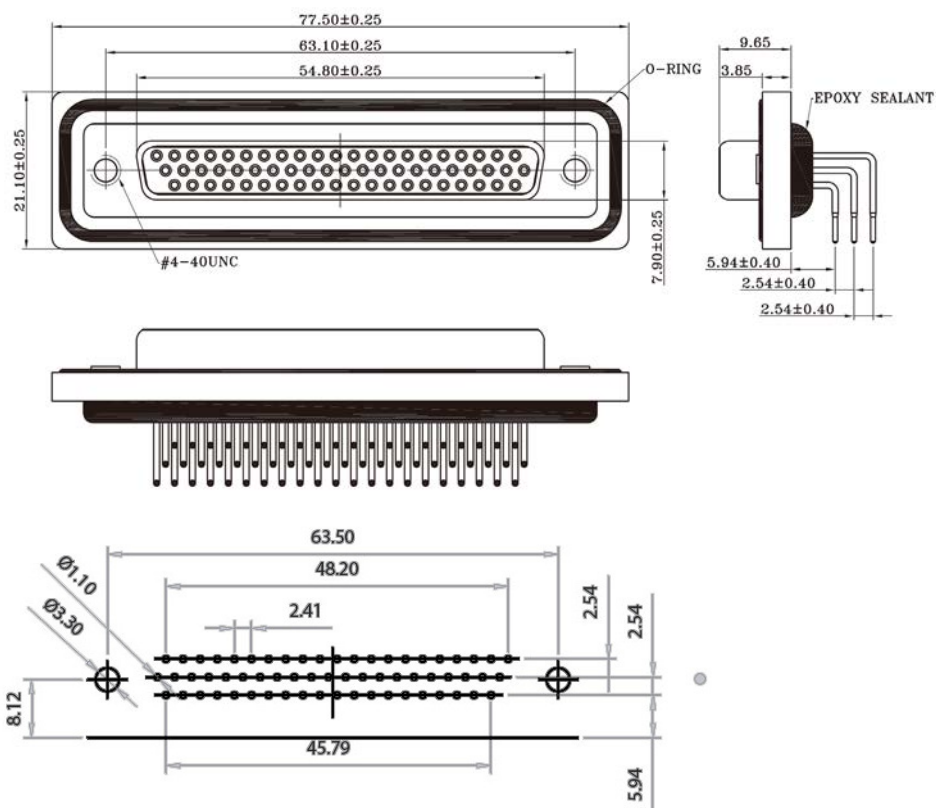
Insulation Resistance: 5GΜΩ min.

Temperature Rating: -55°C to 105°

Degree of Protection:

CIP67 According to IEC 60529

All materials must be RoHS compliant.



Recommended P.C.Board Layout

ORDERING INFORMATION:

P/N 5 1 $\frac{12}{1}$ $\frac{WP}{2}$ - $\frac{62}{3}$ T B / $\frac{XX}{4}$

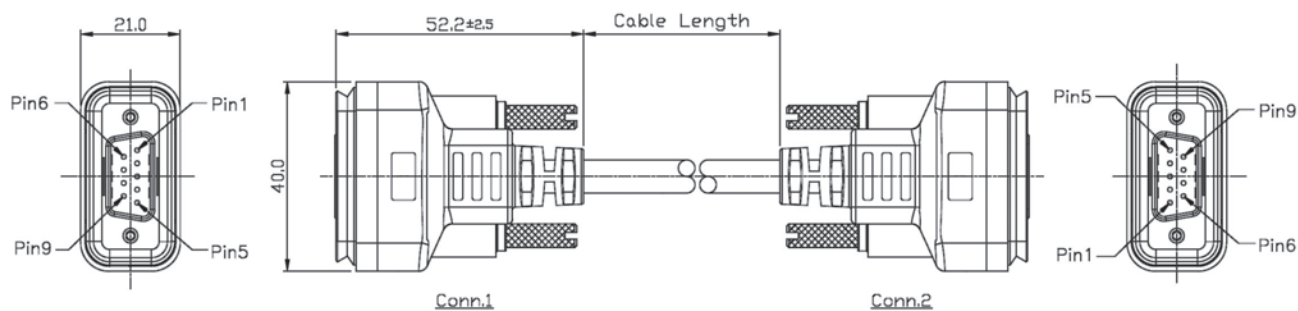
1. CONNECTOR TYPE:
"12" FEMALE WITH MACHINED CONTACTS
2. PROTECTION TYPE:
"WP" IP67 DEGREE WATERPROOF
3. NO. OF CONTACTS:
"62" HD62F
4. MOUTING OPTION:
" " #4-40UNC MOUNTING HOLES
"J" RIVETED #4-40UNC 5.8MM
OPEN NUTS ON FRONT SHELL
"K" RIVETED #4-40UNC 4.0MM
OPEN NUTS ON BACK SHELL
"K6" RIVETED #4-40UNC 5.8MM
OPEN NUTS ON BACK SHELL

WATERPROOF CABLE WITH IP67 RATED D-SUB. CONNECTOR TO D-SUB. CONNECTOR

NOTES:

1. Waterproof Rate: IP67
2. RoHS & REACH compliance

*Unit: mm



P/N KWP09MM-xxM

| | | |
|--------|--------|--------|
| 1 | Brown | 1 |
| 2 | Blue | 2 |
| 3 | Orange | 3 |
| 4 | Green | 4 |
| 5 | Yellow | 5 |
| 6 | Gray | 6 |
| 7 | Violet | 7 |
| 8 | Red | 8 |
| 9 | Black | 9 |
| Shell | Drain | Shell |
| Conn.1 | | Conn.2 |

Wiring Diagram

ORDERING INFORMATION:

P/N **KWP** **1** **2** **3** - **xxM**

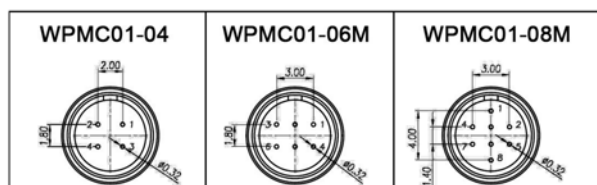
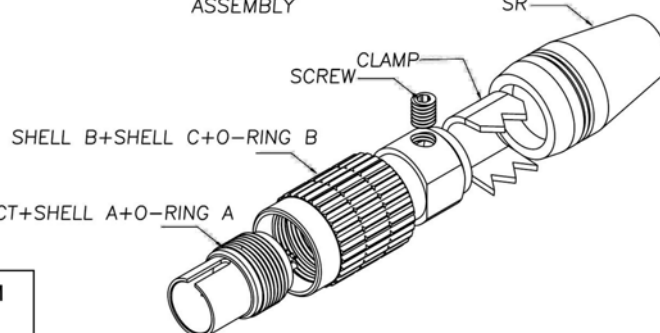
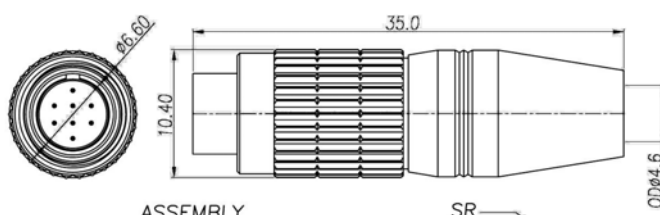
1. NO. OF CONTACTS:
09, 15, 25, 37, 50
2. CONNECTOR TYPE AT 2 ENDS:
"MM" MALE TO MALE
"MF" MALE TO FEMALE
"FF" FEMALE TO FEMALE
3. CABLE LENGTH IN METERS:
0.5M, 1M, 2M,...etc.

WATERPROOF 4P+6P+8P DIN MALE CONNECTOR SCREW LOCKING CABLE TYPE

Specifications:

| | |
|-----------------------|----------------------|
| No. of Contacts | 4 , 6 , 8 |
| Withstanding Voltage | AC 300V for a minute |
| Current Rating | 1A |
| Insulation Resistance | MIN. 1000Mohm |
| Contact Resistance | MAX. 30mohm |

- Note 1. The contact arrangement shown here is the front view of the connector
 2. For regular used the voltage should be less than 30V AC or 42V DC.
 3. The insulation resistance value is measured at DC100V.



ORDERING INFORMATION:

P/N W P M C 0 1 - $\frac{x}{1}$ $\frac{x}{2}$ M

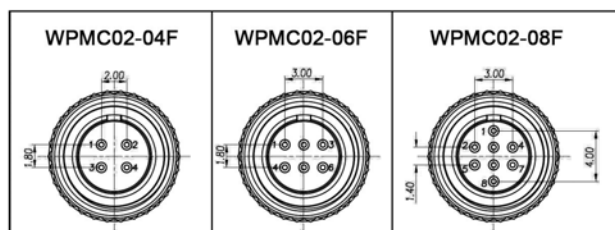
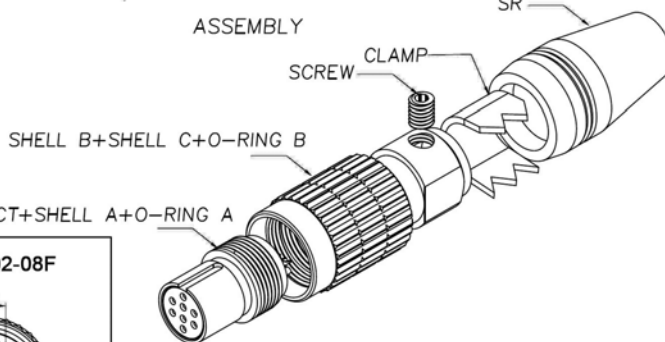
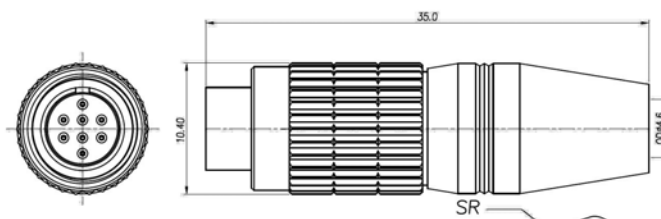
1. NO. OF CONTACTS:
04, 06, 08
2. CONTACT TYPE
"M" MALE

WATERPROOF 4P+6P+8P DIN FEMALE CONNECTOR SCREW LOCKING CABLE TYPE

Specifications:

| | |
|-----------------------|----------------------|
| No. of Contacts | 4 , 6 , 8 |
| Withstanding Voltage | AC 300V for a minute |
| Current Rating | 1A |
| Insulation Resistance | MIN. 1000Mohm |
| Contact Resistance | MAX. 30mohm |

- Note 1. The contact arrangement shown here is the front view of the connector
 2. For regular used the voltage should be less than 30V AC or 42V DC.
 3. The insulation resistance value is measured at DC100V.



ORDERING INFORMATION:

P/N **W P M C 0 2 - $\frac{x x}{1 2}$ F**

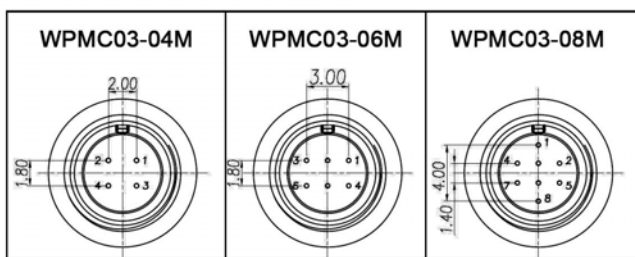
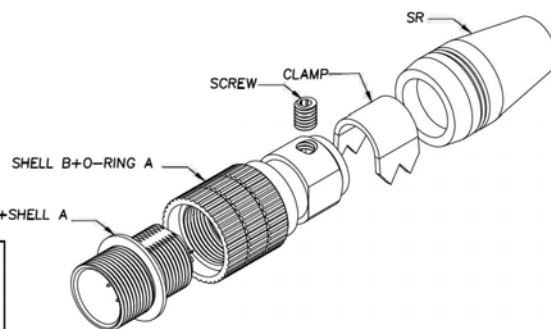
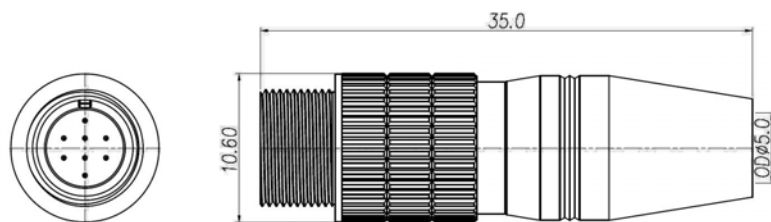
1. NO. OF CONTACTS:
04, 06, 08
2. CONTACT TYPE
"F" FEMALE

WATERPROOF 4P+6P+8P DIN MALE CONNECTOR SCREW LOCKING CABLE TYPE

Specifications:

| | |
|-----------------------|----------------------|
| No. of Contacts | 4 , 6 , 8 |
| Withstanding Voltage | AC 300V for a minute |
| Current Rating | 1A |
| Insulation Resistance | MIN. 1000Mohm |
| Contact Resistance | MAX. 30mohm |

- Note 1. The contact arrangement shown here is the front view of the connector
 2. For regular used the voltage should be less than 30V AC or 42V DC.
 3. The isolation resistance value is measured at DC100V.



ORDERING INFORMATION:

P/N W P M C 0 3 - $\frac{x}{1} \frac{x}{2} M$

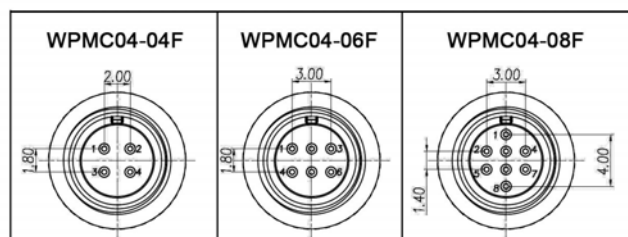
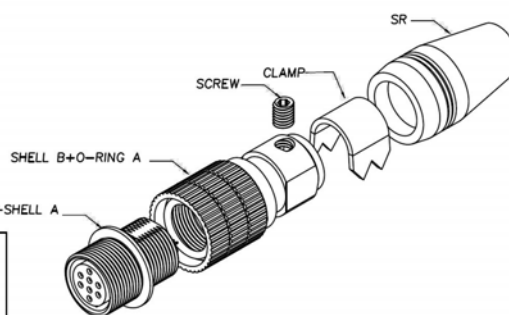
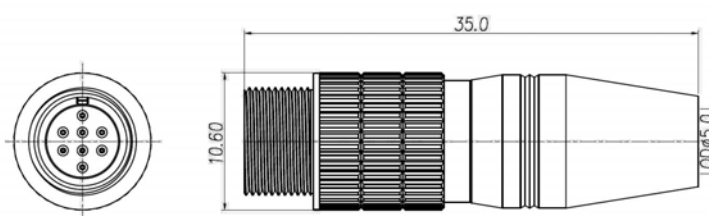
- NO. OF CONTACTS:
04, 06, 08
- CONTACT TYPE
"M" MALE

WATERPROOF 4P+6P+8P DIN FEMALE CONNECTOR SCREW LOCKING CABLE TYPE

Specifications:

| | |
|-----------------------|----------------------|
| No. of Contacts | 4 , 6, 8 |
| Withstanding Voltage | AC 300V for a minute |
| Current Rating | 1A |
| Insulation Resistance | MIN. 1000Mohm |
| Contact Resistance | MAX. 30mohm |

- Note 1. The contact arrangement shown here is the front view of the connector
 2. For regular used the voltage should be less than 30V AC or 42V DC.
 3. The insulation resistance value is measured at DC100V.



ORDERING INFORMATION:

P/N **W P M C 0 4 - $\frac{x}{1} \frac{x}{2} F$**

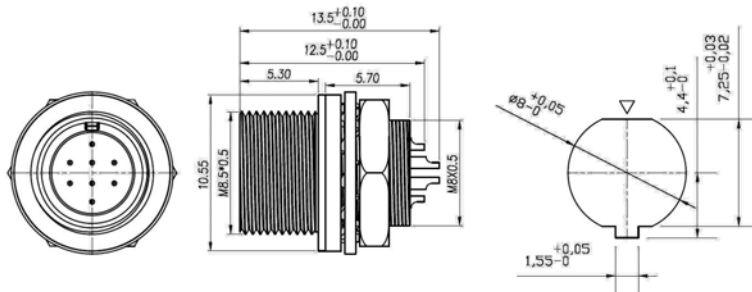
1. NO. OF CONTACTS:
04, 06, 08
2. CONTACT TYPE
"F" FEMALE

WATERPROOF 4P+6P+8P DIN MALE RECEPTACLE CONNECTOR SCREW LOCKING SOLDER TYPE

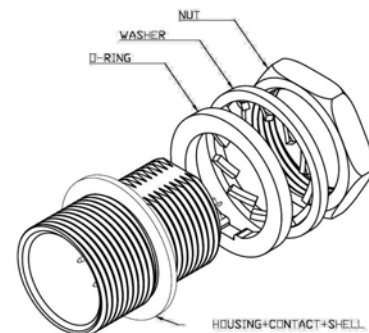
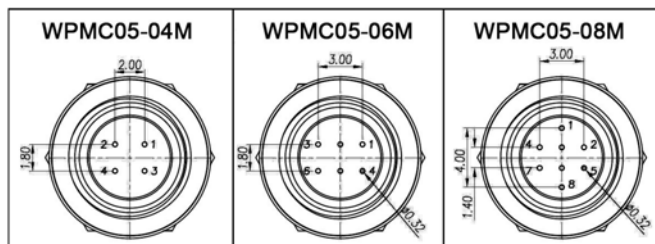
Specifications:

| | |
|-----------------------|----------------------|
| No. of Contacts | 4 , 6 , 8 |
| Withstanding Voltage | AC 300V for a minute |
| Current Rating | 1A |
| Insulation Resistance | MIN. 1000Mohm |
| Contact Resistance | MAX. 30mohm |

- Note 1. The contact arrangement shown here is the front view of the connector
 2. For regular used the voltage should be less than 30V AC or 42V DC.
 3. The insulation resistance value is measured at DC100V.



RECOMMEND PANEL CUT-OUT



ORDERING INFORMATION:

P/N W P M C 0 5 - $\frac{x}{1} \times \frac{x}{2} M$

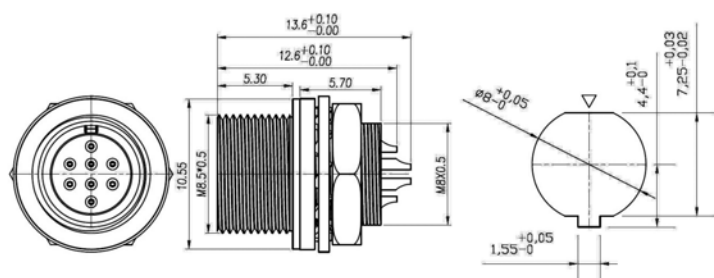
1. NO. OF CONTACTS:
04, 06, 08
2. CONTACT TYPE
"M" MALE

WATERPROOF 4P+6P+8P DIN FEMALE RECEPTACLE CONNECTOR SCREW LOCKING SOLDER TYPE

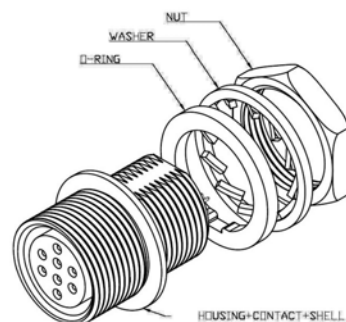
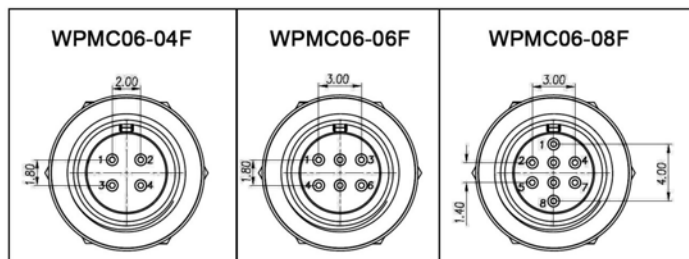
Specifications:

| | |
|-----------------------|----------------------|
| No. of Contacts | 4 , 6 , 8 |
| Withstanding Voltage | AC 300V for a minute |
| Current Rating | 1A |
| Insulation Resistance | MIN. 1000Mohm |
| Contact Resistance | MAX. 30mohm |

- Note 1. The contact arrangement shown here is the front view of the connector
 2. For regular used the voltage should be less than 30V AC or 42V DC.
 3. The insulation resistance value is measured at DC100V.



RECOMMEND PANEL CUT-OUT



ORDERING INFORMATION:

P/N W P M C 0 6 - $\frac{x x F}{T 2}$

- NO. OF CONTACTS:
04, 06, 08
- CONTACT TYPE
"F" FEMALE

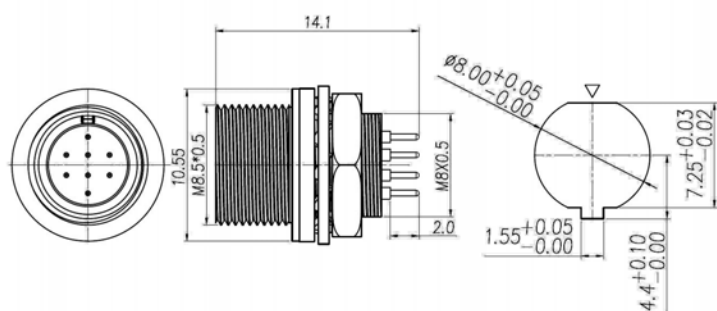
WATERPROOF 4P+6P+8P DIN MALE RECEPTACLE CONNECTOR SCREW LOCKING DIP TYPE

Specifications:

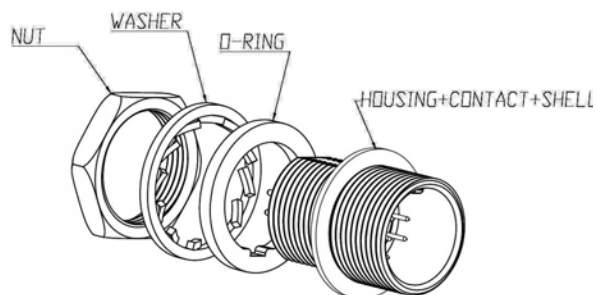
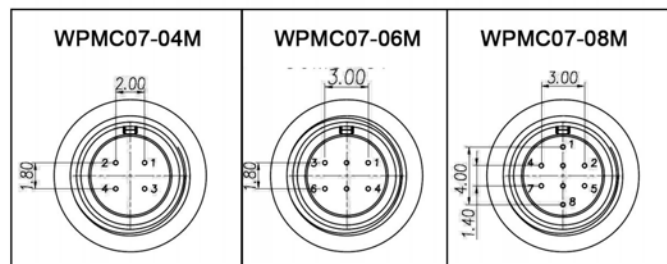
| | |
|-----------------------|----------------------|
| No. of Contacts | 4 , 6 , 8 |
| Withstanding Voltage | AC 300V for a minute |
| Current Rating | 1A |
| Insulation Resistance | MIN. 1000Mohm |
| Contact Resistance | MAX. 30mohm |



- Note 1. The contact arrangement shown here is the front view of the connector
 2. For regular used the voltage should be less than 30V AC or 42V DC.
 3. The isolation resistance value is measured at DC100V.



RECOMMEND PANEL CUT-OUT



ORDERING INFORMATION:

P/N **W P M C 0 7 - $\frac{x}{1} \frac{x}{2} M$**

1. NO. OF CONTACTS:
04, 06, 08
2. CONTACT TYPE
"M" MALE

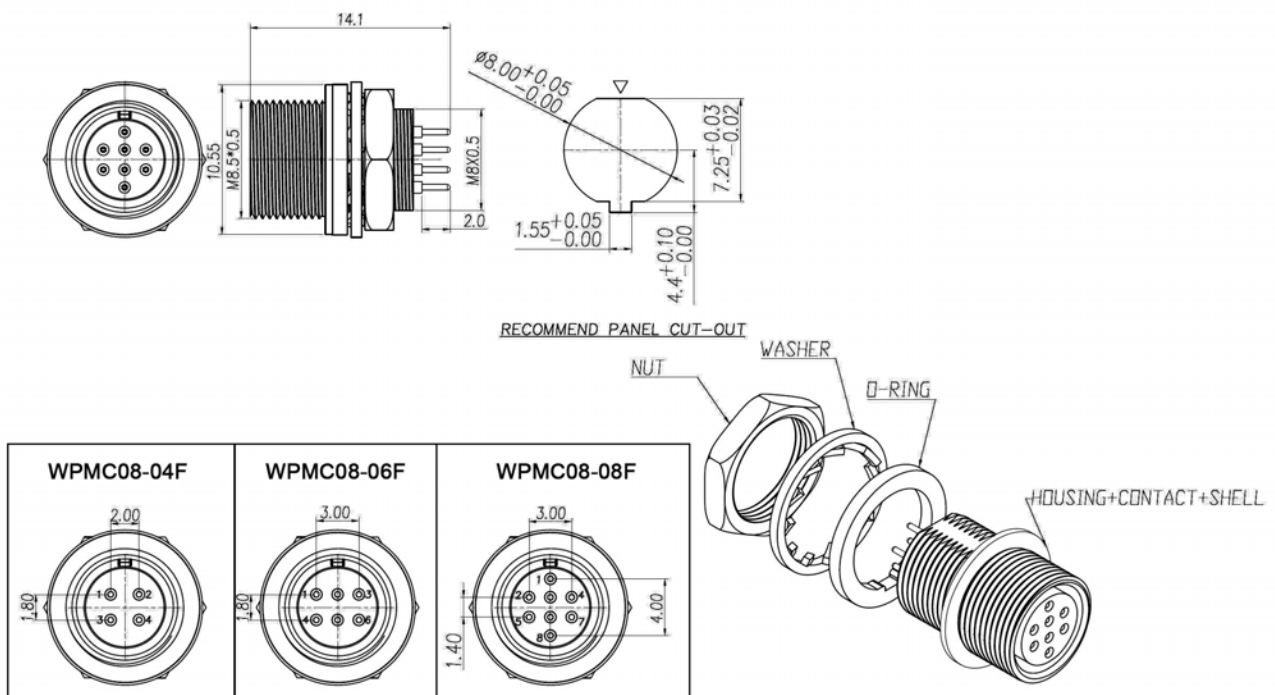
WATERPROOF 4P+6P+8P DIN FEMALE RECEPTACLE CONNECTOR SCREW LOCKING DIP TYPE

Specifications:

| | |
|-----------------------|----------------------|
| No. of Contacts | 4 , 6 , 8 |
| Withstanding Voltage | AC 300V for a minute |
| Current Rating | 1A |
| Insulation Resistance | MIN. 1000Mohm |
| Contact Resistance | MAX. 30mohm |



- Note 1. The contact arrangement shown here is the front view of the connector
 2. For regular used the voltage should be less than 30V AC or 42V DC.
 3. The insulation resistance value is measured at DC100V.



ORDERING INFORMATION:

P/N W P M C 0 8 - $\frac{x x F}{1 2}$

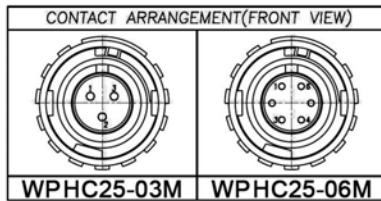
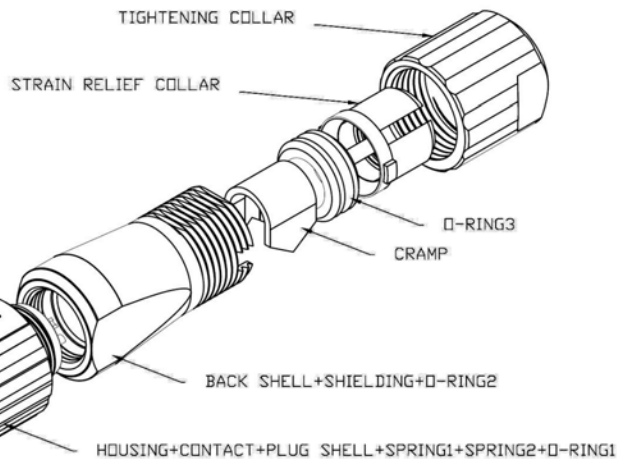
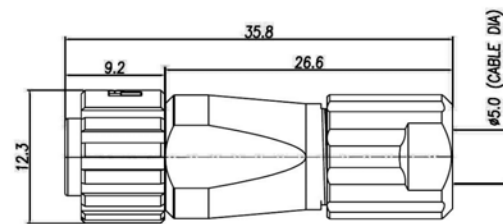
1. NO. OF CONTACTS:
04, 06, 08
2. CONTACT TYPE
"F" FEMALE

WATERPROOF IPX7 RATED 3P+6P HRS LF07 TYPE DIN PLUG ASSEMBLY WELD LINE TYPE

Specifications:

| | |
|-----------------------|-------------------------------------|
| No. of Contacts | 3 , 6 |
| Withstanding Voltage | AC 125V DC 175V/3P AC 30V DC 42V/6P |
| Current Rating | 5A/3P , 2A/6P |
| Insulation Resistance | MIN. 1000Mohm |
| Contact Resistance | MAX. 15mohm |

- Note 1. The contact arrangement shown here is the front view of the connector
 2. The withstanding voltage shown here is test voltage value.
 3. The insulation resistance value is measured at DC 500V.
 4. The contact resistance value is measured at DC 1A.



ORDERING INFORMATION:

P/N W P H C 2 5 - $\frac{x x}{1 2}$ M

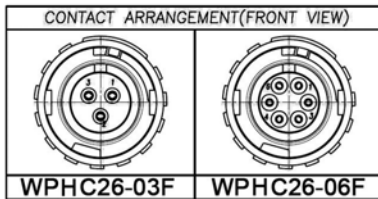
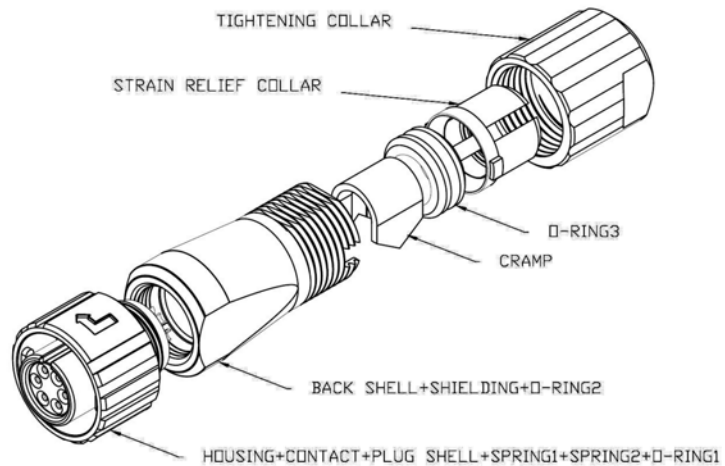
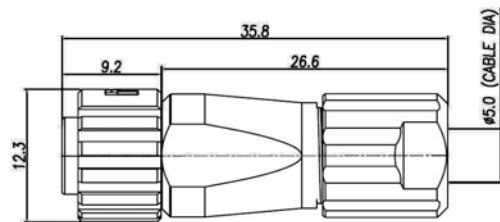
1. NO. OF CONTACTS:
03, 06
2. CONTACT TYPE
"M" MALE

WATERPROOF IPX7 RATED 3P+6P HRS LF07 TYPE DIN JACK ASSEMBLY WELD LINE TYPE

Specifications:

| | |
|-----------------------|-------------------------------------|
| No. of Contacts | 3 , 6 |
| Withstanding Voltage | AC 125V DC 175V/3P AC 30V DC 42V/6P |
| Current Rating | 5A/3P , 2A/6P |
| Insulation Resistance | MIN. 1000Mohm |
| Contact Resistance | MAX. 15mohm |

- Note 1. The contact arrangement shown here is the front view of the connector
 2. The withstanding voltage shown here is test voltage value.
 3. The insulation resistance value is measured at DC 500V.
 4. The contact resistance value is measured at DC 1A.



ORDERING INFORMATION:

P/N W P H C 2 6 - $\frac{x x}{1 2}$ F

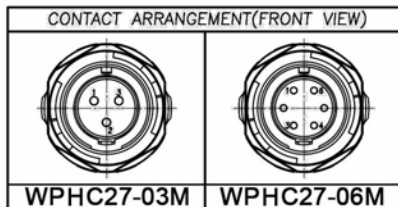
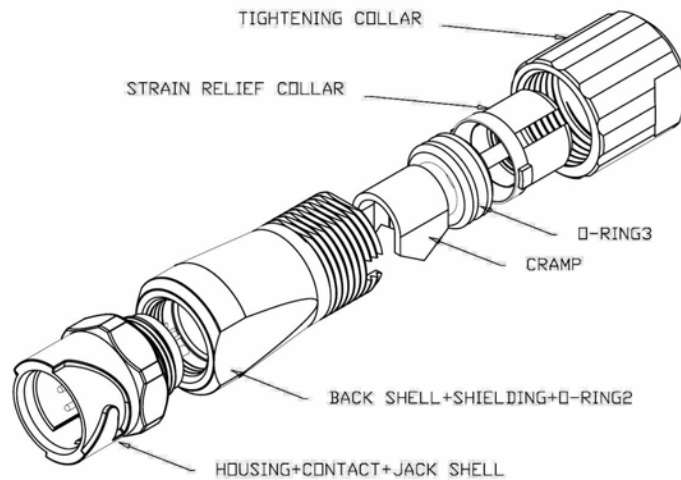
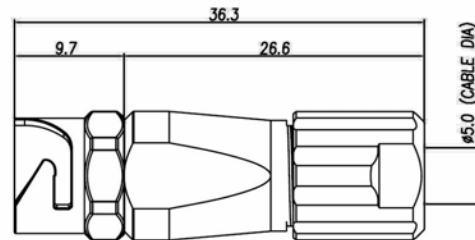
1. NO. OF CONTACTS:
03, 06
2. CONTACT TYPE
"F" FEMALE

WATERPROOF IPX7 RATED 3P+6P HRS LF07 TYPE DIN PLUG ASSEMBLY WELD LINE TYPE

Specifications:

| | |
|-----------------------|-------------------------------------|
| No. of Contacts | 3 , 6 |
| Withstanding Voltage | AC 125V DC 175V/3P AC 30V DC 42V/6P |
| Current Rating | 5A/3P , 2A/6P |
| Insulation Resistance | MIN. 1000Mohm |
| Contact Resistance | MAX. 15mohm |

- Note 1. The contact arrangement shown here is the front view of the connector
 2. The withstanding voltage shown here is test voltage value.
 3. The insulation resistance value is measured at DC 500V.
 4. The contact resistance value is measured at DC 1A.



ORDERING INFORMATION:

P/N W P H C 2 7 - $\frac{x x}{1 2}$ M

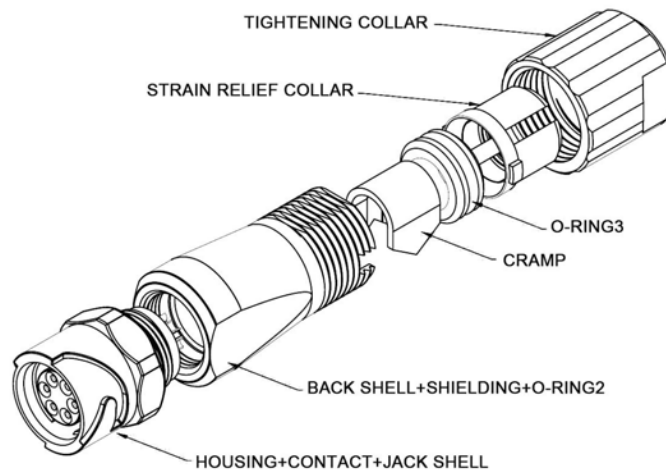
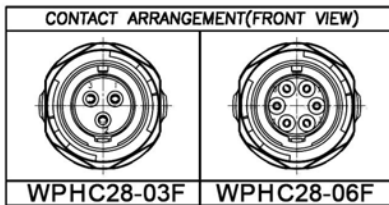
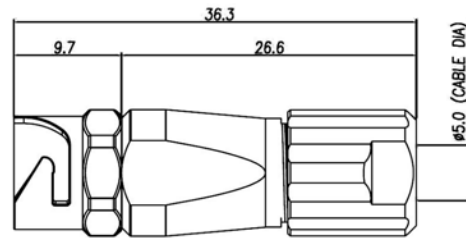
1. NO. OF CONTACTS:
03, 06
2. CONTACT TYPE
"M" MALE

WATERPROOF IPX7 RATED 3P+6P HRS LF07 TYPE DIN JACK ASSEMBLY WELD LINE TYPE

Specifications:

| | |
|-----------------------|-------------------------------------|
| No. of Contacts | 3 , 6 |
| Withstanding Voltage | AC 125V DC 175V/3P AC 30V DC 42V/6P |
| Current Rating | 5A/3P , 2A/6P |
| Insulation Resistance | MIN. 1000Mohm |
| Contact Resistance | MAX. 15mohm |

- Note 1. The contact arrangement shown here is the front view of the connector
 2. The withstanding voltage shown here is test voltage value.
 3. The insulation resistance value is measured at DC 500V.
 4. The contact resistance value is measured at DC 1A.



ORDERING INFORMATION:

P/N W P H C 2 8 - $\frac{x x F}{1 2}$

1. NO. OF CONTACTS:
03, 06
2. CONTACT TYPE
"F" FEMALE

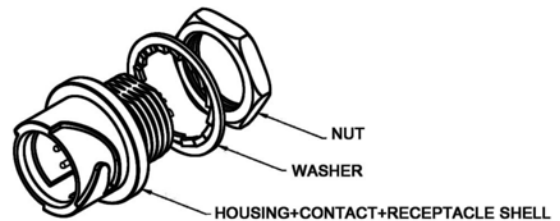
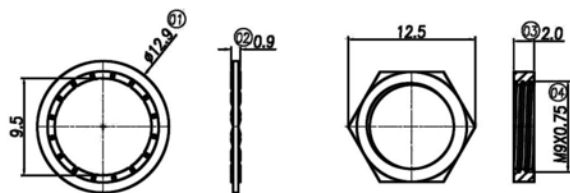
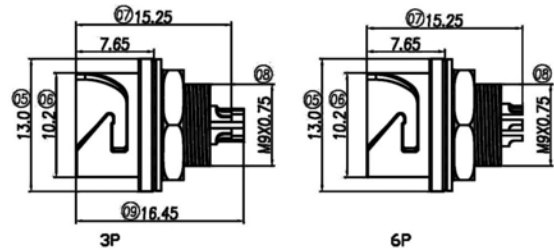
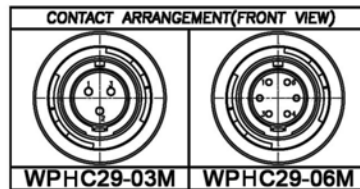
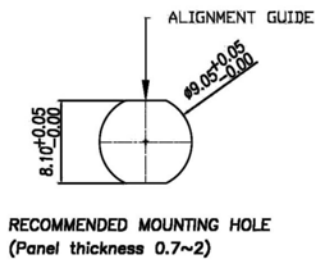
WATERPROOF IPX7 RATED 3P+6P HRS LF07 TYPE DIN PLUG FRONT LOCK SOLDER TYPE

Specifications:

| | |
|-----------------------|-------------------------------------|
| No. of Contacts | 3 , 6 |
| Withstanding Voltage | AC 125V DC 175V/3P AC 30V DC 42V/6P |
| Current Rating | 5A/3P , 2A/6P |
| Insulation Resistance | MIN. 1000Mohm |
| Contact Resistance | MAX. 15mohm |



- Note 1. The contact arrangement shown here is the front view of the connector
 2. The withstanding voltage shown here is test voltage value.
 3. The insulation resistance value is measured at DC 500V.
 4. The contact resistance value is measured at DC 1A.



ORDERING INFORMATION:

P/N W P H C 2 9 - $\frac{x x}{1}$ $\frac{M}{2}$

- NO. OF CONTACTS:
03, 06
- CONTACT TYPE
"M" MALE

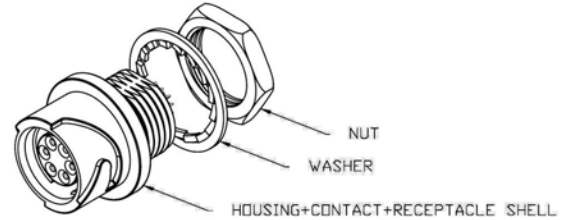
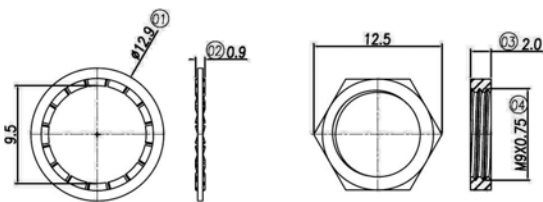
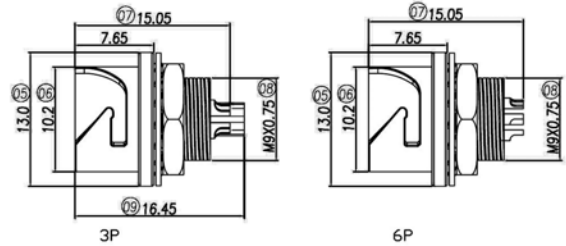
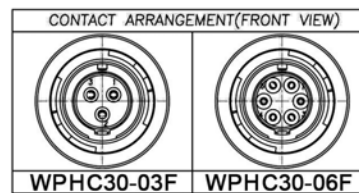
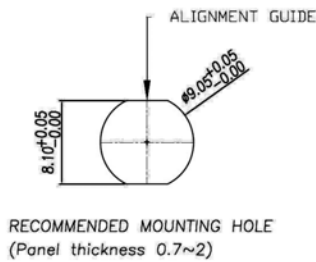
WATERPROOF IPX7 RATED 3P+6P HRS LF07 TYPE DIN JACK FRONT LOCK SOLDER TYPE

Specifications:

| | |
|-----------------------|-------------------------------------|
| No. of Contacts | 3 , 6 |
| Withstanding Voltage | AC 125V DC 175V/3P AC 30V DC 42V/6P |
| Current Rating | 5A/3P , 2A/6P |
| Insulation Resistance | MIN. 1000Mohm |
| Contact Resistance | MAX. 15mohm |



- Note 1. The contact arrangement shown here is the front view of the connector
 2. The withstanding voltage shown here is test voltage value.
 3. The insulation resistance value is measured at DC 500V.
 4. The contact resistance value is measured at DC 1A.



ORDERING INFORMATION:

P/N W P H C 3 0 - $\frac{x}{1} \frac{x}{2} F$

- NO. OF CONTACTS:
03, 06
- CONTACT TYPE
"F" FEMALE

DIN CABLE PLUG IP40 RATED SCREW LOCKING TYPE

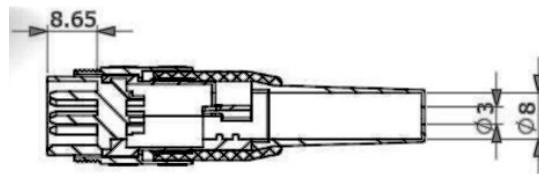


SPECIFICATIONS

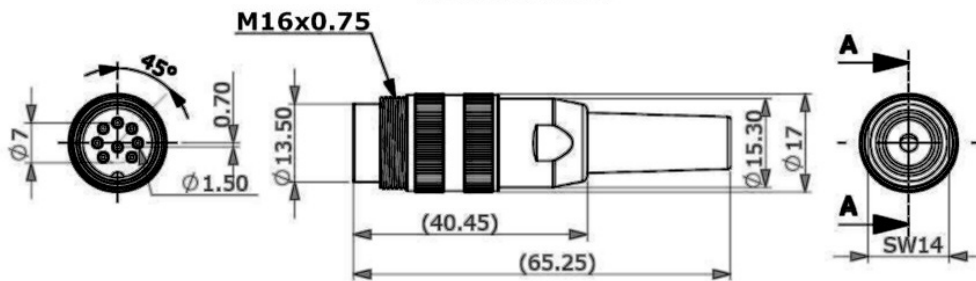
1. Rating : 100V AC 1A max.
2. Contact Resistance :
Pins 30mΩ max.
Shell 50mΩ max.
3. Insulation Resistance :
100MΩ at 500V DC min.
4. Voltage Withstand:
250V AC for 1 minute

MATERIALS

1. SHELL COVER:
ZN ALLOY NICKEL PLATED
 2. INSULATOR: PA66
 3. CONTACTS:
BRASS SILVER PLATED
- *RoHS & REACH compliant.



SECTION A-A



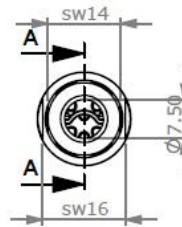
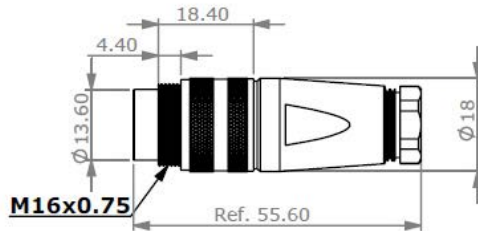
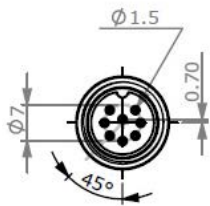
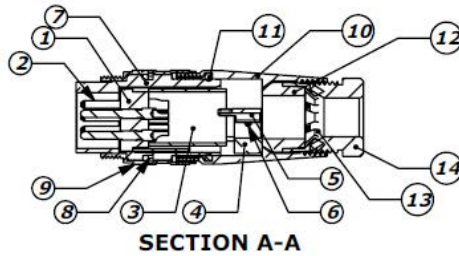
| ARRANGEMENT OF CONTACTS | | | | | | | | | |
|-------------------------|----|----|---------|---------|---------|----|----|---------|---------|
| NO OF CONTACTS | 3P | 4P | 5P 180° | 5P 240° | 5P 360° | 6P | 7P | 8P 270° | 8P 262° |

ORDERING INFORMATION:

P/N 71 PE - XX
1 2

1. CONNECTOR TYPE:
"PE" WATER PROOF IP40 RATED
WITH CABLE ENTRY Ø 8MM
2. NO. OF CONTACTS:
"03" 3P
"04" 4P
"05A" 5P, 180°
"05B" 5P, 240°
"06" 6P
"07" 7P
"08A" 8P, 270°

DIN CABLE PLUG IP67 RATED SCREW LOCKING TYPE



SPECIFICATIONS

1. Rating : 100V AC 1A max.
2. Contact Resistance :
Pins 30mΩ max.
Shell 50mΩ max.
3. Insulation Resistance :
100MΩ at 500V DC min.
4. Voltage Withstand:
250V AC for 1 minute

MATERIALS

1. SHELL COVER:
ZN ALLOY NICKEL PLATED
 2. INSULATOR: PA66
 3. CONTACTS:
BRASS COLD PLATED
- *RoHS & REACH compliant.

| ARRANGEMENT OF CONTACTS | | | | | | | | | |
|-------------------------|----|----|---------|---------|---------|----|----|---------|---------|
| NO OF CONTACTS | 3P | 4P | 5P 180° | 5P 240° | 5P 360° | 6P | 7P | 8P 270° | 8P 262° |

ORDERING INFORMATION:

P/N 71 $\frac{PF}{1}$ - $\frac{XX}{2}$

1. CONNECTOR TYPE:
"PF" WATER PROOF IP67 RATED
WITH CABLE ENTRY Ø 7.5MM
2. NO. OF CONTACTS:
"03" 3P
"04" 4P
"05A" 5P, 180°
"05B" 5P, 240°
"06" 6P
"07" 7P
"08A" 8P, 270°

WATERPROOF M8*05 4P+6P+8P DIN JACK FABRICATED WIRE END TYPE



MATERIALS

Housing: Nylon 46, UL 94V-0

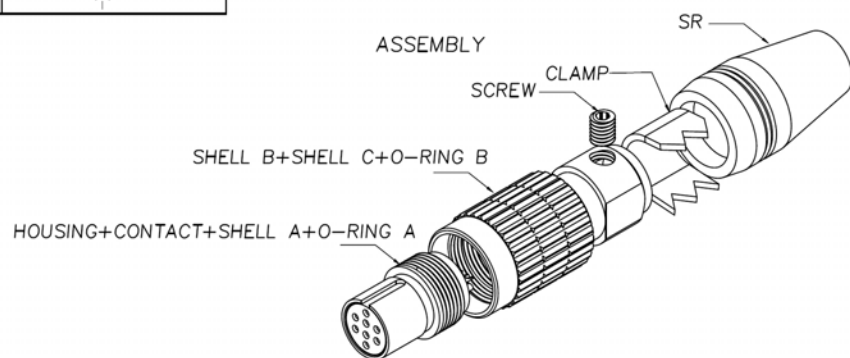
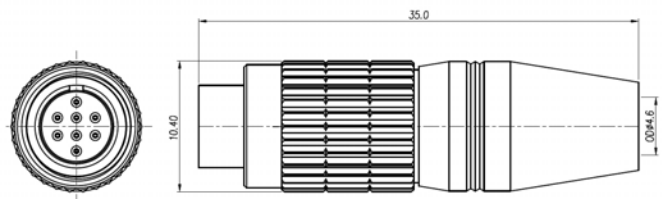
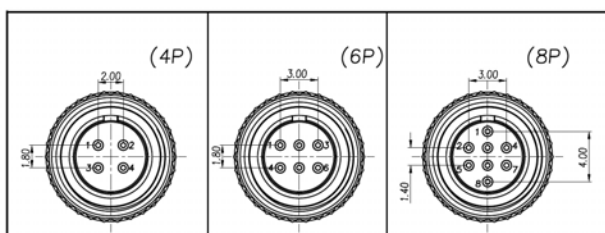
Contact: Phosphor Bronze; Gold plated

Shell: Zinc Alloy or Brass; Nickel Plated

Screw: Steel Alloy

* RoHS & REACH compliant.

Unit: mm



ORDERING INFORMATION:

P/N W P D $\frac{M}{1}$ $\frac{8}{2}$ $\frac{F}{3}$ - $\frac{x}{3}$ $\frac{x}{4}$ $\frac{AA}{4}$

1. CONNECTOR LOCKING SYSTEM:
"M8" SCREW M8*0.5
2. CONNECTOR TYPE:
"F" FEMALE (JACK)
3. NO. OF CONTACTS:
04, 06, 08
4. APPLICABLE TYPE:
"AA" CABLE ASSEMBLY TYPE

WATERPROOF M8*05 4P+6P+8P DIN JACK LINE END ASSEMBLED TYPE



MATERIALS

Housing: Nylon 46, UL 94V-0

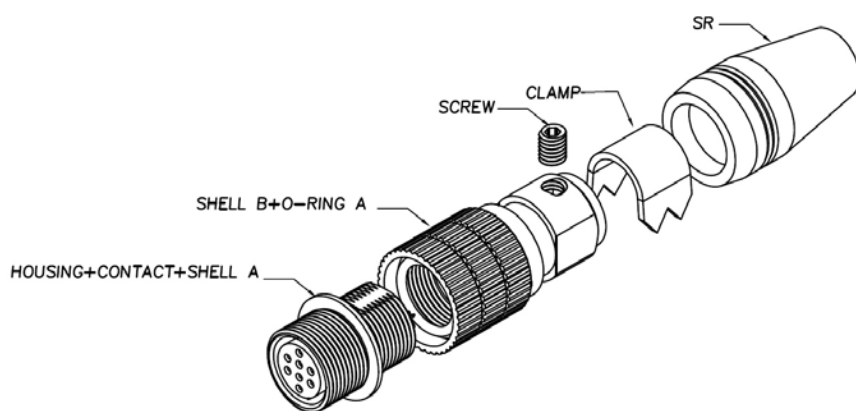
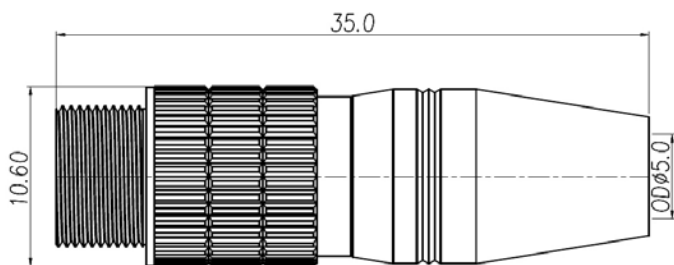
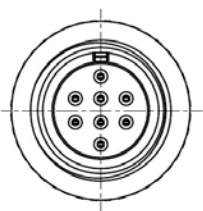
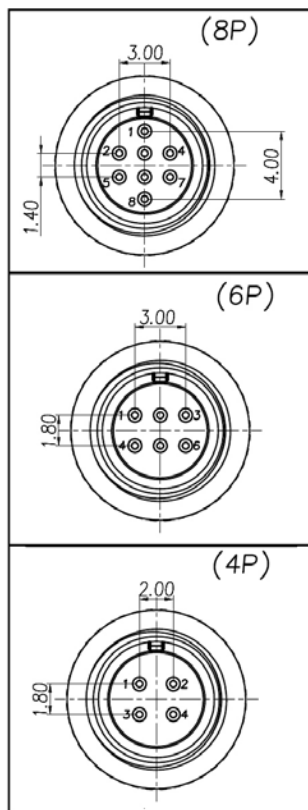
Contact: Phosphor Bronze; Gold plated

Shell: Zinc Alloy or Brass; Nickel Plated

Screw: Steel Alloy; Nickel Plated

* RoHS & REACH compliant.

Unit: mm

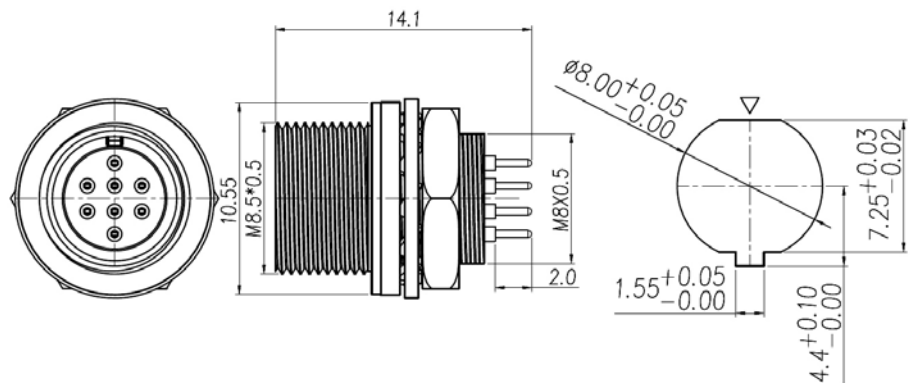
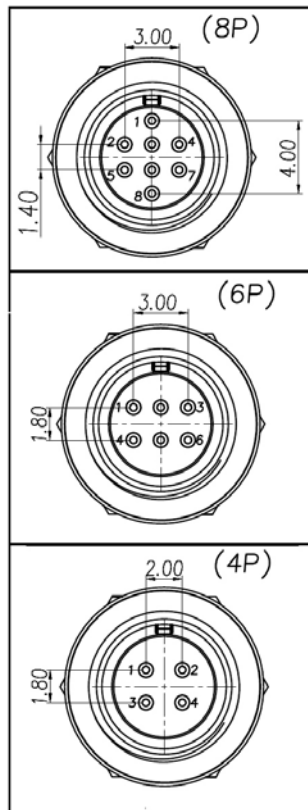


ORDERING INFORMATION:

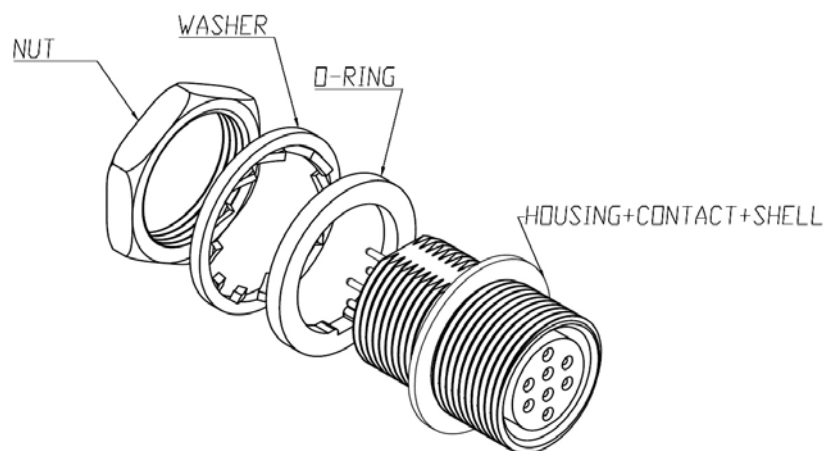
P/N W P D M 8 F - x x A B
1 2 3 4

1. CONNECTOR LOCKING SYSTEM:
"M8" SCREW M8*0.5
2. CONNECTOR TYPE:
"F" FEMALE (JACK)
3. NO. OF CONTACTS:
04, 06, 08
4. APPLICABLE TYPE:
"AB" CABLE ASSEMBLY TYPE

WATERPROOF M8*05 4P+6P+8P DIN SOCKET PLATE INSERTED TYPE



RECOMMEND PANEL CUT-OUT



ORDERING INFORMATION:

P/N W P D $\frac{M}{1}$ $\frac{8}{2}$ $\frac{F}{3}$ - $\frac{x}{3}$ $\frac{x}{4}$ P A

1. CONNECTOR LOCKING SYSTEM:
"M8" SCREW M8*0.5
2. CONNECTOR TYPE:
"F" FEMALE (JACK)
3. NO. OF CONTACTS:
04, 06, 08
4. APPLICABLE TYPE:
"PA" PLATE INSERTED TYPE

WATERPROOF M8*05 4P+6P+8P DIN SOCKET BOARD SIDE TYPE



MATERIALS

Housing: Nylon 46

Contact: Phosphor Bronze;

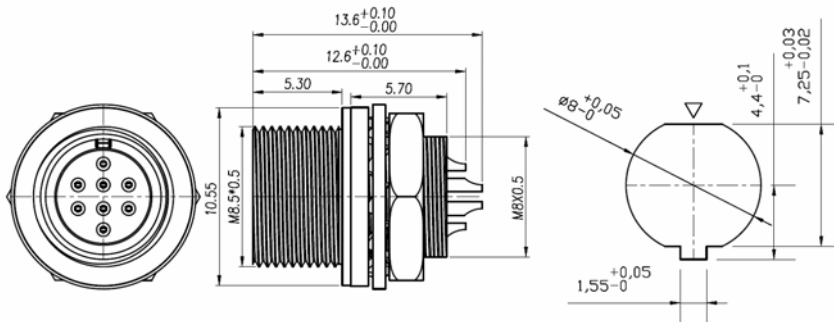
Gold Plating Over Nickel

Shell: Zinc Alloy; Nickel Plated

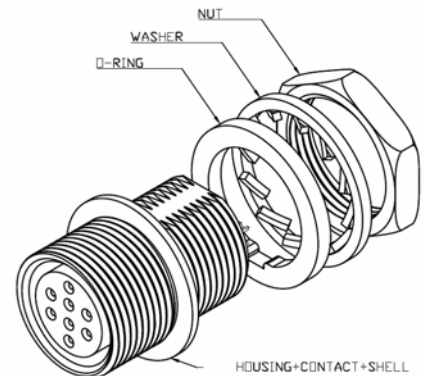
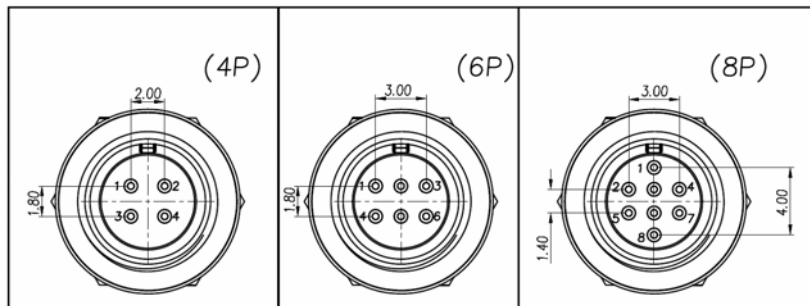
Nut: Brass; Nickel Plated

* RoHS & REACH compliant.

Unit: mm



RECOMMEND PANEL CUT-OUT



ORDERING INFORMATION:

P/N W P D M 8 F - x x P B
1 2 3 4

1. CONNECTOR LOCKING SYSTEM:
"M8" SCREW M8*0.5
2. CONNECTOR TYPE:
"F" FEMALE (JACK)
3. NO. OF CONTACTS:
04, 06, 08
4. APPLICABLE TYPE:
"PB" BOARD SIDE TYPE

WATERPROOF M16*1.0 13P DIN JACK CABLE ASSEMBLY TYPE



MATERIALS

Housing: PBT, UL 94V-0

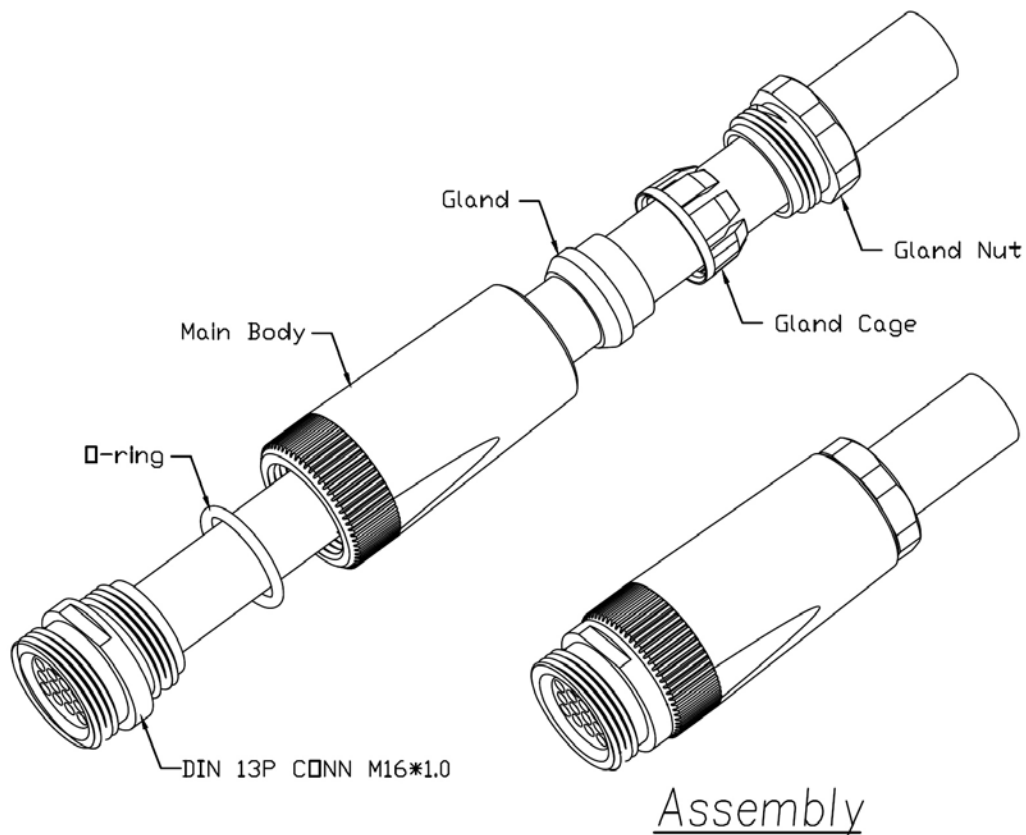
Contact: Phosphor Bronze;

Gold Plating Over Nickel

Shell: Aluminum Alloy; Nickel Plated

* RoHS & REACH compliant.

Unit: mm



ORDERING INFORMATION:

P/N W P D M16 F - 13 AA
1 2 3 4

1. CONNECTOR LOCKING SYSTEM:
"M16" M16*1.0
2. CONNECTOR TYPE:
"F" FEMALE (JACK)
3. NO. OF CONTACTS:
13
4. APPLICABLE TYPE:
"AA" CABLE ASSEMBLY TYPE WITH ID = Ø10.8MM

WATERPROOF M16*0.75 8P+11P DIN SOCKET SOLDER TYPE



MATERIALS

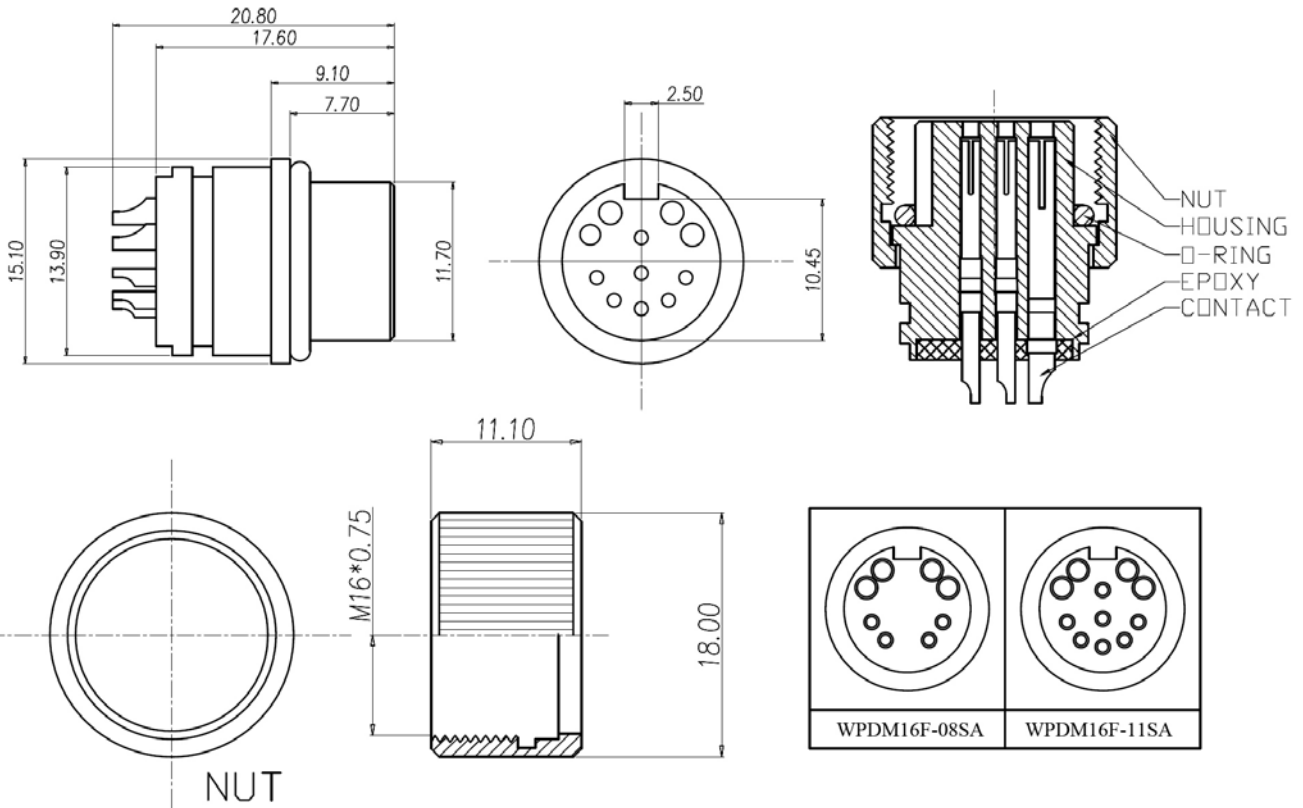
Housing: PBT

Contact: Brass; Gold Plating Over Nickel

Nut: Brass; Nickel Plated

* RoHS & REACH compliant.

Unit: mm



ORDERING INFORMATION:

P/N W P D M 16 F - x x S A

1. CONNECTOR LOCKING SYSTEM:
"M16" M16*0.75
2. CONNECTOR TYPE:
"F" FEMALE (JACK)
3. NO. OF CONTACTS:
08, 11
4. APPLICABLE TYPE:
"SA" SOLDER TYPE

DIN CABLE JACK IP40 RATED SCREW LOCKING TYPE



SPECIFICATIONS

1. Rating : 100V AC 1A max.

2. Contact Resistance :

Pins 30mΩ max.

Shell 50mΩ max.

3. Insulation Resistance :

100MΩ at 500V DC min.

4. Voltage Withstand:

250V AC for 1 minute

MATERIALS

1. SHELL COVER:

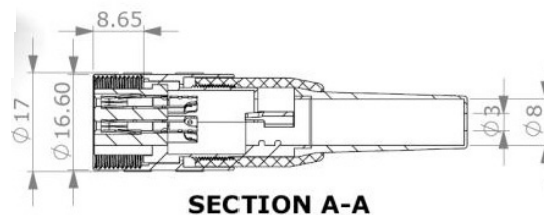
ZN ALLOY NICKEL PLATED

2. INSULATOR: PA66

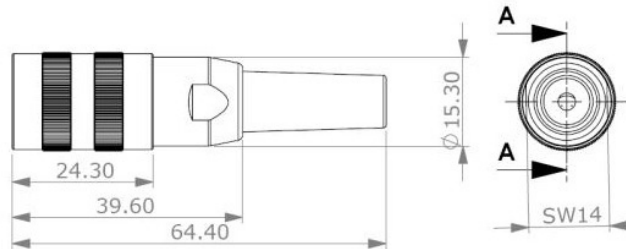
3. CONTACTS:

BRASS GOLD PLATED

*RoHS & REACH compliant.



SECTION A-A



| ARRANGEMENT OF CONTACTS | | | | | | | | | |
|-------------------------|----|----|---------|---------|---------|----|----|---------|---------|
| NO OF CONTACTS | 3P | 4P | 5P 180° | 5P 240° | 5P 360° | 6P | 7P | 8P 270° | 8P 262° |

ORDERING INFORMATION:

P/N 71 $\frac{JF}{1} - \frac{XX}{2}$

1. CONNECTOR TYPE:

"JF" WATERPROOF IP40 RATED WITH
CABLE ENTRY Ø 8MM

2. NO. OF CONTACTS:

"03" 3P

"04" 4P

"05A" 5P, 180°

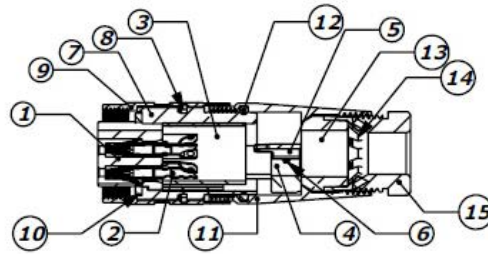
"05B" 5P, 240°

"06" 6P

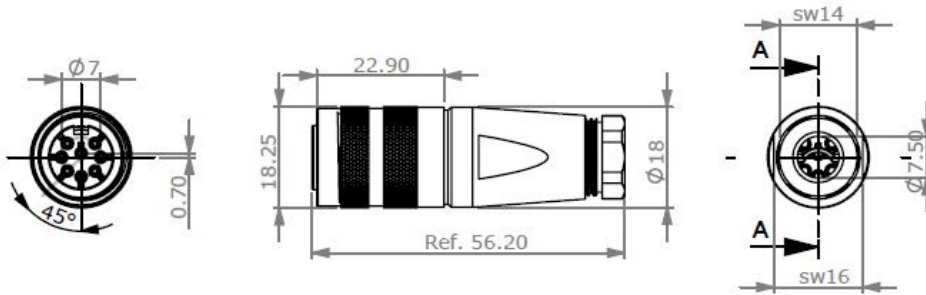
"07" 7P

"08A" 8P, 270°

DIN CABLE JACK IP67 RATED SCREW LOCKING TYPE



SECTION A-A



SPECIFICATIONS

1. Rating : 100V AC 1A max.
2. Contact Resistance :
Pins 30mΩ max.
Shell 50mΩ max.
3. Insulation Resistance :
100MΩ at 500V DC min.
4. Voltage Withstand:
250V AC for 1 minute

MATERIALS

1. SHELL COVER:
ZN ALLOY NICKEL PLATED
 2. INSULATOR: PA66
 3. CONTACTS:
BRASS GOLD PLATED
- *RoHS & REACH compliant.

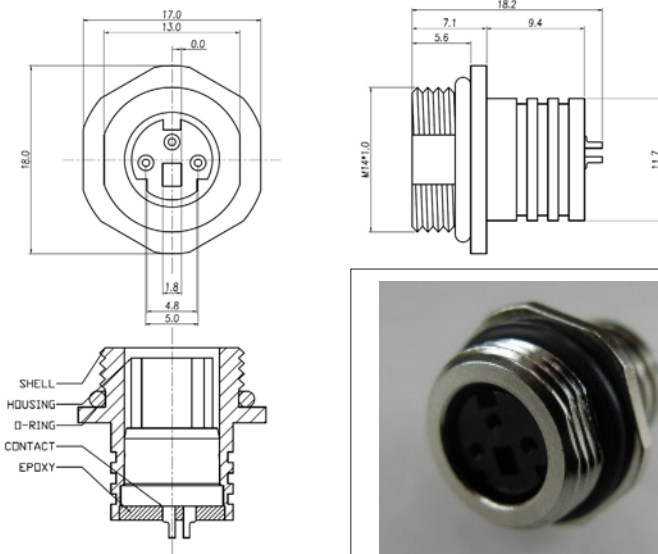
| ARRANGEMENT OF CONTACTS | | | | | | | | | |
|-------------------------|----|----|---------|---------|---------|----|----|---------|---------|
| NO OF CONTACTS | 3P | 4P | 5P 180° | 5P 240° | 5P 360° | 6P | 7P | 8P 270° | 8P 262° |

ORDERING INFORMATION:

P/N 71 $\frac{JG}{1} - \frac{xx}{2}$

1. CONNECTOR TYPE:
"JG" WATERPROOF IP67 RATED WITH
CABLE ENTRY Ø 7.5MM
2. NO. OF CONTACTS:
"03" 3P
"04" 4P
"05A" 5P, 180°
"05B" 5P, 240°
"06" 6P
"07" 7P
"08A" 8P, 270°

MINI DIN SOCKET 3P WATERPROOF CABLE SOLDER TYPE



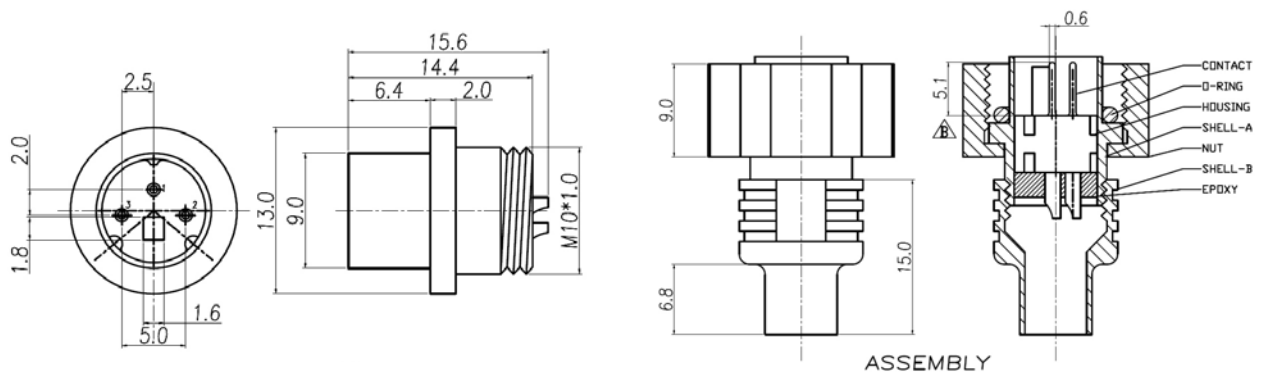
72WP-03CA

SPECIFICATIONS

- Rating:** 100VAC 1A (max.)
12VDC 2A (max.)
- Dielectric Withstanding Voltage:**
500VAC, 60Hz for 1 minute
- Insulation Resistance (Initial):**
100MΩ (min.) at 500VDC
- Contact Resistance (Initial):**
30mΩ (max.) at AC 100mA (max.) 1 KHz
- Insertion & Extraction Force:**
Initial : 4.5kgs. (max.)
Extraction Force: 0.9 to 3.0kgs

MATERIALS

- Housing:** PBT
 - Contact:** Phosphor Bronze or Brass;
Gold Plated
 - Shell:** Brass; Nickel Plated
- *RoHS & REACH compliant.



72WP-03CB

ORDERING INFORMATION:

P/N 7 2 W P - $\frac{03}{1} \frac{XX}{2}$

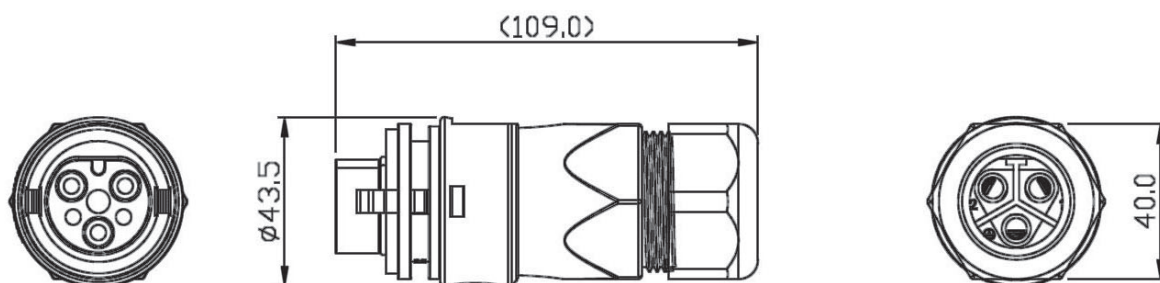
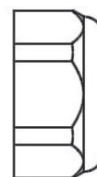
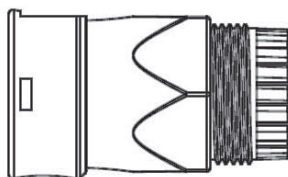
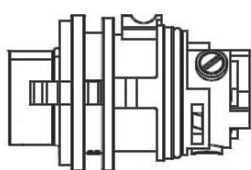
- NO. OF CONTACTS
03
- SOCKET TYPE:
"CA" FEMALE WIRE TYPE
"CB" MALE WIRE TYPE

WATERPROOF IP67 RATED 3 PIN CABLE END 41A POWER PLUG

SPECIFICATION:

1. Waterproof Rate: IP67
2. Suitable Cable DC= 21mm to 24mm
3. Recommend Gland Nut Torque: 15~20 Kgf-cm.
4. RoHS & REACH compliant.

Unit: mm



ORDERING INFORMATION:

P/N WP91-03CA

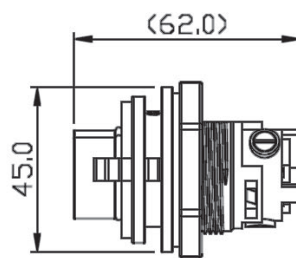
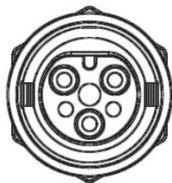
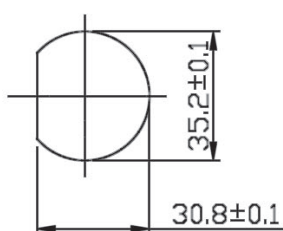
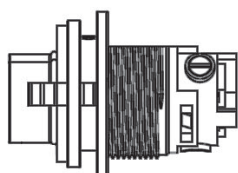
WATERPROOF IP67 RATED POWER M35 41A
3 PIN PUSH LOCK CABLE END PLUG (MALE)

WATERPROOF IP67 RATED 3 PIN PANEL MOUNT 41A POWER PLUG

SPECIFICATION:

1. Waterproof Rate: IP67
2. Recommend Panel Thickness= 0.8mm to 6.0mm
3. Recommend Hex Nut Torque: 9~10 Kgf-cm.
4. RoHS & REACH compliant.

Unit: mm



Recommend
Panel Cut-Out

ORDERING INFORMATION:

P/N WP91-03PM

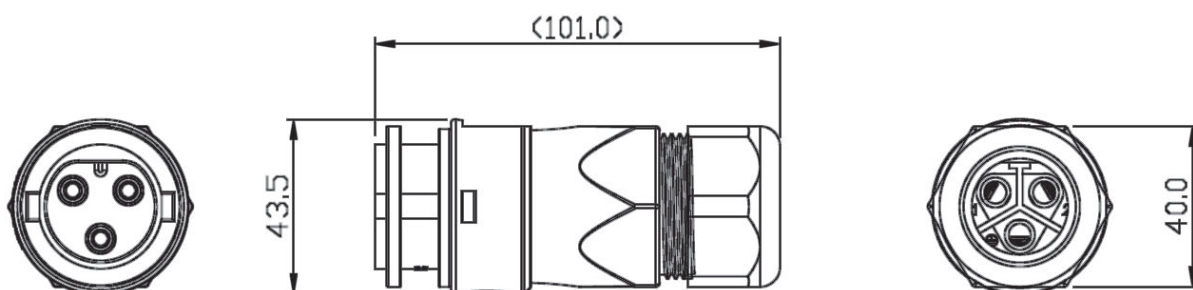
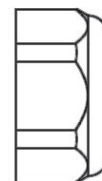
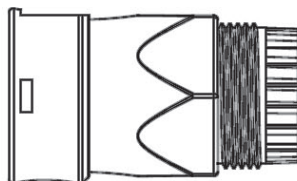
WATERPROOF IP67 RATED POWER M35 41A
3 PIN PUSH LOCK PANEL MOUNT PLUG (MALE)
FOR PANEL THICKNESS 0.8 TO 6.0MM

WATERPROOF IP67 RATED 3 PIN CABLE END 41A POWER JACK

SPECIFICATION:

1. Waterproof Rate: IP67
2. Suitable Cable DC= 21mm to 24mm
3. Recommend Gland Nut Torque: 15~20 Kgf-cm.
4. RoHS & REACH compliant.

Unit: mm



ORDERING INFORMATION:

P/N WP92-03CB

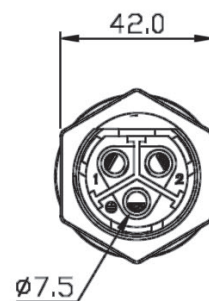
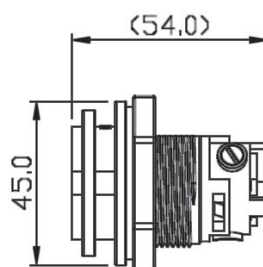
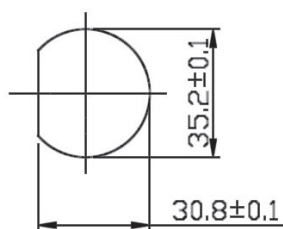
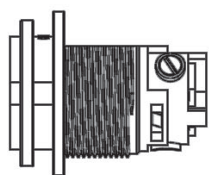
WATERPROOF IP67 RATED POWER M35 41A
3 PIN PUSH LOCK CABLE END JACK (FEMALE)

WATERPROOF IP67 RATED 3 PIN PANEL MOUNT 41A POWER JACK

SPECIFICATION:

1. Waterproof Rate: IP67
2. Recommend Panel Thickness= 0.8mm to 6.0mm
3. Recommend Hex Nut Torque: 9~10 Kgf-cm.
4. RoHS & REACH compliant.

Unit: mm



Recommend
Panel Cut-Out

ORDERING INFORMATION:

P/N WP92-03PF

WATERPROOF IP67 RATED POWER M35 41A
3 PIN PUSH LOCK PANEL MOUNT JACK (FEMALE)
FOR PANEL THICKNESS 0.8 TO 6.0MM

WATERPROOF M5 2P+3P+4P FEMALE CONNECTOR CABLE SOLDER TYPE



MATERIALS

Housing: TPU, UL 94V-0

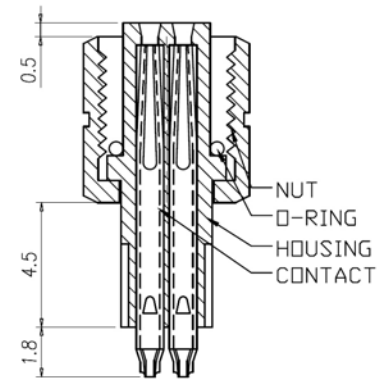
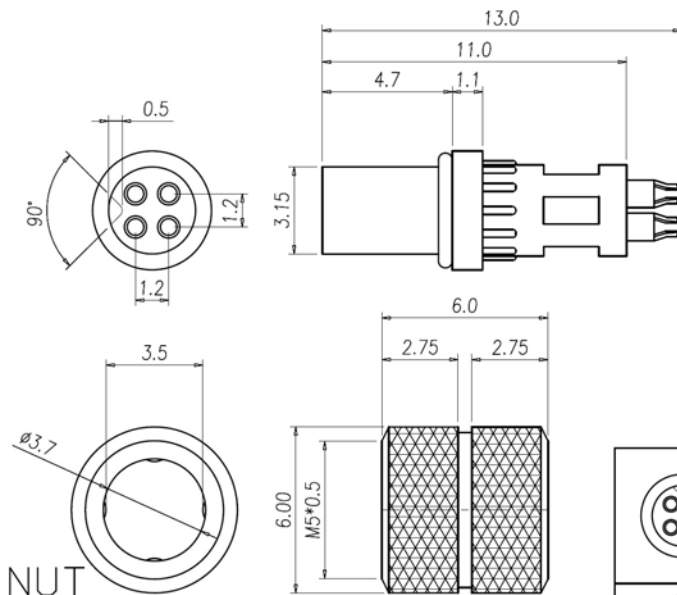
Contact: Phosphor Bronze; Gold plated

Nut: Brass; Nickel or Black Chromate Plated

Waterproof: IP67

* RoHS & REACH compliant.

Unit: mm



| CONTACTS | PLATING |
|----------|----------------------------------|
| 4P | WPC05F-02SA1 Satin Nickel Plated |
| 3P | WPC05F-03SA1 Satin Nickel Plated |
| 2P | WPC05F-04SA1 Satin Nickel Plated |
| | WPC05F-04SA2 Black Nickel Plated |
| | WPC05F-04SA3 Satin Chrome Plated |
| | PART NO. PLATED |

ORDERING INFORMATION:

P/N **WPC** $\frac{05}{1}$ **F** - $\frac{xx}{2}$ **SA** $\frac{x}{4}$

- CONNECTOR LOCKING SYSTEM:
"05" SCREW M5*0.5
- CONNECTOR TYPE:
"F" FEMALE (JACK)
- NO. OF CONTACTS:
02, 03, 04
- SHELL Plating:
"SA1" SATIN NICKEL PLATED (FOR 2P, 3P, 4P)
"SA2" BLACK NICKEL PLATED (FOR 4P ONLY)
"SA3" BLACK CHROMATE PLATED (FOR 4P ONLY)

WATERPROOF M5 4P FEMALE CONNECTOR CABLE SOLDER TYPE WITH GROUNDING



MATERIALS

Housing: TPU, UL 94V-0

Contact: Phosphor Bronze; Gold plated

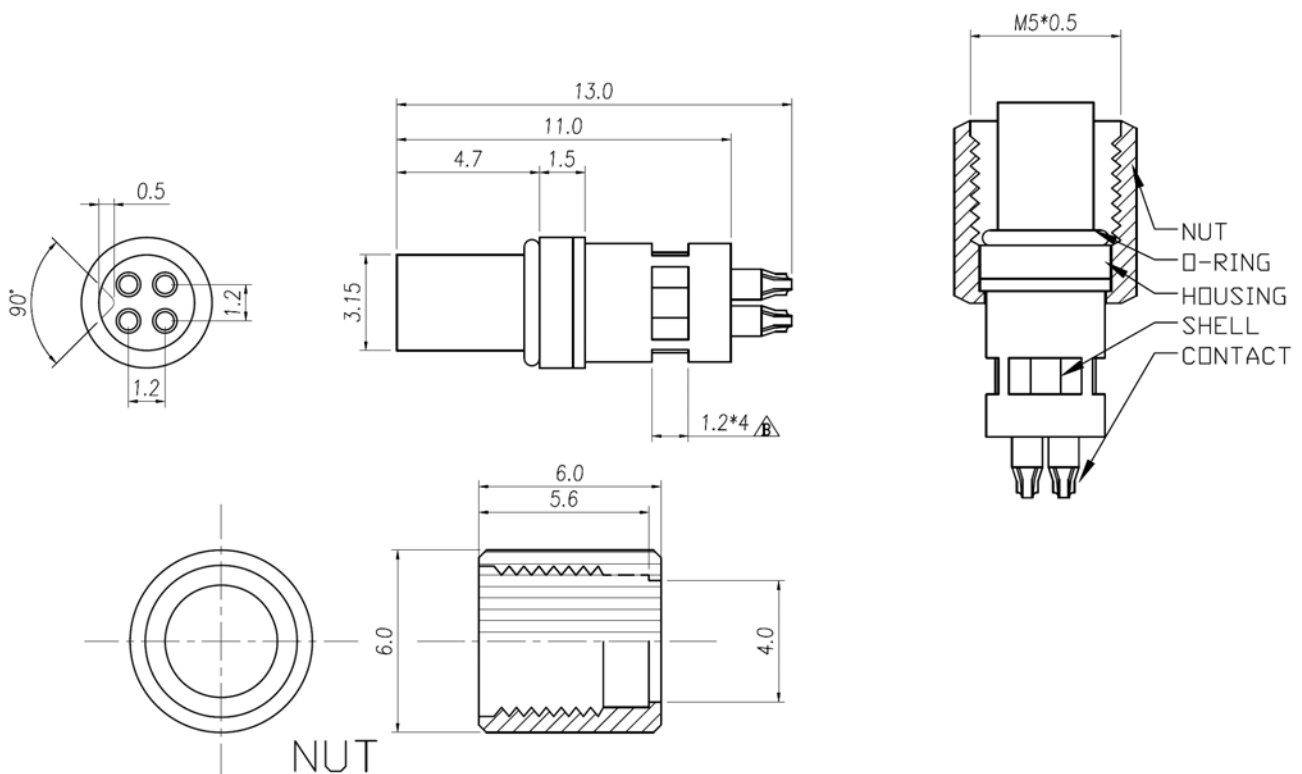
Shell: Brass; Tin Plated

Nut: Brass; Nickel Plated

Waterproof: IP67

* RoHS & REACH compliant.

Unit: mm



ORDERING INFORMATION:

P/N W P C 05 F - 04 S B
1 2 3 4

1. CONNECTOR LOCKING SYSTEM:
"05" SCREW M5*0.5
2. CONNECTOR TYPE:
"F" FEMALE (JACK)
3. NO. OF CONTACTS:
04
4. APPLICABLE TYPE:
"SB" SOLDER TYPE FOR CABLE ASSEMBLY WITH GROUNDING

WATERPROOF M5 3P+4P FEMALE CONNECTOR CABLE MOLDING TYPE



MATERIALS

Housing: PUR

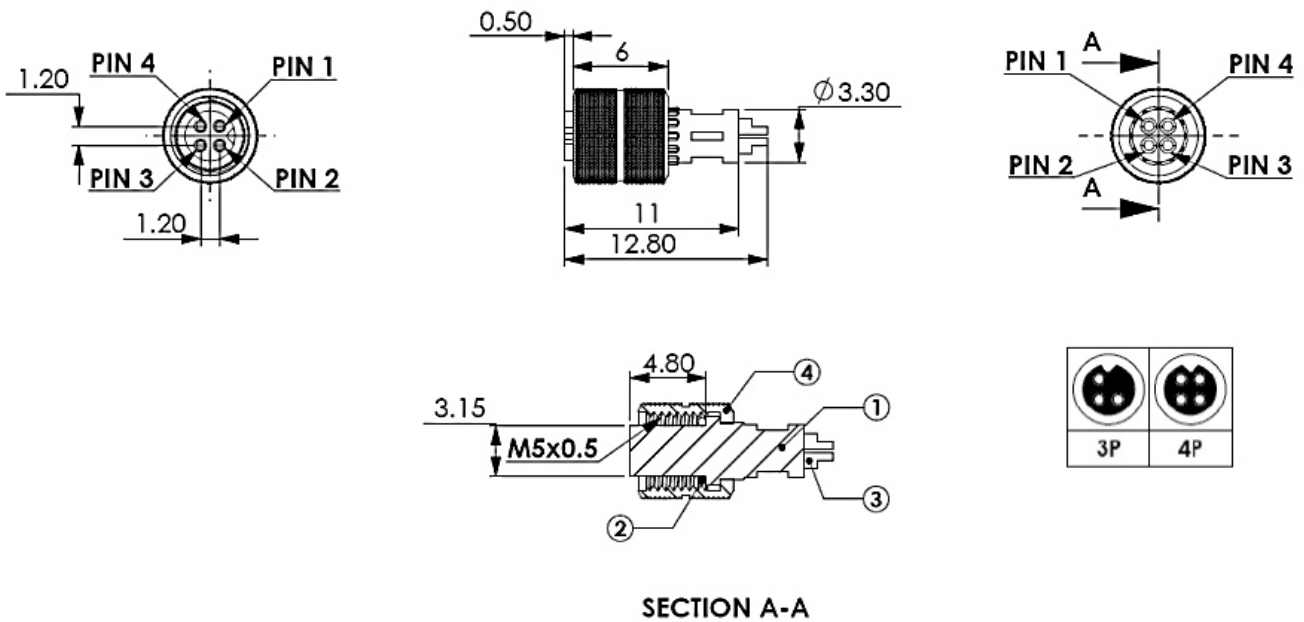
Contact: Brass; Gold plated

Screw: Brass; Stain Nickel Plated

Waterproof: IP67

* RoHS & REACH compliant.

Unit: mm



ORDERING INFORMATION:

P/N W P C $\frac{0}{1}$ $\frac{5}{2}$ F - $\frac{x}{3}$ $\frac{x}{4}$ M D

1. CONNECTOR LOCKING SYSTEM:
"05" SCREW M5*0.5
2. CONNECTOR TYPE:
"F" FEMALE (JACK)
3. NO. OF CONTACTS:
03, 04
4. APPLICABLE TYPE:
"MD" CABLE MOLDING TYPE

WATERPROOF M5 3P+4P FEMALE CONNECTOR PANEL FRONT MOUNT DIP TYPE



MATERIALS

Housing: PUR

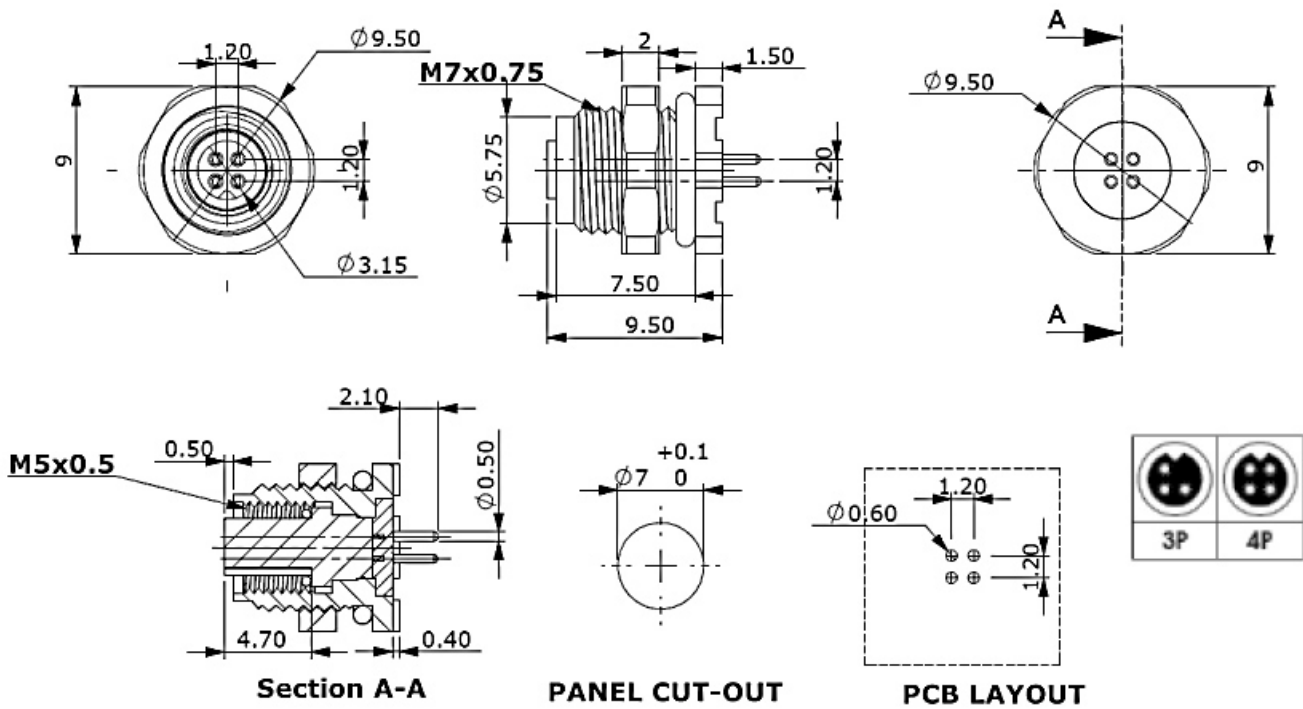
Contact: Brass; Gold plated

Screw: Brass; Stain Nickel Plated

Waterproof: IP67

* RoHS & REACH compliant.

Unit: mm



ORDERING INFORMATION:

P/N W P C $\frac{05}{1}$ F - $\frac{x}{2}$ $\frac{x}{3}$ D F $\frac{4}{4}$

1. CONNECTOR LOCKING SYSTEM:
"05" SCREW M5*0.5
2. CONNECTOR TYPE:
"F" FEMALE (JACK)
3. NO. OF CONTACTS:
03, 04
4. APPLICABLE TYPE:
"DF" PANEL FRONT MOUNT DIP TYPE

WATERPROOF M5 3P+4P FEMALE CONNECTOR ANTI-ROTATED STRAIGHT DIP TYPE



MATERIALS

Housing: PUR

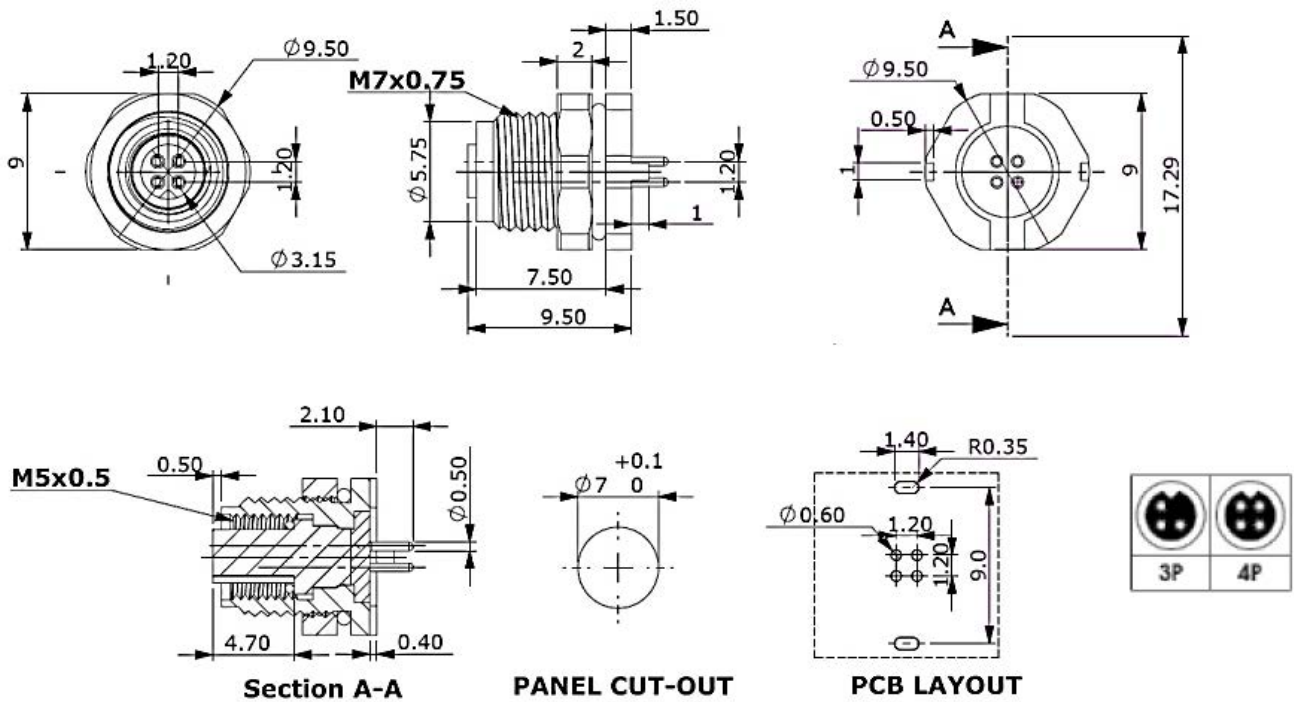
Contact: Brass; Gold plated

Screw: Brass; Stain Nickel Plated

Waterproof: IP67

* RoHS & REACH compliant.

Unit: mm



ORDERING INFORMATION:

P/N W P C $\frac{0}{1}$ $\frac{5}{2}$ F - $\frac{x}{3}$ $\frac{x}{4}$ D G

- CONNECTOR LOCKING SYSTEM:
"05" SCREW M5*0.5
- CONNECTOR TYPE:
"F" FEMALE (JACK)
- NO. OF CONTACTS:
03, 04
- APPLICABLE TYPE:
"DG" ANTI-ROTATED STRAIGHT DIP TYPE

WATERPROOF M5 3P+4P FEMALE CONNECTOR RIGHT ANGLE DIP TYPE



MATERIALS

Housing: PUR

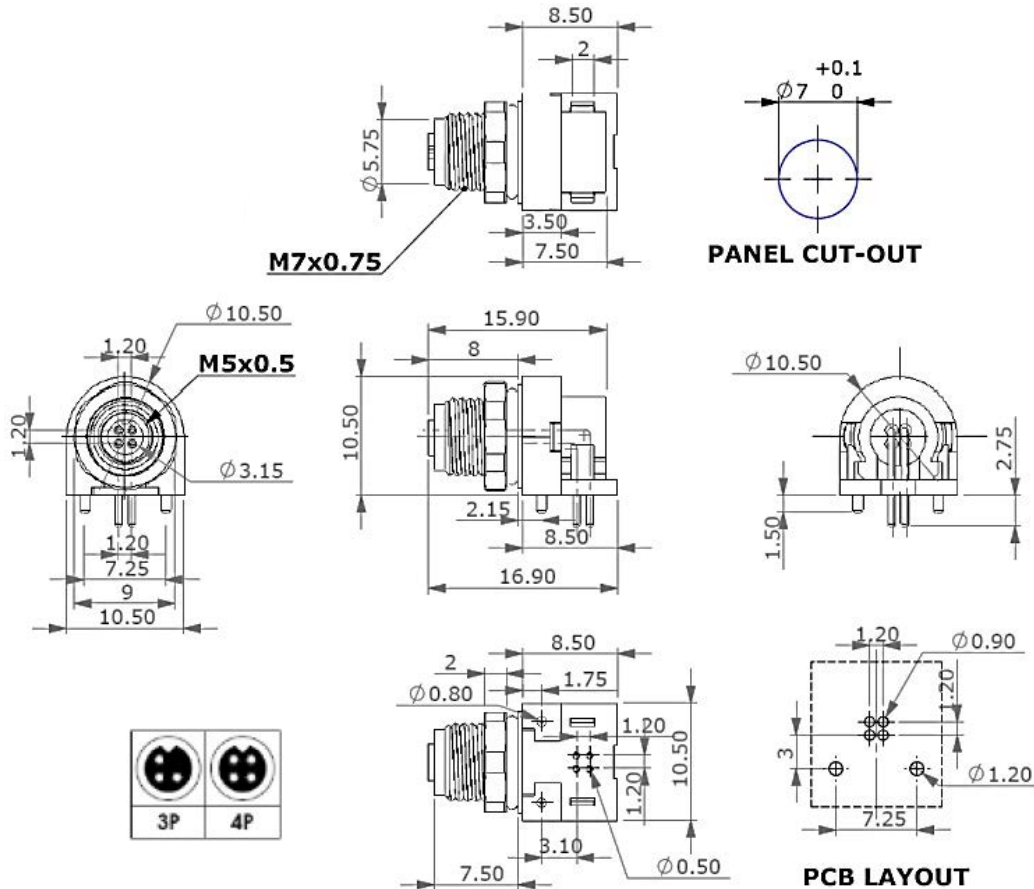
Contact: Brass; Gold plated

Screw: Brass; Stain Nickel Plated

Waterproof: IP67

* RoHS & REACH compliant.

Unit: mm



ORDERING INFORMATION:

P/N W P C $\frac{05}{1}$ F - $\frac{xx}{2}$ $\frac{DR}{3}$ $\frac{DR}{4}$

1. CONNECTOR LOCKING SYSTEM:
"05" SCREW M5*0.5
2. CONNECTOR TYPE:
"F" FEMALE (JACK)
3. NO. OF CONTACTS:
03, 04
4. APPLICABLE TYPE:
"DR" RIGHT ANGLE DIP TYPE

WATERPROOF M5 2P+3P+4P MALE CONNECTOR



MATERIALS

Housing: TPU, UL 94V-0

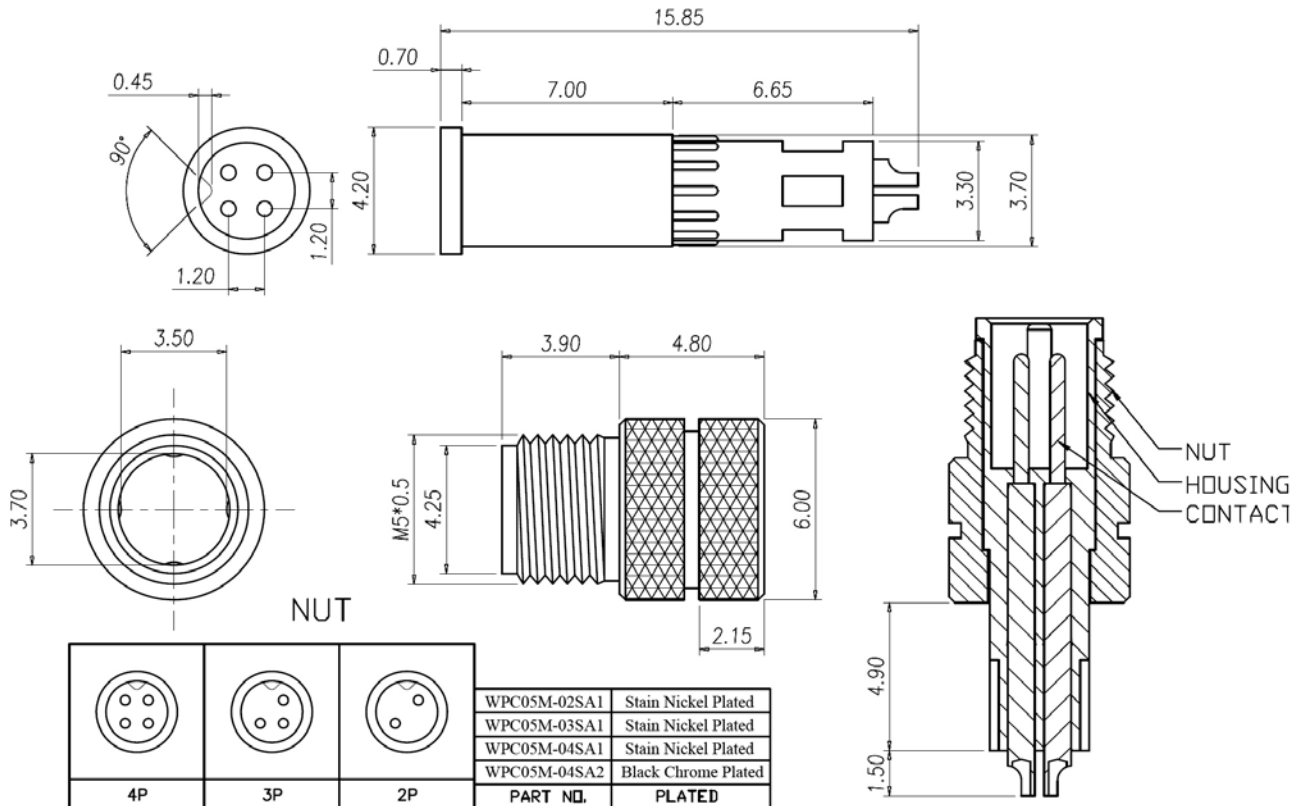
Contact: Brass; Gold plated

Nut: Brass; Nickel or Black Chromate Plated

Waterproof: IP67

* RoHS & REACH compliant.

Unit: mm



ORDERING INFORMATION:

P/N WPC $\frac{05}{1}$ M - $\frac{xx}{2}$ SA $\frac{x}{4}$

- CONNECTOR LOCKING SYSTEM:
"05" SCREW M5*0.5
- CONNECTOR TYPE:
"M" MALE (PLUG)
- NO. OF CONTACTS:
02, 03, 04
- SHELL PLATING:
"SA1" SATIN NICKEL PLATED (FOR 2P, 3P, 4P)
"SA2" BLACK CHROMATE PLATED (FOR 4P ONLY)

WATERPROOF M5 4P MALE CONNECTOR CABLE SOLDER TYPE WITH GROUNDING



SPECIFICATION:

1.Electrical Specification:

Rated Current: 1A
 Rated Voltage: 60V
 Water proof: IP67

2.Environmental:

Operating Temperature: -20°C ~ 85°C

| Part No. | Material |
|----------|-------------------|
| SB1 | TPU; Color: Black |
| SB2 | PBT; Color: Black |

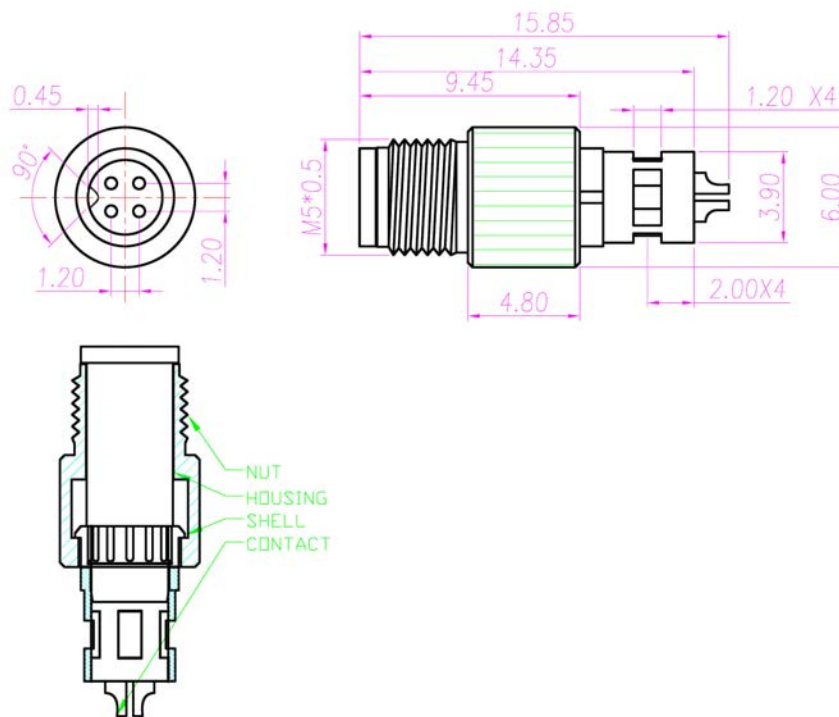
MATERIALS:

1.Material:

Housing: TPU or PBT.
 Contact: Brass
 Nut: Brass
 Shell: Brass

2.Finish:

Contact: Gold Flash
 Nut: Sating Ni Plated
 Shell: Bright Tin Plated
 *RoHS & REACH compliant.
 Unit: mm



ORDERING INFORMATION:

P/N W P C $\frac{0}{1}$ $\frac{5}{2}$ M - $\frac{0}{3}$ $\frac{4}{4}$ x x x

- CONNECTOR LOCKING SYSTEM:
"05" SCREW M5* 0.5
- CONNECTOR TYPE:
"M" MALE (PLUG)
- NO. OF CONTACTS:
04
- APPLICABLE TYPE:
"SB1" SOLDER TYPE WITH TPU HOUSING & GROUDING
"SB2" SOLDER TYPE WITH PBT HOUSING & GROUDING

WATERPROOF M5 3P+4P MALE CONNECTOR CABLE MOLDING TYPE



MATERIALS

Housing: PUR

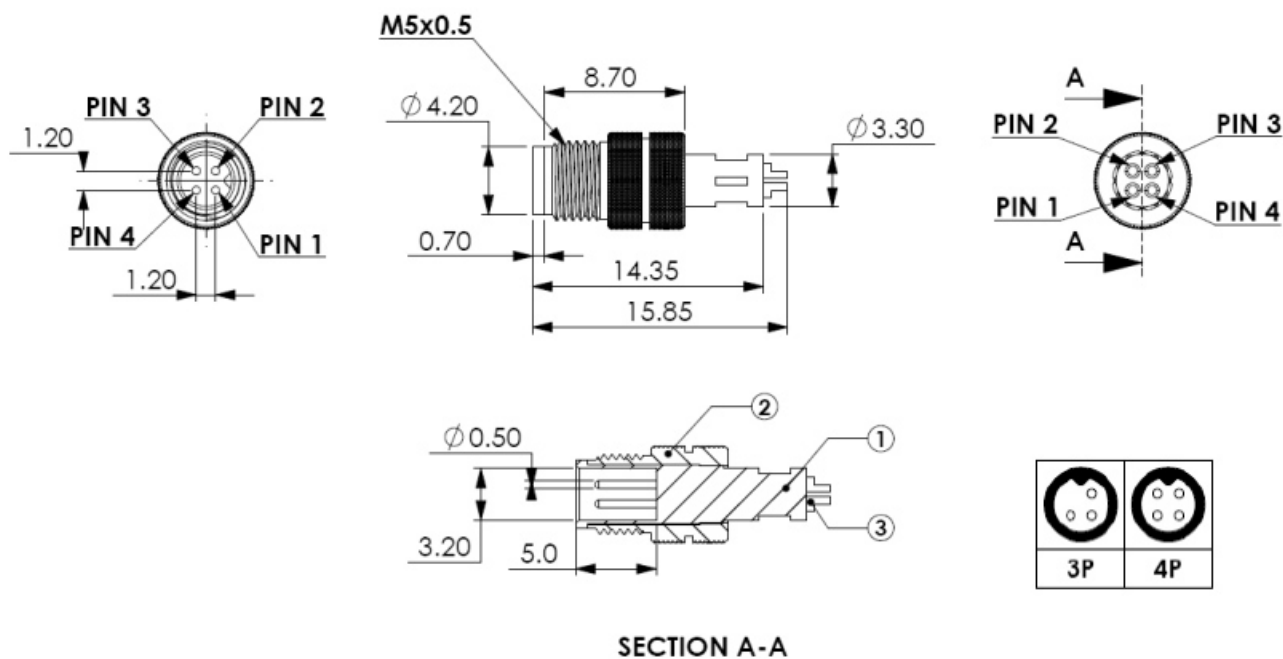
Contact: Brass; Gold plated

Screw: Brass; Stain Nickel Plated

Waterproof: IP67

* RoHS & REACH compliant.

Unit: mm



ORDERING INFORMATION:

P/N W P C $\frac{0}{1}$ $\frac{5}{2}$ M - $\frac{x}{3}$ $\frac{x}{4}$ M D

1. CONNECTOR LOCKING SYSTEM:
"05" SCREW M5*0.5
2. CONNECTOR TYPE:
"M" MALE (PLUG)
3. NO. OF CONTACTS:
03, 04
4. APPLICABLE TYPE:
"MD" CABLE MOLDING TYPE

WATERPROOF M5 3P+4P MALE CONNECTOR PANEL FRONT MOUNT DIP TYPE



MATERIALS

Housing: PUR

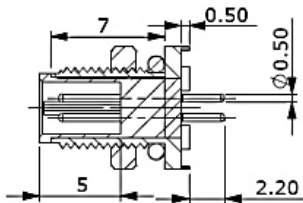
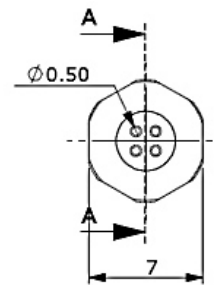
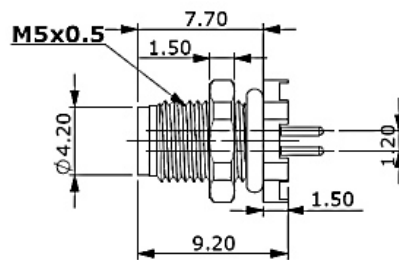
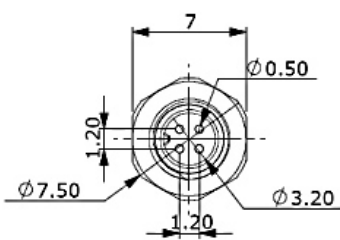
Contact: Brass; Gold plated

Screw: Brass; Stain Nickel Plated

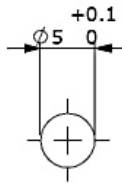
Waterproof: IP67

* RoHS & REACH compliant.

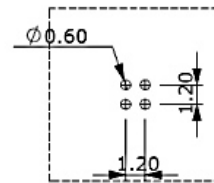
Unit: mm



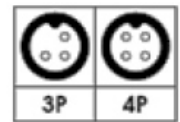
Section A-A



PANEL CUT-OUT



PCB LAYOUT



ORDERING INFORMATION:

P/N W P C $\frac{0}{1}$ $\frac{5}{2}$ M - $\frac{x}{3}$ $\frac{x}{4}$ D F

1. CONNECTOR LOCKING SYSTEM:
"05" SCREW M5*0.5
2. CONNECTOR TYPE:
"M" MALE (PLUG)
3. NO. OF CONTACTS:
03, 04
4. APPLICABLE TYPE:
"DF" PANEL FRONT MOUNT DIP TYPE

WATERPROOF M5 3P+4P MALE CONNECTOR ANTI-ROTATED STRAIGHT DIP TYPE



MATERIALS

Housing: PUR

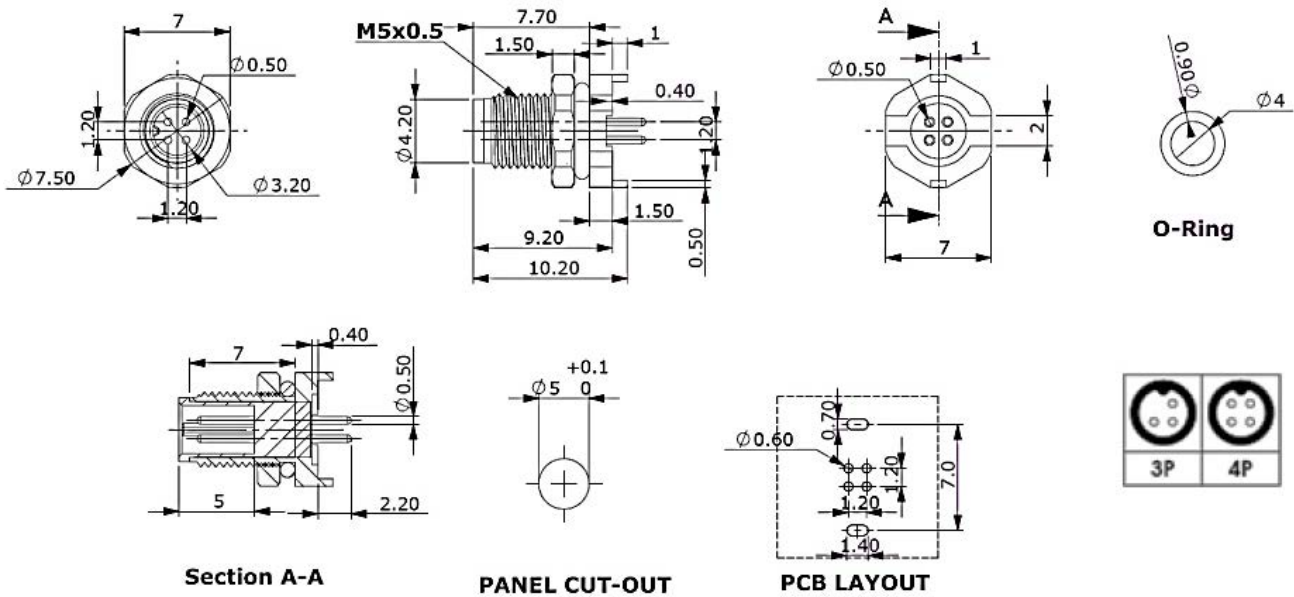
Contact: Brass; Gold plated

Screw: Brass; Stain Nickel Plated

Waterproof: IP67

* RoHS & REACH compliant.

Unit: mm



ORDERING INFORMATION:

P/N W P C $\frac{05}{1}$ M - $\frac{x}{2}$ $\frac{x}{3}$ D G $\frac{4}{4}$

- CONNECTOR LOCKING SYSTEM:
"05" SCREW M5*0.5
- CONNECTOR TYPE:
"M" MALE (PLUG)
- NO. OF CONTACTS:
03, 04
- APPLICABLE TYPE:
"DG" ANTI-ROTATED STRAIGHT DIP TYPE

WATERPROOF M5 3P+4P MALE CONNECTOR RIGHT ANGLE DIP TYPE



MATERIALS

Housing: PUR

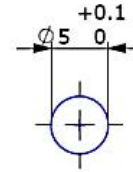
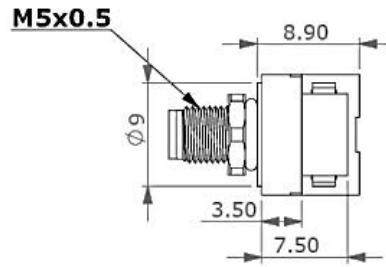
Contact: Brass; Gold plated

Screw: Brass; Stain Nickel Plated

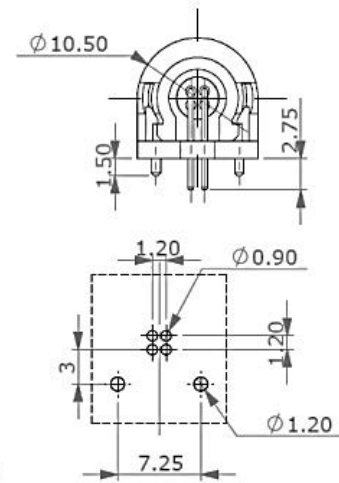
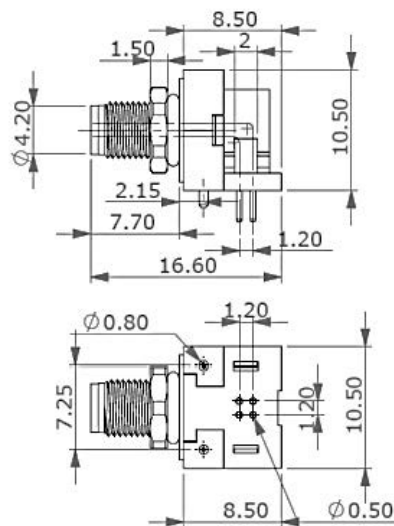
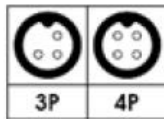
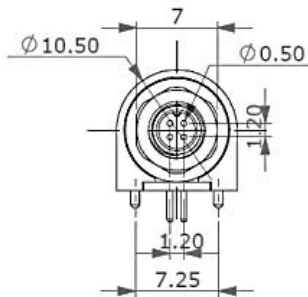
Waterproof: IP67

* RoHS & REACH compliant.

Unit: mm



PANEL CUT-OUT



PCB LAYOUT

ORDERING INFORMATION:

P/N W P C 05 M - xx D R
1 2 3 4

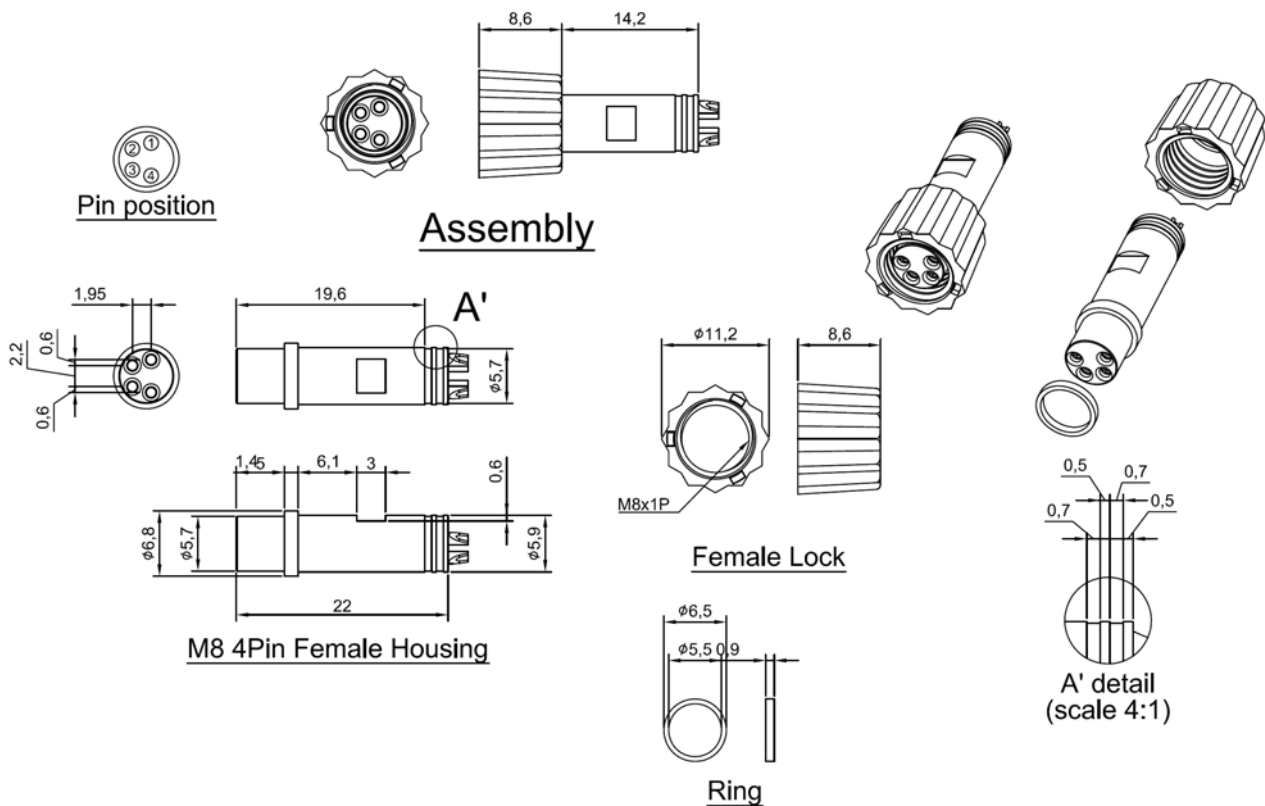
1. CONNECTOR LOCKING SYSTEM:
"05" SCREW M5*0.5
2. CONNECTOR TYPE:
"M" MALE (PLUG)
3. NO. OF CONTACTS:
03, 04
4. APPLICABLE TYPE:
"DR" RIGHT ANGLE DIP TYPE

WATERPROOF M8 4 PIN FEMALE CONNECTOR ALL PLASTIC CABLE ASSEMBLY TYPE



MATERIALS

Contact: Brass, gold plated 3u inch
Connector body: PA66+25%GF, Black
PA Lock: PA66+25%GF, Black
Ring: NBR, Black
Current Rating: 2A
Waterproof Rating: IP67 and IP68
*** RoHS & REACH compliant.**
Unit: mm



ORDERING INFORMATION:

P/N WPC $\frac{08}{1}$ $\frac{F}{2}$ - $\frac{04}{3}$ $\frac{AP}{4}$

1. CONNECTOR LOCKING SYSTEM:
"08" SCREW M8*1.0
2. CONNECTOR TYPE:
"F" FEMALE (JACK)
3. NO. OF CONTACTS:
04
4. APPLICABLE TYPE:
"AP" CABLE ASSEMBLY TYPE

WATERPROOF M8 3 PIN FEMALE CONNECTOR CABLE ASSEMBLY TYPE



MATERIALS

Contact: Brass, gold plated 3u inch

Connector body: PA66+25%GF, Black

Brass Lock: Brass, Nickel plated

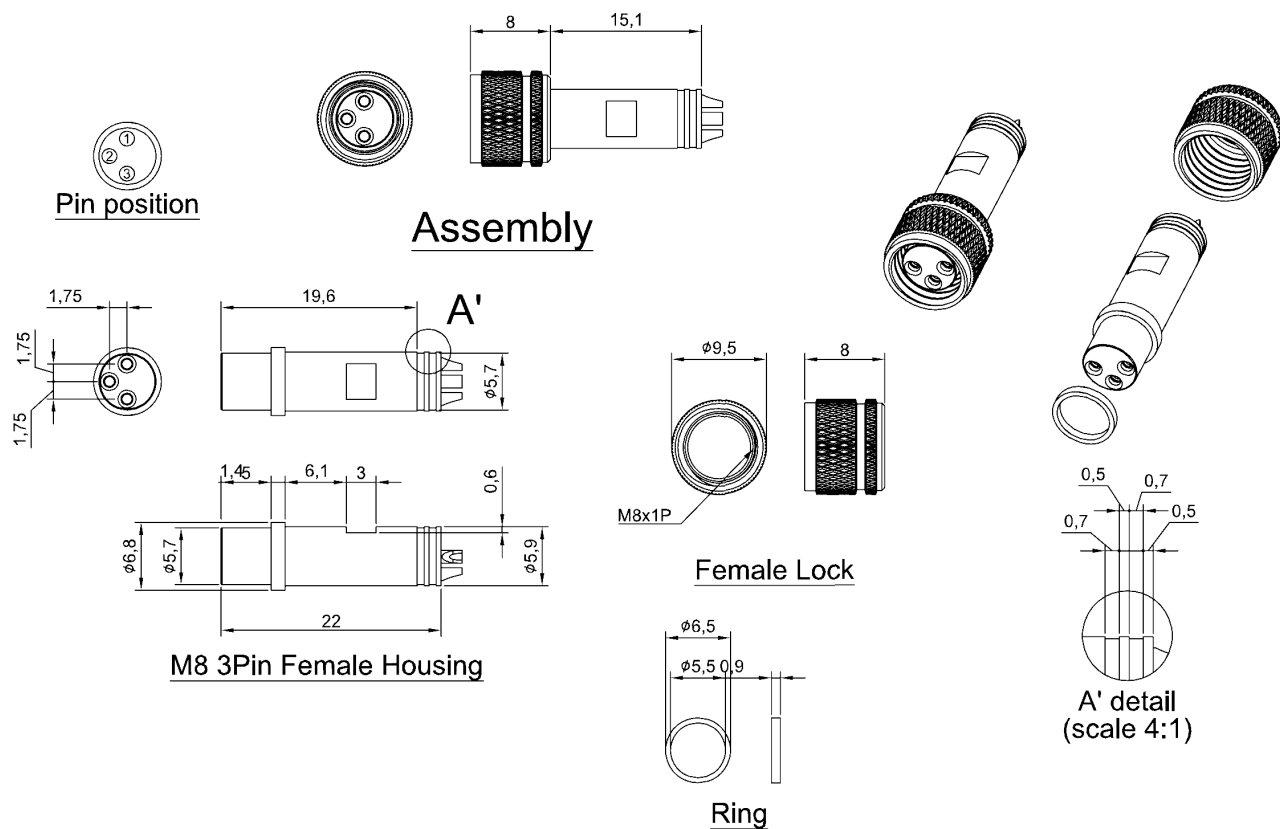
Ring: NBR, Black

Current Rating: 2A

Waterproof Rating: IP67 and IP68

* RoHS & REACH compliant.

Unit: mm



ORDERING INFORMATION:

P/N WPC 08 F - 03 A M
1 2 3 4

1. CONNECTOR LOCKING SYSTEM:
"08" SCREW M8*1.0
2. CONNECTOR TYPE:
"F" FEMALE (JACK)
3. NO. OF CONTACTS:
03
4. APPLICABLE TYPE:
"AM" CABLE ASSEMBLY TYPE

WATERPROOF M8 4 PIN FEMALE CONNECTOR CABLE ASSEMBLY TYPE



MATERIALS

Contact: Brass, gold plated 3u inch

Connector body: PA66+25%GF, Black

Brass Lock: Brass, Nickel plated

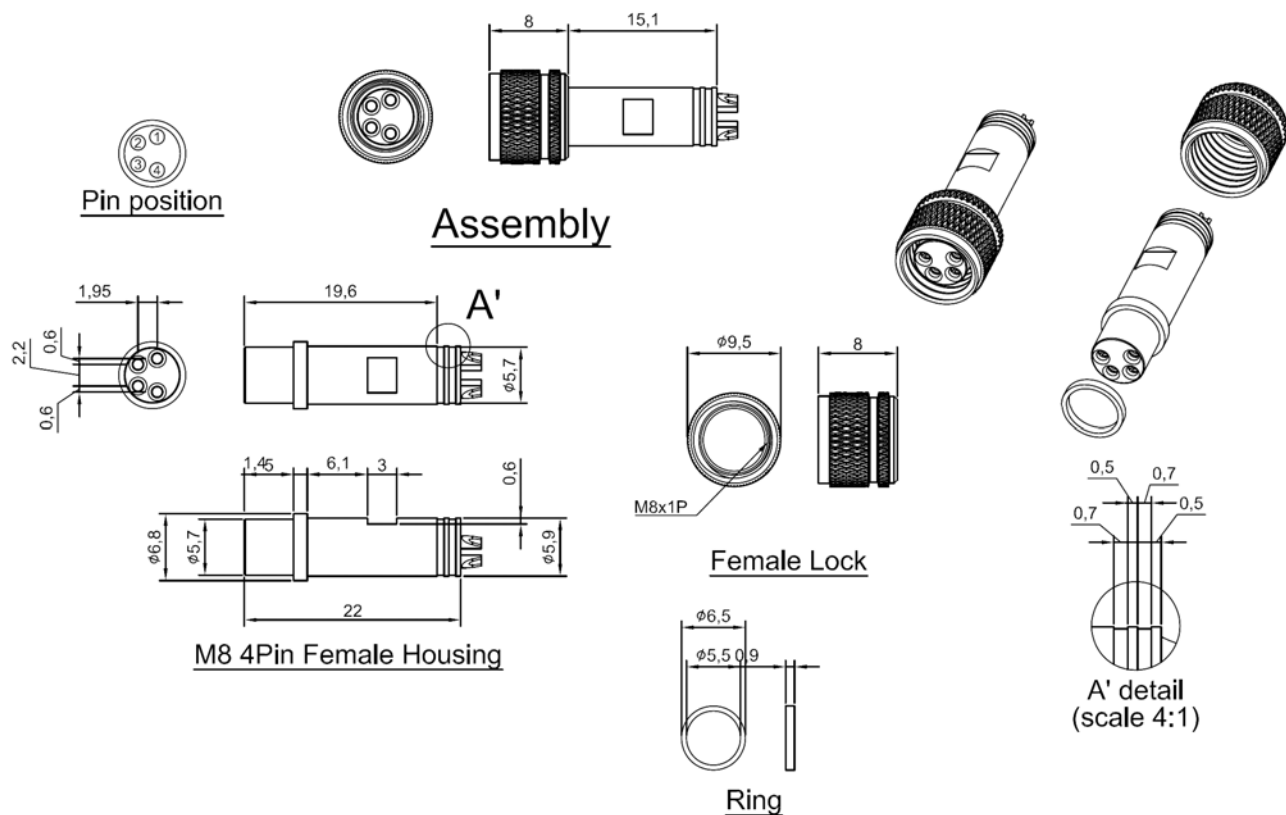
Ring: NBR, Black

Current Rating: 2A

Waterproof Rating: IP67 and IP68

* RoHS & REACH compliant.

Unit: mm



ORDERING INFORMATION:

P/N W P C 08 F - 04 A M
1 2 3 4

1. CONNECTOR LOCKING SYSTEM:
"08" SCREW M8*1.0
2. CONNECTOR TYPE:
"F" FEMALE (JACK)
3. NO. OF CONTACTS:
04
4. APPLICABLE TYPE:
"AM" CABLE ASSEMBLY TYPE

WATERPROOF M8 2P+3P+4P FEMALE CONNECTOR CABLE SOLDER TYPE WITH GROUNDING



MATERIALS

Housing: PBT, UL 94V-0

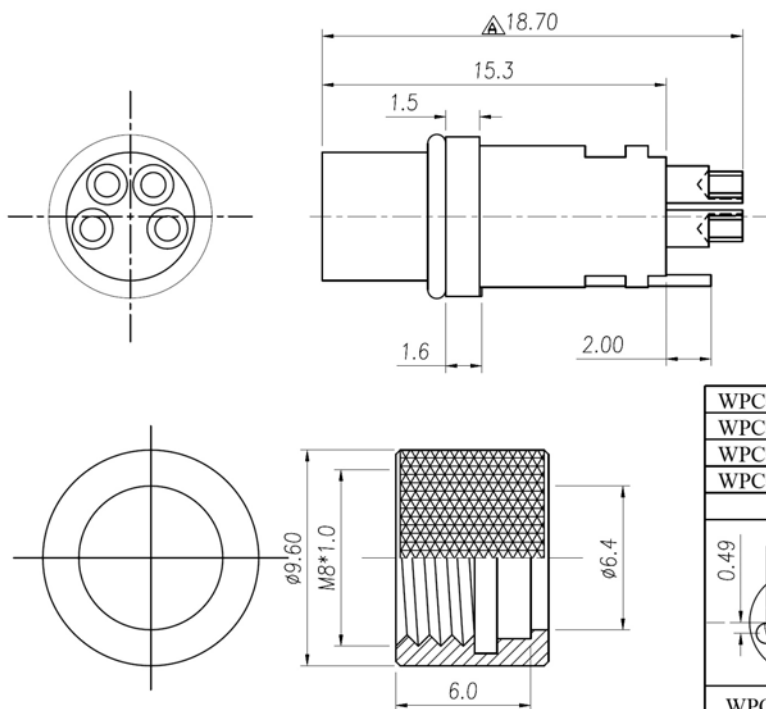
Contact: Phosphor Bronze; Gold Plating Over Nickel

Shell: Brass; Nickel or Black Nickel Plated

Waterproof: IPX7

* RoHS & REACH compliant.

Unit: mm



| | | |
|--------------|---------------------|------------------------------|
| WPC08F-04SD2 | Black Nickel Plated | Black Nickel Plated |
| WPC08F-02SD1 | Nickel Plated | Bright Tin Plated |
| WPC08F-03SD1 | | |
| WPC08F-04SD1 | | |
| P/N | SHELL PLATING | GROUND PLATING |
| WPC08F-02SD1 | WPC08F-03SD1 | WPC08F-04SD1 WPC08F-04SD2 |

ORDERING INFORMATION:

P/N W P C 0 8 F - x x S D x

1 2 3 4

- CONNECTOR LOCKING SYSTEM:
"08" SCREW M8*1.0
- CONNECTOR TYPE:
"F" FEMALE (JACK)
- NO. OF CONTACTS:
02, 03, 04
- SHELL PLATING:
"SD1" NICKEL PLATED SHELL (FOR 2P, 3P, 4P)
"SD2" BLACK NICKEL PLATED SHELL (FOR 4P ONLY)

WATERPROOF M8 2P+3P+4P FEMALE CONNECTOR CABLE SOLDER TYPE



MATERIALS

Housing: PBT, UL 94V-0

Contact: Copper alloy; 10 microinches min. Gold Plating under Nickel

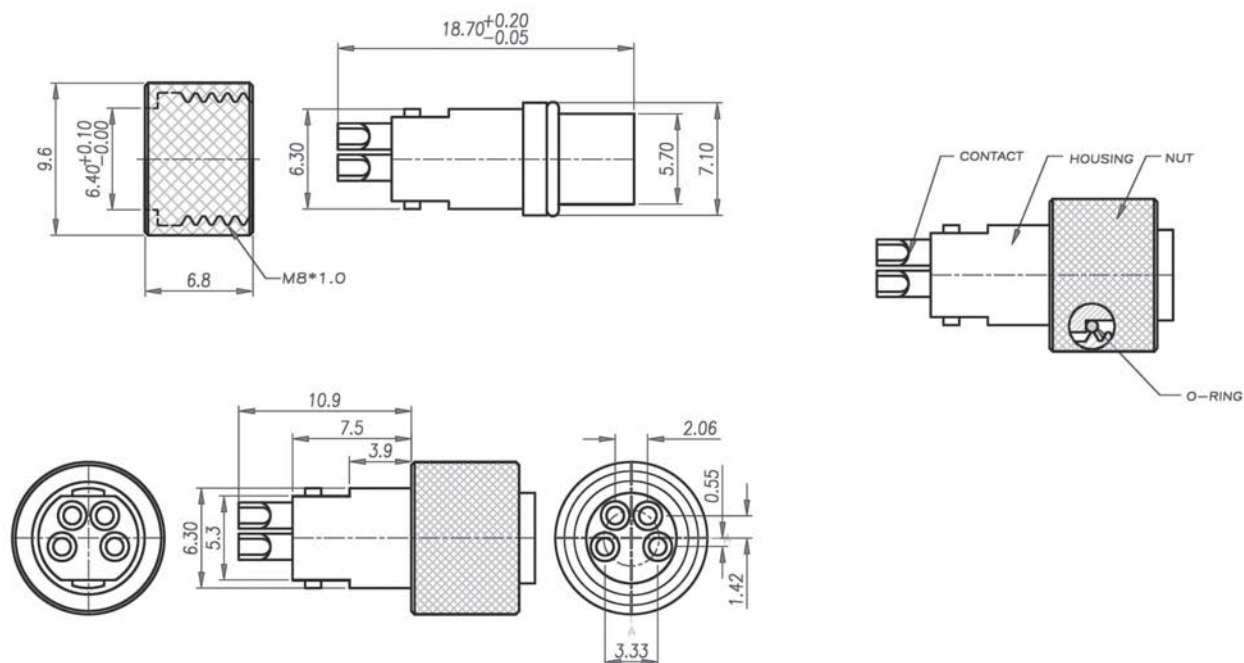
Nut: Copper alloy; Nickel plated 60u" ~ 100u" over all

O-Ring: NBR

Waterproof Test: IP67 Rated

* RoHS & REACH compliant.

Unit: mm



ORDERING INFORMATION:

P/N W P C $\frac{08}{1}$ F - $\frac{x}{2}$ $\frac{x}{3}$ SA $\frac{4}{4}$

1. CONNECTOR LOCKING SYSTEM:
"08" SCREW M8*1.0
2. CONNECTOR TYPE:
"F" FEMALE (JACK)
3. NO. OF CONTACTS:
02, 03, 04
4. APPLICABLE TYPE:
"SA" SOLDER TYPE FOR CABLE ASSEMBLY

WATERPROOF M8 4P FEMALE CONNECTOR CABLE SOLDER TYPE



MATERIALS

Housing: PBT, UL 94V-0

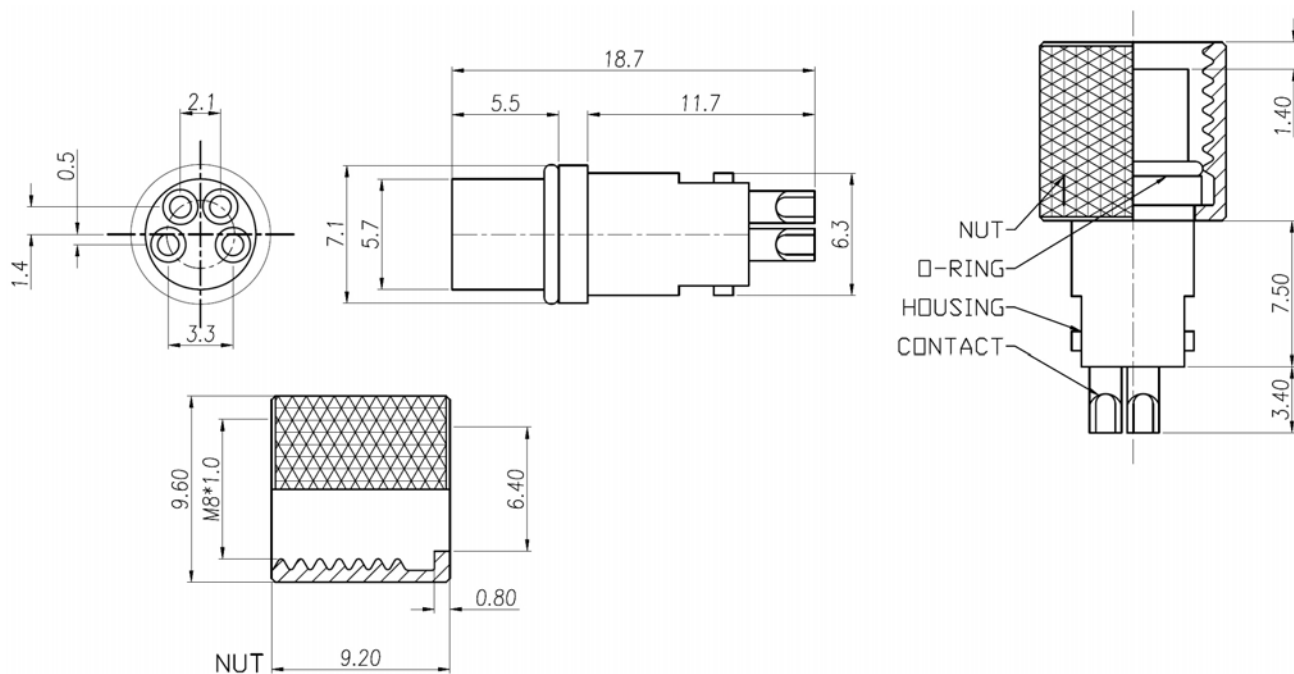
Contact: Brass; Gold Plating Over Nickel

Nut: Brass; Nickel Plated

Waterproof: IPX7

* RoHS & REACH compliant.

Unit: mm



ORDERING INFORMATION:

P/N W P C 08 F - 04 S C
1 2 3 4

1. CONNECTOR LOCKING SYSTEM:
"08" SCREW M8*1.0
2. CONNECTOR TYPE:
"F" FEMALE (JACK)
3. NO. OF CONTACTS:
04
4. APPLICABLE TYPE:
"SC" SOLDER TYPE FOR CABLE ASSEMBLY

WATERPROOF M8 5P+6P FEMALE CONNECTOR CABLE SOLDER TYPE



MATERIALS

Housing: PBT, UL 94V-0

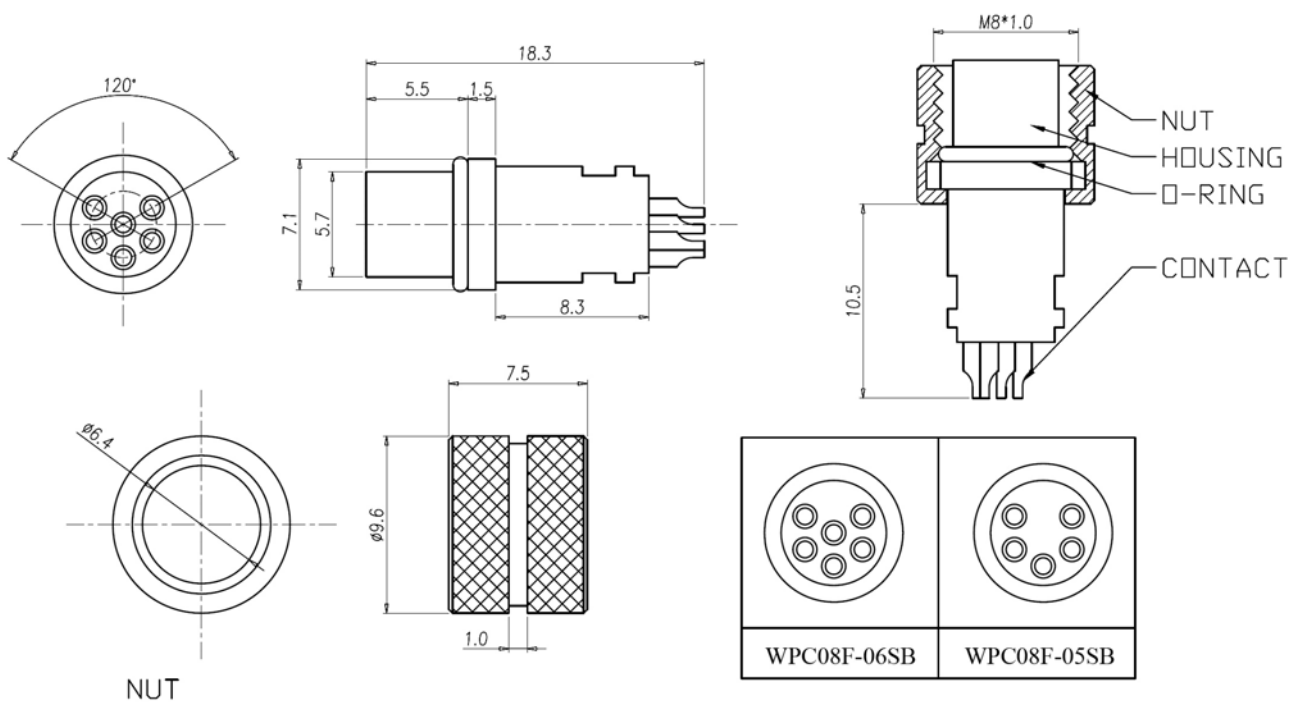
Contact: Brass; Gold plated

Nut: Brass; Nickel Plated

Waterproof: IP67

* RoHS & REACH compliant.

Unit: mm



ORDERING INFORMATION:

P/N W P C 0 8 F - x x S B

1. CONNECTOR LOCKING SYSTEM:
"08" SCREW M8*1.0
2. CONNECTOR TYPE:
"F" FEMALE (JACK)
3. NO. OF CONTACTS:
05, 06
4. APPLICABLE TYPE:
"SB" SOLDER TYPE FOR CABLE ASSEMBLY

WATERPROOF M8 5P+6P FEMALE CONNECTOR CABLE SOLDER TYPE WITH GROUNDING



SPECIFICATION:

1.Electrical Specification:

Rated Current: 3A
 Rated Voltage: 125V
 Water proof: IP67

2.Environmental:

Operating Temperature: -20°C ~ 85°C

MATERIALS:

1.Material:

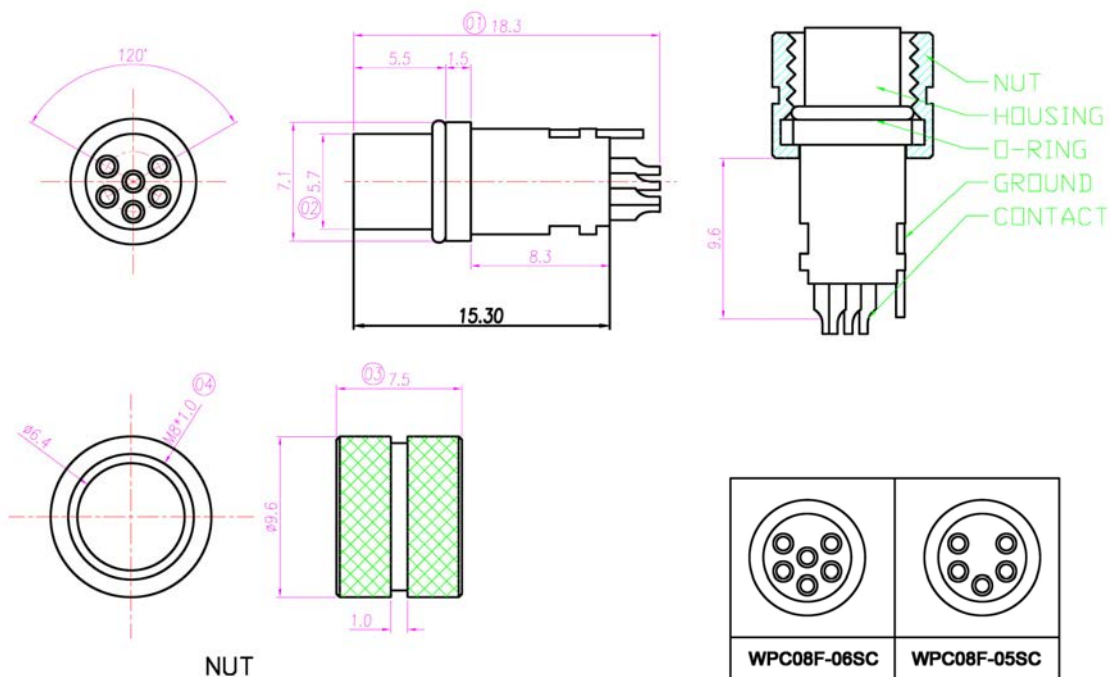
Housing: PBT UL94V-0; Color: Black
 Contact: Brass
 Nut: Brass
 Ground: Brass
 O-Ring: NBR

2.Finish:

Contact: Gold Flash
 Nut: Nickel Plated
 Ground: Bright Tin 60u"

*RoHS & REACH compliant.

Unit: mm



ORDERING INFORMATION:

P/N W P C $\frac{0}{1}$ $\frac{8}{2}$ $\frac{F}{3}$ - $\frac{x}{3}$ $\frac{x}{4}$ $\frac{S}{4}$ $\frac{C}{4}$

- CONNECTOR LOCKING SYSTEM:
"08" SCREW M8* 1.0
- CONNECTOR TYPE:
"F" FEMALE (JACK)
- NO. OF CONTACTS:
05, 06
- APPLICABLE TYPE:
"SC" CABLE SOLDER TYPE WITH GROUDING

WATERPROOF M8 3P FEMALE CONNECTOR MOLDING TYPE

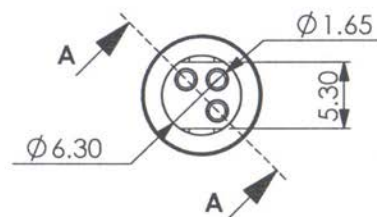
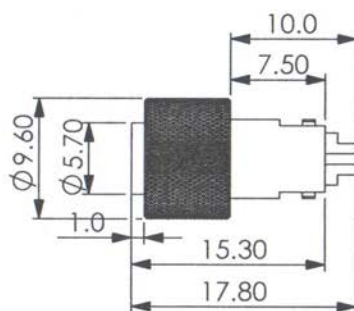
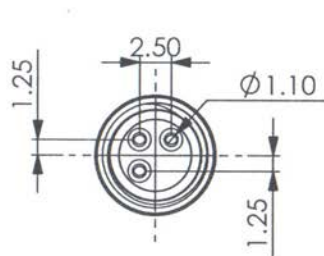
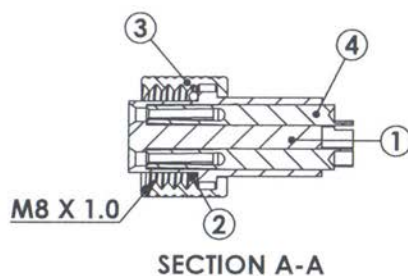


SPECIFICATIONS

Current: 2A
Operation Temperature: -20°C to 105°C
Insulation Resistance: 1000MΩ min.
Dielectric Strength: 500V AC min.
Waterproof Test:
 Reference to IEC 60529 Edition
 2.1: 2001-02-IP67
All materials must be RoHS compliant.

MATERIALS

Housing: Thermoplastic, UL94V-0
Screw Cap: Brass, Nickel Plated
Sealed Ring: NBR
Terminals: Brass, Gold Plated
Unit: mm



ORDERING INFORMATION:

P/N W P C 0 8 F - 0 3 M D
1 2 3 4

1. CONNECTOR LOCKING SYSTEM:
"08" SCREW M8*1.0
2. CONNECTOR TYPE:
"F" FEMALE (JACK)
3. NO. OF CONTACTS:
03
4. APPLICABLE TYPE:
"MD" CABLE MOLDING TYPE

WATERPROOF M8 4P FEMALE CONNECTOR MOLDING TYPE



SPECIFICATIONS

Current: 2A

Operation Temperature: -20°C to 105°C

Insulation Resistance: 1000MΩ min.

Dielectric Strength: 500V AC min.

Waterproof Test:

Reference to IEC 60529 Edition

2.1: 2001-02-IP67

All materials must be RoHS compliant.

MATERIALS

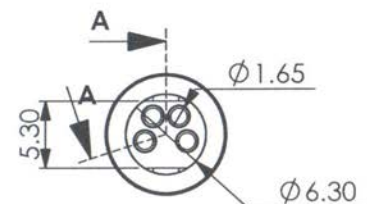
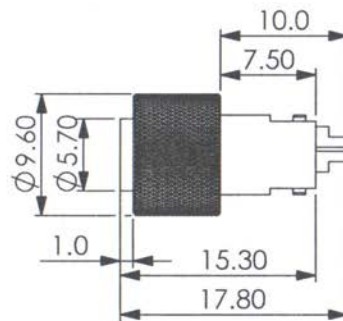
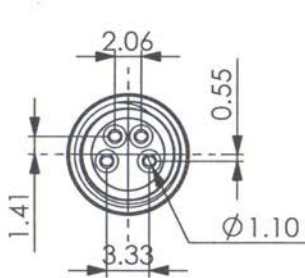
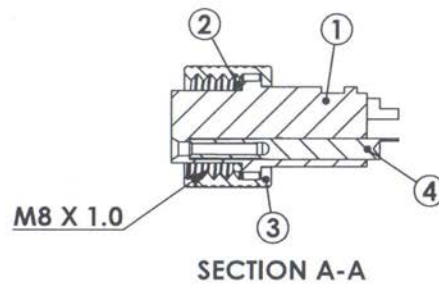
Housing: Thermoplastic, UL94V-0

Screw Cap: Brass, Nickel Plated

Sealed Ring: NBR

Terminals: Brass, Gold Plated

Unit: mm



ORDERING INFORMATION:

P/N W P C 08 F - 04 M D
1 2 3 4

1. CONNECTOR LOCKING SYSTEM:
"08" SCREW M8*1.0
2. CONNECTOR TYPE:
"F" FEMALE (JACK)
3. NO. OF CONTACTS:
04
4. APPLICABLE TYPE:
"MD" CABLE MOLDING TYPE

WATERPROOF M8 2P+3P FEMALE CONNECTOR PANEL MOUNT SOLDER TYPE



MATERIALS

Housing: Thermoplastic, UL 94V-0

Contact: Brass; 10u" on contact Goldflash on solder area

Shell: Brass; Nickel 60u"

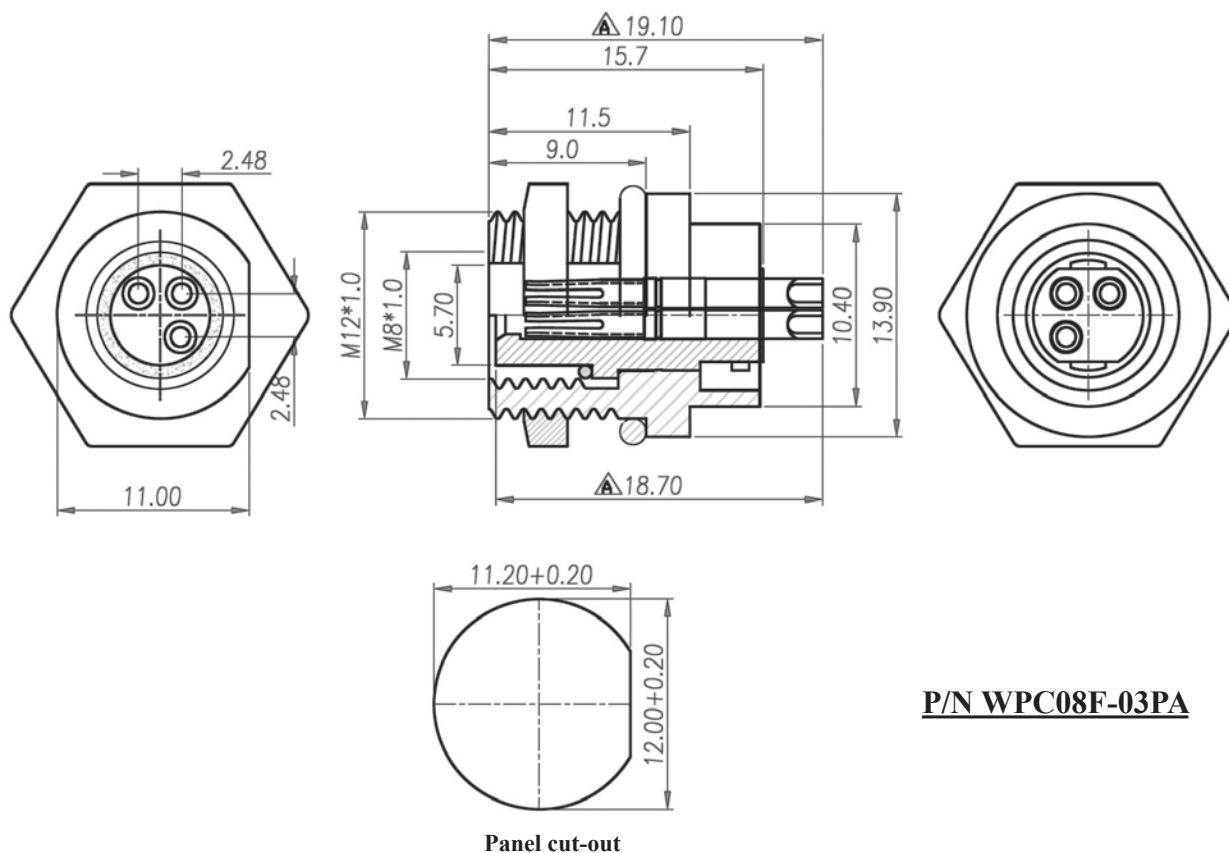
Nut: Brass; Nickel 60u"

O-Ring: NBR

Waterproof Test: IP67 Rated

* RoHS & REACH compliant.

Unit: mm



P/N WPC08F-03PA

ORDERING INFORMATION:

P/N WPC $\frac{08}{1}$ F - $\frac{x}{2}$ $\frac{x}{3}$ PA $\frac{4}{4}$

1. CONNECTOR LOCKING SYSTEM:
"08" SCREW M8*1.0
2. CONNECTOR TYPE:
"F" FEMALE (JACK)
3. NO. OF CONTACTS:
02, 03, 04
4. APPLICABLE TYPE:
"PA" PANEL MOUNT SOLDER TYPE

WATERPROOF M8 4P FEMALE CONNECTOR PANEL MOUNT SOLDER TYPE



MATERIALS

Housing: PBT, UL 94V-0

Contact: Phosphor Bronze; Gold Plating Over Nickel

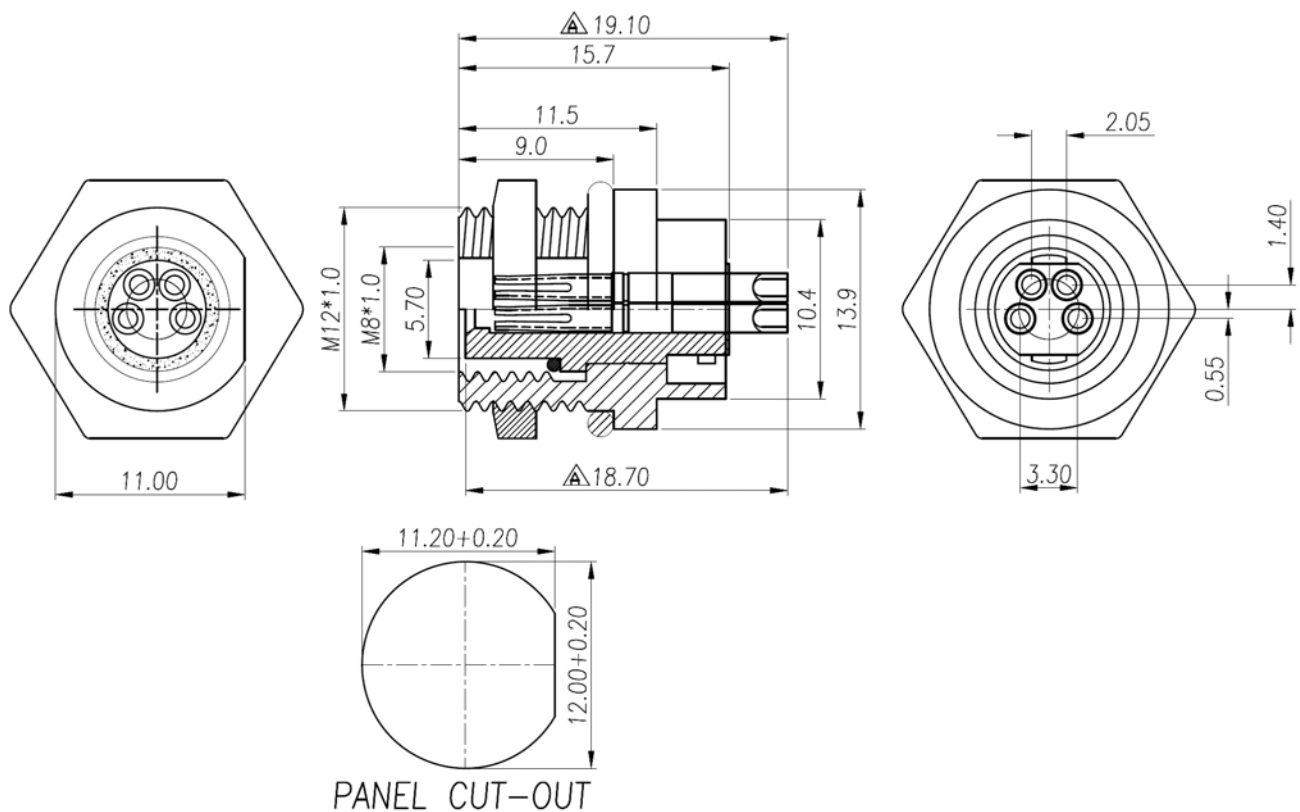
Shell: Brass; Nickel Plated

Nut: Brass; Nickel Plated

Waterproof: IPX7

* RoHS & REACH compliant.

Unit: mm



ORDERING INFORMATION:

P/N W P C 08 F - 04 P A
1 2 3 4

1. CONNECTOR LOCKING SYSTEM:
"08" SCREW M8*1.0
2. CONNECTOR TYPE:
"F" FEMALE (JACK)
3. NO. OF CONTACTS:
04
4. APPLICABLE TYPE:
"PA" PANEL MOUNT SOLDER TYPE

WATERPROOF M8 5P FEMALE CONNECTOR PANEL REAR MOUNT TYPE



SPECIFICATION:

1. Electrical Specification:

Rated Current: 5A
Rated Voltage: 125V
Water proof: IP67

2. Environmental:

Operating Temperature: -20°C ~ 85°C

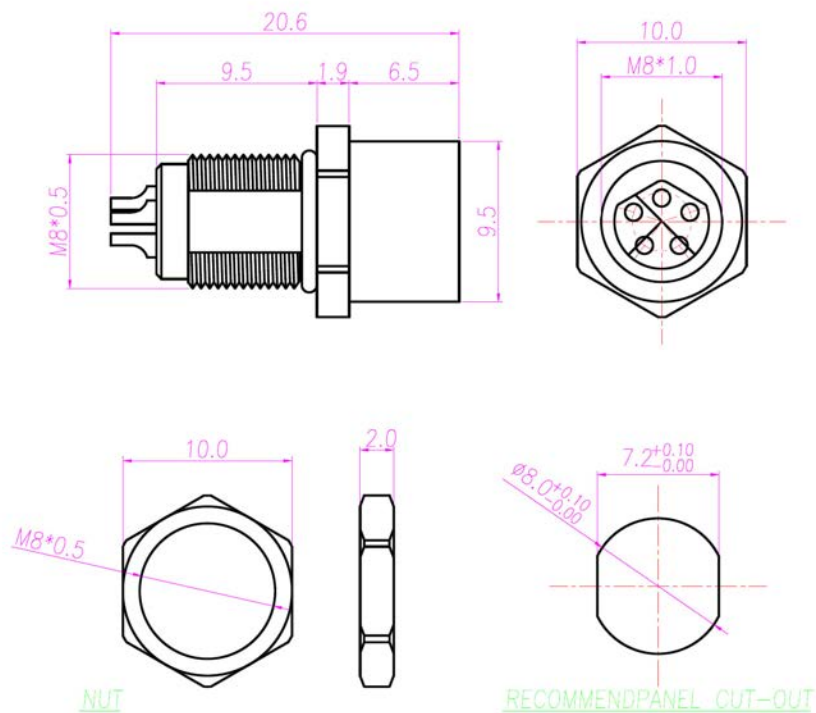
MATERIALS:

1. Material:

Housing: PBT UL94V-0; Color: Black
Contact: Brass
Nut: Brass
Ground: Brass
O-Ring: EPDM; Color: Black

2. Finish:

Contact: Gold Flash
Shell: Nickel Plated
Nut: Nickel Plated
*RoHS & REACH compliant.
Unit: mm



ORDERING INFORMATION:

P/N W P C 0 8 F - 0 5 P E
1 2 3 4

- CONNECTOR LOCKING SYSTEM:
"08" SCREW M8* 0.5
- CONNECTOR TYPE:
"F" FEMALE (JACK)
- NO. OF CONTACTS:
05
- APPLICABLE TYPE:
"PE" PANEL REAR MOUNT TYPE

WATERPROOF M8 4P FEMALE CONNECTOR PANEL MOUNT SOLDER TYPE



MATERIALS

Housing: PBT, UL 94V-0

Contact: Brass; Gold Plating Over Nickel

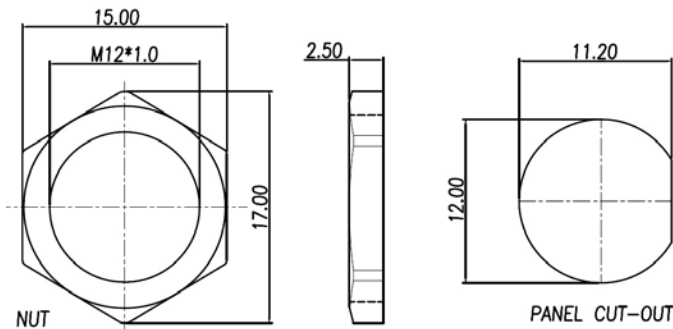
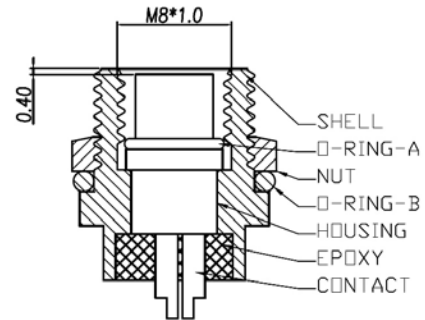
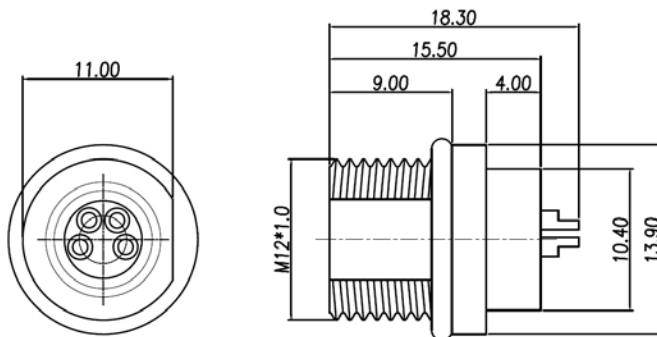
Shell: Stainless or Brass; Nickel Plated

Nut: Stainless or Brass; Nickel Plated

Waterproof: IPX7

* RoHS & REACH compliant.

Unit: mm



| | |
|--------------|----------------------|
| WPC08F-04PC1 | STAINLESS STEEL |
| WPC08F-04PC2 | BRASS |
| P/N | NUT & SHELL MATERIAL |

ORDERING INFORMATION:

P/N W P C $\frac{0}{1}$ $\frac{8}{2}$ F - $\frac{0}{3}$ $\frac{4}{4}$ P C X

- CONNECTOR LOCKING SYSTEM:
"08" SCREW M8*1.0
- CONNECTOR TYPE:
"F" FEMALE (JACK)
- NO. OF CONTACTS:
04
- NUT & SHELL MATERIAL:
"PC1" STAINLESS STEEL
"PC2" BRASS

WATERPROOF M8 3P FEMALE CONNECTOR PANEL MOUNT TYPE



SPECIFICATIONS

Current: 2A

Operation Temperature: -20°C to 105°C

Insulation Resistance: 1000MΩ min.

Dielectric Strength: 500V AC min.

Waterproof Test:

Reference to IEC 60529 Edition

2.1: 2001-02-IP67

All materials must be RoHS compliant.

MATERIALS

Housing: Thermoplastic, UL94V-0

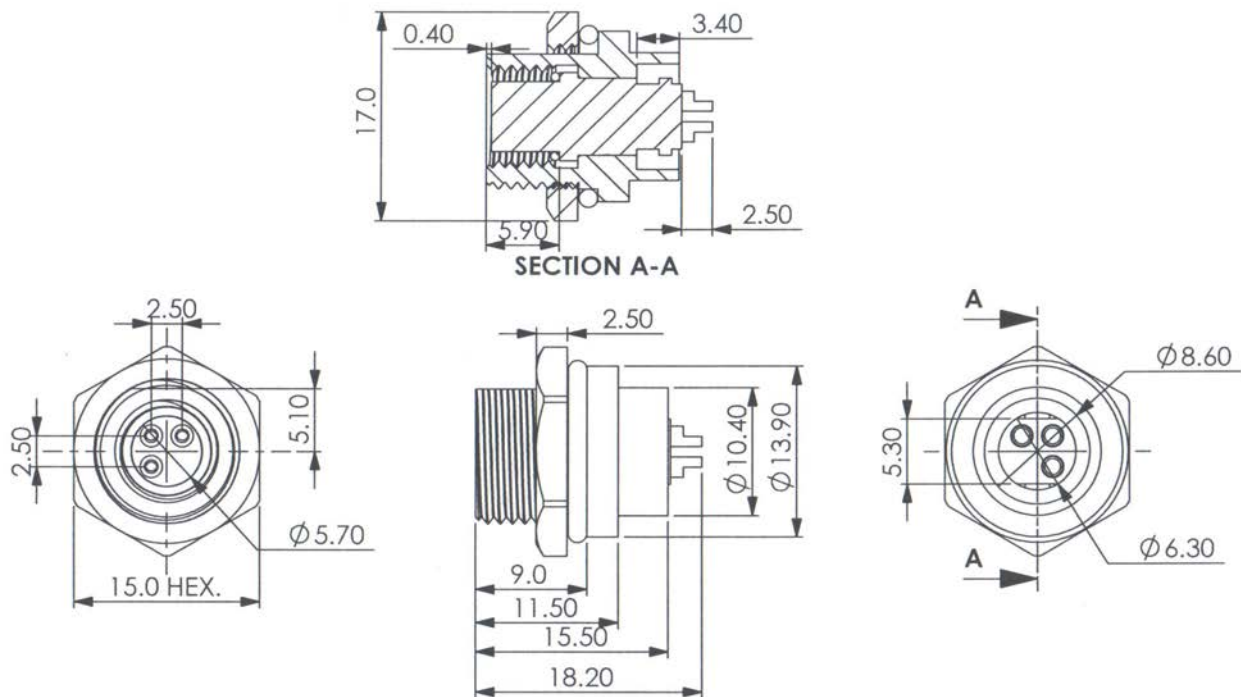
Shield Cover: Brass, Nickel Plated

Screw Cap: Brass, Nickel Plated

Sealed Ring: NBR

Terminals: Brass, Gold Plated

Unit: mm



ORDERING INFORMATION:

P/N W P C 08 F - 03 P F
1 2 3 4

1. CONNECTOR LOCKING SYSTEM:
"08" SCREW M8*1.0
2. CONNECTOR TYPE:
"F" FEMALE (JACK)
3. NO. OF CONTACTS:
03
4. APPLICABLE TYPE:
"PF" PANEL FRONT MOUNT SOLDER TYPE

WATERPROOF M8 4P FEMALE CONNECTOR PANEL MOUNT SOLDER TYPE

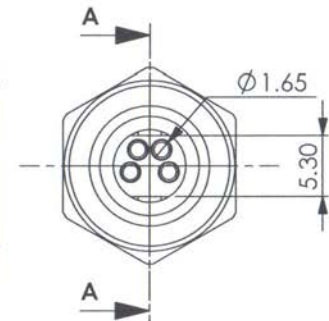
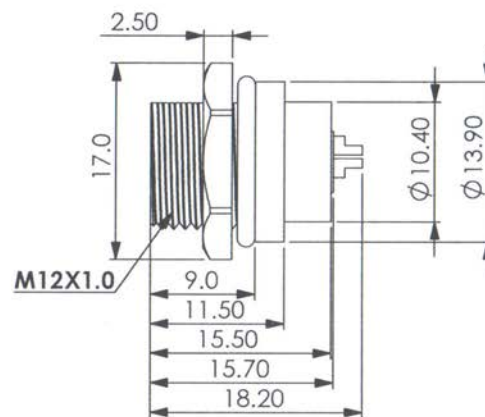
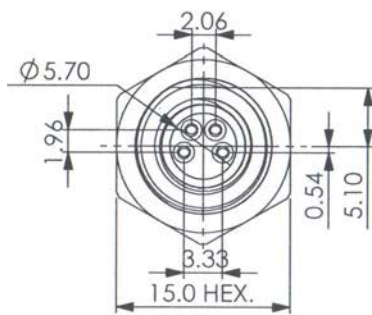
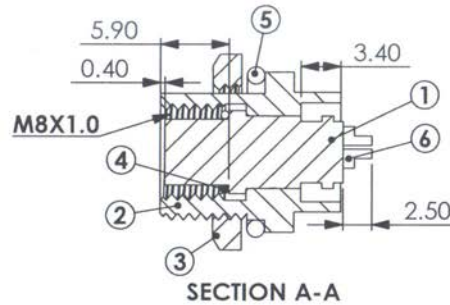


SPECIFICATIONS

Current: 3A
Operation Temperature: -20°C to 105°C
Insulation Resistance: 1000MΩ min.
Dielectric Strength: 500V AC min.
Waterproof Test:
 Reference to IEC 60529 Edition
 2.1: 2001-02-IP67
All materials must be RoHS compliant.

MATERIALS

Housing: Thermoplastic, UL94V-0
Shield Cover: Brass, Nickel Plated
Screw Nut: Brass, Nickel Plated
Sealed Ring: NBR
Washer: Brass, Nickel Plated
Unit: mm



ORDERING INFORMATION:

P/N W P C 08 F - 04 P D
1 2 3 4

1. CONNECTOR LOCKING SYSTEM:
"08" SCREW M8*1.0
2. CONNECTOR TYPE:
"F" FEMALE (JACK)
3. NO. OF CONTACTS:
04
4. APPLICABLE TYPE:
"PD" PANEL FRONT MOUNT SOLDER TYPE

WATERPROOF M8 3P FEMALE CONNECTOR STRAIGHT PCB MOUNT TYPE



MATERIALS

Housing: PBT, UL 94V-0

Contact: Brass; Gold Plating Over Nickel

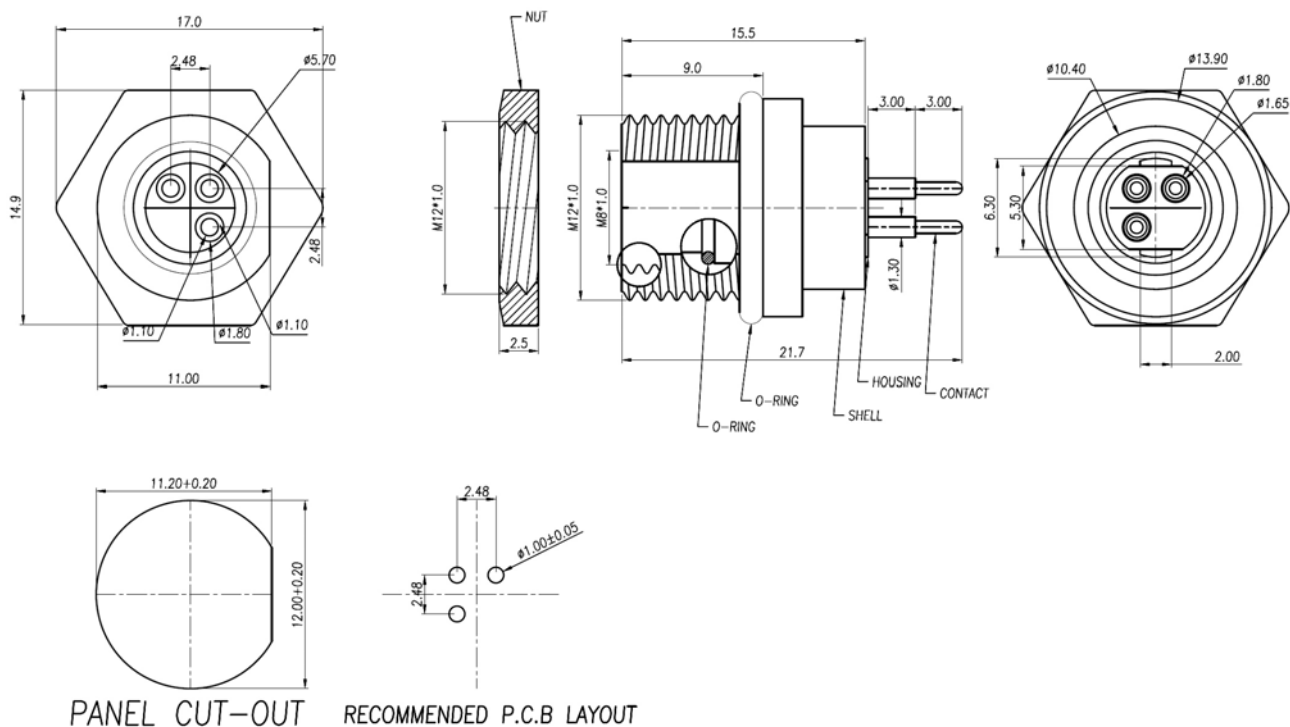
Shell: Brass; Nickel Plated

Nut: Brass; Nickel Plated

Waterproof: IPX7

* RoHS & REACH compliant.

Unit: mm



ORDERING INFORMATION:

P/N W P C 08 F - 03 D A
1 2 3 4

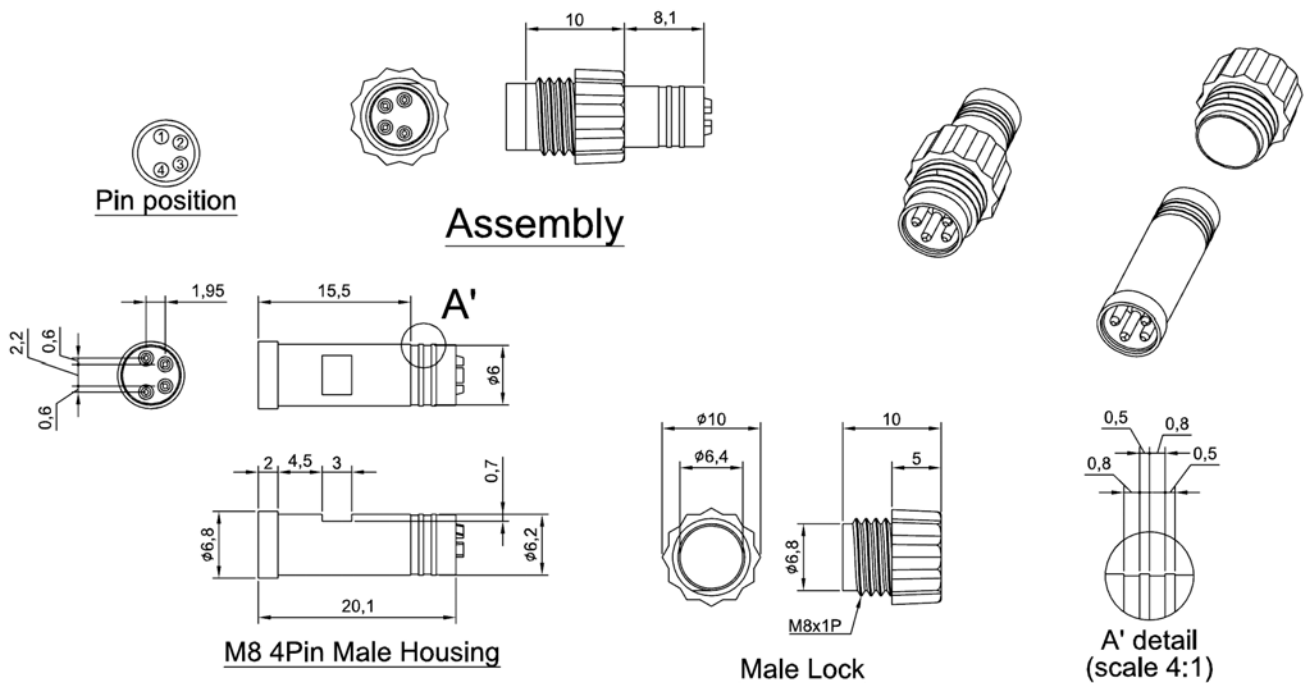
1. CONNECTOR LOCKING SYSTEM:
"08" SCREW M8*1.0
2. CONNECTOR TYPE:
"F" FEMALE (JACK)
3. NO. OF CONTACTS:
03
4. APPLICABLE TYPE:
"DA" STRAIGHT DIP TYPE

WATERPROOF M8 4 PIN MALE CONNECTOR ALL PLASTIC CABLE ASSEMBLY TYPE



MATERIALS

Contact: Brass, gold plated 3u inch
Connector body: PA66+25%GF, Black
PA Lock: PA66+25%GF, Black
Current Rating: 2A
Waterproof Rating: IP67 and IP68
*** RoHS & REACH compliant.**
Unit: mm



ORDERING INFORMATION:

P/N W P C $\frac{0}{1}$ $\frac{8}{2}$ M - $\frac{0}{3}$ $\frac{4}{4}$ A P

1. CONNECTOR LOCKING SYSTEM:
"08" SCREW M8*1.0
2. CONNECTOR TYPE:
"M" MALE (PLUG)
3. NO. OF CONTACTS:
04
4. APPLICABLE TYPE:
"AP" CABLE ASSEMBLY TYPE

WATERPROOF M8 3 PIN MALE CONNECTOR CABLE ASSEMBLY TYPE



MATERIALS

Contact: Brass, gold plated 3u inch

Connector body: PA66+25%GF, Black

Brass Lock: Brass, Nickel plated

Current Rating: 2A

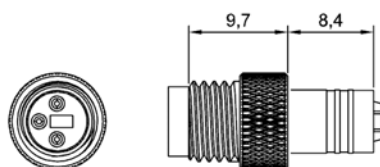
Waterproof Rating: IP67 and IP68

* RoHS & REACH compliant.

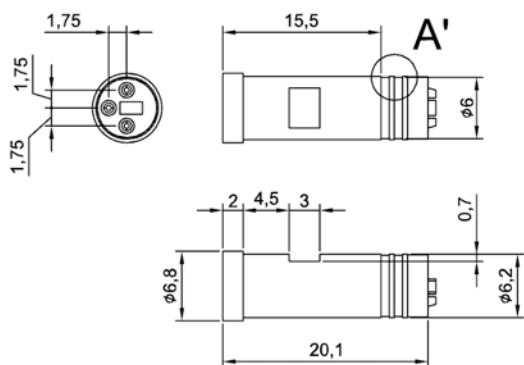
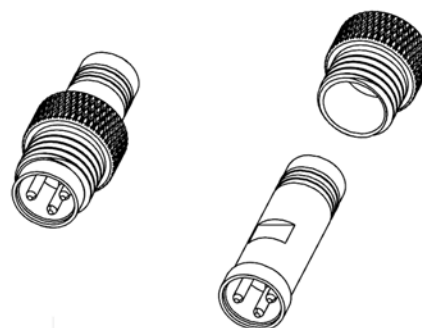
Unit: mm



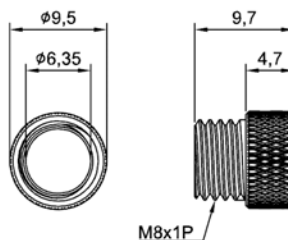
Pin position



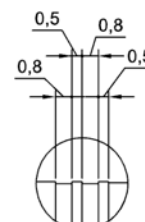
Assembly



M8 3Pin Male Housing



Male Lock



A' detail
(scale 4:1)

ORDERING INFORMATION:

P/N W P C 0 8 M - 0 3 A M
1 2 3 4

1. CONNECTOR LOCKING SYSTEM:
"08" SCREW M8*1.0
2. CONNECTOR TYPE:
"M" MALE (PLUG)
3. NO. OF CONTACTS:
03
4. APPLICABLE TYPE:
"AM" CABLE ASSEMBLY TYPE

WATERPROOF M8 4 PIN MALE CONNECTOR CABLE ASSEMBLY TYPE



MATERIALS

Contact: Brass, gold plated 3u inch

Connector body: PA66+25%GF, Black

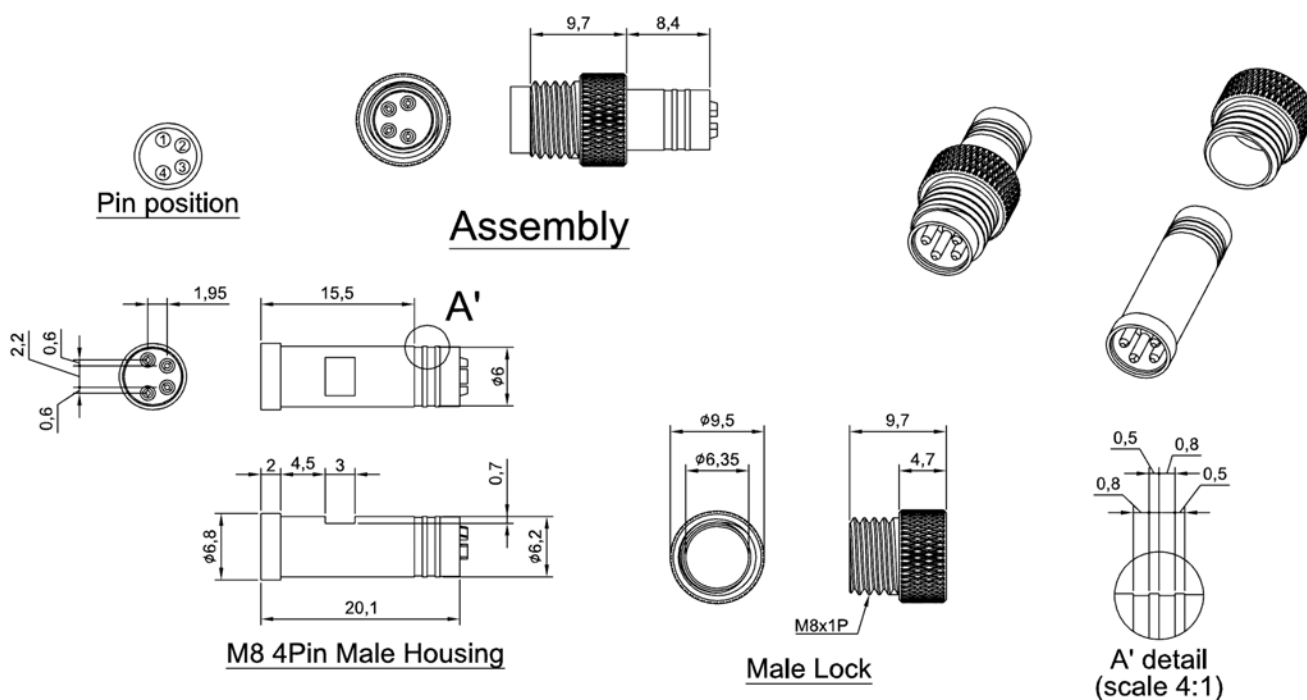
Brass Lock: Brass, Nickel plated

Current Rating: 2A

Waterproof Rating: IP67 and IP68

* RoHS & REACH compliant.

Unit: mm



ORDERING INFORMATION:

P/N W P C 08 M - 04 AM
1 2 3 4

1. CONNECTOR LOCKING SYSTEM:
"08" SCREW M8*1.0
2. CONNECTOR TYPE:
"M" MALE (PLUG)
3. NO. OF CONTACTS:
04
4. APPLICABLE TYPE:
"AM" CABLE ASSEMBLY TYPE

WATERPROOF M8 2P+3P+4P MALE CONNECTOR CABLE SOLDER TYPE



SPECIFICATIONS

Rated Current: 5A

Operation Temperature: -40°C to 85°C

Voltage: 125V

Waterproof Test: IPX7

* RoHS & REACH compliant.

MATERIALS

Housing: PBT, UL 94V-0

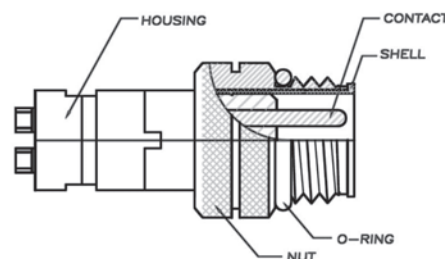
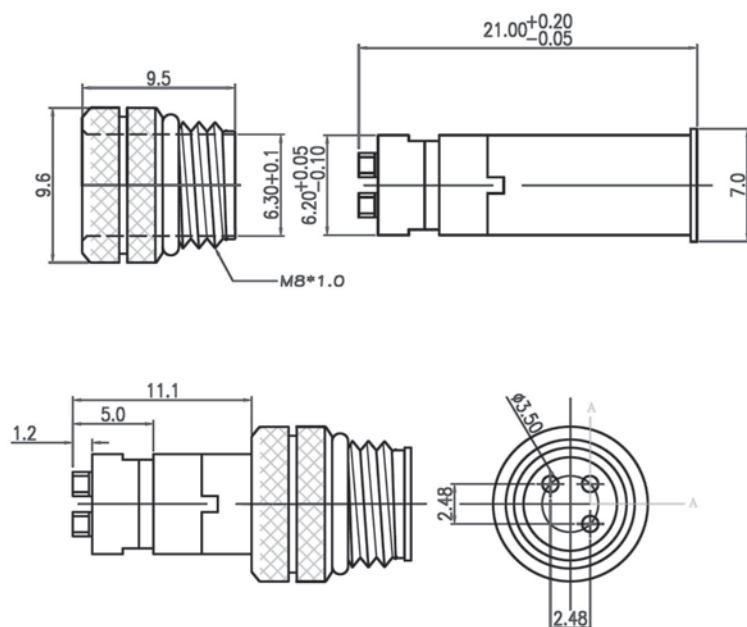
Contact: Copper Alloy; 10 microinches min. Gold Plating over Nickel

Shell: Copper Alloy; Nickel plated 60u" ~ 100u" over all

Nut: Copper Alloy; Nickel plated 60u" ~ 100u" over all

O-Ring: NBR

Unit: mm

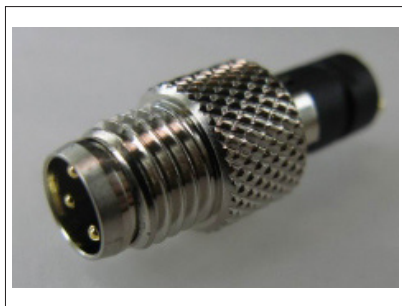


ORDERING INFORMATION:

P/N W P C $\frac{0}{1}$ $\frac{8}{2}$ M - $\frac{x}{3}$ $\frac{x}{4}$ S A

1. CONNECTOR LOCKING SYSTEM:
"08" SCREW M8*1.0
2. CONNECTOR TYPE:
"M" MALE (PLUG)
3. NO. OF CONTACTS:
02, 03, 04
4. APPLICABLE TYPE:
"SA" SOLDER TYPE FOR CABLE ASSEMBLY

WATERPROOF M8 3P MALE CONNECTOR CABLE SOLDER TYPE



MATERIALS

Housing: PBT, UL 94V-0

Contact: Brass; Gold plated

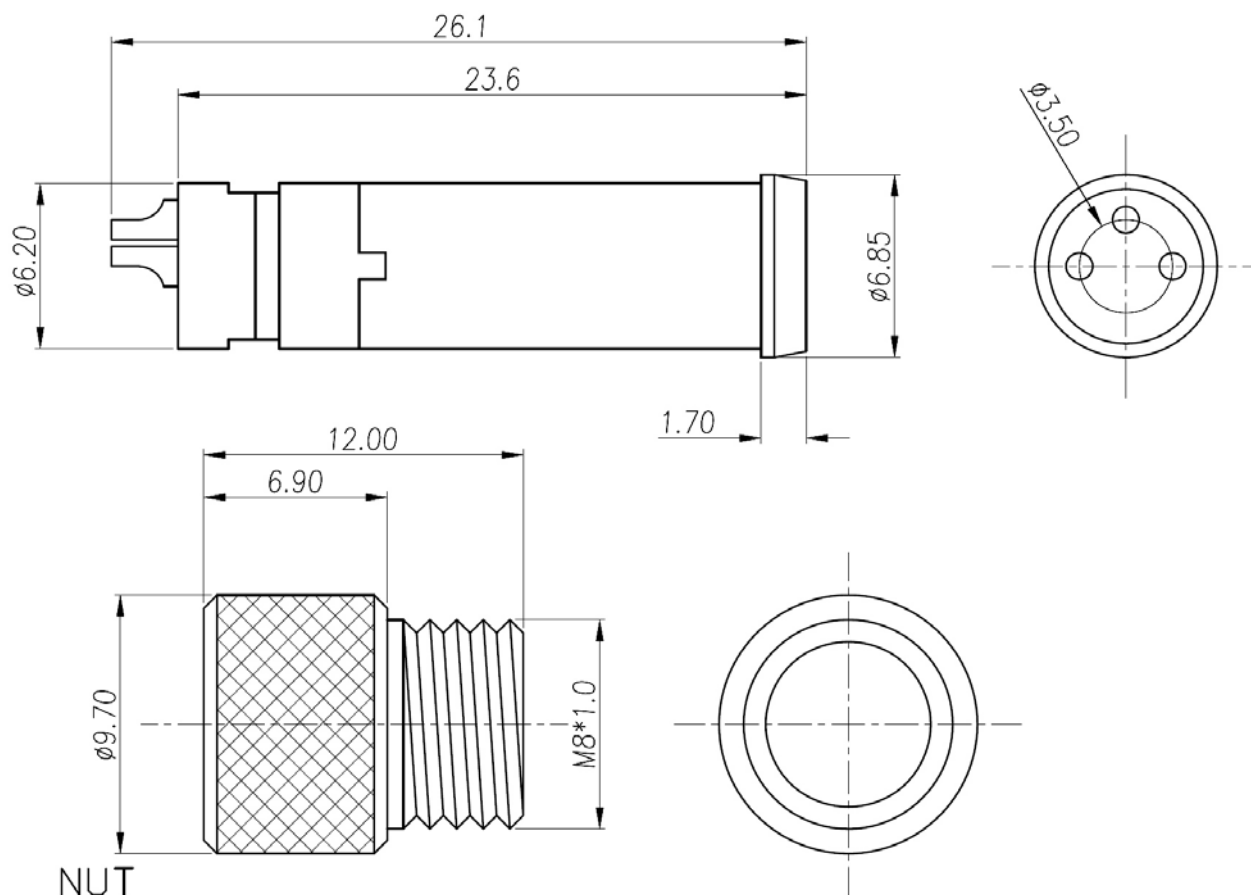
Shell: Brass; Nickel Plated

Nut: Brass; Nickel Plated

Waterproof: IPX7

* RoHS & REACH compliant.

Unit: mm



ORDERING INFORMATION:

P/N W P C 08 M - 03 SD
1 2 3 4

1. CONNECTOR LOCKING SYSTEM:
"08" SCREW M8*1.0
2. CONNECTOR TYPE:
"M" MALE (PLUG)
3. NO. OF CONTACTS:
03
4. APPLICABLE TYPE:
"SD" SOLDER TYPE FOR CABLE ASSEMBLY

WATERPROOF M8 4P MALE CONNECTOR CABLE SOLDER TYPE



MATERIALS

Housing: PBT, UL 94V-0

Contact: Copper Alloy; Gold Plating Over Nickel

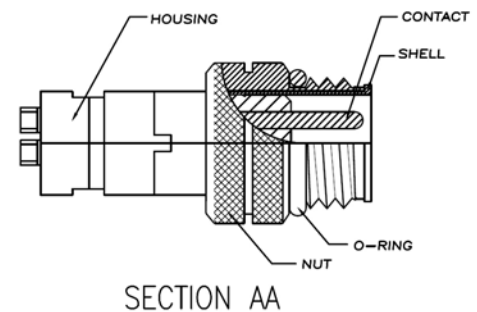
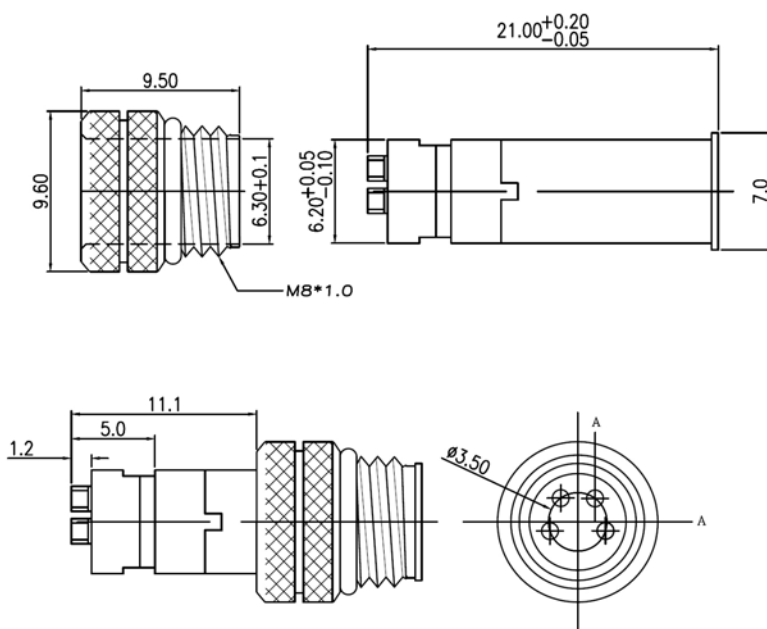
Shell: Copper Alloy; Nickel or Bright Tin Plated

Nut: Copper Alloy; Nickel or Black Nickel Plated

Waterproof: IPX7

* RoHS & REACH compliant.

Unit: mm



| | | |
|-------------|-------------------|---------------------|
| WPC08M04SA1 | Nickel Plated | Black Nickel Plated |
| WPC08M04SA2 | Bright Tin Plated | Nickel Plated |
| WPC08M04SA3 | Nickel Plated | Nickel Plated |
| P/N | SHELL PLATING | NUT PLATING |

ORDERING INFORMATION:

P/N **WPC** 08 M - 04 SA x

1. CONNECTOR LOCKING SYSTEM:

"08" SCREW M8*1.0

2. CONNECTOR TYPE:

"M" MALE (PLUG)

3. NO. OF CONTACTS:

04

4. SHELL & NUT PLATING:

"SA1" NICKEL PLATED SHELL & BLACK NICKEL PLATED NUT

"SA2" BRIGHT TIN PLATED SHELL & NICKEL PLATED NUT

"SA3" NICKEL PLATED SHELL & NICKEL PLATED NUT

WATERPROOF M8 5P MALE CONNECTOR CABLE SOLDER TYPE



MATERIALS

Housing: PBT, UL 94V-0

Contact: Brass; Gold Plating Over Nickel

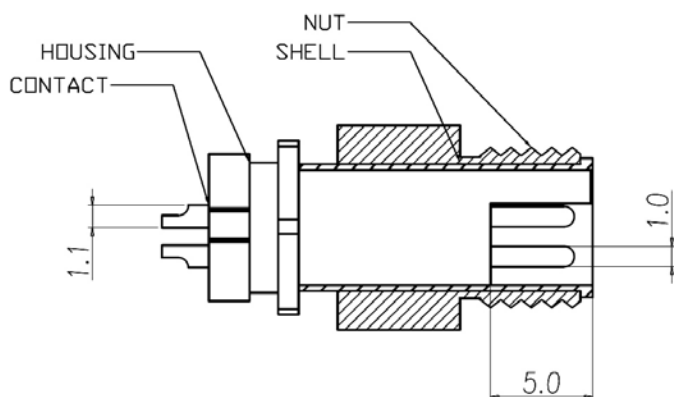
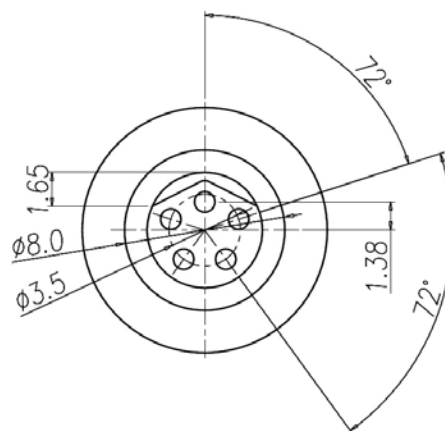
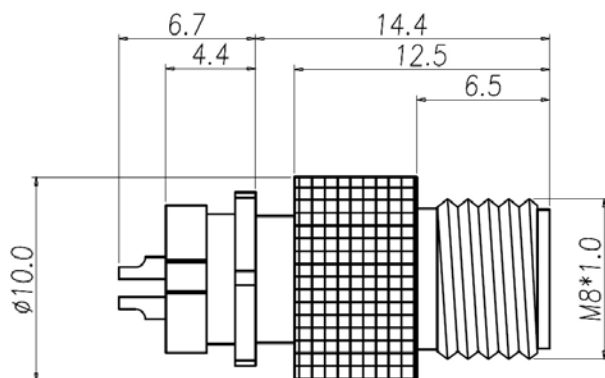
Shell: Brass; Nickel Plated

Nut: Brass; Nickel Plated

Waterproof: IP67

* RoHS & REACH compliant.

Unit: mm



ORDERING INFORMATION:

P/N W P C 08 M - 05 S B
1 2 3 4

1. CONNECTOR LOCKING SYSTEM:
"08" SCREW M8*1.0
2. CONNECTOR TYPE:
"M" MALE (PLUG)
3. NO. OF CONTACTS:
05
4. APPLICABLE TYPE:
"SB" SOLDER TYPE FOR CABLE ASSEMBLY

WATERPROOF M8 5P+6P MALE CONNECTOR CABLE SOLDER TYPE



MATERIALS

Housing: PBT, UL 94V-0

Contact: Brass; Gold plated

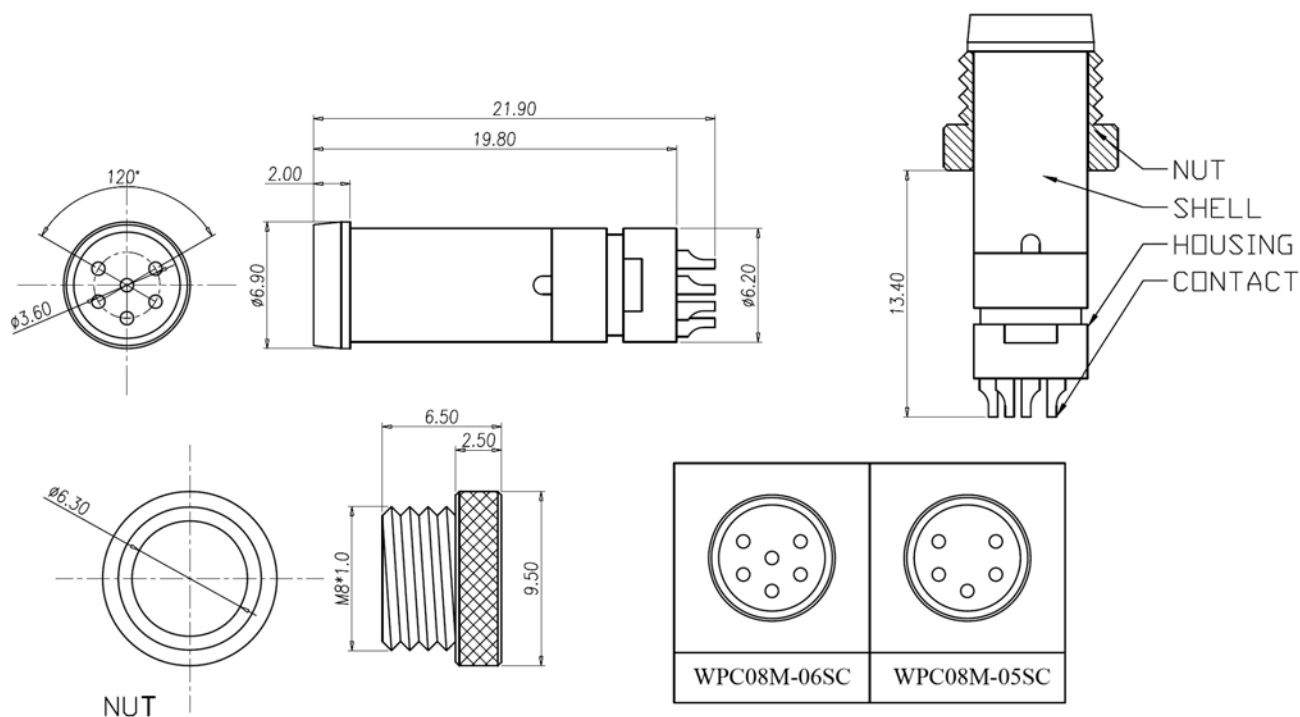
Shell: Brass; Nickel Plated

Nut: Brass; Nickel Plated

Waterproof: IP67

* RoHS & REACH compliant.

Unit: mm



ORDERING INFORMATION:

P/N **WPC08M-xxSC**
 $\frac{1}{2} \frac{3}{4}$

- CONNECTOR LOCKING SYSTEM:
"08" SCREW M8*1.0
- CONNECTOR TYPE:
"M" MALE (PLUG)
- NO. OF CONTACTS:
05, 06
- APPLICABLE TYPE:
"SC" SOLDER TYPE FOR CABLE ASSEMBLY

WATERPROOF M8 3P MALE CONNECTOR MOLDING TYPE



SPECIFICATIONS

Current: 2A

Operation Temperature: -20°C to 105°C

Insulation Resistance: 1000MΩ min.

Dielectric Strength: 500V AC min.

Waterproof Test:

Reference to IEC 60529 Edition

2.1: 2001-02-IP67

All materials must be RoHS compliant.

MATERIALS

Housing: Thermoplastic, UL94V-0

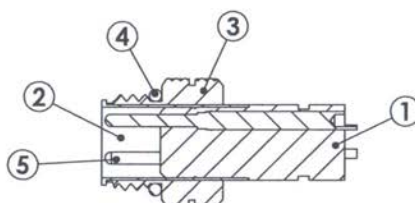
Shield Cover: Brass, Nickel Plated

Screw Cap: Brass, Nickel Plated

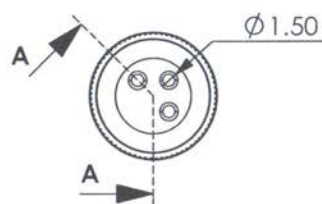
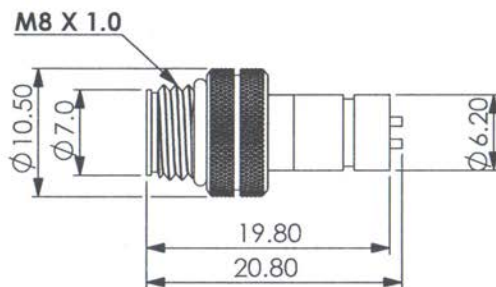
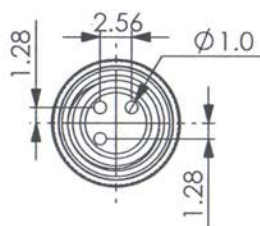
Sealed Ring: NBR

Terminals: Brass, Gold Plated

Unit: mm



SECTION A-A



ORDERING INFORMATION:

P/N W P C 08 M - 03 M D
1 2 3 4

1. CONNECTOR LOCKING SYSTEM:
"08" SCREW M8*1.0
2. CONNECTOR TYPE:
"M" MALE (PLUG)
3. NO. OF CONTACTS:
03
4. APPLICABLE TYPE:
"MD" CABLE MOLDING TYPE

WATERPROOF M8 4P MALE CONNECTOR MOLDING TYPE

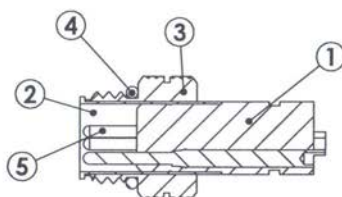


SPECIFICATIONS

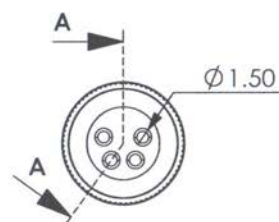
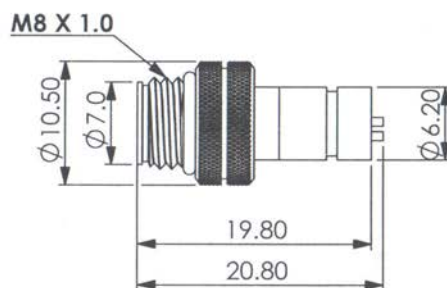
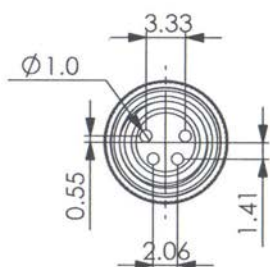
Current: 2A
Operation Temperature: -20°C to 105°C
Insulation Resistance: 1000MΩ min.
Dielectric Strength: 500V AC min.
Waterproof Test:
 Reference to IEC 60529 Edition
 2.1: 2001-02-IP67
All materials must be RoHS compliant.

MATERIALS

Housing: Thermoplastic, UL94V-0
Shield Cover: Brass, Nickel Plated
Screw Cap: Brass, Nickel Plated
Sealed Ring: NBR
Terminals: Brass, Gold Plated
Unit: mm



SECTION A-A



ORDERING INFORMATION:

P/N W P C 0 8 M - 0 4 M D
 1 2 3 4

1. CONNECTOR LOCKING SYSTEM:
"08" SCREW M8*1.0
2. CONNECTOR TYPE:
"M" MALE (PLUG)
3. NO. OF CONTACTS:
04
4. APPLICABLE TYPE:
"MD" CABLE MOLDING TYPE

WATERPROOF M8 2P+3P+4P MALE CONNECTOR PANEL MOUNT SOLDER TYPE



MATERIALS

Housing: PBT, UL 94V-0

Contact: Brass; Gold plated

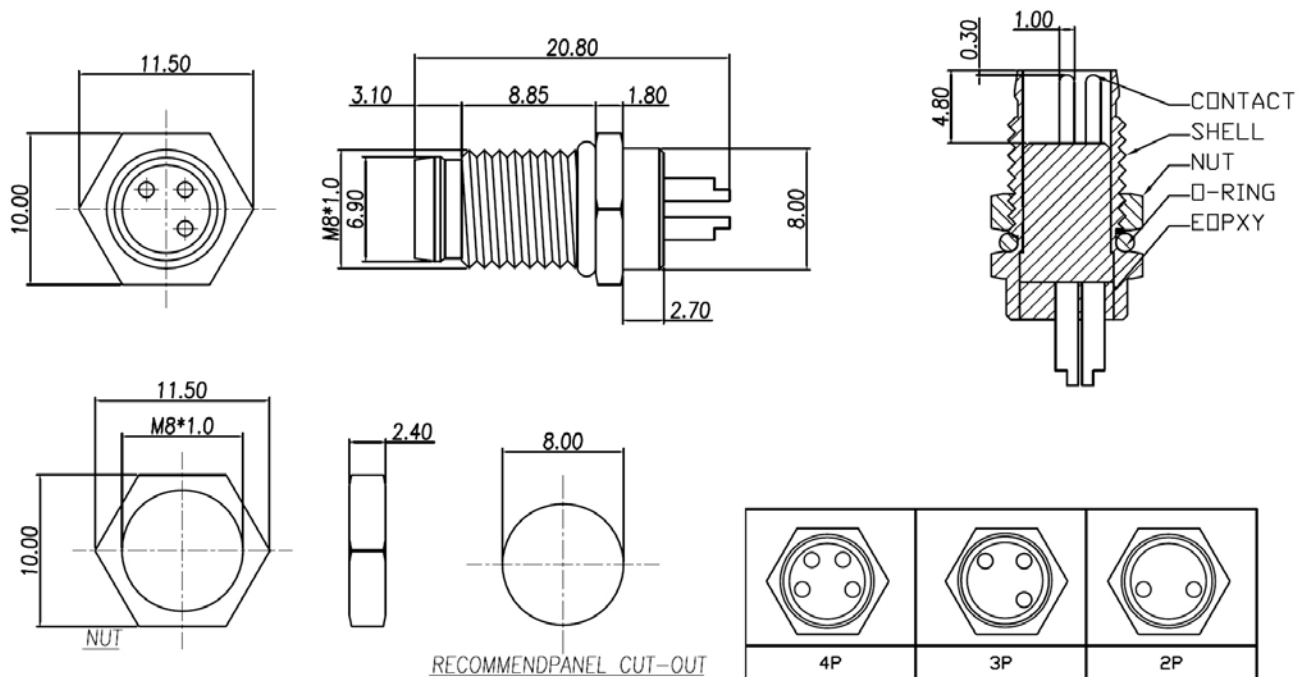
Shell: Brass; Nickel Plated

Nut: Brass; Nickel Plated

Waterproof: IP67

* RoHS & REACH compliant.

Unit: mm



ORDERING INFORMATION:

P/N W P C $\frac{0}{1}$ $\frac{8}{2}$ M - $\frac{x}{3}$ $\frac{x}{4}$ P B

1. CONNECTOR LOCKING SYSTEM:
"08" SCREW M8*1.0
2. CONNECTOR TYPE:
"M" MALE (PLUG)
3. NO. OF CONTACTS:
02, 03, 04
4. APPLICABLE TYPE:
"PB" PANEL MOUNT SOLDER TYPE

WATERPROOF M8 4P MALE CONNECTOR PANEL MOUNT SOLDER TYPE



MATERIALS

Housing: PBT, UL 94V-0

Contact: Brass; Gold plated

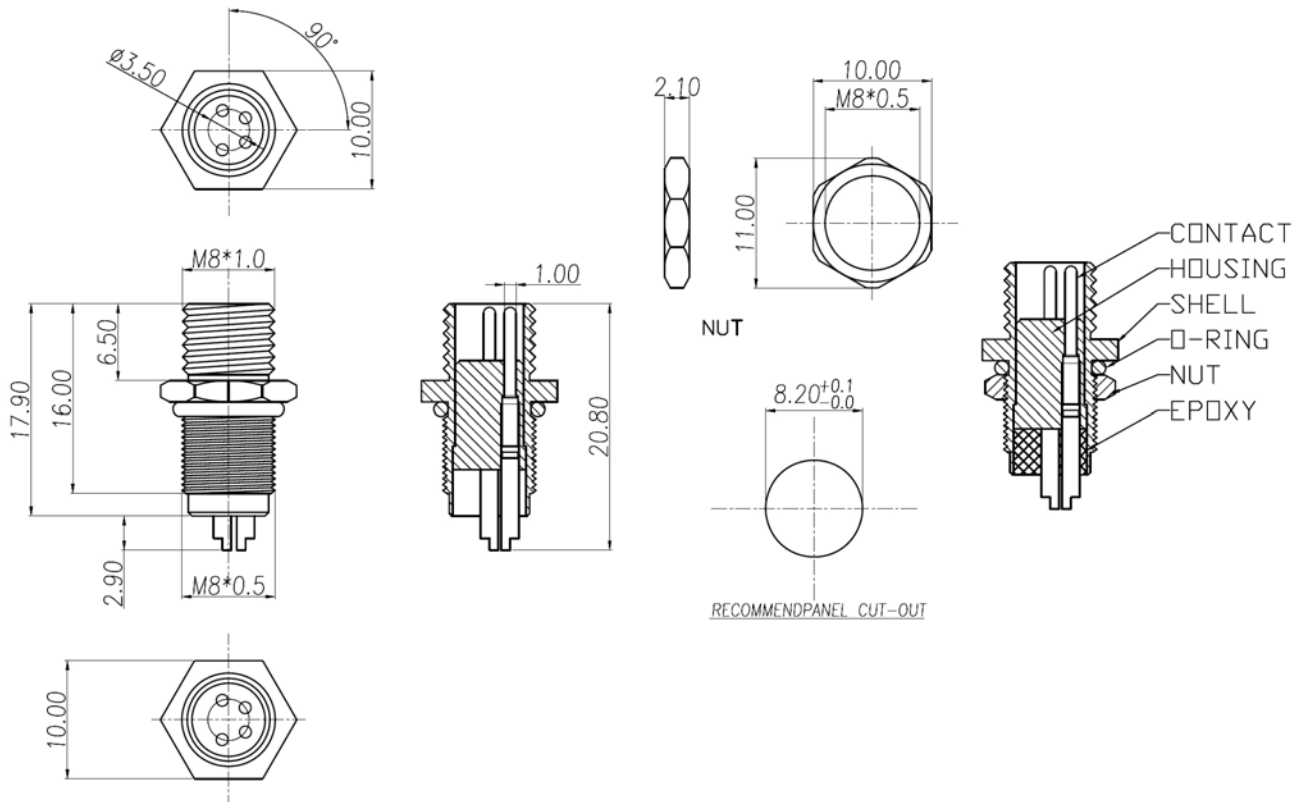
Shell: Brass; Nickel Plated

Nut: Brass; Nickel Plated

Waterproof: IP67

* RoHS & REACH compliant.

Unit: mm



ORDERING INFORMATION:

P/N W P C 0 8 M - 0 4 P C
1 2 3 4

1. CONNECTOR LOCKING SYSTEM:
"08" SCREW M8*1.0
2. CONNECTOR TYPE:
"M" MALE (PLUG)
3. NO. OF CONTACTS:
04
4. APPLICABLE TYPE:
"PC" PANEL MOUNT SOLDER TYPE

WATERPROOF M8 2P+3P+4P MALE CONNECTOR PANEL MOUNT SOLDER TYPE



SPECIFICATIONS

Rated Current: 5A

Operation Temperature: -20°C to 85°C

Voltage: 125V

Waterproof Test: IP67 Rated

* RoHS & REACH compliant.

MATERIALS

Housing: PBT, UL 94V-0

Contact: Brass; 10 microinches min. Gold plated under Nickel

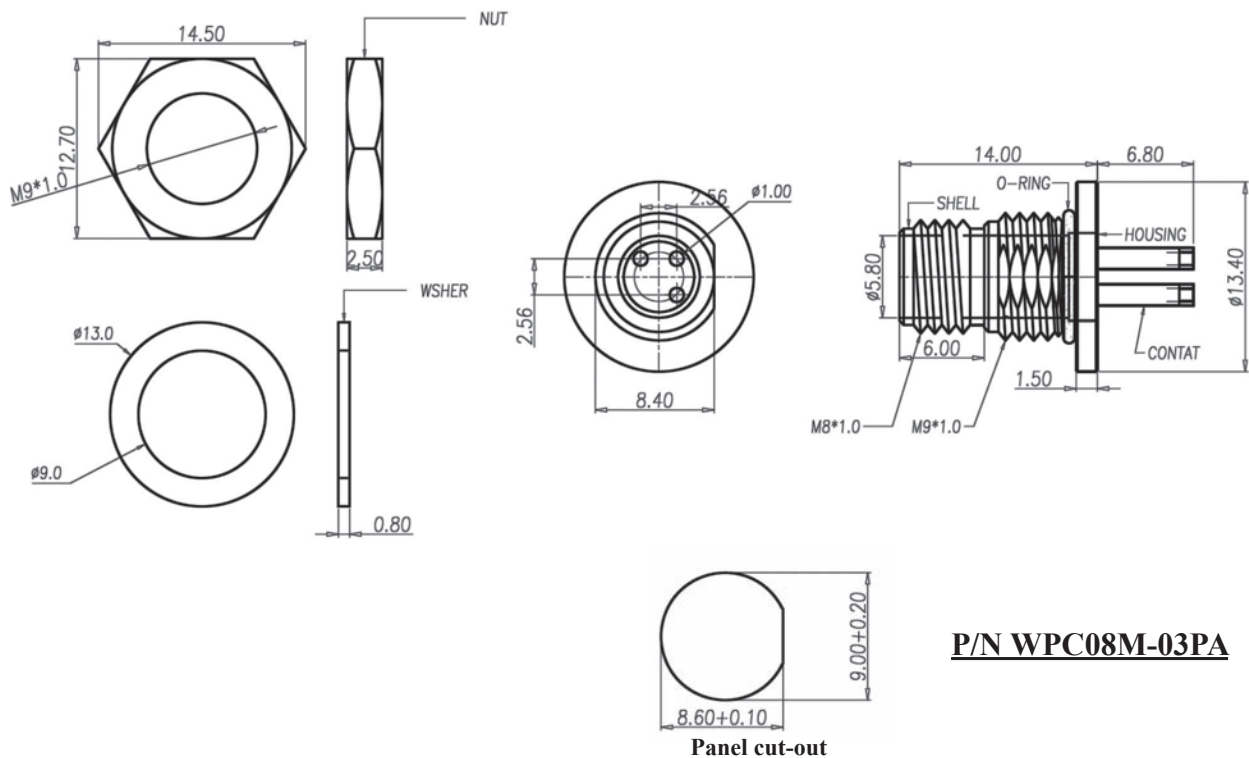
Shell: Brass; Nickel plated 60u" ~ 100u" over all

Washer: Brass; Nickel plated 60u" ~ 100u" over all

Nut: Brass; Nickel plated 60u" ~ 100u" over all

O-Ring: EPDM

Unit: mm



P/N WPC08M-03PA

ORDERING INFORMATION:

P/N W P C 0 8 M - 0 3 PA
1 2 3 4

1. CONNECTOR LOCKING SYSTEM:
"08" SCREW M8*1.0
2. CONNECTOR TYPE:
"M" MALE (PLUG)
3. NO. OF CONTACTS:
02, 03, 04
4. APPLICABLE TYPE:
"PA" PANEL MOUNT SOLDER TYPE

WATERPROOF M8 4P MALE CONNECTOR PANEL MOUNT SOLDER TYPE



MATERIALS

Housing: PBT, UL 94V-0

Contact: Brass; Gold Plating Over Nickel

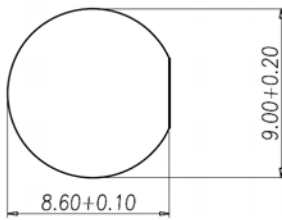
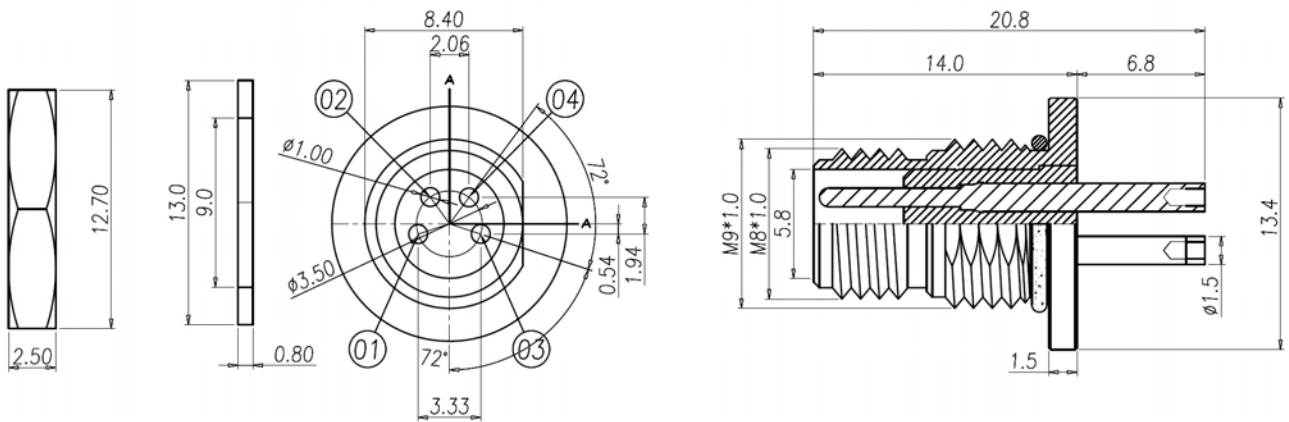
Shell: Brass; Nickel or Black Nickel Plated

Nut: Brass; Nickel or Black Nickel Plated

Waterproof: IPX7

* RoHS & REACH compliant.

Unit: mm



PANEL CUT-OUT

| | |
|--------------|---------------------|
| WPC08M-04PA1 | Nickel Plated |
| WPC08M-04PA2 | Black Nickel Plated |
| P/N | PLATING |

ORDERING INFORMATION:

P/N WPC 08 M - 04 PA x

1 2 3 4

1. CONNECTOR LOCKING SYSTEM:
"08" SCREW M8*1.0
2. CONNECTOR TYPE:
"M" MALE (PLUG)
3. NO. OF CONTACTS:
04
4. SHELL Plating:
"PA1" NICKEL PLATED
"PA2" BLACK NICKEL PLATED

WATERPROOF M8 3P MALE CONNECTOR PANEL MOUNT TYPE

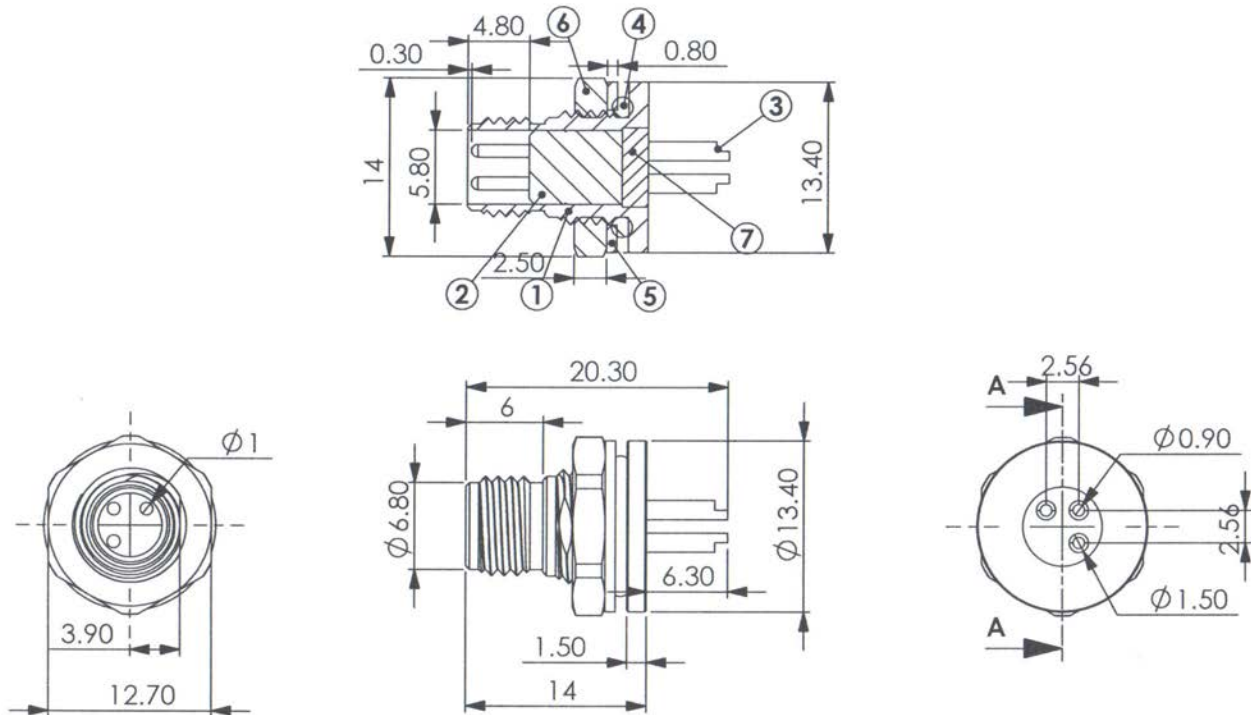


SPECIFICATIONS

Current: 3A
Operation Temperature: -20°C to 105°C
Insulation Resistance: 1000MΩ min.
Dielectric Strength: 500V AC min.
Waterproof Test:
 Reference to IEC 60529 Edition
 2.1: 2001-02-IP67
All materials must be RoHS compliant.

MATERIALS

Housing: Thermoplastic, UL94V-0
Shield Cover: Brass, Nickel Plated
Screw Nut: Brass, Nickel Plated
Sealed Ring: NBR
Washer: Brass, Nickel Plated
Unit: mm



ORDERING INFORMATION:

P/N W P C $\frac{0}{1}$ $\frac{8}{2}$ M - $\frac{0}{3}$ $\frac{3}{4}$ P F

1. CONNECTOR LOCKING SYSTEM:
"08" SCREW M8*1.0
2. CONNECTOR TYPE:
"M" MALE (PLUG)
3. NO. OF CONTACTS:
03
4. APPLICABLE TYPE:
"PF" PANEL FRONT MOUNT SOLDER TYPE

WATERPROOF M8 4P MALE CONNECTOR PANEL MOUNT TYPE

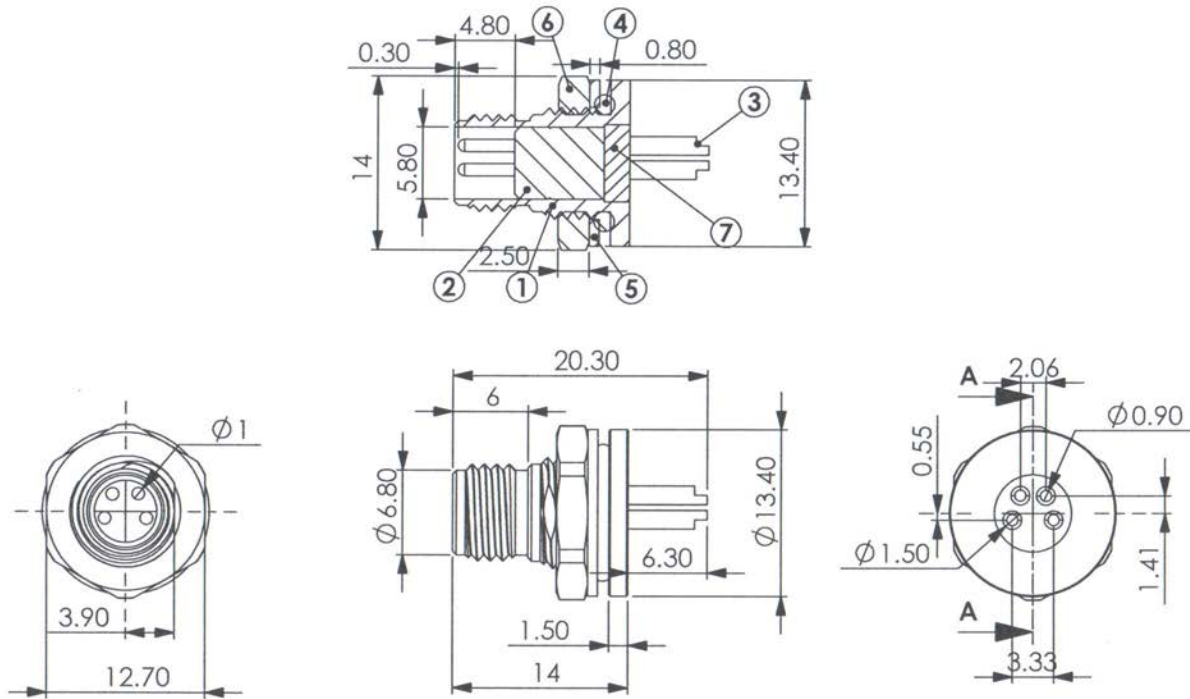


SPECIFICATIONS

Current: 3A
Operation Temperature: -20°C to 105°C
Insulation Resistance: 1000MΩ min.
Dielectric Strength: 500V AC min.
Waterproof Test:
 Reference to IEC 60529 Edition
 2.1: 2001-02-IP67
All materials must be RoHS compliant.

MATERIALS

Housing: Thermoplastic, UL94V-0
Shield Cover: Brass, Nickel Plated
Screw Nut: Brass, Nickel Plated
Sealed Ring: NBR
Washer: Brass, Nickel Plated
Unit: mm



ORDERING INFORMATION:

P/N W P C 08 M - 04 PD
1 2 3 4

1. CONNECTOR LOCKING SYSTEM:
"08" SCREW M8*1.0
2. CONNECTOR TYPE:
"M" MALE (PLUG)
3. NO. OF CONTACTS:
04
4. APPLICABLE TYPE:
"PD" PANEL FRONT MOUNT SOLDER TYPE

WATERPROOF M8 4P MALE CONNECTOR PCB MOUNT TYPE WITH M8*0.5 NUT



MATERIALS

Housing: PBT, UL 94V-0

Contact: Brass; Gold plated

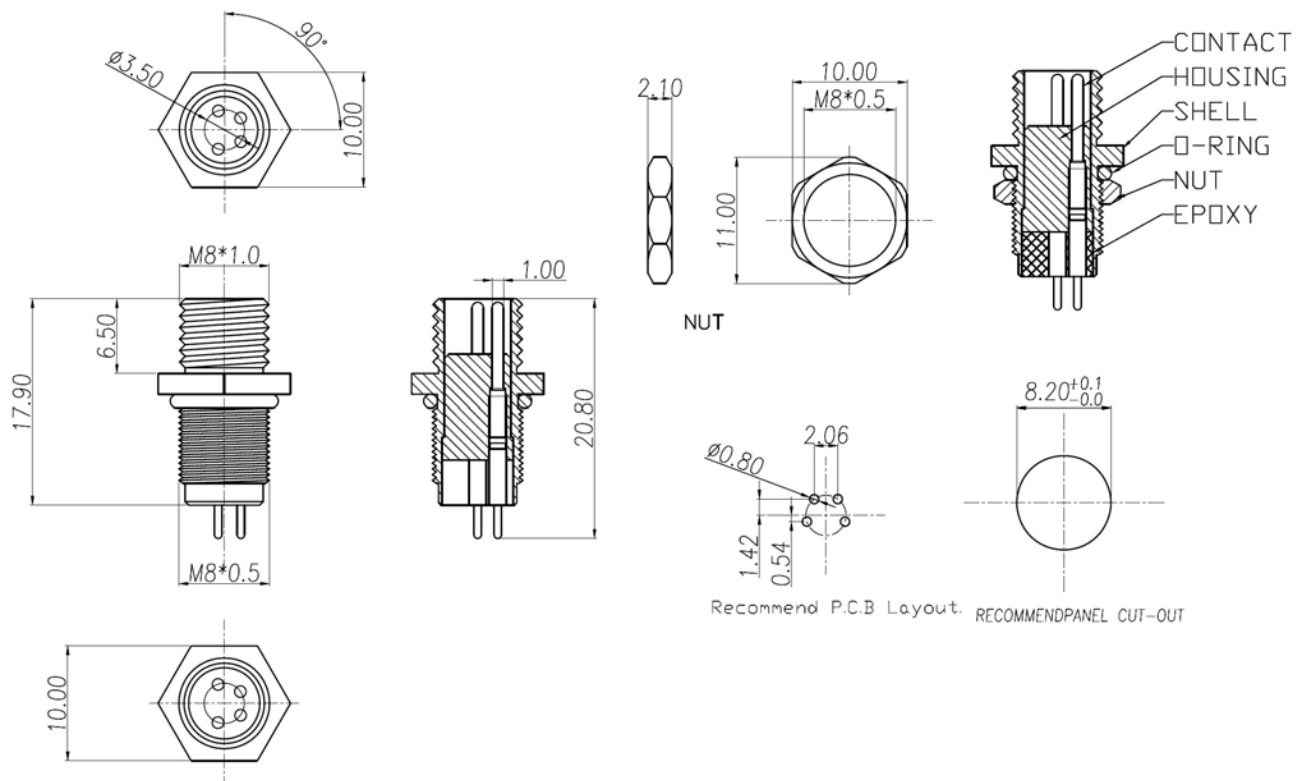
Shell: Brass; Nickel Plated

Nut: Brass; Nickel Plated

Waterproof: IP67

* RoHS & REACH compliant.

Unit: mm



ORDERING INFORMATION:

P/N W P C 08 M - 04 DA
1 2 3 4

1. CONNECTOR LOCKING SYSTEM:
"08" SCREW M8*1.0
2. CONNECTOR TYPE:
"M" MALE (PLUG)
3. NO. OF CONTACTS:
04
4. APPLICABLE TYPE:
"DA" STRAIGHT DIP TYPE

WATERPROOF M8 4P MALE CONNECTOR PCB MOUNT TYPE WITH M8*1.0 NUT



MATERIALS

Housing: PBT, UL 94V-0

Contact: Brass; Gold plated

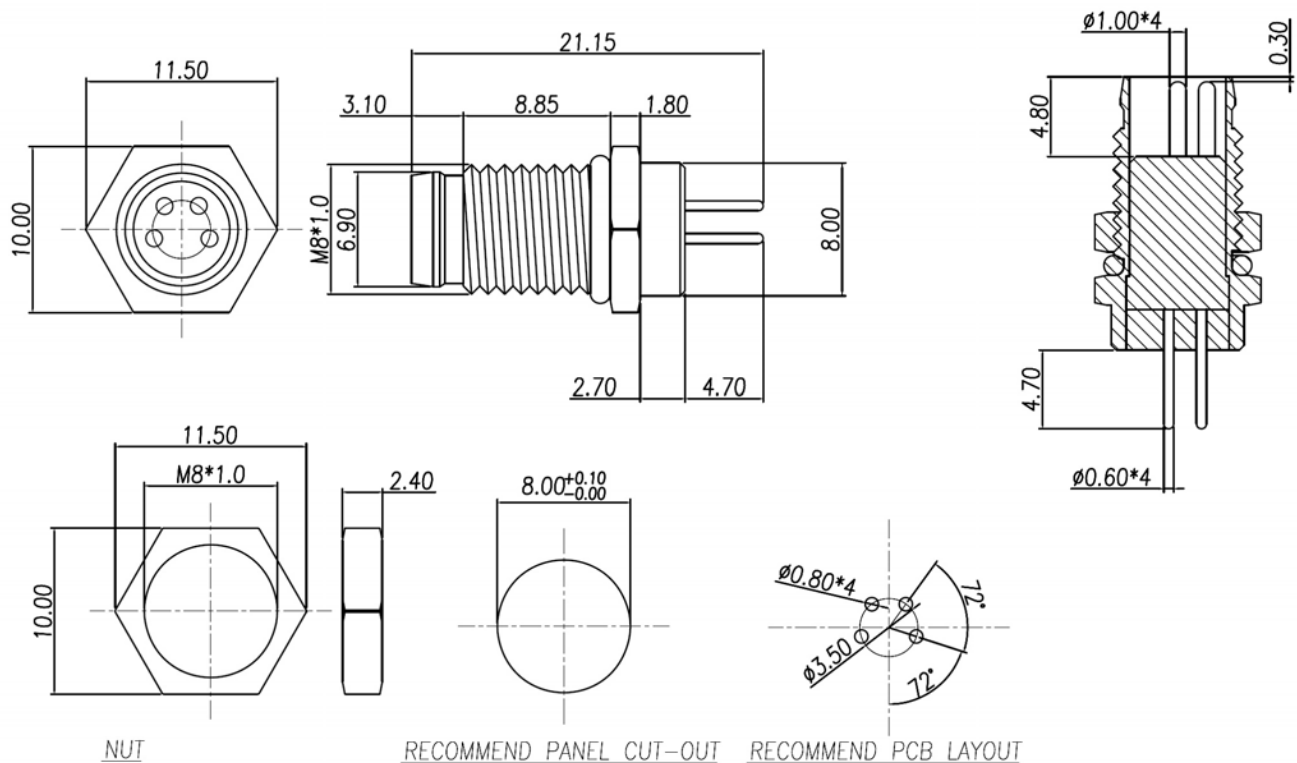
Shell: Brass; Nickel Plated

Nut: Brass; Nickel Plated

Waterproof: IP67

* RoHS & REACH compliant.

Unit: mm



ORDERING INFORMATION:

P/N W P C 08 M - 04 DB
1 2 3 4

1. CONNECTOR LOCKING SYSTEM:
"08" SCREW M8*1.0
2. CONNECTOR TYPE:
"M" MALE (PLUG)
3. NO. OF CONTACTS:
04
4. APPLICABLE TYPE:
"DB" STRAIGHT DIP TYPE

WATERPROOF M9 5P FEMALE CONNECTOR CABLE SOLDER TYPE

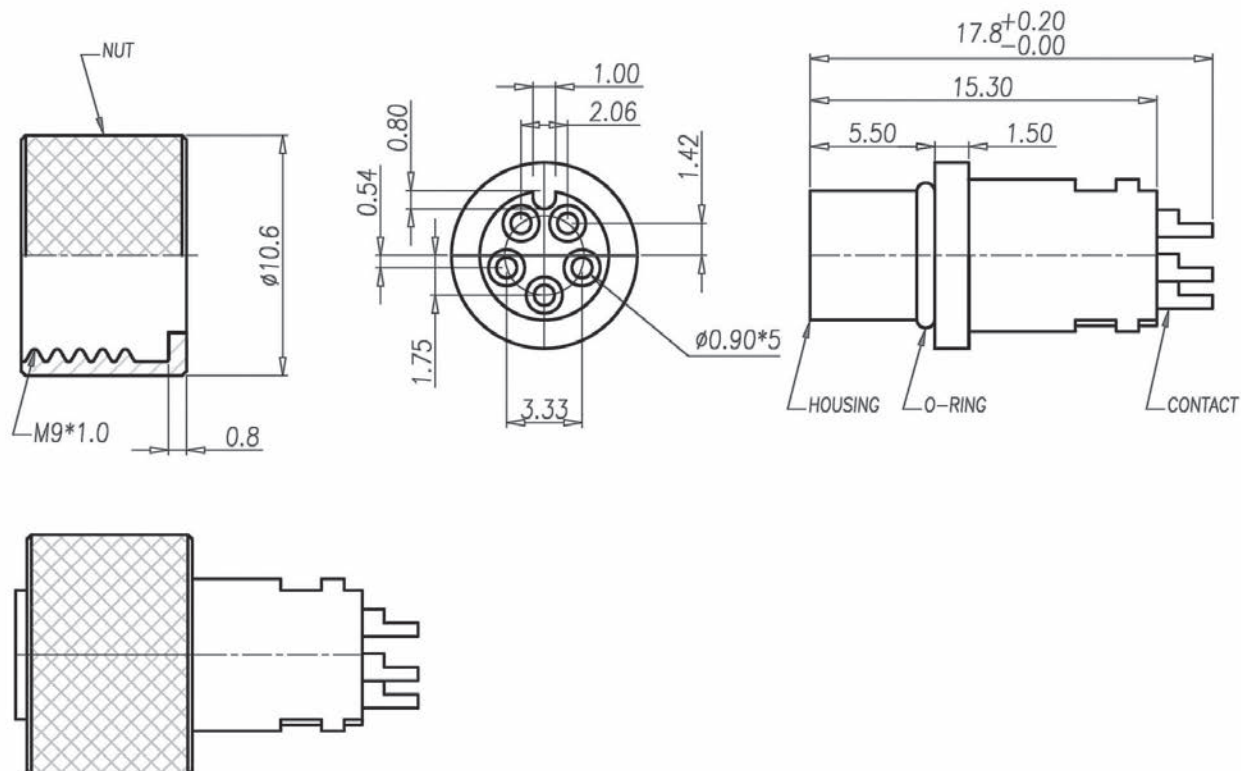


SPECIFICATIONS

Rated Current: 5A
 Operation Temperature: -40°C to 85°C
 Voltage: 125V
 Waterproof Test: IPX7
 * RoHS & REACH compliant.

MATERIALS

Housing: PBT, UL 94V-0
 Contact: Brass; 10 microinches min. Gold Plated under Nickel
 Nut: Brass; Nickel plated 60u" ~ 100u" over all
 O-Ring: NBR
 Unit: mm



ORDERING INFORMATION:

P/N W P C 09 F - 05 S A
 1 2 3 4

1. CONNECTOR LOCKING SYSTEM:
"09" SCREW M9*1.0
2. CONNECTOR TYPE:
"F" FEMALE (JACK)
3. NO. OF CONTACTS:
05
4. APPLICABLE TYPE:
"SA" SOLDER TYPE FOR CABLE ASSEMBLY

WATERPROOF M9 6P FEMALE CONNECTOR CABLE SOLDER TYPE



MATERIALS

Housing: PBT, UL 94V-0

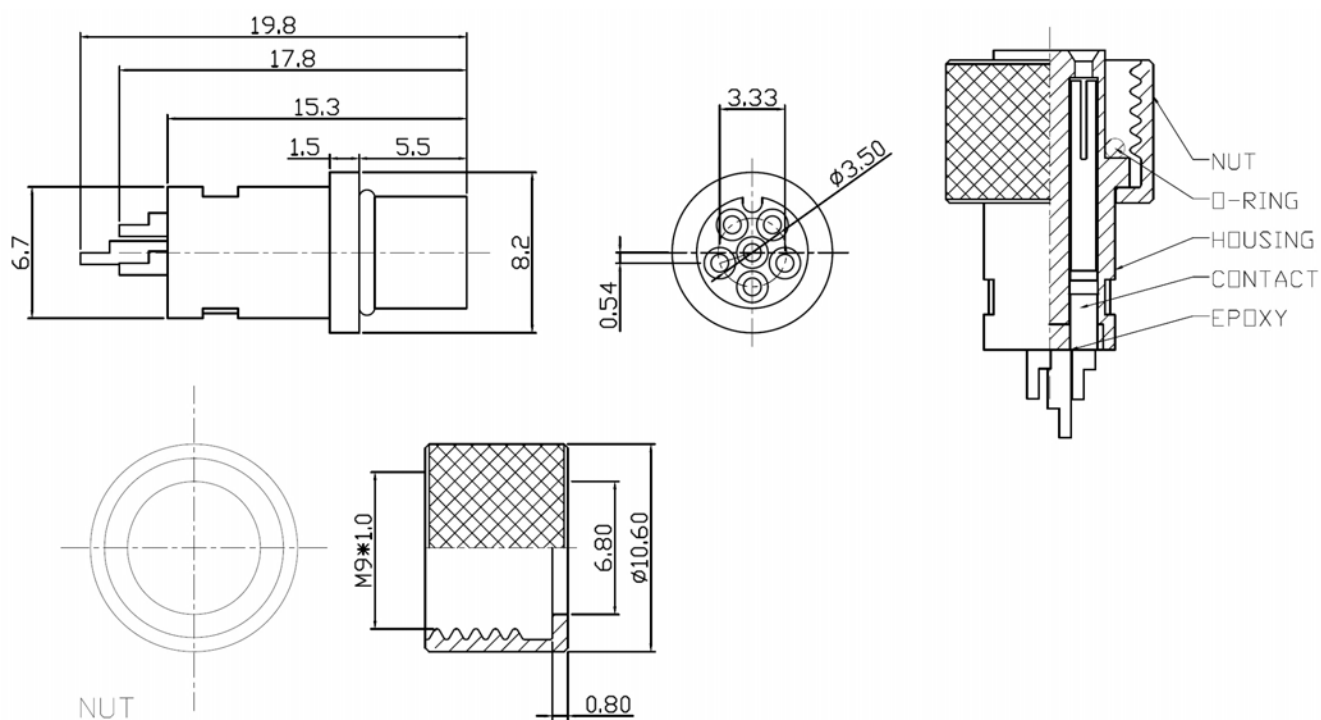
Contact: Brass; Gold Plating Over Nickel

Nut: Brass; Nickel Plated

Waterproof: IPX7

* RoHS & REACH compliant.

Unit: mm



ORDERING INFORMATION:

P/N W P C 09 F - 06 S A
1 2 3 4

1. CONNECTOR LOCKING SYSTEM:
"09" SCREW M9*1.0
2. CONNECTOR TYPE:
"F" FEMALE (JACK)
3. NO. OF CONTACTS:
06
4. APPLICABLE TYPE:
"SA" SOLDER TYPE FOR CABLE ASSEMBLY

WATERPROOF M9 5P+6P FEMALE CONNECTOR PANEL MOUNT SOLDER TYPE



MATERIALS

Housing: PBT, UL 94V-0

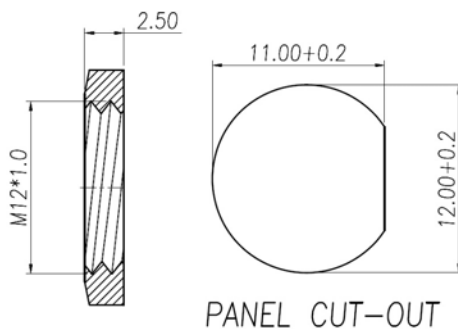
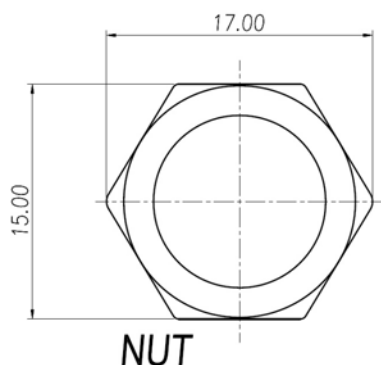
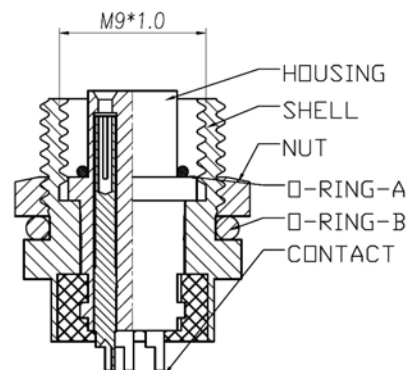
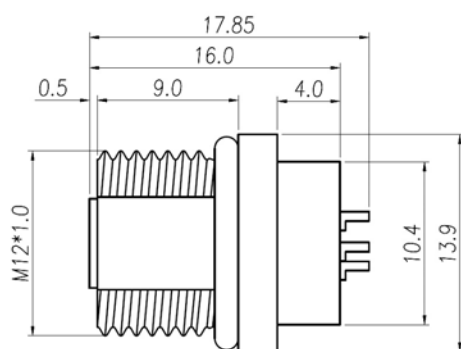
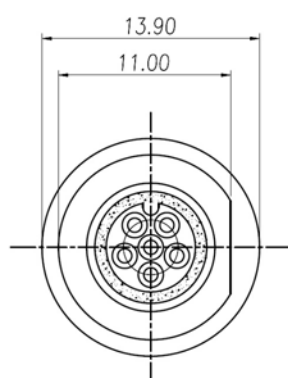
Contact: Brass; Gold Plating Over Nickel

Nut: Brass; Nickel Plated

Waterproof: IPX7

* RoHS & REACH compliant.

Unit: mm



ORDERING INFORMATION:

P/N W P C $\frac{09}{1}$ F - $\frac{x x}{3}$ P A $\frac{4}{4}$

1. CONNECTOR LOCKING SYSTEM:
"09" SCREW M9*1.0
2. CONNECTOR TYPE:
"F" FEMALE (JACK)
3. NO. OF CONTACTS:
05, 06
4. APPLICABLE TYPE:
"PA" PANEL MOUNT SOLDER TYPE

WATERPROOF M9 6P FEMALE CONNECTOR PANEL REAR MOUNT TYPE



SPECIFICATION:

1. Electrical Specification:

Rated Current: 5A

Voltage: 125V

Water proof: IP67

2. Environmental:

Operating Temperature: -20°C ~ 85°C

MATERIALS:

1. Material:

Housing: PBT UL94V-0; Color: Black

Contact: Brass

Shell: Brass

O-Ring: NBR

Nut: Brass

2. Finish:

Contact;

a. Contact Area: 10 Micro Inches Min. Gold Plated

b. Solder Area: Tin

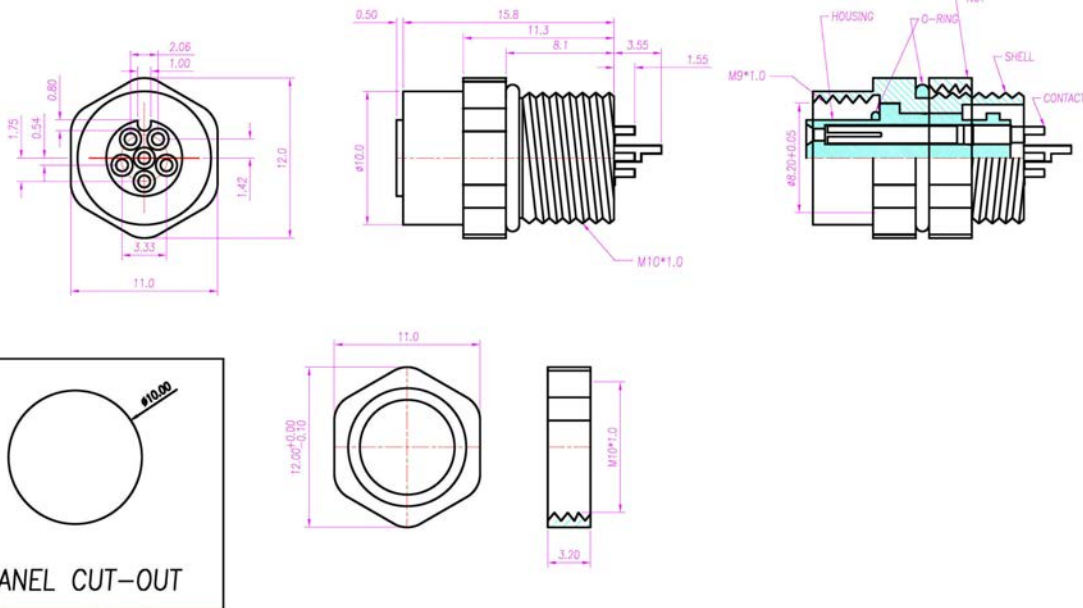
c. Under Plate: Nickel

Shell: Nickel Plated

Nut: Nickel Plated

*RoHS & REACH compliant.

Unit: mm



ORDERING INFORMATION:

P/N WPC $\frac{09}{1}$ $\frac{F}{2}$ - $\frac{06}{3}$ $\frac{PB}{4}$

- CONNECTOR LOCKING SYSTEM:
"09" SCREW M9* 1.0
- CONNECTOR TYPE:
"F" FEMALE (JACK)
- NO. OF CONTACTS:
06
- APPLICABLE TYPE:
"PB" PANEL REAR MOUNT TYPE

WATERPROOF M9 5P FEMALE CONNECTOR FRONT PANEL MOUNT SOLDER TYPE

SPECIFICATION

Rated Current: 5A

Voltage: 125V

Water proof: IPX7

Operating Temperature: -20°C ~ 85°C

* RoHS & REACH compliant.

MATERIALS

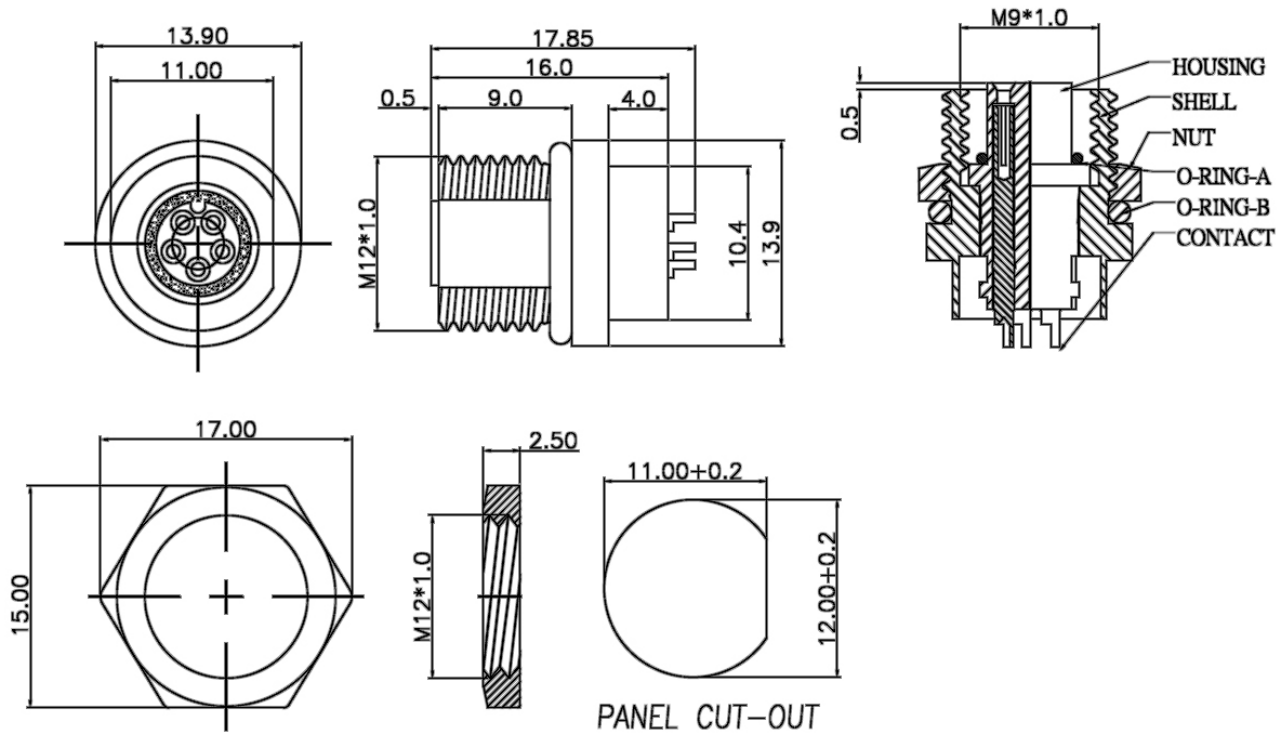
Housing: PBT, UL 94V-0, Black

Contact: Brass; 10 microinches min. Gold Plated under Nickel

Nut: Brass; Nickel plated 60u" ~ 100u" over all

O-Ring: NBR

Unit: mm



ORDERING INFORMATION:

P/N W P C 0 9 F - 0 5 P A

1. CONNECTOR LOCKING SYSTEM:
"09" SCREW M9*1.0
2. CONNECTOR TYPE:
"F" FEMALE (JACK)
3. NO. OF CONTACTS:
05
4. APPLICABLE TYPE:
"PA" FRONT PANEL MOUNT SOLDER TYPE

WATERPROOF M9 6P FEMALE CONNECTOR FRONT PANEL MOUNT SOLDER TYPE

SPECIFICATION

Current: 5A

Dielectric Strength: 5000V AC Min.

Insulation Resistance: 1000 Megaohms Min.

Operating Temperature: -20°C ~ 105°C

* RoHS & REACH compliant.

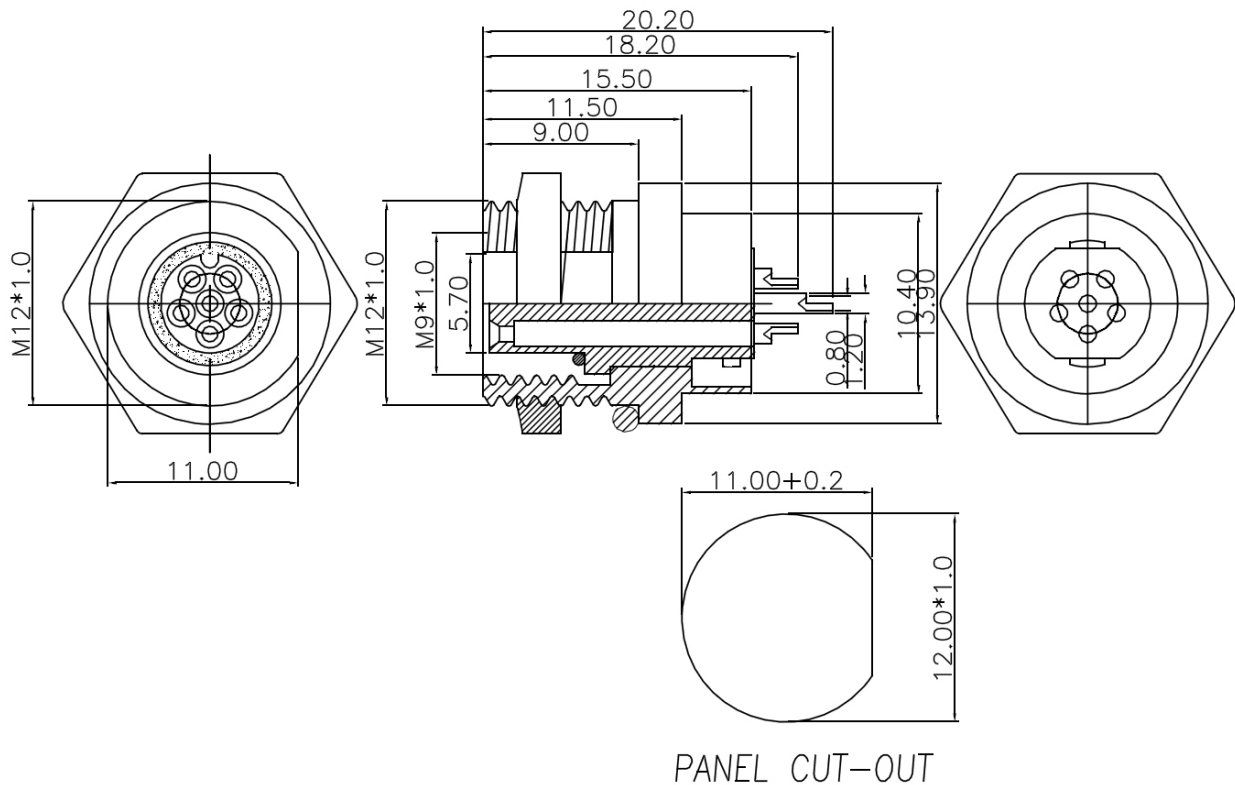
MATERIALS

Insulation: Thermoplastic, UL 94V-0, Black

Contact: Brass; Gold 10u"

Shell: Brass; Nickel 60u"

Unit: mm



ORDERING INFORMATION:

P/N WPC 09 F - 06 PC
1 2 3 4

1. CONNECTOR LOCKING SYSTEM:
"09" SCREW M9*1.0
2. CONNECTOR TYPE:
"F" FEMALE (JACK)
3. NO. OF CONTACTS:
06
4. APPLICABLE TYPE:
"PC" FRONT PANEL MOUNT SOLDER TYPE

WATERPROOF M9 5P MALE CONNECTOR CABLE SOLDER TYPE



SPECIFICATIONS

Rated Current: 5A

Operation Temperature: -40°C to 85°C

Voltage: 125V

Waterproof Test: IPX7

* RoHS & REACH compliant.

MATERIALS

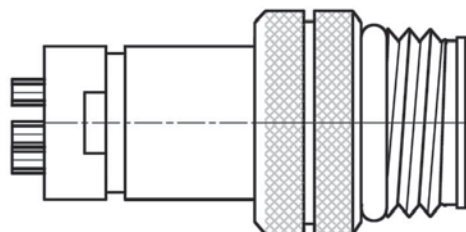
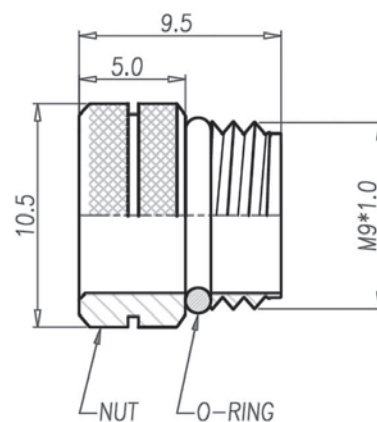
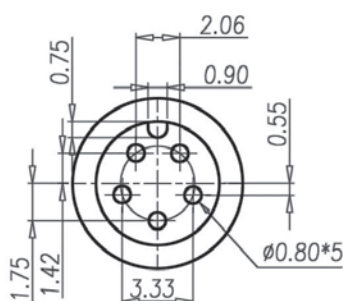
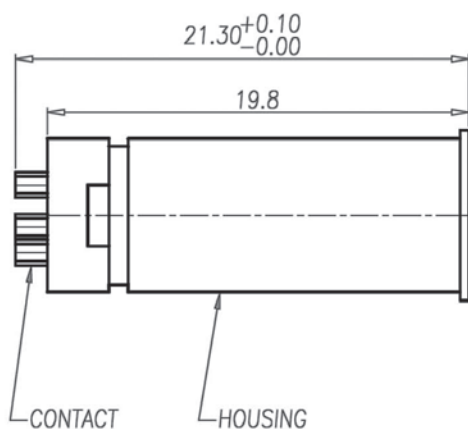
Housing: PBT, UL 94V-0

Contact: Brass; 10 microinches min. Gold plated under Nickel

Nut: Brass; Nickel plated 60u" ~ 100u" over all

O-Ring: NBR

Unit: mm



P/N WPC09M-05SA

ORDERING INFORMATION:

P/N W P C 0 9 M - 0 5 S A
1 2 3 4

1. CONNECTOR LOCKING SYSTEM:
"09" SCREW M9*1.0
2. CONNECTOR TYPE:
"M" MALE (PLUG)
3. NO. OF CONTACTS:
05
4. APPLICABLE TYPE:
"SA" SOLDER TYPE FOR CABLE ASSEMBLY

WATERPROOF M9 6P MALE CONNECTOR CABLE SOLDER TYPE



MATERIALS

Housing: PBT, UL 94V-0

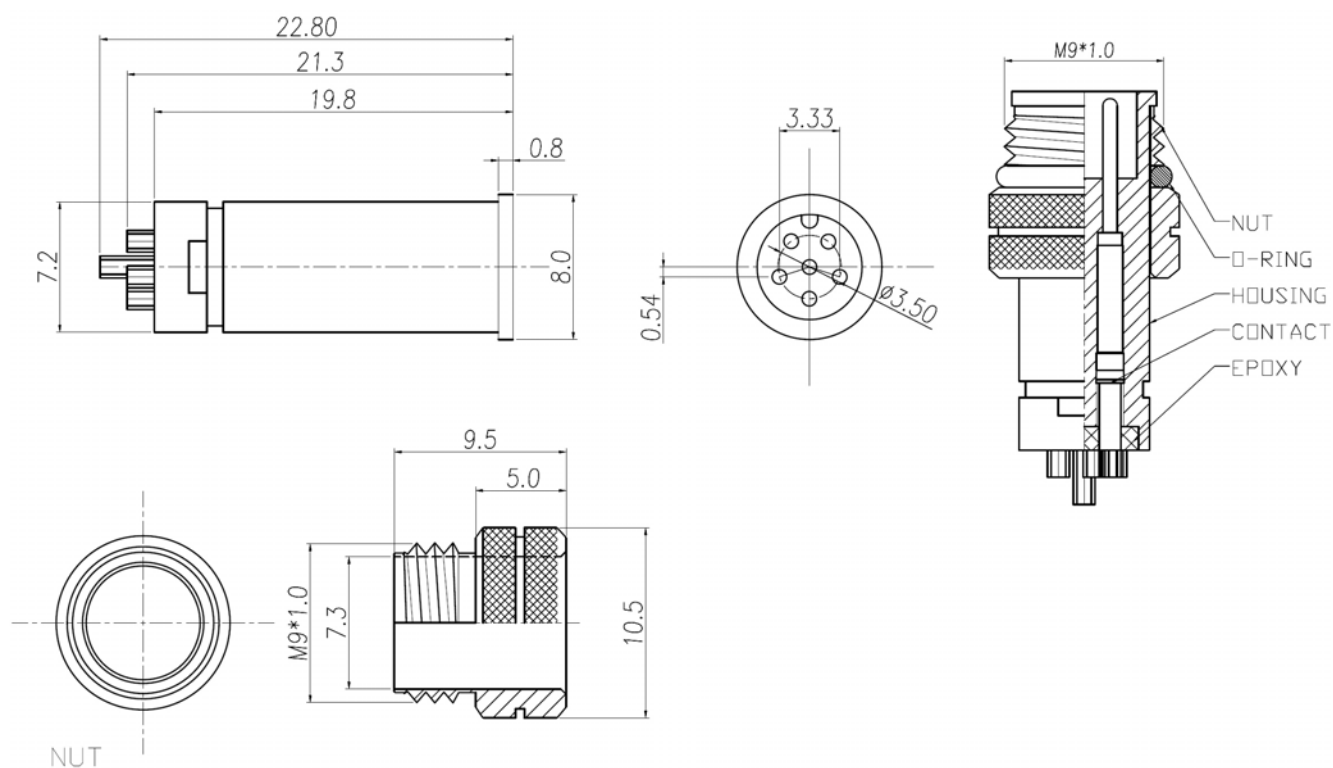
Contact: Brass; Gold Plating Over Nickel

Nut: Brass; Nickel Plated

Waterproof: IPX7

* RoHS & REACH compliant.

Unit: mm



ORDERING INFORMATION:

P/N W P C $\frac{09}{1}$ M - $\frac{06}{3}$ SA $\frac{4}{4}$

1. CONNECTOR LOCKING SYSTEM:
"09" SCREW M9*1.0
2. CONNECTOR TYPE:
"M" MALE (PLUG)
3. NO. OF CONTACTS:
06
4. APPLICABLE TYPE:
"SA" SOLDER TYPE FOR CABLE ASSEMBLY

WATERPROOF M9 6P MALE CONNECTOR PANEL MOUNT SOLDER TYPE



MATERIALS

Housing: PBT, UL 94V-0

Contact: Brass; Gold Plating Over Nickel

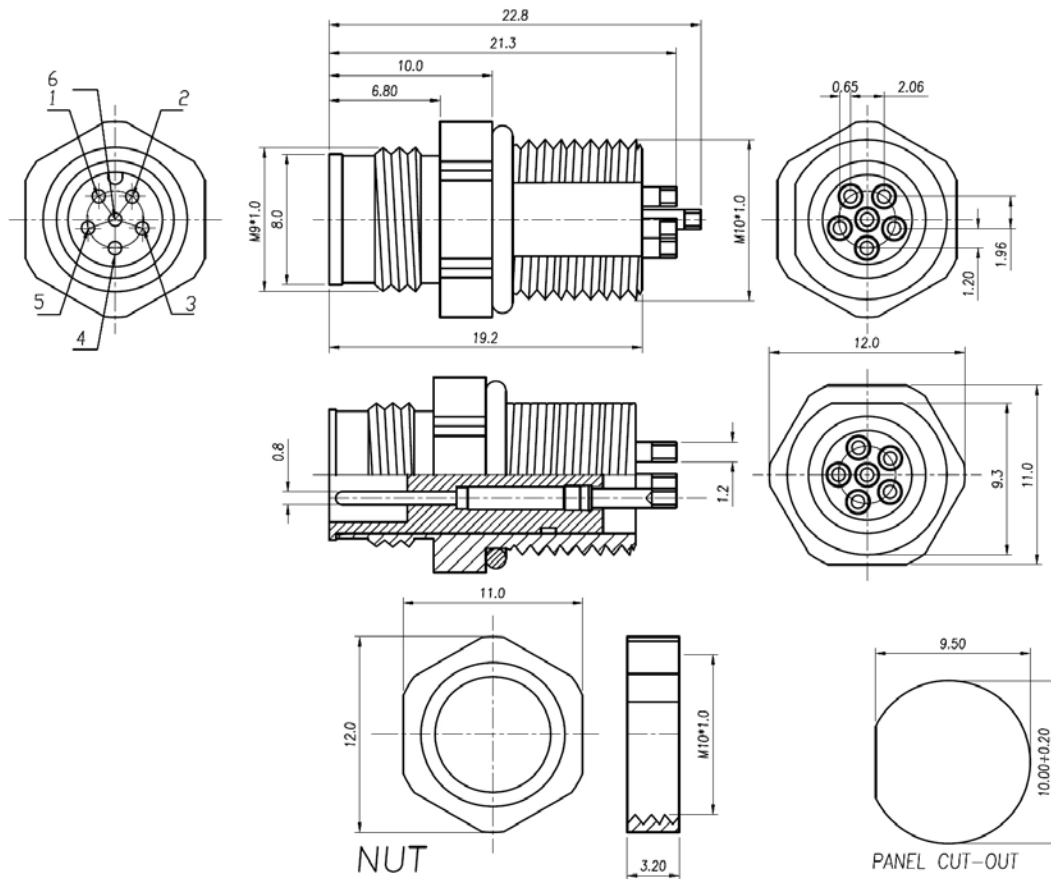
Shell: Brass; Nickel Plated

Nut: Brass; Nickel Plated

Waterproof: IPX7

* RoHS & REACH compliant.

Unit: mm



ORDERING INFORMATION:

P/N WPC $\frac{09}{1} \frac{M}{2} - \frac{06}{3} \frac{PA}{4}$

1. CONNECTOR LOCKING SYSTEM:
"09" SCREW M9*1.0
2. CONNECTOR TYPE:
"M" MALE (PLUG)
3. NO. OF CONTACTS:
06
4. APPLICABLE TYPE:
"PA" PANEL MOUNT SOLDER TYPE

WATERPROOF M9 6P MALE CONNECTOR PANEL MOUNT SOLDER TYPE



MATERIALS

Housing: PBT, UL 94V-0

Contact: Brass; Gold plated

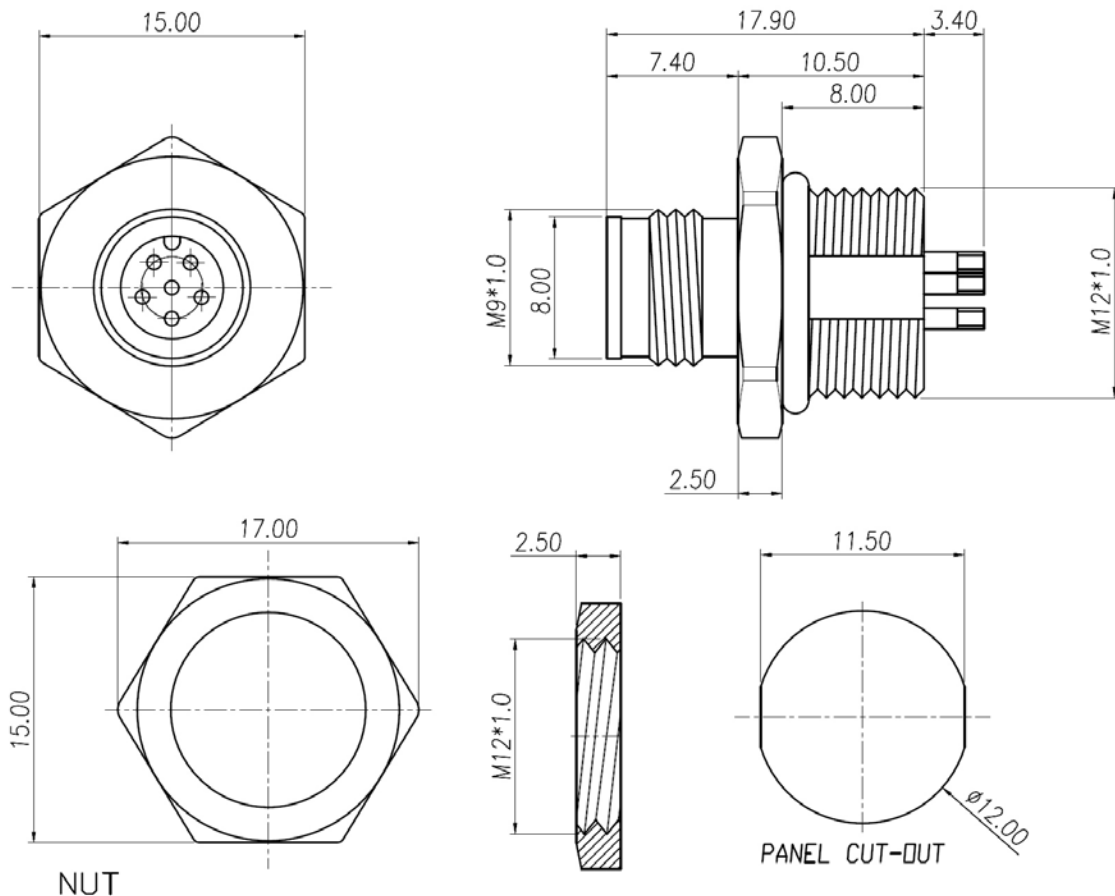
Shell: Brass; Nickel Plated

Nut: Brass; Nickel Plated

Waterproof: IPX7

* RoHS & REACH compliant.

Unit: mm



ORDERING INFORMATION:

P/N WPC $\frac{09}{1} \frac{M}{2} - \frac{06}{3} \frac{PB}{4}$

1. CONNECTOR LOCKING SYSTEM:
"09" SCREW M9*1.0
2. CONNECTOR TYPE:
"M" MALE (PLUG)
3. NO. OF CONTACTS:
06
4. APPLICABLE TYPE:
"PB" PANEL MOUNT SOLDER TYPE

WATERPROOF M9 6P MALE CONNECTOR PANEL MOUNT SOLDER TYPE



MATERIALS

Housing: PBT, UL 94V-0

Contact: Brass; Gold plated

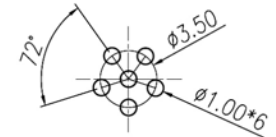
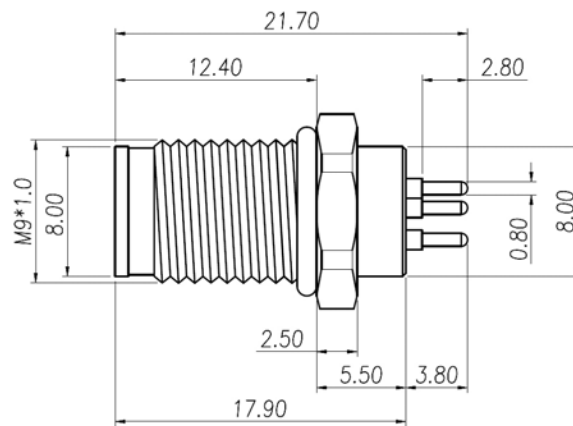
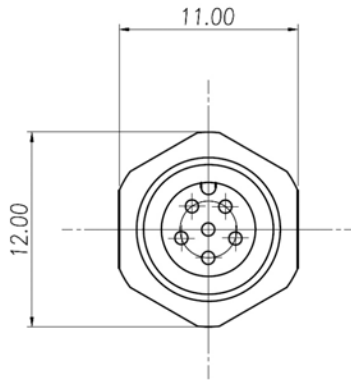
Shell: Brass; Nickel Plated

Nut: Brass; Nickel Plated

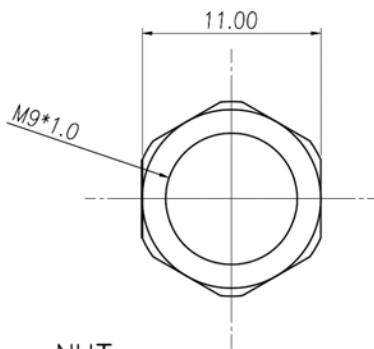
Waterproof: IPX7

* RoHS & REACH compliant.

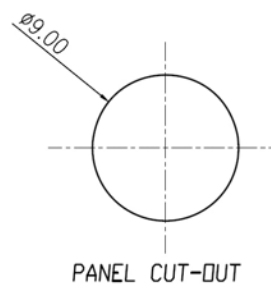
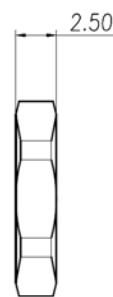
Unit: mm



RECOMMEND P.C.B LAYOUT



NUT



PANEL CUT-OUT

ORDERING INFORMATION:

P/N W P C $\frac{09}{1}$ $\frac{M}{2}$ - $\frac{06}{3}$ $\frac{DA}{4}$

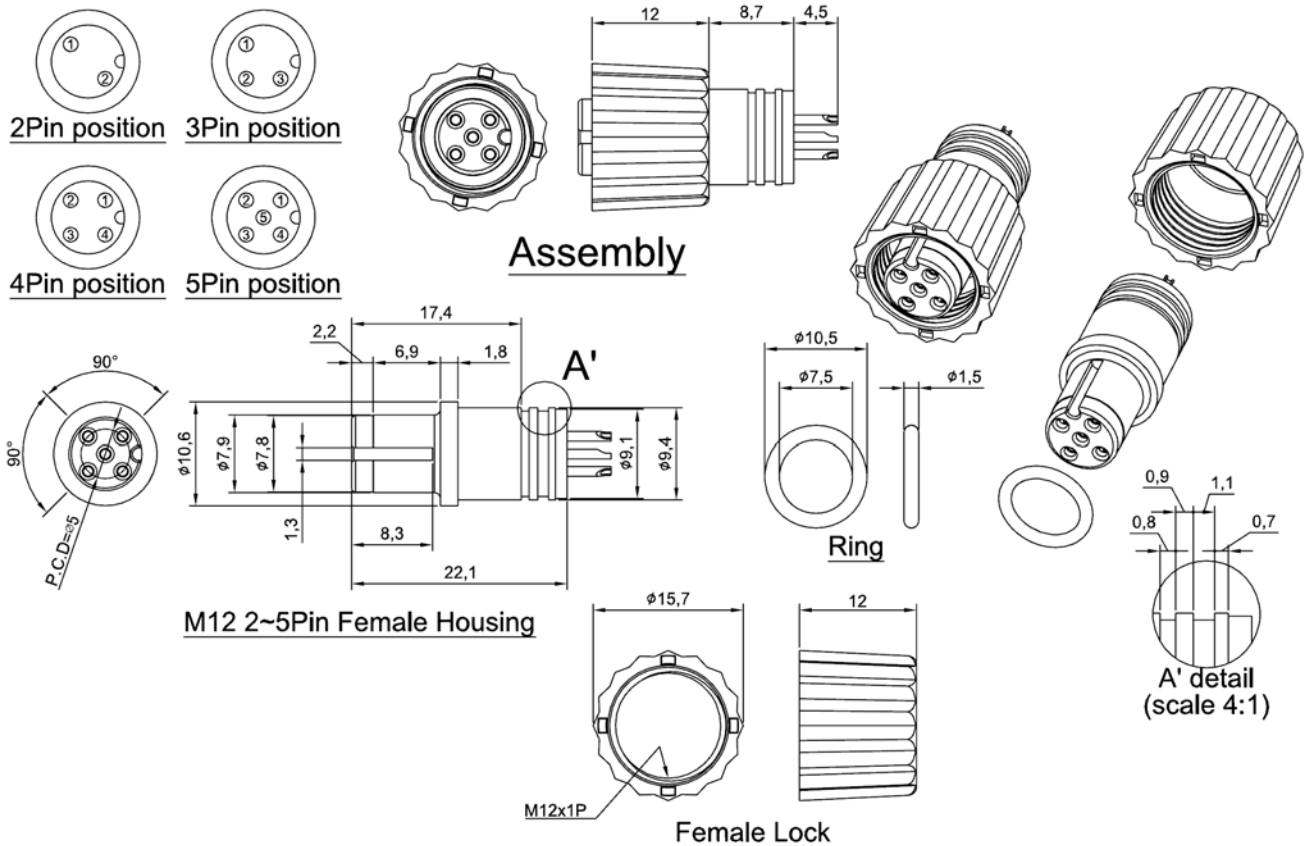
1. CONNECTOR LOCKING SYSTEM:
"09" SCREW M9*1.0
2. CONNECTOR TYPE:
"M" MALE (PLUG)
3. NO. OF CONTACTS:
06
4. APPLICABLE TYPE:
"DA" STRAIGHT DIP TYPE

WATERPROOF M12 2P~5P FEMALE CONNECTOR ALL PLASTIC CABLE ASSEMBLY TYPE



MATERIALS

Contact: Brass, gold plated 3u inch
Connector body: PA66+25%GF, Black
PA Lock: PA66+25%GF, Black
Ring: Sillica Gel, Orange
Current Rating: 3A
Waterproof Rating: IP67 and IP68
*** RoHS & REACH compliant.**
Unit: mm



ORDERING INFORMATION:

P/N W P C $\frac{1}{I}$ $\frac{2}{2}$ F - $\frac{x}{3}$ $\frac{A}{4}$ P

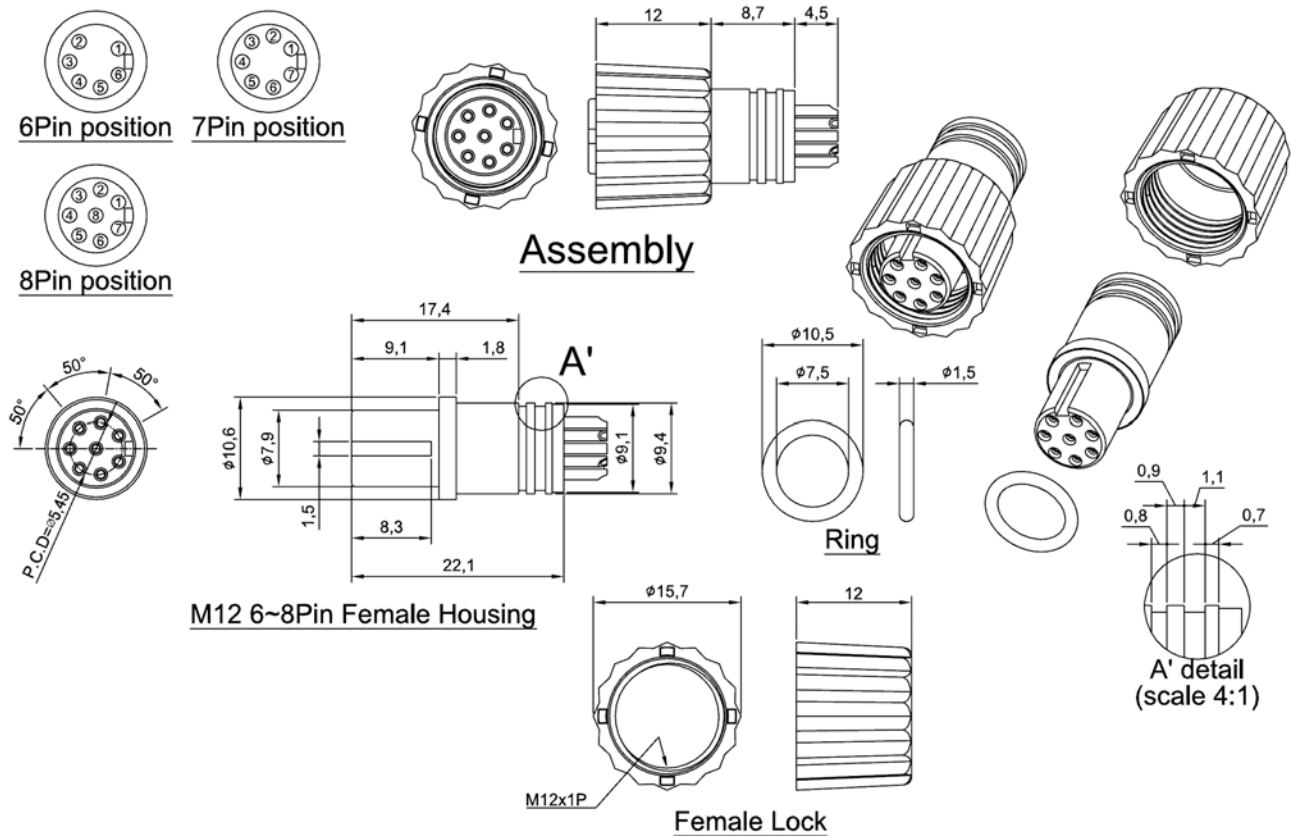
1. CONNECTOR LOCKING SYSTEM:
"12" SCREW M12*1.0
2. CONNECTOR TYPE:
"F" FEMALE (JACK)
3. NO. OF CONTACTS:
02, 03, 04, 05
4. APPLICABLE TYPE:
"AP" CABLE ASSEMBLY TYPE

WATERPROOF M12 6P~8P FEMALE CONNECTOR ALL PLASTIC CABLE ASSEMBLY TYPE



MATERIALS

Contact: Brass, gold plated 3u inch
Connector body: PA66+25%GF, Black
PA Lock: PA66+25%GF, Black
Ring: Sillica Gel, Orange
Current Rating: 2A
Waterproof Rating: IP67 and IP68
*** RoHS & REACH compliant.**
Unit: mm



ORDERING INFORMATION:

P/N W P C $\frac{1}{I}$ $\frac{2}{2}$ F - $\frac{x}{3}$ $\frac{x}{4}$ A P

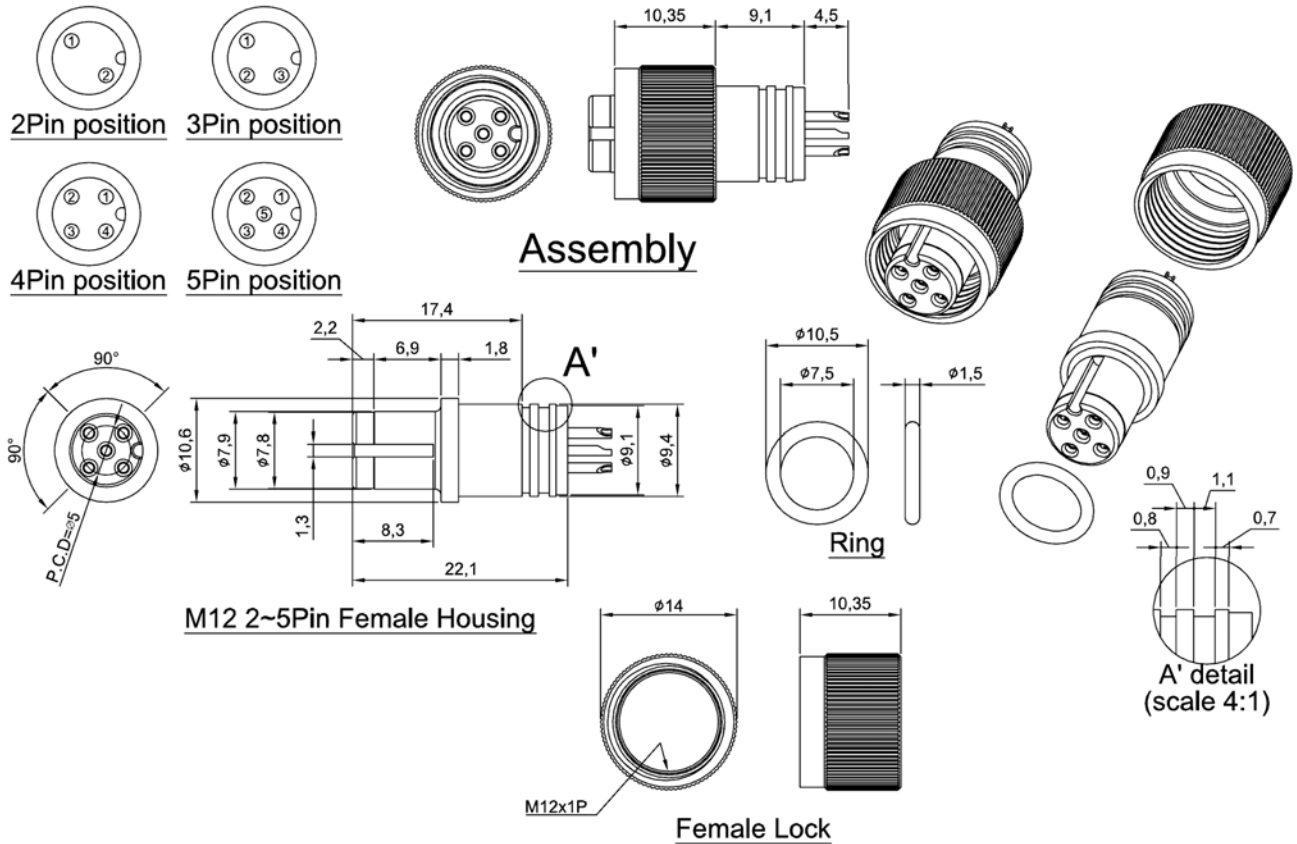
1. CONNECTOR LOCKING SYSTEM:
"12" SCREW M12*1.0
2. CONNECTOR TYPE:
"F" FEMALE (JACK)
3. NO. OF CONTACTS:
06, 07, 08
4. APPLICABLE TYPE:
"AP" CABLE ASSEMBLY TYPE

WATERPROOF M12 2P~5P FEMALE CONNECTOR CABLE ASSEMBLY TYPE



MATERIALS

Contact: Brass, gold plated 3u inch
Connector body: PA66+25%GF, Black
Brass Lock: Brass, Nickel plated
Ring: Sillica Gel, Orange
Current Rating: 2A
Waterproof Rating: IP67 and IP68
 * RoHS & REACH compliant.
Unit: mm



ORDERING INFORMATION:

P/N W P C $\frac{1}{I}$ $\frac{2}{2}$ F - $\frac{x}{3}$ $\frac{x}{4}$ A M

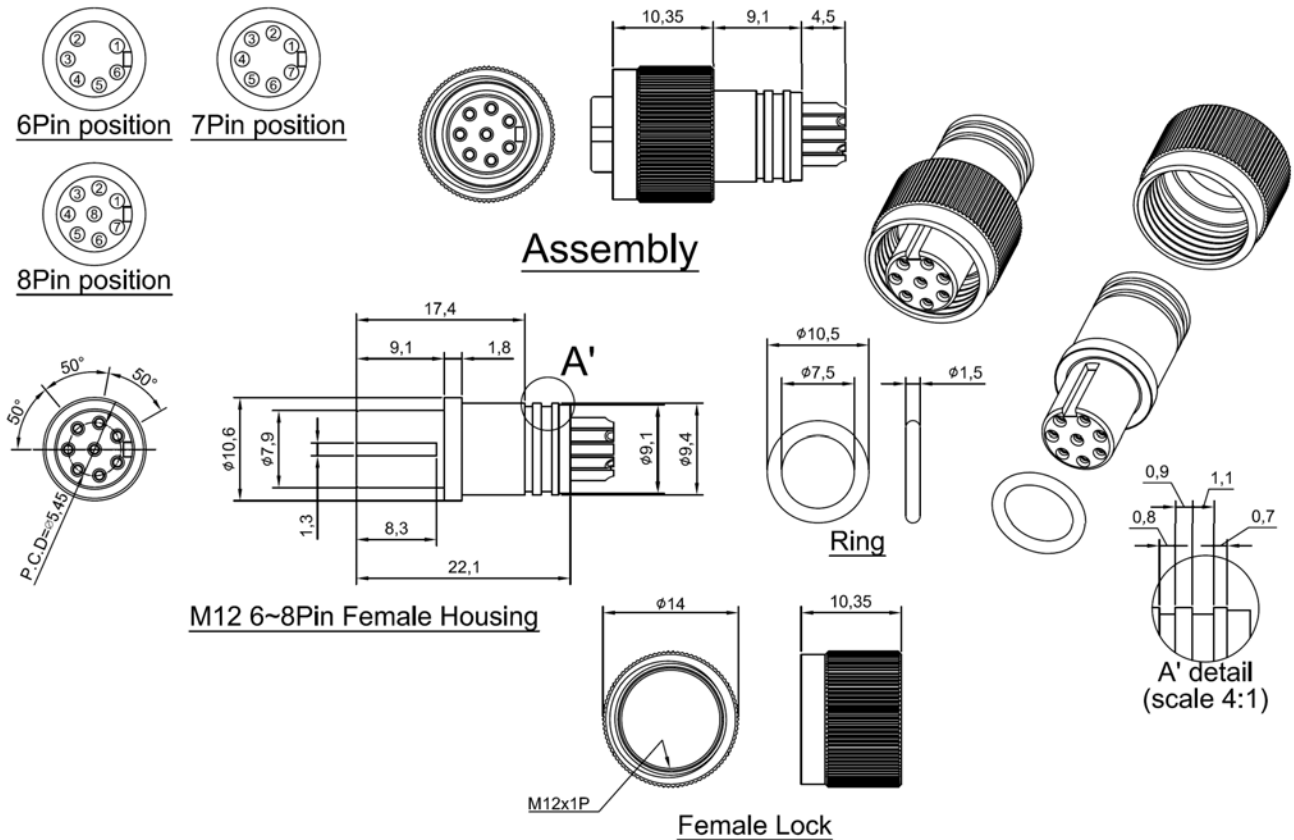
1. CONNECTOR LOCKING SYSTEM:
"12" SCREW M12*1.0
2. CONNECTOR TYPE:
"F" FEMALE (JACK)
3. NO. OF CONTACTS:
02, 03, 04, 05
4. APPLICABLE TYPE:
"AM" CABLE ASSEMBLY TYPE

WATERPROOF M12 6P~8P FEMALE CONNECTOR CABLE ASSEMBLY TYPE



MATERIALS

Contact: Brass, gold plated 3u inch
Connector body: PA66+25%GF, Black
Brass Lock: Brass, Nickel plated
Ring: Sillica Gel, Orange
Current Rating: 2A
Waterproof Rating: IP67 and IP68
*** RoHS & REACH compliant.**
Unit: mm



ORDERING INFORMATION:

P/N W P C $\frac{1}{I}$ $\frac{2}{2}$ $\frac{3}{3}$ $\frac{4}{4}$ F - x x A M

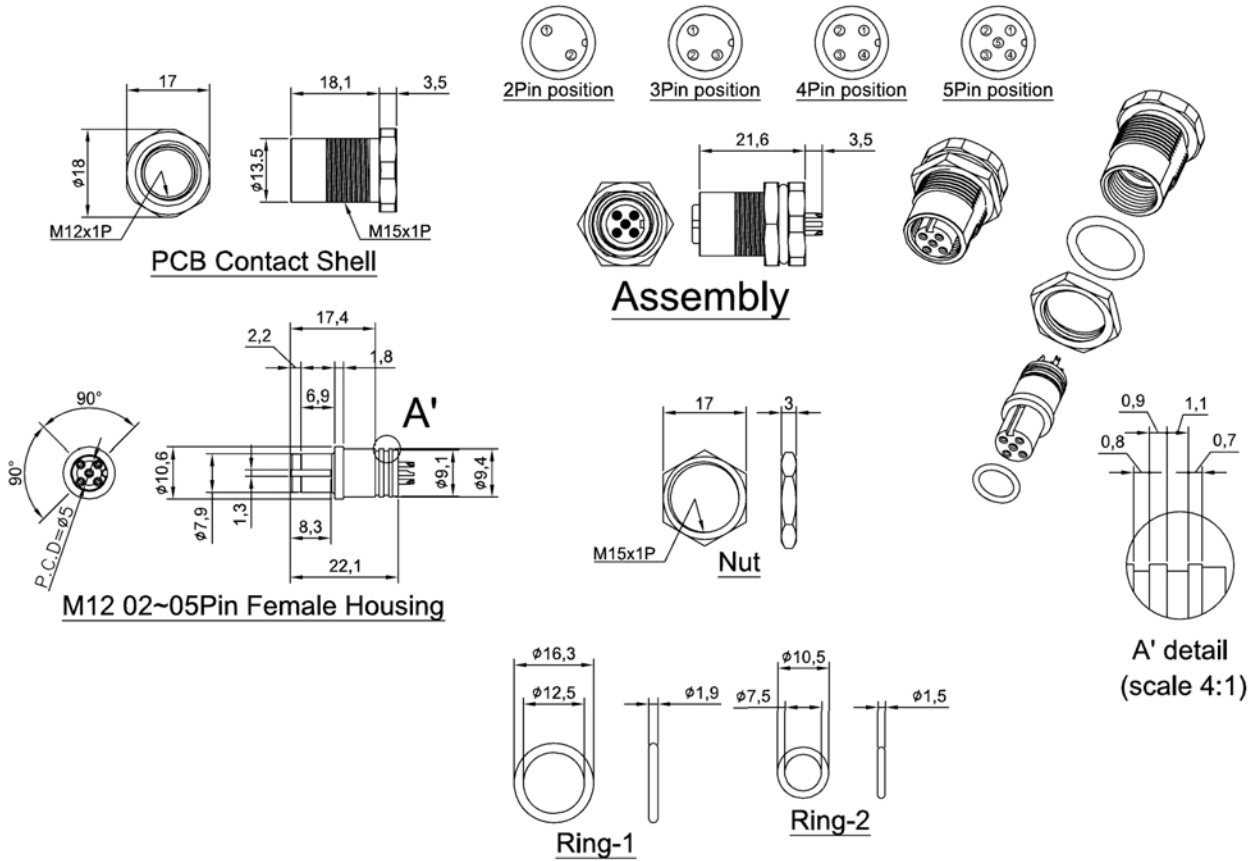
1. CONNECTOR LOCKING SYSTEM:
"12" SCREW M12*1.0
2. CONNECTOR TYPE:
"F" FEMALE (JACK)
3. NO. OF CONTACTS:
06, 07, 08
4. APPLICABLE TYPE:
"AM" CABLE ASSEMBLY TYPE

WATERPROOF M12 2P~5P FEMALE CONNECTOR FRONT PANEL MOUNT ASSEMBLY TYPE



MATERIALS

Contact: Brass, gold plated 3u inch
Connector body: PA66+25%GF, Black
Shell: Brass, Nickel plated
Ring: Sillica Gel, Orange
Ring: NBR, Black
Current Rating: 3A
Waterproof Rating: IP67 and IP68
*** RoHS & REACH compliant.**
Unit: mm



ORDERING INFORMATION:

P/N W P C $\frac{12}{1}$ F - $\frac{x}{2}$ $\frac{x}{3}$ $\frac{P}{4}$ G

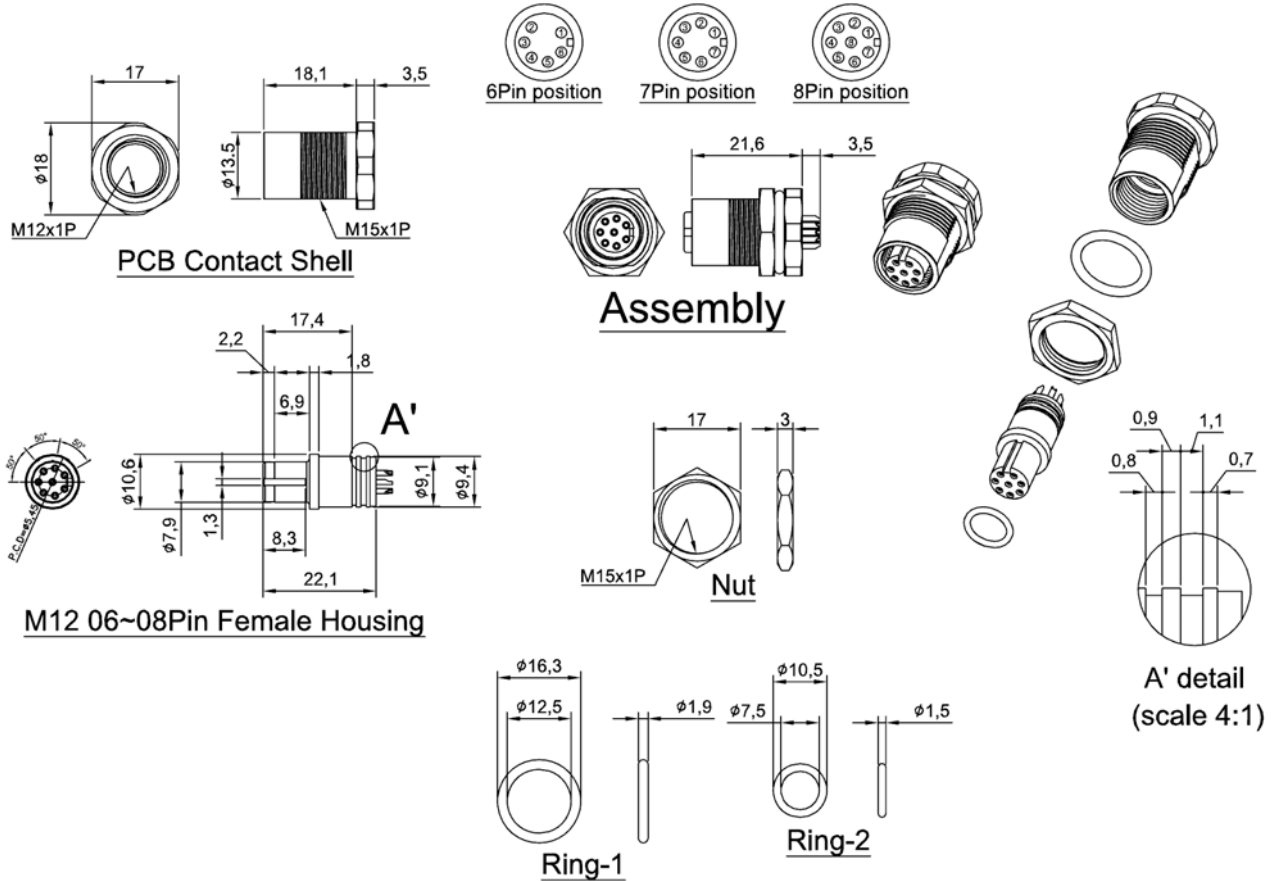
- CONNECTOR LOCKING SYSTEM:
"12" SCREW M12*1.0
- CONNECTOR TYPE:
"F" FEMALE (JACK)
- NO. OF CONTACTS:
02, 03, 04, 05
- APPLICABLE TYPE:
"PG" FRONT PANEL MOUNT ASSEMBLY TYPE

WATERPROOF M12 6P~8P FEMALE CONNECTOR FRONT PANEL MOUNT ASSEMBLY TYPE



MATERIALS

Contact: Brass, gold plated 3u inch
Connector body: PA66+25%GF, Black
Shell: Brass, Nickel plated
Ring: Sillica Gel, Orange
Ring: NBR, Black
Current Rating: 3A
Waterproof Rating: IP67 and IP68
*** RoHS & REACH compliant.**
Unit: mm



ORDERING INFORMATION:

P/N W P C $\frac{1}{I}$ $\frac{2}{2}$ F - $\frac{x}{3}$ $\frac{x}{4}$ P G

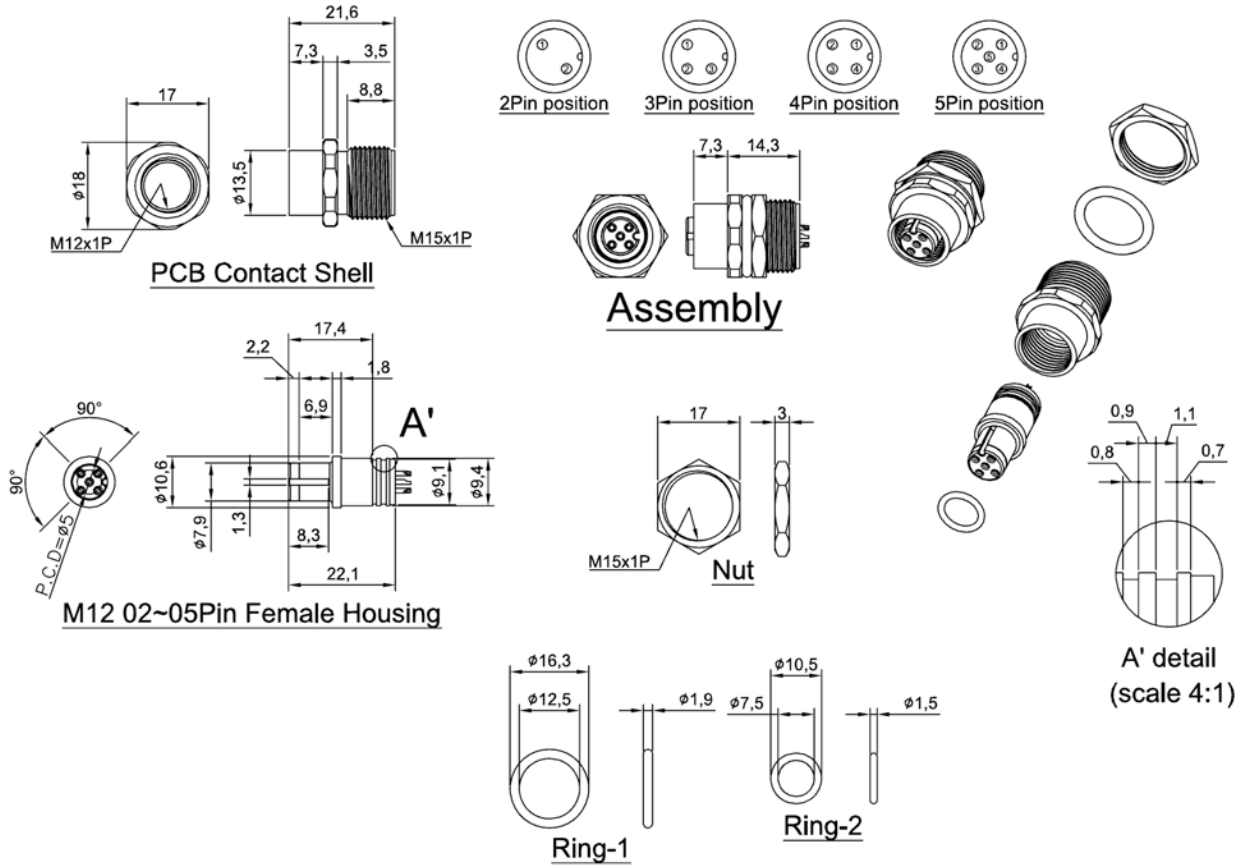
- CONNECTOR LOCKING SYSTEM:
"12" SCREW M12*1.0
- CONNECTOR TYPE:
"F" FEMALE (JACK)
- NO. OF CONTACTS:
06, 07, 08
- APPLICABLE TYPE:
"PG" FRONT PANEL MOUNT ASSEMBLY TYPE

WATERPROOF M12 2P~5P FEMALE CONNECTOR REAR PANEL MOUNT ASSEMBLY TYPE



MATERIALS

Contact: Brass, gold plated 3u inch
Connector body: PA66+25%GF, Black
Shell: Brass, Nickel plated
Ring: Sillica Gel, Orange
Ring: NBR, Black
Current Rating: 3A
Waterproof Rating: IP67 and IP68
*** RoHS & REACH compliant.**
Unit: mm



ORDERING INFORMATION:

P/N W P C $\frac{1}{I}$ $\frac{2}{2}$ F - $\frac{x}{3}$ $\frac{x}{4}$ P S

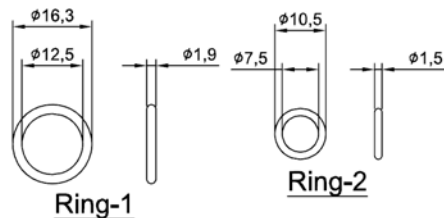
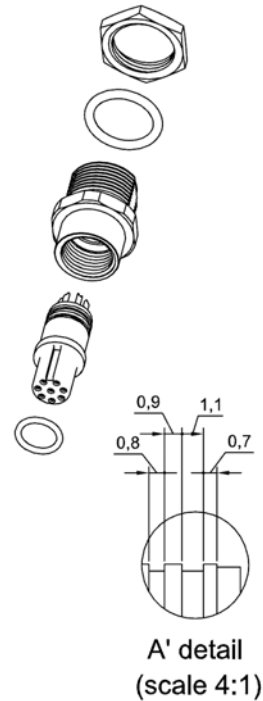
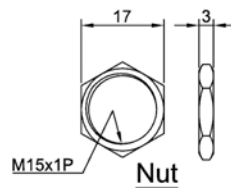
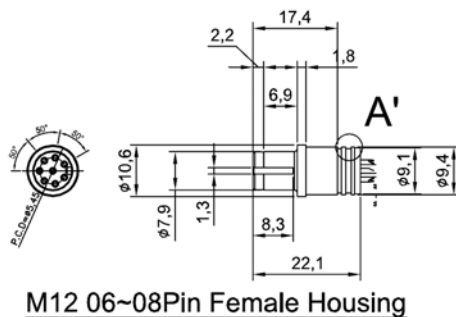
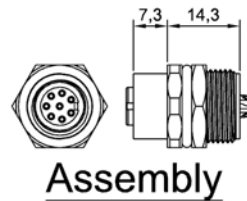
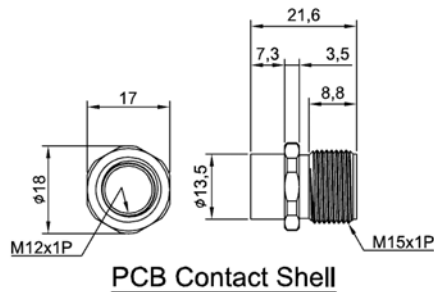
- CONNECTOR LOCKING SYSTEM:
"12" SCREW M12*1.0
- CONNECTOR TYPE:
"F" FEMALE (JACK)
- NO. OF CONTACTS:
02, 03, 04, 05
- APPLICABLE TYPE:
"PS" REAR PANEL MOUNT ASSEMBLY TYPE

WATERPROOF M12 6P~8P FEMALE CONNECTOR REAR PANEL MOUNT ASSEMBLY TYPE



MATERIALS

Contact: Brass, gold plated 3u inch
Connector body: PA66+25%GF, Black
Shell: Brass, Nickel plated
Ring: Sillica Gel, Orange
Ring: NBR, Black
Current Rating: 3A
Waterproof Rating: IP67 and IP68
*** RoHS & REACH compliant.**
Unit: mm



ORDERING INFORMATION:

P/N W P C $\frac{1}{I}$ $\frac{2}{2}$ F - $\frac{x}{3}$ $\frac{x}{4}$ P S

1. CONNECTOR LOCKING SYSTEM:
"12" SCREW M12*1.0
2. CONNECTOR TYPE:
"F" FEMALE (JACK)
3. NO. OF CONTACTS:
06, 07, 08
4. APPLICABLE TYPE:
"PS" REAR PANEL MOUNT ASSEMBLY TYPE

WATERPROOF M12 IP67 & IP68 RATED FEMALE LOCK CAP



MATERIALS

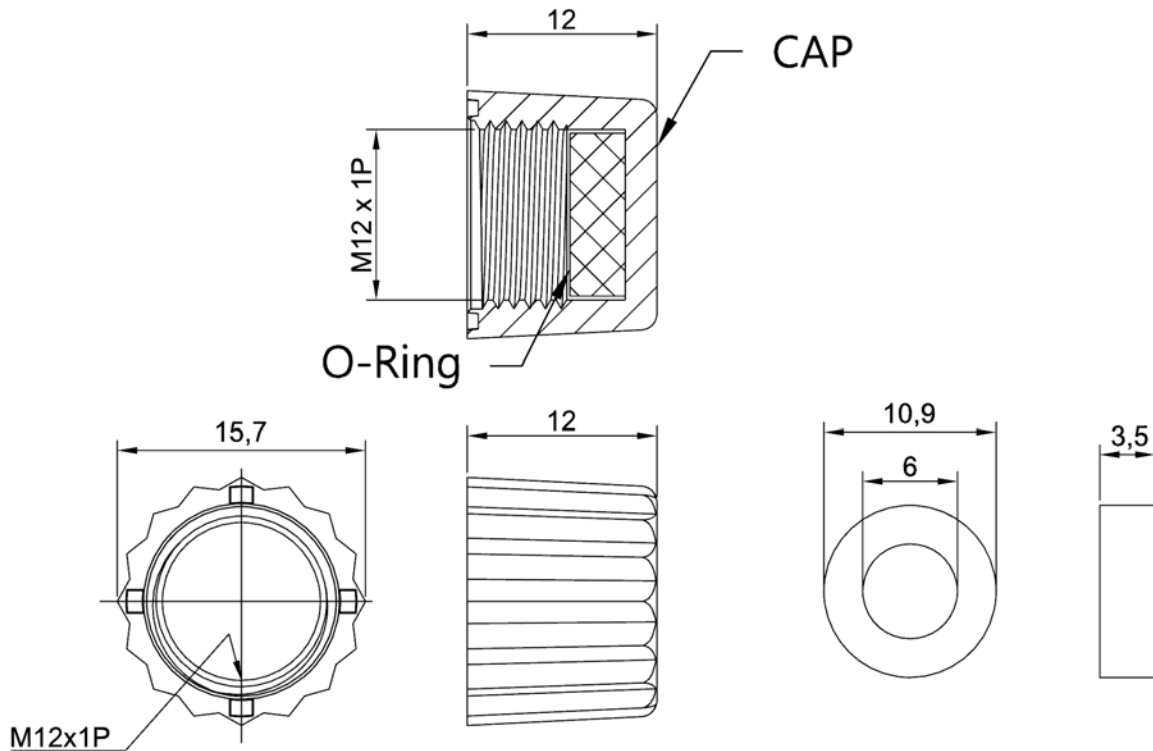
CAP: PA66+25%GF, Black

O-Ring: Silica Gel, Orange

Waterproof Rating: IP67 and IP68

* RoHS & REACH compliant.

Unit: mm



Female Lock Cap

ORDERING INFORMATION:

P/N WPC12F-CAP

WATERPROOF M12 3P FEMALE CONNECTOR ASSEMBLY TYPE

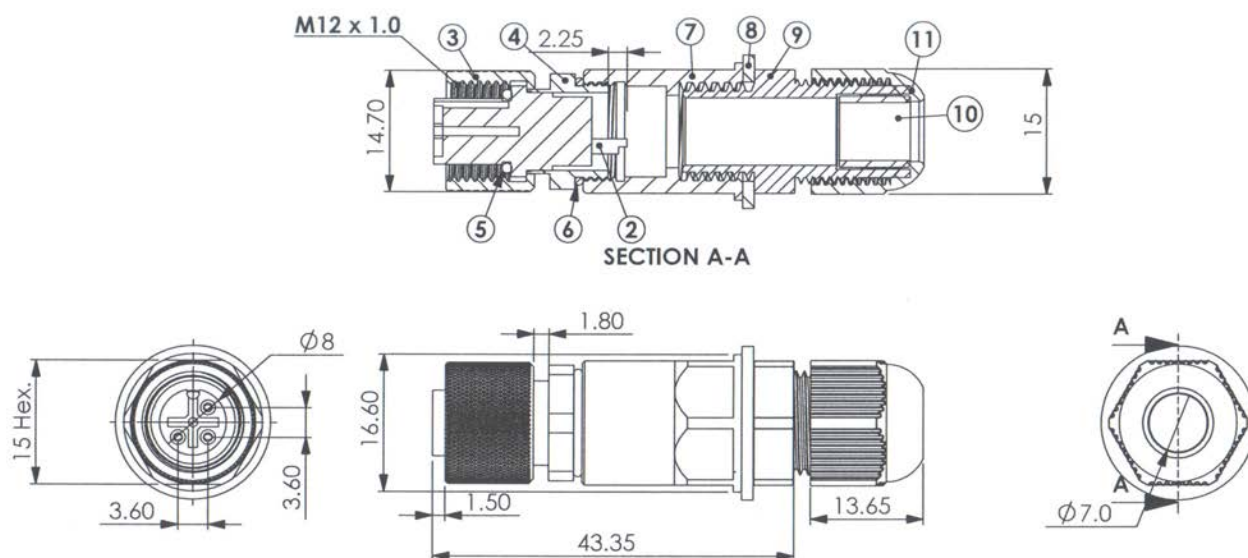


SPECIFICATIONS

Current: 2A
Operation Temperature: -20°C to 105°C
Insulation Resistance: 1000MΩ min.
Dielectric Strength: 500V AC min.
Waterproof Test:
 Reference to IEC 60529 Edition
 2.1: 2001-02-IP67
All materials must be RoHS compliant.

MATERIALS

Terminal: Brass, Gold Plated
Housing: Thermoplastic, UL 94V-0
Shield Cover: Brass, Nickel Plated
Screw Cap: Brass, Nickel Plated
Housing Holder: Brass Nickel Plated
O-Ring: NBR
Rubber Ring: NBR
WP cable Holder: NBR or PA66
Unit: mm



ORDERING INFORMATION:

P/N W P C $\frac{1}{1}$ $\frac{2}{2}$ $\frac{F}{3}$ $\frac{03}{4}$ $\frac{AS}{4}$

1. CONNECTOR LOCKING SYSTEM:
"12" SCREW M12*1.0
2. CONNECTOR TYPE:
"F" FEMALE (JACK)
3. NO. OF CONTACTS:
03
4. APPLICABLE TYPE:
"AS" CABLE ASSEMBLY TYPE

WATERPROOF M12 4P FEMALE CONNECTOR ASSEMBLY TYPE

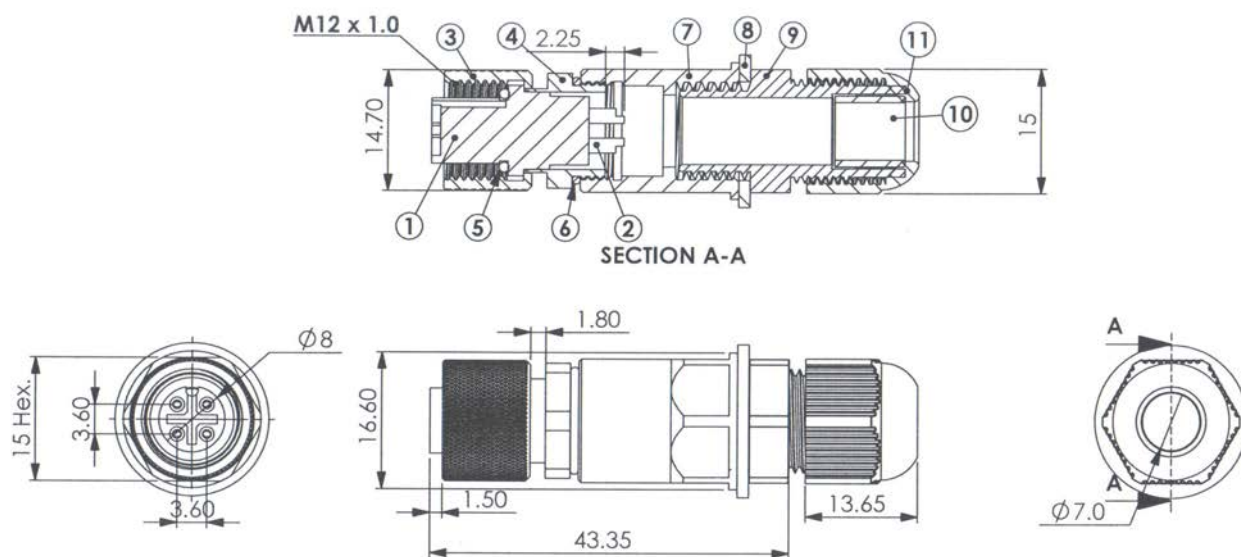


SPECIFICATIONS

Current: 2A
Operation Temperature: -20°C to 105°C
Insulation Resistance: 1000MΩ min.
Dielectric Strength: 500V AC min.
Waterproof Test:
 Reference to IEC 60529 Edition
 2.1: 2001-02-IP67
All materials must be RoHS compliant.

MATERIALS

Terminal: Brass, Gold Plated
Housing: Thermoplastic, UL 94V-0
Shield Cover: Brass, Nickel Plated
Screw Cap: Brass, Nickel Plated
Housing Holder: Brass Nickel Plated
O-Ring: NBR
Rubber Ring: NBR
WP cable Holder: NBR or PA66
Unit: mm



ORDERING INFORMATION:

P/N W P C $\frac{1}{1}$ $\frac{2}{2}$ $\frac{3}{3}$ $\frac{4}{4}$ A S

1. CONNECTOR LOCKING SYSTEM:
"12" SCREW M12*1.0
2. CONNECTOR TYPE:
"F" FEMALE (JACK)
3. NO. OF CONTACTS:
04
4. APPLICABLE TYPE:
"AS" CABLE ASSEMBLY TYPE

WATERPROOF M12 5P FEMALE CONNECTOR ASSEMBLY TYPE

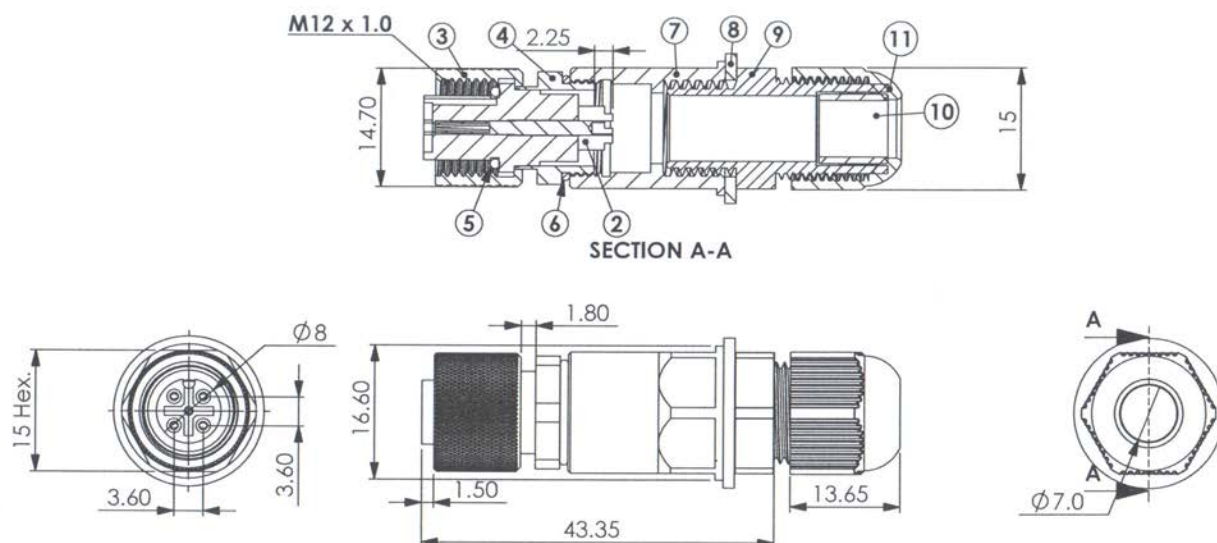


SPECIFICATIONS

Current: 2A
Operation Temperature: -20°C to 105°C
Insulation Resistance: 1000MΩ min.
Dielectric Strength: 500V AC min.
Waterproof Test:
 Reference to IEC 60529 Edition
 2.1: 2001-02-IP67
All materials must be RoHS compliant.

MATERIALS

Terminal: Brass, Gold Plated
Housing: Thermoplastic, UL 94V-0
Shield Cover: Brass, Nickel Plated
Screw Cap: Brass, Nickel Plated
Housing Holder: Brass Nickel Plated
O-Ring: NBR
Rubber Ring: NBR
WP cable Holder: NBR or PA66
Unit: mm



ORDERING INFORMATION:

P/N W P C $\frac{1}{1}$ $\frac{2}{2}$ $\frac{F}{3}$ $\frac{05}{4}$ $\frac{AS}{4}$

1. CONNECTOR LOCKING SYSTEM:
"12" SCREW M12*1.0
2. CONNECTOR TYPE:
"F" FEMALE (JACK)
3. NO. OF CONTACTS:
05
4. APPLICABLE TYPE:
"AS" CABLE ASSEMBLY TYPE

WATERPROOF M12 8P FEMALE CONNECTOR ASSEMBLY TYPE

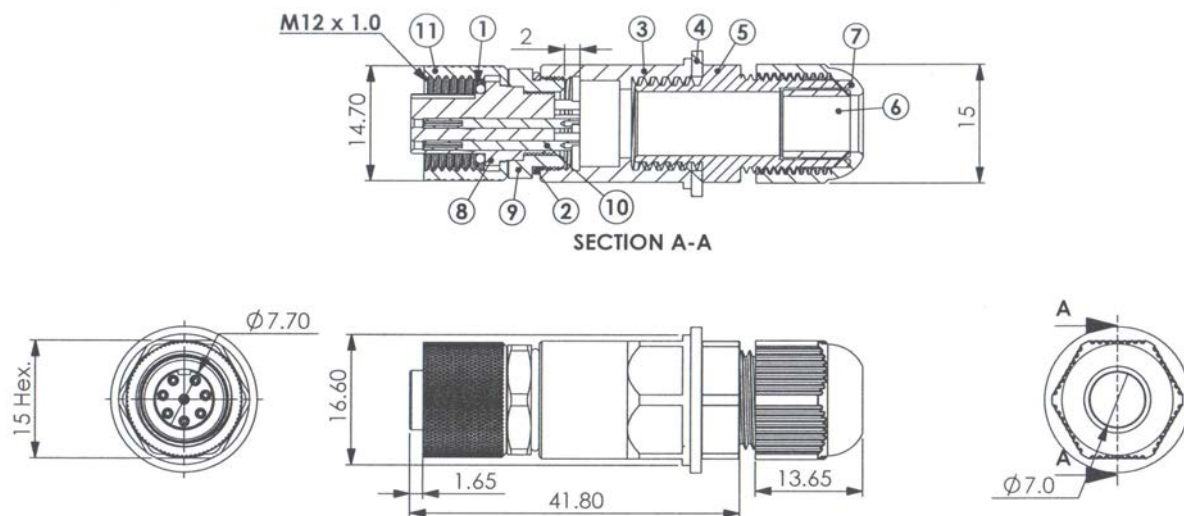


SPECIFICATIONS

Current: 2A
Operation Temperature: -20°C to 105°C
Insulation Resistance: 1000MΩ min.
Dielectric Strength: 500V AC min.
Waterproof Test:
 Reference to IEC 60529 Edition
 2.1: 2001-02-IP67
All materials must be RoHS compliant.

MATERIALS

Terminal: Brass, Gold Plated
Housing: Thermoplastic, UL 94V-0
Shield Cover: Brass, Nickel Plated
Screw Cap: Brass, Nickel Plated
Housing Holder: Brass Nickel Plated
O-Ring: NBR
Rubber Ring: NBR
WP cable Holder: NBR or PA66
Unit: mm



ORDERING INFORMATION:

P/N W P C $\frac{1}{1}$ $\frac{2}{2}$ $\frac{3}{3}$ $\frac{4}{4}$ F - 08 AS

1. CONNECTOR LOCKING SYSTEM:
"12" SCREW M12*1.0
2. CONNECTOR TYPE:
"F" FEMALE (JACK)
3. NO. OF CONTACTS:
08
4. APPLICABLE TYPE:
"AS" CABLE ASSEMBLY TYPE

WATERPROOF M12 4P FEMALE CONNECTOR D-CODED CABLE ASSEMBCY TYPE



SPECIFICATION:

1. Electrical Specification:

Rated Current: 5A
Rated Voltage: 125V
Water proof: IP67

2. Environmental:

Operating Temperature: -20°C ~ 85°C

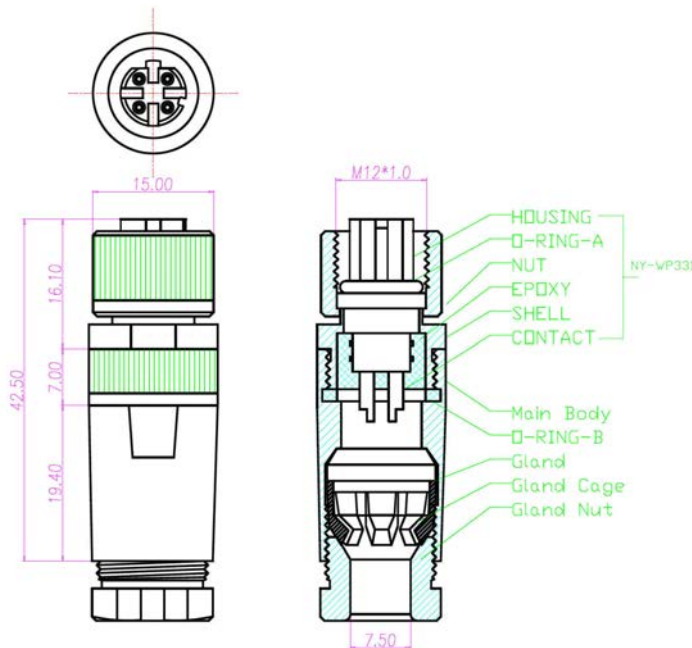
MATERIALS:

1. Material:

a. **Housing:** PBT UL94V-0; Color: Black.
b. **Contact:** Brass.
c. **Nut:** Aluminum Alloy.
d. **Shell:** Aluminum Alloy.
e. **O-Ring:** EPDM; Color: Black.
f. **Epoxy Base:** EF400A & EF400B. Color: Black.
Main Body: Aluminum Alloy.
Gland: Silicone Color: Black.
Gland Cage: POM Color: Black.
Gland Nut: Brass.

2. Finish:

a. **Contact:** Gold Flash Micro Inches Min.
Under Plate: Nickel.
b. **Nut:** Sating Ni Plated.
c. **Shell:** Sating Ni Plated.
Main Body: Sating Ni Plated.
Gland Nut: Sating Ni Plated.
***RoHS & REACH compliant.**
Unit: mm



ORDERING INFORMATION:

P/N W P C $\frac{1}{1}$ $\frac{2}{2}$ $\frac{3}{3}$ $\frac{4}{4}$ F - 04 AD

- CONNECTOR LOCKING SYSTEM:
"12" SCREW M12* 1.0
- CONNECTOR TYPE:
"F" FEMALE (JACK)
- NO. OF CONTACTS:
04
- APPLICABLE TYPE:
"AD" D-CODED CABLE ASSEMBLY TYPE

WATERPROOF M12 8P FEMALE CONNECTOR CABLE ASSEMBLY TYPE



MATERIALS

Housing: PBT, UL 94V-0

Contact: Brass; Gold Plating Over Nickel

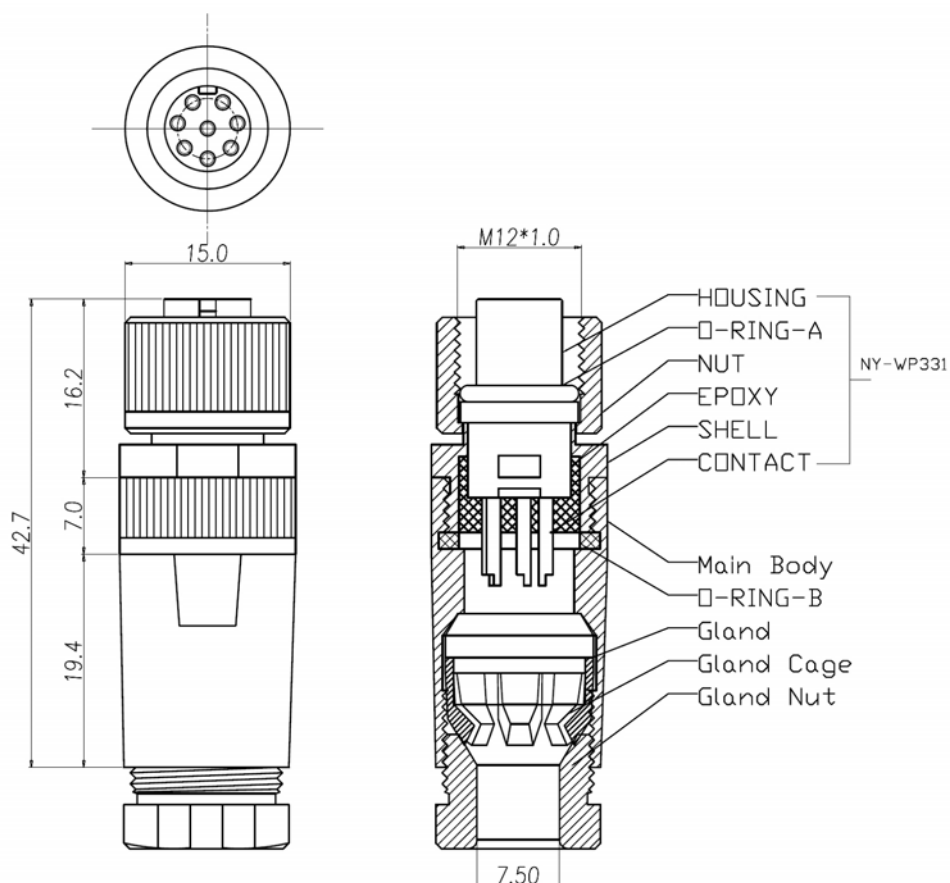
Shell: Aluminum Alloy; Nickel Plated

Nut: Aluminum Alloy; Nickel Plated

Waterproof: IPX7

* RoHS & REACH compliant.

Unit: mm



ORDERING INFORMATION:

P/N WPC $\frac{1}{1}$ $\frac{2}{2}$ $\frac{F}{3}$ - $\frac{08}{4}$ $\frac{AA}{4}$

1. CONNECTOR LOCKING SYSTEM:
"12" SCREW M12*1.0
2. CONNECTOR TYPE:
"F" FEMALE (JACK)
3. NO. OF CONTACTS:
04, 05, 08
4. APPLICABLE TYPE:
"AA" CABLE ASSEMBLY TYPE

WATERPROOF M12 12P FEMALE CONNECTOR CABLE ASSEMBLY TYPE



MATERIALS

Housing: PBT, UL 94V-0

Contact: Brass; Gold Plating Over Nickel

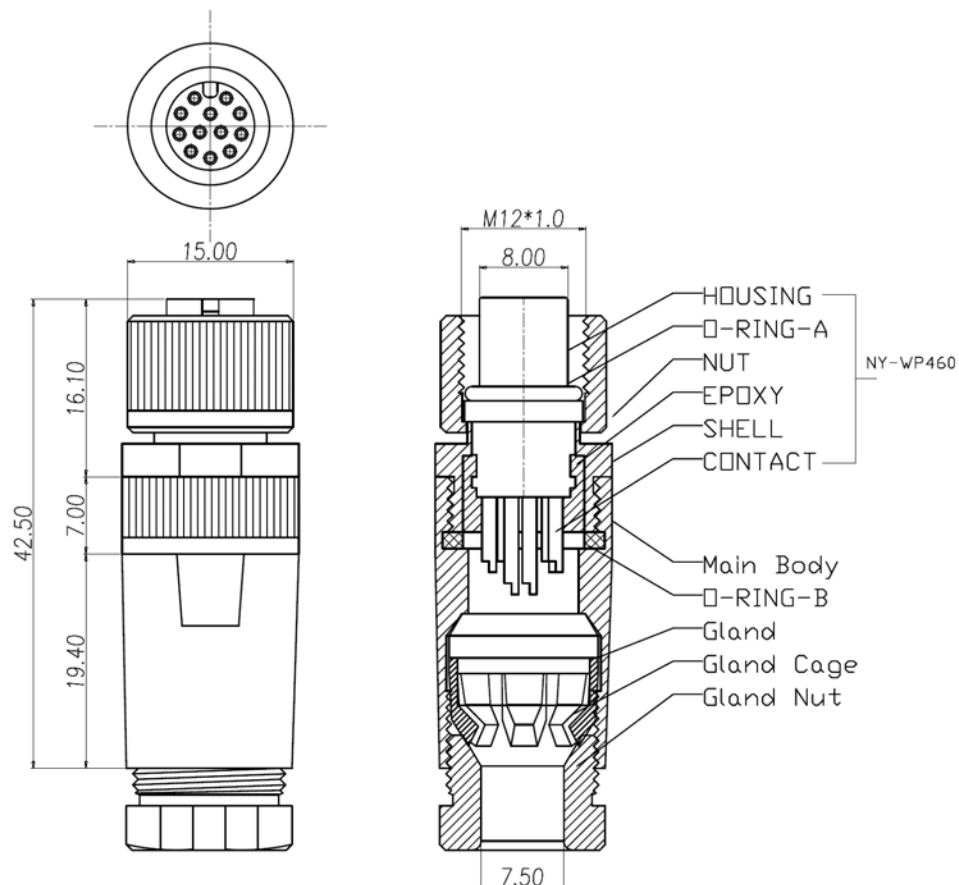
Shell: Aluminum Alloy; Nickel Plated

Nut: Aluminum Alloy; Nickel Plated

Waterproof: IPX7

* RoHS & REACH compliant.

Unit: mm



ORDERING INFORMATION:

P/N W P C $\frac{1}{1}$ $\frac{2}{2}$ F - $\frac{12}{3}$ $\frac{AA}{4}$

1. CONNECTOR LOCKING SYSTEM:
"12" SCREW M12*1.0
2. CONNECTOR TYPE:
"F" FEMALE (JACK)
3. NO. OF CONTACTS:
12
4. APPLICABLE TYPE:
"AA" CABLE ASSEMBLY TYPE

WATERPROOF M12 3P+4P+5P FEMALE CONNECTOR CABLE SOLDER TYPE WITH GROUNDING



MATERIALS

Housing: PBT, UL 94V-0

Contact: Brass; Gold Plating Over Nickel

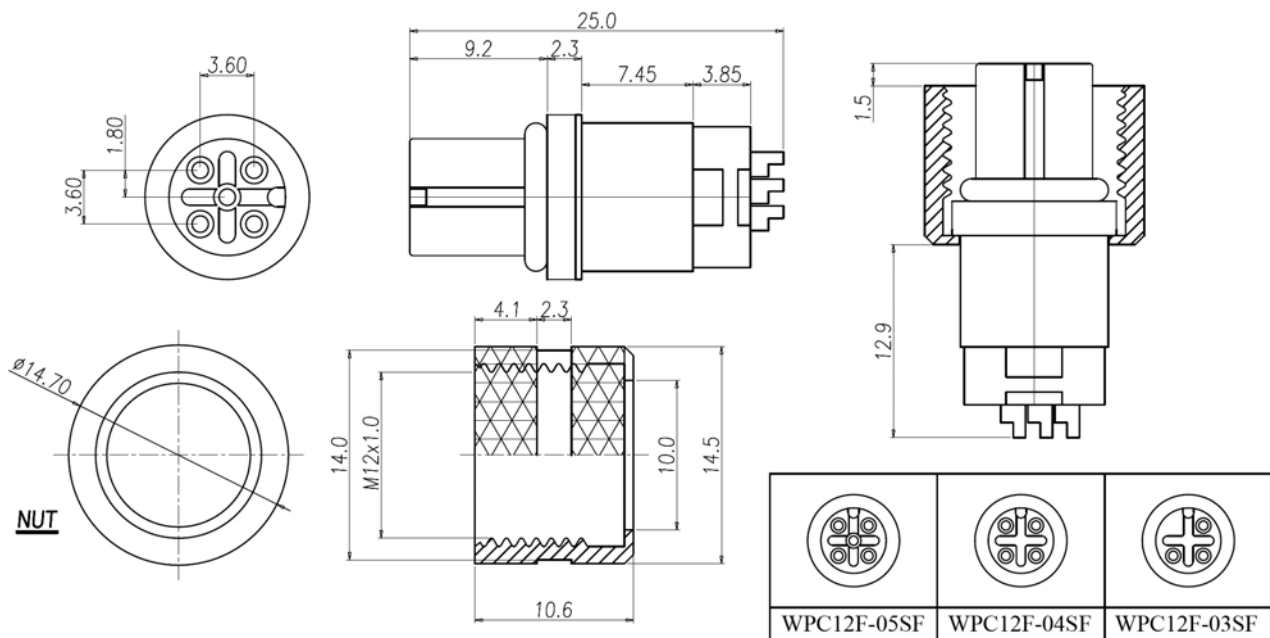
Shell: Brass; Nickel Plated

Nut: Brass; Nickel Plated

Waterproof: IPX7

* RoHS & REACH compliant.

Unit: mm



ORDERING INFORMATION:

P/N W P C $\frac{1}{I}$ $\frac{2}{2}$ $\frac{F}{3}$ $\frac{SF}{4}$

- CONNECTOR LOCKING SYSTEM:
"12" SCREW M12*1.0
- CONNECTOR TYPE:
"F" FEMALE (JACK)
- NO. OF CONTACTS:
03, 04, 05
- APPLICABLE TYPE:
"SF" SOLDER TYPE FOR CABLE ASSEMBLY WITH GROUNDING

WATERPROOF M12 3P+4P+5P FEMALE CONNECTOR B-CODED CABLE SOLDER TYPE



SPECIFICATION:

1. Electrical Specification:

Rated Current: 5A

Voltage: 125V

Water proof: IP67

2. Environmental:

Operating Temperature: -20°C ~ 85°C

MATERIALS:

1. Material:

Housing: PBT UL94V-0; Color: Black

Contact: Brass

Nut: Brass

O-Ring: EPDM; Color: Black(7.5*1.5)

2. Finish:

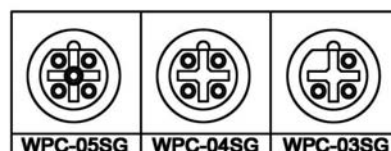
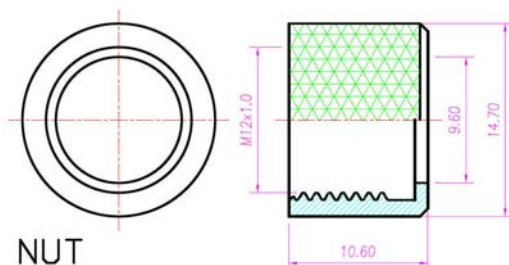
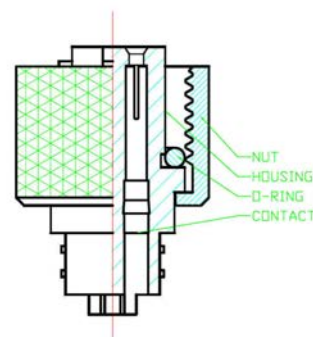
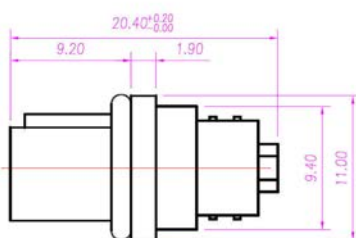
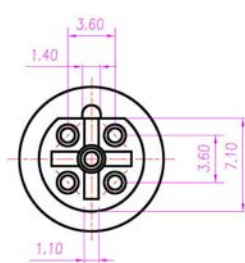
Contact: 10 Micro Inches Min. Gold Plated

Under Plate: Nickel

Nut: Nickel Plated 60u"~100u" Over All

*RoHS & REACH compliant.

Unit: mm



ORDERING INFORMATION:

P/N W P C $\frac{1}{1}$ $\frac{2}{2}$ F - $\frac{x}{3}$ $\frac{x}{4}$ S G

1. CONNECTOR LOCKING SYSTEM:

"12" SCREW M12* 1.0

2. CONNECTOR TYPE:

"F" FEMALE (JACK)

3. NO. OF CONTACTS:

03, 04, 05

4. APPLICABLE TYPE:

"SG" B-CODED CABLE SOLDER TYPE

WATERPROOF M12 3P+4P+5P FEMALE CONNECTOR D-CODED CABLE SOLDER TYPE WITH GROUNDING



SPECIFICATION:

1. Electrical Specification:

Rated Current: 5A
 Rated Voltage: 125V
 Water proof: IP67

2. Environmental:

Operating Temperature: -40°C ~ 85°C

MATERIALS:

1. Material:

Housing: TPU; Color: Black
 Contact: Brass
 Nut: Brass
 Shell: Brass
 O-Ring: EDPM; Color: Black
 Epoxy Base: EF400A & EF400B; Clork: Black

2. Finish:

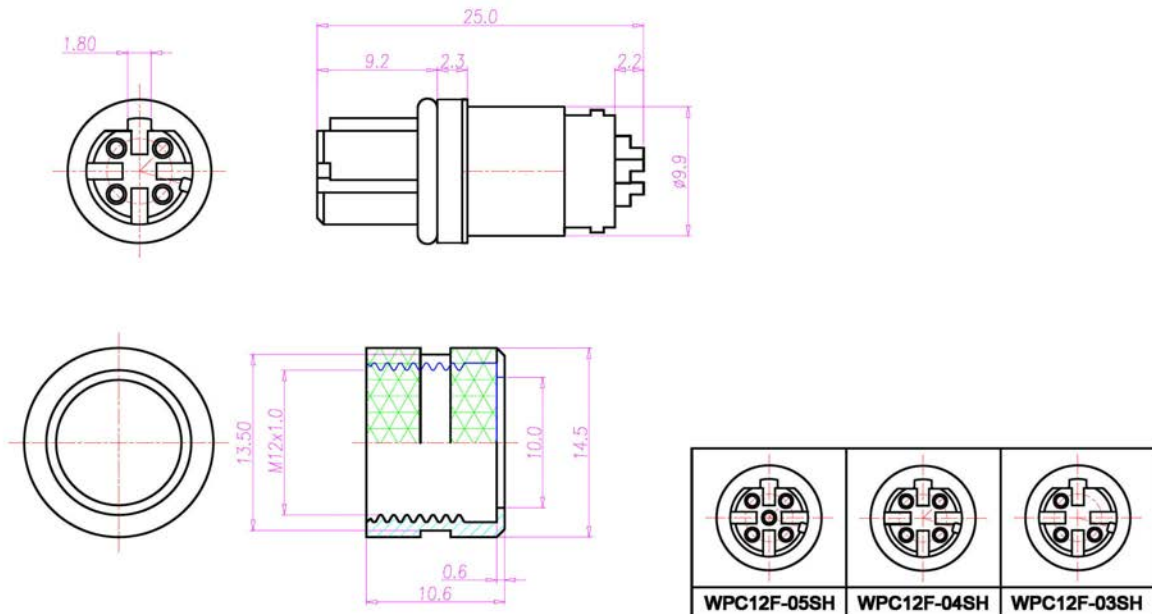
Contact: 10 Micro Inches Min. Gold Plated
 Under Plate: Nickel

Nut: Nickel Plated

Shell: Nickel Plated

*RoHS & REACH compliant.

Unit: mm



ORDERING INFORMATION:

P/N W P C $\frac{1}{1}$ $\frac{2}{2}$ $\frac{F}{3}$ - $\frac{x}{x}$ $\frac{S}{4}$ $\frac{H}{4}$

1. CONNECTOR LOCKING SYSTEM:
"12" SCREW M12* 1.0
2. CONNECTOR TYPE:
"F" FEMALE (JACK)
3. NO. OF CONTACTS:
03, 04, 05
4. APPLICABLE TYPE:
"SH" D-CODED CABLE SOLDER TYPE WITH GROUNDING

WATERPROOF M12 3P FEMALE CONNECTOR CABLE SOLDER TYPE



MATERIALS

Housing: PBT, UL 94V-0

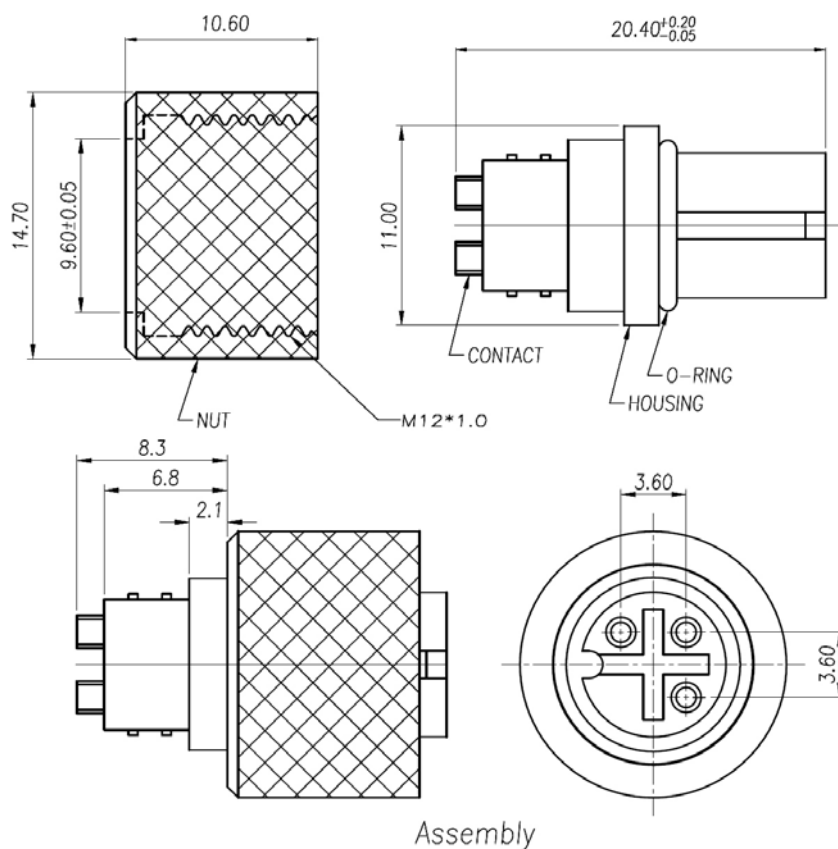
Contact: Brass; Gold Plating Over Nickel

Nut: Brass; Nickel Plated

Waterproof: IPX7

* RoHS & REACH compliant.

Unit: mm



ORDERING INFORMATION:

P/N W P C 1 2 3 4 F - 03 S B

1. CONNECTOR LOCKING SYSTEM:
"12" SCREW M12*1.0
2. CONNECTOR TYPE:
"F" FEMALE (JACK)
3. NO. OF CONTACTS:
03
4. APPLICABLE TYPE:
"SB" SOLDER TYPE

WATERPROOF M12 4P FEMALE CONNECTOR CABLE SOLDER TYPE



MATERIALS

Housing: TPU, UL 94V-0

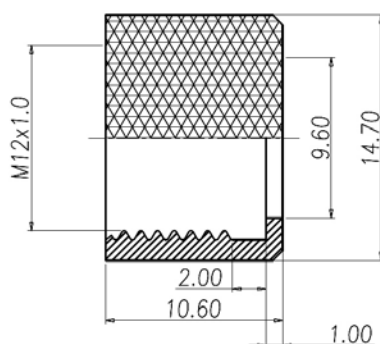
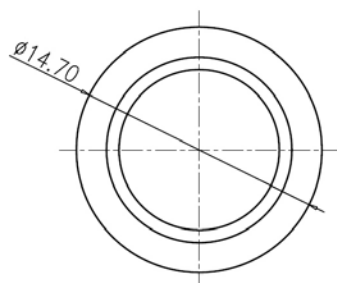
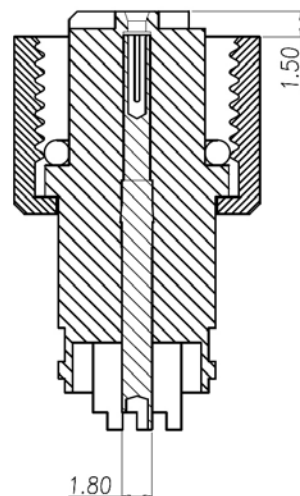
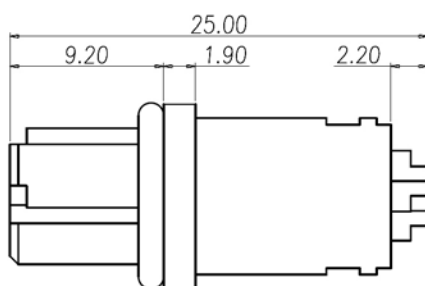
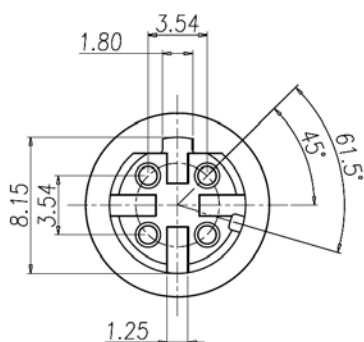
Contact: Brass; Gold Plating Over Nickel

Nut: Brass; Nickel Plated

Waterproof: IPX7

* RoHS & REACH compliant.

Unit: mm



NUT

ORDERING INFORMATION:

P/N W P C $\frac{1}{1}$ $\frac{2}{2}$ $\frac{3}{3}$ $\frac{4}{4}$ S C

1. CONNECTOR LOCKING SYSTEM:
"12" SCREW M12*1.0
2. CONNECTOR TYPE:
"F" FEMALE (JACK)
3. NO. OF CONTACTS:
04
4. APPLICABLE TYPE:
"SC" SOLDER TYPE FOR CABLE ASSEMBLY

WATERPROOF M12 5P FEMALE CONNECTOR SOLDER TYPE



SPECIFICATIONS

Rated Current: 5A

Operation Temperature: -20°C to 85°C

Voltage: 125V

Waterproof Test: IPX7

* RoHS & REACH compliant.

MATERIALS

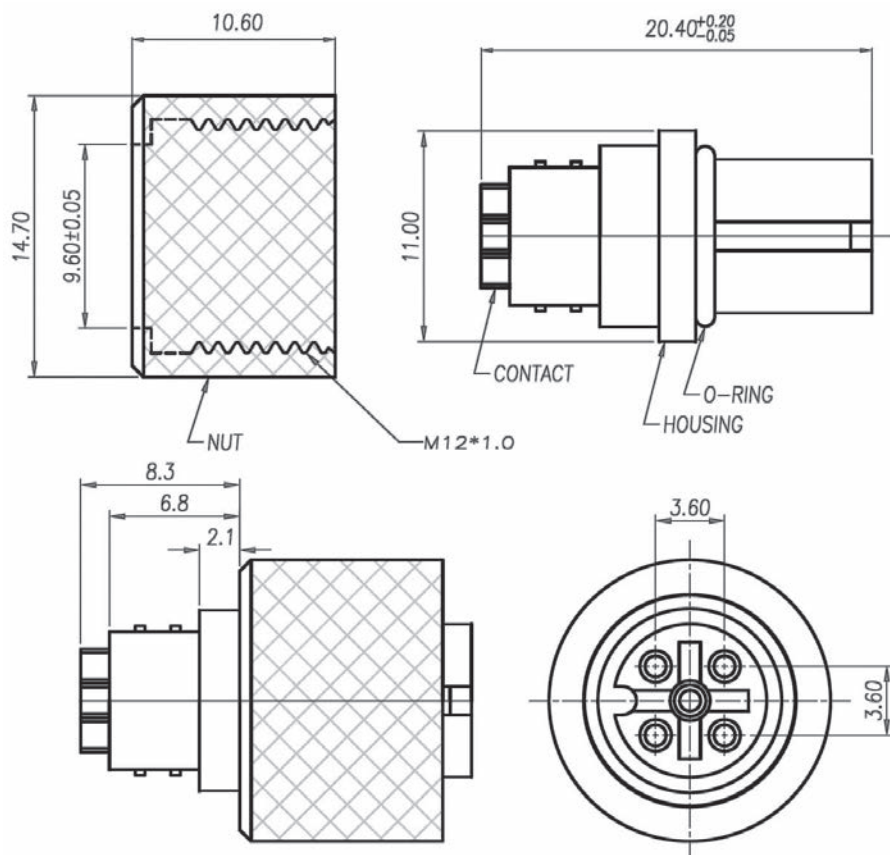
Housing: PBT, UL 94V-0

Contact: Brass

Nut: Brass; Nickel plated 60u" ~ 100u" over all

O-Ring: EPDM

Unit: mm



P/N WPC12F-05SDxx

ORDERING INFORMATION:

P/N W P C $\frac{1}{1}$ $\frac{2}{2}$ F - $\frac{0}{3}$ $\frac{5}{4}$ S D x x

1. CONNECTOR LOCKING SYSTEM:
"12" SCREW M12*1.0
2. CONNECTOR TYPE:
"F" FEMALE (JACK)
3. NO. OF CONTACTS:
05
4. CONTACT FINISH:
"SD01" GOLD FLASH PLATED
"SD10" 10 MICROINCH GOLD PLATED
"SDN1" 60 MICROINCH NICKEL PLATED

WATERPROOF M12 5P FEMALE CONNECTOR CABLE SOLDER TYPE



MATERIALS

Housing: PBT, UL 94V-0

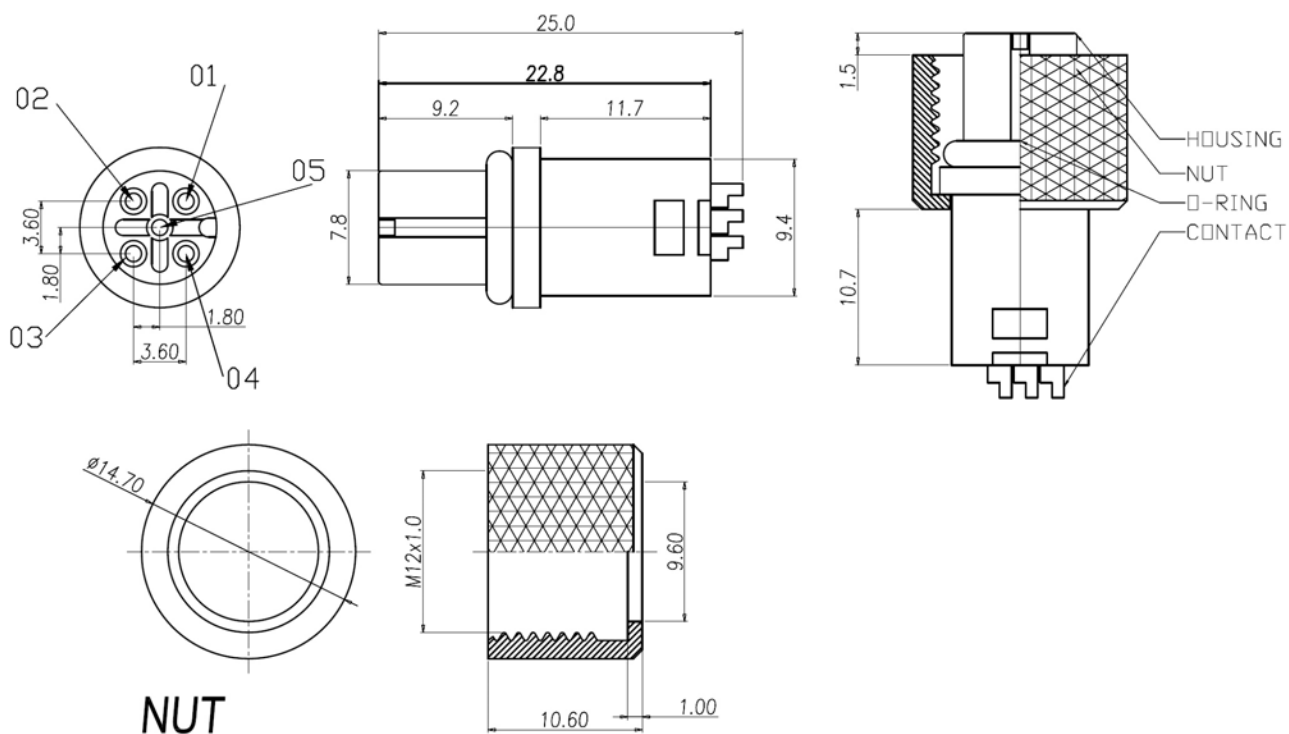
Contact: Brass; Gold Plating Over Nickel

Nut: Brass; Nickel Plated

Waterproof: IPX7

* RoHS & REACH compliant.

Unit: mm



ORDERING INFORMATION:

P/N W P C $\frac{1}{1}$ $\frac{2}{2}$ $\frac{3}{3}$ $\frac{4}{4}$ F - 05 S E

1. CONNECTOR LOCKING SYSTEM:
"12" SCREW M12*1.0
2. CONNECTOR TYPE:
"F" FEMALE (JACK)
3. NO. OF CONTACTS:
05
4. APPLICABLE TYPE:
"SE" SOLDER TYPE FOR CABLE ASSEMBLY

WATERPROOF M12 6P FEMALE CONNECTOR CABLE SOLDER TYPE



SPECIFICATION:

1. Electrical Specification:

Rated Current: 5A
Rated Voltage: 125V
Water proof: IP67

2. Environmental:

Operating Temperature: -40°C ~ 85°C

MATERIALS:

1. Material:

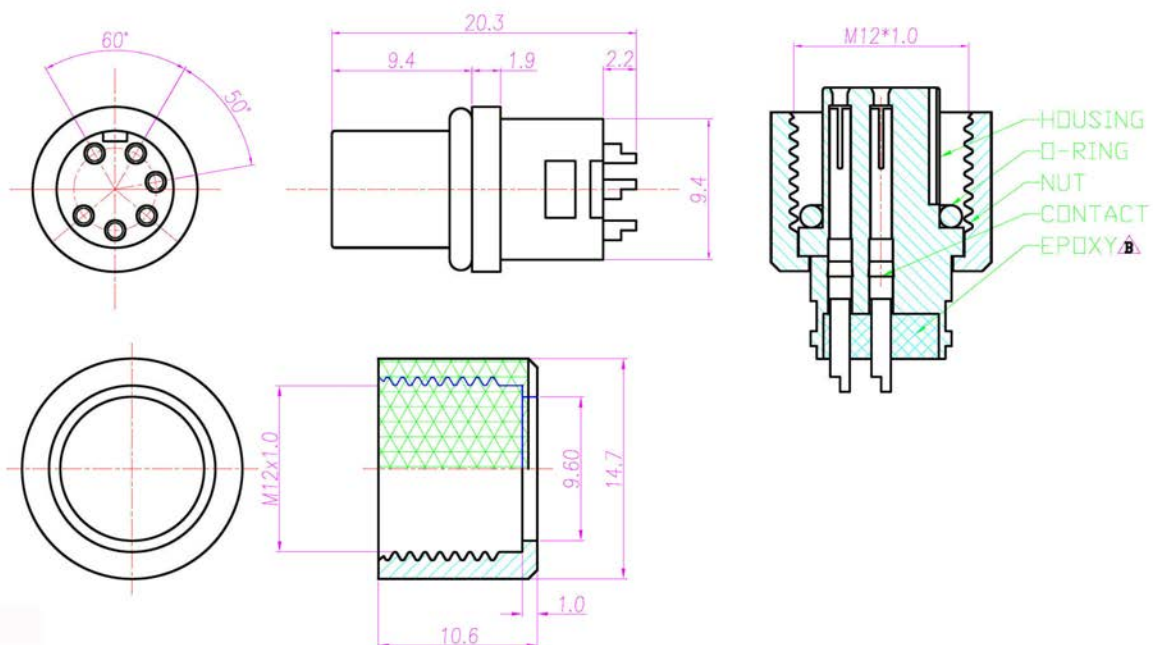
Housing: PBT UL94V-0; Color: Black
Contact: Brass
Nut: Brass
O-Ring: EPDM; Color: Black
Shell: Brass

2. Finish:

Contact: 10 Micro Inches Min. Gold Plated
Under Plate: Nickel
Nut: Nickel Plated

***RoHS & REACH compliant.**

Unit: mm



ORDERING INFORMATION:

P/N W P C $\frac{1}{1}$ $\frac{2}{2}$ $\frac{3}{3}$ $\frac{4}{4}$ F - 0.6 SA

1. CONNECTOR LOCKING SYSTEM:
"12" SCREW M12* 1.0
2. CONNECTOR TYPE:
"F" FEMALE (JACK)
3. NO. OF CONTACTS:
06
4. APPLICABLE TYPE:
"SA" CABLE SOLDER TYPE

WATERPROOF M12 2P+6P FEMALE CONNECTOR CABLE SOLDER TYPE 3A+10A RATED



SPECIFICATION:

1. Electrical Specification:

Rated Current: 3A+10A

Rated Voltage: 125V

Water proof: IP67

2. Environmental:

Operating Temperature: -40°C ~ 85°C

MATERIALS:

1. Material:

Housing: PBT UL94V-0; Color: Black

Contact: Brass

Nut: Brass

O-Ring: EPDM; Color: Black

Epoxy Base: EF400A & EF400B; Clork: Black

2. Finish:

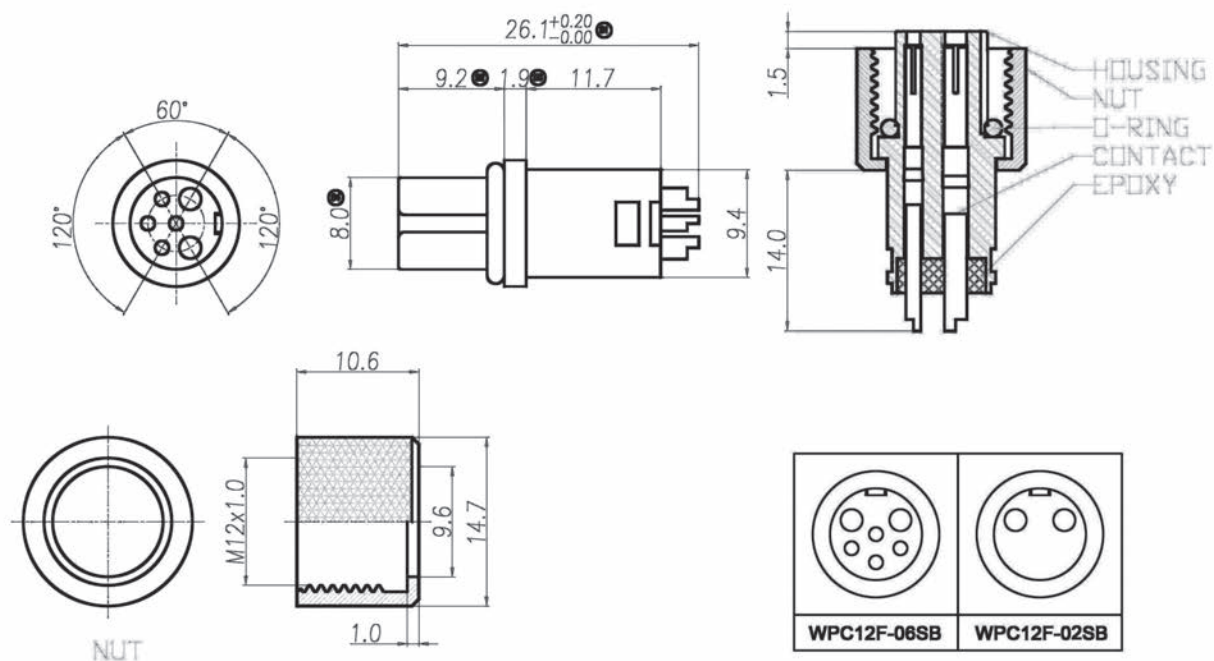
Contact: Gold Flash

Under Plate: Nickel

Nut: Nickel Plated

*RoHS & REACH compliant.

Unit: mm

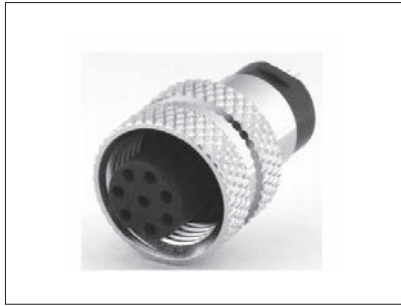


ORDERING INFORMATION:

P/N W P C $\frac{1}{1}$ $\frac{2}{2}$ F - $\frac{x}{3}$ $\frac{x}{3}$ S B $\frac{4}{4}$

1. CONNECTOR LOCKING SYSTEM:
"12" SCREW M12* 1.0
2. CONNECTOR TYPE:
"F" FEMALE (JACK)
3. NO. OF CONTACTS:
02, 06
4. APPLICABLE TYPE:
"SB" CABLE SOLDER TYPE 3A+10A RATED

WATERPROOF M12 8P FEMALE CONNECTOR CABLE SOLDER TYPE WITH GROUNDING



SPECIFICATION:

1. Electrical Specification:

Rated Current: 5A
 Rated Voltage: 125V
 Water proof: IP67

2. Environmental:

Operating Temperature: -40°C ~ 85°C

MATERIALS:

1. Material:

Housing: PBT UL94V-0; Color: Black
 Contact: Brass
 Nut: Brass
 O-Ring: EPDM; Color: Black

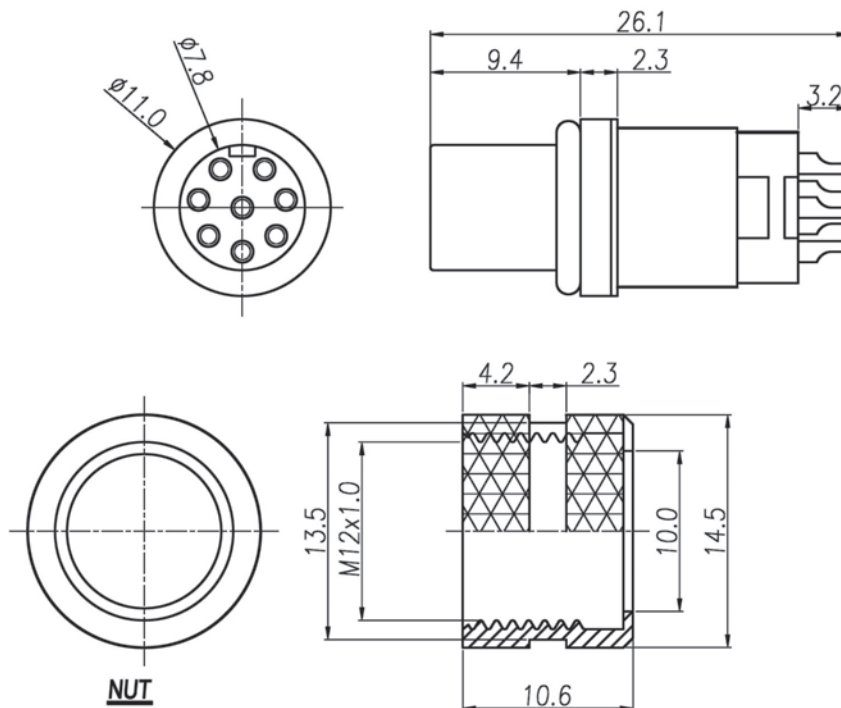
Shell: Brass

2. Finish:

Contact: Gold Flash; Under Plate: Nickel
 Nut: Nickel Plated
 Shell: Nickel Plated

*RoHS & REACH compliant.

Unit: mm



ORDERING INFORMATION:

P/N W P C $\frac{1}{1}$ $\frac{2}{2}$ $\frac{3}{3}$ $\frac{4}{4}$ F - 08 SF

- CONNECTOR LOCKING SYSTEM:
"12" SCREW M12* 1.0
- CONNECTOR TYPE:
"F" FEMALE (JACK)
- NO. OF CONTACTS:
08
- APPLICABLE TYPE:
"SF" CABLE SOLDER TYPE WITH GROUNDING

WATERPROOF M12 8P FEMALE CONNECTOR SOLDER TYPE



MATERIALS

Housing: Thermoplastic, UL 94V-0 (PBT 30% Glass fiber)

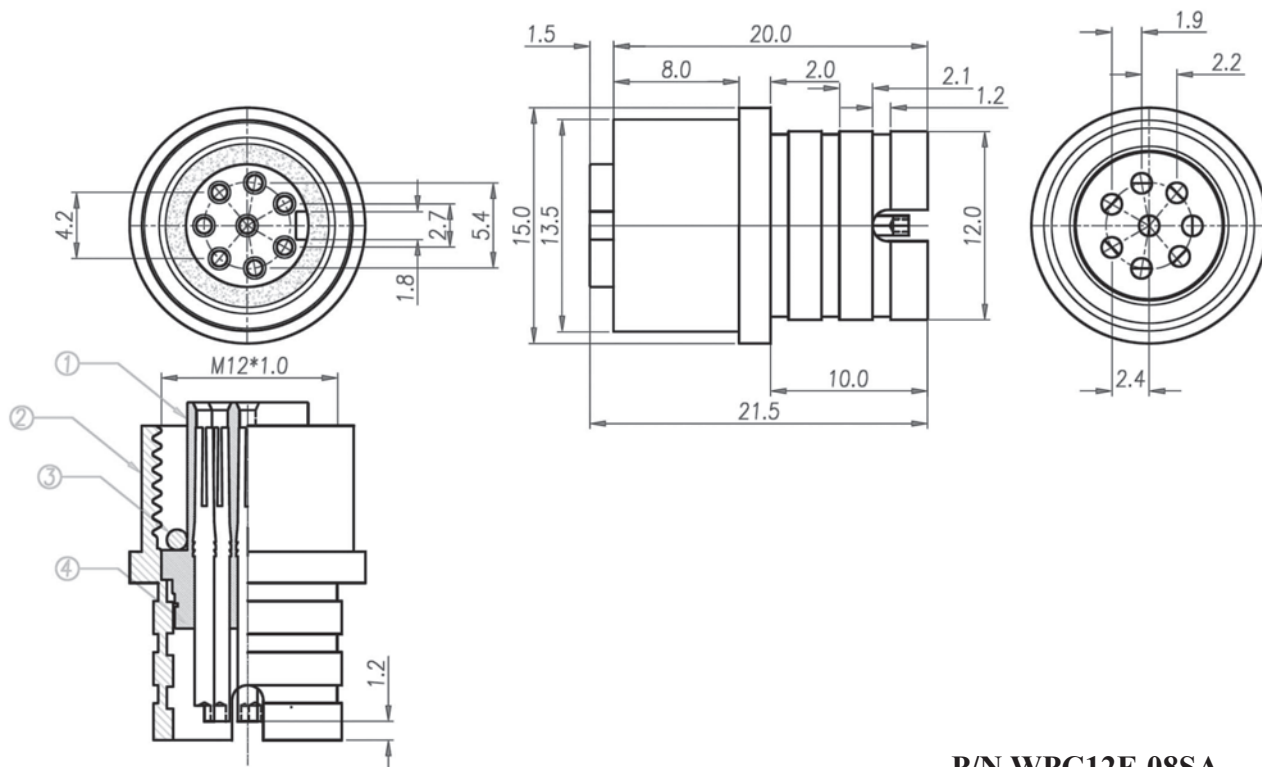
Contact: Brass; 10u" Gold

Shell: Brass; Nickel 100u"

Waterproof Test: IP67 Rated

* RoHS & REACH compliant.

Unit: mm



P/N WPC12F-08SA

ORDERING INFORMATION:

P/N W P C $\frac{1}{1}$ $\frac{2}{2}$ $\frac{3}{3}$ $\frac{4}{4}$ S A

1. CONNECTOR LOCKING SYSTEM:
"12" SCREW M12*1.0
2. CONNECTOR TYPE:
"F" FEMALE (JACK)
3. NO. OF CONTACTS:
08
4. APPLICABLE TYPE:
"SA" SOLDER TYPE

WATERPROOF M12 17P FEMALE CONNECTOR CABLE SOLDER TYPE



MATERIALS

Housing: PBT, UL 94V-0

Contact: Brass; Gold Plating Over Nickel

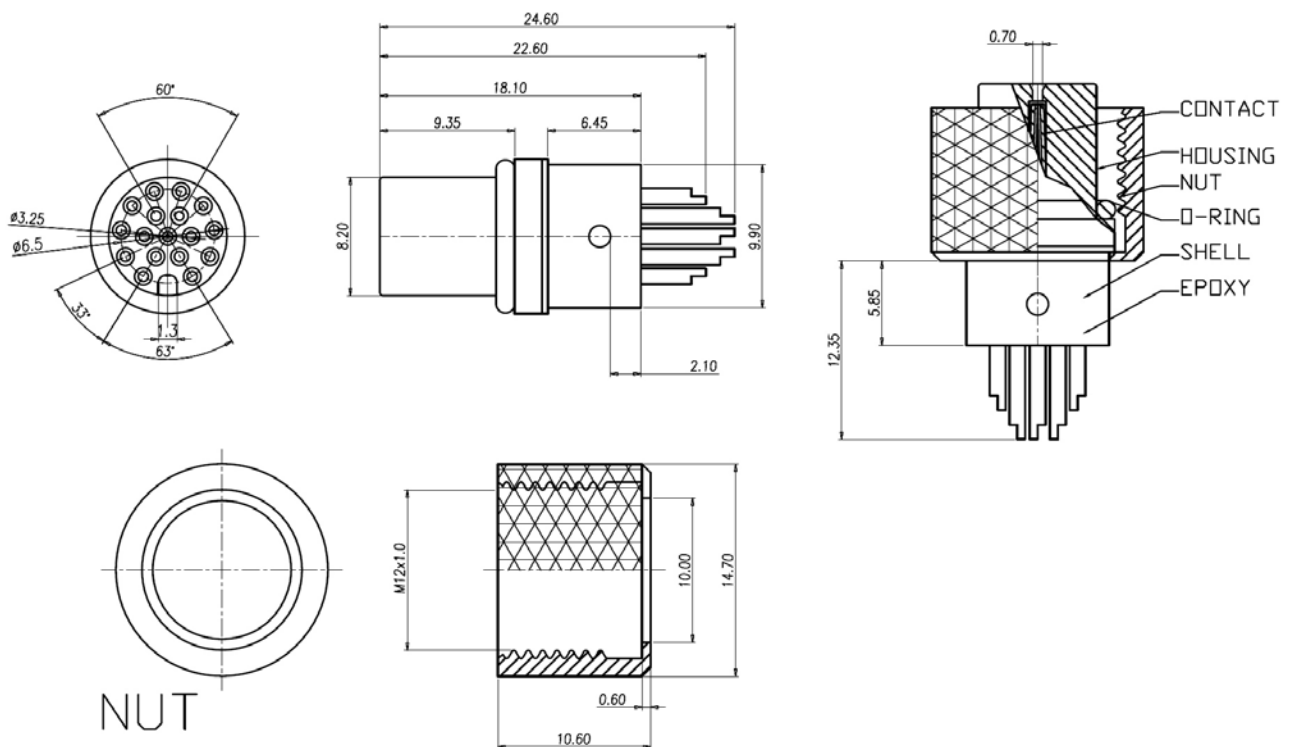
Shell: Brass; Tin Plated

Nut: Brass; Nickel Plated

Waterproof: IPX7

* RoHS & REACH compliant.

Unit: mm



ORDERING INFORMATION:

P/N W P C $\frac{1}{1}$ $\frac{2}{2}$ $\frac{3}{3}$ $\frac{4}{4}$ F - 17 S G

1. CONNECTOR LOCKING SYSTEM:
"12" SCREW M12*1.0
2. CONNECTOR TYPE:
"F" FEMALE (JACK)
3. NO. OF CONTACTS:
17
4. APPLICABLE TYPE:
"SG" SOLDER TYPE FOR CABLE ASSEMBLY

WATERPROOF M12 4P FEMALE CONNECTOR MOLDING TYPE



SPECIFICATIONS

Current: 2A

Operation Temperature: -20°C to 105°C

Insulation Resistance: 1000MΩ min.

Dielectric Strength: 500V AC min.

Waterproof Test:

Reference to IEC 60529 Edition

2.1: 2001-02-IP67

All materials must be RoHS compliant.

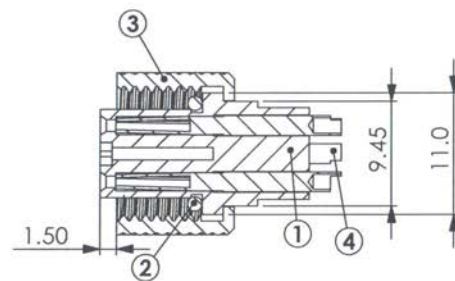
MATERIALS

Housing: PBT + GF15%

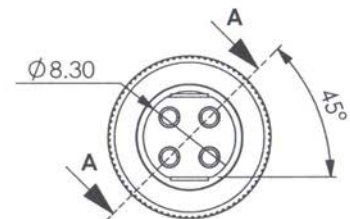
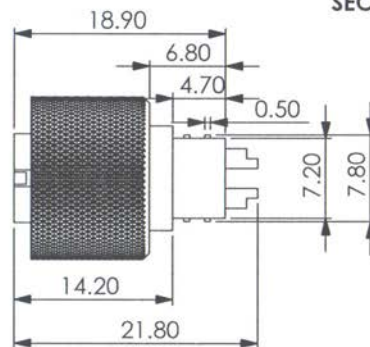
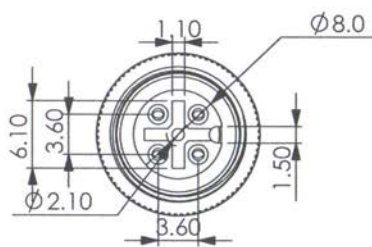
Screw Cap: Brass, Nickel Plated

Terminals: Brass, Gold Plated

Unit: mm



SECTION A-A



ORDERING INFORMATION:

P/N W P C $\frac{1}{1}$ $\frac{2}{2}$ $\frac{3}{3}$ $\frac{4}{4}$ M D

1. CONNECTOR LOCKING SYSTEM:
"12" SCREW M12*1.0
2. CONNECTOR TYPE:
"F" FEMALE (JACK)
3. NO. OF CONTACTS:
04
4. APPLICABLE TYPE:
"MD" CABLE MOLDING TYPE

WATERPROOF M12 8P FEMALE CONNECTOR MOLDING TYPE



SPECIFICATIONS

Current: 2A

Operation Temperature: -20°C to 105°C

Insulation Resistance: 1000MΩ min.

Dielectric Strength: 500V AC min.

Waterproof Test:

Reference to IEC 60529 Edition

2.1: 2001-02-IP67

All materials must be RoHS compliant.

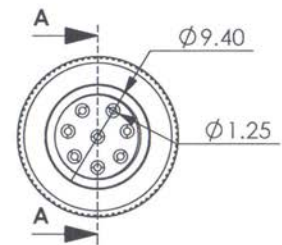
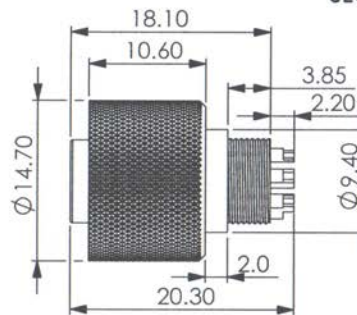
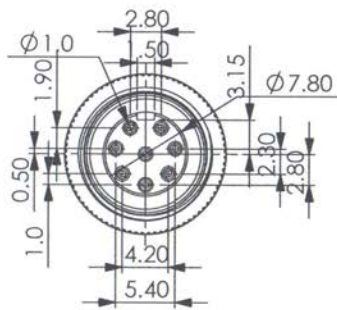
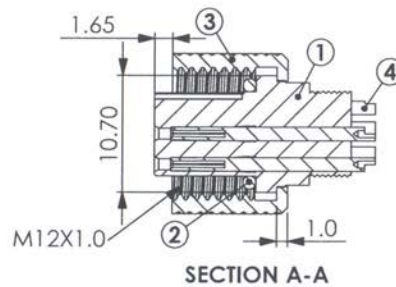
MATERIALS

Housing: PBT + GF15%

Screw Cap: Brass, Nickel Plated

Terminals: Brass, Gold Plated

Unit: mm



ORDERING INFORMATION:

P/N W P C 1 2 3 4 12 F - 08 MD

1. CONNECTOR LOCKING SYSTEM:
"12" SCREW M12*1.0
2. CONNECTOR TYPE:
"F" FEMALE (JACK)
3. NO. OF CONTACTS:
08
4. APPLICABLE TYPE:
"MD" CABLE MOLDING TYPE

WATERPROOF M12 4P+5P FEMALE CONNECTOR PANEL MOUNT SOLDER TYPE

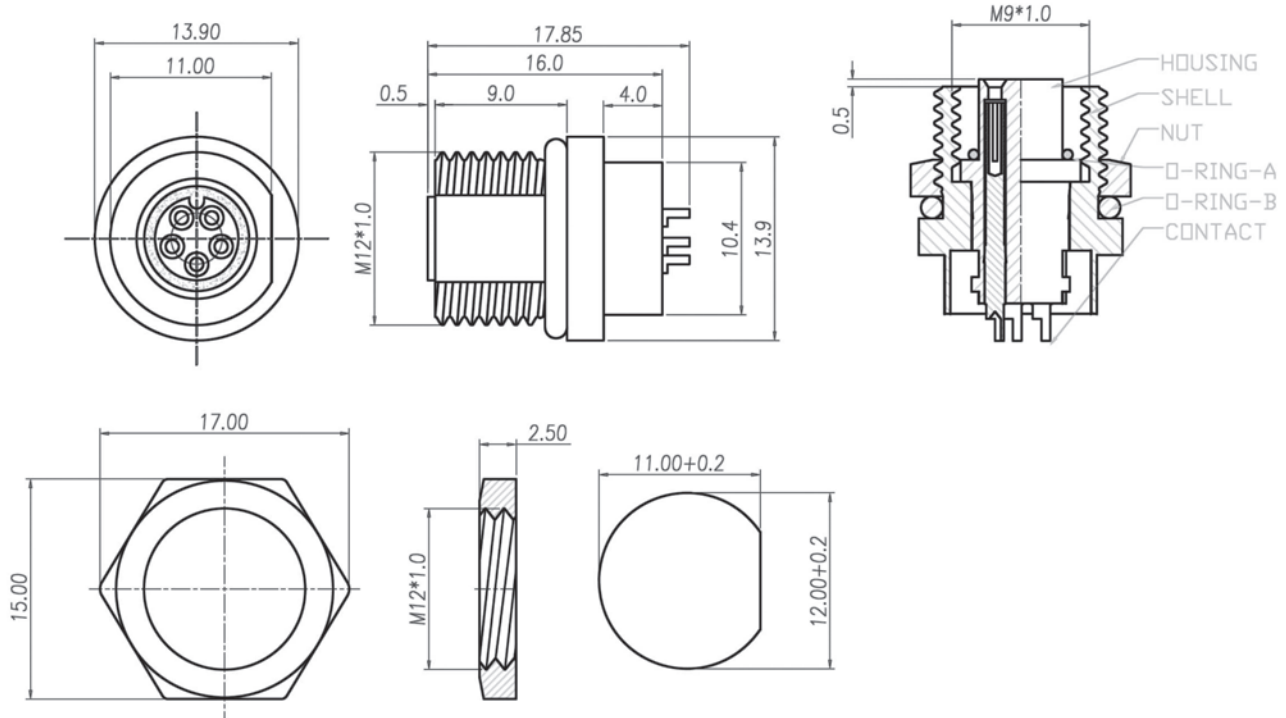


SPECIFICATIONS

Rated Current: 5A
 Operation Temperature: -20°C to 85°C
 Voltage: 125V
 Waterproof Test: IPX7
 * RoHS & REACH compliant.

MATERIALS

Housing: PBT, UL 94V-0
 Contact: Brass; 10 Micro inches min. Gold plated under Nickel
 Nut: Brass; Nickel plated 60u" ~ 100u" over all
 Shell: Nickel plated 60u" ~ 100u" over all
 O-Ring A: NBR
 O-Ring B: EPDM
 Unit: mm



P/N WPC12F-05PA

ORDERING INFORMATION:

P/N W P C $\frac{12}{1}$ F - $\frac{x}{2}$ $\frac{x}{3}$ PA $\frac{4}{4}$

- CONNECTOR LOCKING SYSTEM:
"12" SCREW M12*1.0
- CONNECTOR TYPE:
"F" FEMALE (JACK)
- NO. OF CONTACTS:
04, 05
- APPLICABLE TYPE:
"PA" PANEL MOUNT SOLDER TYPE

WATERPROOF M12 4P FEMALE CONNECTOR PANEL MOUNT SOLDER TYPE



MATERIALS

Insulation: PBT 30%GF, UL 94V-0

Contact: Brass; Gold 10u"

Shell: Brass; Ni 100u"

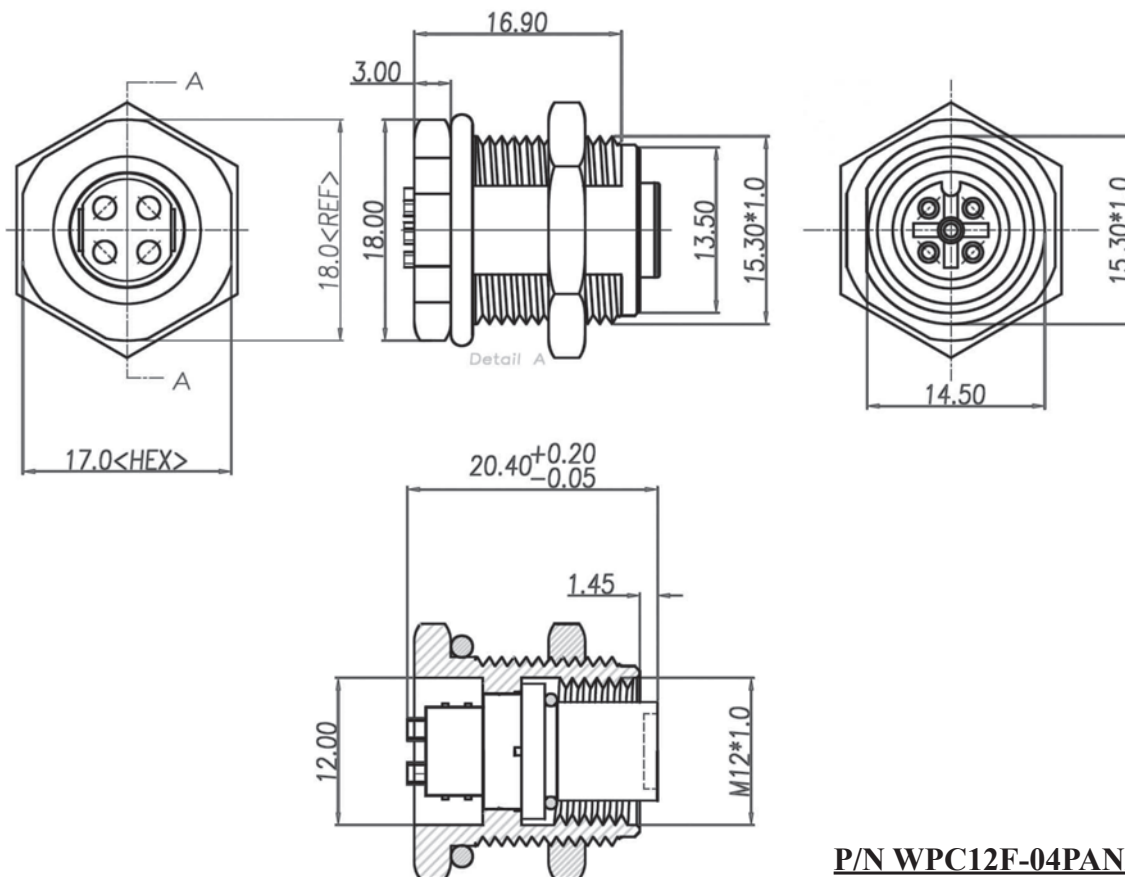
Nut: Brass; Ni 100u"

O-Ring: NBR

Waterproof Test: IP67 Rated

All materials must be RoHS compliant.

Unit: mm



P/N WPC12F-04PAND

ORDERING INFORMATION:

P/N W P C $\frac{1}{1}$ $\frac{2}{2}$ $\frac{F}{3}$ $\frac{-04}{4}$ $\frac{P D}{4}$

1. CONNECTOR LOCKING SYSTEM:
"12" SCREW M12*1.0
2. CONNECTOR TYPE:
"F" FEMALE (JACK)
3. NO. OF CONTACTS:
04
4. APPLICABLE TYPE:
"PD" PANEL MOUNT SOLDER TYPE

WATERPROOF M12 5P FEMALE CONNECTOR



MATERIALS

Housing: Thermoplastic, UL 94V-0

Contact: Brass; Gold Plating Over Nickel

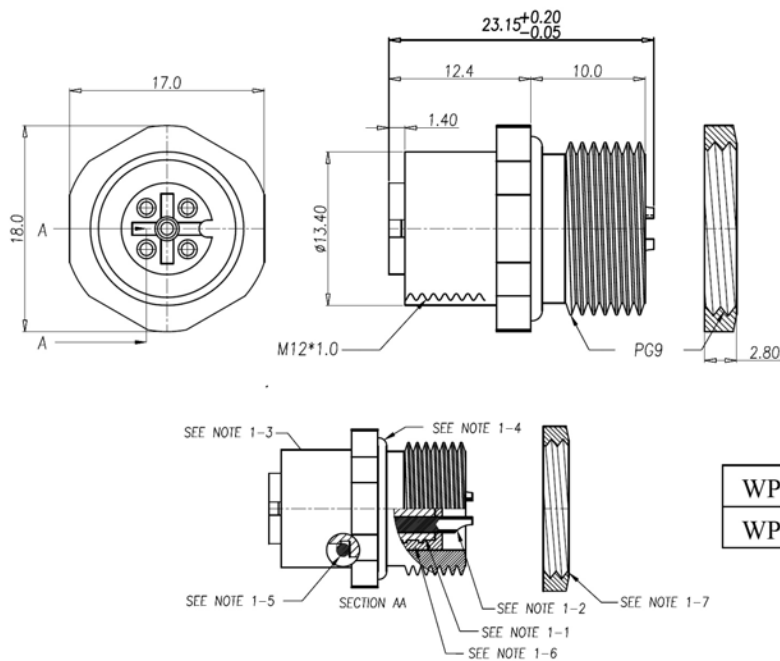
Shell: Brass; Nickel Plated

Nut: Brass; Nickel Plated

Waterproof: IPX7

* RoHS & REACH compliant.

Unit: mm



| | |
|---------------|-------------------|
| WPC12F-05PC01 | GOLD FLASH |
| WPC12F-05PC10 | 10 MICROINCH GOLD |

ORDERING INFORMATION:

P/N **WPC** 1 **F** - 0 **5** PC **XX**

1. CONNECTOR LOCKING SYSTEM:
"12" SCREW M12*1.0
2. CONNECTOR TYPE:
"F" FEMALE (JACK)
3. NO. OF CONTACTS:
05
4. CONTACT FINISH:
"PC01" GOLD FLASH
"PC10" 10 MICROINCH GOLD

WATERPROOF M12 5P FEMALE CONNECTOR PANEL MOUNT TYPE



MATERIALS

Housing: PBT, UL 94V-0

Contact: Brass; Gold Plating Over Nickel

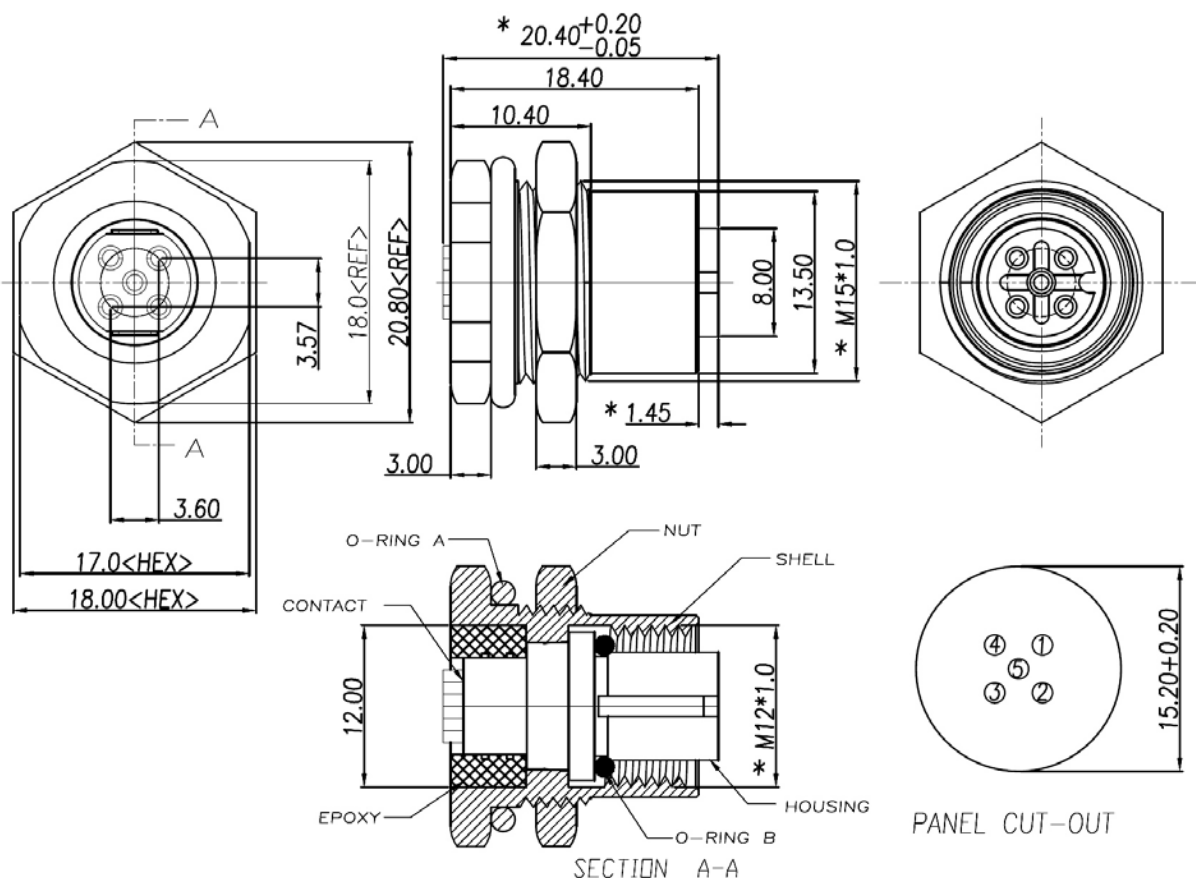
Shell: Brass; Nickel Plated

Nut: Brass; Nickel Plated

Waterproof: IPX7

* RoHS & REACH compliant.

Unit: mm



ORDERING INFORMATION:

P/N WPC $\frac{1}{1}$ $\frac{2}{2}$ $\frac{F}{3}$ - $\frac{05}{4}$ PE

1. CONNECTOR LOCKING SYSTEM:
"12" SCREW M12*1.0
2. CONNECTOR TYPE:
"F" FEMALE (JACK)
3. NO. OF CONTACTS:
05
4. APPLICABLE TYPE:
"PE" PANEL MOUNT TYPE

WATERPROOF M12 3P FEMALE CONNECTOR PANEL FRONT MOUNT TYPE

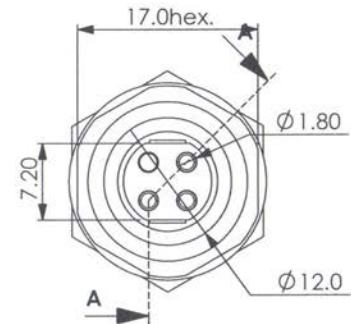
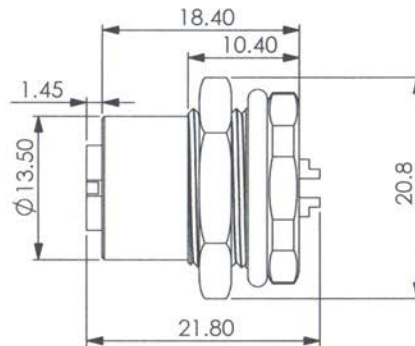
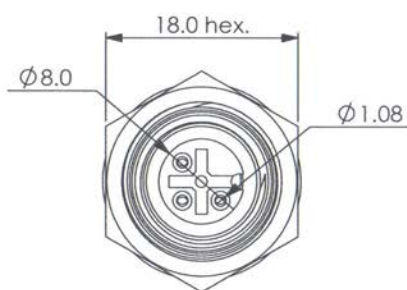
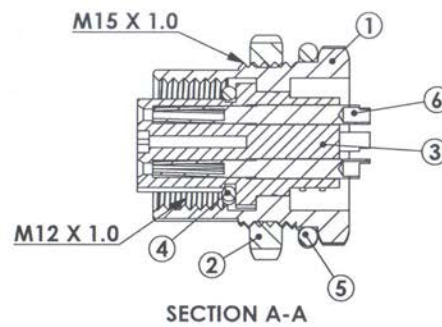


SPECIFICATIONS

Current: 2A
Operation Temperature: -20°C to 105°C
Insulation Resistance: 1000MΩ min.
Dielectric Strength: 500V AC min.
Waterproof Test:
 Reference to IEC 60529 Edition
 2.1: 2001-02-IP67
All materials must be RoHS compliant.

MATERIALS

Housing: PBT+GF15%
Shield Cover: Brass, Nickel Plated
Terminals: Brass, Gold Plated
Screw Nut: Brass, Nickel Plated
JPF Ring: NBR
Rubber Ring: NBR
Unit: mm



ORDERING INFORMATION:

P/N W P C $\frac{1}{1}$ $\frac{2}{2}$ $\frac{3}{3}$ $\frac{4}{4}$ F - 03 PF

1. CONNECTOR LOCKING SYSTEM:
"12" SCREW M12*1.0
2. CONNECTOR TYPE:
"F" FEMALE (JACK)
3. NO. OF CONTACTS:
03
4. APPLICABLE TYPE:
"PF" PANEL FRONT MOUNT SOLDER TYPE

WATERPROOF M12 4P FEMALE CONNECTOR PANEL FRONT MOUNT TYPE



SPECIFICATIONS

Current: 2A

Operation Temperature: -20°C to 105°C

Insulation Resistance: 1000MΩ min.

Dielectric Strength: 500V AC min.

Waterproof Test:

Reference to IEC 60529 Edition

2.1: 2001-02-IP67

All materials must be RoHS compliant.

MATERIALS

Housing: PBT+GF15%

Shield Cover: Brass, Nickel Plated

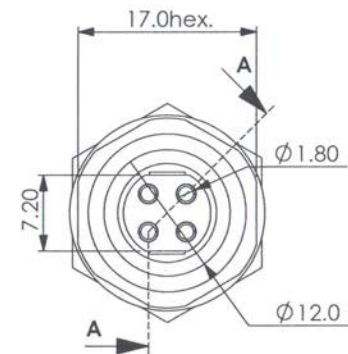
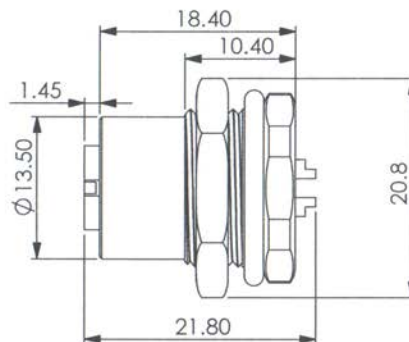
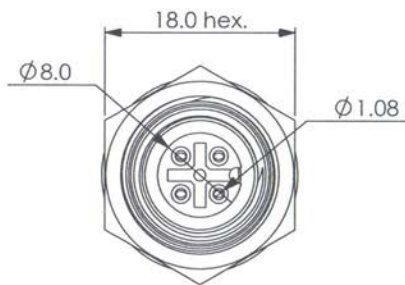
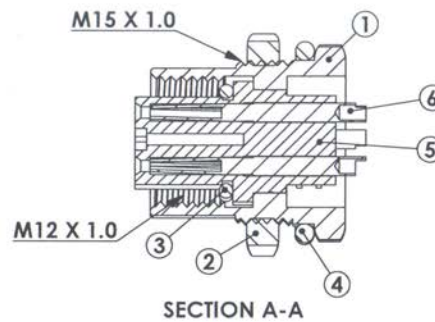
Terminals: Brass, Gold Plated

Screw Nut: Brass, Nickel Plated

JPF Ring: NBR

Rubber Ring: NBR

Unit: mm



ORDERING INFORMATION:

P/N W P C $\frac{1}{1}$ $\frac{2}{2}$ $\frac{3}{3}$ $\frac{4}{4}$ F - 04 PF

1. CONNECTOR LOCKING SYSTEM:
"12" SCREW M12*1.0
2. CONNECTOR TYPE:
"F" FEMALE (JACK)
3. NO. OF CONTACTS:
04
4. APPLICABLE TYPE:
"PF" PANEL FRONT MOUNT SOLDER TYPE

WATERPROOF M12 5P FEMALE CONNECTOR PANEL FRONT MOUNT TYPE



SPECIFICATIONS

Current: 2A

Operation Temperature: -20°C to 105°C

Insulation Resistance: 1000MΩ min.

Dielectric Strength: 500V AC min.

Waterproof Test:

Reference to IEC 60529 Edition

2.1: 2001-02-IP67

All materials must be RoHS compliant.

MATERIALS

Housing: PBT+GF5%

Shield Cover: Brass, Nickel Plated

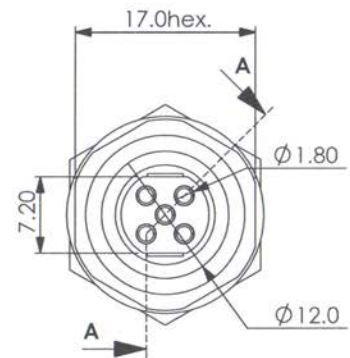
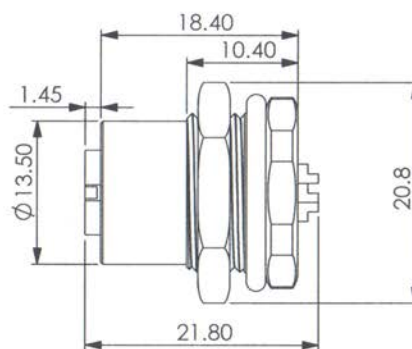
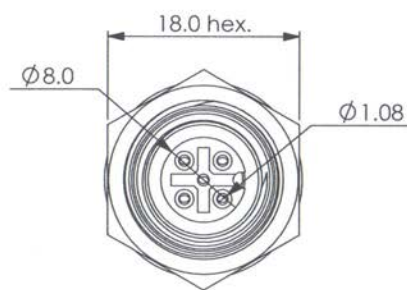
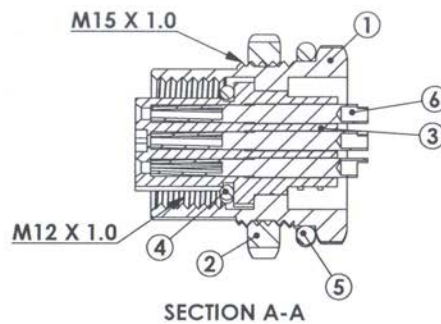
Terminals: Brass, Gold Plated

Screw Nut: Brass, Nickel Plated

JPF Ring: NBR

Rubber Ring: NBR

Unit: mm



ORDERING INFORMATION:

P/N W P C $\frac{1}{1}$ $\frac{2}{2}$ $\frac{3}{3}$ $\frac{4}{4}$ F - 05 PF

1. CONNECTOR LOCKING SYSTEM:
"12" SCREW M12*1.0
2. CONNECTOR TYPE:
"F" FEMALE (JACK)
3. NO. OF CONTACTS:
05
4. APPLICABLE TYPE:
"PF" PANEL FRONT MOUNT SOLDER TYPE

WATERPROOF M12 8P FEMALE CONNECTOR PANEL REAR MOUNT TYPE



SPECIFICATIONS

Current: 2A

Operation Temperature: -20°C to 105°C

Insulation Resistance: 1000MΩ min.

Dielectric Strength: 500V AC min.

Waterproof Test:

Reference to IEC 60529 Edition

2.1: 2001-02-IP67

All materials must be RoHS compliant.

MATERIALS

Housing: PBT+GF15%

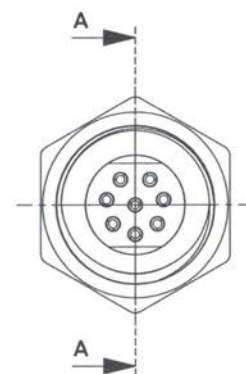
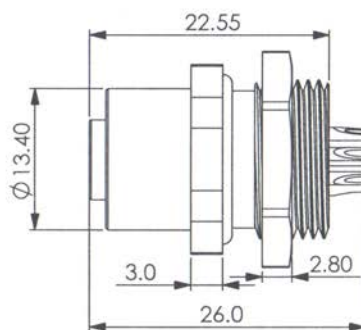
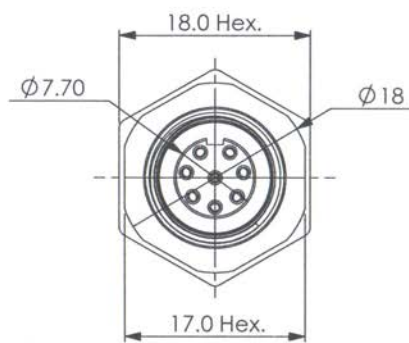
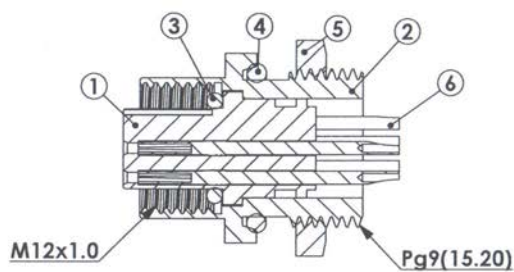
Shield Cover: Brass, Nickel Plated

Terminals: Brass, Gold Plated

Screw Nut: Brass, Nickel Plated

Sealed Ring: NBR

Unit: mm



ORDERING INFORMATION:

P/N W P C $\frac{1}{1}$ $\frac{2}{2}$ $\frac{3}{3}$ $\frac{4}{4}$ F - 08 PR

1. CONNECTOR LOCKING SYSTEM:
"12" SCREW M12*1.0
2. CONNECTOR TYPE:
"F" FEMALE (JACK)
3. NO. OF CONTACTS:
08
4. APPLICABLE TYPE:
"PR" PANEL REAR MOUNT SOLDER TYPE

WATERPROOF M12 8P FEMALE CONNECTOR PANEL REAR MOUNT TYPE



SPECIFICATION:

1. Electrical Specification:

Rated Current: 5A
Rated Voltage: 125V
Water proof: IP67

2. Environmental:

Operating Temperature: -40°C ~ 85°C

MATERIALS:

1. Material:

Housing: Thermoplastic UL94V-0; Color: Black

Contact: Copper Alloy

Shell: Copper Alloy

O-Ring: A: NBR; Color: Black

O-Ring: B: EPDM; Color: Black

Epoxy Base

Nut: Copper Alloy

2. Finish:

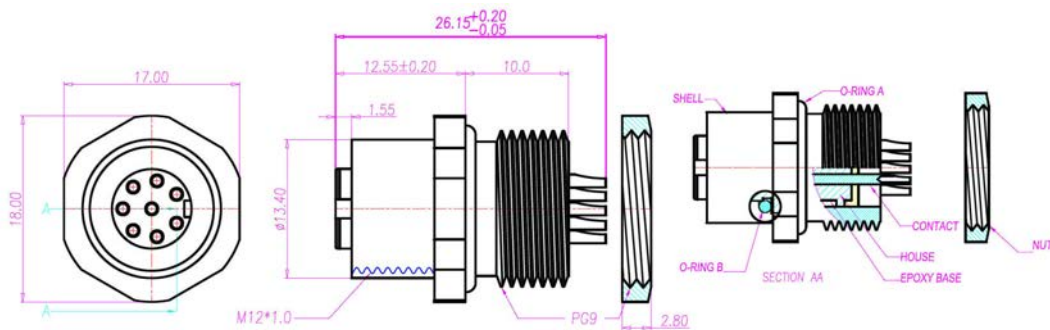
Contact: 10 Micro Inches Min. Gold Plated

Shell: See Table A

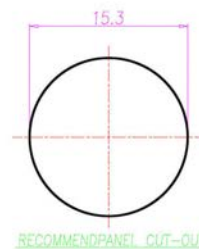
Nut: See Table A

***RoHS & REACH compliant.**

Unit: mm



| P/N | SHELL | NUT |
|-----|-------------------|-------------------|
| PB | BLACK NICKEL | BLACK NICKEL |
| PC | NICKEL 60u"~100u" | NICKEL 60u"~100u" |



ORDERING INFORMATION:

P/N W P C $\frac{1}{1}$ $\frac{2}{2}$ F - $\frac{0}{3}$ $\frac{8}{4}$ X X

- CONNECTOR LOCKING SYSTEM:
"12" SCREW M12* 1.0
- CONNECTOR TYPE:
"F" FEMALE (JACK)
- NO. OF CONTACTS:
08
- SHELL & NUT FINISH:
"PB" BLACK PLATED SHELL & BLACK PLATED NUT
"PC" NICKEL PLATED SHELL & NICKEL PLATED NUT

WATERPROOF M12 12P FEMALE CONNECTOR PANEL FRONT MOUNT TYPE



SPECIFICATION:

1. Electrical Specification:

Rated Current: 1A

Rated Voltage: 30V

Water proof: IP67

2. Environmental:

Operating Temperature: -40°C ~ 85°C

MATERIALS:

1. Material:

Housing: PBT UL94V-0; Color: Black

Contact: Brass

Nut: Brass

Shell: Brass

O-Ring: EPDM

2. Finish:

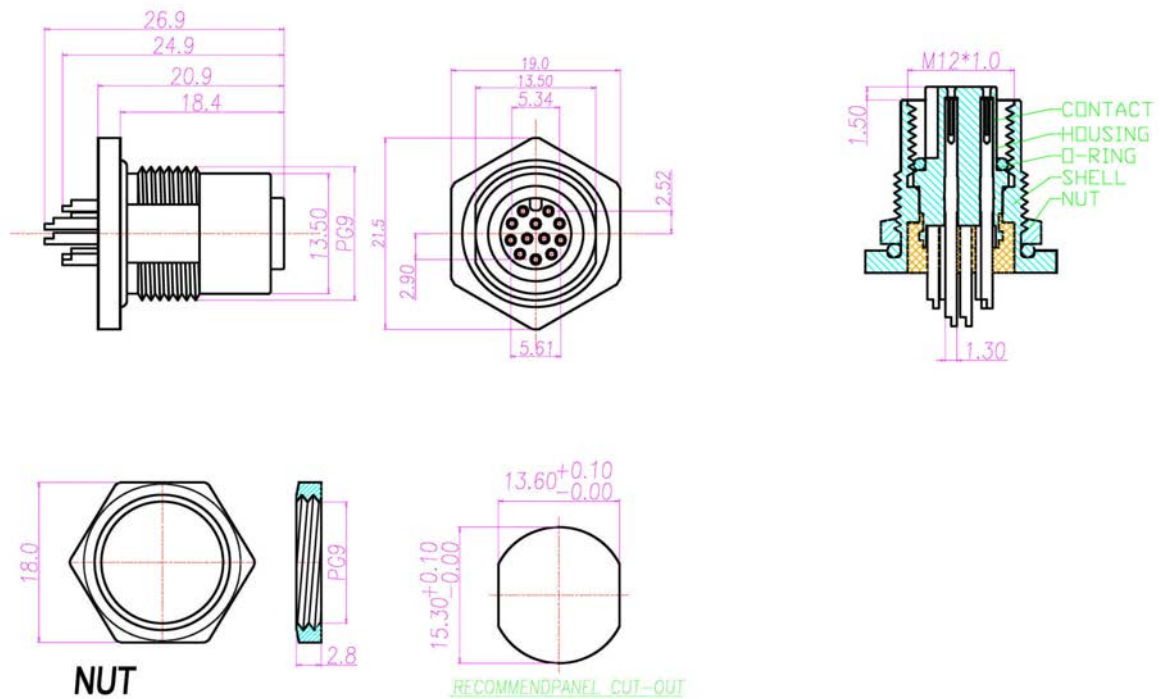
Contact: 10 Micro Inches Min. Gold Plated
Under Plate: Nickel

Nut: Nickel Plated

Shell: Nickel Plated

***RoHS & REACH compliant.**

Unit: mm



ORDERING INFORMATION:

P/N W P C $\frac{1}{1}$ $\frac{2}{2}$ F $\frac{1}{3}$ $\frac{2}{4}$ PA

- CONNECTOR LOCKING SYSTEM:
"12" SCREW M12* 1.0
- CONNECTOR TYPE:
"F" FEMALE (JACK)
- NO. OF CONTACTS:
12
- APPLICABLE TYPE:
"PA" PANEL FRONT MOUNT TYPE

WATERPROOF M12 3P FEMALE CONNECTOR PANEL REAR MOUNT TYPE



SPECIFICATIONS

Current: 2A

Operation Temperature: -20°C to 105°C

Insulation Resistance: 1000MΩ min.

Dielectric Strength: 500V AC min.

Waterproof Test:

Reference to IEC 60529 Edition

2.1: 2001-02-IP67

All materials must be RoHS compliant.

MATERIALS

Housing: PBT+GF15%

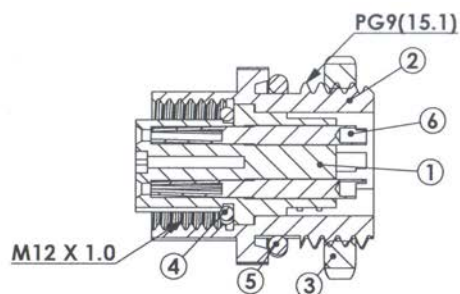
Shield Cover: Brass, Nickel Plated

Terminals: Brass, Gold Plated

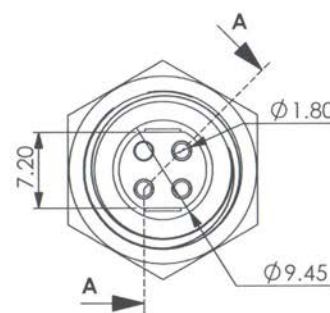
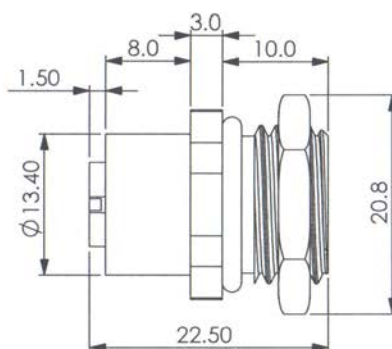
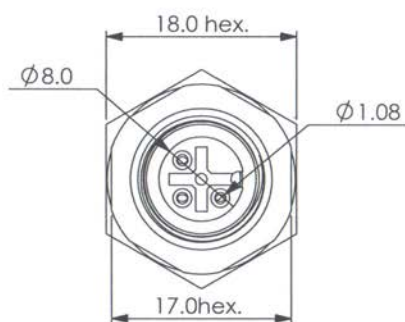
Screw Nut: Brass, Nickel Plated

Rubber Ring: NBR

Unit: mm



SECTION A-A



ORDERING INFORMATION:

P/N W P C $\frac{1}{1}$ $\frac{2}{2}$ $\frac{3}{3}$ $\frac{4}{4}$ F - 03 PR

1. CONNECTOR LOCKING SYSTEM:
"12" SCREW M12*1.0
2. CONNECTOR TYPE:
"F" FEMALE (JACK)
3. NO. OF CONTACTS:
03
4. APPLICABLE TYPE:
"PR" PANEL REAR MOUNT SOLDER TYPE

WATERPROOF M12 4P FEMALE CONNECTOR PANEL REAR MOUNT TYPE



SPECIFICATIONS

Current: 2A

Operation Temperature: -20°C to 105°C

Insulation Resistance: 1000MΩ min.

Dielectric Strength: 500V AC min.

Waterproof Test:

Reference to IEC 60529 Edition

2.1: 2001-02-IP67

All materials must be RoHS compliant.

MATERIALS

Housing: PBT+GF15%

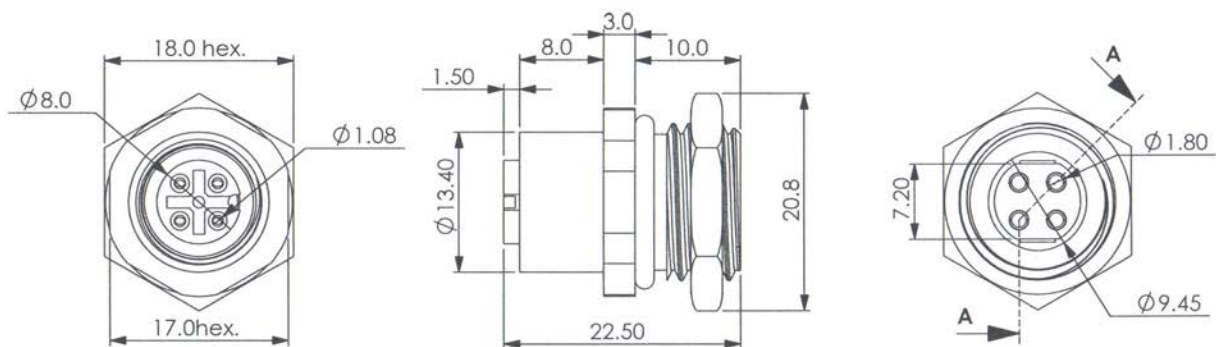
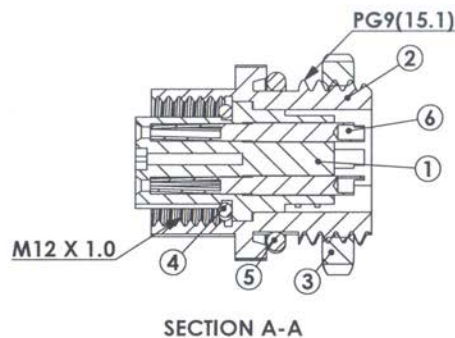
Shield Cover: Brass, Nickel Plated

Terminals: Brass, Gold Plated

Screw Nut: Brass, Nickel Plated

Rubber Ring: NBR

Unit: mm



ORDERING INFORMATION:

P/N W P C $\frac{1}{1}$ $\frac{2}{2}$ $\frac{3}{3}$ $\frac{4}{4}$ F - 04 PR

1. CONNECTOR LOCKING SYSTEM:
"12" SCREW M12*1.0
2. CONNECTOR TYPE:
"F" FEMALE (JACK)
3. NO. OF CONTACTS:
04
4. APPLICABLE TYPE:
"PR" PANEL REAR MOUNT SOLDER TYPE

WATERPROOF M12 D-CODED 4P 4A RATED FEMALE CONNECTOR FRONT PANEL MOUNT SOLDER TYPE

SPECIFICATION

Waterproof Rate: IP68

Recommend Panel Thickness: 0.8~5.0mm

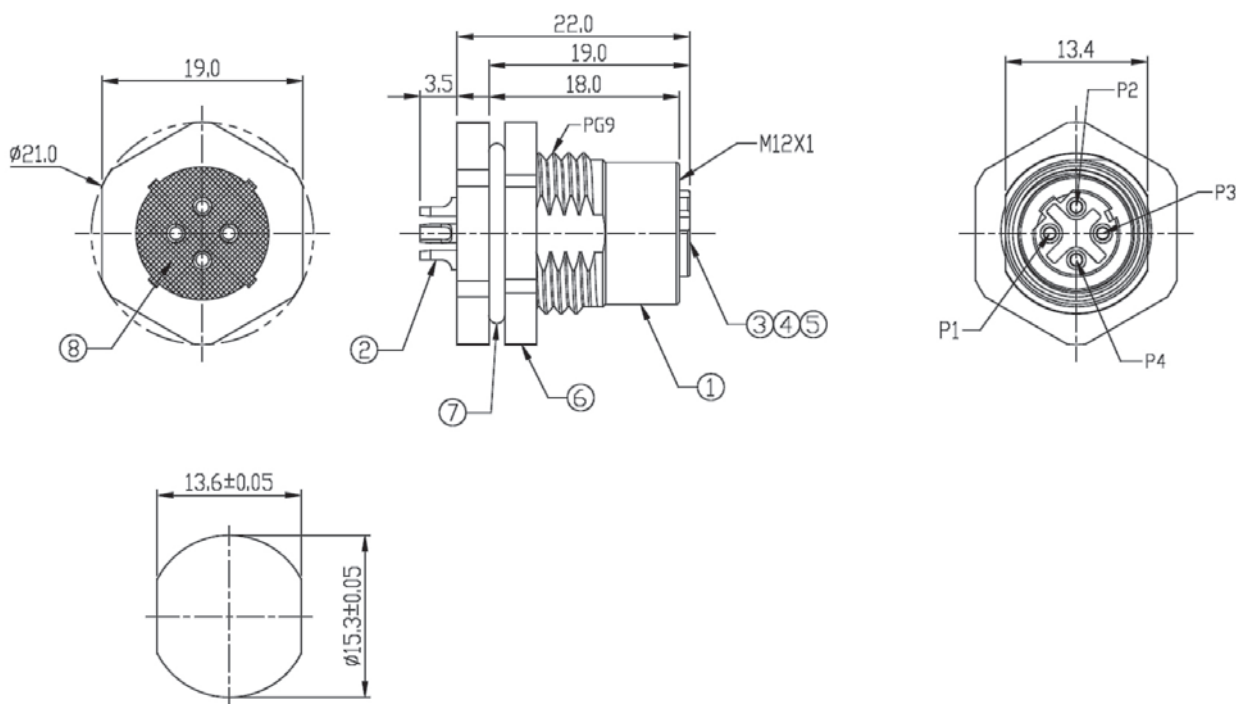
DWV: 1400 Vrms

Rated Voltage: 250V AC/DC

Insulation Resistance: 100MΩ Min.

Durability: 100 Cycles Min.

* RoHS & REACH compliant.



Recommend Panel Cut-Out

ORDERING INFORMATION:

P/N W P C 1 2 3 4 F - 04 PG

1. CONNECTOR LOCKING SYSTEM:
"12" SCREW M12* 1.0
2. CONNECTOR TYPE:
"F" FEMALE (JACK)
3. NO. OF CONTACTS:
04
4. APPLICABLE TYPE:
"PG" FRONT PANEL MOUNT SOLDER TYPE

WATERPROOF M12 D-CODED 4P 4A RATED FEMALE CONNECTOR REAR PANEL MOUNT SOLDER TYPE

SPECIFICATION

Waterproof Rate: IP68

Recommend Panel Thickness: 0.8~3.0mm

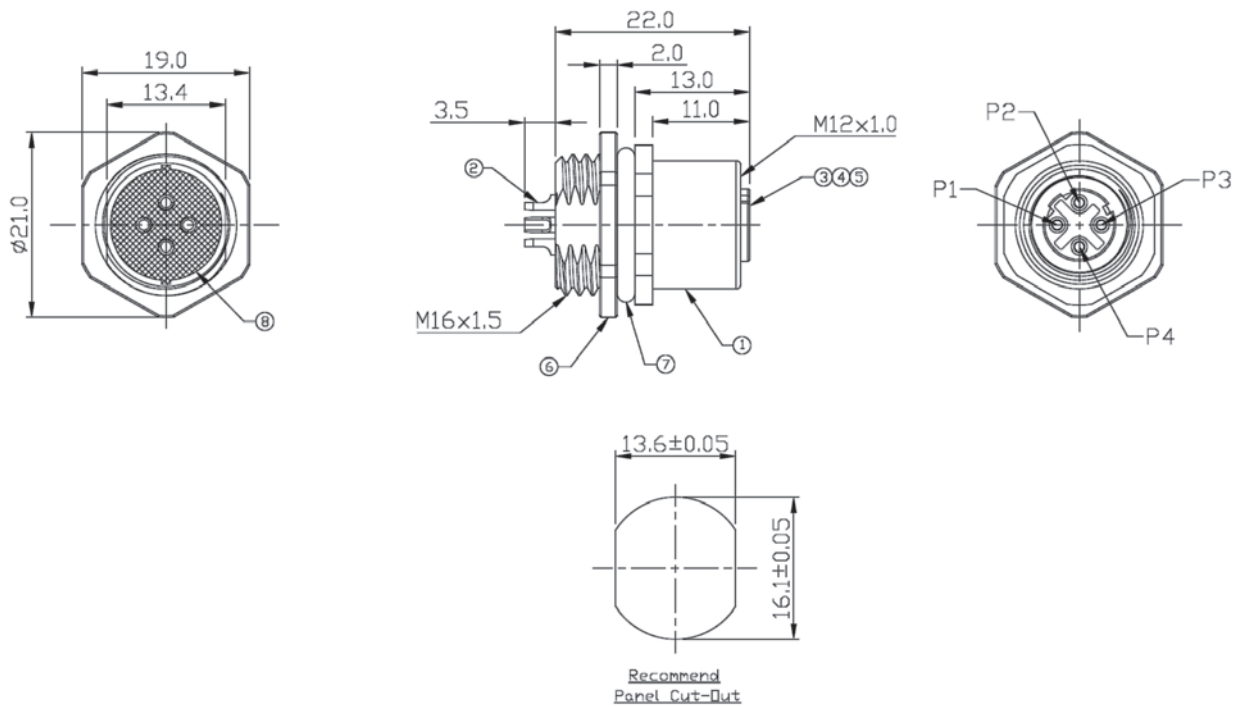
DWV: 1400 Vrms

Rated Voltage: 250V AC/DC

Insulation Resistance: 100MΩ Min.

Durability: 100 Cycles Min.

* RoHS & REACH compliant.



ORDERING INFORMATION:

P/N W P C $\frac{1}{1}$ $\frac{2}{2}$ F - $\frac{0}{3}$ $\frac{4}{4}$ P T

1. CONNECTOR LOCKING SYSTEM:
"12" SCREW M12* 1.0
2. CONNECTOR TYPE:
"F" FEMALE (JACK)
3. NO. OF CONTACTS:
04
4. APPLICABLE TYPE:
"PT" REAR PANEL MOUNT SOLDER TYPE

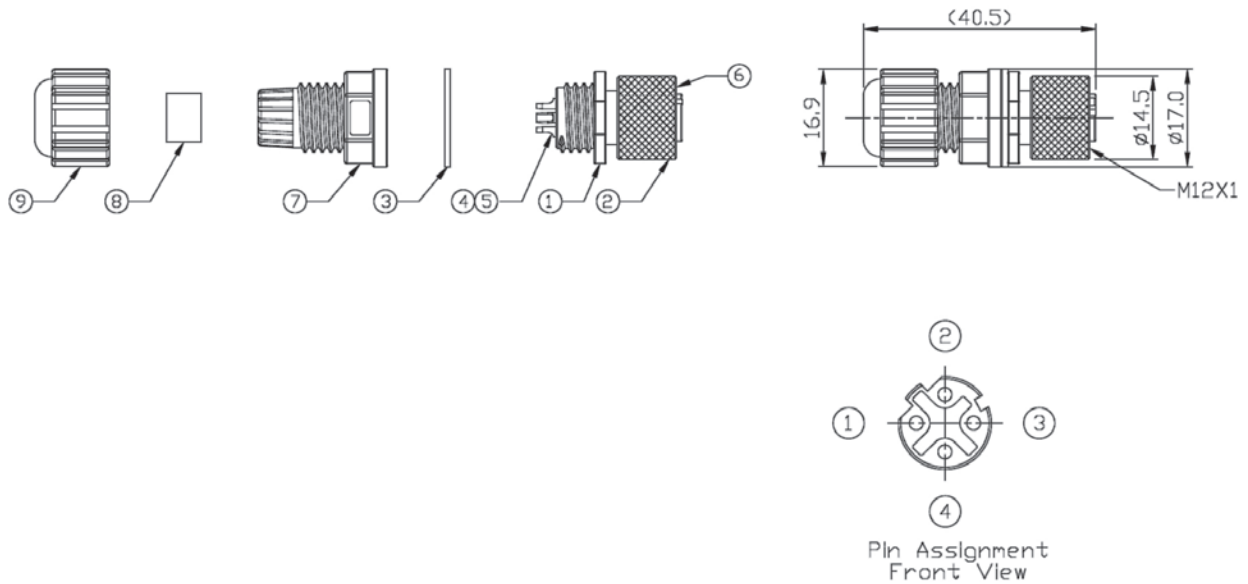
WATERPROOF M12 D-CODED 4P 4A RATED FEMALE CONNECTOR CABLE ASSEMBLY TYPE

SPECIFICATION

Waterproof Rate: IP68

Cable Diameter: 4.0~6.5mm

* RoHS & REACH compliant.



ORDERING INFORMATION:

P/N W P C 1 2 F - 0 4 A B

1. CONNECTOR LOCKING SYSTEM:
"12" SCREW M12* 1.0
2. CONNECTOR TYPE:
"F" FEMALE (JACK)
3. NO. OF CONTACTS:
04
4. APPLICABLE TYPE:
"AB" FIELD INSTALLABLE CABLE SOLDER TYPE

WATERPROOF M12 5P FEMALE CONNECTOR PANEL REAR MOUNT TYPE

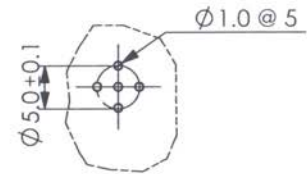
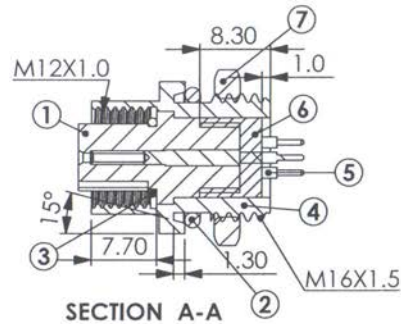


SPECIFICATIONS

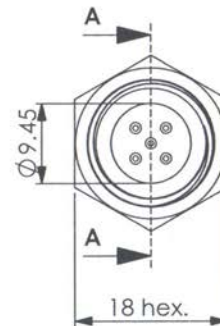
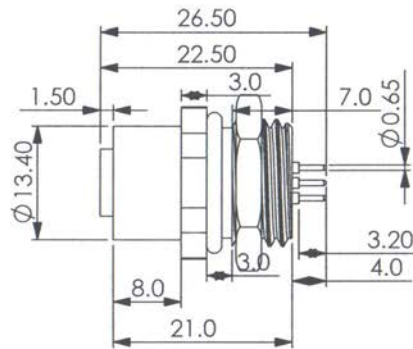
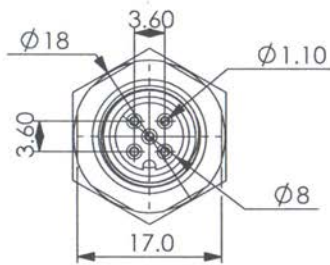
Current: 2A
Operation Temperature: -20°C to 105°C
Insulation Resistance: 1000MΩ min.
Dielectric Strength: 500V AC min.
Waterproof Test:
 Reference to IEC 60529 Edition
 2.1: 2001-02-IP67
All materials must be RoHS compliant.

MATERIALS

Housing: Thermoplastic
Shield Cover: Brass, Nickel Plated
Terminals: Brass, Gold Plated
Screw Nut: Brass, Nickel Plated
Rubber Ring: NBR
Unit: mm



LAYOUT DIMENSIONS



ORDERING INFORMATION:

P/N W P C 1 2 3 4 **12 F - 05 PR**

1. CONNECTOR LOCKING SYSTEM:
"12" SCREW M12*1.0
2. CONNECTOR TYPE:
"F" FEMALE (JACK)
3. NO. OF CONTACTS:
05
4. APPLICABLE TYPE:
"PR" PANEL REAR MOUNT DIP TYPE

WATERPROOF M12 8P FEMALE CONNECTOR PANEL FRONT MOUNT TYPE

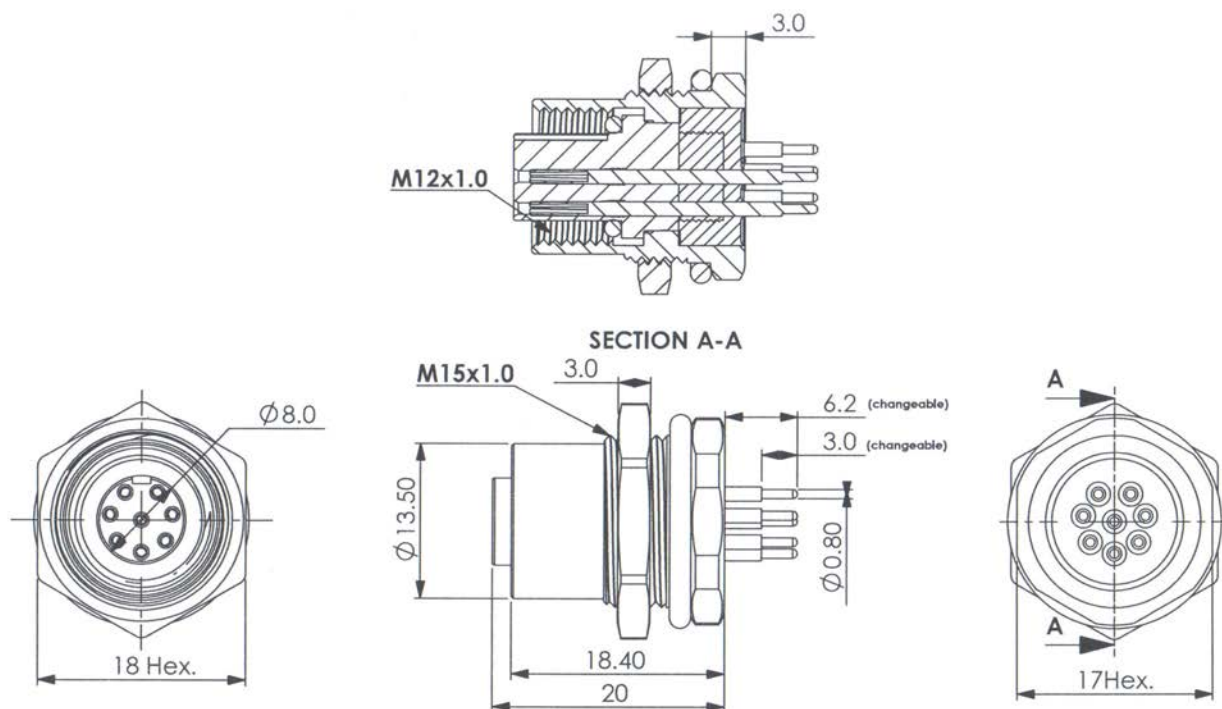


SPECIFICATIONS

Current: 2A
Operation Temperature: -20°C to 105°C
Insulation Resistance: 1000MΩ min.
Dielectric Strength: 500V AC min.
Waterproof Test:
 Reference to IEC 60529 Edition
 2.1: 2001-02-IP67
All materials must be RoHS compliant.

MATERIALS

Housing: PBT+GF15%
Shield Cover: Brass, Nickel Plated
Terminals: Brass, Gold Plated
Screw Nut: Brass, Nickel Plated
JPF Ring: NBR
Rubber Ring: NBR
Unit: mm



ORDERING INFORMATION:

P/N W P C $\frac{1}{1}$ $\frac{2}{2}$ $\frac{3}{3}$ $\frac{4}{4}$ F - 08 PF

1. CONNECTOR LOCKING SYSTEM:
"12" SCREW M12*1.0
2. CONNECTOR TYPE:
"F" FEMALE (JACK)
3. NO. OF CONTACTS:
08
4. APPLICABLE TYPE:
"PF" PANEL FRONT MOUNT DIP TYPE

WATERPROOF M12 4P+5P FEMALE CONNECTOR PCB MOUNT DIP TYPE



SPECIFICATIONS

Current: 2A

Operation Temperature: -20°C to 105°C

Insulation Resistance: 1000 Megaohms min.

Dielectric Strength: 500V AC min.

Waterproof Test: IP67 Rated

* RoHS & REACH compliant.

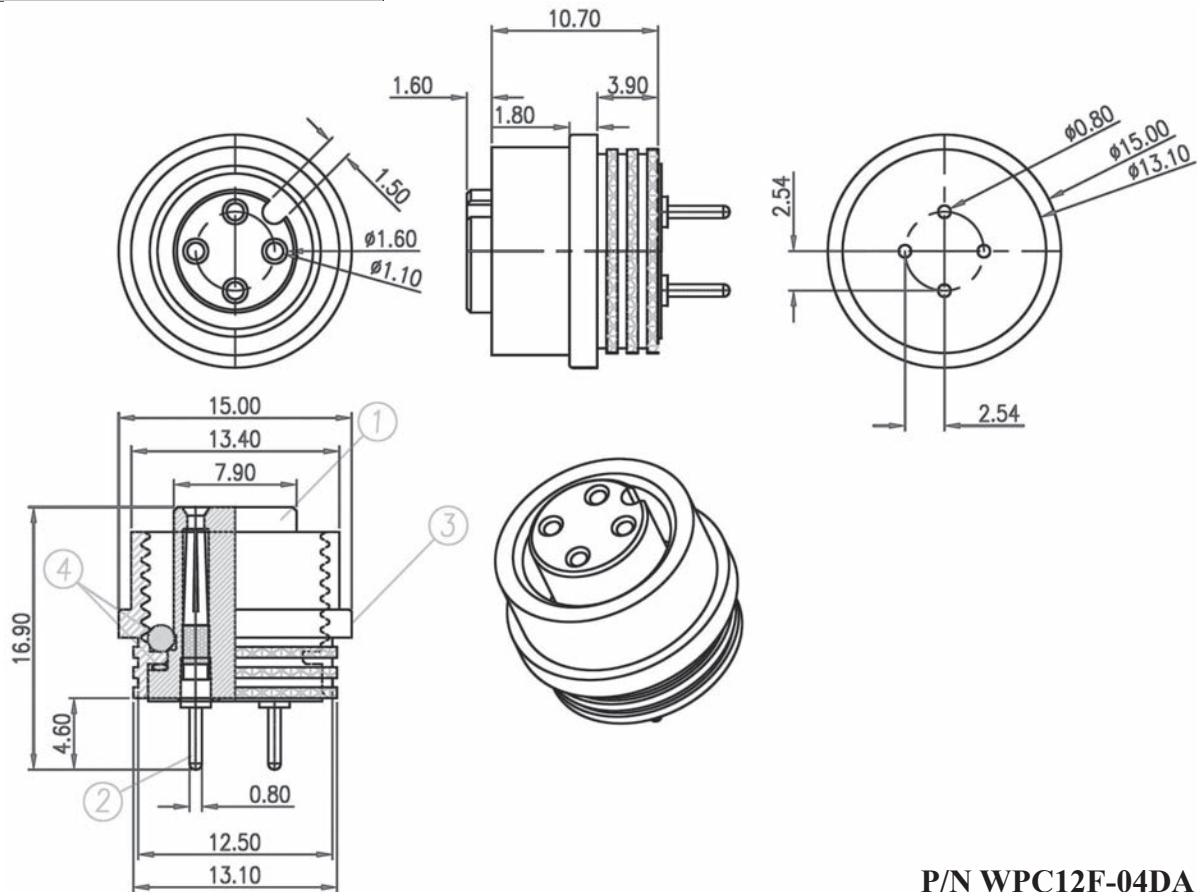
MATERIALS

Housing: Thermoplastic, UL 94V-0

Contact: Brass; Contact plated 10u" Gold

Shell: Brass; Nickel 100u"

Unit: mm



P/N WPC12F-04DA

ORDERING INFORMATION:

P/N W P C $\frac{1}{1}$ $\frac{2}{2}$ $\frac{F}{3}$ - $\frac{04}{3}$ $\frac{DA}{4}$

1. CONNECTOR LOCKING SYSTEM:
"12" SCREW M12*1.0
2. CONNECTOR TYPE:
"F" FEMALE (JACK)
3. NO. OF CONTACTS:
04, 05
4. APPLICABLE TYPE:
"DA" PCB MOUNT DIP TYPE

WATERPROOF M12 4P FEMALE CONNECTOR STRAIGHT DIP TYPE



MATERIALS

Housing: PBT, UL 94V-0

Contact: Brass; Gold plated

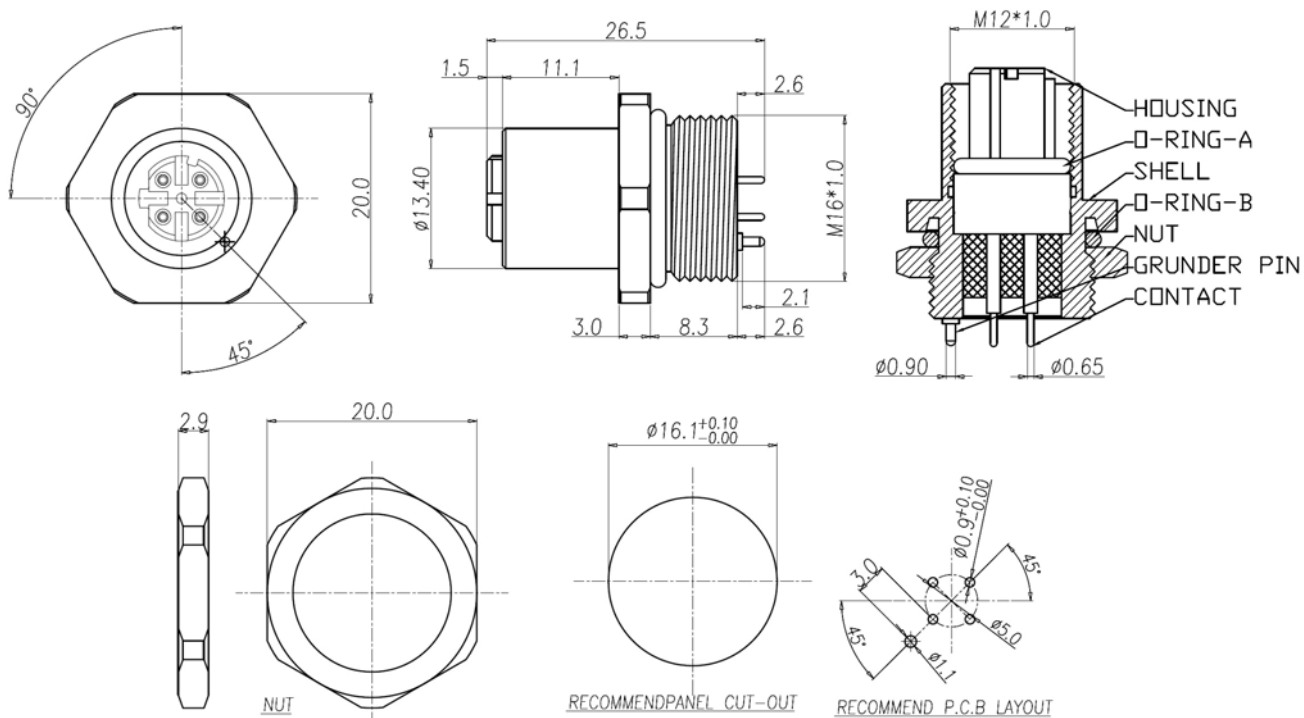
Shell: Brass; Nickel Plated

Nut: Brass; Nickel Plated

Waterproof: IP67

* RoHS & REACH compliant.

Unit: mm



ORDERING INFORMATION:

P/N WPC $\frac{1}{2}$ $\frac{12}{3}$ $\frac{F}{4}$ - $\frac{04}{3}$ $\frac{DB}{4}$

1. CONNECTOR LOCKING SYSTEM:
"12" SCREW M12*1.0
2. CONNECTOR TYPE:
"F" FEMALE (JACK)
3. NO. OF CONTACTS:
04
4. APPLICABLE TYPE:
"DB" STRAIGHT DIP TYPE

WATERPROOF M12 4P FEMALE CONNECTOR D-CODED TYPE

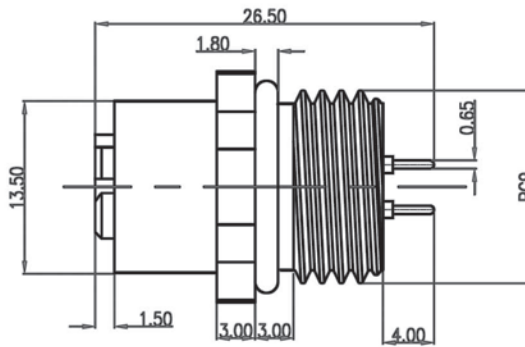
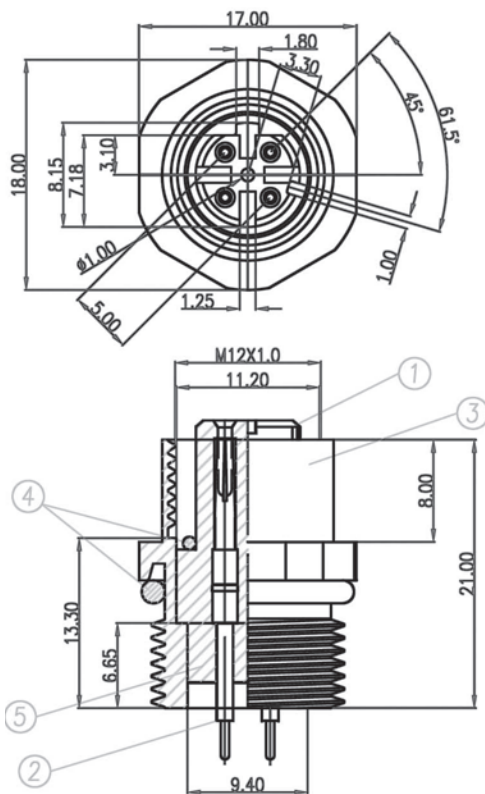


SPECIFICATIONS

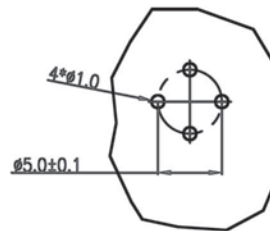
Current: 2A
 Operation Temperature: -20°C to 105°C
 Insulation Resistance: 1000 Megaohms min.
 Dielectric Strength: 500V AC min.
 Waterproof Test: IP67 Rated
 * RoHS & REACH compliant.

MATERIALS

Housing: Thermoplastic, UL 94V-0
 Contact: Brass
 Shell: Brass; Nickel 100u"
 O-Ring: NBR
 Unit: mm



P/N WPC12F-04DCxx



ORDERING INFORMATION:

P/N W P C $\frac{1}{1}$ $\frac{2}{2}$ F - $\frac{0}{3}$ $\frac{4}{4}$ D C x x

1. CONNECTOR LOCKING SYSTEM:
"12" SCREW M12*1.0
2. CONNECTOR TYPE:
"F" FEMALE (JACK)
3. NO. OF CONTACTS:
04
4. CONTACT FINISH:
"DC05" 5 MICROINCH GOLD PLATED
"DC30" 30 MICROINCH GOLD PLATED

WATERPROOF M12 4P FEMALE CONNECTOR STRAIGHT DIP TYPE



MATERIALS

Housing: PBT, UL 94V-0

Contact: Brass; Gold Plating Over Nickel

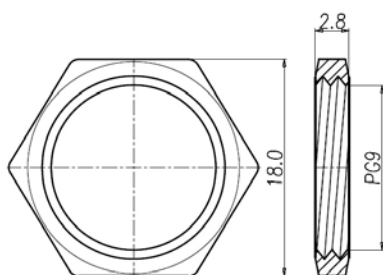
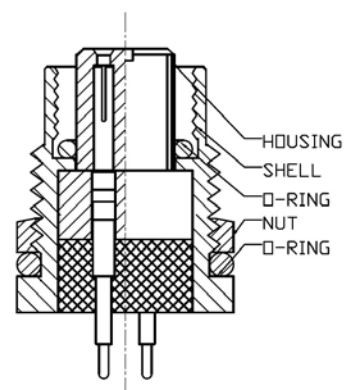
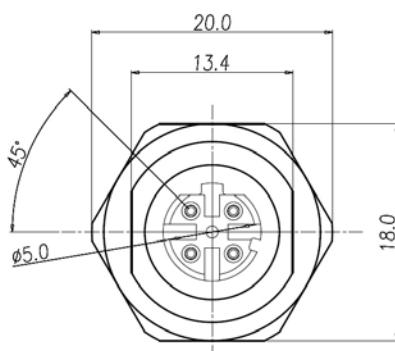
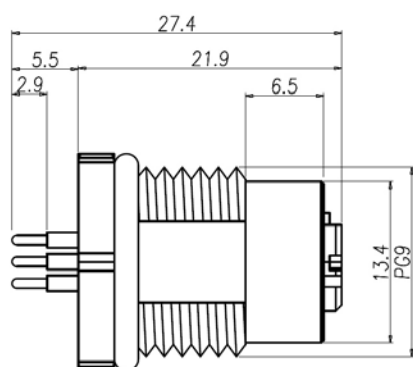
Shell: Brass; Nickel Plated

Nut: Brass; Nickel Plated

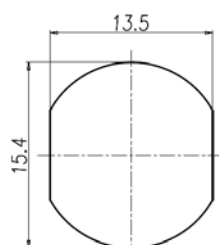
Waterproof: IPX7

* RoHS & REACH compliant.

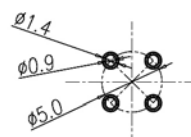
Unit: mm



NUT



RECOMMEND PANEL CUT-OUT



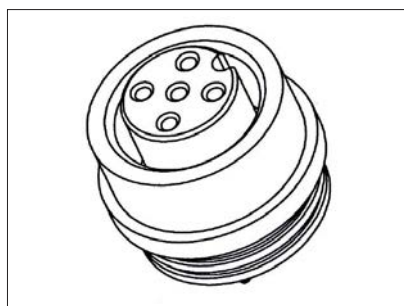
RECOMMEND P.C.B LAYOUT

ORDERING INFORMATION:

P/N WPC $\frac{1}{1}$ $\frac{2}{2}$ $\frac{F}{3}$ - $\frac{04}{4}$ $\frac{DF}{4}$

1. CONNECTOR LOCKING SYSTEM:
"12" SCREW M12*1.0
2. CONNECTOR TYPE:
"F" FEMALE (JACK)
3. NO. OF CONTACTS:
04
4. APPLICABLE TYPE:
"DF" STRAIGHT DIP TYPE

WATERPROOF M12 5P FEMALE CONNECTOR PCB MOUNT DIP TYPE



SPECIFICATIONS

Current: 5A

Operation Temperature: -20°C to 85°C

Voltage: 125V

Waterproof Test: IPX8 Rated

* RoHS & REACH compliant.

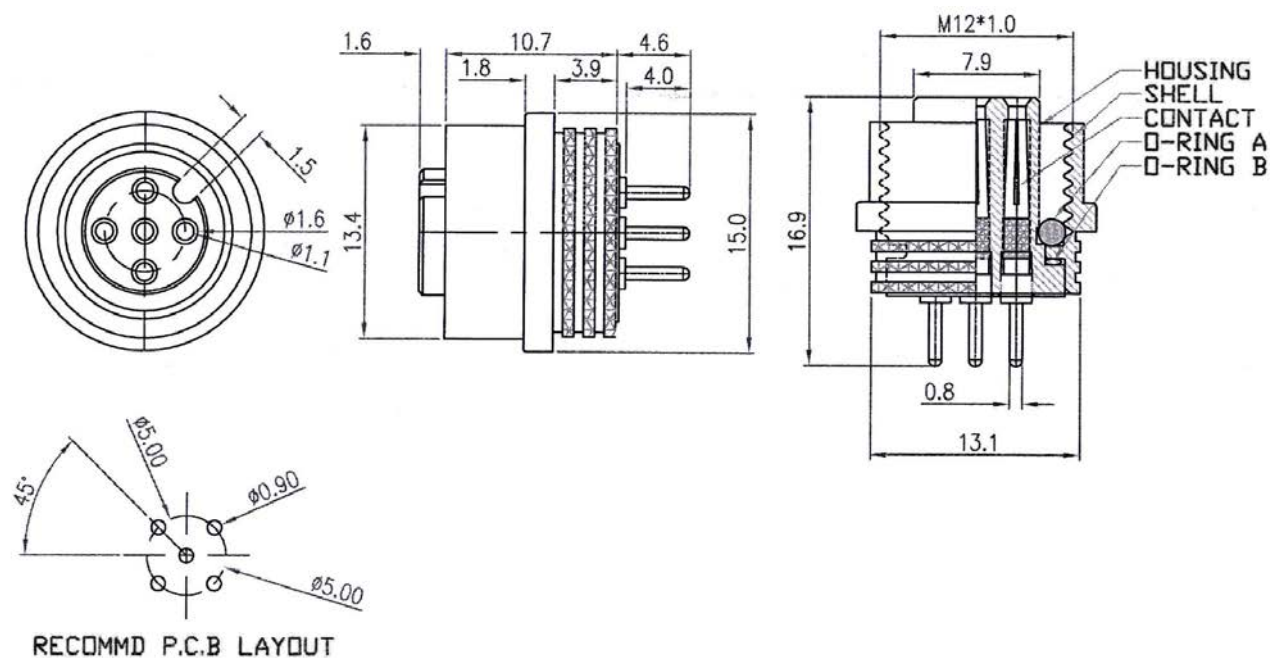
MATERIALS

Housing: PBT, UL 94V-0

Contact: Brass; Gold Plating Over Nickel

Shell: Brass; Nickel Plated

Unit: mm



ORDERING INFORMATION:

P/N W P C 1 2 3 4 12 F - 05 DA

1. CONNECTOR LOCKING SYSTEM:
"12" SCREW M12*1.0
2. CONNECTOR TYPE:
"F" FEMALE (JACK)
3. NO. OF CONTACTS:
05
4. APPLICABLE TYPE:
"DA" PCB MOUNT DIP TYPE

WATERPROOF M12 5P FEMALE CONNECTOR B-CODED TYPE



SPECIFICATIONS

Current: 2A

Operation Temperature: -20°C to 105°C

Insulation Resistance: 1000 Megaohms min.

Dielectric Strength: 500V AC min.

Waterproof Test: IP67 Rated

* RoHS & REACH compliant.

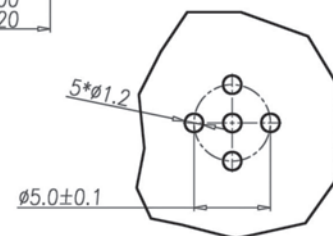
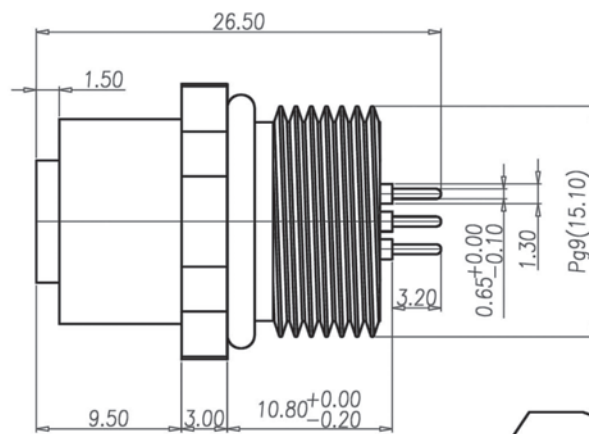
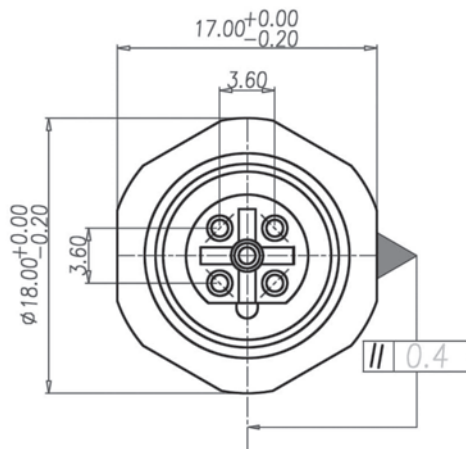
MATERIALS

Housing: Thermoplastic, UL 94V-0

Contact: Brass; Contact plated 10u" Gold

Shell: Brass; Nickel 100u"

Unit: mm



P/N WPC12F-05DG

Recommended P.C.Board Layout

ORDERING INFORMATION:

P/N W P C $\frac{1}{1}$ $\frac{2}{2}$ $\frac{3}{3}$ $\frac{4}{4}$ F - 05 D G

1. CONNECTOR LOCKING SYSTEM:
"12" SCREW M12*1.0
2. CONNECTOR TYPE:
"F" FEMALE (JACK)
3. NO. OF CONTACTS:
05
4. APPLICABLE TYPE:
"DG" B-CODED TYPE WITH INTERNAL THREAD

WATERPROOF M12 7P FEMALE CONNECTOR PANEL MOUNT DIP TYPE



SPECIFICATION:

1. Electrical Specification:

Rated Current: 5A
Rated Voltage: 125V
Water proof: IP67

2. Environmental:

Operating Temperature: -20°C ~ 85°C

MATERIALS:

1. Material:

Housing: PBT UL94V-0; Color: Black

Contact: Brass

Shell: Brass

Nut: Brass

O-Ring 1: EPDM; Color: Black

O-Ring 2: NBR; Color: Black

2. Finish:

Contact: 10 Micro Inches Min. Gold Plated

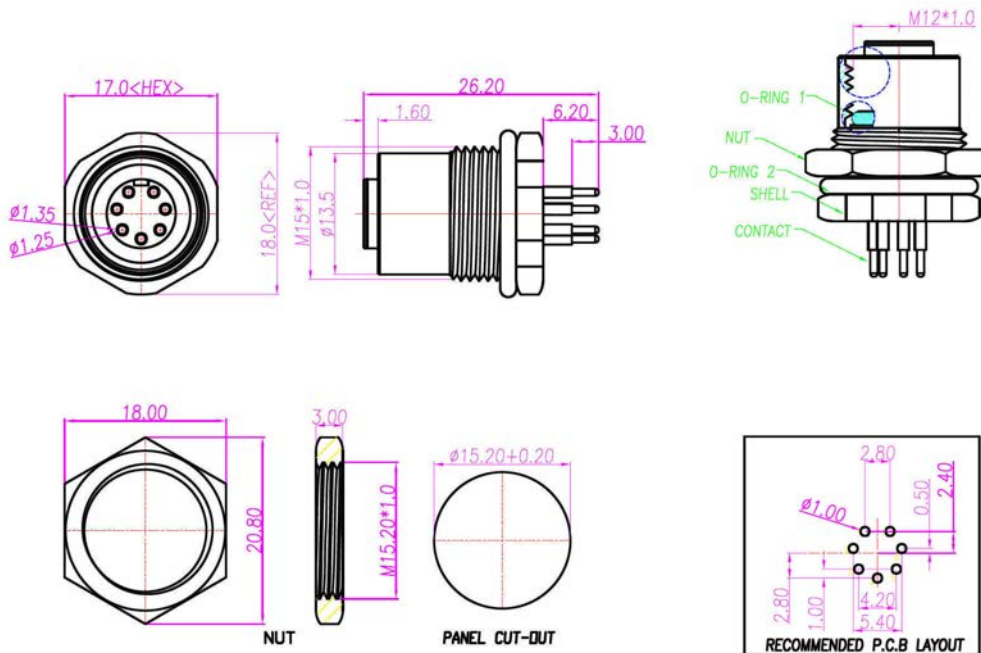
Under Plate: Nickel

Shell: Nickel Plated

Nut: Nickel Plated

*RoHS & REACH compliant.

Unit: mm



ORDERING INFORMATION:

P/N W P C $\frac{1}{1}$ $\frac{2}{2}$ $\frac{F}{3}$ - $\frac{07}{4}$ $\frac{DA}{4}$

1. CONNECTOR LOCKING SYSTEM:

"12" SCREW M12* 1.0

2. CONNECTOR TYPE:

"F" FEMALE (JACK)

3. NO. OF CONTACTS:

07

4. APPLICABLE TYPE:

"DA" PANEL MOUNT DIP TYPE

WATERPROOF M12 4P FEMALE CONNECTOR RIGHT ANGLE DIP TYPE

MATERIALS:

1.Material:

Housing: PBT UL94V-0; Color: Black
Contact: Brass
Nut: Brass
O-Ring: EPDM; Color: Black
Back Housing: PBT UL94V-0; Color: Black
Down Housing: PBT UL94V-0; Color: Black

2.Finish:

Contact: Gold Flash On Over All
 Under Plate: Nickel
Shell: Stain Nickel 80u"~100u" On Over All
***RoHS & REACH compliant.**
Unit: mm

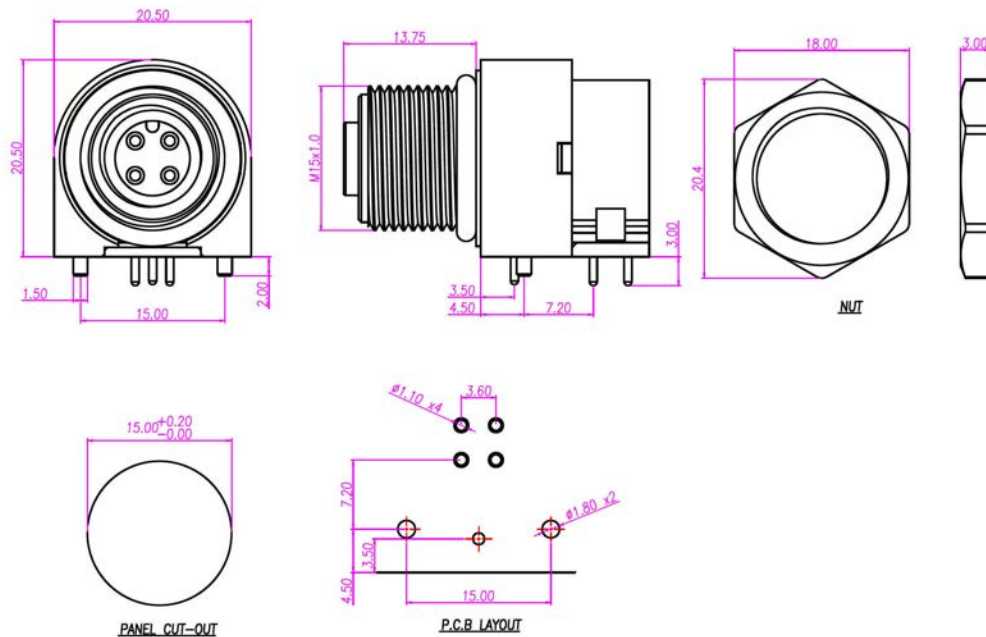
SPECIFICATION:

1.Electrical Specification:

Rated Current: 5A
Rated Voltage: 125V
Water proof: IP67

2.Environmental:

Operating Temperature: -40°C ~ 85°C



ORDERING INFORMATION:

P/N W P C $\frac{1}{1}$ $\frac{2}{2}$ $\frac{3}{3}$ $\frac{4}{4}$ F - 04 D R

1. CONNECTOR LOCKING SYSTEM:
"12" SCREW M12* 1.0
2. CONNECTOR TYPE:
"F" FEMALE (JACK)
3. NO. OF CONTACTS:
04
4. APPLICABLE TYPE:
"DR" RIGHT ANGLE PCB MOUNT TYPE

WATERPROOF M12 5P FEMALE CONNECTOR RIGHT ANGLE DIP TYPE

MATERIALS:

1.Material:

Housing: PBT UL94V-0; Color: Black

Contact: Brass

Nut: Brass

O-Ring: EPDM; Color: Black

Back Housing: PBT UL94V-0; Color: Black

Down Housing: PBT UL94V-0; Color: Black

2.Finish:

Contact: Gold Flash On Over All

Under Plate: Nickel

Shell: Stain Nickel 80u"~100u" On Over All

*RoHS & REACH compliant.

Unit: mm

SPECIFICATION:

1.Electrical Specification:

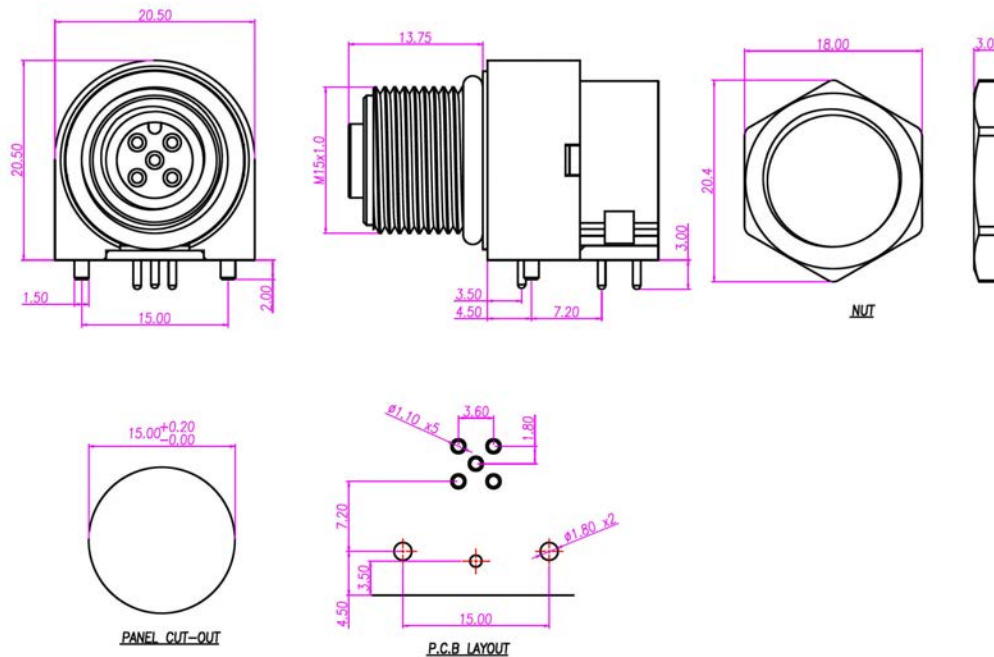
Rated Current: 5A

Rated Voltage: 125V

Water proof: IP67

2.Environmental:

Operating Temperature: -40°C ~ 85°C



ORDERING INFORMATION:

P/N W P C $\frac{1}{1}$ $\frac{2}{2}$ $\frac{3}{3}$ $\frac{4}{4}$ F - 05 DR

1. CONNECTOR LOCKING SYSTEM:
"12" SCREW M12* 1.0
2. CONNECTOR TYPE:
"F" FEMALE (JACK)
3. NO. OF CONTACTS:
05
4. APPLICABLE TYPE:
"DR" RIGHT ANGLE PCB MOUNT TYPE

WATERPROOF M12 8P FEMALE CONNECTOR RIGHT ANGLE DIP TYPE

MATERIALS:

1.Material:

Housing: PBT UL94V-0; Color: Black

Contact: Brass

Nut: Brass

O-Ring: NBR; Color: Black

Back Housing: PBT UL94V-0; Color: Black

Down Housing: PBT UL94V-0; Color: Black

2.Finish:

Contact: Gold Flash On Over All

Under Plate: Nickel

Shell: Stain Nickel 80u"~100u" On Over All

*RoHS & REACH compliant.

Unit: mm

SPECIFICATION:

1.Electrical Specification:

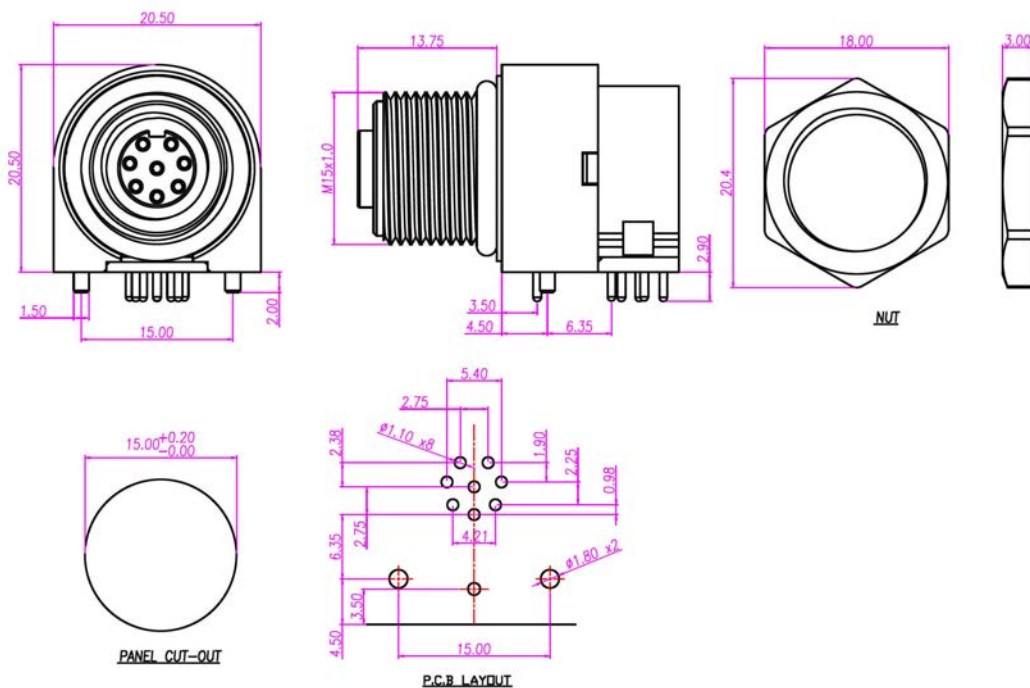
Rated Current: 3A

Rated Voltage: 125V

Water proof: IP67

2.Environmental:

Operating Temperature: -40°C ~ 85°C



ORDERING INFORMATION:

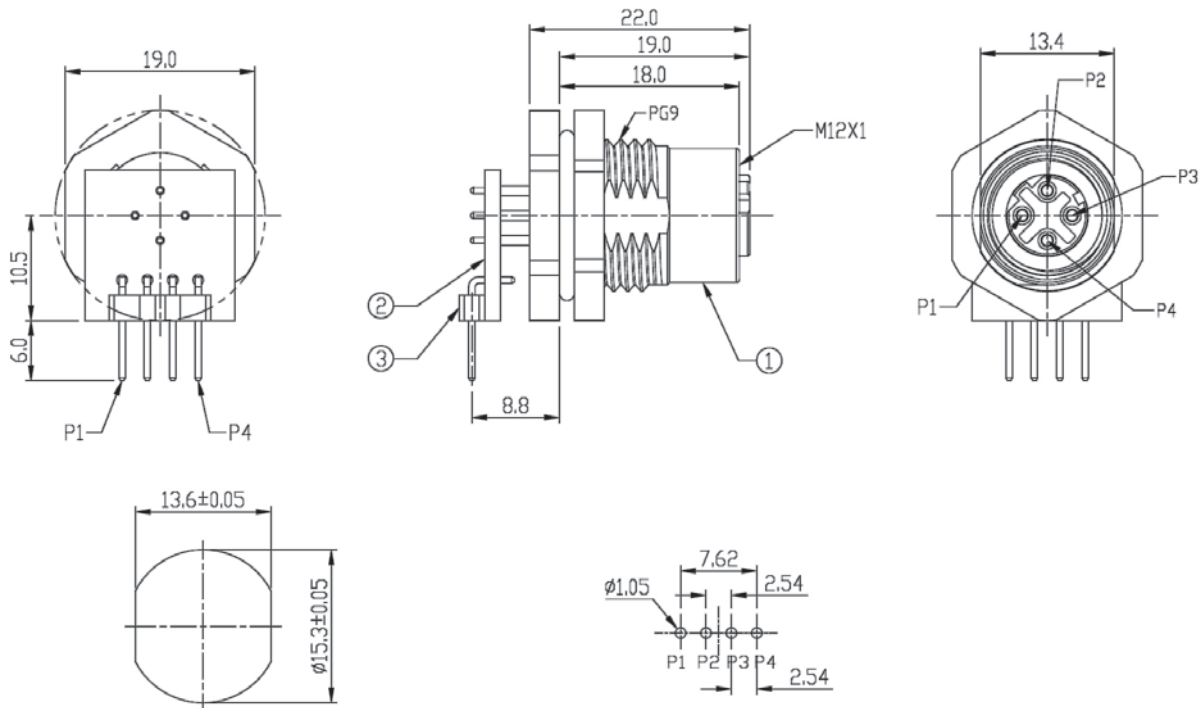
P/N W P C $\frac{1}{2}$ F - 08 $\frac{3}{4}$ D R

1. CONNECTOR LOCKING SYSTEM:
"12" SCREW M12* 1.0
2. CONNECTOR TYPE:
"F" FEMALE (JACK)
3. NO. OF CONTACTS:
08
4. APPLICABLE TYPE:
"DR" RIGHT ANGLE PCB MOUNT TYPE

WATERPROOF M12 D-CODED 4P 4A RATED FEMALE CONNECTOR RIGHT ANGLE DIP TYPE

SPECIFICATION

Waterproof Rate: IP68
Recommend Panel Thickness: 0.8~5.0mm
DWV: 1400 Vrms
Rated Voltage: 250V AC/DC
Insulation Resistance: 100MΩ Min.
Durability: 100 Cycles Min.
 * RoHS & REACH compliant.



Recomend Panel Cut-Out

Recommended P.C.Board Layout

ORDERING INFORMATION:

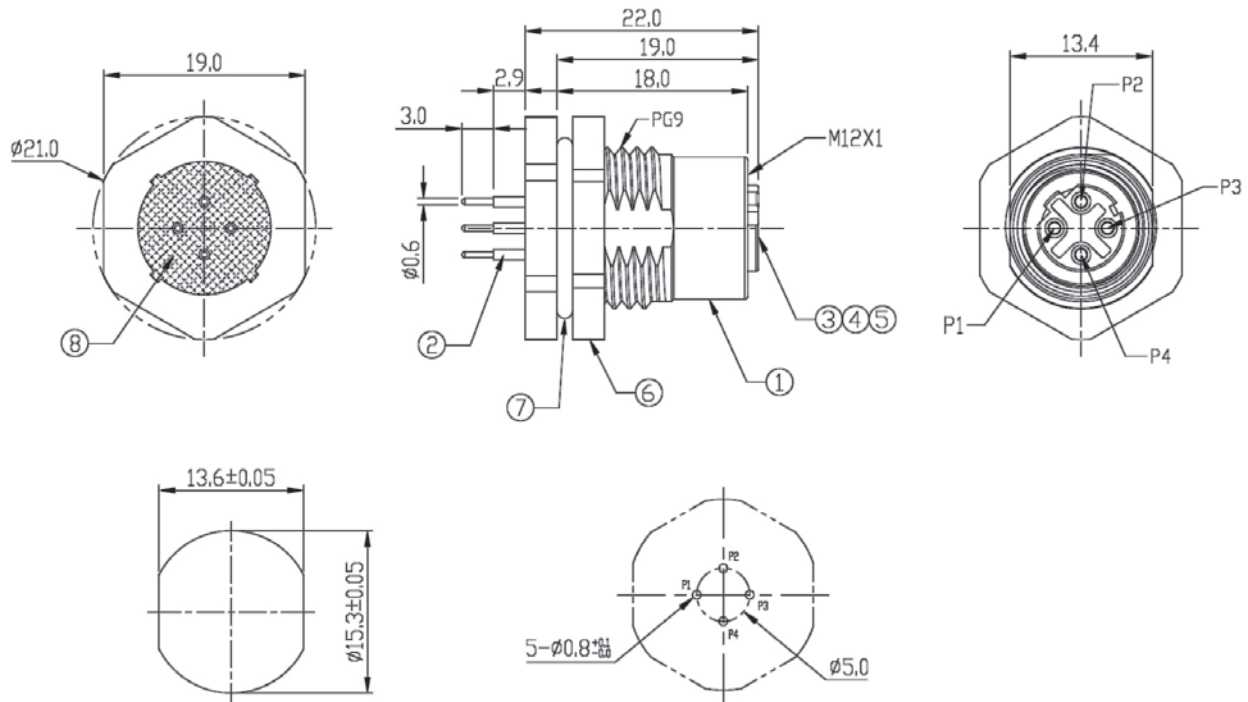
P/N W P C $\frac{1}{1}$ $\frac{2}{2}$ F - $\frac{0}{3}$ $\frac{4}{4}$ D L

1. CONNECTOR LOCKING SYSTEM:
"12" SCREW M12* 1.0
2. CONNECTOR TYPE:
"F" FEMALE (JACK)
3. NO. OF CONTACTS:
04
4. APPLICABLE TYPE:
"DL" RIGHT ANGLE PCB MOUNT TYPE

WATERPROOF M12 D-CODED 4P 4A RATED FEMALE CONNECTOR REAR PANEL MOUNT SOLDER TYPE

SPECIFICATION

Waterproof Rate: IP68
Recommend Panel Thickness: 0.8~5.0mm
DWV: 1400 Vrms
Rated Voltage: 250V AC/DC
Insulation Resistance: 100MΩ Min.
Durability: 100 Cycles Min.
 * RoHS & REACH compliant.



Recommend Panel Cut-Out

Recommended P.C.Board Layout
(Component Side)

ORDERING INFORMATION:

P/N **W** **P** **C** **1** **2** **F** - **0** **4** **D** **T**
I **2** **3** **4**

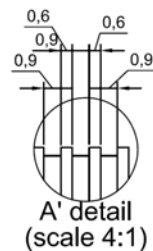
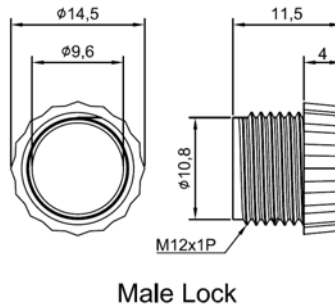
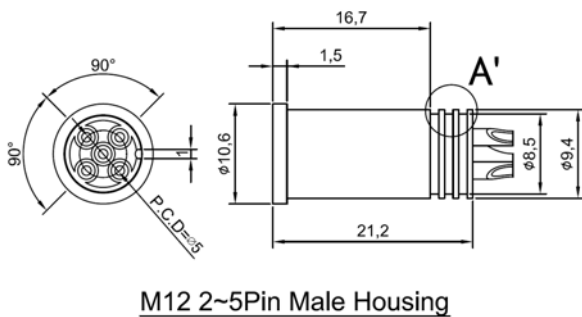
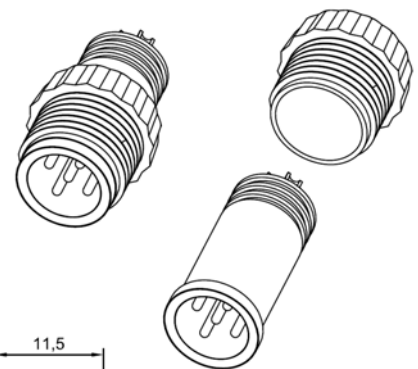
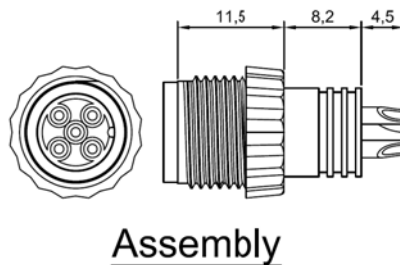
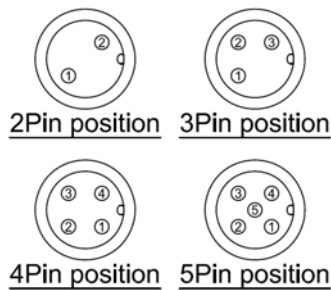
1. CONNECTOR LOCKING SYSTEM:
"12" SCREW M12* 1.0
2. CONNECTOR TYPE:
"F" FEMALE (JACK)
3. NO. OF CONTACTS:
04
4. APPLICABLE TYPE:
"DT" REAR PANEL MOUNT SOLDER TYPE

WATERPROOF M12 2P~5P MALE CONNECTOR ALL PLASTIC CABLE ASSEMBLY TYPE



MATERIALS

Contact: Brass, gold plated 3u inch
Connector body: PA66+25%GF, Black
PA Lock: PA66+25%GF, Black
Current Rating: 3A
Waterproof Rating: IP67 and IP68
*** RoHS & REACH compliant.**
Unit: mm



ORDERING INFORMATION:

P/N **WPC** $\frac{1}{I}$ $\frac{2}{2}$ $\frac{12}{3}$ $\frac{M}{4}$ - $\frac{x}{x}$ $\frac{AP}{4}$

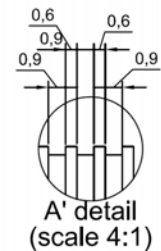
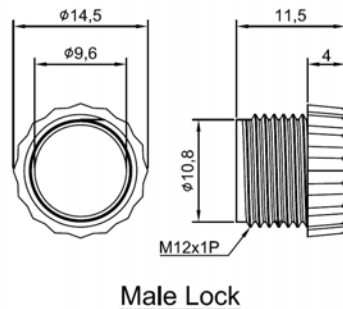
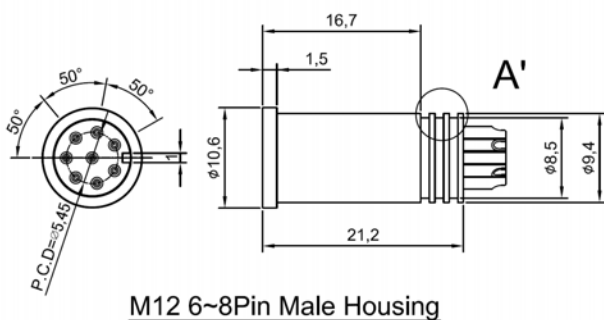
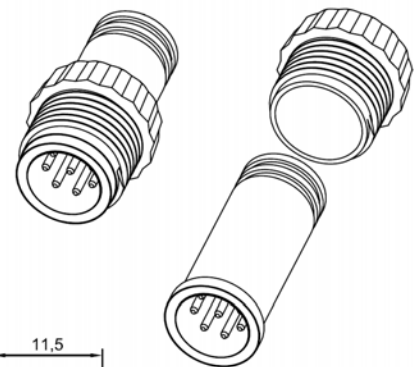
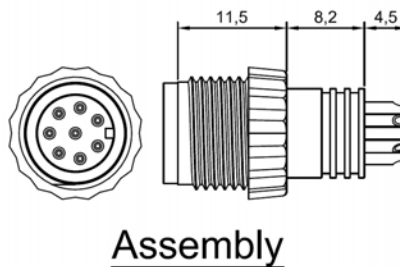
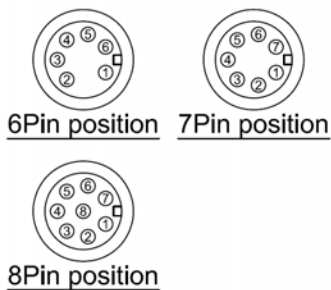
1. CONNECTOR LOCKING SYSTEM:
"12" SCREW M12*1.0
2. CONNECTOR TYPE:
"M" MALE (PLUG)
3. NO. OF CONTACTS:
02, 03, 04, 05
4. APPLICABLE TYPE:
"AP" CABLE ASSEMBLY TYPE

WATERPROOF M12 6P~8P MALE CONNECTOR ALL PLASTIC CABLE ASSEMBLY TYPE



MATERIALS

Contact: Brass, gold plated 3u inch
Connector body: PA66+25%GF, Black
PA Lock: PA66+25%GF, Black
Current Rating: 2A
Waterproof Rating: IP67 and IP68
*** RoHS & REACH compliant.**
Unit: mm



ORDERING INFORMATION:

P/N W P C $\frac{1}{I}$ $\frac{2}{M}$ - $\frac{x}{3}$ $\frac{x}{4}$ A P

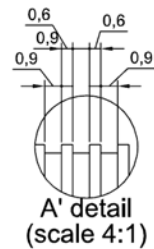
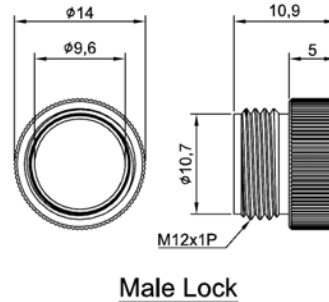
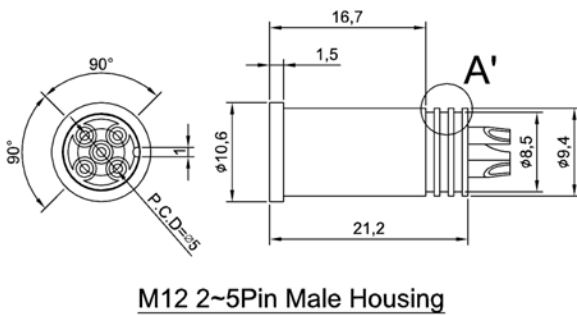
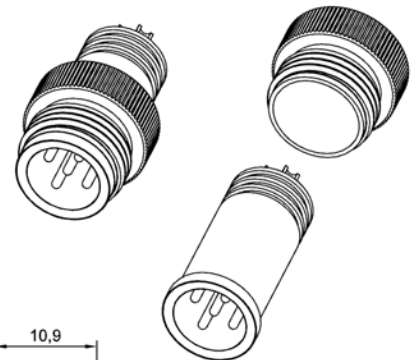
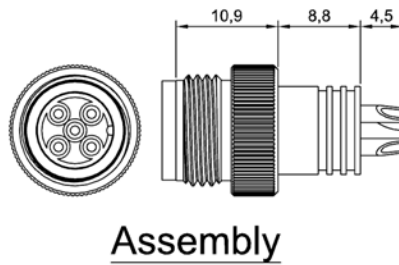
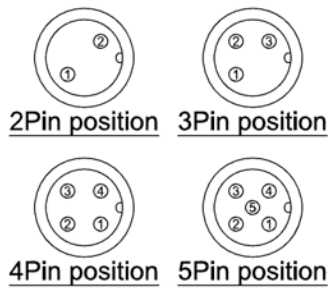
1. CONNECTOR LOCKING SYSTEM:
"12" SCREW M12*1.0
2. CONNECTOR TYPE:
"M" MALE (PLUG)
3. NO. OF CONTACTS:
06, 07, 08
4. APPLICABLE TYPE:
"AP" CABLE ASSEMBLY TYPE

WATERPROOF M12 2P~5P MALE CONNECTOR CABLE ASSEMBLY TYPE



MATERIALS

Contact: Brass, gold plated 3u inch
Connector body: PA66+25%GF, Black
Brass Lock: Brass, Nickel plated
Ring: Sillica Gel, Orange
Current Rating: 2A
Waterproof Rating: IP67 and IP68
*** RoHS & REACH compliant.**
Unit: mm



ORDERING INFORMATION:

P/N W P C $\frac{1}{I}$ $\frac{2}{M}$ - $\frac{x}{3}$ $\frac{x}{4}$ A M

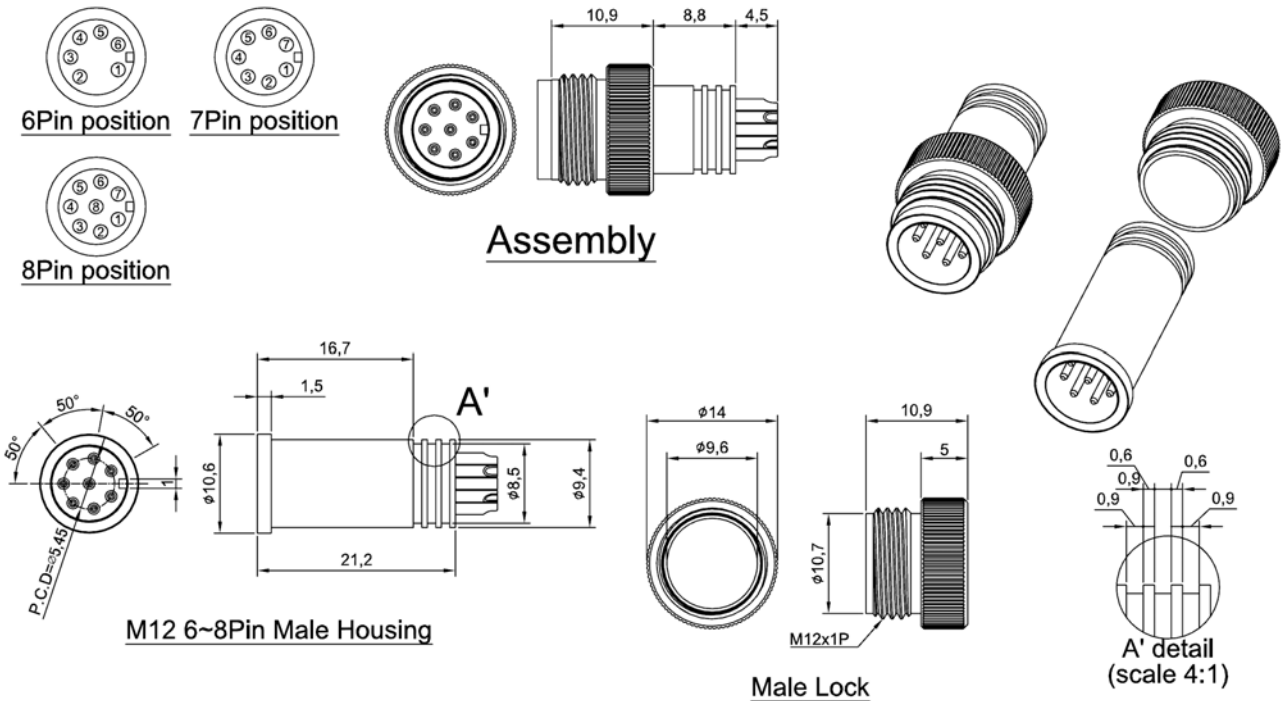
1. CONNECTOR LOCKING SYSTEM:
"12" SCREW M12*1.0
2. CONNECTOR TYPE:
"M" MALE (PLUG)
3. NO. OF CONTACTS:
02, 03, 04, 05
4. APPLICABLE TYPE:
"AM" CABLE ASSEMBLY TYPE

WATERPROOF M12 6P~8P MALE CONNECTOR CABLE ASSEMBLY TYPE



MATERIALS

Contact: Brass, gold plated 3u inch
Connector body: PA66+25%GF, Black
Brass Lock: Brass, Nickel plated
Ring: Sillica Gel, Orange
Current Rating: 2A
Waterproof Rating: IP67 and IP68
 * RoHS & REACH compliant.
Unit: mm



ORDERING INFORMATION:

P/N **W** **P** **C** **$\frac{1}{I}$** **$\frac{2}{M}$** **$\frac{3}{-xx}$** **$\frac{4}{AM}$**

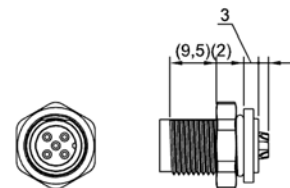
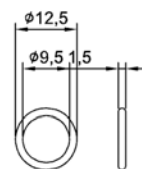
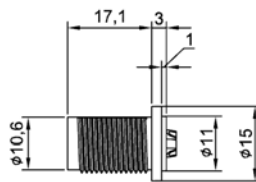
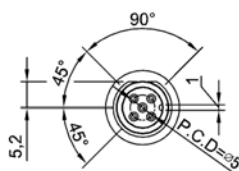
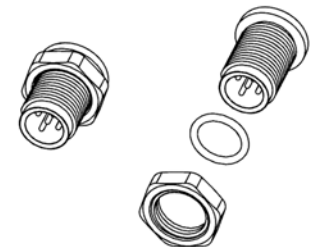
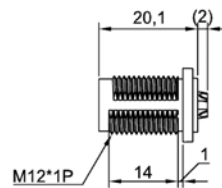
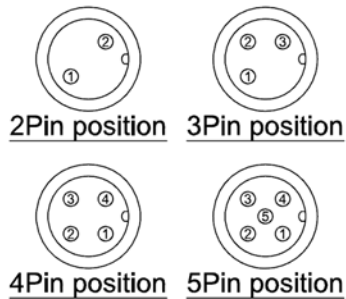
1. CONNECTOR LOCKING SYSTEM:
"12" SCREW M12*1.0
2. CONNECTOR TYPE:
"M" MALE (PLUG)
3. NO. OF CONTACTS:
06, 07, 08
4. APPLICABLE TYPE:
"AM" CABLE ASSEMBLY TYPE

WATERPROOF M12 2P~5P MALE CONNECTOR ALL PLASTIC FRONT PANEL MOUNT ASSEMBLY TYPE

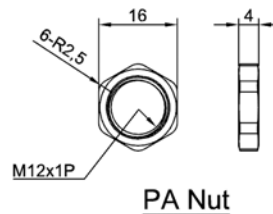


MATERIALS

Contact: Brass, gold plated 3u inch
Connector body: PA66+25%GF, Black
PA Lock: PA66+25%GF, Black
Ring: NBR, Black
Current Rating: 3A
Waterproof Rating: IP67 and IP68
*** RoHS & REACH compliant.**
Unit: mm



Assembly



ORDERING INFORMATION:

P/N W P C $\frac{1}{1}$ $\frac{2}{2}$ $\frac{M}{3}$ - $\frac{x}{x}$ $\frac{PP}{4}$

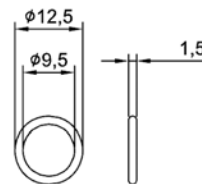
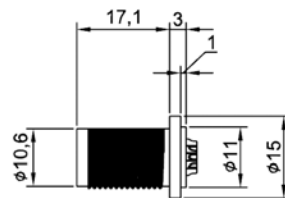
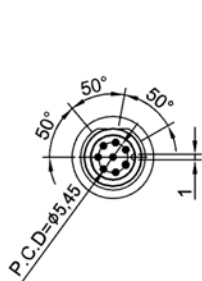
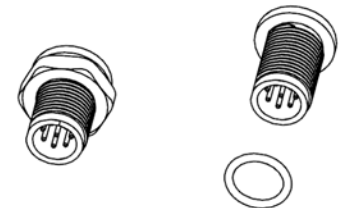
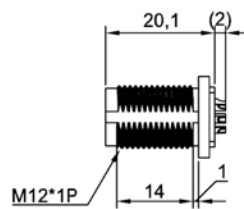
1. CONNECTOR LOCKING SYSTEM:
"12" SCREW M12*1.0
2. CONNECTOR TYPE:
"M" MALE (PLUG)
3. NO. OF CONTACTS:
02, 03, 04, 05
4. APPLICABLE TYPE:
"PP" FRONT PANEL MOUNT ASSEMBLY TYPE

WATERPROOF M12 6P~8P MALE CONNECTOR ALL PLASTIC FRONT PANEL MOUNT ASSEMBLY TYPE

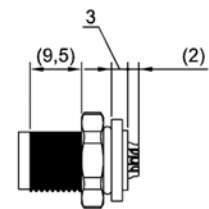


MATERIALS

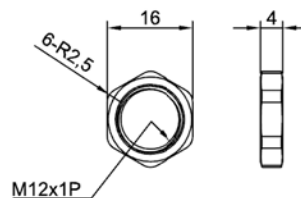
Contact: Brass, gold plated 3u inch
Connector body: PA66+25%GF, Black
PA Lock: PA66+25%GF, Black
Ring: NBR, Black
Current Rating: 3A
Waterproof Rating: IP67 and IP68
 * RoHS & REACH compliant.
Unit: mm



Ring



Assembly



ORDERING INFORMATION:

P/N W P C $\frac{1}{I}$ $\frac{2}{M}$ - $\frac{x}{3}$ $\frac{x}{4}$ P P

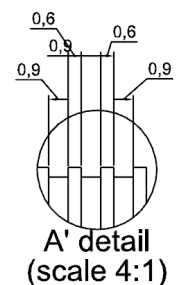
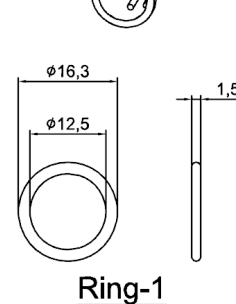
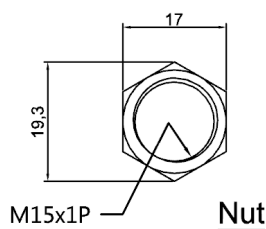
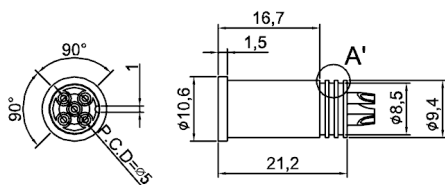
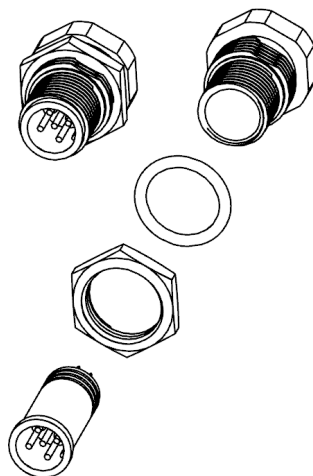
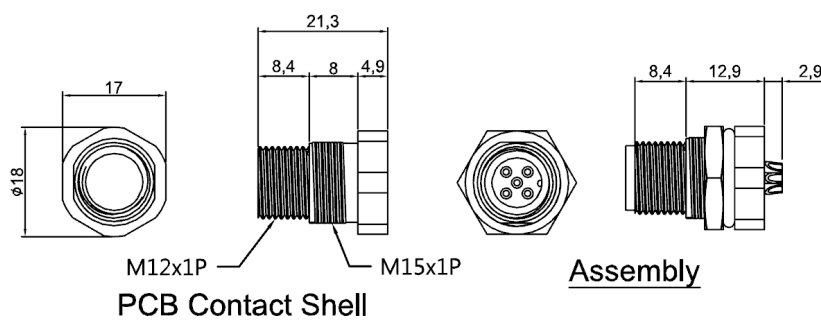
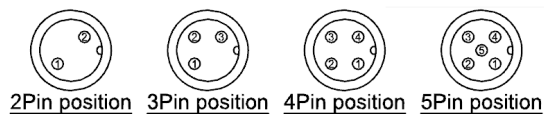
1. CONNECTOR LOCKING SYSTEM:
"12" SCREW M12*1.0
2. CONNECTOR TYPE:
"M" MALE (PLUG)
3. NO. OF CONTACTS:
06, 07, 08
4. APPLICABLE TYPE:
"PP" FRONT PANEL MOUNT ASSEMBLY TYPE

WATERPROOF M12 2P~5P MALE CONNECTOR FRONT PANEL MOUNT ASSEMBLY TYPE



MATERIALS

Contact: Brass, gold plated 3u inch
Connector body: PA66+25%GF, Black
Shell: Brass, Nickel plated
Ring: NBR, Black
Current Rating: 3A
Waterproof Rating: IP67 and IP68
*** RoHS & REACH compliant.**
Unit: mm



ORDERING INFORMATION:

P/N W P C $\frac{1}{I}$ $\frac{2}{M}$ - $\frac{x}{3}$ $\frac{x}{4}$ P M

1. CONNECTOR LOCKING SYSTEM:
"12" SCREW M12*1.0
2. CONNECTOR TYPE:
"M" MALE (PLUG)
3. NO. OF CONTACTS:
02, 03, 04, 05
4. APPLICABLE TYPE:
"PM" FRONT PANEL MOUNT ASSEMBLY TYPE

WATERPROOF M12 6P~8P MALE CONNECTOR FRONT PANEL MOUNT ASSEMBLY TYPE

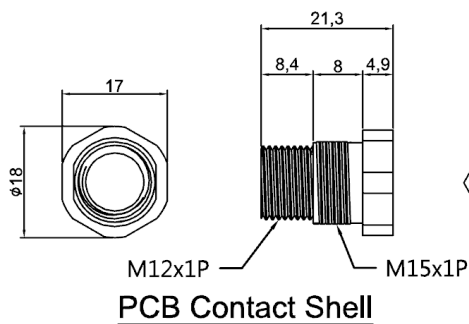


MATERIALS

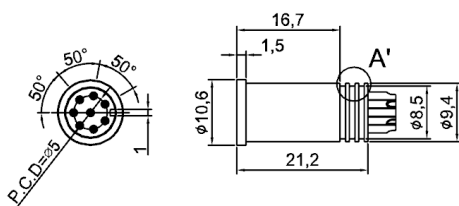
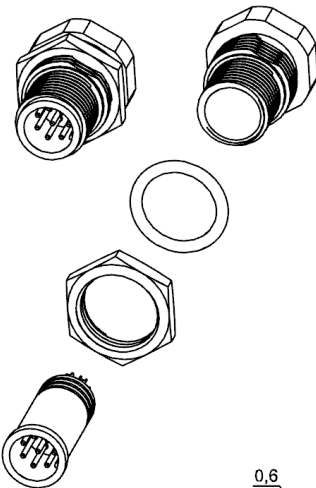
Contact: Brass, gold plated 3u inch
Connector body: PA66+25%GF, Black
Shell: Brass, Nickel plated
Ring: NBR, Black
Current Rating: 3A
Waterproof Rating: IP67 and IP68
*** RoHS & REACH compliant.**
Unit: mm



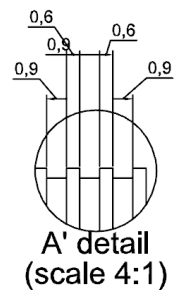
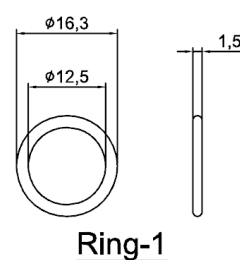
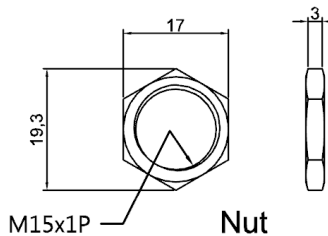
6Pin position 7Pin position 8Pin position



Assembly



M12 6~8Pin Male Housing



ORDERING INFORMATION:

P/N W P C $\frac{1}{I}$ $\frac{2}{M}$ - $\frac{x}{3}$ $\frac{x}{4}$ P M

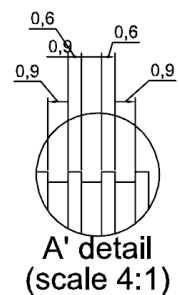
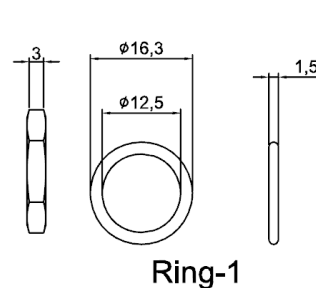
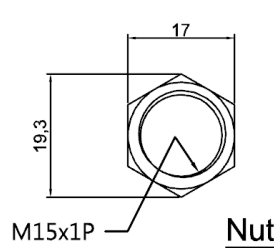
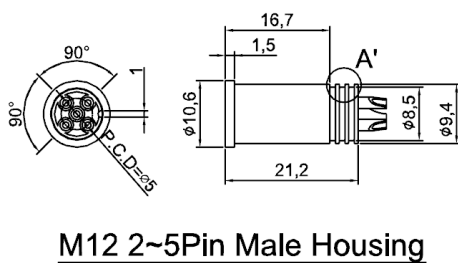
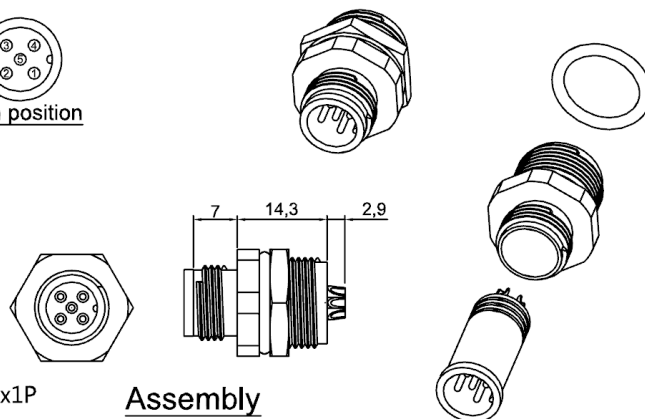
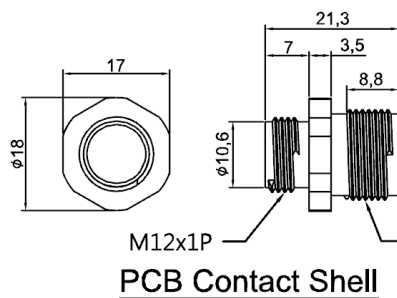
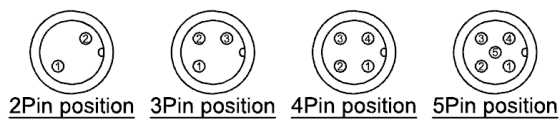
- CONNECTOR LOCKING SYSTEM:
"12" SCREW M12*1.0
- CONNECTOR TYPE:
"M" MALE (PLUG)
- NO. OF CONTACTS:
06, 07, 08
- APPLICABLE TYPE:
"PM" FRONT PANEL MOUNT ASSEMBLY TYPE

WATERPROOF M12 2P~5P MALE CONNECTOR REAR PANEL MOUNT ASSEMBLY TYPE



MATERIALS

Contact: Brass, gold plated 3u inch
Connector body: PA66+25%GF, Black
Shell: Brass, Nickel plated
Ring: NBR, Black
Current Rating: 3A
Waterproof Rating: IP67 and IP68
*** RoHS & REACH compliant.**
Unit: mm



ORDERING INFORMATION:

P/N W P C $\frac{1}{1}$ $\frac{2}{2}$ $\frac{M}{3}$ - $\frac{x}{3}$ $\frac{x}{4}$ $\frac{P}{4}$ S

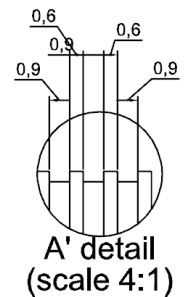
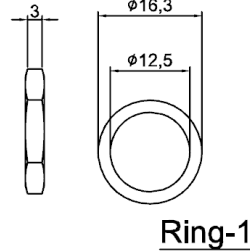
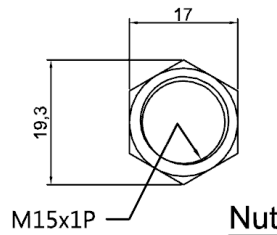
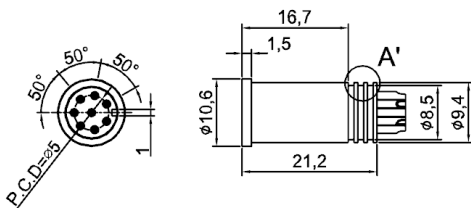
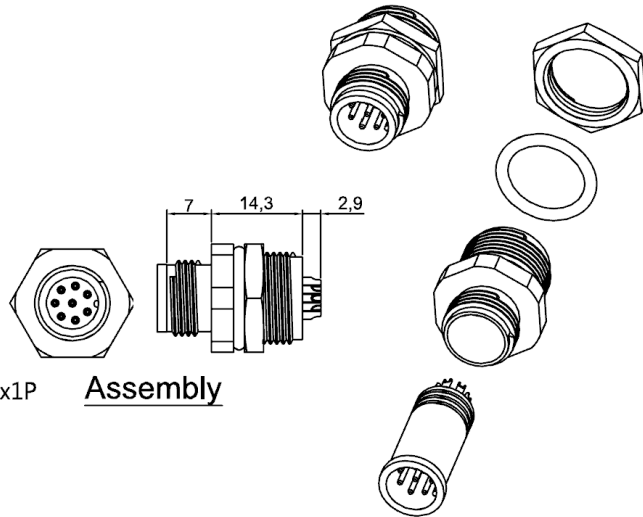
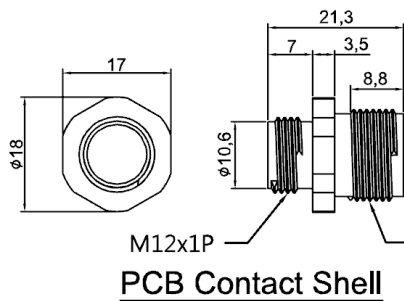
1. CONNECTOR LOCKING SYSTEM:
"12" SCREW M12*1.0
2. CONNECTOR TYPE:
"M" MALE (PLUG)
3. NO. OF CONTACTS:
02, 03, 04, 05
4. APPLICABLE TYPE:
"PS" PEAR PANEL MOUNT ASSEMBLY TYPE

WATERPROOF M12 6P~8P MALE CONNECTOR REAR PANEL MOUNT ASSEMBLY TYPE



MATERIALS

Contact: Brass, gold plated 3u inch
Connector body: PA66+25%GF, Black
Shell: Brass, Nickel plated
Ring: NBR, Black
Current Rating: 3A
Waterproof Rating: IP67 and IP68
 * RoHS & REACH compliant.
Unit: mm



ORDERING INFORMATION:

P/N **W** **P** **C** **1** **2** **3** **4** **M** **-** **x** **x** **P** **S**

1. CONNECTOR LOCKING SYSTEM:
"12" SCREW M12*1.0
2. CONNECTOR TYPE:
"M" MALE (PLUG)
3. NO. OF CONTACTS:
06, 07, 08
4. APPLICABLE TYPE:
"PS" REAR PANEL MOUNT ASSEMBLY TYPE

WATERPROOF M12 3P MALE CONNECTOR ASSEMBLY TYPE

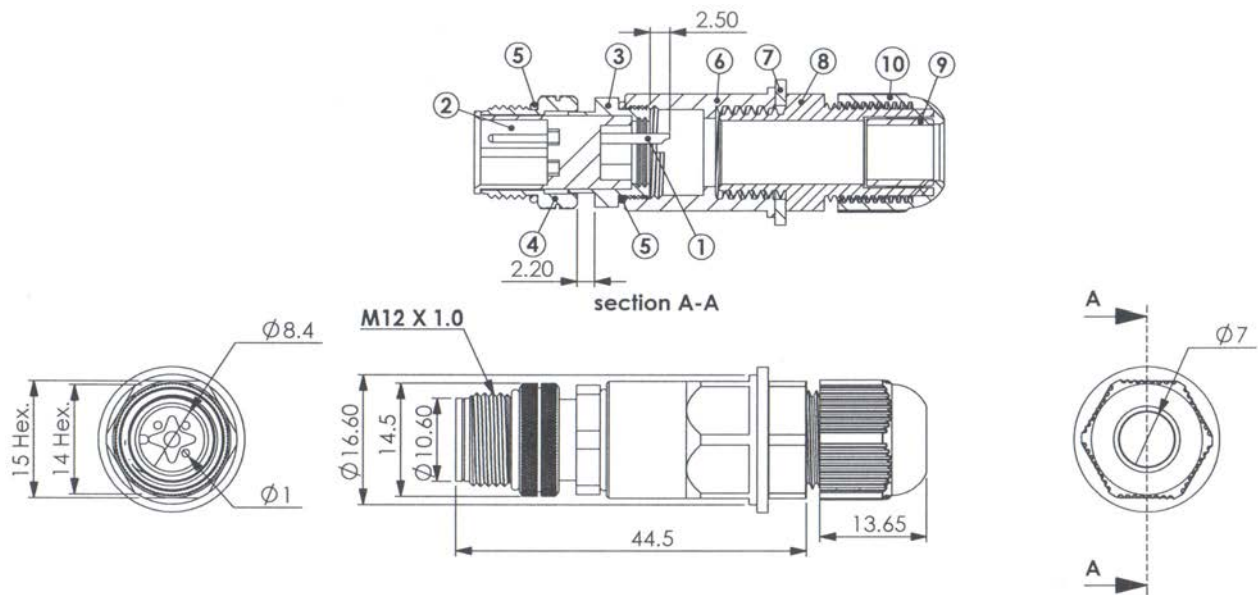


SPECIFICATIONS

Current: 2A
Operation Temperature: -20°C to 105°C
Insulation Resistance: 1000MΩ min.
Dielectric Strength: 500V AC min.
Waterproof Test:
 Reference to IEC 60529 Edition
 2.1: 2001-02-IP67
All materials must be RoHS compliant.

MATERIALS

Terminal: Brass, Gold Plated
Housing: Thermoplastic, UL 94V-0
Shield Cover: Brass, Nickel Plated
Screw Cap: Brass, Nickel Plated
Housing Holder: Brass Nickel Plated
O-Ring: NBR
WP cable Holder: NBR or PA66
Unit: mm



ORDERING INFORMATION:

P/N W P C $\frac{1}{1}$ $\frac{2}{2}$ M $\frac{3}{3}$ $\frac{4}{4}$ - 03 AS

1. CONNECTOR LOCKING SYSTEM:
"12" SCREW M12*1.0
2. CONNECTOR TYPE:
"M" MALE (PLUG)
3. NO. OF CONTACTS:
03
4. APPLICABLE TYPE:
"AS" CABLE ASSEMBLY TYPE

WATERPROOF M12 4P MALE CONNECTOR ASSEMBLY TYPE

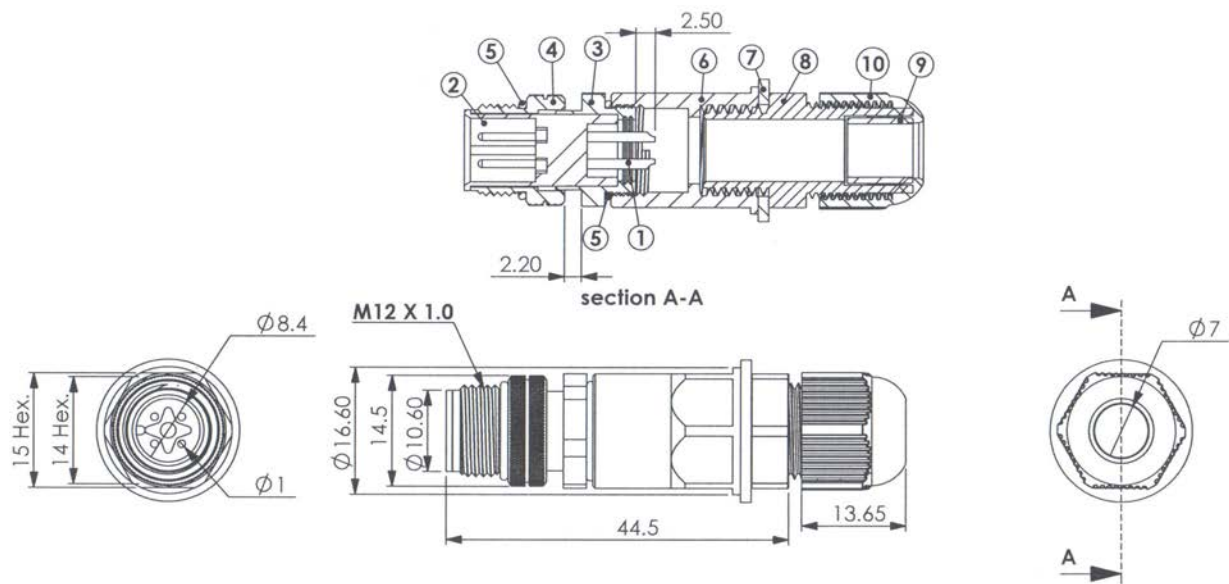


SPECIFICATIONS

Current: 2A
Operation Temperature: -20°C to 105°C
Insulation Resistance: 1000MΩ min.
Dielectric Strength: 500V AC min.
Waterproof Test:
 Reference to IEC 60529 Edition
 2.1: 2001-02-IP67
All materials must be RoHS compliant.

MATERIALS

Terminal: Brass, Gold Plated
Housing: Thermoplastic, UL 94V-0
Shield Cover: Brass, Nickel Plated
Screw Cap: Brass, Nickel Plated
Housing Holder: Brass Nickel Plated
O-Ring: NBR
WP cable Holder: NBR or PA66
Unit: mm



ORDERING INFORMATION:

P/N W P C $\frac{1}{1}$ $\frac{2}{M}$ - $\frac{04}{3}$ $\frac{AS}{4}$

1. CONNECTOR LOCKING SYSTEM:
"12" SCREW M12*1.0
2. CONNECTOR TYPE:
"M" MALE (PLUG)
3. NO. OF CONTACTS:
04
4. APPLICABLE TYPE:
"AS" CABLE ASSEMBLY TYPE

WATERPROOF M12 5P MALE CONNECTOR ASSEMBLY TYPE

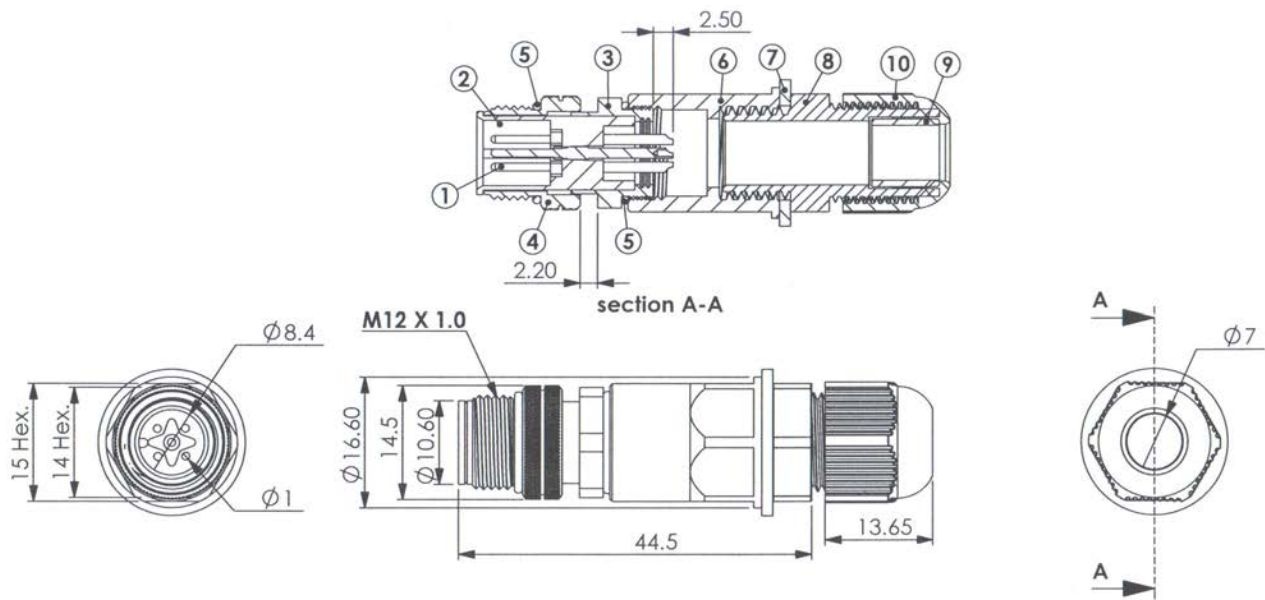


SPECIFICATIONS

Current: 2A
Operation Temperature: -20°C to 105°C
Insulation Resistance: 1000MΩ min.
Dielectric Strength: 500V AC min.
Waterproof Test:
 Reference to IEC 60529 Edition
 2.1: 2001-02-IP67
All materials must be RoHS compliant.

MATERIALS

Terminal: Brass, Gold Plated
Housing: Thermoplastic, UL 94V-0
Shield Cover: Brass, Nickel Plated
Screw Cap: Brass, Nickel Plated
Housing Holder: Brass Nickel Plated
O-Ring: NBR
WP cable Holder: NBR or PA66
Unit: mm



ORDERING INFORMATION:

P/N W P C $\frac{1}{1}$ $\frac{2}{M}$ - $\frac{05}{3}$ $\frac{AS}{4}$

1. CONNECTOR LOCKING SYSTEM:
"12" SCREW M12*1.0
2. CONNECTOR TYPE:
"M" MALE (PLUG)
3. NO. OF CONTACTS:
05
4. APPLICABLE TYPE:
"AS" CABLE ASSEMBLY TYPE

WATERPROOF M12 8P MALE CONNECTOR ASSEMBLY TYPE

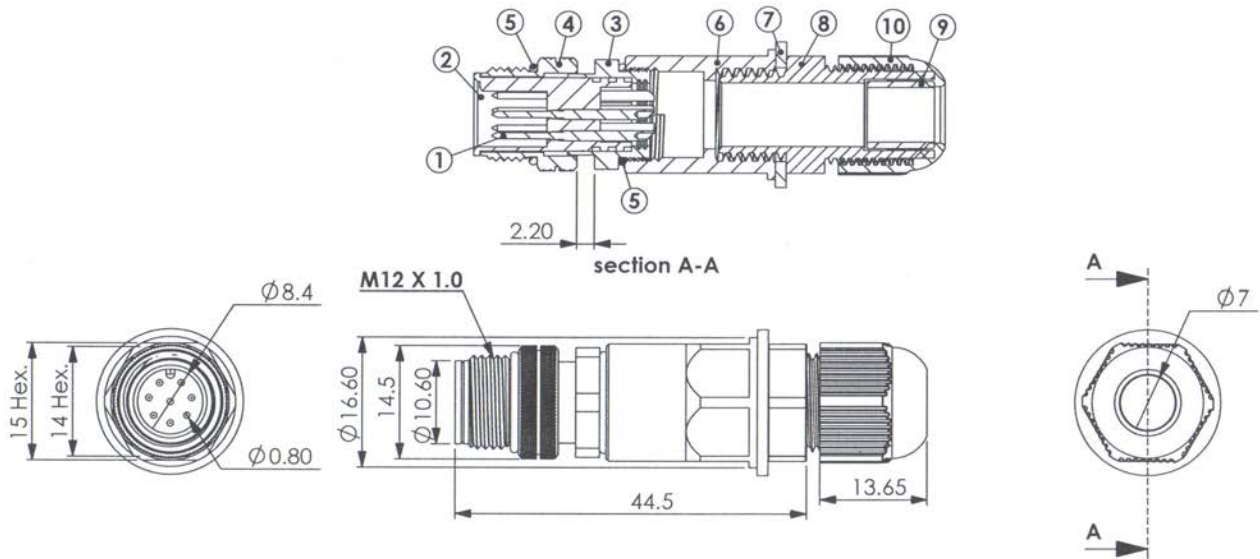


SPECIFICATIONS

Current: 2A
Operation Temperature: -20°C to 105°C
Insulation Resistance: 1000MΩ min.
Dielectric Strength: 500V AC min.
Waterproof Test:
 Reference to IEC 60529 Edition
 2.1: 2001-02-IP67
All materials must be RoHS compliant.

MATERIALS

Terminal: Brass, Gold Plated
Housing: Thermoplastic, UL 94V-0
Shield Cover: Brass, Nickel Plated
Screw Cap: Brass, Nickel Plated
Housing Holder: Brass Nickel Plated
O-Ring: NBR
WP cable Holder: NBR or PA66
Unit: mm



ORDERING INFORMATION:

P/N W P C 1 2 M - 08 AS

1. CONNECTOR LOCKING SYSTEM:
"12" SCREW M12*1.0
2. CONNECTOR TYPE:
"M" MALE (PLUG)
3. NO. OF CONTACTS:
08
4. APPLICABLE TYPE:
"AS" CABLE ASSEMBLY TYPE

WATERPROOF M12 4P MALE CONNECTOR D-CODED CABLE ASSEMBLY TYPE



SPECIFICATION:

1. Electrical Specification:

Rated Current: 5A

Rated Voltage: 125V

Water proof: IP67

2. Environmental:

Operating Temperature: -20°C ~ 85°C

MATERIALS:

1. Material:

a. Housing: PBT UL94V-0; Color: Black

b. Contact: Brass

c. Nut: Aluminum Alloy

d. Shell: Aluminum Alloy

e. Epoxy Base: EF400A & EF400B; Clork: Black

Main Body: Aluminum Alloy

Gland: Silicone; Color: Black

Gland Cage: POM; Color: Black

Gland Nut: Aluminum Alloy

2. Finish:

a. Contact: Gold Flash Micro Inches Min
Under Plate: Nickel

b. Nut: Sating Ni Plated

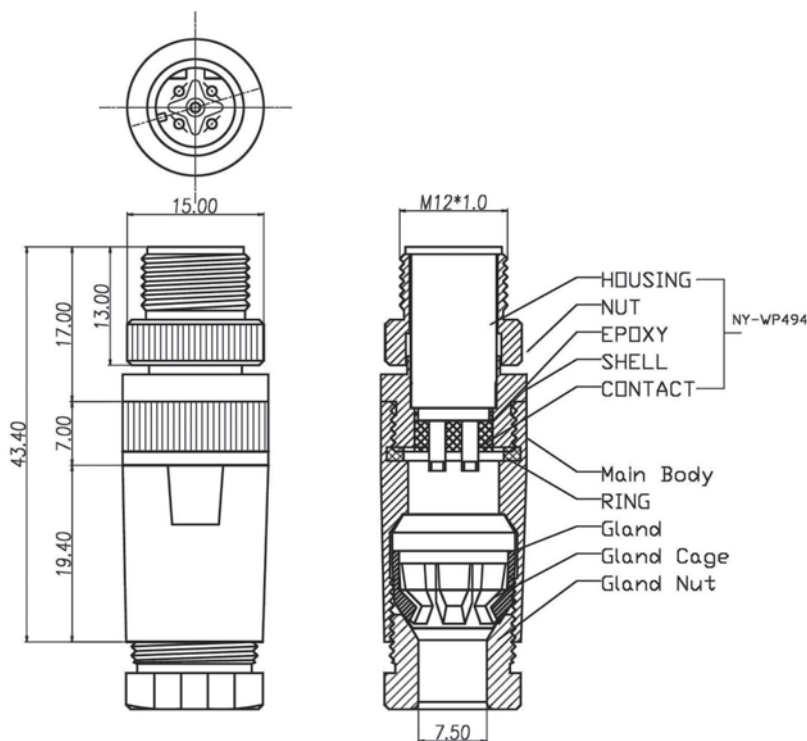
c. Shell: Sating Ni Plated

Main Body: Sating Ni Plated

Gland Nut: Sating Ni Plated

*RoHS & REACH compliant.

Unit: mm



ORDERING INFORMATION:

P/N W P C $\frac{1}{1}$ $\frac{2}{2}$ $\frac{3}{3}$ $\frac{4}{4}$ M - 0 4 A D

1. CONNECTOR LOCKING SYSTEM:
"12" SCREW M12* 1.0
2. CONNECTOR TYPE:
"M" MALE (PLUG)
3. NO. OF CONTACTS:
04
4. APPLICABLE TYPE:
"AD" D-CODED CABLE ASSEMBLY TYPE

WATERPROOF M12 4P MALE CONNECTOR CABLE ASSEMBLY TYPE



MATERIALS

Housing: PBT, UL 94V-0

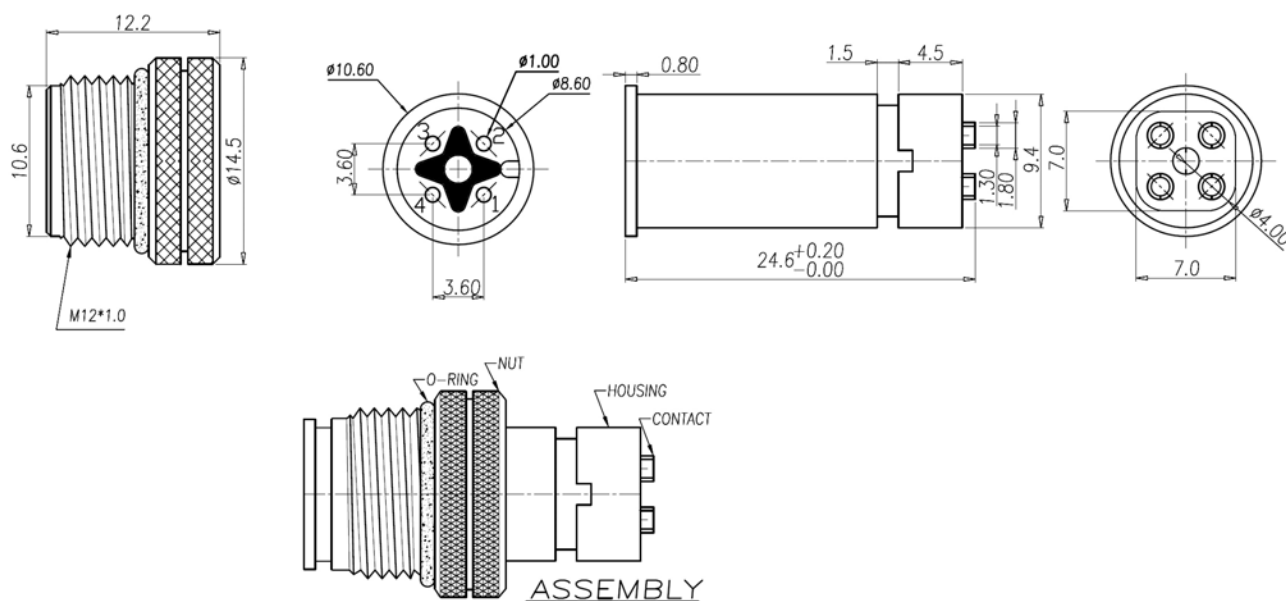
Contact: Brass; Gold Plating Over Nickel

Nut: Brass; Nickel Plated

Waterproof: IPX7

* RoHS & REACH compliant.

Unit: mm



ORDERING INFORMATION:

P/N W P C $\frac{1}{1}$ $\frac{2}{2}$ $\frac{3}{3}$ $\frac{4}{4}$ M - 04 A A X

1. CONNECTOR LOCKING SYSTEM:
"12" SCREW M12*1.0
2. CONNECTOR TYPE:
"M" MALE (PLUG)
3. NO. OF CONTACTS:
04
4. O-RING MATERIAL & COLOR:
"AAN" SILICONE O-RING IN GREEN
"AAB" EPDM O-RING IN BLACK

WATERPROOF M12 8P MALE CONNECTOR CABLE ASSEMBLY TYPE



MATERIALS

Housing: PBT, UL 94V-0

Contact: Brass; Gold Plating Over Nickel

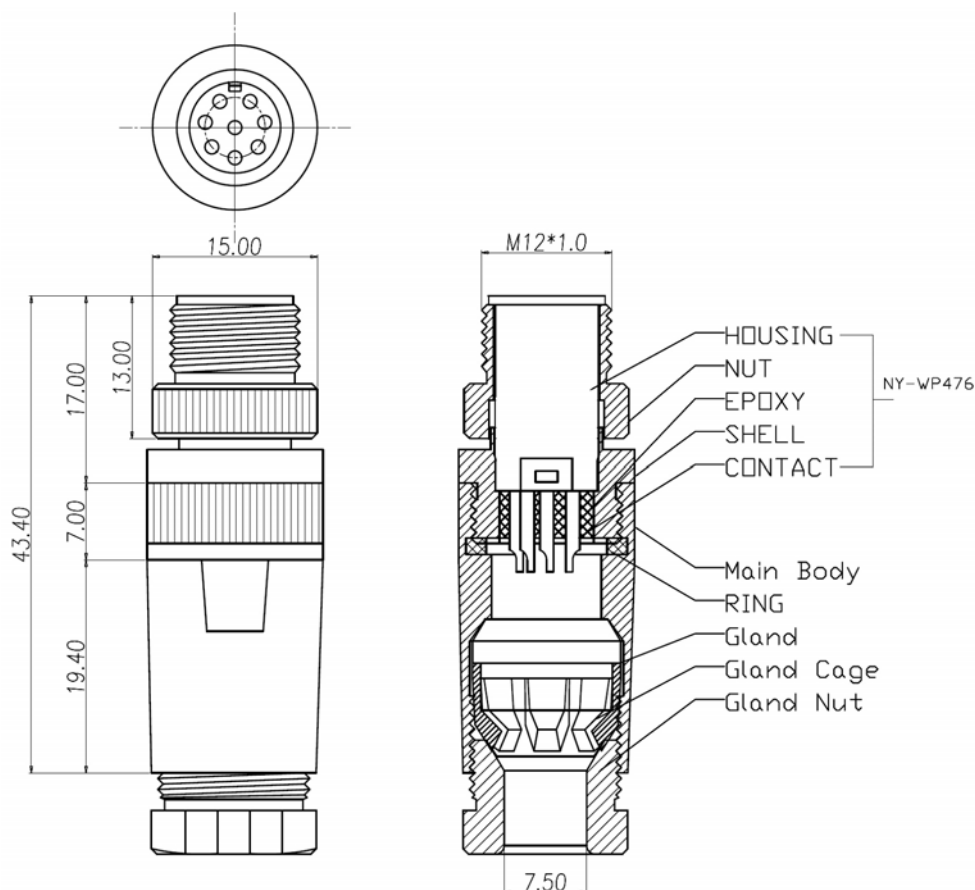
Shell: Aluminum Alloy; Nickel Plated

Nut: Aluminum Alloy; Nickel Plated

Waterproof: IPX7

* RoHS & REACH compliant.

Unit: mm



ORDERING INFORMATION:

P/N W P C $\frac{1}{1}$ $\frac{2}{2}$ $\frac{M}{3}$ $\frac{-08}{4}$ $\frac{AB}{4}$

1. CONNECTOR LOCKING SYSTEM:
"12" SCREW M12*1.0
2. CONNECTOR TYPE:
"M" MALE (PLUG)
3. NO. OF CONTACTS:
04, 05, 08
4. APPLICABLE TYPE:
"AB" CABLE ASSEMBLY TYPE

WATERPROOF M12 4P MALE CONNECTOR SOLDER TYPE

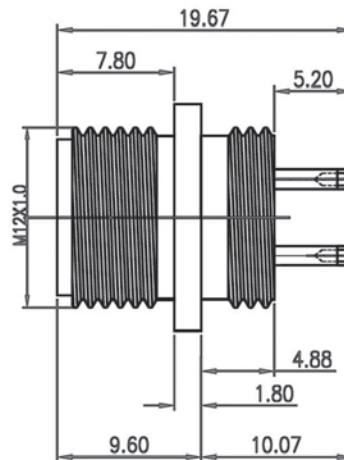
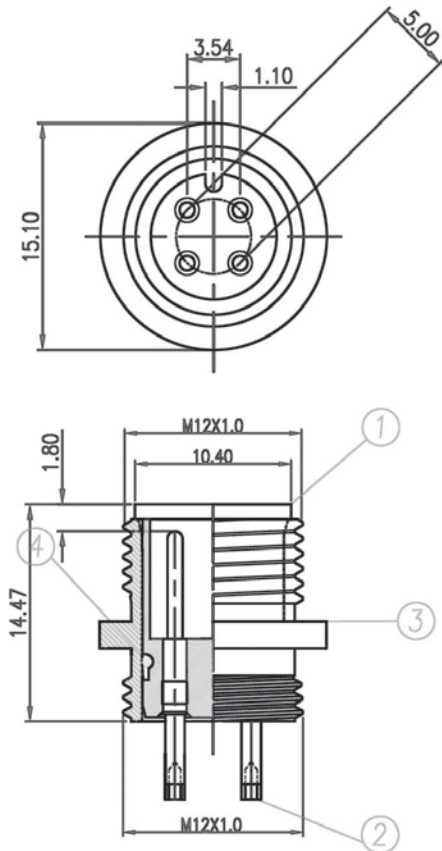


SPECIFICATIONS

Rated Current: 2A
Operation Temperature: -20°C to 105°C
Insulation Resistance: 1000Megaohms min.
Dielectric Strength: 500V AC min.
Waterproof Test: IP67 Rated
*** RoHS & REACH compliant.**

MATERIALS

Housing: Thermoplastic, UL 94V-0
Contact: Brass; Ni 60u"
Shell: Brass; Nickel 100u"
O-Ring: NBR
Unit: mm



P/N WPC12M-04SA

ORDERING INFORMATION:

P/N W P C $\frac{1}{1}$ $\frac{2}{2}$ $\frac{M}{3}$ - $\frac{04}{4}$ $\frac{SA}{4}$

1. CONNECTOR LOCKING SYSTEM:
"12" SCREW M12*1.0
2. CONNECTOR TYPE:
"M" MALE (PLUG)
3. NO. OF CONTACTS:
04
4. APPLICABLE TYPE:
"SA" SOLDER TYPE

WATERPROOF M12 4P MALE CONNECTOR D-CODED CABLE SOLDER TYPE WITH GROUNDING



SPECIFICATION:

1.Electrical Specification:

Rated Current: 5A
 Rated Voltage: 125V
 Water proof: IP67

2.Environmental:

Operating Temperature: -20°C ~ 85°C

MATERIALS:

1.Material:

Housing: PBT UL94V-0; Color: Black
 Contact: Brass
 Nut: Brass
 O-Ring : EPDM; Color: Black
 Shell: Brass

2.Finish:

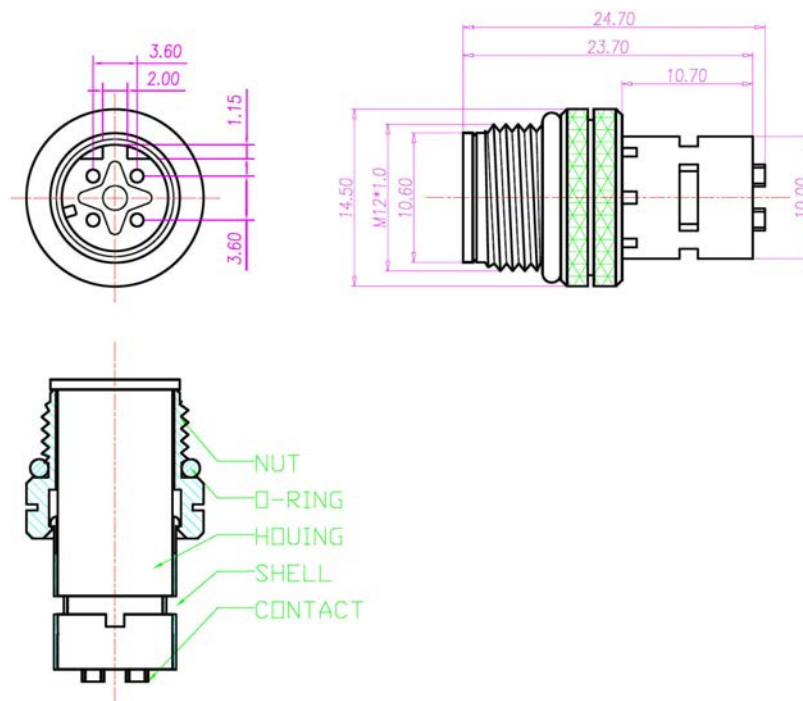
Contact: 10 Micro Inches Min. Gold Plated
 Under Plate: Nickel

Nut: Nickel Plated

Shell: Bright Tin Plated

*RoHS & REACH compliant.

Unit: mm



ORDERING INFORMATION:

P/N W P C 1 2 3 4 SD
 12 M - 04

1. CONNECTOR LOCKING SYSTEM:
"12" SCREW M12* 1.0
2. CONNECTOR TYPE:
"M" MALE (PLUG)
3. NO. OF CONTACTS:
04
4. APPLICABLE TYPE:
"SD" D-CODED CABLE SOLDER TYPE WITH GROUNDING

WATERPROOF M12 4P MALE CONNECTOR A-CODED CABLE SOLDER TYPE WITH GROUNDING



SPECIFICATION:

1.Electrical Specification:

Rated Current: 5A

Rated Voltage: 125V

Water proof: IP67

2.Environmental:

Operating Temperature: -20°C ~ 85°C

MATERIALS:

1.Material:

Housing: PBT UL94V-0; Color: Black

Contact: Brass

Nut: Brass

O-Ring : EPDM; Color: Black

Shell: Brass

2.Finish:

Contact: 10 Micro Inches Min. Gold Plated

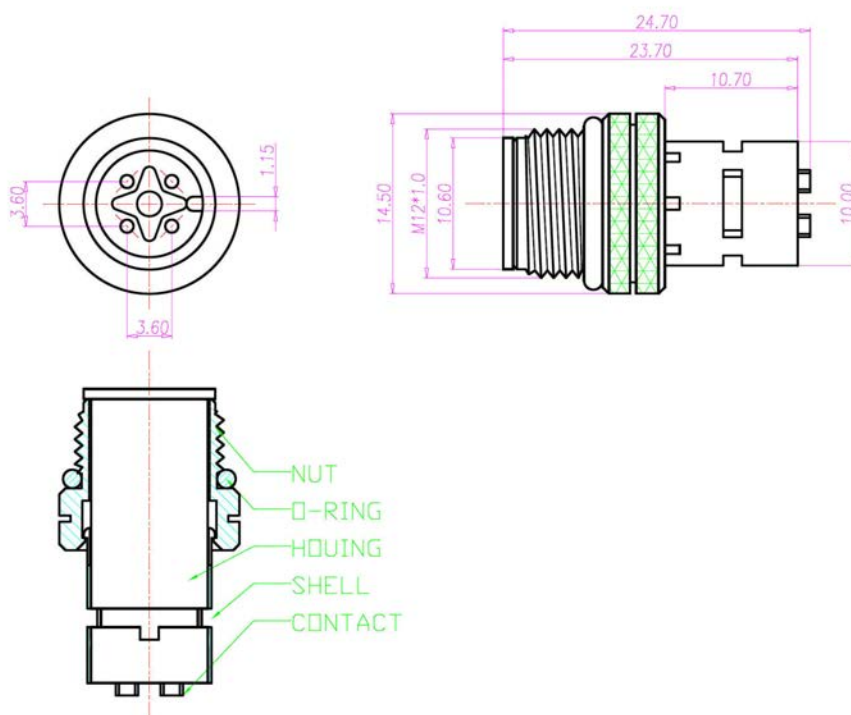
Under Plate: Nickel

Nut: Nickel Plated

Shell: Bright Tin Plated

***RoHS & REACH compliant.**

Unit: mm



ORDERING INFORMATION:

P/N W P C $\frac{1}{1}$ $\frac{2}{2}$ $\frac{3}{3}$ $\frac{4}{4}$ M - 0 4 S E

1. CONNECTOR LOCKING SYSTEM:

"12" SCREW M12* 1.0

2. CONNECTOR TYPE:

"M" MALE (PLUG)

3. NO. OF CONTACTS:

04

4. APPLICABLE TYPE:

"SE" A-CODED CABLE SOLDER TYPE WITH GROUNDING

WATERPROOF M12 2P+6P MALE CONNECTOR CABLE SOLDER TYPE 3A+10A RATED



SPECIFICATION:

1.Electrical Specification:

Rated Current: 3A+10A

Rated Voltage: 125V

Water proof: IP67

2.Environmental:

Operating Temperature: -40°C ~ 85°C

MATERIALS:

1.Material:

Housing: PBT UL94V-0; Color: Black

Contact: Brass

Nut: Brass

O-Ring : EPDM; Color: Black

Epoxy Base: EF400A & EF400B; Clork: Black

2.Finish:

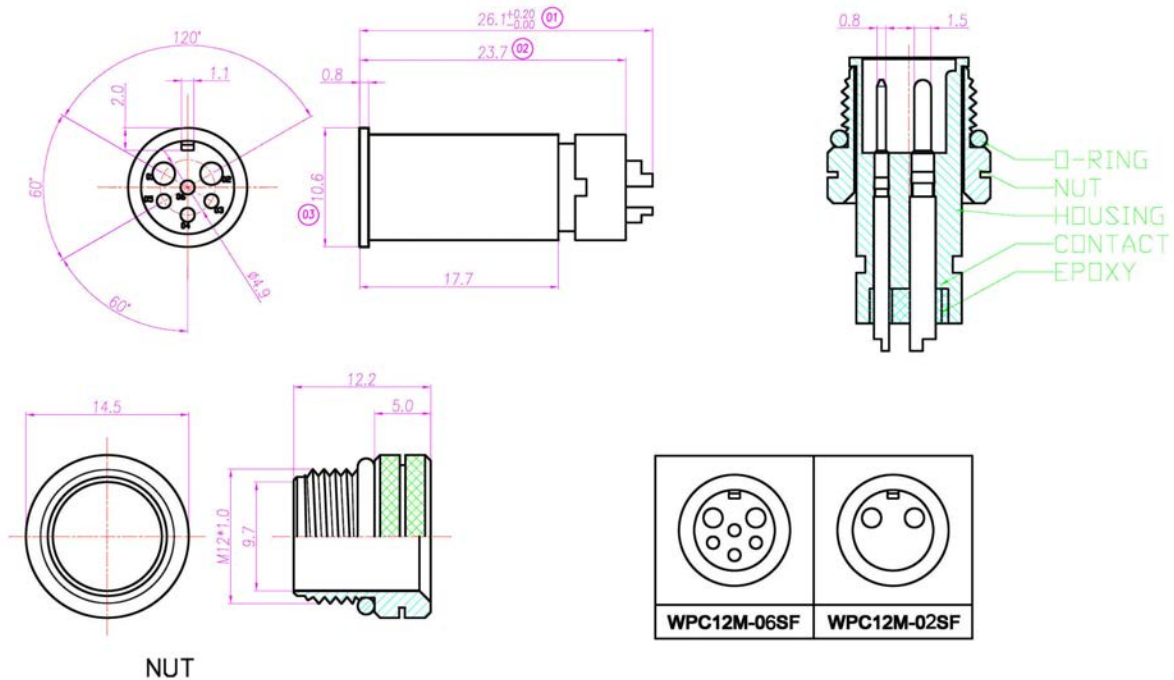
Contact: Gold Flash Micro Inches Min

Under Plate: Nickel

Nut: Nickel Plated

*RoHS & REACH compliant.

Unit: mm



ORDERING INFORMATION:

P/N W P C $\frac{1}{I}$ $\frac{2}{M}$ - $\frac{x}{3}$ $\frac{x}{4}$ S F

1. CONNECTOR LOCKING SYSTEM:
"12" SCREW M12* 1.0
2. CONNECTOR TYPE:
"M" MALE (PLUG)
3. NO. OF CONTACTS:
02, 06
4. APPLICABLE TYPE:
"SF" CABLE SOLDER TYPE 3A+10A RATED

WATERPROOF M12 4P+5P MALE CONNECTOR CABLE SOLDER TYPE



MATERIALS

Housing: PBT, UL 94V-0

Contact: Brass; Gold Plating Over Nickel

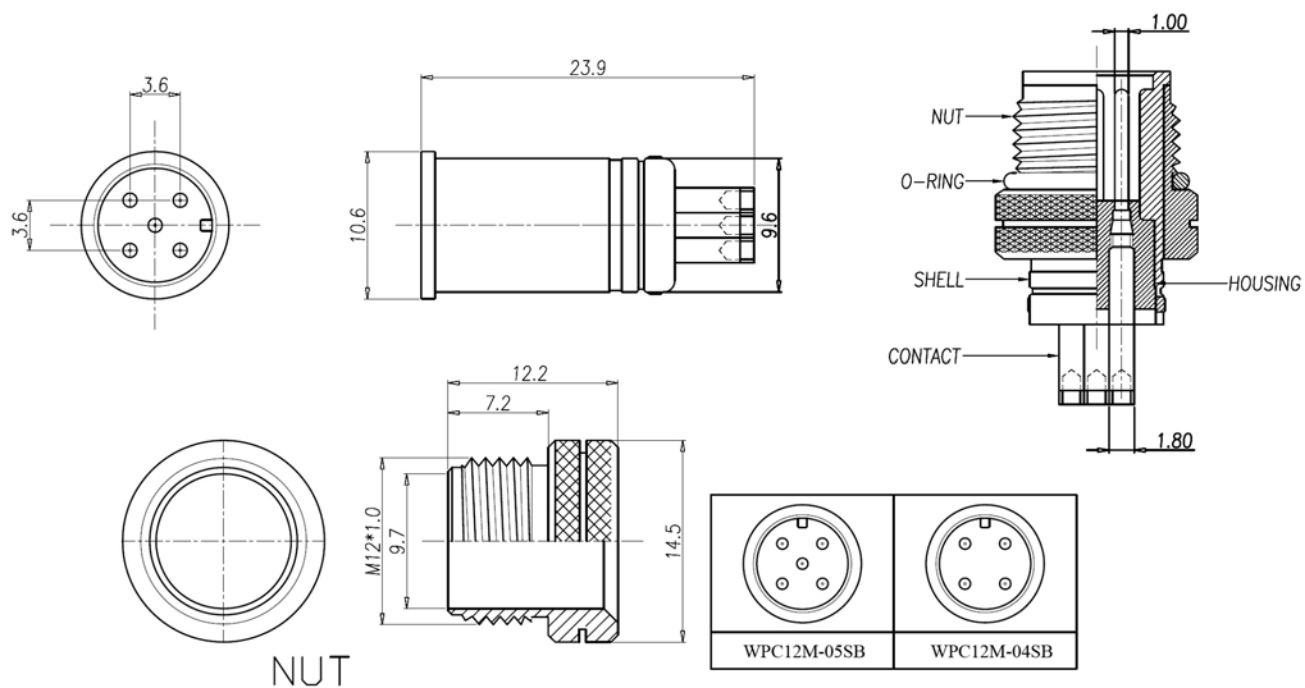
Shell: Zinc Alloy; Tin Plating Over Nickel

Nut: Brass; Nickel Plated

Waterproof: IPX7

* RoHS & REACH compliant.

Unit: mm



ORDERING INFORMATION:

P/N W P C $\frac{1}{I}$ $\frac{2}{M}$ - $\frac{x}{3}$ $\frac{x}{4}$ S B

1. CONNECTOR LOCKING SYSTEM:
"12" SCREW M12*1.0
2. CONNECTOR TYPE:
"M" MALE (PLUG)
3. NO. OF CONTACTS:
04, 05
4. APPLICABLE TYPE:
"SB" SOLDER TYPE FOR CABLE ASSEMBLY

WATERPROOF M12 8P MALE CONNECTOR SOLDER TYPE



SPECIFICATIONS

Rated Current: 5A

Operation Temperature: -20°C to 85°C

Voltage: 125V

Waterproof Test: IPX8

* RoHS & REACH compliant.

MATERIALS

Housing: PBT, UL 94V-0

Contact: Brass; 10 micro inches min. Gold plated under Nickel

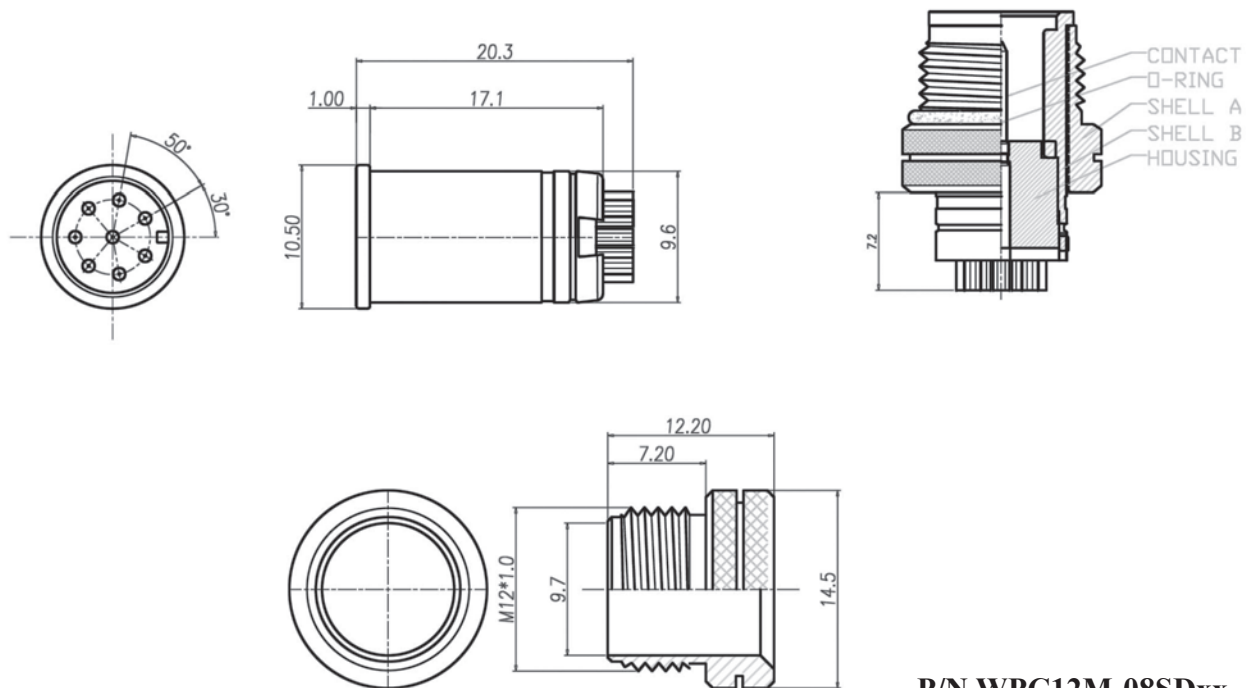
Shell A: Brass; Nickel plated 60u" ~ 100u" over all

Shell B: Ziac alloy; Nickel plated 60u" ~ 100u" over all

Nut: Brass

O-Ring: NBR

Unit: mm



P/N WPC12M-08SDxx

ORDERING INFORMATION:

P/N W P C 1 2 M - 0 8 S D x x

1. CONNECTOR LOCKING SYSTEM:
"12" SCREW M12*1.0
2. CONNECTOR TYPE:
"M" MALE (PLUG)
3. NO. OF CONTACTS:
08
4. CONTACT FINISH:
"SD01" GOLD FLASH PLATED
"SD10" 10 MICROINCH GOLD PLATED

WATERPROOF M12 8P MALE CONNECTOR CABLE SOLDER TYPE



MATERIALS

Housing: PBT, UL 94V-0

Contact: Brass; Gold Plating Over Nickel

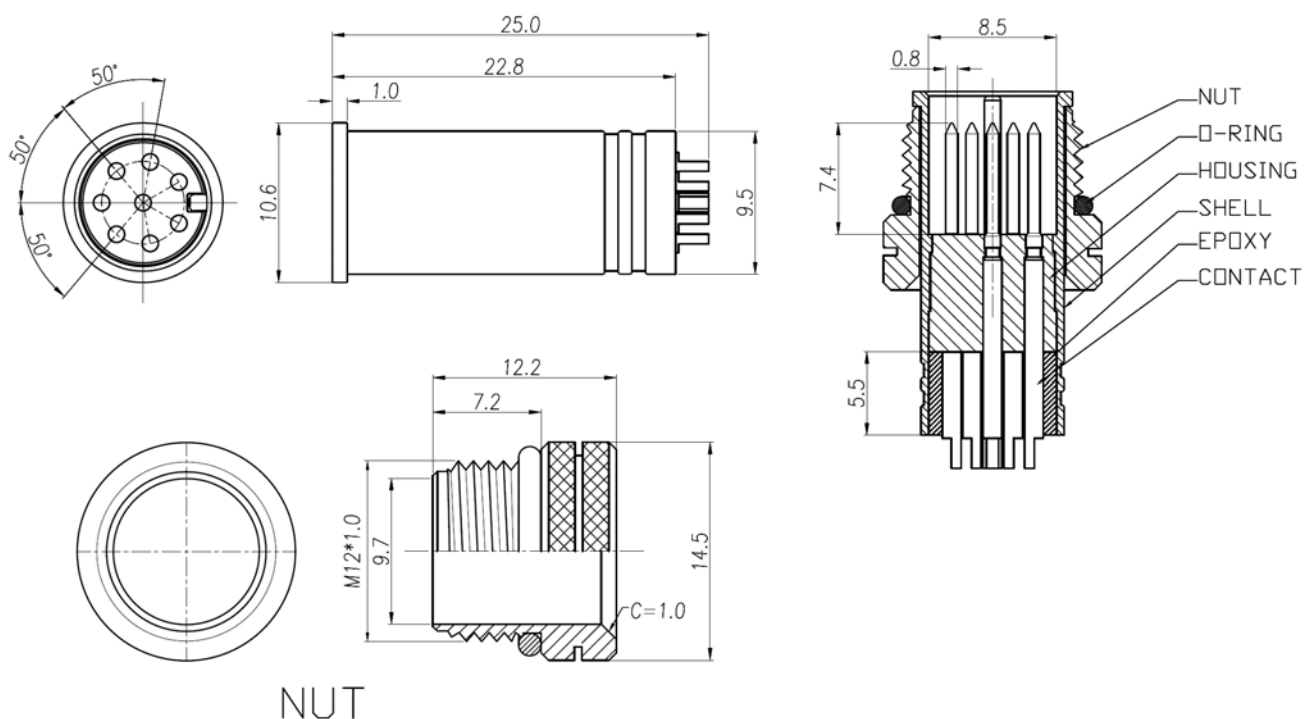
Shell: Zinc Alloy; Tin Plating Over Nickel

Nut: Brass; Nickel Plated

Waterproof: IPX7

* RoHS & REACH compliant.

Unit: mm



ORDERING INFORMATION:

P/N W P C $\frac{1}{1}$ $\frac{2}{2}$ $\frac{3}{3}$ $\frac{4}{4}$ M - 08 S F

1. CONNECTOR LOCKING SYSTEM:
"12" SCREW M12*1.0
2. CONNECTOR TYPE:
"M" MALE (PLUG)
3. NO. OF CONTACTS:
08
4. APPLICABLE TYPE:
"SF" CABLE SOLDER TYPE

WATERPROOF M12 10P MALE CONNECTOR CABLE SOLDER TYPE WITH GROUNDING



SPECIFICATION:

1.Electrical Specification:

Rated Current: 1A

Rated Voltage: 30V

Water proof: IP67

2.Environmental:

Operating Temperature: -40°C ~ 85°C

MATERIALS:

1.Material:

Housing: PBT UL94V-0; Color: Black

Contact: Brass

Nut: Brass

O-Ring : EDPM

Shell: Brass

Epoxy Base: EF400A & EF400B; Clork: Black

2.Finish:

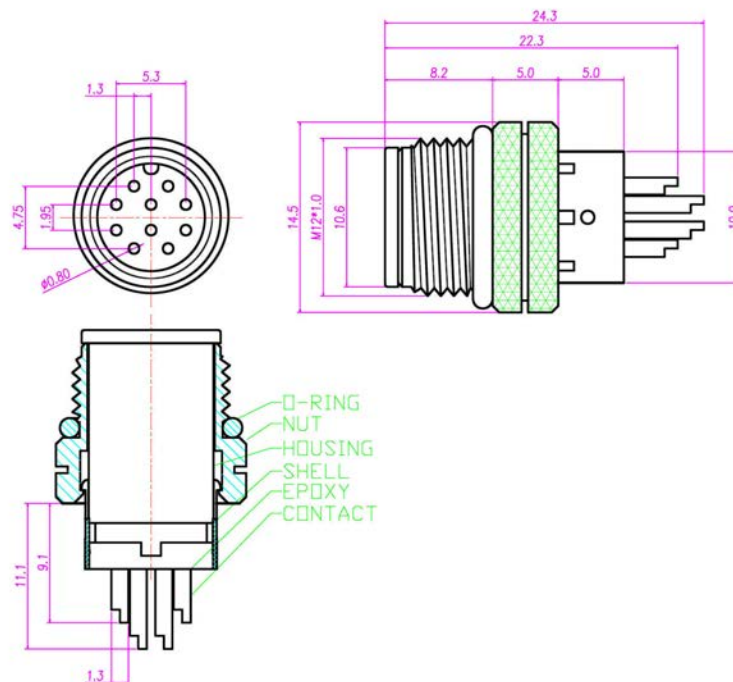
Contact: 10 Micro Inches Min. Gold Plated
Under Plate: Nickel

Nut: Nickel Plated

Shell: Bright Tin

*RoHS & REACH compliant.

Unit: mm



ORDERING INFORMATION:

P/N W P C $\frac{1}{1}$ $\frac{2}{2}$ $\frac{3}{3}$ $\frac{4}{4}$ M - 10 SA

1. CONNECTOR LOCKING SYSTEM:
"12" SCREW M12* 1.0
2. CONNECTOR TYPE:
"M" MALE (PLUG)
3. NO. OF CONTACTS:
10
4. APPLICABLE TYPE:
"SA" CABLE SOLDER TYPE WITH GROUNDING

WATERPROOF M12 17P MALE CONNECTOR CABLE SOLDER TYPE



MATERIALS

Housing: PBT, UL 94V-0

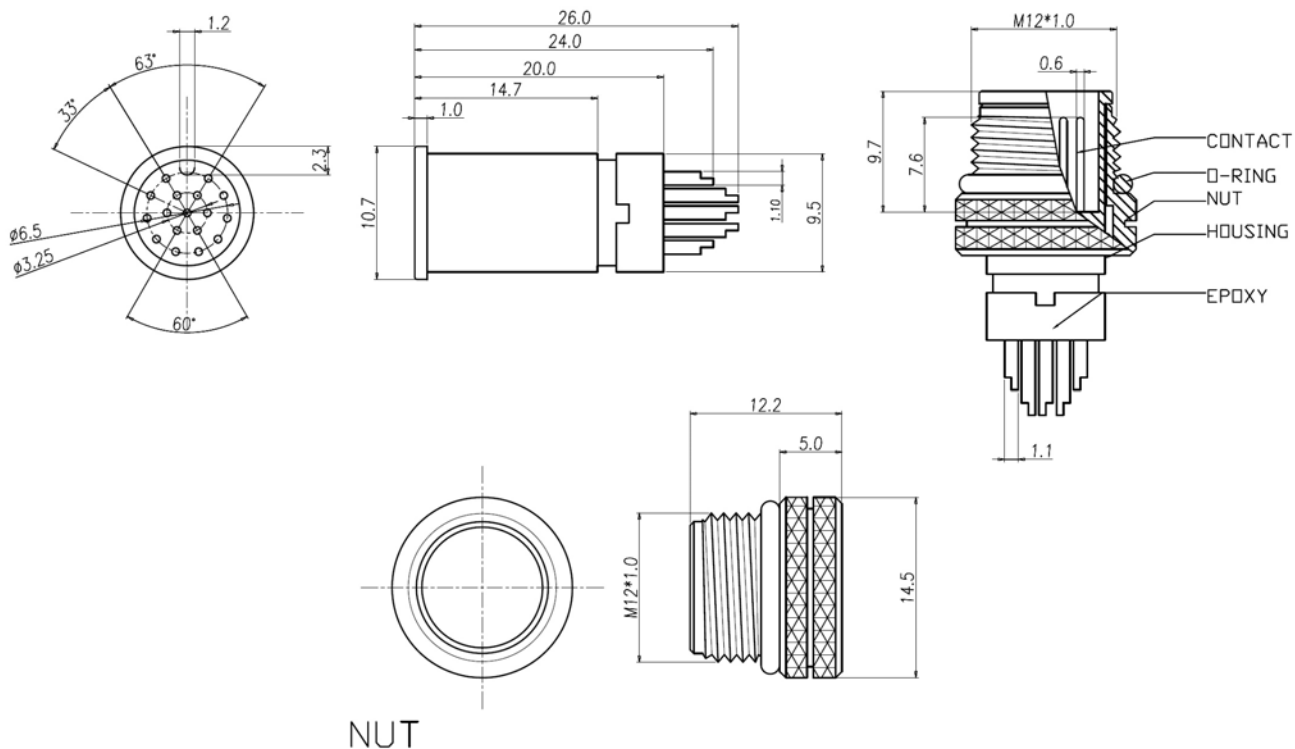
Contact: Brass; Gold Plating Over Nickel

Nut: Brass; Nickel Plated

Waterproof: IPX7

* RoHS & REACH compliant.

Unit: mm



ORDERING INFORMATION:

P/N W P C $\frac{1}{1}$ $\frac{2}{2}$ $\frac{3}{3}$ $\frac{4}{4}$ M - 17 S G

1. CONNECTOR LOCKING SYSTEM:
"12" SCREW M12*1.0
2. CONNECTOR TYPE:
"M" MALE (PLUG)
3. NO. OF CONTACTS:
17
4. APPLICABLE TYPE:
"SG" SOLDER TYPE FOR CABLE ASSEMBLY

WATERPROOF M12 3P MALE CONNECTOR MOLDING TYPE



SPECIFICATIONS

Current: 2A

Operation Temperature: -20°C to 105°C

Insulation Resistance: 1000MΩ min.

Dielectric Strength: 500V AC min.

Waterproof Test:

Reference to IEC 60529 Edition

2.1: 2001-02-IP67

All materials must be RoHS compliant.

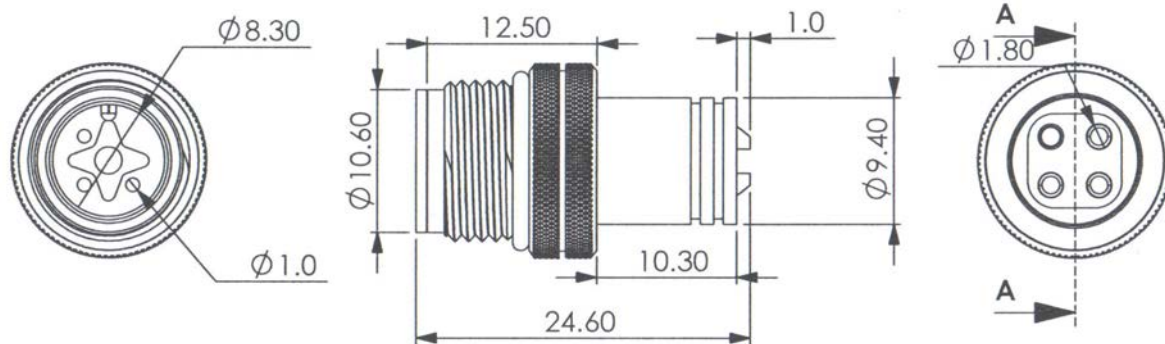
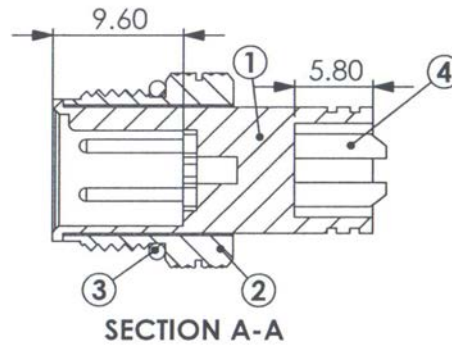
MATERIALS

Housing: PBT + GF15%

Screw Cap: Brass, Nickel Plated

Terminals: Brass, Gold Plated

Unit: mm



ORDERING INFORMATION:

P/N W P C $\frac{1}{1}$ $\frac{2}{2}$ $\frac{3}{3}$ $\frac{4}{4}$ M - 03 M D

1. CONNECTOR LOCKING SYSTEM:
"12" SCREW M12*1.0
2. CONNECTOR TYPE:
"M" MALE (PLUG)
3. NO. OF CONTACTS:
03
4. APPLICABLE TYPE:
"MD" CABLE MOLDING TYPE

WATERPROOF M12 4P MALE CONNECTOR MOLDING TYPE



SPECIFICATIONS

Current: 2A

Operation Temperature: -20°C to 105°C

Insulation Resistance: 1000MΩ min.

Dielectric Strength: 500V AC min.

Waterproof Test:

Reference to IEC 60529 Edition

2.1: 2001-02-IP67

All materials must be RoHS compliant.

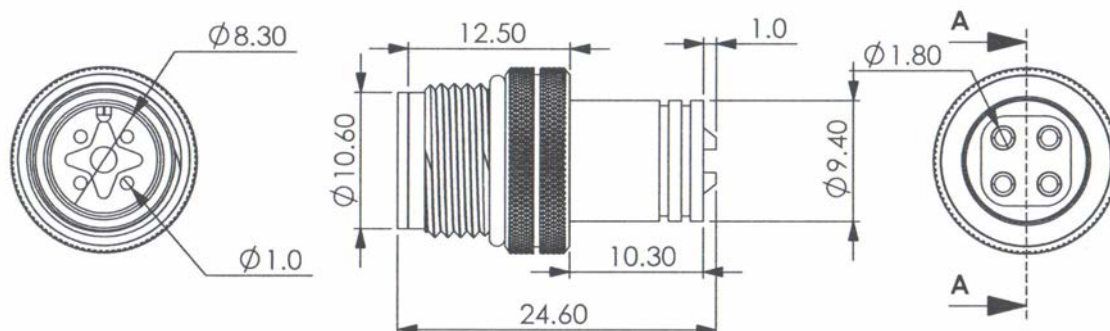
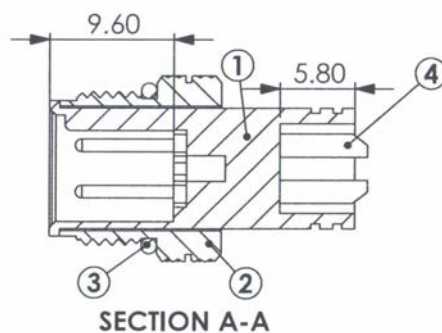
MATERIALS

Housing: PBT + GF15%

Screw Cap: Brass, Nickel Plated

Terminals: Brass, Gold Plated

Unit: mm



ORDERING INFORMATION:

P/N W P C 1 2 3 4 M 12 M - 0 4 M D

1. CONNECTOR LOCKING SYSTEM:
"12" SCREW M12*1.0
2. CONNECTOR TYPE:
"M" MALE (PLUG)
3. NO. OF CONTACTS:
05
4. APPLICABLE TYPE:
"MD" CABLE MOLDING TYPE

WATERPROOF M12 5P MALE CONNECTOR MOLDING TYPE



SPECIFICATIONS

Current: 2A

Operation Temperature: -20°C to 105°C

Insulation Resistance: 1000MΩ min.

Dielectric Strength: 500V AC min.

Waterproof Test:

Reference to IEC 60529 Edition

2.1: 2001-02-IP67

All materials must be RoHS compliant.

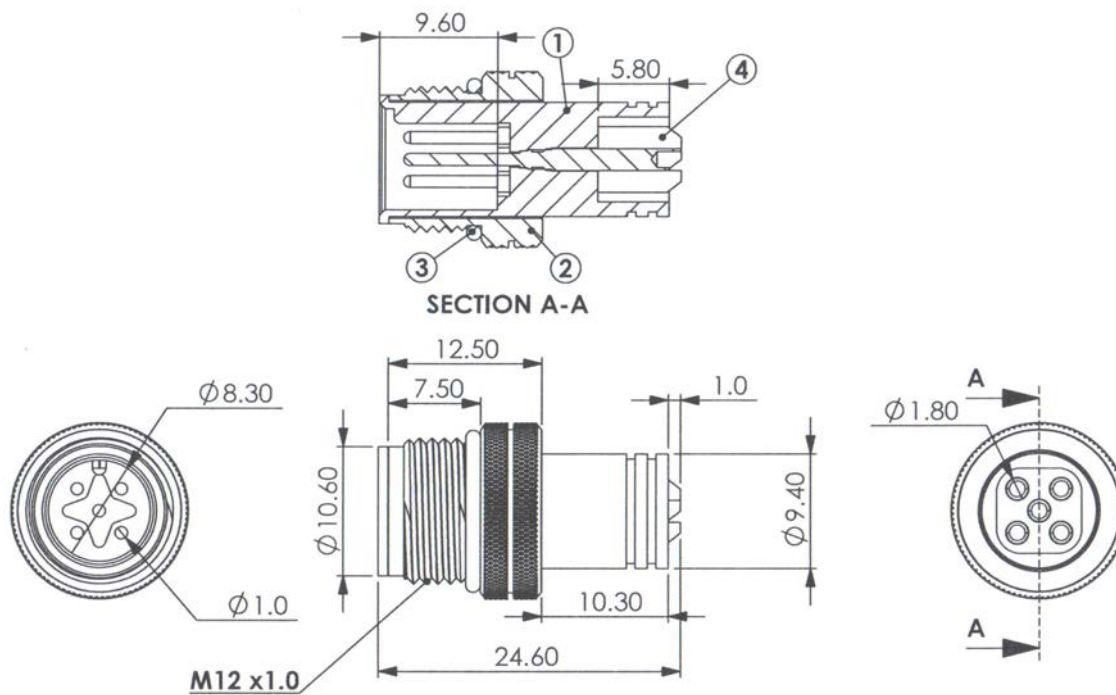
MATERIALS

Housing: PBT + GF15%

Screw Cap: Brass, Nickel Plated

Terminals: Brass, Gold Plated

Unit: mm



ORDERING INFORMATION:

P/N W P C 1 2 3 4
12 M - 0.5 M D

1. CONNECTOR LOCKING SYSTEM:
"12" SCREW M12*1.0
2. CONNECTOR TYPE:
"M" MALE (PLUG)
3. NO. OF CONTACTS:
05
4. APPLICABLE TYPE:
"MD" CABLE MOLDING TYPE

WATERPROOF M12 8P MALE CONNECTOR MOLDING TYPE



SPECIFICATIONS

Current: 2A

Operation Temperature: -20°C to 105°C

Insulation Resistance: 1000MΩ min.

Dielectric Strength: 500V AC min.

Waterproof Test:

Reference to IEC 60529 Edition

2.1: 2001-02-IP67

All materials must be RoHS compliant.

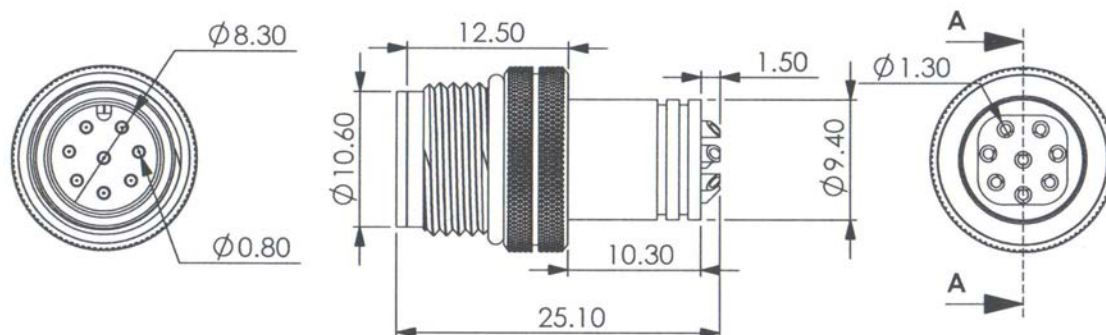
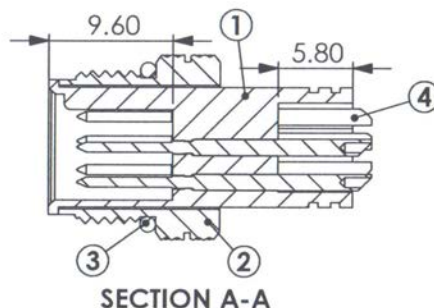
MATERIALS

Housing: PBT + GF15%

Screw Cap: Brass, Nickel Plated

Terminals: Brass, Gold Plated

Unit: mm



ORDERING INFORMATION:

P/N W P C 1 2 3 4
12 M - 08 MD

- CONNECTOR LOCKING SYSTEM:
"12" SCREW M12*1.0
- CONNECTOR TYPE:
"M" MALE (PLUG)
- NO. OF CONTACTS:
08
- APPLICABLE TYPE:
"MD" CABLE MOLDING TYPE

WATERPROOF M12 2P MALE CONNECTOR PANEL MOUNT SOLDER TYPE



MATERIALS

Housing: PBT 30% Glass fiber

Contact: Brass; Gold 10u"

Shell: Brass; Nickel 60u"

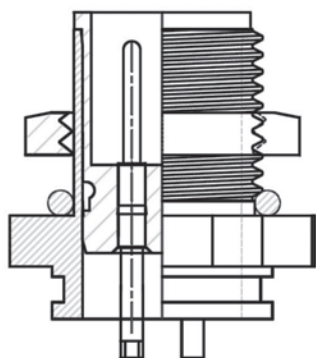
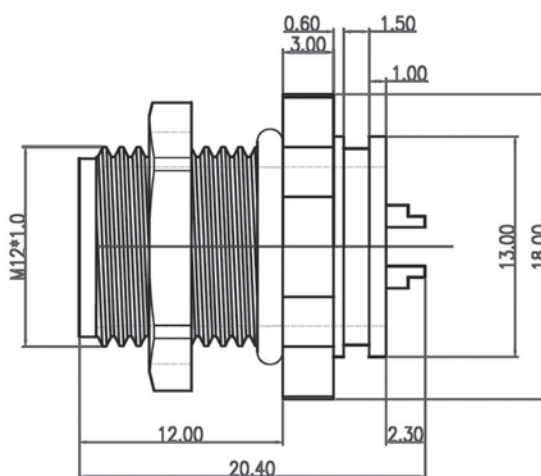
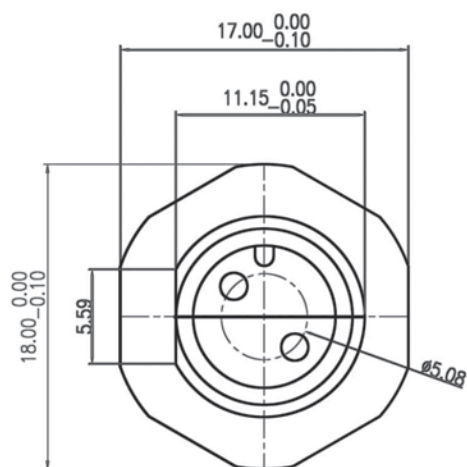
Nut: Brass; Ni 100u"

O-Ring: EPDM

Waterproof Test: IP67 Rated

* RoHS & REACH compliant.

Unit: mm



ORDERING INFORMATION:

P/N W P C $\frac{1}{1}$ $\frac{2}{2}$ $\frac{M}{3}$ $\frac{-02}{4}$ $\frac{PB}{4}$

1. CONNECTOR LOCKING SYSTEM:
"12" SCREW M12*1.0
2. CONNECTOR TYPE:
"M" MALE (PLUG)
3. NO. OF CONTACTS:
02
4. APPLICABLE TYPE:
"PB" PANEL MOUNT SOLDER TYPE

WATERPROOF M12 2P MALE CONNECTOR PANEL FRONT MOUNT TYPE 10A RATED



SPECIFICATION:

1. Electrical Specification:

Rated Current: 10A

Rated Voltage: 125V

Water proof: IP67

2. Environmental:

Operating Temperature: -20°C ~ 85°C

MATERIALS:

1. Material:

Housing: PBT UL94V-0; Color: Black

Contact: Brass

Shell: Brass

Nut: Brass

O-Ring A: Silicone; Color: Brown

O-Ring B: EPDM; Color: Black

Epoxy Base: EF400A & EF400B; Color: Black

2. Finish:

Contact: Gold Flash Micro Inches Min

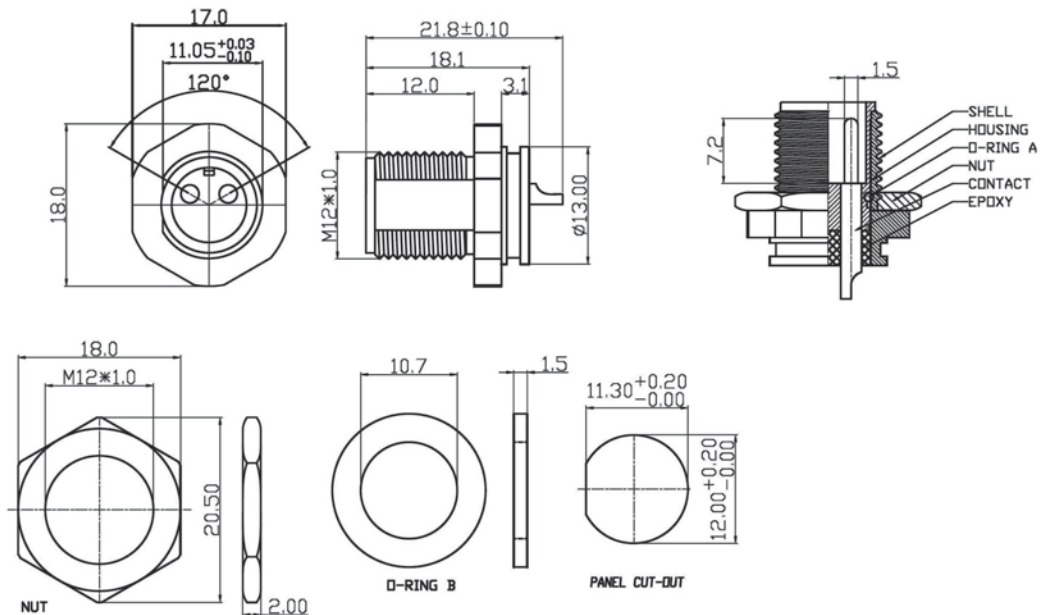
Under Plate: Nickel

Shell: Nickel Plated

Nut: Nickel Plated

*RoHS & REACH compliant.

Unit: mm



ORDERING INFORMATION:

P/N W P C $\frac{1}{1}$ $\frac{2}{2}$ M $\frac{3}{3}$ - $\frac{0}{4}$ $\frac{2}{4}$ P C

- CONNECTOR LOCKING SYSTEM:
"12" SCREW M12* 1.0
- CONNECTOR TYPE:
"M" MALE (PLUG)
- NO. OF CONTACTS:
02
- APPLICABLE TYPE:
"PC" PANEL FRONT MOUNT TYPE 10A RATED

WATERPROOF M12 3P+5P MALE CONNECTOR PANEL MOUNT SOLDER TYPE



MATERIALS

Housing: PBT, UL 94V-0

Contact: Brass; Gold Plating Over Nickel

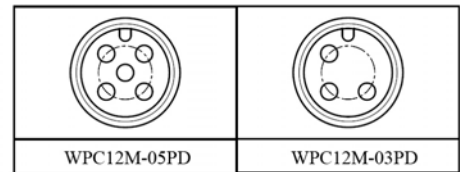
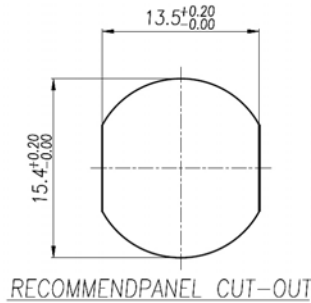
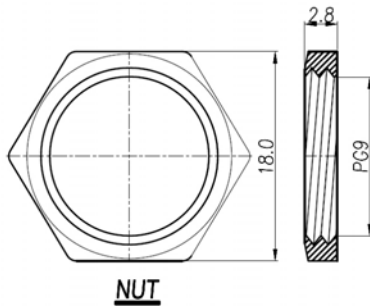
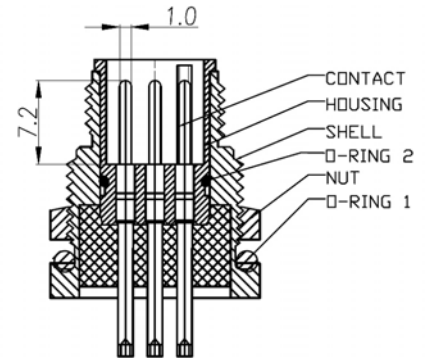
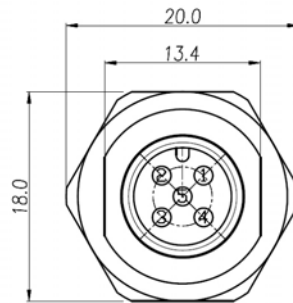
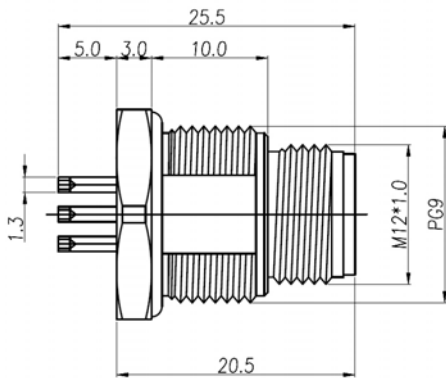
Shell: Brass; Nickel Plated

Nut: Brass; Nickel Plated

Waterproof: IPX7

* RoHS & REACH compliant.

Unit: mm



ORDERING INFORMATION:

P/N W P C $\frac{1}{I}$ $\frac{2}{M}$ - $\frac{x}{3}$ $\frac{x}{4}$ P D

1. CONNECTOR LOCKING SYSTEM:
"12" SCREW M12*1.0
2. CONNECTOR TYPE:
"M" MALE (PLUG)
3. NO. OF CONTACTS:
03, 05
4. APPLICABLE TYPE:
"PD" PANEL MOUNT SOLDER TYPE

WATERPROOF M12 5P MALE CONNECTOR PANEL MOUNT SOLDER TYPE



MATERIALS

Housing: PBT, UL 94V-0

Contact: Brass; Gold Plating Over Nickel

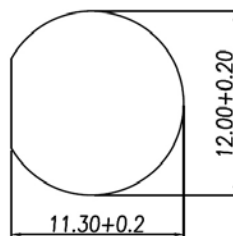
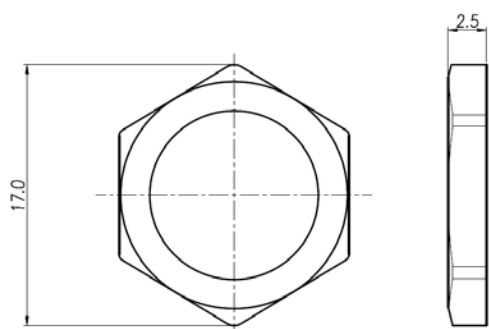
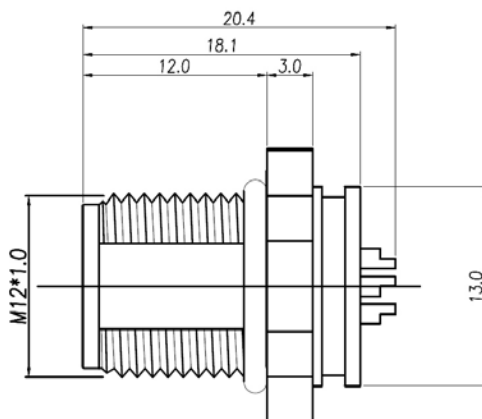
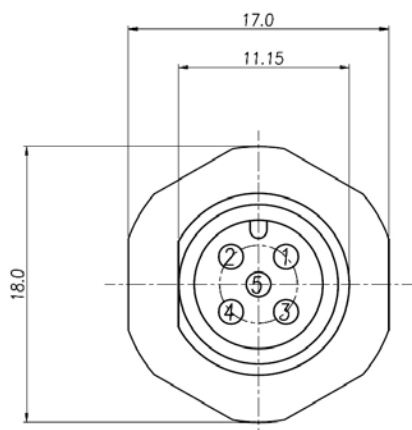
Shell: Brass; Nickel Plated

Nut: Brass; Nickel Plated

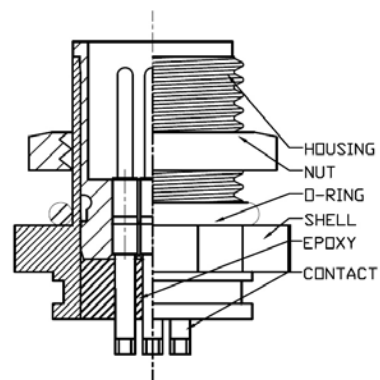
Waterproof: IPX7

* RoHS & REACH compliant.

Unit: mm



PANEL CUT-OUT



ORDERING INFORMATION:

P/N WPC $\frac{1}{1}$ $\frac{2}{2}$ $\frac{3}{3}$ $\frac{4}{4}$ M - 05 PE

1. CONNECTOR LOCKING SYSTEM:
"12" SCREW M12*1.0
2. CONNECTOR TYPE:
"M" MALE (PLUG)
3. NO. OF CONTACTS:
05
4. APPLICABLE TYPE:
"PE" PANEL MOUNT SOLDER TYPE

WATERPROOF M12 5P MALE PANEL MOUNT SOLDER TYPE



MATERIALS

Housing: PBT, UL 94V-0

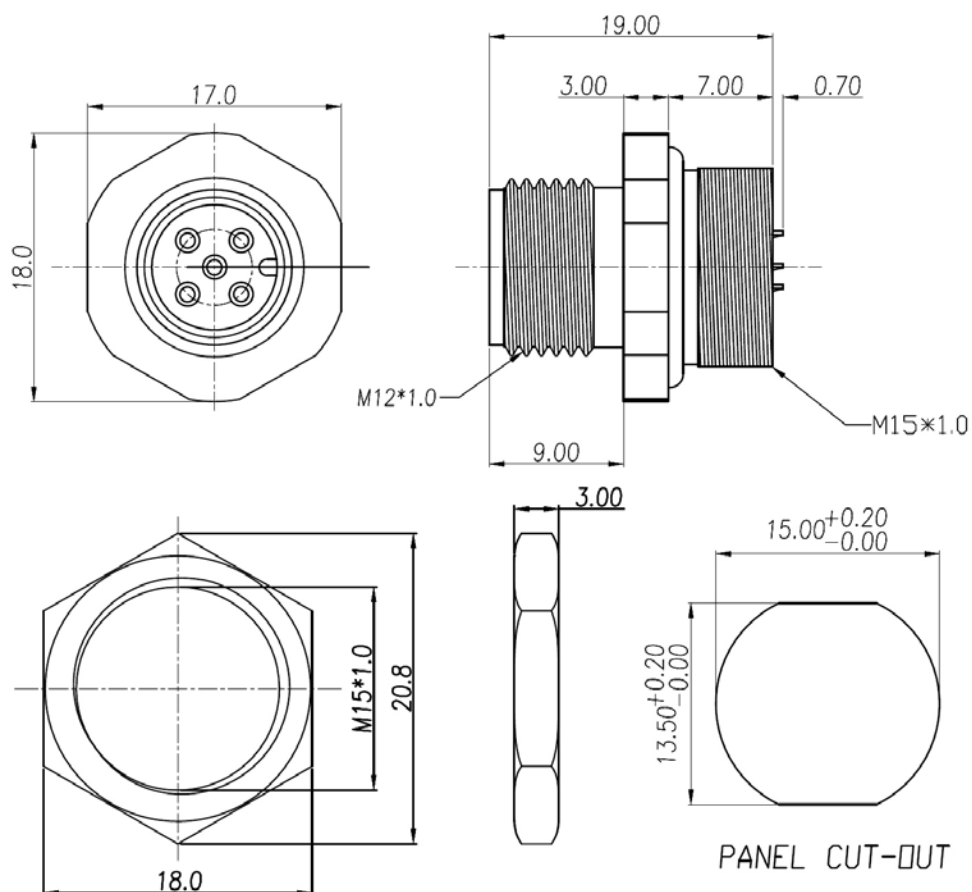
Contact: Brass; Gold Plating Over Nickel

Nut: Brass; Nickel Plated

Waterproof: IPX7

* RoHS & REACH compliant.

Unit: mm



ORDERING INFORMATION:

P/N W P C $\frac{1}{1}$ $\frac{2}{2}$ $\frac{M}{3}$ $\frac{-0.5}{4}$ $\frac{PH}{4}$

1. CONNECTOR LOCKING SYSTEM:
"12" SCREW M12*1.0
2. CONNECTOR TYPE:
"M" MALE (PLUG)
3. NO. OF CONTACTS:
05
4. APPLICABLE TYPE:
"PH" PANEL MOUNT SOLDER TYPE

WATERPROOF M12 5P+8P MALE CONNECTOR PANEL MOUNT SOLDER TYPE

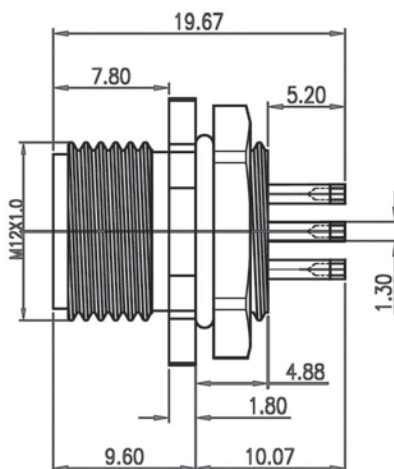
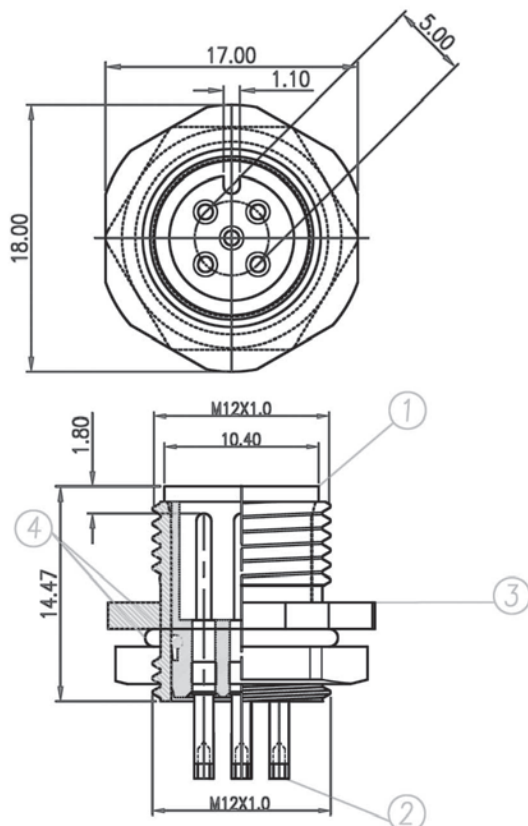


SPECIFICATIONS

Current: 2A
Operation Temperature: -20°C to 105°C
Insulation Resistance: 1000Megaohms min.
Dielectric Strength: 500V AC min.
Waterproof Test: IP67 Rated
 * RoHS & REACH compliant.

MATERIALS

Housing: Thermoplastic, UL 94V-0
Contact: Brass; contact plated Ni 60u"
Shell: Brass; Nickel 100u"
O-Ring: NBR
Unit: mm



ORDERING INFORMATION:

P/N **W** **P** **C** **1** **2** **M** - **x** **x** **P** **C**
I **2** **3** **4**

1. CONNECTOR LOCKING SYSTEM:
"12" SCREW M12*1.0
2. CONNECTOR TYPE:
"M" MALE (PLUG)
3. NO. OF CONTACTS:
05, 08
4. APPLICABLE TYPE:
"PC" PANEL MOUNT SOLDER TYPE

WATERPROOF M12 6P+8P MALE CONNECTOR PANEL MOUNT SOLDER TYPE



MATERIALS

Housing: PBT, UL 94V-0

Contact: Brass; Gold Plating Over Nickel

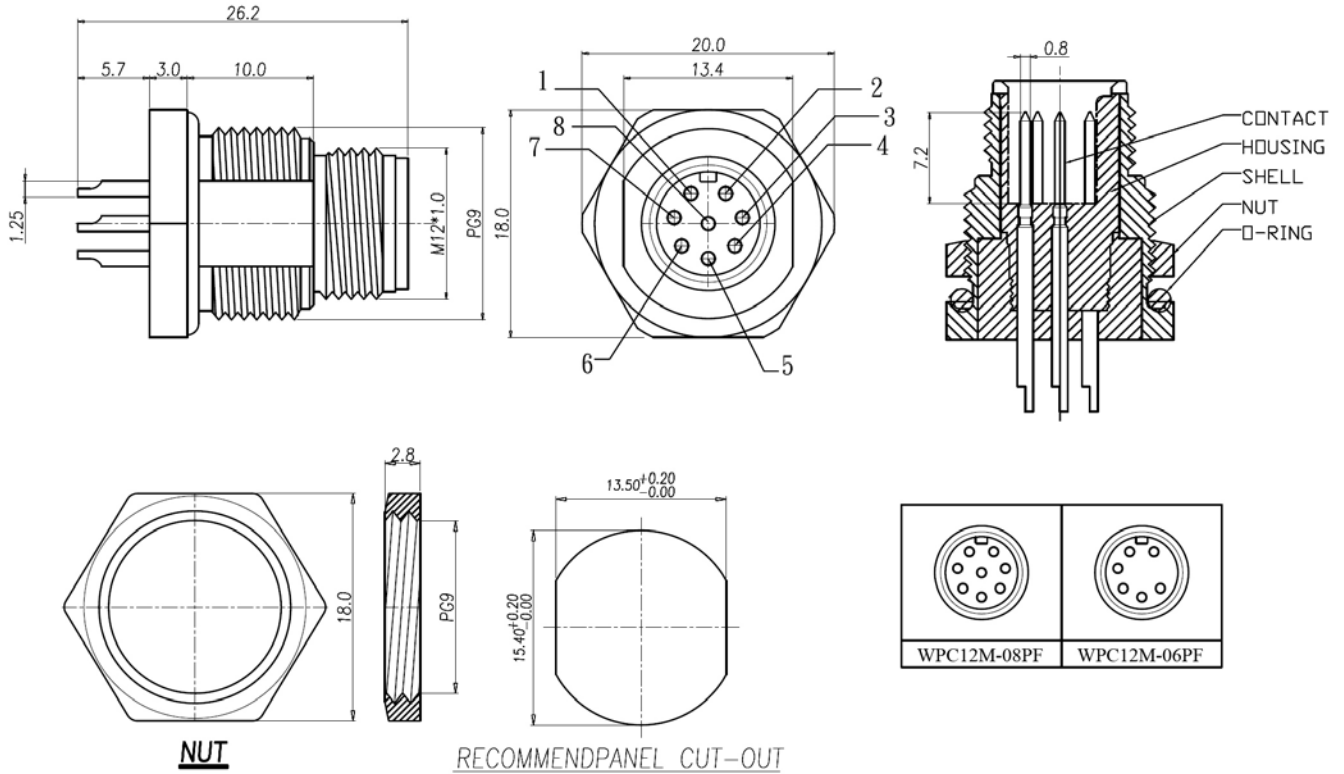
Shell: Brass; Nickel Plated

Nut: Brass; Nickel Plated

Waterproof: IPX7

* RoHS & REACH compliant.

Unit: mm

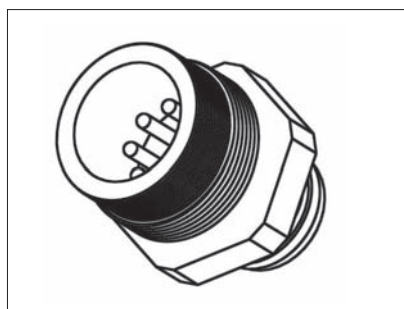


ORDERING INFORMATION:

P/N W P C $\frac{1}{I}$ $\frac{2}{M}$ - $\frac{x}{3}$ $\frac{x}{4}$ P G

- CONNECTOR LOCKING SYSTEM:
"12" SCREW M12*1.0
- CONNECTOR TYPE:
"M" MALE (PLUG)
- NO. OF CONTACTS:
06, 08
- APPLICABLE TYPE:
"PG" PANEL MOUNT SOLDER TYPE

WATERPROOF M12 8P MALE CONNECTOR PANEL MOUNT DIP TYPE



MATERIALS

Housing: Thermoplastic, UL 94V-0

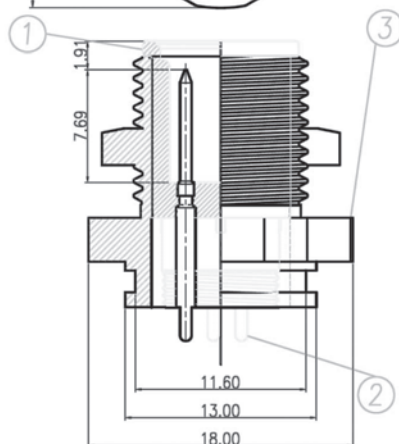
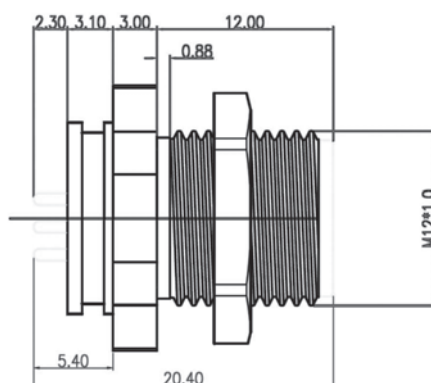
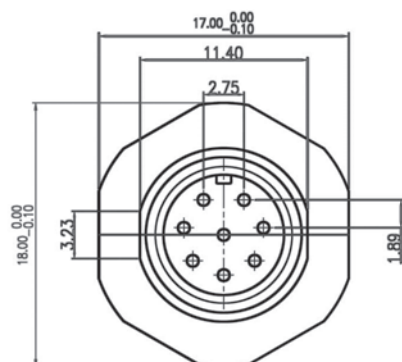
Contact: Brass; Contact plated 10u" Gold

Shell: Brass; Nickel 100u"

Waterproof Test: IP67 Rated

* RoHS & REACH compliant.

Unit: mm



ORDERING INFORMATION:

P/N W P C $\frac{1}{1}$ $\frac{2}{2}$ $\frac{3}{3}$ $\frac{4}{4}$ M - 08 PA

1. CONNECTOR LOCKING SYSTEM:
"12" SCREW M12*1.0
2. CONNECTOR TYPE:
"M" MALE (PLUG)
3. NO. OF CONTACTS:
08
4. APPLICABLE TYPE:
"PA" PANEL MOUNT DIP TYPE

WATERPROOF M12 8P MALE CONNECTOR PANEL MOUNT SOLDER TYPE



MATERIALS

Housing: PBT, UL 94V-0

Contact: Brass; Gold Plating Over Nickel

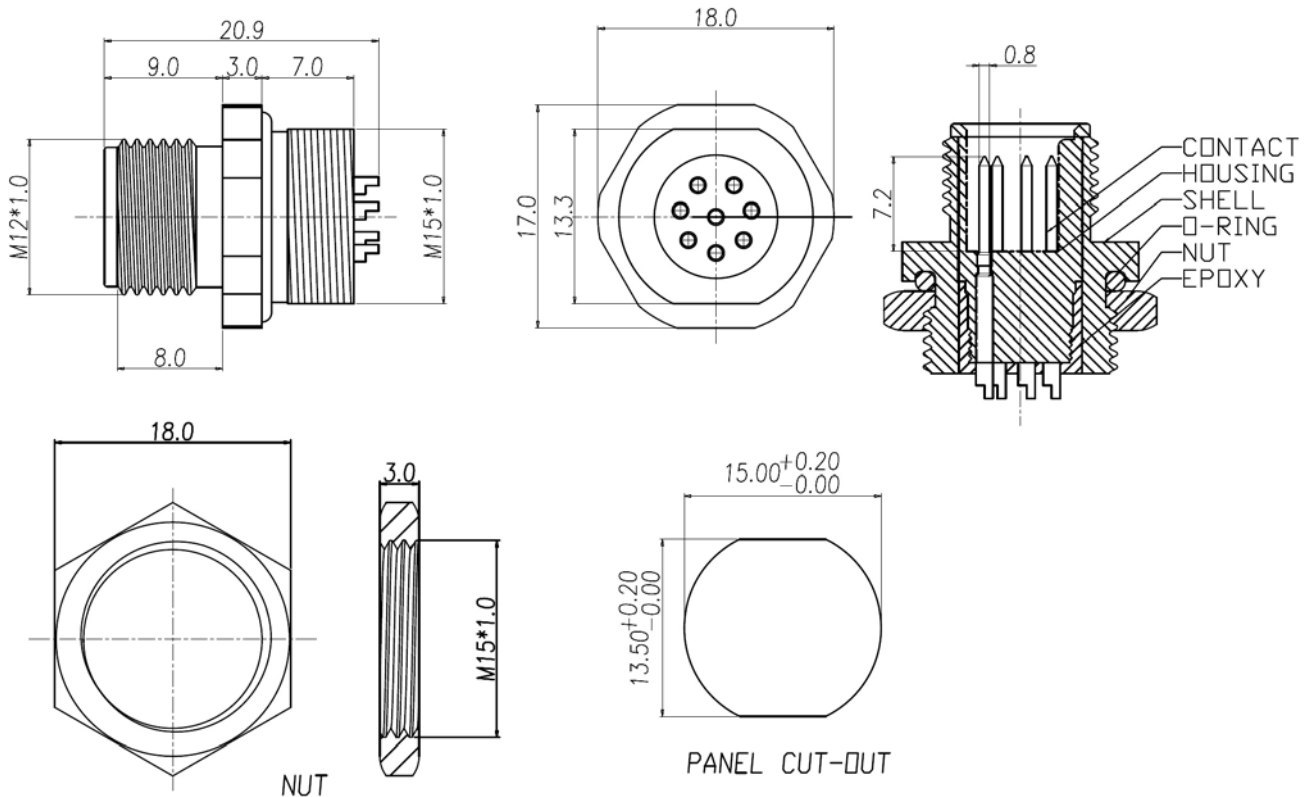
Shell: Brass; Nickel Plated

Nut: Brass; Nickel Plated

Waterproof: IPX7

* RoHS & REACH compliant.

Unit: mm



ORDERING INFORMATION:

P/N W P C 1 2 M - 08 PH

1. CONNECTOR LOCKING SYSTEM:
"12" SCREW M12*1.0
2. CONNECTOR TYPE:
"M" MALE (PLUG)
3. NO. OF CONTACTS:
08
4. APPLICABLE TYPE:
"PH" PANEL MOUNT SOLDER TYPE

WATERPROOF M12 8P MALE CONNECTOR PANEL MOUNT SOLDER TYPE



MATERIALS

Housing: PBT, UL 94V-0

Contact: Brass; Gold Plating Over Nickel

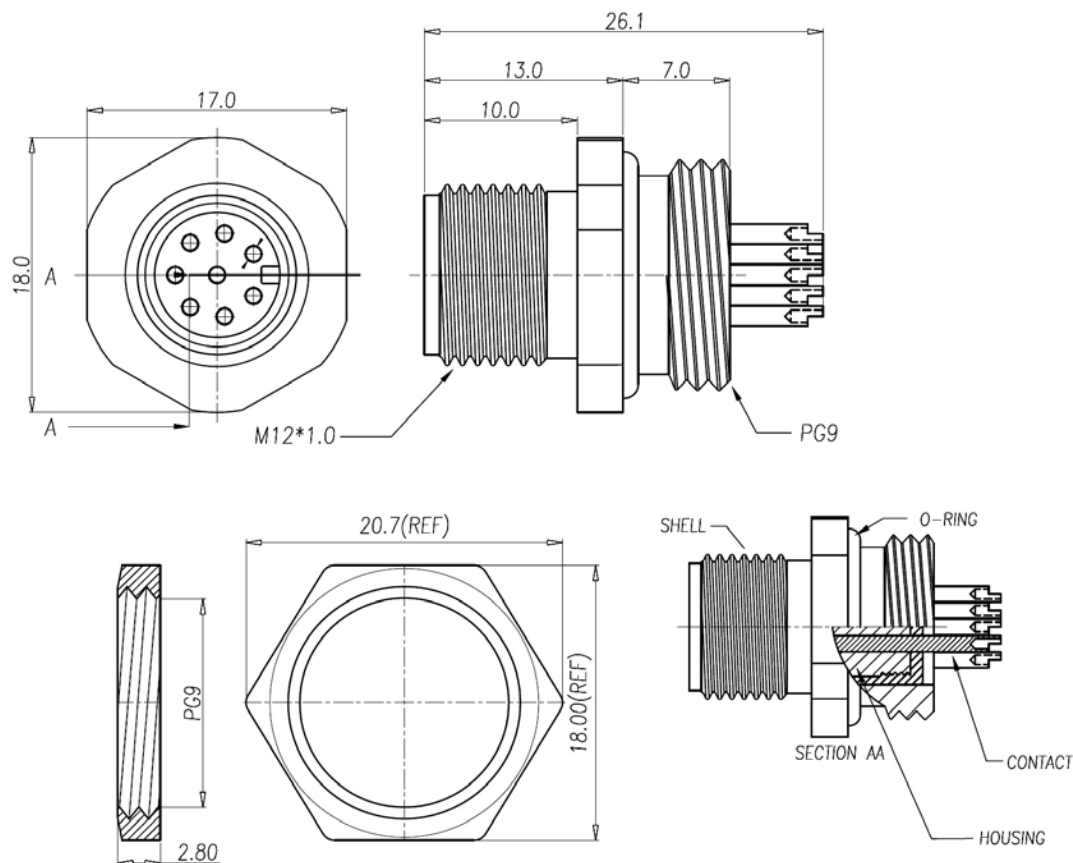
Shell: Brass; Nickel Plated

Nut: Brass; Nickel Plated

Waterproof: IPX7

* RoHS & REACH compliant.

Unit: mm



ORDERING INFORMATION:

P/N W P C $\frac{1}{1}$ $\frac{2}{2}$ $\frac{3}{3}$ $\frac{4}{4}$ M - 08 P J

1. CONNECTOR LOCKING SYSTEM:
"12" SCREW M12*1.0
2. CONNECTOR TYPE:
"M" MALE (PLUG)
3. NO. OF CONTACTS:
08
4. APPLICABLE TYPE:
"PJ" PANEL MOUNT SOLDER TYPE

WATERPROOF M12 12P MALE CONNECTOR PANEL FRONT MOUNT TYPE



SPECIFICATION:

1.Electrical Specification:

Rated Current: 1A

Rated Voltage: 30V

Water proof: IP67

2.Environmental:

Operating Temperature: -40°C ~ 85°C

MATERIALS:

1.Material:

Housing: PBT UL94V-0; Color: Black

Contact: Brass

Nut: Brass

Shell: Brass

O-Ring: EPDM

2.Finish:

Contact: 10 Micro Inches Min. Gold Plated

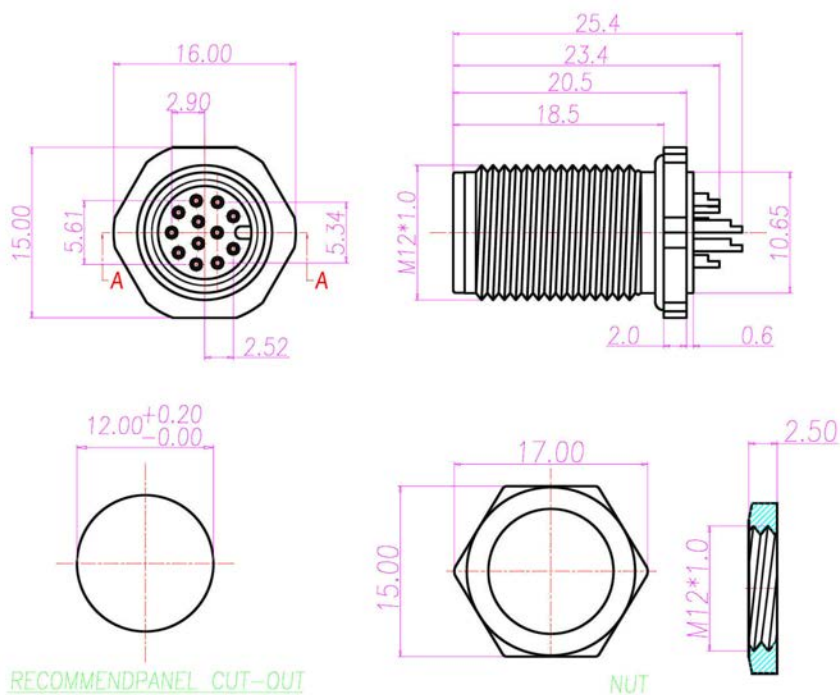
Under Plate: Nickel

Nut: Nickel Plated

Shell: Nickel Plated

***RoHS & REACH compliant.**

Unit: mm



ORDERING INFORMATION:

P/N W P C $\frac{1}{1}$ $\frac{2}{2}$ M - $\frac{1}{3}$ $\frac{2}{4}$ P B

- CONNECTOR LOCKING SYSTEM:
"12" SCREW M12* 1.0
- CONNECTOR TYPE:
"M" MALE (PLUG)
- NO. OF CONTACTS:
12
- APPLICABLE TYPE:
"PB" PANEL FRONT MOUNT TYPE

WATERPROOF M12 3P MALE CONNECTOR PANEL FRONT MOUNT TYPE

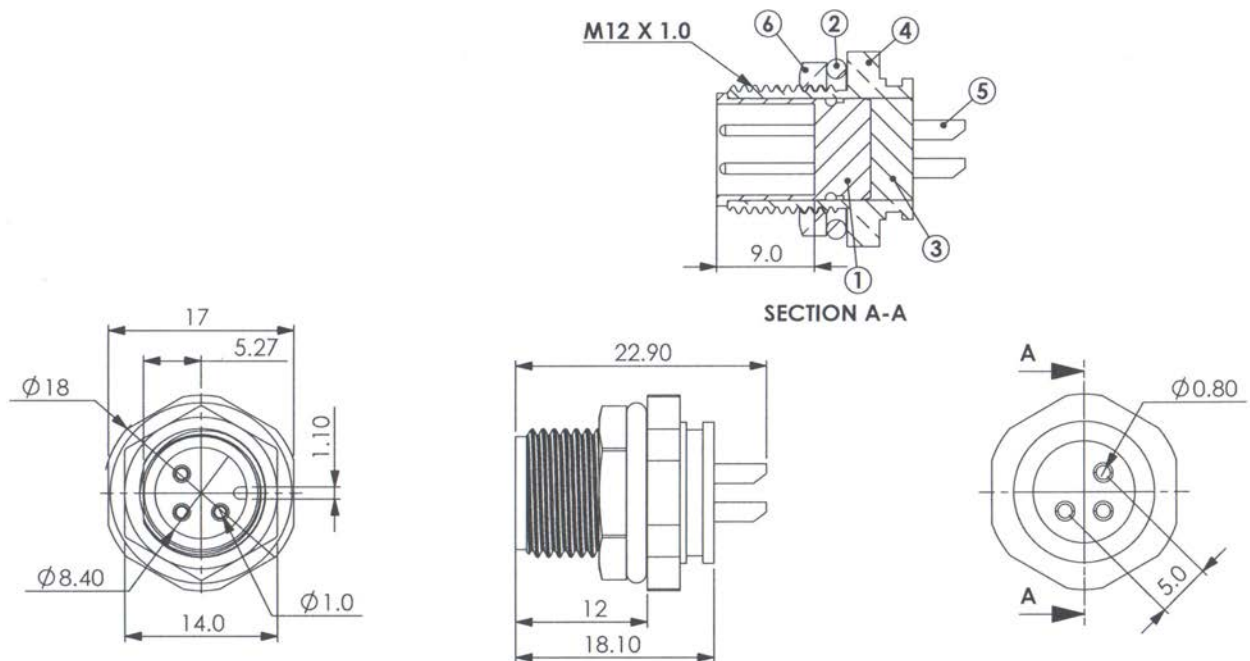


SPECIFICATIONS

Current: 2A
Operation Temperature: -20°C to 105°C
Insulation Resistance: 1000MΩ min.
Dielectric Strength: 500V AC min.
Waterproof Test:
 Reference to IEC 60529 Edition
 2.1: 2001-02-IP67
All materials must be RoHS compliant.

MATERIALS

Housing: Thermoplastic, UL94V-0
Shield Cover: Brass, Nickel Plated
Screw Nut: Brass, Nickel Plated
Sealed Ring: NBR
Terminals: Brass, Gold Plated
Unit: mm



ORDERING INFORMATION:

P/N W P C $\frac{1}{1}$ $\frac{2}{2}$ M $\frac{3}{3}$ - $\frac{0}{3}$ $\frac{3}{4}$ P F

1. CONNECTOR LOCKING SYSTEM:
"12" SCREW M12*1.0
2. CONNECTOR TYPE:
"M" MALE (PLUG)
3. NO. OF CONTACTS:
03
4. APPLICABLE TYPE:
"PF" PANEL FRONT MOUNT SOLDER TYPE

WATERPROOF M12 4P MALE CONNECTOR PANEL FRONT MOUNT TYPE



SPECIFICATIONS

Current: 2A

Operation Temperature: -20°C to 105°C

Insulation Resistance: 1000MΩ min.

Dielectric Strength: 500V AC min.

Waterproof Test:

Reference to IEC 60529 Edition

2.1: 2001-02-IP67

All materials must be RoHS compliant.

MATERIALS

Housing: Thermoplastic, UL94V-0

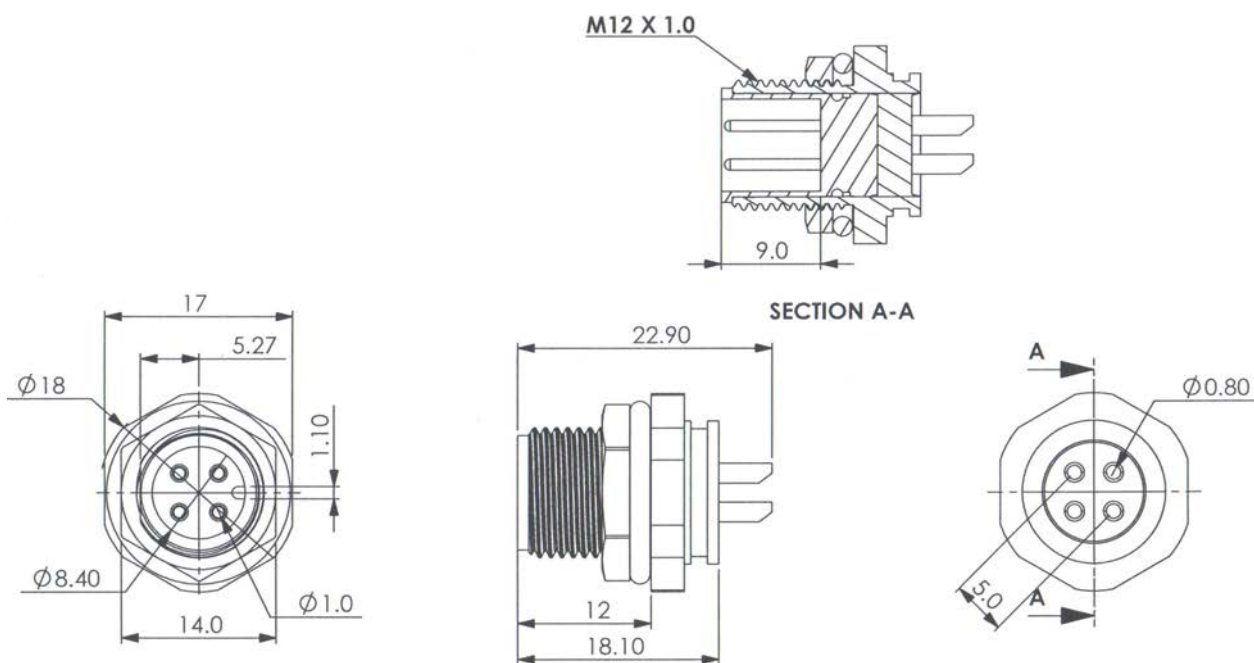
Shield Cover: Brass, Nickel Plated

Screw Nut: Brass, Nickel Plated

Sealed Ring: NBR

Terminals: Brass, Gold Plated

Unit: mm



ORDERING INFORMATION:

P/N W P C 1 2 3 4 **12 M - 04 PF**

1. CONNECTOR LOCKING SYSTEM:
"12" SCREW M12*1.0
2. CONNECTOR TYPE:
"M" MALE (PLUG)
3. NO. OF CONTACTS:
04
4. APPLICABLE TYPE:
"PF" PANEL FRONT MOUNT SOLDER TYPE

WATERPROOF M12 5P MALE CONNECTOR PANEL FRONT MOUNT TYPE

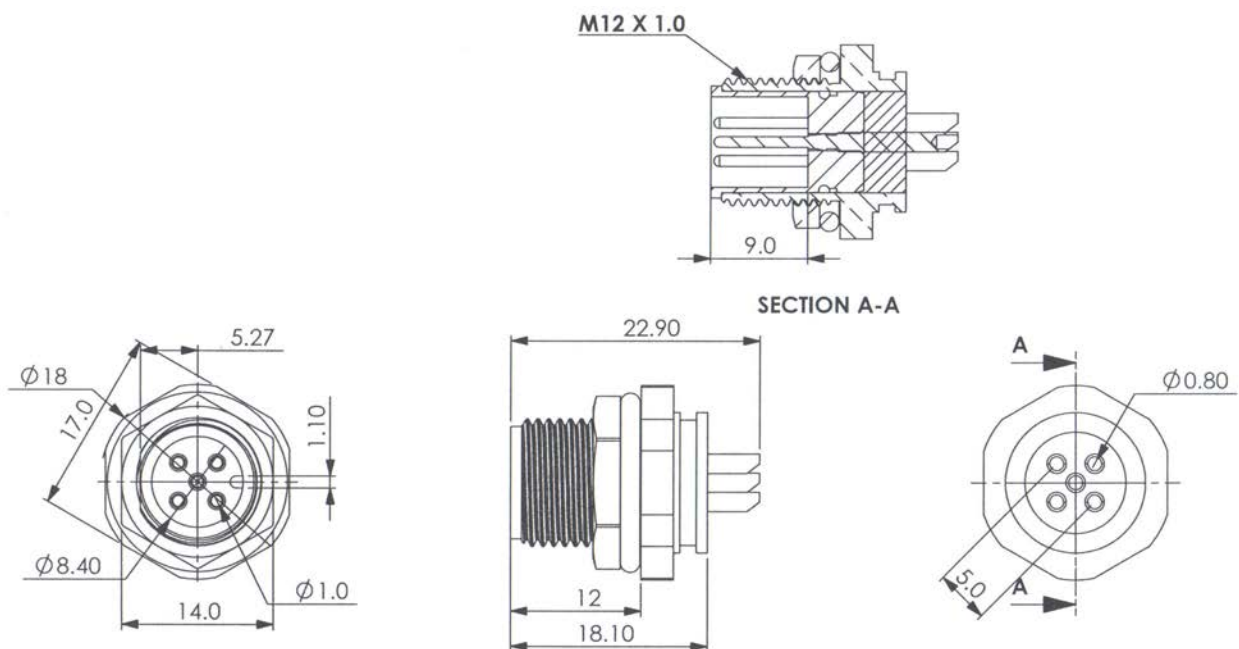


SPECIFICATIONS

Current: 2A
Operation Temperature: -20°C to 105°C
Insulation Resistance: 1000MΩ min.
Dielectric Strength: 500V AC min.
Waterproof Test:
Reference to IEC 60529 Edition
2.1: 2001-02-IP67
All materials must be RoHS compliant.

MATERIALS

Housing: Thermoplastic, UL94V-0
Shield Cover: Brass, Nickel Plated
Screw Nut: Brass, Nickel Plated
Sealed Ring: NBR
Terminals: Brass, Gold Plated
Unit: mm



ORDERING INFORMATION:

P/N W P C $\frac{1}{1}$ $\frac{2}{2}$ $\frac{M}{3}$ - $\frac{0.5}{3}$ $\frac{P}{4}$ $\frac{F}{4}$

1. CONNECTOR LOCKING SYSTEM:
"12" SCREW M12*1.0
2. CONNECTOR TYPE:
"M" MALE (PLUG)
3. NO. OF CONTACTS:
05
4. APPLICABLE TYPE:
"PF" PANEL FRONT MOUNT SOLDER TYPE

WATERPROOF M12 8P MALE CONNECTOR PANEL FRONT MOUNT TYPE



SPECIFICATIONS

Current: 2A

Operation Temperature: -20°C to 105°C

Insulation Resistance: 1000MΩ min.

Dielectric Strength: 500V AC min.

Waterproof Test:

Reference to IEC 60529 Edition

2.1: 2001-02-IP67

All materials must be RoHS compliant.

MATERIALS

Housing: Thermoplastic, UL94V-0

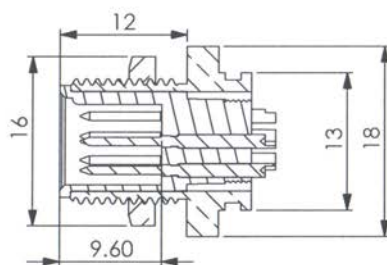
Shield Cover: Brass, Nickel Plated

Screw Nut: Brass, Nickel Plated

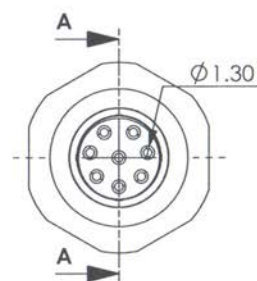
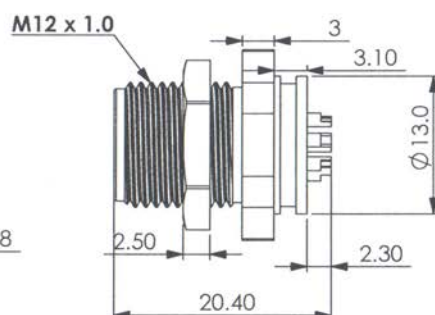
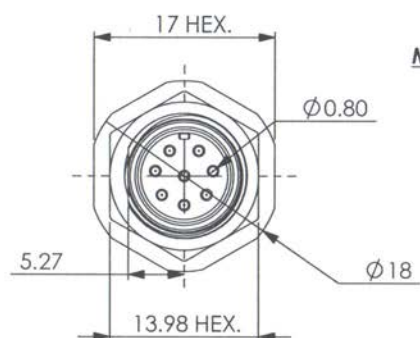
Sealed Ring: NBR

Terminals: Brass, Gold Plated

Unit: mm



SECTION A-A



ORDERING INFORMATION:

P/N W P C 1 2 M - 0 8 P F

1. CONNECTOR LOCKING SYSTEM:
"12" SCREW M12*1.0
2. CONNECTOR TYPE:
"M" MALE (PLUG)
3. NO. OF CONTACTS:
08
4. APPLICABLE TYPE:
"PF" PANEL FRONT MOUNT SOLDER TYPE

WATERPROOF M12 3P MALE CONNECTOR PANEL REAR MOUNT TYPE

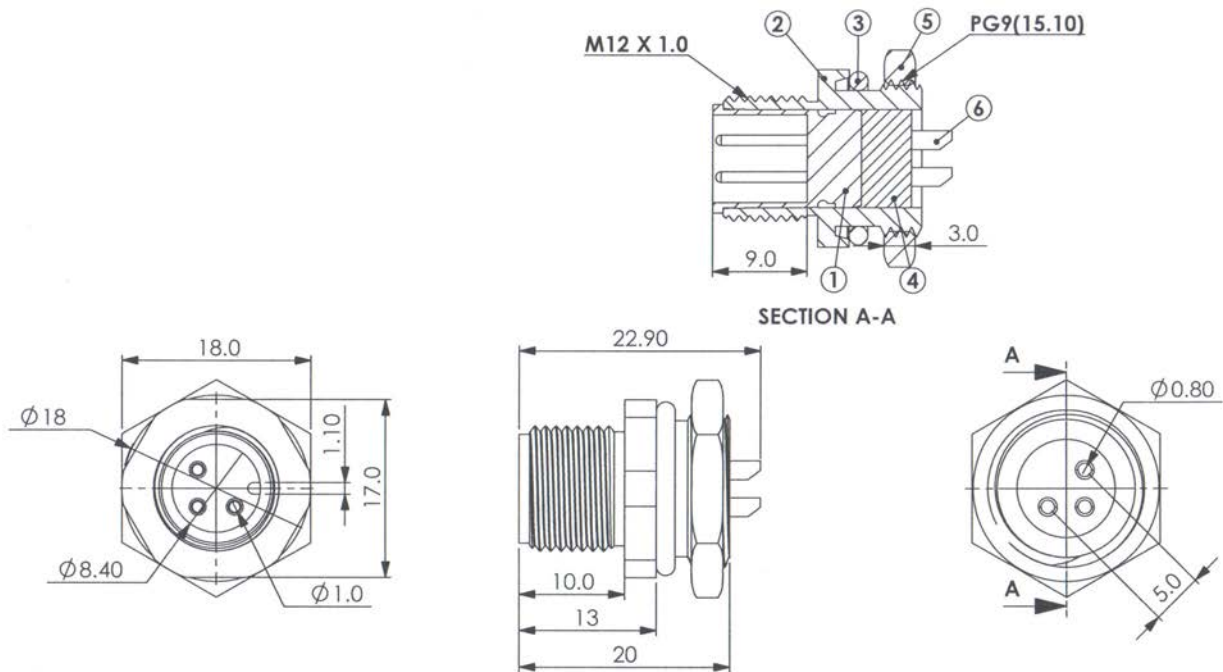


SPECIFICATIONS

Current: 2A
Operation Temperature: -20°C to 105°C
Insulation Resistance: 1000MΩ min.
Dielectric Strength: 500V AC min.
Waterproof Test:
 Reference to IEC 60529 Edition
 2.1: 2001-02-IP67
All materials must be RoHS compliant.

MATERIALS

Housing: Thermoplastic, UL94V-0
Shield Cover: Brass, Nickel Plated
Screw Nut: Brass, Nickel Plated
O Ring: NBR
Y Glue: 5339 A/B
Terminals: Brass, Gold Plated
Unit: mm



ORDERING INFORMATION:

P/N W P C $\frac{1}{1}$ $\frac{2}{2}$ M - $\frac{03}{3}$ $\frac{PR}{4}$

1. CONNECTOR LOCKING SYSTEM:
"12" SCREW M12*1.0
2. CONNECTOR TYPE:
"M" MALE (PLUG)
3. NO. OF CONTACTS:
03
4. APPLICABLE TYPE:
"PR" PANEL REAR MOUNT SOLDER TYPE

WATERPROOF M12 4P MALE CONNECTOR PANEL REAR MOUNT TYPE

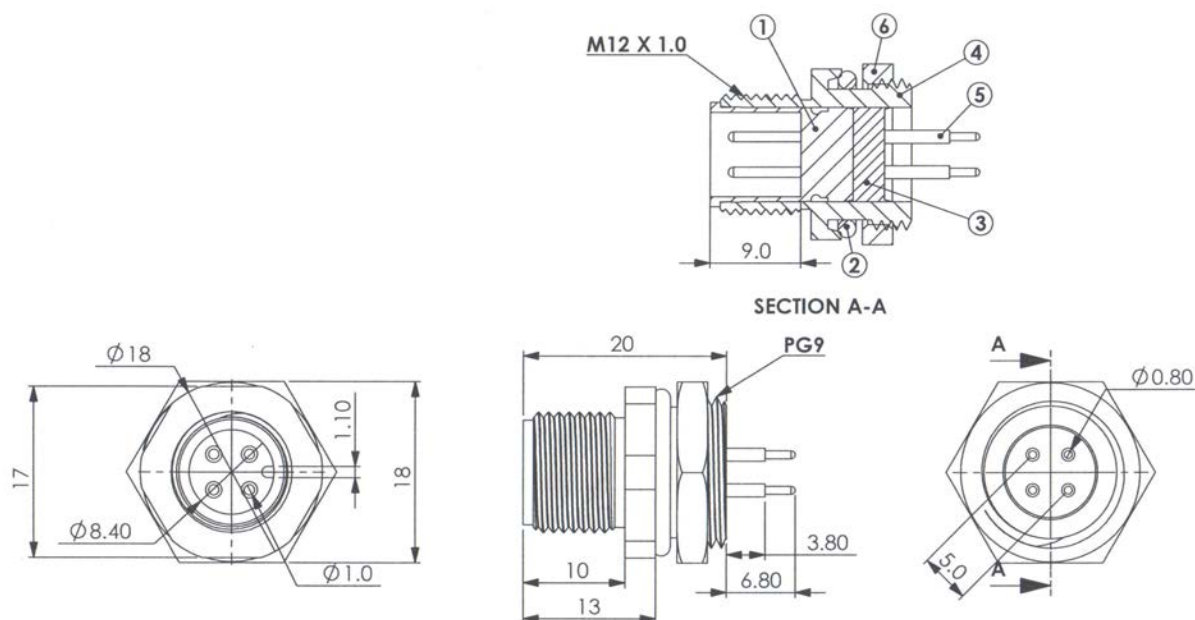


SPECIFICATIONS

Current: 2A
Operation Temperature: -20°C to 105°C
Insulation Resistance: 1000MΩ min.
Dielectric Strength: 500V AC min.
Waterproof Test:
 Reference to IEC 60529 Edition
 2.1: 2001-02-IP67
All materials must be RoHS compliant.

MATERIALS

Housing: Thermoplastic, UL94V-0
Shield Cover: Brass, Nickel Plated
Screw Nut: Brass, Nickel Plated
O Ring: NBR
Y Glue: 5339 A/B
Terminals: Brass, Gold Plated
Unit: mm



ORDERING INFORMATION:

P/N W P C $\frac{1}{1}$ $\frac{2}{2}$ $\frac{3}{3}$ $\frac{4}{4}$ M - 04 PR

1. CONNECTOR LOCKING SYSTEM:
"12" SCREW M12*1.0
2. CONNECTOR TYPE:
"M" MALE (PLUG)
3. NO. OF CONTACTS:
04
4. APPLICABLE TYPE:
"PR" PANEL REAR MOUNT DIP TYPE

WATERPROOF M12 5P MALE CONNECTOR PANEL REAR MOUNT TYPE

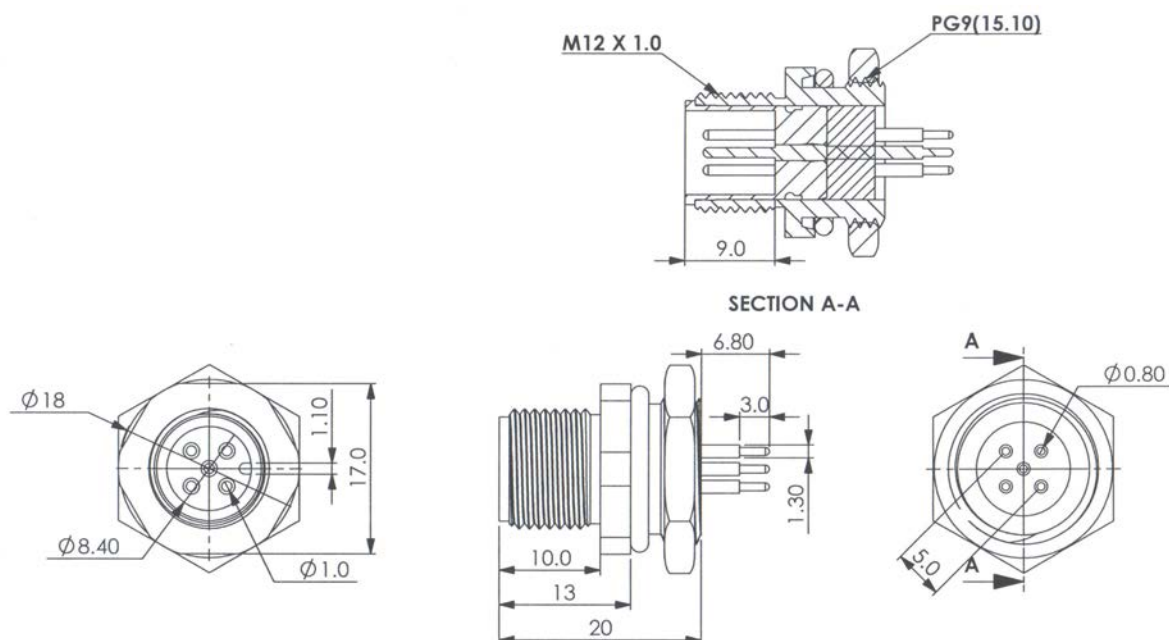


SPECIFICATIONS

Current: 2A
Operation Temperature: -20°C to 105°C
Insulation Resistance: 1000MΩ min.
Dielectric Strength: 500V AC min.
Waterproof Test:
Reference to IEC 60529 Edition
2.1: 2001-02-IP67
All materials must be RoHS compliant.

MATERIALS

Housing: Thermoplastic, UL94V-0
Shield Cover: Brass, Nickel Plated
Screw Nut: Brass, Nickel Plated
O Ring: NBR
Y Glue: 5339 A/B
Terminals: Brass, Gold Plated
Unit: mm



ORDERING INFORMATION:

P/N W P C $\frac{1}{1}$ $\frac{2}{2}$ $\frac{3}{3}$ $\frac{4}{4}$ M - 05 PR

1. CONNECTOR LOCKING SYSTEM:
"12" SCREW M12*1.0
2. CONNECTOR TYPE:
"M" MALE (PLUG)
3. NO. OF CONTACTS:
05
4. APPLICABLE TYPE:
"PR" PANEL REAR MOUNT DIP TYPE

WATERPROOF M12 4P MALE CONNECTOR DC KEY TYPE



MATERIALS

Housing: Thermoplastic,
UL 94V-0 (PBT 30% Glass fiber)

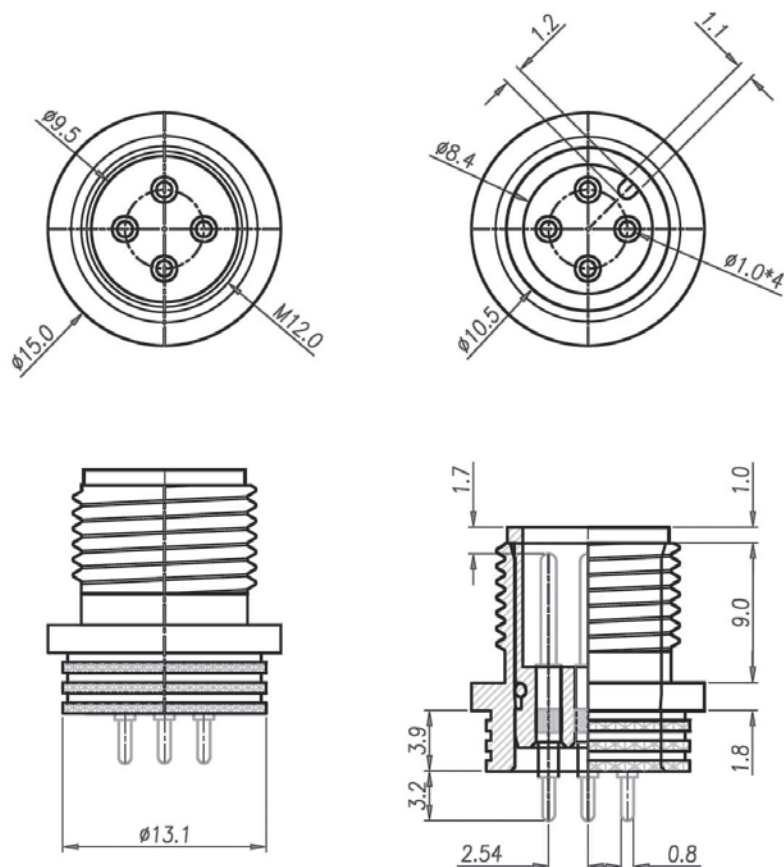
Contact: Brass; Contact plated 30u" Gold,
underplated Nickel

Shell: Brass

Waterproof Test: IP67 Rated

* RoHS & REACH compliant.

Unit: mm



P/N WPC12M-04SH

ORDERING INFORMATION:

P/N W P C $\frac{1}{1}$ $\frac{2}{2}$ $\frac{3}{3}$ $\frac{4}{4}$ S H

1. CONNECTOR LOCKING SYSTEM:
"12" SCREW M12*1.0
2. CONNECTOR TYPE:
"M" MALE (PLUG)
3. NO. OF CONTACTS:
04
4. APPLICABLE TYPE:
"SH" SINGLE DC KEY TYPE WITH EXTERNAL THREAD

WATERPROOF M12 D-CODED 4P 4A RATED MALE CONNECTOR FRONT PANEL MOUNT SOLDER TYPE

SPECIFICATION

Waterproof Rate: IP68

Recommend Panel Thickness: 0.8~5.0mm

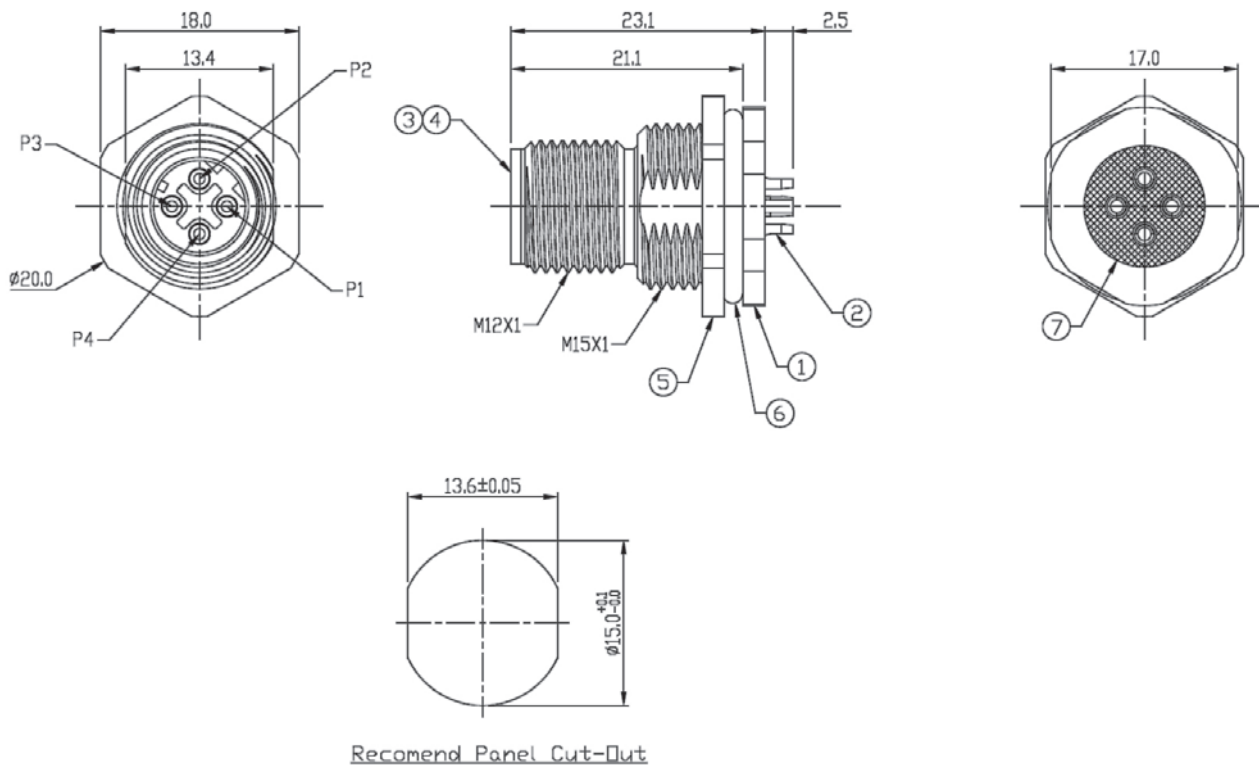
DWV: 1400 Vrms

Rated Voltage: 250V AC/DC

Insulation Resistance: 100MΩ Min.

Durability: 100 Cycles Min.

* RoHS & REACH compliant.



ORDERING INFORMATION:

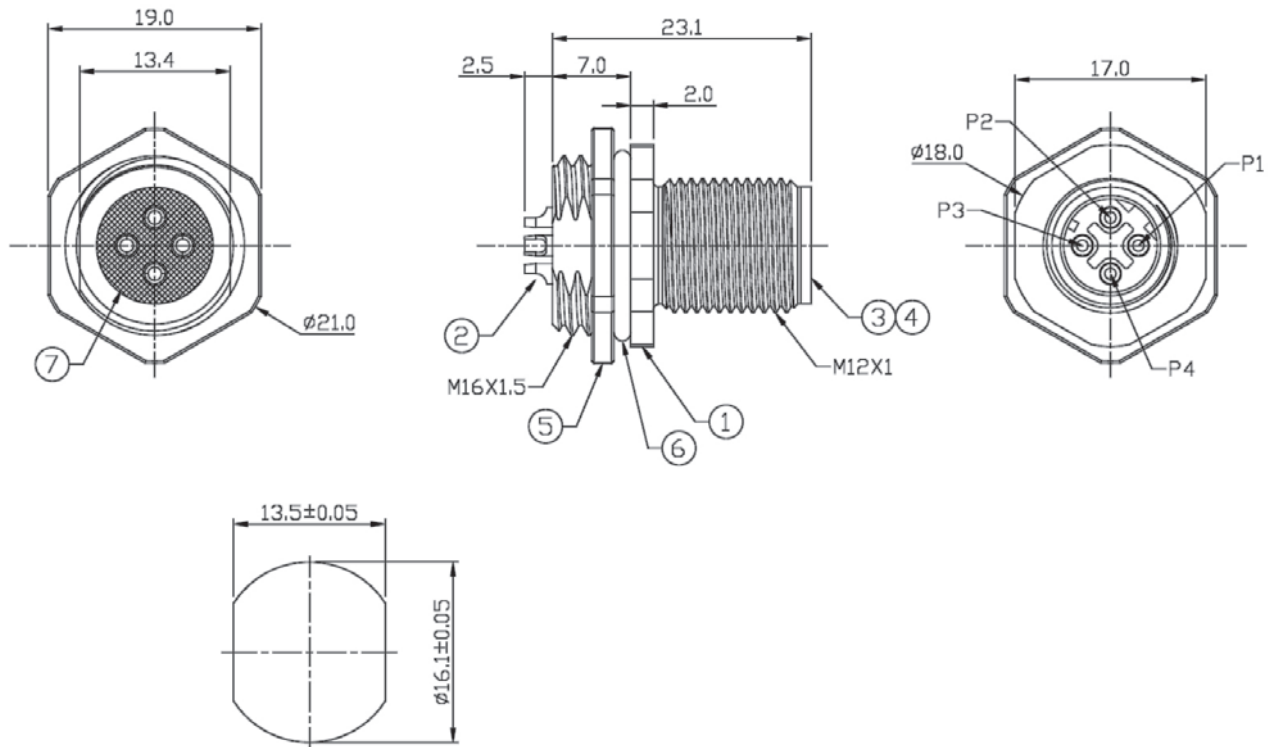
P/N W P C $\frac{1}{1}$ $\frac{2}{2}$ $\frac{3}{3}$ $\frac{4}{4}$ M - 04 PG

1. CONNECTOR LOCKING SYSTEM:
"12" SCREW M12* 1.0
2. CONNECTOR TYPE:
"M" MALE (PLUG)
3. NO. OF CONTACTS:
04
4. APPLICABLE TYPE:
"PG" FRONT PANEL MOUNT SOLDER TYPE

WATERPROOF M12 D-CODED 4P 4A RATED MALE CONNECTOR REAR PANEL MOUNT SOLDER TYPE

SPECIFICATION

Waterproof Rate: IP68
Recommend Panel Thickness: 0.8~2.0mm
DWV: 1400 Vrms
Rated Voltage: 250V AC/DC
Insulation Resistance: 100MΩ Min.
Durability: 100 Cycles Min.
 * RoHS & REACH compliant.



Recommend Panel Cut-Out

ORDERING INFORMATION:

P/N W P C $\frac{1}{1}$ $\frac{2}{2}$ M - $\frac{0}{3}$ $\frac{4}{4}$ P T

1. CONNECTOR LOCKING SYSTEM:
"12" SCREW M12* 1.0
2. CONNECTOR TYPE:
"M" MALE (PLUG)
3. NO. OF CONTACTS:
04
4. APPLICABLE TYPE:
"PT" REAR PANEL MOUNT SOLDER TYPE

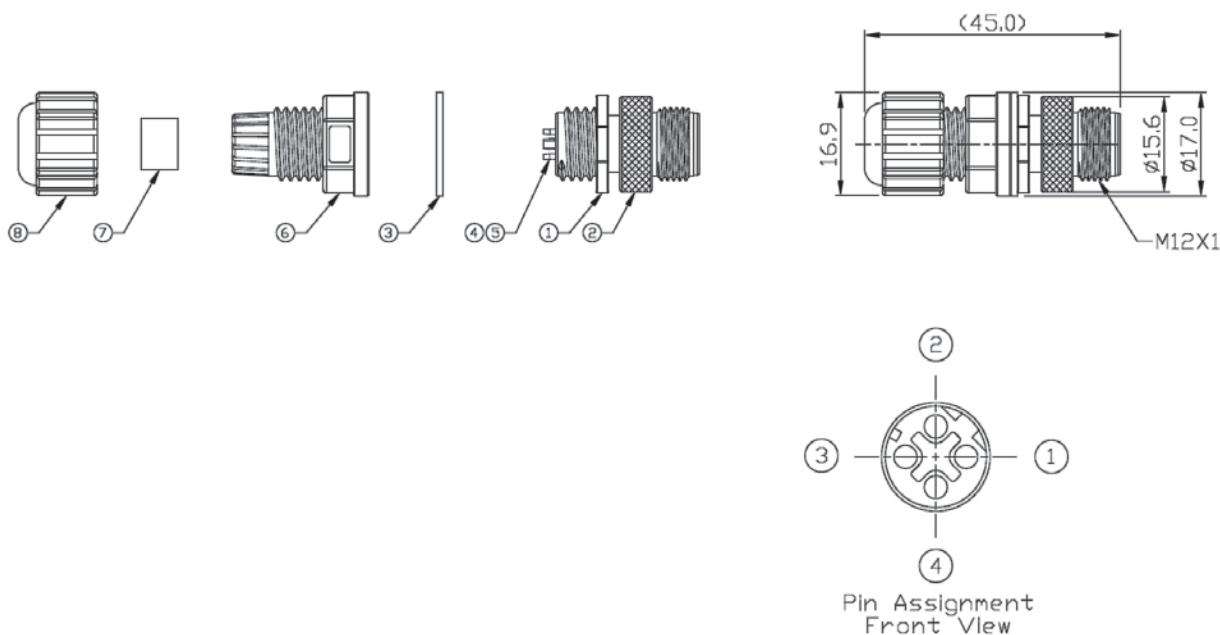
WATERPROOF M12 D-CODED 4P 4A RATED MALE CONNECTOR CABLE ASSEMBLY TYPE

SPECIFICATION

Waterproof Rate: IP68

Recommend Panel Thickness: 4.0~6.5mm

* RoHS & REACH compliant.



ORDERING INFORMATION:

P/N W P C 1 2 M - 0 4 A C

1. CONNECTOR LOCKING SYSTEM:
"12" SCREW M12* 1.0
2. CONNECTOR TYPE:
"M" MALE (PLUG)
3. NO. OF CONTACTS:
04
4. APPLICABLE TYPE:
"AC" FIELD INSTALLABLE CABLE SOLDER TYPE

WATERPROOF M12 5P MALE CONNECTOR PANEL MOUNT DIP TYPE



MATERIALS

Housing: PBT, UL 94V-0

Contact: Brass; Gold Plating Over Nickel

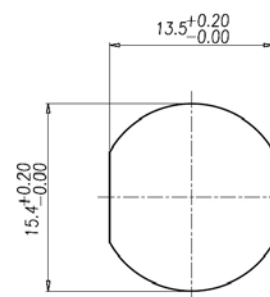
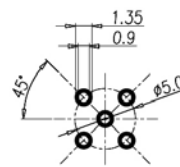
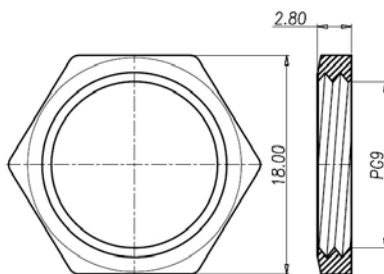
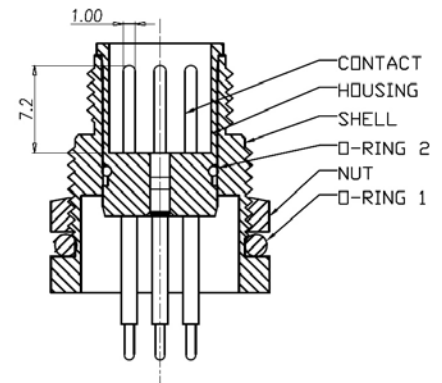
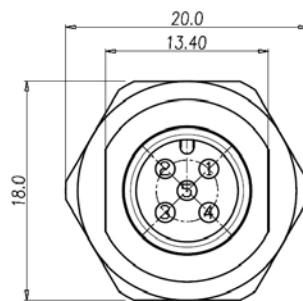
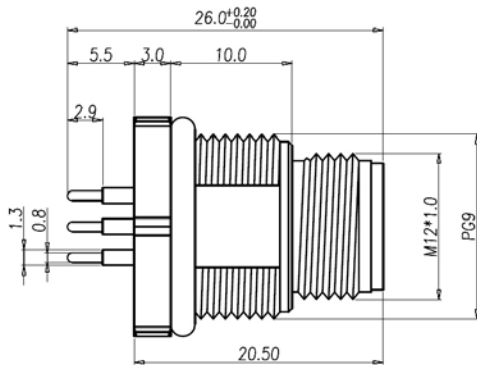
Shell: Brass; Nickel Plated

Nut: Brass; Nickel Plated

Waterproof: IPX7

* RoHS & REACH compliant.

Unit: mm



RECOMMEND P.C.B LAYOUT

RECOMMEND PANEL CUT-OUT

ORDERING INFORMATION:

P/N W P C $\frac{1}{1}$ $\frac{2}{2}$ M - $\frac{05}{3}$ $\frac{DA}{4}$

1. CONNECTOR LOCKING SYSTEM:
"12" SCREW M12*1.0
2. CONNECTOR TYPE:
"M" MALE (PLUG)
3. NO. OF CONTACTS:
05
4. APPLICABLE TYPE:
"DA" STRAIGHT DIP TYPE

WATERPROOF M12 10P MALE CONNECTOR PANEL MOUNT DIP TYPE



MATERIALS

Housing: PBT, UL 94V-0

Contact: Brass; Gold Plating Over Nickel

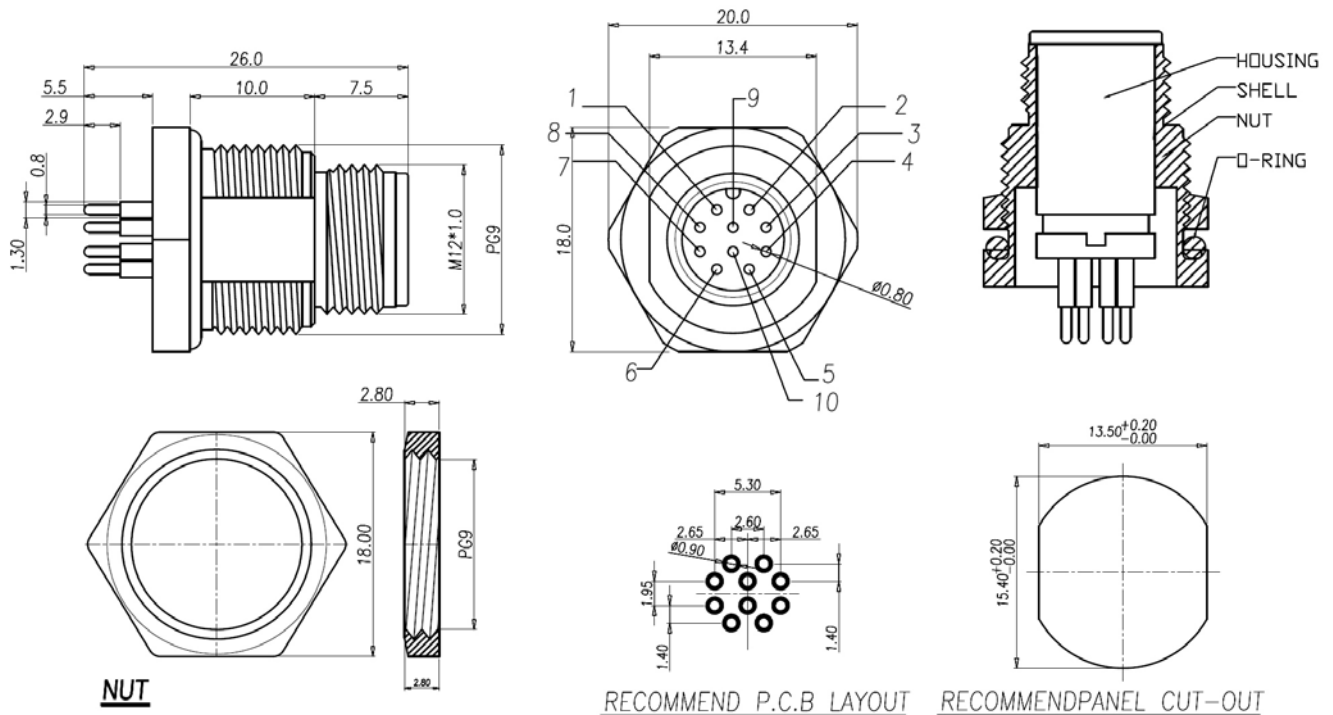
Shell: Brass; Nickel Plated

Nut: Brass; Nickel Plated

Waterproof: IPX7

* RoHS & REACH compliant.

Unit: mm



ORDERING INFORMATION:

P/N W P C $\frac{1}{I}$ $\frac{2}{M}$ - $\frac{10}{3}$ $\frac{DA}{4}$

- CONNECTOR LOCKING SYSTEM:
"12" SCREW M12*1.0
- CONNECTOR TYPE:
"M" MALE (PLUG)
- NO. OF CONTACTS:
10
- APPLICABLE TYPE:
"DA" STRAIGHT DIP TYPE

WATERPROOF M12 4P MALE CONNECTOR RIGHT ANGLE DIP TYPE

MATERIALS:

1.Material:

Housing: PBT UL94V-0; Color: Black

Contact: Brass

Nut: Brass

O-Ring: EPDM; Color: Black

Back Housing: PBT UL94V-0; Color: Black

Down Housing: PBT UL94V-0; Color: Black

2.Finish:

Contact: Gold Flash On Over All

Under Plate: Nickel

Shell: Stain Nickel 80u"~100u" On Over All

*RoHS & REACH compliant.

Unit: mm

SPECIFICATION:

1.Electrical Specification:

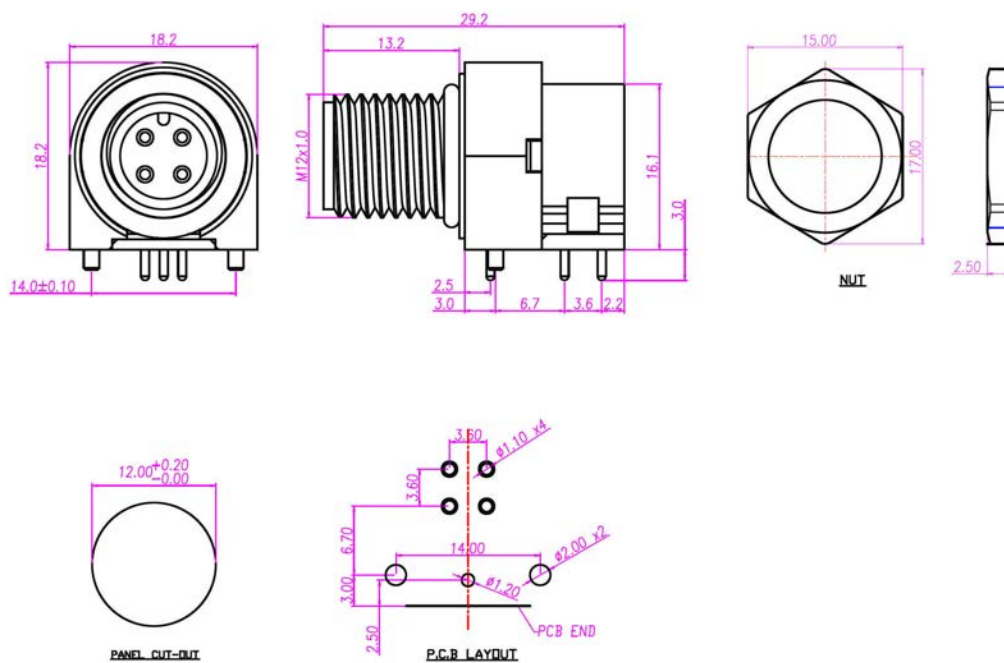
Rated Current: 5A

Rated Voltage: 125V

Water proof: IP67

2.Environmental:

Operating Temperature: -40°C ~ 85°C



ORDERING INFORMATION:

P/N W P C $\frac{1}{1}$ $\frac{2}{2}$ $\frac{M}{3}$ - $\frac{0}{3}$ $\frac{4}{4}$ $\frac{D}{4}$ $\frac{R}{4}$

1. CONNECTOR LOCKING SYSTEM:
"12" SCREW M12* 1.0
2. CONNECTOR TYPE:
"M" MALE (PLUG)
3. NO. OF CONTACTS:
04
4. APPLICABLE TYPE:
"DR" RIGHT ANGLE PCB MOUNT TYPE

WATERPROOF M12 5P MALE CONNECTOR RIGHT ANGLE DIP TYPE

MATERIALS:

1.Material:

Housing: PBT UL94V-0; Color: Black

Contact: Brass

Nut: Brass

O-Ring: EPDM; Color: Black

Back Housing: PBT UL94V-0; Color: Black

Down Housing: PBT UL94V-0; Color: Black

2.Finish:

Contact: Gold Flash On Over All

Under Plate: Nickel

Shell: Stain Nickel 80u"~100u" On Over All

*RoHS & REACH compliant.

Unit: mm

SPECIFICATION:

1.Electrical Specification:

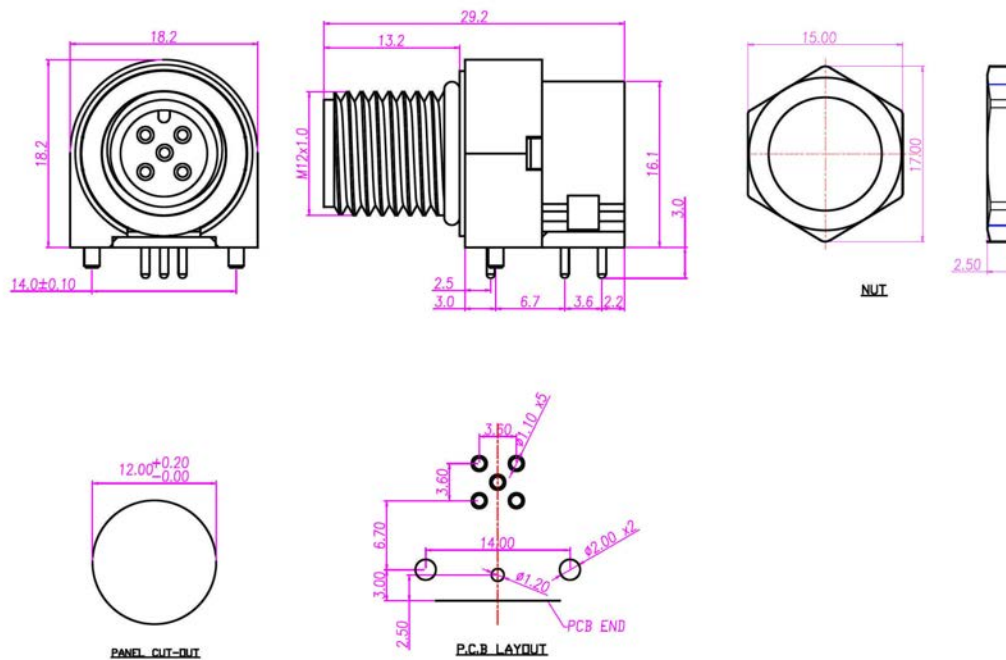
Rated Current: 5A

Rated Voltage: 125V

Water proof: IP67

2.Environmental:

Operating Temperature: -40°C ~ 85°C



ORDERING INFORMATION:

P/N W P C $\frac{1}{1}$ $\frac{2}{2}$ $\frac{M}{3}$ - $\frac{0.5}{3}$ $\frac{DR}{4}$

1. CONNECTOR LOCKING SYSTEM:
"12" SCREW M12* 1.0
2. CONNECTOR TYPE:
"M" MALE (PLUG)
3. NO. OF CONTACTS:
05
4. APPLICABLE TYPE:
"DR" RIGHT ANGLE PCB MOUNT TYPE

WATERPROOF M12 8P MALE CONNECTOR RIGHT ANGLE DIP TYPE

MATERIALS:

1. Material:

Housing: PBT UL94V-0; Color: Black

Contact: Brass

Nut: Brass

O-Ring: NBR; Color: Black

Back Housing: PBT UL94V-0; Color: Black

Down Housing: PBT UL94V-0; Color: Black

2. Finish:

Contact: Gold Flash On Over All

Under Plate: Nickel

Shell: Stain Nickel 80u"~100u" On Over All

*RoHS & REACH compliant.

Unit: mm

SPECIFICATION:

1. Electrical Specification:

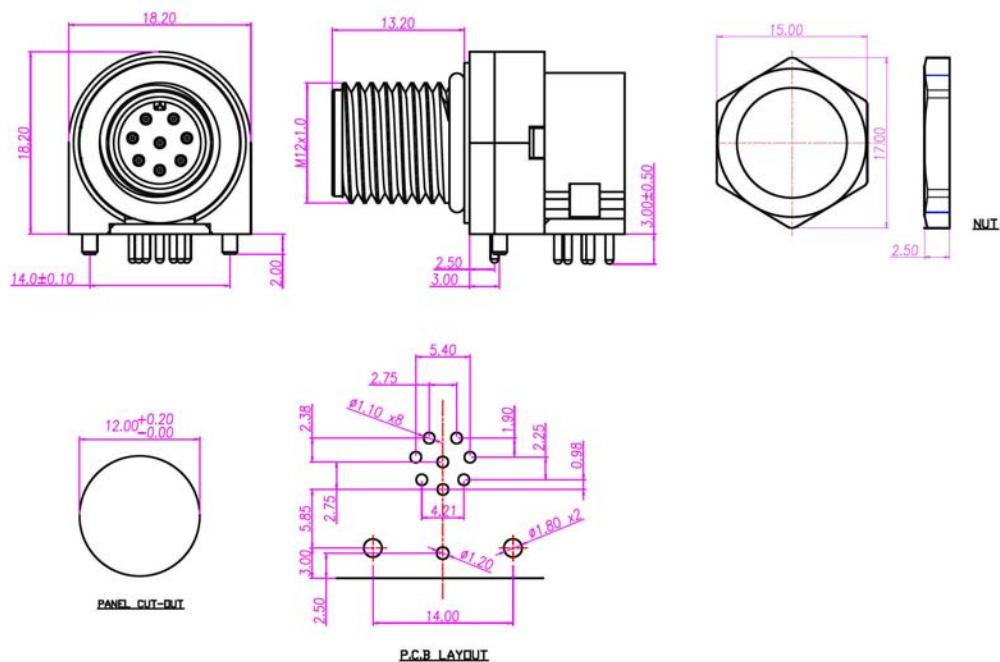
Rated Current: 3A

Rated Voltage: 125V

Water proof: IP67

2. Environmental:

Operating Temperature: -40°C ~ 85°C



ORDERING INFORMATION:

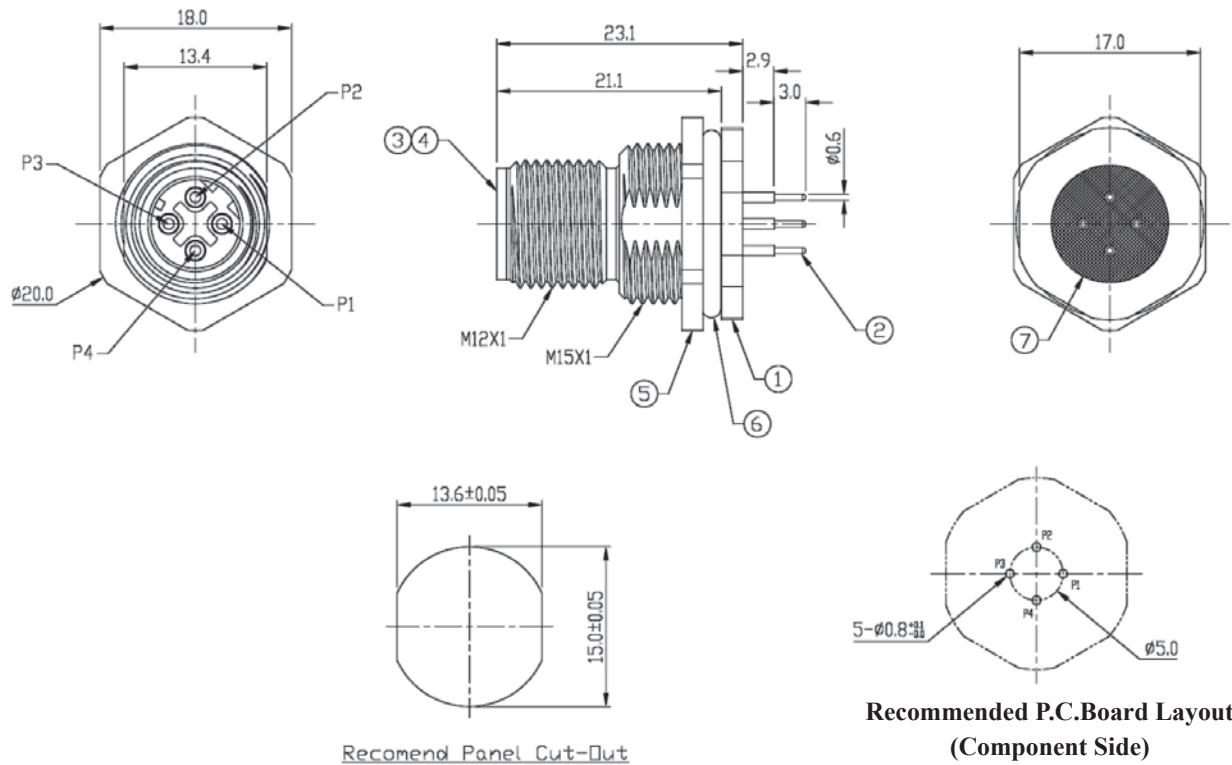
P/N W P C $\frac{1}{1}$ $\frac{2}{2}$ $\frac{3}{3}$ $\frac{4}{4}$ M - 08 DR

1. CONNECTOR LOCKING SYSTEM:
"12" SCREW M12* 1.0
2. CONNECTOR TYPE:
"M" MALE (PLUG)
3. NO. OF CONTACTS:
08
4. APPLICABLE TYPE:
"DR" RIGHT ANGLE PCB MOUNT TYPE

WATERPROOF M12 D-CODED 4P 4A RATED MALE CONNECTOR FRONT PANEL MOUNT DIP TYPE

SPECIFICATION

Waterproof Rate: IP68
Recommend Panel Thickness: 0.8~5.0mm
DWV: 1400 Vrms
Rated Voltage: 250V AC/DC
Insulation Resistance: 100MΩ Min.
Durability: 100 Cycles Min.
 * RoHS & REACH compliant.



ORDERING INFORMATION:

P/N W P C $\frac{1}{1}$ $\frac{2}{2}$ $\frac{3}{3}$ $\frac{4}{4}$ M - 04 DK

1. CONNECTOR LOCKING SYSTEM:
"12" SCREW M12* 1.0
2. CONNECTOR TYPE:
"M" MALE (PLUG)
3. NO. OF CONTACTS:
04
4. APPLICABLE TYPE:
"DK" FRONT PANEL MOUNT DIP TYPE

WATERPROOF M22 (7/8") 5P FEMALE CONNECTOR CABLE SOLDER TYPE



MATERIALS

Housing: Thermoplastic, UL 94V-0 (PBT 30% Glass fiber)

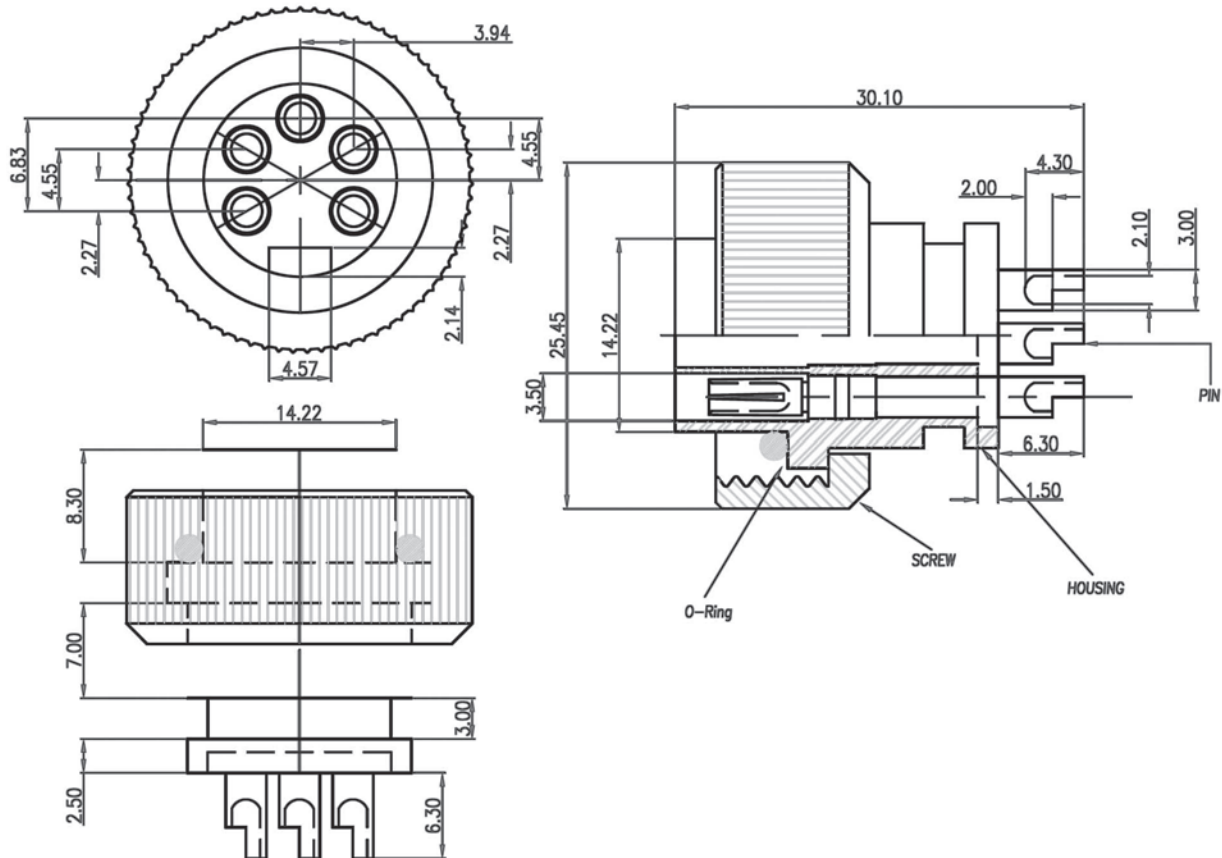
Terminal: Brass; Gold flash

Screw: Brass; Nickel plated 100u"

Waterproof Test: IP67 Rated

* RoHS & REACH compliant.

Unit: mm



ORDERING INFORMATION:

P/N W P C $\frac{2}{1}$ $\frac{2}{2}$ F - 05 SA

1. CONNECTOR LOCKING SYSTEM:
"22" SCREW 7/8"-16UN
2. CONNECTOR TYPE:
"F" FEMALE (JACK)
3. NO. OF CONTACTS:
05
4. APPLICABLE TYPE:
"SA" SOLDER TYPE FOR CABLE ASSEMBLY

WATERPROOF M22 (7/8") 6P FEMALE CONNECTOR CABLE SOLDER TYPE



MATERIALS

Housing: PBT, UL 94V-0

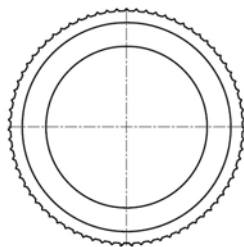
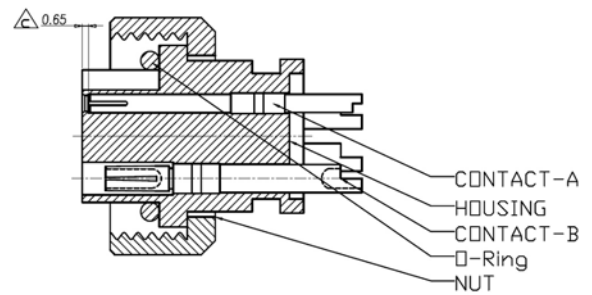
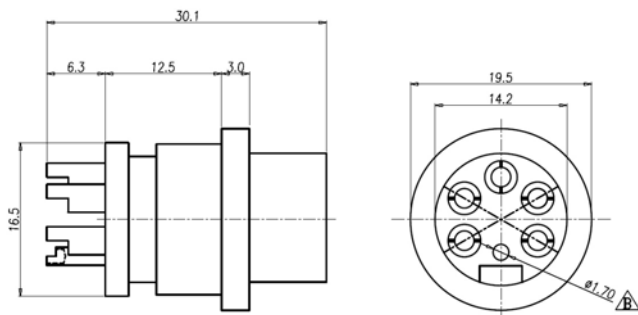
Contact: Brass; Gold plated

Nut: Brass; Nickel Plated

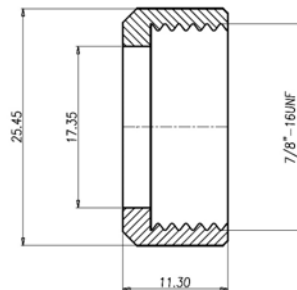
Waterproof: IPX7

* RoHS & REACH compliant.

Unit: mm



NUT



ORDERING INFORMATION:

P/N W P C $\frac{2}{1}$ $\frac{2}{2}$ F - 0.6 $\frac{S}{3}$ $\frac{B}{4}$

1. CONNECTOR LOCKING SYSTEM:
"22" SCREW 7/8"-16UN
2. CONNECTOR TYPE:
"F" FEMALE (JACK)
3. NO. OF CONTACTS:
06
4. APPLICABLE TYPE:
"SB" SOLDER TYPE FOR CABLE ASSEMBLY

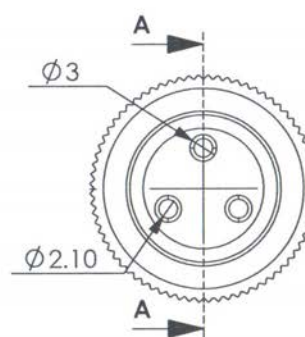
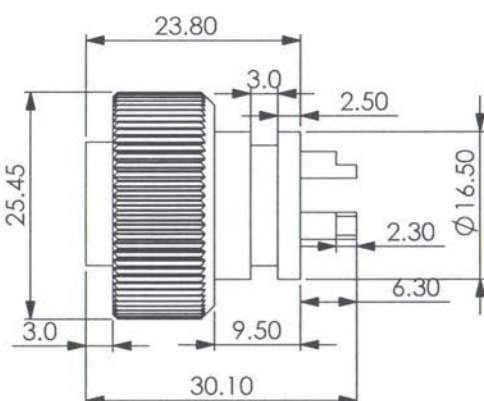
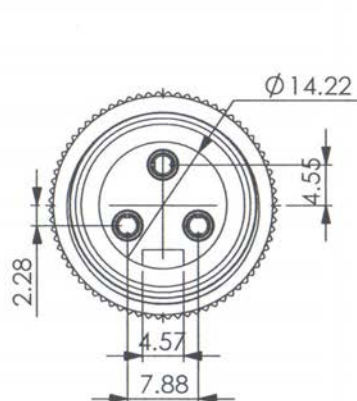
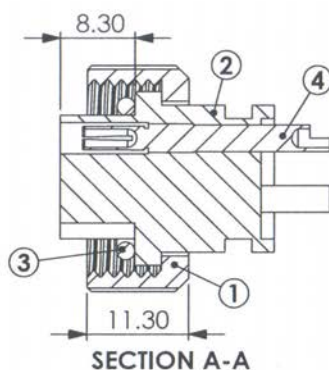


SPECIFICATIONS

Current: 20A
Operation Temperature: -50°C to 105°C
Insulation Resistance: 1000MΩ min.
Dielectric Strength: 500V AC min.
Waterproof Test:
 Reference to IEC 60529 Edition
 2.1: 2001-02-IP67
All materials must be RoHS compliant.

MATERIALS

Housing: PBT + GF30%
Terminals: Brass, Gold Plated
Screw Cap: Brass, Nickel Plated
O Ring: NBR
Unit: mm



ORDERING INFORMATION:

P/N W P C $\frac{2}{1}$ $\frac{2}{2}$ F - $\frac{0}{3}$ $\frac{3}{3}$ M D

1. CONNECTOR LOCKING SYSTEM:
"22" SCREW 7/8"-16UN
2. CONNECTOR TYPE:
"F" FEMALE (JACK)
3. NO. OF CONTACTS:
03
4. APPLICABLE TYPE:
"MD" CABLE MOLDING TYPE

WATERPROOF M22(7/8") 4P FEMALE CONNECTOR MOLDING TYPE



SPECIFICATIONS

Current: 12A

Operation Temperature: -50°C to 105°C

Insulation Resistance: 1000MΩ min.

Dielectric Strength: 500V AC min.

Waterproof Test:

Reference to IEC 60529 Edition

2.1: 2001-02-IP67

All materials must be RoHS compliant.

MATERIALS

Housing: PBT + GF30%

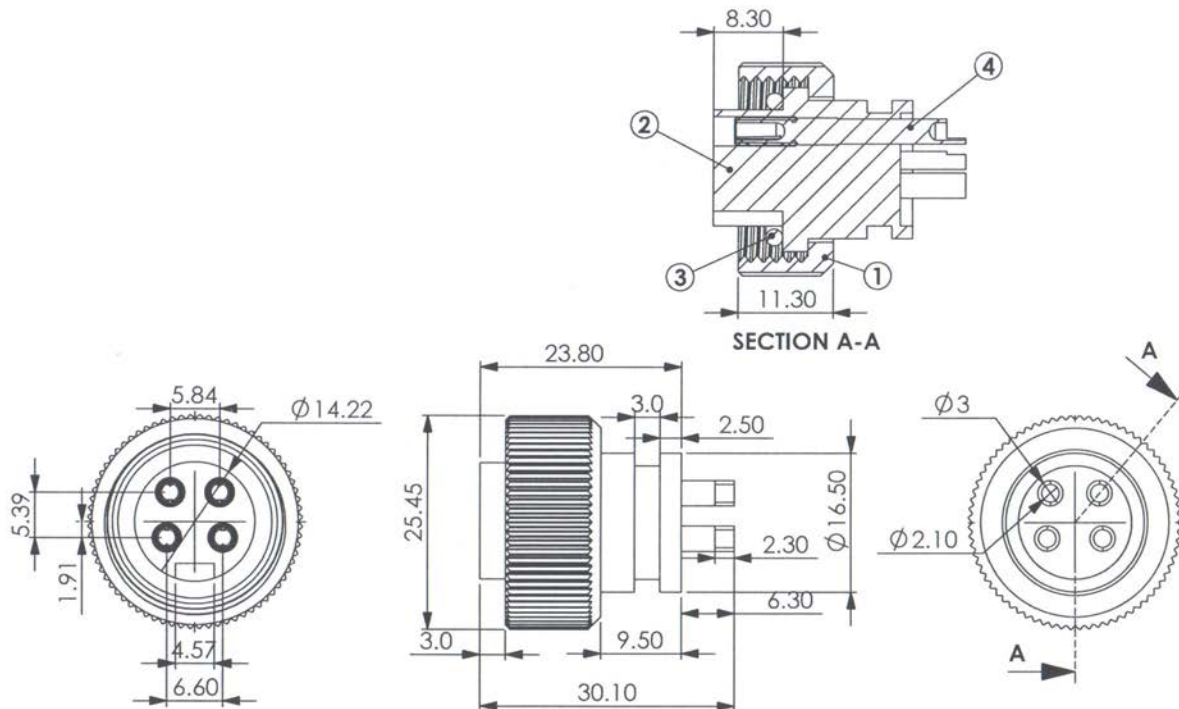
Terminals: Brass, Gold Plated

Screw Cap: Brass, Nickel Plated

Ring Cap: Brass, Nickel Plated

O Ring: NBR

Unit: mm



ORDERING INFORMATION:

P/N W P C $\frac{2}{1}$ $\frac{2}{2}$ F - $\frac{0}{3}$ $\frac{4}{4}$ M D

1. CONNECTOR LOCKING SYSTEM:
"22" SCREW 7/8"-16UN
2. CONNECTOR TYPE:
"F" FEMALE (JACK)
3. NO. OF CONTACTS:
04
4. APPLICABLE TYPE:
"MD" CABLE MOLDING TYPE

WATERPROOF M22(7/8") 5P FEMALE CONNECTOR MOLDING TYPE



SPECIFICATIONS

Current: 12A

Operation Temperature: -50°C to 105°C

Insulation Resistance: 1000MΩ min.

Dielectric Strength: 500V AC min.

Waterproof Test:

Reference to IEC 60529 Edition

2.1: 2001-02-IP67

All materials must be RoHS compliant.

MATERIALS

Housing: PBT + GF30%

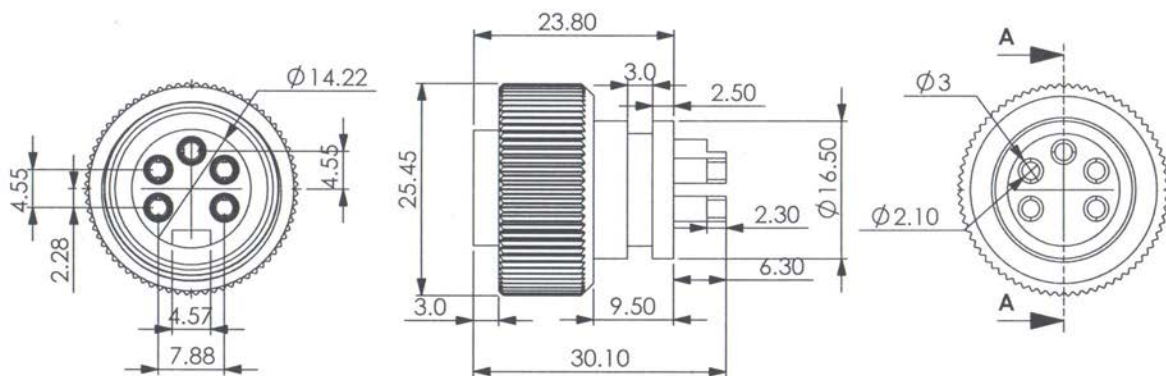
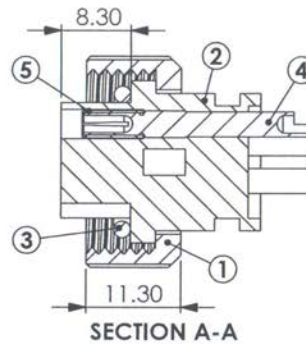
Terminals: Brass, Gold Plated

Screw Cap: Brass, Nickel Plated

Ring Cap: Brass, Nickel Plated

O Ring: NBR

Unit: mm



ORDERING INFORMATION:

P/N W P C $\frac{2}{1}$ $\frac{2}{2}$ F - $\frac{0}{3}$ $\frac{5}{4}$ M D

1. CONNECTOR LOCKING SYSTEM:
"22" SCREW 7/8"-16UN
2. CONNECTOR TYPE:
"F" FEMALE (JACK)
3. NO. OF CONTACTS:
05
4. APPLICABLE TYPE:
"MD" CABLE MOLDING TYPE

WATERPROOF M22(7/8") 6P FEMALE CONNECTOR MOLDING TYPE



SPECIFICATIONS

Current: 12A

Operation Temperature: -50°C to 105°C

Insulation Resistance: 1000MΩ min.

Dielectric Strength: 500V AC min.

Waterproof Test:

Reference to IEC 60529 Edition

2.1: 2001-02-IP67

All materials must be RoHS compliant.

MATERIALS

Housing: PBT + GF30%

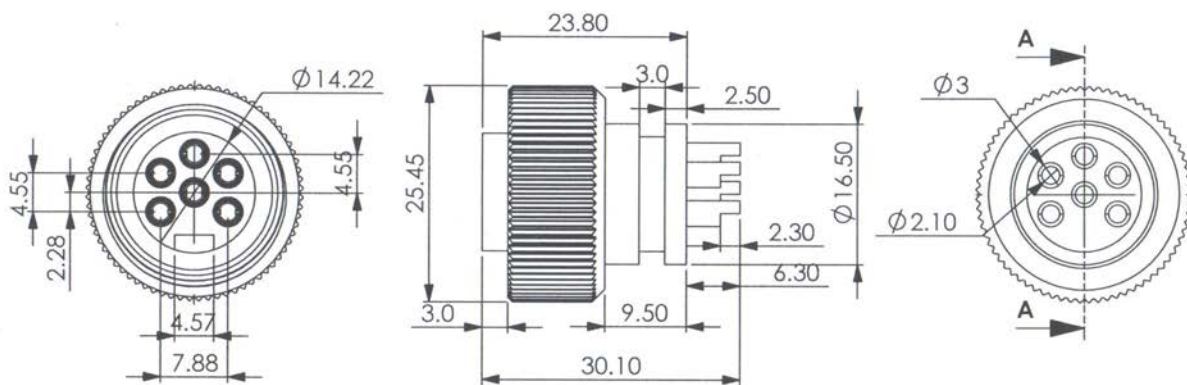
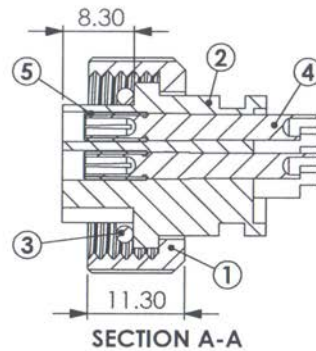
Terminals: Brass, Gold Plated

Screw Cap: Brass, Nickel Plated

Ring Cap: Brass, Nickel Plated

O Ring: NBR

Unit: mm



ORDERING INFORMATION:

P/N W P C $\frac{2}{1}$ $\frac{2}{2}$ F - $\frac{0}{3}$ $\frac{6}{4}$ M D

1. CONNECTOR LOCKING SYSTEM:
"22" SCREW 7/8"-16UN
2. CONNECTOR TYPE:
"F" FEMALE (JACK)
3. NO. OF CONTACTS:
06
4. APPLICABLE TYPE:
"MD" CABLE MOLDING TYPE

WATERPROOF M22(7/8") 3P FEMALE CONNECTOR PANEL MOUNT TYPE

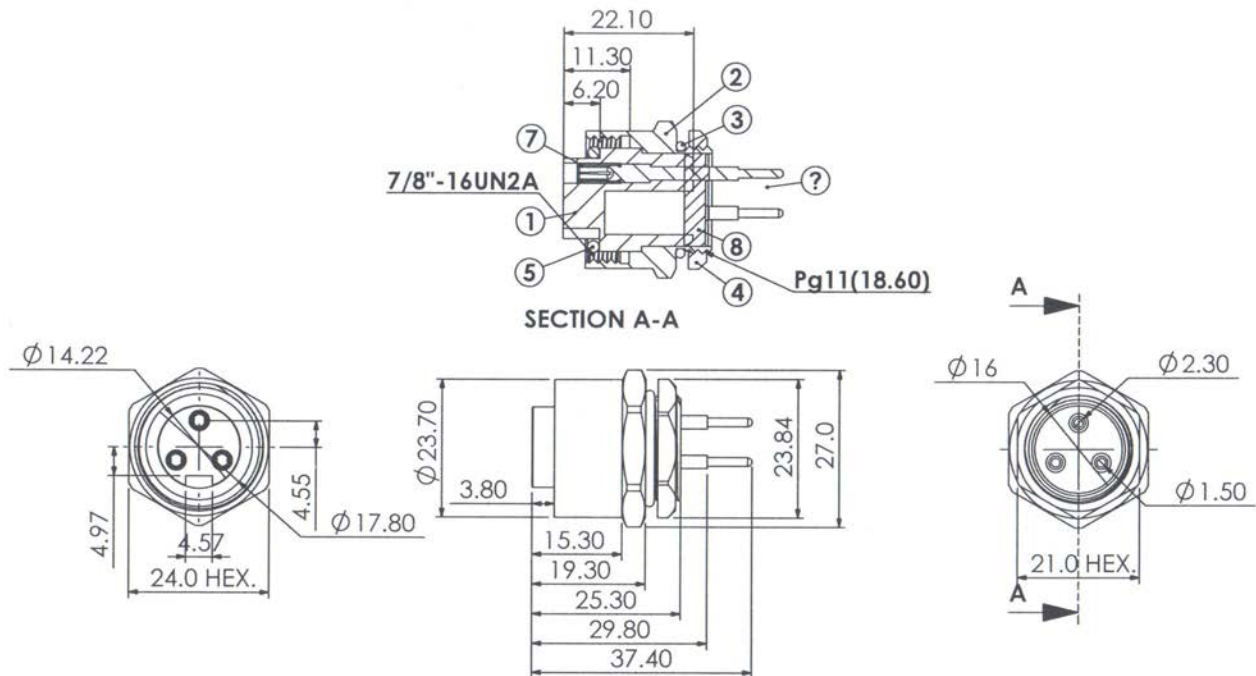


SPECIFICATIONS

Current: 12A
Operation Temperature: -20°C to 105°C
Insulation Resistance: 1000MΩ min.
Dielectric Strength: 500V AC min.
Waterproof Test:
 Reference to IEC 60529 Edition
 2.1: 2001-02-IP67
All materials must be RoHS compliant.

MATERIALS

Housing: Thermoplastic, UL94V-0
Shield Cover: Brass, Nickel Plated
Screw Nut: Brass, Nickel Plated
Sealed Ring: NBR
Terminals: Brass, Gold Plated
Ring Cap: Brass, Nickel Plated
O Ring: NBR
Unit: mm



ORDERING INFORMATION:

P/N W P C $\frac{2}{1}$ $\frac{2}{2}$ F - $\frac{0}{3}$ $\frac{P}{4}$ A

1. CONNECTOR LOCKING SYSTEM:
"22" SCREW 7/8"-16UN
2. CONNECTOR TYPE:
"F" FEMALE (JACK)
3. NO. OF CONTACTS:
03
4. APPLICABLE TYPE:
"PA" PANEL MOUNT TYPE

WATERPROOF M22(7/8") 4P FEMALE CONNECTOR PANEL MOUNT TYPE

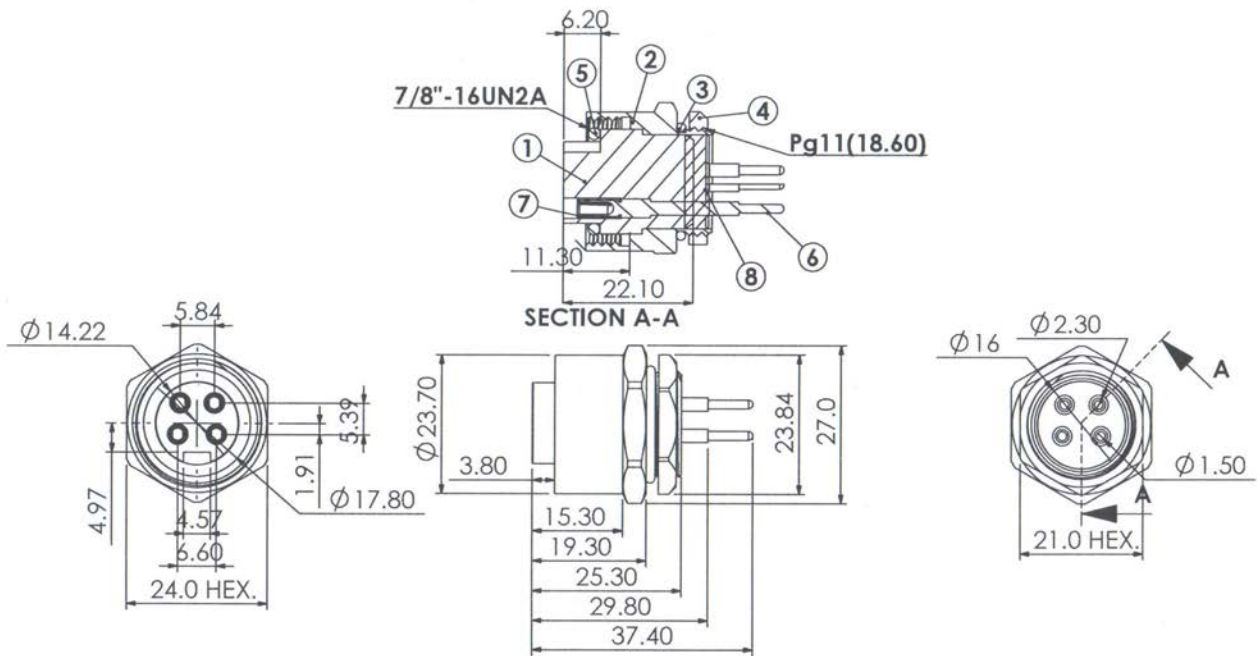


SPECIFICATIONS

Current: 12A
Operation Temperature: -20°C to 105°C
Insulation Resistance: 1000MΩ min.
Dielectric Strength: 500V AC min.
Waterproof Test:
 Reference to IEC 60529 Edition
 2.1: 2001-02-IP67
All materials must be RoHS compliant.

MATERIALS

Housing: Thermoplastic, UL94V-0
Shield Cover: Brass, Nickel Plated
Screw Nut: Brass, Nickel Plated
Sealed Ring: NBR
Terminals: Brass, Gold Plated
Ring Cap: Brass, Nickel Plated
O Ring: NBR
Unit: mm

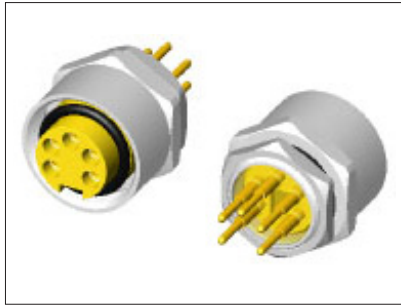


ORDERING INFORMATION:

P/N W P C $\frac{2}{1}$ $\frac{2}{2}$ F - 04 $\frac{PA}{3}$ $\frac{PA}{4}$

1. CONNECTOR LOCKING SYSTEM:
"22" SCREW 7/8"-16UN
2. CONNECTOR TYPE:
"F" FEMALE (JACK)
3. NO. OF CONTACTS:
04
4. APPLICABLE TYPE:
"PA" PANEL MOUNT TYPE

WATERPROOF M22(7/8") 5P FEMALE CONNECTOR PANEL MOUNT TYPE

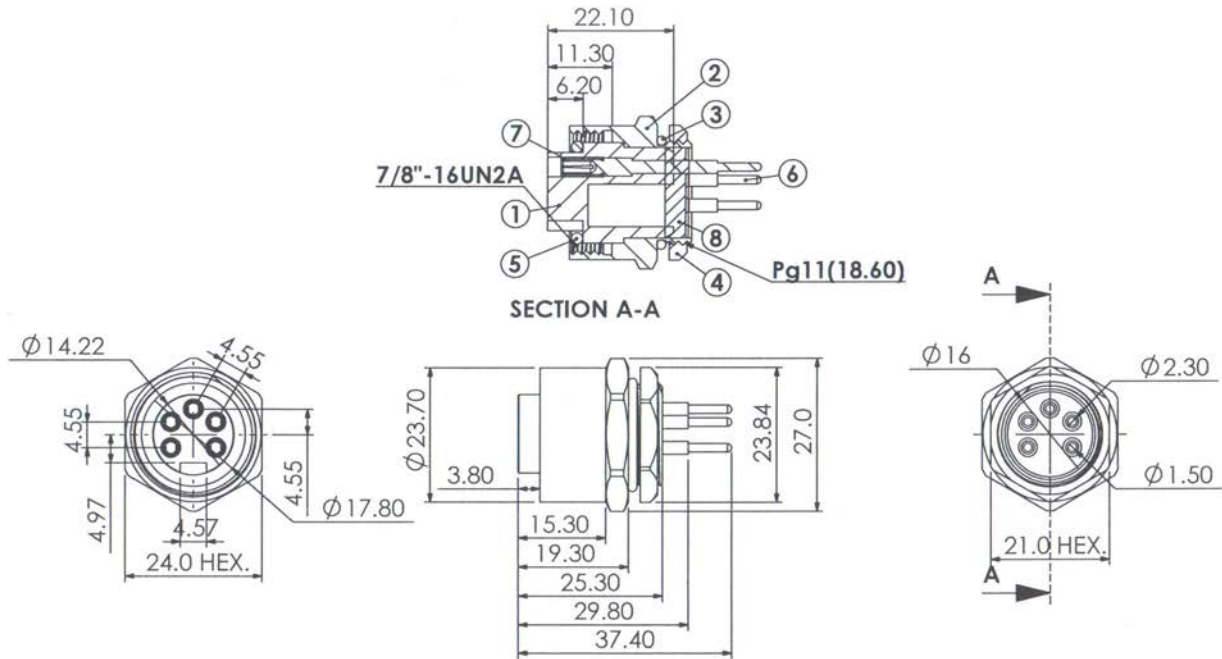


SPECIFICATIONS

Current: 12A
Operation Temperature: -20°C to 105°C
Insulation Resistance: 1000MΩ min.
Dielectric Strength: 500V AC min.
Waterproof Test:
 Reference to IEC 60529 Edition
 2.1: 2001-02-IP67
All materials must be RoHS compliant.

MATERIALS

Housing: Thermoplastic, UL94V-0
Shield Cover: Brass, Nickel Plated
Screw Nut: Brass, Nickel Plated
Sealed Ring: NBR
Terminals: Brass, Gold Plated
Ring Cap: Brass, Nickel Plated
O Ring: NBR
Unit: mm



ORDERING INFORMATION:

P/N W P C $\frac{2}{1}$ $\frac{2}{2}$ F - $\frac{0}{3}$ $\frac{5}{4}$ P A

1. CONNECTOR LOCKING SYSTEM:
"22" SCREW 7/8"-16UN
2. CONNECTOR TYPE:
"F" FEMALE (JACK)
3. NO. OF CONTACTS:
05
4. APPLICABLE TYPE:
"PA" PANEL MOUNT TYPE

WATERPROOF M22 (7/8") 5P FEMALE CONNECTOR PANEL MOUNT SOLDER TYPE



MATERIALS

Housing: PBT, UL 94V-0

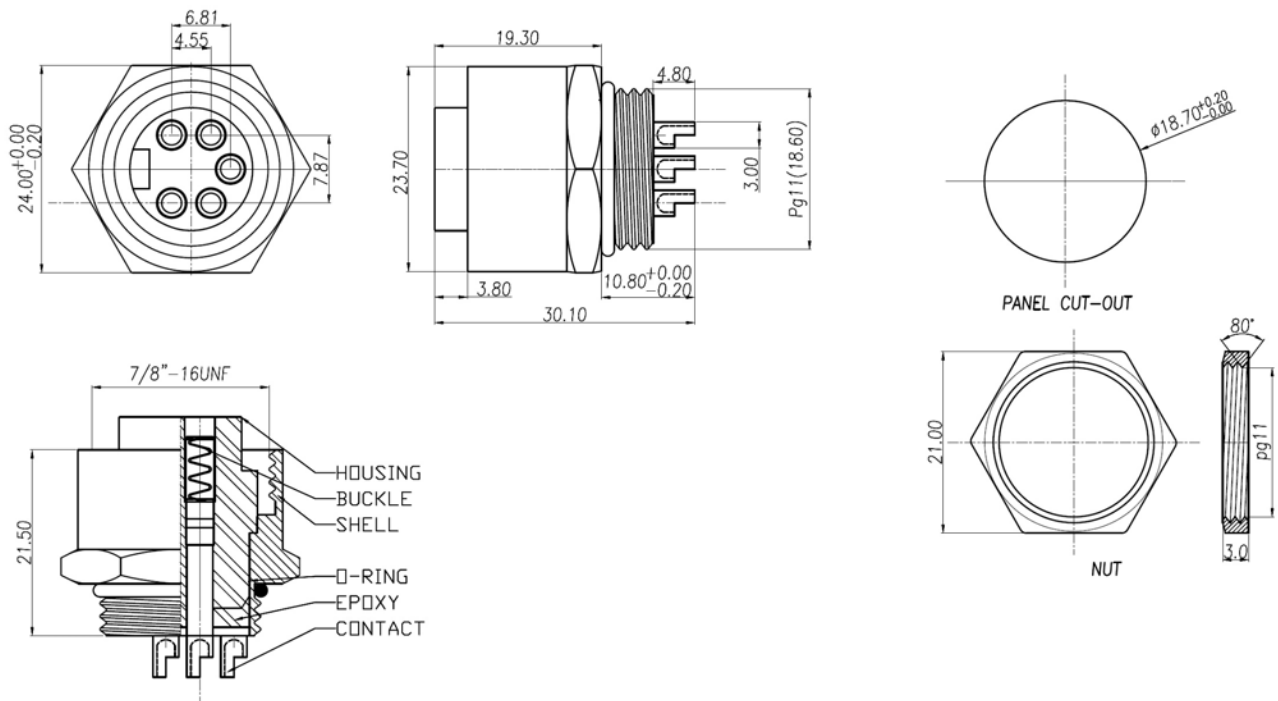
Contact: Brass; Gold Plating Over Nickel

Shell: Brass; Nickel Plated

Waterproof: IPX7

* RoHS & REACH compliant.

Unit: mm

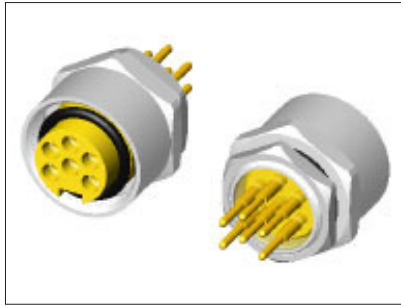


ORDERING INFORMATION:

P/N W P C $\frac{2}{1}$ $\frac{2}{2}$ F - 05 $\frac{P}{3}$ $\frac{B}{4}$

- CONNECTOR LOCKING SYSTEM:
"22" SCREW 7/8"-16UN
- CONNECTOR TYPE:
"F" FEMALE (JACK)
- NO. OF CONTACTS:
05
- APPLICABLE TYPE:
"PB" PANEL MOUNT SOLDER TYPE

WATERPROOF M22(7/8") 6P FEMALE CONNECTOR PANEL MOUNT TYPE

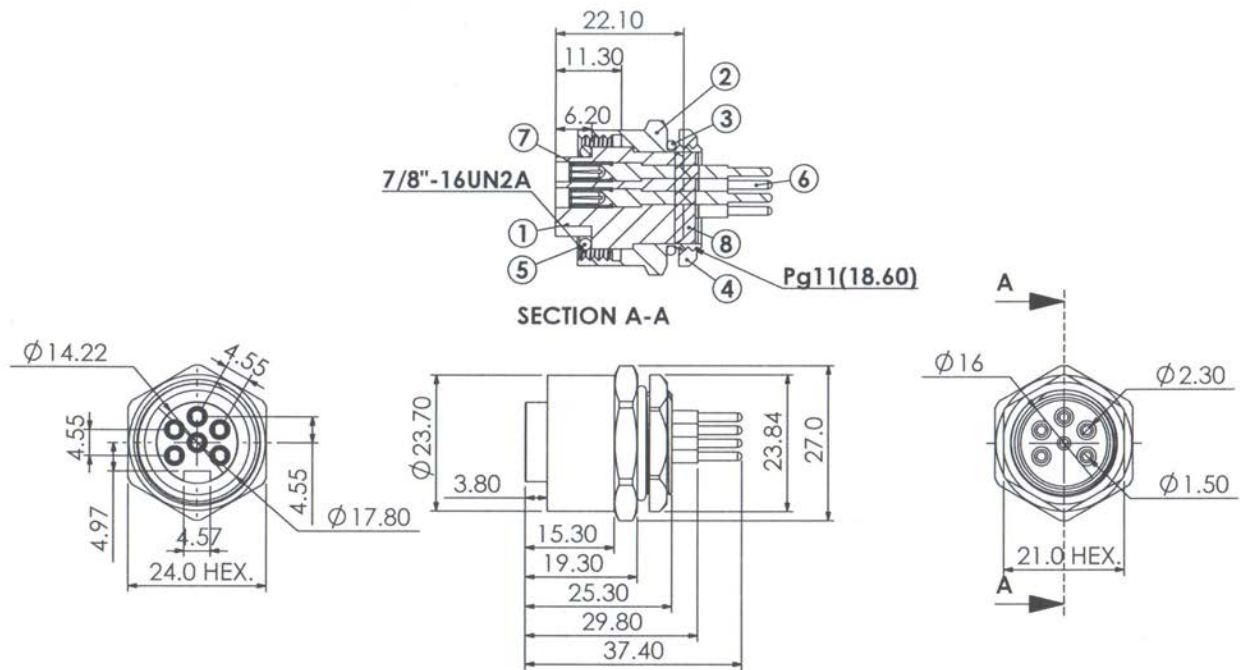


SPECIFICATIONS

Current: 12A
Operation Temperature: -20°C to 105°C
Insulation Resistance: 1000MΩ min.
Dielectric Strength: 500V AC min.
Waterproof Test:
 Reference to IEC 60529 Edition
 2.1: 2001-02-IP67
All materials must be RoHS compliant.

MATERIALS

Housing: Thermoplastic, UL94V-0
Shield Cover: Brass, Nickel Plated
Screw Nut: Brass, Nickel Plated
Sealed Ring: NBR
Terminals: Brass, Gold Plated
Ring Cap: Brass, Nickel Plated
O Ring: NBR
Unit: mm



ORDERING INFORMATION:

P/N W P C $\frac{2}{1}$ $\frac{2}{2}$ F - $\frac{0}{3}$ $\frac{6}{4}$ P A

1. CONNECTOR LOCKING SYSTEM:
"22" SCREW 7/8"-16UN
2. CONNECTOR TYPE:
"F" FEMALE (JACK)
3. NO. OF CONTACTS:
06
4. APPLICABLE TYPE:
"PA" PANEL MOUNT TYPE

WATERPROOF M22 (7/8") 5P FEMALE CONNECTOR STRAIGHT PCB MOUNT TYPE



SPECIFICATIONS

Rated Current: 2A

Operation Temperature: -20°C to 105°C

Insulation Resistance: 1000 Megaohms min.

Dielectric Strength: 500V AC min.

Waterproof Test: IP67

* RoHS & REACH compliant.

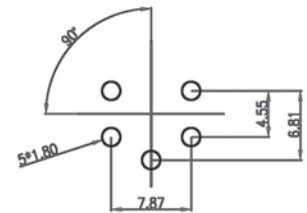
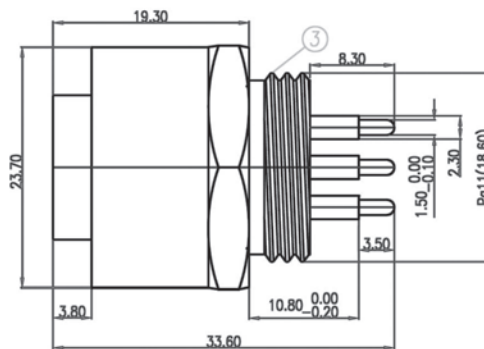
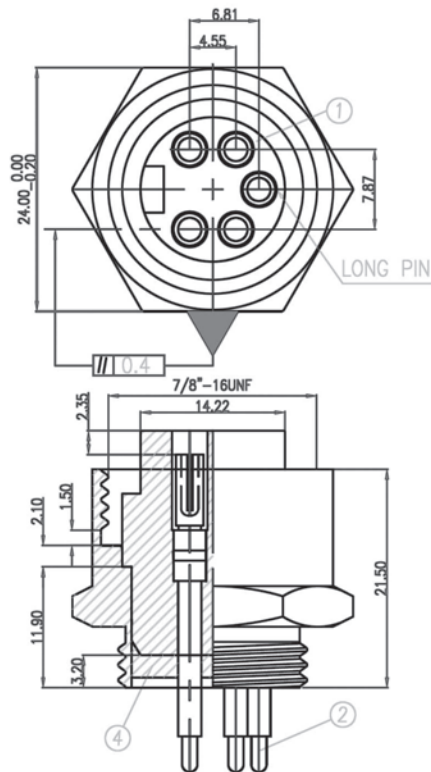
MATERIALS

Housing: Thermoplastic, UL 94V-0

Contact: Brass; Contact plated 30u" Gold

Shell: Brass; Nickel 100u"

Unit: mm



ORDERING INFORMATION:

P/N W P C $\frac{2}{1}$ $\frac{2}{2}$ F - 05 $\frac{D}{3}$ $\frac{A}{4}$

1. CONNECTOR LOCKING SYSTEM:
"22" SCREW 7/8"-16UN
2. CONNECTOR TYPE:
"F" FEMALE (JACK)
3. NO. OF CONTACTS:
05
4. APPLICABLE TYPE:
"DA" SINGLE DC KEY TYPE WITH
INTERNAL THREAD

WATERPROOF M22 (7/8") 5P FEMALE CONNECTOR MINI DNET OUT TYPE



SPECIFICATIONS

Rated Current: 2A

Operation Temperature: -20°C to 105°C

Insulation Resistance: 1000 Megaohms min.

Dielectric Strength: 500V AC min.

Waterproof Test: IP67 Rated

* RoHS & REACH compliant.

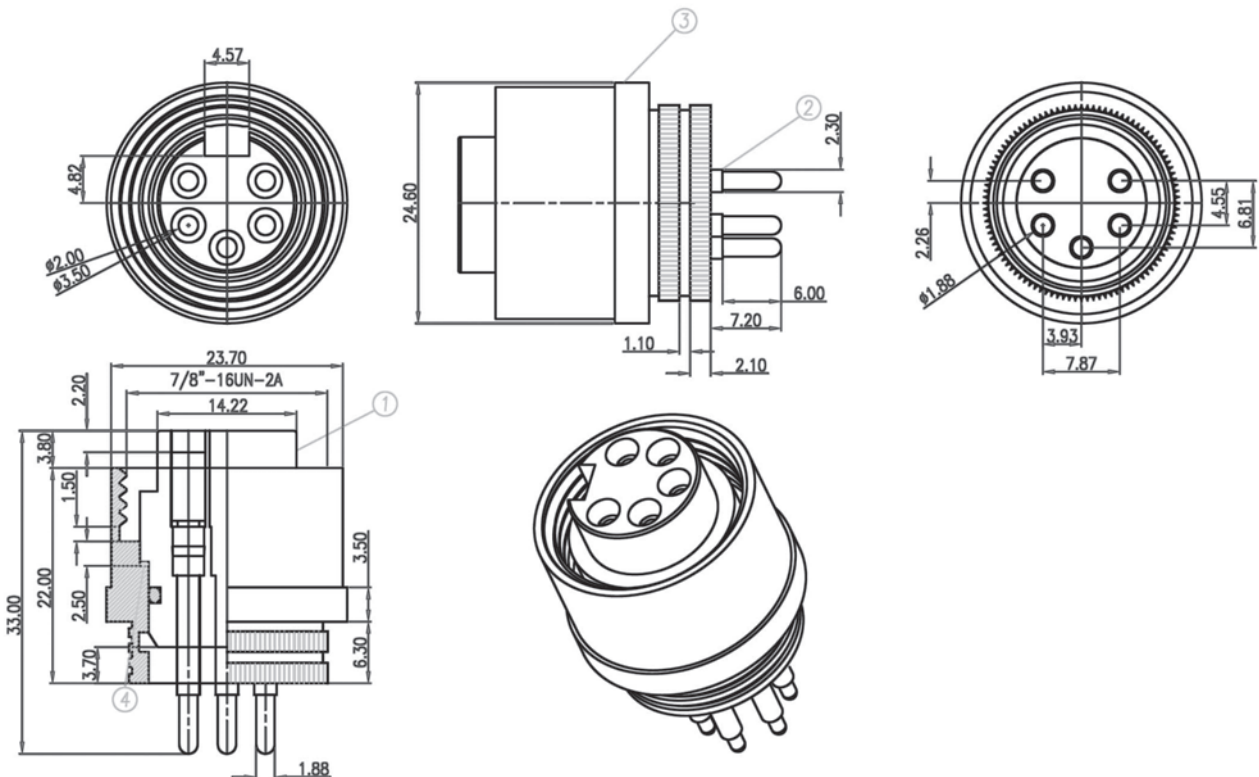
MATERIALS

Housing: Thermoplastic, UL 94V-0

Contact: Brass; Contact plated 30u" Gold

Shell: Brass; Nickel 100u"

Unit: mm



ORDERING INFORMATION:

P/N WPC $\frac{22}{1}$ F- $\frac{05}{2}$ DB $\frac{3}{4}$

1. CONNECTOR LOCKING SYSTEM:
"22" SCREW 7/8"-16UN
2. CONNECTOR TYPE:
"F" FEMALE (JACK)
3. NO. OF CONTACTS:
05
4. APPLICABLE TYPE:
"DB" MINI DNET OUT TYPE

WATERPROOF M22(7/8") 4P MALE CONNECTOR CABLE SOLDER TYPE



SPECIFICATION:

1.Electrical Specification:

Rated Current: 20A

Rated Oltage: 125V

Water proof: IP67

2.Environmental:

Operating Temperature: -20°C ~ 85°C

MATERIALS:

1.Material:

Housing: PBT UL94V-0; Color: Yellow

Contact: Brass

Nut: Brass

O-Ring: NBR; Color: Black

Epoxy Base: EF400A & EF400B; Color: Black

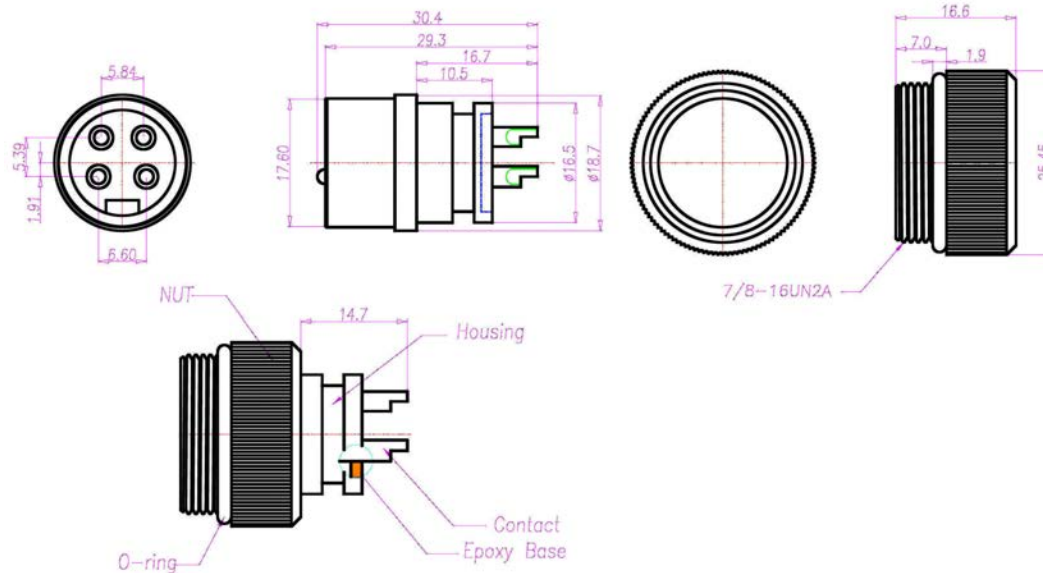
2.Finish:

Contact: Gold Flash Micro Inches Min

Nut: Nickel Plated Over All

*RoHS & REACH compliant.

Unit: mm



ORDERING INFORMATION:

P/N W P C $\frac{2}{1}$ $\frac{2}{2}$ M - 0 $\frac{4}{3}$ $\frac{SA}{4}$

1. CONNECTOR LOCKING SYSTEM:
"22" SCREW 7/8-16 UN2A
2. CONNECTOR TYPE:
"M" MALE (PLUG)
3. NO. OF CONTACTS:
04
4. APPLICABLE TYPE:
"SA" CABLE SOLDER TYPE

WATERPROOF M22(7/8") 3P MALE CONNECTOR MOLDING TYPE



SPECIFICATIONS

Current: 20A

Operation Temperature: -50°C to 105°C

Insulation Resistance: 1000MΩ min.

Dielectric Strength: 500V AC min.

Waterproof Test:

Reference to IEC 60529 Edition

2.1: 2001-02-IP67

All materials must be RoHS compliant.

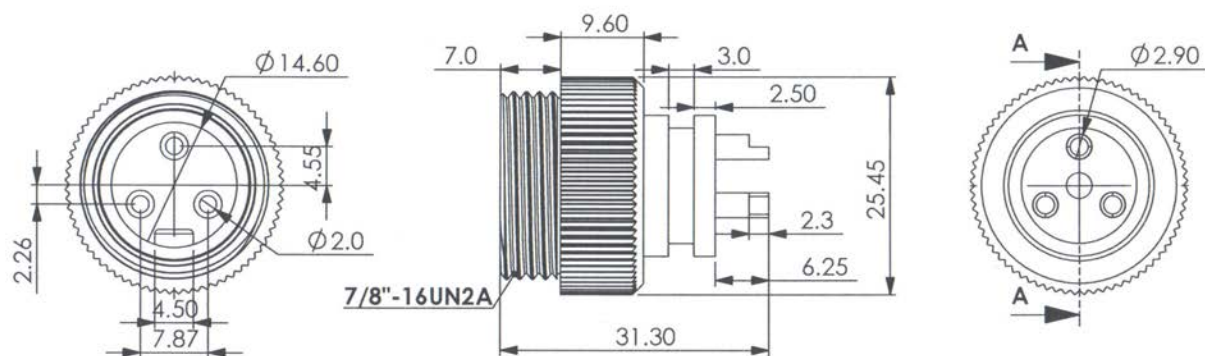
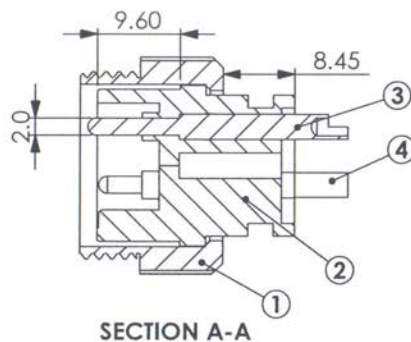
MATERIALS

Housing: PBT + GF30%

Terminals: Brass, Gold Plated

Screw Cap: Brass, Nickel Plated

Unit: mm



ORDERING INFORMATION:

P/N W P C $\frac{2}{1}$ $\frac{2}{2}$ M $\frac{0}{3}$ M $\frac{D}{4}$

1. CONNECTOR LOCKING SYSTEM:
"22" SCREW 7/8"-16UN
2. CONNECTOR TYPE:
"M" MALE (PLUG)
3. NO. OF CONTACTS:
03
4. APPLICABLE TYPE:
"MD" CABLE MOLDING TYPE

WATERPROOF M22(7/8") 4P MALE CONNECTOR MOLDING TYPE



SPECIFICATIONS

Current: 12A

Operation Temperature: -50°C to 105°C

Insulation Resistance: 1000MΩ min.

Dielectric Strength: 500V AC min.

Waterproof Test:

Reference to IEC 60529 Edition

2.1: 2001-02-IP67

All materials must be RoHS compliant.

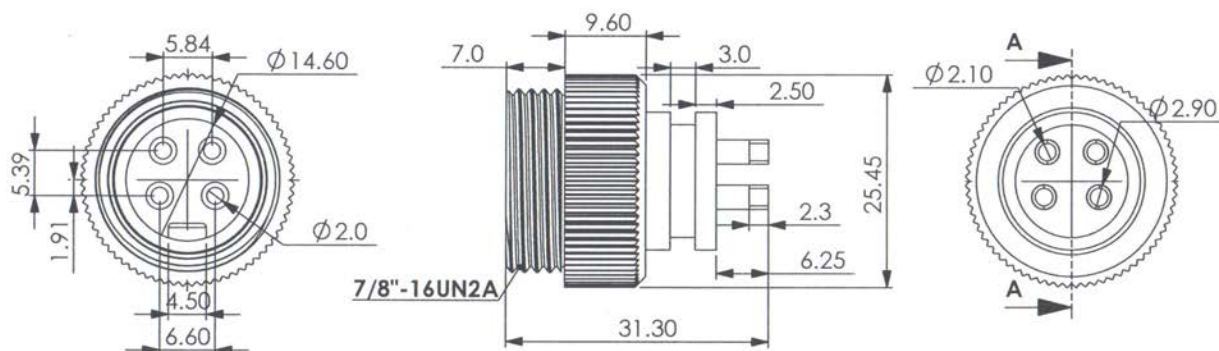
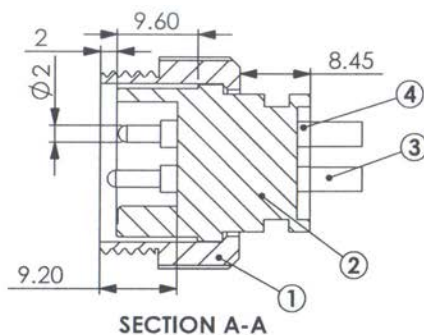
MATERIALS

Housing: PBT + GF30%

Terminals: Brass, Gold Plated

Screw Cap: Brass, Nickel Plated

Unit: mm



ORDERING INFORMATION:

P/N W P C 2 2 M - 0 4 M D
1 2 3 4

1. CONNECTOR LOCKING SYSTEM:
"22" SCREW 7/8"-16UN
2. CONNECTOR TYPE:
"M" MALE (PLUG)
3. NO. OF CONTACTS:
04
4. APPLICABLE TYPE:
"MD" CABLE MOLDING TYPE

WATERPROOF M22(7/8") 3P MALE CONNECTOR PANEL MOUNT TYPE

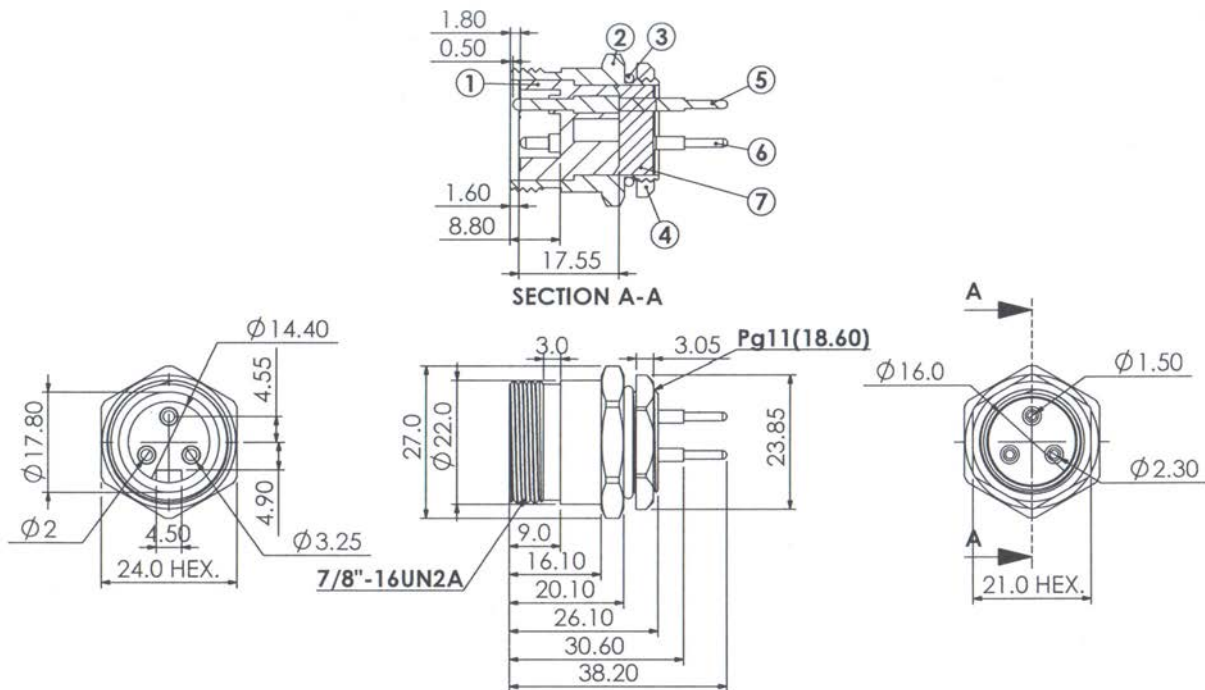


SPECIFICATIONS

Current: 12A
Operation Temperature: -20°C to 105°C
Insulation Resistance: 1000MΩ min.
Dielectric Strength: 500V AC min.
Waterproof Test:
 Reference to IEC 60529 Edition
 2.1: 2001-02-IP67
All materials must be RoHS compliant.

MATERIALS

Housing: Thermoplastic, UL94V-0
Shield Cover: Brass, Nickel Plated
Screw Nut: Brass, Nickel Plated
Sealed Ring: NBR
Terminals: Brass, Gold Plated
Unit: mm



ORDERING INFORMATION:

P/N W P C $\frac{2}{1}$ $\frac{2}{2}$ M - 03 $\frac{3}{3}$ $\frac{PA}{4}$

1. CONNECTOR LOCKING SYSTEM:
"22" SCREW 7/8"-16UN
2. CONNECTOR TYPE:
"M" MALE (PLUG)
3. NO. OF CONTACTS:
03
4. APPLICABLE TYPE:
"PA" PANEL MOUNT TYPE

WATERPROOF M22(7/8") 4P MALE CONNECTOR PANEL MOUNT TYPE

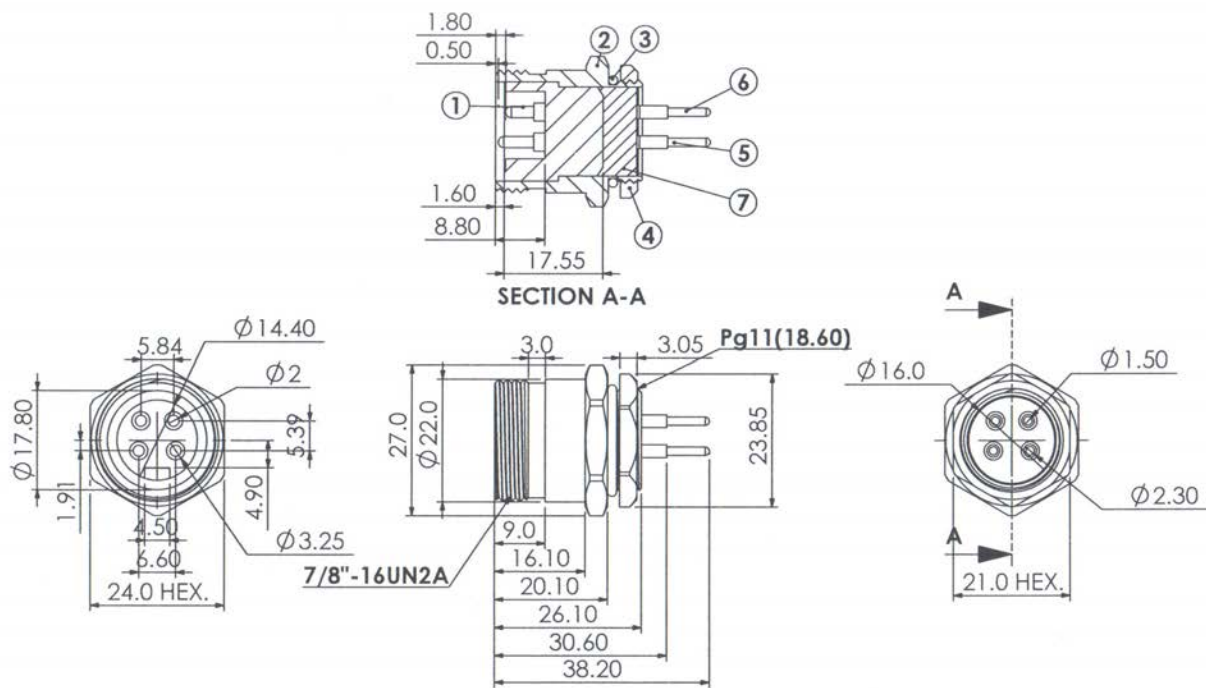


SPECIFICATIONS

Current: 12A
Operation Temperature: -20°C to 105°C
Insulation Resistance: 1000MΩ min.
Dielectric Strength: 500V AC min.
Waterproof Test:
 Reference to IEC 60529 Edition
 2.1: 2001-02-IP67
All materials must be RoHS compliant.

MATERIALS

Housing: Thermoplastic, UL94V-0
Shield Cover: Brass, Nickel Plated
Screw Nut: Brass, Nickel Plated
Sealed Ring: NBR
Terminals: Brass, Gold Plated
Unit: mm



ORDERING INFORMATION:

P/N W P C $\frac{2}{1}$ $\frac{2}{2}$ M - $\frac{0}{3}$ $\frac{4}{4}$ PA

1. CONNECTOR LOCKING SYSTEM:
"22" SCREW 7/8"-16UN
2. CONNECTOR TYPE:
"M" MALE (PLUG)
3. NO. OF CONTACTS:
04
4. APPLICABLE TYPE:
"PA" PANEL MOUNT TYPE

WATERPROOF M22(7/8") 5P MALE CONNECTOR PANEL MOUNT TYPE

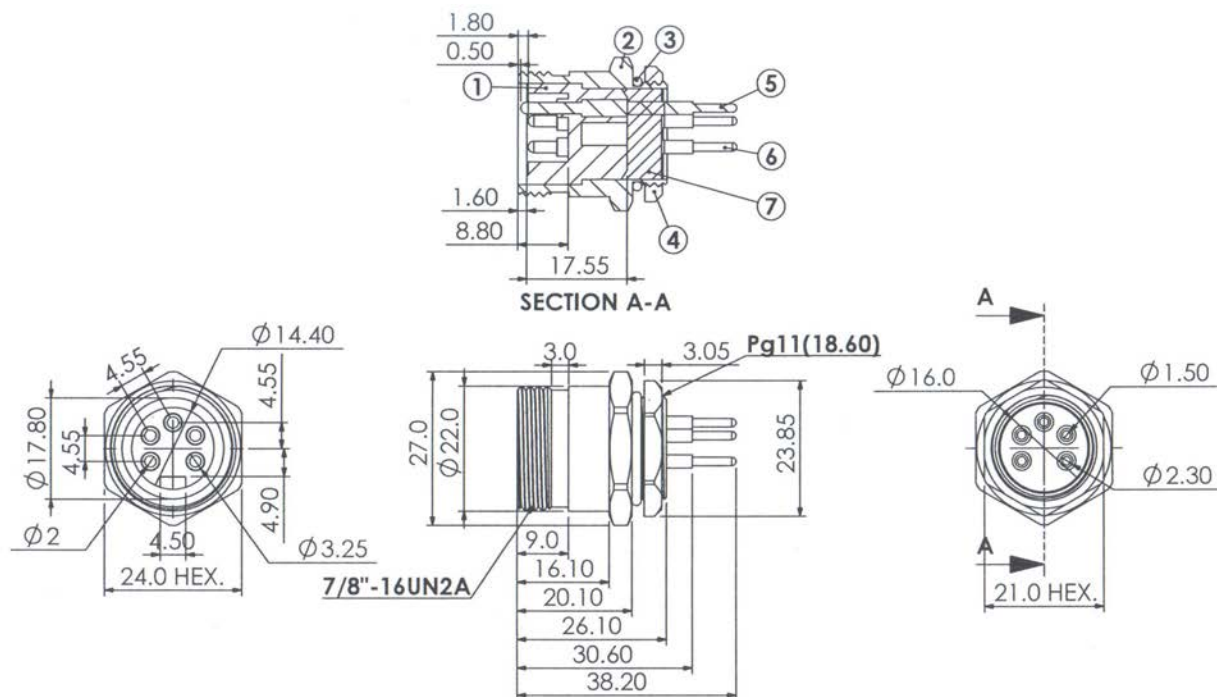


SPECIFICATIONS

Current: 12A
Operation Temperature: -20°C to 105°C
Insulation Resistance: 1000MΩ min.
Dielectric Strength: 500V AC min.
Waterproof Test:
 Reference to IEC 60529 Edition
 2.1: 2001-02-IP67
All materials must be RoHS compliant.

MATERIALS

Housing: Thermoplastic, UL94V-0
Shield Cover: Brass, Nickel Plated
Screw Nut: Brass, Nickel Plated
Sealed Ring: NBR
Terminals: Brass, Gold Plated
Unit: mm



ORDERING INFORMATION:

P/N W P C $\frac{2}{1}$ $\frac{2}{2}$ M - $\frac{0}{3}$ $\frac{5}{4}$ P A

1. CONNECTOR LOCKING SYSTEM:
"22" SCREW 7/8"-16UN
2. CONNECTOR TYPE:
"M" MALE (PLUG)
3. NO. OF CONTACTS:
05
4. APPLICABLE TYPE:
"PA" PANEL MOUNT TYPE

WATERPROOF M22(7/8") 6P MALE CONNECTOR PANEL MOUNT TYPE

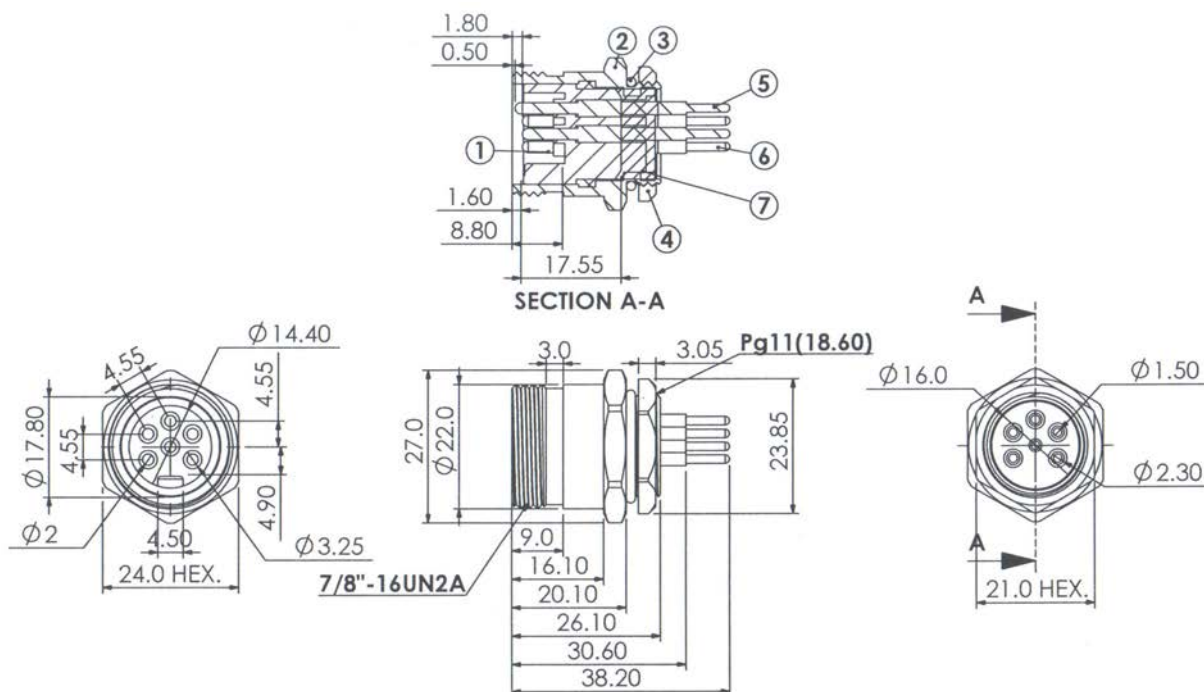


SPECIFICATIONS

Current: 12A
Operation Temperature: -20°C to 105°C
Insulation Resistance: 1000MΩ min.
Dielectric Strength: 500V AC min.
Waterproof Test:
 Reference to IEC 60529 Edition
 2.1: 2001-02-IP67
All materials must be RoHS compliant.

MATERIALS

Housing: Thermoplastic, UL94V-0
Shield Cover: Brass, Nickel Plated
Screw Nut: Brass, Nickel Plated
Sealed Ring: NBR
Terminals: Brass, Gold Plated
Unit: mm



ORDERING INFORMATION:

P/N W P C $\frac{2}{1}$ $\frac{2}{2}$ M - $\frac{0}{3}$ $\frac{6}{4}$ P A

1. CONNECTOR LOCKING SYSTEM:
"22" SCREW 7/8"-16UN
2. CONNECTOR TYPE:
"M" MALE (PLUG)
3. NO. OF CONTACTS:
06
4. APPLICABLE TYPE:
"PA" PANEL MOUNT TYPE

WATERPROOF M22 (7/8") 4P MALE CONNECTOR SINGLE DC KEY TYPE



SPECIFICATIONS

Rated Current: 2A

Operation Temperature: -20°C to 105°C

Insulation Resistance: 1000 Megaohms min.

Dielectric Strength: 500V AC min.

Waterproof Test: IP67 Rated

* RoHS & REACH compliant.

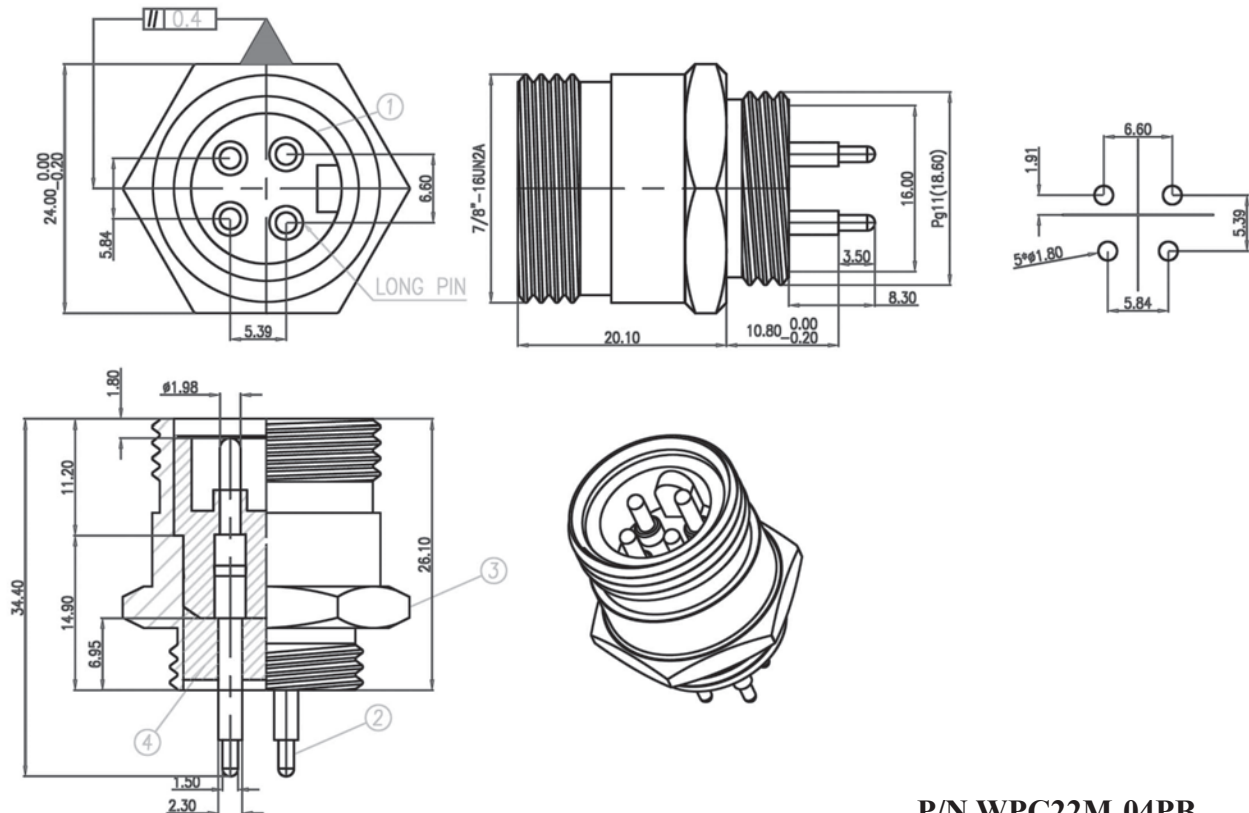
MATERIALS

Housing: Thermoplastic, UL 94V-0

Contact: Brass; Contact plated 30u" Gold

Shell: Brass; Nickel 100u"

Unit: mm



P/N WPC22M-04PB

ORDERING INFORMATION:

P/N W P C $\frac{2}{1}$ $\frac{2}{2}$ M - 04 $\frac{3}{3}$ $\frac{4}{4}$ P B

1. CONNECTOR LOCKING SYSTEM:
"22" SCREW 7/8"-16UN
2. CONNECTOR TYPE:
"M" MALE (PLUG)
3. NO. OF CONTACTS:
04
4. APPLICABLE TYPE:
"PB" SINGLE DC KEY TYPE WITH
EXTERNAL THREAD

WATERPROOF M22 5P MALE CONNECTOR MINI AUX PWR TYPE

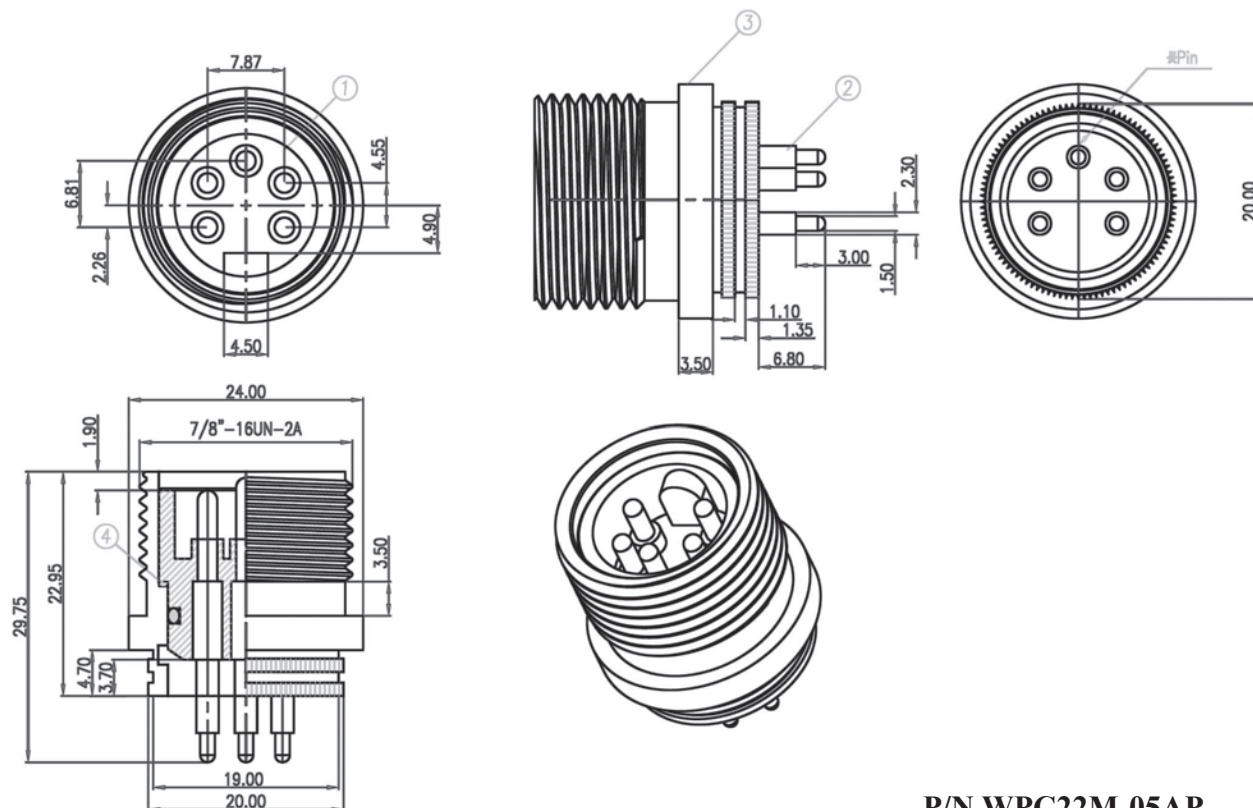


SPECIFICATIONS

Rated Current: 8A
Operation Temperature: -20°C to 105°C
Insulation Resistance: 1000 Megaohms min.
Dielectric Strength: 500V AC min.
Waterproof Test: IP67 Rated
 * RoHS & REACH compliant.

MATERIALS

Housing: Thermoplastic, UL 94V-0
Contact: Brass; Contact plated 30u" Gold
Shell: Brass; Nickel 100u"
O-Ring: NBR
Unit: mm



P/N WPC22M-05AP

ORDERING INFORMATION:

P/N W P C $\frac{2}{1}$ $\frac{2}{2}$ M - $\frac{0}{3}$ $\frac{5}{4}$ A P

1. CONNECTOR LOCKING SYSTEM:
"22" SCREW 7/8"-16UN
2. CONNECTOR TYPE:
"M" MALE (PLUG)
3. NO. OF CONTACTS:
05
4. APPLICABLE TYPE:
"AP" MINI AUX PWR TYPE

WATERPROOF M23 5P FEMALE CONNECTOR CABLE ASSEMBLY TYPE



MATERIALS

Housing: PBT, UL 94V-0

Contact: Brass; Gold plated

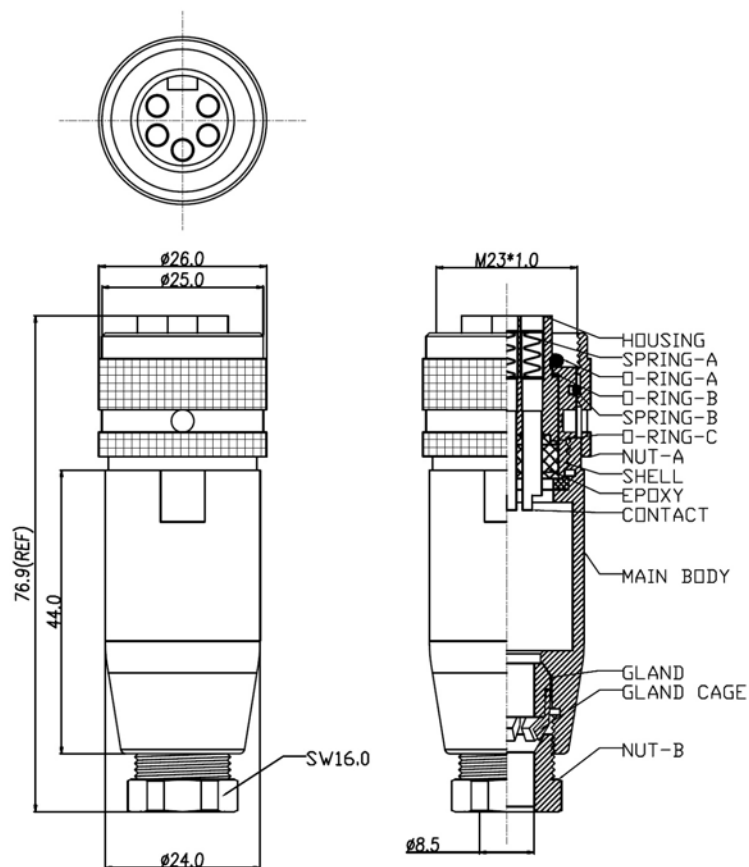
Shell: Brass; Nickel Plated

Nut: Brass; Nickel Plated

Waterproof: IP67

* RoHS & REACH compliant.

Unit: mm



ORDERING INFORMATION:

P/N W P C $\frac{2}{1}$ $\frac{3}{2}$ F - $\frac{0}{3}$ $\frac{5}{4}$ AA

1. CONNECTOR LOCKING SYSTEM:
"23" SCREW M23*1.0
2. CONNECTOR TYPE:
"F" FEMALE (JACK)
3. NO. OF CONTACTS:
05
4. APPLICABLE TYPE:
"AA" CABLE ASSEMBLY TYPE

WATERPROOF M23 5P FEMALE CONNECTOR STRAIGHT PCB MOUNT TYPE



MATERIALS

Housing: PBT, UL 94V-0

Contact: Brass; Gold plated

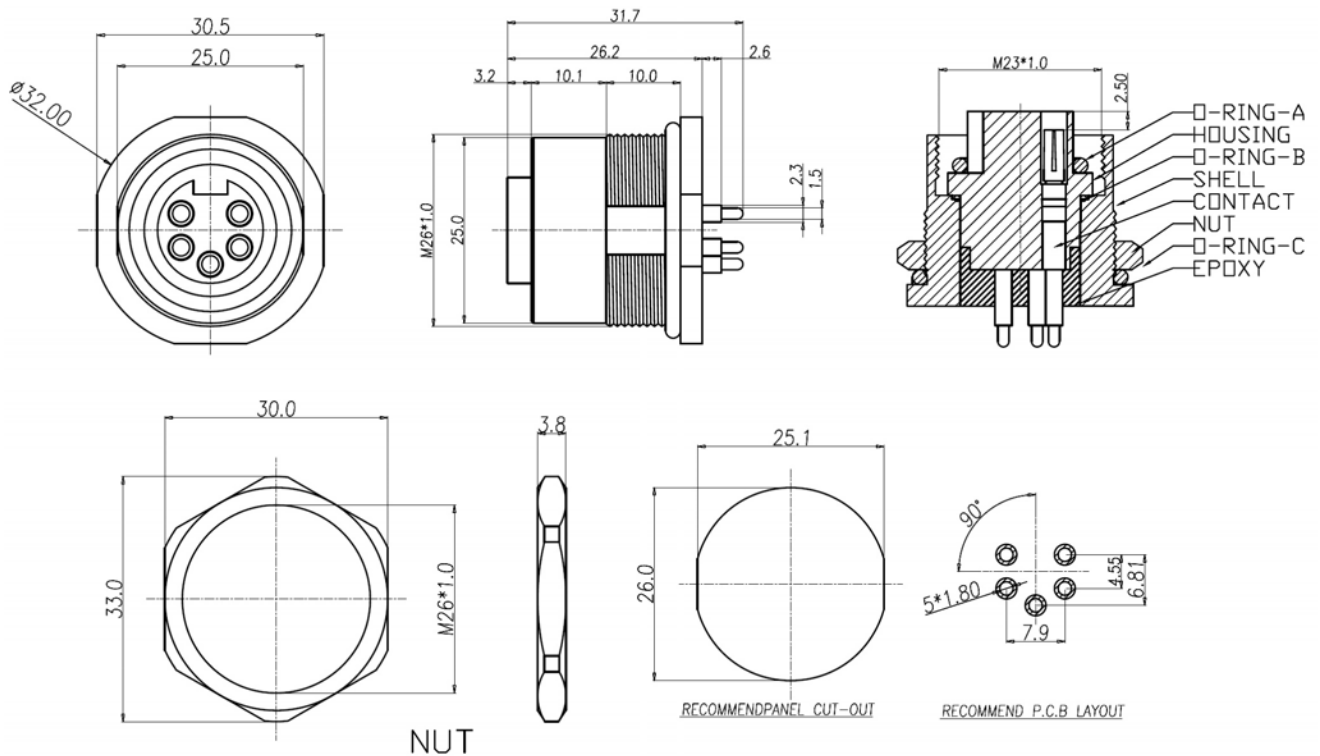
Shell: Aluminum; Nickel Plated

Nut: Aluminum; Nickel Plated

Waterproof: IPX7

* RoHS & REACH compliant.

Unit: mm



ORDERING INFORMATION:

P/N W P C $\frac{2}{1}$ $\frac{3}{2}$ F - 05 $\frac{D}{3}$ $\frac{A}{4}$

- CONNECTOR LOCKING SYSTEM:
"23" SCREW M23*1.0
- CONNECTOR TYPE:
"F" FEMALE (JACK)
- NO. OF CONTACTS:
05
- APPLICABLE TYPE:
"DA" STRAIGHT DIP TYPE

WATERPROOF M23 5P MALE CONNECTOR CABLE ASSEMBLY TYPE



MATERIALS

Housing: PBT, UL 94V-0

Contact: Brass; Gold plated

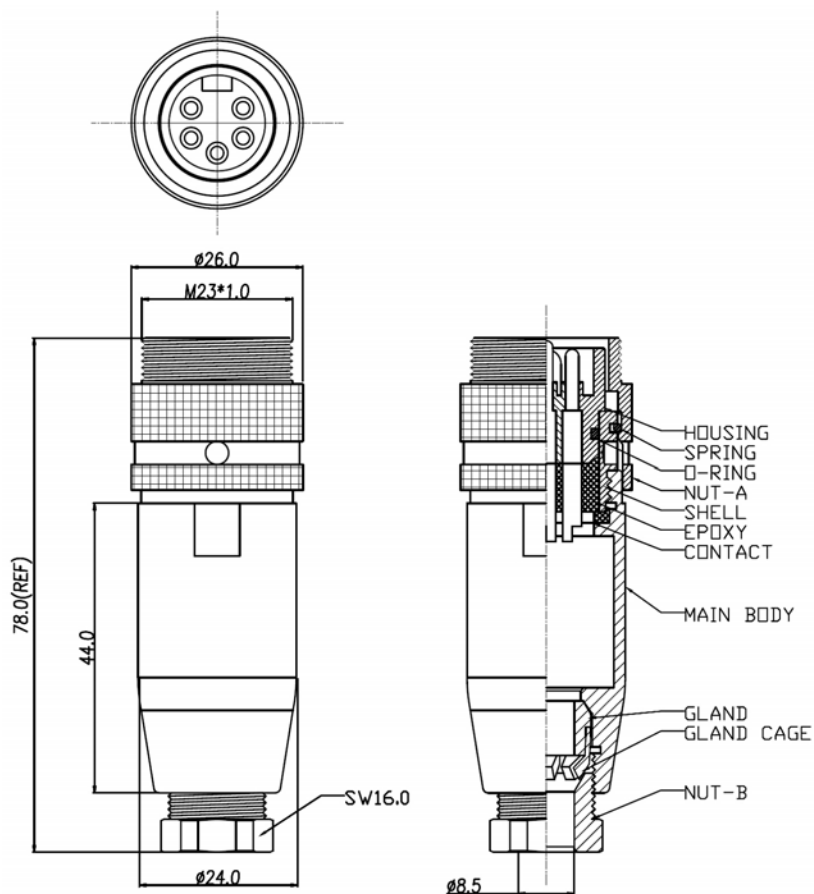
Shell: Brass; Nickel Plated

Nut: Aluminum Alloy or Brass ; Nickel Plated

Waterproof: IP67

* RoHS & REACH compliant.

Unit: mm



ORDERING INFORMATION:

P/N W P C 2 3 M - 0 5 AA
1 2 3 4

1. CONNECTOR LOCKING SYSTEM:
"23" SCREW M23*1.0
2. CONNECTOR TYPE:
"M" MALE (PLUG)
3. NO. OF CONTACTS:
05
4. APPLICABLE TYPE:
"AA" CABLE ASSEMBLY TYPE

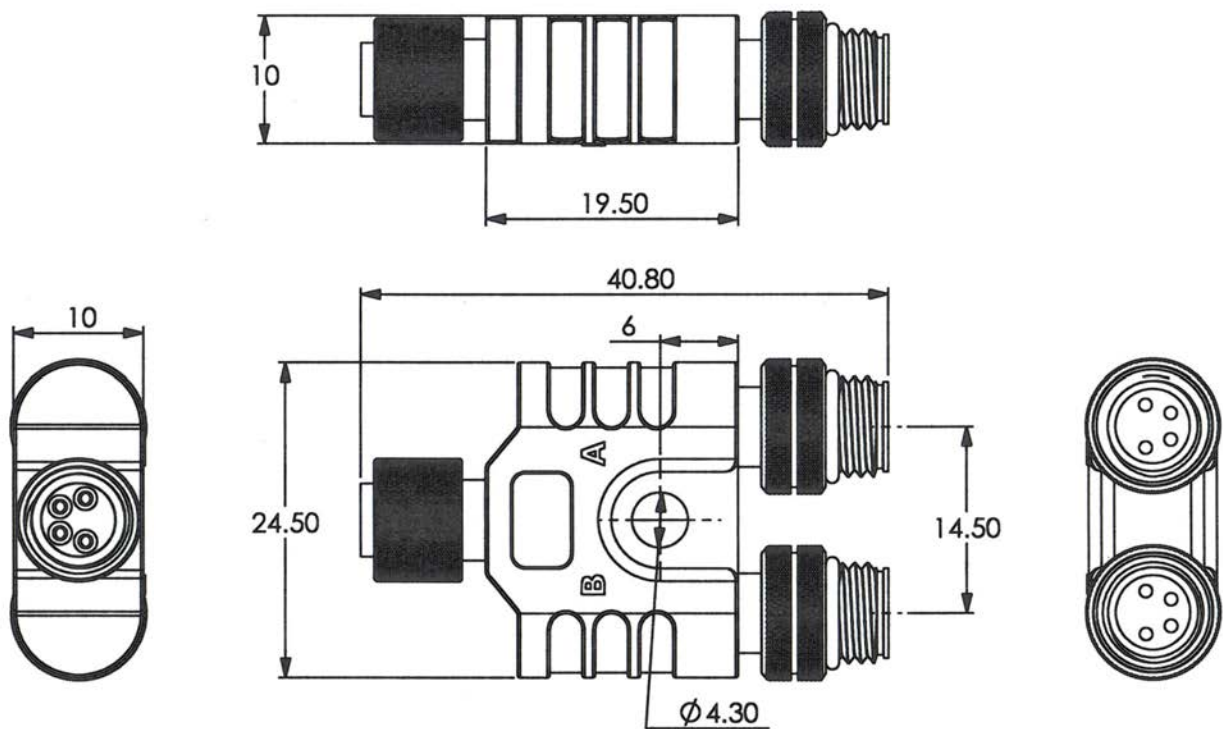
WATERPROOF M8 "Y" ADAPTORS



Waterproof Test: IP67

All materials must be RoHS compliant.

Unit: mm



ORDERING INFORMATION:

P/N ADM08Y - $\frac{XX}{T} \frac{X}{2}$

1. NO. OF CONTACTS:

"03" 3P JACK TO 2 PLUGS

"04" 4P JACK TO 2 PLUGS

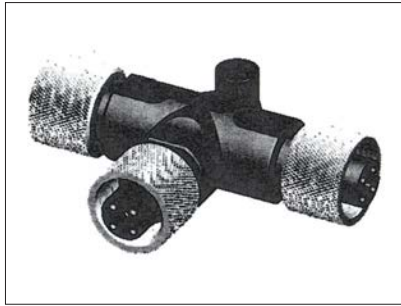
2. CODE OF PIN ASSIGNMET:

"S" PIN OUT 1:1:1

A, B, C, ...etc FOR OTHER PIN OUTS

CUSTOMER'S DESIGNS ARE WELCOME!

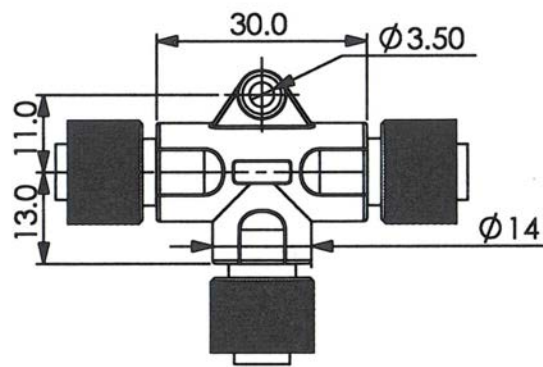
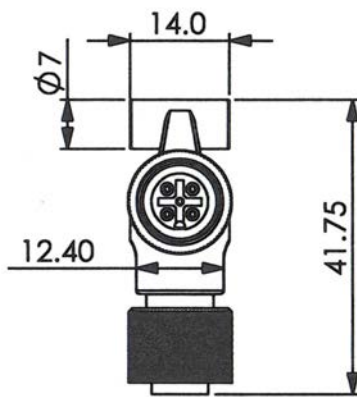
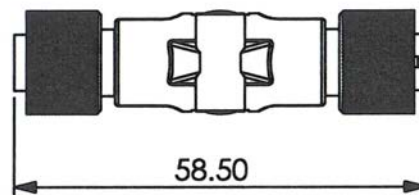
WATERPROOF M12 "T" ADAPTORS



Waterproof Test: IP67

All materials must be RoHS compliant.

Unit: mm



ORDERING INFORMATION:

P/N A D M 1 2 T - $\frac{x x x}{T} \frac{x}{2}$

1. NO. OF CONTACTS:

"03" 3P JACK TO 2 JACKS

"04" 4P JACK TO 2 JACKS

"05" 5P JACK TO 2 JACKS

"08" 8P JACK TO 2 JACKS

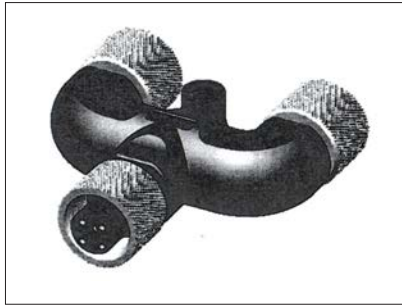
2. CODE OF PIN ASSIGNMET:

"S" PIN OUT 1:1:1

A, B, C, ...etc FOR OTHER PIN OUTS

CUSTOMER'S DESIGNS ARE WELCOME!

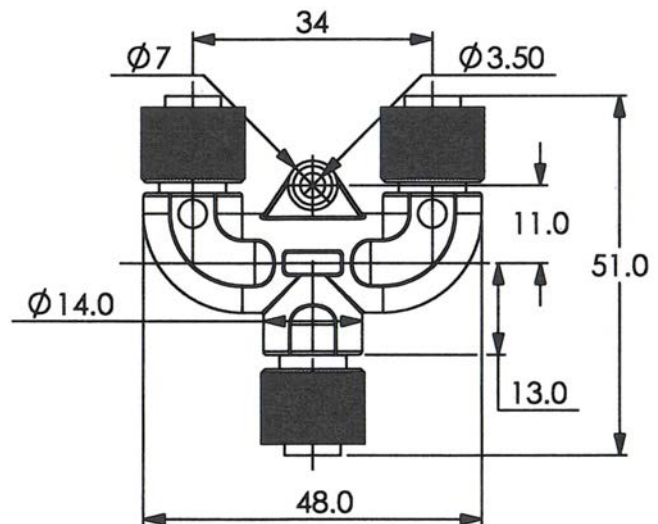
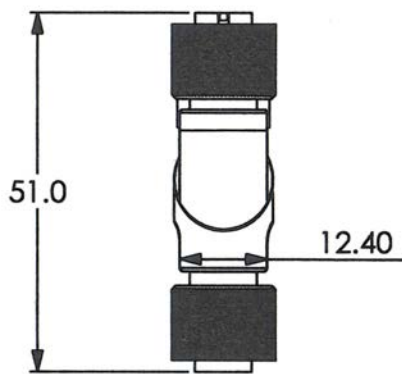
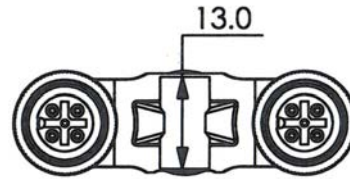
WATERPROOF M12 "Y" ADAPTORS



Waterproof Test: IP67

All materials must be RoHS compliant.

Unit: mm



ORDERING INFORMATION:

P/N ADM12Y - $\frac{XX}{T} \frac{X}{2}$

1. NO. OF CONTACTS:

"03" 3P JACK TO 2 JACKS

"04" 4P JACK TO 2 JACKS

"05" 5P JACK TO 2 JACKS

"08" 8P JACK TO 2 JACKS

2. CODE OF PIN ASSIGNMET:

"S" PIN OUT 1:1:1

A, B, C, ...etc FOR OTHER PIN OUTS

CUSTOMER'S DESIGNS ARE WELCOME!

WATERPROOF IP68 RATED 2~8 PIN M12 ADAPTORS

| | | | |
|---|---|--|---|
|  | <p>P/N ADM12A-xM 1 M12 Male to 2 M12 Female Adaptor With Metal Nuts</p> |  | <p>P/N ADM12F-xM 1 M12 Male to 1 Male + 1 Female Adaptor With Metal Nuts</p> |
|  | <p>P/N ADM12B-xM 1 M12 Male to 2 M12 Male Adaptor With Metal Nuts</p> |  | <p>P/N ADM12G-xP 1 M12 Male to 2 M12 Female Adaptor With Plastic Nuts</p> |
|  | <p>P/N ADM12C-xM 1 M12 Female to 2 M12 Female Adaptor With Metal Nuts</p> |  | <p>P/N ADM12H-xP 1 M12 Male to 2 M12 Male Adaptor With Plastic Nuts</p> |
|  | <p>P/N ADM12D-xM 1 M12 Female to 2 M12 Male Adaptor With Metal Nuts</p> |  | <p>P/N ADM12J-xP 1 M12 Female to 2 M12 Female Adaptor With Plastic Nuts</p> |
|  | <p>P/N ADM12E-xM 1 M12 Female to 1 Male + 1 Female Adaptor With Metal Nuts</p> |  | <p>P/N ADM12K-xP 1 M12 Female to 2 M12 Male Adaptor With Plastic Nuts</p> |

ORDERING INFORMATION:

P/N A D M 1 2 $\frac{x}{1}$ - $\frac{x}{2}$ $\frac{x}{3}$

1. ADAPTOR TYPE:
A, B, C, D, E, F, G, H, J, K
2. NO. OF CONTACTS:
2, 3, 4, 5, 6, 7, 8
3. MATERIAL OF NUTS:
"M" METAL
"P" PLASTIC

WATERPROOF CABLE WITH IP68 RATED M8 JACK (FEMALE) TO OPEN END

MATERIALS

Plastic Housing: Engineering Thermoplastic
Flammability Rating UL94V-0. Color Black

Contacts: Copper Alloy

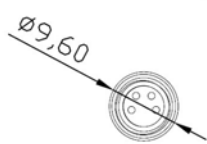
Plating: Gold Plating Over Nickel In Contact.

O-Ring: Silicone Rubber Black Color.

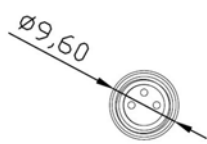
Coupling Nut: M8*1 Brass With Nickel Plated.

***RoHS & REACH compliant.**

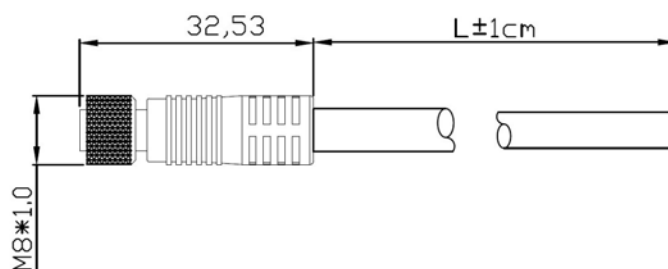
Unit: mm



KWP08F4-xxCMB



KWP08F3-xxCMB



ORDERING INFORMATION:

P/N **KWP08F**₁ - **xx**₂ **CMB**₃

1. NO. OF CONTACTS:

3, 4

2. CABLE LENGTH IN CENTIMETERS

3. CABLE COLOR:

"B" BLACK

WATERPROOF CABLE WITH IP68 RATED M8 JACK (FEMALE) TO OPEN END

MATERIALS

Plastic Housing: Engineering Thermoplastic
Flammability Rating UL94V-0. Color Black

Contacts: Copper Alloy

Plating: Gold Plating Over Nickel In Contact.

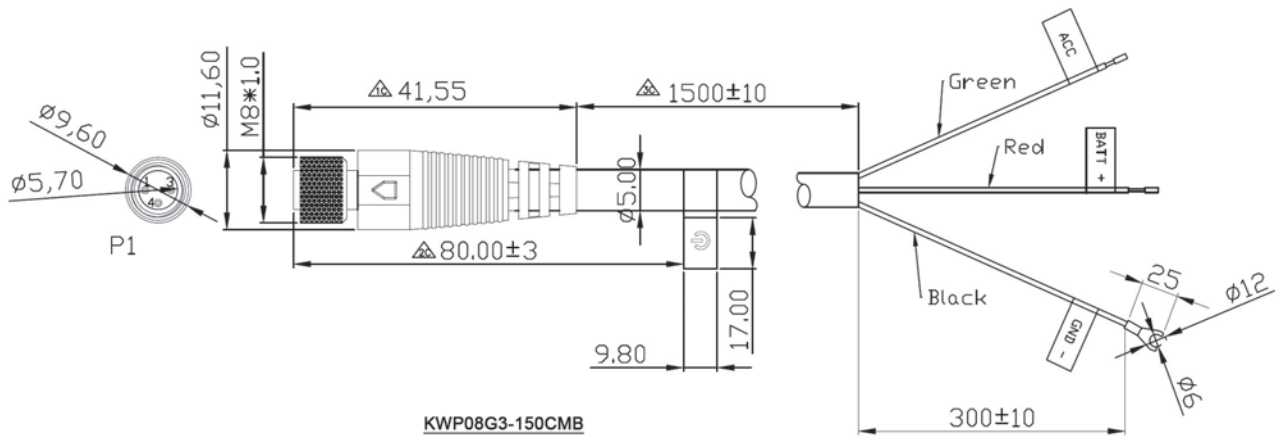
O-Ring: Silicone Rubber Black Color.

Coupling Nut: M8*1 Brass With Nickel Plated.

***RoHS & REACH compliant.**

Unit: mm

| P1 | WIRE COLOR | |
|----|------------|------|
| 1 | GREEN | ACC |
| 3 | RED | BATT |
| 4 | BLACK | GND |



KWP08G3-150CMB

ORDERING INFORMATION:

P/N **KWP08G3** - **1** - **xx** **CMB** **3**

1. NO. OF CONTACTS:
"3" 3 PINS
2. CABLE LENGTH IN CENTIMETERS
3. CABLE COLOR:
"B" BLACK.

WATERPROOF M8 2~4 PIN CABLE ASSEMBLES (1)

Contact assignment :

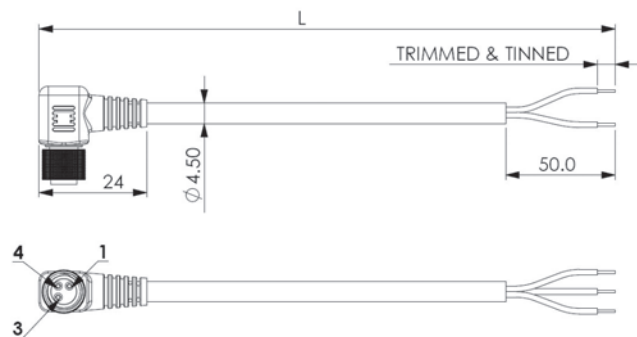


SPECIFICATIONS

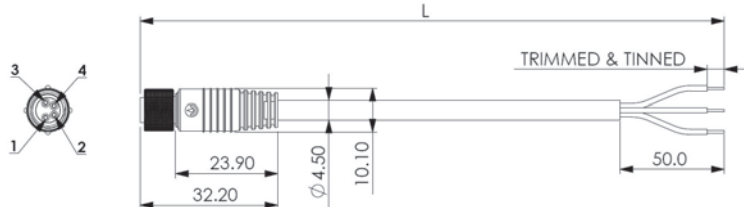
Connector locking system: screw M8 x 1.0
Termination: solder
Wire gauge: AWG 24
Cable outlet: 4.5mm
Degree of protection: IP67, in mated condition
Mechanical operation: >100 mating cycles
Upper temperature: +80°C
Lower temperature: -20°C
Rated voltage: 60V
Rated current(40°C): 4A
Contact resistance: ≤3mΩ

MATERIALS

Contact: Brass
Contact plating: Nickel 50μ / Gold 10μ
Housing: PBT+30%GF
Coupling nut: Brass, Nickel plated
Moulding body: PU or PVC
Waterproof Test:
Reference to IEC 60529 Edition
2.1: 2001-02-IP67
All materials must be RoHS compliant.
Unit: mm



KWP0803GT-UxxM



KWP0803FT-UxxM

ORDERING INFORMATION:

P/N **KWP08** 1 2 3 4 5 6 **M**

1. CONNECTOR LOCKING SYSTEM:
"08" SCREW M8*1.0
2. NO. OF CONTACTS:
02, 03, 04
3. CONNECTOR AT CABLE END &
4. CONNECTOR AT ANOTHER END:
"F" STRAIGHT WATER TIGHT JACK
"G" RIGHT ANGLE WATER TIGHT JACK
"T" TRIMMED & TINNED END
5. CABLE BODY MATERIAL:
"U" PU
"V" PVC

6. CABLE LENGTH (UNIT: M)
1M, 2M,3M,5M...etc.

*AVAILABLE CABLE ASSEMBLIES:

- (1) KWP08xxGF-xxxM
- (2) KWP08xxGT-xxxM
- (3) KWP08xxFT-xxxM
- (4) KWP08xxGG-xxxM
- (5) KWP08xxFF-xxxM

WATERPROOF M8 2~4 PIN CABLE ASSEMBLES (2)

Contact assignment :

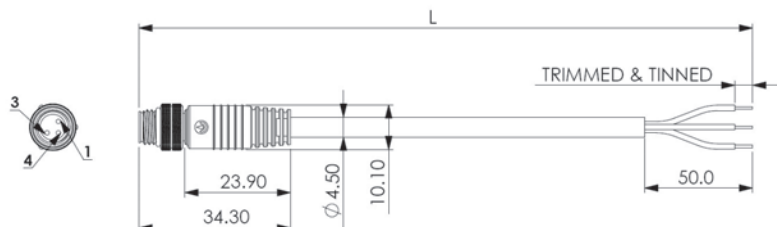


SPECIFICATIONS

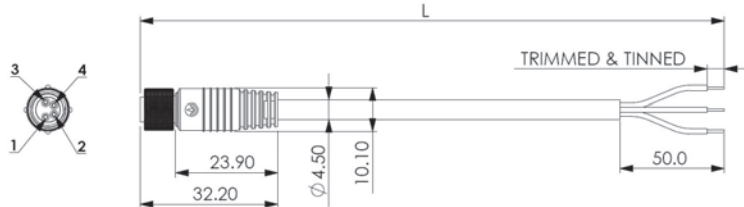
Connector locking system: screw M8 x 1.0
Termination: solder
Wire gauge: AWG 24
Cable outlet: 4.5mm
Degree of protection: IP67, in mated condition
Mechanical operation: >100 mating cycles
Upper temperature: +80°C
Lower temperature: -20°C
Rated voltage: 60V
Rated current(40°C): 4A
Contact resistance: ≤3mΩ

MATERIALS

Contact: Brass
Contact plating: Nickel 50μ / Gold 10μ
Housing: PBT+30%GF
Coupling nut: Brass, Nickel plated
Moulding body: PU or PVC
Waterproof Test:
 Reference to IEC 60529 Edition
 2.1: 2001-02-IP67
All materials must be RoHS compliant.
Unit: mm



KWP0803MT-UxxM



KWP0803FT-UxxM

ORDERING INFORMATION:

P/N **KWP08** 1 2 3 4 5 6 **M**

1. CONNECTOR LOCKING SYSTEM:

"08" SCREW M8*1.0

2. NO. OF CONTACTS:

02, 03, 04

3. CONNECTOR AT CABLE END &

4. CONNECTOR AT ANOTHER END:

"F" STRAIGHT WATER TIGHT JACK

"M" STRAIGHT WATER TIGHT PLUG

"T" TRIMMED & TINNED END

5. CABLE BODY MATERIAL:

"U" PU

"V" PVC

6. CABLE LENGTH (UNIT: M)

1M, 2M, 3M, 5M...etc.

*AVAILABLE CABLE ASSEMBLIES:

(1) KWP08xxMF-xxxM

(2) KWP08xxMT-xxxM

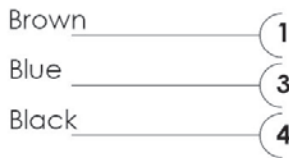
(3) KWP08xxFT-xxxM

(4) KWP08xxMM-xxxM

(5) KWP08xxFF-xxxM

WATERPROOF M8 2~4 PIN CABLE ASSEMBLES (3)

Contact assignment :

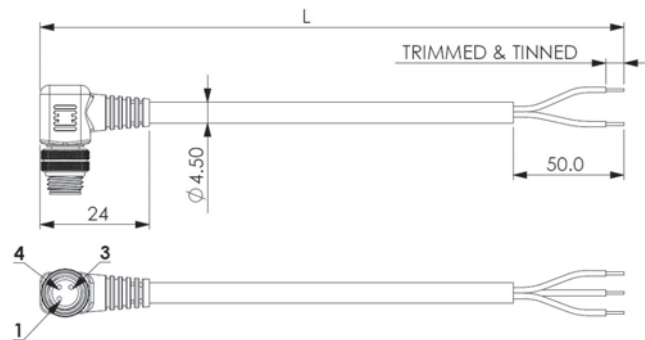


SPECIFICATIONS

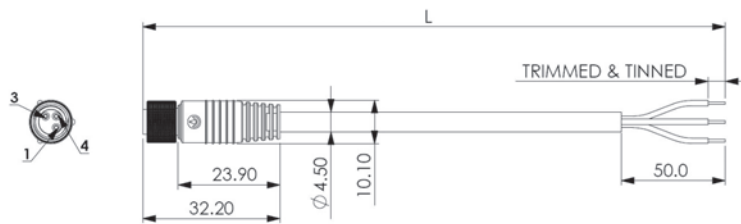
Connector locking system: screw M8 x 1.0
 Termination: solder
 Wire gauge: AWG 24
 Cable outlet: 4.5mm
 Degree of protection: IP67, in mated condition
 Mechanical operation: >100 mating cycles
 Upper temperature: +80°C
 Lower temperature: -20°C
 Rated voltage: 60V
 Rated current(40°C): 4A
 Contact resistance: ≤3mΩ

MATERIALS

Contact: Brass
 Contact plating: Nickel 50μ / Gold 10μ
 Housing: PBT+30%GF
 Coupling nut: Brass, Nickel plated
 Moulding body: PU or PVC
 Waterproof Test:
 Reference to IEC 60529 Edition
 2.1: 2001-02-IP67
 All materials must be RoHS compliant.
 Unit: mm



KWP0803NT-VxxM



KWP0803FT-VxxM

ORDERING INFORMATION:

P/N KWP 08 1 2 3 4 5 6 - x x x M

1. CONNECTOR LOCKING SYSTEM:
"08" SCREW M8*1.0
2. NO. OF CONTACTS:
02, 03, 04
3. CONNECTOR AT CABLE END &
4. CONNECTOR AT ANOTHER END:
"F" STRAIGHT WATER TIGHT JACK
"N" RIGHT ANGLE WATER TIGHT PLUG
"T" TRIMMED & TINNED END
5. CABLE BODY MATERIAL:
"U" PU
"V" PVC

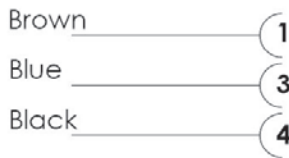
6. CABLE LENGTH (UNIT: M)
1M, 2M,3M,5M...etc.

*AVAILABLE CABLE ASSEMBLIES:

- (1) KWP08xxNF-xxxM
- (2) KWP08xxNT-xxxM
- (3) KWP08xxFT-xxxM
- (4) KWP08xxNN-xxxM
- (5) KWP08xxFF-xxxM

WATERPROOF M8 2~4 PIN CABLE ASSEMBLES (4)

Contact assignment :

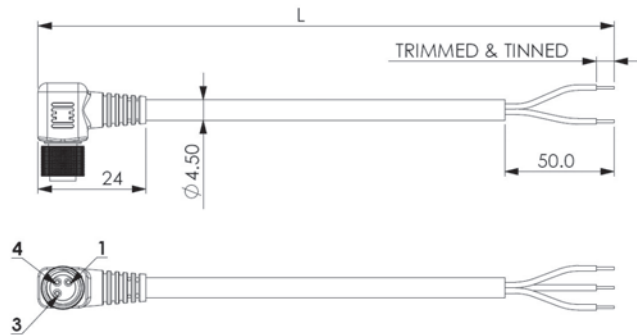


SPECIFICATIONS

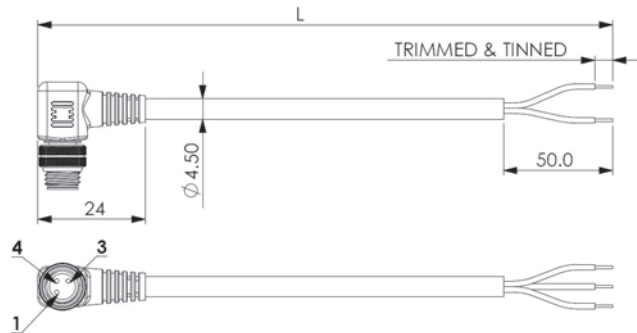
Connector locking system: screw M8 x 1.0
 Termination: solder
 Wire gauge: AWG 24
 Cable outlet: 4.5mm
 Degree of protection: IP67, in mated condition
 Mechanical operation: >100 mating cycles
 Upper temperature: +80°C
 Lower temperature: -20°C
 Rated voltage: 60V
 Rated current(40°C): 4A
 Contact resistance: $\leq 3m\Omega$

MATERIALS

Contact: Brass
 Contact plating: Nickel 50 μ / Gold 10 μ
 Housing: PBT+30%GF
 Coupling nut: Brass, Nickel plated
 Moulding body: PU or PVC
 Waterproof Test:
 Reference to IEC 60529 Edition
 2.1: 2001-02-IP67
 All materials must be RoHS compliant.
 Unit: mm



KWP0803GT-UxxM



KWP0803NT-UxxM

ORDERING INFORMATION:

P/N **KWP08** 1 2 3 4 5 6 **M**

1. CONNECTOR LOCKING SYSTEM:
"08" SCREW M8*1.0
2. NO. OF CONTACTS:
02, 03, 04
3. CONNECTOR AT CABLE END &
4. CONNECTOR AT ANOTHER END:
"G" RIGHT ANGLE WATER TIGHT JACK
"N" RIGHT ANGLE WATER TIGHT PLUG
"T" TRIMMED & TINNED END
5. CABLE BODY MATERIAL:
"U" PU
"V" PVC

6. CABLE LENGTH (UNIT: M)
1M, 2M,3M,5M...etc.

*AVAILABLE CABLE ASSEMBLIES:

- (1) KWP08xxGN-xxxM
- (2) KWP08xxGT-xxxM
- (3) KWP08xxNT-xxxM
- (4) KWP08xxGG-xxxM
- (5) KWP08xxNN-xxxM

WATERPROOF M8 3 PIN CABLE ASSEMBLES (5)

Contact assignment :



SPECIFICATIONS

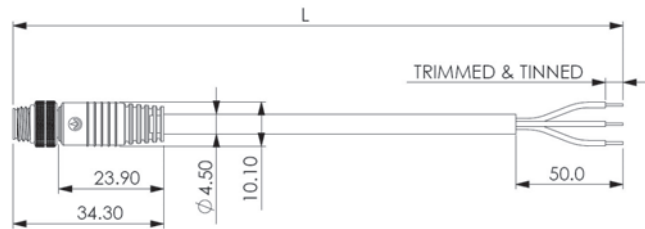
Connector locking system: screw M8 x 1.0
Termination: solder
Wire gauge: AWG 24
Cable outlet: 4.5mm
Degree of protection: IP67, in mated condition
Mechanical operation: >100 mating cycles
Upper temperature: +80°C
Lower temperature: -20°C
Rated voltage: 60V
Rated current(40°C): 4A
Contact resistance: ≤3mΩ

MATERIALS

Contact: Brass
Contact plating: Nickel 50μ / Gold 10μ
Housing: PBT+30%GF
Coupling nut: Brass, Nickel plated
Moulding body: PU or PVC
Waterproof Test:
Reference to IEC 60529 Edition
2.1: 2001-02-IP67
All materials must be RoHS compliant.
Unit: mm



KWP0803GT-VxxM



KWP0803MT-VxxM

ORDERING INFORMATION:

P/N **KWP08** 1 2 3 4 5 6 **M**

1. CONNECTOR LOCKING SYSTEM:
"08" SCREW M8*1.0
2. NO. OF CONTACTS:
02, 03, 04
3. CONNECTOR AT CABLE END &
4. CONNECTOR AT ANOTHER END:
"M" STRAIGHT WATER TIGHT PLUG
"G" RIGHT ANGLE WATER TIGHT JACK
"T" TRIMMED & TINNED END
5. CABLE BODY MATERIAL:
"U" PU
"V" PVC

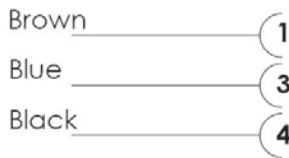
6. CABLE LENGTH (UNIT: M)
1M, 2M,3M,5M...etc.

*AVAILABLE CABLE ASSEMBLIES:

- (1) KWP08xxGM-xxxM
- (2) KWP08xxGT-xxxM
- (3) KWP08xxMT-xxxM
- (4) KWP08xxGG-xxxM
- (5) KWP08xxMM-xxxM

WATERPROOF M8 2~4 PIN CABLE ASSEMBLES (6)

Contact assignment :

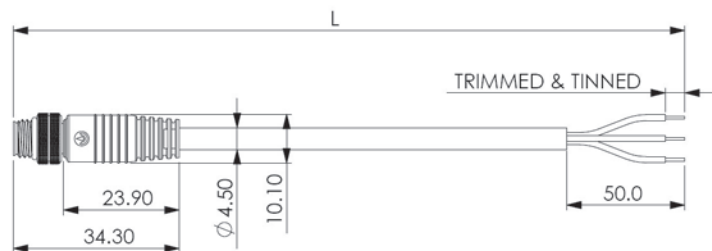


SPECIFICATIONS

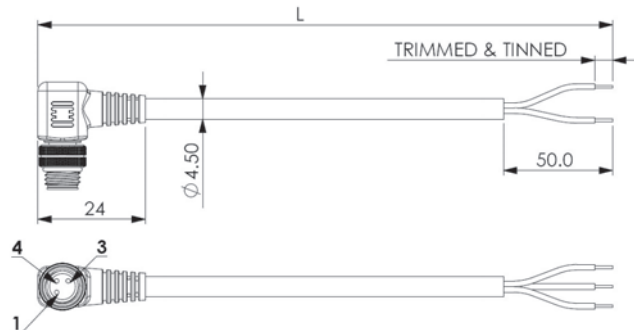
Connector locking system: screw M8 x 1.0
 Termination: solder
 Wire gauge: AWG 24
 Cable outlet: 4.5mm
 Degree of protection: IP67, in mated condition
 Mechanical operation: >100 mating cycles
 Upper temperature: +80°C
 Lower temperature: -20°C
 Rated voltage: 60V
 Rated current(40°C): 4A
 Contact resistance: ≤3mΩ

MATERIALS

Contact: Brass
 Contact plating: Nickel 50μ / Gold 10μ
 Housing: PBT+30%GF
 Coupling nut: Brass, Nickel plated
 Moulding body: PU or PVC
 Waterproof Test:
 Reference to IEC 60529 Edition
 2.1: 2001-02-IP67
 All materials must be RoHS compliant.
 Unit: mm



KWP0803MT-UxxM



KWP0803NT-UxxM

ORDERING INFORMATION:

P/N **KWP08** 1 2 3 4 5 6 **M**

1. CONNECTOR LOCKING SYSTEM:
"08" SCREW M8*1.0
2. NO. OF CONTACTS:
02, 03, 04
3. CONNECTOR AT CABLE END &
4. CONNECTOR AT ANOTHER END:
"M" STRAIGHT WATER TIGHT PLUG
"N" RIGHT ANGLE WATER TIGHT PLUG
"T" TRIMMED & TINNED END
5. CABLE BODY MATERIAL:
"U" PU
"V" PVC

6. CABLE LENGTH (UNIT: M)
1M, 2M,3M,5M...etc.

*AVAILABLE CABLE ASSEMBLIES:

- (1) KWP08xxMN-xxxM
- (2) KWP08xxMT-xxxM
- (3) KWP08xxNT-xxxM
- (4) KWP08xxMM-xxxM
- (5) KWP08xxNN-xxxM

WATERPROOF CABLE WITH IP68 RATED M12 PLUG (MALE) TO OPEN END

MATERIALS:

Plastic Housing: Engineering Thermoplastic
Flammability Rating UL90V-0.
Color Black

Contacts: Copper Alloy.

Plating: Gold Plating Over Nickel In Contact.

O-Ring: Silicone Rubber Black Color.

Coupling Nut: M12*1 Brass With Nickel Plated.

*RoHS & REACH compliant.

Unit: mm

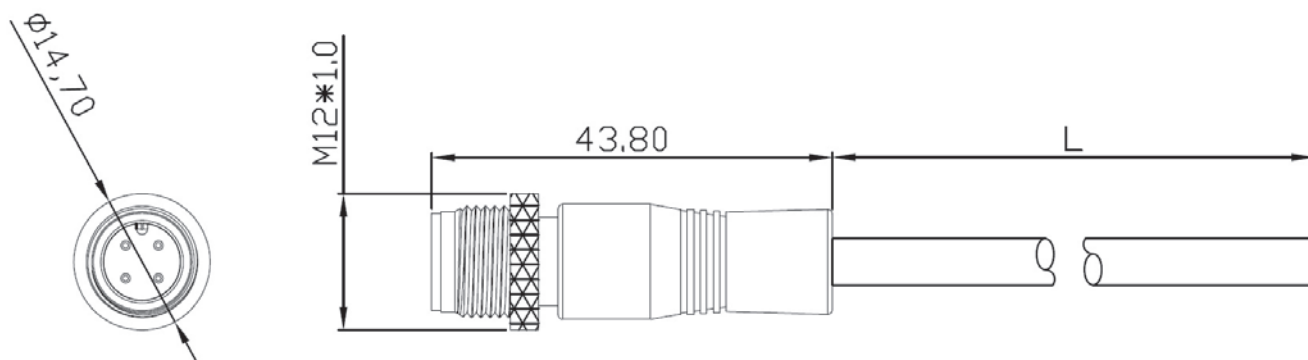
SPECIFICATIONS

Waterproof Rate: IP68

Current Rating: 4A(2 TO 5PIN)
2A(6 TO 8PIN)

Rated Voltage: 250V AC/DC(2 TO 4PIN)
60V AC/DC(5PIN)
30V AC/DC(6 TO 8 PIN)

Insulation Resistance: 10 Ω Min



| CONTACT ARRANGEMENT FRONT VIEW | 8P | 7P | 6P | 5P | 4P | 3P | 2P |
|--------------------------------|----|----|----|----|----|----|----|
| | | | | | | | |

ORDERING INFORMATION:

P/N KWP12P $\frac{x}{1}$ - $\frac{xx}{2}$ C M B $\frac{3}{3}$

1. NO. OF CONTACTS
2, 3, 4, 5, 6, 7, 8
2. LENGTH IN CENTIMETERS
3. CABLE COLOR:
"B" BLACK

WATERPROOF CABLE WITH IP68 RATED M12 JACK (FEMALE) TO OPEN END

MATERIALS

Plastic Housing: Engineering Thermoplastic
Flammability Rating UL94V-0. Color Black

Contacts: Copper Alloy

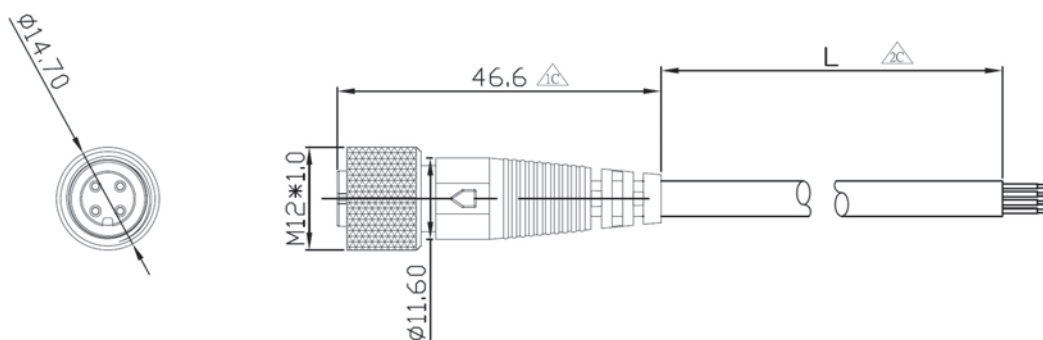
Plating: Gold Plating Over Nickel In Contact.

O-Ring: Silicone Rubber Black Color.

Coupling Nut: M12*1 Brass With Nickel Plated.

***RoHS & REACH compliant.**

Unit: mm



| | | | | | | | | | | |
|---|-----|-----|-----|-----|-----|-----|----|----|----|----|
| CONTACT ARRANGEMENT FRONT VIEW | | | | | | | | | | |
| | 11P | 10P | 9P | 8P | 7P | 6P | 5P | 4P | 3P | 2P |
| | | | | | | | | | | |
| | 12P | 13P | 14P | 15P | 16P | 17P | | | | |

ORDERING INFORMATION:

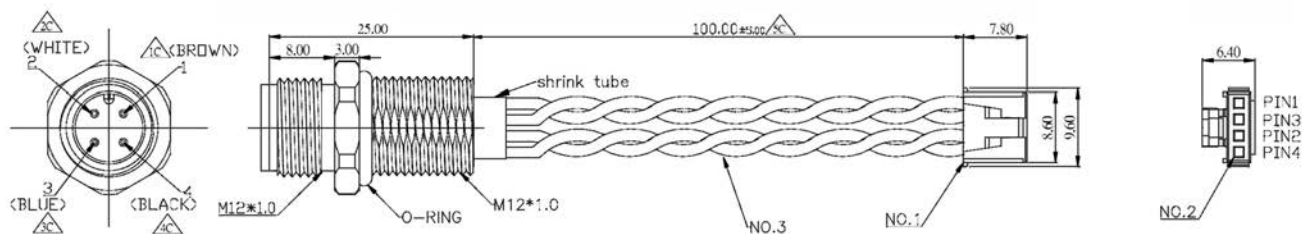
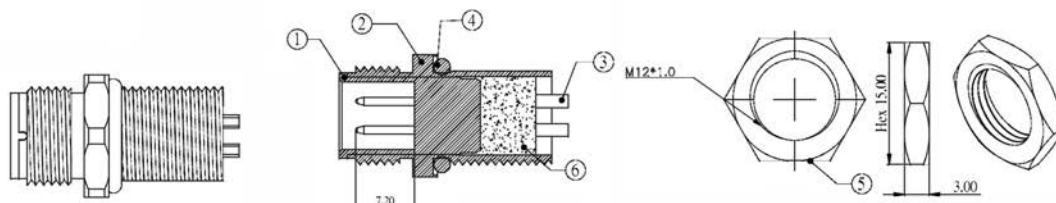
P/N **KWP12HX** - $\frac{xx}{1}$ $\frac{CM}{2}$ $\frac{B}{3}$

1. NO. OF CONTACTS:
2, 3, 4, 5, 6, 7, 8, 9, 10, 11, 12, 13, 14, 15, 16, 17
2. CABLE LENGTH IN CENTIMETERS
3. CABLE COLOR:
"B" BLACK

WATERPROOF WIREHARNESS CABLE WITH IP68 RATED REAR MOUNT M12 PLUG (MALE) TO 2.00MM PITCH 4 PIN HOUSING

*RoHS & REACH compliant.

Unit: mm



| NO. | Description | Material | Treat | Q'ty |
|-----|--------------|----------|-------------|------|
| ⑥ | Glue | | | |
| ⑤ | Screw Nut | Brass | Nickel Ptd. | 1 |
| ④ | O-Ring | EPDM | | 1 |
| ③ | Terminals | Brass | Gold Ptd. | 4 |
| ② | Shield Cover | Brass | Nickel Ptd. | 1 |
| ① | Housing | PBT | | 1 |

| NO | DESCRIPTION |
|----|------------------------------------|
| 1 | CONN HOUSING 2.0 WIRE TO BOARD) 4P |
| 2 | TERM FEML 24-30 AWG PHO-BR/TIN |
| 3 | JL143C 300V 26AWG 2PAIR |

| PIN | DESCRIPTION | AWG | COLOR |
|-----|-------------|-----|-------|
| 1 | DC12V | 26 | BROWN |
| 3 | 0V | 26 | BLUE |
| 2 | N.O. | 26 | WHITE |
| 4 | COM | 26 | BLACK |

ORDERING INFORMATION:

P/N **KWP12N4-10CM**
I 1 2

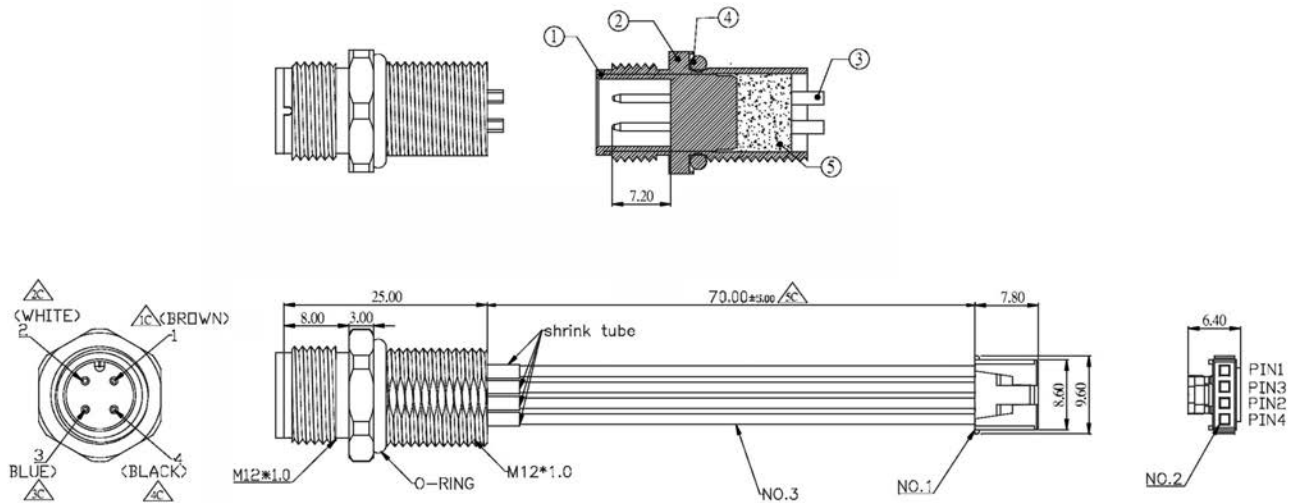
1. NO. OF CONTACTS:
"4" 4 PINS
2. CABLE LENGTH IN CENTIMETERS
L= 10CM

NOTE: OTHER NO. OF CONTACTS UPON REQUEST!

WATERPROOF WIREHARNES CABLE WITH IP68 RATED REAR MOUNT M12 PLUG (MALE) TO 2.00MM PITCH 4 PIN HOUSING

*RoHS & REACH compliant.

Unit: mm



| | | | | |
|-----|--------------|----------|-------------|------|
| ⑤ | Gluc | | | |
| ④ | O-Ring | EPDM | | 1 |
| ③ | Terminals | Brass | Gold Ptd. | 4 |
| ② | Shield Cover | Brass | Nickel Ptd. | 1 |
| ① | Housing | PBT | | 1 |
| NO. | Description | Material | Treat | Q'ty |

| NO | DESCRIPTION |
|----|-----------------------------------|
| 1 | CONN HOUSING 2.0 WIRE TO BOARD 4P |
| 2 | TERM FEML 24-30 AWG PHO-BR/TIN |
| 3 | UL1430 300V 26AWG |

| PIN | DESCRIPTION | AWG | COLOR |
|-----|-------------|-----|-------|
| 1 | DC12V | 26 | BROWN |
| 3 | 0V | 26 | BLUE |
| 2 | N.O. | 26 | WHITE |
| 4 | COM | 26 | BLACK |

ORDERING INFORMATION:

P/N **KWP12M4-07CM**
 $\frac{1}{2}$

1. NO. OF CONTACTS:
"4" 4 PINS
2. CABLE LENGTH IN CENTIMETERS
L= 07CM

NOTE: OTHER NO. OF CONTACTS UPON REQUEST!

WATERPROOF CABLE WITH IP68 RATED M12 JACK (FEMALE) TO USB2.0 A TYPE PLUG

MATERIALS

Plastic Housing: Engineering Thermoplastic
Flammability Rating UL94V-0. Color Black

Contacts: Copper Alloy

Plating: Gold Plating Over Nickel In Contact.

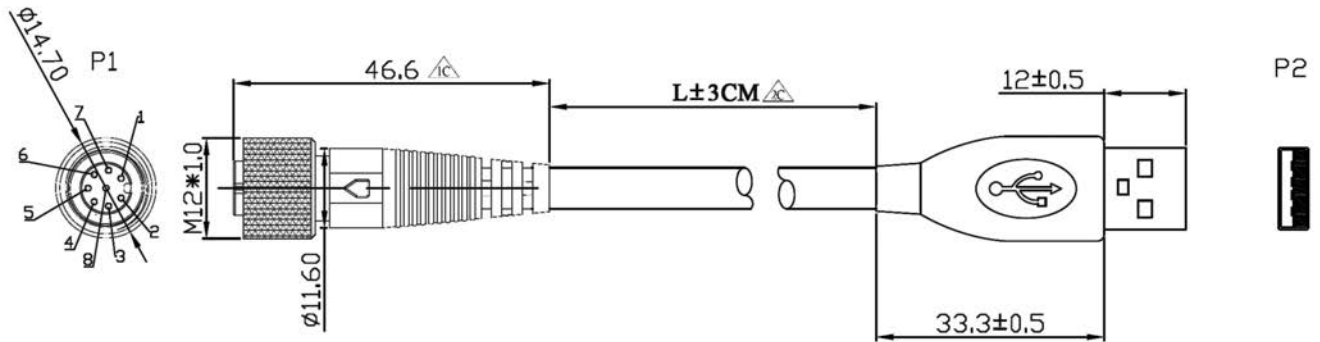
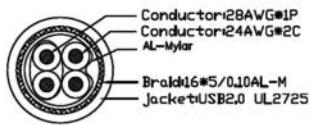
O-Ring: Silicone Rubber Black Color.

Coupling Nut: M12*1 Brass With Nickel Plated.

*RoHS & REACH compliant.

Unit: mm

| P1 | WIRE COLOR | P2 | |
|----|------------|----|-----|
| 1 | RED | 1 | VCC |
| 2 | WHITE | 2 | D- |
| 3 | GREEN | 3 | D+ |
| 4 | BLACK | 4 | GND |



| CONTACT ARRANGEMENT FRONT VIEW | 8P | 7P | 6P | 5P | 4P | 3P | 2P |
|--------------------------------|----|----|----|----|----|----|----|
| | | | | | | | |

ORDERING INFORMATION:

P/N **KWP12G** $\frac{x}{1}$ - $\frac{xx}{2}$ **CM** $\frac{B}{3}$

1. NO. OF CONTACTS:
2, 3, 4, 5, 6, 7, 8
2. LENGTH IN CENTIMETERS
3. CABLE COLOR:
"B" BLACK

WATERPROOF M12 2~8 PIN CABLE ASSEMBLES (1)

Contact assignment :

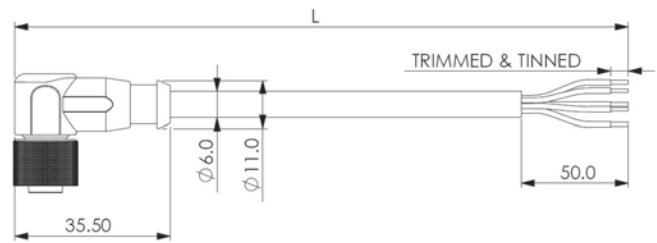
| | |
|--------|---|
| White | 1 |
| Brown | 2 |
| Green | 3 |
| Yellow | 4 |
| Grey | 5 |
| Pink | 6 |
| Blue | 7 |
| Red | 8 |

SPECIFICATIONS

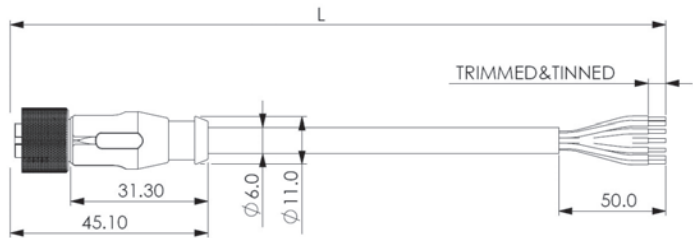
Connector locking system: screw M12 x 1.0
 Termination: solder
 Wire gauge: AWG 24
 Cable outlet: 6.0mm
 Degree of protection: IP67, in mated condition
 Mechanical operation: >100 mating cycles
 Upper temperature: +80°C
 Lower temperature: -25°C
 Rated voltage: 30V
 Rated current(40°C): 2A
 Contact resistance: ≤3mΩ

MATERIALS

Contact: Brass
 Contact plating: Nickel 50μ / Gold 10μ
 Housing: PBT+30%GF
 Coupling nut: Brass, Nickel plated
 Moulding body: PU
 Waterproof Test:
 Reference to IEC 60529 Edition
 2.1: 2001-02-IP67
 All materials must be RoHS compliant.
 Unit: mm



KWP1208GT-UxxM



KWP1208FT-UxxM

ORDERING INFORMATION:

P/N **KWP** $\frac{1}{I}$ $\frac{2}{2}$ $\frac{3}{3}$ $\frac{4}{4}$ - $\frac{5}{5}$ $\frac{6}{6}$ M

- CONNECTOR LOCKING SYSTEM:
"12" SCREW M12*1.0
- NO. OF CONTACTS:
02, 03, 04, 05, 08
- CONNECTOR AT CABLE END &
- CONNECTOR AT ANOTHER END:
"F" STRAIGHT WATER TIGHT JACK
"G" RIGHT ANGLE WATER TIGHT JACK
"T" TRIMMED & TINNED END
- CABLE BODY MATERIAL:
"U" PU

- CABLE LENGTH (UNIT: M)
1M, 2M,3M,5M...etc.

*AVAILABLE CABLE ASSEMBLIES:

- KWP12xxGF-UxxM
- KWP12xxGT-UxxM
- KWP12xxFT-UxxM
- KWP12xxGG-UxxM
- KWP12xxFF-UxxM

WATERPROOF M12 2~8 PIN CABLE ASSEMBLES (2)

Contact assignment :

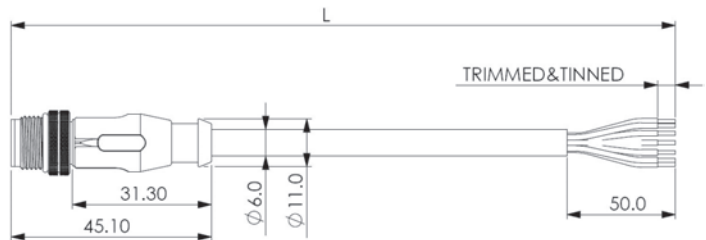
| | |
|--------|---|
| White | 1 |
| Brown | 2 |
| Green | 3 |
| Yellow | 4 |
| Grey | 5 |
| Pink | 6 |
| Blue | 7 |
| Red | 8 |

SPECIFICATIONS

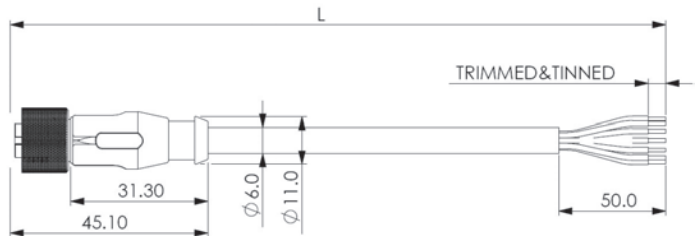
Connector locking system: screw M12 x 1.0
 Termination: solder
 Wire gauge: AWG 24
 Cable outlet: 6.0mm
 Degree of protection: IP67, in mated condition
 Mechanical operation: >100 mating cycles
 Upper temperature: +80°C
 Lower temperature: -25°C
 Rated voltage: 30V
 Rated current(40°C): 2A
 Contact resistance: $\leq 3m\Omega$

MATERIALS

Contact: Brass
 Contact plating: Nickel 50 μ / Gold 10 μ
 Housing: PBT+30%GF
 Coupling nut: Brass, Nickel plated
 Moulding body: PU
 Waterproof Test:
 Reference to IEC 60529 Edition
 2.1: 2001-02-IP67
 All materials must be RoHS compliant.
 Unit: mm



KWP1208MT-UxxM



KWP1208FT-UxxM

ORDERING INFORMATION:

P/N **KWP** $\frac{1}{I}$ $\frac{2}{2}$ $\frac{3}{3}$ $\frac{4}{4}$ - $\frac{5}{5}$ $\frac{6}{6}$ M

1. CONNECTOR LOCKING SYSTEM:
"12" SCREW M12*1.0
2. NO. OF CONTACTS:
02, 03, 04, 05, 08
3. CONNECTOR AT CABLE END &
4. CONNECTOR AT ANOTHER END:
"F" STRAIGHT WATER TIGHT JACK
"M" STRAIGHT WATER TIGHT PLUG
"T" TRIMMED & TINNED END
5. CABLE BODY MATERIAL:
"U" PU

6. CABLE LENGTH (UNIT: M)
1M, 2M, 3M, 5M...etc.

*AVAILABLE CABLE ASSEMBLIES:

- (1) KWP12xxMF-UxxM
- (2) KWP12xxMT-UxxM
- (3) KWP12xxFT-UxxM
- (4) KWP12xxMM-UxxM
- (5) KWP12xxFF-UxxM

WATERPROOF M12 2~8 PIN CABLE ASSEMBLES (3)

Contact assignment :

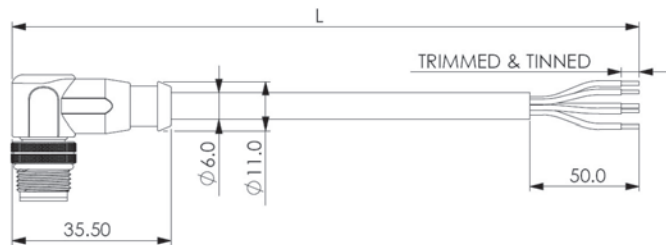
| | |
|--------|---|
| White | 1 |
| Brown | 2 |
| Green | 3 |
| Yellow | 4 |
| Grey | 5 |
| Pink | 6 |
| Blue | 7 |
| Red | 8 |

SPECIFICATIONS

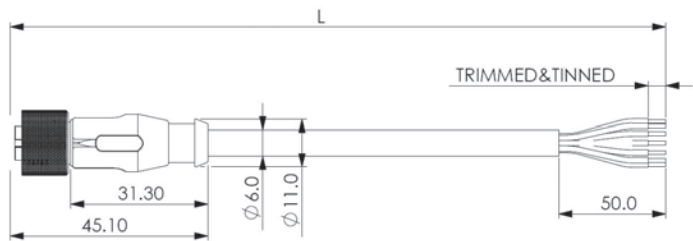
Connector locking system: screw M12 x 1.0
 Termination: solder
 Wire gauge: AWG 24
 Cable outlet: 6.0mm
 Degree of protection: IP67, in mated condition
 Mechanical operation: >100 mating cycles
 Upper temperature: +80°C
 Lower temperature: -25°C
 Rated voltage: 30V
 Rated current(40°C): 2A
 Contact resistance: $\leq 3m\Omega$

MATERIALS

Contact: Brass
 Contact plating: Nickel 50 μ / Gold 10 μ
 Housing: PBT+30%GF
 Coupling nut: Brass, Nickel plated
 Moulding body: PU
 Waterproof Test:
 Reference to IEC 60529 Edition
 2.1: 2001-02-IP67
 All materials must be RoHS compliant.
 Unit: mm



KWP1208NT-UxxM



KWP1208FT-UxxM

ORDERING INFORMATION:

P/N **KWP** $\frac{1}{I}$ $\frac{2}{2}$ $\frac{3}{3}$ $\frac{4}{4}$ - $\frac{5}{5}$ $\frac{6}{6}$ M

- CONNECTOR LOCKING SYSTEM:
"12" SCREW M12*1.0
- NO. OF CONTACTS:
02, 03, 04, 05, 08
- CONNECTOR AT CABLE END &
- CONNECTOR AT ANOTHER END:
"F" STRAIGHT WATER TIGHT JACK
"N" RIGHT ANGLE WATER TIGHT PLUG
"T" TRIMMED & TINNED END
- CABLE BODY MATERIAL:
"U" PU

- CABLE LENGTH (UNIT: M)
1M, 2M, 3M, 5M...etc.

*AVAILABLE CABLE ASSEMBLIES:

- KWP12xxNF-UxxM
- KWP12xxNT-UxxM
- KWP12xxFT-UxxM
- KWP12xxNN-UxxM
- KWP12xxFF-UxxM

WATERPROOF M12 2~8 PIN CABLE ASSEMBLES (4)

Contact assignment :

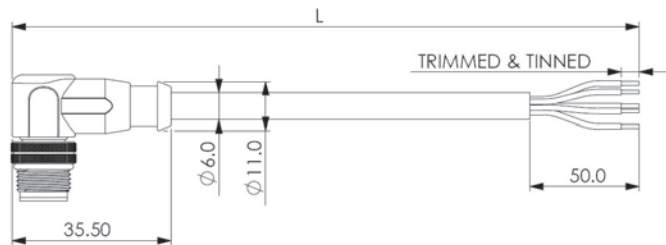
| | |
|--------|---|
| White | 1 |
| Brown | 2 |
| Green | 3 |
| Yellow | 4 |
| Grey | 5 |
| Pink | 6 |
| Blue | 7 |
| Red | 8 |

SPECIFICATIONS

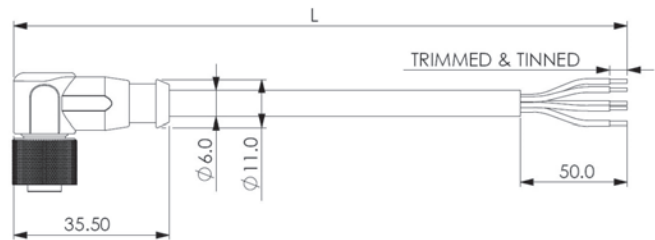
Connector locking system: screw M12 x 1.0
 Termination: solder
 Wire gauge: AWG 24
 Cable outlet: 6.0mm
 Degree of protection: IP67, in mated condition
 Mechanical operation: >100 mating cycles
 Upper temperature: +80°C
 Lower temperature: -25°C
 Rated voltage: 30V
 Rated current(40°C): 2A
 Contact resistance: $\leq 3m\Omega$

MATERIALS

Contact: Brass
 Contact plating: Nickel 50 μ / Gold 10 μ
 Housing: PBT+30%GF
 Coupling nut: Brass, Nickel plated
 Moulding body: PU
 Waterproof Test:
 Reference to IEC 60529 Edition
 2.1: 2001-02-IP67
 All materials must be RoHS compliant.
 Unit: mm



KWP1208NT-UxxM



KWP1208GT-UxxM

ORDERING INFORMATION:

P/N **KWP** $\frac{1}{I}$ $\frac{2}{2}$ $\frac{3}{3}$ $\frac{4}{4}$ - $\frac{5}{5}$ $\frac{6}{6}$ M

1. CONNECTOR LOCKING SYSTEM:
"12" SCREW M12*1.0
2. NO. OF CONTACTS:
02, 03, 04, 05, 08
3. CONNECTOR AT CABLE END &
4. CONNECTOR AT ANOTHER END:
"G" RIGHT ANGLE WATER TIGHT JACK
"N" RIGHT ANGLE WATER TIGHT PLUG
"T" TRIMMED & TINNED END
5. CABLE BODY MATERIAL:
"U" PU

6. CABLE LENGTH (UNIT: M)
1M, 2M,3M,5M...etc.

*AVAILABLE CABLE ASSEMBLIES:

- (1) KWP12xxNG-UxxM
- (2) KWP12xxNT-UxxM
- (3) KWP12xxGT-UxxM
- (4) KWP12xxNN-UxxM
- (5) KWP12xxGG-UxxM

WATERPROOF M12 2~8 PIN CABLE ASSEMBLES (5)

Contact assignment :

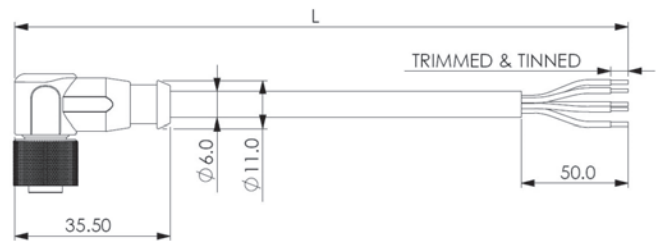
| | |
|--------|---|
| White | 1 |
| Brown | 2 |
| Green | 3 |
| Yellow | 4 |
| Grey | 5 |
| Pink | 6 |
| Blue | 7 |
| Red | 8 |

SPECIFICATIONS

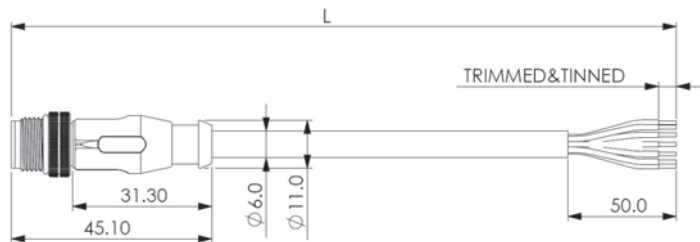
Connector locking system: screw M12 x 1.0
 Termination: solder
 Wire gauge: AWG 24
 Cable outlet: 6.0mm
 Degree of protection: IP67, in mated condition
 Mechanical operation: >100 mating cycles
 Upper temperature: +80°C
 Lower temperature: -25°C
 Rated voltage: 30V
 Rated current(40°C): 2A
 Contact resistance: $\leq 3m\Omega$

MATERIALS

Contact: Brass
 Contact plating: Nickel 50 μ / Gold 10 μ
 Housing: PBT+30%GF
 Coupling nut: Brass, Nickel plated
 Moulding body: PU
 Waterproof Test:
 Reference to IEC 60529 Edition
 2.1: 2001-02-IP67
 All materials must be RoHS compliant.
 Unit: mm



KWP1208GT-UxxM



KWP1208MT-UxxM

ORDERING INFORMATION:

P/N **KWP** $\frac{1}{I}$ $\frac{2}{2}$ $\frac{3}{3}$ $\frac{4}{4}$ - $\frac{5}{5}$ $\frac{6}{6}$ M

1. CONNECTOR LOCKING SYSTEM:
"12" SCREW M12*1.0
2. NO. OF CONTACTS:
02, 03, 04, 05, 08
3. CONNECTOR AT CABLE END &
4. CONNECTOR AT ANOTHER END:
"M" STRAIGHT WATER TIGHT PLUG
"G" RIGHT ANGLE WATER TIGHT JACK
"T" TRIMMED & TINNED END
5. CABLE BODY MATERIAL:
"U" PU

6. CABLE LENGTH (UNIT: M)
1M, 2M,3M,5M...etc.

*AVAILABLE CABLE ASSEMBLIES:

- (1) KWP12xxGM-UxxM
- (2) KWP12xxGT-UxxM
- (3) KWP12xxMT-UxxM
- (4) KWP12xxGG-UxxM
- (5) KWP12xxMM-UxxM

WATERPROOF M12 2~8 PIN CABLE ASSEMBLES (6)

Contact assignment :

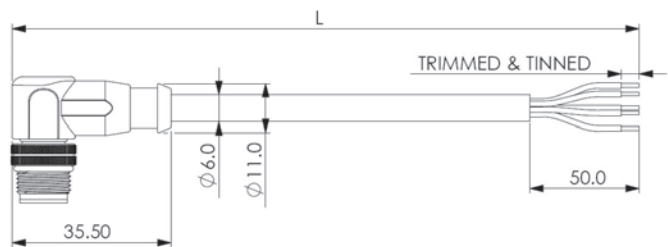
| | |
|--------|---|
| White | 1 |
| Brown | 2 |
| Green | 3 |
| Yellow | 4 |
| Grey | 5 |
| Pink | 6 |
| Blue | 7 |
| Red | 8 |

SPECIFICATIONS

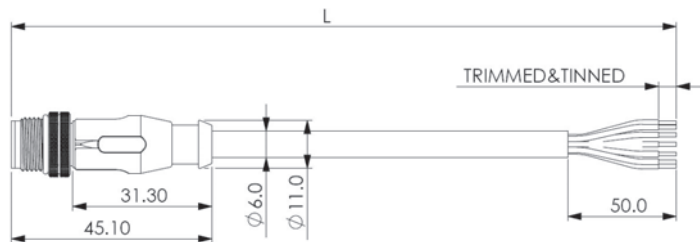
Connector locking system: screw M12 x 1.0
 Termination: solder
 Wire gauge: AWG 24
 Cable outlet: 6.0mm
 Degree of protection: IP67, in mated condition
 Mechanical operation: >100 mating cycles
 Upper temperature: +80°C
 Lower temperature: -25°C
 Rated voltage: 30V
 Rated current(40°C): 2A
 Contact resistance: $\leq 3m\Omega$

MATERIALS

Contact: Brass
 Contact plating: Nickel 50 μ / Gold 10 μ
 Housing: PBT+30%GF
 Coupling nut: Brass, Nickel plated
 Moulding body: PU
 Waterproof Test:
 Reference to IEC 60529 Edition
 2.1: 2001-02-IP67
 All materials must be RoHS compliant.
 Unit: mm



KWP1208NT-UxxM



KWP1208MT-UxxM

ORDERING INFORMATION:

P/N **KWP** $\frac{1}{I}$ $\frac{2}{2}$ $\frac{3}{3}$ $\frac{4}{4}$ - $\frac{5}{5}$ $\frac{6}{6}$ M

1. CONNECTOR LOCKING SYSTEM:
"12" SCREW M12*1.0
2. NO. OF CONTACTS:
02, 03, 04, 05, 08
3. CONNECTOR AT CABLE END &
4. CONNECTOR AT ANOTHER END:
"M" STRAIGHT WATER TIGHT PLUG
"N" RIGHT ANGLE WATER TIGHT PLUG
"T" TRIMMED & TINNED END
5. CABLE BODY MATERIAL:
"U" PU

6. CABLE LENGTH (UNIT: M)
1M, 2M,3M,5M...etc.

*AVAILABLE CABLE ASSEMBLIES:

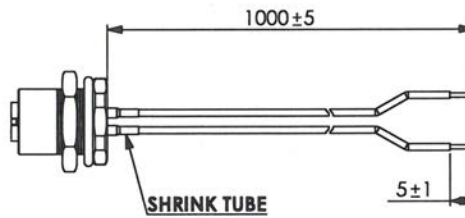
- (1) KWP12xxNM-UxxM
- (2) KWP12xxNT-UxxM
- (3) KWP12xxMT-UxxM
- (4) KWP12xxNN-UxxM
- (5) KWP12xxMM-UxxM

WATERPROOF M12 3~8 PIN CABLE ASSEMBLES (1)



WIRES: 22AWG *4 (BROWN, BLUE, BLACK, WHITE)

PIN 1 --- Brown
 PIN 2 --- White
 PIN 3 --- Blue
 PIN 4 --- Black

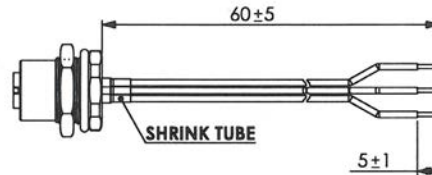


KWP1204HT-WxxM



WIRES : 24AWG*5 (BROWN,BLUE, BLACK, WHITE, YELLOW)

PIN 1 --- Brown
 PIN 2 --- White
 PIN 3 --- Blue
 PIN 4 --- Black
 PIN 5 --- Yellow



KWP1205HT-WxxM

ORDERING INFORMATION:

P/N **KWP** $\frac{1}{I}$ $\frac{2}{XX}$ $\frac{3}{XX}$ $\frac{4}{XX}$ - $\frac{W}{5}$ $\frac{XX}{6}$ M

1. CONNECTOR LOCKING SYSTEM:
"12" SCREW M12*1.0
2. NO. OF CONTACTS:
03, 04, 05, 08
3. CONNECTOR AT CABLE END &
4. CONNECTOR AT ANOTHER END:
"H" WATER TIGHT IP67 RATED
FRONT PANEL MOUNT JACK
"T" TRIMMED & TINNED END
5. CABLE TYPE:
"W" WIRES

6. CABLE LENGTH (UNIT: M)
1M, 2M,3M,5M...etc.

*AVAILABLE CABLE ASSEMBLIES:

- (1) KWP12xxHH-WxxM
- (2) KWP12xxHT-WxxM

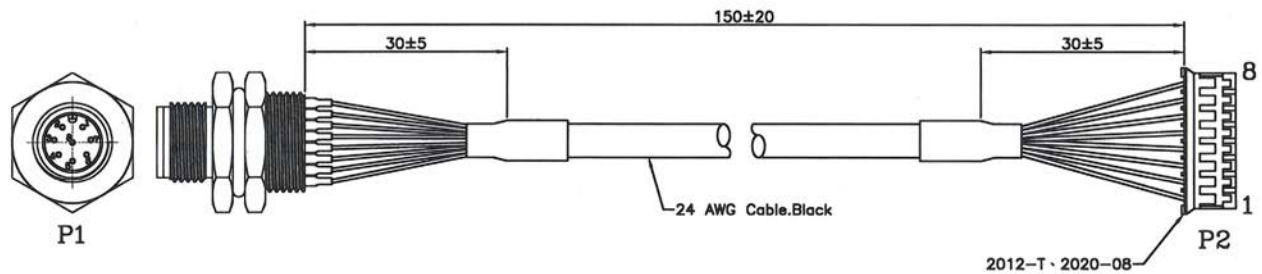
WATERPROOF M12 PANEL REAL MOUNT JACK TO 2.54MM HOUSING CABLE ASSEMBLIES (2)

SPECIFICATIONS

Insulation Resistance: 100M ohm (Min)
Current Rating: 2A
Dielectric Withstanding Voltage: 500V
 AC, 60Hz, 1 Min.
Rated Voltage: 30V AC/DC
Waterproof Rate: IP68
All materials must be RoHS compliant.

MATERIALS

Cable: 24AWG*8C
Plastic Housing: Engineering Thermoplastic
 Flammability Rating UL 94V-0
Contacts: Copper Alloy
Plating: Gold plating over Nickel in contact
Shielded: Brass with Nickel Plated
Unit: mm



KWP1208HS-0.15M

| P1 | WIRE COLOR | P2 |
|----|--------------|----|
| 8 | BROWN | 1 |
| 7 | WHITE/BROWN | 2 |
| 6 | GREEN | 3 |
| 5 | WHITE/BLUE | 4 |
| 4 | BLUE | 5 |
| 3 | WHITE/GREEN | 6 |
| 2 | ORANGE | 7 |
| 1 | WHITE/ORANGE | 8 |

ORDERING INFORMATION:

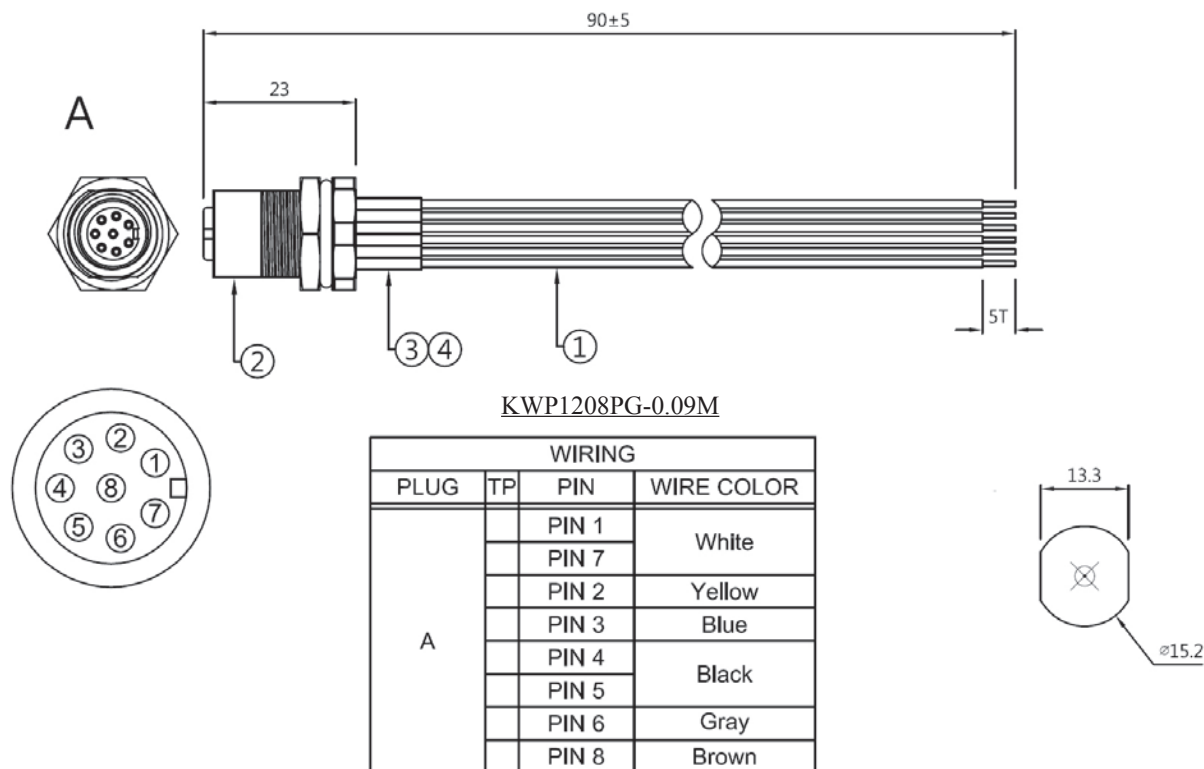
P/N **KWP** $\frac{1}{1}$ $\frac{2}{2}$ $\frac{x}{x}$ **HS** - $\frac{0.15}{3}$ **M**

- CONNECTOR LOCKING SYSTEM:
"12" SCREW M12*1.0
- NO.OF CONTACTS:
03, 04, 05, 08
- LENGTH IN METERS:
0.15, 0.3, 1, 2, ...etc

WATERPROOF M12 PANEL FRONT MOUNT JACK TO TINNED END WIREHARNES CABLE

*RoHS & REACH compliant.

Unit: mm



ORDERING INFORMATION:

P/N **KWP** 12 xx **PG** - xx **M**

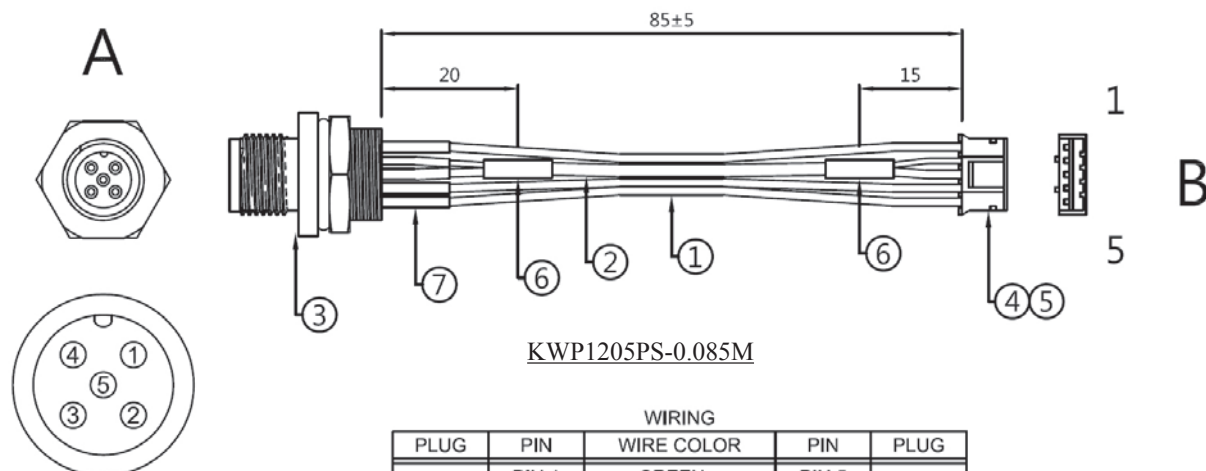
1 2 3

1. CONNECTOR LOCKING SYSTEM:
"12" SCREW M12*1.0
2. NO. OF CONTACTS:
02, 03, 04, 05, 06, 07, 08
3. LENGTH IN METERS:
0.15, 0.3, 1, 2 ...etc

WATERPROOF M12 PANEL REAR MOUNT JACK TO 2.00MM PITCH HOUSING WIREHARNES CABLE

*RoHS & REACH compliant.

Unit: mm



KWP1205PS-0.085M

WIRING

| PLUG | PIN | WIRE COLOR | PIN | PLUG |
|------|-------|------------|-------|------|
| A | PIN 1 | GREEN | PIN 5 | B |
| | PIN 2 | 1533 | PIN 2 | |
| | PIN 3 | YELLOW | PIN 4 | |
| | PIN 4 | RED | PIN 1 | |
| | PIN 5 | 1533 | PIN 3 | |

ORDERING INFORMATION:

P/N **KWP** $\frac{12}{1}$ $\frac{xx}{2}$ **PS** - $\frac{xx}{3}$ **M**

1. CONNECTOR LOCKING SYSTEM:

"12" SCREW M12*1.0

2. NO. OF CONTACTS:

02, 03, 04, 05, 06, 07, 08

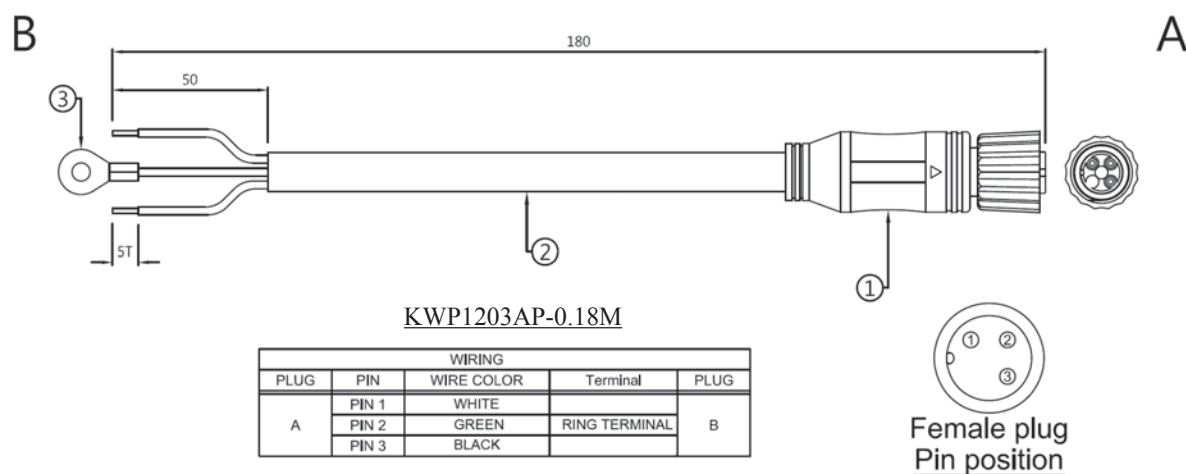
3. LENGTH IN METERS:

0.15, 0.3, 1, 2 ...etc

WATERPROOF M12 ALL PLASTIC CABLE JACK TO RING TERMINAL & TINNED END CABLE ASSEMBLY

*RoHS & REACH compliant.

Unit: mm



ORDERING INFORMATION:

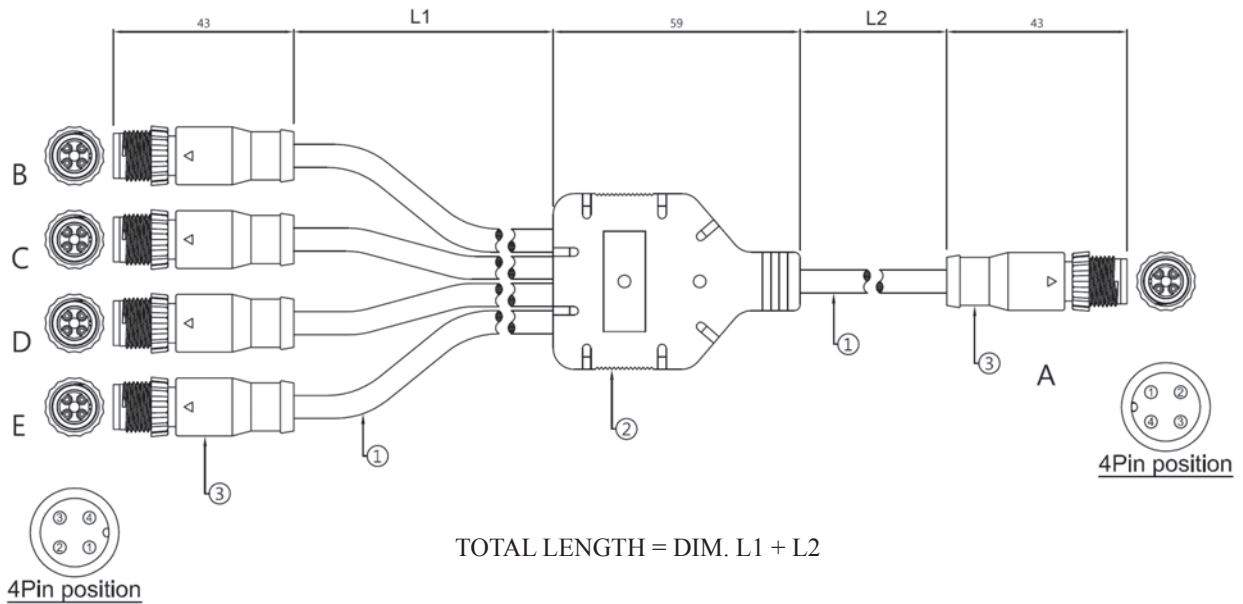
P/N KWP $\frac{1}{1}$ $\frac{2}{2}$ $\frac{xx}{xx}$ AP - $\frac{xx}{3}$ M

1. CONNECTOR LOCKING SYSTEM:
"12" SCREW M12*1.0
2. NO. OF CONTACTS:
02, 03, 04, 05, 06, 07, 08
3. LENGTH IN METERS:
0.15, 0.3, 1, 2 ...etc

WATERPROOF M12 ALL PLASTIC PLUG TO 4 x ALL PLASTIC PLUGS UL2464 AWG20/4C CABLE ASSEMBLY

*RoHS & REACH compliant.

Unit: mm



ORDERING INFORMATION:

P/N K W P $\frac{1}{1}$ $\frac{2}{2}$ $\frac{x}{x}$ M P - $\frac{x}{3}$ $\frac{x}{4}$ M $\frac{x}{x}$

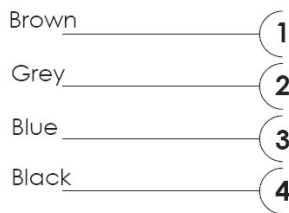
1. CONNECTOR LOCKING SYSTEM:
"12" SCREW M12*1.0
2. NO. OF CONTACTS:
02, 03, 04, 05, 06, 07, 08
3. TOTAL LENGTH IN METERS:
0.15, 0.3, 1, 2 ...etc
4. CODE OF LENGTH:
A, B, C, D, ...etc.

NOTE1: TOTAL LENGTH = DIM. L1 + DIM. L2

NOTE2: PLEASE GIVE US DIM. L1 + DIM. L2 WHEN INQUIRY!

WATERPROOF M22 4~5 PIN CABLE ASSEMBLES (1)

Contact assignment :

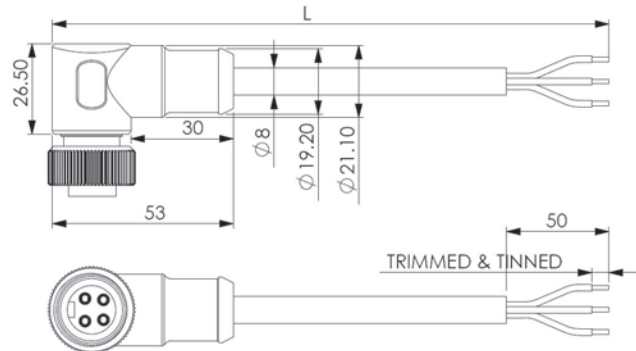
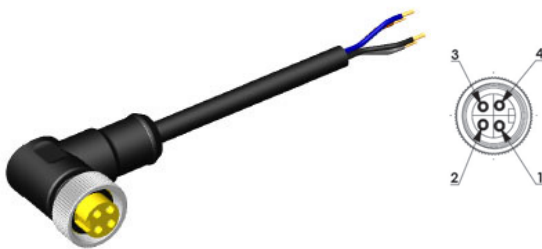


SPECIFICATIONS

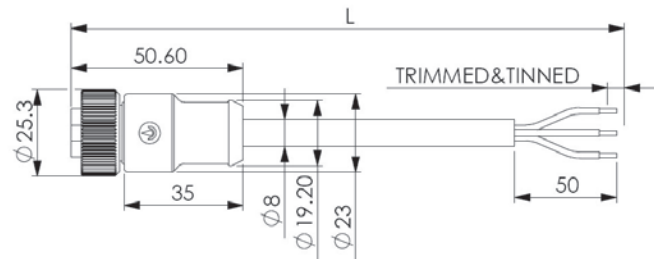
Connector locking system: screw 7/8"-16UN
 Termination: solder
 Wire gauge: AWG 16
 Cable outlet: 8.0mm
 Degree of protection: IP68
 Mechanical operation: >100 mating cycles
 Upper temperature: +80°C
 Lower temperature: -25°C
 Rated voltage: 300V
 Rated current(40°C): 9A
 Contact resistance: ≤3mΩ

MATERIALS

Contact: Brass
 Contact plating: Nickel 50μ / Gold 10μ
 Housing: PBT+30%GF
 Coupling nut: Brass, Nickel plated
 Moulding body: PU
 All materials must be RoHS compliant.
 Unit: mm



KWP2204GT-UxxM



KWP2204FT-UxxM

ORDERING INFORMATION:

P/N **KWP** $\frac{22}{1}$ $\frac{xx}{2}$ $\frac{xx}{3}$ $\frac{xx}{4}$ - $\frac{U}{5}$ $\frac{xx}{6}$ **M**

1. CONNECTOR LOCKING SYSTEM:
"22" SCREW 7/8"-16UN
2. NO. OF CONTACTS:
04, 05
3. CONNECTOR AT CABLE END &
4. CONNECTOR AT ANOTHER END:
"F" STRAIGHT WATER TIGHT JACK
"G" RIGHT ANGLE WATER TIGHT JACK
"T" TRIMMED & TINNED
5. CABLE BODY MATERIAL:
"U" PU

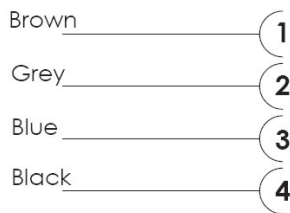
6. CABLE LENGTH (UNIT: M)
1M, 2M, 3M, 5M...etc.

*AVAILABLE CABLE ASSEMBLIES:

- (1) KWP22xxGF-UxxM
- (2) KWP22xxGT-UxxM
- (3) KWP22xxFT-UxxM
- (4) KWP22xxGG-UxxM
- (5) KWP22xxFF-UxxM

WATERPROOF M22 4~5 PIN CABLE ASSEMBLES (2)

Contact assignment :

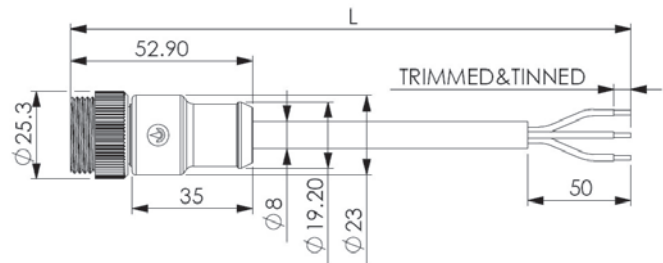
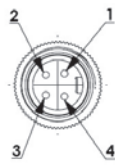


SPECIFICATIONS

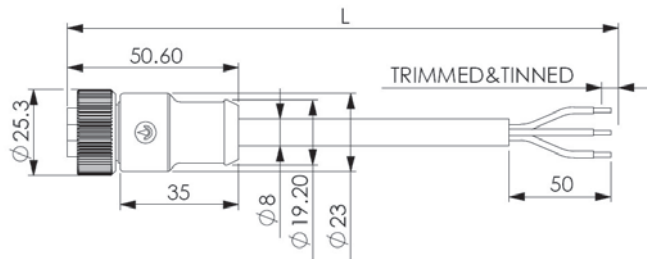
Connector locking system: screw 7/8"-16UN
 Termination: solder
 Wire gauge: AWG 16
 Cable outlet: 8.0mm
 Degree of protection: IP68
 Mechanical operation: >100 mating cycles
 Upper temperature: +80°C
 Lower temperature: -25°C
 Rated voltage: 300V
 Rated current(40°C): 9A
 Contact resistance: ≤3mΩ

MATERIALS

Contact: Brass
 Contact plating: Nickel 50μ / Gold 10μ
 Housing: PBT+30%GF
 Coupling nut: Brass, Nickel plated
 Moulding body: PU
 All materials must be RoHS compliant.
 Unit: mm



KWP2204MT-UxxM



KWP2204FT-UxxM

ORDERING INFORMATION:

P/N **KWP** $\frac{2}{1}$ $\frac{2}{2}$ $\frac{x}{3}$ $\frac{x}{4}$ - $\frac{U}{5}$ $\frac{x}{6}$ $\frac{x}{6}$ **M**

1. CONNECTOR LOCKING SYSTEM:
"22" SCREW 7/8"-16UN
2. NO. OF CONTACTS:
04, 05
3. CONNECTOR AT CABLE END &
4. CONNECTOR AT ANOTHER END:
"F" STRAIGHT WATER TIGHT JACK
"M" STRAIGHT WATER TIGHT PLUG
"T" TRIMMED & TINNED
5. CABLE BODY MATERIAL:
"U" PU

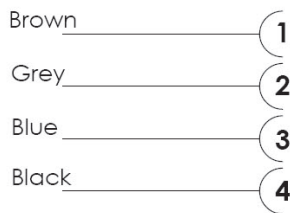
6. CABLE LENGTH (UNIT: M)
1M, 2M, 3M, 5M...etc.

*AVAILABLE CABLE ASSEMBLIES:

- (1) KWP22xxMF-UxxM
- (2) KWP22xxMT-UxxM
- (3) KWP22xxFT-UxxM
- (4) KWP22xxMM-UxxM
- (5) KWP22xxFF-UxxM

WATERPROOF M22 4~5 PIN CABLE ASSEMBLIES (3)

Contact assignment :

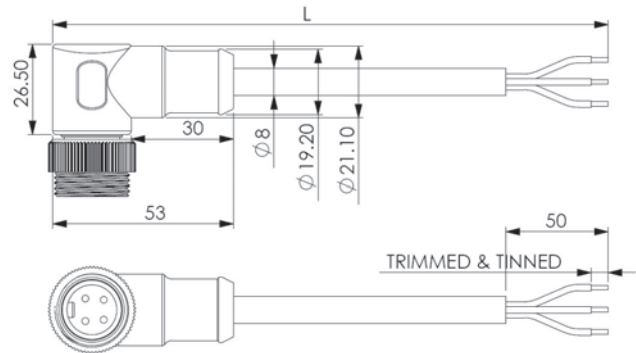
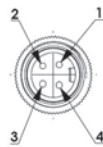


SPECIFICATIONS

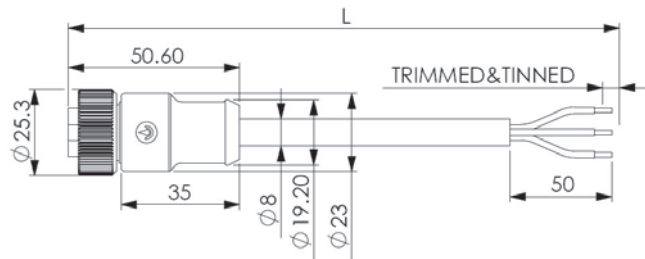
Connector locking system: screw 7/8"-16UN
 Termination: solder
 Wire gauge: AWG 16
 Cable outlet: 8.0mm
 Degree of protection: IP68
 Mechanical operation: >100 mating cycles
 Upper temperature: +80°C
 Lower temperature: -25°C
 Rated voltage: 300V
 Rated current(40°C): 9A
 Contact resistance: ≤3mΩ

MATERIALS

Contact: Brass
 Contact plating: Nickel 50μ / Gold 10μ
 Housing: PBT+30%GF
 Coupling nut: Brass, Nickel plated
 Moulding body: PU
 All materials must be RoHS compliant.
 Unit: mm



KWP2204NT-UxxM



KWP2204FT-UxxM

ORDERING INFORMATION:

P/N **KWP** $\frac{2}{1}$ $\frac{2}{2}$ $\frac{x}{3}$ $\frac{x}{4}$ $\frac{x}{5}$ - $\frac{U}{6}$ $\frac{x}{x}$ $\frac{M}{M}$

- CONNECTOR LOCKING SYSTEM:
"22" SCREW 7/8"-16UN
- NO. OF CONTACTS:
04, 05
- CONNECTOR AT CABLE END &
- CONNECTOR AT ANOTHER END:
"F" STRAIGHT WATER TIGHT JACK
"N" RIGHT ANGLE WATER TIGHT PLUG
"T" TRIMMED & TINNED
- CABLE BODY MATERIAL:
"U" PU

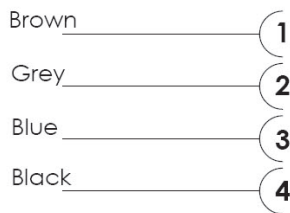
- CABLE LENGTH (UNIT: M)
1M, 2M, 3M, 5M...etc.

*AVAILABLE CABLE ASSEMBLIES:

- KWP22xxNF-UxxM
- KWP22xxNT-UxxM
- KWP22xxFT-UxxM
- KWP22xxNN-UxxM
- KWP22xxFF-UxxM

WATERPROOF M22 4~5 PIN CABLE ASSEMBLES (4)

Contact assignment :

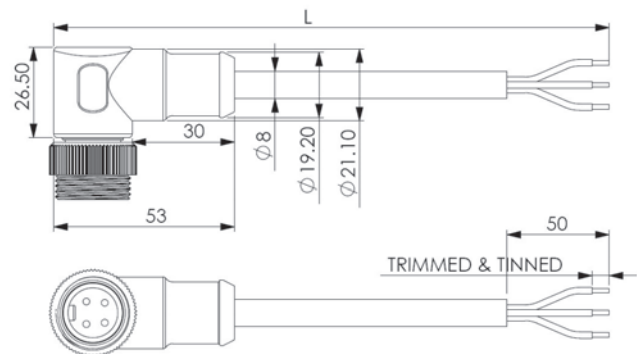
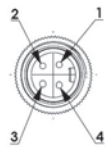


SPECIFICATIONS

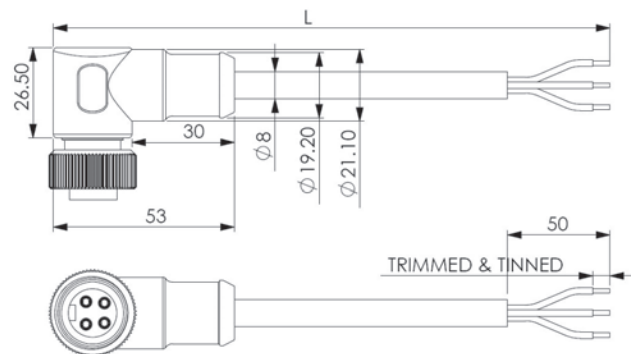
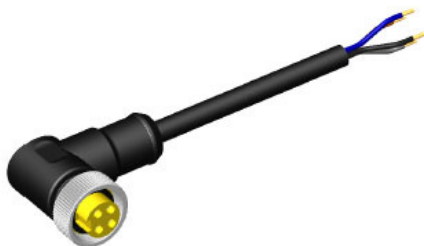
Connector locking system: screw 7/8"-16UN
 Termination: solder
 Wire gauge: AWG 16
 Cable outlet: 8.0mm
 Degree of protection: IP68
 Mechanical operation: >100 mating cycles
 Upper temperature: +80°C
 Lower temperature: -25°C
 Rated voltage: 300V
 Rated current(40°C): 9A
 Contact resistance: ≤3mΩ

MATERIALS

Contact: Brass
 Contact plating: Nickel 50μ / Gold 10μ
 Housing: PBT+30%GF
 Coupling nut: Brass, Nickel plated
 Moulding body: PU
 All materials must be RoHS compliant.
 Unit: mm



KWP2204NT-UxxM



KWP2204GT-UxxM

ORDERING INFORMATION:

P/N **KWP** $\frac{22}{1}$ $\frac{xx}{2}$ $\frac{xx}{3}$ $\frac{xx}{4}$ - $\frac{U}{5}$ $\frac{xx}{6}$ **M**

- CONNECTOR LOCKING SYSTEM:
"22" SCREW 7/8"-16UN
- NO. OF CONTACTS:
04, 05
- CONNECTOR AT CABLE END &
- CONNECTOR AT ANOTHER END:
"G" RIGHT ANGLE WATER TIGHT JACK
"N" RIGHT ANGLE WATER TIGHT PLUG
"T" TRIMMED & TINNED
- CABLE BODY MATERIAL:
"U" PU

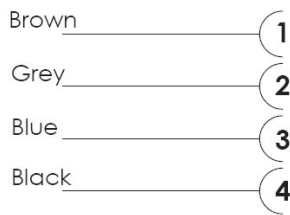
- CABLE LENGTH (UNIT: M)
1M, 2M, 3M, 5M...etc.

*AVAILABLE CABLE ASSEMBLIES:

- KWP22xxNG-UxxM
- KWP22xxNT-UxxM
- KWP22xxGT-UxxM
- KWP22xxNN-UxxM
- KWP22xxGG-UxxM

WATERPROOF M22 4~5 PIN CABLE ASSEMBLES (5)

Contact assignment :

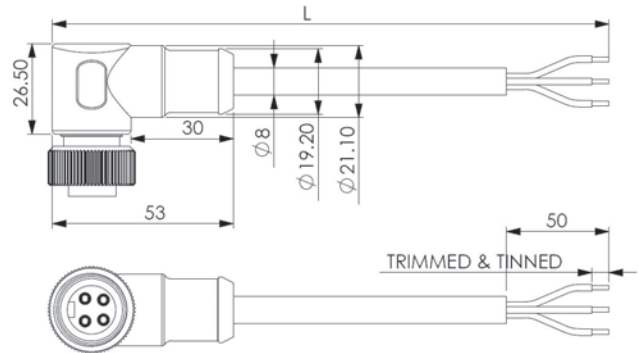
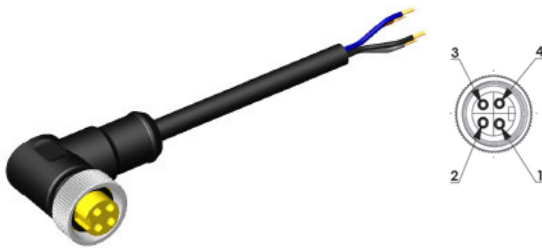


SPECIFICATIONS

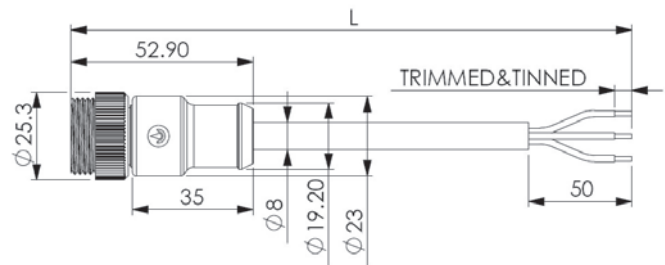
Connector locking system: screw 7/8"-16UN
 Termination: solder
 Wire gauge: AWG 16
 Cable outlet: 8.0mm
 Degree of protection: IP68
 Mechanical operation: >100 mating cycles
 Upper temperature: +80°C
 Lower temperature: -25°C
 Rated voltage: 300V
 Rated current(40°C): 9A
 Contact resistance: ≤3mΩ

MATERIALS

Contact: Brass
 Contact plating: Nickel 50μ / Gold 10μ
 Housing: PBT+30%GF
 Coupling nut: Brass, Nickel plated
 Moulding body: PU
 All materials must be RoHS compliant.
 Unit: mm



KWP2204GT-UxxM



KWP2204MT-UxxM

ORDERING INFORMATION:

P/N **KWP** $\frac{22}{1}$ $\frac{xx}{2}$ $\frac{xx}{3}$ $\frac{xx}{4}$ - $\frac{U}{5}$ $\frac{xx}{6}$ **M**

1. CONNECTOR LOCKING SYSTEM:
"22" SCREW 7/8"-16UN
2. NO. OF CONTACTS:
04, 05
3. CONNECTOR AT CABLE END &
4. CONNECTOR AT ANOTHER END:
"M" STRAIGHT WATER TIGHT PLUG
"G" RIGHT ANGLE WATER TIGHT JACK
"T" TRIMMED & TINNED
5. CABLE BODY MATERIAL:
"U" PU

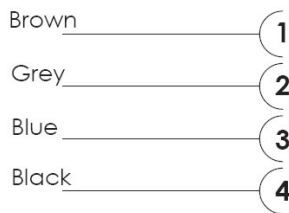
6. CABLE LENGTH (UNIT: M)
1M, 2M, 3M, 5M...etc.

*AVAILABLE CABLE ASSEMBLIES:

- (1) KWP22xxGM-UxxM
- (2) KWP22xxGT-UxxM
- (3) KWP22xxMT-UxxM
- (4) KWP22xxGG-UxxM
- (5) KWP22xxMM-UxxM

WATERPROOF M22 4~5 PIN CABLE ASSEMBLES (6)

Contact assignment :

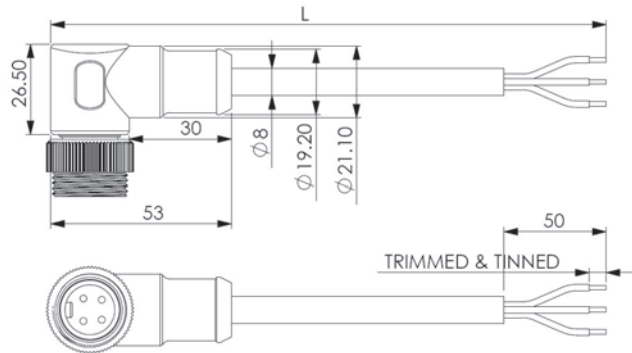
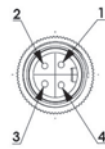


SPECIFICATIONS

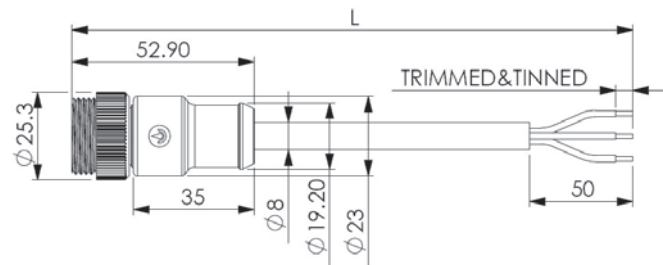
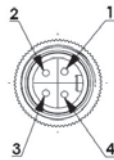
Connector locking system: screw 7/8"-16UN
 Termination: solder
 Wire gauge: AWG 16
 Cable outlet: 8.0mm
 Degree of protection: IP68
 Mechanical operation: >100 mating cycles
 Upper temperature: +80°C
 Lower temperature: -25°C
 Rated voltage: 300V
 Rated current(40°C): 9A
 Contact resistance: ≤3mΩ

MATERIALS

Contact: Brass
 Contact plating: Nickel 50μ / Gold 10μ
 Housing: PBT+30%GF
 Coupling nut: Brass, Nickel plated
 Moulding body: PU
 All materials must be RoHS compliant.
 Unit: mm



KWP2204NT-UxxM



KWP2204MT-UxxM

ORDERING INFORMATION:

P/N **KWP** $\frac{22}{1}$ $\frac{xx}{2}$ $\frac{xx}{3}$ $\frac{xx}{4}$ - $\frac{U}{5}$ $\frac{xx}{6}$ **M**

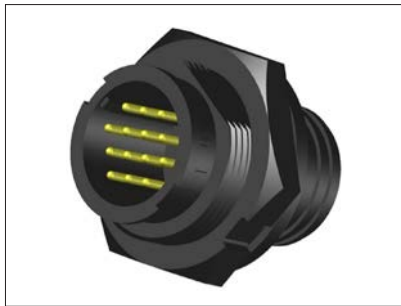
1. CONNECTOR LOCKING SYSTEM:
"22" SCREW 7/8"-16UN
2. NO. OF CONTACTS:
04, 05
3. CONNECTOR AT CABLE END &
4. CONNECTOR AT ANOTHER END:
"M" STRAIGHT WATER TIGHT PLUG
"N" RIGHT ANGLE WATER TIGHT PLUG
"T" TRIMMED & TINNED END
5. CABLE BODY MATERIAL:
"U" PU

6. CABLE LENGTH (UNIT: M)
1M, 2M, 3M, 5M...etc.

*AVAILABLE CABLE ASSEMBLIES:

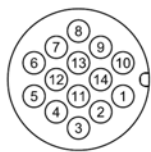
- (1) KWP22xxNM-UxxM
- (2) KWP22xxNT-UxxM
- (3) KWP22xxMT-UxxM
- (4) KWP22xxNN-UxxM
- (5) KWP22xxMM-UxxM

WATERPROOF IP68 & 5A RATED CIRCULAR TYPE C 14 PIN PLUG ALL PLASTIC CABLE ASSEMBLY TYPE

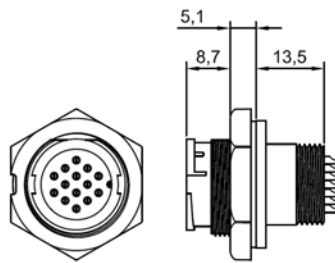


MATERIALS

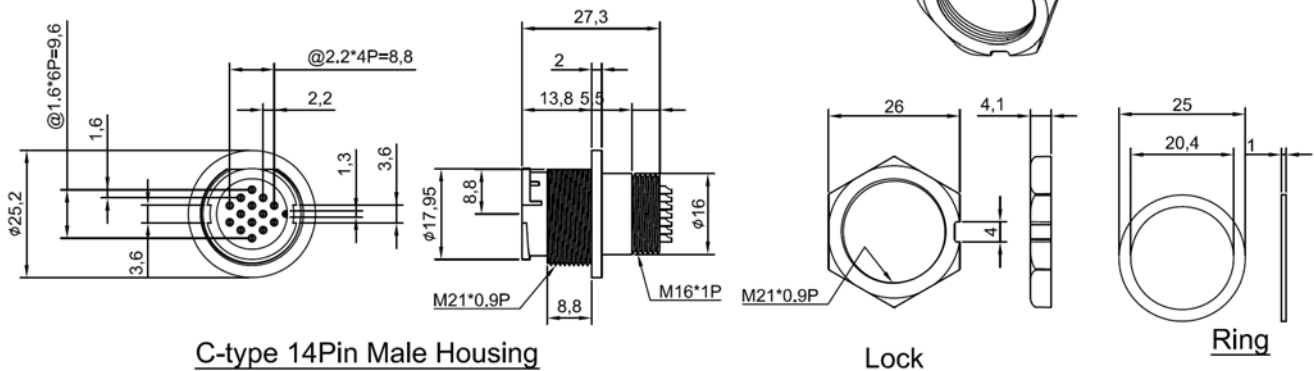
Contact: Brass, gold plated 3u inch
Connector body: PA66+25%GF, Black
PA Lock: PA66+25%GF, Black
Ring: NBR, Black
Current Rating: 5A
Waterproof Rating: IP67 and IP68
*** RoHS & REACH compliant.**
Unit: mm



Pin position



Assembly



ORDERING INFORMATION:

P/N W P C T C M - 14 A R
 1 2 3 4

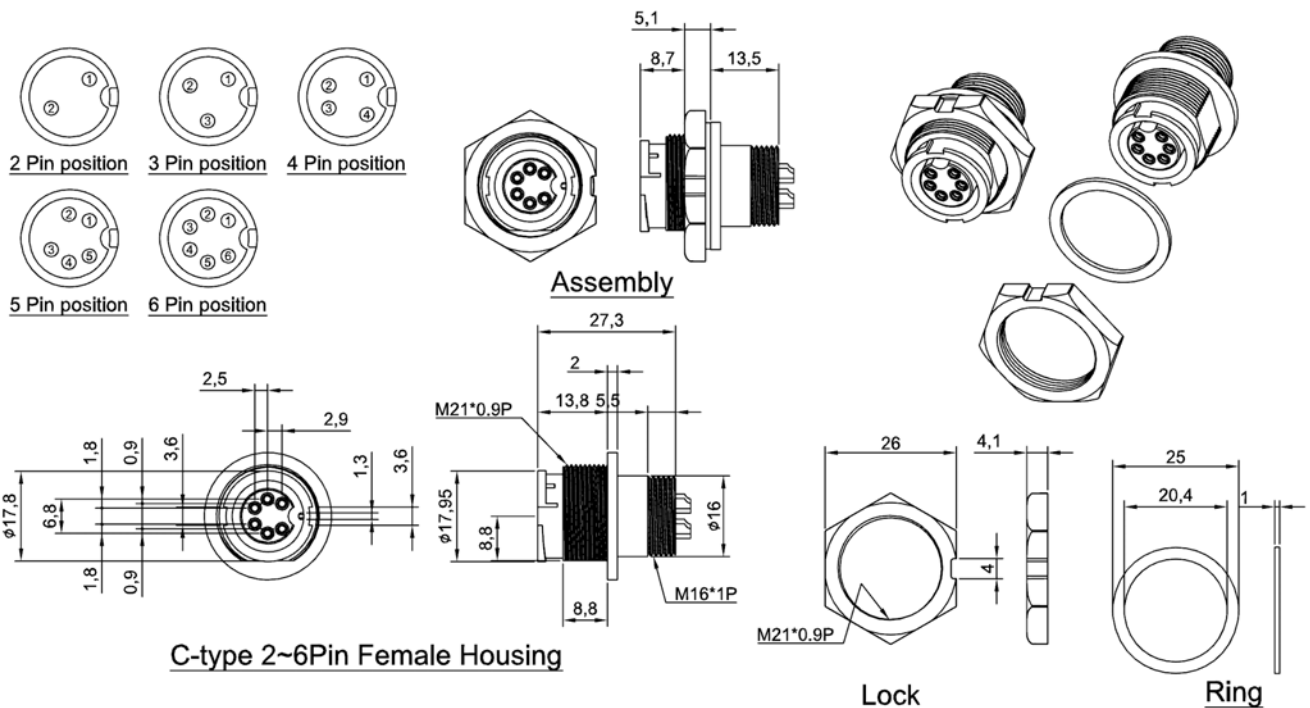
1. CONNECTOR LOCKING SYSTEM:
"TC" CIRCULAR TYPE C
2. CONNECTOR TYPE:
"M" MALE (PLUG)
3. NO. OF CONTACTS:
14
4. APPLICABLE TYPE:
"AR" 5A RATED CABLE ASSEMBLY TYPE

WATERPROOF IP68 & 10A RATED CIRCULAR TYPE C 2~6 PIN JACK ALL PLASTIC CABLE ASSEMBLY TYPE



MATERIALS

Contact: Brass, gold plated 3u inch
Connector body: PA66+25%GF, Black
PA Lock: PA66+25%GF, Black
Ring: NBR, Black
Current Rating: 10A
Waterproof Rating: IP67 and IP68
 * RoHS & REACH compliant.
Unit: mm



ORDERING INFORMATION:

P/N W P C $\frac{TC}{1}$ $\frac{F}{2}$ - $\frac{xx}{3}$ $\frac{AS}{4}$

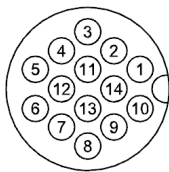
1. CONNECTOR LOCKING SYSTEM:
"TC" CIRCULAR TYPE C
2. CONNECTOR TYPE:
"F" FEMALE (JACK)
3. NO. OF CONTACTS:
02, 03, 04, 05, 06
4. APPLICABLE TYPE:
"AS" 10A RATED CABLE ASSEMBLY TYPE

WATERPROOF IP68 & 5A RATED CIRCULAR TYPE C 14 PIN JACK ALL PLASTIC CABLE ASSEMBLY TYPE

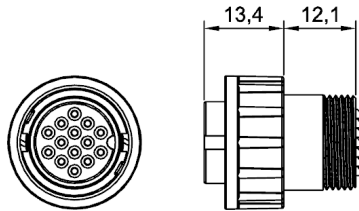


MATERIALS

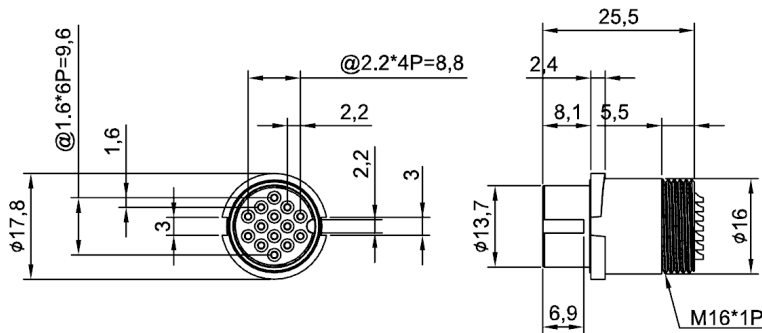
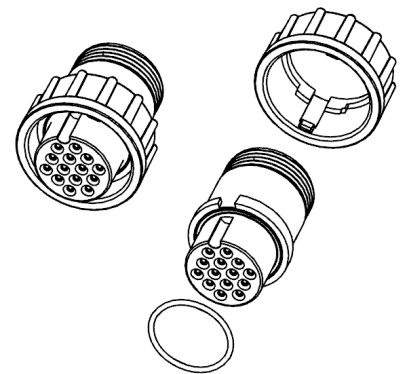
Contact: Brass, gold plated 3u inch
Connector body: PA66+25%GF, Black
PA Lock: PA66+25%GF, Black
Ring: NBR, Black
Current Rating: 5A
Waterproof Rating: IP67 and IP68
 * RoHS & REACH compliant.
Unit: mm



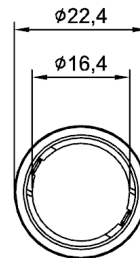
Pin position



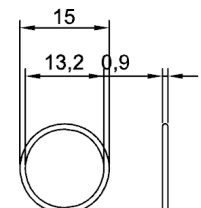
Assembly



C-type 14Pin Female Housing



Lock



Ring

ORDERING INFORMATION:

P/N W P C 1 2 3 4 T C F - 14 A R

1. CONNECTOR LOCKING SYSTEM:
"TC" CIRCULAR TYPE C
2. CONNECTOR TYPE:
"F" FEMALE (JACK)
3. NO. OF CONTACTS:
14
4. APPLICABLE TYPE:
"AR" 5 A RATED CABLE ASSEMBLY TYPE