

CAT. AV-B-2 (INDEX)

DESCRIPTION

RCA (CINCH) CONNECTORS

PAGE NO.

RCA JACK STRAIGHT TYPE-----	B4001~B4007
RCA JACK RIGHT ANGLE TYPE-----	B4051~B4071
DUAL PORT RCA JACK-----	B4101~B4120
TRIPLE PORT RCA JACK-----	B4151~B4171
QUAD PORT RCA JACK-----	B4201~B4221
SIX PORT RCA JACK-----	B4251~B4262
EIGHT PORT RCA JACK-----	B4301~B4305
SOLDERLESS RCA PLUG GOLD PLATED-----	B4400
RCA CABLE PLUG-----	B4401~B4408
RCA CABLE JACK & SOCKET-----	B4421~B4426
RCA ADAPTER-----	B4441~B4445

OTHER AV CONNECTORS

CABLE SHOE-----	B4601~B4607
BINDING POST-----	B4651~B4655
CONNECTION PIN, POST & CABLE PIN-----	B4751
PAL (EUROPEAN) & BNC PLUG / JACK-----	B4801~B4802
F PLUG & ADAPTER-----	B4851
1 TO 2 & 1 TO 4 CABLE STOPPER-----	B4861~B4862

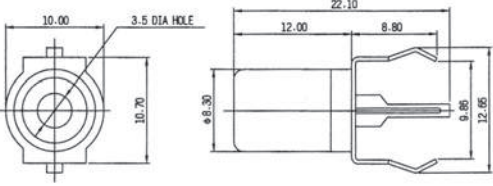
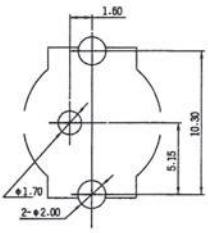

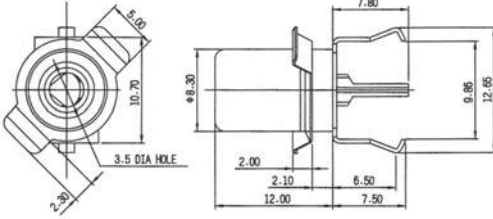
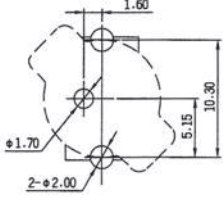
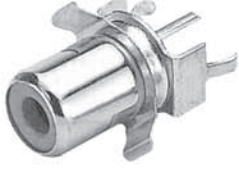
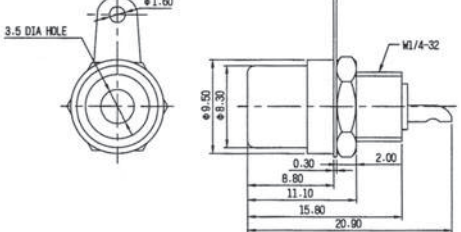
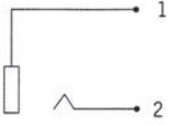
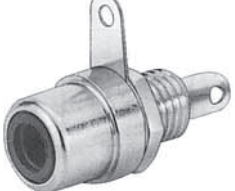
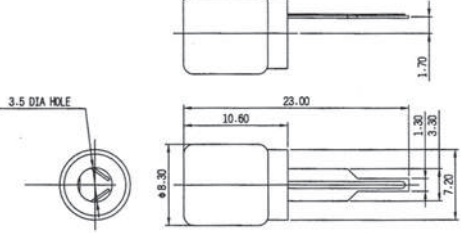

XLR & MIC CONNECTORS

XLR 3 & 5 PIN CONNECTORS-----	B7501~B7513
MIC CONNECTORS & ADAPTERS-----	B7551~B7554

***TECHNICAL ALTERATIONS ARE SUBJECT TO CHANGE WITHOUT NOTICE.**

***ALL ARTICLES ARE RoHS & REACH/SVHC COMPLIANT.**

RCA JACK STRAIGHT TYPE (1)

P/N	Dimension (m/m)	Pin Hole Layout (Jack Bottom View)	
7701**-06			 <p data-bbox="1235 555 1378 589">7701**-06</p>
7701**-39			 <p data-bbox="1235 831 1378 864">7701**-39</p>
7701**-07		<p data-bbox="874 880 1118 913">Schematic Code</p> 	 <p data-bbox="1235 1104 1378 1137">7701**-07</p>
7701**-08			 <p data-bbox="1235 1361 1378 1395">7701**-08</p>

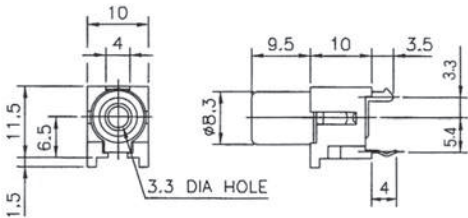
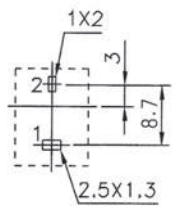
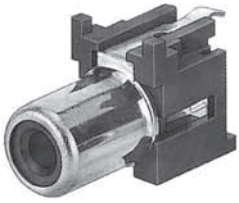
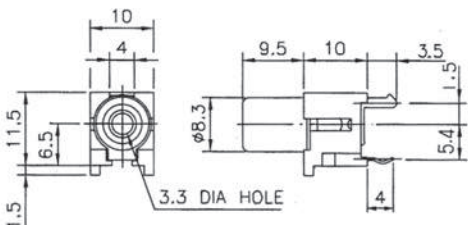
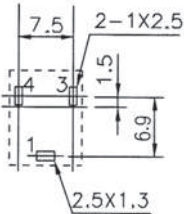

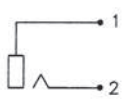
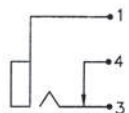
ORDERING INFORMATION:

P/N 7701 $\frac{xx}{12} - \frac{xx}{3} \frac{xx}{4} \frac{xx}{5} \frac{xx}{6}$

1. TERMINAL FINISH:
"T" TIN PLATED (STANDARD)
"G" GOLD FLASH PLATED
2. BUSHING FINISH:
"N" NICKEL PLATED (STANDARD)
"G" GOLD FLASH PLATED
3. JACK CODE:
06, 39, 07, 08 (SEE DRAWING !)
"06" W/O GROUNDING PLATE
"39" WITH GROUNDING PLATE

4. SCHEMATIC CODE:
"U" ONLY
5. SHELL FINISH:
"T" TIN PLATED (STANDARD)
"G" GOLD FLASH PLATED
6. INSULATOR COLOR OPTION:
"B" BLACK "A" GRAY
"R" RED "O" ORANGE
"W" WHITE "C" BROWN
"Y" YELLOW
"U" BLUE
"N" GREEN

RCA JACK STRAIGHT TYPE (2)

P/N	Dimension (m/m)	Pin Hole Layout (Jack Bottom View)	
7701**-33			 <p style="text-align: center;">7701**-33</p>
7701**-34			 <p style="text-align: center;">7701**-34</p>
Schematic Code			
 <p style="text-align: center;">U</p>			
	V		

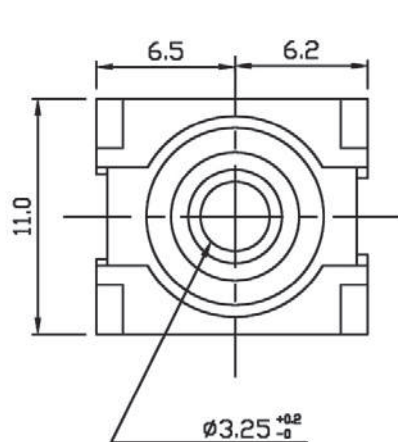
ORDERING INFORMATION:

P/N 7701 $\begin{matrix} \text{xx} \\ \text{12} \end{matrix}$ - $\begin{matrix} \text{xx} \\ \text{3} \end{matrix}$ $\begin{matrix} \text{xx} \\ \text{456} \end{matrix}$

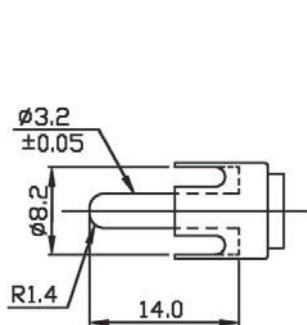
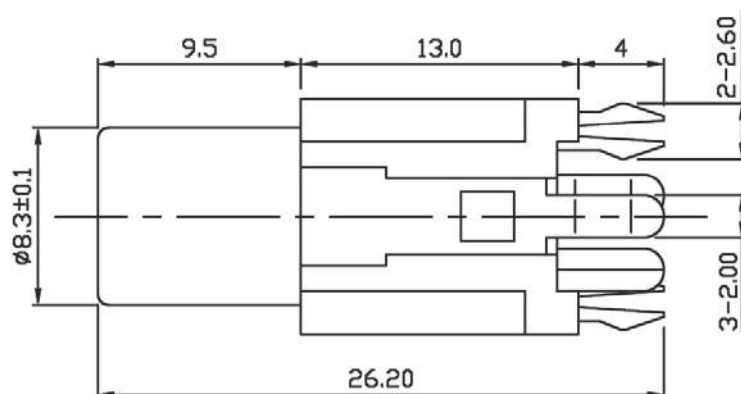
1. TERMINAL FINISH:
"S" SILVER PLATED (STANDARD)
"G" GOLD FLASH PLATED
2. BUSHING FINISH:
"N" NICKEL PLATED (STANDARD)
"G" GOLD FLASH PLATED
3. JACK CODE:
"33" SCHEMATIC U ONLY
"34" SCHEMATIC V ONLY

4. SCHEMATIC CODE:
V, U
5. SHELL FINISH:
"0" PLASTIC SHELL
6. INSULATOR COLOR OPTION:
"B" BLACK "A" GRAY
"R" RED "O" ORANGE
"W" WHITE "C" BROWN
"Y" YELLOW
"U" BLUE
"N" GREEN

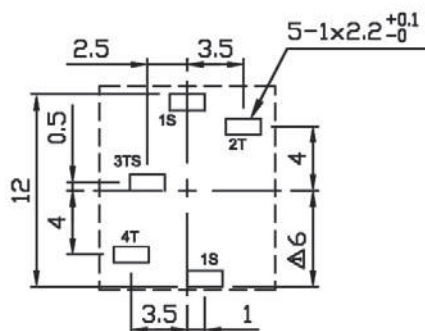
RCA JACK STRAIGHT TYPE (3)



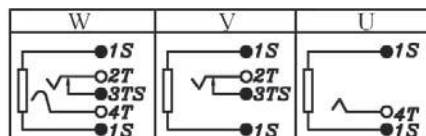
P/N 7701xx-69Wx



MATING PLUG



Recommended P.C.Board Layout



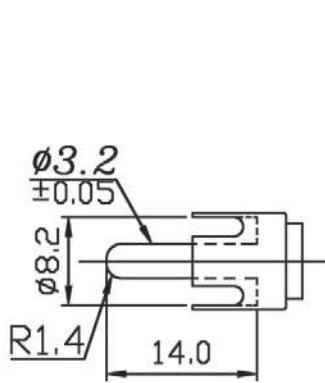
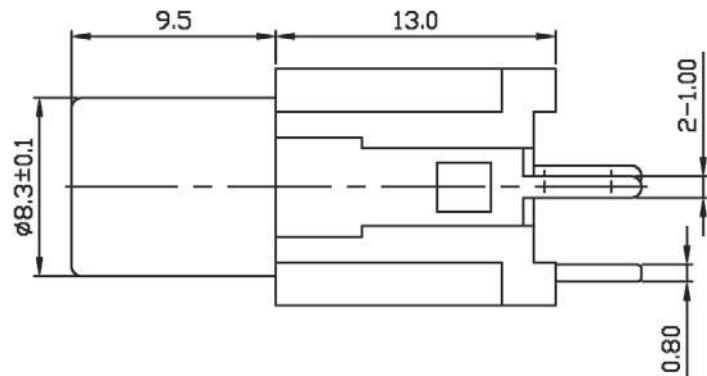
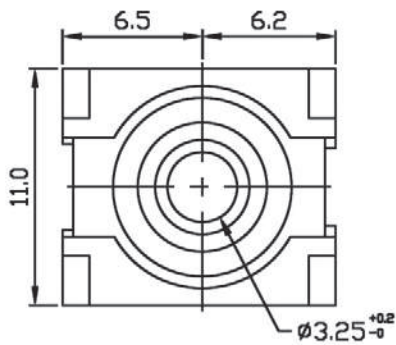
ORDERING INFORMATION:

P/N 7701 $\frac{xx}{12} - \frac{69}{345} \frac{xx}{x}$

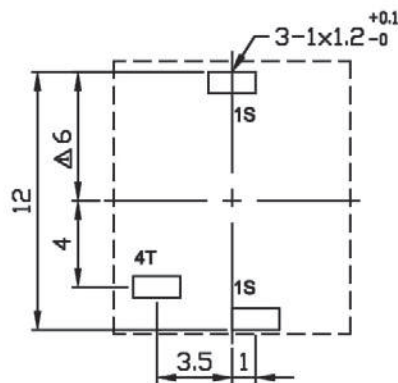
1. TERMINAL FINISH:
"T" TIN PLATED (STANDARD)
"G" GOLD FLASH PLATED
2. BUSHING FINISH:
"N" NICKEL PLATED (STANDARD)
"G" GOLD FLASH PLATED
3. JACK CODE:
69 (SEE DRAWING !)

4. SCHEMATIC CODE:
U, V, W
5. INSULATOR COLORS:
"B" BLACK "O" ORANGE
"R" RED
"W" WHITE
"Y" YELLOW
"U" BLUE
"N" GREEN

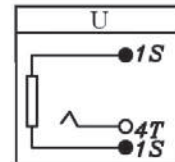
RCA JACK STRAIGHT TYPE (4)



MATING PLUG



Recommended P.C. Board Layout



ORDERING INFORMATION:

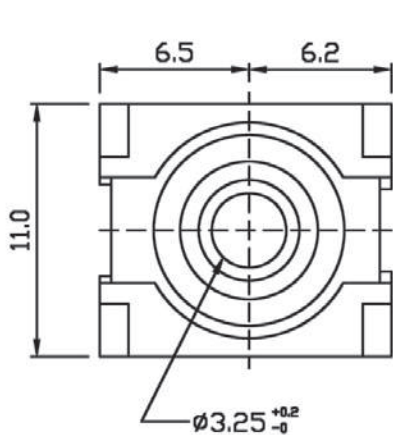
P/N 7701 $\frac{x}{1} \frac{x}{2} - \frac{70}{3} \frac{U}{4} \frac{x}{5}$

1. TERMINAL FINISH:
"T" TIN PLATED (STANDARD)
"G" GOLD FLASH PLATED
2. BUSHING FINISH:
"N" NICKEL PLATED (STANDARD)
"G" GOLD FLASH PLATED
3. JACK CODE:
70 (SEE DRAWING !)

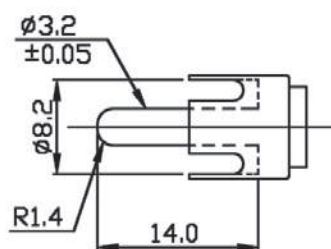
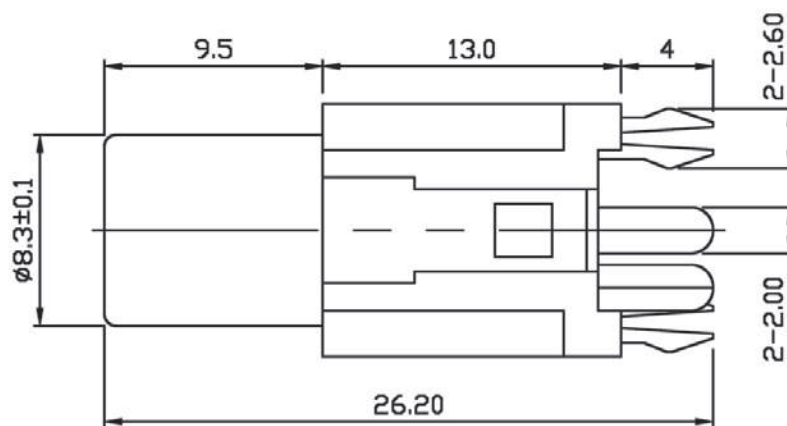
4. SCHEMATIC CODE:
U

5. INSULATOR COLORS:
"B" BLACK "O" ORANGE
"R" RED
"W" WHITE
"Y" YELLOW
"U" BLUE
"N" GREEN

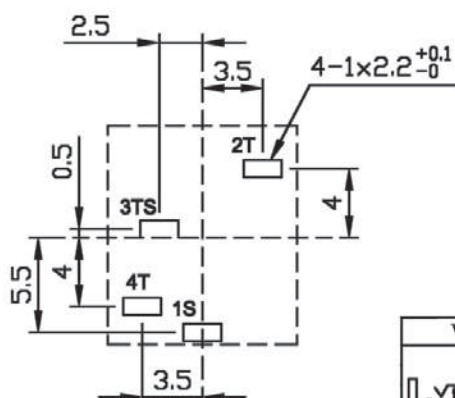
RCA JACK STRAIGHT TYPE (5)



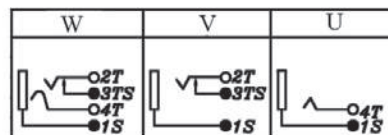
P/N 7701xx-61Wx



MATING PLUG



Recommended P.C. Board Layout



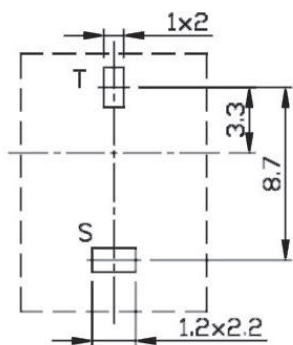
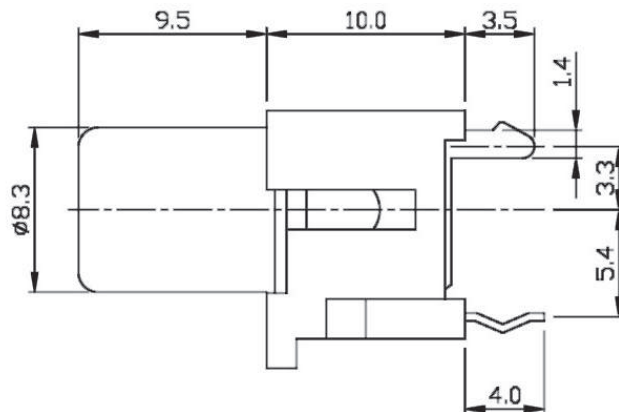
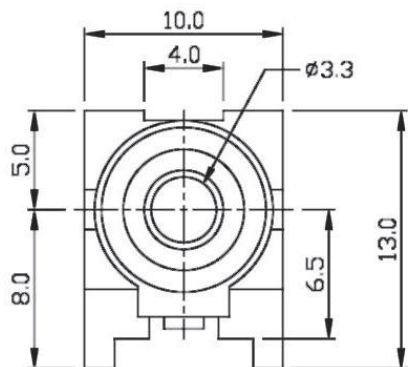
ORDERING INFORMATION:

P/N 7701 $\frac{xx}{12} - \frac{61xx}{345}$

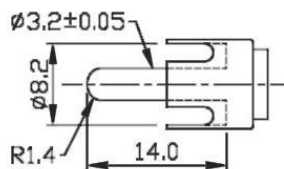
1. TERMINAL FINISH:
"T" TIN PLATED (STANDARD)
"G" GOLD FLASH PLATED
2. BUSHING FINISH:
"N" NICKEL PLATED (STANDARD)
"G" GOLD FLASH PLATED
3. JACK CODE:
61 (SEE DRAWING !)

4. SCHEMATIC CODE:
U, V, W
5. INSULATOR COLORS:
"B" BLACK "O" ORANGE
"R" RED
"W" WHITE
"Y" YELLOW
"U" BLUE
"N" GREEN

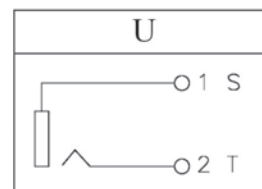
RCA JACK STRAIGHT TYPE (6)



Recommended P.C.Board Layout



MATING PLUG



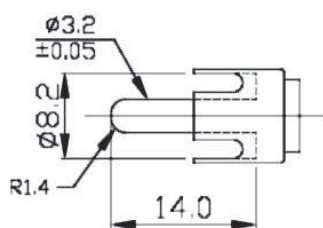
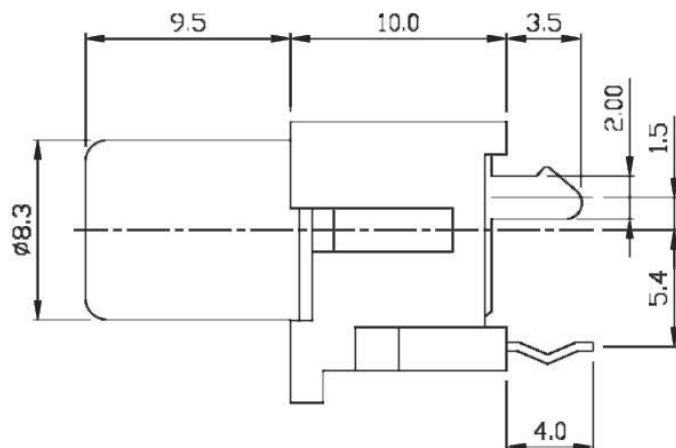
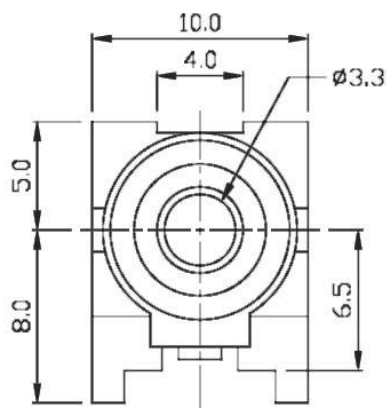
ORDERING INFORMATION:

P/N 7701 $\frac{x}{1} \frac{x}{2} - \frac{65}{3} \frac{U}{4} \frac{x}{5}$

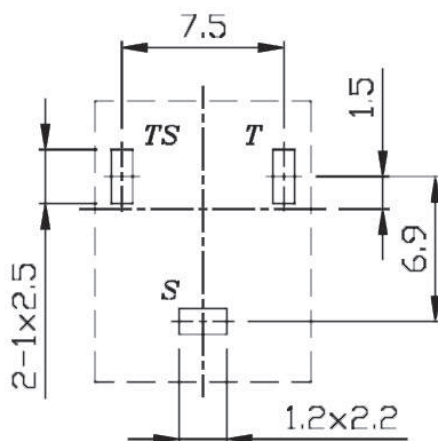
1. TERMINAL FINISH:
"T" TIN PLATED (STANDARD)
"G" GOLD FLASH PLATED
2. BUSHING FINISH:
"N" NICKEL PLATED (STANDARD)
"G" GOLD FLASH PLATED
3. JACK CODE:
65 (SEE DRAWING !)

4. SCHEMATIC CODE:
U
5. INSULATOR COLORS:
"B" BLACK "O" ORANGE
"R" RED
"W" WHITE
"Y" YELLOW
"U" BLUE
"N" GREEN

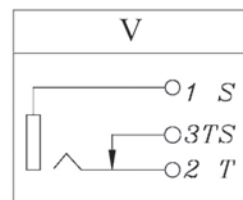
RCA JACK STRAIGHT TYPE (7)



MATING PLUG



Recommended P.C.Board Layout



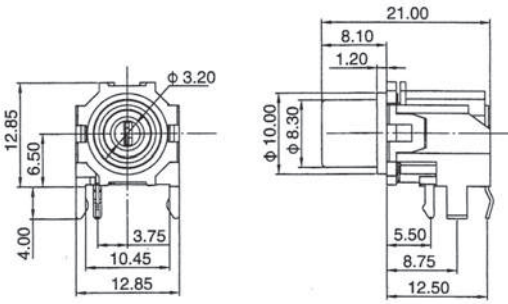
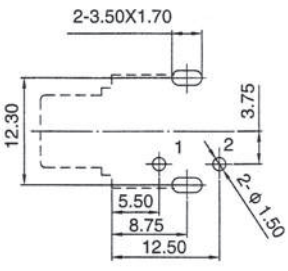

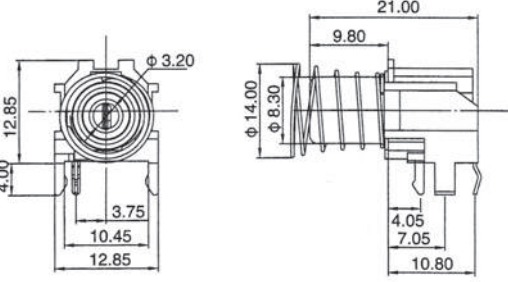
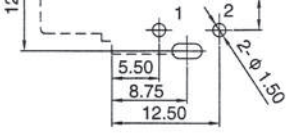
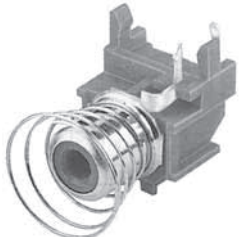
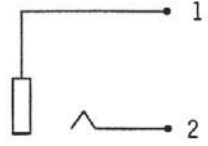
ORDERING INFORMATION:

P/N 7701 $\frac{x}{1} \frac{x}{2} - \frac{65}{3} \frac{V}{4} \frac{x}{5}$

1. TERMINAL FINISH:
"T" TIN PLATED (STANDARD)
"G" GOLD FLASH PLATED
2. BUSHING FINISH:
"N" NICKEL PLATED (STANDARD)
"G" GOLD FLASH PLATED
3. JACK CODE:
65 (SEE DRAWING !)

4. SCHEMATIC CODE:
V
5. INSULATOR COLORS:
"B" BLACK "O" ORANGE
"R" RED
"W" WHITE
"Y" YELLOW
"U" BLUE
"N" GREEN

RCA JACK RIGHT ANGLE TYPE (1)

P/N	Dimension (m/m)	Pin Hole Layout (Jack Bottom View)	
7701**-46			 7701**-46
7701**-47			 7701**-47
Schematic Code			
			
U			

ORDERING INFORMATION:

P/N 7701 $\begin{matrix} \text{xx} \\ \text{1} \end{matrix} - \begin{matrix} \text{xx} \\ \text{2} \end{matrix} \begin{matrix} \text{xx} \\ \text{3} \end{matrix} \begin{matrix} \text{xx} \\ \text{4} \end{matrix} \begin{matrix} \text{xx} \\ \text{5} \end{matrix} \begin{matrix} \text{xx} \\ \text{6} \end{matrix}$

- | | |
|---|---|
| <ol style="list-style-type: none"> 1. TERMINAL FINISH:
"S" SILVER PLATED (STANDARD)
"G" GOLD FLASH PLATED 2. BUSHING FINISH:
"N" NICKEL PLATED (STANDARD)
"G" GOLD FLASH PLATED 3. JACK CODE:
46, 47 (SEE DRAWING !) | <ol style="list-style-type: none"> 4. SCHEMATIC CODE:
"U" ONLY 5. SHELL FINISH:
"0" PLASTIC SHELL 6. INSULATOR COLOR OPTION:
"B" BLACK "A" GRAY
"R" RED "O" ORANGE
"W" WHITE "C" BROWN
"Y" YELLOW
"U" BLUE
"N" GREEN |
|---|---|

RCA JACK RIGHT ANGLE TYPE (2)

P/N	Dimension (m/m)	Pin Hole Layout (Jack Bottom View)	
7701**-01			
7701**-38			
7701**-02			
Schematic Code			
U			

ORDERING INFORMATION:

P/N 7701 $\frac{xx}{12} - \frac{xxxx}{3456}$

1. TERMINAL FINISH:
"T" TIN PLATED (STANDARD)
"G" GOLD FLASH PLATED
2. BUSHING FINISH:
"N" NICKEL PLATED (STANDARD)
"G" GOLD FLASH PLATED
3. JACK CODE:
01, 38, 02 (SEE DRAWING !)

4. SCHEMATIC CODE:
"U" ONLY
5. SHELL FINISH:
"T" TIN PLATED (STANDARD)
"G" GOLD FLASH PLATED
6. INSULATOR COLOR OPTION:
"B" BLACK "A" GRAY
"R" RED "O" ORANGE
"W" WHITE "C" BROWN
"Y" YELLOW
"U" BLUE
"N" GREEN

RCA JACK RIGHT ANGLE TYPE (3)

P/N	Dimension (m/m)	Pin Hole Layout (Jack Bottom View)	
7701**-03			<p>7701**-03</p>
7701**-04			<p>7701**-04</p>
7701**-05			<p>7701**-05</p>
Schematic Code			
U			

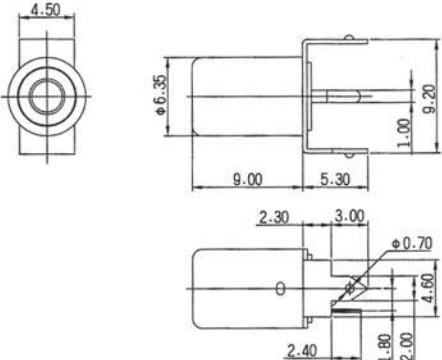
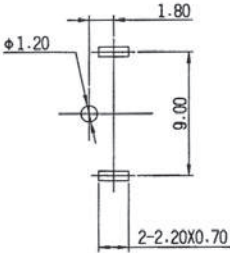

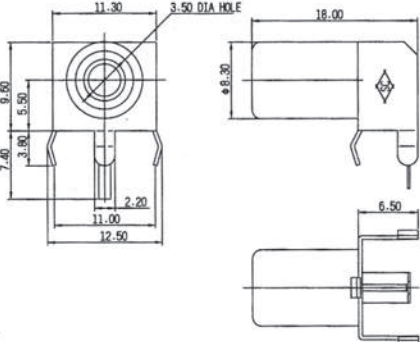
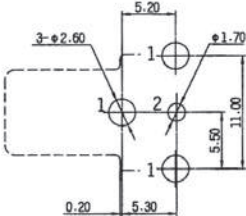
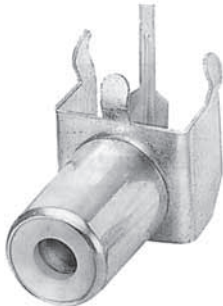
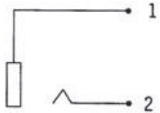
ORDERING INFORMATION:

P/N 7701 $\begin{matrix} \text{xx} \\ \text{1} \end{matrix}$ - $\begin{matrix} \text{xx} \\ \text{2} \end{matrix}$ $\begin{matrix} \text{xx} \\ \text{3} \end{matrix}$ $\begin{matrix} \text{xx} \\ \text{4} \end{matrix}$ $\begin{matrix} \text{xx} \\ \text{5} \end{matrix}$ $\begin{matrix} \text{xx} \\ \text{6} \end{matrix}$

- TERMINAL FINISH:
"T" TIN PLATED (STANDARD)
"G" GOLD FLASH PLATED
- BUSHING FINISH:
"N" NICKEL PLATED (STANDARD)
"G" GOLD FLASH PLATED
- JACK CODE:
03, 04, 05 (SEE DRAWING !)

- SCHEMATIC CODE:
"U" ONLY
- SHELL FINISH:
"T" TIN PLATED (STANDARD)
"G" GOLD FLASH PLATED
- INSULATOR COLOR OPTION:
"B" BLACK "A" GRAY
"R" RED "O" ORANGE
"W" WHITE "C" BROWN
"Y" YELLOW
"U" BLUE
"N" GREEN

RCA JACK RIGHT ANGLE TYPE (4)

P/N	Dimension (m/m)	Pin Hole Layout (Jack Bottom View)	
7701**-10			 <p data-bbox="1225 663 1366 694">7701**-10</p>
7701**-40			 <p data-bbox="1225 1057 1366 1088">7701**-40</p>
Schematic Code			
			
U			

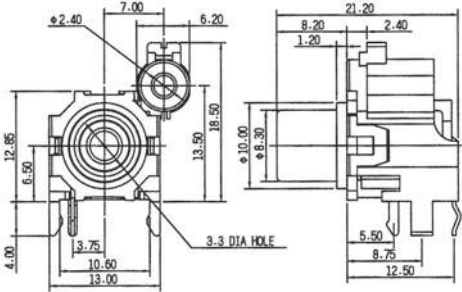
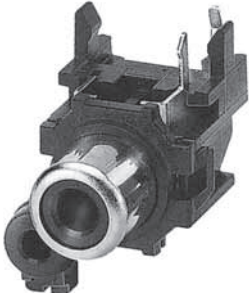
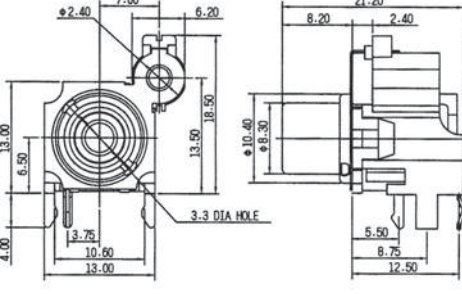
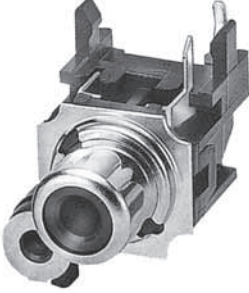
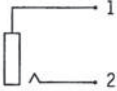
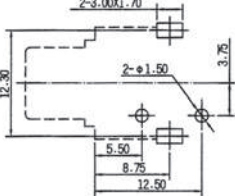
ORDERING INFORMATION:

P/N 7701 $\frac{xx}{12} - \frac{xxx}{3} \frac{xxx}{456}$

1. TERMINAL FINISH:
"T" TIN PLATED (STANDARD)
"G" GOLD FLASH PLATED
2. BUSHING FINISH:
"N" NICKEL PLATED (STANDARD)
"G" GOLD FLASH PLATED
3. JACK CODE:
10, 40 (SEE DRAWING !)

4. SCHEMATIC CODE:
"U" ONLY
5. SHELL FINISH:
"T" TIN PLATED (STANDARD)
"G" GOLD FLASH PLATED
6. INSULATOR COLOR OPTION:
"B" BLACK "A" GRAY
"R" RED "O" ORANGE
"W" WHITE "C" BROWN
"Y" YELLOW
"U" BLUE
"N" GREEN

RCA JACK RIGHT ANGLE TYPE (5)

P/N	Dimension (m/m)	
7701**-41		 <p data-bbox="1235 678 1374 712">7701**-41</p>
7701**-42		 <p data-bbox="1235 1055 1374 1088">7701**-42</p>
Schematic Code	Pin Hole Layout (Jack Bottom View)	
		
U		

ORDERING INFORMATION:

P/N 7701 $\begin{matrix} \text{X} & \text{X} & - & \text{X} & \text{X} & \text{X} & \text{X} & \text{X} \\ \text{1} & \text{2} & & \text{3} & \text{4} & \text{5} & \text{6} \end{matrix}$

- | | |
|---|---|
| <ol style="list-style-type: none"> 1. TERMINAL FINISH:
"S" SILVER PLATED (STANDARD)
"G" GOLD FLASH PLATED 2. BUSHING FINISH:
"N" NICKEL PLATED (STANDARD)
"G" GOLD FLASH PLATED 3. JACK CODE:
41, 42 (SEE DRAWING !) | <ol style="list-style-type: none"> 4. SCHEMATIC CODE:
"U" ONLY 5. SEALING SHELL FINISH:
"N" NICKEL PLATED (STANDARD)
"G" GOLD FLASH PLATED 6. INSULATOR COLOR OPTION:
"B" BLACK "A" GRAY
"R" RED "O" ORANGE
"W" WHITE "C" BROWN
"Y" YELLOW
"U" BLUE
"N" GREEN |
|---|---|

RCA JACK RIGHT ANGLE TYPE (6)

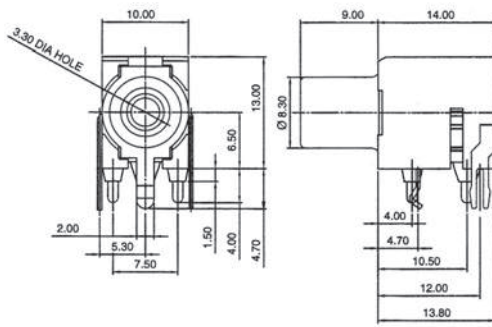
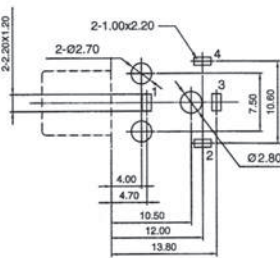
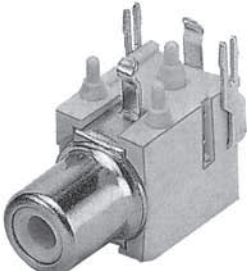
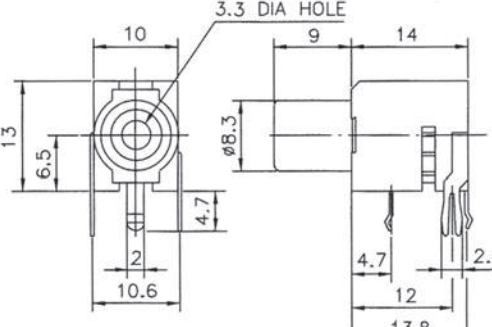
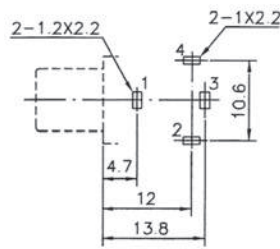
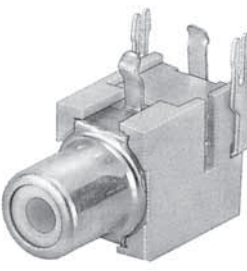
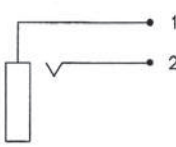
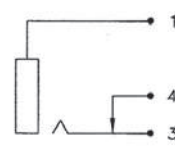
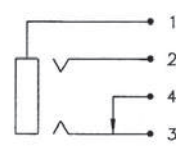
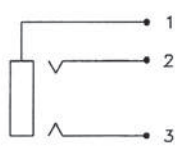
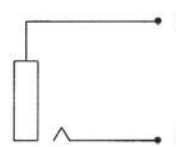
P/N	Dimension (m/m)	Pin Hole Layout (Jack Bottom View)	
7701**-43			<p style="text-align: center;">7701**-43</p>
7701**-44			<p style="text-align: center;">7701**-44</p>
Schematic Code			
U			

ORDERING INFORMATION:

P/N 7701 $\frac{xx}{12} - \frac{xxxx}{3456}$

- | | |
|--|---|
| <ol style="list-style-type: none"> 1. TERMINAL FINISH:
"S" SILVER PLATED (STANDARD)
"G" GOLD FLASH PLATED 2. BUSHING FINISH:
"N" NICKEL PLATED (STANDARD)
"G" GOLD FLASH PLATED 3. JACK CODE:
"43" STANDARD
"44" WITH SHORT GROUNDING PIN | <ol style="list-style-type: none"> 4. SCHEMATIC CODE:
"U" ONLY 5. GROUNDING FINISH:
"N" NICKEL PLATED (STANDARD)
"G" GOLD FLASH PLATED 6. INSULATOR COLOR OPTION:
"B" BLACK "A" GRAY
"R" RED "O" ORANGE
"W" WHITE "C" BROWN
"Y" YELLOW
"U" BLUE
"N" GREEN |
|--|---|

RCA JACK RIGHT ANGLE TYPE (7)

P/N	Dimension (m/m)	Pin Hole Layout (Jack Bottom View)		
7701**-11			 <p style="text-align: center;"><u>7701**-11</u></p>	
7701**-16			 <p style="text-align: center;"><u>7701**-16</u></p>	
Schematic Code				
				
U	V	W	X	Y

ORDERING INFORMATION:

P/N 7701 $\frac{xx}{12} - \frac{xxx}{3} \frac{xxx}{456}$

1. TERMINAL FINISH:

"S" SILVER PLATED (STANDARD)
"G" GOLD FLASH PLATED

2. BUSHING FINISH:

"N" NICKEL PLATED (STANDARD)
"G" GOLD FLASH PLATED

3. JACK CODE:

11, 16 (SEE DRAWING !)

4. SCHEMATIC CODE:

U, V, W, X, Y

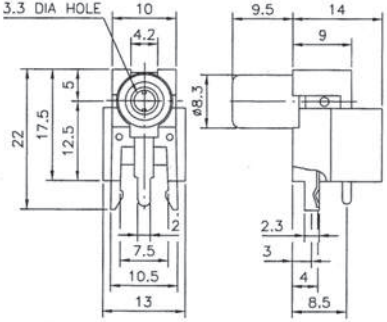
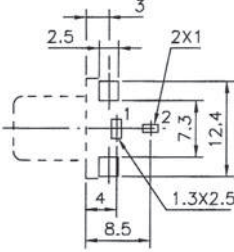
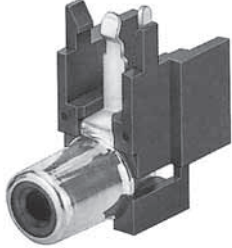
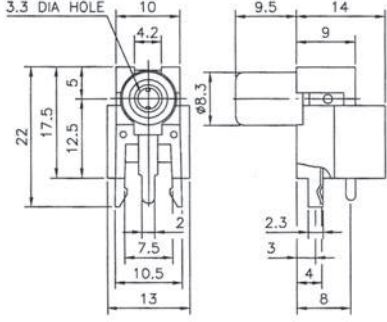
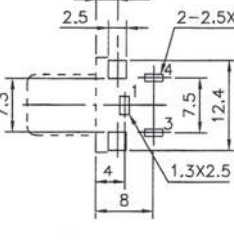
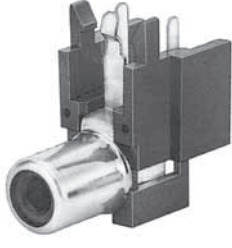
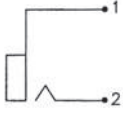

5. SHELL FINISH:

"0" PLASTIC SHELL

6. INSULATOR COLOR OPTION:

"B" BLACK "A" GRAY
"R" RED "O" ORANGE
"W" WHITE "C" BROWN
"Y" YELLOW
"U" BLUE
"N" GREEN

RCA JACK RIGHT ANGLE TYPE (8)

P/N	Dimension (m/m)	Pin Hole Layout (Jack Bottom View)	
7701**-21			 <p style="text-align: center;">7701**-21</p>
7701**-22			 <p style="text-align: center;">7701**-22</p>
Schematic Code			
			
U	V		

ORDERING INFORMATION:

P/N 7701 $\begin{matrix} \text{xx} \\ \text{12} \end{matrix}$ - $\begin{matrix} \text{xx} \\ \text{3} \end{matrix}$ $\begin{matrix} \text{xx} \\ \text{456} \end{matrix}$

1. TERMINAL FINISH:

- "S" SILVER PLATED (STANDARD)
- "G" GOLD FLASH PLATED

2. BUSHING FINISH:

- "N" NICKEL PLATED (STANDARD)
- "G" GOLD FLASH PLATED

3. JACK CODE:

- "21" SCHEMATIC U ONLY
- "22" SCHEMATIC V ONLY

4. SCHEMATIC CODE:

U, V

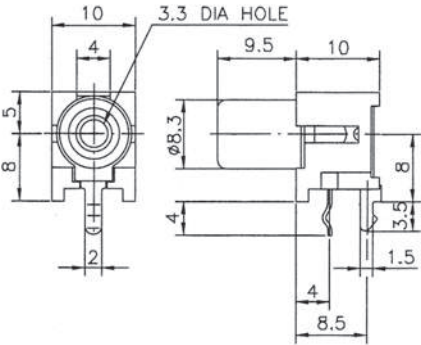
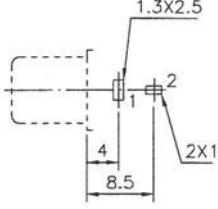
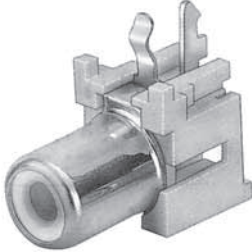
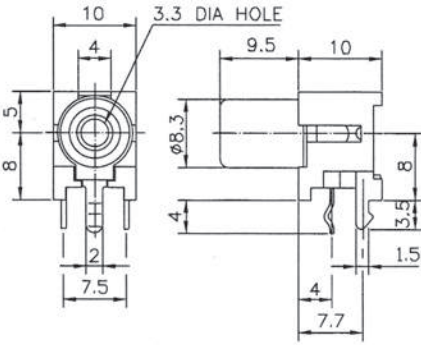
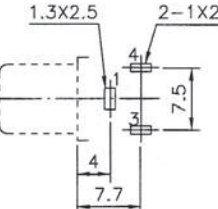
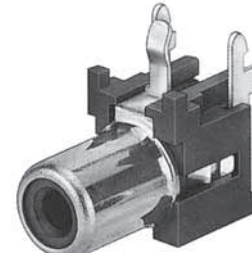
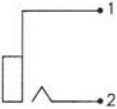
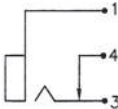
5. SHELL FINISH:

"0" PLASTIC SHELL

6. INSULATOR COLOR OPTION:

- "B" BLACK "A" GRAY
- "R" RED "O" ORANGE
- "W" WHITE "C" BROWN
- "Y" YELLOW
- "U" BLUE
- "N" GREEN

RCA JACK RIGHT ANGLE TYPE (9)

P/N	Dimension (m/m)	Pin Hole Layout (Jack Bottom View)	
7701**-23			 <p data-bbox="1235 685 1374 714">7701**-23</p>
7701**-24			 <p data-bbox="1235 1066 1374 1095">7701**-24</p>
Schematic Code			
			
U	V		

ORDERING INFORMATION:

P/N 7701 $\frac{1}{1}$ $\frac{2}{2}$ - $\frac{3}{3}$ $\frac{4}{4}$ $\frac{5}{5}$ $\frac{6}{6}$

1. TERMINAL FINISH:
"S" SILVER PLATED (STANDARD)
"G" GOLD FLASH PLATED
2. BUSHING FINISH:
"N" NICKEL PLATED (STANDARD)
"G" GOLD FLASH PLATED
3. JACK CODE:
"23" SCHEMATIC U ONLY
"24" SCHEMATIC V ONLY

4. SCHEMATIC CODE:
U, V
5. SHELL FINISH:
"0" PLASTIC SHELL
6. INSULATOR COLOR OPTION:
"B" BLACK "A" GRAY
"R" RED "O" ORANGE
"W" WHITE "C" BROWN
"Y" YELLOW
"U" BLUE
"N" GREEN

RCA JACK RIGHT ANGLE TYPE (10)

P/N	Dimension (m/m)	Pin Hole Layout (Jack Bottom View)	
7701**-25			
7701**-26			
7701**-27			
7701**-28			
Schematic Code			
U		V	

ORDERING INFORMATION:

P/N 7701 $\begin{matrix} \text{xx} \\ \text{12} \end{matrix}$ - $\begin{matrix} \text{xxxx} \\ \text{3456} \end{matrix}$

1. TERMINAL FINISH:
"S" SILVER PLATED (STANDARD)
"G" GOLD FLASH PLATED
2. BUSHING FINISH:
"N" NICKEL PLATED (STANDARD)
"G" GOLD FLASH PLATED
3. JACK CODE:
"25" SCHEMATIC U ONLY
"26" SCHEMATIC V ONLY
"27" SCHEMATIC U ONLY
"28" SCHEMATIC V ONLY

4. SCHEMATIC CODE:
U, V
5. SHELL FINISH:
"0" PLASTIC SHELL
6. INSULATOR COLOR OPTION:
"B" BLACK "A" GRAY
"R" RED "O" ORANGE
"W" WHITE "C" BROWN
"Y" YELLOW
"U" BLUE
"N" GREEN

RCA JACK RIGHT ANGLE TYPE (11)

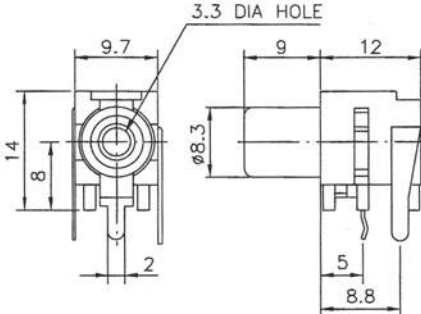
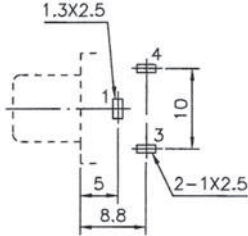

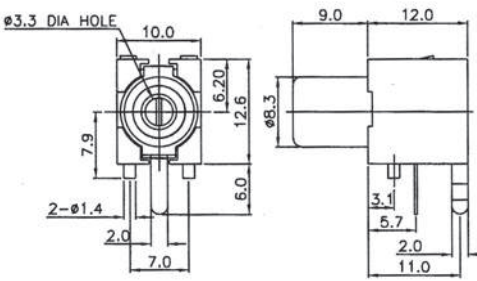
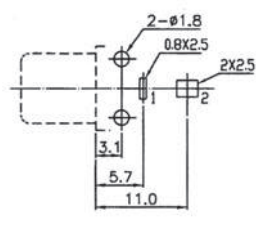

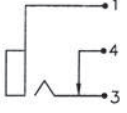
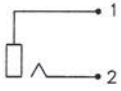
P/N	Dimension (m/m)	Pin Hole Layout (Jack Bottom View)	
7701**-29			 7701**-29
7701**-30			 7701**-30
7701**-31			 7701**-31
7701**-32			 7701**-32
Schematic Code			
U		V	

ORDERING INFORMATION:

P/N 7701 $\begin{matrix} \text{xx} \\ \text{1} \end{matrix}$ - $\begin{matrix} \text{xx} \\ \text{2} \end{matrix}$ $\begin{matrix} \text{xx} \\ \text{3} \end{matrix}$ $\begin{matrix} \text{xx} \\ \text{4} \end{matrix}$ $\begin{matrix} \text{xx} \\ \text{5} \end{matrix}$ $\begin{matrix} \text{xx} \\ \text{6} \end{matrix}$

- TERMINAL FINISH:
"S" SILVER PLATED (STANDARD)
"G" GOLD FLASH PLATED
- BUSHING FINISH:
"N" NICKEL PLATED (STANDARD)
"G" GOLD FLASH PLATED
- JACK CODE:
"29" SCHEMATIC U ONLY
"30" SCHEMATIC V ONLY
"31" SCHEMATIC U ONLY
"32" SCHEMATIC V ONLY
- SCHEMATIC CODE:
U, V
- METAL SHELL FINISH:
"N" NICKEL PLATED (STANDARD)
"T" TIN PLATED
- INSULATOR COLOR OPTION:
"B" BLACK "A" GRAY
"R" RED "O" ORANGE
"W" WHITE "C" BROWN
"Y" YELLOW
"U" BLUE
"N" GREEN

RCA JACK RIGHT ANGLE TYPE (12)

P/N	Dimension (m/m)	Pin Hole Layout (Jack Bottom View)	
7701**-35			 <p style="text-align: center;">7701**-35</p>
7701**-36			 <p style="text-align: center;">7701**-36</p>
Schematic Code			
 <p style="text-align: center;">V</p>	 <p style="text-align: center;">U</p>		

ORDERING INFORMATION:

P/N 7701 $\begin{matrix} \text{xx} \\ \text{12} \end{matrix}$ - $\begin{matrix} \text{xx} \\ \text{3} \end{matrix}$ $\begin{matrix} \text{xx} \\ \text{4} \end{matrix}$ $\begin{matrix} \text{xx} \\ \text{5} \end{matrix}$ $\begin{matrix} \text{xx} \\ \text{6} \end{matrix}$

1. TERMINAL FINISH:
"S" SILVER PLATED (STANDARD)
"G" GOLD FLASH PLATED
2. BUSHING FINISH:
"N" NICKEL PLATED (STANDARD)
"G" GOLD FLASH PLATED
3. JACK CODE:
"35" SCHEMATIC V ONLY
"36" SCHEMATIC U ONLY

4. SCHEMATIC CODE:
V, U
5. SHELL FINISH:
"0" PLASTIC SHELL
6. INSULATOR COLOR OPTION:
"B" BLACK "A" GRAY
"R" RED "O" ORANGE
"W" WHITE "C" BROWN
"Y" YELLOW
"U" BLUE
"N" GREEN

RCA JACK RIGHT ANGLE TYPE (14)

P/N	Dimension (m/m)	Pin Hole Layout (Jack Bottom View)	
7701**-48			
7701**-49			
7701**-50			
7701**-51			
Schematic Code			
U		V	
7701**-51			

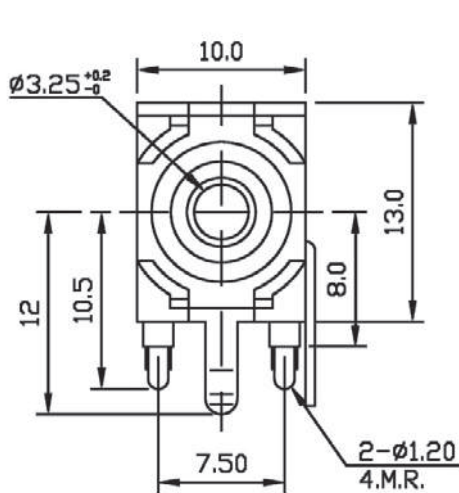
ORDERING INFORMATION:

P/N 7701 $\begin{matrix} \text{xx} \\ \text{12} \end{matrix}$ - $\begin{matrix} \text{xx} \\ \text{3} \end{matrix}$ $\begin{matrix} \text{xx} \\ \text{456} \end{matrix}$

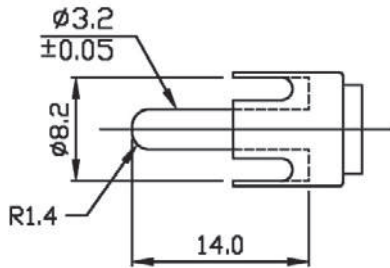
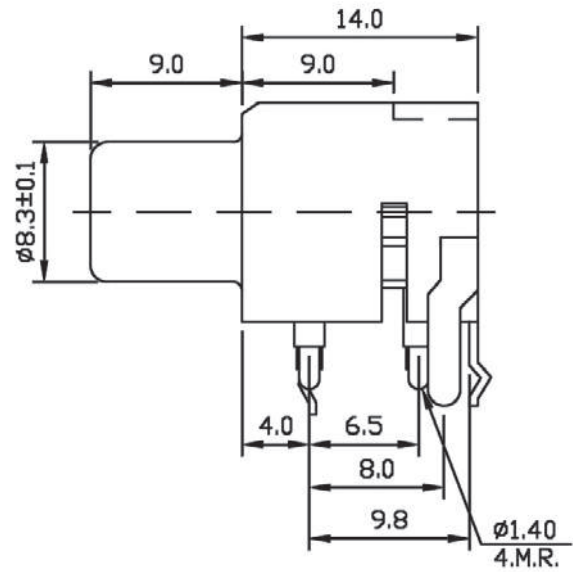
- TERMINAL FINISH:
"S" SILVER PLATED (STANDARD)
"G" GOLD FLASH PLATED
- BUSHING FINISH:
"N" NICKEL PLATED (STANDARD)
"G" GOLD FLASH PLATED
- JACK CODE:
"48" SCHEMATIC U ONLY
"49" SCHEMATIC V ONLY
"50" SCHEMATIC U ONLY
"51" SCHEMATIC V ONLY

- SCHEMATIC CODE:
U, V
- SHELL FINISH:
"0" PLASTIC SHELL
- INSULATOR COLOR OPTION:
"B" BLACK "A" GRAY
"R" RED "O" ORANGE
"W" WHITE "C" BROWN
"Y" YELLOW
"U" BLUE
"N" GREEN

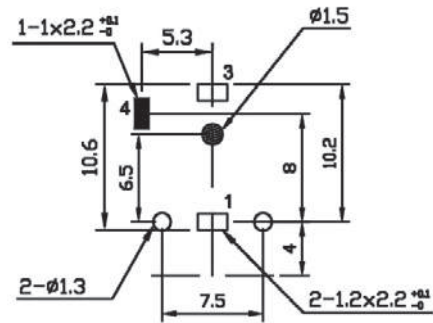
RCA JACK RIGHT ANGLE TYPE (15)



P/N 7701xx-62Vx



MATING PLUG



Recommended P.C. Board Layout

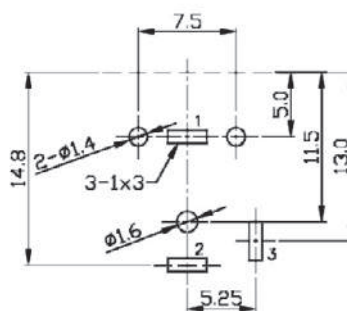
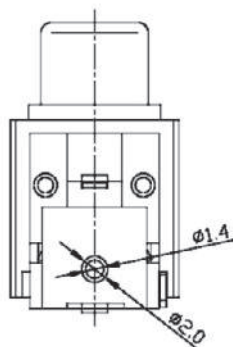
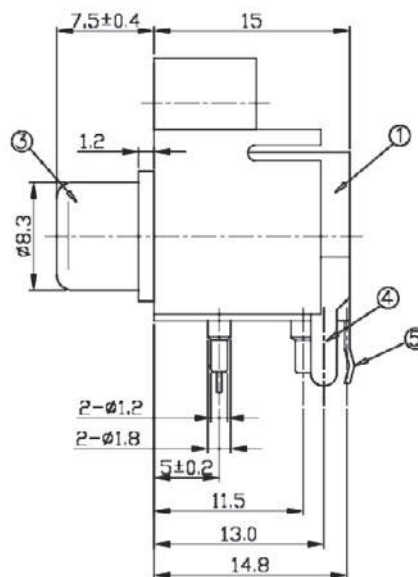
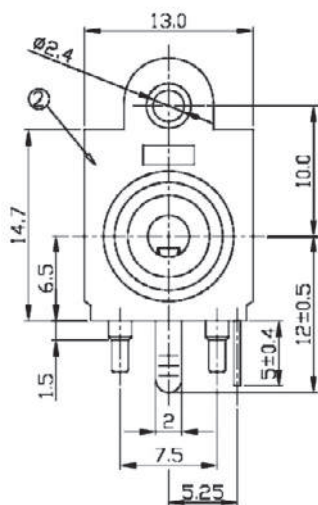
N	M	W	V	U

ORDERING INFORMATION:

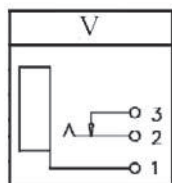
P/N 7701 $\frac{x}{1} \frac{x}{2} - \frac{62}{3} \frac{x}{4} \frac{x}{5}$

- TERMINAL FINISH:
"T" TIN PLATED (STANDARD)
"G" GOLD FLASH PLATED
- BUSHING FINISH:
"N" NICKEL PLATED (STANDARD)
"G" GOLD FLASH PLATED
- JACK CODE:
62 (SEE DRAWING !)
- SCHEMATIC CODE:
U, V, W, M, N
- INSULATOR COLORS:
"B" BLACK "O" ORANGE
"R" RED
"W" WHITE
"Y" YELLOW
"U" BLUE
"N" GREEN

RCA JACK RIGHT ANGLE TYPE (16)



Recommended P.C.Board Layout

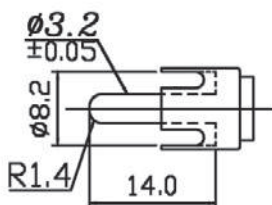
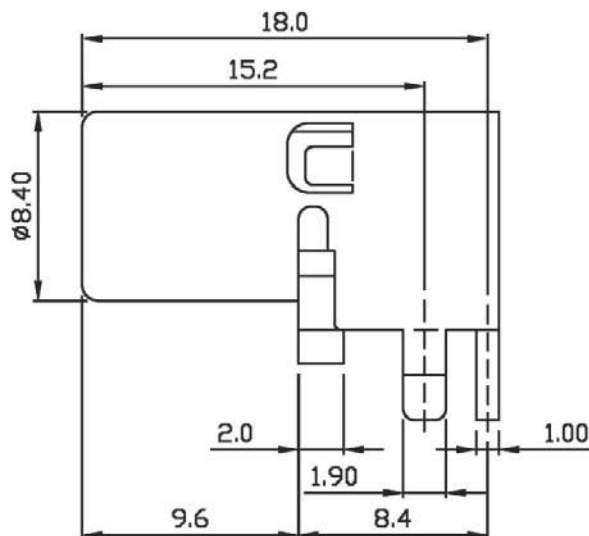
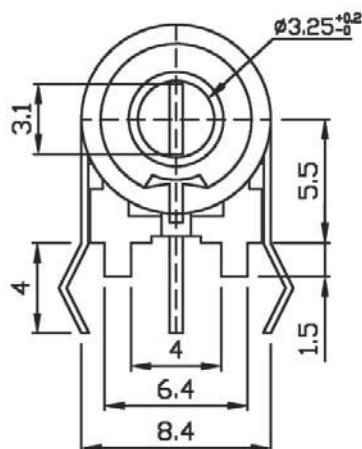


ORDERING INFORMATION:

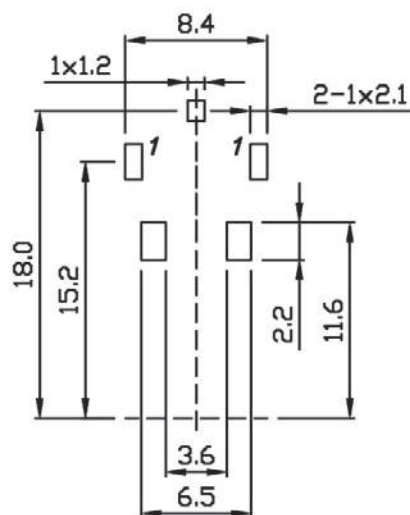
P/N 7701 $\frac{x}{1} \frac{x}{2} - \frac{63}{3} \frac{V}{4} \frac{x}{5}$

- | | |
|--|--|
| <p>1. TERMINAL FINISH:
 "T" TIN PLATED (STANDARD)
 "G" GOLD FLASH PLATED</p> <p>2. BUSHING FINISH:
 "N" NICKEL PLATED (STANDARD)
 "G" GOLD FLASH PLATED</p> <p>3. JACK CODE:
 63 (SEE DRAWING !)</p> | <p>4. SCHEMATIC CODE:
 V</p> <p>5. INSULATOR COLORS:
 "B" BLACK "O" ORANGE
 "R" RED
 "W" WHITE
 "Y" YELLOW
 "U" BLUE
 "N" GREEN</p> |
|--|--|

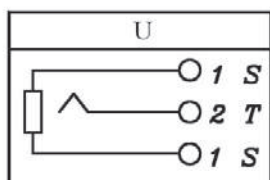
RCA JACK RIGHT ANGLE TYPE (17)



MATING PLUG



Recommended P.C. Board Layout

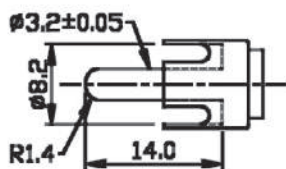
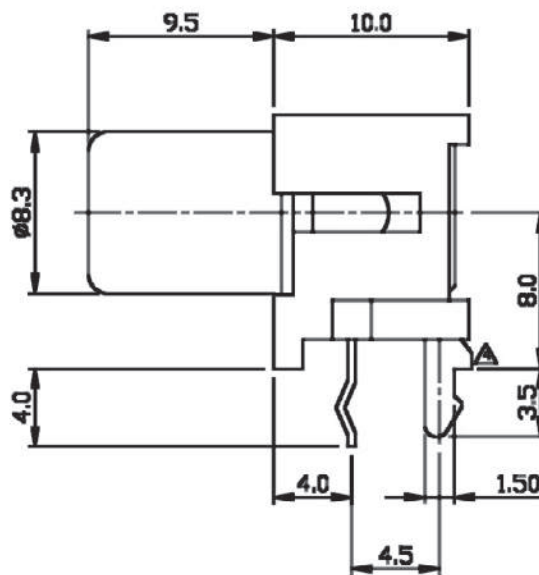
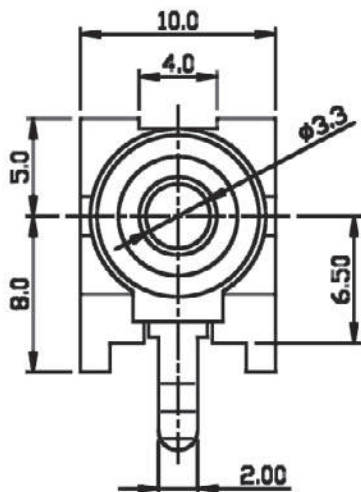


ORDERING INFORMATION:

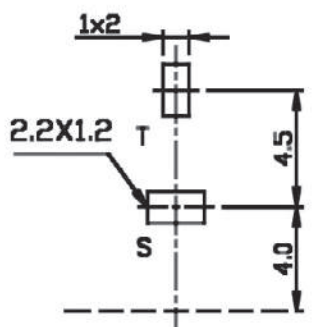
P/N 7701 $\frac{x}{1} \frac{x}{2} - \frac{64}{3} \frac{U}{4} \frac{x}{5}$

- | | |
|--|--|
| <ol style="list-style-type: none"> 1. TERMINAL FINISH:
"T" TIN PLATED (STANDARD)
"G" GOLD FLASH PLATED 2. BUSHING FINISH:
"N" NICKEL PLATED (STANDARD)
"G" GOLD FLASH PLATED 3. JACK CODE:
64 (SEE DRAWING !) | <ol style="list-style-type: none"> 4. SCHEMATIC CODE:
U 5. INSULATOR COLORS:
"B" BLACK "O" ORANGE
"R" RED
"W" WHITE
"Y" YELLOW
"U" BLUE
"N" GREEN |
|--|--|

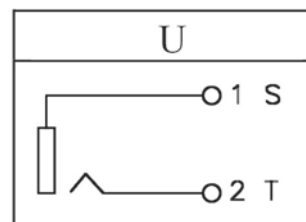
RCA JACK RIGHT ANGLE TYPE (18)



MATING PLUG



Recommended P.C. Board Layout

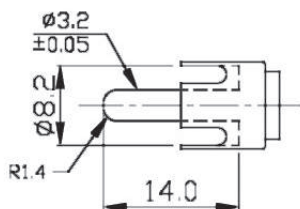
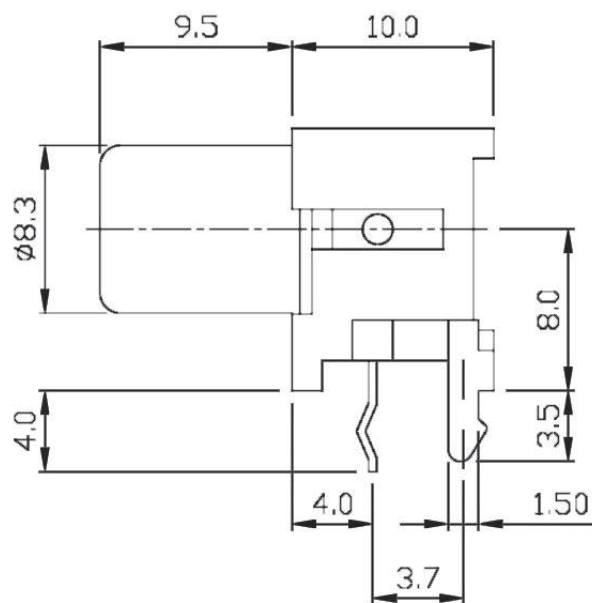
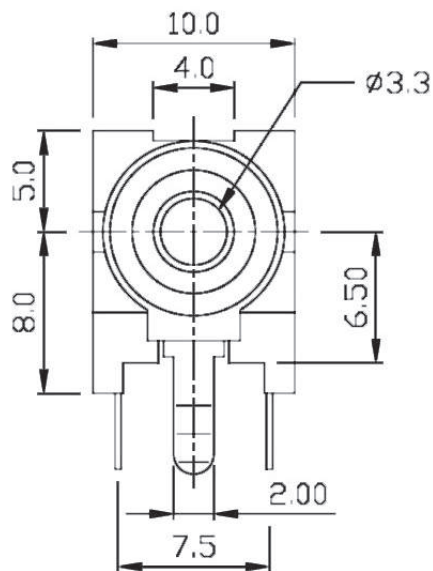


ORDERING INFORMATION:

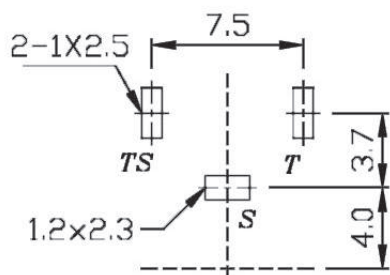
P/N 7701 $\frac{x}{1} \frac{x}{2} - \frac{66}{3} \frac{U}{4} \frac{x}{5}$

- TERMINAL FINISH:
"T" TIN PLATED (STANDARD)
"G" GOLD FLASH PLATED
- BUSHING FINISH:
"N" NICKEL PLATED (STANDARD)
"G" GOLD FLASH PLATED
- JACK CODE:
66 (SEE DRAWING !)
- SCHEMATIC CODE:
U
- INSULATOR COLORS:
"B" BLACK "O" ORANGE
"R" RED
"W" WHITE
"Y" YELLOW
"U" BLUE
"N" GREEN

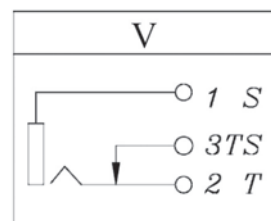
RCA JACK RIGHT ANGLE TYPE (19)



MATING PLUG



Recommended P.C. Board Layout



ORDERING INFORMATION:

P/N 7701 $\frac{x}{1} \frac{x}{2} - \frac{66}{3} \frac{V}{4} \frac{x}{5}$

1. TERMINAL FINISH:
"T" TIN PLATED (STANDARD)
"G" GOLD FLASH PLATED
2. BUSHING FINISH:
"N" NICKEL PLATED (STANDARD)
"G" GOLD FLASH PLATED
3. JACK CODE:
66 (SEE DRAWING !)

4. SCHEMATIC CODE:

V

5. INSULATOR COLORS:

"B" BLACK "O" ORANGE

"R" RED

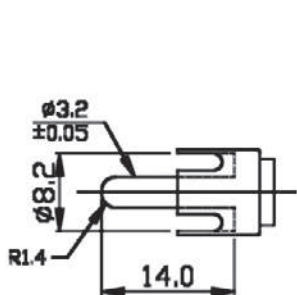
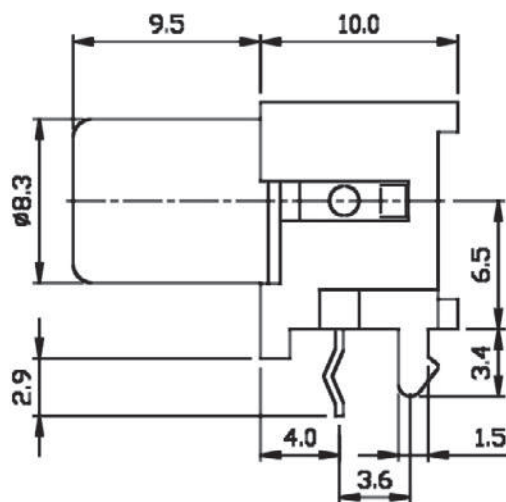
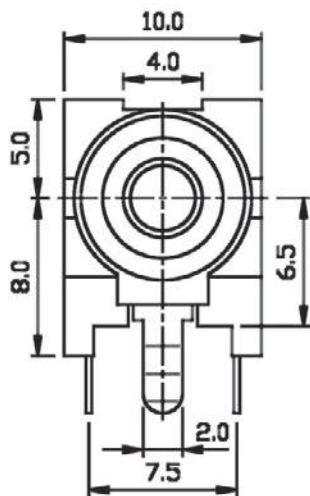
"W" WHITE

"Y" YELLOW

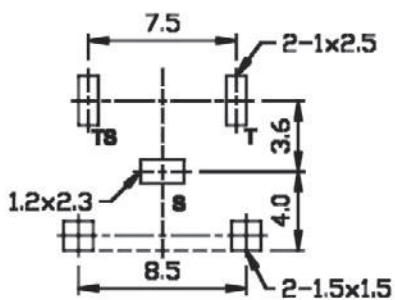
"U" BLUE

"N" GREEN

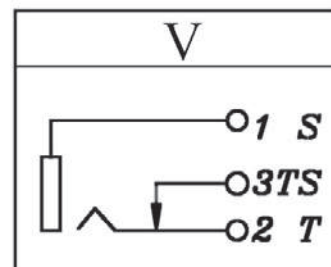
RCA JACK RIGHT ANGLE TYPE (20)



MATING PLUG



Recommended P.C.Board Layout



ORDERING INFORMATION:

P/N 7701 $\frac{x}{1} \frac{x}{2} - \frac{67}{3} \frac{V}{4} \frac{x}{5}$

1. TERMINAL FINISH:
"T" TIN PLATED (STANDARD)
"G" GOLD FLASH PLATED
2. BUSHING FINISH:
"N" NICKEL PLATED (STANDARD)
"G" GOLD FLASH PLATED
3. JACK CODE:
67 (SEE DRAWING !)

4. SCHEMATIC CODE:

V

5. INSULATOR COLORS:

"B" BLACK "O" ORANGE

"R" RED

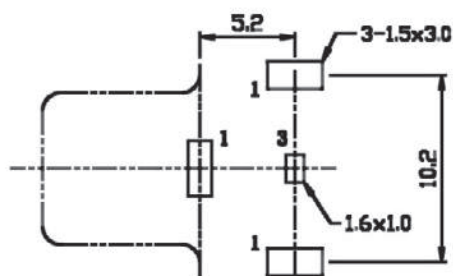
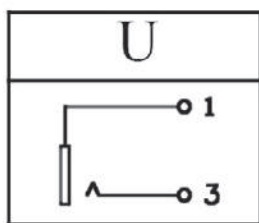
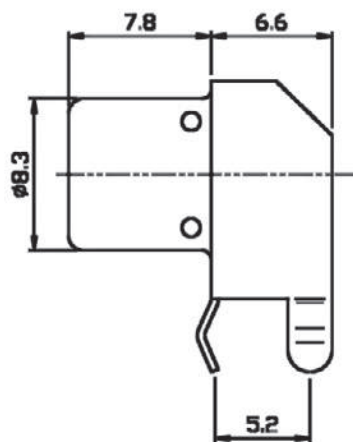
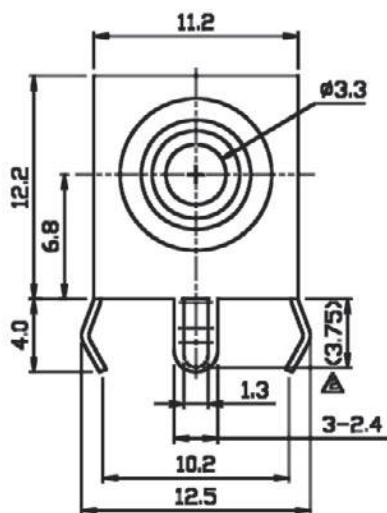
"W" WHITE

"Y" YELLOW

"U" BLUE

"N" GREEN

RCA JACK RIGHT ANGLE TYPE (21)



Recommended P.C.Board Layout

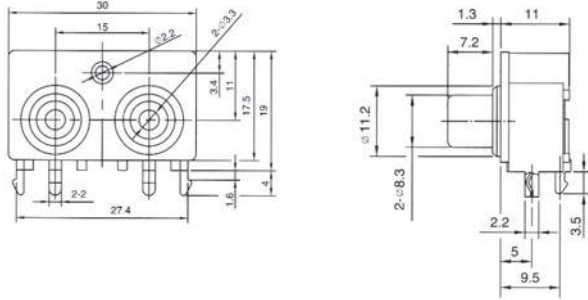
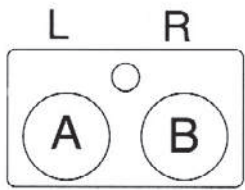

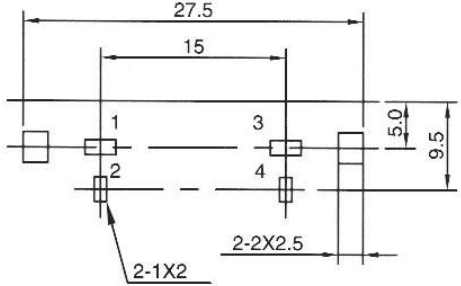
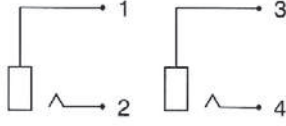
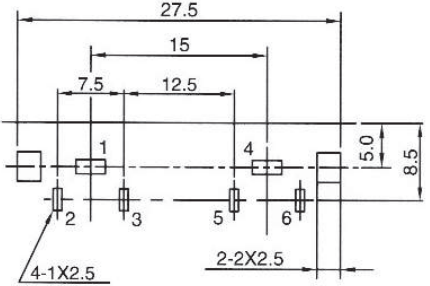
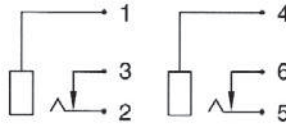
ORDERING INFORMATION:

P/N 7701 $\frac{x}{1} \frac{x}{2} - \frac{68}{3} \frac{U}{4} \frac{x}{5}$

1. TERMINAL FINISH:
"T" TIN PLATED (STANDARD)
"G" GOLD FLASH PLATED
2. BUSHING FINISH:
"N" NICKEL PLATED (STANDARD)
"G" GOLD FLASH PLATED
3. JACK CODE:
68 (SEE DRAWING !)

4. SCHEMATIC CODE:
U
5. INSULATOR COLORS:
"B" BLACK "O" ORANGE
"R" RED
"W" WHITE
"Y" YELLOW
"U" BLUE
"N" GREEN

DUAL PORT RCA JACK (2)

<p style="text-align: center;">Dimension (m/m)</p> 	<p style="text-align: center;">Insulator Color Code Arrangement</p> 	 <p style="text-align: center;">7702**-02</p>
<p style="text-align: center;">Pin Hole Layout (Jack Bottom View)</p> 	<p style="text-align: center;">Schematic Code</p>  <p style="text-align: center;">U</p>	
	 <p style="text-align: center;">V</p>	

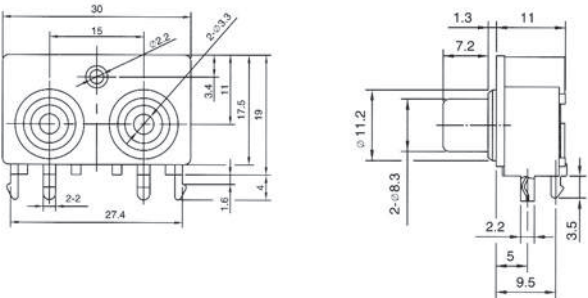
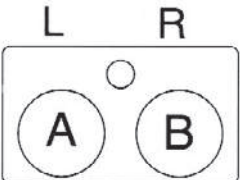

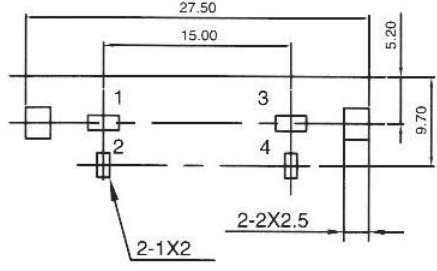
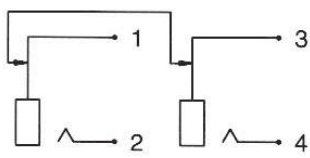
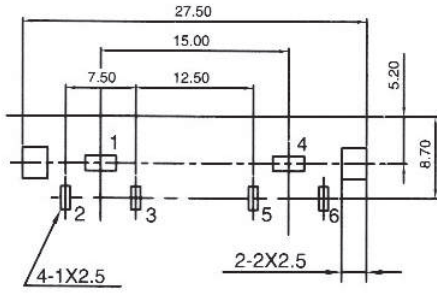
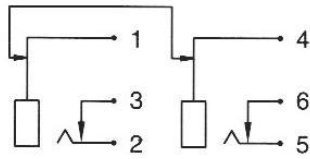
ORDERING INFORMATION:

P/N 7702 $\frac{x}{1} \frac{x}{2} - \frac{x}{3} \frac{x}{4} \frac{x}{5} \frac{x}{6}$

1. TERMINAL FINISH:
"S" SILVER PLATED (STANDARD)
"G" GOLD FLASH PLATED
2. BUSHING FINISH:
"N" NICKEL PLATED (STANDARD)
"G" GOLD FLASH PLATED
3. JACK CODE:
02 (SEE DRAWING !)

4. SCHEMATIC CODE:
U, V
5. HOUSING COLOR:
"B" BLACK (STANDARD)
6. INSULATOR COLORS:
(ARRANGEMENT: A → B)
"B" BLACK "A" GRAY
"R" RED "O" ORANGE
"W" WHITE "C" BROWN
"Y" YELLOW
"U" BLUE
"N" GREEN

DUAL PORT RCA JACK (3)

<p style="text-align: center;">Dimension (m/m)</p> 	<p style="text-align: center;">Insulator Color Code Arrangement</p> 	 <p style="text-align: center;">7702**-03</p>
<p style="text-align: center;">Pin Hole Layout (Jack Bottom View)</p> 	<p style="text-align: center;">Schematic Code</p>  <p style="text-align: center;">U</p>	
	 <p style="text-align: center;">V</p>	

ORDERING INFORMATION:

P/N 7702 $\frac{XX}{12} - \frac{XX}{3} \frac{XX}{4} \frac{XX}{5} \frac{XX}{6}$

1. TERMINAL FINISH:

"S" SILVER PLATED (STANDARD)
"G" GOLD FLASH PLATED

2. BUSHING FINISH:

"N" NICKEL PLATED (STANDARD)
"G" GOLD FLASH PLATED

3. JACK CODE:

03 (SEE DRAWING !)

4. SCHEMATIC CODE:

U, V

5. HOUSING COLOR:

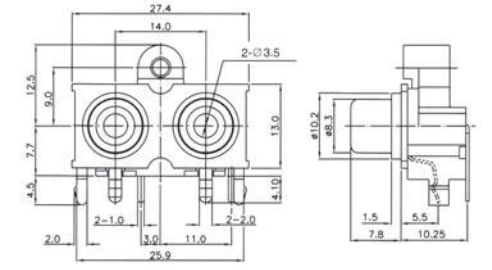
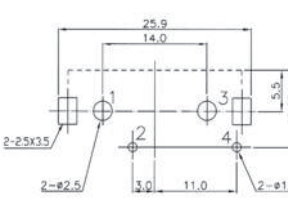
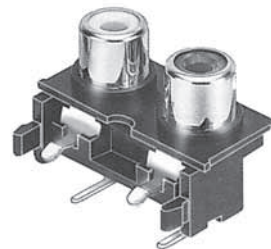
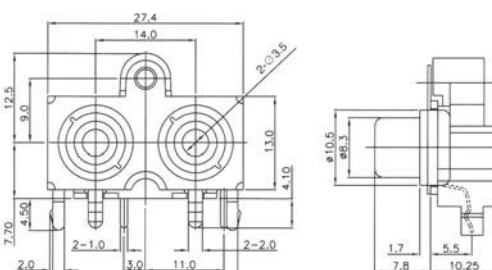
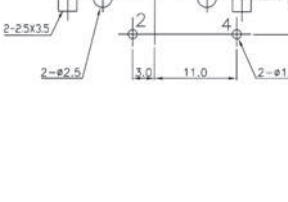
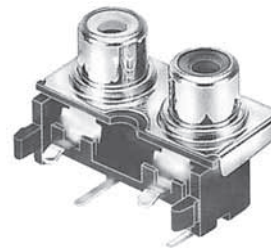
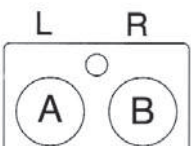

"B" BLACK (STANDARD)

6. INSULATOR COLORS:

(ARRANGEMENT: A → B)

"B" BLACK "A" GRAY
"R" RED "O" ORANGE
"W" WHITE "C" BROWN
"Y" YELLOW
"U" BLUE
"N" GREEN

DUAL PORT RCA JACK (4)

P/N	Dimension (m/m)	Pin Hole Layout (Jack Bottom View)	
7702**-04			 <p style="text-align: center;">7702**-04</p>
7702**-05			 <p style="text-align: center;">7702**-05</p>
Insulator Color Code Arrangement		Schematic Code	
			

ORDERING INFORMATION:

P/N 7702 $\frac{xx}{12} - \frac{xxx}{3} \frac{xxx}{45} \frac{xxx}{6}$

1. TERMINAL FINISH:
"S" SILVER PLATED (STANDARD)
"G" GOLD FLASH PLATED
2. BUSHING FINISH:
"N" NICKEL PLATED (STANDARD)
"G" GOLD FLASH PLATED
3. JACK CODE:
04, 05 (SEE DRAWING !)

4. SCHEMATIC CODE:
"0" SEE DRAWING !
5. HOUSING COLOR:
"W" WHITE
"B" BLACK
6. INSULATOR COLORS:
(ARRANGEMENT: A → B)
"B" BLACK "A" GRAY
"R" RED "O" ORANGE
"W" WHITE "C" BROWN
"Y" YELLOW
"U" BLUE
"N" GREEN

DUAL PORT RCA JACK (5)

Dimension (m/m)	Insulator Color Code Arrangement	
		7702**-06
Pin Hole Layout (Jack Bottom View)	Schematic Code	

ORDERING INFORMATION:

P/N 7702 $\frac{xx}{12} - \frac{xx}{3} \frac{xx}{4} \frac{xx}{5} \frac{xx}{6}$

- | | |
|---|---|
| <ol style="list-style-type: none"> 1. TERMINAL FINISH:
"S" SILVER PLATED (STANDARD)
"G" GOLD FLASH PLATED 2. BUSHING FINISH:
"N" NICKEL PLATED (STANDARD)
"G" GOLD FLASH PLATED 3. JACK CODE:
06 (SEE DRAWING !) | <ol style="list-style-type: none"> 4. SCHEMATIC CODE:
U, V 5. HOUSING COLOR:
"B" BLACK (STANDARD) 6. INSULATOR COLORS:
(ARRANGEMENT: A → B)
"B" BLACK "A" GRAY
"R" RED "O" ORANGE
"W" WHITE "C" BROWN
"Y" YELLOW
"U" BLUE
"N" GREEN |
|---|---|

DUAL PORT RCA JACK (6)

<p style="text-align: center;">Dimension (m/m)</p>	<p style="text-align: center;">Insulator Color Code Arrangement</p>	<p style="text-align: center;">7702**-07</p>
<p style="text-align: center;">Pin Hole Layout (Jack Bottom View)</p>	<p style="text-align: center;">Schematic Code</p> <p style="text-align: center;">U</p>	
	<p style="text-align: center;">V</p>	

ORDERING INFORMATION:

P/N 7702 $\frac{XX}{12} - \frac{XX}{3} \frac{XX}{4} \frac{XX}{5} \frac{XX}{6}$

1. TERMINAL FINISH:
"S" SILVER PLATED (STANDARD)
"G" GOLD FLASH PLATED
2. BUSHING FINISH:
"N" NICKEL PLATED (STANDARD)
"G" GOLD FLASH PLATED
3. JACK CODE:
07 (SEE DRAWING !)
4. SCHEMATIC CODE:
U, V
5. HOUSING COLOR:
"B" BLACK (STANDARD)
6. INSULATOR COLORS:
(ARRANGEMENT: A → B)
"B" BLACK "A" GRAY
"R" RED "O" ORANGE
"W" WHITE "C" BROWN
"Y" YELLOW
"U" BLUE
"N" GREEN

DUAL PORT RCA JACK (7)

<p style="text-align: center;">Dimension (m/m)</p>	<p style="text-align: center;">Insulator Color Code Arrangement</p>	<p style="text-align: center;">7702**-08</p>
<p style="text-align: center;">Pin Hole Layout (Jack Bottom View)</p>	<p style="text-align: center;">Schematic Code</p> <p style="text-align: center;">U</p>	
	<p style="text-align: center;">V</p>	

ORDERING INFORMATION:

P/N 7702 $\frac{xx}{12} - \frac{xxx}{3} \frac{xxx}{45} \frac{xxx}{6}$

- | | |
|--|---|
| <p>1. TERMINAL FINISH:
"S" SILVER PLATED (STANDARD)
"G" GOLD FLASH PLATED</p> <p>2. BUSHING FINISH:
"N" NICKEL PLATED (STANDARD)
"G" GOLD FLASH PLATED</p> <p>3. JACK CODE:
08 (SEE DRAWING !)</p> | <p>4. SCHEMATIC CODE:
U, V</p> <p>5. HOUSING COLOR:
"B" BLACK (STANDARD)</p> <p>6. INSULATOR COLORS:
(ARRANGEMENT: A→B)
"B" BLACK "A" GRAY
"R" RED "O" ORANGE
"W" WHITE "C" BROWN
"Y" YELLOW
"U" BLUE
"N" GREEN</p> |
|--|---|

DUAL PORT RCA JACK (8)

<p style="text-align: center;">Dimension (m/m)</p>	<p style="text-align: center;">Insulator Color Code Arrangement</p>	<p style="text-align: center;">7702**-09</p>
<p style="text-align: center;">Pin Hole Layout (Jack Bottom View)</p>	<p style="text-align: center;">Schematic Code</p> <p style="text-align: center;">U</p>	
	<p style="text-align: center;">V</p>	

ORDERING INFORMATION:

P/N 7702 $\frac{xx}{12} - \frac{xx}{3} \frac{xx}{4} \frac{xx}{5} \frac{xx}{6}$

- | | |
|---|--|
| <ol style="list-style-type: none"> 1. TERMINAL FINISH:
"S" SILVER PLATED (STANDARD)
"G" GOLD FLASH PLATED 2. BUSHING FINISH:
"N" NICKEL PLATED (STANDARD)
"G" GOLD FLASH PLATED 3. JACK CODE:
09 (SEE DRAWING !) | <ol style="list-style-type: none"> 4. SCHEMATIC CODE:
U, V 5. HOUSING COLOR:
"B" BLACK (STANDARD) 6. INSULATOR COLORS:
(ARRANGEMENT: A→ B)
"B" BLACK "A" GRAY
"R" RED "O" ORANGE
"W" WHITE "C" BROWN
"Y" YELLOW
"U" BLUE
"N" GREEN |
|---|--|

DUAL PORT RCA JACK (9)

P/N	Dimension (m/m)	Insulator Color Code Arrangement			
7702**-10			<p>7702**-10</p>		
7702**-20			<p>7702**-20</p>		
Schematic Code	<p>A</p>	<p>B</p>	<p>C</p>	<p>D</p>	<p>E</p>
Pin Hole Layout (Jack Bottom View)					

ORDERING INFORMATION:

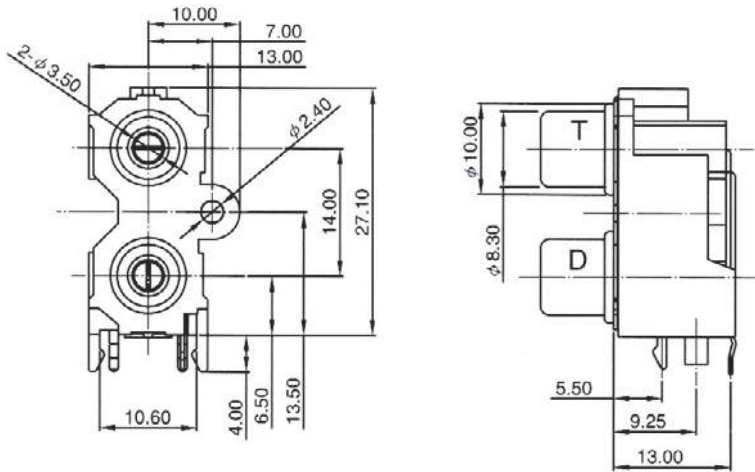
P/N 7702 $\frac{XX}{12}$ - $\frac{XXXXXX}{3456}$

1. TERMINAL FINISH:
"S" SILVER PLATED (STANDARD)
"G" GOLD FLASH PLATED
2. BUSHING FINISH:
"N" NICKEL PLATED (STANDARD)
"G" GOLD FLASH PLATED
3. JACK CODE:
10, 20 (SEE DRAWING !)

4. SCHEMATIC CODE:
A, B, C, D, E
5. HOUSING COLOR:
"B" BLACK (STANDARD)
6. INSULATOR COLORS:
(ARRANGEMENT: A → B)
"B" BLACK "A" GRAY
"R" RED "O" ORANGE
"W" WHITE "C" BROWN
"Y" YELLOW
"U" BLUE
"N" GREEN

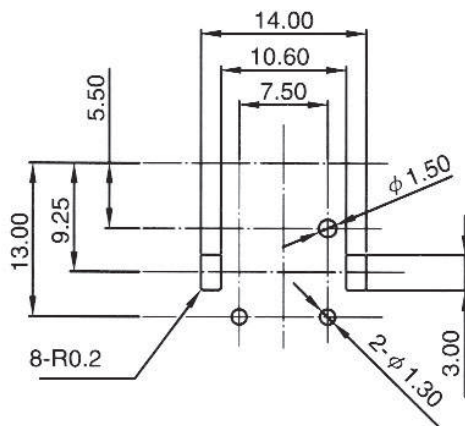
DUAL PORT RCA JACK (10)

Dimension (m/m)

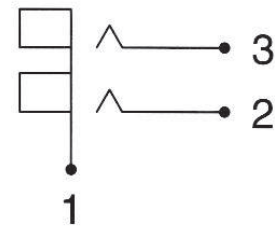


7702**-11

Pin Hole Layout (Jack Bottom View)



Schematic Code



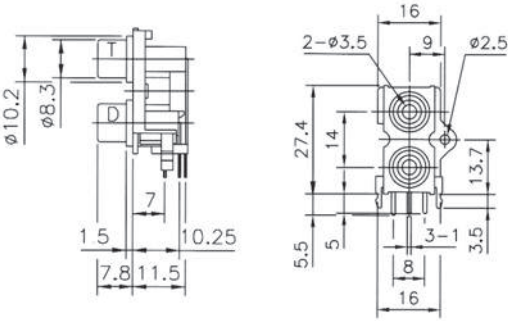
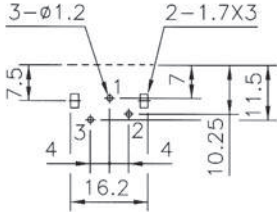
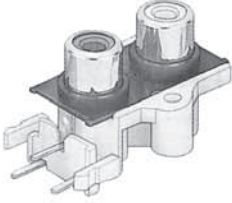
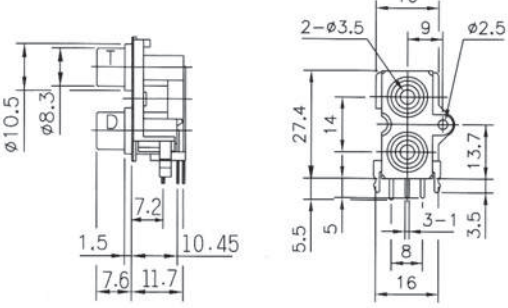
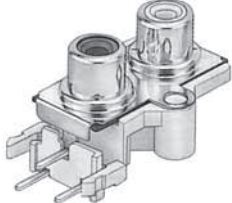
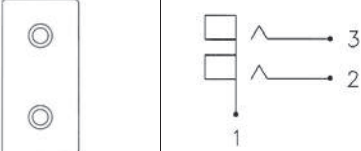

ORDERING INFORMATION:

P/N 7702 $\frac{x}{1} \frac{x}{2} - \frac{x}{3} \frac{x}{4} \frac{x}{5} \frac{x}{6}$

1. TERMINAL FINISH:
"S" SILVER PLATED (STANDARD)
"G" GOLD FLASH PLATED
2. BUSHING FINISH:
"N" NICKEL PLATED (STANDARD)
"G" GOLD FLASH PLATED
3. JACK CODE:
11 (SEE DRAWING !)

4. SCHEMATIC CODE:
"0" SEE DRAWING !
5. HOUSING COLOR:
"B" BLACK (STANDARD)
6. INSULATOR COLORS:
(ARRANGEMENT: T → D)
"B" BLACK "A" GRAY
"R" RED "O" ORANGE
"W" WHITE "C" BROWN
"Y" YELLOW
"U" BLUE
"N" GREEN

DUAL PORT RCA JACK (11)

P/N	Dimension (m/m)	Pin Hole Layout (Jack Bottom View)	
7702**-12			 <p style="text-align: center;">7702**-12</p>
7702**-13			 <p style="text-align: center;">7702**-13</p>
Schematic Code		Insulator Color Code Arrangement	
			

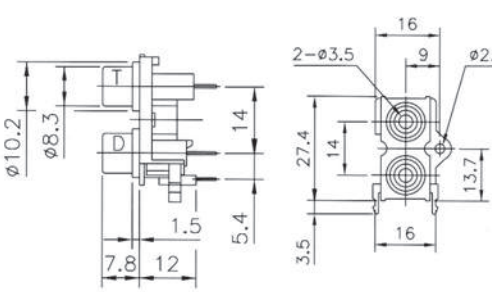
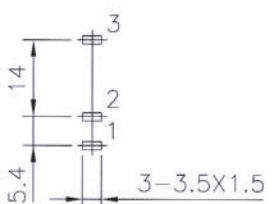
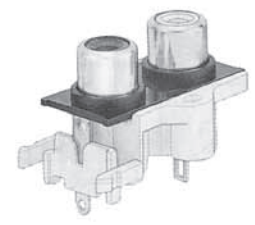
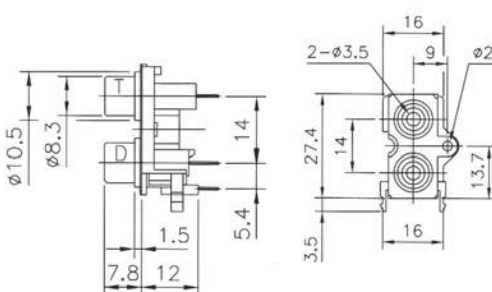
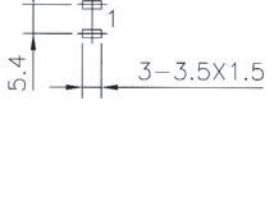
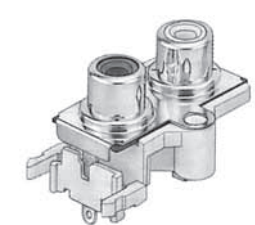

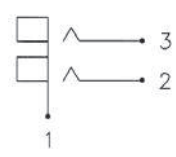

ORDERING INFORMATION:

P/N 7702 $\frac{xx}{12} - \frac{xxx}{3} \frac{xxx}{45} \frac{xxx}{6}$

1. TERMINAL FINISH:
"S" SILVER PLATED (STANDARD)
"G" GOLD FLASH PLATED
2. BUSHING FINISH:
"N" NICKEL PLATED (STANDARD)
"G" GOLD FLASH PLATED
3. JACK CODE:
12, 13 (SEE DRAWING !)

4. SCHEMATIC CODE:
"0" SEE DRAWING !
5. HOUSING COLOR:
"W" WHITE (STANDARD)
6. INSULATOR COLORS:
(ARRANGEMENT: T1 → D1)
"B" BLACK "A" GRAY
"R" RED "O" ORANGE
"W" WHITE "C" BROWN
"Y" YELLOW
"U" BLUE
"N" GREEN

DUAL PORT RCA JACK (12)

P/N	Dimension (m/m)	Pin Hole Layout (Jack Bottom View)	
7702**-14			 <p style="text-align: center;">7702**-14</p>
7702**-15			 <p style="text-align: center;">7702**-15</p>
Schematic Code		Insulator Color Code Arrangement	
			

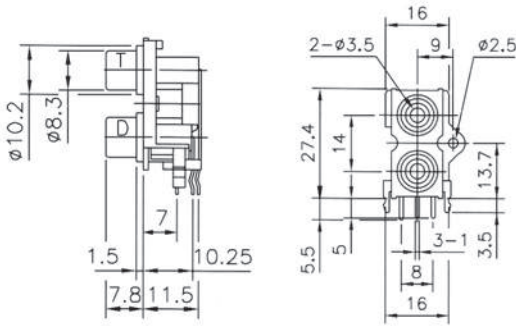
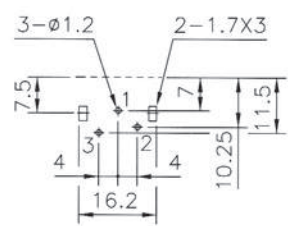
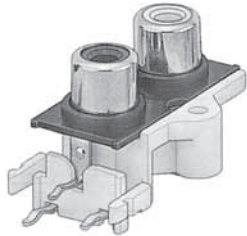
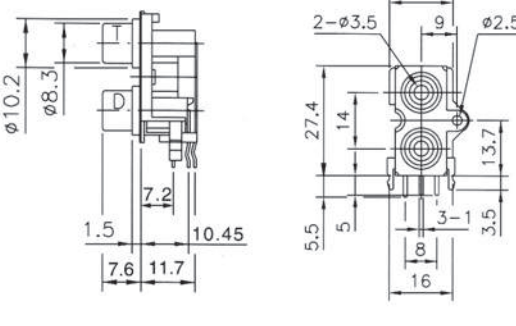
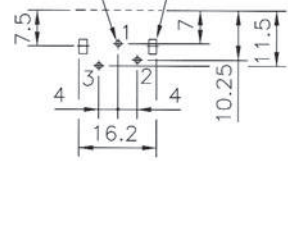
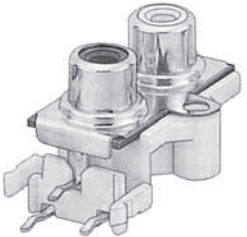


ORDERING INFORMATION:

P/N 7702 $\frac{xx}{12} - \frac{xxx}{3} \frac{xxx}{45} \frac{xxx}{6}$

1. TERMINAL FINISH:
"S" SILVER PLATED (STANDARD)
"G" GOLD FLASH PLATED
2. BUSHING FINISH:
"N" NICKEL PLATED (STANDARD)
"G" GOLD FLASH PLATED
3. JACK CODE:
14, 15 (SEE DRAWING !)

4. SCHEMATIC CODE:
"0" SEE DRAWING !
5. HOUSING COLOR:
"W" WHITE (STANDARD)
6. INSULATOR COLORS:
(ARRANGEMENT: T1 → D1)
"B" BLACK "A" GRAY
"R" RED "O" ORANGE
"W" WHITE "C" BROWN
"Y" YELLOW
"U" BLUE
"N" GREEN

DUAL PORT RCA JACK (13)

P/N	Dimension (m/m)	Pin Hole Layout (Jack Bottom View)	
7702**-16			 <p style="text-align: center;">7702**-16</p>
7702**-17			 <p style="text-align: center;">7702**-17</p>
Schematic Code		Insulator Color Code Arrangement	
			

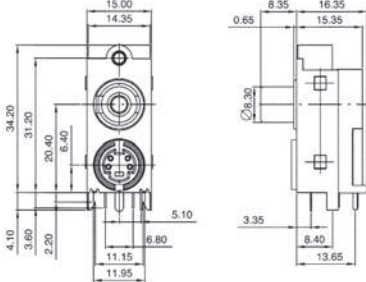

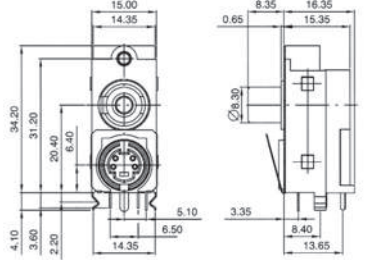
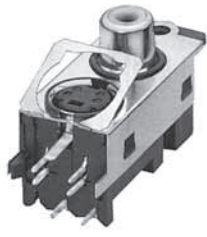
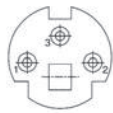

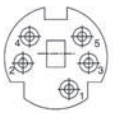
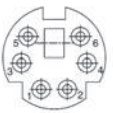
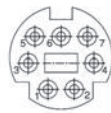
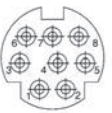


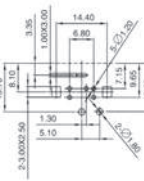
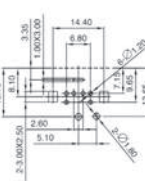

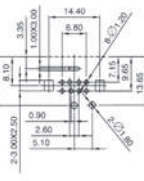
ORDERING INFORMATION:

P/N 7702 $\frac{XX}{12}$ - $\frac{XXX}{3}$ $\frac{XXX}{456}$

1. TERMINAL FINISH:
"S" SILVER PLATED (STANDARD)
"G" GOLD FLASH PLATED
2. BUSHING FINISH:
"N" NICKEL PLATED (STANDARD)
"G" GOLD FLASH PLATED
3. JACK CODE:
16, 17 (SEE DRAWING !)

4. SCHEMATIC CODE:
"0" SEE DRAWING !
5. HOUSING COLOR:
"W" WHITE (STANDARD)
6. INSULATOR COLORS:
(ARRANGEMENT: T1 → D1)
"B" BLACK "A" GRAY
"R" RED "O" ORANGE
"W" WHITE "C" BROWN
"Y" YELLOW
"U" BLUE
"N" GREEN

DUAL PORT RCA JACK (14)

P/N	Dimension (m/m)						
7702**-18							 <p data-bbox="1197 571 1340 604">7702**-18</p>
7702**-19							 <p data-bbox="1197 884 1340 918">7702**-19</p>
Arrangement of Contact	3P	4P	5P	6P	7P	8P	
							
Pin Hole Layout (Jack Bottom View)							

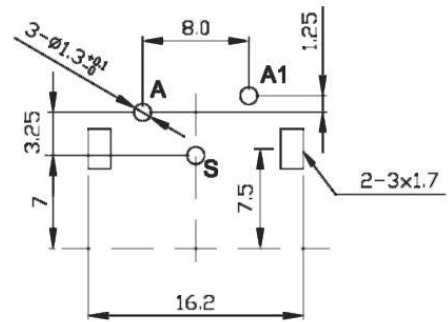
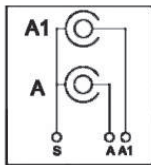
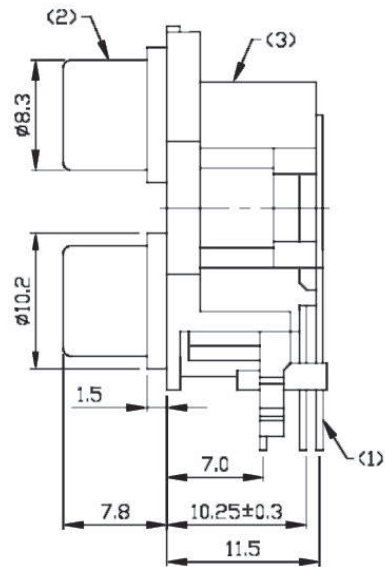
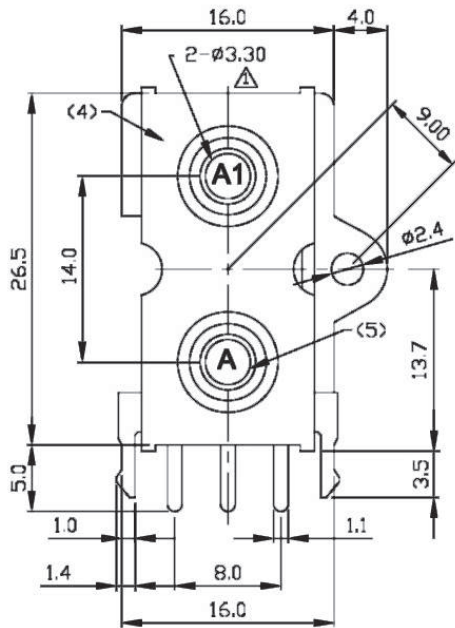
ORDERING INFORMATION:

P/N 7702 $\begin{matrix} \text{X} & \text{X} \\ \text{1} & \text{2} \end{matrix}$ - $\begin{matrix} \text{X} & \text{X} & \text{X} & \text{X} & \text{X} \\ \text{3} & \text{4} & \text{5} & \text{6} \end{matrix}$

1. TERMINAL FINISH:
"S" SILVER PLATED (STANDARD)
"G" GOLD FLASH PLATED
2. RCA BUSHING FINISH:
"N" NICKEL PLATED (STANDARD)
"G" GOLD FLASH PLATED
3. JACK CODE:
18, 19 (WITH 3~8P. MINI DIN SOCKET)

4. MINI DIN HOUSING COLOR:
"B" BLACK (STANDARD)
5. NO. OF CONTACTS:
3, 4, 5, 6, 7, 8
6. INSULATOR COLOR OF RCA PLUG
"B" BLACK "A" GRAY
"R" RED "O" ORANGE
"W" WHITE "C" BROWN
"Y" YELLOW
"U" BLUE
"N" GREEN

DUAL PORT RCA JACK (15)



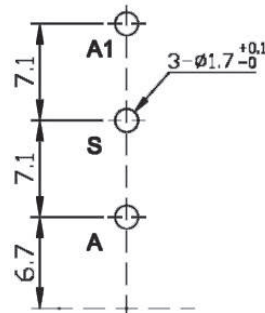
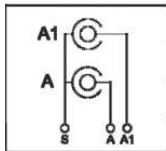
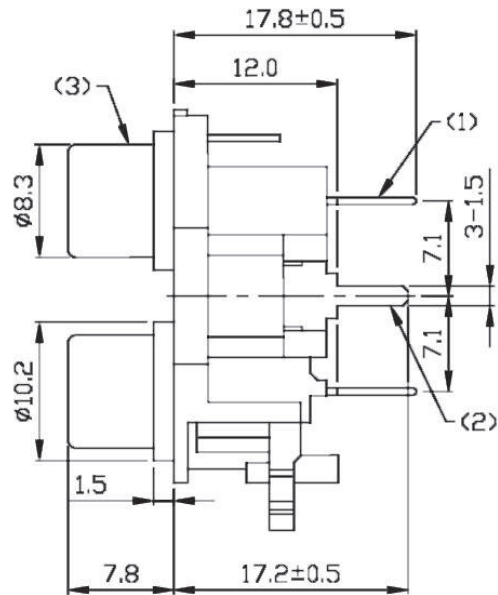
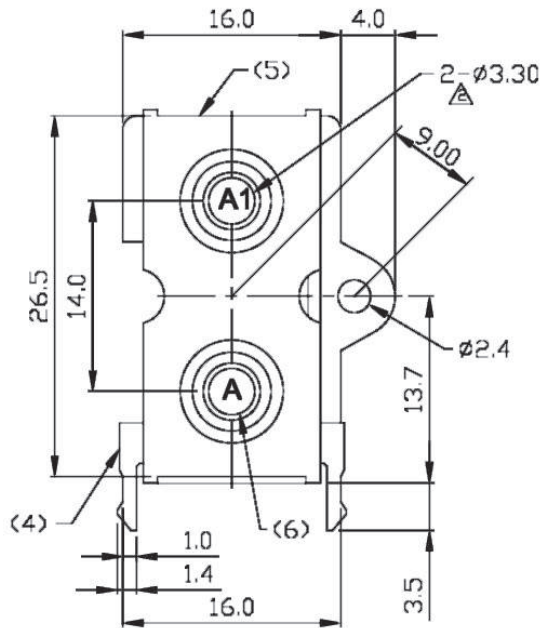
Recommended P.C.Board Layout

ORDERING INFORMATION:

P/N 7702 $\frac{x}{1} \frac{x}{2}$ - 310 $\frac{x}{3} \frac{x}{4} \frac{x}{5} \frac{x}{6}$

- | | |
|--|---|
| <p>1. TERMINAL FINISH:
 "T" TIN PLATED (STANDARD)
 "G" GOLD FLASH PLATED</p> <p>2. BUSHING FINISH:
 "N" NICKEL PLATED (STANDARD)
 "G" GOLD FLASH PLATED</p> <p>3. JACK CODE:
 31 (SEE DRAWING !)</p> | <p>4. METAL SHIELDING:
 "0" WITHOUT SHIELDING</p> <p>5. HOUSING COLOR:
 "B" BLACK (STANDARD)</p> <p>6. INSULATOR COLORS:
 (ARRANGEMENT: A→A1)
 "B" BLACK "A" GRAY
 "R" RED "O" ORANGE
 "W" WHITE "C" BROWN
 "Y" YELLOW
 "U" BLUE
 "N" GREEN</p> |
|--|---|

DUAL PORT RCA JACK (16)



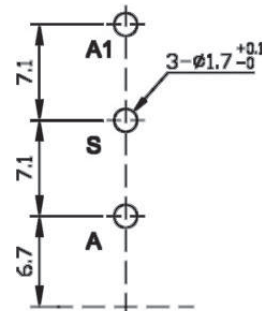
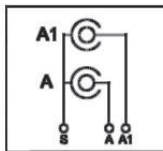
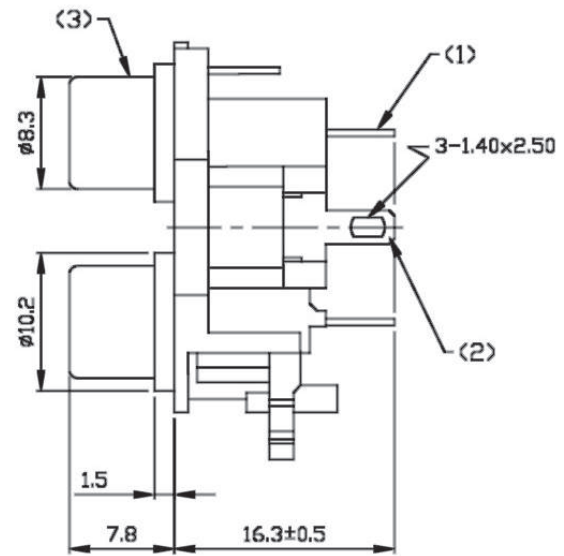
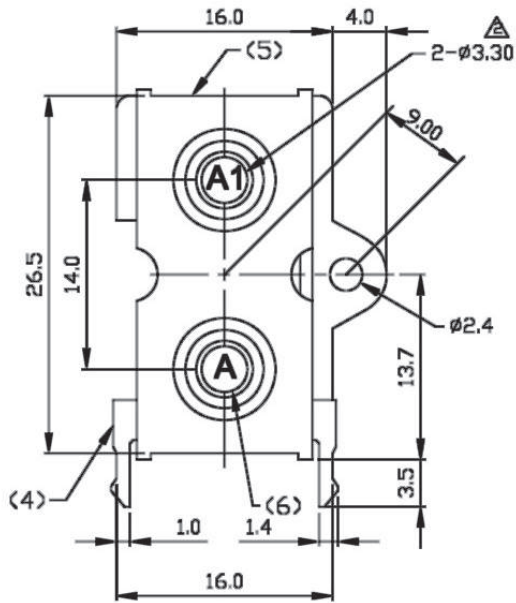
Recommended P.C.Board Layout

ORDERING INFORMATION:

P/N 7702 $\frac{x}{1} \frac{x}{2} - \frac{3}{3} \frac{2}{4} \frac{0}{5} \frac{x}{6} \frac{x}{6}$

1. TERMINAL FINISH:
"T" TIN PLATED (STANDARD)
"G" GOLD FLASH PLATED
2. BUSHING FINISH:
"N" NICKEL PLATED (STANDARD)
"G" GOLD FLASH PLATED
3. JACK CODE:
32 (SEE DRAWING !)
4. METAL SHIELDING:
"0" WITHOUT SHIELDING
5. HOUSING COLOR:
"B" BLACK (STANDARD)
6. INSULATOR COLORS:
(ARRANGEMENT: A→A1)
"B" BLACK "A" GRAY
"R" RED "O" ORANGE
"W" WHITE "C" BROWN
"Y" YELLOW
"U" BLUE
"N" GREEN

DUAL PORT RCA JACK (17)



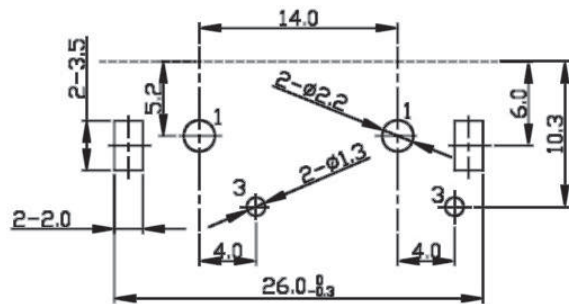
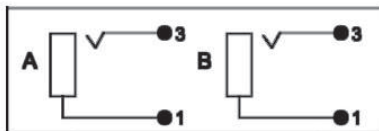
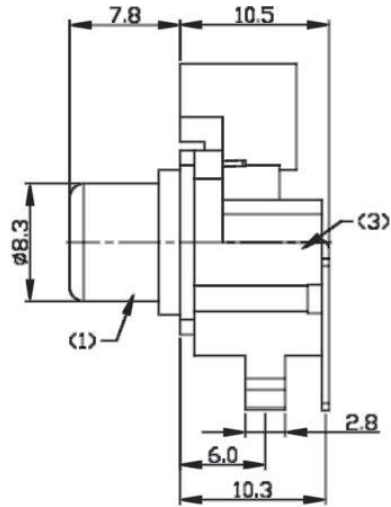
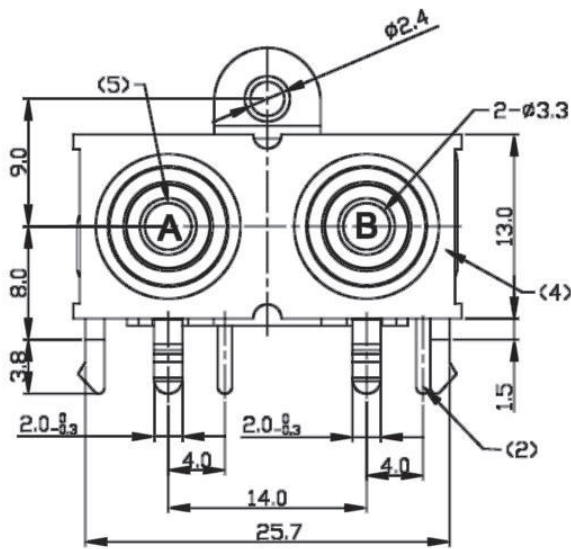
Recommended P.C.Board Layout

ORDERING INFORMATION:

P/N 7702 $\frac{x}{1} \frac{x}{2} - \frac{330}{3} \frac{x}{4} \frac{x}{5} \frac{x}{6}$

1. TERMINAL FINISH:
"T" TIN PLATED (STANDARD)
"G" GOLD FLASH PLATED
2. BUSHING FINISH:
"N" NICKEL PLATED (STANDARD)
"G" GOLD FLASH PLATED
3. JACK CODE:
33 (SEE DRAWING !)
4. METAL SHIELDING:
"0" WITHOUT SHIELDING
5. HOUSING COLOR:
"B" BLACK (STANDARD)
6. INSULATOR COLORS:
(ARRANGEMENT: A→A1)
"B" BLACK "A" GRAY
"R" RED "O" ORANGE
"W" WHITE "C" BROWN
"Y" YELLOW
"U" BLUE
"N" GREEN

DUAL PORT RCA JACK (18)



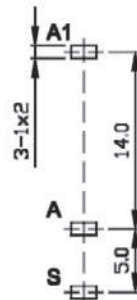
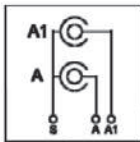
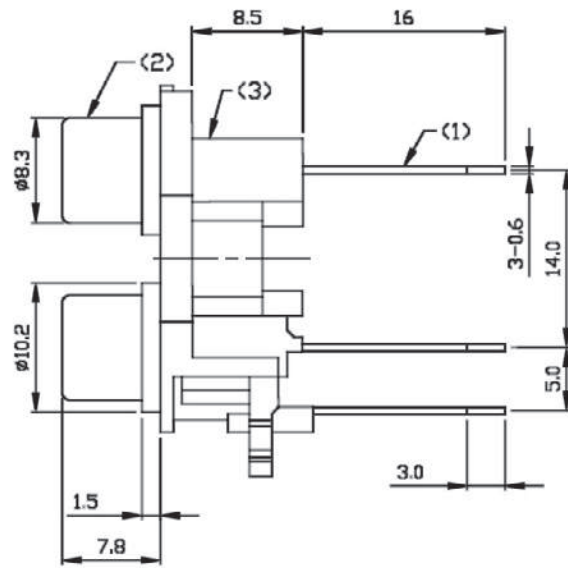
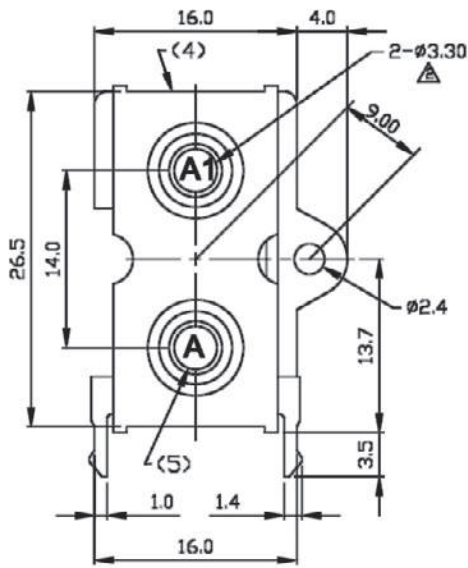
Recommended P.C.Board Layout

ORDERING INFORMATION:

P/N 7702 $\frac{x}{1} \frac{x}{2} - \frac{3}{3} \frac{4}{4} \frac{0}{5} \frac{x}{6} \frac{x}{6}$

- | | |
|--|---|
| <p>1. TERMINAL FINISH:
 "T" TIN PLATED (STANDARD)
 "G" GOLD FLASH PLATED</p> <p>2. BUSHING FINISH:
 "N" NICKEL PLATED (STANDARD)
 "G" GOLD FLASH PLATED</p> <p>3. JACK CODE:
 34 (SEE DRAWING !)</p> | <p>4. METAL SHIELDING:
 "0" WITHOUT SHIELDING</p> <p>5. HOUSING COLOR:
 "W" WHITE (STANDARD)</p> <p>6. INSULATOR COLORS:
 (ARRANGEMENT: A→B)
 "B" BLACK "A" GRAY
 "R" RED "O" ORANGE
 "W" WHITE "C" BROWN
 "Y" YELLOW
 "U" BLUE
 "N" GREEN</p> |
|--|---|

DUAL PORT RCA JACK (19)



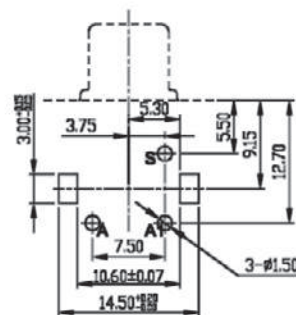
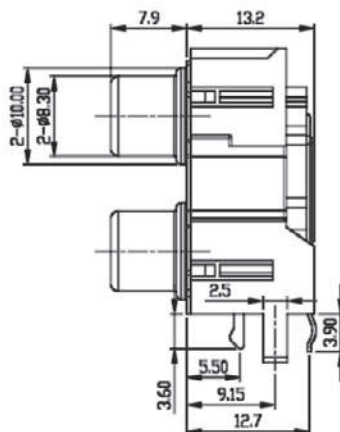
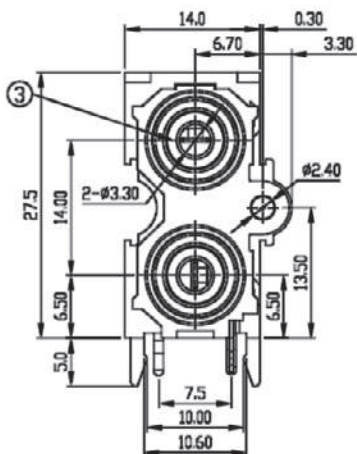
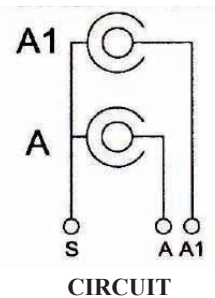
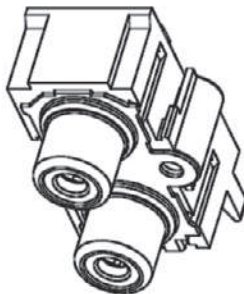
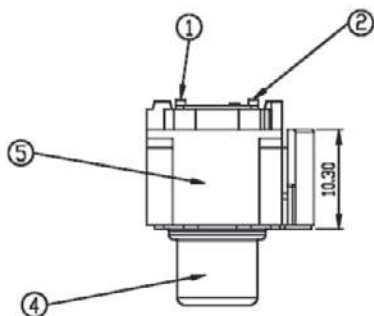
Recommended P.C.Board Layout

ORDERING INFORMATION:

P/N 7702 $\frac{x}{1} \frac{x}{2}$ - 350 $\frac{x}{3} \frac{x}{4} \frac{x}{5} \frac{x}{6}$

1. TERMINAL FINISH:
"T" TIN PLATED (STANDARD)
"G" GOLD FLASH PLATED
2. BUSHING FINISH:
"N" NICKEL PLATED (STANDARD)
"G" GOLD FLASH PLATED
3. JACK CODE:
35 (SEE DRAWING !)
4. METAL SHIELDING:
"0" WITHOUT SHIELDING
5. HOUSING COLOR:
"B" BLACK (STANDARD)
6. INSULATOR COLORS:
(ARRANGEMENT: A→A1)
"B" BLACK "A" GRAY
"R" RED "O" ORANGE
"W" WHITE "C" BROWN
"Y" YELLOW
"U" BLUE
"N" GREEN

DUAL PORT RCA JACK (20)



Recommended P.C.Board Layout

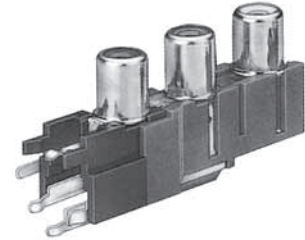
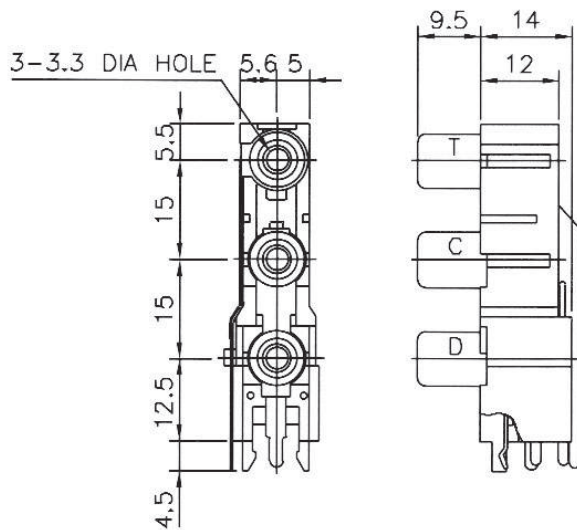
ORDERING INFORMATION:

P/N 7702 $\frac{x}{1} \frac{x}{2} - \frac{360}{3} \frac{x}{4} \frac{x}{5} \frac{x}{6}$

- | | |
|--|---|
| <p>1. TERMINAL FINISH:
 "T" TIN PLATED (STANDARD)
 "G" GOLD FLASH PLATED</p> <p>2. BUSHING FINISH:
 "N" NICKEL PLATED (STANDARD)
 "G" GOLD FLASH PLATED</p> <p>3. JACK CODE:
 36 (SEE DRAWING !)</p> | <p>4. METAL SHIELDING:
 "0" WITHOUT SHIELDING</p> <p>5. HOUSING COLOR:
 "B" BLACK (STANDARD)</p> <p>6. INSULATOR COLORS:
 (ARRANGEMENT: A→A1)
 "B" BLACK "A" GRAY
 "R" RED "O" ORANGE
 "W" WHITE "C" BROWN
 "Y" YELLOW
 "U" BLUE
 "N" GREEN</p> |
|--|---|

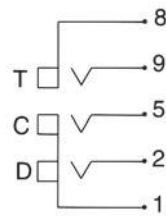
TRIPLE PORT RCA JACK (1)

Dimension (m/m)

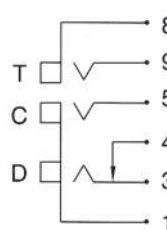


7703**-01

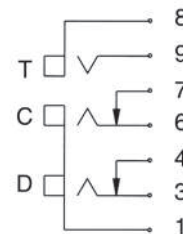
Schematic Code



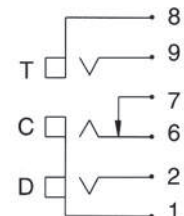
U



V

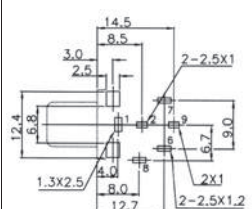
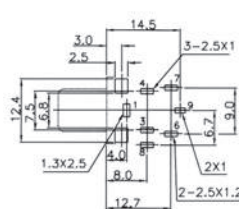
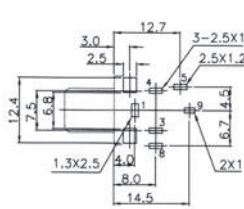
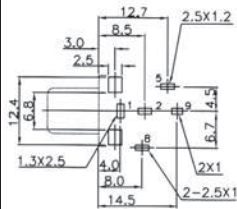


W



X

Pin Hole Layout (Jack Bottom View)



ORDERING INFORMATION:

P/N 7703 $\frac{XX}{12} - \frac{XX}{3} \frac{XX}{45} \frac{XX}{6}$

1. TERMINAL FINISH:

- "S" SILVER PLATED (STANDARD)
- "G" GOLD FLASH PLATED

2. BUSHING FINISH:

- "N" NICKEL PLATED (STANDARD)
- "G" GOLD FLASH PLATED

3. JACK CODE:

- 01 (SEE DRAWING !)

4. SCHEMATIC CODE:

- U, V, W, X

5. HOUSING COLOR:

- "B" BLACK (STANDARD)

6. INSULATOR COLORS:

- (ARRANGEMENT: T → C → D)

- "B" BLACK "A" GRAY
- "R" RED "O" ORANGE
- "W" WHITE "C" BROWN
- "Y" YELLOW
- "U" BLUE
- "N" GREEN

TRIPLE PORT RCA JACK (2)

<p style="text-align: center;">Dimension (m/m)</p>	<p style="text-align: center;">Insulator Color Code Arrangement</p>	<p style="text-align: center;">7703**-02</p>
<p style="text-align: center;">Pin Hole Layout (Jack Bottom View)</p>	<p style="text-align: center;">Schematic Code</p> <p style="text-align: center;">U</p>	
	<p style="text-align: center;">V</p>	

ORDERING INFORMATION:

P/N 7703 $\frac{xx}{12} - \frac{xxx}{3} \frac{xxx}{45} \frac{xxx}{6}$

- | | |
|---|--|
| <ol style="list-style-type: none"> 1. TERMINAL FINISH:
"S" SILVER PLATED (STANDARD)
"G" GOLD FLASH PLATED 2. BUSHING FINISH:
"N" NICKEL PLATED (STANDARD)
"G" GOLD FLASH PLATED 3. JACK CODE:
02 (SEE DRAWING !) | <ol style="list-style-type: none"> 4. SCHEMATIC CODE:
U, V 5. HOUSING COLOR:
"B" BLACK (STANDARD) 6. INSULATOR COLORS:
(ARRANGEMENT: A→ B→ C)
"B" BLACK "A" GRAY
"R" RED "O" ORANGE
"W" WHITE "C" BROWN
"Y" YELLOW
"U" BLUE
"N" GREEN |
|---|--|

TRIPLE PORT RCA JACK (3)

<p style="text-align: center;">Dimension (m/m)</p>	<p style="text-align: center;">Insulator Color Code Arrangement</p>	<p style="text-align: right;">7703**-03</p>
<p style="text-align: center;">Pin Hole Layout (Jack Bottom View)</p>	<p style="text-align: center;">Schematic Code</p> <p style="text-align: center;">U</p>	
	<p style="text-align: center;">V</p>	

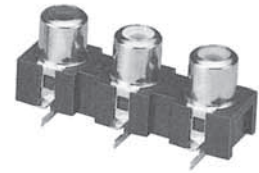
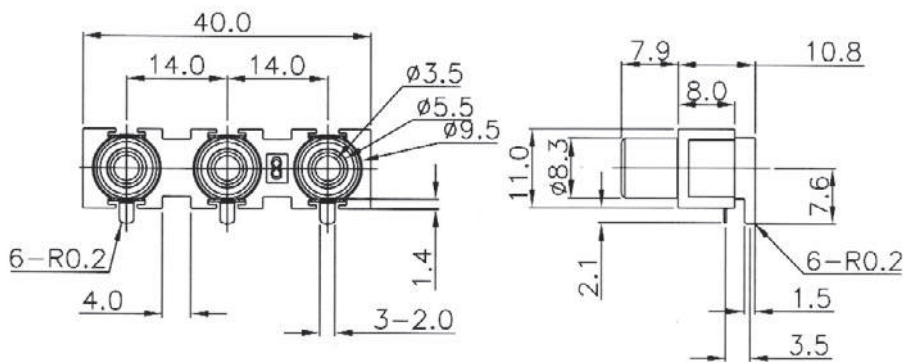
ORDERING INFORMATION:

P/N 7703 $\frac{xx}{12} - \frac{xxx}{3} \frac{xxx}{45} \frac{xxx}{6}$

- | | |
|---|---|
| <ol style="list-style-type: none"> 1. TERMINAL FINISH:
"S" SILVER PLATED (STANDARD)
"G" GOLD FLASH PLATED 2. BUSHING FINISH:
"N" NICKEL PLATED (STANDARD)
"G" GOLD FLASH PLATED 3. JACK CODE:
03 (SEE DRAWING !) | <ol style="list-style-type: none"> 4. SCHEMATIC CODE:
U, V 5. HOUSING COLOR:
"B" BLACK (STANDARD) 6. INSULATOR COLORS:
(ARRANGEMENT: A→ B→ C)
"B" BLACK "A" GRAY
"R" RED "O" ORANGE
"W" WHITE "C" BROWN
"Y" YELLOW
"U" BLUE
"N" GREEN |
|---|---|

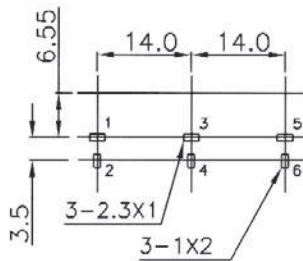
TRIPLE PORT RCA JACK (4)

Dimension (m/m)

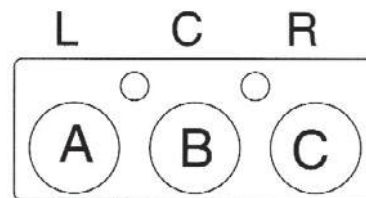


7703**-04

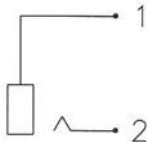
Pin Hole Layout (Jack Bottom View)



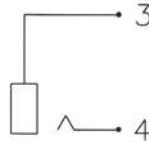
Insulator Color Code Arrangement



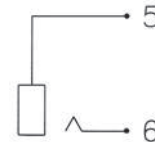
Schematic Code No.



A



B



C

ORDERING INFORMATION:

P/N 7703 $\frac{xx}{12} - \frac{xxx}{3} \frac{xxx}{45} \frac{xxx}{6}$

1. TERMINAL FINISH:
"S" SILVER PLATED (STANDARD)
"G" GOLD FLASH PLATED
2. BUSHING FINISH:
"N" NICKEL PLATED (STANDARD)
"G" GOLD FLASH PLATED
3. JACK CODE:
04 (SEE DRAWING !)

4. SCHEMATIC CODE:
"0" SEE DRAWING !
5. HOUSING COLOR:
"B" BLACK (STANDARD)
6. INSULATOR COLORS:
(ARRANGEMENT: A → B → C)
"B" BLACK "A" GRAY
"R" RED "O" ORANGE
"W" WHITE "C" BROWN
"Y" YELLOW
"U" BLUE
"N" GREEN

TRIPLE PORT RCA JACK (5)

Dimension (m/m)	Pin Hole Layout (Jack Bottom View)	
		<p style="text-align: center;">7703**-05</p>
Schematic Code No.	Insulator Color Code Arrangement	

ORDERING INFORMATION:

P/N 7703 $\frac{XX}{12} - \frac{XX}{3} \frac{XX}{45} \frac{XXX}{6}$

- | | |
|--|--|
| <ol style="list-style-type: none"> 1. TERMINAL FINISH:
"S" SILVER PLATED (STANDARD)
"G" GOLD FLASH PLATED 2. BUSHING FINISH:
"N" NICKEL PLATED (STANDARD)
"G" GOLD FLASH PLATED 3. JACK CODE:
"05" FLAT TYPE
"12" KINK TYPE | <ol style="list-style-type: none"> 4. SCHEMATIC CODE:
"0" SEE DRAWING ! 5. HOUSING COLOR:
"B" BLACK (STANDARD) 6. INSULATOR COLORS:
(ARRANGEMENT: A → B → C)
"B" BLACK "A" GRAY
"R" RED "O" ORANGE
"W" WHITE "C" BROWN
"Y" YELLOW
"U" BLUE
"N" GREEN |
|--|--|

TRIPLE PORT RCA JACK (6)

<p style="text-align: center;">Dimension (m/m)</p>	<p style="text-align: center;">Insulator Color Code Arrangement</p>	<p style="text-align: center;">7703**-06</p>
<p style="text-align: center;">Pin Hole Layout (Jack Bottom View)</p>	<p style="text-align: center;">Schematic Code</p> <p style="text-align: center;">U</p>	
	<p style="text-align: center;">V</p>	

ORDERING INFORMATION:

P/N 7703 $\frac{xx}{12} - \frac{xx}{3} \frac{xx}{4} \frac{xx}{5} \frac{xx}{6}$

- | | |
|---|---|
| <ol style="list-style-type: none"> 1. TERMINAL FINISH:
"S" SILVER PLATED (STANDARD)
"G" GOLD FLASH PLATED 2. BUSHING FINISH:
"N" NICKEL PLATED (STANDARD)
"G" GOLD FLASH PLATED 3. JACK CODE:
06 (SEE DRAWING !) | <ol style="list-style-type: none"> 4. SCHEMATIC CODE:
U, V 5. HOUSING COLOR:
"B" BLACK (STANDARD) 6. INSULATOR COLORS:
(ARRANGEMENT: A → B → C)
"B" BLACK "A" GRAY
"R" RED "O" ORANGE
"W" WHITE "C" BROWN
"Y" YELLOW
"U" BLUE
"N" GREEN |
|---|---|

TRIPLE PORT RCA JACK (7)

<p style="text-align: center;">Dimension (m/m)</p>	<p style="text-align: center;">Insulator Color Code Arrangement</p>	<p style="text-align: center;">7703**-07</p>
<p style="text-align: center;">Pin Hole Layout (Jack Bottom View)</p>	<p style="text-align: center;">Schematic Code</p> <p style="text-align: center;">U</p>	
	<p style="text-align: center;">V</p>	

ORDERING INFORMATION:

P/N 7703 $\frac{xx}{12} - \frac{xxx}{3} \frac{xxx}{45} \frac{xxx}{6}$

- | | |
|---|---|
| <ol style="list-style-type: none"> 1. TERMINAL FINISH:
"S" SILVER PLATED (STANDARD)
"G" GOLD FLASH PLATED 2. BUSHING FINISH:
"N" NICKEL PLATED (STANDARD)
"G" GOLD FLASH PLATED 3. JACK CODE:
07 (SEE DRAWING !) | <ol style="list-style-type: none"> 4. SCHEMATIC CODE:
U, V 5. HOUSING COLOR:
"B" BLACK (STANDARD) 6. INSULATOR COLORS:
(ARRANGEMENT: A → B → C)
"B" BLACK "A" GRAY
"R" RED "O" ORANGE
"W" WHITE "C" BROWN
"Y" YELLOW
"U" BLUE
"N" GREEN |
|---|---|

TRIPLE PORT RCA JACK (8)

<p style="text-align: center;">Dimension (m/m)</p>	<p style="text-align: center;">Insulator Color Code Arrangement</p>	<p style="text-align: center;">7703**-08</p>
<p style="text-align: center;">Pin Hole Layout (Jack Bottom View)</p>	<p style="text-align: center;">Schematic Code</p> <p style="text-align: center;">U</p>	
	<p style="text-align: center;">V</p>	

ORDERING INFORMATION:

P/N 7703 $\frac{xx}{12} - \frac{xxx}{3} \frac{xxx}{45} \frac{xxx}{6}$

- | | |
|---|---|
| <ol style="list-style-type: none"> 1. TERMINAL FINISH:
"S" SILVER PLATED (STANDARD)
"G" GOLD FLASH PLATED 2. BUSHING FINISH:
"N" NICKEL PLATED (STANDARD)
"G" GOLD FLASH PLATED 3. JACK CODE:
08 (SEE DRAWING !) | <ol style="list-style-type: none"> 4. SCHEMATIC CODE:
U, V 5. HOUSING COLOR:
"B" BLACK (STANDARD) 6. INSULATOR COLORS:
(ARRANGEMENT: A→ B→ C)
"B" BLACK "A" GRAY
"R" RED "O" ORANGE
"W" WHITE "C" BROWN
"Y" YELLOW
"U" BLUE
"N" GREEN |
|---|---|

TRIPLE PORT RCA JACK (9)

<p style="text-align: center;">Dimension (m/m)</p>	<p style="text-align: center;">Insulator Color Code Arrangement</p>	<p style="text-align: center;">7703**-09</p>
<p style="text-align: center;">Pin Hole Layout (Jack Bottom View)</p>	<p style="text-align: center;">Schematic Code</p> <p style="text-align: center;">U</p>	
	<p style="text-align: center;">V</p>	

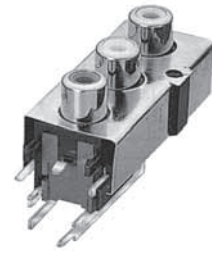
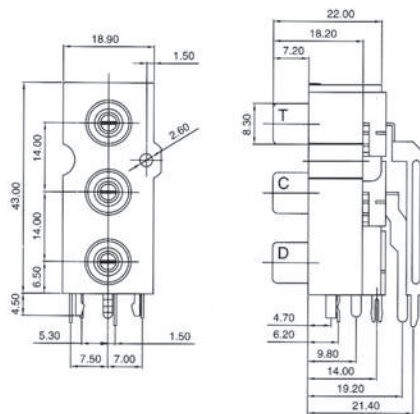
ORDERING INFORMATION:

P/N 7703 $\frac{XX}{12} - \frac{XXX}{3} \frac{XXX}{45} \frac{XXX}{6}$

- | | |
|---|--|
| <ol style="list-style-type: none"> 1. TERMINAL FINISH:
"S" SILVER PLATED (STANDARD)
"G" GOLD FLASH PLATED 2. BUSHING FINISH:
"N" NICKEL PLATED (STANDARD)
"G" GOLD FLASH PLATED 3. JACK CODE:
09 (SEE DRAWING !) | <ol style="list-style-type: none"> 4. SCHEMATIC CODE:
U, V 5. HOUSING COLOR:
"B" BLACK (STANDARD) 6. INSULATOR COLORS:
(ARRANGEMENT: A → B → C)
"B" BLACK "A" GRAY
"R" RED "O" ORANGE
"W" WHITE "C" BROWN
"Y" YELLOW
"U" BLUE
"N" GREEN |
|---|--|

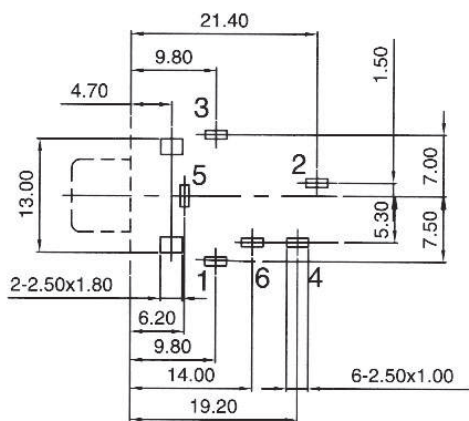
TRIPLE PORT RCA JACK (11)

Dimension (m/m)

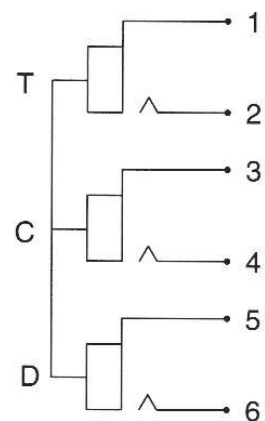


7703**-18

Pin Hole Layout (Jack Bottom View)



Schematic Code



ORDERING INFORMATION:

P/N 7703 $\frac{XX}{12} - \frac{XXX}{3} \frac{XXX}{45} \frac{XXX}{6}$

1. TERMINAL FINISH:

"S" SILVER PLATED (STANDARD)
"G" GOLD FLASH PLATED

2. BUSHING FINISH:

"N" NICKEL PLATED (STANDARD)
"G" GOLD FLASH PLATED

3. JACK CODE:

18 (SEE DRAWING !)

4. SCHEMATIC CODE:

"0" SEE DRAWING !

5. HOUSING COLOR:

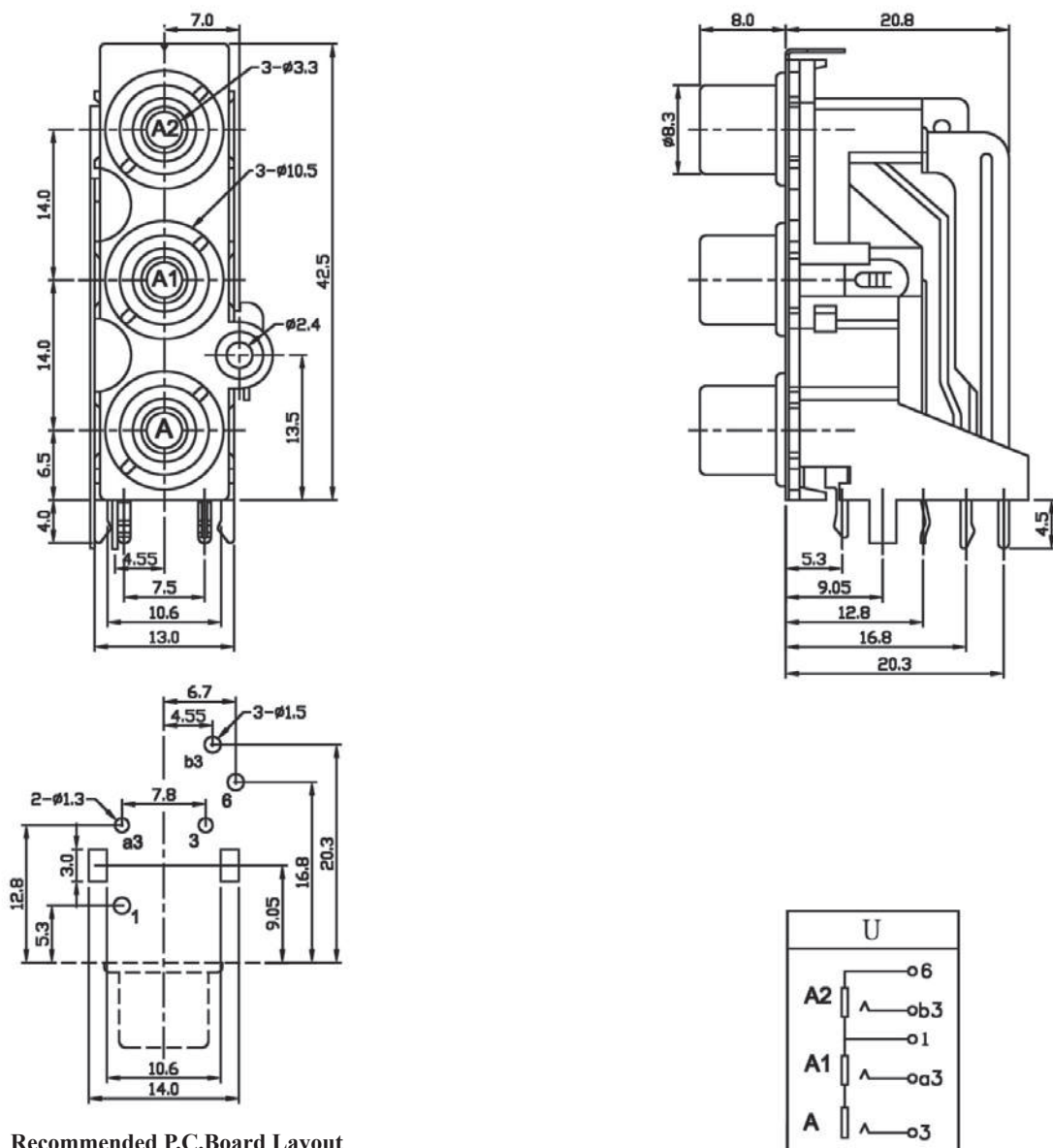
"B" BLACK (STANDARD)

6. INSULATOR COLORS:

(ARRANGEMENT: T → C → D)

"B" BLACK "A" GRAY
"R" RED "O" ORANGE
"W" WHITE "C" BROWN
"Y" YELLOW
"U" BLUE
"N" GREEN

TRIPLE PORT RCA JACK (12)



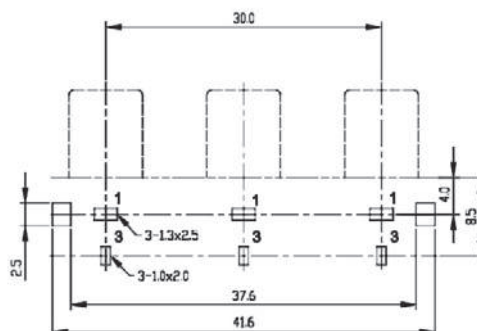
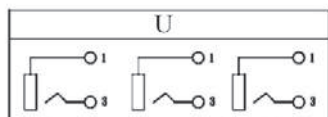
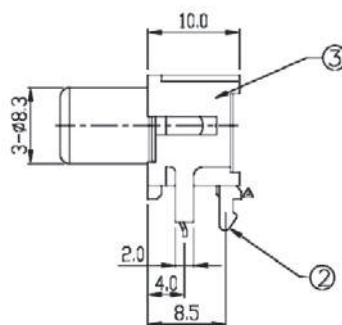
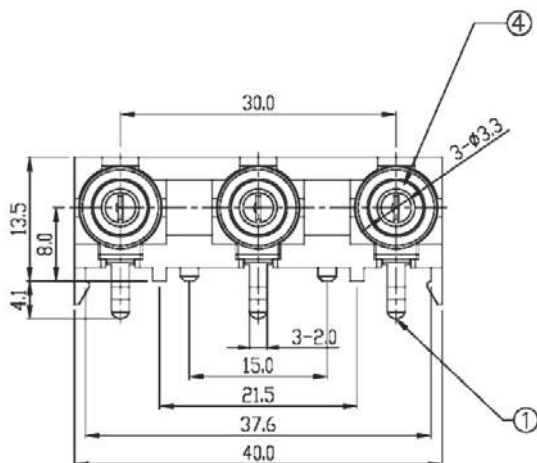
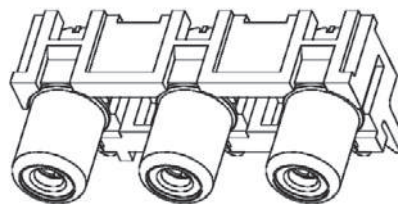
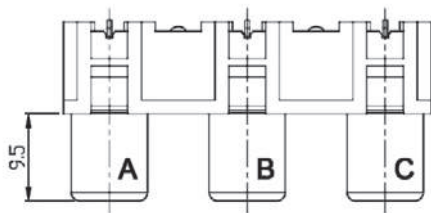
Recommended P.C.Board Layout

ORDERING INFORMATION:

P/N 7703 $\frac{x}{1} \frac{x}{2} - \frac{38}{3} \frac{M}{4} \frac{x}{5} \frac{x}{6}$

1. TERMINAL FINISH:
"T" TIN PLATED (STANDARD)
"G" GOLD FLASH PLATED
2. BUSHING FINISH:
"N" NICKEL PLATED (STANDARD)
"G" GOLD FLASH PLATED
3. JACK CODE:
38 (SEE DRAWING !)
4. METAL SHIELDING:
"M" WITH SHIELDING
5. SCHEMATIC CODE :
U
6. INSULATOR COLORS:
(ARRANGEMENT: A→A1→A2)
"B" BLACK "A" GRAY
"R" RED "O" ORANGE
"W" WHITE "C" BROWN
"Y" YELLOW
"U" BLUE
"N" GREEN

TRIPLE PORT RCA JACK (13)



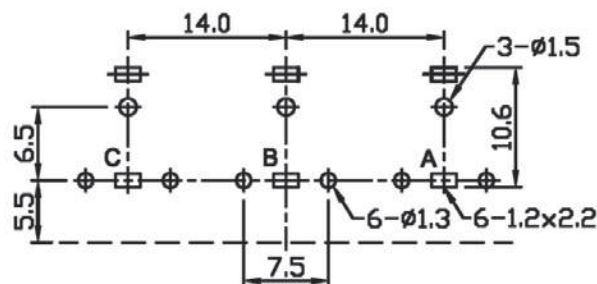
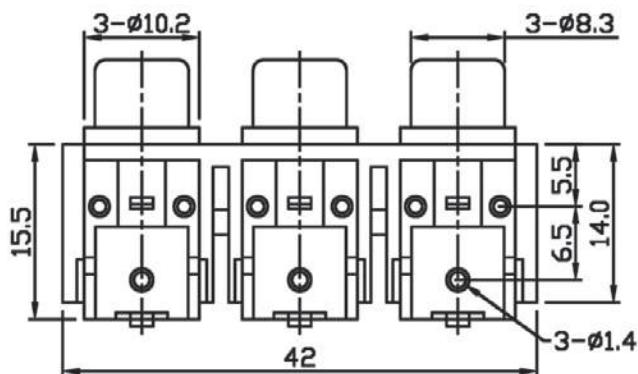
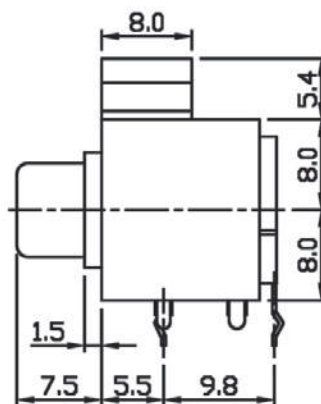
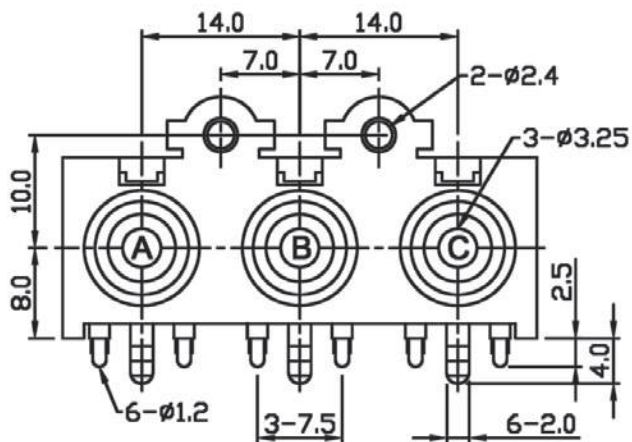
Recommended P.C.Board Layout

ORDERING INFORMATION:

P/N 7703 $\frac{xx}{12} - \frac{340}{3456} U \frac{xxx}{6}$

1. TERMINAL FINISH:
"T" TIN PLATED (STANDARD)
"G" GOLD FLASH PLATED
2. BUSHING FINISH:
"N" NICKEL PLATED (STANDARD)
"G" GOLD FLASH PLATED
3. JACK CODE:
34 (SEE DRAWING !)
4. METAL SHIELDING:
"0" WITHOUT SHIELDING
5. SCHEMATIC CODE:
U
6. INSULATOR COLORS:
(ARRANGEMENT: A→B→C)
"B" BLACK "A" GRAY
"R" RED "O" ORANGE
"W" WHITE "C" BROWN
"Y" YELLOW
"U" BLUE
"N" GREEN

TRIPLE PORT RCA JACK (14)



Recommended P.C.Board Layout

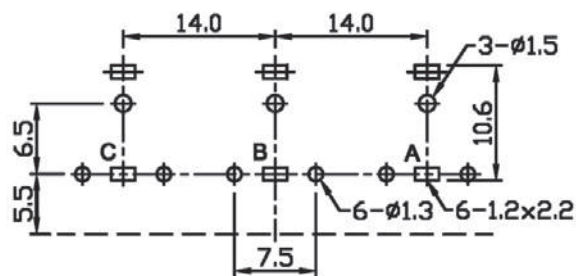
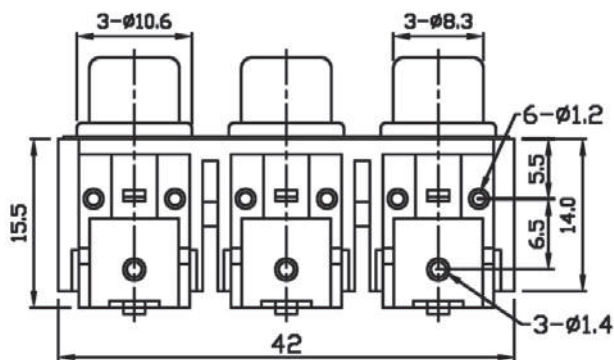
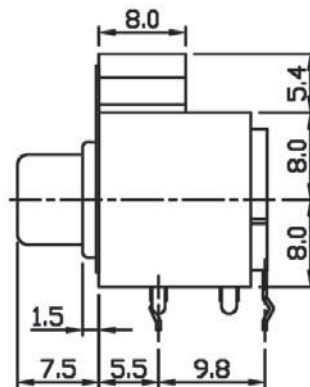
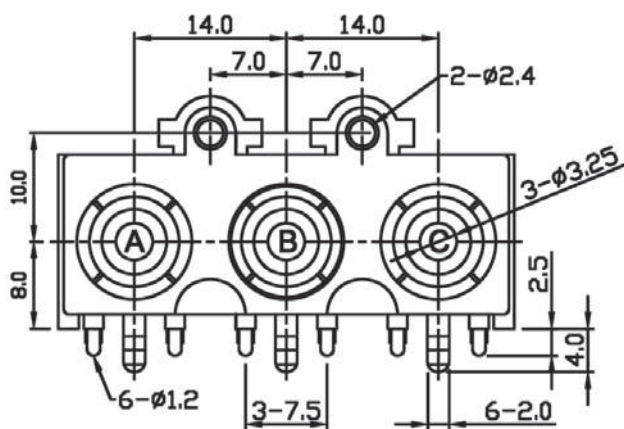
U	V	W	M	N

ORDERING INFORMATION:

P/N 7703 $\frac{x}{1} \frac{x}{2} - \frac{350}{3} \frac{x}{4} \frac{x}{5} \frac{x}{6}$

- TERMINAL FINISH:
"T" TIN PLATED (STANDARD)
"G" GOLD FLASH PLATED
- BUSHING FINISH:
"N" NICKEL PLATED (STANDARD)
"G" GOLD FLASH PLATED
- JACK CODE:
35 (SEE DRAWING !)
- METAL SHIELDING:
"0" WITHOUT SHIELDING
- SCHEMATIC CODE:
U, V, W, M, N
- INSULATOR COLORS:
(ARRANGEMENT: A→B→C)
"B" BLACK "A" GRAY
"R" RED "O" ORANGE
"W" WHITE "C" BROWN
"Y" YELLOW
"U" BLUE
"N" GREEN

TRIPLE PORT RCA JACK (15)



Recommended P.C.Board Layout

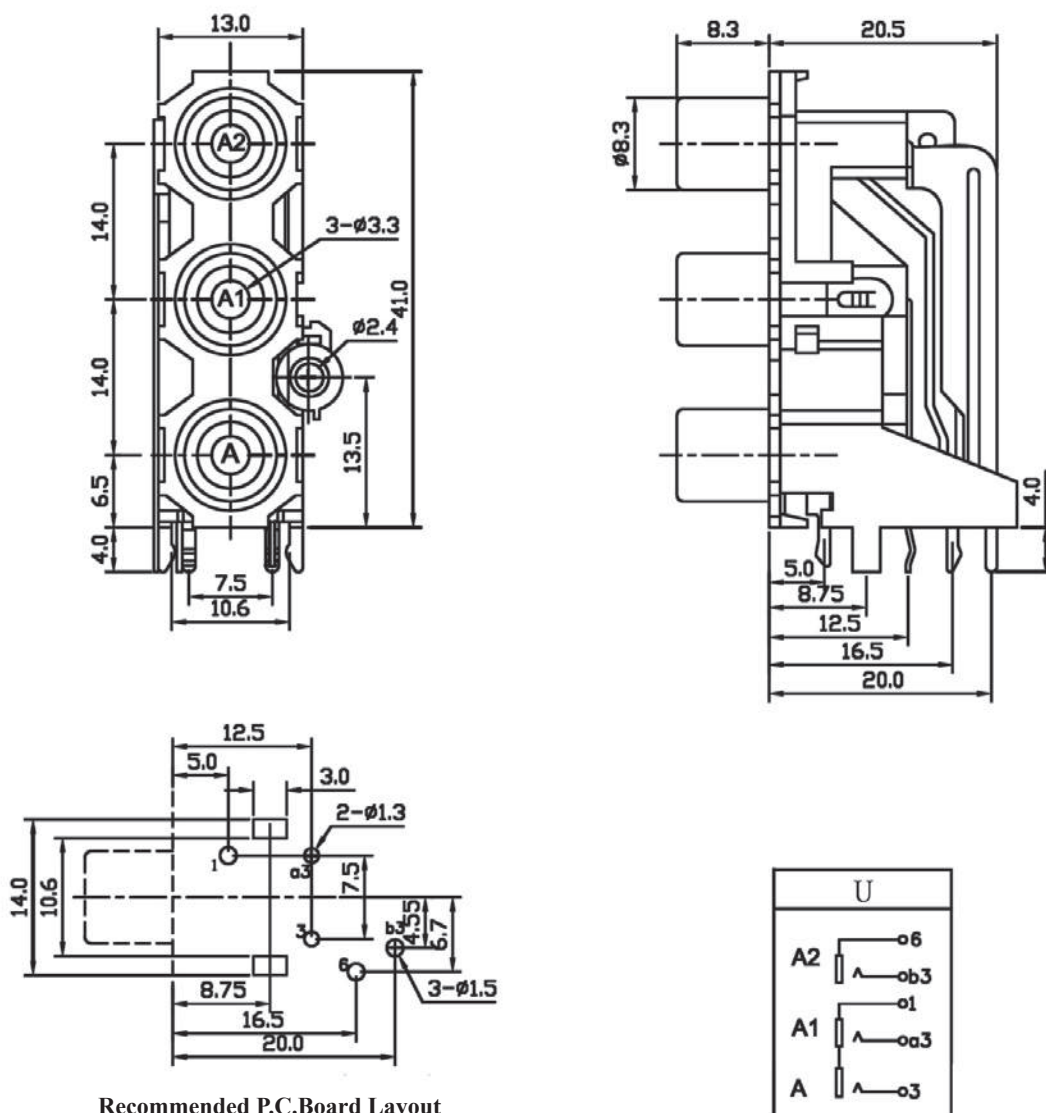
U	V	W	M	N

ORDERING INFORMATION:

P/N 7703 $\frac{x}{1} \frac{x}{2} - 36 \frac{M}{3} \frac{x}{4} \frac{x}{5} \frac{x}{6}$

- TERMINAL FINISH:
"T" TIN PLATED (STANDARD)
"G" GOLD FLASH PLATED
- BUSHING FINISH:
"N" NICKEL PLATED (STANDARD)
"G" GOLD FLASH PLATED
- JACK CODE:
36 (SEE DRAWING !)
- METAL SHIELDING:
"M" WITH SHIELDING
- SCHEMATIC CODE:
U, V, W, M, N
- INSULATOR COLORS:
(ARRANGEMENT: A→B→C)
"B" BLACK "A" GRAY
"R" RED "O" ORANGE
"W" WHITE "C" BROWN
"Y" YELLOW
"U" BLUE
"N" GREEN

TRIPLE PORT RCA JACK (16)

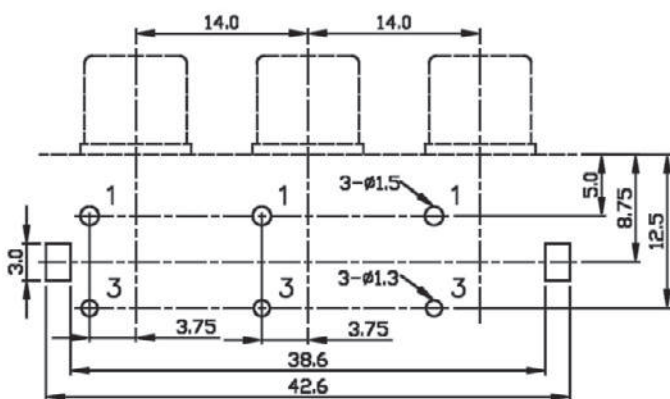
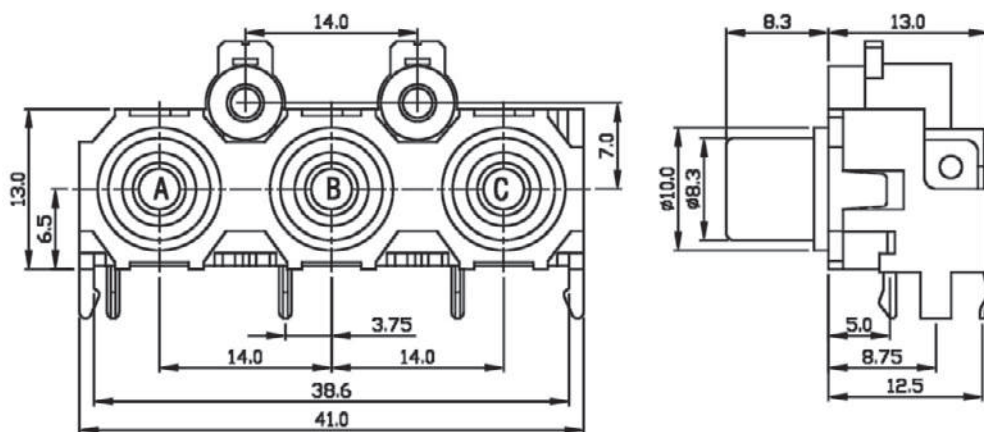


ORDERING INFORMATION:

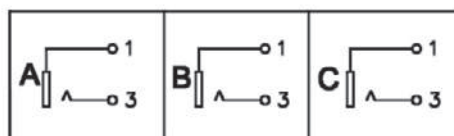
P/N 7703 $\frac{x}{1} \frac{x}{2} - \frac{3}{3} \frac{7}{4} \frac{0}{5} \frac{x}{6} \frac{x}{6} \frac{x}{6} \frac{x}{6}$

1. TERMINAL FINISH:
"T" TIN PLATED (STANDARD)
"G" GOLD FLASH PLATED
2. BUSHING FINISH:
"N" NICKEL PLATED (STANDARD)
"G" GOLD FLASH PLATED
3. JACK CODE:
37 (SEE DRAWING !)
4. METAL SHIELDING:
"0" WITHOUT SHIELDING
5. SCHEMATIC CODE:
U
6. INSULATOR COLORS:
(ARRANGEMENT: A→A1→A2)
"B" BLACK "A" GRAY
"R" RED "O" ORANGE
"W" WHITE "C" BROWN
"Y" YELLOW
"U" BLUE
"N" GREEN

TRIPLE PORT RCA JACK (17)



Recommended P.C.Board Layout

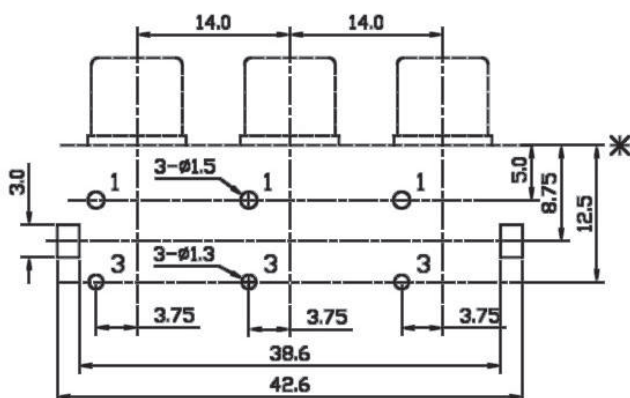
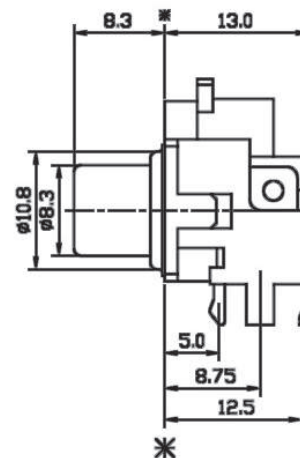
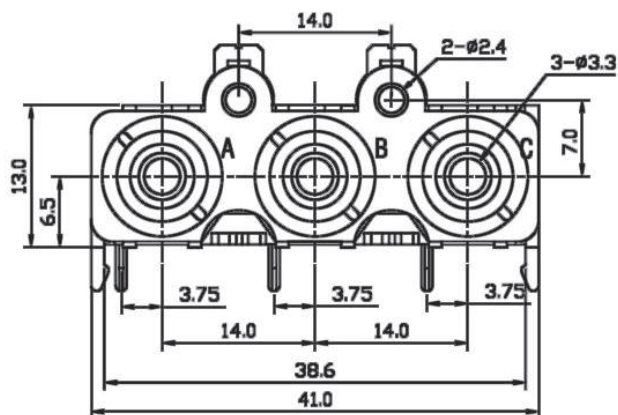


ORDERING INFORMATION:

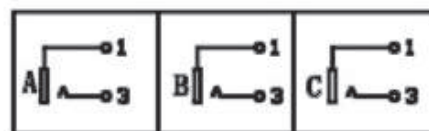
P/N 7703 $\frac{x}{1} \frac{x}{2} - \frac{3}{3} \frac{1}{4} \frac{0}{5} \frac{x}{6} \frac{x}{x} \frac{x}{x}$

1. TERMINAL FINISH:
"T" TIN PLATED (STANDARD)
"G" GOLD FLASH PLATED
2. BUSHING FINISH:
"N" NICKEL PLATED (STANDARD)
"G" GOLD FLASH PLATED
3. JACK CODE:
31 (SEE DRAWING !)
4. METAL SHIELDING:
"0" WITHOUT SHIELDING
5. HOUSING COLOR:
"B" BLACK (STANDARD)
"R" RED
"W" WHITE
6. INSULATOR COLORS:
(ARRANGEMENT: A→B→C)
"B" BLACK "A" GRAY
"R" RED "O" ORANGE
"W" WHITE "C" BROWN
"Y" YELLOW
"U" BLUE
"N" GREEN

TRIPLE PORT RCA JACK (18)



Recommended P.C.Board Layout

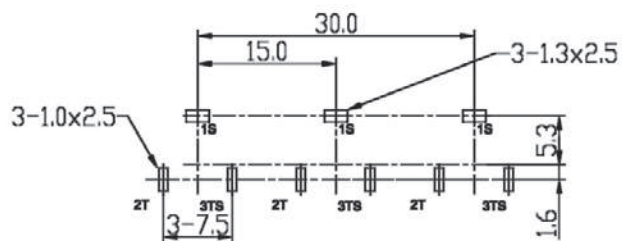
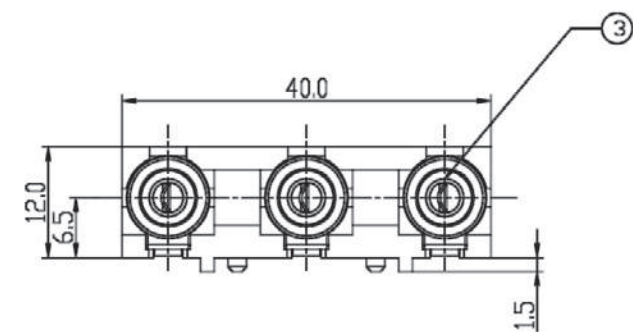


ORDERING INFORMATION:

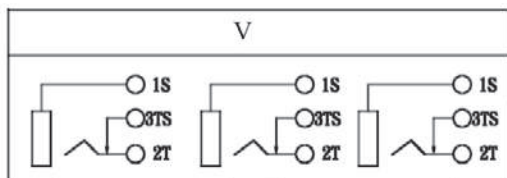
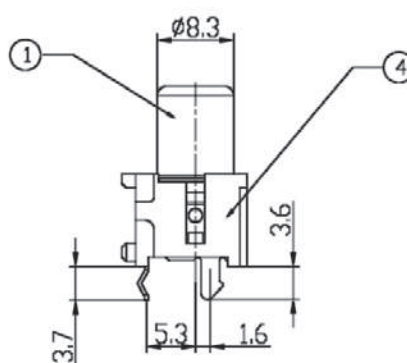
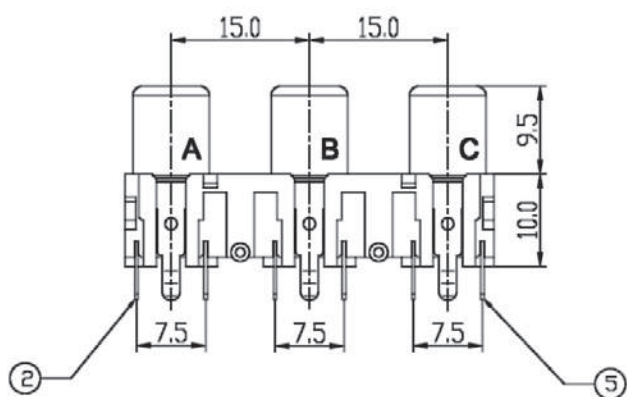
P/N 7703 $\frac{x}{1} \frac{x}{2} - \frac{3}{3} \frac{M}{4} \frac{x}{5} \frac{x}{6} x$

- TERMINAL FINISH:
"T" TIN PLATED (STANDARD)
"G" GOLD FLASH PLATED
- BUSHING FINISH:
"N" NICKEL PLATED (STANDARD)
"G" GOLD FLASH PLATED
- JACK CODE:
32 (SEE DRAWING !)
- METAL SHIELDING:
"M" WITH SHIELDING
- HOUSING COLOR:
"B" BLACK (STANDARD)
"R" RED
"W" WHITE
- INSULATOR COLORS:
(ARRANGEMENT: A→B→C)
"B" BLACK "A" GRAY
"R" RED "O" ORANGE
"W" WHITE "C" BROWN
"Y" YELLOW
"U" BLUE
"N" GREEN

TRIPLE PORT RCA JACK (19)



Recommended P.C.Board Layout

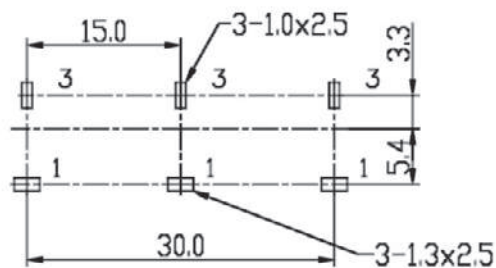
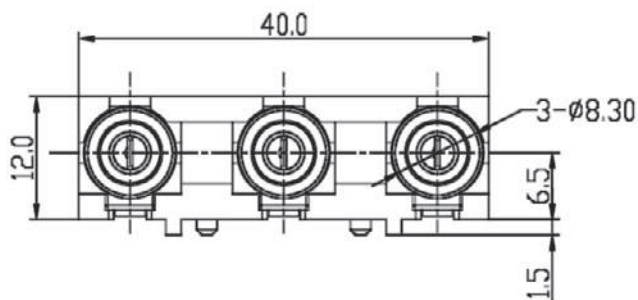


ORDERING INFORMATION:

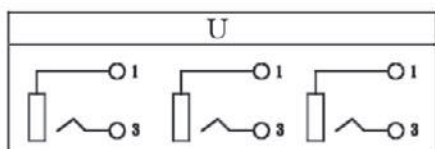
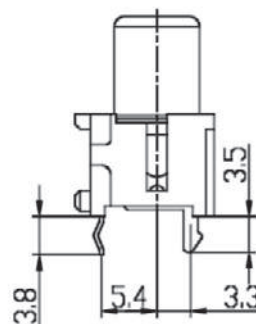
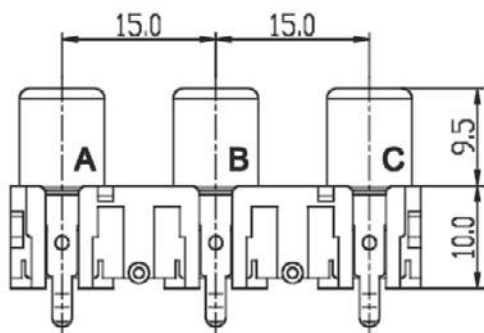
P/N 7703 $\frac{x}{1} \frac{x}{2} - \frac{330}{3} \frac{V}{4} \frac{x}{5} \frac{x}{6}$

1. TERMINAL FINISH:
"T" TIN PLATED (STANDARD)
"G" GOLD FLASH PLATED
2. BUSHING FINISH:
"N" NICKEL PLATED (STANDARD)
"G" GOLD FLASH PLATED
3. JACK CODE:
33 (SEE DRAWING !)
4. METAL SHIELDING:
"0" WITHOUT SHIELDING
5. SCHEMATIC CODE:
V
6. INSULATOR COLORS:
(ARRANGEMENT: A→B→C)
"B" BLACK "A" GRAY
"R" RED "O" ORANGE
"W" WHITE "C" BROWN
"Y" YELLOW
"U" BLUE
"N" GREEN

TRIPLE PORT RCA JACK (20)



Recommended P.C.Board Layout

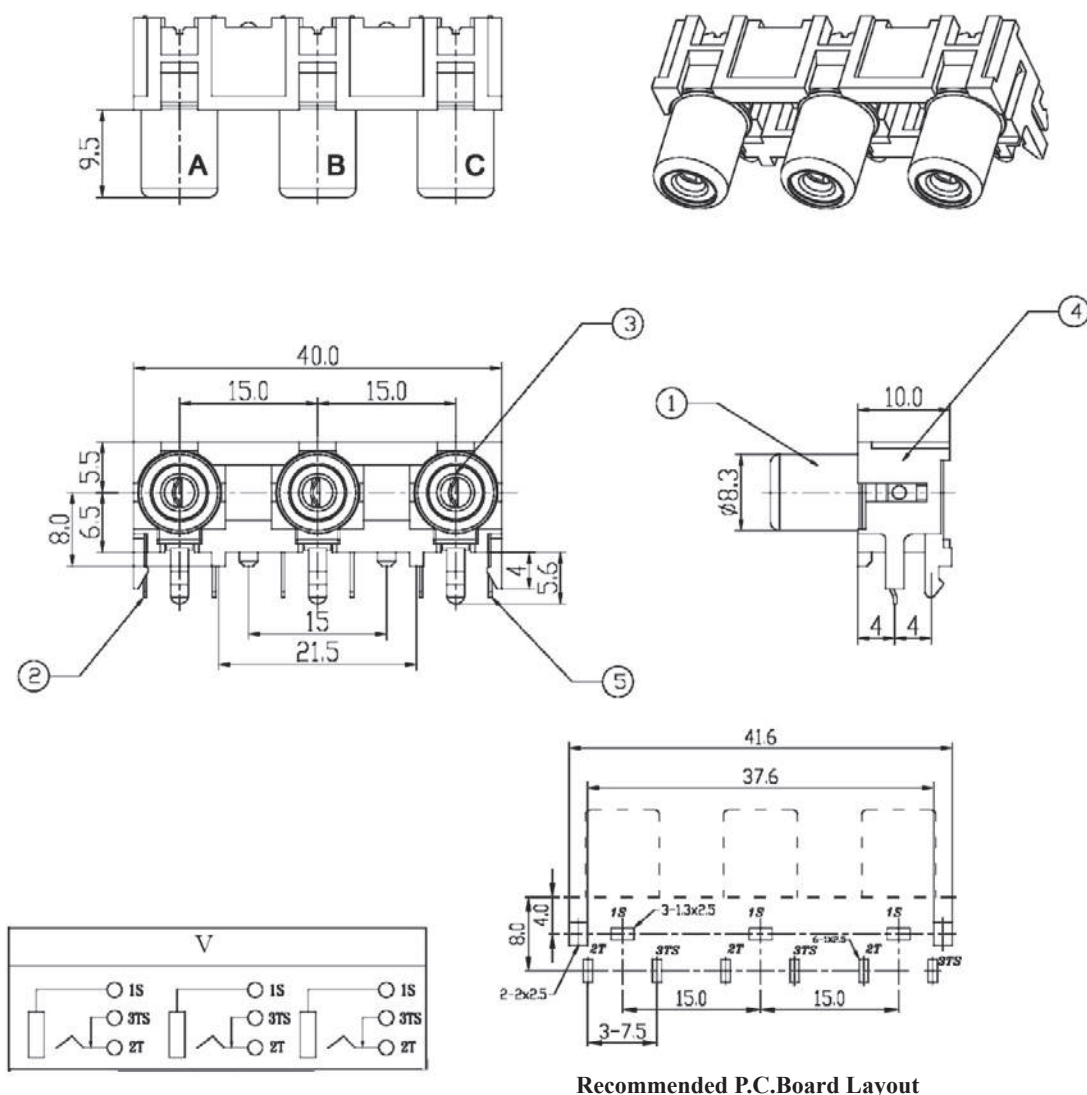


ORDERING INFORMATION:

P/N 7703 $\frac{x}{1} \frac{x}{2} - \frac{3}{3} \frac{3}{4} \frac{0}{5} \frac{U}{6} \frac{x}{x} \frac{x}{x}$

1. TERMINAL FINISH:
"T" TIN PLATED (STANDARD)
"G" GOLD FLASH PLATED
2. BUSHING FINISH:
"N" NICKEL PLATED (STANDARD)
"G" GOLD FLASH PLATED
3. JACK CODE:
33 (SEE DRAWING !)
4. METAL SHIELDING:
"0" WITHOUT SHIELDING
5. SCHEMATIC CODE:
U
6. INSULATOR COLORS:
(ARRANGEMENT: A→B→C)
"B" BLACK "A" GRAY
"R" RED "O" ORANGE
"W" WHITE "C" BROWN
"Y" YELLOW
"U" BLUE
"N" GREEN

TRIPLE PORT RCA JACK (21)

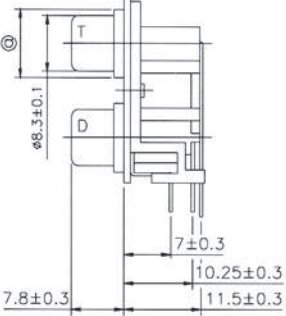
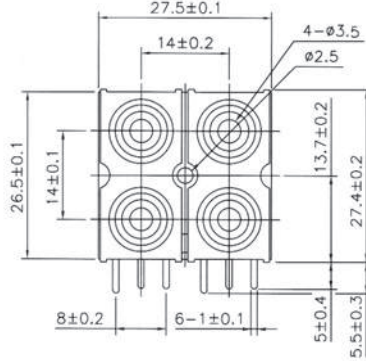
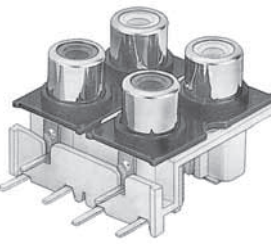
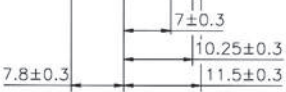
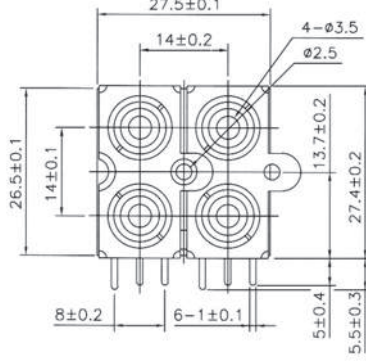
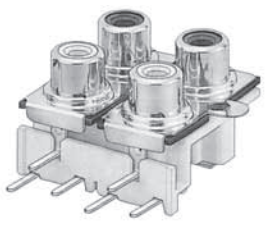
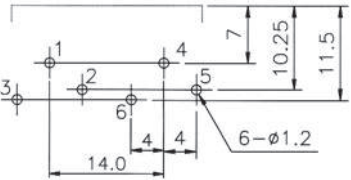
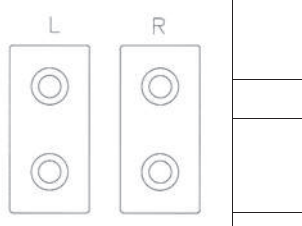
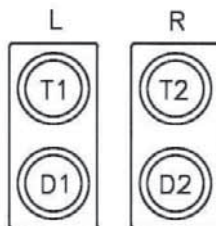


ORDERING INFORMATION:

P/N 7703 $\frac{x}{1} \frac{x}{2} - \frac{340}{3} \frac{V}{4} \frac{x}{5} \frac{x}{6}$

- TERMINAL FINISH:
"T" TIN PLATED (STANDARD)
"G" GOLD FLASH PLATED
- BUSHING FINISH:
"N" NICKEL PLATED (STANDARD)
"G" GOLD FLASH PLATED
- JACK CODE:
34 (SEE DRAWING !)
- METAL SHIELDING:
"0" WITHOUT SHIELDING
- SCHEMATIC CODE:
V
- INSULATOR COLORS:
(ARRANGEMENT: A→B→C)
"B" BLACK "A" GRAY
"R" RED "O" ORANGE
"W" WHITE "C" BROWN
"Y" YELLOW
"U" BLUE
"N" GREEN

QUAD PORT RCA JACK (1)

P/N	Dimension (m/m)			
7704**-01	<p>Dia . @ : 7704**-01 : Ø10.2 7704**-02 : Ø10.5</p> 		 <p style="text-align: center;">7704**-01</p>	
7704**-02			 <p style="text-align: center;">7704**-02</p>	
Pin Hole Layout (Jack Bottom View)		Schematic		Insulator Color Code Arrangement
				

ORDERING INFORMATION:

P/N 7704 xx - xx xx xx xx xx

1 2 3 4 5 6

- | | |
|--|--|
| <p>1. TERMINAL FINISH:
"S" SILVER PLATED (STANDARD)
"G" GOLD FLASH PLATED</p> <p>2. BUSHING FINISH:
"N" NICKEL PLATED (STANDARD)
"G" GOLD FLASH PLATED</p> <p>3. JACK CODE:
01, 02 (SEE DRAWING !)</p> | <p>4. SCHEMATIC CODE:
"0" SEE DRAWING !</p> <p>5. HOUSING COLOR:
"W" WHITE</p> <p>6. INSULATOR COLORS:
(ARRANGEMENT: T1→ D1→ T2→ D2)
"B" BLACK "A" GRAY
"R" RED "O" ORANGE
"W" WHITE "C" BROWN
"Y" YELLOW
"U" BLUE
"N" GREEN</p> |
|--|--|

QUAD PORT RCA JACK (2)

P/N	Dimension (m/m)		
7704**-03			 7704**-03
7704**-04			 7704**-04
7704**-05			 7704**-05
Pin Hole Layout (Jack Bottom View)		Schematic	Insulator Color Code Arrangement

ORDERING INFORMATION:

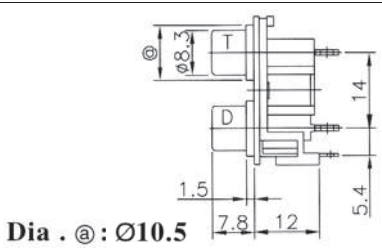
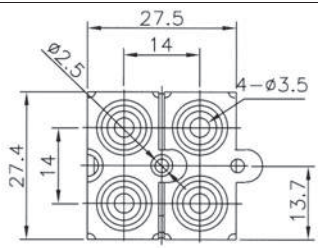
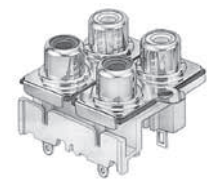
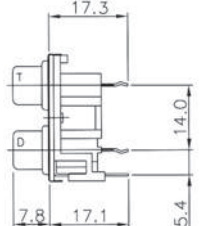
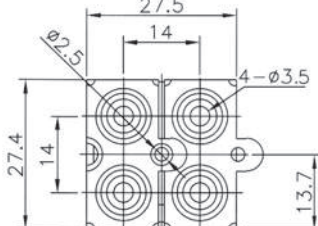
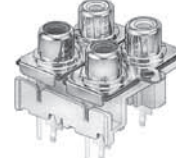
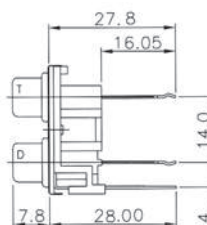
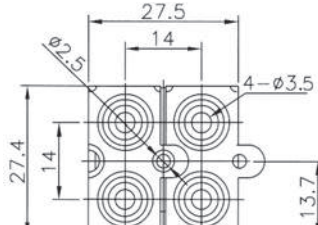
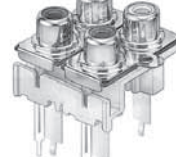
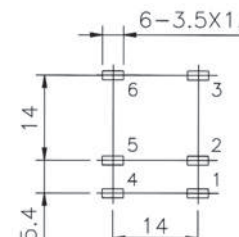
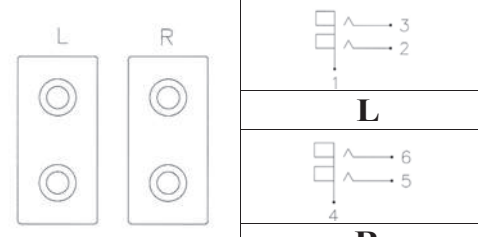
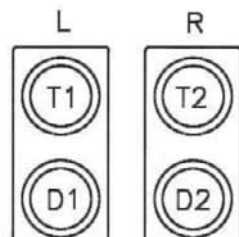
P/N 7704 xx - xx xx xx xx xx

1 2 3 4 5 6

1. TERMINAL FINISH:
"S" SILVER PLATED (STANDARD)
"G" GOLD FLASH PLATED
2. BUSHING FINISH:
"N" NICKEL PLATED (STANDARD)
"G" GOLD FLASH PLATED
3. JACK CODE:
03, 04, 05 (SEE DRAWING !)

4. SCHEMATIC CODE:
"0" SEE DRAWING !
5. HOUSING COLOR:
"W" WHITE (STANDARD)
6. INSULATOR COLORS:
(ARRANGEMENT: T1→ D1→ T2→ D2)
"B" BLACK "A" GRAY
"R" RED "O" ORANGE
"W" WHITE "C" BROWN
"Y" YELLOW
"U" BLUE
"N" GREEN

QUAD PORT RCA JACK (3)

P/N	Dimension (m/m)		
7704**-06			 7704**-06
7704**-07			 7704**-07
7704**-08			 7704**-08
Pin Hole Layout (Jack Bottom View)		Schematic	Insulator Color Code Arrangement
			

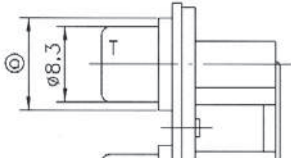
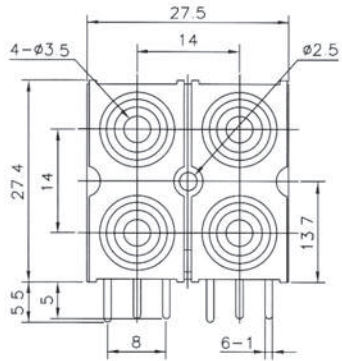
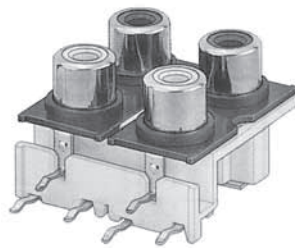
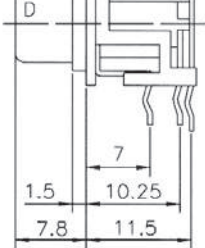
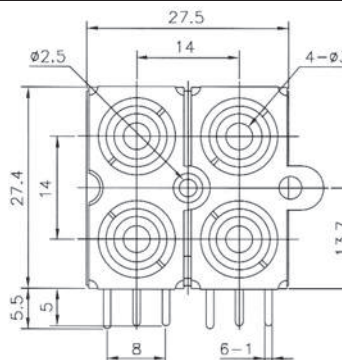
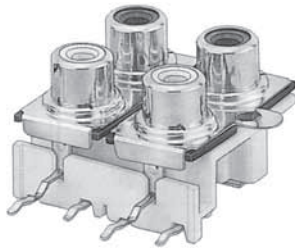
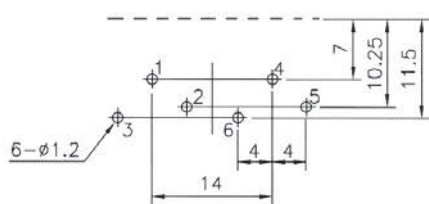
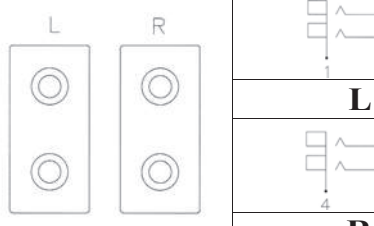
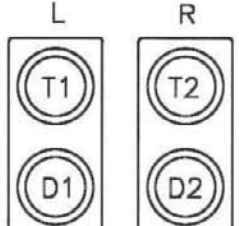
ORDERING INFORMATION:

P/N 7704 xx - xx xx xx xx xx

1 2 3 4 5 6

- | | |
|---|---|
| <ol style="list-style-type: none"> 1. TERMINAL FINISH:
"S" SILVER PLATED (STANDARD)
"G" GOLD FLASH PLATED 2. BUSHING FINISH:
"N" NICKEL PLATED (STANDARD)
"G" GOLD FLASH PLATED 3. JACK CODE:
06, 07, 08 (SEE DRAWING !) | <ol style="list-style-type: none"> 4. SCHEMATIC CODE:
"0" SEE DRAWING ! 5. HOUSING COLOR:
"W" WHITE (STANDARD) 6. INSULATOR COLORS:
(ARRANGEMENT: T1→ D1→ T2→ D2)
"B" BLACK "A" GRAY
"R" RED "O" ORANGE
"W" WHITE "C" BROWN
"Y" YELLOW
"U" BLUE
"N" GREEN |
|---|---|

QUAD PORT RCA JACK (4)

P/N	Dimension (m/m)			
7704**-09	<p>Dia . @ : 7704**-09 : Ø10.2 7704**-10 : Ø10.5</p> 		 <p style="text-align: center;">7704**-09</p>	
7704**-10			 <p style="text-align: center;">7704**-10</p>	
Pin Hole Layout (Jack Bottom View)		Schematic		Insulator Color Code Arrangement
				

ORDERING INFORMATION:

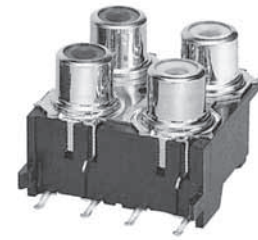
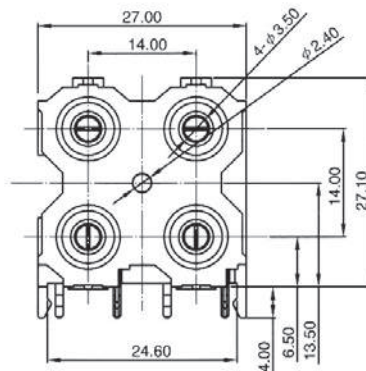
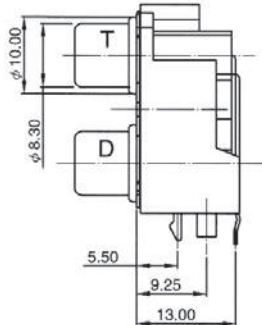
P/N 7704 xx - xx xx xx xx xx

1 2 3 4 5 6

- | | |
|--|--|
| <p>1. TERMINAL FINISH:
"S" SILVER PLATED (STANDARD)
"G" GOLD FLASH PLATED</p> <p>2. BUSHING FINISH:
"N" NICKEL PLATED (STANDARD)
"G" GOLD FLASH PLATED</p> <p>3. JACK CODE:
09, 10 (SEE DRAWING !)</p> | <p>4. SCHEMATIC CODE:
"0" SEE DRAWING !</p> <p>5. HOUSING COLOR:
"W" WHITE (STANDARD)</p> <p>6. INSULATOR COLORS:
(ARRANGEMENT: T1→ D1→ T2→ D2)
"B" BLACK "A" GRAY
"R" RED "O" ORANGE
"W" WHITE "C" BROWN
"Y" YELLOW
"U" BLUE
"N" GREEN</p> |
|--|--|

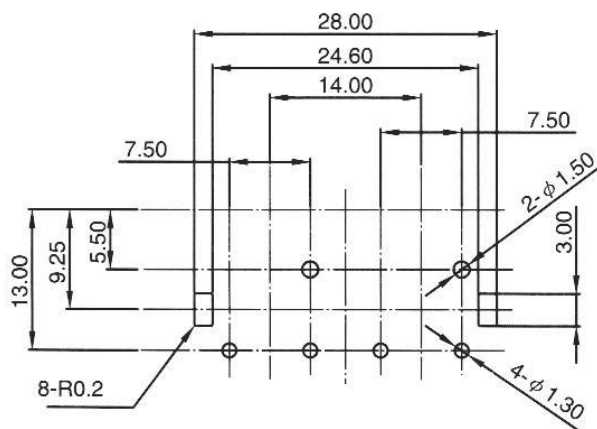
QUAD PORT RCA JACK (5)

Dimension (m/m)

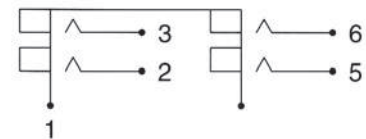


7704**-11

Pin Hole Layout (Jack Bottom View)



Schematic Code



L

R

ORDERING INFORMATION:

P/N 7704 xx - xx xx xx xx xx

1 2 3 4 5 6

1. TERMINAL FINISH:

"S" SILVER PLATED (STANDARD)
"G" GOLD FLASH PLATED

2. BUSHING FINISH:

"N" NICKEL PLATED (STANDARD)
"G" GOLD FLASH PLATED

3. JACK CODE:

11 (SEE DRAWING !)

4. SCHEMATIC CODE:

"0" SEE DRAWING !

5. HOUSING COLOR:

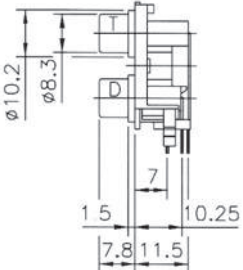
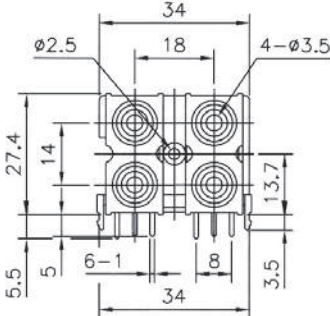
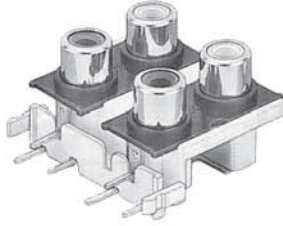
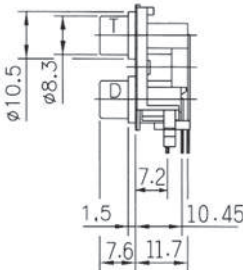
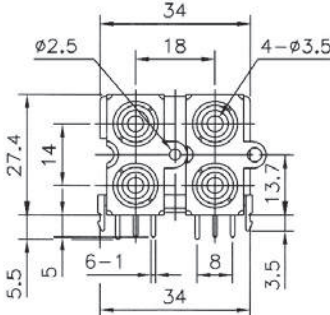
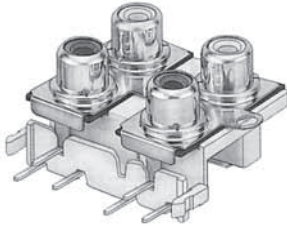
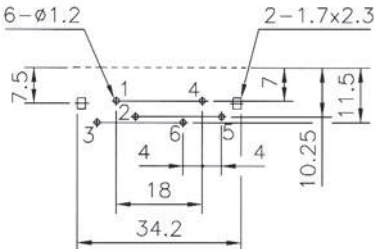
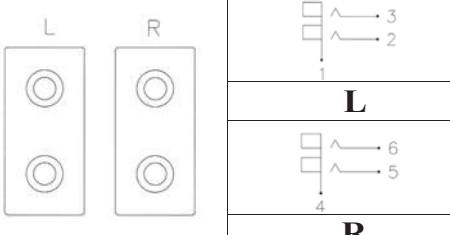
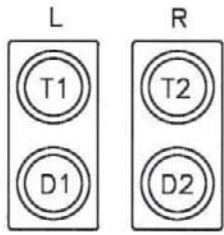
"B" BLACK (STANDARD)

6. INSULATOR COLORS:

(ARRANGEMENT: T1 → D1 → T2 → D2)

"B" BLACK "A" GRAY
"R" RED "O" ORANGE
"W" WHITE "C" BROWN
"Y" YELLOW
"U" BLUE
"N" GREEN

QUAD PORT RCA JACK (6)

P/N	Dimension (m/m)			
7704**-12			 <p style="text-align: center;">7704**-12</p>	
7704**-13			 <p style="text-align: center;">7704**-13</p>	
Pin Hole Layout (Jack Bottom View)		Schematic		Insulator Color Code Arrangement
				

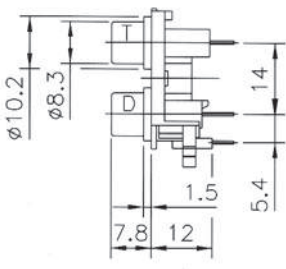
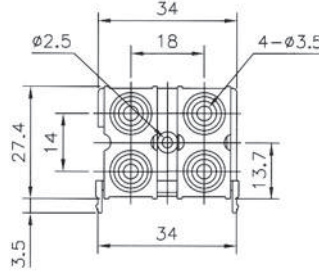
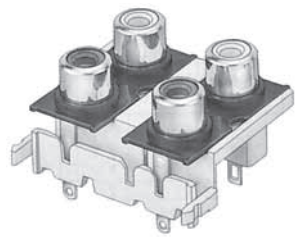
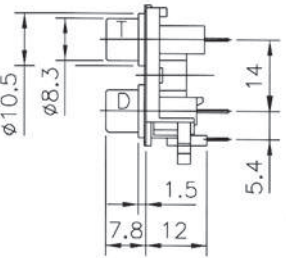
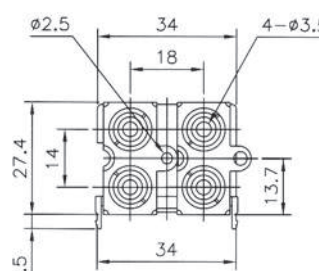
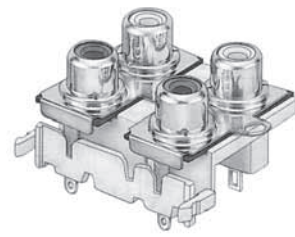
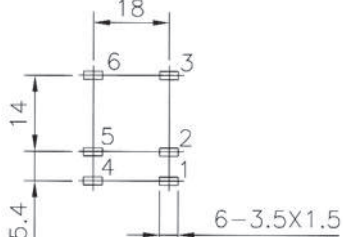
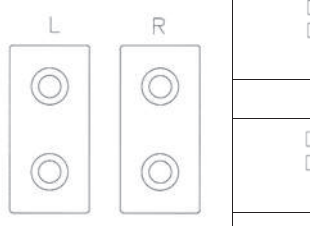
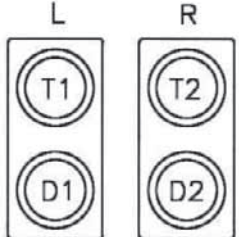
ORDERING INFORMATION:

P/N 7704 xx - xx xx xx xx xx

1 2 3 4 5 6

- | | |
|--|--|
| <p>1. TERMINAL FINISH:
"S" SILVER PLATED (STANDARD)
"G" GOLD FLASH PLATED</p> <p>2. BUSHING FINISH:
"N" NICKEL PLATED (STANDARD)
"G" GOLD FLASH PLATED</p> <p>3. JACK CODE:
12, 13 (SEE DRAWING !)</p> | <p>4. SCHEMATIC CODE:
"0" SEE DRAWING !</p> <p>5. HOUSING COLOR:
"W" WHITE (STANDARD)</p> <p>6. INSULATOR COLORS:
(ARRANGEMENT: T1→ D1→ T2→ D2)
"B" BLACK "A" GRAY
"R" RED "O" ORANGE
"W" WHITE "C" BROWN
"Y" YELLOW
"U" BLUE
"N" GREEN</p> |
|--|--|

QUAD PORT RCA JACK (7)

P/N	Dimension (m/m)			
7704**-14			 <p style="text-align: center;">7704**-14</p>	
7704**-15			 <p style="text-align: center;">7704**-15</p>	
Pin Hole Layout (Jack Bottom View)		Schematic		Insulator Color Code Arrangement
				

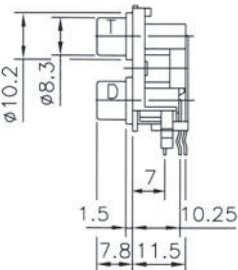
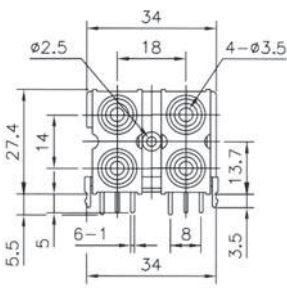
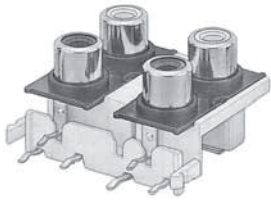
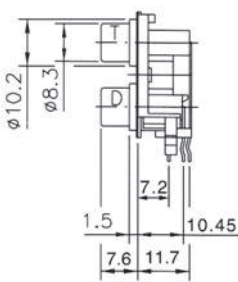
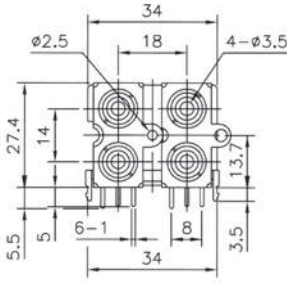
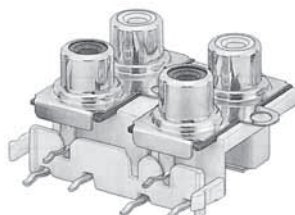
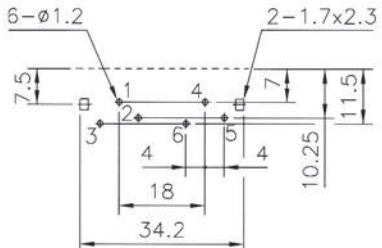
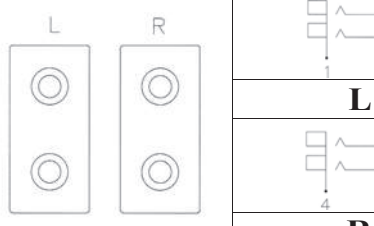
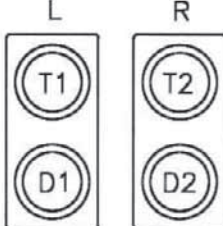
ORDERING INFORMATION:

P/N 7704 xx - xx xx xx xx xx

1 2 3 4 5 6

- | | |
|---|--|
| <ol style="list-style-type: none"> 1. TERMINAL FINISH:
"S" SILVER PLATED (STANDARD)
"G" GOLD FLASH PLATED 2. BUSHING FINISH:
"N" NICKEL PLATED (STANDARD)
"G" GOLD FLASH PLATED 3. JACK CODE:
14, 15 (SEE DRAWING !) | <ol style="list-style-type: none"> 4. SCHEMATIC CODE:
"0" SEE DRAWING ! 5. HOUSING COLOR:
"W" WHITE (STANDARD) 6. INSULATOR COLORS:
(ARRANGEMENT: T1→ D1→ T2→ D2)
"B" BLACK "A" GRAY
"R" RED "O" ORANGE
"W" WHITE "C" BROWN
"Y" YELLOW
"U" BLUE
"N" GREEN |
|---|--|

QUAD PORT RCA JACK (8)

P/N	Dimension (m/m)			
7704**-16			 <p style="text-align: center;">7704**-16</p>	
7704**-17			 <p style="text-align: center;">7704**-17</p>	
Pin Hole Layout (Jack Bottom View)		Schematic		Insulator Color Code Arrangement
				

ORDERING INFORMATION:

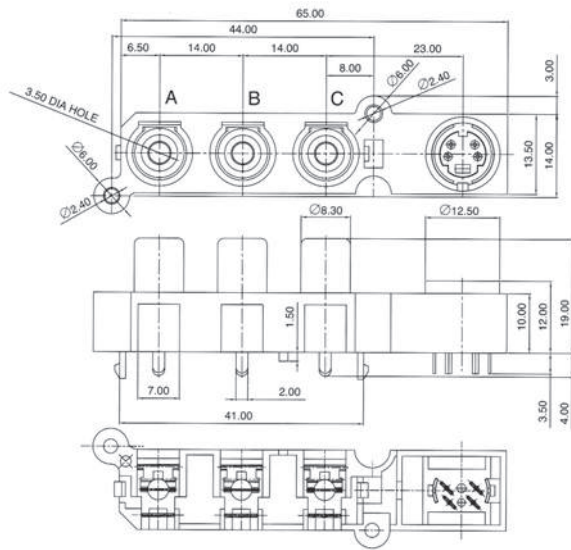
P/N 7704 xx - xx xx xx xx xx

1 2 3 4 5 6

- | | |
|---|---|
| <ol style="list-style-type: none"> 1. TERMINAL FINISH:
"S" SILVER PLATED (STANDARD)
"G" GOLD FLASH PLATED 2. BUSHING FINISH:
"N" NICKEL PLATED (STANDARD)
"G" GOLD FLASH PLATED 3. JACK CODE:
16, 17 (SEE DRAWING !) | <ol style="list-style-type: none"> 4. SCHEMATIC CODE:
"0" SEE DRAWING ! 5. HOUSING COLOR:
"W" WHITE (STANDARD) 6. INSULATOR COLORS:
(ARRANGEMENT: T1→ D1→ T2→ D2)
"B" BLACK "A" GRAY
"R" RED "O" ORANGE
"W" WHITE "C" BROWN
"Y" YELLOW
"U" BLUE
"N" GREEN |
|---|---|

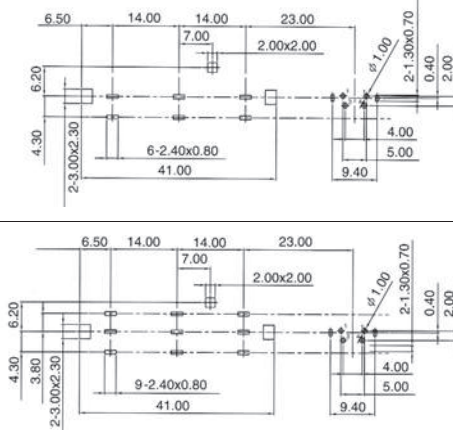
QUAD PORT RCA JACK (9)

Dimension (m/m)

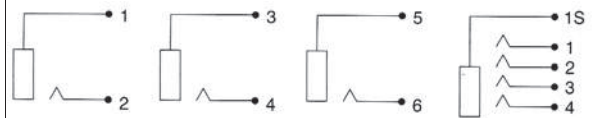


7704**-18

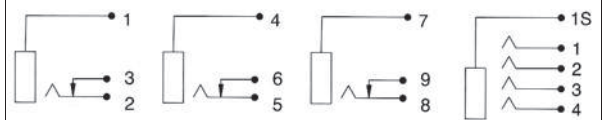
Pin Hole Layout (Jack Bottom View)



Schematic Code



U



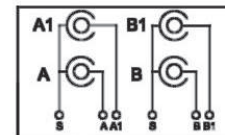
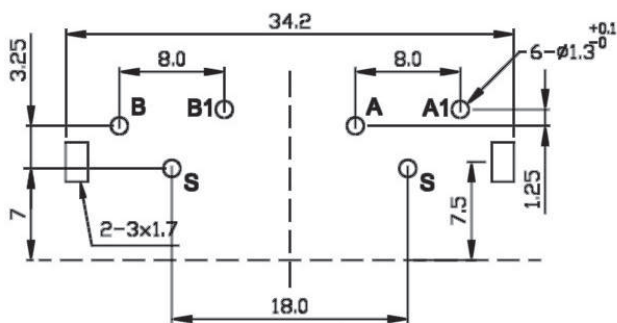
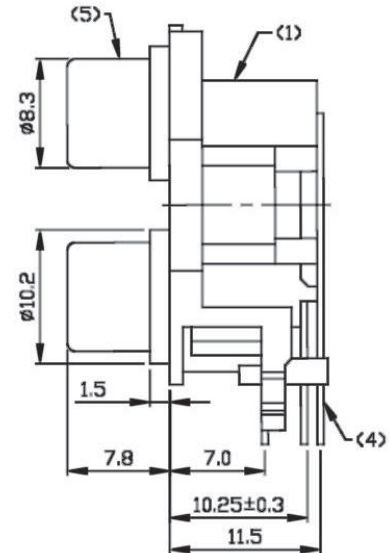
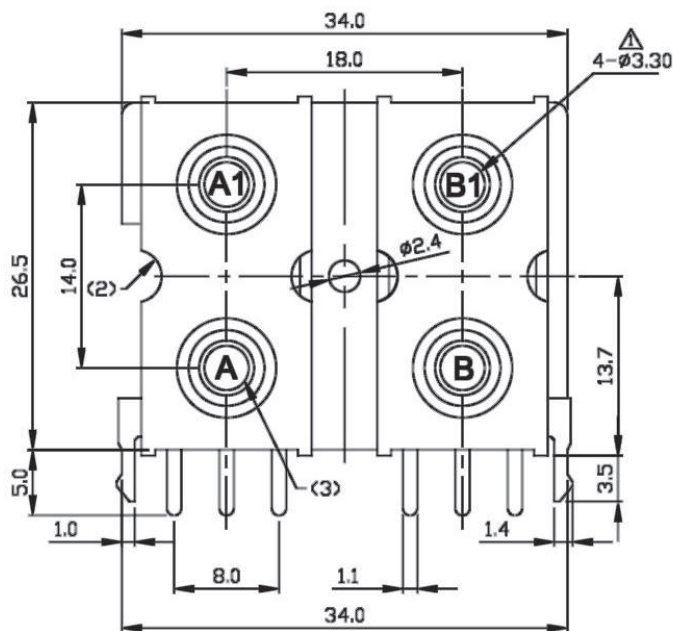
V

ORDERING INFORMATION:

P/N 7704 $\frac{xx}{12} - \frac{xx}{3} \frac{xx}{4} \frac{xx}{5} \frac{xx}{6}$

1. TERMINAL FINISH:
"S" SILVER PLATED (STANDARD)
"G" GOLD FLASH PLATED
2. RCA BUSHING FINISH:
"N" NICKEL PLATED (STANDARD)
"G" GOLD FLASH PLATED
3. JACK CODE:
18 (WITH 3~ 8P MINI DIN SOCKET)
4. RCA SCHEMATIC CODE:
U, V
5. NO. OF MINI DIN CONTACTS:
3, 4, 5, 6, 7, 8
6. RCA INSULATOR COLORS:
(ARRANGEMENT: A → B → C)
"B" BLACK "A" GRAY
"R" RED "O" ORANGE
"W" WHITE "C" BROWN
"Y" YELLOW
"U" BLUE
"N" GREEN

QUAD PORT RCA JACK (10)

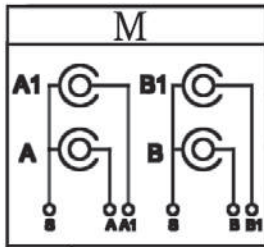
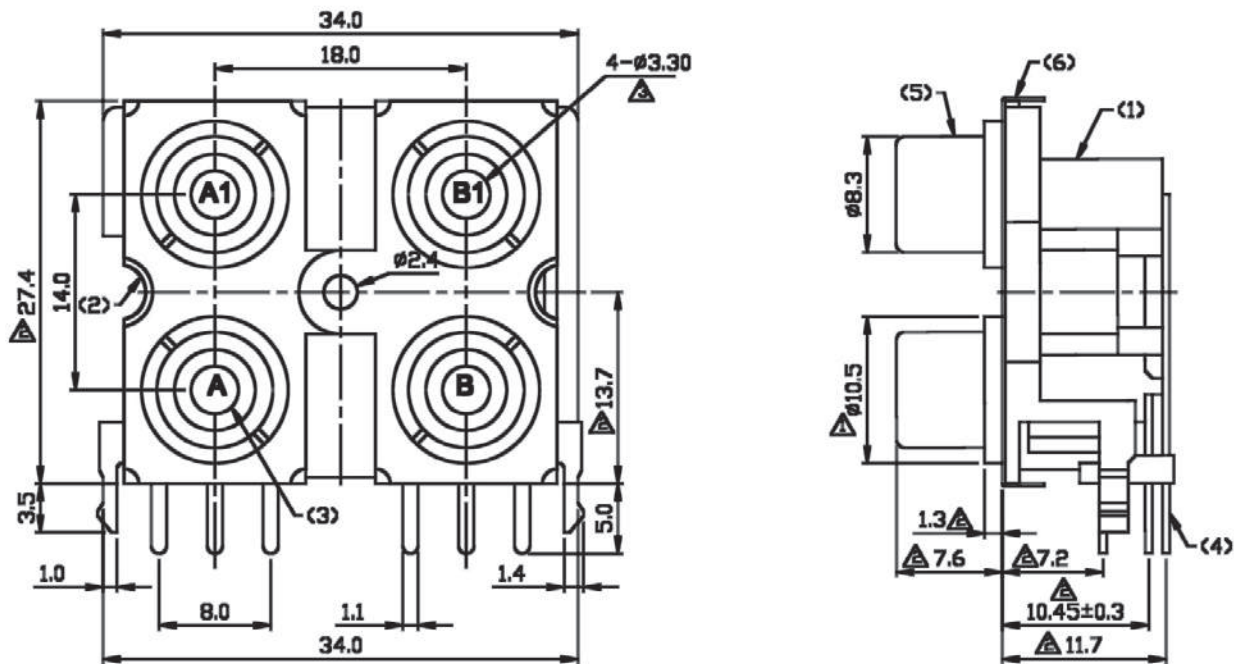


ORDERING INFORMATION:

P/N 7704 $\frac{x}{1} \frac{x}{2} - \frac{310}{3} \frac{x}{4} \frac{x}{5} \frac{x}{6}$

- TERMINAL FINISH:
"T" TIN PLATED (STANDARD)
"G" GOLD FLASH PLATED
- BUSHING FINISH:
"N" NICKEL PLATED (STANDARD)
"G" GOLD FLASH PLATED
- JACK CODE:
31 (SEE DRAWING !)
- METAL SHIELDING:
"0" WITHOUT SHIELDING
- HOUSING COLOR:
"B" BLACK (STANDARD)
- INSULATOR COLORS:
(ARRANGEMENT: A→B→A1→B1)
"B" BLACK "A" GRAY
"R" RED "O" ORANGE
"W" WHITE "C" BROWN
"Y" YELLOW
"U" BLUE
"N" GREEN

QUAD PORT RCA JACK (11)



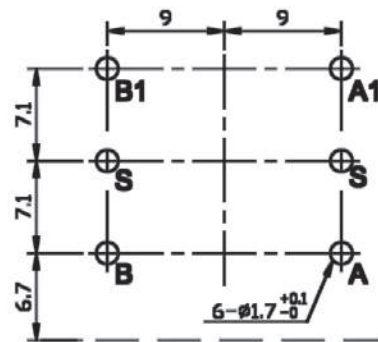
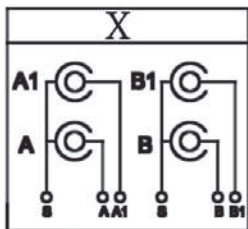
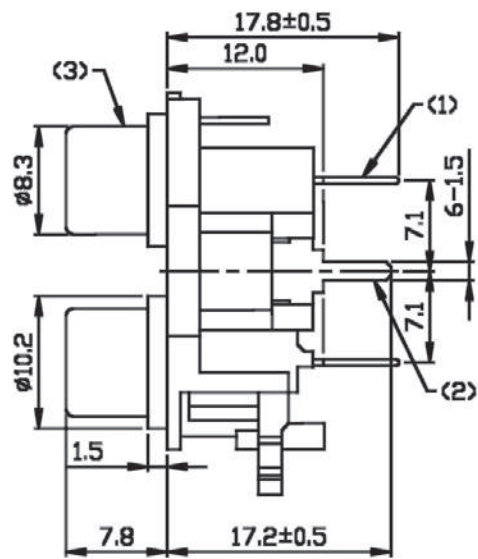
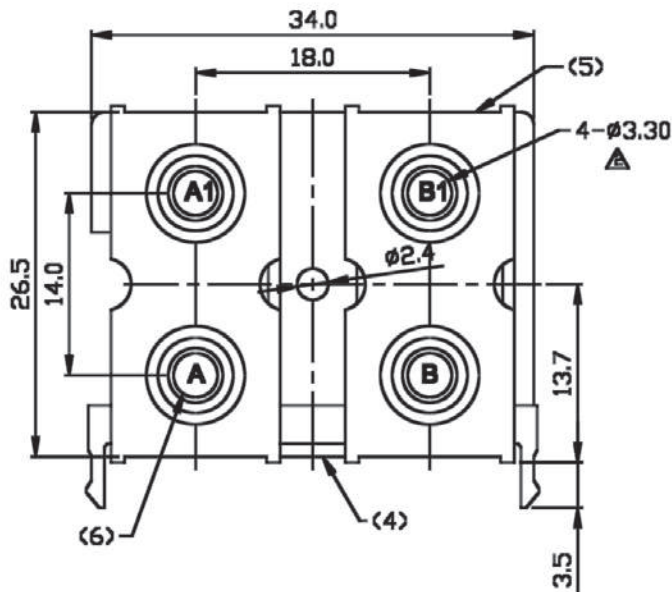
Recommended P.C.Board Layout

ORDERING INFORMATION:

P/N 7704 $\frac{x}{1} \frac{x}{2} - \frac{3}{3} \frac{2}{4} \frac{M}{5} \frac{x}{6} \frac{x}{5} \frac{x}{4} \frac{x}{3} \frac{x}{2} \frac{x}{1}$

- | | |
|--|---|
| <ol style="list-style-type: none"> 1. TERMINAL FINISH:
"T" TIN PLATED (STANDARD)
"G" GOLD FLASH PLATED 2. BUSHING FINISH:
"N" NICKEL PLATED (STANDARD)
"G" GOLD FLASH PLATED 3. JACK CODE:
32 (SEE DRAWING !) | <ol style="list-style-type: none"> 4. METAL SHIELDING:
"M" WITH SHIELDING 5. HOUSING COLOR:
"B" BLACK (STANDARD) 6. INSULATOR COLORS:
(ARRANGEMENT: A→B→A1→B1)
"B" BLACK "A" GRAY
"R" RED "O" ORANGE
"W" WHITE "C" BROWN
"Y" YELLOW
"U" BLUE
"N" GREEN |
|--|---|

QUAD PORT RCA JACK (12)



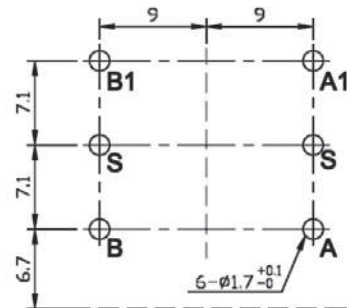
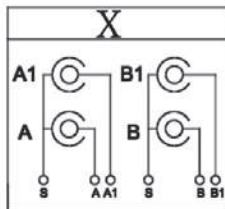
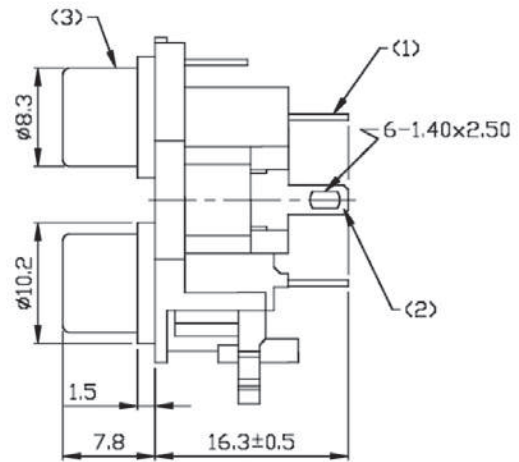
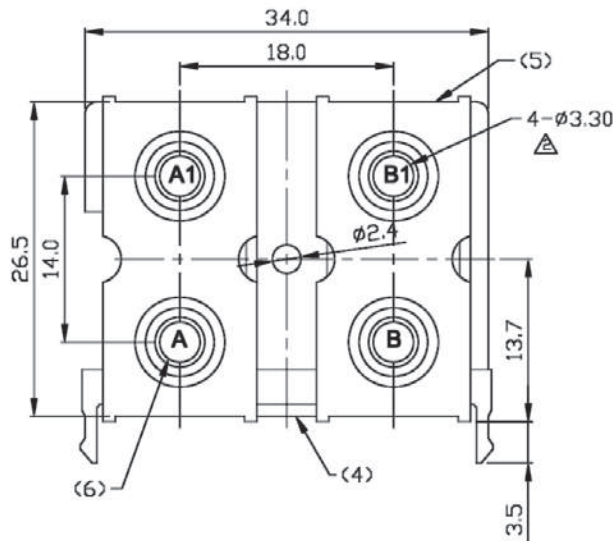
Recommended P.C.Board Layout

ORDERING INFORMATION:

P/N 7704 $\frac{X}{1} \frac{X}{2} - \frac{330}{3} \frac{X}{4} \frac{X}{5} \frac{X}{6} X$

1. TERMINAL FINISH:
"T" TIN PLATED (STANDARD)
"G" GOLD FLASH PLATED
2. BUSHING FINISH:
"N" NICKEL PLATED (STANDARD)
"G" GOLD FLASH PLATED
3. JACK CODE:
33 (SEE DRAWING !)
4. METAL SHIELDING:
"0" WITHOUT SHIELDING
5. HOUSING COLOR:
"B" BLACK (STANDARD)
6. INSULATOR COLORS:
(ARRANGEMENT: A→B→A1→B1)
"B" BLACK "A" GRAY
"R" RED "O" ORANGE
"W" WHITE "C" BROWN
"Y" YELLOW
"U" BLUE
"N" GREEN

QUAD PORT RCA JACK (13)



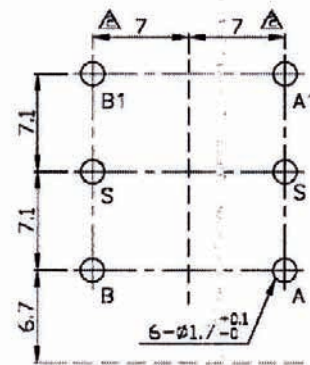
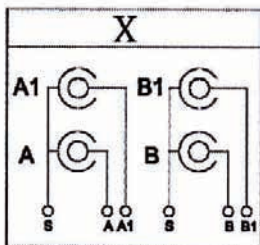
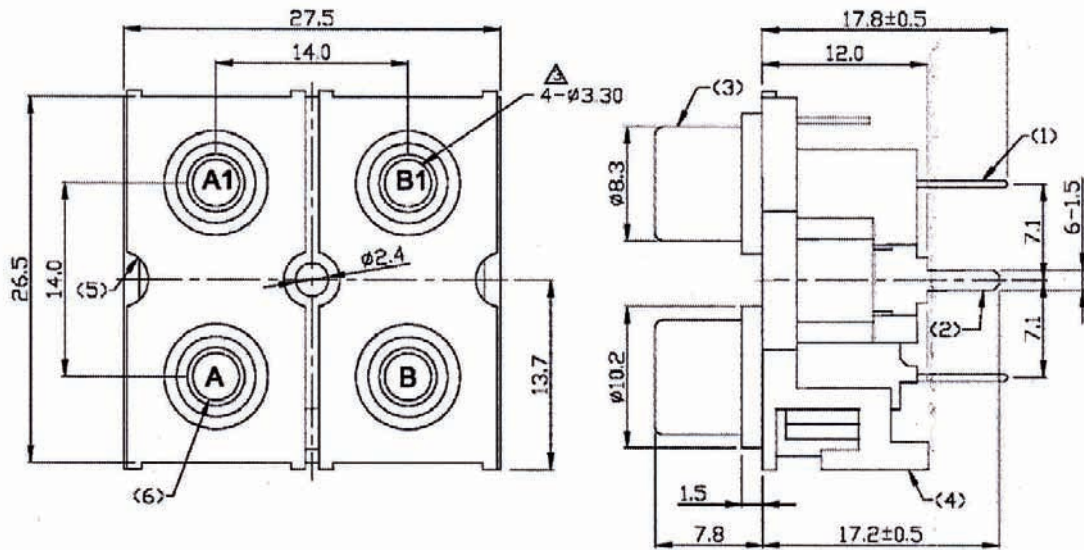
Recommended P.C.Board Layout

ORDERING INFORMATION:

P/N 7704 $\frac{XX}{12}$ - $\frac{340}{3456}$ $\frac{XXXXX}{6}$

1. TERMINAL FINISH:
"T" TIN PLATED (STANDARD)
"G" GOLD FLASH PLATED
2. BUSHING FINISH:
"N" NICKEL PLATED (STANDARD)
"G" GOLD FLASH PLATED
3. JACK CODE:
34 (SEE DRAWING !)
4. METAL SHIELDING:
"0" WITHOUT SHIELDING
5. HOUSING COLOR:
"B" BLACK (STANDARD)
6. INSULATOR COLORS:
(ARRANGEMENT: A→B→A1→B1)
"B" BLACK "A" GRAY
"R" RED "O" ORANGE
"W" WHITE "C" BROWN
"Y" YELLOW
"U" BLUE
"N" GREEN

QUAD PORT RCA JACK (16)



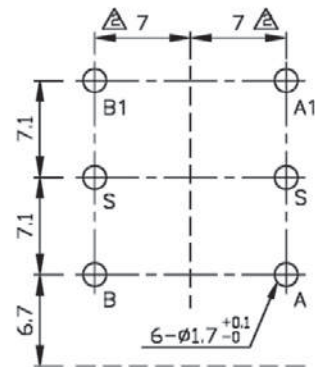
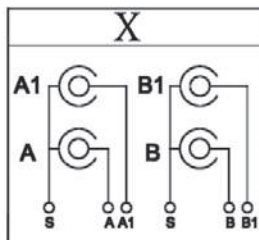
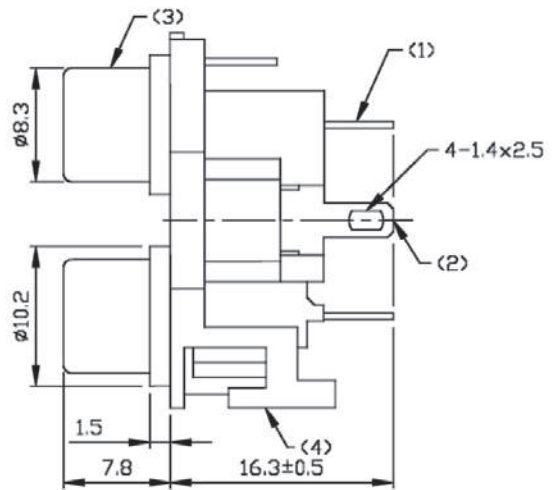
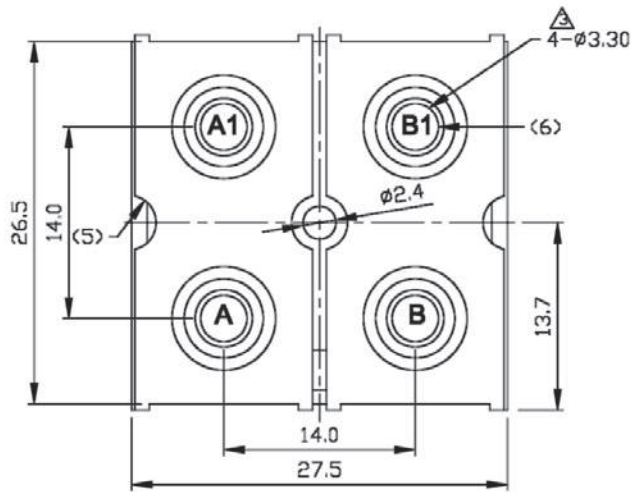
Recommended P.C. Board Layout

ORDERING INFORMATION:

P/N 7704 $\frac{X}{1} \frac{X}{2} - \frac{370}{3} \frac{X}{4} \frac{X}{5} \frac{X}{6} X$

- TERMINAL FINISH:
"T" TIN PLATED (STANDARD)
"G" GOLD FLASH PLATED
- BUSHING FINISH:
"N" NICKEL PLATED (STANDARD)
"G" GOLD FLASH PLATED
- JACK CODE:
37 (SEE DRAWING !)
- METAL SHIELDING:
"0" WITHOUT SHIELDING
- HOUSING COLOR:
"B" BLACK (STANDARD)
- INSULATOR COLORS:
(ARRANGEMENT: A→B→A1→B1)
"B" BLACK "A" GRAY
"R" RED "O" ORANGE
"W" WHITE "C" BROWN
"Y" YELLOW
"U" BLUE
"N" GREEN

QUAD PORT RCA JACK (17)



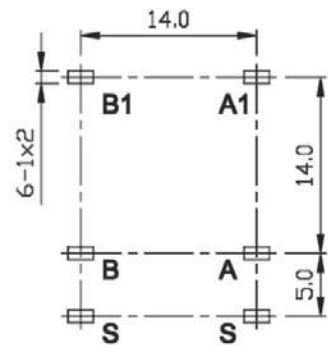
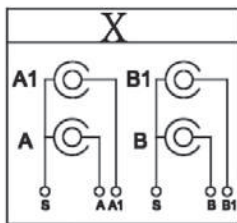
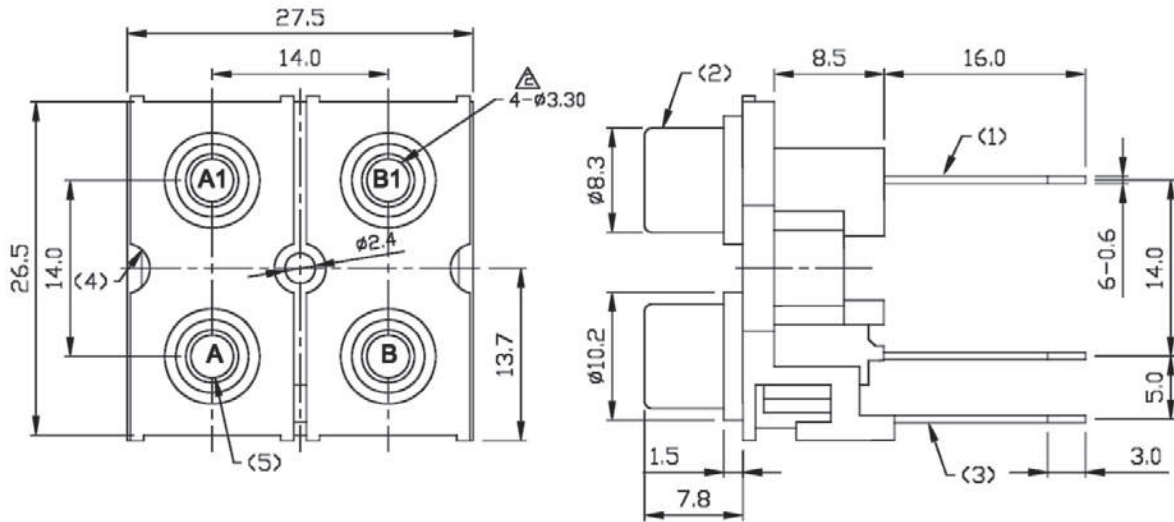
Recommended P.C.Board Layout

ORDERING INFORMATION:

P/N 7704 $\frac{XX}{12}$ - $\frac{380}{3456}$ $\frac{XXXXX}{6}$

- TERMINAL FINISH:
"T" TIN PLATED (STANDARD)
"G" GOLD FLASH PLATED
- BUSHING FINISH:
"N" NICKEL PLATED (STANDARD)
"G" GOLD FLASH PLATED
- JACK CODE:
38 (SEE DRAWING !)
- METAL SHIELDING:
"0" WITHOUT SHIELDING
- HOUSING COLOR:
"B" BLACK (STANDARD)
- INSULATOR COLORS:
(ARRANGEMENT: A→B→A1→B1)
"B" BLACK "A" GRAY
"R" RED "O" ORANGE
"W" WHITE "C" BROWN
"Y" YELLOW
"U" BLUE
"N" GREEN

QUAD PORT RCA JACK (18)



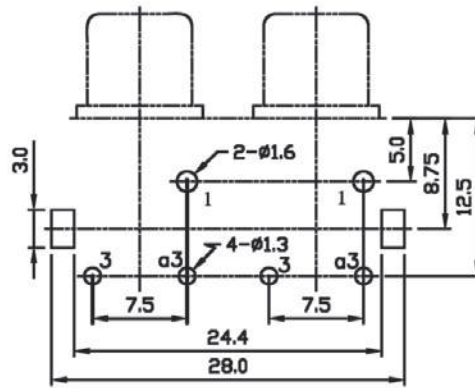
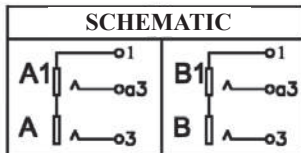
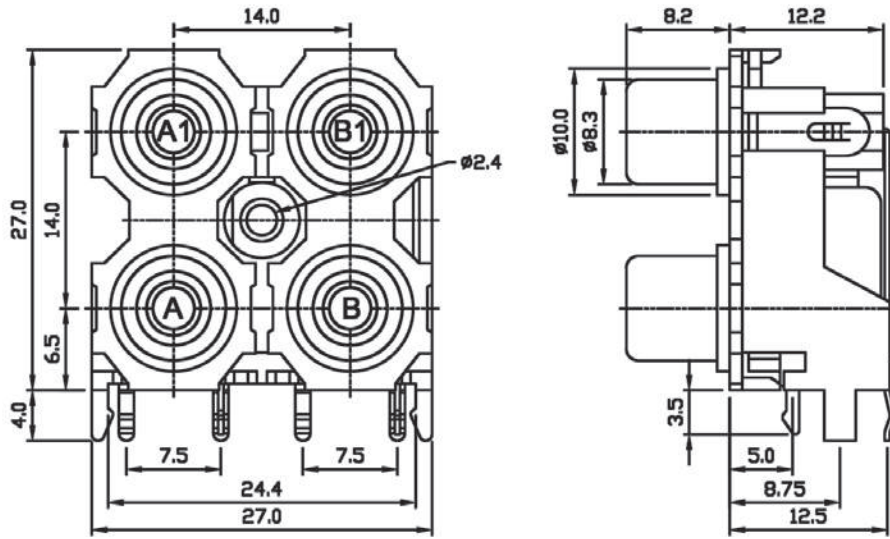
Recommended P.C.Board Layout

ORDERING INFORMATION:

P/N 7704 $\frac{XX}{12}$ - $\frac{390}{3456}$ $\frac{XXXXX}{6}$

1. TERMINAL FINISH:
"T" TIN PLATED (STANDARD)
"G" GOLD FLASH PLATED
2. BUSHING FINISH:
"N" NICKEL PLATED (STANDARD)
"G" GOLD FLASH PLATED
3. JACK CODE:
39 (SEE DRAWING !)
4. METAL SHIELDING:
"0" WITHOUT SHIELDING
5. HOUSING COLOR:
"B" BLACK (STANDARD)
6. INSULATOR COLORS:
(ARRANGEMENT: A→B→A1→B1)
"B" BLACK "A" GRAY
"R" RED "O" ORANGE
"W" WHITE "C" BROWN
"Y" YELLOW
"U" BLUE
"N" GREEN

QUAD PORT RCA JACK (19)



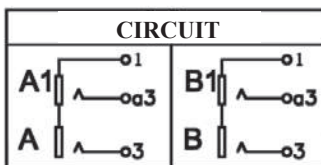
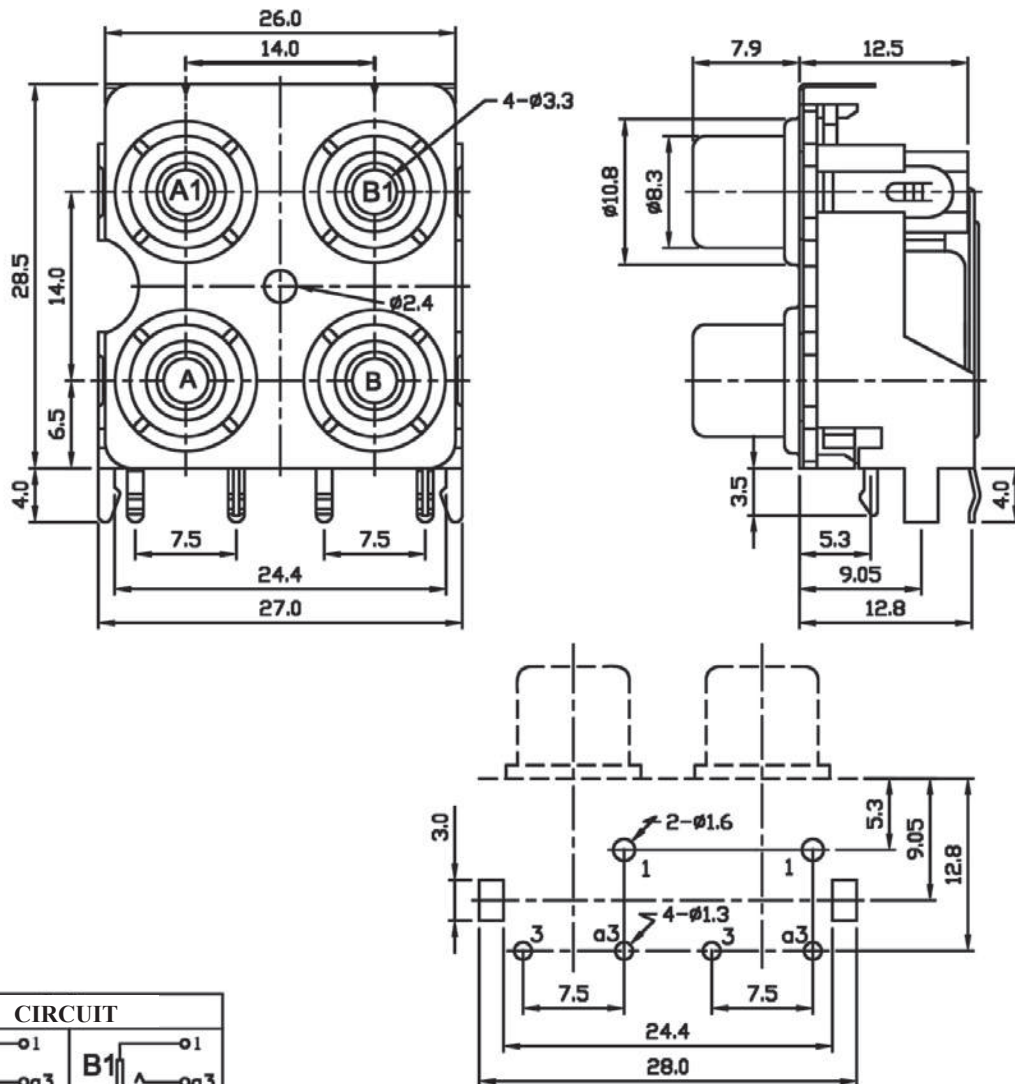
Recommended P.C.Board Layout

ORDERING INFORMATION:

P/N 7704 $\frac{xx}{12} - 400 \frac{xxxxx}{3456}$

1. TERMINAL FINISH:
"T" TIN PLATED (STANDARD)
"G" GOLD FLASH PLATED
2. BUSHING FINISH:
"N" NICKEL PLATED (STANDARD)
"G" GOLD FLASH PLATED
3. JACK CODE:
40 (SEE DRAWING !)
4. METAL SHIELDING:
"0" WITHOUT SHIELDING
5. HOUSING COLOR:
"B" BLACK (STANDARD)
6. INSULATOR COLORS:
(ARRANGEMENT: A→B→A1→B1)
"B" BLACK "A" GRAY
"R" RED "O" ORANGE
"W" WHITE "C" BROWN
"Y" YELLOW
"U" BLUE
"N" GREEN

QUAD PORT RCA JACK (20)



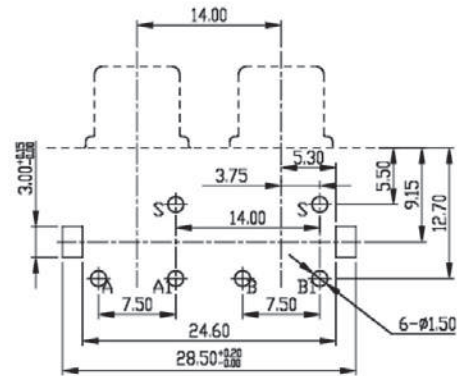
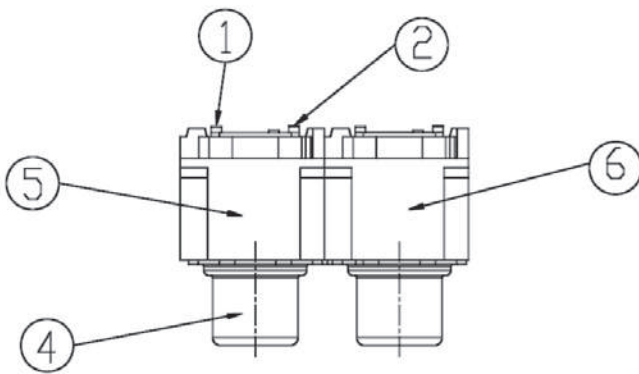
Recommended P.C.Board Layout

ORDERING INFORMATION:

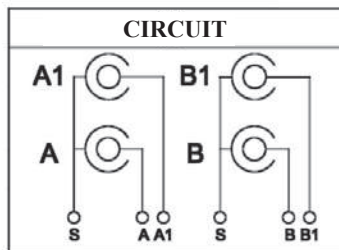
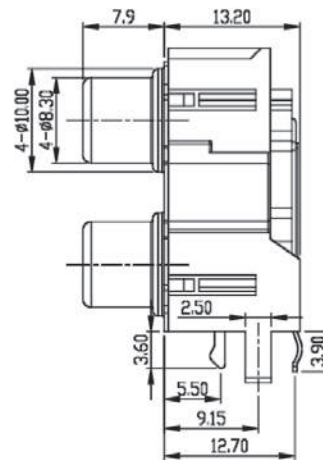
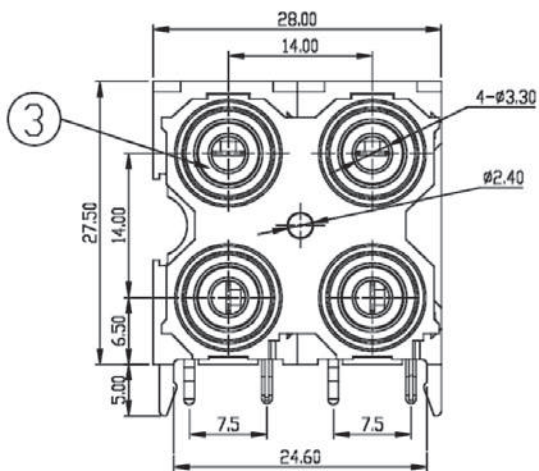
P/N 7704 $\frac{xx}{12} - \frac{41}{3} \frac{M}{45} \frac{xxxx}{6}$

- TERMINAL FINISH:
"T" TIN PLATED (STANDARD)
"G" GOLD FLASH PLATED
- BUSHING FINISH:
"N" NICKEL PLATED (STANDARD)
"G" GOLD FLASH PLATED
- JACK CODE:
41 (SEE DRAWING !)
- METAL SHIELDING:
"M" WITH SHIELDING
- HOUSING COLOR:
"B" BLACK (STANDARD)
- INSULATOR COLORS:
(ARRANGEMENT: A→B→A1→B1)
"B" BLACK "A" GRAY
"R" RED "O" ORANGE
"W" WHITE "C" BROWN
"Y" YELLOW
"U" BLUE
"N" GREEN

QUAD PORT RCA JACK (21)



Recommended P.C. Board Layout



ORDERING INFORMATION:

P/N 7704 $\frac{xx}{12}$ - 420 $\frac{xxxxx}{3456}$

- | | |
|---|---|
| <p>1. TERMINAL FINISH:
"T" TIN PLATED (STANDARD)
"G" GOLD FLASH PLATED</p> <p>2. BUSHING FINISH:
"N" NICKEL PLATED (STANDARD)
"G" GOLD FLASH PLATED</p> <p>3. JACK CODE:
42 (SEE DRAWING !)</p> | <p>4. METAL SHIELDING:
"0" WITHOUT SHIELDING</p> <p>5. HOUSING COLOR:
"B" BLACK (STANDARD)</p> <p>6. INSULATOR COLORS:
(ARRANGEMENT: A→B→A1→B1)
"B" BLACK "A" GRAY
"R" RED "O" ORANGE
"W" WHITE "C" BROWN
"Y" YELLOW
"U" BLUE
"N" GREEN</p> |
|---|---|

SIX PORT RCA JACK (1)

P/N	Dimension (m/m)																			
7706**-09		<p style="text-align: center;">7706**-09</p>																		
7706**-10		<p style="text-align: center;">7706**-10</p>																		
Pin Hole Layout (Jack Bottom View)	Schematic	Insulator Color Code Arrangement																		
	<table border="1" style="width: 100%; text-align: center;"> <tr> <td style="width: 33%;">L</td> <td style="width: 33%;">C</td> <td style="width: 33%;">R</td> </tr> <tr> <td></td> <td></td> <td></td> </tr> <tr> <td></td> <td></td> <td></td> </tr> <tr> <td>L</td> <td>C</td> <td>R</td> </tr> </table>	L	C	R							L	C	R	<table border="1" style="width: 100%; text-align: center;"> <tr> <td style="width: 33%;">L</td> <td style="width: 33%;">C</td> <td style="width: 33%;">R</td> </tr> <tr> <td></td> <td></td> <td></td> </tr> </table>	L	C	R			
L	C	R																		
L	C	R																		
L	C	R																		

ORDERING INFORMATION:

P/N 7706 xx - xx xxxxxx

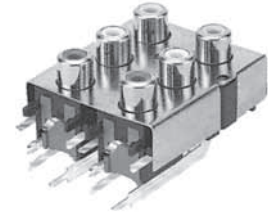
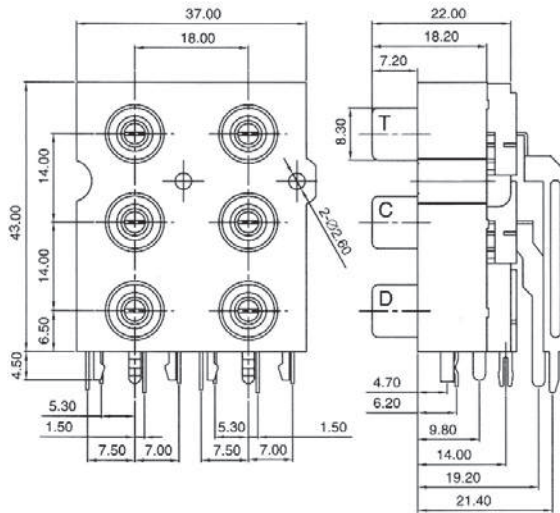
1 2 3 4

1. TERMINAL FINISH:
"S" SILVER PLATED (STANDARD)
"G" GOLD FLASH PLATED
2. BUSHING FINISH:
"N" NICKEL PLATED (STANDARD)
"G" GOLD FLASH PLATED
3. JACK CODE:
09, 10 (SEE DRAWING !)

4. INSULATOR COLORS:
(ARRANGEMENT: T1→ D1→ T2→
D2→ T3→ D3)
"B" BLACK "A" GRAY
"R" RED "O" ORANGE
"W" WHITE "C" BROWN
"Y" YELLOW
"U" BLUE
"N" GREEN

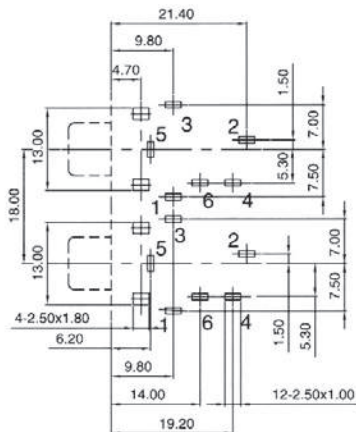
SIX PORT RCA JACK (3)

Dimension (m/m)

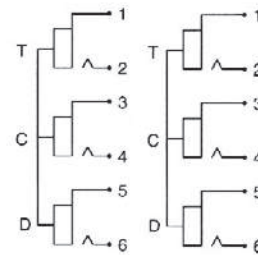


7706**-18

Pin Hole Layout (Jack Bottom View)



Schematic Code



L R

ORDERING INFORMATION:

P/N 7706 $\frac{xx}{12} - \frac{xxxx}{34}$

1. TERMINAL FINISH:
"S" SILVER PLATED (STANDARD)
"G" GOLD FLASH PLATED
2. BUSHING FINISH:
"N" NICKEL PLATED (STANDARD)
"G" GOLD FLASH PLATED
3. JACK CODE:
18 (SEE DRAWING !)

4. INSULATOR COLORS:
(ARRANGEMENT: T → C → D)
"B" BLACK "A" GRAY
"R" RED "O" ORANGE
"W" WHITE "C" BROWN
"Y" YELLOW
"U" BLUE
"N" GREEN

SIX PORT RCA JACK (4)

P/N	Dimension (m/m)			
7706**-12			<p style="text-align: center;">7706**-12</p>	
7706**-13			<p style="text-align: center;">7706**-13</p>	
Pin Hole Layout (Jack Bottom View)		Schematic		Insulator Color Code Arrangement

ORDERING INFORMATION:

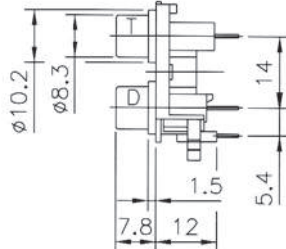
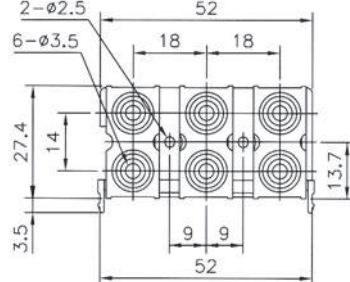
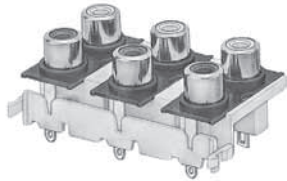
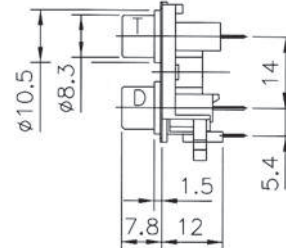
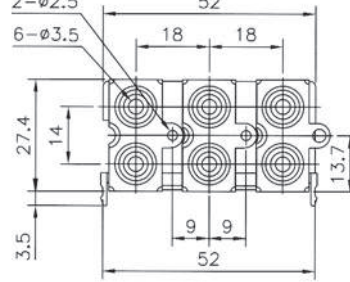
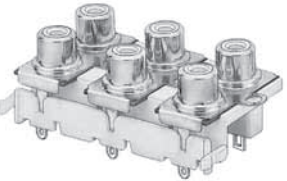
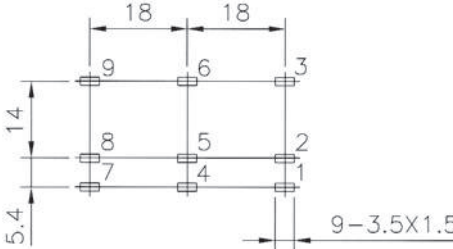





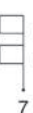





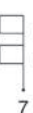

















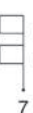






P/N 7706 xx - xx xxxxxx

1 2 3 4

1. TERMINAL FINISH:
"S" SILVER PLATED (STANDARD)
"G" GOLD FLASH PLATED
2. BUSHING FINISH:
"N" NICKEL PLATED (STANDARD)
"G" GOLD FLASH PLATED
3. JACK CODE:
12, 13 (SEE DRAWING !)

4. INSULATOR COLORS:
(ARRANGEMENT: T1→ D1→ T2→
D2→ T3→ D3)
"B" BLACK "A" GRAY
"R" RED "O" ORANGE
"W" WHITE "C" BROWN
"Y" YELLOW
"U" BLUE
"N" GREEN

SIX PORT RCA JACK (5)

P/N	Dimension (m/m)																							
7706**-14			 <p style="text-align: center;">7706**-14</p>																					
7706**-15			 <p style="text-align: center;">7706**-15</p>																					
Pin Hole Layout (Jack Bottom View)		Schematic	Insulator Color Code Arrangement																					
		<table border="1" style="width: 100%; text-align: center;"> <thead> <tr> <th>L</th> <th>C</th> <th>R</th> </tr> </thead> <tbody> <tr> <td></td> <td></td> <td></td> </tr> <tr> <td></td> <td></td> <td></td> </tr> <tr> <td>L</td> <td>C</td> <td>R</td> </tr> </tbody> </table>	L	C	R							L	C	R	<table border="1" style="width: 100%; text-align: center;"> <thead> <tr> <th>L</th> <th>C</th> <th>R</th> </tr> </thead> <tbody> <tr> <td></td> <td></td> <td></td> </tr> <tr> <td></td> <td></td> <td></td> </tr> </tbody> </table>	L	C	R						
L	C	R																						
																								
																								
L	C	R																						
L	C	R																						
																								
																								

ORDERING INFORMATION:

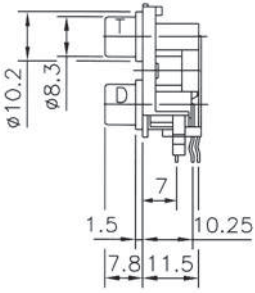
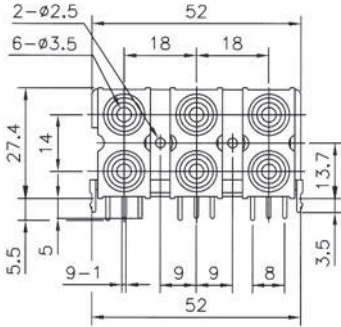
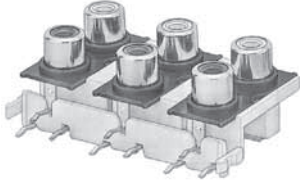
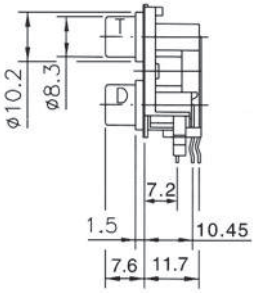
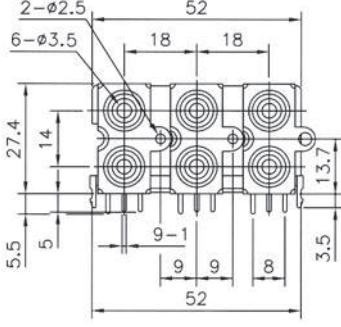
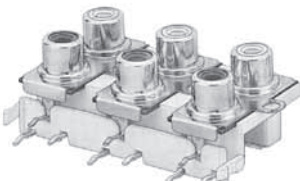
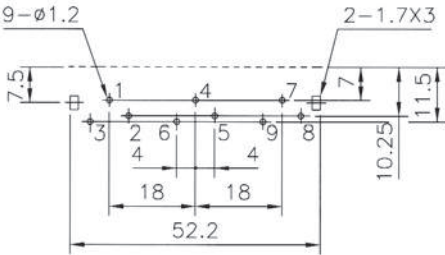
P/N 7706 xx - xx xxxxxx

1 2 3 4

1. TERMINAL FINISH:
"S" SILVER PLATED (STANDARD)
"G" GOLD FLASH PLATED
2. BUSHING FINISH:
"N" NICKEL PLATED (STANDARD)
"G" GOLD FLASH PLATED
3. JACK CODE:
14, 15 (SEE DRAWING !)

4. INSULATOR COLORS:
(ARRANGEMENT: T1→ D1→ T2→
D2→ T3→ D3)
"B" BLACK "A" GRAY
"R" RED "O" ORANGE
"W" WHITE "C" BROWN
"Y" YELLOW
"U" BLUE
"N" GREEN

SIX PORT RCA JACK (6)

P/N	Dimension (m/m)														
7706**-16			 <p style="text-align: center;">7706**-16</p>												
7706**-17			 <p style="text-align: center;">7706**-17</p>												
Pin Hole Layout (Jack Bottom View)		Schematic													
		<table border="1" style="width: 100%; text-align: center;"> <thead> <tr> <th>L</th> <th>C</th> <th>R</th> </tr> </thead> <tbody> <tr> <td></td> <td></td> <td></td> </tr> <tr> <td></td> <td></td> <td></td> </tr> <tr> <td>L</td> <td>C</td> <td>R</td> </tr> </tbody> </table>		L	C	R							L	C	R
L	C	R													
L	C	R													
		Insulator Color Code Arrangement													
		<table border="1" style="width: 100%; text-align: center;"> <thead> <tr> <th>L</th> <th>C</th> <th>R</th> </tr> </thead> <tbody> <tr> <td></td> <td></td> <td></td> </tr> </tbody> </table>		L	C	R									
L	C	R													

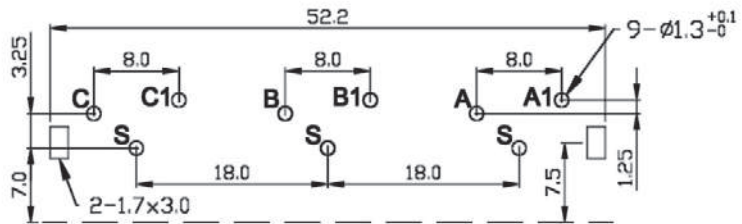
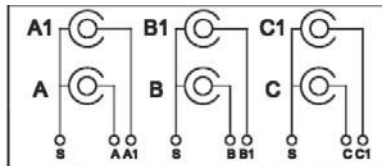
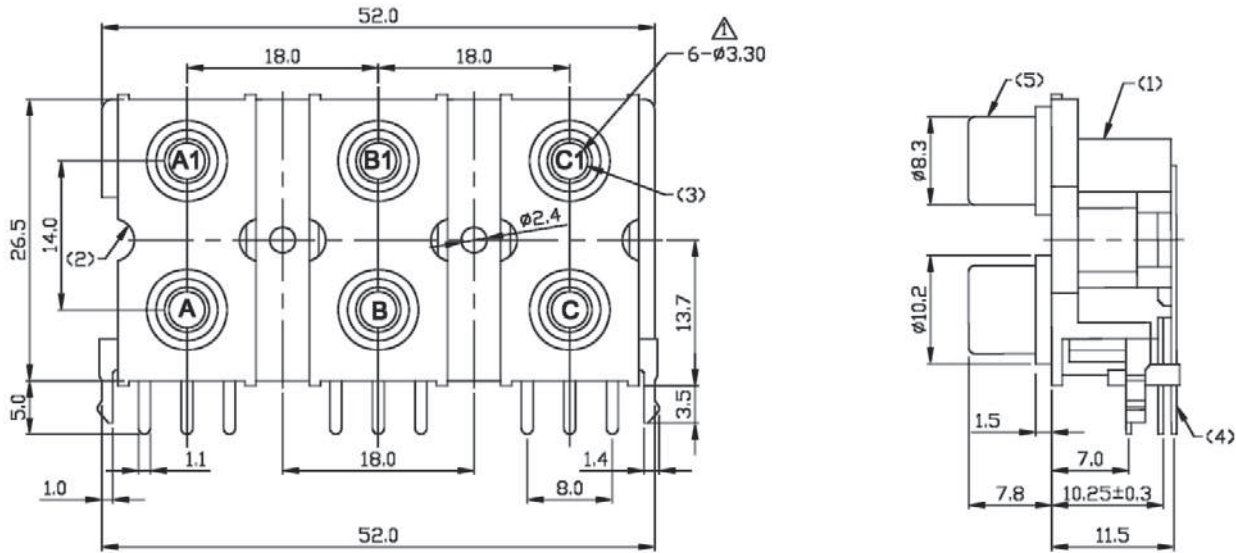
ORDERING INFORMATION:

P/N 7706 xx - xxxxxxx
1 2 3 4

1. TERMINAL FINISH:
 "S" SILVER PLATED (STANDARD)
 "G" GOLD FLASH PLATED
2. BUSHING FINISH:
 "N" NICKEL PLATED (STANDARD)
 "G" GOLD FLASH PLATED
3. JACK CODE:
 16, 17 (SEE DRAWING !)

4. INSULATOR COLORS:
 (ARRANGEMENT: T1→ D1→ T2→
 D2→ T3→ D3)
 "B" BLACK "A" GRAY
 "R" RED "O" ORANGE
 "W" WHITE "C" BROWN
 "Y" YELLOW
 "U" BLUE
 "N" GREEN

SIX PORT RCA JACK (7)



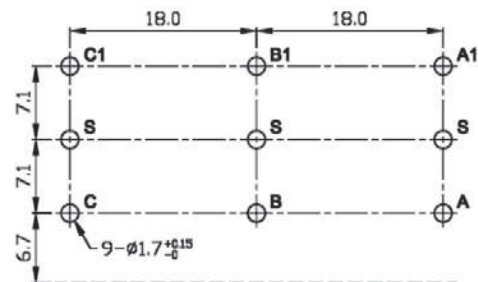
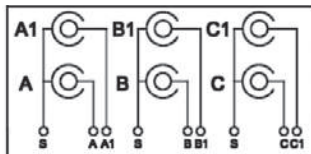
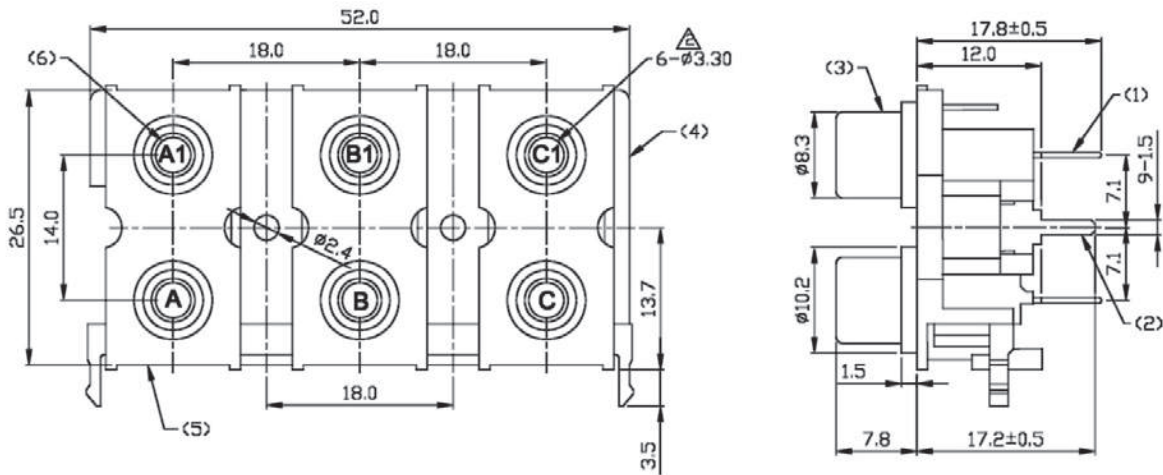
Recommended P.C.Board Layout

ORDERING INFORMATION:

P/N 7706 $\frac{x}{2}$ - $\frac{31}{3}$ $\frac{x}{4}$ $\frac{x}{x}$ $\frac{x}{x}$ $\frac{x}{x}$ $\frac{x}{x}$

- | | |
|--|--|
| <p>1. TERMINAL FINISH:
 "T" TIN PLATED (STANDARD)
 "G" GOLD FLASH PLATED</p> <p>2. BUSHING FINISH:
 "N" NICKEL PLATED (STANDARD)
 "G" GOLD FLASH PLATED</p> <p>3. JACK CODE:
 31 (SEE DRAWING !)</p> | <p>4. INSULATOR COLORS:
 (ARRANGEMENT: A→B→C→A1→B1→C1)
 "B" BLACK "A" GRAY
 "R" RED "O" ORANGE
 "W" WHITE "C" BROWN
 "Y" YELLOW
 "U" BLUE
 "N" GREEN</p> |
|--|--|

SIX PORT RCA JACK (-8)



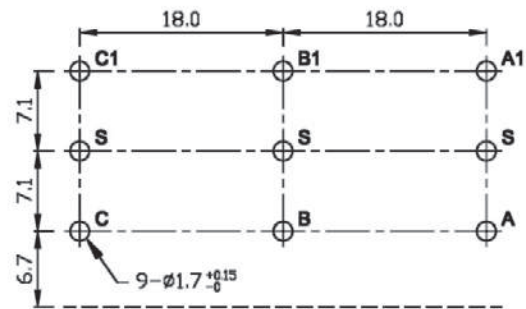
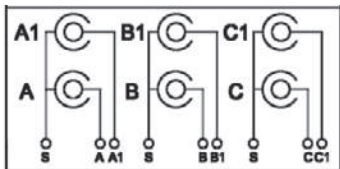
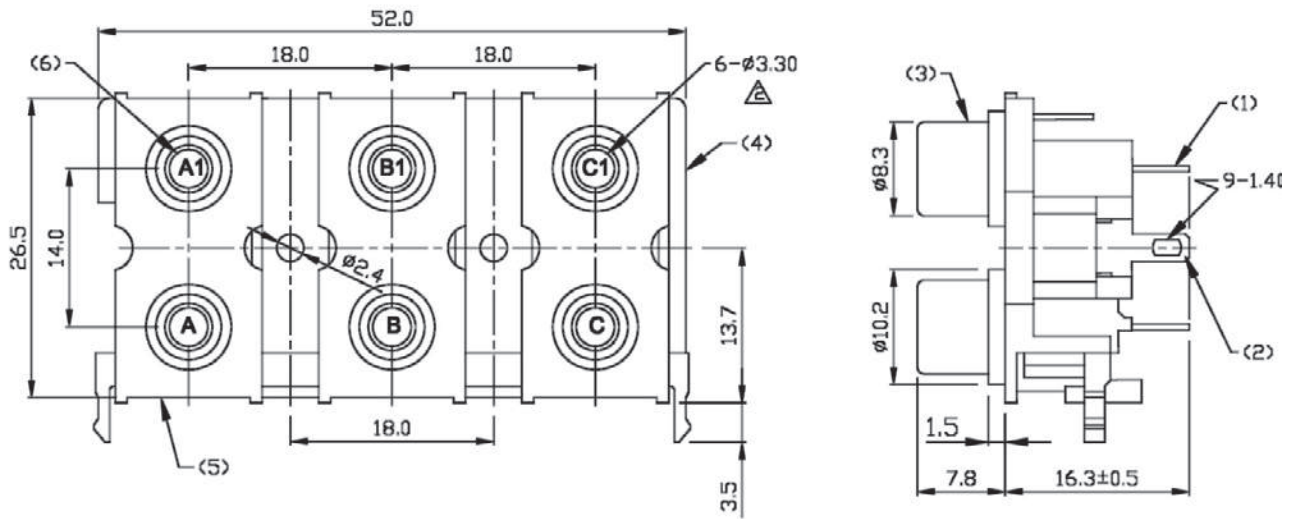
Recommended P.C. Board Layout

ORDERING INFORMATION:

P/N 7706 $\frac{x}{1} \frac{x}{2} - \frac{32}{3} \frac{x}{4} \frac{x}{5} \frac{x}{6} \frac{x}{7} \frac{x}{8}$

- | | |
|--|--|
| <ol style="list-style-type: none"> 1. TERMINAL FINISH:
"T" TIN PLATED (STANDARD)
"G" GOLD FLASH PLATED 2. BUSHING FINISH:
"N" NICKEL PLATED (STANDARD)
"G" GOLD FLASH PLATED 3. JACK CODE:
32 (SEE DRAWING !) | <ol style="list-style-type: none"> 4. INSULATOR COLORS:
(ARRANGEMENT: A → B → C → A1 → B1 → C1)
"B" BLACK "A" GRAY
"R" RED "O" ORANGE
"W" WHITE "C" BROWN
"Y" YELLOW
"U" BLUE
"N" GREEN |
|--|--|

SIX PORT RCA JACK (9)



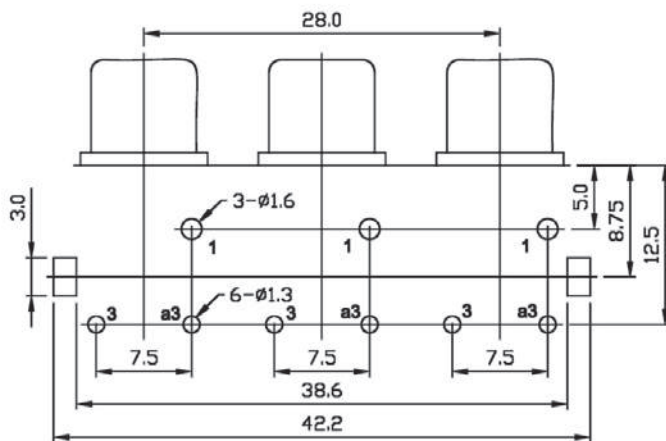
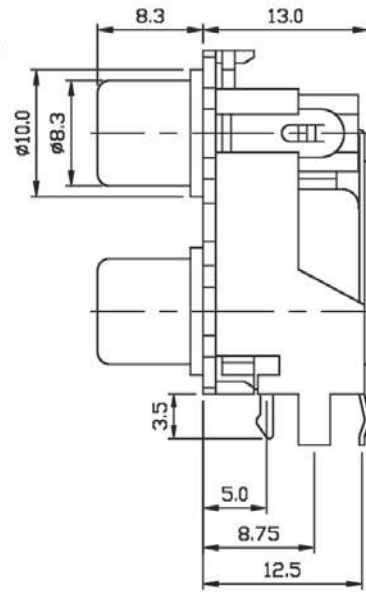
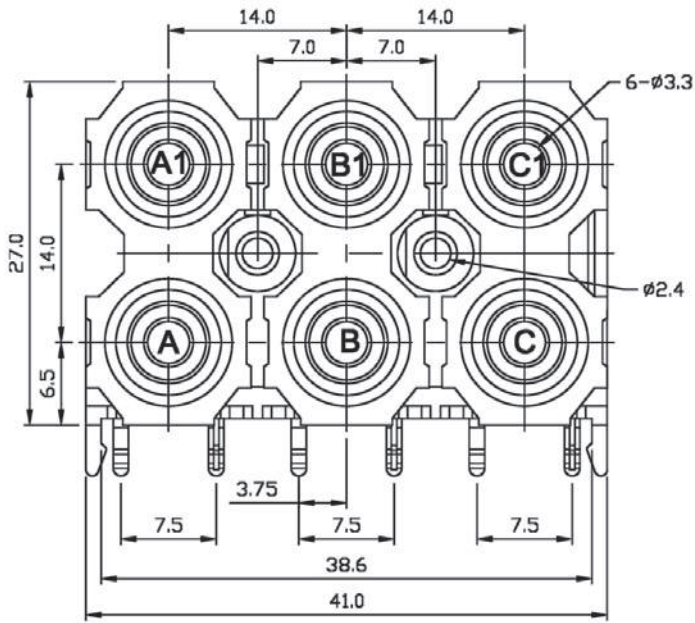
Recommended P.C.Board Layout

ORDERING INFORMATION:

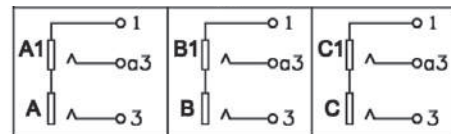
P/N 7706 $\frac{xx}{12}$ - $\frac{33}{3}$ $\frac{xxxxxx}{4}$

- | | |
|--|--|
| <p>1. TERMINAL FINISH:
 "T" TIN PLATED (STANDARD)
 "G" GOLD FLASH PLATED</p> <p>2. BUSHING FINISH:
 "N" NICKEL PLATED (STANDARD)
 "G" GOLD FLASH PLATED</p> <p>3. JACK CODE:
 33 (SEE DRAWING !)</p> | <p>4. INSULATOR COLORS:
 (ARRANGEMENT: A→B→C→A1→B1→C1)
 "B" BLACK "A" GRAY
 "R" RED "O" ORANGE
 "W" WHITE "C" BROWN
 "Y" YELLOW
 "U" BLUE
 "N" GREEN</p> |
|--|--|

SIX PORT RCA JACK (10)



Recommended P.C.Board Layout

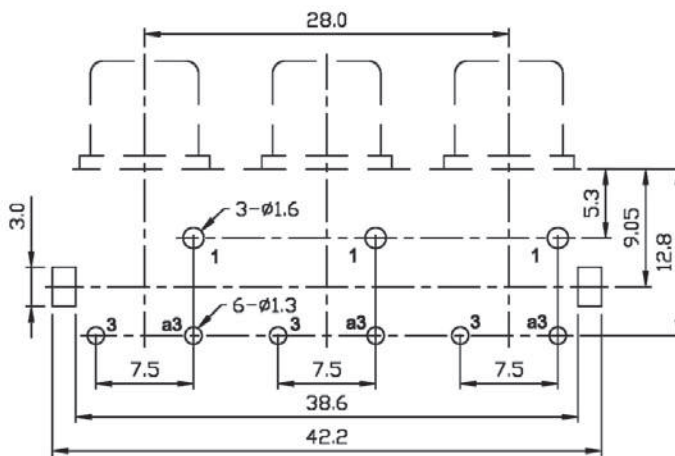
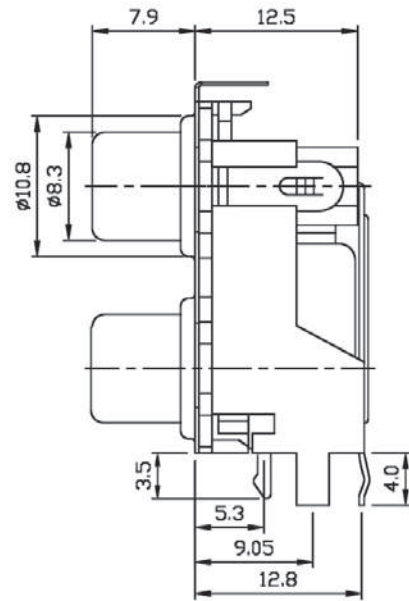
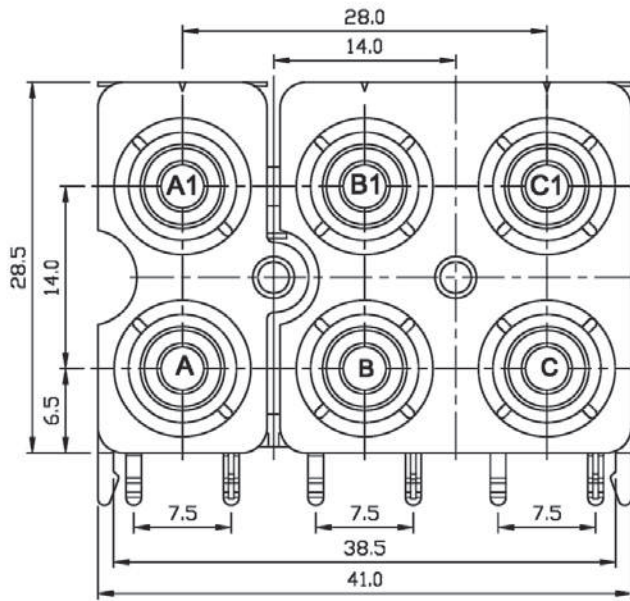


ORDERING INFORMATION:

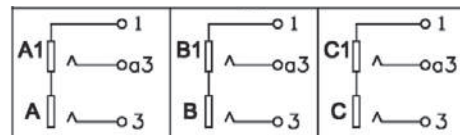
P/N 7706 $\frac{x}{2} - \frac{34}{3} \frac{xxxxxx}{4}$

- TERMINAL FINISH:
"T" TIN PLATED (STANDARD)
"G" GOLD FLASH PLATED
- BUSHING FINISH:
"N" NICKEL PLATED (STANDARD)
"G" GOLD FLASH PLATED
- JACK CODE:
34 (WITHOUT SHIELDING)
- INSULATOR COLORS:
(ARRANGEMENT: A→B→C→A1→B1→C1)
"B" BLACK "A" GRAY
"R" RED "O" ORANGE
"W" WHITE "C" BROWN
"Y" YELLOW
"U" BLUE
"N" GREEN

SIX PORT RCA JACK (11)



Recommended P.C.Board Layout

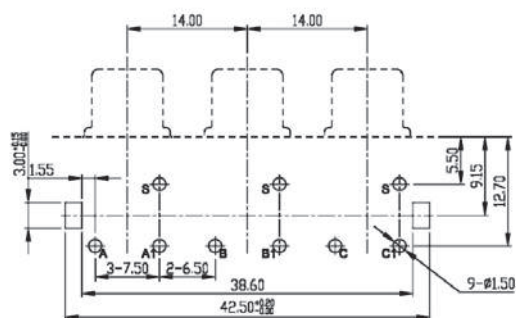
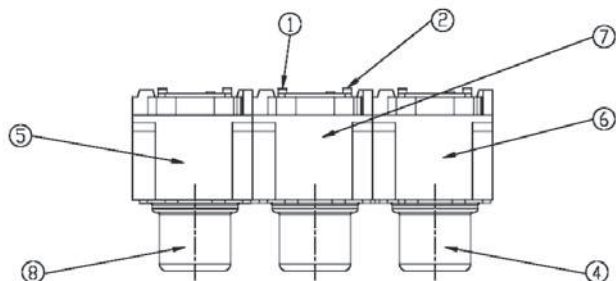


ORDERING INFORMATION:

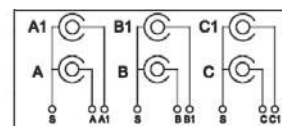
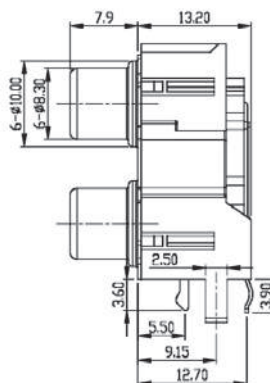
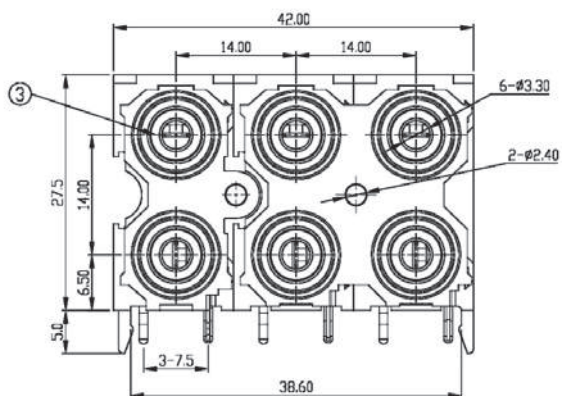
P/N 7706 $\frac{x}{2}$ - $\frac{35}{3}$ $\frac{xxxxxx}{4}$

- TERMINAL FINISH:
"T" TIN PLATED (STANDARD)
"G" GOLD FLASH PLATED
- BUSHING FINISH:
"N" NICKEL PLATED (STANDARD)
"G" GOLD FLASH PLATED
- JACK CODE:
35 (WITH SHIELDING)
- INSULATOR COLORS:
(ARRANGEMENT: A→B→C→A1→B1→C1)
"B" BLACK "A" GRAY
"R" RED "O" ORANGE
"W" WHITE "C" BROWN
"Y" YELLOW
"U" BLUE
"N" GREEN

SIX PORT RCA JACK (12)



Recommended P.C.Board Layout



ORDERING INFORMATION:

P/N 7706 $\frac{x}{1} \frac{x}{2} - \frac{36}{3} \frac{x}{4} \frac{x}{4} \frac{x}{4} \frac{x}{4} \frac{x}{4}$

1. TERMINAL FINISH:

- "T" TIN PLATED (STANDARD)
- "G" GOLD FLASH PLATED

2. BUSHING FINISH:

- "N" NICKEL PLATED (STANDARD)
- "G" GOLD FLASH PLATED

3. JACK CODE:

- 36 (SEE DRAWING !)

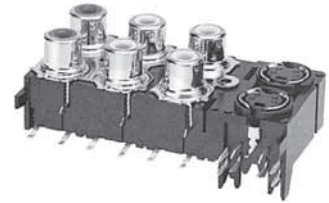
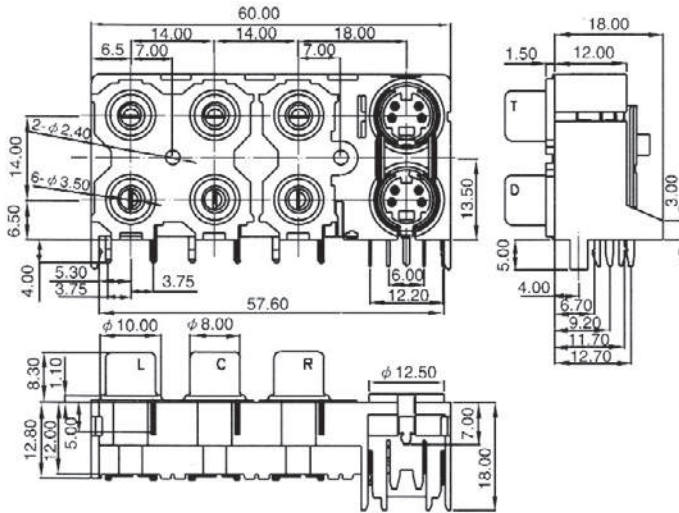
4. INSULATOR COLORS:

(ARRANGEMENT: A→B→C→A1→B1→C1)

- "B" BLACK "A" GRAY
- "R" RED "O" ORANGE
- "W" WHITE "C" BROWN
- "Y" YELLOW
- "U" BLUE
- "N" GREEN

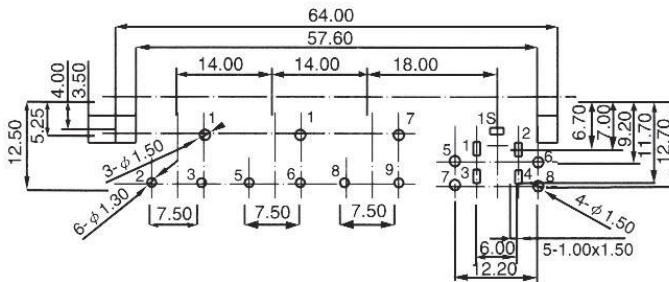
EIGHT PORT RCA JACK (1)

Dimension (m/m)

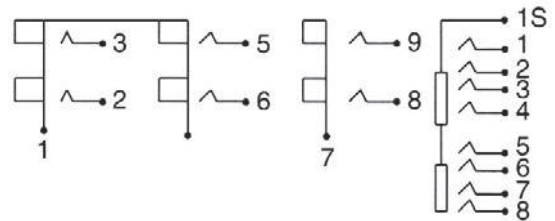


7708**-01

Pin Hole Layout (Jack Bottom View)



Schematic Code



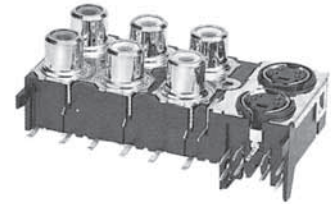
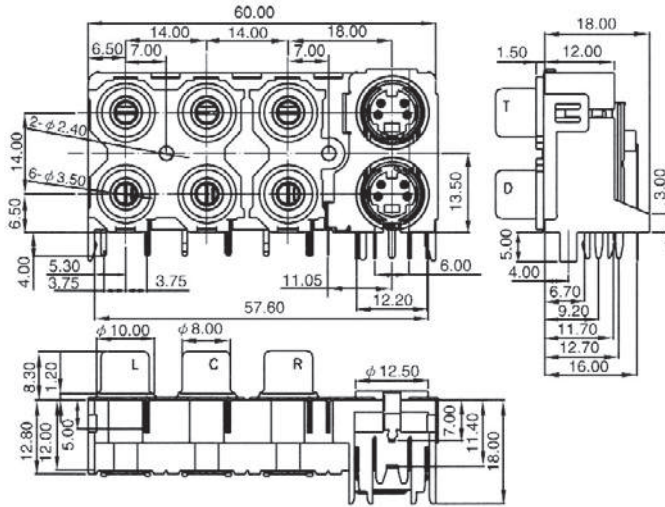
ORDERING INFORMATION:

P/N 7708 $\frac{xx}{12} - \frac{xxx}{3} \frac{xxx}{4} \frac{xxx}{5} \frac{xx}{6}$

1. TERMINAL FINISH:
"S" SILVER PLATED (STANDARD)
"G" GOLD FLASH PLATED
2. RCA BUSHING FINISH:
"N" NICKEL PLATED (STANDARD)
"G" GOLD FLASH PLATED
3. JACK CODE:
01 (WITH 4P MINI DIN SOCKET)
4. RCA SCHEMATIC CODE:
"0" SEE DRAWING !
5. NO. OF MINI DIN CONTACTS:
4
6. RCA INSULATOR COLORS:
(ARRANGEMENT: L → C → R)
"B" BLACK "A" GRAY
"R" RED "O" ORANGE
"W" WHITE "C" BROWN
"Y" YELLOW
"U" BLUE
"N" GREEN

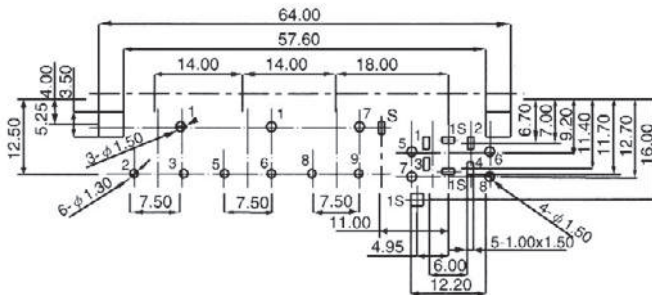
EIGHT PORT RCA JACK (2)

Dimension (m/m)

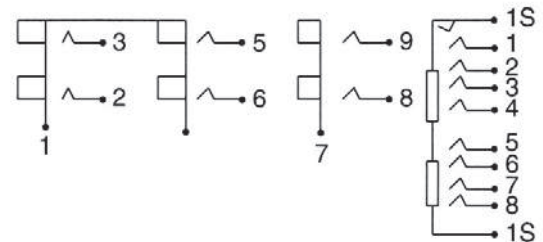


7708**-02

Pin Hole Layout (Jack Bottom View)



Schematic Code



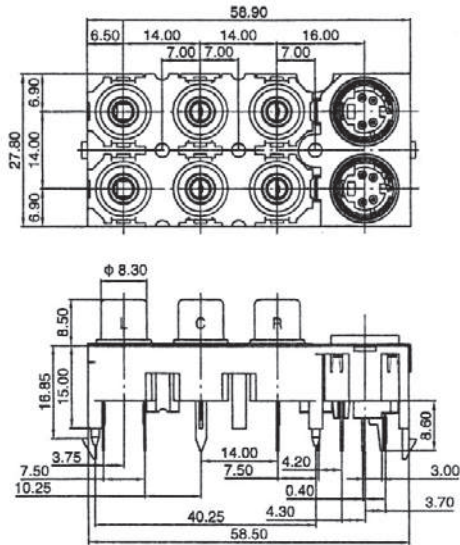
ORDERING INFORMATION:

P/N 7708 $\frac{xx}{12} - \frac{xxx}{3} \frac{xxx}{4} \frac{xxx}{5} \frac{xxx}{6}$

- | | |
|---|--|
| <ol style="list-style-type: none"> 1. TERMINAL FINISH:
"S" SILVER PLATED (STANDARD)
"G" GOLD FLASH PLATED 2. RCA BUSHING FINISH:
"N" NICKEL PLATED (STANDARD)
"G" GOLD FLASH PLATED 3. JACK CODE:
02 (WITH 4P MINI DIN SOCKET) | <ol style="list-style-type: none"> 4. RCA SCHEMATIC CODE:
"0" SEE DRAWING ! 5. NO. OF MINI DIN CONTACTS:
4 6. RCA INSULATOR COLORS:
(ARRANGEMENT: L → C → R)
"B" BLACK "A" GRAY
"R" RED "O" ORANGE
"W" WHITE "C" BROWN
"Y" YELLOW
"U" BLUE
"N" GREEN |
|---|--|

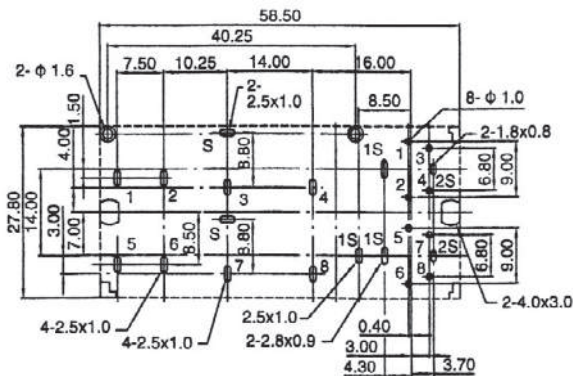
EIGHT PORT RCA JACK (4)

Dimension (m/m)

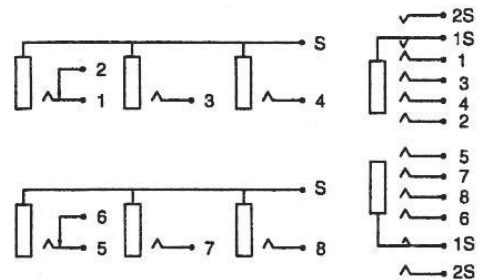


7708**-04

Pin Hole Layout (Jack Bottom View)



Schematic Code



ORDERING INFORMATION:

P/N 7708 $\frac{XX}{12} - \frac{XXX}{3} \frac{XXX}{45} \frac{XXX}{6}$

1. TERMINAL FINISH:

"S" SILVER PLATED (STANDARD)
"G" GOLD FLASH PLATED

2. RCA BUSHING FINISH:

"N" NICKEL PLATED (STANDARD)
"G" GOLD FLASH PLATED

3. JACK CODE:

04 (WITH 4P MINI DIN SOCKET)

4. RCA SCHEMATIC CODE:

"0" SEE DRAWING !

5. NO. OF MINI DIN CONTACTS:

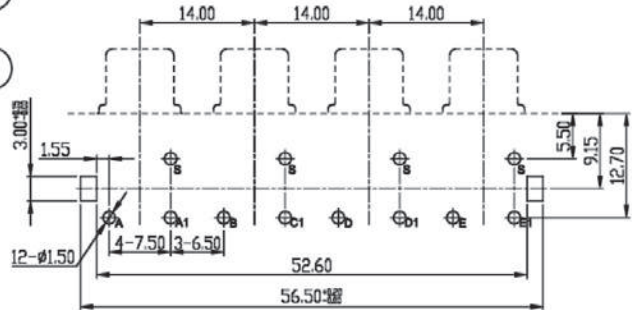
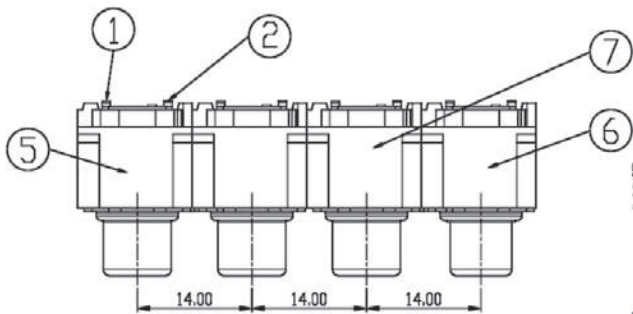
4

6. RCA INSULATOR COLORS:

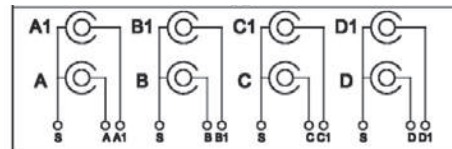
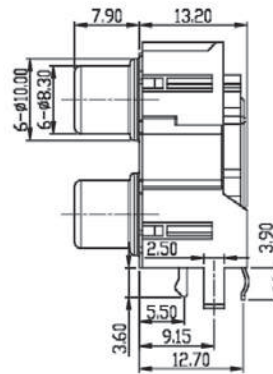
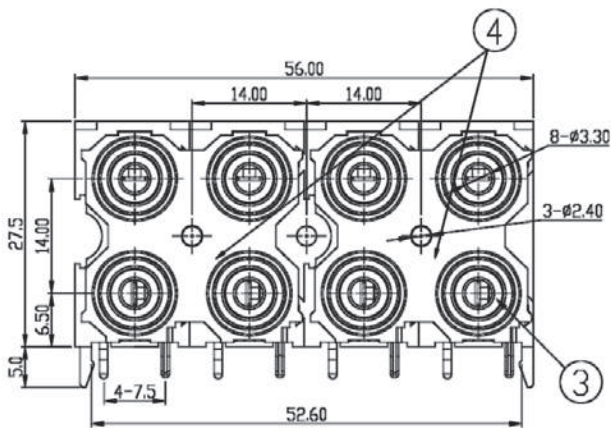
(ARRANGEMENT: L → C → R)

"B" BLACK "A" GRAY
"R" RED "O" ORANGE
"W" WHITE "C" BROWN
"Y" YELLOW
"U" BLUE
"N" GREEN

EIGHT PORT RCA JACK (5)



Recommended P.C.Board Layout



ORDERING INFORMATION:

P/N 7708 $\frac{x}{1} \frac{x}{2} - \frac{31}{3} \frac{xxxxxxx}{4}$

1. TERMINAL FINISH:
"T" TIN PLATED (STANDARD)
"G" GOLD FLASH PLATED
2. BUSHING FINISH:
"N" NICKEL PLATED (STANDARD)
"G" GOLD FLASH PLATED
3. JACK CODE:
31 (SEE DRAWING !)

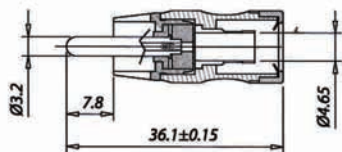
4. INSULATOR COLORS:
(ARRANGEMENT: A→B→C→D
A1→B1→C1→D1)
"B" BLACK "A" GRAY
"R" RED "O" ORANGE
"W" WHITE "C" BROWN
"Y" YELLOW
"U" BLUE
"N" GREEN

SOLDERLESS RCA PLUG GOLD PLATED

P/N 78TA-59Gx (for RG59/U)
P/N 78TA-06Gx (for RG6/U)
 x= CODERING COLOR
 B= BLACK, R= RED, W= WHITE,
 Y= YELLOW, N= GREEN, U= BLUE



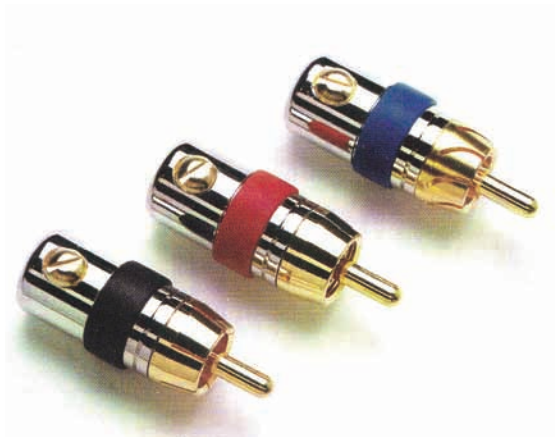
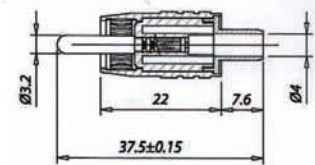
*Solderless Plug
 *PP Insulator
 *For RG59/RG6U
 Cable



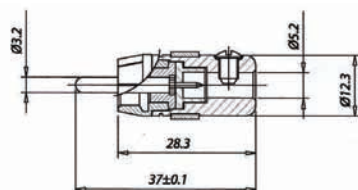
P/N 78TB-59Gx (for RG59/U)
P/N 78TB-06Gx (for RG6/U)
 x= CODERING COLOR
 B= BLACK, R= RED, W= WHITE,
 Y= YELLOW, N= GREEN, U= BLUE



*Solderless RCA 75Ω Plug
 *PP Insulator
 *For RG59/RG6U Cable



*Solderless Plug
 *Teflon Insulator
 *For 5-7 MM Cable



ORDERING INFORMATION:

P/N 78TC - $\frac{xx}{T}$ G $\frac{x}{2}$

1. FOR CABLE DIAMETER:

"05" 5MM
 "06" 6MM
 "07" 7MM

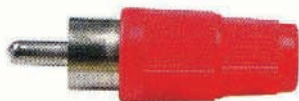
2. CODE RING COLOR:

"B" BLACK
 "R" RED
 "W" WHITE
 "Y" YELLOW
 "N" GREEN
 "U" BLUE

RCA PLUG WITH NICKEL / GOLD PLATED CONTACT & PC INSULATION (1)

P/N 78RJ-**N*

NICKEL PLATED
P/N 78RJ-G***
 GOLD PLATED
 PLASTIC HANDLE
 ID:FOR 4~5 MM CABLE
 COLOR: RED, BLACK, WHITE, GRAY,
 BLUE, GREEN, YELLOW
 SEE ORDERING INFORMATION!



P/N 78RK-**N*

NICKEL PLATED
P/N 78RK-G***
 GOLD PLATED
 PLASTIC HANDLE
 ID:FOR 4~5 MM CABLE
 COLOR: RED, BLACK, WHITE, GRAY,
 BLUE, GREEN, YELLOW
 SEE ORDERING INFORMATION!



P/N 78RH-**N*

NICKEL PLATED
P/N 78RH-G***
 GOLD PLATED
 PLASTIC HANDLE
 ID:FOR 4~5 MM CABLE
 COLOR: RED, BLACK
 SEE ORDERING INFORMATION!



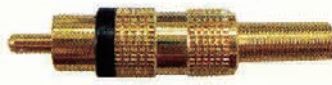
P/N 78VM-**N*

NICKEL PLATED
P/N 78VM-G***
 GOLD PLATED
 PC INSULATION
 ID:FOR 4~5 MM CABLE
 COLOR: RED, BLACK
 SEE ORDERING INFORMATION!



P/N 78VL-**N*

NICKEL PLATED
P/N 78VL-G***
 GOLD PLATED
 PC INSULATION
 ID:FOR 5~6 MM CABLE
 COLOR: RED, BLACK
 SEE ORDERING INFORMATION!



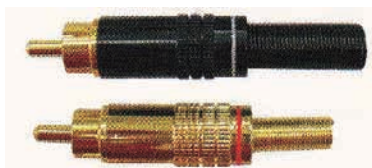
P/N 78VS-**N*

NICKEL PLATED
P/N 78VS-G***
 GOLD PLATED
 PC INSULATION
 ID:FOR 5~6 MM CABLE
 COLOR: RED, BLACK, WHITE
 SEE ORDERING INFORMATION!



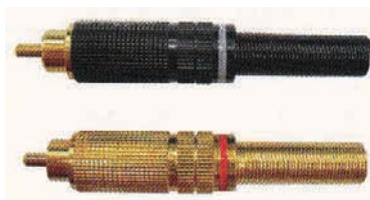
P/N 78VN-**B*

BLACK PLATED
P/N 78VN-G***
 GOLD PLATED FLAT HEAD
 PC INSULATION
 ID:FOR 5~7 MM CABLE
 COLOR: RED, BLACK, WHITE
 SEE ORDERING INFORMATION!



P/N 78VP-**B*

BLACK PLATED
P/N 78VP-G***
 GOLD PLATED
 PC INSULATION
 ID:FOR 8~9 MM CABLE
 COLOR: RED, BLACK, WHITE
 SEE ORDERING INFORMATION!



ORDERING INFORMATION

P/N 78 XX - XX XX
 1 2 3 4

- RCA JACK TYPE:
 RJ, RK, RH, VS, VL,
 VM, VN, VP, VQ, VR
- FOR CABLE DIAMETER:
 "04" Ø 4MM
 "05" Ø 5MM
 "06" Ø 6MM
 "07" Ø 7MM
 "08" Ø 8MM
 "09" Ø 9MM
- BARREL FINISH:
 "N" NICKEL PLATED
 "G" GOLD PLATED
 "B" BLACK PLATED
- HANDLE OR CODE RING COLOR:
 "R" RED
 "B" BLACK
 "W" WHITE
 "A" GRAY
 "U" BLUE
 "N" GREEN
 "Y" YELLOW

P/N 78VQ-**G*

GOLD PLATED
 PC INSULATION
 ID:FOR 5~7 MM CABLE
 COLOR: RED, BLACK, WHITE
 SEE ORDERING INFORMATION!



P/N 78VR-**G*

GOLD PLATED
 PC INSULATION
 ID:FOR 8~9 MM CABLE
 CODE RING: RED, BLACK, WHITE
 SEE ORDERING INFORMATION!



RCA PLUG WITH NICKEL / GOLD PLATED CONTACT & PC INSULATION (2)

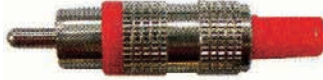
P/N 78VT-N***

NICKEL PLATED
P/N 78VT-G***
 GOLD PLATED
 PC INSULATION
 ID:FOR 4~5 MM CABLE
 COLOR: RED, BLACK, BLUE
 SEE ORDERING INFORMATION!



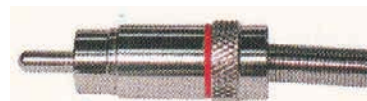
P/N 78VU-N***

NICKEL PLATED
P/N 78VU-G***
 GOLD PLATED
 PC INSULATION
 ID:FOR 4~5 MM CABLE
 COLOR: RED, BLACK
 SEE ORDERING INFORMATION!



P/N 78VW-N***

NICKEL PLATED
 PC INSULATION
 ID:FOR 5~6 MM CABLE
 COLOR: RED, BLACK, WHITE
 SEE ORDERING INFORMATION!



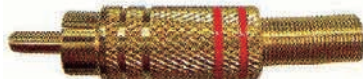
P/N 78VXN0**

NICKEL PLATED
P/N 78VX-G0**
 GOLD PLATED
 PC INSULATION
 ID:FOR 5~6 MM CABLE
 SEE ORDERING INFORMATION!



P/N 78VY-N***

NICKEL PLATED
P/N 78VY-G***
 GOLD PLATED
 PC INSULATION
 ID:FOR 5~6 MM CABLE
 COLOR: RED, BLACK, WHITE
 SEE ORDERING INFORMATION!



P/N 78VZ-N0**

NICKEL PLATED
P/N 78VZ-G0**
 GOLD PLATED
 PC INSULATION
 ID:FOR 5~6 MM CABLE
 SEE ORDERING INFORMATION!



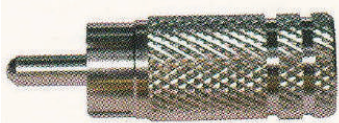
P/N 78XA-G0**

GOLD PLATED
 PC INSULATION
 ID:FOR 5~7 MM CABLE
 SEE ORDERING INFORMATION!



P/N 78XB-N0**

NICKEL PLATED
P/N 78XB-G0**
 GOLD PLATED
 PC INSULATION
 ID:FOR 5~6 MM CABLE
 SEE ORDERING INFORMATION!



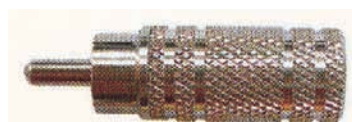
ORDERING INFORMATION

P/N 78 xx - xx xx xx
 1 2 3 4

- RCA JACK TYPE:
 VT, VU, VW, VX, VY,
 VZ, XA, XB, XC, XD
- FOR CABLE DIAMETER:
 "04" Ø 4MM
 "05" Ø 5MM
 "06" Ø 6MM
 "07" Ø 7MM
- BARREL OR CONTACT FINISH:
 "N" NICKEL PLATED
 "G" GOLD PLATED
- HANDLE OR CODE RING COLOR:
 "R" RED
 "B" BLACK
 "W" WHITE
 "Y" YELLOW
 "N" GREEN
 "U" BLUE
 "A" GRAY
 "0" NIL

P/N 78XC-N0**

NICKEL PLATED
P/N 78XC-G0**
 GOLD PLATED
 PC INSULATION
 ID:FOR 5~6 MM CABLE
 SEE ORDERING INFORMATION!



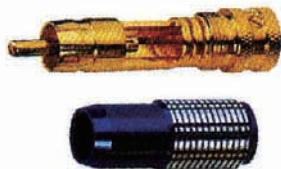
P/N 78XD-N***

NICKEL PLATED
P/N 78XD-G***
 GOLD PLATED
 PC INSULATION
 ID:FOR 4~5 MM CABLE
 COLOR: RED, BLACK, WHITE, BLUE,
 GREEN, YELLOW, GRAY
 SEE ORDERING INFORMATION!



RCA PLUG GOLD PLATED

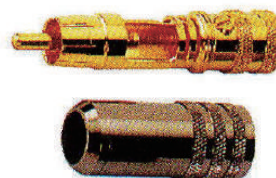
P/N R4NA-06GU (6mm)
P/N R4NA-07GU (7mm)
 RCA PLUG GOLD PLATED
 FOR 6, 7MM CABLE
 (SCREW TYPE)



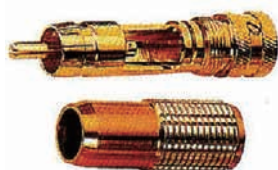
P/N R4NB-06GR (6mm)
P/N R4NB-07GR (7mm)
 RCA PLUG GOLD PLATED
 FOR 6, 7MM CABLE
 (SOLDER TYPE)



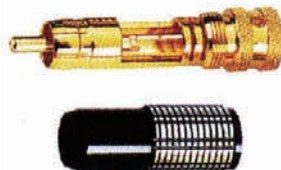
P/N R4NE-08G* (8mm)
P/N R4NE-09G* (9mm)
 *RING COLOR: B(BLACK), R(RED)
 RCA PHONE PLUG, SCREW TYPE,
 TIN PLATED-NICKEL HANDLE, GOLD
 BODY FOR 8, 9MM CABLE
 RING: RED, BLACK



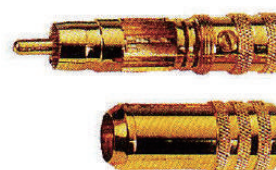
P/N R4NC-06GO (6mm)
P/N R4NC-07GO (7mm)
 RCA PLUG GOLD PLATED
 FOR 6, 7MM CABLE
 (SCREW TYPE)



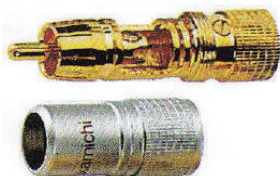
P/N R4ND-06GB (6mm)
P/N R4ND-07GB (7mm)
 RCA PLUG GOLD PLATED
 FOR 6, 7MM CABLE
 (SOLDER TYPE)



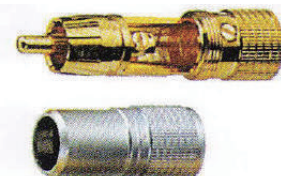
P/N R4NF-08G* (8mm)
P/N R4NF-09G* (9mm)
 *RING COLOR: B(BLACK), R(RED)
 RCA PHONE PLUG, SOLDER TYPE,
 GOLD PLATED
 FOR 8, 9MM CABLE
 RING: RED, BLACK



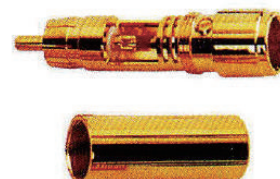
P/N R4NH-08G0 (8mm)
P/N R4NH-09G0 (9mm)
P/N R4NH-10G0 (10mm)
 RCA PHONE PLUG GOLD PLATED
 SCREW & SOLDER TYPE
 FOR 8-10MM CABLE



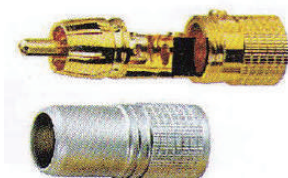
P/N R4NK-08G0 (8mm)
P/N R4NK-09G0 (9mm)
P/N R4NK-10G0 (10mm)
 RCA PHONE PLUG GOLD PLATED
 SCREW & SOLDER TYPE
 FOR 8-10MM CABLE



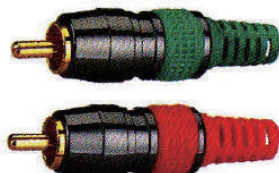
P/N R4NG-08G0 (8mm)
P/N R4NG-09G0 (9mm)
 RCA PHONE PLUG,
 GOLD PLATED
 FOR 8-9MM CABLE



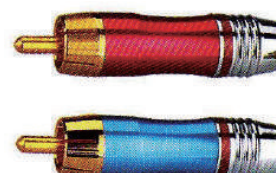
P/N R4NJ-08G0 (8mm)
P/N R4NJ-09G0 (9mm)
P/N R4NJ-10G0 (10mm)
 RCA PHONE PLUG
 GOLD PLATED
 SCREW TYPE
 FOR 8-10MM CABLE



P/N R4NL-04GB (black)
P/N R4NL-04GR (red)
P/N R4NL-04GN (green)
 RCA PLUG GOLD PLATED,
 TIN PLATED-NICKEL HANDLE
 W/ PLASTIC SPRING



P/N R4NM-04GR (red)
P/N R4NM-04GB (black)
P/N R4NM-04GU (blue)
P/N R4NM-04GN (green)
 RCA PLUG GOLD PLATED,
 ALUMINUM HANDLE
 (RED, BLACK, BLUE, GREEN)



RCA PLUG WITH GOLD PLATED CONTACT & ALUMINUM BARREL

P/N 78VA-**P*

PC INSULATION

P/N 78VA-**T*

TEFLON INSULATION
ALUMINUM BARREL
ID: FOR 6~8 MM CABLE
COLOR: RED, BLACK, BLUE,
GOLD, PURPLE, GRAY
SEE ORDERING INFORMATION!



P/N 78VB-**P*

PC INSULATION

P/N 78VB-**T*

TEFLON INSULATION
ALUMINUM BARREL
ID: FOR 6~7 MM CABLE
COLOR: RED, BLACK, BLUE,
GOLD, PURPLE, GRAY
SEE ORDERING INFORMATION!



P/N 78VC-**P*

PC INSULATION

P/N 78VC-**T*

TEFLON INSULATION
ALUMINUM BARREL
ID: FOR 6~7 MM CABLE
COLOR: RED, BLACK, BLUE,
GOLD, PURPLE, GRAY
SEE ORDERING INFORMATION!

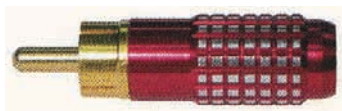


P/N 78VD-**P*

PC INSULATION

P/N 78VD-**T*

TEFLON INSULATION
ALUMINUM BARREL
ID: FOR 4~5 MM CABLE
COLOR: RED, BLACK, BLUE, GOLD,
PURPLE, GRAY
SEE ORDERING INFORMATION!



P/N 78VE-**P*

PC INSULATION

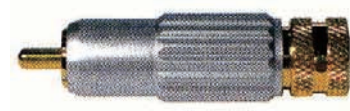
P/N 78VE-**T*

TEFLON INSULATION
ALUMINUM BARREL
ID: FOR 4~5 MM CABLE
COLOR: RED, BLACK, BLUE, GOLD,
PURPLE, GRAY
SEE ORDERING INFORMATION!



P/N 78VF-**T**

TEFLON INSULATION
ALUMINUM BARREL
ID: FOR 7~8 MM CABLE
CODE RING: RED, BLACK, WHITE
COLOR: GOLD, RED, BLACK, PURPLE,
GREEN, BLUE, GRAY
SEE ORDERING INFORMATION!



P/N 78VG-**T**

TEFLON INSULATION
PAINT SPRAY
ALUMINUM BARREL
ID: FOR 8~9 MM CABLE
CODE RING: RED, BLACK, WHITE
COLOR: GOLD, RED, BLACK, PURPLE,
GREEN, BLUE, GRAY
SEE ORDERING INFORMATION!



P/N 78VH-**PC

PC INSULATION

P/N 78VH-**TC

TEFLON INSULATION
ALUMINUM BARREL
ID: FOR 6~8 MM CABLE
COLOR: BROWN
** CABLE Ø : 06, 07, 08
* COLOR : C (BROWN)



ORDERING INFORMATION

P/N 78 XX - XX XX XX
1 2 3 4 5

- RCA JACK TYPE:
VA, VB, VC, VD, VE, VF, VG, VJ
- FOR CABLE DIAMETER :
" 04 " Ø 4MM " 07 " Ø 7MM
" 05 " Ø 5MM " 08 " Ø 8MM
" 06 " Ø 6MM " 09 " Ø 9MM
- INSULATOR MATERIAL:
" P " PC (ABS)
" T " TEFLON
- BARREL COLOR :
" R " RED " A " GRAY
" B " BLACK " N " GREEN
" U " BLUE " Y " YELLOW
" G " GOLD
" P " PURPLE
- CODE RING COLOR
(FOR 78VF, 78VG ONLY) :
" R " RED
" B " BLACK
" W " WHITE

P/N 78VJ-**P*

PC INSULATION

P/N 78VJ-**T*

TEFLON INSULATION
BODY: GOLD PLATED
ALUMINUM BARREL
ID: FOR 5~7MM CABLE
CODE RING: RED, BLUE, YELLOW
** CABLE Ø : 05, 06, 07
* COLOR : R, U, Y



P/N 78VK-**TS

TEFLON INSULATION
BODY: SILVER PLATED
ALUMINUM BARREL
ID: FOR 4~7 MM CABLE
** CABLE Ø : 04, 05, 06, 07



RCA PLUG WITH GOLD PLATED CONTACT, METAL BARREL & TEFLON INSULATION

P/N 78WA-**T*

TEFLON INSULATION
 BARREL: BLASTING NICKEL PLATED
 ID: FOR 7~8MM CABLE
 CODE RING: RED, BLACK
 ** CABLE Ø : 07, 08
 * COLOR : R(RED), B(BLACK)



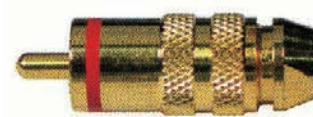
P/N 78WB-**T*

TEFLON INSULATION
 BARREL: BLACK PLATED
 ID: FOR 7~8MM CABLE
 CODE RING: RED, WHITE
 ** CABLE Ø : 07, 08
 * COLOR : R(RED), W(WHITE)



P/N 78WC-**T*

TEFLON INSULATION
 BARREL: GOLD PLATED
 ID: FOR 7~8MM CABLE
 CODE RING: RED, BLACK
 ** CABLE Ø : 07, 08
 * COLOR : R(RED), B(BLACK)



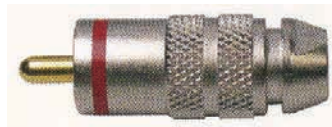
P/N 78WD-**T*

TEFLON INSULATION
 BARREL: TIN NICKEL PLATED
 ID: FOR 7~8MM CABLE
 CODE RING: RED, WHITE
 ** CABLE Ø : 07, 08
 * COLOR : R(RED), W(WHITE)



P/N 78WE-**T*

TEFLON INSULATION
 BARREL: BLASTING NICKEL PLATED
 ID: FOR 5~6MM CABLE
 CODE RING: RED, BLACK
 ** CABLE Ø : 05, 06
 * COLOR : R(RED), B(BLACK)



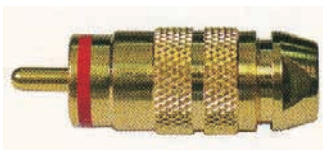
P/N 78WF-**T*

TEFLON INSULATION
 BARREL: BLACK PLATED
 ID: FOR 5~6MM CABLE
 CODE RING: RED, WHITE
 ** CABLE Ø : 05, 06
 * COLOR : R(RED), W(WHITE)



P/N 78WG-**T*

TEFLON INSULATION
 BARREL: GOLD PLATED
 ID: FOR 5~6MM CABLE
 CODE RING: RED, BLACK
 ** CABLE Ø : 05, 06
 * COLOR : R(RED), B(BLACK)



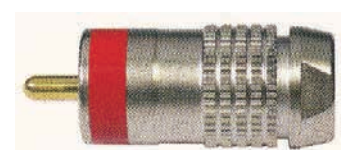
P/N 78WH-**T*

TEFLON INSULATION
 BARREL: TIN NICKEL PLATED
 ID: FOR 5~6MM CABLE
 CODE RING: RED, WHITE
 ** CABLE Ø : 05, 06
 * COLOR : R(RED), W(WHITE)



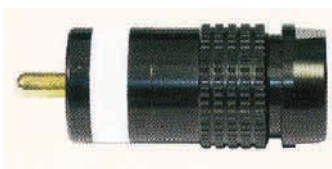
P/N 78WJ-**T*

TEFLON INSULATION
 BARREL: BLASTING NICKEL PLATED
 ID: FOR 9~10MM CABLE
 CODE RING: RED, BLACK
 ** CABLE Ø : 09, 10
 * COLOR : R(RED), B(BLACK)



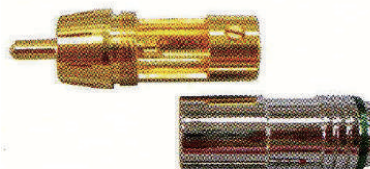
P/N 78WK-**T*

TEFLON INSULATION
 BARREL: BLACK PLATED
 ID: FOR 9~10MM CABLE
 CODE RING: RED, WHITE
 ** CABLE Ø : 09, 10
 * COLOR : R(RED), W(WHITE)



P/N 78WL-**T*

TEFLON INSULATION
 BARREL: WHITE TIN NICKEL PLATED
 ID: FOR 6~8MM CABLE
 CODE RING: RED, BLACK
 ** CABLE Ø : 06, 07, 08
 * COLOR : R(RED), B(BLACK)



P/N 78WM-**T0

TEFLON INSULATION
 BADCY: SILVER PLATED
 BARREL: BLASTING NICKEL PLATED
 ID: FOR 4~9MM CABLE
 ** CABLE Ø : 04, 05, 06, 07, 08, 09



RCA PLUG WITH GOLD PLATED CONTACT, METAL BARREL & PC / TEFLON INSULATION

P/N 78YA-P***

PC INSULATION

P/N 78YA-T***

TEFLON INSULATION

BARREL: BLASTING NICKEL PLATED

ID: FOR 7~8 MM CABLE

COLOR: RED, BLACK

SEE ORDERING INFORMATION!



P/N 78YB-P***

PC INSULATION

P/N 78YB-T***

TEFLON INSULATION

BARREL: BLASTING NICKEL PLATED

ID: FOR 7~8 MM CABLE

COLOR: RED, BLACK

SEE ORDERING INFORMATION!



P/N 78YC-P0**

PC INSULATION

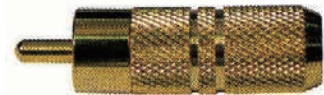
P/N 78YC-T0**

TEFLON INSULATION

BARREL: GOLD PLATED

ID: FOR 4~9 MM CABLE

SEE ORDERING INFORMATION!



P/N 78YD-P***

PC INSULATION

P/N 78YD-T***

TEFLON INSULATION

BARREL: PAINT BAKED

ID: FOR 12~14 MM CABLE

CODE RING: RED, WHITE

SEE ORDERING INFORMATION!



P/N 78YE-P***

PC INSULATION

P/N 78YE-T***

TEFLON INSULATION

BODY: GOLD PLATED

BARREL: SATIN NICKEL PLATED

ID: FOR 4~9 MM CABLE

CODE RING: RED, BLACK, WHITE

SEE ORDERING INFORMATION!



P/N 78YF-P***

PC INSULATION

P/N 78YF-T***

TEFLON INSULATION

BARREL: PAINT BAKED

ID: FOR 8~10 MM CABLE

CODE RING: RED, WHITE

SEE ORDERING INFORMATION!



P/N 78YG-P***

PC INSULATION

P/N 78YG-T***

TEFLON INSULATION

BARREL: PAINT BAKED

ID: FOR 5~8 MM CABLE

CODE RING: RED, WHITE

SEE ORDERING INFORMATION!



P/N 78YH-P***

PC INSULATION

P/N 78YH-T***

TEFLON INSULATION

BARREL: TIN NICKEL PLATED

ID: FOR 5~8 MM CABLE

CODE RING: RED, WHITE

SEE ORDERING INFORMATION!



ORDERING INFORMATION

P/N 78 $\frac{XX}{1} - \frac{XXXX}{234}$

1. RCA JACK TYPE:

YA, YB, YC, YD, YE

YF, YG, YH, YJ, YK

2. FOR CABLE DIAMETER:

" 04 " Ø 4MM

" 05 " Ø 5MM

" 06 " Ø 6MM

" 07 " Ø 7MM

" 08 " Ø 8MM

" 09 " Ø 9MM

" 10 " Ø 10MM

" 11 " Ø 11MM

" 12 " Ø 12MM

" 13 " Ø 13MM

" 14 " Ø 14MM

3. INSULATOR'S MATERIAL:

" P " PC (ABS)

" T " TEFLON

4. CODE RING COLOR:

" R " RED

" B " BLACK

" W " WHITE

" 0 " NIL

P/N 78YJ-P***

PC INSULATION

P/N 78YJ-T***

TEFLON INSULATION

BARREL: BLACK PLATED

ID: FOR 5~8 MM CABLE

CODE RING: RED, WHITE

SEE ORDERING INFORMATION!



P/N 78YK-P***

PC INSULATION

P/N 78YK-T***

TEFLON INSULATION

BARREL: PAINT BAKED

ID: FOR 5~8 MM CABLE

COLOR: RED, WHITE

SEE ORDERING INFORMATION!



RCA PLUG GOLD PLATED

P/N R4MA-07GR (red)
P/N R4MA-07GU (blue)
 RCA PLUG W/LONG SPRING,
 GOLD PLATED FOR 7MM CABLE
 (RED/BLUE)



P/N R4MB-07GR (red)
P/N R4MB-07GB (black)
 RCA PLUG W/LONG SPRING,
 GOLD PLATED FOR 7MM CABLE
 (RED/BLACK)



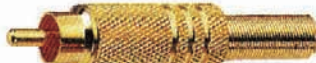
P/N R4MC-06GR (red)
P/N R4MC-06GB (black)
 ** CABLE Ø= 06, 07
 RCA PLUG W/ SPRING, GOLD
 PLATED FOR 6, 7MM CABLE
 (RED/BLACK)



P/N R4MD-06GR (red)
P/N R4MD-06GB (black)
 ** CABLE Ø= 06, 07
 RCA PLUG W/ SPRING, GOLD
 PLATED FOR 6, 7MM CABLE
 (RED/BLACK)



P/N R4ME-06G0
 ** CABLE Ø= 06, 07
 RCA PLUG W/ SPRING, GOLD
 PLATED FOR 6, 7MM CABLE



P/N R4MF-06GR (red)
P/N R4MF-06GB (black)
 ** CABLE Ø= 06, 07
 RCA PLUG W/ SPRING, GOLD
 PLATED FOR 6, 7MM CABLE
 (RED/BLACK)



P/N R4MG-05GR (red)
P/N R4MG-05GB (black)
 ** CABLE Ø= 05, 06
 RCA PLUG W/ SPRING, GOLD
 PLATED FOR 5, 6MM CABLE
 (RED/BLACK)



P/N R4MH-05GR (red)
P/N R4MH-05GB (black)
 ** CABLE Ø= 05, 06
 RCA PLUG W/ SPRING, GOLD
 PLATED FOR 5, 6MM CABLE
 (RED/BLACK)



P/N R4MJ-05GR (red)
P/N R4MJ-05GB (black)
 ** CABLE Ø= 05, 06
 RCA PLUG W/ SPRING, GOLD
 PLATED FOR 5, 6MM CABLE
 (RED/BLACK)



P/N R4MK-05GR (red)
P/N R4MK-05GB (black)
 ** CABLE Ø= 05, 06
 RCA PLUG W/ SPRING, GOLD
 PLATED FOR 5, 6MM CABLE
 (RED/BLACK)



P/N R4ML-09GR (red)
P/N R4ML-09GB (black)
 RCA PLUG W/ SPRING, GOLD
 PLATED FOR 9MM CABLE
 (RED/BLACK)

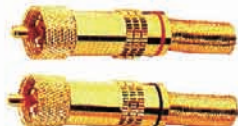


P/N R4MM-06GR (red)
P/N R4MM-06GB (black)
P/N R4MM-06GU (blue)
 RCA PHONE PLUG, GRAYISH
 NICKEL PLATED FOR 6MM CABLE
 RING: RED, BLACK, BLUE

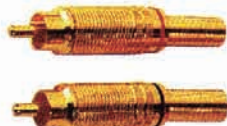


RCA PLUG GOLD PLATED

P/N R4MP-00GR (red)
P/N R4MP-00GB (black)
 RCA PHONE PLUG, SCREW
 TYPE, GOLD PLATED BARREL



P/N R4MQ-06GR (red)
P/N R4MQ-06GB (black)
 ** CABLE Ø= 06, 08
 RCA PHONE PLUG, GOLD
 PLATED BARREL FOR 6, 8MM
 CABLE RING: RED, BLACK



P/N R4MR-05GR (red)
P/N R4MR-05GW (white)
 ** CABLE Ø= 05, 06
 RCA PHONE PLUG, BLACK
 PLATED BARREL FOR 5, 6MM
 CABLE RING: RED, WHITE



P/N R4MS-07GR (red)
P/N R4MS-07GW (white)
 ** CABLE Ø= 07, 08
 RCA PHONE PLUG, BLACK
 PLATED BARREL FOR 7, 8MM
 CABLE RING: RED, WHITE



P/N R4MT-06GR (red)
P/N R4MT-06GW (white)
 RCA PHONE PLUG, BLACK
 PLATED BARREL FOR 6MM
 CABLE RING: RED, WHITE



P/N R4MU-06GR (red)
P/N R4MU-06GW (white)
 RCA PHONE PLUG, BLACK
 PLATED BARREL FOR 6MM
 CABLE RING: RED, WHITE



P/N R4MV-06GR (red)
P/N R4MV-06GB (black)
 ** CABLE Ø= 06, 07
 RCA PHONE PLUG, GOLD
 PLATED BARREL FOR 6, 7MM
 CABLE RING: RED, BLACK



P/N R4MW-06G△
 ** CABLE Ø = 06, 07
 △COLOR: B=BLACK, R=RED,
 U=BLUE, N=GREEN
 RCA PHONE PLUG, GOLD PLATED
 BARREL FOR 6, 7MM CABLE RING:
 RED, BLACK, BLUE, GREEN



P/N R4MX-04GR (red)
P/N R4MX-04GB (black)
 ** CABLE Ø= 04, 05
 RCA PHONE PLUG, GOLD PLATED
 BARREL FOR 4, 5MM CABLE
 RING: RED, BLACK



P/N R4MY-04GR (red)
P/N R4MY-04GB (black)
 ** CABLE Ø= 04, 05
 RCA PHONE PLUG, GOLD
 PLATED BARREL FOR 4, 5MM
 CABLE RING: RED, BLACK



P/N R4MZ-04GR (red)
P/N R4MZ-04GB (black)
 RCA PHONE PLUG, GOLD PLATED
 BARREL PLASTIC SPRING
 FOR 4MM CABLE



P/N R4MN-00GN (green)
P/N R4MN-00GR (red)
P/N R4MN-00GB (black)
 RCA PLUG, TEFLON, PALE
 CHROME PLATED BARREL



RCA JACK WITH NICKEL / GOLD PLATED CONTACT & PC INSULATION (1)

P/N 77GU-N***

NICKEL PLATED

P/N 77GU-G***

GOLD PLATED

PC INSULATION

PLASTIC BARREL

ID:FOR 4~5 MM CABLE

COLOR: RED, WHITE, YELLO

SEE ORDERING INFORMATION!



P/N 77GY-N***

NICKEL PLATED

P/N 77GY-G***

GOLD PLATED

PC INSULATION

PLASTIC BARREL

ID:FOR 4~5 MM CABLE

COLOR: RED, WHITE

SEE ORDERING INFORMATION!



P/N 77PA-N***

NICKEL PLATED

P/N 77PA-G***

GOLD PLATED

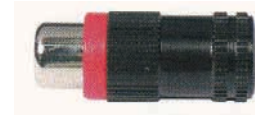
PC INSULATION

METAL BARREL: BLACK PLATED

ID:FOR 4~5 MM CABLE

COLOR: RED, BLACK

SEE ORDERING INFORMATION!



P/N 77PB-N***

NICKEL PLATED

P/N 77PB-G***

GOLD PLATED

PC INSULATION

ID:FOR 5~6 MM CABLE

COLOR: RED, BLACK

SEE ORDERING INFORMATION!



P/N 77PC-N***

NICKEL PLATED

P/N 77PC-G***

GOLD PLATED

PC INSULATION

ID:FOR 5~6 MM CABLE

COLOR: RED, BLACK

SEE ORDERING INFORMATION!



P/N 77PD-N***

NICKEL PLATED

P/N 77PD-G***

GOLD PLATED

PC INSULATION

ID:FOR 5~6 MM CABLE

COLOR: RED, BLACK, WHITE

SEE ORDERING INFORMATION!



P/N 77PE-B***

BLACK PLATED

P/N 77PE-G***

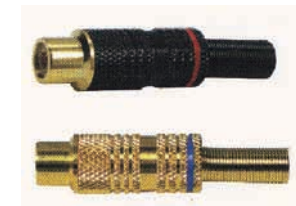
GOLD PLATED

PC INSULATION

ID:FOR 5~6 MM CABLE

COLOR: RED, BLACK, WHITE

SEE ORDERING INFORMATION!



P/N 77PF-B***

BLACK PLATED

P/N 77PF-G***

GOLD PLATED

PC INSULATION

ID:FOR 8~9 MM CABLE

COLOR: RED, BLACK, WHITE

SEE ORDERING INFORMATION!



ORDERING INFORMATION

P/N 77 xx - xxx x x
1 2 3 4

1. RCA JACK TYPE:

GU, GY, PA, PB, PC,
PD, PE, PF, PG, PH

2. FOR CABLE DIAMETER:

" 04 " Ø 4MM
" 05 " Ø 5MM
" 06 " Ø 6MM
" 07 " Ø 7MM
" 08 " Ø 8MM
" 09 " Ø 9MM

3. CONTACT OR BARREL FINISH:

" N " NICKEL PLATED
" G " GOLD PLATED
" B " BLACK PLATED

4. HOUSING OR CODE RING COLOR:

" R " RED
" B " BLACK
" W " WHITE
" Y " YELLOW

P/N 77PG-N***

NICKEL PLATED

PC INSULATION

ID:FOR 5~6 MM CABLE

COLOR: RED, BLACK, WHITE

SEE ORDERING INFORMATION!



P/N 77PH-N***

NICKEL PLATED

P/N 77PH-G***

GOLD PLATED

PC INSULATION

ID:FOR 7~8 MM CABLE

COLOR: RED, BLACK, WHITE

SEE ORDERING INFORMATION!



RCA JACK WITH NICKEL / GOLD PLATED CONTACT & PC INSULATION (2)

P/N 77PJ-N***

NICKEL PLATED

P/N 77PJ-G***

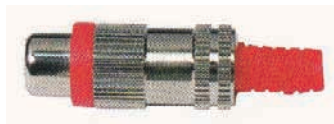
GOLD PLATED

PC INSULATION

ID:FOR 4~5 MM CABLE

COLOR: RED, BLACK

SEE ORDERING INFORMATION!



P/N 77PK-N***

NICKEL PLATED

P/N 77PK-G***

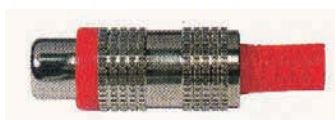
GOLD PLATED

PC INSULATION

ID:FOR 4~5 MM CABLE

COLOR: RED, BLACK

SEE ORDERING INFORMATION!



P/N 77PL-N***

NICKEL PLATED

P/N 77PL-G***

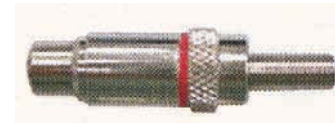
GOLD PLATED

PC INSULATION

ID:FOR 5~6 MM CABLE

COLOR: RED, BLACK

SEE ORDERING INFORMATION!



P/N 77PM-N0**

NICKEL PLATED

P/N 77PM-G0**

GOLD PLATED

PC INSULATION

ID:FOR 5~6 MM CABLE

SEE ORDERING INFORMATION!



P/N 77PN-N***

NICKEL PLATED

P/N 77PN-G***

GOLD PLATED

PC INSULATION

ID:FOR 5~6 MM CABLE

COLOR: RED, BLACK, WHITE

SEE ORDERING INFORMATION!



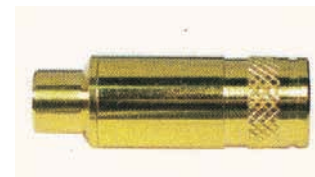
P/N 77PP-G0**

GOLD PLATED

PC INSULATION

ID:FOR 5~7 MM CABLE

SEE ORDERING INFORMATION!



P/N 77PQ-N0**

NICKEL PLATED

P/N 77PQ-G0**

GOLD PLATED

PC INSULATION

ID:FOR 5~6 MM CABLE

SEE ORDERING INFORMATION!



P/N 77PR-N0**

NICKEL PLATED

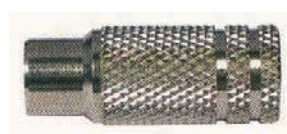
P/N 77PR-G0**

GOLD PLATED

PC INSULATION

ID:FOR 5~6 MM CABLE

SEE ORDERG INFORMATION!



ORDERING INFORMATION

P/N 77 xx - xxxx
1 2 3 4

1. RCA JACK TYPE:
 PJ, PK, PL, PM, PN
 PP, PQ, PR, PS, PT
2. FOR CABLE DIAMETER:
 " 04 " Ø 4MM
 " 05 " Ø 5MM
 " 06 " Ø 6MM
 " 07 " Ø 7MM
3. BARREL FINISH:
 " N " NICKEL PLATED
 " G " GOLD PLATED
4. CODE RING COLOR:
 " R " RED
 " B " BLACK
 " W " WHITE
 " 0 " NIL

P/N 77PS-N0**

NICKEL PLATED

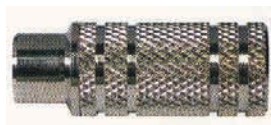
P/N 77PS-G0**

GOLD PLATED

PC INSULATION

ID:FOR 5~6 MM CABLE

SEE ORDERING INFORMATION!



P/N 77PT-N0**

NICKEL PLATED

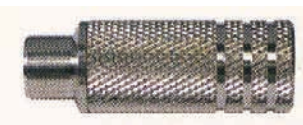
P/N 77PT-G0**

GOLD PLATED

PC INSULATION

ID:FOR 5~6 MM CABLE

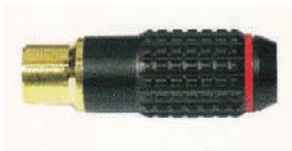
SEE ORDERING INFORMATION!



RCA JACK WITH GOLD PLATED CONTACT & PC / TEFLON INSULATION (1)

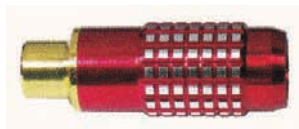
P/N 77QA-**P*

PC INSULATION
ALUMINUM BARREL
ID:FOR 4~5 MM CABLE
COLOR: RED, BLACK, BLUE, GRAY,
GOLD, PURPLE
SEE ORDERING INFORMATION!



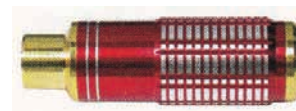
P/N 77QB-**P*

PC INSULATION
ALUMINUM BARREL
ID:FOR 4~5 MM CABLE
COLOR: RED, BLACK, BLUE, GRAY,
GOLD, PURPLE
SEE ORDERING INFORMATION!



P/N 77QC-**P*

PC INSULATION
ALUMINUM BARREL
ID:FOR 4~5 MM CABLE
COLOR: RED, BLACK, BLUE, GRAY,
GOLD, PURPLE
SEE ORDERING INFORMATION!



P/N 77QD-**P*

PC INSULATION
P/N 77QD-T***
TEFLON INSULATION
BARREL: BLACK PLATED
ID: FOR 7~8 MM CABLE
COLOR: RED, WHITE
SEE ORDERING INFORMATION!



P/N 77QE-**P*

PC INSULATION
P/N 77QE-T***
TEFLON INSULATION
GOLD PLATED
ID: FOR 5~8 MM CABLE
COLOR: RED, BLACK
SEE ORDERING INFORMATION!



P/N 77QF-**P*

PC INSULATION
P/N 77QF-T***
TEFLON INSULATION
BARREL: BLACK PLATED
ID: FOR 5~8 MM CABLE
CODE RING: RED, WHITE
SEE ORDERING INFORMATION!



P/N 77QG-**P*

PC INSULATION
P/N 77QG-T***
TEFLON INSULATION
GOLD PLATED
ID: FOR 5~8 MM CABLE
CODE RING: RED, BLACK
SEE ORDERING INFORMATION!



P/N 77QH-**P*

PC INSULATION
P/N 77QH-T***
TEFLON INSULATION
BARREL: BLASTING NICKEL PLATED
ID: FOR 5~6 MM CABLE
CODE RING: RED, WHITE
SEE ORDERING INFORMATION!



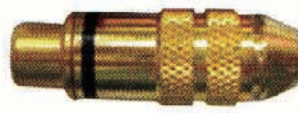
ORDERING INFORMATION

P/N 77 xx - xxxx
1 2 3 4

- RCA JACK TYPE:
QA, QB, QC, QD, QE,
QF, QG, QH, QJ, QK
- FOR CABLE DIAMETER:
"04" Ø 4MM
"05" Ø 5MM
"06" Ø 6MM
"07" Ø 7MM
"08" Ø 8MM
- INSULATOR'S MATERIAL:
"P" PC (ABS)
"T" TEFLON
- HOUSING OR CODE RING COLOR:
"R" RED
"B" BLACK
"U" BLUE
"G" GOLD
"P" PURPLE
"A" GRAY
"W" WHITE

P/N 77QJ-**P*

PC INSULATION
P/N 77QJ-T***
TEFLON INSULATION
GOLD PLATED
ID: FOR 5~6 MM CABLE
CODE RING: RED, BLACK
SEE ORDERING INFORMATION!



P/N 77QK-**P*

PC INSULATION
P/N 77QK-T***
TEFLON INSULATION
BARREL: BLACK PLATED
ID: FOR 5~6 MM CABLE
CODE RING: RED, WHITE
SEE ORDERING INFORMATION!



RCA JACK WITH GOLD PLATED CONTACT & PC / TEFLON INSULATION (2)

P/N 77QL-P***

PC INSULATION

P/N 77QL-T***

TEFLON INSULATION

BARREL: BLASTING NICKEL PLATED

ID:FOR 7~8 MM CABLE

COLOR: RED, WHITE

SEE ORDERING INFORMATION!



P/N 77QM-P***

PC INSULATION

P/N 77QM-T***

TEFLON INSULATION

GOLD PLATED

ID:FOR 4~6 MM CABLE

COLOR: RED, BLACK

SEE ORDERING INFORMATION!



P/N 77QN-P***

PC INSULATION

P/N 77QN-T***

TEFLON INSULATION

BARREL: PAINT BAKED

ID:FOR 5~8 MM CABLE

COLOR: RED, BLUE

SEE ORDERING INFORMATION!



P/N 77QP-P***

PC INSULATION

P/N 77QP-T***

TEFLON INSULATION

BARREL: BLACK, PLATED

ID:FOR 5~8 MM CABLE

COLOR: RED, WHITE

SEE ORDERING INFORMATION!



P/N 77QQ-P***

PC INSULATION

P/N 77QQ-T***

TEFLON INSULATION

GOLD PLATED

ID:FOR 5~8 MM CABLE

COLOR: RED, BLACK

SEE ORDERING INFORMATION!



P/N 77QR-P***

PC INSULATION

P/N 77QR-T***

TEFLON INSULATION

BARREL: TIN NICKEL

ID:FOR 5~8 MM CABLE

COLOR: RED, WHITE

SEE ORDERING INFORMATION!



P/N 77QS-P***

PC INSULATION

P/N 77QS-T***

TEFLON INSULATION

BARREL: PAINT BAKED

ID:FOR 5~8 MM CABLE

COLOR: RED, BLUE

SEE ORDERING INFORMATION!



P/N 77QT-P***

PC INSULATION

P/N 77QT-T***

TEFLON INSULATION

BARREL: BLACK, PLATED

ID:FOR 5~8 MM CABLE

COLOR: RED, WHITE

SEE ORDERING INFORMATION!



ORDERING INFORMATION

P/N 77 $\frac{xx}{1} - \frac{xx}{2} \frac{xx}{3} \frac{xx}{4}$

1. RCA JACK TYPE:
QL, QM, QN, QP, QQ
QR, QS, QT, QU, QV
2. FOR CABLE DIAMETER:
" 04 " Ø 4MM
" 05 " Ø 5MM
" 06 " Ø 6MM
" 07 " Ø 7MM
" 08 " Ø 8MM
3. INSULATOR'S MATERIAL:
" P " PC (ABS)
" T " TEFLON
4. CODE RING GOLOR:
" R " RED
" W " WHITE
" B " BLACK
" U " BLUE

P/N 77QU-P***

PC INSULATION

P/N 77QU-T***

TEFLON INSULATION

BARREL: TIN NICKEL PLATED

ID:FOR 5~8 MM CABLE

COLOR: RED, WHITE

SEE ORDERING INFORMATION!



P/N 77QV-P***

PC INSULATION

P/N 77QV-T***

TEFLON INSULATION

BARREL: SILVER PLATED

ID:FOR 5~8 MM CABLE

COLOR: RED, BLACK

SEE ORDERING INFORMATION!



RCA JACK & SOCKET GOLD PLATED

P/N R4FA-GR** (red)
P/N R4FA-GB** (black)
 ** CABLE Ø= 05, 06
 RCA JACK W/ SPRING, GOLD
 PLATED BARREL FOR 5, 6MM CABLE
 (RED/BLACK)



P/N R4FB-06GR (red)
P/N R4FB-06GB (black)
 RCA JACK W/ SPRING, GOLD
 PLATED BARREL FOR 6MM CABLE
 (RED/BLACK)



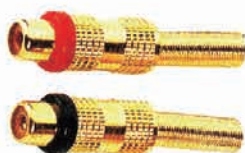
P/N R4FC-GR** (red)
P/N R4FC-GB** (black)
 ** CABLE Ø= 05, 06
 RCA JACK W/ SPRING, GOLD
 PLATED BARREL FOR 5, 6MM CABLE
 (RED/BLACK)



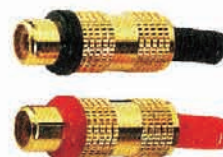
P/N R4FD-06GR (red)
P/N R4FD-06GW (white)
 RCA PHONE JACK, BLACK
 PLATED BARREL FOR 6MM
 CABLE RING: RED, WHITE



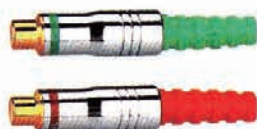
P/N R4FE-GR** (red)
P/N R4FE-GB** (black)
 ** CABLE Ø= 04, 05
 RCA PHONE JACK, GOLD PLATED
 BARREL FOR 4, 5MM CABLE RING:
 RED, BLACK



P/N R4FF-04GR (red)
P/N R4FF-04GB (black)
 RCA PHONE JACK, GOLD
 PLATED, BARREL, PLASTIC
 SPRING FOR 4MM CABLE



P/N R4FG-00GN (green)
P/N R4FG-00GR (red)
P/N R4FG-00GB (black)
 RCA JACK, TEFLON, PALE
 CHROME PLATED BARREL



P/N R4FH-00GR (red)
P/N R4FH-00GB (black)
 RCA JACK CHASSIS MOUNT,
 W/ WASHER, GOLD PLATED
 BARREL RING: RED, BLACK



P/N R4FJ-00GR (red)
P/N R4FJ-00GB (black)
 RCA CHASSIS MOUNT JACK,
 W/ WASHER, GOLD PLATED
 BARREL RING: RED, BLACK



P/N R4FK-00GR (red)
P/N R4FK-00GW (white)
 RCA CHASSIS MOUNT JACK,
 W/ WASHER, GOLD PLATED
 BARREL COLOR: RED, WHITE



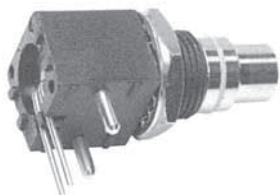
P/N R4FL-00GR (red)
P/N R4FL-00GB (black)
 RCA JACK GOLD PLATED BARREL
 PCB MOUNT COLOR: RED, BLACK



P/N R4FM-00GR (red)
P/N R4FM-00GB (black)
 RCA JACK W/ BAKELITE WASHER,
 GOLD PLATED BARREL
 RING: RED, BLACK



P/N 77HD-00G*
 * = CODE RING COLOR
 B = BLACK
 R = RED
 N = GREEN
 U = BLUE
 W = WHITE
 Y = YELLOW
 RIGHT ANGLE RCA JACK FOR
 PC MOUNT GOLD PLATED



P/N 77HE-00G*
 * = CODE RING COLOR
 B = BLACK
 R = RED
 N = GREEN
 U = BLUE
 W = WHITE
 Y = YELLOW
 STRAIGHT RCA JACK FOR
 PC MOUNT GOLD PLATED



P/N 8099-08G*
 * = CODE RING COLOR
 B = BLACK
 R = RED
 CONNECTION POST GOLD PLATED
 31MM POST ID: FOR 4MM CABLE



P/N 8099-09G*
 * = CODE RING COLOR
 B = BLACK
 R = RED
 F CONNECTION GOLD PLATED



P/N 92CU-60G0
 CABLE PIN GOLD PLATED
 ID: FOR 6MM CABLE



P/N 92CV-40G0
 CABLE PIN GOLD PLATED
 ID: FOR 4MM CABLE



P/N 91SP-04G*
91SP-05G*
 * = CODE RING COLOR
 B = BLACK
 R = RED
 SPADE POST GOLD PLATED
 "Y" OPEN: 6.3MM ID: 4~5MM



P/N 92CW-25G0
 CABLE PIN GOLD PLATED
 ID: FOR 2.5MM CABLE



P/N 92CX-40G0
 CABLE PIN GOLD PLATED
 ID: FOR 4MM CABLE



P/N 91SQ-04G*
91SQ-05G*
 * = CODE RING COLOR
 B = BLACK, R = RED
 SPADE POST GOLD PLATED
 "Y" OPEN: 6.3MM ID: 4~5MM



P/N 92QU-00G*
 * = CODE RING COLOR
 B = BLACK, R = RED
 BINDING POST GOLD PLATED



P/N 92QV-00G*
 * = CODE RING COLOR
 B = BLACK, R = RED
 BINDING POST GOLD PLATED

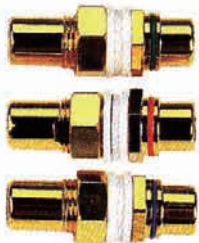


P/N 92QW-00G*
 * = CODE RING COLOR
 B = BLACK, R = RED
 BINDING POST GOLD PLATED



RCA ADAPTER GOLD PLATED (1)

P/N R4AA-FFGW (white)
P/N R4AA-FFGR (red)
P/N R4AA-FFGY (yellow)
 RCA DOUBLE JACKS BULKHEAD
 TYPE GOLD PLATED BARREL



P/N R4AB-MMG
 RCA PHONE PLUG TO RCA PHONE
 PLUG, GOLD & PEARL CHROME
 PLATED BARREL



P/N R4AC-FFFG
 TRIPLE RCA JACKS, GOLD & PEARL
 CHROME PLATED BARREL



P/N R4AD-MFFG
 RCA PHONE PLUG TO DOUBLE
 JACKS, SMALL TYPE, GOLD & PEARL
 CHROME PLATED BARREL



P/N R4AE-FFG
 RCA JACK TO JACK GOLD PLATED
 BARREL



P/N R4AF-FFG
 RCA JACK TO JACK GOLD PLATED
 BARREL



P/N R4AG-FFG
 RCA JACK TO JACK, GOLD PLATED
 BARREL



P/N R4AH-FFG
 RCA JACK TO JACK, PEARL
 CHROME PLATED BARREL



P/N R4AJ-MMG
 RCA PHONE PLUG TO RCA PHONE
 PLUG, GOLD PLATED BARREL



P/N R4AK-FMMG
 RCA JACK TO DOUBLE RCA PLUGS,
 GOLD PLATED BARREL



P/N R4AL-MMG (A Type)
P/N R4AM-FFG (B Type)
 A: RCA PLUG TO RCA PLUG,
 GOLD PLATED BARREL
 B: RCA JACK TO RCA JACK,
 GOLD PLATED BARREL
 BLACK PLASTIC HANDLE



P/N R4AN-MFFG
 RCA PHONE PLUG TO DOUBLE
 JACKS, GOLD PLATED BARREL



RCA ADAPTER GOLD PLATED (2)

P/N R4AP-MFFG

RCA PHONE PLUG TO DOUBLE JACKS, GOLD PLATED BARREL



P/N R4AQ-MFFG

RCA PHONE PLUG TO DOUBLE JACKS, GOLD PLATED BARREL



P/N R4AR-MFFG

RCA PHONE PLUG TO DOUBLE JACKS, RT. ANGLE, GOLD PLATED BARREL



P/N R4AS-MFFG

RCA PHONE PLUG TO DOUBLE JACKS, SMALL TYPE, GOLD PLATED BARREL



P/N R4AT-MFG

RCA PHONE PLUG TO JACK, GOLD PLATED BARREL



P/N R4AU-MFG

RCA PHONE PLUG TO JACK, HIGH QUALITY, GOLD PLATED BARREL



P/N R4AV-MFG7 (7mm)

P/N R4AV-MFG8 (8mm)

RCA PHONE PLUG, RIGHT ANGLE GOLD PLATED BARREL FOR 7, 8MM CABLE



P/N R4AW-MFG

RCA PHONE PLUG TO JACK, SMALL TYPE, GOLD PLATED BARREL



P/N R4AX-MFG

RCA PHONE PLUG TO JACK, GOLD PLATED BARREL NICKEL PLASTIC HANDLE



P/N R4AY-MFG (Type A)

P/N R4AZ-MFG (Type B)

RCA PHONE PLUG TO JACK, GOLD PLATED BARREL



P/N R4BA-MFG

RCA PLUG TO JACK, GOLD PLATED BARREL






P/N R4BB-MFFG




RCA PHONE PLUG TO DOUBLE JACKS, GOLD PLATED BARREL



RCA (CINCH) & JACK / PLUG ADAPTER

<p>P/N 8009-02B ONE RCA JACK TO ONE RCA JACK, BLACK</p> <p>P/N 8009-02R DITTO, BUT IN RED</p> 	<p>P/N 8009-12FF RCA JACK TO RCA JACK (L=43.3MM)</p> 	<p>P/N 8009-20FFF RCA JACK TO DOUBLE RCA JACKS</p> 
<p>P/N 8009-04B DOUBLE RCA JACK TO DOUBLE RCA JACK, BLACK</p> <p>P/N 8009-04R COLOR: RED</p> 	<p>P/N 8009-14FF DOUBLE RCA JACKS TO JACKS, SHIELDED</p> 	<p>P/N 8009-22MMM RCA PLUG TO DOUBLE RCA PLUGS</p> 
<p>P/N 8009-06B TRIPLE RCA JACK TO TRIPLE RCA JACK, BLACK</p> <p>P/N 8009-06R DITTO, BUT IN RED</p> 	<p>P/N 8009-16FF TRIPLE RCA JACKS TO JACKS, SHIELDED</p> 	<p>P/N 8009-10MF RCA PLUG TO RCA JACK</p> 
<p>P/N 8009-07X RCA JACK TO RCA JACK X= PLASTIC COLOR (R=RED, B=BLACK, Y=YELLOW U=BLUE, N=GREEN, S=SILVER)</p> 	<p>P/N 8009-08FF RCA JACK TO RCA JACK, SHIELDED</p> 	<p>P/N 8009-19MFF RCA PLUG TO DOUBLE RCA JACKS</p> 
	<p>P/N 8009-09FF RCA DOUBLE JACK BULKHEAD TYPE</p> 	<p>P/N 8009-17FMM RCA JACK TO DOUBLE RCA PLUGS</p> 

RCA (CINCH) & PAL (IEC) ADAPTER

<p>P/N 8006-01MM PAL PLUG TO PAL PLUG, PLASTIC HANDLE</p> 	<p>P/N 8006-02FF PAL JACK TO PAL JACK, PLASTIC HANDLE</p> 	<p>P/N 8006-18MF PAL PLUG TO PAL JACK, SHIELDED P/N 8006-19MF PAL PLUG TO 9MM PAL JACK, SHIELDED P/N 8006-20MF 9MM PAL PLUG TO PAL JACK, SHIELDED</p> 
<p>P/N 8006-03MM PAL PLUG TO PAL PLUG, SHIELDED</p> 	<p>P/N 8006-05FF PAL JACK TO PAL JACK, SHIELDED</p> 	<p>P/N 8006-10MF RCA PLUG TO PAL JACK, SHIELDED</p> 
<p>P/N 8006-07MF PAL PLUG TO RCA JACK, SHIELDED</p> 	<p>P/N 8006-06FF PAL JACK TO RCA JACK, SHIELDED</p> 	<p>P/N 8006-22FF QUICK PAL JACK TO RCA JACK, SHIELDED</p> 
<p>P/N 8006-09MM RCA PLUG TO PAL PLUG, SHIELDED</p> 	<p>P/N 8006-08MF RCA PLUG TO PAL JACK, SHIELDED</p> 	<p>P/N 8006-11MF RCA PLUG TO PAL JACK, QUICK TYPE L=33.5MM</p> 
<p>P/N 8006-21MF PAL PLUG TO PAL JACK, SHORT TYPE</p> 	<p>P/N 8006-04FM PAL JACK TO PAL PLUG, PLASTIC HANDLE</p> 	<p>P/N 8006-23FF QUICK PAL JACK TO RCA JACK, BULKHEAD</p> 

RCA (CINCH) TO DIN & MINI DIN ADAPTER

P/N 8008-01MM
RCA PLUG TO 5P DIN PLUG 180°



P/N 8008-02FM
RCA JACK TO 5P DIN PLUG 180°



P/N 8008-09MF
RCA PLUG TO 4P MINI DIN JACK, SHIELDED



P/N 8008-10MF
RCA JACK TO 4P MINI DIN JACK, SHIELDED



P/N 8008-11FF
RCA JACK TO 4P MINI DIN JACK



P/N 8008-12MFG
RCA PLUG TO 4P MINI DIN JACK, GOLD & PEARL CHROME PLATED



P/N 8008-04MF
RCA PLUG TO 4P MINI DIN JACK
P/N 8008-06MF
RCA PLUG TO 6P MINI DIN JACK
P/N 8008-08MF
RCA PLUG TO 8P MINI DIN JACK



P/N 8008-13FFG
RCA JACK TO 4P MINI DIN JACK, GOLD & PEARL CHROME PLATED



CABLE SHOE GOLD PLATED (1)

P/N 91CA-00GR (red)
P/N 91CA-00GB (black)
 CABLE SHOE (CRIMP TYPE) GOLD
 PLATED FOR 2.5-3.5MM CABLE
 COLOR: RED, BLACK



P/N 91CB-00GR (red)
P/N 91CB-00GB (black)
 CABLE SHOE (CRIMP, LARGE TYPE)
 GOLD PLATED FOR 3.5-4.0MM
 CABLE COLOR: RED, BLACK



P/N 91CC-00GR (red)
P/N 91CC-00GB (black)
 RIGHT ANGLE CABLE SHOE
 (CRIMP TYPE) GOLD PLATED
 FOR 3.5-4.0MM CABLE
 COLOR: RED, BLACK



P/N 91CD-G0**
 ** CABLE Ø=04, 06, 08
 CABLE SHOE (CRIMP TYPE)
 GOLD PLATED FOR 4, 6, 8MM
 CABLE



P/N 91CE-03G0
 CABLE SHOE (CRIMP TYPE) GOLD
 PLATED FOR 3MM CABLE



P/N 91CF-06GR (red)
P/N 91CF-06GB (black)
 CABLE SHOE (SCREW TYPE)
 GOLD PLATED COLOR: RED,
 BLACK FOR 6MM CABLE



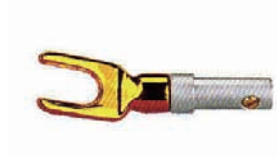
P/N 91CG-04G0
 CABLE SHOE (SCREW TYPE)
 GOLD PLATED FOR 4MM
 CABLE (TWO PARTS)



P/N 91CH-05G0
 CABLE SHOE (SCREW TYPE)
 GOLD PLATED FOR 5MM CABLE



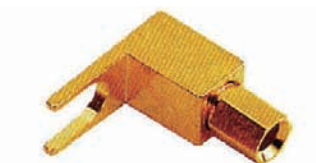
P/N 91CJ-04G0
 CABLE SHOE (SCREW TYPE)
 PEARL CHROME PLATED
 FOR 4MM CABLE



P/N 91CK-00GR (red)
P/N 91CK-00GB (black)
 CABLE SHOE CRIMP TYPE GOLD
 PLATED RING: RED, BLACK



P/N 91CL-00G0
 CABLE SHOEM, RT. ANGLE
 GOLD PLATED

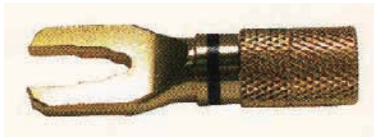


P/N 91CM-00G0
 CABLE SHOE, RT. ANGLE
 GOLD PLATED



CABLE SHOE GOLD PLATED (2)

P/N 91SP-xxGB (black)
P/N 91SP-xxGR (red)
 CABLE SHOE GOLD PLATED
 "Y" OPEN: 6.3MM ID: 4~5MM
 xx ID= 04, 05



P/N 91SQ-xxGB (black)
P/N 91SQ-xxGR (red)
 CABLE SHOE GOLD PLATED
 "Y" OPEN: 6.3MM ID: 4~5MM
 xx ID= 04, 05



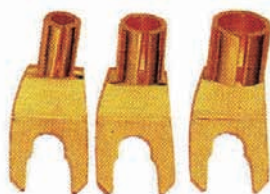
P/N 91SR-03G0
 CABLE SHOE GOLD PLATED
 ID: 3.2MM
 0= NO CODE RING



P/N 91ST-02G0
 CABLE SHOE GOLD PLATED
 ID: 2.2MM
 0= NO CODE RING



P/N 91SE-xxG0
 CABLE SHOE GOLD PLATED
 ID: 04, 06, 08MM
 xx ID= 04, 06, 08
 0= NO CODE RING



P/N 91SM-xxG0
 CABLE SHOE GOLD PLATED
 ID: 2.5, 4MM
 xx ID= 02, 04
 0= NO CODE RING



P/N 91SN-xxG0
 CABLE SHOE GOLD PLATED
 ID: 6, 10MM
 xx ID= 06, 10
 0= NO CODE RING



P/N 91CN-06GR (red)
P/N 91CN-06GY (yellow)
 CABLE SHOE GOLD PLATED,
 BLUE & PALE CHROME HANDLE
 FOR 6MM CABLE (RED/YELLOW)



P/N 91CP-00G0 (gold)
P/N 91CP-00S0 (silver)
 CABLE SHOE GOLD & SILVER
 PLATED, SCREW TYPE



P/N 91CQ-00GB (black)
P/N 91CQ-00GR (red)
 CABLE SHOE GOLD PLATED,
 SCREW TYPE
 RING: RED, BLACK



P/N 91SL-xxGB (black)
P/N 91SL-xxGR (red)
 CABLE SHOE GOLD PLATED
 ID: 4~5MM
 xx ID= 04, 05



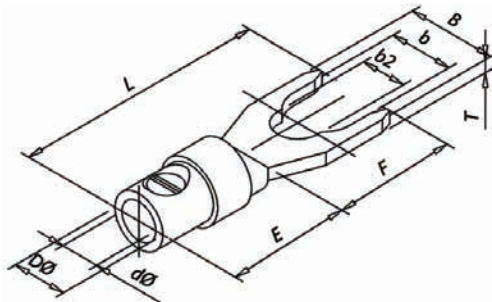
P/N 91SC-00G0
 CABLE SHOE GOLD PLATED
 FOR CABLE AWG10 OR LESS
 0= NO CODE RING



OFC (OXYGEN FREE COPPER) CABLE SHOE GOLD PLATED (1)



*OFC Y type Plug
*Brass Body + Screw

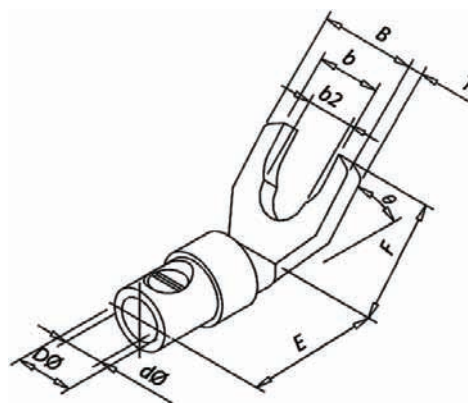


DIMENSIONS (UNIT:MM)

Part No.	b	b2	B	L	F	E	DØ	dØ	T
91EA-45G0	9.8	6.8	14	37.7	18.9	18.8	7	4.5	2
91EA-60G0	9.8	6.8	14	37.7	18.9	18.8	8.5	6	2
91EA-75G0	9.8	6.8	14	37.7	18.9	18.8	11	7.5	2



*OFC Y type Plug
*Brass Body + Screw



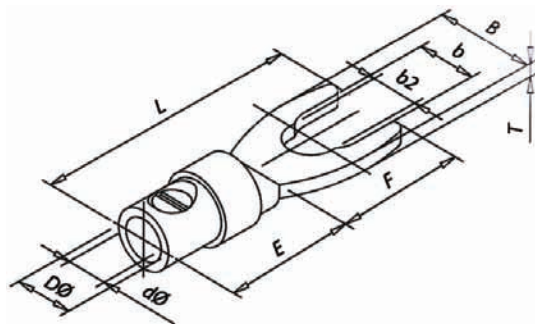
DIMENSIONS (UNIT:MM)

Part No.	b	b2	B	F	E	DØ	dØ	θ	T
91EB-45G0	9.8	6.8	14	17.6	19.3	7	4.5	45°	2
91EB-60G0	9.8	6.8	14	17.6	19.3	8.5	6	45°	2
91EB-75G0	9.8	6.8	14	17.6	19.3	11	7.5	45°	2

OFC (OXYGEN FREE COPPER) CABLE SHOE GOLD PLATED (2)



*OFC Y type Plug
*Brass Body + Screw

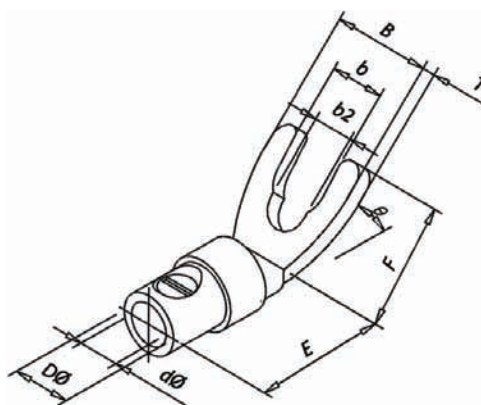


DIMENSIONS (UNIT:MM)

Part No.	b	b2	B	L	F	E	DØ	dØ	T
91EC-45G0	8.5	6	14.4	39.1	20.3	18.8	7	4.5	2
91EC-60G0	8.5	6	14.4	39.1	20.3	18.8	8.5	6	2
91EC-75G0	8.5	6	14.4	39.1	20.3	18.8	11	7.5	2



*OFC Y type Plug
*Brass Body + Screw



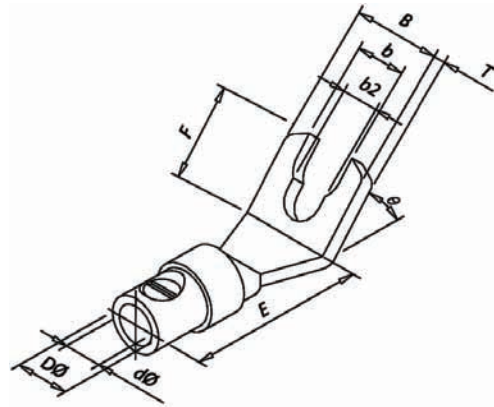
DIMENSIONS (UNIT:MM)

Part No.	b	b2	B	F	E	DØ	dØ	θ	T
91ED-45G0	8.5	6	14.4	19	19	7	4.5	45°	2
91ED-60G0	8.5	6	14.4	19	19	8.5	6	45°	2
91ED-75G0	8.5	6	14.4	19	19	11	7.5	45°	2

OFC (OXYGEN FREE COPPER) CABLE SHOE GOLD PLATED (3)



*OFC Y type Plug
*Brass Body + Screw

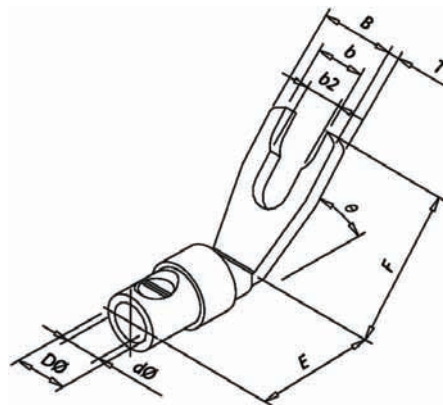


DIMENSIONS (UNIT:MM)

Part No.	b	b2	B	F	E	DØ	dØ	θ	T
91EE-45G0	7.9	5.9	14	15.6	27.2	7	4.5	45°	2
91EE-60G0	7.9	5.9	14	15.6	27.2	8.5	6	45°	2
91EE-75G0	7.9	5.9	14	15.6	27.2	11	7.5	45°	2



*OFC Y type Plug
*Brass Body + Screw



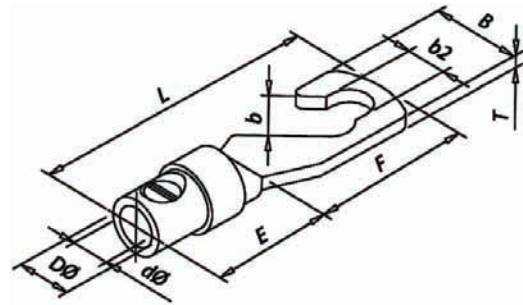
DIMENSIONS (UNIT:MM)

Part No.	b	b2	B	F	E	DØ	dØ	θ	T
91EF-45G0	7.9	5.9	12	21.5	19	7	4.5	45°	2
91EF-60G0	7.9	5.9	12	21.5	19	8.5	6	45°	2
91EF-75G0	7.9	5.9	12	21.5	19	11	7.5	45°	2

OFC (OXYGEN FREE COPPER) CABLE SHOE GOLD PLATED (4)



- *OFC Plug
- *Brass Body + Screw

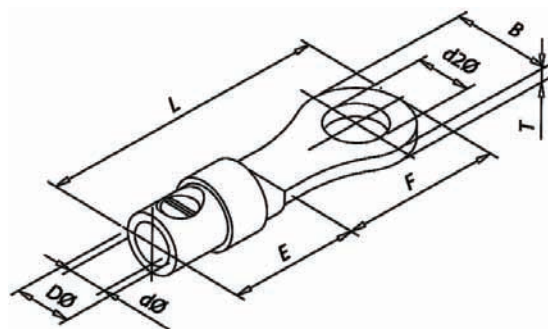


DIMENSIONS (UNIT:MM)

Part No.	b	b2	B	L	F	E	DØ	dØ	T
91EG-45G0	9	6.5	14	44.4	25.6	18.8	7	4.5	2
91EG-60G0	9	6.5	14	44.4	25.6	18.8	8.5	6	2
91EG-75G0	9	6.5	14	44.4	25.6	18.8	11	7.5	2



- *OFC Plug
- *Brass Body + Screw



DIMENSIONS (UNIT:MM)

Part No.	d2Ø	B	L	F	E	DØ	dØ	T
91EH-45G0	8.4	15	40.5	21.7	18.8	7	4.5	2
91EH-60G0	8.4	15	40.5	21.7	18.8	8.5	6	2
91EH-75G0	8.4	15	40.5	21.7	18.8	11	7.5	2

OFC (OXYGEN FREE COPPER) CABLE SHOE GOLD PLATED (5)

P/N 91EJ-05GR

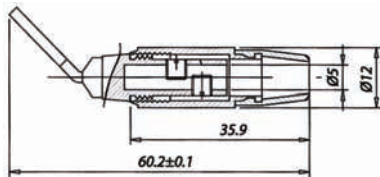
CODE COLOR : RED

P/N 91EJ-05GW

CODE COLOR : WHITE



- *OFC Y Type Plug
- *Carbon Fiber Shell +
PU Tail Cover
- *I.D.: 5 MM



P/N 91EK-08GB

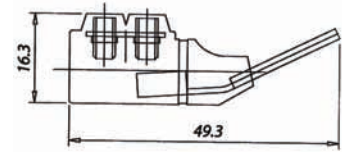
CODE RING COLOR : BLACK

P/N 91EK-08GR

CODE RING COLOR : RED

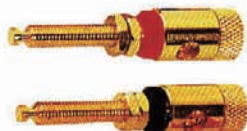


- *OFC Y Type Plug
- *PC Transparent Shell
- *I.D.: 8 MM

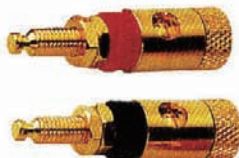


BINDING POST GOLD PLATED (1)

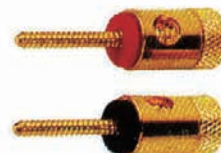
P/N 92KA-30GR (red)
P/N 92KA-30GB (black)
 BINDING POST (30MM)
 GOLD PLATED
 RING: RED, BLACK



P/N 92KB-20GR (red)
P/N 92KB-20GB (black)
 BINDING POST (20MM)
 GOLD PLATED
 RING: RED, BLACK



P/N 92KC-20GR (red)
P/N 92KC-20GB (black)
 BINDING POST (20MM)
 GOLD PLATED
 RING: RED, BLACK



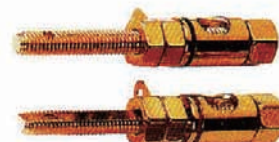
P/N 92KD-10GR (red)
P/N 92KD-10GB (black)
 BINDING POST (10MM)
 GOLD PLATED
 RING: RED, BLACK



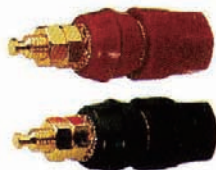
P/N 92KE-40GR (red)
P/N 92KE-40GB (black)
 BINDING POST (40MM)
 GOLD PLATED
 RING: RED, BLACK



P/N 92KF-40GR (red)
P/N 92KF-40GB (black)
 BINDING POST (40MM)
 GOLD PLATED
 RING: RED, BLACK



P/N 92KG-00GR (red)
P/N 92KG-00GB (black)
 BINDING POST PCB TYPE
 GOLD PLATED
 COLOR: RED, BLACK



P/N 92KH-25GR (red)
P/N 92KH-25GB (black)
 BINDING POST (25MM)
 GOLD PLATED
 RING: RED, BLACK



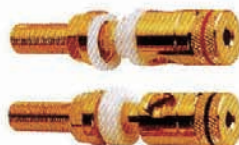
P/N 92KJ-13GR (red)
P/N 92KJ-13GB (black)
 BINDING POST (13MM) SCREW
 TYPE
 GOLD PLATED
 RING: RED, BLACK



P/N 92KK-00GW (white)
 BINDING POST GOLD PLATED



P/N 92KL-00GW (white)
 BINDING POST, LARGE TYPE
 GOLD PLATED

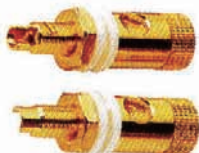


P/N 92KM-00GW (white)
 BINDING POST, SCREW TYPE
 GOLD PLATED



BINDING POST GOLD PLATED (2)

P/N 92KN-00GW (white)
 BINDING POST, SCREW TYPE,
 GOLD PLATED



P/N 92KP-00GW (white)
 BINDING POST, SCREW TYPE
 GOLD PLATED



P/N 92KQ-00GR (red)
P/N 92KQ-00GB (black)
 BINDING POST GOLD PLATED
 (RED/BLACK)



P/N 92KR-00GR (red)
P/N 92KR-00GB (black)
 FIVE-WAY BINDING POST,
 GOLD PLATED



P/N 92KS-00GR (red)
P/N 92KS-00GB (black)
 FIVE-WAY BINDING POST,
 PLAIN GOLD PLATED



P/N 92KT-00GR (red)
P/N 92KT-00GB (black)
 BINDING POST GOLD PLATED
 RING: RED, BLACK



P/N 92KU-00GR (red)
P/N 92KU-00GB (black)
 BINDING POST, LARGE
 TYPE GOLD PLATED



P/N 92KV-00GR (red)
P/N 92KV-00GW (white)
 BINDING POST, GOLD
 PLATED (RED/WHITE)



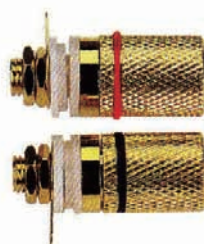
P/N 92KW-00RB
 DUAL BINDING POSTS
 GOLD PLATED (RED+BLACK)



P/N 92KX-00BR
 DUAL BINDING POSTS
 GOLD PLATED (BLACK+RED)



P/N 92KY-00GR (red)
P/N 92KY-00GB (black)
 BINDING POST GOLD PLATED
 RING: RED, BLACK



P/N 92KZ-00GR (red)
P/N 92KZ-00GB (black)
 FIVE-WAY BINDING POST, GOLD
 PLATED RING: RED, BLACK



BINDING POST GOLD PLATED (3)

P/N 92PA-xxGx

BINDING POST
GOLD PLATED
xx=FOR CABLE Ø 4-8MM
x=CODE RING COLOR
B=BLACK, R=RED



P/N 92PB-xxGx

BINDING POST
GOLD PLATED
xx=FOR CABLE Ø 4-8MM
x=CODE RING COLOR
B=BLACK, R=RED



P/N 92PC-xxGx

BINDING POST
GOLD PLATED
xx=FOR CABLE Ø 4-6MM
x=CODE RING COLOR
B=BLACK, R=RED



P/N 92PD-xxGx

BINDING POST
GOLD PLATED
xx=FOR CABLE Ø 4-6MM
x=CODE RING COLOR
B=BLACK, R=RED



P/N 92PE-xxG0

BINDING POST
GOLD PLATED
xx=FOR CABLE Ø 4-8MM
0= NO CODE RING



P/N 92PF-xxG0

BINDING POST
GOLD PLATED
xx=FOR CABLE Ø 4-8MM
0= NO CODE RING



P/N 92PG-xxG0

BINDING POST
GOLD PLATED
xx=FOR CABLE Ø 4-8MM
0= NO CODE RING



P/N 92PH-xxG0

BINDING POST
GOLD PLATED
xx=FOR CABLE Ø 4-8MM
0= NO CODE RING



P/N 92PK-05G0

DUAL BINDING POST
GOLD PLATED
05= FOR CABLE Ø 5MM
0= NO CODE RING



P/N 92PL-xxGx

BINDING POST
GOLD PLATED
xx=FOR CABLE Ø 4-6MM
x=CODE RING COLOR
R=RED, B=BLACK



P/N 92PM-04Gx

HEXAGON BINDING POST
GOLD PLATED
FOR CABLE Ø 4MM
x=CODE RING COLOR
B=BLACK, R=RED



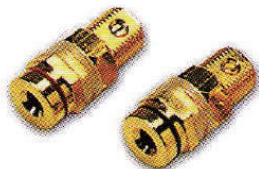
P/N 92PN-04Gx

ROUND BINDING POST
GOLD PLATED
FOR CABLE Ø 4MM
x=CODE RING COLOR
B=BLACK, R=RED

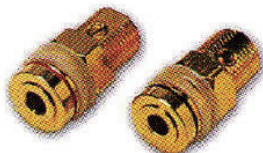


BINDING POST GOLD PLATED (4)

P/N 92PP-04Gx
 BINDING POST
 GOLD PLATED
 FOR CABLE Ø 4MM
 x=CODE RING COLOR
 B=BLACK, R=RED



P/N 92PQ-04Gx
 BINDING POST
 GOLD PLATED
 FOR CABLE Ø 4MM
 x=CODE RING COLOR
 B=BLACK, R=RED



P/N 92PR-xxGx
 BINDING POST
 GOLD PLATED
 xx=FOR CABLE Ø 3, 4MM
 x=CODE RING COLOR
 B=BLACK, R=RED



P/N 92PS-xxGx
 BINDING POST
 GOLD PLATED
 xx=FOR CABLE Ø 4-6MM
 x=CODE RING COLOR
 B=BLACK, R=RED



P/N 92PT-xxGx
 BINDING POST
 GOLD PLATED
 xx=FOR CABLE Ø 4-6MM
 x=CODE RING COLOR
 B=BLACK, R=RED



P/N 92PU-xxGx
 BINDING POST
 GOLD PLATED
 xx=FOR CABLE Ø 4-6MM
 x=CODE RING COLOR
 B=BLACK, R=RED



P/N 92PV-xxGx
 BINDING POST
 GOLD PLATED
 xx=FOR CABLE Ø 4-6MM
 x=CODE RING COLOR
 B=BLACK, R=RED



P/N 92PW-xxGx
 BINDING POST
 GOLD PLATED
 xx=FOR CABLE Ø 4-6MM
 x=CODE RING COLOR
 B=BLACK, R=RED



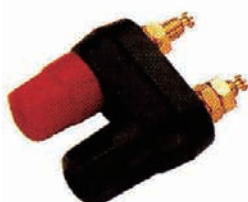
P/N 92PY-xxGx
 BINDING POST
 GOLD PLATED
 xx=FOR CABLE Ø 4-6MM
 x=CODE RING COLOR
 B=BLACK, R=RED



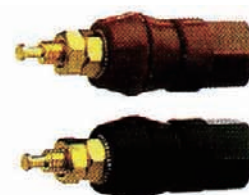
P/N 92QA-00G0
 DUAL BINDING POST
 GOLD PLATED



P/N 92QB-00G0
 DUAL BINDING POST
 GOLD PLATED



P/N 92QC-00Gx
 BINDING POST
 GOLD PLATED
 PCB TYPE
 x=COLOR OF HOUSING
 R=RED, B=BLACK

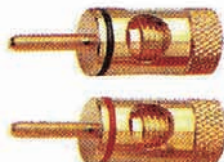


BINDING POST GOLD PLATED (5)

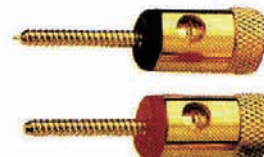
P/N 92QD-00Gx
 BINDING POST 10MM
 GOLD PLATED
 x=CODE RING COLOR
 R=RED, B=BLACK



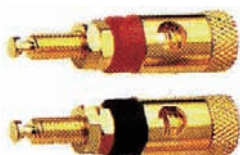
P/N 92QE-00Gx
 BINDING POST 13MM
 GOLD PLATED
 x=CODE RING COLOR
 R=RED, B=BLACK



P/N 92QF-00Gx
 BINDING POST 20MM
 GOLD PLATED
 x=CODE RING COLOR
 R=RED, B=BLACK



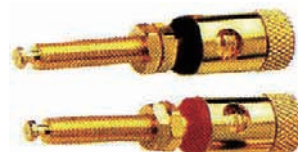
P/N 92QG-00Gx
 BINDING POST 20MM
 GOLD PLATED
 x=CODE RING COLOR
 R=RED, B=BLACK



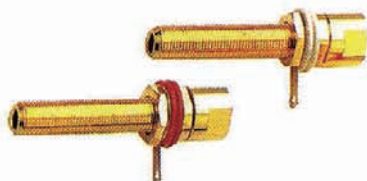
P/N 92QH-00Gx
 BINDING POST 25MM
 GOLD PLATED
 x=CODE RING COLOR
 R=RED, B=BLACK



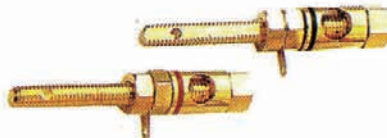
P/N 92QK-00Gx
 BINDING POST 30MM
 GOLD PLATED
 x=CODE RING COLOR
 R=RED, B=BLACK



P/N 92QL-00Gx
 BINDING POST 40MM
 GOLD PLATED
 x=CODE RING COLOR
 R=RED, B=BLACK



P/N 92QM-00Gx
 BINDING POST 40MM
 GOLD PLATED
 x=CODE RING COLOR
 R=RED, B=BLACK



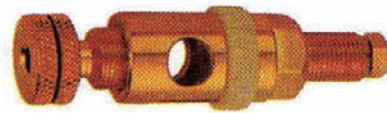
P/N 92QN-00Gx
 BINDING POST
 GOLD PLATED
 x=CODE RING COLOR
 R=RED, B=BLACK



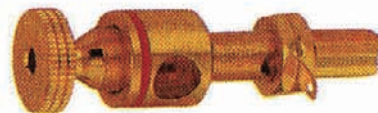
P/N 92QP-07Gx
 BINDING POST 24MM
 FOR CABLE Ø 7MM
 BACK WITH BANANA
 PLUG CONNECTION HOLE
 GOLD PLATED



P/N 92QQ-07Gx
 BINDING POST 24MM
 GOLD PLATED
 FOR CABLE Ø 7MM
 BACK WITH BANANA
 PLUG CONNECTION HOLE



P/N 92QR-07Gx
 BINDING POST 30MM
 GOLD PLATED
 FOR CABLE Ø 7MM
 BAK WITH BANANA
 PLUG CONNECTION HOLE



CONNECTION PINS, CONNECTION POSTS & CABLE PINS

P/N 9201-10xB (black)
P/N 9201-10xR (red)
 x G = GOLD PLATED
 x N = NICKEL PLATED
 CONNECTION PIN Ø 10MM



P/N 9202-20xB (black)
P/N 9202-20xR (red)
 x G = GOLD PLATED
 x N = NICKEL PLATED
 CONNECTION PIN Ø 20MM



P/N 9203-17xB (black)
P/N 9203-17xR (red)
 x G = GOLD PLATED
 x N = NICKEL PLATED
 CONNECTION POST Ø 17MM



P/N 9204-30xB (black)
P/N 9204-30xR (red)
 x G = GOLD PLATED
 x N = NICKEL PLATED
 CONNECTION POST Ø 30MM



P/N 9209-00xB (black)
P/N 9209-00xR (red)
 x G = GOLD PLATED
 x N = NICKEL PLATED
 CONNECTION POST



P/N 9111-25x0
 x G = GOLD PLATED
 x N = NICKEL PLATED
 CABLE PIN FOR Ø 2.5MM CABLE



P/N 9112-04x0
 x G = GOLD PLATED
 x N = NICKEL PLATED
 CABLE PIN FOR Ø 4MM CABLE



P/N 9113-06x0
 x G = GOLD PLATED
 x N = NICKEL PLATED
 CABLE PIN FOR Ø 6MM CABLE



P/N 9114-10x0
 x G = GOLD PLATED
 x N = NICKEL PLATED
 CABLE PIN FOR Ø 10MM CABLE



P/N 9116-xxxB (black)
P/N 9116-xxxR (red)
 CABLE PIN FOR Ø 4MM, 5MM CABLE
 SEE ORDERING INFORMATION



ORDERING INFORMATION:

P/N 9 1 xx - xxx xx
 1 2 3 4

1. CABLE PIN TYPE:
9116, 9117
2. FOR CABLE DIAMETER:
" 04 " Ø 4MM
" 05 " Ø 5MM
3. " G " GOLD PLATED
" N " NICKEL PLATED
4. CODE RING COLOR:
" B " BLACK
" R " RED

P/N 9117-xxxB (black)
P/N 9117-xxxR (red)
 CABLE PIN FOR Ø 4MM, 5MM CABLE
 SEE ORDERING INFORMATION



PAL (EUROPEAN) PLUG GOLD PLATED

P/N P9MA-08G0

PAL PLUG, SCREW TYPE, GOLD PLATED BARREL FOR 8MM CABLE



P/N P9MB-00G0

PAL PLUG, GOLD PLATED BARREL TIN PLATED-NICKEL HANDLE



P/N P9MC-**G0

** CABLE Ø = 06, 07
PAL PLUG GOLD PLATED BARREL FOR 6, 7MM CABLE, PEARL GOLD HANDLE



P/N P9MD-**G0

** CABLE Ø = 07, 08
PAL PLUG GOLD PLATED BARREL FOR 7, 8MM CABLE, GOLD HANDLE



P/N P9ME-**G0

** CABLE Ø = 07, 08
PAL PLUG GOLD PLATED BARREL FOR 7, 8MM CABLE, PEARL WHITE HANDLE



P/N P9MF-10G0

PAL PLUG GOLD PLATED BARREL FOR 10MM CABLE, PALE CHROME & GOLD HANDLE



P/N P9MG-**G0

** CABLE Ø = 07, 08
PAL PLUG GOLD PLATED BARREL BLACK HANDLE FOR 7, 8MM CABLE



P/N P9MC-**G0

** CABLE Ø = 06, 07
PAL PLUG GOLD PLATED BARREL FOR 6, 7MM CABLE, BLACK HANDLE



P/N P9MC-**G0

** CABLE Ø = 06, 07
PAL PLUG GOLD PLATED BARREL FOR 6, 7MM CABLE, PEARL GOLD HANDLE



P/N P9MK-**G0

** CABLE Ø = 06, 07
PAL PLUG FOR 6, 7MM CABLE, GOLD PLATED BARREL GRAYISH NICKEL HANDLE



P/N P9ML-**G0

** CABLE Ø = 07, 08
RT. ANGLE PAL PLUG, GOLD PLATED BARREL BLACK HANDLE FOR 7, 8MM CABLE



P/N P9MM-**G0

** CABLE Ø = 07, 08
RT. ANGLE PAL PLUG, FOR 7, 8MM CABLE, GOLD PLATED BARREL



PAL (EUROPEAN) JACK & BNC PLUG GOLD PLATED

P/N P9FA-08G0

PAL JACK, SCREW TYPE, GOLD PLATED BARREL FOR 8MM CABLE



P/N P9FB-**G0

** CABLE Ø = 06, 07
PAL JACK GOLD PLATED BARREL FOR 6, 7MM CABLE PEARL GOLD HANDLE



P/N P9FC-**G0

** CABLE Ø = 07, 08
PAL JACK GOLD PLATED BARREL FOR 7, 8MM CABLE, GOLD HANDLE



P/N P9FD-**G0

** CABLE Ø = 07, 08
PAL JACK GOLD PLATED BARREL, BLACK HANDLE FOR 7, 8MM CABLE



P/N P9FE-**G0

** CABLE Ø = 06, 07
PAL JACK GOLD PLATED BARREL FOR 6, 7MM CABLE, PEARL CHROME PLATED



P/N P9FF-**G0

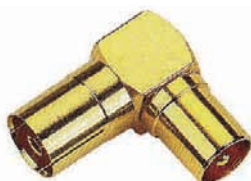
** CABLE Ø = 06, 07
PAL JACK GOLD PLATED BARREL FOR 6, 7MM CABLE, GRAYISH NICKEL HANDLE



P/N P9AA-MFG GOLD PLATED

P/N P9AA-MFN NICKEL PLATED

PAL MALE TO FEMALE, RT. ANGLE



P/N P9AB-MFG GOLD PLATED

P/N P9AB-MFN NICKEL PLATED

PAL MALE TO QUICK PAL FEMALE, RT. ANGLE



P/N B1MC-00GB (black)

P/N B1MC-00GR (red)

P/N B1MC-00GN (green)

P/N B1MC-00GU (blue)

BNC PLUG, SCREW TYPE, PALE CHROME PLATED BARREL



P/N B1MD-00GR (red)

P/N B1MD-00GN (green)

P/N B1MD-00GU (blue)

BNC PLUG, SCREW TYPE, FANCY CAP, GOLD PLATED COLOR: RED, GREEN, BLUE



P/N B1ME-00GR (red)

P/N B1ME-00GW (white)

BNC PLUG, PEARL CHROME PLATED BARREL RING: RED, WHITE



P/N B1MF-00GR (red)

P/N B1MF-00GB (black)

BNC PLUG, GOLD PLATED BARREL FOR 6MM CABLE RING: RED, BLACK



F PLUG & ADAPTER GOLD PLATED

P/N F6MC-00GR (red)
P/N F6MC-00GB (black)
 F MALE, GOLD PLATED BARREL, TIN
 PLATED-NICKEL HANDLE



P/N F6MD-07GR (red)
P/N F6MD-07GW (white)
 F MALE GOLD PLATED BARREL FOR
 7MM CABLE, PEARL GOLD HANDLE



P/N F6ME-07GR (red)
P/N F6ME-08GW (white)
 ** CABLE Ø = 07, 08
 F MALE GOLD PLATED BARREL FOR
 7, 8MM CABLE



P/N F6MF-00G0
 F MALE, GOLD PLATED BARREL
 PEARL CHROME PLATED HANDLE



P/N F6MG-10G0
 F MALE, GOLD PLATED BARREL
 FOR 10MM CABLE PALE CHROME &
 GOLD HANDLE



P/N F6MH-00G0
 F MALE GOLD PLATED BARREL, TIN
 PLATED-NICKEL HANDLE



P/N F6MJ-00G0
 F MALE, GOLD PLATED BARREL TIN
 PLATED-NICKEL HANDLE



P/N F6MK-07GR (red)
P/N F6MK-08GW (white)
 ** CABLE Ø = 07, 08
 F MALE GOLD PLATED BARREL FOR
 7, 8MM CABLE



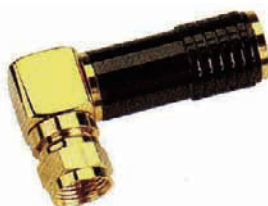
P/N F6ML-00GR (red)
P/N F6ML-00GB (black)
 F QUICK MALE, GOLD PLATED
 BARREL TIN PLATED-NICKEL
 HANDLE



P/N F6MM-07GR
 ** CABLE Ø = 07, 08
 F MALE GOLD PLATED BARREL FOR
 7, 8MM CABLE



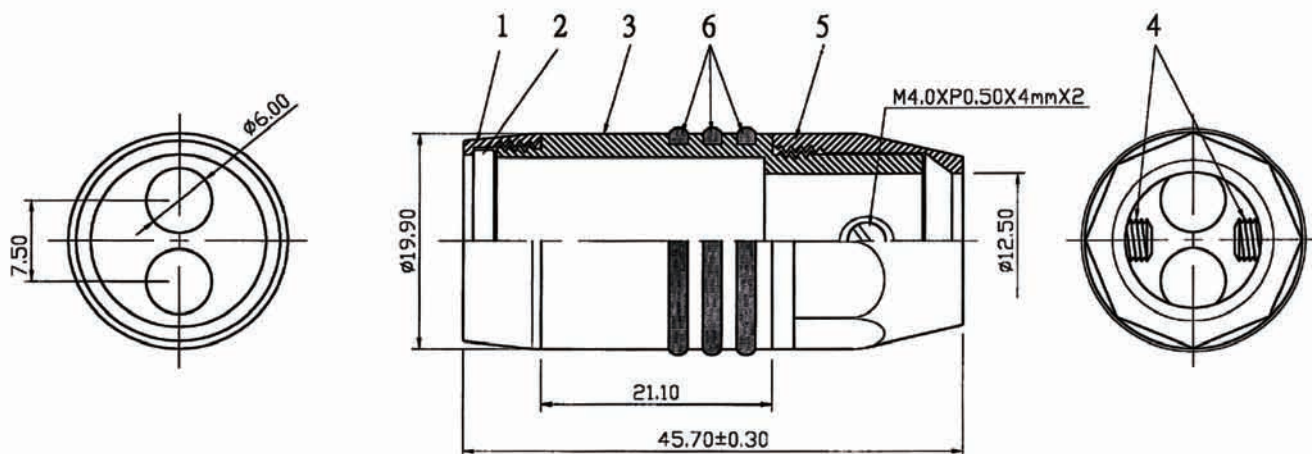
P/N F6MN-07G0
 ** CABLE Ø = 07, 08
 RT. ANGLE F PLUG, GOLD PLATED
 BARREL, BLACK HANDLE FOR 7,
 8MM CABLE



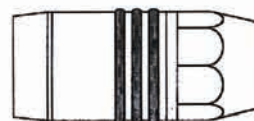
P/N F6AA-FFG
 RCA JACK TO F FEMALE, GOLD
 PLATED BARREL



CABLE STOPPER FOR 1 TO 2 AUDIO & VIDEO CABLE



7					
6	color ring	3	rubber	red/black	
5	headlock	1	brass	stain chrome+topcoat	
4	screw	2	brass	gold	SCREW-104G-M4XP0.5X4.0mm
3	body	1	brass	stain chrome+topcoat	
2	washer	1	brass	gold	
1	body	1	brass	gold	
NO.	Description	Unit	Materials	Finish	Drawing No.



S 1 : 1

ORDERING INFORMATION:

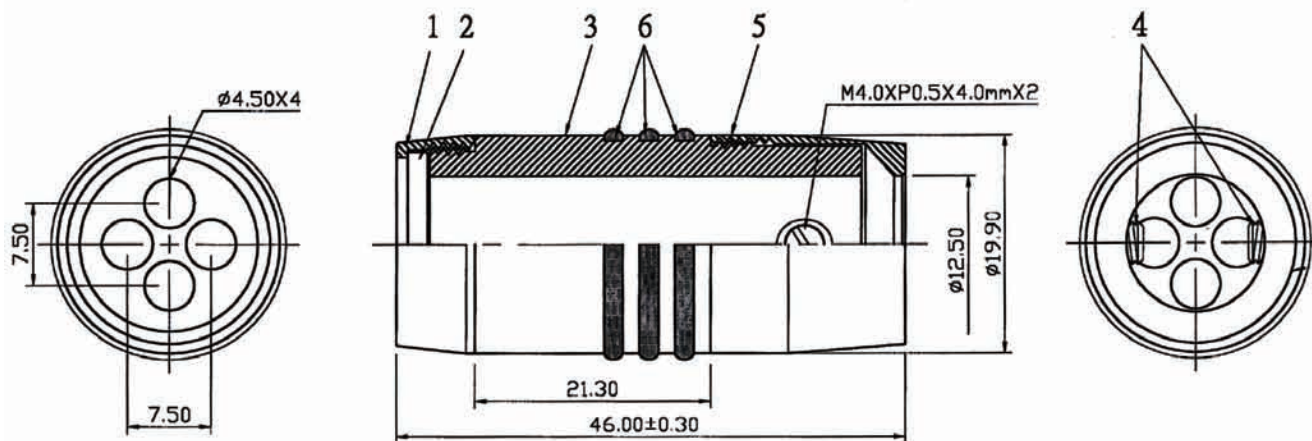
P/N C S R - 0 2 H G B

1 TO 2 CABLE STOPPER CODE RING COLOR: BLACK

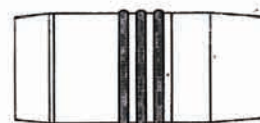
P/N C S R - 0 2 H G R

1 TO 2 CABLE STOPPER CODE RING COLOR: RED

CABLE STOPPER FOR 1 TO 4 AUDIO & VIDEO CABLE



7					
6	color ring	3	rubber	red/black	
5	headlock	1	brass	stain chrome+topcoat	
4	screw	2	brass	gold	SCREW-104G-M4XP0.5X4.0mm
3	body	1	brass	stain chrome+topcoat	
2	washer	1	brass	gold	
1	headlock	1	brass	gold	
NO.	Description	Unit	Materials	Finish	Drawing No.



S1:1

ORDERING INFORMATION:

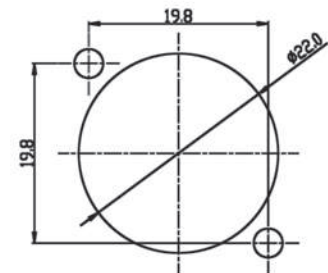
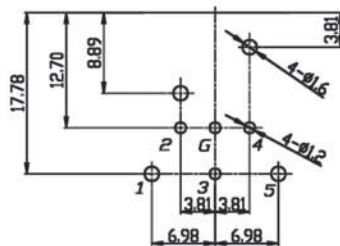
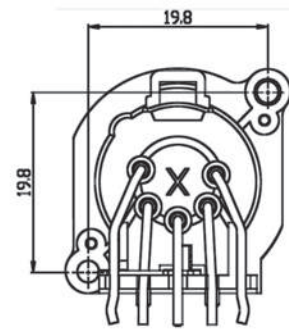
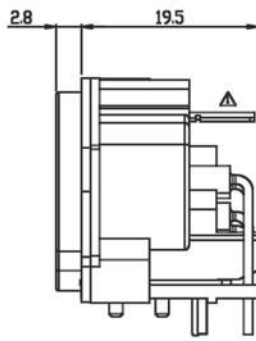
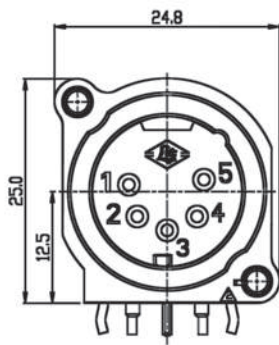
P/N CSR-04EGB

1 TO 4 CABLE STOPPER CODE RING COLOR: BLACK

P/N CSR-04EGR

1 TO 4 CABLE STOPPER CODE RING COLOR: RED

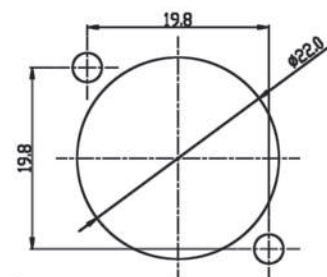
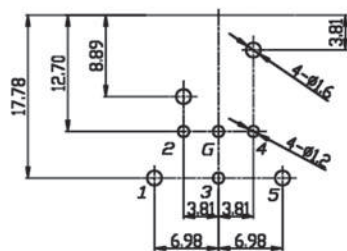
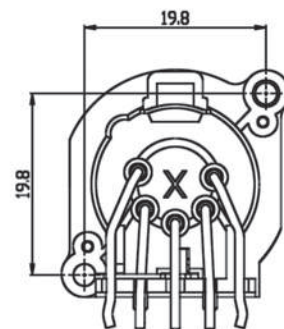
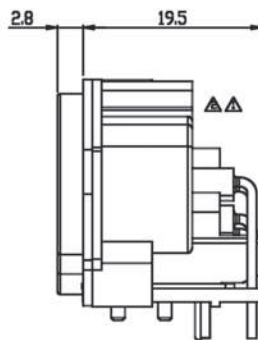
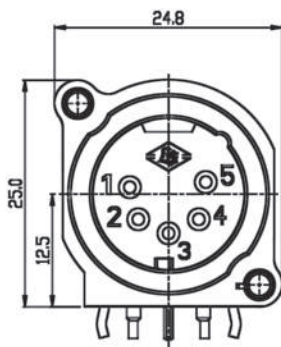
XLR 5 PIN PLUG RIGHT ANGLE TYPE



P/N 8943-5XGP

Recommended P.C.Board Layout

PANEL CUT OUT



P/N 8943-5ZGP

Recommended P.C.Board Layout

PANEL CUT OUT

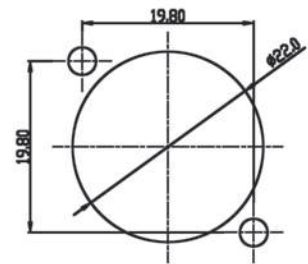
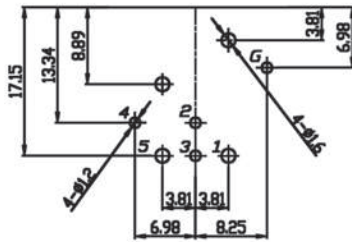
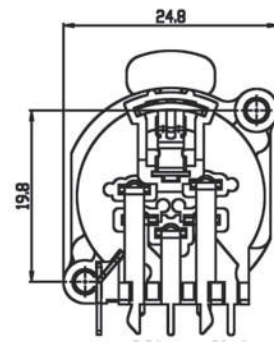
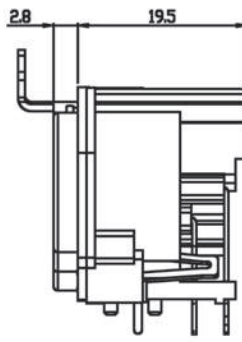
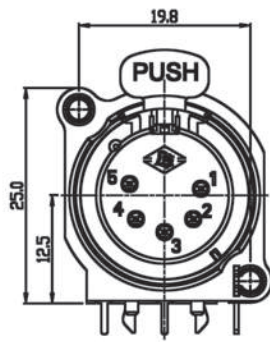
ORDERING INFORMATION:

P/N 89 $\frac{XX}{1}$ - $\frac{3}{2}$ $\frac{X}{3}$ $\frac{G}{4}$ P

1. XLR TYPE:
"43" R/A MALE XLR CONNECTOR
2. NO. OF CONTACTS:
"5" 5 PINS

3. COVER TYPE:
"X" ALL PLASTIC TYPE
"Z" ZINC NICKEL PLATED
4. CONTACT FINISH:
"G" GOLD PLATED

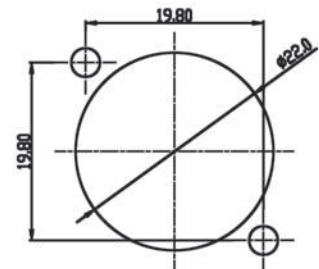
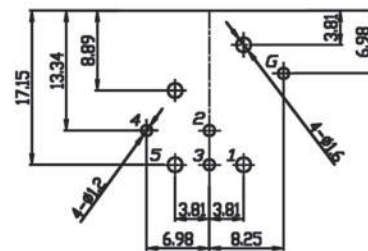
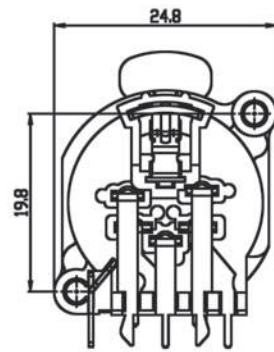
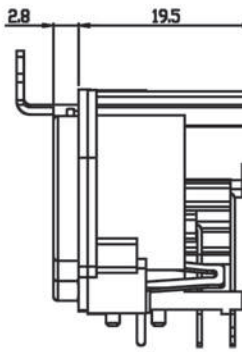
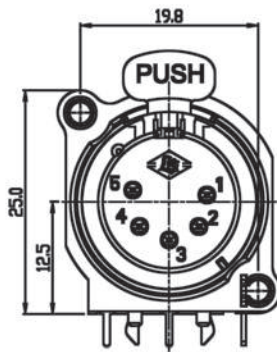
XLR 5 PIN JACK RIGHT ANGLE TYPE



P/N 8942-5XGP

Recommended P.C.Board Layout

PANEL CUT OUT



P/N 8942-5ZGP

Recommended P.C.Board Layout

PANEL CUT OUT

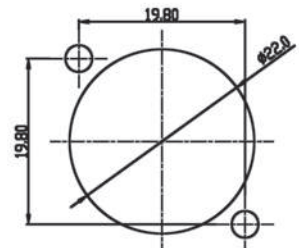
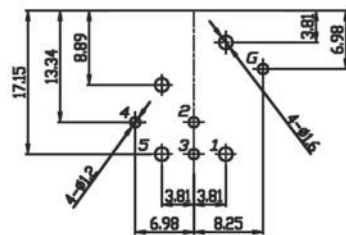
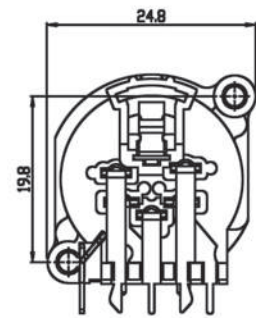
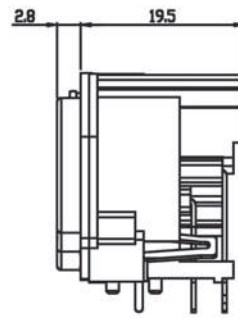
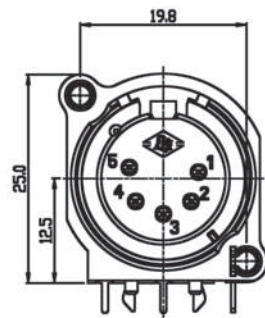
ORDERING INFORMATION:

P/N 8942 - 5 X G P
 $\frac{1}{T} \frac{2}{Z} \frac{3}{G} \frac{4}{P}$

1. XLR TYPE:
"42" R/A FEMALE XLR CONNECTOR
2. NO. OF CONTACTS:
"5" 5 PINS

3. COVER TYPE:
"X" ALL PLASTIC TYPE
"Z" ZINC NICKEL PLATED
4. CONTACT FINISH:
"G" GOLD PLATED

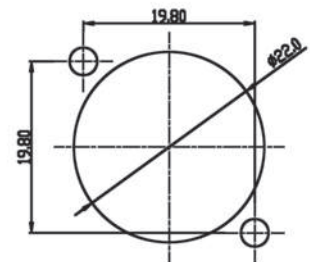
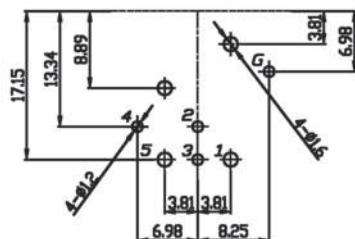
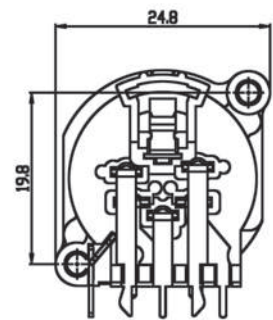
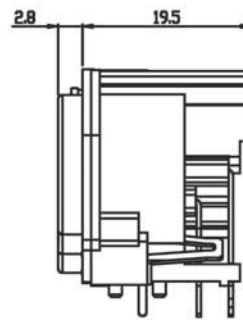
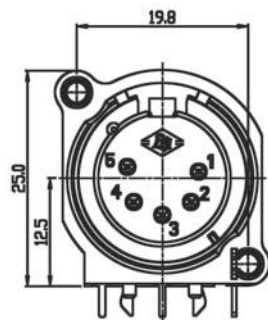
XLR 5 PIN JACK RIGHT ANGLE TYPE



P/N 8941-5XGP

Recommended P.C.Board Layout

PANEL CUT OUT



P/N 8941-5ZGP

Recommended P.C.Board Layout

PANEL CUT OUT

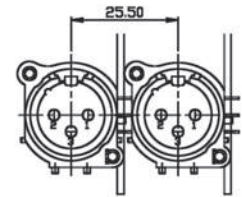
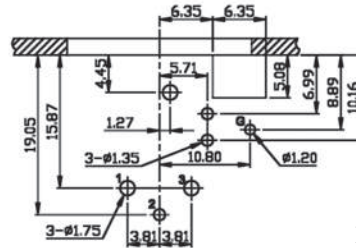
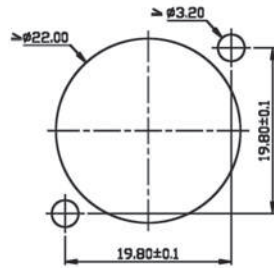
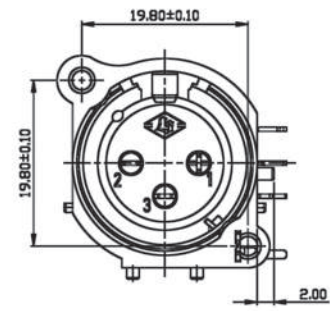
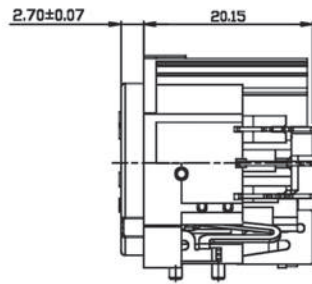
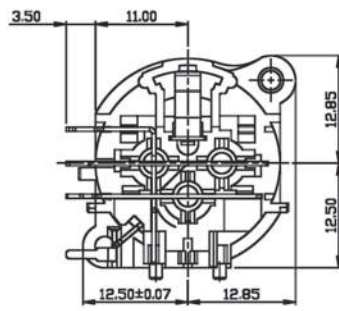
ORDERING INFORMATION:

P/N 8941-5XGP

1. XLR TYPE:
"41" RIGHT ANGLE FEMALE XLR CONNECTOR
2. NO. OF CONTACTS:
"5" 5 PINS

3. COVER TYPE:
"X" ALL PLASTIC TYPE
"Z" ZINC NICKEL PLATED
4. CONTACT FINISH:
"G" GOLD PLATED

XLR 3 PIN ALL PLASTIC JACK RIGHT ANGLE TYPE

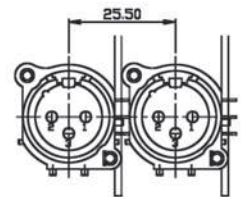
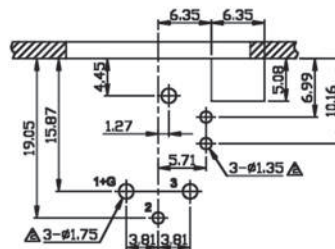
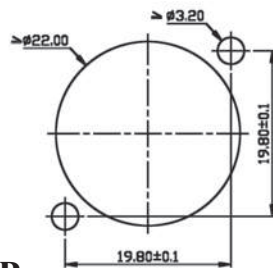
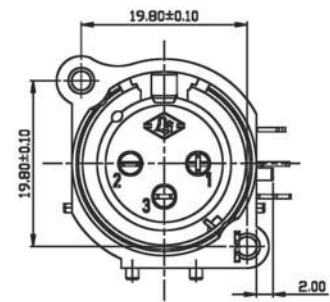
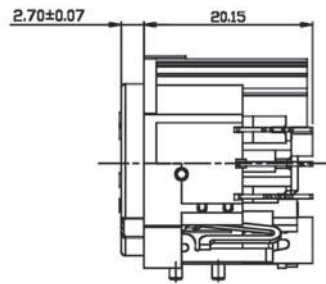
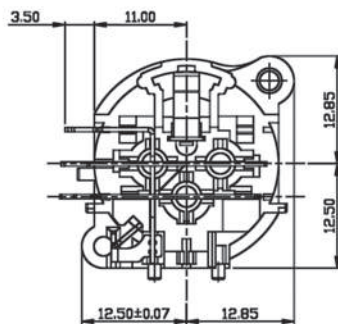


MIN DISTANCE SCALE 1:2

P/N 8929-3XGP

PANEL CUT OUT

Recommended P.C.Board Layout



MIN DISTANCE SCALE 1:2

P/N 8930-3XGP

PANEL CUT OUT

Recommended P.C.Board Layout

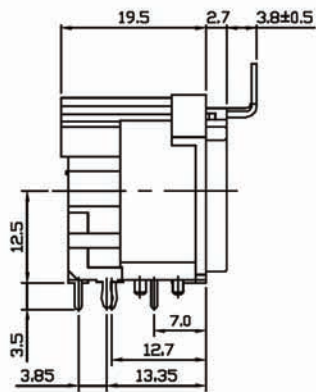
ORDERING INFORMATION:

P/N 89 $\frac{XX}{1}$ - 3 $\frac{XGP}{234}$

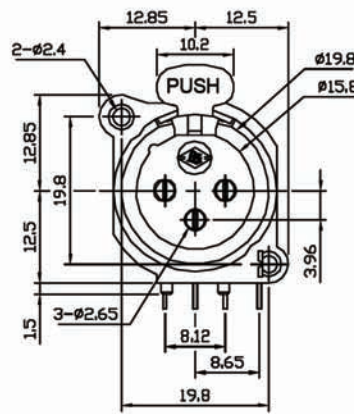
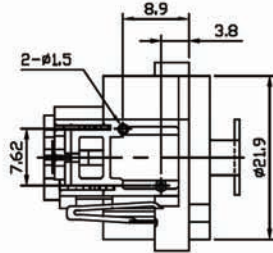
1. XLR TYPE:
"29" TYPE 1 R/A FEMALE XLR CONNECTOR
"30" TYPE 2 R/A FEMALE XLR CONNECTOR
2. NO. OF CONTACTS:
"3" 3 PINS

3. COVER TYPE:
"X" ALL PLASTIC TYPE
4. CONTACT FINISH:
"G" GOLD PLATED

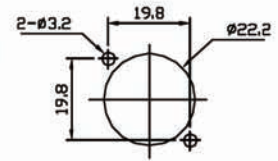
XLR 3 PIN ALL PLASTIC JACK



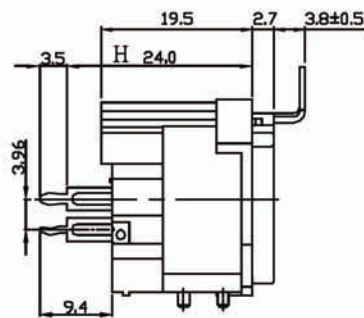
P/N 8928-3XGP



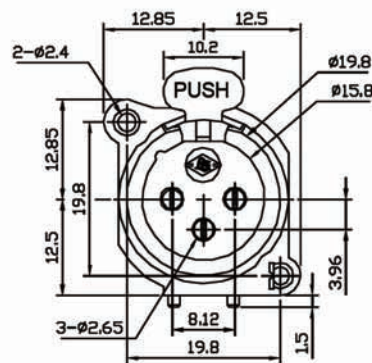
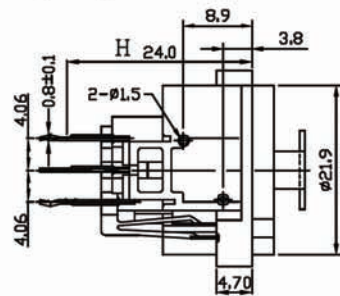
Recommended P.C.Board Layout



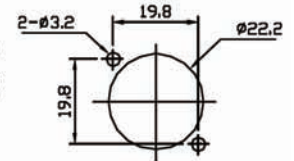
PANEL CUT OUT



P/N 8931-3XGP



Recommended P.C.Board Layout



PANEL CUT OUT

ORDERING INFORMATION:

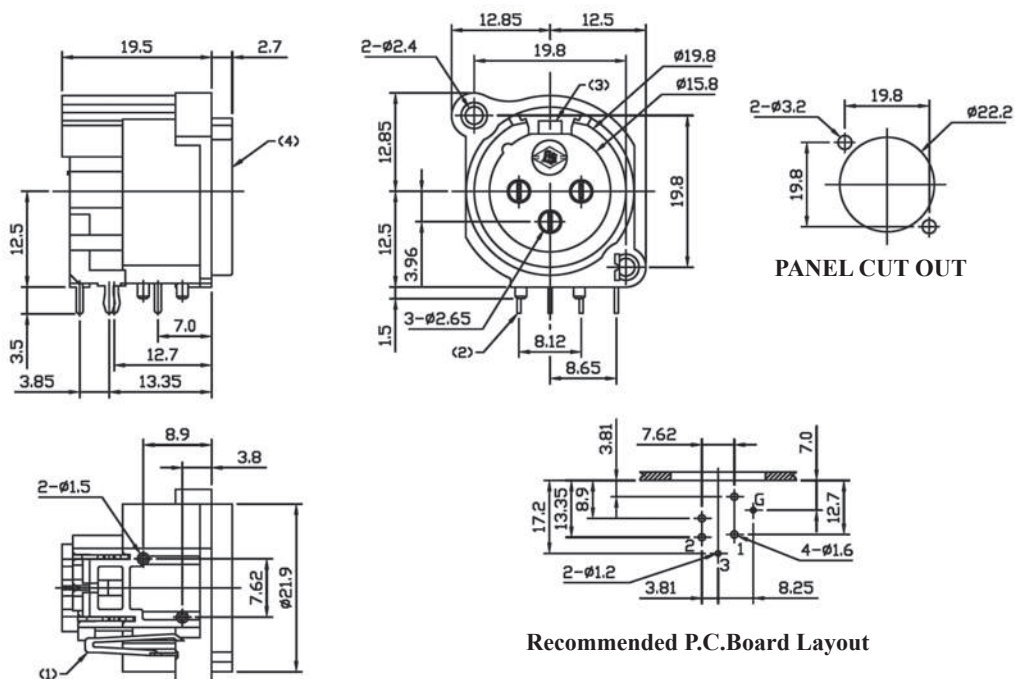
P/N 89 $\frac{X}{1}$ X $\frac{X}{2}$ - 3 $\frac{X}{3}$ $\frac{G}{4}$ P

1. XLR TYPE:
"28" RIGHT ANGLE FEMALE XLR CONNECTOR
"31" STRAIGHT FEMALE XLR CONNECTOR
2. NO. OF CONTACTS:
"3" 3 PINS

3. COVER TYPE:
"X" ALL PLASTIC TYPE
4. CONTACT FINISH:
"G" GOLD PLATED

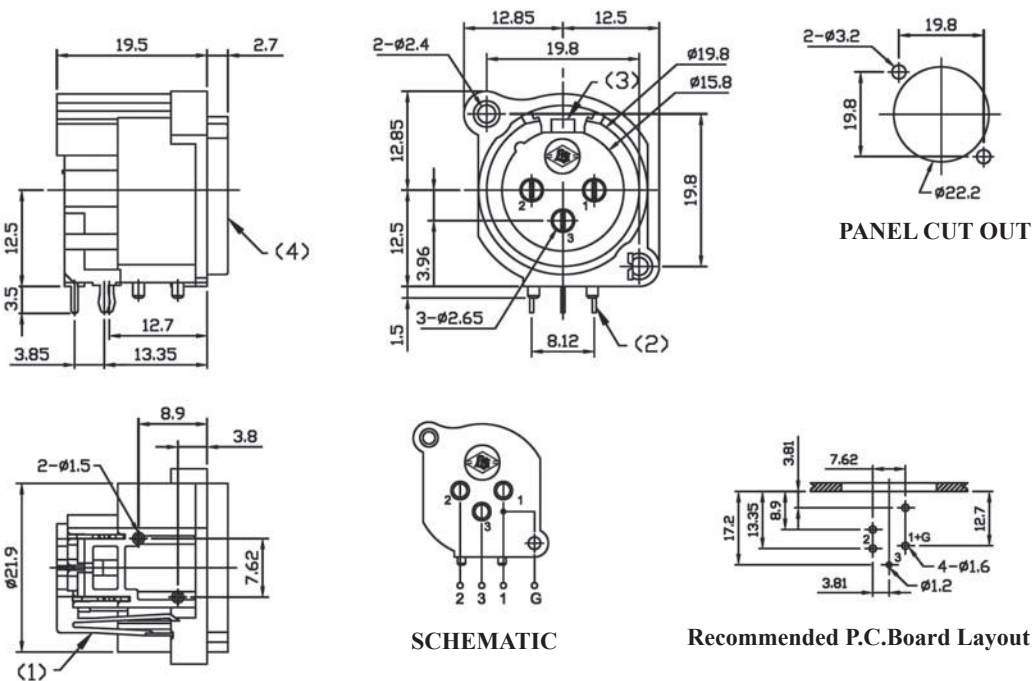
XLR 3 PIN ALL PLASTIC JACK RIGHT ANGLE TYPE

P/N 8926-3XGP



Recommended P.C.Board Layout

P/N 8927-3XGP



SCHEMATIC

Recommended P.C.Board Layout

ORDERING INFORMATION:

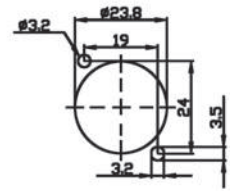
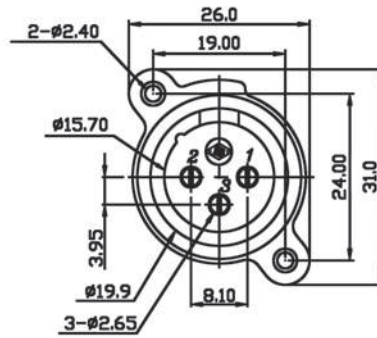
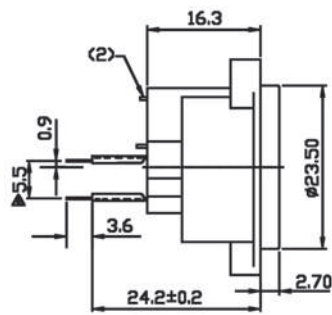
P/N 89 $\frac{X}{1}$ - $\frac{3}{2}$ $\frac{X}{3}$ $\frac{G}{4}$ P

1. XLR TYPE:
"26" TYPE 1 R/A FEMALE XLR CONNECTOR
"27" TYPE 2 R/A FEMALE XLR CONNECTOR
2. NO. OF CONTACTS:
"3" 3 PINS

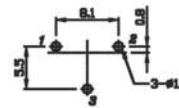
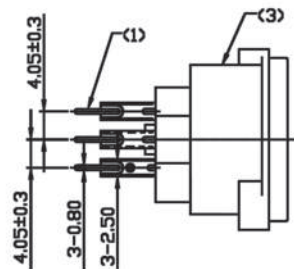
3. COVER TYPE:
"X" ALL PLASTIC TYPE
4. CONTACT FINISH:
"G" GOLD PLATED

XLR 3 PIN ALL PLASTIC CONNECTOR STRAIGHT DIP TYPE

P/N 8924-3XGP

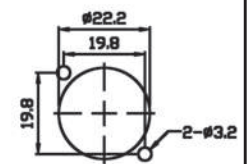
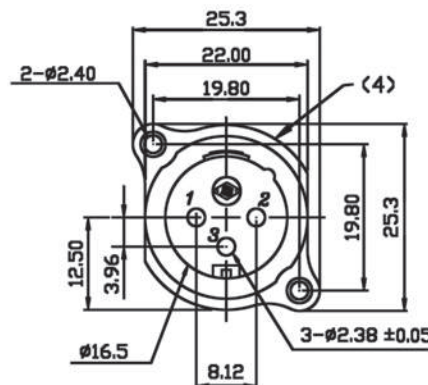
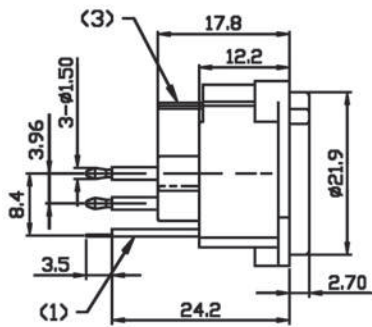


PANEL CUT OUT

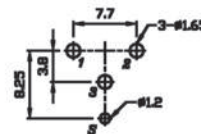
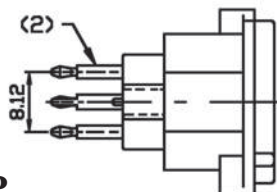


Recommended P.C.Board Layout

P/N 8925-3XGP



PANEL CUT OUT



Recommended P.C.Board Layout

ORDERING INFORMATION:

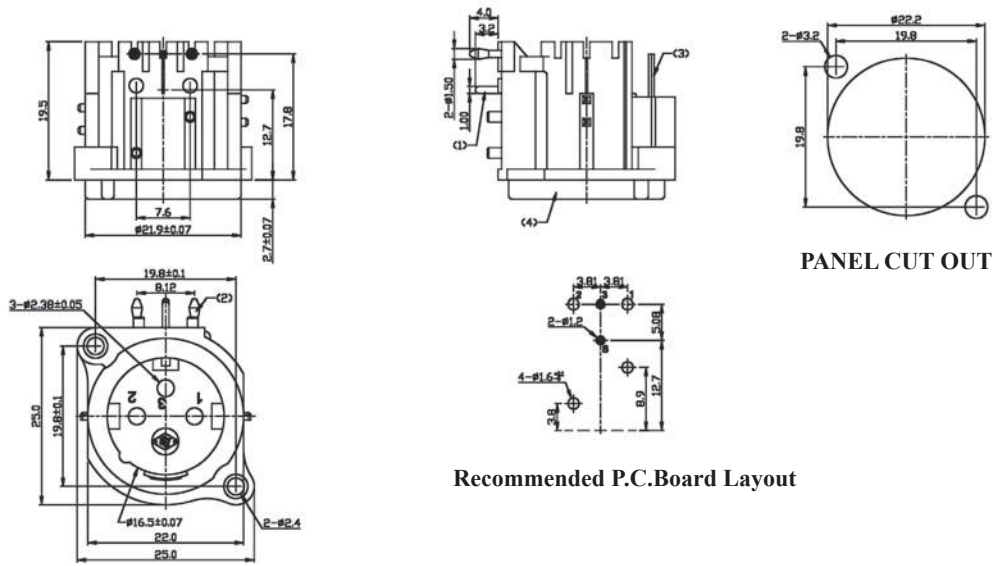
P/N 89 $\frac{XX}{1}$ - $\frac{3}{2}$ $\frac{XGP}{3}$ $\frac{P}{4}$

1. XLR TYPE:
"24" FEMALE XLR CONNECTOR
"25" MALE XLR CONNECTOR
2. NO. OF CONTACTS:
"3" 3 PINS

3. COVER TYPE:
"X" ALL PLASTIC TYPE
4. CONTACT FINISH:
"G" GOLD PLATED

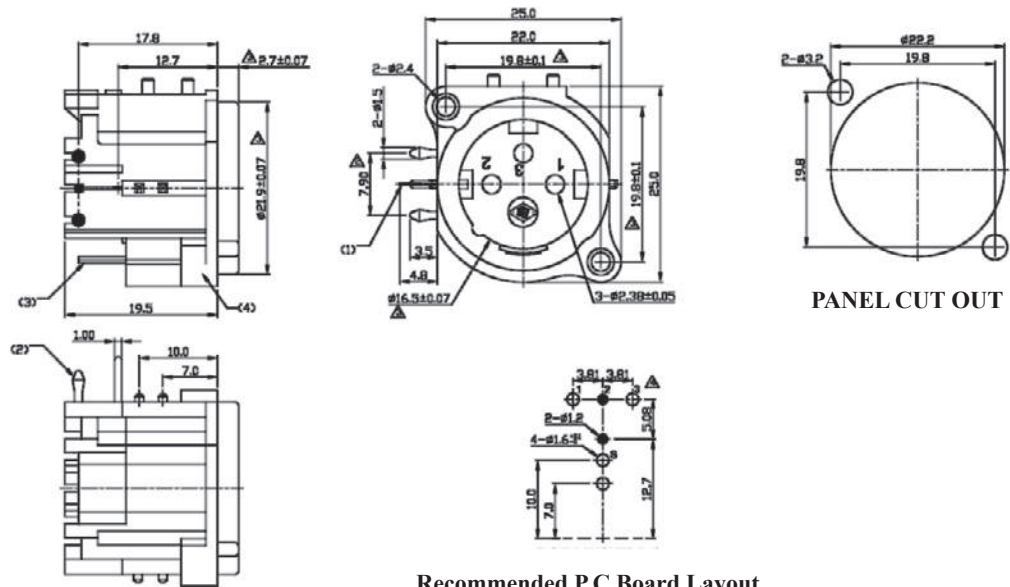
XLR 3 PIN ALL PLASTIC PLUG RIGHT ANGLE TYPE

P/N 8921-3XGP



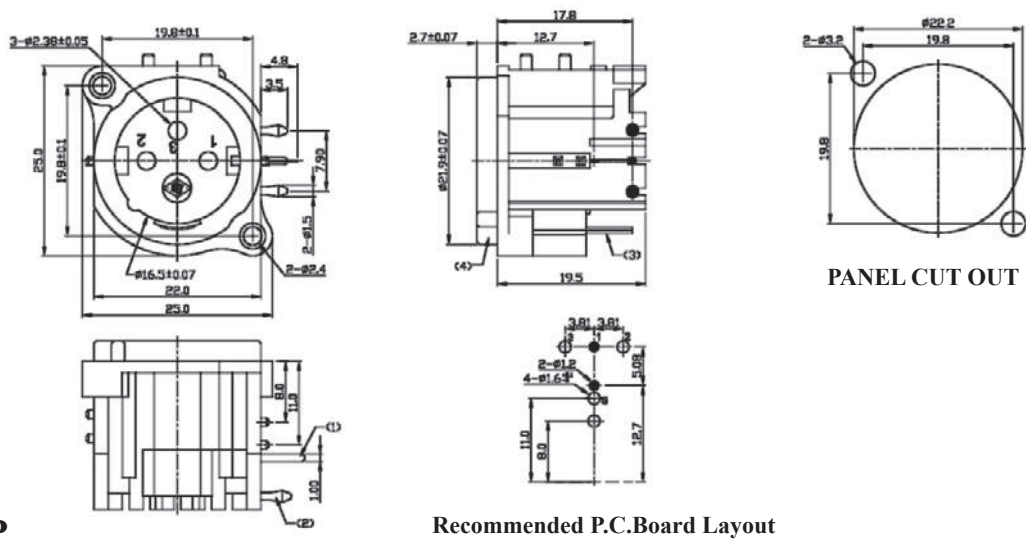
Recommended P.C.Board Layout

P/N 8922-3XGP



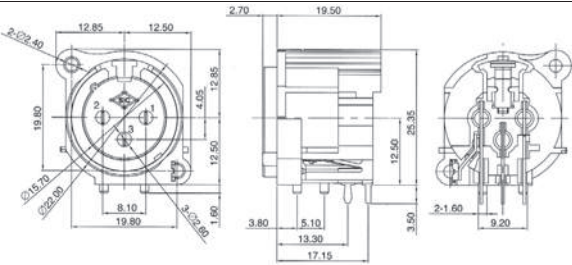
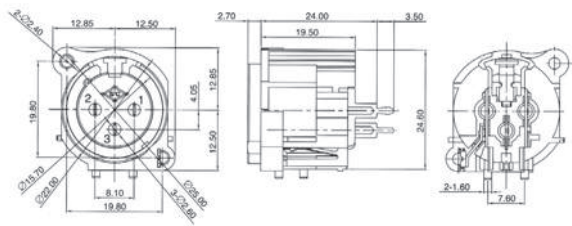
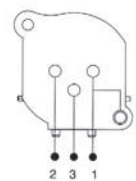
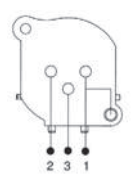
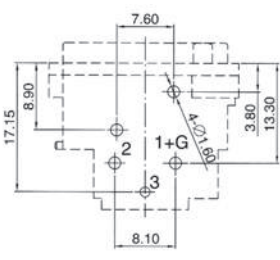
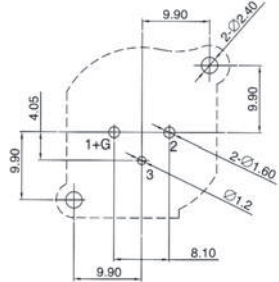
Recommended P.C.Board Layout

P/N 8923-3XGP



Recommended P.C.Board Layout

XLR 3 PIN R/A PCB MOUNT JACK

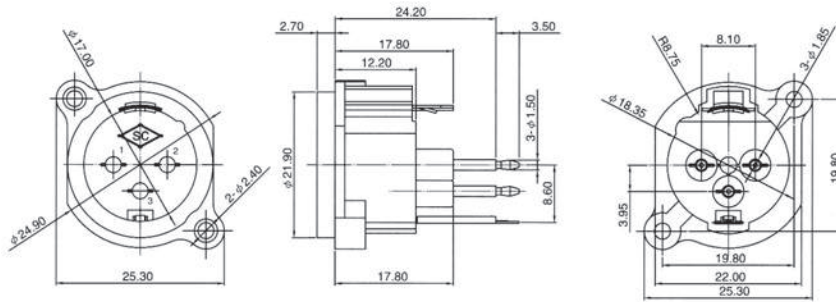
		<p>SPECIFICATIONS</p> <p>1. Rating: 100VAC 1A (max.) 12VDC 2A (max.)</p> <p>2. Dielectric withstanding voltage: 500VAC, 60Hz for 1 minute</p> <p>3. Insulation resistance (initial): 100MΩ (min.) at 500V DC</p> <p>4. Contact resistance (initial): 30mΩ (max.) at AC 100mA (max.) 1 KHz</p> <p>5. Insertion & Extraction force: Initial : 4.5kgs (max.) Extraction force: 0.9 to 3.0kgs</p> <p>MATERIALS</p> <p>1. Insulator: PBT(Black, UL94V-0)</p> <p>2. Contact: Phosphor bronze.</p> <p>3. Metal Shell: Copper alloy</p> <p>All materials must be RoHS compliant.</p>
<p>8893-3NGP</p>		
		
<p>8894-3NGP</p>		
<p>SCHEMATIC CODE</p>		
<p>HOLE LAYOUT</p>		
	<p>8893-3NGP</p>	<p>8894-3NGP</p>

ORDERING INFORMATION:

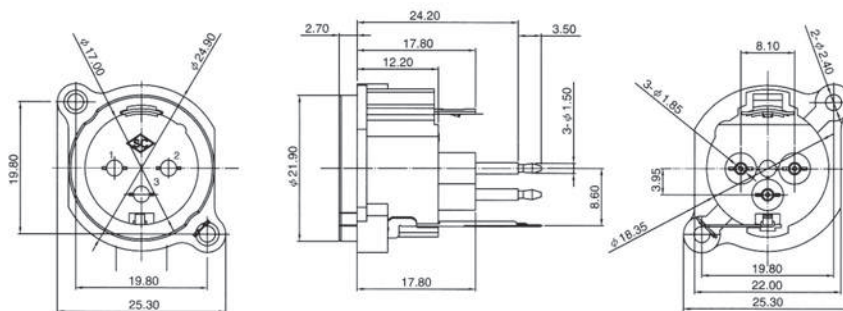
P/N $88 \frac{xx}{1} - \frac{3}{2} N \frac{G}{3} P$

1. CONNECTOR TYPE:
"93" ALL PLASTIC RIGHT ANGLE TYPE JACK (FEMALE)
"94" ALL PLASTIC RIGHT ANGLE TYPE JACK (FEMALE)
2. NO. OF CONTACTS:
"3" 3 PINS
3. TERMINAL PLATING:
"G" GOLD PLATED

XLR 3 PIN STRAIGHT PCB MOUNT PLUG



8901-3NGP



8902-3NGP

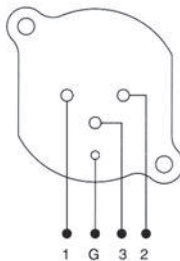
SPECIFICATIONS

1. **Rating:** 100VAC 1A (max.)
12VDC 2A (max.)
2. **Dielectric withstanding voltage:**
500VAC, 60Hz for 1 minute
3. **Insulation resistance (initial):**
100MΩ (min.) at 500V DC
4. **Contact resistance (initial):**
30mΩ (max.) at AC 100mA (max.) 1 KHz
5. **Insertion & Extraction force:**
Initial : 4.5kgs (max.)
Extraction force: 0.9 to 3.0kgs

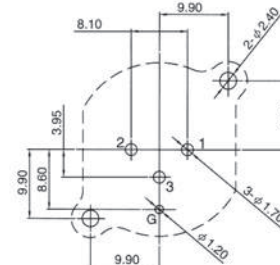
MATERIALS

1. **Insulator:** PBT(Black, UL94V-0)
 2. **Contact:** Phosphor bronze.
 3. **Metal Shell:** Copper alloy
- All materials must be RoHS compliant.

SCHEMATIC CODE



HOLE LAYOUT

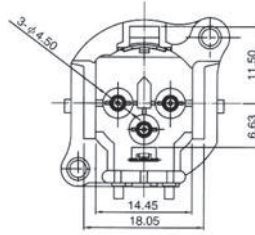
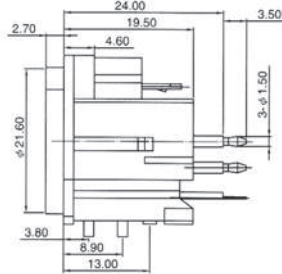
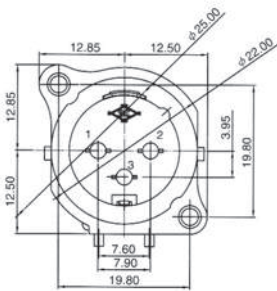


ORDERING INFORMATION:

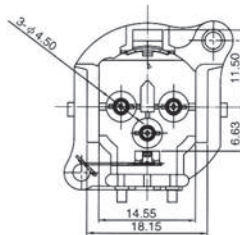
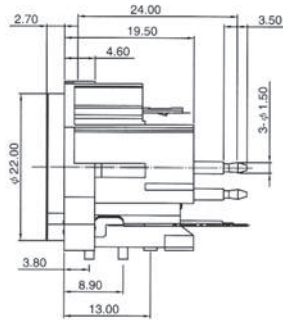
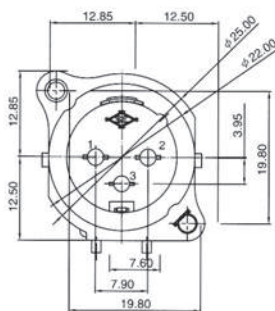
P/N 89 $\frac{x}{1}$ - $\frac{3}{2}$ N $\frac{G}{3}$ P

1. **CONNECTOR TYPE:**
"01" ALL PLASTIC STRAIGHT TYPE PLUG (MALE)
"02" DITTO, BUT FIXED HOLE WITH GROUNDING PIN
2. **NO. OF CONTACTS:**
"3" 3 PINS
3. **TERMINAL PLATING:**
"G" GOLD PLATED

XLR 3 PIN STRAIGHT PCB MOUNT PLUG



8903-3NGP



8904-3NGP

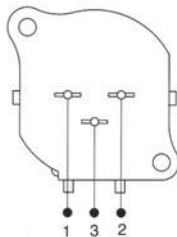
SPECIFICATIONS

1. **Rating:** 100VAC 1A (max.)
12VDC 2A (max.)
2. **Dielectric withstanding voltage:**
500VAC, 60Hz for 1 minute
3. **Insulation resistance (initial):**
100MΩ (min.) at 500V DC
4. **Contact resistance (initial):**
30mΩ (max.) at AC 100mA (max.) 1 KHz
5. **Insertion & Extraction force:**
Initial : 4.5kgs (max.)
Extraction force: 0.9 to 3.0kgs

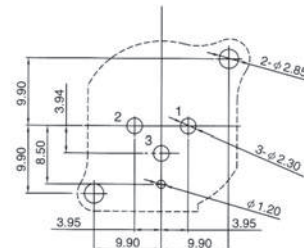
MATERIALS

1. **Insulator:** PBT(Black, UL94V-0)
 2. **Contact:** Phosphor bronze.
 3. **Metal Shell:** Copper alloy
- All materials must be RoHS compliant.

SCHEMATIC CODE



HOLE LAYOUT

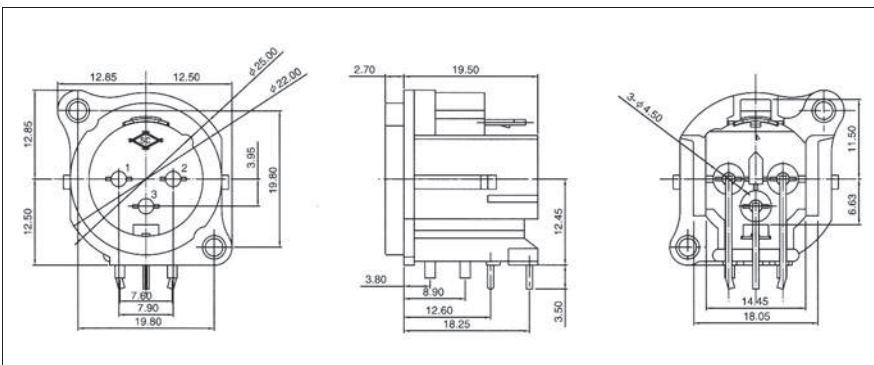


ORDERING INFORMATION:

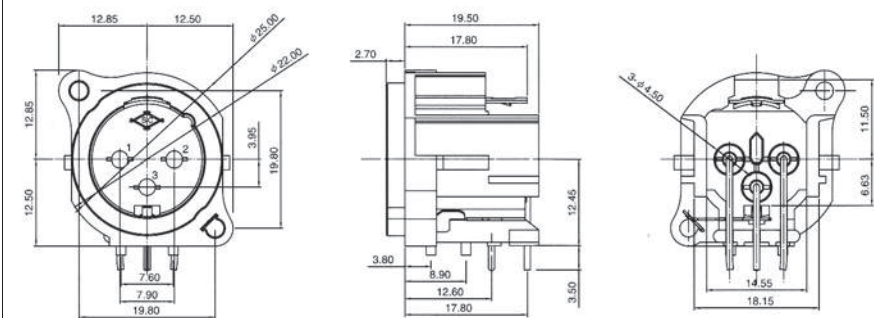
P/N 89 $\frac{xx}{1}$ - $\frac{3}{2}$ N $\frac{G}{3}$ P

1. **CONNECTOR TYPE:**
"03" ALL PLASTIC STRAIGHT TYPE PLUG (MALE)
"04" DITTO, BUT FIXED HOLE WITH GROUNDING PIN
2. **NO. OF CONTACTS:**
"3" 3 PINS
3. **TERMINAL PLATING:**
"G" GOLD PLATED

XLR 3 PIN RIGHT ANGLE PCB MOUNT PLUG



8905-3NGP



8906-3NGP

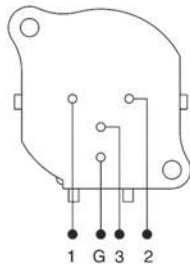
SPECIFICATIONS

1. **Rating:** 100VAC 1A (max.)
12VDC 2A (max.)
2. **Dielectric withstanding voltage:**
500VAC, 60Hz for 1 minute
3. **Insulation resistance (initial):**
100MΩ (min.) at 500V DC
4. **Contact resistance (initial):**
30mΩ (max.) at AC 100mA (max.) 1 KHz
5. **Insertion & Extraction force:**
Initial : 4.5kgs (max.)
Extraction force: 0.9 to 3.0kgs

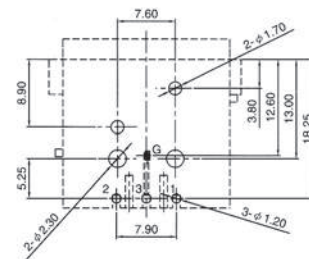
MATERIALS

1. **Insulator:** PBT(Black, UL94V-0)
 2. **Contact:** Phosphor bronze.
 3. **Metal Shell:** Copper alloy
- All materials must be RoHS compliant.

SCHEMATIC CODE



HOLE LAYOUT



ORDERING INFORMATION:

P/N 89 $\frac{XX}{1}$ - $\frac{3}{2}$ N $\frac{G}{3}$ P

1. **CONNECTOR TYPE:**
"05" ALL PLASTIC STRAIGHT TYPE PLUG (MALE)
"06" DITTO, BUT FIXED HOLE WITH GROUNDING PIN
2. **NO. OF CONTACTS:**
"3" 3 PINS
3. **TERMINAL PLATING:**
"G" GOLD PLATED

MIC CONNECTORS & ADAPTORS (1)

P/N MIC01-3NNP
3P MINI MIC MALE



P/N MIC02-3NNP
3P MINI MIC MALE
ROUND PANEL MOUNT TYPE



P/N MIC03-3NNP
3P MINI MIC FEMALE



P/N MIC04-3NNP
3P MINI MIC FEMALE
CHASSIS MOUNT TYPE



P/N MIC05-*NNP
* = 3, 4, 5, 6, 7
3P-7P MIC MALE CONNECTOR



P/N MIC06-*NNP
* = 3, 4, 5, 6, 7
3P-7P MIC FEMALE CONNECTOR



P/N MIC07-*NNP
* = 3, 4, 5, 6, 7
3P-7P MIC MALE CONNECTOR



P/N MIC08-*NNP
* = 3, 4, 5, 6, 7
3P-7P MIC FEMALE CONNECTOR



P/N MIC09-*NNP
* = 3, 4, 5, 6, 7
3P-7P MIC MALE CONNECTOR



P/N MIC10-*NNP
* = 3, 4, 5, 6, 7
3P-7P MIC FEMALE CONNECTOR



P/N MIC14-*BNP
* = 3, 4, 5
3P-5P MIC FEMALE CONNECTOR
BLACK PLATED



P/N MIC15-*BNP
* = 3, 4, 5
3P-5P MIC MALE CONNECTOR
BLACK PLATED



P/N MIC13-*BNP
* = 3, 4, 5
3P-5P MIC MALE CONNECTOR
BLACK PLATED



MIC CONNECTORS & ADAPTORS (2)

P/N MIC16-*BNP

* = 3, 4, 5

3P-5P MIC FEMALE CONNECTOR
BLACK PLATED



P/N MIC17-*BNP

* = 3, 4, 5

3P-5P MIC MALE CONNECTOR
BLACK PLATED



P/N MIC18-*BNP

* = 3, 4, 5

3P-5P MIC FEMALE CONNECTOR
BLACK PLATED



**P/N MIC19-*GGP
MIC19-*NNP**

* = 3, 4, 5

3P-5P MIC MALE CONNECTOR
GOLD & NICKEL PLATED



**P/N MIC20-*GGP
MIC20-*NNP**

* = 3, 4, 5

3P-5P MIC FEMALE CONNECTOR
GOLD & NICKEL PLATED



P/N MIC21-*GGP

* = 3, 4, 5

3P-5P MIC MALE CONNECTOR
GOLD PLATED



P/N MIC22-*GGP

* = 3, 4, 5

3P-5P MIC FEMALE CONNECTOR
GOLD PLATED



P/N MIC23-*GGP

* = 3, 4, 5

3P-5P MIC MALE CONNECTOR
GOLD PLATED



P/N MIC24-*GGP

* = 3, 4, 5

3P-5P MIC FEMALE CONNECTOR
GOLD PLATED



P/N MIC25-*GGP

* = 3, 4, 5

3P-5P MIC MALE CONNECTOR
GOLD PLATED



P/N MIC26-*GGP

* = 3, 4, 5

3P-5P MIC FEMALE CONNECTOR
GOLD PLATED



P/N MIC27-*BNP

* = 3, 4, 5

3P-5P MIC MALE CONNECTOR
BLACK PLATED



P/N MIC28-*BNP

* = 3, 4, 5

3P-5P MIC FEMALE CONNECTOR
BLACK PLATED



P/N MIC29-3NNP

3P MIC MALE CANNON
CONNECTOR



P/N MIC30-3NNP

3P MIC FEMALE CANNON
CONNECTOR



MIC CONNECTORS & ADAPTORS (3)

P/N MIC51-3BNP
3P MIC FEMALE TO 3P MIC
FEMALE, BLACK PLATED



P/N MIC52-3BNP
3P MIC MALE TO 6.35MM MONO JACK
P/N MIC53-3BNP
3P MIC MALE TO 6.35MM STEREO JACK
BLACK PLATED



P/N MIC54-3BNP
3P MIC FEMALE TO 6.35MM MONO JACK
P/N MIC55-3BNP
3P MIC FEMALE TO 6.35MM STEREO JACK
BLACK PLATED



P/N MIC56-3NNP
3P MIC MALE TO 3P MIC MALE



P/N MIC57-3NNP
3P MIC MALE TO 3P MIC FEMALE



P/N MIC58-3NNP
3P MIC FEMALE TO 3P MIC
FEMALE



P/N MIC59-3NNP
6.35MM MONO PLUG TO 3P MIC
MALE



P/N MIC60-3NNP
6.35MM MONO PLUG TO 3P MIC
FEMALE



P/N MIC61-3NNP
RCA PLUG TO 3P MIC FEMALE



P/N MIC62-3NNP
MIC62-3GGP
6.35MM STEREO PLUG TO 3P MIC
FEMALE (NICKEL/GOLD PLATED)



P/N MIC63-3NNP
MIC63-3GGP
BNC JACK TO 3P MIC FEMALE
(NICKEL/GOLD PLATED)



P/N MIC64-3NNP
MIC64-3GGP
BNC JACK TO 3P MIC MALE
(NICKEL/GOLD PLATED)



P/N MIC65-3NNP
MIC65-3GGP
RCA JACK TO 3P MIC FEMALE
(NICKEL/GOLD PLATED)



P/N MIC66-3NNP
MIC66-3GGP
RCA JACK TO 3P MIC MALE
(NICKEL/GOLD PLATED)



P/N MIC67-3NNP
MIC67-3GGP
6.35MM MONO JACK TO 3P MIC FEMALE
P/N MIC68-3NNP
MIC68-3GGP
6.35MM STEREO JACK TO 3P MIC FEMALE
(NICKEL/GOLD PLATED)



MIC CONNECTORS & ADAPTORS (4)

P/N MIC34-3NNP
3P MIC FEMALE R/A TYPE



P/N 8815-*NNP
* = 2, 3, 4, 5, 6, 7, 8
2P-8P MIC MALE CONNECTOR



P/N MIC33-3NNP
3P MIC MALE R/A TYPE



P/N 8814-*NNP
* = 2, 3, 4, 5, 6, 7, 8
2P-8P MIC FEMALE CONNECTOR



P/N MIC69-3NNP
MIC69-3GGP
6.35MM MONO JACK TO 3P MIC MALE
MIC70-3NNP
MIC70-3GGP
6.35MM STEREO JACK TO 3P MIC MALE
(NICKEL/GOLD)



P/N 8816-*NNP
* = 2, 3, 4, 5, 6, 7, 8
2P-8P MIC MALE CONNECTOR



P/N 8817-*NNP
* = 2, 3, 4, 5, 6, 7, 8
2P-8P MIC FEMALE CONNECTOR
R/A TYPE



P/N MIC37-3NNP
3P MIC FEMALE CONNECTOR



P/N MIC71-3NNP
MIC71-3GGP
RCA PLUG TO 3P MIC MALE
(NICKEL/GOLD)



P/N MIC72-3NNP
MIC72-3GGP
6.35MM STEREO PLUG TO 3P MIC MALE
(NICKEL/GOLD)

