

CAT. CAP-K-1

0.635MM PITCH FLAT CABLE ASSEMBLIES

1.00MM PITCH FLAT CABLE ASSEMBLIES

1.27MM PITCH FLAT CABLE ASSEMBLIES

2.54MM PITCH FLAT CABLE ASSEMBLIES

FLEXIBLE FLAT CABLES

ACCESSORIES

CAT. CAP-K-1 (INDEX 1)

DESCRIPTION

PAGE

0.635MM PITCH FLAT CABLE WITH 2* 1.27MM*1.27MM IDC CONNECTORS

0.635MM PITCH UL & CSA APPROVED FLAT CABLE-----	K0001
FLAT CABLE WITH 2* 1.27MM*1.27MM IDC SOCKETS-----	K0011~K0020
FLAT CABLE WITH 1.27MM*1.27MM IDC SOCKET TO DIP PLUG -----	K0041~K0047
FLAT CABLE WITH 2* 1.27MM*1.27MM DIP PLUGS-----	K0061~K0064
FLAT CABLE WITH 1.27MM*1.27MM IDC SOCKET TO IDC PLUG WITH LEVERS-----	K0081~K0083
FLAT CABLE WITH 1.27MM*1.27MM IDC SOCKET TO OPEN END-----	K0091

0.635MM PITCH FLAT CABLE WITH 2* 1.27MM*2.54MM IDC CONNECTORS

FLAT CABLE WITH 2* 1.27MM*2.54MM IDC SOCKETS-----	K0601~K0618
FLAT CABLE WITH 1.27MM*2.54MM IDC SOCKET TO DIP PLUG-----	K0651~K0659
FLAT CABLE WITH 2*1.27MM*2.54MM DIP PLUGS-----	K0681~K0682

SPECIAL FLAT CABLE WITH 2* 1.27MM*2.54MM(1.27MM) IDC SOCKETS

0.635MM FLAT CABLE WITH 1.27MM*2.54MM IDC SOCKET TO 1.27MM*1.27MM DIP PLUG-----	K0801~K0808
1.27MM FLAT CABLE WITH 2* 1.27MM*2.54MM IDC SOCKETS -----	K0831

1.00MM PITCH FLAT CABLE WITH 2* 2.00MM IDC CONNECTORS

1.00MM PITCH UL & CSA APPROVED FLAT CABLE-----	K1001
FLAT CABLE WITH 2* 2.00MM IDC SOCKETS-----	K1011~K1044
FLAT CABLE WITH 2.00MM IDC SOCKET TO DIP PLUG-----	K1101~K1123
FLAT CABLE WITH 2* 2.00MM DIP PLUGS-----	K1151~K1154
FLAT CABLE WITH 2.00MM IDC SOCKET TO BOX HEADER-----	K1171~K1180
FLAT CABLE WITH 2* 2.00MM IDC TYPE BOX HEADERS-----	K1191~K1192
FLAT CABLE WITH 2.00MM IDC SOCKET TO IDC PLUG WITH SHORT LEVERS-----	K1201~K1205
FLAT CABLE WITH 2.00MM IDC SOCKET TO IDC PLUG WITH LONG LEVERS-----	K1211~K1215
FLAT CABLE WITH 2.00MM IDC SOCKET TO OPEN END-----	K1301~K1309
FLAT CABLE WITH 2.00MM DIP PLUG TO OPEN END-----	K1321~K1322
FLAT CABLE WITH 2.00MM IDC SOCKET TO TINNED END-----	K1351~K1356
FLAT CABLE WITH 2.00MM DIP PLUG TO TINNED END-----	K1371~K1372

1.27MM PITCH FLAT CABLE WITH 2* IDC CONNECTORS

1.27MM PITCH UL & CSA APPROVED FLAT CABLE-----	K2001
FLAT CABLE WITH 2* 2.54MM IDC SOCKETS-----	K2011~K2043
FLAT CABLE WITH 2.54MM IDC SOCKET TO DIP PLUG-----	K2101~K2150
FLAT CABLE WITH 2* 2.54MM DIP PLUGS-----	K2161~K2170
FLAT CABLE WITH 2.54MM IDC SOCKET TO BOX HEADER-----	K2201~K2208
FLAT CABLE WITH 2* 2.54MM IDC TYPE BOX HEADERS-----	K2211
FLAT CABLE WITH 2.54MM IDC SOCKET TO IDC PLUG WITH SHORT LEVERS-----	K2301~K2318
FLAT CABLE WITH 2.54MM IDC SOCKET TO IDC PLUG WITH LONG LEVERS-----	K2351~K2368
FLAT CABLE WITH 2.54MM DIP PLUG TO IDC PLUG WITH SHORT LEVERS-----	K2381~K2385
FLAT CABLE WITH 2.54MM DIP PLUG TO IDC PLUG WITH LONG LEVERS-----	K2391~K2394
FLAT CABLE WITH 2.54MM IDC SOCKET TO OPEN END-----	K2501~K2509
FLAT CABLE WITH 2.54MM DIP PLUG TO OPEN END-----	K2531~K2532
FLAT CABLE WITH 2.54MM BOX HEADER TO OPEN END-----	K2541
FLAT CABLE WITH 2.54MM IDC PLUG TO OPEN END-----	K2551~K2552
FLAT CABLE WITH 2.54MM IDC SOCKET TO TINNED END-----	K2601~K2606
FLAT CABLE WITH 2.54MM DIP PLUG TO TINNED END-----	K2631~K2632
FLAT CABLE WITH 2.54MM BOX HEADER TO TINNED END-----	K2641
FLAT CABLE WITH 2.54MM IDC PLUG TO TINNED END-----	K2651~K2652
FLAT CABLE WITH 2* 2.54MM MICRO MATCH CONNECTORS-----	K2701~K2709
FLAT CABLE WITH 2* 2.54MM PICO FLEX CONNECTORS-----	K2731~K2732
FLAT CABLE WITH 2* 2.54MM WIRE TO BOARD HOUSINGS-----	K2741
FLAT CABLE WITH 2* D-SUB. CONNECTORS-----	K2801~K2818
FLAT CABLE WITH D-SUB. TO IDC SOCKET-----	K2851~K2857
OTHER CABLE ASSEMBLIES-----	K2891~K2895

DESCRIPTION

PAGE

2.54MM PITCH FLAT CABLE WITH 2* 2.54MM IDC CONNECTORS

FLAT CABLE WITH 2* 2.54MM SINGLE ROW IDC SOCKETS-----	K2901~K2902
FLAT CABLE WITH 2.54MM SINGLE ROW IDC SOCKET TO DIP PLUG-----	K2951~K2952

FLEXIBLE FLAT CABLE

0.50MM PITCH FLEXIBLE FLAT CABLE-----	K2991
1.00MM PITCH FLEXIBLE FLAT CABLE-----	K2991
1.25MM PITCH FLEXIBLE FLAT CABLE-----	K2991
2.54MM PITCH FLEXIBLE FLAT CABLE-----	K2991

BOX HEADER SALABLE WITH ORDER OF FLAT CABLE ASSEMBLY

1.27MM*1.27MM PITCH BOX HEADER & SHROUDED HEADER-----	K3001~K3005
1.27MM*2.54MM PITCH BOX HEADER & SHROUDED HEADER-----	K3051~K3074
2.00MM PITCH BOX HEADER & SHROUDED HEADER-----	K3101~K3117
2.54MM PITCH BOX HEADER & SHROUDED HEADER-----	K3151~K3168

FEMALE HEADER SALABLE WITH ORDER OF BOX HEADER

1.27MM*1.27MM PITCH FEMALE HEADER-----	K3301~K3303
1.27MM*2.54MM PITCH FEMALE HEADER-----	K3351
2.00MM PITCH FEMALE HEADER-----	K3401~K3403

OTHER FLAT CABLE ASSEMBLIES

0.635MM PITCH FLAT CABLE WITH 2*HPDB68M CONNECTORS-----	K3501
ULTRA ATA-66 FLAT CABLE ASSEMBLIES-----	K3506
ULTRA ATA-100 FLAT CABLE ASSEMBLIES-----	K3511~K3511
ULTRA ATA-133 FLAT CABLE ASSEMBLIES-----	K3521~K3523
ULTRA320 TWIST PAIR FLAT CABLE WITH LVD/SE TERMINATOR-----	K3531

ACCESSORIES

FLAT CABLE EMI FERRITTE CORES-----	K3601
IDC CRIMPING FIXTURE & ATTACHMENT FOR FLAT CABLE-----	K3602

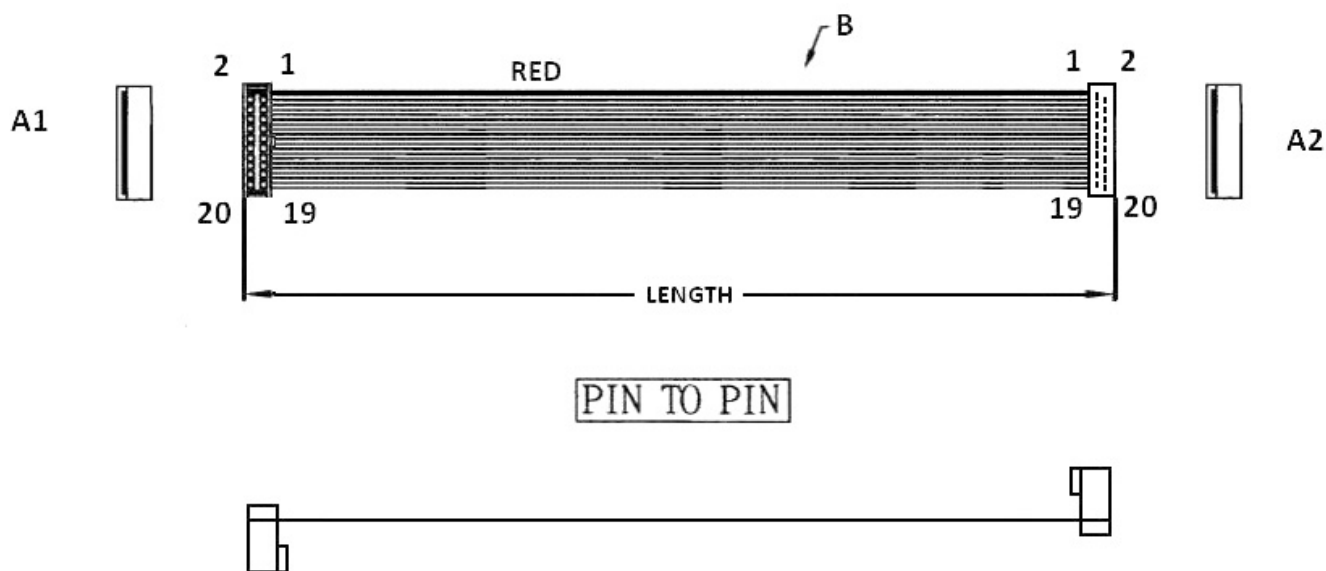
QUICK REFERENCE

QUICK REFERENCE OF BOX HEADERS & FEMALE HEADERS-----	K3901~K3902
QUICK REFERENCE OF FLAT CABLE ASSEMBLIES-----	K3902~K3911

***TECHNICAL ALTERATIONS ARE SUBJECT TO CHANGE WITHOUT NOTICE.**

***ALL ARTICLES ARE RoHS & REACH/SVHC COMPLIANT.**

**0.635MM PITCH FLAT CABLE WITH 2*
1.27MMX1.27MM PITCH IDC SOCKETS WITHOUT STRAIN RELIEF (H=5.0MM) (A1)**

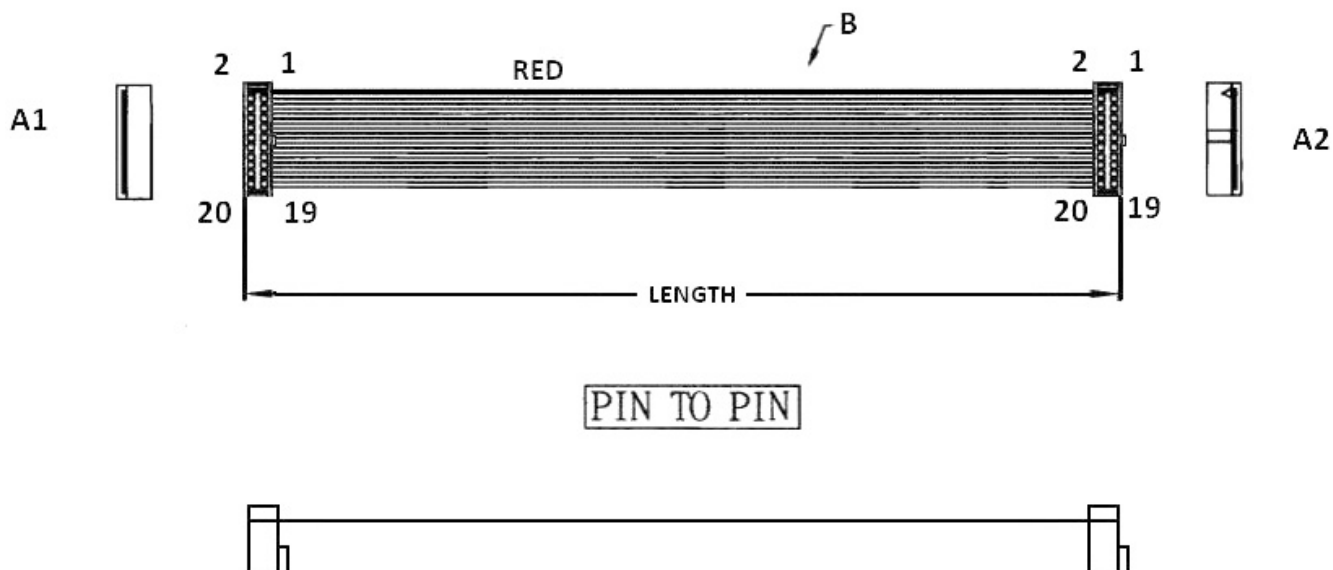


ORDERING INFORMATION:

P/N $\frac{K}{1} \frac{G}{2} \frac{xx}{3} \frac{KK}{4} - \frac{xx}{4} \frac{C}{5} \frac{M}{5} \frac{B}{5}$

1. FLAT CABLE TYPE:
"KG" 0.635MM AWG30 UL2678 VW-1
PVC INSULATION DEEP GRAY
2. NO. OF CONTACTS:
06-80
3. CONNECTORS AT TWO ENDS:
"KK" 1.27MMX1.27MM IDC SOCKET WITH NOSE W/O S.R. TO
1.27MMX1.27MM IDC SOCKET WITH NOSE W/O S.R.
4. LENGTH IN CM (CENTIMETERS)
5. COLOR OF TWO IDC CONNECTORS:
"B" BLACK

**0.635MM PITCH FLAT CABLE WITH 2*
1.27MMX1.27MM PITCH IDC SOCKETS WITHOUT STRAIN RELIEF (H=5.0MM) (A2)**



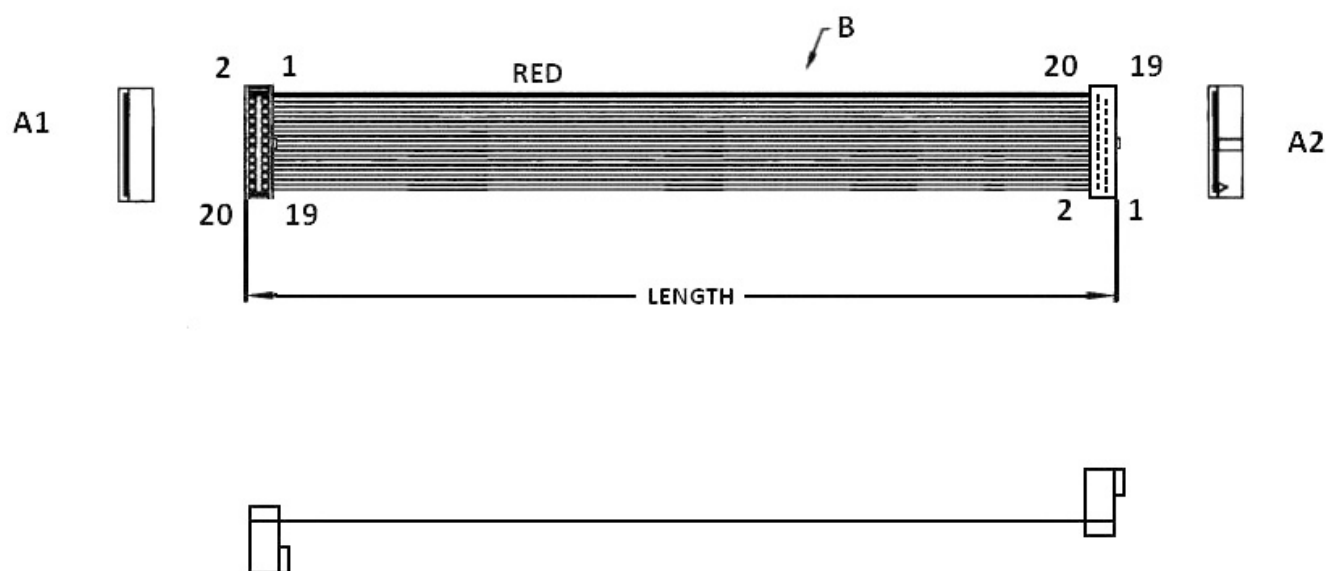
PIN TO PIN

ORDERING INFORMATION:

P/N $\frac{KG}{1} \frac{xx}{2} \frac{KL}{3} - \frac{xx}{4} C M \frac{B}{5}$

1. FLAT CABLE TYPE:
"KG" 0.635MM AWG30 UL2678 VW-1
PVC INSULATION DEEP GRAY
2. NO. OF CONTACTS:
06~80
3. CONNECTORS AT TWO ENDS:
"KL" 1.27MMX1.27MM IDC SOCKET WITH NOSE W/O S.R. TO
1.27MMX1.27MM IDC SOCKET WITH NOSE W/O S.R.
4. LENGTH IN CM (CENTIMETERS)
5. COLOR OF TWO IDC CONNECTORS:
"B" BLACK

**0.635MM PITCH FLAT CABLE WITH 2*
1.27MMX1.27MM PITCH IDC SOCKETS WITHOUT STRAIN RELIEF (H=5.0MM) (A3)**

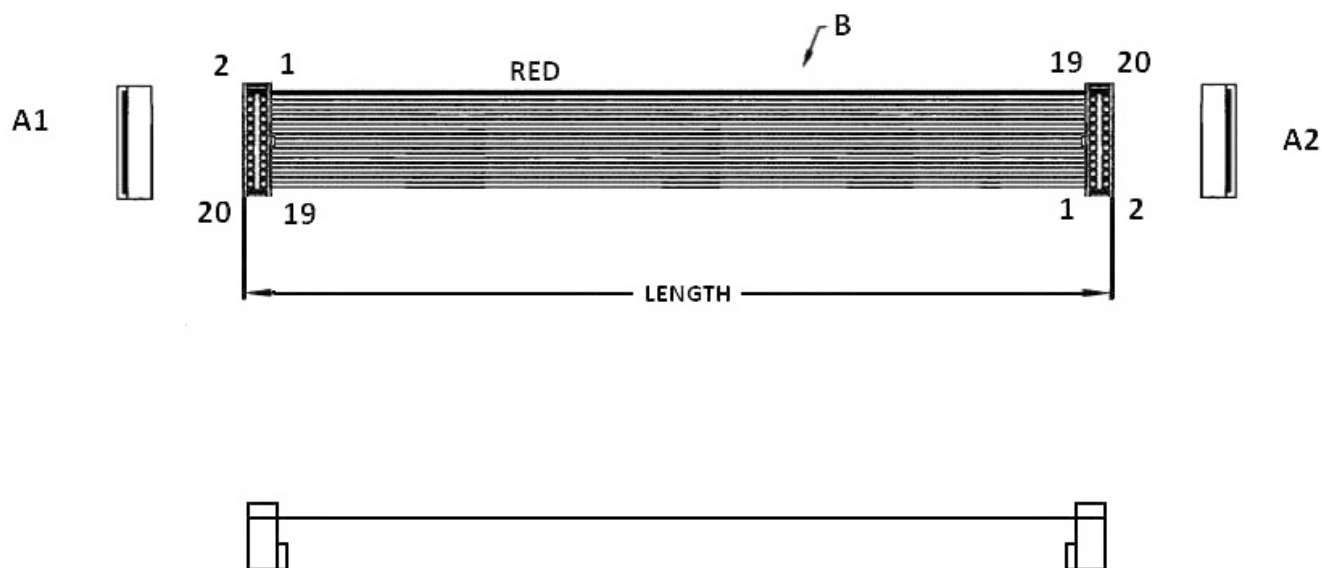


ORDERING INFORMATION:

P/N $\frac{KG}{1} \frac{xx}{2} \frac{KI}{3} - \frac{xx}{4} C M \frac{B}{5}$

1. FLAT CABLE TYPE:
"KG" 0.635MM AWG30 UL2678 VW-1
PVC INSULATION DEEP GRAY
2. NO. OF CONTACTS:
06~80
3. CONNECTORS AT TWO ENDS:
"KI" 1.27MMX1.27MM IDC SOCKET WITH NOSE W/O S.R. TO
1.27MMX1.27MM IDC SOCKET WITH NOSE W/O S.R.
4. LENGTH IN CM (CENTIMETERS)
5. COLOR OF TWO IDC CONNECTORS:
"B" BLACK

**0.635MM PITCH FLAT CABLE WITH 2*
1.27MMX1.27MM PITCH IDC SOCKETS WITHOUT STRAIN RELIEF (H=5.0MM) (A4)**

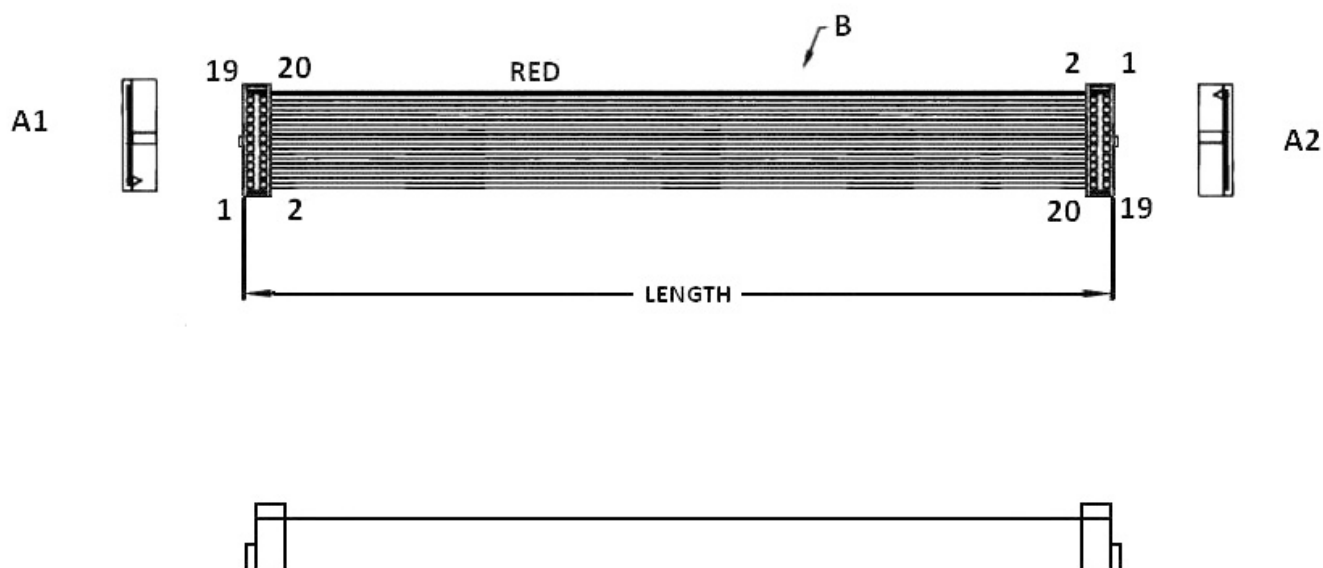


ORDERING INFORMATION:

P/N $\frac{KG}{1} \frac{xx}{2} \frac{K8}{3} - \frac{xx}{4} C M \frac{B}{5}$

1. FLAT CABLE TYPE:
"KG" 0.635MM AWG30 UL2678 VW-1
PVC INSULATION DEEP GRAY
2. NO. OF CONTACTS:
06~80
3. CONNECTORS AT TWO ENDS:
"K8" 1.27MMX1.27MM IDC SOCKET WITH NOSE W/O S.R. TO
1.27MMX1.27MM IDC SOCKET WITH NOSE W/O S.R.
4. LENGTH IN CM (CENTIMETERS)
5. COLOR OF TWO IDC CONNECTORS:
"B" BLACK

**0.635MM PITCH FLAT CABLE WITH 2*
1.27MMX1.27MM PITCH IDC SOCKETS WITHOUT STRAIN RELIEF (H=5.0MM) (A5)**

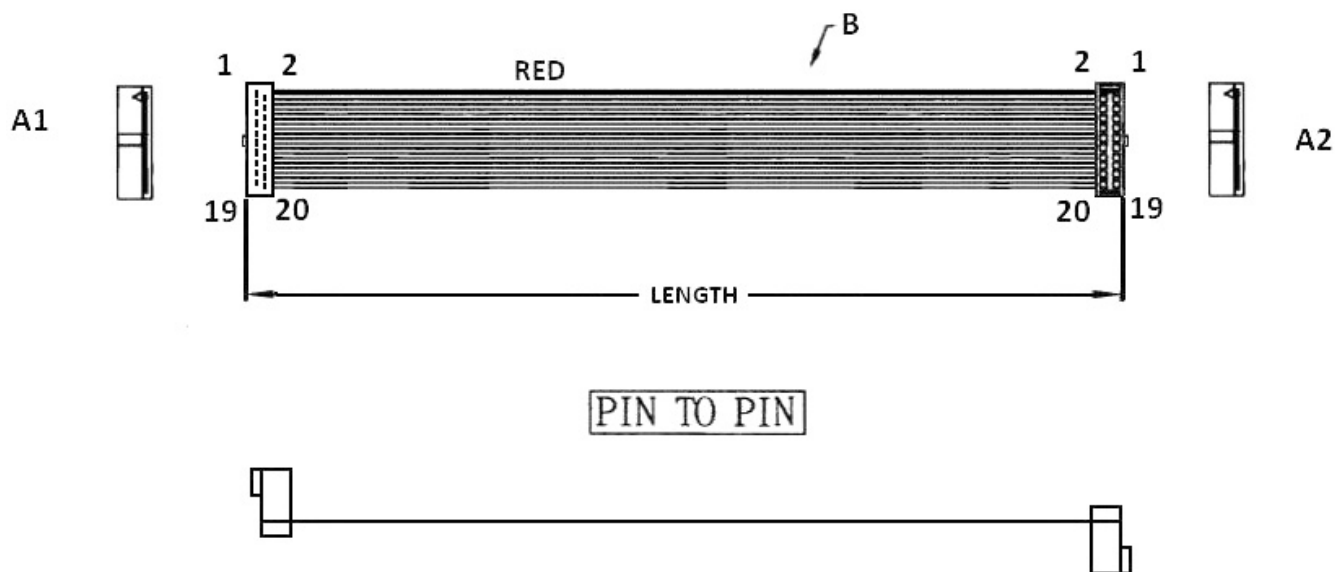


ORDERING INFORMATION:

P/N $\frac{\text{KG}}{1}$ $\frac{\text{XX}}{2}$ $\frac{\text{LI}}{3}$ - $\frac{\text{XX}}{4}$ **C M** $\frac{\text{B}}{5}$

1. FLAT CABLE TYPE:
"KG" 0.635MM AWG30 UL2678 VW-1
PVC INSULATION DEEP GRAY
2. NO. OF CONTACTS:
06~80
3. CONNECTORS AT TWO ENDS:
"LI" 1.27MMX1.27MM IDC SOCKET WITH NOSE W/O S.R. TO
1.27MMX1.27MM IDC SOCKET WITH NOSE W/O S.R.
4. LENGTH IN CM (CENTIMETERS)
5. COLOR OF TWO IDC CONNECTORS:
"B" BLACK

**0.635MM PITCH FLAT CABLE WITH 2*
1.27MMX1.27MM PITCH IDC SOCKETS WITHOUT STRAIN RELIEF (H=5.0MM) (A6)**

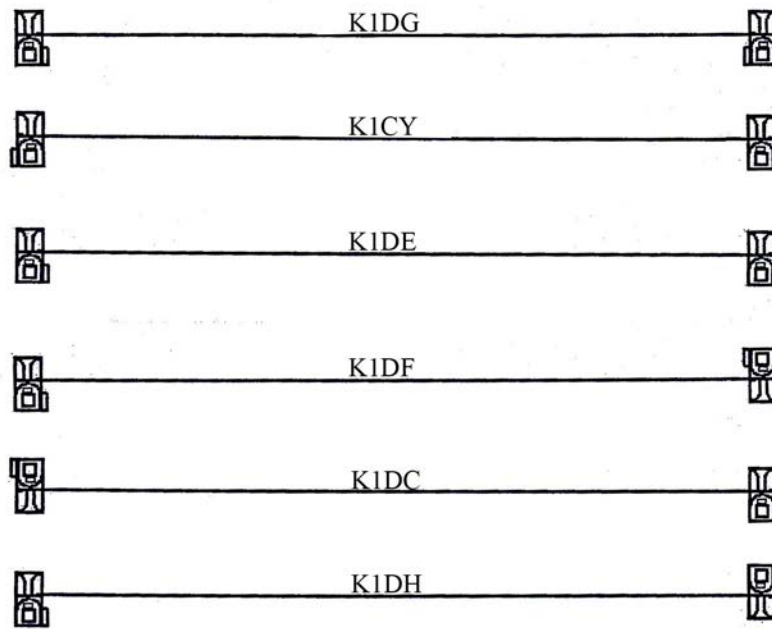


ORDERING INFORMATION:

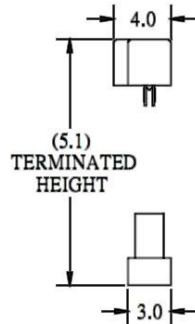
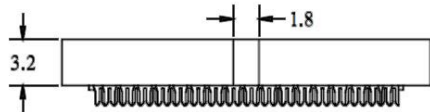
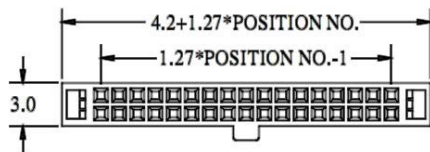
P/N $\frac{\text{KG}}{1}$ $\frac{\text{XX}}{2}$ $\frac{\text{LL}}{3}$ - $\frac{\text{XX}}{4}$ **C M B**
5

1. FLAT CABLE TYPE:
"KG" 0.635MM AWG30 UL2678 VW-1
PVC INSULATION DEEP GRAY
2. NO. OF CONTACTS:
06~80
3. CONNECTORS AT TWO ENDS:
"LL" 1.27MMX1.27MM IDC SOCKET WITH NOSE W/O S.R. TO
1.27MMX1.27MM IDC SOCKET WITH NOSE W/O S.R.
4. LENGTH IN CM (CENTIMETERS)
5. COLOR OF TWO IDC CONNECTORS:
"B" BLACK

**0.635MM PITCH FLAT CABLE
WITH 2*1.27MM*1.27MM IDC SOCKETS W/O STRAIN RELIEF (H=5.1MM) (A7)**



1.27MM*1.27MM IDC SOCKET W/O STRAIN RELIEF (BERYLLIUM COPPER)



NO. OF CONTACTS:
006, 008, 010, 012, 014,
016, 020, 022, 024, 026,
030, 034, 040, 044, 050,
060, 068, 080

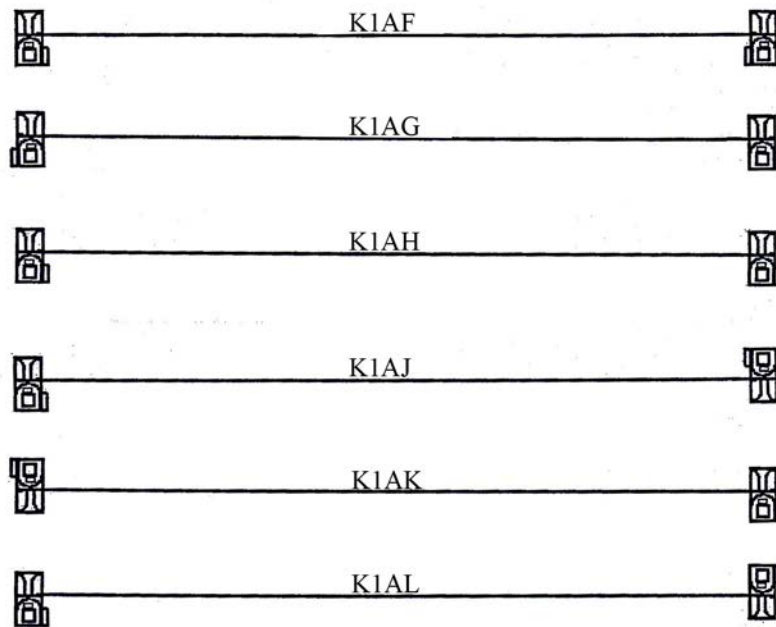
ORDERING INFORMATION:

P/N K 1 2 3 4 C M B

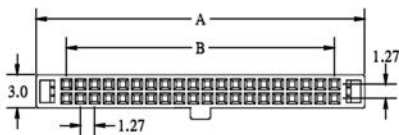
1. CONSTRUCTION TYPE:
1DG, 1CY, 1DE, 1DF, 1DC, 1DH
2. NO. OF CONTACTS:
006~080
3. LENGTH IN CM (CENTIMETERS)
4. COLOR OF TWO IDC CONNECTORS:
"B" BLACK

NOTE: IDC SOCKET CAN'T BE SUPPLIED ALONE.

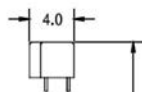
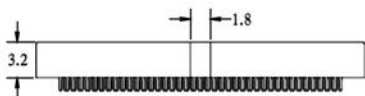
**0.635MM PITCH FLAT CABLE
WITH 2*1.27MM*1.27MM IDC SOCKETS W/O STRAIN RELIEF (H=5.1MM) (A8)**



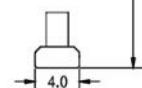
1.27MM*1.27MM IDC SOCKET W/O STRAIN RELIEF ECONOMICAL TYPE



$A=B+5.47$
 $B=1.27*POSITIONS/2-1.27$



NO. OF CONTACTS:
006, 008, 010, 012, 014,
016, 020, 022, 026, 030,
034, 040, 044, 050, 060,
068, 080



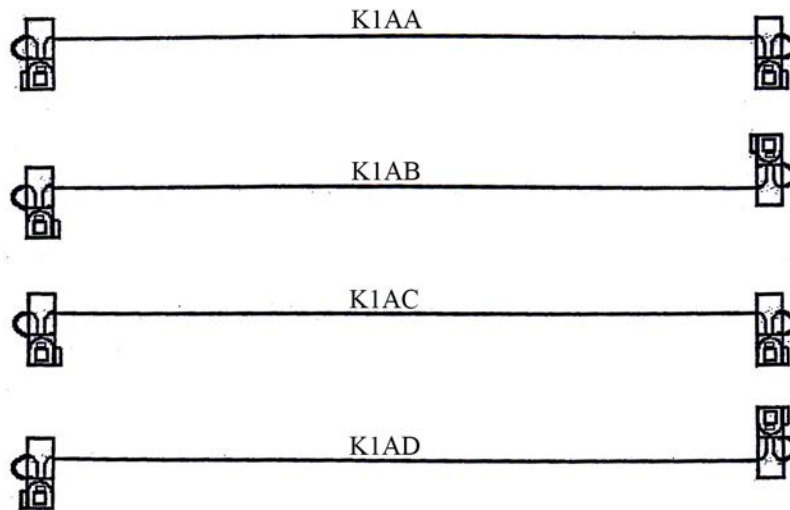
ORDERING INFORMATION:

P/N K 1 2 3 4 C M B

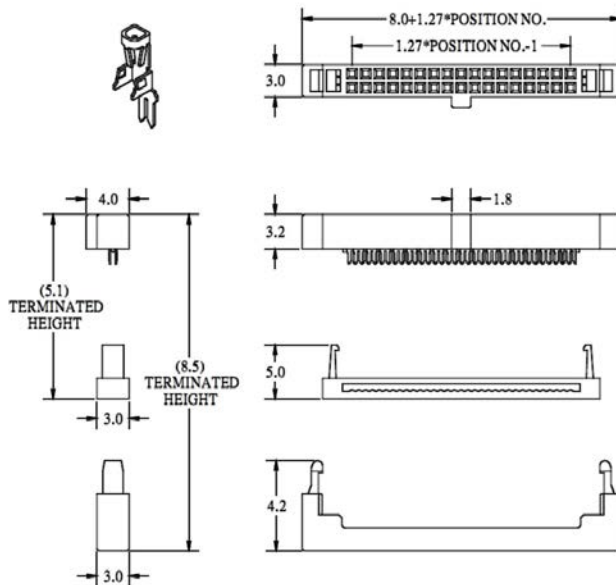
1. CONSTRUCTION TYPE:
1AF, 1AG, 1AH, 1AJ, 1AK, 1AL
2. NO. OF CONTACTS:
006~080
3. LENGTH IN CM (CENTIMETERS)
4. COLOR OF TWO IDC CONNECTORS:
"B" BLACK

NOTE: IDC SOCKET CAN'T BE SUPPLIED ALONE.

**0.635MM PITCH FLAT CABLE
WITH 2*1.27MM*1.27MM IDC SOCKETS WITH STRAIN RELIEF (H=8.5MM) (B1)**



1.27MM*1.27MM IDC SOCKET WITH STRAIN RELIEF (BERYLLIUM COPPER)



NO. OF CONTACTS:
006, 008, 010, 012, 014,
016, 020, 022, 024, 026,
030, 034, 040, 044, 050,
060, 068, 080

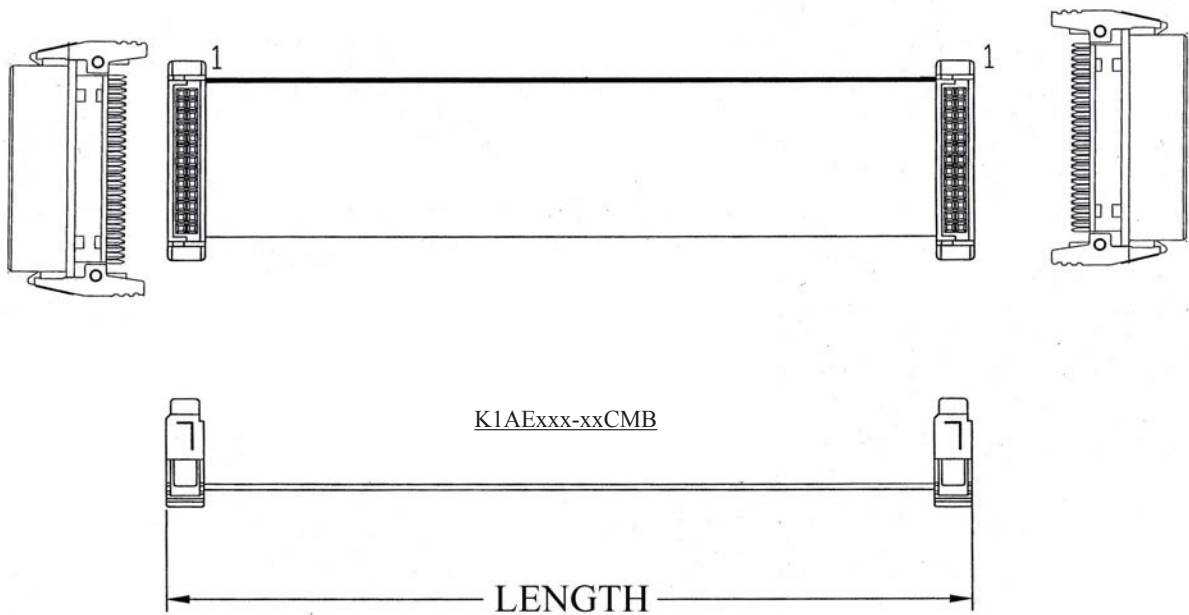
ORDERING INFORMATION:

P/N K 1 2 3 4 C M B

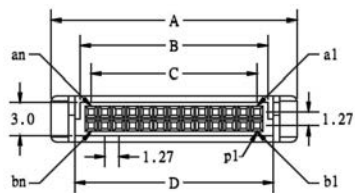
1. CONSTRUCTION TYPE:
1AA, 1AB, 1AC, 1AD
2. NO. OF CONTACTS:
006~080
3. LENGTH IN CM (CENTIMETERS)
4. COLOR OF TWO IDC CONNECTORS:
"B" BLACK

NOTE: IDC SOCKET CAN'T BE SUPPLIED ALONE.

**0.635MM PITCH FLAT CABLE
WITH 2*1.27MM*1.27MM IDC SOCKETS WITH LATCHES (H=12.3MM)**



1.27MM*1.27MM IDC SOCKET WITH LATCHES

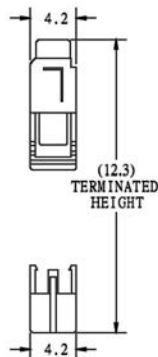
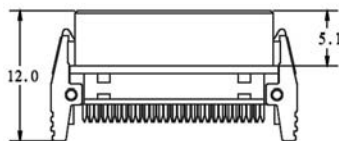


$$A=C+7.31$$

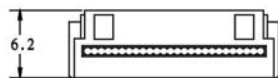
$$B=C+1.95$$

$$C=1.27*POSITIONS/2-1.27$$

$$D=C+2.95$$



NO. OF CONTACTS:
006, 008, 010, 012, 014,
016, 020, 022, 026, 030,
034, 040, 044, 050, 060,
068, 080



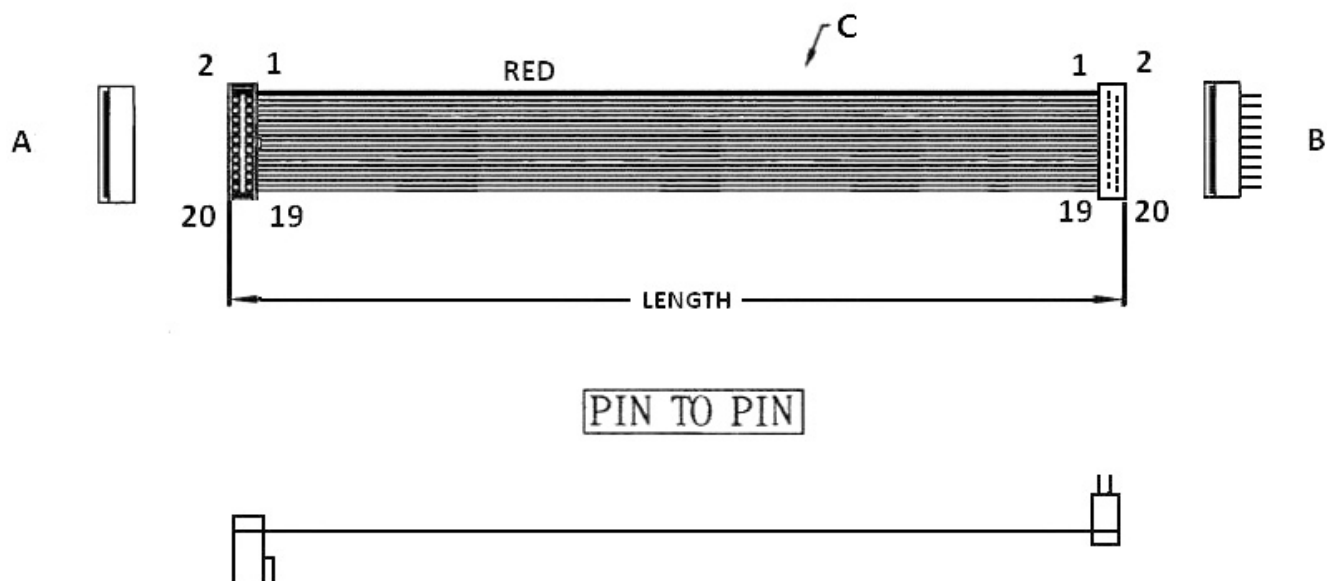
ORDERING INFORMATION:

P/N K 1 2 3 4 **CM B**

1. CONSTRUCTION TYPE:
1AE
2. NO. OF CONTACTS:
006~080
3. LENGTH IN CM (CENTIMETERS)
4. COLOR OF TWO IDC CONNECTORS:
"B" BLACK

NOTE: IDC SOCKET CAN'T BE SUPPLIED ALONE.

**0.635MM PITCH FLAT CABLE WITH
1.27MM*1.27MM PITCH IDC SOCKET W/O S.R. (H=5.0MM) TO DIP PLUG (H=5.0MM) (D1)**

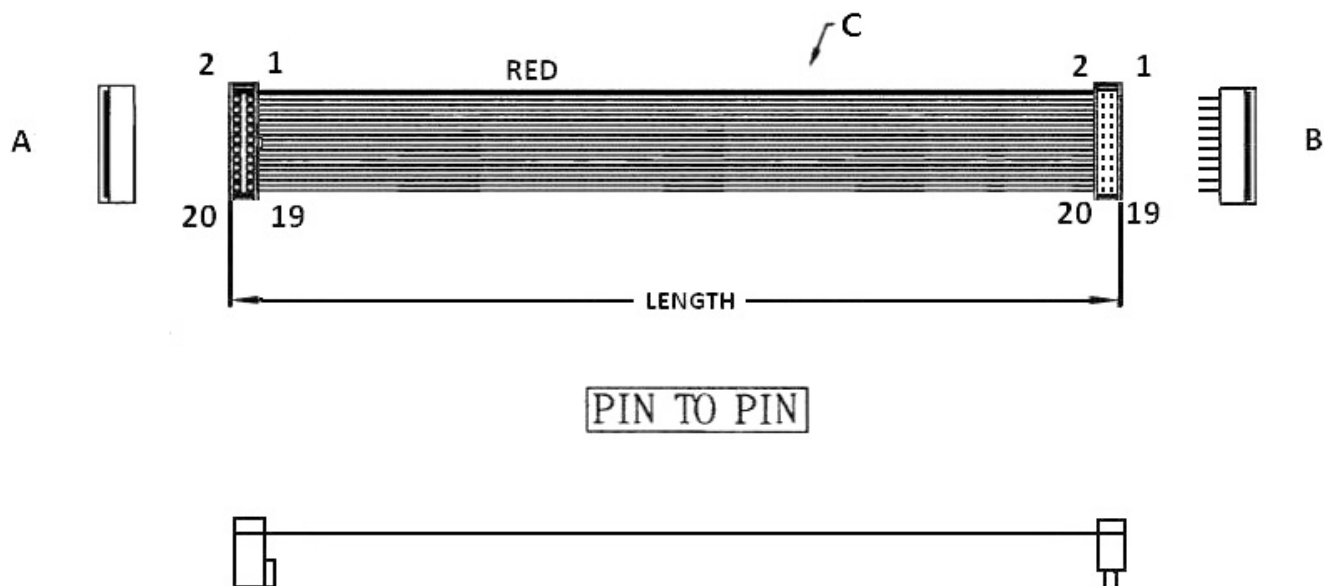


ORDERING INFORMATION:

P/N $\frac{\text{K G}}{1} \frac{\text{X X}}{2} \frac{\text{K D}}{3} - \frac{\text{X X}}{4} \text{C M B}$ $\frac{5}{5}$

1. FLAT CABLE TYPE:
"KG" 0.635MM AWG30 UL2678 VW-1
PVC INSULATION DEEP GRAY
2. NO. OF CONTACTS:
06~80
3. CONNECTORS AT TWO ENDS:
"KD" 1.27MMX1.27MM IDC SOCKET WITH NOSE W/O S.R. TO
1.27MMX1.27MM DIP PLUG
4. LENGTH IN CM (CENTIMETERS)
5. COLOR OF TWO IDC CONNECTORS:
"B" BLACK

**0.635MM PITCH FLAT CABLE WITH
1.27MM*1.27MM PITCH IDC SOCKET W/O S.R. (H=5.0MM) TO DIP PLUG (H=5.0MM) (D2)**

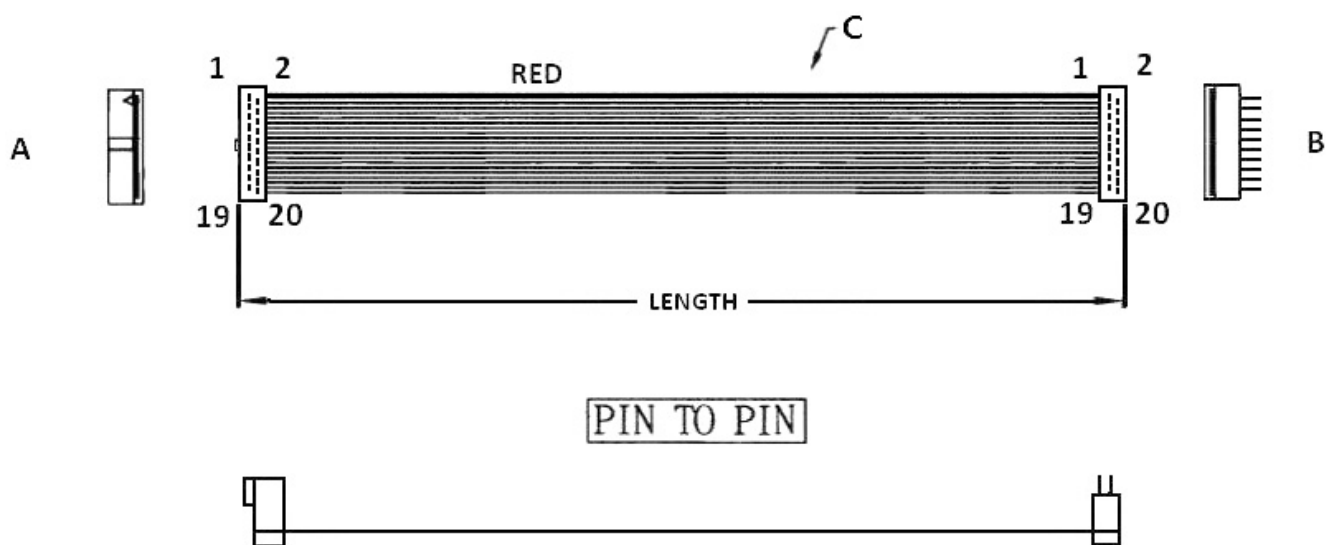


ORDERING INFORMATION:

P/N $\frac{\text{K G}}{1} \frac{\text{X X}}{2} \frac{\text{K P}}{3} - \frac{\text{X X}}{4} \text{C M } \frac{\text{B}}{5}$

1. FLAT CABLE TYPE:
"KG" 0.635MM AWG30 UL2678 VW-1
PVC INSULATION DEEP GRAY
2. NO. OF CONTACTS:
06~80
3. CONNECTORS AT TWO ENDS:
"KP" 1.27MMX1.27MM IDC SOCKET WITH NOSE W/O S.R. TO
1.27MMX1.27MM DIP PLUG
4. LENGTH IN CM (CENTIMETERS)
5. COLOR OF TWO IDC CONNECTORS:
"B" BLACK

**0.635MM PITCH FLAT CABLE WITH
1.27MM*1.27MM PITCH IDC SOCKET W/O S.R. (H=5.0MM) TO DIP PLUG (H=5.0MM) (D3)**

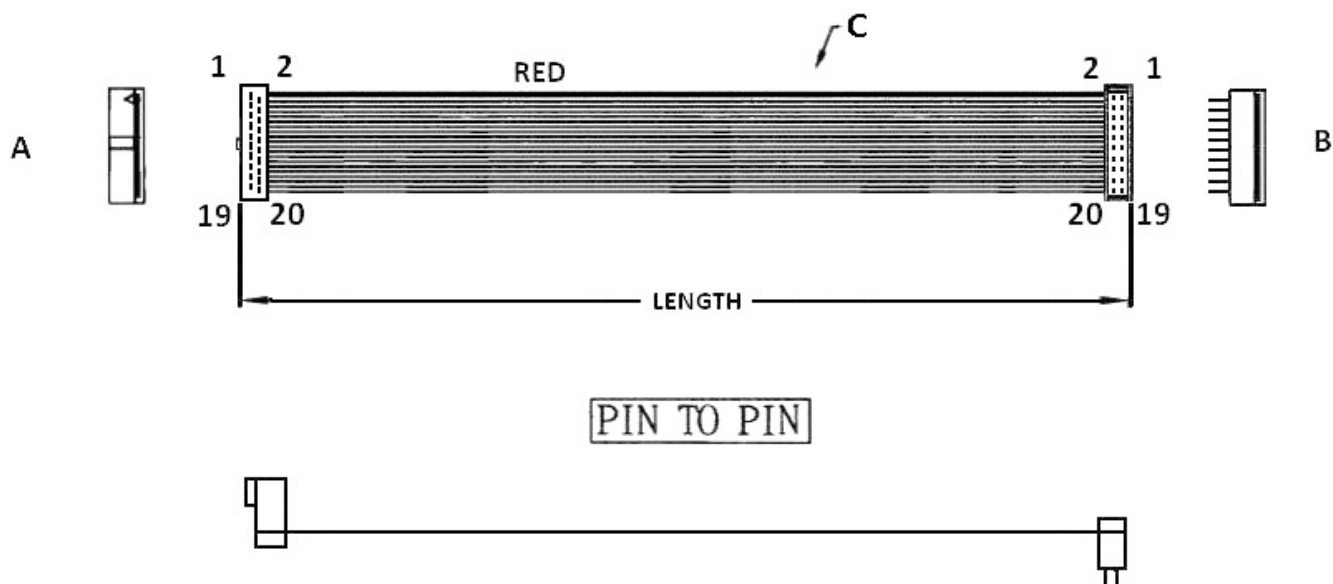


ORDERING INFORMATION:

P/N $\frac{\text{K G}}{1} \frac{\text{X X}}{2} \frac{\text{L D}}{3} - \frac{\text{X X}}{4} \text{C M } \frac{\text{B}}{5}$

1. FLAT CABLE TYPE:
"KG" 0.635MM AWG30 UL2678 VW-1
PVC INSULATION DEEP GRAY
2. NO. OF CONTACTS:
06~80
3. CONNECTORS AT TWO ENDS:
"LD" 1.27MMX1.27MM IDC SOCKET WITH NOSE W/O S.R. TO
1.27MMX1.27MM DIP PLUG
4. LENGTH IN CM (CENTIMETERS)
5. COLOR OF TWO IDC CONNECTORS:
"B" BLACK

**0.635MM PITCH FLAT CABLE WITH
1.27MM*1.27MM PITCH IDC SOCKET W/O S.R. (H=5.0MM) TO DIP PLUG (H=5.0MM) (D4)**

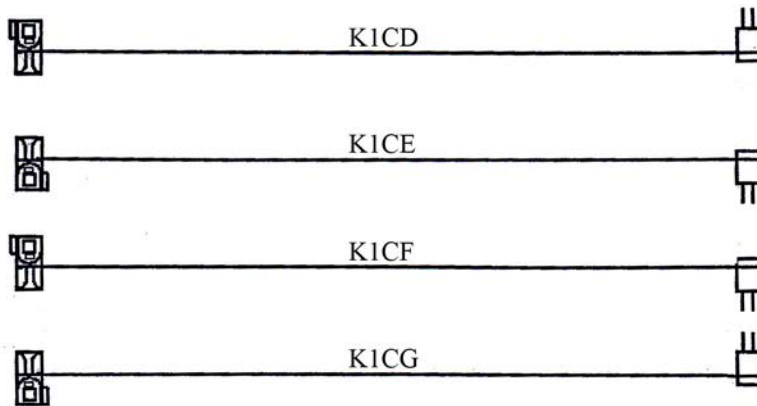


ORDERING INFORMATION:

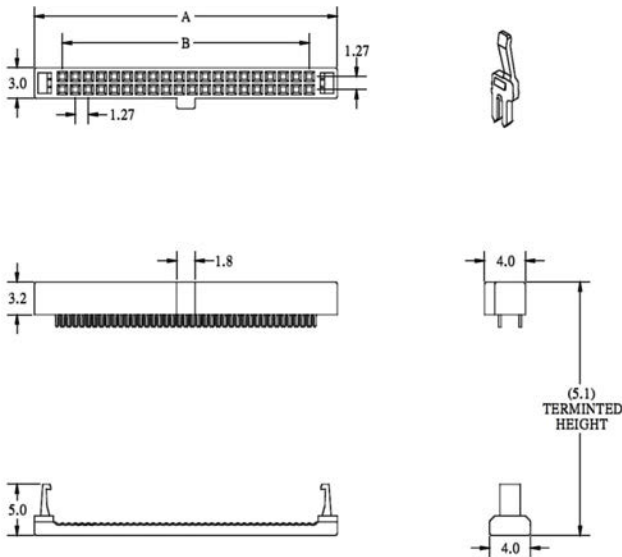
P/N $\frac{\text{K G}}{1} \frac{\text{X X}}{2} \frac{\text{L P}}{3} - \frac{\text{X X}}{4} \text{C M } \frac{\text{B}}{5}$

1. FLAT CABLE TYPE:
"KG" 0.635MM AWG30 UL2678 VW-1
PVC INSULATION DEEP GRAY
2. NO. OF CONTACTS:
06~80
3. CONNECTORS AT TWO ENDS:
"LP" 1.27MMX1.27MM IDC SOCKET WITH NOSE W/O S.R. TO
1.27MMX1.27MM DIP PLUG
4. LENGTH IN CM (CENTIMETERS)
5. COLOR OF TWO IDC CONNECTORS:
"B" BLACK

**0.635MM PITCH FLAT CABLE WITH 1.27MM*1.27MM IDC SOCKET
(H=5.1MM) TO DIP PLUG (H=5.1MM) (D5)**



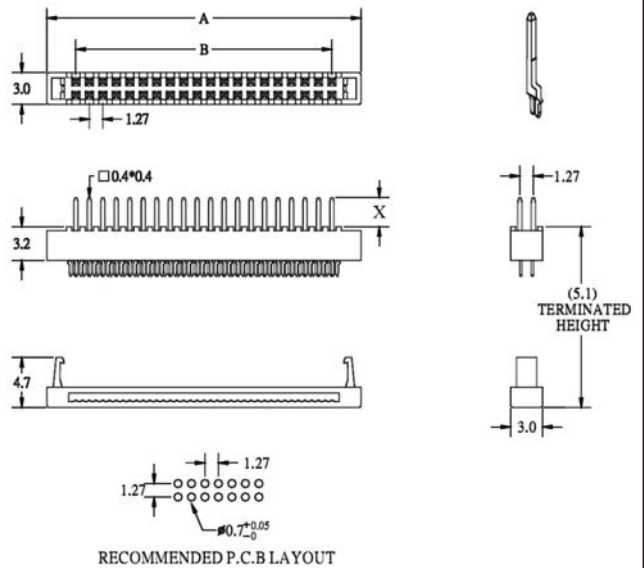
1.27MM*1.27MM IDC SOCKET W/O S.R.



A=B+5.47
B=1.27*POSITIONS/2-1.27

NO. OF CONTACTS:
006, 008, 010, 012, 014,
016, 020, 022, 026, 030,
034, 040, 044, 050, 060,
068, 080

1.27MM*1.27MM DIP PLUG



A=B+5.47
B=1.27*POSITIONS/2-1.27
X= PIN LENGTH

NO. OF CONTACTS:
006, 008, 010, 012, 014,
016, 020, 022, 026, 030,
034, 040, 044, 050, 060,
068, 080

ORDERING INFORMATION:

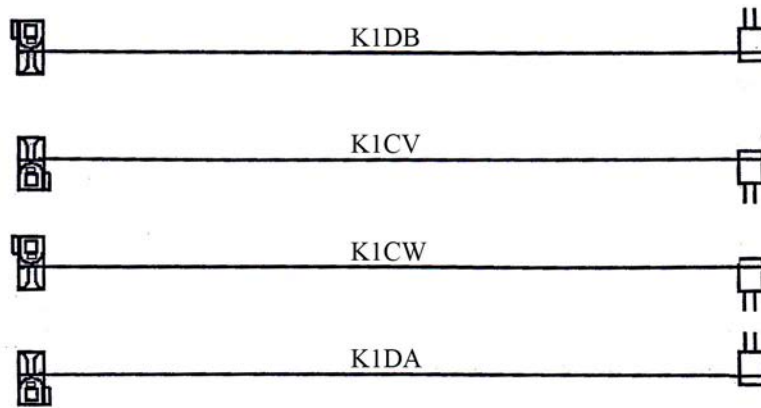
P/N K 1 2 3 4 5 C M B X

1. CONSTRUCTION TYPE:
1CD, 1CE, 1CF, 1CG
2. NO. OF CONTACTS:
006~080
3. LENGTH IN CM (CENTIMETERS)
4. COLOR OF TWO IDC CONNECTORS:
"B" BLACK

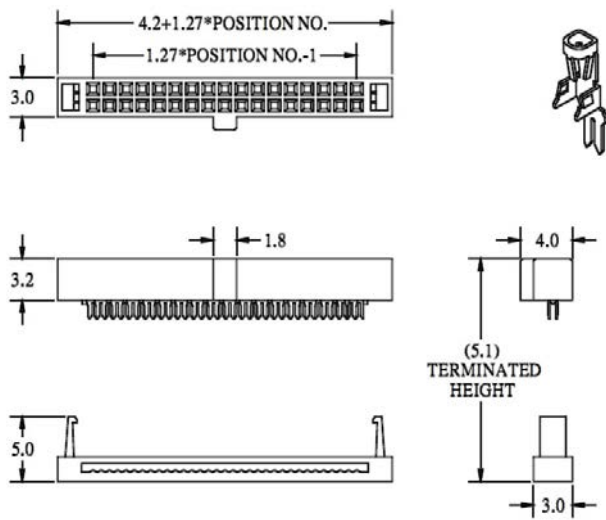
5. PIN LENGTH OF DIP PLUG:
"3" X=3.1MM(STANDARD)
"2" X=1.9MM

NOTE: IDC SOCKET & DIP PLUG CAN'T BE SUPPLIED ALONE.

0.635MM PITCH FLAT CABLE WITH 1.27MM*1.27MM IDC SOCKET (H=5.1MM) TO DIP PLUG (H=5.1MM) (D6)

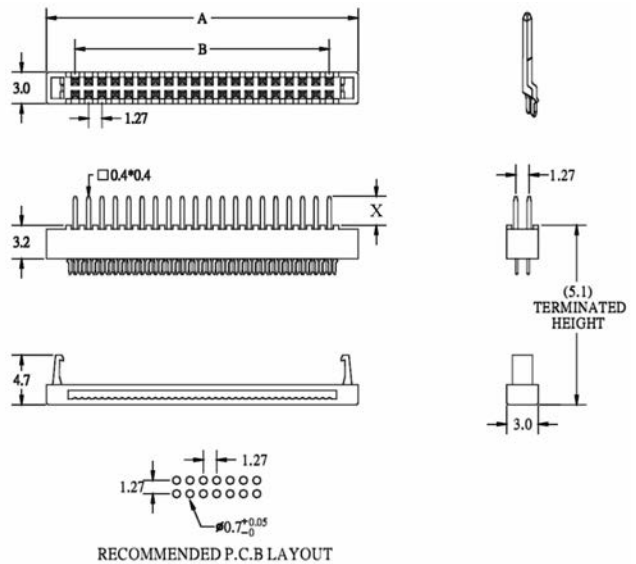


1.27MM*1.27MM IDC SOCKET W/O S.R. (BERYLLIUM COPPER)



NO. OF CONTACTS:
006, 008, 010, 012, 014,
016, 020, 022, 024, 026,
030, 034, 040, 044, 050,
060, 068, 080

1.27MM*1.27MM DIP PLUG



A=B+5.47
B=1.27*POSITIONS/2-1.27
X= PIN LENGTH

NO. OF CONTACTS:
006, 008, 010, 012, 014,
016, 020, 022, 026, 030,
034, 040, 044, 050, 060,
068, 080

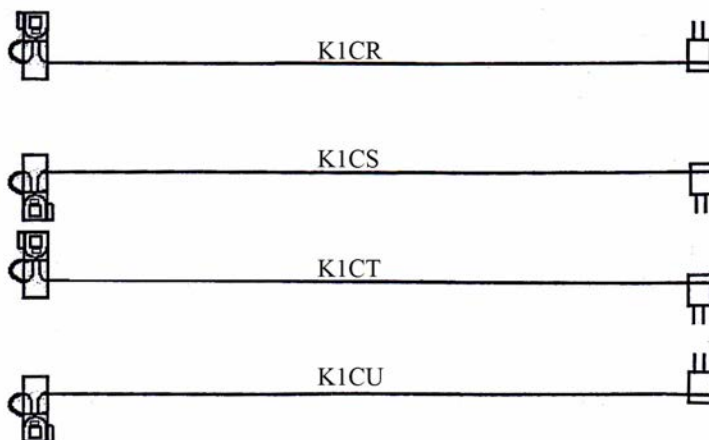
ORDERING INFORMATION:

P/N K 1 2 3 4 5 C M B X

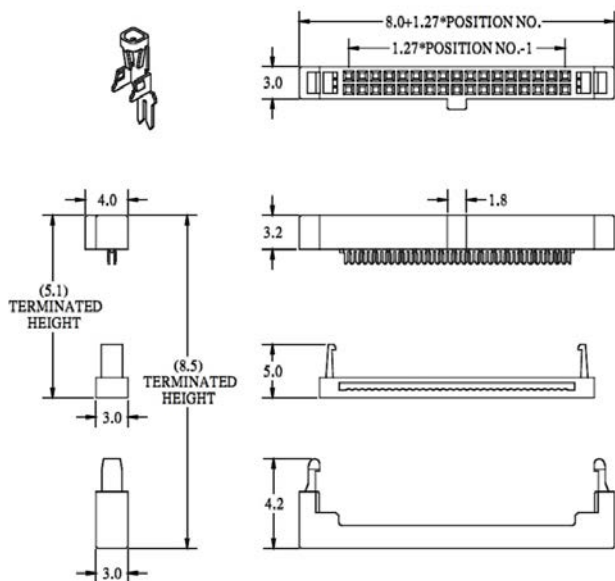
1. CONSTRUCTION TYPE:
1DB, 1CV, 1CW, 1DA
2. NO. OF CONTACTS:
006~080
3. LENGTH IN CM (CENTIMETERS)
4. COLOR OF TWO IDC CONNECTORS:
"B" BLACK
5. PIN LENGTH OF DIP PLUG:
"3" X=3.1MM(STANDARD)
"2" X=1.9MM

NOTE: IDC SOCKET & DIP PLUG CAN'T BE SUPPLIED ALONE.

**0.635MM PITCH FLAT CABLE WITH 1.27MM*1.27MM IDC SOCKET WITH S.R.
(H=8.5MM) TO DIP PLUG (H=5.1MM) (E1)**

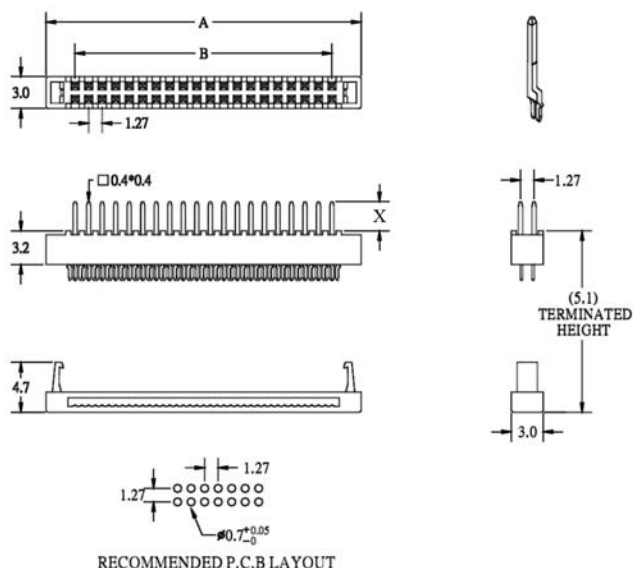


**1.27MM*1.27MM IDC SOCKET WITH S.R.
(BERYLLIUM COPPER)**



NO. OF CONTACTS:
006, 008, 010, 012, 014,
016, 020, 022, 024, 026,
030, 034, 040, 044, 050,
060, 068, 080

1.27MM*1.27MM DIP PLUG



A=B+5.47
B=1.27*POSITIONS/2-1.27
X= PIN LENGTH

NO. OF CONTACTS:
006, 008, 010, 012, 014,
016, 020, 022, 026, 030,
034, 040, 044, 050, 060,
068, 080

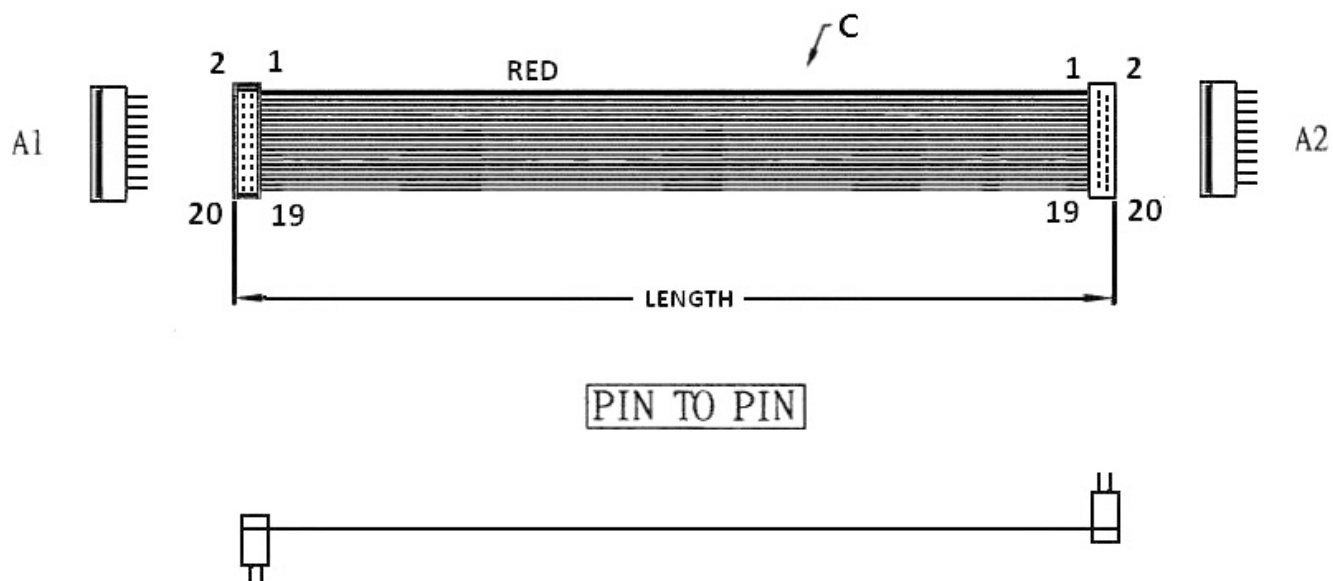
ORDERING INFORMATION:

P/N **K** **x x x x x x** **-** **x x** **C** **M** **B** **x**
 1 2 3 4 5

- | | |
|--|---|
| <p>1. CONSTRUCTION TYPE:
1CR, 1CS, 1CT, 1CU</p> <p>2. NO. OF CONTACTS:
006~080</p> <p>3. LENGTH IN CM (CENTIMETERS)</p> <p>4. COLOR OF TWO IDC CONNECTORS:
"B" BLACK</p> | <p>5. PIN LENGTH OF DIP PLUG:
"3" X=3.1MM(STANDARD)
"2" X=1.9MM</p> |
|--|---|

NOTE: IDC SOCKET & DIP PLUG CAN'T BE SUPPLIED ALONE.

0.635MM PITCH FLAT CABLE WITH 2* 1.27MMX1.27MM DIP PLUGS (H=5.0MM) (F1)

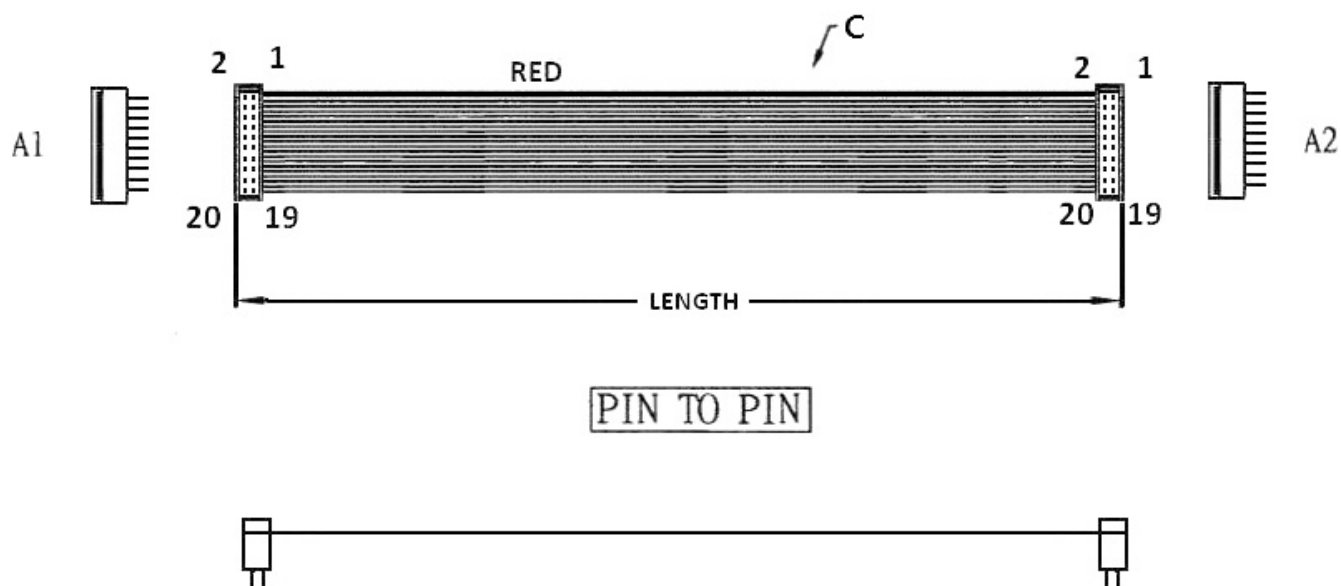


ORDERING INFORMATION:

P/N $\frac{K}{1} \frac{G}{2} \frac{XX}{3} \frac{DD}{4} - \frac{XX}{4} \frac{C}{5} \frac{M}{5} \frac{B}{5}$

1. FLAT CABLE TYPE:
"KG" 0.635MM AWG30 UL2678 VW-1
PVC INSULATION DEEP GRAY
2. NO. OF CONTACTS:
06~80
3. CONNECTORS AT TWO ENDS:
"DD" 1.27MMX1.27MM DIP PLUG TO
1.27MMX1.27MM DIP PLUG
4. LENGTH IN CM (CENTIMETERS)
5. COLOR OF TWO IDC CONNECTORS:
"B" BLACK

0.635MM PITCH FLAT CABLE WITH 2* 1.27MMX1.27MM DIP PLUGS (H=5.0MM) (F2)

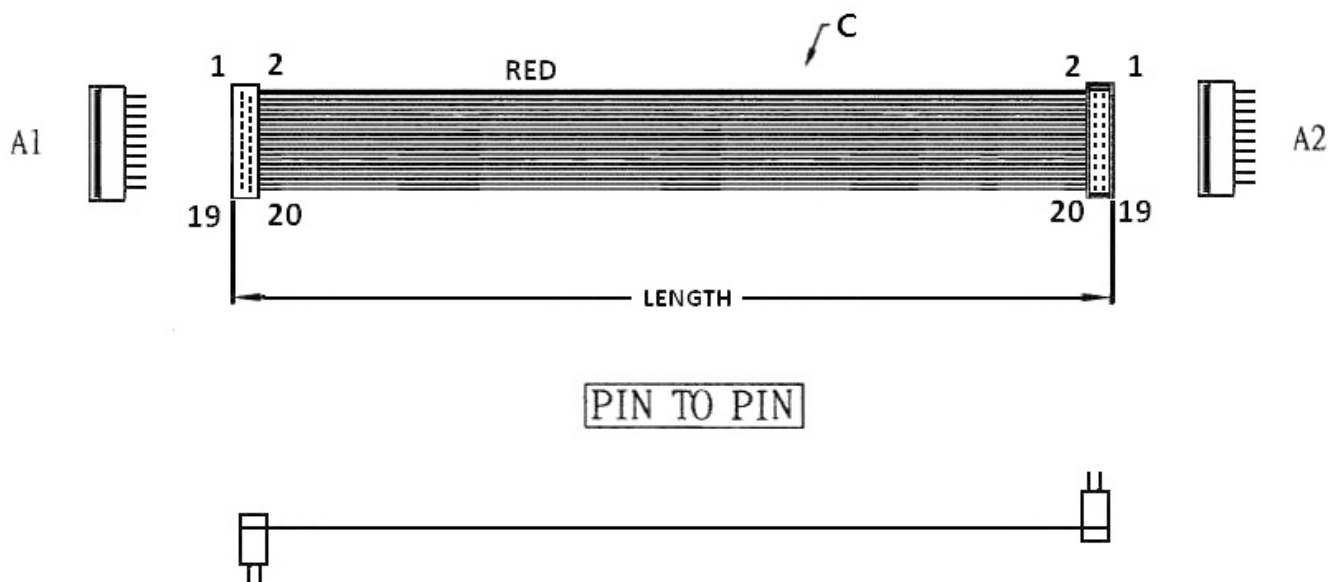


ORDERING INFORMATION:

P/N $\frac{KG}{1} \frac{XX}{2} \frac{DP}{3} - \frac{XX}{4} \frac{CM}{5} \frac{B}{5}$

1. FLAT CABLE TYPE:
"KG" 0.635MM AWG30 UL2678 VW-1
PVC INSULATION DEEP GRAY
2. NO. OF CONTACTS:
06~80
3. CONNECTORS AT TWO ENDS:
"DP" 1.27MMX1.27MM DIP PLUG TO
1.27MMX1.27MM DIP PLUG
4. LENGTH IN CM (CENTIMETERS)
5. COLOR OF TWO IDC CONNECTORS:
"B" BLACK

0.635MM PITCH FLAT CABLE WITH 2* 1.27MMX1.27MM DIP PLUGS (H=5.0MM) (F3)

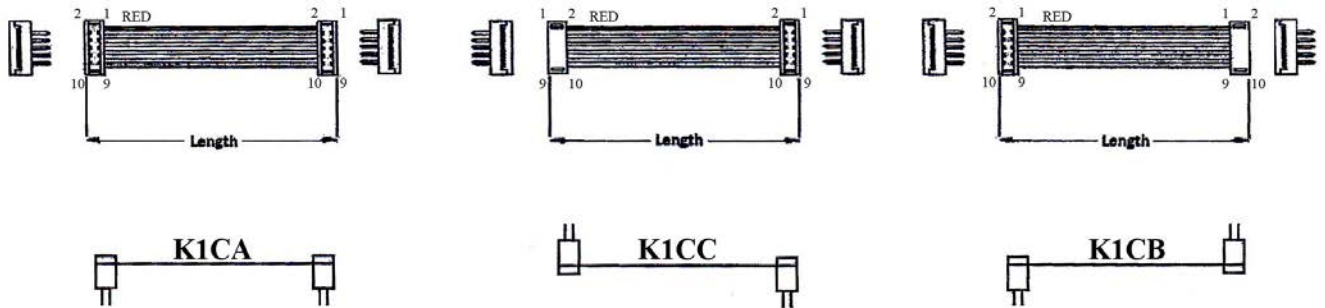


ORDERING INFORMATION:

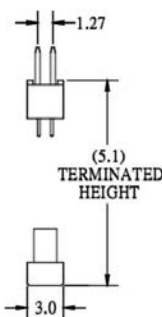
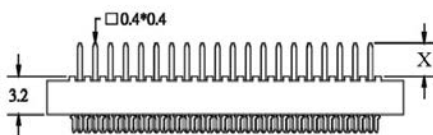
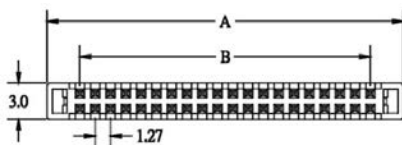
P/N $\frac{KG}{1} \frac{xx}{2} \frac{PP}{3} - \frac{xx}{4} C M \frac{B}{5}$

1. FLAT CABLE TYPE:
"KG" 0.635MM AWG30 UL2678 VW-1
PVC INSULATION DEEP GRAY
2. NO. OF CONTACTS:
06~80
3. CONNECTORS AT TWO ENDS:
"PP" 1.27MMX1.27MM DIP PLUG TO
1.27MMX1.27MM DIP PLUG
4. LENGTH IN CM (CENTIMETERS)
5. COLOR OF TWO IDC CONNECTORS:
"B" BLACK

0.635MM PITCH FLAT CABLE WITH 2*1.27MM*1.27MM DIP PLUGS (H=5.1MM) (F4)

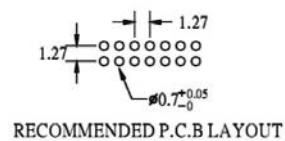


1.27MM*1.27MM PITCH DIP PLUG



$A=B+5.47$
 $B=1.27*POSITIONS/2-1.27$
 $X=PIN LENGTH$

NO. OF CONTACTS:
 006, 008, 010, 012, 014,
 016, 020, 022, 026, 030,
 034, 040, 044, 050, 060,
 068, 080



ORDERING INFORMATION:

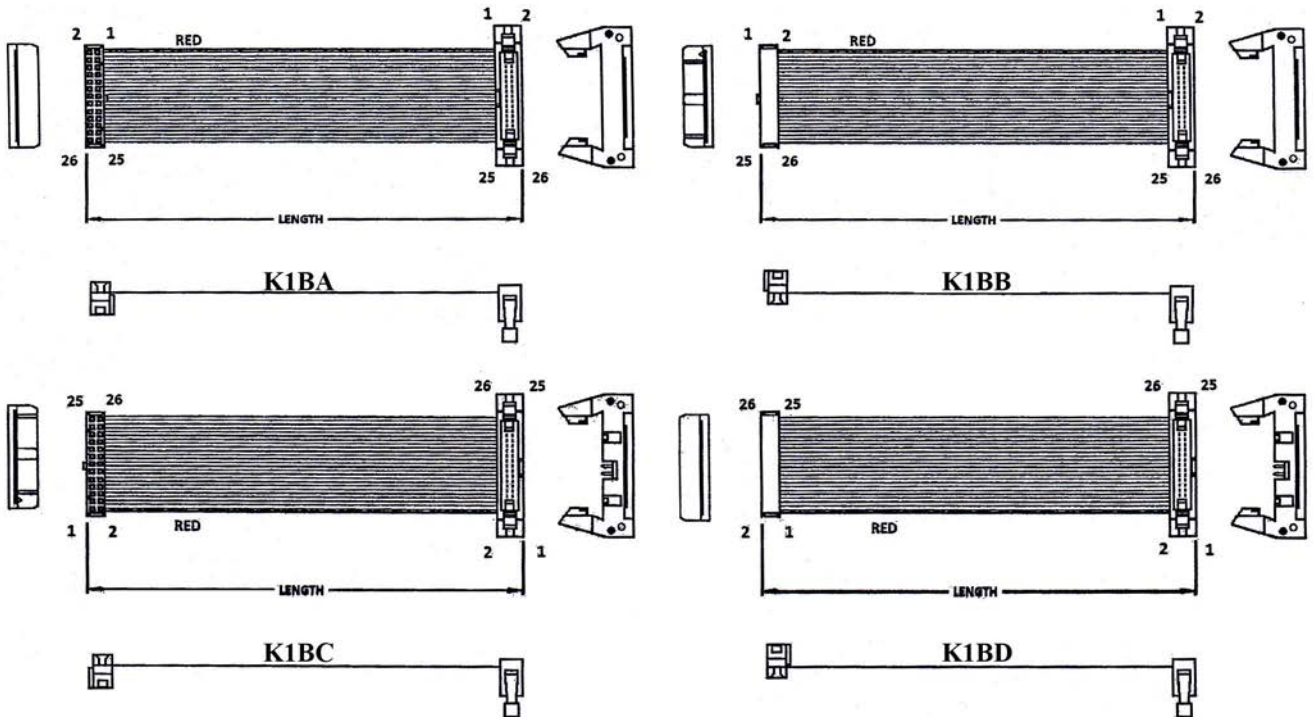
P/N **K** **X** **X** **X** **X** **X** **X** - **X** **X** **C** **M** **B** **X**

- CONSTRUCTION TYPE:
1CA, 1CB, 1CC
- NO. OF CONTACTS:
010~100
- LENGTH IN CM (CENTIMETERS)
- COLOR OF TWO IDC CONNECTORS:
"B" BLACK

- PIN LENGTH OF DIP PLUG:
"3" X= 3.1MM (STANDARD)
"2" X= 1.9MM

NOTE: DIP PLUG CAN'T BE SUPPLIED ALONE.

**0.635MM PITCH FLAT CABLE WITH 1.27MM*1.27MM IDC SOCKET W/O S.R.
ECONOMICAL TYPE (H=5.1MM) TO IDC PLUG WITH LATCHES (G1)**

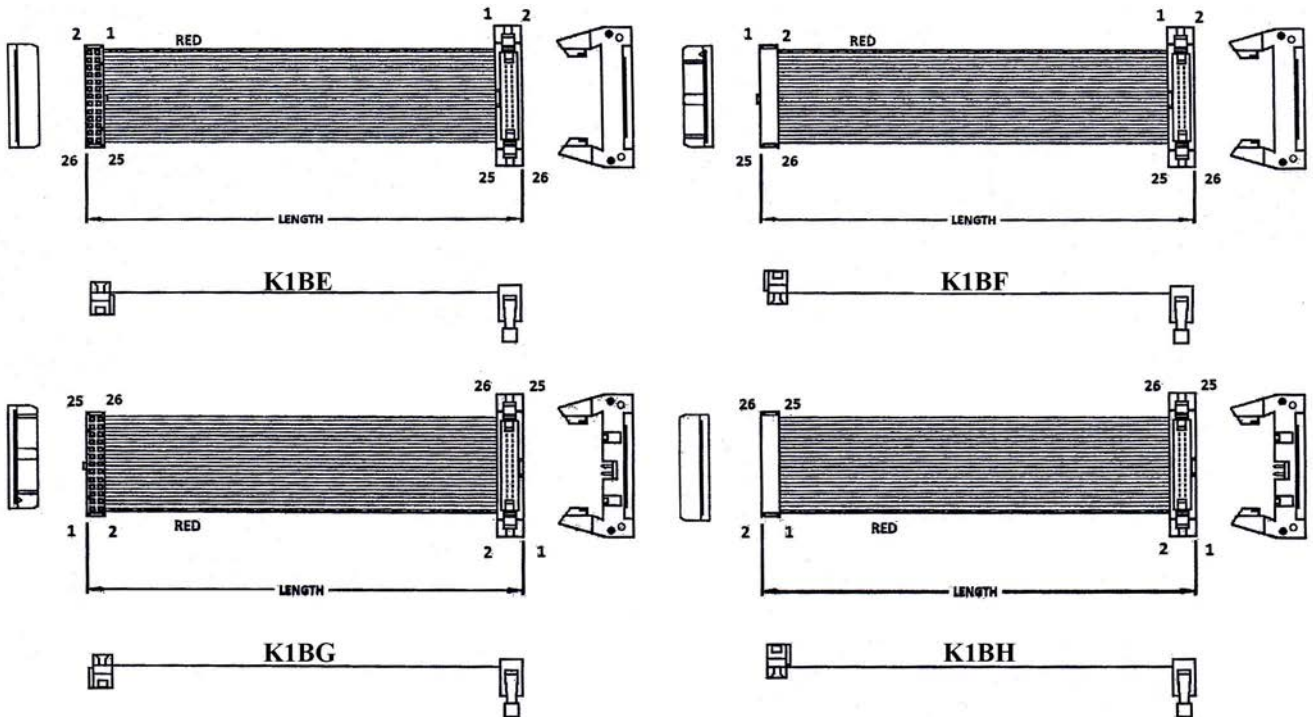


ORDERING INFORMATION:

P/N K $\frac{x}{1} \frac{x}{2} \frac{x}{3} \frac{x}{4}$ C M B

1. CONSTRUCTION TYPE:
1BA, 1BB, 1BC, 1BD
2. NO. OF CONTACTS:
006~080
3. LENGTH IN CM (CENTIMETERS)
4. COLOR OF IDC CONNECTOR:
"B" BLACK

**0.635MM PITCH FLAT CABLE WITH 1.27MM*1.27MM IDC SOCKET W/O S.R.
(BERYLLIUM COPPER, H=5.1MM) TO IDC PLUG WITH LATCHES (G2)**

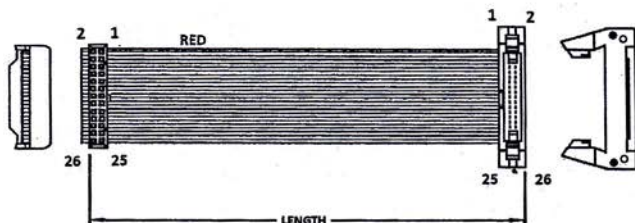


ORDERING INFORMATION:

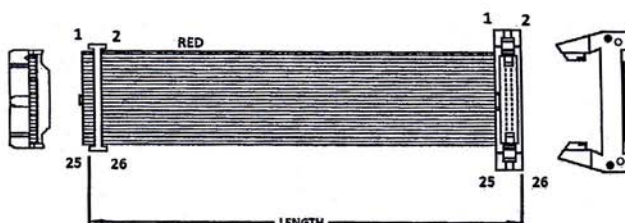
P/N K $\frac{x}{1} \frac{x}{2} \frac{x}{3} \frac{x}{4}$ C M B

1. CONSTRUCTION TYPE:
1BE, 1BF, 1BG, 1BH
2. NO. OF CONTACTS:
006~080
3. LENGTH IN CM (CENTIMETERS)
4. COLOR OF IDC CONNECTOR:
"B" BLACK

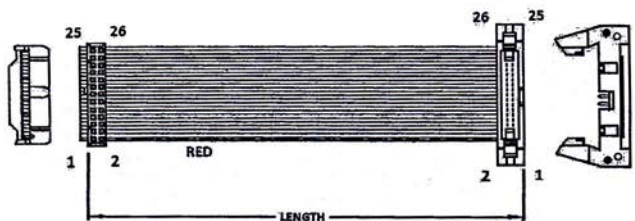
**0.635MM PITCH FLAT CABLE WITH 1.27MM*1.27MM IDC SOCKET WITH S.R.
(BERYLLIUM COPPER, H=8.5MM) TO IDC PLUG WITH LATCHES (H1)**



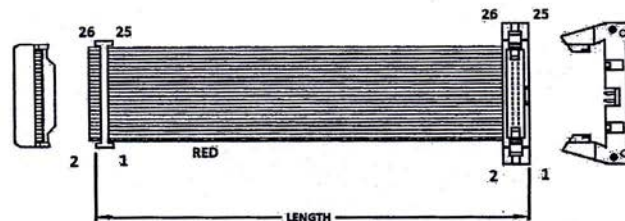
K1BJ



K1BK



K1BL



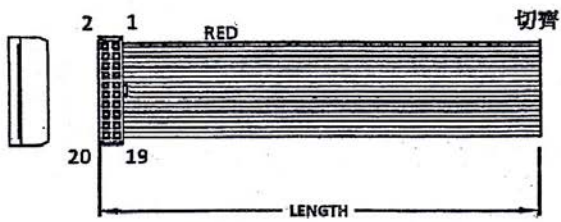
K1BM

ORDERING INFORMATION:

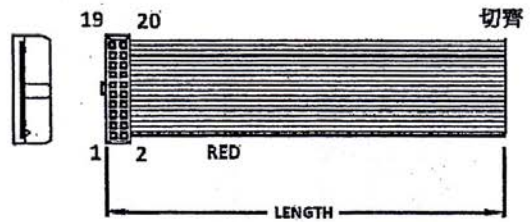
P/N K $\frac{x}{1} \frac{x}{2} \frac{x}{3} \frac{x}{4}$ - $\frac{xx}{3}$ C M B $\frac{4}{4}$

1. CONSTRUCTION TYPE:
1BJ, 1BK, 1BL, 1BM
2. NO. OF CONTACTS:
006~080
3. LENGTH IN CM (CENTIMETERS)
4. COLOR OF IDC CONNECTOR:
"B" BLACK

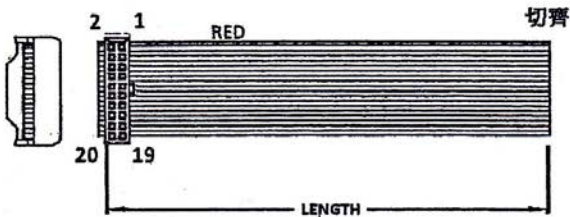
0.635MM PITCH FLAT CABLE WITH 1.27MM*1.27MM IDC SOCKET (BERYLLIUM COPPER, H=5.1MM & 8.5MM) TO OPEN END



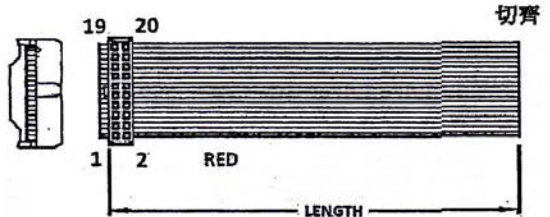
K1BN



K1BP



K1BQ



K1BR

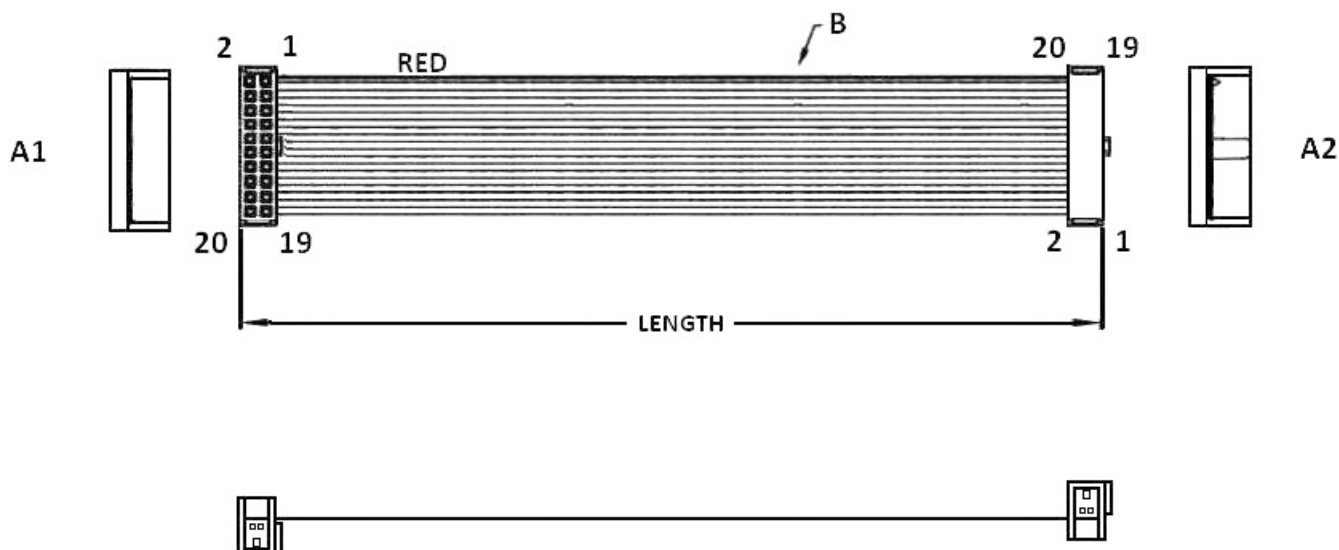
ORDERING INFORMATION:

P/N K 1 19 00 - 00 C M B

1. CONSTRUCTION TYPE:
IDC SOCKET W/O S.R. : 1BN, 1BP (H=5.1MM)
IDC SOCKET WITH S.R. : 1BQ, 1BR (H=8.5MM)
2. NO. OF CONTACTS:
006~080
3. LENGTH IN CM (CENTIMETERS)
4. COLOR OF IDC CONNECTOR:
"B" BLACK

NOTE: IDC SOCKET CAN'T BE SUPPLIED ALONE.

**0.635MM PITCH FLAT CABLE WITH 2*
1.27MMX2.54MM PITCH IDC SOCKETS WITHOUT STRAIN RELIEF (H=7.8MM) (A1)**

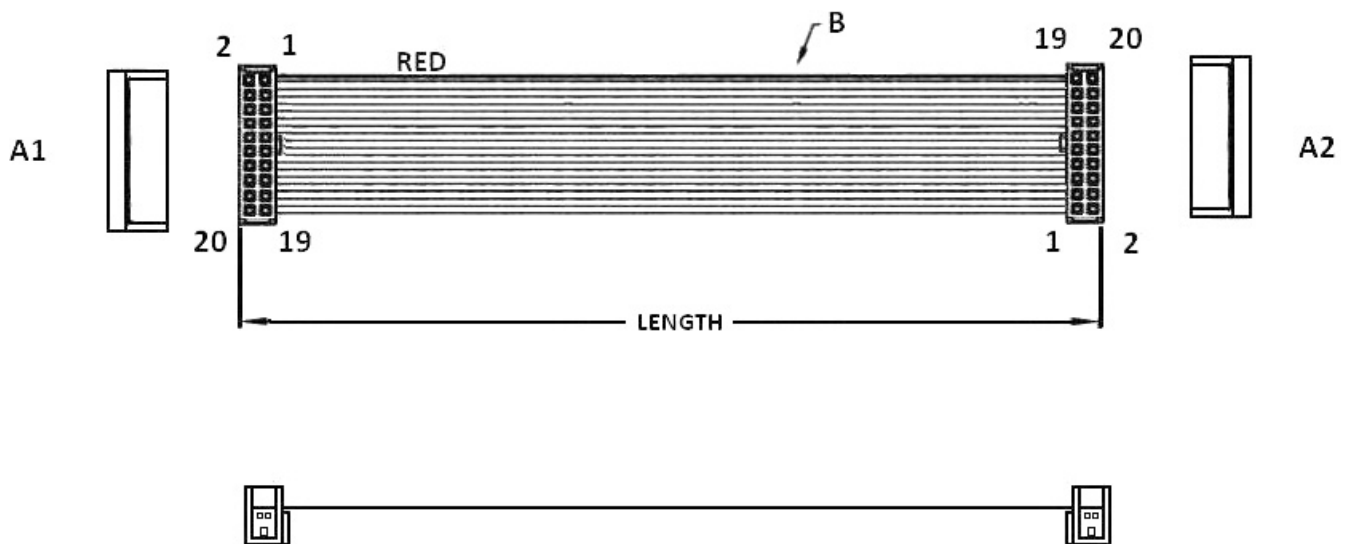


ORDERING INFORMATION:

P/N $\frac{KE}{1} \frac{xx}{2} \frac{KI}{3} - \frac{xx}{4} C M \frac{B}{5}$

1. FLAT CABLE TYPE:
"KE" 0.635MM AWG30 UL2678 VW-1
PVC INSULATION DEEP GRAY
2. NO. OF CONTACTS:
10~100
3. CONNECTORS AT TWO ENDS:
"KI" 1.27MMX2.54MM IDC SOCKET WITH NOSE W/O S.R. TO
1.27MMX2.54MM IDC SOCKET WITH NOSE W/O S.R.
4. LENGTH IN CM (CENTIMETERS)
5. COLOR OF TWO IDC CONNECTORS:
"B" BLACK

**0.635MM PITCH FLAT CABLE WITH 2*
1.27MMX2.54MM PITCH IDC SOCKET WITHOUT STRAIN RELIEF (H=7.8MM) (A2)**

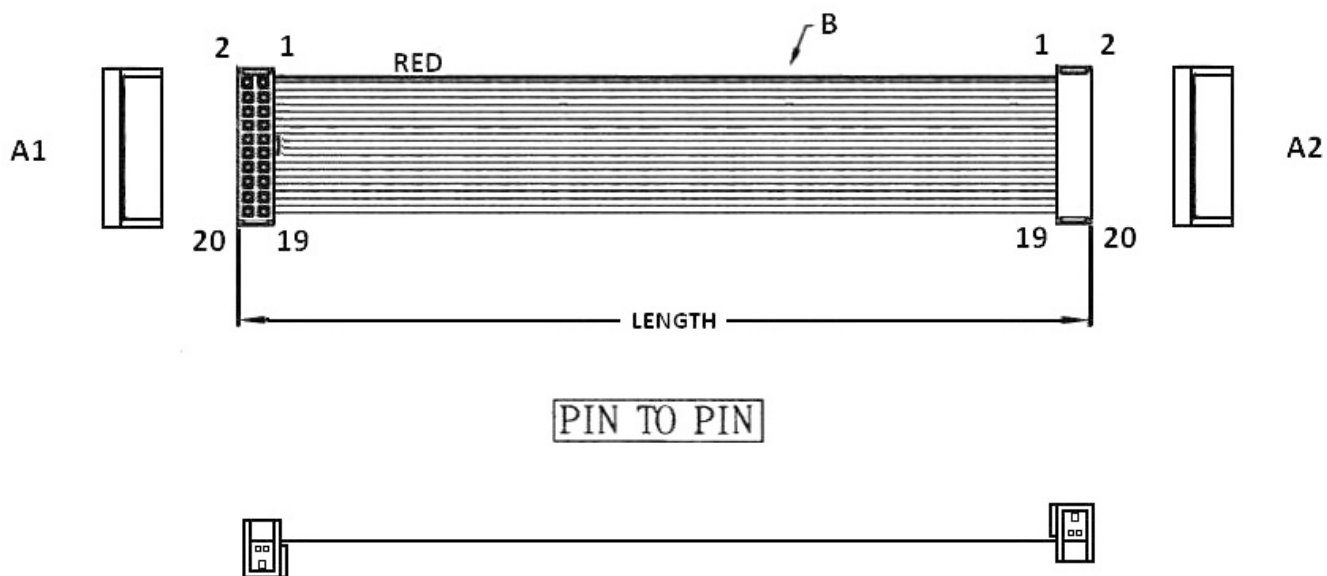


ORDERING INFORMATION:

P/N $\frac{KE}{1} \frac{xx}{2} \frac{K8}{3} - \frac{xx}{4} \frac{CM}{5} \frac{B}{5}$

1. FLAT CABLE TYPE:
"KE" 0.635MM AWG30 UL2678 VW-1
PVC INSULATION DEEP GRAY
2. NO. OF CONTACTS:
10~100
3. CONNECTORS AT TWO ENDS:
"K8" 1.27MMX2.54MM IDC SOCKET WITH NOSE W/O S.R. TO
1.27MMX2.54MM IDC SOCKET WITH NOSE W/O S.R.
4. LENGTH IN CM (CENTIMETERS)
5. COLOR OF TWO IDC CONNECTORS:
"B" BLACK

**0.635MM PITCH FLAT CABLE WITH 2*
1.27MMX2.54MM PITCH IDC SOCKETS WITHOUT STRAIN RELIEF (H=7.8MM) (A3)**

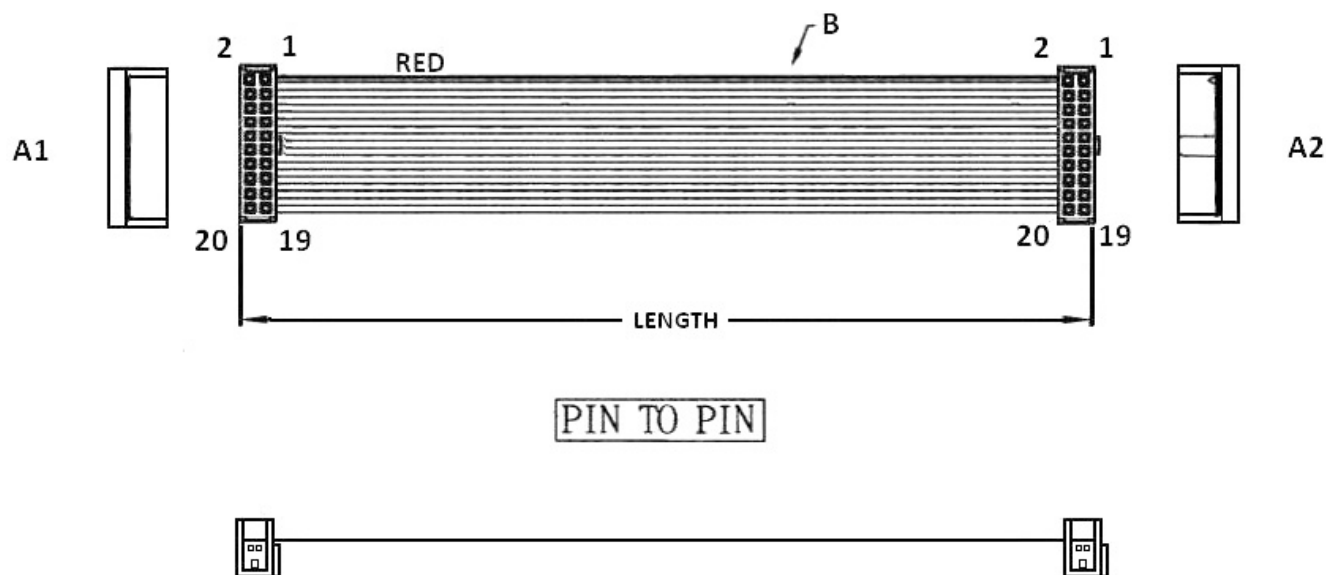


ORDERING INFORMATION:

P/N $\frac{KE}{1} \frac{XX}{2} \frac{KK}{3} - \frac{XX}{4} \frac{CM}{5} \frac{B}{5}$

1. FLAT CABLE TYPE:
"KE" 0.635MM AWG30 UL2678 VW-1
PVC INSULATION DEEP GRAY
2. NO. OF CONTACTS:
10~100
3. CONNECTORS AT TWO ENDS:
"KK" 1.27MMX2.54MM IDC SOCKET WITH NOSE W/O S.R. TO
1.27MMX2.54MM IDC SOCKET WITH NOSE W/O S.R.
4. LENGTH IN CM (CENTIMETERS)
5. COLOR OF TWO IDC CONNECTORS:
"B" BLACK

**0.635MM PITCH FLAT CABLE WITH 2*
1.27MMX2.54MM PITCH IDC SOCKETS WITHOUT STRAIN RELIEF (H=7.8MM) (A4)**

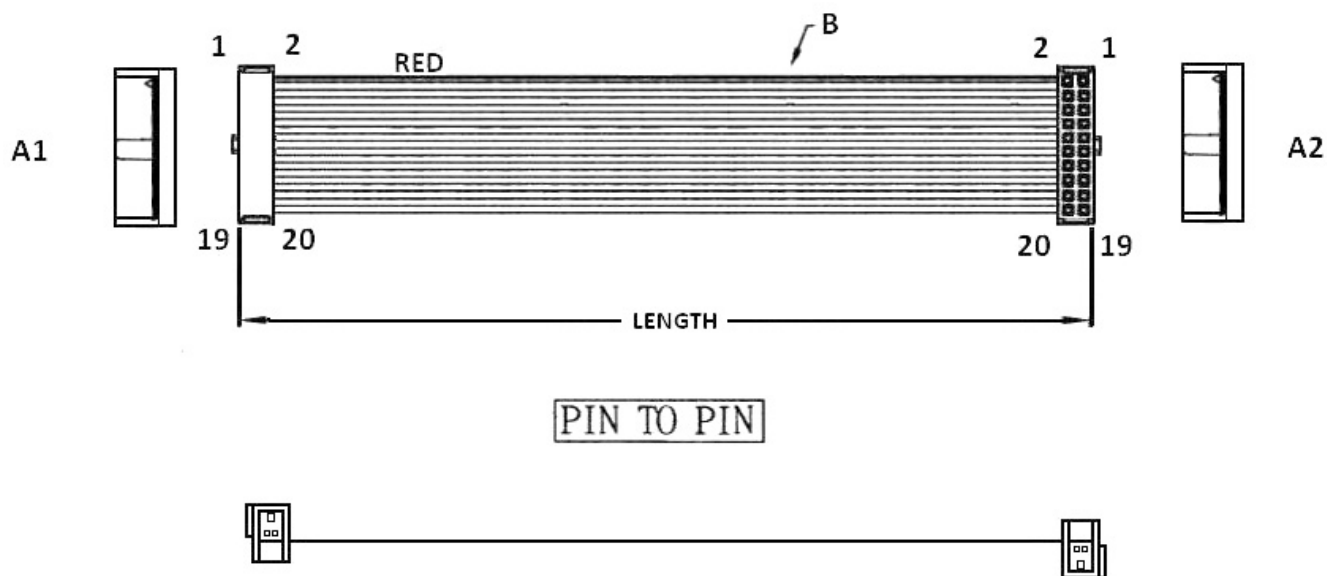


ORDERING INFORMATION:

P/N $\frac{KE}{1} \frac{xx}{2} \frac{KL}{3} - \frac{xx}{4} C M \frac{B}{5}$

1. FLAT CABLE TYPE:
"KE" 0.635MM AWG30 UL2678 VW-1
PVC INSULATION DEEP GRAY
2. NO. OF CONTACTS:
10~100
3. CONNECTORS AT TWO ENDS:
"KL" 1.27MMX2.54MM IDC SOCKET WITH NOSE W/O S.R. TO
1.27MMX2.54MM IDC SOCKET WITH NOSE W/O S.R.
4. LENGTH IN CM (CENTIMETERS)
5. COLOR OF TWO IDC CONNECTORS:
"B" BLACK

**0.635MM PITCH FLAT CABLE WITH 2*
1.27MMX2.54MM PITCH IDC SOCKETS WITHOUT STRAIN RELIEF (H=7.8MM) (A5)**

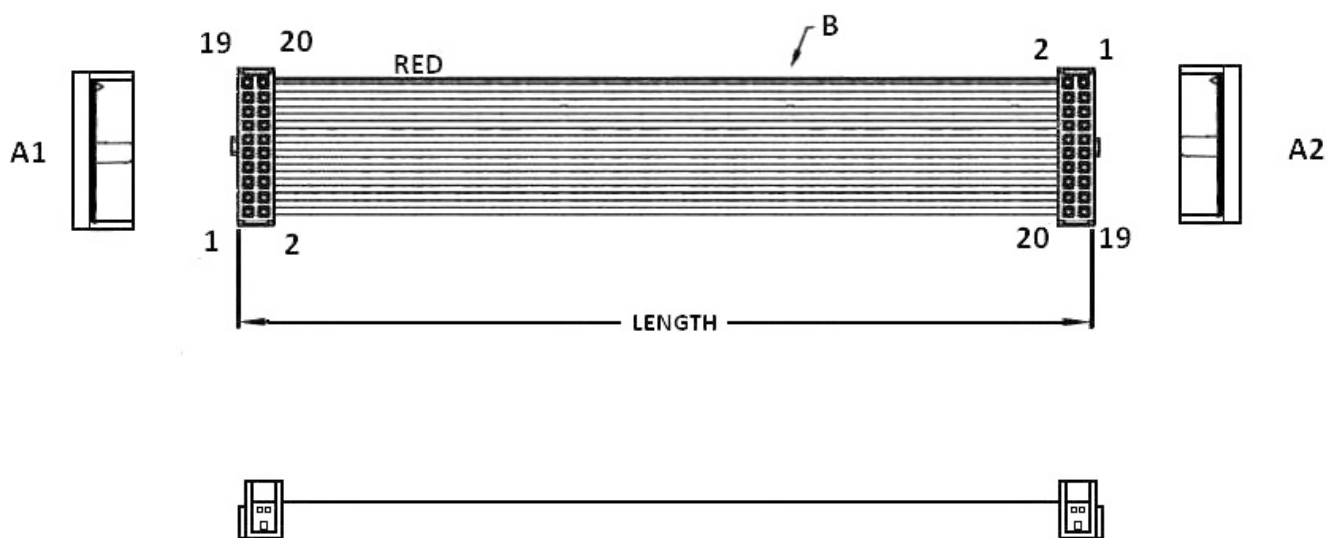


ORDERING INFORMATION:

P/N $\frac{\text{KE}}{1}$ $\frac{\text{xx}}{2}$ $\frac{\text{LL}}{3}$ - $\frac{\text{xx}}{4}$ **CM** $\frac{\text{B}}{5}$

1. FLAT CABLE TYPE:
"KE" 0.635MM AWG30 UL2678 VW-1
PVC INSULATION DEEP GRAY
2. NO. OF CONTACTS:
10~100
3. CONNECTORS AT TWO ENDS:
"LL" 1.27MMX2.54MM IDC SOCKET WITH NOSE W/O S.R. TO
1.27MMX2.54MM IDC SOCKET WITH NOSE W/O S.R.
4. LENGTH IN CM (CENTIMETERS)
5. COLOR OF TWO IDC CONNECTORS:
"B" BLACK

**0.635MM PITCH FLAT CABLE WITH 2*
1.27MMX2.54MM PITCH IDC SOCKETS WITHOUT STRAIN RELIEF (H=7.8MM) (A6)**

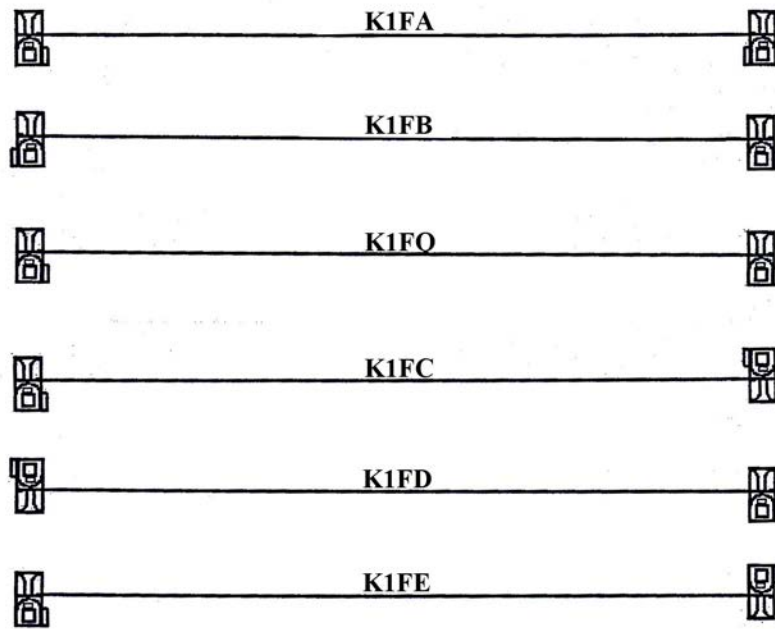


ORDERING INFORMATION:

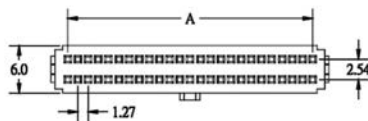
P/N $\frac{KE}{1} \frac{xx}{2} \frac{LI}{3} - \frac{xx}{4} CM \frac{B}{5}$

1. FLAT CABLE TYPE:
"KE" 0.635MM AWG30 UL2678 VW-1
PVC INSULATION DEEP GRAY
2. NO. OF CONTACTS:
10~100
3. CONNECTORS AT TWO ENDS:
"LI" 1.27MMX2.54MM IDC SOCKET WITH NOSE W/O S.R. TO
1.27MMX2.54MM IDC SOCKET WITH NOSE W/O S.R.
4. LENGTH IN CM (CENTIMETERS)
5. COLOR OF TWO IDC CONNECTORS:
"B" BLACK

0.635MM PITCH FLAT CABLE WITH 2*1.27MM*2.54MM IDC SOCKETS (H=8.0MM) (A7)

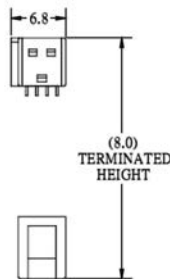
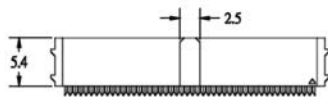


1.27MM*2.54MM IDC SOCKET W/O STRAIN RELIEF

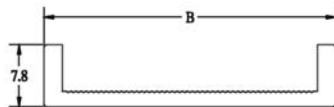


$$A = 1.27 * \text{POSITIONS} / 2 - 1.27$$

$$B = A + 6.12$$



NO. OF CONTACTS:
010, 014, 016, 020, 026,
030, 034, 040, 050, 060,
068, 070, 080, 090, 100



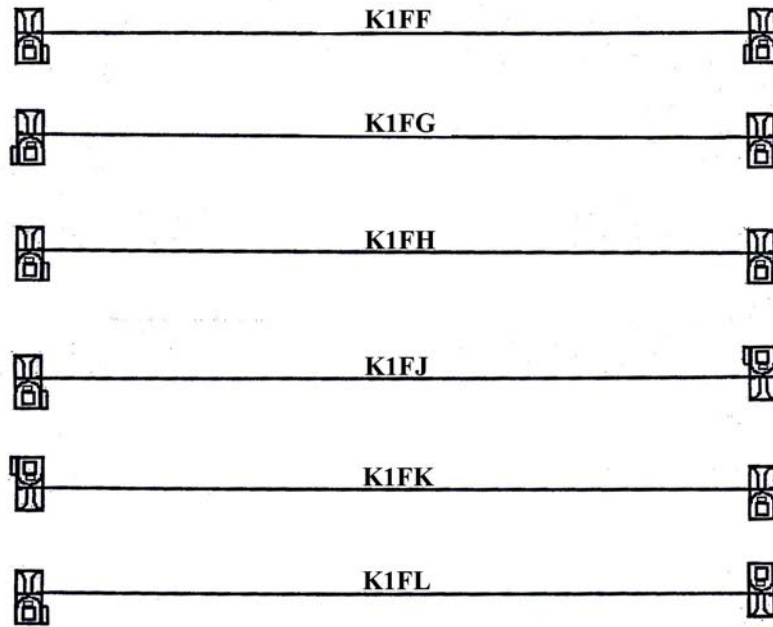
ORDERING INFORMATION:

P/N **K** **x x x x x x** - **x x** **C M B**

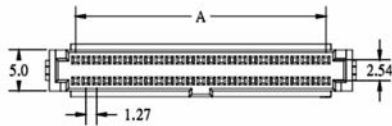
1. CONSTRUCTION TYPE:
1FA, 1FB, 1FQ, 1FC, 1FD, 1FE
2. NO. OF CONTACTS:
010~100
3. LENGTH IN CM (CENTIMETERS)
4. COLOR OF TWO IDC CONNECTORS:
"B" BLACK

NOTE: IDC SOCKET CAN'T BE SUPPLIED ALONE.

0.635MM PITCH FLAT CABLE WITH 2*1.27MM*2.54MM IDC SOCKETS (H=13.1MM) (A8)



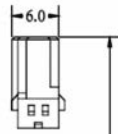
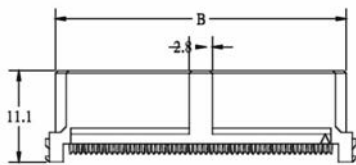
1.27MM*2.54MM PITCH IDC SOCKET W/O STRAIN RELIEF



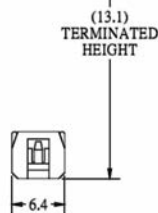
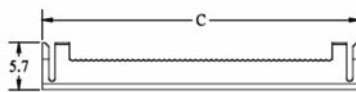
$$A = 1.27 * \text{POSITIONS} / 2 - 1.27$$

$$B = A + 4.88$$

$$C = A + 8.08$$



NO. OF CONTACTS:
010, 020, 026, 030, 034,
040, 050, 060, 068, 080,
100



ORDERING INFORMATION:

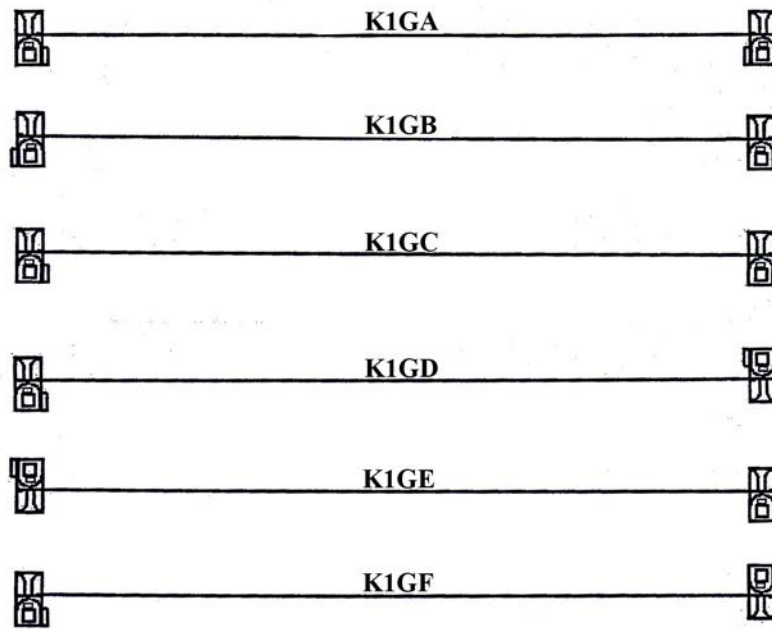
P/N **K** **x x x x x x** - **x x** **C M B**

1 2 3 4

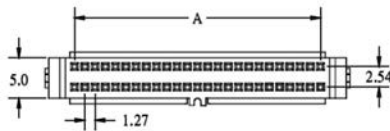
1. CONSTRUCTION TYPE:
1FF, 1FG, 1FH, 1FJ, 1FK, 1FL
2. NO. OF CONTACTS:
010~100
3. LENGTH IN CM (CENTIMETERS)
4. COLOR OF TWO IDC CONNECTORS:
"B" BLACK

NOTE: IDC SOCKET CAN'T BE SUPPLIED ALONE.

**0.635MM PITCH FLAT CABLE
WITH 2*1.27MM*2.54MM SHRUNK IDC SOCKETS (H=13.1MM) (A9)**



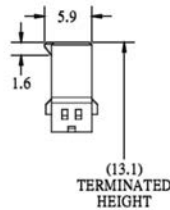
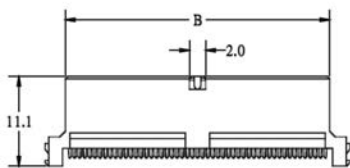
1.27MM*2.54MM PITCH SHRUNK IDC SOCKET W/O STRAIN RELIEF



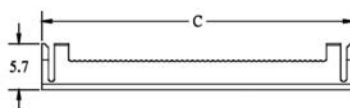
$$A = 1.27 * \text{POSITIONS} / 2 - 1.27$$

$$B = A + 2.28$$

$$C = A + 8.08$$



NO. OF CONTACTS:
010, 020, 026, 030, 034,
040, 050, 060, 068, 080,
100



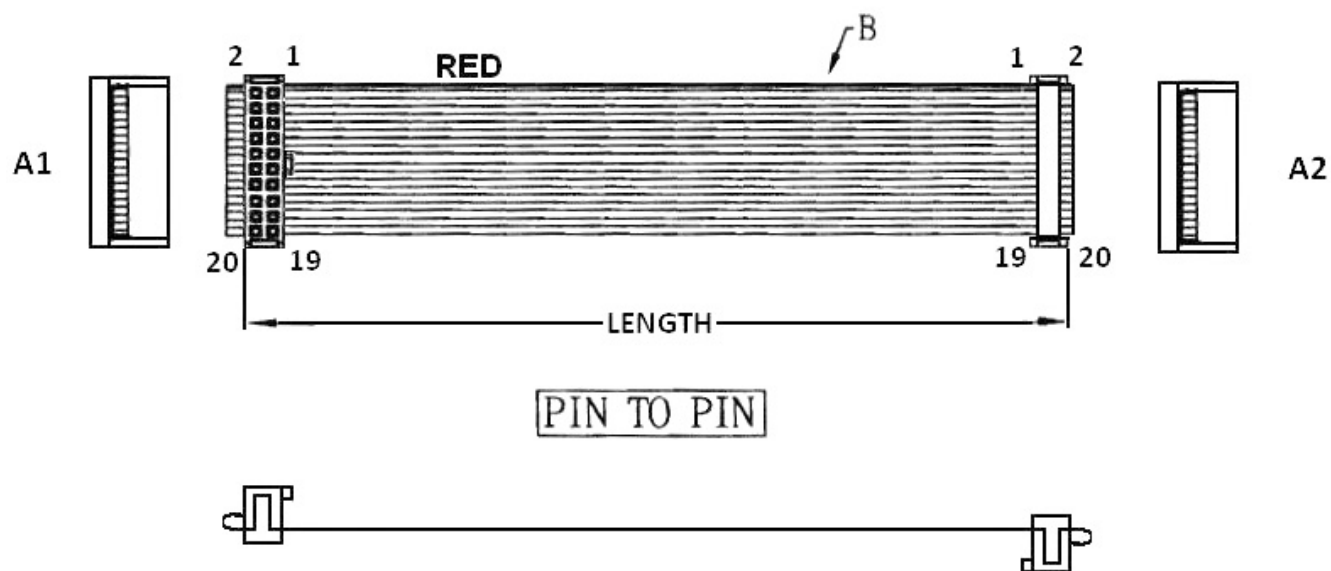
ORDERING INFORMATION:

P/N K 1 2 3 4 C M B

1. CONSTRUCTION TYPE:
1GA, 1GB, 1GC, 1GD, 1GE, 1GF
2. NO. OF CONTACTS:
010~100
3. LENGTH IN CM (CENTIMETERS)
4. COLOR OF TWO IDC CONNECTORS:
"B" BLACK

NOTE: IDC SOCKET CAN'T BE SUPPLIED ALONE.

**0.635MM PITCH FLAT CABLE WITH 2*
1.27MMX2.54MM PITCH IDC SOCKETS WITH STRAIN RELIEFS (H=11.0MM) (B1)**

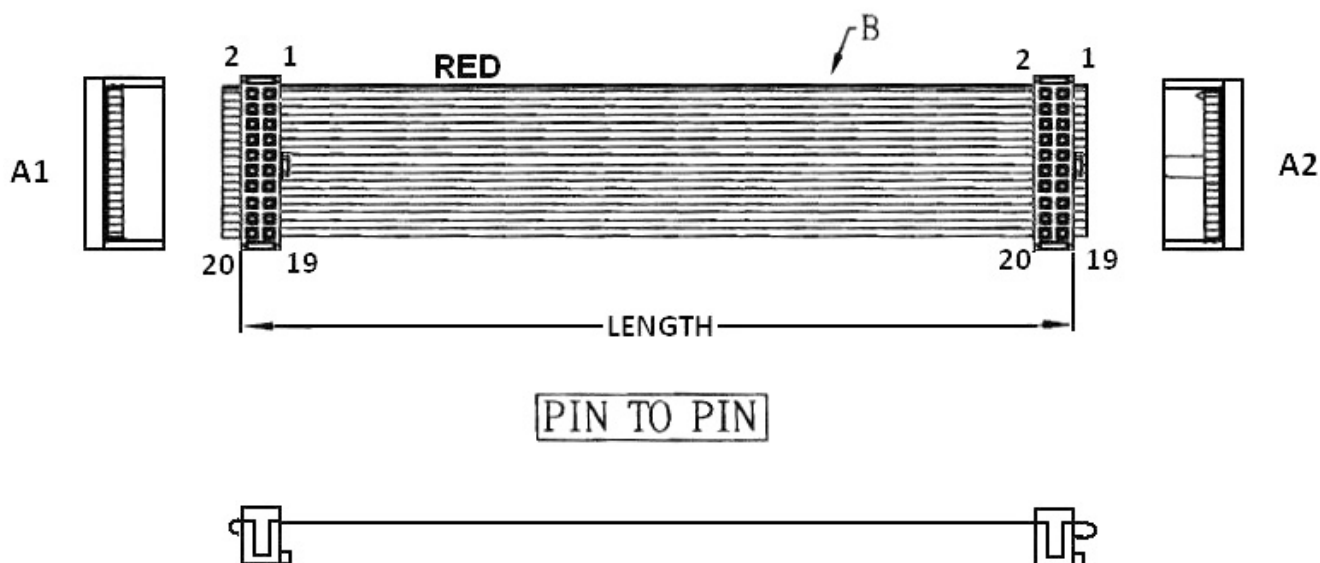


ORDERING INFORMATION:

P/N $\frac{\text{KE}}{1}$ $\frac{\text{XX}}{2}$ $\frac{\text{MM}}{3}$ - $\frac{\text{XX}}{4}$ **CM** $\frac{\text{B}}{5}$

1. FLAT CABLE TYPE:
"KE" 0.635MM AWG30 UL2678 VW-1
PVC INSULATION DEEP GRAY
2. NO. OF CONTACTS:
10~100
3. CONNECTORS AT TWO ENDS:
"MM" 1.27MMX2.54MM IDC SOCKET WITH NOSE & S.R. TO
1.27MMX2.54MM IDC SOCKET WITH NOSE & S.R.
4. LENGTH IN CM (CENTIMETERS)
5. COLOR OF TWO IDC CONNECTORS:
"B" BLACK

**0.635MM PITCH FLAT CABLE WITH 2*
1.27MMX2.54MM PITCH IDC SOCKET WITH STRAIN RELIEFS (H=11.0MM) (B2)**

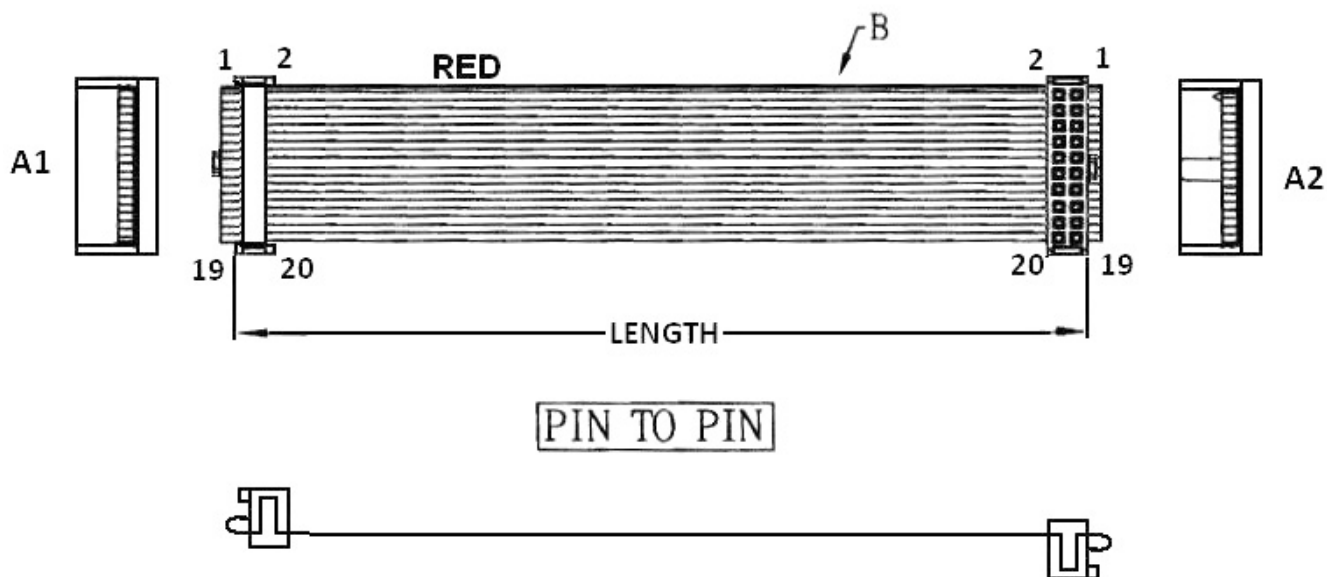


ORDERING INFORMATION:

P/N $\frac{\text{KE}}{1}$ $\frac{\text{xx}}{2}$ $\frac{\text{MN}}{3}$ - $\frac{\text{xx}}{4}$ **CM** $\frac{\text{B}}{5}$

1. FLAT CABLE TYPE:
"KE" 0.635MM AWG30 UL2678 VW-1
PVC INSULATION DEEP GRAY
2. NO. OF CONTACTS:
10~100
3. CONNECTORS AT TWO ENDS:
"MN" 1.27MMX2.54MM IDC SOCKET WITH NOSE & S.R. TO
1.27MMX2.54MM IDC SOCKET WITH NOSE & S.R.
4. LENGTH IN CM (CENTIMETERS)
5. COLOR OF TWO IDC CONNECTORS:
"B" BLACK

**0.635MM PITCH FLAT CABLE WITH 2*
1.27MMX2.54MM PITCH IDC SOCKETS WITH STRAIN RELIEFS (H=11.0MM) (B3)**

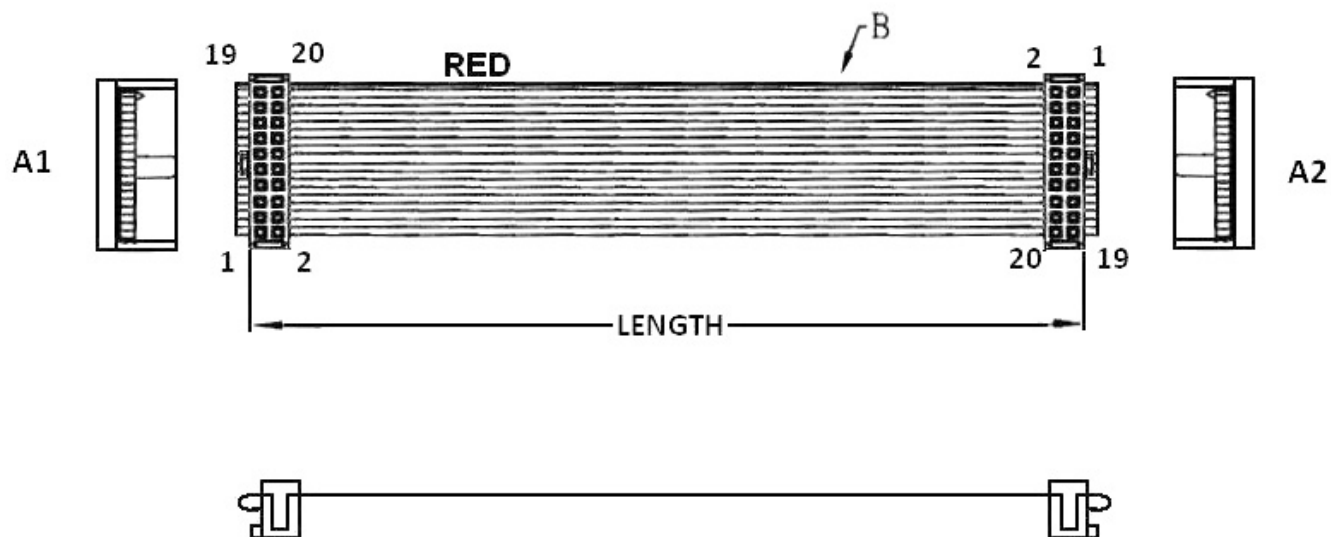


ORDERING INFORMATION:

P/N $\frac{\text{KE}}{1}$ $\frac{\text{XX}}{2}$ $\frac{\text{NN}}{3}$ - $\frac{\text{XX}}{4}$ **C M** $\frac{\text{B}}{5}$

1. FLAT CABLE TYPE:
"KE" 0.635MM AWG30 UL2678 VW-1
PVC INSULATION DEEP GRAY
2. NO. OF CONTACTS:
10~100
3. CONNECTORS AT TWO ENDS:
"NN" 1.27MMX2.54MM IDC SOCKET WITH NOSE & S.R. TO
1.27MMX2.54MM IDC SOCKET WITH NOSE & S.R.
4. LENGTH IN CM (CENTIMETERS)
5. COLOR OF TWO IDC CONNECTORS:
"B" BLACK

**0.635MM PITCH FLAT CABLE WITH 2*
1.27MMX2.54MM PITCH IDC SOCKETS WITH STRAIN RELIEFS (H=11.0MM) (B4)**

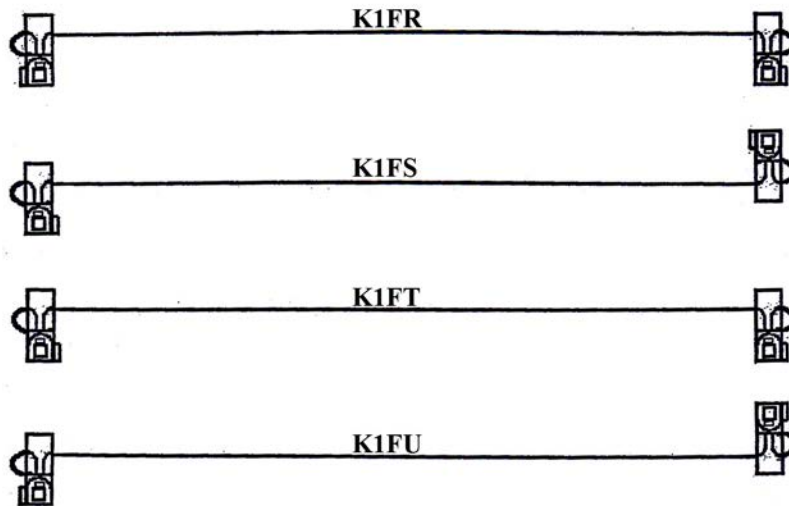


ORDERING INFORMATION:

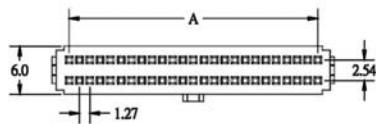
P/N $\frac{KE}{1} \frac{XX}{2} \frac{NX}{3} - \frac{XX}{4} C M \frac{B}{5}$

1. FLAT CABLE TYPE:
"KE" 0.635MM AWG30 UL2678 VW-1
PVC INSULATION DEEP GRAY
2. NO. OF CONTACTS:
10~100
3. CONNECTORS AT TWO ENDS:
"NX" 1.27MMX2.54MM IDC SOCKET WITH NOSE & S.R. TO
1.27MMX2.54MM IDC SOCKET WITH NOSE & S.R.
4. LENGTH IN CM (CENTIMETERS)
5. COLOR OF TWO IDC CONNECTORS:
"B" BLACK

**0.635MM PITCH FLAT CABLE
WITH 2*1.27MM*2.54MM IDC SOCKETS WITH S.R. (H=10.75MM) (B5)**

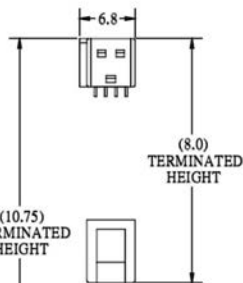
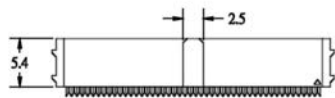


1.27MM*2.54MM IDC SOCKET WITH STRAIN RELIEF

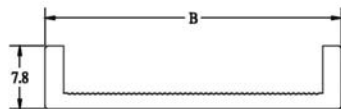


$$A = 1.27 * \text{POSITIONS} / 2 - 1.27$$

$$B = A + 6.12$$



NO. OF CONTACTS:
010, 014, 016, 020, 026,
030, 034, 040, 050, 060,
068, 070, 080, 090, 100



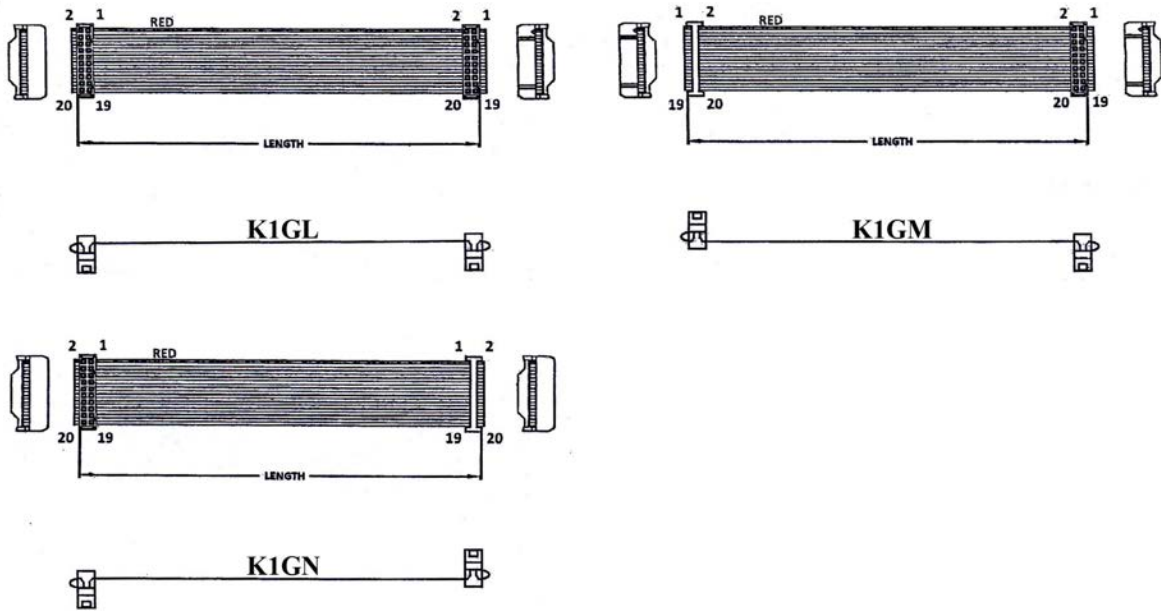
ORDERING INFORMATION:

P/N K $\frac{x}{1} \frac{x}{2} \frac{x}{3} \frac{x}{4} - \frac{x}{3} \frac{x}{4} C M B$

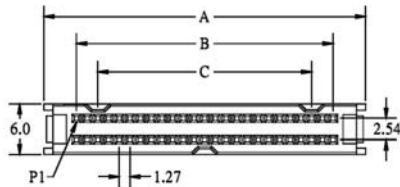
1. CONSTRUCTION TYPE:
1FR, 1FS, 1FT, 1FU
2. NO. OF CONTACTS:
010~100
3. LENGTH IN CM (CENTIMETERS)
4. COLOR OF TWO IDC CONNECTORS:
"B" BLACK

NOTE: IDC SOCKET CAN'T BE SUPPLIED ALONE.

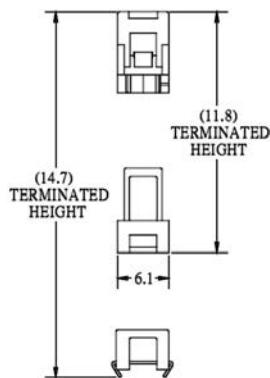
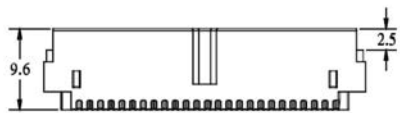
**0.635MM PITCH FLAT CABLE
WITH 2*1.27MM*2.54MM IDC SOCKETS WITH S.R. (H=14.7MM) (B6)**



1.27MM*2.54MM IDC SOCKET WITH BI-LEVEL IDC TERMINATION



$A=B+7.75$
 $B=1.27*POSITIONS/2-1.27$
 $C=B-5.08$



NO. OF CONTACTS:
010, 020, 026, 030, 034,
036, 040, 050, 060, 068,
080, 100

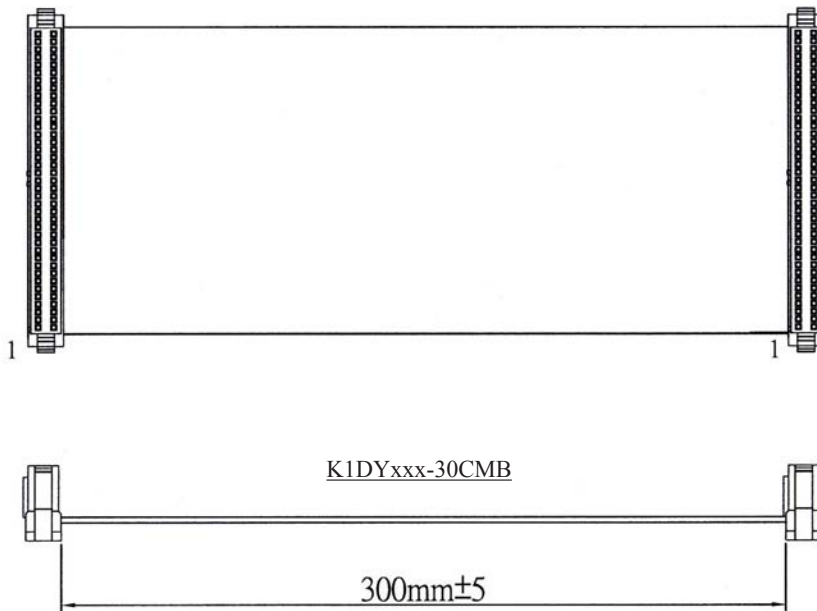
ORDERING INFORMATION:

P/N K 1 2 3 4

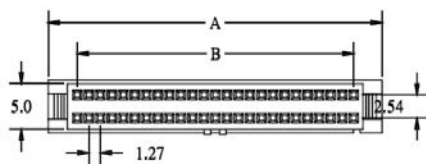
1. CONSTRUCTION TYPE:
1GL, 1GM, 1GN
2. NO. OF CONTACTS:
010~100
3. LENGTH IN CM (CENTIMETERS)
4. COLOR OF TWO IDC CONNECTORS:
"A" GRAY

NOTE: IDC SOCKET CAN'T BE SUPPLIED ALONE.

**0.635MM PITCH FLAT CABLE
WITH 2*1.27MM*2.54MM IDC SOCKETS WITH STEEL LATCH (H=12.4MM)**



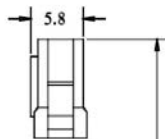
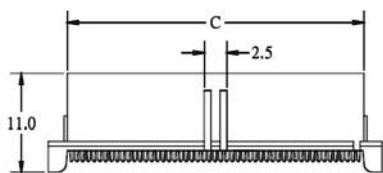
1.27MM*2.54MM IDC SOCKET WITH STEEL LATCH



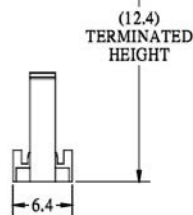
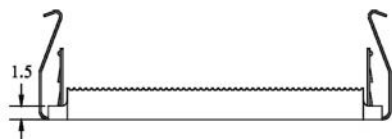
$$A=B+2.35$$

$$B=1.27*POSITIONS/2-1.27$$

$$C=B+6.35$$



NO. OF CONTACTS:
010, 014, 016, 020, 024,
026, 030, 034, 040, 044,
050, 060, 064, 068, 072,
080, 100



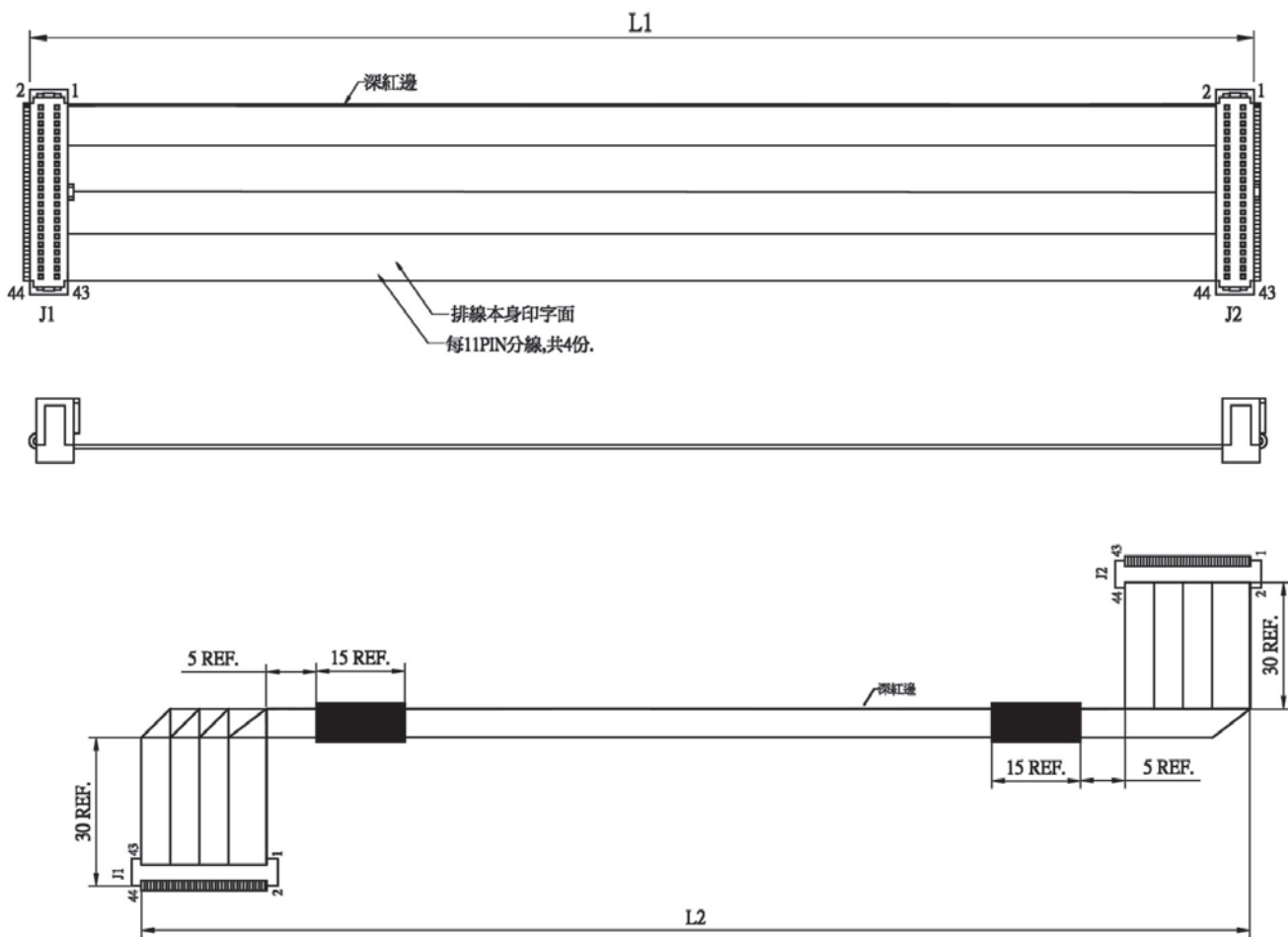
ORDERING INFORMATION:

P/N K $\frac{x}{1}$ $\frac{x}{2}$ $\frac{x}{3}$ $\frac{x}{4}$ C M B

1. CONSTRUCTION TYPE:
1DY
2. NO. OF CONTACTS:
010~100
3. LENGTH IN CM (CENTIMETERS)
4. COLOR OF TWO IDC CONNECTORS:
"B" BLACK

NOTE: IDC SOCKET CAN'T BE SUPPLIED ALONE.

0.635MM FLAT CABLE WITH 2*1.27MM*2.54MM 44 PIN IDC SOCKETS

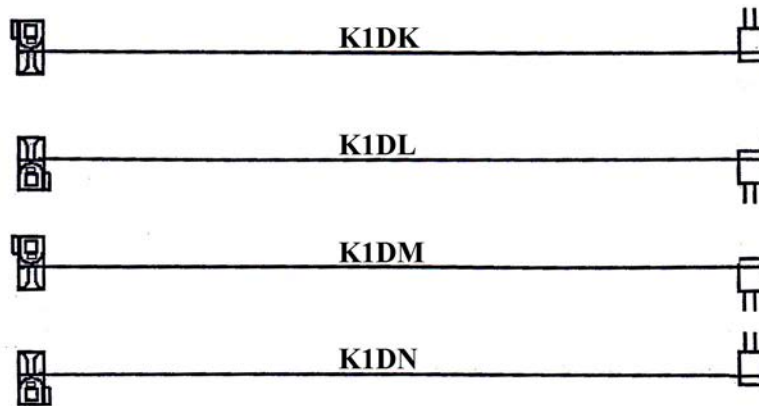


ORDERING INFORMATION:

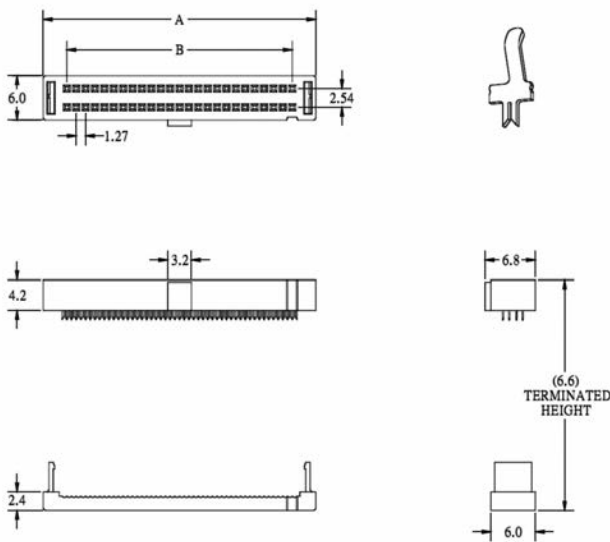
P/N KD44KT - $\frac{L1}{1} / \frac{L2}{2}$ CM

1. LENGTH L1 IN CM
2. LENGTH L2 IN CM

**0.635MM PITCH FLAT CABLE
WITH 1.27MM*2.54MM IDC SOCKET (H=6.6MM) TO DIP PLUG (H=5.5MM) (D1)**



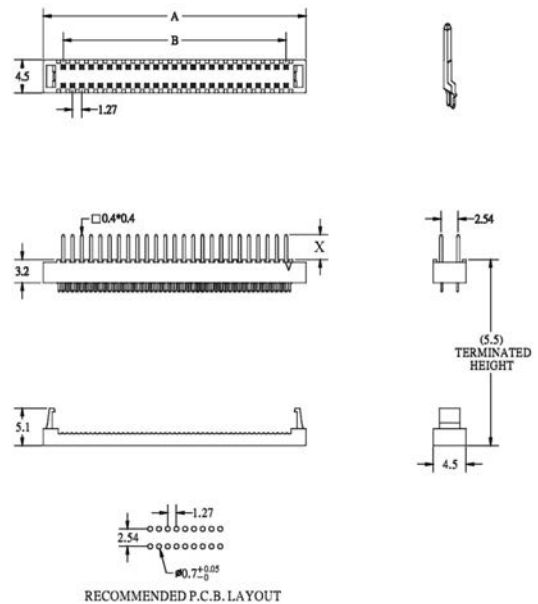
**1.27MM*2.54MM LOW PROFILE
IDC SOCKET W/O S.R.**



$A=B+6.37$
 $B=1.27*POSITIONS/2-1.27$

NO. OF CONTACTS:
010, 014, 016, 020, 026,
030, 034, 040, 050, 060,
068, 070, 080, 090, 100

1.27MM*2.54MM DIP PLUG



$A=B+5.47$
 $B=1.27*POSITIONS/2-1.27$
X=PIN LENGTH

NO. OF CONTACTS:
010, 014, 016, 020, 026,
030, 034, 040, 050, 060,
068, 070, 080, 090, 100

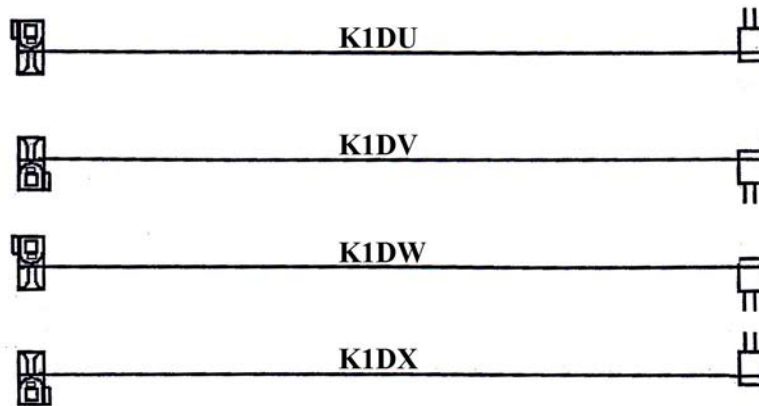
ORDERING INFORMATION:

P/N **K** **x x x x x x** **-** **x x** **C M** **B** **x**
 1 **2** **3** **4** **5**

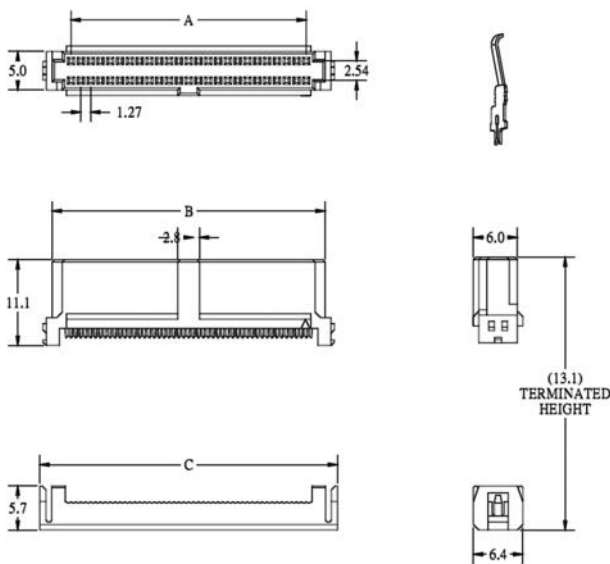
- | | |
|--|--|
| <p>1. CONSTRUCTION TYPE:
1DK, 1DL, 1DM, 1DN</p> <p>2. NO. OF CONTACTS:
010~100</p> <p>3. LENGTH IN CM (CENTIMETERS)</p> <p>4. COLOR OF TWO IDC CONNECTORS:
"B" BLACK</p> | <p>5. PIN LENGTH OF DIP PLUG:
"3" X=3.3MM (STANGARD)
"2" X=2.1MM</p> |
|--|--|

NOTE: IDC SOCKET & DIP PLUG CAN'T BE SUPPLIED ALONE.

**0.635MM PITCH FLAT CABLE
WITH 1.27MM*2.54MM IDC SOCKET (H=13.1MM) TO DIP PLUG (H=5.5MM) (D2)**



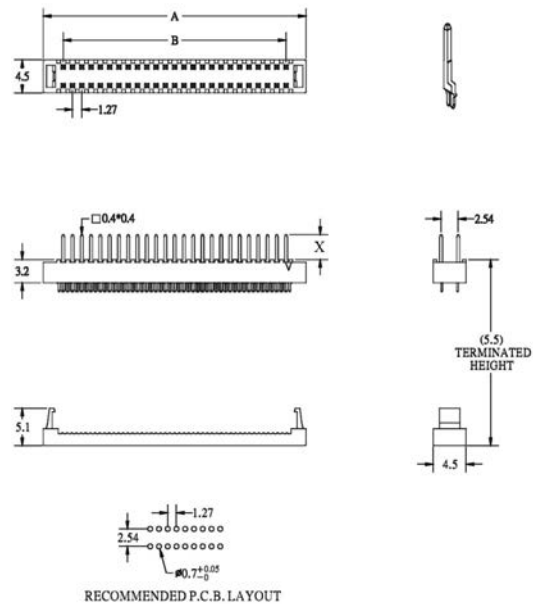
1.27MM*2.54MM IDC SOCKET W/O S.R.



A=1.27*POSITIONS/2-1.27
B=A+4.48
C=A+8.08

NO. OF CONTACTS:
010, 020, 026, 030, 034,
040, 050, 060, 068, 080,
100

1.27MM*2.54MM DIP PLUG



A=B+5.47
B=1.27*POSITIONS/2-1.27
X=PIN LENGTH

NO. OF CONTACTS:
010, 014, 016, 020, 026,
030, 034, 040, 050, 060,
068, 070, 080, 090, 100

ORDERING INFORMATION:

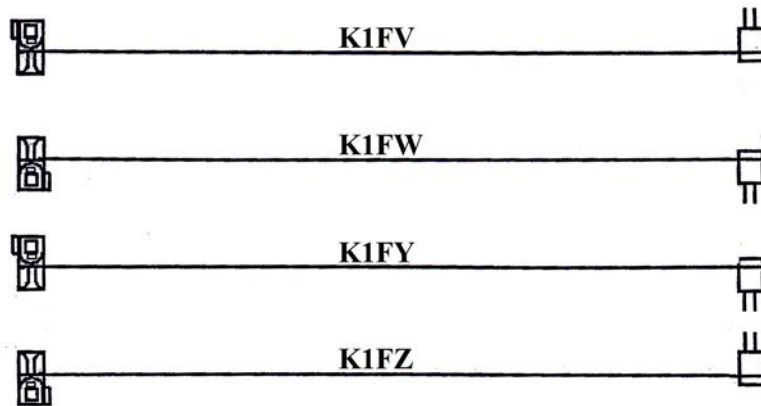
P/N K 1 2 3 4 5 C M B X

1. CONSTRUCTION TYPE:
1DU, 1DV, 1DW, 1DX
2. NO. OF CONTACTS:
010~100
3. LENGTH IN CM (CENTIMETERS)
4. COLOR OF TWO IDC CONNECTORS:
"B" BLACK

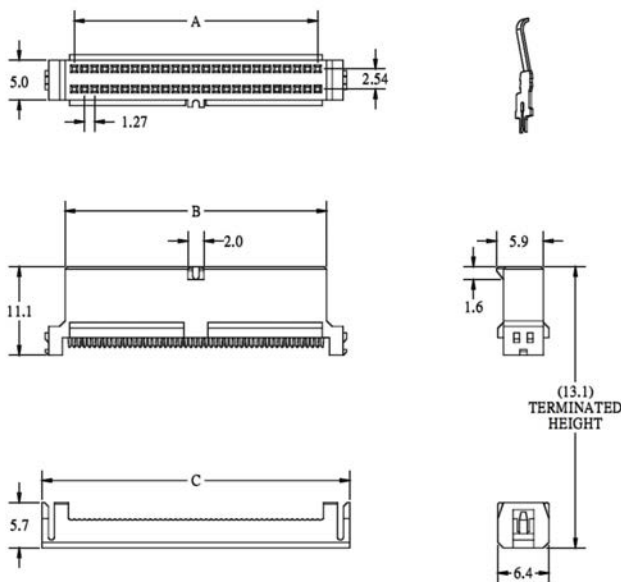
5. PIN LENGTH OF DIP PLUG:
"3" X=3.3MM (STANGARD)
"2" X=2.1MM

NOTE: IDC SOCKET & DIP PLUG CAN'T BE SUPPLIED ALONE.

**0.635MM PITCH FLAT CABLE
WITH 1.27MM*2.54MM SHRUNK IDC SOCKET (H=13.1MM) TO DIP PLUG (H=5.5MM) (D3)**



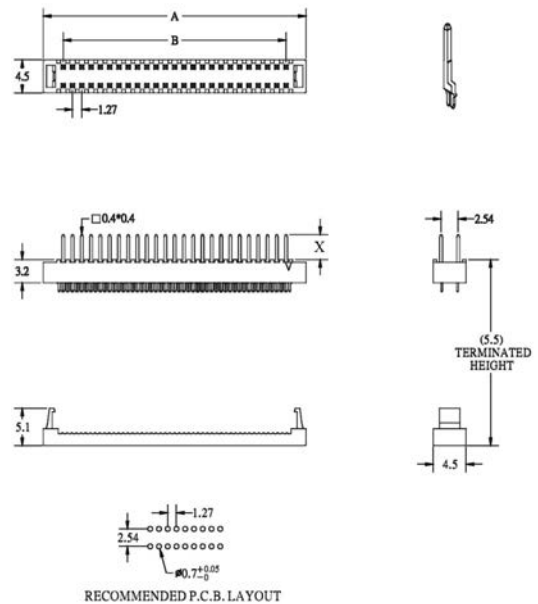
**1.27MM*2.54MM SHRUNK IDC SOCKET
W/O S.R.**



A=1.27*POSITIONS/2-1.27
B=A+2.28
C=A+8.08

NO. OF CONTACTS:
010, 020, 026, 030, 034,
040, 050, 060, 068, 080,
100

1.27MM*2.54MM DIP PLUG



A=B+5.47
B=1.27*POSITIONS/2-1.27
X=PIN LENGTH

NO. OF CONTACTS:
010, 014, 016, 020, 026,
030, 034, 040, 050, 060,
068, 070, 080, 090, 100

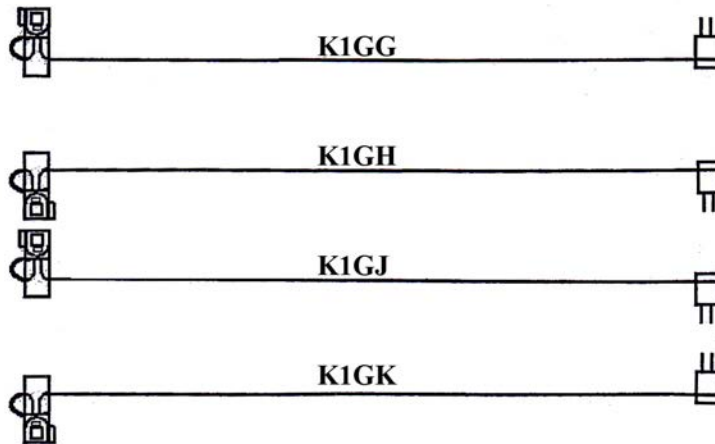
ORDERING INFORMATION:

P/N K 1 2 3 4 5 C M B X

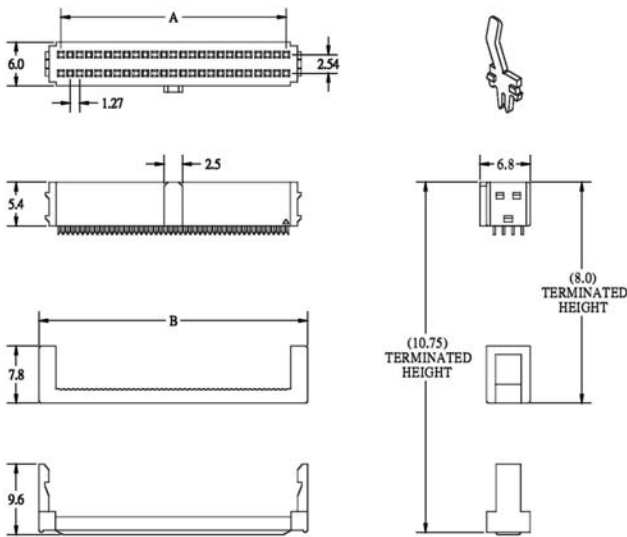
- CONSTRUCTION TYPE:
1FV, 1FW, 1FY, 1FZ
- NO. OF CONTACTS:
010~100
- LENGTH IN CM (CENTIMETERS)
- COLOR OF TWO IDC CONNECTORS:
"B" BLACK
- PIN LENGTH OF DIP PLUG:
"3" X=3.3MM (STANGARD)
"2" X=2.1MM

NOTE: IDC SOCKET & DIP PLUG CAN'T BE SUPPLIED ALONE.

0.635MM PITCH FLAT CABLE WITH 1.27MM*2.54MM IDC SOCKET WITH S.R. (H=10.75MM) TO DIP PLUG (H=5.5MM) (E1)



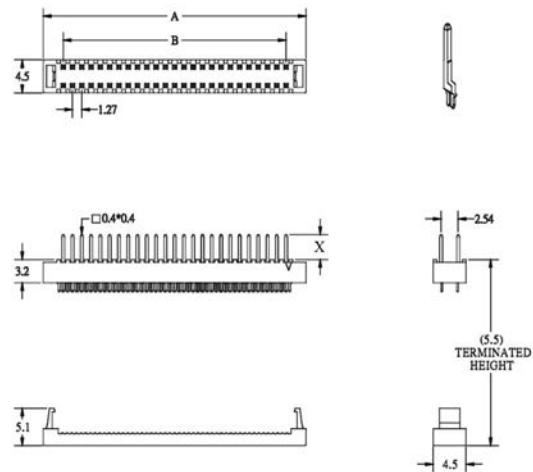
1.27MM*2.54MM IDC SOCKET WITH S.R.



A=1.27*POSITIONS/2-1.27
B=A+6.12

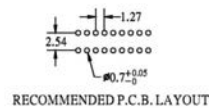
NO. OF CONTACTS:
010, 014, 016, 020, 026,
030, 034, 040, 050, 060,
068, 070, 080, 090, 100

1.27MM*2.54MM DIP PLUG



A=B+5.47
B=1.27*POSITIONS/2-1.27
X=PIN LENGTH

NO. OF CONTACTS:
010, 014, 016, 020, 026,
030, 034, 040, 050, 060,
068, 070, 080, 090, 100



ORDERING INFORMATION:

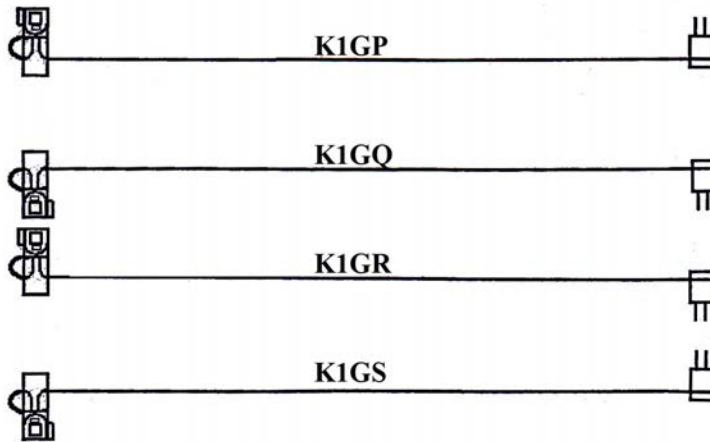
P/N K 1 2 3 4 5 **C M B X**

- CONSTRUCTION TYPE:
1GG, 1GH, 1GJ, 1GK
- NO. OF CONTACTS:
010~100
- LENGTH IN CM (CENTIMETERS)
- COLOR OF TWO IDC CONNECTORS:
"B" BLACK

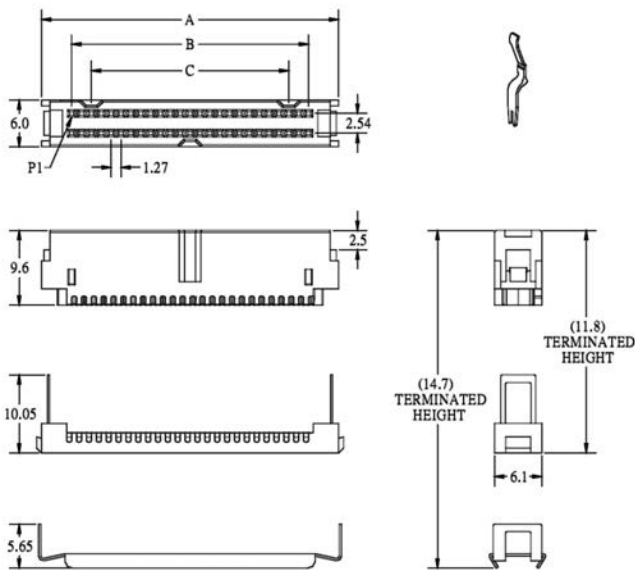
- PIN LENGTH OF DIP PLUG:
"3" X=3.3MM (STANGARD)
"2" X=2.1MM

NOTE: IDC SOCKET & DIP PLUG CAN'T BE SUPPLIED ALONE.

0.635MM PITCH FLAT CABLE WITH 1.27MM*2.54MM IDC SOCKET WITH S.R. (H=14.7MM) TO DIP PLUG (H=5.5MM) (E2)



1.27MM*2.54MM IDC SOCKET WITH BI-LEVEL IDC TERMINATION



$A=B+7.75$

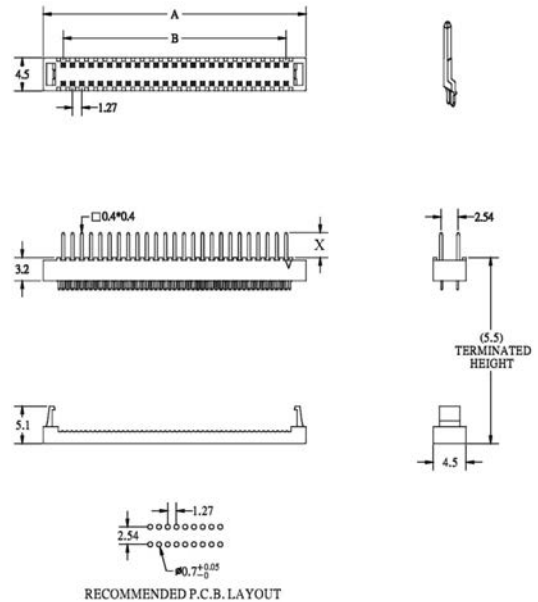
$B=1.27*POSITIONS/2-1.27$

$C=B-5.08$

NO. OF CONTACTS:

- 010, 020, 026, 030, 034,
036, 040, 050, 060, 068,
080, 100

1.27MM*2.54MM DIP PLUG



$A=B+5.47$

$B=1.27*POSITIONS/2-1.27$

$X=PIN\ LENGTH$

NO. OF CONTACTS:

- 010, 014, 016, 020, 026,
030, 034, 040, 050, 060,
068, 070, 080, 090, 100

ORDERING INFORMATION:

P/N **K** **x x x x x x** **-** **x x** **C** **M** **D** **x**
 1 **2** **3** **4** **5**

1. CONSTRUCTION TYPE:

1GP, 1GQ, 1GR, 1GS

2. NO. OF CONTACTS:

010~100

3. LENGTH IN CM (CENTIMETERS)

4. COLOR OF TWO IDC CONNECTORS:

"D" GRAY(IDC SOCKET)+BLACK(DIP PLUG)

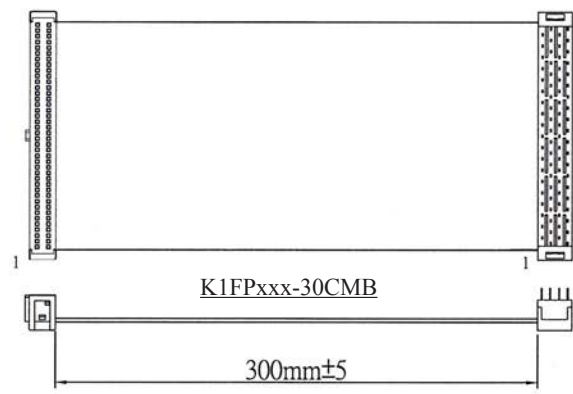
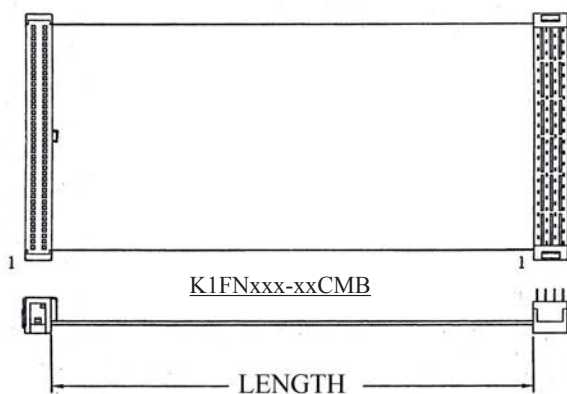
5. PIN LENGTH OF DIP PLUG:

"3" X=3.3MM (STANGARD)

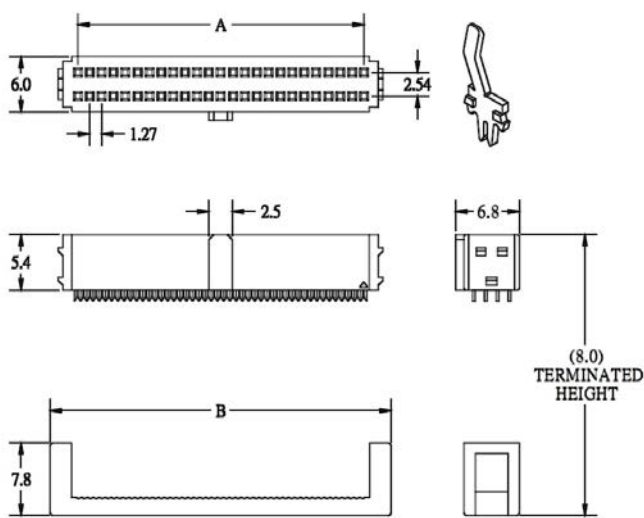
"2" X=2.1MM

NOTE: IDC SOCKET & DIP PLUG CAN'T BE SUPPLIED ALONE.

0.635MM PITCH FLAT CABLE WITH 1.27MM*2.54MM IDC SOCKET W/O S.R. (H=8.0MM) TO DIP PLUG (H=6.9MM) (F1)

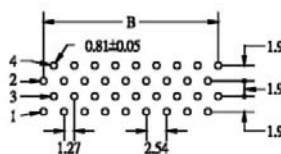
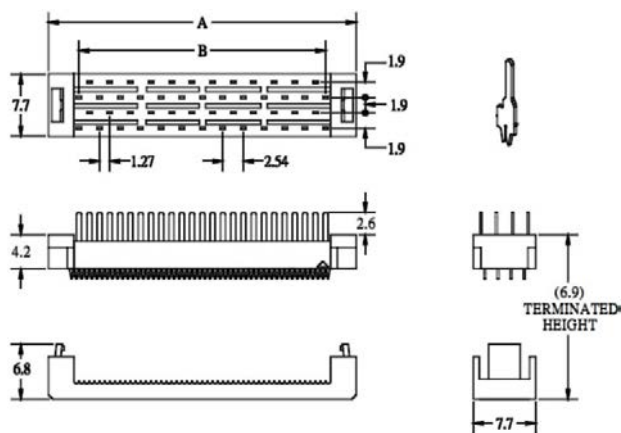


1.27MM*2.54MM IDC SOCKET W/O S.R.



NO. OF CONTACTS:
010, 014, 016, 020, 026,
030, 034, 040, 050, 060,
068, 070, 080, 090, 100

1.27MM*2.54MM DIP PLUG



$A=B+7.55$
 $B=1.27*POSITIONS/2-1.27$

NO. OF CONTACTS:
010, 014, 016, 020, 026,
030, 034, 040, 050, 060,
068, 080, 100

ORDERING INFORMATION:

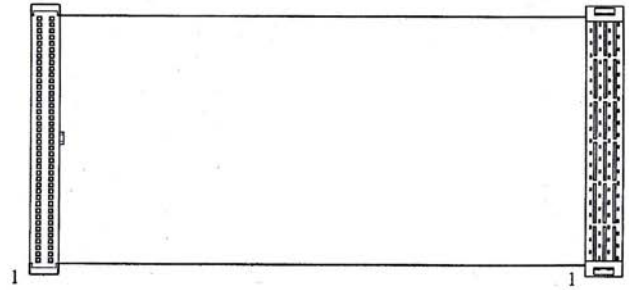
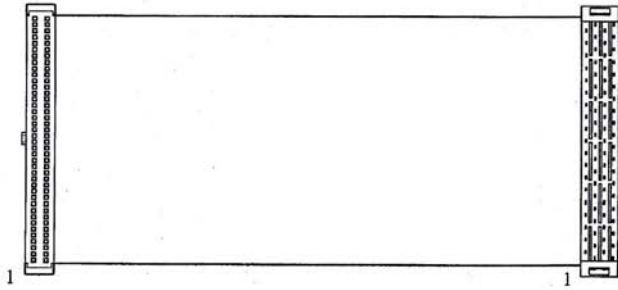
P/N **K** **x** **x** **x** **x** **x** **x** - **x** **x** **C** **M** **B**

1 2 3 4

1. CONSTRUCTION TYPE:
1FN, 1FP
2. NO. OF CONTACTS:
010~100
3. LENGTH IN CM (CENTIMETERS)
4. COLOR OF TWO IDC CONNECTORS:
"B" BLACK

NOTE: IDC SOCKET & DIP PLUG CAN'T BE SUPPLIED ALONE.

0.635MM PITCH FLAT CABLE WITH 1.27MM*2.54MM SHRUNK IDC SOCKET (H=13.1MM) TO 1.27MM*2.54MM DIP PLUG (H=6.9MM) (F2)

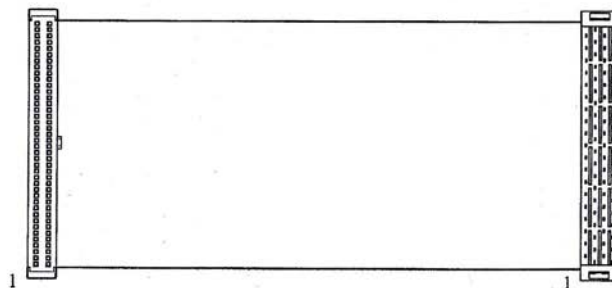
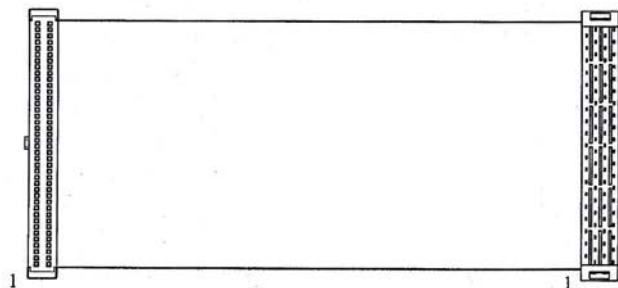


ORDERING INFORMATION:

P/N K x₁ x₂ x₃ x₄ - x₃ x₂ C M B

1. CONSTRUCTION TYPE:
1GX, 1GY
2. NO. OF CONTACTS:
010~100
3. LENGTH IN CM (CENTIMETERS)
4. COLOR OF IDC CONNECTOR:
"B" BLACK

**0.635MM PITCH FLAT CABLE WITH 1.27MM*2.54MM IDC SOCKET (H=12.4MM)
TO 1.27MM*2.54MM DIP PLUG (H=6.9MM) (F3)**

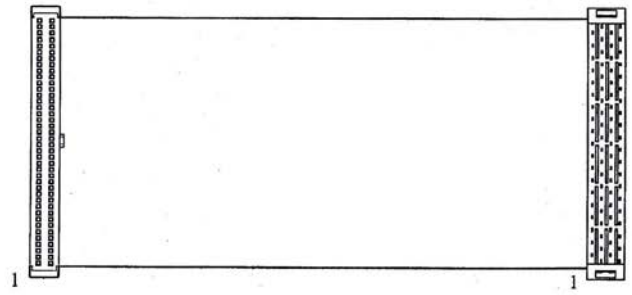
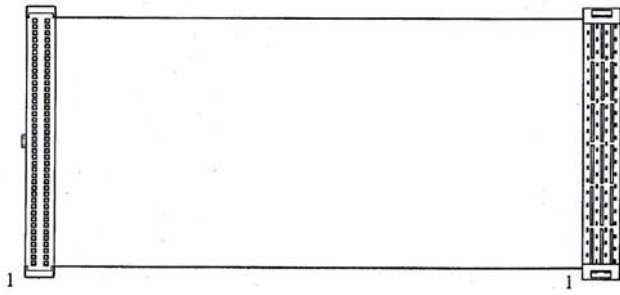


ORDERING INFORMATION:

P/N K 1 100 100 - 10 C M B

1. CONSTRUCTION TYPE:
1GT, 1GU
2. NO. OF CONTACTS:
010~100
3. LENGTH IN CM (CENTIMETERS)
4. COLOR OF IDC CONNECTOR:
"B" BLACK

**0.635MM PITCH FLAT CABLE WITH 1.27MM*2.54MM IDC SOCKET (H=13.1MM)
TO 1.27MM*2.54MM DIP PLUG (H=6.9MM) (F4)**

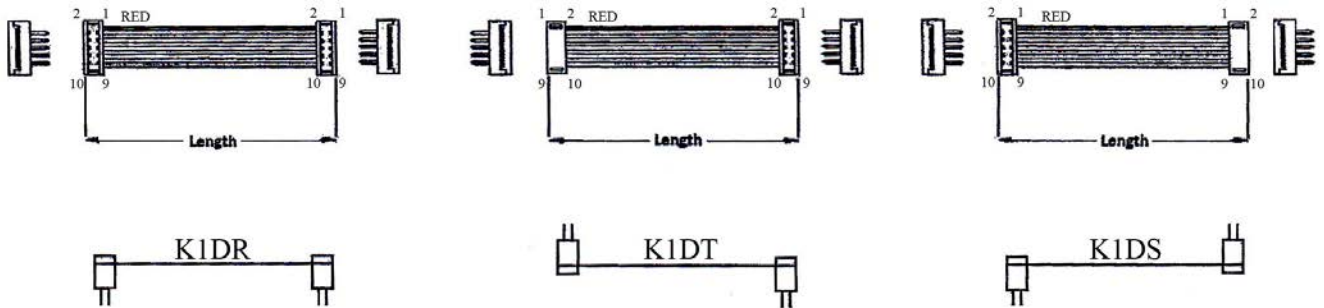


ORDERING INFORMATION:

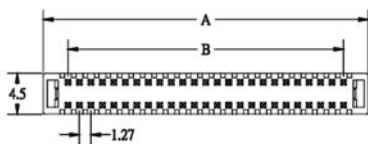
P/N K $\frac{x}{1} \frac{x}{2} \frac{x}{3} \frac{x}{4} - x x C M B$

1. CONSTRUCTION TYPE:
1GV, 1GW
2. NO. OF CONTACTS:
010~100
3. LENGTH IN CM (CENTIMETERS)
4. COLOR OF IDC CONNECTOR:
"B" BLACK

0.635MM PITCH FLAT CABLE WITH 2*1.27MM*2.54MM DIP PLUGS (H=5.5MM) (G1)



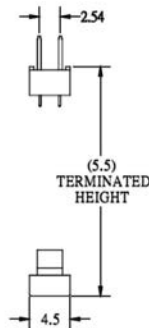
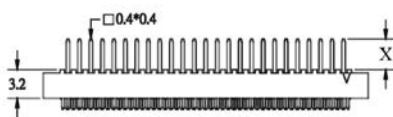
1.27MM*2.54MM PITCH DIP PLUG



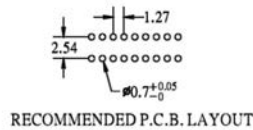
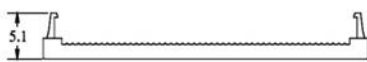
$$A = B + 5.47$$

$$B = 1.27 * \text{POSITIONS} / 2 - 1.27$$

X = PIN LENGTH



NO. OF CONTACTS:
010, 014, 016, 020, 026,
030, 034, 040, 050, 060,
068, 070, 080, 090, 100



ORDERING INFORMATION:

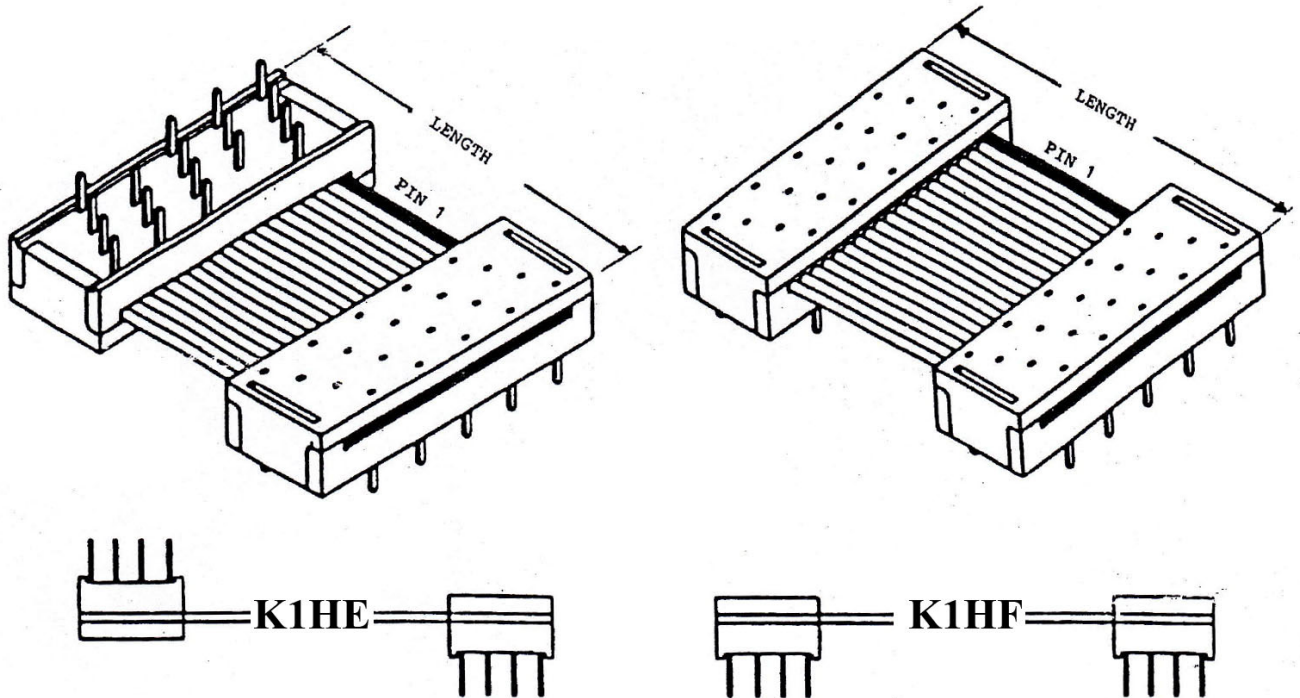
P/N **K** **x x x x x x** - **x x** **C M** **B** **x**
1 2 3 4 5

1. CONSTRUCTION TYPE:
1DR, 1DS, 1DT
2. NO. OF CONTACTS:
010~100
3. LENGTH IN CM (CENTIMETERS)
4. COLOR OF TWO IDC CONNECTORS:
"B" BLACK

5. PIN LENGTH OF DIP PLUG:
"3" X= 3.3MM (STANDARD)
"2" X= 2.1MM

NOTE: DIP PLUG CAN'T BE SUPPLIED ALONE.

0.635MM PITCH FLAT CABLE WITH 2*1.27MM*2.54MM DIP PLUGS (H=6.9MM)



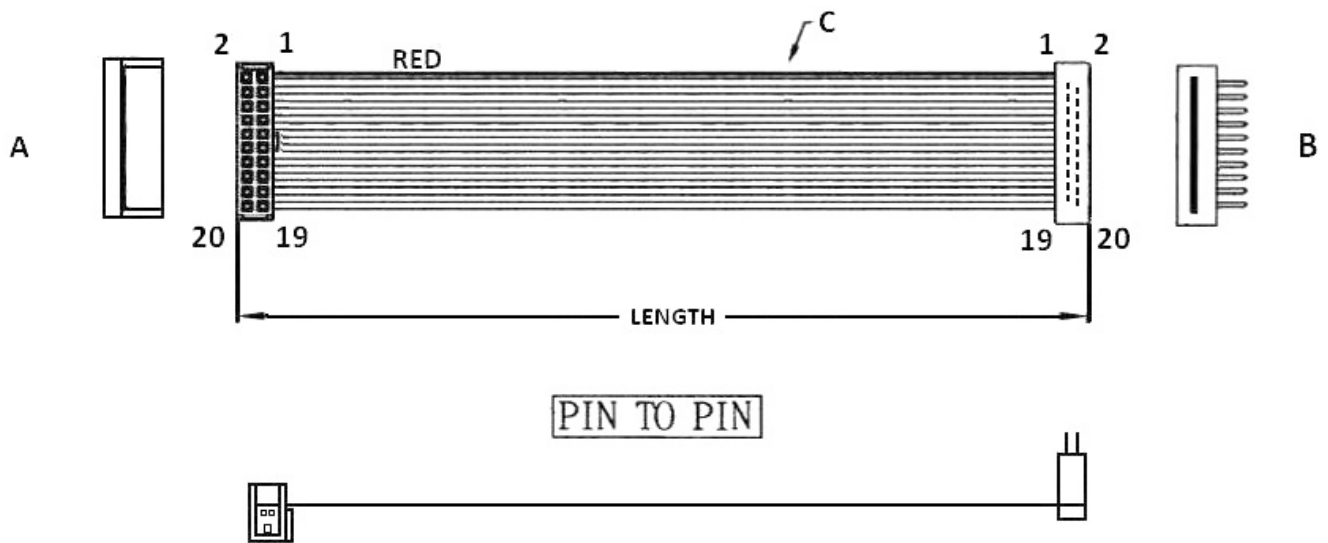
ORDERING INFORMATION:

P/N **K** **x x x x x x** - **x x** **C M B**

1 2 3 4

1. CONSTRUCTION TYPE:
1HE, 1HF
2. NO. OF CONTACTS:
010~100
3. LENGTH IN CM (CENTIMETERS)
4. COLOR OF IDC CONNECTOR:
"B" BLACK

0.635MM PITCH FLAT CABLE WITH 1.27MM*2.54MM IDC SOCKET WITHOUT STRAIN RELIEF (H=7.8MM) TO 1.27MM*1.27MM DIP PLUG (H=5.0MM) (A1)



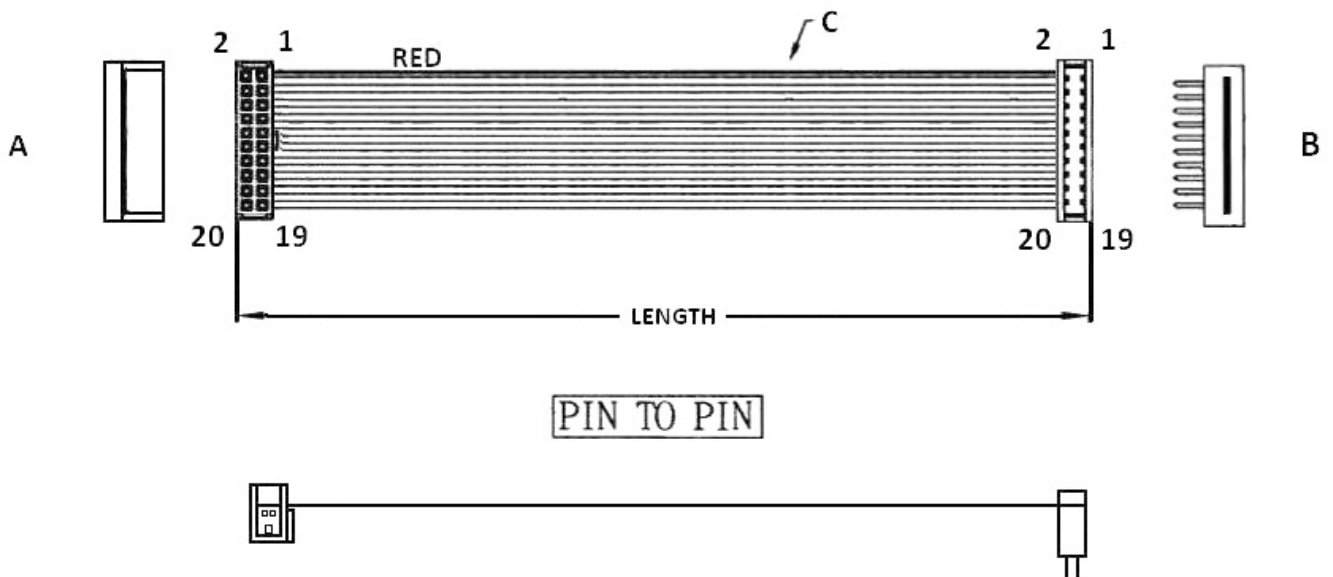
ORDERING INFORMATION:

P/N $\frac{KE}{1} \frac{xx}{2} \frac{KD}{3} - \frac{xx}{4} C M \frac{B}{5}$

1. FLAT CABLE TYPE:
"KE" 0.635MM AWG30 UL2678 VW-1
PVC INSULATION DEEP GRAY
2. NO. OF CONTACTS:
10~100
3. CONNECTORS AT TWO ENDS:
"KD" 1.27MMX2.54MM IDC SOCKET WITH NOSE W/O S.R. TO
1.27MMX1.27MM DIP PLUG
4. LENGTH IN CM (CENTIMETERS)
5. COLOR OF TWO IDC CONNECTORS:
"B" BLACK

NOTE: 1.27MM*1.27MM PITCH DIP PLUG

0.635MM PITCH FLAT CABLE WITH 1.27MM*2.54MM IDC SOCKET WITHOUT STRAIN RELIEF (H=7.8MM) TO 1.27MM*1.27MM DIP PLUG (H=5.0MM) (A2)



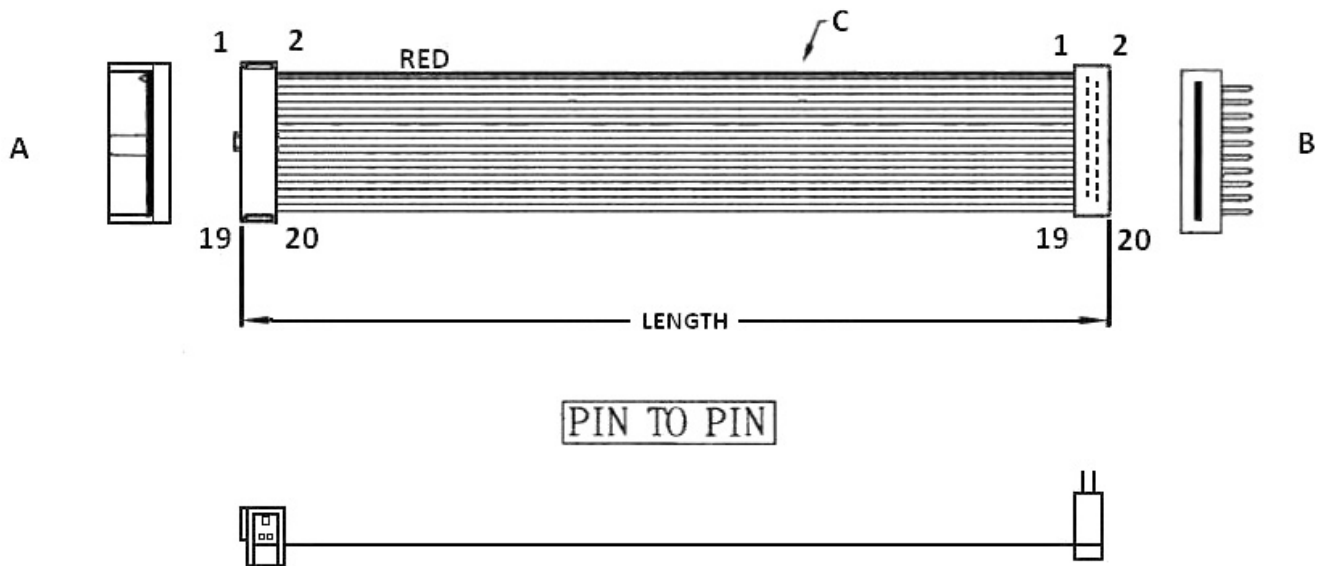
ORDERING INFORMATION:

P/N KE xx KP - xx C M B

1. FLAT CABLE TYPE:
"KE" 0.635MM AWG30 UL2678 VW-1
PVC INSULATION DEEP GRAY
2. NO. OF CONTACTS:
10~100
3. CONNECTORS AT TWO ENDS:
"KP" 1.27MM*2.54MM IDC SOCKET WITH NOSE W/O S.R. TO
1.27MM*1.27MM DIP PLUG
4. LENGTH IN CM (CENTIMETERS)
5. COLOR OF TWO IDC CONNECTORS:
"B" BLACK

NOTE: 1.27MM*1.27MM PITCH DIP PLUG

0.635MM PITCH FLAT CABLE WITH 1.27MM*2.54MM IDC SOCKET WITHOUT STRAIN RELIEF (H=7.8MM) TO 1.27MM*1.27MM DIP PLUG (H=5.0MM) (A3)



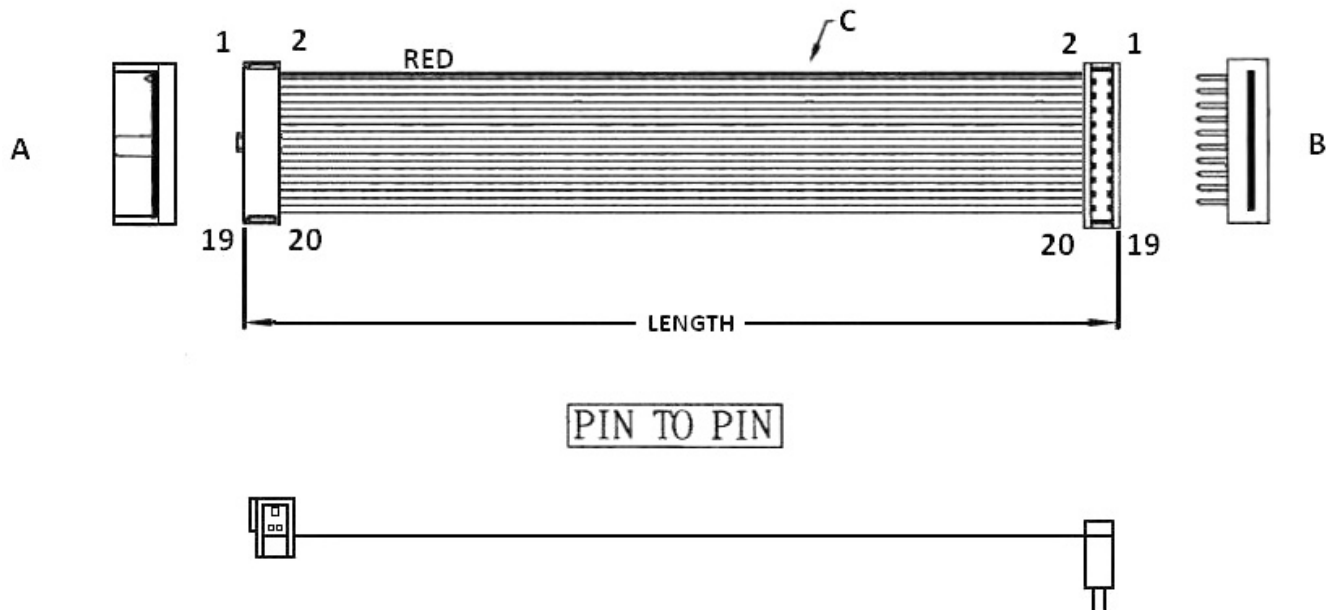
ORDERING INFORMATION:

P/N $\frac{\text{KE}}{1}$ $\frac{\text{XX}}{2}$ $\frac{\text{LD}}{3}$ - $\frac{\text{XX}}{4}$ **CM** $\frac{\text{B}}{5}$

1. FLAT CABLE TYPE:
"KE" 0.635MM AWG30 UL2678 VW-1
PVC INSULATION DEEP GRAY
2. NO. OF CONTACTS:
10~100
3. CONNECTORS AT TWO ENDS:
"LD" 1.27MM*2.54MM IDC SOCKET WITH NOSE W/O S.R. TO
1.27MM*1.27MM DIP PLUG
4. LENGTH IN CM (CENTIMETERS)
5. COLOR OF TWO IDC CONNECTORS:
"B" BLACK

NOTE: 1.27MM*1.27MM PITCH DIP PLUG

0.635MM PITCH FLAT CABLE WITH 1.27MM*2.54MM IDC SOCKET WITHOUT STRAIN RELIEF (H=7.8MM) TO 1.27MM*1.27MM DIP PLUG (H=5.0MM) (A4)



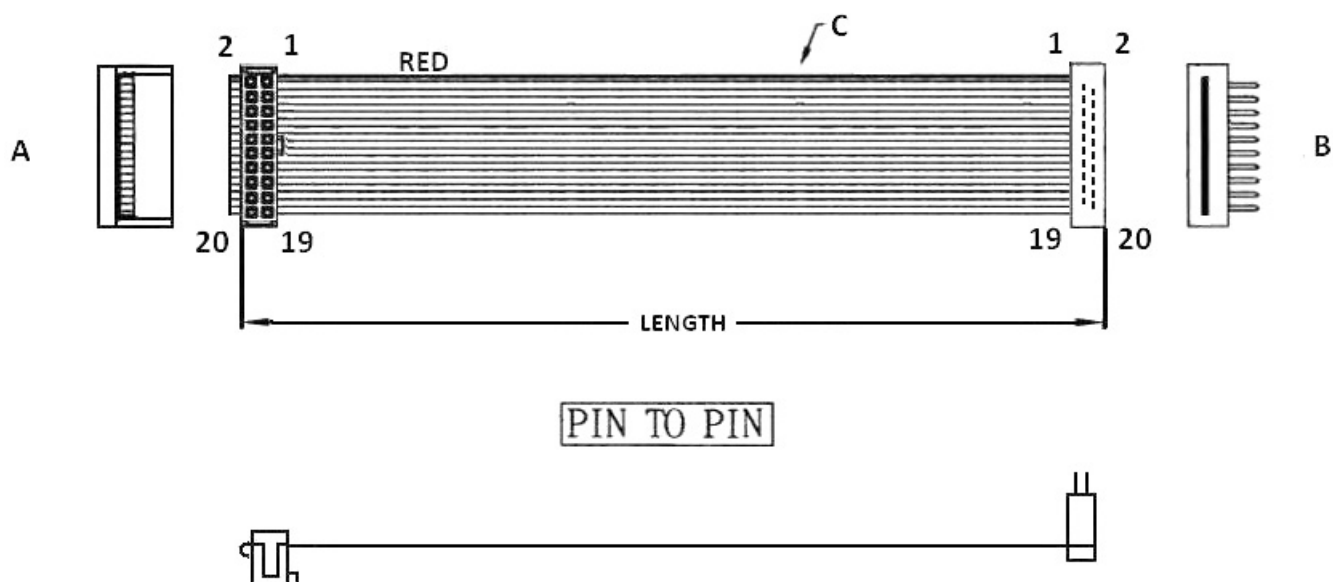
ORDERING INFORMATION:

P/N $\frac{\text{KE}}{1}$ $\frac{\text{XX}}{2}$ $\frac{\text{LP}}{3}$ - $\frac{\text{XX}}{4}$ **CM** $\frac{\text{B}}{5}$

1. FLAT CABLE TYPE:
"KE" 0.635MM AWG30 UL2678 VW-1
PVC INSULATION DEEP GRAY
2. NO. OF CONTACTS:
10~100
3. CONNECTORS AT TWO ENDS:
"LP" 1.27MM*2.54MM IDC SOCKET WITH NOSE W/O S.R. TO
1.27MM*1.27MM DIP PLUG
4. LENGTH IN CM (CENTIMETERS)
5. COLOR OF TWO IDC CONNECTORS:
"B" BLACK

NOTE: 1.27MM*1.27MM PITCH DIP PLUG

0.635MM PITCH FLAT CABLE WITH 1.27MM*2.54MM IDC SOCKET WITH STRAIN RELIEF (H=11.0MM) TO 1.27MM*1.27MM DIP PLUG (H=5.0MM) (B1)



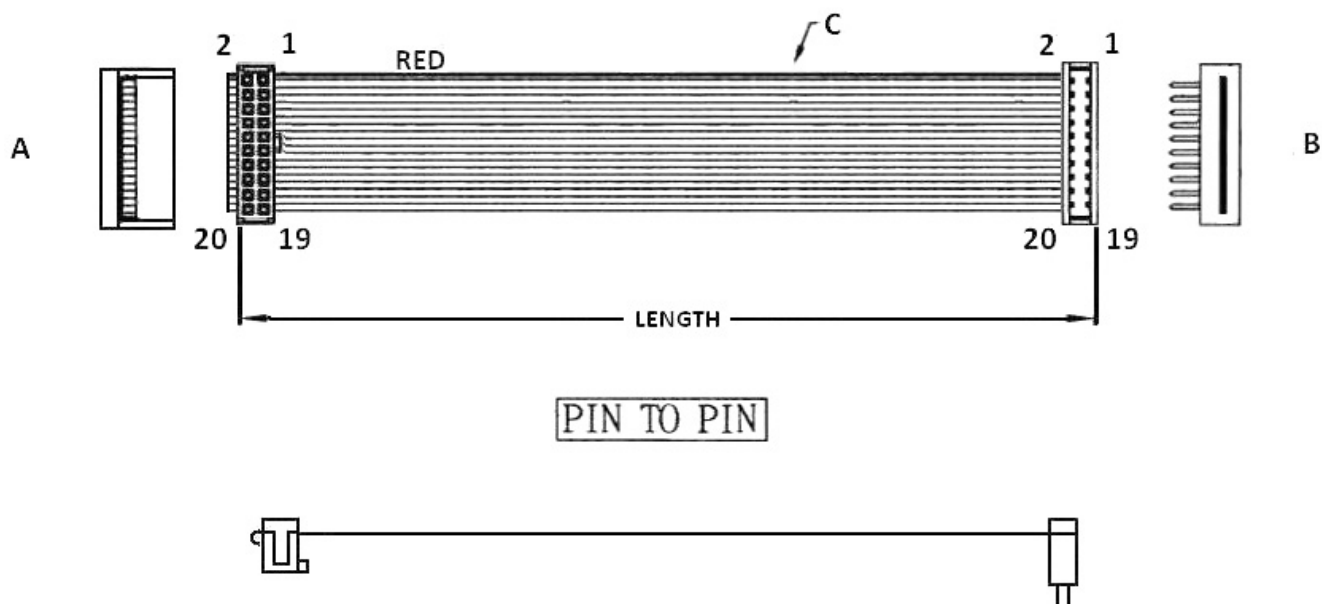
ORDERING INFORMATION:

P/N **K****E****xx****M****D** - **xx****C****M****B**
 1 2 3 4 5

1. FLAT CABLE TYPE:
"KE" 0.635MM AWG30 UL2678 VW-1
PVC INSULATION DEEP GRAY
2. NO. OF CONTACTS:
10~100
3. CONNECTORS AT TWO ENDS:
"MD" 1.27MM*2.54MM IDC SOCKET WITH NOSE & S.R. TO
1.27MM*1.27MM DIP PLUG
4. LENGTH IN CM (CENTIMETERS)
5. COLOR OF TWO IDC CONNECTORS:
"B" BLACK

NOTE: 1.27MM*1.27MM PITCH DIP PLUG

0.635MM PITCH FLAT CABLE WITH 1.27MM*2.54MM IDC SOCKET WITH STRAIN RELIEF (H=11.0MM) TO 1.27MM*1.27MM DIP PLUG (H=5.0MM) (B2)



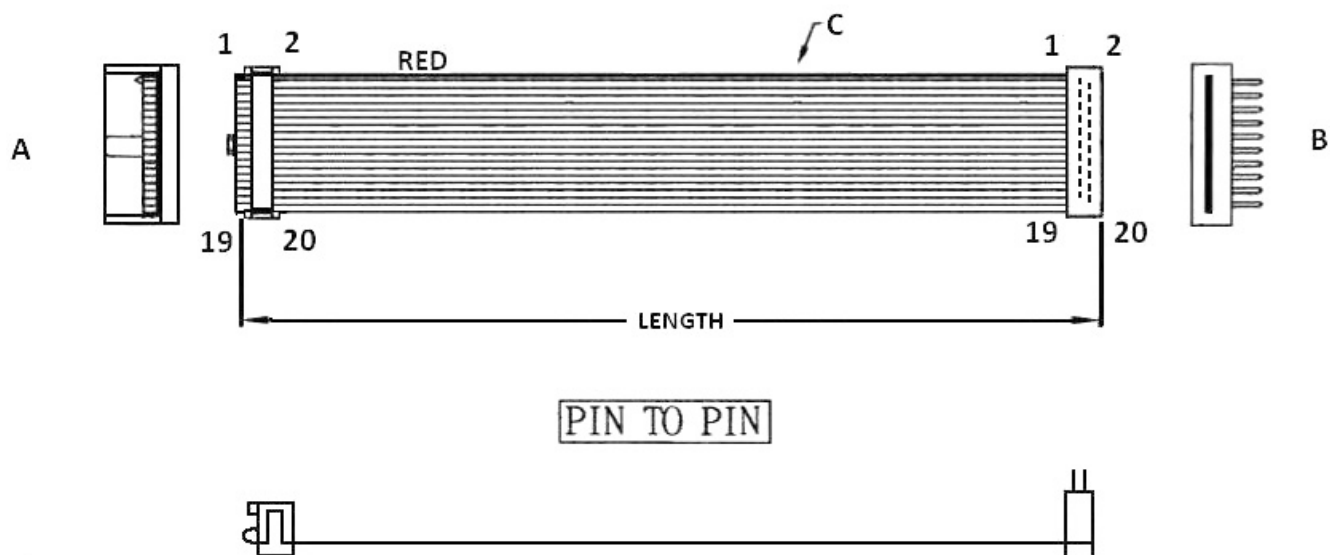
ORDERING INFORMATION:

P/N $\frac{KE}{1} \frac{XX}{2} \frac{MP}{3} - \frac{XX}{4} C M \frac{B}{5}$

1. FLAT CABLE TYPE:
"KE" 0.635MM AWG30 UL2678 VW-1
PVC INSULATION DEEP GRAY
2. NO. OF CONTACTS:
10~100
3. CONNECTORS AT TWO ENDS:
"MP" 1.27MM*2.54MM IDC SOCKET WITH NOSE & S.R. TO
1.27MM*1.27MM DIP PLUG
4. LENGTH IN CM (CENTIMETERS)
5. COLOR OF TWO IDC CONNECTORS:
"B" BLACK

NOTE: 1.27MM*1.27MM PITCH DIP PLUG

0.635MM PITCH FLAT CABLE WITH 1.27MM*2.54MM IDC SOCKET WITH STRAIN RELIEF (H=11.0MM) TO 1.27MM*1.27MM DIP PLUG (H=5.0MM) (B3)



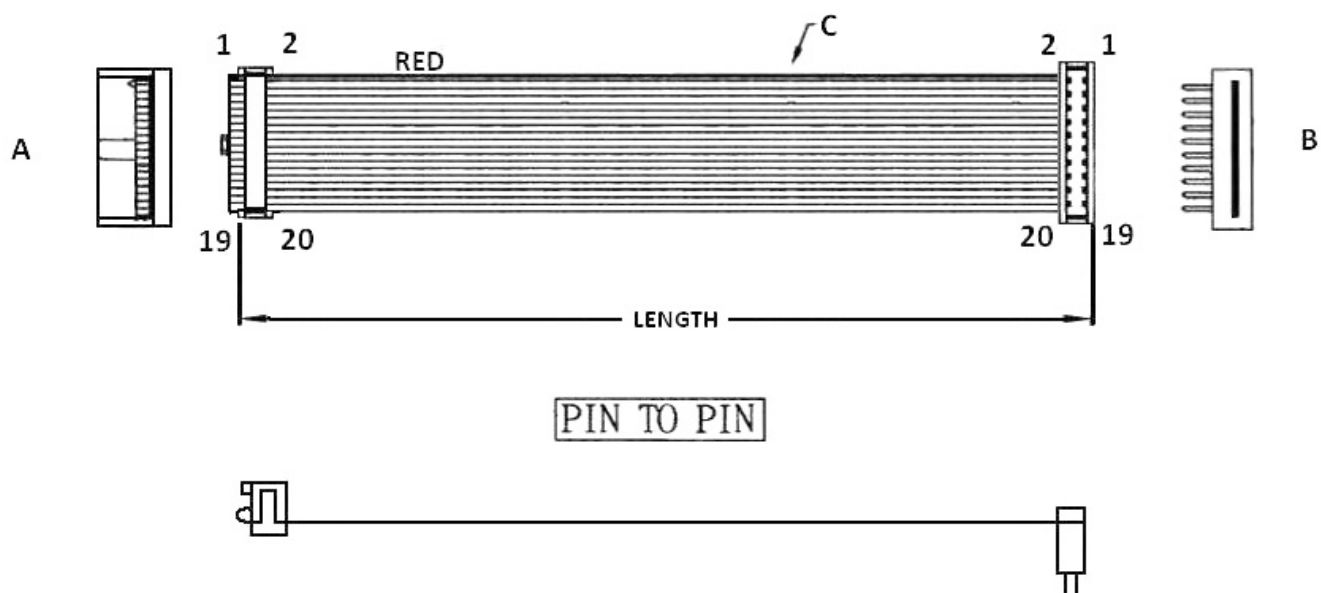
ORDERING INFORMATION:

P/N $\frac{KE}{1} \frac{xx}{2} \frac{ND}{3} - \frac{xx}{4} C M \frac{B}{5}$

1. FLAT CABLE TYPE:
"KE" 0.635MM AWG30 UL2678 VW-1
PVC INSULATION DEEP GRAY
2. NO. OF CONTACTS:
10~100
3. CONNECTORS AT TWO ENDS:
"ND" 1.27MM*2.54MM IDC SOCKET WITH NOSE & S.R. TO
1.27MM*1.27MM DIP PLUG
4. LENGTH IN CM (CENTIMETERS)
5. COLOR OF TWO IDC CONNECTORS:
"B" BLACK

NOTE: 1.27MM*1.27MM PITCH DIP PLUG

0.635MM PITCH FLAT CABLE WITH 1.27MM*2.54MM IDC SOCKET WITH STRAIN RELIEF (H=11.0MM) TO 1.27MM*1.27MM DIP PLUG (H=5.0MM) (B4)



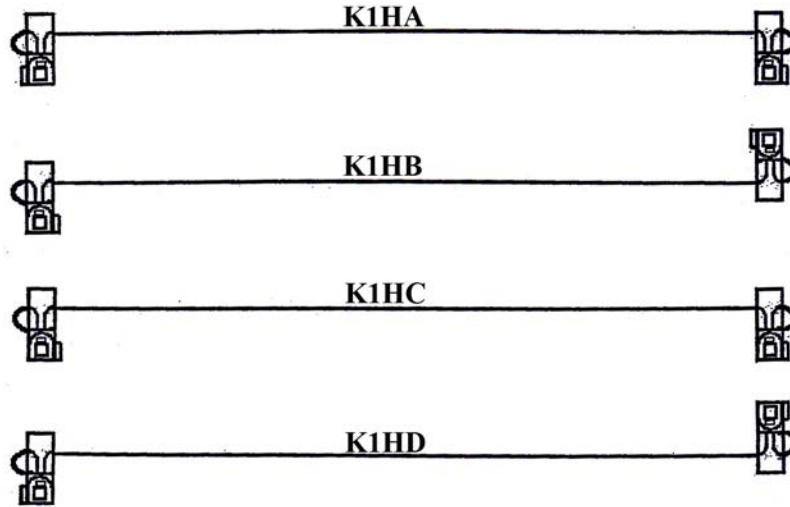
ORDERING INFORMATION:

P/N $\frac{\text{KE}}{1}$ $\frac{\text{xx}}{2}$ $\frac{\text{NP}}{3}$ - $\frac{\text{xx}}{4}$ **CM** $\frac{\text{B}}{5}$

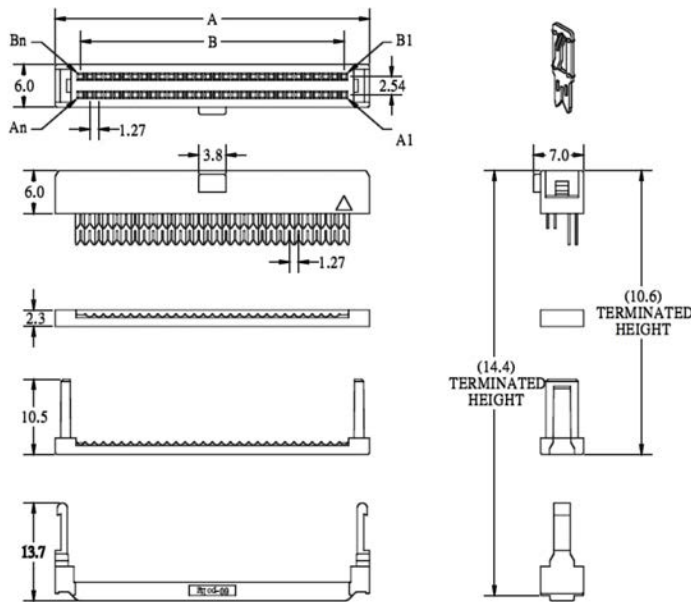
1. FLAT CABLE TYPE:
"KE" 0.635MM AWG30 UL2678 VW-1
PVC INSULATION DEEP GRAY
2. NO. OF CONTACTS:
10~100
3. CONNECTORS AT TWO ENDS:
"NP" 1.27MM*2.54MM IDC SOCKET WITH NOSE & S.R. TO
1.27MM*1.27MM DIP PLUG
4. LENGTH IN CM (CENTIMETERS)
5. COLOR OF TWO IDC CONNECTORS:
"B" BLACK

NOTE: 1.27MM*1.27MM PITCH DIP PLUG

1.27MM PITCH FLAT CABLE WITH 2*1.27MM*2.54MM DOUBLE LAYER IDC SOCKETS (H=14.4MM)



1.27MM*2.54MM DOUBLE LAYER IDC SOCKET FOR 1.27MM PITCH FLAT CABLE



$A=B+7.12$
 $B=1.27*POSITIONS/2-1.27$

NO. OF CONTACTS:
 010, 020, 026, 030, 034,
 040, 050, 060, 068, 080,
 100

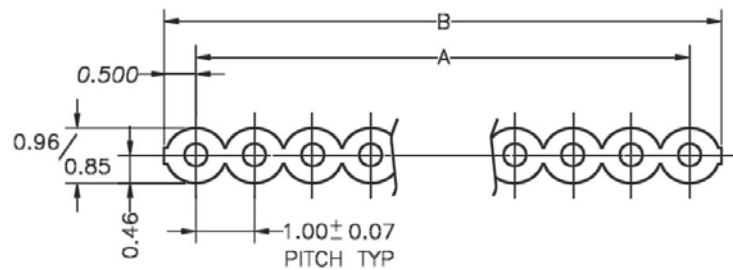
ORDERING INFORMATION:

P/N **K** **x x x x x x** - **x x** **C M** **B**
 1 2 3 4

1. CONSTRUCTION TYPE:
1HA, 1HB, 1HC, 1HD
2. NO. OF CONTACTS:
010~100
3. LENGTH IN CM (CENTIMETERS)
4. COLOR OF TWO IDC CONNECTORS:
"B" BLACK

NOTE: IDC SOCKET CAN'T BE SUPPLIED ALONE.

1.00MM PITCH UL & CSA APPROVED FLAT CABLE



Dimension of each conductor.	0.127±0.005mm
Conductor Elongation.	18 % ↑
Cross Section Area of conductor.	156 cM↑
Stranded of Lay.	12.7 mm ↓
Average thickness of Insulation.	Min. 0.18mm average 0.23mm
PVC Elongation.	100.0 % ↑
Tensile Strength	1.056 kg/mm ² ↑
Spark test	2.5 KV/0.15SEC ↑

RED EDGE POS #1 (EDGE MARK or STRIP)



CONSTRUCTION TABLE

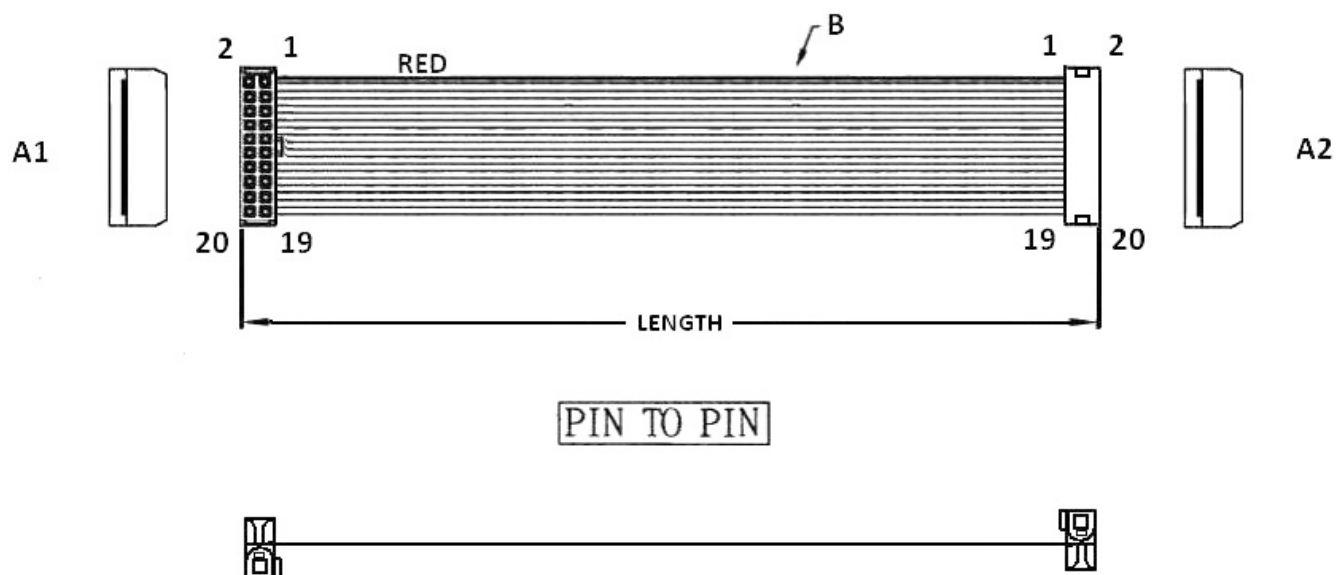
Code No.	Size of conductor		A±0.07	NO. of Conductor X 1.00 = B - 0.3		
	(AWG)	Composition (strands/mm)		Max.	Midst	Min.
10 P	28	7/0.127	9.00	10.00	9.85	9.70
20 P	28	7/0.127	19.00	20.00	19.85	19.70
24 P	28	7/0.127	23.00	24.00	23.85	23.70
30 P	28	7/0.127	29.00	30.00	29.85	29.70
34 P	28	7/0.127	33.00	34.00	33.85	33.70
40 P	28	7/0.127	39.00	40.00	39.85	39.70
44 P	28	7/0.127	43.00	44.00	43.85	43.70
50 P	28	7/0.127	49.00	50.00	49.85	49.70

ORDERING INFORMATION:

P/N F K 1 0 0 xx - 76.2 M
1 2

1. NO. OF CONDUCTORS:
10, 20, 24, 30, 34, 40, 44, 50
2. LENGTH IN 76.2M/REEL

1.00MM PITCH FLAT CABLE WITH 2*
 2.00MM PITCH IDC SOCKET WITHOUT STRAIN RELIEF (H=9.0MM) (A1)

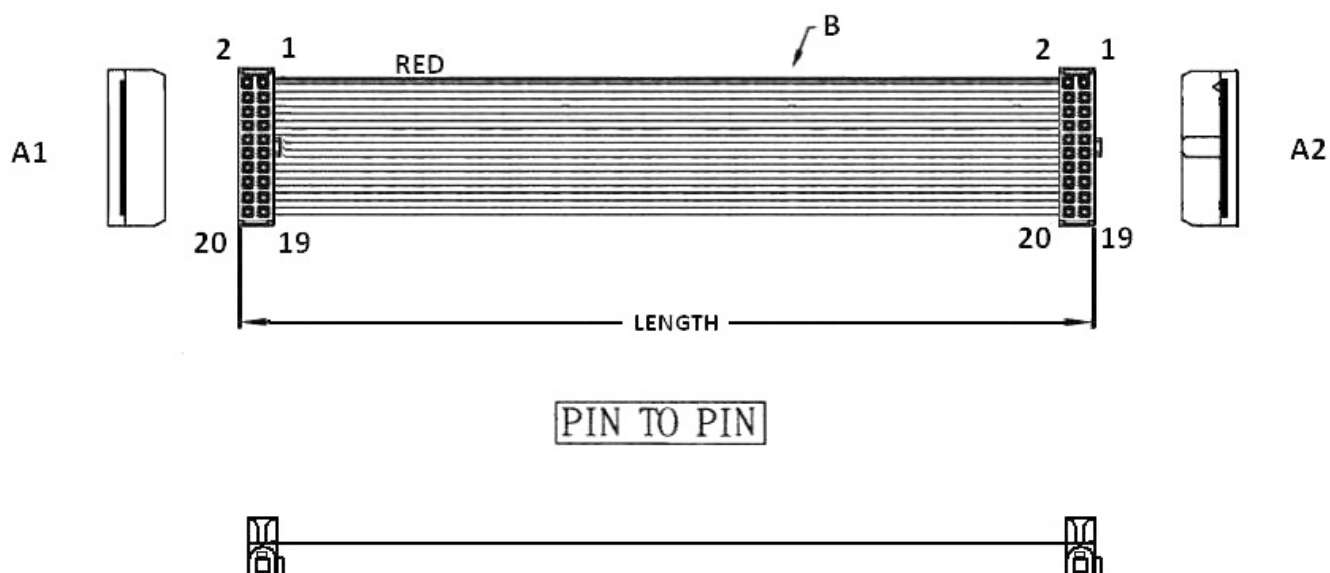


ORDERING INFORMATION:

P/N $\frac{KB}{1} \frac{xx}{2} \frac{KK}{3} - \frac{xx}{4} \frac{CM}{5} \frac{B}{5}$

1. FLAT CABLE TYPE:
 "KB" 1.00MM AWG28 UL2651 VW-1
 PVC INSULATION GRAY
2. NO. OF CONTACTS:
 06-68
3. CONNECTORS AT TWO ENDS:
 "KK" 2.00MM IDC SOCKET WITH NOSE W/O S.R. TO
 2.00MM IDC SOCKET WITH NOSE W/O S.R.
4. LENGTH IN CM (CENTIMETERS)
5. COLOR OF TWO IDC CONNECTORS:
 "B" BLACK

**1.00MM PITCH FLAT CABLE WITH 2*
2.00MM PITCH IDC SOCKETS WITHOUT STRAIN RELIEF (H=9.0MM) (A2)**



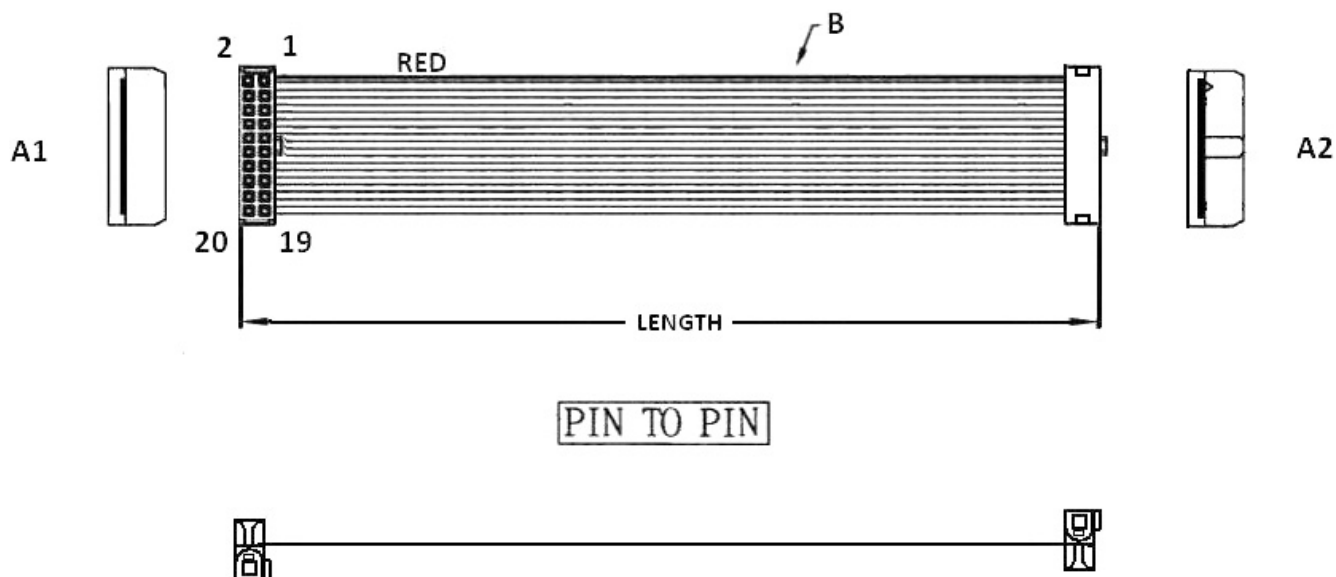
PIN TO PIN

ORDERING INFORMATION:

P/N $\frac{KB}{1} \frac{xx}{2} \frac{KL}{3} - \frac{xx}{4} C M \frac{B}{5}$

1. FLAT CABLE TYPE:
"KB" 1.00MM AWG28 UL2651 VW-1
PVC INSULATION GRAY
2. NO. OF CONTACTS:
06-68
3. CONNECTORS AT TWO ENDS:
"KL" 2.00MM IDC SOCKET WITH NOSE W/O S.R. TO
2.00MM IDC SOCKET WITH NOSE W/O S.R.
4. LENGTH IN CM (CENTIMETERS)
5. COLOR OF TWO IDC CONNECTORS:
"B" BLACK

**1.00MM PITCH FLAT CABLE WITH 2*
2.00MM PITCH IDC SOCKETS WITHOUT STRAIN RELIEF (H=9.0MM) (A3)**

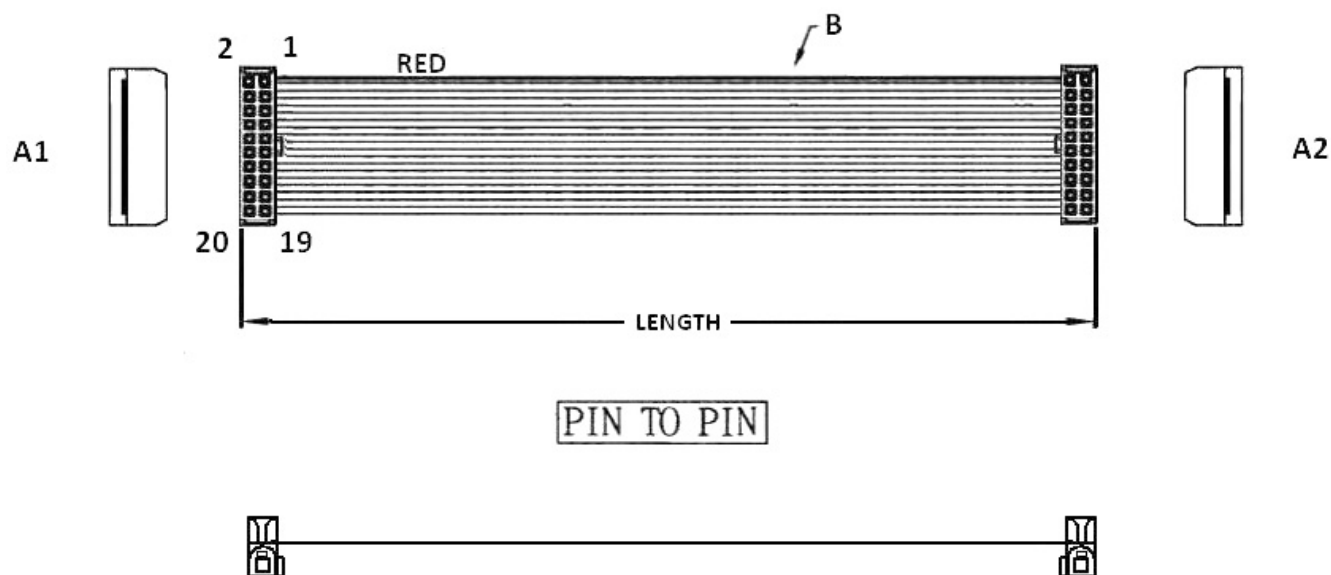


ORDERING INFORMATION:

P/N $\frac{\text{KB}}{1}$ $\frac{\text{xx}}{2}$ $\frac{\text{KI}}{3}$ - $\frac{\text{xx}}{4}$ **CM** $\frac{\text{B}}{5}$

1. FLAT CABLE TYPE:
"KB" 1.00MM AWG28 UL2651 VW-1
PVC INSULATION GRAY
2. NO. OF CONTACTS:
06~68
3. CONNECTORS AT TWO ENDS:
"KI" 2.00MM IDC SOCKET WITH NOSE W/O S.R. TO
2.00MM IDC SOCKET WITH NOSE W/O S.R.
4. LENGTH IN CM (CENTIMETERS)
5. COLOR OF TWO IDC CONNECTORS:
"B" BLACK

**1.00MM PITCH FLAT CABLE WITH 2*
2.00MM PITCH IDC SOCKETS WITHOUT STRAIN RELIEF (H=9.0MM) (A4)**

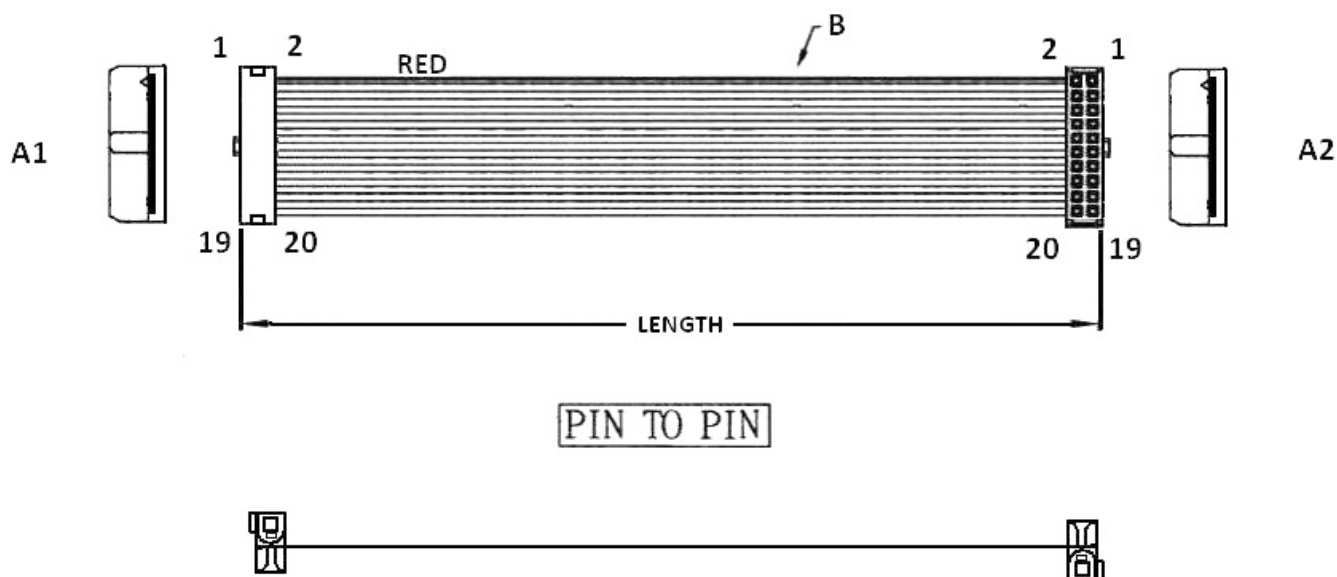


ORDERING INFORMATION:

P/N $\frac{KB}{1} \frac{xx}{2} \frac{K8}{3} - \frac{xx}{4} C M \frac{B}{5}$

1. FLAT CABLE TYPE:
"KB" 1.00MM AWG28 UL2651 VW-1
PVC INSULATION GRAY
2. NO. OF CONTACTS:
06~68
3. CONNECTORS AT TWO ENDS:
"K8" 2.00MM IDC SOCKET WITH NOSE W/O S.R. TO
2.00MM IDC SOCKET WITH NOSE W/O S.R.
4. LENGTH IN CM (CENTIMETERS)
5. COLOR OF TWO IDC CONNECTORS:
"B" BLACK

**1.00MM PITCH FLAT CABLE WITH 2*
2.00MM PITCH IDC SOCKETS WITHOUT STRAIN RELIEF (H=9.0MM) (A5)**

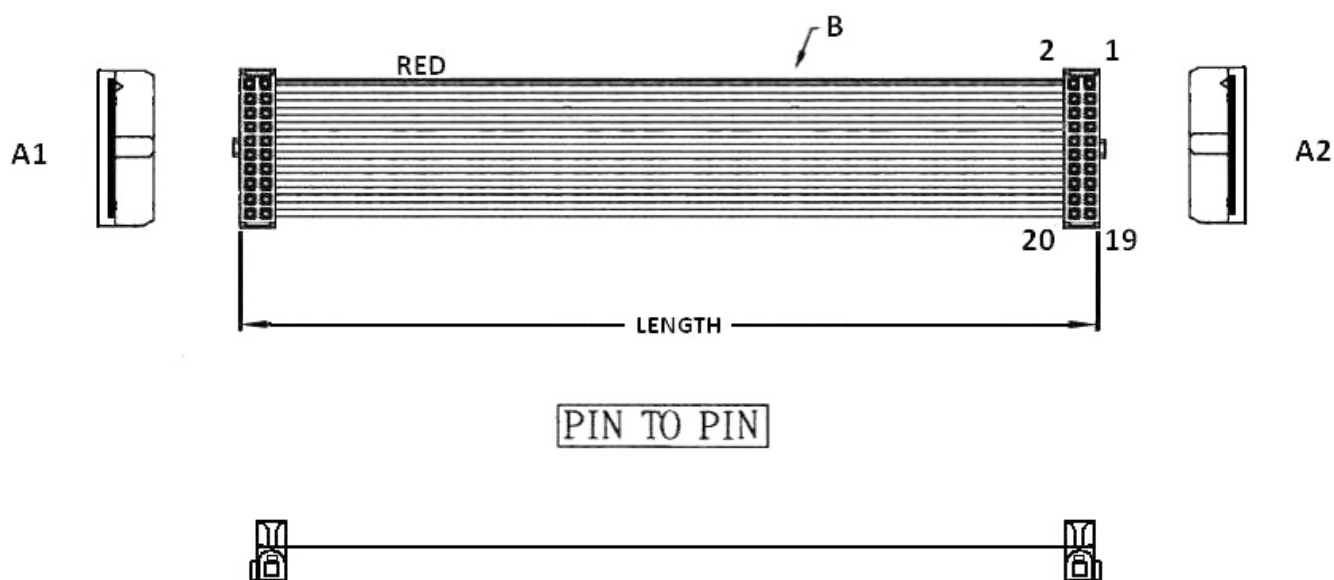


ORDERING INFORMATION:

P/N $\frac{KB}{1}$ $\frac{xx}{2}$ $\frac{LL}{3}$ - $\frac{xx}{4}$ **CM** $\frac{B}{5}$

1. FLAT CABLE TYPE:
"KB" 1.00MM AWG28 UL2651 VW-1
PVC INSULATION GRAY
2. NO. OF CONTACTS:
06~68
3. CONNECTORS AT TWO ENDS:
"LL" 2.00MM IDC SOCKET WITH NOSE W/O S.R. TO
2.00MM IDC SOCKET WITH NOSE W/O S.R.
4. LENGTH IN CM (CENTIMETERS)
5. COLOR OF TWO IDC CONNECTORS:
"B" BLACK

**1.00MM PITCH FLAT CABLE WITH 2*
2.00MM PITCH IDC SOCKETS WITHOUT STRAIN RELIEF (H=9.0MM) (A6)**

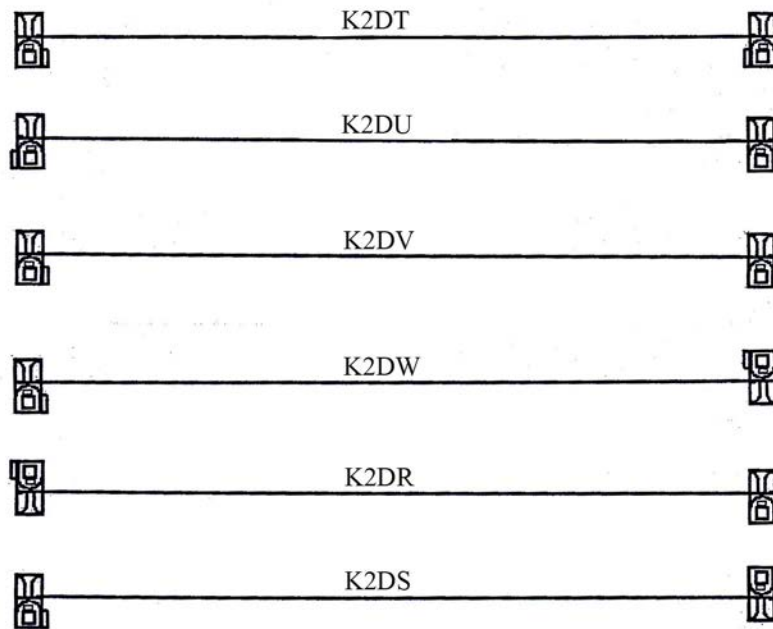


ORDERING INFORMATION:

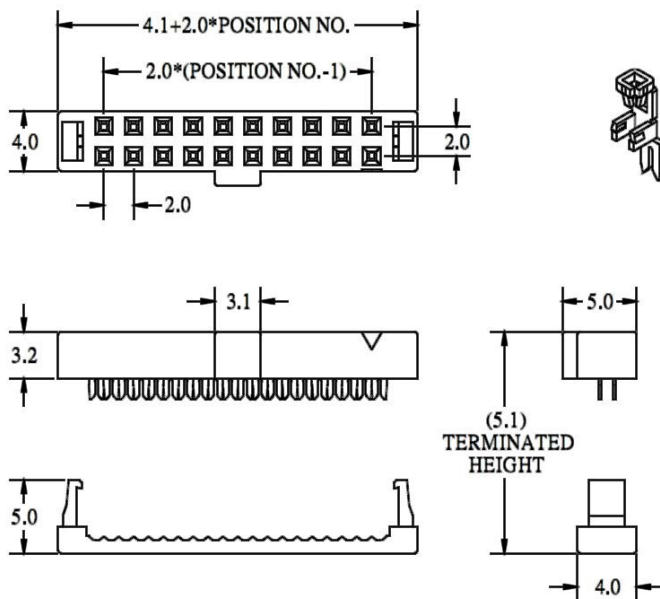
P/N $\frac{KB}{1} \frac{xx}{2} \frac{LI}{3} - \frac{xx}{4} \frac{CM}{5} \frac{B}{5}$

1. FLAT CABLE TYPE:
"KB" 1.00MM AWG28 UL2651 VW-1
PVC INSULATION GRAY
2. NO. OF CONTACTS:
06~68
3. CONNECTORS AT TWO ENDS:
"LI" 2.00MM IDC SOCKET WITH NOSE W/O S.R. TO
2.00MM IDC SOCKET WITH NOSE W/O S.R.
4. LENGTH IN CM (CENTIMETERS)
5. COLOR OF TWO IDC CONNECTORS:
"B" BLACK

1.00MM PITCH FLAT CABLE WITH 2* 2.00MM IDC SOCKETS (H=5.1MM) (A7)



2.00MM PITCH IDC SOCKET WITH INTENSIVE CONTACTS & WITHOUT STRAIN RELIEF



NO. OF CONTACTS:
006, 008, 010, 012, 014,
016, 020, 022, 024, 026,
030, 034, 036, 040, 044,
050

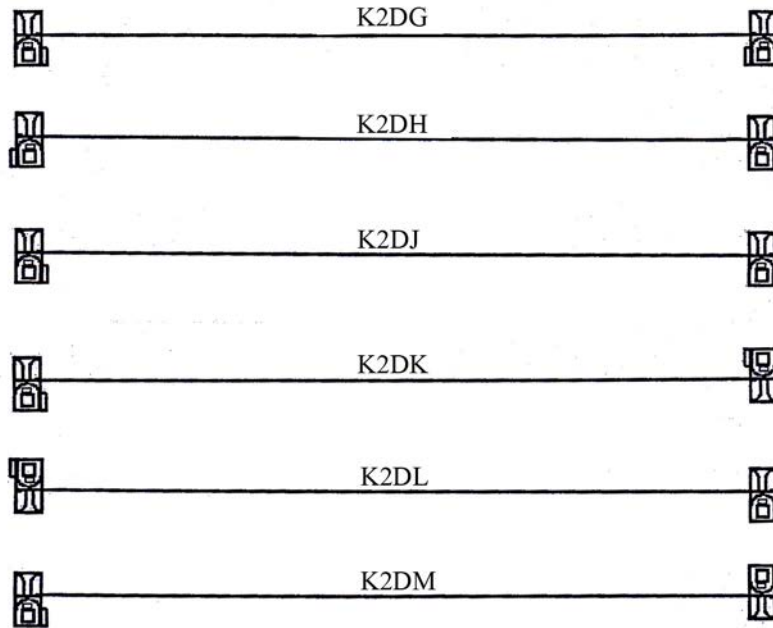
ORDERING INFORMATION:

P/N **K** **x x x x x x** - **x x** **C M B**

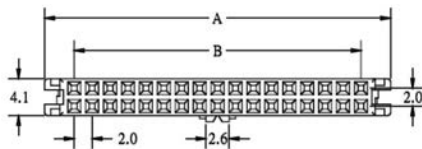
1. CONSTRUCTION TYPE:
2DT, 2DU, 2DV, 2DW, 2DR, 2DS
2. NO. OF CONTACTS:
006~050
3. LENGTH IN CM (CENTIMETERS)
4. COLOR OF TWO IDC CONNECTORS:
"B" BLACK

NOTE: IDC SOCKET CAN'T BE SUPPLIED ALONE.

1.00MM PITCH FLAT CABLE WITH 2* 2.00MM IDC SOCKETS (H=7.5MM) (A8)



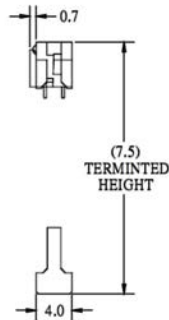
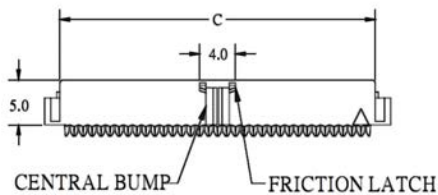
2.00MM PITCH IDC SOCKET WITH CENTRAL BUMP & FRICTION LATCH



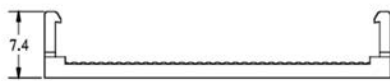
$$A=B+6.6$$

$$B=2.00*\text{POSITIONS}/2-2.00$$

$$C=B+3.2$$



NO. OF CONTACTS:
006, 008, 010, 012, 014,
016, 018, 020, 022, 024,
026, 028, 030, 034, 036,
040, 044, 048, 050, 060,
064, 068



ORDERING INFORMATION:

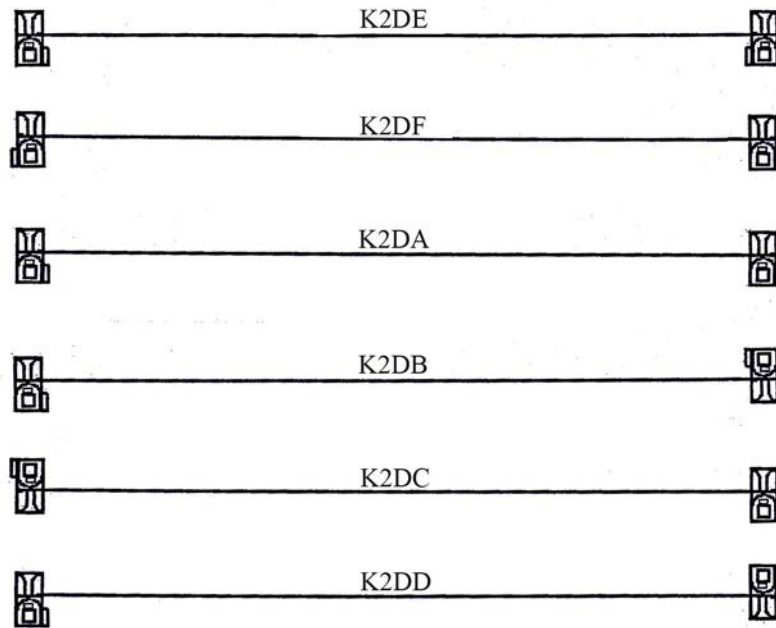
P/N **K** **x x x x x x** - **x x** **C M B**

1 2 3 4

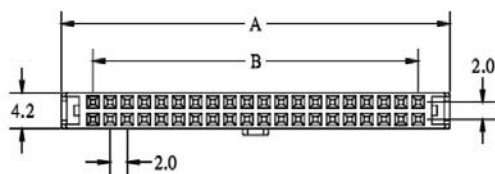
1. CONSTRUCTION TYPE:
2DG, 2DH, 2DJ, 2DK, 2DL, 2DM
2. NO. OF CONTACTS:
006~068
3. LENGTH IN CM (CENTIMETERS)
4. COLOR OF TWO IDC CONNECTORS:
"B" BLACK

NOTE: IDC SOCKET CAN'T BE SUPPLIED ALONE.

1.00MM PITCH FLAT CABLE WITH 2* 2.00MM IDC SOCKETS (H=8.5MM) (A9)

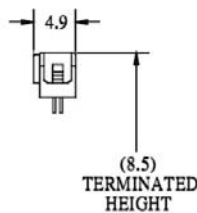
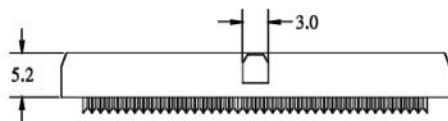


2.00MM PITCH IDC SOCKET WITHOUT S.R. ECONOMICAL TYPE

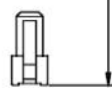
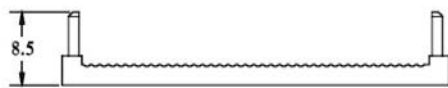


$$A=B+7.2$$

$$B=2.00*\text{POSITIONS}/2-2.00$$



NO. OF CONTACTS:
006, 008, 010, 012, 014,
016, 018, 020, 022, 024,
026, 030, 032, 034, 036,
038, 040, 044, 048, 050,
056, 060, 064, 068



ORDERING INFORMATION:

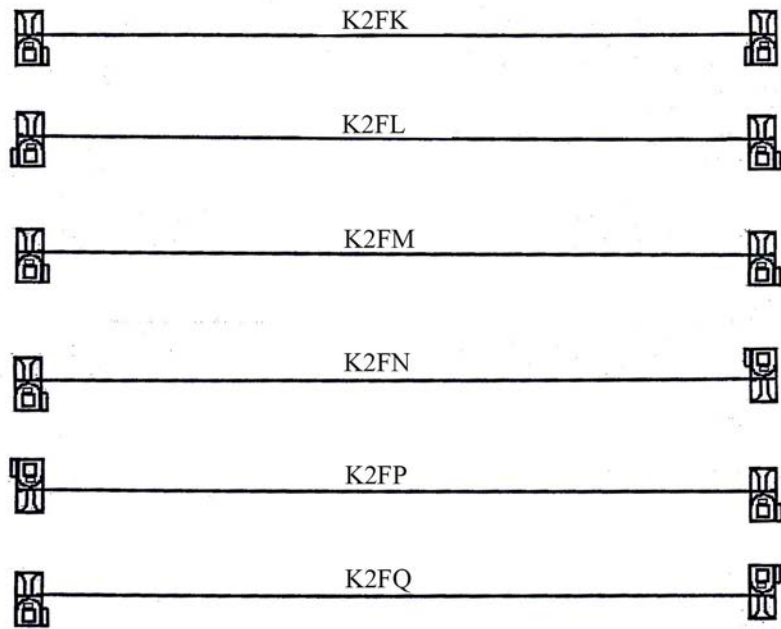
P/N **K** **x x x x x x** - **x x** **C M** **B**

1 2 3 4

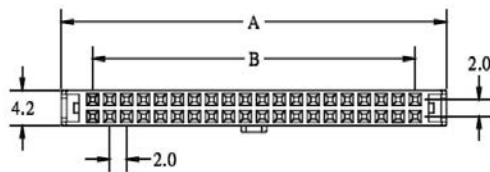
1. CONSTRUCTION TYPE:
2DE, 2DF, 2DA, 2DB, 2DC, 2DD
2. NO. OF CONTACTS:
006~068
3. LENGTH IN CM (CENTIMETERS)
4. COLOR OF TWO IDC CONNECTORS:
"B" BLACK

NOTE: IDC SOCKET CAN'T BE SUPPLIED ALONE.

1.00MM PITCH FLAT CABLE WITH 2* 2.00MM IDC SOCKETS (H=8.5MM) (A10)

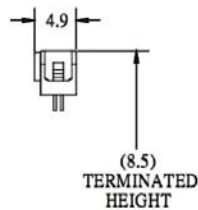
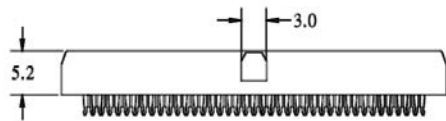


2.00MM PITCH IDC SOCKET WITH HOOKY TERMINATIONS & WITHOUT STRAIN RELIEF



$$A=B+7.20$$

$$B=2.00*\text{POSITIONS}/2-2.00$$



NO. OF CONTACTS:
006, 008, 010, 012, 014,
016, 018, 020, 022, 024,
026, 030, 032, 034, 036,
038, 040, 044, 048, 050,
056, 060, 064, 068



ORDERING INFORMATION:

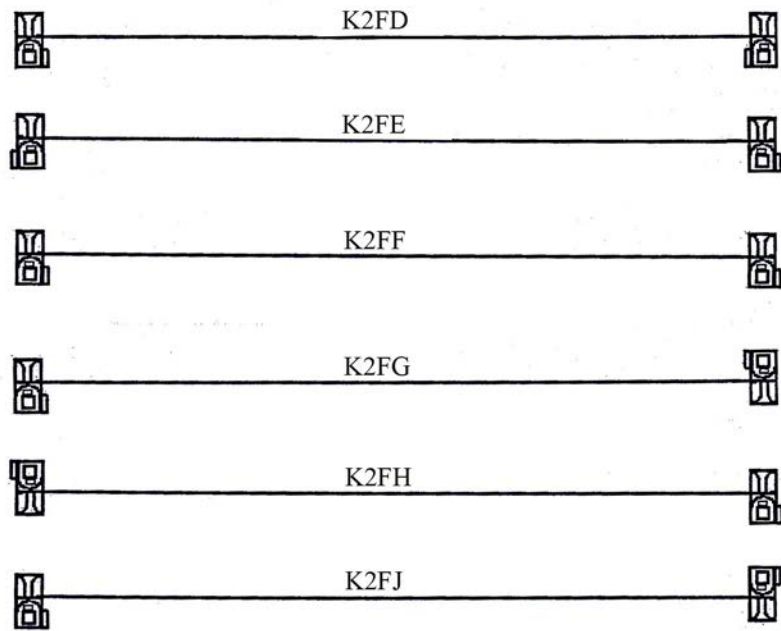
P/N **K** **x x x x x x** - **x x** **C M B**

1 2 3 4

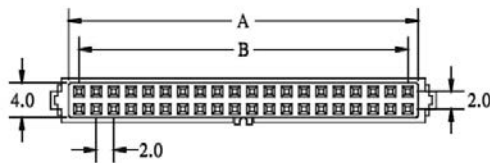
1. CONSTRUCTION TYPE:
2FK, 2FL, 2FM, 2FN, 2FP, 2FQ
2. NO. OF CONTACTS:
006~068
3. LENGTH IN CM (CENTIMETERS)
4. COLOR OF TWO IDC CONNECTORS:
"B" BLACK

NOTE: IDC SOCKET CAN'T BE SUPPLIED ALONE.

1.00MM PITCH FLAT CABLE WITH 2* 2.00MM SHRUNK IDC SOCKETS (H=8.5MM) (A11)



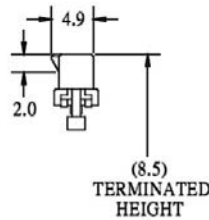
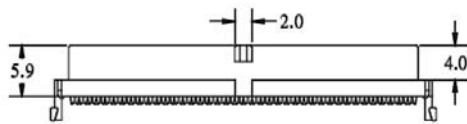
2.00MM PITCH SHRUNK IDC SOCKET WITHOUT STRAIN RELIEF



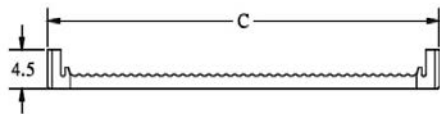
$$A=B+2.4$$

$$B=2.00 \times \text{POSITIONS} / 2 - 2.00$$

$$C=B+7.17$$



NO. OF CONTACTS:
006, 008, 010, 012, 014,
016, 020, 022, 024, 026,
030, 034, 040, 044, 050,
068



ORDERING INFORMATION:

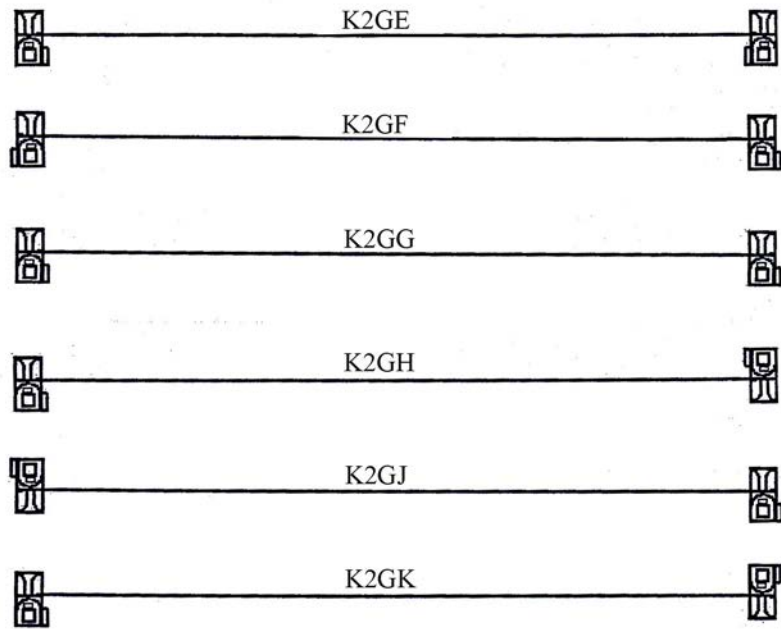
P/N **K** **x x x x x x** - **x x** **C M B**

1 2 3 4

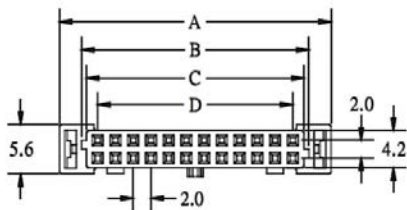
1. CONSTRUCTION TYPE:
2FD, 2FE, 2FF, 2FG, 2FH, 2FJ
2. NO. OF CONTACTS:
006~068
3. LENGTH IN CM (CENTIMETERS)
4. COLOR OF TWO IDC CONNECTORS:
"B" BLACK

NOTE: IDC SOCKET CAN'T BE SUPPLIED ALONE.

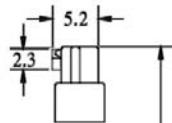
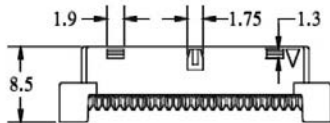
1.00MM PITCH FLAT CABLE WITH 2* 2.00MM IDC SOCKETS (H=9.2MM) (A12)



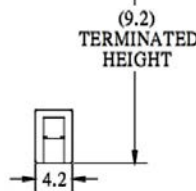
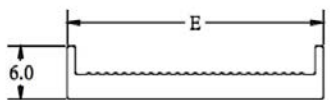
2.00MM PITCH IDC SOCKET WITH RAMP LOCKING & WITHOUT STRAIN RELIEF



$$\begin{aligned} A &= D + 8.65 \\ B &= D + 3.65 \\ C &= D + 2.55 \\ D &= 2.00 * \text{POSITIONS} / 2 - 2.00 \\ E &= D + 6.90 \end{aligned}$$



NO. OF CONTACTS:
010, 012, 014, 016, 020,
022, 024, 026, 030, 034,
040, 044, 050, 068



ORDERING INFORMATION:

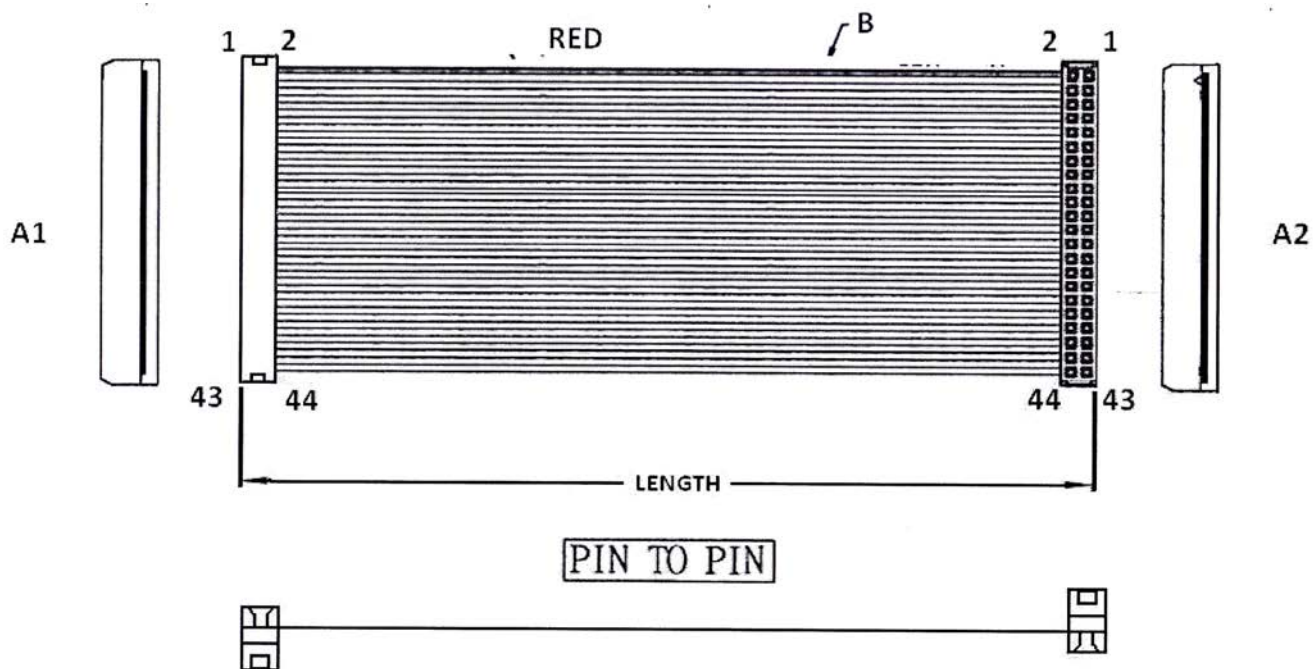
P/N **K** **x x x x x x** - **x x** **C M B**

1 2 3 4

1. CONSTRUCTION TYPE:
2GE, 2GF, 2GG, 2GH, 2GJ, 2GK
2. NO. OF CONTACTS:
010~068
3. LENGTH IN CM (CENTIMETERS)
4. COLOR OF TWO IDC CONNECTORS:
"B" BLACK

NOTE: IDC SOCKET CAN'T BE SUPPLIED ALONE.

**1.00MM PITCH FLAT CABLE WITH 2*
2.00MM PITCH IDC SOCKETS WITHOUT NOSE (H=9.0MM) (B1)**

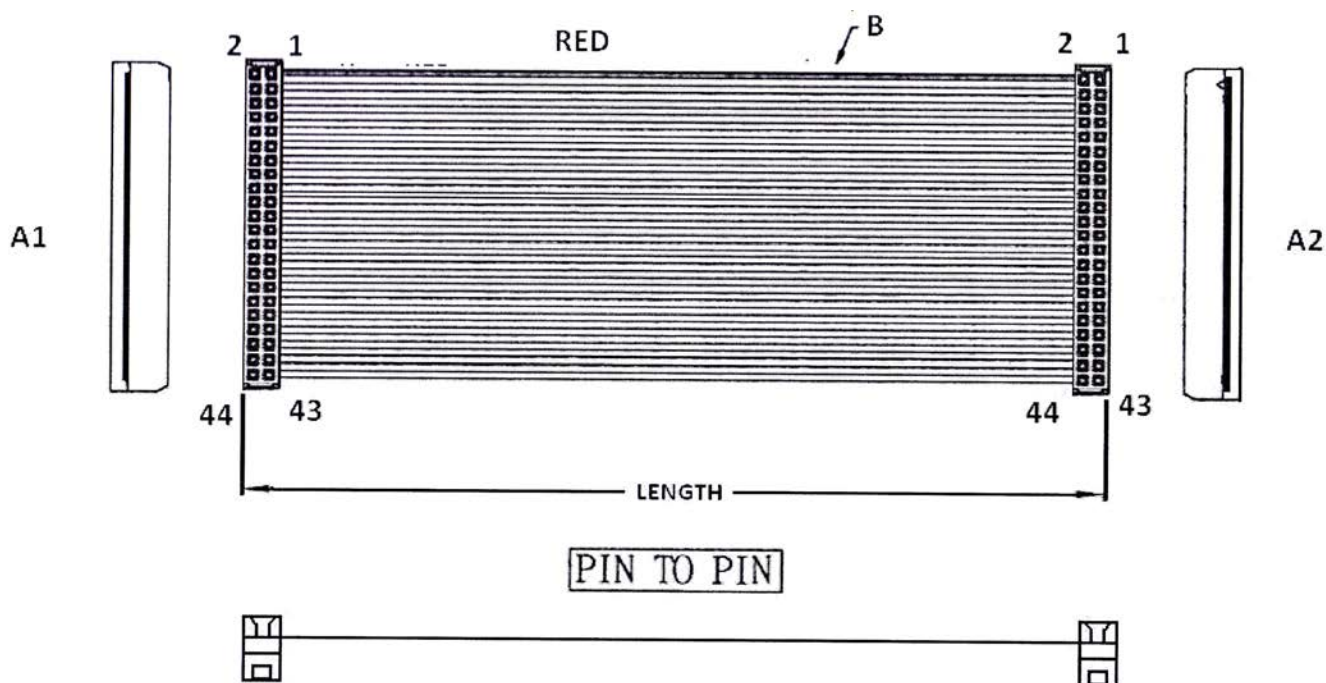


ORDERING INFORMATION:

P/N $\frac{KB}{1} \frac{xx}{2} \frac{AA}{3} - \frac{xx}{4} \frac{CMB}{5}$

1. FLAT CABLE TYPE:
"KB" 1.00MM AWG28 UL2651 VW-1
PVC INSULATION GRAY
2. NO. OF CONTACTS:
06~68
3. CONNECTORS AT TWO ENDS:
"AA" 2.00MM IDC SOCKET W/O NOSE W/O S.R.
TO 2.00MM IDC SOCKET W/O NOSE W/O S.R.
4. LENGTH IN CM (CENTIMETERS)
5. COLOR OF TWO IDC CONNECTORS:
"B" BLACK

**1.00MM PITCH FLAT CABLE WITH 2*
2.00MM PITCH IDC SOCKETS WITHOUT NOSE (H=9.0MM) (B2)**

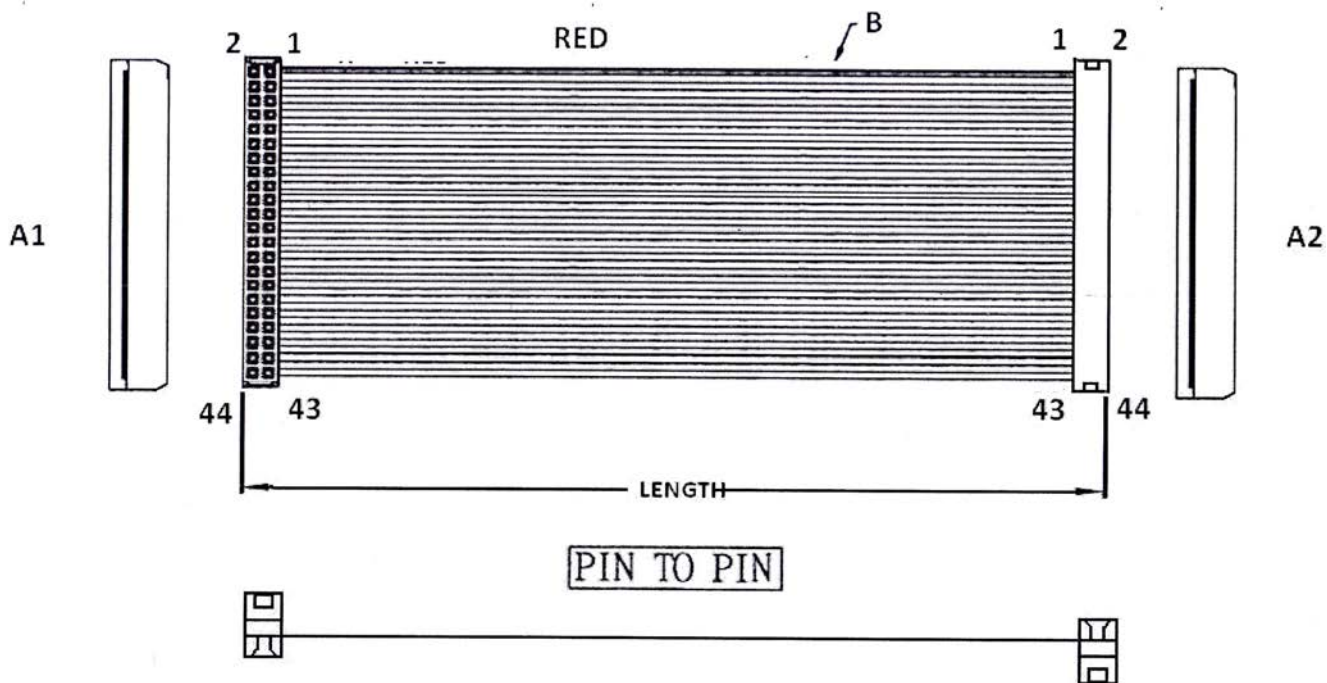


ORDERING INFORMATION:

P/N $\frac{KB}{1} \frac{xx}{2} \frac{AV}{3} - \frac{xx}{4} CM \frac{B}{5}$

1. FLAT CABLE TYPE:
"KB" 1.00MM AWG28 UL2651 VW-1
PVC INSULATION GRAY
2. NO. OF CONTACTS:
06~68
3. CONNECTORS AT TWO ENDS:
"AV" 2.00MM IDC SOCKET W/O NOSE W/O S.R.
TO 2.00MM IDC SOCKET W/O NOSE W/O S.R.
4. LENGTH IN CM (CENTIMETERS)
5. COLOR OF TWO IDC CONNECTORS:
"B" BLACK

**1.00MM PITCH FLAT CABLE WITH 2*
2.00MM PITCH IDC SOCKETS WITHOUT NOSE (H=9.0MM) (B3)**

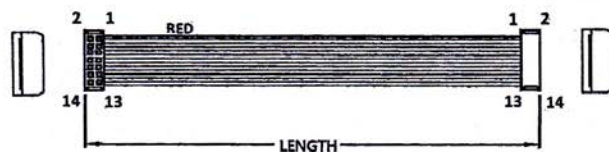
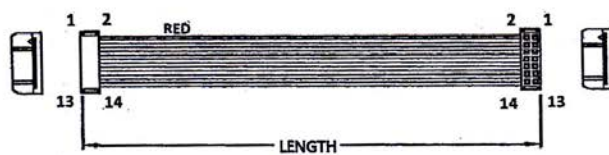
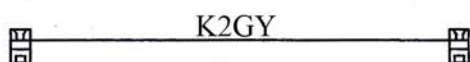
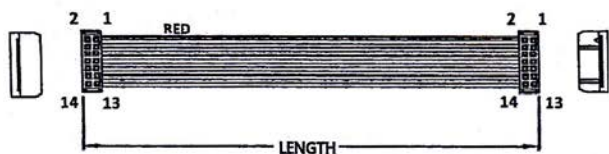


ORDERING INFORMATION:

P/N $\frac{KB}{1} \frac{xx}{2} \frac{VV}{3} - \frac{xx}{4} CM \frac{B}{5}$

1. FLAT CABLE TYPE:
"KB" 1.00MM AWG28 UL2651 VW-1
PVC INSULATION GRAY
2. NO. OF CONTACTS:
06~68
3. CONNECTORS AT TWO ENDS:
"VV" 2.00MM IDC SOCKET W/O NOSE W/O S.R.
TO 2.00MM IDC SOCKET W/O NOSE W/O S.R.
4. LENGTH IN CM (CENTIMETERS)
5. COLOR OF TWO IDC CONNECTORS:
"B" BLACK

**1.00MM PITCH FLAT CABLE WITH
2* 2.00MM LOW PROFILE IDC SOCKETS W/O NOSE (H=7.4MM) (B4)**

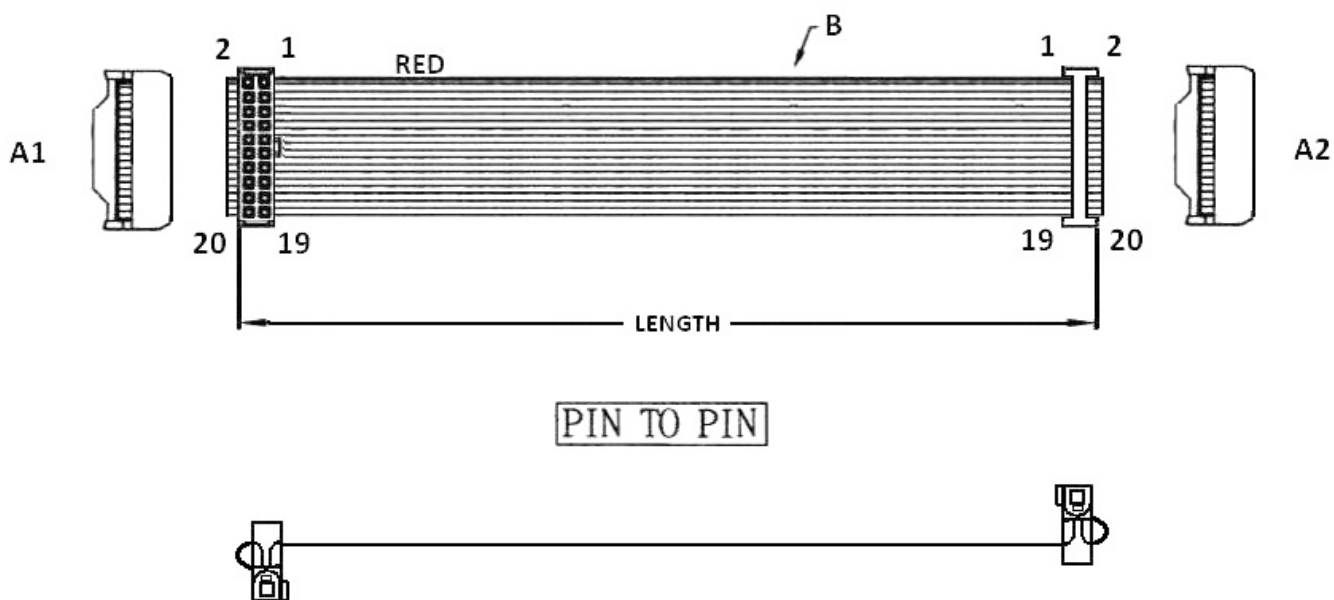


ORDERING INFORMATION:

P/N K $\frac{x}{1} \frac{x}{2} \frac{x}{3} \frac{x}{4} C M B$

1. CONSTRUCTION TYPE:
2GX, 2GY, 2GZ
2. NO. OF CONTACTS:
008~050
3. LENGTH IN CM (CENTIMETERS)
4. COLOR OF TWO IDC CONNECTORS:
"B" BLACK

**1.00MM PITCH FLAT CABLE WITH 2*
2.00MM PITCH IDC SOCKETS WITH STRAIN RELIEFS (H=13.0MM) (C1)**

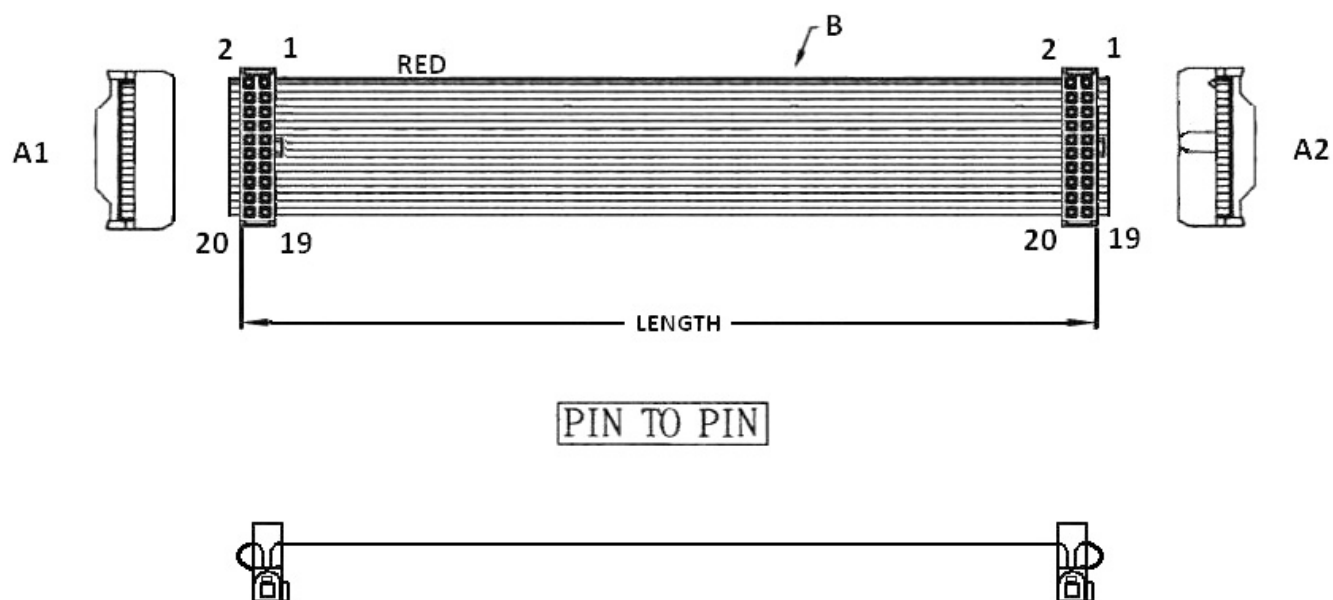


ORDERING INFORMATION:

P/N $\frac{KB}{1}$ $\frac{xx}{2}$ $\frac{MM}{3}$ - $\frac{xx}{4}$ **CM** $\frac{B}{5}$

1. FLAT CABLE TYPE:
"KB" 1.00MM AWG28 UL2651 VW-1
PVC INSULATION GRAY
2. NO. OF CONTACTS:
06-68
3. CONNECTORS AT TWO ENDS:
"MM" 2.00MM IDC SOCKET WITH NOSE & S.R. TO
2.00MM IDC SOCKET WITH NOSE & S.R.
4. LENGTH IN CM (CENTIMETERS)
5. COLOR OF TWO IDC CONNECTORS:
"B" BLACK

**1.00MM PITCH FLAT CABLE WITH 2*
2.00MM PITCH IDC SOCKETS WITH STRAIN RELIEFS (H=13.0MM) (C2)**



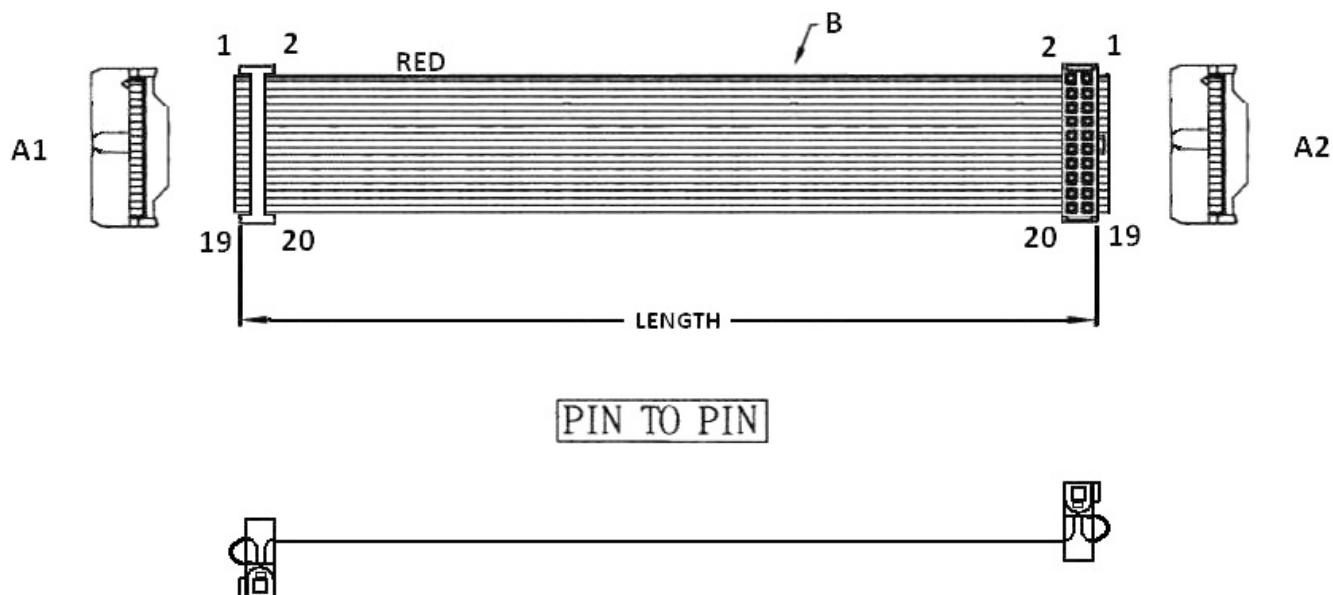
PIN TO PIN

ORDERING INFORMATION:

P/N $\frac{KB}{1} \frac{xx}{2} \frac{MN}{3} - \frac{xx}{4} \frac{CMB}{5}$

1. FLAT CABLE TYPE:
"KB" 1.00MM AWG28 UL2651 VW-1
PVC INSULATION GRAY
2. NO. OF CONTACTS:
06-68
3. CONNECTORS AT TWO ENDS:
"MN" 2.00MM IDC SOCKET WITH NOSE & S.R. TO
2.00MM IDC SOCKET WITH NOSE & S.R.
4. LENGTH IN CM (CENTIMETERS)
5. COLOR OF TWO IDC CONNECTORS:
"B" BLACK

**1.00MM PITCH FLAT CABLE WITH 2*
2.00MM PITCH IDC SOCKETS WITH STRAIN RELIEFS (H=13.0MM) (C3)**



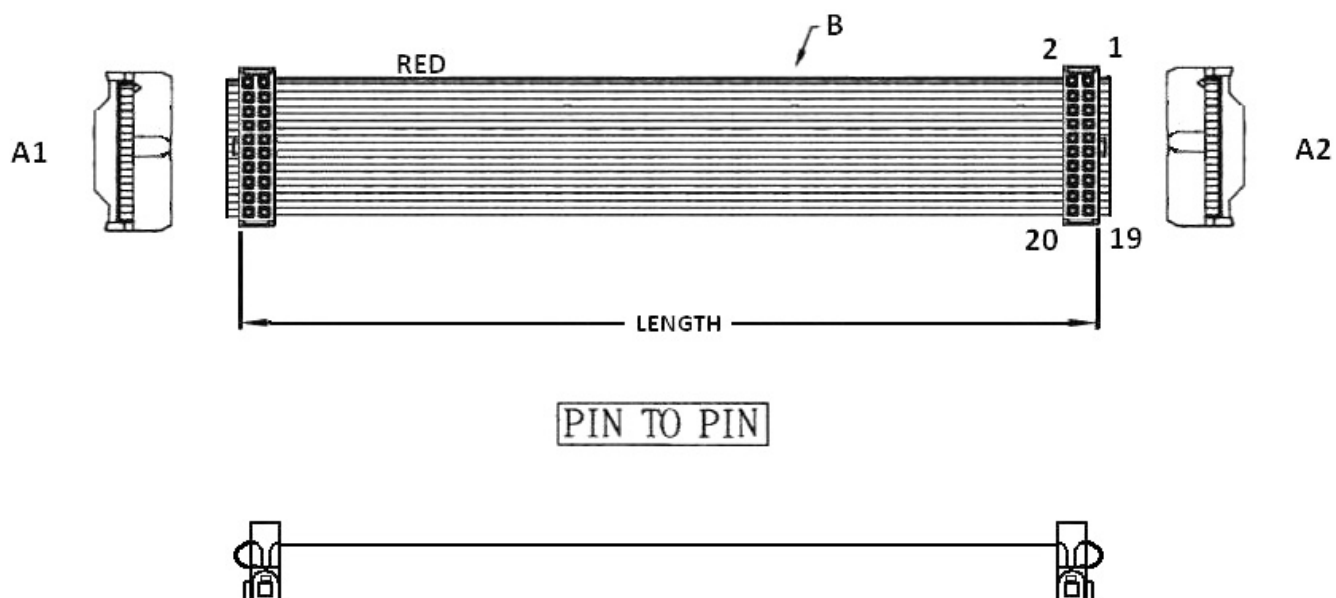
PIN TO PIN

ORDERING INFORMATION:

P/N $\frac{KB}{1} \frac{xx}{2} \frac{NN}{3} - \frac{xx}{4} C M \frac{B}{5}$

1. FLAT CABLE TYPE:
"KB" 1.00MM AWG28 UL2651 VW-1
PVC INSULATION GRAY
2. NO. OF CONTACTS:
06-68
3. CONNECTORS AT TWO ENDS:
"NN" 2.00MM IDC SOCKET WITH NOSE & S.R. TO
2.00MM IDC SOCKET WITH NOSE & S.R.
4. LENGTH IN CM (CENTIMETERS)
5. COLOR OF TWO IDC CONNECTORS:
"B" BLACK

**1.00MM PITCH FLAT CABLE WITH 2*
2.00MM PITCH IDC SOCKETS WITH STRAIN RELIEFS (H=13.0MM) (C4)**

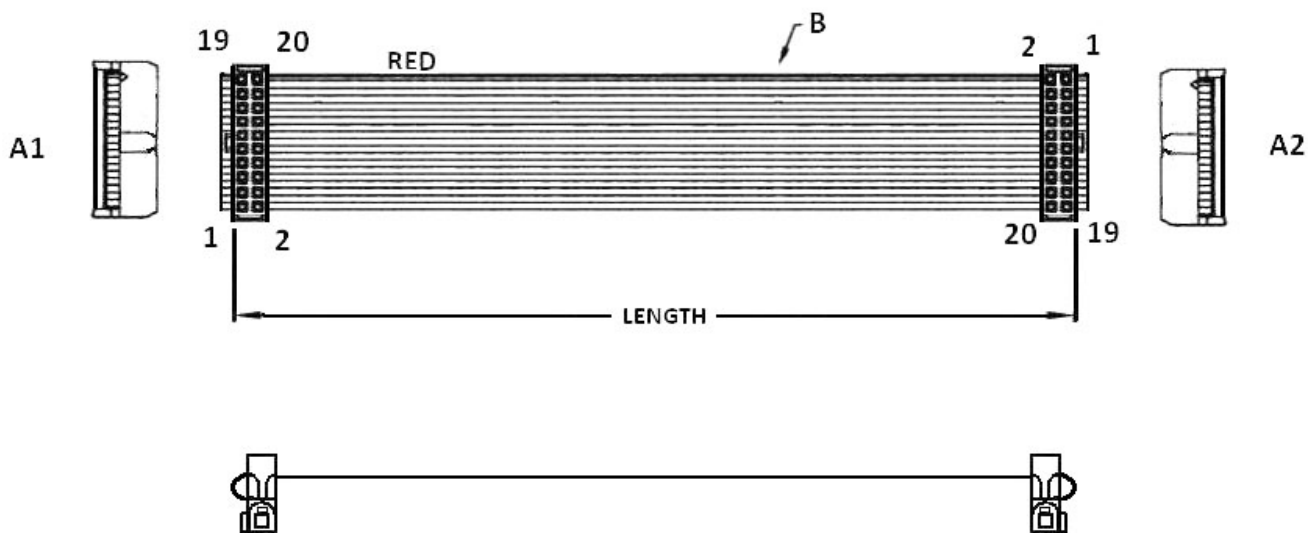


ORDERING INFORMATION:

P/N $\frac{KB}{1} \frac{XX}{2} \frac{NX}{3} - \frac{XX}{4} \frac{CM}{5} \frac{B}{5}$

1. FLAT CABLE TYPE:
"KB" 1.00MM AWG28 UL2651 VW-1
PVC INSULATION GRAY
2. NO. OF CONTACTS:
06-68
3. CONNECTORS AT TWO ENDS:
"NX" 2.00MM IDC SOCKET WITH NOSE & S.R. TO
2.00MM IDC SOCKET WITH NOSE & S.R.
4. LENGTH IN CM (CENTIMETERS)
5. COLOR OF TWO IDC CONNECTORS:
"B" BLACK

**1.00MM PITCH FLAT CABLE WITH
2* 2.00MM PITCH IDC SOCKETS WITH STRAIN RELIEFS (H=13.0MM) (C5)**

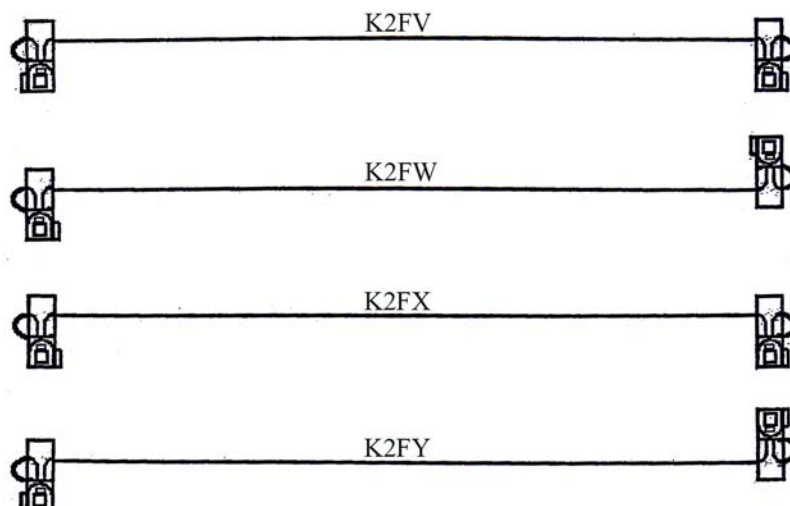


ORDERING INFORMATION:

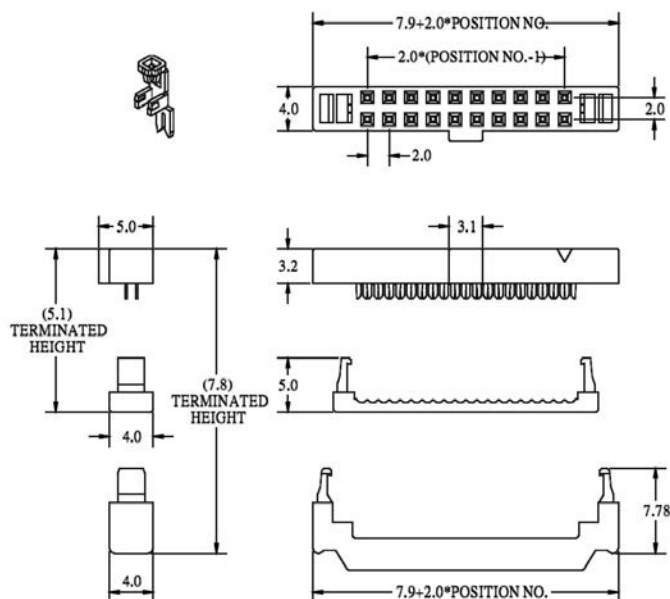
P/N $\frac{KB}{1} \frac{xx}{2} \frac{NI}{3} - \frac{xx}{4} C M \frac{B}{5}$

1. FLAT CABLE TYPE:
"KB" 1.00MM AWG28 UL2651 VW-1
PVC INSULATION GRAY
2. NO. OF CONTACTS:
06~68
3. CONNECTORS AT TWO ENDS:
"NI" 2.00MM IDC SOCKET WITH NOSE & S.R.
TO 2.00MM IDC SOCKET WITH NOSE & S.R.
4. LENGTH IN CM (CENTIMETERS)
5. COLOR OF TWO IDC CONNECTORS:
"B" BLACK

1.00MM PITCH FLAT CABLE WITH 2* 2.00MM IDC SOCKETS (H=7.8MM) (C6)



2.00MM PITCH IDC SOCKET WITH INTENSIVE CONTACTS & S.R.



NO. OF CONTACTS:
006, 008, 010, 012, 014,
016, 020, 022, 024, 026,
030, 034, 036, 040, 044,
050

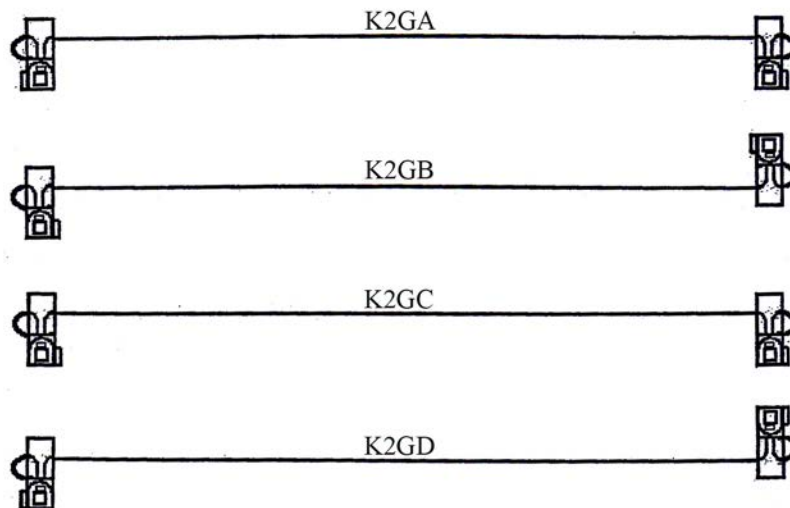
ORDERING INFORMATION:

P/N **K** **x x x x x x** - **x x** **C M B**
1 2 3 4

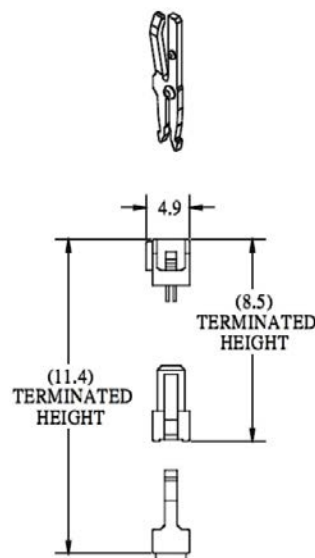
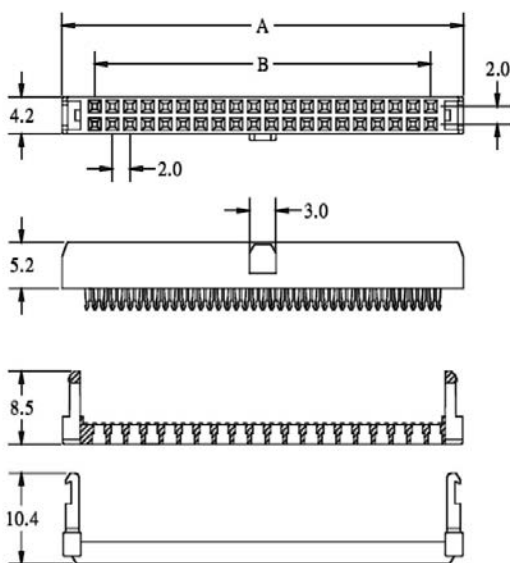
1. CONSTRUCTION TYPE:
2FV, 2FW, 2FX, 2FY
2. NO. OF CONTACTS:
006~050
3. LENGTH IN CM (CENTIMETERS)
4. COLOR OF TWO IDC CONNECTORS:
"B" BLACK

NOTE: IDC SOCKET CAN'T BE SUPPLIED ALONE.

1.00MM PITCH FLAT CABLE WITH 2* 2.00MM IDC SOCKETS (H=11.4MM) (C7)



2.00MM PITCH IDC SOCKET WITH HOOKY TERMINATIONS & S.R.



$$A=B+7.20$$

$$B=2.00*\text{POSITIONS}/2-2.00$$

NO. OF CONTACTS:
006, 008, 010, 012, 014,
016, 018, 020, 022, 024,
026, 030, 032, 034, 036,
038, 040, 044, 048, 050,
056, 060, 064, 068

ORDERING INFORMATION:

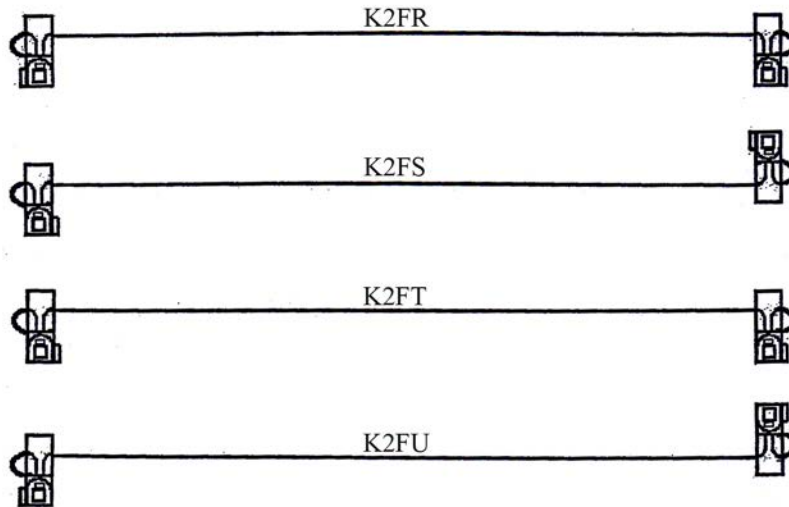
P/N **K** **x x x x x x** - **x x** **C M B**

1 2 3 4

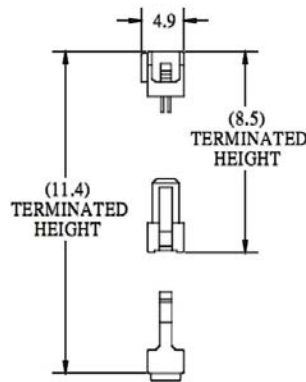
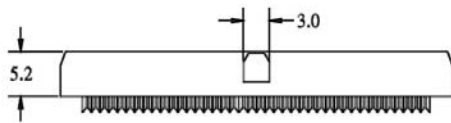
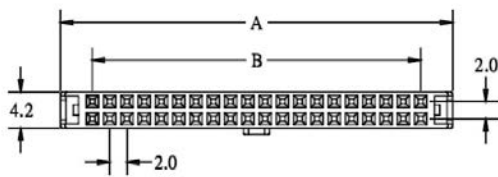
1. CONSTRUCTION TYPE:
2GA, 2GB, 2GC, 2GD
2. NO. OF CONTACTS:
006~068
3. LENGTH IN CM (CENTIMETERS)
4. COLOR OF TWO IDC CONNECTORS:
"B" BLACK

NOTE: IDC SOCKET CAN'T BE SUPPLIED ALONE.

1.00MM PITCH FLAT CABLE WITH 2* 2.00MM IDC SOCKETS (H=11.4MM) (C8)



2.00MM PITCH IDC SOCKET WITH S.R. ECONOMICAL TYPE



$$A=B+7.20$$

$$B=2.00*\text{POSITIONS}/2-2.00$$

NO. OF CONTACTS:

006, 008, 010, 012, 014,
016, 018, 020, 022, 024,
026, 030, 032, 034, 036,
038, 040, 044, 048, 050,
056, 060, 064, 068

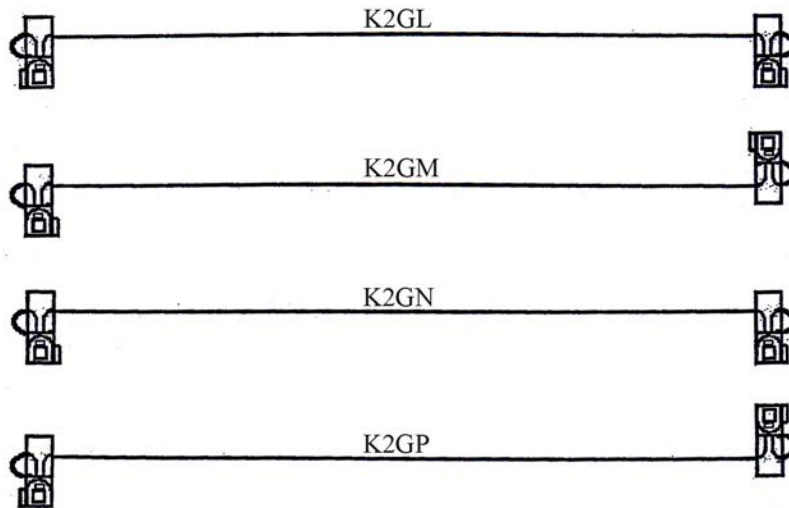
ORDERING INFORMATION:

P/N **K** **x x x x x x** - **x x** **C M** **B**
1 2 3 4

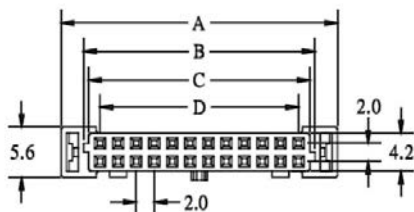
1. CONSTRUCTION TYPE:
2FR, 2FS, 2FT, 2FU
2. NO. OF CONTACTS:
006~068
3. LENGTH IN CM (CENTIMETERS)
4. COLOR OF TWO IDC CONNECTORS:
"B" BLACK

NOTE: IDC SOCKET CAN'T BE SUPPLIED ALONE.

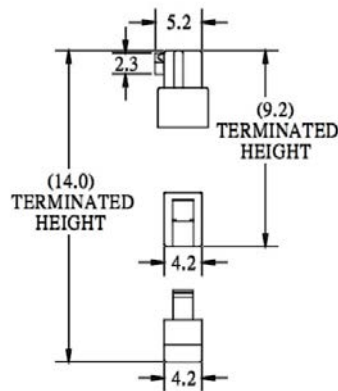
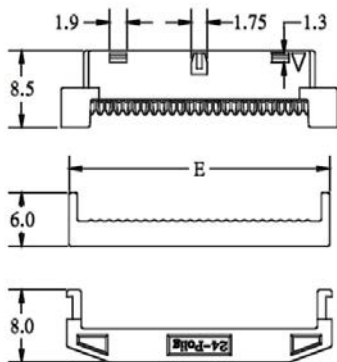
1.00MM PITCH FLAT CABLE WITH 2* 2.00MM IDC SOCKETS (H=14.0MM) (C9)



2.00MM PITCH IDC SOCKET WITH RAMP LOCKING & S.R.



$$\begin{aligned} A &= D + 8.65 \\ B &= D + 3.65 \\ C &= D + 2.55 \\ D &= 2.00 * \text{POSITIONS} / 2 - 2.00 \end{aligned}$$



NO. OF CONTACTS:
010, 012, 014, 016, 020,
022, 024, 026, 030, 034,
040, 044, 050, 068

ORDERING INFORMATION:

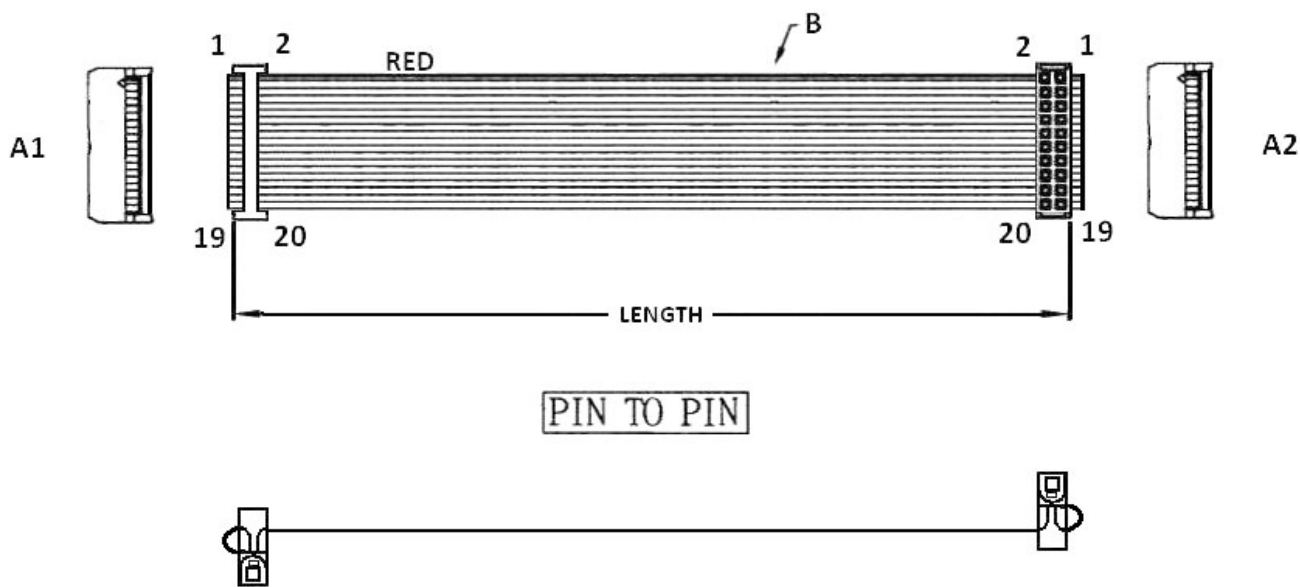
P/N **K** **x** **x** **x** **x** **x** **x** - **x** **x** **C** **M** **B**

1 2 3 4

1. CONSTRUCTION TYPE:
2GL, 2GM, 2GN, 2GP
2. NO. OF CONTACTS:
010~068
3. LENGTH IN CM (CENTIMETERS)
4. COLOR OF TWO IDC CONNECTORS:
"B" BLACK

NOTE: IDC SOCKET CAN'T BE SUPPLIED ALONE.

**1.00MM PITCH FLAT CABLE WITH
2* 2.00MM PITCH IDC SOCKETS W/O NOSE & WITH STRAIN RELIEFS (H=13.0MM) (D1)**

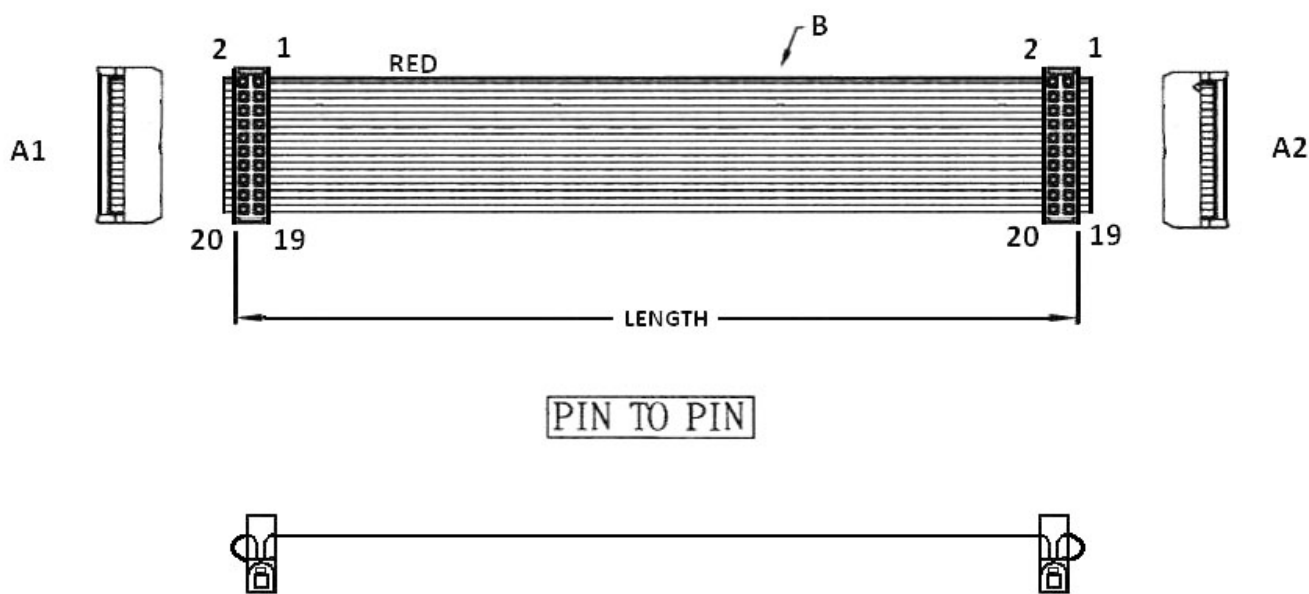


ORDERING INFORMATION:

P/N $\frac{KB}{1} \frac{xx}{2} \frac{QQ}{3} - \frac{xx}{4} CM \frac{B}{5}$

1. FLAT CABLE TYPE:
"KB" 1.00MM AWG28 UL2651 VW-1
PVC INSULATION GRAY
2. NO. OF CONTACTS:
06~68
3. CONNECTORS AT TWO ENDS:
"QQ" 2.00MM IDC SOCKET W/O NOSE & WITH S.R.
TO 2.00MM IDC SOCKET W/O NOSE & WITH S.R.
4. LENGTH IN CM (CENTIMETERS)
5. COLOR OF TWO IDC CONNECTORS:
"B" BLACK

**1.00MM PITCH FLAT CABLE WITH
2* 2.00MM PITCH IDC SOCKETS W/O NOSE & WITH STRAIN RELIEFS (H=13.0MM) (D2)**

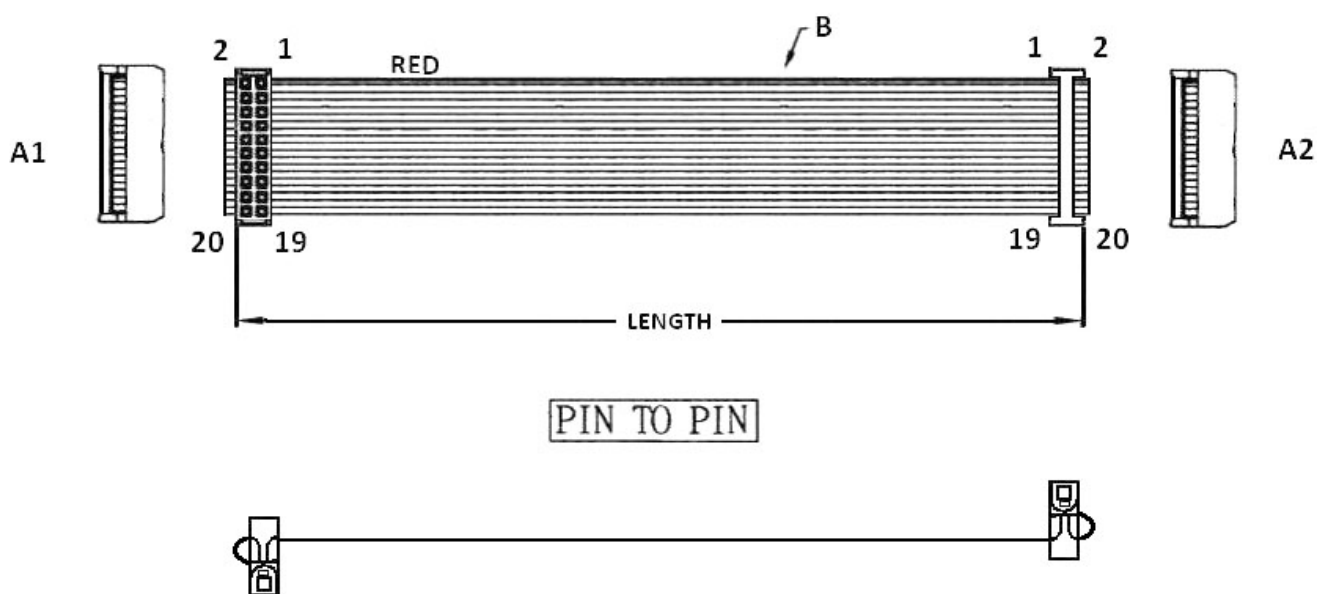


ORDERING INFORMATION:

P/N $\frac{KB}{1}$ $\frac{xx}{2}$ $\frac{QR}{3}$ - $\frac{xx}{4}$ **CM** $\frac{B}{5}$

1. FLAT CABLE TYPE:
"KB" 1.00MM AWG28 UL2651 VW-1
PVC INSULATION GRAY
2. NO. OF CONTACTS:
06-68
3. CONNECTORS AT TWO ENDS:
"QR" 2.00MM IDC SOCKET W/O NOSE & WITH S.R.
TO 2.00MM IDC SOCKET W/O NOSE & WITH S.R.
4. LENGTH IN CM (CENTIMETERS)
5. COLOR OF TWO IDC CONNECTORS:
"B" BLACK

**1.00MM PITCH FLAT CABLE WITH
2* 2.00MM PITCH IDC SOCKETS W/O NOSE & WITH STRAIN RELIEFS (H=13.00MM) (D3)**

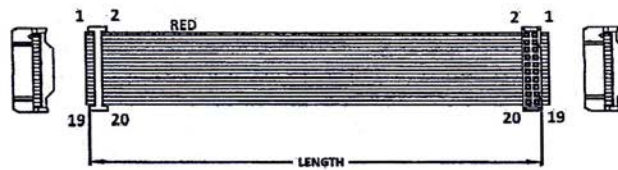
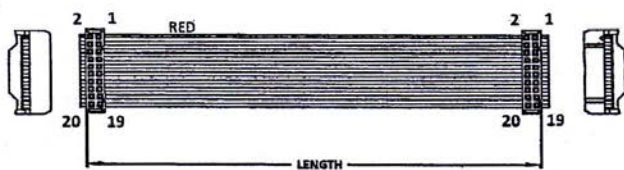


ORDERING INFORMATION:

P/N $\frac{KB}{1} \frac{xx}{2} \frac{RR}{3} - \frac{xx}{4} C M \frac{B}{5}$

1. FLAT CABLE TYPE:
"KB" 1.00MM AWG28 UL2651 VW-1
PVC INSULATION GRAY
2. NO. OF CONTACTS:
06-68
3. CONNECTORS AT TWO ENDS:
"RR" 2.00MM IDC SOCKET W/O NOSE & WITH S.R.
TO 2.00MM IDC SOCKET W/O NOSE & WITH S.R.
4. LENGTH IN CM (CENTIMETERS)
5. COLOR OF TWO IDC CONNECTORS:
"B" BLACK

**1.00MM PITCH FLAT CABLE WITH
2* 2.00MM IDC SOCKETS WITH STAINLESS CABLE LOCK & W/O NOSE (H=9.8MM) (D4)**

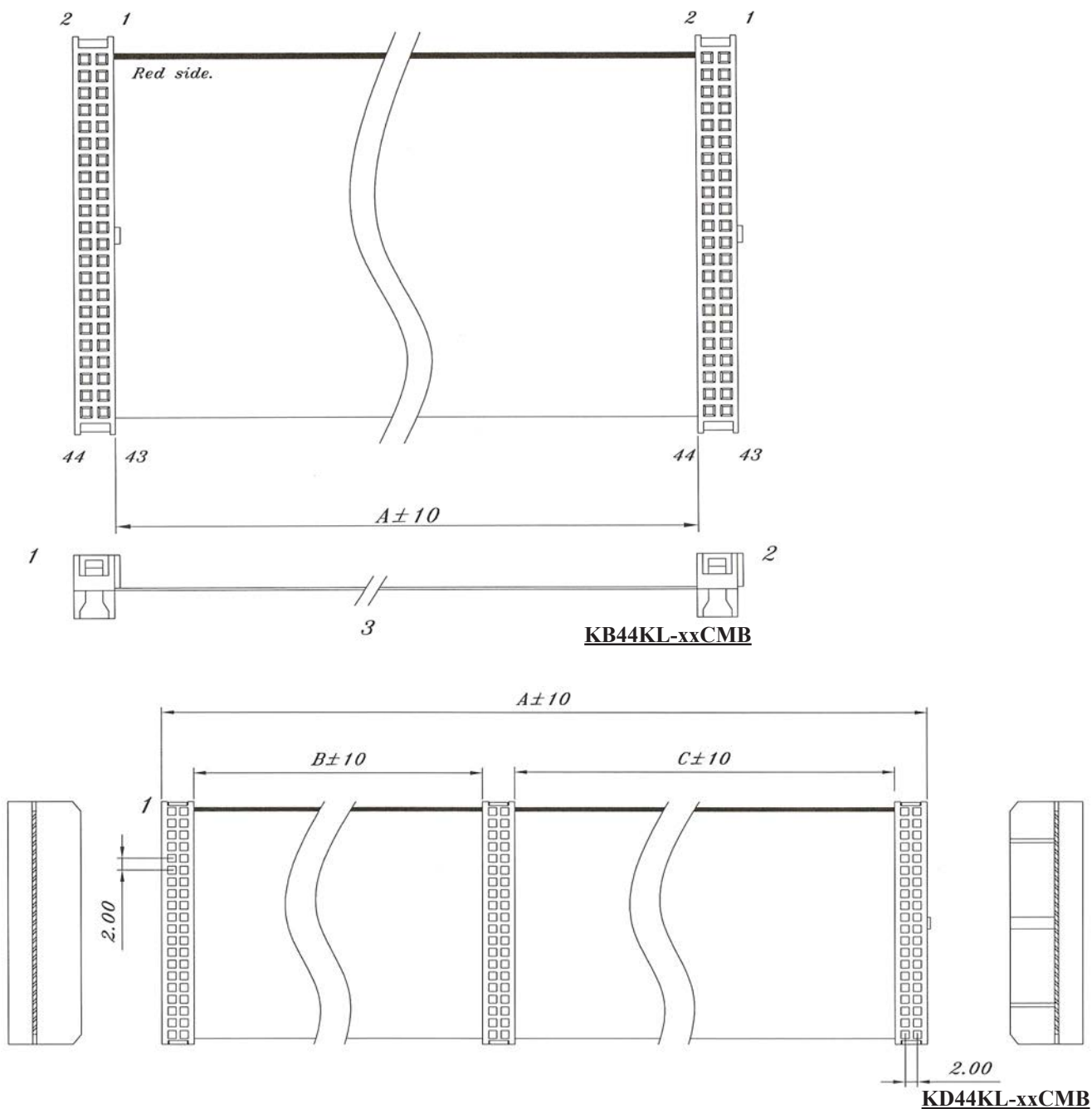


ORDERING INFORMATION:

P/N K $\frac{x}{1} \frac{x}{2} \frac{x}{3} \frac{x}{4} - \frac{x}{3} \frac{x}{4} C M B$

1. CONSTRUCTION TYPE:
2FA, 2FB, 2FC
2. NO. OF CONTACTS:
008~050
3. LENGTH IN CM (CENTIMETERS)
4. COLOR OF TWO IDC CONNECTORS:
"B" BLACK

1.00MM PITCH FLAT CABLE WITH 2.00MM 44 PIN IDC SOCKETS



ORDERING INFORMATION:

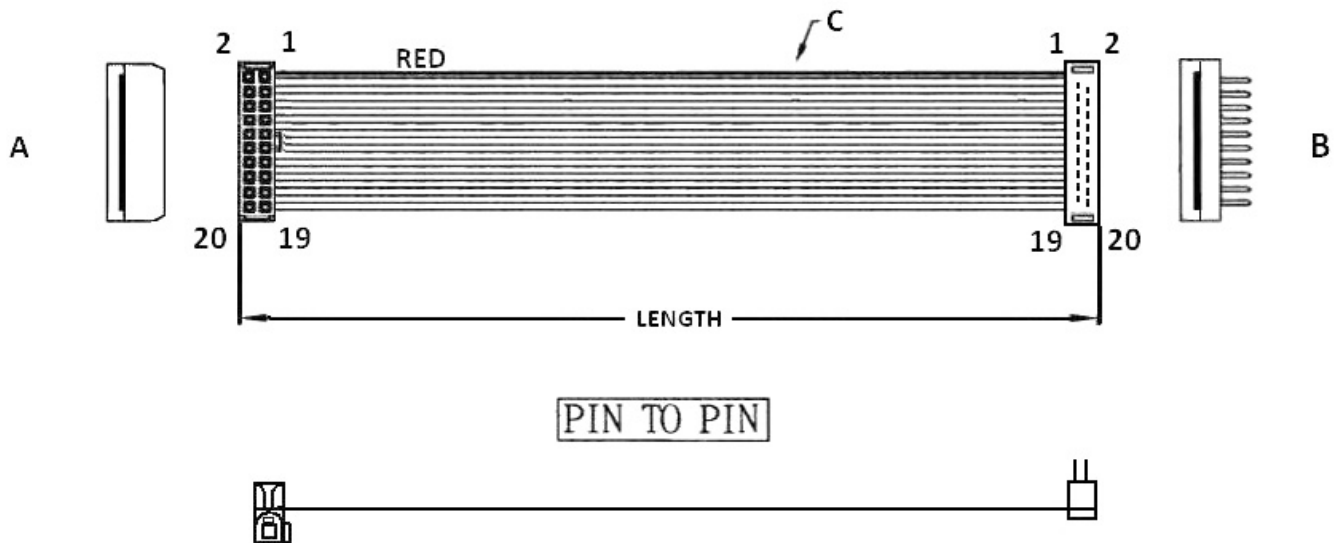
P/N K B 4 4 K L - x x C M B

FLAT CABLE 2*2.00MM 44 PIN IDC SOCKETS WITH 2 POLARIZATION NOSES
A= LENGTH IN CM

P/N K D 4 4 K L - x x C M B

FLAT CABLE 3*2.00MM 44 PIN IDC SOCKETS IN WHICH 2 SOCKETS WITHOUT POLARIZATION NOSES
AND 1 SOCKET WITH POLARIZATION NOSE, A= LENGTH IN CM

**1.00MM PITCH FLAT CABLE WITH 2.00MM PITCH IDC SOCKET
W/O STRAIN RELIEF (H=9.0MM) TO DIP PLUG (H=5.2MM) (E1)**

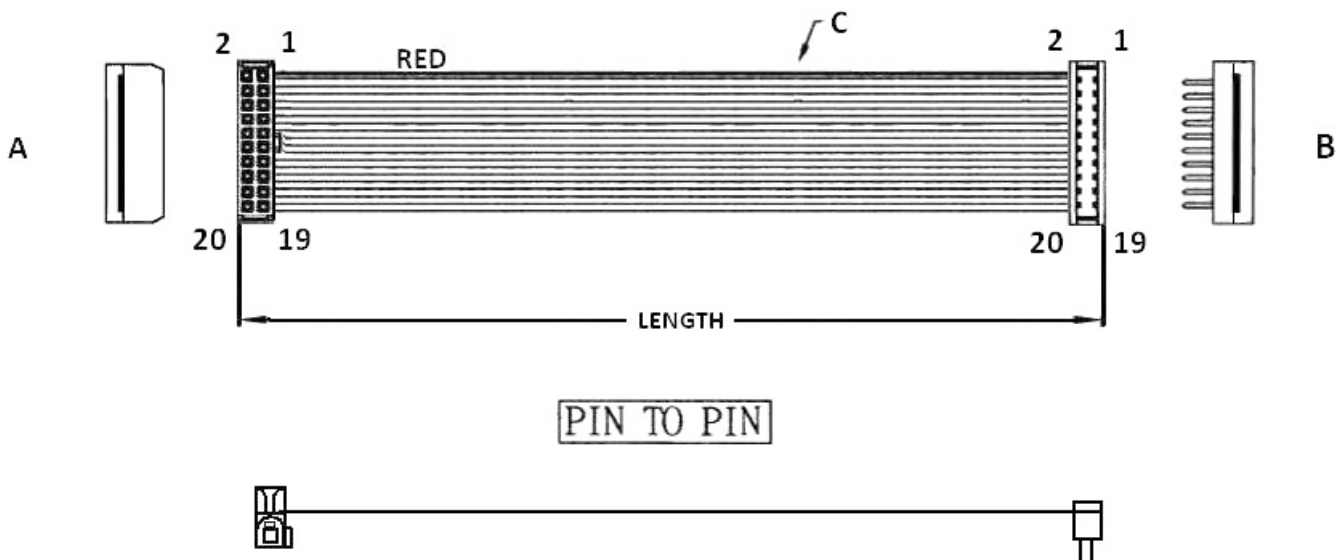


ORDERING INFORMATION:

P/N $\frac{KB}{1} \frac{xx}{2} \frac{KD}{3} - \frac{xx}{4} C M \frac{B}{5}$

1. FLAT CABLE TYPE:
"KB" 1.00MM AWG28 UL2651 VW-1
PVC INSULATION GRAY
2. NO. OF CONTACTS:
06-68
3. CONNECTORS AT TWO ENDS:
"KD" 2.00MM IDC SOCKET WITH NOSE W/O S.R. TO
2.00MM DIP PLUG
4. LENGTH IN CM (CENTIMETERS)
5. COLOR OF TWO IDC CONNECTORS:
"B" BLACK

1.00MM PITCH FLAT CABLE WITH 2.00MM PITCH IDC SOCKET WITHOUT STRAIN RELIEF (H=9.0MM) TO DIP PLUG (H=5.2MM) (E2)

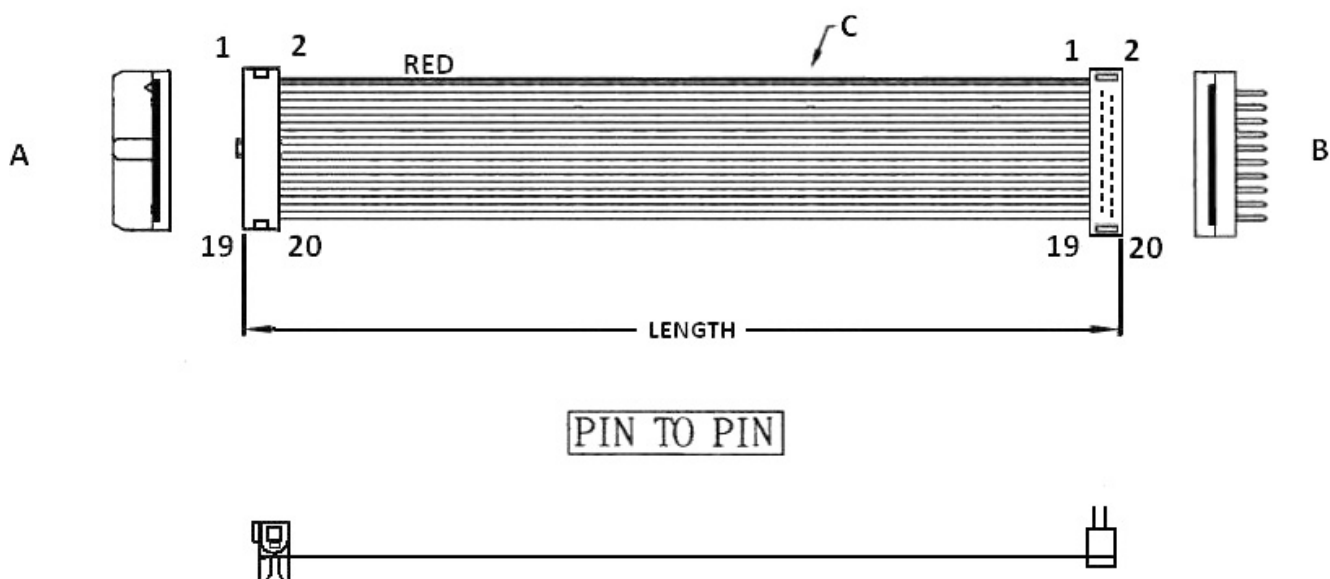


ORDERING INFORMATION:

P/N $\frac{KB}{1} \frac{xx}{2} \frac{KP}{3} - \frac{xx}{4} C M \frac{B}{5}$

1. FLAT CABLE TYPE:
"KB" 1.00MM AWG28 UL2651 VW-1
PVC INSULATION GRAY
2. NO. OF CONTACTS:
06-68
3. CONNECTORS AT TWO ENDS:
"KP" 2.00MM IDC SOCKET WITH NOSE W/O S.R. TO
2.00MM DIP PLUG
4. LENGTH IN CM (CENTIMETERS)
5. COLOR OF TWO IDC CONNECTORS:
"B" BLACK

1.00MM PITCH FLAT CABLE WITH 2.00MM PITCH IDC SOCKET WITHOUT STRAIN RELIEF (H=9.0MM) TO DIP PLUG (H=5.2MM) (E3)

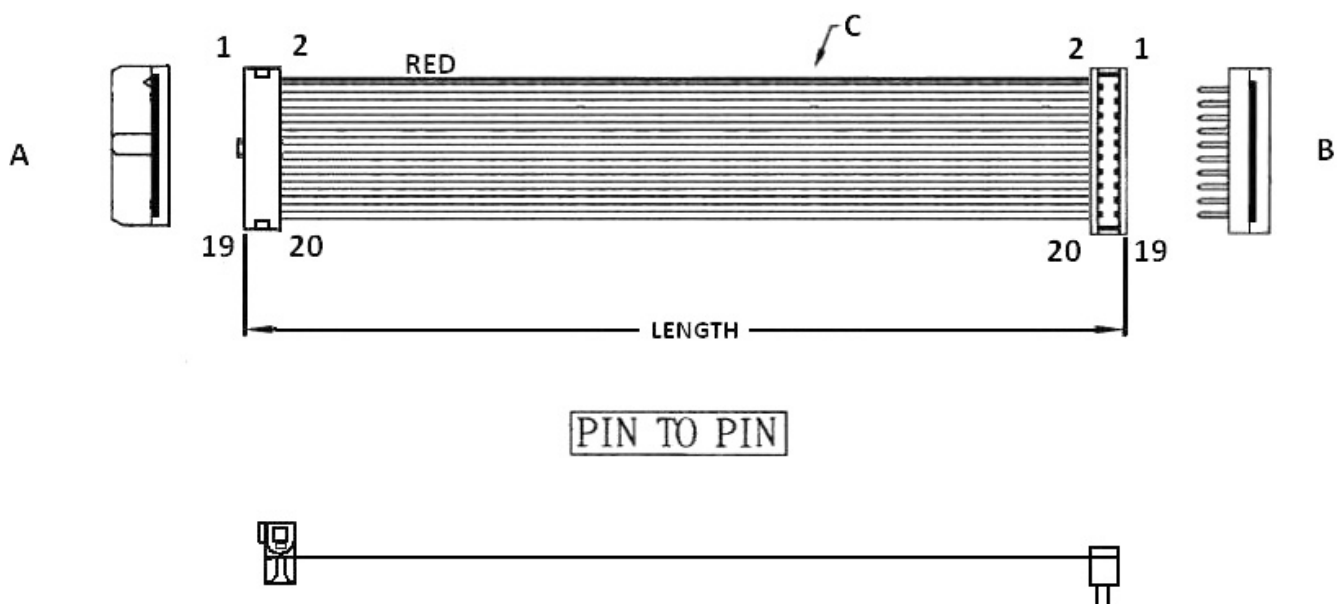


ORDERING INFORMATION:

P/N $\frac{KB}{1} \frac{xx}{2} \frac{LD}{3} - \frac{xx}{4} C M \frac{B}{5}$

1. FLAT CABLE TYPE:
"KB" 1.00MM AWG28 UL2651 VW-1
PVC INSULATION GRAY
2. NO. OF CONTACTS:
06~68
3. CONNECTORS AT TWO ENDS:
"LD" 2.00MM IDC SOCKET WITH NOSE W/O S.R. TO
2.00MM DIP PLUG
4. LENGTH IN CM (CENTIMETERS)
5. COLOR OF TWO IDC CONNECTORS:
"B" BLACK

1.00MM PITCH FLAT CABLE WITH 2.00MM PITCH IDC SOCKET WITHOUT STRAIN RELIEF (H=9.0MM) TO DIP PLUG (H=5.2MM) (E4)

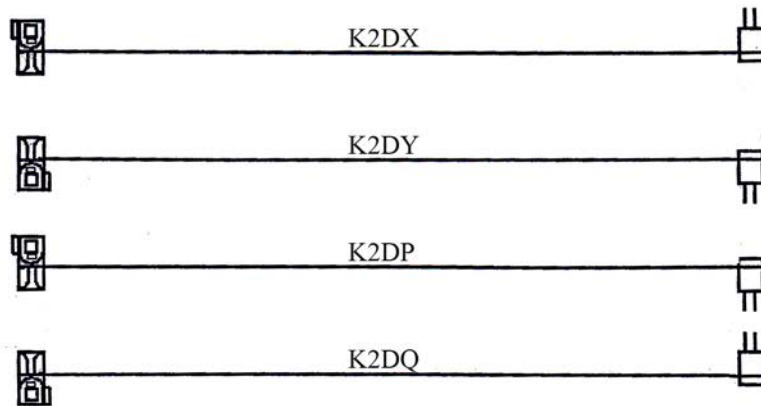


ORDERING INFORMATION:

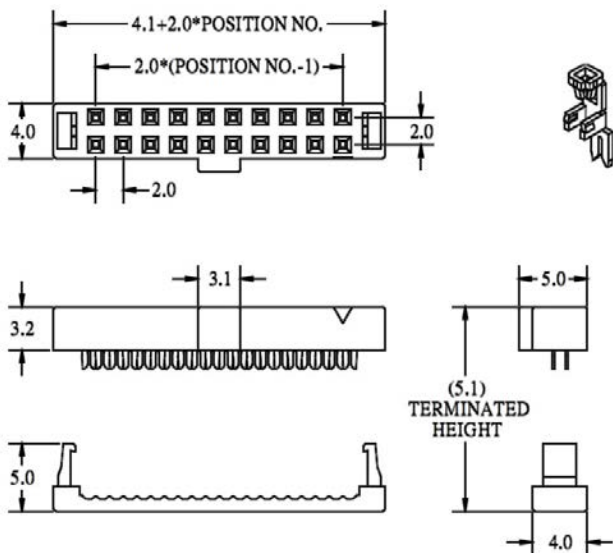
P/N $\frac{KB}{1} \frac{xx}{2} \frac{LP}{3} - \frac{xx}{4} C M \frac{B}{5}$

1. FLAT CABLE TYPE:
"KB" 1.00MM AWG28 UL2651 VW-1
PVC INSULATION GRAY
2. NO. OF CONTACTS:
06-68
3. CONNECTORS AT TWO ENDS:
"LP" 2.00MM IDC SOCKET WITH NOSE W/O S.R. TO
2.00MM DIP PLUG
4. LENGTH IN CM (CENTIMETERS)
5. COLOR OF TWO IDC CONNECTORS:
"B" BLACK

**1.00MM PITCH FLAT CABLE
WITH 2.00MM IDC SOCKET (H=5.1MM) TO DIP PLUG (H=5.2MM) (E5)**

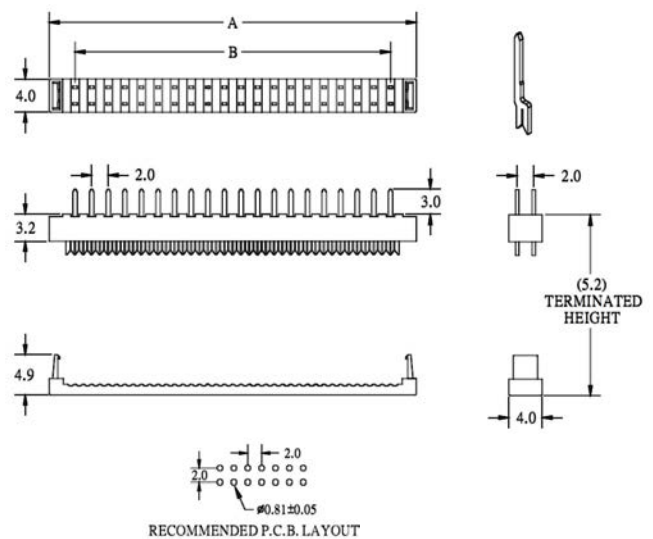


**2.00MM IDC SOCKET
W/O S.R. & WITH INTENSIVE CONTACTS**



NO. OF CONTACTS:
006, 008, 010, 012, 014,
016, 020, 022, 024, 026,
030, 034, 036, 040, 044,
050

2.00MM PITCH DIP PLUG



$A=B+6.20$
 $B=2.00*POSITIONS/2-2.00$

NO. OF CONTACTS:
008, 010, 012, 014, 016,
020, 022, 024, 026, 030,
034, 040, 044, 050, 068

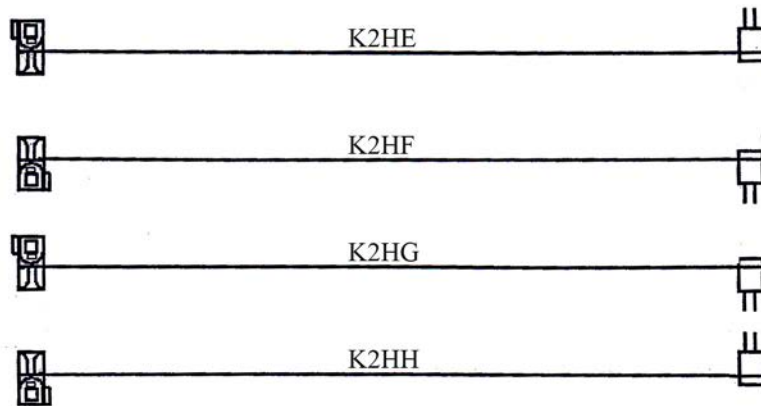
ORDERING INFORMATION:

P/N K 1 2 3 4 C M B

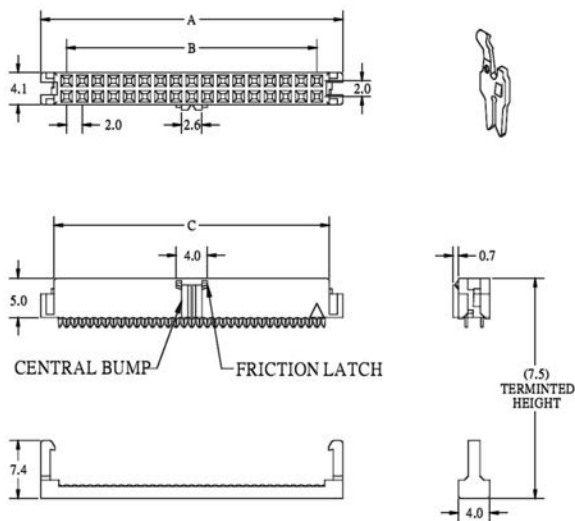
1. CONSTRUCTION TYPE:
2DX, 2DY, 2DP, 2DQ
2. NO. OF CONTACTS:
006~050
3. LENGTH IN CM (CENTIMETERS)
4. COLOR OF TWO IDC CONNECTORS:
"B" BLACK

NOTE: IDC SOCKET & DIP PLUG CAN'T BE SUPPLIED ALONE.

**1.00MM PITCH FLAT CABLE
WITH 2.00MM IDC SOCKET (H=7.5MM) TO DIP PLUG (H=5.2MM) (E6)**



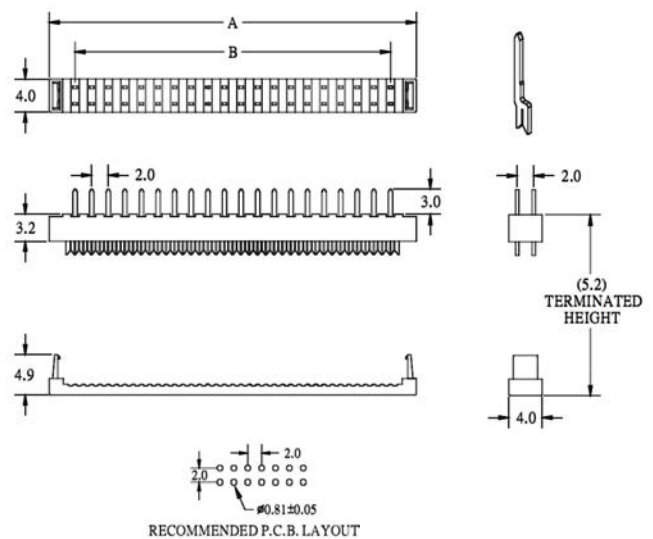
**2.00MM IDC SOCKET
WITH CENTRAL BUMP & FRICTION LATCH**



A=B+6.60
B=2.00*POSITIONS/2-2.00
C=B+3.20

NO. OF CONTACTS:
006, 008, 010, 012, 014,
016, 018, 020, 022, 024,
026, 028, 030, 034, 036,
040, 044, 048, 050, 060,
064, 068

2.00MM PITCH DIP PLUG



A=B+6.20
B=2.00*POSITIONS/2-2.00

NO. OF CONTACTS:
008, 010, 012, 014, 016,
020, 022, 024, 026, 030,
034, 040, 044, 050, 068

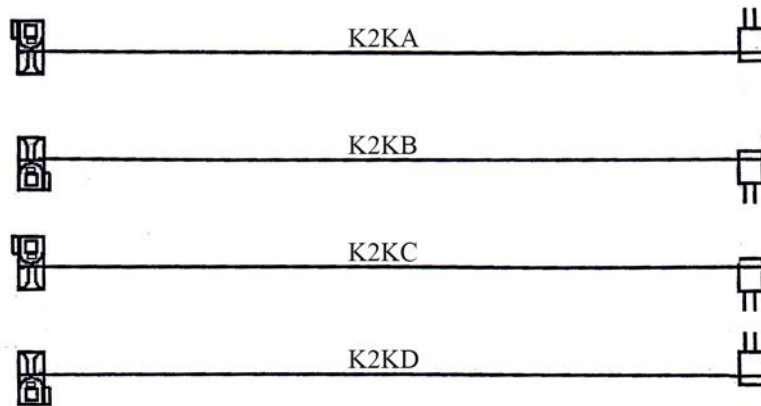
ORDERING INFORMATION:

P/N K 1 2 3 4

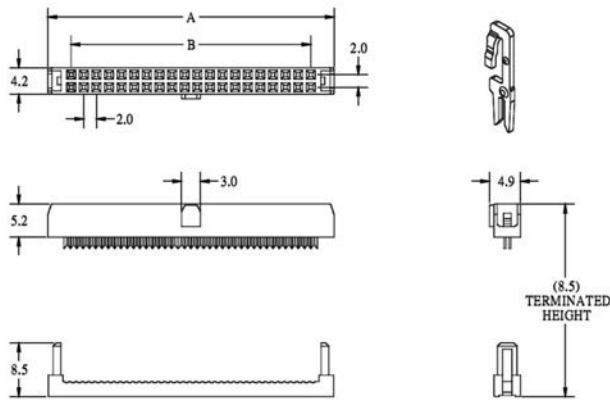
1. CONSTRUCTION TYPE:
2HE, 2HF, 2HG, 2HH
2. NO. OF CONTACTS:
006~068
3. LENGTH IN CM (CENTIMETERS)
4. COLOR OF TWO IDC CONNECTORS:
"B" BLACK

NOTE: IDC SOCKET & DIP PLUG CAN'T BE SUPPLIED ALONE.

**1.00MM PITCH FLAT CABLE
WITH 2.00MM IDC SOCKET (H=8.5MM) TO DIP PLUG (H=5.2MM) (E7)**



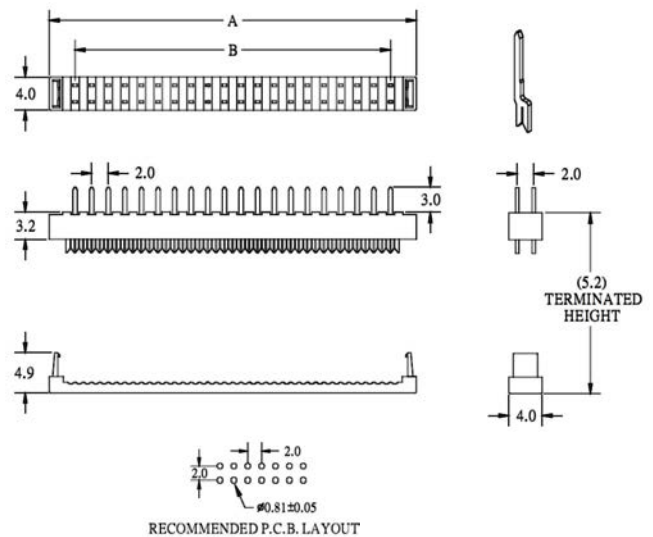
**2.00MM IDC SOCKET
WITHOUT STRAIN RELIEF**



$A=B+7.20$
 $B=2.00*POSITIONS/2-2.00$

NO. OF CONTACTS:
006, 008, 010, 012, 014,
016, 018, 020, 022, 024,
026, 030, 032, 034, 036,
038, 040, 044, 048, 050,
056, 060, 064, 068

2.00MM PITCH DIP PLUG



$A=B+6.20$
 $B=2.00*POSITIONS/2-2.00$

NO. OF CONTACTS:
008, 010, 012, 014, 016,
020, 022, 024, 026, 030,
034, 040, 044, 050, 068

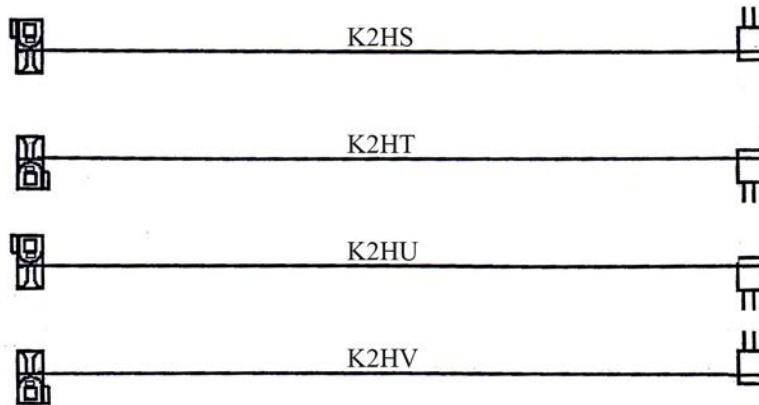
ORDERING INFORMATION:

P/N $\frac{K}{1} \frac{xx}{2} \frac{xxx}{3} - \frac{xx}{4} \frac{C}{3} \frac{M}{4} \frac{B}{4}$

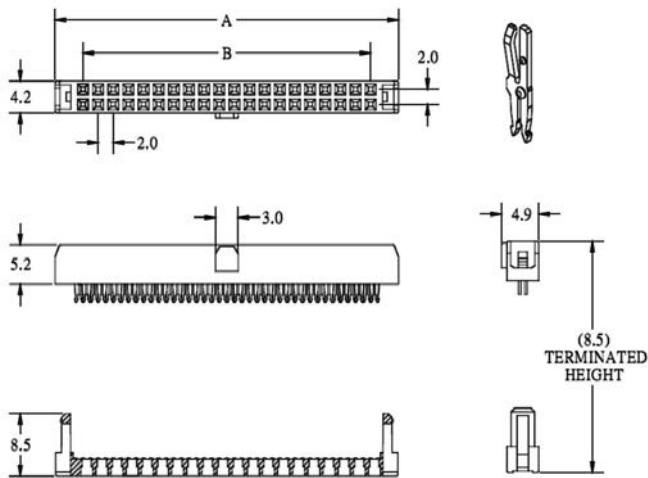
1. CONSTRUCTION TYPE:
2KA, 2KB, 2KC, 2KD
2. NO. OF CONTACTS:
006~068
3. LENGTH IN CM (CENTIMETERS)
4. COLOR OF TWO IDC CONNECTORS:
"B" BLACK

NOTE: IDC SOCKET & DIP PLUG CAN'T BE SUPPLIED ALONE.

**1.00MM PITCH FLAT CABLE
WITH 2.00MM IDC SOCKET (H=8.5MM) TO DIP PLUG (H=5.2MM) (E8)**



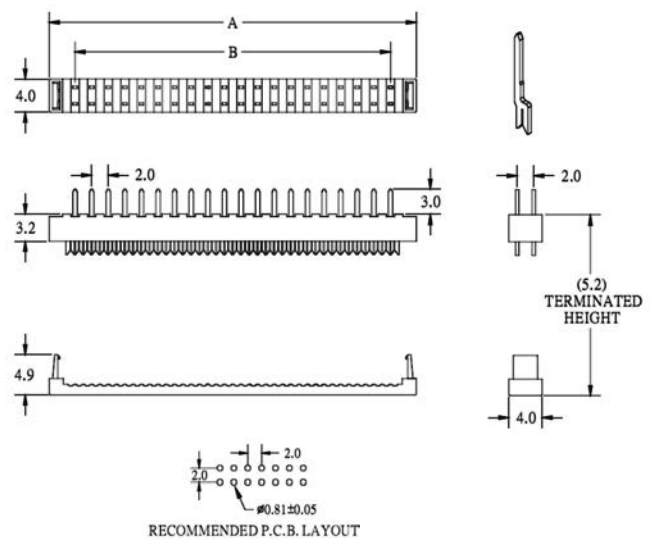
**2.00MM IDC SOCKET
WITH HOOKY TERMINATIONS & W/O S.R.**



$A=B+7.20$
 $B=2.00 \times \text{POSITIONS} / 2 - 2.00$

NO. OF CONTACTS:
006, 008, 010, 012, 014,
016, 018, 020, 022, 024,
026, 030, 032, 034, 036,
038, 040, 044, 048, 050,
056, 060, 064, 068

2.00MM PITCH DIP PLUG



$A=B+6.20$
 $B=2.00 \times \text{POSITIONS} / 2 - 2.00$

NO. OF CONTACTS:
008, 010, 012, 014, 016,
020, 022, 024, 026, 030,
034, 040, 044, 050, 068

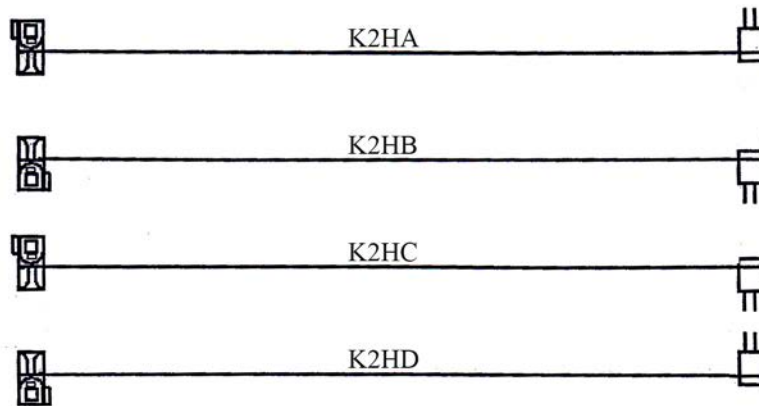
ORDERING INFORMATION:

P/N $\frac{K}{1} \frac{x}{2} \frac{x}{3} \frac{x}{4} - \frac{x}{3} \frac{C}{3} \frac{M}{3} \frac{B}{4}$

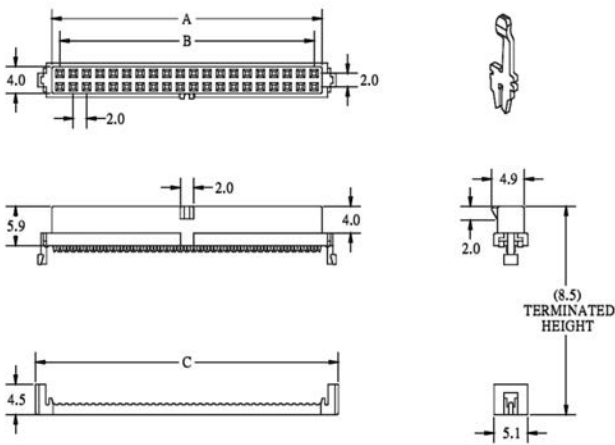
1. CONSTRUCTION TYPE:
2HS, 2HT, 2HU, 2HV
2. NO. OF CONTACTS:
006~068
3. LENGTH IN CM (CENTIMETERS)
4. COLOR OF TWO IDC CONNECTORS:
"B" BLACK

NOTE: IDC SOCKET & DIP PLUG CAN'T BE SUPPLIED ALONE.

**1.00MM PITCH FLAT CABLE
WITH 2.00MM SHRUNK IDC SOCKET (H=8.5MM) TO DIP PLUG (H=5.2MM) (E9)**



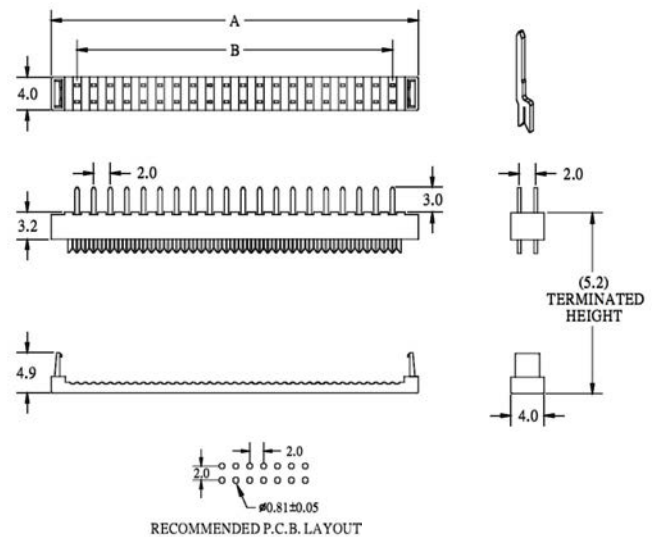
2.00MM SHRUNK IDC SOCKET



A=B+2.40
B=2.00*POSITIONS/2-2.00
C=B+7.17

NO. OF CONTACTS:
006, 008, 010, 012, 014,
016, 020, 022, 024, 026,
030, 034, 040, 044, 050,
068

2.00MM PITCH DIP PLUG



A=B+6.20
B=2.00*POSITIONS/2-2.00

NO. OF CONTACTS:
008, 010, 012, 014, 016,
020, 022, 024, 026, 030,
034, 040, 044, 050, 068

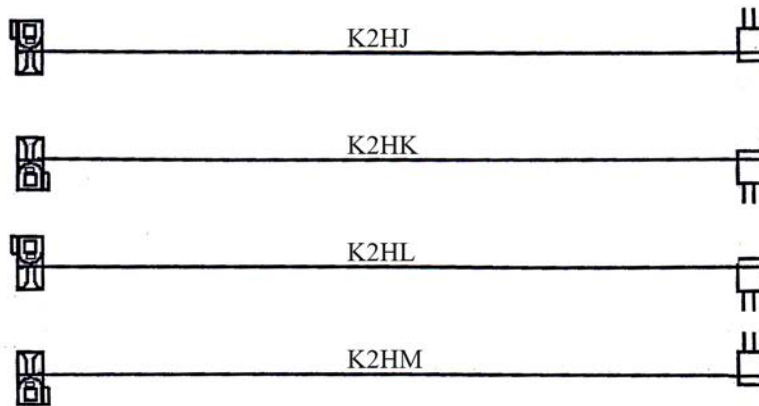
ORDERING INFORMATION:

P/N K 1 2 3 4

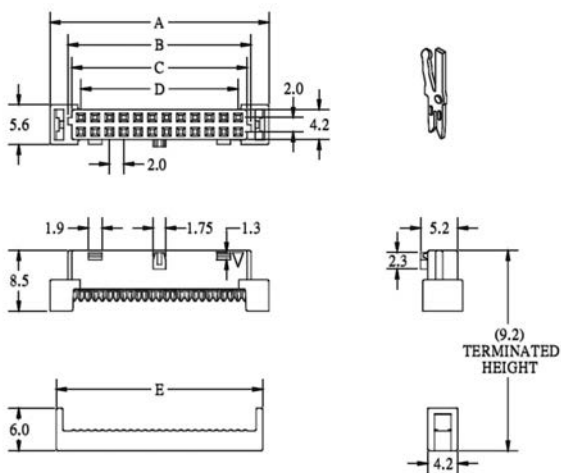
1. CONSTRUCTION TYPE:
2HA, 2HB, 2HC, 2HD
2. NO. OF CONTACTS:
006~068
3. LENGTH IN CM (CENTIMETERS)
4. COLOR OF TWO IDC CONNECTORS:
"B" BLACK

NOTE: IDC SOCKET & DIP PLUG CAN'T BE SUPPLIED ALONE.

**1.00MM PITCH FLAT CABLE
WITH 2.00MM IDC SOCKET (H=9.2MM) TO DIP PLUG (H=5.2MM) (E10)**



**2.00MM IDC SOCKET
WITH RAMP LOCKING & W/O S.R.**



$A=D+8.65$

$B=D+3.65$

$C=D+2.55$

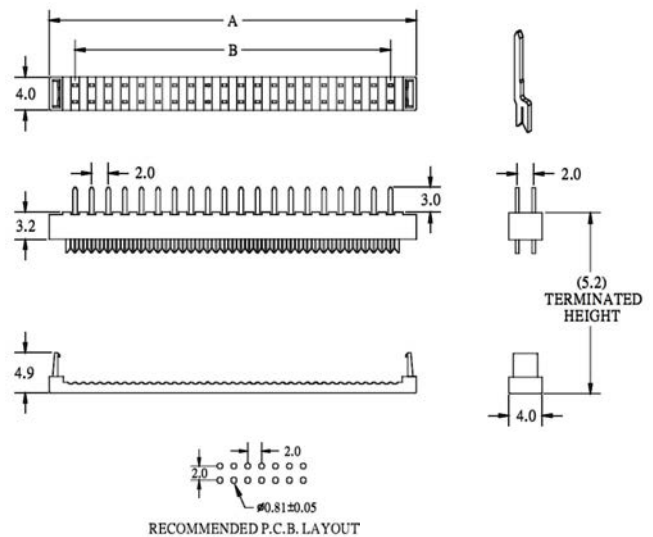
$D=2.00*POSITIONS/2-2.00$

$E=D+6.90$

NO. OF CONTACTS:

010, 012, 014, 016, 020,
022, 024, 026, 030, 034,
040, 044, 050, 068

2.00MM PITCH DIP PLUG



$A=B+6.20$

$B=2.00*POSITIONS/2-2.00$

NO. OF CONTACTS:

008, 010, 012, 014, 016,
020, 022, 024, 026, 030,
034, 040, 044, 050, 068

ORDERING INFORMATION:

P/N K 1 2 3 4 C M B

1. CONSTRUCTION TYPE:

2HJ, 2HK, 2HL, 2HM

2. NO. OF CONTACTS:

010~068

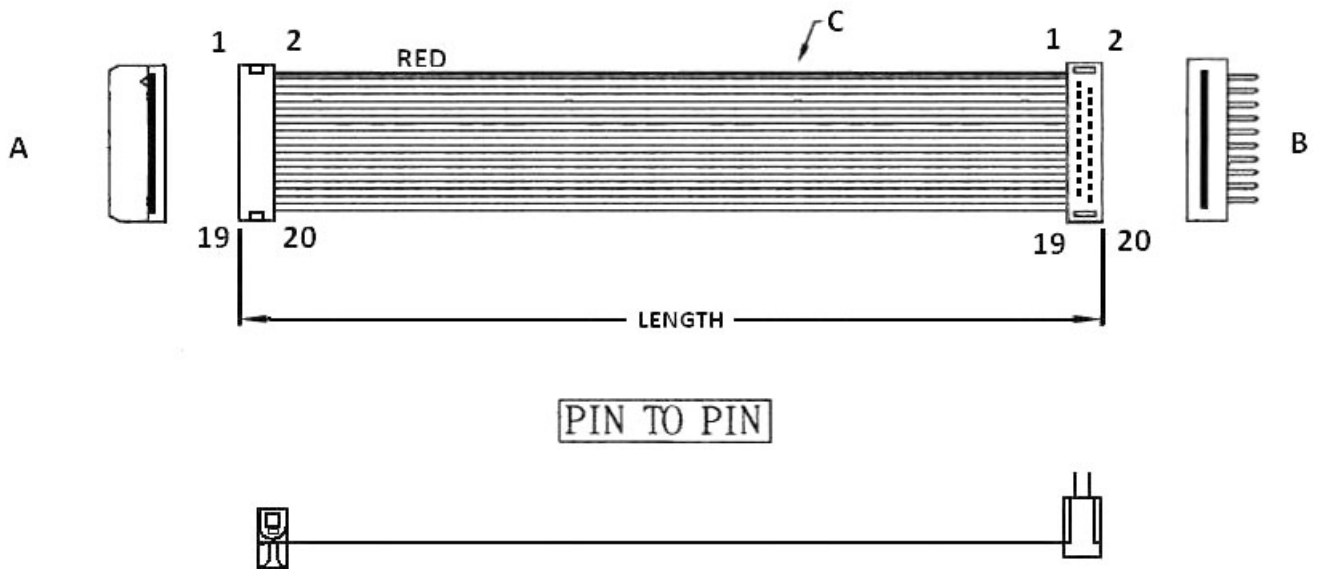
3. LENGTH IN CM (CENTIMETERS)

4. COLOR OF TWO IDC CONNECTORS:

"B" BLACK

NOTE: IDC SOCKET & DIP PLUG CAN'T BE SUPPLIED ALONE.

**1.00MM PITCH FLAT CABLE WITH
2.00MM PITCH IDC SOCKET WITHOUT NOSE (H=9.0MM) TO DIP PLUG (H=5.2MM) (F1)**

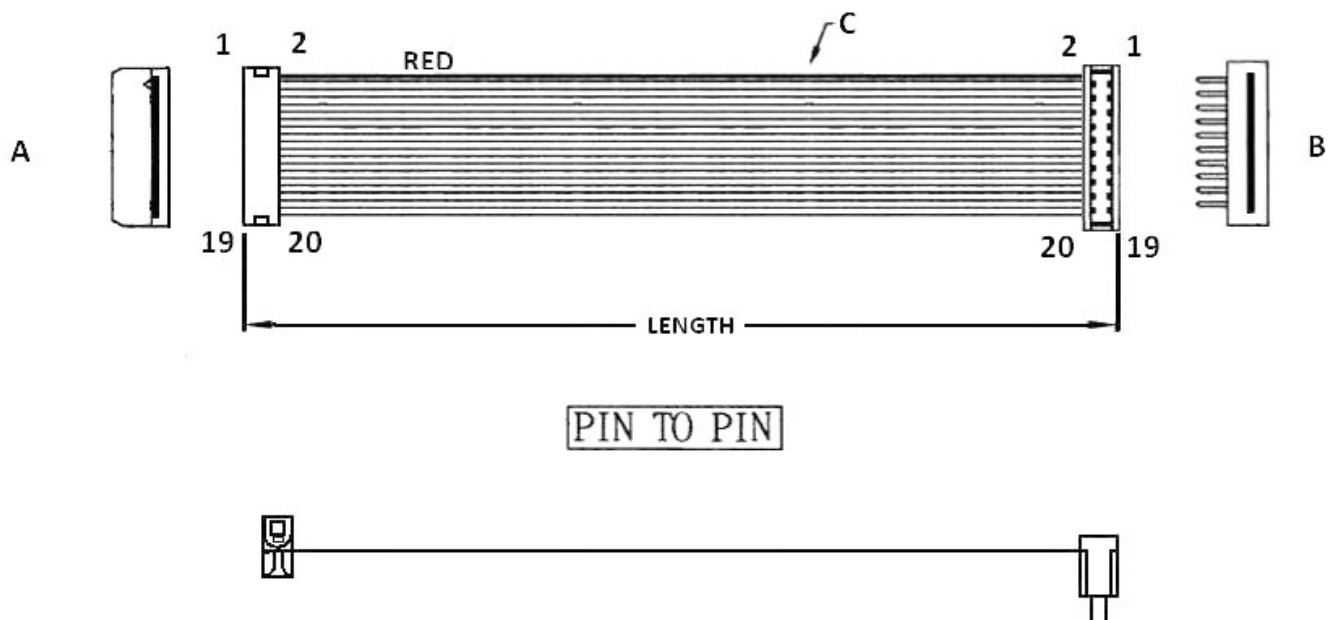


ORDERING INFORMATION:

P/N $\frac{KB}{1} \frac{xx}{2} \frac{AD}{3} - \frac{xx}{4} \frac{CM}{5} B$

1. FLAT CABLE TYPE:
"KB" 1.00MM AWG28 UL2651 VW-1
PVC INSULATION GRAY
2. NO. OF CONTACTS:
06~68
3. CONNECTORS AT TWO ENDS:
"AD" 2.00MM IDC SOCKET W/O NOSE & W/O S.R.
TO 2.00MM DIP PLUG
4. LENGTH IN CM (CENTIMETERS)
5. COLOR OF TWO IDC CONNECTORS:
"B" BLACK

**1.00MM PITCH FLAT CABLE WITH
2.00MM PITCH IDC SOCKET WITHOUT NOSE (H=9.0MM) TO DIP PLUG (H=5.2MM) (F2)**

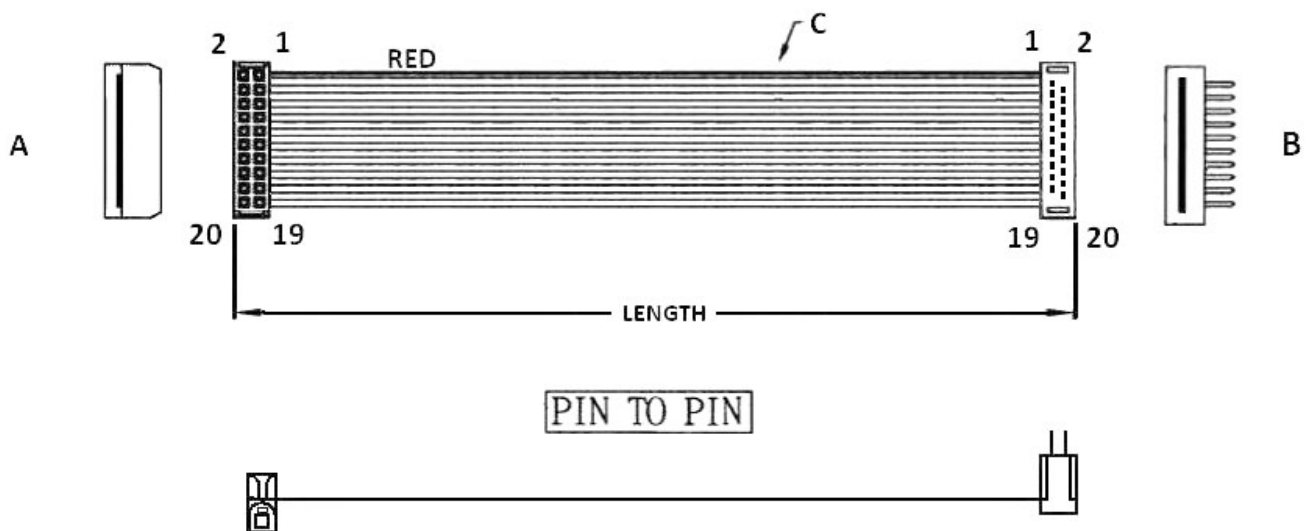


ORDERING INFORMATION:

P/N $\frac{\text{KB}}{1}$ $\frac{\text{XX}}{2}$ $\frac{\text{AP}}{3}$ - $\frac{\text{XX}}{4}$ **CM** $\frac{\text{B}}{5}$

1. FLAT CABLE TYPE:
"KB" 1.00MM AWG28 UL2651 VW-1
PVC INSULATION GRAY
2. NO. OF CONTACTS:
06~68
3. CONNECTORS AT TWO ENDS:
"AP" 2.00MM IDC SOCKET W/O NOSE & W/O S.R.
TO 2.00MM DIP PLUG
4. LENGTH IN CM (CENTIMETERS)
5. COLOR OF TWO IDC CONNECTORS:
"B" BLACK

**1.00MM PITCH FLAT CABLE WITH
2.00MM PITCH IDC SOCKET WITHOUT NOSE (H=9.0MM) TO DIP PLUG (H=5.2MM) (F3)**

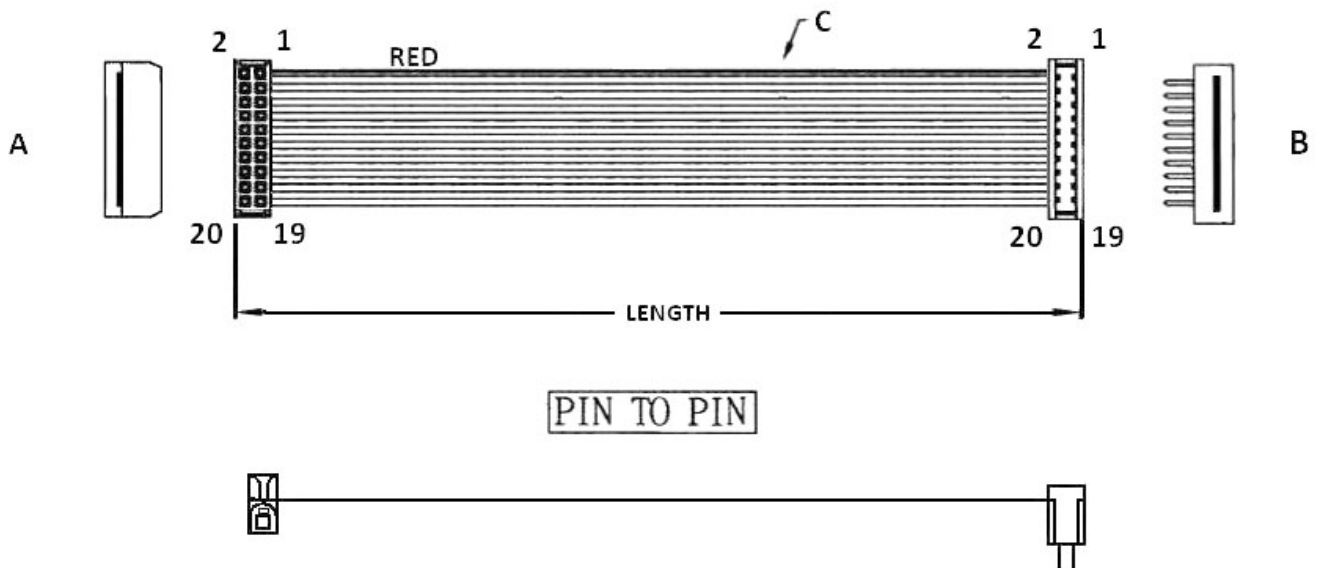


ORDERING INFORMATION:

P/N $\frac{KB}{1} \frac{xx}{2} \frac{VD}{3} - \frac{xx}{4} CM \frac{B}{5}$

1. FLAT CABLE TYPE:
"KB" 1.00MM AWG28 UL2651 VW-1
PVC INSULATION GRAY
2. NO. OF CONTACTS:
06~68
3. CONNECTORS AT TWO ENDS:
"VD" 2.00MM IDC SOCKET W/O NOSE & W/O S.R.
TO 2.00MM DIP PLUG
4. LENGTH IN CM (CENTIMETERS)
5. COLOR OF TWO IDC CONNECTORS:
"B" BLACK

**1.00MM PITCH FLAT CABLE WITH
2.00MM PITCH IDC SOCKET WITHOUT NOSE (H=9.0MM) TO DIP PLUG (H=5.2MM) (F4)**

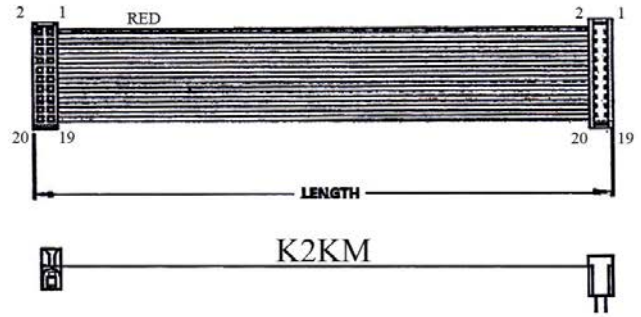
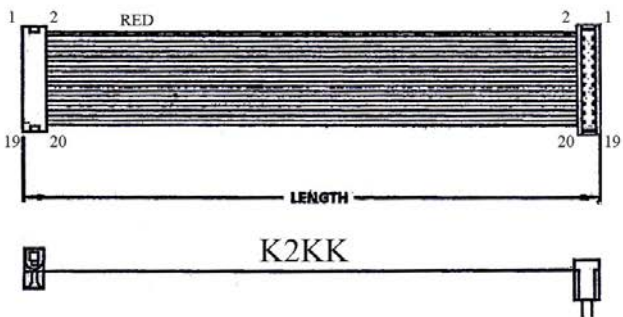
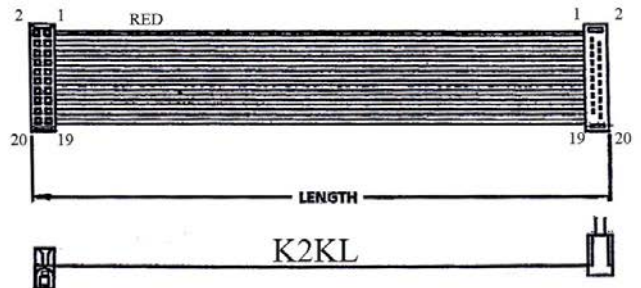
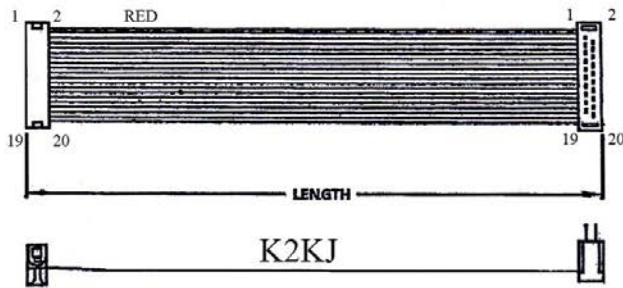


ORDERING INFORMATION:

P/N $\frac{\text{KB}}{1}$ $\frac{\text{xx}}{2}$ $\frac{\text{VP}}{3}$ - $\frac{\text{xx}}{4}$ **CM** $\frac{\text{B}}{5}$

1. FLAT CABLE TYPE:
"KB" 1.00MM AWG28 UL2651 VW-1
PVC INSULATION GRAY
2. NO. OF CONTACTS:
06~68
3. CONNECTORS AT TWO ENDS:
"VP" 2.00MM IDC SOCKET W/O NOSE & W/O S.R.
TO 2.00MM DIP PLUG
4. LENGTH IN CM (CENTIMETERS)
5. COLOR OF TWO IDC CONNECTORS:
"B" BLACK

**1.00MM PITCH FLAT CABLE WITH
2.00MM IDC SOCKET WITHOUT NOSE (H=7.4MM) TO DIP PLUG (H=5.2MM) (F5)**

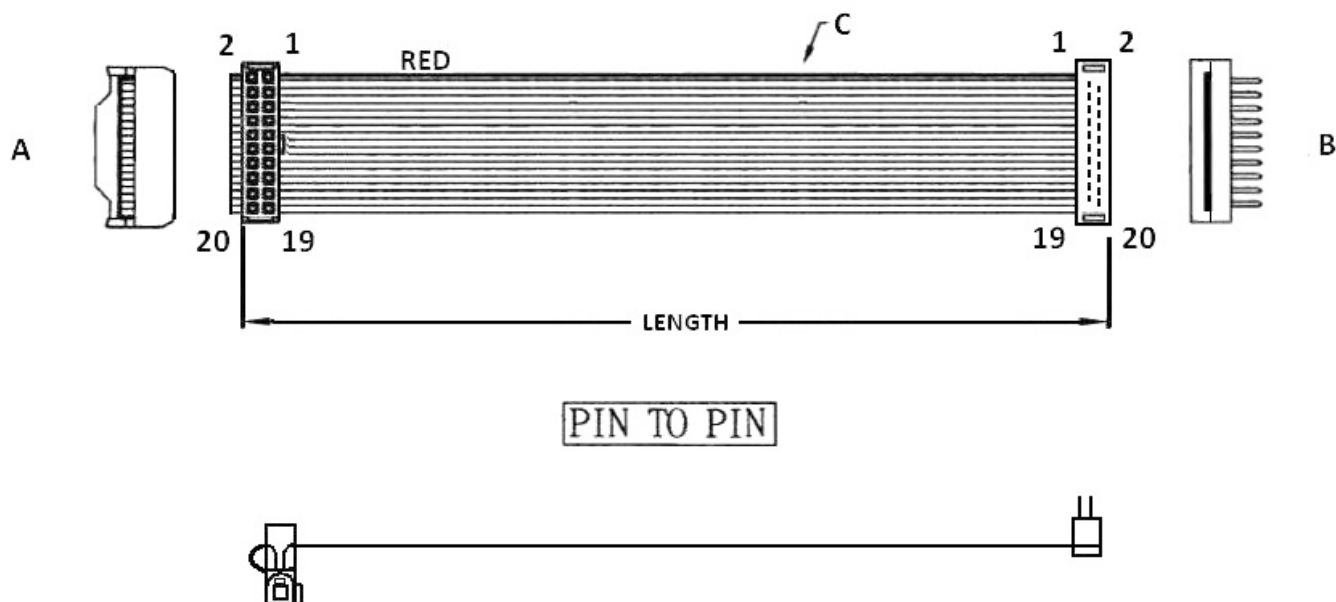


ORDERING INFORMATION:

P/N K $\frac{x}{1} \frac{x}{2} \frac{x}{3} \frac{x}{4}$ C M B

1. CONSTRUCTION TYPE:
2KJ, 2KK, 2KL, 2KM
2. NO. OF CONTACTS:
008~050
3. LENGTH IN CM (CENTIMETERS)
4. COLOR OF TWO IDC CONNECTORS:
"B" BLACK

1.00MM PITCH FLAT CABLE WITH 2.00MM PITCH IDC SOCKET WITH STRAIN RELIEF (H=13.0MM) TO DIP PLUG (H=5.2MM) (G1)

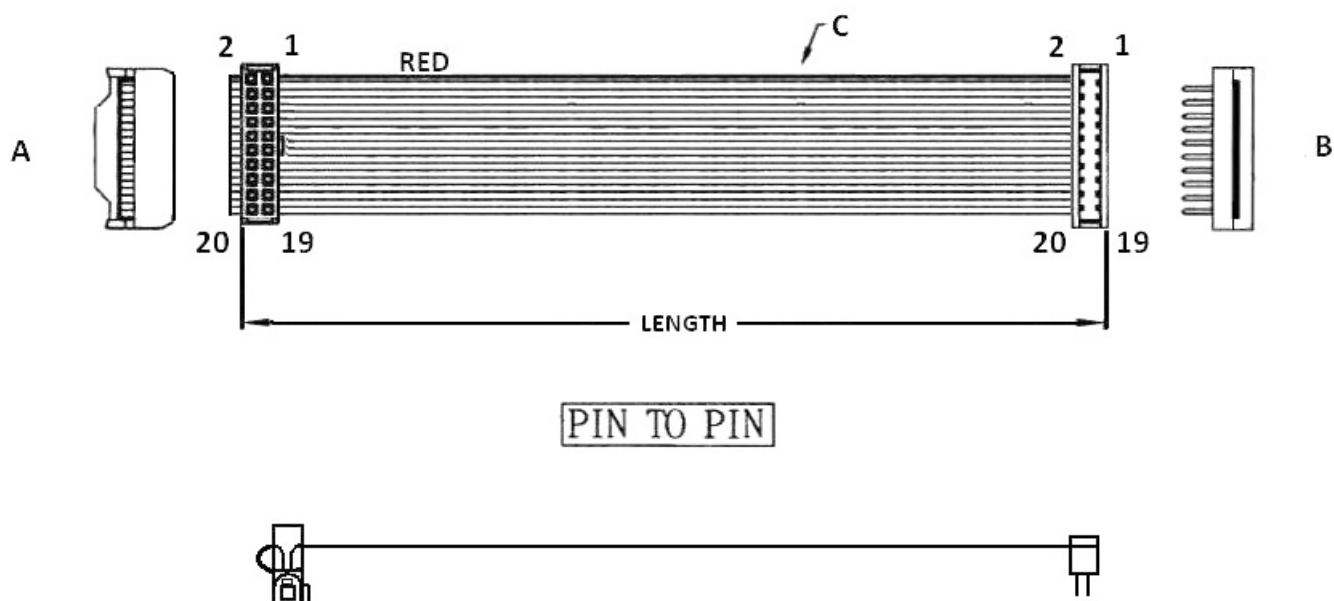


ORDERING INFORMATION:

P/N $\frac{KB}{1}$ $\frac{xx}{2}$ $\frac{MD}{3}$ - $\frac{xx}{4}$ **CM** $\frac{B}{5}$

1. FLAT CABLE TYPE:
"KB" 1.00MM AWG28 UL2651 VW-1
PVC INSULATION GRAY
2. NO. OF CONTACTS:
06-68
3. CONNECTORS AT TWO ENDS:
"MD" 2.00MM IDC SOCKET WITH NOSE & S.R. TO
2.00MM DIP PLUG
4. LENGTH IN CM (CENTIMETERS)
5. COLOR OF TWO IDC CONNECTORS:
"B" BLACK

1.00MM PITCH FLAT CABLE WITH 2.00MM PITCH IDC SOCKET WITH STRAIN RELIEF (H=13.0MM) TO DIP PLUG (H=5.2MM) (G2)



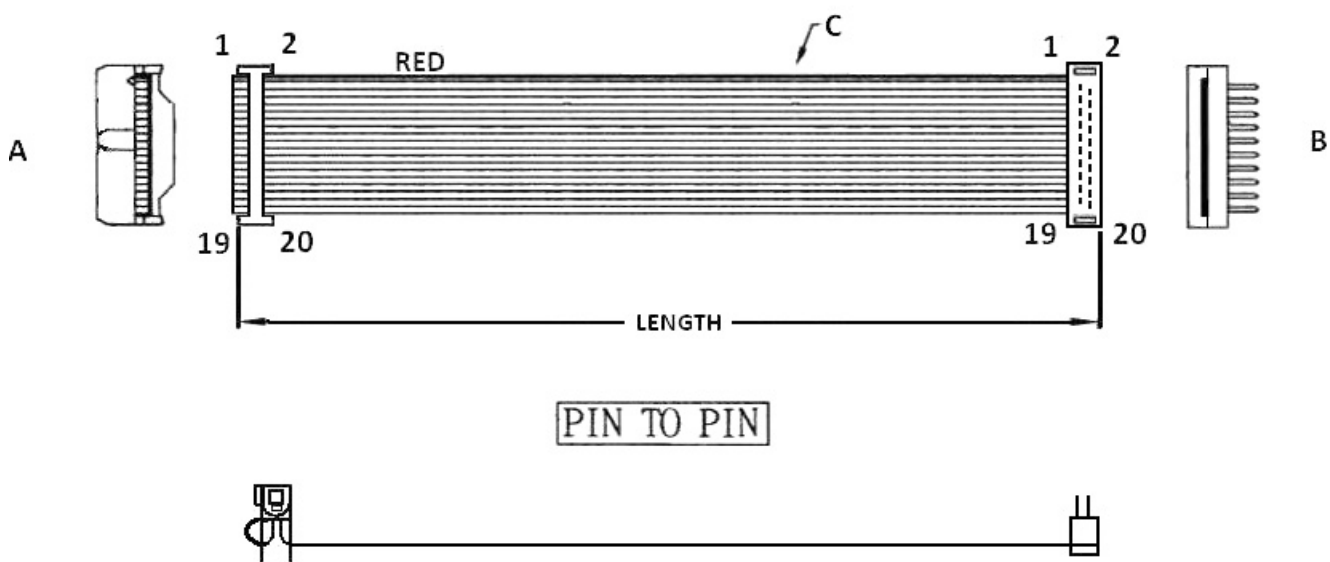
PIN TO PIN

ORDERING INFORMATION:

P/N $\frac{KB}{1} \frac{XX}{2} \frac{MP}{3} - \frac{XX}{4} C M \frac{B}{5}$

1. FLAT CABLE TYPE:
"KB" 1.00MM AWG28 UL2651 VW-1
PVC INSULATION GRAY
2. NO. OF CONTACTS:
06-68
3. CONNECTORS AT TWO ENDS:
"MP" 2.00MM IDC SOCKET WITH NOSE & S.R. TO
2.00MM DIP PLUG
4. LENGTH IN CM (CENTIMETERS)
5. COLOR OF TWO IDC CONNECTORS:
"B" BLACK

1.00MM PITCH FLAT CABLE WITH 2.00MM PITCH IDC SOCKET WITH STRAIN RELIEF (H=13.0MM) TO DIP PLUG (H=5.2MM) (G3)



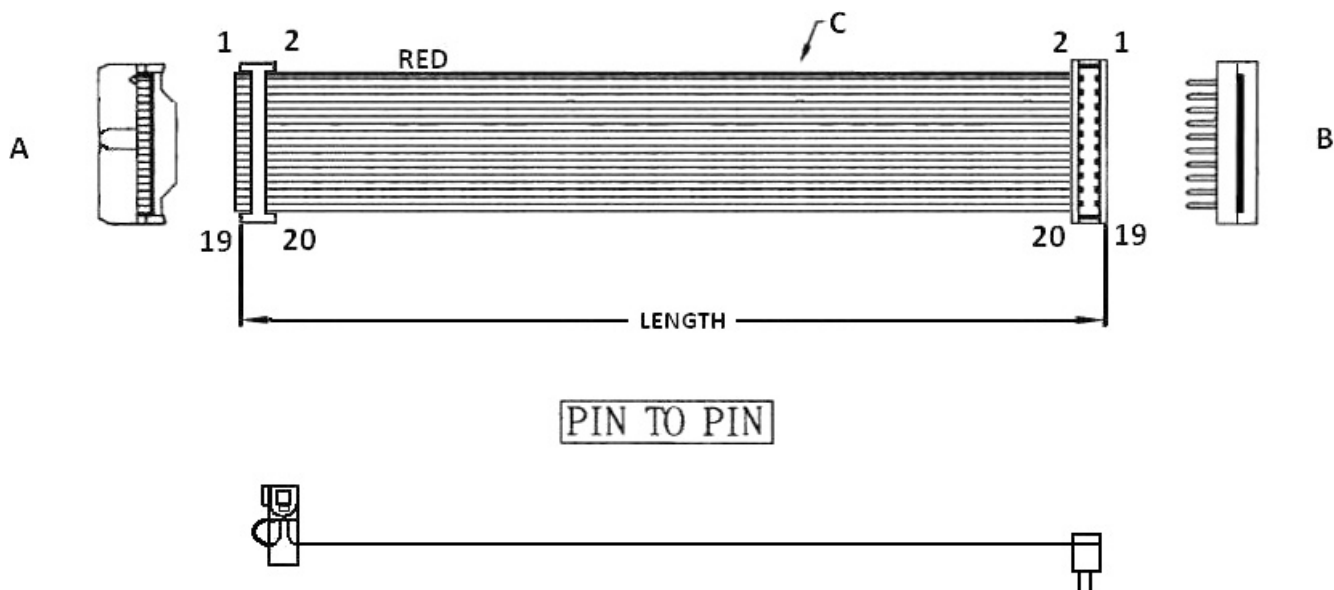
PIN TO PIN

ORDERING INFORMATION:

P/N $\frac{KB}{1} \frac{xx}{2} \frac{ND}{3} - \frac{xx}{4} \frac{CM}{5} \frac{B}{5}$

1. FLAT CABLE TYPE:
"KB" 1.00MM AWG28 UL2651 VW-1
PVC INSULATION GRAY
2. NO. OF CONTACTS:
06~68
3. CONNECTORS AT TWO ENDS:
"ND" 2.00MM IDC SOCKET WITH NOSE & S.R. TO
2.00MM DIP PLUG
4. LENGTH IN CM (CENTIMETERS)
5. COLOR OF TWO IDC CONNECTORS:
"B" BLACK

1.00MM PITCH FLAT CABLE WITH 2.00MM PITCH IDC SOCKET WITH STRAIN RELIEF (H=13.0MM) TO DIP PLUG (H=5.2MM) (G4)

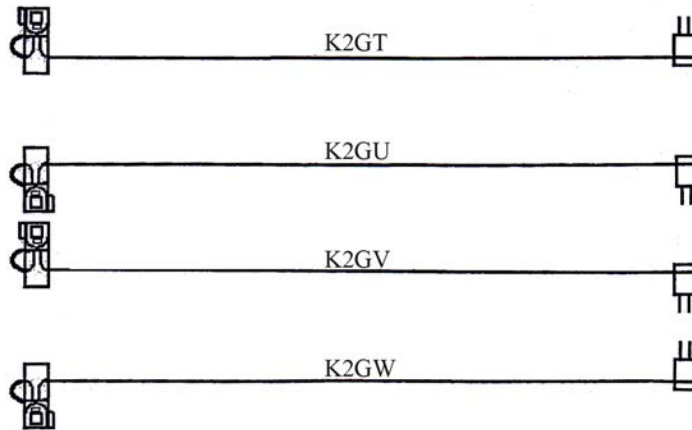


ORDERING INFORMATION:

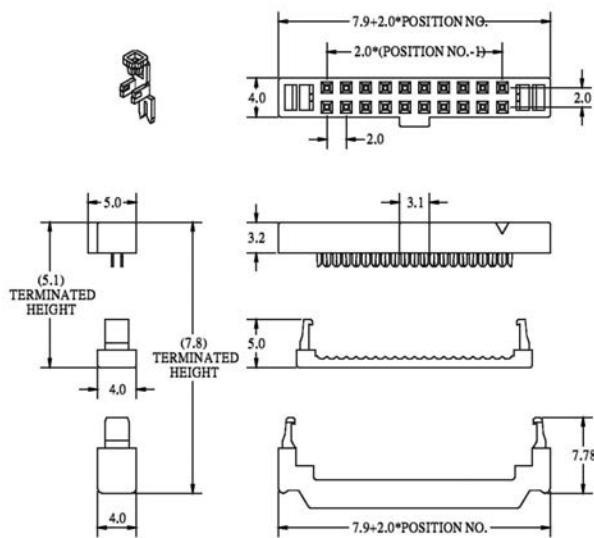
P/N $\frac{KB}{1} \frac{xx}{2} \frac{NP}{3} - \frac{xx}{4} C M \frac{B}{5}$

1. FLAT CABLE TYPE:
"KB" 1.00MM AWG28 UL2651 VW-1
PVC INSULATION GRAY
2. NO. OF CONTACTS:
06-68
3. CONNECTORS AT TWO ENDS:
"NP" 2.00MM IDC SOCKET WITH NOSE & S.R. TO
2.00MM DIP PLUG
4. LENGTH IN CM (CENTIMETERS)
5. COLOR OF TWO IDC CONNECTORS:
"B" BLACK

1.00MM PITCH FLAT CABLE WITH 2.00MM IDC SOCKET (H=7.8MM) TO DIP PLUG (H=5.2MM) (G5)

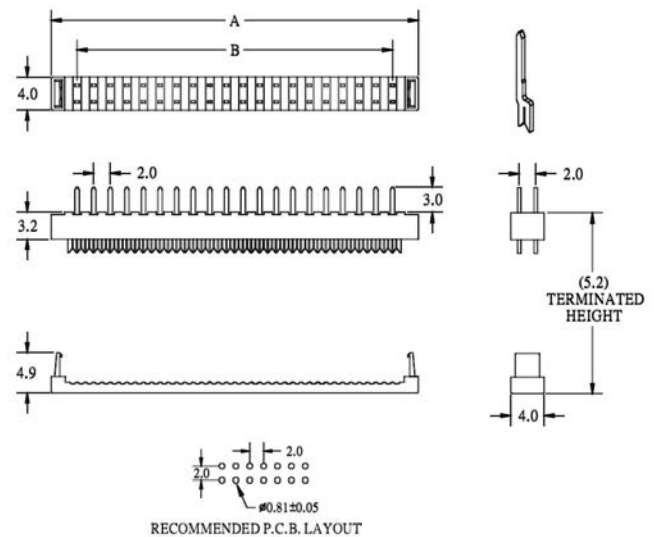


2.00MM IDC SOCKET WITH INTENSIVE CONTACTS & S.R.



NO. OF CONTACTS:
006, 008, 010, 012, 014,
016, 020, 022, 024, 026,
030, 034, 036, 040, 044,
050

2.00MM PITCH DIP PLUG



$A=B+6.20$
 $B=2.00*POSITIONS/2-2.00$

NO. OF CONTACTS:
008, 010, 012, 014, 016,
020, 022, 024, 026, 030,
034, 040, 044, 050, 068

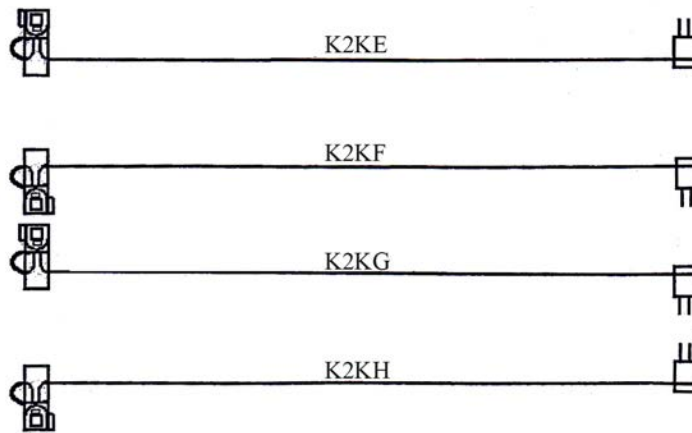
ORDERING INFORMATION:

P/N **K** 1 2 3 4 **C M B**

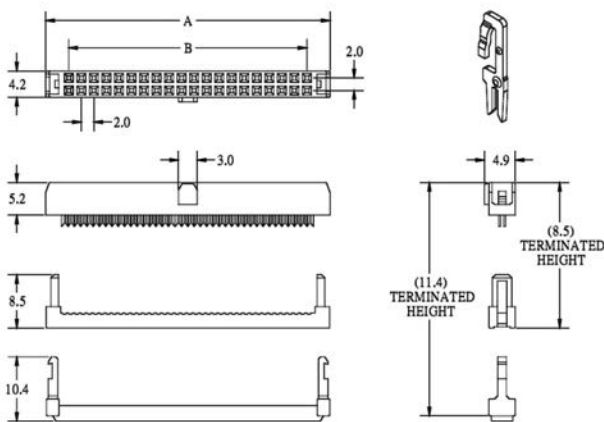
1. CONSTRUCTION TYPE:
2GT, 2GU, 2GV, 2GW
2. NO. OF CONTACTS:
006~050
3. LENGTH IN CM (CENTIMETERS)
4. COLOR OF TWO IDC CONNECTORS:
"B" BLACK

NOTE: IDC SOCKET & DIP PLUG CAN'T BE SUPPLIED ALONE.

1.00MM PITCH FLAT CABLE WITH 2.00MM IDC SOCKET (H=11.4MM) TO DIP PLUG (H=5.2MM) (G6)



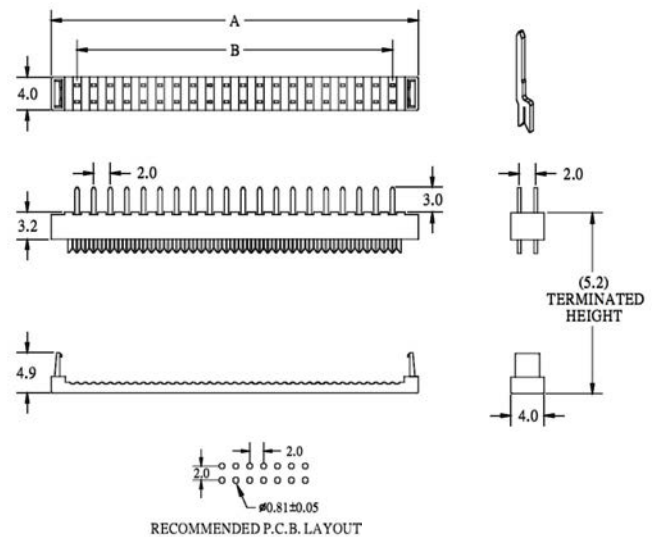
2.00MM IDC SOCKET WITH STRAIN RELIEF



$A=B+7.20$
 $B=2.00 \times \text{POSITIONS} / 2 - 2.00$

NO. OF CONTACTS:
006, 008, 010, 012, 014,
016, 018, 020, 022, 024,
026, 030, 032, 034, 036,
038, 040, 044, 048, 050,
056, 060, 064, 068

2.00MM PITCH DIP PLUG



$A=B+6.20$
 $B=2.00 \times \text{POSITIONS} / 2 - 2.00$

NO. OF CONTACTS:
008, 010, 012, 014, 016,
020, 022, 024, 026, 030,
034, 040, 044, 050, 068

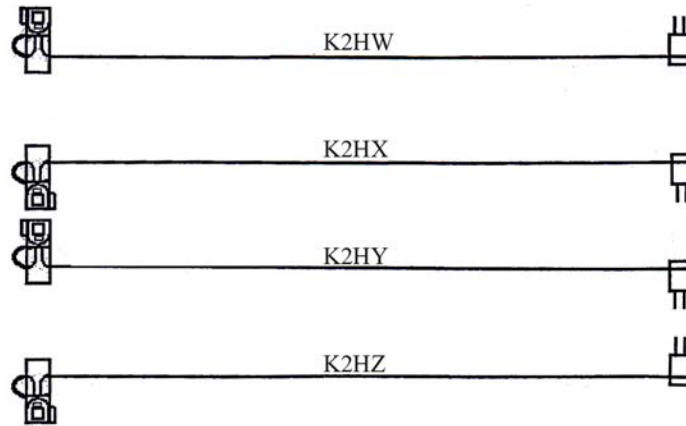
ORDERING INFORMATION:

P/N **K** **X** **X** **X** **X** **X** **X** - **X** **X** **C M B**

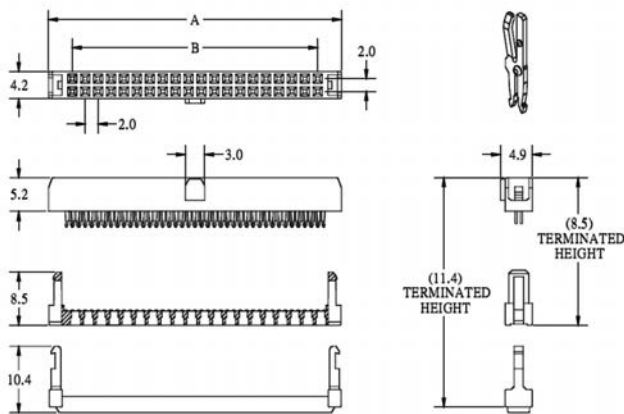
1. CONSTRUCTION TYPE:
2KE, 2KF, 2KG, 2KH
2. NO. OF CONTACTS:
010~068
3. LENGTH IN CM (CENTIMETERS)
4. COLOR OF TWO IDC CONNECTORS:
"B" BLACK

NOTE: IDC SOCKET & DIP PLUG CAN'T BE SUPPLIED ALONE.

**1.00MM PITCH FLAT CABLE
WITH 2.00MM IDC SOCKET (H=11.4MM) TO DIP PLUG (H=5.2MM) (G7)**



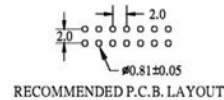
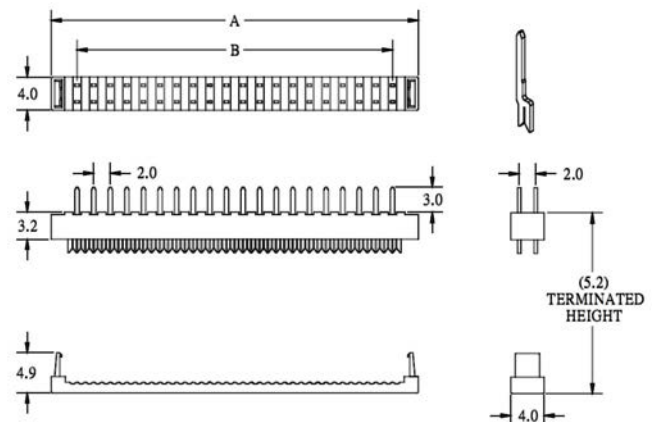
**2.00MM IDC SOCKET
WITH HOOKY TERMINATIONS & S.R.**



$A=B+7.20$
 $B=2.00 \times \text{POSITIONS} / 2 - 2.00$

NO. OF CONTACTS:
006, 008, 010, 012, 014,
016, 018, 020, 022, 024,
026, 030, 032, 034, 036,
038, 040, 044, 048, 050,
056, 060, 064, 068

2.00MM PITCH DIP PLUG



$A=B+6.20$
 $B=2.00 \times \text{POSITIONS} / 2 - 2.00$

NO. OF CONTACTS:
008, 010, 012, 014, 016,
020, 022, 024, 026, 030,
034, 040, 044, 050, 068

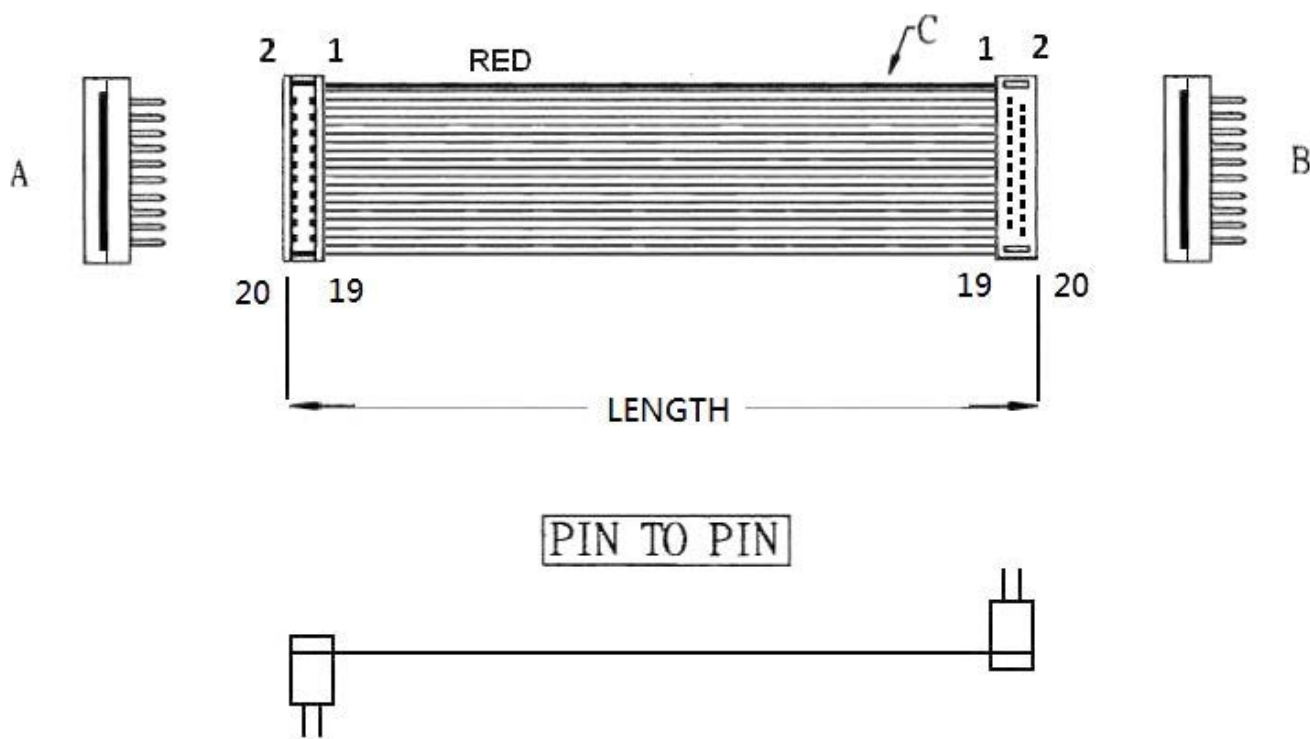
ORDERING INFORMATION:

P/N K 1 2 3 4 C M B

1. CONSTRUCTION TYPE:
2HW, 2HX, 2HY, 2HZ
2. NO. OF CONTACTS:
006~068
3. LENGTH IN CM (CENTIMETERS)
4. COLOR OF TWO IDC CONNECTORS:
"B" BLACK

NOTE: IDC SOCKET & DIP PLUG CAN'T BE SUPPLIED ALONE.

**1.00MM PITCH FLAT CABLE WITH
2* 2.00MM PITCH DIP PLUGS (H=5.2MM) (H1)**

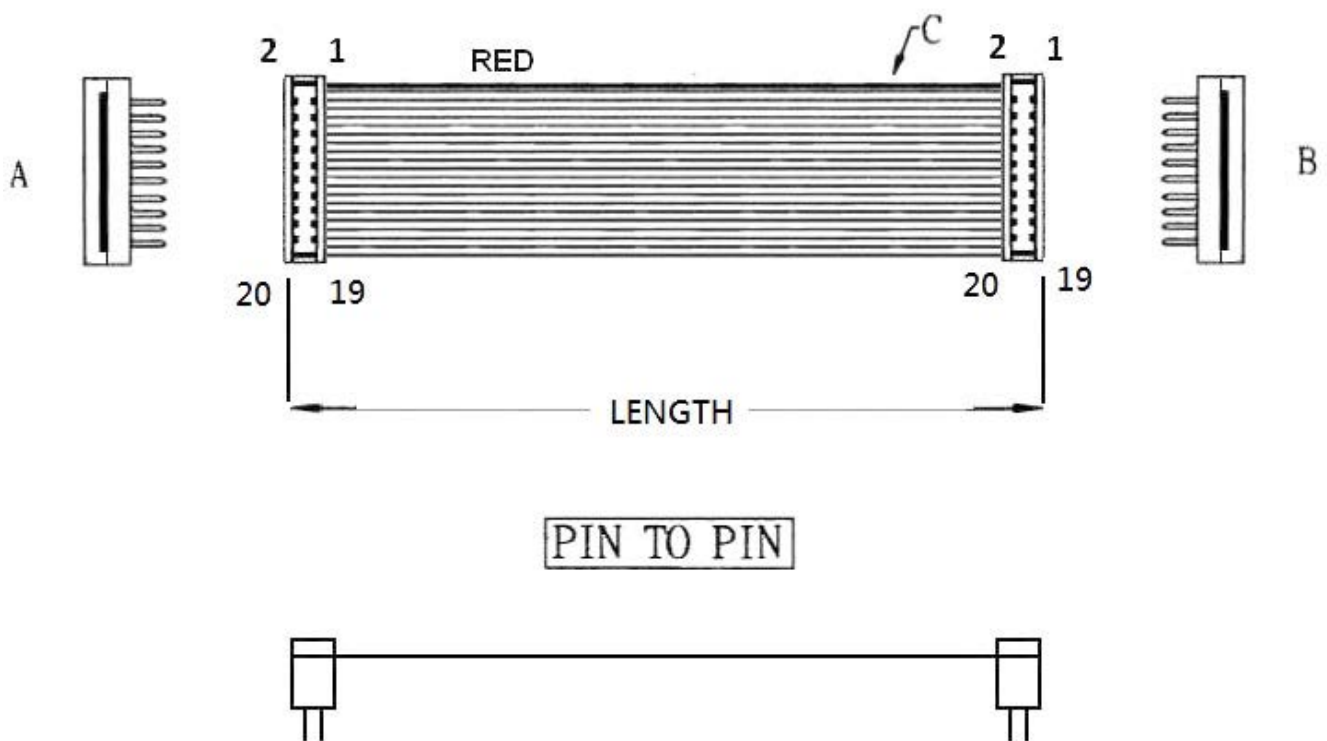


ORDERING INFORMATION:

P/N $\frac{\text{KB}}{1}$ $\frac{\text{XX}}{2}$ $\frac{\text{DD}}{3}$ - $\frac{\text{XX}}{4}$ **CM** $\frac{\text{B}}{5}$

1. FLAT CABLE TYPE:
"KB" 1.00MM AWG28 UL2651 VW-1
PVC INSULATION GRAY
2. NO. OF CONTACTS:
06~68
3. CONNECTORS AT TWO ENDS:
"DD" 2.00MM DIP PLUG
TO 2.00MM DIP PLUG
4. LENGTH IN CM (CENTIMETERS)
5. COLOR OF TWO IDC CONNECTORS:
"B" BLACK

**1.00MM PITCH FLAT CABLE WITH
2* 2.00MM PITCH DIP PLUGS (H=5.2MM) (H2)**

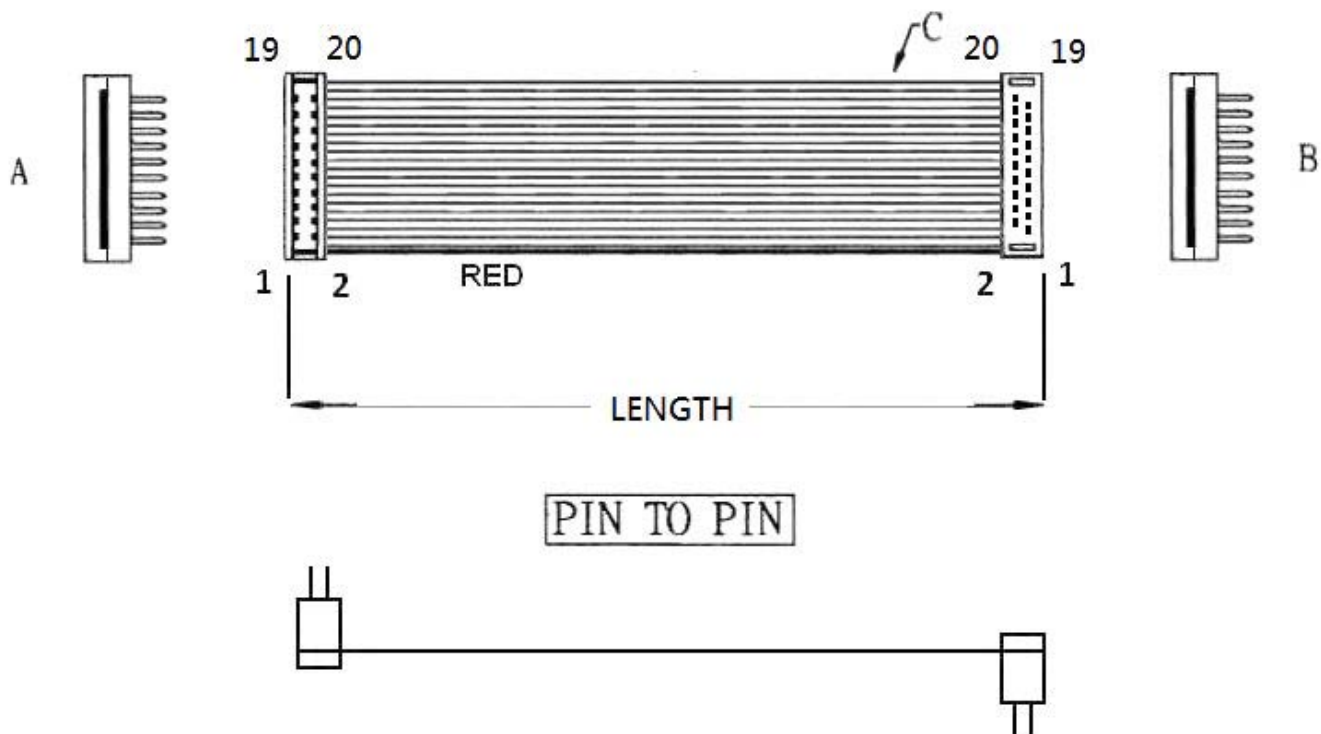


ORDERING INFORMATION:

P/N $\frac{\text{KB}}{1}$ $\frac{\text{xx}}{2}$ $\frac{\text{DP}}{3}$ - $\frac{\text{xx}}{4}$ **CM** $\frac{\text{B}}{5}$

1. FLAT CABLE TYPE:
"KB" 1.00MM AWG28 UL2651 VW-1
PVC INSULATION GRAY
2. NO. OF CONTACTS:
06~68
3. CONNECTORS AT TWO ENDS:
"DP" 2.00MM DIP PLUG
TO 2.00MM DIP PLUG
4. LENGTH IN CM (CENTIMETERS)
5. COLOR OF TWO IDC CONNECTORS:
"B" BLACK

**1.00MM PITCH FLAT CABLE WITH
2* 2.00MM PITCH DIP PLUGS (H=5.2MM) (H3)**

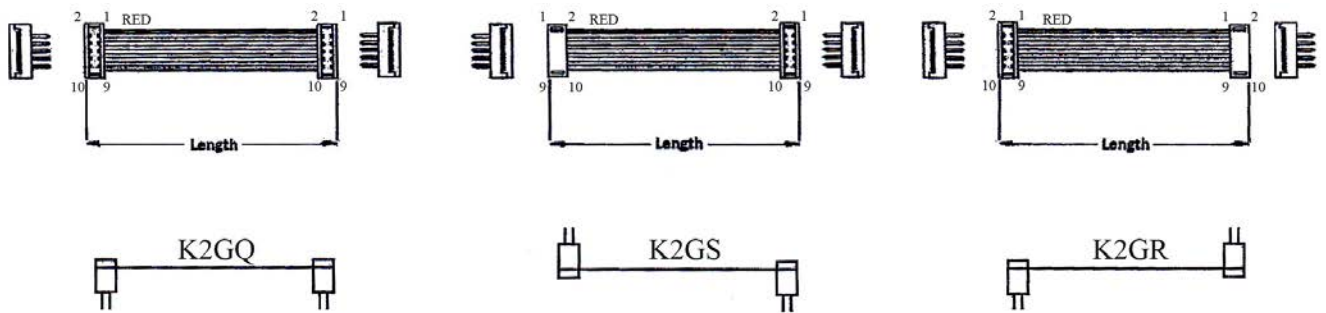


ORDERING INFORMATION:

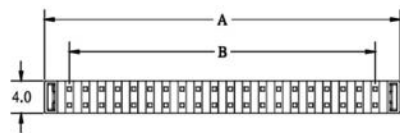
P/N $\frac{KB}{1} \frac{xx}{2} \frac{PP}{3} - \frac{xx}{4} CM \frac{B}{5}$

1. FLAT CABLE TYPE:
"KB" 1.00MM AWG28 UL2651 VW-1
PVC INSULATION GRAY
2. NO. OF CONTACTS:
06~68
3. CONNECTORS AT TWO ENDS:
"PP" 2.00MM DIP PLUG
TO 2.00MM DIP PLUG
4. LENGTH IN CM (CENTIMETERS)
5. COLOR OF TWO IDC CONNECTORS:
"B" BLACK

1.00MM PITCH FLAT CABLE WITH 2* 2.00MM DIP PLUGS (H=5.2MM) (H4)



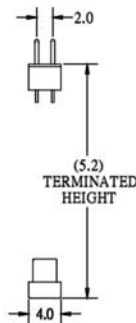
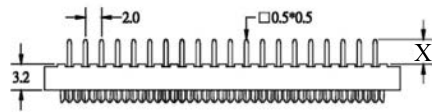
2.00MM PITCH DIP PLUG WITH 0.5MM SQUARE TAILS DIP= 3.0MM



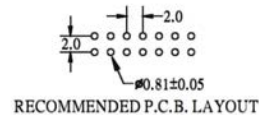
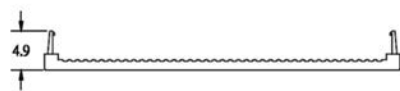
$$A=B+6.20$$

$$B=2.00*\text{POSITIONS}/2-2.00$$

$$X=\text{PIN LENGTH}$$



NO. OF CONTACTS:
008, 010, 012, 014, 016,
020, 024, 026, 030, 034,
040, 044, 050, 068



ORDERING INFORMATION:

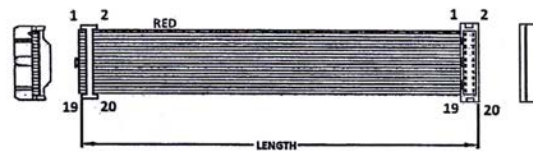
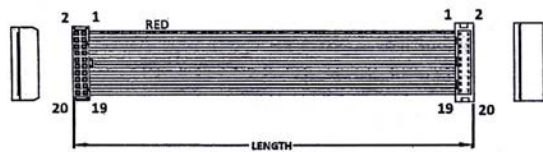
P/N **K** **x x x x x x** - **x x** **C M** **B** **x**

1 2 3 4 5

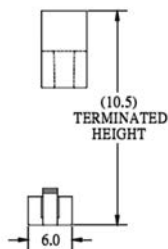
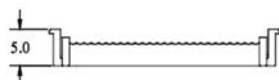
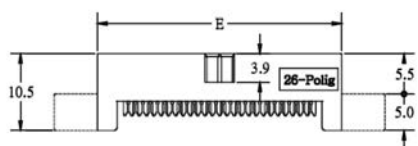
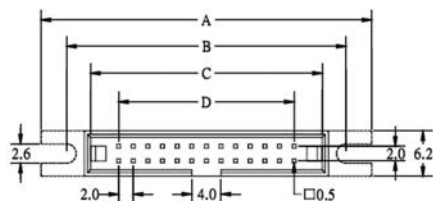
- | | |
|---|---|
| <p>1. CONSTRUCTION TYPE:
2GQ, 2GR, 2GS</p> <p>2. NO. OF CONTACTS:
008~068</p> <p>3. LENGTH IN CM (CENTIMETERS)</p> <p>4. COLOR OF TWO IDC CONNECTORS:
"B" BLACK</p> | <p>5. PIN LENGTH OF DIP PLUG:
"3" X= 3.0MM (STANDARD)
"4" X= 3.8MM
"6" X= 6.0MM</p> |
|---|---|

NOTE: DIP PLUG CAN'T BE SUPPLIED ALONE.

1.00MM PITCH FLAT CABLE WITH 2.00MM IDC SOCKET (H=5.1MM & 7.8MM) TO BOX HEADER IDC TYPE (STANDARD)



2.00MM PITCH BOX HEADER IDC TYPE (STANDARD)



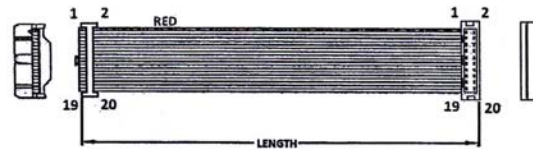
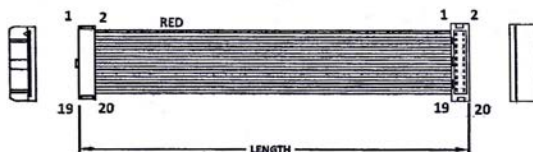
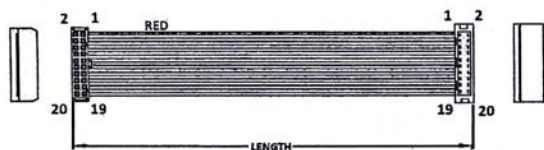
POSITION	A	B	C	D	E
6	25.24	18.24	11.70	4.00	13.40
8	27.24	20.24	13.70	6.00	15.40
10	29.24	22.24	15.70	8.00	17.40
12	31.24	24.24	17.70	10.00	19.40
14	33.24	26.24	19.70	12.00	21.40
16	35.24	28.24	21.70	14.00	23.40
20	39.24	32.24	25.70	18.00	27.40
22	41.24	34.24	27.70	20.00	29.40
24	43.24	36.24	29.70	22.00	31.40
26	45.24	38.24	31.70	24.00	33.40
30	49.24	42.24	35.70	28.00	37.40
34	53.24	46.24	39.70	32.00	41.40
40	59.24	52.24	45.70	38.00	47.40
44	63.24	56.24	49.70	42.00	51.40
50	69.24	62.24	55.70	48.00	57.40
68	87.24	80.24	73.70	66.00	75.40

ORDERING INFORMATION:

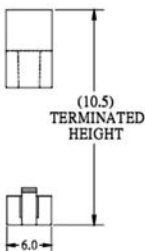
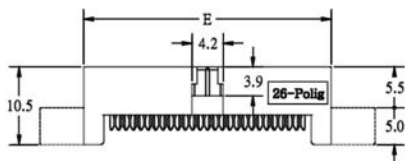
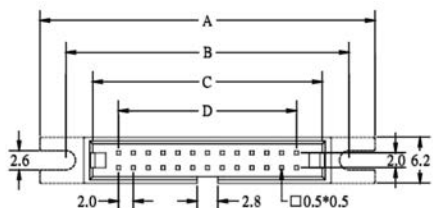
P/N **K** 1 2 3 4 **C M D**

- CONSTRUCTION TYPE:
IDC SOCKET W/O S.R. : 2NJ, 2NK (H=5.1MM)
IDC SOCKET WITH S.R. : 2NL, 2NM (H=7.8MM)
- NO. OF CONTACTS:
006~068
- LENGTH IN CM (CENTIMETERS)
- COLOR OF TWO IDC CONNECTORS:
"D" BLACK (SOCKET) + GRAY (HEADER)

1.00MM PITCH FLAT CABLE WITH 2.00MM IDC SOCKET (H=5.1MM & 7.8MM) TO BOX HEADER IDC TYPE (SPECIAL I)



2.00MM PITCH BOX HEADER IDC TYPE (SPECIAL I)



POSITION	A	B	C	D	E
6	25.24	18.24	11.00	4.00	13.40
8	27.24	20.24	13.00	6.00	15.40
10	29.24	22.24	15.00	8.00	17.40
12	31.24	24.24	17.00	10.00	19.40
14	33.24	26.24	19.00	12.00	21.40
16	35.24	28.24	21.00	14.00	23.40
20	39.24	32.24	25.00	18.00	27.40
22	41.24	34.24	27.00	20.00	29.40
24	43.24	36.24	29.00	22.00	31.40
26	45.24	38.24	31.00	24.00	33.40
30	49.24	42.24	35.00	28.00	37.40
34	53.24	46.24	39.00	32.00	41.40
40	59.24	52.24	45.00	38.00	47.40
44	63.24	56.24	49.00	42.00	51.40
50	69.24	62.24	55.00	48.00	57.40
68	87.24	80.24	73.00	66.00	75.40

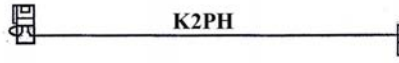
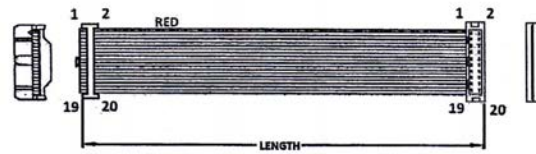
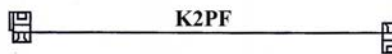
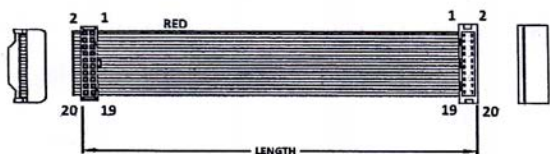
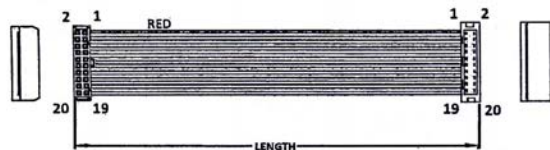
ORDERING INFORMATION:

P/N **K** 1 2 3 4 C M D

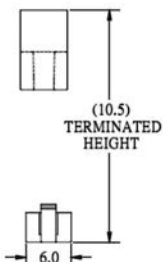
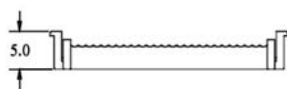
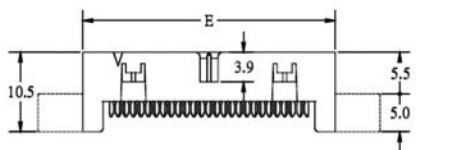
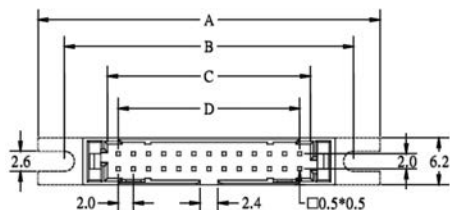
- CONSTRUCTION TYPE:
IDC SOCKET W/O S.R. : 2NS, 2NT (H=5.1MM)
IDC SOCKET WITH S.R. : 2NU, 2NV (H=7.8MM)
- NO. OF CONTACTS:
006~068
- LENGTH IN CM (CENTIMETERS)
- COLOR OF TWO IDC CONNECTORS:
"D" BLACK (SOCKET) + GRAY (HEADER)

NOTE: MATES WITH FEMALE HEADERS 20051, 20052, 20053 & 20054 SERIES

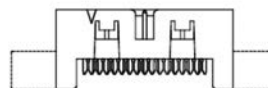
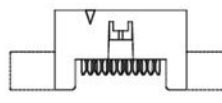
1.00MM PITCH FLAT CABLE WITH 2.00MM IDC SOCKET (H=5.1MM & 7.8MM) TO BOX HEADER IDC TYPE (SPECIAL II)



2.00MM PITCH BOX HEADER IDC TYPE (SPECIAL II)



POSITION	A	B	C	D	E
10	29.24	22.24	10.84	8.00	17.40
12	31.24	24.24	12.84	10.00	19.40
14	33.24	26.24	14.84	12.00	21.40
16	35.24	28.24	16.84	14.00	23.40
20	39.24	32.24	20.84	18.00	27.40
22	41.24	34.24	22.84	20.00	29.40
24	43.24	36.24	24.84	22.00	31.40
26	45.24	38.24	26.84	24.00	33.40
30	49.24	42.24	30.84	28.00	37.40
34	53.24	46.24	34.84	32.00	41.40
40	59.24	52.24	40.84	38.00	47.40
44	63.24	56.24	44.84	42.00	51.40
50	69.24	62.24	50.84	48.00	57.40
68	87.24	80.24	68.84	66.00	75.40

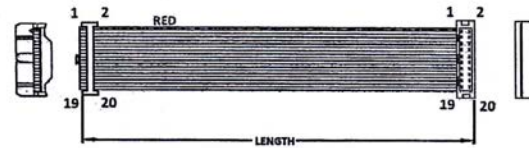
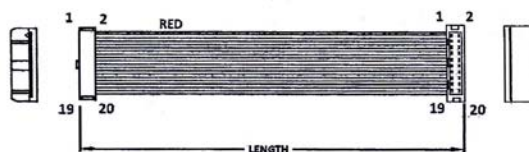
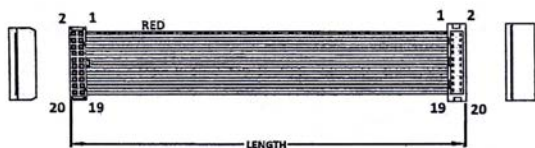


ORDERING INFORMATION:

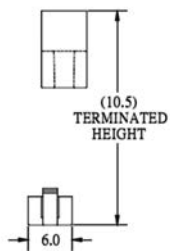
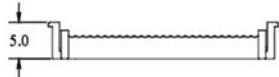
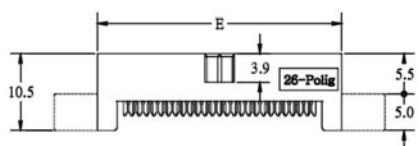
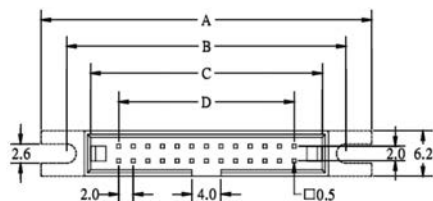
P/N **K** 1 2 3 4 **C M D**

- CONSTRUCTION TYPE:
IDC SOCKET W/O S.R. : 2PE, 2PF (H=5.1MM)
IDC SOCKET WITH S.R. : 2PG, 2PH (H=7.8MM)
- NO. OF CONTACTS:
006~068
- LENGTH IN CM (CENTIMETERS)
- COLOR OF TWO IDC CONNECTORS:
"D" BLACK (SOCKET) + GRAY (HEADER)

1.00MM PITCH FLAT CABLE WITH 2.00MM IDC SOCKET (H=8.5MM & 11.4MM) TO BOX HEADER IDC TYPE (STANDARD)



2.00MM PITCH BOX HEADER IDC TYPE (STANDARD)



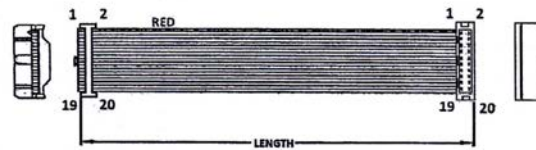
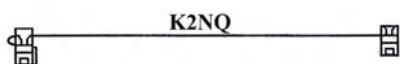
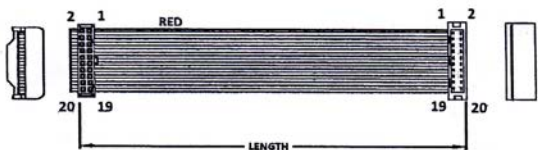
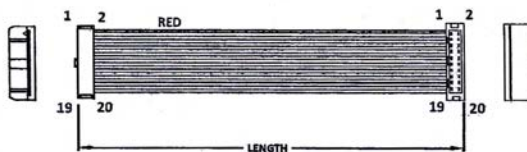
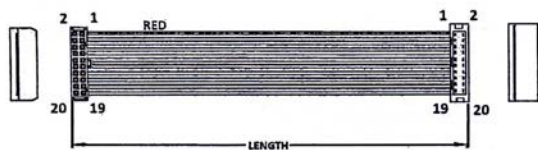
POSITION	A	B	C	D	E
6	25.24	18.24	11.70	4.00	13.40
8	27.24	20.24	13.70	6.00	15.40
10	29.24	22.24	15.70	8.00	17.40
12	31.24	24.24	17.70	10.00	19.40
14	33.24	26.24	19.70	12.00	21.40
16	35.24	28.24	21.70	14.00	23.40
20	39.24	32.24	25.70	18.00	27.40
22	41.24	34.24	27.70	20.00	29.40
24	43.24	36.24	29.70	22.00	31.40
26	45.24	38.24	31.70	24.00	33.40
30	49.24	42.24	35.70	28.00	37.40
34	53.24	46.24	39.70	32.00	41.40
40	59.24	52.24	45.70	38.00	47.40
44	63.24	56.24	49.70	42.00	51.40
50	69.24	62.24	55.70	48.00	57.40
68	87.24	80.24	73.70	66.00	75.40

ORDERING INFORMATION:

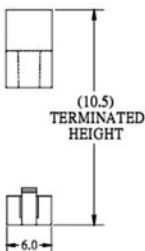
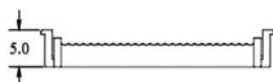
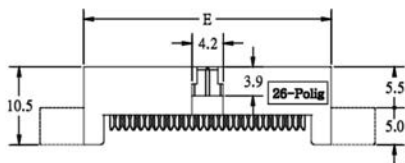
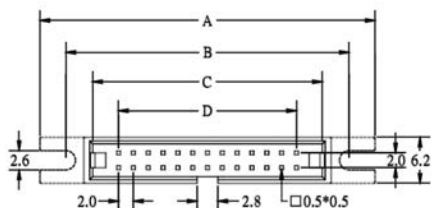
P/N $\frac{K}{1} \frac{x}{2} \frac{x}{3} \frac{x}{4} - \frac{x}{3} \frac{x}{4} \frac{C}{3} \frac{M}{4} \frac{D}{4}$

- CONSTRUCTION TYPE:
IDC SOCKET W/O S.R. : 2NE, 2NF (H=8.5MM)
IDC SOCKET WITH S.R. : 2NG, 2NH (H=11.4MM)
- NO. OF CONTACTS:
006~068
- LENGTH IN CM (CENTIMETERS)
- COLOR OF TWO IDC CONNECTORS:
"D" BLACK (SOCKET) + GRAY (HEADER)

1.00MM PITCH FLAT CABLE WITH 2.00MM IDC SOCKET (H=8.5MM & 11.4MM) TO BOX HEADER IDC TYPE (SPECIAL I)



2.00MM PITCH BOX HEADER IDC TYPE (SPECIAL I)



POSITION	A	B	C	D	E
6	25.24	18.24	11.00	4.00	13.40
8	27.24	20.24	13.00	6.00	15.40
10	29.24	22.24	15.00	8.00	17.40
12	31.24	24.24	17.00	10.00	19.40
14	33.24	26.24	19.00	12.00	21.40
16	35.24	28.24	21.00	14.00	23.40
20	39.24	32.24	25.00	18.00	27.40
22	41.24	34.24	27.00	20.00	29.40
24	43.24	36.24	29.00	22.00	31.40
26	45.24	38.24	31.00	24.00	33.40
30	49.24	42.24	35.00	28.00	37.40
34	53.24	46.24	39.00	32.00	41.40
40	59.24	52.24	45.00	38.00	47.40
44	63.24	56.24	49.00	42.00	51.40
50	69.24	62.24	55.00	48.00	57.40
68	87.24	80.24	73.00	66.00	75.40

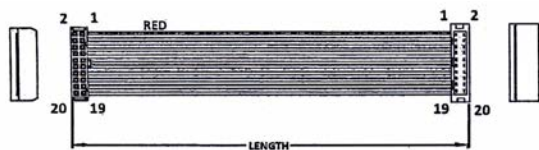
ORDERING INFORMATION:

P/N **K** 1 2 3 4 **C M D**

- CONSTRUCTION TYPE:
IDC SOCKET W/O S.R. : 2NN, 2NP (H=8.5MM)
IDC SOCKET WITH S.R. : 2NQ, 2NR (H=11.4MM)
- NO. OF CONTACTS:
006~068
- LENGTH IN CM (CENTIMETERS)
- COLOR OF TWO IDC CONNECTORS:
"D" BLACK (SOCKET) + GRAY (HEADER)

NOTE: MATES WITH FEMALE HEADERS 20051, 20052, 20053 & 20054 SERIES

1.00MM PITCH FLAT CABLE WITH 2.00MM IDC SOCKET (H=8.5MM & 11.4MM) TO BOX HEADER IDC TYPE (SPECIAL II)



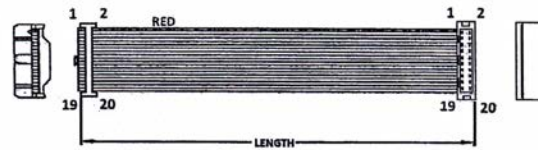
K2PA



K2PB

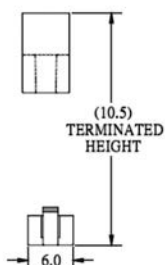
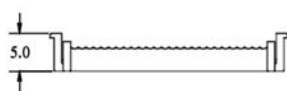
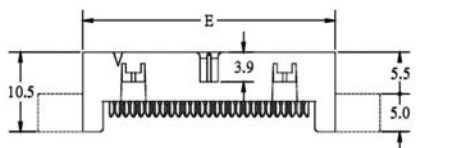
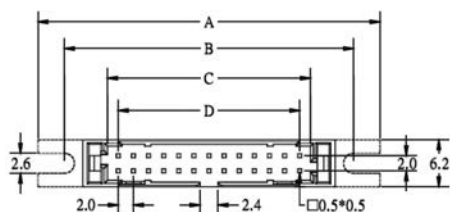


K2PC

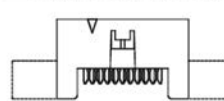


K2PD

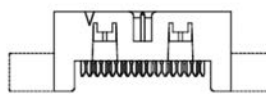
2.00MM PITCH BOX HEADER IDC TYPE (SPECIAL II)



POSITION	A	B	C	D	E
10	29.24	22.24	10.84	8.00	17.40
12	31.24	24.24	12.84	10.00	19.40
14	33.24	26.24	14.84	12.00	21.40
16	35.24	28.24	16.84	14.00	23.40
20	39.24	32.24	20.84	18.00	27.40
22	41.24	34.24	22.84	20.00	29.40
24	43.24	36.24	24.84	22.00	31.40
26	45.24	38.24	26.84	24.00	33.40
30	49.24	42.24	30.84	28.00	37.40
34	53.24	46.24	34.84	32.00	41.40
40	59.24	52.24	40.84	38.00	47.40
44	63.24	56.24	44.84	42.00	51.40
50	69.24	62.24	50.84	48.00	57.40
68	87.24	80.24	68.84	66.00	75.40



(AVAILABLE FROM 10 TO 12)



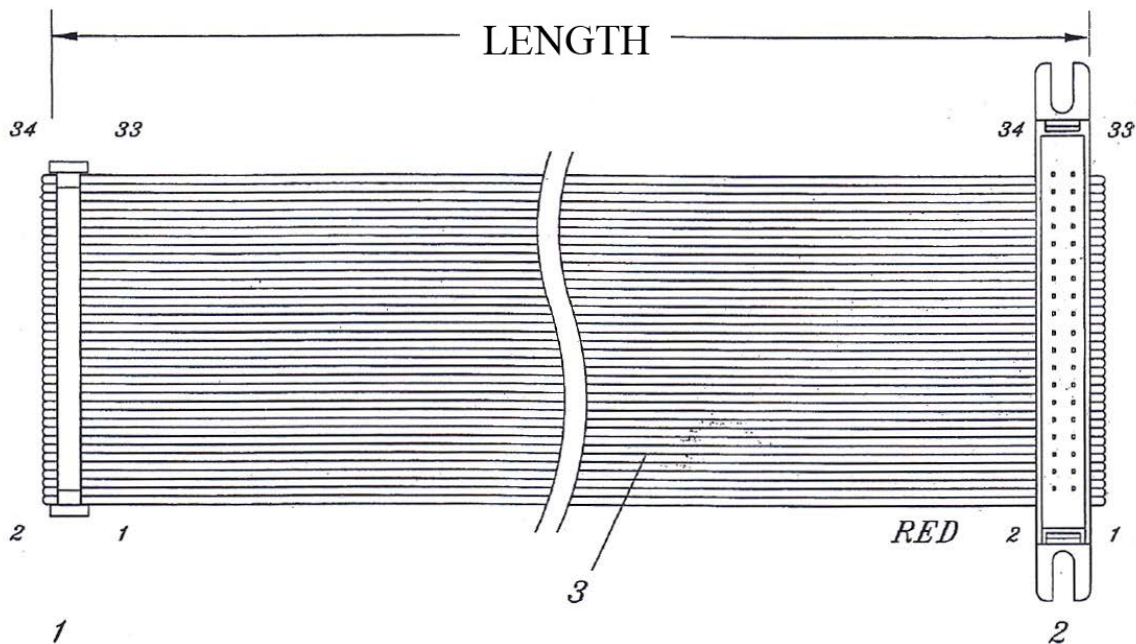
(AVAILABLE FROM 14 TO 68)

ORDERING INFORMATION:

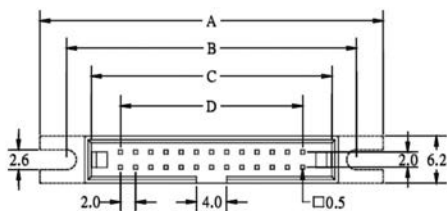
P/N **K** 1 2 3 4 C M D

- CONSTRUCTION TYPE:
IDC SOCKET W/O S.R. : 2PA, 2PB (H=8.5MM)
IDC SOCKET WITH S.R. : 2PC, 2PD (H=11.4MM)
- NO. OF CONTACTS:
006~068
- LENGTH IN CM (CENTIMETERS)
- COLOR OF TWO IDC CONNECTORS:
"D" BLACK (SOCKET) + GRAY (HEADER)

**1.00MM PITCH FLAT CABLE WITH 2.00MM IDC SOCKET (H=8.5MM)
TO IDC TYPE BOX HEADER WITH EARS (K1)**



2.00MM PITCH IDC TYPE BOX HEADER WITH EARS (TYPE 1)



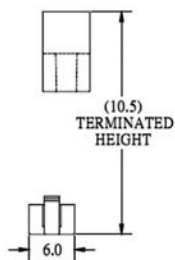
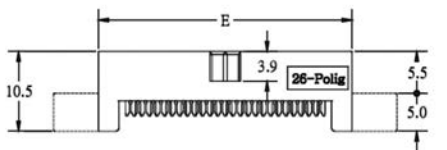
$$A = D + 21.24$$

$$B = D + 14.24$$

$$C = D + 7.70$$

$$D = 2.00 * \text{POSITIONS} / 2 - 2.00$$

$$E = D + 9.40$$



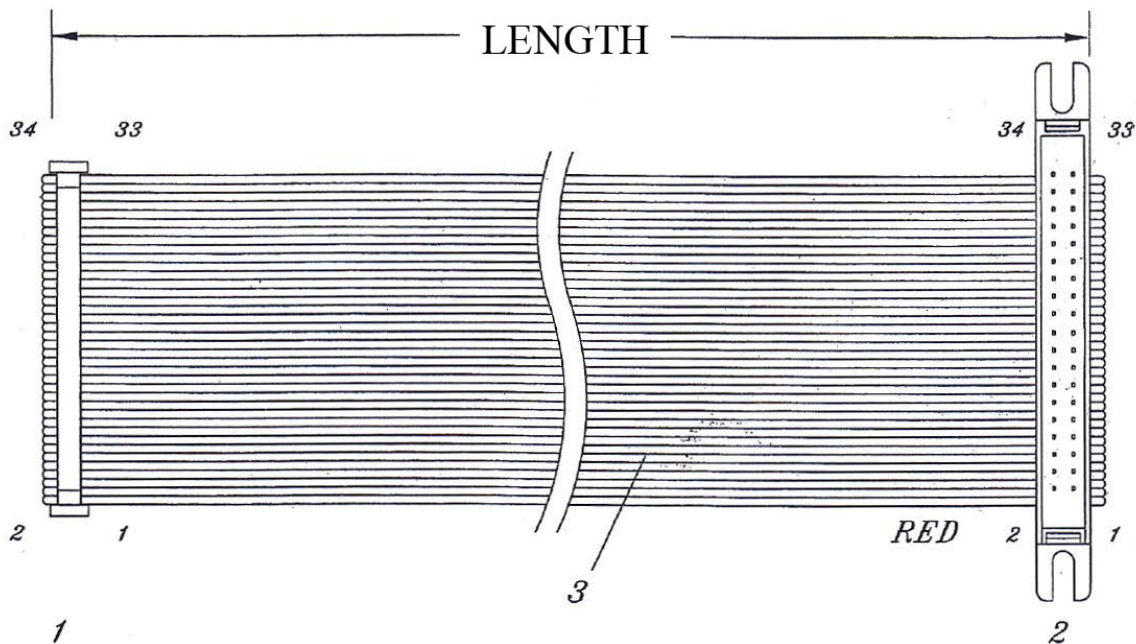
NO. OF CONTACTS:
006, 008, 010, 012, 014,
016, 020, 022, 024, 026,
030, 034, 040, 044, 050,
068

ORDERING INFORMATION:

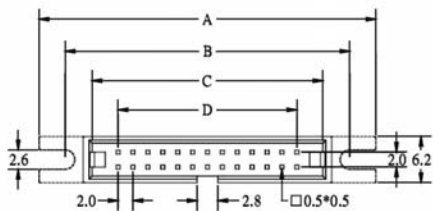
P/N K 1 2 3 4 **C M D**

1. CONSTRUCTION TYPE:
2PU
2. NO. OF CONTACTS:
006~068
3. LENGTH IN CM (CENTIMETERS)
4. COLOR OF TWO IDC CONNECTORS:
"D" BLACK(SOCKET)+GRAY(HEADER)

**1.00MM PITCH FLAT CABLE WITH 2.00MM IDC SOCKET (H=8.5MM)
TO IDC TYPE BOX HEADER WITH EARS (K2)**



2.00MM PITCH IDC TYPE BOX HEADER WITH EARS (TYPE 2)



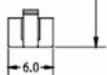
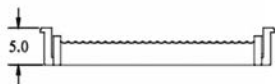
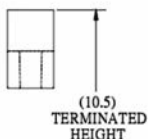
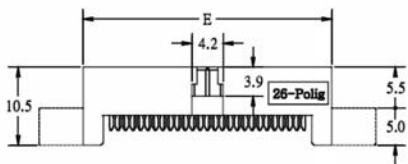
$$A = D + 21.24$$

$$B = D + 14.24$$

$$C = D + 7.70$$

$$D = 2.00 * \text{POSITIONS} / 2 - 2.00$$

$$E = D + 9.40$$



NO. OF CONTACTS:
006, 008, 010, 012, 014,
016, 020, 022, 024, 026,
030, 034, 040, 044, 050,
068

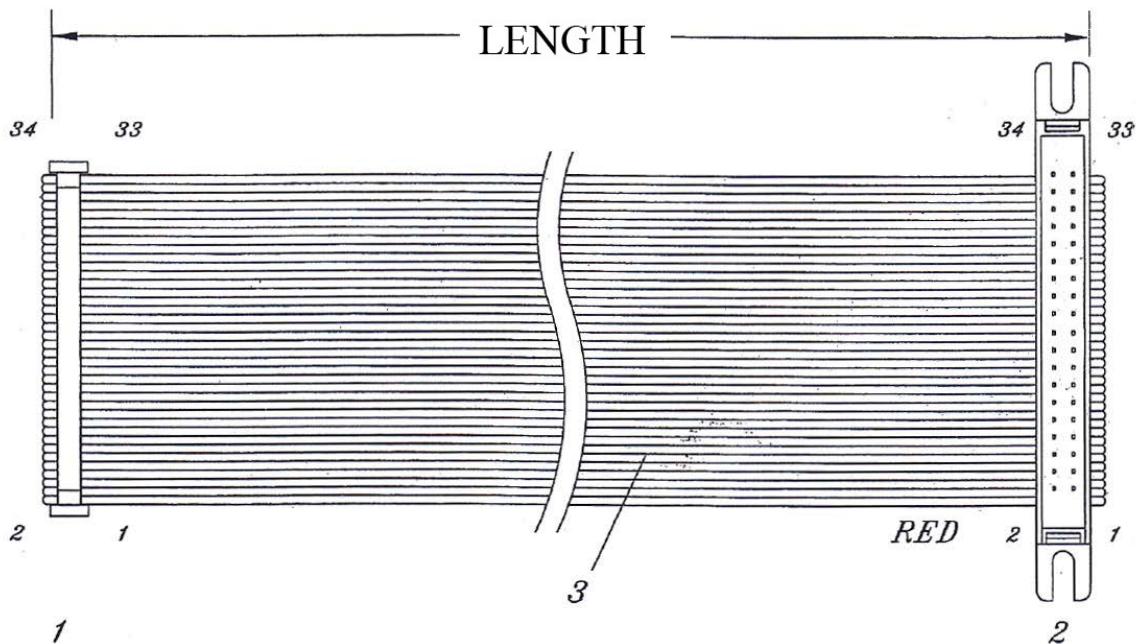
ORDERING INFORMATION:

P/N K 1 2 3 4 **C M D**

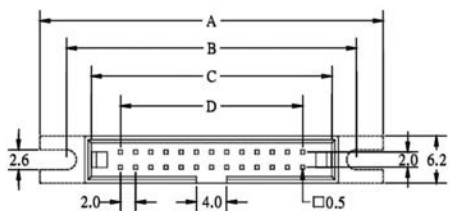
1. CONSTRUCTION TYPE:
2PV
2. NO. OF CONTACTS:
006~068
3. LENGTH IN CM (CENTIMETERS)
4. COLOR OF TWO IDC CONNECTORS:
"D" BLACK(SOCKET)+GRAY(HEADER)

NOTE: MATES WITH FEMALE HEADERS 20051, 20052, 20053 & 20054 SERIES

**1.00MM PITCH FLAT CABLE WITH 2.00MM IDC SOCKET (H=5.1MM)
TO IDC TYPE BOX HEADER WITH EARS (K3)**



2.00MM PITCH IDC TYPE BOX HEADER WITH EARS (TYPE 1)



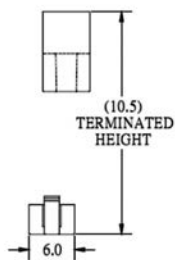
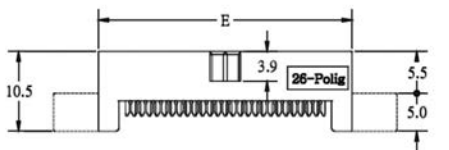
$$A = D + 21.24$$

$$B = D + 14.24$$

$$C = D + 7.70$$

$$D = 2.00 * \text{POSITIONS} / 2 - 2.00$$

$$E = D + 9.40$$



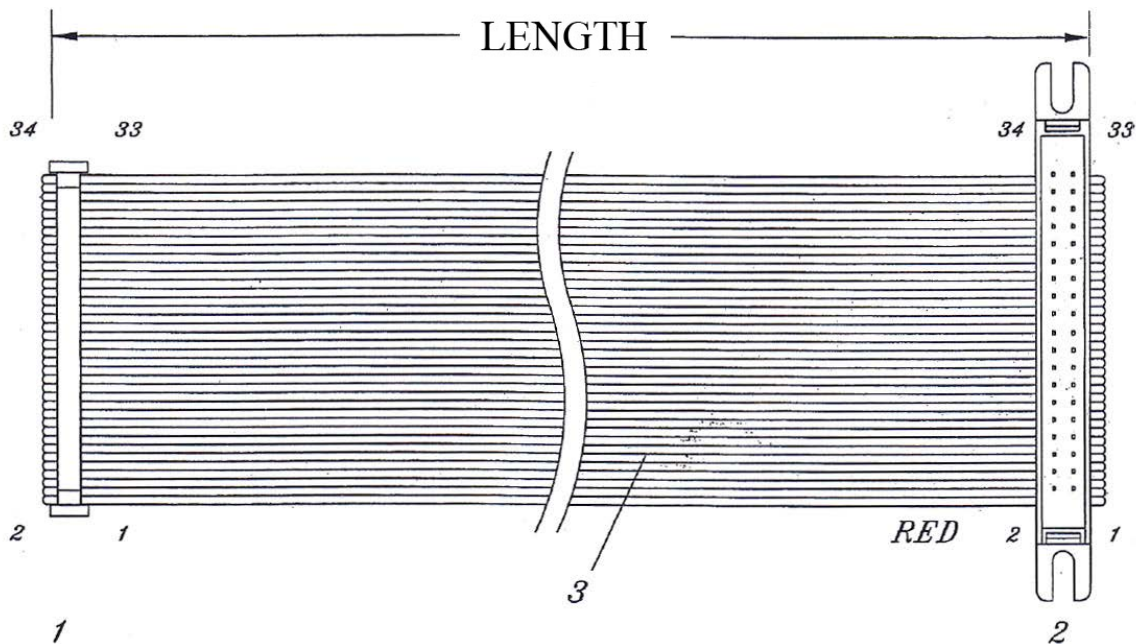
NO. OF CONTACTS:
006, 008, 010, 012, 014,
016, 020, 022, 024, 026,
030, 034, 040, 044, 050,
068

ORDERING INFORMATION:

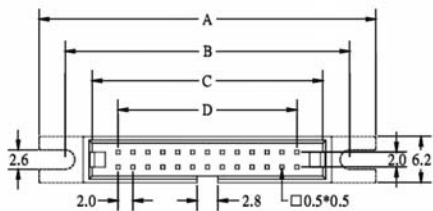
P/N K 1 2 3 4 **C M D**

1. CONSTRUCTION TYPE:
2PW
2. NO. OF CONTACTS:
006~068
3. LENGTH IN CM (CENTIMETERS)
4. COLOR OF TWO IDC CONNECTORS:
"D" BLACK(SOCKET)+GRAY(HEADER)

**1.00MM PITCH FLAT CABLE WITH 2.00MM IDC SOCKET (H=5.1MM)
TO IDC TYPE BOX HEADER WITH EARS (K4)**



2.00MM PITCH IDC TYPE BOX HEADER WITH EARS (TYPE 2)



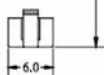
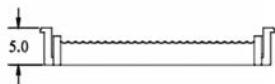
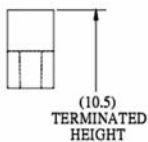
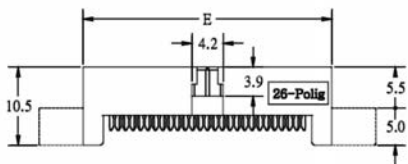
$$A = D + 21.24$$

$$B = D + 14.24$$

$$C = D + 7.70$$

$$D = 2.00 * \text{POSITIONS} / 2 - 2.00$$

$$E = D + 9.40$$



NO. OF CONTACTS:
006, 008, 010, 012, 014,
016, 020, 022, 024, 026,
030, 034, 040, 044, 050,
068

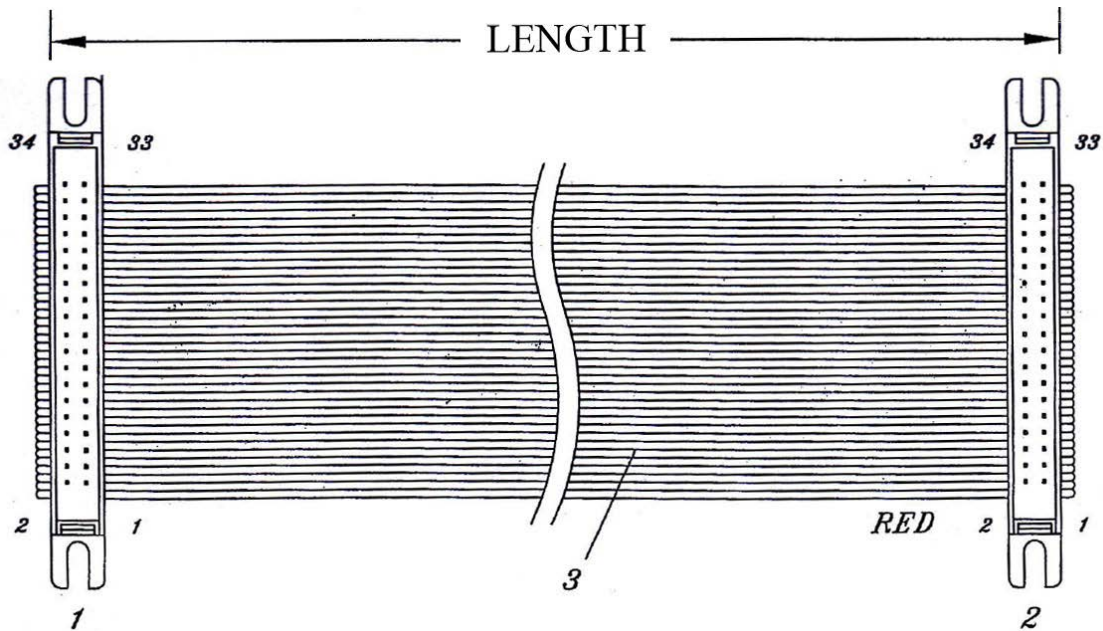
ORDERING INFORMATION:

P/N K 1 2 3 4 **C M D**

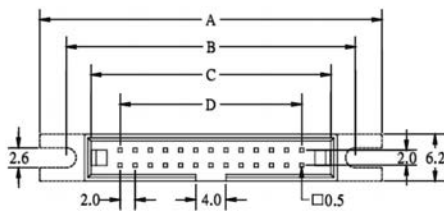
1. CONSTRUCTION TYPE:
2PX
2. NO. OF CONTACTS:
006~068
3. LENGTH IN CM (CENTIMETERS)
4. COLOR OF TWO IDC CONNECTORS:
"D" BLACK(SOCKET)+GRAY(HEADER)

NOTE: MATES WITH FEMALE HEADERS 20051, 20052, 20053 & 20054 SERIES

1.00MM PITCH FLAT CABLE WITH 2*2.00MM IDC TYPE BOX HEADERS (L1)



1.00MM PITCH BOX HEADER IDC TYPE WITH EARS (TYPE1)



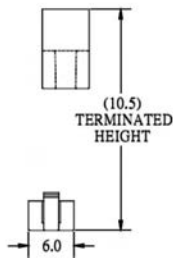
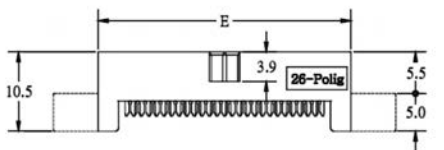
$$A = D + 21.24$$

$$B = D + 14.24$$

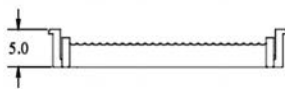
$$C = D + 7.70$$

$$D = 2.00 * \text{POSITIONS} / 2 - 2.00$$

$$E = D + 9.40$$



NO. OF CONTACTS:
006, 008, 010, 012, 014,
016, 020, 022, 024, 026,
030, 034, 040, 044, 050,
068

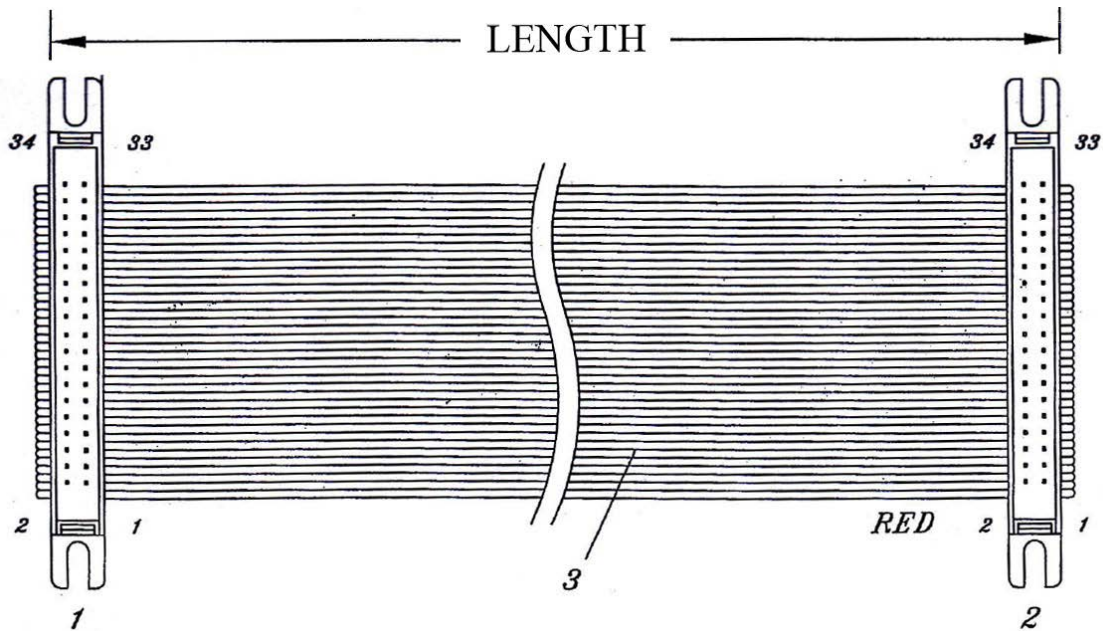


ORDERING INFORMATION:

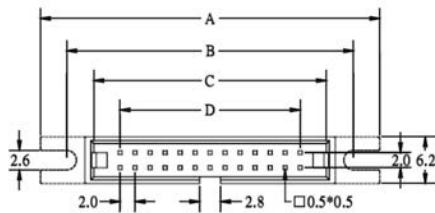
P/N K 1 2 3 4 C M A

1. CONSTRUCTION TYPE:
2PS
2. NO. OF CONTACTS:
006~068
3. LENGTH IN CM (CENTIMETERS)
4. COLOR OF TWO IDC CONNECTORS:
"A" GRAY

1.00MM PITCH FLAT CABLE WITH 2*2.00MM IDC TYPE BOX HEADERS (L2)



1.00MM PITCH BOX HEADER IDC TYPE WITH EARS (TYPE2)



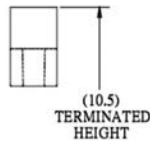
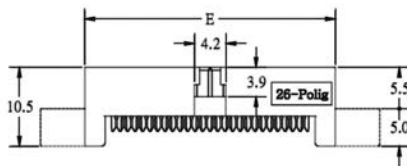
$$A = D + 21.24$$

$$B = D + 14.24$$

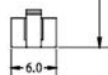
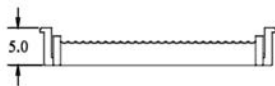
$$C = D + 7.70$$

$$D = 2.00 * \text{POSITIONS} / 2 - 2.00$$

$$E = D + 9.40$$



NO. OF CONTACTS:
006, 008, 010, 012, 014,
016, 020, 022, 024, 026,
030, 034, 040, 044, 050,
068



ORDERING INFORMATION:

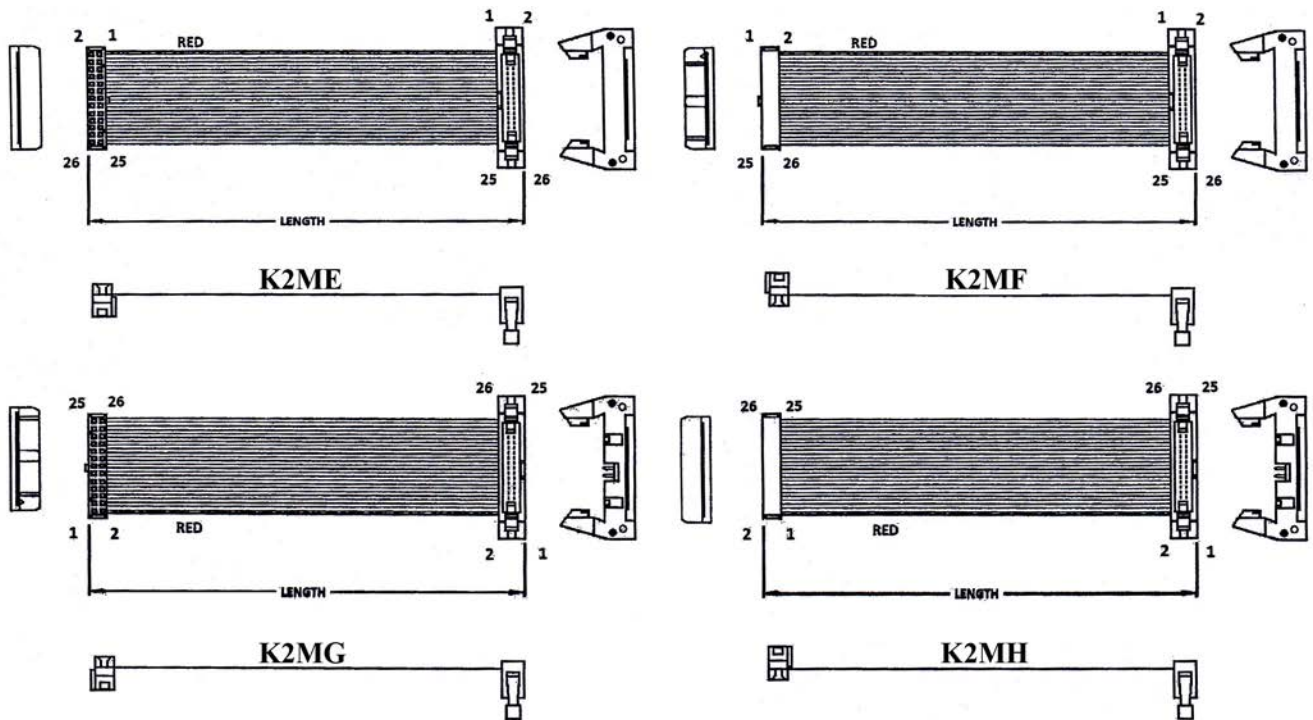
P/N $\frac{K}{1} \frac{XXXXXX}{2} - \frac{XX}{3} \frac{CMA}{4}$

1. CONSTRUCTION TYPE:
2PT
2. NO. OF CONTACTS:
006~068
3. LENGTH IN CM (CENTIMETERS)
4. COLOR OF TWO IDC CONNECTORS:
"A" GRAY

NOTE1: BOX HEADER CAN'T BE SUPPLIED ALONE.

NOTE2: MATES WITH FEMALE HEADERS 20051, 20052, 20053 & 20054 SERIES

**1.00MM PITCH FLAT CABLE WITH 2.00MM IDC SOCKET W/O S.R. (H=5.1MM)
TO IDC PLUG WITH SHORT LATCHES (M1)**

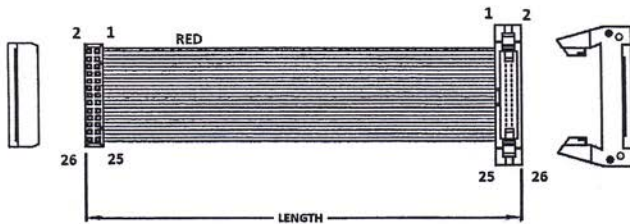


ORDERING INFORMATION:

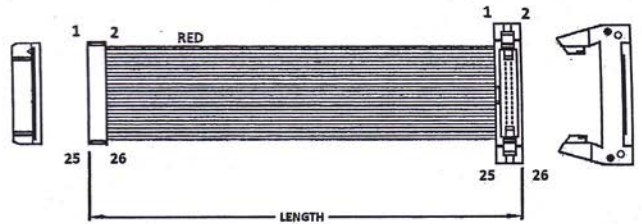
P/N K $\frac{1}{x x x x x x}$ - $\frac{2}{x x}$ $\frac{3}{C M D}$ $\frac{4}{}$

1. CONSTRUCTION TYPE:
2ME, 2MF, 2MG, 2MH
2. NO. OF CONTACTS:
010~050
3. LENGTH IN CM (CENTIMETERS)
4. COLOR OF TWO IDC CONNECTORS:
"D" BLACK(SOCKET)+GRAY(HEADER)

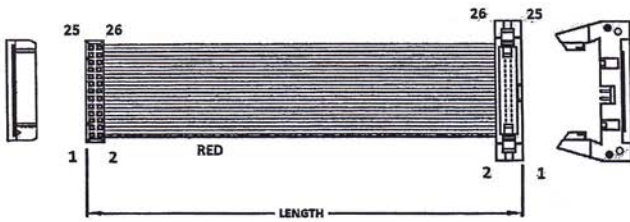
**1.00MM PITCH FLAT CABLE WITH 2.00MM IDC SOCKET W/O NOSE (H=7.4MM)
TO IDC PLUG WITH SHORT LATCHES (M2)**



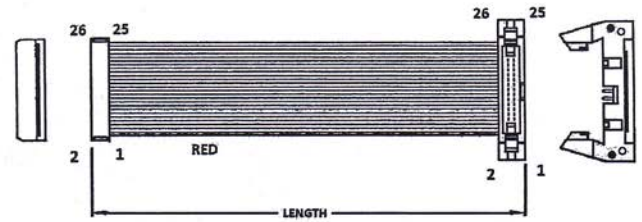
K2MW



K2MX



K2MY



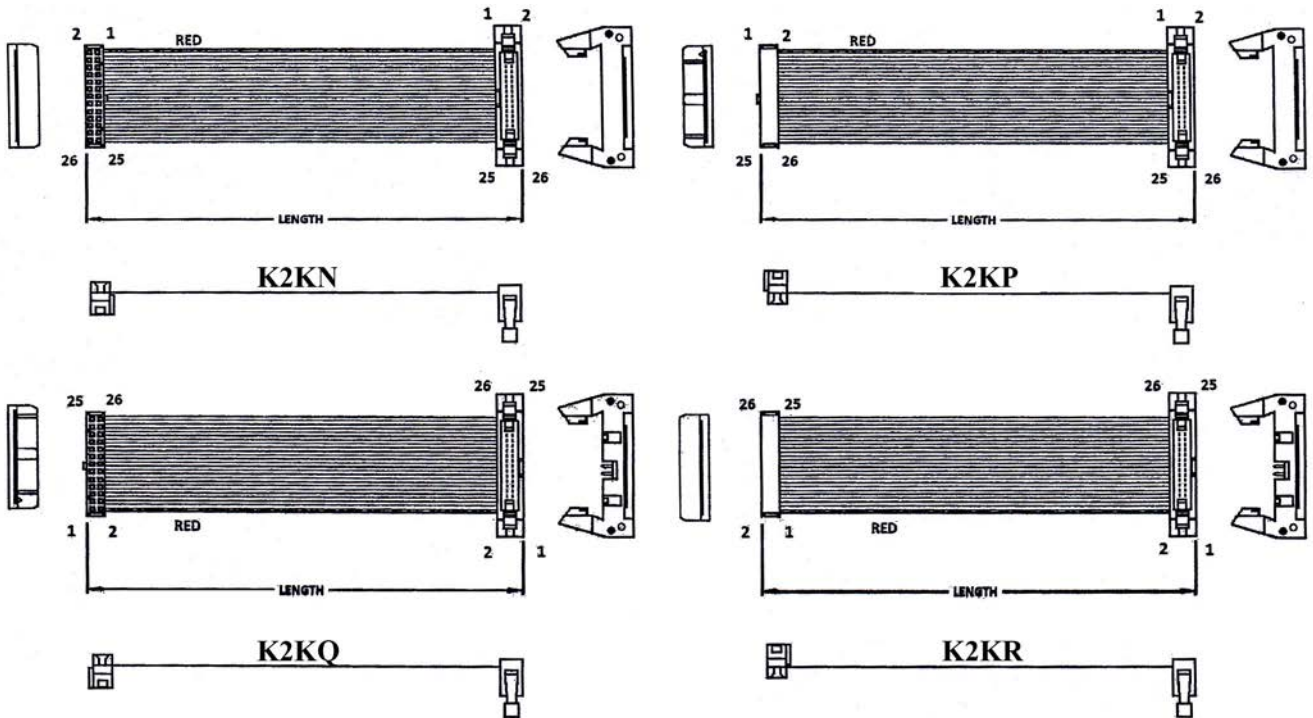
K2MZ

ORDERING INFORMATION:

P/N K 1 2 3 4

1. CONSTRUCTION TYPE:
2MW, 2MX, 2MY, 2MZ
2. NO. OF CONTACTS:
010~050
3. LENGTH IN CM (CENTIMETERS)
4. COLOR OF TWO IDC CONNECTORS:
"D" BLACK(SOCKET)+GRAY(HEADER)

**1.00MM PITCH FLAT CABLE WITH 2.00MM IDC SOCKET W/O S.R. (H=8.5MM)
TO IDC PLUG WITH SHORT LATCHES (M3)**

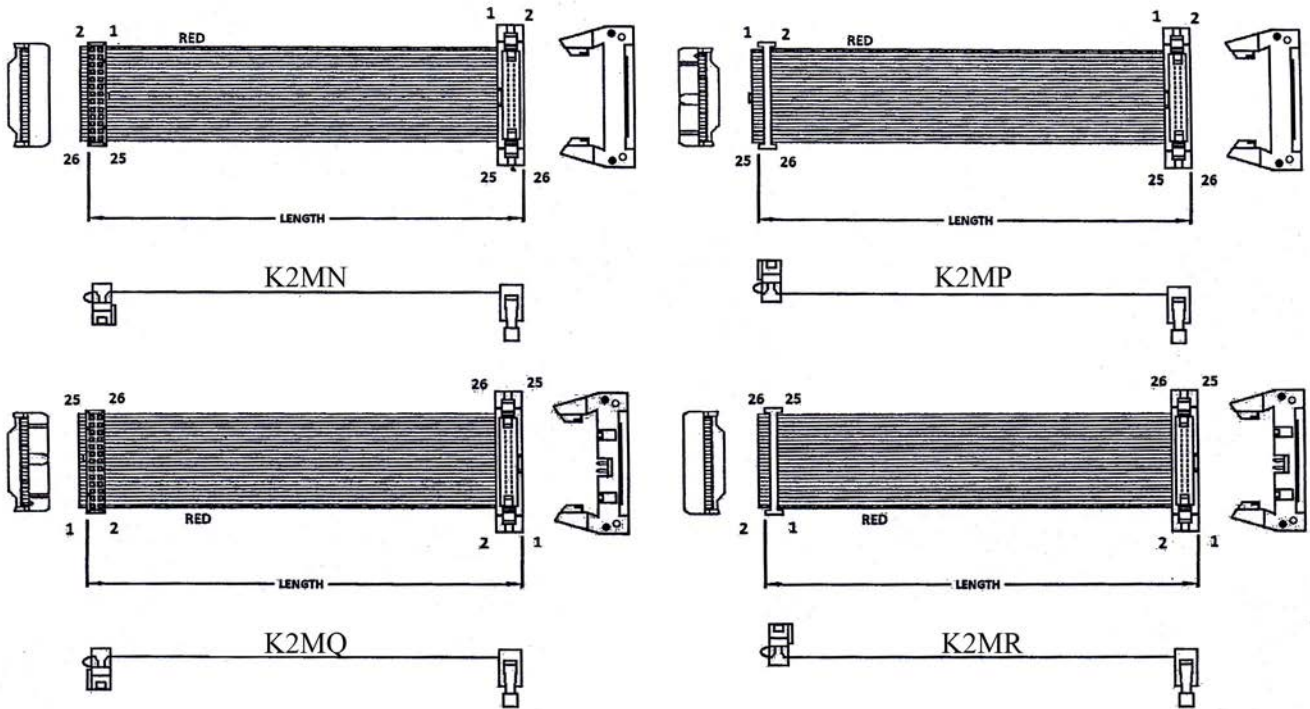


ORDERING INFORMATION:

P/N K $\frac{1}{x}$ $\frac{2}{x}$ $\frac{3}{x}$ $\frac{4}{x}$ - $\frac{1}{x}$ $\frac{2}{x}$ C M D

1. CONSTRUCTION TYPE:
2KN, 2KP, 2KQ, 2KR
2. NO. OF CONTACTS:
010~068
3. LENGTH IN CM (CENTIMETERS)
4. COLOR OF TWO IDC CONNECTORS:
"D" BLACK(SOCKET)+GRAY(HEADER)

**1.00MM PITCH FLAT CABLE WITH 2.00MM IDC SOCKET WITH S.R. (H=7.8MM)
TO IDC PLUG WITH SHORT LATCHES (M4)**

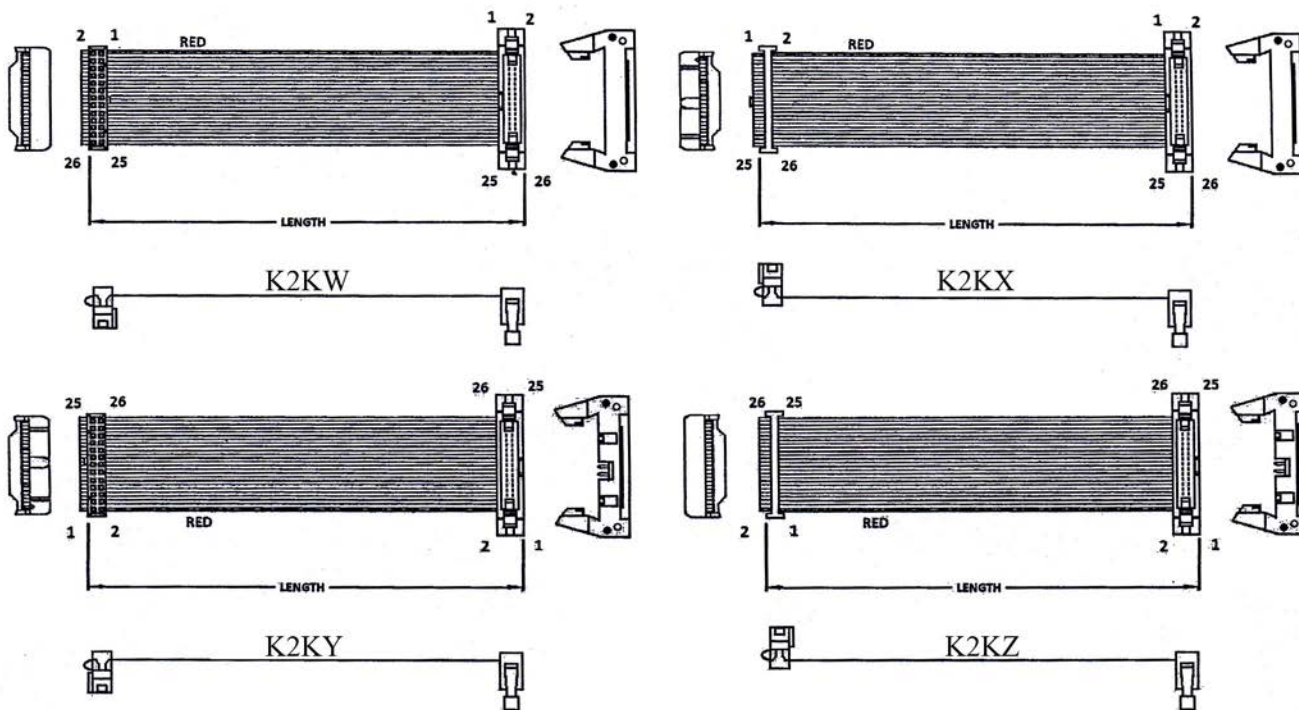


ORDERING INFORMATION:

P/N K $\frac{1}{x}$ $\frac{2}{x}$ $\frac{3}{x}$ $\frac{4}{x}$ - $\frac{1}{x}$ $\frac{2}{x}$ $\frac{3}{x}$ $\frac{4}{x}$ C M D

1. CONSTRUCTION TYPE:
2MN, 2MP, 2MQ, 2MR
2. NO. OF CONTACTS:
010~050
3. LENGTH IN CM (CENTIMETERS)
4. COLOR OF TWO IDC CONNECTORS:
"D" BLACK(SOCKET)+GRAY(HEADER)

**1.00MM PITCH FLAT CABLE WITH 2.00MM IDC SOCKET WITH S.R. (H=11.4MM)
TO IDC PLUG WITH SHORT LATCHES (M5)**

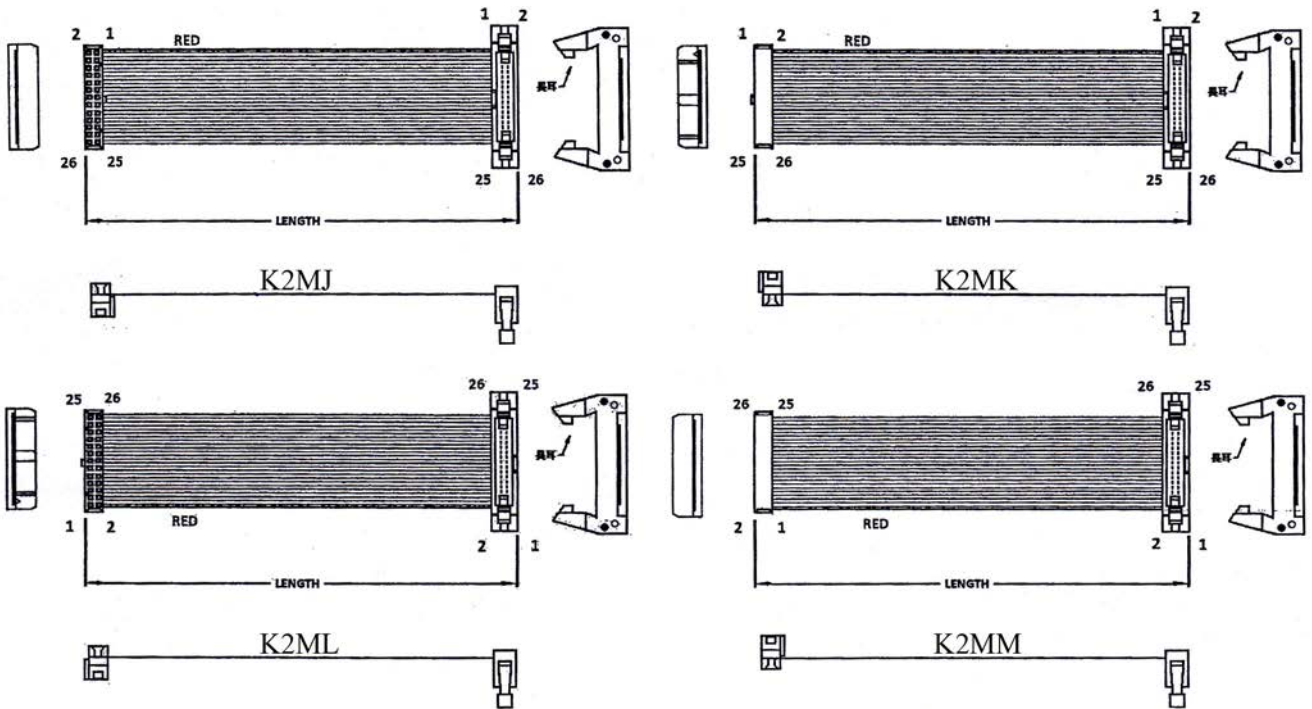


ORDERING INFORMATION:

P/N K 1 2 3 4

1. CONSTRUCTION TYPE:
2KW, 2KX, 2KY, 2KZ
2. NO. OF CONTACTS:
010~068
3. LENGTH IN CM (CENTIMETERS)
4. COLOR OF TWO IDC CONNECTORS:
"D" BLACK(SOCKET)+GRAY(HEADER)

**1.00MM PITCH FLAT CABLE WITH 2.00MM IDC SOCKET W/O S.R. (H=5.1MM)
TO IDC PLUG WITH LONG LATCHES (N1)**

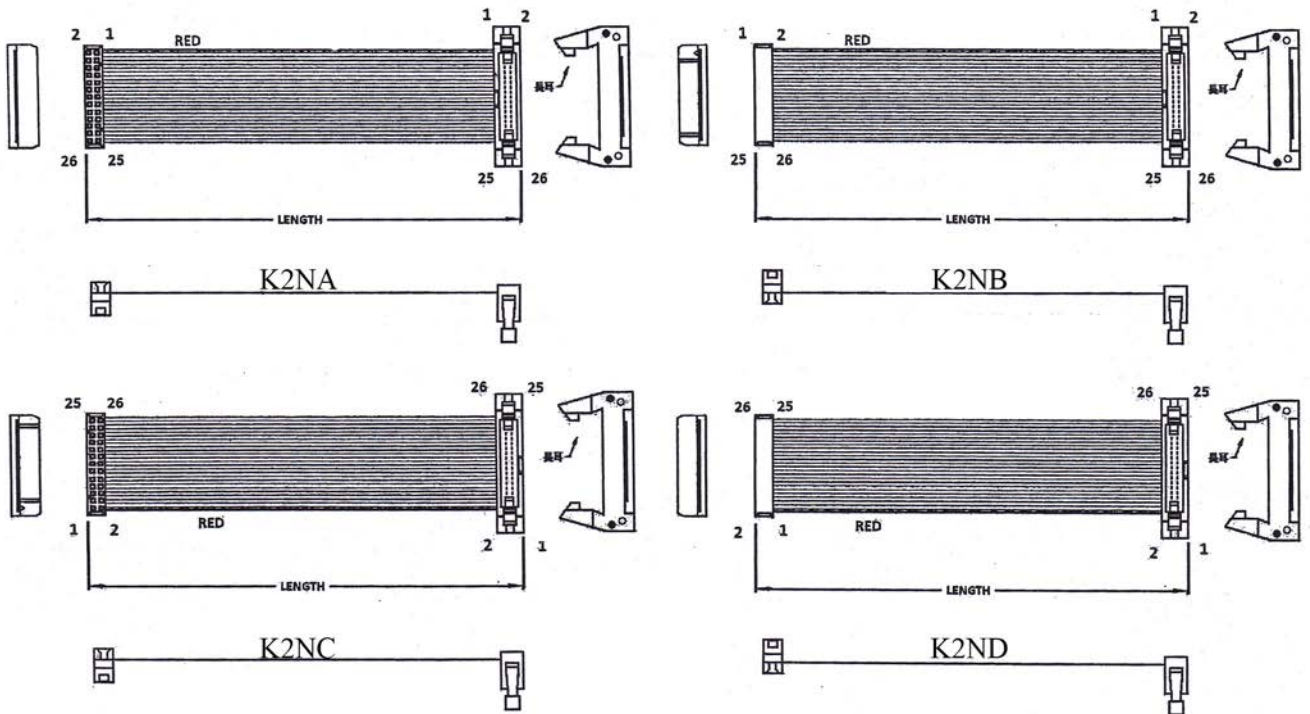


ORDERING INFORMATION:

P/N K 1 2 3 4

1. CONSTRUCTION TYPE:
2MJ, 2MK, 2ML, 2MM
2. NO. OF CONTACTS:
010~050
3. LENGTH IN CM (CENTIMETERS)
4. COLOR OF TWO IDC CONNECTORS:
"D" BLACK(SOCKET)+GRAY(HEADER)

**1.00MM PITCH FLAT CABLE WITH 2.00MM IDC SOCKET W/O NOSE (H=7.4MM)
TO IDC PLUG WITH LONG LATCHES (N2)**

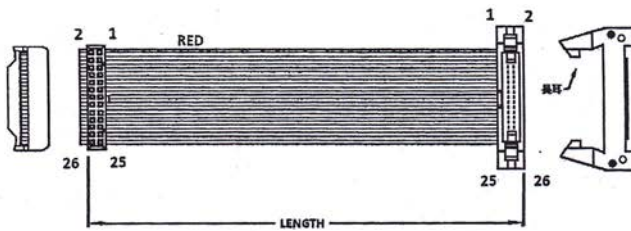


ORDERING INFORMATION:

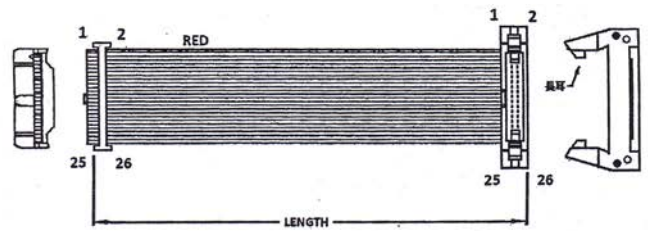
P/N K 1 2 3 4

1. CONSTRUCTION TYPE:
2NA, 2NB, 2NC, 2ND
2. NO. OF CONTACTS:
010~050
3. LENGTH IN CM (CENTIMETERS)
4. COLOR OF TWO IDC CONNECTORS:
"D" BLACK(SOCKET)+GRAY(HEADER)

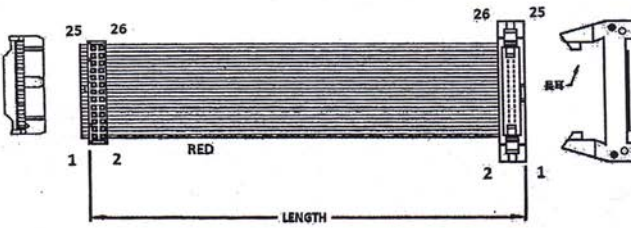
**1.00MM PITCH FLAT CABLE WITH 2.00MM IDC SOCKET WITH S.R. (H=7.8MM)
TO IDC PLUG WITH LONG LATCHES (N3)**



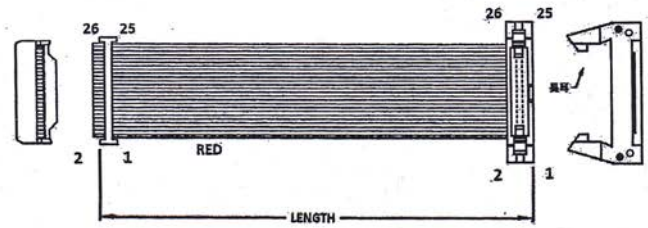
K2MS



K2MT



K2MU



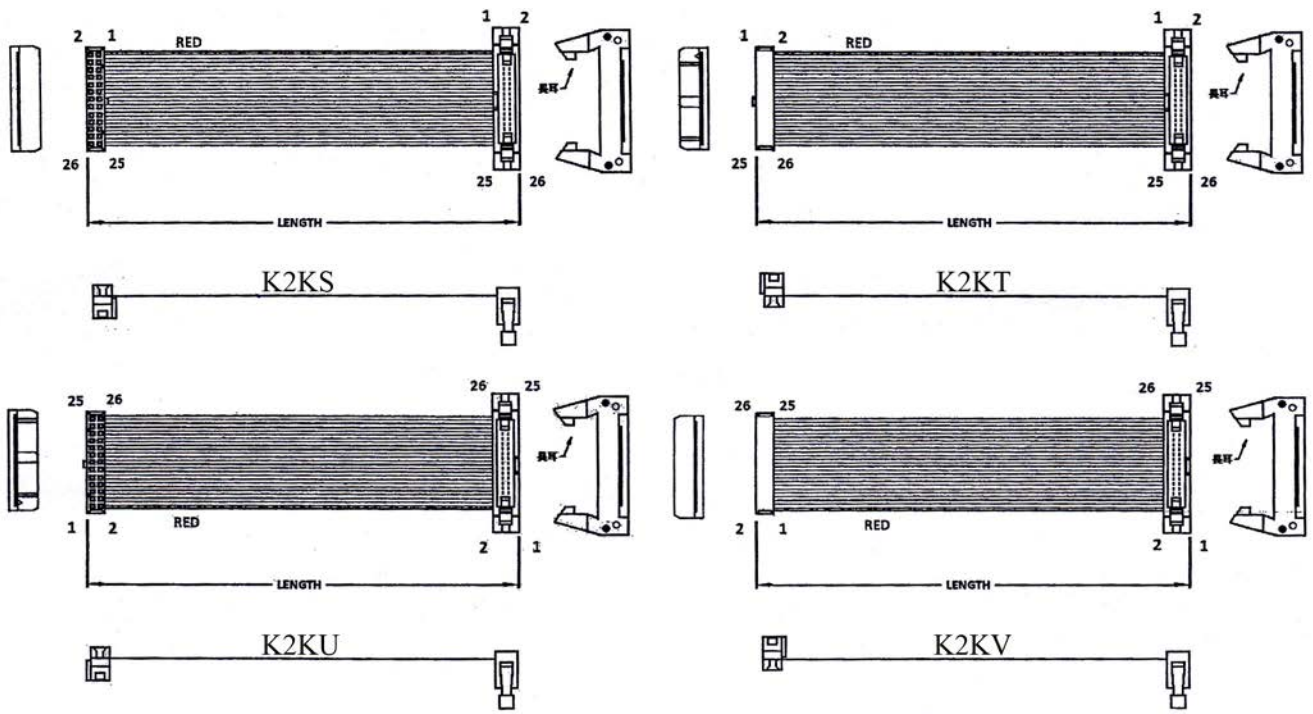
K2MV

ORDERING INFORMATION:

P/N K 1 2 3 4

1. CONSTRUCTION TYPE:
2MS, 2MT, 2MU, 2MV
2. NO. OF CONTACTS:
010~050
3. LENGTH IN CM (CENTIMETERS)
4. COLOR OF TWO IDC CONNECTORS:
"D" BLACK(SOCKET)+GRAY(HEADER)

**1.00MM PITCH FLAT CABLE WITH 2.00MM IDC SOCKET W/O S.R. (H=8.5MM)
TO IDC PLUG WITH LONG LATCHES (N4)**

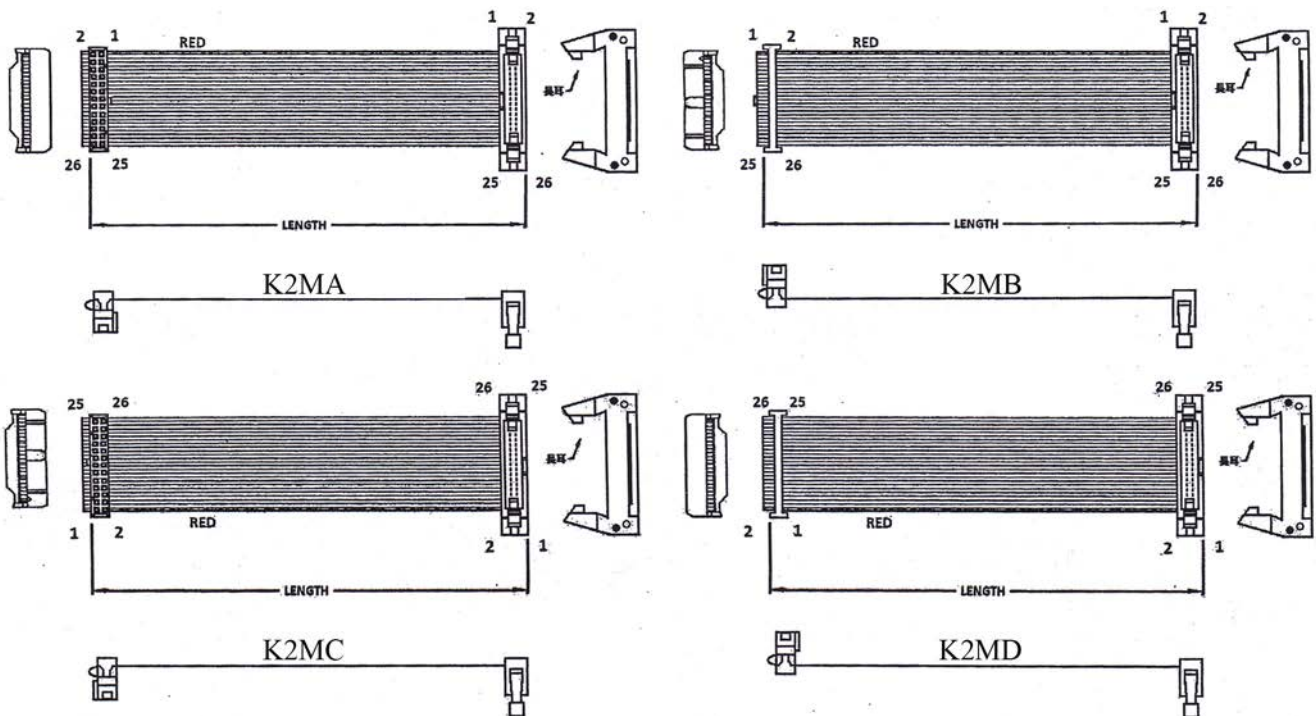


ORDERING INFORMATION:

P/N K 1 2 3 4

1. CONSTRUCTION TYPE:
2KS, 2KT, 2KU, 2KV
2. NO. OF CONTACTS:
010~068
3. LENGTH IN CM (CENTIMETERS)
4. COLOR OF TWO IDC CONNECTORS:
"D" BLACK(SOCKET)+GRAY(HEADER)

**1.00MM PITCH FLAT CABLE WITH 2.00MM IDC SOCKET WITH S.R. (H=11.4MM)
TO IDC PLUG WITH LONG LATCHES (N5)**

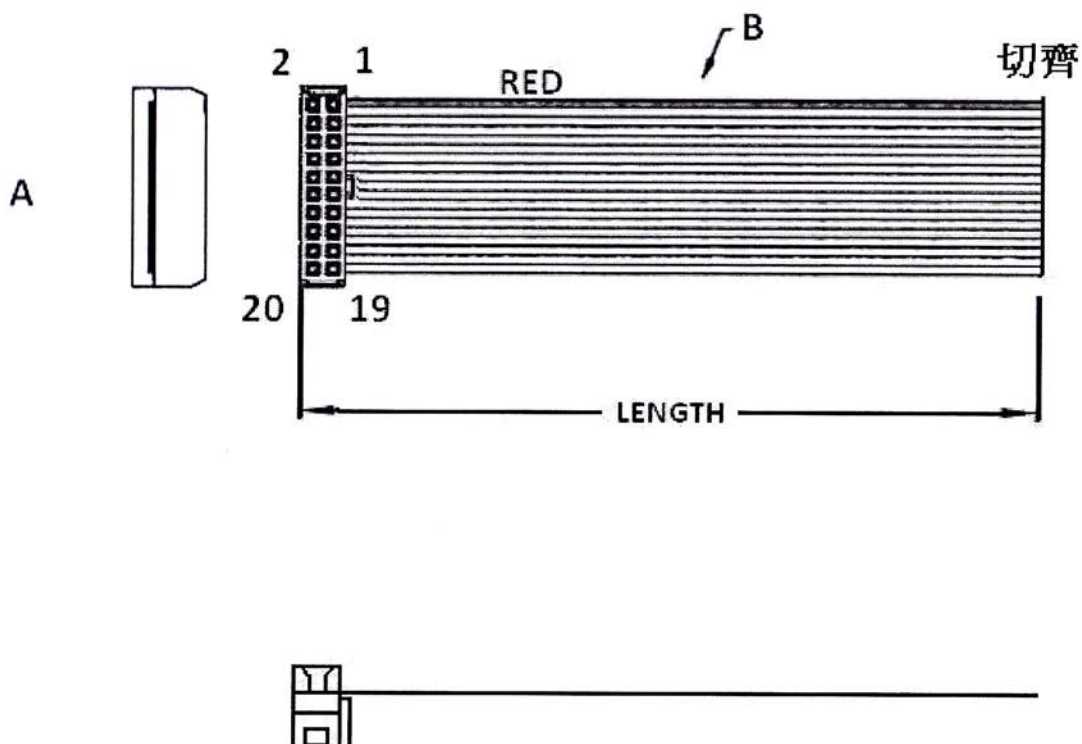


ORDERING INFORMATION:

P/N K $\frac{x}{1} \frac{x}{2} \frac{x}{3} \frac{x}{4}$

1. CONSTRUCTION TYPE:
2MA, 2MB, 2MC, 2MD
2. NO. OF CONTACTS:
010~068
3. LENGTH IN CM (CENTIMETERS)
4. COLOR OF TWO IDC CONNECTORS:
"D" BLACK(SOCKET)+GRAY(HEADER)

**1.00MM PITCH FLAT CABLE WITH
2.00MM PITCH IDC SOCKET WITHOUT STRAIN RELIEF (H=9.0MM) TO OPEN END (1)**

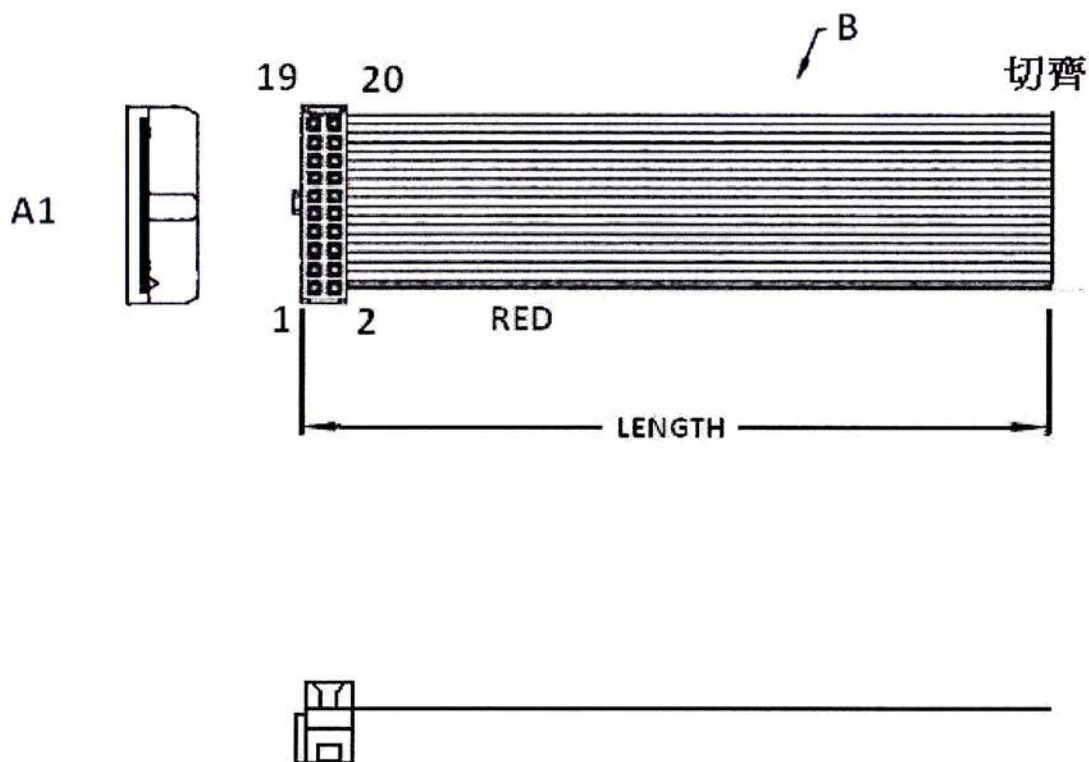


ORDERING INFORMATION:

P/N $\frac{KB}{1} \frac{xx}{2} \frac{KO}{3} - \frac{xx}{4} \frac{CMB}{5}$

1. FLAT CABLE TYPE:
"KB" 1.00MM AWG28 UL2651 VW-1
PVC INSULATION GRAY
2. NO. OF CONTACTS:
06~68
3. CONNECTORS AT TWO ENDS:
"KO" 2.00MM IDC SOCKET W/O S.R. WITH NOSE
TO OPEN END
4. LENGTH IN CM (CENTIMETERS)
5. COLOR OF IDC CONNECTOR:
"B" BLACK

**1.00MM PITCH FLAT CABLE WITH
2.00MM PITCH IDC SOCKET WITHOUT STRAIN RELIEF (H=9.0MM) TO OPEN END (2)**

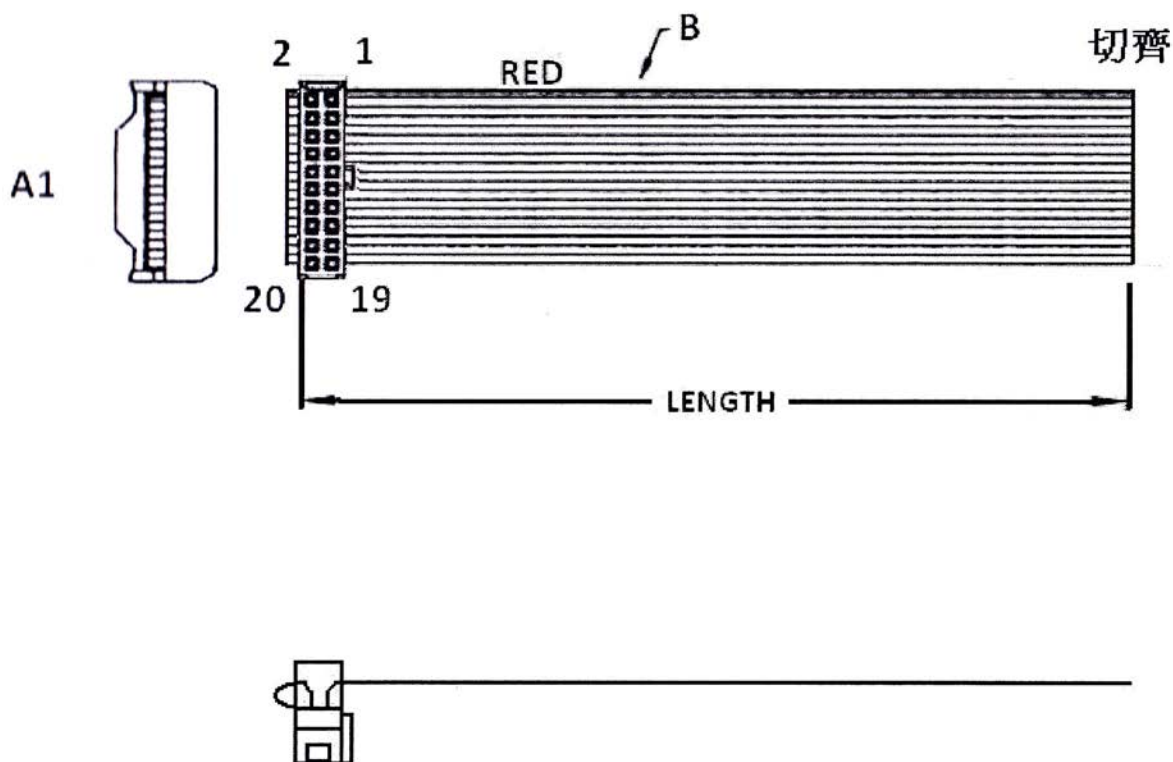


ORDERING INFORMATION:

P/N $\frac{KB}{1}$ $\frac{xx}{2}$ $\frac{LO}{3}$ - $\frac{xx}{4}$ **CM** $\frac{B}{5}$

1. FLAT CABLE TYPE:
"KB" 1.00MM AWG28 UL2651 VW-1
PVC INSULATION GRAY
2. NO. OF CONTACTS:
06~68
3. CONNECTORS AT TWO ENDS:
"LO" 2.00MM IDC SOCKET W/O S.R. WITH NOSE
TO OPEN END
4. LENGTH IN CM (CENTIMETERS)
5. COLOR OF IDC CONNECTOR:
"B" BLACK

**1.00MM PITCH FLAT CABLE WITH
2.00MM PITCH IDC SOCKET WITH STRAIN RELIEF (H=13.0MM) TO OPEN END (1)**

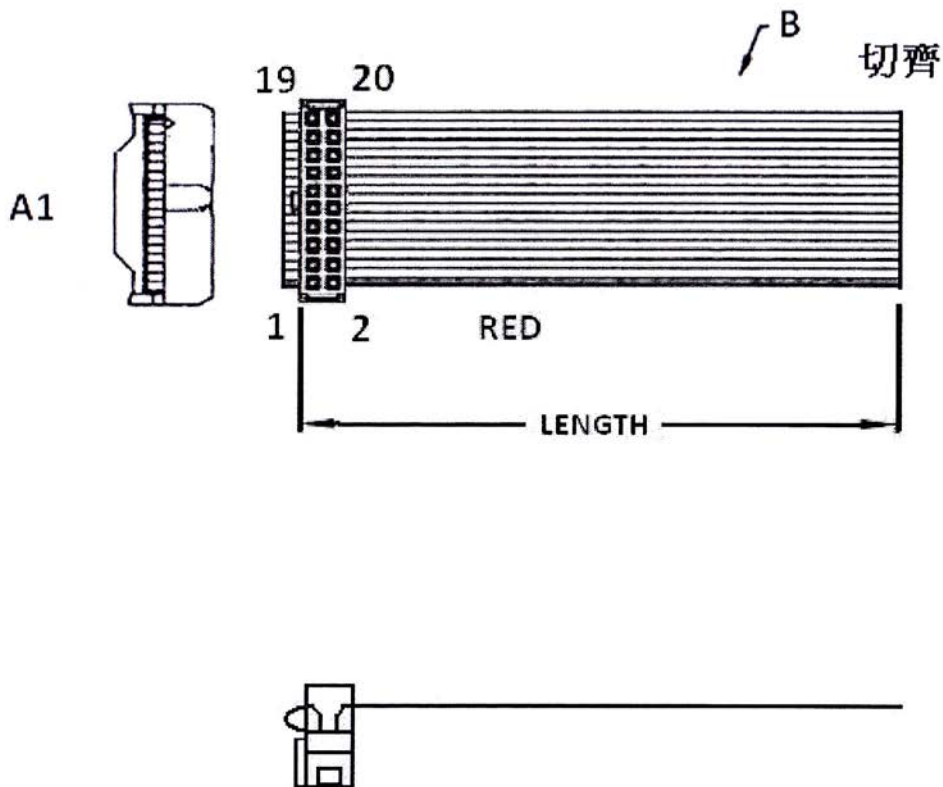


ORDERING INFORMATION:

P/N $\frac{KB}{1}$ $\frac{xx}{2}$ $\frac{MO}{3}$ - $\frac{xx}{4}$ **CM** $\frac{B}{5}$

1. FLAT CABLE TYPE:
"KB" 1.00MM AWG28 UL2651 VW-1
PVC INSULATION GRAY
2. NO. OF CONTACTS:
06-68
3. CONNECTORS AT TWO ENDS:
"MO" 2.00MM IDC SOCKET WITH S.R. WITH NOSE
TO OPEN END
4. LENGTH IN CM (CENTIMETERS)
5. COLOR OF IDC CONNECTOR:
"B" BLACK

**1.00MM PITCH FLAT CABLE WITH
2.00MM PITCH IDC SOCKET WITH STRAIN RELIEF (H=13.0MM) TO OPEN END (2)**

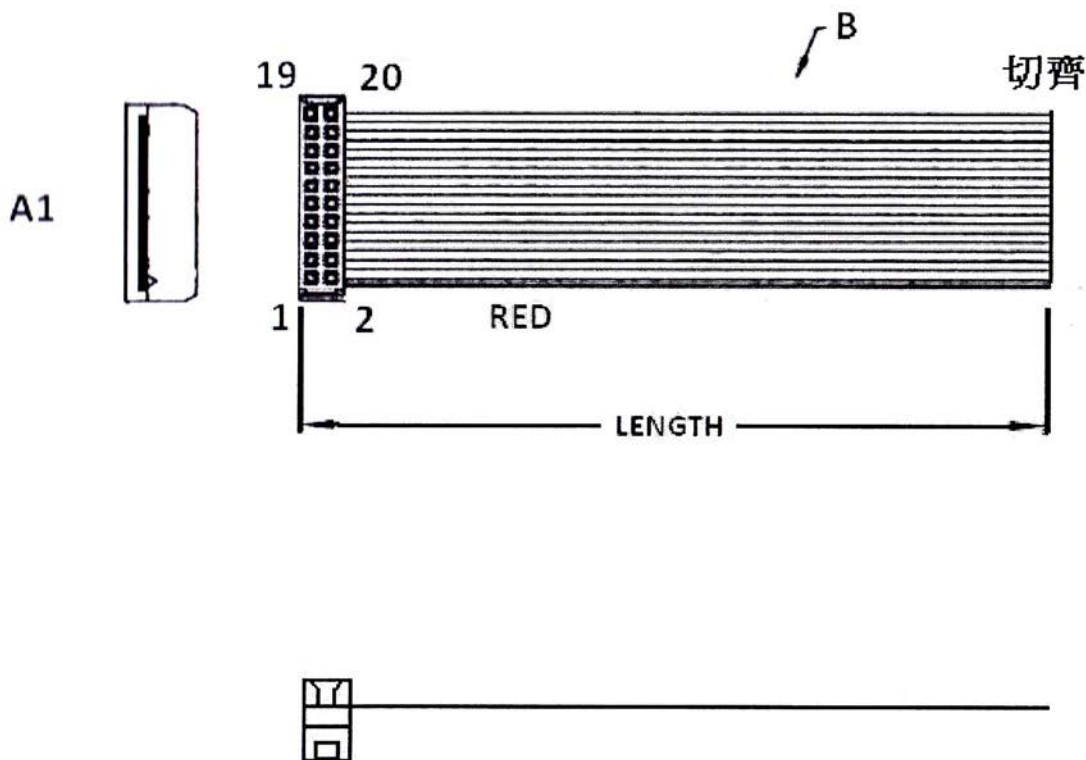


ORDERING INFORMATION:

P/N $\frac{KB}{1}$ $\frac{xx}{2}$ $\frac{NO}{3}$ - $\frac{xx}{4}$ **CM** $\frac{B}{5}$

1. FLAT CABLE TYPE:
"KB" 1.00MM AWG28 UL2651 VW-1
PVC INSULATION GRAY
2. NO. OF CONTACTS:
06~68
3. CONNECTORS AT TWO ENDS:
"NO" 2.00MM IDC SOCKET WITH S.R. WITH NOSE
TO OPEN END
4. LENGTH IN CM (CENTIMETERS)
5. COLOR OF IDC CONNECTOR:
"B" BLACK

**1.00MM PITCH FLAT CABLE WITH
2.00MM PITCH IDC SOCKET WITHOUT NOSE (H=9.0MM) TO OPEN END (1)**

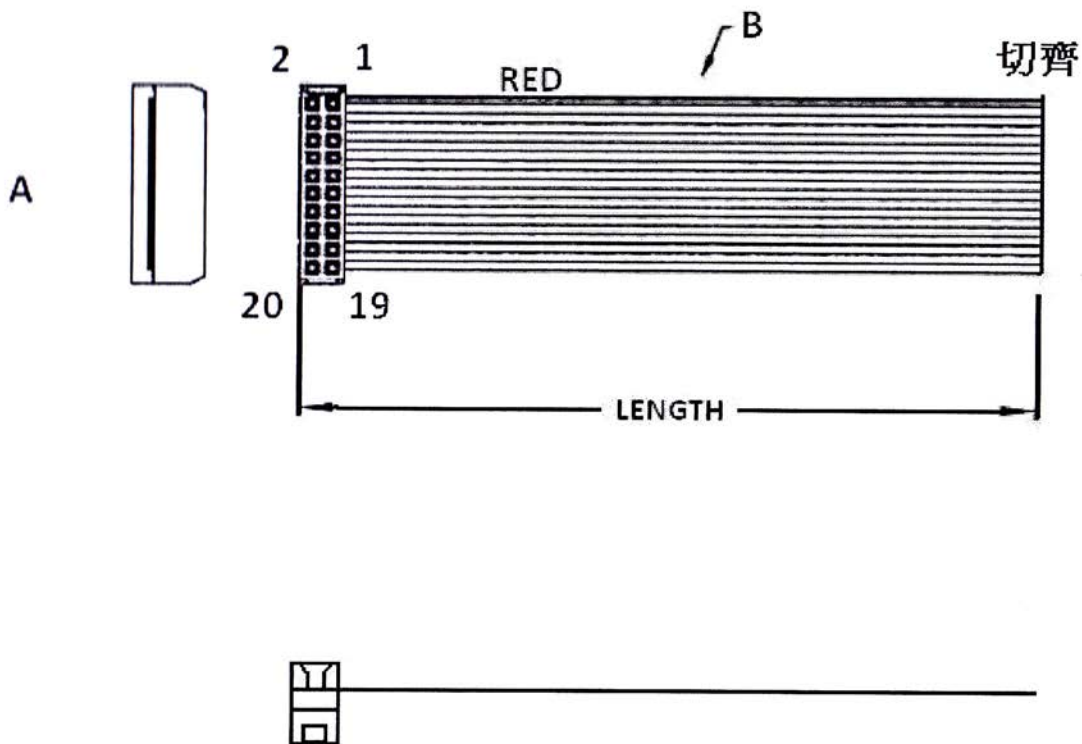


ORDERING INFORMATION:

P/N $\frac{KB}{1} \frac{xx}{2} \frac{AO}{3} - \frac{xx}{4} \frac{CM}{5} \frac{B}{5}$

1. FLAT CABLE TYPE:
"KB" 1.00MM AWG28 UL2651 VW-1
PVC INSULATION GRAY
2. NO. OF CONTACTS:
06~68
3. CONNECTORS AT TWO ENDS:
"AO" 2.00MM IDC SOCKET W/O S.R. W/O NOSE
TO OPEN END
4. LENGTH IN CM (CENTIMETERS)
5. COLOR OF IDC CONNECTOR:
"B" BLACK

**1.00MM PITCH FLAT CABLE WITH
2.00MM PITCH IDC SOCKET WITHOUT NOSE (H=9.0MM) TO OPEN END (2)**

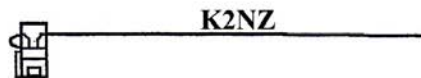
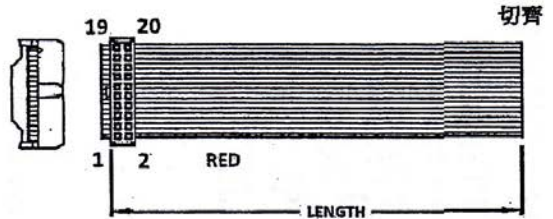
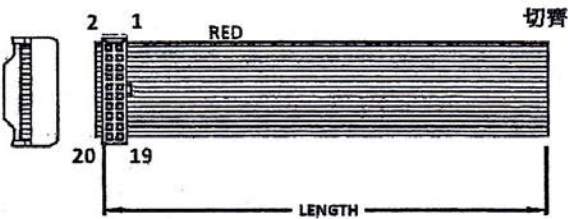
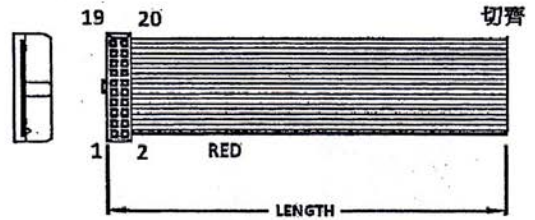
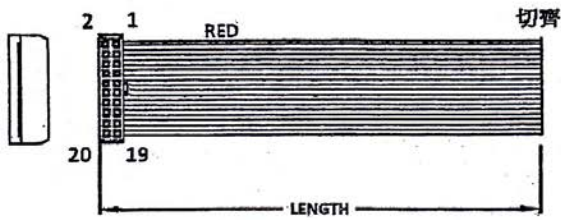


ORDERING INFORMATION:

P/N $\frac{KB}{1} \frac{xx}{2} \frac{VO}{3} - \frac{xx}{4} \frac{CM}{5} \frac{B}{5}$

1. FLAT CABLE TYPE:
"KB" 1.00MM AWG28 UL2651 VW-1
PVC INSULATION GRAY
2. NO. OF CONTACTS:
06~68
3. CONNECTORS AT TWO ENDS:
"VO" 2.00MM IDC SOCKET W/O S.R. W/O NOSE
TO OPEN END
4. LENGTH IN CM (CENTIMETERS)
5. COLOR OF IDC CONNECTOR:
"B" BLACK

1.00MM PITCH FLAT CABLE WITH 2.00MM IDC SOCKET WITH INTENSIVE CONTACTS (H=5.1MM & 7.8MM) TO OPEN END



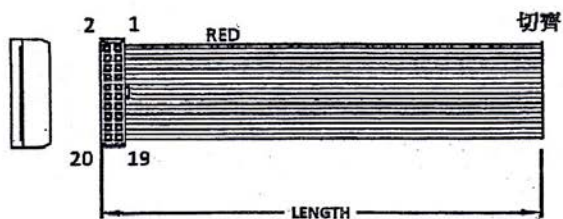
ORDERING INFORMATION:

P/N K 1 2 3 4

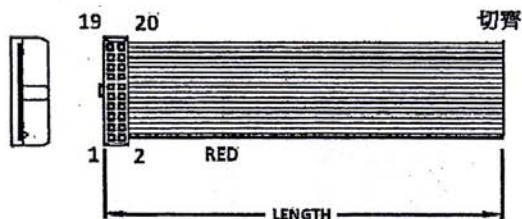
1. CONSTRUCTION TYPE:
IDC SOCKET W/O S.R. : 2NW, 2NX (H=5.1MM)
IDC SOCKET WITH S.R. : 2NY, 2NZ (H=7.8MM)
2. NO. OF CONTACTS:
006~050
3. LENGTH IN CM (CENTIMETERS)
4. COLOR OF IDC CONNECTOR:
"B" BLACK

NOTE: IDC SOCKET CAN'T BE SUPPLIED ALONE.

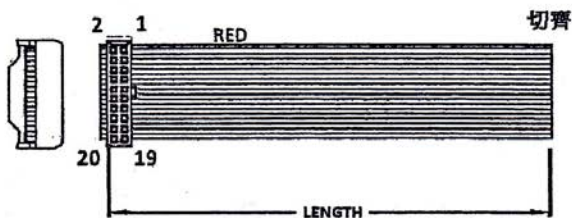
1.00MM PITCH FLAT CABLE WITH 2.00MM IDC SOCKET WITH HOOKY TERMINATIONS (H=8.5MM & 11.4MM) TO OPEN END



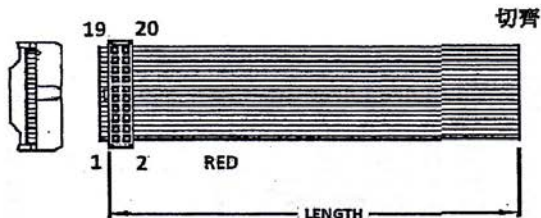
K2PN



K2PP



K2PQ



K2PR

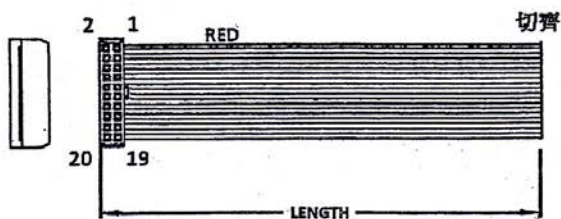
ORDERING INFORMATION:

P/N K $\frac{x}{1} \frac{x}{2} \frac{x}{3} \frac{x}{4}$ C M B

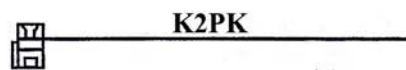
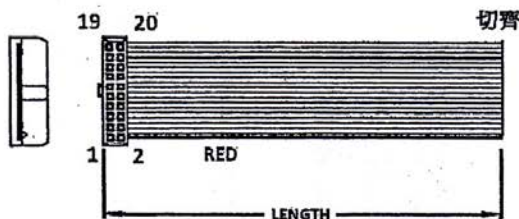
1. CONSTRUCTION TYPE:
IDC SOCKET W/O S.R. : 2PN, 2PP (H=8.5MM)
IDC SOCKET WITH S.R. : 2PQ, 2PR (H=11.4MM)
2. NO. OF CONTACTS:
006~068
3. LENGTH IN CM (CENTIMETERS)
4. COLOR OF IDC CONNECTOR:
"B" BLACK

NOTE: IDC SOCKET CAN'T BE SUPPLIED ALONE.

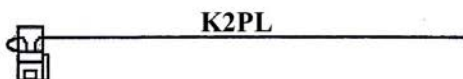
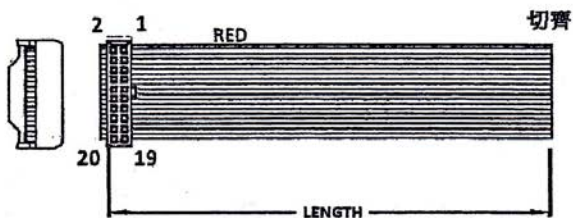
1.00MM PITCH FLAT CABLE WITH 2.00MM SHRUNK IDC SOCKET (H=8.5MM & 12.6MM) TO OPEN END



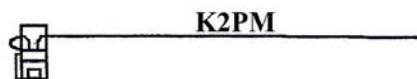
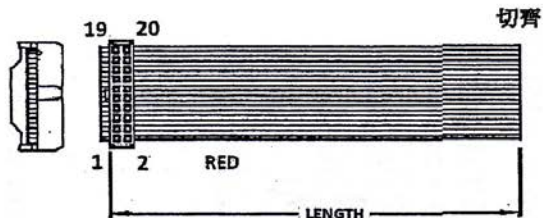
K2PJ



K2PK



K2PL



K2PM

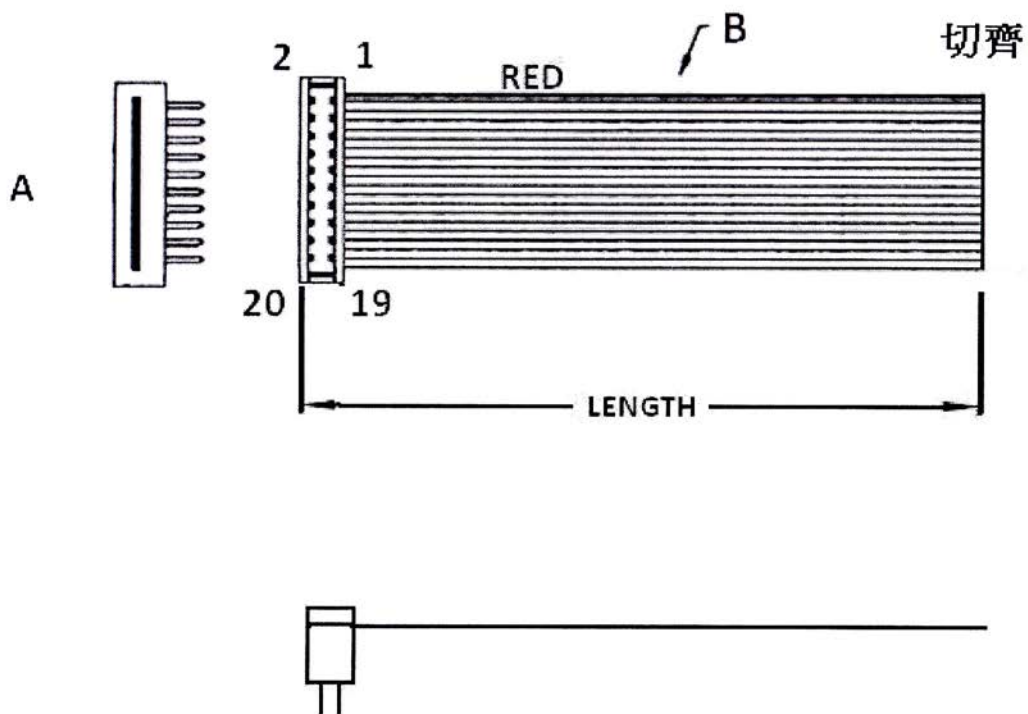
ORDERING INFORMATION:

P/N K $\frac{x}{1} \frac{x}{2} \frac{x}{3} \frac{x}{4} - \frac{x}{3} \frac{x}{4} C M B$

1. CONSTRUCTION TYPE:
IDC SOCKET W/O S.R. : 2PJ, 2PK (H=8.5MM)
IDC SOCKET WITH S.R. : 2PL, 2PM (H=12.6MM)
2. NO. OF CONTACTS:
008~050
3. LENGTH IN CM (CENTIMETERS)
4. COLOR OF IDC CONNECTOR:
"B" BLACK

NOTE: IDC SOCKET CAN'T BE SUPPLIED ALONE.

**1.00MM PITCH FLAT CABLE WITH
2.00MM PITCH DIP PLUG (H=5.2MM) TO OPEN END (1)**

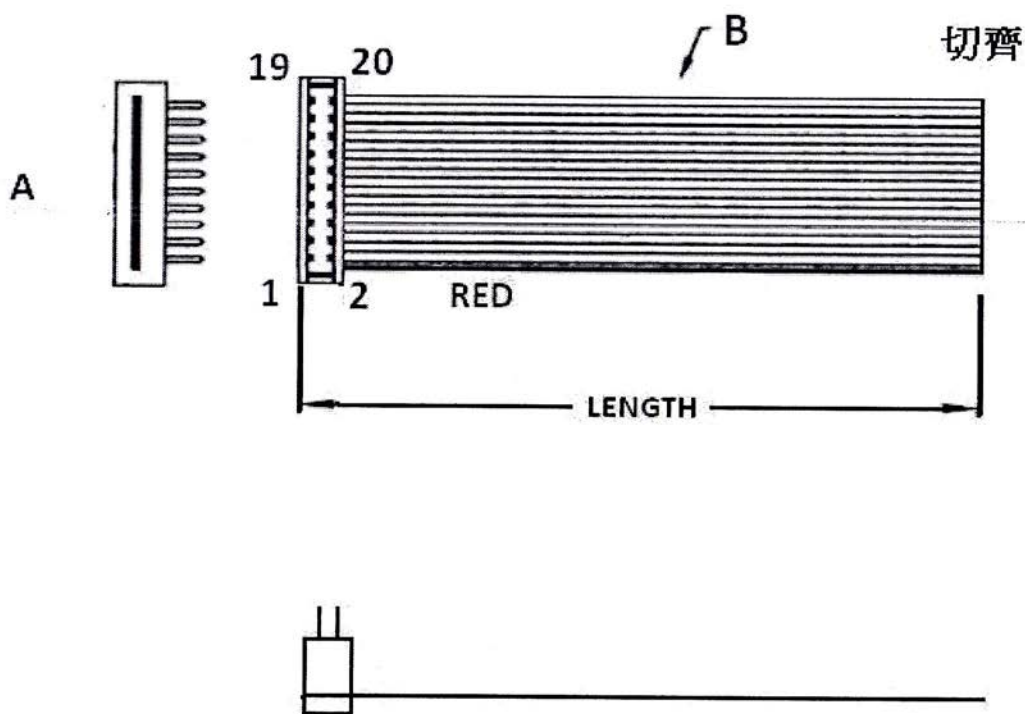


ORDERING INFORMATION:

P/N $\frac{KB}{1}$ $\frac{xx}{2}$ $\frac{DO}{3}$ - $\frac{xx}{4}$ **CM** $\frac{B}{5}$

1. FLAT CABLE TYPE:
"KB" 1.00MM AWG28 UL2651 VW-1
PVC INSULATION GRAY
2. NO. OF CONTACTS:
06~68
3. CONNECTORS AT TWO ENDS:
"DO" 2.00MM DIP PLUG
TO OPEN END
4. LENGTH IN CM (CENTIMETERS)
5. COLOR OF IDC CONNECTOR:
"B" BLACK

**1.00MM PITCH FLAT CABLE WITH
2.00MM PITCH DIP PLUG (H=5.2MM) TO OPEN END (2)**

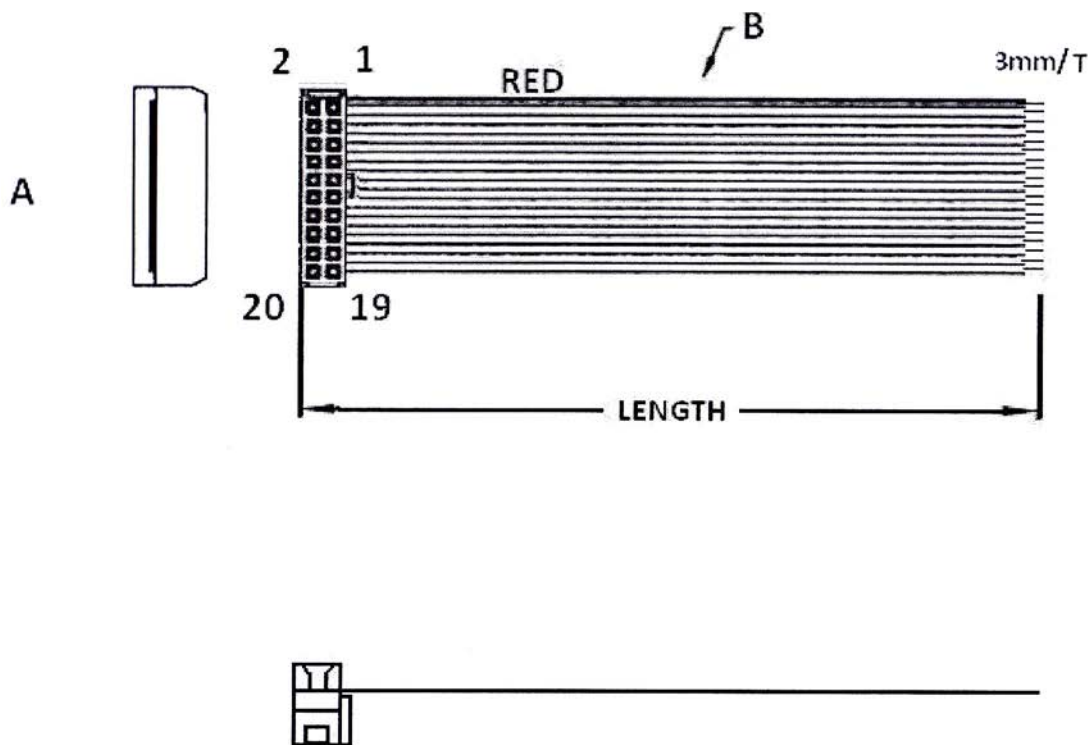


ORDERING INFORMATION:

P/N $\frac{KB}{1}$ $\frac{xx}{2}$ $\frac{PO}{3}$ - $\frac{xx}{4}$ **CM** $\frac{B}{5}$

1. FLAT CABLE TYPE:
"KB" 1.00MM AWG28 UL2651 VW-1
PVC INSULATION GRAY
2. NO. OF CONTACTS:
06~68
3. CONNECTORS AT TWO ENDS:
"PO" 2.00MM DIP PLUG
TO OPEN END
4. LENGTH IN CM (CENTIMETERS)
5. COLOR OF IDC CONNECTOR:
"B" BLACK

**1.00MM PITCH FLAT CABLE WITH
2.00MM PITCH IDC SOCKET WITHOUT STRAIN RELIEF (H=9.0MM) TO TINNED END (1)**

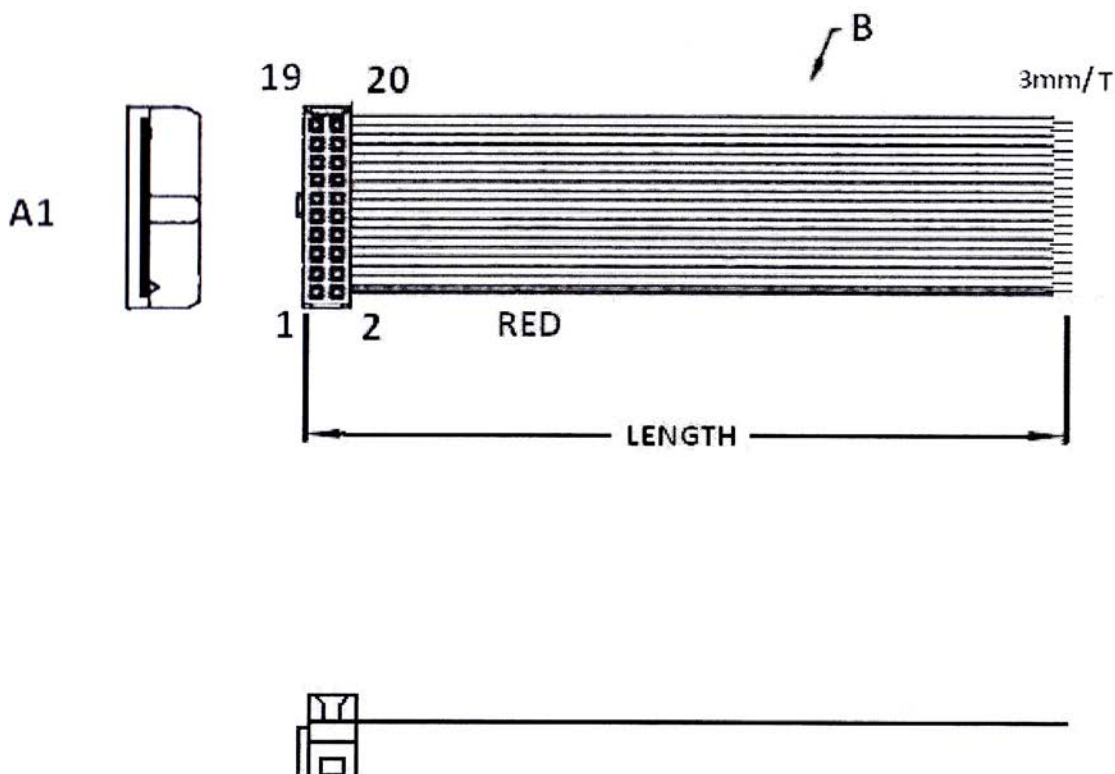


ORDERING INFORMATION:

P/N $\frac{KB}{1} \frac{xx}{2} \frac{KT}{3} - \frac{xx}{4} \frac{CM}{5} \frac{B}{5}$

1. FLAT CABLE TYPE:
"KB" 1.00MM AWG28 UL2651 VW-1
PVC INSULATION GRAY
2. NO. OF CONTACTS:
06~68
3. CONNECTORS AT TWO ENDS:
"KT" 2.00MM IDC SOCKET W/O S.R. & WITH NOSE
TO 3MM TIN PLATED END
4. LENGTH IN CM (CENTIMETERS)
5. COLOR OF IDC CONNECTOR:
"B" BLACK

**1.00MM PITCH FLAT CABLE WITH
2.00MM PITCH IDC SOCKET WITHOUT STRAIN RELIEF (H=9.0MM) TO TINNED END (2)**

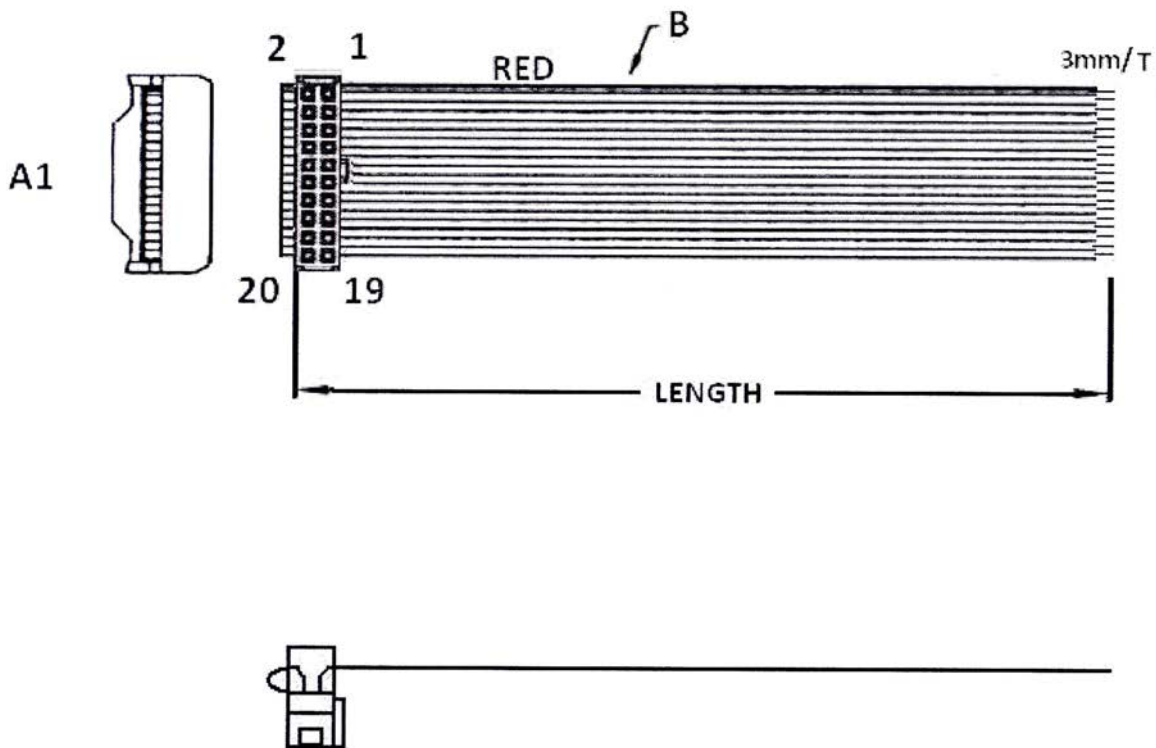


ORDERING INFORMATION:

P/N $\frac{KB}{1}$ $\frac{xx}{2}$ $\frac{LT}{3}$ - $\frac{xx}{4}$ **CM** $\frac{B}{5}$

1. FLAT CABLE TYPE:
"KB" 1.00MM AWG28 UL2651 VW-1
PVC INSULATION GRAY
2. NO. OF CONTACTS:
06~68
3. CONNECTORS AT TWO ENDS:
"LT" 2.00MM IDC SOCKET W/O S.R. & WITH NOSE
TO 3MM TIN PLATED END
4. LENGTH IN CM (CENTIMETERS)
5. COLOR OF IDC CONNECTOR:
"B" BLACK

**1.00MM PITCH FLAT CABLE WITH
2.00MM PITCH IDC SOCKET WITH STRAIN RELIEF (H=13.0MM) TO TINNED END (1)**

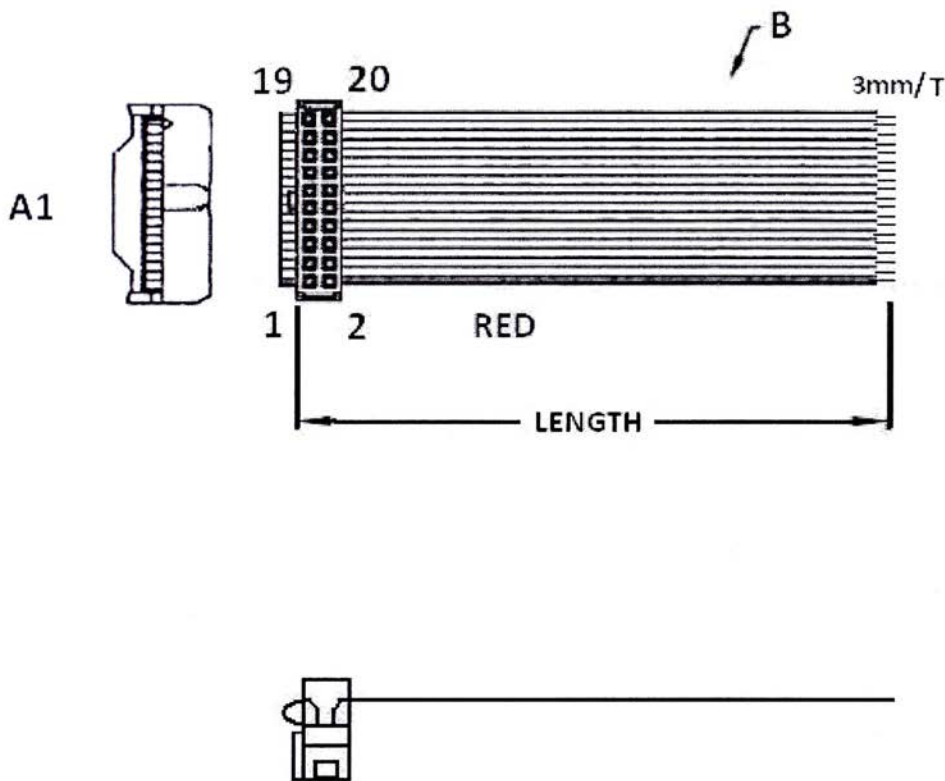


ORDERING INFORMATION:

P/N $\frac{KB}{1} \frac{XX}{2} \frac{MT}{3} - \frac{XX}{4} \frac{CMB}{5}$

1. FLAT CABLE TYPE:
"KB" 1.00MM AWG28 UL2651 VW-1
PVC INSULATION GRAY
2. NO. OF CONTACTS:
06-68
3. CONNECTORS AT TWO ENDS:
"MT" 2.00MM IDC SOCKET WITH S.R. & NOSE
TO 3MM TIN PLATED END
4. LENGTH IN CM (CENTIMETERS)
5. COLOR OF IDC CONNECTOR:
"B" BLACK

**1.00MM PITCH FLAT CABLE WITH
2.00MM PITCH IDC SOCKET WITH STRAIN RELIEF (H=13.0MM) TO TINNED END (2)**

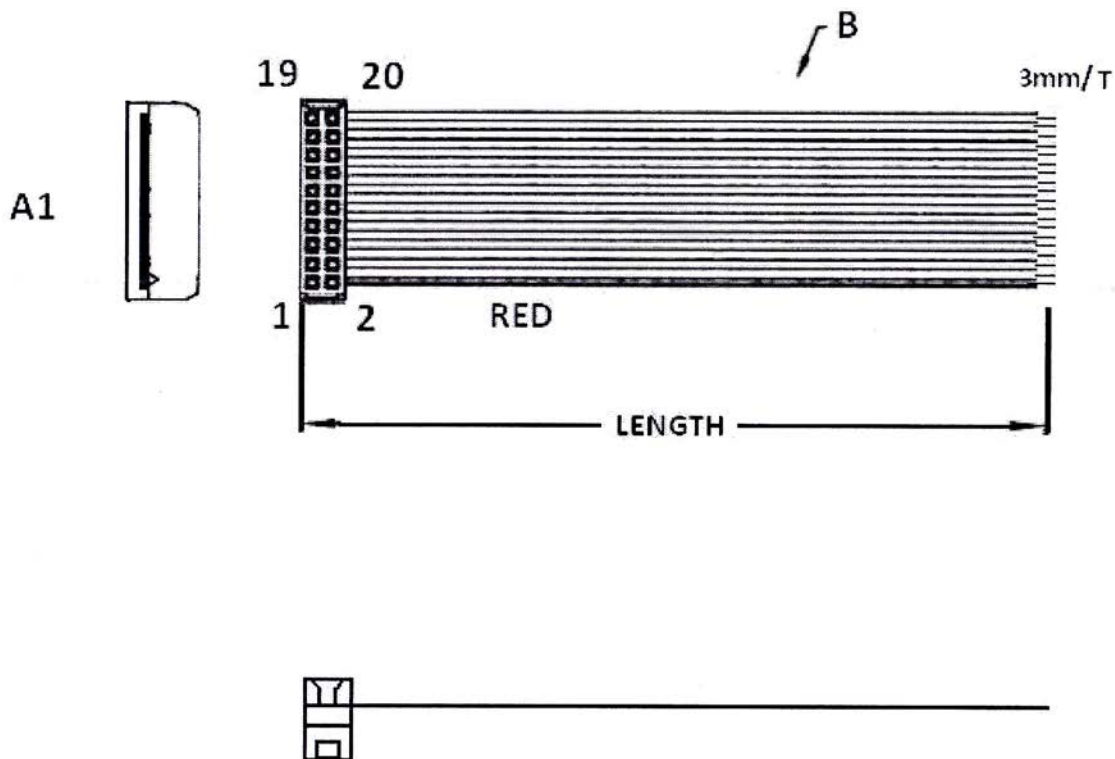


ORDERING INFORMATION:

P/N $\frac{\text{KB}}{1}$ $\frac{\text{XX}}{2}$ $\frac{\text{NT}}{3}$ - $\frac{\text{XX}}{4}$ **CM** $\frac{\text{B}}{5}$

1. FLAT CABLE TYPE:
"KB" 1.00MM AWG28 UL2651 VW-1
PVC INSULATION GRAY
2. NO. OF CONTACTS:
06-68
3. CONNECTORS AT TWO ENDS:
"NT" 2.00MM IDC SOCKET WITH S.R. & NOSE
TO 3MM TIN PLATED END
4. LENGTH IN CM (CENTIMETERS)
5. COLOR OF IDC CONNECTOR:
"B" BLACK

**1.00MM PITCH FLAT CABLE WITH
2.00MM PITCH IDC SOCKET WITHOUT NOSE (H=9.0MM) TO TINNED END (1)**

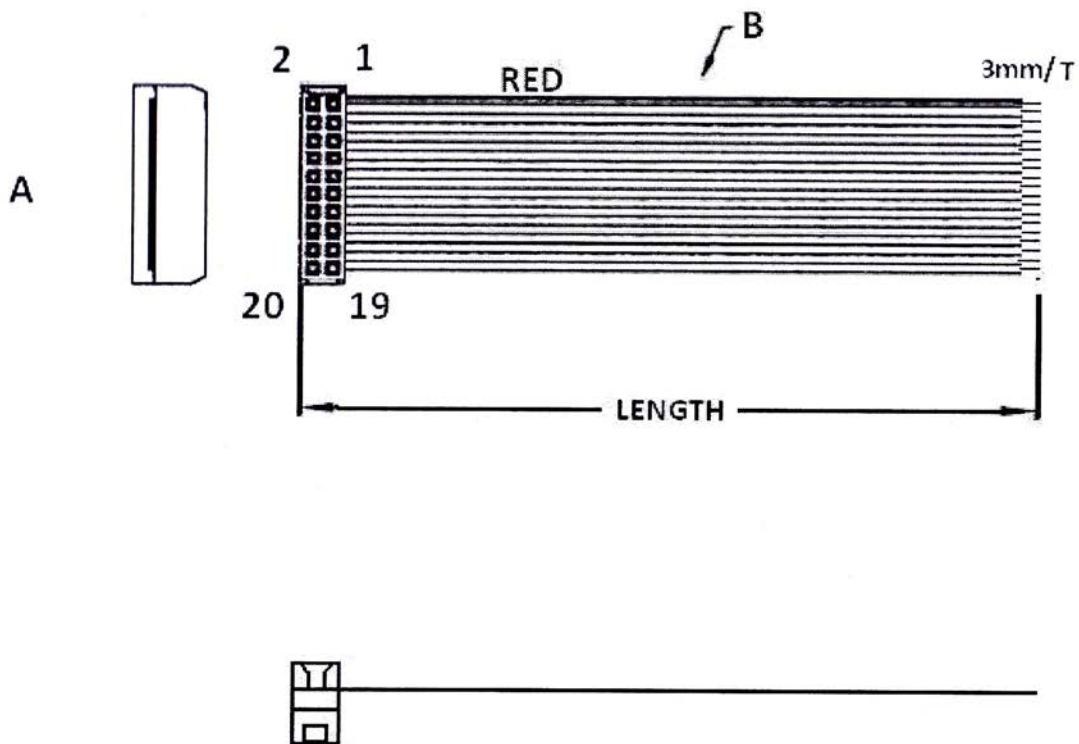


ORDERING INFORMATION:

P/N $\frac{\text{KB}}{1}$ $\frac{\text{xx}}{2}$ $\frac{\text{AT}}{3}$ - $\frac{\text{xx}}{4}$ **CM** $\frac{\text{B}}{5}$

1. FLAT CABLE TYPE:
"KB" 1.00MM AWG28 UL2651 VW-1
PVC INSULATION GRAY
2. NO. OF CONTACTS:
06-68
3. CONNECTORS AT TWO ENDS:
"AT" 2.00MM IDC SOCKET W/O NOSE W/O S.R.
TO 3MM TIN PLATED END
4. LENGTH IN CM (CENTIMETERS)
5. COLOR OF IDC CONNECTOR:
"B" BLACK

**1.00MM PITCH FLAT CABLE WITH
2.00MM PITCH IDC SOCKET WITHOUT NOSE (H=9.0MM) TO TINNED END (2)**

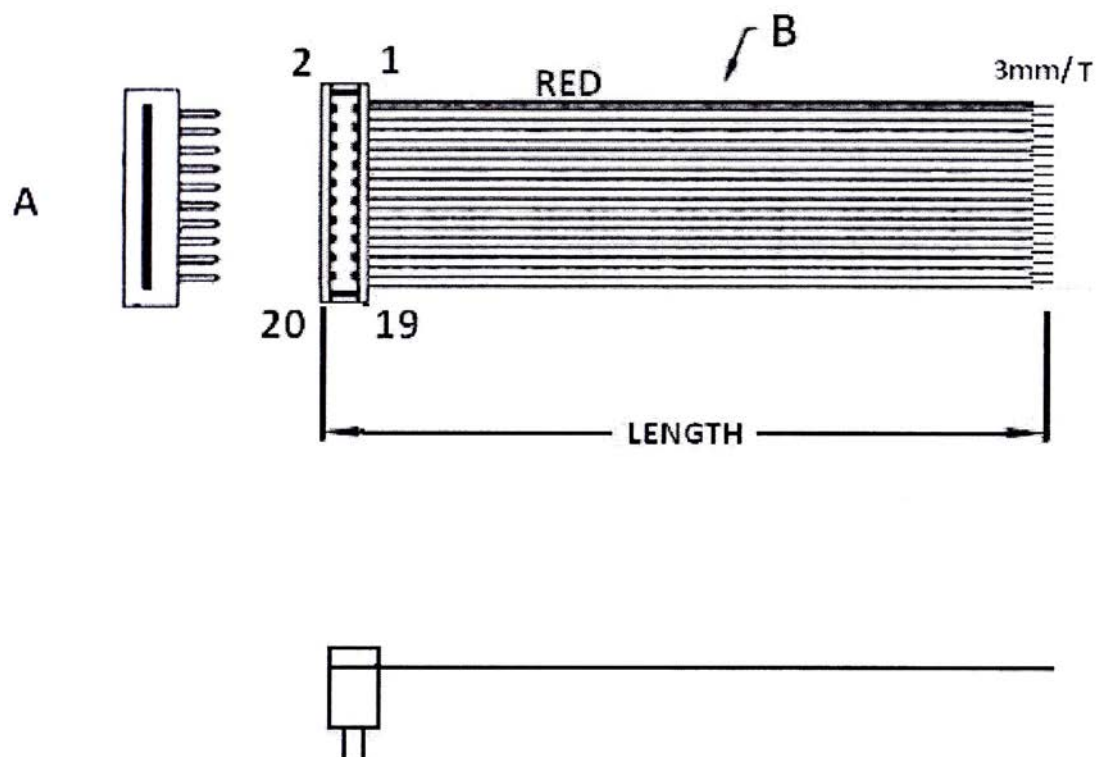


ORDERING INFORMATION:

P/N $\frac{\text{KB}}{1}$ $\frac{\text{XX}}{2}$ $\frac{\text{VT}}{3}$ - $\frac{\text{XX}}{4}$ **CM** $\frac{\text{B}}{5}$

1. FLAT CABLE TYPE:
"KB" 1.00MM AWG28 UL2651 VW-1
PVC INSULATION GRAY
2. NO. OF CONTACTS:
06-68
3. CONNECTORS AT TWO ENDS:
"VT" 2.00MM IDC SOCKET W/O NOSE W/O S.R.
TO 3MM TIN PLATED END
4. LENGTH IN CM (CENTIMETERS)
5. COLOR OF IDC CONNECTOR:
"B" BLACK

**1.00MM PITCH FLAT CABLE WITH
2.00MM PITCH DIP PLUG (H=5.2MM) TO TINNED END (1)**

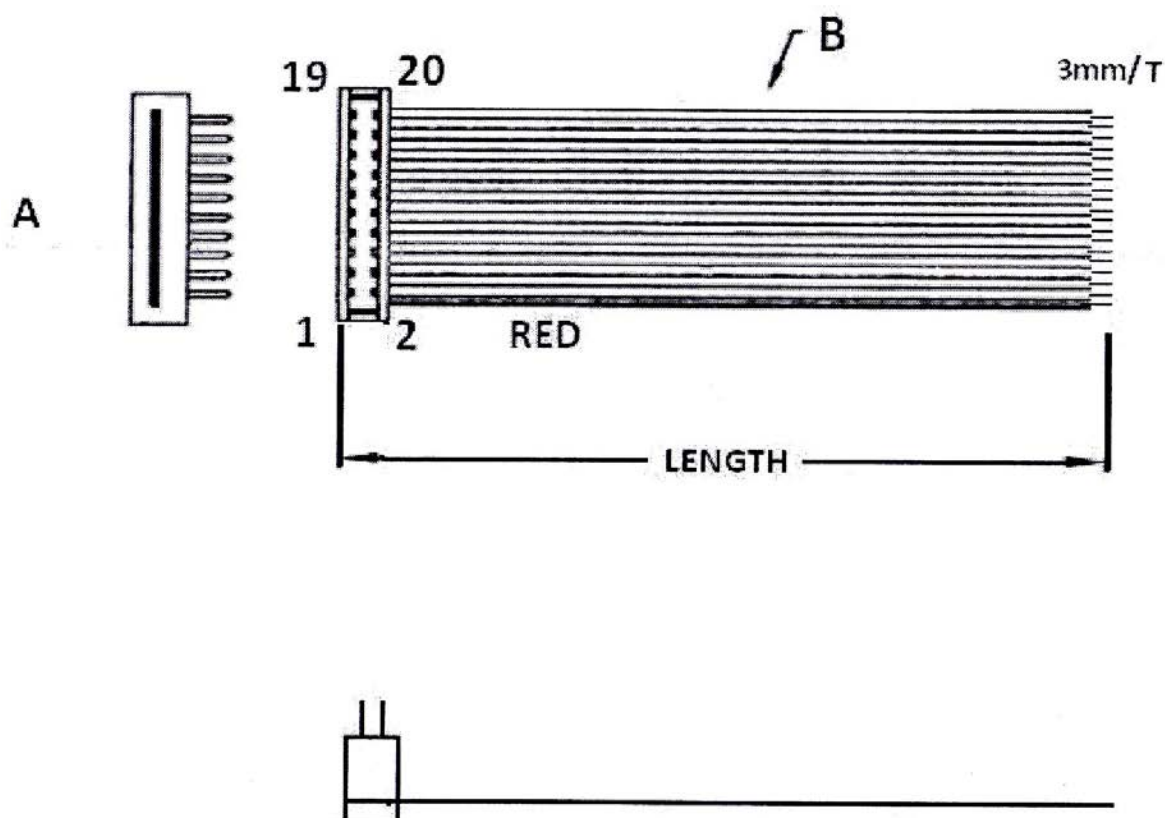


ORDERING INFORMATION:

P/N $\frac{\text{KB}}{1}$ $\frac{\text{XX}}{2}$ $\frac{\text{DT}}{3}$ - $\frac{\text{XX}}{4}$ **CM** $\frac{\text{B}}{5}$

1. FLAT CABLE TYPE:
"KB" 1.00MM AWG28 UL2651 VW-1
PVC INSULATION GRAY
2. NO. OF CONTACTS:
06-68
3. CONNECTORS AT TWO ENDS:
"DT" 2.00MM DIP PLUG
TO 3MM TIN PLATED END
4. LENGTH IN CM (CENTIMETERS)
5. COLOR OF IDC CONNECTOR:
"B" BLACK

**1.00MM PITCH FLAT CABLE WITH
2.00MM PITCH DIP PLUG (H=5.2MM) TO TINNED END (2)**

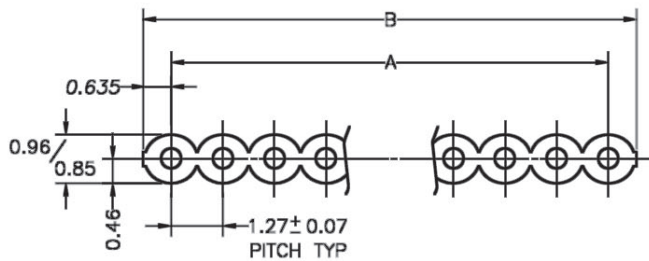


ORDERING INFORMATION:

P/N $\frac{KB}{1}$ $\frac{XX}{2}$ $\frac{PT}{3}$ - $\frac{XX}{4}$ **CM** $\frac{B}{5}$

1. FLAT CABLE TYPE:
"KB" 1.00MM AWG28 UL2651 VW-1
PVC INSULATION GRAY
2. NO. OF CONTACTS:
06-68
3. CONNECTORS AT TWO ENDS:
"PT" 2.00MM DIP PLUG
TO 3MM TIN PLATED END
4. LENGTH IN CM (CENTIMETERS)
5. COLOR OF IDC CONNECTOR:
"B" BLACK

1.27MM PITCH UL & CSA APPROVED FLAT CABLE

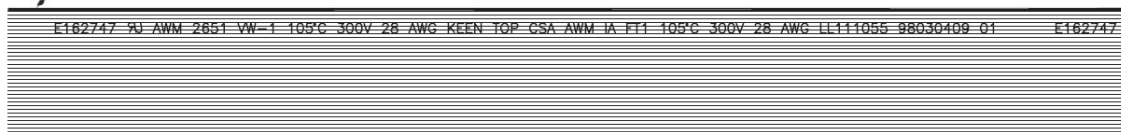


Dimension of each conductor.	0.127±0.005mm
Conductor Elongation.	18 % ↑
Cross Section Area of conductor.	156 cM ↑
Stranded of Lay.	12.7 mm ↓
Average thickness of Insulation.	Min. 0.18mm average 0.23mm
PVC Elongation.	100.0 % ↑
Tensile Strength	1.056 kg/mm ² ↑
Spark test	2.5 KV/0.15SEC ↑

E162747 9J AWM 2651 VW-1 105°C 300V 28 AWG KEEN TOP
 CSA AWM IA FT1 105°C 300V 28 AWG LL111055 98030409 01

YEAR ————
 MONTH ————
 DAY ————
 TIME ————
 MACHINE SERIAL NUMBER ————

RED EDGE POS #1 (EDGE MARK or STRIP)



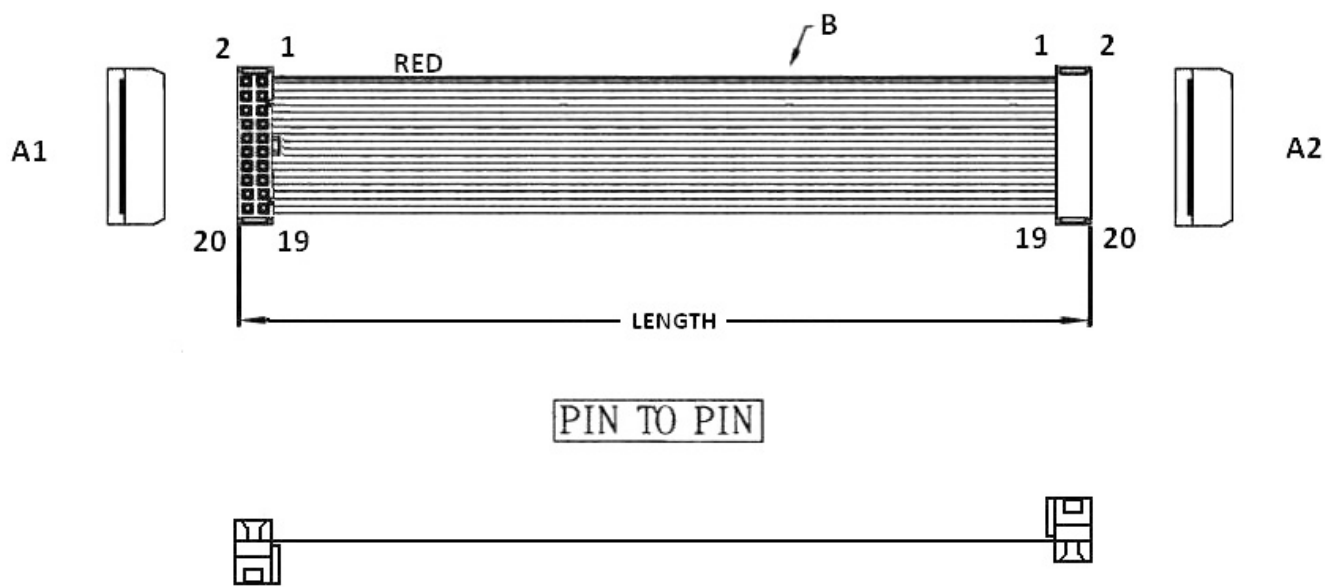
ORDERING INFORMATION:

P/N F K 1 2 7 1 x x - 2 7 6 . 2 M

- NO. OF CONDUCTORS:
06, 07, 08, 09, 10, 12, 14, 15, 16, 20,
25, 26, 30, 34, 36, 40, 50, 60, 64
- LENGTH IN 76.2M/REEL

Code No.	Size of conductor		A±0.07	NO. ConductorX1.27=B±0.1		
	(AWG)	Composition (strands/mm)		Max.	DIMENSION	Min.
06	28	7/0.127	6.35	7.72	7.62	7.32
07	28	7/0.127	7.62	8.99	8.89	8.59
08	28	7/0.127	8.89	10.26	10.16	9.86
09	28	7/0.127	10.16	11.53	11.43	11.13
10	28	7/0.127	11.43	12.80	12.70	12.40
12	28	7/0.127	13.97	15.34	15.24	14.94
14	28	7/0.127	16.51	17.88	17.78	17.48
15	28	7/0.127	17.78	19.15	19.05	18.75
16	28	7/0.127	19.05	20.42	20.32	20.02
20	28	7/0.127	24.13	25.50	25.40	25.10
25	28	7/0.127	30.48	31.85	31.75	31.45
26	28	7/0.127	31.75	33.12	33.02	32.72
30	28	7/0.127	36.83	38.20	38.10	37.80
34	28	7/0.127	41.91	43.28	43.18	42.88
36	28	7/0.127	44.45	45.82	45.72	45.42
40	28	7/0.127	49.53	50.90	50.80	50.50
50	28	7/0.127	62.23	63.60	63.50	63.20
60	28	7/0.127	74.93	76.30	76.20	75.90
64	28	7/0.127	80.01	81.38	81.28	80.98

1.27MM PITCH FLAT CABLE WITH 2* 2.54MM PITCH IDC SOCKETS WITHOUT STRAIN RELIEF (H=11.0MM) (A1)

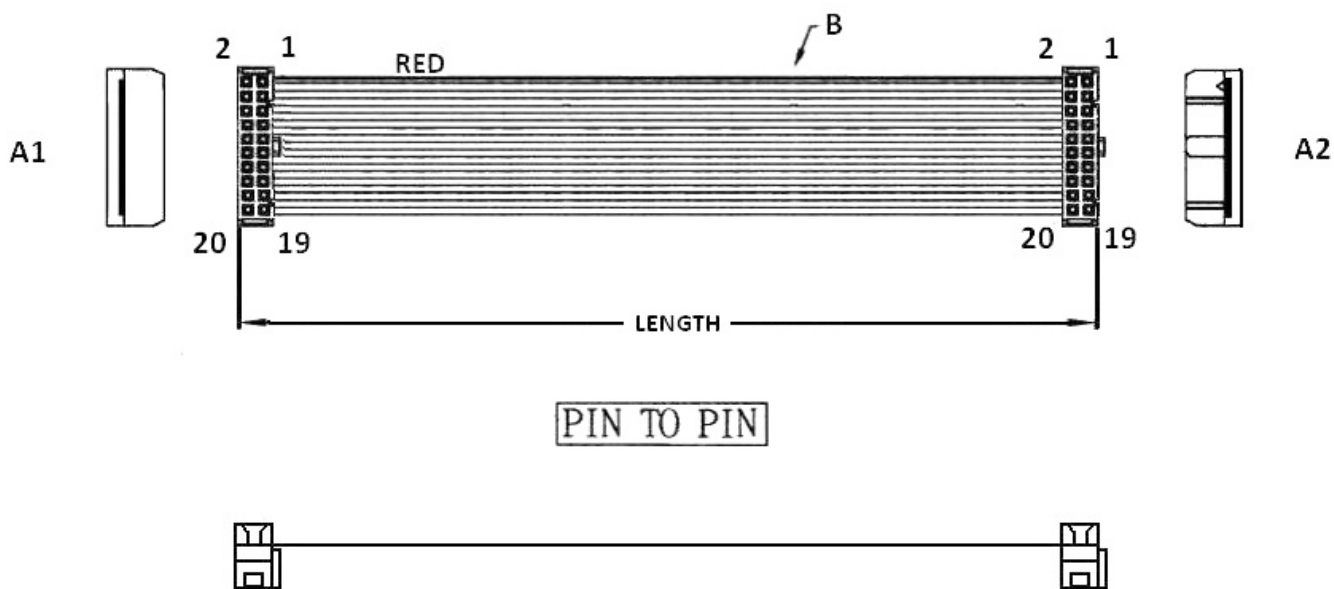


ORDERING INFORMATION:

P/N $\frac{KA}{1} \frac{xx}{2} \frac{KK}{3} - \frac{xx}{4} CM \frac{x}{5}$

1. FLAT CABLE TYPE:
"KA" 1.27MM AWG28 UL2651 VW-1
PVC INSULATION GRAY
2. NO. OF CONTACTS:
06~64
3. CONNECTORS AT TWO ENDS:
"KK" 2.54MM IDC SOCKET WITH NOSE W/O S.R. TO
2.54MM IDC SOCKET WITH NOSE W/O S.R.
4. LENGTH IN CM (CENTIMETERS)
5. COLOR OF TWO IDC CONNECTORS:
"B" BLACK
"A" GRAY

1.27MM PITCH FLAT CABLE WITH 2* 2.54MM PITCH IDC SOCKETS WITHOUT STRAIN RELIEF (H=11.0MM) (A2)

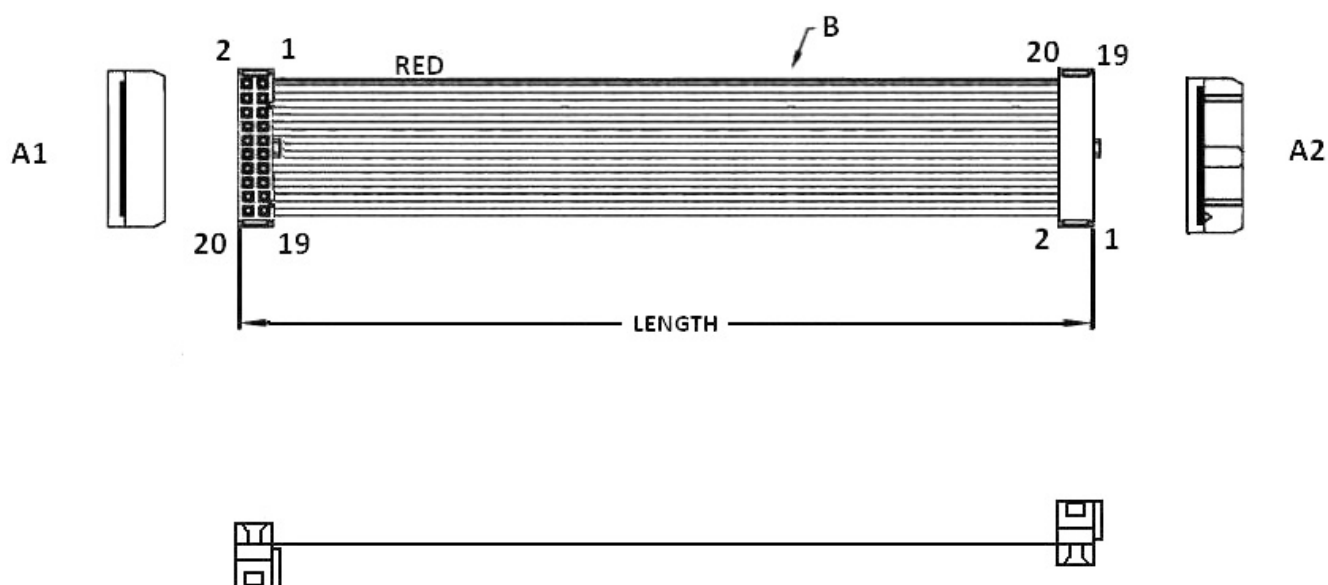


ORDERING INFORMATION:

P/N $\frac{KA}{1} \frac{xx}{2} \frac{KL}{3} - \frac{xx}{4} CM \frac{x}{5}$

1. FLAT CABLE TYPE:
"KA" 1.27MM AWG28 UL2651 VW-1
PVC INSULATION GRAY
2. NO. OF CONTACTS:
06~64
3. CONNECTORS AT TWO ENDS:
"KL" 2.54MM IDC SOCKET WITH NOSE W/O S.R. TO
2.54MM IDC SOCKET WITH NOSE W/O S.R.
4. LENGTH IN CM (CENTIMETERS)
5. COLOR OF TWO IDC CONNECTORS:
"B" BLACK
"A" GRAY

1.27MM PITCH FLAT CABLE WITH 2* 2.54MM PITCH IDC SOCKETS WITHOUT STRAIN RELIEF (H=11.0MM) (A3)

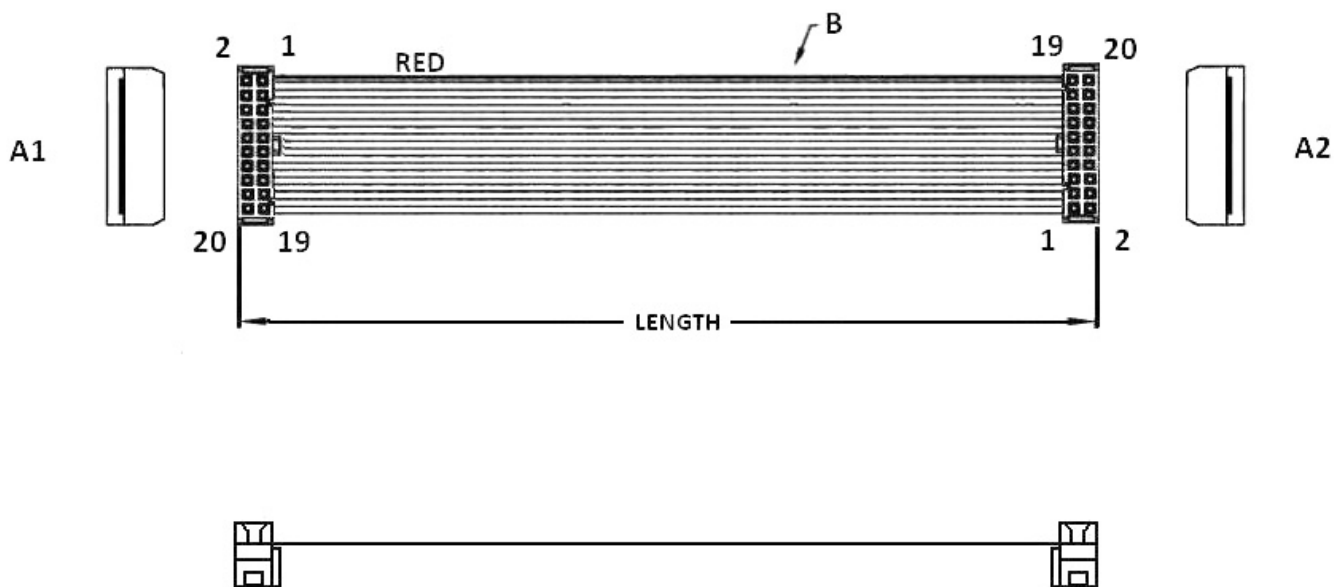


ORDERING INFORMATION:

P/N $\frac{KA}{1} \frac{xx}{2} \frac{KI}{3} - \frac{xx}{4} CM \frac{x}{5}$

1. FLAT CABLE TYPE:
"KA" 1.27MM AWG28 UL2651 VW-1
PVC INSULATION GRAY
2. NO. OF CONTACTS:
06~64
3. CONNECTORS AT TWO ENDS:
"KI" 2.54MM IDC SOCKET WITH NOSE W/O S.R. TO
2.54MM IDC SOCKET WITH NOSE W/O S.R.
4. LENGTH IN CM (CENTIMETERS)
5. COLOR OF TWO IDC CONNECTORS:
"B" BLACK
"A" GRAY

1.27MM PITCH FLAT CABLE WITH 2* 2.54MM PITCH IDC SOCKETS WITHOUT STRAIN RELIEF (H=11.0MM) (A4)

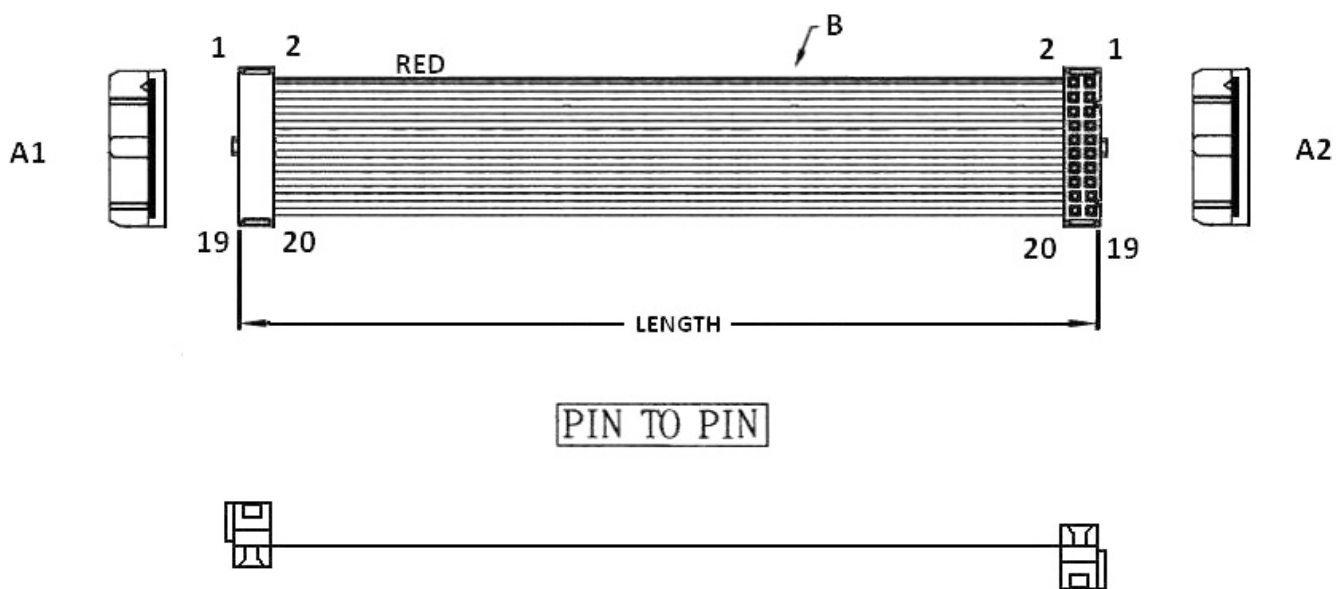


ORDERING INFORMATION:

P/N $\frac{KA}{1} \frac{xx}{2} \frac{K8}{3} - \frac{xx}{4} CM \frac{x}{5}$

1. FLAT CABLE TYPE:
"KA" 1.27MM AWG28 UL2651 VW-1
PVC INSULATION GRAY
2. NO. OF CONTACTS:
06~64
3. CONNECTORS AT TWO ENDS:
"K8" 2.54MM IDC SOCKET WITH NOSE W/O S.R. TO
2.54MM IDC SOCKET WITH NOSE W/O S.R.
4. LENGTH IN CM (CENTIMETERS)
5. COLOR OF TWO IDC CONNECTORS:
"B" BLACK
"A" GRAY

1.27MM PITCH FLAT CABLE WITH 2* 2.54MM PITCH IDC SOCKETS WITHOUT STRAIN RELIEF (H=11.0MM) (A5)

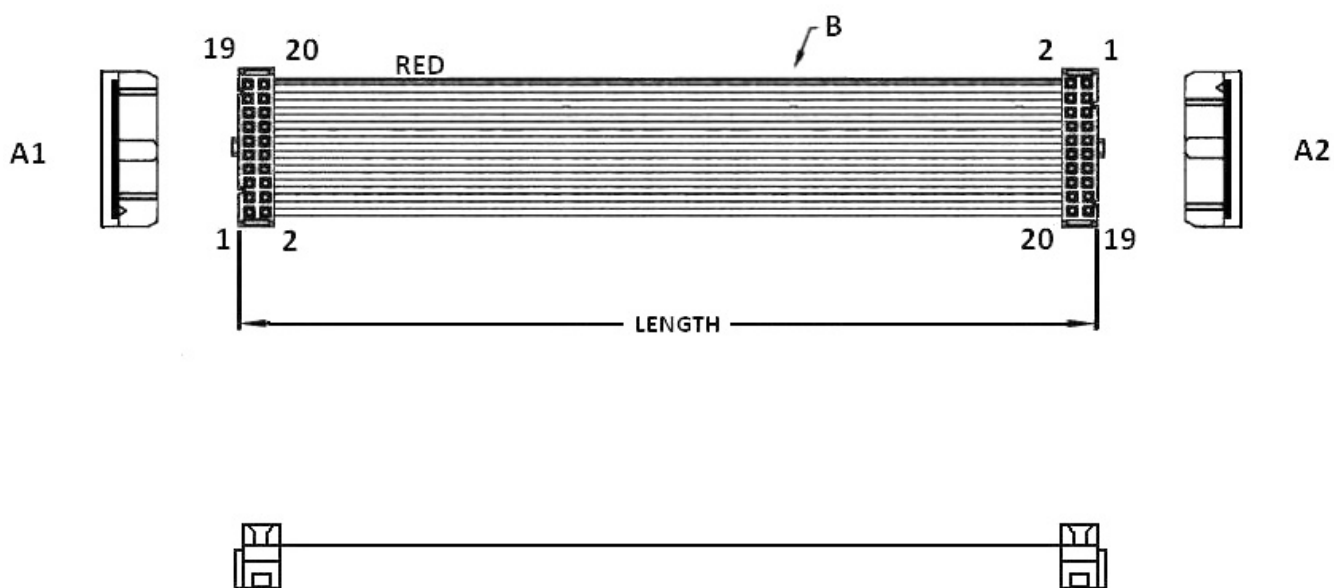


ORDERING INFORMATION:

P/N $\frac{KA}{1} \frac{xx}{2} \frac{LL}{3} - \frac{xx}{4} CM \frac{x}{5}$

1. FLAT CABLE TYPE:
"KA" 1.27MM AWG28 UL2651 VW-1
PVC INSULATION GRAY
2. NO. OF CONTACTS:
06~64
3. CONNECTORS AT TWO ENDS:
"LL" 2.54MM IDC SOCKET WITH NOSE W/O S.R. TO
2.54MM IDC SOCKET WITH NOSE W/O S.R.
4. LENGTH IN CM (CENTIMETERS)
5. COLOR OF TWO IDC CONNECTORS:
"B" BLACK
"A" GRAY

1.27MM PITCH FLAT CABLE WITH 2* 2.54MM PITCH IDC SOCKETS WITHOUT STRAIN RELIEF (H=11.0MM) (A6)

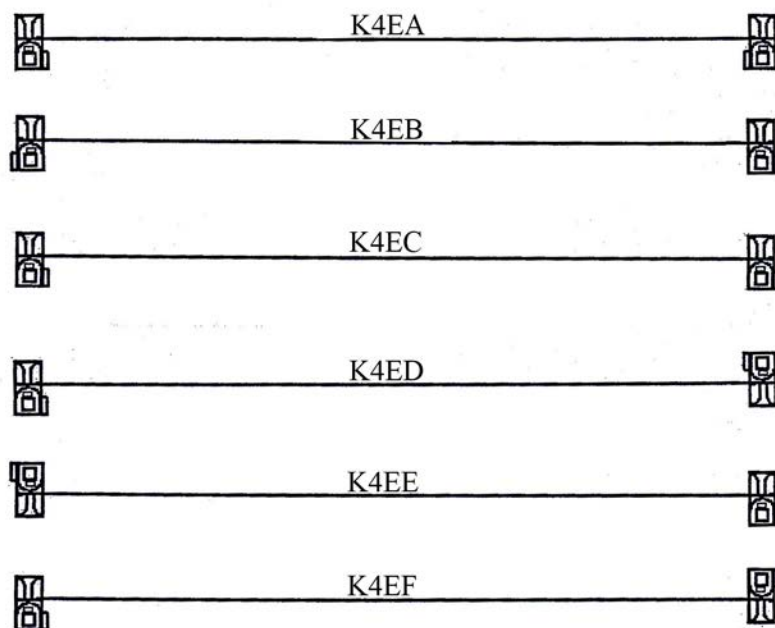


ORDERING INFORMATION:

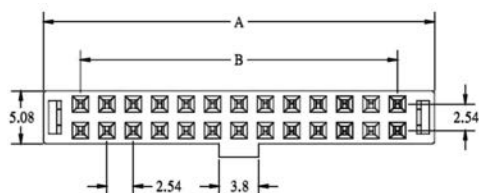
P/N $\frac{KA}{1} \frac{xx}{2} \frac{LI}{3} - \frac{xx}{4} \frac{CM}{5} \frac{x}{5}$

1. FLAT CABLE TYPE:
"KA" 1.27MM AWG28 UL2651 VW-1
PVC INSULATION GRAY
2. NO. OF CONTACTS:
06~64
3. CONNECTORS AT TWO ENDS:
"LI" 2.54MM IDC SOCKET WITH NOSE W/O S.R. TO
2.54MM IDC SOCKET WITH NOSE W/O S.R.
4. LENGTH IN CM (CENTIMETERS)
5. COLOR OF TWO IDC CONNECTORS:
"B" BLACK
"A" GRAY

1.27MM PITCH FLAT CABLE WITH 2* 2.54MM IDC SOCKETS (H=9.5MM) (A7)

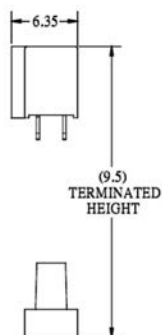
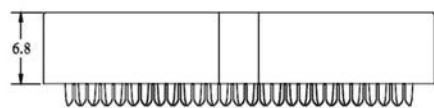


2.54MM PITCH LOW PROFILE IDC SOCKET W/O S.R. H=9.5MM



$$A=B+7.11$$

$$B=2.54*\text{POSITIONS}/2-2.54$$



NO. OF CONTACTS:
006, 008, 010, 012, 014,
016, 020, 024, 026, 030,
034, 040, 050, 060, 064



ORDERING INFORMATION:

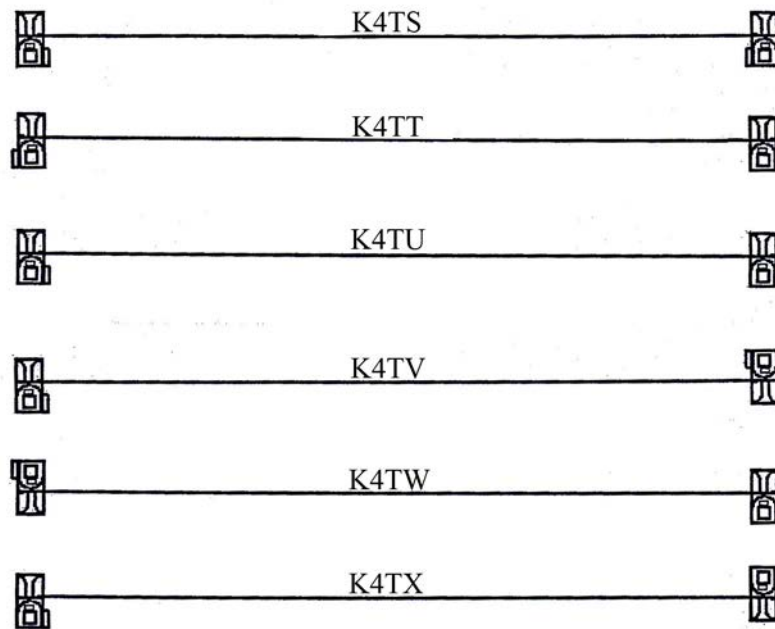
P/N **K** **x x x x x x** - **x x** **C M** **B**

1 2 3 4

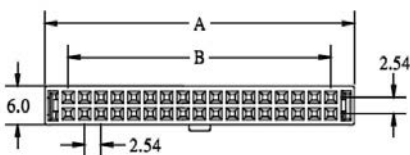
1. CONSTRUCTION TYPE:
4EA, 4EB, 4EC, 4ED, 4EE, 4EF
2. NO. OF CONTACTS:
006~064
3. LENGTH IN CM (CENTIMETERS)
4. COLOR OF TWO IDC CONNECTORS:
"B" BLACK

NOTE: IDC SOCKET CAN'T BE SUPPLIED ALONE.

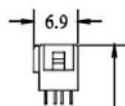
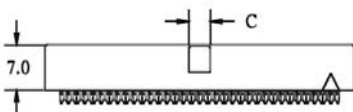
1.27MM PITCH FLAT CABLE WITH 2* 2.54MM IDC SOCKETS (H=10.5MM) (A8)



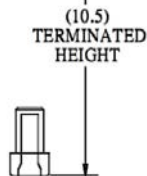
2.54MM PITCH IDC SOCKET W/O S.R. AND WITH DUAL U-SLOT & DUAL CONTACT



$A=B+7.24$
 $B=2.54*POSITIONS/2-2.54$
 $C=1.85$ FOR 6 & 8 POSITIONS
 $C=3.50$ FOR 10-64 POSITIONS



NO. OF CONTACTS:
 006, 008, 010, 012, 014,
 016, 020, 024, 026, 030,
 034, 040, 050, 060, 064



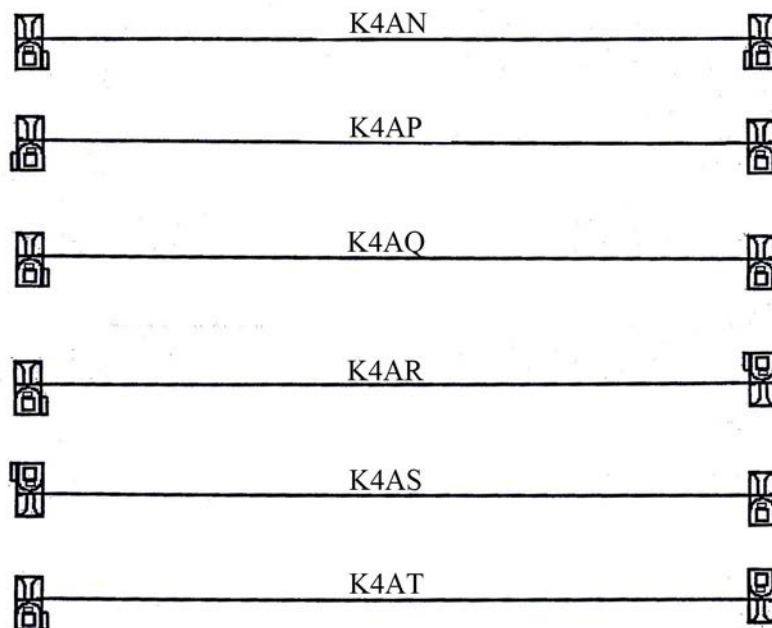
ORDERING INFORMATION:

P/N **K** **x**₁ **x**₂ **x**₃ **x**₄ - **x**₃ **C** **M** **B**

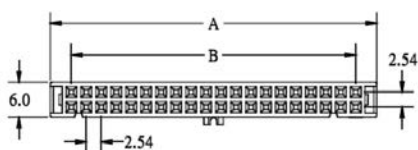
1. CONSTRUCTION TYPE:
4TS, 4TT, 4TU, 4TV, 4TW, 4TX
2. NO. OF CONTACTS:
006-064
3. LENGTH IN CM (CENTIMETERS)
4. COLOR OF TWO IDC CONNECTORS:
"B" BLACK

NOTE: IDC SOCKET CAN'T BE SUPPLIED ALONE.

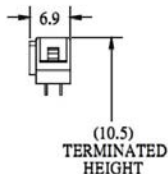
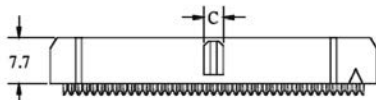
**1.27MM PITCH FLAT CABLE WITH
2* 2.54MM IDC SOCKETS (DUAL WIPE CONTACT & H=10.5MM) (A9)**



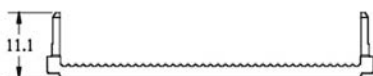
2.54MM PITCH IDC SOCKET WITH DUAL WIPE CONTACT & W/O S.R.



A=B+7.12
B=2.54*POSITIONS/2-2.54
C=1.85 FOR 6 & 8 POSITIONS
C=3.30 FOR 10~64 POSITIONS



NO. OF CONTACTS:
006, 008, 010, 012, 014,
016, 020, 024, 026, 030,
034, 036, 040, 044, 050,
060, 064



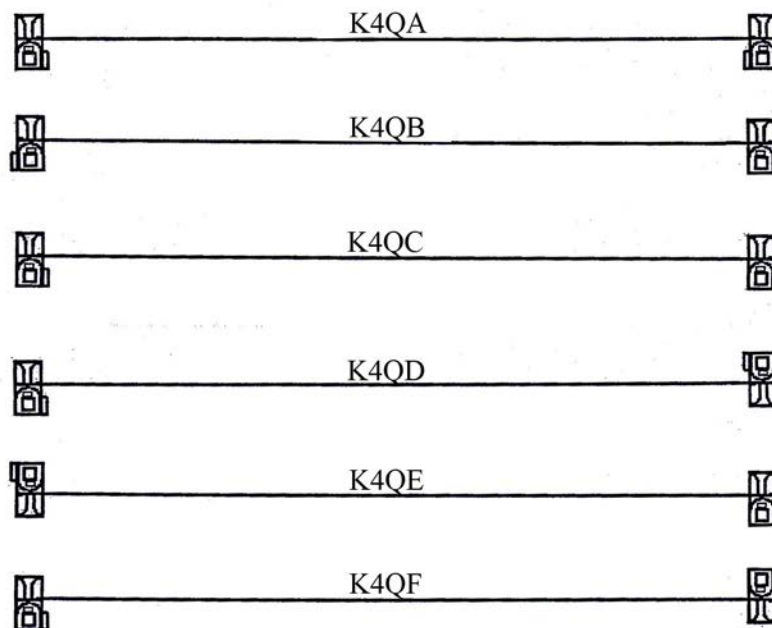
ORDERING INFORMATION:

P/N K $\frac{x}{1} \frac{x}{2} \frac{x}{3} \frac{x}{4} - \frac{x}{3} \frac{x}{4} C M \frac{x}{4}$

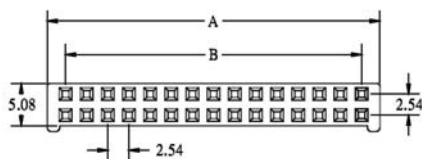
1. CONSTRUCTION TYPE:
4AN, 4AP, 4AQ, 4AR, 4AS, 4AT
2. NO. OF CONTACTS:
006~064
3. LENGTH IN CM (CENTIMETERS)
4. COLOR OF TWO IDC CONNECTORS:
"B" BLACK
"A" GRAY

NOTE: IDC SOCKET CAN'T BE SUPPLIED ALONE.

**1.27MM PITCH FLAT CABLE WITH
2* 2.54MM SHRUNK IDC SOCKETS W/O S.R. (H=11.4MM) (A10)**

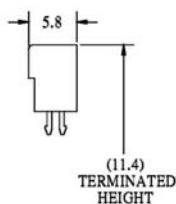
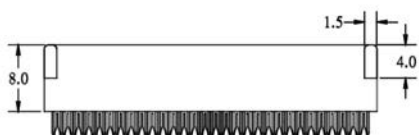


2.54MM PITCH SHRUNK IDC SOCKET W/O STRAIN RELIEF



$$A=B+4.40$$

$$B=2.54*POSITIONS/2-2.54$$



NO. OF CONTACTS:
006, 008, 010, 012, 014,
016, 020, 024, 026, 030,
034, 040, 050, 060, 064



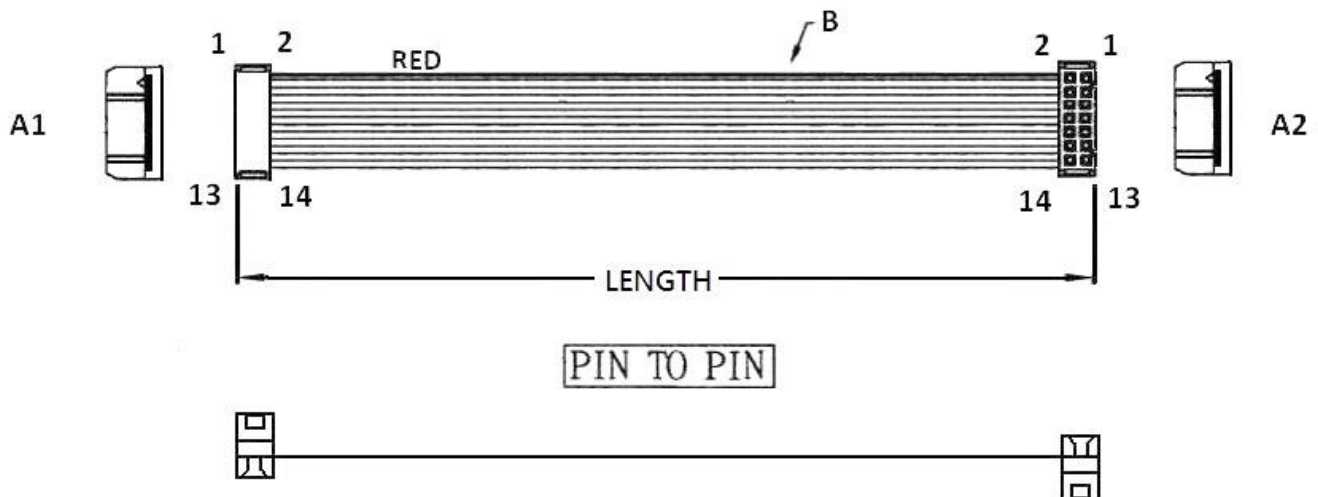
ORDERING INFORMATION:

P/N K $\frac{1}{x}$ $\frac{2}{x}$ $\frac{3}{x}$ $\frac{4}{x}$ - $\frac{x}{x}$ C M $\frac{B}{4}$

1. CONSTRUCTION TYPE:
4QA, 4QB, 4QC, 4QD, 4QE, 4QF
2. NO. OF CONTACTS:
006~064
3. LENGTH IN CM (CENTIMETERS)
4. COLOR OF TWO IDC CONNECTORS:
"B" BLACK

NOTE: IDC SOCKET CAN'T BE SUPPLIED ALONE.

**1.27MM PITCH FLAT CABLE WITH
2* 2.54MM PITCH IDC SOCKETS WITHOUT NOSE (H=11.0MM) (B1)**

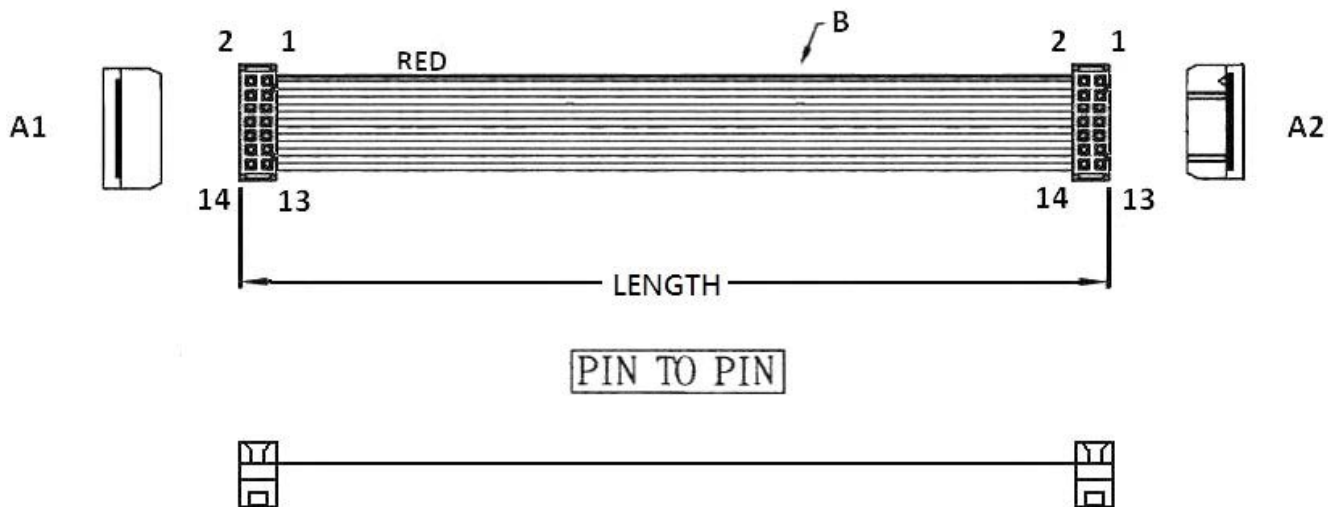


ORDERING INFORMATION:

P/N $\frac{KA}{1} \frac{xx}{2} \frac{AA}{3} - \frac{xx}{4} CM \frac{x}{5}$

1. FLAT CABLE TYPE:
"KA" 1.27MM AWG28 UL2651 VW-1
PVC INSULATION GRAY
2. NO. OF CONTACTS:
06~64
3. CONNECTORS AT TWO ENDS:
"AA" 2.54MM IDC SOCKET W/O NOSE & W/O STRAIN RELIEF
TO 2.54MM IDC SOCKET W/O NOSE & W/O STRAIN RELIEF
4. LENGTH IN CM (CENTIMETERS)
5. COLOR OF TWO IDC CONNECTORS:
"B" BLACK
"A" GRAY

**1.27MM PITCH FLAT CABLE WITH
2* 2.54MM PITCH IDC SOCKETS WITHOUT NOSE (H=11.0MM) (B2)**

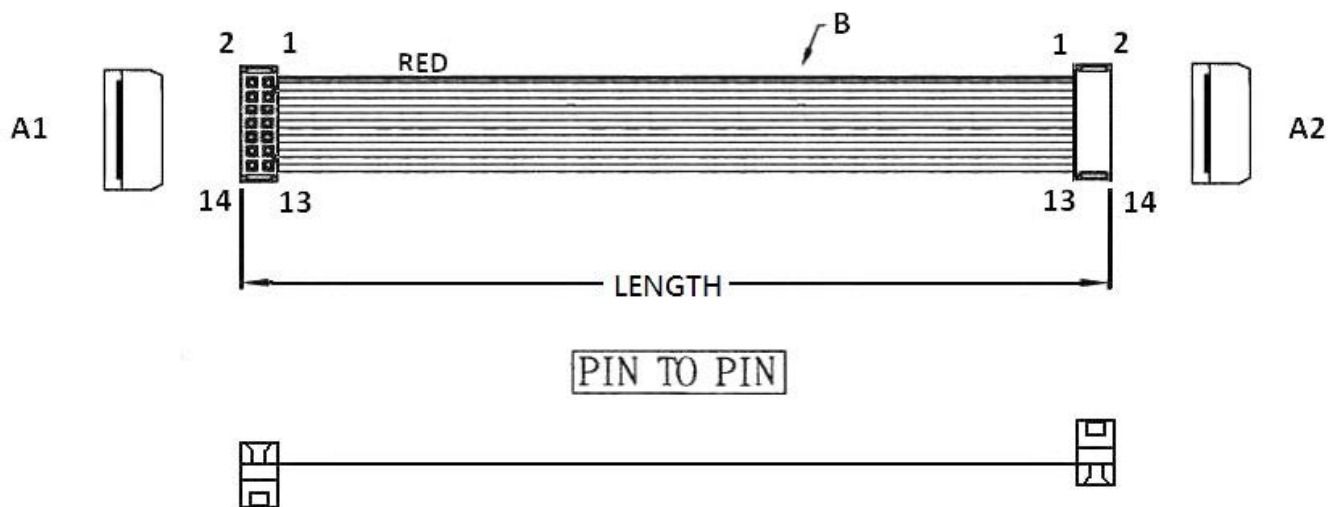


ORDERING INFORMATION:

P/N $\frac{KA}{1} \frac{xx}{2} \frac{AV}{3} - \frac{xx}{4} CM \frac{x}{5}$

1. FLAT CABLE TYPE:
"KA" 1.27MM AWG28 UL2651 VW-1
PVC INSULATION GRAY
2. NO. OF CONTACTS:
06~64
3. CONNECTORS AT TWO ENDS:
"AV" 2.54MM IDC SOCKET W/O NOSE & W/O STRAIN RELIEF
TO 2.54MM IDC SOCKET W/O NOSE & W/O STRAIN RELIEF
4. LENGTH IN CM (CENTIMETERS)
5. COLOR OF TWO IDC CONNECTORS:
"B" BLACK
"A" GRAY

**1.27MM PITCH FLAT CABLE WITH
2* 2.54MM PITCH IDC SOCKETS WITHOUT NOSE (H=11.0MM) (B3)**

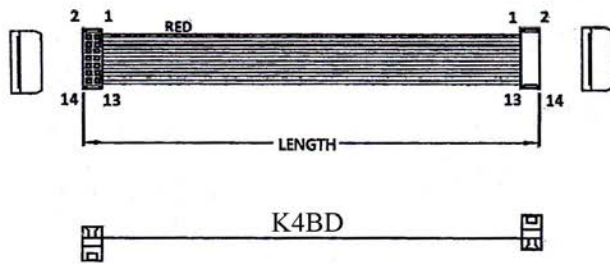
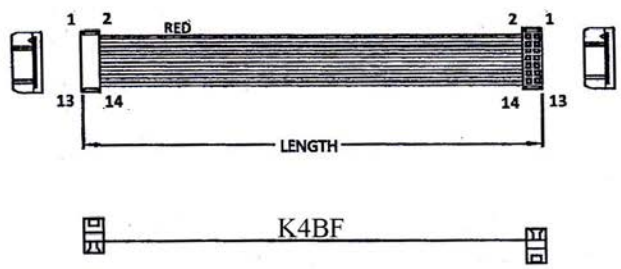
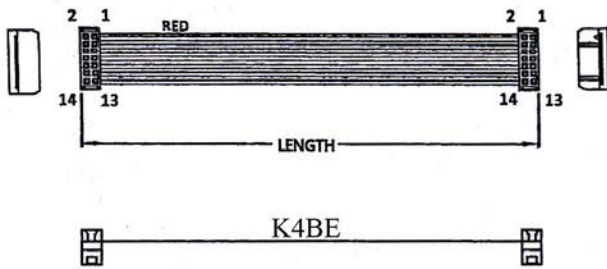


ORDERING INFORMATION:

P/N $\frac{KA}{1} \frac{xx}{2} \frac{VV}{3} - \frac{xx}{4} CM \frac{x}{5}$

1. FLAT CABLE TYPE:
"KA" 1.27MM AWG28 UL2651 VW-1
PVC INSULATION GRAY
2. NO. OF CONTACTS:
06~64
3. CONNECTORS AT TWO ENDS:
"VV" 2.54MM IDC SOCKET W/O NOSE & W/O STRAIN RELIEF
TO 2.54MM IDC SOCKET W/O NOSE & W/O STRAIN RELIEF
4. LENGTH IN CM (CENTIMETERS)
5. COLOR OF TWO IDC CONNECTORS:
"B" BLACK
"A" GRAY

**1.27MM PITCH FLAT CABLE
WITH 2* 2.54MM LOW PROFILE SHRUNK IDC SOCKETS W/O NOSE (H=9.3MM) (B4)**

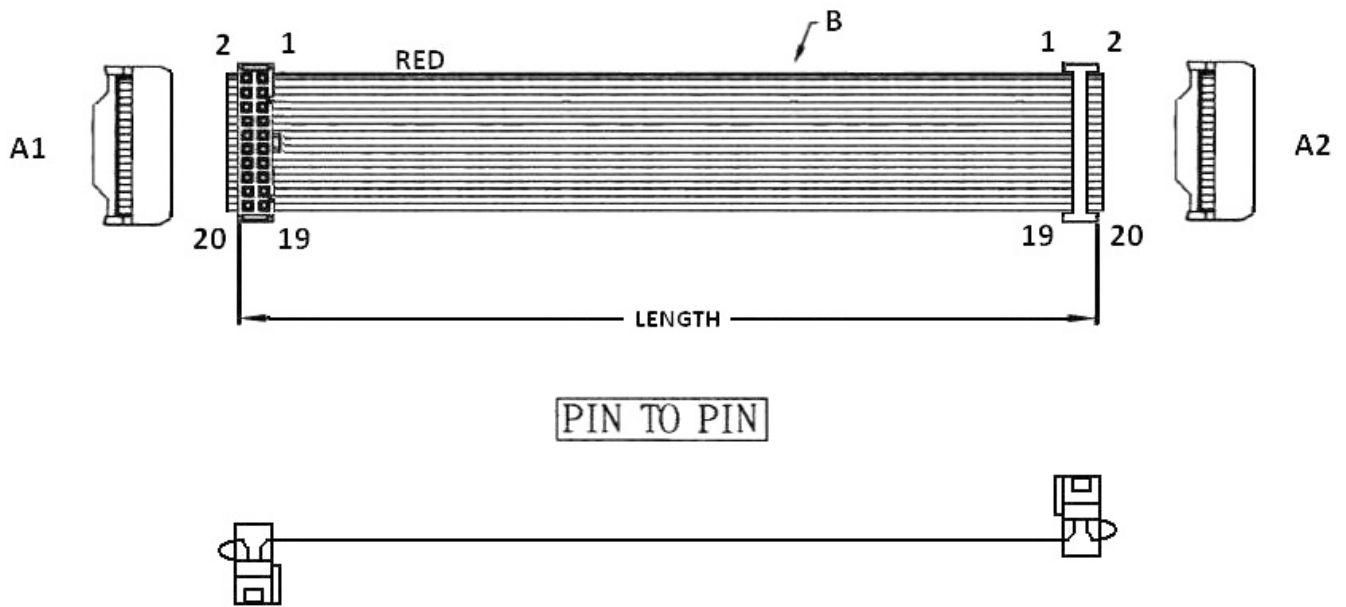


ORDERING INFORMATION:

P/N K $\frac{x}{1} \frac{x}{2} \frac{x}{3} \frac{x}{4} C M B$

1. CONSTRUCTION TYPE:
4BD, 4BE, 4BF
2. NO. OF CONTACTS:
006~064
3. LENGTH IN CM (CENTIMETERS)
4. COLOR OF TWO IDC CONNECTORS:
"B" BLACK

1.27MM PITCH FLAT CABLE WITH 2* 2.54MM PITCH IDC SOCKETS WITH STRAIN RELIEFS (H=16.0MM) (C1)

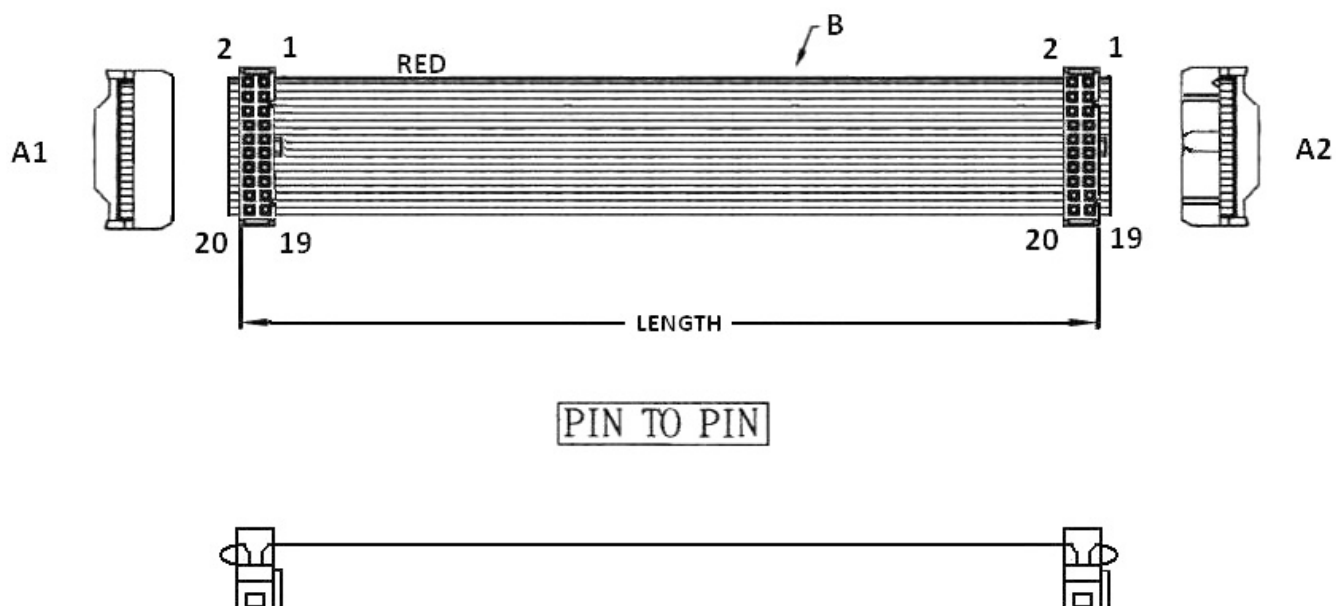


ORDERING INFORMATION:

P/N $\frac{KA}{1} \frac{xx}{2} \frac{MM}{3} - \frac{xx}{4} CM \frac{x}{5}$

1. FLAT CABLE TYPE:
"KA" 1.27MM AWG28 UL2651 VW-1
PVC INSULATION GRAY
2. NO. OF CONTACTS:
06-64
3. CONNECTORS AT TWO ENDS:
"MM" 2.54MM IDC SOCKET WITH NOSE & S.R. TO
2.54MM IDC SOCKET WITH NOSE & S.R.
4. LENGTH IN CM (CENTIMETERS)
5. COLOR OF TWO IDC CONNECTORS:
"B" BLACK
"A" GRAY

1.27MM PITCH FLAT CABLE WITH 2* 2.54MM PITCH IDC SOCKETS WITH STRAIN RELIEFS (H=16.0MM) (C2)

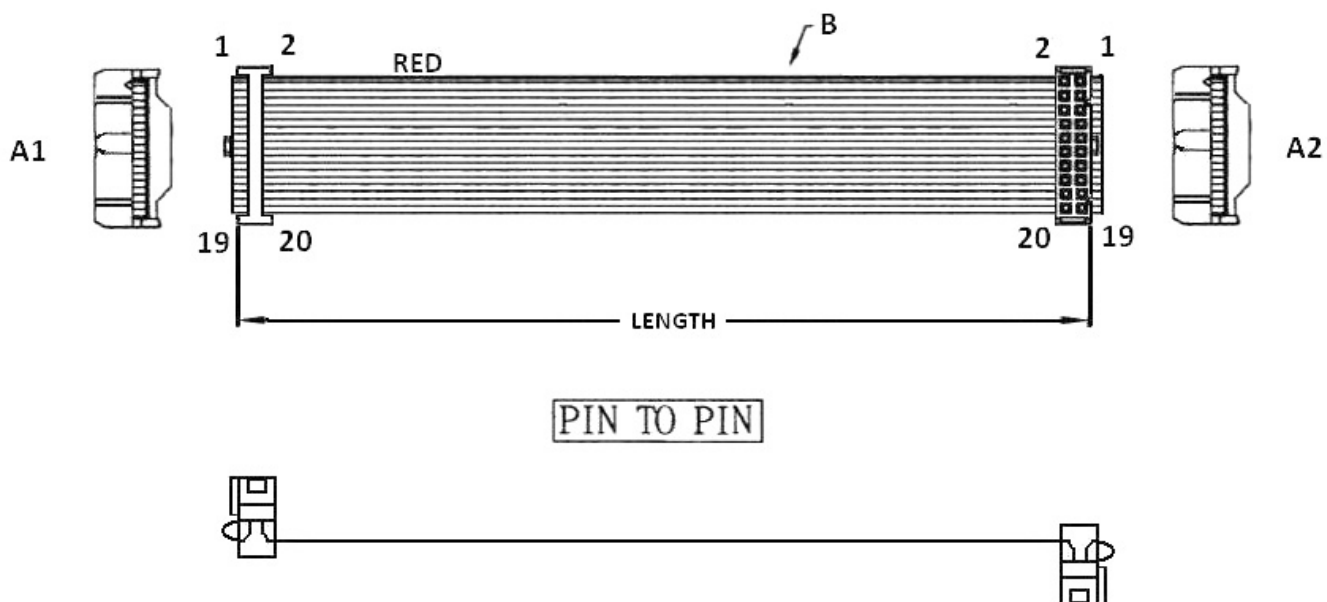


ORDERING INFORMATION:

P/N $\frac{KA}{1} \frac{xx}{2} \frac{MN}{3} - \frac{xx}{4} CM \frac{x}{5}$

1. FLAT CABLE TYPE:
"KA" 1.27MM AWG28 UL2651 VW-1
PVC INSULATION GRAY
2. NO. OF CONTACTS:
06~64
3. CONNECTORS AT TWO ENDS:
"MN" 2.54MM IDC SOCKET WITH NOSE & S.R. TO
2.54MM IDC SOCKET WITH NOSE & S.R.
4. LENGTH IN CM (CENTIMETERS)
5. COLOR OF TWO IDC CONNECTORS:
"B" BLACK
"A" GRAY

1.27MM PITCH FLAT CABLE WITH 2* 2.54MM PITCH IDC SOCKETS WITH STRAIN RELIEFS (H=16.0MM) (C3)

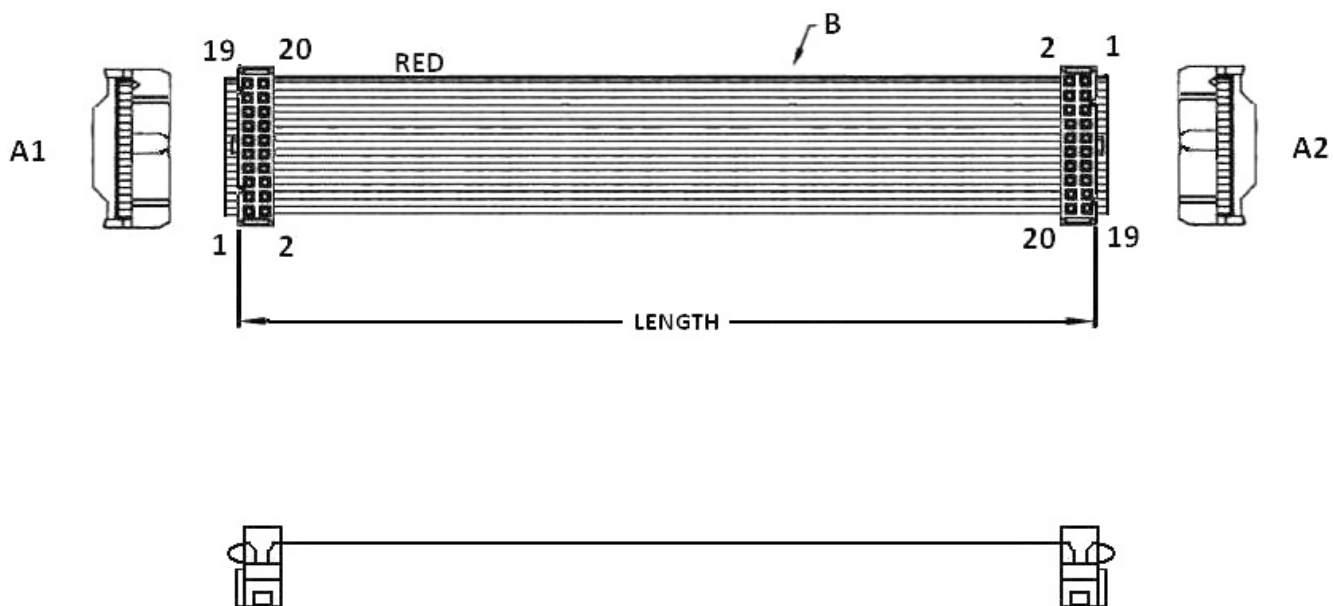


ORDERING INFORMATION:

P/N $\frac{KA}{1} \frac{xx}{2} \frac{NN}{3} - \frac{xx}{4} C M \frac{x}{5}$

1. FLAT CABLE TYPE:
"KA" 1.27MM AWG28 UL2651 VW-1
PVC INSULATION GRAY
2. NO. OF CONTACTS:
06~64
3. CONNECTORS AT TWO ENDS:
"NN" 2.54MM IDC SOCKET WITH NOSE & S.R. TO
2.54MM IDC SOCKET WITH NOSE & S.R.
4. LENGTH IN CM (CENTIMETERS)
5. COLOR OF TWO IDC CONNECTORS:
"B" BLACK
"A" GRAY

1.27MM PITCH FLAT CABLE WITH 2* 2.54MM PITCH IDC SOCKETS WITH STRAIN RELIEFS (H=16.0MM) (C4)

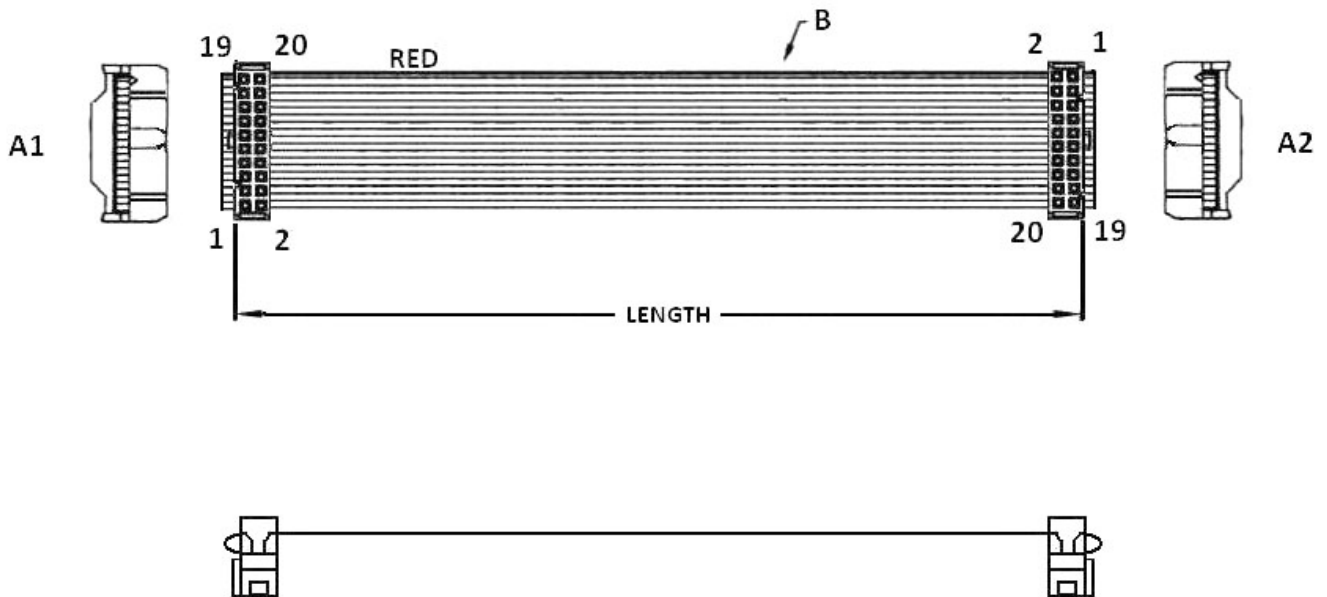


ORDERING INFORMATION:

P/N $\frac{KA}{1} \frac{xx}{2} \frac{NX}{3} - \frac{xx}{4} C M \frac{x}{5}$

1. FLAT CABLE TYPE:
"KA" 1.27MM AWG28 UL2651 VW-1
PVC INSULATION GRAY
2. NO. OF CONTACTS:
06~64
3. CONNECTORS AT TWO ENDS:
"NX" 2.54MM IDC SOCKET WITH NOSE & S.R. TO
2.54MM IDC SOCKET WITH NOSE & S.R.
4. LENGTH IN CM (CENTIMETERS)
5. COLOR OF TWO IDC CONNECTORS:
"B" BLACK
"A" GRAY

**1.27MM PITCH FLAT CABLE WITH
2* 2.54MM PITCH IDC SOCKETS WITH STRAIN RELIEFS (H=16.0MM) (C5)**

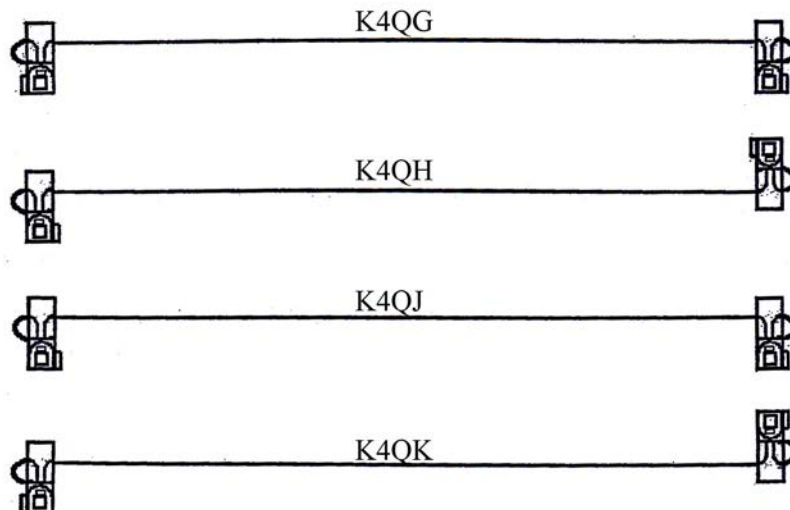


ORDERING INFORMATION:

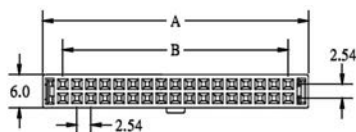
P/N $\frac{KA}{1} \frac{xx}{2} \frac{NI}{3} - \frac{xx}{4} CM \frac{x}{5}$

1. FLAT CABLE TYPE:
"KA" 1.27MM AWG28 UL2651 VW-1
PVC INSULATION GRAY
2. NO. OF CONTACTS:
06~64
3. CONNECTORS AT TWO ENDS:
"NI" 2.54MM IDC SOCKET WITH NOSE & S.R.
TO 2.54MM IDC SOCKET WITH NOSE & S.R.
4. LENGTH IN CM (CENTIMETERS)
5. COLOR OF TWO IDC CONNECTORS:
"B" BLACK
"A" GRAY

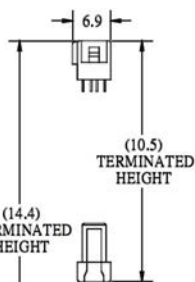
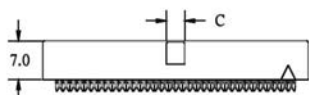
**1.27MM PITCH FLAT CABLE WITH
2* 2.54MM IDC SOCKETS WITH STRAIN RELIEF (H=14.4MM) (C6)**



2.54MM PITCH IDC SOCKET WITH S.R. AND WITH DUAL U-SLOT & DUAL CONTACT



$A=B+7.24$
 $B=2.54*POSITIONS/2-2.54$
 $C=1.85$ FOR 6 & 8 POSITIONS
 $C=3.50$ FOR 10~64 POSITIONS



NO. OF CONTACTS:
 006, 008, 010, 012, 014,
 016, 020, 024, 026, 030,
 034, 040, 050, 060, 064



(14.4)
 TERMINATED
 HEIGHT



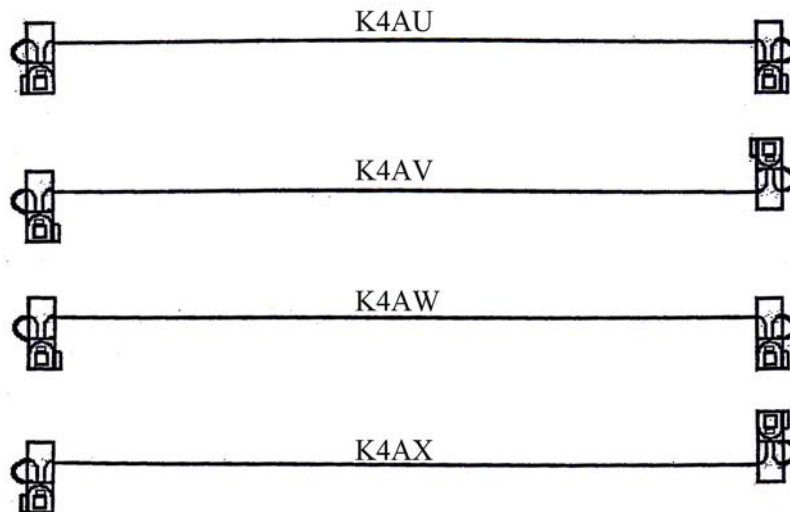
ORDERING INFORMATION:

P/N K 1 2 3 4 C M B

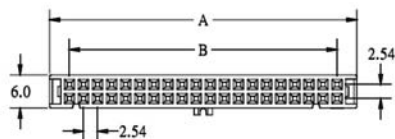
1. CONSTRUCTION TYPE:
4QG, 4QH, 4QJ, 4QK
2. NO. OF CONTACTS:
006~064
3. LENGTH IN CM (CENTIMETERS)
4. COLOR OF TWO IDC CONNECTORS:
"B" BLACK

NOTE: IDC SOCKET CAN'T BE SUPPLIED ALONE.

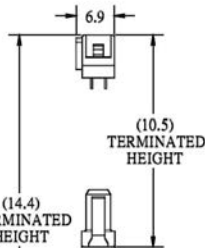
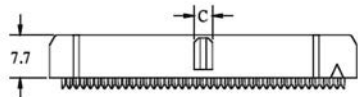
**1.27MM PITCH FLAT CABLE WITH
2* 2.54MM IDC SOCKETS (DUAL WIPE CONTACT & H=14.4MM) (C7)**



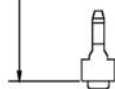
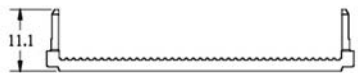
2.54MM PITCH IDC SOCKET WITH DUAL WIPE CONTACT & STRAIN RELIEF



$A=B+7.12$
 $B=2.54*POSITIONS/2-2.54$
 $C=1.85$ FOR 6 & 8 POSITIONS
 $C=3.30$ FOR 10~64 POSITIONS



NO. OF CONTACTS:
 006, 008, 010, 012, 014,
 016, 020, 024, 026, 030,
 034, 036, 040, 044, 050,
 060, 064



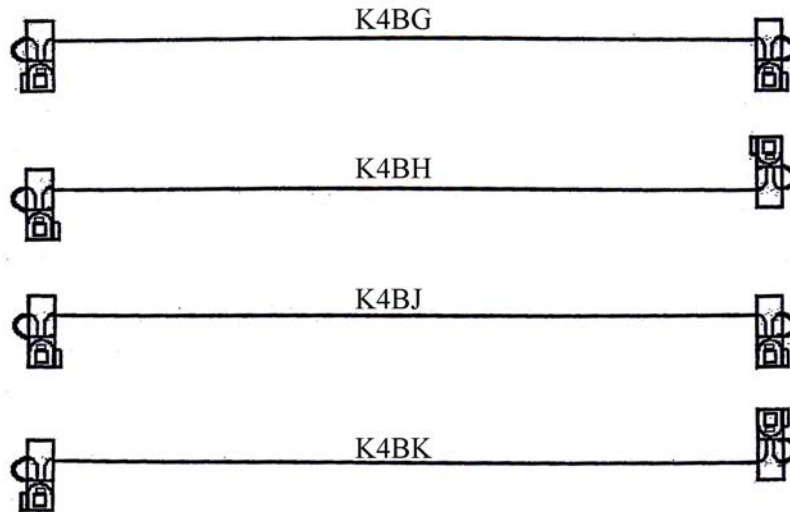
ORDERING INFORMATION:

P/N K $\frac{x}{1} \frac{x}{2} \frac{x}{3} \frac{x}{4} - \frac{x}{3} \frac{x}{4} C M \frac{x}{4}$

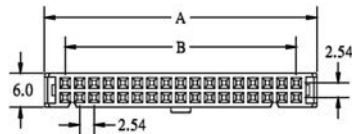
1. CONSTRUCTION TYPE:
4AU, 4AV, 4AW, 4AX
2. NO. OF CONTACTS:
006~064
3. LENGTH IN CM (CENTIMETERS)
4. COLOR OF TWO IDC CONNECTORS:
"B" BLACK
"A" GRAY

NOTE: IDC SOCKET CAN'T BE SUPPLIED ALONE.

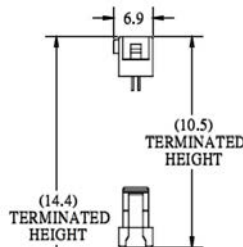
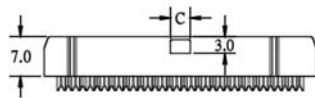
1.27MM PITCH FLAT CABLE WITH 2* 2.54MM IDC SOCKETS (H=14.4MM) (C8)



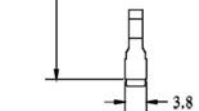
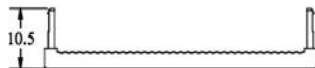
2.54MM PITCH IDC SOCKET WITH SLIM STRAIN RELIEF



$A=B+7.24$
 $B=2.54*POSITIONS/2-2.54$
 $C=1.85$ FOR 4~8 POSITIONS
 $C=3.50$ FOR 10~64 POSITIONS



NO. OF CONTACTS:
 004, 006, 008, 010, 012,
 014, 016, 020, 024, 026,
 030, 034, 036, 040, 044,
 050, 056, 060, 062, 064



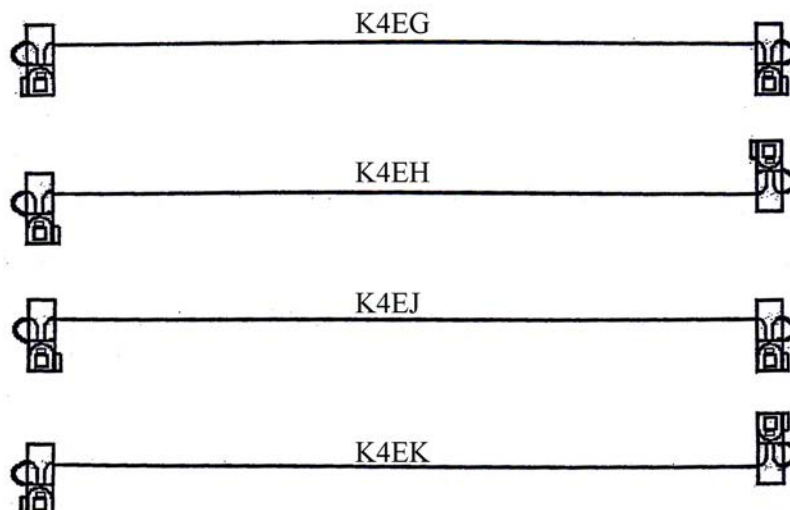
ORDERING INFORMATION:

P/N **K** 1 2 3 4 - 3 4 **C M** 4

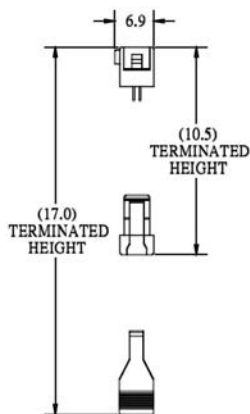
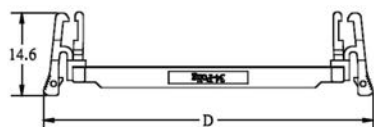
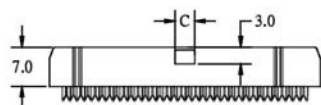
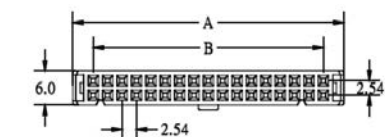
- CONSTRUCTION TYPE:
4BG, 4BH, 4BJ, 4BK
- NO. OF CONTACTS:
004~064
- LENGTH IN CM (CENTIMETERS)
- COLOR OF TWO IDC CONNECTORS:
"B" BLACK
"A" GRAY

NOTE: IDC SOCKET CAN'T BE SUPPLIED ALONE.

1.27MM PITCH FLAT CABLE WITH 2* 2.54MM IDC SOCKETS (H=17.0MM) (C9)



2.54MM PITCH IDC SOCKET WITH SPRING LATCH & STRAIN RELIEF



$A=B+7.24$
 $B=2.54*POSITIONS/2-2.54$
 $C=1.85$ FOR 6 & 8 POSITIONS
 $C=3.50$ FOR 10~64 POSITIONS
 $D=B+17.62$

NO. OF CONTACTS:
 006, 008, 010, 012, 014,
 016, 020, 024, 026, 030,
 034, 036, 040, 044, 050,
 056, 060, 062, 064

ORDERING INFORMATION:

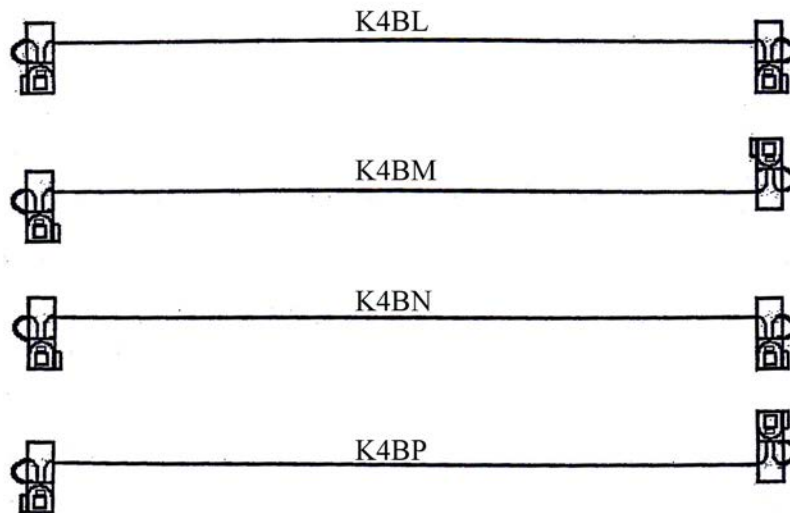
P/N **K** **x x x x x x** - **x x** **C M** **B**

1 2 3 4

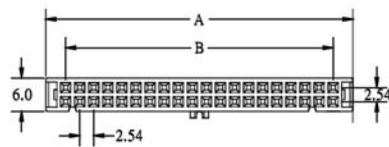
1. CONSTRUCTION TYPE:
4EG, 4EH, 4EJ, 4EK
2. NO. OF CONTACTS:
006~064
3. LENGTH IN CM (CENTIMETERS)
4. COLOR OF TWO IDC CONNECTORS:
"B" BLACK

NOTE: IDC SOCKET CAN'T BE SUPPLIED ALONE.

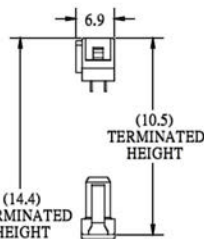
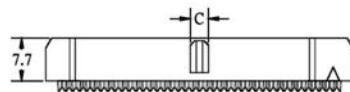
1.27MM PITCH FLAT CABLE WITH 2* 2.54MM IDC SOCKETS (H=14.4MM) (C10)



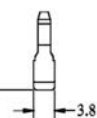
2.54MM PITCH IDC SOCKET WITH DUAL WIPE CONTACT & SLIM STRAIN RELIEF



$A=B+7.12$
 $B=2.54*POSITIONS/2-2.54$
 $C=1.85$ FOR 6 & 8 POSITIONS
 $C=3.30$ FOR 10~64 POSITIONS



NO. OF CONTACTS:
 006, 008, 010, 012, 014,
 016, 020, 024, 026, 030,
 034, 036, 040, 044, 050,
 060, 064



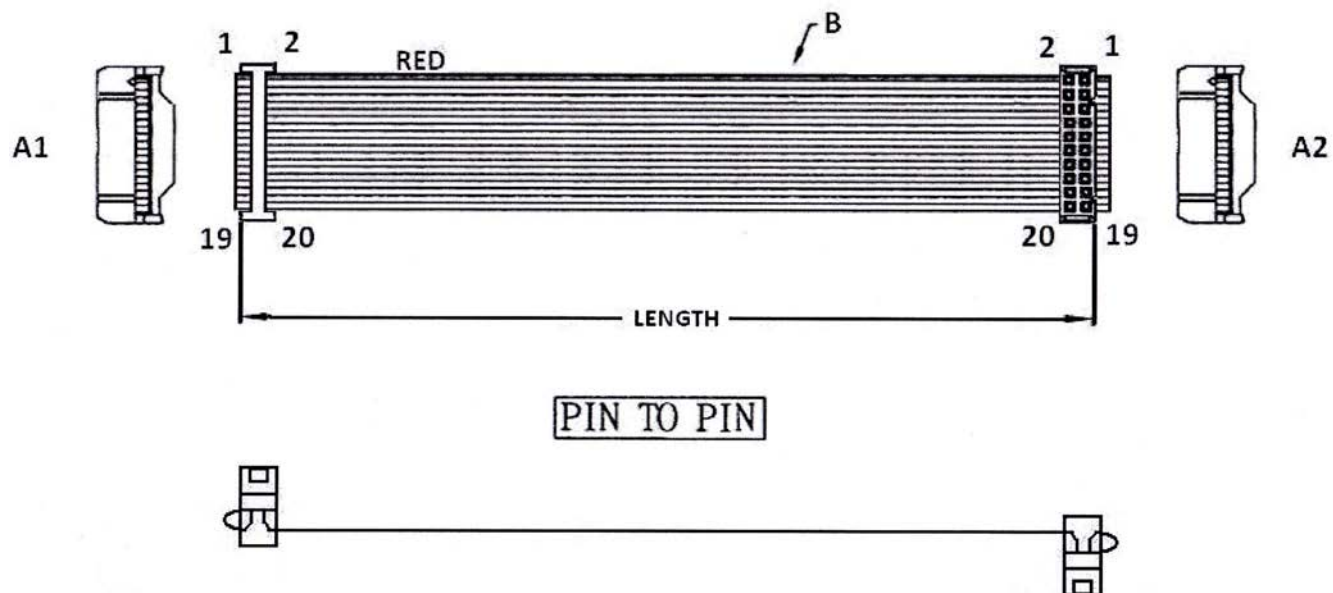
ORDERING INFORMATION:

P/N **K** **x**₁ **x**₂ **x**₃ **x**₄ - **x**₃ **C** **M** **x**₄

- CONSTRUCTION TYPE:
4BL, 4BM, 4BN, 4BP
- NO. OF CONTACTS:
006~064
- LENGTH IN CM (CENTIMETERS)
- COLOR OF TWO IDC CONNECTORS:
"B" BLACK
"A" GRAY

NOTE: IDC SOCKET CAN'T BE SUPPLIED ALONE.

1.27MM PITCH FLAT CABLE WITH 2* 2.54MM PITCH IDC SOCKETS WITHOUT NOSE WITH STRAIN RELIEFS (H=16.0MM) (D1)

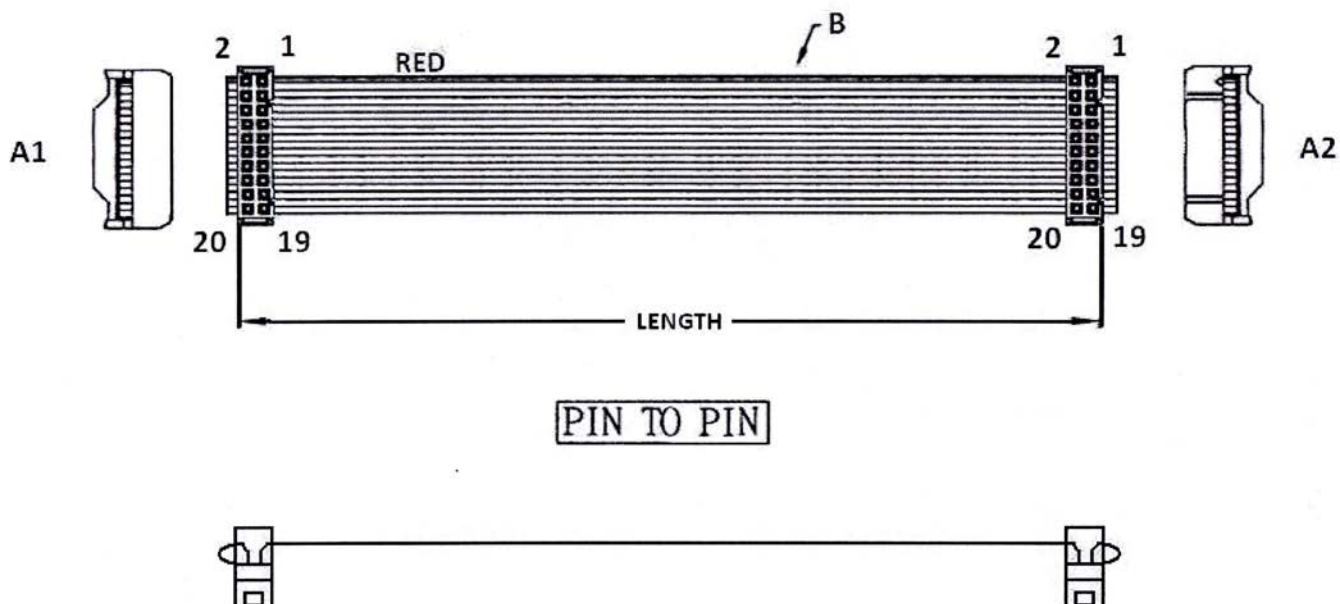


ORDERING INFORMATION:

P/N $\frac{KA}{1} \frac{xx}{2} \frac{QQ}{3} - \frac{xx}{4} CM \frac{x}{5}$

1. FLAT CABLE TYPE:
"KA" 1.27MM AWG28 UL2651 VW-1
PVC INSULATION GRAY
2. NO. OF CONTACTS:
06~64
3. CONNECTORS AT TWO ENDS:
"QQ" 2.54MM IDC SOCKET W/O NOSE WITH S.R. TO
2.54MM IDC SOCKET W/O NOSE WITH S.R.
4. LENGTH IN CM (CENTIMETERS)
5. COLOR OF TWO IDC CONNECTORS:
"B" BLACK
"A" GRAY

1.27MM PITCH FLAT CABLE WITH 2* 2.54MM PITCH IDC SOCKETS WITHOUT NOSE WITH STRAIN RELIEFS (H=16.0MM) (D2)

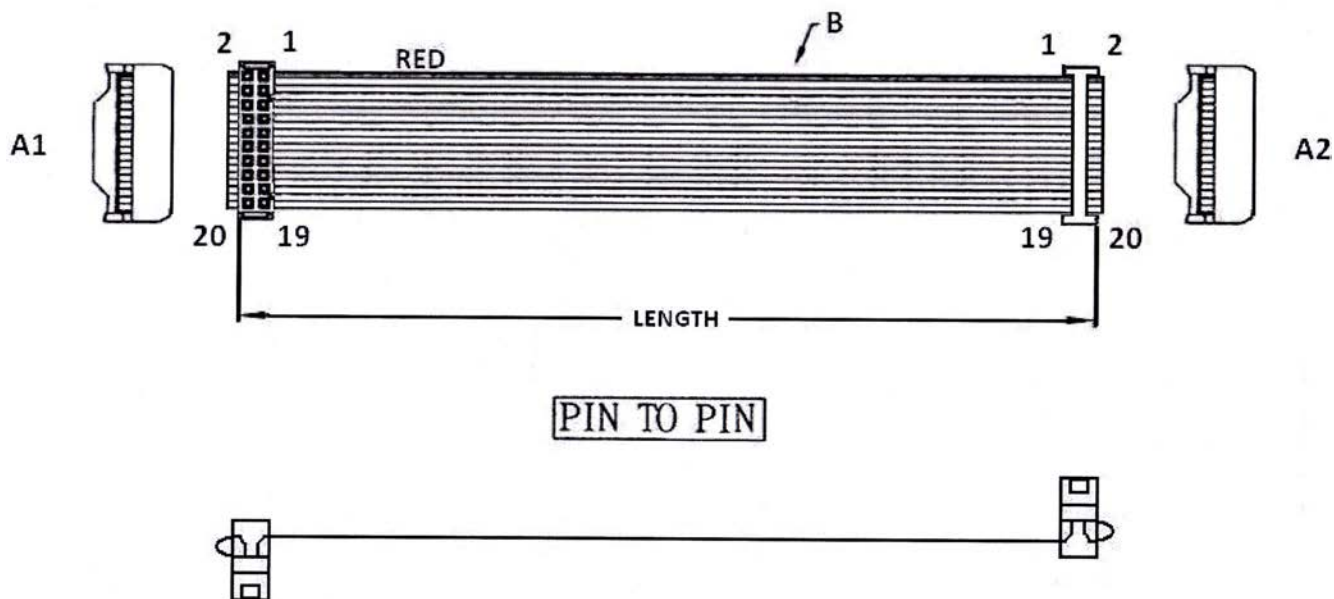


ORDERING INFORMATION:

P/N $\frac{KA}{1} \frac{xx}{2} \frac{QR}{3} - \frac{xx}{4} CM \frac{x}{5}$

1. FLAT CABLE TYPE:
"KA" 1.27MM AWG28 UL2651 VW-1
PVC INSULATION GRAY
2. NO. OF CONTACTS:
06~64
3. CONNECTORS AT TWO ENDS:
"QR" 2.54MM IDC SOCKET W/O NOSE WITH S.R. TO
2.54MM IDC SOCKET W/O NOSE WITH S.R.
4. LENGTH IN CM (CENTIMETERS)
5. COLOR OF TWO IDC CONNECTORS:
"B" BLACK
"A" GRAY

1.27MM PITCH FLAT CABLE WITH 2* 2.54MM PITCH IDC SOCKET WITHOUT NOSE WITH STRAIN RELIEFS (H=16.0MM) (D3)

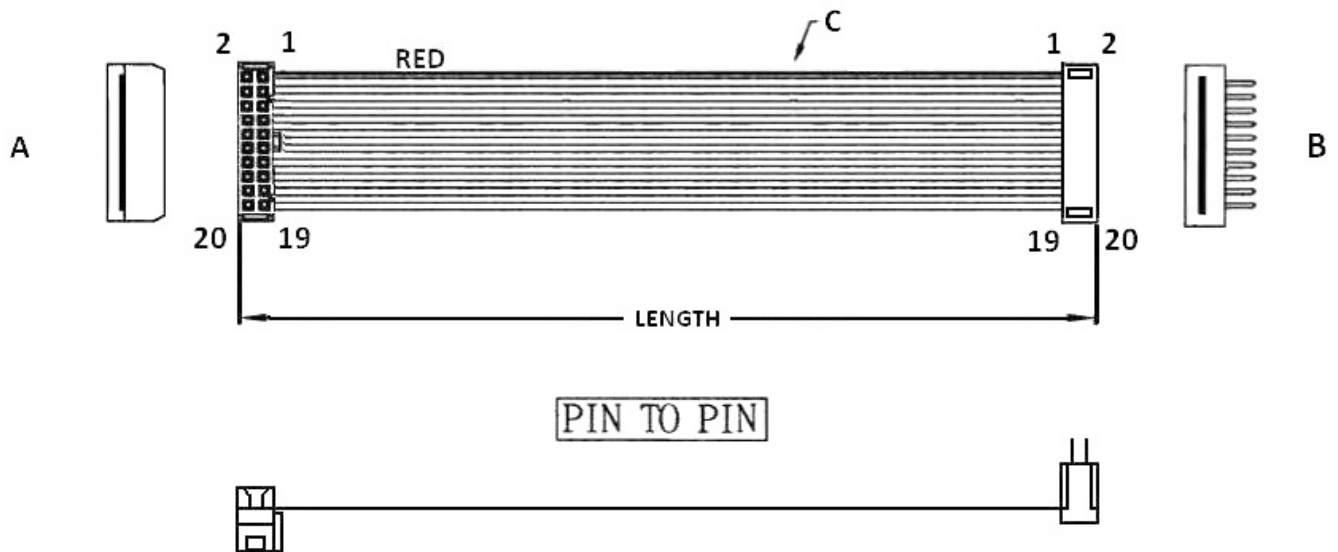


ORDERING INFORMATION:

P/N $\frac{KA}{1} \frac{xx}{2} \frac{RR}{3} - \frac{xx}{4} C M \frac{x}{5}$

1. FLAT CABLE TYPE:
"KA" 1.27MM AWG28 UL2651 VW-1
PVC INSULATION GRAY
2. NO. OF CONTACTS:
06~64
3. CONNECTORS AT TWO ENDS:
"RR" 2.54MM IDC SOCKET W/O NOSE WITH S.R. TO
2.54MM IDC SOCKET W/O NOSE WITH S.R.
4. LENGTH IN CM (CENTIMETERS)
5. COLOR OF TWO IDC CONNECTORS:
"B" BLACK
"A" GRAY

1.27MM PITCH FLAT CABLE WITH 2.54MM PITCH IDC SOCKET WITHOUT STRAIN RELIEF (H=11.0MM) TO DIP PLUG (H=7.6MM) (E1)

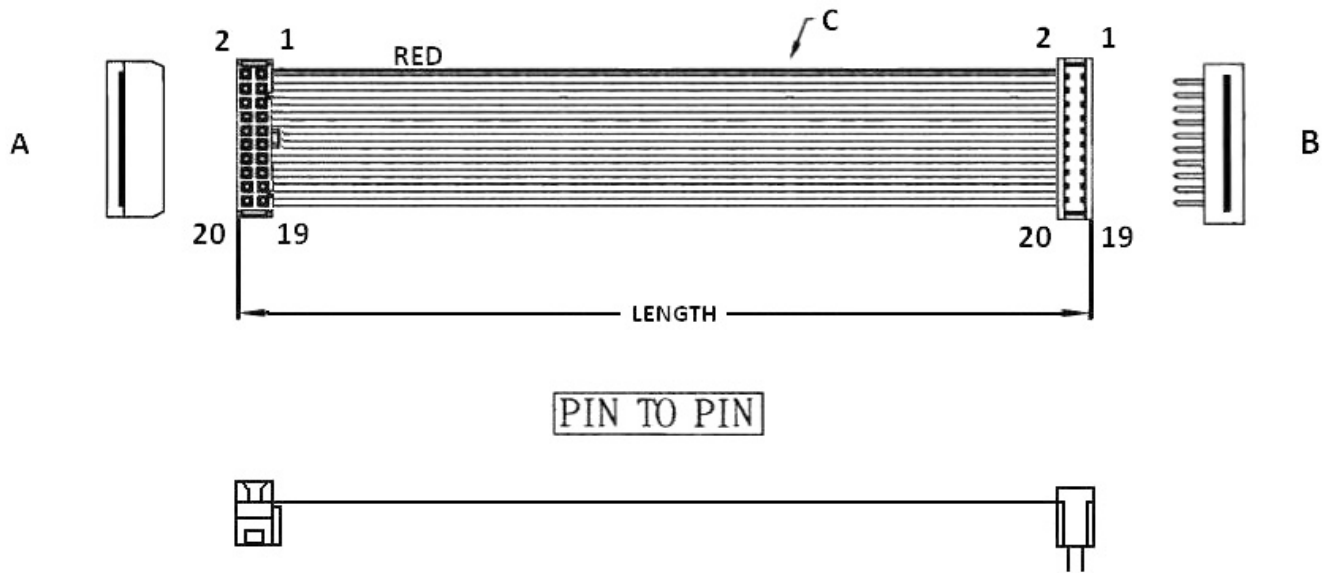


ORDERING INFORMATION:

P/N $\frac{KA}{1} \frac{xx}{2} \frac{KD}{3} - \frac{xx}{4} CM \frac{x}{5}$

1. FLAT CABLE TYPE:
"KA" 1.27MM AWG28 UL2651 VW-1
PVC INSULATION GRAY
2. NO. OF CONTACTS:
06~64
3. CONNECTORS AT TWO ENDS:
"KD" 2.54MM IDC SOCKET WITH NOSE WITHOUT S.R. TO
2.54MM DIP PLUG
4. LENGTH IN CM (CENTIMETERS)
5. COLOR OF TWO IDC CONNECTORS:
"B" BLACK
"A" GRAY

1.27MM PITCH FLAT CABLE WITH 2.54MM PITCH IDC SOCKET WITHOUT STRAIN RELIEF (H=11.0MM) TO DIP PLUG (H=7.6MM) (E2)

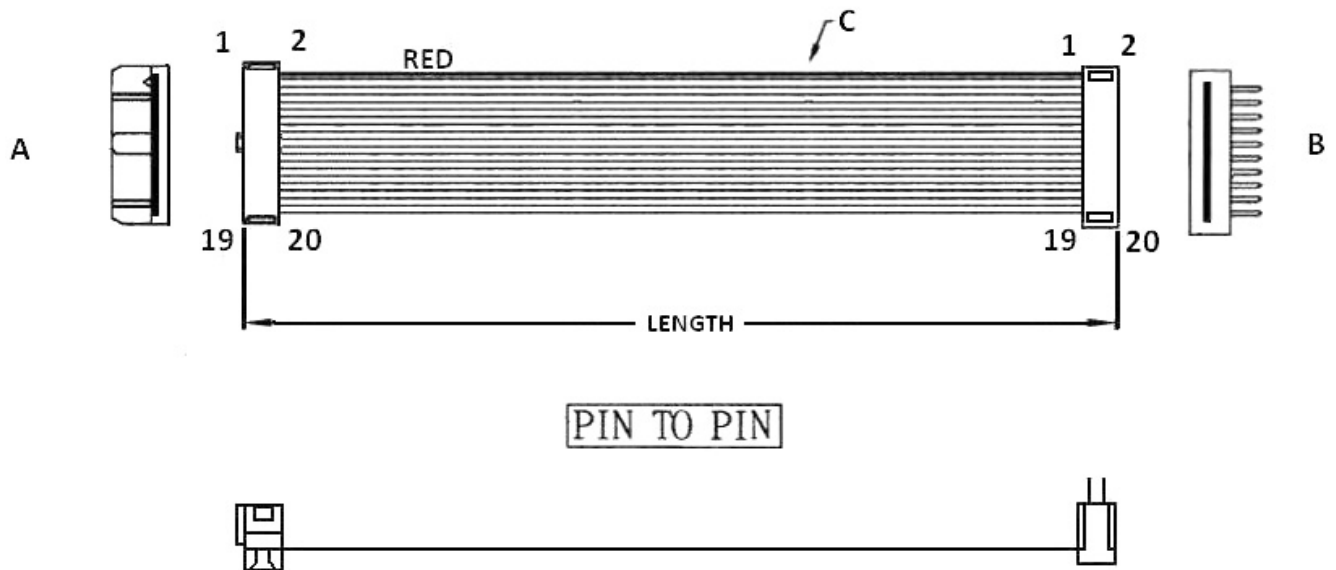


ORDERING INFORMATION:

P/N $\frac{KA}{1} \frac{xx}{2} \frac{KP}{3} - \frac{xx}{4} \frac{CM}{5} x$

1. FLAT CABLE TYPE:
"KA" 1.27MM AWG28 UL2651 VW-1
PVC INSULATION GRAY
2. NO. OF CONTACTS:
06~64
3. CONNECTORS AT TWO ENDS:
"KP" 2.54MM IDC SOCKET WITH NOSE WITHOUT S.R. TO
2.54MM DIP PLUG
4. LENGTH IN CM (CENTIMETERS)
5. COLOR OF TWO IDC CONNECTORS:
"B" BLACK
"A" GRAY

1.27MM PITCH FLAT CABLE WITH 2.54MM PITCH IDC SOCKET WITHOUT STRAIN RELIEF (H=11.0MM) TO DIP PLUG (H=7.6MM) (E3)

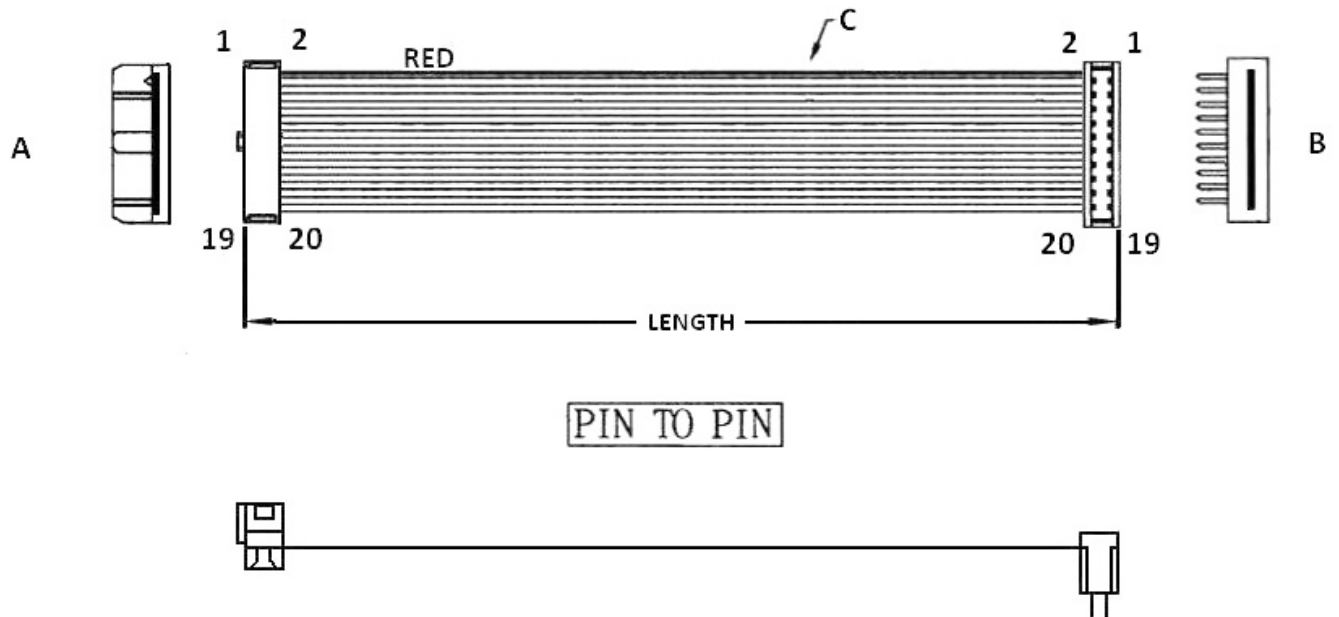


ORDERING INFORMATION:

P/N $\frac{KA}{1} \frac{xx}{2} \frac{LD}{3} - \frac{xx}{4} \frac{CM}{5} x$

1. FLAT CABLE TYPE:
"KA" 1.27MM AWG28 UL2651 VW-1
PVC INSULATION GRAY
2. NO. OF CONTACTS:
06-64
3. CONNECTORS AT TWO ENDS:
"LD" 2.54MM IDC SOCKET WITH NOSE WITHOUT S.R. TO
2.54MM DIP PLUG
4. LENGTH IN CM (CENTIMETERS)
5. COLOR OF TWO IDC CONNECTORS:
"B" BLACK
"A" GRAY

1.27MM PITCH FLAT CABLE WITH 2.54MM PITCH IDC SOCKET WITHOUT STRAIN RELIEF (H=11.0MM) TO DIP PLUG (H=7.6MM) (E4)

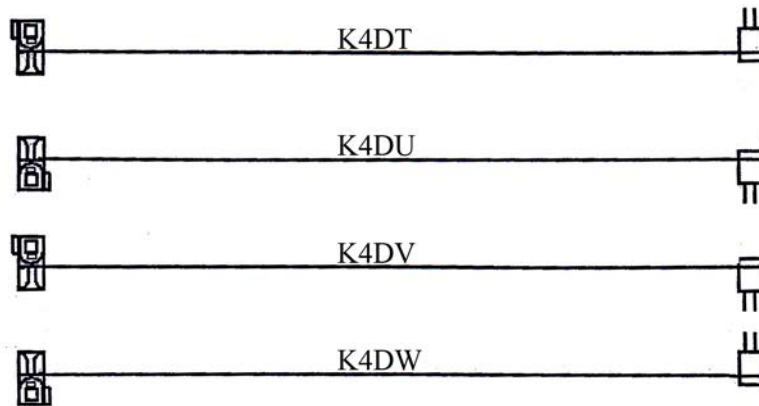


ORDERING INFORMATION:

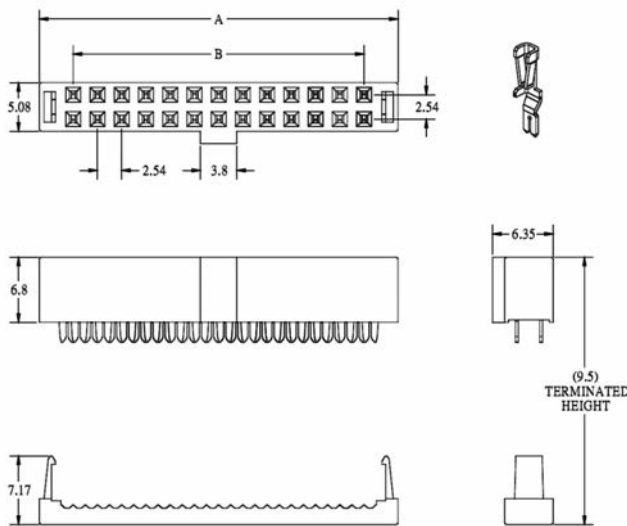
P/N $\frac{KA}{1} \frac{xx}{2} \frac{LP}{3} - \frac{xx}{4} CM \frac{x}{5}$

1. FLAT CABLE TYPE:
"KA" 1.27MM AWG28 UL2651 VW-1
PVC INSULATION GRAY
2. NO. OF CONTACTS:
06~64
3. CONNECTORS AT TWO ENDS:
"LP" 2.54MM IDC SOCKET WITH NOSE WITHOUT S.R. TO
2.54MM DIP PLUG
4. LENGTH IN CM (CENTIMETERS)
5. COLOR OF TWO IDC CONNECTORS:
"B" BLACK
"A" GRAY

1.27MM PITCH FLAT CABLE WITH 2.54MM IDC SOCKET (H=9.5MM) TO DIP PLUG (H=5.4MM) (E5)



2.54MM LOW PROFILE IDC SOCKET H=9.5MM

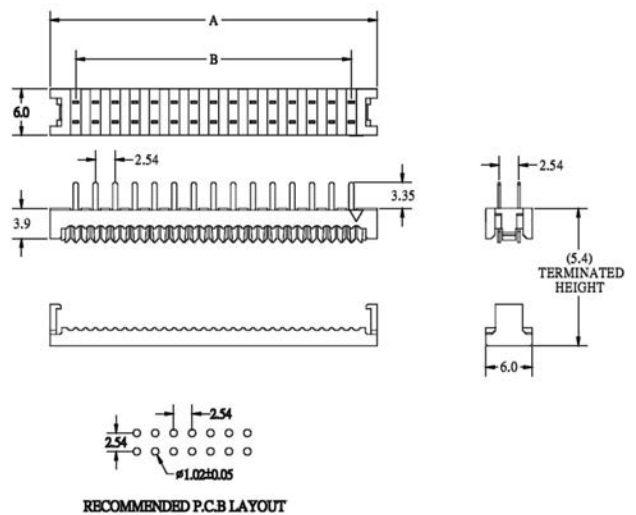


$$A=B+7.11$$

$$B=2.54 \times \text{POSITIONS} / 2 - 2.54$$

NO. OF CONTACTS:
006, 008, 010, 012, 014,
016, 020, 024, 026, 030,
034, 040, 050, 060, 064

2.54MM SUPER LOW PROFILE DIP PLUG H=5.4MM



$$A=B+6.64$$

$$B=2.54 \times \text{POSITIONS} / 2 - 2.54$$

NO. OF CONTACTS:
006, 008, 010, 012, 014,
016, 020, 024, 026, 030,
032, 034, 040, 050, 060,
064

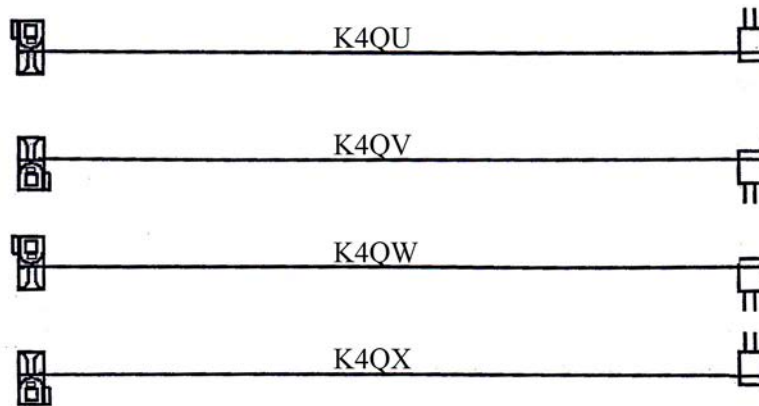
ORDERING INFORMATION:

P/N **K** 1 **x x x x x x** - 2 **x x** 3 **C M** 4 **B**

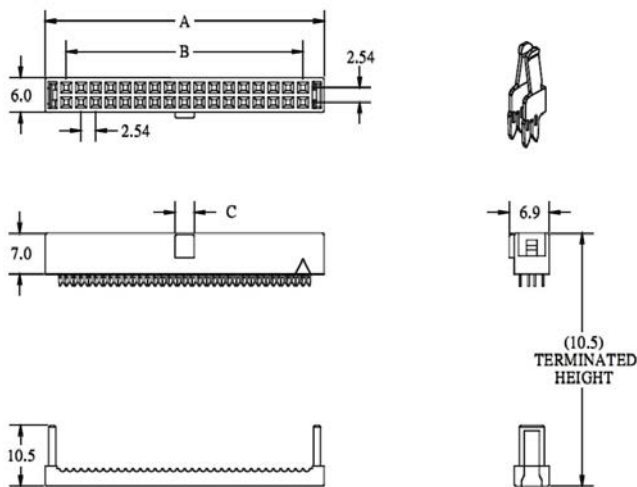
1. CONSTRUCTION TYPE:
4DT, 4DU, 4DV, 4DW
2. NO. OF CONTACTS:
006~064
3. LENGTH IN CM (CENTIMETERS)
4. COLOR OF TWO IDC CONNECTORS:
"B" BLACK

NOTE: IDC SOCKET & DIP PLUG CAN'T BE SUPPLIED ALONE.

**1.27MM PITCH FLAT CABLE
WITH 2.54MM IDC SOCKET W/O S.R. (H=10.5MM) TO DIP PLUG (H=5.4MM) (E6)**



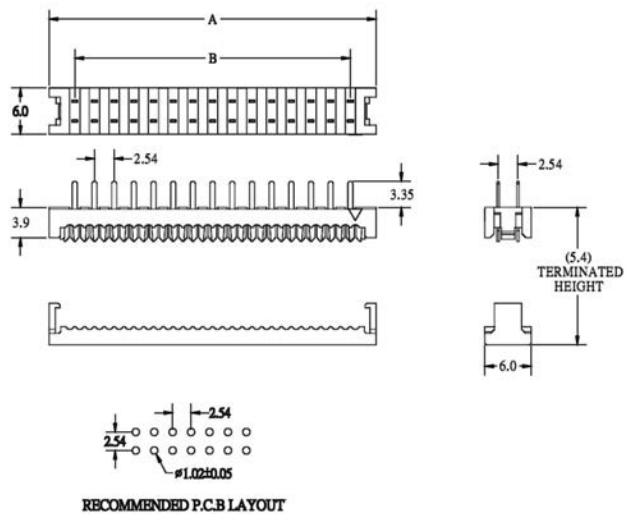
2.54MM IDC SOCKET WITH DUAL U-SLOT & DUAL CONTACT



A=B+7.24
 B=2.54*POSITIONS/2-2.54
 C=1.85 FOR 6 & 8 POSITIONS
 C=3.50 FOR 10~64 POSITIONS

NO. OF CONTACTS:
 006, 008, 010, 012, 014,
 016, 020, 024, 026, 030,
 034, 040, 050, 060, 064

2.54MM LOW PROFILE DIP PLUG



A=B+6.64
 B=2.54*POSITIONS/2-2.54

NO. OF CONTACTS:
 006, 008, 010, 012, 014,
 016, 020, 024, 026, 030,
 032, 034, 040, 050, 060,
 064

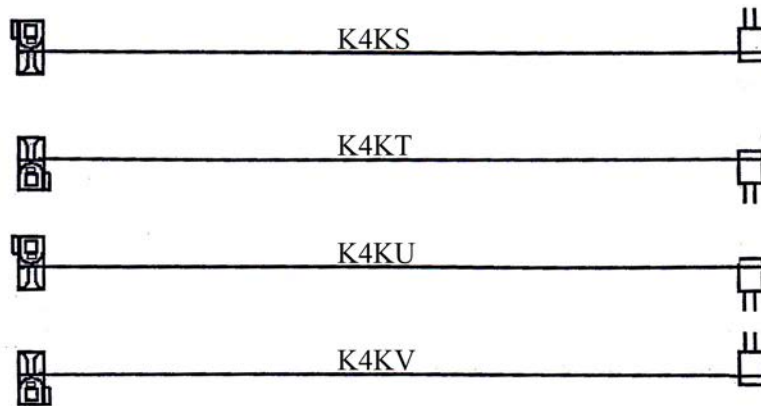
ORDERING INFORMATION:

P/N K 1 2 3 4 C M B

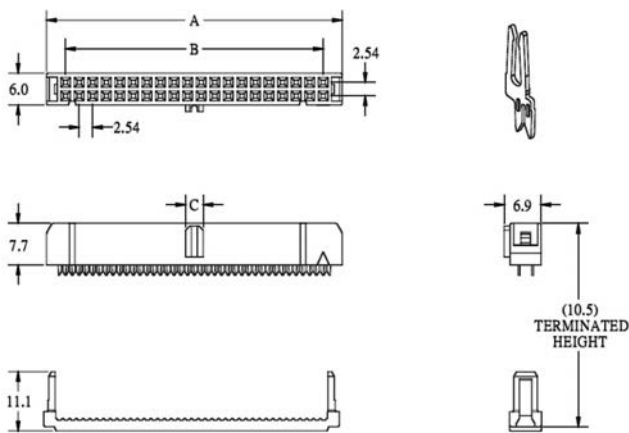
1. CONSTRUCTION TYPE:
4QU, 4QV, 4QW, 4QX
2. NO. OF CONTACTS:
006~064
3. LENGTH IN CM (CENTIMETERS)
4. COLOR OF TWO IDC CONNECTORS:
"B" BLACK

NOTE: IDC SOCKET & DIP PLUG CAN'T BE SUPPLIED ALONE.

**1.27MM PITCH FLAT CABLE
WITH 2.54MM IDC SOCKET (H=10.5MM) TO DIP PLUG (H=5.4MM) (E7)**



2.54MM IDC SOCKET WITH DUAL WIPE CONTACT & W/O STRAIN RELIEF



$A=B+7.12$

$B=2.54 \times \text{POSITIONS} / 2 - 2.54$

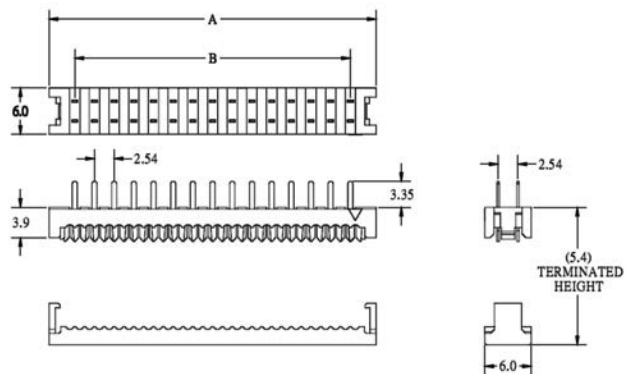
$C=1.85$ FOR 6 & 8 POSITIONS

$C=3.50$ FOR 10~64 POSITIONS

NO. OF CONTACTS:

006, 008, 010, 012, 014,
016, 020, 024, 026, 030,
034, 036, 040, 044, 050,
060, 064

**2.54MM SUPER LOW PROFILE DIP PLUG
H=5.4MM**

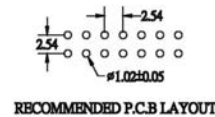


$A=B+6.64$

$B=2.54 \times \text{POSITIONS} / 2 - 2.54$

NO. OF CONTACTS:

006, 008, 010, 012, 014,
016, 020, 024, 026, 030,
032, 034, 040, 050, 060,
064



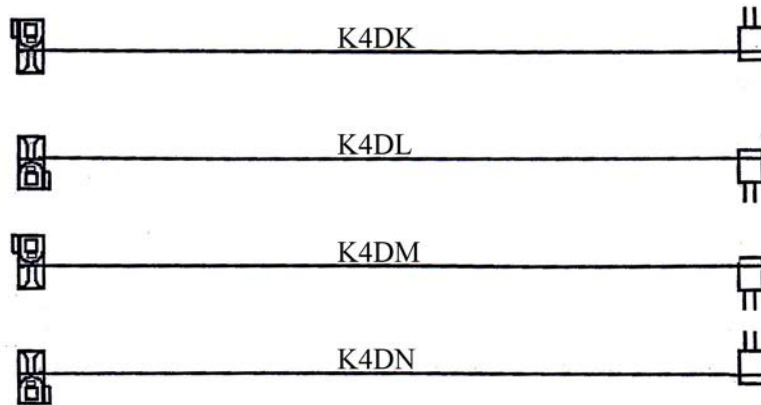
ORDERING INFORMATION:

P/N $\frac{K}{1} \frac{X}{2} \frac{X}{3} \frac{X}{4} \frac{X}{5} \frac{X}{6} \frac{X}{7} \frac{X}{8} - \frac{X}{9} \frac{X}{10} \frac{C}{11} \frac{M}{12} \frac{X}{13}$

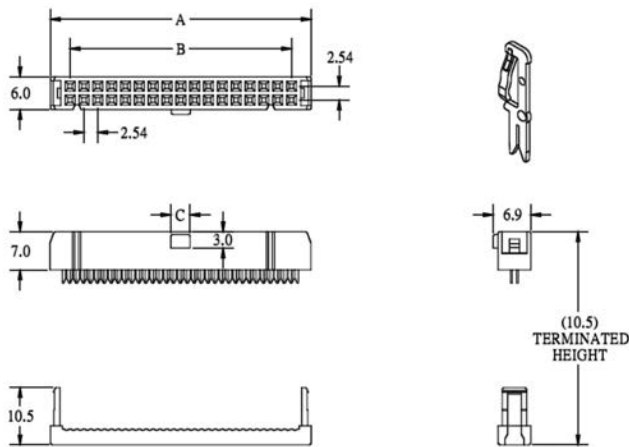
1. CONSTRUCTION TYPE:
4KS, 4KT, 4KU, 4KV
2. NO. OF CONTACTS:
006~064
3. LENGTH IN CM (CENTIMETERS)
4. COLOR OF TWO IDC CONNECTORS:
"B" BLACK
"A" GRAY

NOTE: IDC SOCKET & DIP PLUG CAN'T BE SUPPLIED ALONE.

1.27MM PITCH FLAT CABLE WITH 2.54MM IDC SOCKET (H=10.5MM) TO DIP PLUG (H=5.4MM) (E8)



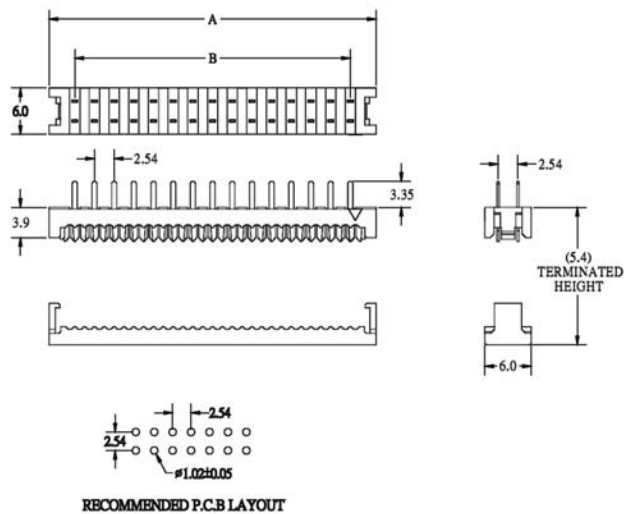
2.54MM IDC SOCKET W/O STRAIN RELIEF



A=B+7.24
 B=2.54*POSITIONS/2-2.54
 C=1.85 FOR 4~8 POSITIONS
 C=3.50 FOR 10~64 POSITIONS

NO. OF CONTACTS:
 004, 006, 008, 010, 012,
 014, 016, 020, 024, 026,
 030, 034, 036, 040, 044,
 050, 056, 060, 062, 064

2.54MM SUPER LOW PROFILE DIP PLUG H=5.4MM



A=B+6.64
 B=2.54*POSITIONS/2-2.54

NO. OF CONTACTS:
 006, 008, 010, 012, 014,
 016, 020, 024, 026, 030,
 032, 034, 040, 050, 060,
 064

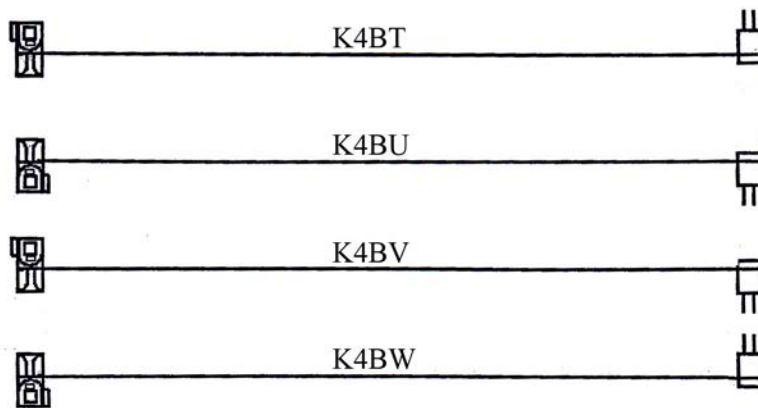
ORDERING INFORMATION:

P/N **K** **X** **X** **X** **X** **X** **X** - **X** **X** **C** **M** **X**
 1 2 3 4

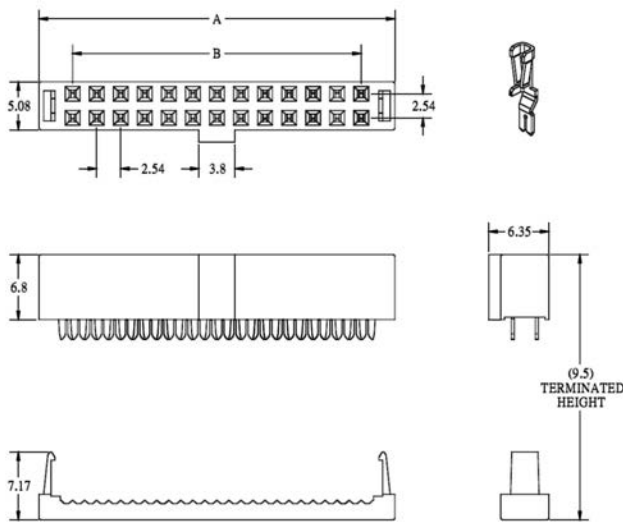
- CONSTRUCTION TYPE:
4DK, 4DL, 4DM, 4DN
- NO. OF CONTACTS:
006~064
- LENGTH IN CM (CENTIMETERS)
- COLOR OF TWO IDC CONNECTORS:
"B" BLACK
"A" GRAY

NOTE: IDC SOCKET & DIP PLUG CAN'T BE SUPPLIED ALONE.

**1.27MM PITCH FLAT CABLE
WITH 2.54MM IDC SOCKET (H=9.5MM) TO DIP PLUG (H=6.0MM) (E9)**



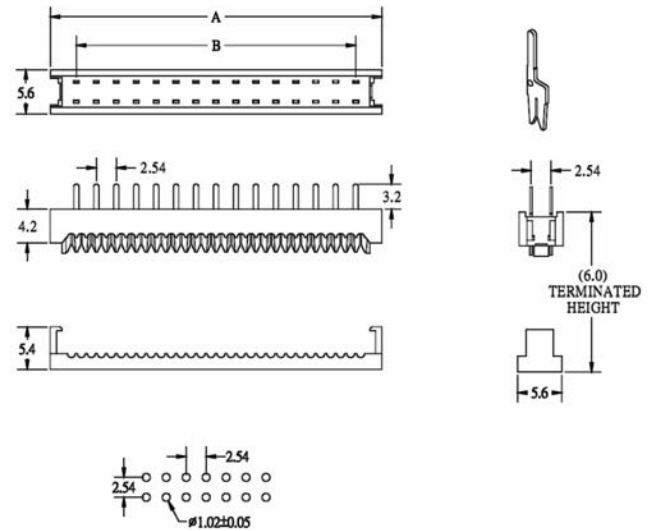
**2.54MM LOW PROFILE IDC SOCKET
H=9.5MM**



A=B+7.11
B=2.54*POSITIONS/2-2.54

NO. OF CONTACTS:
006, 008, 010, 012, 014,
016, 020, 024, 026, 030,
034, 040, 050, 060, 064

2.54MM PITCH DIP PLUG H=6.0MM



A=B+6.64
B=2.54*POSITIONS/2-2.54

NO. OF CONTACTS:
006, 008, 010, 012, 014,
016, 020, 024, 026, 030,
032, 034, 040, 050, 060,
064

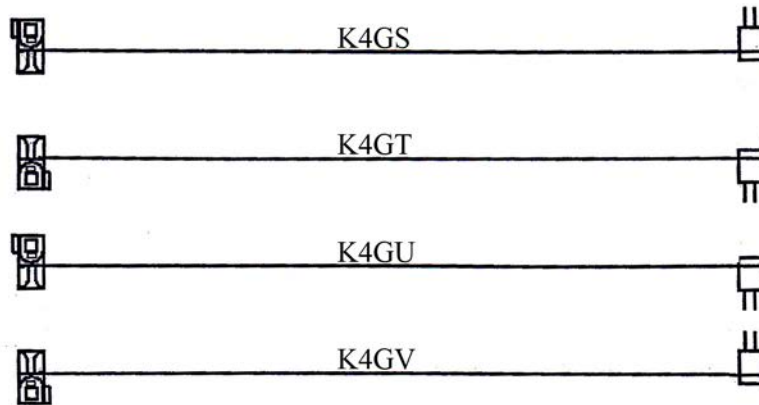
ORDERING INFORMATION:

P/N K 1 2 3 4 C M B

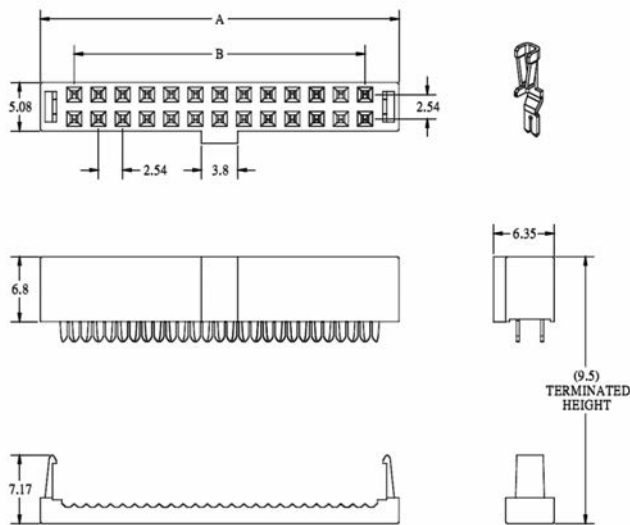
1. CONSTRUCTION TYPE:
4BT, 4BU, 4BV, 4BW
2. NO. OF CONTACTS:
006~064
3. LENGTH IN CM (CENTIMETERS)
4. COLOR OF TWO IDC CONNECTORS:
"B" BLACK

NOTE: IDC SOCKET & DIP PLUG CAN'T BE SUPPLIED ALONE.

**1.27MM PITCH FLAT CABLE
WITH 2.54MM IDC SOCKET (H=9.5MM) TO DIP PLUG (H=6.0MM) (E10)**



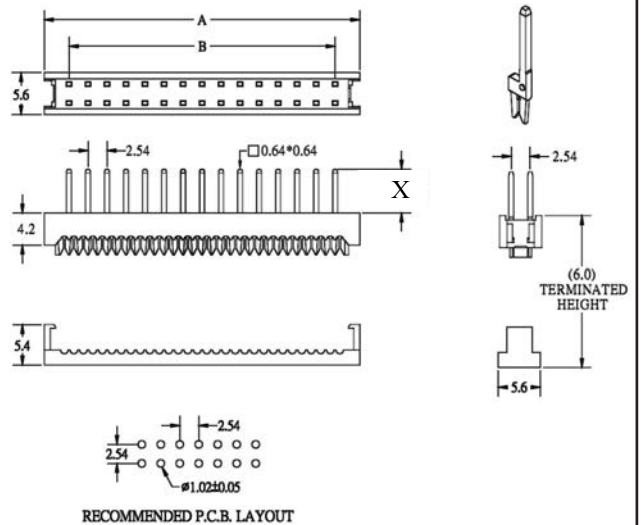
2.54MM LOW PROFILE IDC SOCKET W/O STRAIN RELIEF



$A=B+7.11$
 $B=2.54*POSITIONS/2-2.54$

NO. OF CONTACTS:
006, 008, 010, 012, 014,
016, 020, 024, 026, 030,
034, 040, 050, 060, 064

2.54MM DIP PLUG WITH 0.64MM SQUARE TAIL H=6.0MM



$A=B+6.64$
 $B=2.54*POSITIONS/2-2.54$
 $X=PIN LENGTH$

NO. OF CONTACTS:
006, 008, 010, 012, 014,
016, 020, 024, 026, 030,
032, 034, 040, 050, 060,
064

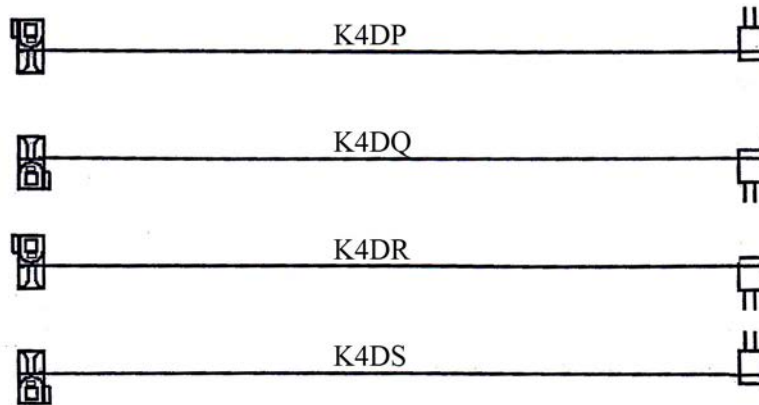
ORDERING INFORMATION:

P/N K 1 2 3 4 5 C M B X

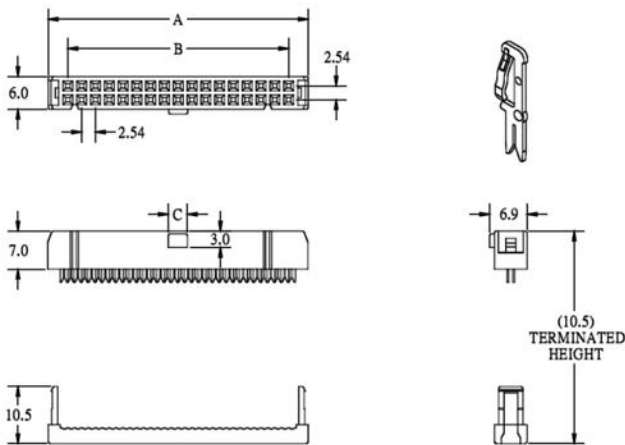
- CONSTRUCTION TYPE:
4GS, 4GT, 4GU, 4GV
- NO. OF CONTACTS:
006~064
- LENGTH IN CM (CENTIMETERS)
- COLOR OF TWO IDC CONNECTORS:
"B" BLACK
- PIN LENGTH OF DIP PLUG:
"6" X= 5.85MM (STANDARD)
"T" X= 12.0MM

NOTE: IDC SOCKET & DIP PLUG CAN'T BE SUPPLIED ALONE.

1.27MM PITCH FLAT CABLE WITH 2.54MM IDC SOCKET (H=10.5MM) TO DIP PLUG (H=6.0MM) (E11)



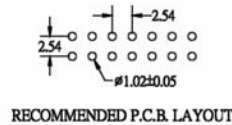
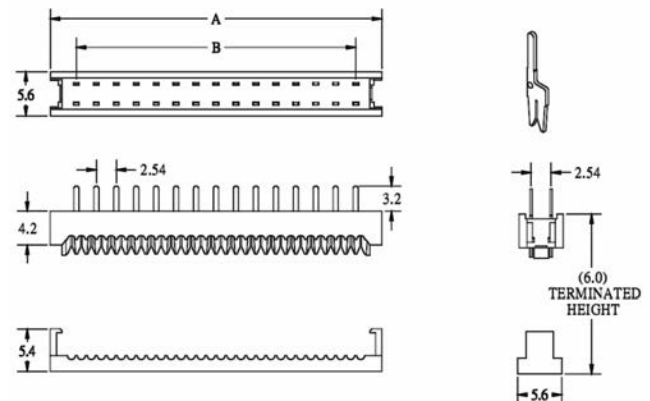
2.54MM IDC SOCKET W/O STRAIN RELIEF



A=B+7.24
B=2.54*POSITIONS/2-2.54
C=1.85 FOR 4~8 POSITIONS
C=3.50 FOR 10~64 POSITIONS

NO. OF CONTACTS:
004, 006, 008, 010, 012,
014, 016, 020, 024, 026,
030, 034, 036, 040, 044,
050, 056, 060, 062, 064

2.54MM PITCH DIP PLUG H=6.0MM



A=B+6.64
B=2.54*POSITIONS/2-2.54

NO. OF CONTACTS:
006, 008, 010, 012, 014,
016, 020, 024, 026, 030,
032, 034, 040, 050, 060,
064

ORDERING INFORMATION:

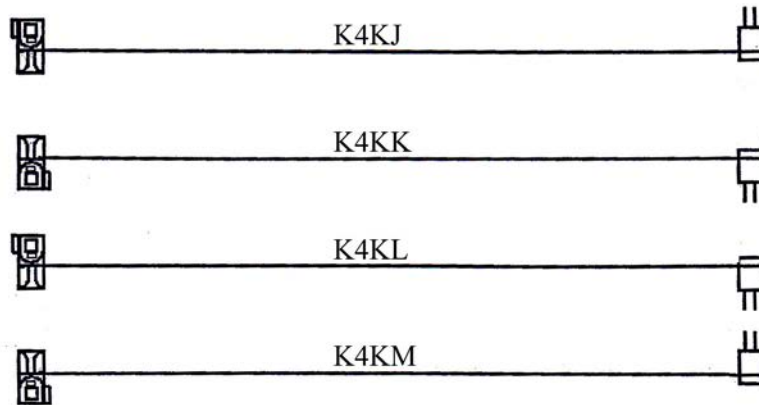
P/N **K** **x x x x x x** **x x** **C M** **x**

1 2 3 4

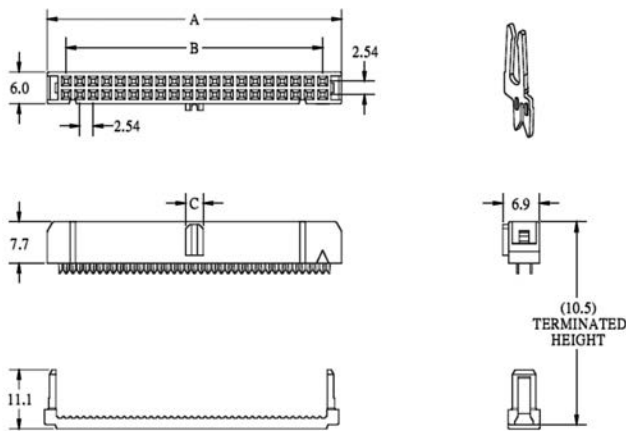
1. CONSTRUCTION TYPE:
4DP, 4DQ, 4DR, 4DS
2. NO. OF CONTACTS:
006~064
3. LENGTH IN CM (CENTIMETERS)
4. COLOR OF TWO IDC CONNECTORS:
"B" BLACK
"A" GRAY

NOTE: IDC SOCKET & DIP PLUG CAN'T BE SUPPLIED ALONE.

1.27MM PITCH FLAT CABLE WITH 2.54MM IDC SOCKET (H=10.5MM) TO DIP PLUG (H=6.0MM) (E12)



2.54MM IDC SOCKET WITH DUAL WIPE CONTACT & W/O STRAIN RELIEF



$$A=B+7.12$$

$$B=2.54 \times \text{POSITIONS} / 2 - 2.54$$

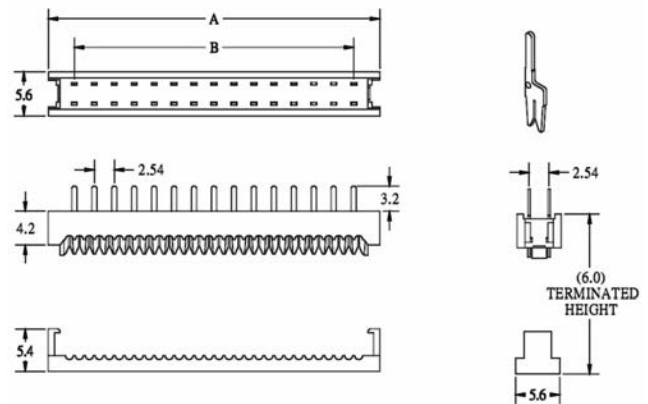
$$C=1.85 \text{ FOR } 6 \text{ \& } 8 \text{ POSITIONS}$$

$$C=3.30 \text{ FOR } 10\text{-}64 \text{ POSITIONS}$$

NO. OF CONTACTS:

006, 008, 010, 012, 014,
016, 020, 024, 026, 030,
034, 036, 040, 044, 050,
060, 064

2.54MM PITCH DIP PLUG H=6.0MM

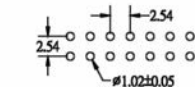


$$A=B+6.64$$

$$B=2.54 \times \text{POSITIONS} / 2 - 2.54$$

NO. OF CONTACTS:

006, 008, 010, 012, 014,
016, 020, 024, 026, 030,
032, 034, 040, 050, 060,
064



RECOMMENDED P.C.B. LAYOUT

ORDERING INFORMATION:

P/N **K** **X** **X** **X** **X** **X** **X** - **X** **X** **C** **M** **B**

1 2 3 4

1. CONSTRUCTION TYPE:

4KJ, 4KK, 4KL, 4KM

2. NO. OF CONTACTS:

006~064

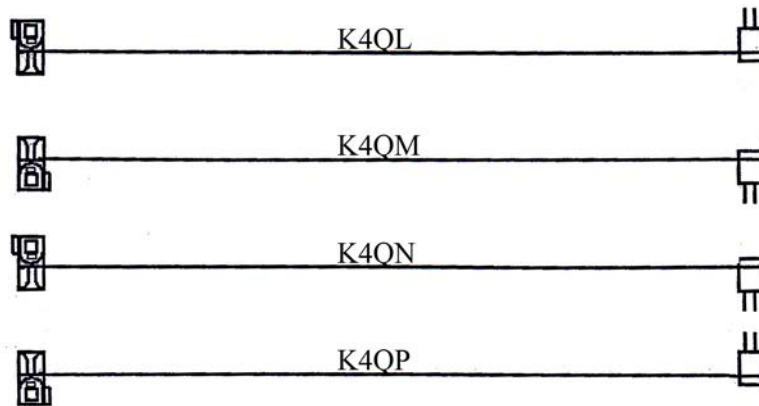
3. LENGTH IN CM (CENTIMETERS)

4. COLOR OF TWO IDC CONNECTORS:

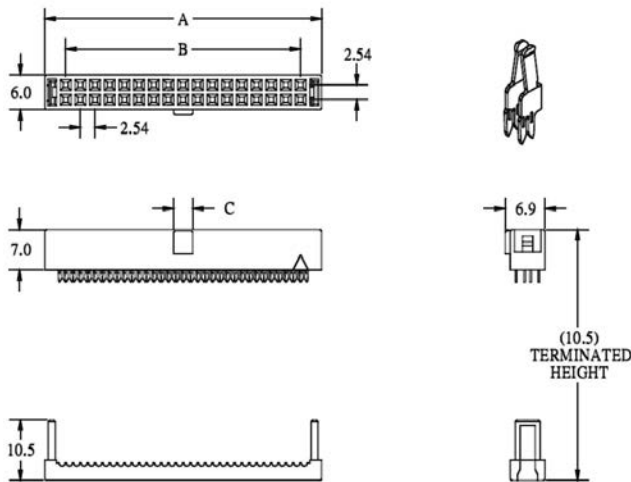
"B" BLACK

NOTE: IDC SOCKET & DIP PLUG CAN'T BE SUPPLIED ALONE.

**1.27MM PITCH FLAT CABLE
WITH 2.54MM IDC SOCKET W/O S.R. (H=10.5MM) TO DIP PLUG (H=6.0MM) (E13)**



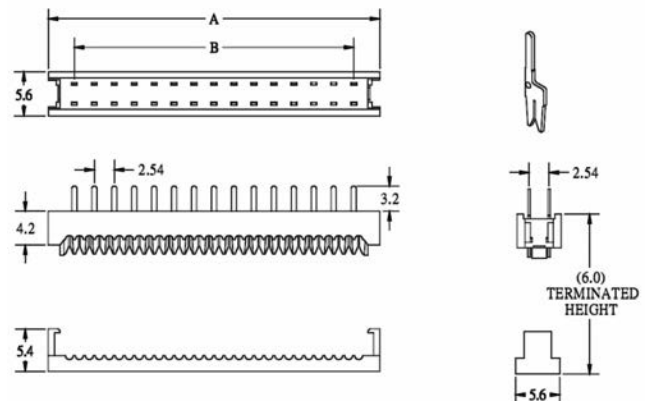
2.54MM IDC SOCKET WITH DUAL U-SLOT & DUAL CONTACT



A=B+7.24
 B=2.54*POSITIONS/2-2.54
 C=1.85 FOR 6 & 8 POSITIONS
 C=3.30 FOR 10~64 POSITIONS

NO. OF CONTACTS:
 006, 008, 010, 012, 014,
 016, 020, 024, 026, 030,
 034, 040, 050, 060, 064

2.54MM PITCH DIP PLUG H=6.0MM



A=B+6.64
 B=2.54*POSITIONS/2-2.54

NO. OF CONTACTS:
 006, 008, 010, 012, 014,
 016, 020, 024, 026, 030,
 032, 034, 040, 050, 060,
 064

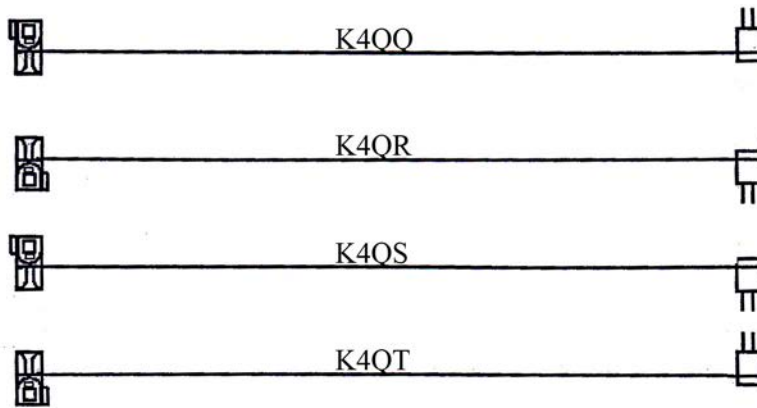
ORDERING INFORMATION:

P/N K 1 2 3 4 C M B

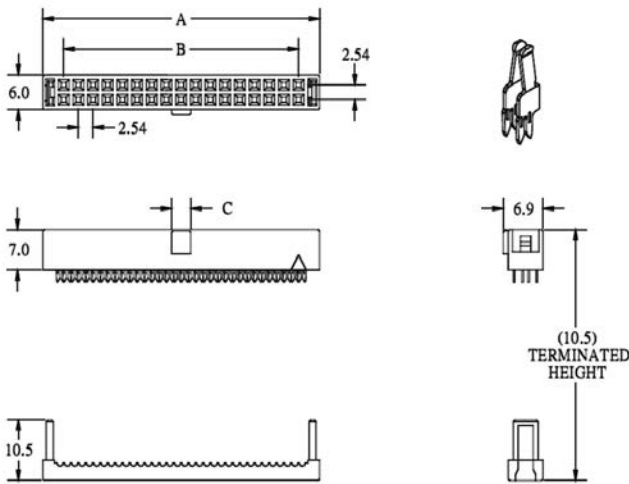
1. CONSTRUCTION TYPE:
4QL, 4QM, 4QN, 4QP
2. NO. OF CONTACTS:
006~064
3. LENGTH IN CM (CENTIMETERS)
4. COLOR OF TWO IDC CONNECTORS:
"B" BLACK

NOTE: IDC SOCKET & DIP PLUG CAN'T BE SUPPLIED ALONE.

**1.27MM PITCH FLAT CABLE
WITH 2.54MM IDC SOCKET W/O S.R. (H=10.5MM) TO DIP PLUG (H=6.0MM) (E14)**



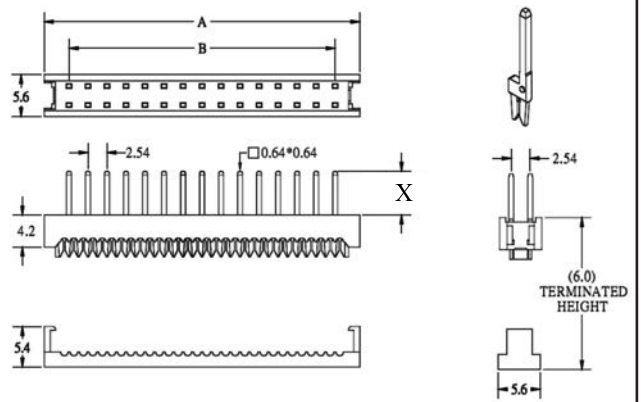
2.54MM IDC SOCKET WITH DUAL U-SLOT & DUAL CONTACT



A=B+7.24
 B=2.54*POSITIONS/2-2.54
 C=1.85 FOR 6 & 8 POSITIONS
 C=3.50 FOR 10~64 POSITIONS

NO. OF CONTACTS:
 006, 008, 010, 012, 014,
 016, 020, 024, 026, 030,
 034, 040, 050, 060, 064

2.54MM DIP PLUG WITH 0.64MM SQUARE SOLDER TAIL



A=B+6.64
 B=2.54*POSITIONS/2-2.54
 X=PIN LENGTH

NO. OF CONTACTS:
 006, 008, 010, 012, 014,
 016, 020, 024, 026, 030,
 032, 034, 040, 050, 060,
 064

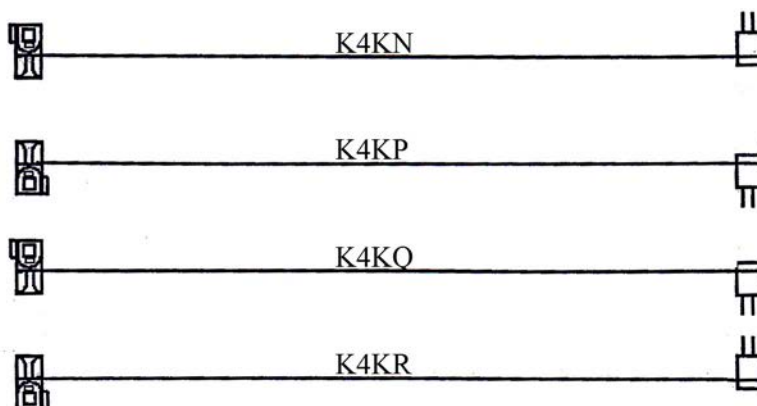
ORDERING INFORMATION:

P/N K 1 2 3 4 5 C M B X

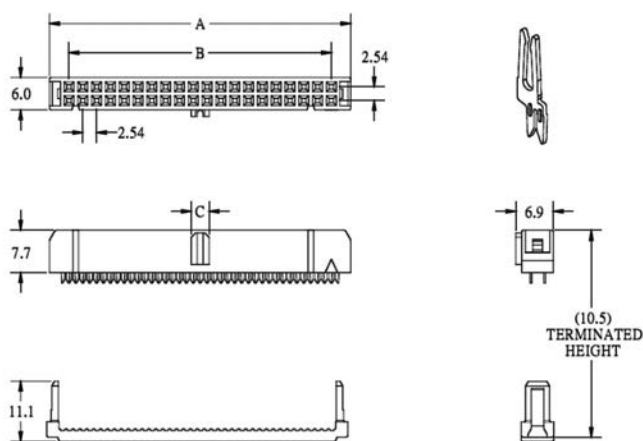
- CONSTRUCTION TYPE:
4QQ, 4QR, 4QS, 4QT
- NO. OF CONTACTS:
006~064
- LENGTH IN CM (CENTIMETERS)
- COLOR OF TWO IDC CONNECTORS:
"B" BLACK
- PIN LENGTH OF DIP PLUG:
"6" X= 5.85MM (STANDARD)
"T" X= 12.0MM

NOTE: IDC SOCKET & DIP PLUG CAN'T BE SUPPLIED ALONE.

1.27MM PITCH FLAT CABLE WITH 2.54MM IDC SOCKET (H=10.5MM) TO DIP PLUG (H=6.0MM) (E15)



2.54MM IDC SOCKET WITH DUAL WIPE CONTACT & W/O STRAIN RELIEF



$$A=B+7.12$$

$$B=2.54*POSITIONS/2-2.54$$

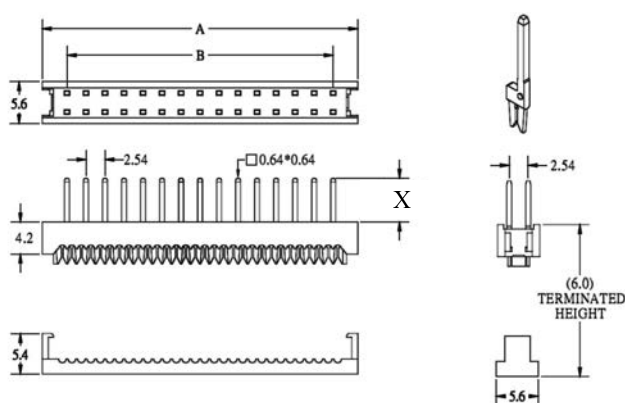
$$C=1.85 \text{ FOR } 6 \text{ \& } 8 \text{ POSITIONS}$$

$$C=3.30 \text{ FOR } 10\sim 64 \text{ POSITIONS}$$

NO. OF CONTACTS:

006, 008, 010, 012, 014,
016, 020, 024, 026, 030,
034, 036, 040, 044, 050,
060, 064

2.54MM DIP PLUG WITH 0.64MM SQUARE TAIL H=6.0MM



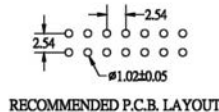
$$A=B+6.64$$

$$B=2.54*POSITIONS/2-2.54$$

$$X=\text{PIN LENGTH}$$

NO. OF CONTACTS:

006, 008, 010, 012, 014,
016, 020, 024, 026, 030,
032, 034, 040, 050, 060,
064



ORDERING INFORMATION:

P/N **K** **x x x x x x** - **x x** **C M** **B** **x**
1 2 3 4 5

1. CONSTRUCTION TYPE:

4KN, 4KP, 4KQ, 4KR

2. NO. OF CONTACTS:

006~064

3. LENGTH IN CM (CENTIMETERS)

4. COLOR OF TWO IDC CONNECTORS:

"B" BLACK

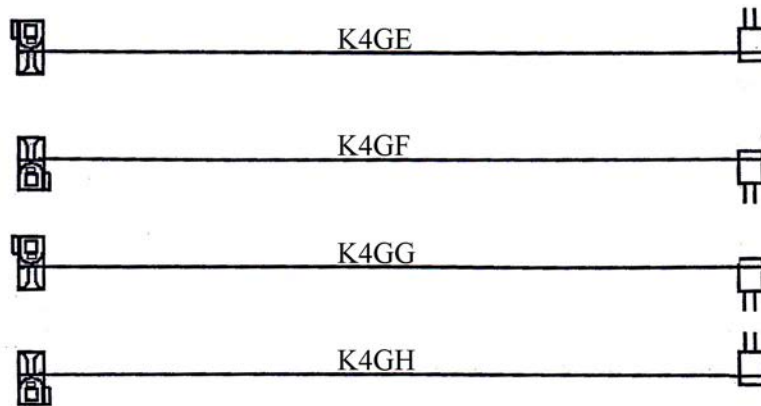
5. PIN LENGTH OF DIP PLUG:

"6" X= 5.85MM (STANDARD)

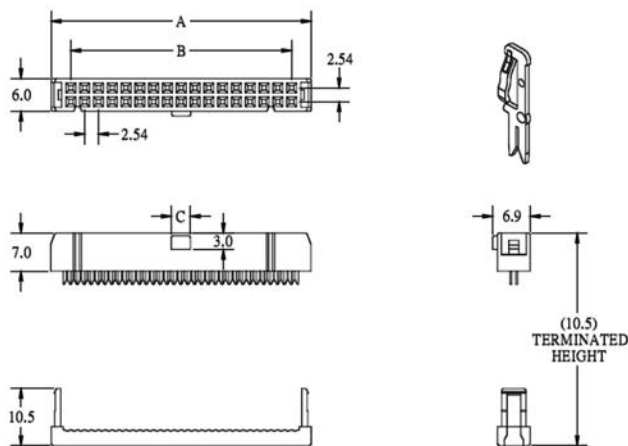
"T" X= 12.0MM

NOTE: IDC SOCKET & DIP PLUG CAN'T BE SUPPLIED ALONE.

**1.27MM PITCH FLAT CABLE
WITH 2.54MM IDC SOCKET (H=10.5MM) TO DIP PLUG (H=6.0MM) (E16)**



2.54MM IDC SOCKET W/O STRAIN RELIEF



$A=B+7.24$

$B=2.54 \times \text{POSITIONS} / 2 - 2.54$

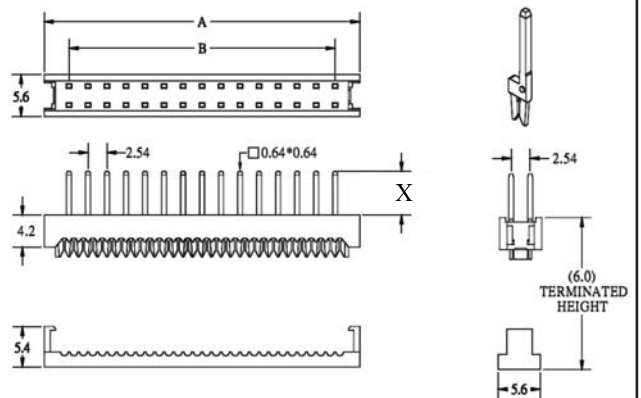
$C=1.85$ FOR 4~8 POSITIONS

$C=3.30$ FOR 10~64 POSITIONS

NO. OF CONTACTS:

004, 006, 008, 010, 012,
014, 016, 020, 024, 026,
030, 034, 036, 040, 044,
050, 056, 060, 062, 064

**2.54MM DIP PLUG WITH 0.64MM SQUARE
TAIL H=6.0MM**



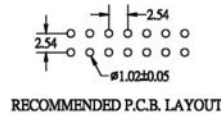
$A=B+6.64$

$B=2.54 \times \text{POSITIONS} / 2 - 2.54$

X=PIN LENGTH

NO. OF CONTACTS:

006, 008, 010, 012, 014,
016, 020, 024, 026, 030,
032, 034, 040, 050, 060,
064



ORDERING INFORMATION:

P/N K 1 2 3 4 5 C M B X

1. CONSTRUCTION TYPE:

4GE, 4GF, 4GG, 4GH

2. NO. OF CONTACTS:

006~064

3. LENGTH IN CM (CENTIMETERS)

4. COLOR OF TWO IDC CONNECTORS:

"B" BLACK

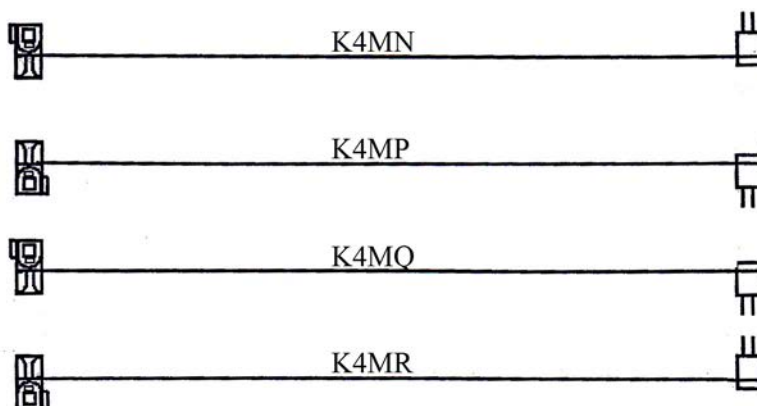
5. PIN LENGTH OF DIP PLUG:

"6" X= 5.85MM (STANDARD)

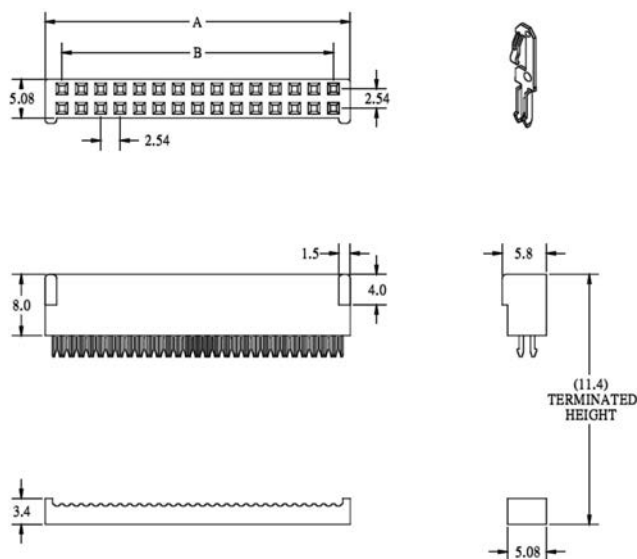
"T" X= 12.0MM

NOTE: IDC SOCKET & DIP PLUG CAN'T BE SUPPLIED ALONE.

1.27MM PITCH FLAT CABLE WITH 2.54MM SHRUNK IDC SOCKET (H=11.4MM) TO SHRUNK DIP PLUG (H=6.1MM) (E17)



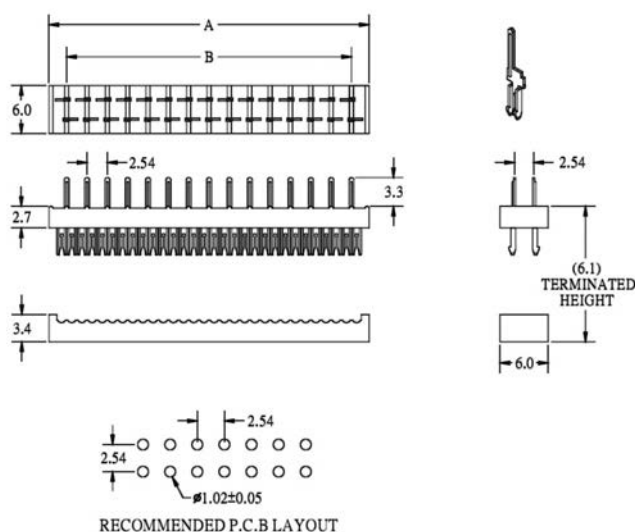
2.54MM SHRUNK IDC SOCKET



A=B+4.40
B=2.54*POSITIONS/2-2.54

NO. OF CONTACTS:
006, 008, 010, 012, 014,
016, 020, 024, 026, 030,
034, 040, 050, 060, 064

2.54MM SHRUNK DIP PLUG



A=B+4.40
B=2.54*POSITIONS/2-2.54

NO. OF CONTACTS:
006, 008, 010, 012, 014,
016, 020, 024, 026, 028,
030, 034, 040, 050, 060,
064

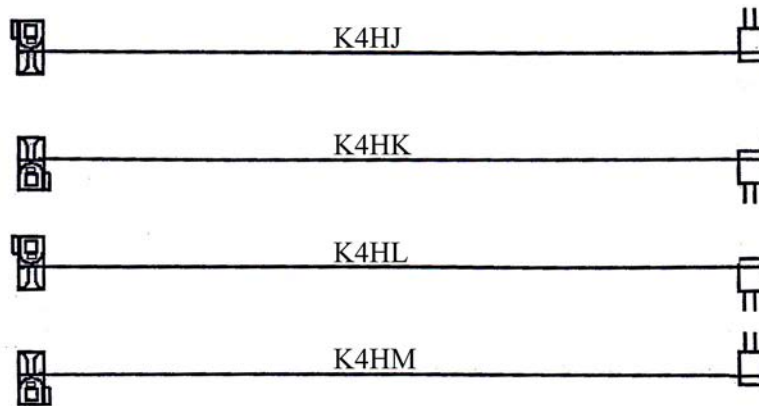
ORDERING INFORMATION:

P/N **K** **x x x x x x** - **x x** **C M B**

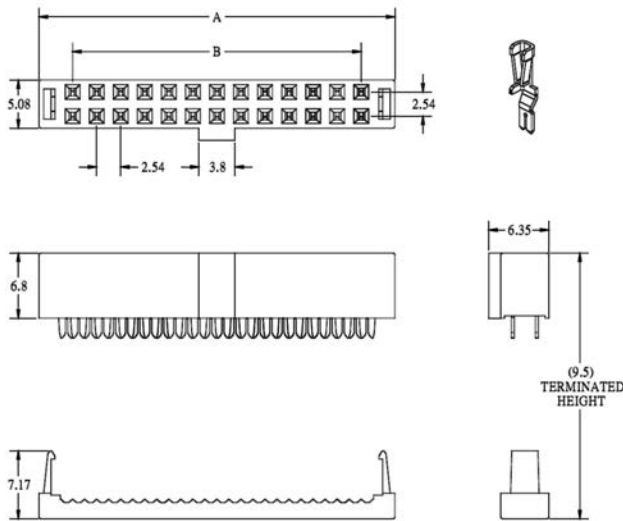
1. CONSTRUCTION TYPE:
4MN, 4MP, 4MQ, 4MR
2. NO. OF CONTACTS:
006~064
3. LENGTH IN CM (CENTIMETERS)
4. COLOR OF TWO IDC CONNECTORS:
"B" BLACK

NOTE: IDC SOCKET & DIP PLUG CAN'T BE SUPPLIED ALONE.

**1.27MM PITCH FLAT CABLE
WITH 2.54MM IDC SOCKET (H=9.5MM) TO DIP PLUG (H=7.85MM) (E18)**



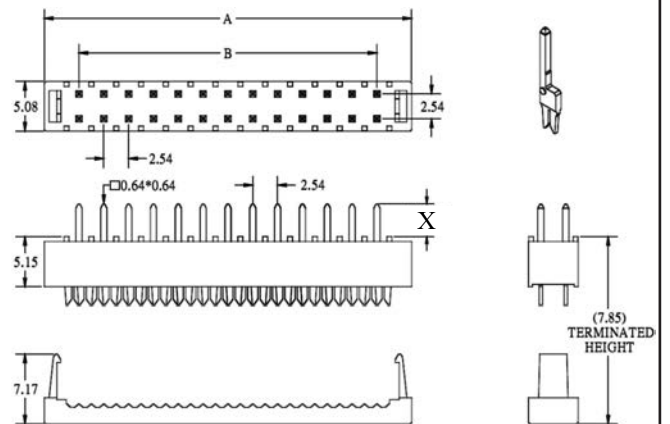
2.54MM LOW PROFILE IDC SOCKET W/O STRAIN RELIEF H=9.5MM



$A=B+7.11$
 $B=2.54*POSITIONS/2-2.54$

NO. OF CONTACTS:
006, 008, 010, 012, 014,
016, 020, 024, 026, 030,
034, 040, 050, 060, 064

2.54MM DIP PLUG WITH 0.64MM SQUARE TAIL H=7.85MM



$A=B+7.11$
 $B=2.54*POSITIONS/2-2.54$
X=PIN LENGTH

NO. OF CONTACTS:
006, 008, 010, 012, 014,
016, 020, 024, 026, 030,
034, 040, 050, 060, 064

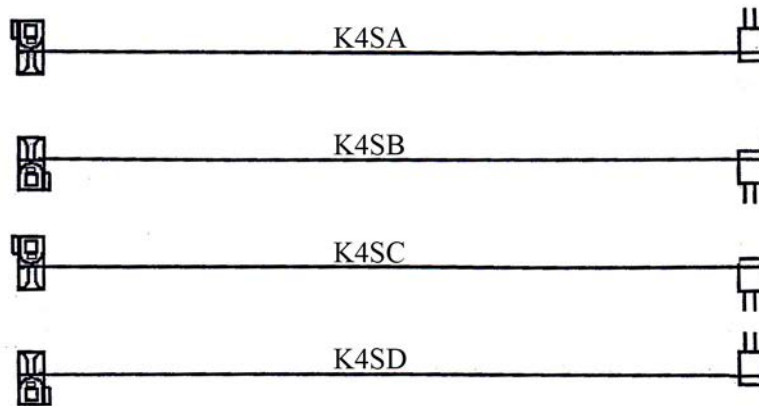
ORDERING INFORMATION:

P/N **K** **x x x x x x** **-** **x x** **C M** **B** **x**
 1 2 3 4 5

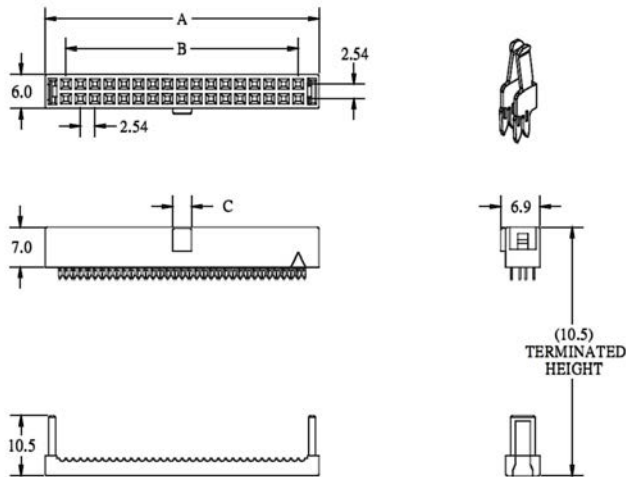
- | | |
|--|--|
| <p>1. CONSTRUCTION TYPE:
4HJ, 4HK, 4HL, 4HM</p> <p>2. NO. OF CONTACTS:
006~064</p> <p>3. LENGTH IN CM (CENTIMETERS)</p> <p>4. COLOR OF TWO IDC CONNECTORS:
"B" BLACK</p> | <p>5. PIN LENGTH OF DIP PLUG:
"3" X= 3.10MM (STANDARD)
"6" X= 5.95MM</p> |
|--|--|

NOTE: IDC SOCKET & DIP PLUG CAN'T BE SUPPLIED ALONE.

**1.27MM PITCH FLAT CABLE
WITH 2.54MM IDC SOCKET W/O S.R. (H=10.5MM) TO DIP PLUG (H=7.85MM) (E19)**



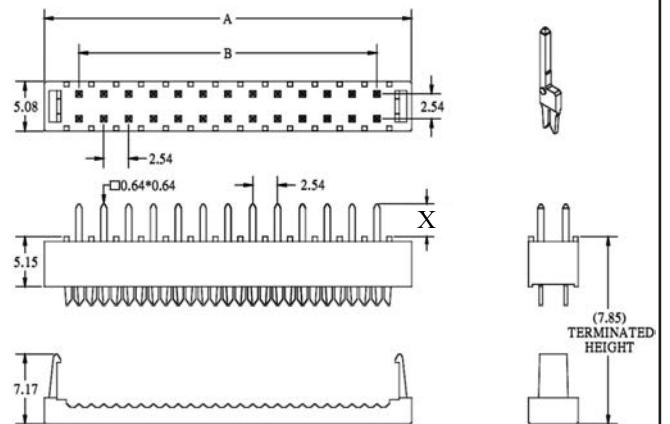
2.54MM IDC SOCKET WITH DUAL U-SLOT & DUAL CONTACT



A=B+
 B=2.54*POSITIONS/2-2.54
 C=1.85 FOR 6 & 8 POSITIONS
 C=3.50 FOR 10~64 POSITIONS

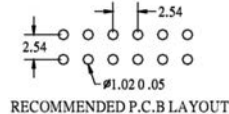
NO. OF CONTACTS:
 006, 008, 010, 012, 014,
 016, 020, 024, 026, 030,
 034, 040, 050, 060, 064

2.54MM DIP PLUG WITH 0.64MM SQUARE SOLDER TAIL



A=B+7.11
 B=2.54*POSITIONS/2-2.54
 X=PIN LENGTH

NO. OF CONTACTS:
 006, 008, 010, 012, 014,
 016, 020, 024, 026, 030,
 034, 040, 050, 060, 064



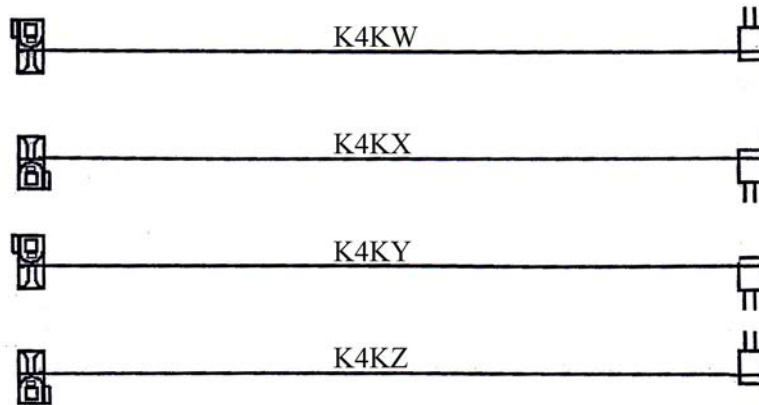
ORDERING INFORMATION:

P/N K 1 2 3 4 5 C M B X

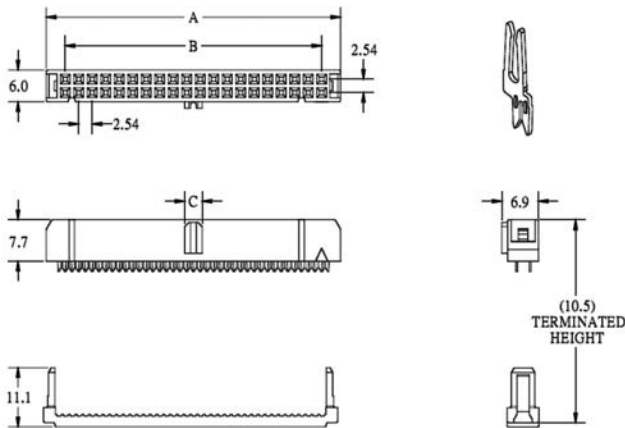
- CONSTRUCTION TYPE:
4SA, 4SB, 4SC, 4SD
- NO. OF CONTACTS:
006~064
- LENGTH IN CM (CENTIMETERS)
- COLOR OF TWO IDC CONNECTORS:
"B" BLACK
- PIN LENGTH OF DIP PLUG:
"3" X= 3.10MM (STANDARD)
"6" X= 5.95MM

NOTE: IDC SOCKET & DIP PLUG CAN'T BE SUPPLIED ALONE.

1.27MM PITCH FLAT CABLE WITH 2.54MM IDC SOCKET (H=10.5MM) TO DIP PLUG (H=7.85MM) (E20)



2.54MM IDC SOCKET WITH DUAL WIPE CONTACT & W/O STRAIN RELIEF



$$A=B+7.12$$

$$B=2.54 \times \text{POSITIONS} / 2 - 2.54$$

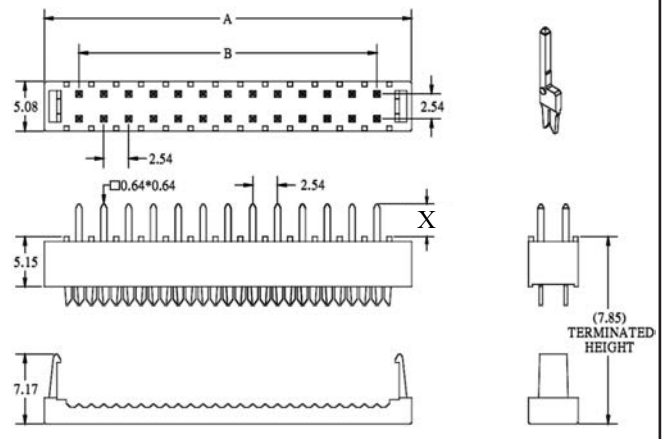
$$C=1.85 \text{ FOR } 6 \text{ \& } 8 \text{ POSITIONS}$$

$$C=3.30 \text{ FOR } 10\text{-}64 \text{ POSITIONS}$$

NO. OF CONTACTS:

006, 008, 010, 012, 014,
016, 020, 024, 026, 030,
034, 036, 040, 044, 050,
060, 064

2.54MM DIP PLUG WITH 0.64MM SQUARE TAIL H=7.85MM



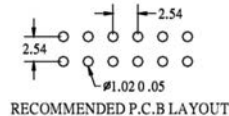
$$A=B+7.11$$

$$B=2.54 \times \text{POSITIONS} / 2 - 2.54$$

$$X=\text{PIN LENGTH}$$

NO. OF CONTACTS:

006, 008, 010, 012, 014,
016, 020, 024, 026, 030,
034, 040, 050, 060, 064



ORDERING INFORMATION:

P/N **K** **x x x x x x** - **x x** **C M** **B x**
1 2 3 4 5

1. CONSTRUCTION TYPE:

4KW, 4KX, 4KY, 4KZ

2. NO. OF CONTACTS:

006~064

3. LENGTH IN CM (CENTIMETERS)

4. COLOR OF TWO IDC CONNECTORS:

"B" BLACK

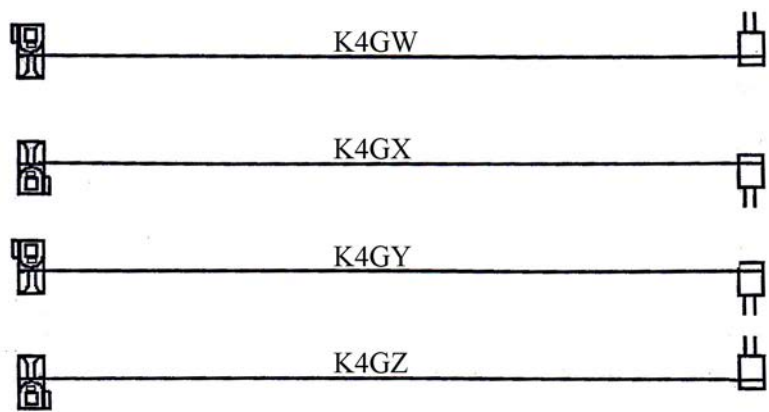
5. PIN LENGTH OF DIP PLUG:

"3" X= 3.10MM (STANDARD)

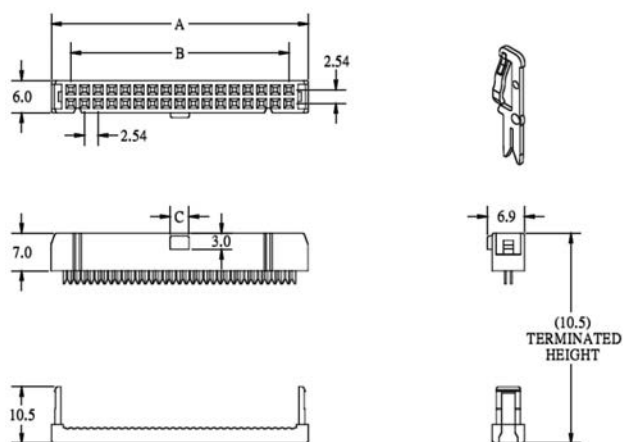
"6" X= 5.95MM

NOTE: IDC SOCKET & DIP PLUG CAN'T BE SUPPLIED ALONE.

1.27MM PITCH FLAT CABLE WITH 2.54MM IDC SOCKET (H=1.05MM) TO DIP PLUG (H=7.85MM) (E21)



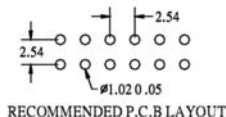
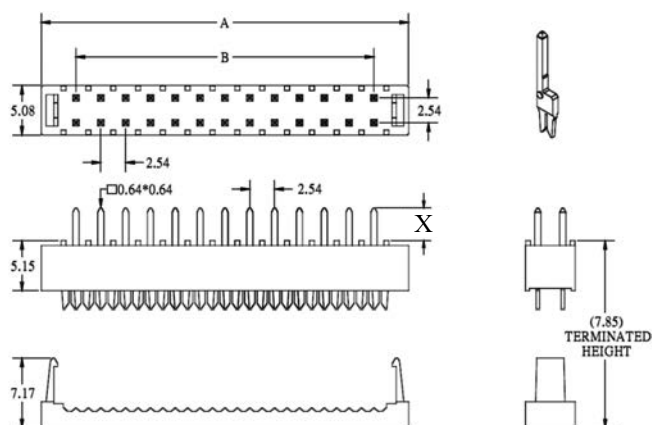
2.54MM IDC SOCKET W/O STRAIN RELIEF



A=B+7.24
 B=2.54*POSITIONS/2-2.54
 C=1.85 FOR 4~8 POSITIONS
 C=3.50 FOR 10~64 POSITIONS

NO. OF CONTACTS:
 004, 006, 008, 010, 012,
 014, 016, 020, 024, 026,
 030, 034, 036, 040, 044,
 050, 056, 060, 062, 064

2.54MM DIP PLUG WITH 0.64MM SQUARE TAIL H=7.85MM



A=B+7.11
 B=2.54*POSITIONS/2-2.54
 X=PIN LENGTH

NO. OF CONTACTS:
 006, 008, 010, 012, 014,
 016, 020, 024, 026, 030,
 034, 040, 050, 060, 064

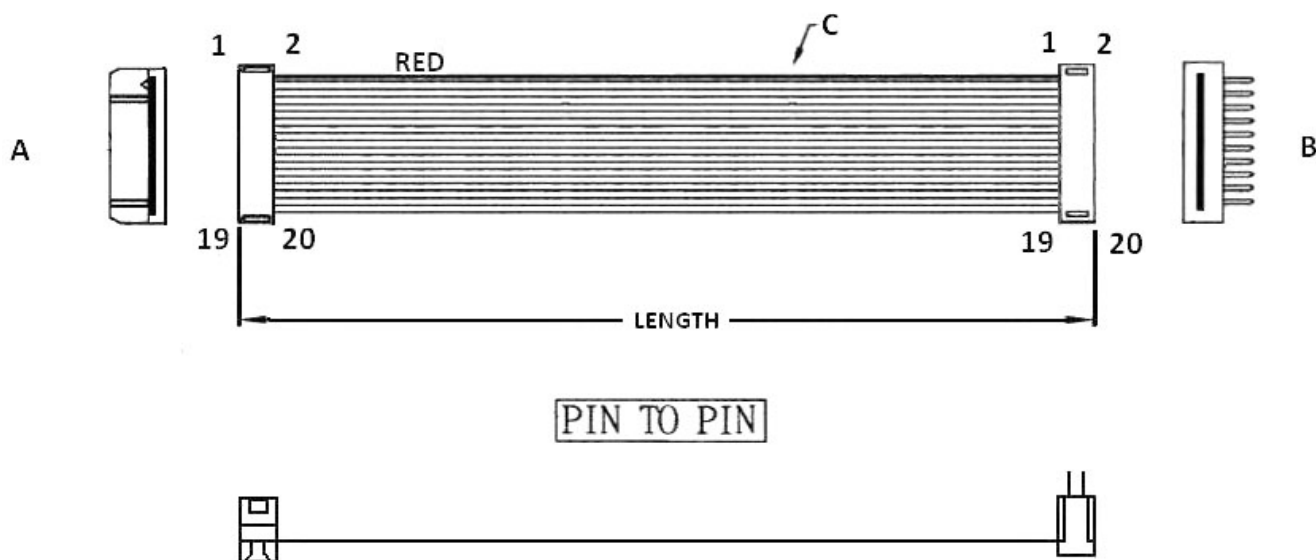
ORDERING INFORMATION:

P/N **K** **x x x x x x** - **x x** **C M** **B** **x**
 1 2 3 4 5

- CONSTRUCTION TYPE:
4GW, 4GX, 4GY, 4GZ
- NO. OF CONTACTS:
006~064
- LENGTH IN CM (CENTIMETERS)
- COLOR OF TWO IDC CONNECTORS:
"B" BLACK
- PIN LENGTH OF DIP PLUG:
"3" X= 3.10MM (STANDARD)
"6" X= 5.95MM

NOTE: IDC SOCKET & DIP PLUG CAN'T BE SUPPLIED ALONE.

**1.27MM PITCH FLAT CABLE WITH
2.54MM PITCH IDC SOCKET W/O NOSE (H=11.0MM) TO DIP PLUG (H=7.6MM) (F1)**

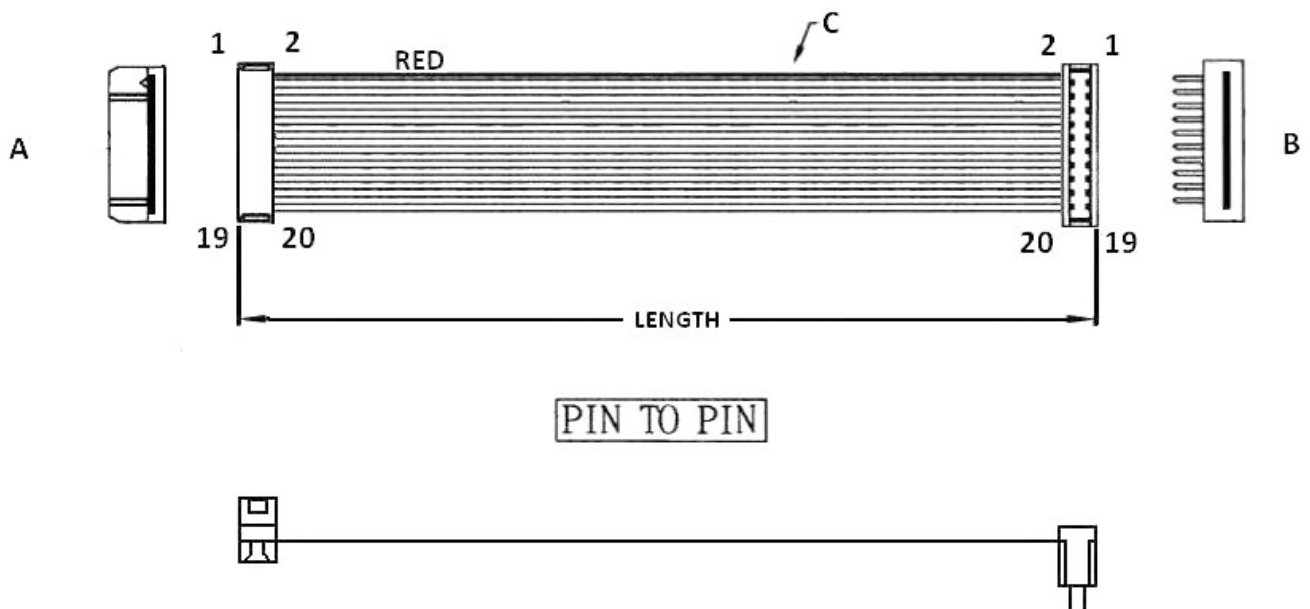


ORDERING INFORMATION:

P/N $\frac{KA}{1} \frac{xx}{2} \frac{AD}{3} - \frac{xx}{4} C M \frac{x}{5}$

1. FLAT CABLE TYPE:
"KA" 1.27MM AWG28 UL2651 VW-1
PVC INSULATION GRAY
2. NO. OF CONTACTS:
06~64
3. CONNECTORS AT TWO ENDS:
"AD" 2.54MM IDC SOCKET W/O NOSE & W/O S.R.
TO DIP PLUG
4. LENGTH IN CM (CENTIMETERS)
5. COLOR OF TWO IDC CONNECTORS:
"B" BLACK
"A" GRAY

**1.27MM PITCH FLAT CABLE WITH
2.54MM PITCH IDC SOCKET W/O NOSE (H=11.0MM) TO DIP PLUG (H=7.6MM) (F2)**



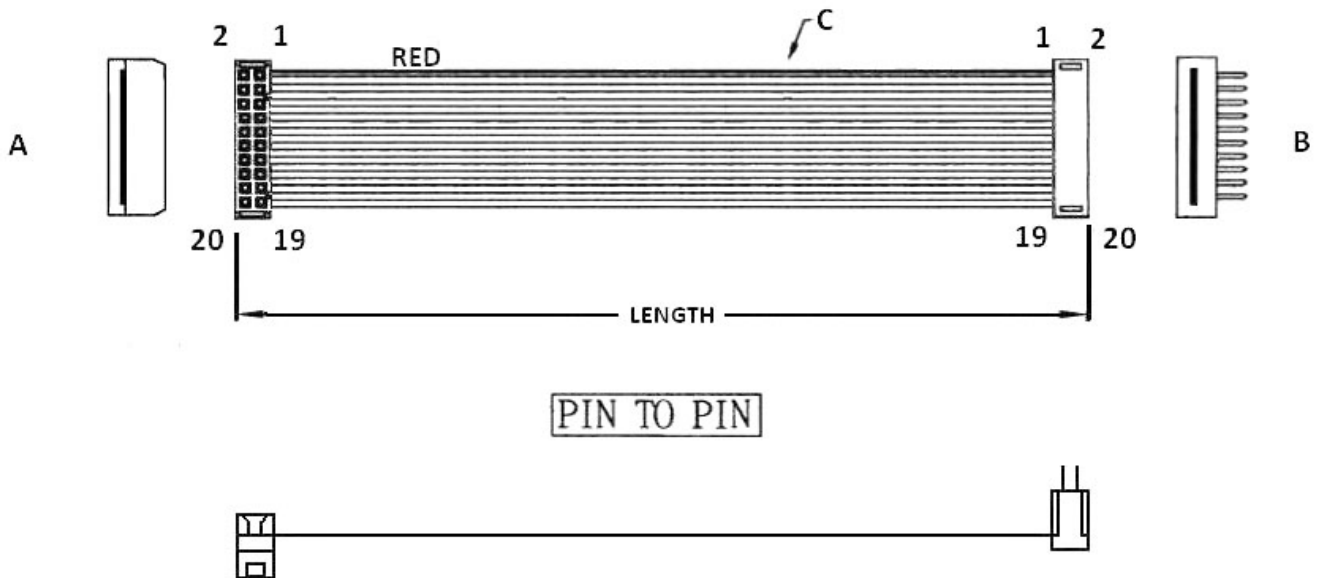
PIN TO PIN

ORDERING INFORMATION:

P/N $\frac{KA}{1} \frac{xx}{2} \frac{AP}{3} - \frac{xx}{4} CM \frac{x}{5}$

1. FLAT CABLE TYPE:
"KA" 1.27MM AWG28 UL2651 VW-1
PVC INSULATION GRAY
2. NO. OF CONTACTS:
06~64
3. CONNECTORS AT TWO ENDS:
"AP" 2.54MM IDC SOCKET W/O NOSE & W/O S.R.
TO 2.54MM DIP PLUG
4. LENGTH IN CM (CENTIMETERS)
5. COLOR OF TWO IDC CONNECTORS:
"B" BLACK
"A" GRAY

**1.27MM PITCH FLAT CABLE WITH
2.54MM PITCH IDC SOCKET W/O NOSE (H=11.0MM) TO DIP PLUG (H=7.6MM) (F3)**

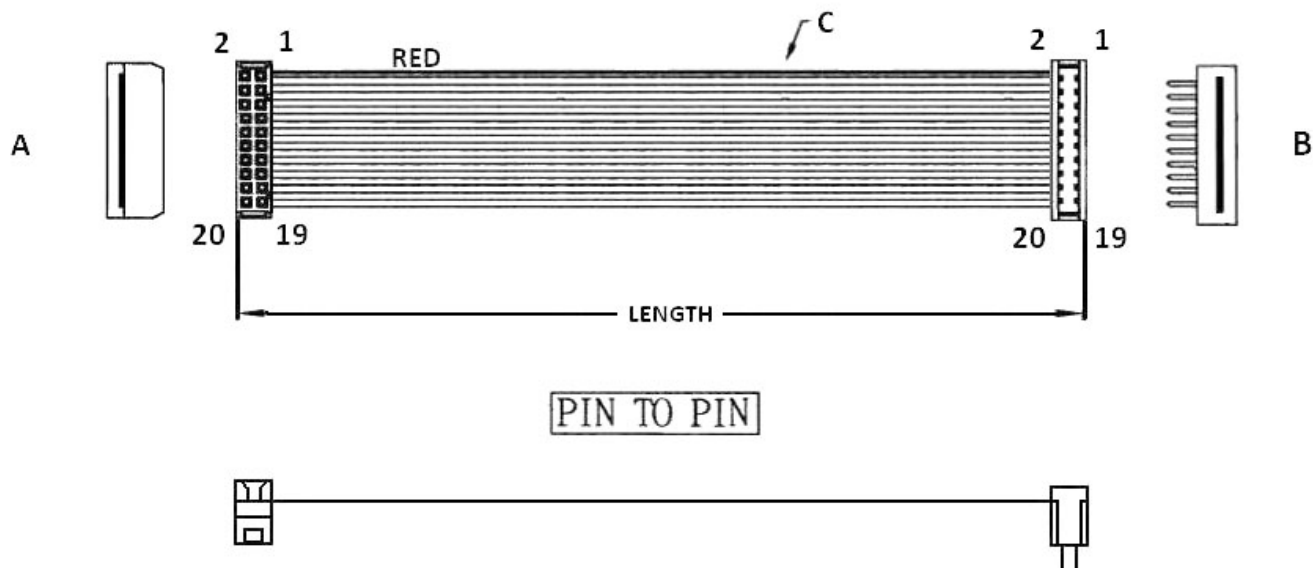


ORDERING INFORMATION:

P/N $\frac{KA}{1} \frac{xx}{2} \frac{VD}{3} - \frac{xx}{4} CM \frac{x}{5}$

1. FLAT CABLE TYPE:
"KA" 1.27MM AWG28 UL2651 VW-1
PVC INSULATION GRAY
2. NO. OF CONTACTS:
06~64
3. CONNECTORS AT TWO ENDS:
"VD" 2.54MM IDC SOCKET W/O NOSE & W/O S.R.
TO DIP PLUG
4. LENGTH IN CM (CENTIMETERS)
5. COLOR OF TWO IDC CONNECTORS:
"B" BLACK
"A" GRAY

**1.27MM PITCH FLAT CABLE WITH
2.54MM PITCH IDC SOCKET W/O NOSE (H=11.0MM) TO DIP PLUG (H=7.6MM) (F4)**

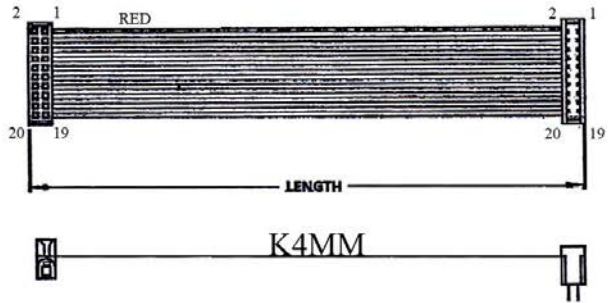
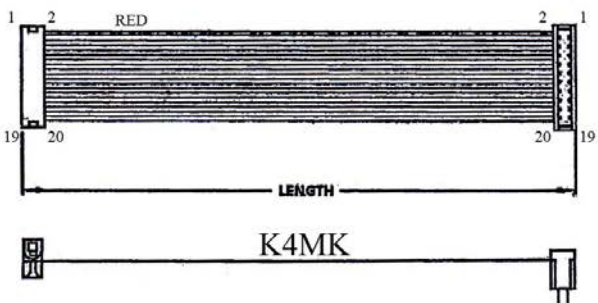
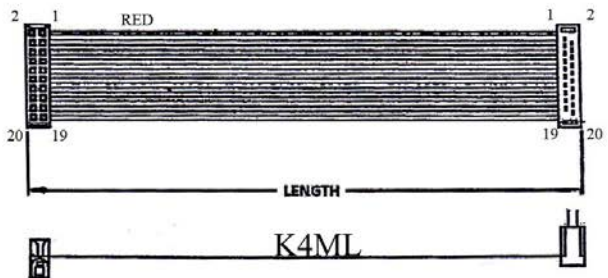
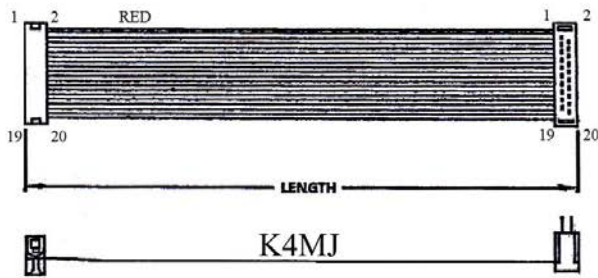


ORDERING INFORMATION:

P/N $\frac{KA}{1} \frac{xx}{2} \frac{VP}{3} - \frac{xx}{4} CM \frac{x}{5}$

1. FLAT CABLE TYPE:
"KA" 1.27MM AWG28 UL2651 VW-1
PVC INSULATION GRAY
2. NO. OF CONTACTS:
06~64
3. CONNECTORS AT TWO ENDS:
"VP" 2.54MM IDC SOCKET W/O NOSE & W/O S.R.
TO 2.54MM DIP PLUG
4. LENGTH IN CM (CENTIMETERS)
5. COLOR OF TWO IDC CONNECTORS:
"B" BLACK
"A" GRAY

1.27MM PITCH FLAT CABLE WITH 2.54MM SHRUNK LOW PROFILE IDC SOCKET W/O NOSE (H=9.3MM) TO SHRUNK DIP PLUG (H=6.1MM) (F5)

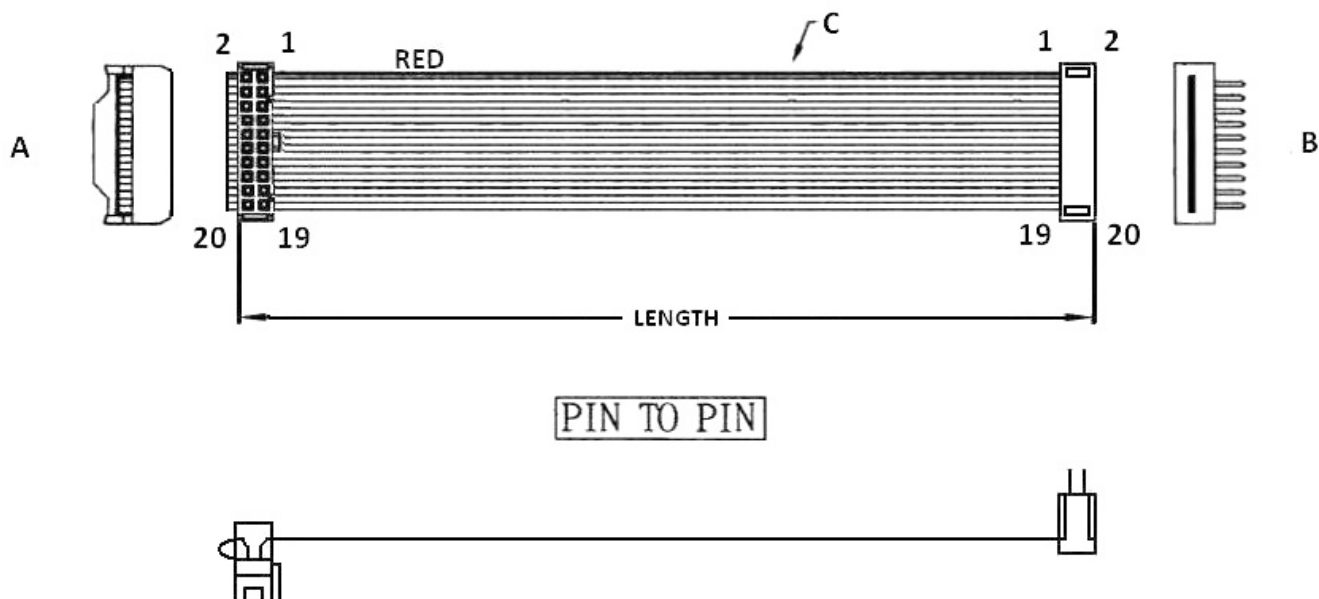


ORDERING INFORMATION:

P/N K $\frac{x}{1} \frac{x}{2} \frac{x}{3} \frac{x}{4} - \frac{x}{3} \frac{x}{4} C M B$

1. CONSTRUCTION TYPE:
4MJ, 4MK, 4ML, 4MM
2. NO. OF CONTACTS:
006~064
3. LENGTH IN CM (CENTIMETERS)
4. COLOR OF TWO IDC CONNECTORS:
"B" BLACK

1.27MM PITCH FLAT CABLE WITH 2.54MM PITCH IDC SOCKET WITH STRAIN RELIEF (H=16.0MM) TO DIP PLUG (H=7.6MM) (G1)

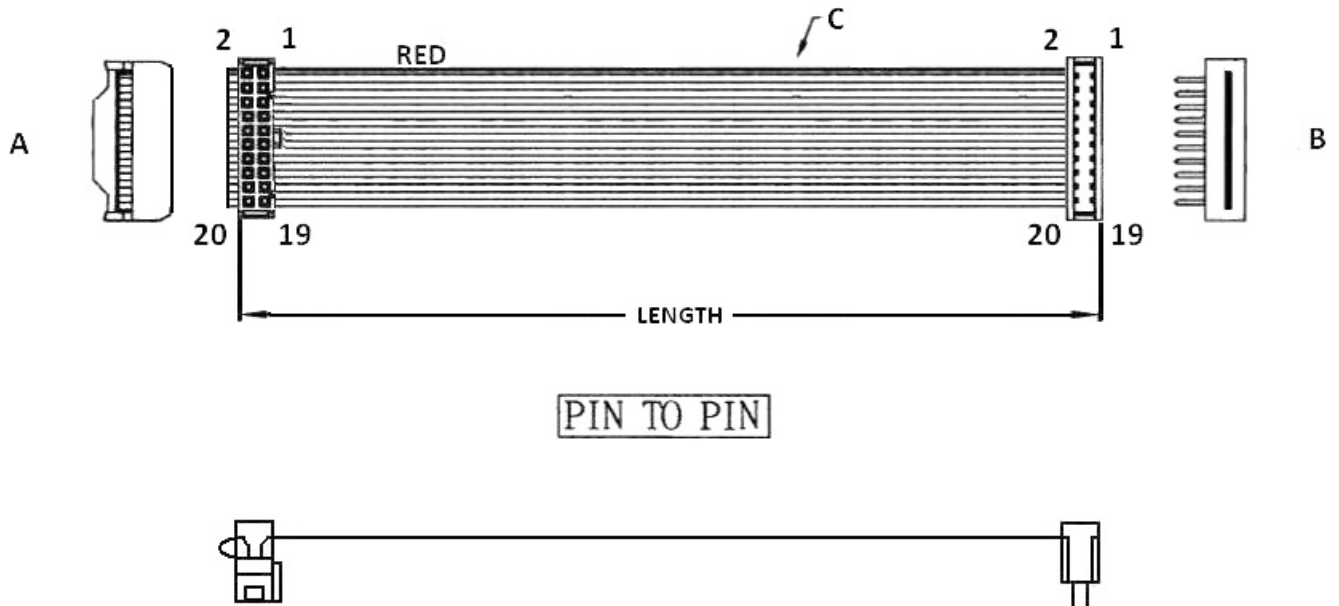


ORDERING INFORMATION:

P/N $\frac{KA}{1} \frac{xx}{2} \frac{MD}{3} - \frac{xx}{4} CM \frac{x}{5}$

1. FLAT CABLE TYPE:
"KA" 1.27MM AWG28 UL2651 VW-1
PVC INSULATION GRAY
2. NO. OF CONTACTS:
06-64
3. CONNECTORS AT TWO ENDS:
"MD" 2.54MM IDC SOCKET WITH NOSE & S.R. TO
2.54MM DIP PLUG
4. LENGTH IN CM (CENTIMETERS)
5. COLOR OF TWO IDC CONNECTORS:
"B" BLACK
"A" GRAY

1.27MM PITCH FLAT CABLE WITH 2.54MM PITCH IDC SOCKET WITH STRAIN RELIEF (H=16.0MM) TO DIP PLUG (H=7.6MM) (G2)

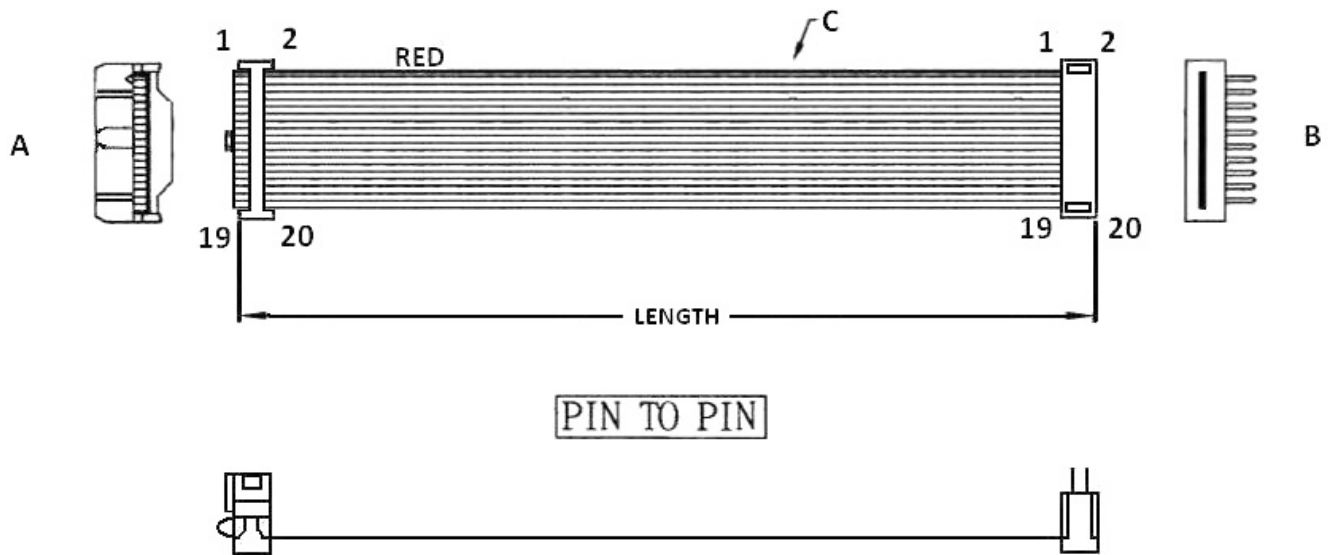


ORDERING INFORMATION:

P/N $\frac{KA}{1} \frac{xx}{2} \frac{MP}{3} - \frac{xx}{4} \frac{CM}{5} x$

1. FLAT CABLE TYPE:
"KA" 1.27MM AWG28 UL2651 VW-1
PVC INSULATION GRAY
2. NO. OF CONTACTS:
06~64
3. CONNECTORS AT TWO ENDS:
"MP" 2.54MM IDC SOCKET WITH NOSE & S.R. TO
2.54MM DIP PLUG
4. LENGTH IN CM (CENTIMETERS)
5. COLOR OF TWO IDC CONNECTORS:
"B" BLACK
"A" GRAY

1.27MM PITCH FLAT CABLE WITH 2.54MM PITCH IDC SOCKET WITH STRAIN RELIEF (H=16.0MM) TO DIP PLUG (H=7.6MM) (G3)

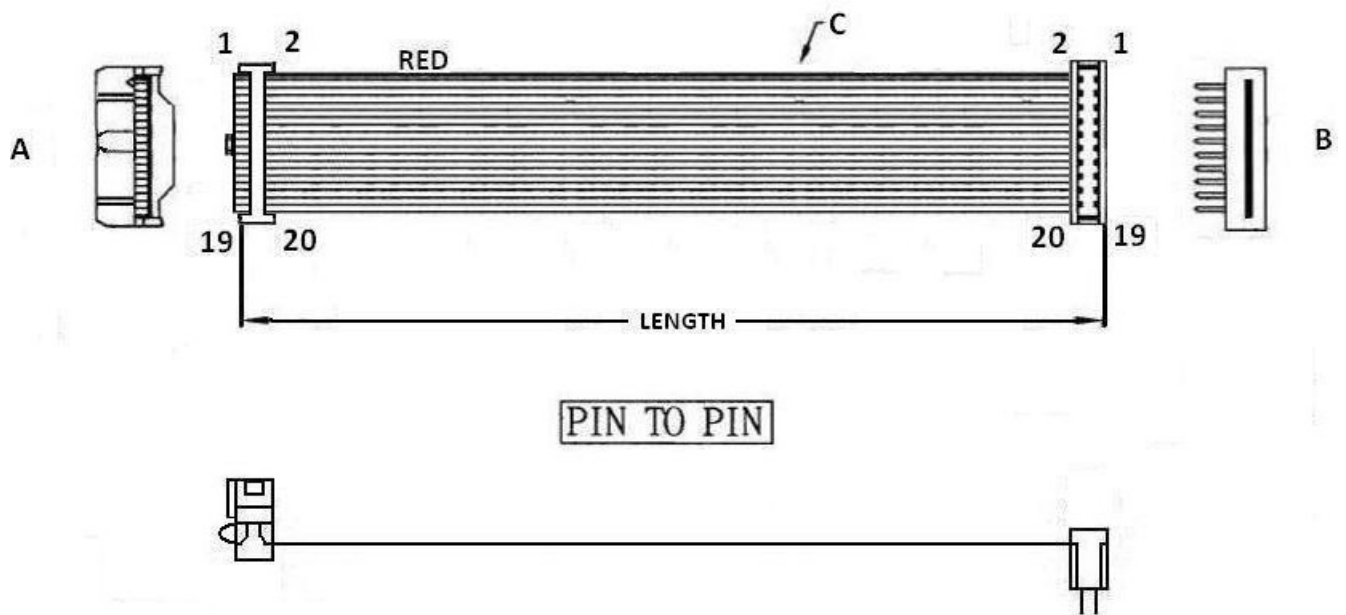


ORDERING INFORMATION:

P/N $\frac{KA}{1} \frac{xx}{2} \frac{ND}{3} - \frac{xx}{4} C M \frac{x}{5}$

1. FLAT CABLE TYPE:
"KA" 1.27MM AWG28 UL2651 VW-1
PVC INSULATION GRAY
2. NO. OF CONTACTS:
06~64
3. CONNECTORS AT TWO ENDS:
"ND" 2.54MM IDC SOCKET WITH NOSE & S.R. TO
2.54MM DIP PLUG
4. LENGTH IN CM (CENTIMETERS)
5. COLOR OF TWO IDC CONNECTORS:
"B" BLACK
"A" GRAY

1.27MM PITCH FLAT CABLE WITH 2.54MM PITCH IDC SOCKET WITH STRAIN RELIEF (H=16.0MM) TO DIP PLUG (H=7.6MM) (G4)

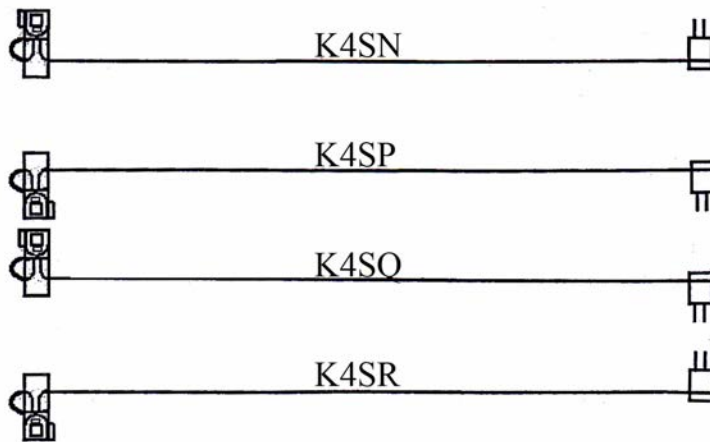


ORDERING INFORMATION:

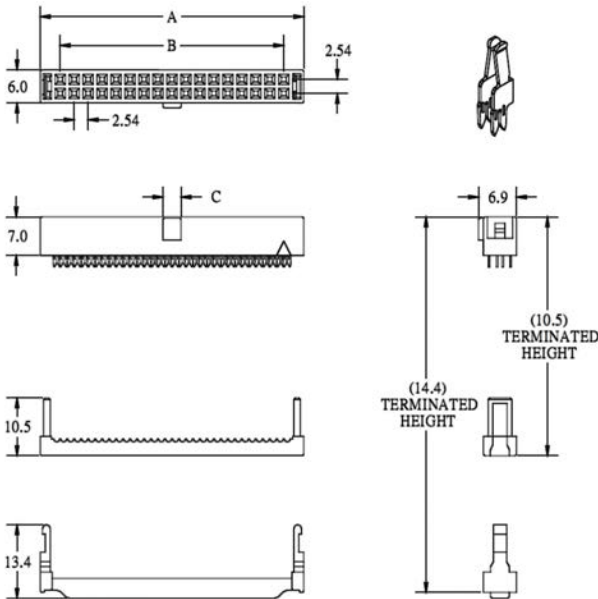
P/N $\frac{KA}{1} \frac{xx}{2} \frac{NP}{3} - \frac{xx}{4} \frac{CM}{5} x$

1. FLAT CABLE TYPE:
"KA" 1.27MM AWG28 UL2651 VW-1
PVC INSULATION GRAY
2. NO. OF CONTACTS:
06~64
3. CONNECTORS AT TWO ENDS:
"NP" 2.54MM IDC SOCKET WITH NOSE & S.R. TO
2.54MM DIP PLUG
4. LENGTH IN CM (CENTIMETERS)
5. COLOR OF TWO IDC CONNECTORS:
"B" BLACK
"A" GRAY

**1.27MM PITCH FLAT CABLE
WITH 2.54MM IDC SOCKET WITH S.R. (H=14.4MM) TO DIP PLUG (H=5.4MM) (G5)**



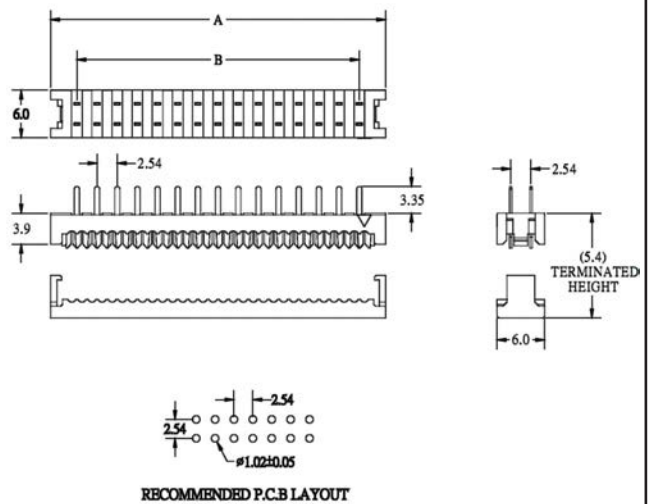
**2.54MM IDC SOCKET
WITH DUAL U-SLOT & DUAL CONTACT**



A=B+7.24
 B=2.54*POSITIONS/2-2.54
 C=1.85 FOR 6 & 8 POSITIONS
 C=3.50 FOR 10~64 POSITIONS

NO. OF CONTACTS:
 006, 008, 010, 012, 014,
 016, 020, 024, 026, 030,
 034, 040, 050, 060, 064

2.54MM LOW PROFILE DIP PLUG



A=B+6.64
 B=2.54*POSITIONS/2-2.54

NO. OF CONTACTS:
 006, 008, 010, 012, 014,
 016, 020, 024, 026, 030,
 032, 034, 040, 050, 060,
 064

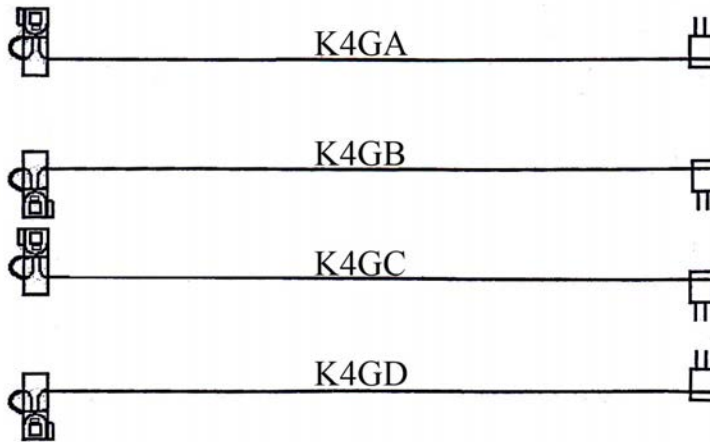
ORDERING INFORMATION:

P/N K 1 2 3 4 C M B

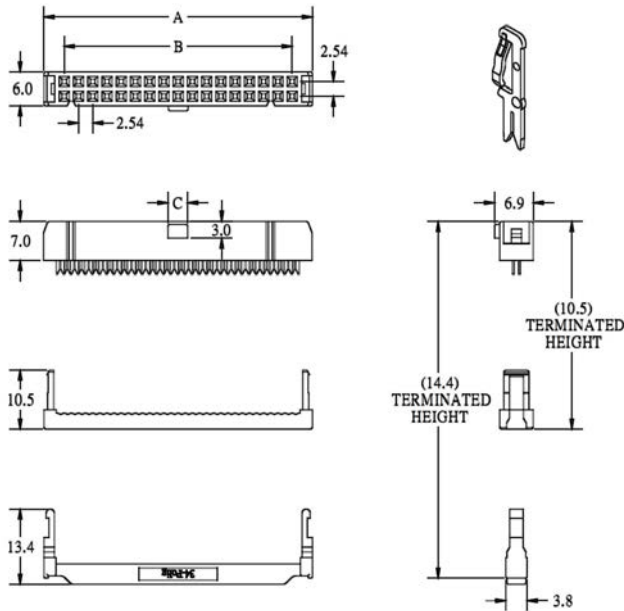
1. CONSTRUCTION TYPE:
4SN, 4SP, 4SQ, 4SR
2. NO. OF CONTACTS:
006~064
3. LENGTH IN CM (CENTIMETERS)
4. COLOR OF TWO IDC CONNECTORS:
"B" BLACK

NOTE: IDC SOCKET & DIP PLUG CAN'T BE SUPPLIED ALONE.

**1.27MM PITCH FLAT CABLE
WITH 2.54MM IDC SOCKET (H=14.4MM) TO DIP PLUG (H=5.4MM) (G6)**



**2.54MM IDC SOCKET
WITH SLIM STRAIN RELIEF H=14.4MM**



$A=B+7.24$

$B=2.54 \times \text{POSITIONS} / 2 - 2.54$

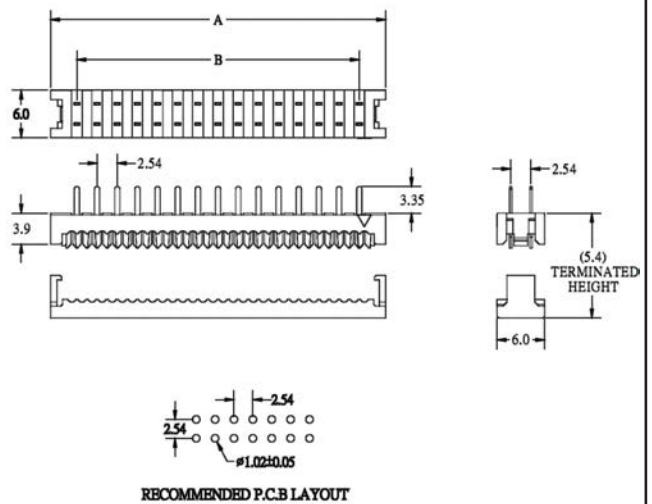
$C=1.85$ FOR 4~8 POSITIONS

$C=3.50$ FOR 10~64 POSITIONS

NO. OF CONTACTS:

- 004, 006, 008, 010, 012, 014, 016, 020, 024, 026, 030, 034, 036, 040, 044, 050, 056, 060, 062, 064

**2.54MM SUPER LOW PROFILE DIP PLUG
H=5.4MM**



$A=B+6.64$

$B=2.54 \times \text{POSITIONS} / 2 - 2.54$

NO. OF CONTACTS:

- 006, 008, 010, 012, 014, 016, 020, 024, 026, 030, 032, 034, 040, 050, 060, 064

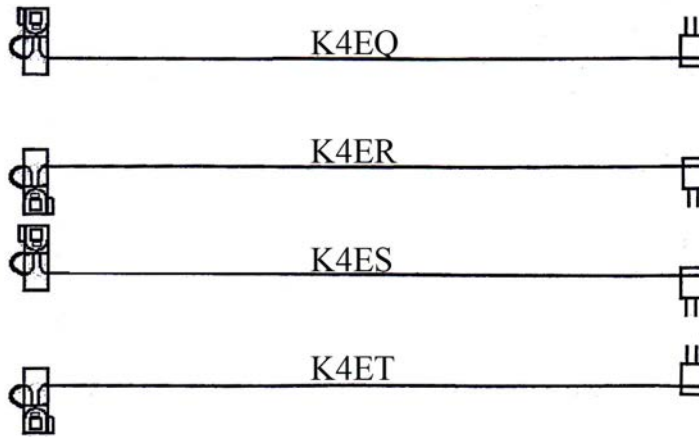
ORDERING INFORMATION:

P/N $\frac{K}{1} \frac{XXXXXX}{2} - \frac{XX}{3} \frac{CM}{4} \frac{X}{4}$

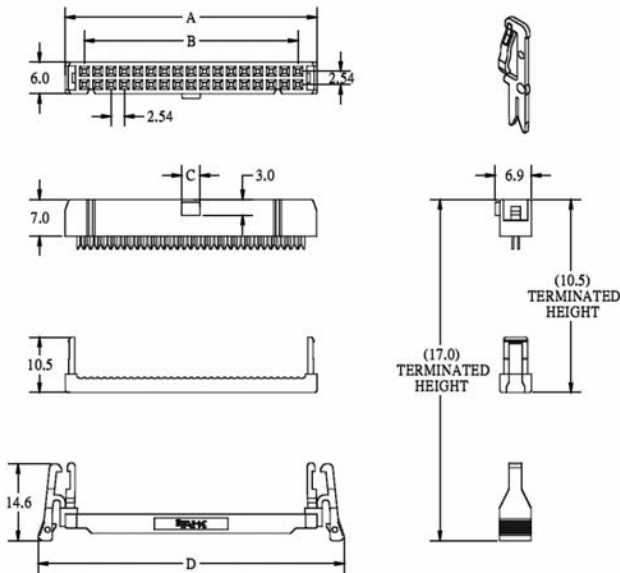
1. CONSTRUCTION TYPE:
4GA, 4GB, 4GC, 4GD
2. NO. OF CONTACTS:
006~064
3. LENGTH IN CM (CENTIMETERS)
4. COLOR OF TWO IDC CONNECTORS:
"B" BLACK
"A" GRAY

NOTE: IDC SOCKET & DIP PLUG CAN'T BE SUPPLIED ALONE.

**1.27MM PITCH FLAT CABLE
WITH 2.54MM IDC SOCKET (H=17.0MM) TO DIP PLUG (H=5.4MM) (G7)**



**2.54MM IDC SOCKET
WITH SPRING LATCH & STRAIN RELIEF**



$A=B+7.24$

$B=2.54 \times \text{POSITIONS} / 2 - 2.54$

$C=1.85$ FOR 6 & 8 POSITIONS

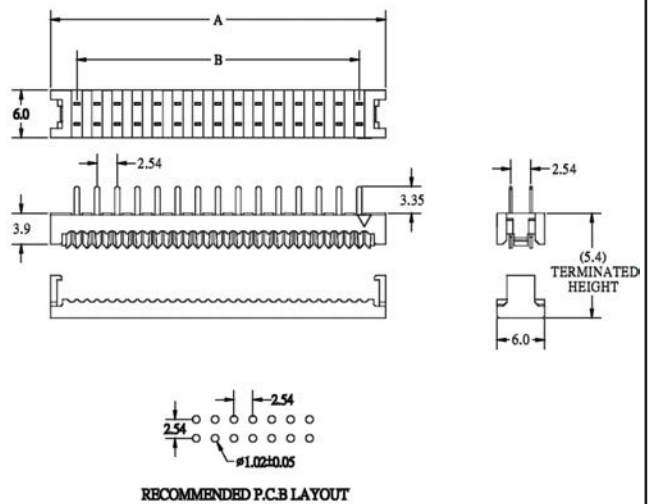
$C=3.50$ FOR 10~64 POSITIONS

$D=B+17.62$

NO. OF CONTACTS:

006, 008, 010, 012, 014,
016, 020, 024, 026, 030,
034, 036, 040, 044, 050,
056, 060, 062, 064

**2.54MM SUPER LOW PROFILE DIP PLUG
H=5.4MM**



$A=B+6.64$

$B=2.54 \times \text{POSITIONS} / 2 - 2.54$

NO. OF CONTACTS:

006, 008, 010, 012, 014,
016, 020, 024, 026, 030,
032, 034, 040, 050, 060,
064

ORDERING INFORMATION:

P/N K 1 2 3 4 C M B

1. CONSTRUCTION TYPE:

4EQ, 4ER, 4ES, 4ET

2. NO. OF CONTACTS:

006~064

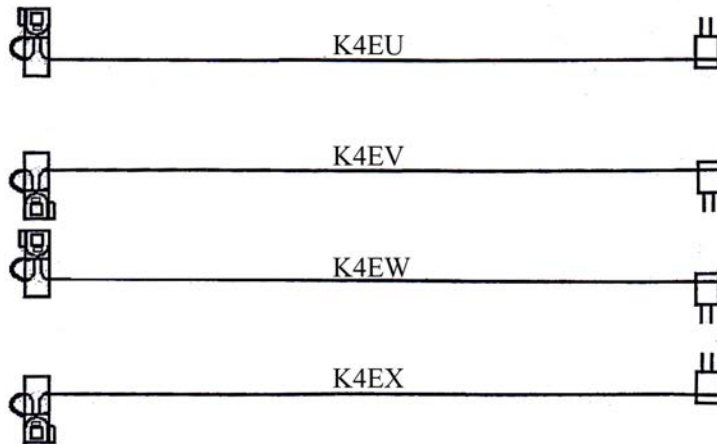
3. LENGTH IN CM (CENTIMETERS)

4. COLOR OF TWO IDC CONNECTORS:

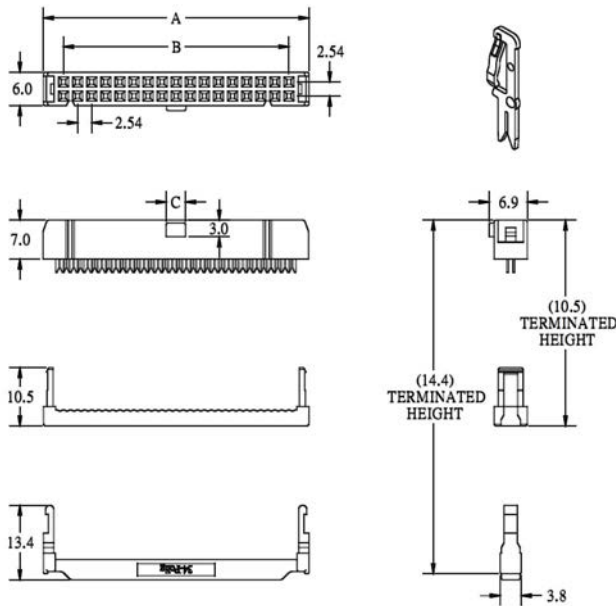
"B" BLACK

NOTE: IDC SOCKET & DIP PLUG CAN'T BE SUPPLIED ALONE.

1.27MM PITCH FLAT CABLE WITH 2.54MM IDC SOCKET (H=14.4MM) TO DIP PLUG (H=6.0MM) (G8)



2.54MM IDC SOCKET WITH SLIM STRAIN RELIEF H=14.4MM



$$A=B+7.24$$

$$B=2.54 \times \text{POSITIONS} / 2 - 2.54$$

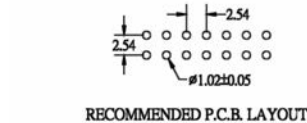
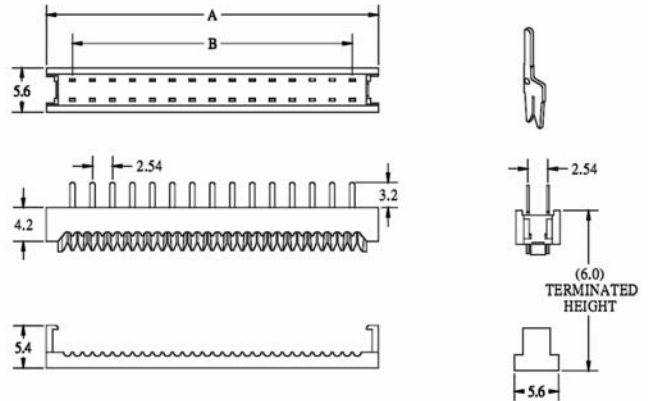
$$C=1.85 \text{ FOR } 4\sim 8 \text{ POSITIONS}$$

$$C=3.50 \text{ FOR } 10\sim 64 \text{ POSITIONS}$$

NO. OF CONTACTS:

004, 006, 008, 010, 012, 014, 016, 020, 024, 026, 030, 034, 036, 040, 044, 050, 056, 060, 062, 064

2.54MM PITCH DIP PLUG H=6.0MM



$$A=B+6.64$$

$$B=2.54 \times \text{POSITIONS} / 2 - 2.54$$

NO. OF CONTACTS:

006, 008, 010, 012, 014, 016, 020, 024, 026, 030, 032, 034, 040, 050, 060, 064

ORDERING INFORMATION:

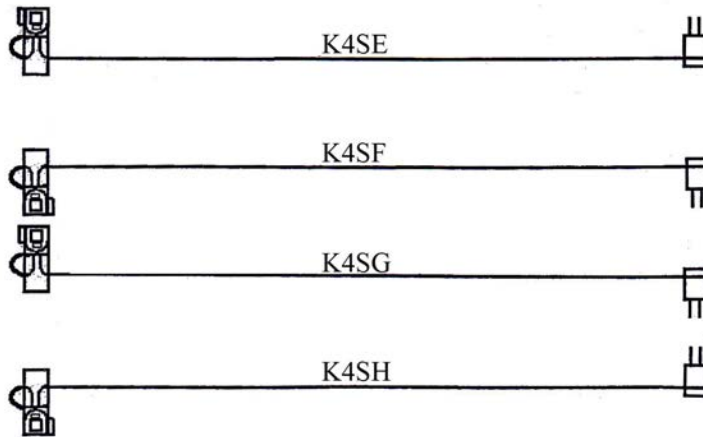
P/N **K** **X** **X** **X** **X** **X** - **X** **X** **C** **M** **B**

1 2 3 4

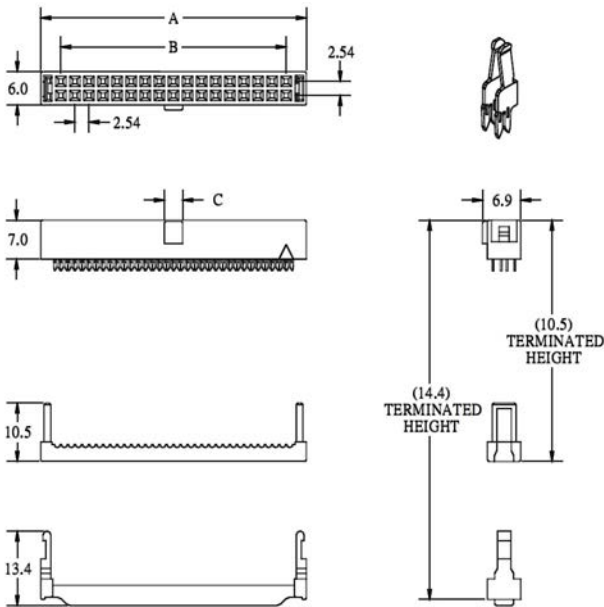
1. CONSTRUCTION TYPE:
4EU, 4EV, 4EW, 4EX
2. NO. OF CONTACTS:
006~064
3. LENGTH IN CM (CENTIMETERS)
4. COLOR OF TWO IDC CONNECTORS:
"B" BLACK

NOTE: IDC SOCKET & DIP PLUG CAN'T BE SUPPLIED ALONE.

**1.27MM PITCH FLAT CABLE
WITH 2.54MM IDC SOCKET WITH S.R. (H=14.4MM) TO DIP PLUG (H=6.0MM) (G9)**



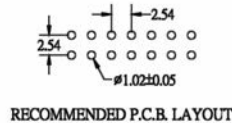
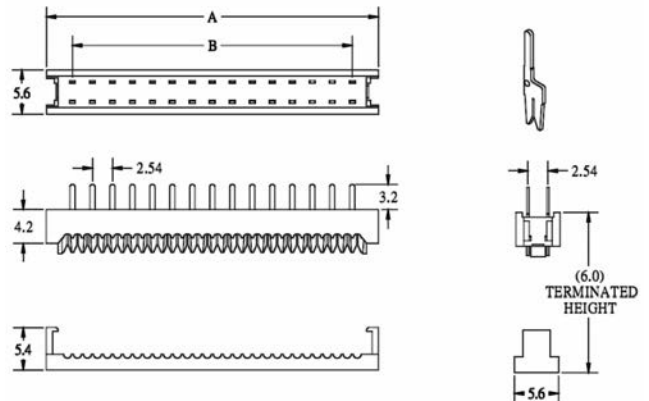
**2.54MM IDC SOCKET
WITH DUAL U-SLOT & DUAL CONTACT**



A=B+7.24
 B=2.54*POSITIONS/2-2.54
 C=1.85 FOR 6 & 8 POSITIONS
 C=3.50 FOR 10~64 POSITIONS

NO. OF CONTACTS:
 006, 008, 010, 012, 014,
 016, 020, 024, 026, 030,
 034, 040, 050, 060, 064

2.54MM PITCH DIP PLUG H=6.0MM



A=B+6.64
 B=2.54*POSITIONS/2-2.54

NO. OF CONTACTS:
 006, 008, 010, 012, 014,
 016, 020, 024, 026, 030,
 032, 034, 040, 050, 060,
 064

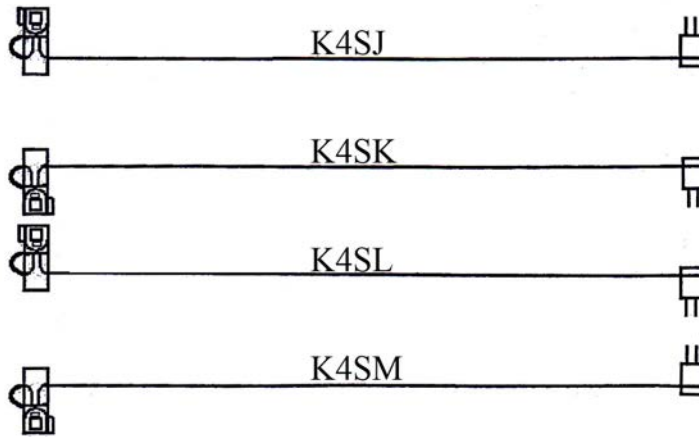
ORDERING INFORMATION:

P/N K 1 2 3 4 C M B

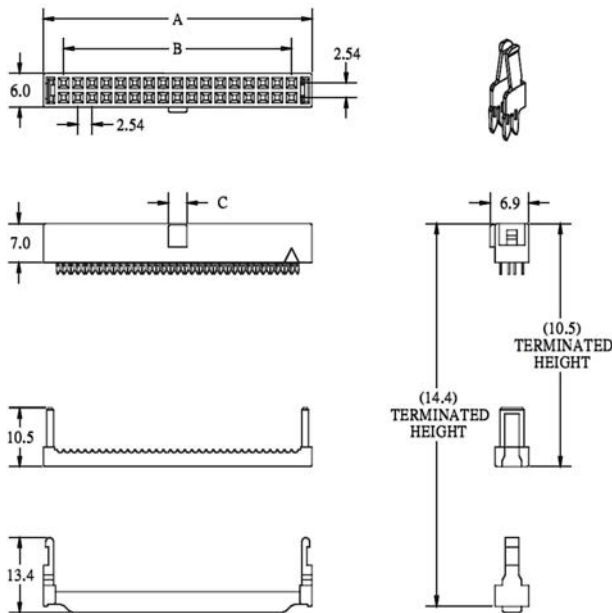
1. CONSTRUCTION TYPE:
4SE, 4SF, 4SG, 4SH
2. NO. OF CONTACTS:
006~064
3. LENGTH IN CM (CENTIMETERS)
4. COLOR OF TWO IDC CONNECTORS:
"B" BLACK

NOTE: IDC SOCKET & DIP PLUG CAN'T BE SUPPLIED ALONE.

**1.27MM PITCH FLAT CABLE
WITH 2.54MM IDC SOCKET WITH S.R. (H=14.4MM) TO DIP PLUG (H=6.0MM) (G10)**



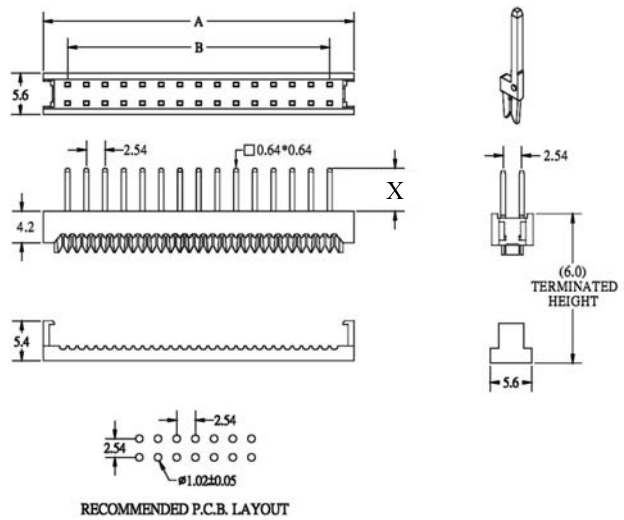
**2.54MM IDC SOCKET
WITH DUAL U-SLOT & DUAL CONTACT**



A=B+
 B=2.54*POSITIONS/2-2.54
 C=1.85 FOR 6 & 8 POSITIONS
 C=3.50 FOR 10~64 POSITIONS

NO. OF CONTACTS:
 006, 008, 010, 012, 014,
 016, 020, 024, 026, 030,
 034, 040, 050, 060, 064

**2.54MM DIP PLUG WITH 0.64MM SQUARE
SOLDER TAIL**



A=B+6.64
 B=2.54*POSITIONS/2-2.54
 X=PIN LENGTH

NO. OF CONTACTS:
 006, 008, 010, 012, 014,
 016, 020, 024, 026, 030,
 032, 034, 040, 050, 060,
 064

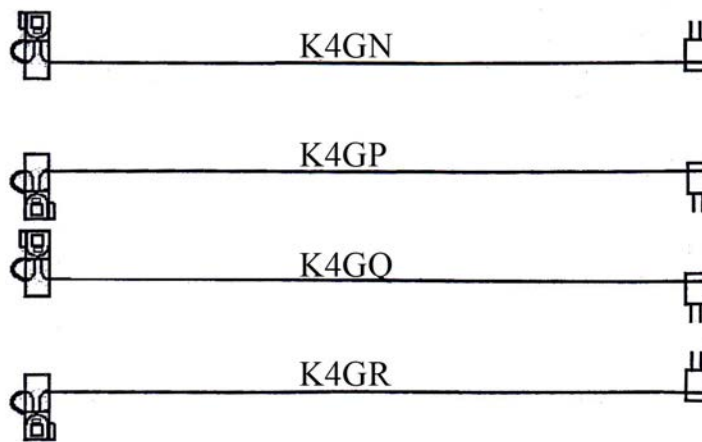
ORDERING INFORMATION:

P/N **K** **x x x x x x** **-** **x x** **C** **M** **B** **x**
 1 2 3 4 5

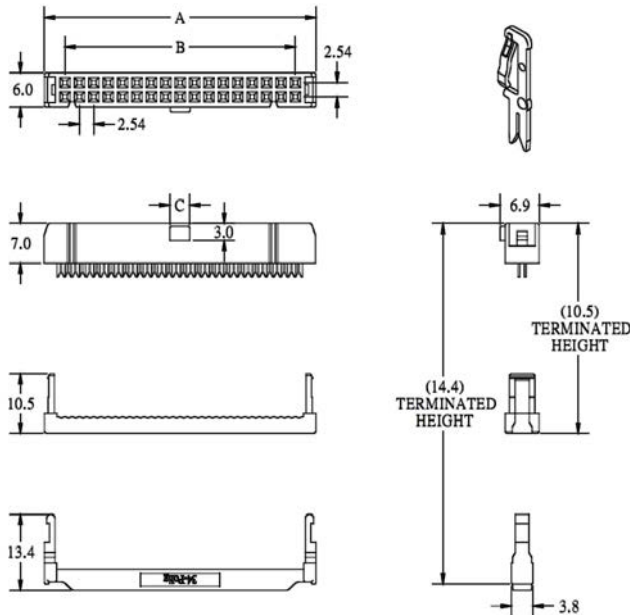
- CONSTRUCTION TYPE:
4SJ, 4SK, 4SL, 4SM
- NO. OF CONTACTS:
006~064
- LENGTH IN CM (CENTIMETERS)
- COLOR OF TWO IDC CONNECTORS:
"B" BLACK
- PIN LENGTH OF DIP PLUG:
"6" X= 5.85MM (STANDARD)
"T" X= 12.0MM

NOTE: IDC SOCKET & DIP PLUG CAN'T BE SUPPLIED ALONE.

**1.27MM PITCH FLAT CABLE
WITH 2.54MM IDC SOCKET (H=14.4MM) TO DIP PLUG (H=6.0MM) (G11)**



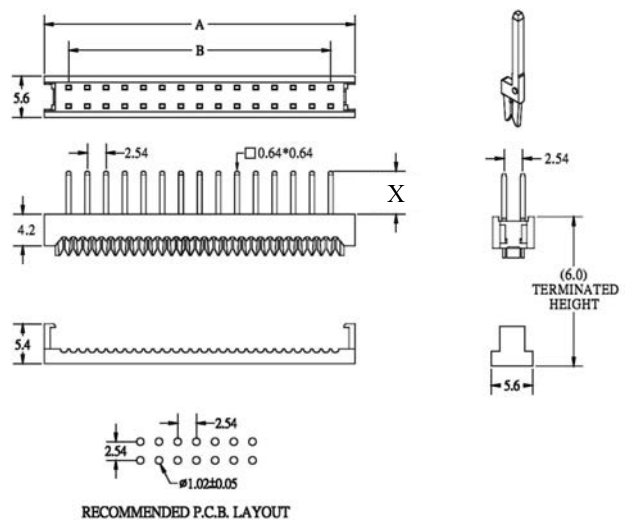
**2.54MM IDC SOCKET
WITH SLIM STRAIN RELIEF**



A=B+7.24
B=2.54*POSITIONS/2-2.54
C=1.85 FOR 4~8 POSITIONS
C=3.50 FOR 10~64 POSITIONS

NO. OF CONTACTS:
004, 006, 008, 010, 012,
014, 016, 020, 024, 026,
030, 034, 036, 040, 044,
050, 056, 060, 062, 064

**2.54MM DIP PLUG WITH 0.64MM SQUARE
TAIL H=6.0MM**



A=B+6.64
B=2.54*POSITIONS/2-2.54
X=PIN LENGTH

NO. OF CONTACTS:
006, 008, 010, 012, 014,
016, 020, 024, 026, 030,
032, 034, 040, 050, 060,
064

ORDERING INFORMATION:

P/N **K** **x** **x** **x** **x** **x** **x** - **x** **x** **C** **M** **B** **x**

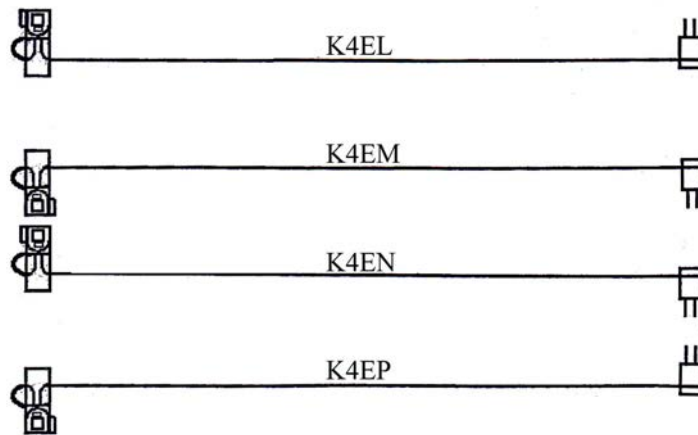
1 2 3 4 5

1. CONSTRUCTION TYPE:
4GN, 4GP, 4GQ, 4GR
2. NO. OF CONTACTS:
006~064
3. LENGTH IN CM (CENTIMETERS)
4. COLOR OF TWO IDC CONNECTORS:
"B" BLACK

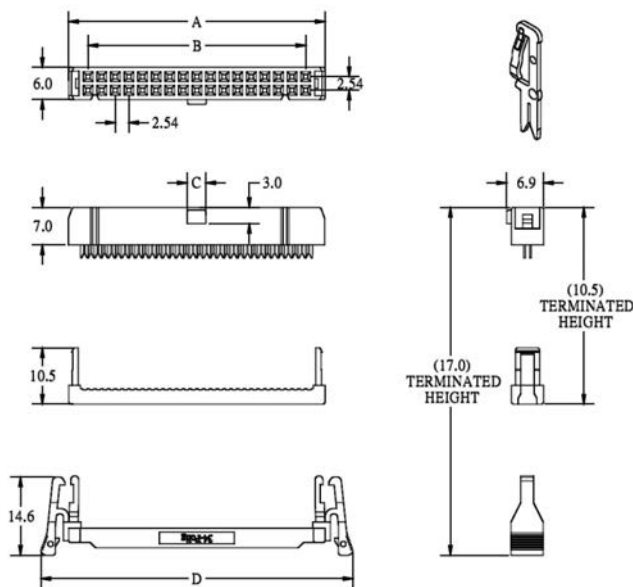
5. PIN LENGTH OF DIP PLUG:
"6" X= 5.85MM (STANDARD)
"T" X= 12.0MM

NOTE: IDC SOCKET & DIP PLUG CAN'T BE SUPPLIED ALONE.

**1.27MM PITCH FLAT CABLE
WITH 2.54MM IDC SOCKET (H=17.0MM) TO DIP PLUG (H=6.0MM) (G12)**



**2.54MM IDC SOCKET
WITH SPRING LATCH & STRAIN RELIEF**



$A=B+7.24$

$B=2.54 \times \text{POSITIONS} / 2 - 2.54$

$C=1.85$ FOR 6 & 8 POSITIONS

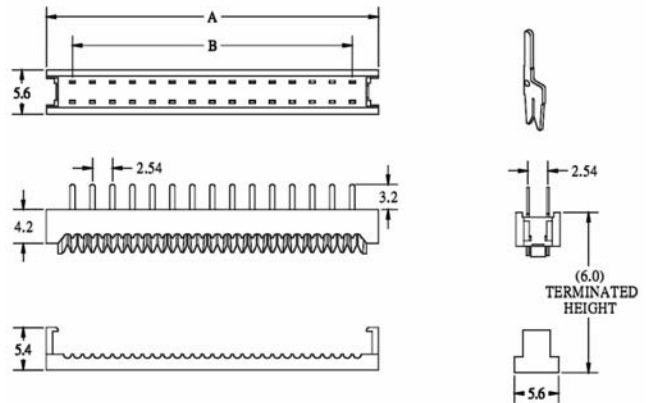
$C=3.50$ FOR 10~64 POSITIONS

$D=B+17.62$

NO. OF CONTACTS:

006, 008, 010, 012, 014,
016, 020, 024, 026, 030,
034, 036, 040, 044, 050,
056, 060, 062, 064

2.54MM DIP PLUG H=6.0MM

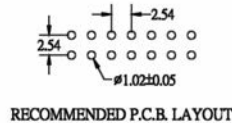


$A=B+6.64$

$B=2.54 \times \text{POSITIONS} / 2 - 2.54$

NO. OF CONTACTS:

006, 008, 010, 012, 014,
016, 020, 024, 026, 030,
032, 034, 040, 050, 060,
064



ORDERING INFORMATION:

P/N K 1 2 3 4 C M B

1. CONSTRUCTION TYPE:

4EL, 4EM, 4EN, 4EP

2. NO. OF CONTACTS:

006~064

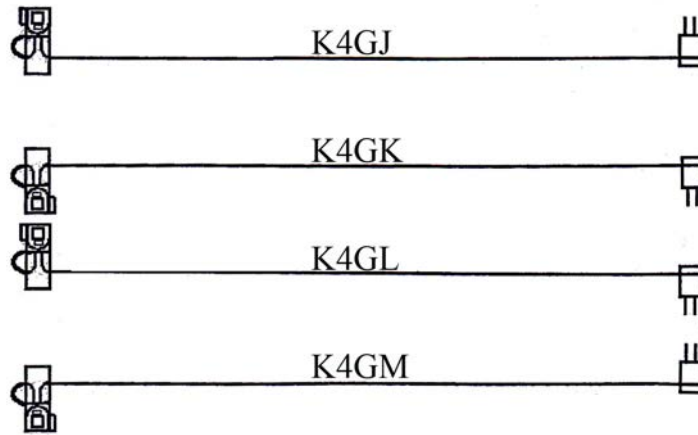
3. LENGTH IN CM (CENTIMETERS)

4. COLOR OF TWO IDC CONNECTORS:

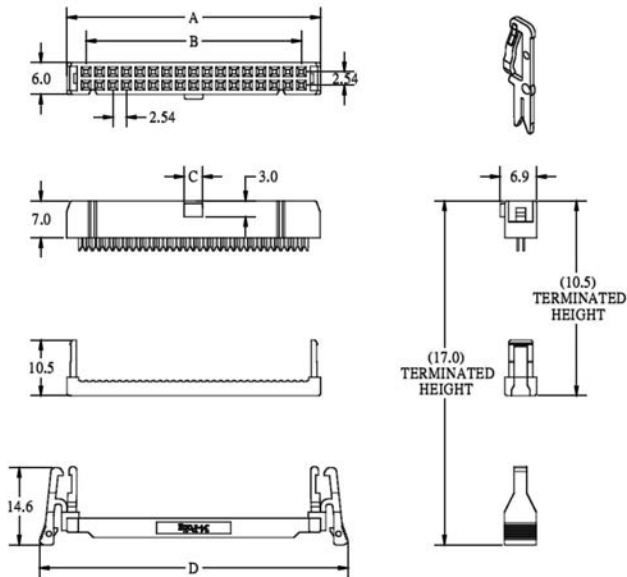
"B" BLACK

NOTE: IDC SOCKET & DIP PLUG CAN'T BE SUPPLIED ALONE.

**1.27MM PITCH FLAT CABLE
WITH 2.54MM IDC SOCKET (H=17.0MM) TO DIP PLUG (H=6.0MM) (G13)**



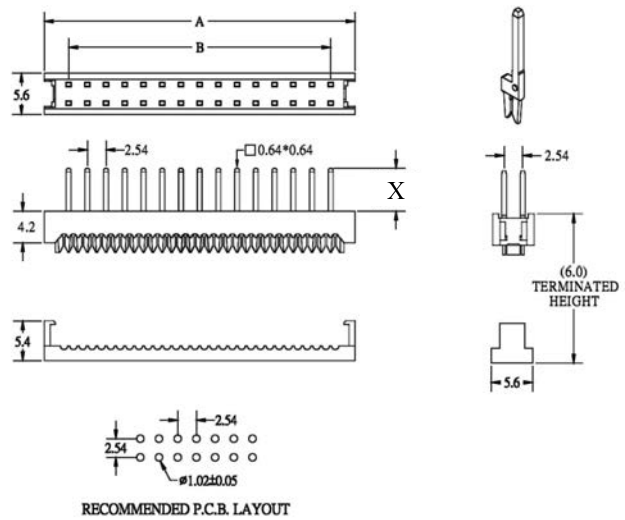
**2.54MM IDC SOCKET
WITH SPRING LATCH & STRAIN RELIEF**



A=B+7.24
 B=2.54*POSITIONS/2-2.54
 C=1.85 FOR 6 & 8 POSITIONS
 C=3.50 FOR 10~64 POSITIONS
 D=B+17.62

NO. OF CONTACTS:
 006, 008, 010, 012, 014,
 016, 020, 024, 026, 030,
 034, 036, 040, 044, 050,
 056, 060, 062, 064

**2.54MM DIP PLUG WITH 0.64MM SQUARE
TAIL H=6.0MM**



A=B+6.64
 B=2.54*POSITIONS/2-2.54
 X=PIN LENGTH

NO. OF CONTACTS:
 006, 008, 010, 012, 014,
 016, 020, 024, 026, 030,
 032, 034, 040, 050, 060,
 064

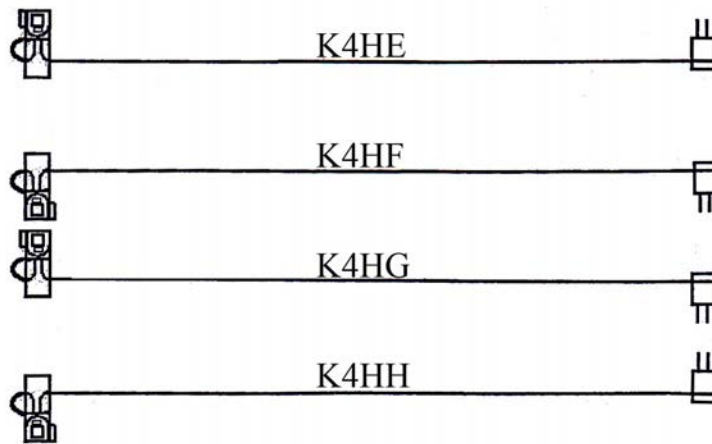
ORDERING INFORMATION:

P/N K 1 2 3 4 5 C M B X

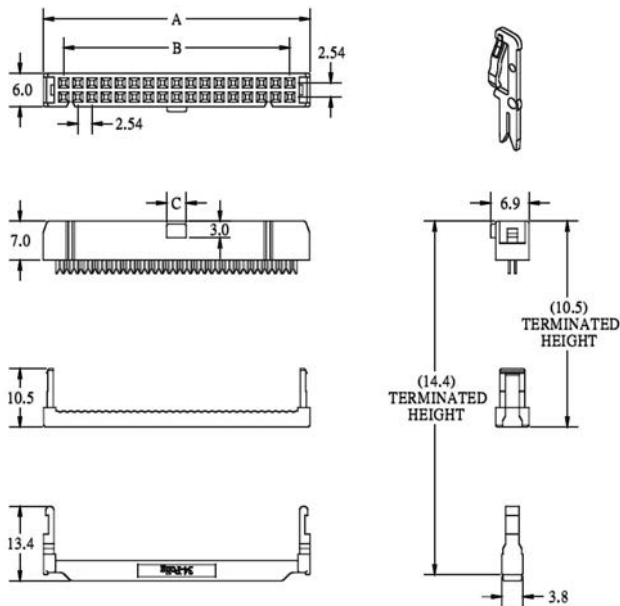
- CONSTRUCTION TYPE:
4GJ, 4GK, 4GL, 4GM
- NO. OF CONTACTS:
006~064
- LENGTH IN CM (CENTIMETERS)
- COLOR OF TWO IDC CONNECTORS:
"B" BLACK
- PIN LENGTH OF DIP PLUG:
"6" X= 5.85MM (STANDARD)
"T" X= 12.0MM

NOTE: IDC SOCKET & DIP PLUG CAN'T BE SUPPLIED ALONE.

1.27MM PITCH FLAT CABLE WITH 2.54MM IDC SOCKET (H=14.4MM) TO DIP PLUG (H=7.85MM) (G14)



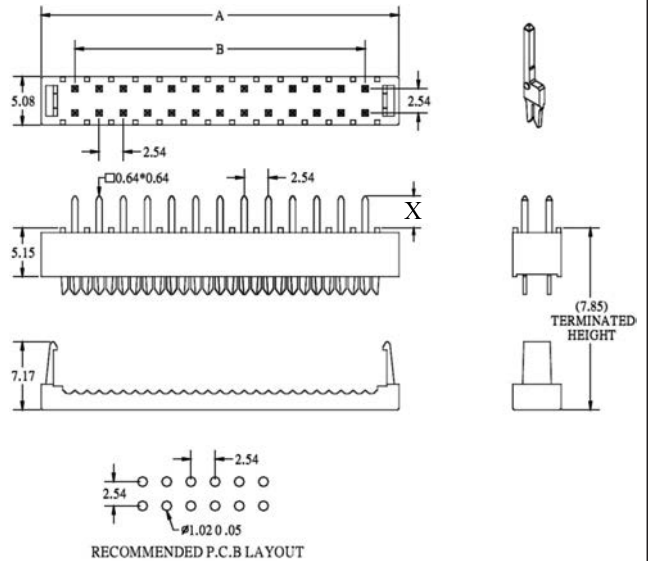
2.54MM IDC SOCKET WITH SLIM STRAIN RELIEF H=14.4MM



A=B+7.24
 B=2.54*POSITIONS/2-2.54
 C=1.85 FOR 4~8 POSITIONS
 C=3.50 FOR 10~64 POSITIONS

NO. OF CONTACTS:
 004, 006, 008, 010, 012,
 014, 016, 020, 024, 026,
 030, 034, 036, 040, 044,
 050, 056, 060, 062, 064

2.54MM DIP PLUG WITH 0.64MM SQUARE TAIL H=7.85MM



A=B+7.11
 B=2.54*POSITIONS/2-2.54
 X=PIN LENGTH

NO. OF CONTACTS:
 006, 008, 010, 012, 014,
 016, 020, 024, 026, 030,
 034, 040, 050, 060, 064

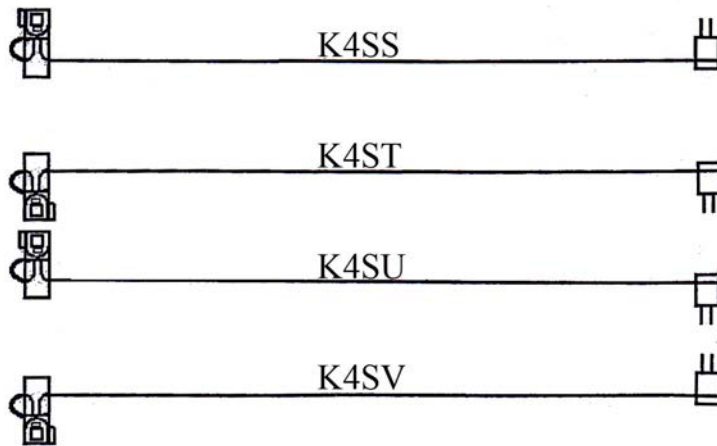
ORDERING INFORMATION:

P/N **K** **x x x x x x** - **x x** **C** **M** **B** **x**
 1 2 3 4 5

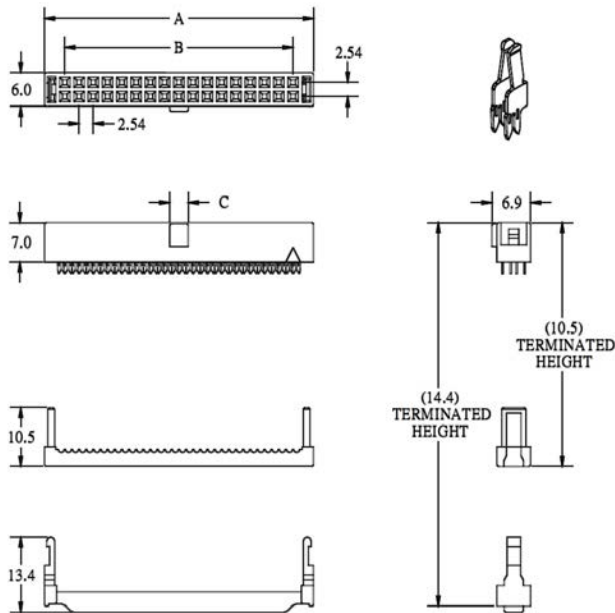
- CONSTRUCTION TYPE:
4HE, 4HF, 4HG, 4HH
- NO. OF CONTACTS:
006~064
- LENGTH IN CM (CENTIMETERS)
- COLOR OF TWO IDC CONNECTORS:
"B" BLACK
- PIN LENGTH OF DIP PLUG:
"3" X= 3.10MM (STANDARD)
"6" X= 5.95MM

NOTE: IDC SOCKET & DIP PLUG CAN'T BE SUPPLIED ALONE.

**1.27MM PITCH FLAT CABLE
WITH 2.54MM IDC SOCKET WITH S.R. (H=14.4MM) TO DIP PLUG (H=7.85MM) (G15)**



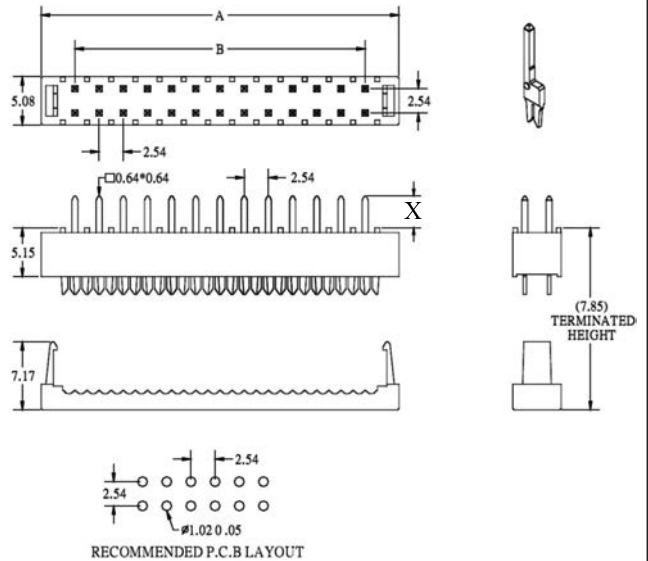
**2.54MM IDC SOCKET
WITH DUAL U-SLOT & DUAL CONTACT**



A=B+
 B=2.54*POSITIONS/2-2.54
 C=1.85 FOR 6 & 8 POSITIONS
 C=3.50 FOR 10~64 POSITIONS

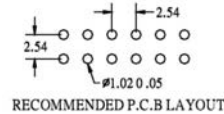
NO. OF CONTACTS:
 006, 008, 010, 012, 014,
 016, 020, 024, 026, 030,
 034, 040, 050, 060, 064

**2.54MM DIP PLUG WITH 0.64MM SQUARE
SOLDER TAIL**



A=B+7.11
 B=2.54*POSITIONS/2-2.54
 X=PIN LENGTH

NO. OF CONTACTS:
 006, 008, 010, 012, 014,
 016, 020, 024, 026, 030,
 034, 040, 050, 060, 064



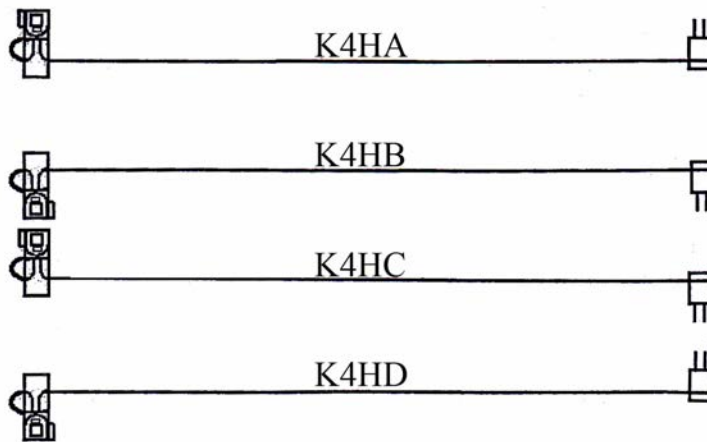
ORDERING INFORMATION:

P/N K 1 2 3 4 5 C M B X

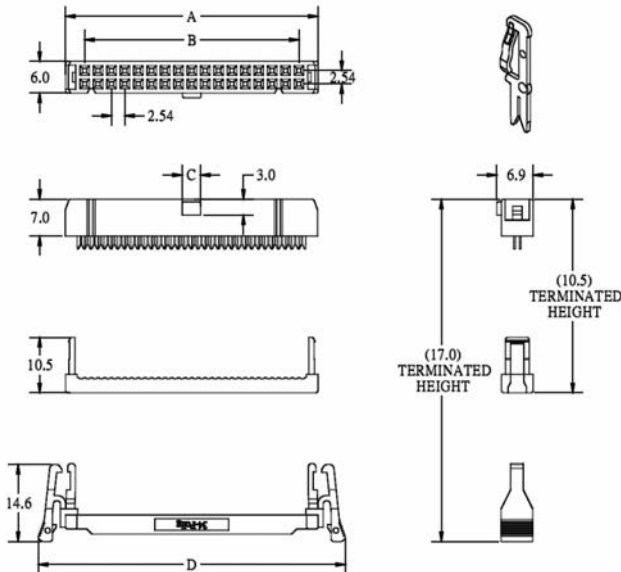
- CONSTRUCTION TYPE:
4SS, 4ST, 4SU, 4SV
- NO. OF CONTACTS:
006~064
- LENGTH IN CM (CENTIMETERS)
- COLOR OF TWO IDC CONNECTORS:
"B" BLACK
- PIN LENGTH OF DIP PLUG:
"3" X= 3.10MM (STANDARD)
"6" X= 5.95MM

NOTE: IDC SOCKET & DIP PLUG CAN'T BE SUPPLIED ALONE.

1.27MM PITCH FLAT CABLE WITH 2.54MM IDC SOCKET (H=17.0MM) TO DIP PLUG (H=7.85MM) (G16)



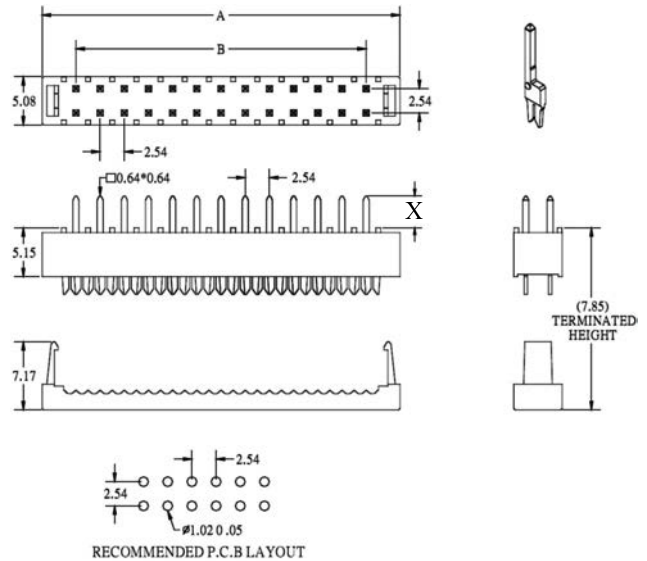
2.54MM IDC SOCKET WITH SPRING LATCH & STRAIN RELIEF



$A=B+7.24$
 $B=2.54 \times \text{POSITIONS} / 2 - 2.54$
 $C=1.85$ FOR 6 & 8 POSITIONS
 $C=3.50$ FOR 10~64 POSITIONS
 $D=B+17.62$

NO. OF CONTACTS:
 006, 008, 010, 012, 014,
 016, 020, 024, 026, 030,
 034, 036, 040, 044, 050,
 056, 060, 062, 064

2.54MM DIP PLUG WITH 0.64MM SQUARE TAIL H=7.85MM



$A=B+7.11$
 $B=2.54 \times \text{POSITIONS} / 2 - 2.54$
 $X=\text{PIN LENGTH}$

NO. OF CONTACTS:
 006, 008, 010, 012, 014,
 016, 020, 024, 026, 030,
 034, 040, 050, 060, 064

ORDERING INFORMATION:

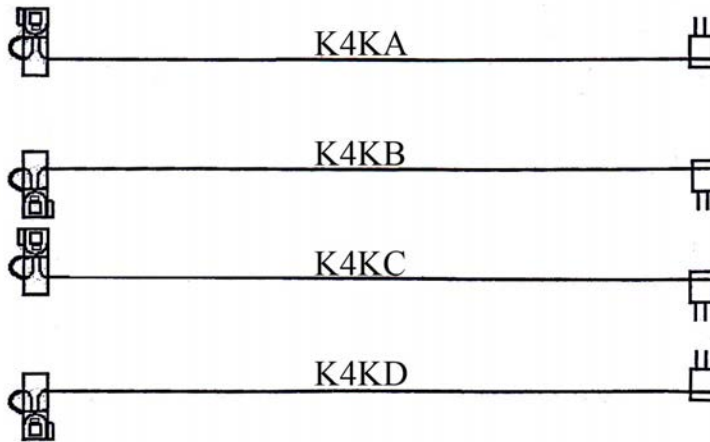
P/N **K** **x x x x x x** - **x x** **C M** **B** **x**

1
2
3
4 5

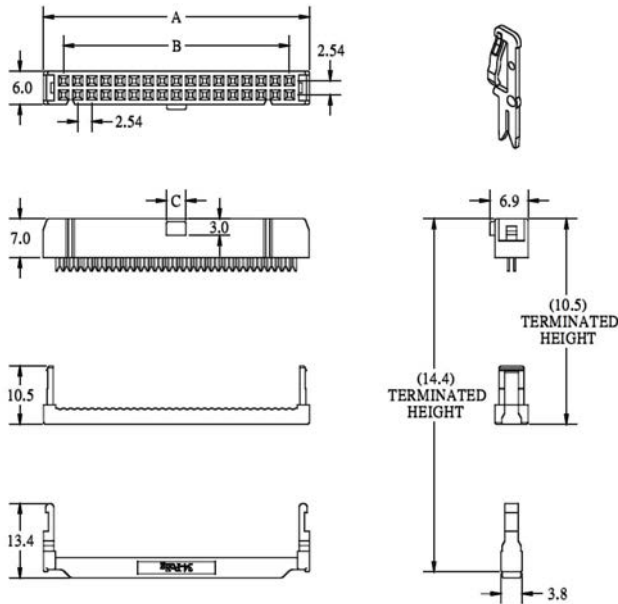
- | | |
|--|--|
| <p>1. CONSTRUCTION TYPE:
4HA, 4HB, 4HC, 4HD</p> <p>2. NO. OF CONTACTS:
006~064</p> <p>3. LENGTH IN CM (CENTIMETERS)</p> <p>4. COLOR OF TWO IDC CONNECTORS:
"B" BLACK</p> | <p>5. PIN LENGTH OF DIP PLUG:
"3" X= 3.10MM (STANDARD)
"6" X= 5.95MM</p> |
|--|--|

NOTE: IDC SOCKET & DIP PLUG CAN'T BE SUPPLIED ALONE.

1.27MM PITCH FLAT CABLE WITH 2.54MM IDC SOCKET (H=14.4MM) TO DIP PLUG (H=10.77MM) (G17)



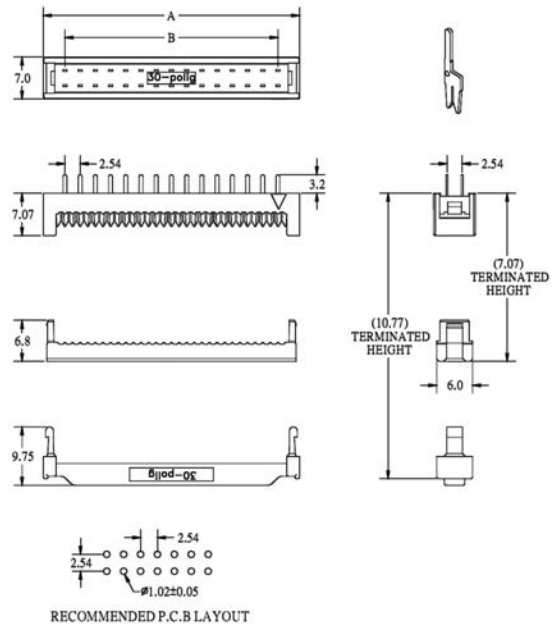
2.54MM IDC SOCKET WITH SLIM STRAIN RELIEF



A=B+7.24
 B=2.54*POSITIONS/2-2.54
 C=1.85 FOR 4~8 POSITIONS
 C=3.50 FOR 10~64 POSITIONS

NO. OF CONTACTS:
 004, 006, 008, 010, 012,
 014, 016, 020, 024, 026,
 030, 034, 036, 040, 044,
 050, 056, 060, 062, 064

2.54MM DIP PLUG WITH STRAIN RELIEF DIP=3.2MM



A=B+7.24
 B=2.54*POSITIONS/2-2.54

NO. OF CONTACTS:
 006, 008, 010, 012, 014,
 016, 020, 024, 026, 030,
 032, 034, 040, 050, 060,
 064

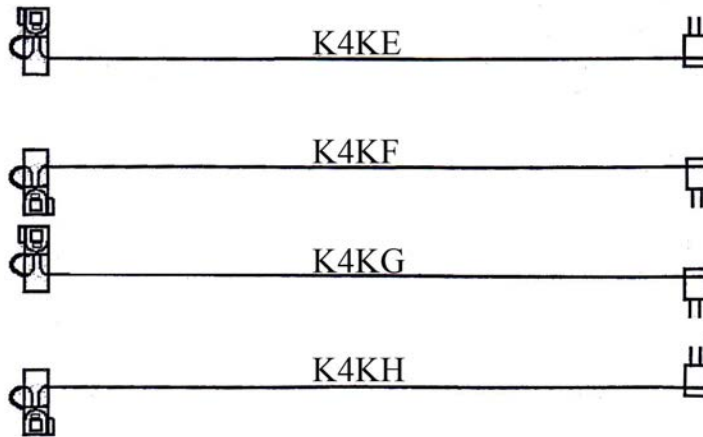
ORDERING INFORMATION:

P/N K 1 2 3 4 C M B

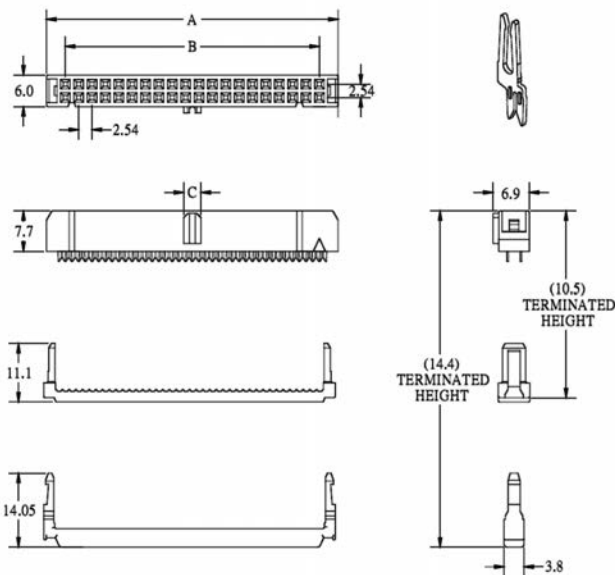
1. CONSTRUCTION TYPE:
4KA, 4KB, 4KC, 4KD
2. NO. OF CONTACTS:
006~064
3. LENGTH IN CM (CENTIMETERS)
4. COLOR OF TWO IDC CONNECTORS:
"B" BLACK

NOTE: IDC SOCKET & DIP PLUG CAN'T BE SUPPLIED ALONE.

**1.27MM PITCH FLAT CABLE WITH 2.54MM IDC SOCKET
(DUAL WIPE CONTACT & H=14.4MM) TO DIP PLUG (H=10.77MM) (G18)**



**2.54MM IDC SOCKET
WITH DUAL WIPE CONTACT & STRAIN RELIEF**



$A=B+7.12$

$B=2.54 \times \text{POSITIONS} / 2 - 2.54$

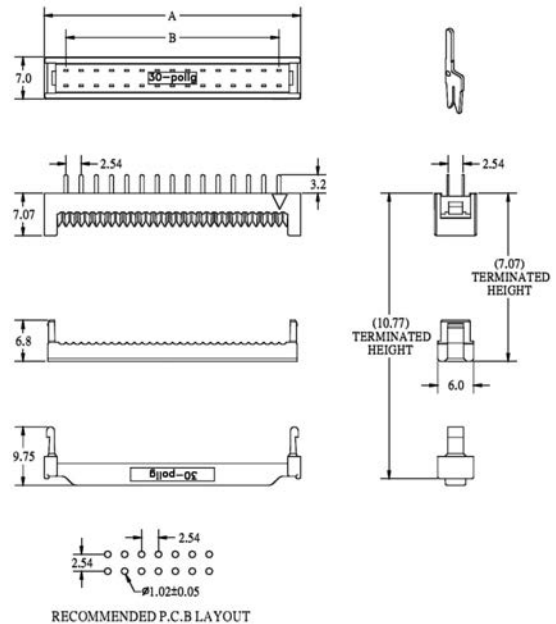
$C=1.85$ FOR 6 & 8 POSITIONS

$C=3.30$ FOR 10~64 POSITIONS

NO. OF CONTACTS:

006, 008, 010, 012, 014,
016, 020, 024, 026, 030,
034, 040, 050, 060, 064

**2.54MM DIP PLUG WITH STRAIN RELIEF
DIP=3.2MM**



$A=B+7.24$

$B=2.54 \times \text{POSITIONS} / 2 - 2.54$

NO. OF CONTACTS:

006, 008, 010, 012, 014,
016, 020, 024, 026, 028,
030, 034, 040, 050, 060,
064

ORDERING INFORMATION:

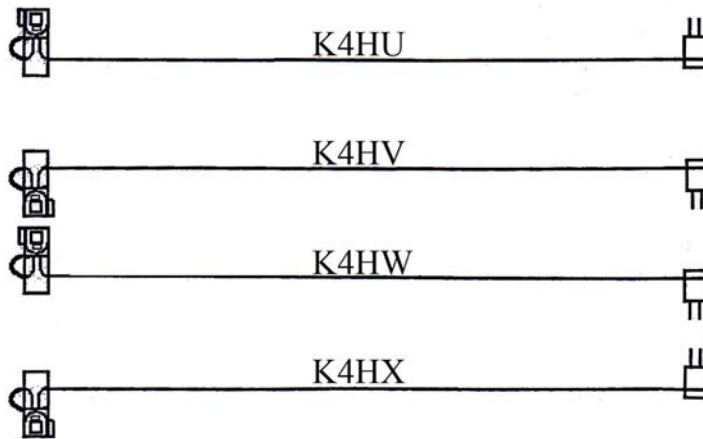
P/N **K** **x** **x** **x** **x** **x** **x** - **x** **x** **C** **M** **B**

1 2 3 4

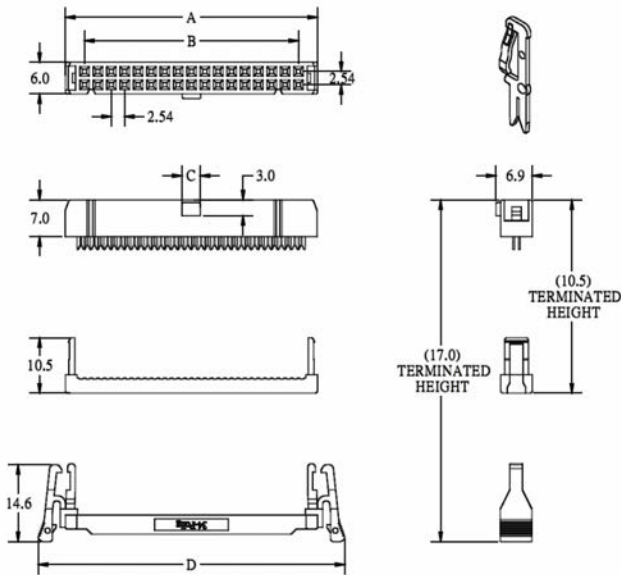
1. CONSTRUCTION TYPE:
4KE, 4KF, 4KG, 4KH
2. NO. OF CONTACTS:
006~064
3. LENGTH IN CM (CENTIMETERS)
4. COLOR OF TWO IDC CONNECTORS:
"B" BLACK

NOTE: IDC SOCKET & DIP PLUG CAN'T BE SUPPLIED ALONE.

**1.27MM PITCH FLAT CABLE
WITH 2.54MM IDC SOCKET (H=17.0MM) TO DIP PLUG (H=10.77MM) (G19)**



**2.54MM IDC SOCKET
WITH SPRING LATCH & STRAIN RELIEF**



$A=B+7.24$

$B=2.54 \times \text{POSITIONS} / 2 - 2.54$

$C=1.85$ FOR 6 & 8 POSITIONS

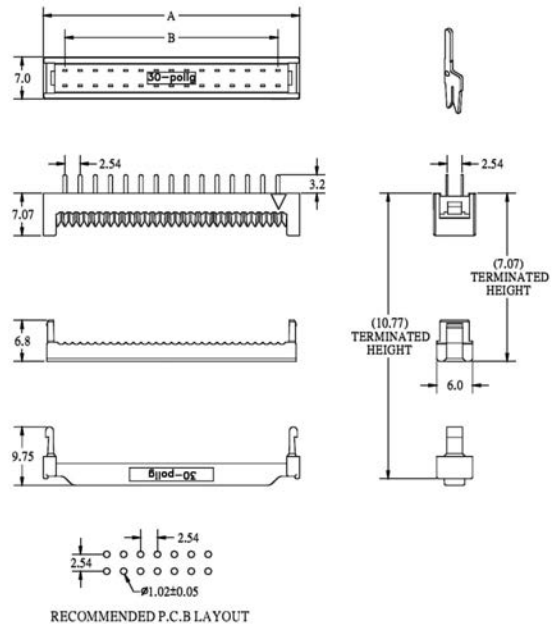
$C=3.50$ FOR 10~64 POSITIONS

$D=B+17.62$

NO. OF CONTACTS:

- 006, 008, 010, 012, 014,
- 016, 020, 024, 026, 030,
- 034, 036, 040, 044, 050,
- 056, 060, 062, 064

**2.54MM DIP PLUG WITH STRAIN RELIEF
DIP=3.2MM**



$A=B+7.24$

$B=2.54 \times \text{POSITIONS} / 2 - 2.54$

NO. OF CONTACTS:

- 006, 008, 010, 012, 014,
- 016, 020, 024, 026, 030,
- 032, 034, 040, 050, 060,
- 064

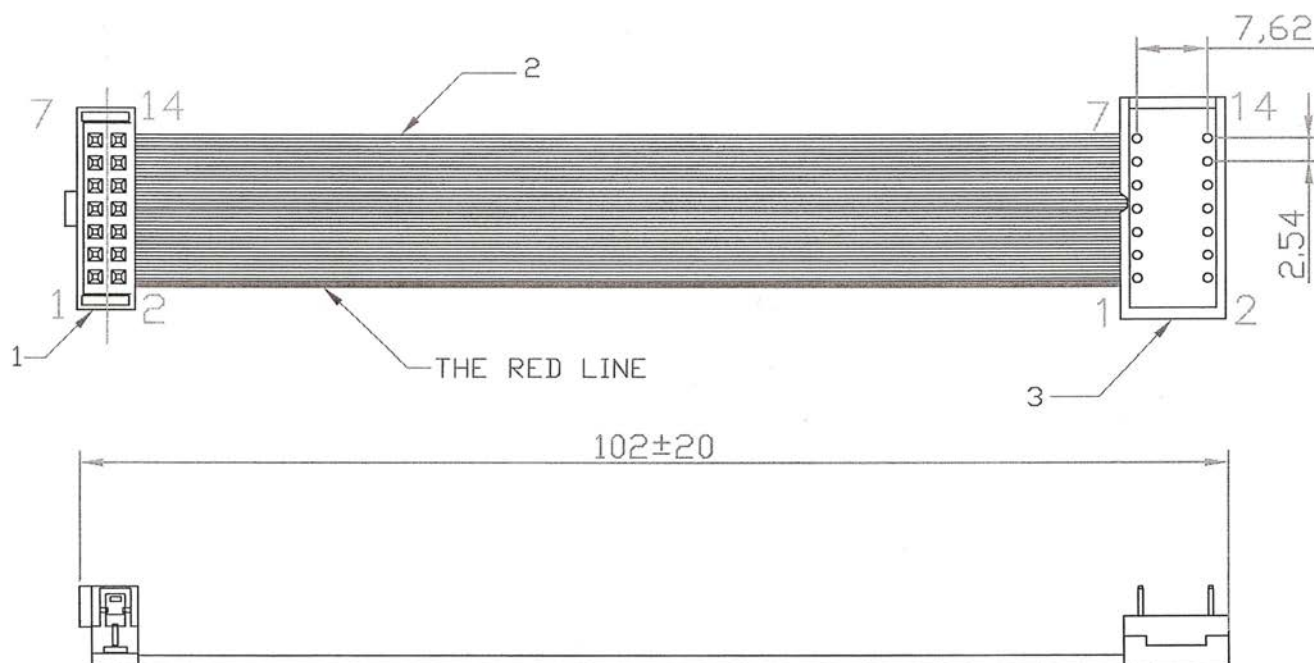
ORDERING INFORMATION:

P/N K 1 2 3 4 C M B

1. CONSTRUCTION TYPE:
4HU, 4HV, 4HW, 4HX
2. NO. OF CONTACTS:
006~064
3. LENGTH IN CM (CENTIMETERS)
4. COLOR OF TWO IDC CONNECTORS:
"B" BLACK

NOTE: IDC SOCKET & DIP PLUG CAN'T BE SUPPLIED ALONE.

1.27MM PITCH FLAT CABLE WITH 2.54MM IDC SOCKET & DIP PLUG



KA14LY-10CMB

ORDERING INFORMATION:

P/N K A $\frac{x}{1} \frac{x}{2} \frac{x}{3} \frac{x}{4}$ - $\frac{x}{3} \frac{x}{4}$ C M $\frac{x}{4}$

1. NO. OF CONTACTS:

08, 10, 14, 16, 18, 20, 24, 26, 28,
32, 34, 36, 40

2. CONNECTORS AT 2 ENDS:

"LY" 2.54MM IDC SOCKET TO
2.54MM(0.1") x 7.62MM(0.3") DIP PLUG

"LZ" 2.54MM IDC SOCKET TO
2.54MM(0.1") x 15.24MM(0.6") DIP PLUG

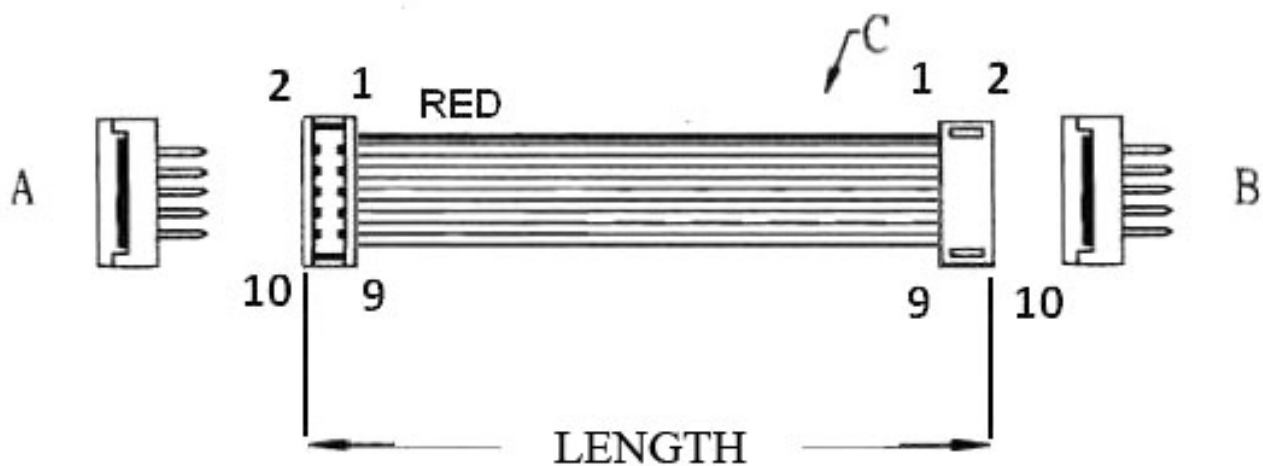
3. CABLE LENGTH IN CM (CENTIMETERS)

4. COLOR OF 2 CONNECTORS:

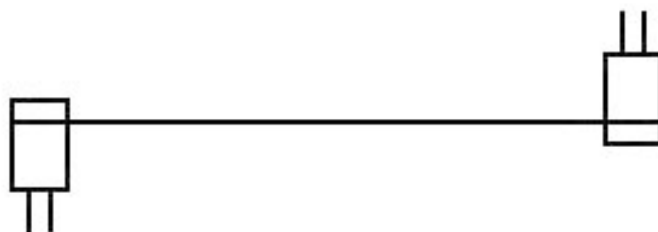
"B" BLACK (STANDARD)

"A" GRAY (OPTIONAL)

**1.27MM PITCH FLAT CABLE WITH
2* 2.54MM PITCH DIP PLUGS (H=7.6MM) (H1)**



PIN TO PIN

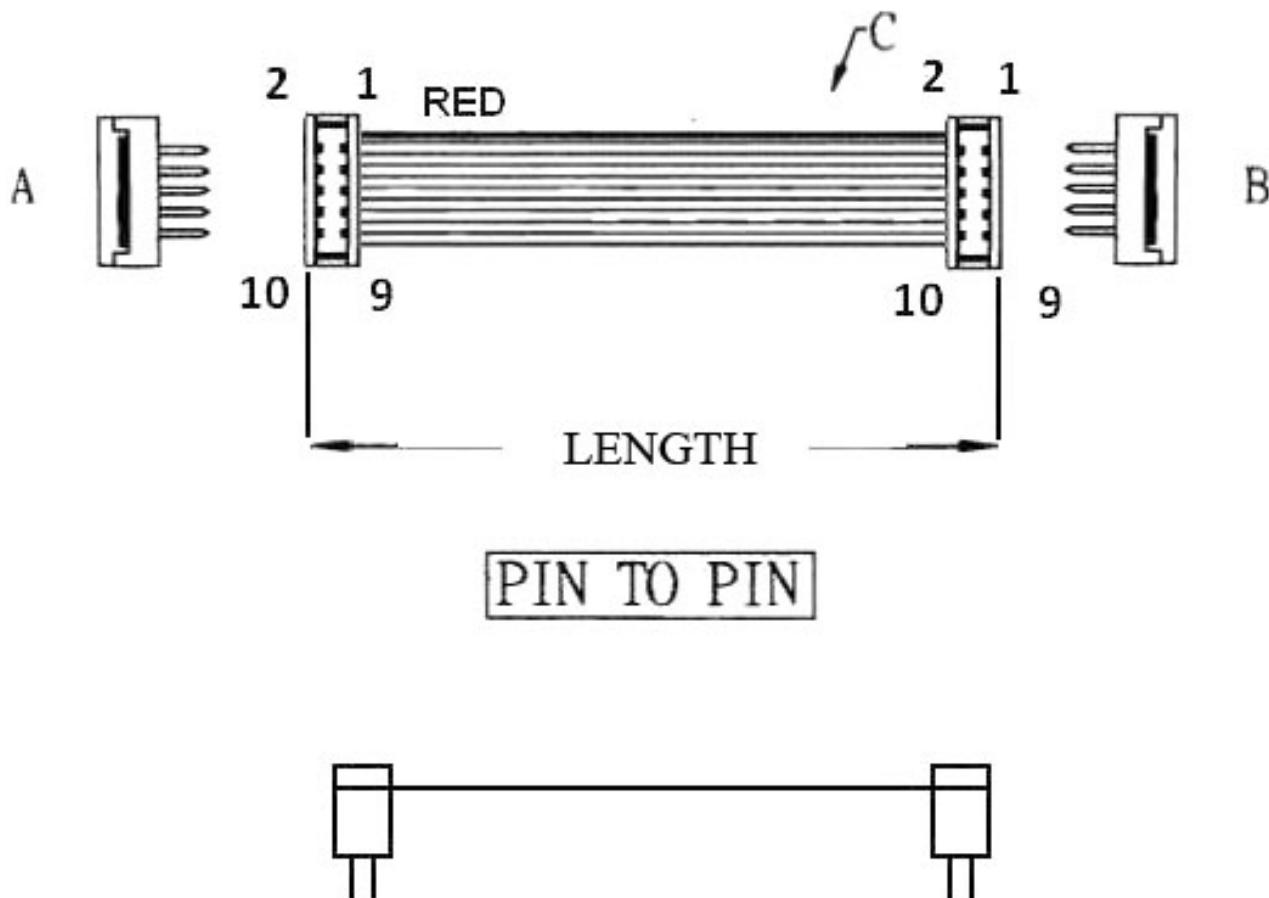


ORDERING INFORMATION:

P/N $\frac{\text{KA}}{1} \frac{\text{xx}}{2} \frac{\text{DD}}{3} - \frac{\text{xx}}{4} \text{CM} \frac{\text{x}}{5}$

1. FLAT CABLE TYPE:
"KA" 1.27MM AWG28 UL2651 VW-1
PVC INSULATION GRAY
2. NO. OF CONTACTS:
06~64
3. CONNECTORS AT TWO ENDS:
"DD" 2.54MM DIP PLUG
TO 2.54MM DIP PLUG
4. LENGTH IN CM (CENTIMETERS)
5. COLOR OF TWO IDC CONNECTORS:
"B" BLACK
"A" GRAY

**1.27MM PITCH FLAT CABLE WITH
2* 2.54MM PITCH DIP PLUGS (H=7.6MM) (H2)**

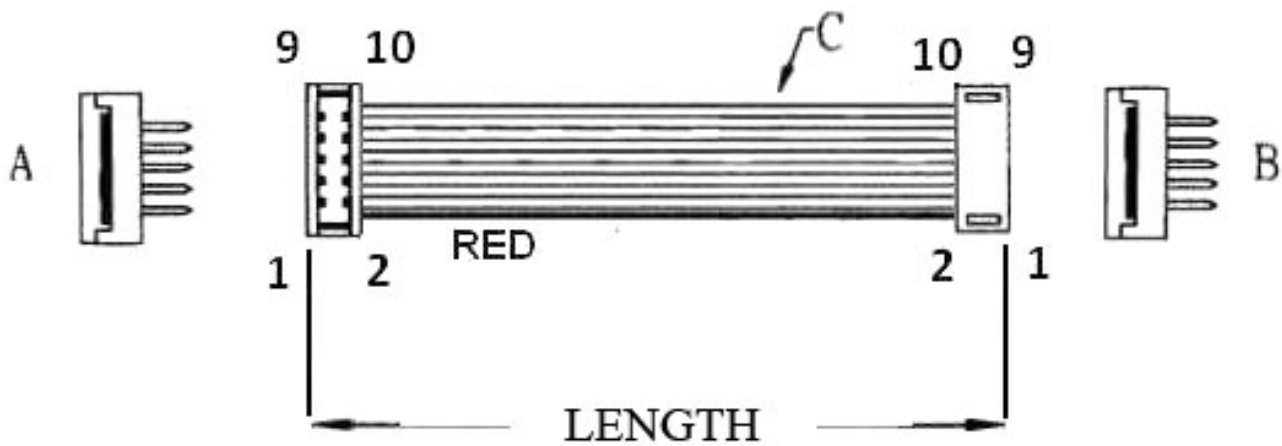


ORDERING INFORMATION:

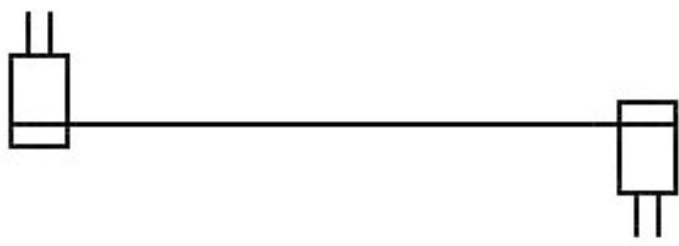
P/N $\frac{KA}{1} \frac{xx}{2} \frac{DP}{3} - \frac{xx}{4} \frac{CM}{5} x$

1. FLAT CABLE TYPE:
"KA" 1.27MM AWG28 UL2651 VW-1
PVC INSULATION GRAY
2. NO. OF CONTACTS:
06~64
3. CONNECTORS AT TWO ENDS:
"DP" 2.54MM DIP PLUG
TO 2.54MM DIP PLUG
4. LENGTH IN CM (CENTIMETERS)
5. COLOR OF TWO IDC CONNECTORS:
"B" BLACK
"A" GRAY

**1.27MM PITCH FLAT CABLE WITH
2* 2.54MM PITCH DIP PLUGS (H=7.6MM) (H3)**



PIN TO PIN

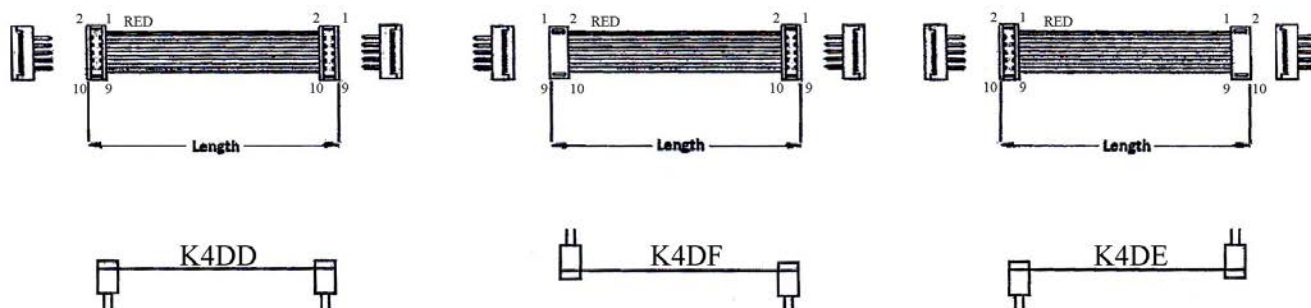


ORDERING INFORMATION:

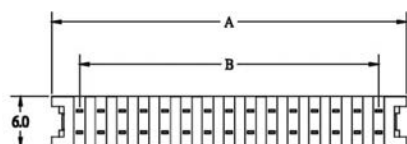
P/N $\frac{KA}{1} \frac{xx}{2} \frac{PP}{3} - \frac{xx}{4} CM \frac{x}{5}$

1. FLAT CABLE TYPE:
"KA" 1.27MM AWG28 UL2651 VW-1
PVC INSULATION GRAY
2. NO. OF CONTACTS:
06~64
3. CONNECTORS AT TWO ENDS:
"PP" 2.54MM DIP PLUG
TO 2.54MM DIP PLUG
4. LENGTH IN CM (CENTIMETERS)
5. COLOR OF TWO IDC CONNECTORS:
"B" BLACK
"A" GRAY

1.27MM PITCH FLAT CABLE WITH 2* 2.54MM DIP PLUGS (H=5.4MM) (H4)

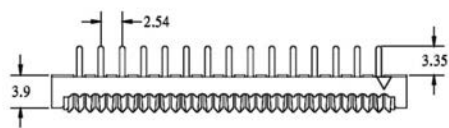


2.54MM PITCH SUPER LOW PROFILE DIP PLUG H=5.4MM

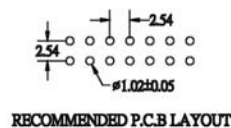
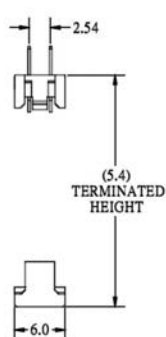


$$A = B + 6.64$$

$$B = 2.54 * \text{POSITIONS} / 2 - 2.54$$



NO. OF CONTACTS:
006, 008, 010, 012, 014,
016, 020, 024, 026, 030,
032, 034, 040, 050, 060,
064



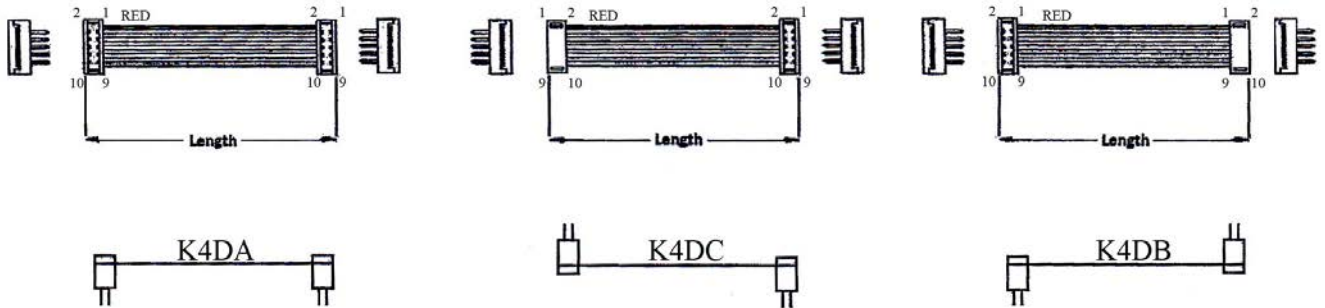
ORDERING INFORMATION:

P/N **K** 1 2 3 4 **C M** x

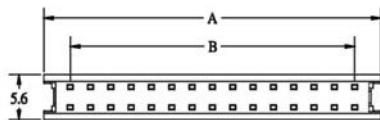
1. CONSTRUCTION TYPE:
4DD, 4DE, 4DF
2. NO. OF CONTACTS:
006~064
3. LENGTH IN CM (CENTIMETERS)
4. COLOR OF TWO IDC CONNECTORS:
"B" BLACK
"A" GRAY

NOTE: DIP PLUG CAN'T BE SUPPLIED ALONE.

1.27MM PITCH FLAT CABLE WITH 2* 2.54MM DIP PLUGS (H=6.0MM) (H5)



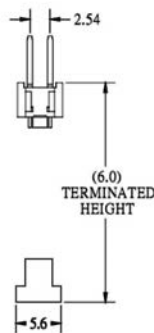
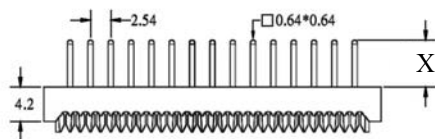
2.54MM PITCH DIP PLUG WITH 0.64MM SQUARE TAIL H=6.0MM



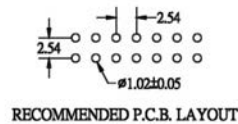
$$A = B + 6.64$$

$$B = 2.54 * \text{POSITIONS} / 2 - 2.54$$

$$X = \text{PIN LENGTH}$$



NO. OF CONTACTS:
006, 008, 010, 012, 014,
016, 020, 024, 026, 030,
032, 034, 040, 050, 060,
064



ORDERING INFORMATION:

P/N **K** **x** **x** **x** **x** **x** **x** - **x** **x** **C** **M** **B** **x**

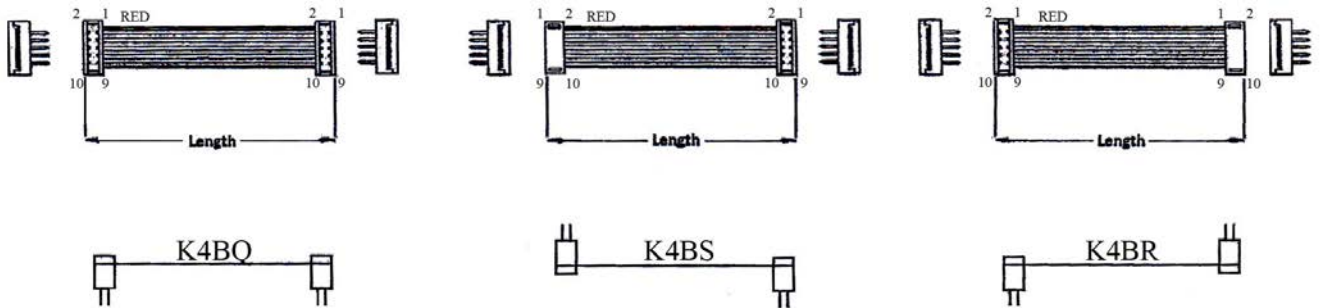
1 2 3 4 5

1. CONSTRUCTION TYPE:
4DA, 4DB, 4DC
2. NO. OF CONTACTS:
006~064
3. LENGTH IN CM (CENTIMETERS)
4. COLOR OF TWO IDC CONNECTORS:
"B" BLACK

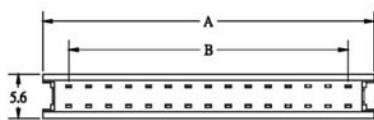
5. PIN LENGTH OF DIP PLUG:
"6" A= 5.85MM (STANDARD)
"T" B= 12.0MM

NOTE: DIP PLUG CAN'T BE SUPPLIED ALONE.

1.27MM PITCH FLAT CABLE WITH 2* 2.54MM DIP PLUGS (H=6.0MM) (H6)

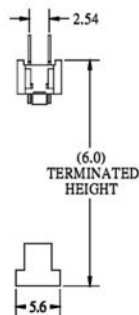
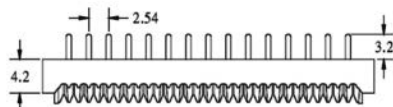


2.54MM PITCH DIP PLUG H=6.0MM

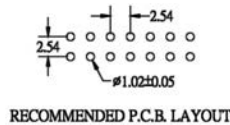


$$A = B + 6.64$$

$$B = 2.54 * \text{POSITIONS} / 2 - 2.54$$



NO. OF CONTACTS:
006, 008, 010, 012, 014,
016, 020, 024, 026, 030,
032, 034, 040, 050, 060,
064



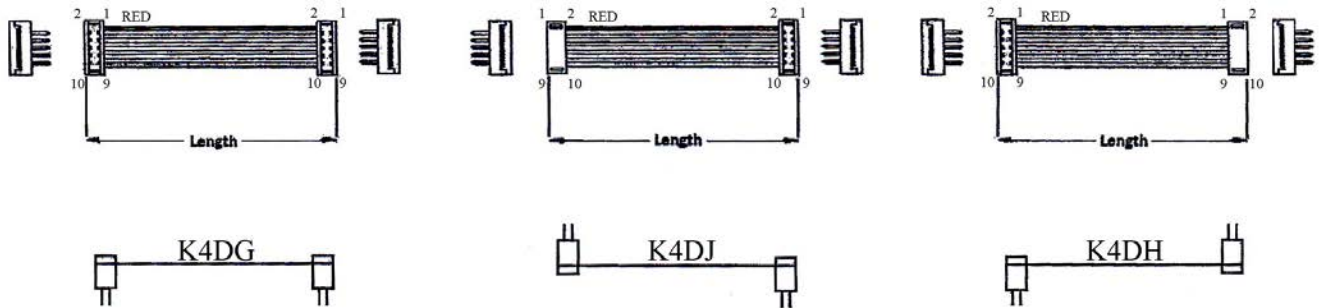
ORDERING INFORMATION:

P/N **K** $\frac{\text{X X X X X X}}{1}$ - $\frac{\text{X X}}{2}$ **C** $\frac{\text{M}}{3}$ $\frac{\text{X}}{4}$

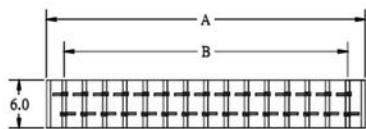
- CONSTRUCTION TYPE:
4BQ, 4BR, 4BS
- NO. OF CONTACTS:
006~064
- LENGTH IN CM (CENTIMETERS)
- COLOR OF TWO IDC CONNECTORS:
"B" BLACK
"A" GRAY

NOTE: DIP PLUG CAN'T BE SUPPLIED ALONE.

1.27MM PITCH FLAT CABLE WITH 2* 2.54MM SHRUNK DIP PLUGS (H=6.1MM) (H7)

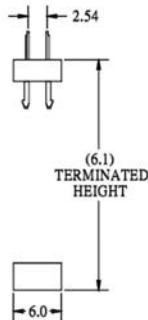
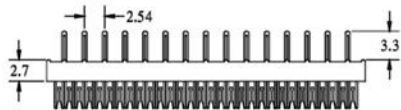


2.54MM PITCH SHRUNK DIP PLUG H=6.1MM

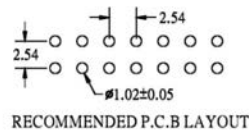


$$A=B+4.40$$

$$B=2.54*POSITIONS/2-2.54$$



NO. OF CONTACTS:
006, 008, 010, 012, 014,
016, 020, 024, 026, 028,
030, 034, 040, 050, 060,
064



ORDERING INFORMATION:

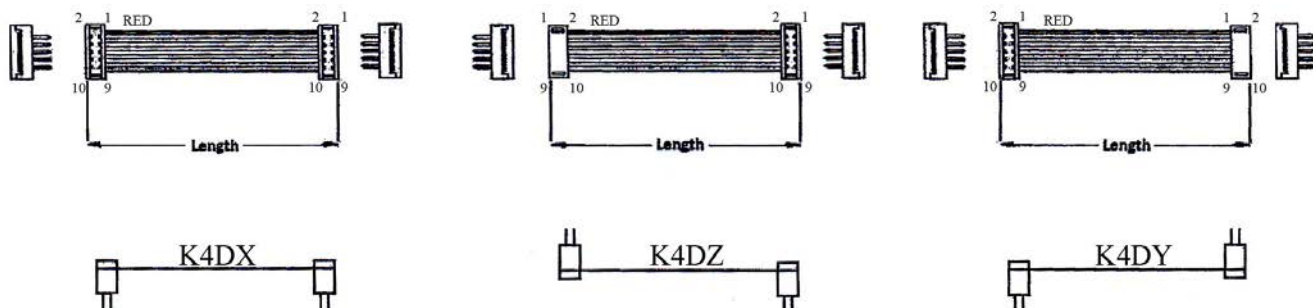
P/N **K** **x x x x x x** - **x x** **C M** **B**

1 2 3 4

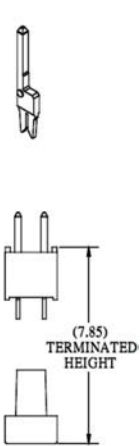
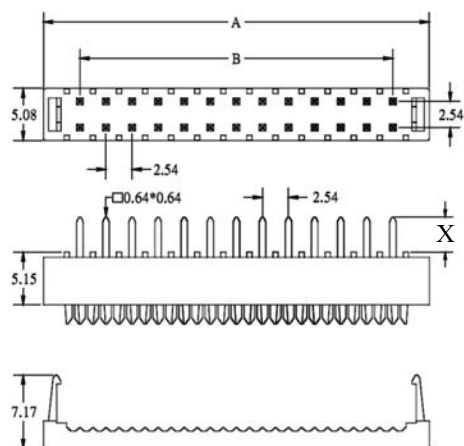
1. CONSTRUCTION TYPE:
4DG, 4DH, 4DJ
2. NO. OF CONTACTS:
006~064
3. LENGTH IN CM (CENTIMETERS)
4. COLOR OF TWO IDC CONNECTORS:
"B" BLACK

NOTE: DIP PLUG CAN'T BE SUPPLIED ALONE.

1.27MM PITCH FLAT CABLE WITH 2* 2.54MM DIP PLUGS WITH 0.64MM SQUARE SOLDER TAIL (H=7.85MM) (H8)

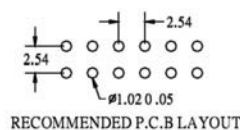


2.54MM PITCH DIP PLUG WITH 0.64MM SQUARE SOLDER TAIL H=7.85MM



$A=B+7.11$
 $B=2.54*POSITIONS/2-2.54$
 $X=PIN LENGTH$

NO. OF CONTACTS:
 006, 008, 010, 012, 014,
 016, 020, 024, 026, 030,
 034, 040, 050, 060, 064



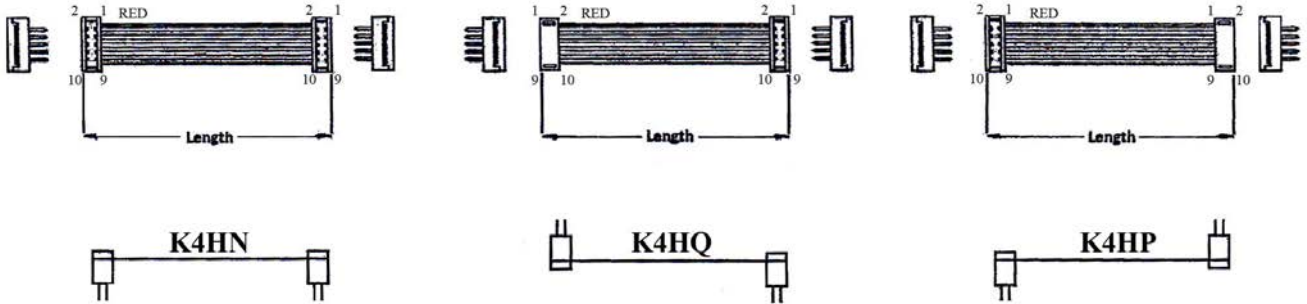
ORDERING INFORMATION:

P/N **K** **x x x x x x** - **x x** **C M** **B** **x**
 1 2 3 4 5

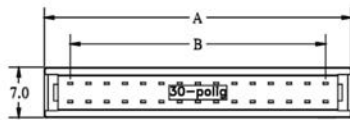
- CONSTRUCTION TYPE:
4DX, 4DY, 4DZ
- NO. OF CONTACTS:
006~064
- LENGTH IN CM (CENTIMETERS)
- COLOR OF TWO IDC CONNECTORS:
"B" BLACK
- PIN LENGTH OF DIP PLUG:
"3" X= 3.10MM (STANDARD)
"6" X= 5.95MM

NOTE: DIP PLUG CAN'T BE SUPPLIED ALONE.

1.27MM PITCH FLAT CABLE WITH 2* 2.54MM DIP PLUGS (H=10.77MM) (H9)

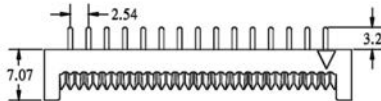


2.54MM PITCH DIP PLUG WITH STRAIN RELIEF DIP=3.2MM

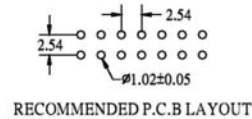
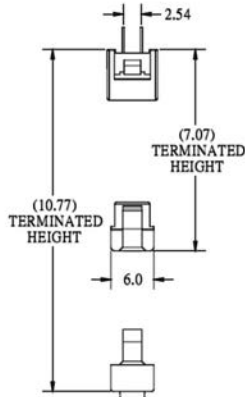


$$A=B+7.24$$

$$B=2.54*POSITIONS/2-2.54$$



NO. OF CONTACTS:
006, 008, 010, 012, 014,
016, 020, 024, 026, 028,
030, 034, 040, 050, 060,
064



ORDERING INFORMATION:

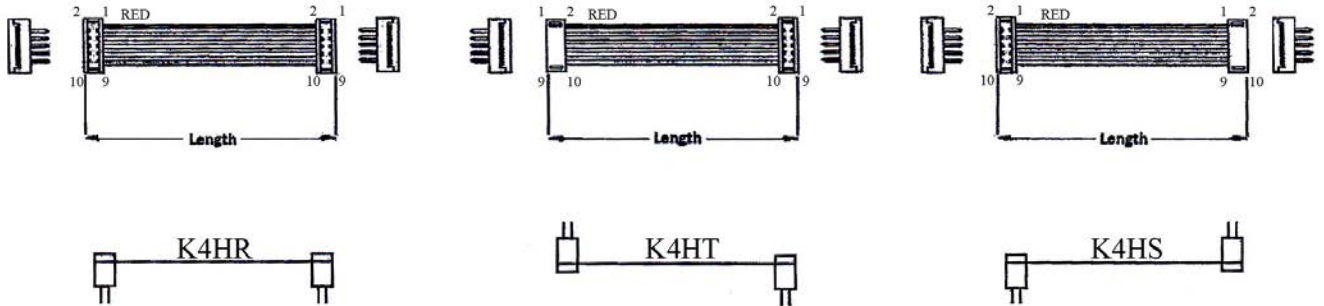
P/N **K** **x x x x x x** - **x x** **C M B**

1 2 3 4

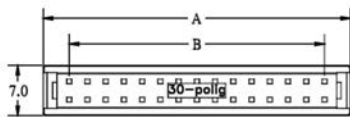
1. CONSTRUCTION TYPE:
4HN, 4HP, 4HQ
2. NO. OF CONTACTS:
006~064
3. LENGTH IN CM (CENTIMETERS)
4. COLOR OF TWO IDC CONNECTORS:
"B" BLACK

NOTE: DIP PLUG CAN'T BE SUPPLIED ALONE.

1.27MM PITCH FLAT CABLE WITH 2* 2.54MM DIP PLUGS (H=10.77MM) (H10)



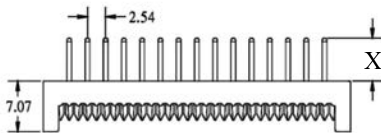
2.54MM DIP PLUG WITH STRAIN RELIEF & 0.64MM SQUARE TAIL DIP=6.0MM



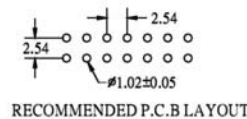
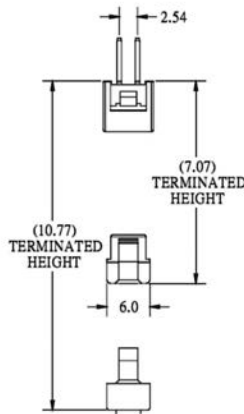
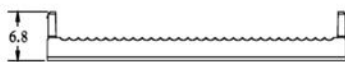
$$A = B + 7.24$$

$$B = 2.54 * \text{POSITIONS} / 2 - 2.54$$

$$X = \text{PIN LENGTH}$$



NO. OF CONTACTS:
006, 008, 010, 012, 014,
016, 020, 024, 026, 028,
030, 034, 040, 050, 060,
064



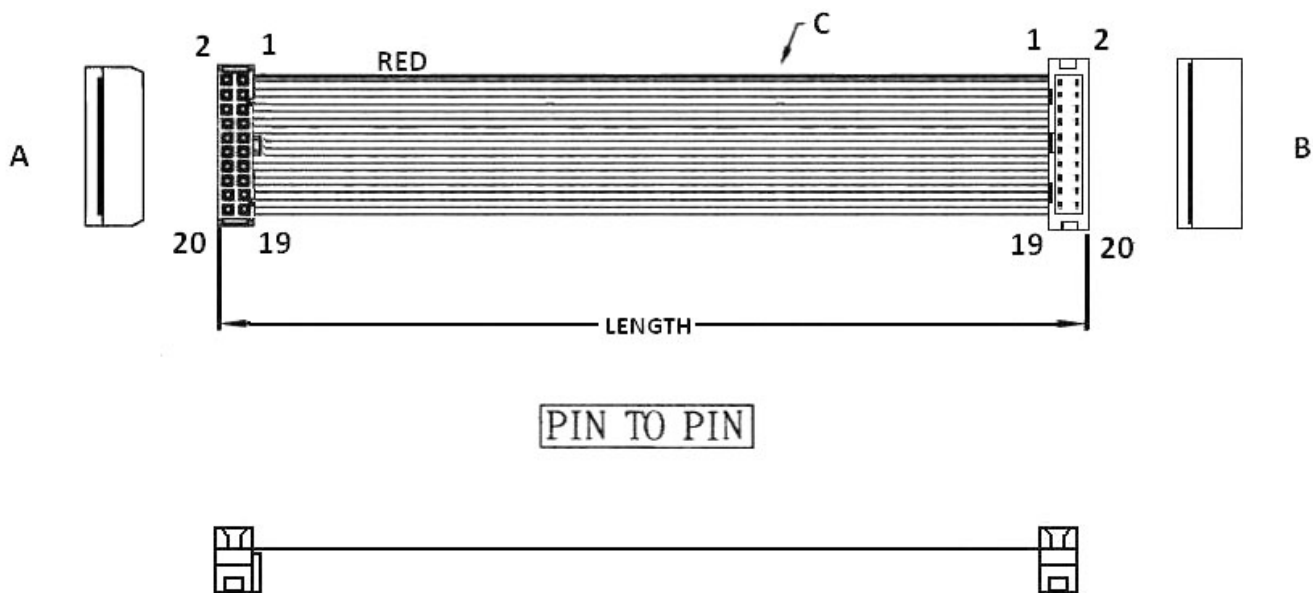
ORDERING INFORMATION:

P/N **K** **x x x x x x** - **x x** **C M** **B** **x**
1 2 3 4 5

- | | |
|---|---|
| <p>1. CONSTRUCTION TYPE:
4HR, 4HS, 4HT</p> <p>2. NO. OF CONTACTS:
006~064</p> <p>3. LENGTH IN CM (CENTIMETERS)</p> <p>4. COLOR OF TWO IDC CONNECTORS:
"B" BLACK</p> | <p>5. PIN LENGTH OF DIP PLUG:
"6" X= 6.0MM (STANDARD)
"T" X= 12.1MM</p> |
|---|---|

NOTE: DIP PLUG CAN'T BE SUPPLIED ALONE.

1.27MM PITCH FLAT CABLE WITH 2.54MM PITCH IDC SOCKET WITHOUT STRAIN RELIEF (H=11.0MM) TO IDC TYPE BOX HEADER (J1)



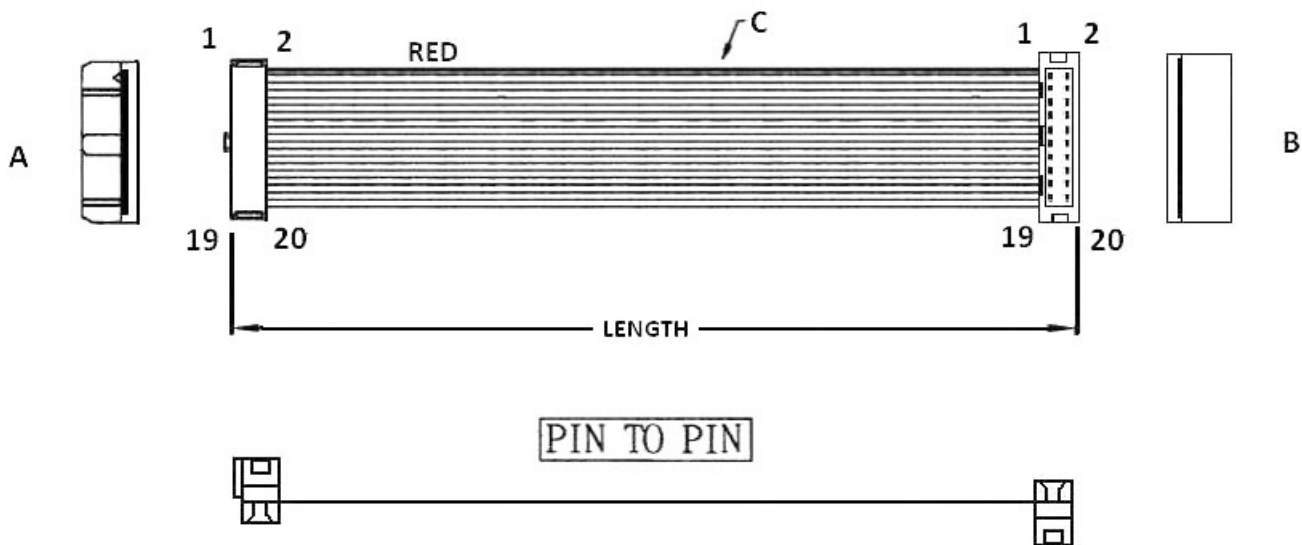
PIN TO PIN

ORDERING INFORMATION:

P/N $\frac{KA}{1} \frac{xx}{2} \frac{KB}{3} - \frac{xx}{4} \frac{CMA}{5}$

1. FLAT CABLE TYPE:
"KA" 1.27MM AWG28 UL2651 VW-1
PVC INSULATION GRAY
2. NO. OF CONTACTS:
10~64
3. CONNECTORS AT TWO ENDS:
"KB" 2.54MM IDC SOCKET WITHOUT STRAIN RELIEF
TO 2.54MM IDC TYPE BOX HEADER
4. LENGTH IN CM (CENTIMETERS)
5. COLOR OF TWO IDC CONNECTORS:
"A" GRAY

1.27MM PITCH FLAT CABLE WITH 2.54MM PITCH IDC SOCKET WITHOUT STRAIN RELIEF (H=11.0MM) TO IDC TYPE BOX HEADER (J2)

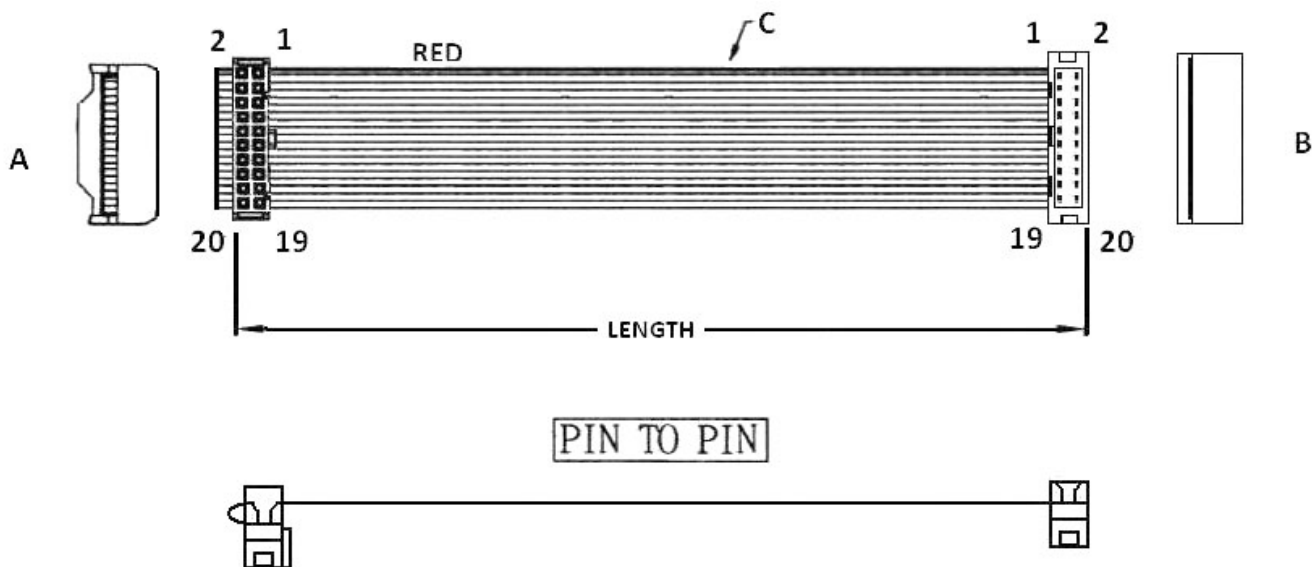


ORDERING INFORMATION:

P/N $\frac{KA}{1} \frac{xx}{2} \frac{LB}{3} - \frac{xx}{4} \frac{CMA}{5}$

1. FLAT CABLE TYPE:
"KA" 1.27MM AWG28 UL2651 VW-1
PVC INSULATION GRAY
2. NO. OF CONTACTS:
10~64
3. CONNECTORS AT TWO ENDS:
"LB" 2.54MM IDC SOCKET WITHOUT STRAIN RELIEF
TO 2.54MM IDC TYPE BOX HEADER
4. LENGTH IN CM (CENTIMETERS)
5. COLOR OF TWO IDC CONNECTORS:
"A" GRAY

1.27MM PITCH FLAT CABLE WITH 2.54MM PITCH IDC SOCKET WITH STRAIN RELIEF (H=16.0MM) TO IDC TYPE BOX HEADER (J3)

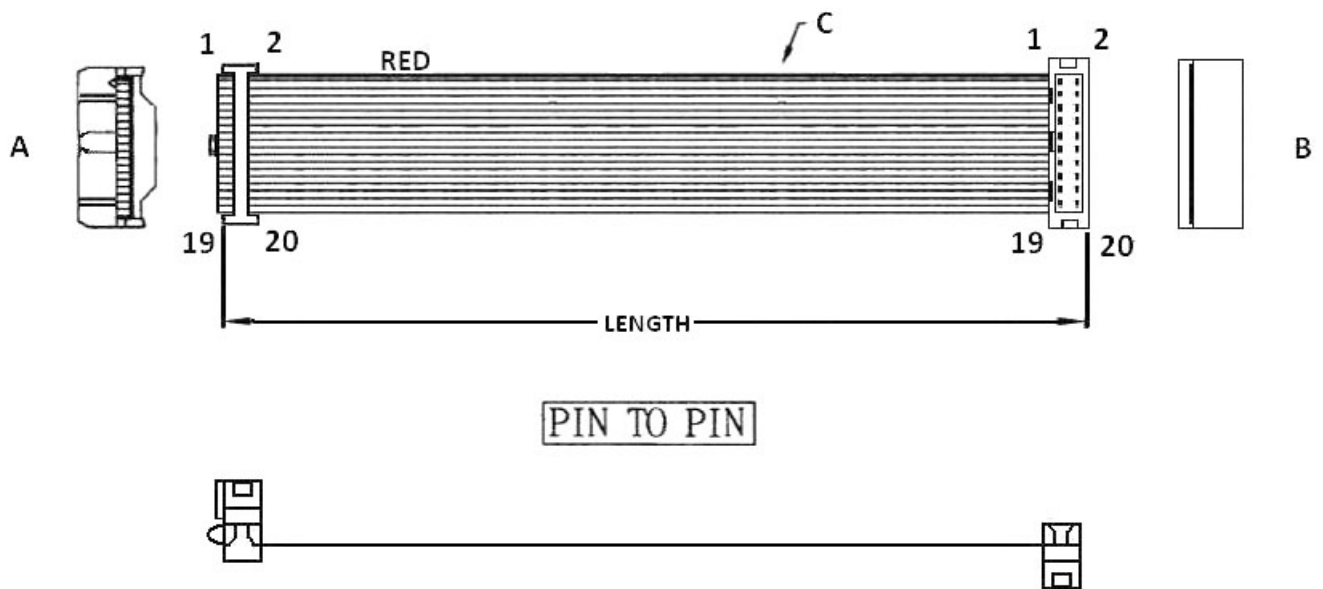


ORDERING INFORMATION:

P/N $\frac{KA}{1} \frac{xx}{2} \frac{MB}{3} - \frac{xx}{4} \frac{CMA}{5}$

1. FLAT CABLE TYPE:
"KA" 1.27MM AWG28 UL2651 VW-1
PVC INSULATION GRAY
2. NO. OF CONTACTS:
10~64
3. CONNECTORS AT TWO ENDS:
"MB" 2.54MM IDC SOCKET WITH STRAIN RELIEF
TO 2.54MM IDC TYPE BOX HEADER
4. LENGTH IN CM (CENTIMETERS)
5. COLOR OF TWO IDC CONNECTORS:
"A" GRAY

1.27MM PITCH FLAT CABLE WITH 2.54MM PITCH IDC SOCKET WITH STRAIN RELIEF (H=16.0MM) TO IDC TYPE BOX HEADER (J4)

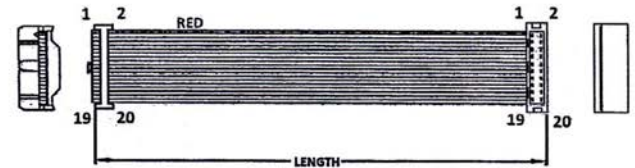
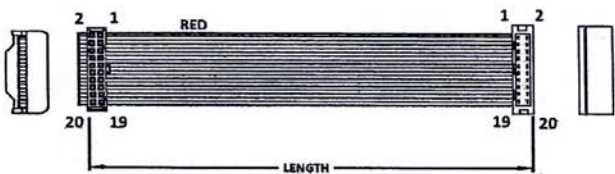
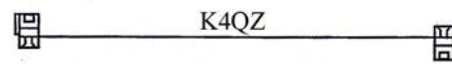
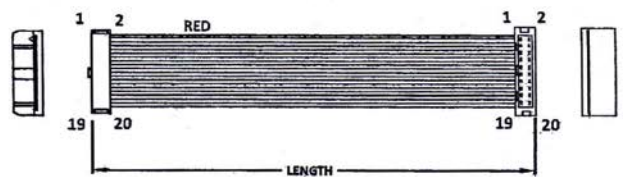
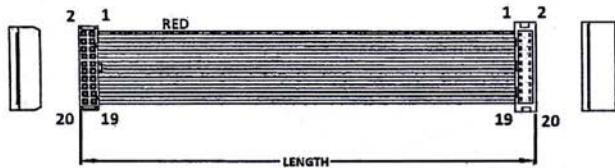


ORDERING INFORMATION:

P/N $\frac{KA}{1} \frac{xx}{2} \frac{NB}{3} - \frac{xx}{4} C M \frac{A}{5}$

1. FLAT CABLE TYPE:
"KA" 1.27MM AWG28 UL2651 VW-1
PVC INSULATION GRAY
2. NO. OF CONTACTS:
10~64
3. CONNECTORS AT TWO ENDS:
"NB" 2.54MM IDC SOCKET WITH STRAIN RELIEF
TO 2.54MM IDC TYPE BOX HEADER
4. LENGTH IN CM (CENTIMETERS)
5. COLOR OF TWO IDC CONNECTORS:
"A" GRAY

1.27MM PITCH FLAT CABLE WITH 2.54MM IDC SOCKET WITH DUAL WIPE CONTACTS (H=10.5MM & 14.4MM) TO BOX HEADER IDC TYPE (J5)



ORDERING INFORMATION:

P/N K 1 2 3 4 C M X

1. CONSTRUCTION TYPE:
IDC SOCKET W/O S.R. : 4QY, 4QZ (H=10.5MM)
IDC SOCKET WITH S.R. : 4TY, 4TZ (H=14.4MM)
2. NO. OF CONTACTS:
010~064
3. LENGTH IN CM (CENTIMETERS)
4. COLOR OF TWO IDC CONNECTORS:
"A" GRAY+GRAY
"D" BLACK (SOCKET) + GRAY (HEADER)

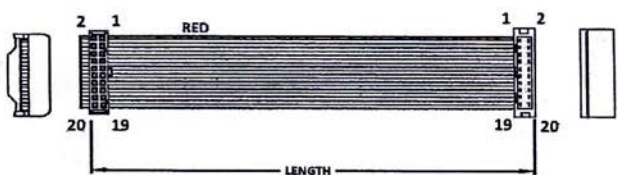
**1.27MM PITCH FLAT CABLE
WITH 2.54MM IDC SOCKET (H=10.5MM & 14.4MM) TO BOX HEADER IDC TYPE (J6)**



K4SW



K4SX



K4SY



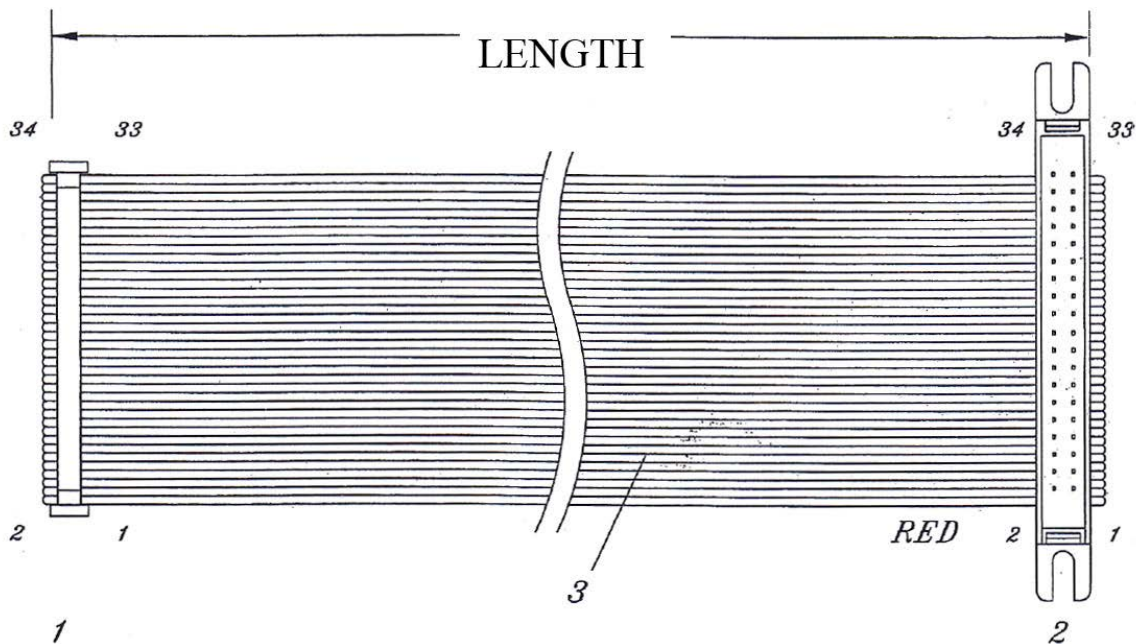
K4SZ

ORDERING INFORMATION:

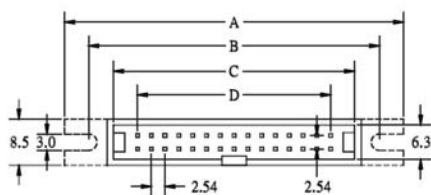
P/N K 1 2 3 4

1. CONSTRUCTION TYPE:
IDC SOCKET W/O S.R. : 4SW, 4SX (H=10.5MM)
IDC SOCKET WITH S.R. : 4SY, 4SZ (H=14.4MM)
2. NO. OF CONTACTS:
010~064
3. LENGTH IN CM (CENTIMETERS)
4. COLOR OF TWO IDC CONNECTORS:
"A" GRAY+GRAY
"D" BLACK (SOCKET) + GRAY (HEADER)

**1.27MM PITCH FLAT CABLE WITH 2.54MM IDC SOCKET (H=10.5MM)
TO IDC TYPE BOX HEADER WITH EARS (J7)**



1.27MM PITCH IDC TYPE BOX HEADER WITH EARS



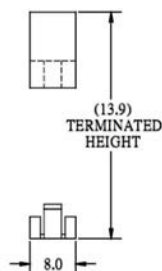
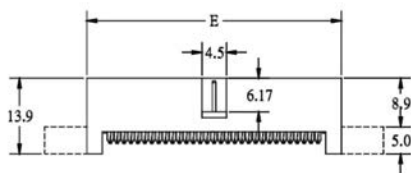
$$A = D + 29.80$$

$$B = D + 18.44$$

$$C = D + 8.14$$

$$D = 2.54 * \text{POSITIONS} / 2 - 2.54$$

$$E = D + 11.26$$



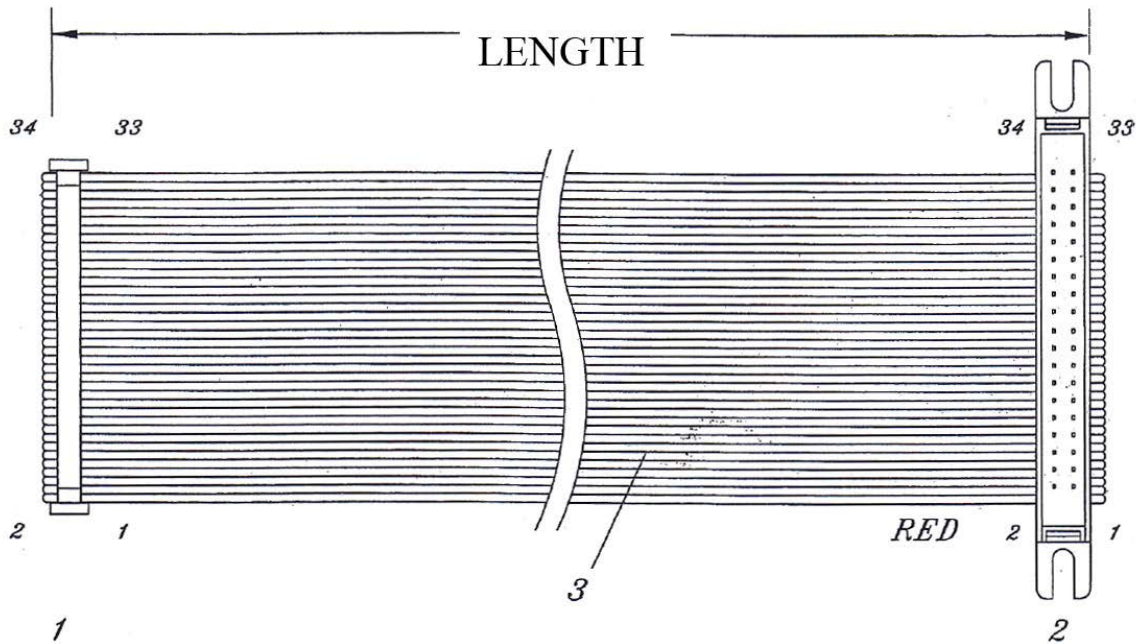
NO. OF CONTACTS:
010, 014, 016, 020, 024,
026, 030, 034, 040, 050,
060, 064

ORDERING INFORMATION:

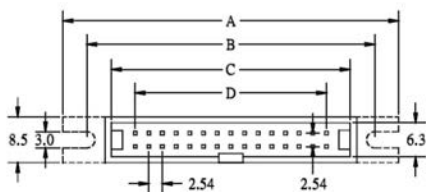
P/N $\frac{K}{1} \frac{x}{2} \frac{x}{3} \frac{x}{4} - \frac{x}{3} \frac{C}{3} \frac{M}{4} \frac{x}{4}$

1. CONSTRUCTION TYPE:
4BY
2. NO. OF CONTACTS:
010~064
3. LENGTH IN CM (CENTIMETERS)
4. COLOR OF TWO IDC CONNECTORS:
"D" BLACK(SOCKET)+GRAY(HEADER)
"A" GRAY+GRAY

1.27MM PITCH FLAT CABLE WITH 2.54MM IDC SOCKET WITH DUAL WIPE CONTACTS (H=10.5MM) TO IDC TYPE BOX HEADER WITH EARS (J8)



1.27MM PITCH IDC TYPE BOX HEADER WITH EARS



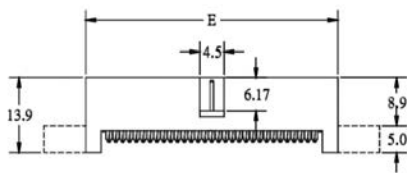
$$A = D + 29.80$$

$$B = D + 18.44$$

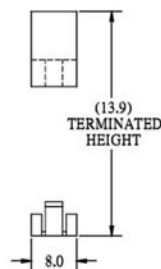
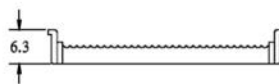
$$C = D + 8.14$$

$$D = 2.54 * \text{POSITIONS} / 2 - 2.54$$

$$E = D + 11.26$$



NO. OF CONTACTS:
010, 014, 016, 020, 024,
026, 030, 034, 040, 050,
060, 064

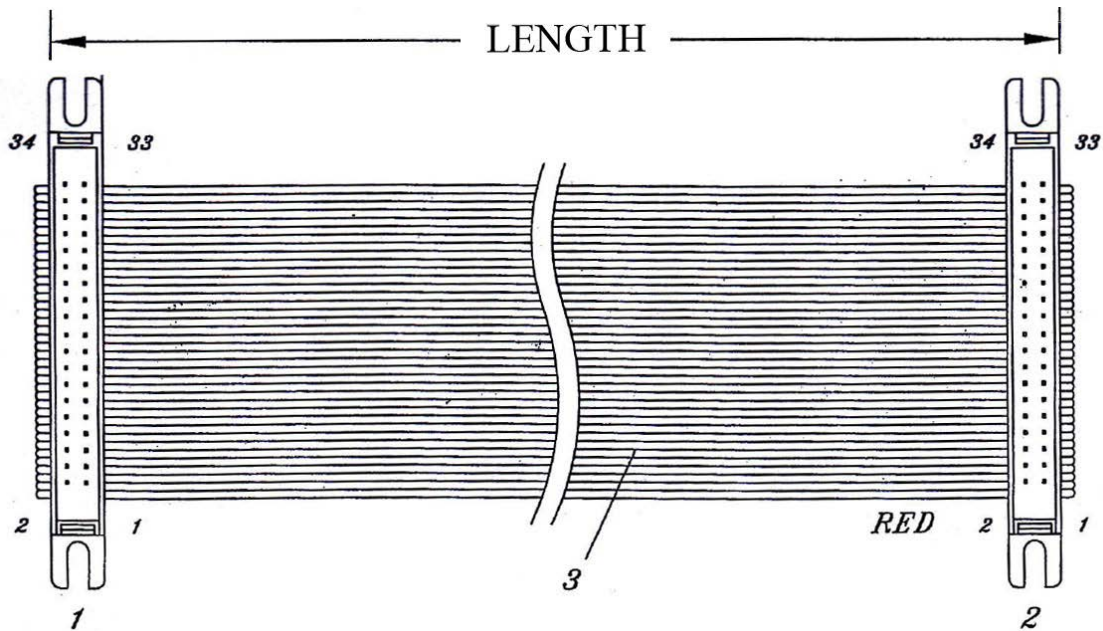


ORDERING INFORMATION:

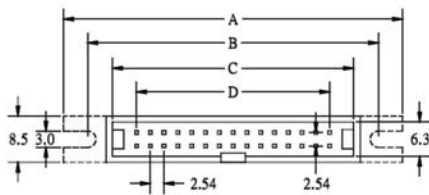
P/N $\frac{K}{1} \frac{x}{2} \frac{x}{3} \frac{x}{4} - \frac{x}{3} \frac{C}{3} \frac{M}{4} \frac{x}{4}$

1. CONSTRUCTION TYPE:
4BZ
2. NO. OF CONTACTS:
010~064
3. LENGTH IN CM (CENTIMETERS)
4. COLOR OF TWO IDC CONNECTORS:
"D" BLACK(SOCKET)+GRAY(HEADER)
"A" GRAY+GRAY

1.27MM PITCH FLAT CABLE WITH 2*2.54MM IDC TYPE BOX HEADERS (K1)



1.27MM PITCH BOX HEADER IDC TYPE WITH EARS



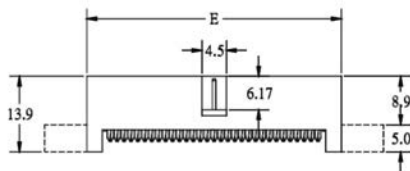
$$A = D + 29.80$$

$$B = D + 18.44$$

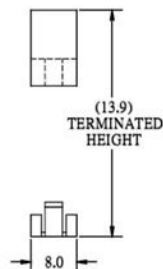
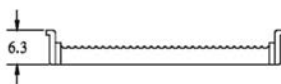
$$C = D + 8.14$$

$$D = 2.54 * \text{POSITIONS} / 2 - 2.54$$

$$E = D + 11.26$$



NO. OF CONTACTS:
010, 014, 016, 020, 024,
026, 030, 034, 040, 050,
060, 064

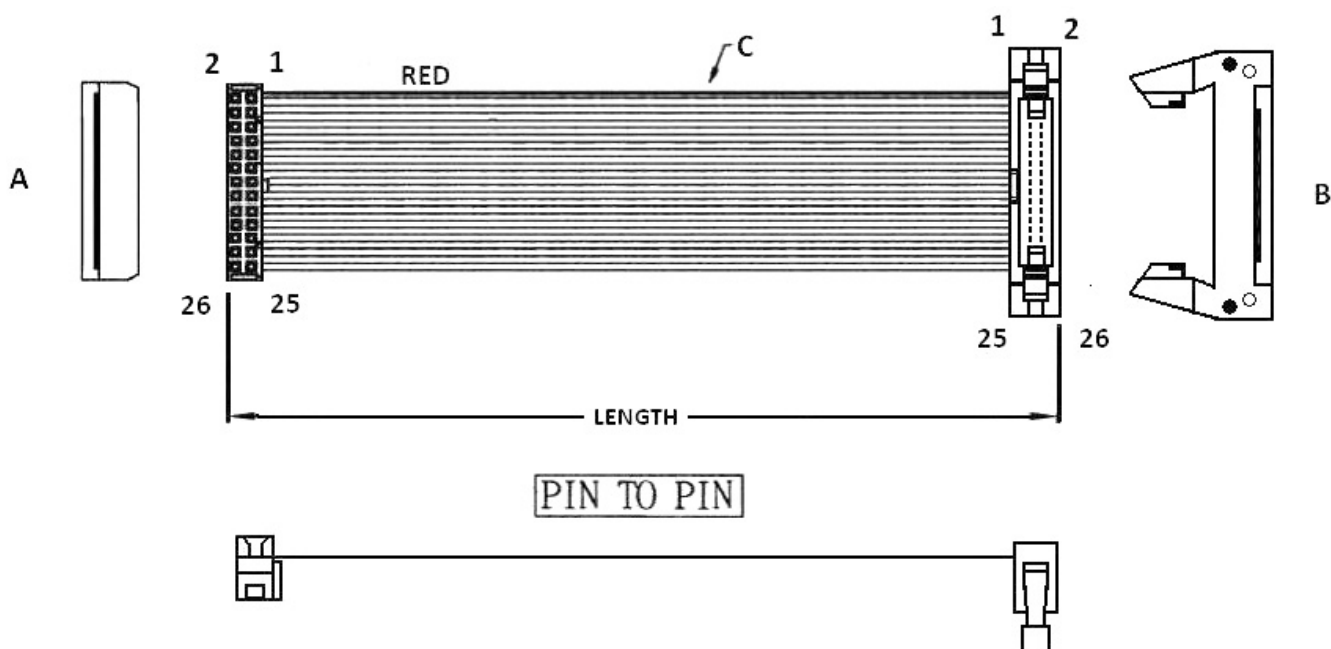


ORDERING INFORMATION:

P/N $\frac{K}{1} \frac{x}{2} \frac{x}{3} \frac{x}{4} - \frac{x}{3} \frac{C}{3} \frac{M}{3} \frac{A}{4}$

1. CONSTRUCTION TYPE:
4BX
2. NO. OF CONTACTS:
010~064
3. LENGTH IN CM (CENTIMETERS)
4. COLOR OF TWO IDC CONNECTORS:
"A" GRAY

1.27MM PITCH FLAT CABLE WITH 2.54MM IDC SOCKET WITHOUT STRAIN RELIEF (H=11.0MM) TO IDC PLUG WITH SHORT LATCHES (L1)

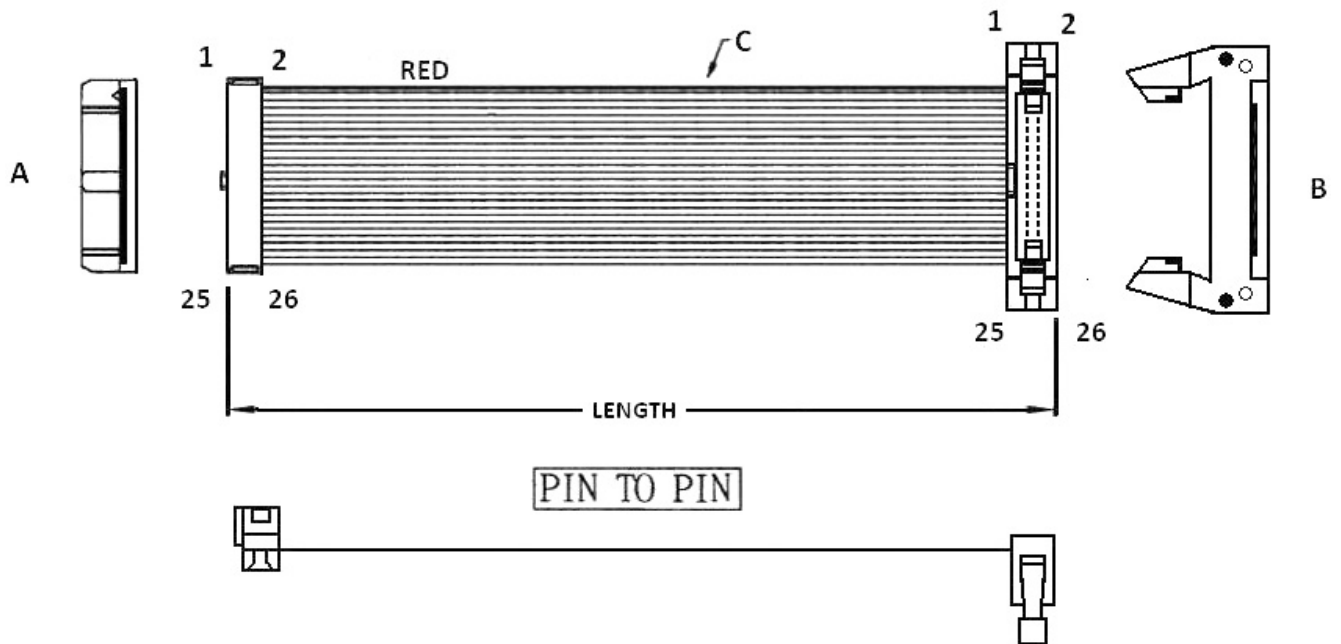


ORDERING INFORMATION:

P/N $\frac{KA}{1} \frac{xx}{2} \frac{KS}{3} - \frac{xx}{4} CMA \frac{A}{5}$

1. FLAT CABLE TYPE:
"KA" 1.27MM AWG28 UL2651 VW-1 PVC INSULATION GRAY
2. NO. OF CONTACTS:
10~64
3. CONNECTORS AT TWO ENDS:
"KS" 2.54MM IDC SOCKET WITH NOSE W/O S.R. TO 2.54MM IDC PLUG WITH SHORT LATCHES
4. LENGTH IN CM (CENTIMETERS)
5. COLOR OF TWO IDC CONNECTORS:
"A" GRAY

1.27MM PITCH FLAT CABLE WITH 2.54MM IDC SOCKET WITHOUT STRAIN RELIEF (H=11.0MM) TO IDC PLUG WITH SHORT LATCHES (L2)

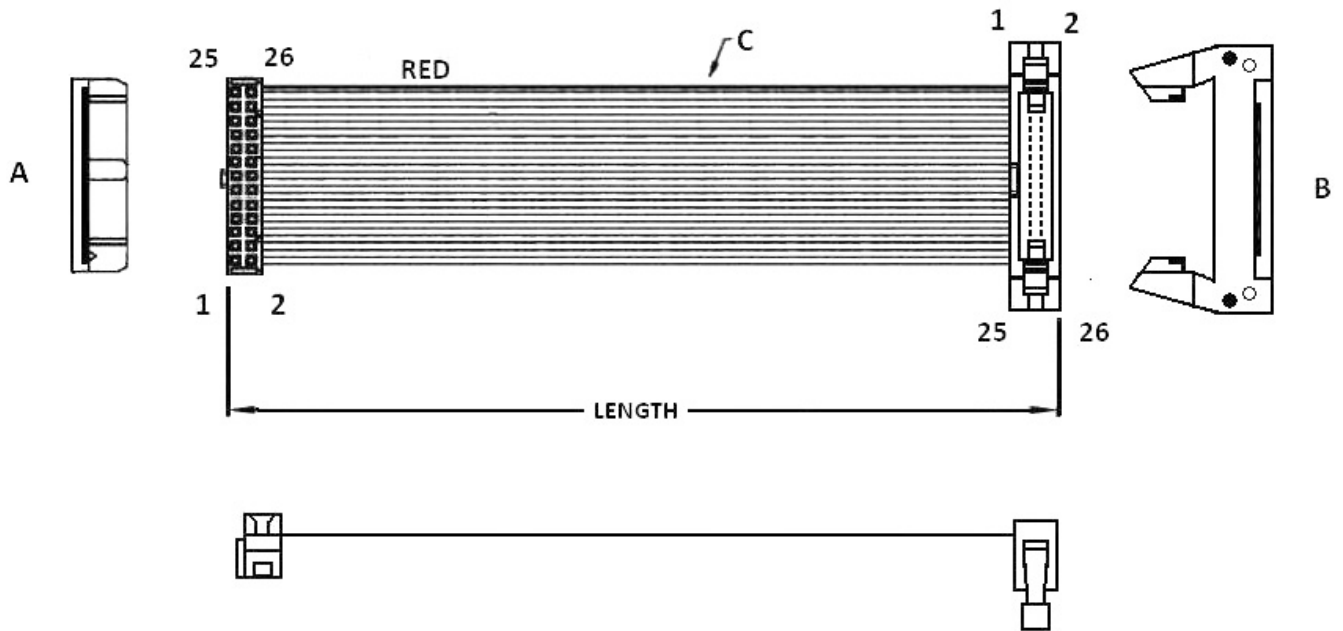


ORDERING INFORMATION:

P/N $\frac{KA}{1} \frac{xx}{2} \frac{LS}{3} - \frac{xx}{4} CMA$ $\frac{A}{5}$

1. FLAT CABLE TYPE:
"KA" 1.27MM AWG28 UL2651 VW-1 PVC INSULATION GRAY
2. NO. OF CONTACTS:
10~64
3. CONNECTORS AT TWO ENDS:
"LS" 2.54MM IDC SOCKET WITH NOSE W/O S.R. TO 2.54MM IDC PLUG WITH SHORT LATCHES
4. LENGTH IN CM (CENTIMETERS)
5. COLOR OF TWO IDC CONNECTORS:
"A" GRAY

1.27MM PITCH FLAT CABLE WITH 2.54MM IDC SOCKET WITHOUT STRAIN RELIEF (H=11.0MM) TO IDC PLUG WITH SHORT LATCHES (L3)

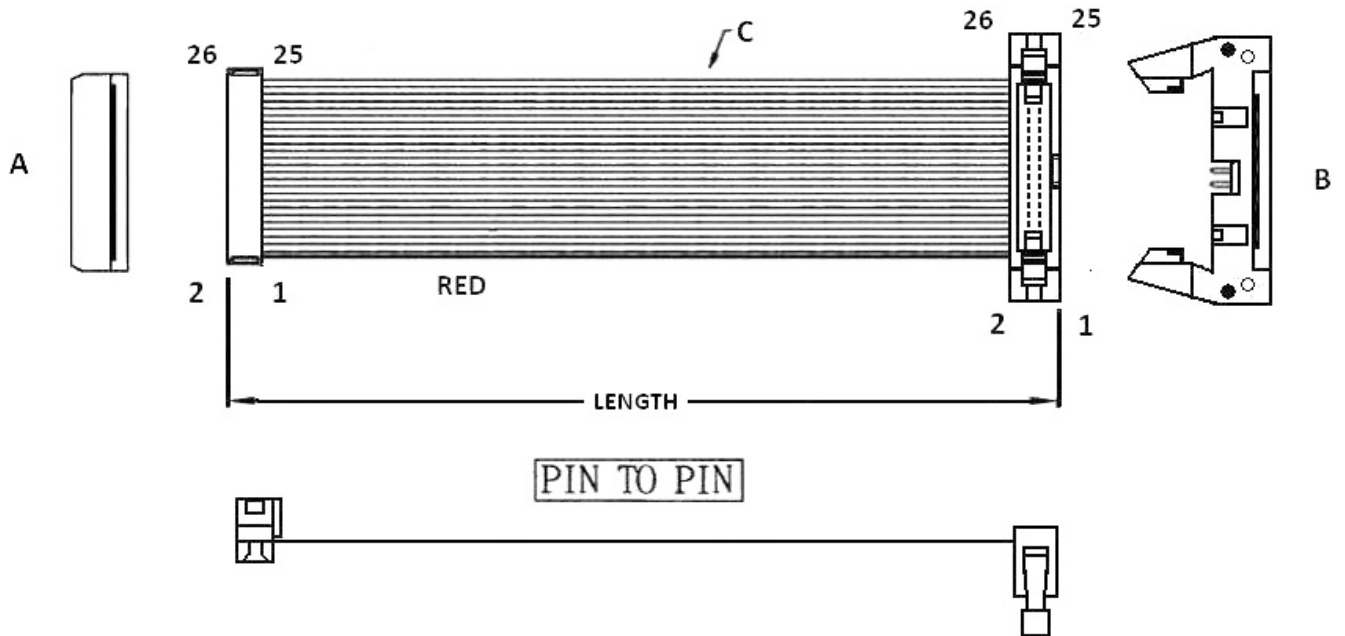


ORDERING INFORMATION:

P/N $\frac{KA}{1} \frac{xx}{2} \frac{IS}{3} - \frac{xx}{4} C M \frac{A}{5}$

1. FLAT CABLE TYPE:
"KA" 1.27MM AWG28 UL2651 VW-1 PVC INSULATION GRAY
2. NO. OF CONTACTS:
10
3. CONNECTORS AT TWO ENDS:
"IS" 2.54MM IDC SOCKET WITH NOSE W/O S.R. TO 2.54MM IDC PLUG WITH SHORT LATCHES
4. LENGTH IN CM (CENTIMETERS)
5. COLOR OF TWO IDC CONNECTORS:
"A" GRAY

**1.27MM PITCH FLAT CABLE WITH 2.54MM IDC SOCKET
W/O STRAIN RELIEF (H=11.0MM) & 2.54MM IDC PLUG WITH SHORT LATCHES (L4)**

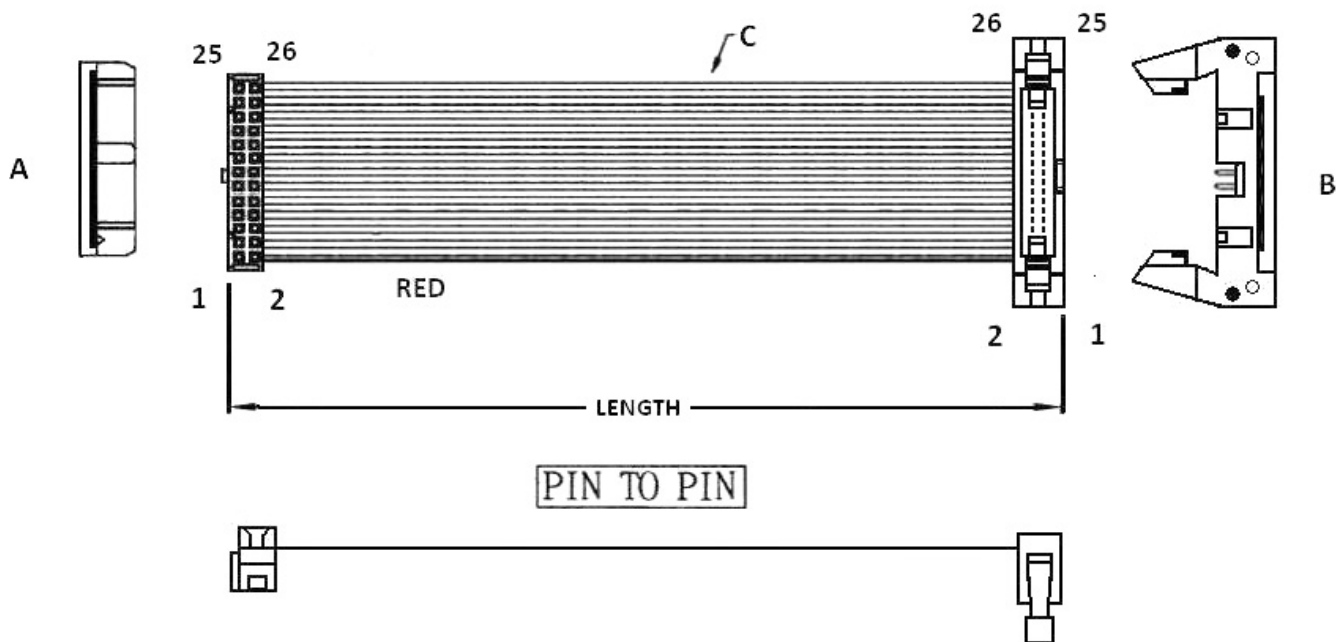


ORDERING INFORMATION:

P/N $\frac{KA}{1} \frac{xx}{2} \frac{KQ}{3} - \frac{xx}{4} C M \frac{A}{5}$

1. FLAT CABLE TYPE:
"KA" 1.27MM AWG28 UL2651 VW-1 PVC
INSULATION GRAY
1. NO. OF CONTACTS:
10~64
2. CONNECTORS AT TWO ENDS:
"KQ" 2.54MM IDC SOCKET WITH NOSE & WITHOUT S.R. TO
2.54MM IDC PLUG WITH SHORT LATCHES
3. LENGTH IN CM (CENTIMETERS)
4. COLOR OF TWO IDC CONNECTORS:
"A" GRAY

**1.27MM PITCH FLAT CABLE WITH 2.54MM IDC SOCKET
W/O STRAIN RELIEF (H=11.0MM) & 2.54MM IDC PLUG WITH SHORT LATCHES (L5)**

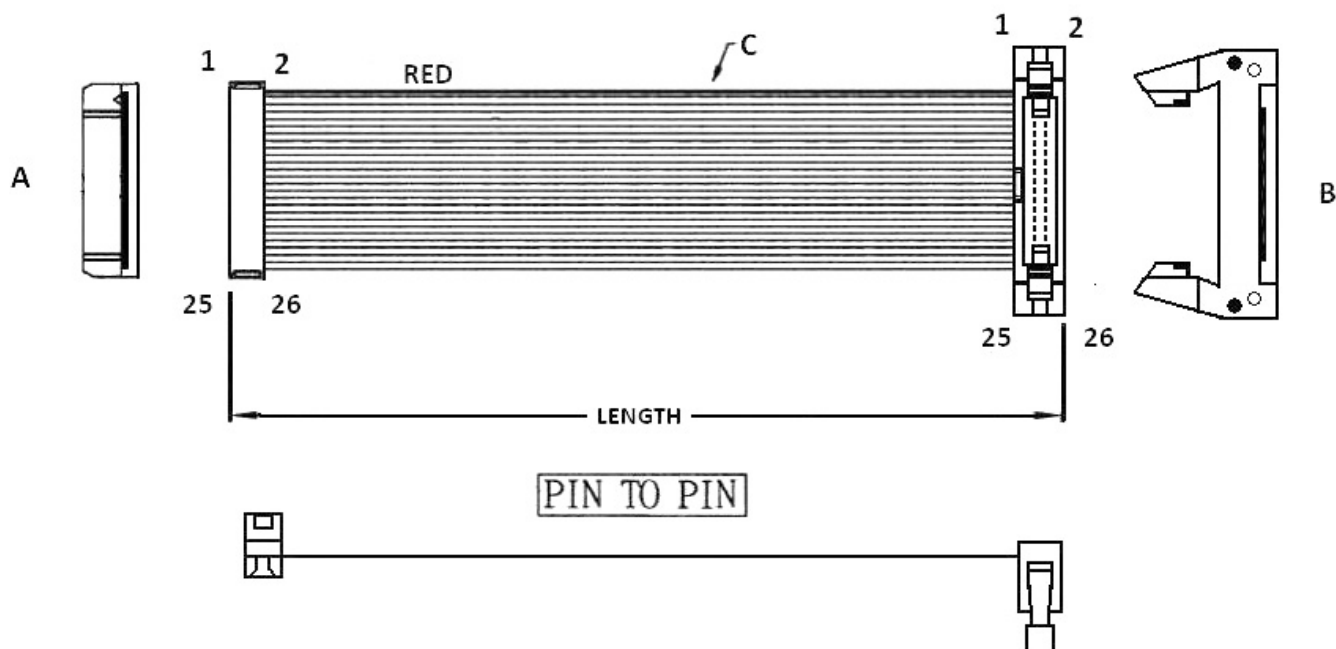


ORDERING INFORMATION:

P/N $\frac{KA}{1} \frac{xx}{2} \frac{LQ}{3} - \frac{xx}{4} CMA \frac{A}{5}$

1. FLAT CABLE TYPE:
"KA" 1.27MM AWG28 UL2651 VW-1 PVC
INSULATION GRAY
2. NO. OF CONTACTS:
10~64
3. CONNECTORS AT TWO ENDS:
"LQ" 2.54MM IDC SOCKET WITH NOSE & WITHOUT S.R. TO
2.54MM IDC PLUG WITH SHORT LATCHES
4. LENGTH IN CM (CENTIMETERS)
5. COLOR OF TWO IDC CONNECTORS:
"A" GRAY

1.27MM PITCH FLAT CABLE WITH 2.54MM IDC SOCKET WITHOUT STRAIN RELIEF (H=11.0MM) TO IDC PLUG WITH SHORT LATCHES (L6)

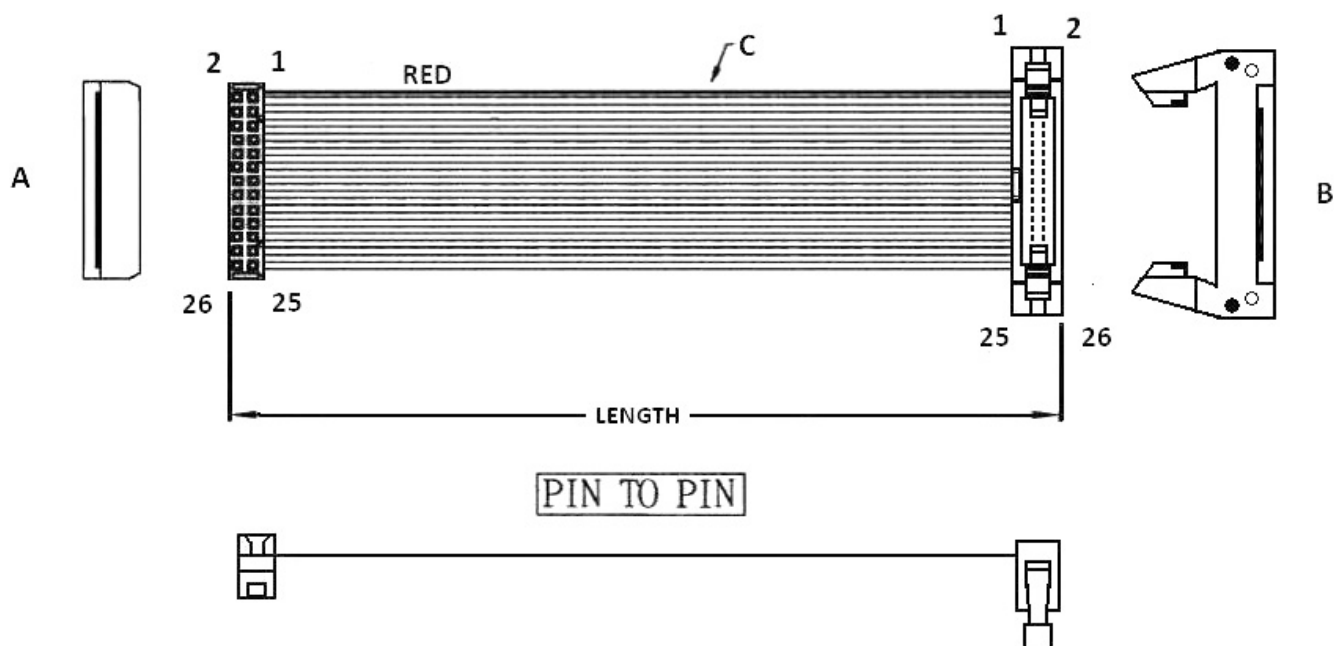


ORDERING INFORMATION:

P/N $\frac{KA}{1} \frac{xx}{2} \frac{AS}{3} - \frac{xx}{4} CM \frac{A}{5}$

1. FLAT CABLE TYPE:
"KA" 1.27MM AWG28 UL2651 VW-1 PVC INSULATION GRAY
2. NO. OF CONTACTS:
10~64
3. CONNECTORS AT TWO ENDS:
"AS" 2.54MM IDC SOCKET W/O NOSE W/O S.R. TO 2.54MM IDC PLUG WITH SHORT LATCHES
4. LENGTH IN CM (CENTIMETERS)
5. COLOR OF TWO IDC CONNECTORS:
"A" GRAY

1.27MM PITCH FLAT CABLE WITH 2.54MM IDC SOCKET WITHOUT STRAIN RELIEF (H=11.0MM) TO IDC PLUG WITH SHORT LATCHES (L7)

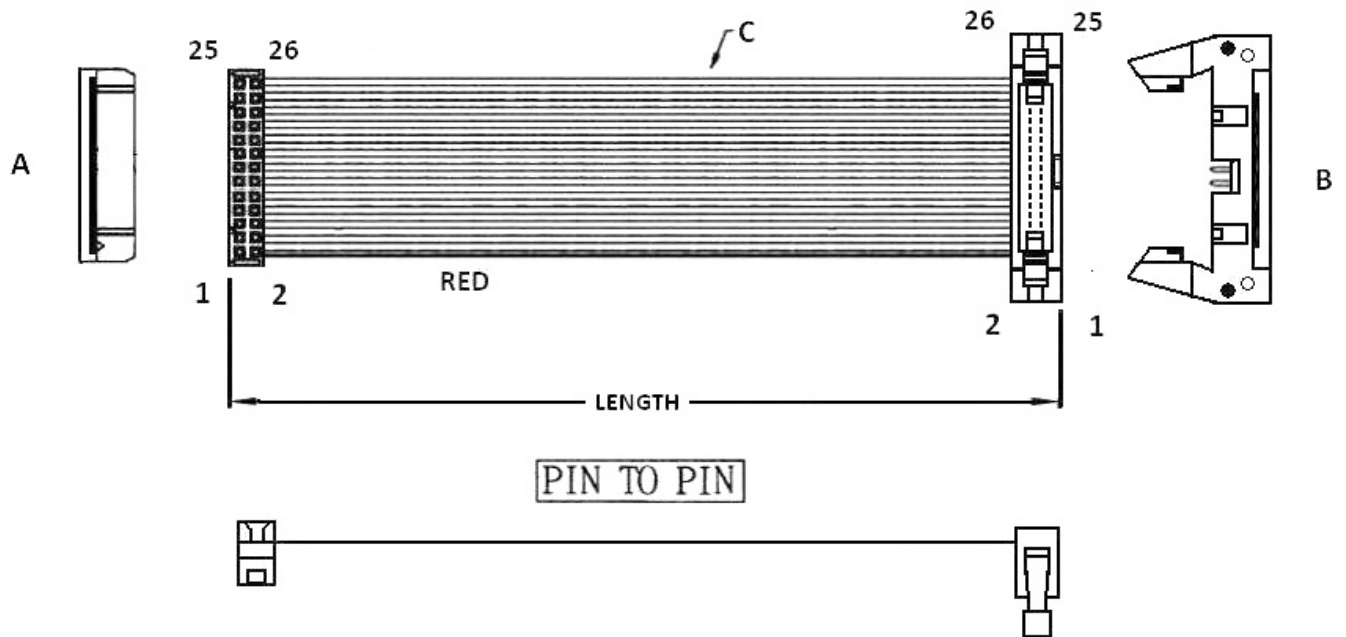


ORDERING INFORMATION:

P/N $\frac{KA}{1} \frac{xx}{2} \frac{VS}{3} - \frac{xx}{4} \frac{CMA}{5}$

1. FLAT CABLE TYPE:
"KA" 1.27MM AWG28 UL2651 VW-1 PVC INSULATION GRAY
2. NO. OF CONTACTS:
10~64
3. CONNECTORS AT TWO ENDS:
"VS" 2.54MM IDC SOCKET W/O NOSE W/O S.R. TO 2.54MM IDC PLUG WITH SHORT LATCHES
4. LENGTH IN CM (CENTIMETERS)
5. COLOR OF TWO IDC CONNECTORS:
"A" GRAY

**1.27MM PITCH FLAT CABLE WITH 2.54MM IDC SOCKET
W/O STRAIN RELIEF (H=11.0MM) & 2.54MM IDC PLUG WITH SHORT LATCHES (L8)**

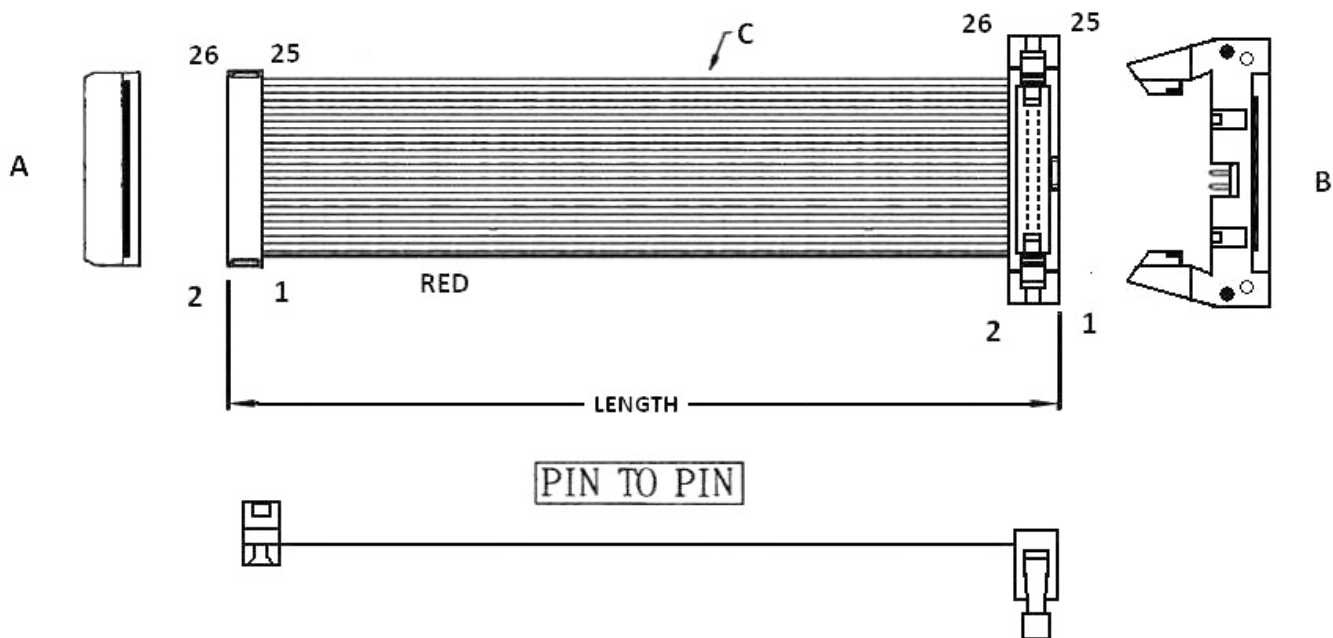


ORDERING INFORMATION:

P/N $\frac{KA}{1} \frac{xx}{2} \frac{AQ}{3} - \frac{xx}{4} C M \frac{A}{5}$

1. FLAT CABLE TYPE:
"KA" 1.27MM AWG28 UL2651 VW-1 PVC
INSULATION GRAY
2. NO. OF CONTACTS:
10~64
3. CONNECTORS AT TWO ENDS:
"AQ" 2.54MM IDC SOCKET WITHOUT NOSE & WITHOUT S.R. TO
2.54MM IDC PLUG WITH SHORT LATCHES
4. LENGTH IN CM (CENTIMETERS)
5. COLOR OF TWO IDC CONNECTORS:
"A" GRAY

**1.27MM PITCH FLAT CABLE WITH 2.54MM IDC SOCKET
W/O STRAIN RELIEF (H=11.0MM) & 2.54MM IDC PLUG WITH SHORT LATCHES (L9)**

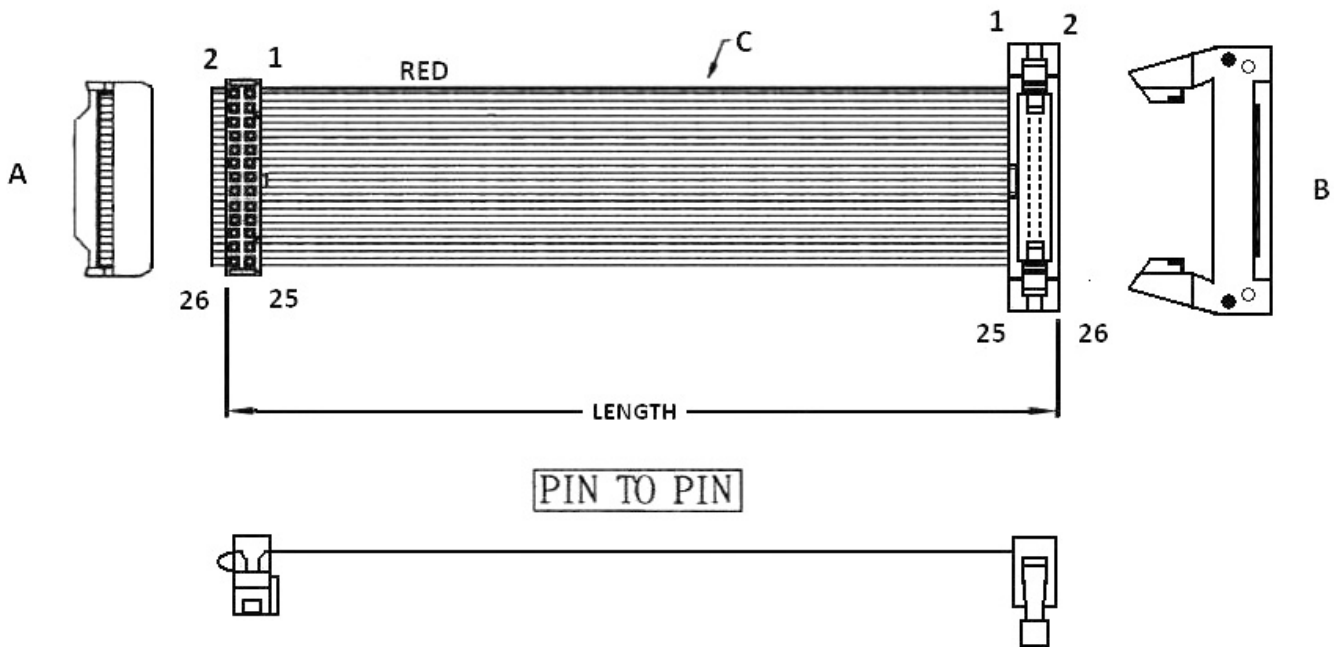


ORDERING INFORMATION:

P/N $\frac{KA}{1} \frac{xx}{2} \frac{VQ}{3} - \frac{xx}{4} \frac{CMA}{5}$

1. FLAT CABLE TYPE:
"KA" 1.27MM AWG28 UL2651 VW-1 PVC
INSULATION GRAY
2. NO. OF CONTACTS:
10~64
3. CONNECTORS AT TWO ENDS:
"VQ" 2.54MM IDC SOCKET WITHOUT NOSE & WITHOUT S.R. TO
2.54MM IDC PLUG WITH SHORT LATCHES
4. LENGTH IN CM (CENTIMETERS)
5. COLOR OF TWO IDC CONNECTORS:
"A" GRAY

1.27MM PITCH FLAT CABLE WITH 2.54MM IDC SOCKET WITH STRAIN RELIEF (H=16.0MM) TO IDC PLUG WITH SHORT LATCHES (L10)

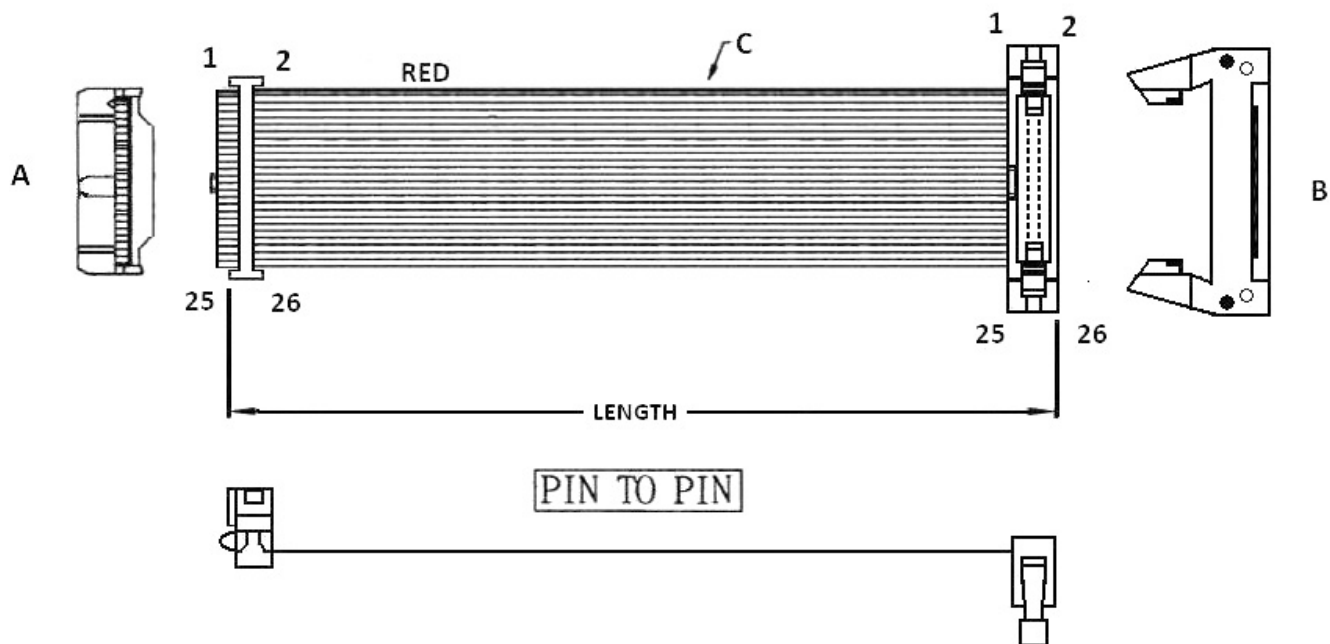


ORDERING INFORMATION:

P/N $\frac{KA}{1} \frac{xx}{2} \frac{MS}{3} - \frac{xx}{4} CMA \frac{A}{5}$

1. FLAT CABLE TYPE:
"KA" 1.27MM AWG28 UL2651 VW-1 PVC INSULATION GRAY
2. NO. OF CONTACTS:
10~64
3. CONNECTORS AT TWO ENDS:
"MS" 2.54MM IDC SOCKET WITH NOSE & S.R. TO 2.54MM IDC PLUG WITH SHORT LATCHES
4. LENGTH IN CM (CENTIMETERS)
5. COLOR OF TWO IDC CONNECTORS:
"A" GRAY

1.27MM PITCH FLAT CABLE WITH 2.54MM IDC SOCKET WITH STRAIN RELIEF (H=16.0MM) TO IDC PLUG WITH SHORT LATCHES (L11)

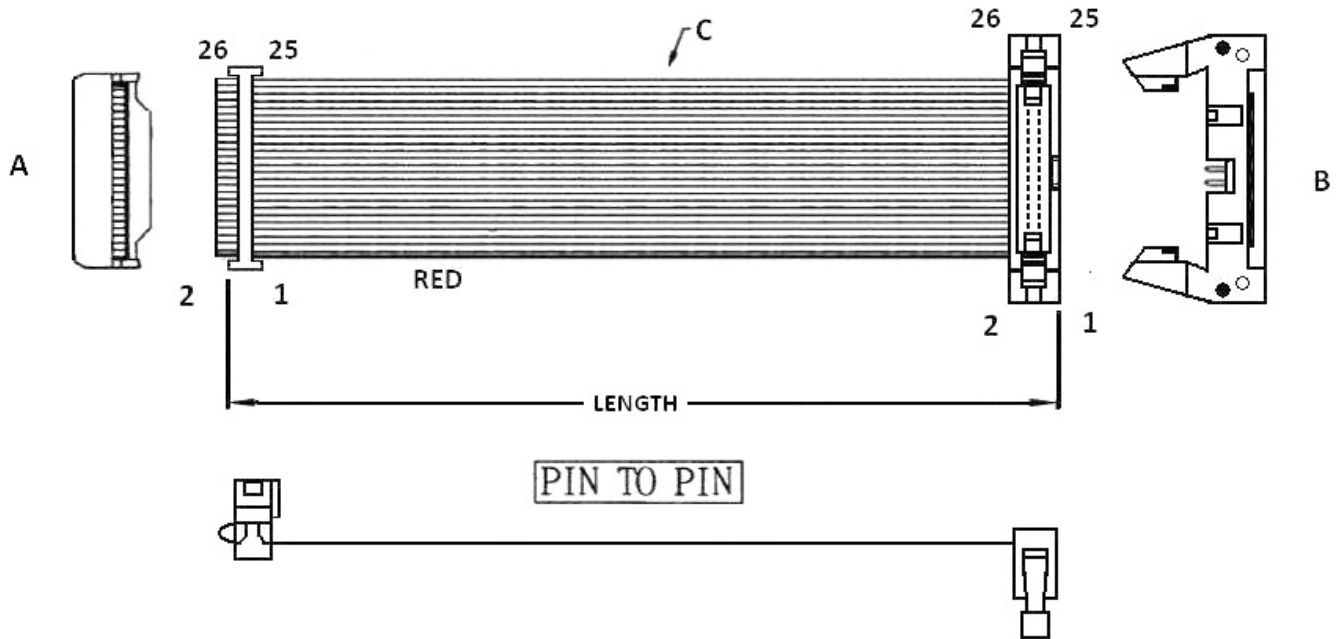


ORDERING INFORMATION:

P/N $\frac{KA}{1} \frac{xx}{2} \frac{NS}{3} - \frac{xx}{4} CMA \frac{A}{5}$

1. FLAT CABLE TYPE:
"KA" 1.27MM AWG28 UL2651 VW-1 PVC INSULATION GRAY
2. NO. OF CONTACTS:
10~64
3. CONNECTORS AT TWO ENDS:
"NS" 2.54MM IDC SOCKET WITH NOSE & S.R. TO 2.54MM IDC PLUG WITH SHORT LATCHES
4. LENGTH IN CM (CENTIMETERS)
5. COLOR OF TWO IDC CONNECTORS:
"A" GRAY

1.27MM PITCH FLAT CABLE WITH 2.54MM IDC SOCKET WITH STRAIN RELIEF (H=16.0MM) TO 2.54MM IDC PLUG WITH SHORT LATCHES (L12)

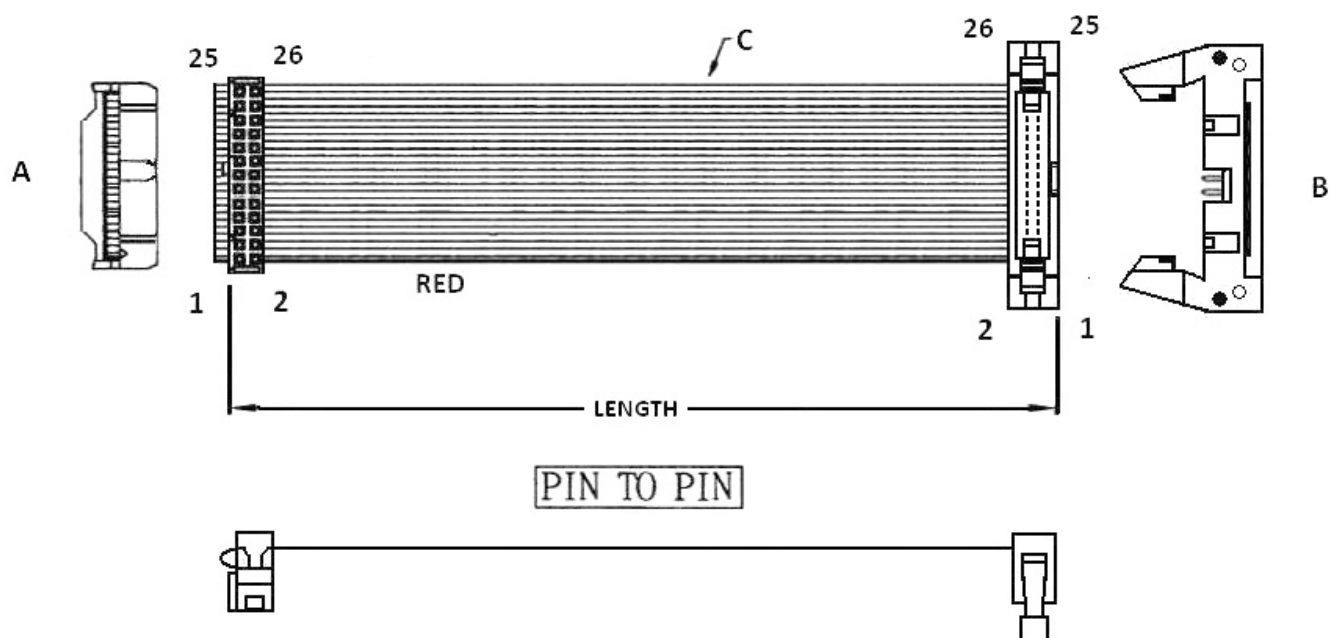


ORDERING INFORMATION:

P/N $\frac{\text{KA}}{1} \frac{\text{xx}}{2} \frac{\text{MQ}}{3} - \frac{\text{xx}}{4} \text{CMA} \frac{\text{A}}{5}$

1. FLAT CABLE TYPE:
"KA" 1.27MM AWG28 UL2651 VW-1 PVC INSULATION GRAY
2. NO. OF CONTACTS:
10~64
3. CONNECTORS AT TWO ENDS:
"MQ" 2.54MM IDC SOCKET WITH NOSE & S.R. TO 2.54MM IDC PLUG WITH SHORT LATCHES
4. LENGTH IN CM (CENTIMETERS)
5. COLOR OF TWO IDC CONNECTORS:
"A" GRAY

1.27MM PITCH FLAT CABLE WITH 2.54MM IDC SOCKET WITH STRAIN RELIEF (H=16.0MM) TO 2.54MM IDC PLUG WITH SHORT LATCHES (L13)

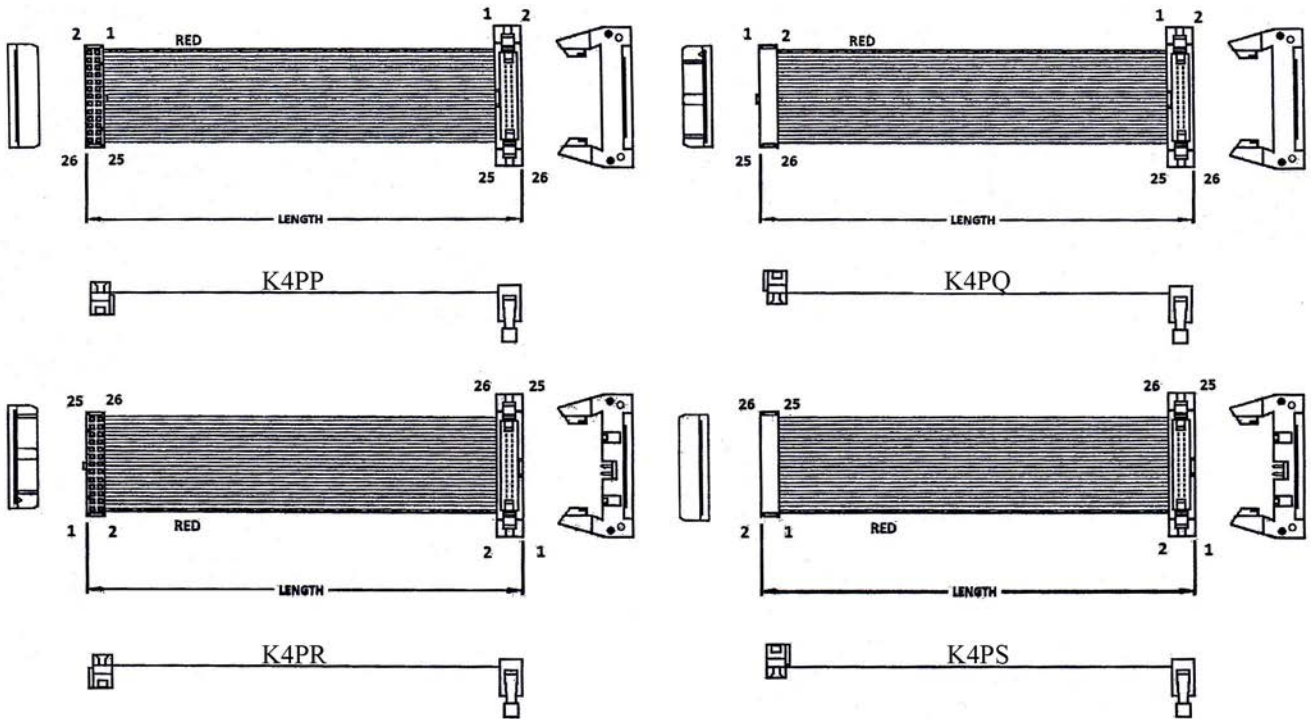


ORDERING INFORMATION:

P/N $\frac{KA}{1} \frac{xx}{2} \frac{NQ}{3} - \frac{xx}{4} C M \frac{A}{5}$

1. FLAT CABLE TYPE:
"KA" 1.27MM AWG28 UL2651 VW-1 PVC INSULATION GRAY
2. NO. OF CONTACTS:
10~64
3. CONNECTORS AT TWO ENDS:
"NQ" 2.54MM IDC SOCKET WITH NOSE & S.R. TO 2.54MM IDC PLUG WITH SHORT LATCHES
4. LENGTH IN CM (CENTIMETERS)
5. COLOR OF TWO IDC CONNECTORS:
"A" GRAY

1.27MM PITCH FLAT CABLE WITH 2.54MM IDC SOCKET W/O S.R. (H=9.5MM) TO IDC PLUG WITH SHORT LATCHES (L14)

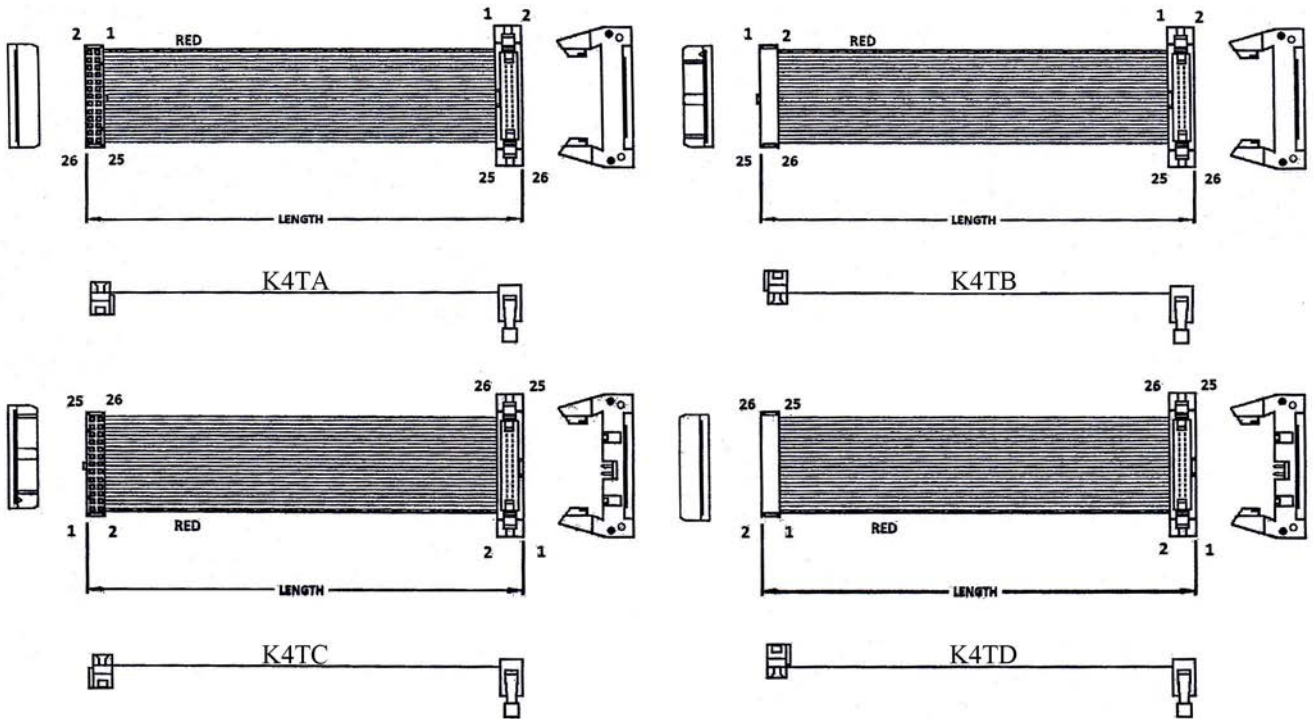


ORDERING INFORMATION:

P/N K 1 2 3 4

1. CONSTRUCTION TYPE:
4PP, 4PQ, 4PR, 4PS
2. NO. OF CONTACTS:
010~064
3. LENGTH IN CM (CENTIMETERS)
4. COLOR OF TWO IDC CONNECTORS:
"D" BLACK(SOCKET)+GRAY(HEADER)

1.27MM PITCH FLAT CABLE WITH 2.54MM IDC SOCKET WITH DUAL U-SLOT & DUAL CONTACT (H=10.5MM) TO IDC PLUG WITH SHORT LATCHES (L15)

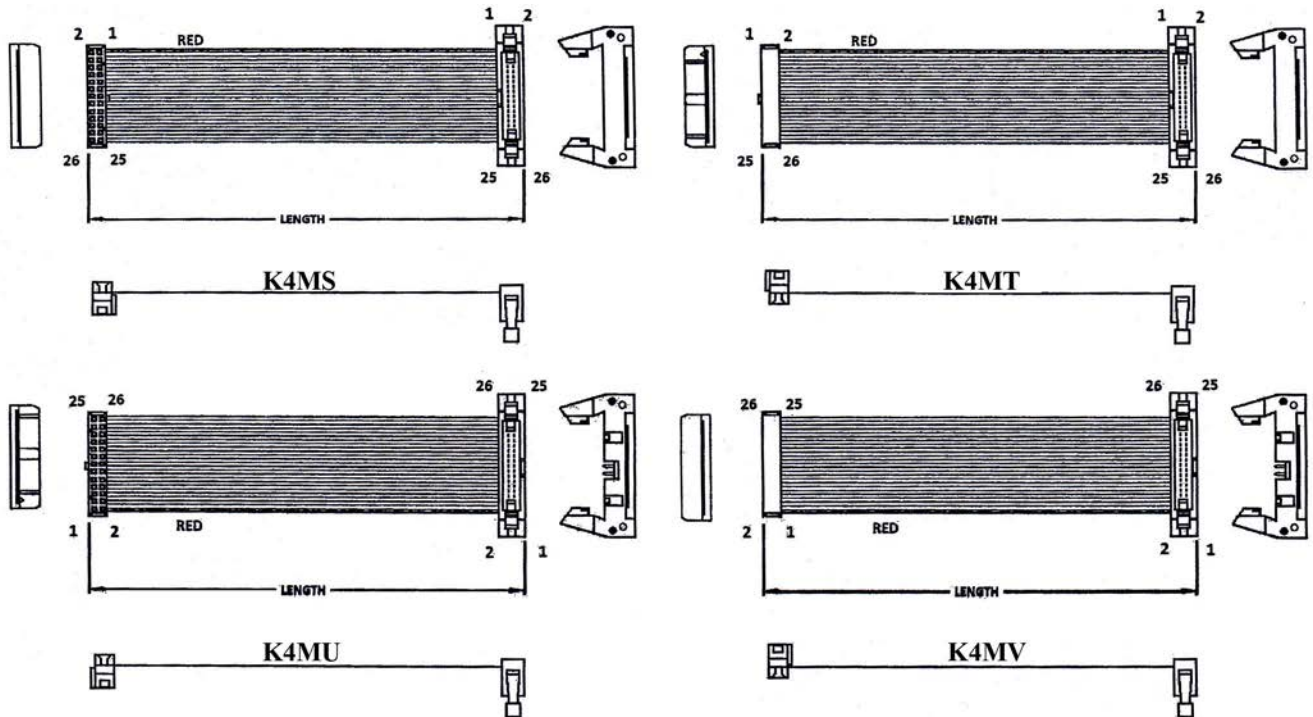


ORDERING INFORMATION:

P/N K $\frac{x}{1} \frac{x}{2} \frac{x}{3} \frac{x}{4}$ C M D

1. CONSTRUCTION TYPE:
4TA, 4TB, 4TC, 4TD
2. NO. OF CONTACTS:
010~064
3. LENGTH IN CM (CENTIMETERS)
4. COLOR OF TWO IDC CONNECTORS:
"D" BLACK(SOCKET)+GRAY(HEADER)

1.27MM PITCH FLAT CABLE WITH 2.54MM IDC SOCKET W/O S.R. DUAL WIPE CONTACT TYPE (H=10.5MM) TO IDC PLUG WITH SHORT LATCHES (L16)

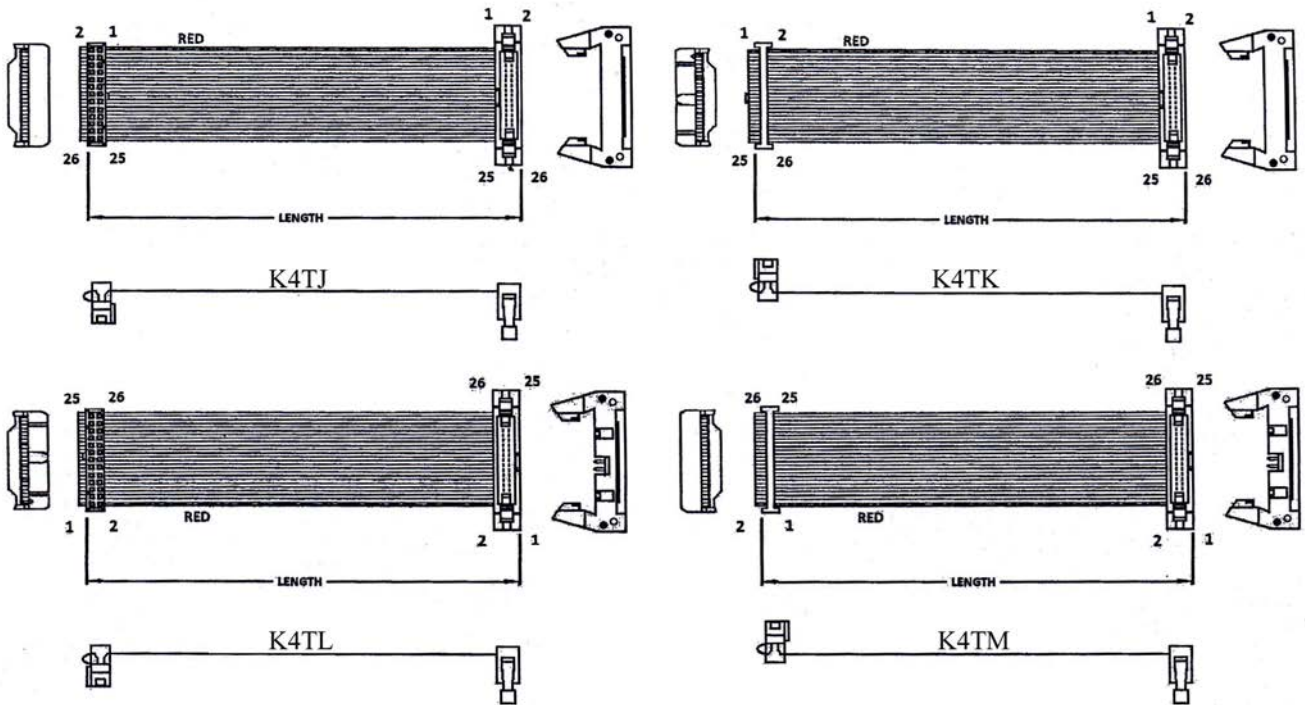


ORDERING INFORMATION:

P/N K $\frac{x}{1} \frac{x}{2} \frac{x}{3} \frac{x}{4} - \frac{x}{3} \frac{x}{4} C M \frac{x}{4}$

1. CONSTRUCTION TYPE:
4MS, 4MT, 4MU, 4MV
2. NO. OF CONTACTS:
010~064
3. LENGTH IN CM (CENTIMETERS)
4. COLOR OF TWO IDC CONNECTORS:
"A" GRAY+GRAY
"D" BLACK(SOCKET)+GRAY(HEADER)

1.27MM PITCH FLAT CABLE WITH 2.54MM IDC SOCKET WITH DUAL U-SLOT & DUAL CONTACT (H=14.4MM) TO IDC PLUG WITH SHORT LATCHES (L17)

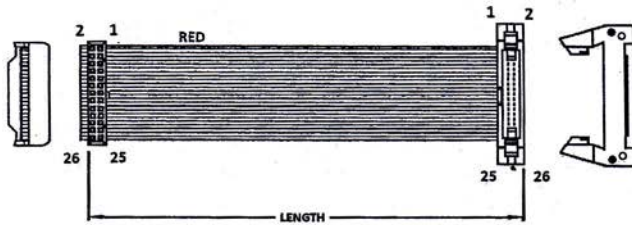


ORDERING INFORMATION:

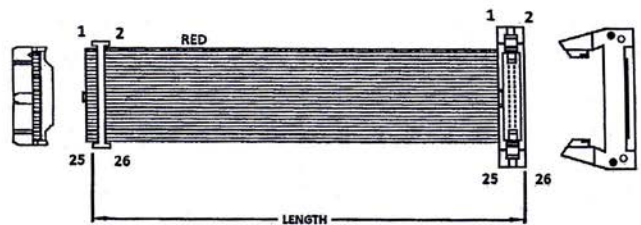
P/N K $\frac{x}{1} \frac{x}{2} \frac{x}{3} \frac{x}{4}$ C M D

1. CONSTRUCTION TYPE:
4TJ, 4TK, 4TL, 4TM
2. NO. OF CONTACTS:
010~064
3. LENGTH IN CM (CENTIMETERS)
4. COLOR OF TWO IDC CONNECTORS:
"D" BLACK(SOCKET)+GRAY(HEADER)

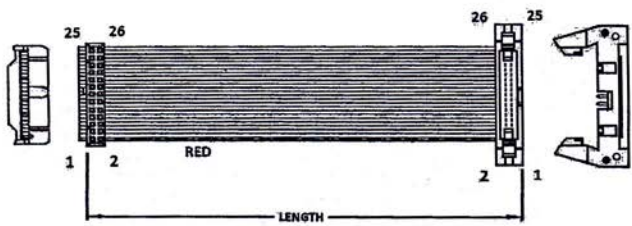
1.27MM PITCH FLAT CABLE WITH 2.54MM IDC SOCKET WITH S.R. DUAL WIPE CONTACT TYPE (H=14.4MM) TO IDC PLUG WITH SHORT LATCHES (L18)



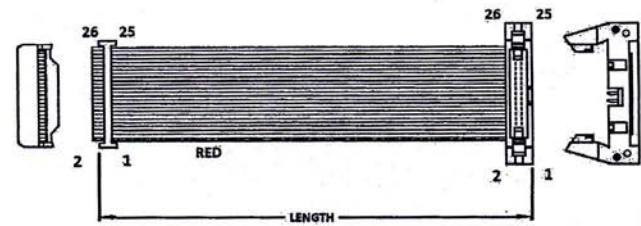
K4PE



K4PF



K4PG



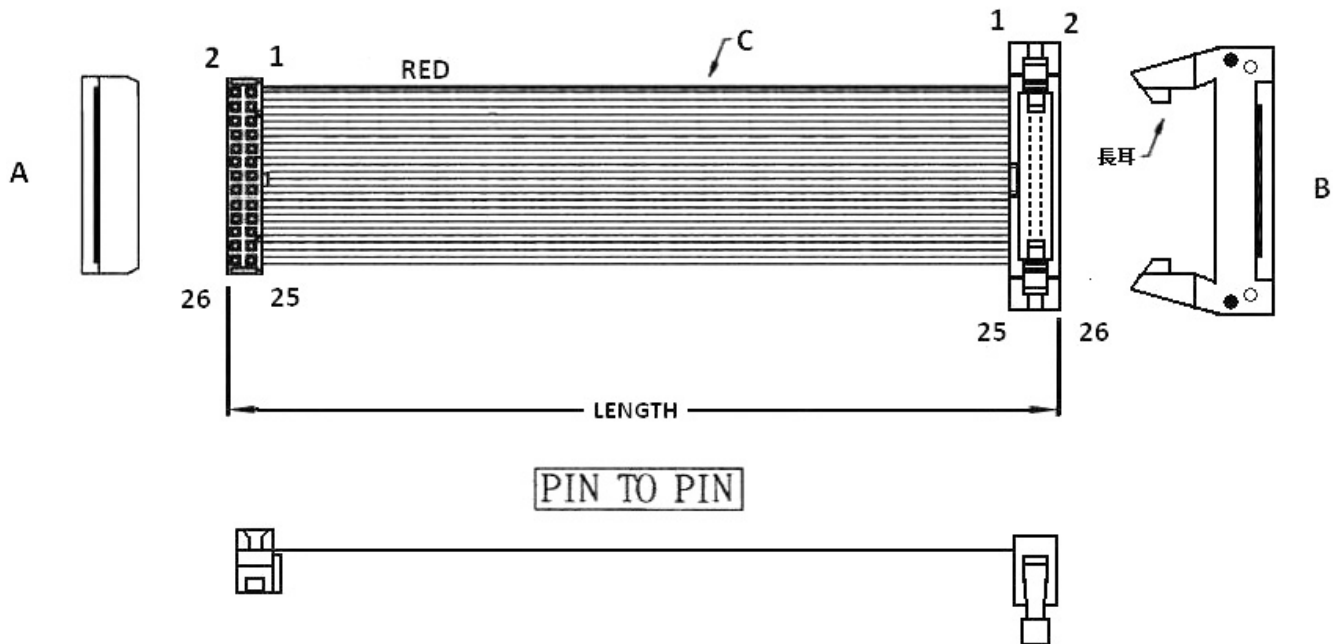
K4PH

ORDERING INFORMATION:

P/N K $\frac{x}{1} \frac{x}{2} \frac{x}{3} \frac{x}{4} - \frac{x}{3} \frac{x}{4} C M \frac{x}{4}$

- 1. CONSTRUCTION TYPE:
4PE, 4PF, 4PG, 4PH
- 2. NO. OF CONTACTS:
010~064
- 3. LENGTH IN CM (CENTIMETERS)
- 4. COLOR OF TWO IDC CONNECTORS:
"A" GRAY+GRAY
"D" BLACK(SOCKET)+GRAY(HEADER)

1.27MM PITCH FLAT CABLE WITH 2.54MM IDC SOCKET WITHOUT STRAIN RELIEF (H=11.0MM) TO IDC PLUG WITH LONG LATCHES (M1)

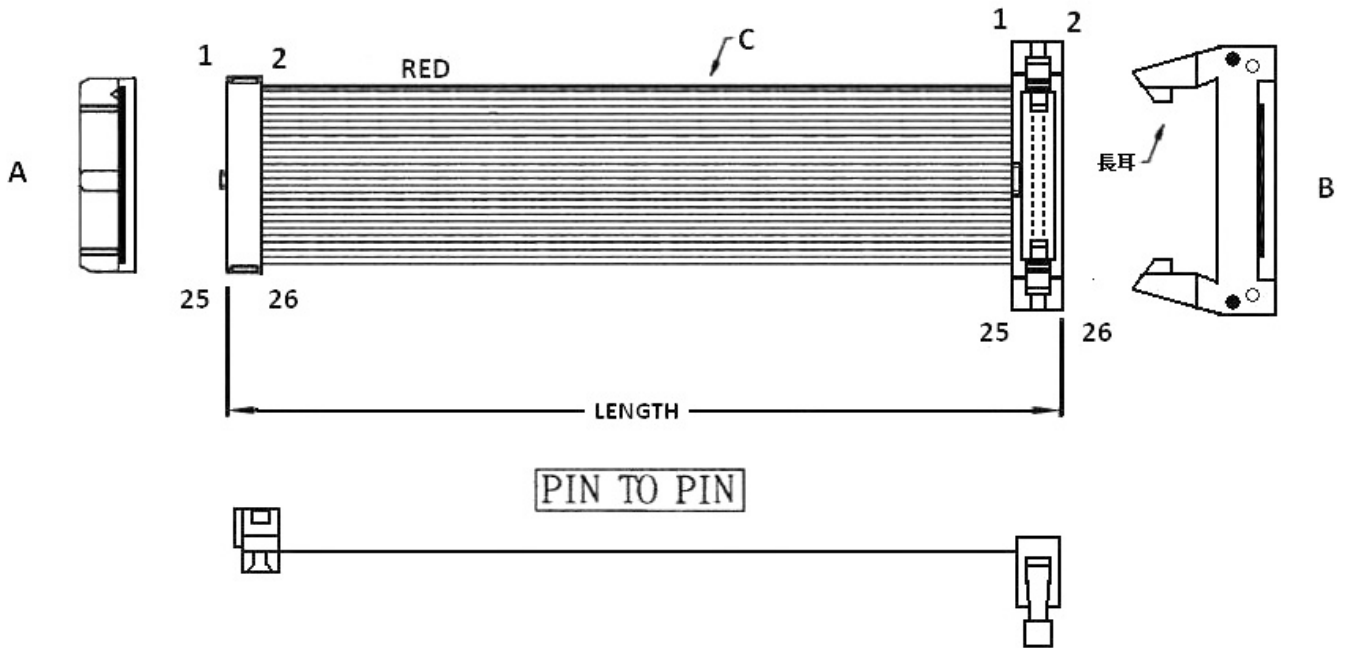


ORDERING INFORMATION:

P/N $\frac{KA}{1} \frac{xx}{2} \frac{KZ}{3} - \frac{xx}{4} C M \frac{A}{5}$

1. FLAT CABLE TYPE:
"KA" 1.27MM AWG28 UL2651 VW-1 PVC INSULATION GRAY
2. NO. OF CONTACTS:
10~64
3. CONNECTORS AT TWO ENDS:
"KZ" 2.54MM IDC SOCKET WITH NOSE W/O S.R. TO 2.54MM IDC PLUG WITH LONG LATCHES
4. LENGTH IN CM (CENTIMETERS)
5. COLOR OF TWO IDC CONNECTORS:
"A" GRAY

1.27MM PITCH FLAT CABLE WITH 2.54MM IDC SOCKET WITHOUT STRAIN RELIEF (H=11.0MM) TO IDC PLUG WITH LONG LATCHES (M2)

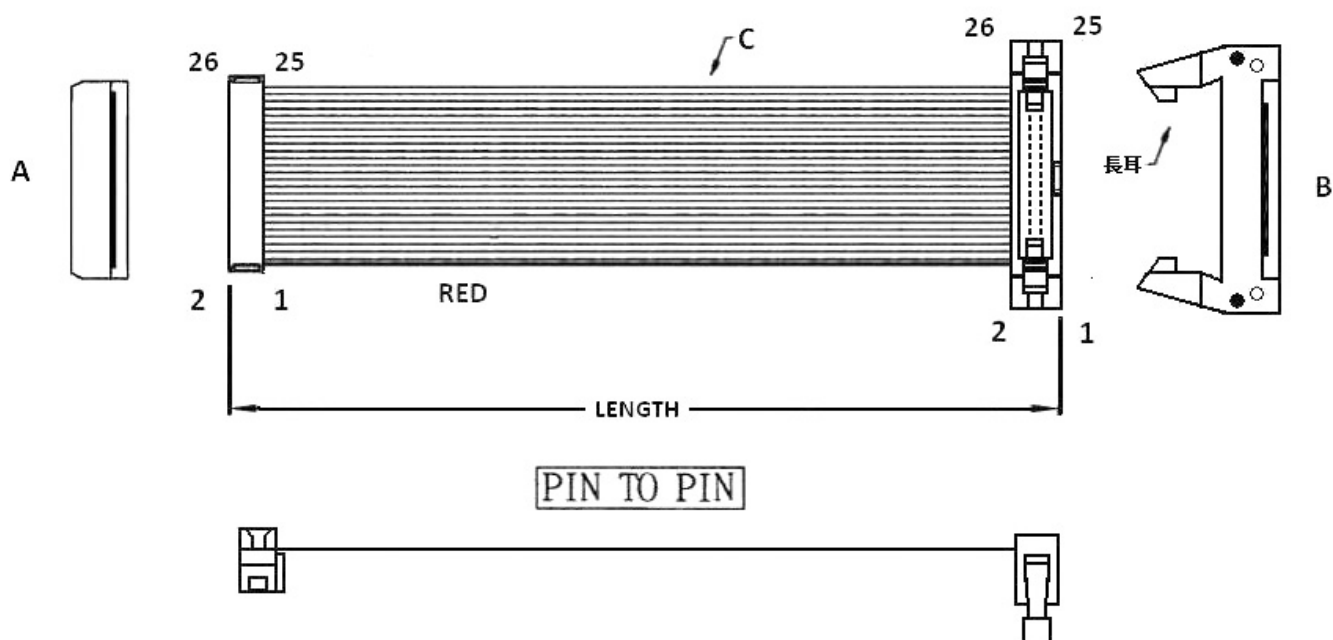


ORDERING INFORMATION:

P/N $\frac{KA}{1} \frac{xx}{2} \frac{LZ}{3} - \frac{xx}{4} CMA \frac{A}{5}$

1. FLAT CABLE TYPE:
"KA" 1.27MM AWG28 UL2651 VW-1 PVC INSULATION GRAY
2. NO. OF CONTACTS:
10~64
3. CONNECTORS AT TWO ENDS:
"LZ" 2.54MM IDC SOCKET WITH NOSE W/O S.R. TO 2.54MM IDC PLUG WITH LONG LATCHES
4. LENGTH IN CM (CENTIMETERS)
5. COLOR OF TWO IDC CONNECTORS:
"A" GRAY

1.27MM PITCH FLAT CABLE WITH 2.54MM IDC SOCKET WITHOUT STRAIN RELIEF (H=11.0MM) & 2.54MM IDC PLUG WITH LONG LATCHES (M3)

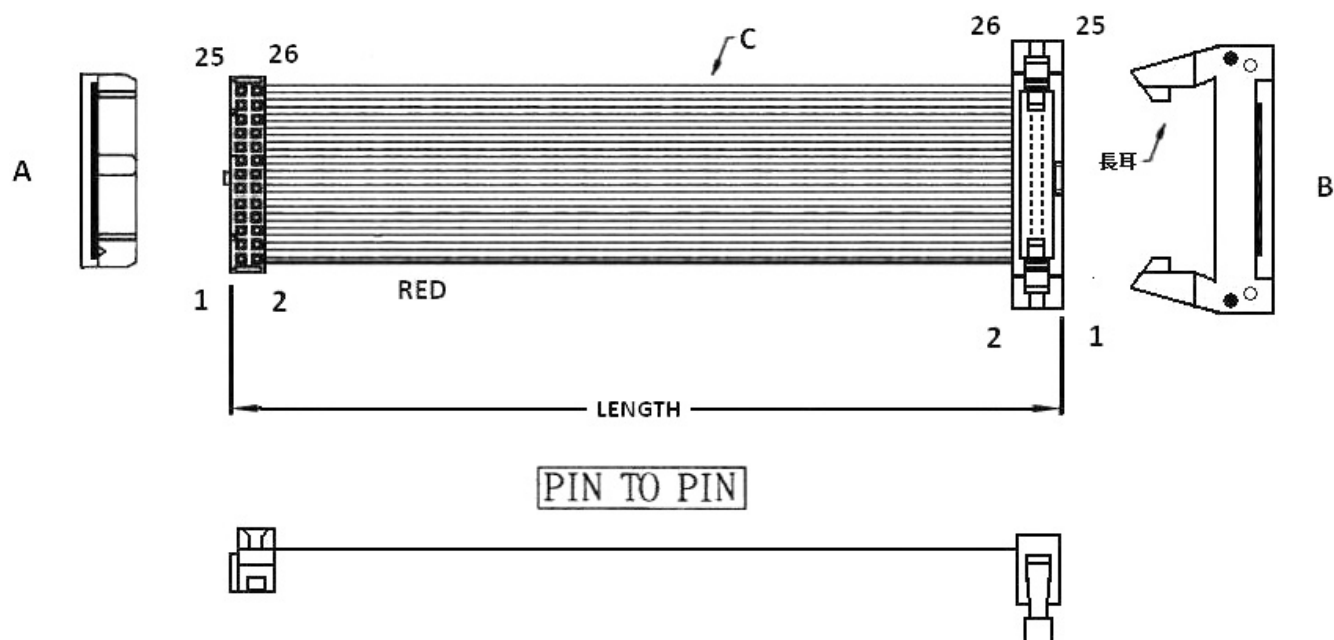


ORDERING INFORMATION:

P/N $\frac{KA}{1} \frac{xx}{2} \frac{KW}{3} - \frac{xx}{4} CMA \frac{A}{5}$

1. FLAT CABLE TYPE:
"KA" 1.27MM AWG28 UL2651 VW-1 PVC INSULATION GRAY
2. NO. OF CONTACTS:
10~64
3. CONNECTORS AT TWO ENDS:
"KW" 2.54MM IDC SOCKET WITH NOSE & WITHOUT S.R. TO 2.54MM IDC PLUG WITH LONG LATCHES
4. LENGTH IN CM (CENTIMETERS)
5. COLOR OF TWO IDC CONNECTORS:
"A" GRAY

1.27MM PITCH FLAT CABLE WITH 2.54MM IDC SOCKET WITHOUT STRAIN RELIEF (H=11.0MM) & 2.54MM IDC PLUG WITH LONG LATCHES (M4)

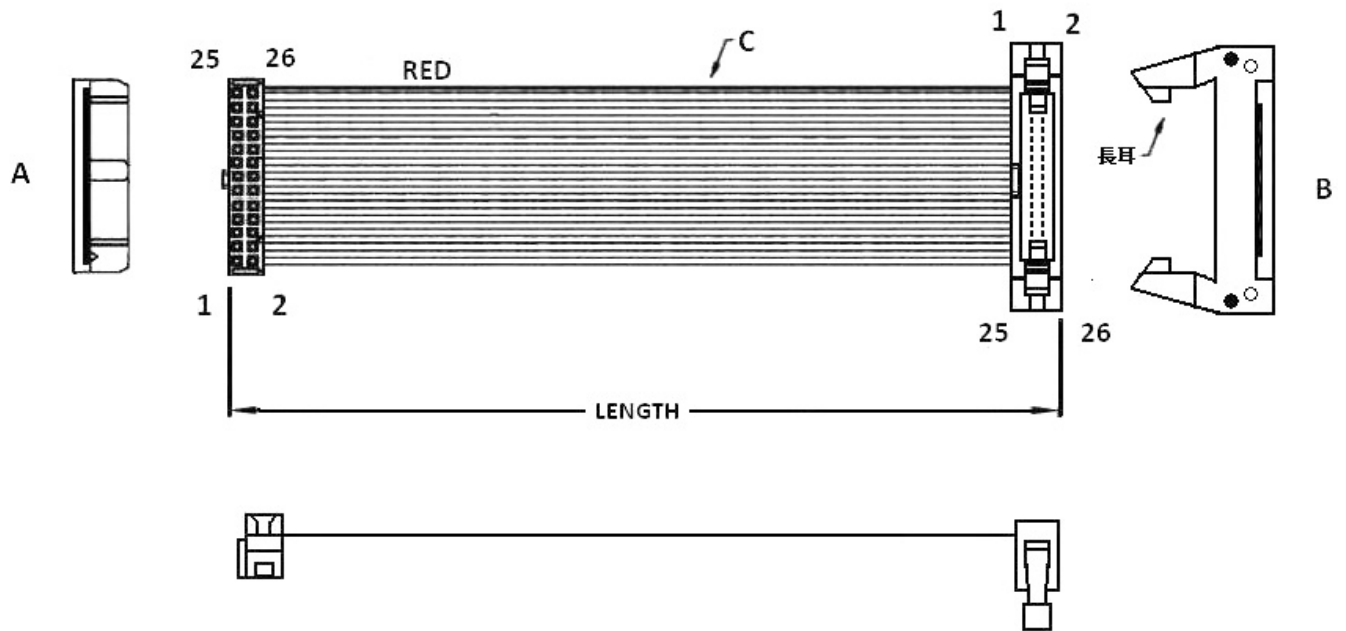


ORDERING INFORMATION:

P/N $\frac{KA}{1} \frac{xx}{2} \frac{LW}{3} - \frac{xx}{4} C M \frac{A}{5}$

1. FLAT CABLE TYPE:
"KA" 1.27MM AWG28 UL2651 VW-1 PVC INSULATION GRAY
2. NO. OF CONTACTS:
10~64
3. CONNECTORS AT TWO ENDS:
"LW" 2.54MM IDC SOCKET WITH NOSE & WITHOUT S.R. TO 2.54MM IDC PLUG WITH LONG LATCHES
4. LENGTH IN CM (CENTIMETERS)
5. COLOR OF TWO IDC CONNECTORS:
"A" GRAY

1.27MM PITCH FLAT CABLE WITH 2.54MM IDC SOCKET WITHOUT STRAIN RELIEF (H=11.0MM) TO IDC PLUG WITH LONG LATCHES (M5)

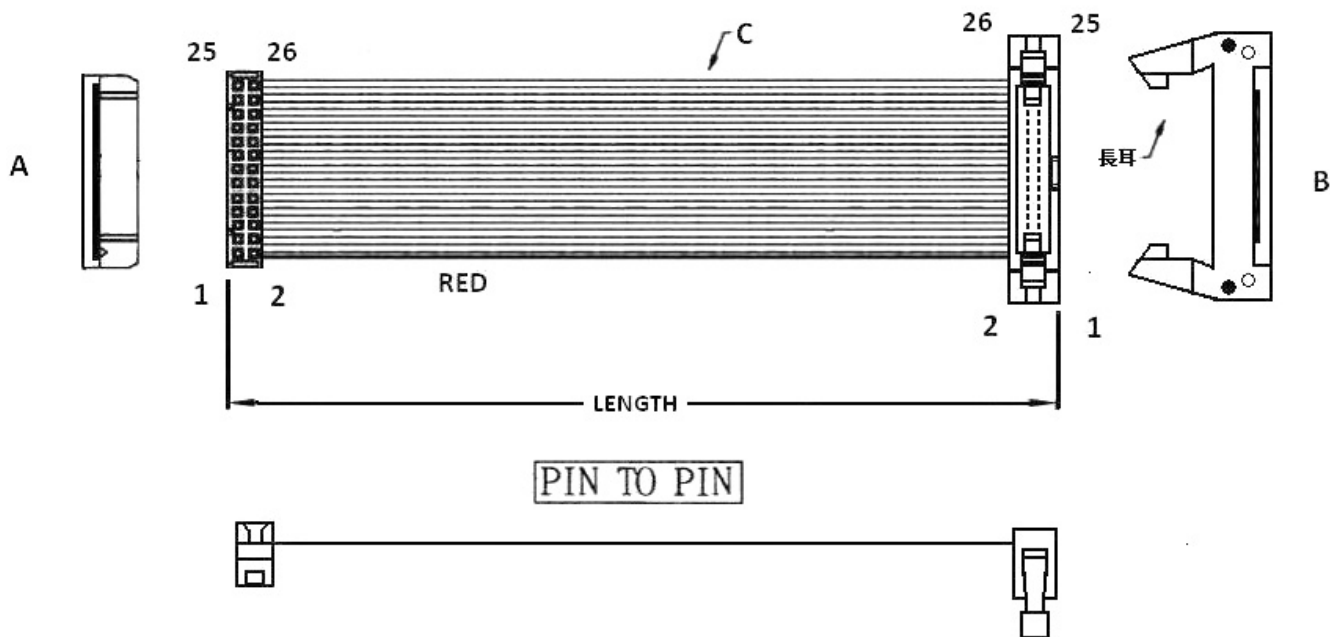


ORDERING INFORMATION:

P/N $\frac{KA}{1} \frac{xx}{2} \frac{IZ}{3} - \frac{xx}{4} C M \frac{A}{5}$

1. FLAT CABLE TYPE:
"KA" 1.27MM AWG28 UL2651 VW-1 PVC
INSULATION GRAY
2. NO. OF CONTACTS:
10~64
3. CONNECTORS AT TWO ENDS:
"IZ" 2.54MM IDC SOCKET WITH NOSE W/O S.R.
TO 2.54MM IDC PLUG WITH LONG LATCHES
4. LENGTH IN CM (CENTIMETERS)
5. COLOR OF TWO IDC CONNECTORS:
"A" GRAY

1.27MM PITCH FLAT CABLE WITH 2.54MM IDC SOCKET WITHOUT STRAIN RELIEF (H=11.0MM) & 2.54MM IDC PLUG WITH LONG LATCHES (M6)

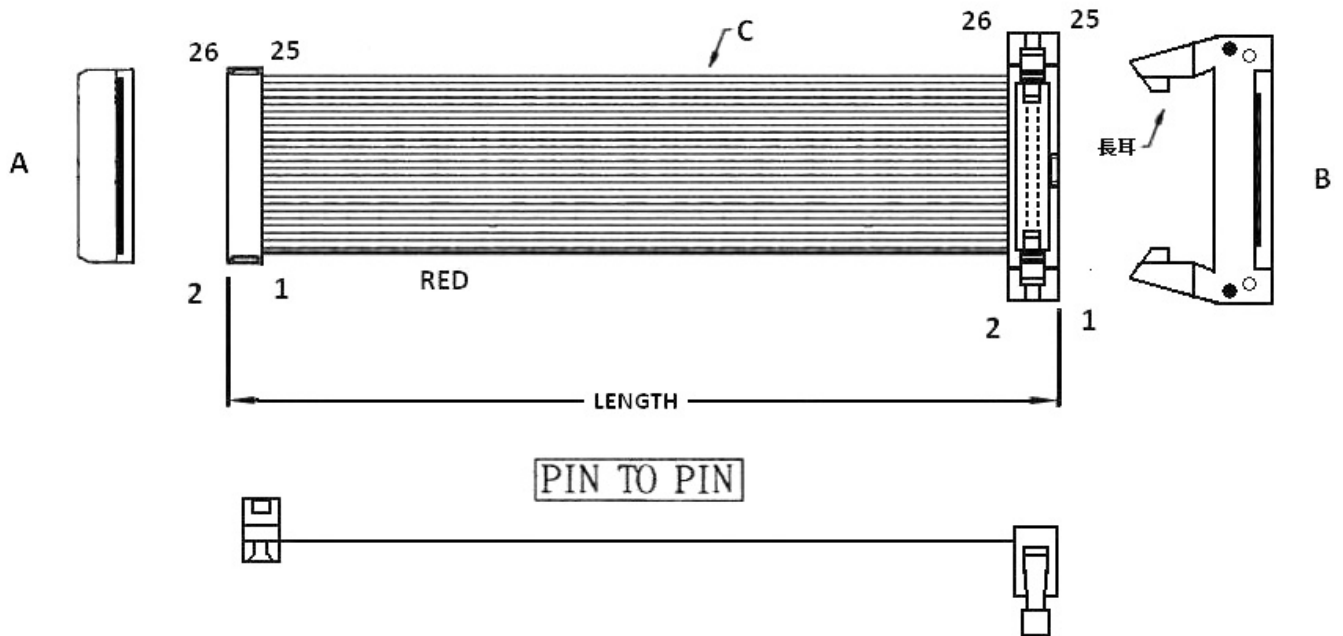


ORDERING INFORMATION:

P/N $\frac{KA}{1} \frac{xx}{2} \frac{AW}{3} - \frac{xx}{4} C M \frac{A}{5}$

1. FLAT CABLE TYPE:
"KA" 1.27MM AWG28 UL2651 VW-1 PVC INSULATION GRAY
2. NO. OF CONTACTS:
10~64
3. CONNECTORS AT TWO ENDS:
"AW" 2.54MM IDC SOCKET WITHOUT NOSE & WITHOUT S.R. TO 2.54MM IDC PLUG WITH LONG LATCHES
4. LENGTH IN CM (CENTIMETERS)
5. COLOR OF TWO IDC CONNECTORS:
"A" GRAY

1.27MM PITCH FLAT CABLE WITH 2.54MM IDC SOCKET WITHOUT STRAIN RELIEF (H=11.0MM) & 2.54MM IDC PLUG WITH LONG LATCHES (M7)

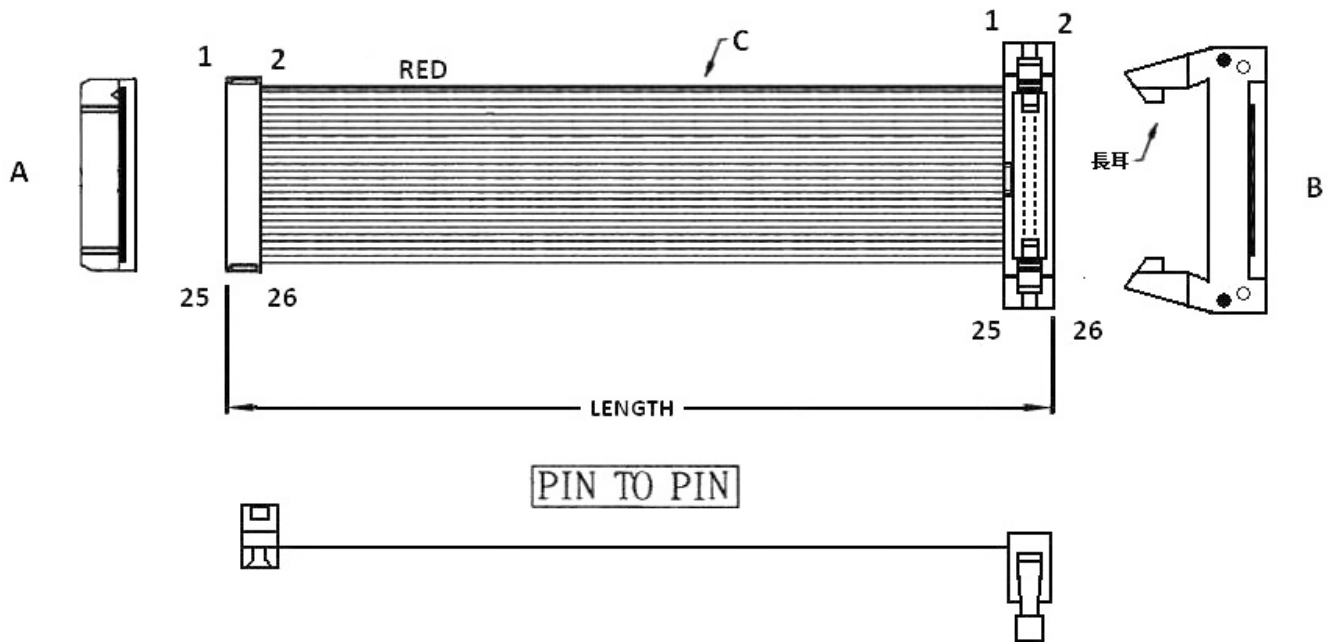


ORDERING INFORMATION:

P/N $\frac{KA}{1} \frac{xx}{2} \frac{VW}{3} - \frac{xx}{4} CMA \frac{A}{5}$

1. FLAT CABLE TYPE:
"KA" 1.27MM AWG28 UL2651 VW-1 PVC INSULATION GRAY
2. NO. OF CONTACTS:
10~64
3. CONNECTORS AT TWO ENDS:
"VW" 2.54MM IDC SOCKET WITHOUT NOSE & WITHOUT S.R. TO 2.54MM IDC PLUG WITH LONG LATCHES
4. LENGTH IN CM (CENTIMETERS)
5. COLOR OF TWO IDC CONNECTORS:
"A" GRAY

1.27MM PITCH FLAT CABLE WITH 2.54MM IDC SOCKET WITHOUT STRAIN RELIEF (H=11.0MM) TO IDC PLUG WITH LONG LATCHES (M8)

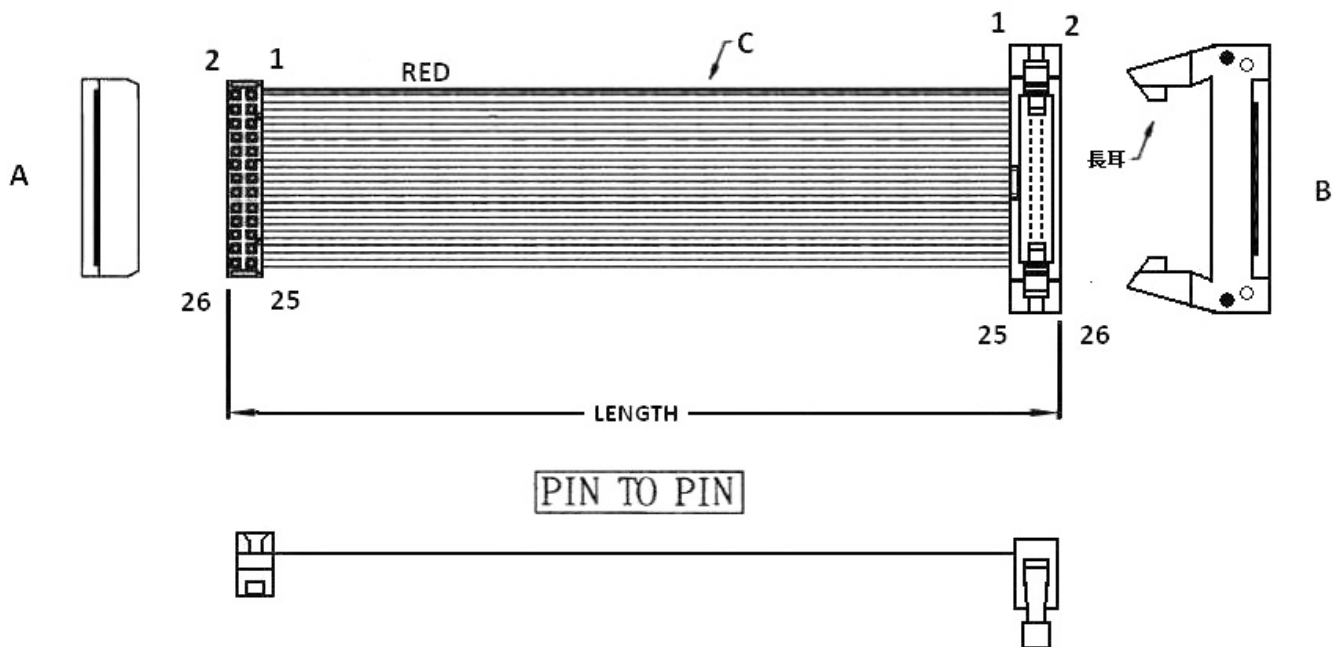


ORDERING INFORMATION:

P/N $\frac{KA}{1} \frac{xx}{2} \frac{AZ}{3} - \frac{xx}{4} C M \frac{A}{5}$

1. FLAT CABLE TYPE:
"KA" 1.27MM AWG28 UL2651 VW-1 PVC INSULATION GRAY
2. NO. OF CONTACTS:
10~64
3. CONNECTORS AT TWO ENDS:
"AZ" 2.54MM IDC SOCKET W/O NOSE W/O S.R. TO 2.54MM IDC PLUG WITH LONG LATCHES
4. LENGTH IN CM (CENTIMETERS)
5. COLOR OF TWO IDC CONNECTORS:
"A" GRAY

1.27MM PITCH FLAT CABLE WITH 2.54MM IDC SOCKET WITHOUT STRAIN RELIEF (H=11.0MM) TO IDC PLUG WITH LONG LATCHES (M9)

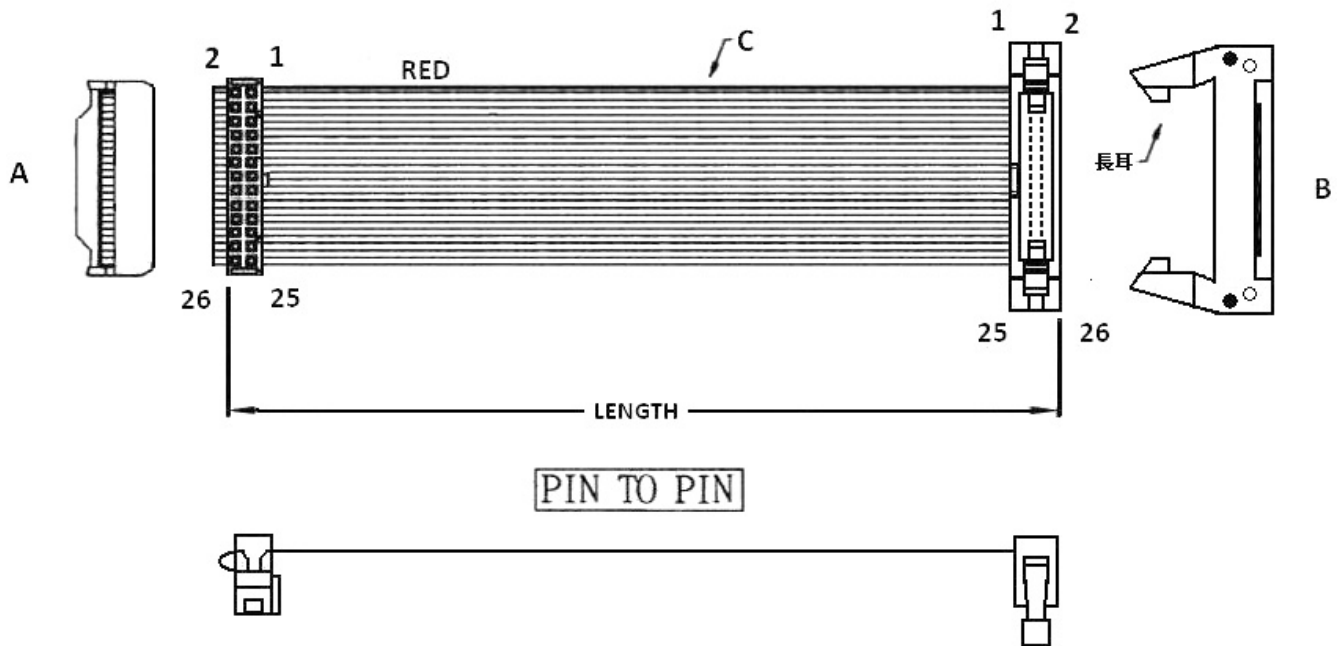


ORDERING INFORMATION:

P/N $\frac{KA}{1} \frac{xx}{2} \frac{VZ}{3} - \frac{xx}{4} CMA \frac{A}{5}$

1. FLAT CABLE TYPE:
"KA" 1.27MM AWG28 UL2651 VW-1 PVC INSULATION GRAY
2. NO. OF CONTACTS:
10~64
3. CONNECTORS AT TWO ENDS:
"VZ" 2.54MM IDC SOCKET W/O NOSE W/O S.R.
TO 2.54MM IDC PLUG WITH LONG LATCHES
4. LENGTH IN CM (CENTIMETERS)
5. COLOR OF TWO IDC CONNECTORS:
"A" GRAY

1.27MM PITCH FLAT CABLE WITH 2.54MM IDC SOCKET WITH STRAIN RELIEF (H=16.0MM) TO IDC PLUG WITH LONG LATCHES (M10)

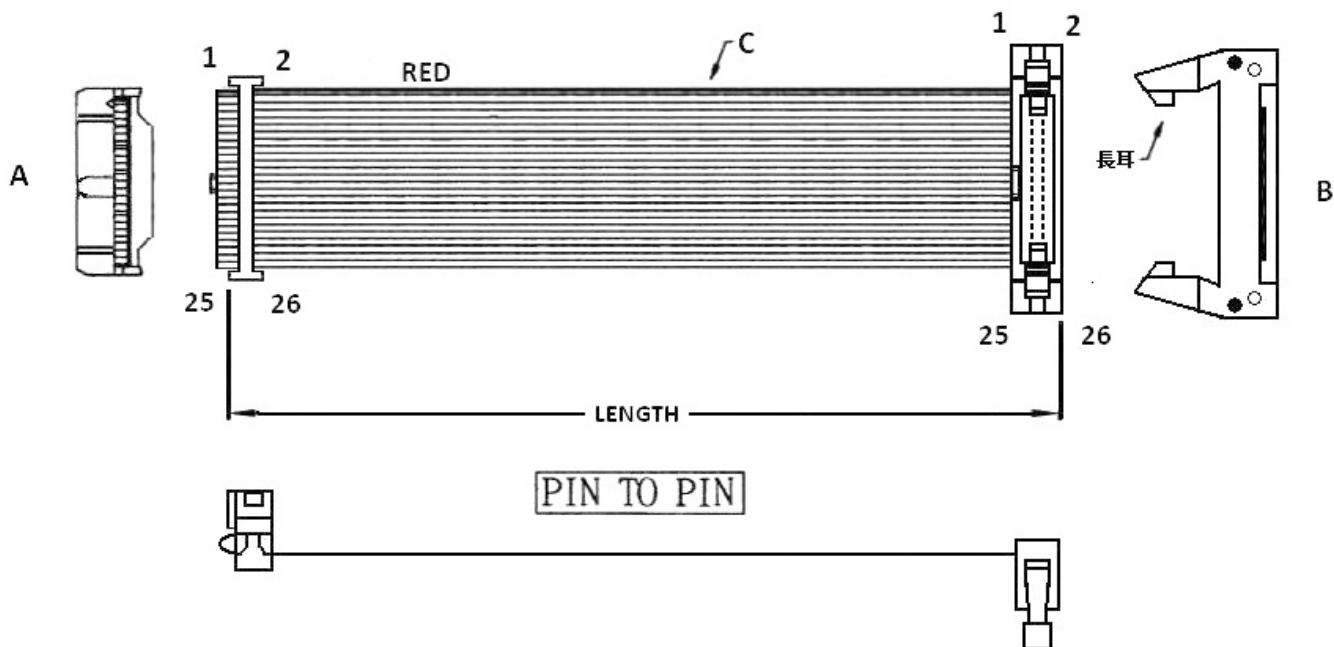


ORDERING INFORMATION:

P/N $\frac{KA}{1} \frac{xx}{2} \frac{MZ}{3} - \frac{xx}{4} CMA \frac{A}{5}$

1. FLAT CABLE TYPE:
"KA" 1.27MM AWG28 UL2651 VW-1 PVC INSULATION GRAY
2. NO. OF CONTACTS:
10~64
3. CONNECTORS AT TWO ENDS:
"MZ" 2.54MM IDC SOCKET WITH NOSE & S.R. TO 2.54MM IDC PLUG WITH LONG LATCHES
4. LENGTH IN CM (CENTIMETERS)
5. COLOR OF TWO IDC CONNECTORS:
"A" GRAY

1.27MM PITCH FLAT CABLE WITH 2.54MM IDC SOCKET WITH STRAIN RELIEF (H=16.0MM) TO IDC PLUG WITH LONG LATCHES (M11)

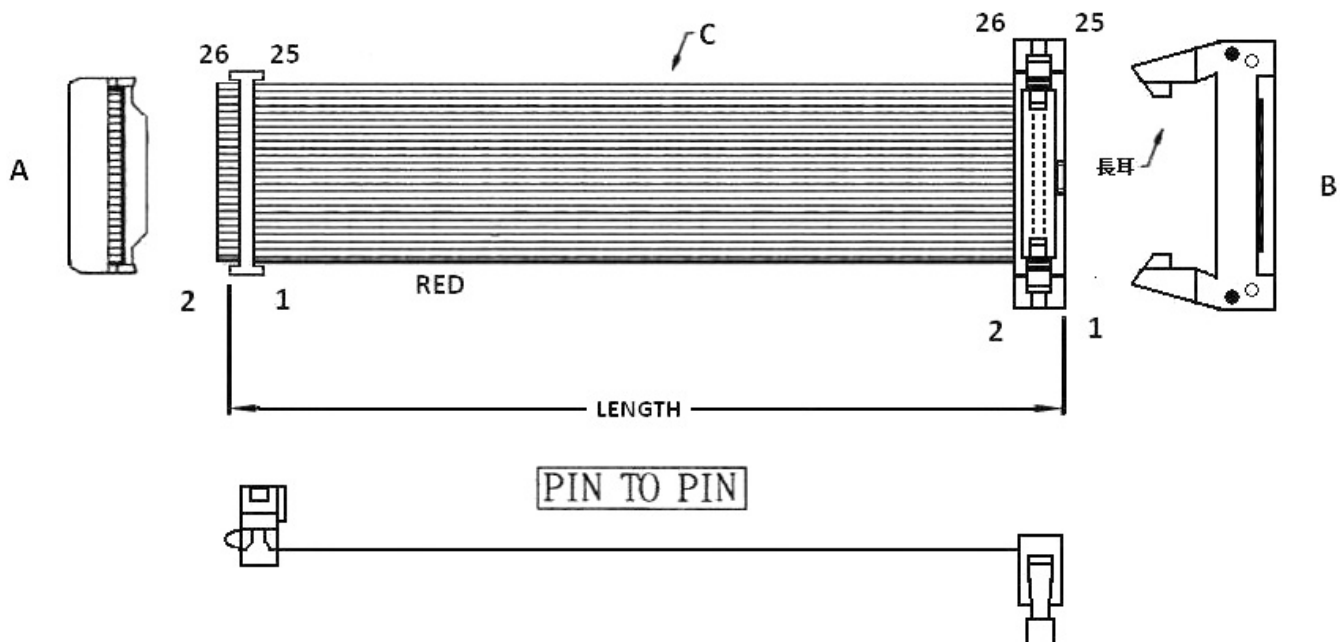


ORDERING INFORMATION:

P/N $\frac{KA}{1} \frac{xx}{2} \frac{NZ}{3} - \frac{xx}{4} CMA \frac{A}{5}$

1. FLAT CABLE TYPE:
"KA" 1.27MM AWG28 UL2651 VW-1 PVC INSULATION GRAY
2. NO. OF CONTACTS:
10~64
3. CONNECTORS AT TWO ENDS:
"NZ" 2.54MM IDC SOCKET WITH NOSE & S.R. TO 2.54MM IDC PLUG WITH LONG LATCHES
4. LENGTH IN CM (CENTIMETERS)
5. COLOR OF TWO IDC CONNECTORS:
"A" GRAY

1.27MM PITCH FLAT CABLE WITH 2.54MM IDC SOCKET WITH STRAIN RELIEF (H=16.0MM) & 2.54MM IDC PLUG WITH LONG LATCHES (M12)

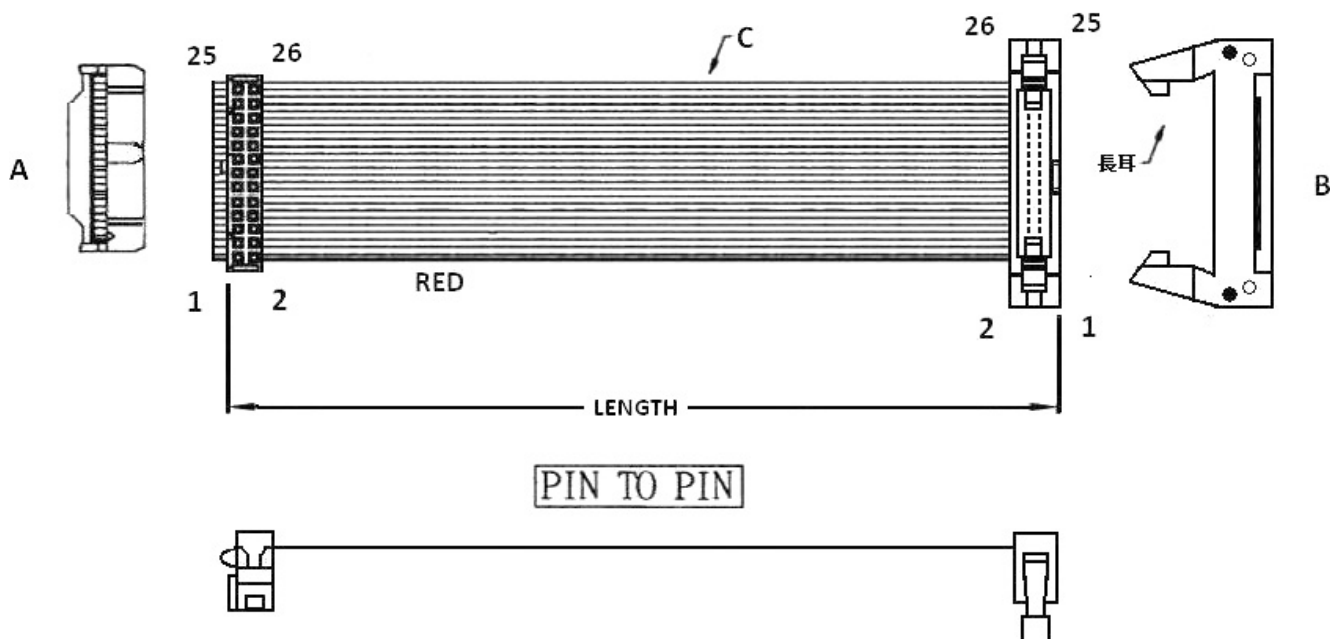


ORDERING INFORMATION:

P/N $\frac{\text{K A}}{1}$ $\frac{\text{x x}}{2}$ $\frac{\text{M W}}{3}$ - $\frac{\text{x x}}{4}$ **C M A** $\frac{\text{A}}{5}$

1. FLAT CABLE TYPE:
"KA" 1.27MM AWG28 UL2651 VW-1 PVC INSULATION GRAY
2. NO. OF CONTACTS:
10~64
3. CONNECTORS AT TWO ENDS:
"MW" 2.54MM IDC SOCKET WITH NOSE & S.R. TO 2.54MM IDC PLUG WITH LONG LATCHES
4. LENGTH IN CM (CENTIMETERS)
5. COLOR OF TWO IDC CONNECTORS:
"A" GRAY

1.27MM PITCH FLAT CABLE WITH 2.54MM IDC SOCKET WITH STRAIN RELIEF (H=16.0MM) & 2.54MM IDC PLUG WITH LONG LATCHES (M13)

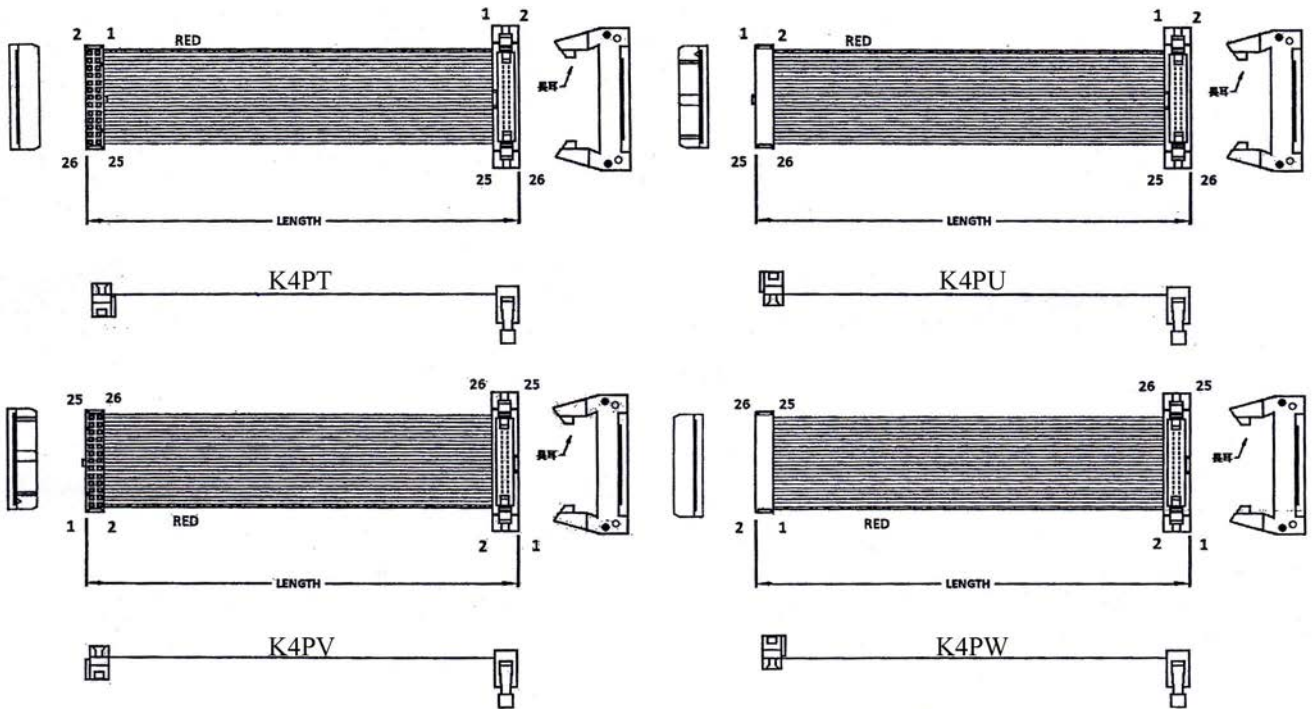


ORDERING INFORMATION:

P/N $\frac{KA}{1} \frac{xx}{2} \frac{NW}{3} - \frac{xx}{4} CMA \frac{A}{5}$

1. FLAT CABLE TYPE:
"KA" 1.27MM AWG28 UL2651 VW-1 PVC INSULATION GRAY
2. NO. OF CONTACTS:
10~64
3. CONNECTORS AT TWO ENDS:
"NW" 2.54MM IDC SOCKET WITH NOSE & S.R. TO 2.54MM IDC PLUG WITH LONG LATCHES
4. LENGTH IN CM (CENTIMETERS)
5. COLOR OF TWO IDC CONNECTORS:
"A" GRAY

1.27MM PITCH FLAT CABLE WITH 2.54MM IDC SOCKET WITHOUT S.R. (H=9.5MM) TO IDC PLUG WITH LONG LATCHES (M14)

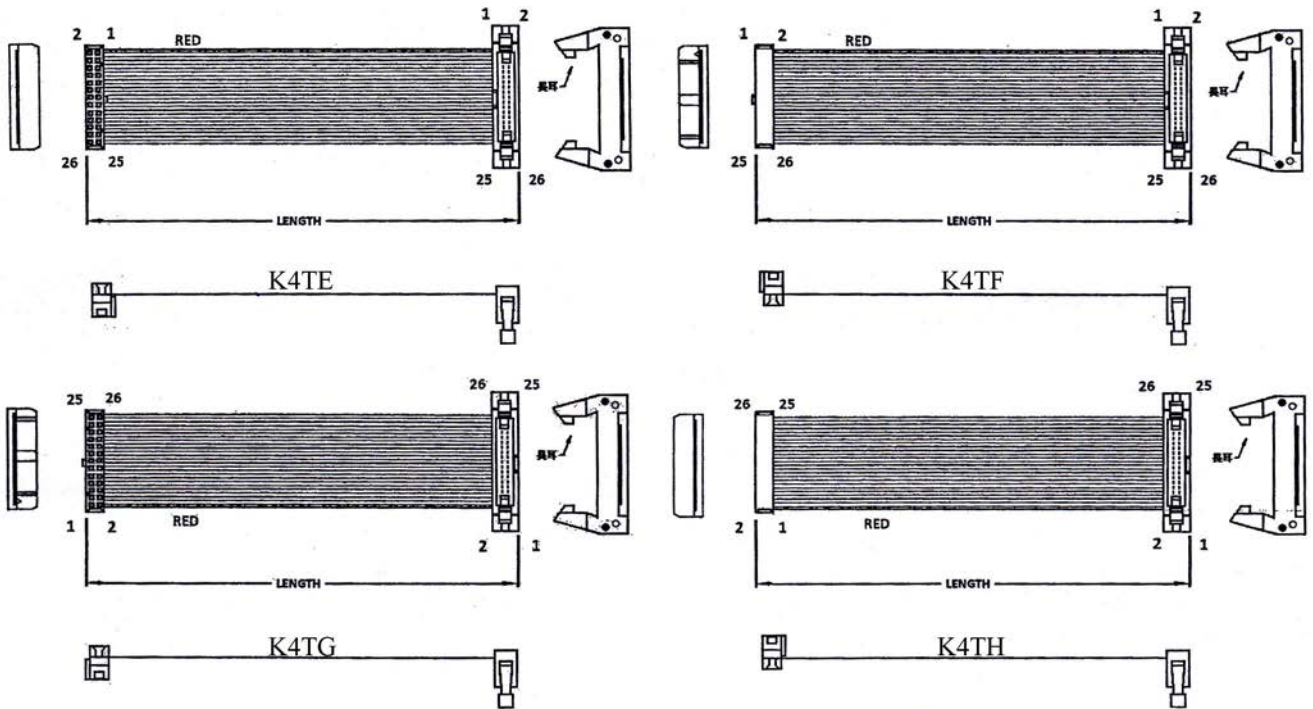


ORDERING INFORMATION:

P/N K 1 2 3 4

1. CONSTRUCTION TYPE:
4PT, 4PU, 4PV, 4PW
2. NO. OF CONTACTS:
010~064
3. LENGTH IN CM (CENTIMETERS)
4. COLOR OF TWO IDC CONNECTORS:
"D" BLACK(SOCKET)+GRAY(HEADER)

1.27MM PITCH FLAT CABLE WITH 2.54MM IDC SOCKET WITH DUAL U-SLOT & DUAL CONTACT (H=10.5MM) TO IDC PLUG WITH LONG LATCHES (M15)

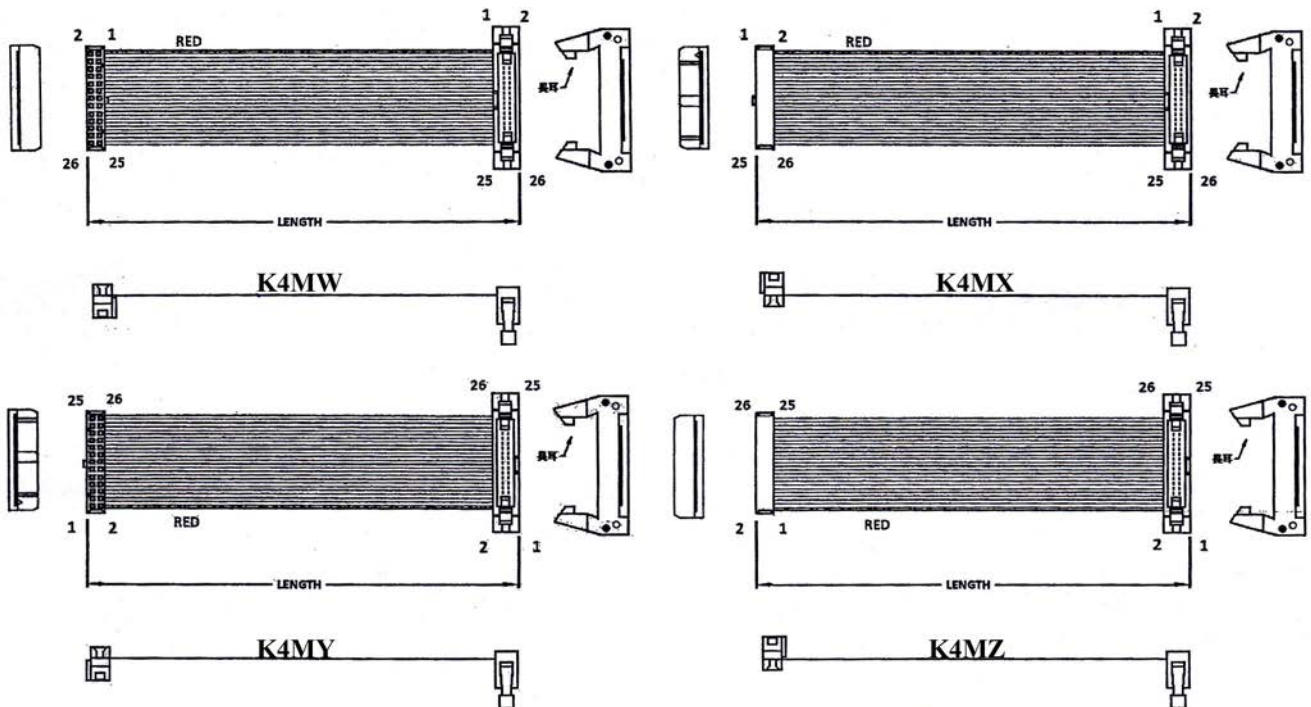


ORDERING INFORMATION:

P/N K $\frac{x}{1} \frac{x}{2} \frac{x}{3} \frac{x}{4}$ - $\frac{xx}{3} \frac{CM}{4} \frac{D}{4}$

1. CONSTRUCTION TYPE:
4TE, 4TF, 4TG, 4TH
2. NO. OF CONTACTS:
010~064
3. LENGTH IN CM (CENTIMETERS)
4. COLOR OF TWO IDC CONNECTORS:
"D" BLACK(SOCKET)+GRAY(HEADER)

1.27MM PITCH FLAT CABLE WITH 2.54MM IDC SOCKET W/O S.R. DUAL WIPE CONTACT TYPE (H=10.5MM) TO IDC PLUG WITH LONG LATCHES (M16)

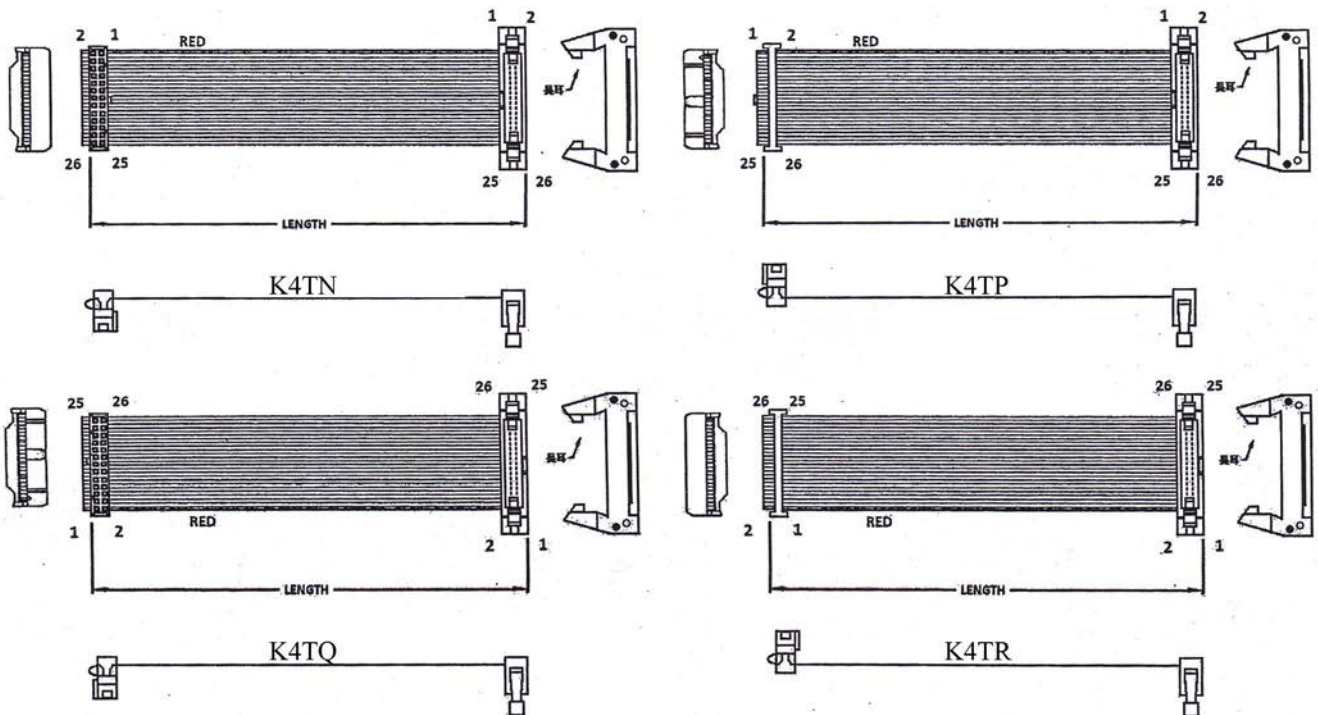


ORDERING INFORMATION:

P/N K $\frac{x}{1} \frac{x}{2} \frac{x}{3} \frac{x}{4} C M x$

1. CONSTRUCTION TYPE:
4MW, 4MX, 4MY, 4MZ
2. NO. OF CONTACTS:
010~064
3. LENGTH IN CM (CENTIMETERS)
4. COLOR OF TWO IDC CONNECTORS:
"A" GRAY+GRAY
"D" BLACK(SOCKET)+GRAY(HEADER)

1.27MM PITCH FLAT CABLE WITH 2.54MM IDC SOCKET WITH DUAL U-SLOT & DUAL CONTACT (H=14.4MM) TO IDC PLUG WITH LONG LATCHES (M17)

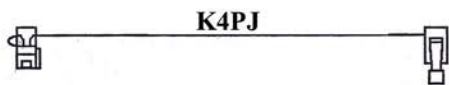
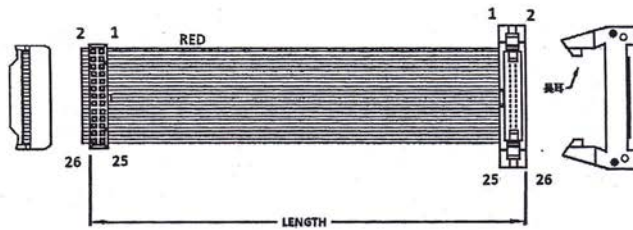


ORDERING INFORMATION:

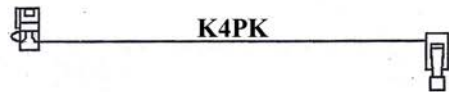
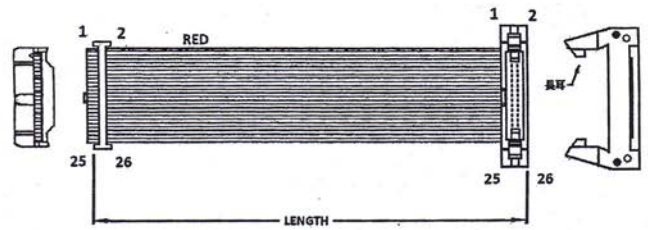
P/N K 1 2 3 4

1. CONSTRUCTION TYPE:
4TN, 4TP, 4TQ, 4TR
2. NO. OF CONTACTS:
010~064
3. LENGTH IN CM (CENTIMETERS)
4. COLOR OF TWO IDC CONNECTORS:
"D" BLACK(SOCKET)+GRAY(HEADER)

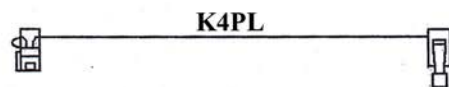
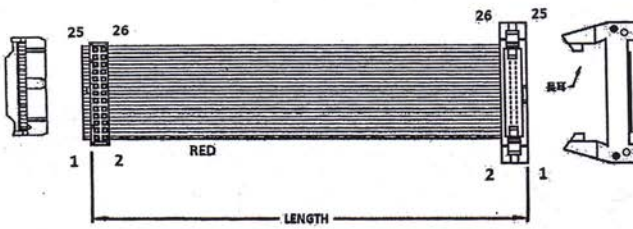
1.27MM PITCH FLAT CABLE WITH 2.54MM IDC SOCKET WITH S.R. DUAL WIPE CONTACT TYPE (H=14.4MM) TO IDC PLUG WITH LONG LATCHES (M18)



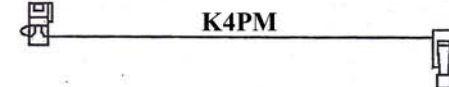
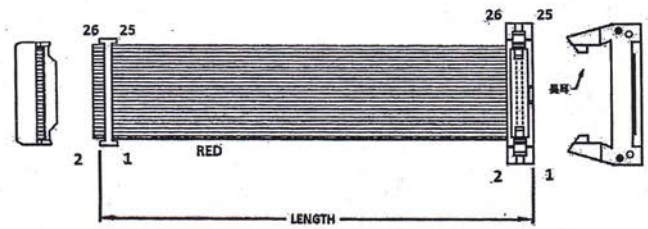
K4PJ



K4PK



K4PL



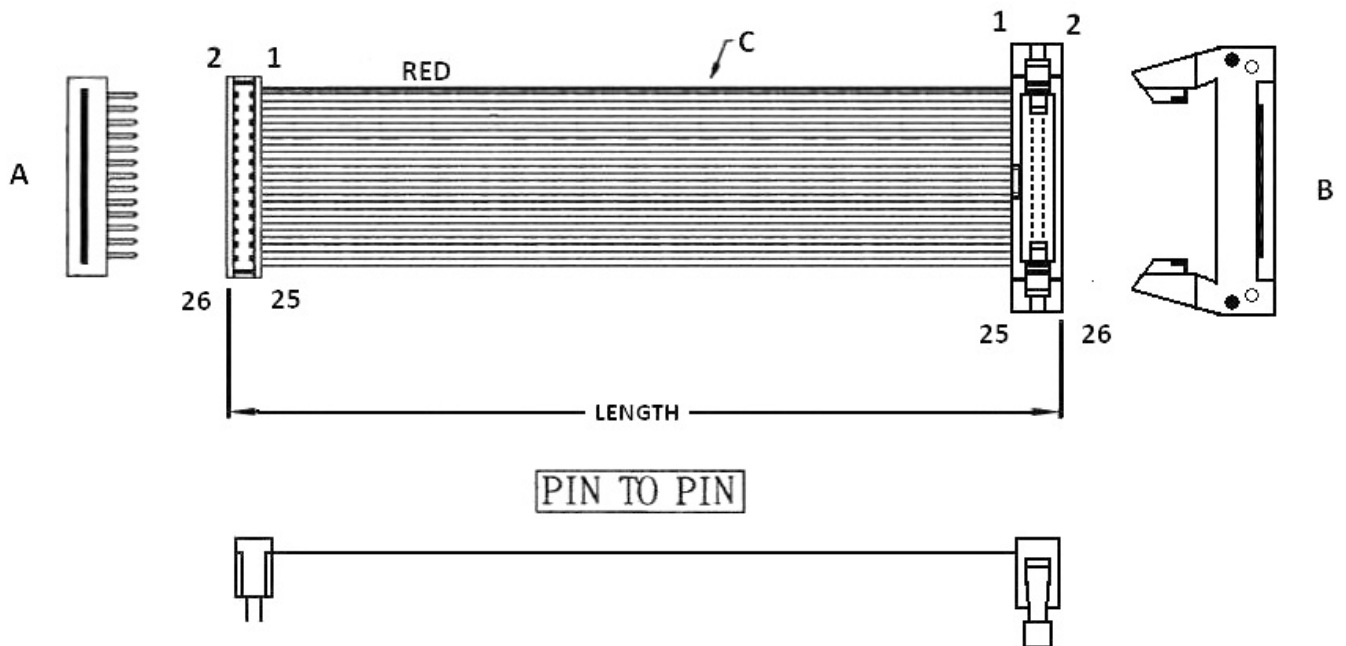
K4PM

ORDERING INFORMATION:

P/N K 1 2 3 C M 4

1. CONSTRUCTION TYPE:
4PJ, 4PK, 4PL, 4PM
2. NO. OF CONTACTS:
010~064
3. LENGTH IN CM (CENTIMETERS)
4. COLOR OF TWO IDC CONNECTORS:
"A" GRAY+GRAY
"D" BLACK(SOCKET)+GRAY(HEADER)

**1.27MM PITCH FLAT CABLE WITH
2.54MM DIP PLUG (H=7.6MM) TO IDC PLUG WITH SHORT LATCHES (N1)**

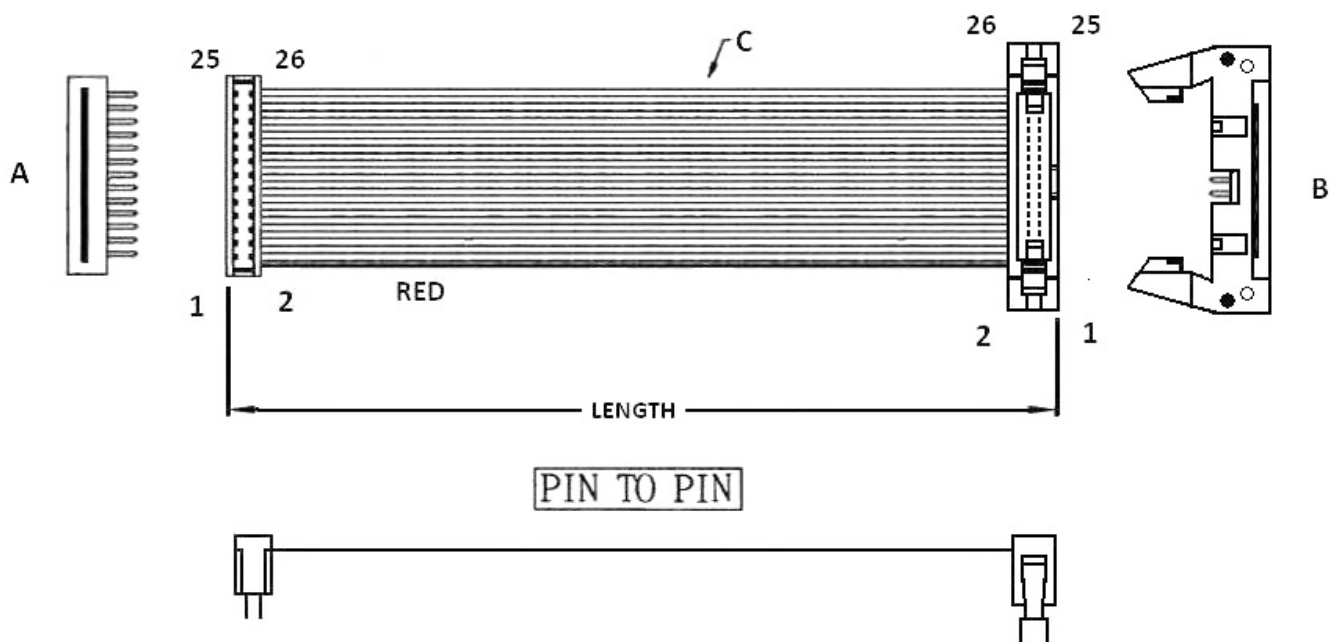


ORDERING INFORMATION:

P/N $\frac{KA}{1} \frac{xx}{2} \frac{DS}{3} - \frac{xx}{4} C M \frac{A}{5}$

1. FLAT CABLE TYPE:
"KA" 1.27MM AWG28 UL2651 VW-1 PVC
INSULATION GRAY
2. NO. OF CONTACTS:
10~64
3. CONNECTORS AT TWO ENDS:
"DS" 2.54MM DIP PLUG TO
2.54MM IDC PLUG WITH SHORT LATCHES
4. LENGTH IN CM (CENTIMETERS)
5. COLOR OF TWO IDC CONNECTORS:
"A" GRAY

**1.27MM PITCH FLAT CABLE WITH 2.54MM DIP PLUG (H=7.6MM) TO
2.54MM IDC PLUG WITH SHORT LATCHES (N2)**

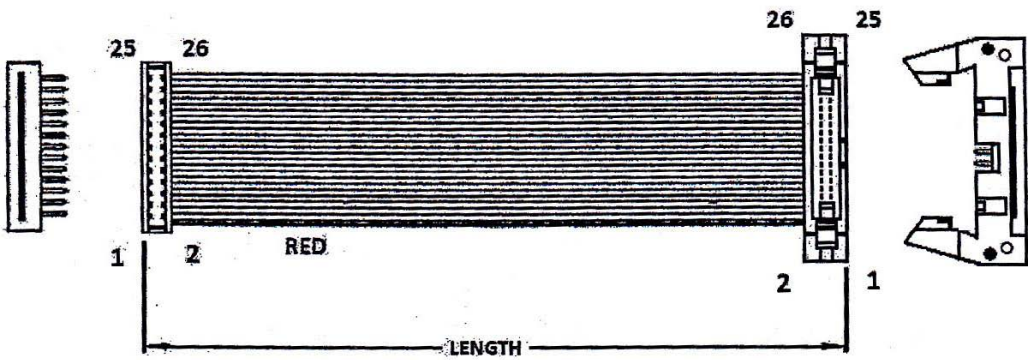
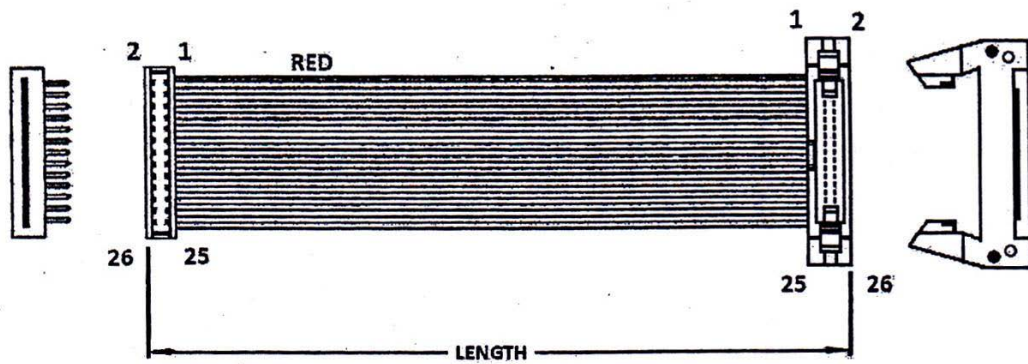


ORDERING INFORMATION:

P/N $\frac{KA}{1} \frac{xx}{2} \frac{PQ}{3} - \frac{xx}{4} CMA \frac{A}{5}$

1. FLAT CABLE TYPE:
"KA" 1.27MM AWG28 UL2651 VW-1 PVC
INSULATION GRAY
2. NO. OF CONTACTS:
10~64
3. CONNECTORS AT TWO ENDS:
"PQ" 2.54MM DIP PLUG TO
2.54MM IDC PLUG WITH SHORT LATCHES
4. LENGTH IN CM (CENTIMETERS)
5. COLOR OF TWO IDC CONNECTORS:
"A" GRAY

**1.27MM PITCH FLAT CABLE WITH 2.54MM DIP PLUG (H=5.4MM) TO
2.54MM IDC PLUG WITH SHORT LATCHES (N3)**

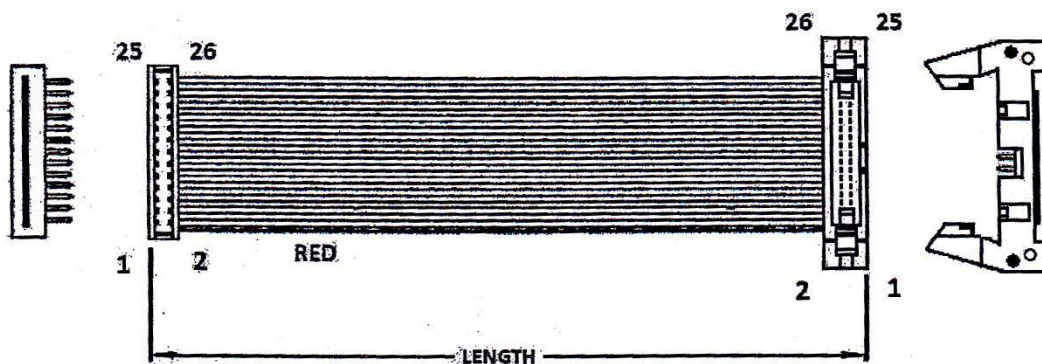
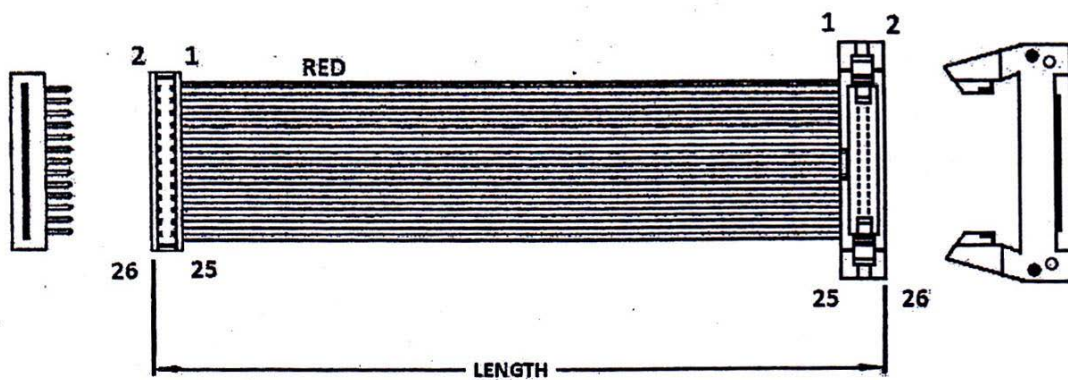


ORDERING INFORMATION:

P/N K $\frac{x}{1} \frac{x}{2} \frac{x}{3} \frac{x}{4}$ C M A

1. CONSTRUCTION TYPE:
4MG, 4MH
2. NO. OF CONTACTS:
010~064
3. LENGTH IN CM (CENTIMETERS)
4. COLOR OF TWO IDC CONNECTORS:
"A" GRAY

1.27MM PITCH FLAT CABLE WITH 2.54MM DIP PLUG (H=6.0MM) TO IDC TYPE IDC PLUG WITH SHORT LATCHES (N4)

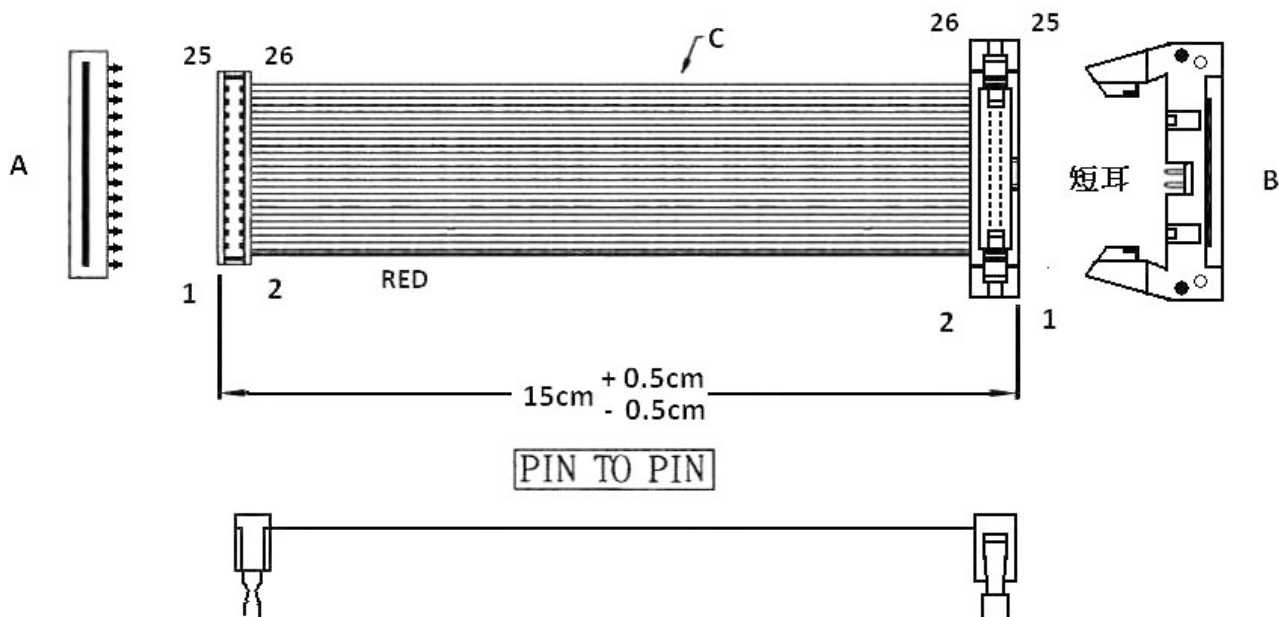


ORDERING INFORMATION:

P/N **K** **x x x x x x** - **x x** **C M A**

1. CONSTRUCTION TYPE:
4MC, 4MD
2. NO. OF CONTACTS:
010~064
3. LENGTH IN CM (CENTIMETERS)
4. COLOR OF TWO IDC CONNECTORS:
"A" GRAY

1.27MM PITCH FLAT CABLE WITH 2.54MM PITCH DIP PLUG TO 2.54MM IDC PLUG WITH SHORT LATCHES (N5)

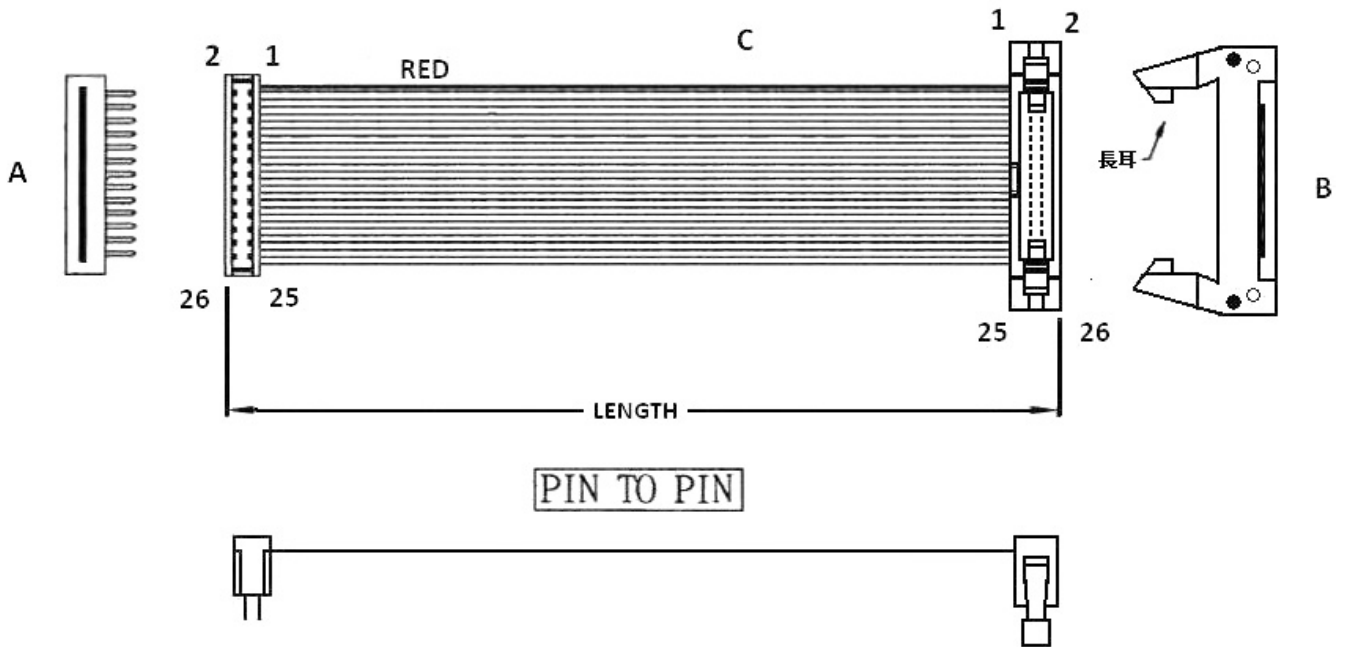


ORDERING INFORMATION:

P/N $\frac{KA}{1} \frac{xx}{2} \frac{PZ}{3} - \frac{xx}{4} \frac{C}{5} M D$

1. FLAT CABLE TYPE:
"KA" 1.27MM AWG28 UL2651 VW-1
PVC INSULATION GRAY
2. NO. OF CONTACTS:
10~64
3. CONNECTORS AT TWO ENDS:
"PZ" 2.54MM DIP PLUG WITH KINKED PINS BLACK
TO 2.54MM IDC PLUG WITH SHORT LATCHES GRAY
4. LENGTH IN CM (CENTIMETERS)
5. COLOR OF TWO IDC CONNECTORS:
"D" BLACK (DIP PLUG) + GRAY (SHROUDED HEADER)

**1.27MM PITCH FLAT CABLE WITH
2.54MM DIP PLUG (H=7.6MM) TO IDC PLUG WITH LONG LATCHES (P1)**

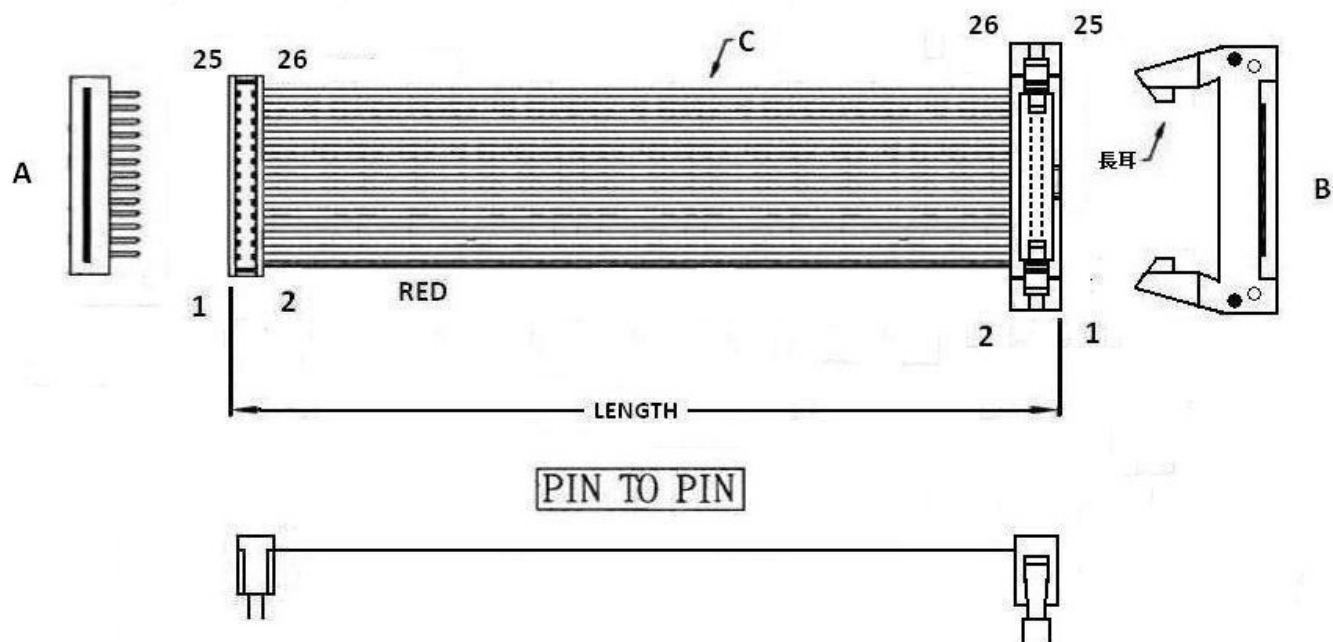


ORDERING INFORMATION:

P/N $\frac{KA}{1} \frac{xx}{2} \frac{DZ}{3} - \frac{xx}{4} C M \frac{A}{5}$

1. FLAT CABLE TYPE:
"KA" 1.27MM AWG28 UL2651 VW-1 PVC
INSULATION GRAY
2. NO. OF CONTACTS:
10~64
3. CONNECTORS AT TWO ENDS:
"DZ" 2.54MM DIP PLUG TO
2.54MM IDC PLUG WITH LONG LATCHES
4. LENGTH IN CM (CENTIMETERS)
5. COLOR OF TWO IDC CONNECTORS:
"A" GRAY

**1.27MM PITCH FLAT CABLE WITH 2.54MM DIP PLUG (H=7.6MM) &
2.54MM IDC PLUG WITH LONG LATCHES (P2)**

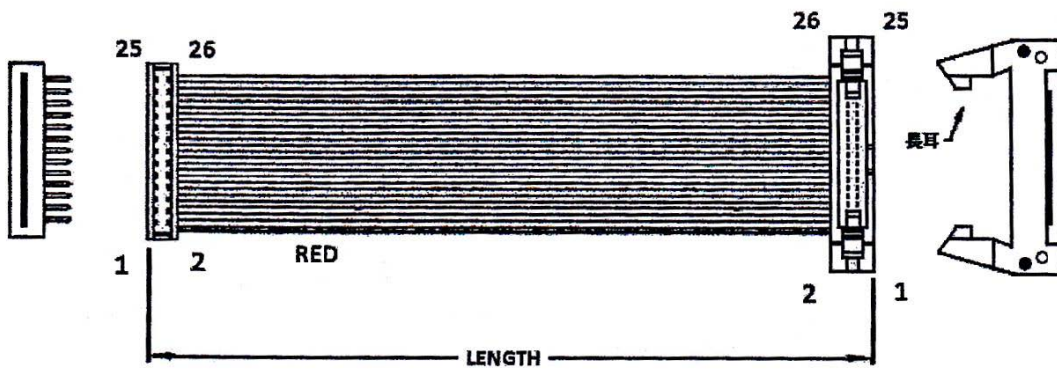
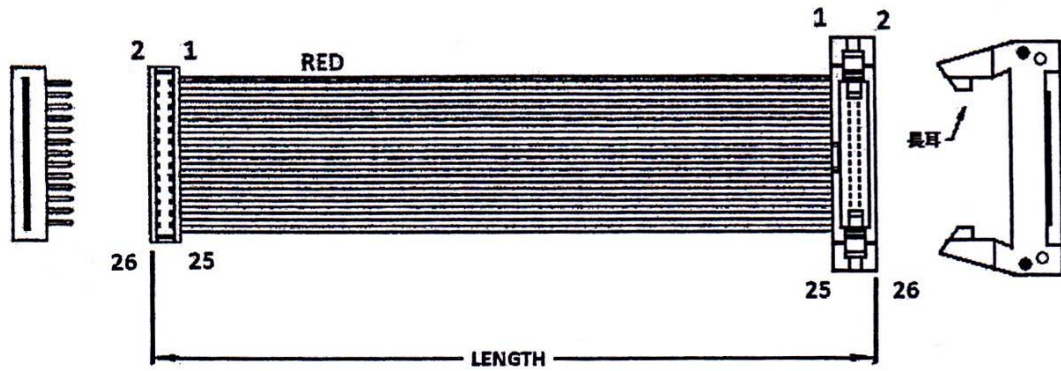


ORDERING INFORMATION:

P/N $\frac{KA}{1} \frac{xx}{2} \frac{PW}{3} - \frac{xx}{4} \frac{CMA}{5}$

1. FLAT CABLE TYPE:
"KA" 1.27MM AWG28 UL2651 VW-1 PVC
INSULATION GRAY
2. NO. OF CONTACTS:
10~64
3. CONNECTORS AT TWO ENDS:
"PW" 2.54MM DIP PLUG TO
2.54MM IDC PLUG WITH LONG LATCHES
4. LENGTH IN CM (CENTIMETERS)
5. COLOR OF TWO IDC CONNECTORS:
"A" GRAY

**1.27MM PITCH FLAT CABLE WITH 2.54MM DIP PLUG (H=5.4MM) TO
2.54MM IDC PLUG WITH LONG LATCHES (P3)**

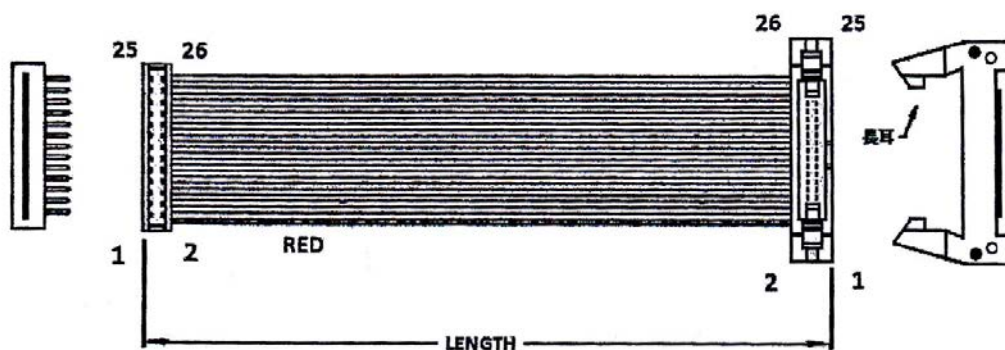
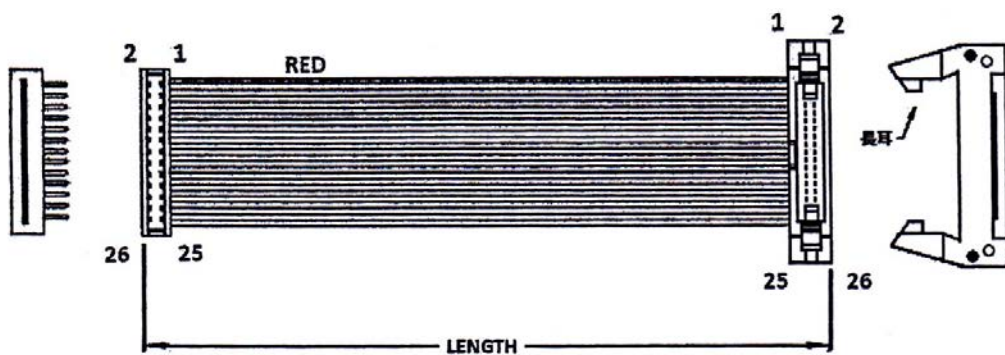


ORDERING INFORMATION:

P/N K $\frac{x}{1} \frac{x}{2} \frac{x}{3} \frac{x}{4}$ C M A

1. CONSTRUCTION TYPE:
4ME, 4MF
2. NO. OF CONTACTS:
010~064
3. LENGTH IN CM (CENTIMETERS)
4. COLOR OF TWO IDC CONNECTORS:
"A" GRAY

**1.27MM PITCH FLAT CABLE WITH 2.54MM DIP PLUG (H=6.0MM) TO
2.54MM IDC PLUG WITH LONG LATCHES (P4)**

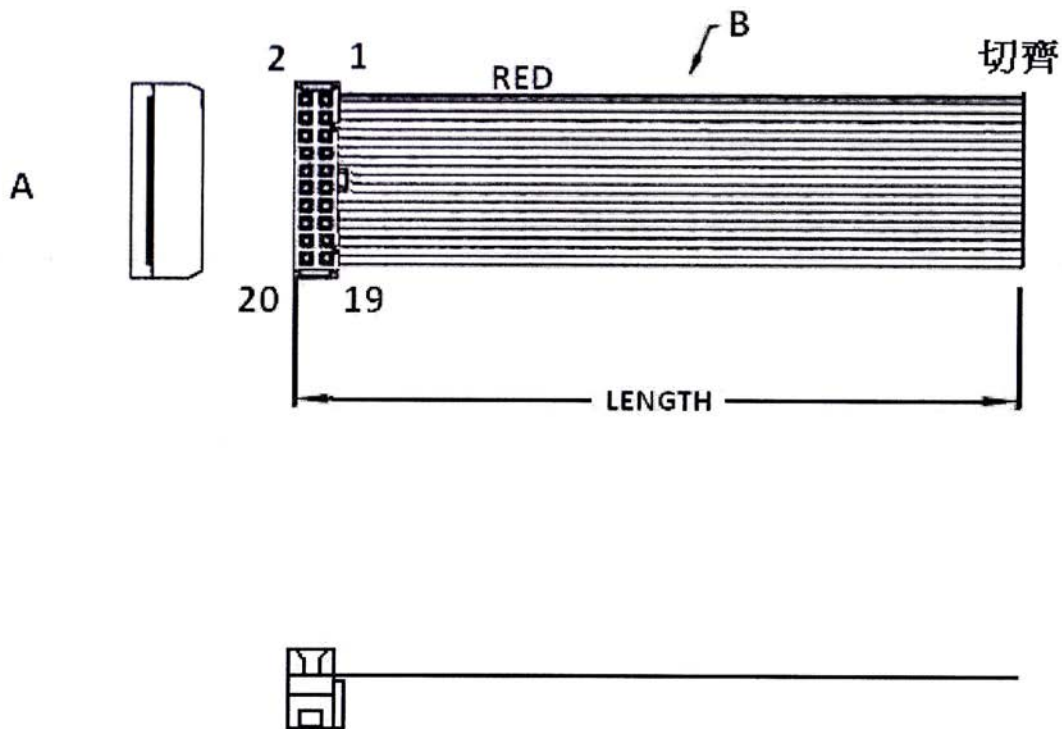


ORDERING INFORMATION:

P/N $\text{K} \frac{\text{X}}{1} \frac{\text{X}}{2} \frac{\text{X}}{3} \frac{\text{X}}{4} \text{CMA}$

1. CONSTRUCTION TYPE:
4MA, 4MB
2. NO. OF CONTACTS:
010~064
3. LENGTH IN CM (CENTIMETERS)
4. COLOR OF TWO IDC CONNECTORS:
"A" GRAY

**1.27MM PITCH FLAT CABLE WITH
2.54MM PITCH IDC SOCKET WITHOUT STRAIN RELIEF (H=11.0MM) TO OPEN END (1)**

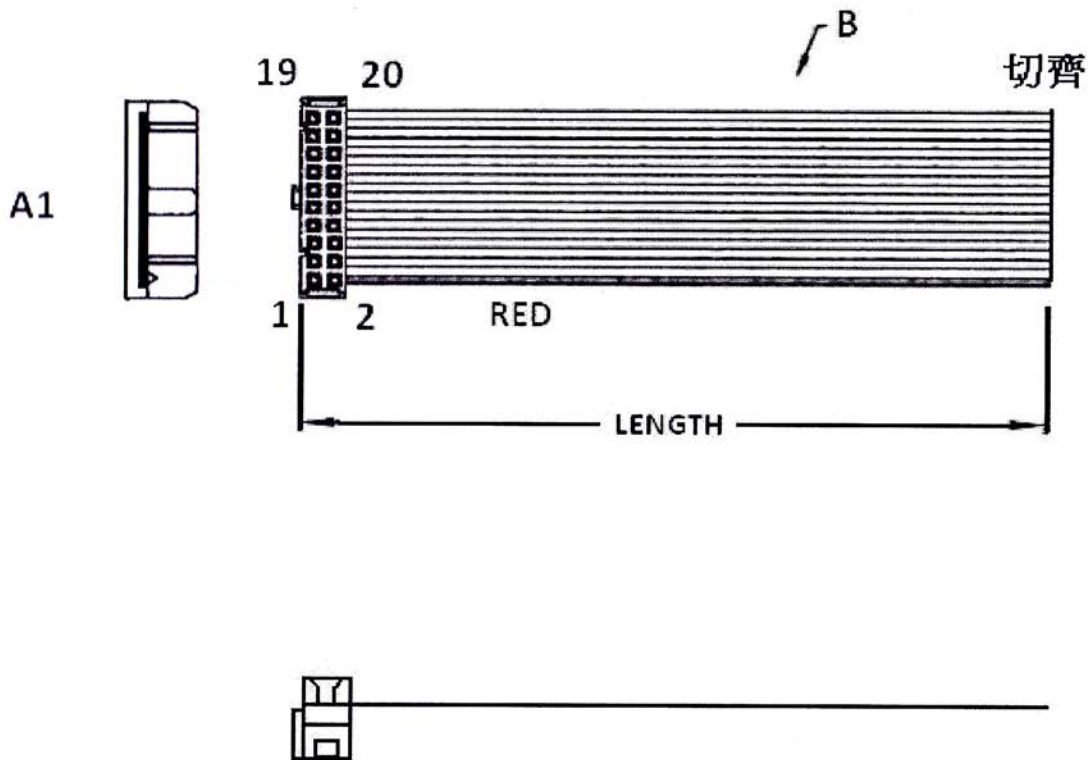


ORDERING INFORMATION:

P/N $\frac{KA}{1} \frac{xx}{2} \frac{KO}{3} - \frac{xx}{4} CM \frac{x}{5}$

1. FLAT CABLE TYPE:
"KA" 1.27MM AWG28 UL2651 VW-1
PVC INSULATION GRAY
2. NO. OF CONTACTS:
06~64
3. CONNECTORS AT TWO ENDS:
"KO" 2.54MM IDC SOCKET W/O S.R. & WITH NOSE
TO OPEN END
4. LENGTH IN CM (CENTIMETERS)
5. COLOR OF IDC CONNECTOR:
"B" BLACK
"A" GRAY

**1.27MM PITCH FLAT CABLE WITH
2.54MM PITCH IDC SOCKET WITHOUT STRAIN RELIEF (H=11.0MM) TO OPEN END (2)**

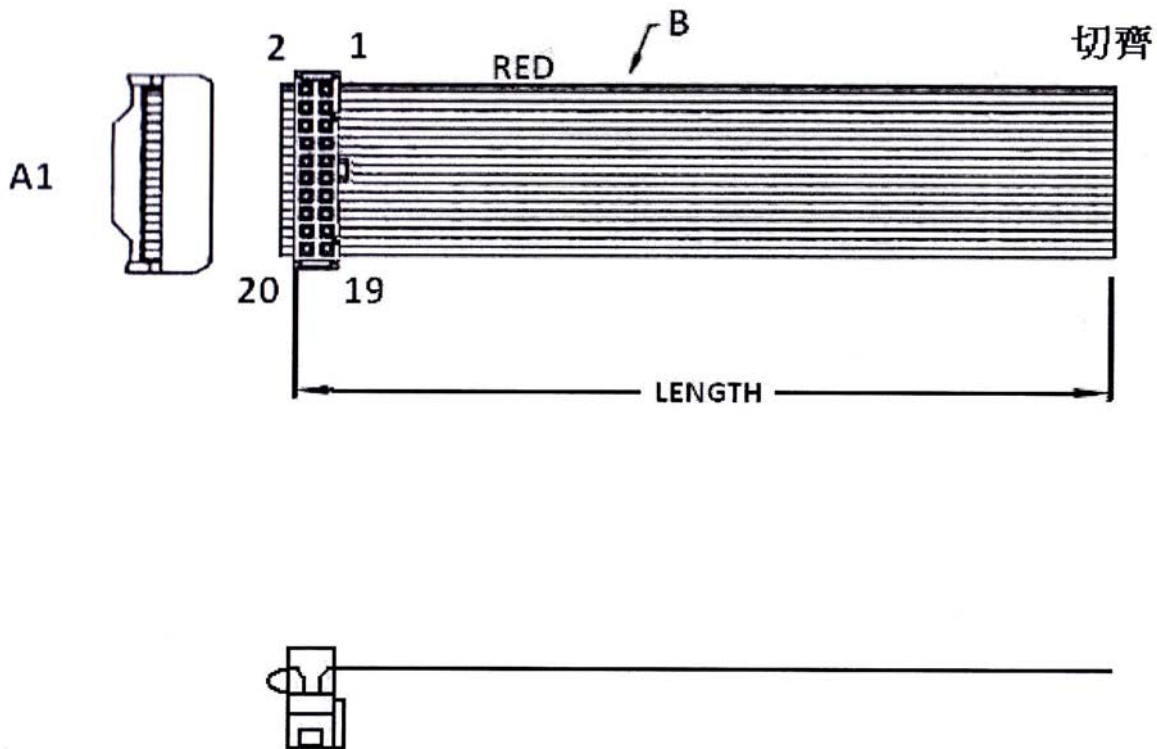


ORDERING INFORMATION:

P/N $\frac{KA}{1} \frac{xx}{2} \frac{LO}{3} - \frac{xx}{4} CM \frac{x}{5}$

1. FLAT CABLE TYPE:
"KA" 1.27MM AWG28 UL2651 VW-1
PVC INSULATION GRAY
2. NO. OF CONTACTS:
06~64
3. CONNECTORS AT TWO ENDS:
"LO" 2.54MM IDC SOCKET W/O S.R. & WITH NOSE
TO OPEN END
4. LENGTH IN CM (CENTIMETERS)
5. COLOR OF IDC CONNECTOR:
"B" BLACK
"A" GRAY

**1.27MM PITCH FLAT CABLE WITH
2.54MM PITCH IDC SOCKET WITH STRAIN RELIEF (H=16.0MM) TO OPEN END (1)**

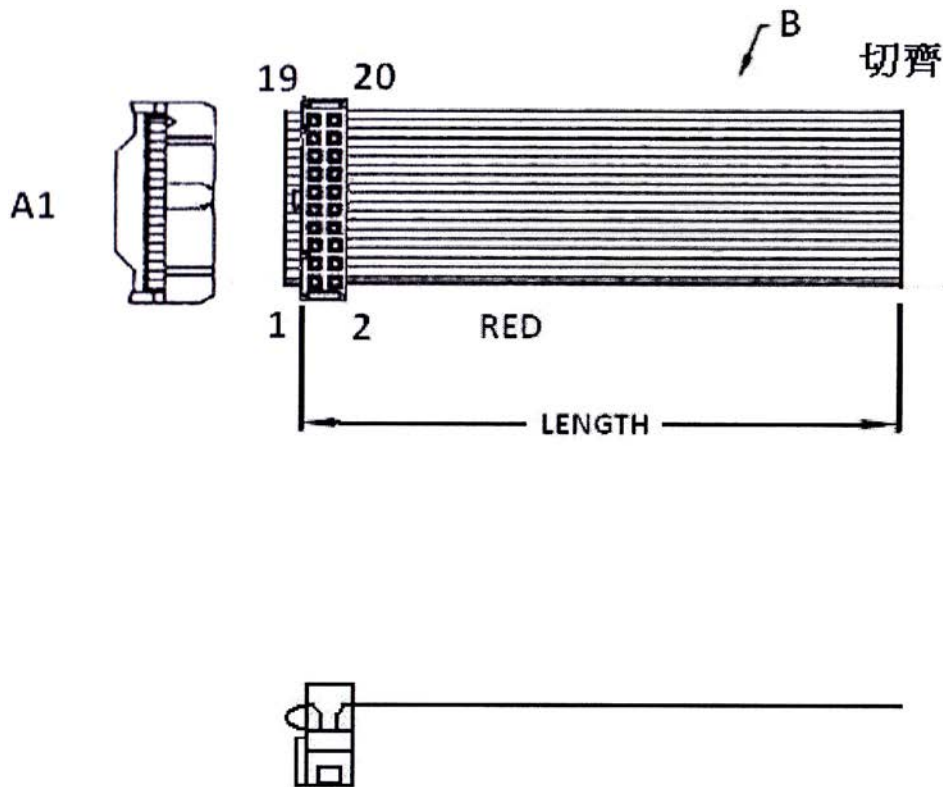


ORDERING INFORMATION:

P/N $\frac{KA}{1} \frac{xx}{2} \frac{MO}{3} - \frac{xx}{4} \frac{CM}{5} \frac{x}{5}$

1. FLAT CABLE TYPE:
"KA" 1.27MM AWG28 UL2651 VW-1
PVC INSULATION GRAY
2. NO. OF CONTACTS:
06~64
3. CONNECTORS AT TWO ENDS:
"MO" 2.54MM IDC SOCKET WITH S.R. & NOSE
TO OPEN END
4. LENGTH IN CM (CENTIMETERS)
5. COLOR OF IDC CONNECTOR:
"B" BLACK
"A" GRAY

**1.27MM PITCH FLAT CABLE WITH
2.54MM PITCH IDC SOCKET WITH STRAIN RELIEF (H=16.0MM) TO OPEN END (2)**

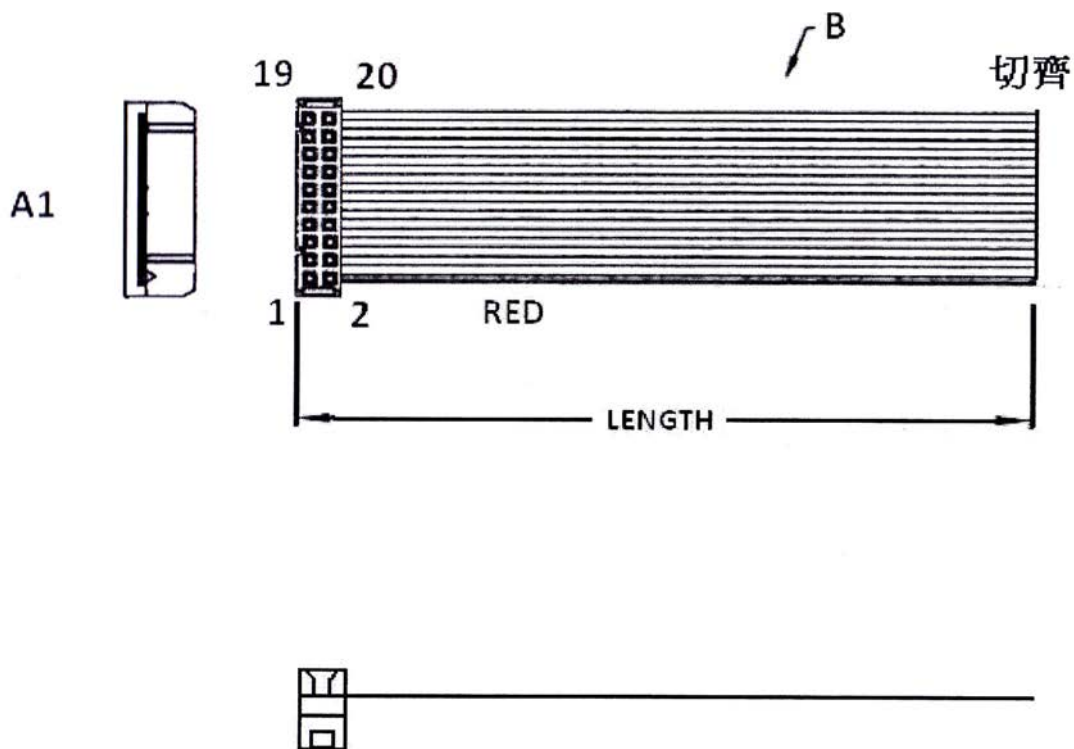


ORDERING INFORMATION:

P/N $\frac{KA}{1} \frac{xx}{2} \frac{NO}{3} - \frac{xx}{4} CM \frac{x}{5}$

1. FLAT CABLE TYPE:
"KA" 1.27MM AWG28 UL2651 VW-1
PVC INSULATION GRAY
2. NO. OF CONTACTS:
06~64
3. CONNECTORS AT TWO ENDS:
"NO" 2.54MM IDC SOCKET WITH S.R. & NOSE
TO OPEN END
4. LENGTH IN CM (CENTIMETERS)
5. COLOR OF IDC CONNECTOR:
"B" BLACK
"A" GRAY

**1.27MM PITCH FLAT CABLE WITH
2.54MM PITCH IDC SOCKET WITHOUT NOSE (H=11.0MM) TO OPEN END (1)**

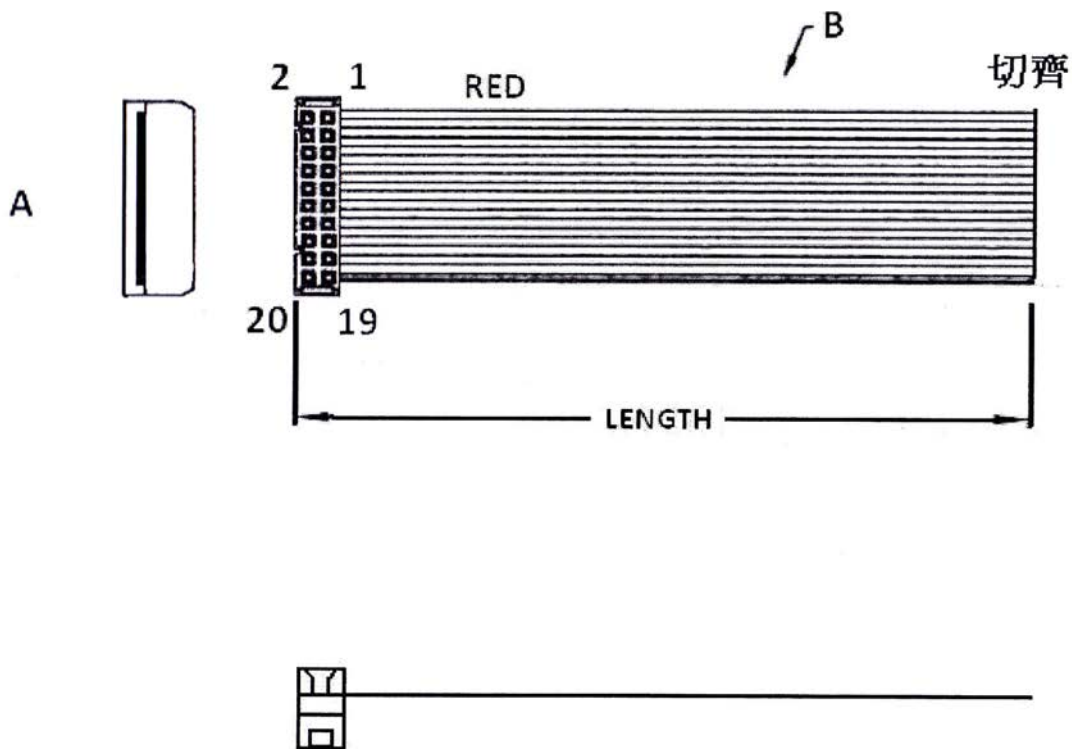


ORDERING INFORMATION:

P/N $\frac{KA}{1} \frac{xx}{2} \frac{AO}{3} - \frac{xx}{4} CM \frac{x}{5}$

1. FLAT CABLE TYPE:
"KA" 1.27MM AWG28 UL2651 VW-1
PVC INSULATION GRAY
2. NO. OF CONTACTS:
06~64
3. CONNECTORS AT TWO ENDS:
"AO" 2.54MM IDC SOCKET W/O S.R. & W/O NOSE
TO OPEN END
4. LENGTH IN CM (CENTIMETERS)
5. COLOR OF IDC CONNECTOR:
"B" BLACK
"A" GRAY

**1.27MM PITCH FLAT CABLE WITH
2.54MM PITCH IDC SOCKET WITHOUT NOSE (H=11.0MM) TO OPEN END (2)**

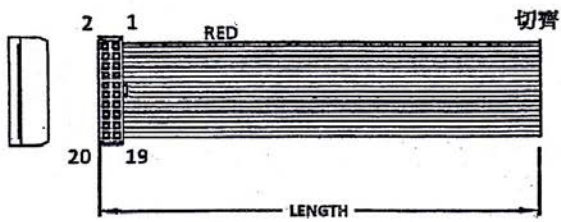


ORDERING INFORMATION:

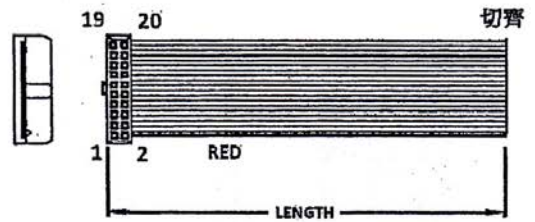
P/N $\frac{KA}{1} \frac{xx}{2} \frac{VO}{3} - \frac{xx}{4} CM \frac{x}{5}$

1. FLAT CABLE TYPE:
"KA" 1.27MM AWG28 UL2651 VW-1
PVC INSULATION GRAY
2. NO. OF CONTACTS:
06~64
3. CONNECTORS AT TWO ENDS:
"VO" 2.54MM IDC SOCKET W/O S.R. & W/O NOSE
TO OPEN END
4. LENGTH IN CM (CENTIMETERS)
5. COLOR OF IDC CONNECTOR:
"B" BLACK
"A" GRAY

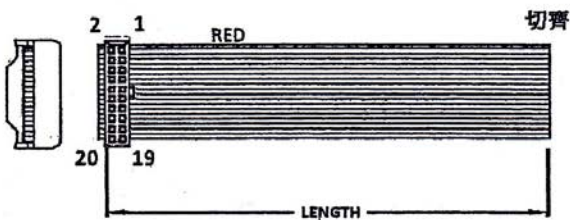
1.27MM PITCH FLAT CABLE WITH 2.54MM IDC SOCKET WITH DUAL U-SLOT & DUAL CONTACTS (H=10.5MM & 14.4MM) TO OPEN END



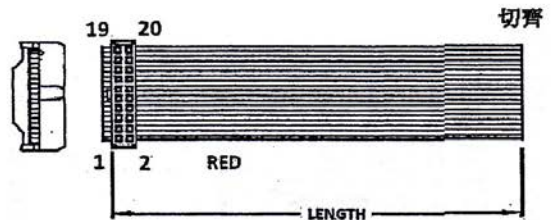
K4VJ



K4VK



K4VL



K4VM

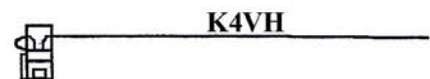
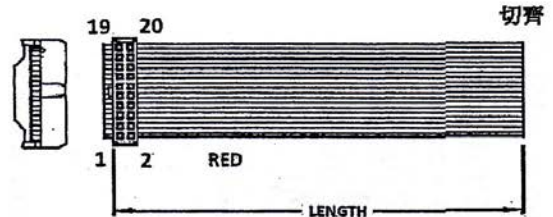
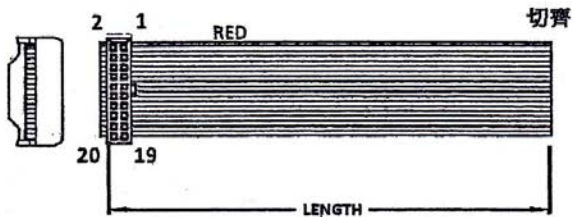
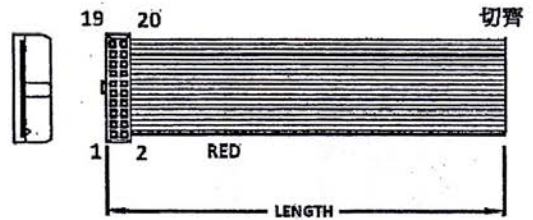
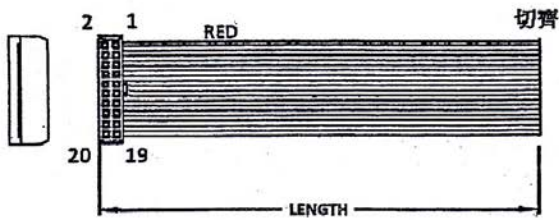
ORDERING INFORMATION:

P/N K 1 2 3 4

1. CONSTRUCTION TYPE:
 IDC SOCKET W/O S.R. : 4VJ, 4VK (H=10.5MM)
 IDC SOCKET WITH S.R. : 4VL, 4VM (H=14.4MM)
2. NO. OF CONTACTS:
3. LENGTH IN CM (CENTIMETERS)
4. COLOR OF IDC CONNECTOR:
 "B" BLACK

NOTE: IDC SOCKET CAN'T BE SUPPLIED ALONE.

1.27MM PITCH FLAT CABLE WITH 2.54MM IDC SOCKET WITH DUAL WIPE CONTACTS (H=10.5MM & 14.4MM) TO OPEN END



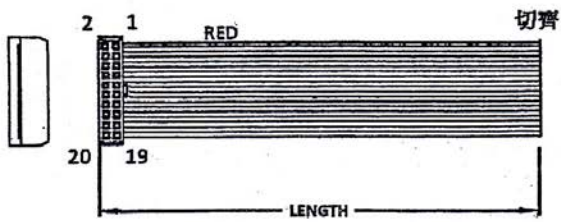
ORDERING INFORMATION:

P/N K $\frac{x}{1} \frac{x}{2} \frac{x}{3} \frac{x}{4} - \frac{x}{3} \frac{x}{4} C M \frac{x}{4}$

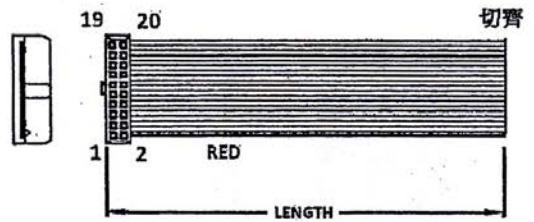
1. CONSTRUCTION TYPE:
IDC SOCKET W/O S.R. : 4VE, 4VF (H=10.5MM)
IDC SOCKET WITH S.R. : 4VG, 4VH (H=14.4MM)
2. NO. OF CONTACTS:
006~064
3. LENGTH IN CM (CENTIMETERS)
4. COLOR OF IDC CONNECTOR:
"B" BLACK
"A" GRAY

NOTE: IDC SOCKET CAN'T BE SUPPLIED ALONE.

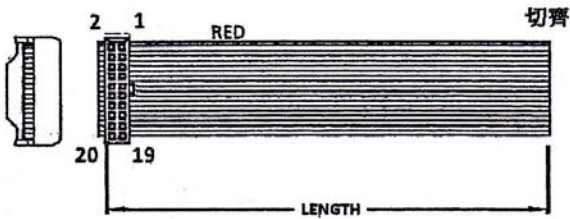
1.27MM PITCH FLAT CABLE WITH 2.54MM IDC SOCKET (H=10.5MM & 14.4MM) TO OPEN END



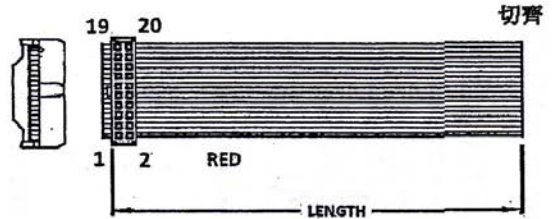
K4VA



K4VB



K4VC



K4VD

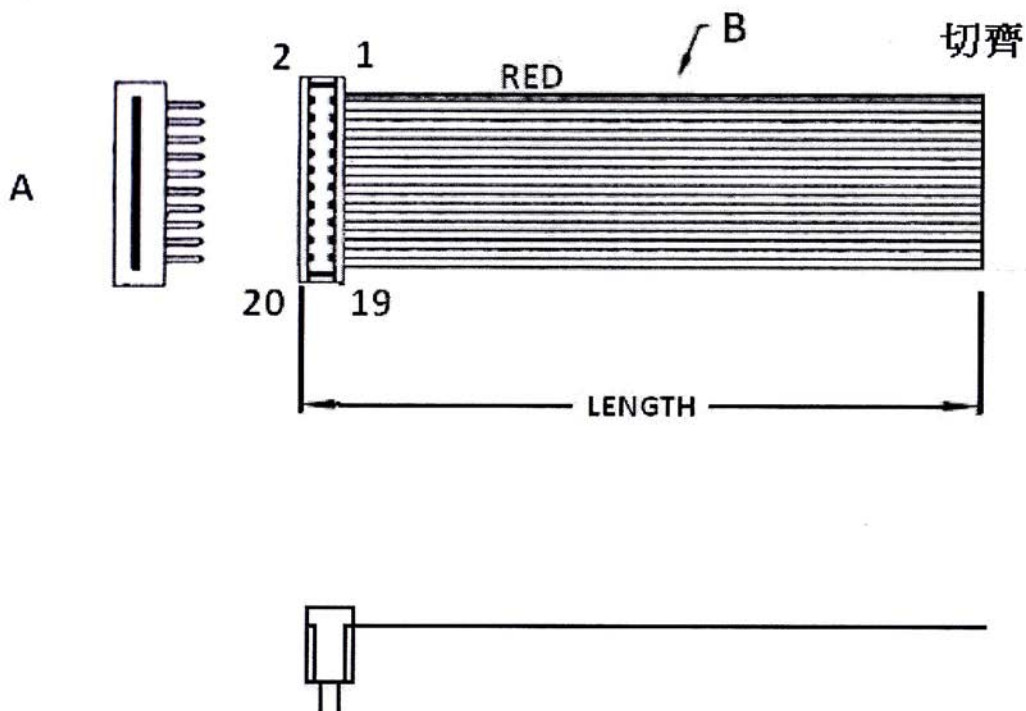
ORDERING INFORMATION:

P/N **K** **x**₁ **x**₂ **x**₃ **CM** **x**₄

1. CONSTRUCTION TYPE:
IDC SOCKET W/O S.R. : 4VA, 4VB (H=10.5MM)
IDC SOCKET WITH S.R. : 4VC, 4VD (H=14.4MM)
2. NO. OF CONTACTS:
004~064
3. LENGTH IN CM (CENTIMETERS)
4. COLOR OF IDC CONNECTOR:
"B" BLACK
"A" GRAY

NOTE: IDC SOCKET CAN'T BE SUPPLIED ALONE.

**1.27MM PITCH FLAT CABLE WITH
2.54MM PITCH DIP PLUG (H=7.6MM) TO OPEN END (1)**

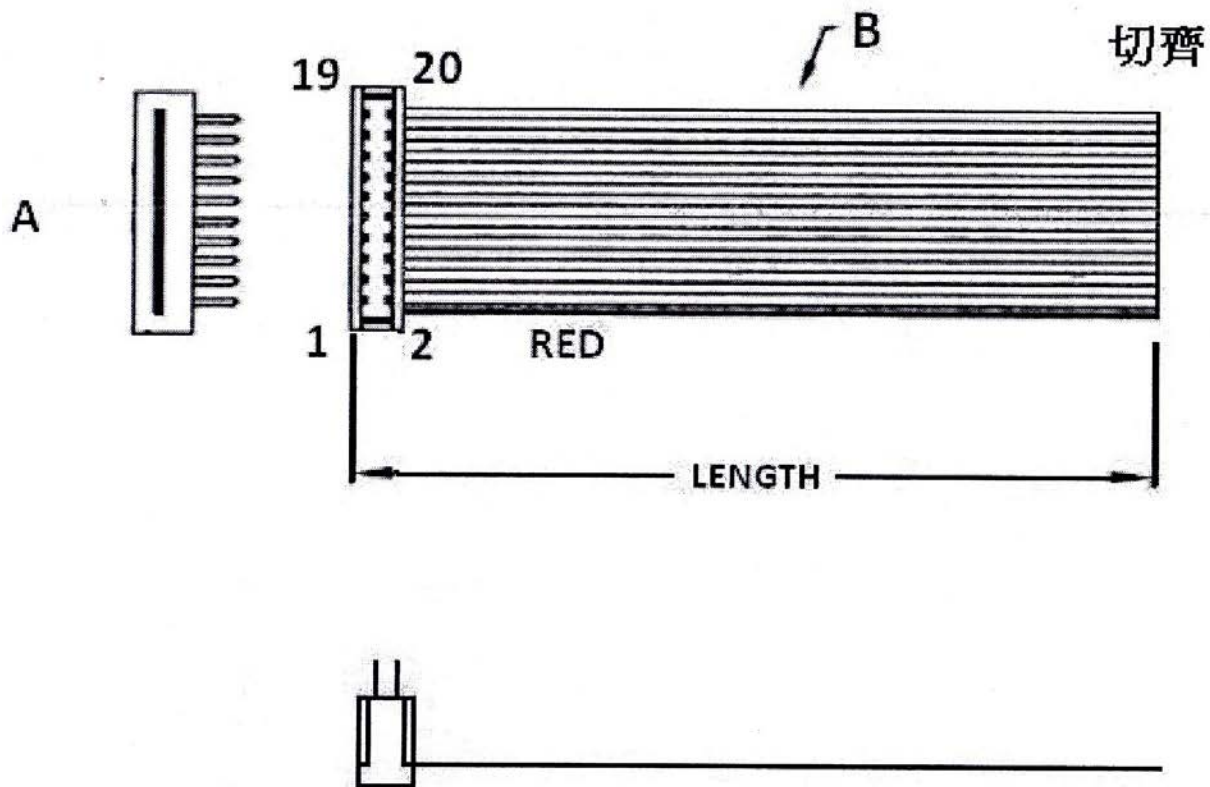


ORDERING INFORMATION:

P/N $\frac{KA}{1} \frac{xx}{2} \frac{DO}{3} - \frac{xx}{4} \frac{CM}{5} \frac{x}{5}$

1. FLAT CABLE TYPE:
"KA" 1.27MM AWG28 UL2651 VW-1
PVC INSULATION GRAY
2. NO. OF CONTACTS:
06~64
3. CONNECTORS AT TWO ENDS:
"DO" 2.54MM DIP PLUG
TO OPEN END
4. LENGTH IN CM (CENTIMETERS)
5. COLOR OF IDC CONNECTOR:
"B" BLACK
"A" GRAY

**1.27MM PITCH FLAT CABLE WITH
2.54MM PITCH DIP PLUG (H=7.6MM) TO OPEN END (2)**

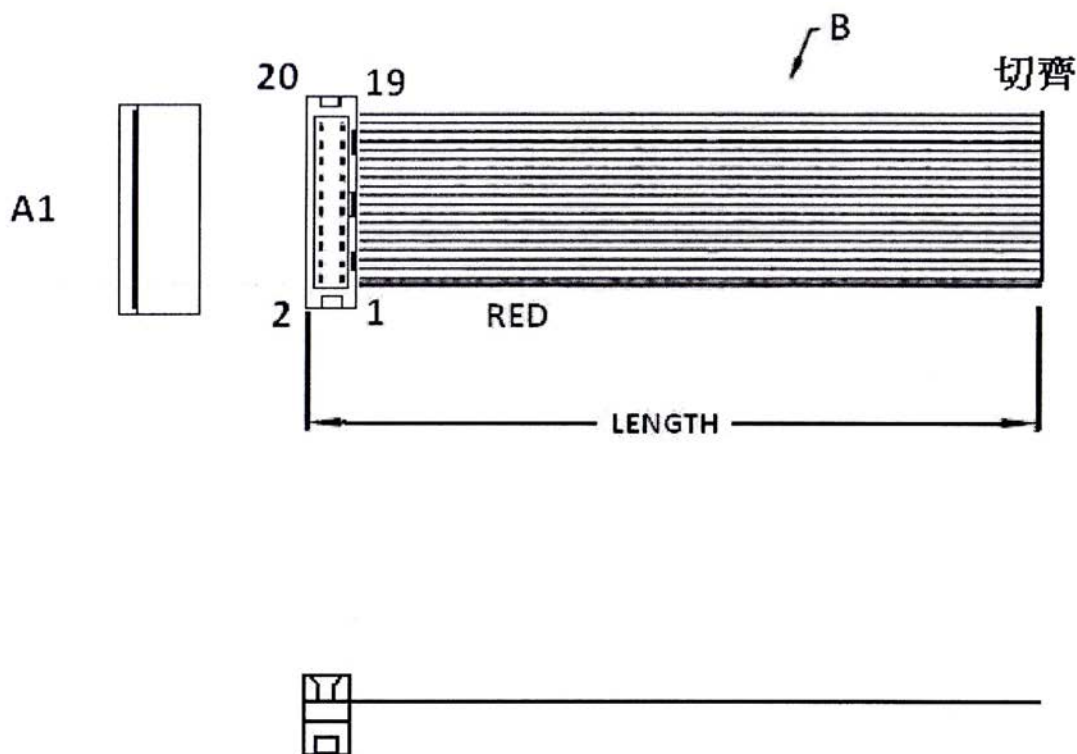


ORDERING INFORMATION:

P/N $\frac{KA}{1} \frac{xx}{2} \frac{PO}{3} - \frac{xx}{4} CM \frac{x}{5}$

1. FLAT CABLE TYPE:
"KA" 1.27MM AWG28 UL2651 VW-1
PVC INSULATION GRAY
2. NO. OF CONTACTS:
06~64
3. CONNECTORS AT TWO ENDS:
"PO" 2.54MM DIP PLUG
TO OPEN END
4. LENGTH IN CM (CENTIMETERS)
5. COLOR OF IDC CONNECTOR:
"B" BLACK
"A" GRAY

**1.27MM PITCH FLAT CABLE WITH
2.54MM PITCH IDC TYPE BOX HEADER TO OPEN END**

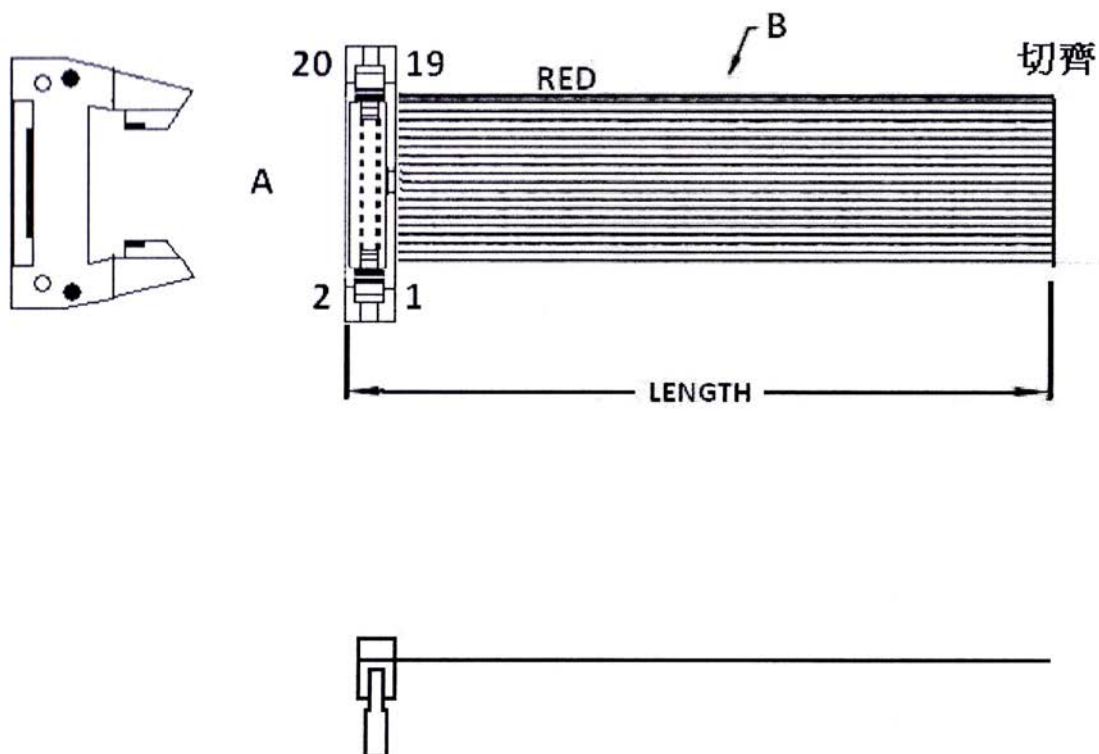


ORDERING INFORMATION:

P/N $\frac{KA}{1} \frac{xx}{2} \frac{BO}{3} - \frac{xx}{4} CMA \frac{A}{5}$

1. FLAT CABLE TYPE:
"KA" 1.27MM AWG28 UL2651 VW-1
PVC INSULATION GRAY
2. NO. OF CONTACTS:
10~64
3. CONNECTORS AT TWO ENDS:
"BO" 2.54MM IDC TYPE BOX HEADER
TO OPEN END
4. LENGTH IN CM (CENTIMETERS)
5. COLOR OF IDC CONNECTOR:
"A" GRAY ONLY

**1.27MM PITCH FLAT CABLE WITH
2.54MM PITCH IDC PLUG WITH SHORT LATCHES TO OPEN END**

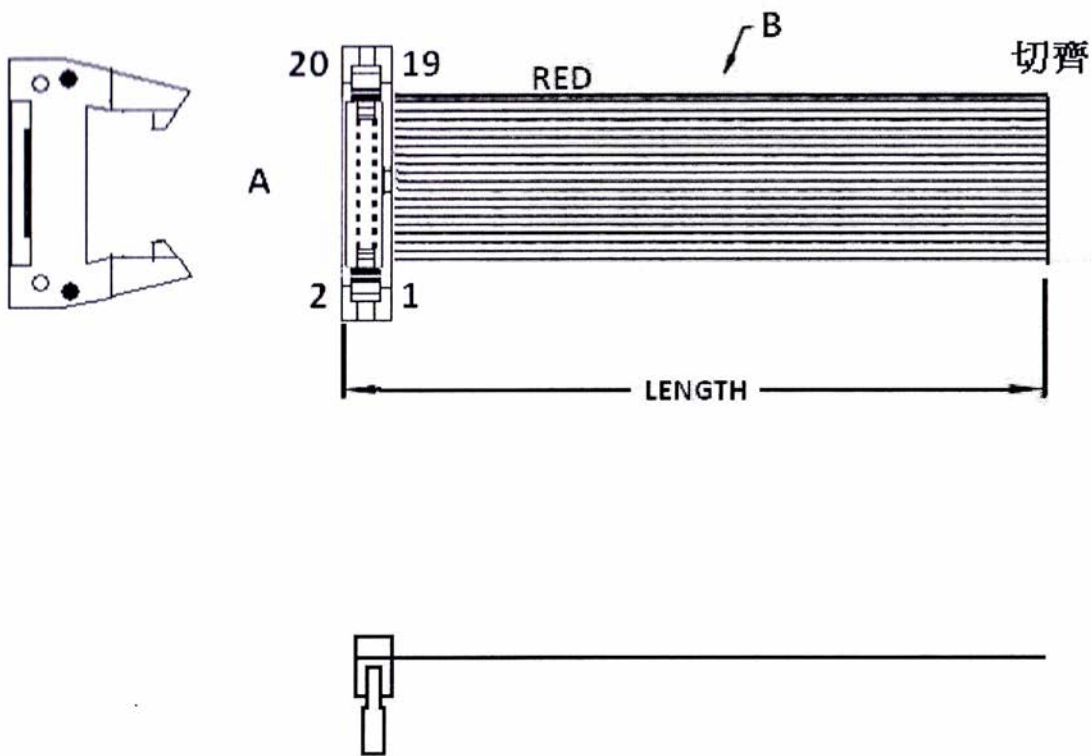


ORDERING INFORMATION:

P/N $\frac{KA}{1} \frac{xx}{2} \frac{SO}{3} - \frac{xx}{4} CMA \frac{A}{5}$

1. FLAT CABLE TYPE:
"KA" 1.27MM AWG28 UL2651 VW-1
PVC INSULATION GRAY
2. NO. OF CONTACTS:
10~64
3. CONNECTORS AT TWO ENDS:
"SO" 2.54MM IDC PLUG WITH SHORT LATCHES
TO OPEN END
4. LENGTH IN CM (CENTIMETERS)
5. COLOR OF IDC CONNECTOR:
"A" GRAY ONLY

**1.27MM PITCH FLAT CABLE WITH
2.54MM PITCH IDC PLUG WITH LONG LATCHES TO OPEN END**

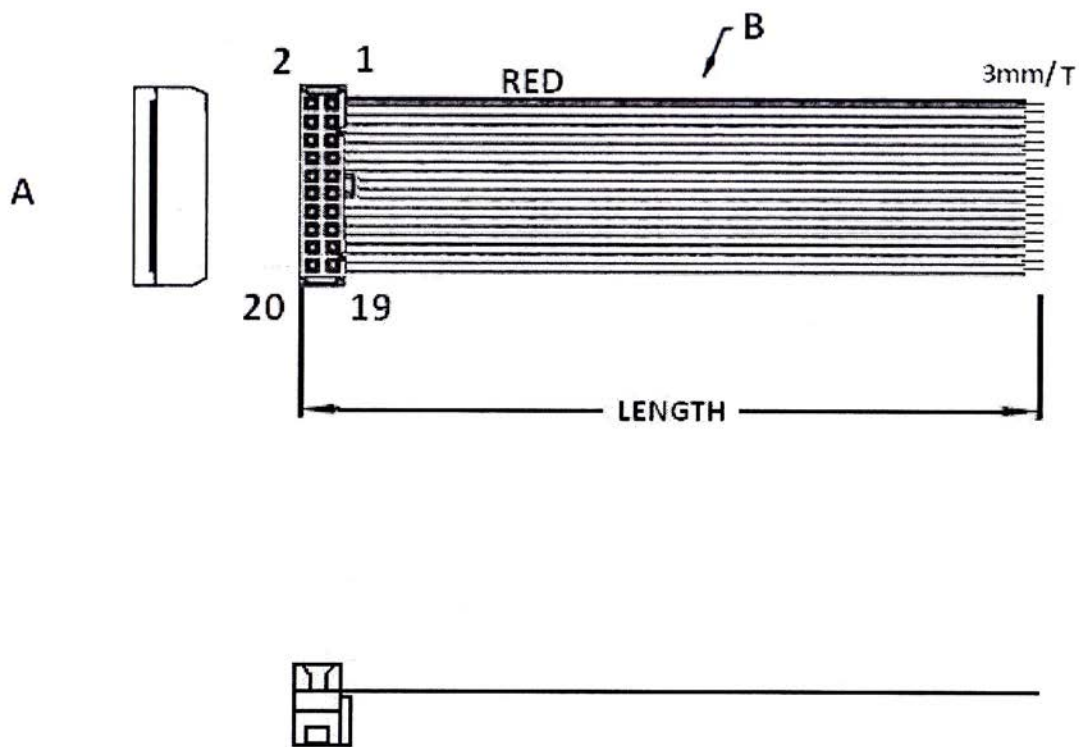


ORDERING INFORMATION:

P/N $\frac{KA}{1} \frac{xx}{2} \frac{ZO}{3} - \frac{xx}{4} \frac{CMA}{5}$

1. FLAT CABLE TYPE:
"KA" 1.27MM AWG28 UL2651 VW-1
PVC INSULATION GRAY
2. NO. OF CONTACTS:
10~64
3. CONNECTORS AT TWO ENDS:
"ZO" 2.54MM IDC PLUG WITH LONG LATCHES
TO OPEN END
4. LENGTH IN CM (CENTIMETERS)
5. COLOR OF IDC CONNECTOR:
"A" GRAY ONLY

1.27MM PITCH FLAT CABLE WITH 2.54MM PITCH IDC SOCKET WITHOUT STRAIN RELIEF (H=11.0MM) TO TINNED END (1)

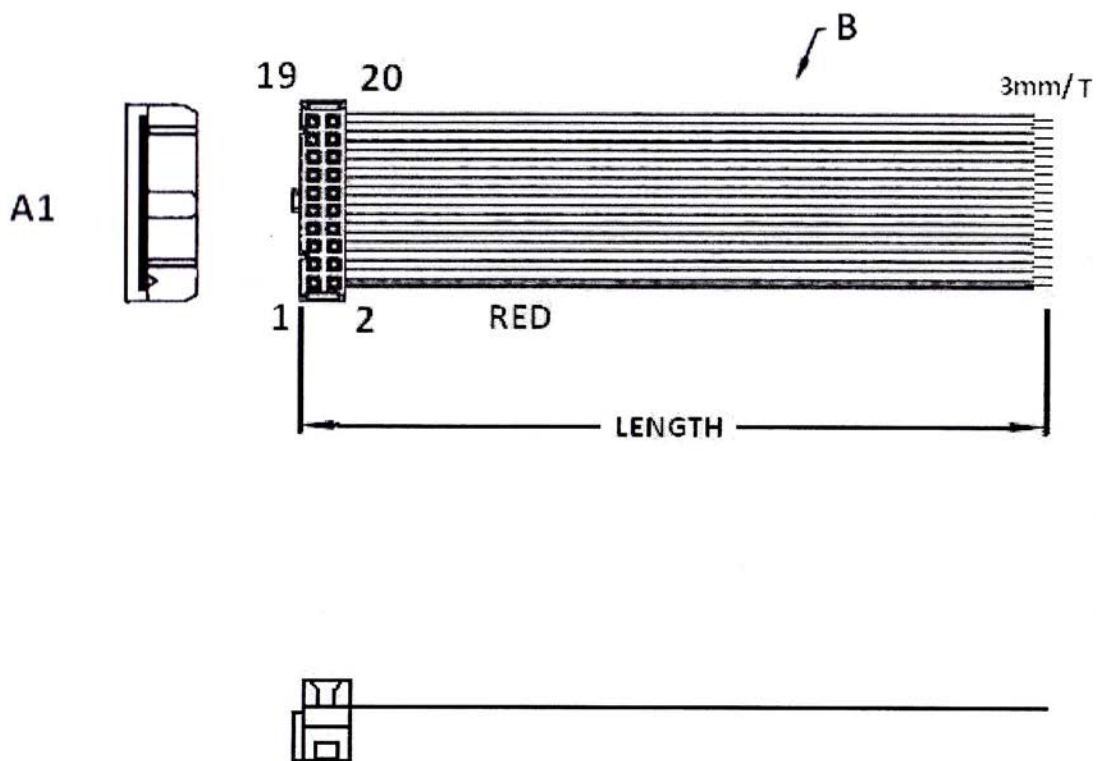


ORDERING INFORMATION:

P/N $\frac{KA}{1} \frac{xx}{2} \frac{KT}{3} - \frac{xx}{4} CM \frac{x}{5}$

1. FLAT CABLE TYPE:
"KA" 1.27MM AWG28 UL2651 VW-1
PVC INSULATION GRAY
2. NO. OF CONTACTS:
06~64
3. CONNECTORS AT TWO ENDS:
"KT" 2.54MM IDC SOCKET W/O S.R. WITH NOSE
TO 3MM TIN PLATED END
4. LENGTH IN CM (CENTIMETERS)
5. COLOR OF IDC CONNECTOR:
"B" BLACK
"A" GRAY

1.27MM PITCH FLAT CABLE WITH 2.54MM PITCH IDC SOCKET WITHOUT STRAIN RELIEF (H=11.0MM) TO TINNED END (2)



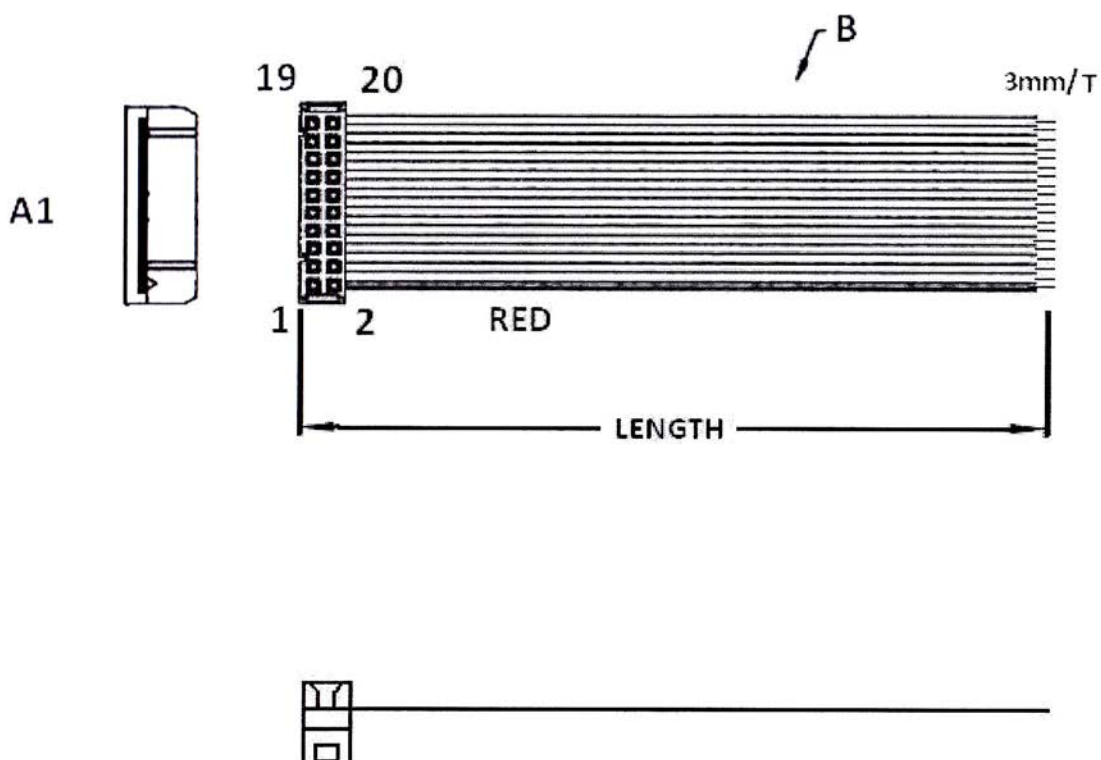
ORDERING INFORMATION:

NEW

P/N $\frac{KA}{1} \frac{xx}{2} \frac{LT}{3} - \frac{xx}{4} CM \frac{x}{5}$

1. FLAT CABLE TYPE:
"KA" 1.27MM AWG28 UL2651 VW-1
PVC INSULATION GRAY
2. NO. OF CONTACTS:
06~64
3. CONNECTORS AT TWO ENDS:
"LT" 2.54MM IDC SOCKET W/O S.R. WITH NOSE
TO 3MM TIN PLATED END
4. LENGTH IN CM (CENTIMETERS)
5. COLOR OF IDC CONNECTOR:
"B" BLACK
"A" GRAY

**1.27MM PITCH FLAT CABLE WITH
2.54MM PITCH IDC SOCKET WITHOUT NOSE (H=11.0MM) TO TINNED END (1)**

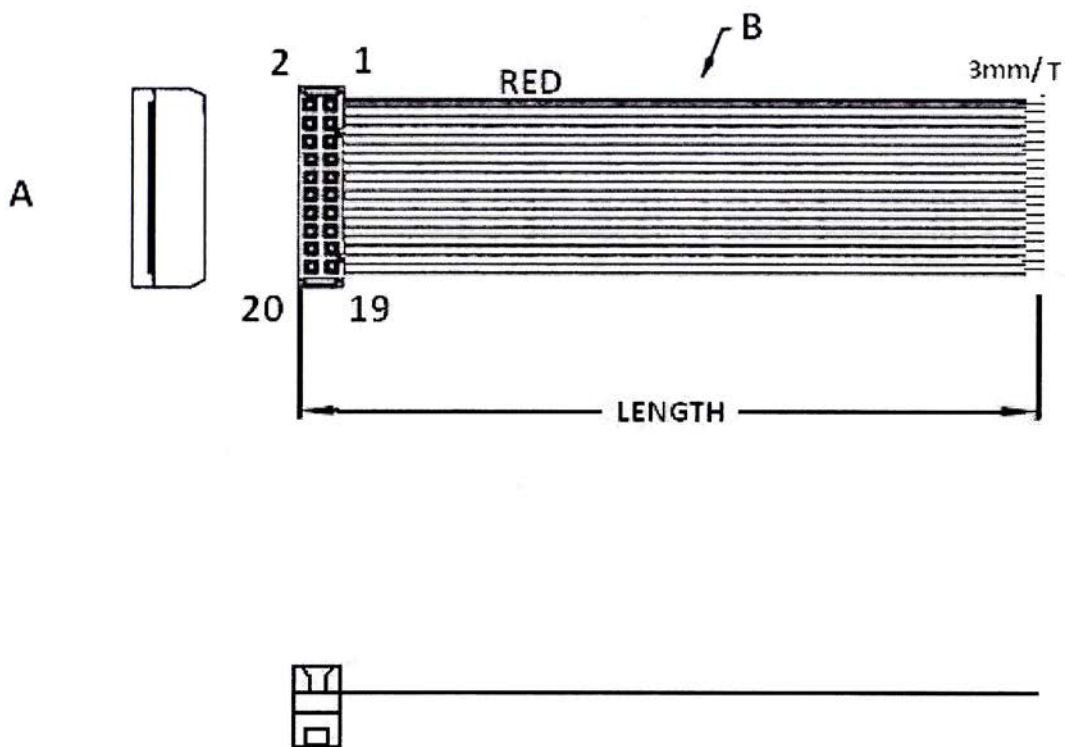


ORDERING INFORMATION:

P/N $\frac{KA}{1} \frac{xx}{2} \frac{AT}{3} - \frac{xx}{4} CM \frac{x}{5}$

1. FLAT CABLE TYPE:
"KA" 1.27MM AWG28 UL2651 VW-1
PVC INSULATION GRAY
2. NO. OF CONTACTS:
06~64
3. CONNECTORS AT TWO ENDS:
"AT" 2.54MM IDC SOCKET W/O S.R. W/O NOSE
TO 3MM TIN PLATED END
4. LENGTH IN CM (CENTIMETERS)
5. COLOR OF IDC CONNECTOR:
"B" BLACK
"A" GRAY

**1.27MM PITCH FLAT CABLE WITH
2.54MM PITCH IDC SOCKET WITHOUT NOSE (H=11.0MM) TO TINNED END (2)**

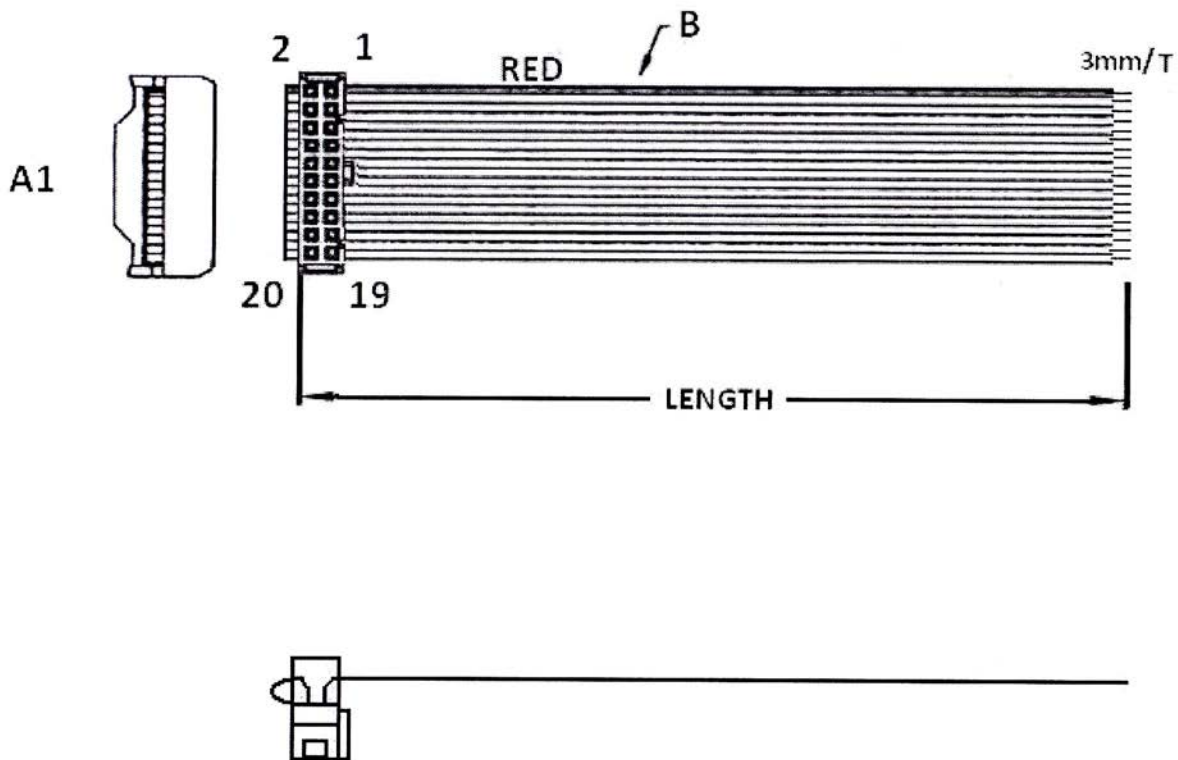


ORDERING INFORMATION:

P/N $\frac{KA}{1} \frac{xx}{2} \frac{VT}{3} - \frac{xx}{4} CM \frac{x}{5}$

1. FLAT CABLE TYPE:
"KA" 1.27MM AWG28 UL2651 VW-1
PVC INSULATION GRAY
2. NO. OF CONTACTS:
06~64
3. CONNECTORS AT TWO ENDS:
"VT" 2.54MM IDC SOCKET W/O S.R. W/O NOSE
TO 3MM TIN PLATED END
4. LENGTH IN CM (CENTIMETERS)
5. COLOR OF IDC CONNECTOR:
"B" BLACK
"A" GRAY

**1.27MM PITCH FLAT CABLE WITH
2.54MM PITCH IDC SOCKET WITH STRAIN RELIEF (H=16.0MM) TO TINNED END (1)**

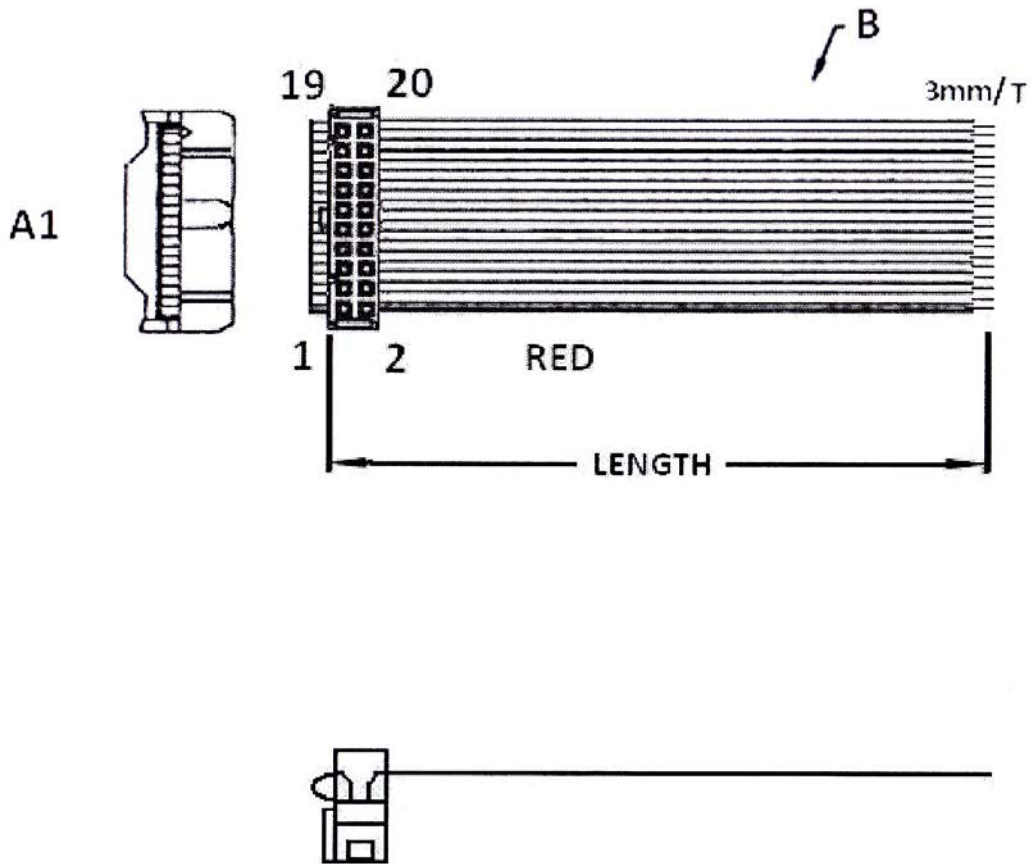


ORDERING INFORMATION:

P/N $\frac{KA}{1} \frac{xx}{2} \frac{MT}{3} - \frac{xx}{4} CM \frac{x}{5}$

1. FLAT CABLE TYPE:
"KA" 1.27MM AWG28 UL2651 VW-1
PVC INSULATION GRAY
2. NO. OF CONTACTS:
06~64
3. CONNECTORS AT TWO ENDS:
"MT" 2.54MM IDC SOCKET WITH S.R. WITH NOSE
TO 3MM TIN PLATED END
4. LENGTH IN CM (CENTIMETERS)
5. COLOR OF IDC CONNECTOR:
"B" BLACK
"A" GRAY

**1.27MM PITCH FLAT CABLE WITH
2.54MM PITCH IDC SOCKET WITH STRAIN RELIEF (H=16.0MM) TO TINNED END (2)**

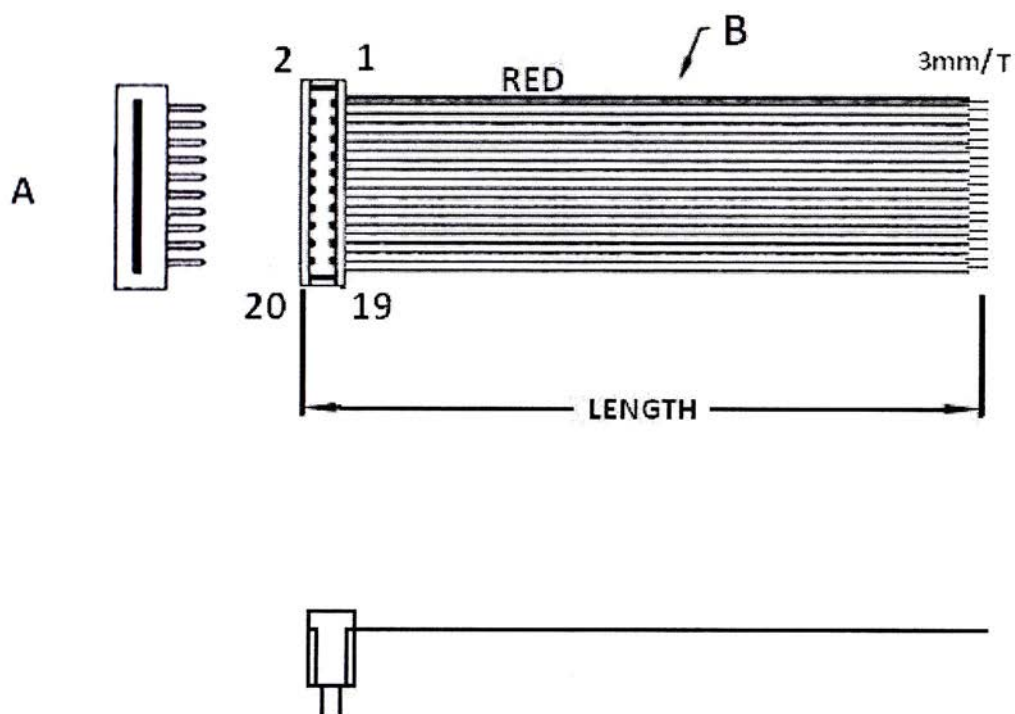


ORDERING INFORMATION:

P/N $\frac{KA}{1} \frac{xx}{2} \frac{NT}{3} - \frac{xx}{4} CM \frac{x}{5}$

1. FLAT CABLE TYPE:
"KA" 1.27MM AWG28 UL2651 VW-1
PVC INSULATION GRAY
2. NO. OF CONTACTS:
06~64
3. CONNECTORS AT TWO ENDS:
"NT" 2.54MM IDC SOCKET WITH S.R. WITH NOSE
TO 3MM TIN PLATED END
4. LENGTH IN CM (CENTIMETERS)
5. COLOR OF IDC CONNECTOR:
"B" BLACK
"A" GRAY

**1.27MM PITCH FLAT CABLE WITH
2.54MM PITCH DIP PLUG (H=7.6MM) TO TINNED END (1)**

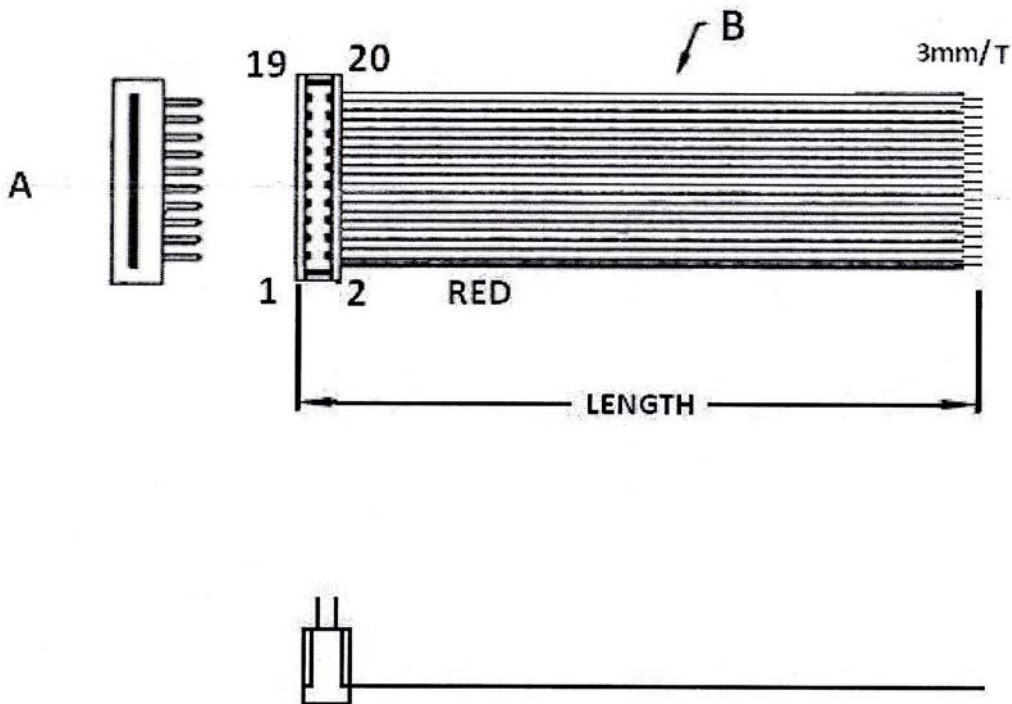


ORDERING INFORMATION:

P/N $\frac{KA}{1} \frac{xx}{2} \frac{DT}{3} - \frac{xx}{4} CM \frac{x}{5}$

1. FLAT CABLE TYPE:
"KA" 1.27MM AWG28 UL2651 VW-1
PVC INSULATION GRAY
2. NO. OF CONTACTS:
06~64
3. CONNECTORS AT TWO ENDS:
"DT" 2.54MM DIP PLUG
TO 3MM TIN PLATED END
4. LENGTH IN CM (CENTIMETERS)
5. COLOR OF IDC CONNECTOR:
"B" BLACK
"A" GRAY

**1.27MM PITCH FLAT CABLE WITH
2.54MM PITCH DIP PLUG (H=7.6MM) TO TINNED END (2)**

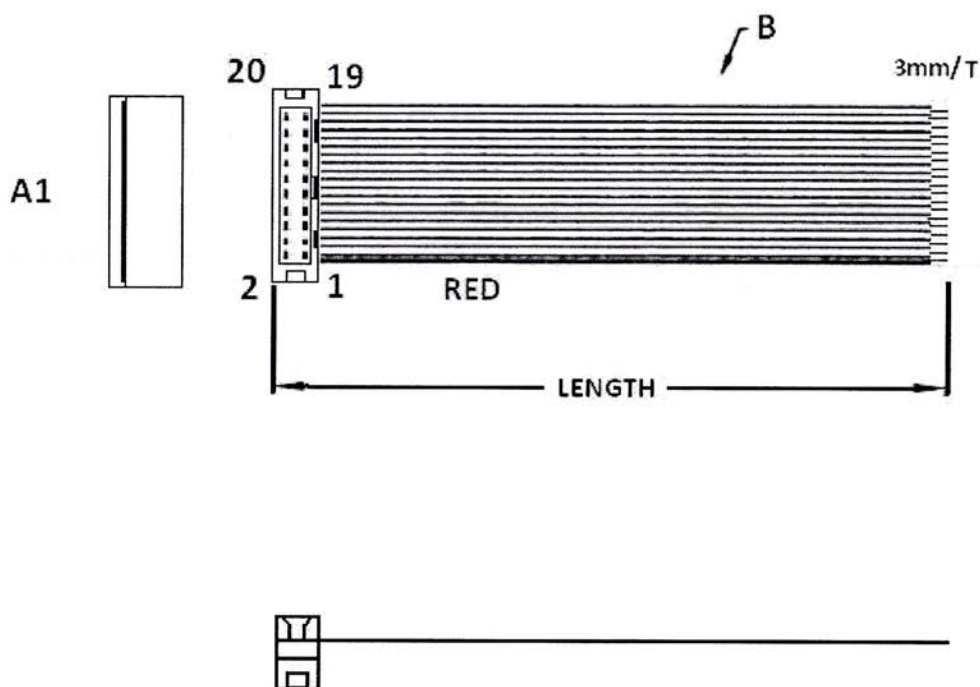


ORDERING INFORMATION:

P/N $\frac{KA}{1} \frac{xx}{2} \frac{PT}{3} - \frac{xx}{4} CM \frac{x}{5}$

1. FLAT CABLE TYPE:
"KA" 1.27MM AWG28 UL2651 VW-1
PVC INSULATION GRAY
2. NO. OF CONTACTS:
06~64
3. CONNECTORS AT TWO ENDS:
"PT" 2.54MM DIP PLUG
TO 3MM TIN PLATED END
4. LENGTH IN CM (CENTIMETERS)
5. COLOR OF IDC CONNECTOR:
"B" BLACK
"A" GRAY

**1.27MM PITCH FLAT CABLE WITH
2.54MM PITCH IDC TYPE BOX HEADER TO TINNED END**

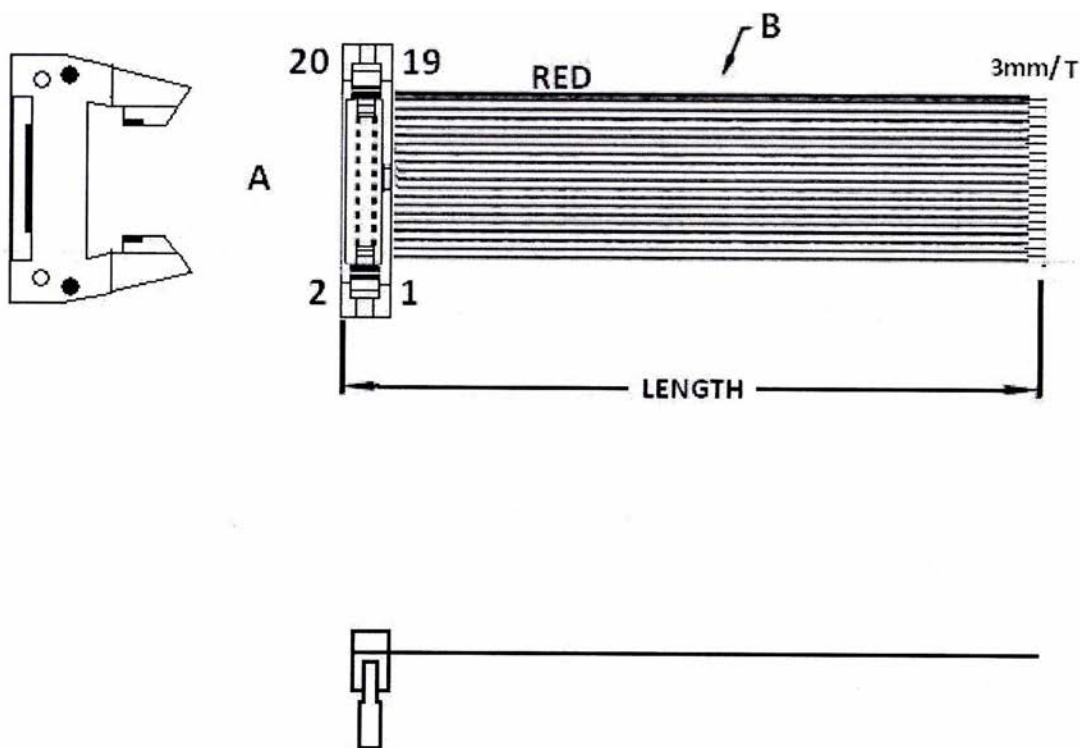


ORDERING INFORMATION:

P/N $\frac{KA}{1} \frac{xx}{2} \frac{BT}{3} - \frac{xx}{4} \frac{CMA}{5}$

1. FLAT CABLE TYPE:
"KA" 1.27MM AWG28 UL2651 VW-1
PVC INSULATION GRAY
2. NO. OF CONTACTS:
10~64
3. CONNECTORS AT TWO ENDS:
"BT" 2.54MM IDC TYPE BOX HEADER
TO 3MM TIN PLATED END
4. LENGTH IN CM (CENTIMETERS)
5. COLOR OF IDC CONNECTOR:
"A" GRAY ONLY

**1.27MM PITCH FLAT CABLE WITH
2.54MM PITCH IDC PLUG HEADER WITH SHORT LATCHES TO TINNED END**

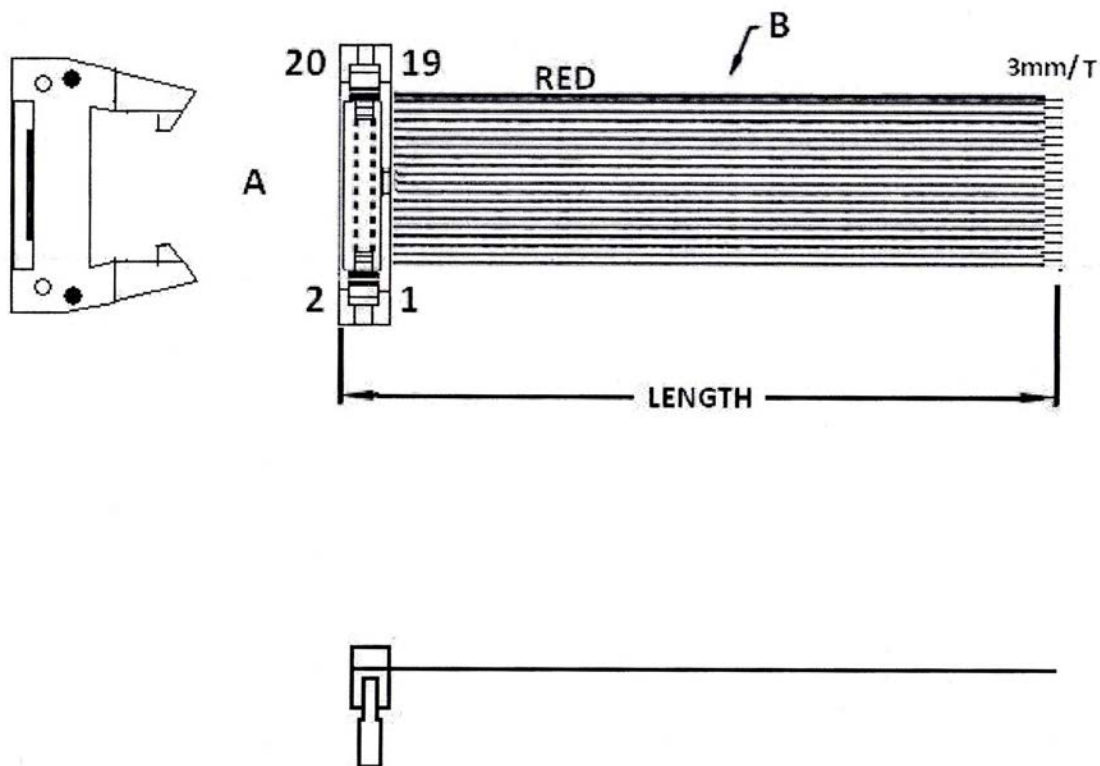


ORDERING INFORMATION:

P/N $\frac{KA}{1} \frac{xx}{2} \frac{ST}{3} - \frac{xx}{4} \frac{CMA}{5}$

1. FLAT CABLE TYPE:
"KA" 1.27MM AWG28 UL2651 VW-1
PVC INSULATION GRAY
2. NO. OF CONTACTS:
06-64
3. CONNECTORS AT TWO ENDS:
"ST" 2.54MM IDC PLUG WITH SHORT LATCHES
TO 3MM TIN PLATED END
4. LENGTH IN CM (CENTIMETERS)
5. COLOR OF IDC CONNECTOR:
"A" GRAY ONLY

**1.27MM PITCH FLAT CABLE WITH
2.54MM PITCH IDC PLUG WITH LONG LATCHES TO TINNED END**

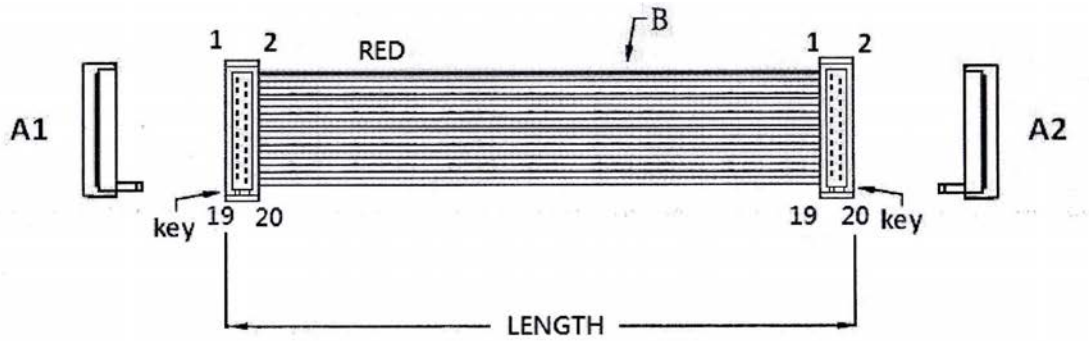


ORDERING INFORMATION:

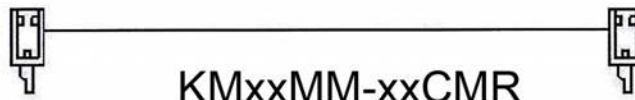
P/N $\frac{KA}{1} \frac{xx}{2} \frac{ZT}{3} - \frac{xx}{4} CMA \frac{A}{5}$

1. FLAT CABLE TYPE:
"KA" 1.27MM AWG28 UL2651 VW-1
PVC INSULATION GRAY
2. NO. OF CONTACTS:
10~64
3. CONNECTORS AT TWO ENDS:
"ZT" 2.54MM IDC PLUG WITH LONG LATCHES
TO 3MM TIN PLATED END
4. LENGTH IN CM (CENTIMETERS)
5. COLOR OF IDC CONNECTOR:
"A" GRAY ONLY

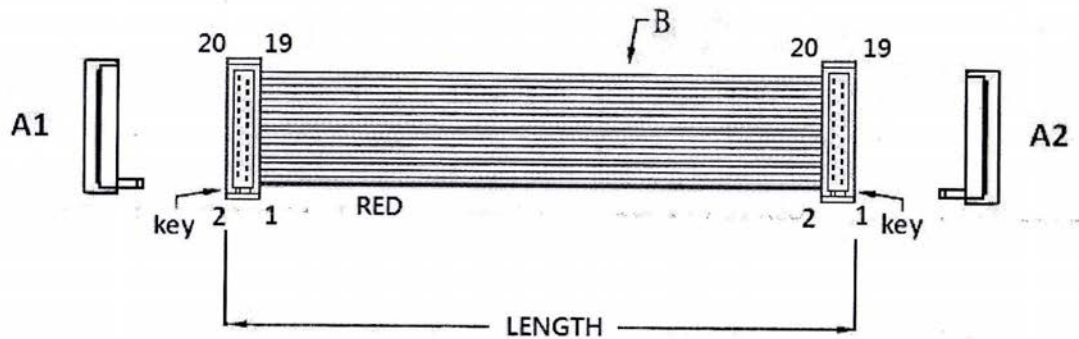
1.27MM PITCH FLAT CABLE WITH 2.54MM PITCH MICRO MATCH PLUG TO PLUG (A1)



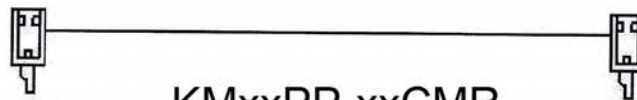
PIN TO PIN



KMxxMM-xxCMR



PIN TO PIN



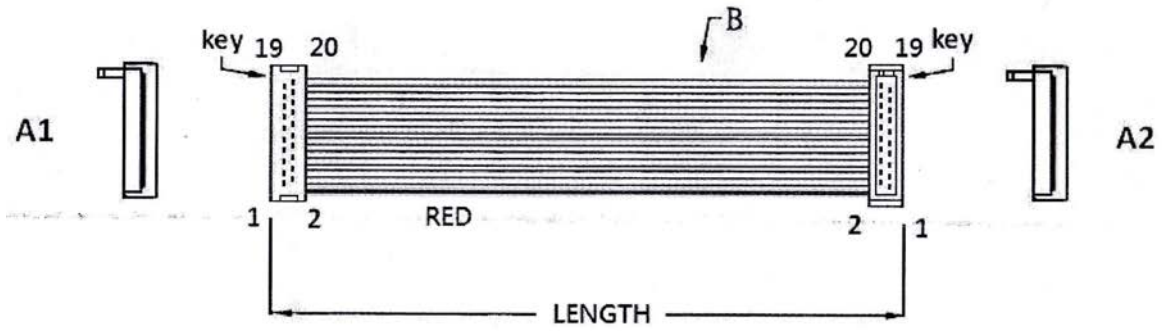
KMxxPP-xxCMR

ORDERING INFORMATION:

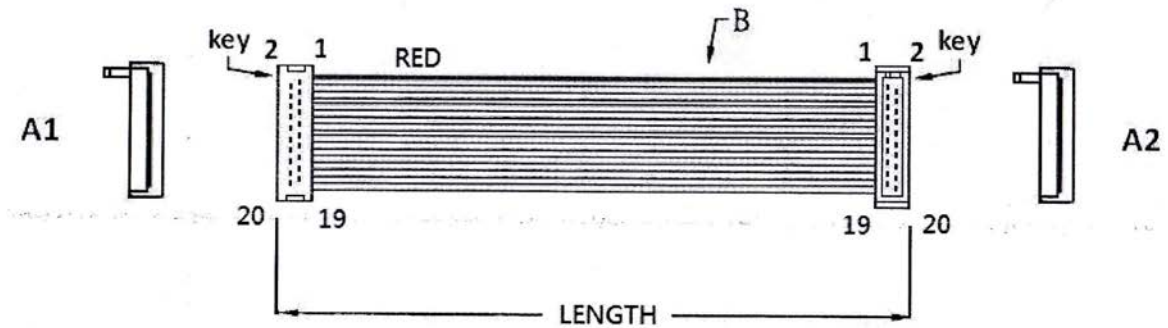
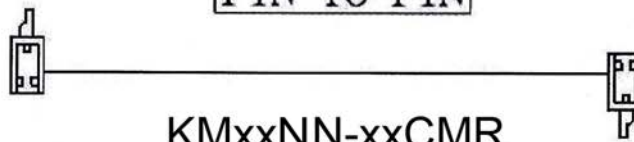
P/N KMxxxx - xx CMR5

1. FLAT CABLE TYPE:
"KM" 1.27MM AWG28 UL2651 VW-1
PVC INSULATION GRAY
2. NO. OF CONTACTS:
04, 06, 08, 10, 12, 14, 16, 18, 20, 22, 24, 26
3. CONNECTORS AT TWO ENDS:
"MM" MALE TO MALE TYPE1
"PP" MALE TO MALE TYPE2
4. LENGTH IN CM(CENTIMETERS)
5. COLOR OF TWO IDC CONNECTORS:
"R" RED

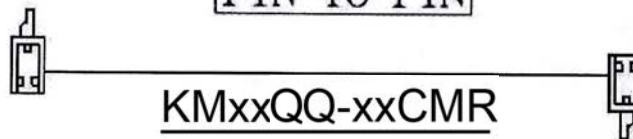
1.27MM PITCH FLAT CABLE WITH 2.54MM PITCH MICRO MATCH PLUG TO PLUG (A2)



PIN TO PIN



PIN TO PIN

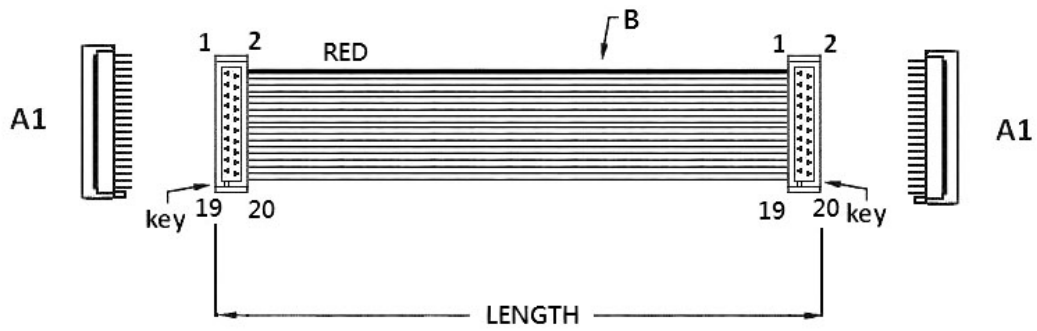


ORDERING INFORMATION:

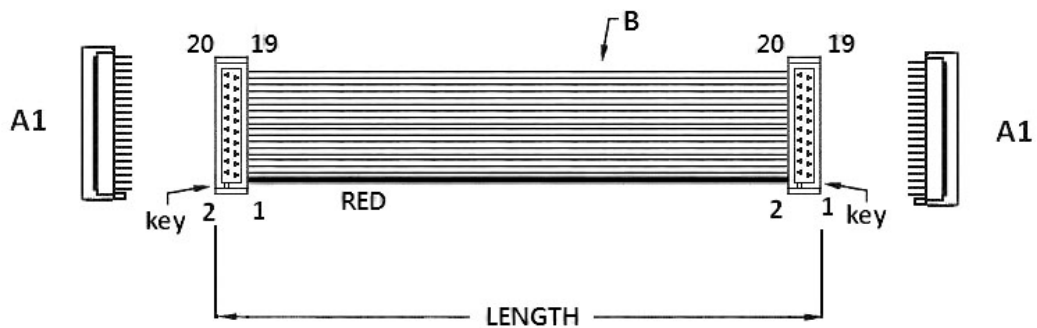
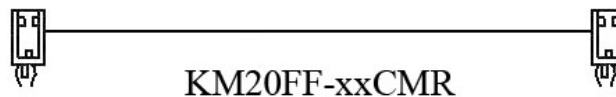
P/N $\frac{KM}{1} \frac{xx}{2} \frac{xx}{3} - \frac{xx}{4} \frac{CMR}{5}$

1. FLAT CABLE TYPE:
"KM" 1.27MM AWG28 UL2651 VW-1
PVC INSULATION GRAY
2. NO. OF CONTACTS:
04, 06, 08, 10, 12, 14, 16, 18, 20, 22, 24, 26
3. CONNECTORS AT TWO ENDS:
"NN" MALE TO MALE TYPE3
"QQ" MALE TO MALE TYPE4
4. LENGTH IN CM(CENTIMETERS)
5. COLOR OF TWO IDC CONNECTORS:
"R" RED

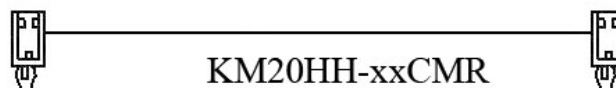
1.27MM PITCH FLAT CABLE WITH 2.54MM PITCH MICRO MATCH JACK TO JACK (B1)



PIN TO PIN



PIN TO PIN

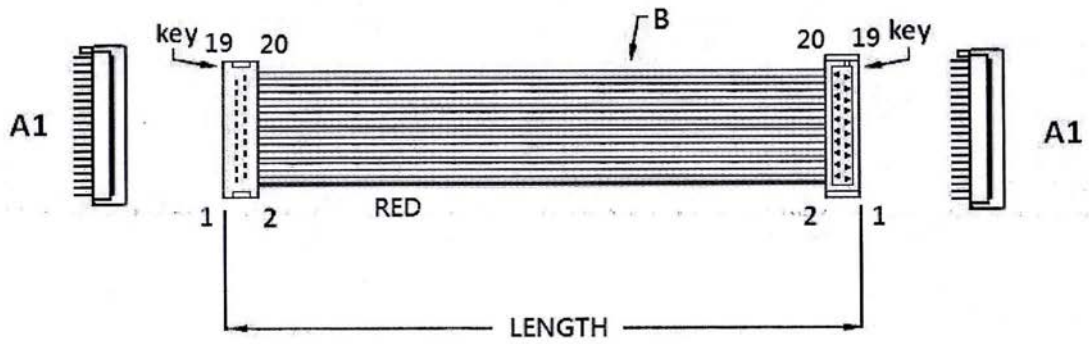


ORDERING INFORMATION:

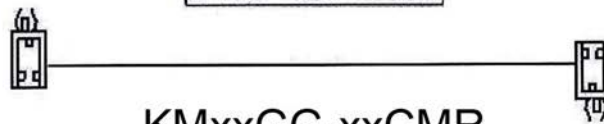
P/N KMxxxx - xx C M R

1. FLAT CABLE TYPE:
"KM" 1.27MM AWG28 UL2651 VW-1
PVC INSULATION GRAY
2. NO. OF CONTACTS:
04, 06, 08, 10, 12, 14, 16, 18, 20, 22, 24, 26
3. CONNECTORS AT TWO ENDS:
"FF" FEMALE TO FEMALE TYPE1
"HH" FEMALE TO FEMALE TYPE2
4. LENGTH IN CM(CENTIMETERS)
5. COLOR OF TWO IDC CONNECTORS:
"R" RED

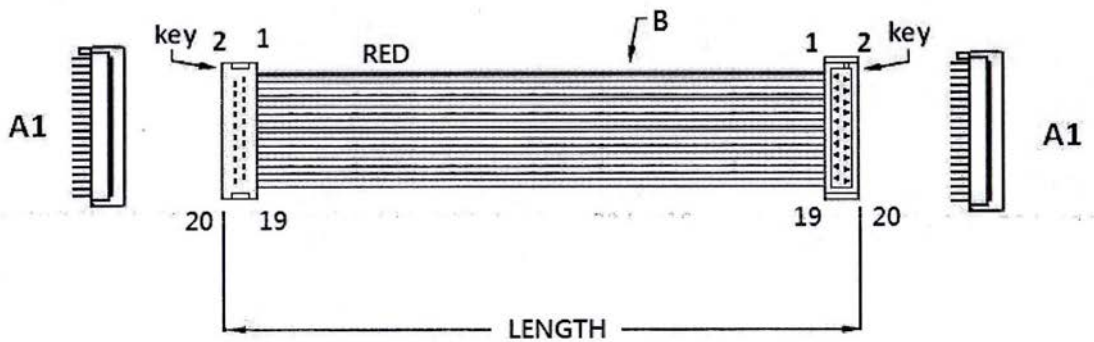
1.27MM PITCH FLAT CABLE WITH 2.54MM PITCH MICRO MATCH JACK TO JACK (B2)



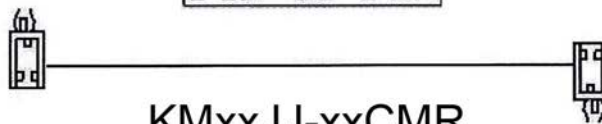
PIN TO PIN



KMxxGG-xxCMR



PIN TO PIN



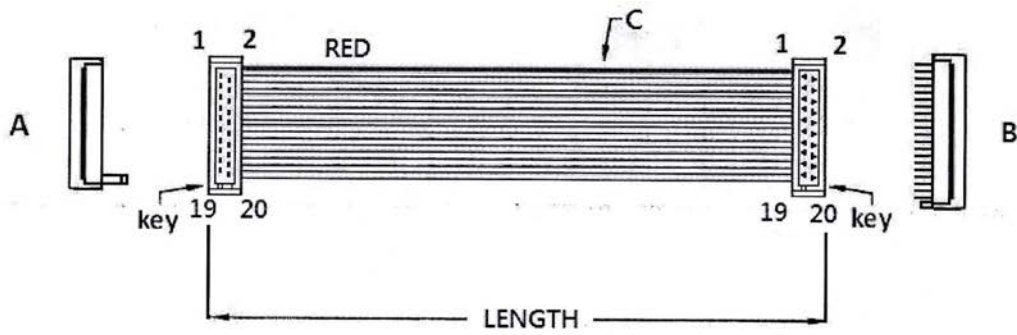
KMxxJJ-xxCMR

ORDERING INFORMATION:

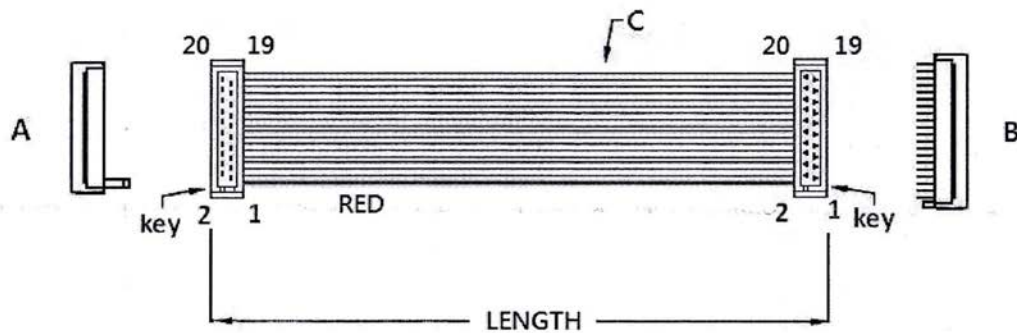
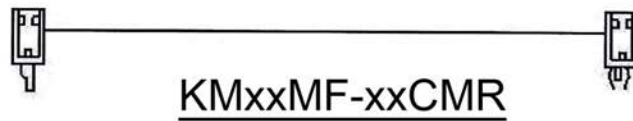
P/N KMxxxx - xx C M R

1. FLAT CABLE TYPE:
"KM" 1.27MM AWG28 UL2651 VW-1
PVC INSULATION GRAY
2. NO. OF CONTACTS:
04, 06, 08, 10, 12, 14, 16, 18, 20, 22, 24, 26
3. CONNECTORS AT TWO ENDS:
"GG" FEMALE TO FEMALE TYPE3
"JJ" FEMALE TO FEMALE TYPE4
4. LENGTH IN CM(CENTIMETERS)
5. COLOR OF TWO IDC CONNECTORS:
"R" RED

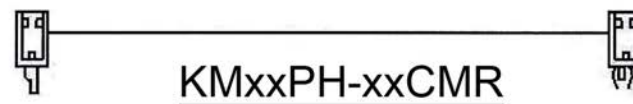
1.27MM PITCH FLAT CABLE WITH 2.54MM PITCH MICRO MATCH PLUG TO JACK (C1)



PIN TO PIN



PIN TO PIN

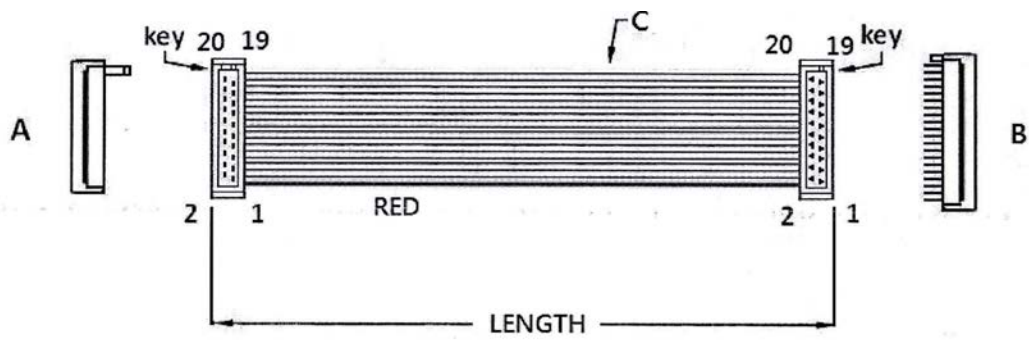


ORDERING INFORMATION:

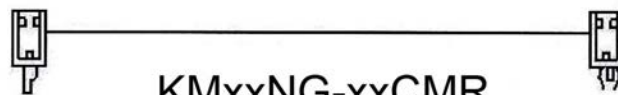
P/N KMxxxx - xx C M R

1. FLAT CABLE TYPE:
"KM" 1.27MM AWG28 UL2651 VW-1
PVC INSULATION GRAY
2. NO. OF CONTACTS:
04, 06, 08, 10, 12, 14, 16, 18, 20, 22, 24, 26
3. CONNECTORS AT TWO ENDS:
"MF" MALE TO FEMALE TYPE1
"PH" MALE TO FEMALE TYPE2
4. LENGTH IN CM(CENTIMETERS)
5. COLOR OF TWO IDC CONNECTORS:
"R" RED

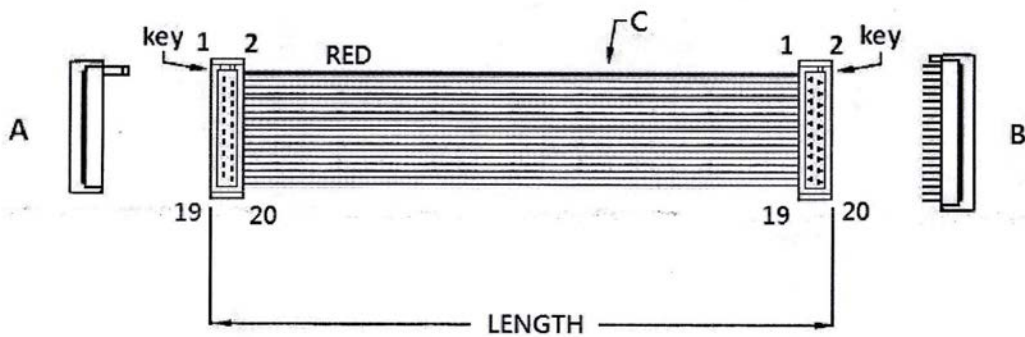
1.27MM PITCH FLAT CABLE WITH 2.54MM PITCH MICRO MATCH PLUG TO JACK (C2)



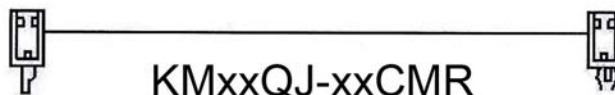
PIN TO PIN



KMxxNG-xxCMR



PIN TO PIN



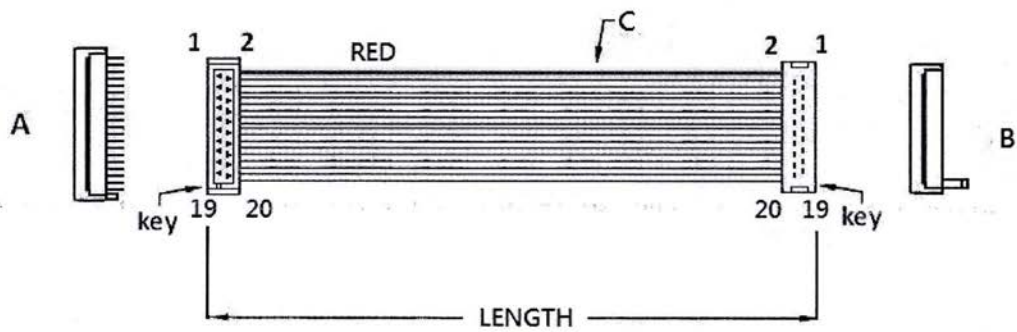
KMxxQJ-xxCMR

ORDERING INFORMATION:

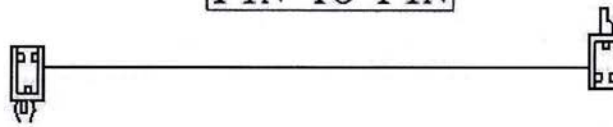
P/N KMxxxx - xx C M R

1. FLAT CABLE TYPE:
"KM" 1.27MM AWG28 UL2651 VW-1
PVC INSULATION GRAY
2. NO. OF CONTACTS:
04, 06, 08, 10, 12, 14, 16, 18, 20, 22, 24, 26
3. CONNECTORS AT TWO ENDS:
"NG" MALE TO FEMALE TYPE3
"QJ" MALE TO FEMALE TYPE4
4. LENGTH IN CM(CENTIMETERS)
5. COLOR OF TWO IDC CONNECTORS:
"R" RED

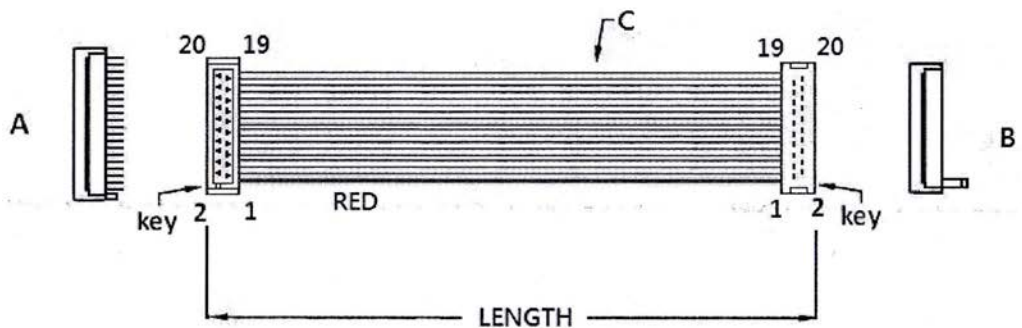
1.27MM PITCH FLAT CABLE WITH 2.54MM PITCH MICRO MATCH JACK TO PLUG (D1)



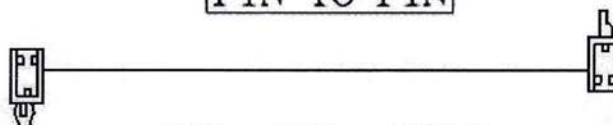
PIN TO PIN



KMxxFM-xxCMR



PIN TO PIN



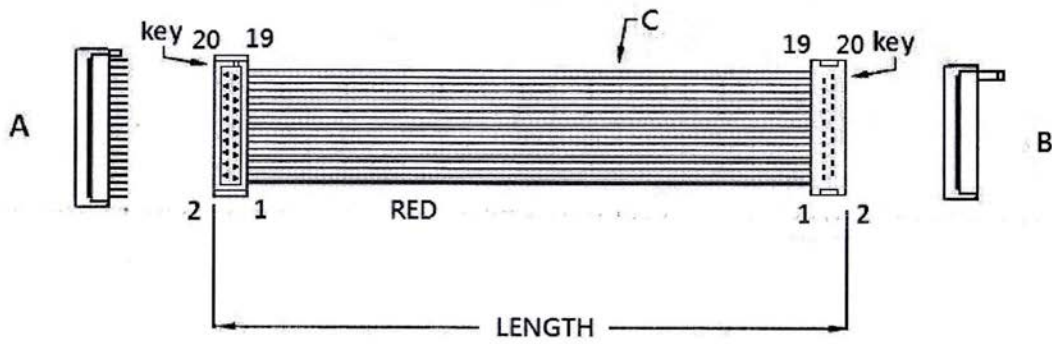
KMxxHP-xxCMR

ORDERING INFORMATION:

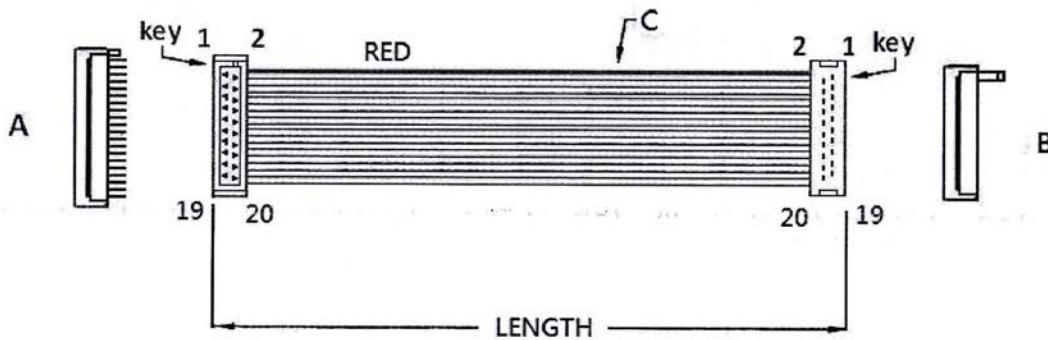
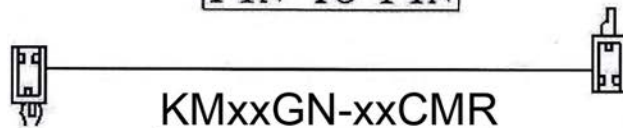
P/N KMxxxx - xx C M R

1. FLAT CABLE TYPE:
"KM" 1.27MM AWG28 UL2651 VW-1
PVC INSULATION GRAY
2. NO. OF CONTACTS:
04, 06, 08, 10, 12, 14, 16, 18, 20, 22, 24, 26
3. CONNECTORS AT TWO ENDS:
"FM" FEMALE TO MALE TYPE1
"HP" FEMALE TO MALE TYPE2
4. LENGTH IN CM(CENTIMETERS)
5. COLOR OF TWO IDC CONNECTORS:
"R" RED

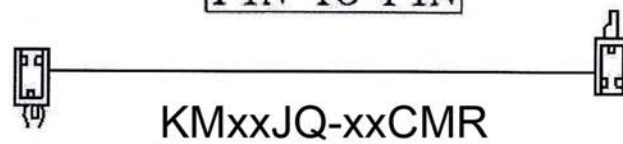
1.27MM PITCH FLAT CABLE WITH 2.54MM PITCH MICRO MATCH JACK TO PLUG (D2)



PIN TO PIN



PIN TO PIN

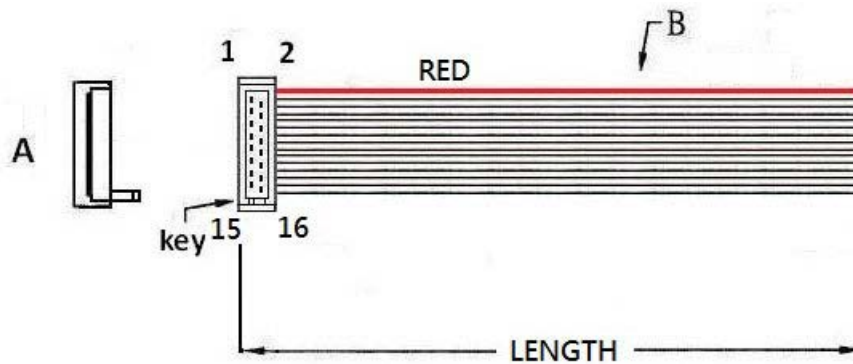


ORDERING INFORMATION:

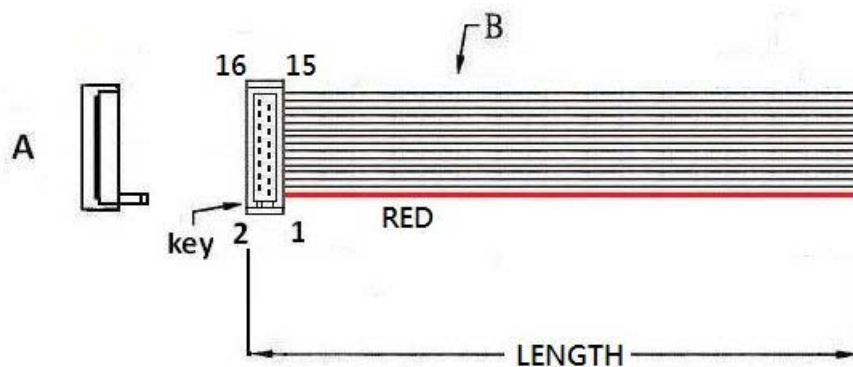
P/N $\frac{K}{1} \frac{M}{2} \frac{x}{3} \frac{x}{4} - \frac{x}{5} \frac{C}{6} \frac{M}{7} \frac{R}{8}$

1. FLAT CABLE TYPE:
"KM" 1.27MM AWG28 UL2651 VW-1
PVC INSULATION GRAY
2. NO. OF CONTACTS:
04, 06, 08, 10, 12, 14, 16, 18, 20, 22, 24, 26
3. CONNECTORS AT TWO ENDS:
"GN" FEMALE TO MALE TYPE3
"JQ" FEMALE TO MALE TYPE4
4. LENGTH IN CM(CENTIMETERS)
5. COLOR OF TWO IDC CONNECTORS:
"R" RED

1.27MM PITCH FLAT CABLE WITH 2.54MM PITCH MICRO MATCH PLUG TO OPEN END



KMxxMO-xxCMR



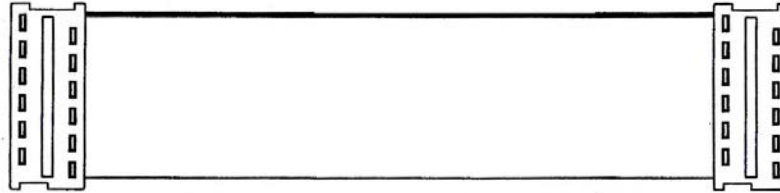
KMxxPO-xxCMR

ORDERING INFORMATION:

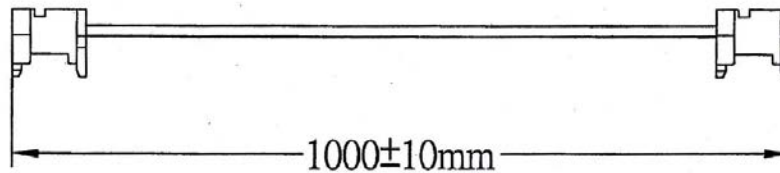
P/N KMxxxx - xx CMR

1. FLAT CABLE TYPE:
"KM" 1.27MM AWG28 UL2651 VW-1
PVC INSULATION GRAY
2. NO. OF CONTACTS:
04, 06, 08, 10, 12, 14, 16, 18, 20, 22, 24, 26
3. CONNECTORS AT TWO ENDS:
"MO" MALE TO OPEN END TYPE1
"PO" MALE TO OPEN END TYPE2
4. LENGTH IN CM(CENTIMETERS)
5. COLOR OF TWO IDC CONNECTORS:
"R" RED

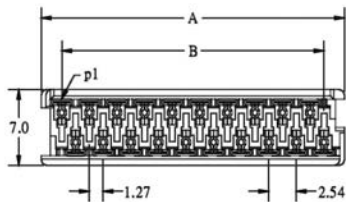
**1.27MM PITCH FLAT CABLE
WITH 2*2.54MM FEMALE ON WIRE TYPE CONNECTORS**



P/N K4PA012-100CMW

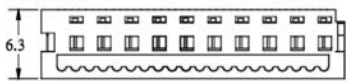


2.54MM PITCH FEMALE ON WIRE TYPE CONNECTOR INSULATOR COLOR: WHITE

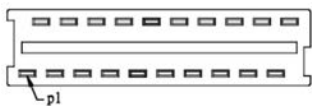


$$A=B+3.78$$

$$B=2.54*POSITIONS/2-1.27$$



NO. OF CONTACTS:
004, 006, 008, 010, 012,
014, 016, 018, 020, 022,
024, 026



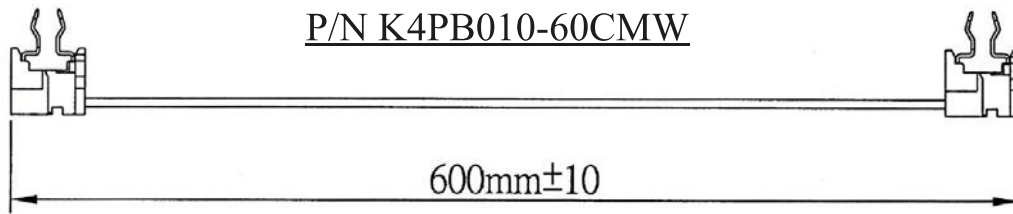
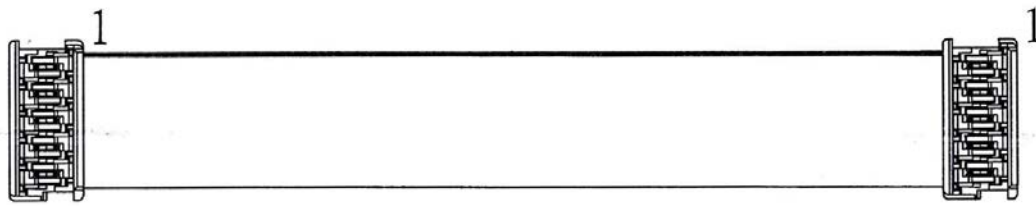
ORDERING INFORMATION:

P/N K 1 2 3 4

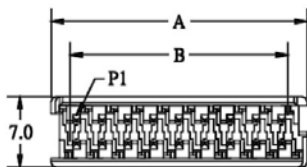
1. CONSTRUCTION TYPE:
4PA
2. NO. OF CONTACTS:
004~026
3. LENGTH IN CM (CENTIMETERS)
4. COLOR OF TWO IDC CONNECTORS:
"W" WHITE

NOTE: FEMALE ON WIRE TYPE CONNECTOR CAN'T BE SUPPLIED ALONE.

**1.27MM PITCH FLAT CABLE
WITH 2*2.54MM DIP PLUG ON WIRE TYPE CONNECTORS**



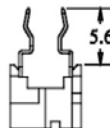
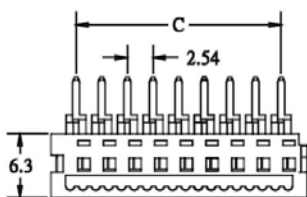
2.54MM PITCH DIP PLUG ON WIRE TYPE CONNECTOR INSULATOR COLOR: WHITE



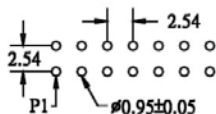
$$A=B+3.38$$

$$B=2.54*POSITIONS/2-1.27$$

$$C=B-1.27$$



NO. OF CONTACTS:
004, 006, 008, 010, 012,
014, 016, 018, 020, 022,
024, 026



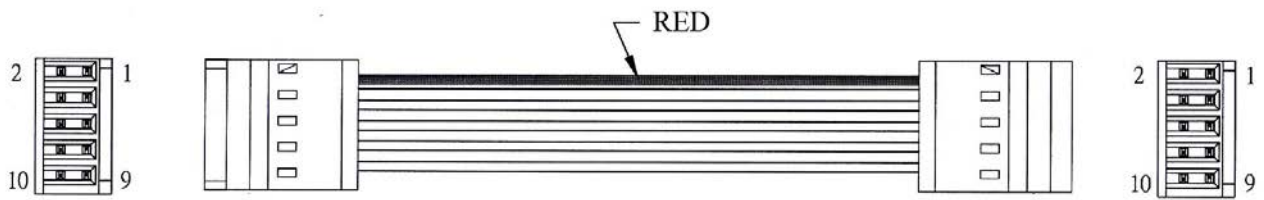
ORDERING INFORMATION:

P/N K 1 2 3 4

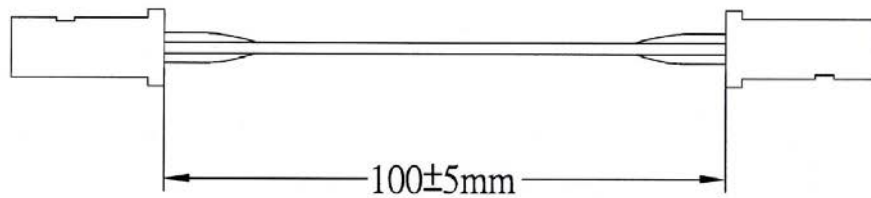
1. CONSTRUCTION TYPE:
4PB
2. NO. OF CONTACTS:
004~026
3. LENGTH IN CM (CENTIMETERS)
4. COLOR OF TWO IDC CONNECTORS:
"W" WHITE

NOTE: DIP PLUG CAN'T BE SUPPLIED ALONE.

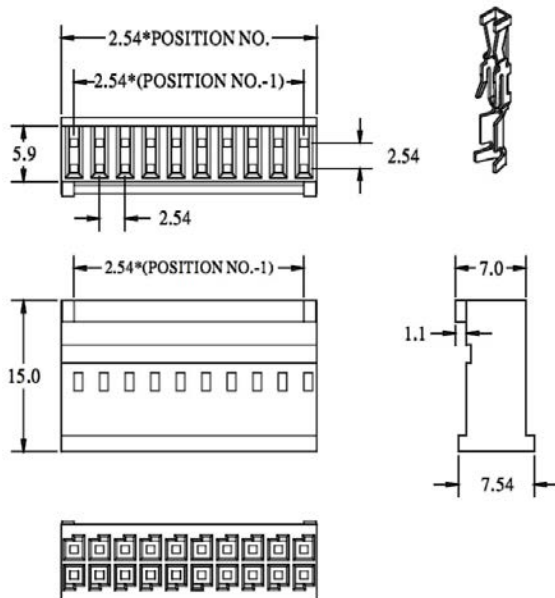
1.27MM PITCH FLAT CABLE WITH 2*2.54MM WIRE TO BOARD HOUSINGS



P/N K4AM010-10CMB



2.54MM PITCH WIRE TO BOARD DOUBLE ROW HOUSING

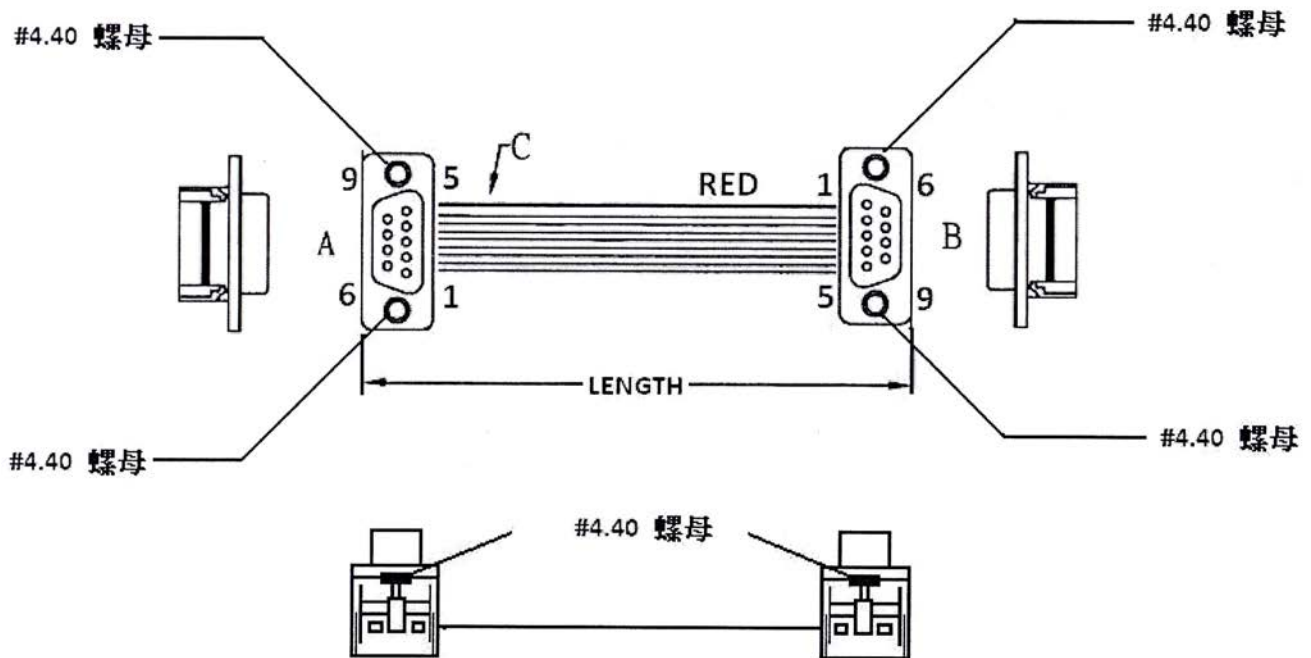


ORDERING INFORMATION:

P/N **K** **x x x x x x** - **x x** **C M B**

1. CONSTRUCTION TYPE:
4AM
2. NO. OF CONTACTS:
3. LENGTH IN CM (CENTIMETERS)
4. COLOR OF TWO HOUSINGS:
"B" BLACK

**1.27MM PITCH FLAT CABLE WITH 9, 15, 25, 37 PIN D-SUB.
FEMALE TO FEMALE CONNECTORS (1)**



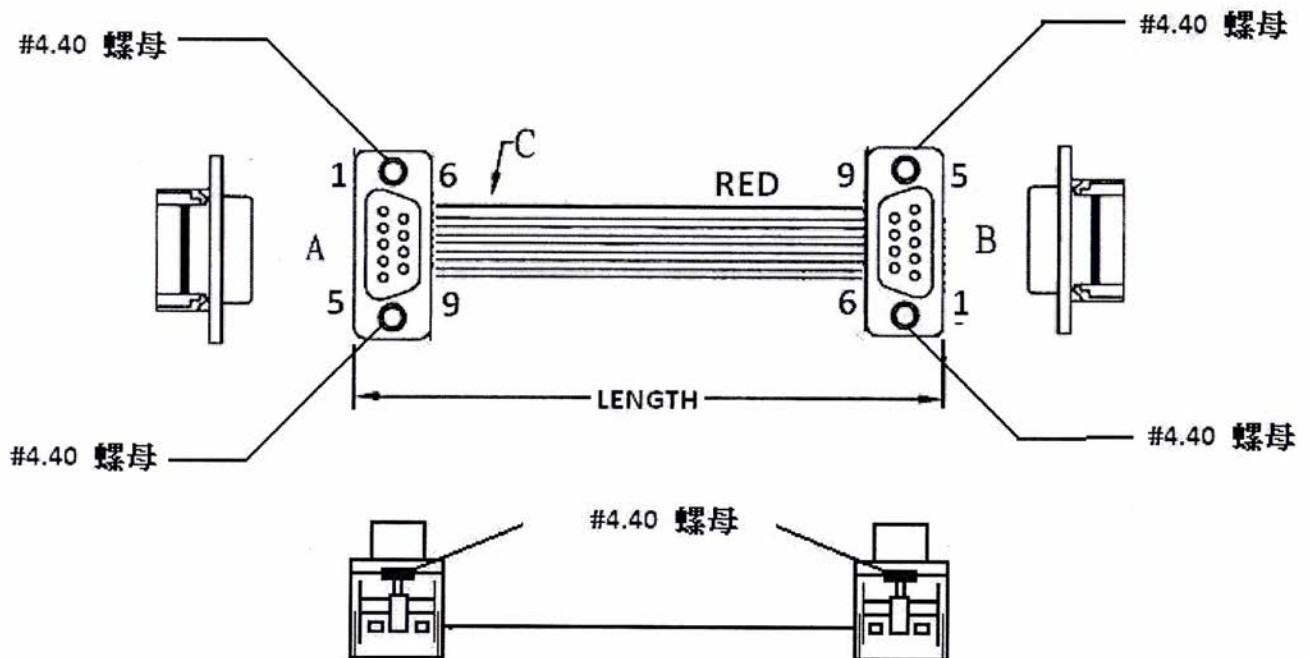
A	B
1	5
6	9
2	4
7	8
3	3
8	7
4	2
9	6
5	1

ORDERING INFORMATION:

P/N $\frac{KA}{1} \frac{XX}{2} \frac{FA}{3} - \frac{XX}{4} \frac{CM}{5} \frac{X}{5}$

- FLAT CABLE TYPE:
"KA" 1.27MM AWG28 UL2651 VW-1
PVC INSULATION GRAY
- NO. OF CONTACTS:
09, 15, 25, 37
- CONNECTORS AT TWO ENDS:
"FA" D-SUB. FEMALE IDC TYPE CONNECTOR
TO D-SUB. FEMALE IDC TYPE CONNECTOR
- LENGTH IN CM (CENTIMETERS)
- NUT OPTION AT TWO CONNECTORS:
"N" WITH UNC4-40 NUTS
"W" WITHOUT NUTS

**1.27MM PITCH FLAT CABLE WITH 9, 15, 25, 37 PIN D-SUB.
FEMALE TO FEMALE CONNECTORS (2)**



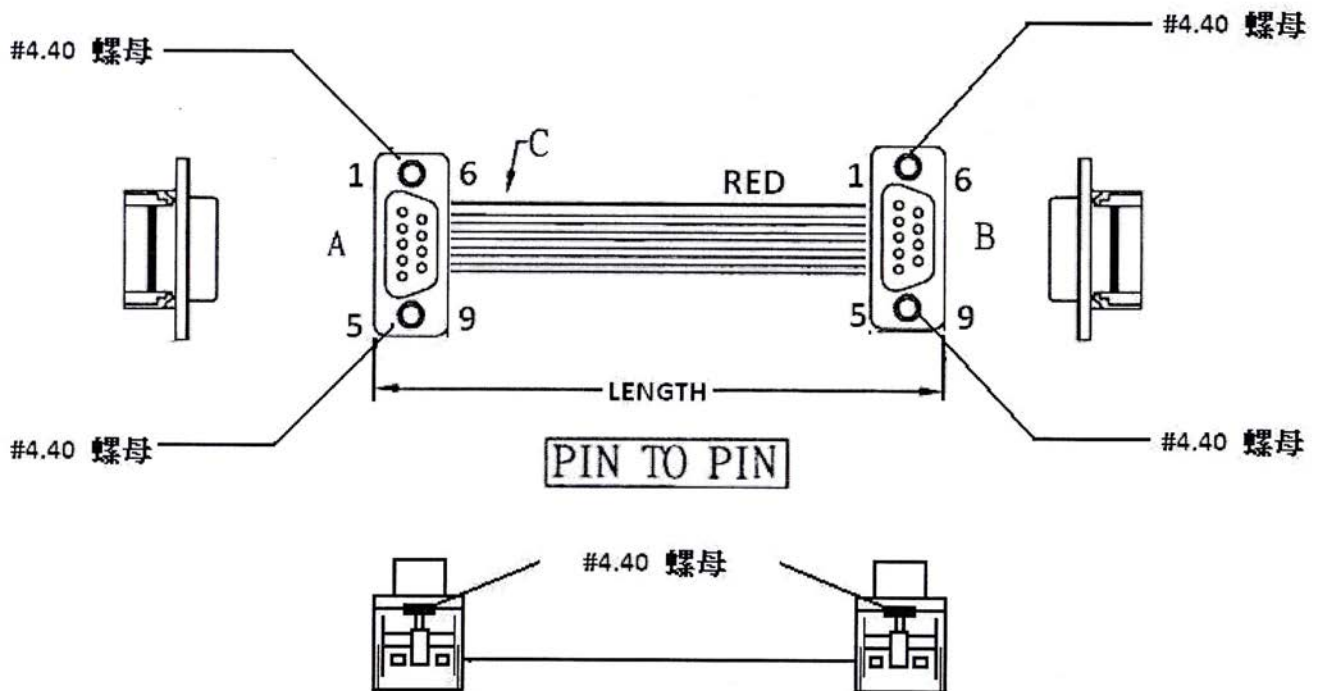
A	B
1	5
6	9
2	4
7	8
3	3
8	7
4	2
9	6
5	1

ORDERING INFORMATION:

P/N $\frac{KA}{1} \frac{xx}{2} \frac{FC}{3} - \frac{xx}{4} \frac{CM}{5} x$

- FLAT CABLE TYPE:
"KA" 1.27MM AWG28 UL2651 VW-1
PVC INSULATION GRAY
- NO. OF CONTACTS:
09, 15, 25, 37
- CONNECTORS AT TWO ENDS:
"FC" D-SUB. FEMALE IDC TYPE CONNECTOR
TO D-SUB. FEMALE IDC TYPE CONNECTOR
- LENGTH IN CM (CENTIMETERS)
- NUT OPTION AT TWO CONNECTORS:
"N" WITH UNC4-40 NUTS
"W" WITHOUT NUTS

**1.27MM PITCH FLAT CABLE WITH 9, 15, 25, 37 PIN D-SUB.
FEMALE TO FEMALE CONNECTORS (3)**

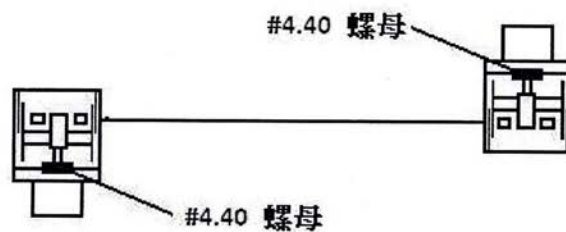
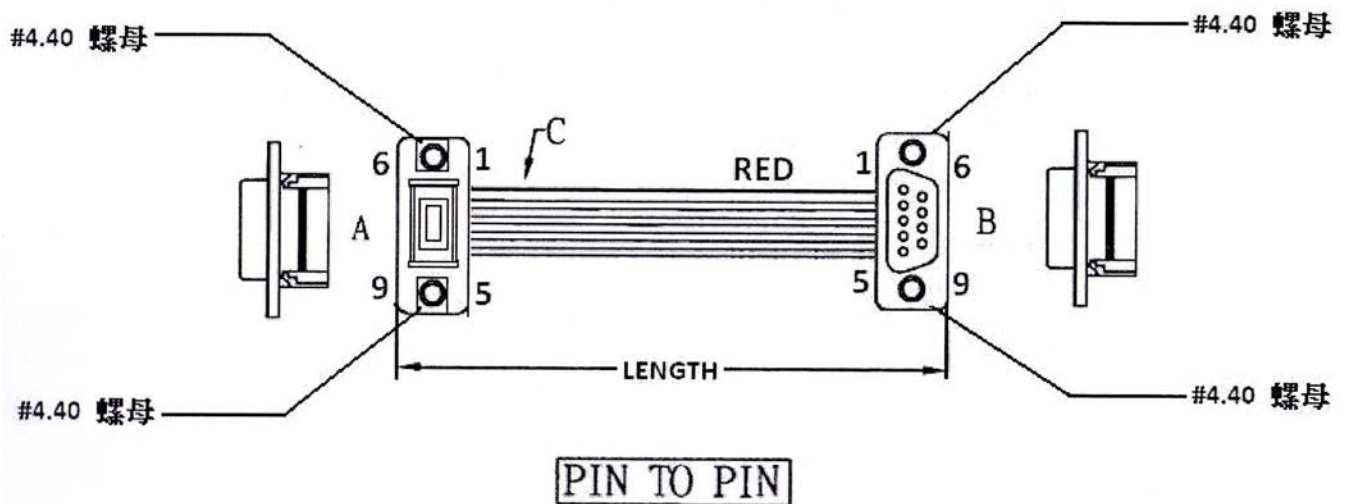


ORDERING INFORMATION:

P/N $\frac{K}{1} \frac{A}{2} \frac{xx}{3} \frac{FG}{4} - \frac{xx}{5} C M \frac{x}{5}$

1. FLAT CABLE TYPE:
"KA" 1.27MM AWG28 UL2651 VW-1
PVC INSULATION GRAY
2. NO. OF CONTACTS:
09, 15, 25, 37
3. CONNECTORS AT TWO ENDS:
"FG" D-SUB. FEMALE IDC TYPE CONNECTOR
TO D-SUB. FEMALE IDC TYPE CONNECTOR
4. LENGTH IN CM (CENTIMETERS)
5. NUT OPTION AT TWO CONNECTORS:
"N" WITH UNC4-40 NUTS
"W" WITHOUT NUTS

**1.27MM PITCH FLAT CABLE WITH 9, 15, 25, 37 PIN D-SUB.
FEMALE TO FEMALE CONNECTORS (4)**

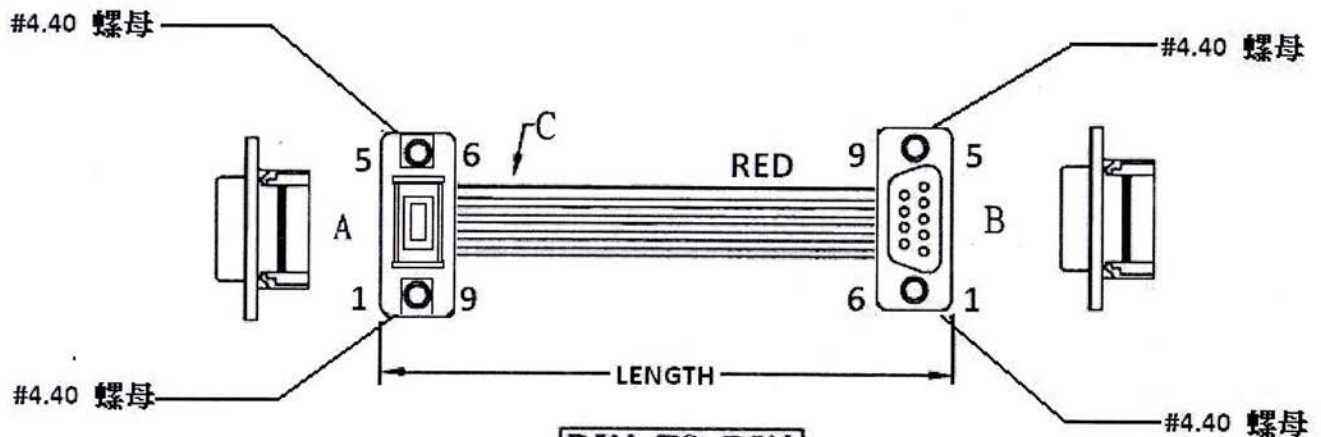


ORDERING INFORMATION:

P/N $\frac{KA}{1} \frac{xx}{2} \frac{GA}{3} - \frac{xx}{4} CM \frac{x}{5}$

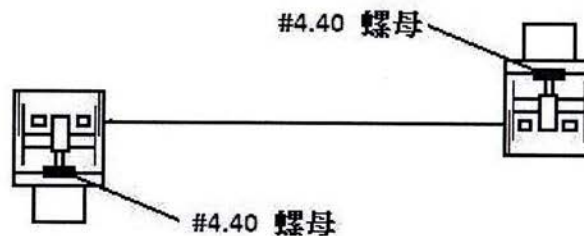
1. FLAT CABLE TYPE:
"KA" 1.27MM AWG28 UL2651 VW-1
PVC INSULATION GRAY
2. NO. OF CONTACTS:
09, 15, 25, 37
3. CONNECTORS AT TWO ENDS:
"GA" D-SUB. FEMALE IDC TYPE CONNECTOR
TO D-SUB. FEMALE IDC TYPE CONNECTOR
4. LENGTH IN CM (CENTIMETERS)
5. NUT OPTION AT TWO CONNECTORS:
"N" WITH UNC4-40 NUTS
"W" WITHOUT NUTS

**1.27MM PITCH FLAT CABLE WITH 9, 15, 25, 37 PIN D-SUB.
FEMALE TO FEMALE CONNECTORS (5)**



PIN TO PIN

第1pin對灰色

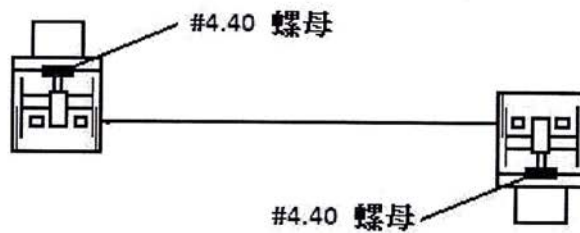
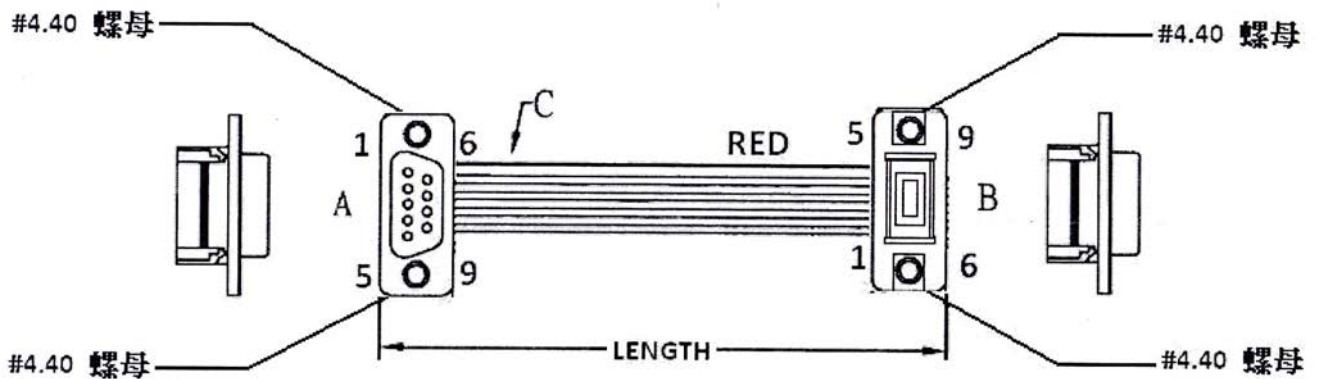


ORDERING INFORMATION:

P/N $\frac{K}{1} \frac{A}{2} \frac{xx}{3} \frac{GC}{4} - \frac{xx}{4} \frac{CM}{5} \frac{x}{5}$

1. FLAT CABLE TYPE:
"KA" 1.27MM AWG28 UL2651 VW-1
PVC INSULATION GRAY
2. NO. OF CONTACTS:
09, 15, 25, 37
3. CONNECTORS AT TWO ENDS:
"GA" D-SUB. FEMALE IDC TYPE CONNECTOR
TO D-SUB. FEMALE IDC TYPE CONNECTOR
4. LENGTH IN CM (CENTIMETERS)
5. NUT OPTION AT TWO CONNECTORS:
"N" WITH UNC4-40 NUTS
"W" WITHOUT NUTS

**1.27MM PITCH FLAT CABLE WITH 9, 15, 25, 37 PIN D-SUB.
FEMALE TO FEMALE CONNECTORS (6)**



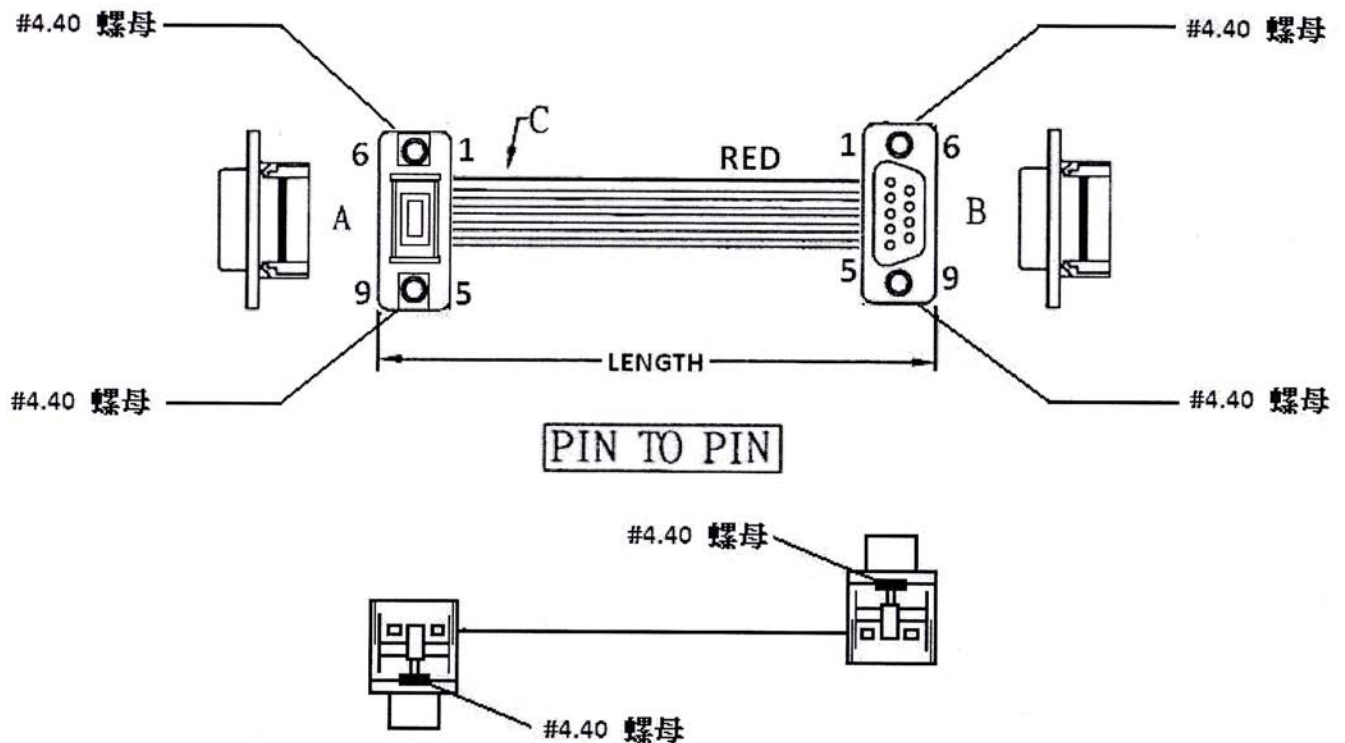
A	B
1	5
6	9
2	4
7	8
3	3
8	7
4	2
9	6
5	1

ORDERING INFORMATION:

P/N $\frac{KA}{1} \frac{xx}{2} \frac{GG}{3} - \frac{xx}{4} \frac{CM}{5} \frac{x}{5}$

- FLAT CABLE TYPE:
"KA" 1.27MM AWG28 UL2651 VW-1
PVC INSULATION GRAY
- NO. OF CONTACTS:
09, 15, 25, 37
- CONNECTORS AT TWO ENDS:
"GG" D-SUB. FEMALE IDC TYPE CONNECTOR
TO D-SUB. FEMALE IDC TYPE CONNECTOR
- LENGTH IN CM (CENTIMETERS)
- NUT OPTION AT TWO CONNECTORS:
"N" WITH UNC4-40 NUTS
"W" WITHOUT NUTS

**1.27MM PITCH FLAT CABLE WITH 9, 15, 25, 37 PIN D-SUB.
FEMALE TO FEMALE CONNECTORS (7)**

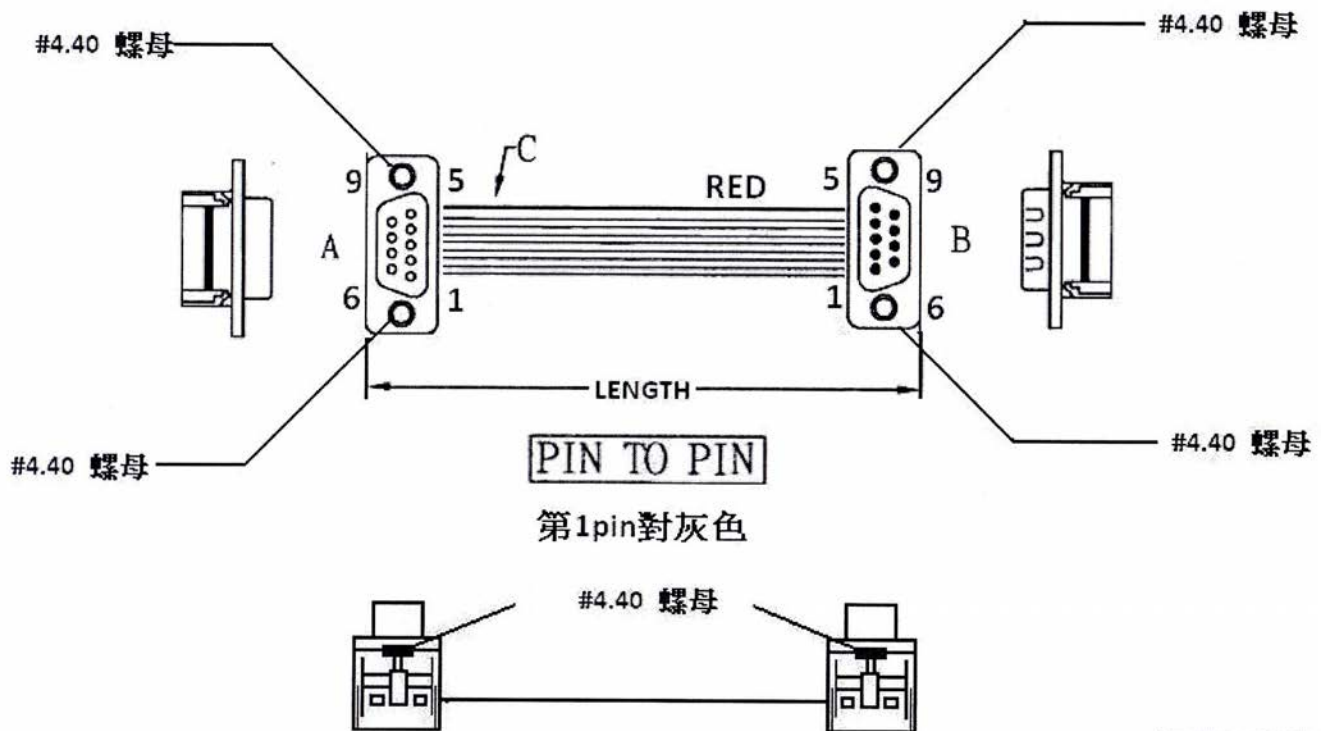


ORDERING INFORMATION:

P/N $\frac{K}{1} \frac{A}{2} \frac{xx}{3} \frac{GH}{4} - \frac{xx}{4} \frac{C}{4} \frac{M}{4} \frac{x}{5}$

1. FLAT CABLE TYPE:
"KA" 1.27MM AWG28 UL2651 VW-1
PVC INSULATION GRAY
2. NO. OF CONTACTS:
09, 15, 25, 37
3. CONNECTORS AT TWO ENDS:
"GH" D-SUB. FEMALE IDC TYPE CONNECTOR
TO D-SUB. FEMALE IDC TYPE CONNECTOR
4. LENGTH IN CM (CENTIMETERS)
5. NUT OPTION AT TWO CONNECTORS:
"N" WITH UNC4-40 NUTS
"W" WITHOUT NUTS

**1.27MM PITCH FLAT CABLE WITH 9, 15, 25, 37 PIN D-SUB.
FEMALE TO MALE CONNECTORS (1)**

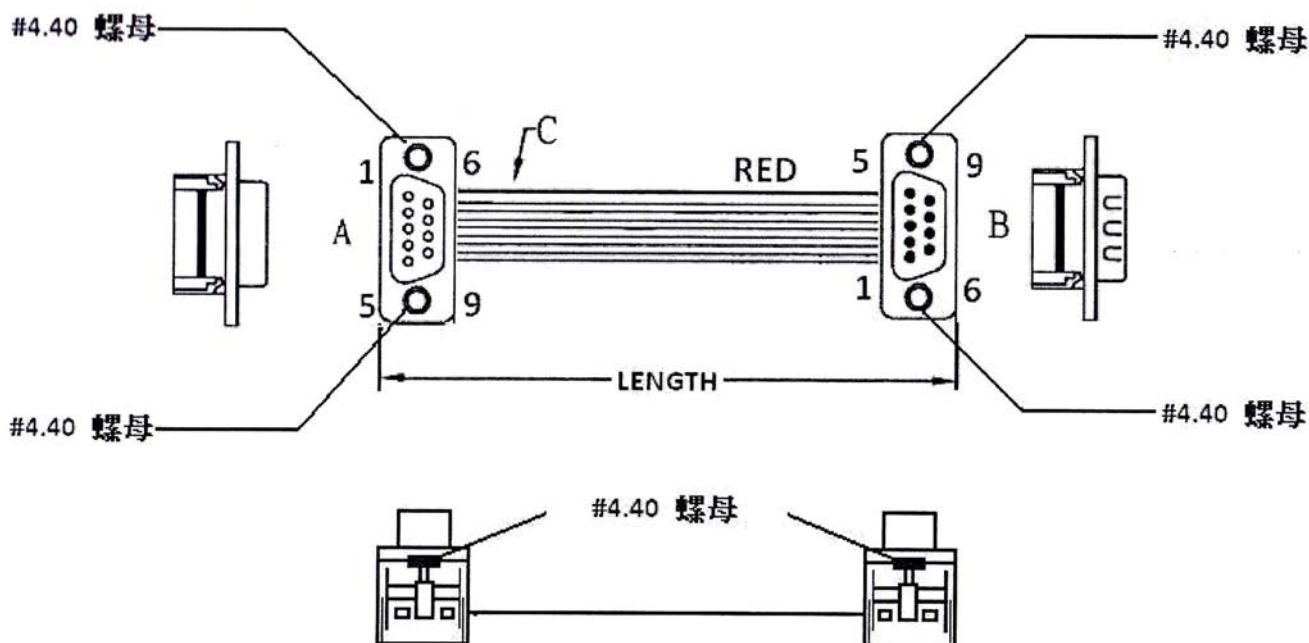


ORDERING INFORMATION:

P/N $\frac{K}{1} \frac{A}{2} \frac{xx}{3} \frac{FB}{4} - \frac{xx}{5} C M \frac{x}{5}$

1. FLAT CABLE TYPE:
"KA" 1.27MM AWG28 UL2651 VW-1
PVC INSULATION GRAY
2. NO. OF CONTACTS:
09, 15, 25, 37
3. CONNECTORS AT TWO ENDS:
"FB" D-SUB. FEMALE IDC TYPE CONNECTOR
TO D-SUB. MALE IDC TYPE CONNECTOR
4. LENGTH IN CM (CENTIMETERS)
5. NUT OPTION AT TWO CONNECTORS:
"N" WITH UNC4-40 NUTS
"W" WITHOUT NUTS

**1.27MM PITCH FLAT CABLE WITH 9, 15, 25, 37 PIN D-SUB.
FEMALE TO MALE CONNECTORS (2)**



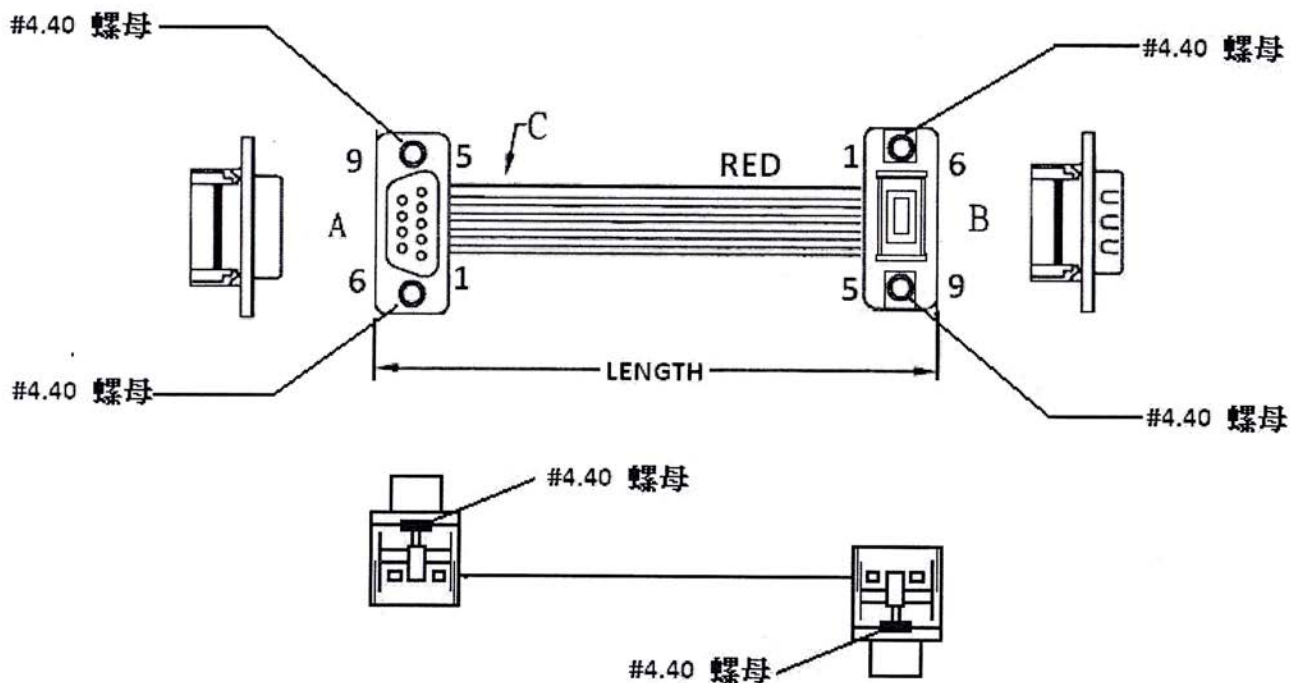
A	B
1-----5	
6-----9	
2-----4	
7-----8	
3-----3	
8-----7	
4-----2	
9-----6	
5-----1	

ORDERING INFORMATION:

P/N $\frac{KA}{1} \frac{XX}{2} \frac{FE}{3} - \frac{XX}{4} \frac{CM}{5} X$

1. FLAT CABLE TYPE:
"KA" 1.27MM AWG28 UL2651 VW-1
PVC INSULATION GRAY
2. NO. OF CONTACTS:
09, 15, 25, 37
3. CONNECTORS AT TWO ENDS:
"FE" D-SUB. FEMALE IDC TYPE CONNECTOR
TO D-SUB. MALE IDC TYPE CONNECTOR
4. LENGTH IN CM (CENTIMETERS)
5. NUT OPTION AT TWO CONNECTORS:
"N" WITH UNC4-40 NUTS
"W" WITHOUT NUTS

**1.27MM PITCH FLAT CABLE WITH 9, 15, 25, 37 PIN D-SUB.
FEMALE TO MALE CONNECTORS (3)**



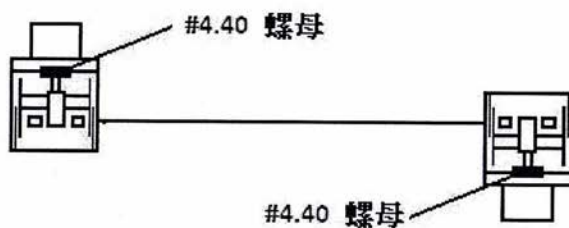
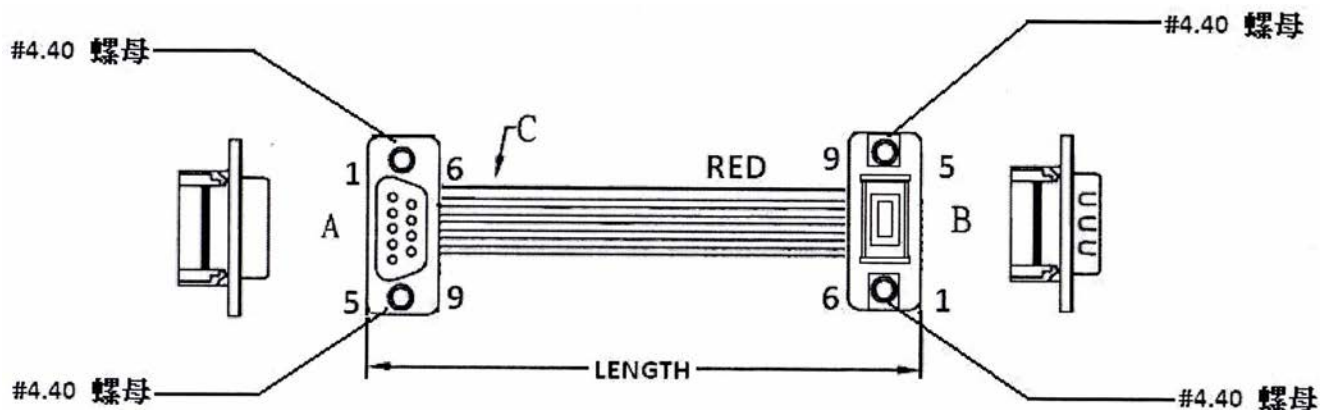
A	B
1	5
6	9
2	4
7	8
3	3
8	7
4	2
9	6
5	1

ORDERING INFORMATION:

P/N $\frac{KA}{1} \frac{XX}{2} \frac{GB}{3} - \frac{XX}{4} \frac{CM}{5} \frac{X}{5}$

1. FLAT CABLE TYPE:
"KA" 1.27MM AWG28 UL2651 VW-1
PVC INSULATION GRAY
2. NO. OF CONTACTS:
09, 15, 25, 37
3. CONNECTORS AT TWO ENDS:
"GB" D-SUB. FEMALE IDC TYPE CONNECTOR
TO D-SUB. MALE IDC TYPE CONNECTOR
4. LENGTH IN CM (CENTIMETERS)
5. NUT OPTION AT TWO CONNECTORS:
"N" WITH UNC4-40 NUTS
"W" WITHOUT NUTS

**1.27MM PITCH FLAT CABLE WITH 9, 15, 25, 37 PIN D-SUB.
FEMALE TO MALE CONNECTORS (4)**



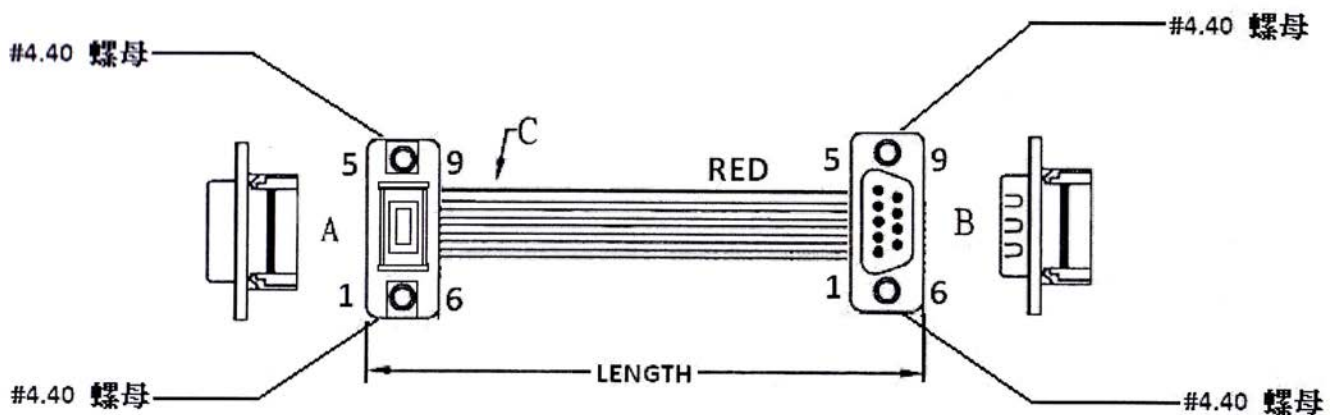
A	B
1	5
6	9
2	4
7	8
3	3
8	7
4	2
9	6
5	1

ORDERING INFORMATION:

P/N $\frac{KA}{1} \frac{xx}{2} \frac{GD}{3} - \frac{xx}{4} \frac{CM}{5} \frac{x}{5}$

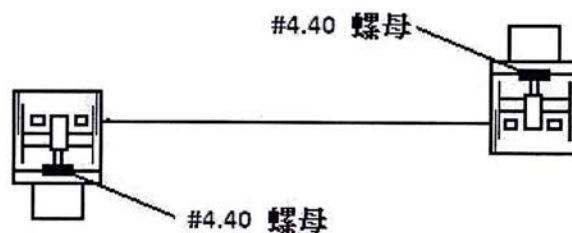
- FLAT CABLE TYPE:
"KA" 1.27MM AWG28 UL2651 VW-1
PVC INSULATION GRAY
- NO. OF CONTACTS:
09, 15, 25, 37
- CONNECTORS AT TWO ENDS:
"GD" D-SUB. FEMALE IDC TYPE CONNECTOR
TO D-SUB. MALE IDC TYPE CONNECTOR
- LENGTH IN CM (CENTIMETERS)
- NUT OPTION AT TWO CONNECTORS:
"N" WITH UNC4-40 NUTS
"W" WITHOUT NUTS

**1.27MM PITCH FLAT CABLE WITH 9, 15, 25, 37 PIN D-SUB.
FEMALE TO MALE CONNECTORS (5)**



PIN TO PIN

第1pin對灰色

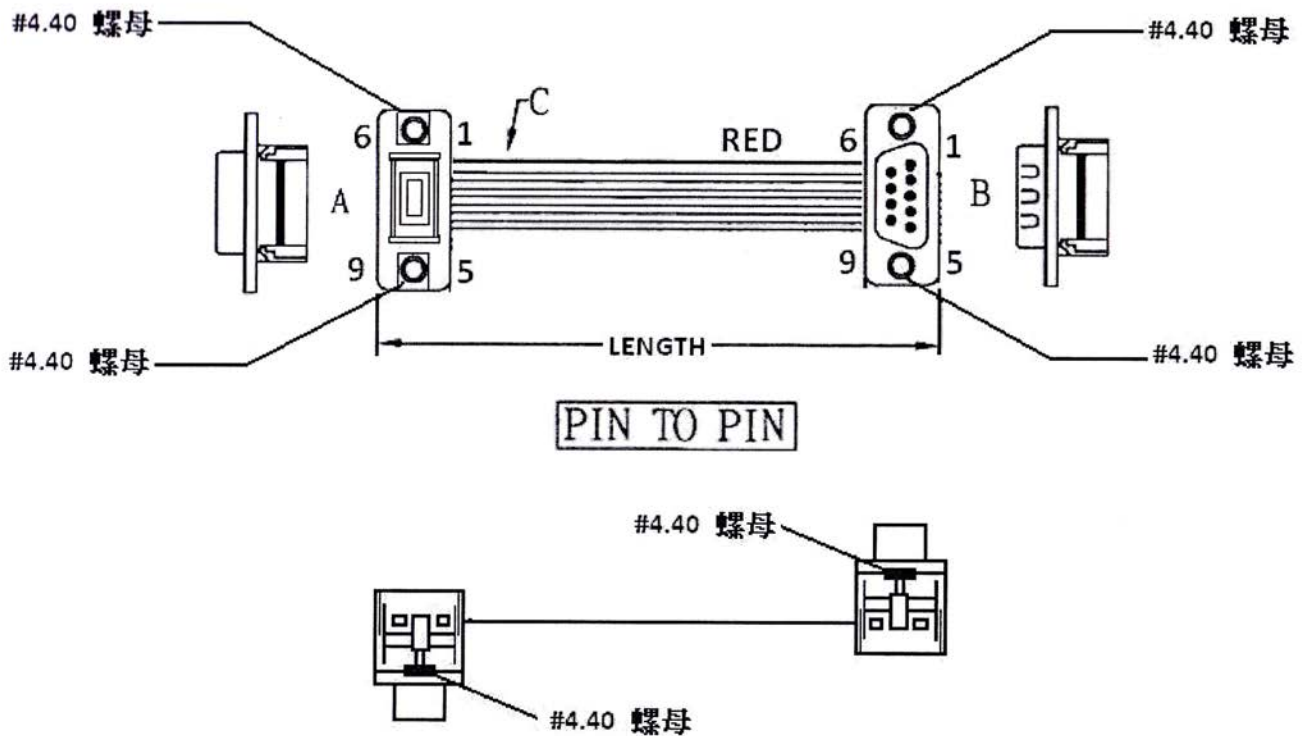


ORDERING INFORMATION:

P/N $\frac{KA}{1} \frac{xx}{2} \frac{GE}{3} - \frac{xx}{4} \frac{CM}{5} \frac{x}{5}$

1. FLAT CABLE TYPE:
"KA" 1.27MM AWG28 UL2651 VW-1
PVC INSULATION GRAY
2. NO. OF CONTACTS:
09, 15, 25, 37
3. CONNECTORS AT TWO ENDS:
"GE" D-SUB. FEMALE IDC TYPE CONNECTOR
TO D-SUB. MALE IDC TYPE CONNECTOR
4. LENGTH IN CM (CENTIMETERS)
5. NUT OPTION AT TWO CONNECTORS:
"N" WITH UNC4-40 NUTS
"W" WITHOUT NUTS

**1.27MM PITCH FLAT CABLE WITH 9, 15, 25, 37 PIN D-SUB.
FEMALE TO MALE CONNECTORS (6)**

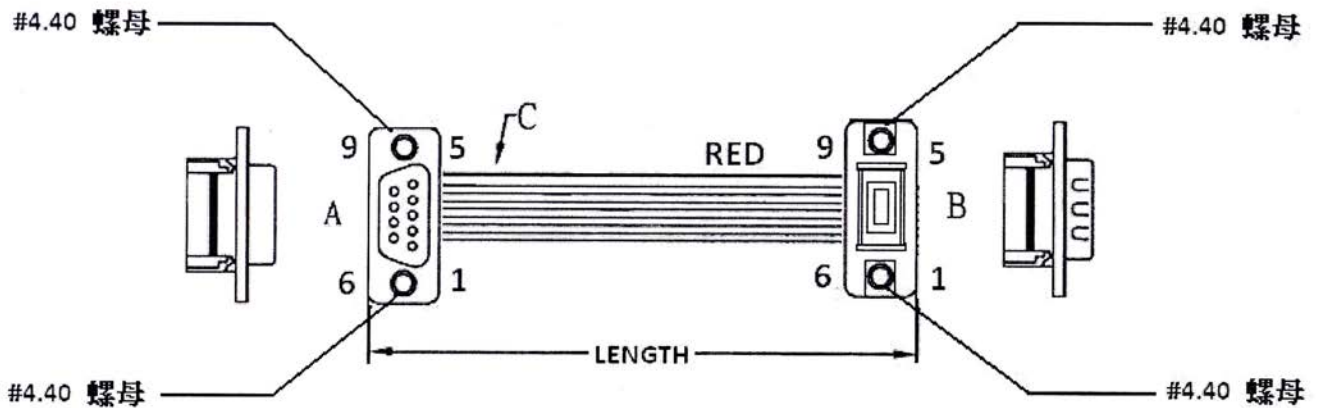


ORDERING INFORMATION:

P/N $\frac{KA}{1} \frac{xx}{2} \frac{GF}{3} - \frac{xx}{4} C M \frac{x}{5}$

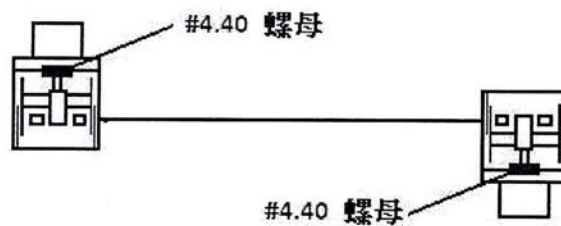
1. FLAT CABLE TYPE:
"KA" 1.27MM AWG28 UL2651 VW-1
PVC INSULATION GRAY
2. NO. OF CONTACTS:
09, 15, 25, 37
3. CONNECTORS AT TWO ENDS:
"GF" D-SUB. FEMALE IDC TYPE CONNECTOR
TO D-SUB. MALE IDC TYPE CONNECTOR
4. LENGTH IN CM (CENTIMETERS)
5. NUT OPTION AT TWO CONNECTORS:
"N" WITH UNC4-40 NUTS
"W" WITHOUT NUTS

**1.27MM PITCH FLAT CABLE WITH 9, 15, 25, 37 PIN D-SUB.
FEMALE TO MALE CONNECTORS (7)**



PIN TO PIN

第1pin對灰色

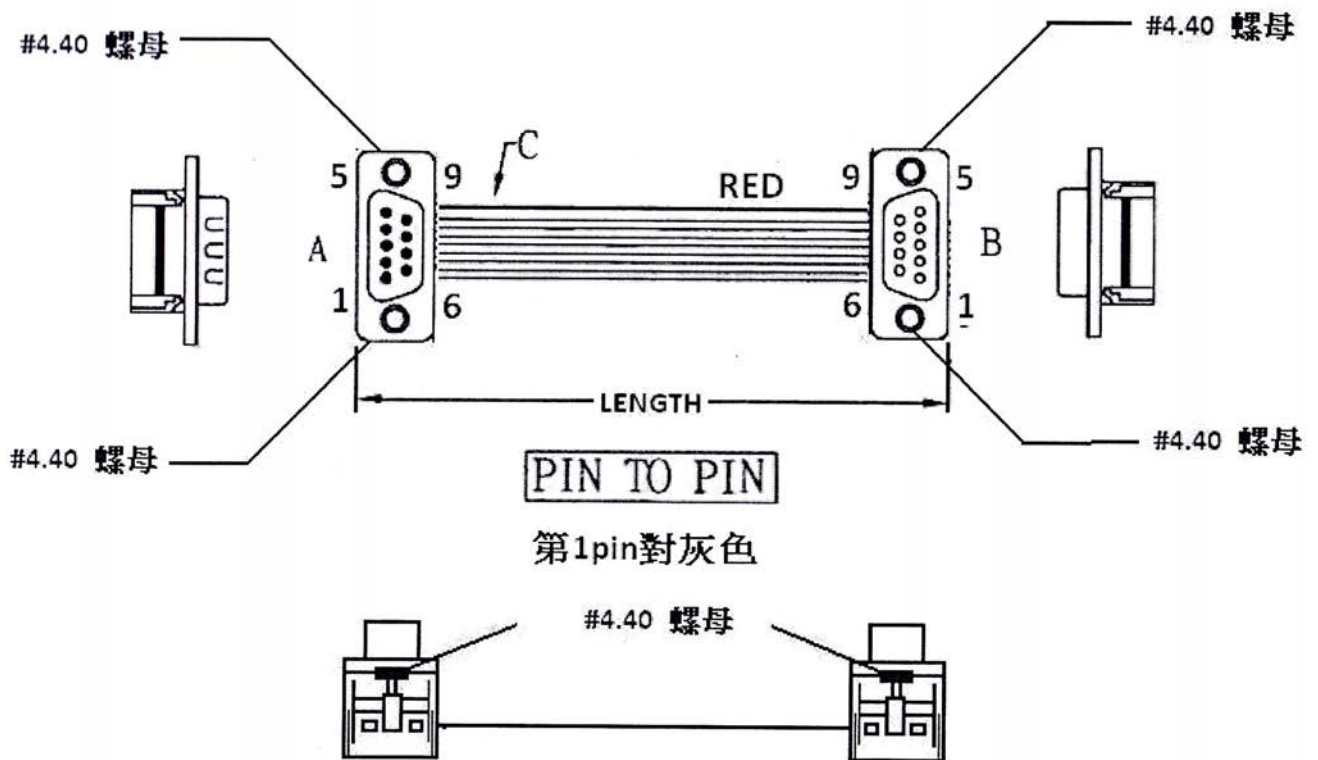


ORDERING INFORMATION:

P/N $\frac{KA}{1} \frac{xx}{2} \frac{GJ}{3} - \frac{xx}{4} \frac{CM}{5} x$

1. FLAT CABLE TYPE:
"KA" 1.27MM AWG28 UL2651 VW-1
PVC INSULATION GRAY
2. NO. OF CONTACTS:
09, 15, 25, 37
3. CONNECTORS AT TWO ENDS:
"GJ" D-SUB. FEMALE IDC TYPE CONNECTOR
TO D-SUB. MALE IDC TYPE CONNECTOR
4. LENGTH IN CM (CENTIMETERS)
5. NUT OPTION AT TWO CONNECTORS:
"N" WITH UNC4-40 NUTS
"W" WITHOUT NUTS

**1.27MM PITCH FLAT CABLE WITH 9, 15, 25, 37 PIN D-SUB.
MALE TO FEMALE CONNECTORS (1)**

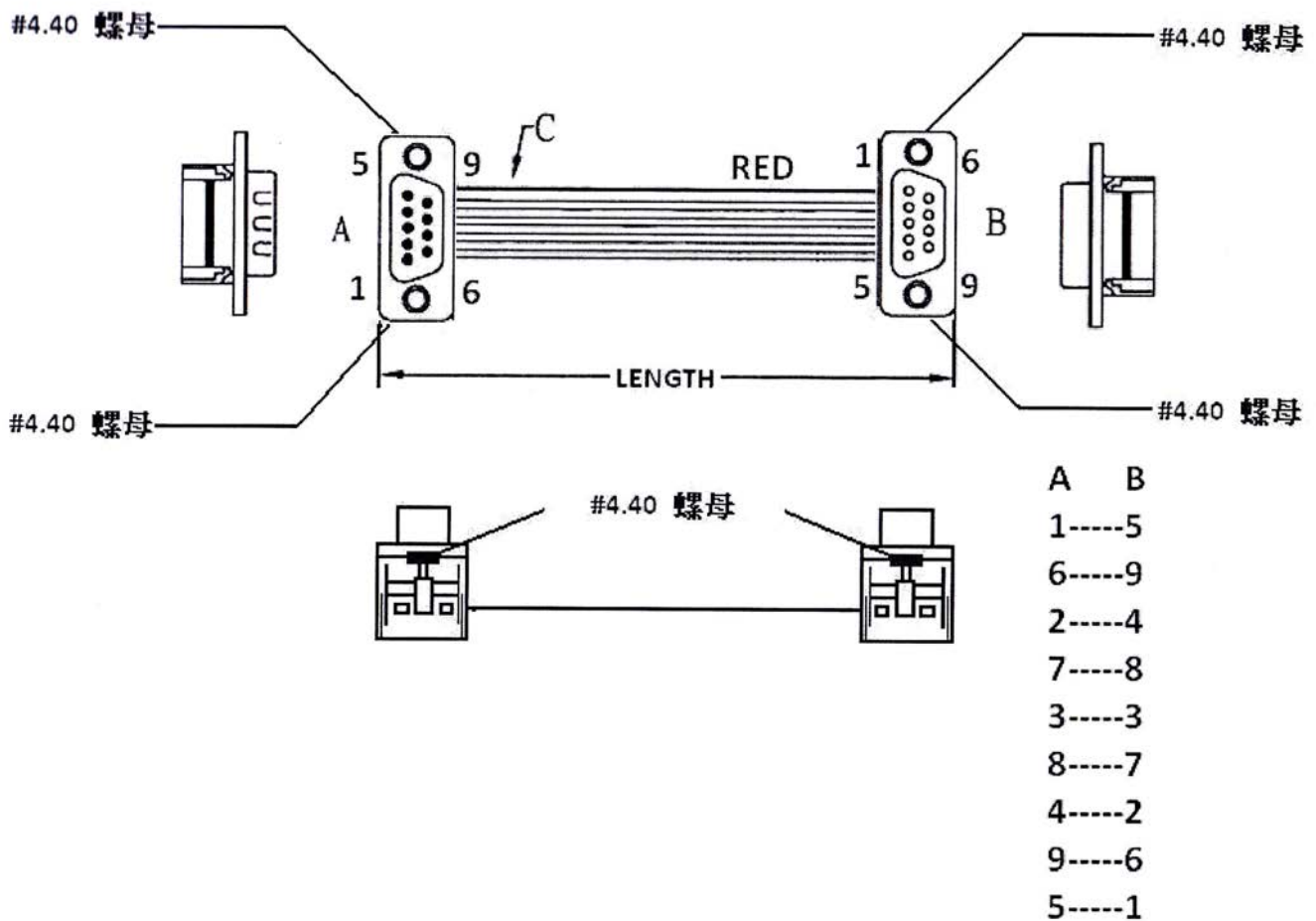


ORDERING INFORMATION:

P/N $\frac{KA}{1} \frac{xx}{2} \frac{FD}{3} - \frac{xx}{4} \frac{CM}{5} x$

1. FLAT CABLE TYPE:
"KA" 1.27MM AWG28 UL2651 VW-1
PVC INSULATION GRAY
2. NO. OF CONTACTS:
09, 15, 25, 37
3. CONNECTORS AT TWO ENDS:
"FD" D-SUB. MALE IDC TYPE CONNECTOR
TO D-SUB. FEMALE IDC TYPE CONNECTOR
4. LENGTH IN CM (CENTIMETERS)
5. NUT OPTION AT TWO CONNECTORS:
"N" WITH UNC4-40 NUTS
"W" WITHOUT NUTS

**1.27MM PITCH FLAT CABLE WITH 9, 15, 25, 37 PIN D-SUB.
MALE TO FEMALE CONNECTORS (2)**

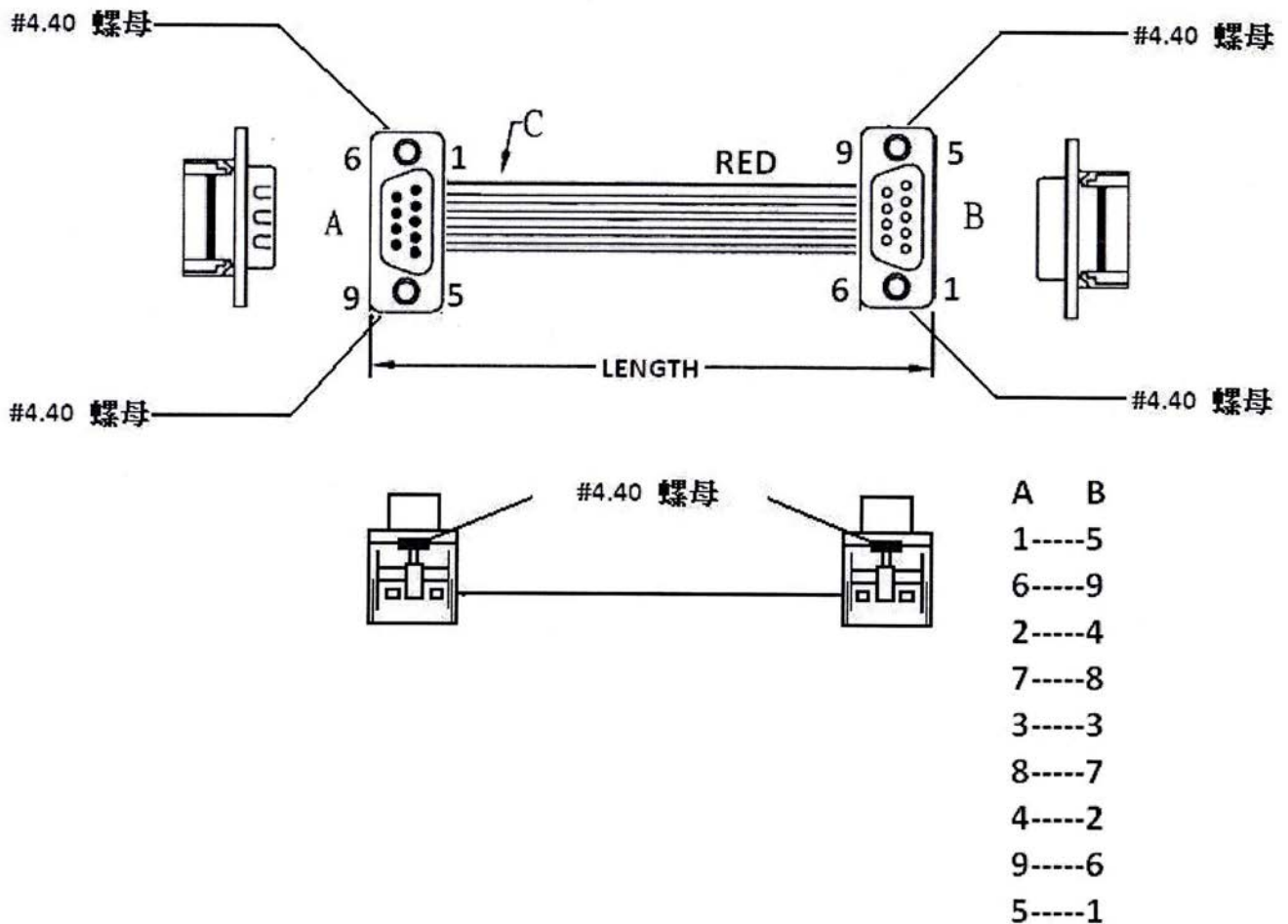


ORDERING INFORMATION:

P/N $\frac{KA}{1} \frac{XX}{2} \frac{FF}{3} - \frac{XX}{4} CM \frac{X}{5}$

1. FLAT CABLE TYPE:
"KA" 1.27MM AWG28 UL2651 VW-1
PVC INSULATION GRAY
2. NO. OF CONTACTS:
09, 15, 25, 37
3. CONNECTORS AT TWO ENDS:
"FF" D-SUB. MALE IDC TYPE CONNECTOR
TO D-SUB. FEMALE IDC TYPE CONNECTOR
4. LENGTH IN CM (CENTIMETERS)
5. NUT OPTION AT TWO CONNECTORS:
"N" WITH UNC4-40 NUTS
"W" WITHOUT NUTS

**1.27MM PITCH FLAT CABLE WITH 9, 15, 25, 37 PIN D-SUB.
MALE TO FEMALE CONNECTORS (3)**

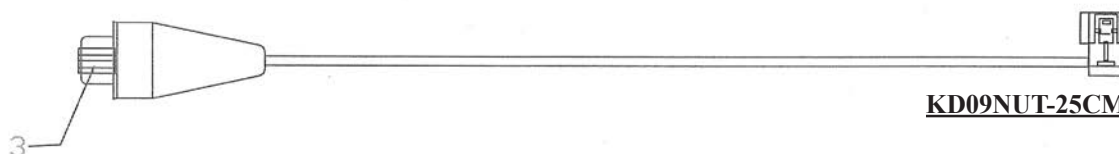
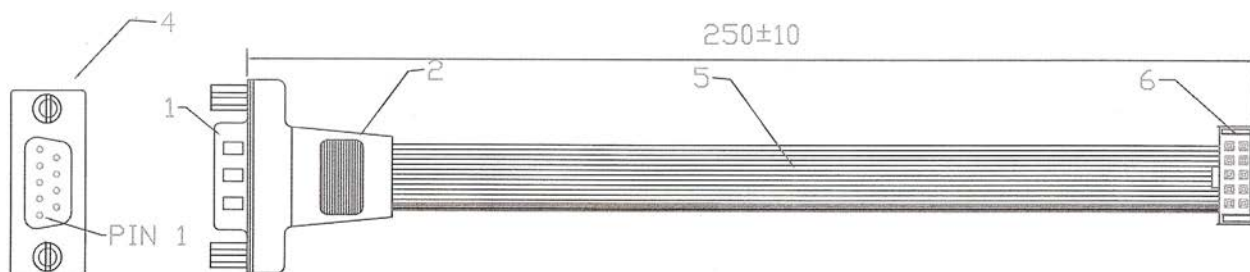


ORDERING INFORMATION:

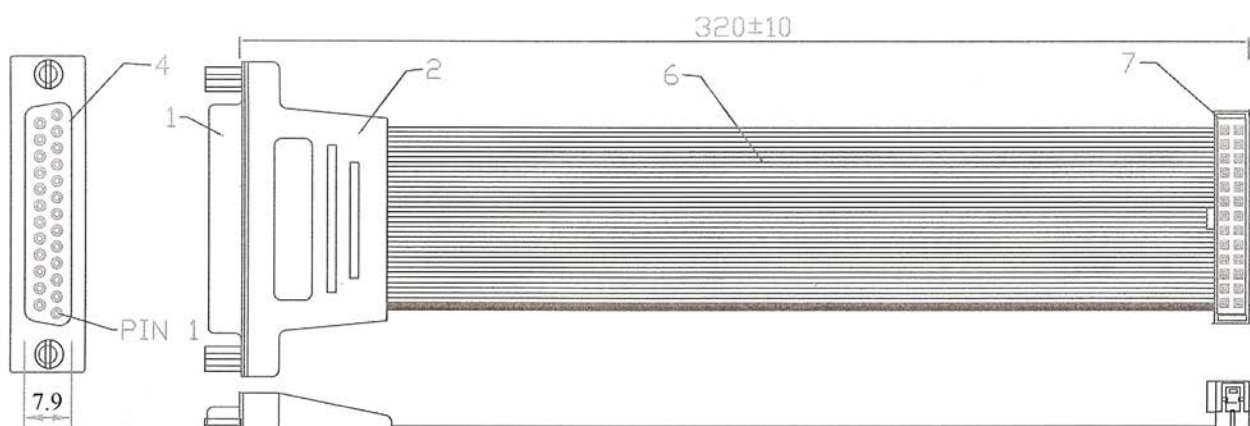
P/N $\frac{KA}{1} \frac{xx}{2} \frac{FJ}{3} - \frac{xx}{4} \frac{CM}{5} \frac{x}{5}$

1. FLAT CABLE TYPE:
"KA" 1.27MM AWG28 UL2651 VW-1
PVC INSULATION GRAY
2. NO. OF CONTACTS:
09, 15, 25, 37
3. CONNECTORS AT TWO ENDS:
"FJ" D-SUB. MALE IDC TYPE CONNECTOR
TO D-SUB. FEMALE IDC TYPE CONNECTOR
4. LENGTH IN CM (CENTIMETERS)
5. NUT OPTION AT TWO CONNECTORS:
"N" WITH UNC4-40 NUTS
"W" WITHOUT NUTS

1.27MM PITCH FLAT CABLE WITH D-SUB. CONNECTOR (1)



KD09NUT-25CM



KD26NUT-32CM

ORDERING INFORMATION:

P/N KD09NUT-LENGTH

FLAT CABLE DB9M(MALE) WITH UNC4-40 NUTS & HOOD TO IDC SOCKET 10P, LENGTH IN CM

P/N KD10NUT-LENGTH

FLAT CABLE DB9F(FEMALE) WITH UNC4-40 NUTS & HOOD TO IDC SOCKET 10P, LENGTH IN CM

P/N KD25NUT-LENGTH

FLAT CABLE DB25M(MALE) WITH UNC4-40 NUTS & HOOD TO IDC SOCKET 26P, LENGTH IN CM

P/N KD26NUT-LENGTH

FLAT CABLE DB25F(FEMALE) WITH UNC4-40 NUTS & HOOD TO IDC SOCKET 26P, LENGTH IN CM

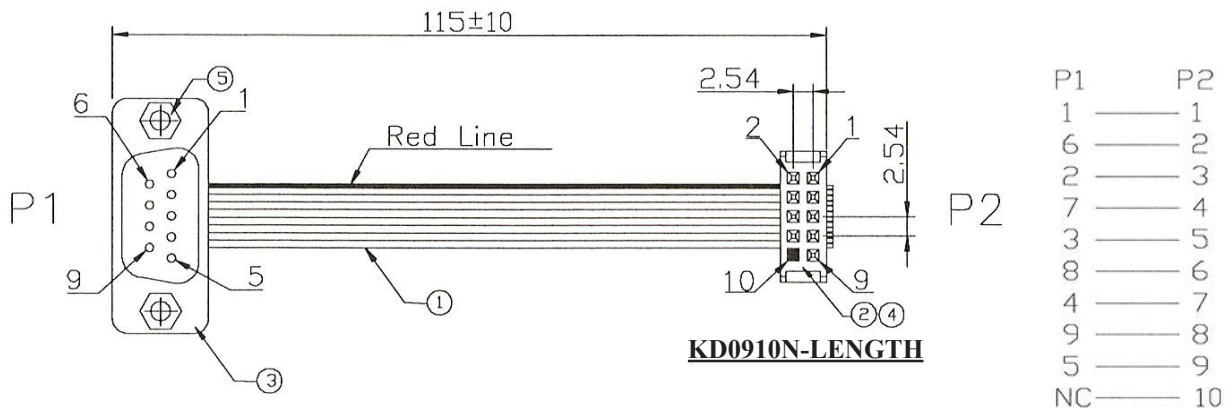
1.27MM PITCH FLAT CABLE WITH D-SUB. CONNECTOR (2)

MATERIALS

Housing: PVC, UL94V-0

Terminal: Copper Alloy

All materials must be RoHS compliant.



ORDERING INFORMATION:

P/N KD0910M-LENGTH

FLAT CABLE DB9M(MALE) WITH UNC4-40 NUTS TO IDC SOCKET 10P, LENGTH IN CM

P/N KD0910N-LENGTH

FLAT CABLE DB9F(FEMALE) WITH UNC4-40 NUTS TO IDC SOCKET 10P, LENGTH IN CM

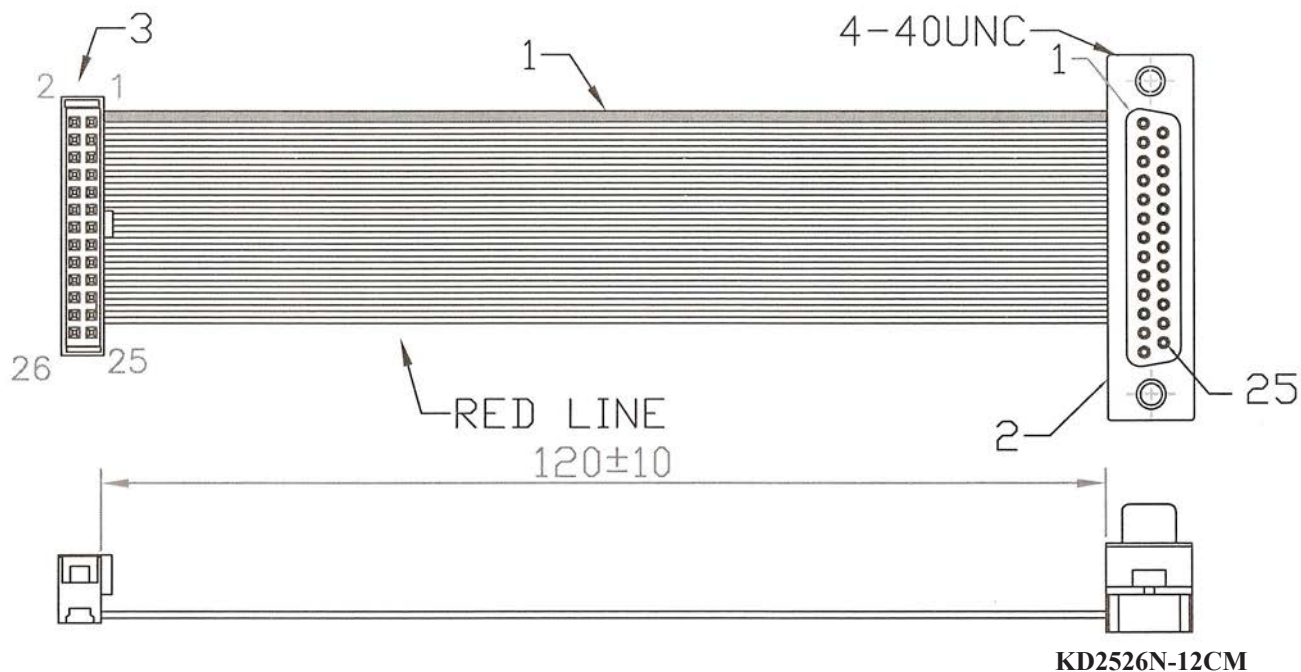
P/N KD0910S-LENGTH

FLAT CABLE DB9M(MALE) W/O UNC4-40 NUTS TO IDC SOCKET 10P, LENGTH IN CM

P/N KD0910T-LENGTH

FLAT CABLE DB9F(FEMALE) W/O UNC4-40 NUTS TO IDC SOCKET 10P, LENGTH IN CM

1.27MM PITCH FLAT CABLE WITH D-SUB. CONNECTOR (3)



PIN ASSINGMENT

DB25	1	2	3	4	5	6	7	8	9	10	11	12	13	14	15	16	17	18	19	20	21	22	23	24	25	NC
IDE26	1	3	5	7	9	11	13	15	17	19	21	23	25	2	4	6	8	10	12	14	16	18	20	22	24	26

ORDERING INFORMATION:

P/N K D 2 5 2 6 S - L E N G T H

FLAT CABLE DB25M(MALE) WITH THROUGH HOLES TO IDC SOCKET 26P, LENGTH IN CM

P/N K D 2 5 2 6 T - L E N G T H

FLAT CABLE DB25F(FEMALE) WITH THROUGH HOLES TO IDC SOCKET 26P, LENGTH IN CM

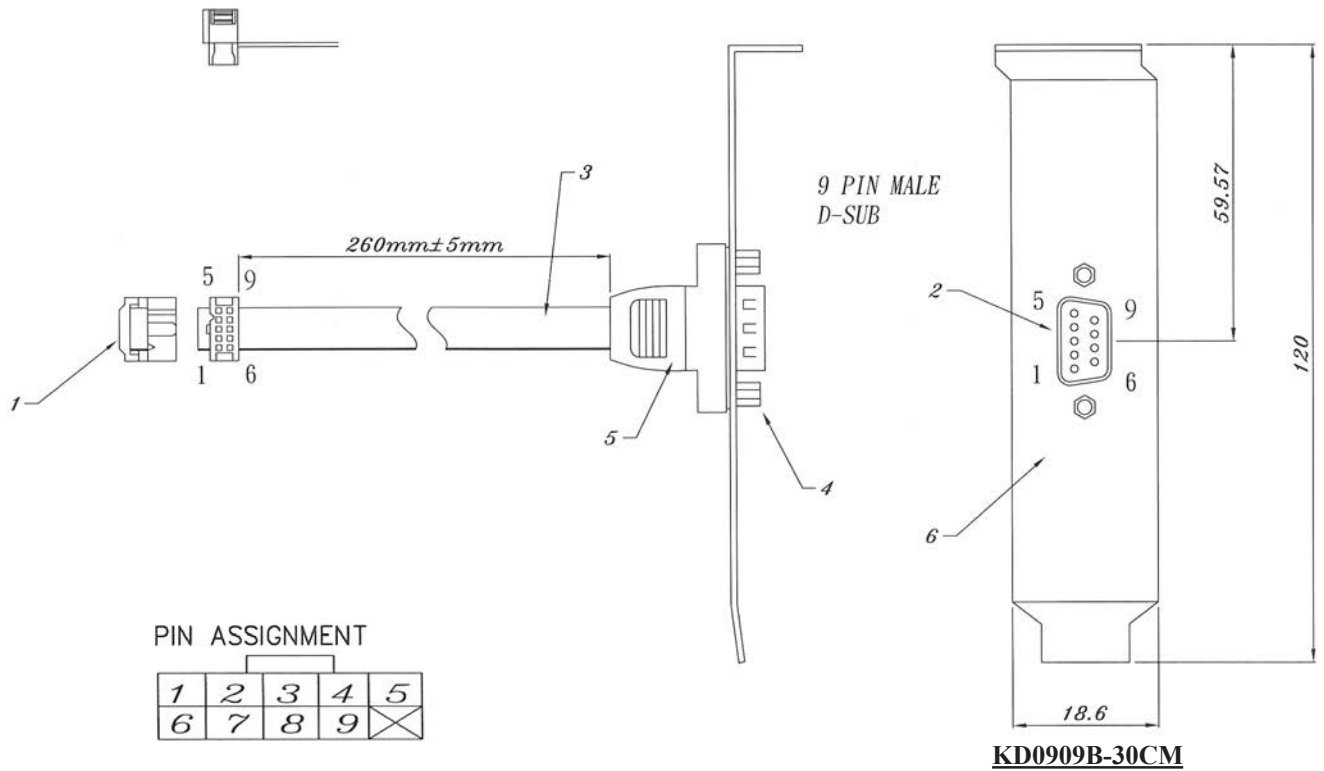
P/N K D 2 5 2 6 M - L E N G T H

FLAT CABLE DB25M(MALE) WITH RIVETED UNC4-40 NUTS TO IDC SOCKET 26P, LENGTH IN CM

P/N K D 2 5 2 6 N - L E N G T H

FLAT CABLE DB25F(FEMALE) WITH RIVETED UNC4-40 NUTS TO IDC SOCKET 26P, LENGTH IN CM

1.27MM PITCH FLAT CABLE ASSEMBLY WITH METAL BRACKET



ORDERING INFORMATION:

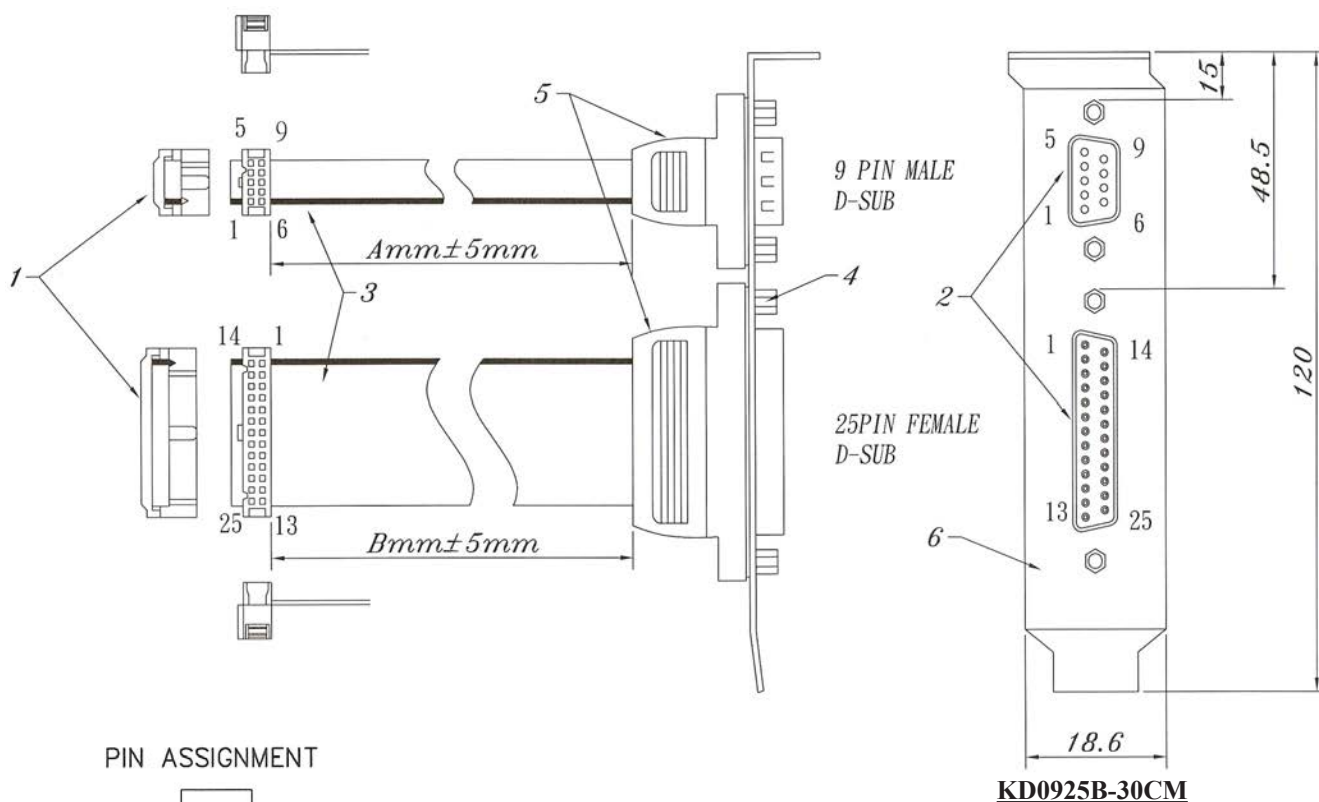
P/N KD0909B-30CM

FLAT CABLE DB9M TO 2.54MM IDC SOCKET 10P WITH STANDARD PROFILE(120MM)
METAL SLOT BRACKET 30CM

P/N KD0910B-30CM

DITTO, BUT WITH LOW PROFILE(90MM) METAL SLOT BRACKET

1.27MM PITCH FLAT CABLE ASSEMBLY WITH METAL BRACKET



PIN ASSIGNMENT

1	2	3	4	5
6	7	8	9	×

1	2	3	4	5	6	7	8	9	10	11	12	13
14	15	16	17	18	19	20	21	22	23	24	25	×

ORDERING INFORMATION:

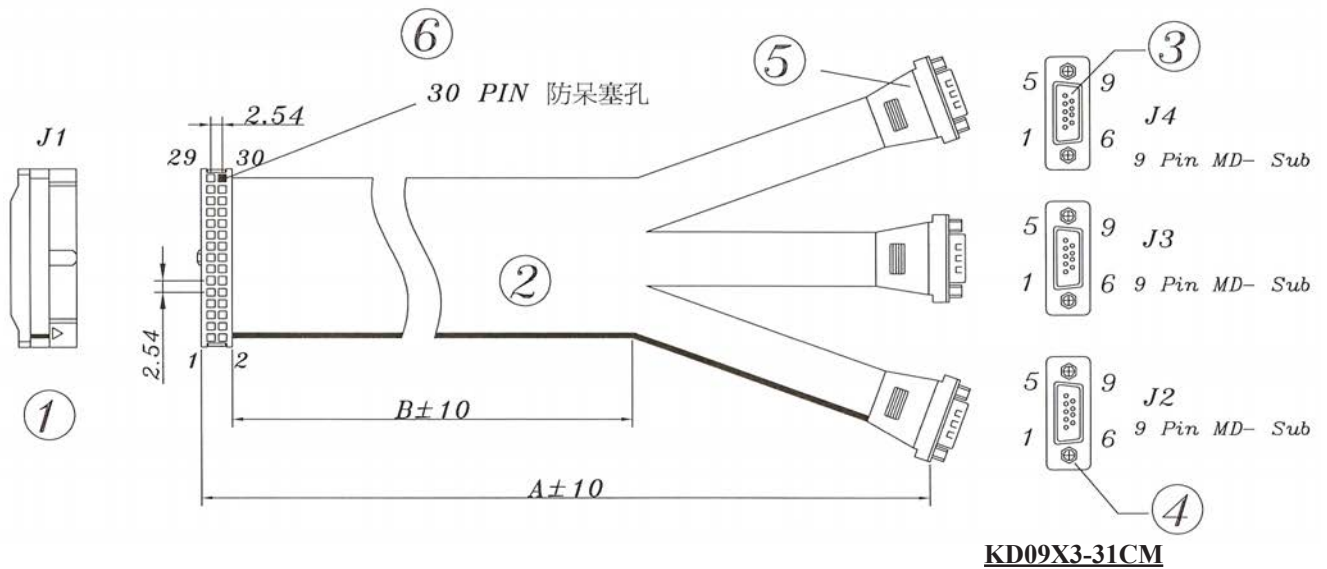
P/N KD0925B-30CM

FLAT CABLE DB9M + DB25F TO 2.54MM IDC SOCKETS 10P + 26P WITH STANDARD PROFILE(120MM) METAL SLOT BRACKET

P/N KD0926B-30CM

DITTO, BUT WITH LOW PROFILE(90MM) METAL SLOT BRACKET

1.27MM PITCH FLAT SPLITTER CABLE

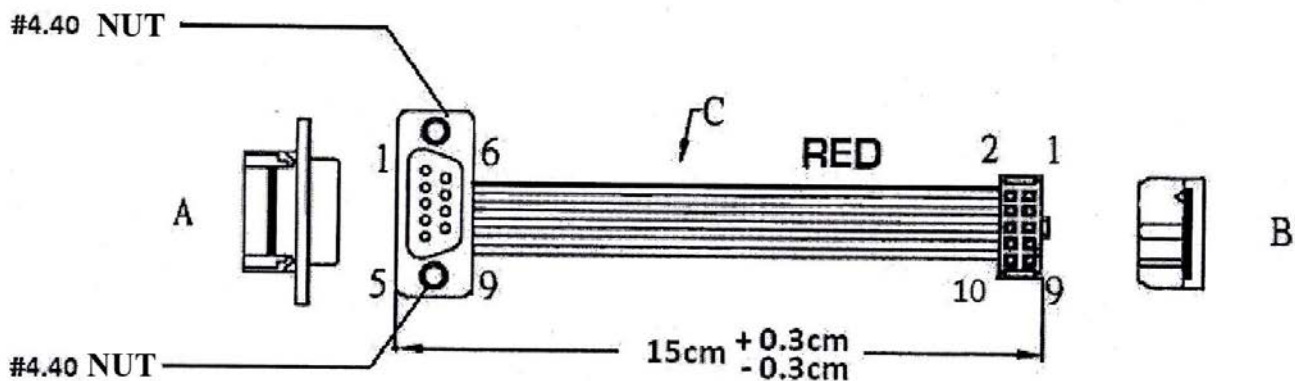


ORDERING INFORMATION:

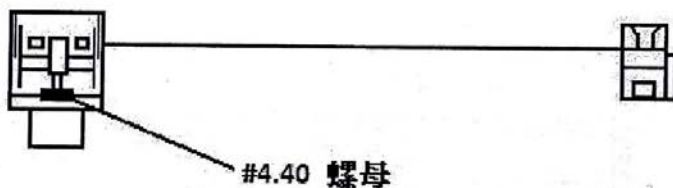
P/N K D 0 9 X 3 - A / B

FLAT CABLE 2.54MM IDC SOCKET 30 PIN WITH S.R. TO
3*DB9M WITH UNC4-40 NUTS, A&B= LENGTH IN CM

**1.27MM PITCH FLAT CABLE WITH 9, 15, 25, 37 PIN D-SUB. FEMALE TO
2.54MM 10, 16, 26, 40 PIN IDC SOCKET W/O S.R.**



A	1	6	2	7	3	8	4	9	5	NC
B	1	2	3	4	5	6	7	8	9	10

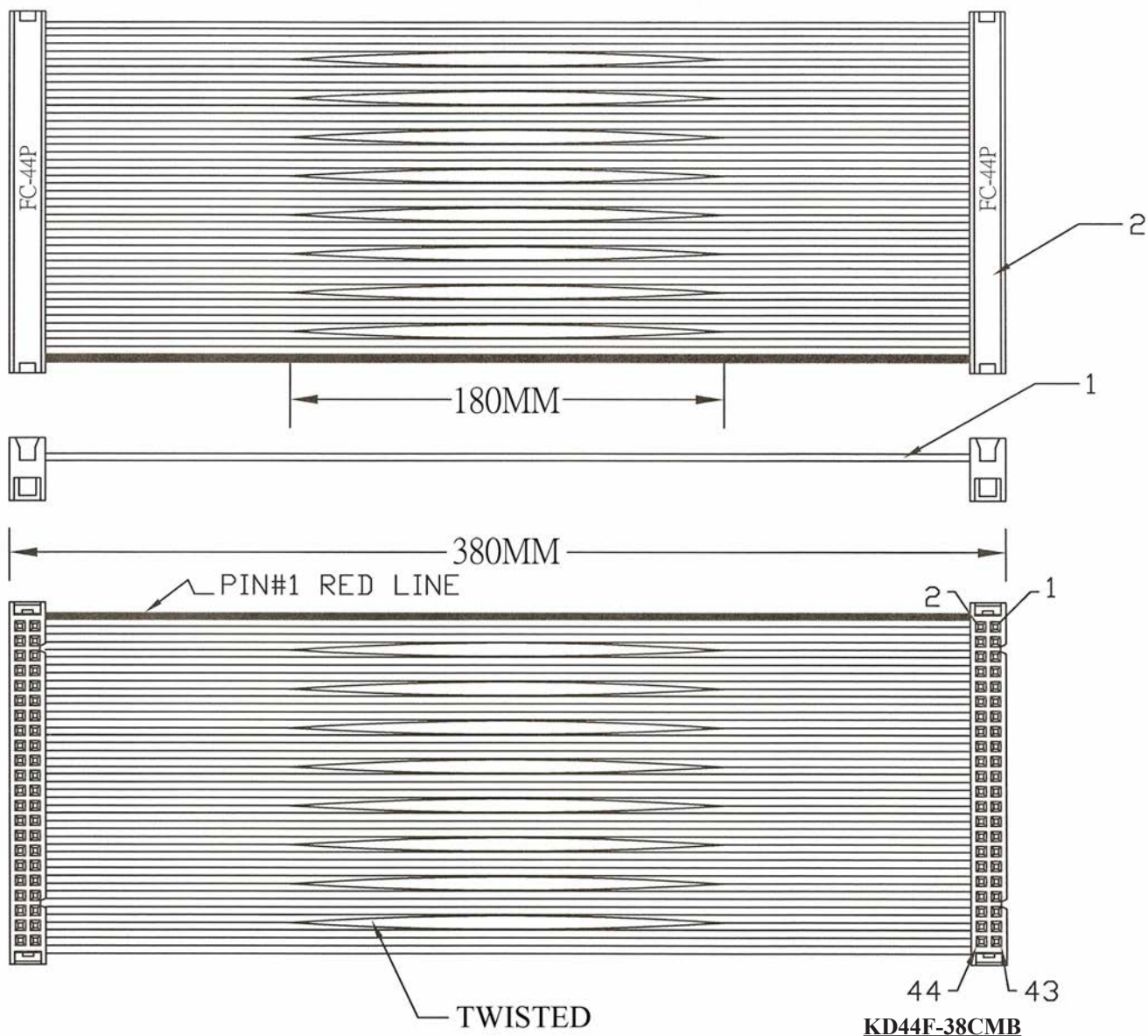


ORDERING INFORMATION:

P/N $\frac{KA}{1} \frac{xx}{2} \frac{LF}{3} - \frac{xx}{4} C M \frac{B}{5} \frac{x}{6}$

- | | |
|---|---|
| <p>1. FLAT CABLE TYPE:
"KA" 1.27MM AWG28 UL2651 VW-1
PVC INSULATION GRAY</p> <p>2. NO. OF CONTACTS:
10, 16, 26, 40 (IDC SOCKET)</p> <p>3. CONNECTORS AT TWO ENDS:
"LF" D-SUB. FEMALE IDC TYPE CONNECTOR
TO 2.54MM PITCH IDC SOCKET W/O S.R.</p> | <p>4. LENGTH IN CM (CENTIMETERS)</p> <p>5. COLOR OF IDC SOCKET:
"B" BLACK</p> <p>6. NUT OPTION AT END OF D-SUB. CONNECTOR:
"N" WITH UNC4-40 NUTS
"W" WITHOUT NUTS</p> |
|---|---|

FLAT CABLE WITH 2*44 PIN IDC SOCKETS



ORDERING INFORMATION:

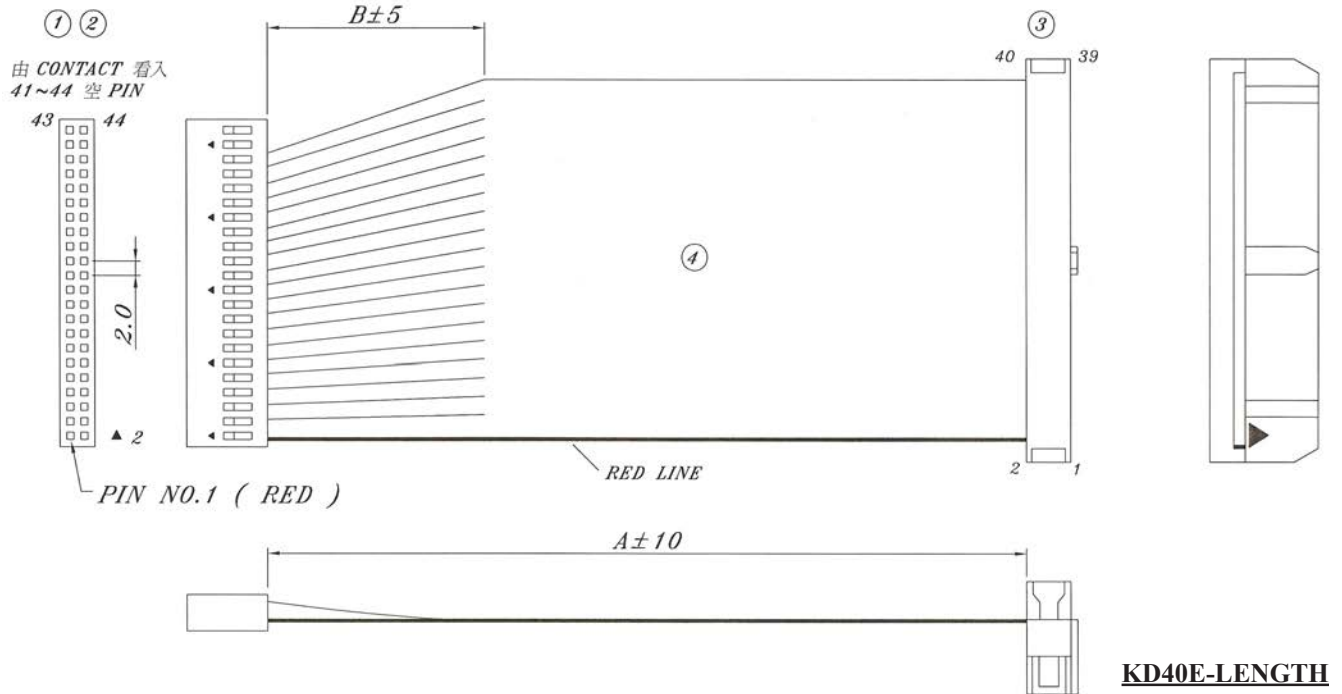
P/N KD44F - LENGTH

1.27MM PITCH FLAT CABLE WITH 2*2.54MM 44 PIN IDC SOCKETS LENGTH IN CM

P/N KD44G - LENGTH

1.00MM PITCH FLAT CABLE WITH 2*2.00MM 44 PIN IDC SOCKETS LENGTH IN CM

1.27MM PITCH FLAT CABLE FOR HARD DISK DRIVER



ORDERING INFORMATION:

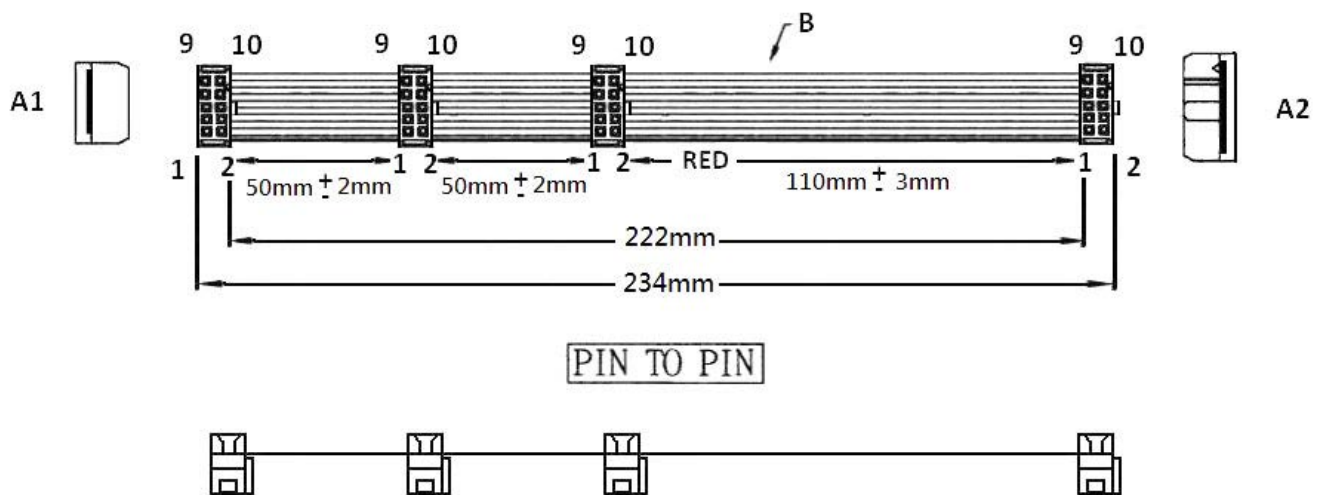
P/N K D 4 0 E - L E N G T H

2.54MM IDC SOCKET 40 PINS TO 2.00MM IDC SOCKET 44 PINS FOR
2.5" - 3.5" HARD DISK DRIVER

P/N K D 4 0 E - 2 3 C M

DITTO, A= 230CM

1.27MM PITCH FLAT CABLE WITH N*2.54MM PITCH IDC SOCKETS W/O S.R.



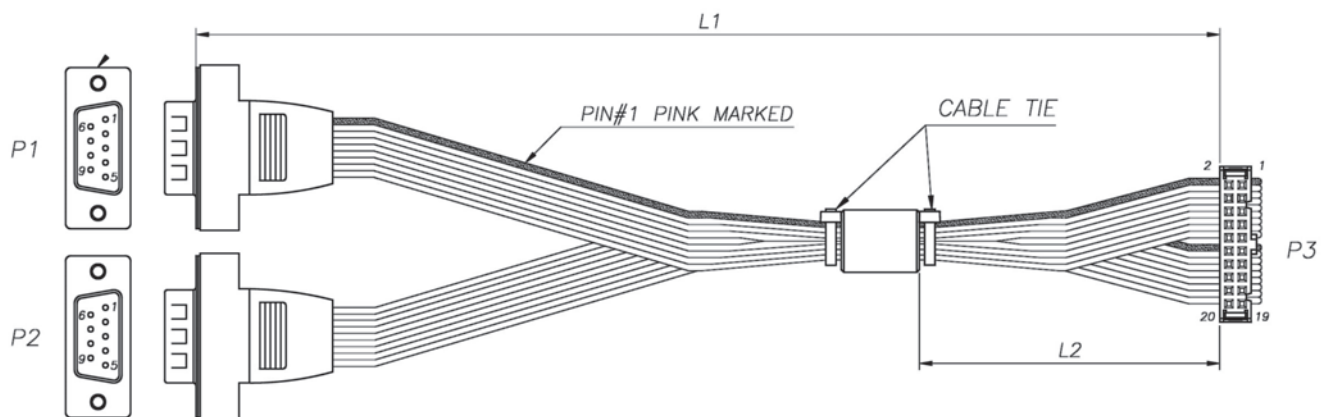
P/N KA10KL-23.4CM04

ORDERING INFORMATION:

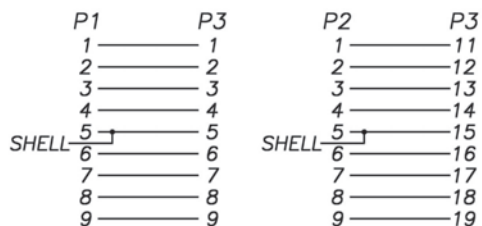
P/N $\frac{KA}{1} \frac{xx}{2} \frac{KL}{3} - \frac{xx}{4} CM \frac{B}{5} \frac{xx}{6}$

1. FLAT CABLE TYPE:
"KA" 1.27MM AWG28 UL2651 VW-1
PVC INSULATION GRAY
2. NO. OF CONTACTS:
06~64
3. CONNECTORS AT TWO ENDS:
"KL" 2.54MM IDC SOCKET W/O S.R.
TO (N-1) 2.54MM IDC SOCKETS W/O S.R.
4. LENGTH IN CM (CENTIMETERS)
5. COLOR OF TWO IDC CONNECTORS:
"B" BLACK
6. NO. OF IDC SOCKETS:
03~20

1.27MM PITCH I/O FLAT CABLE WITH 2*DB9M TO 2.54MM 20 PIN IDC SOCKET



WIRE DIAGRAM

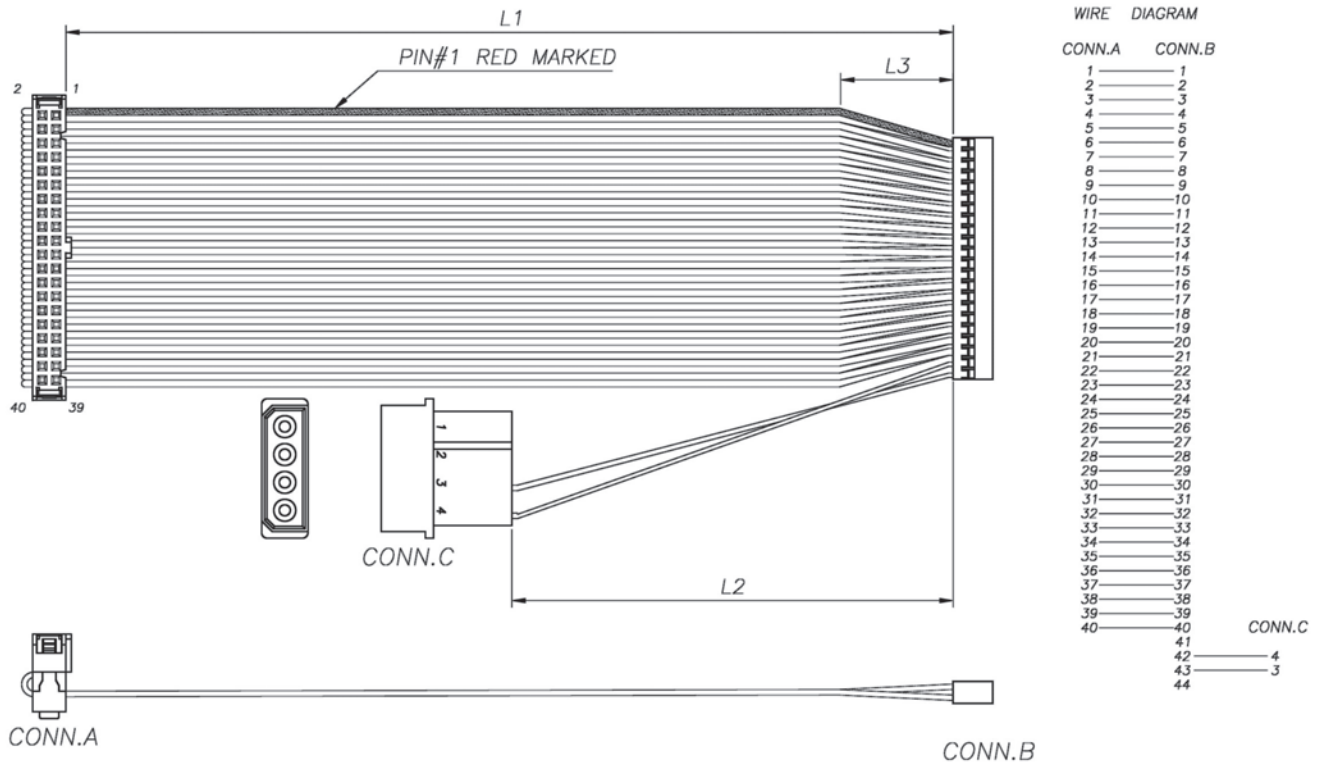


ORDERING INFORMATION:

P/N KD09X2 - $\frac{L1}{1} / \frac{L2}{2}$ CM

1. LENGTH L1 IN CM
2. LENGTH L2 IN CM

1.27MM PITCH IDE FLAT CABLE WITH 2.54MM 40 PIN IDC SOCKET TO 2.00MM 44 PIN DUAL ROW HOUSING & 4 PIN POWER HOUSING

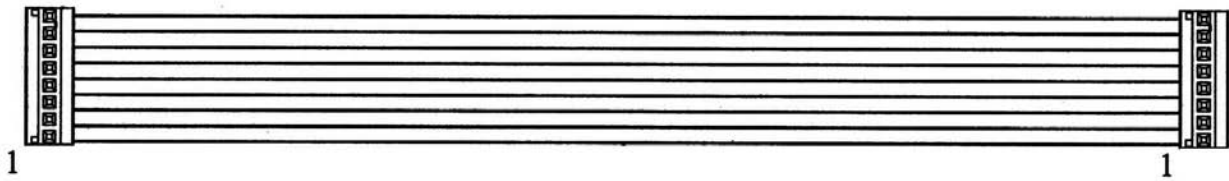


ORDERING INFORMATION:

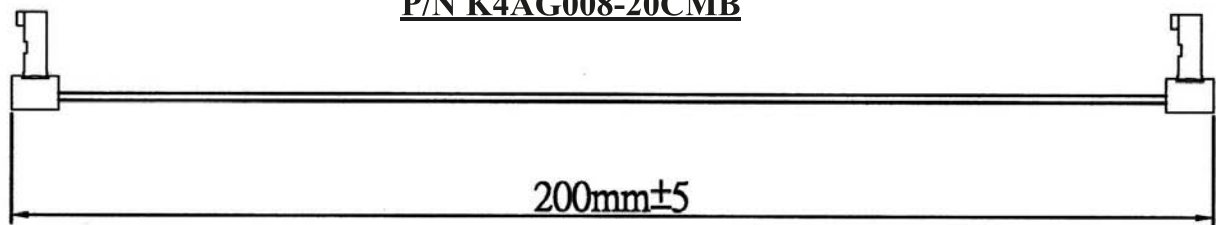
P/N **KD4044 - $\frac{L1}{1} / \frac{L2}{2}$ CM**

- 1. LENGTH L1 IN CM
- 2. LENGTH L2 IN CM

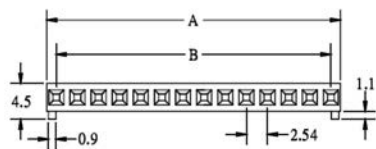
**2.54MM PITCH FLAT CABLE
WITH 2*2.54MM SINGLE ROW IDC SOCKETS (H=13.9MM)**



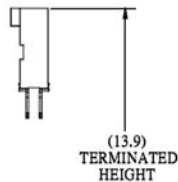
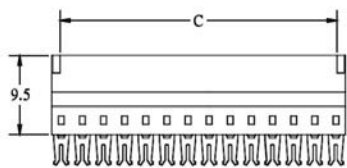
P/N K4AG008-20CMB



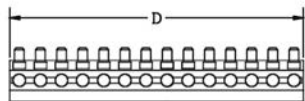
2.54MM PITCH IDC SOCKET SINGLE ROW NARROW TYPE



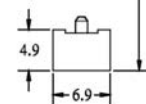
A=B+2.18
B=2.54*POSITIONS-2.54
C=B-0.02
D=B+2.48



NO. OF CONTACTS:
002, 003, 004, 005, 006,
007, 008, 009, 010, 011,
012, 013, 014, 015, 016,
017, 018, 019, 020, 021,
022, 023, 024



TYPE A (CLOSE END)



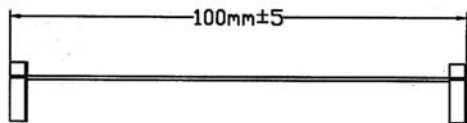
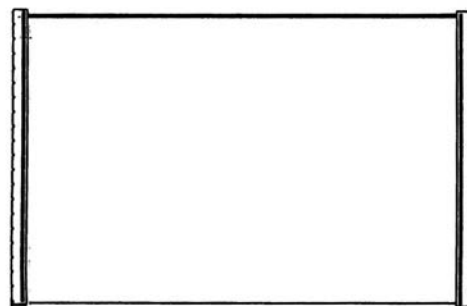
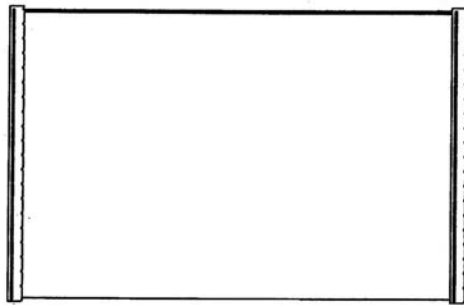
ORDERING INFORMATION:

P/N K $\frac{1}{x x x x x x}$ - $\frac{2}{x x}$ $\frac{3}{C M}$ $\frac{4}{B}$

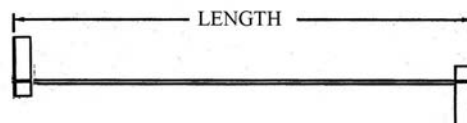
1. CONSTRUCTION TYPE:
4AG
2. NO. OF CONTACTS:
002~024
3. LENGTH IN CM (CENTIMETERS)
4. COLOR OF TWO IDC CONNECTORS:
"B" BLACK

NOTE: IDC SOCKET CAN'T BE SUPPLIED ALONE.

**2.54MM PITCH COLORED FLAT CABLE
WITH 2*2.54MM SINGLE ROW IDC SOCKETS (H=9.4MM)**

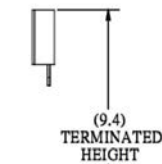
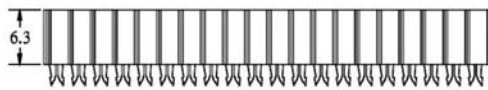
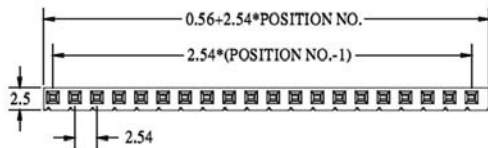


P/N K4AA020-10CMB

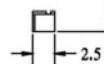


P/N K4AD020-xxCMB

2.54MM PITCH IDC SOCKET SINGLE ROW SLIM TYPE



NO. OF CONTACTS:
002, 003, 004, 005, 006, 007,
008, 009, 010, 011, 012, 013,
014, 015, 016, 017, 018, 019,
020, 021, 022, 023, 024, 025,
026, 027, 028, 029, 030, 031
032, 033, 034, 035, 036



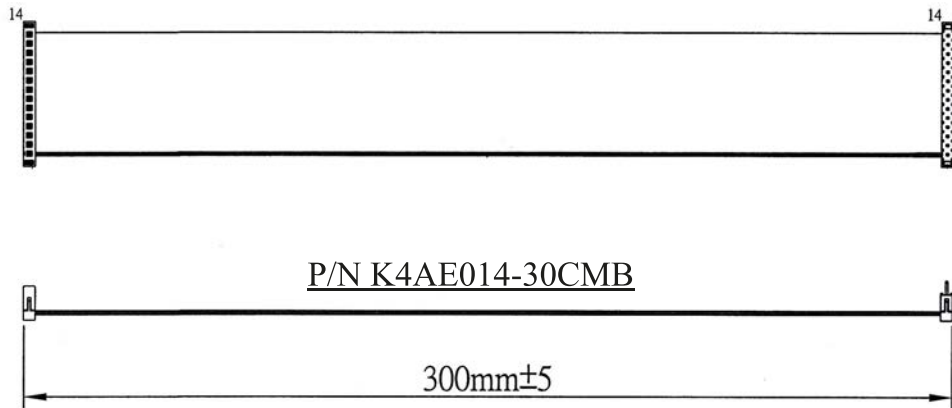
ORDERING INFORMATION:

P/N K $\frac{1}{x}$ $\frac{2}{x}$ $\frac{3}{x}$ $\frac{4}{x}$ - $\frac{x}{x}$ C M B

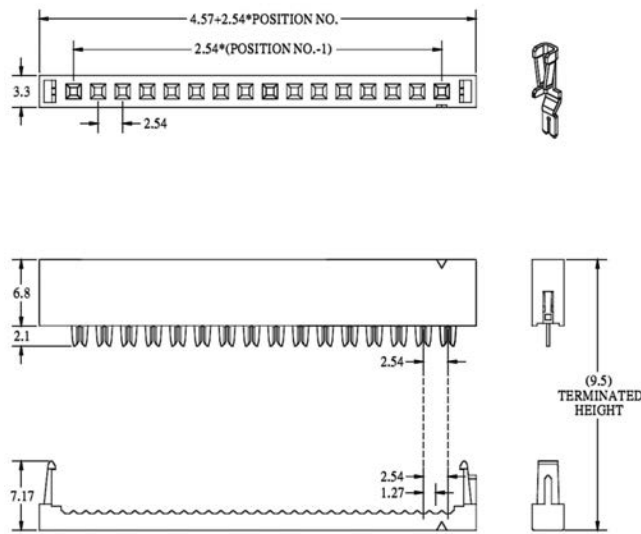
1. CONSTRUCTION TYPE:
4AA, 4AD
2. NO. OF CONTACTS:
002~036
3. LENGTH IN CM (CENTIMETERS)
4. COLOR OF TWO IDC CONNECTORS:
"B" BLACK

NOTE: IDC SOCKET CAN'T BE SUPPLIED ALONE.

2.54MM PITCH FLAT CABLE WITH 2.54MM SINGLE ROW IDC SOCKET (H=9.5MM) TO SINGLE ROW DIP PLUG (H=7.85MM)

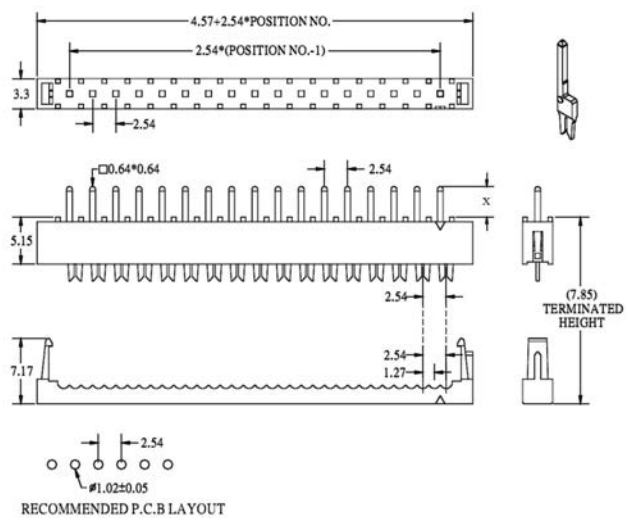


2.54MM SINGLE ROW IDC SOCKET



NO. OF CONTACTS:
003, 004, 005, 006, 007, 008,
009, 010, 011, 012, 013, 014,
015, 016, 017, 018, 019, 020,
021, 022, 023, 024, 025, 026,
027, 028, 029, 030, 031, 032,
033, 034, 035, 036

2.54MM SINGLE ROW DIP PLUG



X= PIN LENGTH

NO. OF CONTACTS:
003, 004, 005, 006, 007, 008,
009, 010, 011, 012, 013, 014,
015, 016, 017, 018, 019, 020,
021, 022, 023, 024, 025, 026,
027, 028, 029, 030, 031, 032,
033, 034, 035, 036

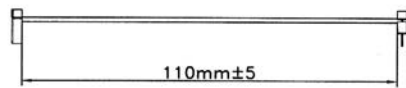
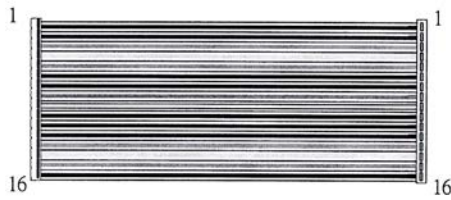
ORDERING INFORMATION:

P/N K 1 2 3 4 5 C M B X

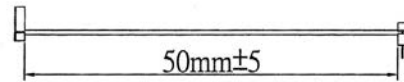
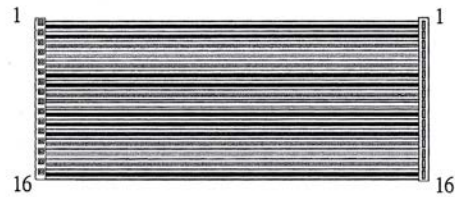
1. CONSTRUCTION TYPE:
4AE
2. NO. OF CONTACTS:
003~036
3. LENGTH IN CM (CENTIMETERS)
4. COLOR OF TWO IDC CONNECTORS:
"B" BLACK
5. PIN LENGTH OF DIP PLUG:
"3" X=3.10MM(STANDARD)
"6" X=5.95MM

NOTE: IDC SOCKET & DIP PLUG CAN'T BE SUPPLIED ALONE.

2.54MM PITCH COLORED FLAT CABLE WITH 2.54MM SINGLE ROW IDC SOCKET (H=9.4MM) TO SINGLE ROW DIP PLUG (H=6.1MM)

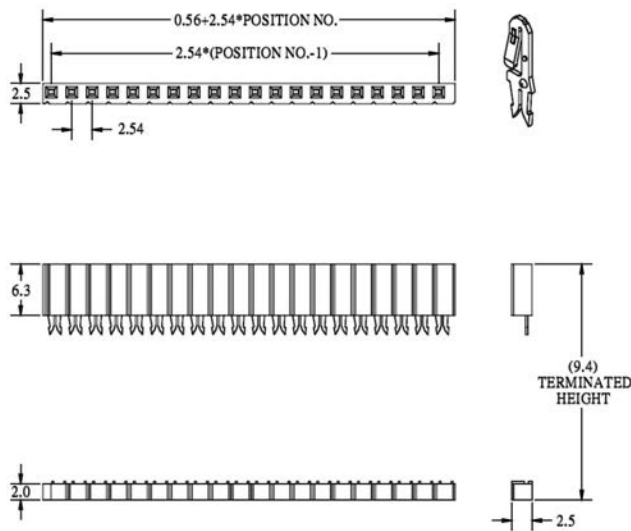


P/N K4AB016-11CMB



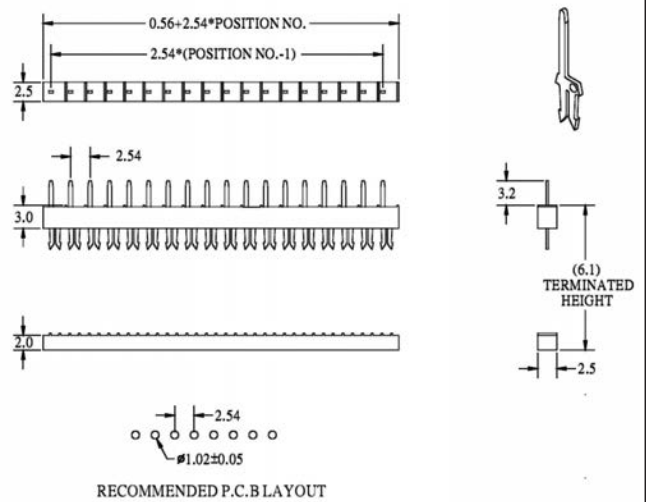
P/N K4AC016-05CMB

2.54MM SINGLE ROW IDC SOCKET SLIM TYPE



NO. OF CONTACTS:
002, 003, 004, 005, 006, 007,
008, 009, 010, 011, 012, 013,
014, 015, 016, 017, 018, 019,
020, 021, 022, 023, 024, 025,
026, 027, 028, 029, 030, 031,
032, 033, 034, 035, 036

2.54MM SINGLE ROW DIP PLUGS SLIM TYPE



X= PIN LENGTH

NO. OF CONTACTS:
002, 003, 004, 005, 006, 007,
008, 009, 010, 011, 012, 013,
014, 015, 016, 017, 018, 019,
020, 021, 022, 023, 024, 025,
026, 027, 028, 029, 030, 031,
032, 033, 034, 035, 036

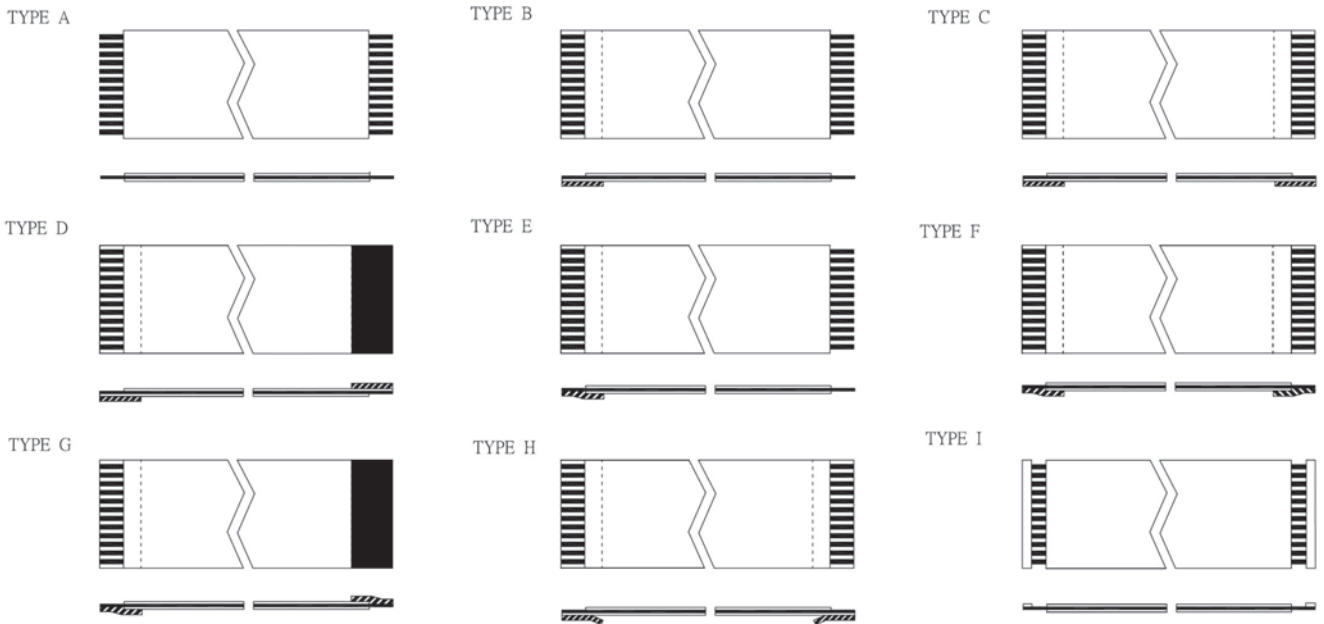
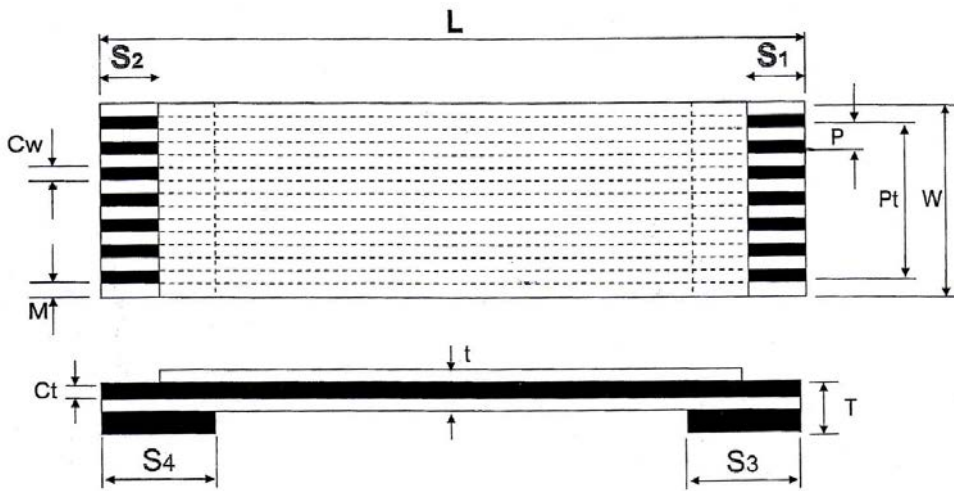
ORDERING INFORMATION:

P/N K 1 2 3 4 C M B

1. CONSTRUCTION TYPE:
4AB, 4AC
2. NO. OF CONTACTS:
002~036
3. LENGTH IN CM (CENTIMETERS)
4. COLOR OF TWO IDC CONNECTORS:
"B" BLACK

NOTE: IDC SOCKET & DIP PLUG CAN'T BE SUPPLIED ALONE.

FLEXIBLE FLAT CABLE UL APPROVED



ORDERING INFORMATION:

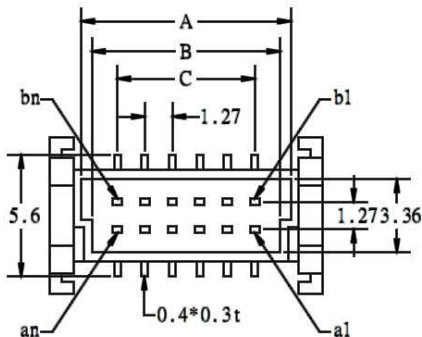
CODE: F F C $\frac{1}{1}$ $\frac{00}{2}$ C $\frac{16}{3}$ - $\frac{100}{4}$ ($\frac{S1/S2}{5}$ / $\frac{S3/S4}{6}$) $\frac{xxx}{7}$

PLEASE GIVE US A CODE, THEN WE WILL GIVE YOU

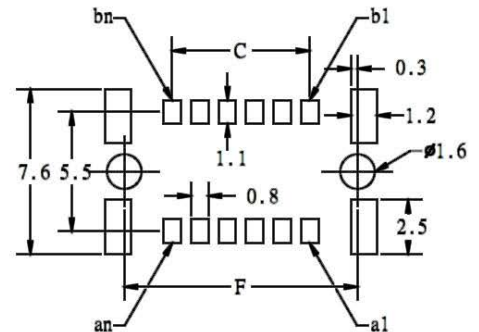
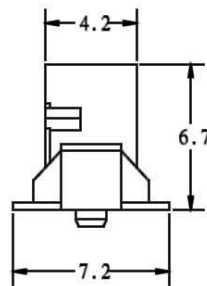
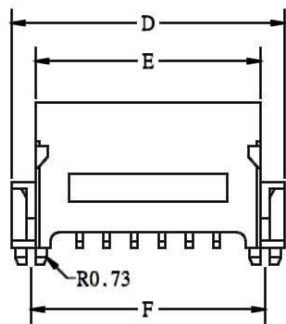
P/N K $\frac{xxx}{YY}$ $\frac{xxx}{MM}$ $\frac{xxx}{DD}$ - $\frac{xxx}{4}$ M M

- CABLE PITCH:
 - "050" 0.50MM (Cw = 0.3MM)
 - "100" 1.00MM (Cw = 0.6MM)
 - "125" 1.25MM (Cw = 0.7MM)
 - "254" 2.54MM (Cw = 1.27MM)
 - CONSTRUCTION TYPE:
 - A, B, C, D, E, F, G, H, I
 - NO. OF CONDUCTORS:
 - 03~80
 - TOTAL CABLE LENGTH L (UNIT: mm)
 - 050, 100, 200, ...etc.
 - STRIP LENGTH S1/S2 (UNIT: mm)
 - 3, 4, 5, 6, 8
 - SUPPORT TAPE LENGTH S3/S4 (UNIT: mm)
 - 6, 8, 10, 12, 16
 - CONDUCTOR THICKNESS (UNIT: mm)
 - "050" FLEXIBLE Ct = 0.05MM
 - "035" SUPER FLEXIBLE Ct = 0.035MM
 - "100" LOW FLEXIBLE Ct = 0.10MM
- NOTE: S3/S4 are usually longer than S1/S2.

1.27MM*1.27MM PITCH BOX HEADER STRAIGHT SMT TYPE WITH UNDERCUT H=6.7MM



POSITION	A	B	C	D	E	F
6	5.87	4.89	2.54	8.79	6.59	7.00
8	7.14	6.16	3.81	10.06	7.86	8.27
10	8.41	7.43	5.08	11.33	9.13	9.54
12	9.68	8.70	6.35	12.60	10.40	10.81
14	10.95	9.97	7.62	13.87	11.67	12.08
16	12.22	11.24	8.89	15.14	12.94	13.35
20	14.76	13.78	11.43	17.68	15.48	15.89
22	16.03	15.05	12.70	18.95	16.75	17.16
26	18.57	17.59	15.24	21.49	19.29	19.70
30	21.11	20.13	17.78	24.03	21.83	22.24
34	23.65	22.67	20.32	26.57	24.37	24.78
40	27.46	26.48	24.13	30.38	28.18	25.59
44	30.00	29.02	26.67	32.92	30.72	31.13
50	33.81	32.83	30.48	36.73	34.53	34.96
60	40.16	39.18	36.83	43.08	40.88	41.29
68	45.24	44.26	41.91	48.16	45.96	46.37
80	52.86	51.88	49.53	55.78	53.58	53.99



RECOMMENDED P. C. B LAYOUT

ORDERING INFORMATION:

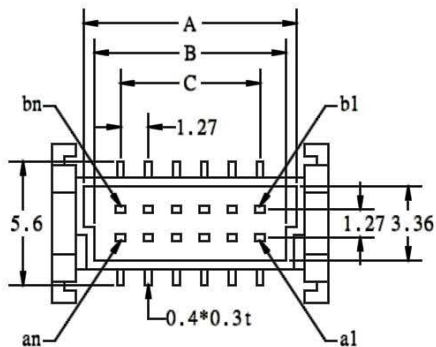
P/N 1 2 7 $\frac{13}{1}$ - $\frac{x}{2}$ $\frac{x}{3}$ $\frac{x}{4}$ $\frac{S}{5}$ B - $\frac{x}{5}$

- CONNECT TYPE:
"13" STRAIGHT SMT TYPE H=6.7MM
- NO. OF CONTACTS:
006~080
- CONTACT FINISH:
"S" SELECTIVE GOLD PLATED
- INSULATOR COLOR:
"B" BLACK

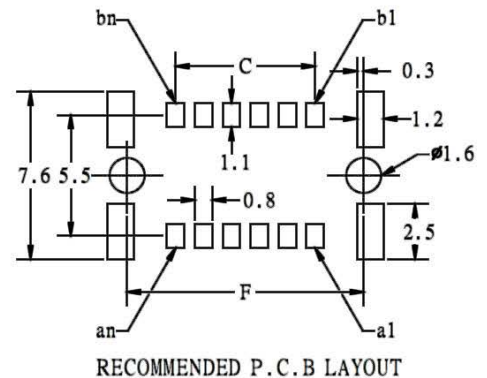
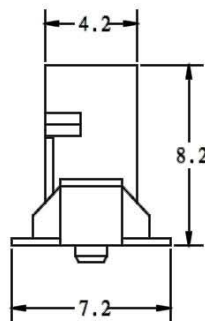
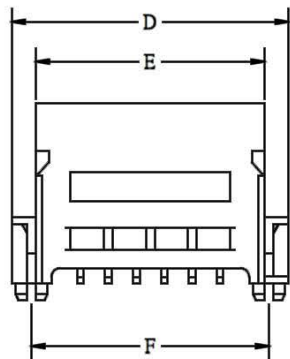
- PACKAGE OPTION:
"T" WITHOUT PAD IN TUBE
"P" WITH PAD IN TUBE
"Q" WITH PAD IN TAPE & REEL

NOTE: THEY CAN BE SUPPLIED ONLY TOGETHER WITH THE ORDER OF MATED FLAT CABLE ASSEMBLIES K1AE

1.27MM*1.27MM PITCH BOX HEADER STRAIGHT SMT TYPE WITH UNDERCUT H=8.2MM



POSITION	A	B	C	D	E	F
6	5.87	4.89	2.54	8.79	6.59	7.00
8	7.14	6.16	3.81	10.06	7.86	8.27
10	8.41	7.43	5.08	11.33	9.13	9.54
12	9.68	8.70	6.35	12.60	10.40	10.81
14	10.95	9.97	7.62	13.87	11.67	12.08
16	12.22	11.24	8.89	15.14	12.94	13.35
20	14.76	13.78	11.43	17.68	15.48	15.89
22	16.03	15.05	12.70	18.95	16.75	17.16
26	18.57	17.59	15.24	21.49	19.29	19.70
30	21.11	20.13	17.78	24.03	21.83	22.24
34	23.65	22.67	20.32	26.57	24.37	24.78
40	27.46	26.48	24.13	30.38	28.18	25.59
44	30.00	29.02	26.67	32.92	30.72	31.13
50	33.81	32.83	30.48	36.73	34.53	34.96
60	40.16	39.18	36.83	43.08	40.88	41.29
68	45.24	44.26	41.91	48.16	45.96	46.37
80	52.86	51.88	49.53	55.78	53.58	53.99



ORDERING INFORMATION:

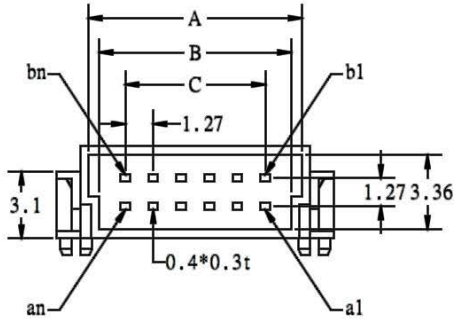
P/N 1 2 7 $\frac{14}{1}$ - $\frac{x}{2}$ $\frac{x}{3}$ $\frac{B}{4}$ - $\frac{x}{5}$

- CONNECT TYPE:
"14" STRAIGHT SMT TYPE H=8.2MM
- NO. OF CONTACTS:
006~080
- CONTACT FINISH:
"S" SELECTIVE GOLD PLATED
- INSULATOR COLOR:
"B" BLACK

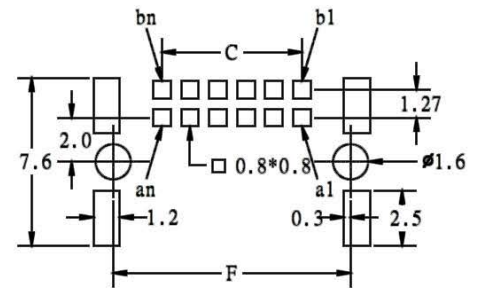
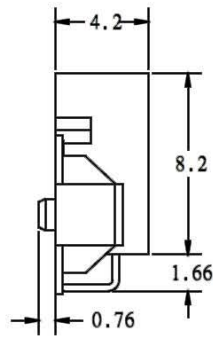
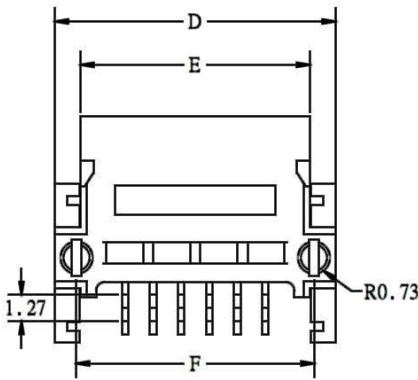
- PACKAGE OPTION:
"T" WITHOUT PAD IN TUBE
"P" WITH PAD IN TUBE
"Q" WITH PAD IN TAPE & REEL

NOTE: THEY CAN BE SUPPLIED ONLY TOGETHER WITH THE ORDER OF MATED FLAT CABLE ASSEMBLIES K1AE

1.27MM*1.27MM PITCH BOX HEADER RIGHT ANGLE SMT TYPE WITH UNDERCUT



POSITION	A	B	C	D	E	F
6	5.87	4.89	2.54	8.79	6.59	7.00
8	7.14	6.16	3.81	10.06	7.86	8.27
10	8.41	7.43	5.08	11.33	9.13	9.54
12	9.68	8.70	6.35	12.60	10.40	10.81
14	10.95	9.97	7.62	13.87	11.67	12.08
16	12.22	11.24	8.89	15.14	12.94	13.35
20	14.76	13.78	11.43	17.68	15.48	15.89
22	16.03	15.05	12.70	18.95	16.75	17.16
26	18.57	17.59	15.24	21.49	19.29	19.70
30	21.11	20.13	17.78	24.03	21.83	22.24
34	23.65	22.67	20.32	26.57	24.37	24.78
40	27.46	26.48	24.13	30.38	28.18	25.59
44	30.00	29.02	26.67	32.92	30.72	31.13
50	33.81	32.83	30.48	36.73	34.53	34.96
60	40.16	39.18	36.83	43.08	40.88	41.29
68	45.24	44.26	41.91	48.16	45.96	46.37
80	52.86	51.88	49.53	55.78	53.58	53.99



RECOMMENDED P. C. B LAYOUT

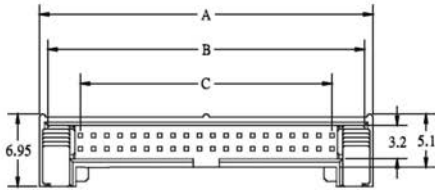
ORDERING INFORMATION:

P/N 1 2 7 $\frac{15}{1}$ - $\frac{x}{2}$ $\frac{x}{3}$ $\frac{x}{4}$ $\frac{S}{5}$ B - $\frac{x}{5}$

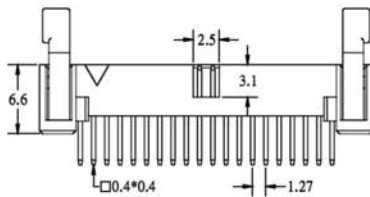
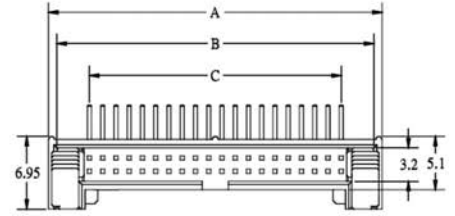
- CONNECT TYPE:
"15" R/A SMT TYPE
- NO. OF CONTACTS:
006~080
- CONTACT FINISH:
"S" SELECTIVE GOLD PLATED
- INSULATOR COLOR:
"B" BLACK
- PACKAGE OPTION:
"T" WITHOUT PAD IN TUBE
"R" WITHOUT PAD IN TAPE & REEL

NOTE: THEY CAN BE SUPPLIED ONLY TOGETHER WITH THE ORDER OF MATED FLAT CABLE ASSEMBLIES
K1AE

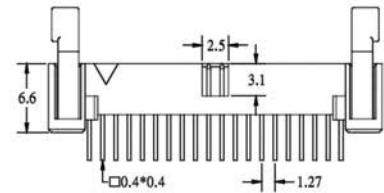
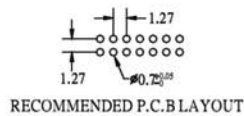
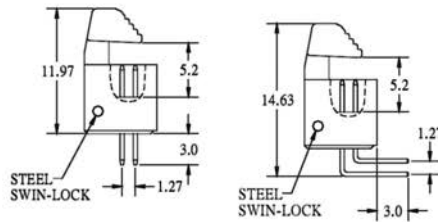
1.27MM*1.27MM PITCH SHRUNK SHROUDED HEADER DIP TYPE



POSITION	A	B	C
6	10.37	8.77	2.54
8	11.64	10.04	3.81
10	12.91	11.31	5.08
12	14.18	12.58	6.35
14	15.45	13.85	7.62
16	16.72	15.12	8.89
20	19.26	17.66	11.43
22	20.53	18.93	12.70
26	23.07	21.47	15.24
30	25.61	24.01	17.78
34	28.15	26.55	20.32
40	31.96	30.36	24.13
44	34.50	32.90	26.67
50	38.31	36.71	30.48
60	44.66	43.06	36.83
68	49.74	48.14	41.91
80	57.36	55.76	49.53



P/N 12721-xxxSB



P/N 12722-xxxSB

ORDERING INFORMATION:

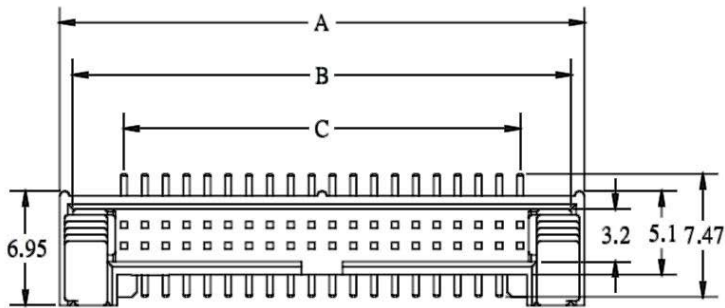
P/N 1 2 7 $\frac{x}{1}$ x - $\frac{x}{2}$ x x $\frac{S}{3}$ $\frac{B}{4}$ - $\frac{x}{5}$

- CONNECT TYPE:
"21" STRAIGHT DIP TYPE
"22" RIGHT ANGLE DIP TYPE
- NO. OF CONTACTS:
006~080
- CONTACT FINISH:
"S" SELECTIVE GOLD PLATED
- INSULATOR COLOR:
"B" BLACK

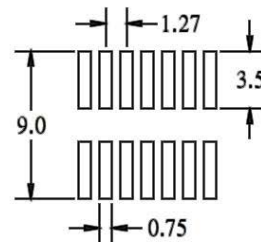
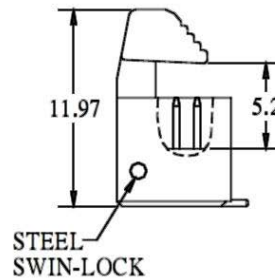
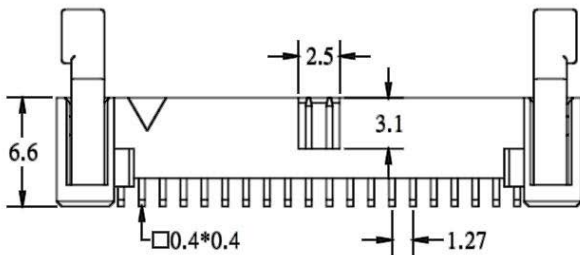
NOTE: THEY CAN BE SUPPLIED ONLY TOGETHER WITH THE ORDER OF MATED FLAT CABLE ASSEMBLIES

K1DG/CY/DE/DF/DC/DH, K1DB/CV/CW/DA, K1AF/AG/AH/AJ/AK/AL, K1CD/CE/CF/CG,
K1BE/BF/BG/BH, K1CD/CE/CF/CG, K1BN/BP (SEE PAGE

1.27MM*1.27MM PITCH SHRUNK SHROUDED HEADER SMT TYPE



POSITION	A	B	C
6	10.37	8.77	2.54
8	11.64	10.04	3.81
10	12.91	11.31	5.08
12	14.18	12.58	6.35
14	15.45	13.85	7.62
16	16.72	15.12	8.89
20	19.26	17.66	11.43
22	20.53	18.93	12.70
26	23.07	21.47	15.24
30	25.61	24.01	17.78
34	28.15	26.55	20.32
40	31.96	30.36	24.13
44	34.50	32.90	26.67
50	38.31	36.71	30.48
60	44.66	43.06	36.83
68	49.74	48.14	41.91
80	57.36	55.76	49.53



RECOMMENDED P.C.B LAYOUT

ORDERING INFORMATION:

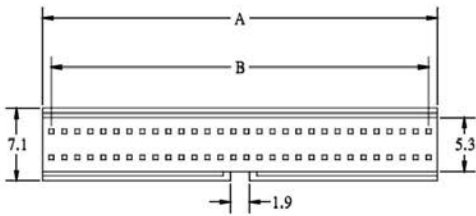
P/N 1 2 7 $\frac{23}{1}$ - $\frac{x}{2}$ $\frac{x}{3}$ $\frac{x}{4}$ $\frac{S}{5}$ B - $\frac{x}{5}$

- | | |
|---|---|
| 1. CONNECT TYPE:
"23" SMT TYPE | 4. INSULATOR COLOR:
"B" BLACK |
| 2. NO. OF CONTACTS:
006~080 | 5. PACKAGE OPTION:
"T" WITHOUT PAD IN TUBE |
| 3. CONTACT FINISH:
"S" SELECTIVE GOLD PLATED | "P" WITH PAD IN TUBE |
| | "Q" WITH PAD IN TAPE & REEL |

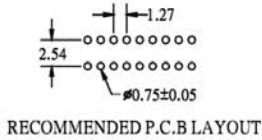
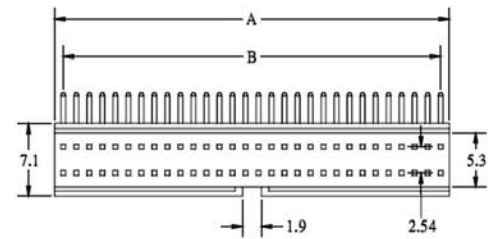
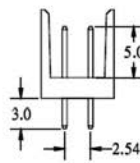
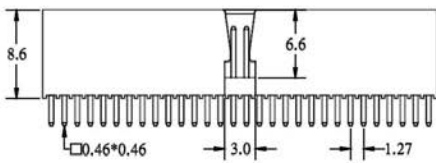
NOTE: THEY CAN BE SUPPLIED ONLY TOGETHER WITH THE ORDER OF MATED FLAT CABLE ASSEMBLIES

K1DG/CY/DE/DF/DC/DH, K1DB/CV/CW/DA, K1AF/AG/AH/AJ/AK/AL, K1CD/CE/CF/CG, K1BE/BF/BG/BH, K1CD/CE/CF/CG, K1BN/BP

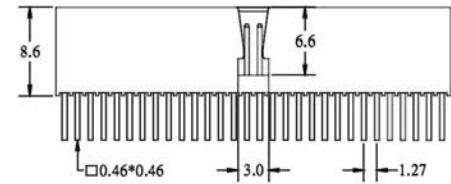
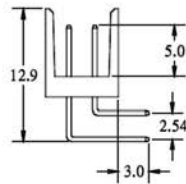
1.27MM*2.54MM PITCH SHRUNK BOX HEADER DIP TYPE



POSITION	A	B
10	6.77	5.08
20	13.12	11.43
26	16.93	15.24
30	19.47	17.78
34	22.01	20.32
40	25.82	24.13
50	32.17	30.48
60	38.52	36.83
68	43.60	41.91
80	51.22	49.53
100	63.92	62.23



P/N 12751-xxxSB



P/N 12752-xxxSB

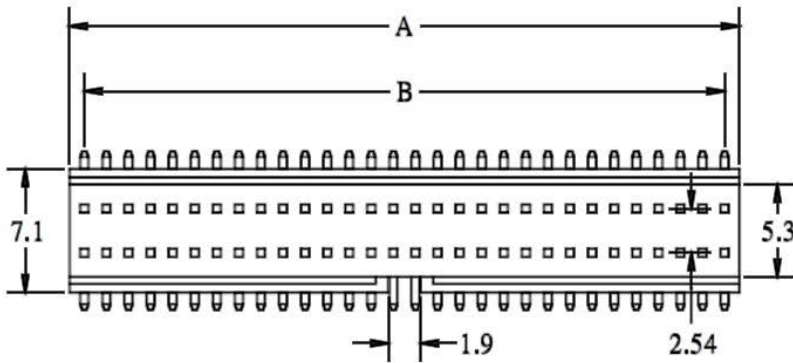
ORDERING INFORMATION:

P/N 1 2 7 $\frac{x}{1}$ - $\frac{x}{2}$ x $\frac{S}{3}$ $\frac{B}{4}$

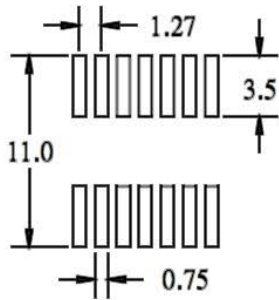
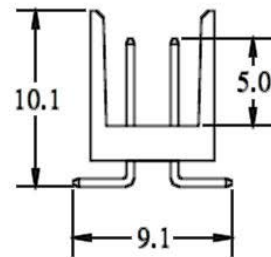
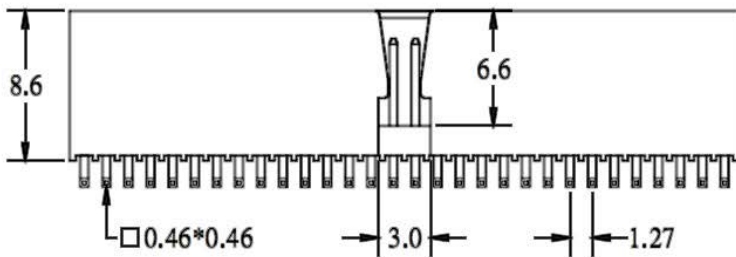
- CONNECT TYPE:
"51" STRAIGHT DIP TYPE
"52" RIGHT ANGLE DIP TYPE
- NO. OF CONTACTS:
010~100
- CONTACT FINISH:
"S" SELECTIVE GOLD PLATED
- INSULATOR COLOR:
"B" BLACK

NOTE: THEY CAN BE SUPPLIED ONLY TOGETHER WITH THE ORDER OF MATED FLAT CABLE ASSEMBLIES
K1GA/GB/GC/GD/GE/GF, K1FV/FW/FY/FZ

1.27MM*2.54MM PITCH SHRUNK BOX HEADER SMT TYPE



POSITION	A	B
10	6.77	5.08
20	13.12	11.43
26	16.93	15.24
30	19.47	17.78
34	22.01	20.32
40	25.82	24.13
50	32.17	30.48
60	38.52	36.83
68	43.60	41.91
80	51.22	49.53
100	63.92	62.23



RECOMMENDED P.C.B LAYOUT

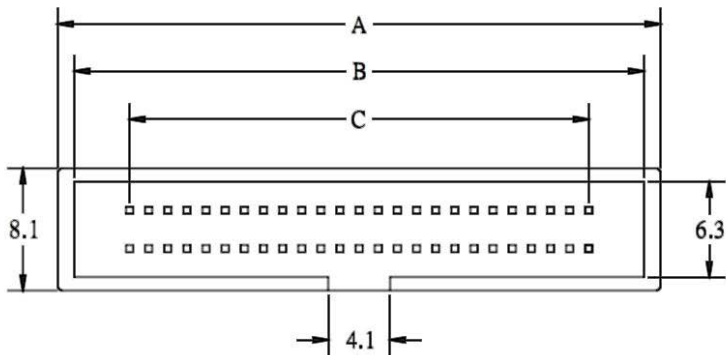
ORDERING INFORMATION:

P/N 1 2 7 $\frac{53}{1}$ - $\frac{x}{2}$ $\frac{x}{3}$ $\frac{x}{4}$ $\frac{S}{5}$ B - x

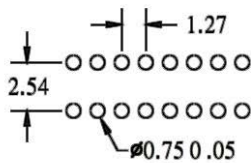
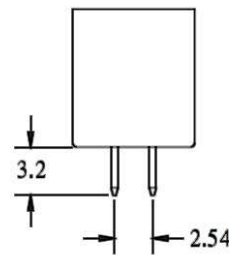
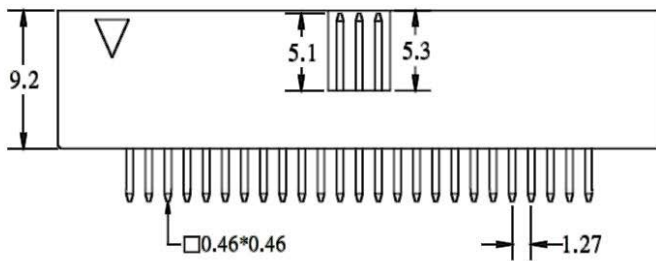
- CONNECT TYPE:
"53" SMT TYPE
- NO. OF CONTACTS:
010~100
- CONTACT FINISH:
"S" SELECTIVE GOLD PLATED
- INSULATOR COLOR:
"B" BLACK
- PACKAGE OPTION:
"T" WITHOUT PAD IN TUBE
"P" WITH PAD IN TUBE
"Q" WITH PAD IN TAPE & REEL

NOTE: THEY CAN BE SUPPLIED ONLY TOGETHER WITH THE ORDER OF MATED FLAT CABLE ASSEMBLIES
K1GA/GB/GC/GD/GE/GF, K1FV/FW/FY/FZ

1.27MM*2.54MM PITCH BOX HEADER STRAIGHT DIP TYPE



POSITION	A	B	C
10	14.60	12.40	5.08
20	20.95	18.75	11.43
26	24.76	22.56	15.24
30	27.30	25.10	17.78
34	29.84	27.64	20.32
40	33.65	31.45	24.13
50	40.00	36.86	30.48
60	46.35	44.15	36.83
68	51.43	49.23	41.91
80	59.05	56.85	49.53
100	71.75	69.55	62.23



RECOMMENDED P.C.B LAYOUT

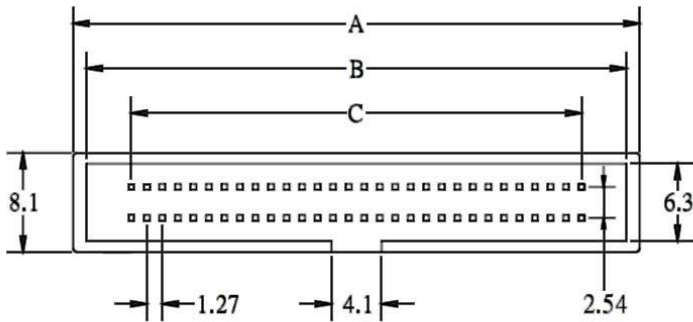
ORDERING INFORMATION:

P/N 1 2 7 54 - x x x S B
 1 2 3 4

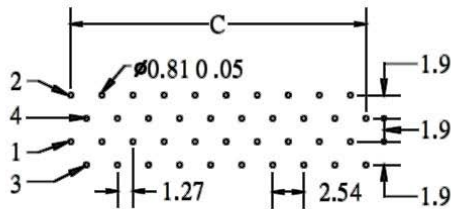
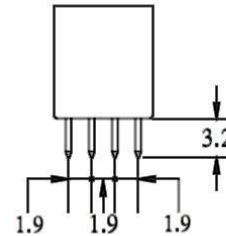
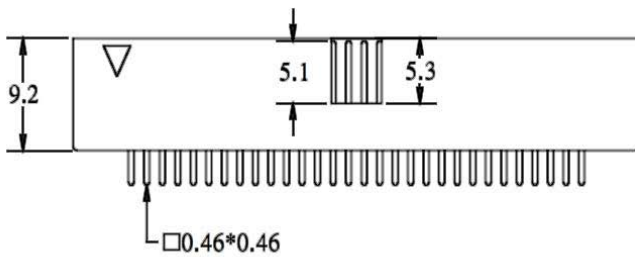
1. CONNECT TYPE:
"54" STRAIGHT DIP TYPE
2. NO. OF CONTACTS:
010~100
3. CONTACT FINISH:
"S" SELECTIVE GOLD PLATED
4. INSULATOR COLOR:
"B" BLACK

NOTE: THEY CAN BE SUPPLIED ONLY TOGETHER WITH THE ORDER OF MATED FLAT CABLE ASSEMBLIES
 K1HA/HB/HC/HD

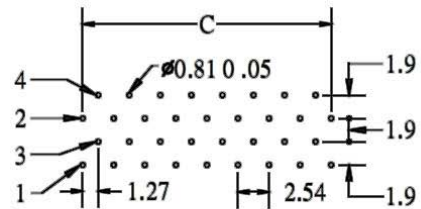
1.27MM*2.54MM PITCH BOX HEADER STRAIGHT DIP TYPE



POSITION	A	B	C
10	14.60	12.40	5.08
20	20.95	18.75	11.43
26	24.76	22.56	15.24
30	27.30	25.10	17.78
34	29.84	27.64	20.32
40	33.65	31.45	24.13
50	40.00	36.86	30.48
60	46.35	44.15	36.83
68	51.43	49.23	41.91
80	59.05	56.85	49.53
100	71.75	69.55	62.23



P.C. BOARD LAYOUT FOR
20,40,60,68,80,100



P.C. BOARD LAYOUT FOR
10,26,30,34,50,70,90

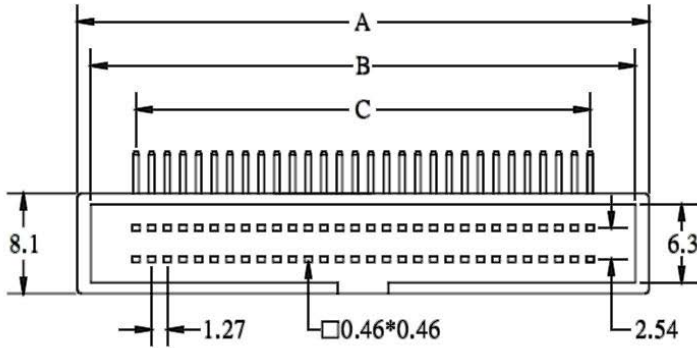
ORDERING INFORMATION:

P/N 1 2 7 55 - x x x S B
1 2 3 4

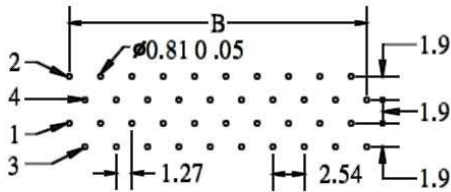
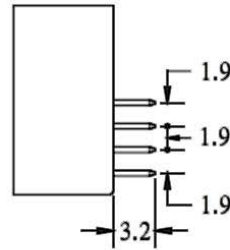
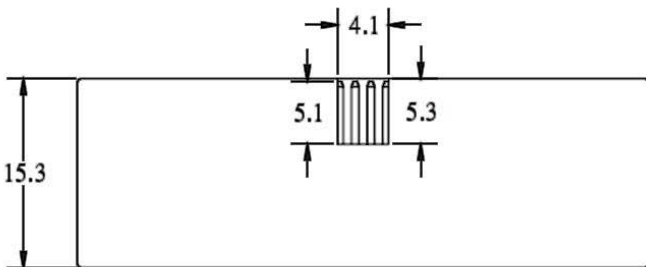
1. CONNECT TYPE:
"55" STRAIGHT DIP TYPE
2. NO. OF CONTACTS:
010~100
3. CONTACT FINISH:
"S" SELECTIVE GOLD PLATED
4. INSULATOR COLOR:
"B" BLACK

NOTE: THEY CAN BE SUPPLIED ONLY TOGETHER WITH THE ORDER OF MATED FLAT CABLE ASSEMBLIES
K1HA/HB/HC/HD

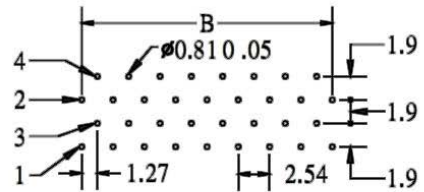
1.27MM*2.54MM PITCH BOX HEADER RIGHT ANGLE DIP TYPE



POSITION	A	B	C
10	14.60	12.40	5.08
20	20.95	18.75	11.43
26	24.76	22.56	15.24
30	27.30	25.10	17.78
34	29.84	27.64	20.32
40	33.65	31.45	24.13
50	40.00	36.86	30.48
60	46.35	44.15	36.83
68	51.43	49.23	41.91
80	59.05	56.85	49.53
100	71.75	69.55	62.23



P.C. BOARD LAYOUT FOR
20,40,60,68,80,100



P.C. BOARD LAYOUT FOR
10,26,30,34,50,70,90

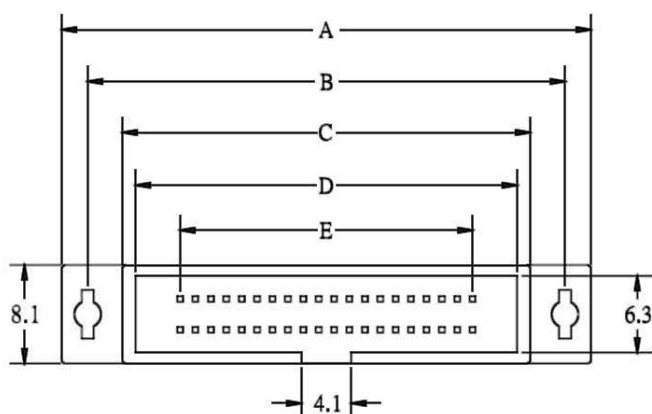
ORDERING INFORMATION:

P/N 1 2 7 56 - x x x S B
1 2 3 4

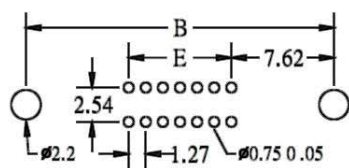
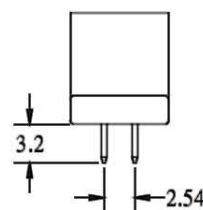
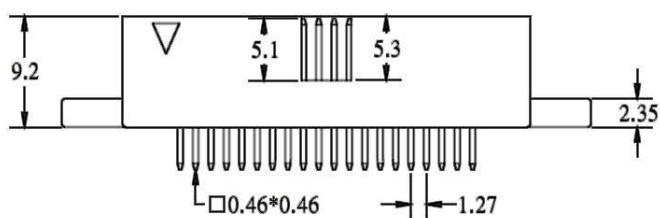
- CONNECT TYPE:
"56" RIGHT ANGLE DIP TYPE
- NO. OF CONTACTS:
010~100
- CONTACT FINISH:
"S" SELECTIVE GOLD PLATED
- INSULATOR COLOR:
"B" BLACK

NOTE: THEY CAN BE SUPPLIED ONLY TOGETHER WITH THE ORDER OF MATED FLAT CABLE ASSEMBLIES
K1HA/HB/HC/HD

1.27MM*2.54MM PITCH BOX HEADER STRAIGHT DIP TYPE WITH MOUNTING EARS



POSITION	A	B	C	D	E
10	24.60	20.32	14.60	12.40	5.08
20	30.95	26.67	20.95	18.75	11.43
26	34.76	30.48	24.76	22.56	15.24
30	37.30	33.02	27.30	25.10	17.78
34	39.84	35.56	29.84	27.64	20.32
40	43.65	39.37	33.65	31.45	24.13
50	50.00	45.72	40.00	36.86	30.48
60	56.35	52.07	46.35	44.15	36.83
68	61.43	57.15	51.43	49.23	41.91
80	69.05	64.77	59.05	56.85	49.53
100	81.75	77.47	71.75	69.55	62.23



RECOMMENDED P.C.B LAYOUT

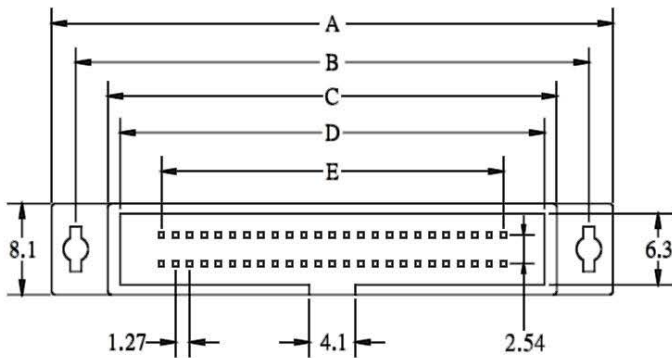
ORDERING INFORMATION:

P/N 1 2 7 $\frac{57}{1}$ - $\frac{x}{2}$ $\frac{x}{3}$ $\frac{S}{4}$ B

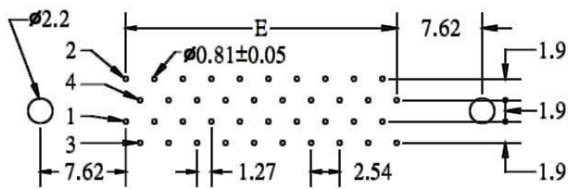
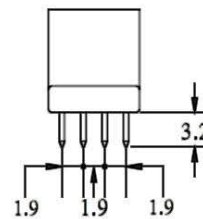
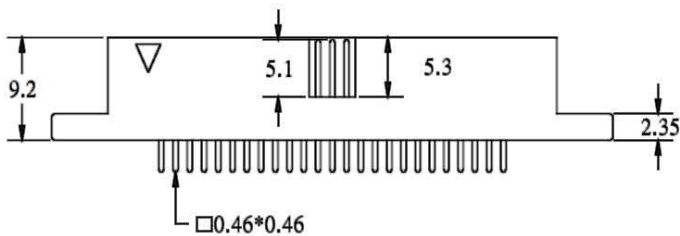
- CONNECT TYPE:
"57" STRAIGHT TYPE WITH MOUNTING EARS
- NO. OF CONTACTS:
010~100
- CONTACT FINISH:
"S" SELECTIVE GOLD PLATED
- INSULATOR COLOR:
"B" BLACK

NOTE: THEY CAN BE SUPPLIED ONLY TOGETHER WITH THE ORDER OF MATED FLAT CABLE ASSEMBLIES
K1HA/HB/HC/HD

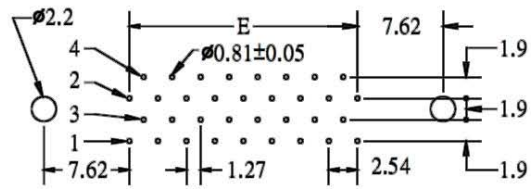
1.27MM*2.54MM PITCH BOX HEADER STRAIGHT DIP TYPE WITH MOUNTING EARS



POSITION	A	B	C	D	E
10	24.60	20.32	14.60	12.40	5.08
20	30.95	26.67	20.95	18.75	11.43
26	34.76	30.48	24.76	22.56	15.24
30	37.30	33.02	27.30	25.10	17.78
34	39.84	35.56	29.84	27.64	20.32
40	43.65	39.37	33.65	31.45	24.13
50	50.00	45.72	40.00	36.86	30.48
60	56.35	52.07	46.35	44.15	36.83
68	61.43	57.15	51.43	49.23	41.91
80	69.05	64.77	59.05	56.85	49.53
100	81.75	77.47	71.75	69.55	62.23



P.C. BOARD LAYOUT FOR
20, 40, 60, 68, 80, 100



P.C. BOARD LAYOUT FOR
10, 26, 30, 34, 50, 70, 90

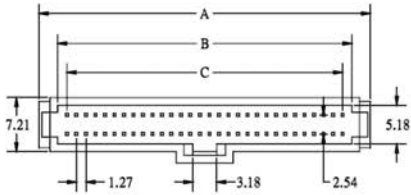
ORDERING INFORMATION:

P/N 1 2 7 58 - x x x S B
1 2 3 4

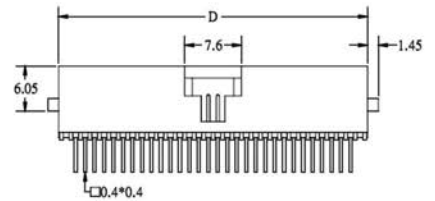
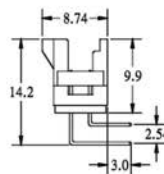
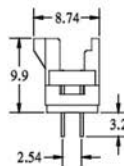
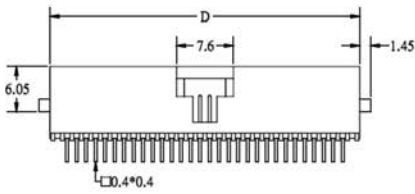
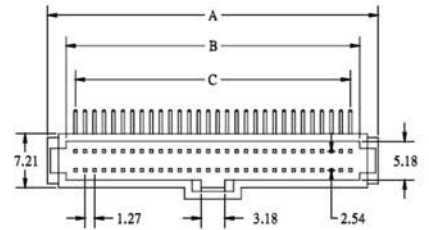
- CONNECT TYPE:
"58" STRAIGHT TYPE WITH MOUNTING EARS
- NO. OF CONTACTS:
010~100
- CONTACT FINISH:
"S" SELECTIVE GOLD PLATED
- INSULATOR COLOR:
"B" BLACK

NOTE: THEY CAN BE SUPPLIED ONLY TOGETHER WITH THE ORDER OF MATED FLAT CABLE ASSEMBLIES
K1HA/HB/HC/HD

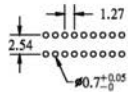
1.27MM*2.54MM PITCH BOX HEADER DIP TYPE



POSITION	A	B	C	D
10	12.54	7.59	5.08	9.64
14	15.08	10.13	7.62	12.18
16	16.35	11.40	8.89	13.45
20	18.89	13.94	11.43	15.99
24	21.43	16.48	13.97	18.53
26	22.70	17.75	15.24	19.80
30	25.24	20.29	17.78	22.34
34	27.78	22.83	20.32	24.88
40	31.59	26.64	24.13	28.69
44	34.13	29.18	26.67	31.23
50	37.94	32.99	30.48	35.04
60	44.29	39.34	36.83	41.39
64	46.83	41.88	39.37	43.93
68	49.37	44.42	41.91	46.47
72	51.91	46.96	44.45	49.01
80	56.99	52.04	49.53	54.09
100	69.69	64.74	62.23	66.79



P/N 12759-xxxSB



RECOMMENDED P.C.B LAYOUT

P/N 12760-xxxSB

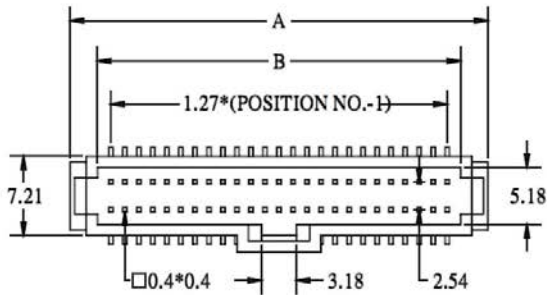
ORDERING INFORMATION:

P/N 1 2 7 $\frac{x}{1}$ - $\frac{x}{2}$ $\frac{x}{3}$ $\frac{S}{4}$ B

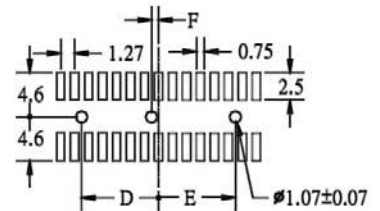
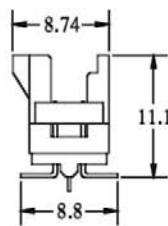
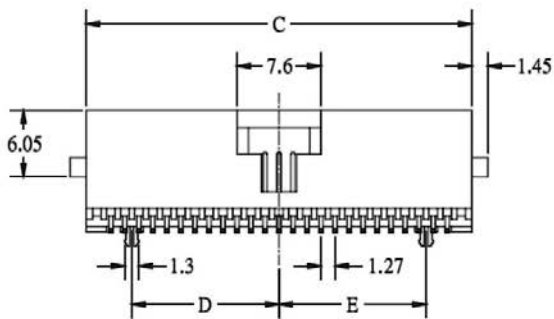
- CONNECT TYPE:
"59" STRAIGHT DIP TYPE
"60" RIGHT ANGLE DIP TYPE
- NO. OF CONTACTS:
010~100
- CONTACT FINISH:
"S" SELECTIVE GOLD PLATED
- INSULATOR COLOR:
"B" BLACK

NOTE: THEY CAN BE SUPPLIED ONLY TOGETHER WITH THE ORDER OF MATED FLAT CABLE ASSEMBLIES
K1DY, K1GT/GU

1.27MM*2.54MM PITCH BOX HEADER SMT TYPE



POSITION	A	B	C	D	E	F
10	12.54	7.59	9.64	0.635	---	---
14	15.08	10.13	12.18	1.905	---	---
16	16.35	11.40	13.45	2.54	2.54	---
20	18.89	13.94	15.99	3.81	3.81	---
24	21.43	16.48	18.53	5.08	5.08	---
26	22.70	17.75	19.80	5.715	5.715	---
30	25.24	20.29	22.34	6.985	6.985	---
34	27.78	22.83	24.88	8.255	8.255	---
40	31.59	26.64	28.89	10.16	10.16	---
44	34.13	29.18	31.23	11.43	11.43	---
50	37.94	32.99	35.04	13.335	13.335	---
60	44.29	39.34	41.39	16.51	16.51	0.00
64	46.83	41.88	43.93	17.78	17.78	0.00
68	49.37	44.42	46.47	19.05	19.05	0.00
72	51.91	46.96	49.01	20.32	20.32	0.00
80	56.99	52.04	54.09	22.86	22.86	0.00
100	69.96	65.01	66.79	29.21	29.21	0.00



RECOMMENDED P.C.B LAYOUT

ORDERING INFORMATION:

P/N 1 2 7 6 1 - $\frac{x}{1}$ $\frac{x}{2}$ $\frac{x}{3}$ $\frac{x}{4}$ $\frac{x}{5}$ S B - x

1. CONNECT TYPE:

"61" SMT TYPE

2. NO. OF CONTACTS:

010~100

3. CONTACT FINISH:

"S" SELECTIVE GOLD PLATED

4. INSULATOR COLOR:

"B" BLACK

5. PACKAGE OPTION:

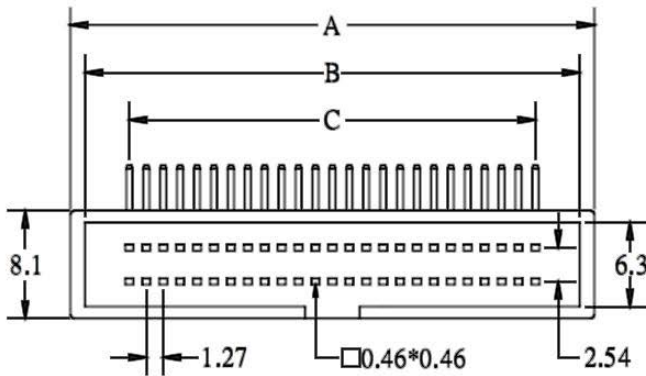
"T" WITHOUT PAD IN TUBE

"P" WITH PAD IN TUBE

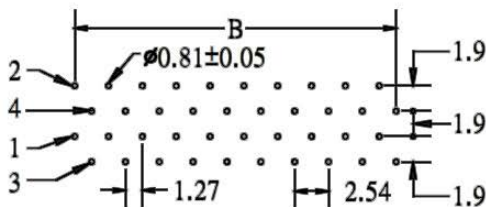
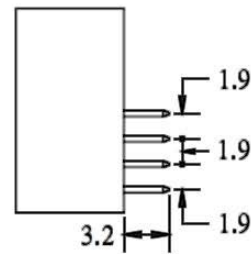
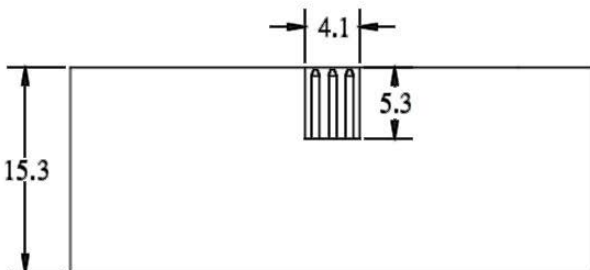
"Q" WITH PAD IN TAPE & REEL

NOTE: THEY CAN BE SUPPLIED ONLY TOGETHER WITH THE ORDER OF MATED FLAT CABLE ASSEMBLIES K1DY, K1GT/GU

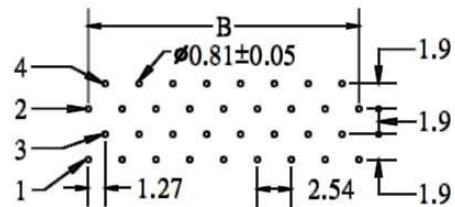
1.27MM*2.54MM PITCH BOX HEADER RIGHT ANGLE DIP TYPE



POSITION	A	B	C
10	13.95	11.75	5.08
20	20.30	18.10	11.43
26	24.11	21.91	15.24
30	26.65	24.45	17.78
34	29.19	26.99	20.32
40	33.00	30.80	24.13
50	39.35	37.15	30.48
60	45.70	43.50	36.83
68	50.78	48.58	41.91
70	52.05	49.85	43.18
80	58.40	56.20	49.53
90	64.75	62.55	55.88
100	71.10	68.90	62.23



P.C. BOARD LAYOUT FOR
20,40,60,68,80,100



P.C. BOARD LAYOUT FOR
10,26,30,34,50,70,90

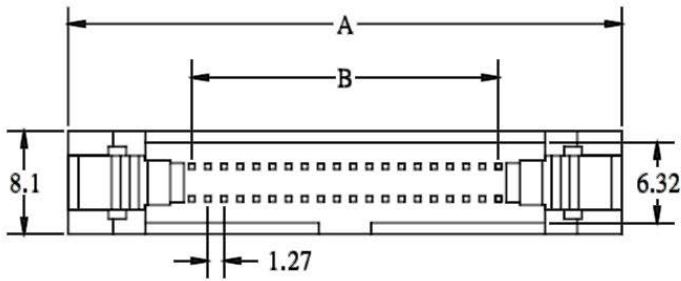
ORDERING INFORMATION:

P/N 1 2 7 6 2 - x x x S B
1 2 3 4

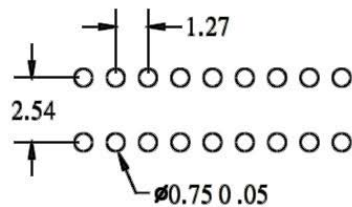
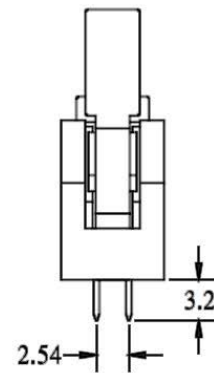
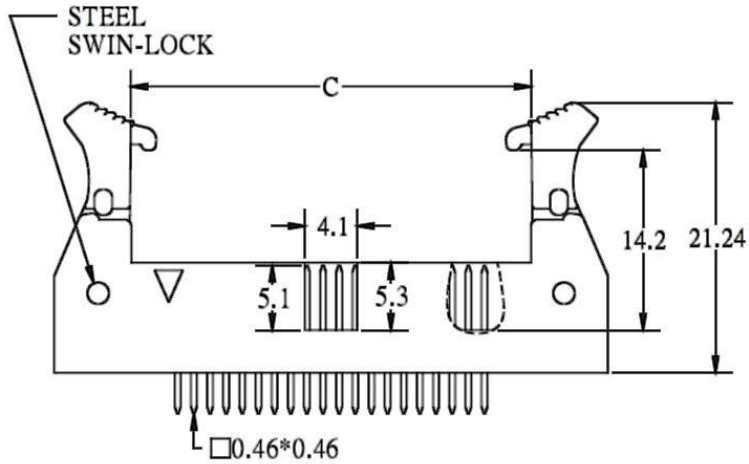
- CONNECT TYPE:
"62" RIGHT ANGLE DIP TYPE
- NO. OF CONTACTS:
010~100
- CONTACT FINISH:
"S" SELECTIVE GOLD PLATED
- INSULATOR COLOR:
"B" BLACK

NOTE: THEY CAN BE SUPPLIED ONLY TOGETHER WITH THE ORDER OF MATED FLAT CABLE ASSEMBLIES
K1FA/FB/FC/FD/FE/FQ, K1FR/FS/FT/FU,
K1FN/FP, K1DK/DL/DM/DN,
K1GG/GH/GJ/GK

1.27MM*2.54MM PITCH SHROUDED HEADER STRAIGHT DIP TYPE



POSITION	A	B	C
10	24.50	5.08	12.40
20	30.85	11.43	18.75
26	34.66	15.24	22.56
30	37.20	17.78	25.10
34	39.74	20.32	27.64
40	43.55	24.13	31.45
50	49.90	30.48	36.86
60	56.25	36.83	44.15
68	61.33	41.91	49.23
80	68.95	49.53	56.85
100	81.65	62.23	69.55



RECOMMENDED P.C.B LAYOUT

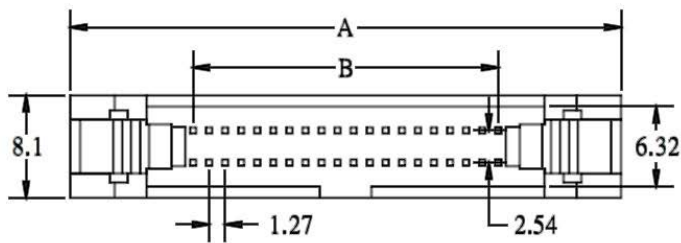
ORDERING INFORMATION:

P/N 1 2 7 $\frac{71}{1}$ - $\frac{x}{2}$ $\frac{x}{3}$ $\frac{S}{4}$ B

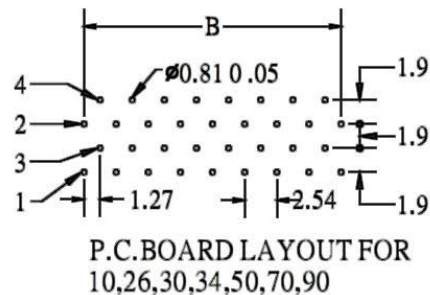
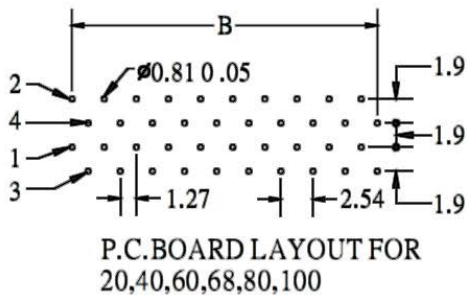
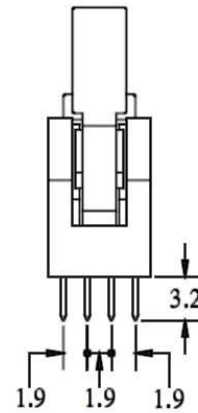
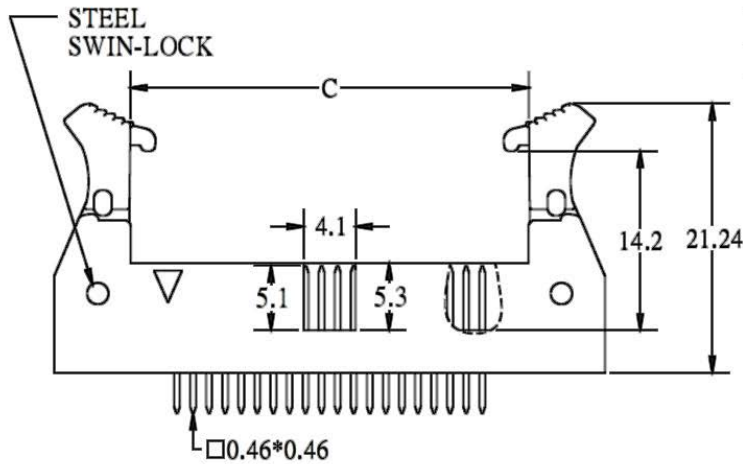
1. CONNECT TYPE:
"71" WITH LONG LATCHES
2. NO. OF CONTACTS:
010~100
3. CONTACT FINISH:
"S" SELECTIVE GOLD PLATED
4. INSULATOR COLOR:
"B" BLACK

NOTE: THEY CAN BE SUPPLIED ONLY TOGETHER WITH THE ORDER OF MATED FLAT CABLE ASSEMBLIES
K1HA/HB/HC/HD

1.27MM*2.54MM PITCH SHROUDED HEADER STRAIGHT DIP TYPE



POSITION	A	B	C
10	24.50	5.08	12.40
20	30.85	11.43	18.75
26	34.66	15.24	22.56
30	37.20	17.78	25.10
34	39.74	20.32	27.64
40	43.55	24.13	31.45
50	49.90	30.48	36.86
60	56.25	36.83	44.15
68	61.33	41.91	49.23
80	68.95	49.53	56.85
100	81.65	62.23	69.55



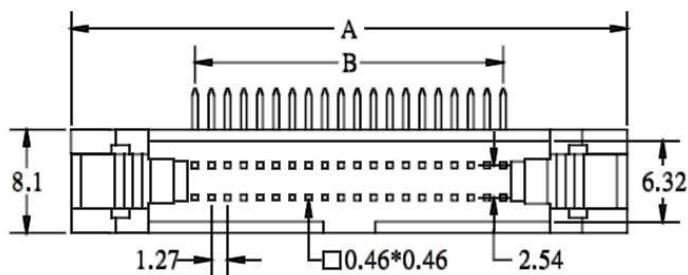
ORDERING INFORMATION:

P/N 1 2 7 7 2 - x x x S B
1 2 3 4

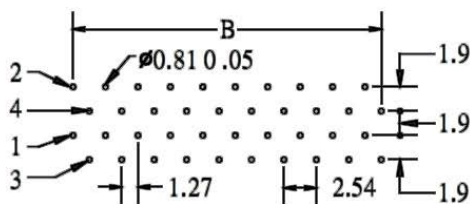
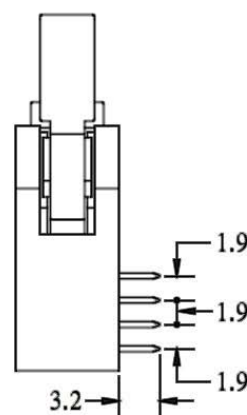
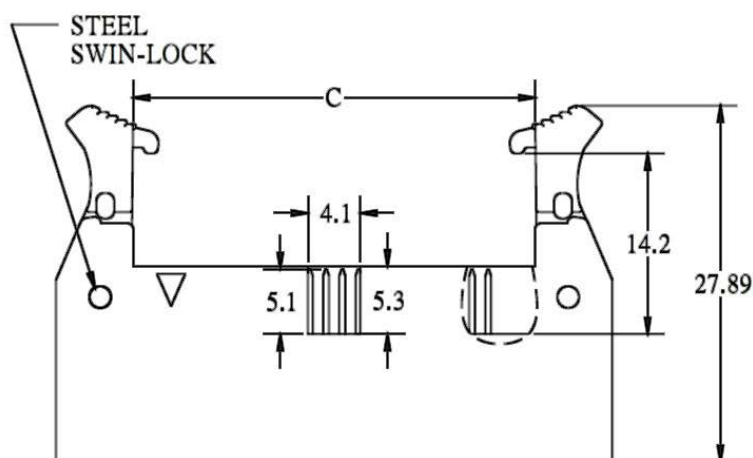
- CONNECT TYPE:
"72" WITH LONG LATCHES
- NO. OF CONTACTS:
010~100
- CONTACT FINISH:
"S" SELECTIVE GOLD PLATED
- INSULATOR COLOR:
"B" BLACK

NOTE: THEY CAN BE SUPPLIED ONLY TOGETHER WITH THE ORDER OF MATED FLAT CABLE ASSEMBLIES
K1HA/HB/HC/HD

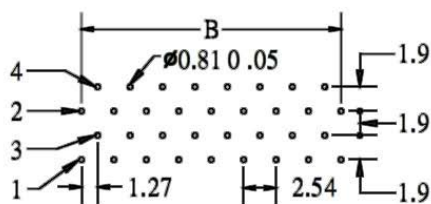
1.27MM*2.54MM PITCH SHROUDED HEADER RIGHT ANGLE DIP TYPE



POSITION	A	B	C
10	24.50	5.08	12.40
20	30.85	11.43	18.75
26	34.66	15.24	22.56
30	37.20	17.78	25.10
34	39.74	20.32	27.64
40	43.55	24.13	31.45
50	49.90	30.48	36.86
60	56.25	36.83	44.15
68	61.33	41.91	49.23
80	68.95	49.53	56.85
100	81.65	62.23	69.55



P.C. BOARD LAYOUT FOR
20,40,60,68,80,100



P.C. BOARD LAYOUT FOR
10,26,30,34,50,70,90

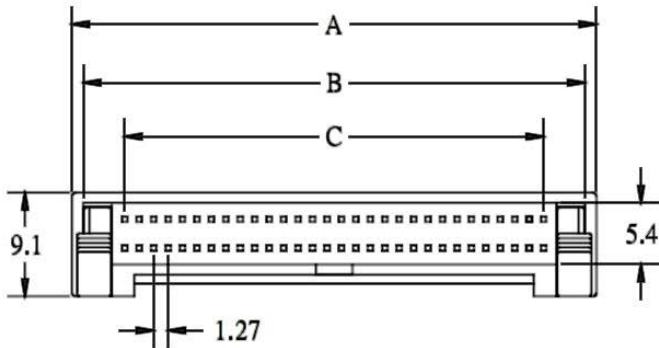
ORDERING INFORMATION:

P/N 1 2 7 $\frac{73}{1}$ - $\frac{x}{2}$ $\frac{x}{3}$ $\frac{S}{4}$ B

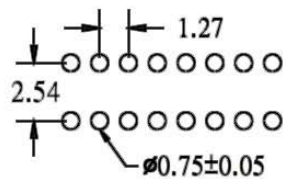
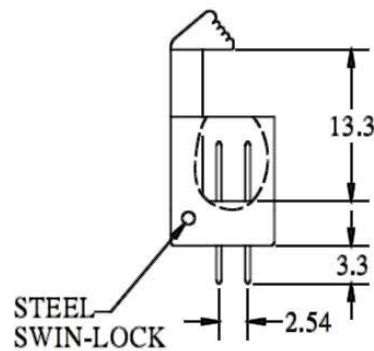
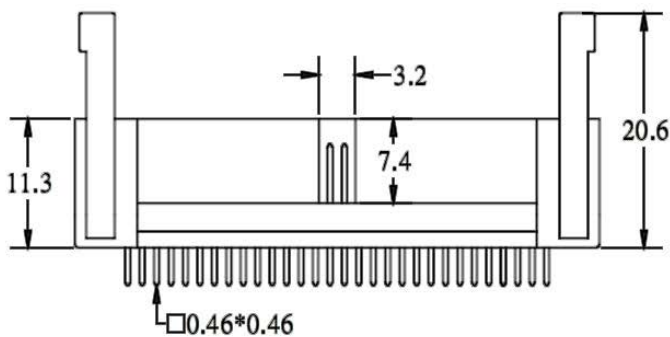
- CONNECT TYPE:
"73" WITH LONG LATCHES
- NO. OF CONTACTS:
010~100
- CONTACT FINISH:
"S" SELECTIVE GOLD PLATED
- INSULATOR COLOR:
"B" BLACK

NOTE: THEY CAN BE SUPPLIED ONLY TOGETHER WITH THE ORDER OF MATED FLAT CABLE ASSEMBLIES
K1HA/HB/HC/HD

1.27MM*2.54MM PITCH SHRUNK SHROUDED HEADER STRAIGHT DIP TYPE



POSITION	A	B	C
10	14.36	12.36	5.08
20	20.71	18.71	11.43
26	24.52	22.52	15.24
30	27.06	25.06	17.78
34	29.60	27.60	20.32
40	33.41	31.41	24.13
50	39.76	37.76	30.48
60	46.11	44.11	36.83
68	51.19	49.19	41.91
80	58.81	56.81	49.53
100	71.51	69.51	62.23



RECOMMENDED P.C.B LAYOUT

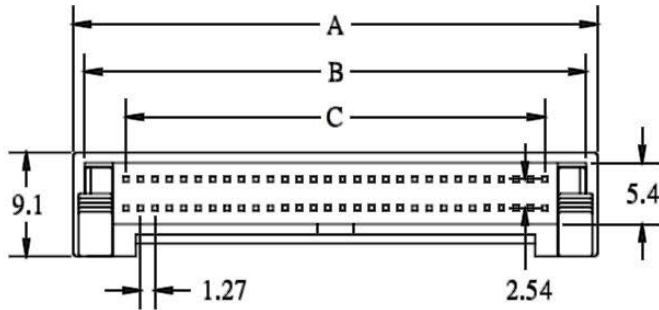
ORDERING INFORMATION:

P/N 1 2 7 $\frac{74}{1}$ - $\frac{x x x}{2}$ $\frac{S}{3}$ $\frac{B}{4}$

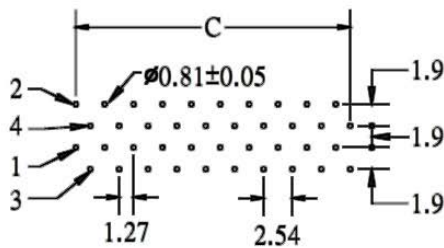
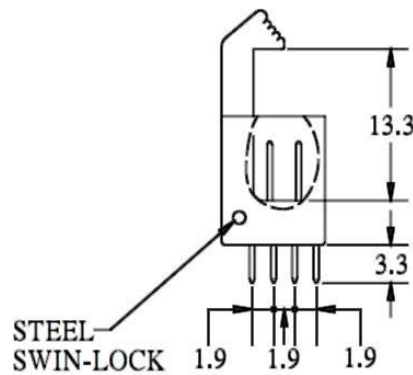
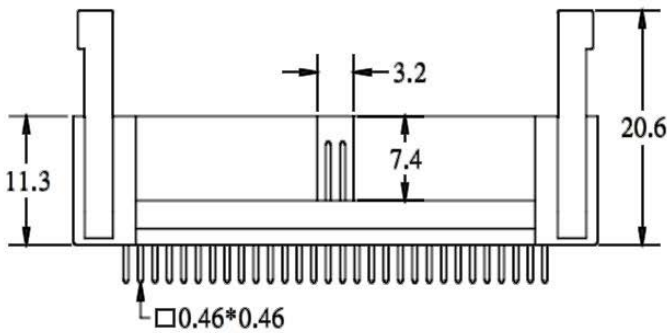
1. CONNECT TYPE:
"74" STRAIGHT DIP TYPE
2. NO. OF CONTACTS:
010~100
3. CONTACT FINISH:
"S" SELECTIVE GOLD PLATED
4. INSULATOR COLOR:
"B" BLACK

NOTE: THEY CAN BE SUPPLIED ONLY TOGETHER WITH THE ORDER OF MATED FLAT CABLE ASSEMBLIES
K1FF/FG/FH/FJ/FK/FL, K1DU/DV/DW/DX, K1GV/GW

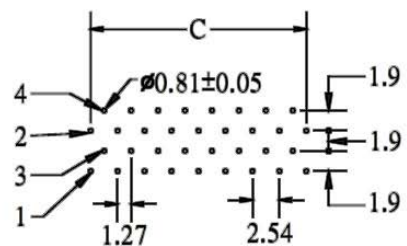
1.27MM*2.54MM PITCH SHRUNK SHROUDED HEADER STRAIGHT DIP TYPE



POSITION	A	B	C
10	14.36	12.36	5.08
20	20.71	18.71	11.43
26	24.52	22.52	15.24
30	27.06	25.06	17.78
34	29.60	27.60	20.32
40	33.41	31.41	24.13
50	39.76	37.76	30.48
60	46.11	44.11	36.83
68	51.19	49.19	41.91
80	58.81	56.81	49.53
100	71.51	69.51	62.23



P.C. BOARD LAYOUT FOR
20,40,60,68,80,100



P.C. BOARD LAYOUT FOR
10,26,30,34,50

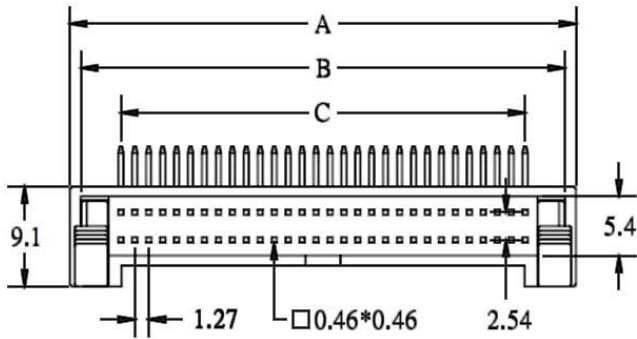
ORDERING INFORMATION:

P/N 1 2 7 $\frac{7.5}{1}$ - $\frac{x}{2}$ $\frac{x}{3}$ $\frac{S}{4}$ B

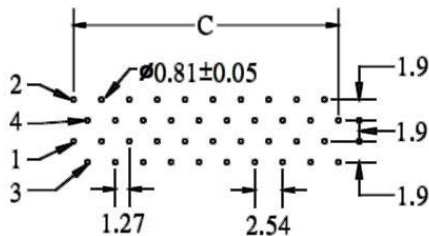
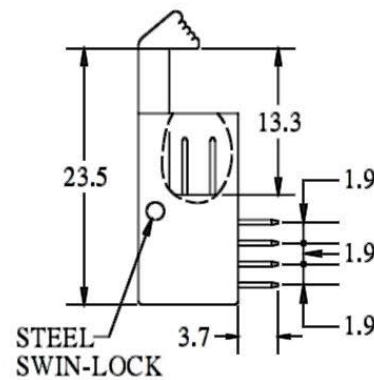
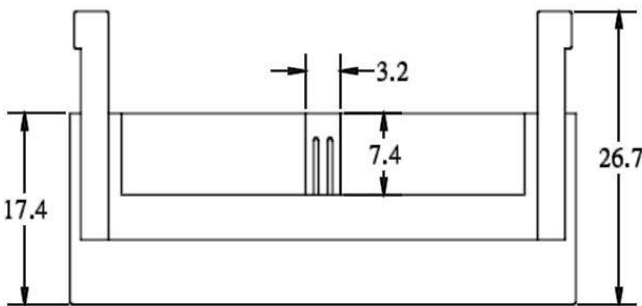
- CONNECT TYPE:
"75" STRAIGHT DIP TYPE
- NO. OF CONTACTS:
010~100
- CONTACT FINISH:
"S" SELECTIVE GOLD PLATED
- INSULATOR COLOR:
"B" BLACK

NOTE: THEY CAN BE SUPPLIED ONLY TOGETHER WITH THE ORDER OF MATED FLAT CABLE ASSEMBLIES
K1FF/FG/FH/FJ/FK/FL, K1DU/DV/DW/DX, K1GV/GW

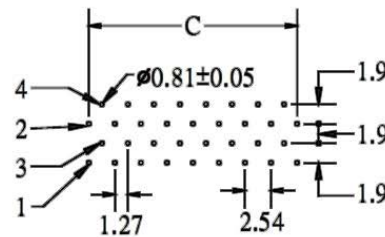
1.27MM*2.54MM PITCH SHRUNK SHROUDED HEADER RIGHT ANGLE DIP TYPE



POSITION	A	B	C
10	14.36	12.36	5.08
20	20.71	18.71	11.43
26	24.52	22.52	15.24
30	27.06	25.06	17.78
34	29.60	27.60	20.32
40	33.41	31.41	24.13
50	39.76	37.76	30.48
60	46.11	44.11	36.83
68	51.19	49.19	41.91
80	58.81	56.81	49.53
100	71.51	69.51	62.23



P.C. BOARD LAYOUT FOR
20,40,60,68,80,100



P.C. BOARD LAYOUT FOR
10,26,30,34,50

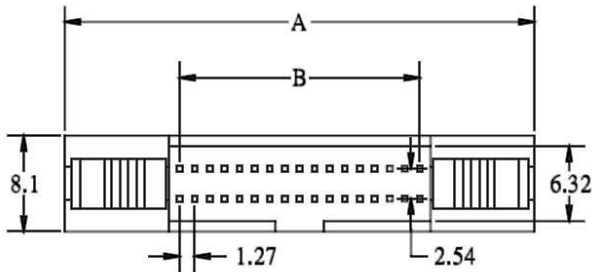
ORDERING INFORMATION:

P/N 1 2 7 7 6 - x x x S B
1 2 3 4

- CONNECT TYPE:
"76" RIGHT ANGLE DIP TYPE
- NO. OF CONTACTS:
010~100
- CONTACT FINISH:
"S" SELECTIVE GOLD PLATED
- INSULATOR COLOR:
"B" BLACK

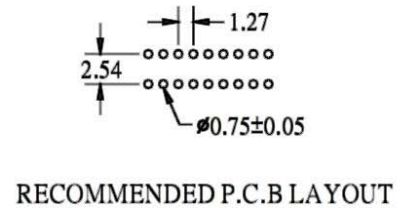
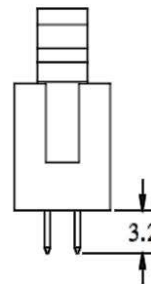
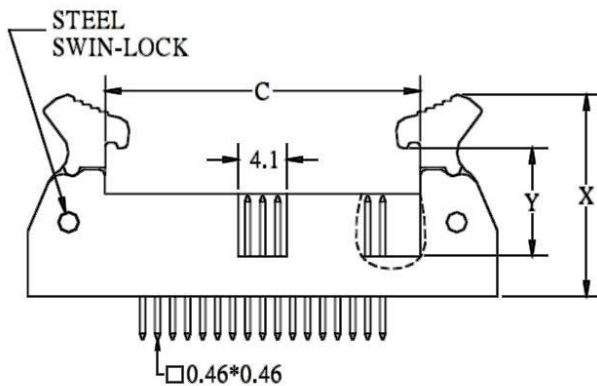
NOTE: THEY CAN BE SUPPLIED ONLY TOGETHER WITH THE ORDER OF MATED FLAT CABLE ASSEMBLIES
K1FF/FG/FH/FJ/FK/FL, K1DU/DV/DW/DX, K1GV/GW

1.27MM*2.54MM PITCH SHROUDED HEADER STRAIGHT DIP TYPE



POSITION	A	B	C
10	24.50	5.08	11.46
20	30.85	11.43	17.81
26	34.66	15.24	21.62
30	37.20	17.78	24.16
34	39.74	20.32	26.70
40	43.55	24.13	30.51
50	49.90	30.48	36.86
60	56.25	36.83	43.21
68	61.33	41.91	48.29
70	62.60	43.18	49.56
80	68.95	49.53	55.91
90	75.30	55.88	62.26
100	81.65	62.23	68.61

ACCESSORIES	X	Y
LONG LATCH	18.5	10.65
SHORT LATCH	17.0	8.0



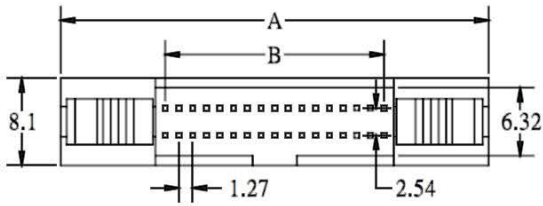
ORDERING INFORMATION:

P/N 1 2 7 $\frac{X}{1} X - \frac{X}{2} X X \frac{S}{3} B$

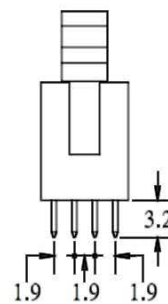
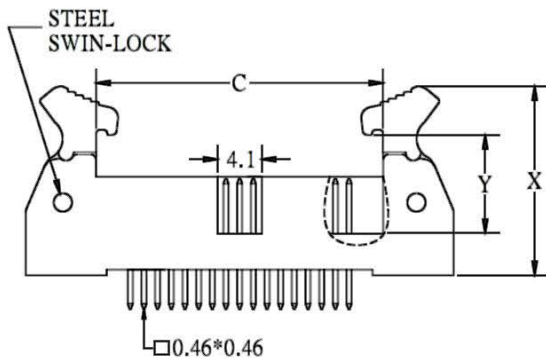
- CONNECT TYPE:
"77" WITH LONG LATCHES
"78" WITH SHORT LATCHES
- NO. OF CONTACTS:
010~100
- CONTACT FINISH:
"S" SELECTIVE GOLD PLATED
- INSULATOR COLOR:
"B" BLACK

NOTE: THEY CAN BE SUPPLIED ONLY TOGETHER WITH THE ORDER OF MATED FLAT CABLE ASSEMBLIES
K1FA/FB/FC/FD/FE/FQ(12778), K1FR/FS/FT/FU(12777), K1DK/DL/DM/DN(12778),
K1GG/GH/GJ/GK(12777), K1FN/FP(12778)

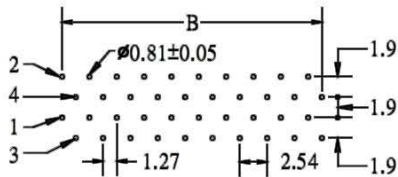
1.27MM*2.54MM PITCH SHROUDED HEADER STRAIGHT DIP TYPE



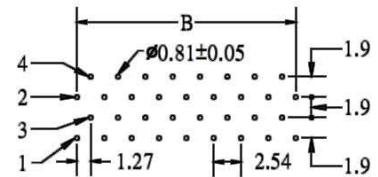
POSITION	A	B	C
10	24.50	5.08	11.46
20	30.85	11.43	17.81
26	34.66	15.24	21.62
30	37.20	17.78	24.16
34	39.74	20.32	26.70
40	43.55	24.13	30.51
50	49.90	30.48	36.86
60	56.25	36.83	43.21
68	61.33	41.91	48.29
70	62.60	43.18	49.56
80	68.95	49.53	55.91
90	75.30	55.88	62.26
100	81.65	62.23	68.61



ACCESSORIES	X	Y
LONG LATCH	19.0	10.65
SHORT LATCH	17.5	8.0



P.C. BOARD LAYOUT
FOR 20,40,60,68,80,100



P.C. BOARD LAYOUT
FOR 10,26,30,34,50,70,90

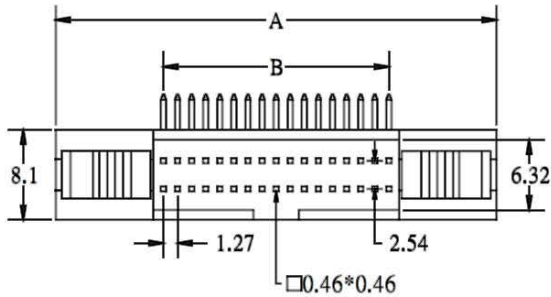
ORDERING INFORMATION:

P/N 1 2 7 $\frac{x}{1} x$ - $\frac{x}{2} x x$ $\frac{S}{3} B$

- CONNECT TYPE:
"79" WITH LONG LATCHES
"80" WITH SHORT LATCHES
- NO. OF CONTACTS:
010~100
- CONTACT FINISH:
"S" SELECTIVE GOLD PLATED
- INSULATOR COLOR:
"B" BLACK

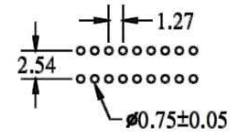
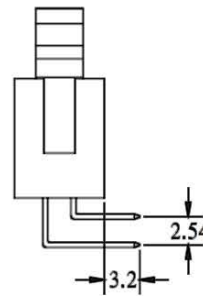
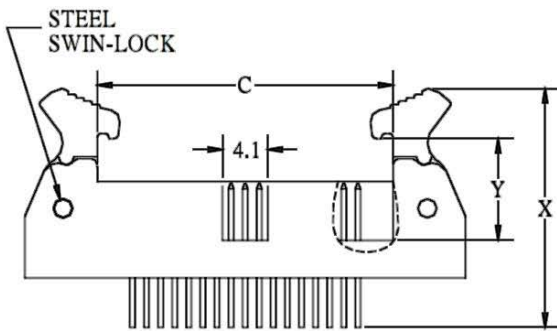
NOTE: THEY CAN BE SUPPLIED ONLY TOGETHER WITH THE ORDER OF MATED FLAT CABLE ASSEMBLIES
K1FA/FB/FC/FD/FE/FQ(12780), K1FR/FS/FT/FU(12779), K1DK/DL/DM/DN(12780),
K1GG/GH/GJ/GK(12779), K1FN/FP(12780)

1.27MM*2.54MM PITCH SHROUDED HEADER RIGHT ANGLE DIP TYPE



POSITION	A	B	C
10	24.50	5.08	11.46
20	30.85	11.43	17.81
26	34.66	15.24	21.62
30	37.20	17.78	24.16
34	39.74	20.32	26.70
40	43.55	24.13	30.51
50	49.90	30.48	36.86
60	56.25	36.83	43.21
68	61.33	41.91	48.29
70	62.60	43.18	49.56
80	68.95	49.53	55.91
90	75.30	55.88	62.26
100	81.65	62.23	68.61

ACCESSORIES	X	Y
LONG LATCH	20.0	10.65
SHORT LATCH	18.5	8.0



RECOMMENDED P.C.B LAYOUT

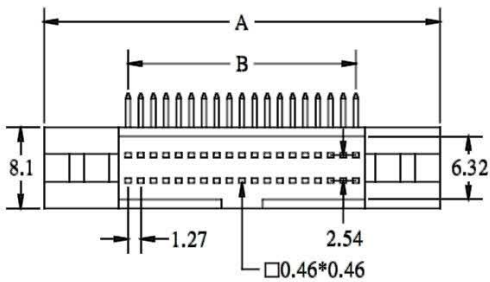
ORDERING INFORMATION:

P/N 1 2 7 $\frac{x}{1}x - \frac{x}{2}x \frac{S}{3} \frac{B}{4}$

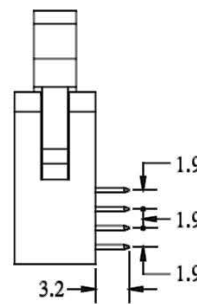
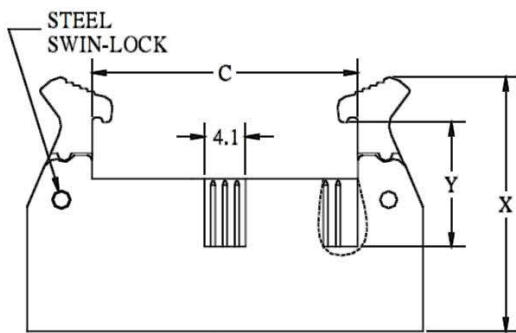
- CONNECT TYPE:
"81" WITH LONG LATCHES
"82" WITH SHORT LATCHES
- NO. OF CONTACTS:
010~100
- CONTACT FINISH:
"S" SELECTIVE GOLD PLATED
- INSULATOR COLOR:
"B" BLACK

NOTE: THEY CAN BE SUPPLIED ONLY TOGETHER WITH THE ORDER OF MATED FLAT CABLE ASSEMBLIES
K1FA/FB/FC/FD/FE/FQ(12782), K1FR/FS/FT/FU(12781), K1DK/DL/DM/DN(12781),
K1GG/GH/GJ/GK(12781), K1FN/FP(12782)

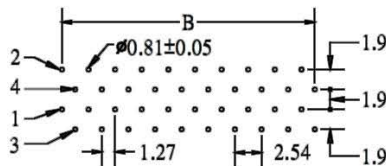
1.27MM*2.54MM PITCH SHROUDED HEADER RIGHT ANGLE DIP TYPE



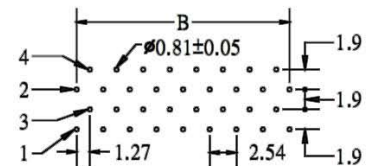
POSITION	A	B	C
10	24.50	5.08	11.46
20	30.85	11.43	17.81
26	34.66	15.24	21.62
30	37.20	17.78	24.16
34	39.74	20.32	26.70
40	43.55	24.13	30.51
50	49.90	30.48	36.86
60	56.25	36.83	43.21
68	61.33	41.91	48.29
70	62.60	43.18	49.56
80	68.95	49.53	55.91
90	75.30	55.88	62.26
100	81.65	62.23	68.61



ACCESSORIES	X	Y
LONG LATCH	25.2	10.6
SHORT LATCH	23.7	8.0



P.C. BOARD LAYOUT FOR
20,40,60,68,80,100



P.C. BOARD LAYOUT FOR
10,26,30,34,50,70,90

ORDERING INFORMATION:

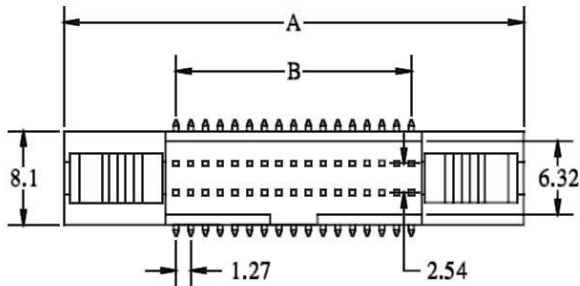
P/N 1 2 7 $\frac{x}{1}x$ - $\frac{x}{2}x$ $\frac{S}{3}$ $\frac{B}{4}$

- CONNECT TYPE:
"83" WITH LONG LATCHES
"84" WITH SHORT LATCHES
- NO. OF CONTACTS:
010~100
- CONTACT FINISH:
"S" SELECTIVE GOLD PLATED
- INSULATOR COLOR:
"B" BLACK

NOTE: THEY CAN BE SUPPLIED ONLY TOGETHER WITH THE ORDER OF MATED FLAT CABLE ASSEMBLIES

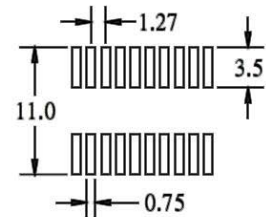
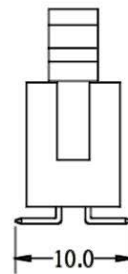
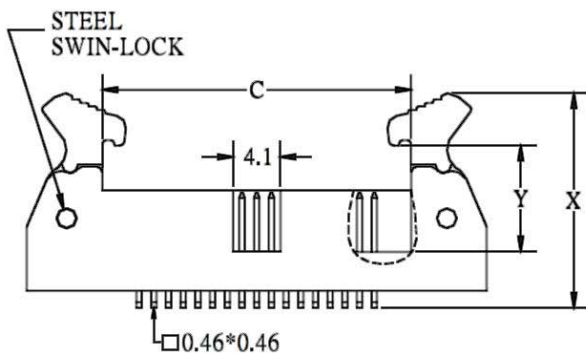
K1FA/FB/FC/FD/FE/FQ(12784), K1FR/FS/FT/FU(12783), K1DK/DL/DM/DN(12784),
K1GG/GH/GJ/GK(12783), K1FN/FP(12784)

1.27MM*2.54MM PITCH SHROUDED HEADER SMT TYPE



POSITION	A	B	C
10	24.50	5.08	11.46
20	30.85	11.43	17.81
26	34.66	15.24	21.62
30	37.20	17.78	24.16
34	39.74	20.32	26.70
40	43.55	24.13	30.51
50	49.90	30.48	36.86
60	56.25	36.83	43.21
68	61.33	41.91	48.29
70	62.60	43.18	49.56
80	68.95	49.53	55.91
90	75.30	55.88	62.26
100	81.65	62.23	68.61

ACCESSORIES	X	Y
LONG LATCH	20.0	10.65
SHORT LATCH	18.5	8.0



RECOMMENDED P.C.B LAYOUT

ORDERING INFORMATION:

P/N 1 2 7 $\frac{x}{1}x - \frac{x}{2}x \frac{S}{3} \frac{B}{4} - \frac{x}{5}$

1. CONNECT TYPE:

"85" WITH LONG LATCHES
"86" WITH SHORT LATCHES

2. NO. OF CONTACTS:

010~100

3. CONTACT FINISH:

"S" SELECTIVE GOLD PLATED

4. INSULATOR COLOR:

"B" BLACK

5. PACKAGE OPTION:

"T" WITHOUT PAD IN TUBE

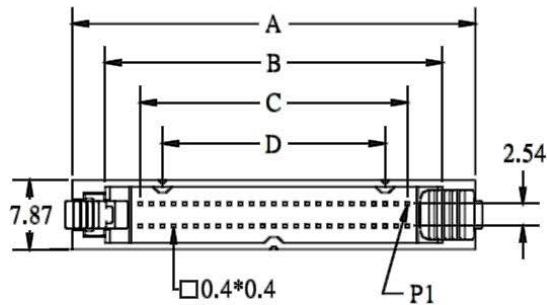
"P" WITH PAD IN TUBE

"Q" WITH PAD IN TAPE & REEL

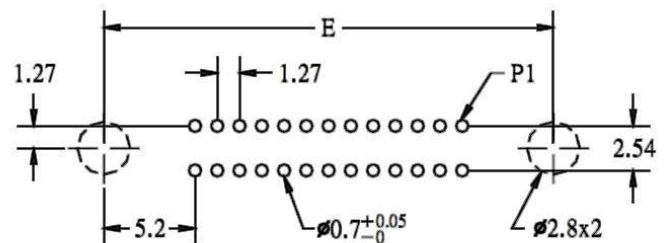
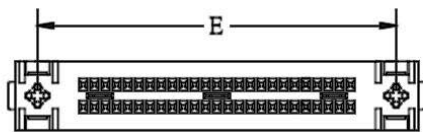
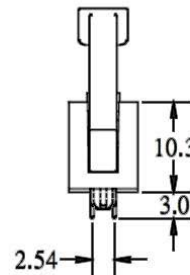
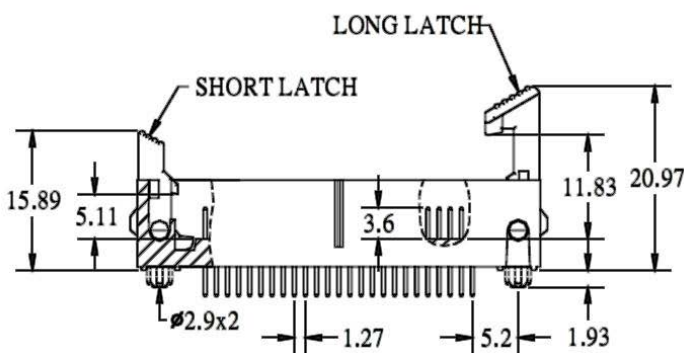
NOTE: THEY CAN BE SUPPLIED ONLY TOGETHER WITH THE ORDER OF MATED FLAT CABLE ASSEMBLIES

K1FA/FB/FC/FD/FE/FQ(12786), K1FR/FS/FT/FU(12785), K1DK/DL/DM/DN(12786),
K1GG/GH/GJ/GK(12785), K1FN/FP(12786)

1.27MM*2.54MM PITCH SHROUDED HEADER STRAIGHT DIP TYPE



POSITION	A	B	C	D	E
10	20.57	13.08	5.08	—	15.50
20	26.92	19.43	11.43	6.35	21.85
26	30.73	23.24	15.24	10.16	25.66
30	33.27	25.78	17.78	12.70	28.20
34	35.81	28.32	20.32	15.24	30.74
36	37.08	29.59	21.59	16.51	32.01
40	39.62	32.13	24.13	19.05	34.55
50	45.97	38.48	30.48	25.40	40.90
60	52.32	44.83	36.83	31.75	47.25
68	57.40	49.91	41.91	36.83	52.33
80	65.02	57.53	49.53	44.45	59.95
100	77.72	70.23	62.23	57.15	72.65



RECOMMENDED P.C.B LAYOUT

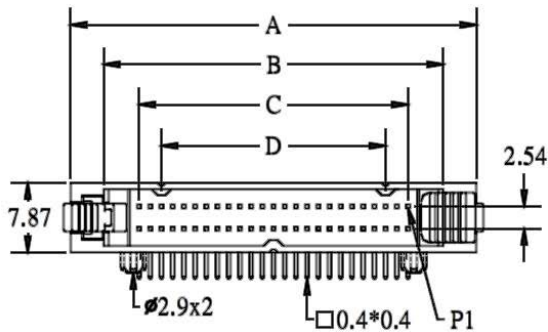
ORDERING INFORMATION:

P/N 1 2 7 $\frac{x}{1}$ - $\frac{x}{2}$ $\frac{x}{3}$ $\frac{x}{4}$ $\frac{S}{5}$ V - $\frac{x}{5}$

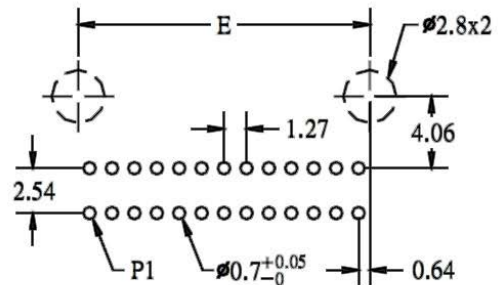
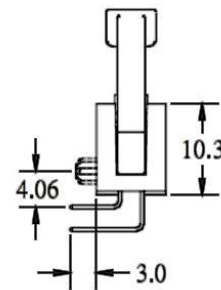
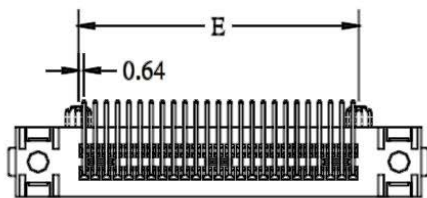
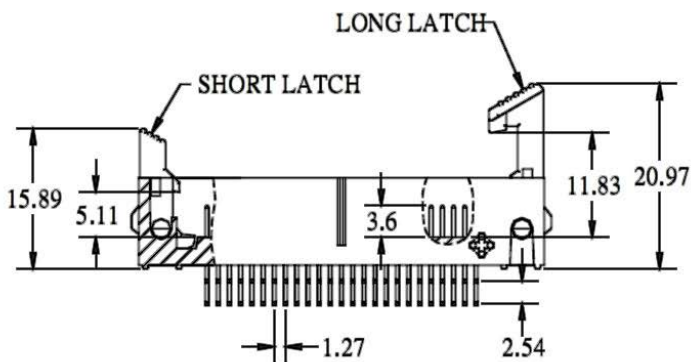
- CONNECT TYPE:
"87" WITH LONG LATCHES
"88" WITH SHORT LATCHES
"89" W/O ANY LATCHES
- NO. OF CONTACTS:
010~100
- CONTACT FINISH:
"S" SELECTIVE GOLD PLATED
- INSULATOR COLOR:
"V" IVORY
- LOCATING PEG OPTION:
"0" W/O LOCATING PEG (STANDARD)
"1" WITH LOCATING PEG

NOTE: THEY CAN BE SUPPLIED ONLY TOGETHER WITH THE ORDER OF MATED FLAT CABLE ASSEMBLIES
K1GL/GM/GN, K1GP/GQ/GR/GS

1.27MM*2.54MM PITCH SHROUDED HEADER RIGHT ANGLE TYPE



POSITION	A	B	C	D	E
10	20.57	13.08	5.08	—	—
20	26.92	19.43	11.43	6.35	12.71
26	30.73	23.24	15.24	10.16	16.52
30	33.27	25.78	17.78	12.70	19.06
34	35.81	28.32	20.32	15.24	21.60
36	37.08	29.59	21.59	16.51	22.87
40	39.62	32.13	24.13	19.05	25.41
50	45.97	38.48	30.48	25.40	31.76
60	52.32	44.83	36.83	31.75	38.11
68	57.40	49.91	41.91	36.83	43.19
80	65.02	57.53	49.53	44.45	50.81
100	77.72	70.23	62.23	57.15	63.51



RECOMMENDED P.C.B LAYOUT

ORDERING INFORMATION:

P/N 1 2 7 $\frac{x}{1}$ $\frac{x}{2}$ $\frac{x}{3}$ $\frac{x}{4}$ $\frac{S}{5}$ $\frac{V}{5}$ - $\frac{x}{5}$

1. CONNECT TYPE:

- "90" WITH LONG LATCHES
- "91" WITH SHORT LATCHES
- "92" W/O ANY LATCHES

2. NO. OF CONTACTS:

010~100

3. CONTACT FINISH:

"S" SELECTIVE GOLD PLATED

4. INSULATOR COLOR:

"V" IVORY

5. LOCATING PEG OPTION:

- "0" W/O LOCATING PEG (STANDARD)
- "1" WITH LOCATING PEG

NOTE: THEY CAN BE SUPPLIED ONLY TOGETHER WITH THE ORDER OF MATED FLAT CABLE ASSEMBLIES
K1GL/GM/GN, K1GP/GQ/GR/GS