

## CAT. LAN-N-2 (INDEX)

<u>DESCRIPTION</u>	<u>PAGE</u>
<b><u>SIDE ENTRY &amp; TOP ENTRY DOUBLE LEVEL MODULAR PCB MOUNT JACKS</u></b>	
FULLY SHIELDED SIDE ENTRY DOUBLE LEVEL MODULAR PCB JACK-----	N3001~N3057
UNSHIELDED SIDE ENTRY DOUBLE LEVEL MODULAR PCB JACK-----	N3401~N3423
SIDE ENTRY DOUBLE LEVEL MODULAR PCB JACK OVER USB CONNECTOR-----	N3601~N3604
TOP ENTRY DOUBLE LEVEL MODULAR PCB JACK-----	N3801~N3802
<b><u>SIDE ENTRY &amp; TOP ENTRY MAGNETIC MODULAR PCB MOUNT JACKS</u></b>	
FULLY SHIELDED SIDE ENTRY MAGNETIC 10/100 & 10/100/1000 BASE-TX PCB JACK-----	N5001~N5051
FULLY SHIELDED SIDE ENTRY MAGNETIC 10/100 & 10/100/1000 BASE-TX SMT JACK-----	N5301~N5306
FULLY SHIELDED SIDE ENTRY DOUBLE LEVEL MAGNETIC 10/100 & 10/100/1000 BASE-TX JACK--	N5401~N5415
FULLY SHIELDED SIDE ENTRY MAGNETIC 10/100 & 10/100/1000 BASE-TX JACK OVER USB-----	N5501~N5514
UNSHIELDED SIDE ENTRY MAGNETIC 10/100 BASE-TX PCB JACK-----	N5601~N5603
FULLY SHIELDED TOP ENTRY MAGNETIC 10/100 & 10/100/1000 BASE-TX PCB JACK-----	N5701~N5705
MAGNETIC SCHEMATICS 10/100 BASE-TX TYPE-----	N5901~N5906
MAGNETIC SCHEMATICS GIGABIT 10/100/1000 BASE-TX TYPE-----	N5941~N5943
<b><u>TOP ENTRY MODULAR PCB MOUNT JACKS</u></b>	
FULLY SHIELDED TOP ENTRY MODULAR PCB JACK DIP TYPE-----	N6001~N6028
FULLY SHIELDED TOP ENTRY MODULAR PCB JACK SMT TYPE-----	N6041
FULLY SHIELDED TOP ENTRY MODULAR PCB JACK PRESS FIT TYPE-----	N6051~N6052
UNSHIELDED TOP ENTRY MODULAR PCB JACK DIP TYPE-----	N6061~N6133
UNSHIELDED TOP ENTRY MODULAR PCB JACK SMT TYPE-----	N6201~N6212
UNSHIELDED TOP ENTRY MODULAR PCB JACK PRESS FIT TYPE-----	N6251~N6252
<b><u>OTHER MODULAR PCB MOUNT JACKS</u></b>	
45 DEGREE ENTRY MODULAR PCB JACK-----	N6301~N6305
70 DEGREE ENTRY MODULAR PCB JACK-----	N6321
BOTTOM ENTRY MODULAR PCB JACK-----	N6341~N6346

- TECHNICAL ALTERNATIONS ARE SUBJECT TO CHANGE WITHOUT NOTICE.
- ALL ARTICLES ARE RoHS & REACH/SVHC COMPLIANT.



# SIDE ENTRY 2-PORT DOUBLE LEVEL MODULAR PCB JACK 8P PROFILE=25.14MM (FULLY SHIELDED)

## SPECIFICATIONS

### Electrical:

**Voltage Rating:** 125 Vac Rms.

**Current Rating:** 1.5 Amp.

**Contact Resistance:** 40 Milliohms Max.

**Insulation Resistance:** 1000 Megohms Min @500 Vdc.

**Dielectric Strength:** 1000 Vac Rms 60Hz, 1Min.

### Mechanical:

**Operating:** 750 Cycles Min.

### Environmental:

**Storage:** -40°C To +85°C.

**Operation:** -40°C To +80°C.

## MATERIALS

**Plastic Housing:** Engineering Thermoplastic Flammability  
UL 94V-0, Black

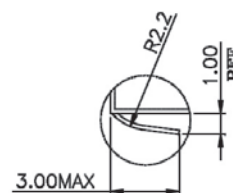
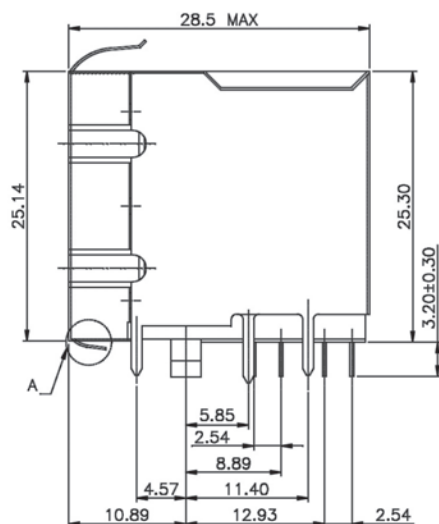
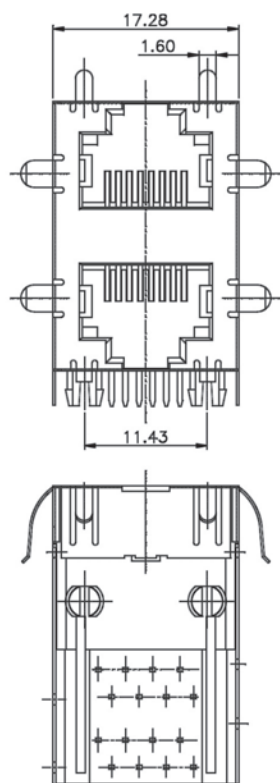
**Contacts:** Phosphor Bronze

**Plating:** Gold Plating Over Nickel In Contact.

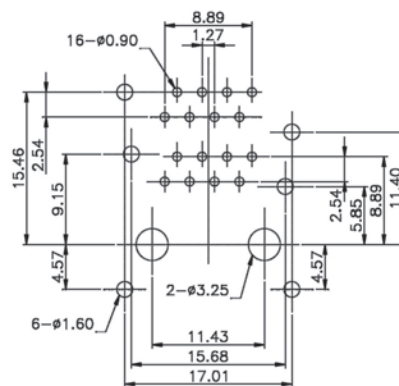
Tin Plating Over Nickel In Solder Area.

**Shield:** 0.2t Stainless

\* RoHS & REACH compliant.



DETAIL A  
SCALE 5/1



Recommended P.C. Board Layout  
(TOP VIEW)

## ORDERING INFORMATION:

P/N MJA  $\frac{1}{1}$  -  $\frac{88}{2}$  x  $\frac{B}{3}$   $\frac{02}{4}$

- MODULAR JACK TYPE:  
"A1" WITH TOP/RIGHT/LEFT SIDE TABS
- NO. OF POSITIONS & CONTACTS:  
"88" 8P8C
- CONTACT FINISH:  
"A" 6 MICROINCH GOLD  
"B" 15 MICROINCH GOLD  
"C" 30 MICROINCH GOLD  
"D" 50 MICROINCH GOLD
- NO. OF PORTS:  
02

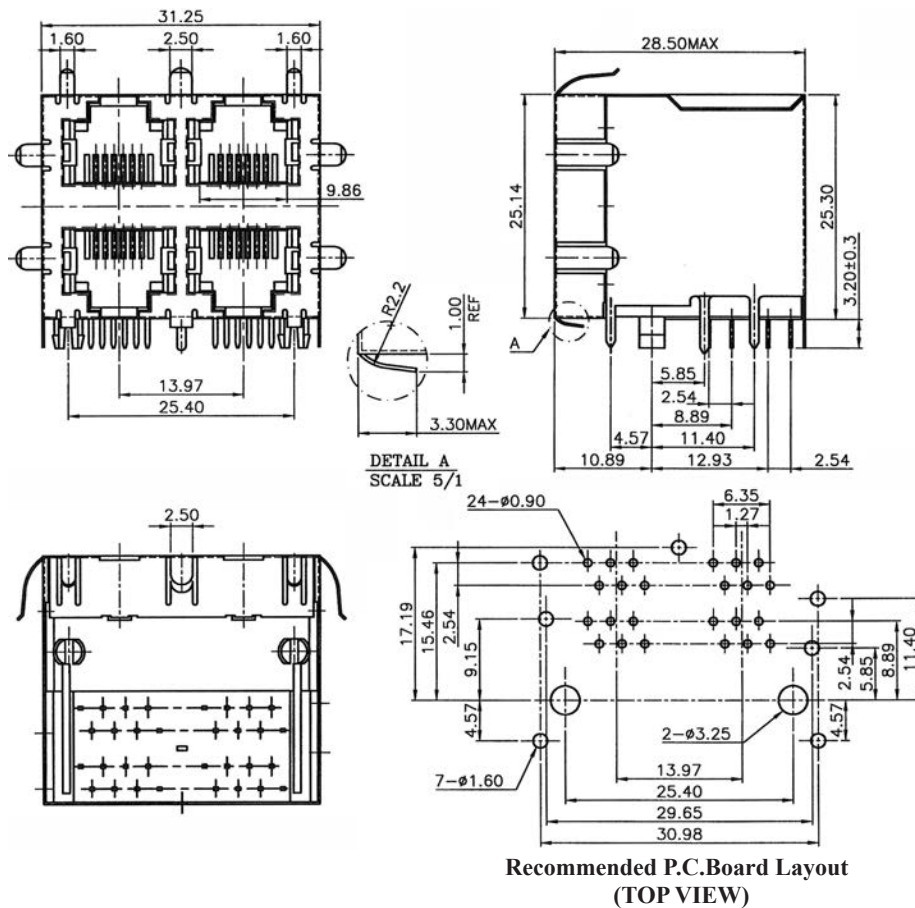
# SIDE ENTRY 4-PORT DOUBLE LEVEL MODULAR PCB JACK 6P PROFILE=25.30MM (FULLY SHIELDED)

## SPECIFICATIONS

**Insulation Resistance:** 500MΩ Min.  
**Contact Resistance:** 20mΩ Max.  
**Rating Current:** 1.5A Max.  
**Rating Voltage:** 120V AC.  
**Dielectric Voltage:** 1000 Vrms 60 Sec. Min.  
**Temperature Range:** -40°C / +85°C  
**Durability:** 500 Mating cycles Min.

## MATERIALS

**Housing:** PBT Glass Filled (UL 94V-0)  
**Soldering Temperature:** 235°C  
**Color:** Black  
**Spring Wire:** Phosphor Bronze  
                     Gold plating Over Nickel  
**Shield:** Brass plating Nickel Alloy  
**\*RoHS & REACH compliant.**



## ORDERING INFORMATION:

P/N M J 2 8 -  $\frac{x}{1} \frac{x}{2} \frac{B}{3} \frac{04}{3}$

1. NO. OF POSITIONS & CONTACTS:  
    "66" 6P6C  
    "64" 6P4C
2. CONTACT FINISH:  
    "A" 6 MICROINCH GOLD  
    "B" 15 MICROINCH GOLD  
    "C" 30 MICROINCH GOLD  
    "D" 50 MICROINCH GOLD
3. NO. OF PORTS:  
    04

NOTE: WITH TOP & SIDE PANEL GROUNDS



## SIDE ENTRY 8-PORT DOUBLE LEVEL MODULAR PCB JACK 6P PROFILE=25.30MM (FULLY SHIELDED)

### SPECIFICATIONS

Insulation Resistance: 500MΩ Min.

Contact Resistance: 20mΩ Max.

Rating Current: 1.5A Max.

Rating Voltage: 120V AC.

Dielectric Voltage: 1000 Vrms 60 Sec. Min.

Temperature Range: -40°C / +85°C

Durability: 500 Mating cycles Min.

### MATERIALS

Housing: PBT Glass Filled (UL 94V-0)

Soldering Temperature: 235°C

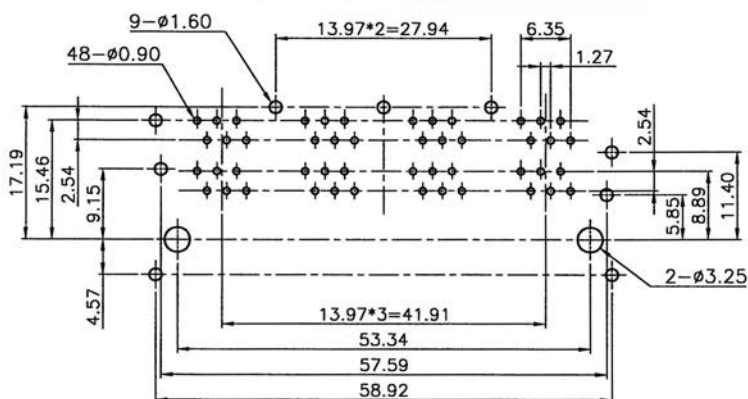
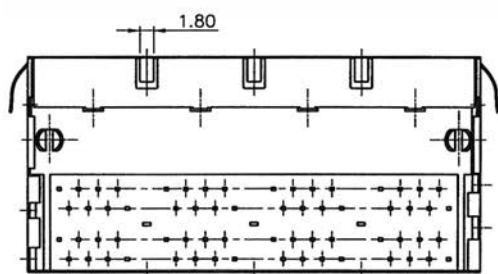
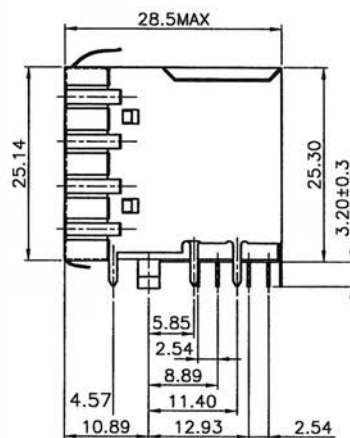
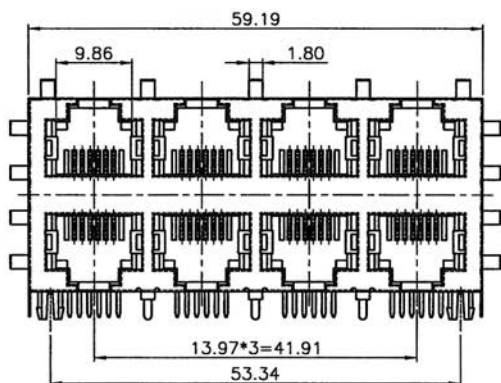
Color: Black

Spring Wire: Phosphor Bronze

Gold plating Over Nickel

Shield: Brass plating Nickel Alloy

\*RoHS & REACH compliant.



Recommended P.C. Board Layout  
(TOP VIEW)

### ORDERING INFORMATION:

P/N MJ28 -  $\frac{x}{1} \frac{x}{2} \frac{x}{3} B \frac{0}{3} 8$

1. NO. OF POSITIONS & CONTACTS:

"66" 6P6C

"64" 6P4C

2. CONTACT FINISH:

"A" 6 MICROINCH GOLD

"B" 15 MICROINCH GOLD

"C" 30 MICROINCH GOLD

"D" 50 MICROINCH GOLD

3. NO. OF PORTS:

08

NOTE: WITH TOP & SIDE PANEL GROUNDS







## SIDE ENTRY 4-PORT DOUBLE LEVEL MODULAR PCB JACK 8P PROFILE=25.30MM (FULLY SHIELDED)

### SPECIFICATIONS

**Insulation Resistance:** 500MΩ Min.

**Contact Resistance:** 20mΩ Max.

**Rating Current:** 1.5A Max.

**Rating Voltage:** 120V AC.

**Dielectric Voltage:** 1000 Vrms 60 Sec. Min.

**Temperature Range:** -40°C / +85°C

**Durability:** 500 Mating cycles Min.

### MATERIALS

**Housing:** PBT Glass Filled (UL 94V-0)

**Soldering Temperature:** 235°C

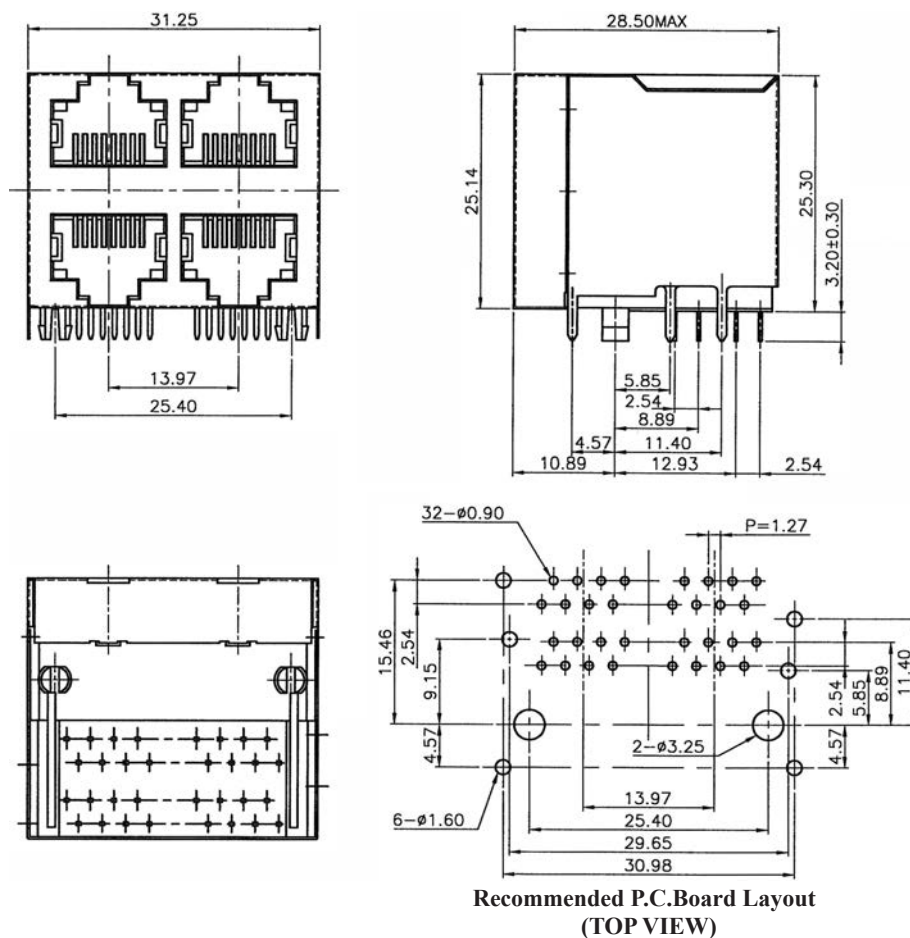
**Color:** Black

**Spring Wire:** Phosphor Bronze

Gold plating Over Nickel

**Shield:** Brass plating Nickel Alloy

\*RoHS & REACH compliant.



### ORDERING INFORMATION:

**P/N MJ  $\frac{XX}{1}$  - 88  $\frac{X}{2}$  B  $\frac{04}{3}$   $\frac{04}{4}$**

1. CATEGORY TYPE:

"A2" CAT. 3

"59" CAT. 5

2. NO. OF POSITIONS & CONTACTS:

"88" 8P8C

3. CONTACT FINISH:

"A" 6 MICROINCH GOLD

"B" 15 MICROINCH GOLD

"C" 30 MICROINCH GOLD

"D" 50 MICROINCH GOLD

4. NO. OF PORTS:

04

NOTE: FOR CAT. 5 ONLY MJ59-88CB04 AVAILABLE

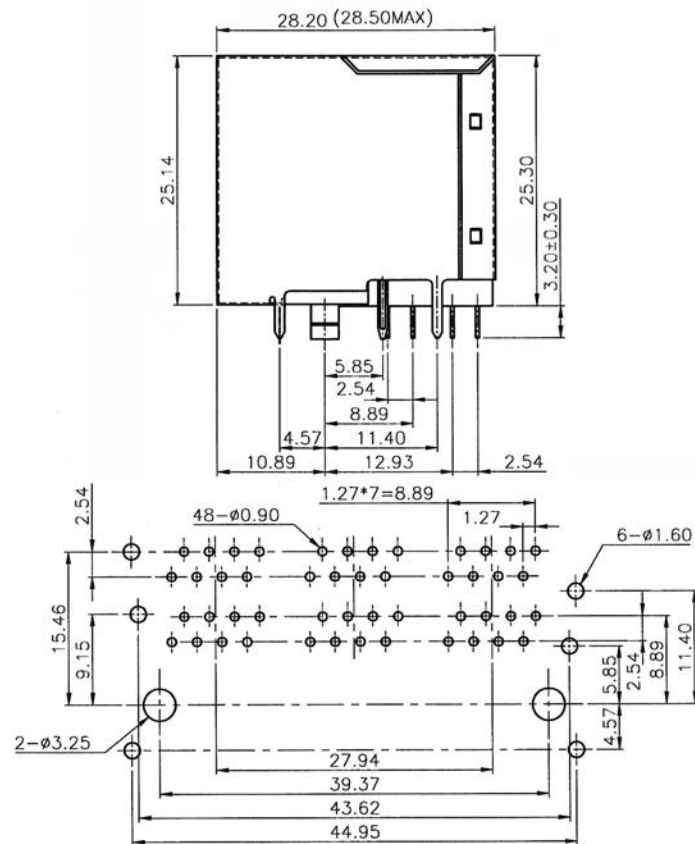
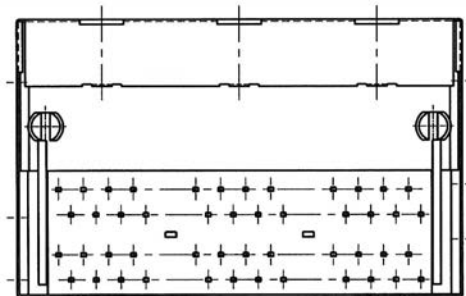
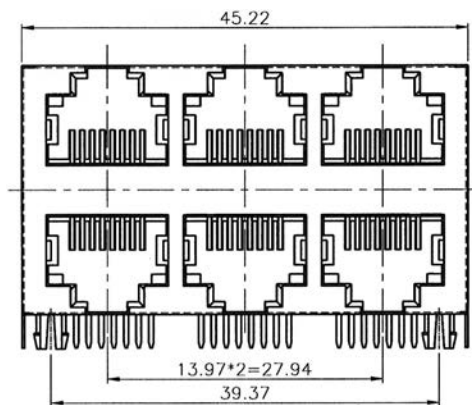
# SIDE ENTRY 6-PORT DOUBLE LEVEL MODULAR PCB JACK 8P PROFILE=25.30MM (FULLY SHIELDED)

## SPECIFICATIONS

**Insulation Resistance:** 500MΩ Min.  
**Contact Resistance:** 20mΩ Max.  
**Rating Current:** 1.5A Max.  
**Rating Voltage:** 120V AC.  
**Dielectric Voltage:** 1000 Vrms 60 Sec. Min.  
**Temperature Range:** -40°C / +85°C  
**Durability:** 500 Mating cycles Min.

## MATERIALS

**Housing:** PBT Glass Filled (UL 94V-0)  
**Soldering Temperature:** 235°C  
**Color:** Black  
**Spring Wire:** Phosphor Bronze  
                     Gold plating Over Nickel  
**Shield:** Brass plating Nickel Alloy  
**\*RoHS & REACH compliant.**



Recommended P.C.Board Layout (TOP VIEW)

## ORDERING INFORMATION:

P/N MJ  $\frac{XX}{1}$  -  $\frac{88}{2}$   $\frac{X}{3}$  B  $\frac{06}{4}$

- CATEGORY TYPE:  
"A2" CAT. 3  
"59" CAT. 5
- NO. OF POSITIONS & CONTACTS:  
"88" 8P8C
- CONTACT FINISH:  
"A" 6 MICROINCH GOLD  
"B" 15 MICROINCH GOLD  
"C" 30 MICROINCH GOLD  
"D" 50 MICROINCH GOLD
- NO. OF PORTS:  
06

NOTE: FOR CAT. 5 ONLY MJ59-88CB06 AVAILABLE

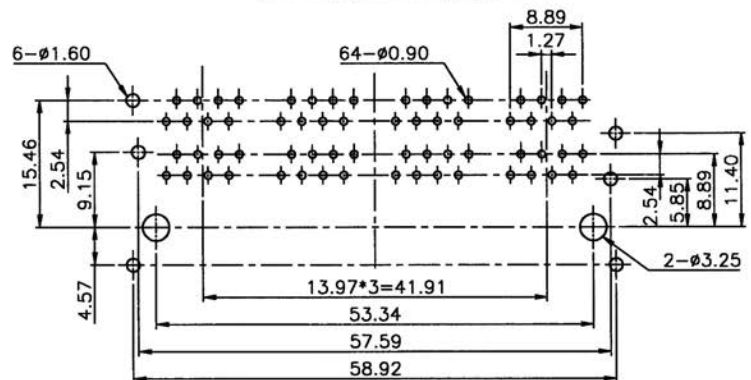
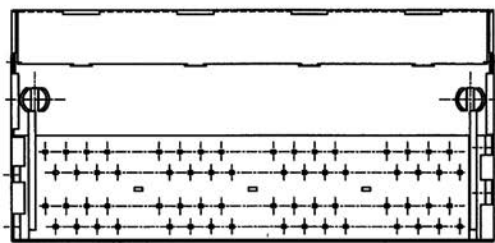
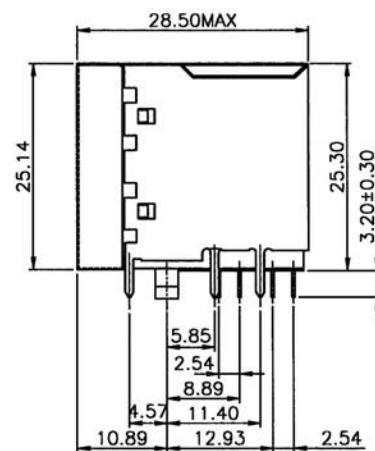
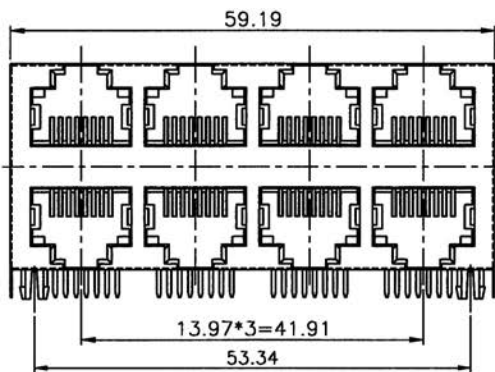
# SIDE ENTRY 8-PORT DOUBLE LEVEL MODULAR PCB JACK 8P PROFILE=25.30MM (FULLY SHIELDED)

## SPECIFICATIONS

**Insulation Resistance:** 500MΩ Min.  
**Contact Resistance:** 20mΩ Max.  
**Rating Current:** 1.5A Max.  
**Rating Voltage:** 120V AC.  
**Dielectric Voltage:** 1000 Vrms 60 Sec. Min.  
**Temperature Range:** -40°C / +85°C  
**Durability:** 500 Mating cycles Min.

## MATERIALS

**Housing:** PBT Glass Filled (UL 94V-0)  
**Soldering Temperature:** 235°C  
**Color:** Black  
**Spring Wire:** Phosphor Bronze  
                   Gold plating Over Nickel  
**Shield:** Brass plating Nickel Alloy  
**\*RoHS & REACH compliant.**



Recommended P.C.Board Layout (TOP VIEW)

## ORDERING INFORMATION:

P/N MJ  $\frac{XX}{1}$  -  $\frac{88}{2}$   $\frac{X}{3}$  B  $\frac{08}{4}$

- CATEGORY TYPE:
  - "A2" CAT. 3
  - "59" CAT. 5
- NO. OF POSITIONS & CONTACTS:
  - "88" 8P8C
- CONTACT FINISH:
  - "A" 6 MICROINCH GOLD
  - "B" 15 MICROINCH GOLD
  - "C" 30 MICROINCH GOLD
  - "D" 50 MICROINCH GOLD
- NO. OF PORTS:
  - 08

NOTE: FOR CAT. 5 ONLY MJ59-88CB08 AVAILABLE

## SIDE ENTRY 10-PORT DOUBLE LEVEL MODULAR PCB JACK 8P PROFILE=25.30MM (FULLY SHIELDED)

### SPECIFICATIONS

Insulation Resistance: 500MΩ Min.

Contact Resistance: 20mΩ Max.

Rating Current: 1.5A Max.

Rating Voltage: 120V AC.

Dielectric Voltage: 1000 Vrms 60 Sec. Min.

Temperature Range: -40°C / +85°C

Durability: 500 Mating cycles Min.

### MATERIALS

Housing: PBT Glass Filled (UL 94V-0)

Soldering Temperature: 235°C

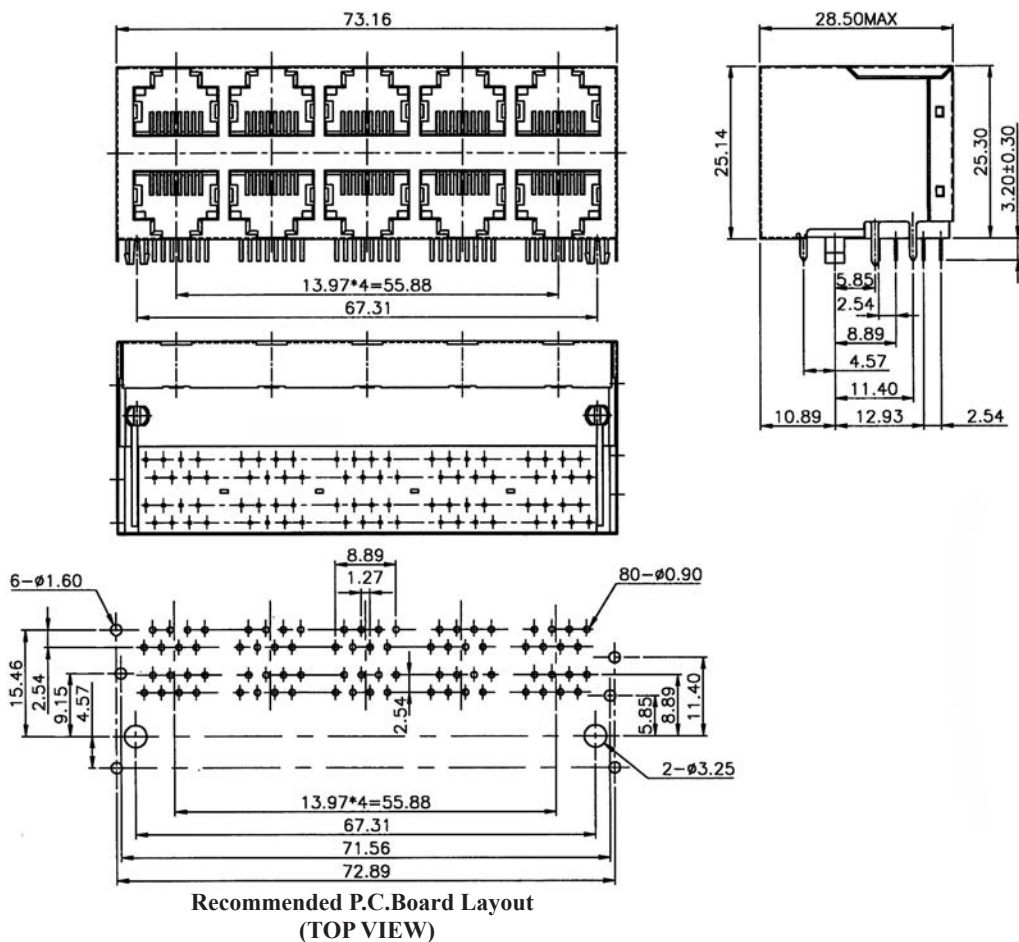
Color: Black

Spring Wire: Phosphor Bronze

Gold plating Over Nickel

Shield: Brass plating Nickel Alloy

\*RoHS & REACH compliant.



### ORDERING INFORMATION:

P/N MJ  $\frac{x}{1}$  -  $\frac{88}{2}$   $\frac{x}{3}$  B  $\frac{10}{4}$

#### 1. CATEGORY TYPE:

"A2" CAT. 3

"59" CAT. 5

#### 2. NO. OF POSITIONS & CONTACTS:

"88" 8P8C

#### 3. CONTACT FINISH:

"A" 6 MICROINCH GOLD

"B" 15 MICROINCH GOLD

"C" 30 MICROINCH GOLD

"D" 50 MICROINCH GOLD

#### 4. NO. OF PORTS:

10

NOTE: FOR CAT. 5 ONLY MJ59-88CB10 AVAILABLE







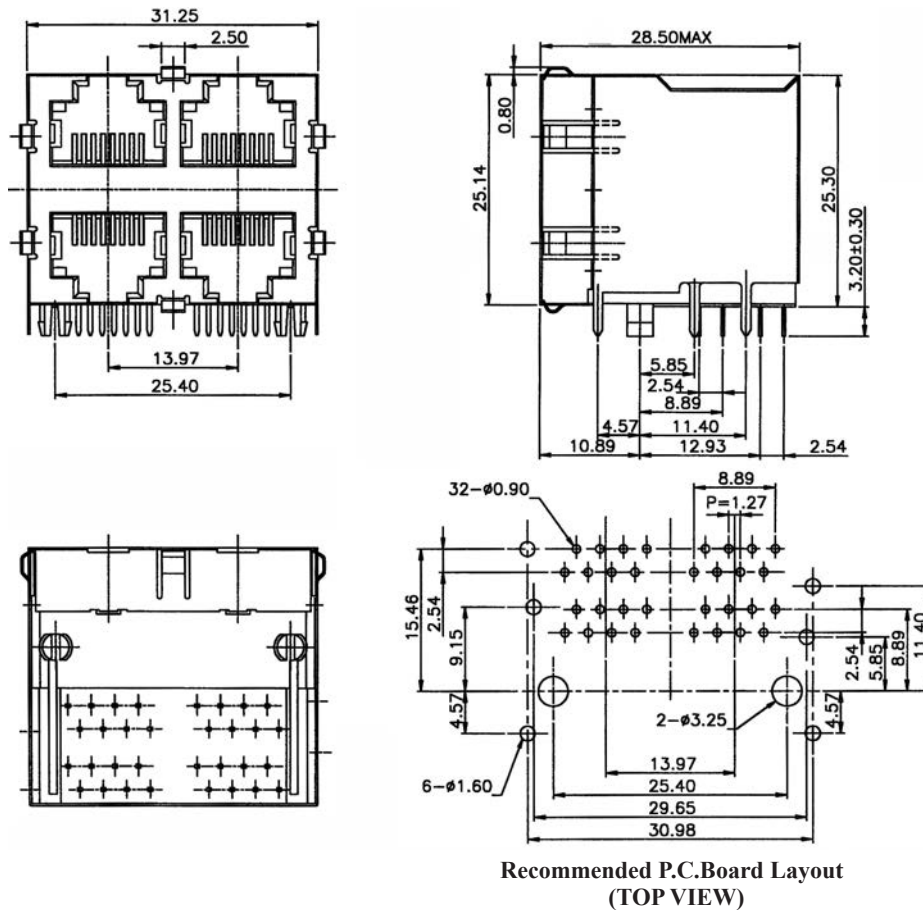
# SIDE ENTRY 4-PORT DOUBLE LEVEL MODULAR PCB JACK 8P PROFILE=25.30MM (FULLY SHIELDED)

## SPECIFICATIONS

**Insulation Resistance:** 500MΩ Min.  
**Contact Resistance:** 20mΩ Max.  
**Rating Current:** 1.5A Max.  
**Rating Voltage:** 120V AC.  
**Dielectric Voltage:** 1000 Vrms 60 Sec. Min.  
**Temperature Range:** -40°C / +85°C  
**Durability:** 500 Mating cycles Min.

## MATERIALS

**Housing:** PBT Glass Filled (UL 94V-0)  
**Soldering Temperature:** 235°C  
**Color:** Black  
**Spring Wire:** Phosphor Bronze  
                     Gold plating Over Nickel  
**Shield:** Brass plating Nickel Alloy  
**\*RoHS & REACH compliant.**



## ORDERING INFORMATION:

P/N MJ 4 6 -  $\frac{88}{1}$  x  $\frac{B}{2}$   $\frac{04}{3}$

1. NO. OF POSITIONS & CONTACTS:  
"88" 8P8C
2. CONTACT FINISH:  
"A" 6 MICROINCH GOLD  
"B" 15 MICROINCH GOLD  
"C" 30 MICROINCH GOLD  
"D" 50 MICROINCH GOLD
3. NO. OF PORTS:  
04

NOTE: WITH SIDE PANEL GROUNDS



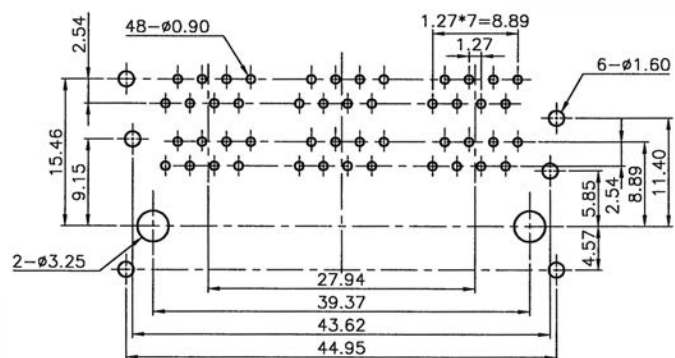
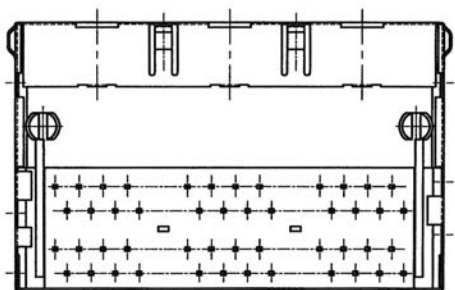
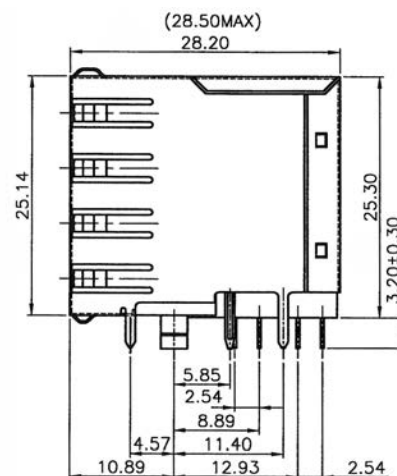
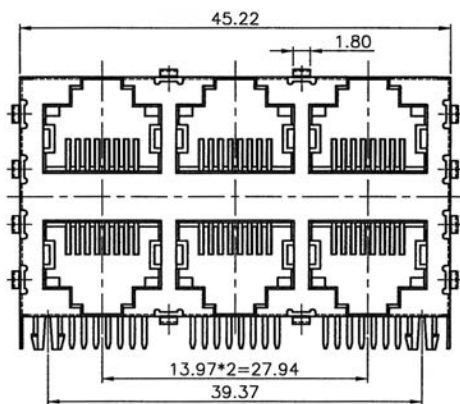
# SIDE ENTRY 6-PORT DOUBLE LEVEL MODULAR PCB JACK 8P PROFILE=25.30MM (FULLY SHIELDED)

## SPECIFICATIONS

**Insulation Resistance:** 500MΩ Min.  
**Contact Resistance:** 20mΩ Max.  
**Rating Current:** 1.5A Max.  
**Rating Voltage:** 120V AC.  
**Dielectric Voltage:** 1000 Vrms 60 Sec. Min.  
**Temperature Range:** -40°C / +85°C  
**Durability:** 500 Mating cycles Min.

## MATERIALS

**Housing:** PBT Glass Filled (UL 94V-0)  
**Soldering Temperature:** 235°C  
**Color:** Black  
**Spring Wire:** Phosphor Bronze  
                     Gold plating Over Nickel  
**Shield:** Brass plating Nickel Alloy  
**\*RoHS & REACH compliant.**



Recommended P.C.Board Layout  
(TOP VIEW)

## ORDERING INFORMATION:

P/N MJ 4 6 -  $\frac{88}{1} \times \frac{B}{2} \frac{06}{3}$

1. NO. OF POSITIONS & CONTACTS:  
"88" 8P8C
2. CONTACT FINISH:  
"A" 6 MICROINCH GOLD  
"B" 15 MICROINCH GOLD  
"C" 30 MICROINCH GOLD  
"D" 50 MICROINCH GOLD
3. NO. OF PORTS:  
06

NOTE: WITH SIDE PANEL GROUNDS

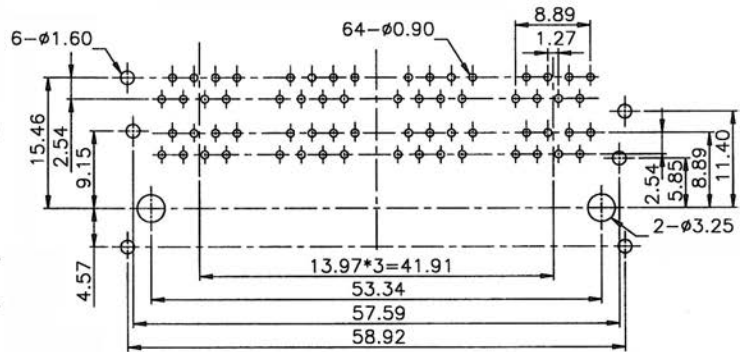
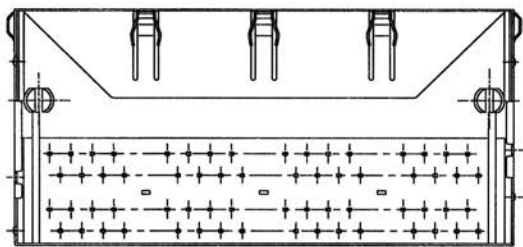
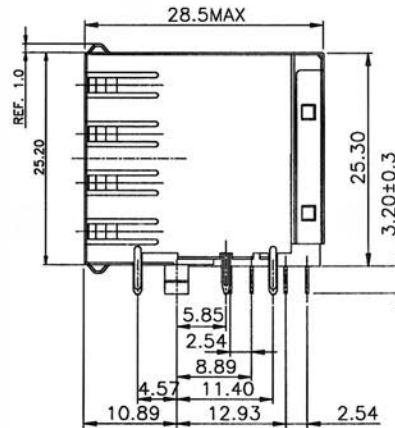
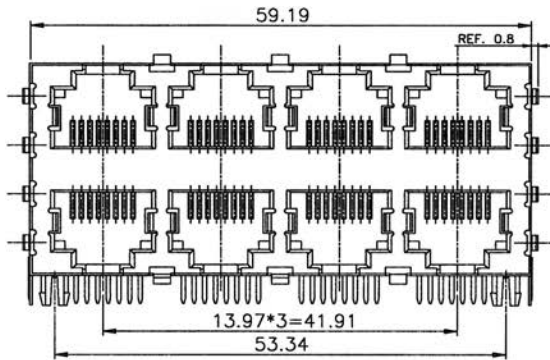
# SIDE ENTRY 8-PORT DOUBLE LEVEL MODULAR PCB JACK 8P PROFILE=25.30MM (FULLY SHIELDED)

## SPECIFICATIONS

**Insulation Resistance:** 500MΩ Min.  
**Contact Resistance:** 20mΩ Max.  
**Rating Current:** 1.5A Max.  
**Rating Voltage:** 120V AC.  
**Dielectric Voltage:** 1000 Vrms 60 Sec. Min.  
**Temperature Range:** -40°C / +85°C  
**Durability:** 500 Mating cycles Min.

## MATERIALS

**Housing:** Nylon (UL 94V-0)  
**Soldering Temperature:** 260°C  
**Color:** Black  
**Spring Wire:** Phosphor Bronze  
 Gold plating Over Nickel  
**\*RoHS & REACH compliant.**



Recommended P.C. Board Layout  
(TOP VIEW)

## ORDERING INFORMATION:

P/N M J 4 6 -  $\frac{x}{1} \frac{x}{2} \frac{x}{3} B 0 8$

1. NO. OF POSITIONS & CONTACTS:  
"88" 8P8C
2. CONTACT FINISH:  
"A" 6 MICROINCH GOLD  
"B" 15 MICROINCH GOLD  
"C" 30 MICROINCH GOLD  
"D" 50 MICROINCH GOLD
3. NO. OF PORTS:  
08

NOTE: WITH SIDE PANEL GROUNDS

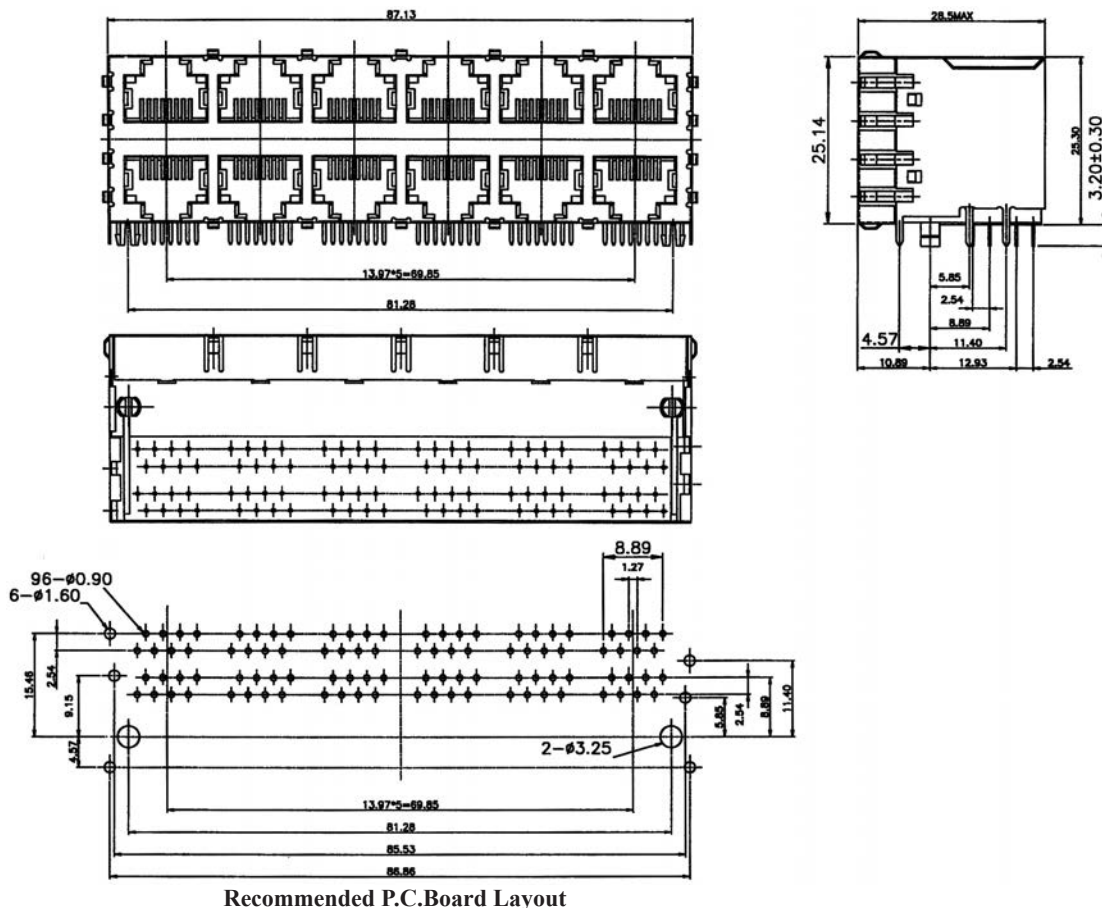
## SIDE ENTRY 12-PORT MODULAR PCB JACK 8P PROFILE=25.30MM (FULLY SHIELDED)

### SPECIFICATIONS

Insulation Resistance: 500MΩ Min.  
 Contact Resistance: 20mΩ Max.  
 Rating Current: 1.5A Max.  
 Rating Voltage: 120V AC.  
 Dielectric Voltage: 1000 Vrms 60 Sec. Min.  
 Temperature Range: -40°C / +85°C  
 Durability: 500 Mating cycles Min.

### MATERIALS

Housing: PBT Glass Filled (UL 94V-0)  
 Soldering Temperature: 235°C  
 Color: Black  
 Spring Wire: Phosphor Bronze  
 Gold plating Over Nickel  
 Shield: Brass plating Nickel Alloy  
 \*RoHS & REACH compliant.



### ORDERING INFORMATION:

P/N M J  $\frac{x}{1}$  - 8 8  $\frac{x}{2}$  B  $\frac{1}{3}$   $\frac{1}{4}$

1. CATEGORY TYPE:  
 "46" CAT. 3  
 "54" CAT. 5
2. NO. OF POSITIONS & CONTACTS:  
 "88" 8P8C
3. CONTACT FINISH:  
 "A" 6 MICROINCH GOLD  
 "B" 15 MICROINCH GOLD  
 "C" 30 MICROINCH GOLD  
 "D" 50 MICROINCH GOLD
4. NO. OF PORTS:  
 12

NOTE: WITH SIDE PANEL GROUNDS



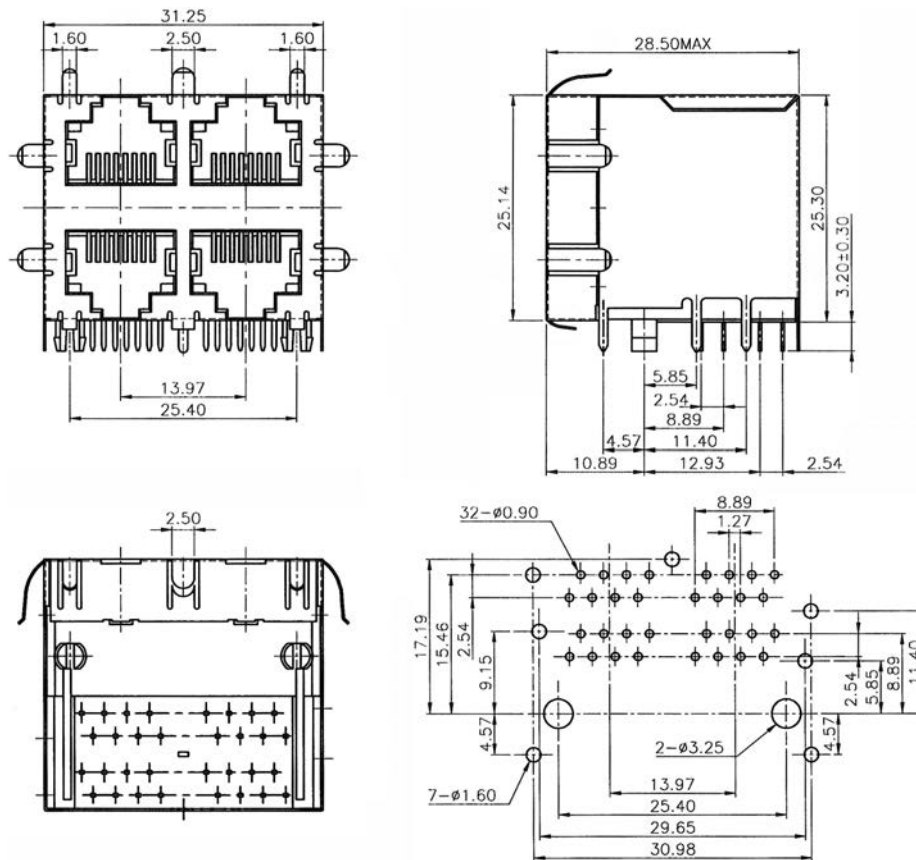
# SIDE ENTRY 4-PORT DOUBLE LEVEL MODULAR PCB JACK 8P PROFILE=25.30MM (FULLY SHIELDED)

## SPECIFICATIONS

**Insulation Resistance:** 500MΩ Min.  
**Contact Resistance:** 20mΩ Max.  
**Rating Current:** 1.5A Max.  
**Rating Voltage:** 120V AC.  
**Dielectric Voltage:** 1000 Vrms 60 Sec. Min.  
**Temperature Range:** -40°C / +85°C  
**Durability:** 500 Mating cycles Min.

## MATERIALS

**Housing:** PBT Glass Filled (UL 94V-0)  
**Soldering Temperature:** 235°C  
**Color:** Black  
**Spring Wire:** Phosphor Bronze  
                     Gold plating Over Nickel  
**Shield:** Brass plating Nickel Alloy  
**\*RoHS & REACH compliant.**



Recommended P.C.Board Layout (TOP VIEW)

## ORDERING INFORMATION:

P/N MJ 28 -  $\frac{88}{1} \times \frac{B}{2} \frac{04}{3}$

1. NO. OF POSITIONS & CONTACTS:  
"88" 8P8C
2. CONTACT FINISH:  
"A" 6 MICROINCH GOLD  
"B" 15 MICROINCH GOLD  
"C" 30 MICROINCH GOLD  
"D" 50 MICROINCH GOLD
3. NO. OF PORTS:  
04

NOTE: WITH TOP & SIDE PANEL GROUNDS

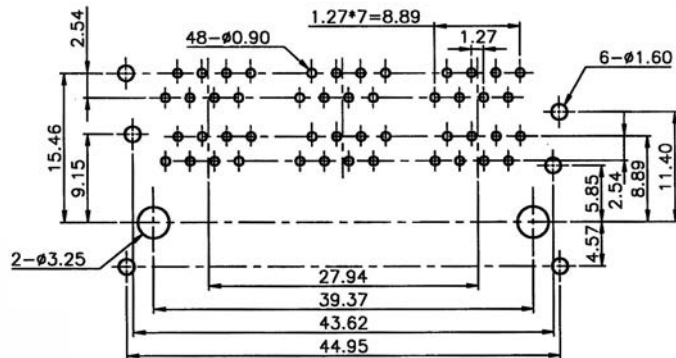
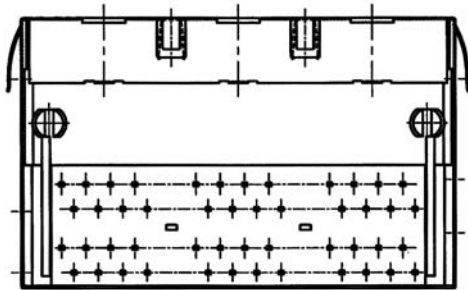
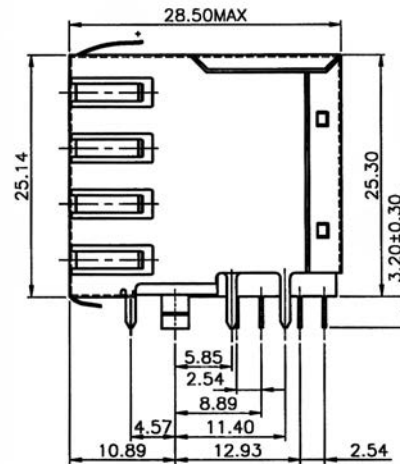
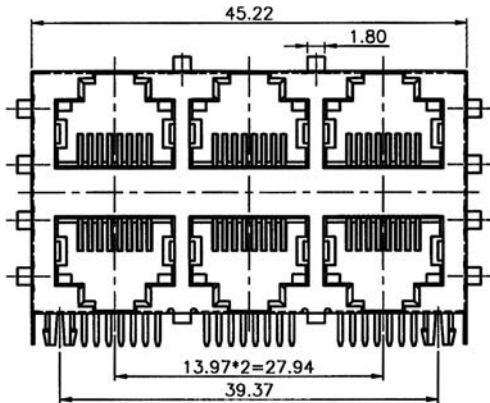
# SIDE ENTRY 6-PORT DOUBLE LEVEL MODULAR PCB JACK 8P PROFILE=25.30MM (FULLY SHIELDED)

## SPECIFICATIONS

**Insulation Resistance:** 500MΩ Min.  
**Contact Resistance:** 20mΩ Max.  
**Rating Current:** 1.5A Max.  
**Rating Voltage:** 120V AC.  
**Dielectric Voltage:** 1000 Vrms 60 Sec. Min.  
**Temperature Range:** -40°C / +85°C  
**Durability:** 500 Mating cycles Min.

## MATERIALS

**Housing:** PBT Glass Filled (UL 94V-0)  
**Soldering Temperature:** 235°C  
**Color:** Black  
**Spring Wire:** Phosphor Bronze  
                   Gold plating Over Nickel  
**Shield:** Brass plating Nickel Alloy  
**\*RoHS & REACH compliant.**



Recommended P.C.Board Layout (TOP VIEW)

## ORDERING INFORMATION:

P/N MJ 28 -  $\frac{88}{1} \times \frac{B}{2} \frac{06}{3}$

1. NO. OF POSITIONS & CONTACTS:  
"88" 8P8C
2. CONTACT FINISH:  
"A" 6 MICROINCH GOLD  
"B" 15 MICROINCH GOLD  
"C" 30 MICROINCH GOLD  
"D" 50 MICROINCH GOLD
3. NO. OF PORTS:  
06

NOTE: WITH TOP & SIDE PANEL GROUNDS

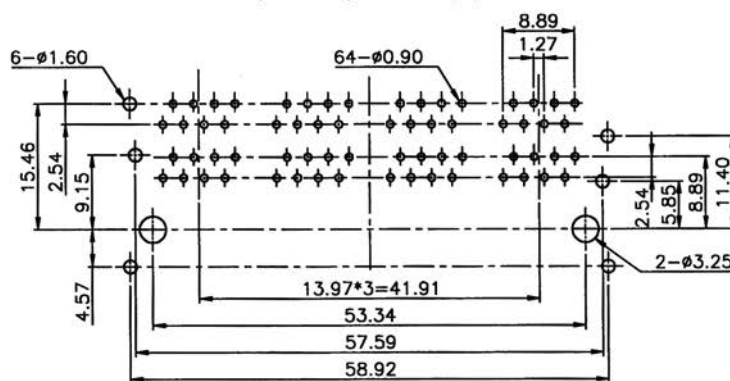
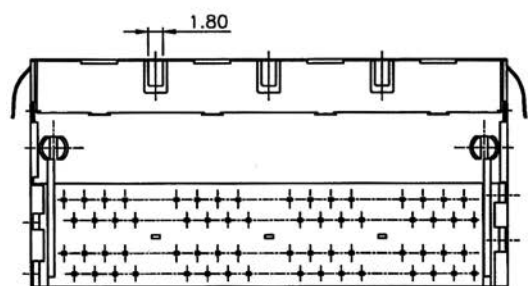
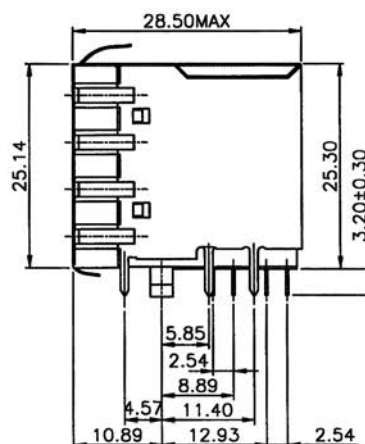
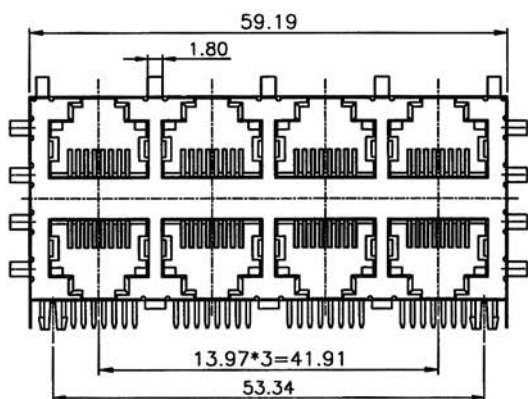
# SIDE ENTRY 8-PORT DOUBLE LEVEL MODULAR PCB JACK 8P PROFILE=25.30MM (FULLY SHIELDED)

## SPECIFICATIONS

**Insulation Resistance:** 500MΩ Min.  
**Contact Resistance:** 20mΩ Max.  
**Rating Current:** 1.5A Max.  
**Rating Voltage:** 120V AC.  
**Dielectric Voltage:** 1000 Vrms 60 Sec. Min.  
**Temperature Range:** -40°C / +85°C  
**Durability:** 500 Mating cycles Min.

## MATERIALS

**Housing:** PBT Glass Filled (UL 94V-0)  
**Soldering Temperature:** 235°C  
**Color:** Black  
**Spring Wire:** Phosphor Bronze  
                   Gold plating Over Nickel  
**Shield:** Brass plating Nickel Alloy  
**\*RoHS & REACH compliant.**



Recommended P.C.Board Layout (TOP VIEW)

## ORDERING INFORMATION:

P/N **M J 2 8 -  $\frac{88}{1} \times \frac{B 0 8}{2 \quad 3}$**

1. NO. OF POSITIONS & CONTACTS:  
"88" 8P8C
2. CONTACT FINISH:  
"A" 6 MICROINCH GOLD  
"B" 15 MICROINCH GOLD  
"C" 30 MICROINCH GOLD  
"D" 50 MICROINCH GOLD
3. NO. OF PORTS:  
08

NOTE: WITH TOP & SIDE PANEL GROUNDS

# SIDE ENTRY 10-PORT DOUBLE LEVEL MODULAR PCB JACK 8P PROFILE=25.30MM (FULLY SHIELDED)

## SPECIFICATIONS

Insulation Resistance: 500MΩ Min.

Contact Resistance: 20mΩ Max.

Rating Current: 1.5A Max.

Rating Voltage: 120V AC.

Dielectric Voltage: 1000 Vrms 60 Sec. Min.

Temperature Range: -40°C / +85°C

Durability: 500 Mating cycles Min.

## MATERIALS

Housing: PBT Glass Filled (UL 94V-0)

Soldering Temperature: 235°C

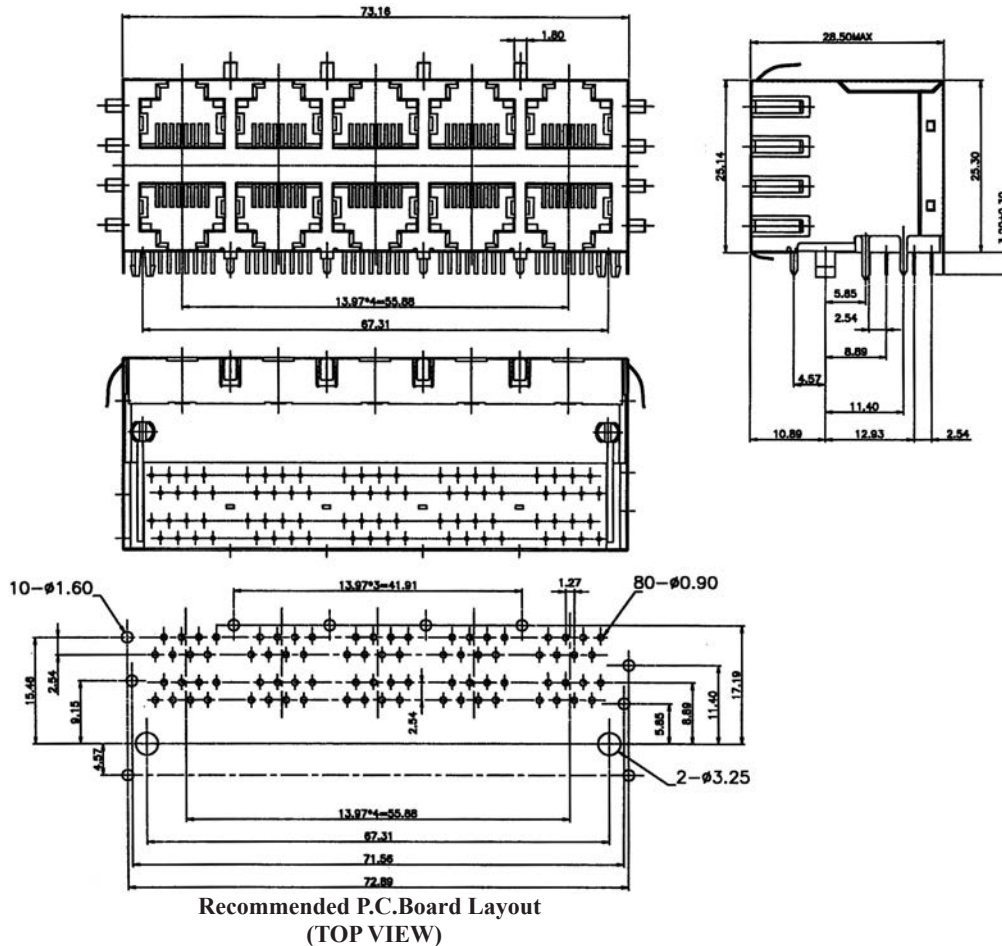
Color: Black

Spring Wire: Phosphor Bronze

Gold plating Over Nickel

Shield: Brass plating Nickel Alloy

\*RoHS & REACH compliant.



## ORDERING INFORMATION:

P/N **M J 2 8 -  $\frac{88}{1} \times \frac{B}{2} \frac{10}{3}$**

1. NO. OF POSITIONS & CONTACTS:

"88" 8P8C

2. CONTACT FINISH:

"A" 6 MICROINCH GOLD

"B" 15 MICROINCH GOLD

"C" 30 MICROINCH GOLD

"D" 50 MICROINCH GOLD

3. NO. OF PORTS:

10

NOTE: WITH TOP & SIDE PANEL GROUNDS





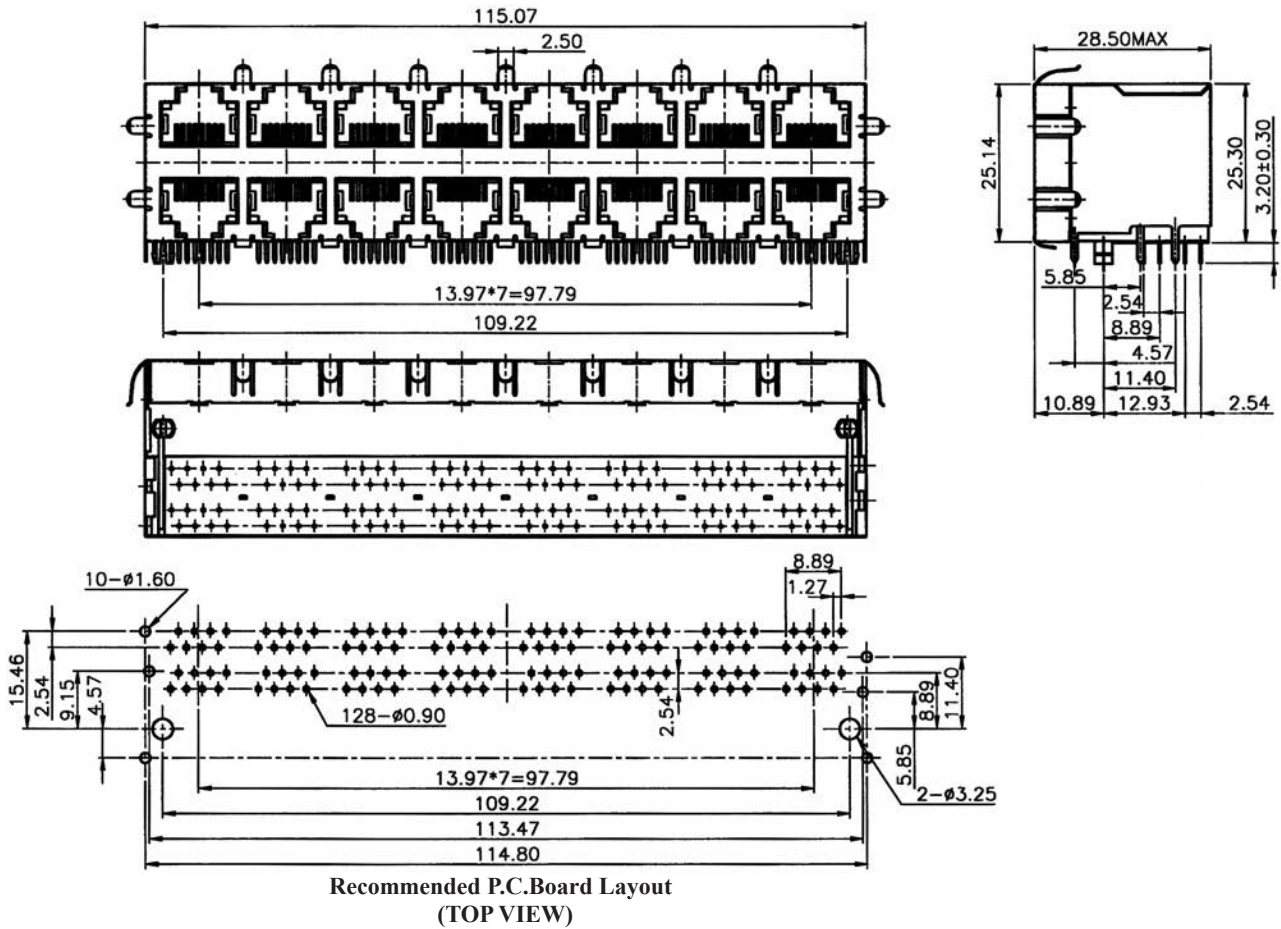
# SIDE ENTRY 16-PORT DOUBLE LEVEL MODULAR PCB JACK 8P PROFILE=25.30MM (FULLY SHIELDED)

## SPECIFICATIONS

**Insulation Resistance:** 500MΩ Min.  
**Contact Resistance:** 20mΩ Max.  
**Rating Current:** 1.5A Max.  
**Rating Voltage:** 120V AC.  
**Dielectric Voltage:** 1000 Vrms 60 Sec. Min.  
**Temperature Range:** -40°C / +85°C  
**Durability:** 500 Mating cycles Min.

## MATERIALS

**Housing:** PBT Glass Filled (UL 94V-0)  
**Soldering Temperature:** 235°C  
**Color:** Black  
**Spring Wire:** Phosphor Bronze  
                   Gold plating Over Nickel  
**Shield:** Brass plating Nickel Alloy  
**\*RoHS & REACH compliant.**



## ORDERING INFORMATION:

P/N M J 2 8 -  $\frac{88}{1}$  x B  $\frac{16}{3}$

1. NO. OF POSITIONS & CONTACTS:  
"88" 8P8C
2. CONTACT FINISH:  
"A" 6 MICROINCH GOLD  
"B" 15 MICROINCH GOLD  
"C" 30 MICROINCH GOLD  
"D" 50 MICROINCH GOLD  
"E" GOLD FLASH
3. NO. OF PORTS:  
16

NOTE: WITH TOP & SIDE PANEL GROUNDS

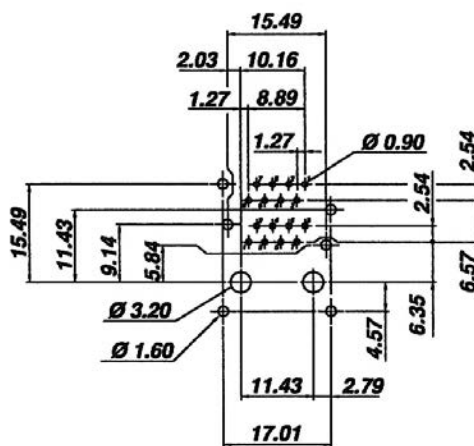
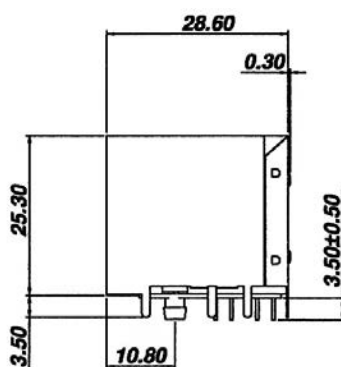
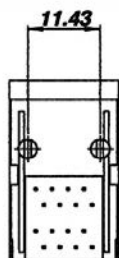
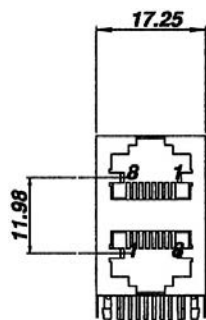
# SIDE ENTRY 2-PORT DOUBLE LEVEL MODULAR PCB JACK WITH INNER SHIELD 8P PROFILE=25.30MM (FULLY SHIELDED)

## SPECIFICATIONS

- Insulation Resistance: 500MΩ Min.
- Contact Resistance: 20mΩ Max.
- Rating Current: 1.5A Max.
- Rating Voltage: 120V AC.
- Dielectric Voltage: 1000 Vrms 60 Sec. Min.
- Temperature Range: -40°C / +85°C
- Durability: 500 Mating cycles Min.

## MATERIALS

- Housing: PBT Glass Filled (UL 94V-0)
- Soldering Temperature: 235°C
- Color: Black
- Spring Wire: Phosphor Bronze  
Gold plating Over Nickel
- Shield: Brass plating Nickel Alloy
- \*RoHS & REACH compliant.



Recommended P.C.Board Layout  
(TOP VIEW)

## ORDERING INFORMATION:

P/N M J D F -  $\frac{88}{1} \times \frac{B}{2} \frac{02}{3}$

- NO. OF POSITIONS & CONTACTS:  
"88" 8P8C
- CONTACT FINISH:  
"A" 6 MICROINCH GOLD  
"B" 15 MICROINCH GOLD  
"C" 30 MICROINCH GOLD  
"D" 50 MICROINCH GOLD
- NO. OF PORTS:  
02

NOTE: P/N MJDFHT-88xB02 FOR HIGH TEMP. VERSION





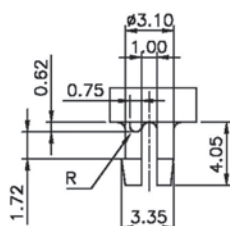
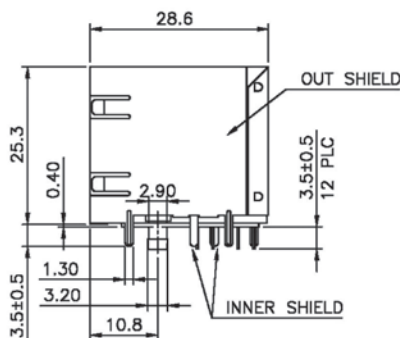
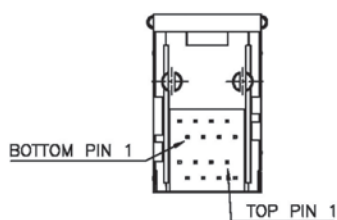
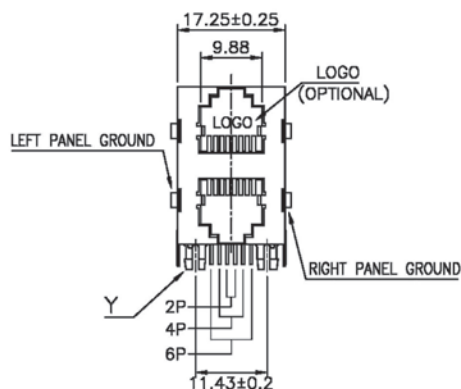
# SIDE ENTRY 2-PORT DOUBLE LEVEL MODULAR PCB JACK 6P PROFILE=25.30MM (FULLY SHIELDED)

## SPECIFICATIONS

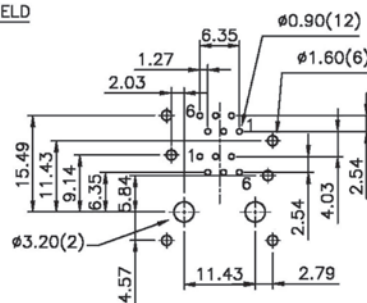
**Insulation Resistance:** 500MΩ Min.  
**Contact Resistance:** 20mΩ Max.  
**Rating Current:** 1.5A Max.  
**Rating Voltage:** 120V AC.  
**Dielectric Voltage:** 1000 Vrms 60 Sec. Min.  
**Temperature Range:** -40°C / +85°C  
**Durability:** 500 Mating cycles Min.

## MATERIALS

**Housing:** PBT Glass Filled (UL 94V-0)  
**Soldering Temperature:** 235°C  
**Color:** Black  
**Spring Wire:** Phosphor Bronze  
                   Gold plating Over Nickel  
**Shield:** Brass plating Nickel Alloy  
**\*RoHS & REACH compliant.**



**DETAIL Y**



**Recommended P.C. Board Layout**

## ORDERING INFORMATION:

**P/N M J D E - x x x B 0 2**  
**1 2 3 4 5**

- |   |                        |
|---|------------------------|
| 1. MODULAR JACK TYPE:<br>"DE" WITH LEFT & RIGHT PANEL GROUNDS   | 5. NO. OF PORTS:<br>02 |
| 2. NO. OF POSITIONS & CONTACTS:<br>"64" 6P4C<br>"66" 6P6C   |                        |
| 3. CONTACT FINISH:<br>"A" 6 MICROINCH GOLD<br>"B" 15 MICROINCH GOLD<br>"C" 30 MICROINCH GOLD<br>"D" 50 MICROINCH GOLD |                        |
| 4. HOUSING COLOR:<br>"B" BLACK  |                        |

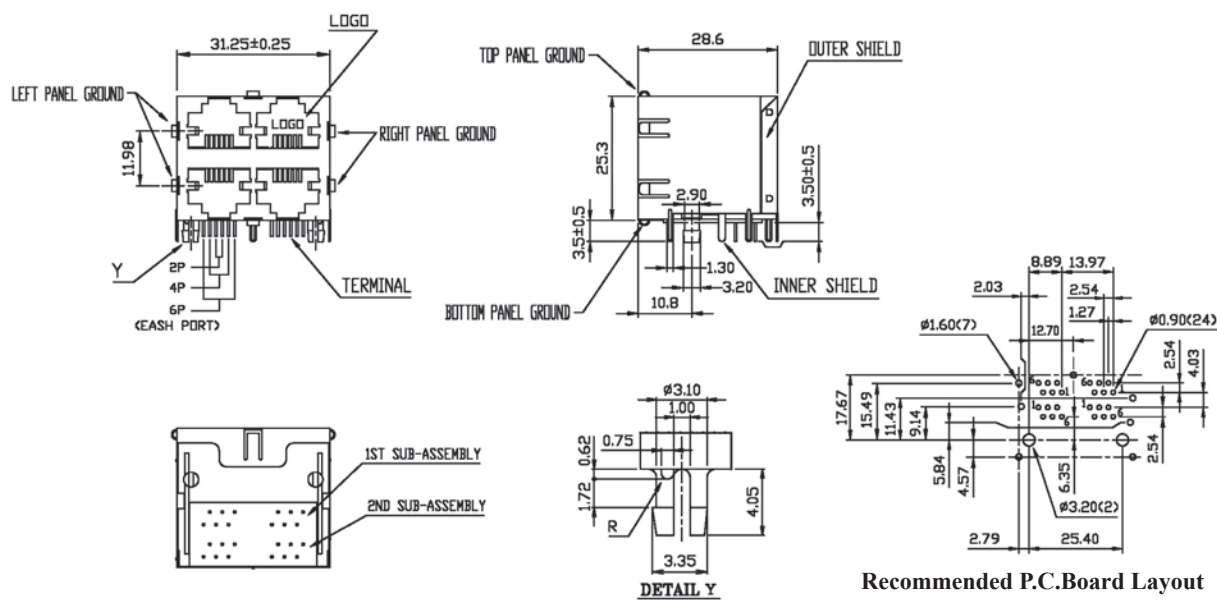
# SIDE ENTRY 4-PORT DOUBLE LEVEL MODULAR PCB JACK 6P PROFILE=25.30MM (FULLY SHIELDED)

## SPECIFICATIONS

**Insulation Resistance:** 500MΩ Min.  
**Contact Resistance:** 20mΩ Max.  
**Rating Current:** 1.5A Max.  
**Rating Voltage:** 120V AC.  
**Dielectric Voltage:** 1000 Vrms 60 Sec. Min.  
**Temperature Range:** -40°C / +85°C  
**Durability:** 500 Mating cycles Min.

## MATERIALS

**Housing:** PBT Glass Filled (UL 94V-0)  
**Soldering Temperature:** 235°C  
**Color:** Black  
**Spring Wire:** Phosphor Bronze  
                     Gold plating Over Nickel  
**Shield:** Brass plating Nickel Alloy  
**\*RoHS & REACH compliant.**



## ORDERING INFORMATION:

P/N M J D E - x x x B 0 4  
 I 2 3 4 5

- MODULAR JACK TYPE:  
"DE" WITH 4 SIDE PANEL GROUNDS
- NO. OF POSITIONS & CONTACTS:  
"64" 6P4C  
"66" 6P6C
- CONTACT FINISH:  
"A" 6 MICROINCH GOLD  
"B" 15 MICROINCH GOLD  
"C" 30 MICROINCH GOLD  
"D" 50 MICROINCH GOLD
- HOUSING COLOR:  
"B" BLACK
- NO. OF PORTS:  
04

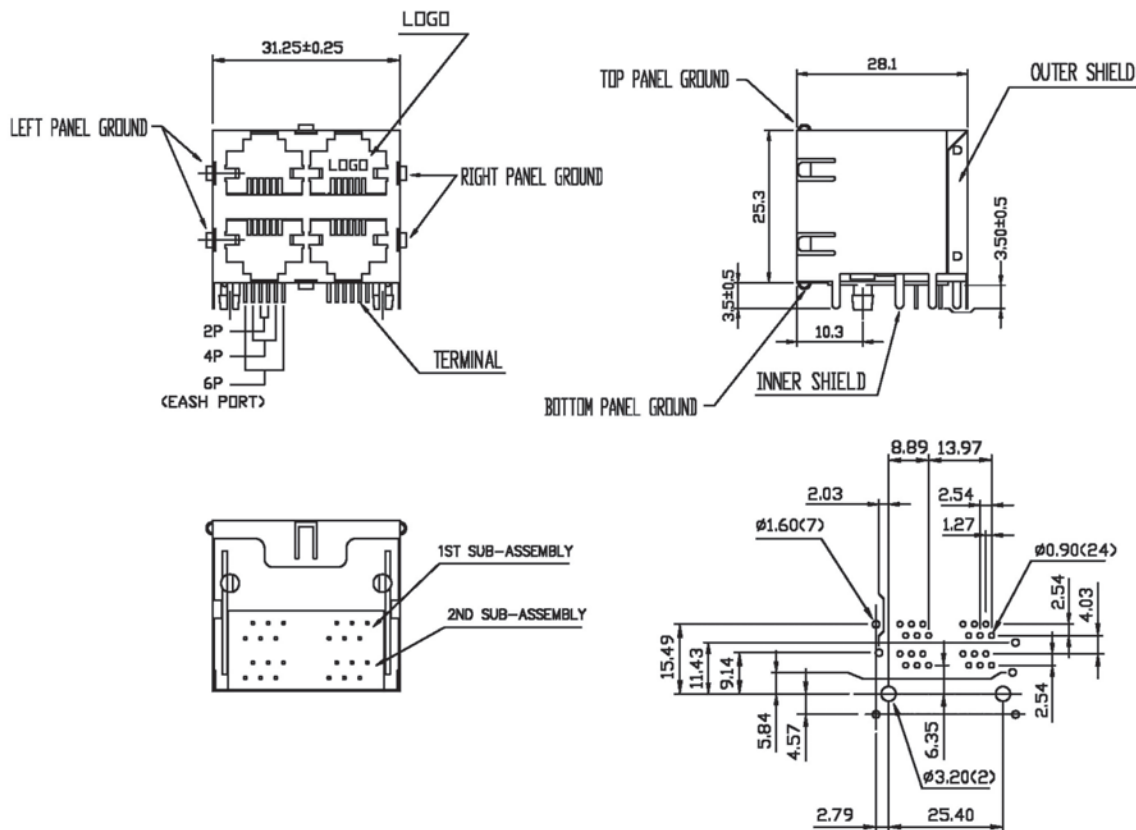
# SIDE ENTRY 4-PORT DOUBLE LEVEL MODULAR PCB JACK 6P PROFILE=25.30MM (FULLY SHIELDED)

## SPECIFICATIONS

**Insulation Resistance:** 500MΩ Min.  
**Contact Resistance:** 20mΩ Max.  
**Rating Current:** 1.5A Max.  
**Rating Voltage:** 120V AC.  
**Dielectric Voltage:** 1000 Vrms 60 Sec. Min.  
**Temperature Range:** -40°C / +85°C  
**Durability:** 500 Mating cycles Min.

## MATERIALS

**Housing:** PBT Glass Filled (UL 94V-0)  
**Soldering Temperature:** 235°C  
**Color:** Black  
**Spring Wire:** Phosphor Bronze  
 Gold plating Over Nickel  
**Shield:** Brass plating Nickel Alloy  
**\*RoHS & REACH compliant.**



Recommended P.C.Board Layout

## ORDERING INFORMATION:

P/N M J J V - x x x B 0 4  
 1 2 3 4 5

- MODULAR JACK TYPE:  
"JV" 6 POSITION TYPE
- NO. OF POSITIONS & CONTACTS:  
"66" 6P6C  
"64" 6P4C
- CONTACT FINISH:  
"A" 6 MICROINCH GOLD  
"B" 15 MICROINCH GOLD  
"C" 30 MICROINCH GOLD  
"D" 50 MICROINCH GOLD
- HOUSING COLOR:  
"B" BLACK

- NO. OF PORTS:  
04



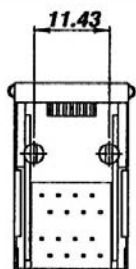
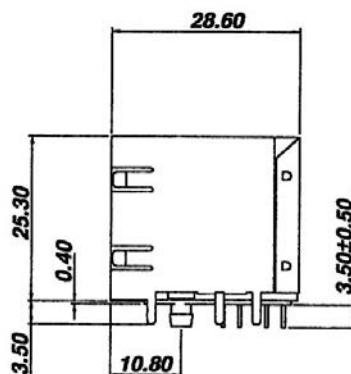
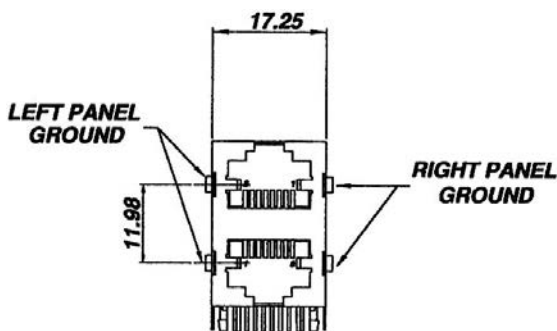
# SIDE ENTRY 2-PORT DOUBLE LEVEL MODULAR PCB JACK WITH INNER SHIELD 8P PROFILE=25.30MM (FULLY SHIELDED)

## SPECIFICATIONS

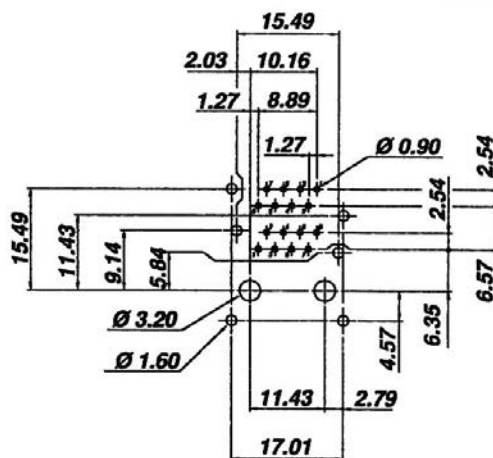
**Insulation Resistance:** 500MΩ Min.  
**Contact Resistance:** 20mΩ Max.  
**Rating Current:** 1.5A Max.  
**Rating Voltage:** 120V AC.  
**Dielectric Voltage:** 1000 Vrms 60 Sec. Min.  
**Temperature Range:** -40°C / +85°C  
**Durability:** 500 Mating cycles Min.

## MATERIALS

**Housing:** PBT Glass Filled (UL 94V-0)  
**Soldering Temperature:** 235°C  
**Color:** Black  
**Spring Wire:** Phosphor Bronze  
                   Gold plating Over Nickel  
**Shield:** Brass plating Nickel Alloy  
**\*RoHS & REACH compliant.**



**PANEL GROUND MODE**



**Recommended P.C.Board Layout (TOP VIEW)**

## ORDERING INFORMATION:

**P/N MJDE -  $\frac{88}{1} \times \frac{B}{2} \frac{02}{3}$**

1. NO. OF POSITIONS & CONTACTS:  
"88" 8P8C
2. CONTACT FINISH:  
"A" 6 MICROINCH GOLD  
"B" 15 MICROINCH GOLD  
"C" 30 MICROINCH GOLD  
"D" 50 MICROINCH GOLD
3. NO. OF PORTS:  
02

NOTE: P/N MJDEHT-88xB02 FOR HIGH TEMP. VERSION

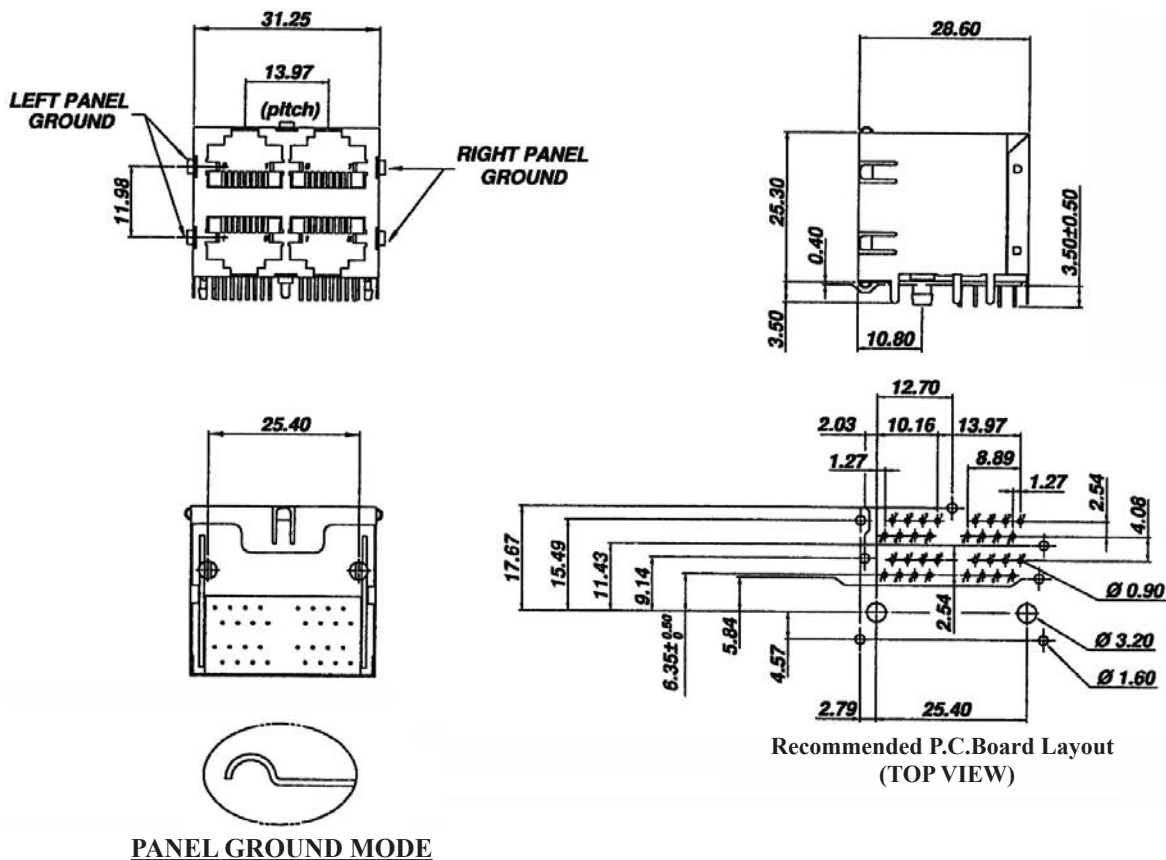
# SIDE ENTRY 4-PORT DOUBLE LEVEL MODULAR PCB JACK WITH INNER SHIELD 8P PROFILE=25.30MM (FULLY SHIELDED)

## SPECIFICATIONS

Insulation Resistance: 500MΩ Min.  
 Contact Resistance: 20mΩ Max.  
 Rating Current: 1.5A Max.  
 Rating Voltage: 120V AC.  
 Dielectric Voltage: 1000 Vrms 60 Sec. Min.  
 Temperature Range: -40°C / +85°C  
 Durability: 500 Mating cycles Min.

## MATERIALS

Housing: PBT Glass Filled (UL 94V-0)  
 Soldering Temperature: 235°C  
 Color: Black  
 Spring Wire: Phosphor Bronze  
 Gold plating Over Nickel  
 Shield: Brass plating Nickel Alloy  
 \*RoHS & REACH compliant.



## ORDERING INFORMATION:

P/N MJDE -  $\frac{88}{1} \times \frac{B}{2} \frac{04}{3}$

1. NO. OF POSITIONS & CONTACTS:  
"88" 8P8C
2. CONTACT FINISH:  
"A" 6 MICROINCH GOLD  
"B" 15 MICROINCH GOLD  
"C" 30 MICROINCH GOLD  
"D" 50 MICROINCH GOLD
3. NO. OF PORTS:  
04

NOTE: P/N MJDEHT-88xB04 FOR HIGH TEMP. VERSION

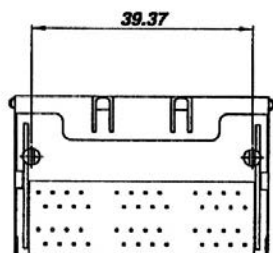
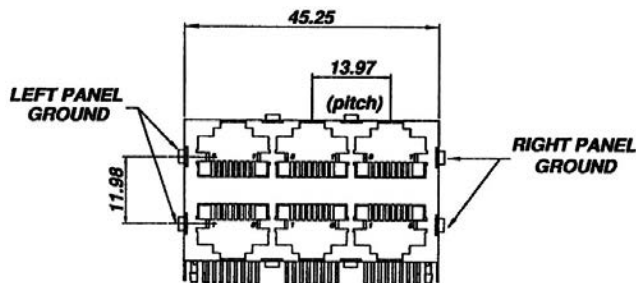
# SIDE ENTRY 6-PORT DOUBLE LEVEL MODULAR PCB JACK WITH INNER SHIELD 8P PROFILE=25.30MM (FULLY SHIELDED)

## SPECIFICATIONS

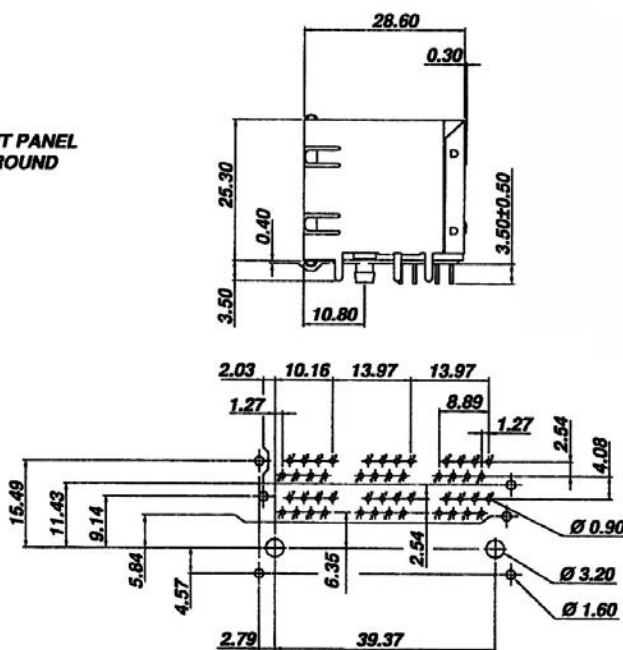
Insulation Resistance: 500MΩ Min.  
 Contact Resistance: 20mΩ Max.  
 Rating Current: 1.5A Max.  
 Rating Voltage: 120V AC.  
 Dielectric Voltage: 1000 Vrms 60 Sec. Min.  
 Temperature Range: -40°C / +85°C  
 Durability: 500 Mating cycles Min.

## MATERIALS

Housing: PBT Glass Filled (UL 94V-0)  
 Soldering Temperature: 235°C  
 Color: Black  
 Spring Wire: Phosphor Bronze  
 Gold plating Over Nickel  
 Shield: Brass plating Nickel Alloy  
 \*RoHS & REACH compliant.



**PANEL GROUND MODE**



**Recommended P.C. Board Layout (TOP VIEW)**

## ORDERING INFORMATION:

**P/N MJDE - 88 x B 06**  
 $\frac{1}{2} \quad \frac{3}{3}$

1. NO. OF POSITIONS & CONTACTS:  
"88" 8P8C
2. CONTACT FINISH:  
"A" 6 MICROINCH GOLD  
"B" 15 MICROINCH GOLD  
"C" 30 MICROINCH GOLD  
"D" 50 MICROINCH GOLD
3. NO. OF PORTS:  
06

NOTE: P/N MJDEHT-88xB06 FOR HIGH TEMP. VERSION

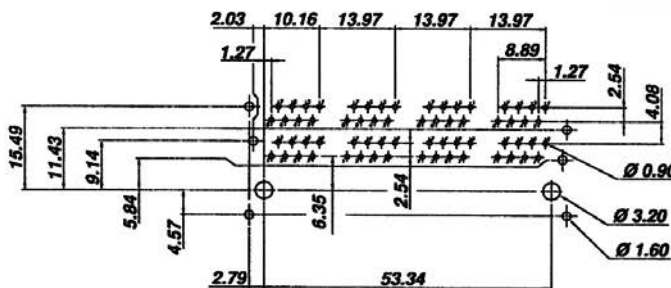
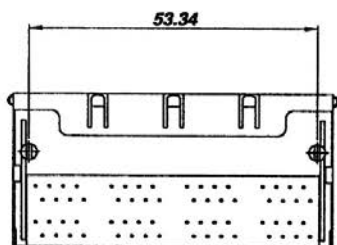
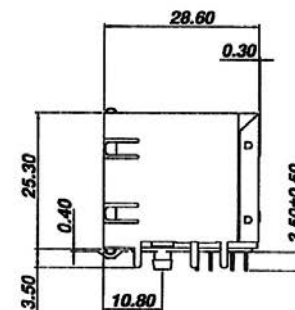
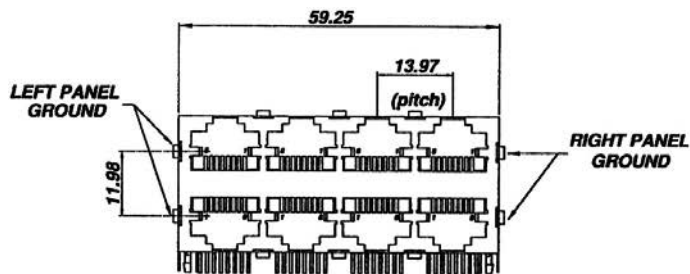
# SIDE ENTRY 8-PORT DOUBLE LEVEL MODULAR PCB JACK WITH INNER SHIELD 8P PROFILE=25.30MM (FULLY SHIELDED)

## SPECIFICATIONS

Insulation Resistance: 500MΩ Min.  
 Contact Resistance: 20mΩ Max.  
 Rating Current: 1.5A Max.  
 Rating Voltage: 120V AC.  
 Dielectric Voltage: 1000 Vrms 60 Sec. Min.  
 Temperature Range: -40°C / +85°C  
 Durability: 500 Mating cycles Min.

## MATERIALS

Housing: PBT Glass Filled (UL 94V-0)  
 Soldering Temperature: 235°C  
 Color: Black  
 Spring Wire: Phosphor Bronze  
 Gold plating Over Nickel  
 Shield: Brass plating Nickel Alloy  
 \*RoHS & REACH compliant.



Recommended P.C. Board Layout (TOP VIEW)



PANEL GROUND MODE

## ORDERING INFORMATION:

P/N MJDE -  $\frac{88}{1} \times \frac{B}{2} \frac{08}{3}$

1. NO. OF POSITIONS & CONTACTS:  
"88" 8P8C
2. CONTACT FINISH:  
"A" 6 MICROINCH GOLD  
"B" 15 MICROINCH GOLD  
"C" 30 MICROINCH GOLD  
"D" 50 MICROINCH GOLD
3. NO. OF PORTS:  
08

NOTE: P/N MJDEHT-88xB08 FOR HIGH TEMP. VERSION



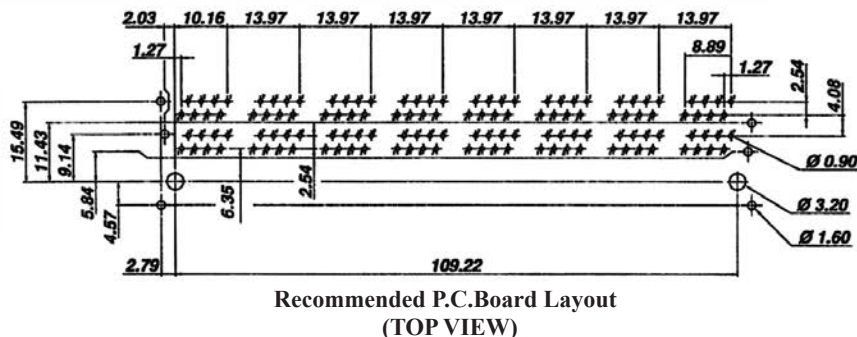
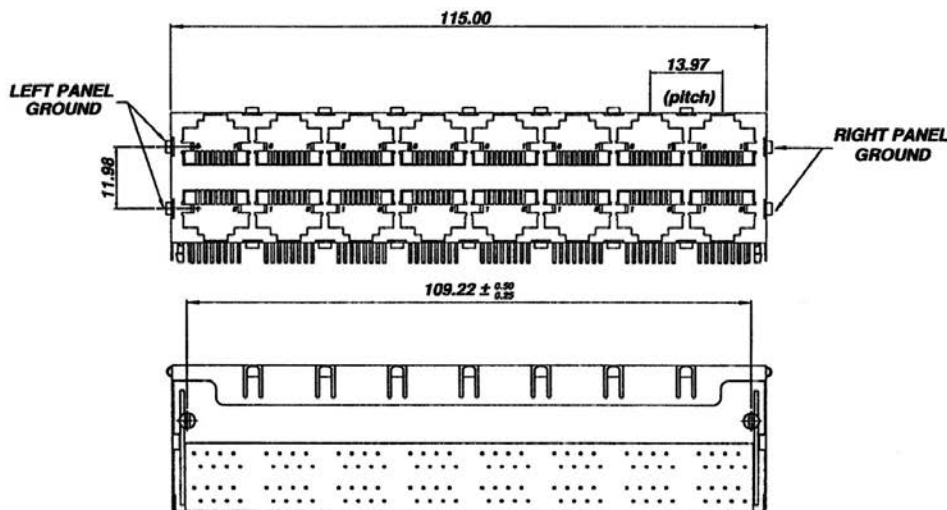
# SIDE ENTRY 16-PORT DOUBLE LEVEL MODULAR PCB JACK WITH INNER SHIELD 8P PROFILE=25.30MM (FULLY SHIELDED)

## SPECIFICATIONS

Insulation Resistance: 500MΩ Min.  
 Contact Resistance: 20mΩ Max.  
 Rating Current: 1.5A Max.  
 Rating Voltage: 120V AC.  
 Dielectric Voltage: 1000 Vrms 60 Sec. Min.  
 Temperature Range: -40°C / +85°C  
 Durability: 500 Mating cycles Min.

## MATERIALS

Housing: PBT Glass Filled (UL 94V-0)  
 Soldering Temperature: 235°C  
 Color: Black  
 Spring Wire: Phosphor Bronze  
 Gold plating Over Nickel  
 Shield: Brass plating Nickel Alloy  
 \*RoHS & REACH compliant.



## ORDERING INFORMATION:

P/N MJDE -  $\frac{88}{1} \times \frac{B}{2} \frac{16}{3}$

1. NO. OF POSITIONS & CONTACTS:  
"88" 8P8C
2. CONTACT FINISH:  
"A" 6 MICROINCH GOLD  
"B" 15 MICROINCH GOLD  
"C" 30 MICROINCH GOLD  
"D" 50 MICROINCH GOLD
3. NO. OF PORTS:  
16

NOTE: P/N MJDEHT-88xB16 FOR HIGH TEMP. VERSION

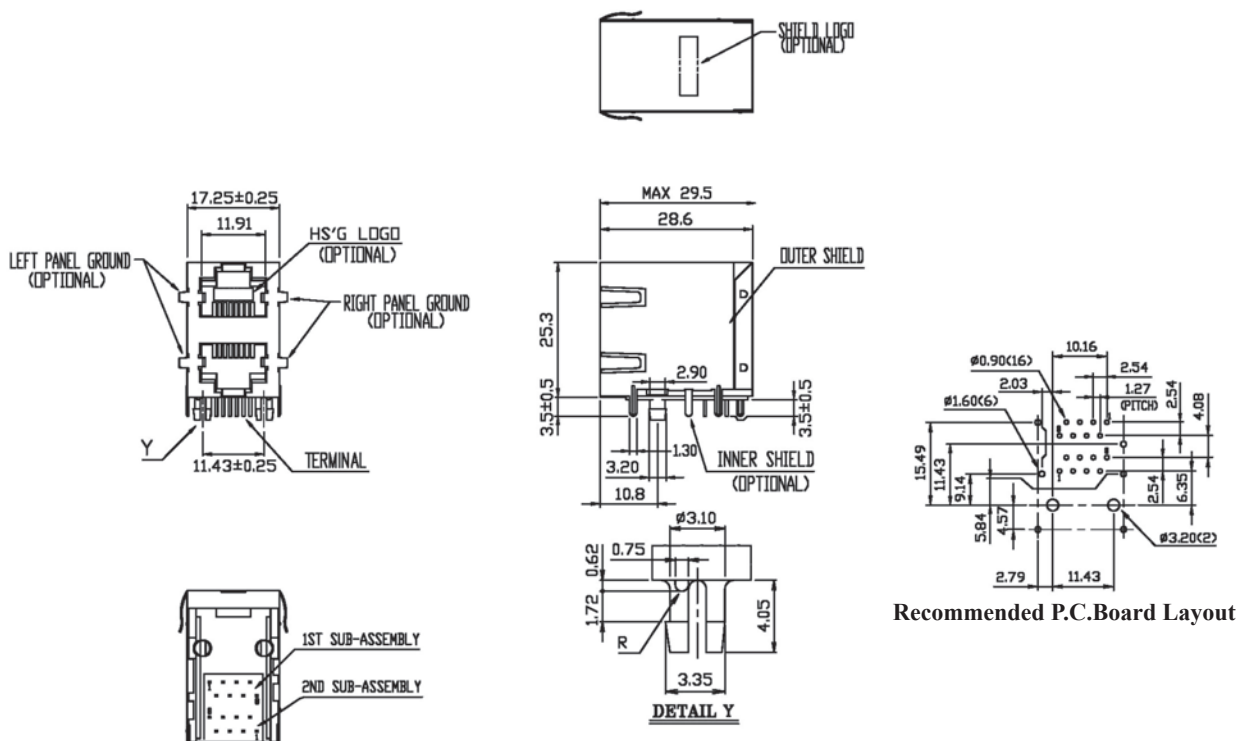
# SIDE ENTRY 2-PORT MODULAR PCB JACK 8P PROFILE=25.30MM (FULLY SHIELDED)

## SPECIFICATIONS

**Insulation Resistance:** 500MΩ Min.  
**Contact Resistance:** 20mΩ Max.  
**Rating Current:** 1.5A Max.  
**Rating Voltage:** 120V AC.  
**Dielectric Voltage:** 1000 Vrms 60 Sec. Min.  
**Temperature Range:** -40°C / +85°C  
**Durability:** 500 Mating cycles Min.

## MATERIALS

**Housing:** PBT Glass Filled (UL 94V-0)  
**Soldering Temperature:** 235°C  
**Color:** Black  
**Spring Wire:** Phosphor Bronze  
                   Gold plating Over Nickel  
**Shield:** Brass plating Nickel Alloy  
**\*RoHS & REACH compliant.**



Recommended P.C.Board Layout

## ORDERING INFORMATION:

P/N M J  $\frac{x}{1}$  -  $\frac{88}{2}$   $\frac{x}{3}$   $\frac{B}{4}$   $\frac{02}{5}$

- |   |                        |
|---|------------------------|
| 1. MODULAR JACK TYPE:<br>"JR" WITH RIGHT/LEFT PANEL GROUNDS<br>"JT" WITHOUT PANEL GROUNDS                             | 5. NO. OF PORTS:<br>02 |
| 2. NO. OF POSITIONS & CONTACTS:<br>"88" 8P8C  |                        |
| 3. CONTACT FINISH:<br>"A" 6 MICROINCH GOLD<br>"B" 15 MICROINCH GOLD<br>"C" 30 MICROINCH GOLD<br>"D" 50 MICROINCH GOLD |                        |
| 4. HOUSING COLOR:<br>"B" BLACK  |                        |

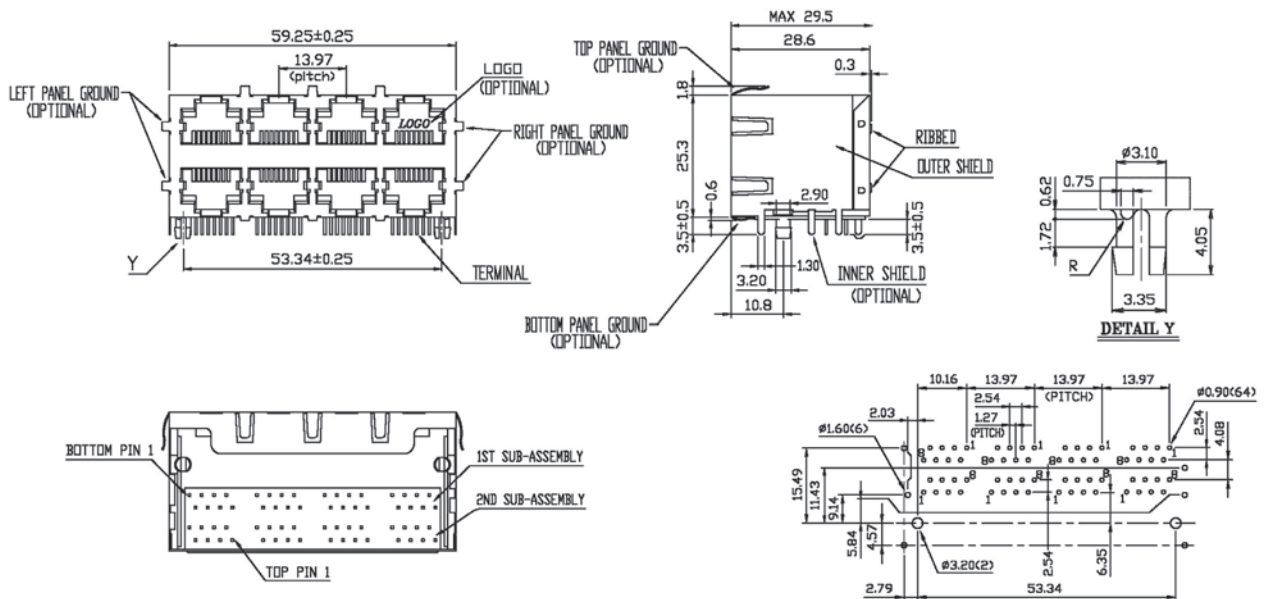
# SIDE ENTRY 8-PORT DOUBLE LEVEL MODULAR PCB JACK 8P PROFILE=25.30MM (FULLY SHIELDED)

## SPECIFICATIONS

**Insulation Resistance:** 500MΩ Min.  
**Contact Resistance:** 20mΩ Max.  
**Rating Current:** 1.5A Max.  
**Rating Voltage:** 120V AC.  
**Dielectric Voltage:** 1000 Vrms 60 Sec. Min.  
**Temperature Range:** -40°C / +85°C  
**Durability:** 500 Mating cycles Min.

## MATERIALS

**Housing:** PBT Glass Filled (UL 94V-0)  
**Soldering Temperature:** 235°C  
**Color:** Black  
**Spring Wire:** Phosphor Bronze  
                     Gold plating Over Nickel  
**Shield:** Brass plating Nickel Alloy  
**\*RoHS & REACH compliant.**



Recommended P.C.Board Layout

## ORDERING INFORMATION:

P/N M J  $\frac{XX}{1}$  -  $\frac{88}{2}$   $\frac{XB}{34}$   $\frac{08}{5}$

- |   |  |
|---|--|
| <ol style="list-style-type: none"> <li>1. MODULAR JACK TYPE:<br/> "JU" WITH TOP/RIGHT/LEFT/BOTTOM SIDE TABS<br/> "JQ" WITH TOP/RIGHT/LEFT SIDE TABS<br/> "JR" WITH RIGHT/LEFT TABS<br/> "JS" WITH TOP/BOTTOM SIDE TABS<br/> "JT" WITHOUT GROUNDING TABS</li> <li>2. NO. OF POSITIONS &amp; CONTACTS:<br/> "88" 8P8C</li> <li>3. CONTACT FINISH:<br/> "A" 6 MICROINCH GOLD<br/> "B" 15 MICROINCH GOLD<br/> "C" 30 MICROINCH GOLD<br/> "D" 50 MICROINCH GOLD</li> </ol> | <ol style="list-style-type: none"> <li>4. HOUSING COLOR:<br/> "B" BLACK</li> <li>5. NO. OF PORTS:<br/> 08</li> </ol> |
|---|--|



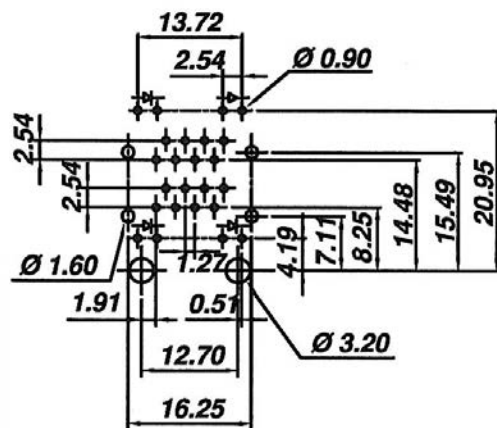
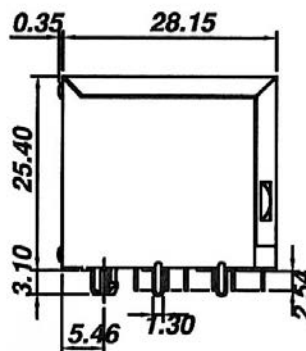
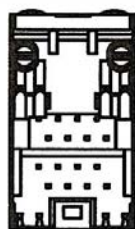
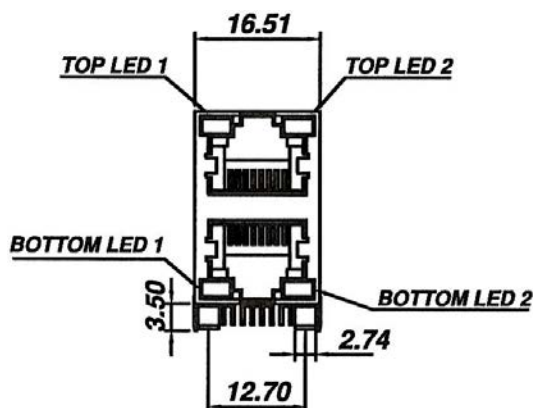
# SIDE ENTRY 2-PORT DOUBLE LEVEL MODULAR PCB JACK WITH LED 8P PROFILE=25.40MM (FULLY SHIELDED)

## SPECIFICATIONS

Insulation Resistance: 500MΩ Min.  
 Contact Resistance: 20mΩ Max.  
 Rating Current: 1.5A Max.  
 Rating Voltage: 120V AC.  
 Dielectric Voltage: 1000 Vrms 60 Sec. Min.  
 Temperature Range: -40°C / +85°C  
 Durability: 500 Mating cycles Min.

## MATERIALS

Housing: PBT Glass Filled (UL 94V-0)  
 Soldering Temperature: 235°C  
 Color: Black  
 Spring Wire: Phosphor Bronze  
 Gold plating Over Nickel  
 Shield: Brass plating Nickel Alloy  
 \*RoHS & REACH compliant.



Recommended P.C.Board Layout  
(TOP VIEW)

## ORDERING INFORMATION:

P/N M J D A -  $\frac{88}{1} \times \frac{B}{2} \times \frac{3}{3} \times \frac{02}{45}$

- NO. OF POSITIONS & CONTACTS:  
"88" 8P8C
- CONTACT FINISH:  
"A" 6 MICROINCH GOLD  
"B" 15 MICROINCH GOLD  
"C" 30 MICROINCH GOLD  
"D" 50 MICROINCH GOLD
- CODE OF LED1 DESIGNATION:  
N, M, Y, Z, 8, Q, 1, 2, 5, 6
- CODE OF LED2 DESIGNATION:  
N, M, Y, Z, 8, Q, 1, 2, 5, 6
- NO. OF PORTS:  
02

### LED Designation:

Code	+/-	-/+	Code	+/-	-/+
N	Green	—	M	—	Green
Y	Yellow	—	Z	—	Yellow
8	Orange	—	Q	—	Orange
1	Green	Orange	2	Orange	Green
5	Green	Yellow	6	Yellow	Green

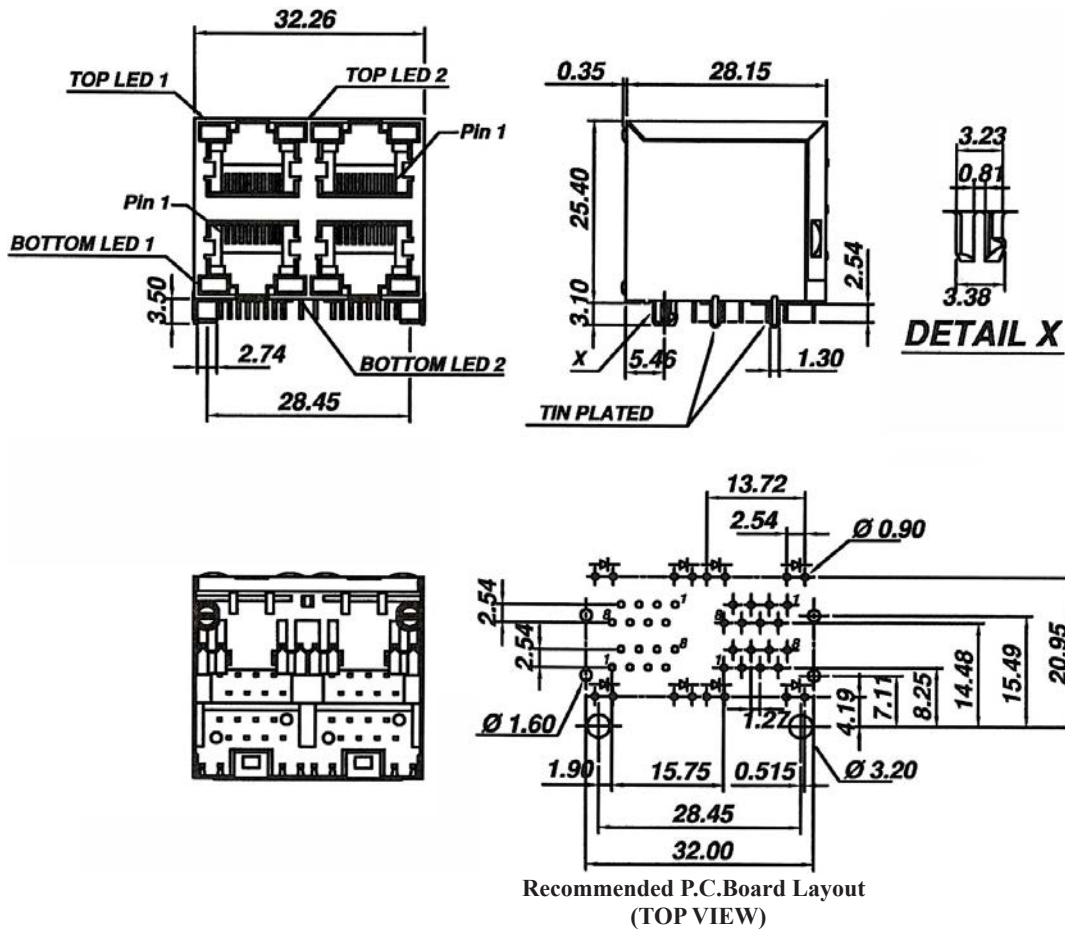
# SIDE ENTRY 4-PORT DOUBLE LEVEL MODULAR PCB JACK WITH LED 8P PROFILE=25.40MM (FULLY SHIELDED)

## SPECIFICATIONS

Insulation Resistance: 500MΩ Min.  
 Contact Resistance: 20mΩ Max.  
 Rating Current: 1.5A Max.  
 Rating Voltage: 120V AC.  
 Dielectric Voltage: 1000 Vrms 60 Sec. Min.  
 Temperature Range: -40°C / +85°C  
 Durability: 500 Mating cycles Min.

## MATERIALS

Housing: PBT Glass Filled (UL 94V-0)  
 Soldering Temperature: 235°C  
 Color: Black  
 Spring Wire: Phosphor Bronze  
 Gold plating Over Nickel  
 Shield: Brass plating Nickel Alloy  
 \*RoHS & REACH compliant.



## ORDERING INFORMATION:

P/N M J D A -  $\frac{88}{1} \times \frac{B}{2} \times \frac{X}{34} \times \frac{04}{5}$

- NO. OF POSITIONS & CONTACTS:  
"88" 8P8C
- CONTACT FINISH:  
"A" 6 MICROINCH GOLD  
"B" 15 MICROINCH GOLD  
"C" 30 MICROINCH GOLD  
"D" 50 MICROINCH GOLD
- CODE OF LED1 DESIGNATION:  
N, M, Y, Z, 8, Q, 1, 2, 5, 6
- CODE OF LED2 DESIGNATION:  
N, M, Y, Z, 8, Q, 1, 2, 5, 6
- NO. OF PORTS:  
04

### LED Designation:

Code	+/-	-/+	Code	+/-	-/+
N	Green	—	M	—	Green
Y	Yellow	—	Z	—	Yellow
8	Orange	—	Q	—	Orange
1	Green	Orange	2	Orange	Green
5	Green	Yellow	6	Yellow	Green



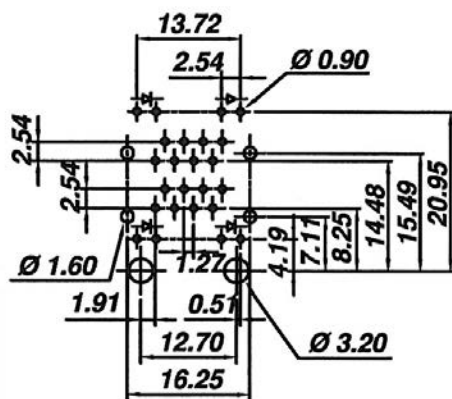
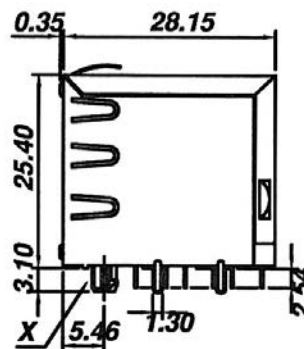
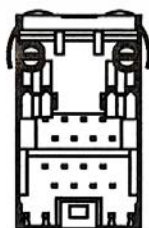
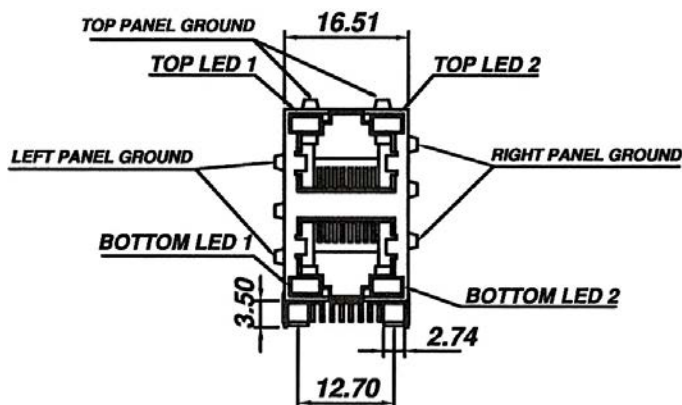
# SIDE ENTRY 2-PORT DOUBLE LEVEL MODULAR PCB JACK WITH LED 8P PROFILE=25.40MM (FULLY SHIELDED)

## SPECIFICATIONS

Insulation Resistance: 500MΩ Min.  
 Contact Resistance: 20mΩ Max.  
 Rating Current: 1.5A Max.  
 Rating Voltage: 120V AC.  
 Dielectric Voltage: 1000 Vrms 60 Sec. Min.  
 Temperature Range: -40°C / +85°C  
 Durability: 500 Mating cycles Min.

## MATERIALS

Housing: PBT Glass Filled (UL 94V-0)  
 Soldering Temperature: 235°C  
 Color: Black  
 Spring Wire: Phosphor Bronze  
 Gold plating Over Nickel  
 Shield: Brass plating Nickel Alloy  
 \*RoHS & REACH compliant.



Recommended P.C.Board Layout (TOP VIEW)

## ORDERING INFORMATION:

P/N M J D B -  $\frac{8}{1} \frac{8}{2} \frac{X}{3} \frac{B}{4} \frac{X}{5} \frac{X}{5} \frac{0}{5} \frac{2}{5}$

- NO. OF POSITIONS & CONTACTS:  
"88" 8P8C
- CONTACT FINISH:  
"A" 6 MICROINCH GOLD  
"B" 15 MICROINCH GOLD  
"C" 30 MICROINCH GOLD  
"D" 50 MICROINCH GOLD
- CODE OF LED1 DESIGNATION:  
N, M, Y, Z, 8, Q, 1, 2, 5, 6
- CODE OF LED2 DESIGNATION:  
N, M, Y, Z, 8, Q, 1, 2, 5, 6
- NO. OF PORTS:  
02

### LED Designation:

Code	+/-	-/+	Code	+/-	-/+
N	Green	—	M	—	Green
Y	Yellow	—	Z	—	Yellow
8	Orange	—	Q	—	Orange
1	Green	Orange	2	Orange	Green
5	Green	Yellow	6	Yellow	Green

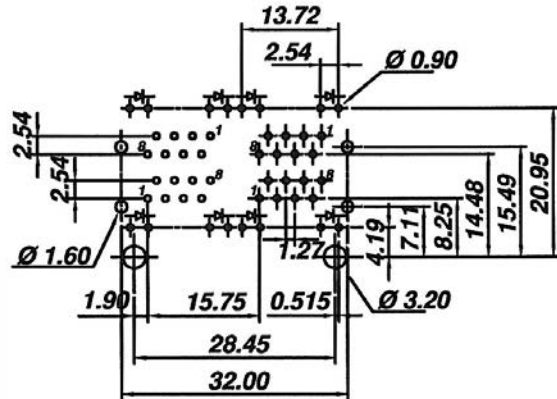
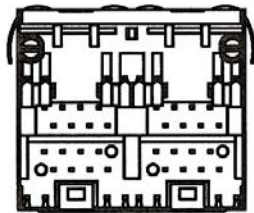
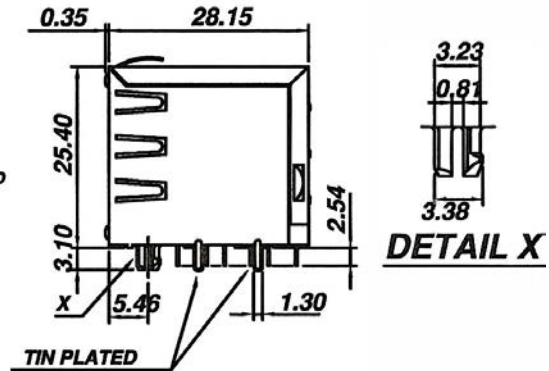
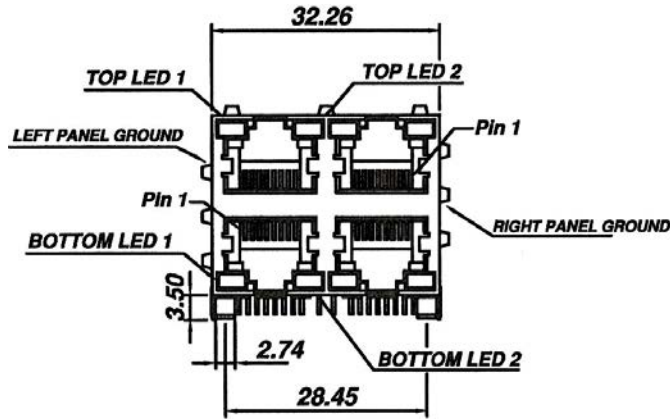
# SIDE ENTRY 4-PORT DOUBLE LEVEL MODULAR PCB JACK WITH LED 8P PROFILE=25.40MM (FULLY SHIELDED)

## SPECIFICATIONS

- Insulation Resistance: 500MΩ Min.
- Contact Resistance: 20mΩ Max.
- Rating Current: 1.5A Max.
- Rating Voltage: 120V AC.
- Dielectric Voltage: 1000 Vrms 60 Sec. Min.
- Temperature Range: -40°C / +85°C
- Durability: 500 Mating cycles Min.

## MATERIALS

- Housing: PBT Glass Filled (UL 94V-0)
- Soldering Temperature: 235°C
- Color: Black
- Spring Wire: Phosphor Bronze  
Gold plating Over Nickel
- Shield: Brass plating Nickel Alloy
- \*RoHS & REACH compliant.



Recommended P.C.Board Layout  
(TOP VIEW)

## ORDERING INFORMATION:

P/N M J D B -  $\frac{88}{1} \times \frac{B}{2} \times \frac{X}{3} \times \frac{X}{4} \frac{04}{5}$

- NO. OF POSITIONS & CONTACTS:  
"88" 8P8C
- CONTACT FINISH:  
"A" 6 MICROINCH GOLD  
"B" 15 MICROINCH GOLD  
"C" 30 MICROINCH GOLD  
"D" 50 MICROINCH GOLD
- CODE OF LED1 DESIGNATION:  
N, M, Y, Z, 8, Q, 1, 2, 5, 6
- CODE OF LED2 DESIGNATION:  
N, M, Y, Z, 8, Q, 1, 2, 5, 6
- NO. OF PORTS:  
04

### LED Designation:

Code	+/-	-/+	Code	+/-	-/+
N	Green	—	M	—	Green
Y	Yellow	—	Z	—	Yellow
8	Orange	—	Q	—	Orange
1	Green	Orange	2	Orange	Green
5	Green	Yellow	6	Yellow	Green

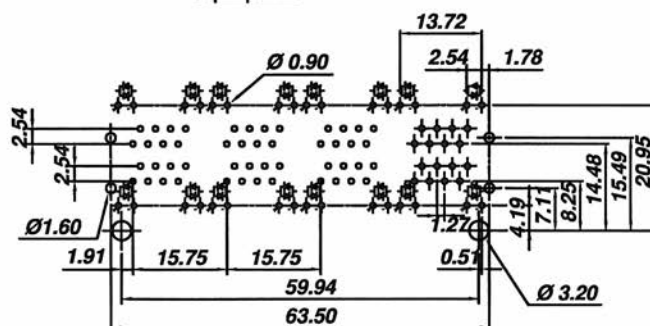
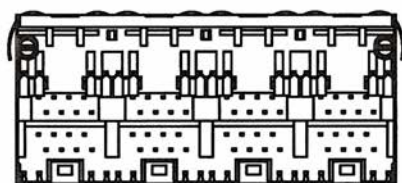
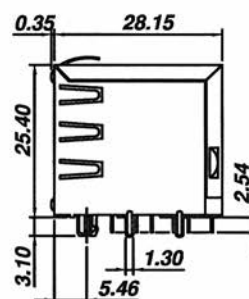
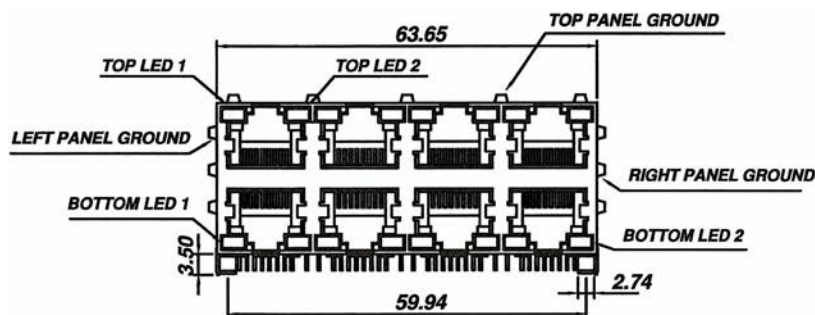
# SIDE ENTRY 8-PORT DOUBLE LEVEL MODULAR PCB JACK WITH LED 8P PROFILE=25.40MM (FULLY SHIELDED)

## SPECIFICATIONS

- Insulation Resistance: 500MΩ Min.
- Contact Resistance: 20mΩ Max.
- Rating Current: 1.5A Max.
- Rating Voltage: 120V AC.
- Dielectric Voltage: 1000 Vrms 60 Sec. Min.
- Temperature Range: -40°C / +85°C
- Durability: 500 Mating cycles Min.

## MATERIALS

- Housing: PBT Glass Filled (UL 94V-0)
- Soldering Temperature: 235°C
- Color: Black
- Spring Wire: Phosphor Bronze  
Gold plating Over Nickel
- Shield: Brass plating Nickel Alloy
- \*RoHS & REACH compliant.



Recommended P.C.Board Layout (TOP VIEW)

## ORDERING INFORMATION:

P/N M J D B -  $\frac{88}{12} \times \frac{B}{34} \times \frac{08}{5}$

- NO. OF POSITIONS & CONTACTS:  
"88" 8P8C
- CONTACT FINISH:  
"A" 6 MICROINCH GOLD  
"B" 15 MICROINCH GOLD  
"C" 30 MICROINCH GOLD  
"D" 50 MICROINCH GOLD
- CODE OF LED1 DESIGNATION:  
N, M, Y, Z, 8, Q, 1, 2, 5, 6
- CODE OF LED2 DESIGNATION:  
N, M, Y, Z, 8, Q, 1, 2, 5, 6
- NO. OF PORTS:  
08

### LED Designation:

Code	+/-	-/+	Code	+/-	-/+
N	Green	—	M	—	Green
Y	Yellow	—	Z	—	Yellow
8	Orange	—	Q	—	Orange
1	Green	Orange	2	Orange	Green
5	Green	Yellow	6	Yellow	Green

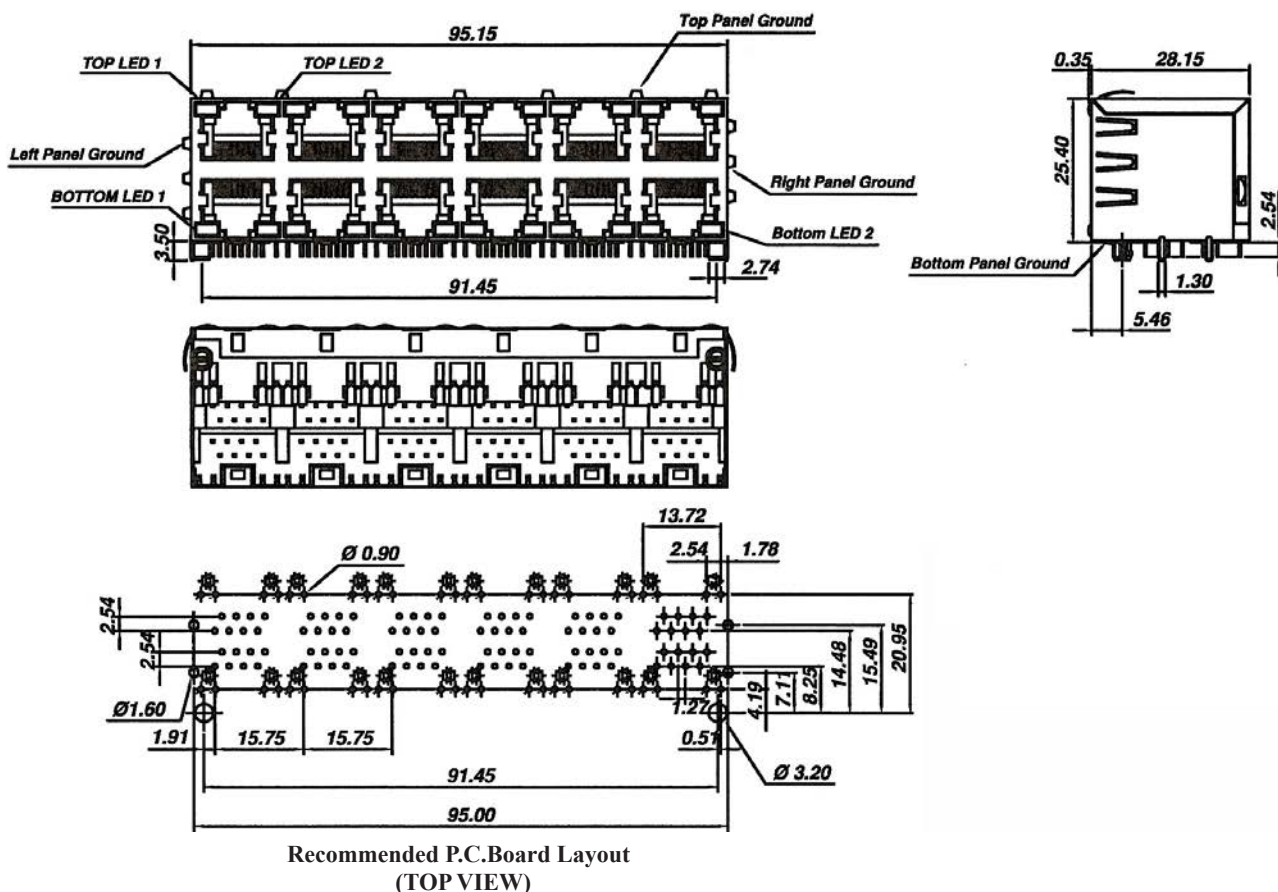
# SIDE ENTRY 12-PORT DOUBLE LEVEL MODULAR PCB JACK WITH LED 8P PROFILE=25.40MM (FULLY SHIELDED)

## SPECIFICATIONS

Insulation Resistance: 500MΩ Min.  
 Contact Resistance: 20mΩ Max.  
 Rating Current: 1.5A Max.  
 Rating Voltage: 120V AC.  
 Dielectric Voltage: 1000 Vrms 60 Sec. Min.  
 Temperature Range: -40°C / +85°C  
 Durability: 500 Mating cycles Min.

## MATERIALS

Housing: PBT Glass Filled (UL 94V-0)  
 Soldering Temperature: 235°C  
 Color: Black  
 Spring Wire: Phosphor Bronze  
 Gold plating Over Nickel  
 Shield: Brass plating Nickel Alloy  
 \*RoHS & REACH compliant.



## ORDERING INFORMATION:

P/N M J D B -  $\frac{88}{1} \times \frac{B}{2} \times \frac{3}{4} \times \frac{12}{5}$

1. NO. OF POSITIONS & CONTACTS:  
"88" 8P8C
2. CONTACT FINISH:  
"A" 6 MICROINCH GOLD  
"B" 15 MICROINCH GOLD  
"C" 30 MICROINCH GOLD  
"D" 50 MICROINCH GOLD
3. CODE OF LED1 DESIGNATION:  
N, M, Y, Z, 8, Q, 1, 2, 5, 6
4. CODE OF LED2 DESIGNATION:  
N, M, Y, Z, 8, Q, 1, 2, 5, 6
5. NO. OF PORTS:  
12

### LED Designation:

Code	+/-	-/+	Code	+/-	-/+
N	Green	—	M	—	Green
Y	Yellow	—	Z	—	Yellow
8	Orange	—	Q	—	Orange
1	Green	Orange	2	Orange	Green
5	Green	Yellow	6	Yellow	Green

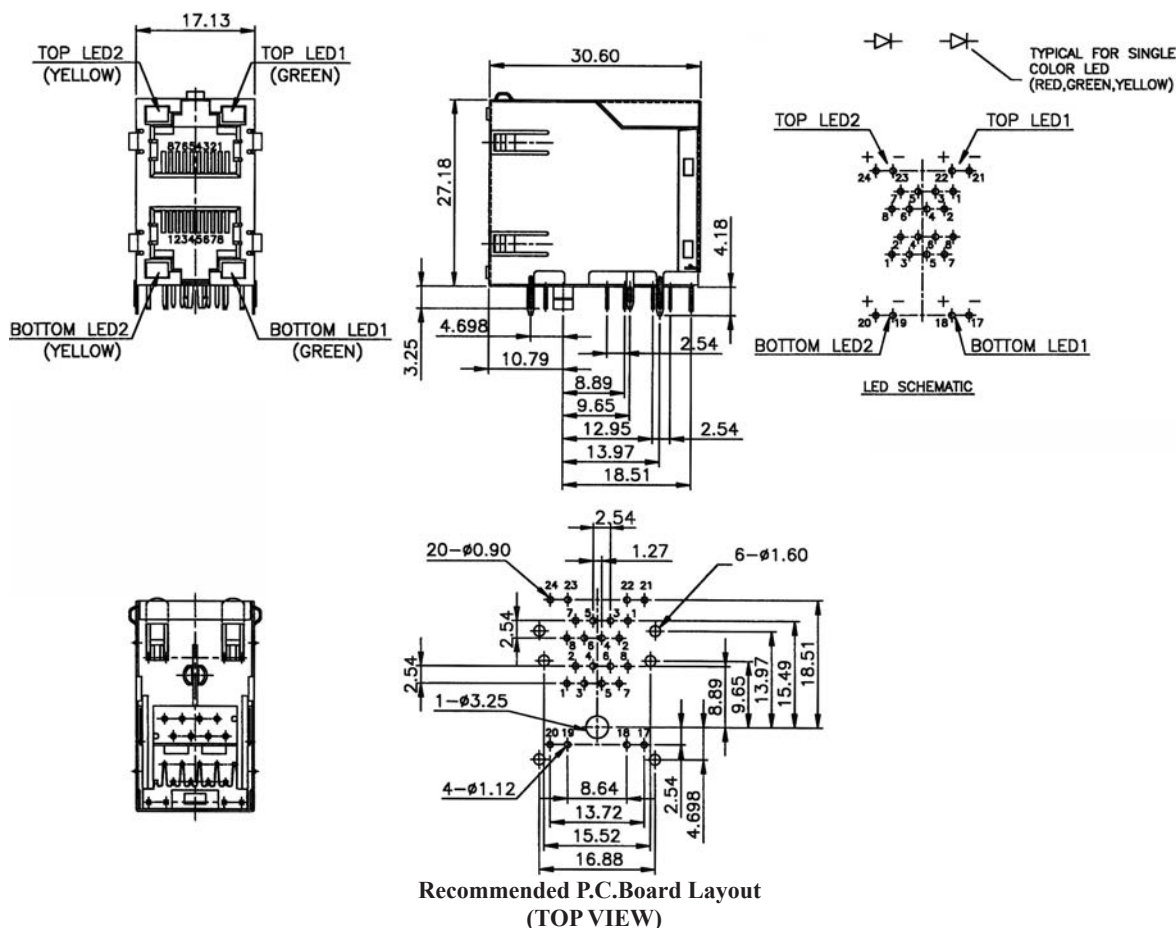
# SIDE ENTRY 2-PORT DOUBLE LEVEL MODULAR PCB JACK WITH LED 8P PROFILE=27.18MM (FULLY SHIELDED)

## SPECIFICATIONS

- Insulation Resistance: 500MΩ Min.
- Contact Resistance: 20mΩ Max.
- Rating Current: 1.5A Max.
- Rating Voltage: 120V AC.
- Dielectric Voltage: 1000 Vrms 60 Sec. Min.
- Temperature Range: -40°C / +85°C
- Durability: 500 Mating cycles Min.

## MATERIALS

- Housing: PBT Glass Filled (UL 94V-0)
- Soldering Temperature: 235°C
- Color: Black
- Spring Wire: Phosphor Bronze  
Gold plating Over Nickel
- Shield: Brass plating Nickel Alloy
- \*RoHS & REACH compliant.



## ORDERING INFORMATION:

P/N M J A 3 -  $\frac{88}{1} \times \frac{B}{2} \times \frac{02}{345}$

- NO. OF POSITIONS & CONTACTS:  
"88" 8P8C
- CONTACT FINISH:  
"A" 6 MICROINCH GOLD  
"B" 15 MICROINCH GOLD  
"C" 30 MICROINCH GOLD  
"D" 50 MICROINCH GOLD
- CODE OF LED1 DESIGNATION:  
N, M, Y, Z, 8, Q, 1, 2, 5, 6
- CODE OF LED2 DESIGNATION:  
N, M, Y, Z, 8, Q, 1, 2, 5, 6
- NO. OF PORTS:  
02

### LED Designation:

Code	+/-	-/+	Code	+/-	-/+
N	Green	—	M	—	Green
Y	Yellow	—	Z	—	Yellow
8	Orange	—	Q	—	Orange
1	Green	Orange	2	Orange	Green
5	Green	Yellow	6	Yellow	Green

NOTE: LED1= RIGHT LED &  
LED2= LEFT LED



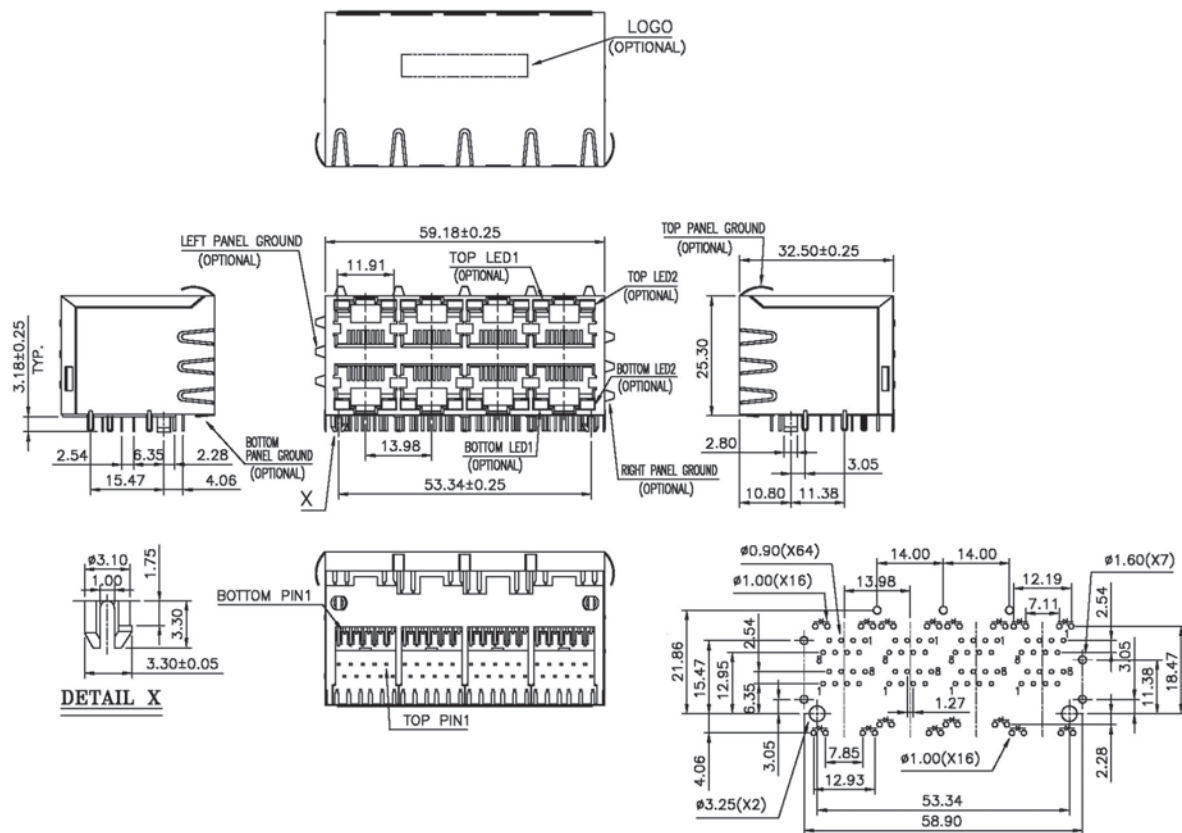
# SIDE ENTRY 8-PORT DOUBLE LEVEL MODULAR PCB JACK 8P WITH LED PROFILE=25.30MM (FULLY SHIELDED)

## SPECIFICATIONS

Insulation Resistance: 500MΩ Min.  
 Contact Resistance: 20mΩ Max.  
 Rating Current: 1.5A Max.  
 Rating Voltage: 120V AC.  
 Dielectric Voltage: 1000 Vrms 60 Sec. Min.  
 Temperature Range: -40°C / +85°C  
 Durability: 500 Mating cycles Min.

## MATERIALS

Housing: PBT Glass Filled (UL 94V-0)  
 Soldering Temperature: 235°C  
 Color: Black  
 Spring Wire: Phosphor Bronze  
 Gold plating Over Nickel  
 Shield: Brass plating Nickel Alloy  
 \*RoHS & REACH compliant.



Recommended P.C.Board Layout

## ORDERING INFORMATION:

P/N M J  $\frac{XX}{1} - \frac{88}{2} \frac{X}{3} \frac{B}{4} \frac{XX}{5} \frac{08}{6}$

- MODULAR JACK TYPE:  
 "KA" WITH TOP/RIGHT/LEFT/BOTTOM SIDE TABS  
 "KB" WITH TOP/RIGHT/LEFT SIDE TABS  
 "KC" WITH RIGHT/LEFT TABS  
 "KD" WITH TOP/BOTTOM SIDE TABS  
 "KE" WITHOUT GROUNDING TABS
- NO. OF POSITIONS & CONTACTS:  
 "88" 8P8C
- CONTACT FINISH:  
 "A" 6 MICROINCH GOLD  
 "B" 15 MICROINCH GOLD  
 "C" 30 MICROINCH GOLD  
 "D" 50 MICROINCH GOLD

- HOUSING COLOR:  
 "B" BLACK
- COLORS OF LED:  
 "NN" LED1/2 = GREEN/GREEN  
 "NY" LED1/2 = GREEN/YELLOW  
 "YN" LED1/2 = YELLOW/GREEN  
 "YY" LED1/2 = YELLOW/YELLOW  
 "XX" WITHOUT LED
- NO. OF PORTS:  
 08

NOTE: OTHER LED COLORS UPON REQUEST!

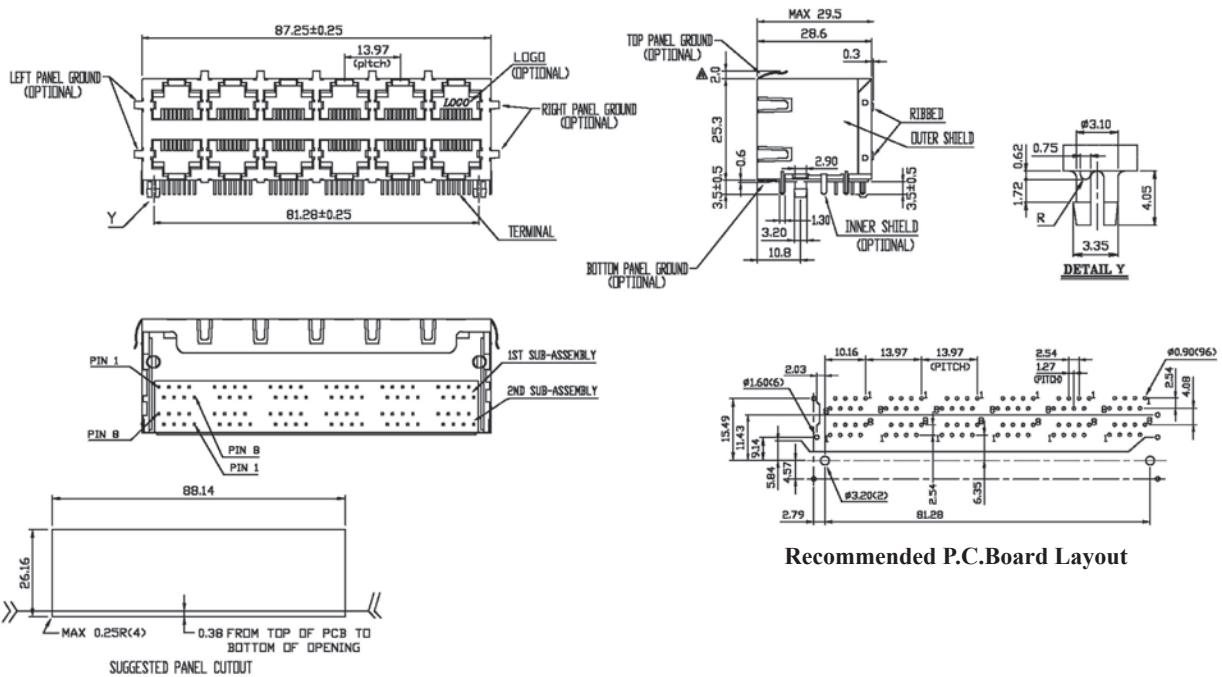
# SIDE ENTRY 12-PORT DOUBLE LEVEL MODULAR PCB JACK 8P PROFILE=25.30MM (FULLY SHIELDED)

## SPECIFICATIONS

**Insulation Resistance:** 500MΩ Min.  
**Contact Resistance:** 20mΩ Max.  
**Rating Current:** 1.5A Max.  
**Rating Voltage:** 120V AC.  
**Dielectric Voltage:** 1000 Vrms 60 Sec. Min.  
**Temperature Range:** -40°c / +85°c  
**Durability:** 500 Mating cycles Min.

## MATERIALS

**Housing:** PBT Glass Filled (UL 94V-0)  
**Soldering Temperature:** 235°c  
**Color:** Black  
**Spring Wire:** Phosphor Bronze  
 Gold plating Over Nickel  
**Shield:** Brass plating Nickel Alloy  
**\*RoHS & REACH compliant.**



## ORDERING INFORMATION:

P/N M J  $\frac{x}{1}$  -  $\frac{8}{2}$   $\frac{8}{3}$   $\frac{x}{4}$   $\frac{B}{5}$   $\frac{12}{5}$

- MODULAR JACK TYPE:  
 "JU" WITH TOP/RIGHT/LEFT/BOTTOM SIDE TABS  
 "JQ" WITH TOP/RIGHT/LEFT SIDE TABS  
 "JR" WITH RIGHT/LEFT TABS  
 "JS" WITH TOP/BOTTOM SIDE TABS  
 "JT" WITHOUT GROUNDING TABS
- NO. OF POSITIONS & CONTACTS:  
 "88" 8P8C
- CONTACT FINISH:  
 "A" 6 MICROINCH GOLD  
 "B" 15 MICROINCH GOLD  
 "C" 30 MICROINCH GOLD  
 "D" 50 MICROINCH GOLD
- HOUSING COLOR:  
 "B" BLACK
- NO. OF PORTS:  
 12

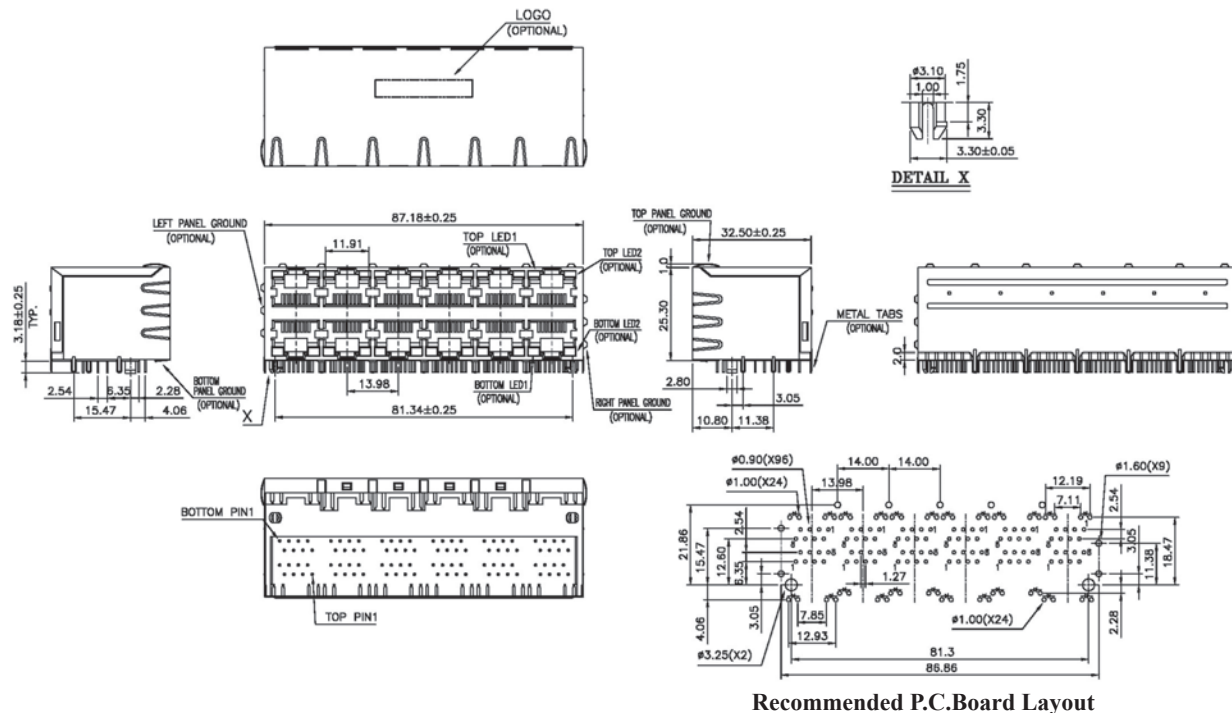
# SIDE ENTRY 12-PORT DOUBLE LEVEL MODULAR PCB JACK 8P WITH LED PROFILE=25.30MM (FULLY SHIELDED)

## SPECIFICATIONS

Insulation Resistance: 500MΩ Min.  
 Contact Resistance: 20mΩ Max.  
 Rating Current: 1.5A Max.  
 Rating Voltage: 120V AC.  
 Dielectric Voltage: 1000 Vrms 60 Sec. Min.  
 Temperature Range: -40°C / +85°C  
 Durability: 500 Mating cycles Min.

## MATERIALS

Housing: PBT Glass Filled (UL 94V-0)  
 Soldering Temperature: 235°C  
 Color: Black  
 Spring Wire: Phosphor Bronze  
 Gold plating Over Nickel  
 Shield: Brass plating Nickel Alloy  
 \*RoHS & REACH compliant.



## ORDERING INFORMATION:

P/N M J  $\frac{xx}{1}$  - 88  $\frac{x}{2}$  B  $\frac{xx}{3}$   $\frac{1}{4}$   $\frac{1}{5}$   $\frac{1}{6}$

### 1. MODULAR JACK TYPE:

"KA" WITH TOP/RIGHT/LEFT/BOTTOM SIDE TABS  
 "KB" WITH TOP/RIGHT/LEFT SIDE TABS  
 "KC" WITH RIGHT/LEFT TABS  
 "KD" WITH TOP/BOTTOM SIDE TABS  
 "KE" WITHOUT GROUNDING TABS

### 2. NO. OF POSITIONS & CONTACTS:

"88" 8P8C

### 3. CONTACT FINISH:

"A" 6 MICROINCH GOLD  
 "B" 15 MICROINCH GOLD  
 "C" 30 MICROINCH GOLD  
 "D" 50 MICROINCH GOLD

### 4. HOUSING COLOR:

"B" BLACK

### 5. COLORS OF LED:

"NN" LED1/2 = GREEN/GREEN  
 "NY" LED1/2 = GREEN/YELLOW  
 "YN" LED1/2 = YELLOW/GREEN  
 "YY" LED1/2 = YELLOW/YELLOW  
 "XX" WITHOUT LED

### 6. NO. OF PORTS:

12

NOTE: OTHER LED COLORS UPON REQUEST!

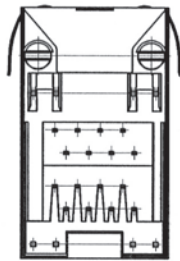
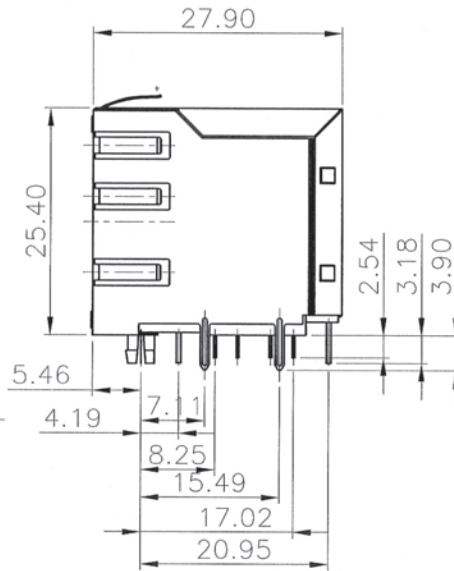
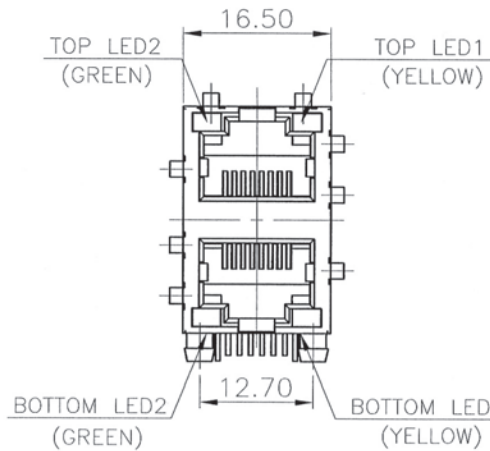
# SIDE ENTRY 2-PORT DOUBLE LEVEL MODULAR PCB JACK 8P WITH LED PROFILE=25.40MM (FULLY SHIELDED)

## SPECIFICATIONS

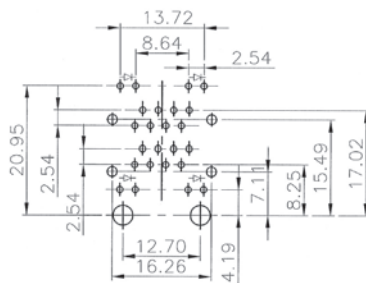
- Insulation Resistance:** 500 Megohms Min
- Contact Resistance:** 20 Milliohms Max.
- Current Rating:** 1.5 A Max.
- Rating Voltage:** 120V AC.
- Dielectric Voltage:** 1000 Vrms 60 Sec. Min.
- Temperature Range:** -40°C To +85°C.
- Operating:** 500 Cycles Min.

## MATERIALS

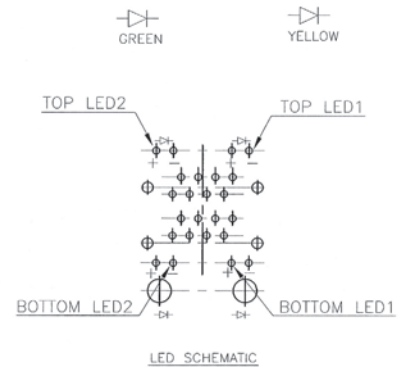
- Plating Housing:** Engineering Thermoplastic  
Flammability Rating UL 94V-0.
- Contacts:** Phosphor Bronze
- Plating:** Brass Plating Nickel Alloy.
- \* RoHS & REACH compliant.**



**P/N MJA5-88xBYN02**



**Recommended P.C. Board Layout (TOP VIEW)**



## ORDERING INFORMATION:

**P/N MJA<sub>1</sub>5-88xB<sub>23</sub>XX<sub>4</sub>02<sub>5</sub>**

- MODULAR JACK TYPE:  
"A5" WITH TOP/RIGHT/LEFT SIDE TABS
- NO. OF POSITIONS & CONTACTS:  
"88" 8P8C
- CONTACT FINISH:  
"A" 6 MICROINCH GOLD  
"B" 15 MICROINCH GOLD  
"C" 30 MICROINCH GOLD  
"D" 50 MICROINCH GOLD

- COLORS OF LED:  
"NN" LED1:GREEN & LED2:GREEN  
"NY" LED1:GREEN & LED2:YELLOW  
"YN" LED1:YELLOW & LED2:GREEN  
"YY" LED1:YELLOW & LED2:YELLOW  
"XX" W/O LED
- NO. OF PORTS:  
02

NOTE: LED1= RIGHT LED &  
LED2= LEFT LED

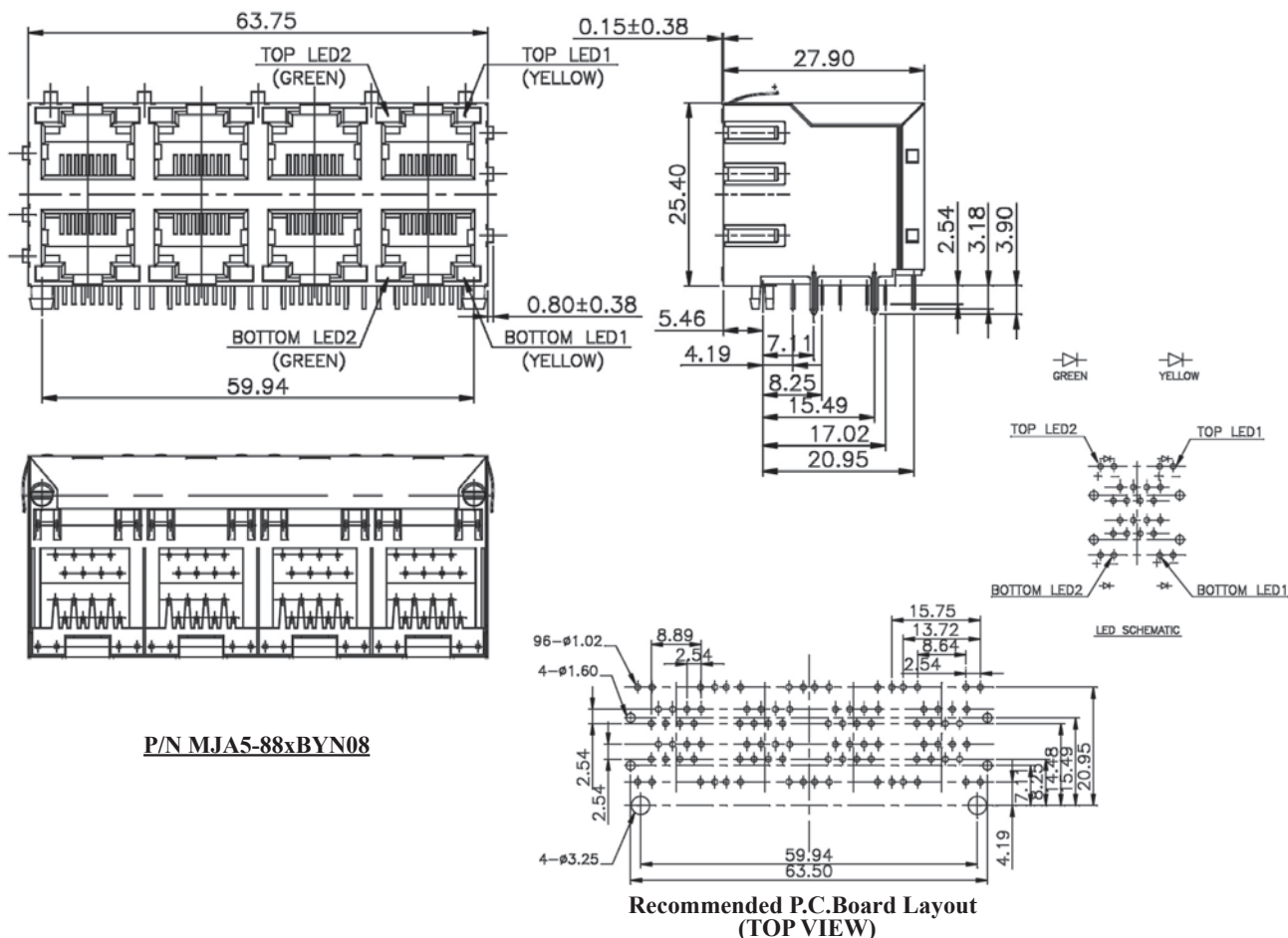
# SIDE ENTRY 8-PORT DOUBLE LEVEL MODULAR PCB JACK 8P WITH LED PROFILE=25.40MM (FULLY SHIELDED)

## SPECIFICATIONS

**Insulation Resistance:** 500 Megohms Min  
**Contact Resistance:** 20 Milliohms Max.  
**Current Rating:** 1.5 A Max.  
**Rating Voltage:** 120V AC.  
**Dielectric Voltage:** 1000 Vrms 60 Sec. Min.  
**Temperature Range:** -40°C To +85°C.  
**Operating:** 500 Cycles Min.

## MATERIALS

**Plating Housing:** Engineering Thermoplastic  
 Flammability Rating UL 94V-0.  
**Contacts:** Phosphor Bronze  
**Plating:** Brass Plating Nickel Alloy.  
**\* RoHS & REACH compliant.**



## ORDERING INFORMATION:

**P/N MJA5-88xBxx08**  
 1 2 3 4 5

- MODULAR JACK TYPE:  
"A5" WITH TOP/RIGHT/LEFT SIDE TABS
- NO. OF POSITIONS & CONTACTS:  
"88" 8P8C
- CONTACT FINISH:  
"A" 6 MICRINCH GOLD  
"B" 15 MICRINCH GOLD  
"C" 30 MICRINCH GOLD  
"D" 50 MICRINCH GOLD

- COLORS OF LED:  
"NN" LED1:GREEN & LED2:GREEN  
"NY" LED1:GREEN & LED2:YELLOW  
"YN" LED1:YELLOW & LED2:GREEN  
"YY" LED1:YELLOW & LED2:YELLOW  
"XX" W/O LED
- NO. OF PORTS:  
08

NOTE: LED1= RIGHT LED &  
LED2= LEFT LED

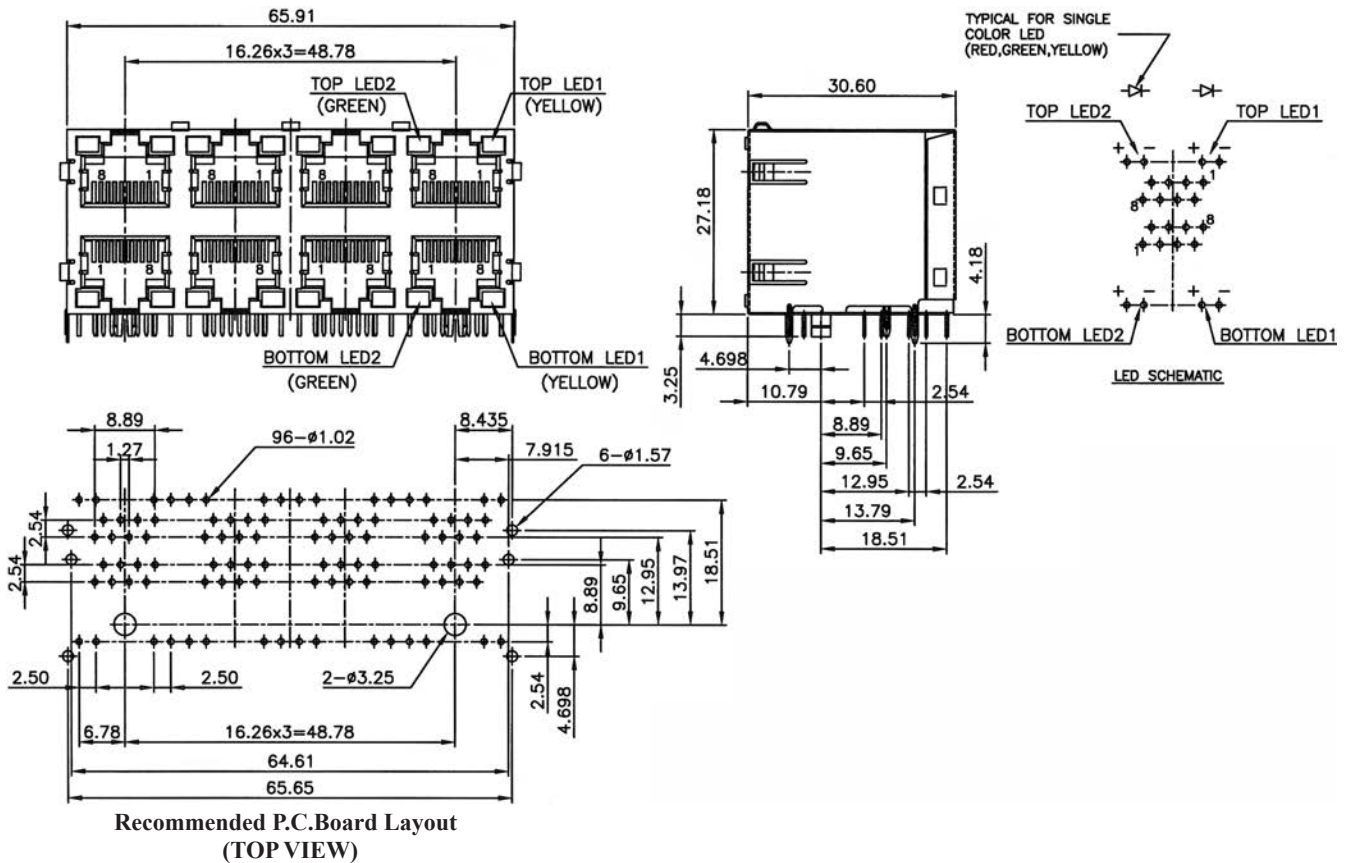
# SIDE ENTRY 8-PORT DOUBLE LEVEL MODULAR PCB JACK WITH LED 8P PROFILE=27.18MM (FULLY SHIELDED)

## SPECIFICATIONS

Insulation Resistance: 500MΩ Min.  
 Contact Resistance: 20mΩ Max.  
 Rating Current: 1.5A Max.  
 Rating Voltage: 120V AC.  
 Dielectric Voltage: 1000 Vrms 60 Sec. Min.  
 Temperature Range: -40°C / +85°C  
 Durability: 500 Mating cycles Min.

## MATERIALS

Housing: PBT Glass Filled (UL 94V-0)  
 Soldering Temperature: 235°C  
 Color: Black  
 Spring Wire: Phosphor Bronze  
 Gold plating Over Nickel  
 Shield: Brass plating Nickel Alloy  
 \*RoHS & REACH compliant.



## ORDERING INFORMATION:

P/N M J A 3 -  $\frac{88}{1} \times \frac{B}{2} \times \frac{08}{345}$

1. NO. OF POSITIONS & CONTACTS:  
"88" 8P8C
2. CONTACT FINISH:  
"A" 6 MICROINCH GOLD  
"B" 15 MICROINCH GOLD  
"C" 30 MICROINCH GOLD  
"D" 50 MICROINCH GOLD
3. CODE OF LED1 DESIGNATION:  
N, M, Y, Z, 8, Q, 1, 2, 5, 6
4. CODE OF LED2 DESIGNATION:  
N, M, Y, Z, 8, Q, 1, 2, 5, 6
5. NO. OF PORTS:  
08

### LED Designation:

Code	+/-	-/+	Code	+/-	-/+
N	Green	—	M	—	Green
Y	Yellow	—	Z	—	Yellow
8	Orange	—	Q	—	Orange
1	Green	Orange	2	Orange	Green
5	Green	Yellow	6	Yellow	Green

NOTE: LED1= RIGHT LED &  
LED2= LEFT LED

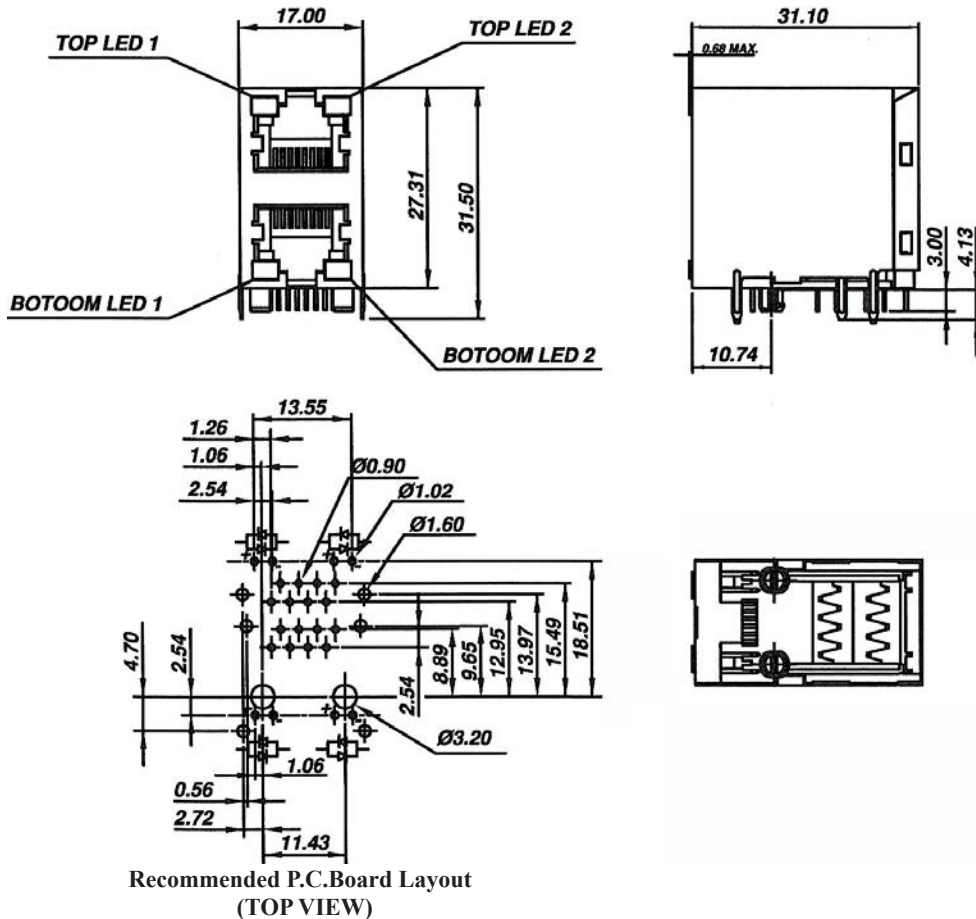
# SIDE ENTRY 2-PORT DOUBLE LEVEL MODULAR PCB JACK WITH LED 8P PROFILE=27.31MM (FULLY SHIELDED)

## SPECIFICATIONS

Insulation Resistance: 500MΩ Min.  
 Contact Resistance: 20mΩ Max.  
 Rating Current: 1.5A Max.  
 Rating Voltage: 120V AC.  
 Dielectric Voltage: 1000 Vrms 60 Sec. Min.  
 Temperature Range: -40°C / +85°C  
 Durability: 500 Mating cycles Min.

## MATERIALS

Housing: PBT Glass Filled (UL 94V-0)  
 Soldering Temperature: 235°C  
 Color: Black  
 Spring Wire: Phosphor Bronze  
 Gold plating Over Nickel  
 Shield: Brass plating Nickel Alloy  
 \*RoHS & REACH compliant.



## ORDERING INFORMATION:

P/N M J D C -  $\frac{88}{1} \times \frac{B}{2} \times \frac{X}{3} \times \frac{02}{45}$

1. NO. OF POSITIONS & CONTACTS:  
"88" 8P8C
2. CONTACT FINISH:  
"A" 6 MICROINCH GOLD  
"B" 15 MICROINCH GOLD  
"C" 30 MICROINCH GOLD  
"D" 50 MICROINCH GOLD
3. CODE OF LED1 DESIGNATION:  
N, M, Y, Z, 8, Q, 1, 2, 5, 6
4. CODE OF LED2 DESIGNATION:  
N, M, Y, Z, 8, Q, 1, 2, 5, 6
5. NO. OF PORTS:  
02

NOTE: P/N MJDCHT-88xBxx02 FOR HIGH TEMP. VERSION

### LED Designation:

Code	+/-	-/+	Code	+/-	-/+
N	Green	—	M	—	Green
Y	Yellow	—	Z	—	Yellow
8	Orange	—	Q	—	Orange
1	Green	Orange	2	Orange	Green
5	Green	Yellow	6	Yellow	Green

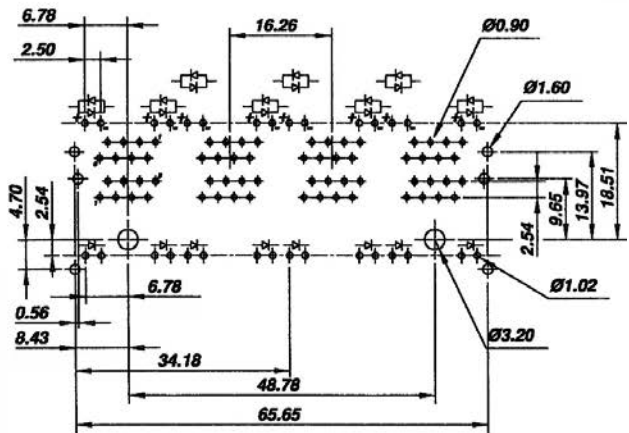
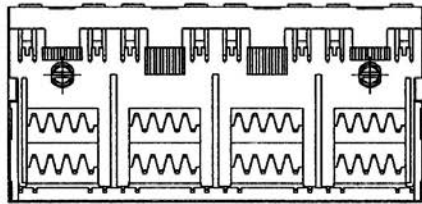
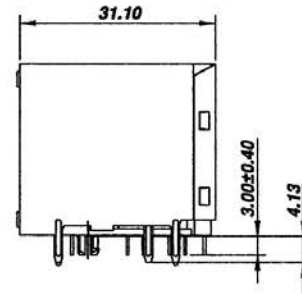
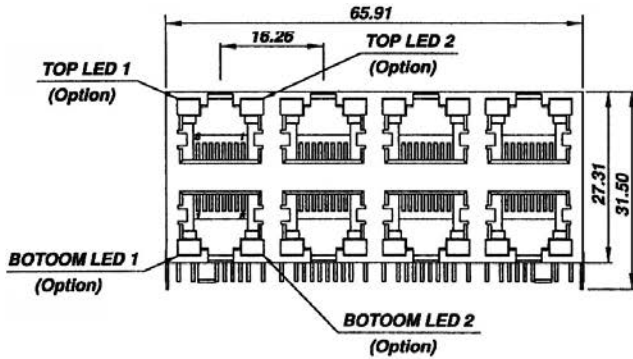
# SIDE ENTRY 8-PORT DOUBLE LEVEL MODULAR PCB JACK WITH LED 8P PROFILE=27.31MM (FULLY SHIELDED)

## SPECIFICATIONS

Insulation Resistance: 500MΩ Min.  
 Contact Resistance: 20mΩ Max.  
 Rating Current: 1.5A Max.  
 Rating Voltage: 120V AC.  
 Dielectric Voltage: 1000 Vrms 60 Sec. Min.  
 Temperature Range: -40°C / +85°C  
 Durability: 500 Mating cycles Min.

## MATERIALS

Housing: PBT Glass Filled (UL 94V-0)  
 Soldering Temperature: 235°C  
 Color: Black  
 Spring Wire: Phosphor Bronze  
 Gold plating Over Nickel  
 Shield: Brass plating Nickel Alloy  
 \*RoHS & REACH compliant.



Recommended P.C. Board Layout (TOP VIEW)

## ORDERING INFORMATION:

P/N M J D C -  $\frac{88}{1} \times \frac{B}{2} \times \frac{3}{4} \times \frac{08}{5}$

- NO. OF POSITIONS & CONTACTS:  
"88" 8P8C
- CONTACT FINISH:  
"A" 6 MICROINCH GOLD  
"B" 15 MICROINCH GOLD  
"C" 30 MICROINCH GOLD  
"D" 50 MICROINCH GOLD
- CODE OF LED1 DESIGNATION:  
N, M, Y, Z, 8, Q, 1, 2, 5, 6
- CODE OF LED2 DESIGNATION:  
N, M, Y, Z, 8, Q, 1, 2, 5, 6
- NO. OF PORTS:  
08

NOTE: P/N MJDCHT-88xBxx08 FOR HIGH TEMP. VERSION

### LED Designation:

Code	+/-	-/+	Code	+/-	-/+
N	Green	—	M	—	Green
Y	Yellow	—	Z	—	Yellow
8	Orange	—	Q	—	Orange
1	Green	Orange	2	Orange	Green
5	Green	Yellow	6	Yellow	Green



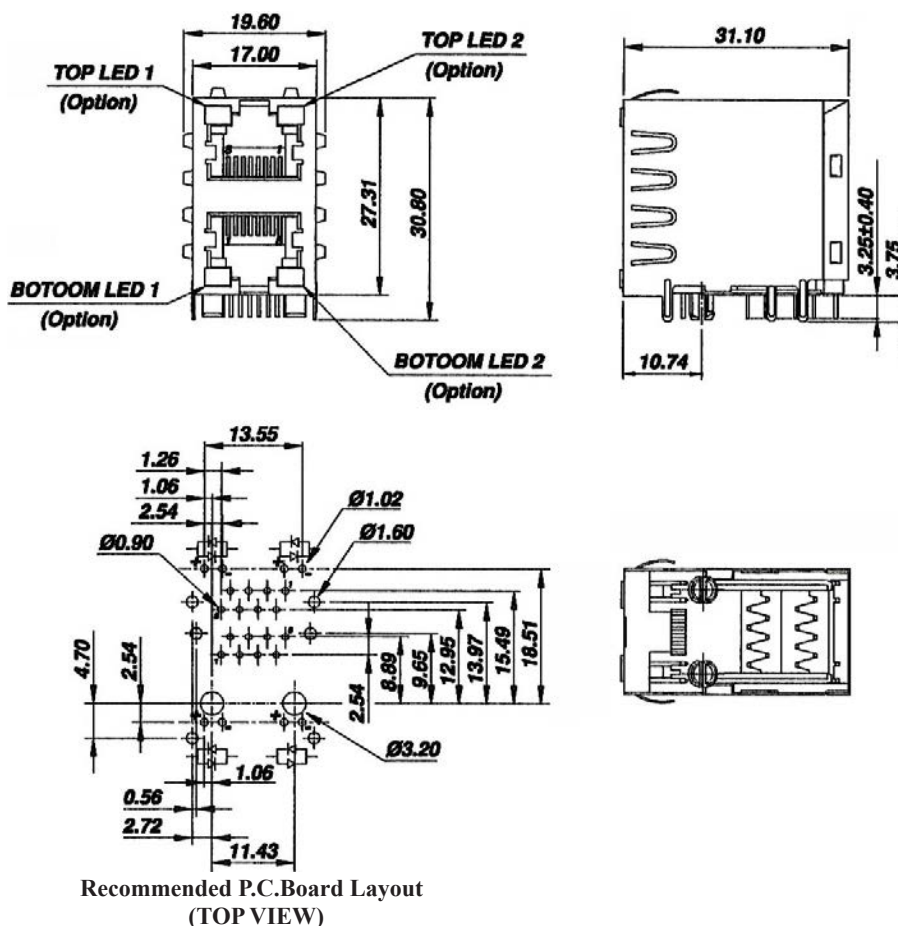
# SIDE ENTRY 2-PORT DOUBLE LEVEL MODULAR PCB JACK WITH LED 8P PROFILE=27.31MM (FULLY SHIELDED)

## SPECIFICATIONS

Insulation Resistance: 500MΩ Min.  
 Contact Resistance: 20mΩ Max.  
 Rating Current: 1.5A Max.  
 Rating Voltage: 120V AC.  
 Dielectric Voltage: 1000 Vrms 60 Sec. Min.  
 Temperature Range: -40°C / +85°C  
 Durability: 500 Mating cycles Min.

## MATERIALS

Housing: PBT Glass Filled (UL 94V-0)  
 Soldering Temperature: 235°C  
 Color: Black  
 Spring Wire: Phosphor Bronze  
 Gold plating Over Nickel  
 Shield: Brass plating Nickel Alloy  
 \*RoHS & REACH compliant.



## ORDERING INFORMATION:

P/N M J D D -  $\frac{8}{1} \frac{8}{2} \times \frac{B}{3} \times \frac{0}{4} \frac{2}{5}$

1. NO. OF POSITIONS & CONTACTS:

"88" 8P8C

2. CONTACT FINISH:

"A" 6 MICROINCH GOLD

"B" 15 MICROINCH GOLD

"C" 30 MICROINCH GOLD

"D" 50 MICROINCH GOLD

3. CODE OF LED1 DESIGNATION:

N, M, Y, Z, 8, Q, 1, 2, 5, 6

4. CODE OF LED2 DESIGNATION:

N, M, Y, Z, 8, Q, 1, 2, 5, 6

5. NO. OF PORTS:

02

NOTE: P/N MJDDHT-88xBxx02 FOR HIGH TEMP. VERSION

### LED Designation:

Code	+/-	-/+	Code	+/-	-/+
N	Green	—	M	—	Green
Y	Yellow	—	Z	—	Yellow
8	Orange	—	Q	—	Orange
1	Green	Orange	2	Orange	Green
5	Green	Yellow	6	Yellow	Green

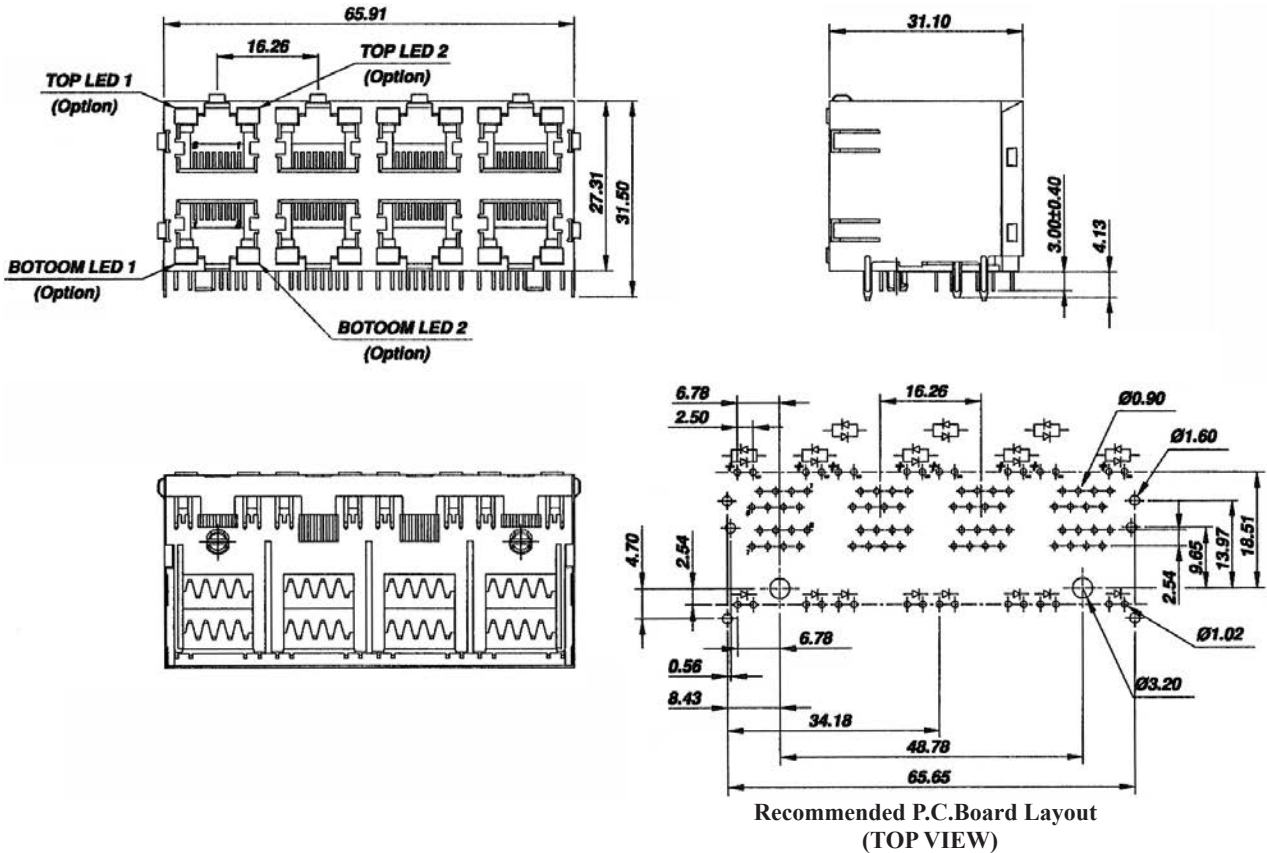
# SIDE ENTRY 8-PORT DOUBLE LEVEL MODULAR PCB JACK WITH LED 8P PROFILE=27.31MM (FULLY SHIELDED)

## SPECIFICATIONS

Insulation Resistance: 500MΩ Min.  
 Contact Resistance: 20mΩ Max.  
 Rating Current: 1.5A Max.  
 Rating Voltage: 120V AC.  
 Dielectric Voltage: 1000 Vrms 60 Sec. Min.  
 Temperature Range: -40°C / +85°C  
 Durability: 500 Mating cycles Min.

## MATERIALS

Housing: PBT Glass Filled (UL 94V-0)  
 Soldering Temperature: 235°C  
 Color: Black  
 Spring Wire: Phosphor Bronze  
 Gold plating Over Nickel  
 Shield: Brass plating Nickel Alloy  
 \*RoHS & REACH compliant.



## ORDERING INFORMATION:

P/N M J D D -  $\frac{88}{1} \times \frac{B}{2} \times \frac{3}{4} \times \frac{08}{5}$

1. NO. OF POSITIONS & CONTACTS:  
"88" 8P8C
2. CONTACT FINISH:  
"A" 6 MICROINCH GOLD  
"B" 15 MICROINCH GOLD  
"C" 30 MICROINCH GOLD  
"D" 50 MICROINCH GOLD
3. CODE OF LED1 DESIGNATION:  
N, M, Y, Z, 8, Q, 1, 2, 5, 6
4. CODE OF LED2 DESIGNATION:  
N, M, Y, Z, 8, Q, 1, 2, 5, 6
5. NO. OF PORTS:  
08

NOTE: P/N MJDDHT-88xBxx08 FOR HIGH TEMP. VERSION

### LED Designation:

Code	+/-	-/+	Code	+/-	-/+
N	Green	—	M	—	Green
Y	Yellow	—	Z	—	Yellow
8	Orange	—	Q	—	Orange
1	Green	Orange	2	Orange	Green
5	Green	Yellow	6	Yellow	Green

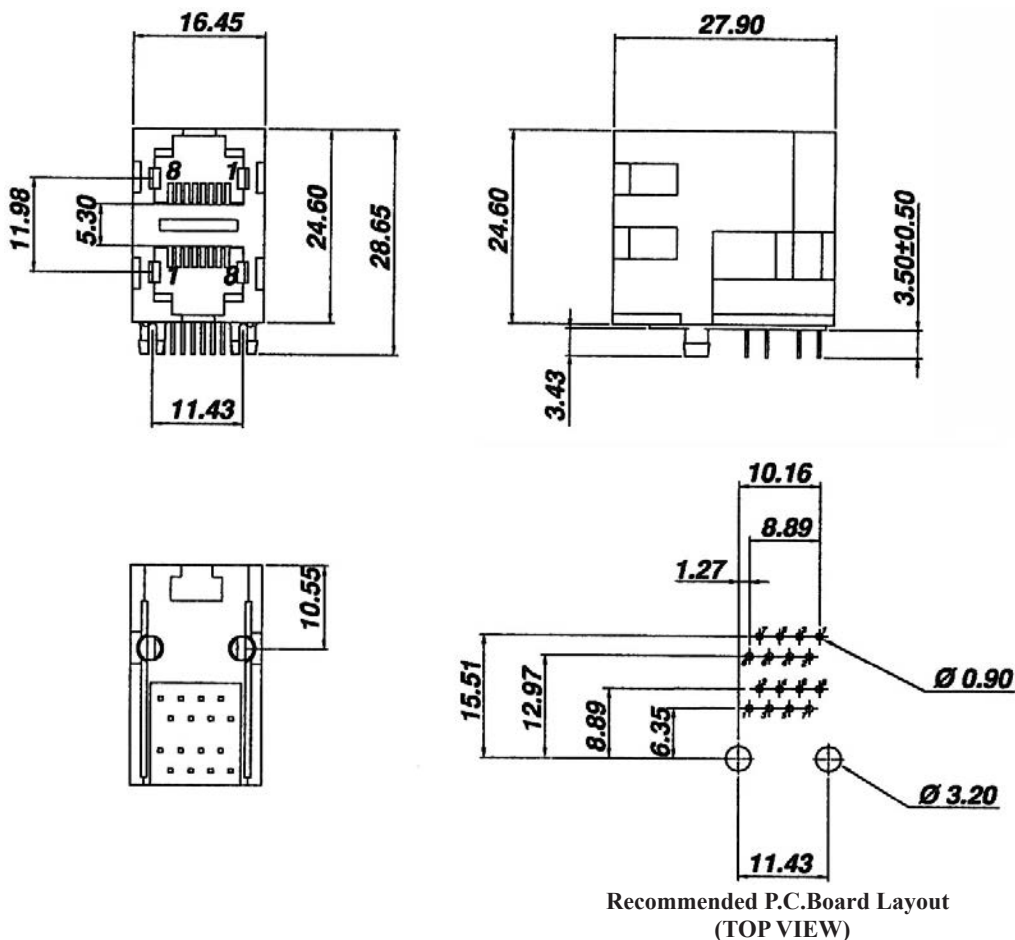
# SIDE ENTRY 2-PORT DOUBLE LEVEL MODULAR PCB JACK 8P PROFILE=24.60MM (UNSHIELDED)

## SPECIFICATIONS

**Insulation Resistance:** 500MΩ Min.  
**Contact Resistance:** 20mΩ Max.  
**Rating Current:** 1.5A Max.  
**Rating Voltage:** 120V AC.  
**Dielectric Voltage:** 1000 Vrms 60 Sec. Min.  
**Temperature Range:** -40°C / +85°C  
**Durability:** 500 Mating cycles Min.

## MATERIALS

**Housing:** PBT Glass Filled (UL 94V-0)  
**Soldering Temperature:** 235°C  
**Color:** Black  
**Spring Wire:** Phosphor Bronze  
 Gold plating Over Nickel  
**\*RoHS & REACH compliant.**



## ORDERING INFORMATION:

P/N M J D U -  $\frac{88}{1} \times \frac{B}{2} \frac{02}{3}$

1. NO. OF POSITIONS & CONTACTS:  
"88" 8P8C
2. CONTACT FINISH:  
"A" 6 MICROINCH GOLD  
"B" 15 MICROINCH GOLD  
"C" 30 MICROINCH GOLD  
"D" 50 MICROINCH GOLD
3. NO. OF PORTS:  
02

NOTE: P/N MJDUHT-88xB02 FOR HIGH TEMP. VERSION

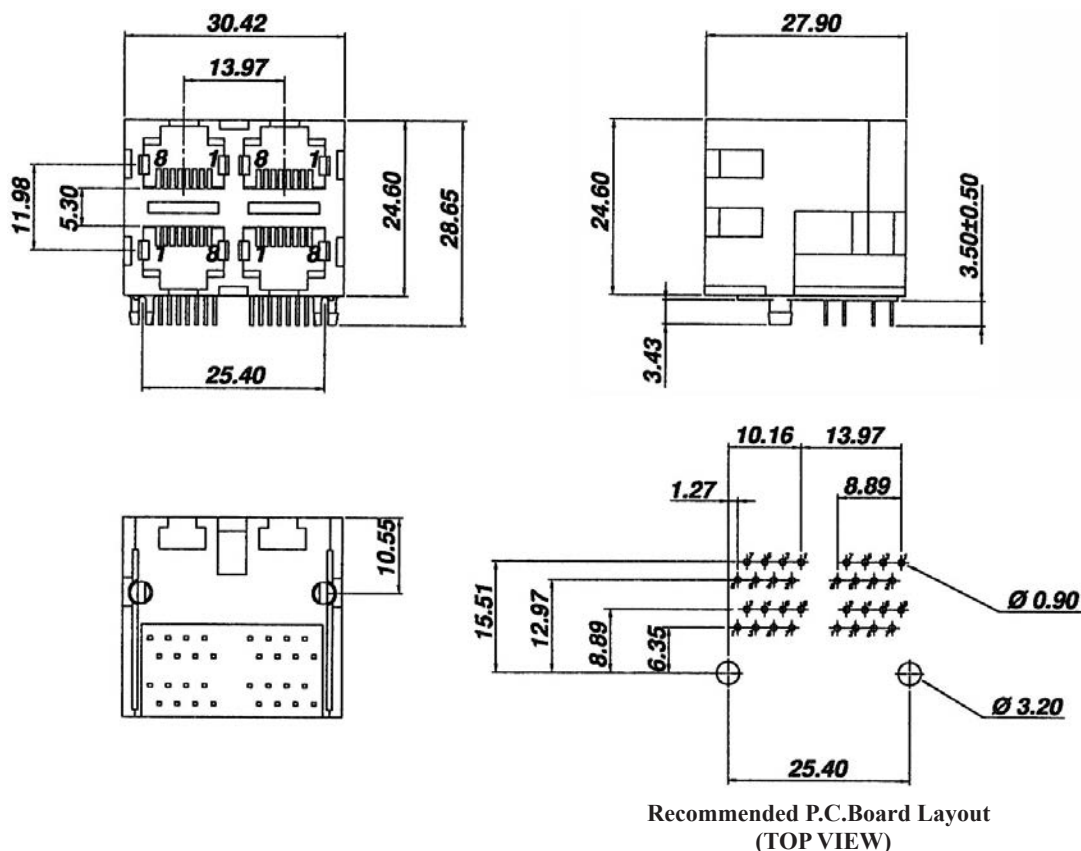
# SIDE ENTRY 4-PORT DOUBLE LEVEL MODULAR PCB JACK 8P PROFILE=24.60MM (UNSHIELDED)

## SPECIFICATIONS

**Insulation Resistance:** 500MΩ Min.  
**Contact Resistance:** 20mΩ Max.  
**Rating Current:** 1.5A Max.  
**Rating Voltage:** 120V AC.  
**Dielectric Voltage:** 1000 Vrms 60 Sec. Min.  
**Temperature Range:** -40°C / +85°C  
**Durability:** 500 Mating cycles Min.

## MATERIALS

**Housing:** PBT Glass Filled (UL 94V-0)  
**Soldering Temperature:** 235°C  
**Color:** Black  
**Spring Wire:** Phosphor Bronze  
 Gold plating Over Nickel  
**\*RoHS & REACH compliant.**



## ORDERING INFORMATION:

P/N M J D U -  $\frac{88}{1} \times \frac{B}{2} \frac{04}{3}$

1. NO. OF POSITIONS & CONTACTS:  
"88" 8P8C
2. CONTACT FINISH:  
"A" 6 MICROINCH GOLD  
"B" 15 MICROINCH GOLD  
"C" 30 MICROINCH GOLD  
"D" 50 MICROINCH GOLD
3. NO. OF PORTS:  
04

NOTE: P/N MJDUHT-88xB04 FOR HIGH TEMP. VERSION

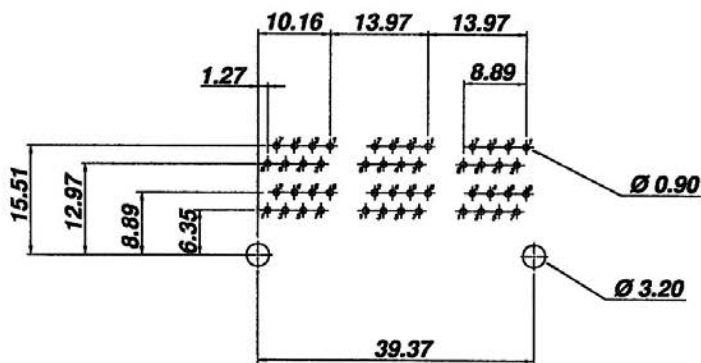
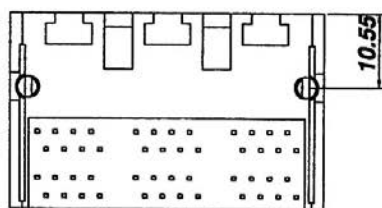
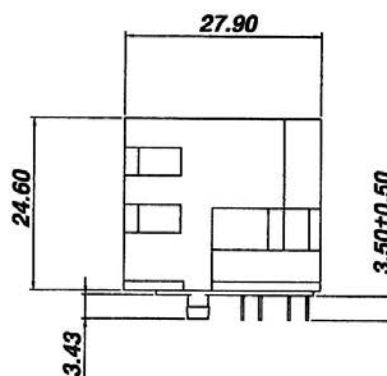
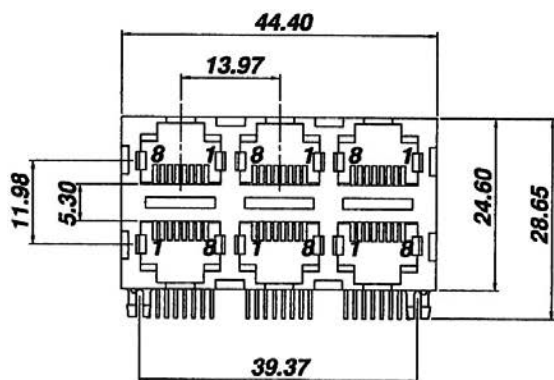
# SIDE ENTRY 6-PORT DOUBLE LEVEL MODULAR PCB JACK 8P PROFILE=24.60MM (UNSHIELDED)

## SPECIFICATIONS

**Insulation Resistance:** 500MΩ Min.  
**Contact Resistance:** 20mΩ Max.  
**Rating Current:** 1.5A Max.  
**Rating Voltage:** 120V AC.  
**Dielectric Voltage:** 1000 Vrms 60 Sec. Min.  
**Temperature Range:** -40°C / +85°C  
**Durability:** 500 Mating cycles Min.

## MATERIALS

**Housing:** PBT Glass Filled (UL 94V-0)  
**Soldering Temperature:** 235°C  
**Color:** Black  
**Spring Wire:** Phosphor Bronze  
 Gold plating Over Nickel  
**\*RoHS & REACH compliant.**



Recommended P.C. Board Layout (TOP VIEW)

## ORDERING INFORMATION:

P/N M J D U -  $\frac{88}{1} \times \frac{B}{2} \frac{06}{3}$

1. NO. OF POSITIONS & CONTACTS:  
"88" 8P8C
2. CONTACT FINISH:  
"A" 6 MICROINCH GOLD  
"B" 15 MICROINCH GOLD  
"C" 30 MICROINCH GOLD  
"D" 50 MICROINCH GOLD
3. NO. OF PORTS:  
06

NOTE: P/N MJDUHT-88xB06 FOR HIGH TEMP. VERSION

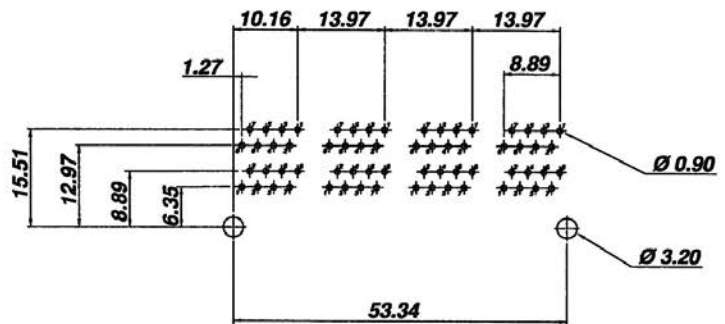
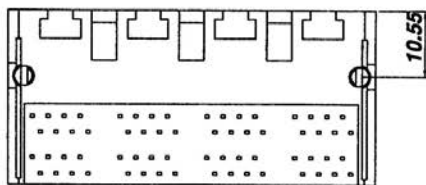
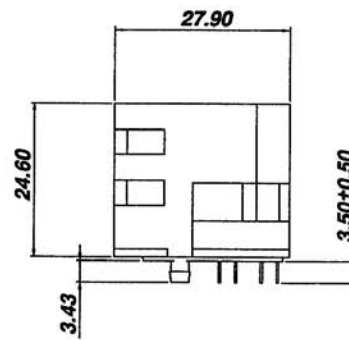
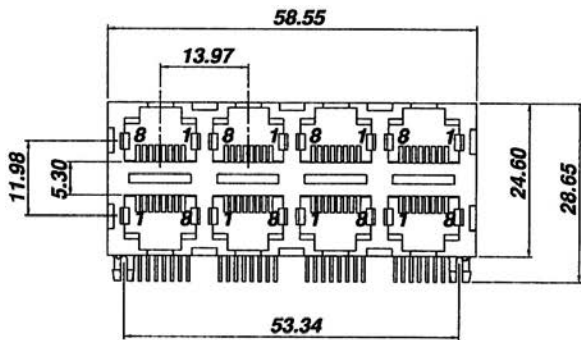
# SIDE ENTRY 8-PORT DOUBLE LEVEL MODULAR PCB JACK 8P PROFILE=24.60MM (UNSHIELDED)

## SPECIFICATIONS

**Insulation Resistance:** 500MΩ Min.  
**Contact Resistance:** 20mΩ Max.  
**Rating Current:** 1.5A Max.  
**Rating Voltage:** 120V AC.  
**Dielectric Voltage:** 1000 Vrms 60 Sec. Min.  
**Temperature Range:** -40°C / +85°C  
**Durability:** 500 Mating cycles Min.

## MATERIALS

**Housing:** PBT Glass Filled (UL 94V-0)  
**Soldering Temperature:** 235°C  
**Color:** Black  
**Spring Wire:** Phosphor Bronze  
 Gold plating Over Nickel  
**\*RoHS & REACH compliant.**



Recommended P.C.Board Layout (TOP VIEW)

## ORDERING INFORMATION:

P/N M J D U -  $\frac{88}{1} \times \frac{B}{2} \frac{08}{3}$

1. NO. OF POSITIONS & CONTACTS:  
"88" 8P8C
2. CONTACT FINISH:  
"A" 6 MICROINCH GOLD  
"B" 15 MICROINCH GOLD  
"C" 30 MICROINCH GOLD  
"D" 50 MICROINCH GOLD
3. NO. OF PORTS:  
08

NOTE: P/N MJDUHT-88xB08 FOR HIGH TEMP. VERSION

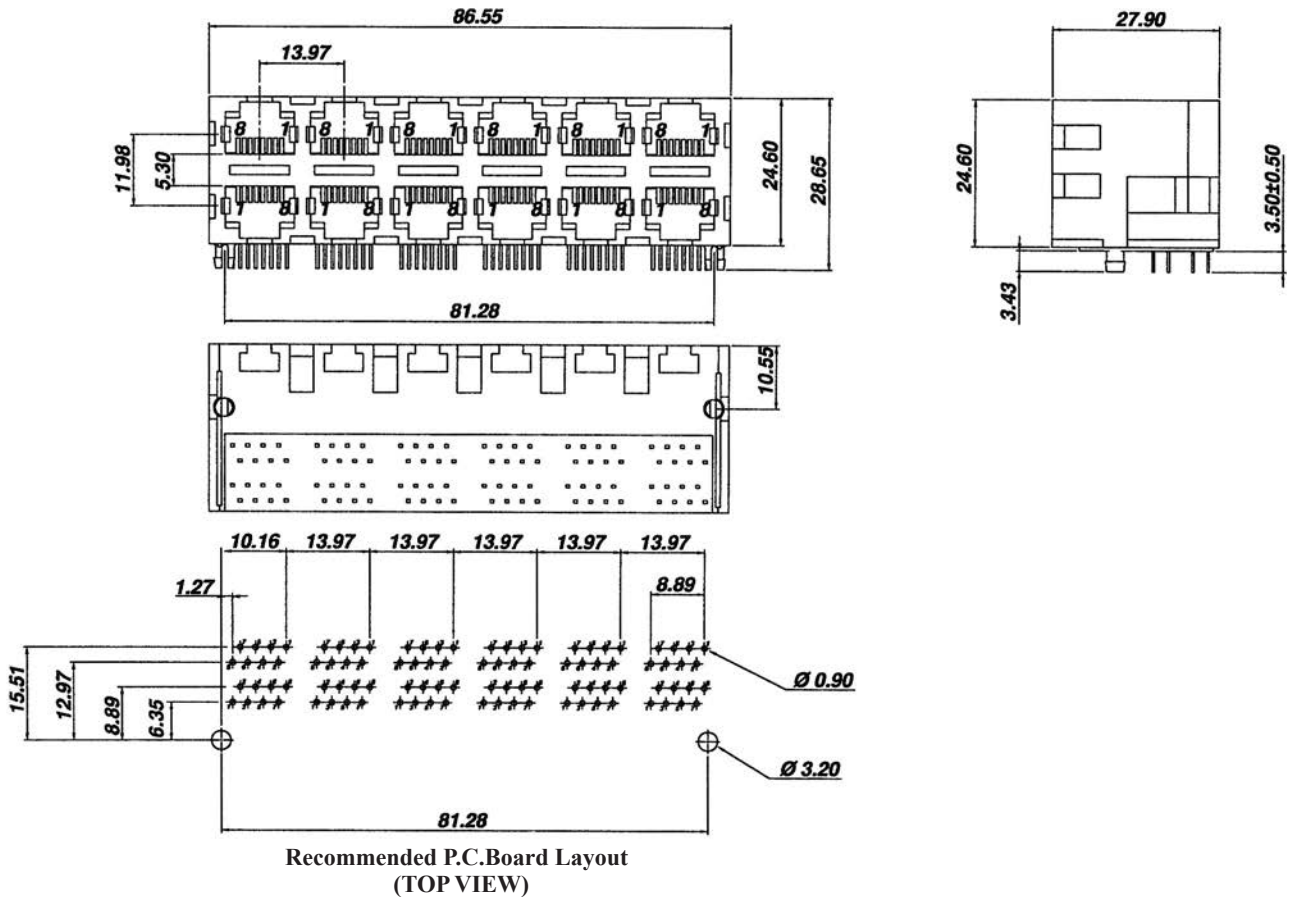
# SIDE ENTRY 12-PORT DOUBLE LEVEL MODULAR PCB JACK 8P PROFILE=24.60MM (UNSHIELDED)

## SPECIFICATIONS

Insulation Resistance: 500MΩ Min.  
 Contact Resistance: 20mΩ Max.  
 Rating Current: 1.5A Max.  
 Rating Voltage: 120V AC.  
 Dielectric Voltage: 1000 Vrms 60 Sec. Min.  
 Temperature Range: -40°C / +85°C  
 Durability: 500 Mating cycles Min.

## MATERIALS

Housing: PBT Glass Filled (UL 94V-0)  
 Soldering Temperature: 235°C  
 Color: Black  
 Spring Wire: Phosphor Bronze  
 Gold plating Over Nickel  
 \*RoHS & REACH compliant.



## ORDERING INFORMATION:

P/N M J D U -  $\frac{88}{1} \times \frac{B}{2} \frac{12}{3}$

1. NO. OF POSITIONS & CONTACTS:  
"88" 8P8C
2. CONTACT FINISH:  
"A" 6 MICROINCH GOLD  
"B" 15 MICROINCH GOLD  
"C" 30 MICROINCH GOLD  
"D" 50 MICROINCH GOLD
3. NO. OF PORTS:  
12

NOTE: P/N MJDUHT-88xB12 FOR HIGH TEMP. VERSION

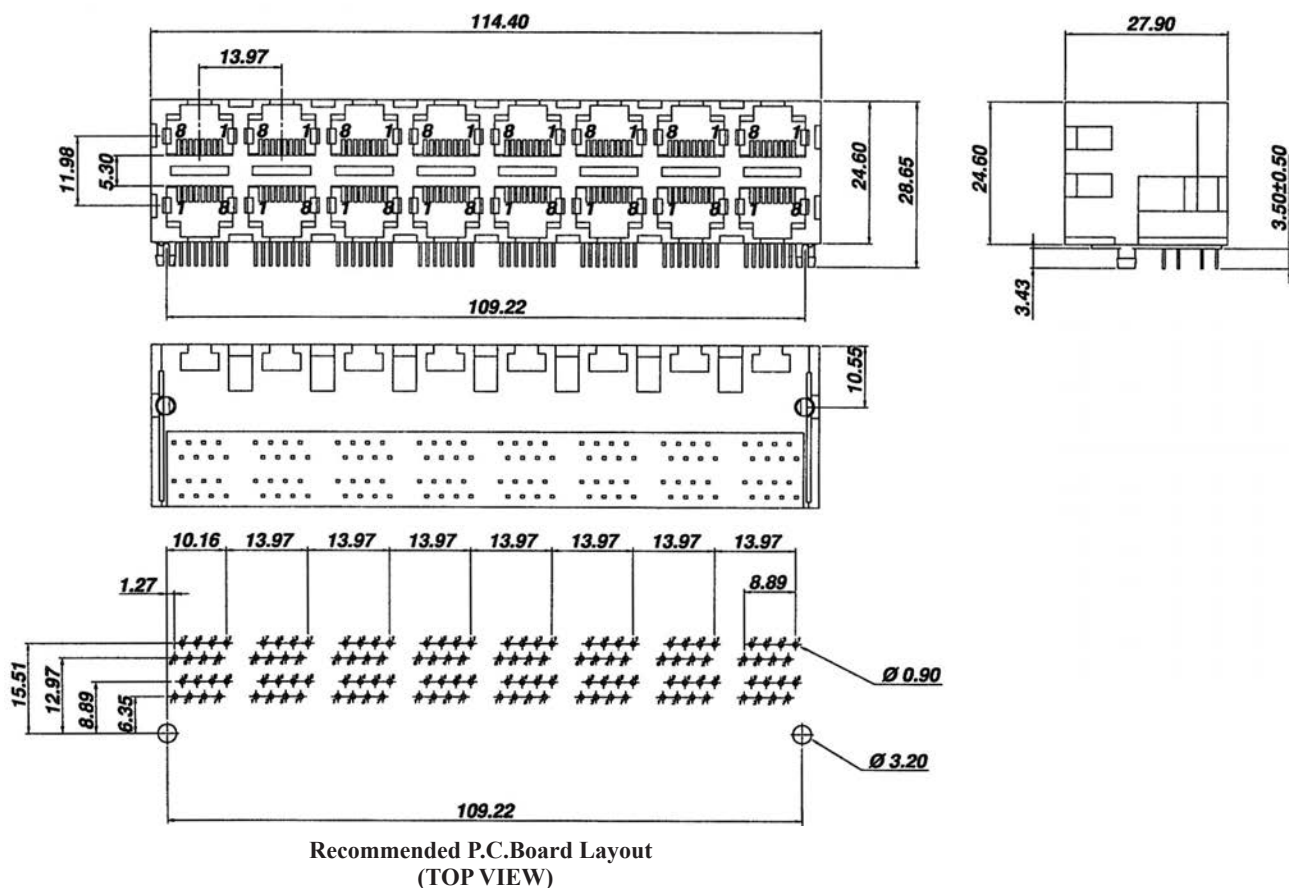
# SIDE ENTRY 16-PORT DOUBLE LEVEL MODULAR PCB JACK 8P PROFILE=24.60MM (UNSHIELDED)

## SPECIFICATIONS

Insulation Resistance: 500MΩ Min.  
 Contact Resistance: 20mΩ Max.  
 Rating Current: 1.5A Max.  
 Rating Voltage: 120V AC.  
 Dielectric Voltage: 1000 Vrms 60 Sec. Min.  
 Temperature Range: -40°C / +85°C  
 Durability: 500 Mating cycles Min.

## MATERIALS

Housing: PBT Glass Filled (UL 94V-0)  
 Soldering Temperature: 235°C  
 Color: Black  
 Spring Wire: Phosphor Bronze  
 Gold plating Over Nickel  
 \*RoHS & REACH compliant.



## ORDERING INFORMATION:

P/N M J D U -  $\frac{8}{1} \frac{8}{2} \times \frac{B}{3} \frac{16}{3}$

1. NO. OF POSITIONS & CONTACTS:  
"88" 8P8C
2. CONTACT FINISH:  
"A" 6 MICROINCH GOLD  
"B" 15 MICROINCH GOLD  
"C" 30 MICROINCH GOLD  
"D" 50 MICROINCH GOLD
3. NO. OF PORTS:  
16

NOTE: P/N MJDUHT-88xB16 FOR HIGH TEMP. VERSION



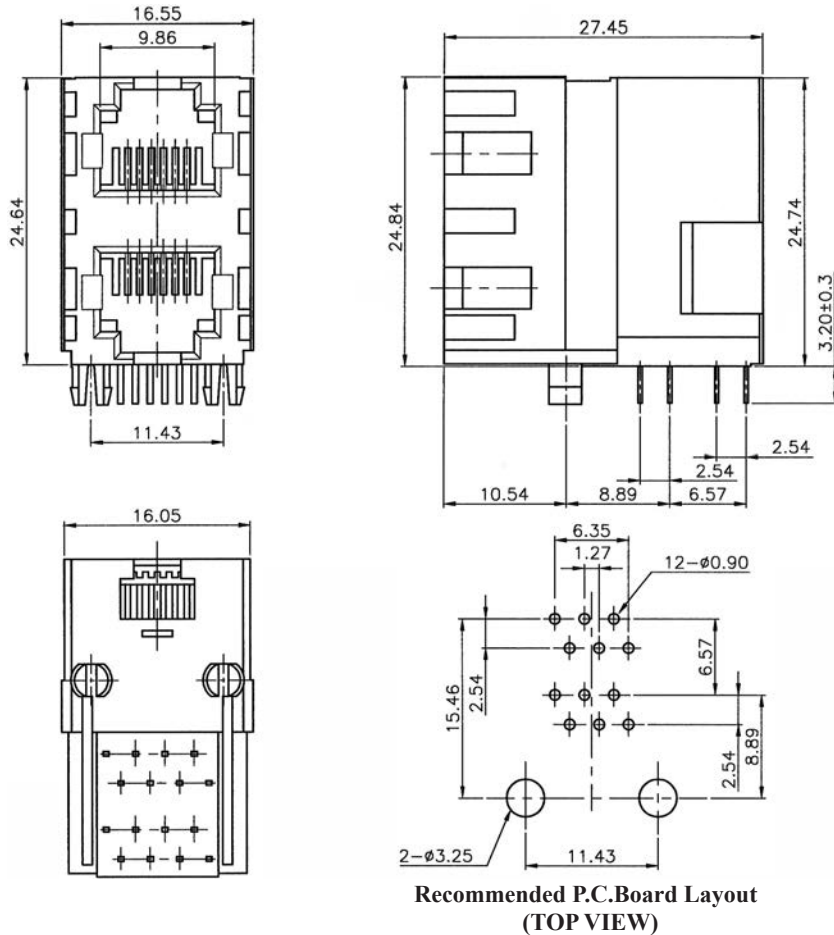
# SIDE ENTRY 2-PORT DOUBLE LEVEL MODULAR PCB JACK 6P PROFILE=24.84MM (UNSHIELDED)

## SPECIFICATIONS

**Insulation Resistance:** 500MΩ Min.  
**Contact Resistance:** 20mΩ Max.  
**Rating Current:** 1.5A Max.  
**Rating Voltage:** 120V AC.  
**Dielectric Voltage:** 1000 Vrms 60 Sec. Min.  
**Temperature Range:** -40°C / +85°C  
**Durability:** 500 Mating cycles Min.

## MATERIALS

**Housing:** PBT Glass Filled (UL 94V-0)  
**Soldering Temperature:** 235°C  
**Color:** Black  
**Spring Wire:** Phosphor Bronze  
 Gold plating Over Nickel  
**\*RoHS & REACH compliant.**



## ORDERING INFORMATION:

**P/N MJ50 -  $\frac{6}{1} \frac{6}{2} \times \frac{B}{3} \frac{0}{3}$**

1. NO. OF POSITIONS & CONTACTS:  
"66" 6P6C
2. CONTACT FINISH:  
"A" 6 MICROINCH GOLD  
"B" 15 MICROINCH GOLD  
"C" 30 MICROINCH GOLD  
"D" 50 MICROINCH GOLD
3. NO. OF PORTS:  
02

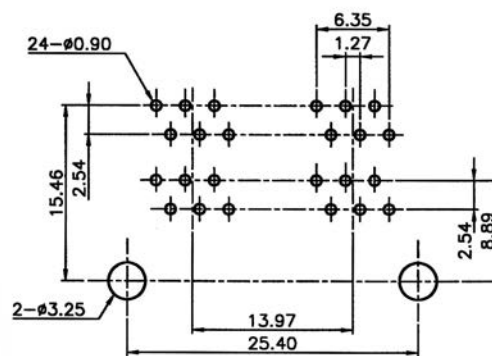
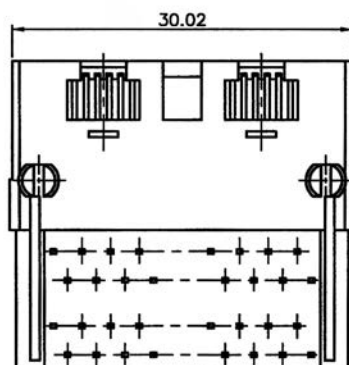
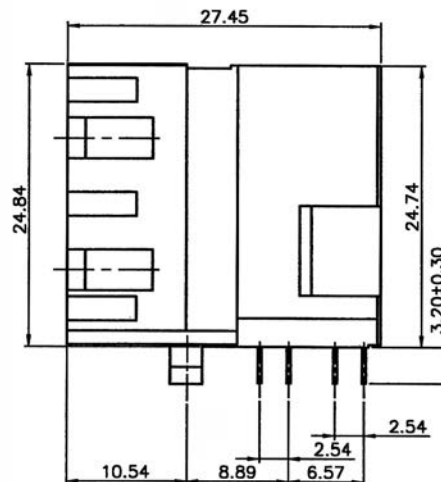
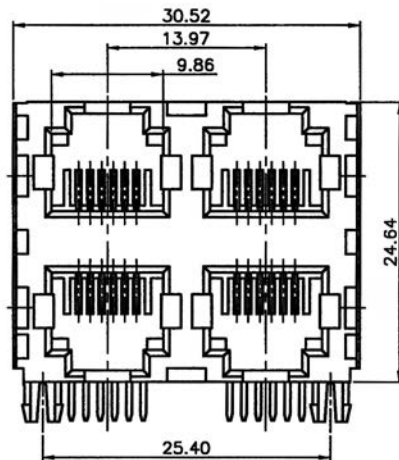
# SIDE ENTRY 4-PORT DOUBLE LEVEL MODULAR PCB JACK 6P PROFILE=24.84MM (UNSHIELDED)

## SPECIFICATIONS

**Insulation Resistance:** 500MΩ Min.  
**Contact Resistance:** 20mΩ Max.  
**Rating Current:** 1.5A Max.  
**Rating Voltage:** 120V AC.  
**Dielectric Voltage:** 1000 Vrms 60 Sec. Min.  
**Temperature Range:** -40°C / +85°C  
**Durability:** 500 Mating cycles Min.

## MATERIALS

**Housing:** PBT Glass Filled (UL 94V-0)  
**Soldering Temperature:** 235°C  
**Color:** Black  
**Spring Wire:** Phosphor Bronze  
 Gold plating Over Nickel  
**\*RoHS & REACH compliant.**



Recommended P.C.Board Layout (TOP VIEW)

## ORDERING INFORMATION:

P/N MJ 50 -  $\frac{6}{1} \frac{6}{2} \times \frac{B}{3} \frac{0}{3} \frac{4}{3}$

1. NO. OF POSITIONS & CONTACTS:  
"66" 6P6C
2. CONTACT FINISH:  
"A" 6 MICROINCH GOLD  
"B" 15 MICROINCH GOLD  
"C" 30 MICROINCH GOLD  
"D" 50 MICROINCH GOLD
3. NO. OF PORTS:  
04

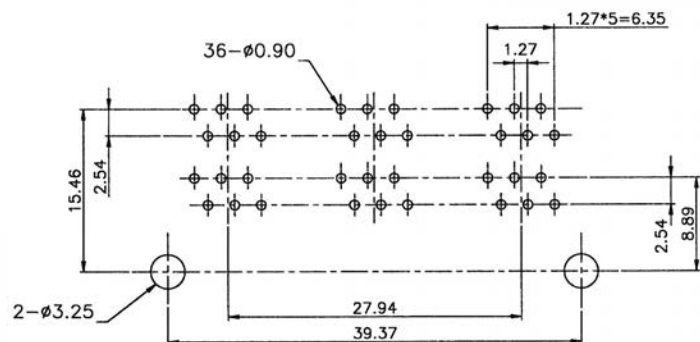
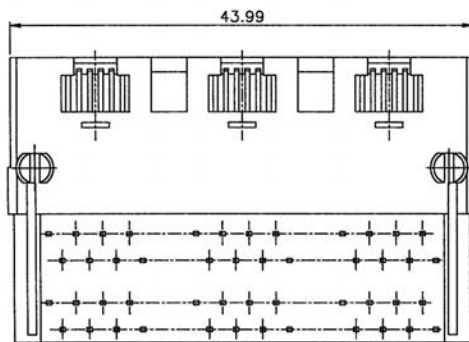
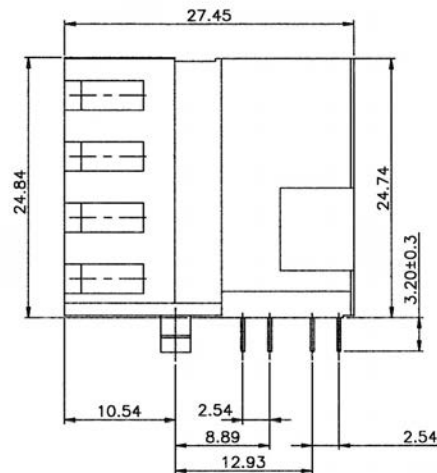
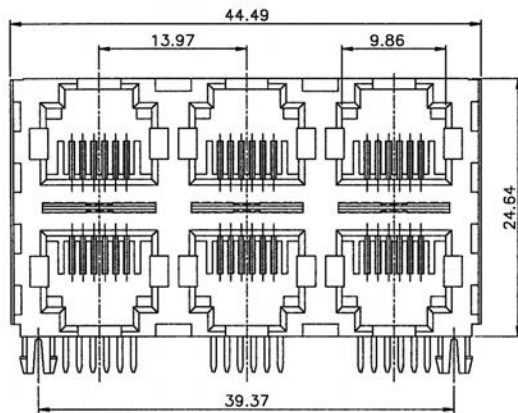
# SIDE ENTRY 6-PORT DOUBLE LEVEL MODULAR PCB JACK 6P PROFILE=24.84MM (UNSHIELDED)

## SPECIFICATIONS

**Insulation Resistance:** 500MΩ Min.  
**Contact Resistance:** 20mΩ Max.  
**Rating Current:** 1.5A Max.  
**Rating Voltage:** 120V AC.  
**Dielectric Voltage:** 1000 Vrms 60 Sec. Min.  
**Temperature Range:** -40°C / +85°C  
**Durability:** 500 Mating cycles Min.

## MATERIALS

**Housing:** PBT Glass Filled (UL 94V-0)  
**Soldering Temperature:** 235°C  
**Color:** Black  
**Spring Wire:** Phosphor Bronze  
 Gold plating Over Nickel  
**\*RoHS & REACH compliant.**



Recommended P.C. Board Layout (TOP VIEW)

## ORDERING INFORMATION:

P/N MJ50 -  $\frac{66}{1} \times \frac{B}{2} \frac{06}{3}$

1. NO. OF POSITIONS & CONTACTS:  
"66" 6P6C
2. CONTACT FINISH:  
"A" 6 MICROINCH GOLD  
"B" 15 MICROINCH GOLD  
"C" 30 MICROINCH GOLD  
"D" 50 MICROINCH GOLD
3. NO. OF PORTS:  
06

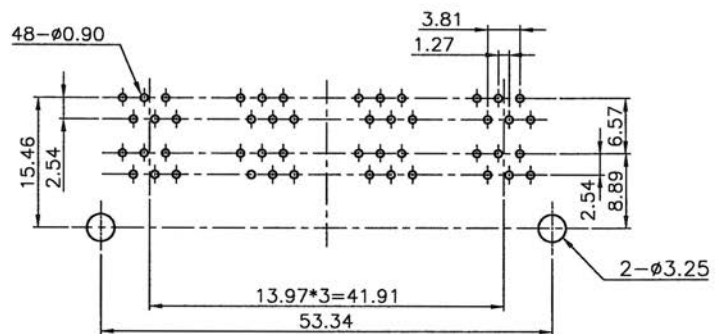
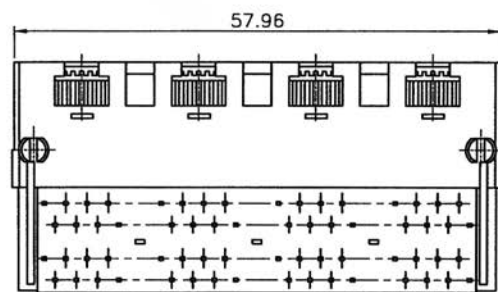
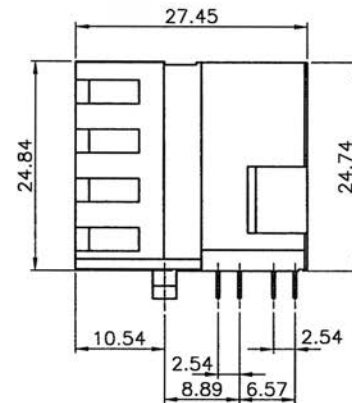
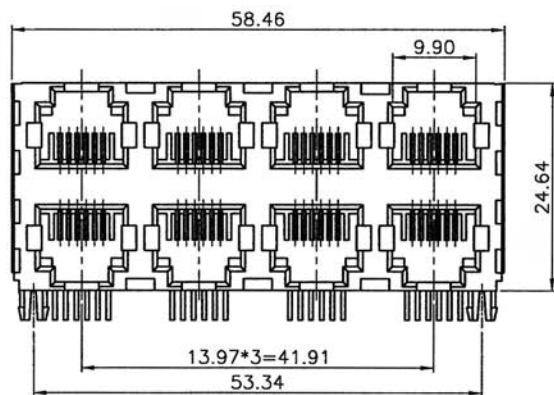
# SIDE ENTRY 8-PORT DOUBLE LEVEL MODULAR PCB JACK 6P PROFILE=24.84MM (UNSHIELDED)

## SPECIFICATIONS

**Insulation Resistance:** 500MΩ Min.  
**Contact Resistance:** 20mΩ Max.  
**Rating Current:** 1.5A Max.  
**Rating Voltage:** 120V AC.  
**Dielectric Voltage:** 1000 Vrms 60 Sec. Min.  
**Temperature Range:** -40°C / +85°C  
**Durability:** 500 Mating cycles Min.

## MATERIALS

**Housing:** PBT Glass Filled (UL 94V-0)  
**Soldering Temperature:** 235°C  
**Color:** Black  
**Spring Wire:** Phosphor Bronze  
 Gold plating Over Nickel  
**\*RoHS & REACH compliant.**



Recommended P.C.Board Layout (TOP VIEW)

## ORDERING INFORMATION:

P/N MJ50 -  $\frac{66}{1} \times \frac{B}{2} \frac{08}{3}$

1. NO. OF POSITIONS & CONTACTS:  
"66" 6P6C
2. CONTACT FINISH:  
"A" 6 MICROINCH GOLD  
"B" 15 MICROINCH GOLD  
"C" 30 MICROINCH GOLD  
"D" 50 MICROINCH GOLD
3. NO. OF PORTS:  
08

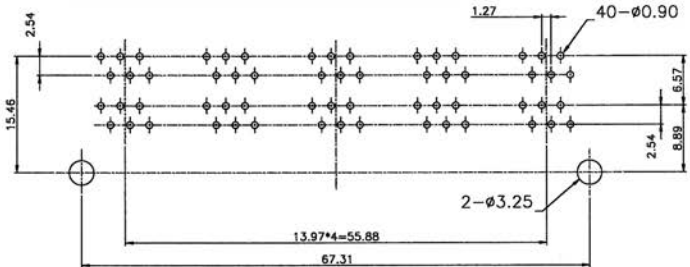
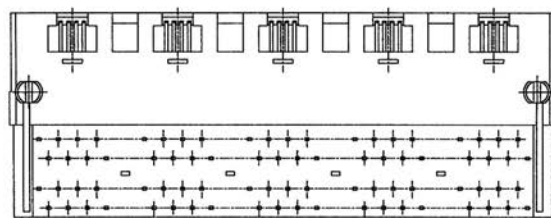
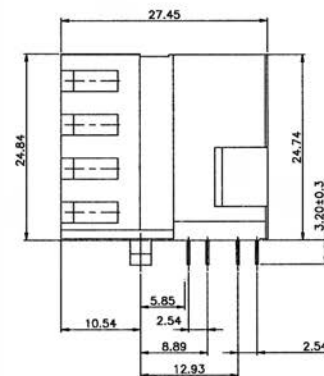
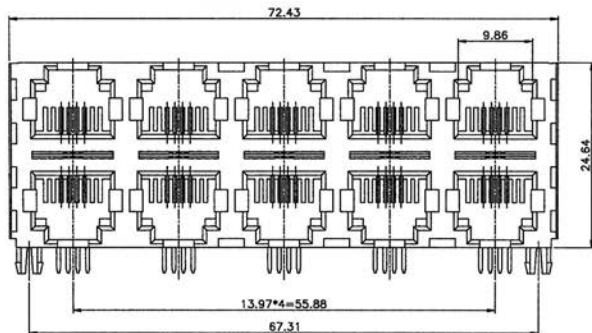
# SIDE ENTRY 10-PORT DOUBLE LEVEL MODULAR PCB JACK 6P PROFILE=24.84MM (UNSHIELDED)

## SPECIFICATIONS

**Insulation Resistance:** 500MΩ Min.  
**Contact Resistance:** 20mΩ Max.  
**Rating Current:** 1.5A Max.  
**Rating Voltage:** 120V AC.  
**Dielectric Voltage:** 1000 Vrms 60 Sec. Min.  
**Temperature Range:** -40°C / +85°C  
**Durability:** 500 Mating cycles Min.

## MATERIALS

**Housing:** PBT Glass Filled (UL 94V-0)  
**Soldering Temperature:** 235°C  
**Color:** Black  
**Spring Wire:** Phosphor Bronze  
 Gold plating Over Nickel  
**\*RoHS & REACH compliant.**



Recommended P.C.Board Layout  
(TOP VIEW)

## ORDERING INFORMATION:

P/N MJ50 -  $\frac{66}{1} \times \frac{B}{2} \frac{10}{3}$

1. NO. OF POSITIONS & CONTACTS:  
"66" 6P6C
2. CONTACT FINISH:  
"A" 6 MICROINCH GOLD  
"B" 15 MICROINCH GOLD  
"C" 30 MICROINCH GOLD  
"D" 50 MICROINCH GOLD
3. NO. OF PORTS:  
10

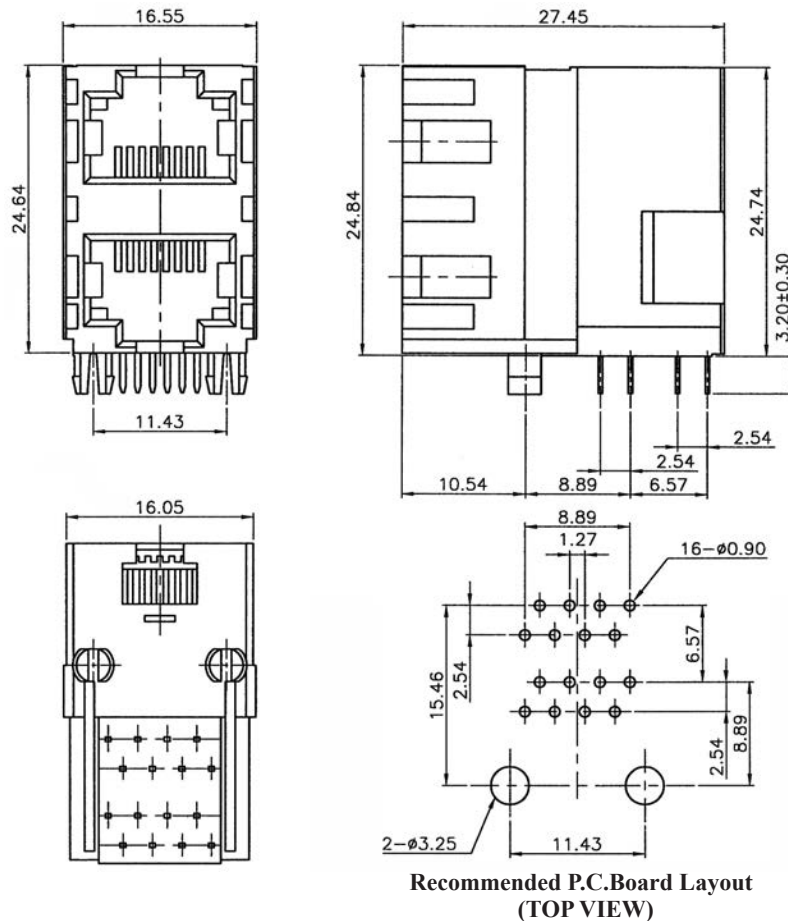
# SIDE ENTRY 2-PORT DOUBLE LEVEL MODULAR PCB JACK 8P PROFILE=24.84MM (UNSHIELDED)

## SPECIFICATIONS

**Insulation Resistance:** 500MΩ Min.  
**Contact Resistance:** 20mΩ Max.  
**Rating Current:** 1.5A Max.  
**Rating Voltage:** 120V AC.  
**Dielectric Voltage:** 1000 Vrms 60 Sec. Min.  
**Temperature Range:** -40°C / +85°C  
**Durability:** 500 Mating cycles Min.

## MATERIALS

**Housing:** PBT Glass Filled (UL 94V-0)  
**Soldering Temperature:** 235°C  
**Color:** Black  
**Spring Wire:** Phosphor Bronze  
 Gold plating Over Nickel  
**\*RoHS & REACH compliant.**



## ORDERING INFORMATION:

**P/N M J  $\frac{XX}{1} - \frac{XX}{2} \frac{X}{3} B \frac{02}{4}$**

- CATEGORY TYPE:  
 "50" CAT. 3  
 "74" CAT. 5
- NO. OF POSITIONS & CONTACTS:  
 "88" 8P8C
- CONTACT FINISH:  
 "A" 6 MICROINCH GOLD  
 "B" 15 MICROINCH GOLD  
 "C" 30 MICROINCH GOLD  
 "D" 50 MICROINCH GOLD
- NO. OF PORTS:  
 02

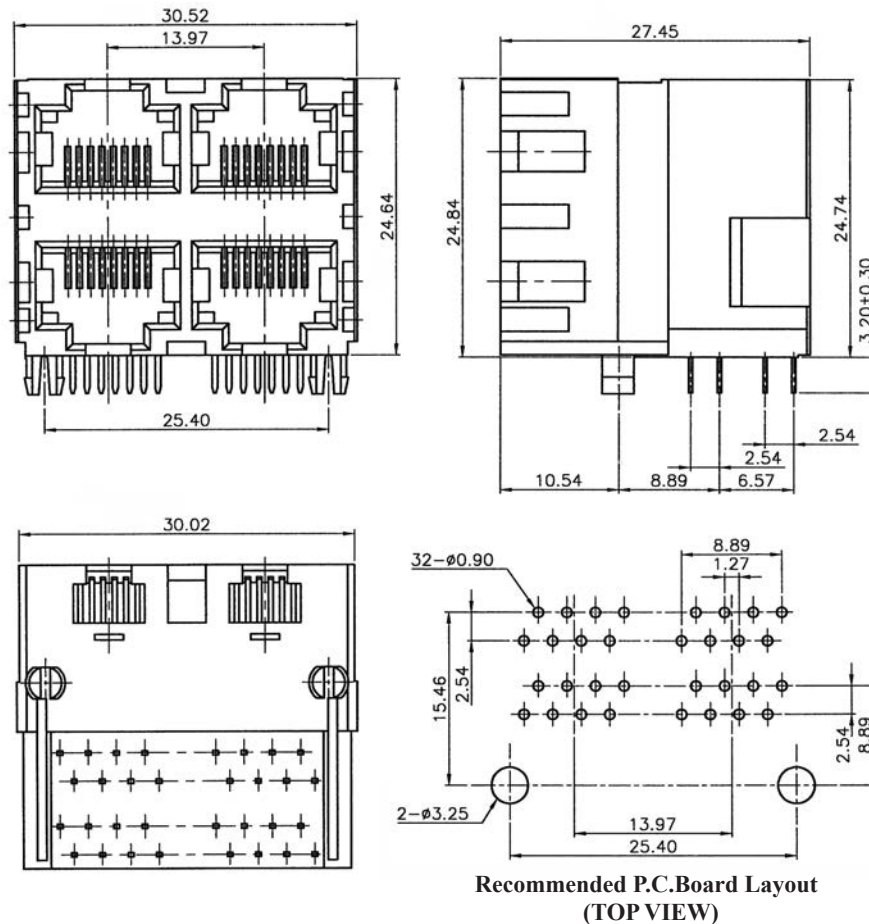
# SIDE ENTRY 4-PORT DOUBLE LEVEL MODULAR PCB JACK 8P PROFILE=24.84MM (UNSHIELDED)

## SPECIFICATIONS

**Insulation Resistance:** 500MΩ Min.  
**Contact Resistance:** 20mΩ Max.  
**Rating Current:** 1.5A Max.  
**Rating Voltage:** 120V AC.  
**Dielectric Voltage:** 1000 Vrms 60 Sec. Min.  
**Temperature Range:** -40°C / +85°C  
**Durability:** 500 Mating cycles Min.

## MATERIALS

**Housing:** PBT Glass Filled (UL 94V-0)  
**Soldering Temperature:** 235°C  
**Color:** Black  
**Spring Wire:** Phosphor Bronze  
 Gold plating Over Nickel  
**\*RoHS & REACH compliant.**



## ORDERING INFORMATION:

**P/N M J  $\frac{xx}{1} - \frac{xxx}{23} B \frac{04}{4}$**

1. CATEGORY TYPE:  
 "50" CAT. 3  
 "74" CAT. 5
2. NO. OF POSITIONS & CONTACTS:  
 "88" 8P8C
3. CONTACT FINISH:  
 "A" 6 MICROINCH GOLD  
 "B" 15 MICROINCH GOLD  
 "C" 30 MICROINCH GOLD  
 "D" 50 MICROINCH GOLD
4. NO. OF PORTS:  
 04

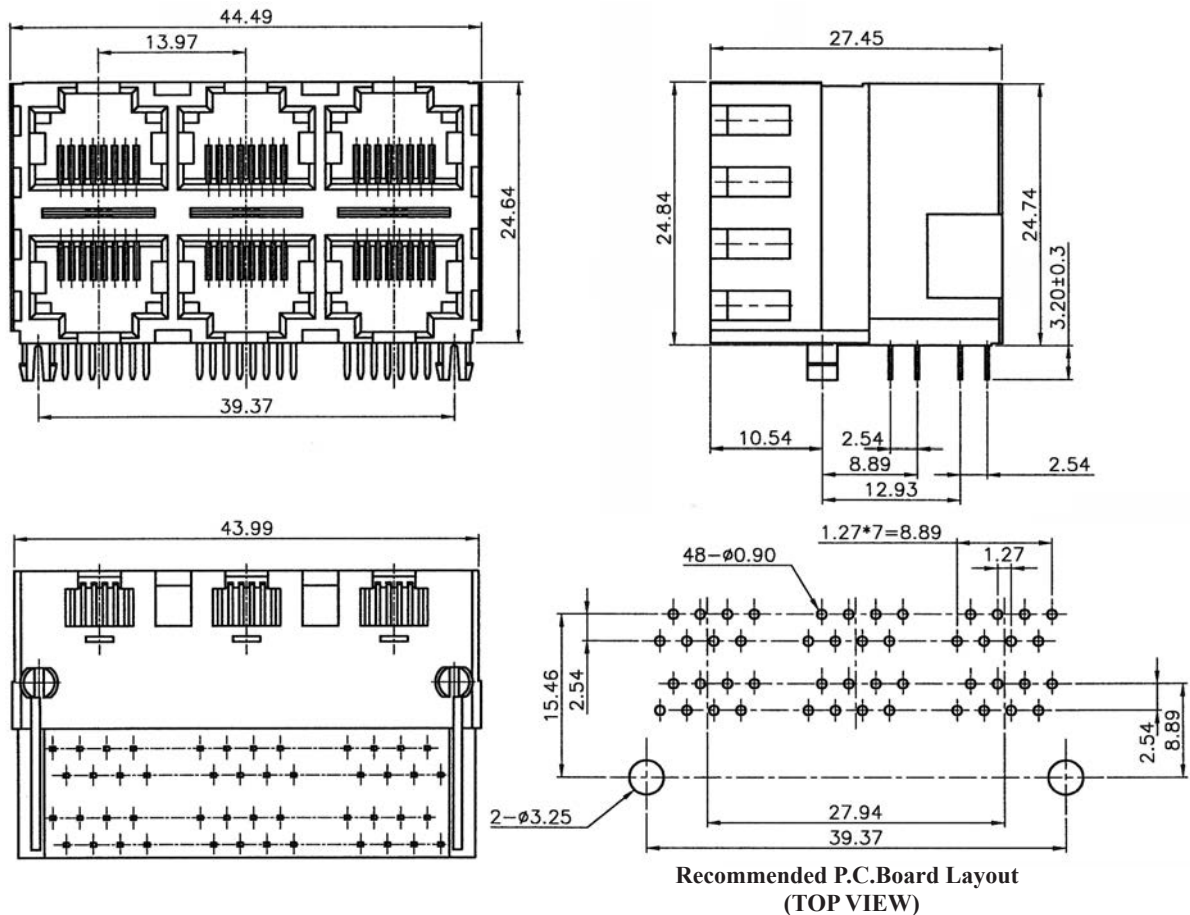
# SIDE ENTRY 6-PORT DOUBLE LEVEL MODULAR PCB JACK 8P PROFILE=24.84MM (UNSHIELDED)

## SPECIFICATIONS

**Insulation Resistance:** 500MΩ Min.  
**Contact Resistance:** 20mΩ Max.  
**Rating Current:** 1.5A Max.  
**Rating Voltage:** 120V AC.  
**Dielectric Voltage:** 1000 Vrms 60 Sec. Min.  
**Temperature Range:** -40°C / +85°C  
**Durability:** 500 Mating cycles Min.

## MATERIALS

**Housing:** PBT Glass Filled (UL 94V-0)  
**Soldering Temperature:** 235°C  
**Color:** Black  
**Spring Wire:** Phosphor Bronze  
 Gold plating Over Nickel  
**\*RoHS & REACH compliant.**



## ORDERING INFORMATION:

**P/N M J  $\frac{XX}{1} - \frac{XX}{2} \frac{X}{3} B \frac{06}{4}$**

- CATEGORY TYPE:  
 "50" CAT. 3  
 "74" CAT. 5
- NO. OF POSITIONS & CONTACTS:  
 "88" 8P8C
- CONTACT FINISH:  
 "A" 6 MICROINCH GOLD  
 "B" 15 MICROINCH GOLD  
 "C" 30 MICROINCH GOLD  
 "D" 50 MICROINCH GOLD
- NO. OF PORTS:  
 06



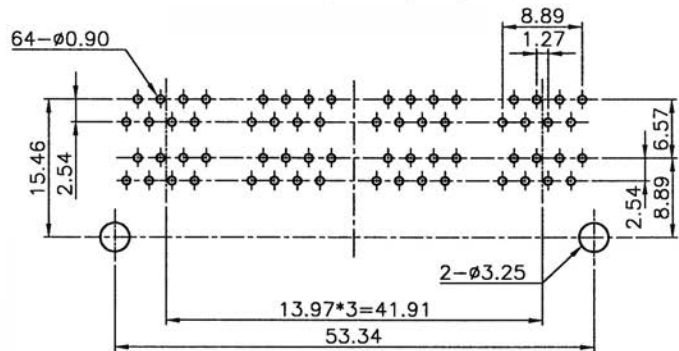
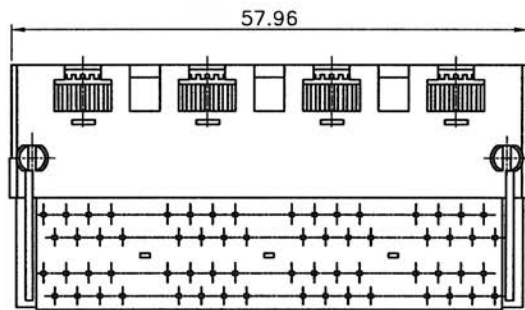
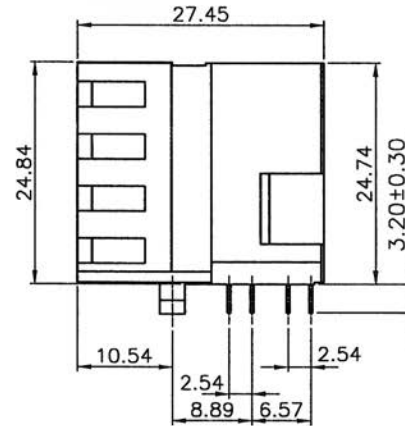
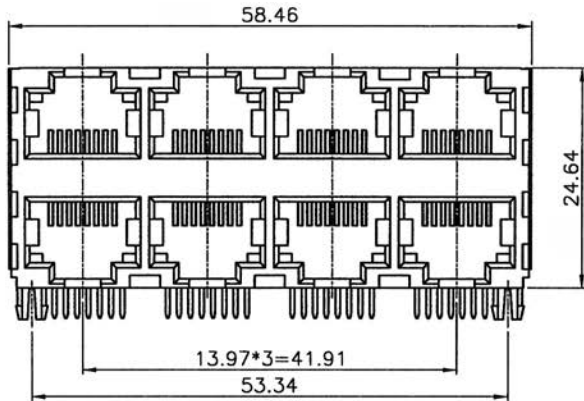
# SIDE ENTRY 8-PORT DOUBLE LEVEL MODULAR PCB JACK 8P PROFILE=24.84MM (UNSHIELDED)

## SPECIFICATIONS

**Insulation Resistance:** 500MΩ Min.  
**Contact Resistance:** 20mΩ Max.  
**Rating Current:** 1.5A Max.  
**Rating Voltage:** 120V AC.  
**Dielectric Voltage:** 1000 Vrms 60 Sec. Min.  
**Temperature Range:** -40°C / +85°C  
**Durability:** 500 Mating cycles Min.

## MATERIALS

**Housing:** PBT Glass Filled (UL 94V-0)  
**Soldering Temperature:** 235°C  
**Color:** Black  
**Spring Wire:** Phosphor Bronze  
 Gold plating Over Nickel  
**\*RoHS & REACH compliant.**



Recommended P.C.Board Layout (TOP VIEW)

## ORDERING INFORMATION:

P/N M J  $\frac{xx}{1}$  -  $\frac{xx}{2}$   $\frac{x}{3}$  B  $\frac{08}{4}$

- CATEGORY TYPE:  
"50" CAT. 3  
"74" CAT. 5
- NO. OF POSITIONS & CONTACTS:  
"88" 8P8C
- CONTACT FINISH:  
"A" 6 MICROINCH GOLD  
"B" 15 MICROINCH GOLD  
"C" 30 MICROINCH GOLD  
"D" 50 MICROINCH GOLD
- NO. OF PORTS:  
08

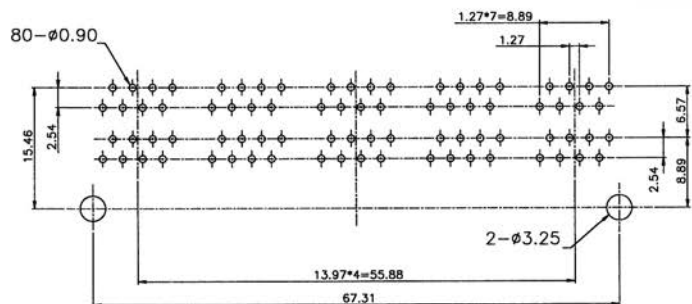
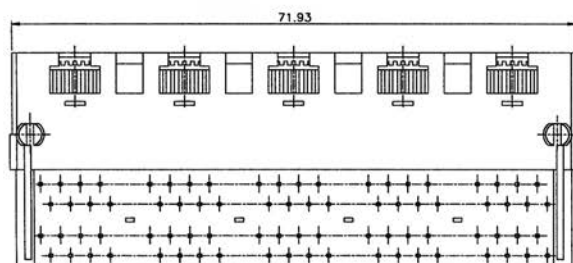
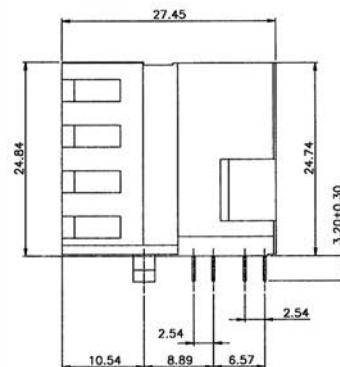
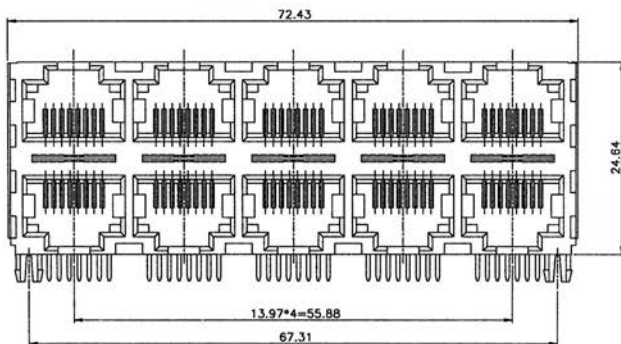
# SIDE ENTRY 10-PORT DOUBLE LEVEL MODULAR PCB JACK 8P PROFILE=24.84MM (UNSHIELDED)

## SPECIFICATIONS

**Insulation Resistance:** 500MΩ Min.  
**Contact Resistance:** 20mΩ Max.  
**Rating Current:** 1.5A Max.  
**Rating Voltage:** 120V AC.  
**Dielectric Voltage:** 1000 Vrms 60 Sec. Min.  
**Temperature Range:** -40°C / +85°C  
**Durability:** 500 Mating cycles Min.

## MATERIALS

**Housing:** PBT Glass Filled (UL 94V-0)  
**Soldering Temperature:** 235°C  
**Color:** Black  
**Spring Wire:** Phosphor Bronze  
 Gold plating Over Nickel  
**\*RoHS & REACH compliant.**



Recommended P.C.Board Layout (TOP VIEW)

## ORDERING INFORMATION:

P/N M J  $\frac{xx}{1}$  -  $\frac{xxx}{2}$   $\frac{x}{3}$  B  $\frac{10}{4}$

- CATEGORY TYPE:  
"50" CAT. 3  
"74" CAT. 5
- NO. OF POSITIONS & CONTACTS:  
"88" 8P8C
- CONTACT FINISH:  
"A" 6 MICROINCH GOLD  
"B" 15 MICROINCH GOLD  
"C" 30 MICROINCH GOLD  
"D" 50 MICROINCH GOLD
- NO. OF PORTS:  
10

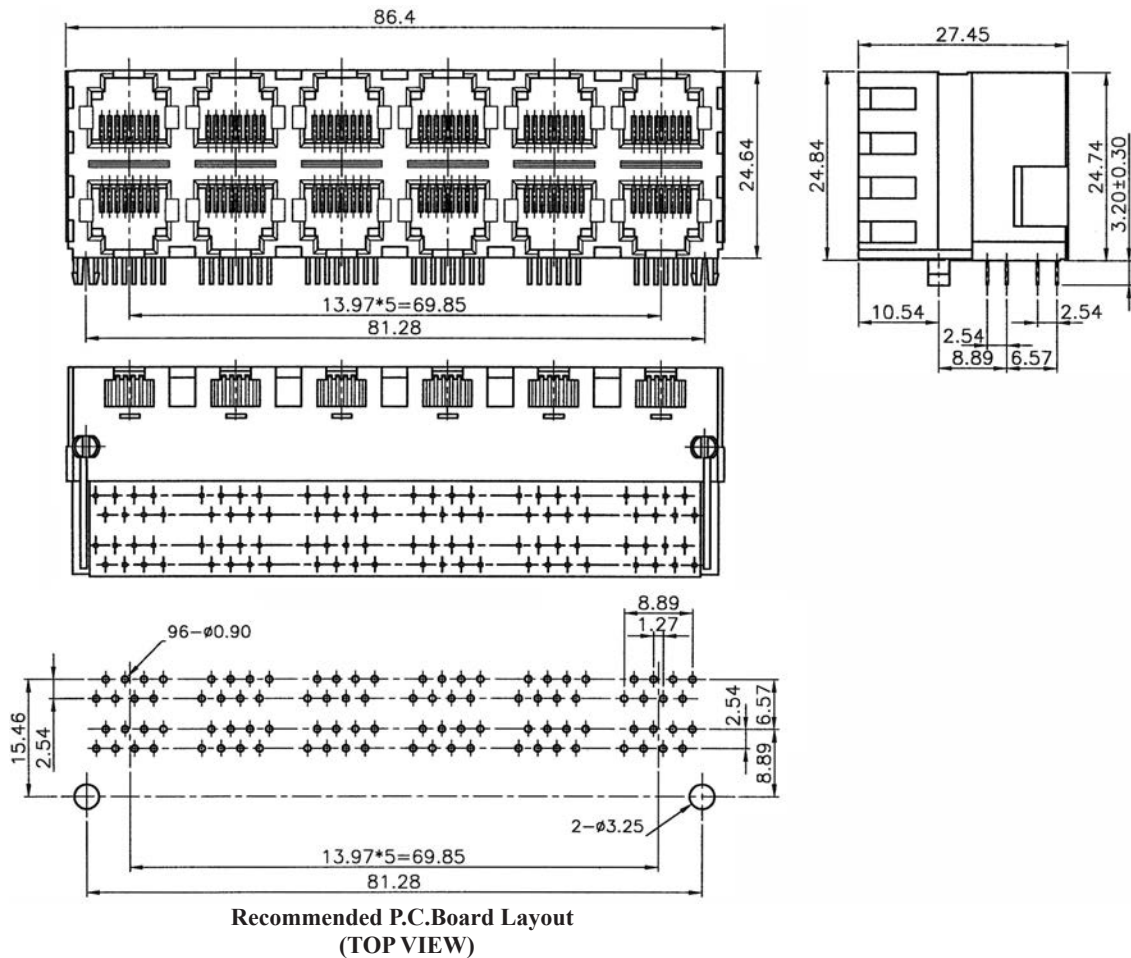
# SIDE ENTRY 12-PORT DOUBLE LEVEL MODULAR PCB JACK 8P PROFILE=24.84MM (UNSHIELDED)

## SPECIFICATIONS

**Insulation Resistance:** 500MΩ Min.  
**Contact Resistance:** 20mΩ Max.  
**Rating Current:** 1.5A Max.  
**Rating Voltage:** 120V AC.  
**Dielectric Voltage:** 1000 Vrms 60 Sec. Min.  
**Temperature Range:** -40°C / +85°C  
**Durability:** 500 Mating cycles Min.

## MATERIALS

**Housing:** PBT Glass Filled (UL 94V-0)  
**Soldering Temperature:** 235°C  
**Color:** Black  
**Spring Wire:** Phosphor Bronze  
 Gold plating Over Nickel  
**\*RoHS & REACH compliant.**



## ORDERING INFORMATION:

P/N M J  $\frac{xx}{1}$  -  $\frac{xxx}{2}$   $\frac{x}{3}$  B  $\frac{12}{4}$

1. CATEGORY TYPE:  
 "50" CAT. 3  
 "74" CAT. 5
2. NO. OF POSITIONS & CONTACTS:  
 "88" 8P8C
3. CONTACT FINISH:  
 "A" 6 MICROINCH GOLD  
 "B" 15 MICROINCH GOLD  
 "C" 30 MICROINCH GOLD  
 "D" 50 MICROINCH GOLD
4. NO. OF PORTS:  
 12

# SIDE ENTRY 16-PORT DOUBLE LEVEL MODULAR PCB JACK 8P PROFILE=24.84MM (UNSHIELDED)

## SPECIFICATIONS

Insulation Resistance: 500MΩ Min.

Contact Resistance: 20mΩ Max.

Rating Current: 1.5A Max.

Rating Voltage: 120V AC.

Dielectric Voltage: 1000 Vrms 60 Sec. Min.

Temperature Range: -40°C / +85°C

Durability: 500 Mating cycles Min.

## MATERIALS

Housing: PBT Glass Filled (UL 94V-0)

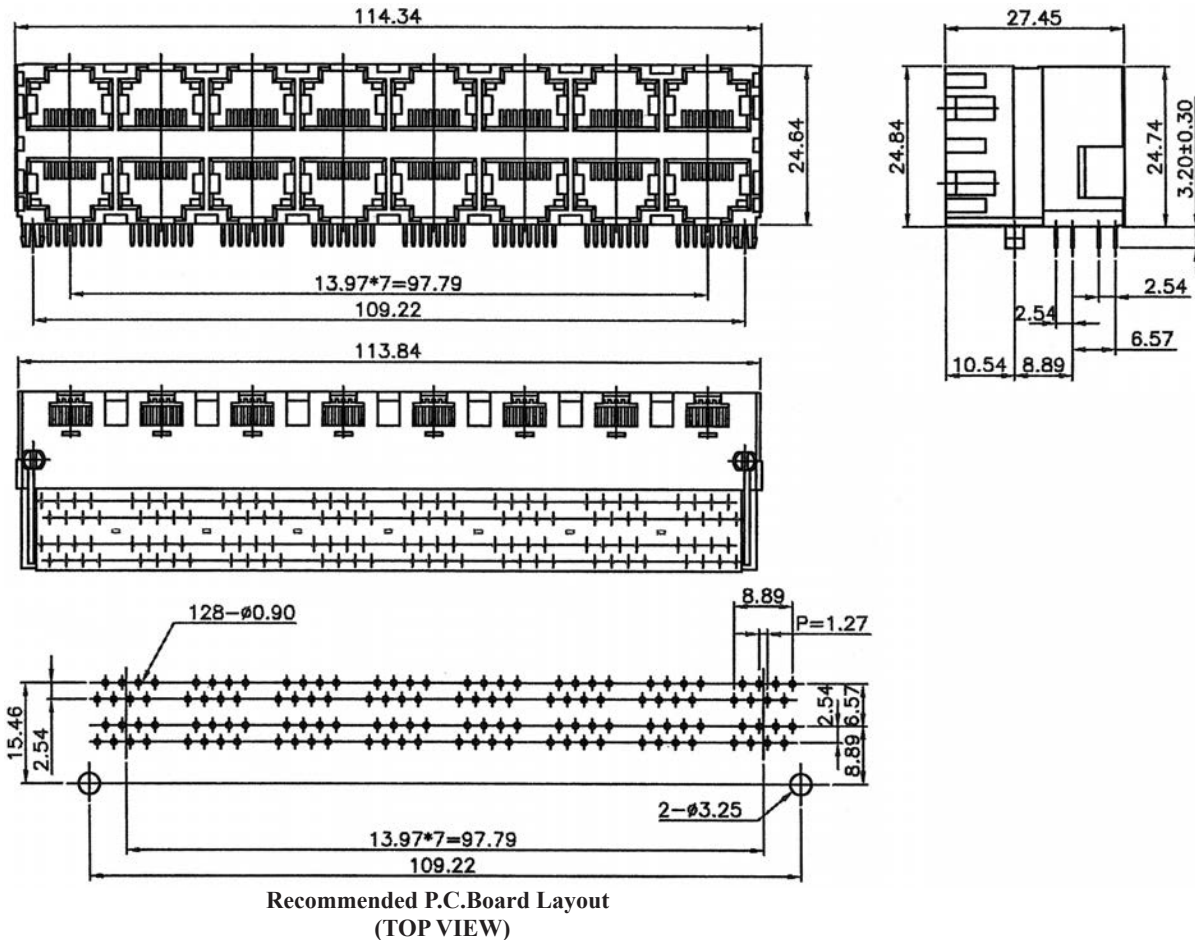
Soldering Temperature: 235°C

Color: Black

Spring Wire: Phosphor Bronze

Gold plating Over Nickel

\*RoHS & REACH compliant.



## ORDERING INFORMATION:

P/N M J  $\frac{xx}{1}$  -  $\frac{xxx}{2}$  B  $\frac{16}{4}$

### 1. CATEGORY TYPE:

"50" CAT. 3

"74" CAT. 5

### 2. NO. OF POSITIONS & CONTACTS:

"88" 8P8C

### 3. CONTACT FINISH:

"A" 6 MICROINCH GOLD

"B" 15 MICROINCH GOLD

"C" 30 MICROINCH GOLD

"D" 50 MICROINCH GOLD

### 4. NO. OF PORTS:

16

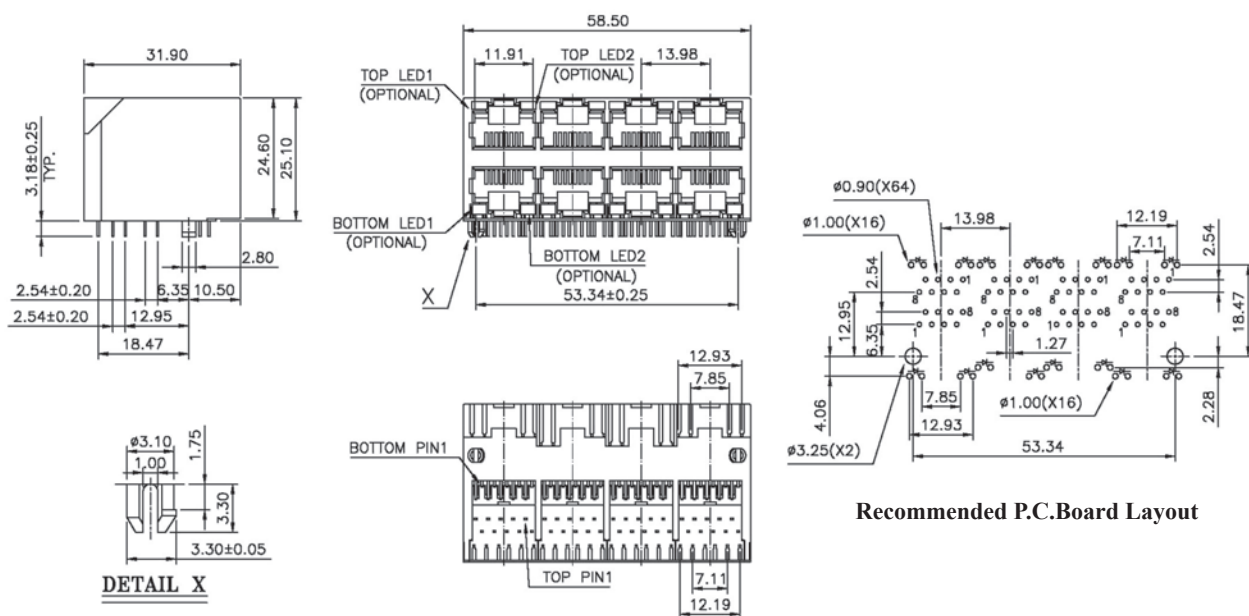
# SIDE ENTRY 8-PORT DOUBLE LEVEL MODULAR PCB JACK 8P WITH LED PROFILE=25.10MM (UNSHIELDED)

## SPECIFICATIONS

**Insulation Resistance:** 500MΩ Min.  
**Contact Resistance:** 20mΩ Max.  
**Rating Current:** 1.5A Max.  
**Rating Voltage:** 120V AC.  
**Dielectric Voltage:** 1000 Vrms 60 Sec. Min.  
**Temperature Range:** -40°C / +85°C  
**Durability:** 500 Mating cycles Min.

## MATERIALS

**Housing:** PBT Glass Filled (UL 94V-0)  
**Soldering Temperature:** 235°C  
**Color:** Black  
**Spring Wire:** Phosphor Bronze  
 Gold plating Over Nickel  
**\*RoHS & REACH compliant.**



## ORDERING INFORMATION:

P/N M J J W - 8 8 x B x x 0 8  
1 2 3 4 5 6

- MODULAR JACK TYPE:  
"JW" UNSHIELDED DOUBLE LEVEL TYPE
- NO. OF POSITIONS & CONTACTS:  
"88" 8P8C
- CONTACT FINISH:  
"A" 6 MICROINCH GOLD  
"B" 15 MICROINCH GOLD  
"C" 30 MICROINCH GOLD  
"D" 50 MICROINCH GOLD
- HOUSING COLOR:  
"B" BLACK

- COLORS OF LED:  
"NN" LED1: GREEN & LED2: GREEN  
"NY" LED1: GREEN & LED2: YELLOW  
"YN" LED1: YELLOW & LED2: GREEN  
"YY" LED1: YELLOW & LED2: YELLOW  
"XX" W/O LED
- NO. OF PORTS:  
08

NOTE: OTHER LED COLORS UPON REQUEST!

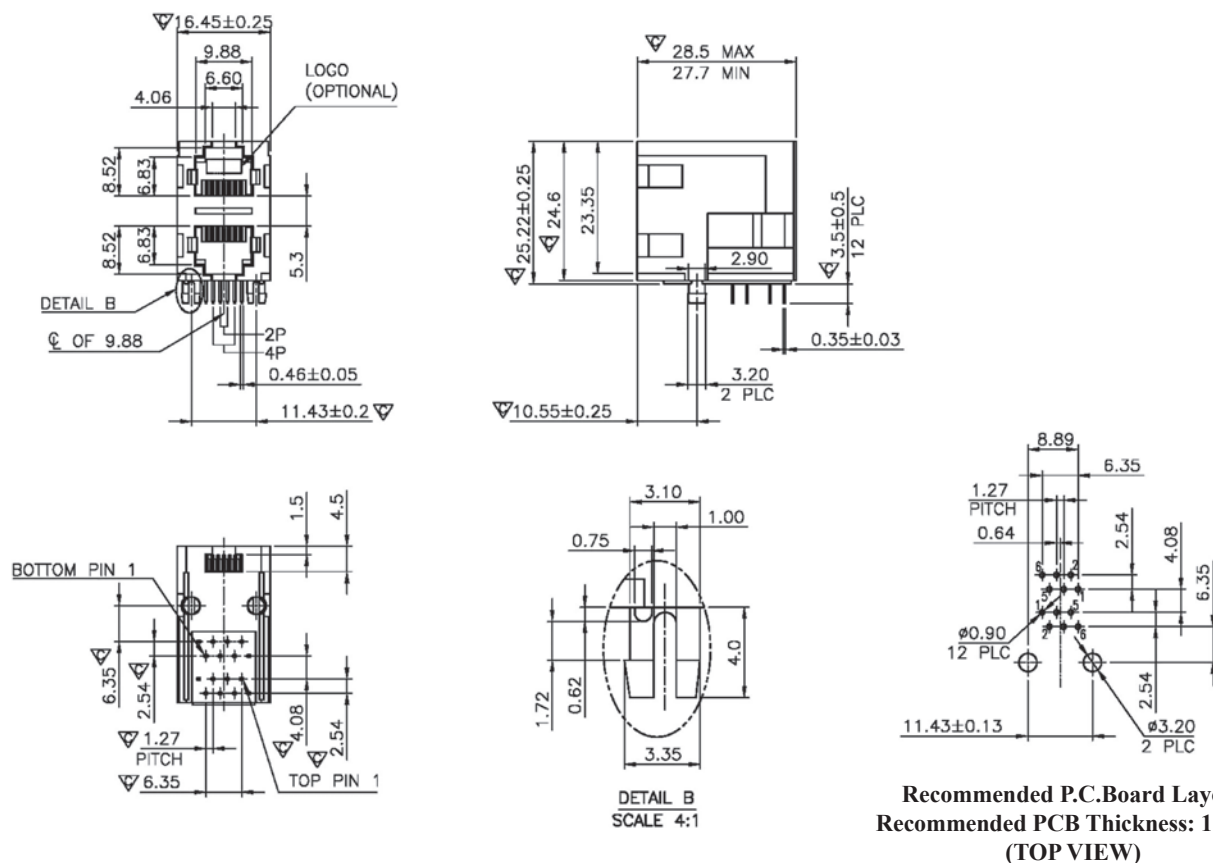
# SIDE ENTRY 2-PORT DOUBLE LEVEL MODULAR PCB JACK 6P PROFILE=25.22MM (UNSHIELDED)

## SPECIFICATIONS

**Insulation Resistance:** 500MΩ Min.  
**Contact Resistance:** 20mΩ Max.  
**Rating Current:** 1.5A Max.  
**Rating Voltage:** 120V AC.  
**Dielectric Voltage:** 1000 Vrms 60 Sec. Min.  
**Temperature Range:** -40°C / +85°C  
**Durability:** 500 Mating cycles Min.

## MATERIALS

**Housing:** PBT Glass Filled (UL 94V-0)  
**Soldering Temperature:** 235°C  
**Color:** Black  
**Spring Wire:** Phosphor Bronze  
 Gold plating Over Nickel  
**\*RoHS & REACH compliant.**



## ORDERING INFORMATION:

P/N M J J P - 6 6 x B 0 2  
1 2 3 4 5

- MODULAR JACK TYPE:  
"JP" UNSHIELDED DOUBLE LEVEL TYPE
- NO. OF POSITIONS & CONTACTS:  
"64" 6P4C  
"66" 6P6C
- CONTACT FINISH:  
"A" 6 MICROINCH GOLD  
"B" 15 MICROINCH GOLD  
"C" 30 MICROINCH GOLD  
"D" 50 MICROINCH GOLD
- HOUSING COLOR:  
"B" BLACK
- NO. OF PORTS:  
02

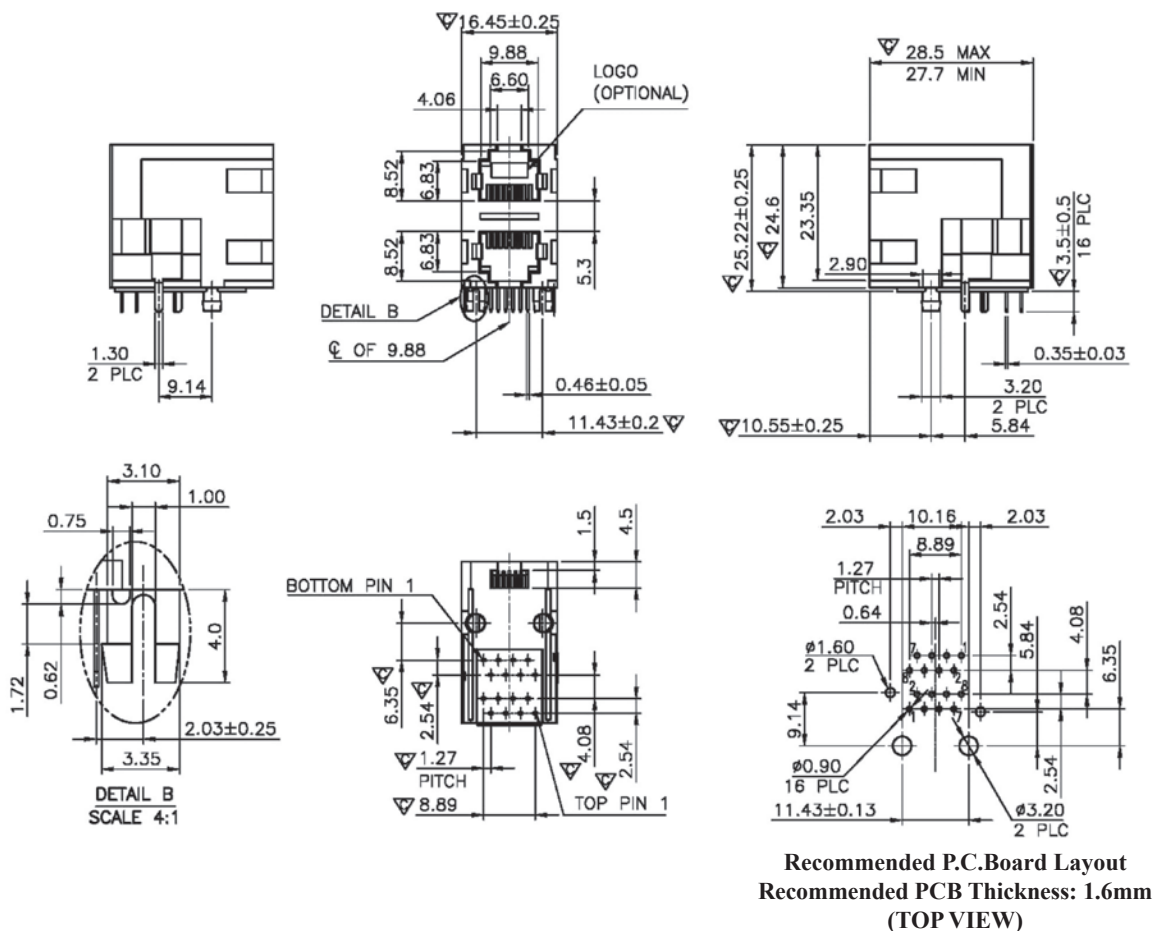
# SIDE ENTRY 2-PORT DOUBLE LEVEL MODULAR PCB JACK 8P PROFILE=25.22MM (UNSHIELDED)

## SPECIFICATIONS

**Insulation Resistance:** 500MΩ Min.  
**Contact Resistance:** 20mΩ Max.  
**Rating Current:** 1.5A Max.  
**Rating Voltage:** 120V AC.  
**Dielectric Voltage:** 1000 Vrms 60 Sec. Min.  
**Temperature Range:** -40°C / +85°C  
**Durability:** 500 Mating cycles Min.

## MATERIALS

**Housing:** PBT Glass Filled (UL 94V-0)  
**Soldering Temperature:** 235°C  
**Color:** Black  
**Spring Wire:** Phosphor Bronze  
 Gold plating Over Nickel  
**\*RoHS & REACH compliant.**



**Recommended P.C. Board Layout**  
**Recommended PCB Thickness: 1.6mm**  
**(TOP VIEW)**

## ORDERING INFORMATION:

**P/N M J J P - 8 8 x B 0 2**  
**1 2 3 4 5**

- MODULAR JACK TYPE:  
"JP" UNSHIELDED DOUBLE LEVEL TYPE
- NO. OF POSITIONS & CONTACTS:  
"88" 8P8C
- CONTACT FINISH:  
"A" 6 MICROINCH GOLD  
"B" 15 MICROINCH GOLD  
"C" 30 MICROINCH GOLD  
"D" 50 MICROINCH GOLD
- HOUSING COLOR:  
"B" BLACK
- NO. OF PORTS:  
02

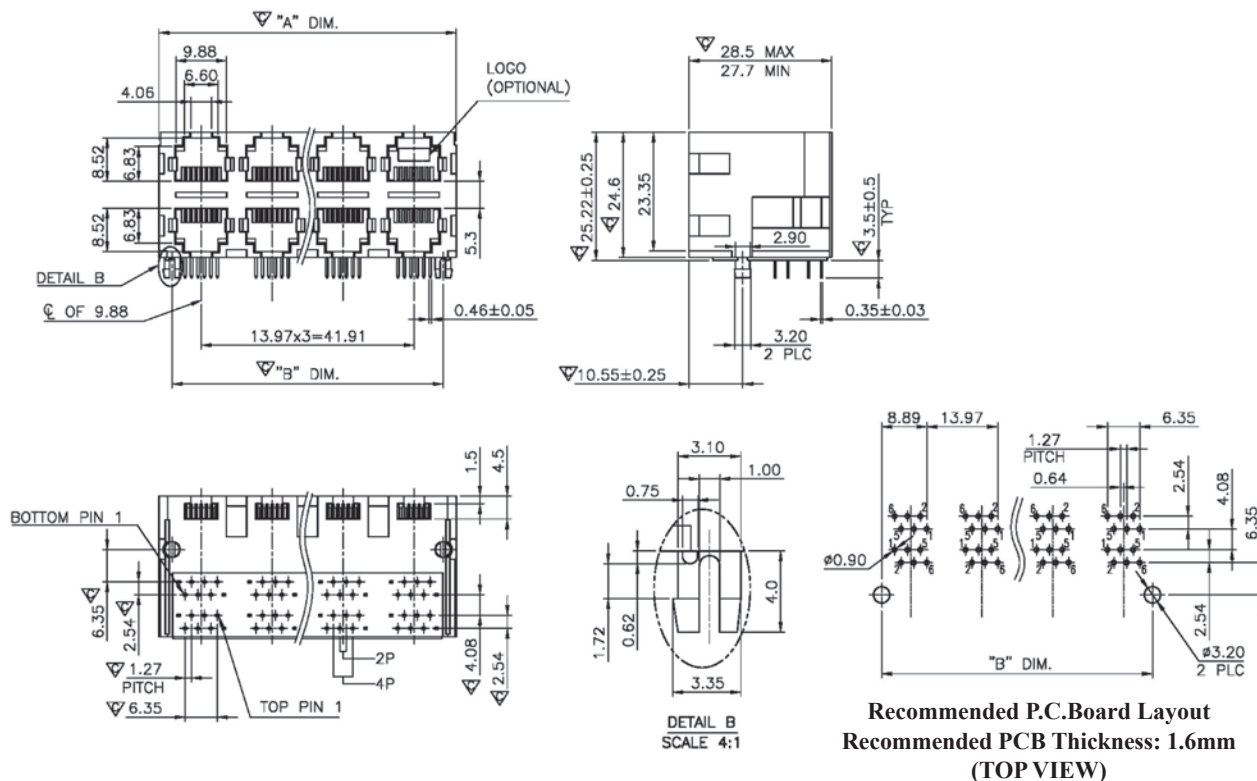
# SIDE ENTRY 8-PORT DOUBLE LEVEL MODULAR PCB JACK 6P PROFILE=25.22MM (UNSHIELDED)

## SPECIFICATIONS

Insulation Resistance: 500MΩ Min.  
 Contact Resistance: 20mΩ Max.  
 Rating Current: 1.5A Max.  
 Rating Voltage: 120V AC.  
 Dielectric Voltage: 1000 Vrms 60 Sec. Min.  
 Temperature Range: -40°C / +85°C  
 Durability: 500 Mating cycles Min.

## MATERIALS

Housing: PBT Glass Filled (UL 94V-0)  
 Soldering Temperature: 235°C  
 Color: Black  
 Spring Wire: Phosphor Bronze  
 Gold plating Over Nickel  
 \*RoHS & REACH compliant.



## ORDERING INFORMATION:

P/N **M J J P - 6 6 x B 0 8**  
 1 2 3 4 5

- MODULAR JACK TYPE:  
"JP" UNSHIELDED DOUBLE LEVEL TYPE
- NO. OF POSITIONS & CONTACTS:  
"64" 6P4C  
"66" 6P6C
- CONTACT FINISH:  
"A" 6 MICROINCH GOLD  
"B" 15 MICROINCH GOLD  
"C" 30 MICROINCH GOLD  
"D" 50 MICROINCH GOLD
- HOUSING COLOR:  
"B" BLACK
- NO. OF PORTS:  
08



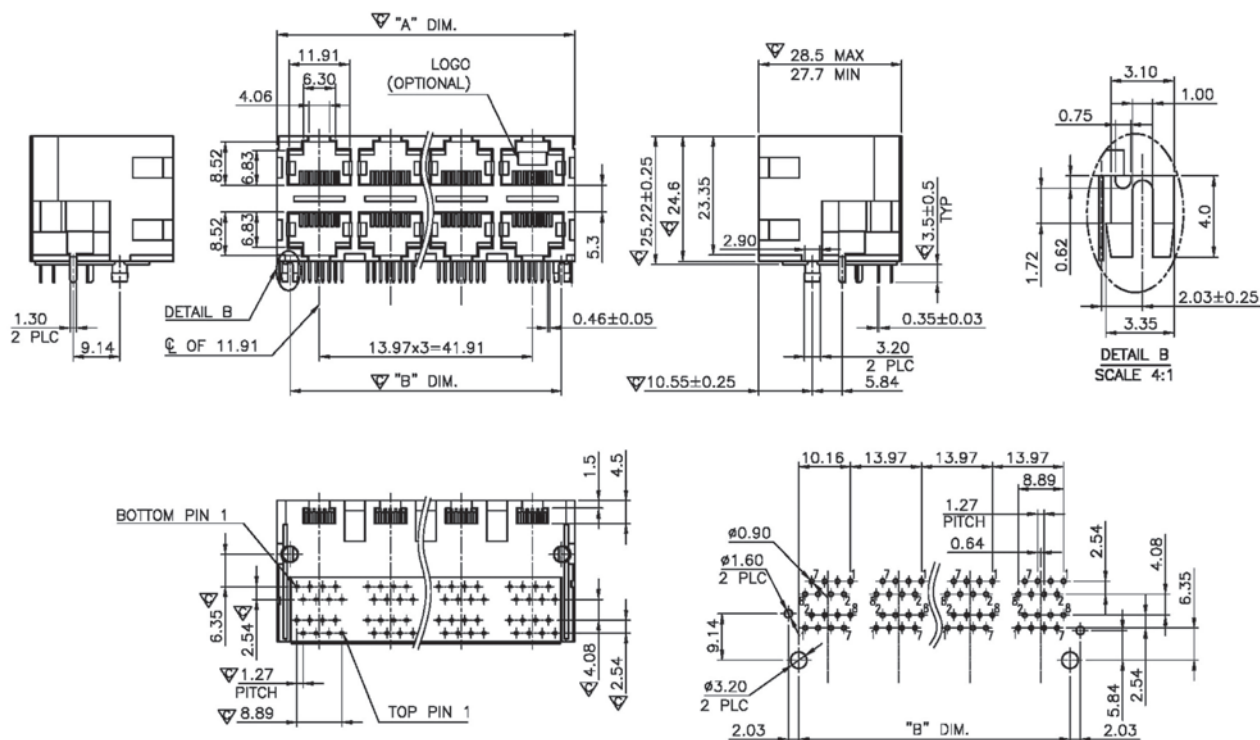
# SIDE ENTRY 8-PORT DOUBLE LEVEL MODULAR PCB JACK 8P PROFILE=25.22MM (UNSHIELDED)

## SPECIFICATIONS

Insulation Resistance: 500MΩ Min.  
 Contact Resistance: 20mΩ Max.  
 Rating Current: 1.5A Max.  
 Rating Voltage: 120V AC.  
 Dielectric Voltage: 1000 Vrms 60 Sec. Min.  
 Temperature Range: -40°C / +85°C  
 Durability: 500 Mating cycles Min.

## MATERIALS

Housing: PBT Glass Filled (UL 94V-0)  
 Soldering Temperature: 235°C  
 Color: Black  
 Spring Wire: Phosphor Bronze  
 Gold plating Over Nickel  
 \*RoHS & REACH compliant.



Recommended P.C.Board Layout  
 Recommended PCB Thickness: 1.6mm  
 (TOP VIEW)

## ORDERING INFORMATION:

P/N **M J J P - 88 x B 08**  
 1 2 3 4 5

1. MODULAR JACK TYPE:  
"JP" UNSHIELDED DOUBLE LEVEL TYPE
2. NO. OF POSITIONS & CONTACTS:  
"88" 8P8C
3. CONTACT FINISH:  
"A" 6 MICROINCH GOLD  
"B" 15 MICROINCH GOLD  
"C" 30 MICROINCH GOLD  
"D" 50 MICROINCH GOLD
4. HOUSING COLOR:  
"B" BLACK
5. NO. OF PORTS:  
08

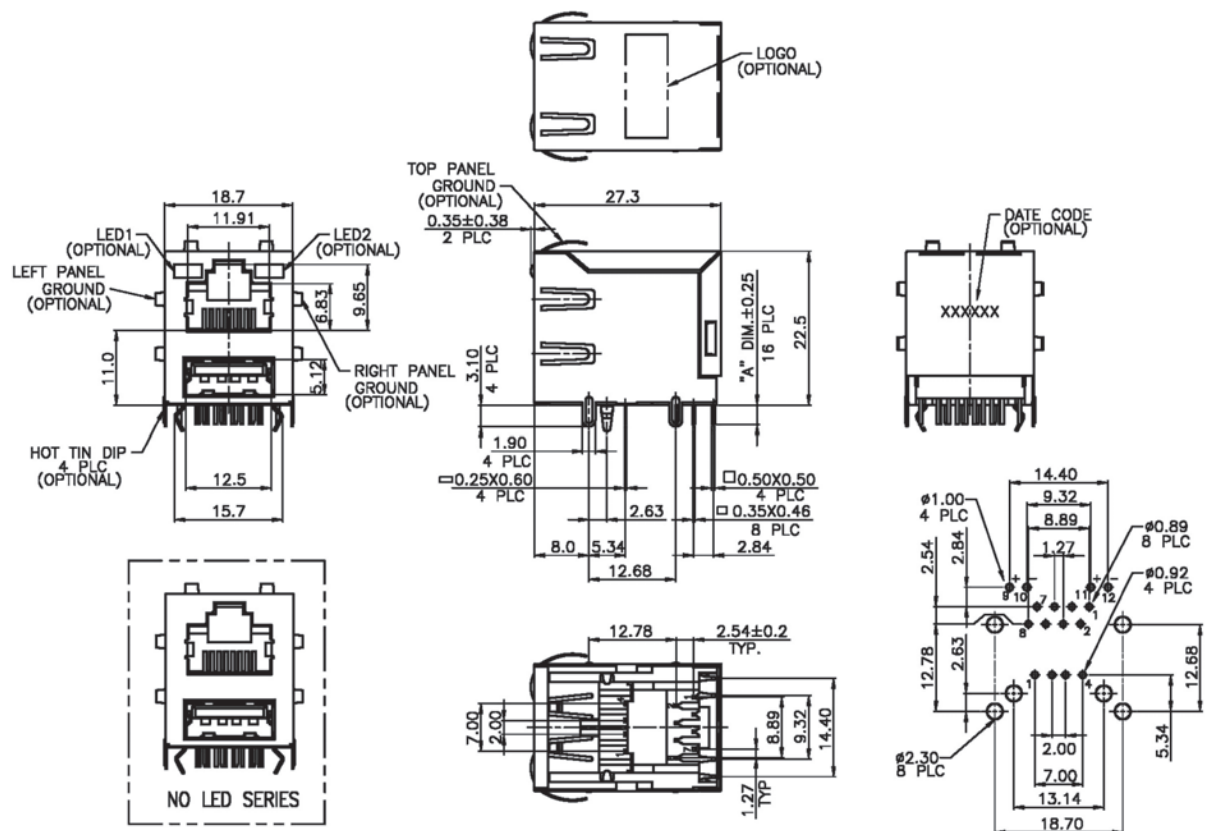
# SIDE ENTRY MODULAR PCB JACK 8P+USB WITH LED PROFILE=22.50MM (FULLY SHIELDED)

## SPECIFICATIONS

**Insulation Resistance:** 500MΩ Min.  
**Contact Resistance:** 20mΩ Max.  
**Rating Current:** 1.5A Max.  
**Rating Voltage:** 120V AC.  
**Dielectric Voltage:** 1000 Vrms 60 Sec. Min.  
**Temperature Range:** -40°C / +85°C  
**Durability:** 500 Mating cycles Min.

## MATERIALS

**Housing:** PBT Glass Filled (UL 94V-0)  
**Soldering Temperature:** 235°C  
**Color:** Black  
**Spring Wire:** Phosphor Bronze  
                   Gold plating Over Nickel  
**Shield:** Brass plating Nickel Alloy  
**\*RoHS & REACH compliant.**



Recommended P.C.Board Layout

## ORDERING INFORMATION:

P/N M J  $\frac{XX}{1}$  - 8 U  $\frac{X}{2}$  B  $\frac{XX}{3}$   $\frac{XX}{4}$   $\frac{XX}{5}$

- MODULAR JACK TYPE:  
 "BW" WITH TOP/RIGHT/LEFT SIDE TABS  
 "BX" WITH RIGHT/LEFT TABS  
 "BY" WITH TOP/BOTTOM SIDE TABS  
 "BZ" WITHOUT GROUNDING TABS
- NO. OF POSITIONS & CONTACTS:  
 "8U" 8P8C JACK & USB A TYPE FEMALE
- CONTACT FINISH:  
 "A" 6 MICROINCH GOLD  
 "B" 15 MICROINCH GOLD  
 "C" 30 MICROINCH GOLD  
 "D" 50 MICROINCH GOLD
- HOUSING COLOR:  
 "B" BLACK

- LED COLORS:  
 "NN" LED1/2 = GREEN/GREEN  
 "NY" LED1/2 = GREEN/YELLOW  
 "YN" LED1/2 = YELLOW/GREEN  
 "YY" LED1/2 = YELLOW/YELLOW  
 "XX" WITHOUT LED

NOTE: OTHER LED COLORS UPON REQUEST!

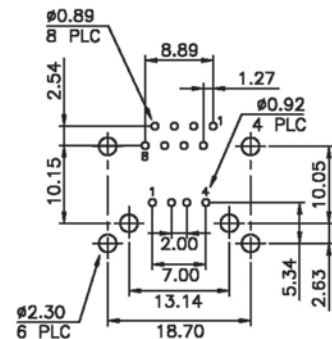
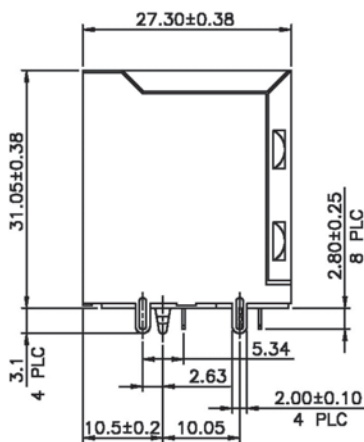
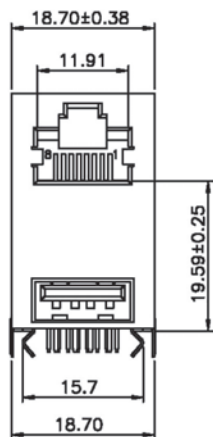
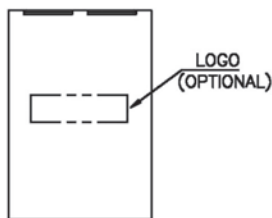
# SIDE ENTRY MODULAR PCB JACK 8P+USB WITHOUT LED PROFILE=31.05MM (FULLY SHIELDED)

## SPECIFICATIONS

- Insulation Resistance:** 500MΩ Min.
- Contact Resistance:** 20mΩ Max.
- Rating Current:** 1.5A Max.
- Rating Voltage:** 120V AC.
- Dielectric Voltage:** 1000 Vrms 60 Sec. Min.
- Temperature Range:** -40°C / +85°C
- Durability:** 500 Mating cycles Min.

## MATERIALS

- Housing:** PBT Glass Filled (UL 94V-0)
- Soldering Temperature:** 235°C
- Color:** Black
- Spring Wire:** Phosphor Bronze  
Gold plating Over Nickel
- Shield:** Brass plating Nickel Alloy
- \*RoHS & REACH compliant.**



Recommended P.C. Board Layout

## ORDERING INFORMATION:

P/N M J N J - 8 U x B  
          I    2  3 4

1. MODULAR JACK TYPE:  
"NJ" RJ45 STACKED OVER USB CONNECTOR
2. NO. OF POSITIONS & CONTACTS:  
"8U" RJ45 JACK & USB A TYPE FEMALE
3. CONTACT FINISH:  
"A" 6 MICROINCH GOLD  
"B" 15 MICROINCH GOLD  
"C" 30 MICROINCH GOLD  
"D" 50 MICROINCH GOLD
4. HOUSING COLOR:  
"B" BLACK

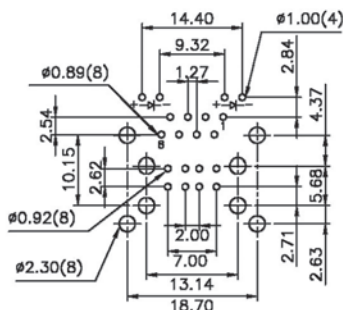
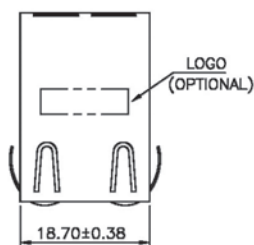
# SIDE ENTRY MODULAR PCB JACK 8P+USB WITH LED PROFILE=31.05MM (FULLY SHIELDED)

## SPECIFICATIONS

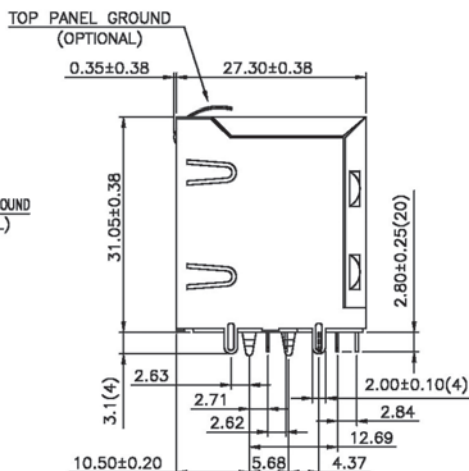
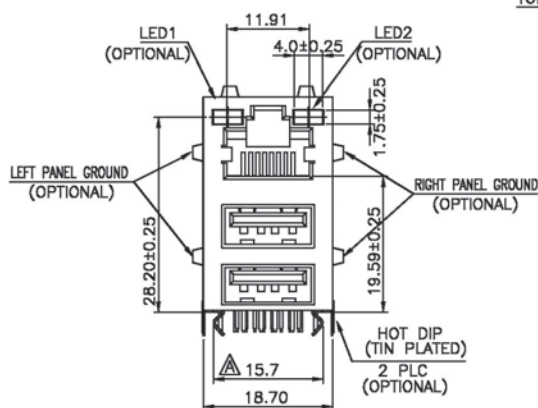
**Insulation Resistance:** 500MΩ Min.  
**Contact Resistance:** 20mΩ Max.  
**Rating Current:** 1.5A Max.  
**Rating Voltage:** 120V AC.  
**Dielectric Voltage:** 1000 Vrms 60 Sec. Min.  
**Temperature Range:** -40°C / +85°C  
**Durability:** 500 Mating cycles Min.

## MATERIALS

**Housing:** PBT Glass Filled (UL 94V-0)  
**Soldering Temperature:** 235°C  
**Color:** Black  
**Spring Wire:** Phosphor Bronze  
                   Gold plating Over Nickel  
**Shield:** Brass plating Nickel Alloy  
**\*RoHS & REACH compliant.**



Recommended P.C. Board Layout



## ORDERING INFORMATION:

P/N M J  $\frac{XX}{1}$  - 8U  $\frac{XB}{2}$   $\frac{XX}{34}$   $\frac{XX}{5}$

- MODULAR JACK TYPE:  
 "NL" WITHOUT PANEL GROUNDS  
 "TS" WITH TOP, LEFT & RIGHT PANEL GROUNDS
- NO. OF POSITIONS & CONTACTS:  
 "8U" RJ45 JACK & 2 USB A TYPE FEMALE
- CONTACT FINISH:  
 "A" 6 MICROINCH GOLD  
 "B" 15 MICROINCH GOLD  
 "C" 30 MICROINCH GOLD  
 "D" 50 MICROINCH GOLD
- HOUSING COLOR:  
 "B" BLACK

- LED COLORS:  
 "NN" LED1/2 = GREEN/GREEN  
 "NY" LED1/2 = GREEN/YELLOW  
 "YN" LED1/2 = YELLOW/GREEN  
 "YY" LED1/2 = YELLOW/YELLOW  
 "XX" WITHOUT LED

NOTE: OTHER LED COLORS UPON REQUEST!

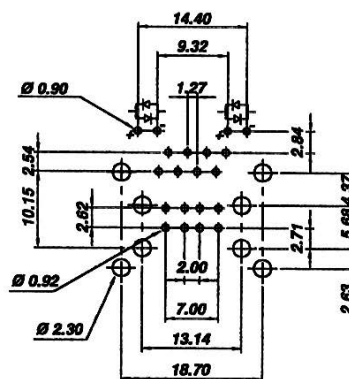
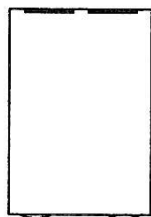
# SIDE ENTRY MODULAR PCB JACK & USB JACK WITH LED 8P PROFILE=31.05MM (FULLY SHIELDED)

## SPECIFICATIONS

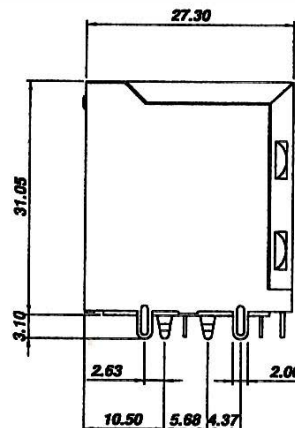
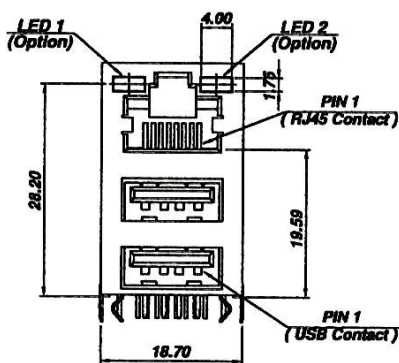
**Insulation Resistance:** 500MΩ Min.  
**Contact Resistance:** 20mΩ Max.  
**Rating Current:** 1.5A Max.  
**Rating Voltage:** 120V AC.  
**Dielectric Voltage:** 1000 Vrms 60 Sec. Min.  
**Temperature Range:** -40°C / +85°C  
**Durability:** 500 Mating cycles Min.

## MATERIALS

**Housing:** PBT Glass Filled (UL 94V-0)  
**Soldering Temperature:** 235°C  
**Color:** Black  
**Spring Wire:** Phosphor Bronze  
                     Gold plating Over Nickel  
**Shield:** Brass plating Nickel Alloy  
**\*RoHS & REACH compliant.**



Recommended P.C. Board Layout  
(TOP VIEW)



## ORDERING INFORMATION:

P/N MJ4G -  $\frac{8U}{1} \times \frac{B}{2} \times \frac{x}{3} \times \frac{x}{4}$

1. NO. OF POSITIONS & CONTACTS:  
"8U" RJ45 JACK & 2 USB A TYPE FEMALE
2. CONTACT FINISH:  
"A" 6 MICROINCH GOLD  
"B" 15 MICROINCH GOLD  
"C" 30 MICROINCH GOLD  
"D" 50 MICROINCH GOLD
3. CODE OF LED1 DESIGNATION:  
N, M, Y, Z, 8, Q, 1, 2, 5, 6
4. CODE OF LED2 DESIGNATION:  
N, M, Y, Z, 8, Q, 1, 2, 5, 6

### LED Designation:

Code	+/-	-/+	Code	+/-	-/+
N	Green	—	M	—	Green
Y	Yellow	—	Z	—	Yellow
8	Orange	—	Q	—	Orange
1	Green	Orange	2	Orange	Green
5	Green	Yellow	6	Yellow	Green

NOTE: P/N MJ4GHT-88xBxx FOR HIGH TEMP. VERSION

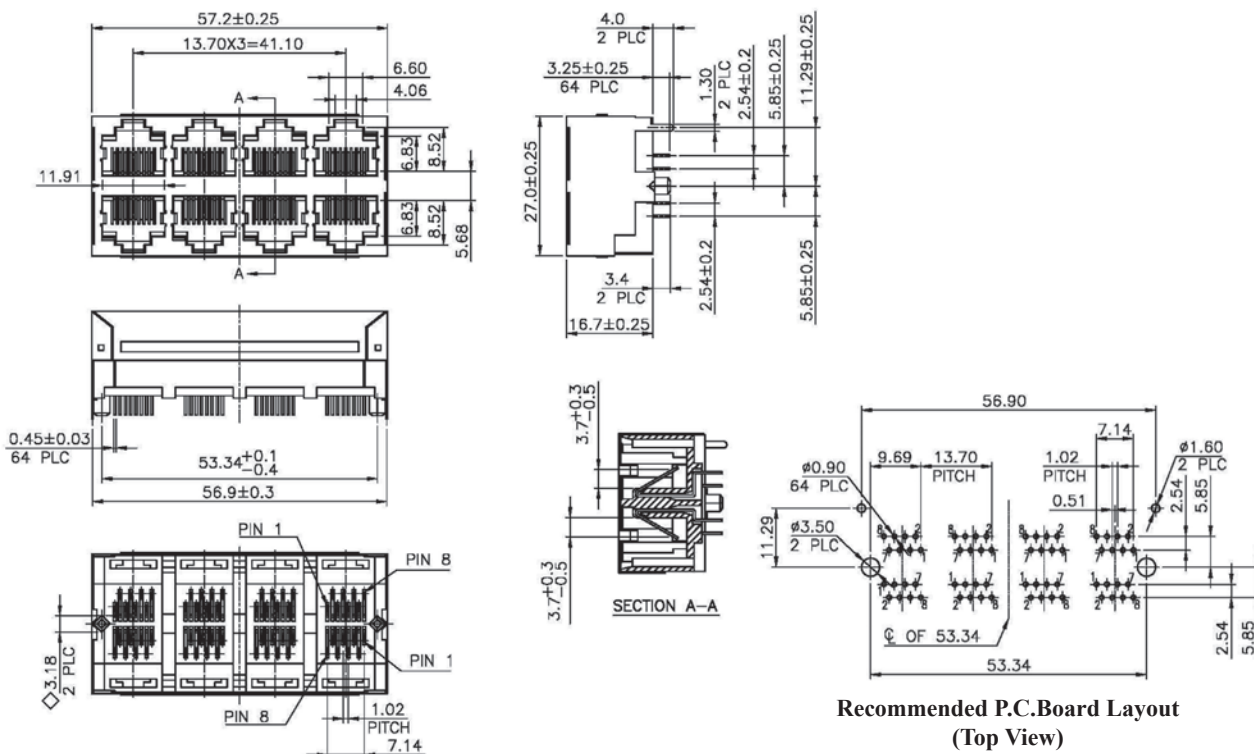
# TOP ENTRY 8-PORT DOUBLE LEVEL MODULAR PCB JACK 8P PROFILE=16.70MM (FULLY SHIELDED)

## SPECIFICATIONS

**Insulation Resistance:** 500MΩ Min.  
**Contact Resistance:** 20mΩ Max.  
**Rating Current:** 1.5A Max.  
**Rating Voltage:** 120V AC.  
**Dielectric Voltage:** 1000 Vrms 60 Sec. Min.  
**Temperature Range:** -40°C / +85°C  
**Durability:** 500 Mating cycles Min.

## MATERIALS

**Housing:** PBT Glass Filled (UL 94V-0)  
**Soldering Temperature:** 235°C  
**Color:** Black  
**Spring Wire:** Phosphor Bronze  
                     Gold plating Over Nickel  
**Shield:** Brass plating Nickel Alloy  
**\*RoHS & REACH compliant.**



## ORDERING INFORMATION:

**P/N MJ6Q-88xB08**  
**T 2 3**

1. NO. OF POSITIONS & CONTACTS:  
"88" 8P8C
2. CONTACT FINISH:  
"A" 6 MICROINCH GOLD  
"B" 15 MICROINCH GOLD  
"C" 30 MICROINCH GOLD  
"D" 50 MICROINCH GOLD
3. NO. OF PORTS:  
08

NOTE: P/N MJ6QHT-88xB08 FOR HIGH TEMP. VERSION

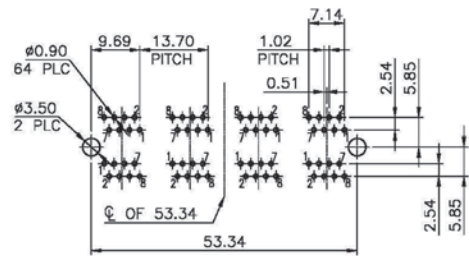
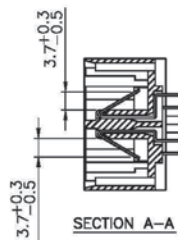
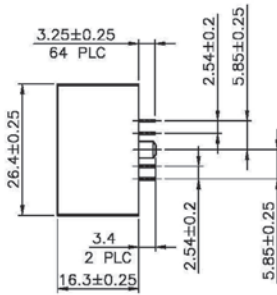
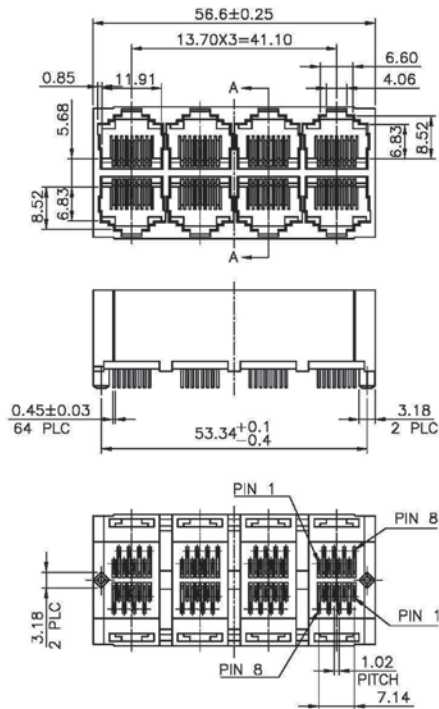
# TOP ENTRY 8-PORT DOUBLE LEVEL MODULAR PCB JACK 8P PROFILE=16.30MM (UNSHIELDED)

## SPECIFICATIONS

**Insulation Resistance:** 500MΩ Min.  
**Contact Resistance:** 20mΩ Max.  
**Rating Current:** 1.5A Max.  
**Rating Voltage:** 120V AC.  
**Dielectric Voltage:** 1000 Vrms 60 Sec. Min.  
**Temperature Range:** -40°C / +85°C  
**Durability:** 500 Mating cycles Min.

## MATERIALS

**Housing:** PBT Glass Filled (UL 94V-0)  
**Soldering Temperature:** 235°C  
**Color:** Black  
**Spring Wire:** Phosphor Bronze  
 Gold plating Over Nickel  
**\*RoHS & REACH compliant.**



Recommended P.C.Board Layout  
(Top View)

## ORDERING INFORMATION:

P/N MJ6P- $\frac{88}{1} \times \frac{B}{2} \frac{08}{3}$

1. NO. OF POSITIONS & CONTACTS:  
"88" 8P8C
2. CONTACT FINISH:  
"A" 6 MICROINCH GOLD  
"B" 15 MICROINCH GOLD  
"C" 30 MICROINCH GOLD  
"D" 50 MICROINCH GOLD
3. NO. OF PORTS:  
08

NOTE: P/N MJ6PHT-88xB08 FOR HIGH TEMP. VERSION

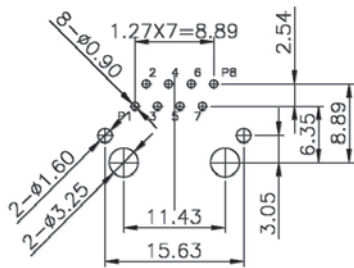
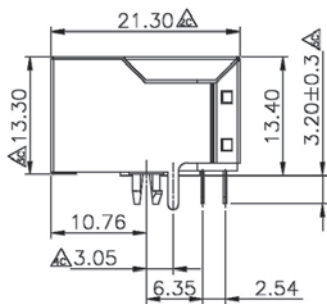
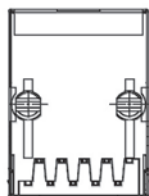
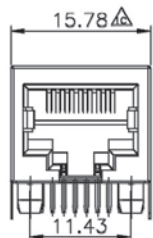
# SIDE ENTRY MAGNETIC 10/100 BASE-TX JACK WITHOUT LED 8P PROFILE=13.30MM (FULLY SHIELDED)

## SPECIFICATIONS

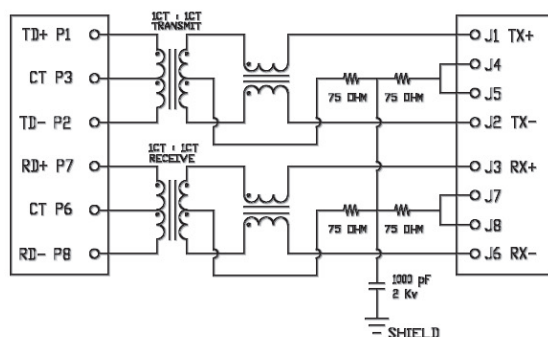
**Insulation Resistance:** 1000 Vac Rms 60Hz Min.  
**Contact Resistance:** 40mΩ Max.  
**Rating Current:** 1.5A Max.  
**Rating Voltage:** 125V AC.  
**Dielectric Strength:** 1000 Vac Rms 60 Sec. Min.  
**Temperature Range:** -40°C / +85°C  
**Durability:** 750 Mating cycles Min.

## MATERIALS

**Housing:** High Temp Thermoplastic (UL 94V-0)  
**Shield:** Brass Plating Nickel Alloy  
**Plating:** Gold Plating Over Nickel In Contact  
 Tin Plating Over Nickel In Solder Area  
**Contacts:** Phosphor Bronze  
**\*RoHS & REACH compliant.**



Recommended P.C.Board Layout



## ORDERING INFORMATION:

P/N LTAJ -  $\frac{88}{1} \times \frac{B01}{2} \frac{3}{3}$

1. NO. OF POSITIONS & CONTACTS:  
"88" 8P8C
2. CONTACT FINISH:  
"A" 6 MICROINCH GOLD  
"B" 15 MICROINCH GOLD  
"C" 30 MICROINCH GOLD  
"D" 50 MICROINCH GOLD
3. MAGNETIC SCHEMATICS:  
01



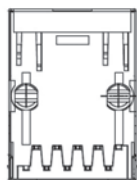
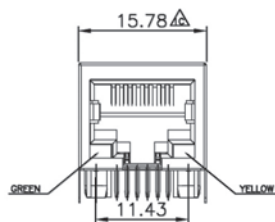
# SIDE ENTRY MAGNETIC 10/100 BASE-TX JACK WITH LED 8P PROFILE=13.30MM (FULLY SHIELDED)

## SPECIFICATIONS

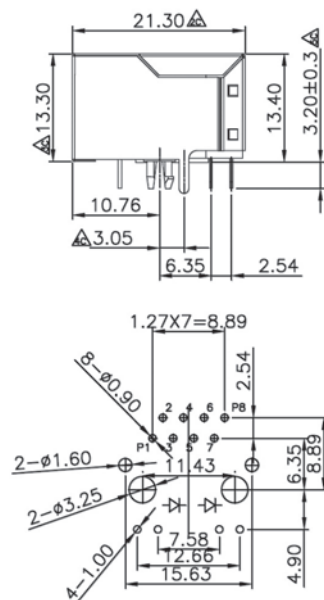
**Insulation Resistance:** 1000 Vac Rms 60Hz Min.  
**Contact Resistance:** 40mΩ Max.  
**Rating Current:** 1.5A Max.  
**Rating Voltage:** 125V AC.  
**Dielectric Strength:** 1000 Vac Rms 60 Sec. Min.  
**Temperature Range:** -40°C / +85°C  
**Durability:** 750 Mating cycles Min.

## MATERIALS

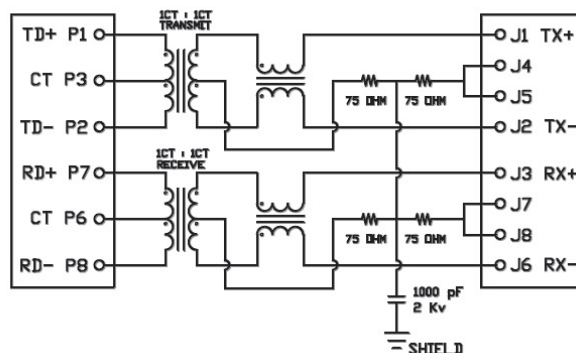
**Housing:** High Temp Thermoplastic (UL 94V-0)  
**Shield:** Brass Plating Nickel Alloy  
**Plating:** Gold Plating Over Nickel In Contact  
 Tin Plating Over Nickel In Solder Area  
**Contacts:** Phosphor Bronze  
**\*RoHS & REACH compliant.**



**P/N LTAF-88xB01NY**



**Recommended P.C.Board Layout**



## ORDERING INFORMATION:

**P/N LTAF - 88 x B 01 x x**  
 1 2 3 4

1. NO. OF POSITIONS & CONTACTS:  
"88" 8P8C
2. CONTACT FINISH:  
"A" 6 MICROINCH GOLD  
"B" 15 MICROINCH GOLD  
"C" 30 MICROINCH GOLD  
"D" 50 MICROINCH GOLD
3. MAGNETIC SCHEMATICS:  
01

4. TYPE OF LED POLARITY:  
(LED PIN DIRECTION FROM LEFT TO RIGHT)  
1N, 1Y, 1Z, 55, 58, 5Q, 85, MM, MY, MZ, N5, NN,  
NY, NZ, Q5, Y1, Y2, YM, YN, Z1, Z2, ZM, ZN

LED Designation:					
Code	+/-	-/+	Code	+/-	-/+
N	Green	—	M	—	Green
Y	Yellow	—	Z	—	Yellow
8	Orange	—	Q	—	Orange
1	Green	Orange	2	Orange	Green
5	Green	Yellow	6	Yellow	Green

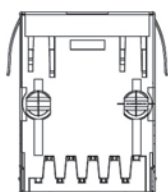
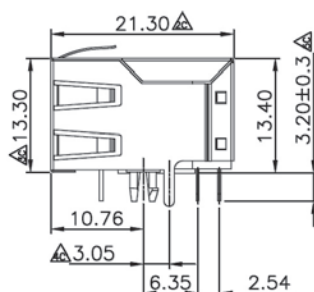
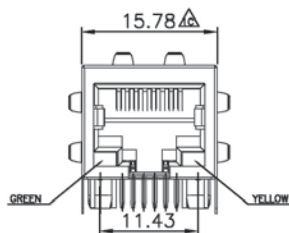
# SIDE ENTRY MAGNETIC 10/100 BASE-TX JACK WITH LED 8P PROFILE=13.30MM (FULLY SHIELDED)

## SPECIFICATIONS

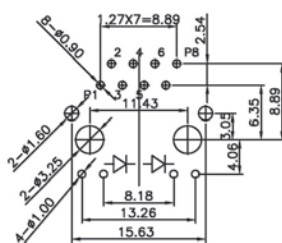
**Insulation Resistance:** 1000 Vac Rms 60Hz Min.  
**Contact Resistance:** 40mΩ Max.  
**Rating Current:** 1.5A Max.  
**Rating Voltage:** 125V AC.  
**Dielectric Strength:** 1000 Vac Rms 60 Sec. Min.  
**Temperature Range:** -40°C / +85°C  
**Durability:** 750 Mating cycles Min.

## MATERIALS

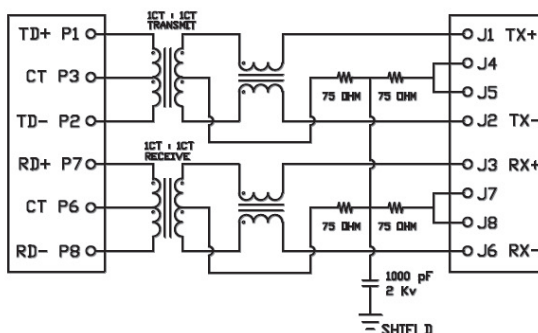
**Housing:** High Temp Thermoplastic (UL 94V-0)  
**Shield:** Brass Plating Nickel Alloy  
**Plating:** Gold Plating Over Nickel In Contact  
 Tin Plating Over Nickel In Solder Area  
**Contacts:** Phosphor Bronze  
**\*RoHS & REACH compliant.**



P/N LTAH-88xB01NY



Recommended P.C.Board Layout



## ORDERING INFORMATION:

P/N LTAH -  $\frac{88}{1} \times \frac{B}{2} \frac{01}{3} \frac{x}{4}$

1. NO. OF POSITIONS & CONTACTS:  
"88" 8P8C
2. CONTACT FINISH:  
"A" 6 MICROINCH GOLD  
"B" 15 MICROINCH GOLD  
"C" 30 MICROINCH GOLD  
"D" 50 MICROINCH GOLD
3. MAGNETIC SCHEMATICS:  
01

4. TYPE OF LED POLARITY:  
(LED PIN DIRECTION FROM LEFT TO RIGHT)  
1N, 1Y, 1Z, 55, 58, 5Q, 85, MM, MY, MZ, N5, NN,  
NY, NZ, Q5, Y1, Y2, YM, YN, Z1, Z2, ZM, ZN

LED Designation:					
Code	+/-	-/+	Code	+/-	-/+
N	Green	—	M	—	Green
Y	Yellow	—	Z	—	Yellow
8	Orange	—	Q	—	Orange
1	Green	Orange	2	Orange	Green
5	Green	Yellow	6	Yellow	Green

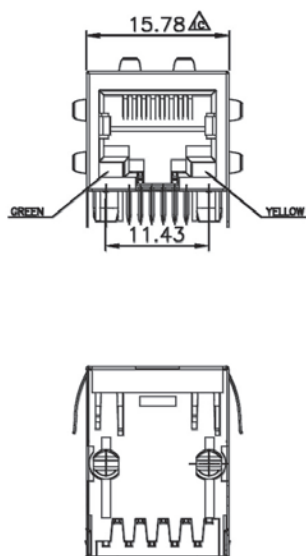
# SIDE ENTRY GIGABIT 10/100/1000 BASE-TX JACK WITH LED 8P PROFILE=13.30MM (FULLY SHIELDED)

## SPECIFICATIONS

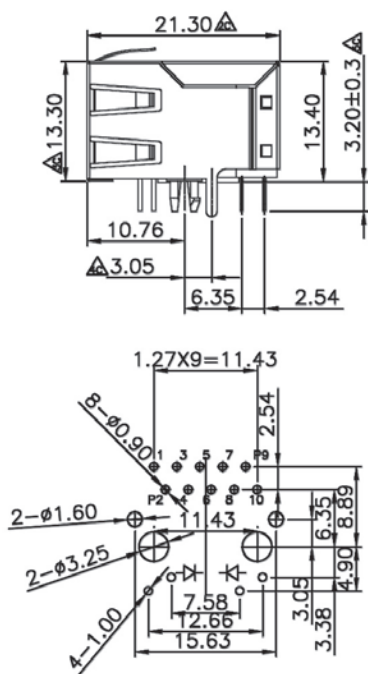
**Insulation Resistance:** 1000 Vac Rms 60Hz Min.  
**Contact Resistance:** 40mΩ Max.  
**Rating Current:** 1.5A Max.  
**Rating Voltage:** 125V AC.  
**Dielectric Strength:** 1000 Vac Rms 60 Sec. Min.  
**Temperature Range:** -40°C / +85°C  
**Durability:** 750 Mating cycles Min.

## MATERIALS

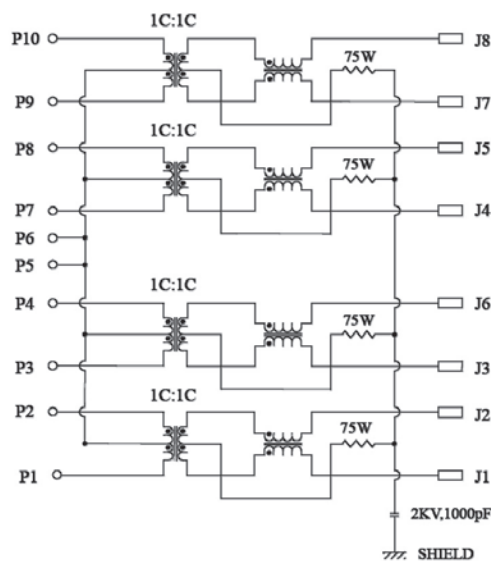
**Housing:** High Temp Thermoplastic (UL 94V-0)  
**Shield:** Brass Plating Nickel Alloy  
**Plating:** Gold Plating Over Nickel In Contact  
 Tin Plating Over Nickel In Solder Area  
**Contacts:** Phosphor Bronze  
**\*RoHS & REACH compliant.**



P/N LTGH-08xB25NZ



Recommended P.C.Board Layout



## ORDERING INFORMATION:

P/N LTGH -  $\frac{08}{1} \times \frac{B}{2} \frac{25}{3} \times \frac{x}{4}$

1. NO. OF POSITIONS & CONTACTS:  
"08" 10P8C
2. CONTACT FINISH:  
"A" 6 MICROINCH GOLD  
"B" 15 MICROINCH GOLD  
"C" 30 MICROINCH GOLD  
"D" 50 MICROINCH GOLD
3. MAGNETIC SCHEMATICS:  
25

4. TYPE OF LED POLARITY:  
(LED PIN DIRECTION FROM LEFT TO RIGHT)  
1N, 1Y, 1Z, 5S, 58, 5Q, 85, MM, MY, MZ, N5, NN,  
NY, NZ, Q5, Y1, Y2, YM, YN, Z1, Z2, ZM, ZN

LED Designation:					
Code	+/-	-/+	Code	+/-	-/+
N	Green	—	M	—	Green
Y	Yellow	—	Z	—	Yellow
8	Orange	—	Q	—	Orange
1	Green	Orange	2	Orange	Green
5	Green	Yellow	6	Yellow	Green

# SIDE ENTRY MAGNETIC 10/100 & 10/100/1000 BASE-TX JACK WITH LED 12P PROFILE=11.30MM (FULLY SHIELDED)

## MATERIALS

**Housing:** PBT UL 94V-0, Black

**Shell:** Brass C2680 T=0.20, 85u"~135u" Ni Plated

**RJ45 Terminal:** Phosphor Bronze T=0.30mm,

Gold Au Plated on Contact Area

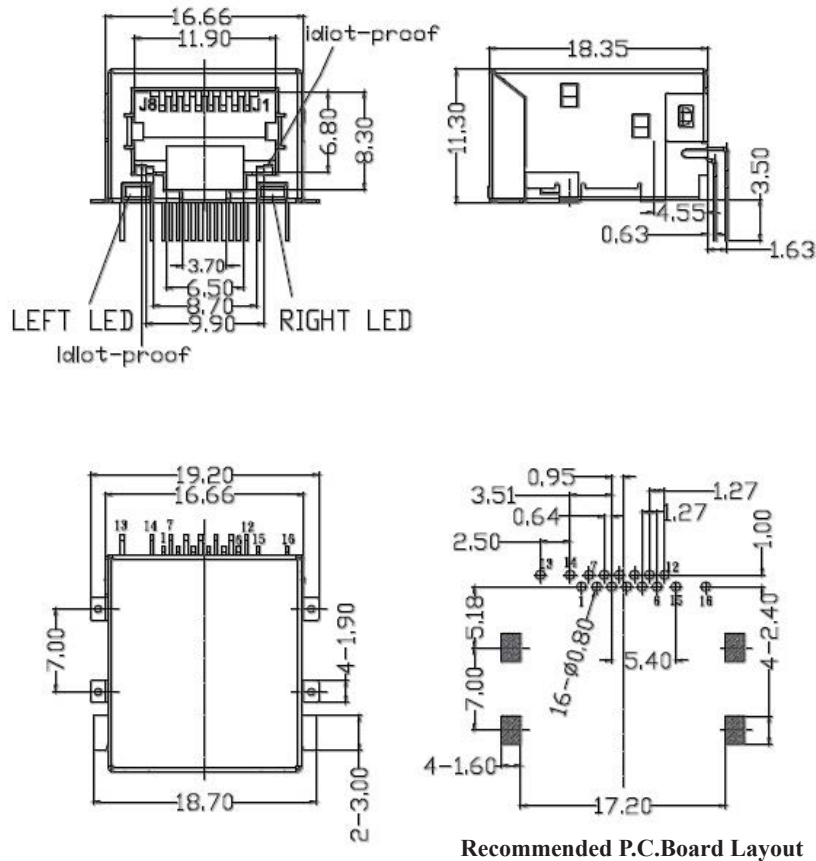
80u"~160u" Tin Plated on Solder Area

50u"~100u" Ni Underplated overall

**Other Terminal:** Brass T=0.30mm, 80u"~160u" Tin Plated

50u"~100u" Ni Underplated overall

\*RoHS & REACH compliant.



## ORDERING INFORMATION:

P/N LT 13 -  $\frac{T}{1} \frac{8}{2} \times \frac{B}{3} \frac{x}{4} \frac{x}{4}$

1. NO. OF POSITIONS & CONTACTS:

"T8" 12P8C

2. CONTACT FINISH:

"A" 6 MICROINCH GOLD

"B" 15 MICROINCH GOLD

"C" 30 MICROINCH GOLD

"D" 50 MICROINCH GOLD

3. MAGNETIC SCHEMATICS:

10/100 BASE-TX

58, 60, 66, 67, 76, 77, 78, 79, 80

10/100/1000 BASE-TX

G5, H4

SEE PAGE N5902~N5906 & N5941~N5943!

4. TYPE OF LED POLARITY:

(LED PIN DIRECTION FROM LEFT TO RIGHT)

1N, 1Y, 1Z, 5S, 58, 5Q, 85, MM, MY, MZ, N5, NN,

NY, NZ, Q5, Y1, Y2, YM, YN, Z1, Z2, ZM, ZN

### LED Designation:

Code	+/-	-/+	Code	+/-	-/+
N	Green	—	M	—	Green
Y	Yellow	—	Z	—	Yellow
8	Orange	—	Q	—	Orange
1	Green	Orange	2	Orange	Green
5	Green	Yellow	6	Yellow	Green

# SIDE ENTRY MAGNETIC 10/100 & 10/100/1000 BASE-TX JACK WITH LED 12P PROFILE=11.30MM (FULLY SHIELDED)

## MATERIALS

**Housing:** PBT UL 94V-0, Black

**Shell:** Brass C2680 T=0.20, 85u"~135u" Ni Plated

**RJ45 Terminal:** Phosphor Bronze T=0.30mm,

Gold Au Plated on Contact Area

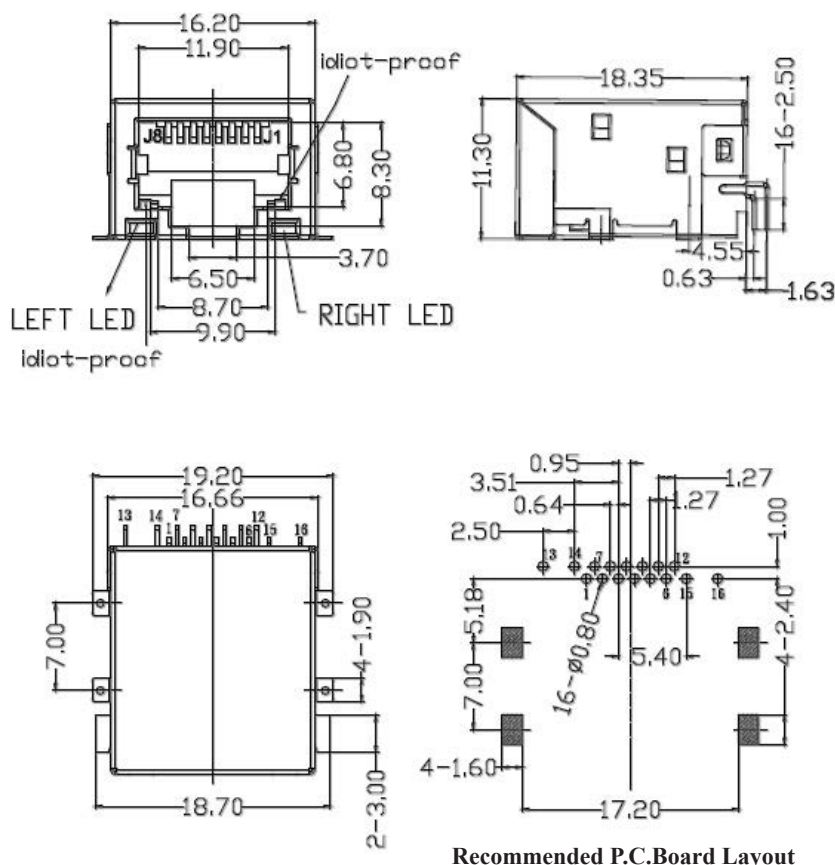
80u"~160u" Tin Plated on Solder Area

50u"~100u" Ni Underplated overall

**Other Terminal:** Brass T=0.30mm, 80u"~160u" Tin Plated

50u"~100u" Ni Underplated overall

\*RoHS & REACH compliant.



## ORDERING INFORMATION:

P/N LT 14 -  $\frac{T}{1} \frac{8}{2} \frac{x}{3} \frac{B}{4} \frac{x}{3} \frac{x}{4} \frac{x}{4}$

1. NO. OF POSITIONS & CONTACTS:

"T8" 12P8C

2. CONTACT FINISH:

"A" 6 MICROINCH GOLD

"B" 15 MICROINCH GOLD

"C" 30 MICROINCH GOLD

"D" 50 MICROINCH GOLD

3. MAGNETIC SCHEMATICS:

10/100 BASE-TX

58, 60, 66, 67, 76, 77, 78, 79, 80

10/100/1000 BASE-TX

G5, H4

SEE PAGE N5902~N5906 & N5941~N5943!

4. TYPE OF LED POLARITY:

(LED PIN DIRECTION FROM LEFT TO RIGHT)

1N, 1Y, 1Z, 5S, 58, 5Q, 85, MM, MY, MZ, N5, NN, NY, NZ, Q5, Y1, Y2, YM, YN, Z1, Z2, ZM, ZN

### LED Designation:

Code	+/-	-/+	Code	+/-	-/+
N	Green	—	M	—	Green
Y	Yellow	—	Z	—	Yellow
8	Orange	—	Q	—	Orange
1	Green	Orange	2	Orange	Green
5	Green	Yellow	6	Yellow	Green

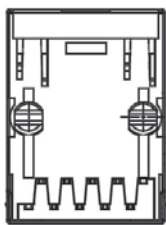
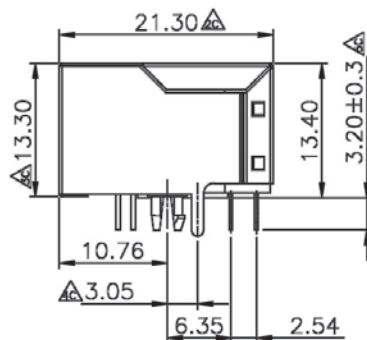
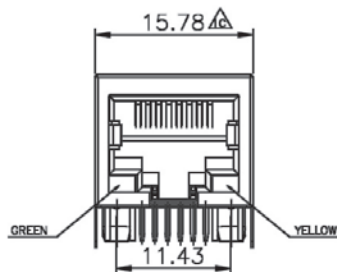
# SIDE ENTRY MAGNETIC 10/100 BASE-TX JACK WITH LED 8P PROFILE=13.30MM (FULLY SHIELDED)

## SPECIFICATIONS

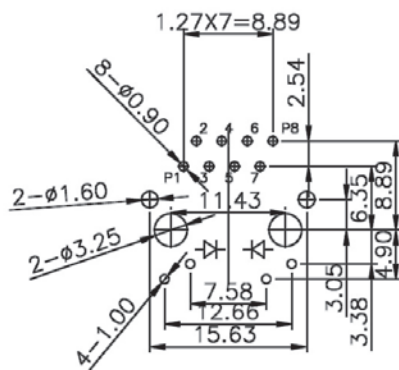
**Insulation Resistance:** 1000MΩ Min.  
**Contact Resistance:** 40mΩ Max.  
**Rating Current:** 1.5A Max.  
**Rating Voltage:** 125V AC.  
**Dielectric Voltage:** 1000 Vac Rms 60Hz 1 Min.  
**Temperature Range:** -40°C To +80°C  
**Durability:** 750 Mating cycles Min.

## MATERIALS

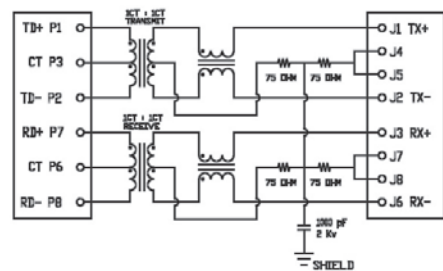
**Housing:** High Temperature Thermoplastic UL 94V-0  
**Contacts:** Phosphor Bronze  
**Plating:** Gold plating Over Nickel in Contact  
 Tin plating Over Nickel in Solder Area  
**\*RoHS & REACH compliant.**



P/N LTAF-88xB01NZ



Recommended P.C.Board Layout



## ORDERING INFORMATION:

P/N LTAF - 88 x B x x x x  
1 2 3 4

- NO. OF POSITIONS & CONTACTS:  
"88" 8P8C
- CONTACT FINISH:  
"A" 6 MICROINCH GOLD  
"B" 15 MICROINCH GOLD  
"C" 30 MICROINCH GOLD  
"D" 50 MICROINCH GOLD
- MAGNETIC SCHEMATICS:  
01
- TYPE OF LED POLARITY:  
(LED PIN DIRECTION FROM LEFT TO RIGHT)  
1N, 1Y, 1Z, 55, 58, 5Q, 85, MM, MY, MZ, N5, NN,  
NY, NZ, Q5, Y1, Y2, YM, YN, Z1, Z2, ZM, ZN

### LED Designation:

Code	+/-	-/+	Code	+/-	-/+
N	Green	—	M	—	Green
Y	Yellow	—	Z	—	Yellow
8	Orange	—	Q	—	Orange
1	Green	Orange	2	Orange	Green
5	Green	Yellow	6	Yellow	Green

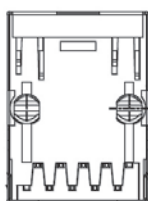
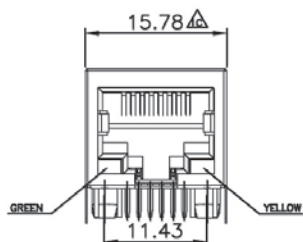
# SIDE ENTRY MAGNETIC 10/100/1000 (GIGABIT) BASE-TX JACK WITH LED 10P PROFILE=13.30MM (FULLY SHIELDED)

## SPECIFICATIONS

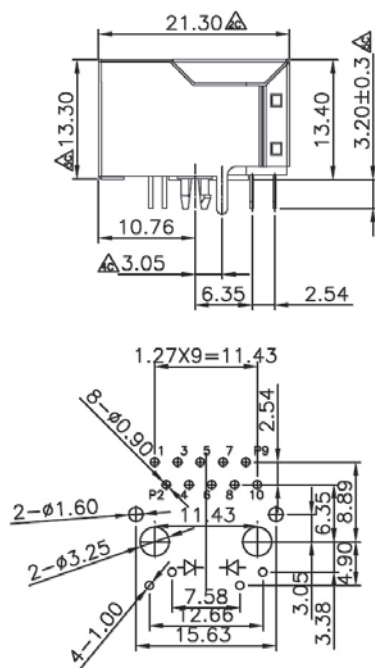
- Insulation Resistance:** 1000MΩ Min.
- Contact Resistance:** 40mΩ Max.
- Rating Current:** 1.5A Max.
- Rating Voltage:** 125V AC.
- Dielectric Voltage:** 1000 Vac Rms 60Hz 1 Min.
- Temperature Range:** -40°C To +80°C
- Durability:** 750 Mating cycles Min.

## MATERIALS

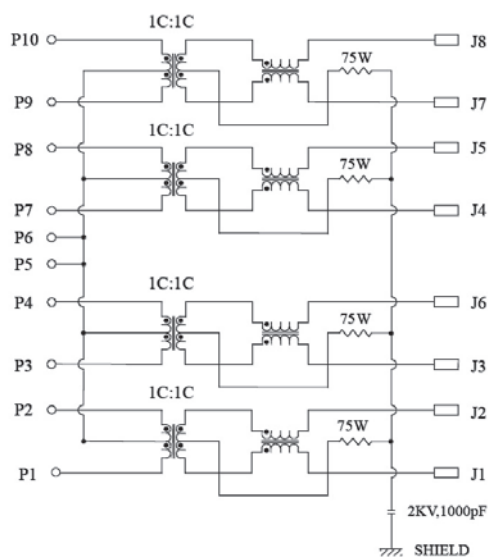
- Housing:** High Temperature Thermoplastic UL 94V-0
- Contacts:** Phosphor Bronze
- Plating:** Gold plating Over Nickel in Contact  
Tin plating Over Nickel in Solder Area
- \*RoHS & REACH compliant.**



P/N LTGD-08xB25NZ



Recommended P.C.Board Layout



## ORDERING INFORMATION:

P/N LTGD - 08 x B x x x x  
 $\frac{1}{2} \frac{3}{4}$

- NO. OF POSITIONS & CONTACTS:  
"08" 10P8C
- CONTACT FINISH:  
"A" 6 MICROINCH GOLD  
"B" 15 MICROINCH GOLD  
"C" 30 MICROINCH GOLD  
"D" 50 MICROINCH GOLD
- MAGNETIC SCHEMATICS:  
25
- TYPE OF LED POLARITY:  
(LED PIN DIRECTION FROM LEFT TO RIGHT)  
1N, 1Y, 1Z, 5S, 58, 5Q, 8S, MM, MY, MZ, N5, NN,  
NY, NZ, Q5, Y1, Y2, YM, YN, Z1, Z2, ZM, ZN

### LED Designation:

Code	+/-	-/+	Code	+/-	-/+
N	Green	—	M	—	Green
Y	Yellow	—	Z	—	Yellow
8	Orange	—	Q	—	Orange
1	Green	Orange	2	Orange	Green
5	Green	Yellow	6	Yellow	Green

# SIDE ENTRY UP LATCH MAGNETIC 10/100 BASE-TX JACK WITHOUT LED 10P PROFILE=13.50MM (FULLY SHIELDED)

## MATERIALS

**Housing:** High Temperature Thermoplastic UL 94V-0, Black

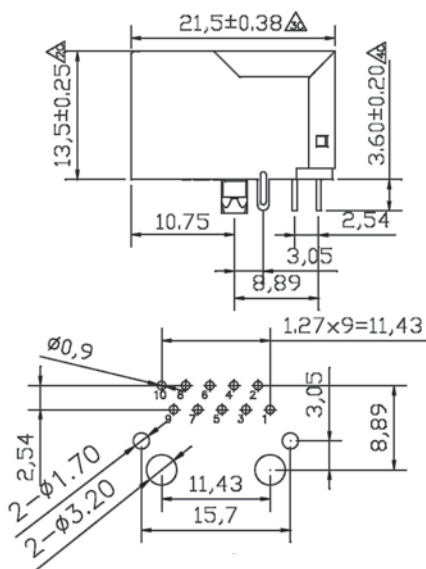
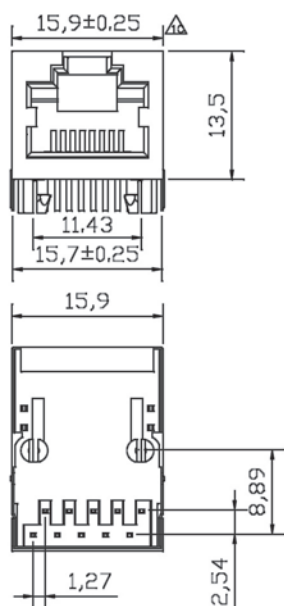
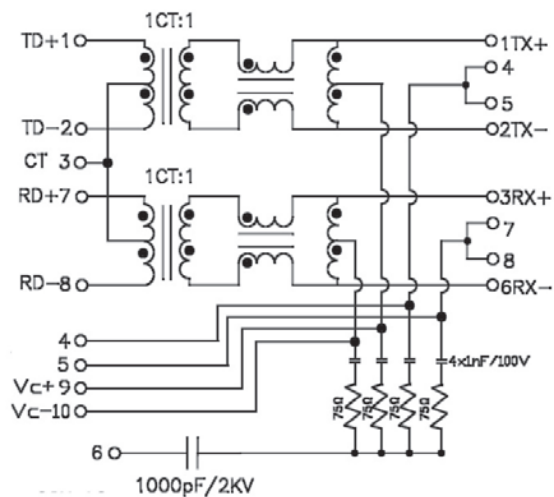
**Contacts:** 0.35mm Phosphor Bronze Plated,

Gold Plated on Contact Area

Solder Tin in Solder Area

**Shield:** 0.20mm Copper Alloy with Nickel

\*RoHS & REACH compliant.



Recommended P.C.Board Layout

## ORDERING INFORMATION:

P/N L T A A -  $\frac{08}{1}$  x  $\frac{B}{2}$   $\frac{05}{3}$

1. NO. OF POSITIONS & CONTACTS:

"08" 10P8C

2. CONTACT FINISH:

"A" 6 MICROINCH GOLD

"B" 15 MICROINCH GOLD

"C" 30 MICROINCH GOLD

"D" 50 MICROINCH GOLD

3. MAGNETIC SCHEMATICS:

05



# SIDE ENTRY UP LATCH MAGNETIC 10/100 & 10/100/1000 BASE-TX JACK WITHOUT LED 8P PROFILE=13.50MM (FULLY SHIELDED)

## MATERIALS

**Housing:** PBT UL 94V-0, Black

**Shell:** Brass C2680 T=0.20, 85u"~135u" Ni Plated

**RJ45 Terminal:** Phosphor Bronze T=0.30mm,

Gold Au Plated on Contact Area

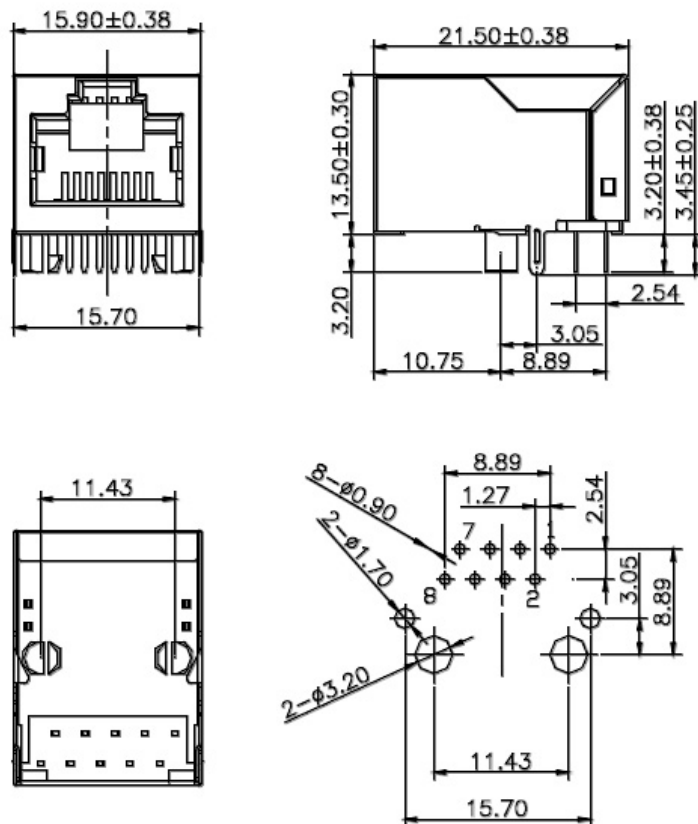
80u"~160u" Tin Plated on Solder Area

50u"~100u" Ni Underplated overall

**Other Terminal:** Brass T=0.30mm, 80u"~160u" Tin Plated

50u"~100u" Ni Underplated overall

\*RoHS & REACH compliant.



Recommended P.C.Board Layout

## ORDERING INFORMATION:

P/N L T  $\frac{x}{1}$  -  $\frac{88}{2}$   $\frac{x}{3}$  B  $\frac{x}{4}$

### 1. TYPE OF PANEL GROUNDS:

- "31" NO TAB
- "32" TOP TABS
- "33" SIDE TABS
- "34" TOP TABS & SIDE TABS

### 2. NO. OF POSITIONS & CONTACTS:

"88" 8P8C

### 3. CONTACT FINISH:

- "A" 6 MICROINCH GOLD
- "B" 15 MICROINCH GOLD
- "C" 30 MICROINCH GOLD
- "D" 50 MICROINCH GOLD

### 4. MAGNETIC SCHEMATICS:

10/100 BASE-TX

51, 52, 53, 54, 55, 56, 57, 58, 59, 60,  
61, 62, 63, 64, 73

10/100/1000 BASE-TX

G1, G3, G4, G6, G7, G8, G9, H0, J9

SEE PAGE N5902~N5906 & N5941~N5943!

# SIDE ENTRY UP LATCH MAGNETIC 10/100 & 10/100/1000 BASE-TX JACK WITH LED 8P PROFILE=13.50MM (FULLY SHIELDED)

## MATERIALS

**Housing:** PBT UL 94V-0, Black

**Shell:** Brass C2680 T=0.20, 85u"~135u" Ni Plated

**RJ45 Terminal:** Phosphor Bronze T=0.30mm,

Gold Au Plated on Contact Area

80u"~160u" Tin Plated on Solder Area

50u"~100u" Ni Underplated overall

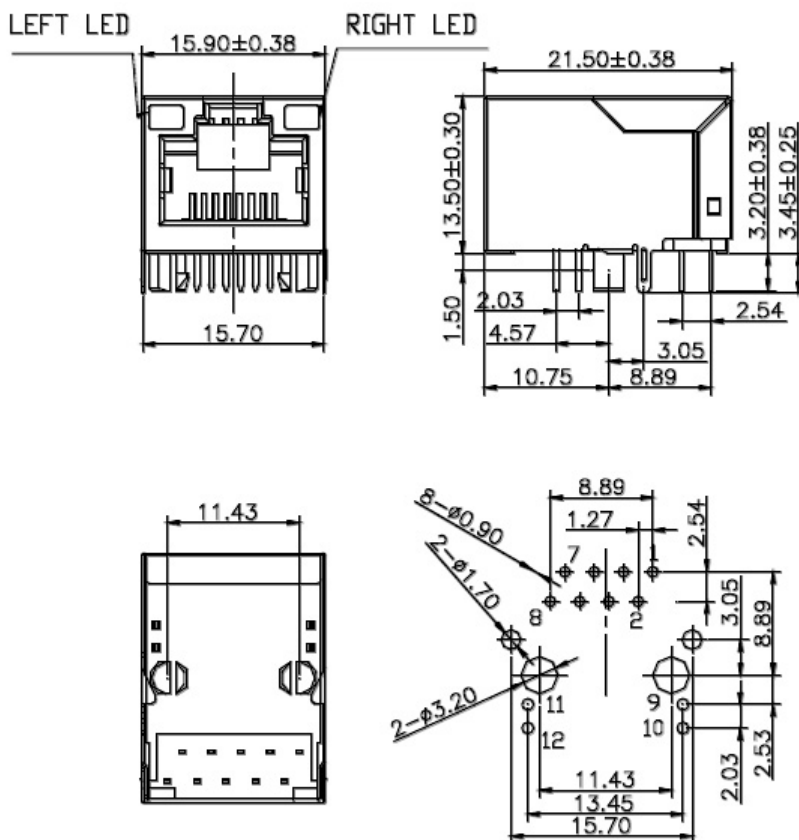
**Other Terminal:** Brass T=0.30mm, 80u"~160u" Tin Plated

50u"~100u" Ni Underplated overall

\*RoHS & REACH compliant.

## LED Designation:

Code	+/-	-/+	Code	+/-	-/+
N	Green	—	M	—	Green
Y	Yellow	—	Z	—	Yellow
8	Orange	—	Q	—	Orange
1	Green	Orange	2	Orange	Green
5	Green	Yellow	6	Yellow	Green



Recommended P.C.Board Layout

## ORDERING INFORMATION:

P/N L T  $\frac{xx}{1}$  -  $\frac{88}{2}$   $\frac{x}{3}$  B  $\frac{xxx}{4}$   $\frac{xx}{5}$

### 1. TYPE OF PANEL GROUNDS:

"35" NO TAB

"36" TOP TABS

"37" SIDE TABS

"38" TOP TABS & SIDE TABS

### 2. NO. OF POSITIONS & CONTACTS:

"88" 8P8C

### 3. CONTACT FINISH:

"A" 6 MICROINCH GOLD

"B" 15 MICROINCH GOLD

"C" 30 MICROINCH GOLD

"D" 50 MICROINCH GOLD

### 4. MAGNETIC SCHEMATICS:

10/100 BASE-TX

51, 52, 53, 54, 55, 56, 57, 58, 59, 60, 61, 62, 63, 64, 73

10/100/1000 BASE-TX

G1, G3, G4, G6, G7, G8, G9, H0, J9

SEE PAGE N5902~N5906 & N5941~N5943!

### 5. TYPE OF LED POLARITY:

(LED PIN DIRECTION FROM LEFT TO RIGHT)

1N, 1Y, 1Z, 55, 58, 5Q, 85, MM, MY, MZ, N5, NN, NY, NZ, Q5, Y1, Y2, YM, YN, Z1, Z2, ZM, ZN

NOTE: LED PINS ARE PARALLEL

# SIDE ENTRY UP LATCH MAGNETIC 10/100 & 10/100/1000 BASE-TX JACK WITHOUT LED 10P PROFILE=13.50MM (FULLY SHIELDED)

## MATERIALS

**Housing:** PBT UL 94V-0, Black

**Shell:** Brass C2680 T=0.20, 85u"~135u" Ni Plated

**RJ45 Terminal:** Phosphor Bronze T=0.30mm,

Gold Au Plated on Contact Area

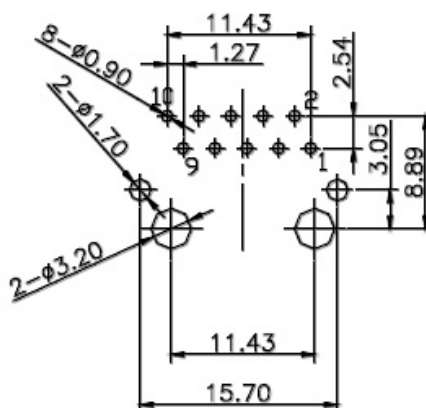
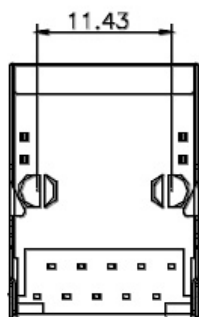
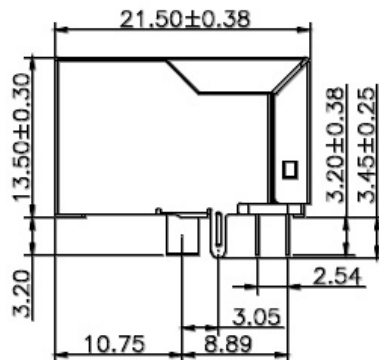
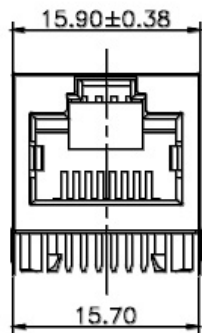
80u"~160u" Tin Plated on Solder Area

50u"~100u" Ni Underplated overall

**Other Terminal:** Brass T=0.30mm, 80u"~160u" Tin Plated

50u"~100u" Ni Underplated overall

\*RoHS & REACH compliant.



Recommended P.C.Board Layout

## ORDERING INFORMATION:

P/N L T  $\frac{x}{1}$  -  $\frac{0.8}{2}$   $\frac{x}{3}$  B  $\frac{x}{4}$

### 1. TYPE OF PANEL GROUNDS:

"31" NO TAB

"32" TOP TABS

"33" SIDE TABS

"34" TOP TABS & SIDE TABS

### 2. NO. OF POSITIONS & CONTACTS:

"08" 10P8C

### 3. CONTACT FINISH:

"A" 6 MICROINCH GOLD

"B" 15 MICROINCH GOLD

"C" 30 MICROINCH GOLD

"D" 50 MICROINCH GOLD

### 4. MAGNETIC SCHEMATICS:

10/100 BASE-TX

51, 52, 53, 54, 55, 56, 57, 58, 59, 60,

61, 62, 63, 64, 73

10/100/1000 BASE-TX

G1, G3, G4, G6, G7, G8, G9, H0, J9

SEE PAGE N5902~N5906 & N5941~N5943!



# SIDE ENTRY UP LATCH MAGNETIC 10/100 & 10/100/1000 BASE-TX JACK WITH LED 10P PROFILE=13.50MM (FULLY SHIELDED)

## MATERIALS

**Housing:** PBT UL 94V-0, Black

**Shell:** Brass C2680 T=0.20, 85u"~135u" Ni Plated

**RJ45 Terminal:** Phosphor Bronze T=0.30mm,

Gold Au Plated on Contact Area

80u"~160u" Tin Plated on Solder Area

50u"~100u" Ni Underplated overall

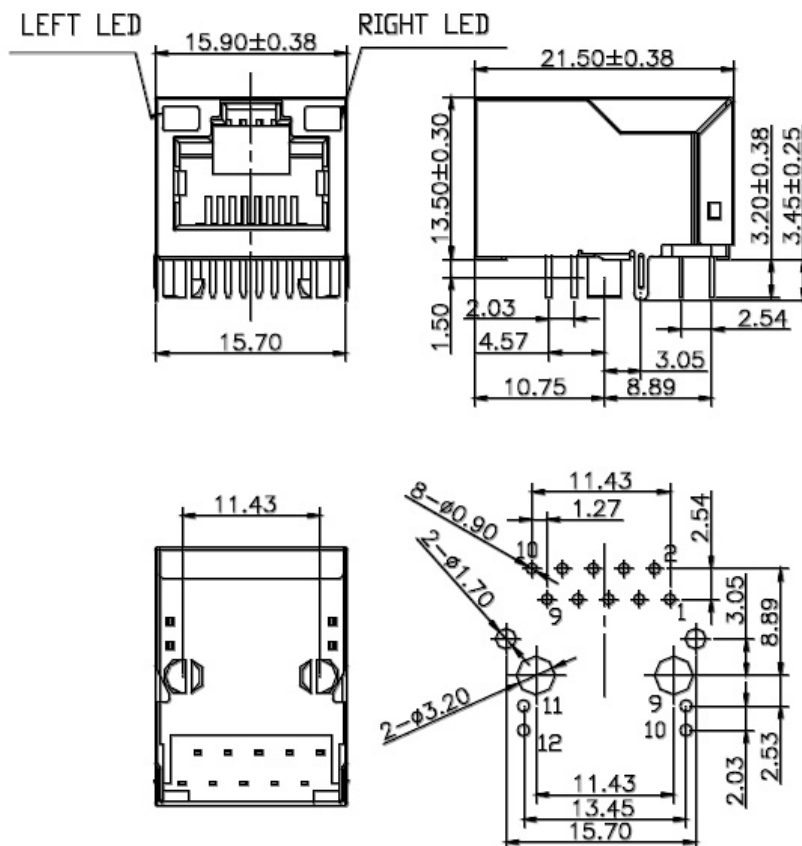
**Other Terminal:** Brass T=0.30mm, 80u"~160u" Tin Plated

50u"~100u" Ni Underplated overall

\*RoHS & REACH compliant.

## LED Designation:

Code	+/-	-/+	Code	+/-	-/+
N	Green	—	M	—	Green
Y	Yellow	—	Z	—	Yellow
8	Orange	—	Q	—	Orange
1	Green	Orange	2	Orange	Green
5	Green	Yellow	6	Yellow	Green



Recommended P.C.Board Layout

## ORDERING INFORMATION:

P/N L T  $\frac{x}{1}$  -  $\frac{0.8}{2}$  x B  $\frac{x}{3}$   $\frac{x}{4}$   $\frac{x}{5}$

### 1. TYPE OF PANEL GROUNDS:

"35" NO TAB

"36" TOP TABS

"37" SIDE TABS

"38" TOP TABS & SIDE TABS

### 2. NO. OF POSITIONS & CONTACTS:

"08" 10P8C

### 3. CONTACT FINISH:

"A" 6 MICROINCH GOLD

"B" 15 MICROINCH GOLD

"C" 30 MICROINCH GOLD

"D" 50 MICROINCH GOLD

### 4. MAGNETIC SCHEMATICS:

10/100 BASE-TX

51, 52, 53, 54, 55, 56, 57, 58, 59, 60, 61, 62, 63, 64, 73

10/100/1000 BASE-TX

G1, G3, G4, G6, G7, G8, G9, H0, J9

SEE PAGE N5902~N5906 & N5941~N5943!

### 5. TYPE OF LED POLARITY:

(LED PIN DIRECTION FROM LEFT TO RIGHT)

1N, 1Y, 1Z, 55, 58, 5Q, 85, MM, MY, MZ, N5, NN, NY, NZ, Q5, Y1, Y2, YM, YN, Z1, Z2, ZM, ZN

NOTE: LED PINS ARE PARALLEL

# SIDE ENTRY UP LATCH MAGNETIC 10/100 & 10/100/1000 BASE-TX JACK WITHOUT LED 12P PROFILE=13.50MM (FULLY SHIELDED)

## MATERIALS

**Housing:** PBT UL 94V-0, Black

**Shell:** Brass C2680 T=0.20, 85u"~135u" Ni Plated

**RJ45 Terminal:** Phosphor Bronze T=0.30mm,

Gold Au Plated on Contact Area

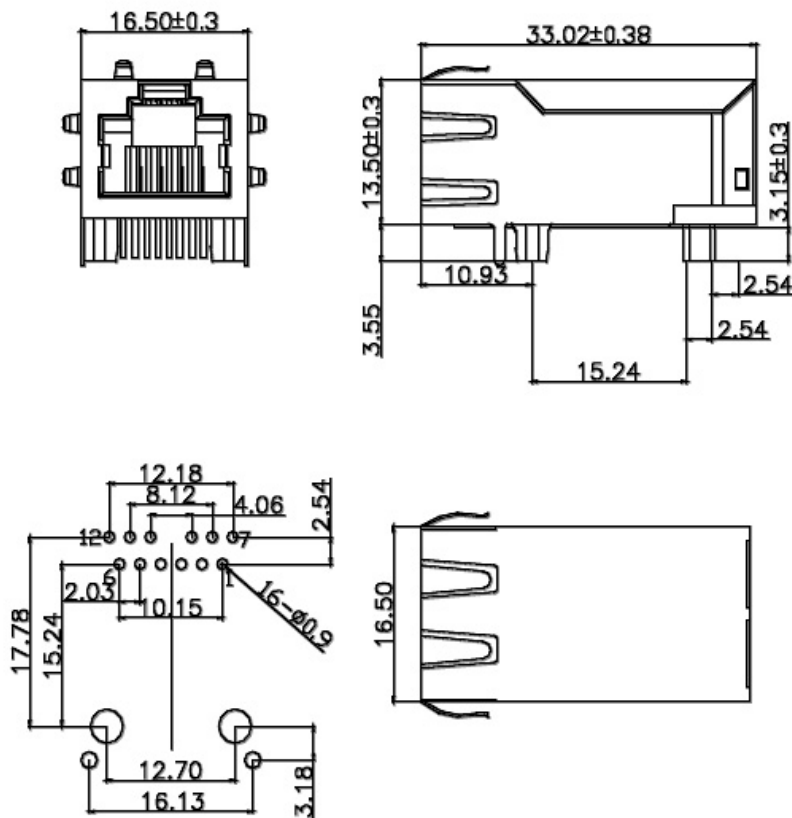
80u"~160u" Tin Plated on Solder Area

50u"~100u" Ni Underplated overall

**Other Terminal:** Brass T=0.30mm, 80u"~160u" Tin Plated

50u"~100u" Ni Underplated overall

\*RoHS & REACH compliant.



Recommended P.C.Board Layout

## ORDERING INFORMATION:

P/N L T  $\frac{x}{1}$  -  $\frac{T}{2}$  8  $\frac{x}{3}$  B  $\frac{x}{4}$

### 1. TYPE OF PANEL GROUNDS:

"23" NO TAB

"24" TOP TABS

"25" SIDE TABS

"26" TOP TABS & SIDE TABS

### 2. NO. OF POSITIONS & CONTACTS:

"T8" 12P8C

### 3. CONTACT FINISH:

"A" 6 MICROINCH GOLD

"B" 15 MICROINCH GOLD

"C" 30 MICROINCH GOLD

"D" 50 MICROINCH GOLD

### 4. MAGNETIC SCHEMATICS:

10/100 BASE-TX

51, 52, 53, 54, 55, 56, 58, 59, 60, 61,

62, 63, 64, 73, 74, 81

10/100/1000 BASE-TX

G1, G3, G4, G6, G7, G8, G9, H0, J1,

J2, J3, J9, J0 (10GB)

SEE PAGE N5902~N5906 & N5941~N5943!

# SIDE ENTRY UP LATCH MAGNETIC 10/100 & 10/100/1000 BASE-TX JACK WITH LED 12P PROFILE=13.50MM (FULLY SHIELDED)

## MATERIALS

**Housing:** PBT UL 94V-0, Black

**Shell:** Brass C2680 T=0.20, 85u"~135u" Ni Plated

**RJ45 Terminal:** Phosphor Bronze T=0.30mm,

Gold Au Plated on Contact Area

80u"~160u" Tin Plated on Solder Area

50u"~100u" Ni Underplated overall

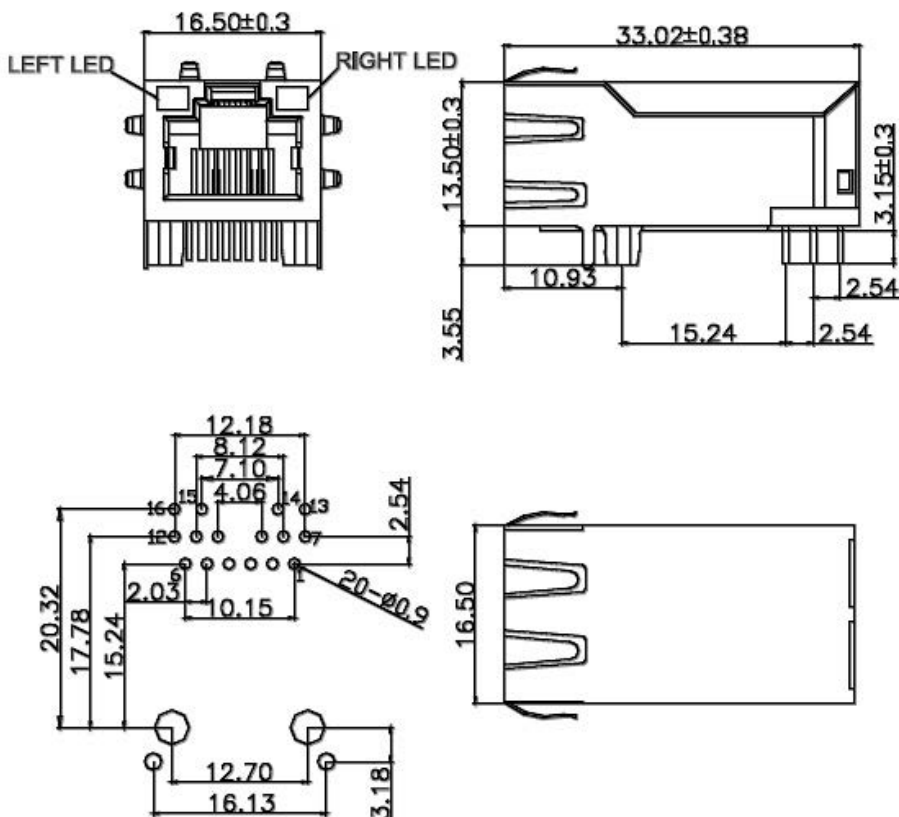
**Other Terminal:** Brass T=0.30mm, 80u"~160u" Tin Plated

50u"~100u" Ni Underplated overall

\*RoHS & REACH compliant.

## LED Designation:

Code	+/-	-/+	Code	+/-	-/+
N	Green	—	M	—	Green
Y	Yellow	—	Z	—	Yellow
8	Orange	—	Q	—	Orange
1	Green	Orange	2	Orange	Green
5	Green	Yellow	6	Yellow	Green



Recommended P.C.Board Layout

## ORDERING INFORMATION:

P/N L T  $\frac{x}{1}$  -  $\frac{T}{2}$  8  $\frac{x}{3}$  B  $\frac{x}{4}$   $\frac{x}{5}$

### 1. TYPE OF PANEL GROUNDS:

"27" NO TAB

"28" TOP TABS

"29" SIDE TABS

"30" TOP TABS & SIDE TABS

### 2. NO. OF POSITIONS & CONTACTS:

"T8" 12P8C

### 3. CONTACT FINISH:

"A" 6 MICROINCH GOLD

"B" 15 MICROINCH GOLD

"C" 30 MICROINCH GOLD

"D" 50 MICROINCH GOLD

### 4. MAGNETIC SCHEMATICS:

10/100 BASE-TX

51, 52, 53, 54, 55, 56, 58, 59, 60, 61, 62, 63, 64, 73, 74, 81

10/100/1000 BASE-TX

G1, G3, G4, G6, G7, G8, G9, H0, J1, J2, J3, J9, J0 (10GB)

SEE PAGE N5902~N5906 & N5941~N5943!

### 5. TYPE OF LED POLARITY:

(LED PIN DIRECTION FROM LEFT TO RIGHT)

1N, 1Y, 1Z, 5S, 58, 5Q, 85, MM, MY, MZ, N5, NN, NY, NZ, Q5, Y1, Y2, YM, YN, Z1, Z2, ZM, ZN

NOTE: LED PINS ARE PARALLEL

# SIDE ENTRY 2-PORT MAGNETIC 10/100 & 10/100/1000 BASE-TX JACK WITHOUT LED 8P PROFILE=13.55MM (FULLY SHIELDED)

## MATERIALS

**Housing:** PBT UL 94V-0, Black

**Shell:** Brass C2680 T=0.20, 85u"~135u" Ni Plated

**RJ45 Terminal:** Phosphor Bronze T=0.30mm,

Gold Au Plated on Contact Area

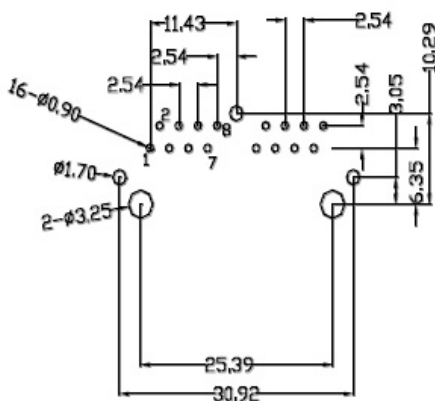
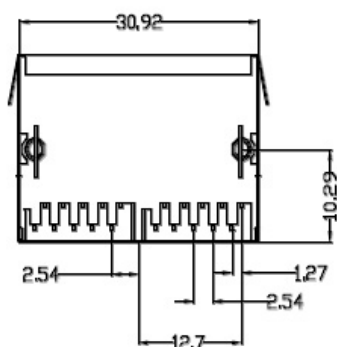
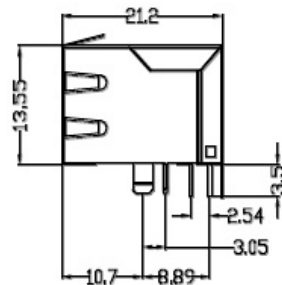
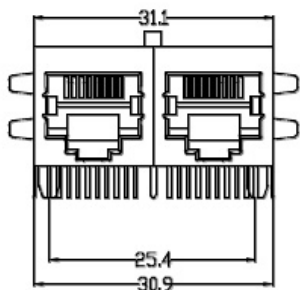
80u"~160u" Tin Plated on Solder Area

50u"~100u" Ni Underplated overall

**Other Terminal:** Brass T=0.30mm, 80u"~160u" Tin Plated

50u"~100u" Ni Underplated overall

\*RoHS & REACH compliant.



Recommended P.C.Board Layout

## ORDERING INFORMATION:

P/N L T  $\frac{x}{1}$  -  $\frac{88}{2}$   $\frac{x}{3}$  B  $\frac{x}{4}$   $\frac{0.2}{5}$

### 1. TYPE OF PANEL GROUNDS:

"53" NO TAB

"54" TOP TABS

"55" SIDE TABS

"56" TOP TABS & SIDE TABS

### 2. NO. OF POSITIONS & CONTACTS:

"88" 8P8C

### 3. CONTACT FINISH:

"A" 6 MICROINCH GOLD

"B" 15 MICROINCH GOLD

"C" 30 MICROINCH GOLD

"D" 50 MICROINCH GOLD

### 4. MAGNETIC SCHEMATICS:

10/100 BASE-TX

51, 52, 53, 54, 55, 56, 58, 59, 60, 63

10/100/1000 BASE-TX

G1, G3, G4, G6, G7, G8, G9, H0

SEE PAGE N5902~N5906 & N5941~N5943!

### 5. NO. OF PORTS:

02

# SIDE ENTRY 2-PORT MAGNETIC 10/100 & 10/100/1000 BASE-TX JACK WITH LED 8P PROFILE=13.55MM (FULLY SHIELDED)

## MATERIALS

**Housing:** PBT UL 94V-0, Black

**Shell:** Brass C2680 T=0.20, 85u"~135u" Ni Plated

**RJ45 Terminal:** Phosphor Bronze T=0.30mm,

Gold Au Plated on Contact Area

80u"~160u" Tin Plated on Solder Area

50u"~100u" Ni Underplated overall

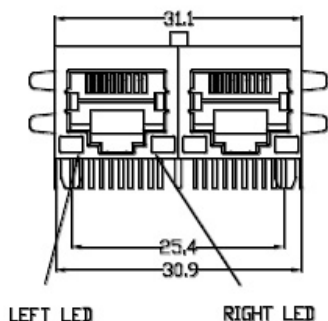
**Other Terminal:** Brass T=0.30mm, 80u"~160u" Tin Plated

50u"~100u" Ni Underplated overall

\*RoHS & REACH compliant.

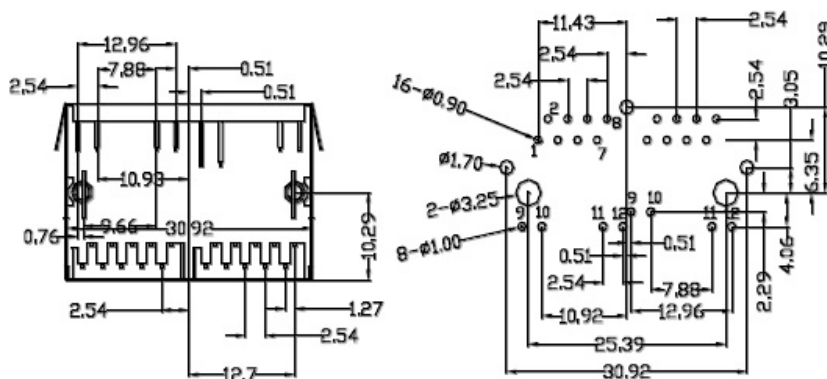
## LED Designation:

Code	+/-	-/+	Code	+/-	-/+
N	Green	—	M	—	Green
Y	Yellow	—	Z	—	Yellow
8	Orange	—	Q	—	Orange
1	Green	Orange	2	Orange	Green
5	Green	Yellow	6	Yellow	Green



LEFT LED

RIGHT LED



Recommended P.C.Board Layout

## ORDERING INFORMATION:

P/N L T  $\frac{x}{1}$  -  $\frac{8}{2}$   $\frac{8}{3}$  B  $\frac{x}{4}$   $\frac{x}{5}$   $\frac{x}{6}$  02

### 1. TYPE OF PANEL GROUNDS:

"57" NO TAB

"58" TOP TABS

"59" SIDE TABS

"60" TOP TABS & SIDE TABS

### 2. NO. OF POSITIONS & CONTACTS:

"88" 8P8C

### 3. CONTACT FINISH:

"A" 6 MICROINCH GOLD

"B" 15 MICROINCH GOLD

"C" 30 MICROINCH GOLD

"D" 50 MICROINCH GOLD

### 4. MAGNETIC SCHEMATICS:

10/100 BASE-TX

51, 52, 53, 54, 55, 56, 58, 59, 60, 63

10/100/1000 BASE-TX

G1, G3, G4, G6, G7, G8, G9, H0

SEE PAGE N5902~N5906 & N5941~N5943!

### 5. TYPE OF LED POLARITY:

(LED PIN DIRECTION FROM LEFT TO RIGHT)

1N, 1Y, 1Z, 55, 58, 5Q, 85, MM, MY, MZ, N5, NN,

NY, NZ, Q5, Y1, Y2, YM, YN, Z1, Z2, ZM, ZN

### 6. NO. OF PORTS:

02



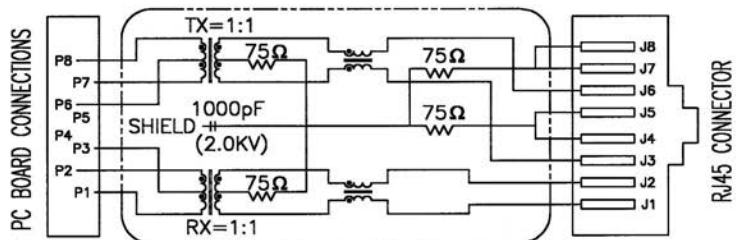
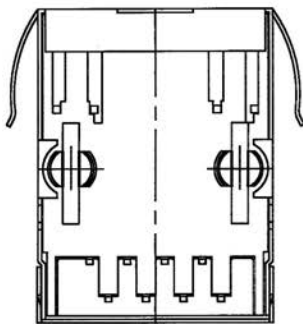
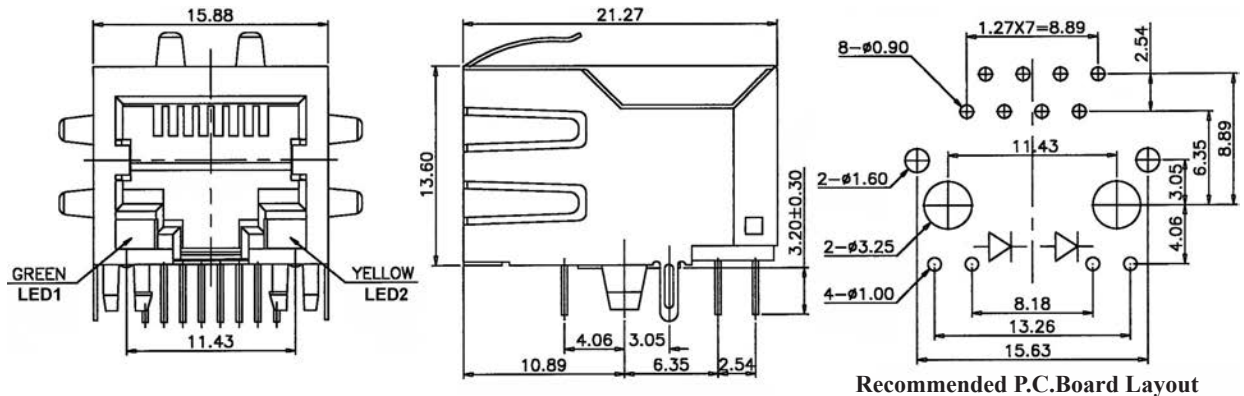
# SIDE ENTRY MAGNETIC 10/100 BASE-TX JACK WITH LED 8P PROFILE=13.60MM(FULLY SHIELDED)

## SPECIFICATIONS

Insulation Resistance: 500MΩ Min.  
 Contact Resistance: 20mΩ Max.  
 Rating Current: 1.5A Max.  
 Rating Voltage: 120V AC.  
 Dielectric Voltage: 1000 Vrms 60 Sec. Min.  
 Temperature Range: -40°C / +85°C  
 Durability: 500 Mating cycles Min.

## MATERIALS

Housing: Nylon (UL 94V-0)  
 Soldering Temperature: 260°C  
 Color: Black  
 Spring Wire: Phosphor Bronze  
 Gold plating Over Nickel  
 \*RoHS & REACH compliant.



## ORDERING INFORMATION:

P/N L T M 1 -  $\frac{88}{1}$  x  $\frac{B}{2}$   $\frac{01}{3}$  x  $\frac{XX}{4}$

1. NO. OF POSITIONS & CONTACTS:  
"88" 8P8C
2. CONTACT FINISH:  
"A" 6 MICROINCH GOLD  
"B" 15 MICROINCH GOLD  
"C" 30 MICROINCH GOLD  
"D" 50 MICROINCH GOLD
3. MAGNETIC SCHEMATICS:  
01

4. COLORS OF LED:  
"NN" LED1: GREEN & LED2: GREEN  
"NY" LED1: GREEN & LED2: YELLOW  
"YN" LED1: YELLOW & LED2: GREEN  
"YY" LED1: YELLOW & LED2: YELLOW  
"XX" W/O LED  
OTHER LED COLORS UPON REQUEST!

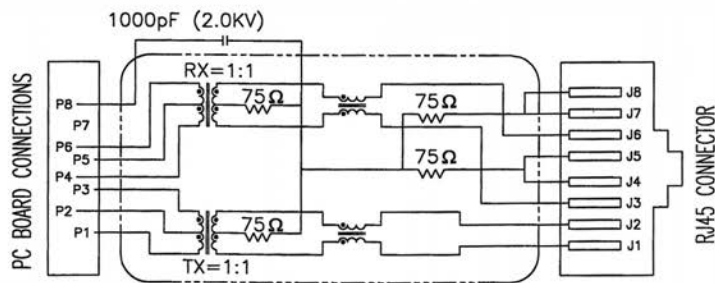
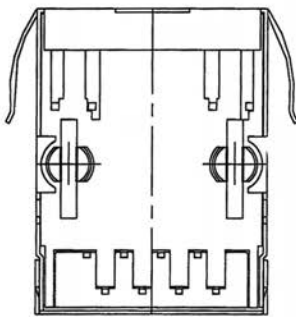
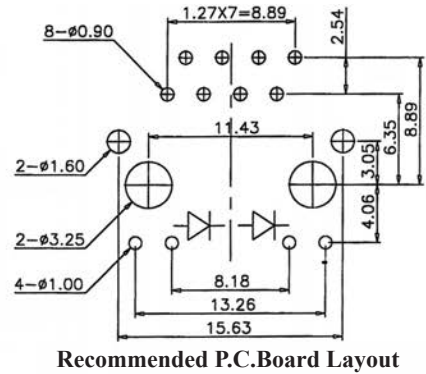
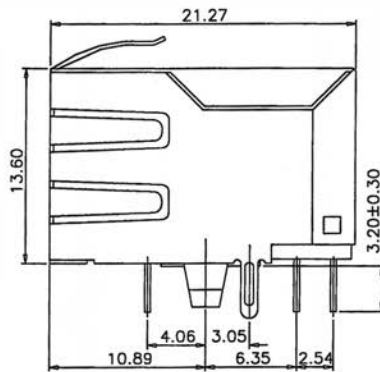
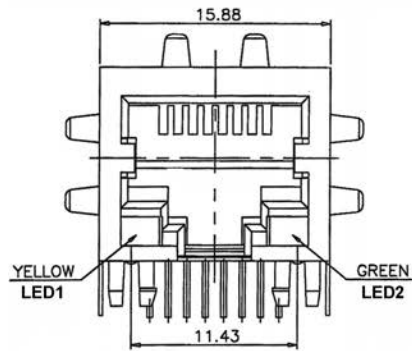
# SIDE ENTRY MAGNETIC 10/100 BASE-TX JACK WITH LED 8P PROFILE=13.60MM (FULLY SHIELDED)

## SPECIFICATIONS

**Insulation Resistance:** 500MΩ Min.  
**Contact Resistance:** 20mΩ Max.  
**Rating Current:** 1.5A Max.  
**Rating Voltage:** 120V AC.  
**Dielectric Voltage:** 1000 Vrms 60 Sec. Min.  
**Temperature Range:** -40°C / +85°C  
**Durability:** 500 Mating cycles Min.

## MATERIALS

**Housing:** Nylon (UL 94V-0)  
**Soldering Temperature:** 260°C  
**Color:** Black  
**Spring Wire:** Phosphor Bronze  
 Gold plating Over Nickel  
**\*RoHS & REACH compliant.**



## ORDERING INFORMATION:

**P/N L T M 1 - 88 x B 02 x x**  
 $\frac{1}{2} \frac{3}{4}$

1. NO. OF POSITIONS & CONTACTS:  
"88" 8P8C
2. CONTACT FINISH:  
"A" 6 MICROINCH GOLD  
"B" 15 MICROINCH GOLD  
"C" 30 MICROINCH GOLD  
"D" 50 MICROINCH GOLD
3. MAGNETIC SCHEMATICS:  
02

4. COLORS OF LED:  
"NN" LED1: GREEN & LED2: GREEN  
"NY" LED1: GREEN & LED2: YELLOW  
"YN" LED1: YELLOW & LED2: GREEN  
"YY" LED1: YELLOW & LED2: YELLOW  
"XX" W/O LED  
OTHER LED COLORS UPON REQUEST!

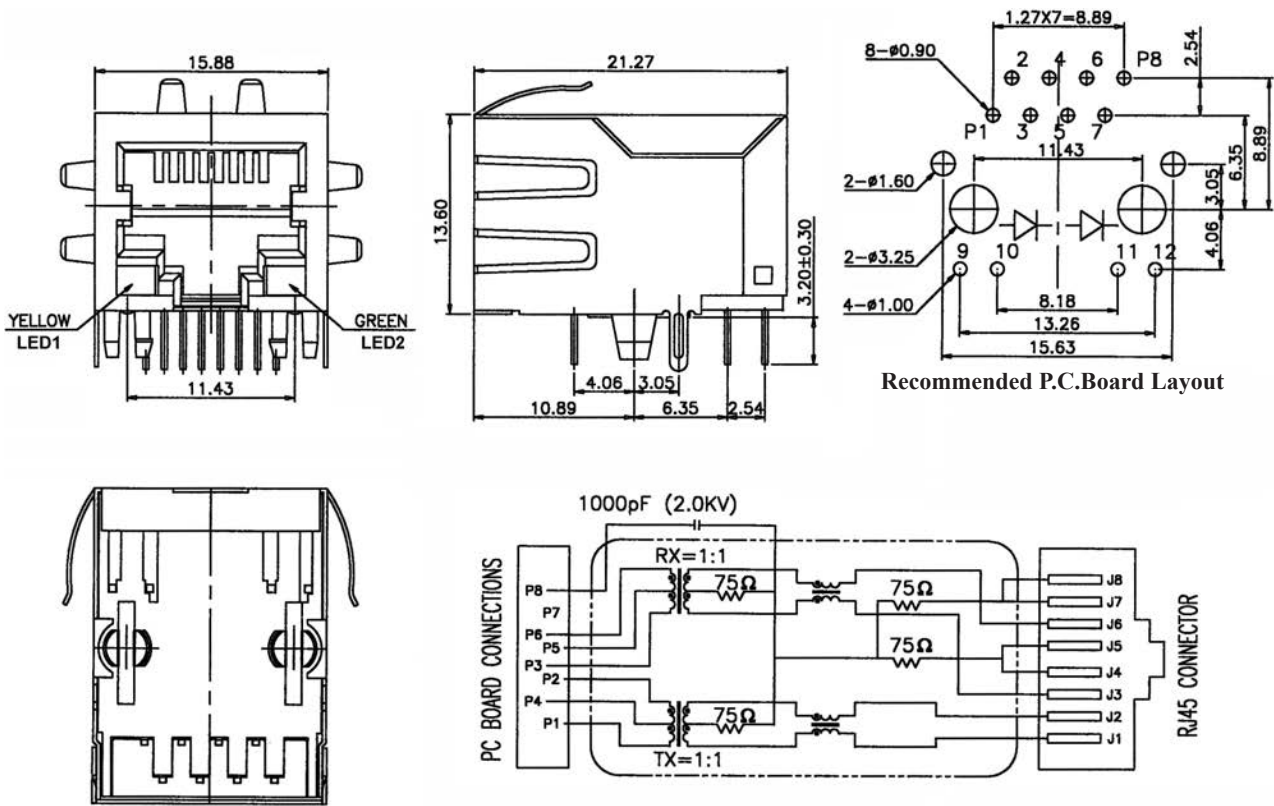
# SIDE ENTRY MAGNETIC 10/100 BASE-TX JACK WITH LED 8P PROFILE=13.60MM (FULLY SHIELDED)

## SPECIFICATIONS

**Insulation Resistance:** 500MΩ Min.  
**Contact Resistance:** 20mΩ Max.  
**Rating Current:** 1.5A Max.  
**Rating Voltage:** 120V AC.  
**Dielectric Voltage:** 1000 Vrms 60 Sec. Min.  
**Temperature Range:** -40°C / +85°C  
**Durability:** 500 Mating cycles Min.

## MATERIALS

**Housing:** Nylon (UL 94V-0)  
**Soldering Temperature:** 260°C  
**Color:** Black  
**Spring Wire:** Phosphor Bronze  
 Gold plating Over Nickel  
**\*RoHS & REACH compliant.**



## ORDERING INFORMATION:

P/N L T M 1 -  $\frac{88}{1} \times \frac{B}{2} \frac{0.6}{3} \times \frac{X}{4}$

1. NO. OF POSITIONS & CONTACTS:  
"88" 8P8C
2. CONTACT FINISH:  
"A" 6 MICROINCH GOLD  
"B" 15 MICROINCH GOLD  
"C" 30 MICROINCH GOLD  
"D" 50 MICROINCH GOLD
3. MAGNETIC SCHEMATICS:  
06

4. COLORS OF LED:  
"NN" LED1: GREEN & LED2: GREEN  
"NY" LED1: GREEN & LED2: YELLOW  
"YN" LED1: YELLOW & LED2: GREEN  
"YY" LED1: YELLOW & LED2: YELLOW  
"XX" W/O LED  
OTHER LED COLORS UPON REQUEST!

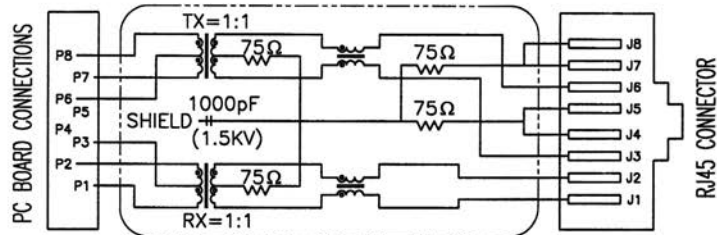
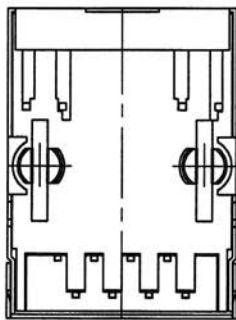
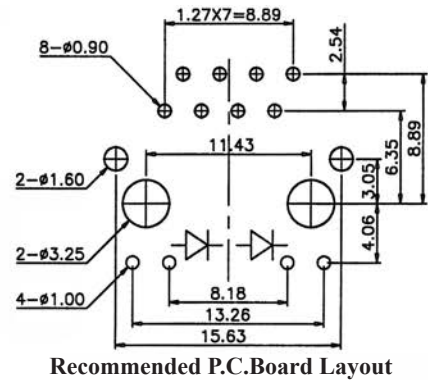
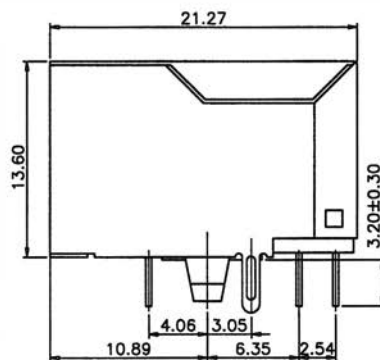
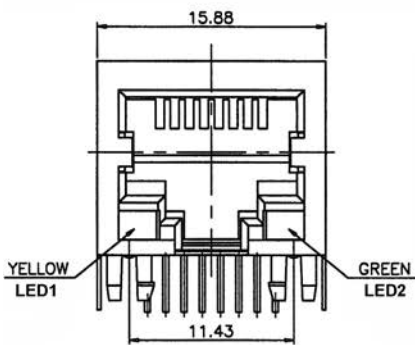
# SIDE ENTRY MAGNETIC 10/100 BASE-TX JACK WITH LED 8P PROFILE=13.60MM (FULLY SHIELDED)

## SPECIFICATIONS

**Insulation Resistance:** 500MΩ Min.  
**Contact Resistance:** 20mΩ Max.  
**Rating Current:** 1.5A Max.  
**Rating Voltage:** 120V AC.  
**Dielectric Voltage:** 1000 Vrms 60 Sec. Min.  
**Temperature Range:** -40°C / +85°C  
**Durability:** 500 Mating cycles Min.

## MATERIALS

**Housing:** Nylon (UL 94V-0)  
**Soldering Temperature:** 260°C  
**Color:** Black  
**Spring Wire:** Phosphor Bronze  
 Gold plating Over Nickel  
**\*RoHS & REACH compliant.**



## ORDERING INFORMATION:

P/N L T M 2 -  $\frac{88}{1}$  X  $\frac{B}{2}$   $\frac{01}{3}$  X  $\frac{X}{4}$

- NO. OF POSITIONS & CONTACTS:  
"88" 8P8C
- CONTACT FINISH:  
"A" 6 MICROINCH GOLD  
"B" 15 MICROINCH GOLD  
"C" 30 MICROINCH GOLD  
"D" 50 MICROINCH GOLD
- MAGNETIC SCHEMATICS:  
01

- COLORS OF LED:  
"NN" LED1: GREEN & LED2: GREEN  
"NY" LED1: GREEN & LED2: YELLOW  
"YN" LED1: YELLOW & LED2: GREEN  
"YY" LED1: YELLOW & LED2: YELLOW  
"XX" W/O LED  
OTHER LED COLORS UPON REQUEST!

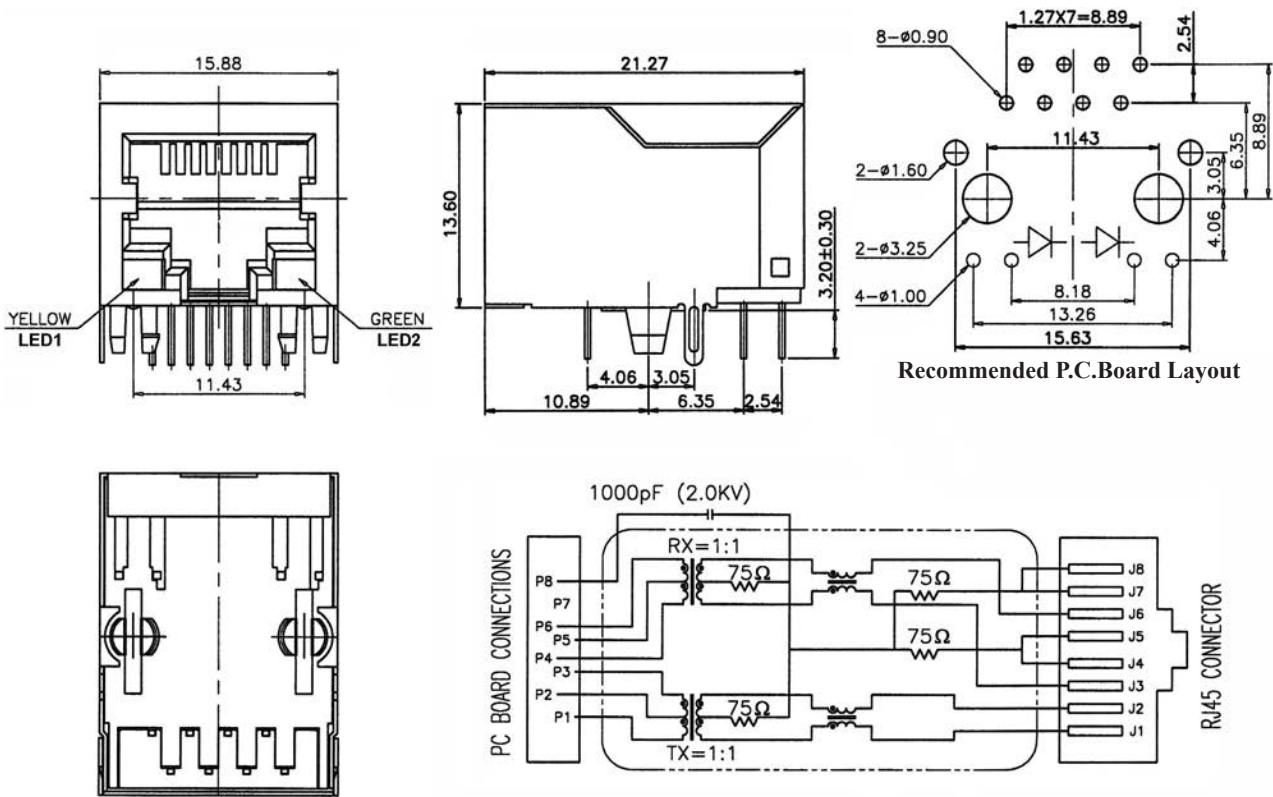
# SIDE ENTRY MAGNETIC 10/100 BASE-TX JACK WITH LED 8P PROFILE=13.60MM (FULLY SHIELDED)

## SPECIFICATIONS

**Insulation Resistance:** 500MΩ Min.  
**Contact Resistance:** 20mΩ Max.  
**Rating Current:** 1.5A Max.  
**Rating Voltage:** 120V AC.  
**Dielectric Voltage:** 1000 Vrms 60 Sec. Min.  
**Temperature Range:** -40°C / +85°C  
**Durability:** 500 Mating cycles Min.

## MATERIALS

**Housing:** Nylon (UL 94V-0)  
**Soldering Temperature:** 260°C  
**Color:** Black  
**Spring Wire:** Phosphor Bronze  
 Gold plating Over Nickel  
**\*RoHS & REACH compliant.**



## ORDERING INFORMATION:

P/N L T M 2 -  $\frac{88}{1} \times \frac{B}{2} \frac{02}{3} \frac{XX}{4}$

1. NO. OF POSITIONS & CONTACTS:  
"88" 8P8C
2. CONTACT FINISH:  
"A" 6 MICROINCH GOLD  
"B" 15 MICROINCH GOLD  
"C" 30 MICROINCH GOLD  
"D" 50 MICROINCH GOLD
3. MAGNETIC SCHEMATICS:  
02

4. COLORS OF LED:  
"NN" LED1: GREEN & LED2: GREEN  
"NY" LED1: GREEN & LED2: YELLOW  
"YN" LED1: YELLOW & LED2: GREEN  
"YY" LED1: YELLOW & LED2: YELLOW  
"XX" W/O LED  
OTHER LED COLORS UPON REQUEST!

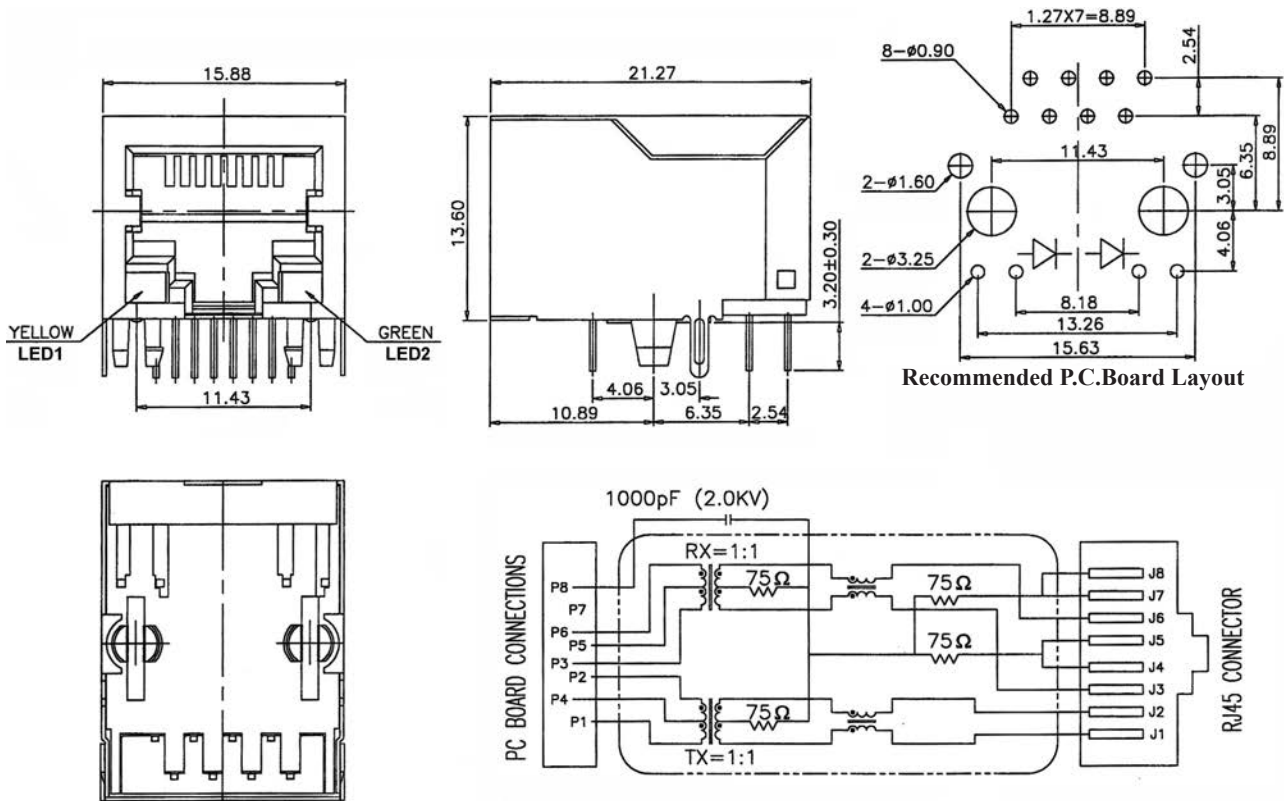
# SIDE ENTRY MAGNETIC 10/100 BASE-TX JACK WITH LED 8P PROFILE=13.60MM (FULLY SHIELDED)

## SPECIFICATIONS

**Insulation Resistance:** 500MΩ Min.  
**Contact Resistance:** 20mΩ Max.  
**Rating Current:** 1.5A Max.  
**Rating Voltage:** 120V AC.  
**Dielectric Voltage:** 1000 Vrms 60 Sec. Min.  
**Temperature Range:** -40°C / +85°C  
**Durability:** 500 Mating cycles Min.

## MATERIALS

**Housing:** Nylon (UL 94V-0)  
**Soldering Temperature:** 260°C  
**Color:** Black  
**Spring Wire:** Phosphor Bronze  
 Gold plating Over Nickel  
**\*RoHS & REACH compliant.**



## ORDERING INFORMATION:

P/N L T M 2 -  $\frac{88}{1}$  x  $\frac{B}{2}$   $\frac{0.6}{3}$  x  $\frac{XX}{4}$

1. NO. OF POSITIONS & CONTACTS:  
"88" 8P8C
2. CONTACT FINISH:  
"A" 6 MICROINCH GOLD  
"B" 15 MICROINCH GOLD  
"C" 30 MICROINCH GOLD  
"D" 50 MICROINCH GOLD
3. MAGNETIC SCHEMATICS:  
06

4. COLORS OF LED:  
"NN" LED1: GREEN & LED2: GREEN  
"NY" LED1: GREEN & LED2: YELLOW  
"YN" LED1: YELLOW & LED2: GREEN  
"YY" LED1: YELLOW & LED2: YELLOW  
"XX" W/O LED  
OTHER LED COLORS UPON REQUEST!

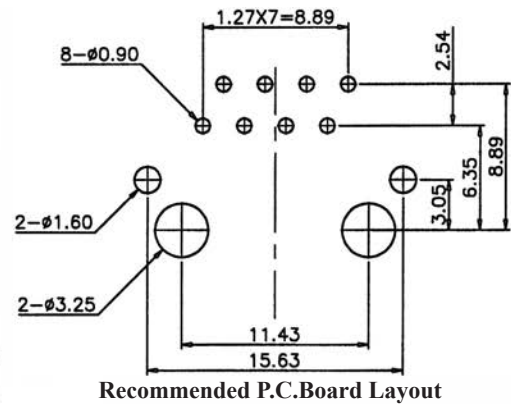
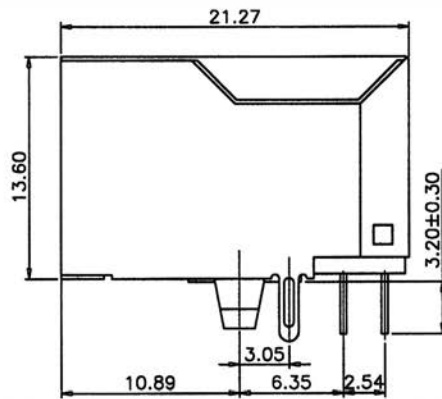
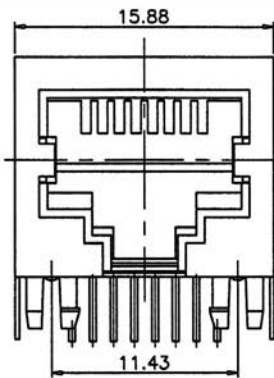
# SIDE ENTRY MAGNETIC 10/100 BASE-TX JACK WITHOUT LED 8P PROFILE=13.60MM (FULLY SHIELDED)

## SPECIFICATIONS

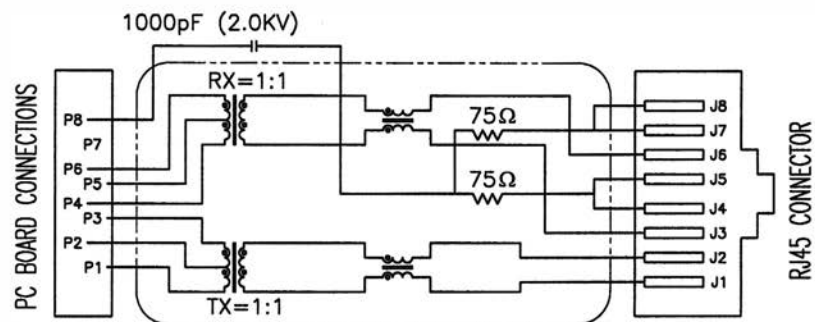
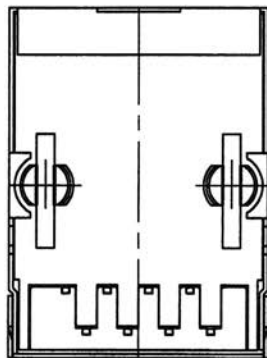
**Insulation Resistance:** 500MΩ Min.  
**Contact Resistance:** 20mΩ Max.  
**Rating Current:** 1.5A Max.  
**Rating Voltage:** 120V AC.  
**Dielectric Voltage:** 1000 Vrms 60 Sec. Min.  
**Temperature Range:** -40°C / +85°C  
**Durability:** 500 Mating cycles Min.

## MATERIALS

**Housing:** Nylon (UL 94V-0)  
**Soldering Temperature:** 260°C  
**Color:** Black  
**Spring Wire:** Phosphor Bronze  
 Gold plating Over Nickel  
**\*RoHS & REACH compliant.**



Recommended P.C. Board Layout



## ORDERING INFORMATION:

P/N L T M 2 -  $\frac{88}{1}$  x  $\frac{B}{2}$   $\frac{18}{3}$

1. NO. OF POSITIONS & CONTACTS:  
"88" 8P8C
2. CONTACT FINISH:  
"A" 6 MICROINCH GOLD  
"B" 15 MICROINCH GOLD  
"C" 30 MICROINCH GOLD  
"D" 50 MICROINCH GOLD
3. MAGNETIC SCHEMATICS:  
18

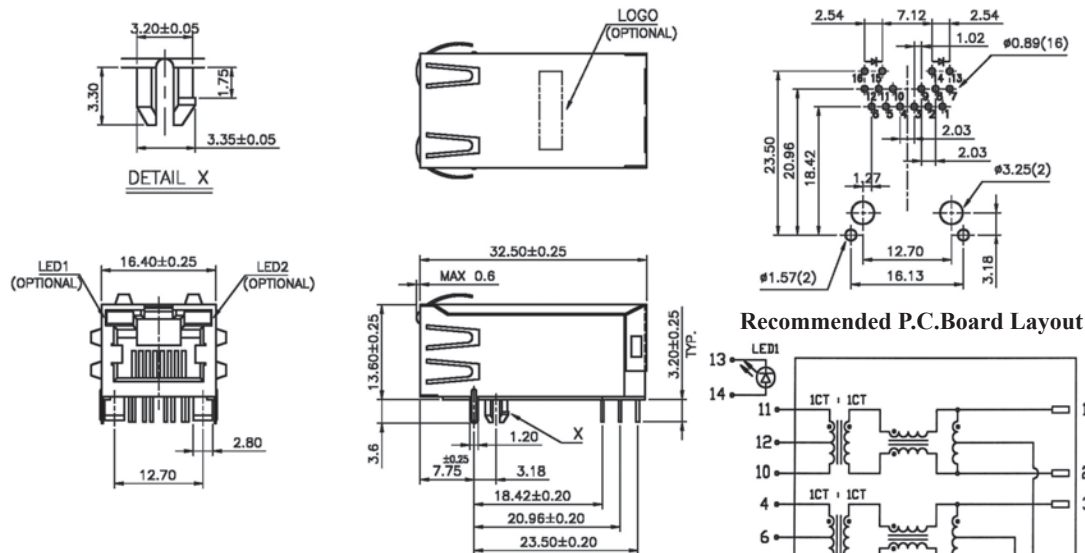
# SIDE ENTRY UP LATCH MAGNETIC 10/100/1000 (GIGABIT) BASE-TX RJ45 JACK WITH LED 8P PROFILE=13.60MM (FULLY SHIELDED)

## SPECIFICATIONS

- Insulation Resistance: 500MΩ Min.
- Contact Resistance: 20mΩ Max.
- Rating Current: 1.5A Max.
- Rating Voltage: 120V AC.
- Dielectric Voltage: 1000 Vrms 60 Sec. Min.
- Temperature Range: -40°C / +85°C
- Durability: 500 Mating cycles Min.

## MATERIALS

- Housing: PBT Glass Filled (UL 94V-0)
- Soldering Temperature: 235°C
- Color: Black
- Spring Wire: Phosphor Bronze
- Gold plating Over Nickel
- \*RoHS & REACH compliant.

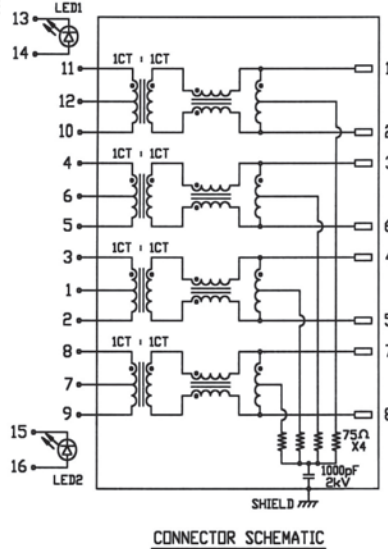


Specification :

Item	Parameter	Condition	Min.	Typ.	Max.	Unit	REMARK
1	Insertion loss	0.1-100 MHz			-1	dB	
2	Return loss	0.5-40 MHz	-18			dB	NOTE 1
3	DCL	100 KHz				μH	
4	Crosstalk	100 KHz-100 MHz				dB	NOTE 2
5	Hipot	Vrms	1.5			kV	
6	Turns Ratio (Chip : Cable)	TX: 1 : 1 RX: 1 : 1				CT	
7	Direct Current resistance					Ω	

※NOTE 1: Greater than (12-20 Log (F/80MHZ)) dB  
2: Greater than (33-20 Log (F/50MHZ)) dB

Recommended P.C.Board Layout



TRANSFORMER TYPE T1

## ORDERING INFORMATION:

P/N **LTGA-88xBT1xx**  
          **1 2 3 4**

- NO. OF POSITIONS & CONTACTS:  
"88" 8P8C
- CONTACT FINISH:  
"A" 6 MICROINCH GOLD  
"B" 15 MICROINCH GOLD  
"C" 30 MICROINCH GOLD  
"D" 50 MICROINCH GOLD
- MAGNETIC SCHMATICS:  
T1
- TYPE OF LED POLARITY:  
(LED PIN DIRECTION FROM LEFT TO RIGHT)  
1N, 1Y, 1Z, 5S, 58, 5Q, 8S, MM, MY, MZ, N5, NN,  
NY, NZ, Q5, Y1, Y2, YM, YN, Z1, Z2, ZM, ZN

LED Designation:

Code	+/-	-/+	Code	+/-	-/+
N	Green	—	M	—	Green
Y	Yellow	—	Z	—	Yellow
8	Orange	—	Q	—	Orange
1	Green	Orange	2	Orange	Green
5	Green	Yellow	6	Yellow	Green



# SIDE ENTRY MAGNETIC 10/100 BASE-TX JACK WITHOUT LED 10P PROFILE=13.60MM (FULLY SHIELDED)

## MATERIALS

**Housing:** High Temperature Thermoplastic UL 94V-0, Black

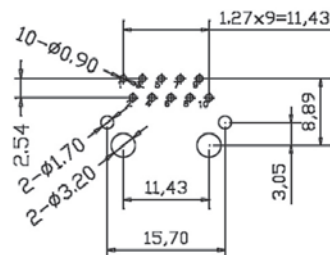
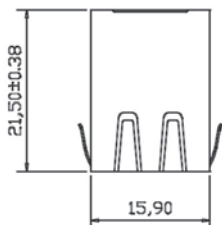
**Contacts:** 0.35mm Phosphor Bronze Plated,

Gold Plated on Contact Area

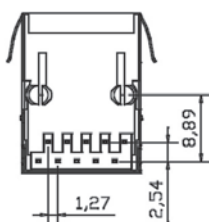
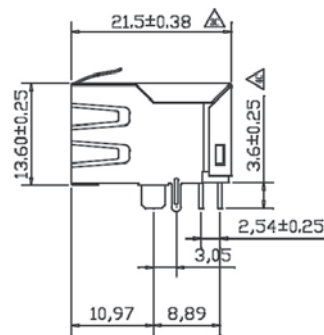
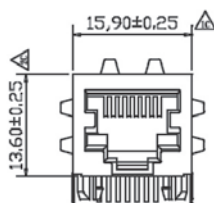
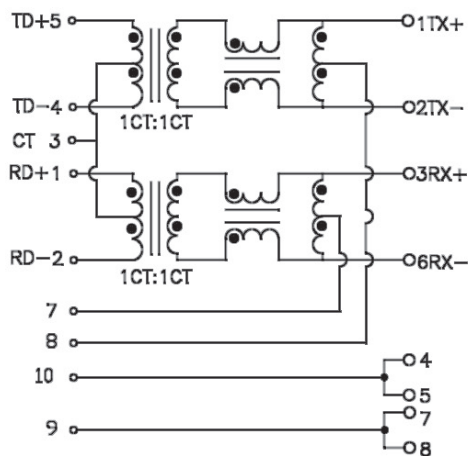
Solder Tin in Solder Area

**Shield:** 0.20mm Copper Alloy with Nickel

\*RoHS & REACH compliant.



Recommended P.C.Board Layout



## ORDERING INFORMATION:

P/N L T A B -  $\frac{08}{1} \times \frac{B}{2} \frac{99}{3}$

1. NO. OF POSITIONS & CONTACTS:

"08" 10P8C

2. CONTACT FINISH:

"A" 6 MICROINCH GOLD

"B" 15 MICROINCH GOLD

"C" 30 MICROINCH GOLD

"D" 50 MICROINCH GOLD

"E" GOLD FLASH

3. MAGNETIC SCHEMATICS:

99

# SIDE ENTRY MAGNETIC 10/100/1000 (GIGABIT) BASE-TX JACK WITH LED 10P PROFILE=13.60MM (FULLY SHIELDED)

## MATERIALS

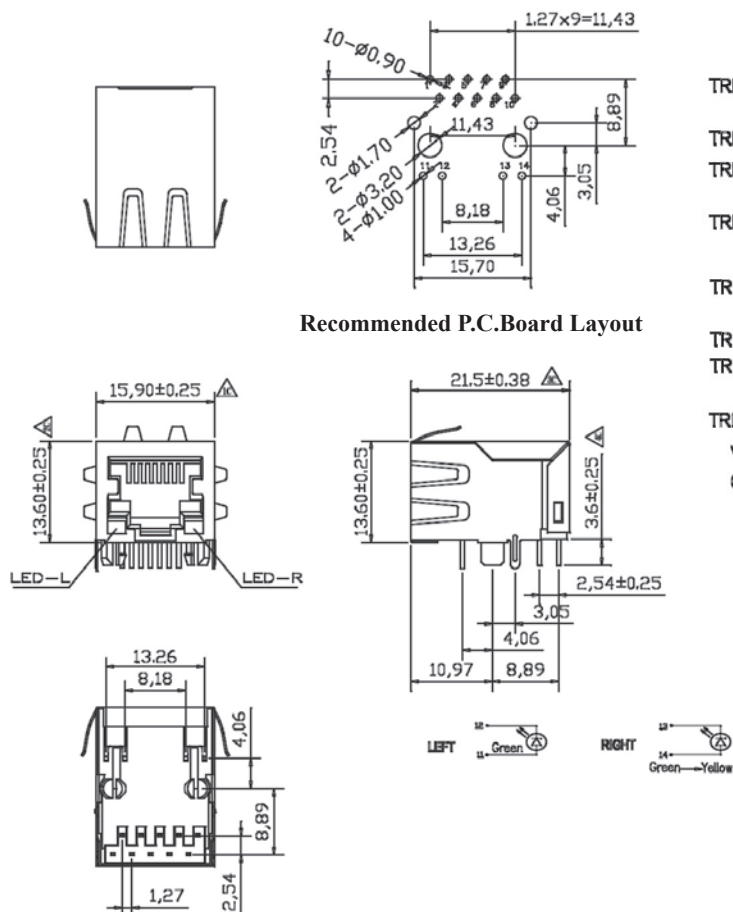
**Housing:** Thermoplastic

**Contacts:** Phosphor Bronze

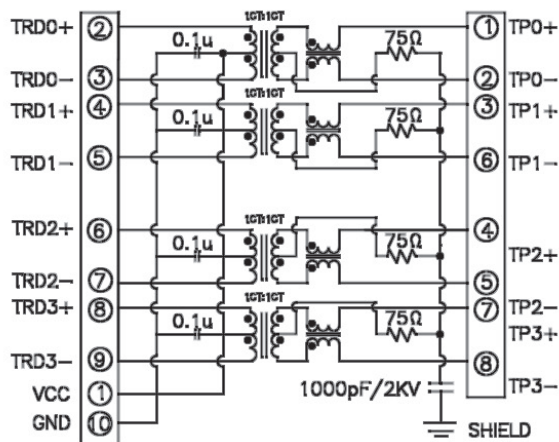
**Plating:** Gold plating Over Nickel in Contact  
Tin plating Over Nickel in Solder Area

**Shield:** Brass Plating Nickel

\*RoHS & REACH compliant.



Recommended P.C.Board Layout



## ORDERING INFORMATION:

P/N LTGE -  $\frac{08}{1} \times \frac{BG4}{3} \times \frac{X}{4}$

1. NO. OF POSITIONS & CONTACTS:  
"08" 10P8C
2. CONTACT FINISH:  
"A" 6 MICROINCH GOLD  
"B" 15 MICROINCH GOLD  
"C" 30 MICROINCH GOLD  
"D" 50 MICROINCH GOLD
3. MAGNETIC SCHEMATICS:  
G4
4. TYPE OF LED POLARITY:  
(LED PIN DIRECTION FROM LEFT TO RIGHT)  
1N, 1Y, 1Z, 55, 58, 5Q, 85, MM, MY, MZ, N5, NN,  
NY, NZ, Q5, Y1, Y2, YM, YN, Z1, Z2, ZM, ZN

### LED Designation:

Code	+/-	-/+	Code	+/-	-/+
N	Green	—	M	—	Green
Y	Yellow	—	Z	—	Yellow
8	Orange	—	Q	—	Orange
1	Green	Orange	2	Orange	Green
5	Green	Yellow	6	Yellow	Green

# SIDE ENTRY MAGNETIC 10/100 & 10/100/1000 BASE-TX JACK WITH LED 8P PROFILE=13.60MM (FULLY SHIELDED)

## MATERIALS

**Housing:** PBT UL 94V-0, Black

**Shell:** Brass C2680 T=0.20, 85u"~135u" Ni Plated

**RJ45 Terminal:** Phosphor Bronze T=0.30mm,

Gold Au Plated on Contact Area

80u"~160u" Tin Plated on Solder Area

50u"~100u" Ni Underplated overall

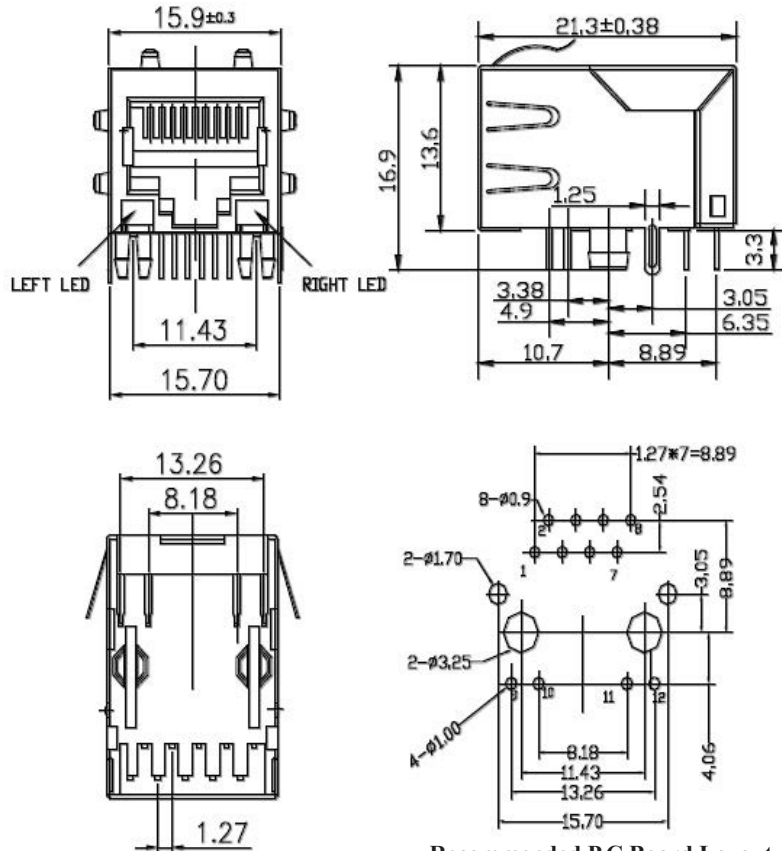
**Other Terminal:** Brass T=0.30mm, 80u"~160u" Tin Plated

50u"~100u" Ni Underplated overall

\*RoHS & REACH compliant.

## LED Designation:

Code	+/-	-/+	Code	+/-	-/+
N	Green	—	M	—	Green
Y	Yellow	—	Z	—	Yellow
8	Orange	—	Q	—	Orange
1	Green	Orange	2	Orange	Green
5	Green	Yellow	6	Yellow	Green



Recommended P.C.Board Layout

## ORDERING INFORMATION:

P/N L T  $\frac{x}{1}$  x -  $\frac{8}{2}$   $\frac{8}{3}$  x B  $\frac{x}{4}$  x  $\frac{x}{5}$

### 1. TYPE OF PANEL GROUNDS:

"05" NO TAB

"06" TOP TABS

"07" SIDE TABS

"08" TOP TABS & SIDE TABS

### 2. NO. OF POSITIONS & CONTACTS:

"88" 8P8C

### 3. CONTACT FINISH:

"A" 6 MICROINCH GOLD

"B" 15 MICROINCH GOLD

"C" 30 MICROINCH GOLD

"D" 50 MICROINCH GOLD

### 4. MAGNETIC SCHEMATICS:

10/100 BASE-TX

51, 52, 53, 54, 55, 56, 57, 58, 59, 60, 61,

62, 63, 64, 65, 66, 67, 68, 69, 70, 73

10/100/1000 BASE-TX

G1, G3, G4, G6, G7, G8, G9, H0

SEE PAGE N5902~N5906 & N5941~N5943!

### 5. TYPE OF LED POLARITY:

(LED PIN DIRECTION FROM LEFT TO RIGHT)

1N, 1Y, 1Z, 55, 58, 5Q, 85, MM, MY, MZ, N5, NN,

NY, NZ, Q5, Y1, Y2, YM, YN, Z1, Z2, ZM, ZN

NOTE: LED PINS ARE PARALLEL.

# SIDE ENTRY MAGNETIC 10/100 & 10/100/1000 BASE-TX JACK WITH LED 10P PROFILE=13.60MM (FULLY SHIELDED)

## MATERIALS

**Housing:** PBT UL 94V-0, Black

**Shell:** Brass C2680 T=0.20, 85u"~135u" Ni Plated

**RJ45 Terminal:** Phosphor Bronze T=0.30mm,

Gold Au Plated on Contact Area

80u"~160u" Tin Plated on Solder Area

50u"~100u" Ni Underplated overall

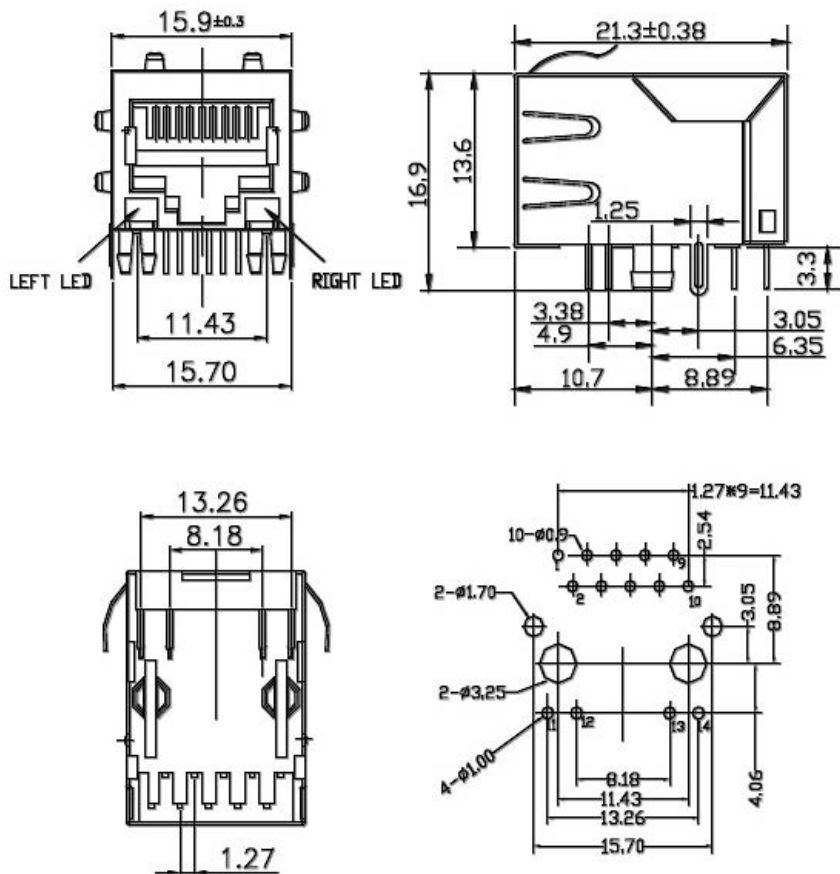
**Other Terminal:** Brass T=0.30mm, 80u"~160u" Tin Plated

50u"~100u" Ni Underplated overall

\*RoHS & REACH compliant.

## LED Designation:

Code	+/-	-/+	Code	+/-	-/+
N	Green	—	M	—	Green
Y	Yellow	—	Z	—	Yellow
8	Orange	—	Q	—	Orange
1	Green	Orange	2	Orange	Green
5	Green	Yellow	6	Yellow	Green



Recommended P.C.Board Layout

## ORDERING INFORMATION:

P/N L T  $\frac{x}{1}$  - 0.8  $\frac{x}{2}$   $\frac{x}{3}$  B  $\frac{x}{4}$   $\frac{x}{5}$

### 1. TYPE OF PANEL GROUNDS:

"05" NO TAB

"06" TOP TABS

"07" SIDE TABS

"08" TOP TABS & SIDE TABS

### 2. NO. OF POSITIONS & CONTACTS:

"08" 10P8C

### 3. CONTACT FINISH:

"A" 6 MICROINCH GOLD

"B" 15 MICROINCH GOLD

"C" 30 MICROINCH GOLD

"D" 50 MICROINCH GOLD

### 4. MAGNETIC SCHEMATICS:

10/100 BASE-TX

51, 52, 53, 54, 55, 56, 57, 58, 59, 60, 61,

62, 63, 64, 65, 66, 67, 68, 69, 70, 73

10/100/1000 BASE-TX

G1, G3, G4, G6, G7, G8, G9, H0

SEE PAGE N5902~N5906 & N5941~N5943!

### 5. TYPE OF LED POLARITY:

(LED PIN DIRECTION FROM LEFT TO RIGHT)

1N, 1Y, 1Z, 5S, 58, 5Q, 85, MM, MY, MZ, N5, NN,

NY, NZ, Q5, Y1, Y2, YM, YN, Z1, Z2, ZM, ZN

NOTE: LED PINS ARE PARALLEL.

# SIDE ENTRY MAGNETIC 10/100 & 10/100/1000 BASE-TX JACK WITH LED 8P PROFILE=13.60MM (FULLY SHIELDED)

## MATERIALS

**Housing:** PBT UL 94V-0, Black

**Shell:** Brass C2680 T=0.20, 85u"~135u" Ni Plated

**RJ45 Terminal:** Phosphor Bronze T=0.30mm,

Gold Au Plated on Contact Area

80u"~160u" Tin Plated on Solder Area

50u"~100u" Ni Underplated overall

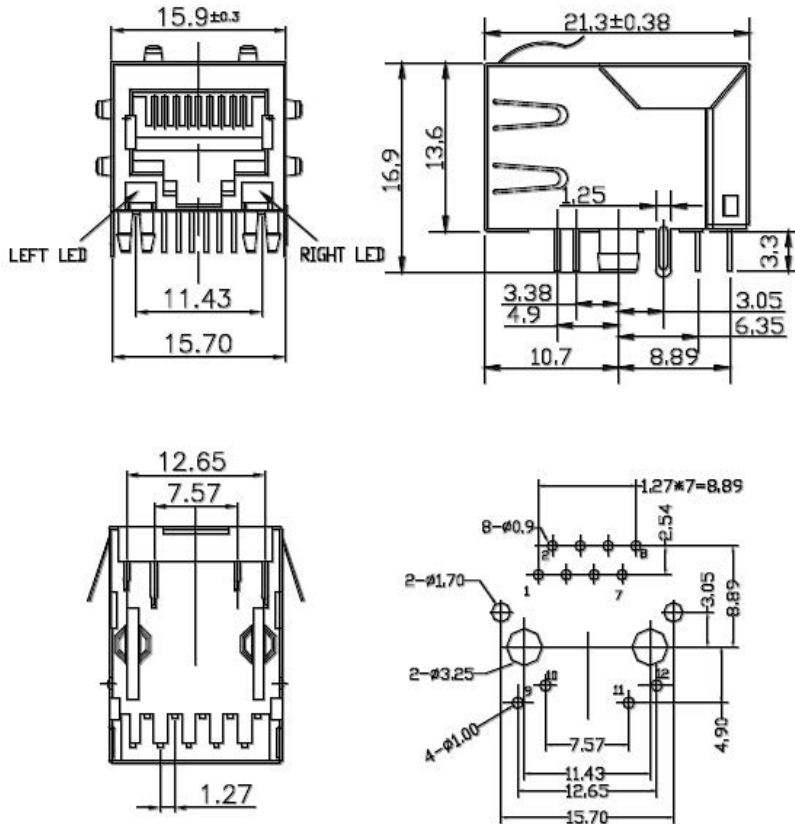
**Other Terminal:** Brass T=0.30mm, 80u"~160u" Tin Plated

50u"~100u" Ni Underplated overall

\*RoHS & REACH compliant.

## LED Designation:

Code	+/-	-/+	Code	+/-	-/+
N	Green	—	M	—	Green
Y	Yellow	—	Z	—	Yellow
8	Orange	—	Q	—	Orange
1	Green	Orange	2	Orange	Green
5	Green	Yellow	6	Yellow	Green



Recommended P.C.Board Layout

## ORDERING INFORMATION:

P/N L T  $\frac{x}{1}$  - 8 8  $\frac{x}{2}$   $\frac{x}{3}$  B  $\frac{x}{4}$   $\frac{x}{5}$

### 1. TYPE OF PANEL GROUNDS:

"09" NO TAB

"10" TOP TABS

"11" SIDE TABS

"12" TOP TABS & SIDE TABS

### 2. NO. OF POSITIONS & CONTACTS:

"88" 8P8C

### 3. CONTACT FINISH:

"A" 6 MICROINCH GOLD

"B" 15 MICROINCH GOLD

"C" 30 MICROINCH GOLD

"D" 50 MICROINCH GOLD

### 4. MAGNETIC SCHEMATICS:

10/100 BASE-TX

51, 52, 53, 54, 55, 56, 57, 58, 59, 60, 61,

62, 63, 64, 65, 66, 67, 68, 69, 70, 73

10/100/1000 BASE-TX

G1, G3, G4, G6, G7, G8, G9, H0

SEE PAGE N5902~N5906 & N5941~N5943!

### 5. TYPE OF LED POLARITY:

(LED PIN DIRECTION FROM LEFT TO RIGHT)

1N, 1Y, 1Z, 55, 58, 5Q, 85, MM, MY, MZ, N5, NN,

NY, NZ, Q5, Y1, Y2, YM, YN, Z1, Z2, ZM, ZN

NOTE: LED PINS ARE OBLIQUE.

# SIDE ENTRY MAGNETIC 10/100 & 10/100/1000 BASE-TX JACK WITH LED 10P PROFILE=13.60MM (FULLY SHIELDED)

## MATERIALS

**Housing:** PBT UL 94V-0, Black

**Shell:** Brass C2680 T=0.20, 85u"~135u" Ni Plated

**RJ45 Terminal:** Phosphor Bronze T=0.30mm,

Gold Au Plated on Contact Area

80u"~160u" Tin Plated on Solder Area

50u"~100u" Ni Underplated overall

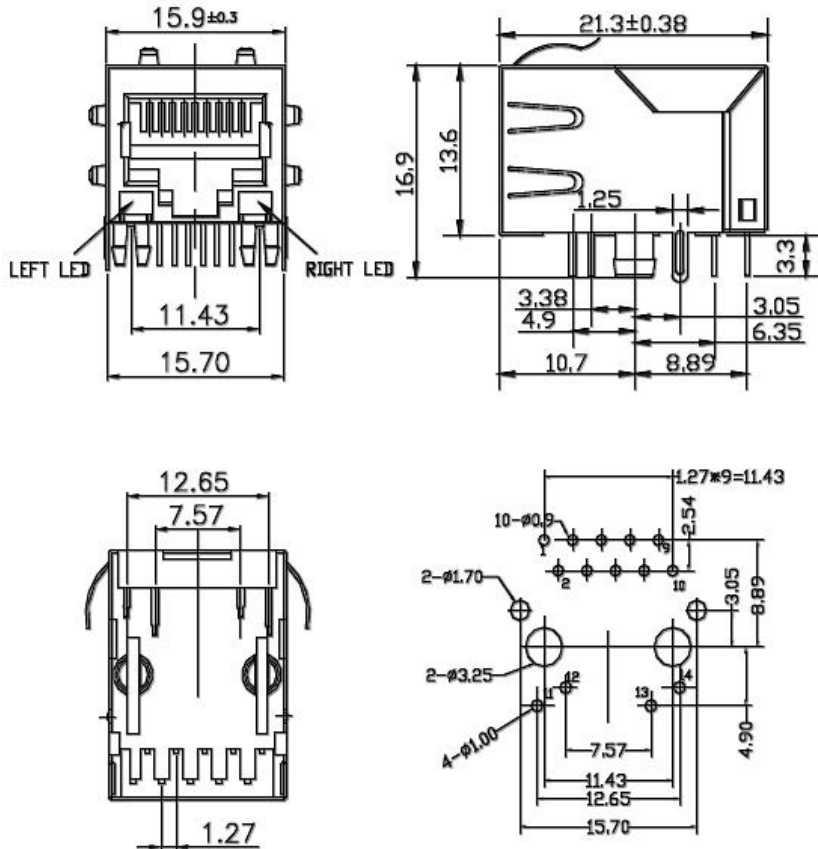
**Other Terminal:** Brass T=0.30mm, 80u"~160u" Tin Plated

50u"~100u" Ni Underplated overall

\*RoHS & REACH compliant.

## LED Designation:

Code	+/-	-/+	Code	+/-	-/+
N	Green	—	M	—	Green
Y	Yellow	—	Z	—	Yellow
8	Orange	—	Q	—	Orange
1	Green	Orange	2	Orange	Green
5	Green	Yellow	6	Yellow	Green



Recommended P.C.Board Layout

## ORDERING INFORMATION:

P/N L T  $\frac{x}{1}$  x -  $\frac{0}{2}$   $\frac{8}{3}$  x B  $\frac{x}{4}$  x  $\frac{x}{5}$

### 1. TYPE OF PANEL GROUNDS:

- "09" NO TAB
- "10" TOP TABS
- "11" SIDE TABS
- "12" TOP TABS & SIDE TABS

### 2. NO. OF POSITIONS & CONTACTS:

"08" 10P8C

### 3. CONTACT FINISH:

- "A" 6 MICROINCH GOLD
- "B" 15 MICROINCH GOLD
- "C" 30 MICROINCH GOLD
- "D" 50 MICROINCH GOLD

### 4. MAGNETIC SCHEMATICS:

10/100 BASE-TX

51, 52, 53, 54, 55, 56, 57, 58, 59, 60, 61, 62, 63, 64, 65, 66, 67, 68, 69, 70, 73

10/100/1000 BASE-TX

G1, G3, G4, G6, G7, G8, G9, H0

SEE PAGE N5902~N5906 & N5941~N5943!

### 5. TYPE OF LED POLARITY:

(LED PIN DIRECTION FROM LEFT TO RIGHT)

1N, 1Y, 1Z, 5S, 58, 5Q, 85, MM, MY, MZ, N5, NN, NY, NZ, Q5, Y1, Y2, YM, YN, Z1, Z2, ZM, ZN

NOTE: LED PINS ARE OBLIQUE.

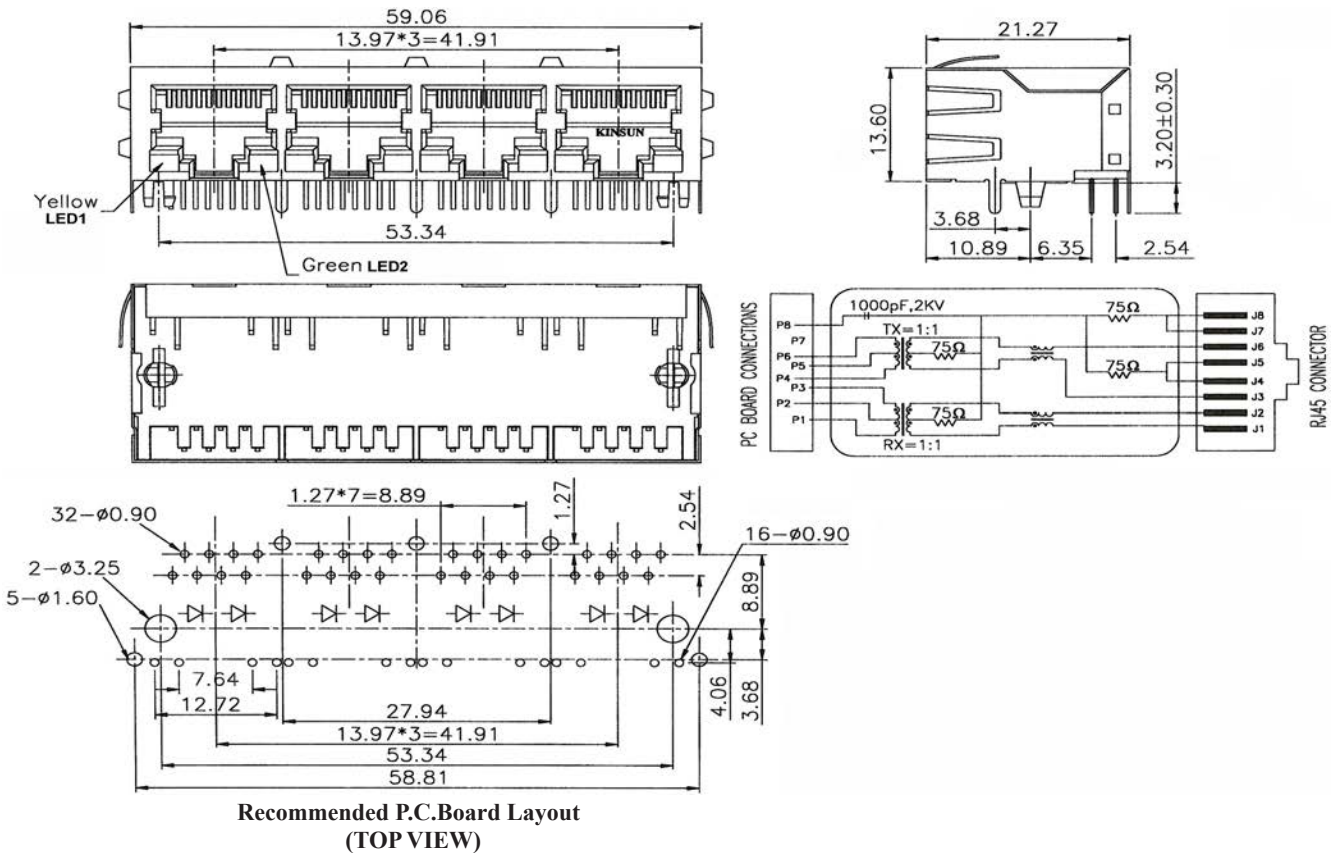
# SIDE ENTRY 4-PORT MAGNETIC 10/100 BASE-TX JACK WITH LED 8P PROFILE=13.60MM (FULLY SHIELDED)

## SPECIFICATIONS

Insulation Resistance: 500MΩ Min.  
 Contact Resistance: 20mΩ Max.  
 Rating Current: 1.5A Max.  
 Rating Voltage: 120V AC.  
 Dielectric Voltage: 1000 Vrms 60 Sec. Min.  
 Temperature Range: -40°C / +85°C  
 Durability: 500 Mating cycles Min.

## MATERIALS

Housing: Nylon (UL 94V-0)  
 Soldering Temperature: 260°C  
 Color: Black  
 Spring Wire: Phosphor Bronze  
 Gold plating Over Nickel  
 \*RoHS & REACH compliant.



## ORDERING INFORMATION:

P/N L T M 4 -  $\frac{88}{1} \times \frac{B}{2} \frac{02}{3} \frac{XX}{4} \frac{04}{5}$

1. NO. OF POSITIONS & CONTACTS:  
"88" 8P8C
2. CONTACT FINISH:  
"A" 6 MICROINCH GOLD  
"B" 15 MICROINCH GOLD  
"C" 30 MICROINCH GOLD  
"D" 50 MICROINCH GOLD
3. MAGNETIC SCHEMATICS:  
02

4. COLORS OF LED:  
"NN" LED1: GREEN & LED2: GREEN  
"NY" LED1: GREEN & LED2: YELLOW  
"YN" LED1: YELLOW & LED2: GREEN  
"YY" LED1: YELLOW & LED2: YELLOW  
"XX" W/O LED  
OTHER LED COLORS UPON REQUEST!
5. NO. OF PORTS:  
04

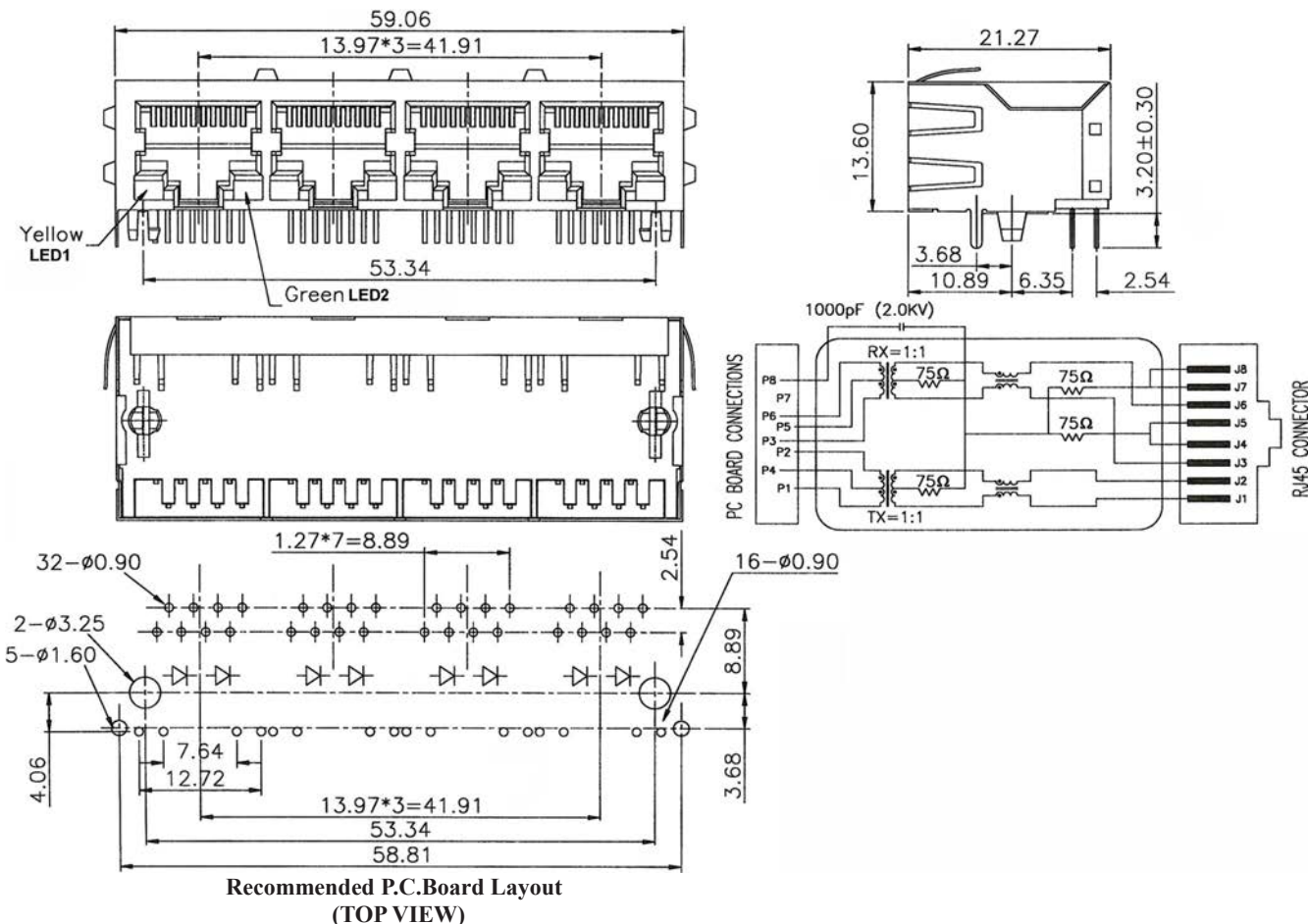
# SIDE ENTRY 4-PORT MAGNETIC 10/100 BASE-TX JACK WITH LED 8P PROFILE=13.60MM (FULLY SHIELDED)

## SPECIFICATIONS

Insulation Resistance: 500MΩ Min.  
 Contact Resistance: 20mΩ Max.  
 Rating Current: 1.5A Max.  
 Rating Voltage: 120V AC.  
 Dielectric Voltage: 1000 Vrms 60 Sec. Min.  
 Temperature Range: -40°C / +85°C  
 Durability: 500 Mating cycles Min.

## MATERIALS

Housing: Nylon (UL 94V-0)  
 Soldering Temperature: 260°C  
 Color: Black  
 Spring Wire: Phosphor Bronze  
 Gold plating Over Nickel  
 \*RoHS & REACH compliant.



## ORDERING INFORMATION:

P/N L T M 4 -  $\frac{88}{1} \times \frac{B}{2} \frac{0.6}{3} \times \frac{X}{4} \frac{0.4}{5}$

1. NO. OF POSITIONS & CONTACTS:  
"88" 8P8C
2. CONTACT FINISH:  
"A" 6 MICROINCH GOLD  
"B" 15 MICROINCH GOLD  
"C" 30 MICROINCH GOLD  
"D" 50 MICROINCH GOLD
3. MAGNETIC SCHEMATICS:  
06

4. COLORS OF LED:  
"NN" LED1: GREEN & LED2: GREEN  
"NY" LED1: GREEN & LED2: YELLOW  
"YN" LED1: YELLOW & LED2: GREEN  
"YY" LED1: YELLOW & LED2: YELLOW  
"XX" W/O LED  
OTHER LED COLORS UPON REQUEST!
5. NO. OF PORTS:  
04



# SIDE ENTRY 4-PORT MAGNETIC 10/100 BASE-TX JACK WITHOUT LED 8P PROFILE=13.60MM (FULLY SHIELDED)

## SPECIFICATIONS

Insulation Resistance: 500MΩ Min.

Contact Resistance: 20mΩ Max.

Rating Current: 1.5A Max.

Rating Voltage: 120V AC.

Dielectric Voltage: 1000 Vrms 60 Sec. Min.

Temperature Range: -40°C / +85°C

Durability: 500 Mating cycles Min.

## MATERIALS

Housing: Nylon (UL 94V-0)

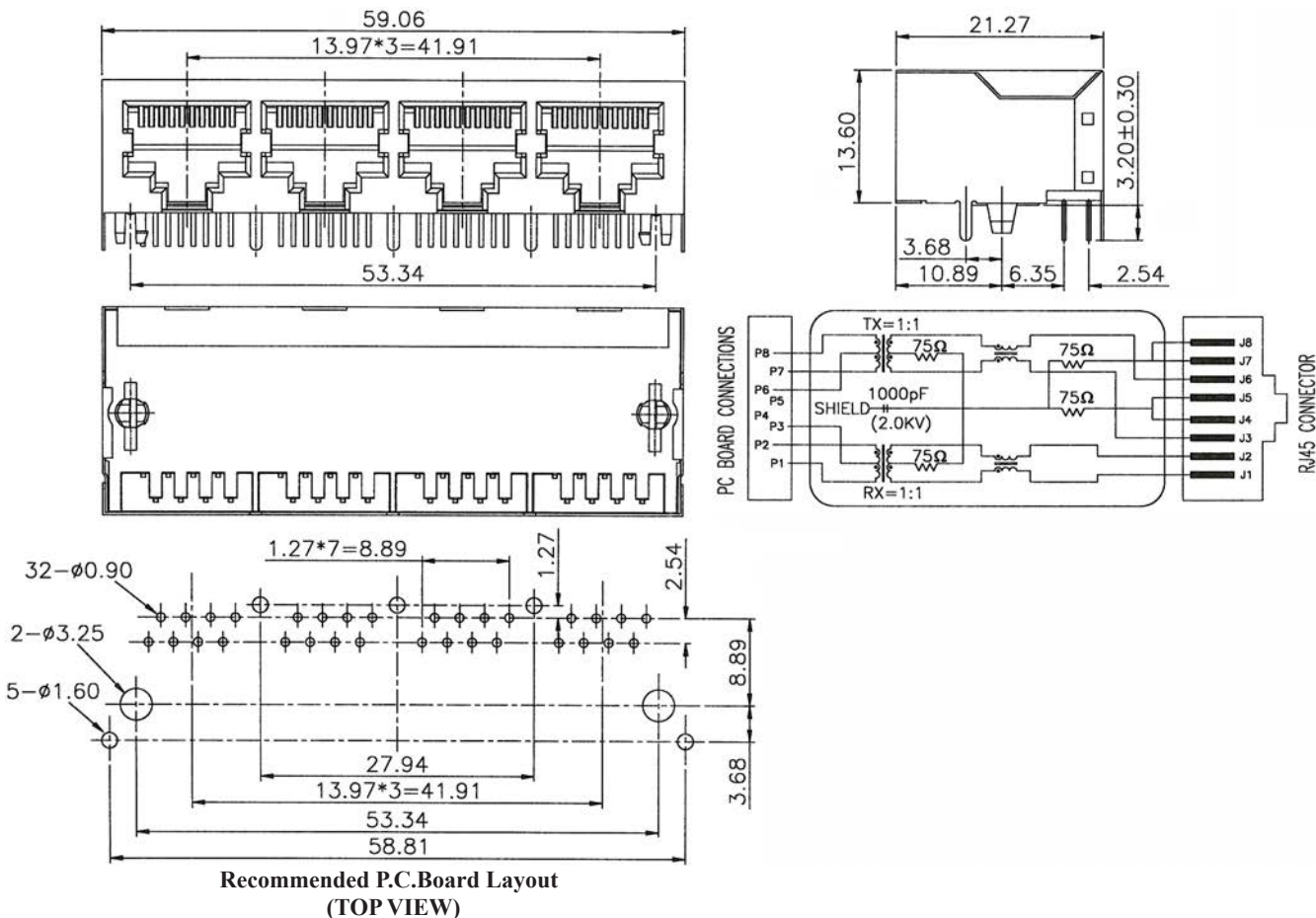
Soldering Temperature: 260°C

Color: Black

Spring Wire: Phosphor Bronze

Gold plating Over Nickel

\*RoHS & REACH compliant.



## ORDERING INFORMATION:

P/N L T M 7 -  $\frac{88}{1} \times \frac{B}{2} \frac{01}{3} \frac{04}{4}$

1. NO. OF POSITIONS & CONTACTS:

"88" 8P8C

2. CONTACT FINISH:

"A" 6 MICROINCH GOLD

"B" 15 MICROINCH GOLD

"C" 30 MICROINCH GOLD

"D" 50 MICROINCH GOLD

3. MAGNETIC SCHEMATICS:

01

4. NO. OF PORTS:

04

# SIDE ENTRY 4-PORT MAGNETIC 10/100 & 10/100/1000 BASE-TX JACK WITHOUT LED 8P PROFILE=13.60MM (FULLY SHIELDED)

## MATERIALS

**Housing:** PBT UL 94V-0, Black

**Shell:** Brass C2680 T=0.20, 85u"~135u" Ni Plated

**RJ45 Terminal:** Phosphor Bronze T=0.30mm,

Gold Au Plated on Contact Area

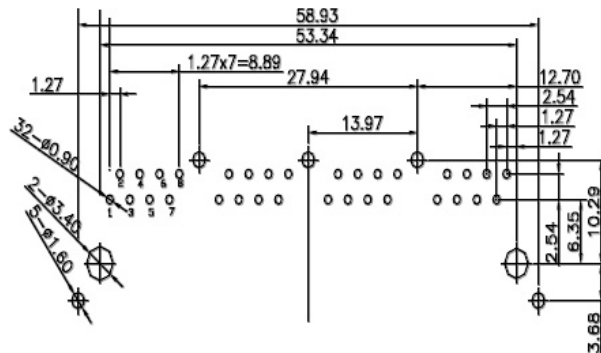
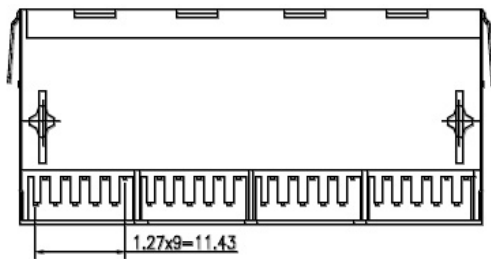
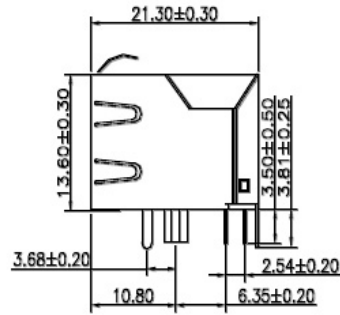
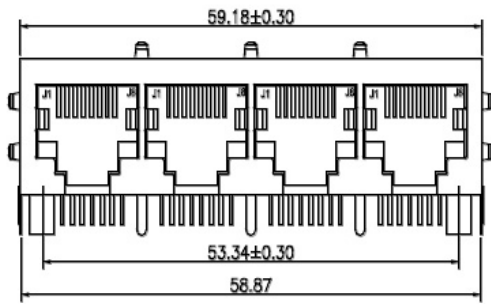
80u"~160u" Tin Plated on Solder Area

50u"~100u" Ni Underplated overall

**Other Terminal:** Brass T=0.30mm, 80u"~160u" Tin Plated

50u"~100u" Ni Underplated overall

\*RoHS & REACH compliant.



Recommended P.C.Board Layout

## ORDERING INFORMATION:

P/N LT  $\frac{x}{1}$  -  $\frac{8}{2}$   $\frac{8}{3}$  B  $\frac{x}{4}$   $\frac{0}{5}$

### 1. TYPE OF PANEL GROUNDS:

"61" NO TAB

"62" TOP TABS

"63" SIDE TABS

"64" TOP TABS & SIDE TABS

### 2. NO. OF POSITIONS & CONTACTS:

"88" 8P8C

### 3. CONTACT FINISH:

"A" 6 MICROINCH GOLD

"B" 15 MICROINCH GOLD

"C" 30 MICROINCH GOLD

"D" 50 MICROINCH GOLD

### 4. MAGNETIC SCHEMATICS:

10/100 BASE-TX

51, 52, 53, 54, 55, 56, 58, 59, 60, 63

10/100/1000 BASE-TX

G1, G3, G4, G6, G7, G8, G9, H0

SEE PAGE N5902~N5906 & N5941~N5943!

### 5. NO. OF PORTS:

04

## SIDE ENTRY 4-PORT MAGNETIC 10/100 & 10/100/1000 BASE-TX JACK WITHOUT LED 10P PROFILE=13.60MM (FULLY SHIELDED)

### MATERIALS

**Housing:** PBT UL 94V-0, Black

**Shell:** Brass C2680 T=0.20, 85u"~135u" Ni Plated

**RJ45 Terminal:** Phosphor Bronze T=0.30mm,

Gold Au Plated on Contact Area

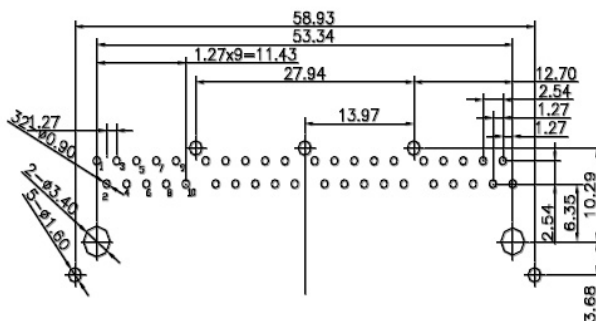
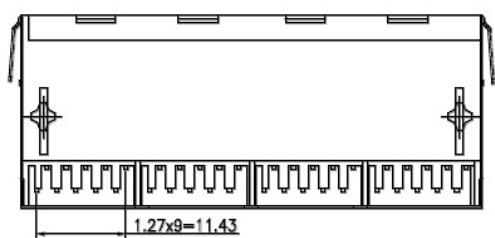
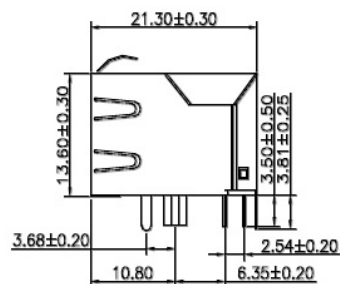
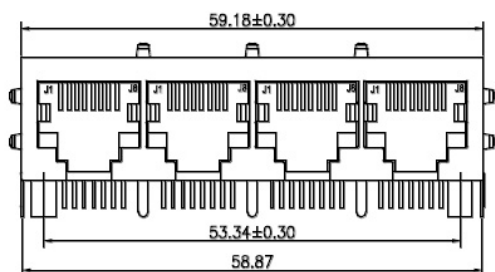
80u"~160u" Tin Plated on Solder Area

50u"~100u" Ni Underplated overall

**Other Terminal:** Brass T=0.30mm, 80u"~160u" Tin Plated

50u"~100u" Ni Underplated overall

\*RoHS & REACH compliant.



Recommended P.C.Board Layout

### ORDERING INFORMATION:

P/N LT  $\frac{x}{1}$  -  $\frac{0.8}{2}$   $\frac{x}{3}$  B  $\frac{x}{4}$   $\frac{0.4}{5}$

1. TYPE OF PANEL GROUNDS:

"61" NO TAB

"62" TOP TABS

"63" SIDE TABS

"64" TOP TABS & SIDE TABS

2. NO. OF POSITIONS & CONTACTS:

"08" 10P8C

3. CONTACT FINISH:

"A" 6 MICROINCH GOLD

"B" 15 MICROINCH GOLD

"C" 30 MICROINCH GOLD

"D" 50 MICROINCH GOLD

4. MAGNETIC SCHEMATICS:

10/100 BASE-TX

51, 52, 53, 54, 55, 56, 58, 59, 60, 63

10/100/1000 BASE-TX

G1, G3, G4, G6, G7, G8, G9, H0

SEE PAGE N5902~N5906 & N5941~N5943!

5. NO. OF PORTS:

04

# SIDE ENTRY 8-PORT MAGNETIC 10/100 & 10/100/1000 BASE-TX JACK WITHOUT LED 8P PROFILE=13.60MM (FULLY SHIELDED)

## MATERIALS

**Housing:** PBT UL 94V-0, Black

**Shell:** Brass C2680 T=0.20, 85u"~135u" Ni Plated

**RJ45 Terminal:** Phosphor Bronze T=0.30mm,

Gold Au Plated on Contact Area

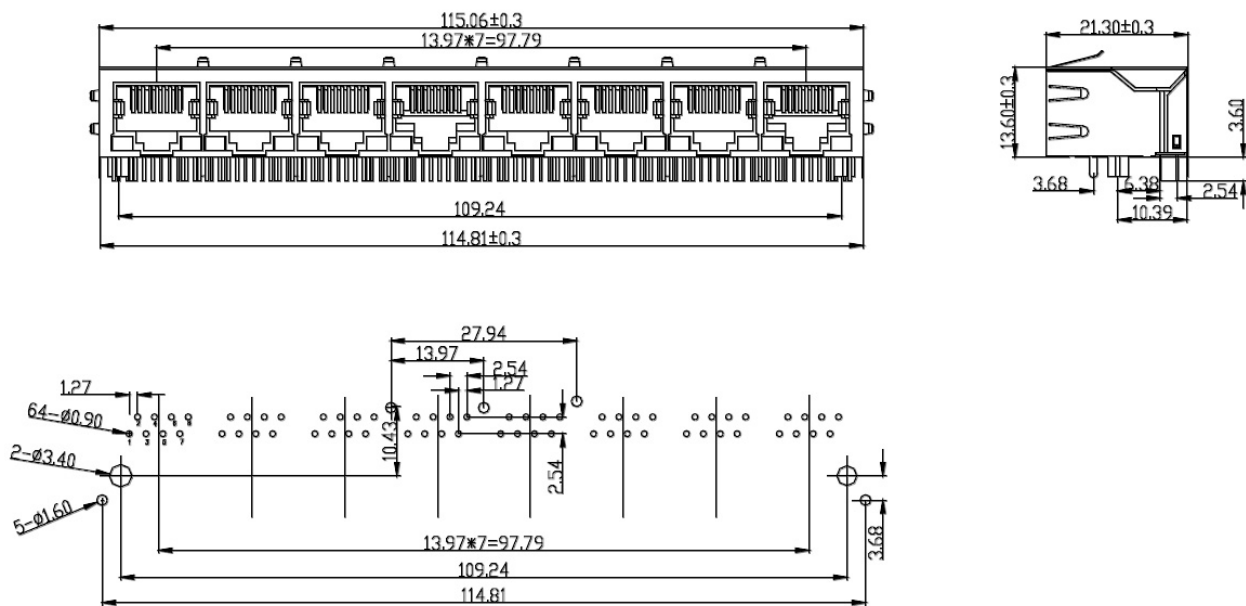
80u"~160u" Tin Plated on Solder Area

50u"~100u" Ni Underplated overall

**Other Terminal:** Brass T=0.30mm, 80u"~160u" Tin Plated

50u"~100u" Ni Underplated overall

\*RoHS & REACH compliant.



Recommended P.C.Board Layout

## ORDERING INFORMATION:

P/N LT  $\frac{x}{1}$  -  $\frac{8}{2}$   $\frac{8}{3}$  B  $\frac{x}{4}$   $\frac{x}{5}$  08

### 1. TYPE OF PANEL GROUNDS:

"61" NO TAB

"62" TOP TABS

"63" SIDE TABS

"64" TOP TABS & SIDE TABS

### 2. NO. OF POSITIONS & CONTACTS:

"88" 8P8C

### 3. CONTACT FINISH:

"A" 6 MICROINCH GOLD

"B" 15 MICROINCH GOLD

"C" 30 MICROINCH GOLD

"D" 50 MICROINCH GOLD

### 4. MAGNETIC SCHEMATICS:

10/100 BASE-TX

51, 52, 53, 54, 55, 56, 58, 59, 60, 63

10/100/1000 BASE-TX

G1, G3, G4, G6, G7, G8, G9, H0

SEE PAGE N5902~N5906 & N5941~N5943!

### 5. NO. OF PORTS:

08

# SIDE ENTRY MAGNETIC 10/100 & 10/100/1000 BASE-TX JACK WITHOUT LED 8P PROFILE=13.60MM (FULLY SHIELDED)

## MATERIALS

**Housing:** PBT UL 94V-0, Black

**Shell:** Brass C2680 T=0.20, 85u"~135u" Ni Plated

**RJ45 Terminal:** Phosphor Bronze T=0.30mm,

Gold Au Plated on Contact Area

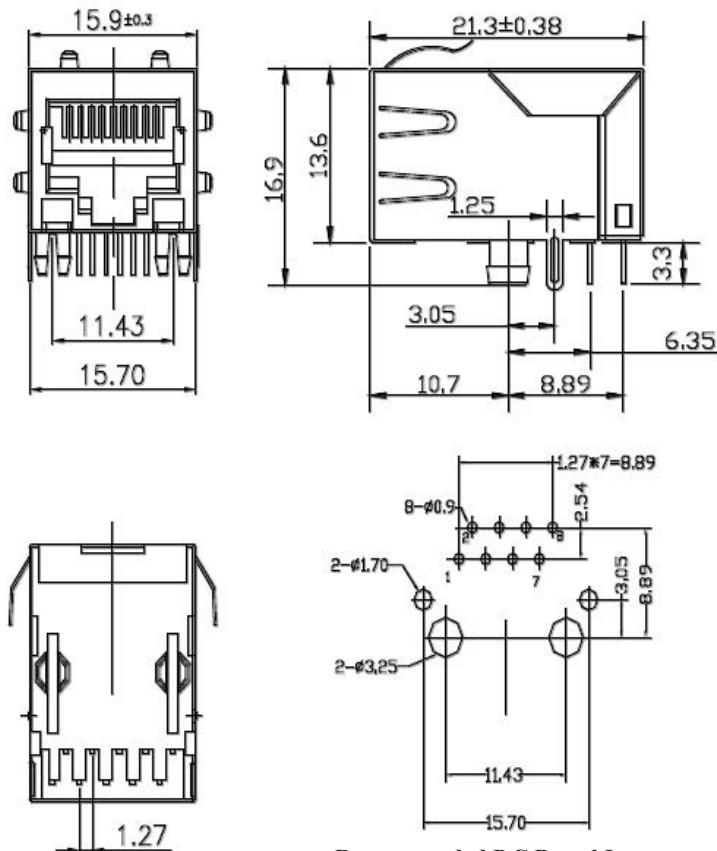
80u"~160u" Tin Plated on Solder Area

50u"~100u" Ni Underplated overall

**Other Terminal:** Brass T=0.30mm, 80u"~160u" Tin Plated

50u"~100u" Ni Underplated overall

\*RoHS & REACH compliant.



Recommended P.C.Board Layout

## ORDERING INFORMATION:

P/N L T  $\frac{x}{1}$  -  $\frac{8}{2}$   $\frac{8}{3}$  B  $\frac{x}{4}$

### 1. TYPE OF PANEL GROUNDS:

- "01" NO TAB
- "02" TOP TABS
- "03" SIDE TABS
- "04" TOP TABS & SIDE TABS

### 2. NO. OF POSITIONS & CONTACTS:

"88" 8P8C

### 3. CONTACT FINISH:

- "A" 6 MICROINCH GOLD
- "B" 15 MICROINCH GOLD
- "C" 30 MICROINCH GOLD
- "D" 50 MICROINCH GOLD

### 4. MAGNETIC SCHEMATICS:

10/100 BASE-TX

51, 52, 53, 54, 55, 56, 57, 58, 59, 60, 61,  
62, 63, 64, 65, 66, 67, 68, 69, 70, 73

10/100/1000 BASE-TX

G1, G3, G4, G6, G7, G8, G9, H0

SEE PAGE N5902~N5906 & N5941~N5943!

# SIDE ENTRY MAGNETIC 10/100 & 10/100/1000 BASE-TX JACK WITHOUT LED 10P PROFILE=13.60MM (FULLY SHIELDED)

## MATERIALS

**Housing:** PBT UL 94V-0, Black

**Shell:** Brass C2680 T=0.20, 85u"~135u" Ni Plated

**RJ45 Terminal:** Phosphor Bronze T=0.30mm,

Gold Au Plated on Contact Area

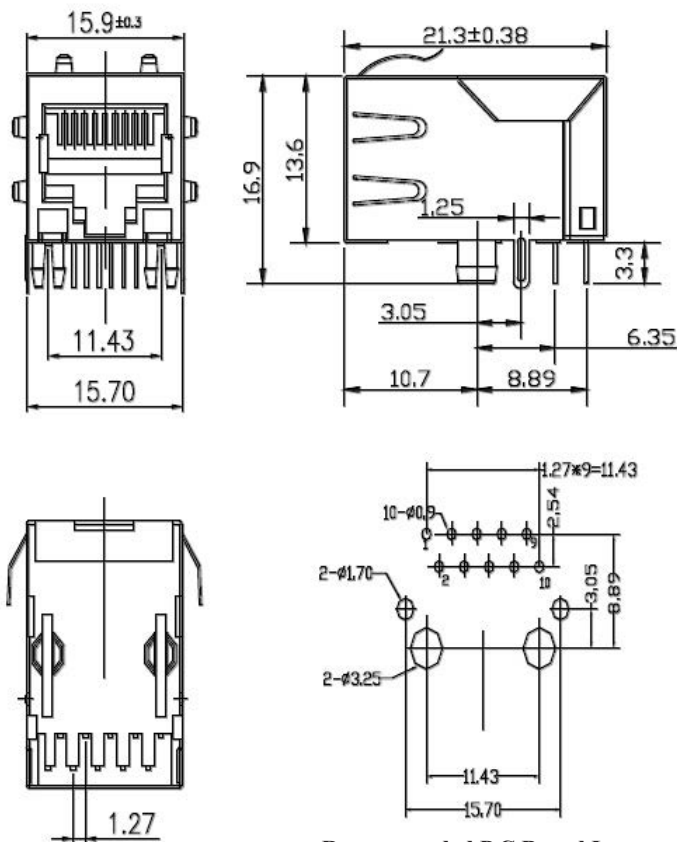
80u"~160u" Tin Plated on Solder Area

50u"~100u" Ni Underplated overall

**Other Terminal:** Brass T=0.30mm, 80u"~160u" Tin Plated

50u"~100u" Ni Underplated overall

\*RoHS & REACH compliant.



Recommended P.C.Board Layout

## ORDERING INFORMATION:

P/N L T  $\frac{x}{1}$  -  $\frac{0.8}{2}$   $\frac{x}{3}$  B  $\frac{x}{4}$

### 1. TYPE OF PANEL GROUNDS:

- "01" NO TAB
- "02" TOP TABS
- "03" SIDE TABS
- "04" TOP TABS & SIDE TABS

### 2. NO. OF POSITIONS & CONTACTS:

"08" 10P8C

### 3. CONTACT FINISH:

- "A" 6 MICROINCH GOLD
- "B" 15 MICROINCH GOLD
- "C" 30 MICROINCH GOLD
- "D" 50 MICROINCH GOLD

### 4. MAGNETIC SCHEMATICS:

10/100 BASE-TX

51, 52, 53, 54, 55, 56, 57, 58, 59, 60, 61, 62, 63, 64, 65, 66, 67, 68, 69, 70, 73

10/100/1000 BASE-TX

G1, G3, G4, G6, G7, G8, G9, H0

SEE PAGE N5902~N5906 & N5941~N5943!

# SIDE ENTRY UP LATCH MAGNETIC 10/100 & 10/100/1000 BASE-TX JACK WITH LED 8P PROFILE=13.60MM (FULLY SHIELDED)

## MATERIALS

**Housing:** PBT UL 94V-0, Black

**Shell:** Brass C2680 T=0.20, 85u"~135u" Ni Plated

**RJ45 Terminal:** Phosphor Bronze T=0.30mm,

Gold Au Plated on Contact Area

80u"~160u" Tin Plated on Solder Area

50u"~100u" Ni Underplated overall

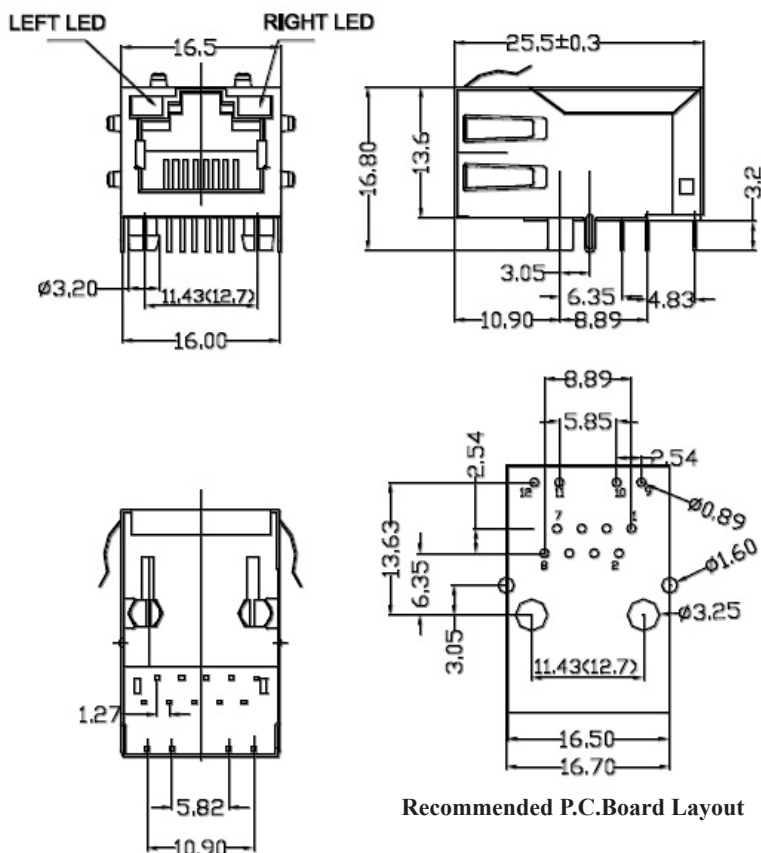
**Other Terminal:** Brass T=0.30mm, 80u"~160u" Tin Plated

50u"~100u" Ni Underplated overall

\*RoHS & REACH compliant.

## LED Designation:

Code	+/-	-/+	Code	+/-	-/+
N	Green	—	M	—	Green
Y	Yellow	—	Z	—	Yellow
8	Orange	—	Q	—	Orange
1	Green	Orange	2	Orange	Green
5	Green	Yellow	6	Yellow	Green



## ORDERING INFORMATION:

P/N L T  $\frac{xx}{1}$  -  $\frac{88}{2}$   $\frac{x}{3}$  B  $\frac{xx}{4}$   $\frac{xx}{5}$

### 1. TYPE OF PANEL GROUNDS:

- "49" NO TAB
- "50" TOP TABS
- "51" SIDE TABS
- "52" TOP TABS & SIDE TABS

### 2. NO. OF POSITIONS & CONTACTS:

"88" 8P8C

### 3. CONTACT FINISH:

- "A" 6 MICROINCH GOLD
- "B" 15 MICROINCH GOLD
- "C" 30 MICROINCH GOLD
- "D" 50 MICROINCH GOLD

### 4. MAGNETIC SCHEMATICS:

10/100 BASE-TX

51, 52, 53, 54, 55, 56, 58, 59, 60, 61, 62, 63, 64, 73, 74, 81

10/100/1000 BASE-TX

G1, G3, G4, G6, G7, G8, G9, H0, J2, J9

SEE PAGE N5902~N5906 & N5941~N5943!

### 5. TYPE OF LED POLARITY:

(LED PIN DIRECTION FROM LEFT TO RIGHT)

1N, 1Y, 1Z, 55, 58, 5Q, 85, MM, MY, MZ, N5, NN, NY, NZ, Q5, Y1, Y2, YM, YN, Z1, Z2, ZM, ZN

NOTE: LED PINS ARE PARALLEL.

# SIDE ENTRY UP LATCH MAGNETIC 10/100 & 10/100/1000 BASE-TX JACK WITH LED 10P PROFILE=13.60MM (FULLY SHIELDED)

## MATERIALS

**Housing:** PBT UL 94V-0, Black

**Shell:** Brass C2680 T=0.20, 85u"~135u" Ni Plated

**RJ45 Terminal:** Phosphor Bronze T=0.30mm,

Gold Au Plated on Contact Area

80u"~160u" Tin Plated on Solder Area

50u"~100u" Ni Underplated overall

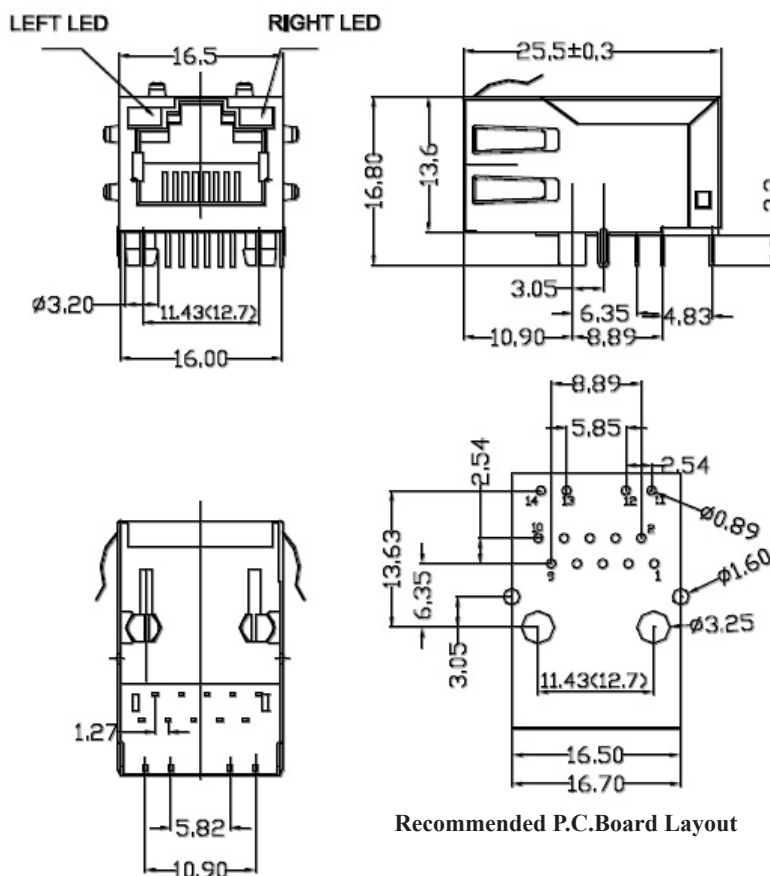
**Other Terminal:** Brass T=0.30mm, 80u"~160u" Tin Plated

50u"~100u" Ni Underplated overall

\*RoHS & REACH compliant.

## LED Designation:

Code	+/-	-/+	Code	+/-	-/+
N	Green	—	M	—	Green
Y	Yellow	—	Z	—	Yellow
8	Orange	—	Q	—	Orange
1	Green	Orange	2	Orange	Green
5	Green	Yellow	6	Yellow	Green



## ORDERING INFORMATION:

P/N L T  $\frac{x}{1}$  - 08  $\frac{x}{2}$   $\frac{x}{3}$  B  $\frac{x}{4}$   $\frac{x}{5}$

### 1. TYPE OF PANEL GROUNDS:

"49" NO TAB

"50" TOP TABS

"51" SIDE TABS

"52" TOP TABS & SIDE TABS

### 2. NO. OF POSITIONS & CONTACTS:

"08" 10P8C

### 3. CONTACT FINISH:

"A" 6 MICROINCH GOLD

"B" 15 MICROINCH GOLD

"C" 30 MICROINCH GOLD

"D" 50 MICROINCH GOLD

### 4. MAGNETIC SCHEMATICS:

10/100 BASE-TX

51, 52, 53, 54, 55, 56, 58, 59, 60, 61, 62, 63, 64, 73, 74, 81

10/100/1000 BASE-TX

G1, G3, G4, G6, G7, G8, G9, H0, J2, J9

SEE PAGE N5902~N5906 & N5941~N5943!

### 5. TYPE OF LED POLARITY:

(LED PIN DIRECTION FROM LEFT TO RIGHT)

1N, 1Y, 1Z, 55, 58, 5Q, 85, MM, MY, MZ, N5, NN, NY, NZ, Q5, Y1, Y2, YM, YN, Z1, Z2, ZM, ZN

NOTE: LED PINS ARE PARALLEL.



# SIDE ENTRY UP LATCH MAGNETIC 10/100 & 10/100/1000 BASE-TX JACK WITH LED 6P PROFILE=13.60MM (FULLY SHIELDED)

## MATERIALS

**Housing:** PBT UL 94V-0, Black

**Shell:** Brass C2680 T=0.20, 85u"~135u" Ni Plated

**RJ45 Terminal:** Phosphor Bronze T=0.30mm,

Gold Au Plated on Contact Area

80u"~160u" Tin Plated on Solder Area

50u"~100u" Ni Underplated overall

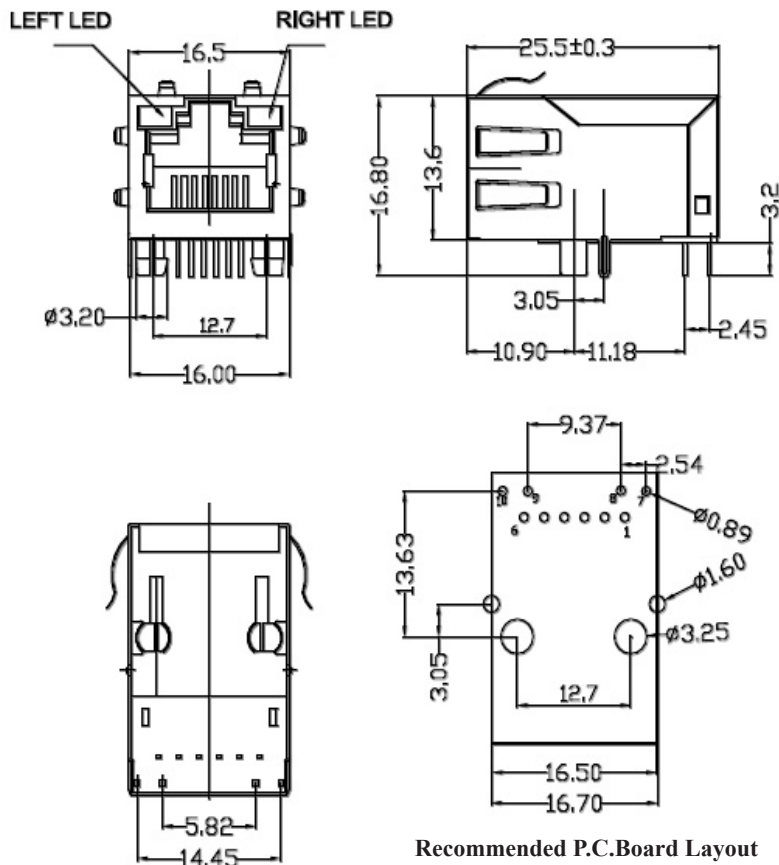
**Other Terminal:** Brass T=0.30mm, 80u"~160u" Tin Plated

50u"~100u" Ni Underplated overall

\*RoHS & REACH compliant.

## LED Designation:

Code	+/-	-/+	Code	+/-	-/+
N	Green	—	M	—	Green
Y	Yellow	—	Z	—	Yellow
8	Orange	—	Q	—	Orange
1	Green	Orange	2	Orange	Green
5	Green	Yellow	6	Yellow	Green



Recommended P.C.Board Layout

## ORDERING INFORMATION:

P/N L T  $\frac{x}{1}$  - 68  $\frac{x}{2}$   $\frac{x}{3}$  B  $\frac{x}{4}$   $\frac{x}{5}$

### 1. TYPE OF PANEL GROUNDS:

"49" NO TAB

"50" TOP TABS

"51" SIDE TABS

"52" TOP TABS & SIDE TABS

### 2. NO. OF POSITIONS & CONTACTS:

"68" 6P8C

### 3. CONTACT FINISH:

"A" 6 MICROINCH GOLD

"B" 15 MICROINCH GOLD

"C" 30 MICROINCH GOLD

"D" 50 MICROINCH GOLD

### 4. MAGNETIC SCHEMATICS:

10/100 BASE-TX

51, 52, 53, 54, 55, 56, 58, 59, 60, 61, 62, 63, 64, 73, 81

10/100/1000 BASE-TX

G1, G3, G4, G6, G7, G8, G9, H0, J2, J9

SEE PAGE N5902~N5906 & N5941~N5943!

### 5. TYPE OF LED POLARITY:

(LED PIN DIRECTION FROM LEFT TO RIGHT)

1N, 1Y, 1Z, 55, 58, 5Q, 85, MM, MY, MZ, N5, NN, NY, NZ, Q5, Y1, Y2, YM, YN, Z1, Z2, ZM, ZN

NOTE: LED PINS ARE PARALLEL.

# SIDE ENTRY 4-PORT MAGNETIC 10/100 & 10/100/1000 BASE-TX JACK WITH LED 8P PROFILE=13.60MM (FULLY SHIELDED)

## MATERIALS

**Housing:** PBT UL 94V-0, Black

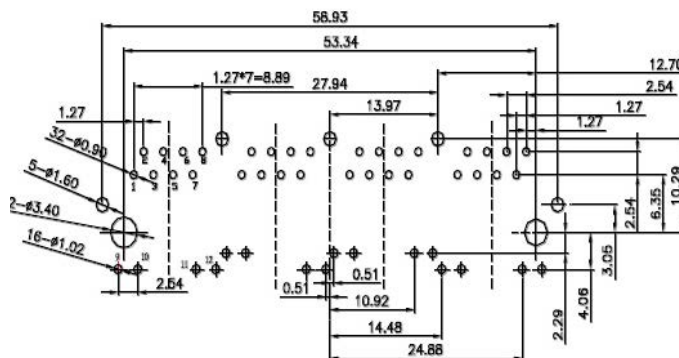
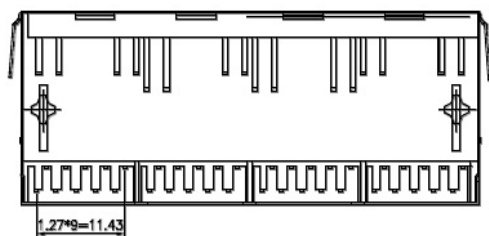
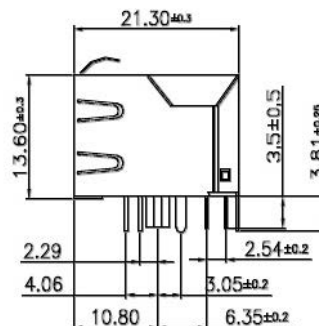
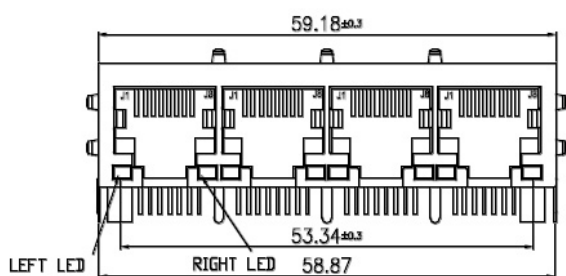
**Shell:** Brass C2680 T=0.20, 85u"~135u" Ni Plated

**RJ45 Terminal:** Phosphor Bronze T=0.30mm,  
Gold Au Plated on Contact Area  
80u"~160u" Tin Plated on Solder Area  
50u"~100u" Ni Underplated overall

**Other Terminal:** Brass T=0.30mm, 80u"~160u" Tin Plated  
50u"~100u" Ni Underplated overall

\*RoHS & REACH compliant.

LED Designation:					
Code	+/-	-/+	Code	+/-	-/+
N	Green	—	M	—	Green
Y	Yellow	—	Z	—	Yellow
8	Orange	—	Q	—	Orange
1	Green	Orange	2	Orange	Green
5	Green	Yellow	6	Yellow	Green



Recommended P.C.Board Layout

## ORDERING INFORMATION:

P/N LT  $\frac{x}{1}$  -  $\frac{88}{2}$   $\frac{x}{3}$  B  $\frac{x}{4}$   $\frac{x}{5}$   $\frac{x}{6}$  04

### 1. TYPE OF PANEL GROUNDS:

- "65" NO TAB
- "66" TOP TABS
- "67" SIDE TABS
- "68" TOP TABS & SIDE TABS

### 2. NO. OF POSITIONS & CONTACTS:

"88" 8P8C

### 3. CONTACT FINISH:

- "A" 6 MICROINCH GOLD
- "B" 15 MICROINCH GOLD
- "C" 30 MICROINCH GOLD
- "D" 50 MICROINCH GOLD

### 4. MAGNETIC SCHEMATICS:

10/100 BASE-TX

51, 52, 53, 54, 55, 56, 58, 59, 60, 63

10/100/1000 BASE-TX

G1, G3, G4, G6, G7, G8, G9, H0

SEE PAGE N5902~N5906 & N5941~N5943!

### 5. TYPE OF LED POLARITY:

(LED PIN DIRECTION FROM LEFT TO RIGHT)

1N, 1Y, 1Z, 5S, 58, 5Q, 85, MM, MY, MZ, N5, NN, NY, NZ, Q5, Y1, Y2, YM, YN, Z1, Z2, ZM, ZN

### 6. NO. OF PORTS:

04

NOTE: LED PINS ARE PARALLEL.

# SIDE ENTRY 4-PORT MAGNETIC 10/100 & 10/100/1000 BASE-TX JACK WITH LED 10P PROFILE=13.60MM (FULLY SHIELDED)

## MATERIALS

**Housing:** PBT UL 94V-0, Black

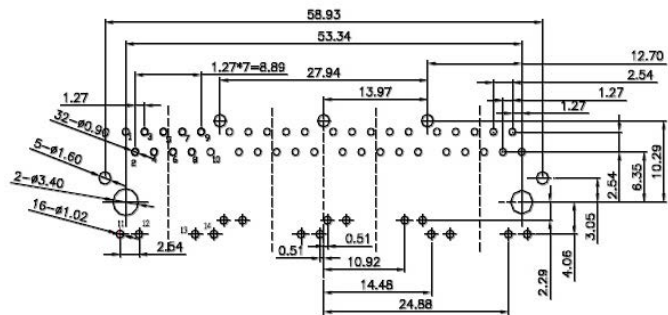
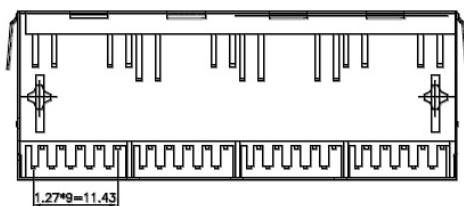
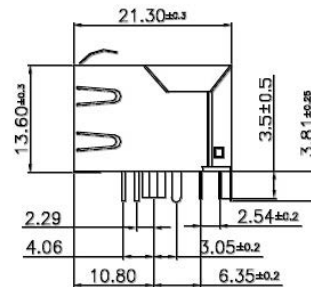
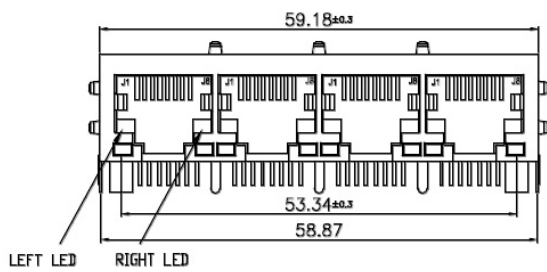
**Shell:** Brass C2680 T=0.20, 85u"~135u" Ni Plated

**RJ45 Terminal:** Phosphor Bronze T=0.30mm,  
Gold Au Plated on Contact Area  
80u"~160u" Tin Plated on Solder Area  
50u"~100u" Ni Underplated overall

**Other Terminal:** Brass T=0.30mm, 80u"~160u" Tin Plated  
50u"~100u" Ni Underplated overall

\*RoHS & REACH compliant.

LED Designation:					
Code	+/-	-/+	Code	+/-	-/+
N	Green	—	M	—	Green
Y	Yellow	—	Z	—	Yellow
8	Orange	—	Q	—	Orange
1	Green	Orange	2	Orange	Green
5	Green	Yellow	6	Yellow	Green



Recommended P.C.Board Layout

## ORDERING INFORMATION:

P/N LT  $\frac{x}{1}$  -  $\frac{0.8}{2}$  x B  $\frac{x}{3}$   $\frac{x}{4}$   $\frac{x}{5}$   $\frac{0.4}{6}$

### 1. TYPE OF PANEL GROUNDS:

- "65" NO TAB
- "66" TOP TABS
- "67" SIDE TABS
- "68" TOP TABS & SIDE TABS

### 2. NO. OF POSITIONS & CONTACTS:

"08" 10P8C

### 3. CONTACT FINISH:

- "A" 6 MICROINCH GOLD
- "B" 15 MICROINCH GOLD
- "C" 30 MICROINCH GOLD
- "D" 50 MICROINCH GOLD

### 4. MAGNETIC SCHEMATICS:

10/100 BASE-TX

51, 52, 53, 54, 55, 56, 58, 59, 60, 63

10/100/1000 BASE-TX

G1, G3, G4, G6, G7, G8, G9, H0

SEE PAGE N5902~N5906 & N5941~N5943!

### 5. TYPE OF LED POLARITY:

(LED PIN DIRECTION FROM LEFT TO RIGHT)

1N, 1Y, 1Z, 55, 58, 5Q, 85, MM, MY, MZ, N5, NN, NY, NZ, Q5, Y1, Y2, YM, YN, Z1, Z2, ZM, ZN

### 6. NO. OF PORTS:

04

NOTE: LED PINS ARE PARALLEL.



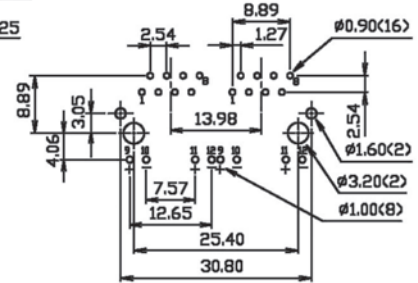
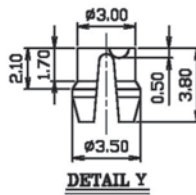
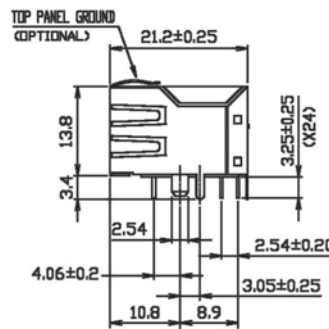
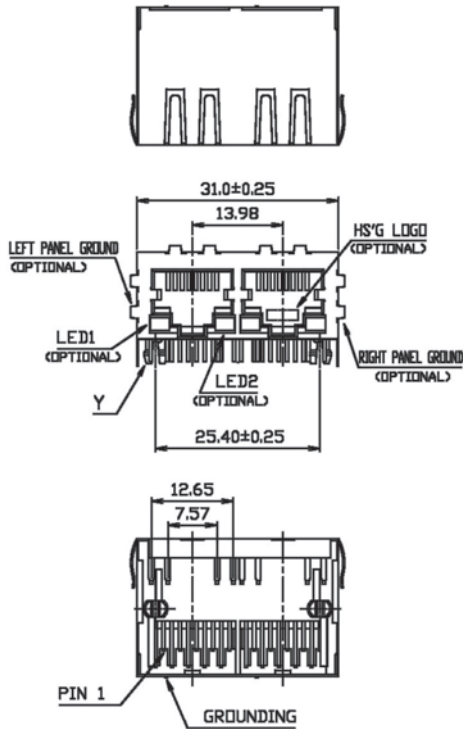
# SIDE ENTRY 2-PORT MAGNETIC 10/100 BASE-TX JACK 8P WITH LED PROFILE=13.80MM (FULLY SHIELDED)

## SPECIFICATIONS

**Insulation Resistance:** 500MΩ Min.  
**Contact Resistance:** 20mΩ Max.  
**Rating Current:** 1.5A Max.  
**Rating Voltage:** 120V AC.  
**Dielectric Voltage:** 1000 Vrms 60 Sec. Min.  
**Temperature Range:** -40°C / +85°C  
**Durability:** 500 Mating cycles Min.

## MATERIALS

**Housing:** PBT Glass Filled (UL 94V-0)  
**Soldering Temperature:** 235°C  
**Color:** Black  
**Spring Wire:** Phosphor Bronze  
                     Gold plating Over Nickel  
**Shield:** Brass plating Nickel Alloy  
**\*RoHS & REACH compliant.**



Recommended P.C. Board Layout

## ORDERING INFORMATION:

P/N L T  $\frac{XX}{1}$  -  $\frac{88}{2}$  X  $\frac{B}{3}$   $\frac{XX}{4}$   $\frac{XX}{5}$   $\frac{02}{6}$

- TYPE OF PANEL GROUNDS (TABS):  
 "BE" NO TABS  
 "BF" TOP TABS  
 "BG" SIDE TABS  
 "BH" TOP TABS & SIDE TABS
- NO. OF POSITIONS & CONTACTS:  
 "88" 8P8C
- CONTACT FINISH:  
 "A" 6 MICROINCH GOLD  
 "B" 15 MICROINCH GOLD  
 "C" 30 MICROINCH GOLD  
 "D" 50 MICROINCH GOLD

- MAGNETIC SHEMATICS:  
 UPON REQUEST!  
 SEE PAGE N5902~N5906!
- COLORS OF LED:  
 "NN" LED1: GREEN & LED2: GREEN  
 "NY" LED1: GREEN & LED2: YELLOW  
 "YN" LED1: YELLOW & LED2: GREEN  
 "YY" LED1: YELLOW & LED2: YELLOW  
 "XX" W/O LED
- NO. OF PORTS:  
 02

NOTE: OTHER LED COLORS UPON REQUEST!

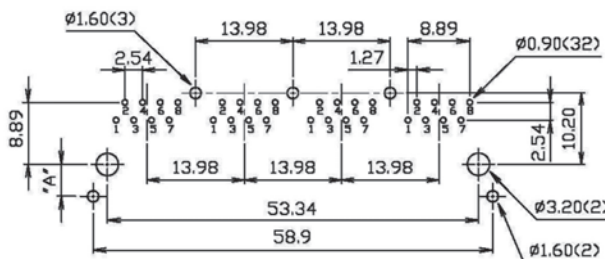
# SIDE ENTRY 4-PORT MAGNETIC 10/100 BASE-TX JACK 8P WITHOUT LED PROFILE=13.80MM (FULLY SHIELDED)

## SPECIFICATIONS

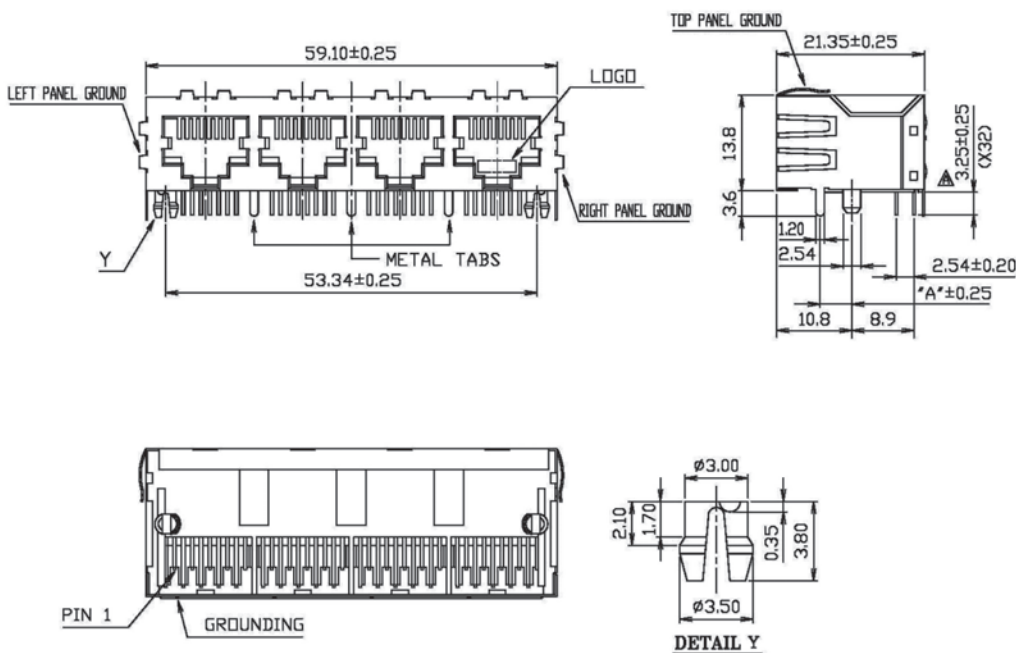
- Insulation Resistance: 500MΩ Min.
- Contact Resistance: 20mΩ Max.
- Rating Current: 1.5A Max.
- Rating Voltage: 120V AC.
- Dielectric Voltage: 1000 Vrms 60 Sec. Min.
- Temperature Range: -40°C / +85°C
- Durability: 500 Mating cycles Min.

## MATERIALS

- Housing: PBT Glass Filled (UL 94V-0)
- Soldering Temperature: 235°C
- Color: Black
- Spring Wire: Phosphor Bronze  
Gold plating Over Nickel
- \*RoHS & REACH compliant.



Recommended P.C. Board Layout



## ORDERING INFORMATION:

P/N LT  $\frac{x}{1}$  - 88  $\frac{x}{2}$   $\frac{x}{3}$  B  $\frac{x}{4}$   $\frac{x}{5}$  04

- |   |  |
|---|--|
| <ol style="list-style-type: none"> <li>MODULAR JACK TYPE:<br/>"LT" WITH TOP/RIGHT/LEFT SIDE TABS<br/>"LU" WITH RIGHT/LEFT SIDE TABS<br/>"LV" WITH TOP SIDE TABS<br/>"LW" WITHOUT GROUNDING TABS</li> <li>NO. OF POSITIONS &amp; CONTACTS:<br/>"88" 8P8C</li> <li>CONTACT FINISH:<br/>"A" 6 MICROINCH GOLD<br/>"B" 15 MICROINCH GOLD<br/>"C" 30 MICROINCH GOLD<br/>"D" 50 MICROINCH GOLD</li> <li>MAGNETIC SHEMATICS:<br/>UPON REQUEST! SEE PAGE N5902~N5906!</li> </ol> | <ol style="list-style-type: none"> <li>NO. OF PORTS:<br/>04</li> </ol> |
|---|--|

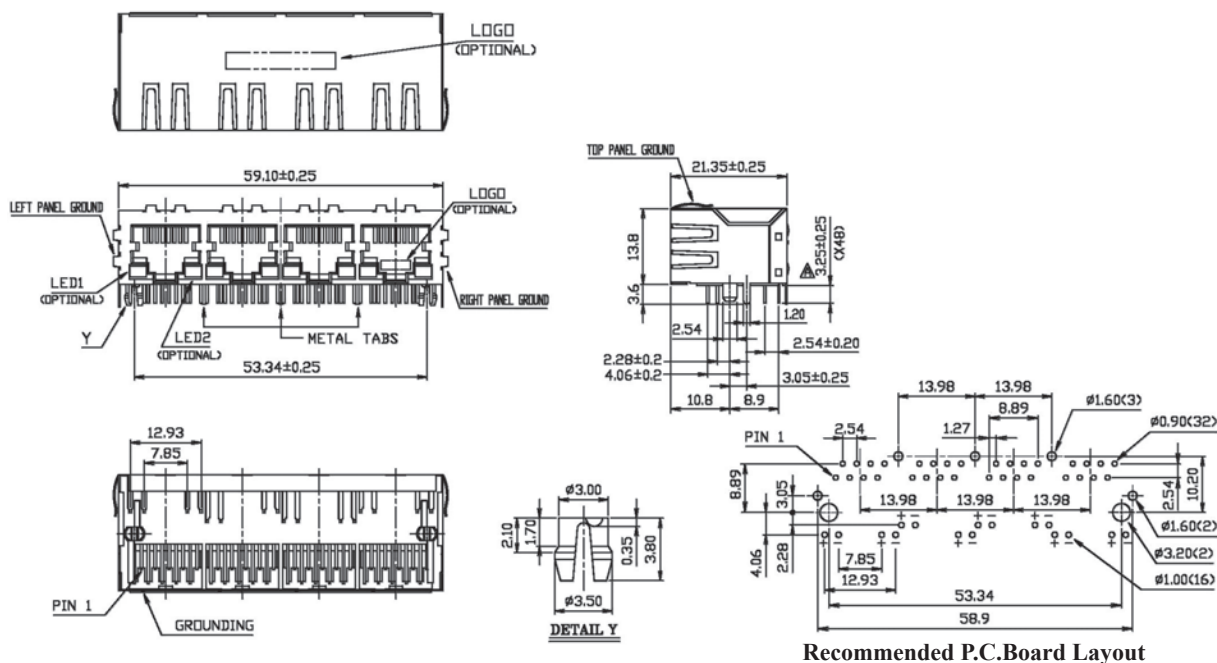
# SIDE ENTRY 4-PORT MAGNETIC 10/100 BASE-TX JACK 8P WITH LED PROFILE=13.80MM (FULLY SHIELDED)

## SPECIFICATIONS

**Insulation Resistance:** 500MΩ Min.  
**Contact Resistance:** 20mΩ Max.  
**Rating Current:** 1.5A Max.  
**Rating Voltage:** 120V AC.  
**Dielectric Voltage:** 1000 Vrms 60 Sec. Min.  
**Temperature Range:** -40°C / +85°C  
**Durability:** 500 Mating cycles Min.

## MATERIALS

**Housing:** PBT Glass Filled (UL 94V-0)  
**Soldering Temperature:** 235°C  
**Color:** Black  
**Spring Wire:** Phosphor Bronze  
                     Gold plating Over Nickel  
**Shield:** Brass plating Nickel Alloy  
**\*RoHS & REACH compliant.**



## ORDERING INFORMATION:

P/N L T  $\frac{X}{1}$  -  $\frac{88}{2}$  X B  $\frac{X}{4}$  X X X  $\frac{0}{5}$   $\frac{4}{6}$

- TYPE OF PANEL GROUNDS (TABS):  
 "BJ" NO TABS  
 "BK" TOP TABS  
 "BL" SIDE TABS  
 "BM" TOP TABS & SIDE TABS
- NO. OF POSITIONS & CONTACTS:  
 "88" 8P8C
- CONTACT FINISH:  
 "A" 6 MICROINCH GOLD  
 "B" 15 MICROINCH GOLD  
 "C" 30 MICROINCH GOLD  
 "D" 50 MICROINCH GOLD

- MAGNETIC SHEMATICS:  
 UPON REQUEST!  
 SEE PAGE N5902~N5906!
- COLORS OF LED:  
 "NN" LED1: GREEN & LED2: GREEN  
 "NY" LED1: GREEN & LED2: YELLOW  
 "YN" LED1: YELLOW & LED2: GREEN  
 "YY" LED1: YELLOW & LED2: YELLOW  
 "XX" W/O LED
- NO. OF PORTS:  
 04

NOTE: OTHER LED COLORS UPON REQUEST!

# SIDE ENTRY 4-PORT MAGNETIC 10/100/1000 (GIGABIT) BASE-TX JACK WITH LED 10P PROFILE=13.80MM (FULLY SHIELDED)

## MATERIALS

**Housing:** High Temperature Thermoplastic UL 94V-0, Black

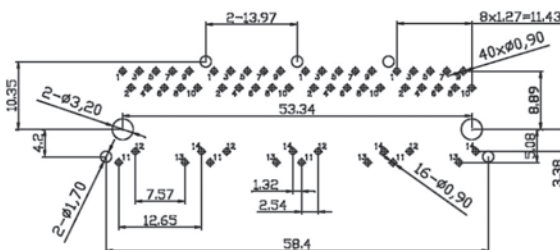
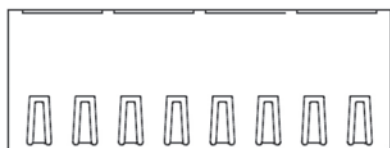
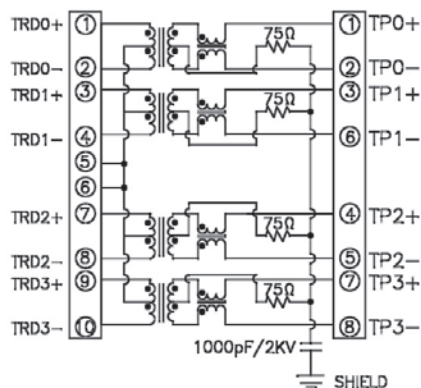
**Contacts:** 0.35mm Phosphor Bronze Plated,

Gold Plated on Contact Area

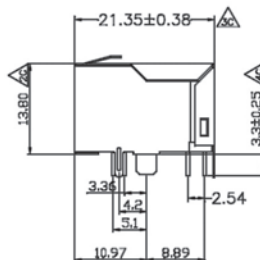
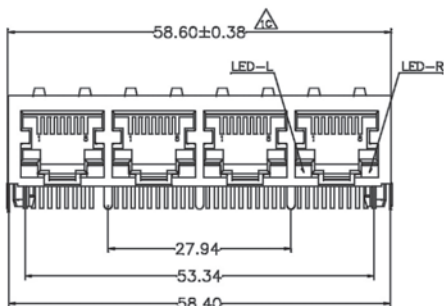
Solder Tin in Solder Area

**Shield:** 0.20mm Copper Alloy with Nickel

\*RoHS & REACH compliant.



Recommended P.C.Board Layout



## ORDERING INFORMATION:

P/N LTGB -  $\frac{08}{1} \times \frac{B}{2} \times \frac{X}{3} \times \frac{X}{4} \times \frac{X}{5} 04$

- NO. OF POSITIONS & CONTACTS:  
"08" 10P8C
- CONTACT FINISH:  
"A" 6 MICROINCH GOLD  
"B" 15 MICROINCH GOLD  
"C" 30 MICROINCH GOLD  
"D" 50 MICROINCH GOLD
- MAGNETIC SCHEMATICS:  
99
- TYPE OF LED POLARITY:  
(LED PIN DIRECTION FROM LEFT TO RIGHT)  
1N, 1Y, 1Z, 55, 58, 5Q, 85, MM, MY, MZ, N5, NN,  
NY, NZ, Q5, Y1, Y2, YM, YN, Z1, Z2, ZM, ZN

### LED Designation:

Code	+/-	-/+	Code	+/-	-/+
N	Green	—	M	—	Green
Y	Yellow	—	Z	—	Yellow
8	Orange	—	Q	—	Orange
1	Green	Orange	2	Orange	Green
5	Green	Yellow	6	Yellow	Green

- NO. OF PORTS:  
04



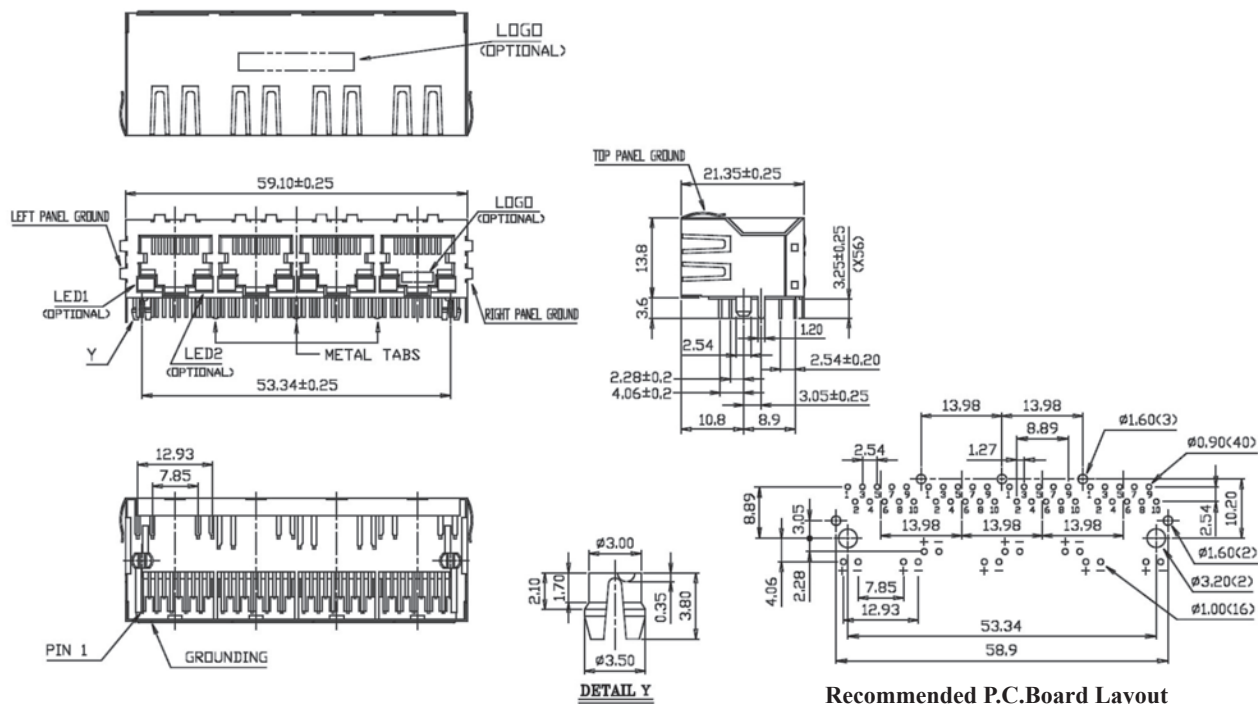
# SIDE ENTRY 4-PORT MAGNETIC 10/100 BASE-TX JACK 10P WITH LED PROFILE=13.80MM (FULLY SHIELDED)

## SPECIFICATIONS

**Insulation Resistance:** 500MΩ Min.  
**Contact Resistance:** 20mΩ Max.  
**Rating Current:** 1.5A Max.  
**Rating Voltage:** 120V AC.  
**Dielectric Voltage:** 1000 Vrms 60 Sec. Min.  
**Temperature Range:** -40°C / +85°C  
**Durability:** 500 Mating cycles Min.

## MATERIALS

**Housing:** PBT Glass Filled (UL 94V-0)  
**Soldering Temperature:** 235°C  
**Color:** Black  
**Spring Wire:** Phosphor Bronze  
                     Gold plating Over Nickel  
**Shield:** Brass plating Nickel Alloy  
**\*RoHS & REACH compliant.**



## ORDERING INFORMATION:

P/N L T  $\frac{x}{1}$  - 0 8  $\frac{x}{2}$  B  $\frac{x}{3}$   $\frac{x}{4}$   $\frac{x}{5}$  0 4

- TYPE OF PANEL GROUNDS (TABS):  
 "BJ" NO TABS  
 "BK" TOP TABS  
 "BL" SIDE TABS  
 "BM" TOP TABS & SIDE TABS
- NO. OF POSITIONS & CONTACTS:  
 "00" 10P10C
- CONTACT FINISH:  
 "A" 6 MICROINCH GOLD  
 "B" 15 MICROINCH GOLD  
 "C" 30 MICROINCH GOLD  
 "D" 50 MICROINCH GOLD

- MAGNETIC SHEMATICS:  
 UPON REQUEST!  
 SEE PAGE N5902~N5906!
- COLORS OF LED:  
 "NN" LED1: GREEN & LED2: GREEN  
 "NY" LED1: GREEN & LED2: YELLOW  
 "YN" LED1: YELLOW & LED2: GREEN  
 "YY" LED1: YELLOW & LED2: YELLOW  
 "XX" W/O LED
- NO. OF PORTS:  
 04

NOTE: OTHER LED COLORS UPON REQUEST!

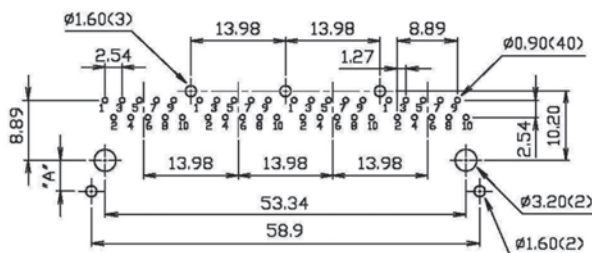
# SIDE ENTRY 4-PORT MAGNETIC 10/100 BASE-TX JACK 10P WITHOUT LED 10P PROFILE=13.80MM (FULLY SHIELDED)

## SPECIFICATIONS

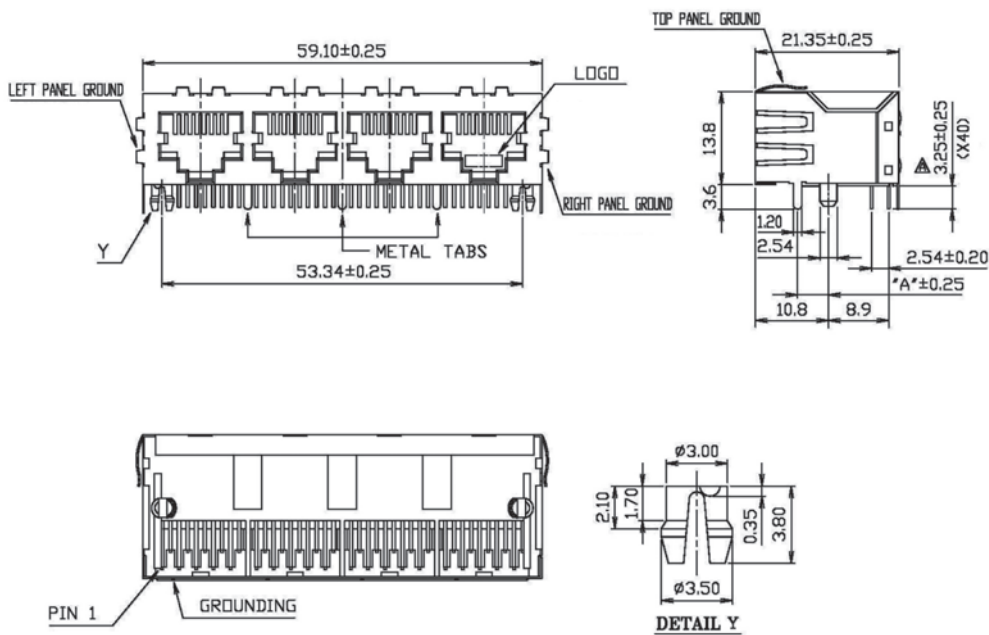
- Insulation Resistance: 500MΩ Min.
- Contact Resistance: 20mΩ Max.
- Rating Current: 1.5A Max.
- Rating Voltage: 120V AC.
- Dielectric Voltage: 1000 Vrms 60 Sec. Min.
- Temperature Range: -40°C / +85°C
- Durability: 500 Mating cycles Min.

## MATERIALS

- Housing: PBT Glass Filled (UL 94V-0)
- Soldering Temperature: 235°C
- Color: Black
- Spring Wire: Phosphor Bronze
- Gold plating Over Nickel
- \*RoHS & REACH compliant.



Recommended P.C.Board Layout



## ORDERING INFORMATION:

P/N LT  $\frac{x}{1}$  -  $\frac{08}{2}$   $\frac{x}{3}$  B  $\frac{x}{4}$   $\frac{04}{5}$

- |   |   |
|---|---|
| <ol style="list-style-type: none"> <li>1. MODULAR JACK TYPE:<br/>"LT" WITH TOP/RIGHT/LEFT SIDE TABS<br/>"LU" WITH RIGHT/LEFT SIDE TABS<br/>"LV" WITH TOP SIDE TABS<br/>"LW" WITHOUT GROUNDING TABS</li> <li>2. NO. OF POSITIONS &amp; CONTACTS:<br/>"08" 10P8C</li> <li>3. CONTACT FINISH:<br/>"A" 6 MICROINCH GOLD<br/>"B" 15 MICROINCH GOLD<br/>"C" 30 MICROINCH GOLD<br/>"D" 50 MICROINCH GOLD</li> <li>4. MAGNETIC SCHEMATICS:<br/>UPON REQUEST! SEE PAGE N5902~N5906!</li> </ol> | <ol style="list-style-type: none"> <li>5. NO. OF PORTS:<br/>04</li> </ol> |
|---|---|

# SIDE ENTRY MAGNETIC 10/100 & 10/100/1000 BASE-TX SMT JACK WITH LED 12P PROFILE=11.30MM (FULLY SHIELDED)

## MATERIALS

**Housing:** LCP UL 94V-0, Black

**Shell:** Brass C2680 T=0.20, 85u"~135u" Ni Plated

**RJ45 Terminal:** Phosphor Bronze T=0.30mm,

Gold Au Plated on Contact Area

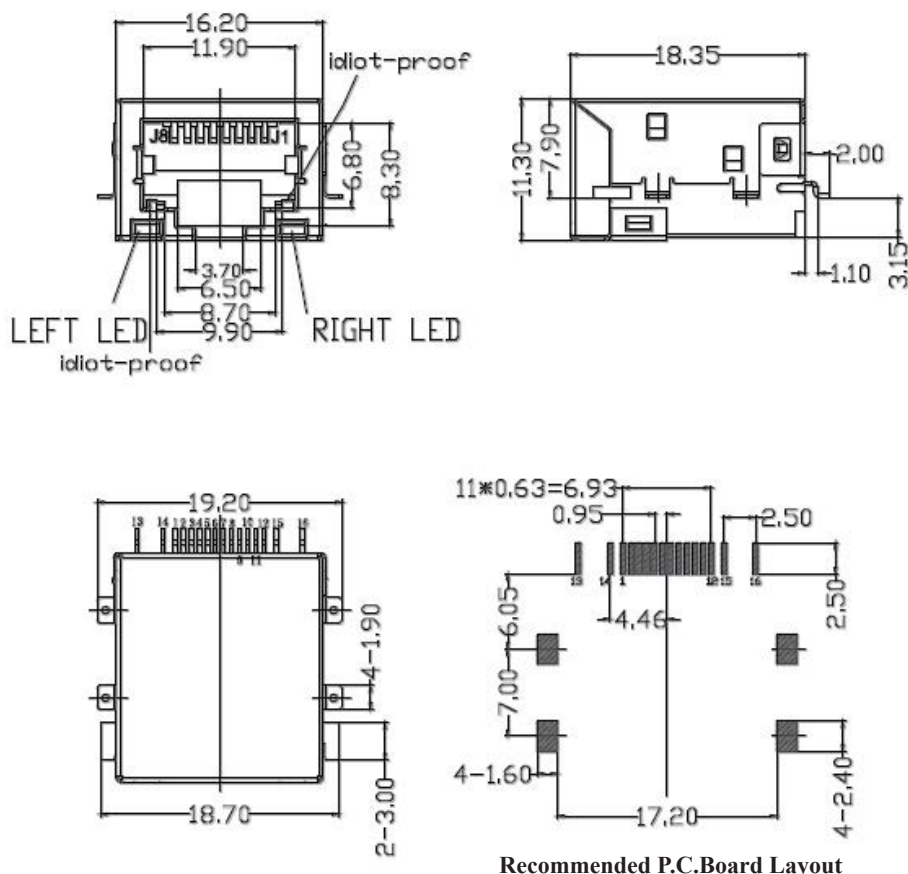
80u"~160u" Tin Plated on Solder Area

50u"~100u" Ni Underplated overall

**Other Terminal:** Brass T=0.30mm, 80u"~160u" Tin Plated

50u"~100u" Ni Underplated overall

\*RoHS & REACH compliant.



## ORDERING INFORMATION:

P/N LT 15 -  $\frac{T}{1} \frac{8}{2} \times \frac{B}{3} \frac{x}{4} \frac{x}{x} \frac{x}{x}$

1. NO. OF POSITIONS & CONTACTS:

"T8" 12P8C

2. CONTACT FINISH:

"A" 6 MICROINCH GOLD

"B" 15 MICROINCH GOLD

"C" 30 MICROINCH GOLD

"D" 50 MICROINCH GOLD

3. MAGNETIC SCHEMATICS:

10/100 BASE-TX

58, 60, 66, 67, 76, 77, 78, 79, 80

10/100/1000 BASE-TX

G5, H4

SEE PAGE N5902~N5906 & N5941~N5943!

4. TYPE OF LED POLARITY:

(LED PIN DIRECTION FROM LEFT TO RIGHT)

1N, 1Y, 1Z, 5S, 58, 5Q, 85, MM, MY, MZ, N5, NN, NY, NZ, Q5, Y1, Y2, YM, YN, Z1, Z2, ZM, ZN

### LED Designation:

Code	+/-	-/+	Code	+/-	-/+
N	Green	—	M	—	Green
Y	Yellow	—	Z	—	Yellow
8	Orange	—	Q	—	Orange
1	Green	Orange	2	Orange	Green
5	Green	Yellow	6	Yellow	Green

# SIDE ENTRY UP LATCH MAGNETIC 10/100 & 10/100/1000 BASE-TX SMT JACK WITHOUT LED 8P PROFILE=13.40MM (FULLY SHIELDED)

## MATERIALS

**Housing:** LCP UL 94V-0, Black

**Shell:** Brass C2680 T=0.20, 85u"~135u" Ni Plated

**RJ45 Terminal:** Phosphor Bronze T=0.30mm,

Gold Au Plated on Contact Area

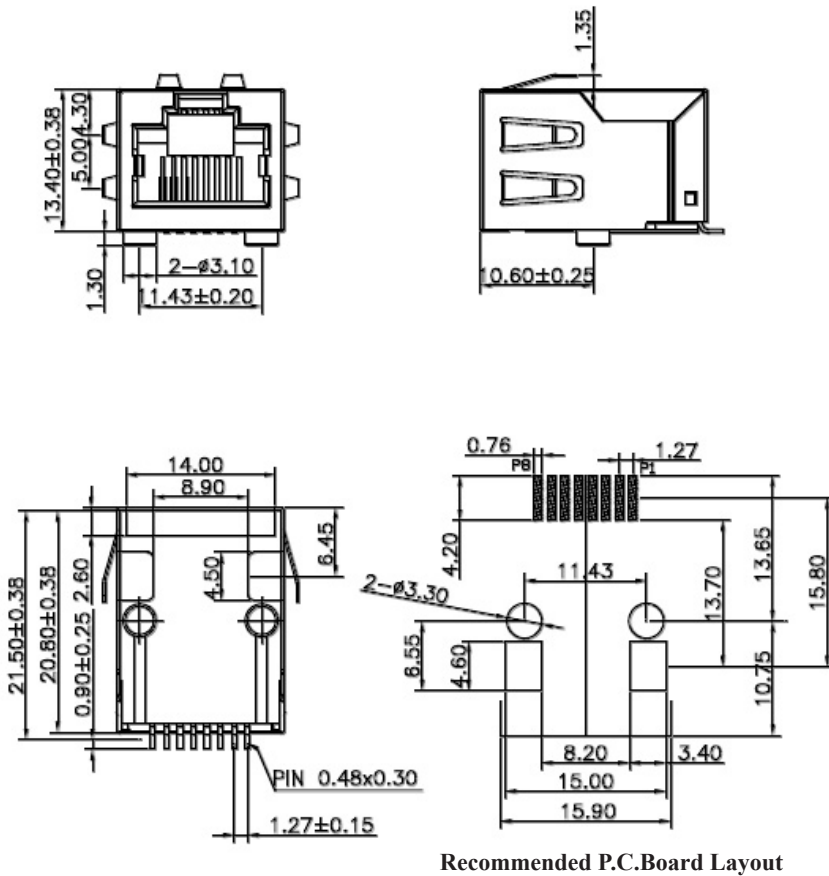
80u"~160u" Tin Plated on Solder Area

50u"~100u" Ni Underplated overall

**Other Terminal:** Brass T=0.30mm, 80u"~160u" Tin Plated

50u"~100u" Ni Underplated overall

\*RoHS & REACH compliant.



Recommended P.C.Board Layout

## ORDERING INFORMATION:

P/N L T  $\frac{x}{1}$  - 88  $\frac{x}{2}$   $\frac{x}{3}$  B  $\frac{x}{4}$

### 1. TYPE OF PANEL GROUNDS:

- "41" NO TAB
- "42" TOP TABS
- "43" SIDE TABS
- "44" TOP TABS & SIDE TABS

### 2. NO. OF POSITIONS & CONTACTS:

"88" 8P8C

### 3. CONTACT FINISH:

- "A" 6 MICROINCH GOLD
- "B" 15 MICROINCH GOLD
- "C" 30 MICROINCH GOLD
- "D" 50 MICROINCH GOLD

### 4. MAGNETIC SCHEMATICS:

- 10/100 BASE-TX  
51, 52, 53, 54, 55, 56, 57, 59, 60, 63
- 10/100/1000 BASE-TX  
G1, G3, G4, G6, G7, G8, G9, H0  
SEE PAGE N5902~N5906 & N5941~N5943!

# SIDE ENTRY UP LATCH MAGNETIC 10/100 & 10/100/1000 BASE-TX SMT JACK WITH LED 8P PROFILE=13.50MM (FULLY SHIELDED)

## MATERIALS

**Housing:** LCP UL 94V-0, Black

**Shell:** Brass C2680 T=0.20, 85u"~135u" Ni Plated

**RJ45 Terminal:** Phosphor Bronze T=0.30mm,

Gold Au Plated on Contact Area

80u"~160u" Tin Plated on Solder Area

50u"~100u" Ni Underplated overall

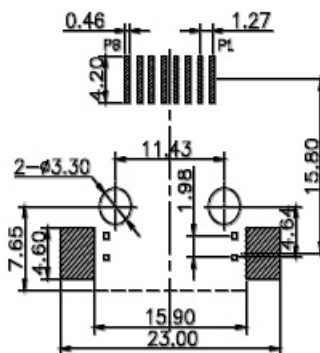
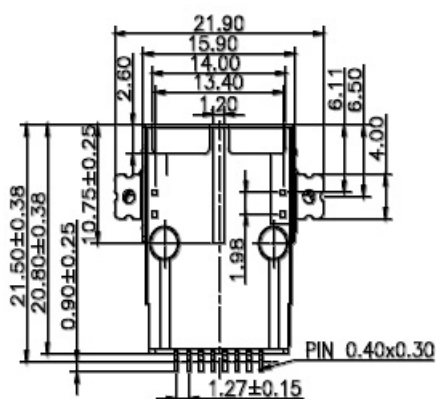
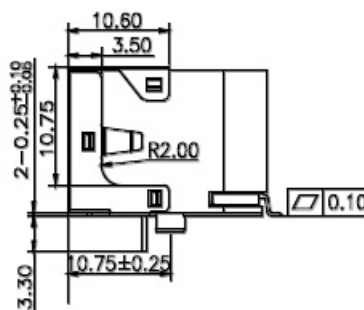
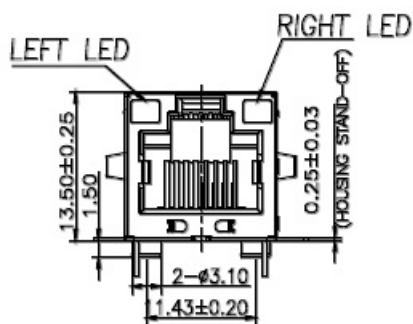
**Other Terminal:** Brass T=0.30mm, 80u"~160u" Tin Plated

50u"~100u" Ni Underplated overall

\*RoHS & REACH compliant.

## LED Designation:

Code	+/-	-/+	Code	+/-	-/+
N	Green	—	M	—	Green
Y	Yellow	—	Z	—	Yellow
8	Orange	—	Q	—	Orange
1	Green	Orange	2	Orange	Green
5	Green	Yellow	6	Yellow	Green



Recommended P.C.Board Layout

## ORDERING INFORMATION:

P/N LT  $\frac{xx}{1}$  - 88  $\frac{x}{2}$   $\frac{3}{3}$  B  $\frac{xx}{4}$   $\frac{xx}{5}$

### 1. TYPE OF PANEL GROUNDS:

"45" NO TAB

"46" TOP TABS

"47" SIDE TABS

"48" TOP TABS & SIDE TABS

### 2. NO. OF POSITIONS & CONTACTS:

"88" 8P8C

### 3. CONTACT FINISH:

"A" 6 MICROINCH GOLD

"B" 15 MICROINCH GOLD

"C" 30 MICROINCH GOLD

"D" 50 MICROINCH GOLD

### 4. MAGNETIC SCHEMATICS:

10/100 BASE-TX

51, 52, 53, 54, 55, 56, 57, 59, 60, 63

10/100/1000 BASE-TX

G1, G3, G4, G6, G7, G8, G9, H0

SEE PAGE N5902~N5906 & N5941~N5943!

### 5. TYPE OF LED POLARITY:

(LED PIN DIRECTION FROM LEFT TO RIGHT)

1N, 1Y, 1Z, 55, 58, 5Q, 85, MM, MY, MZ, N5, NN,

NY, NZ, Q5, Y1, Y2, YM, YN, Z1, Z2, ZM, ZN

# SIDE ENTRY UP LATCH MAGNETIC 10/100 & 10/100/1000 BASE-TX SMT JACK WITHOUT LED 10P PROFILE=13.50MM (FULLY SHIELDED)

## MATERIALS

**Housing:** LCP UL 94V-0, Black

**Shell:** Brass C2680 T=0.20, 85u"~135u" Ni Plated

**RJ45 Terminal:** Phosphor Bronze T=0.30mm,

Gold Au Plated on Contact Area

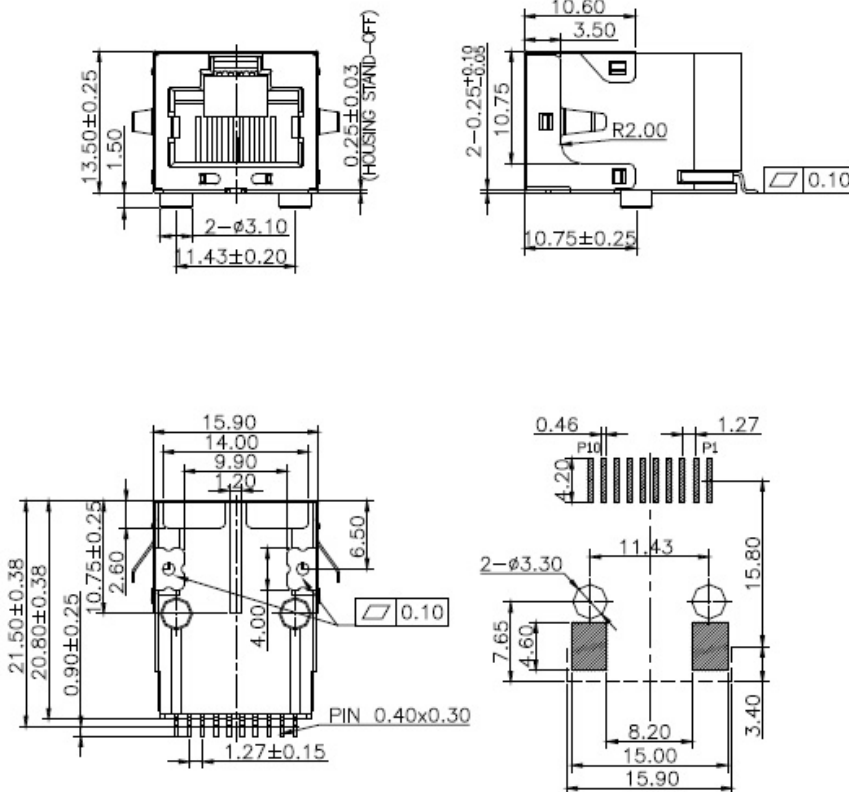
80u"~160u" Tin Plated on Solder Area

50u"~100u" Ni Underplated overall

**Other Terminal:** Brass T=0.30mm, 80u"~160u" Tin Plated

50u"~100u" Ni Underplated overall

\*RoHS & REACH compliant.



Recommended P.C.Board Layout

## ORDERING INFORMATION:

P/N L T  $\frac{x}{1}$  -  $\frac{0.8}{2}$   $\frac{x}{3}$  B  $\frac{x}{4}$

### 1. TYPE OF PANEL GROUNDS:

- "41" NO TAB
- "42" TOP TABS
- "43" SIDE TABS
- "44" TOP TABS & SIDE TABS

### 2. NO. OF POSITIONS & CONTACTS:

- "08" 10P8C

### 3. CONTACT FINISH:

- "A" 6 MICROINCH GOLD
- "B" 15 MICROINCH GOLD
- "C" 30 MICROINCH GOLD
- "D" 50 MICROINCH GOLD

### 4. MAGNETIC SCHEMATICS:

10/100 BASE-TX

51, 52, 53, 54, 55, 56, 57, 59, 60, 63

10/100/1000 BASE-TX

G1, G3, G4, G6, G7, G8, G9, H0

SEE PAGE N5902~N5906 & N5941~N5943!

# SIDE ENTRY UP LATCH MAGNETIC 10/100 & 10/100/1000 BASE-TX SMT JACK WITH LED 10P PROFILE=13.50MM (FULLY SHIELDED)

## MATERIALS

**Housing:** LCP UL 94V-0, Black

**Shell:** Brass C2680 T=0.20, 85u"~135u" Ni Plated

**RJ45 Terminal:** Phosphor Bronze T=0.30mm,

Gold Au Plated on Contact Area

80u"~160u" Tin Plated on Solder Area

50u"~100u" Ni Underplated overall

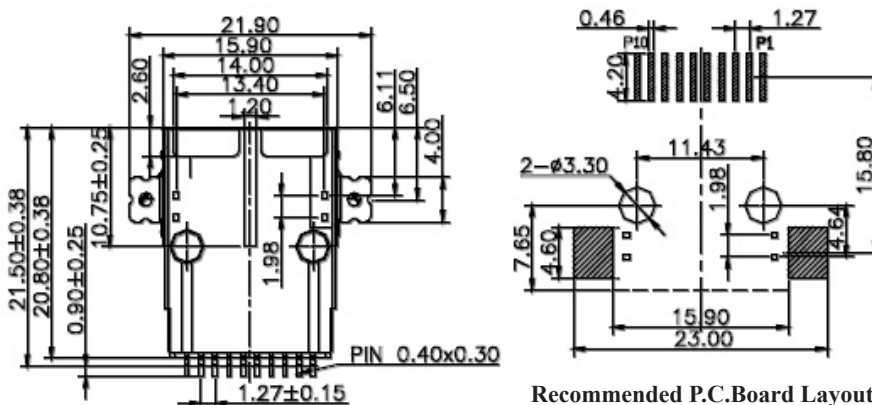
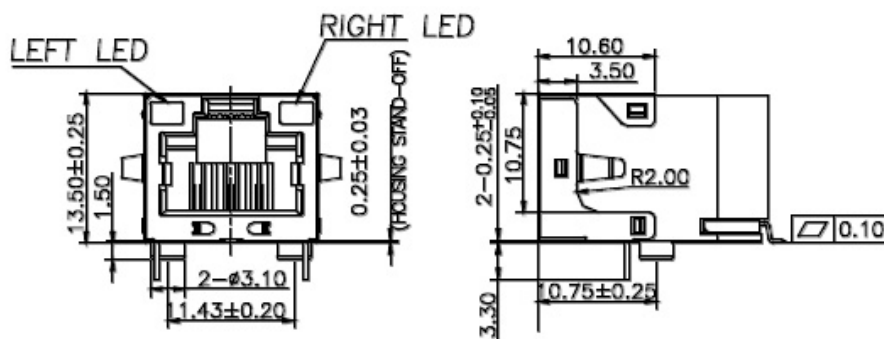
**Other Terminal:** Brass T=0.30mm, 80u"~160u" Tin Plated

50u"~100u" Ni Underplated overall

\*RoHS & REACH compliant.

## LED Designation:

Code	+/-	-/+	Code	+/-	-/+
N	Green	—	M	—	Green
Y	Yellow	—	Z	—	Yellow
8	Orange	—	Q	—	Orange
1	Green	Orange	2	Orange	Green
5	Green	Yellow	6	Yellow	Green



Recommended P.C.Board Layout

## ORDERING INFORMATION:

P/N LT  $\frac{xx}{1}$  - 08  $\frac{x}{2}$  B  $\frac{xx}{3}$   $\frac{xx}{4}$   $\frac{xx}{5}$

### 1. TYPE OF PANEL GROUNDS:

"45" NO TAB

"46" TOP TABS

"47" SIDE TABS

"48" TOP TABS & SIDE TABS

### 2. NO. OF POSITIONS & CONTACTS:

"08" 10P8C

### 3. CONTACT FINISH:

"A" 6 MICROINCH GOLD

"B" 15 MICROINCH GOLD

"C" 30 MICROINCH GOLD

"D" 50 MICROINCH GOLD

### 4. MAGNETIC SCHEMATICS:

10/100 BASE-TX

51, 52, 53, 54, 55, 56, 57, 59, 60, 63

10/100/1000 BASE-TX

G1, G3, G4, G6, G7, G8, G9, H0

SEE PAGE N5902~N5906 & N5941~N5943!

### 5. TYPE OF LED POLARITY:

(LED PIN DIRECTION FROM LEFT TO RIGHT)

1N, 1Y, 1Z, 55, 58, 5Q, 85, MM, MY, MZ, N5, NN,

NY, NZ, Q5, Y1, Y2, YM, YN, Z1, Z2, ZM, ZN

# SIDE ENTRY MAGNETIC 10/100 BASE-TX JACK SMT TYPE WITH LED 10P PROFILE=13.95MM (FULLY SHIELDED)

## MATERIALS

**Housing:** Glass Filled UL 94V-0, Black

**Contacts:** Phosphor Bronze

**Shield:** 0.25mm Brass Plating Nickel

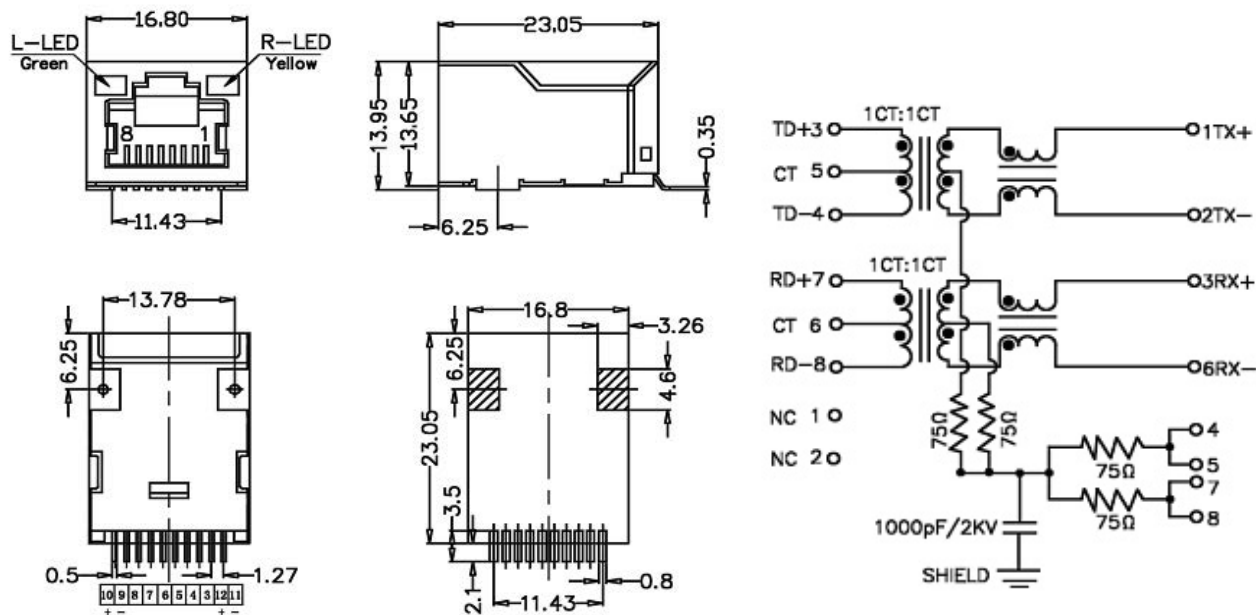
**RJ Terminal:** UL 94V-0, Black 0.35mm Phos Bronze

Plating Nickel 40u"~60u" for all and Sn 100% and Gold Plating

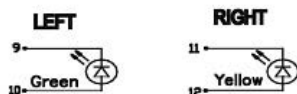
**Input Terminal:** Glass Filled UL 94V-0, Black

0.35mm Phos Bronze Plating Nickel 40u"~60u" for all and Sn 100%

\*RoHS & REACH compliant.



Recommended P.C.Board Layout



## ORDERING INFORMATION:

P/N L T A G -  $\frac{08}{1} \times \frac{B}{2} \times \frac{x}{3} \times \frac{x}{4}$

1. NO. OF POSITIONS & CONTACTS:  
"08" 10P8C
2. CONTACT FINISH:  
"A" 6 MICROINCH GOLD  
"B" 15 MICROINCH GOLD  
"C" 30 MICROINCH GOLD  
"D" 50 MICROINCH GOLD
3. MAGNETIC SCHEMATICS:  
99
4. TYPE OF LED POLARITY:  
(LED PIN DIRECTION FROM LEFT TO RIGHT)  
1N, 1Y, 1Z, 55, 58, 5Q, 85, MM, MY, MZ, N5, NN,  
NY, NZ, Q5, Y1, Y2, YM, YN, Z1, Z2, ZM, ZN

### LED Designation:

Code	+/-	-/+	Code	+/-	-/+
N	Green	—	M	—	Green
Y	Yellow	—	Z	—	Yellow
8	Orange	—	Q	—	Orange
1	Green	Orange	2	Orange	Green
5	Green	Yellow	6	Yellow	Green



# SIDE ENTRY 4-PORT DOUBLE LEVEL MAGNETIC 10/100 & 10/100/1000 BASE-TX JACK WITHOUT LED 8P PROFILE=23.35MM (FULLY SHIELDED)

## MATERIALS

**Housing:** PBT UL 94V-0, Black

**Shell:** Brass C2680 T=0.20, 85u"~135u" Ni Plated

**RJ45 Terminal:** Phosphor Bronze T=0.30mm,

Gold Au Plated on Contact Area

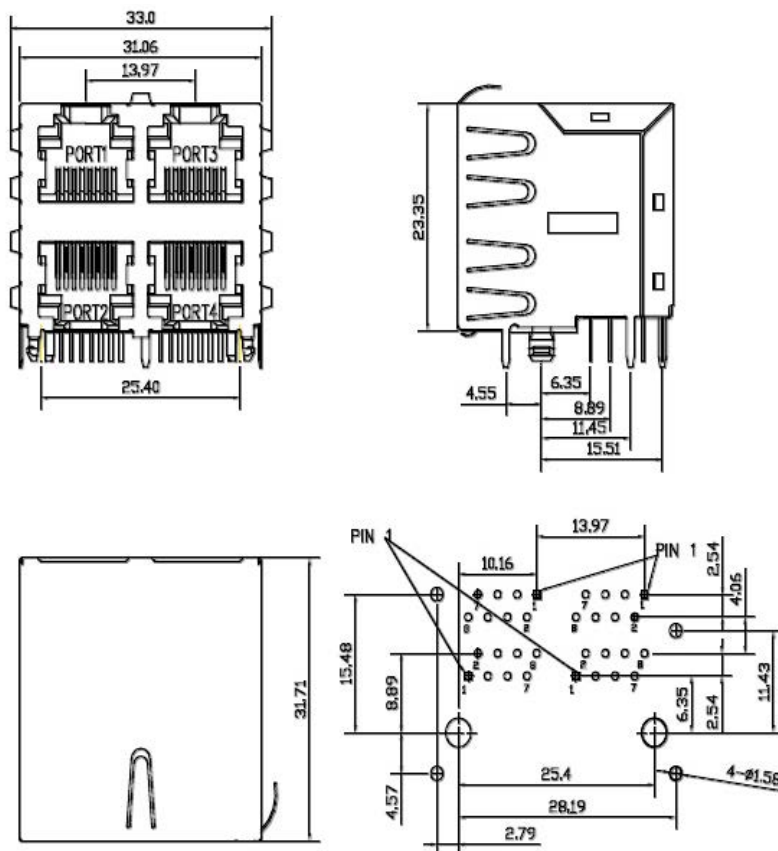
80u"~160u" Tin Plated on Solder Area

50u"~100u" Ni Underplated overall

**Other Terminal:** Brass T=0.30mm, 80u"~160u" Tin Plated

50u"~100u" Ni Underplated overall

\*RoHS & REACH compliant.



Recommended P.C.Board Layout

## ORDERING INFORMATION:

P/N L T  $\frac{x}{1}$  -  $\frac{88}{2}$   $\frac{x}{3}$  B  $\frac{x}{4}$   $\frac{04}{5}$

### 1. TYPE OF PANEL GROUNDS:

"77" NO TAB

"78" TOP TABS

"79" SIDE TABS

"80" TOP TABS & SIDE TABS

### 2. NO. OF POSITIONS & CONTACTS:

"88" 8P8C

### 3. CONTACT FINISH:

"A" 6 MICROINCH GOLD

"B" 15 MICROINCH GOLD

"C" 30 MICROINCH GOLD

"D" 50 MICROINCH GOLD

### 4. MAGNETIC SCHEMATICS:

10/100 BASE-TX

51, 52, 53, 54, 55, 56, 58, 59, 60, 63

10/100/1000 BASE-TX

G1, G3, G4, G6, G7, G8, G9, H0

SEE PAGE N5902~N5906 & N5941~N5943!

### 5. NO. OF PORTS:

04

# SIDE ENTRY 4-PORT DOUBLE LEVEL MAGNETIC 10/100 & 10/100/1000 BASE-TX JACK WITHOUT LED 10P PROFILE=23.35MM (FULLY SHIELDED)

## MATERIALS

**Housing:** PBT UL 94V-0, Black

**Shell:** Brass C2680 T=0.20, 85u"~135u" Ni Plated

**RJ45 Terminal:** Phosphor Bronze T=0.30mm,

Gold Au Plated on Contact Area

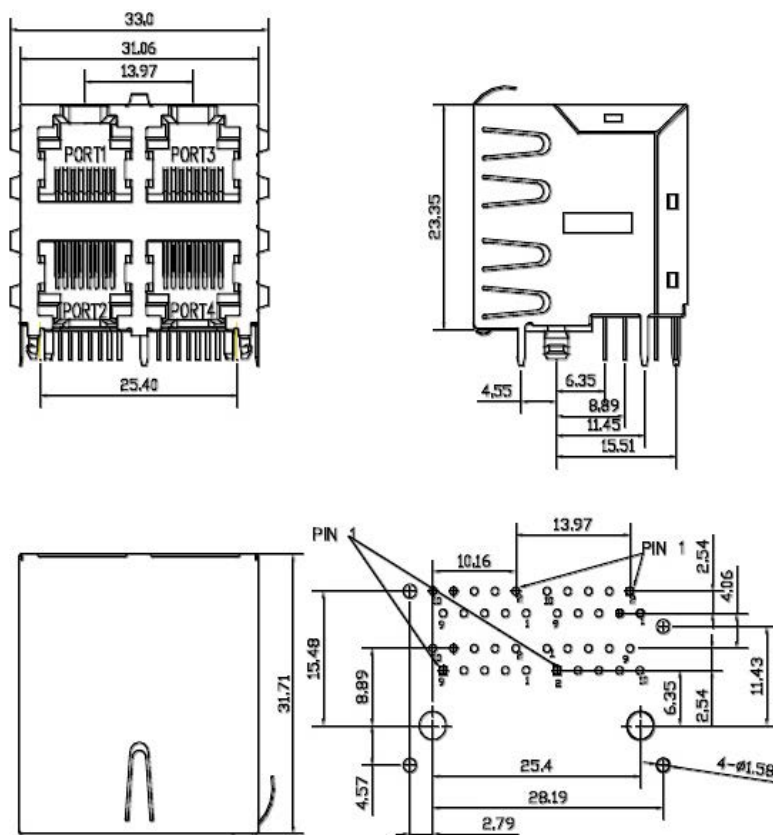
80u"~160u" Tin Plated on Solder Area

50u"~100u" Ni Underplated overall

**Other Terminal:** Brass T=0.30mm, 80u"~160u" Tin Plated

50u"~100u" Ni Underplated overall

\*RoHS & REACH compliant.



Recommended P.C.Board Layout

## ORDERING INFORMATION:

P/N L T  $\frac{x}{1}$  -  $\frac{0.8}{2}$   $\frac{x}{3}$  B  $\frac{x}{4}$   $\frac{0.4}{5}$

### 1. TYPE OF PANEL GROUNDS:

"77" NO TAB

"78" TOP TABS

"79" SIDE TABS

"80" TOP TABS & SIDE TABS

### 2. NO. OF POSITIONS & CONTACTS:

"08" 10P8C

### 3. CONTACT FINISH:

"A" 6 MICROINCH GOLD

"B" 15 MICROINCH GOLD

"C" 30 MICROINCH GOLD

"D" 50 MICROINCH GOLD

### 4. MAGNETIC SCHEMATICS:

10/100 BASE-TX

51, 52, 53, 54, 55, 56, 58, 59, 60, 63

10/100/1000 BASE-TX

G1, G3, G4, G6, G7, G8, G9, H0

SEE PAGE N5902~N5906 & N5941~N5943!

### 5. NO. OF PORTS:

04

# SIDE ENTRY 12-PORT DOUBLE LEVEL MAGNETIC 10/100 BASE-TX JACK WITHOUT LED 8P PROFILE=25.14MM (FULLY SHIELDED)

## MATERIALS

**Housing:** High Temperature Thermoplastic UL 94V-0, Black

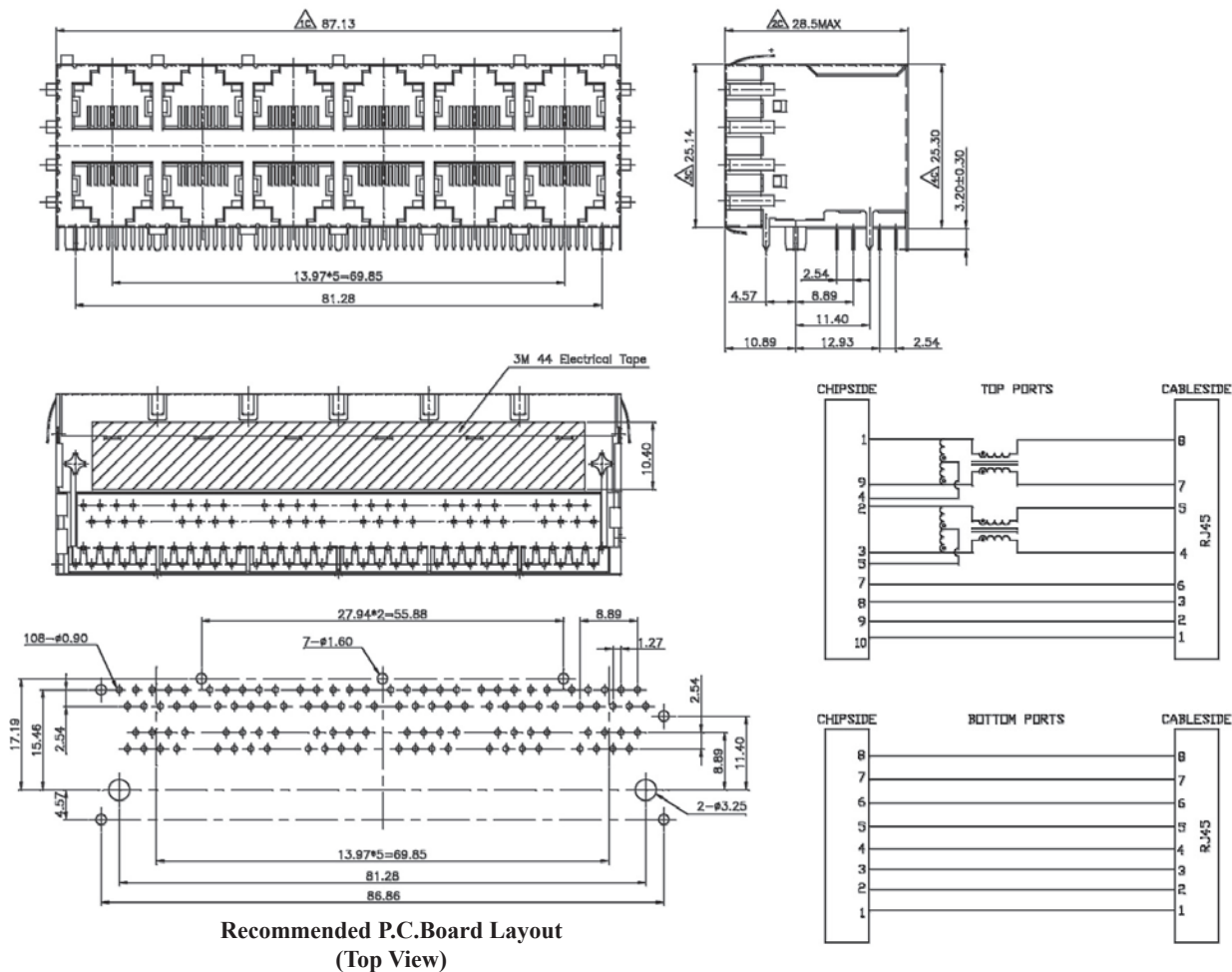
**Contacts:** 0.35mm Phosphor Bronze Plated,

Gold Plated on Contact Area

Solder Tin in Solder Area

**Shield:** 0.20mm Copper Alloy with Nickel

\*RoHS & REACH compliant.



## ORDERING INFORMATION:

**P/N LTAD - 88 x B 99 12**  
 $\frac{1}{2} \quad \frac{3}{4}$

1. NO. OF POSITIONS & CONTACTS:

"88" 8P8C

2. CONTACT FINISH:

"A" 6 MICROINCH GOLD

"B" 15 MICROINCH GOLD

"C" 30 MICROINCH GOLD

"D" 50 MICROINCH GOLD

"E" GOLD FLASH

3. MAGNETIC SCHEMATICS:

99

4. NO. OF PORTS:

12

NOTE: THERE IS NO MAGNETIC ON LOWER LEVEL.

# SIDE ENTRY 2-PORT DOUBLE LEVEL MAGNETIC 10/100 & 10/100/1000 BASE-TX JACK WITHOUT LED 8P PROFILE=25.25MM (FULLY SHIELDED)

## MATERIALS

**Housing:** PBT UL 94V-0, Black

**Shell:** Brass C2680 T=0.20, 85u"~135u" Ni Plated

**RJ45 Terminal:** Phosphor Bronze T=0.30mm,

Gold Au Plated on Contact Area

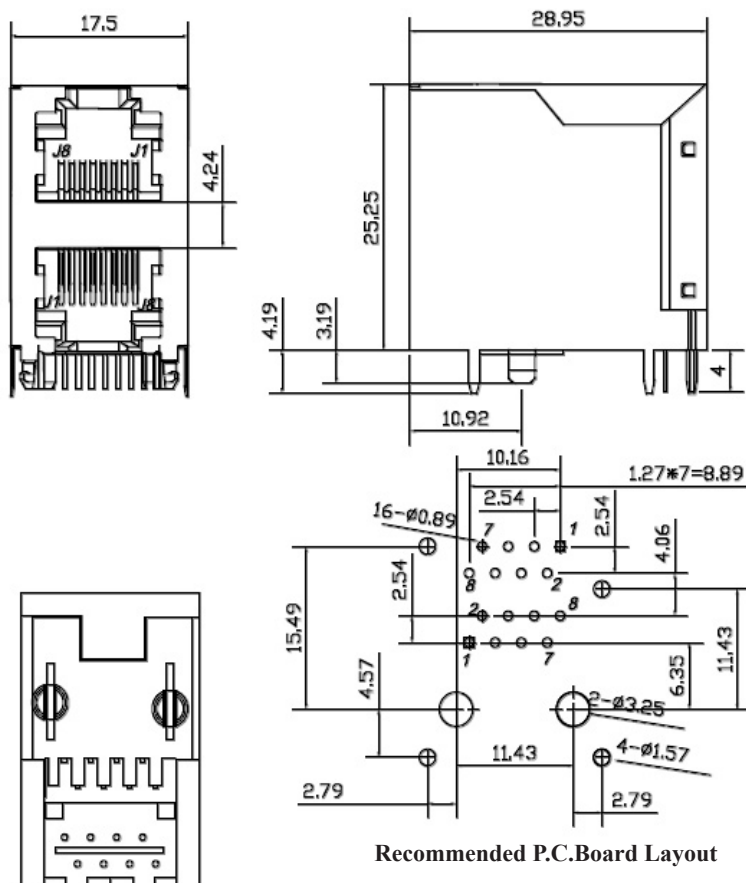
80u"~160u" Tin Plated on Solder Area

50u"~100u" Ni Underplated overall

**Other Terminal:** Brass T=0.30mm, 80u"~160u" Tin Plated

50u"~100u" Ni Underplated overall

\*RoHS & REACH compliant.



## ORDERING INFORMATION:

P/N L T  $\frac{x}{1}$  -  $\frac{8}{2}$   $\frac{8}{3}$  B  $\frac{x}{4}$   $\frac{0}{5}$

### 1. TYPE OF PANEL GROUNDS:

"77" NO TAB

"78" TOP TABS

"79" SIDE TABS

"80" TOP TABS & SIDE TABS

### 2. NO. OF POSITIONS & CONTACTS:

"88" 8P8C

### 3. CONTACT FINISH:

"A" 6 MICROINCH GOLD

"B" 15 MICROINCH GOLD

"C" 30 MICROINCH GOLD

"D" 50 MICROINCH GOLD

### 4. MAGNETIC SCHEMATICS:

10/100 BASE-TX

51, 52, 53, 54, 55, 56, 58, 59, 60, 63

10/100/1000 BASE-TX

G1, G3, G4, G6, G7, G8, G9, H0

SEE PAGE N5902~N5906 & N5941~N5943!

### 5. NO. OF PORTS:

02

# SIDE ENTRY 2-PORT DOUBLE LEVEL MAGNETIC 10/100 & 10/100/1000 BASE-TX JACK WITHOUT LED 10P PROFILE=25.25MM (FULLY SHIELDED)

## MATERIALS

**Housing:** PBT UL 94V-0, Black

**Shell:** Brass C2680 T=0.20, 85u"~135u" Ni Plated

**RJ45 Terminal:** Phosphor Bronze T=0.30mm,

Gold Au Plated on Contact Area

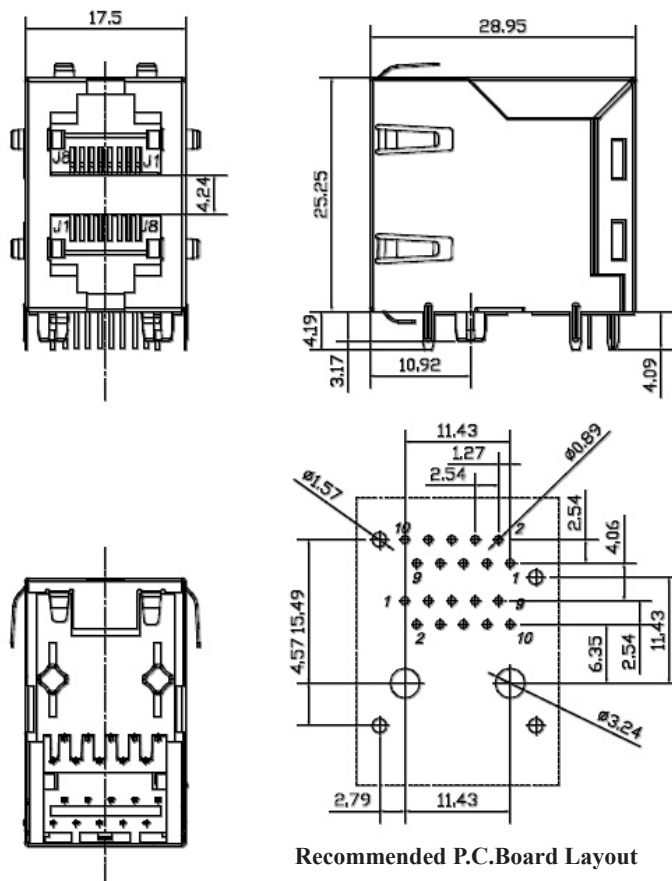
80u"~160u" Tin Plated on Solder Area

50u"~100u" Ni Underplated overall

**Other Terminal:** Brass T=0.30mm, 80u"~160u" Tin Plated

50u"~100u" Ni Underplated overall

\*RoHS & REACH compliant.



Recommended P.C.Board Layout

## ORDERING INFORMATION:

P/N L T  $\frac{x}{1}$  -  $\frac{0.8}{2}$   $\frac{x}{3}$  B  $\frac{x}{4}$   $\frac{x}{5}$  0.2

### 1. TYPE OF PANEL GROUNDS:

"77" NO TAB

"78" TOP TABS

"79" SIDE TABS

"80" TOP TABS & SIDE TABS

### 2. NO. OF POSITIONS & CONTACTS:

"08" 10P8C

### 3. CONTACT FINISH:

"A" 6 MICROINCH GOLD

"B" 15 MICROINCH GOLD

"C" 30 MICROINCH GOLD

"D" 50 MICROINCH GOLD

### 4. MAGNETIC SCHEMATICS:

10/100 BASE-TX

51, 52, 53, 54, 55, 56, 58, 59, 60, 63

10/100/1000 BASE-TX

G1, G3, G4, G6, G7, G8, G9, H0

SEE PAGE N5902~N5906 & N5941~N5943!

### 5. NO. OF PORTS:

02



# SIDE ENTRY 4-PORT DOUBLE LEVEL MAGNETIC 10/100 & 10/100/1000 BASE-TX JACK WITH LED 10P PROFILE=25.30MM (FULLY SHIELDED)

## MATERIALS

**Housing:** PBT UL 94V-0, Black

**Shell:** Brass C2680 T=0.20, 85u"~135u" Ni Plated

**RJ45 Terminal:** Phosphor Bronze T=0.30mm,

Gold Au Plated on Contact Area

80u"~160u" Tin Plated on Solder Area

50u"~100u" Ni Underplated overall

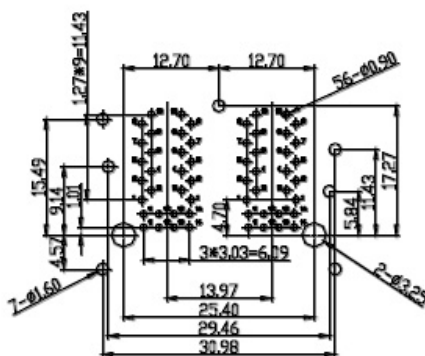
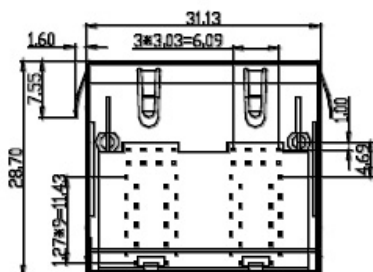
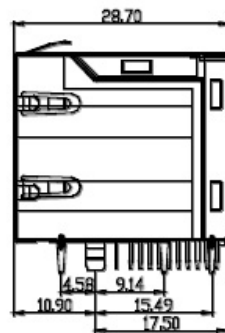
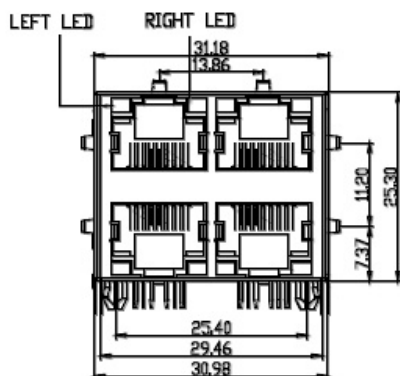
**Other Terminal:** Brass T=0.30mm, 80u"~160u" Tin Plated

50u"~100u" Ni Underplated overall

\*RoHS & REACH compliant.

## LED Designation:

Code	+/-	-/+	Code	+/-	-/+
N	Green	—	M	—	Green
Y	Yellow	—	Z	—	Yellow
8	Orange	—	Q	—	Orange
1	Green	Orange	2	Orange	Green
5	Green	Yellow	6	Yellow	Green



Recommended P.C.Board Layout

## ORDERING INFORMATION:

P/N L T  $\frac{xx}{1}$  - 0.8  $\frac{x}{2}$  B  $\frac{xx}{3}$   $\frac{xx}{4}$   $\frac{xx}{5}$  0.4  $\frac{0}{6}$

### 1. TYPE OF PANEL GROUNDS:

"69" NO TAB

"70" TOP TABS

"71" SIDE TABS

"72" TOP TABS & SIDE TABS

### 2. NO. OF POSITIONS & CONTACTS:

"08" 10P8C

### 3. CONTACT FINISH:

"A" 6 MICROINCH GOLD

"B" 15 MICROINCH GOLD

"C" 30 MICROINCH GOLD

"D" 50 MICROINCH GOLD

### 4. MAGNETIC SCHEMATICS:

10/100 BASE-TX

51, 52, 53, 54, 55, 56, 58, 59, 60, 62, 63, 73, 75, 81

10/100/1000 BASE-TX

G1, G3, G4, G6, G7, G8, G9, H0, J1, J2, J4

SEE PAGE N5902~N5906 & N5941~N5943!

### 5. TYPE OF LED POLARITY:

(LED PIN DIRECTION FROM LEFT TO RIGHT)

1N, 1Y, 1Z, 55, 58, 5Q, 85, MM, MY, MZ, N5, NN,

NY, NZ, Q5, Y1, Y2, YM, YN, Z1, Z2, ZM, ZN

### 6. NO. OF PORTS:

04

# SIDE ENTRY 8-PORT DOUBLE LEVEL MAGNETIC 10/100 & 10/100/1000 BASE-TX JACK WITH LED 10P PROFILE=25.30MM (FULLY SHIELDED)

## MATERIALS

**Housing:** PBT UL 94V-0, Black

**Shell:** Brass C2680 T=0.20, 85u"~135u" Ni Plated

**RJ45 Terminal:** Phosphor Bronze T=0.30mm,

Gold Au Plated on Contact Area

80u"~160u" Tin Plated on Solder Area

50u"~100u" Ni Underplated overall

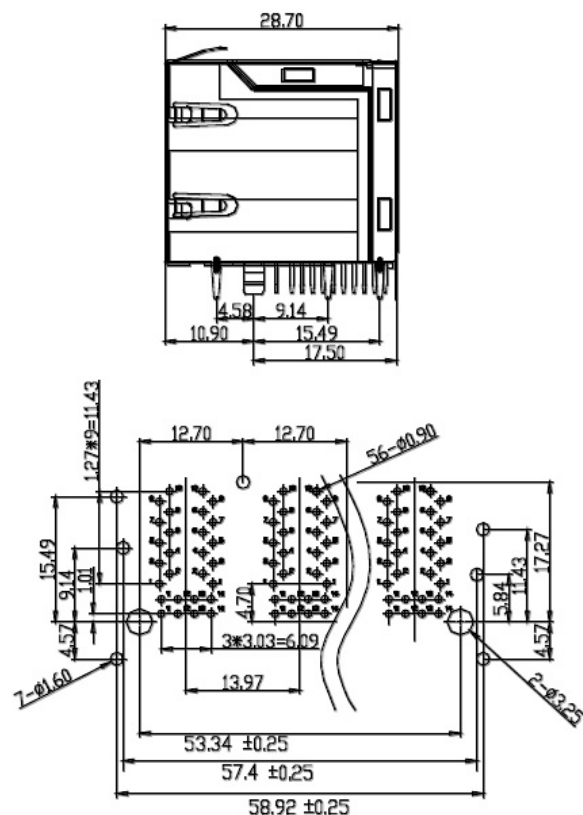
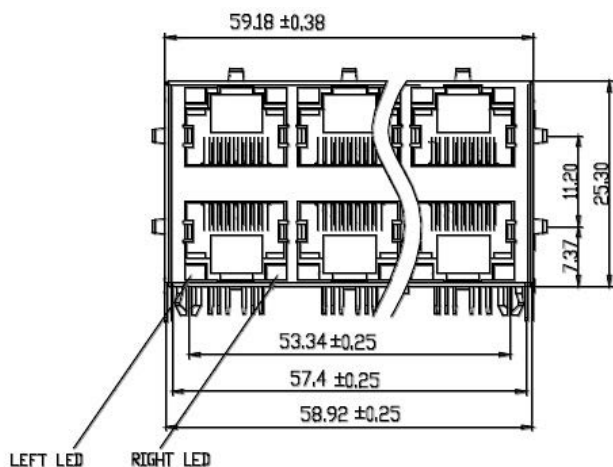
**Other Terminal:** Brass T=0.30mm, 80u"~160u" Tin Plated

50u"~100u" Ni Underplated overall

\*RoHS & REACH compliant.

## LED Designation:

Code	+/-	-/+	Code	+/-	-/+
N	Green	—	M	—	Green
Y	Yellow	—	Z	—	Yellow
8	Orange	—	Q	—	Orange
1	Green	Orange	2	Orange	Green
5	Green	Yellow	6	Yellow	Green



Recommended P.C.Board Layout

## ORDERING INFORMATION:

P/N LT  $\frac{xx}{1}$  -  $\frac{08}{2}$   $\frac{xx}{3}$  B  $\frac{xx}{4}$   $\frac{xx}{5}$   $\frac{08}{6}$

### 1. TYPE OF PANEL GROUNDS:

"69" NO TAB

"70" TOP TABS

"71" SIDE TABS

"72" TOP TABS & SIDE TABS

### 2. NO. OF POSITIONS & CONTACTS:

"08" 10P8C

### 3. CONTACT FINISH:

"A" 6 MICROINCH GOLD

"B" 15 MICROINCH GOLD

"C" 30 MICROINCH GOLD

"D" 50 MICROINCH GOLD

### 4. MAGNETIC SCHEMATICS:

10/100 BASE-TX

51, 52, 53, 54, 55, 56, 58, 59, 60, 62, 63, 73, 75, 81

10/100/1000 BASE-TX

G1, G3, G4, G6, G7, G8, G9, H0, J1, J2, J4

SEE PAGE N5902~N5906 & N5941~N5943!

### 5. TYPE OF LED POLARITY:

(LED PIN DIRECTION FROM LEFT TO RIGHT)

1N, 1Y, 1Z, 55, 58, 5Q, 85, MM, MY, MZ, N5, NN,

NY, NZ, Q5, Y1, Y2, YM, YN, Z1, Z2, ZM, ZN

### 6. NO. OF PORTS:

08



# SIDE ENTRY 12-PORT DOUBLE LEVEL MAGNETIC 10/100 & 10/100/1000 BASE-TX JACK WITH LED 10P PROFILE=25.30MM (FULLY SHIELDED)

## MATERIALS

**Housing:** PBT UL 94V-0, Black

**Shell:** Brass C2680 T=0.20, 85u"~135u" Ni Plated

**RJ45 Terminal:** Phosphor Bronze T=0.30mm,

Gold Au Plated on Contact Area

80u"~160u" Tin Plated on Solder Area

50u"~100u" Ni Underplated overall

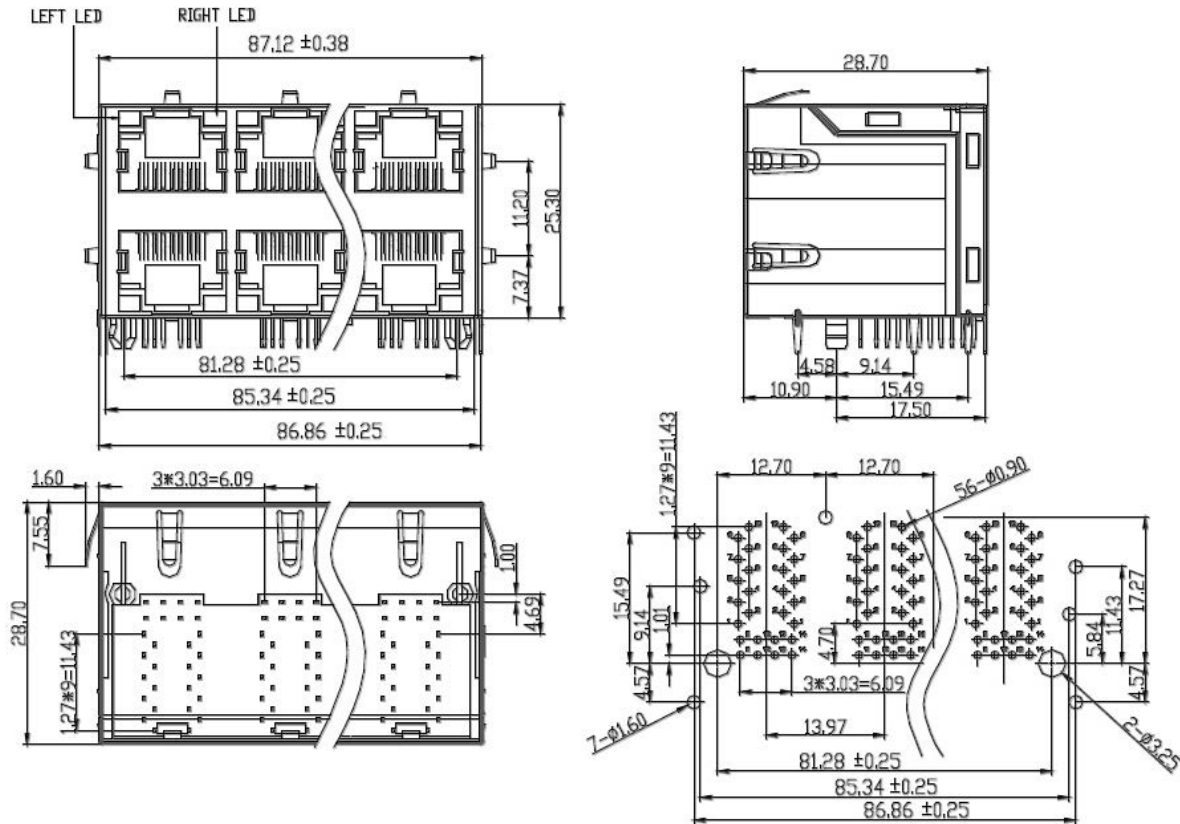
**Other Terminal:** Brass T=0.30mm, 80u"~160u" Tin Plated

50u"~100u" Ni Underplated overall

\*RoHS & REACH compliant.

## LED Designation:

Code	+/-	-/+	Code	+/-	-/+
N	Green	—	M	—	Green
Y	Yellow	—	Z	—	Yellow
8	Orange	—	Q	—	Orange
1	Green	Orange	2	Orange	Green
5	Green	Yellow	6	Yellow	Green



Recommended P.C.Board Layout

## ORDERING INFORMATION:

P/N L T  $\frac{x}{1}$  - 0.8  $\frac{x}{2}$   $\frac{x}{3}$  B  $\frac{x}{4}$   $\frac{x}{5}$   $\frac{1}{6}$

### 1. TYPE OF PANEL GROUNDS:

"69" NO TAB

"70" TOP TABS

"71" SIDE TABS

"72" TOP TABS & SIDE TABS

### 2. NO. OF POSITIONS & CONTACTS:

"08" 10P8C

### 3. CONTACT FINISH:

"A" 6 MICROINCH GOLD

"B" 15 MICROINCH GOLD

"C" 30 MICROINCH GOLD

"D" 50 MICROINCH GOLD

### 4. MAGNETIC SCHEMATICS:

10/100 BASE-TX

51, 52, 53, 54, 55, 56, 58, 59, 60, 62, 63, 73, 75, 81

10/100/1000 BASE-TX

G1, G3, G4, G6, G7, G8, G9, H0, J1, J2, J4

SEE PAGE N5902~N5906 & N5941~N5943!

### 5. TYPE OF LED POLARITY:

(LED PIN DIRECTION FROM LEFT TO RIGHT)

1N, 1Y, 1Z, 55, 58, 5Q, 85, MM, MY, MZ, N5, NN,

NY, NZ, Q5, Y1, Y2, YM, YN, Z1, Z2, ZM, ZN

### 6. NO. OF PORTS:

12

# SIDE ENTRY 16-PORT DOUBLE LEVEL MAGNETIC 10/100 & 10/100/1000 BASE-TX JACK WITH LED 10P PROFILE=25.30MM (FULLY SHIELDED)

## MATERIALS

**Housing:** PBT UL 94V-0, Black

**Shell:** Brass C2680 T=0.20, 85u"~135u" Ni Plated

**RJ45 Terminal:** Phosphor Bronze T=0.30mm,

Gold Au Plated on Contact Area

80u"~160u" Tin Plated on Solder Area

50u"~100u" Ni Underplated overall

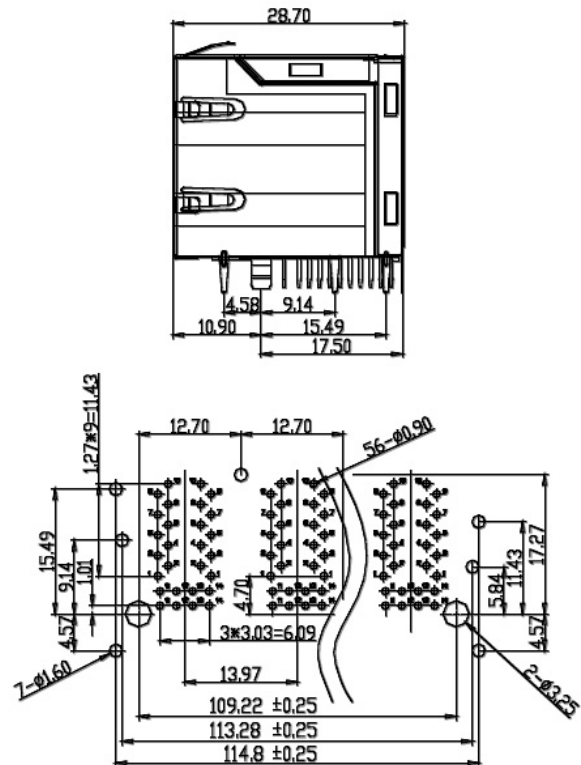
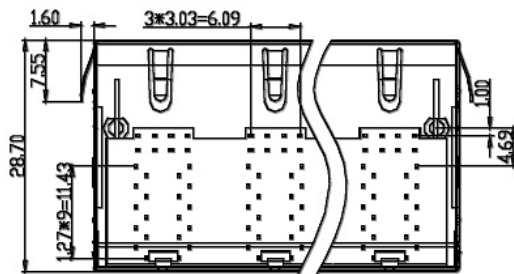
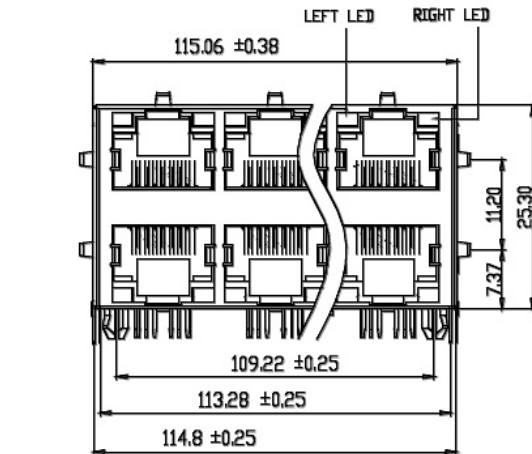
**Other Terminal:** Brass T=0.30mm, 80u"~160u" Tin Plated

50u"~100u" Ni Underplated overall

\*RoHS & REACH compliant.

## LED Designation:

Code	+/-	-/+	Code	+/-	-/+
N	Green	—	M	—	Green
Y	Yellow	—	Z	—	Yellow
8	Orange	—	Q	—	Orange
1	Green	Orange	2	Orange	Green
5	Green	Yellow	6	Yellow	Green



Recommended P.C.Board Layout

## ORDERING INFORMATION:

P/N L T  $\frac{x}{1}$  x -  $\frac{0}{2}$   $\frac{8}{3}$  x B  $\frac{x}{4}$  x  $\frac{x}{5}$  x  $\frac{1}{6}$

### 1. TYPE OF PANEL GROUNDS:

"69" NO TAB

"70" TOP TABS

"71" SIDE TABS

"72" TOP TABS & SIDE TABS

### 2. NO. OF POSITIONS & CONTACTS:

"08" 10P8C

### 3. CONTACT FINISH:

"A" 6 MICROINCH GOLD

"B" 15 MICROINCH GOLD

"C" 30 MICROINCH GOLD

"D" 50 MICROINCH GOLD

### 4. MAGNETIC SCHEMATICS:

10/100 BASE-TX

51, 52, 53, 54, 55, 56, 58, 59, 60, 62, 63, 73, 75, 81

10/100/1000 BASE-TX

G1, G3, G4, G6, G7, G8, G9, H0, J1, J2, J4

SEE PAGE N5902~N5906 & N5941~N5943!

### 5. TYPE OF LED POLARITY:

(LED PIN DIRECTION FROM LEFT TO RIGHT)

1N, 1Y, 1Z, 55, 58, 5Q, 85, MM, MY, MZ, N5, NN,

NY, NZ, Q5, Y1, Y2, YM, YN, Z1, Z2, ZM, ZN

### 6. NO. OF PORTS:

16

# SIDE ENTRY 8-PORT DOUBLE LEVEL MAGNETIC 10/100 & 10/100/1000 BASE-TX JACK WITHOUT LED 8P PROFILE=25.30MM (FULLY SHIELDED)

## MATERIALS

**Housing:** PBT UL 94V-0, Black

**Shell:** Brass C2680 T=0.20, 85u"~135u" Ni Plated

**RJ45 Terminal:** Phosphor Bronze T=0.30mm,

Gold Au Plated on Contact Area

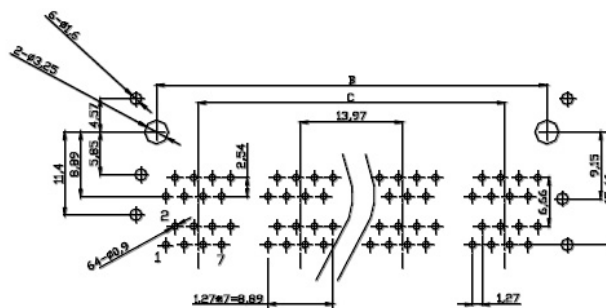
80u"~160u" Tin Plated on Solder Area

50u"~100u" Ni Underplated overall

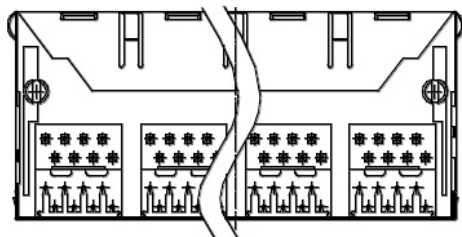
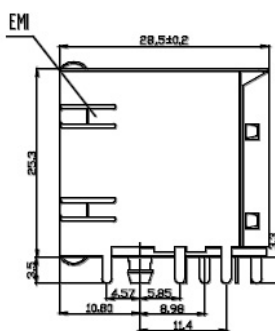
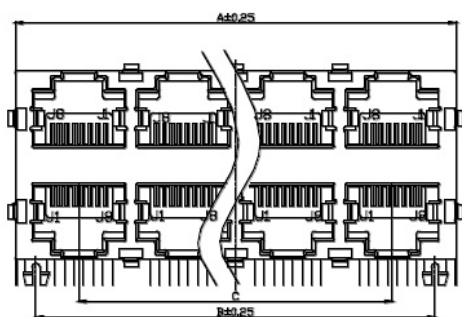
**Other Terminal:** Brass T=0.30mm, 80u"~160u" Tin Plated

50u"~100u" Ni Underplated overall

\*RoHS & REACH compliant.



Recommended P.C. Board Layout



	2X4
"A" ±0.25	59.2
"B" ±0.25	53.34
"C" ±0.25	41.91

## ORDERING INFORMATION:

P/N L T  $\frac{x}{1}$  -  $\frac{8}{2}$   $\frac{8}{3}$  x B  $\frac{x}{4}$  x  $\frac{0}{5}$  8

### 1. TYPE OF PANEL GROUNDS:

"81" NO TAB

"82" TOP TABS

"83" SIDE TABS

"84" TOP TABS & SIDE TABS

### 2. NO. OF POSITIONS & CONTACTS:

"88" 8P8C

### 3. CONTACT FINISH:

"A" 6 MICROINCH GOLD

"B" 15 MICROINCH GOLD

"C" 30 MICROINCH GOLD

"D" 50 MICROINCH GOLD

### 4. MAGNETIC SCHEMATICS:

10/100 BASE-TX

51, 52, 53, 54, 55, 56, 58, 59, 60, 63

10/100/1000 BASE-TX

G1, G3, G4, G6, G7, G8, G9, H0

SEE PAGE N5902~N5906 & N5941~N5943!

### 5. NO. OF PORTS:

08

# SIDE ENTRY 12-PORT DOUBLE LEVEL MAGNETIC 10/100 & 10/100/1000 BASE-TX JACK WITHOUT LED 8P PROFILE=25.30MM (FULLY SHIELDED)

## MATERIALS

**Housing:** PBT UL 94V-0, Black

**Shell:** Brass C2680 T=0.20, 85u"~135u" Ni Plated

**RJ45 Terminal:** Phosphor Bronze T=0.30mm,

Gold Au Plated on Contact Area

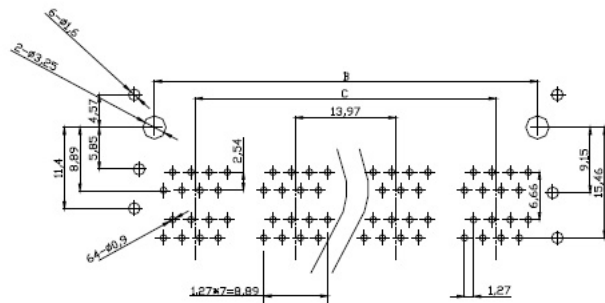
80u"~160u" Tin Plated on Solder Area

50u"~100u" Ni Underplated overall

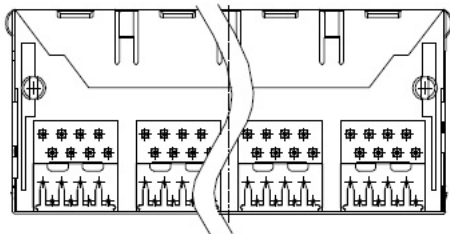
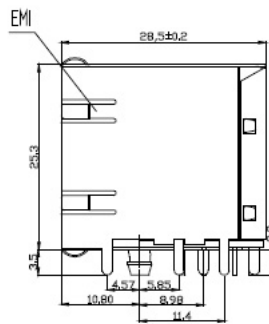
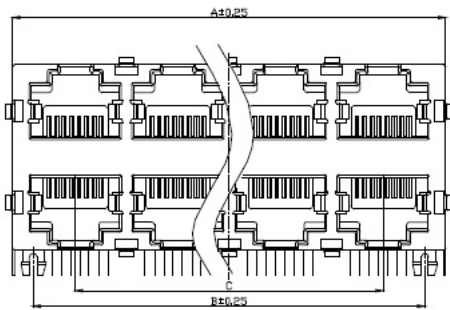
**Other Terminal:** Brass T=0.30mm, 80u"~160u" Tin Plated

50u"~100u" Ni Underplated overall

\*RoHS & REACH compliant.



Recommended P.C.Board Layout



	2X6
"A" ±0.25	87.1
"B" ±0.25	81.28
"C" ±0.25	60.85

## ORDERING INFORMATION:

P/N L T  $\frac{x}{1}$  -  $\frac{88}{2}$   $\frac{x}{3}$  B  $\frac{x}{4}$   $\frac{x}{5}$  12

### 1. TYPE OF PANEL GROUNDS:

- "81" NO TAB
- "82" TOP TABS
- "83" SIDE TABS
- "84" TOP TABS & SIDE TABS

### 2. NO. OF POSITIONS & CONTACTS:

"88" 8P8C

### 3. CONTACT FINISH:

- "A" 6 MICROINCH GOLD
- "B" 15 MICROINCH GOLD
- "C" 30 MICROINCH GOLD
- "D" 50 MICROINCH GOLD

### 4. MAGNETIC SCHEMATICS:

10/100 BASE-TX

51, 52, 53, 54, 55, 56, 58, 59, 60, 63

10/100/1000 BASE-TX

G1, G3, G4, G6, G7, G8, G9, H0

SEE PAGE N5902~N5906 & N5941~N5943!

### 5. NO. OF PORTS:

12

# SIDE ENTRY 16-PORT DOUBLE LEVEL MAGNETIC 10/100 & 10/100/1000 BASE-TX JACK WITHOUT LED 8P PROFILE=25.30MM (FULLY SHIELDED)

## MATERIALS

**Housing:** PBT UL 94V-0, Black

**Shell:** Brass C2680 T=0.20, 85u"~135u" Ni Plated

**RJ45 Terminal:** Phosphor Bronze T=0.30mm,

Gold Au Plated on Contact Area

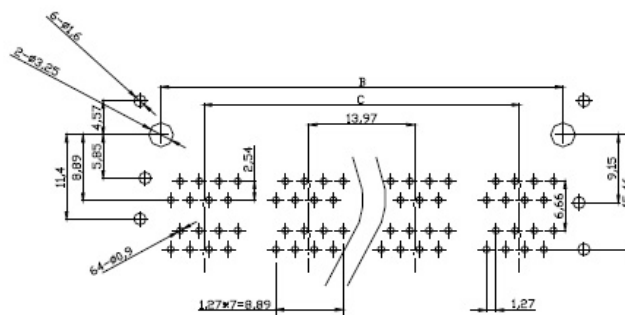
80u"~160u" Tin Plated on Solder Area

50u"~100u" Ni Underplated overall

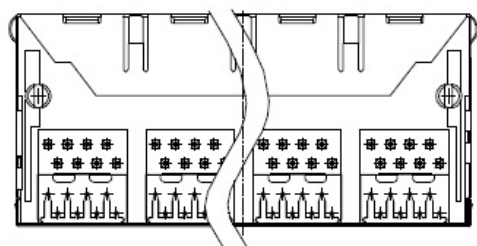
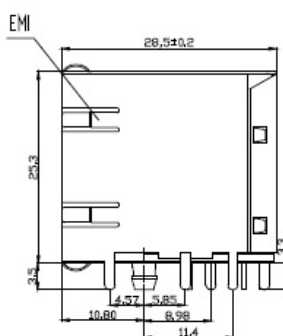
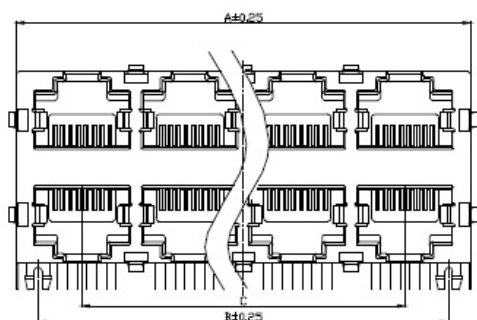
**Other Terminal:** Brass T=0.30mm, 80u"~160u" Tin Plated

50u"~100u" Ni Underplated overall

\*RoHS & REACH compliant.



Recommended P.C.Board Layout



	2X8
"A" ±0.25	105.1
"B" ±0.25	109.22
"C" ±0.25	97.79

## ORDERING INFORMATION:

P/N LT  $\frac{x}{1}$  -  $\frac{88}{2}$   $\frac{x}{3}$  B  $\frac{x}{4}$   $\frac{16}{5}$

### 1. TYPE OF PANEL GROUNDS:

- "81" NO TAB
- "82" TOP TABS
- "83" SIDE TABS
- "84" TOP TABS & SIDE TABS

### 2. NO. OF POSITIONS & CONTACTS:

"88" 8P8C

### 3. CONTACT FINISH:

- "A" 6 MICROINCH GOLD
- "B" 15 MICROINCH GOLD
- "C" 30 MICROINCH GOLD
- "D" 50 MICROINCH GOLD

### 4. MAGNETIC SCHEMATICS:

10/100 BASE-TX

51, 52, 53, 54, 55, 56, 58, 59, 60, 63

10/100/1000 BASE-TX

G1, G3, G4, G6, G7, G8, G9, H0

SEE PAGE N5902~N5906 & N5941~N5943!

### 5. NO. OF PORTS:

16

# SIDE ENTRY 8-PORT DOUBLE LEVEL MAGNETIC 10/100 & 10/100/1000 BASE-TX JACK WITH LED 10P PROFILE=25.43MM (FULLY SHIELDED)

## MATERIALS

**Housing:** PBT UL 94V-0, Black

**Shell:** Brass C2680 T=0.20, 85u"~135u" Ni Plated

**RJ45 Terminal:** Phosphor Bronze T=0.30mm,

Gold Au Plated on Contact Area

80u"~160u" Tin Plated on Solder Area

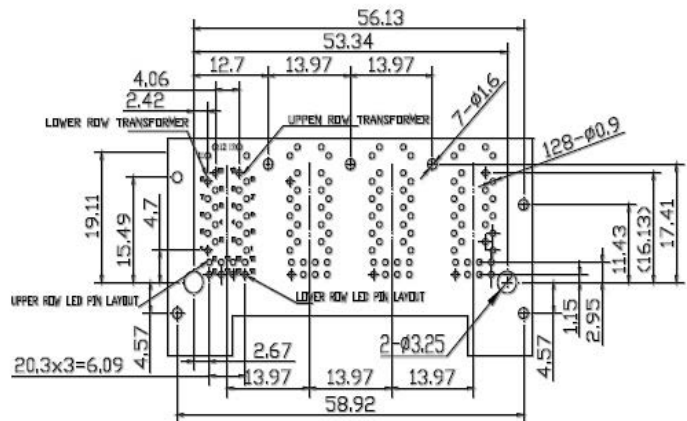
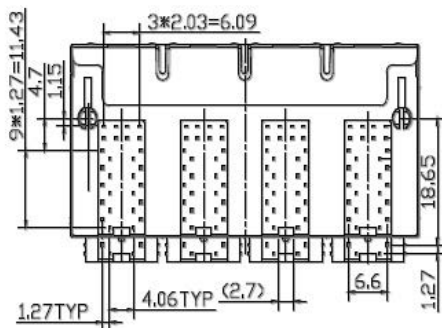
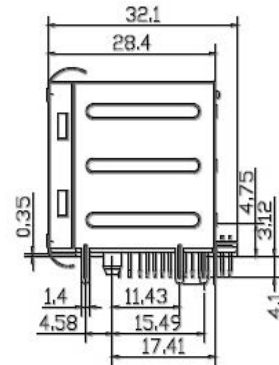
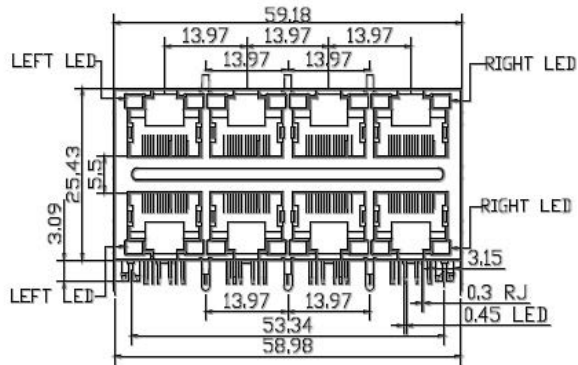
50u"~100u" Ni Underplated overall

**Other Terminal:** Brass T=0.30mm, 80u"~160u" Tin Plated

50u"~100u" Ni Underplated overall

\*RoHS & REACH compliant.

LED Designation:					
Code	+/-	-/+	Code	+/-	-/+
N	Green	—	M	—	Green
Y	Yellow	—	Z	—	Yellow
8	Orange	—	Q	—	Orange
1	Green	Orange	2	Orange	Green
5	Green	Yellow	6	Yellow	Green



Recommended P.C. Board Layout

## ORDERING INFORMATION:

P/N LT  $\frac{X}{1}$  -  $\frac{0.8}{2}$  X  $\frac{B}{3}$  X  $\frac{X}{4}$  X  $\frac{X}{5}$  X  $\frac{0.8}{6}$

### 1. TYPE OF PANEL GROUNDS:

"73" NO TAB

"74" TOP TABS

"75" SIDE TABS

"76" TOP TABS & SIDE TABS

### 2. NO. OF POSITIONS & CONTACTS:

"08" 10P8C

### 3. CONTACT FINISH:

"A" 6 MICROINCH GOLD

"B" 15 MICROINCH GOLD

"C" 30 MICROINCH GOLD

"D" 50 MICROINCH GOLD

### 4. MAGNETIC SCHEMATICS:

10/100 BASE-TX

51, 52, 53, 54, 55, 56, 58, 59, 60, 62, 63, 73, 75, 81

10/100/1000 BASE-TX

G1, G3, G4, G6, G8, G9, H0, J1, J2, J4

SEE PAGE N5902~N5906 & N5941~N5943!

### 5. TYPE OF LED POLARITY:

(LED PIN DIRECTION FROM LEFT TO RIGHT)

1N, 1Y, 1Z, 55, 58, 5Q, 85, MM, MY, MZ, N5, NN,

NY, NZ, Q5, Y1, Y2, YM, YN, Z1, Z2, ZM, ZN

### 6. NO. OF PORTS:

08

# SIDE ENTRY 8-PORT DOUBLE LEVEL MAGNETIC 10/100/1000 (GIGABIT) BASE-TX JACK WITHOUT LED 10P PROFILE=25.75MM (FULLY SHIELDED)

## MATERIALS

**Housing:** High Temperature Thermoplastic UL 94V-0, Black

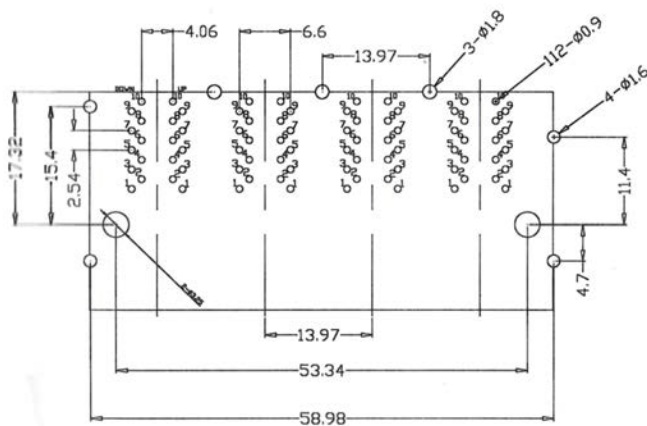
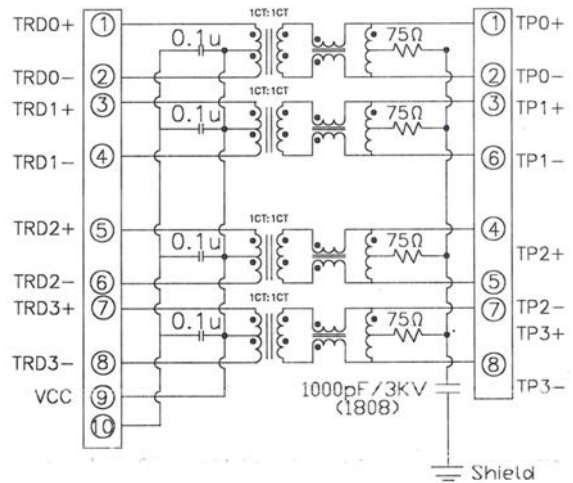
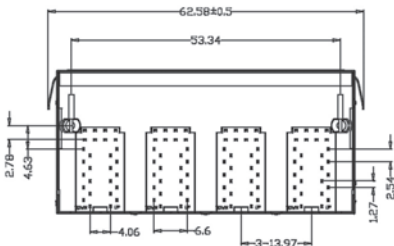
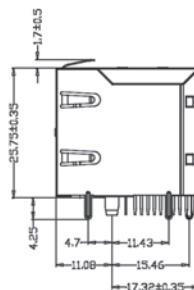
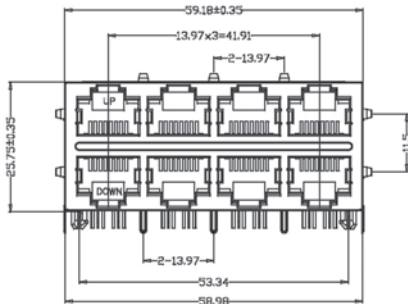
**Contacts:** 0.35mm Phosphor Bronze Plated,

Gold Plated on Contact Area

Solder Tin in Solder Area

**Shield:** 0.20mm Copper Alloy with Nickel

\*RoHS & REACH compliant.



Recommended P.C.Board Layout  
(Component Side)

## ORDERING INFORMATION:

P/N LTGC - 08 x B G 3 08  
1 2 3 4

1. NO. OF POSITIONS & CONTACTS:

"08" 10P8C

2. CONTACT FINISH:

"A" 6 MICROINCH GOLD

"B" 15 MICROINCH GOLD

"C" 30 MICROINCH GOLD

"D" 50 MICROINCH GOLD

3. MAGNETIC SCHEMATICS:

G3

4. NO. OF PORTS:

08

# SIDE ENTRY MAGNETIC 10/100 BASE-TX JACK OVER SINGLE USB WITHOUT LED 8P6C PROFILE=20.85MM (FULLY SHIELDED)

## MATERIALS

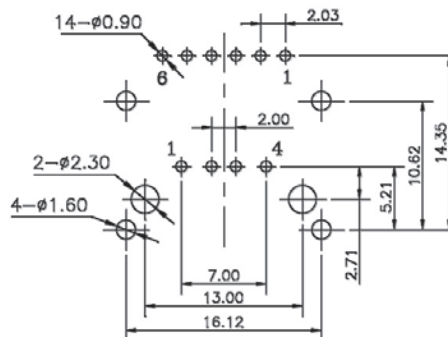
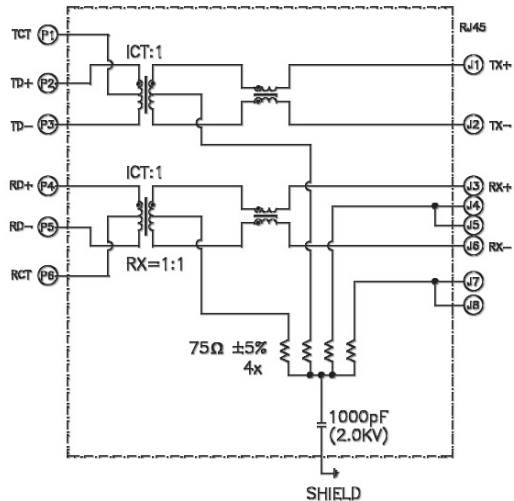
**Housing:** Thermoplastic

**Contacts:** Phosphor Bronze

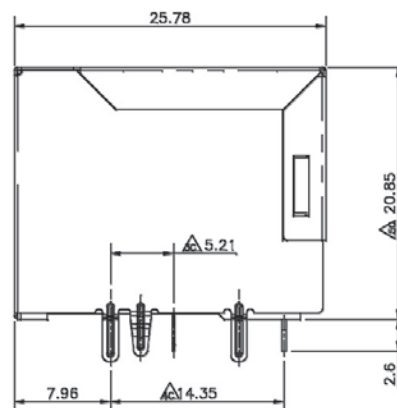
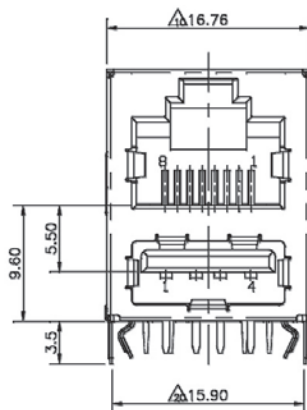
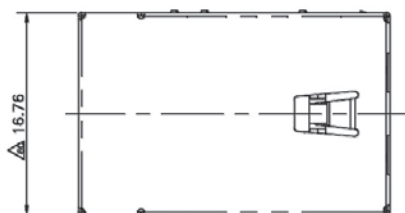
**Plating:** Gold plating Over Nickel in Contact  
Tin plating Over Nickel in Solder Area

**Shield:** Brass Plating Nickel

\*RoHS & REACH compliant.



Recommended P.C.Board Layout  
(Top View)



## ORDERING INFORMATION:

P/N L T U A -  $\frac{6U}{1} \times \frac{B}{2} \frac{6V}{3}$

1. NO. OF POSITIONS & CONTACTS:  
"6U" 8P6C + USB
2. CONTACT FINISH:  
"A" 6 MICROINCH GOLD  
"E" 3 MICROINCH GOLD  
\* USB CONTACT PLATING: 3 MICROINCH GOLD
3. MAGNETIC SCHEMATICS:  
6V



# SIDE ENTRY MAGNETIC 10/100 BASE-TX JACK OVER SINGLE USB WITH LED 8P6C PROFILE=20.85MM (FULLY SHIELDED)

## MATERIALS

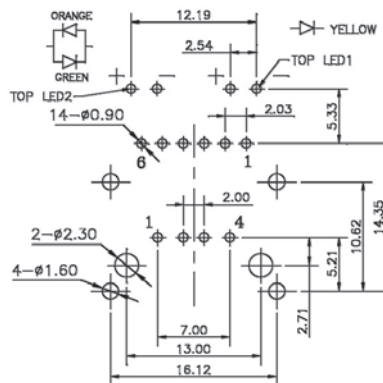
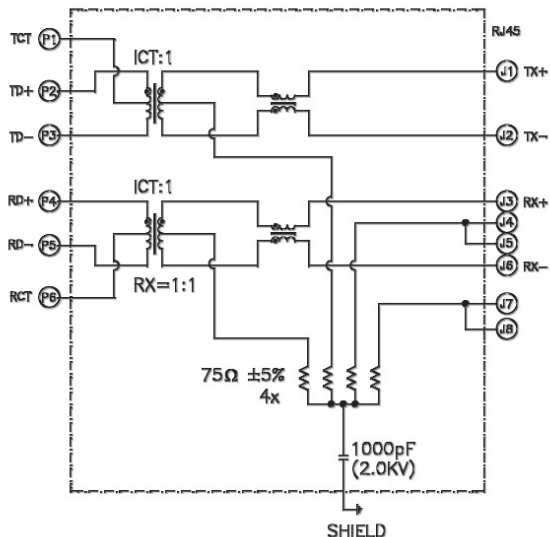
**Housing:** Thermoplastic

**Contacts:** Phosphor Bronze

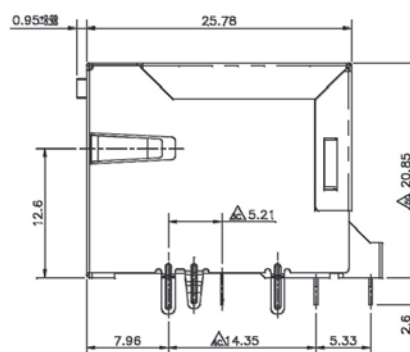
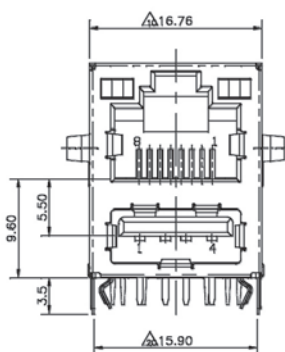
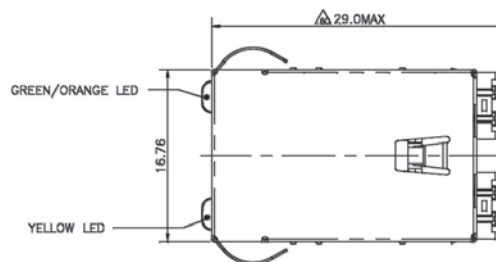
**Plating:** Gold plating Over Nickel in Contact  
Tin plating Over Nickel in Solder Area

**Shield:** Brass Plating Nickel

\*RoHS & REACH compliant.



Recommended P.C. Board Layout  
(Top View)



## ORDERING INFORMATION:

P/N L T U B -  $\frac{6}{1}$  U x B  $\frac{6}{3}$  V  $\frac{1}{4}$  Y

1. NO. OF POSITIONS & CONTACTS:  
"6U" 6P8C + USB
2. CONTACT FINISH:  
"A" 6 MICROINCH GOLD  
"E" 3 MICROINCH GOLD  
\* USB CONTACT PLATING: 3 MICROINCH GOLD
3. MAGNETIC SCHEMATICS:  
6V
4. TYPE OF LED POLARITY:  
"1Y" LEFT LED = GREEN/ORANGE &  
RIGHT LED = YELLOW

# SIDE ENTRY MAGNETIC 10/100 BASE-TX JACK OVER SINGLE USB WITH LED 8P8C PROFILE=20.85MM (FULLY SHIELDED)

## MATERIALS

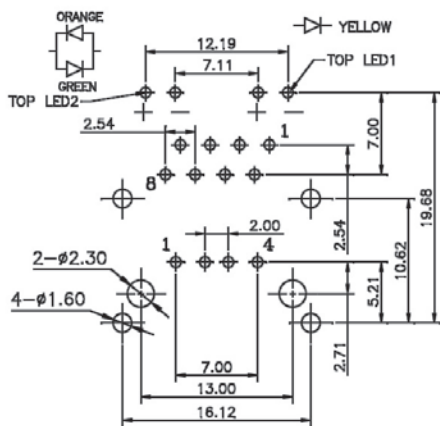
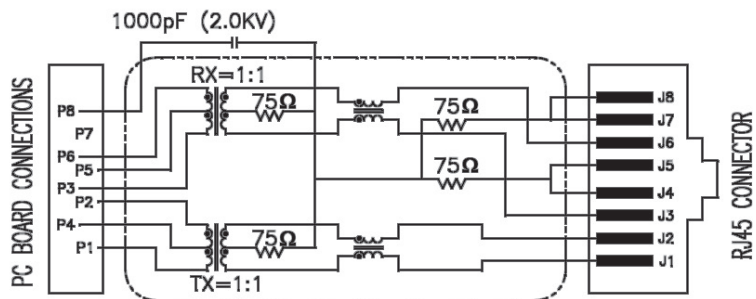
**Housing:** Thermoplastic

**Contacts:** Phosphor Bronze

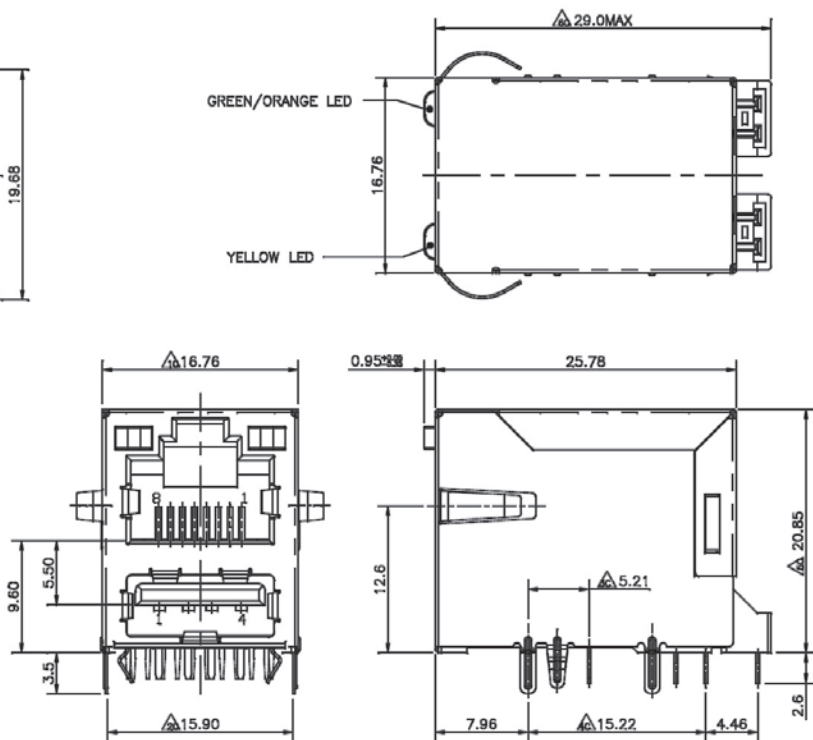
**Plating:** Gold plating Over Nickel in Contact  
Tin plating Over Nickel in Solder Area

**Shield:** Brass Plating Nickel

\*RoHS & REACH compliant.



Recommended P.C. Board Layout  
(Top View)



## ORDERING INFORMATION:

P/N LTUC -  $\frac{8}{1} \frac{U}{2} \times \frac{B}{3} \frac{061}{4} Y$

1. NO. OF POSITIONS & CONTACTS:  
"8U" 8P8C + USB
2. CONTACT FINISH:  
"A" 6 MICROINCH GOLD  
"E" 3 MICROINCH GOLD  
\* USB CONTACT PLATING: 3 MICROINCH GOLD
3. MAGNETIC SCHEMATICS:  
06
4. TYPE OF LED POLARITY:  
"1Y" LEFT LED = GREEN/ORANGE &  
RIGHT LED = YELLOW

# SIDE ENTRY MAGNETIC 10/100/1000 (GIGABIT) BASE-TX JACK OVER SINGLE USB WITH LED 10P8C PROFILE=20.85MM (FULLY SHIELDED)

## MATERIALS

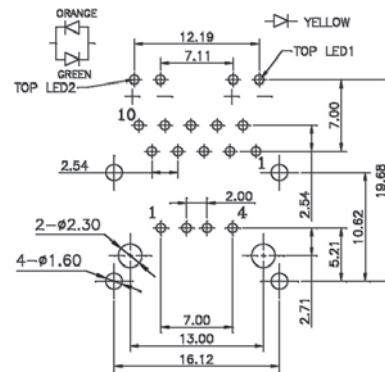
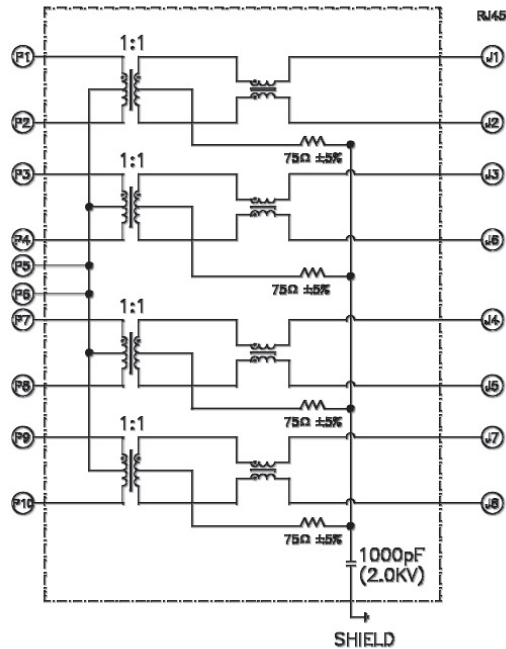
**Housing:** Thermoplastic

**Contacts:** Phosphor Bronze

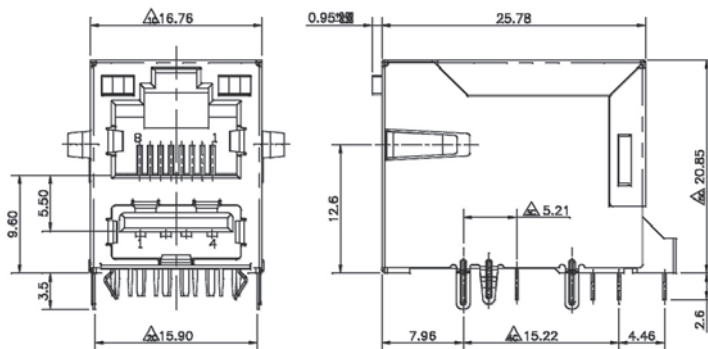
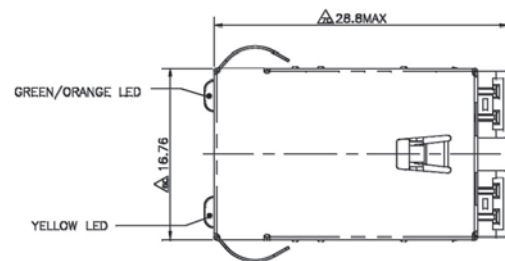
**Plating:** Gold plating Over Nickel in Contact  
Tin plating Over Nickel in Solder Area

**Shield:** Brass Plating Nickel

\*RoHS & REACH compliant.



Recommended P.C. Board Layout (Top View)



## ORDERING INFORMATION:

P/N LTGF -  $\frac{0}{1} \frac{U}{2} \times \frac{B}{3} \frac{8V}{4} \frac{1Y}{4}$

1. NO. OF POSITIONS & CONTACTS:  
"0U" 10P8C + USB
2. CONTACT FINISH:  
"A" 6 MICROINCH GOLD  
"E" 3 MICROINCH GOLD  
\* USB CONTACT PLATING: 3 MICROINCH GOLD
3. MAGNETIC SCHEMATICS:  
8V
4. TYPE OF LED POLARITY:  
"1Y" LEFT LED = GREEN/ORANGE &  
RIGHT LED = YELLOW

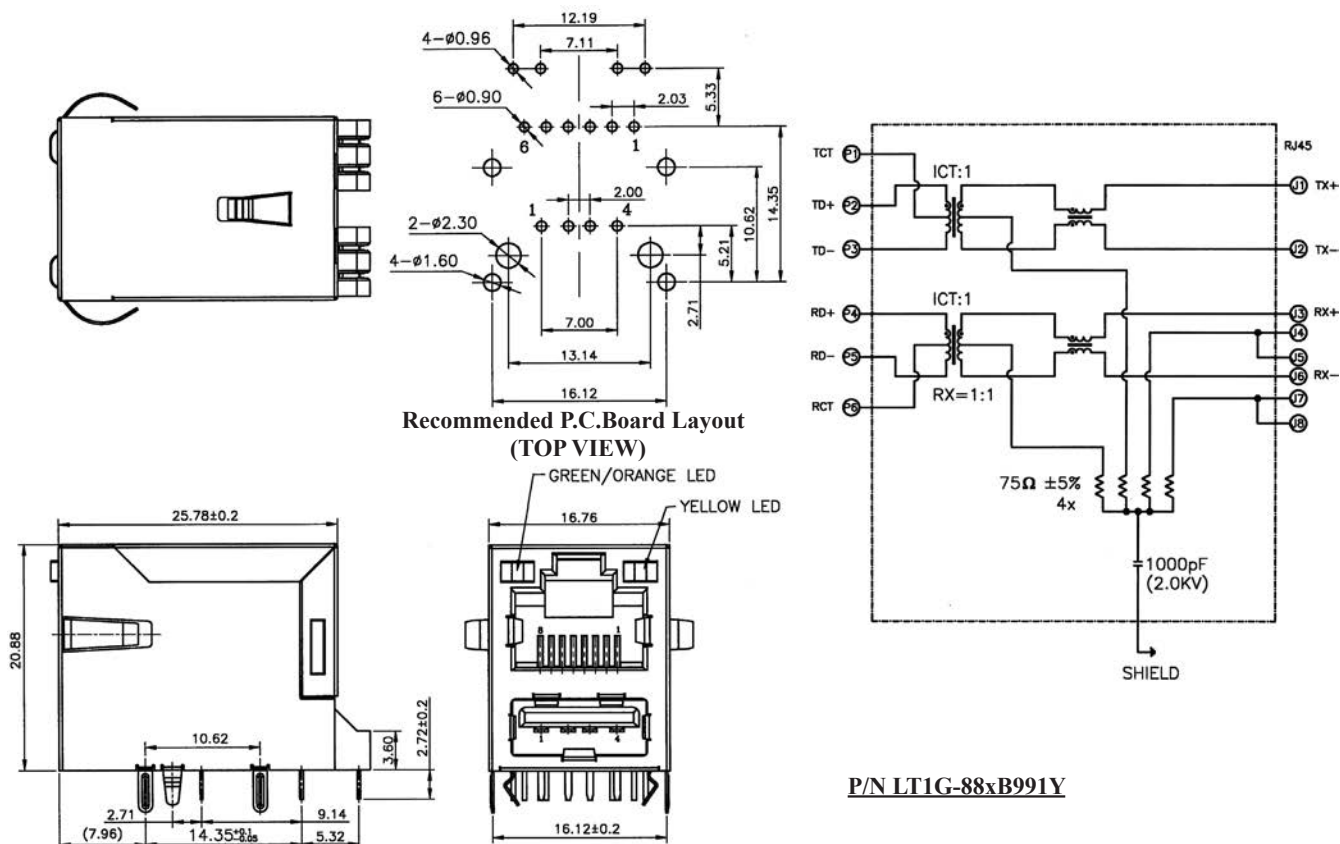
# SIDE ENTRY MAGNETIC MODULAR PCB JACK WITH USB & LED 8P PROFILE=20.88MM (FULLY SHIELDED)

## SPECIFICATIONS

**Insulation Resistance:** 500MΩ Min.  
**Contact Resistance:** 20mΩ Max.  
**Rating Current:** 1.5A Max.  
**Rating Voltage:** 120V AC.  
**Dielectric Voltage:** 1000 Vrms 60 Sec. Min.  
**Temperature Range:** -40°C / +85°C  
**Durability:** 500 Mating cycles Min.

## MATERIALS

**Housing:** PBT Glass Filled (UL 94V-0)  
**Soldering Temperature:** 235°C  
**Color:** Black  
**Spring Wire:** Phosphor Bronze  
 Gold plating Over Nickel  
**Shield:** Brass plating Nickel Alloy  
 \*RoHS & REACH compliant.



P/N LT1G-88xB991Y

## ORDERING INFORMATION:

P/N LT1G - 88 E B 99 1Y  
 1 2 3 4

1. NO. OF POSITIONS & CONTACTS:  
"88" 8P8C
2. CONTACT FINISH:  
"E" GOLD FLASH
3. SCHEMATIC TYPE:  
99
4. LED COLOR:  
"1Y" LEFT LED = GREEN/ORANGE &  
RIGHT LED = YELLOW

# SIDE ENTRY UP LATCH MAGNETIC 10/100 & 10/100/1000 BASE-TX JACK WITH LED 6P & USB2.0 PROFILE=21.08MM (FULLY SHIELDED)

## MATERIALS

**Housing:** PBT UL 94V-0, Black

**Shell:** Brass C2680 T=0.20, 85u"~135u" Ni Plated

**RJ45 Terminal:** Phosphor Bronze T=0.30mm,

Gold Au Plated on Contact Area

80u"~160u" Tin Plated on Solder Area

50u"~100u" Ni Underplated overall

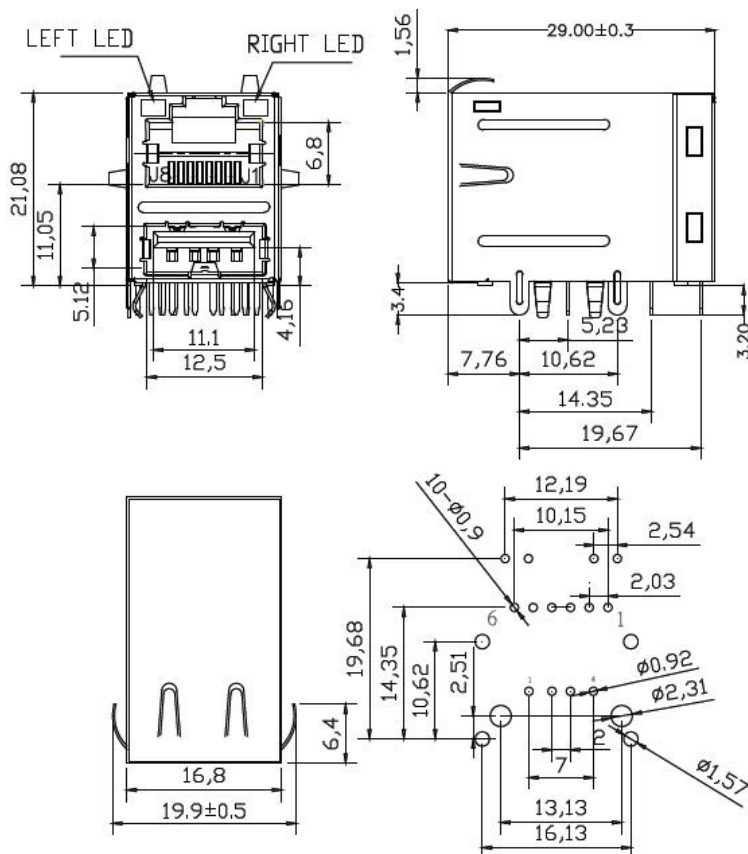
**Other Terminal:** Brass T=0.30mm, 80u"~160u" Tin Plated

50u"~100u" Ni Underplated overall

\*RoHS & REACH compliant.

## LED Designation:

Code	+/-	-/+	Code	+/-	-/+
N	Green	—	M	—	Green
Y	Yellow	—	Z	—	Yellow
8	Orange	—	Q	—	Orange
1	Green	Orange	2	Orange	Green
5	Green	Yellow	6	Yellow	Green



Recommended P.C.Board Layout

## ORDERING INFORMATION:

P/N LT  $\frac{xx}{1}$  -  $\frac{6U}{2}$   $\frac{x}{3}$  B  $\frac{xx}{4}$   $\frac{xx}{5}$

### 1. TYPE OF PANEL GROUNDS:

"87" NO TAB

"88" TOP TABS

"89" SIDE TABS

"90" TOP TABS & SIDE TABS

### 2. NO. OF POSITIONS & CONTACTS:

"6U" 6P8C + USB2.0

### 3. CONTACT FINISH:

"A" 6 MICROINCH GOLD

"B" 15 MICROINCH GOLD

"C" 30 MICROINCH GOLD

"D" 50 MICROINCH GOLD

### 4. MAGNETIC SCHEMATICS:

10/100 BASE-TX

51, 52, 53, 54, 55, 56, 58, 59, 60, 63

10/100/1000 BASE-TX

G1, G3, G4, G6, G7, G8, G9, H0

SEE PAGE N5902~N5906 & N5941~N5943!

### 5. TYPE OF LED POLARITY:

(LED PIN DIRECTION FROM LEFT TO RIGHT)

1N, 1Y, 1Z, 55, 58, 5Q, 85, MM, MY, MZ, N5, NN,

NY, NZ, Q5, Y1, Y2, YM, YN, Z1, Z2, ZM, ZN

# SIDE ENTRY UP LATCH MAGNETIC 10/100 & 10/100/1000 BASE-TX JACK WITH LED 12P & USB2.0 PROFILE=21.08MM (FULLY SHIELDED)

## MATERIALS

**Housing:** PBT UL 94V-0, Black

**Shell:** Brass C2680 T=0.20, 85u"~135u" Ni Plated

**RJ45 Terminal:** Phosphor Bronze T=0.30mm,

Gold Au Plated on Contact Area

80u"~160u" Tin Plated on Solder Area

50u"~100u" Ni Underplated overall

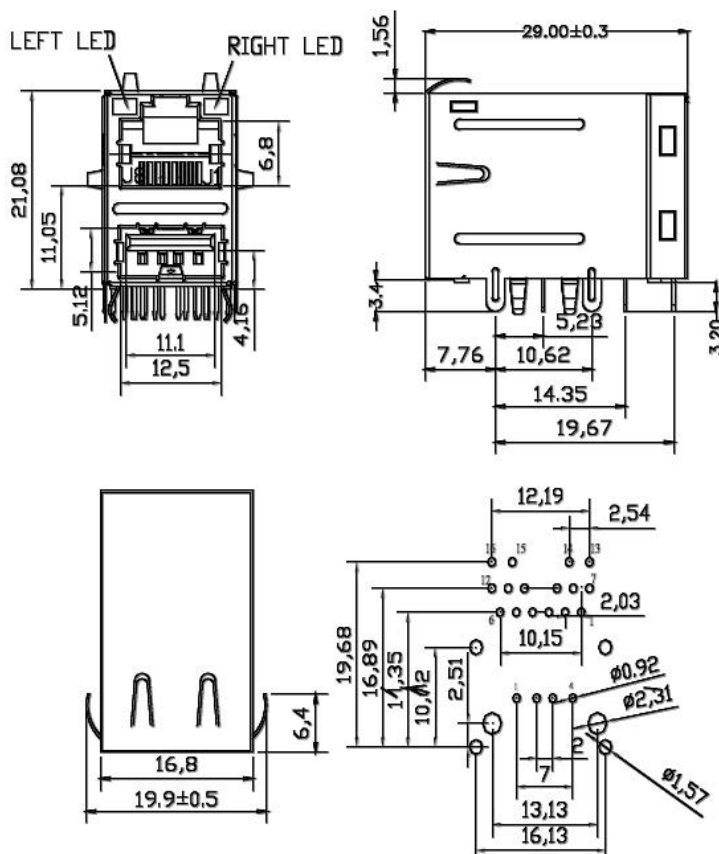
**Other Terminal:** Brass T=0.30mm, 80u"~160u" Tin Plated

50u"~100u" Ni Underplated overall

\*RoHS & REACH compliant.

## LED Designation:

Code	+/-	-/+	Code	+/-	-/+
N	Green	—	M	—	Green
Y	Yellow	—	Z	—	Yellow
8	Orange	—	Q	—	Orange
1	Green	Orange	2	Orange	Green
5	Green	Yellow	6	Yellow	Green



Recommended P.C.Board Layout

## ORDERING INFORMATION:

P/N L T  $\frac{x}{1}$  x -  $\frac{T}{2}$  U  $\frac{x}{3}$  B  $\frac{x}{4}$  x x x

### 1. TYPE OF PANEL GROUNDS:

"87" NO TAB

"88" TOP TABS

"89" SIDE TABS

"90" TOP TABS & SIDE TABS

### 2. NO. OF POSITIONS & CONTACTS:

"TU" 12P8C + USB2.0

### 3. CONTACT FINISH:

"A" 6 MICROINCH GOLD

"B" 15 MICROINCH GOLD

"C" 30 MICROINCH GOLD

"D" 50 MICROINCH GOLD

### 4. MAGNETIC SCHEMATICS:

10/100 BASE-TX

51, 52, 53, 54, 55, 56, 58, 59, 60, 63

10/100/1000 BASE-TX

G1, G3, G4, G6, G7, G8, G9, H0

SEE PAGE N5902~N5906 & N5941~N5943!

### 5. TYPE OF LED POLARITY:

(LED PIN DIRECTION FROM LEFT TO RIGHT)

1N, 1Y, 1Z, 55, 58, 5Q, 85, MM, MY, MZ, N5, NN,

NY, NZ, Q5, Y1, Y2, YM, YN, Z1, Z2, ZM, ZN

# SIDE ENTRY MAGNETIC 10/100 BASE-TX JACK OVER DUAL USB WITH LED 8P6C PROFILE=30.50MM (FULLY SHIELDED)

## MATERIALS

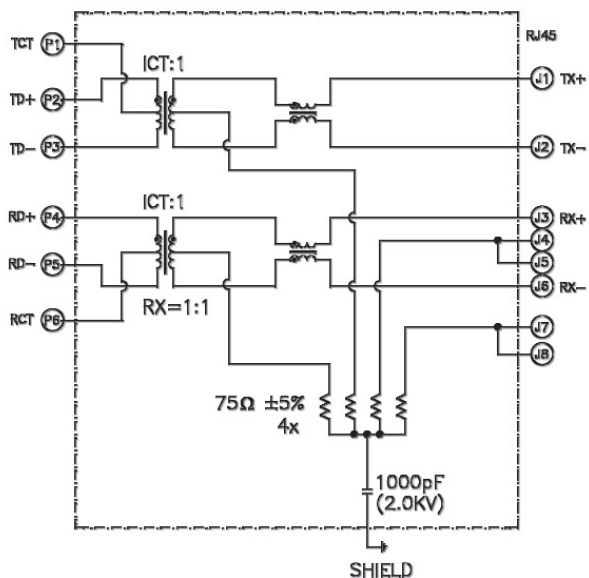
**Housing:** Thermoplastic

**Contacts:** Phosphor Bronze

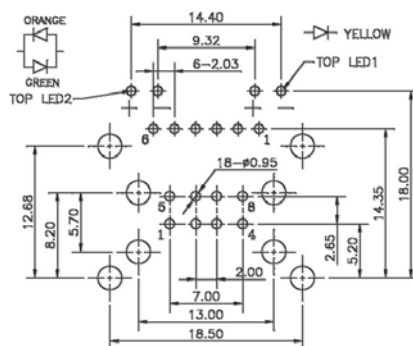
**Plating:** Gold plating Over Nickel in Contact  
Tin plating Over Nickel in Solder Area

**Shield:** Brass Plating Nickel

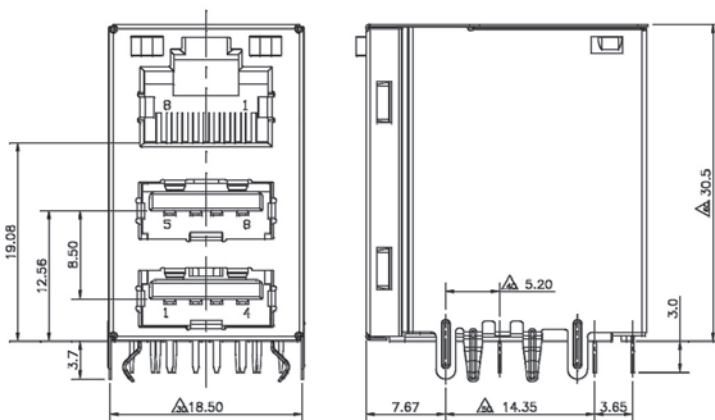
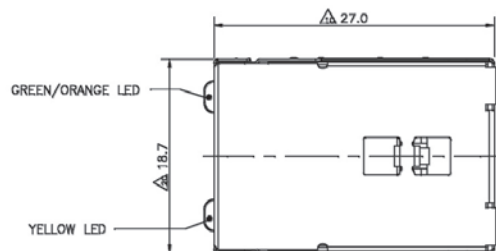
\*RoHS & REACH compliant.



P/N LTUD-6UxB6V1Y



Recommended P.C.Board Layout  
(Top View)



## ORDERING INFORMATION:

P/N LTUD -  $\frac{6}{1}$  U  $\times$   $\frac{B}{2}$   $\frac{6}{3}$  V  $\frac{1}{4}$  Y

1. NO. OF POSITIONS & CONTACTS:  
"6U" 8P6C + USB
2. CONTACT FINISH:  
"A" 6 MICROINCH GOLD  
"E" 3 MICROINCH GOLD  
\* USB CONTACT PLATING: 3 MICROINCH GOLD
3. MAGNETIC SCHEMATICS:  
6V
4. TYPE OF LED POLARITY:  
"1Y" LEFT LED = GREEN/ORANGE &  
RIGHT LED = YELLOW

# SIDE ENTRY MAGNETIC 10/100 BASE-TX JACK OVER DUAL USB WITH LED 8P8C PROFILE=30.50MM (FULLY SHIELDED)

## MATERIALS

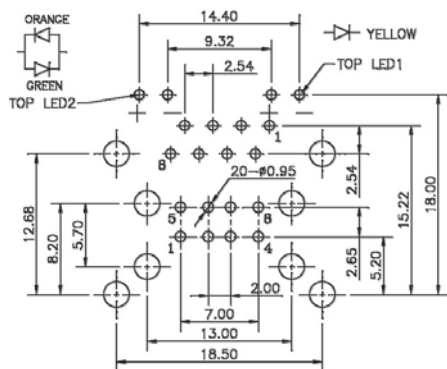
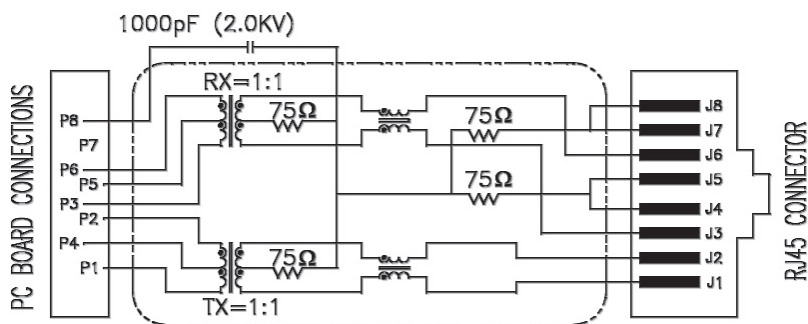
**Housing:** Thermoplastic

**Contacts:** Phosphor Bronze

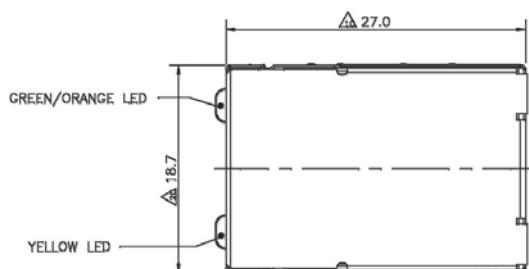
**Plating:** Gold plating Over Nickel in Contact  
Tin plating Over Nickel in Solder Area

**Shield:** Brass Plating Nickel

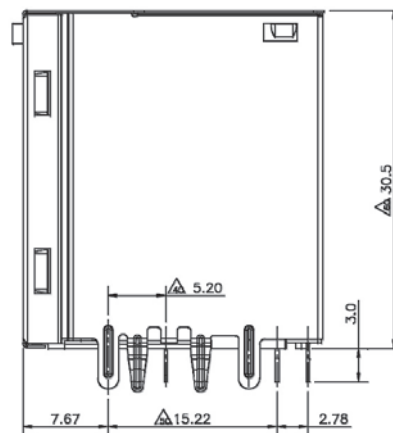
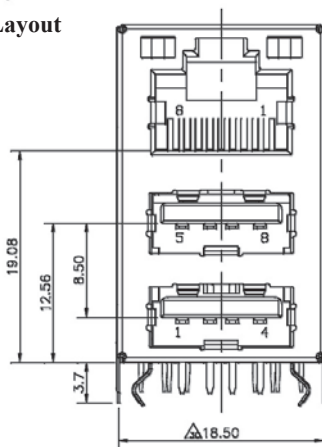
\*RoHS & REACH compliant.



Recommended P.C.Board Layout  
(Top View)



**P/N LTUD-8UxB6V1Y**



## ORDERING INFORMATION:

**P/N LTUE -  $\frac{8}{1} \frac{U}{2} \times \frac{B}{3} \frac{06}{4} \frac{1}{4} Y$**

1. NO. OF POSITIONS & CONTACTS:  
"8U" 8P8C + USB
2. CONTACT FINISH:  
"A" 6 MICROINCH GOLD  
"E" 3 MICROINCH GOLD  
\* USB CONTACT PLATING: 3 MICROINCH GOLD
3. MAGNETIC SCHEMATICS:  
06
4. TYPE OF LED POLARITY:  
"1Y" LEFT LED = GREEN/ORANGE &  
RIGHT LED = YELLOW



# SIDE ENTRY MAGNETIC 10/100/1000 (GIGABIT) BASE-TX JACK OVER DUAL USB WITH LED 10P8C PROFILE=30.50MM (FULLY SHIELDED)

## MATERIALS

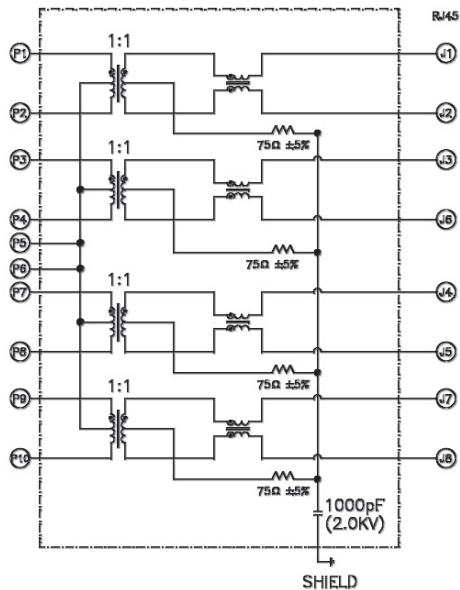
**Housing:** Thermoplastic

**Contacts:** Phosphor Bronze

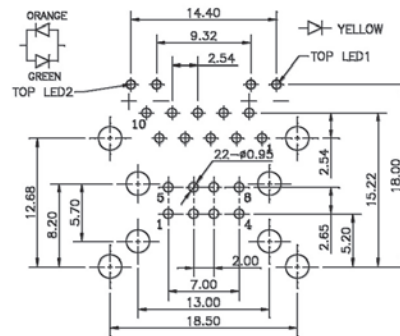
**Plating:** Gold plating Over Nickel in Contact  
Tin plating Over Nickel in Solder Area

**Shield:** Brass Plating Nickel

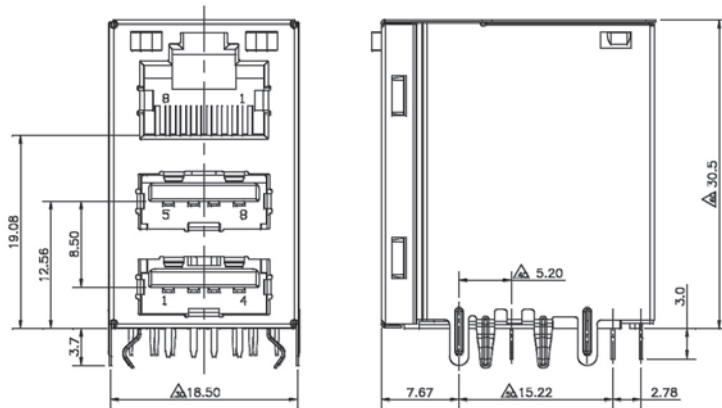
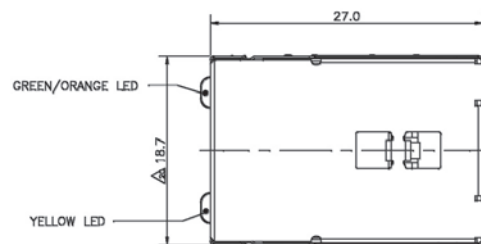
\*RoHS & REACH compliant.



**P/N LTGG-0UxB8V1Y**



**Recommended P.C.Board Layout  
(Top View)**



## ORDERING INFORMATION:

**P/N LTGG - 0U x B 8V 1Y**  
1 2 3 4

1. NO. OF POSITIONS & CONTACTS:  
"0U" 10P8C + USB
2. CONTACT FINISH:  
"A" 6 MICROINCH GOLD  
"E" 3 MICROINCH GOLD  
\* USB CONTACT PLATING: 3 MICROINCH GOLD
3. MAGNETIC SCHEMATICS:  
8V
4. TYPE OF LED POLARITY:  
"1Y" LEFT LED = GREEN/ORANGE &  
RIGHT LED = YELLOW

# SIDE ENTRY MAGNETIC 10/100 BASE-TX JACK WITH 2xUSB JACKS PROFILE=30.50MM (FULLY SHIELDED)

## MATERIALS

**Housing:** High Temperature Thermoplastic UL 94V-0, Black

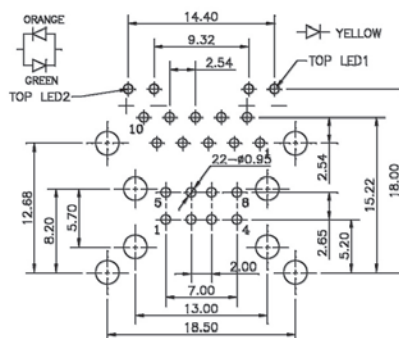
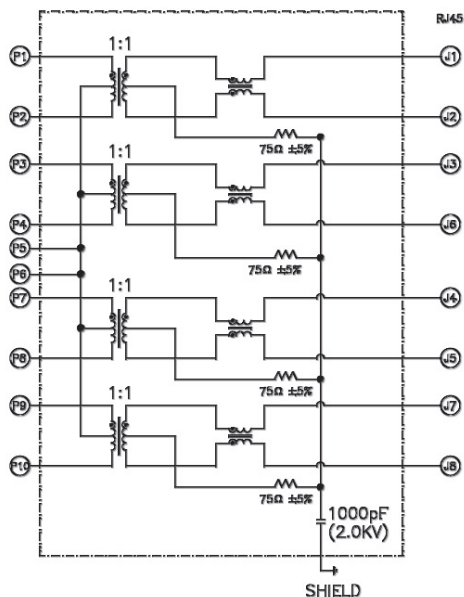
**Contacts:** 0.35mm Phosphor Bronze Plated,

Gold Plated on Contact Area

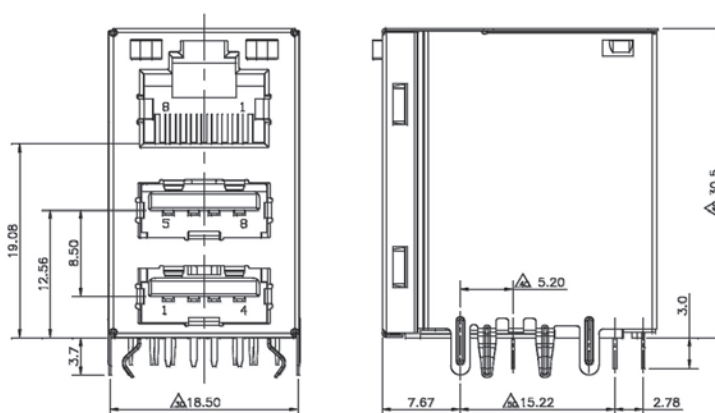
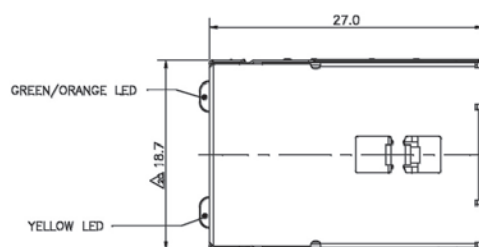
Solder Tin in Solder Area

**Shield:** 0.20mm Copper Alloy with Nickel

\*RoHS & REACH compliant.



Recommended P.C.Board Layout  
(Top View)



## ORDERING INFORMATION:

P/N L T A E -  $\frac{8}{1} \frac{U}{2} \times \frac{B}{3} \times \times$

1. NO. OF POSITIONS & CONTACTS:

"8U" 8P8C + 2 x USB

2. CONTACT FINISH:

"A" 6 MICROINCH GOLD

"B" 15 MICROINCH GOLD

"C" 30 MICROINCH GOLD

"D" 50 MICROINCH GOLD

"E" 3 MICROINCH GOLD

3. MAGNETIC SCHEMATICS:

99

# SIDE ENTRY UP LATCH MAGNETIC 10/100 & 10/100/1000 BASE-TX JACK WITH LED 8P & USB2.0 PROFILE=30.55MM (FULLY SHIELDED)

## MATERIALS

**Housing:** PBT UL 94V-0, Black

**Shell:** Brass C2680 T=0.20, 85u"~135u" Ni Plated

**RJ45 Terminal:** Phosphor Bronze T=0.30mm,

Gold Au Plated on Contact Area

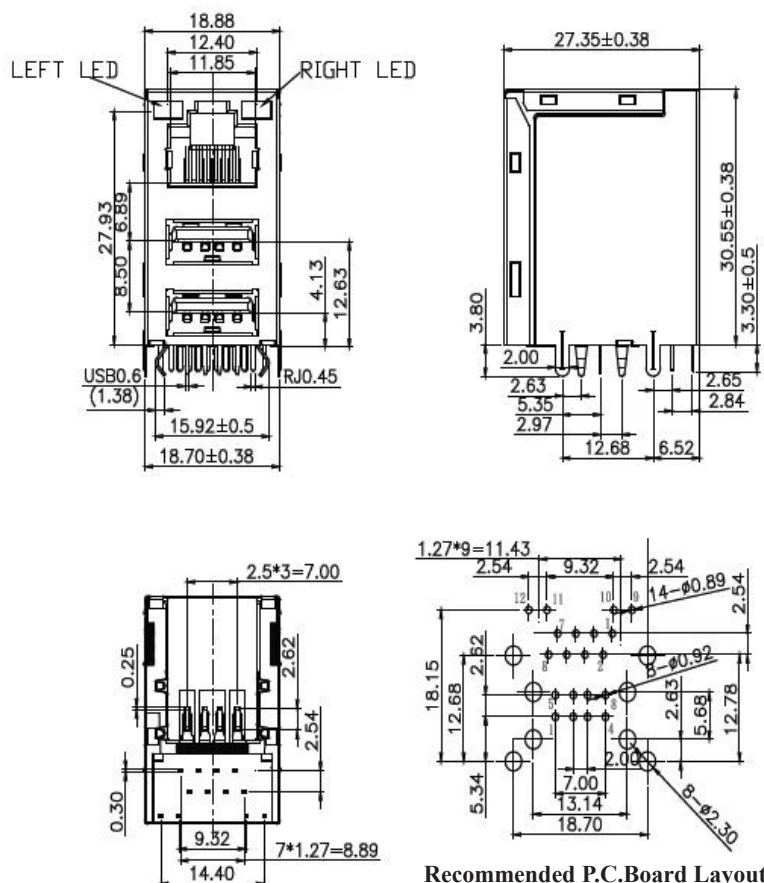
80u"~160u" Tin Plated on Solder Area

50u"~100u" Ni Underplated overall

**Other Terminal:** Brass T=0.30mm, 80u"~160u" Tin Plated

50u"~100u" Ni Underplated overall

\*RoHS & REACH compliant.



Recommended P.C.Board Layout

## ORDERING INFORMATION:

P/N LT 85 -  $\frac{8}{1} \frac{U}{2} \frac{B}{3} \frac{X}{4} \frac{X}{3} \frac{X}{4}$

1. NO. OF POSITIONS & CONTACTS:

"8U" 8P8C + USB2.0

2. CONTACT FINISH:

"A" 6 MICROINCH GOLD

"B" 15 MICROINCH GOLD

"C" 30 MICROINCH GOLD

"D" 50 MICROINCH GOLD

3. MAGNETIC SCHEMATICS:

10/100 BASE-TX

51, 52, 53, 54, 55, 56, 58, 59, 60, 61, 62, 63, 64, 73, 81

10/100/1000 BASE-TX

G1, G3, G4, G6, G7, G8, G9, H0, J1, J2, J4

SEE PAGE N5902~N5906 & N5941~N5943!

4. TYPE OF LED POLARITY:

(LED PIN DIRECTION FROM LEFT TO RIGHT)

1N, 1Y, 1Z, 5S, 58, 5Q, 85, MM, MY, MZ, N5, NN,

NY, NZ, Q5, Y1, Y2, YM, YN, Z1, Z2, ZM, ZN

### LED Designation:

Code	+/-	-/+	Code	+/-	-/+
N	Green	—	M	—	Green
Y	Yellow	—	Z	—	Yellow
8	Orange	—	Q	—	Orange
1	Green	Orange	2	Orange	Green
5	Green	Yellow	6	Yellow	Green

# SIDE ENTRY UP LATCH MAGNETIC 10/100 & 10/100/1000 BASE-TX JACK WITH LED 10P & USB2.0 PROFILE=30.55MM (FULLY SHIELDED)

## MATERIALS

**Housing:** PBT UL 94V-0, Black

**Shell:** Brass C2680 T=0.20, 85u"~135u" Ni Plated

**RJ45 Terminal:** Phosphor Bronze T=0.30mm,

Gold Au Plated on Contact Area

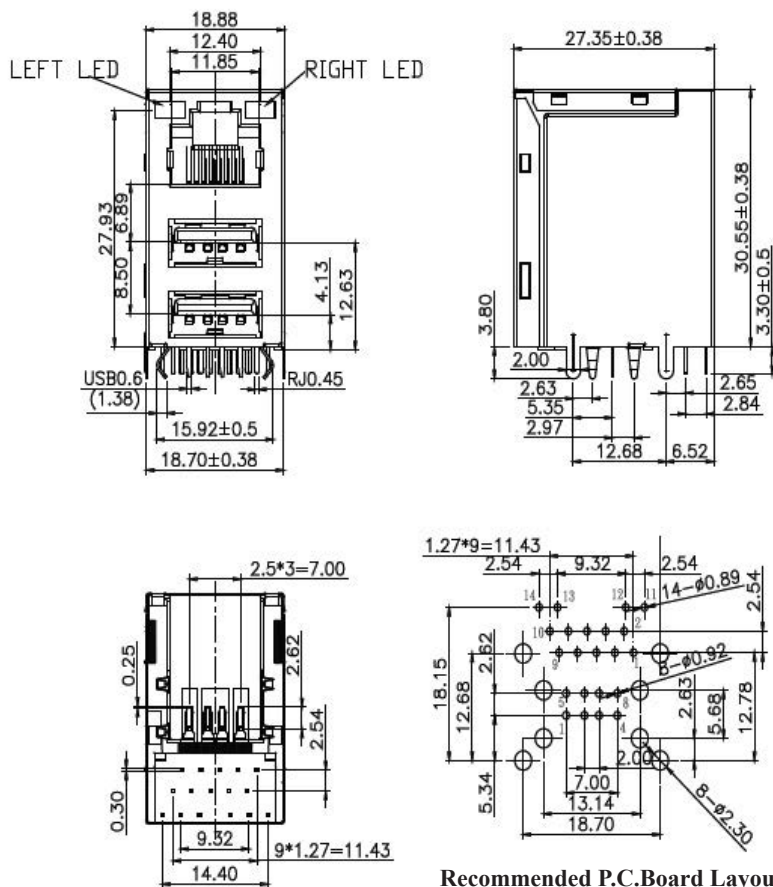
80u"~160u" Tin Plated on Solder Area

50u"~100u" Ni Underplated overall

**Other Terminal:** Brass T=0.30mm, 80u"~160u" Tin Plated

50u"~100u" Ni Underplated overall

\*RoHS & REACH compliant.



Recommended P.C.Board Layout

## ORDERING INFORMATION:

P/N LT 85 - 0 U x B x x x x  
 1 2 3 4

### 1. NO. OF POSITIONS & CONTACTS:

"0U" 10P8C + USB2.0

### 2. CONTACT FINISH:

"A" 6 MICROINCH GOLD

"B" 15 MICROINCH GOLD

"C" 30 MICROINCH GOLD

"D" 50 MICROINCH GOLD

### 3. MAGNETIC SCHEMATICS:

10/100 BASE-TX

51, 52, 53, 54, 55, 56, 58, 59, 60, 61, 62, 63, 64, 73, 81

10/100/1000 BASE-TX

G1, G3, G4, G6, G7, G8, G9, H0, J1, J2, J4

SEE PAGE N5902~N5906 & N5941~N5943!

### 4. TYPE OF LED POLARITY:

(LED PIN DIRECTION FROM LEFT TO RIGHT)

1N, 1Y, 1Z, 55, 58, 5Q, 85, MM, MY, MZ, N5, NN, NY, NZ, Q5, Y1, Y2, YM, YN, Z1, Z2, ZM, ZN

### LED Designation:

Code	+/-	-/+	Code	+/-	-/+
N	Green	—	M	—	Green
Y	Yellow	—	Z	—	Yellow
8	Orange	—	Q	—	Orange
1	Green	Orange	2	Orange	Green
5	Green	Yellow	6	Yellow	Green

# SIDE ENTRY UP LATCH MAGNETIC 10/100/1000 (GIGABIT) BASE-TX JACK WITH LED 10P & USB3.0 PROFILE=30.55MM (FULLY SHIELDED)

## MATERIALS

**Housing:** PBT UL 94V-0, Black

**Shell:** Brass C2680 T=0.20, 85u"~135u" Ni Plated

**RJ45 Terminal:** Phosphor Bronze T=0.30mm,

Gold Au Plated on Contact Area

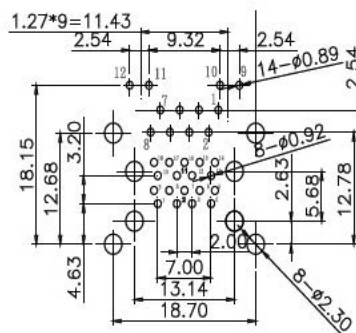
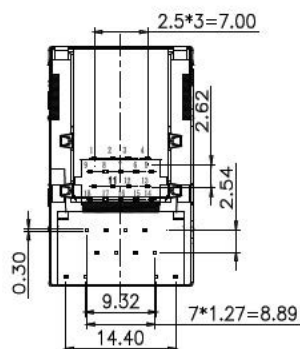
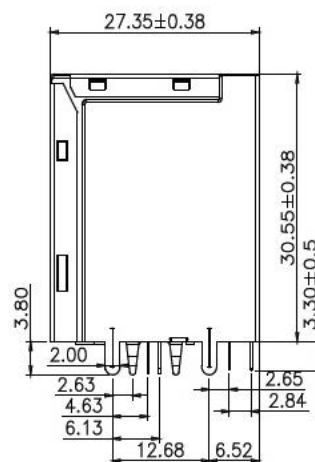
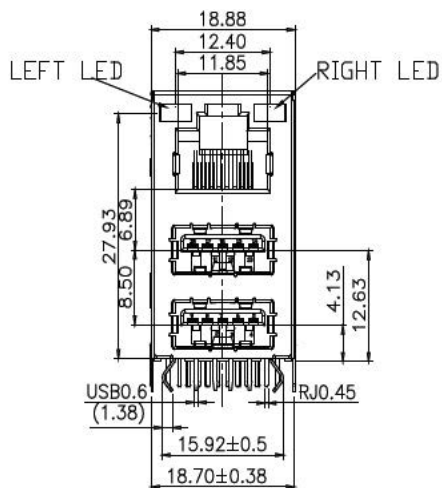
80u"~160u" Tin Plated on Solder Area

50u"~100u" Ni Underplated overall

**Other Terminal:** Brass T=0.30mm, 80u"~160u" Tin Plated

50u"~100u" Ni Underplated overall

\*RoHS & REACH compliant.



Recommended P.C.Board Layout

## ORDERING INFORMATION:

P/N LT 9 1 - 0 U x B x x x x  
 1 2 3 4

### 1. NO. OF POSITIONS & CONTACTS:

"0U" 10P8C + USB3.0

### 2. CONTACT FINISH:

"A" 6 MICROINCH GOLD

"B" 15 MICROINCH GOLD

"C" 30 MICROINCH GOLD

"D" 50 MICROINCH GOLD

### 3. MAGNETIC SCHEMATICS:

10/100/1000 BASE-TX

G1, G2, G3, G6, G7, G8, G9, H0

SEE PAGE N5941~N5943!

### 4. TYPE OF LED POLARITY:

(LED PIN DIRECTION FROM LEFT TO RIGHT)

1N, 1Y, 1Z, 55, 58, 5Q, 85, MM, MY, MZ, N5, NN,

NY, NZ, Q5, Y1, Y2, YM, YN, Z1, Z2, ZM, ZN

### LED Designation:

Code	+/-	-/+	Code	+/-	-/+
N	Green	—	M	—	Green
Y	Yellow	—	Z	—	Yellow
8	Orange	—	Q	—	Orange
1	Green	Orange	2	Orange	Green
5	Green	Yellow	6	Yellow	Green

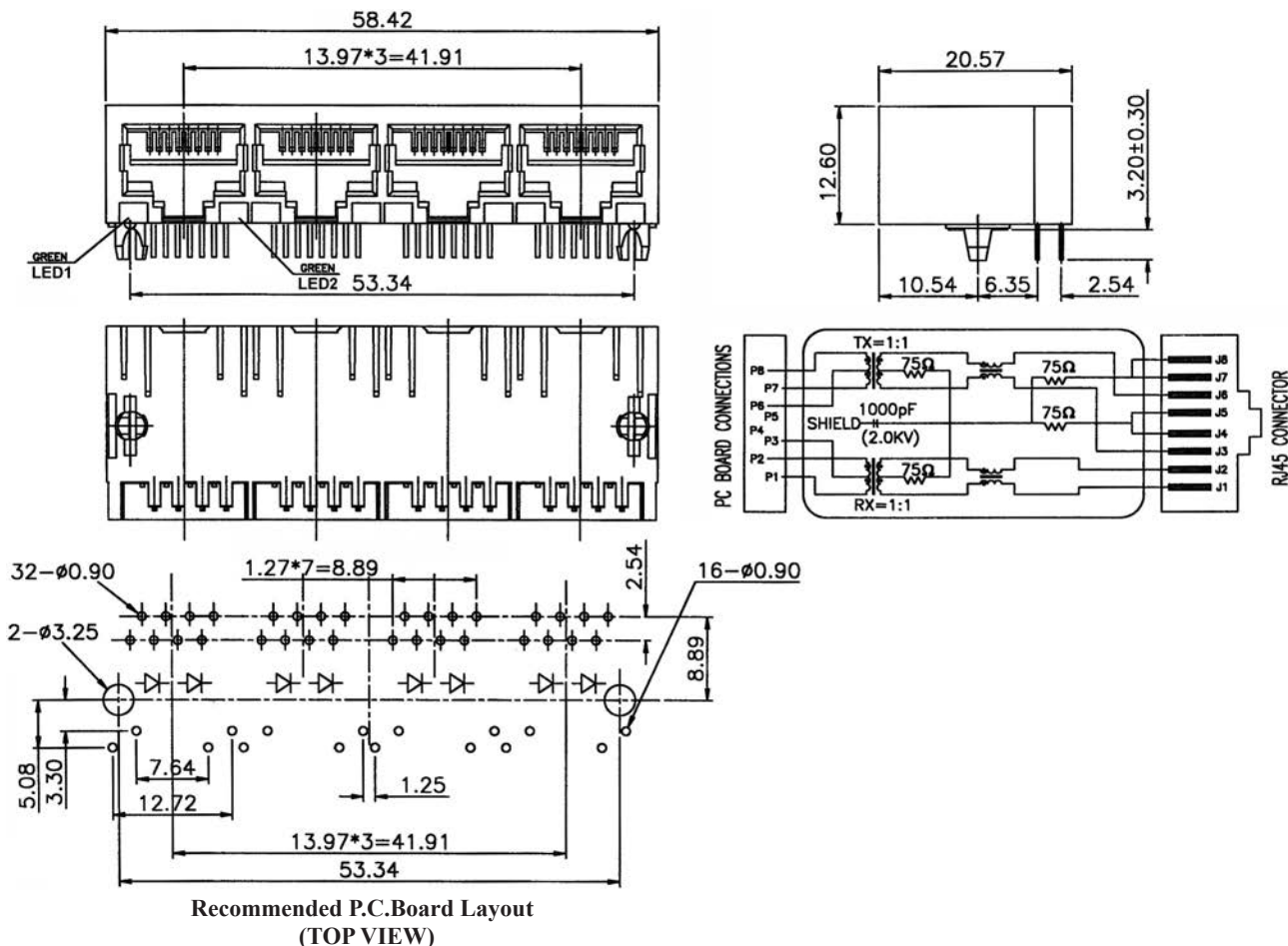
# SIDE ENTRY 4-PORT MAGNETIC 10/100 BASE-TX JACK WITH LED 8P PROFILE=12.60MM (UNSHIELDED)

## SPECIFICATIONS

Insulation Resistance: 500MΩ Min.  
 Contact Resistance: 20mΩ Max.  
 Rating Current: 1.5A Max.  
 Rating Voltage: 120V AC.  
 Dielectric Voltage: 1000 Vrms 60 Sec. Min.  
 Temperature Range: -40°C / +85°C  
 Durability: 500 Mating cycles Min.

## MATERIALS

Housing: Nylon (UL 94V-0)  
 Soldering Temperature: 260°C  
 Color: Black  
 Spring Wire: Phosphor Bronze  
 Gold plating Over Nickel  
 \*RoHS & REACH compliant.



## ORDERING INFORMATION:

P/N L T M 8 -  $\frac{88}{1}$  X B  $\frac{01}{3}$  X X  $\frac{04}{5}$

1. NO. OF POSITIONS & CONTACTS:  
"88" 8P8C
2. CONTACT FINISH:  
"A" 6 MICROINCH GOLD  
"B" 15 MICROINCH GOLD  
"C" 30 MICROINCH GOLD  
"D" 50 MICROINCH GOLD
3. MAGNETIC SCHEMATICS:  
01

4. COLORS OF LED:  
"XX" W/O LED  
"NN" LED1: GREEN & LED2: GREEN  
"NY" LED1: GREEN & LED2: YELLOW  
"YN" LED1: YELLOW & LED2: GREEN  
"YY" LED1: YELLOW & LED2: YELLOW  
OTHER LED COLORS UPON REQUEST!
5. NO. OF PORTS:  
04

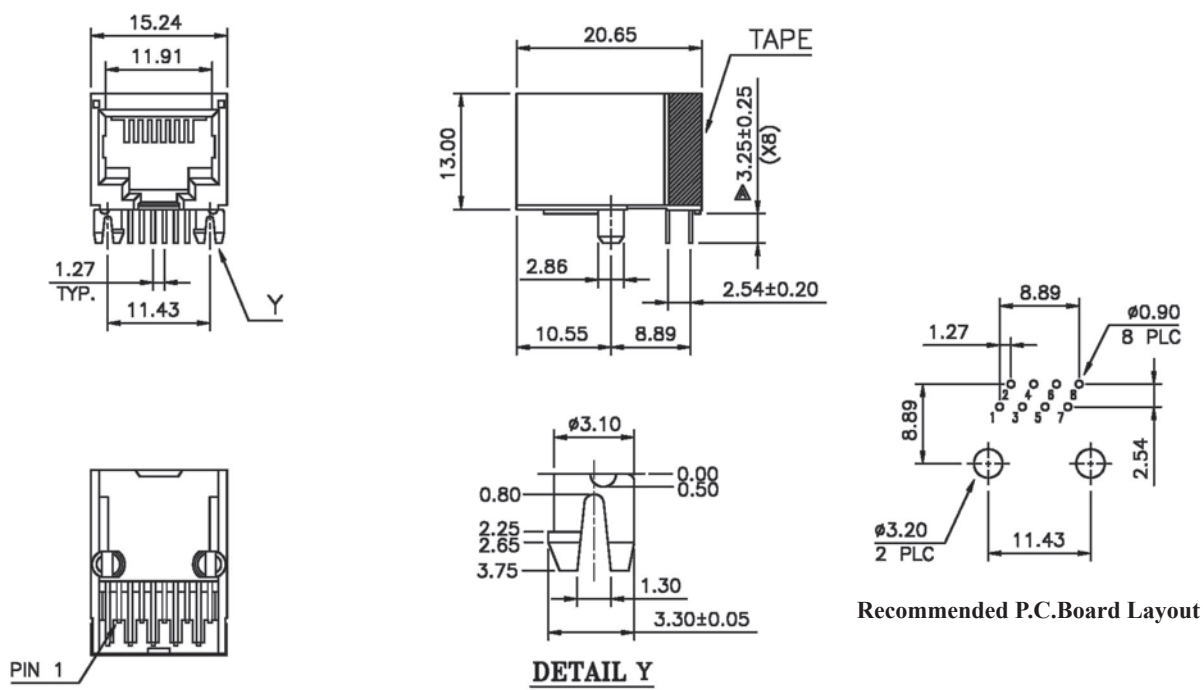
# SIDE ENTRY MAGNETIC 10/100 BASE-TX JACK WITHOUT LED PROFILE=13.00MM (UNSHIELDED)

## SPECIFICATIONS

**Insulation Resistance:** 500MΩ Min.  
**Contact Resistance:** 20mΩ Max.  
**Rating Current:** 1.5A Max.  
**Rating Voltage:** 120V AC.  
**Dielectric Voltage:** 1000 Vrms 60 Sec. Min.  
**Temperature Range:** -40°C / +85°C  
**Durability:** 500 Mating cycles Min.

## MATERIALS

**Housing:** PBT Glass Filled (UL 94V-0)  
**Soldering Temperature:** 235°C  
**Color:** Black  
**Spring Wire:** Phosphor Bronze  
 Gold plating Over Nickel  
**\*RoHS & REACH compliant.**



## ORDERING INFORMATION:

P/N M J Q T -  $\frac{88}{1} \times \frac{B}{2} \times \frac{X}{3}$

1. NO. OF POSITIONS & CONTACTS:  
"88" 8P8C
2. CONTACT FINISH:  
"A" 6 MICROINCH GOLD  
"B" 15 MICROINCH GOLD  
"C" 30 MICROINCH GOLD  
"D" 50 MICROINCH GOLD
3. MAGNETIC SCHEMATICS:  
(UPON REQUEST!)

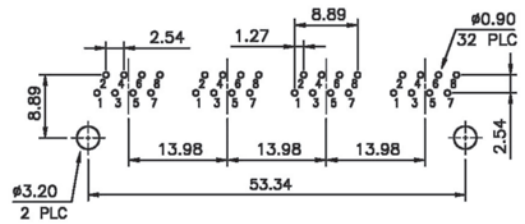
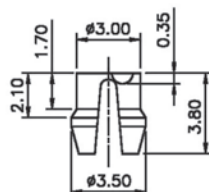
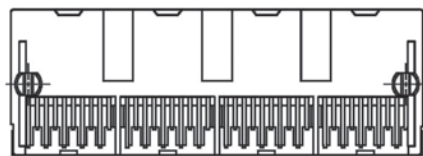
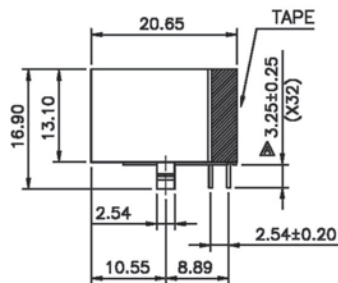
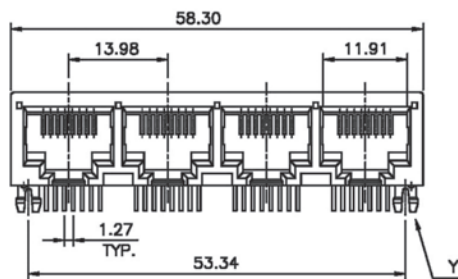
# SIDE ENTRY 4-PORT MAGNETIC 10/100 BASE-T JACK WITHOUT LED PROFILE=13.10MM (UNSHIELDED)

## SPECIFICATIONS

**Insulation Resistance:** 500MΩ Min.  
**Contact Resistance:** 20mΩ Max.  
**Rating Current:** 1.5A Max.  
**Rating Voltage:** 120V AC.  
**Dielectric Voltage:** 1000 Vrms 60 Sec. Min.  
**Temperature Range:** -40°C / +85°C  
**Durability:** 500 Mating cycles Min.

## MATERIALS

**Housing:** PBT Glass Filled (UL 94V-0)  
**Soldering Temperature:** 235°C  
**Color:** Black  
**Spring Wire:** Phosphor Bronze  
 Gold plating Over Nickel  
**\*RoHS & REACH compliant.**



Recommended P.C. Board Layout

## ORDERING INFORMATION:

P/N M J Q T -  $\frac{88}{1}$  X  $\frac{B}{2}$  X  $\frac{X}{3}$  X  $\frac{04}{4}$

1. NO. OF POSITIONS & CONTACTS:  
"88" 8P8C
2. CONTACT FINISH:  
"A" 6 MICROINCH GOLD  
"B" 15 MICROINCH GOLD  
"C" 30 MICROINCH GOLD  
"D" 50 MICROINCH GOLD
3. MAGNETIC SCHEMATICS:  
(UPON REQUEST!)
4. NO. OF PORTS:  
04



# TOP ENTRY MAGNETIC 10/100 & 10/100/1000 BASE-TX JACK WITHOUT LED 8P PROFILE=16.85MM (FULLY SHIELDED)

## MATERIALS

**Housing:** PBT UL 94V-0, Black

**Shell:** Brass C2680 T=0.20, 85u"~135u" Ni Plated

**RJ45 Terminal:** Phosphor Bronze T=0.30mm,

Gold Au Plated on Contact Area

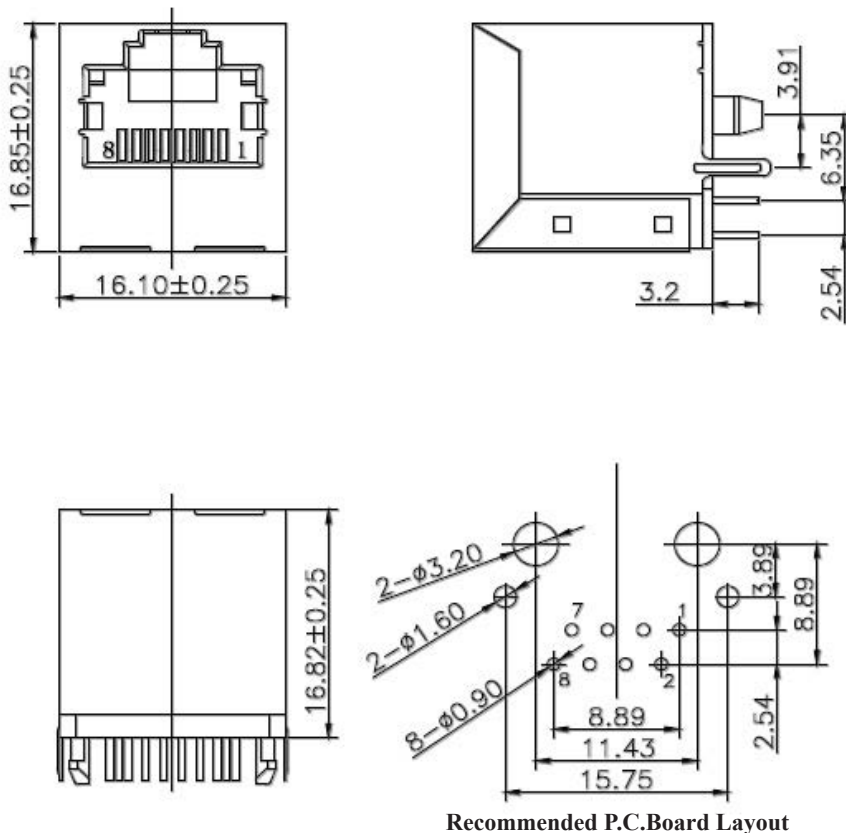
80u"~160u" Tin Plated on Solder Area

50u"~100u" Ni Underplated overall

**Other Terminal:** Brass T=0.30mm, 80u"~160u" Tin Plated

50u"~100u" Ni Underplated overall

\*RoHS & REACH compliant.



## ORDERING INFORMATION:

P/N LT 2 1 -  $\frac{88}{1} \times \frac{B}{2} \times \frac{X}{3}$

### 1. NO. OF POSITIONS & CONTACTS:

"88" 8P8C

### 2. CONTACT FINISH:

"A" 6 MICROINCH GOLD

"B" 15 MICROINCH GOLD

"C" 30 MICROINCH GOLD

"D" 50 MICROINCH GOLD

### 3. MAGNETIC SCHEMATICS:

10/100 BASE-TX

51, 52, 53, 54, 55, 56, 57, 58, 59, 60, 62, 64, 73

10/100/1000 BASE-TX

G1, G3, G4, G6, G7, G8, G9, H0, J1, J9

SEE PAGE N5902~N5906 & N5941~N5943!

# TOP ENTRY MAGNETIC 10/100 & 10/100/1000 BASE-TX JACK WITH LED 8P PROFILE=16.85MM (FULLY SHIELDED)

## MATERIALS

**Housing:** PBT UL 94V-0, Black

**Shell:** Brass C2680 T=0.20, 85u"~135u" Ni Plated

**RJ45 Terminal:** Phosphor Bronze T=0.30mm,

Gold Au Plated on Contact Area

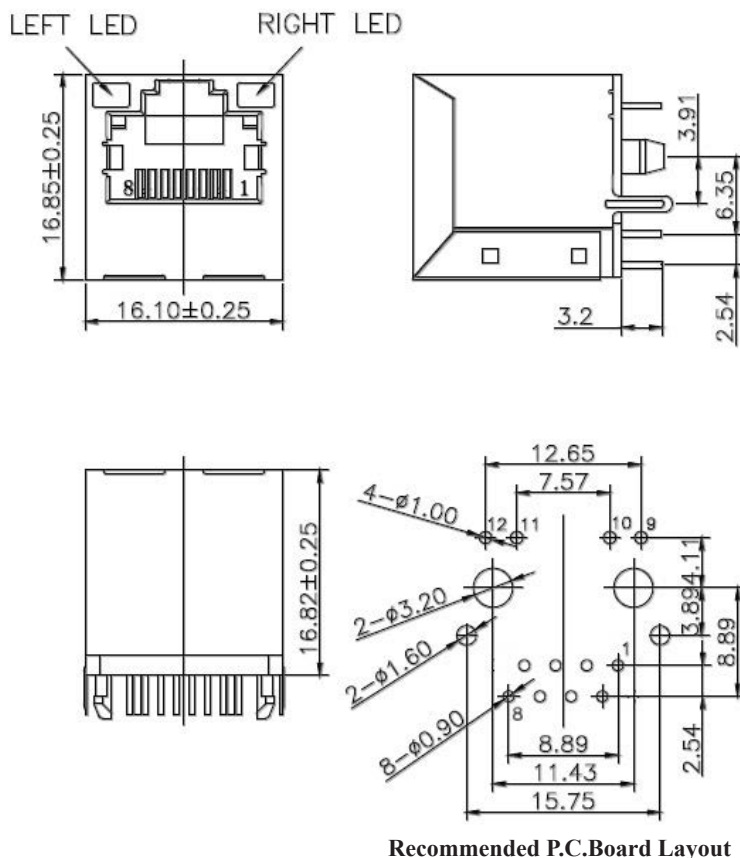
80u"~160u" Tin Plated on Solder Area

50u"~100u" Ni Underplated overall

**Other Terminal:** Brass T=0.30mm, 80u"~160u" Tin Plated

50u"~100u" Ni Underplated overall

\*RoHS & REACH compliant.



Recommended P.C.Board Layout

## ORDERING INFORMATION:

P/N LT 2 2 -  $\frac{88}{1} \times \frac{B}{2} \times \frac{x}{3} \times \frac{x}{4}$

1. NO. OF POSITIONS & CONTACTS:

"88" 8P8C

2. CONTACT FINISH:

"A" 6 MICROINCH GOLD

"B" 15 MICROINCH GOLD

"C" 30 MICROINCH GOLD

"D" 50 MICROINCH GOLD

3. MAGNETIC SCHEMATICS:

10/100 BASE-TX

51, 52, 53, 54, 55, 56, 57, 58, 59, 60, 62, 64, 73

10/100/1000 BASE-TX

G1, G3, G4, G6, G7, G8, G9, H0, J1, J9

SEE PAGE N5902~N5906 & N5941~N5943!

4. TYPE OF LED POLARITY:

(LED PIN DIRECTION FROM LEFT TO RIGHT)

1N, 1Y, 1Z, 55, 58, 5Q, 85, MM, MY, MZ, N5, NN,

NY, NZ, Q5, Y1, Y2, YM, YN, Z1, Z2, ZM, ZN

LED Designation:					
Code	+/-	-/+	Code	+/-	-/+
N	Green	—	M	—	Green
Y	Yellow	—	Z	—	Yellow
8	Orange	—	Q	—	Orange
1	Green	Orange	2	Orange	Green
5	Green	Yellow	6	Yellow	Green

NOTE: LED PINS ARE PARALLEL.

# TOP ENTRY MAGNETIC 10/100 & 10/100/1000 BASE-TX JACK WITHOUT LED 10P PROFILE=16.85MM (FULLY SHIELDED)

## MATERIALS

**Housing:** PBT UL 94V-0, Black

**Shell:** Brass C2680 T=0.20, 85u"~135u" Ni Plated

**RJ45 Terminal:** Phosphor Bronze T=0.30mm,

Gold Au Plated on Contact Area

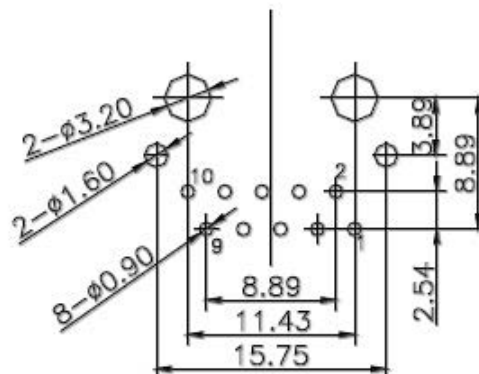
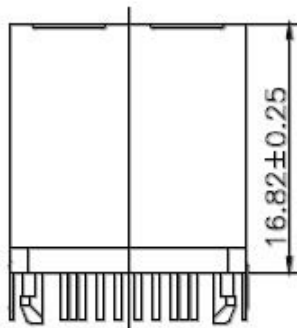
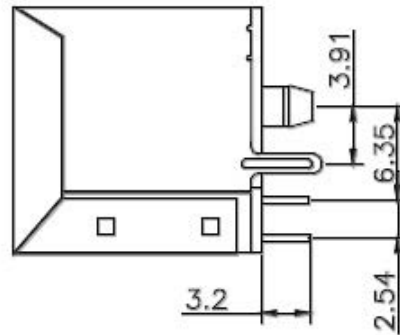
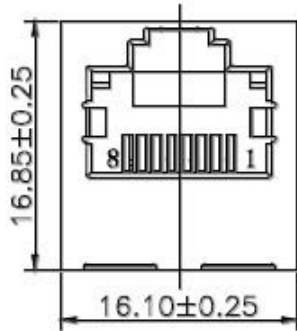
80u"~160u" Tin Plated on Solder Area

50u"~100u" Ni Underplated overall

**Other Terminal:** Brass T=0.30mm, 80u"~160u" Tin Plated

50u"~100u" Ni Underplated overall

\*RoHS & REACH compliant.



Recommended P.C.Board Layout

## ORDERING INFORMATION:

P/N LT 2 1 -  $\frac{08}{1} \times \frac{B}{2} \times \frac{X}{3}$

1. NO. OF POSITIONS & CONTACTS:

"08" 10P8C

2. CONTACT FINISH:

"A" 6 MICROINCH GOLD

"B" 15 MICROINCH GOLD

"C" 30 MICROINCH GOLD

"D" 50 MICROINCH GOLD

3. MAGNETIC SCHEMATICS:

10/100 BASE-TX

51, 52, 53, 54, 55, 56, 57, 58, 59, 60, 62, 64, 73

10/100/1000 BASE-TX

G1, G3, G4, G6, G7, G8, G9, H0, J1, J9

SEE PAGE N5902~N5906 & N5941~N5943!

# TOP ENTRY MAGNETIC 10/100 & 10/100/1000 BASE-TX JACK WITH LED 10P PROFILE=16.85MM (FULLY SHIELDED)

## MATERIALS

**Housing:** PBT UL 94V-0, Black

**Shell:** Brass C2680 T=0.20, 85u"~135u" Ni Plated

**RJ45 Terminal:** Phosphor Bronze T=0.30mm,

Gold Au Plated on Contact Area

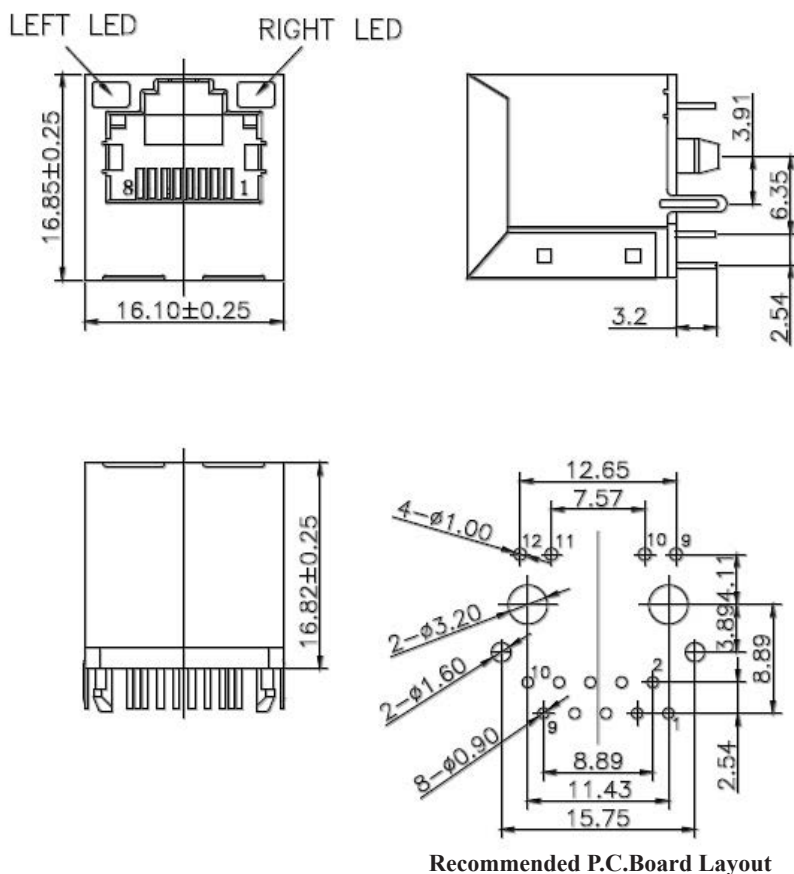
80u"~160u" Tin Plated on Solder Area

50u"~100u" Ni Underplated overall

**Other Terminal:** Brass T=0.30mm, 80u"~160u" Tin Plated

50u"~100u" Ni Underplated overall

\*RoHS & REACH compliant.



## ORDERING INFORMATION:

P/N LT 2 2 -  $\frac{08}{1} \times \frac{B}{2} \times \frac{X}{3} \times \frac{X}{4}$

1. NO. OF POSITIONS & CONTACTS:

"08" 10P8C

2. CONTACT FINISH:

"A" 6 MICROINCH GOLD

"B" 15 MICROINCH GOLD

"C" 30 MICROINCH GOLD

"D" 50 MICROINCH GOLD

3. MAGNETIC SCHEMATICS:

10/100 BASE-TX

51, 52, 53, 54, 55, 56, 57, 58, 59, 60, 62, 64, 73

10/100/1000 BASE-TX

G1, G3, G4, G6, G7, G8, G9, H0, J1, J9

SEE PAGE N5902~N5906 & N5941~N5943!

4. TYPE OF LED POLARITY:

(LED PIN DIRECTION FROM LEFT TO RIGHT)

1N, 1Y, 1Z, 55, 58, 5Q, 85, MM, MY, MZ, N5, NN, NY, NZ, Q5, Y1, Y2, YM, YN, Z1, Z2, ZM, ZN

LED Designation:					
Code	+/-	-/+	Code	+/-	-/+
N	Green	—	M	—	Green
Y	Yellow	—	Z	—	Yellow
8	Orange	—	Q	—	Orange
1	Green	Orange	2	Orange	Green
5	Green	Yellow	6	Yellow	Green

NOTE: LED PINS ARE PARALLEL.

# TOP ENTRY MAGNETIC 10/100 BASE-TX JACK WITHOUT LED 8P PROFILE=17.10MM (FULLY SHIELDED)

## MATERIALS

**Housing:** High Temperature Thermoplastic UL 94V-0, Black

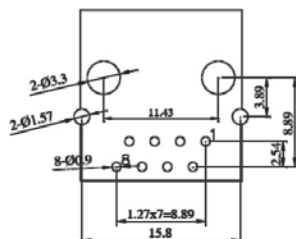
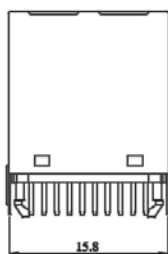
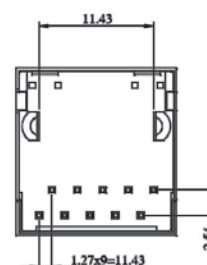
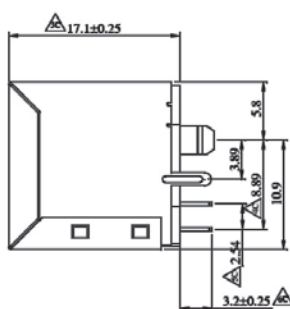
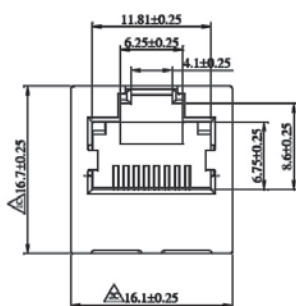
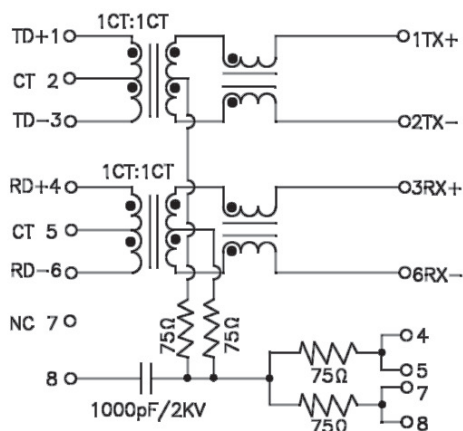
**Contacts:** 0.35mm Phosphor Bronze Plated,

Gold Plated on Contact Area

Solder Tin in Solder Area

**Shield:** 0.20mm Copper Alloy with Nickel

\*RoHS & REACH compliant.



Recommended P.C.Board Layout

## ORDERING INFORMATION:

P/N L T A C -  $\frac{88}{1} \times \frac{B}{2} \frac{53}{3}$

1. NO. OF POSITIONS & CONTACTS:

"88" 8P8C

2. CONTACT FINISH:

"A" 6 MICROINCH GOLD

"B" 15 MICROINCH GOLD

"C" 30 MICROINCH GOLD

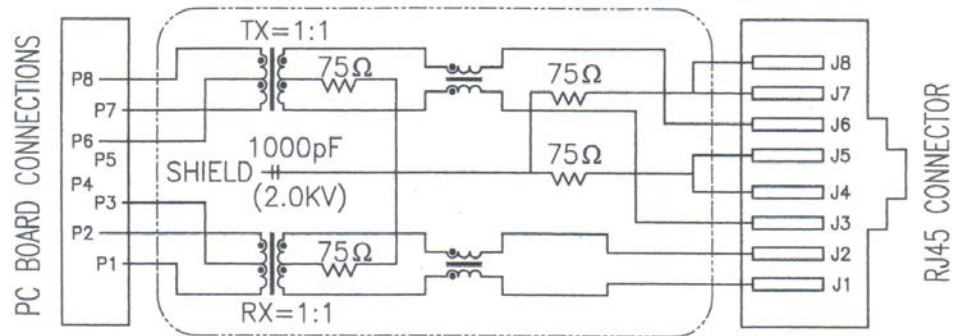
"D" 50 MICROINCH GOLD

3. MAGNETIC SCHEMATICS:

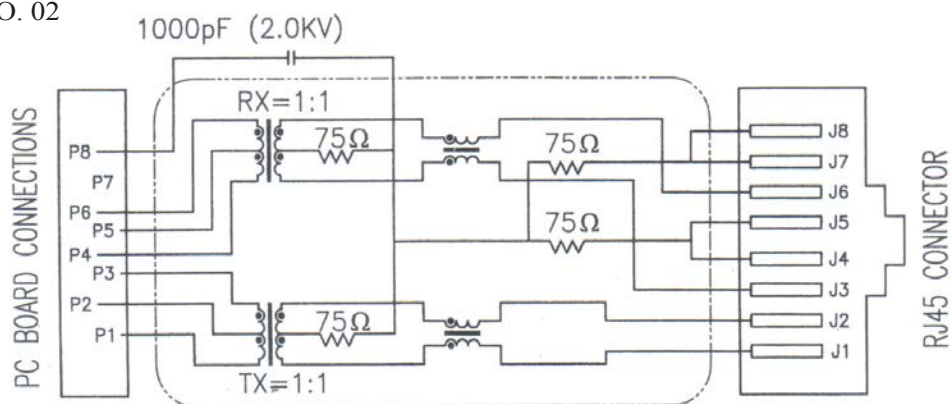
53

# MAGNETIC SCHEMATICS 10/100 BASE-TX TYPES

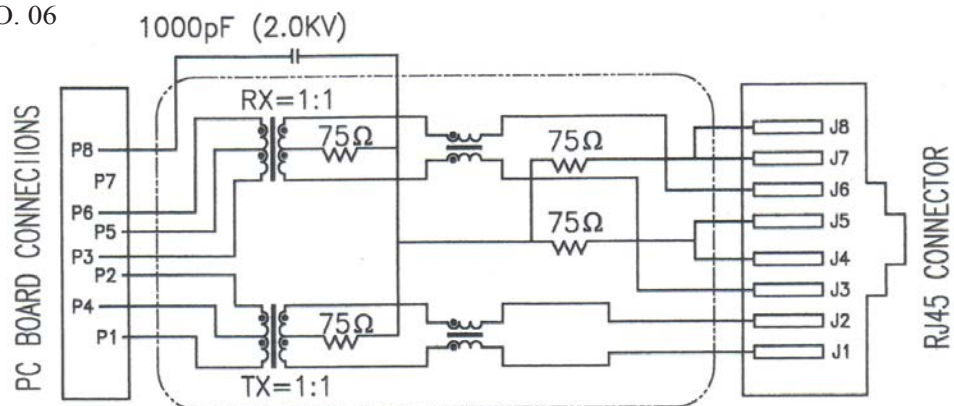
SCHEMATIC NO. 01



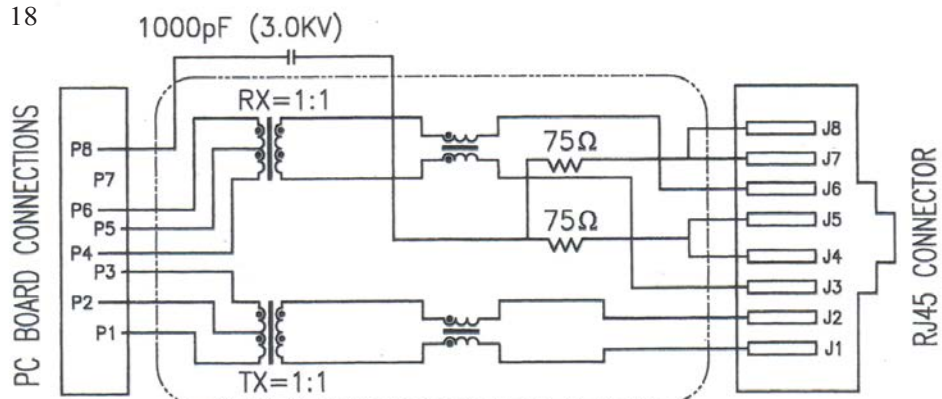
SCHEMATIC NO. 02



SCHEMATIC NO. 06

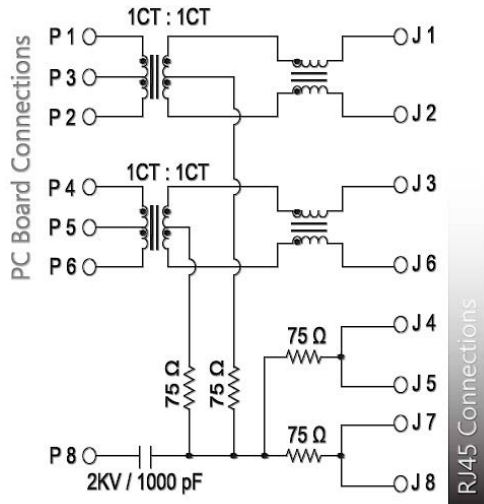


SCHEMATIC NO. 18

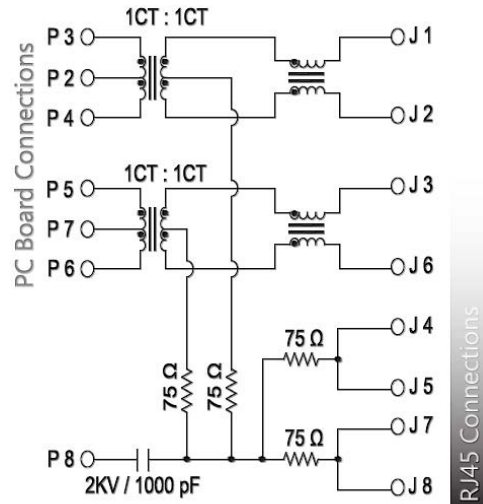


# MAGNETIC SCHEMATICS 10/100 BASE-TX TYPES

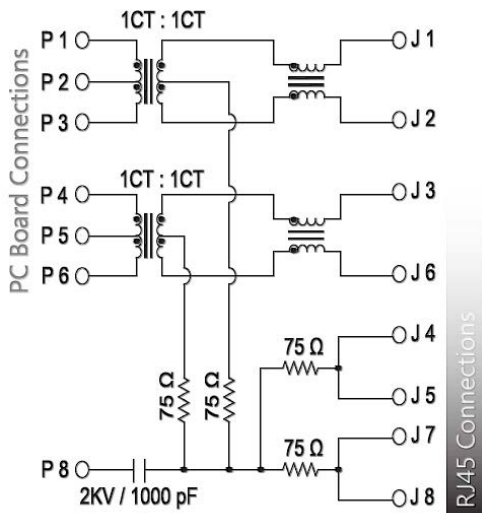
SCHEMATIC NO. 51



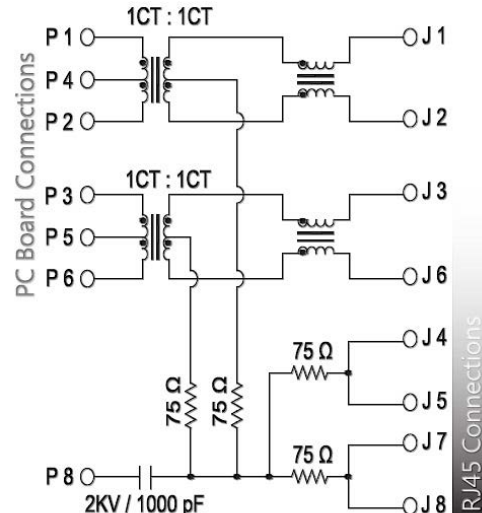
SCHEMATIC NO. 52



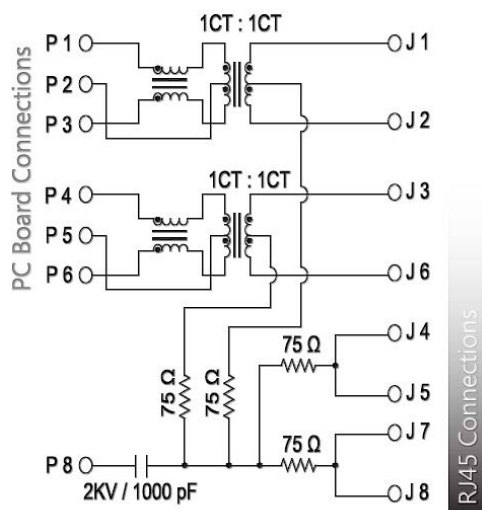
SCHEMATIC NO. 53



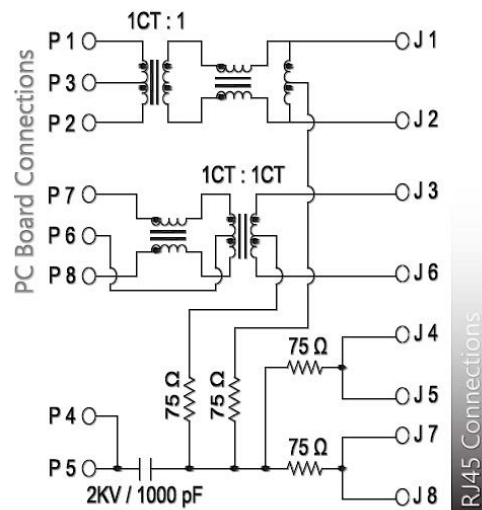
SCHEMATIC NO. 54



SCHEMATIC NO. 55

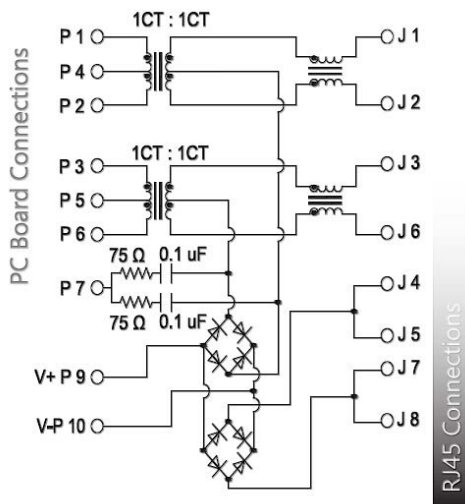


SCHEMATIC NO. 56



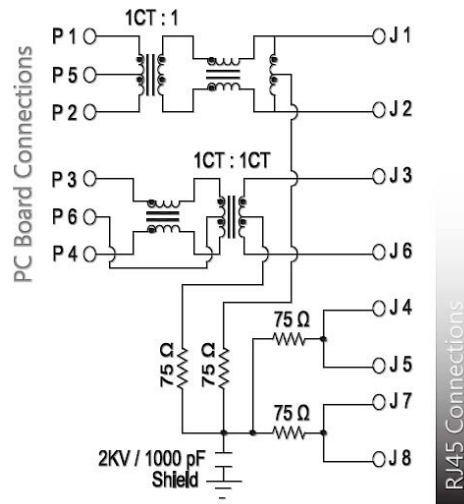
# MAGNETIC SCHEMATICS 10/100 BASE-TX TYPES

SCHEMATIC NO. 57 (POE)



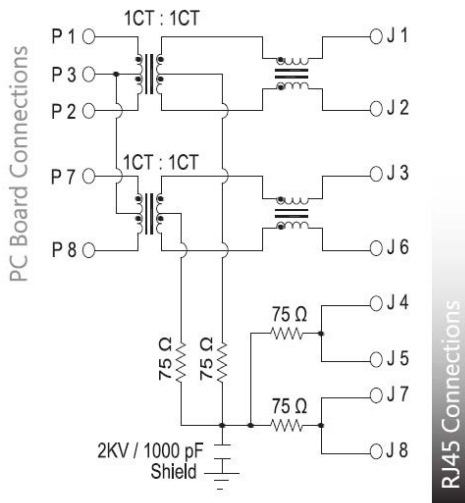
RJ45 Connections

SCHEMATIC NO. 58



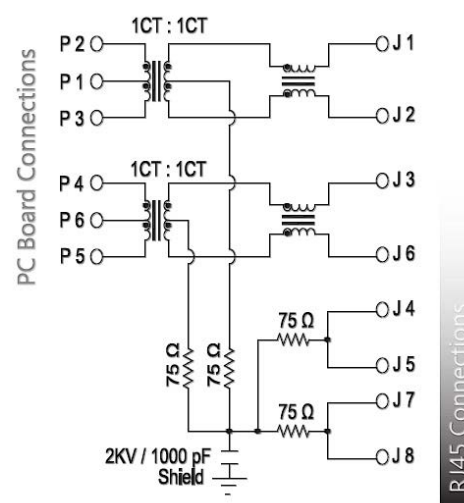
RJ45 Connections

SCHEMATIC NO. 59



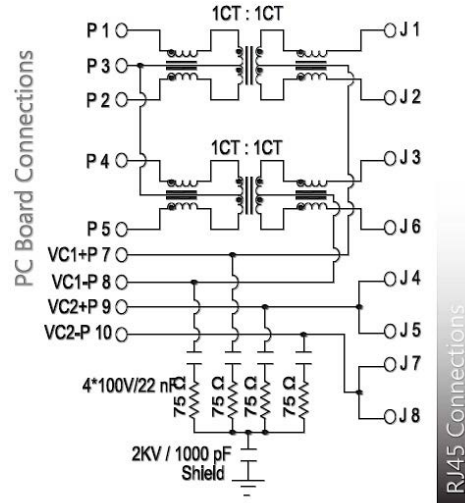
RJ45 Connections

SCHEMATIC NO. 60



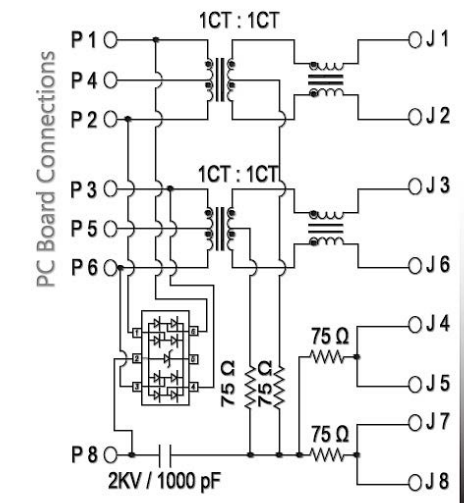
RJ45 Connections

SCHEMATIC NO. 61 (POE)



RJ45 Connections

SCHEMATIC NO. 62 (SURGE)

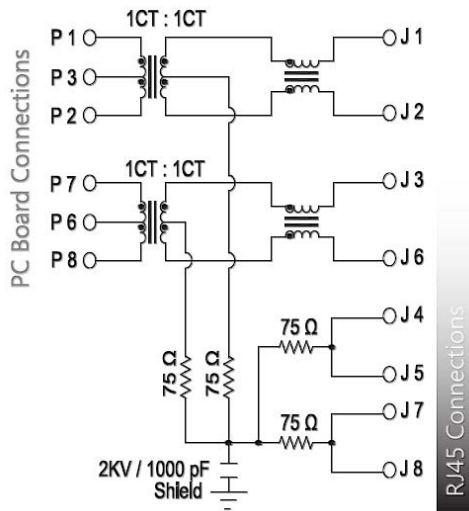


RJ45 Connections

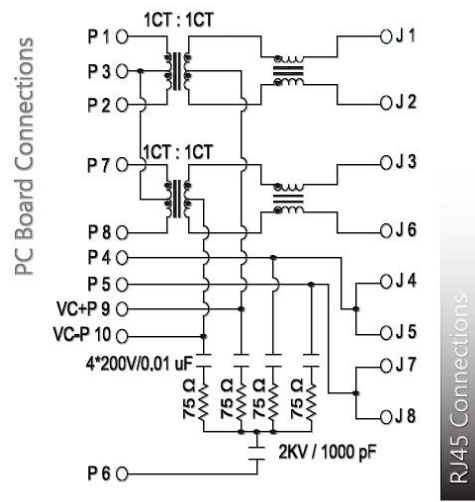


# MAGNETIC SCHEMATICS 10/100 BASE-TX TYPES

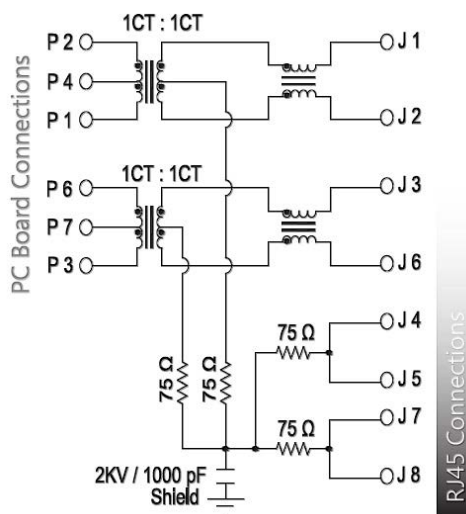
SCHEMATIC NO. 63



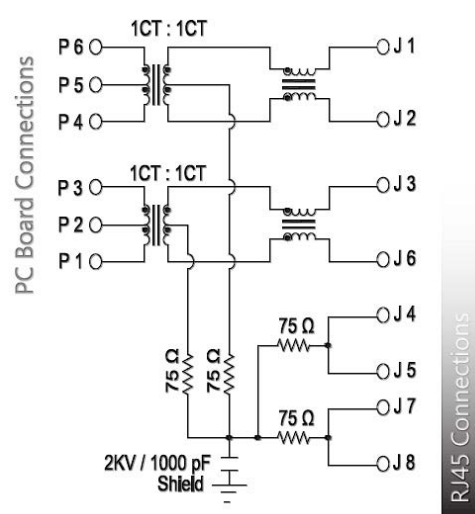
SCHEMATIC NO. 64 (POE)



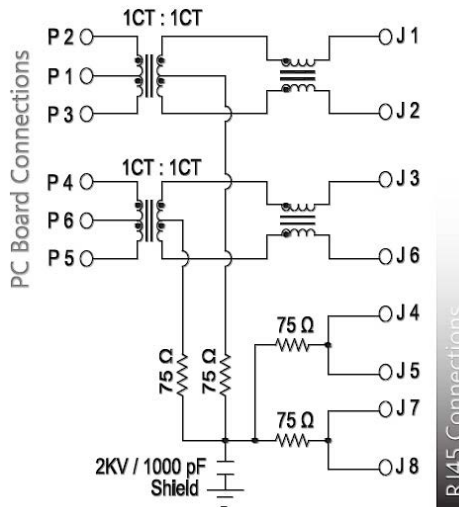
SCHEMATIC NO. 65



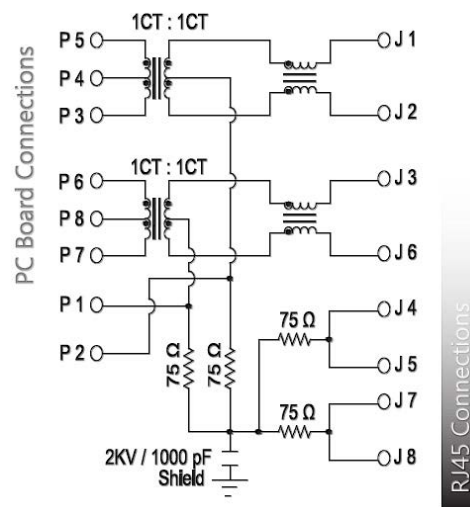
SCHEMATIC NO. 66 (POE)



SCHEMATIC NO. 67

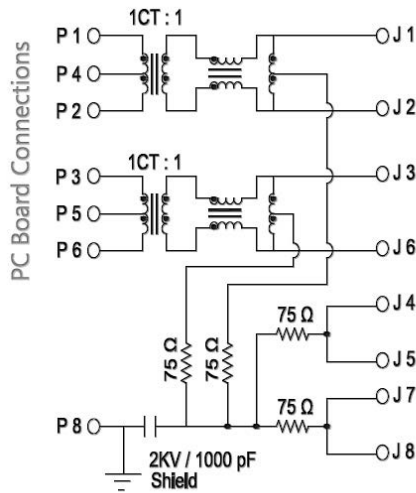


SCHEMATIC NO. 68



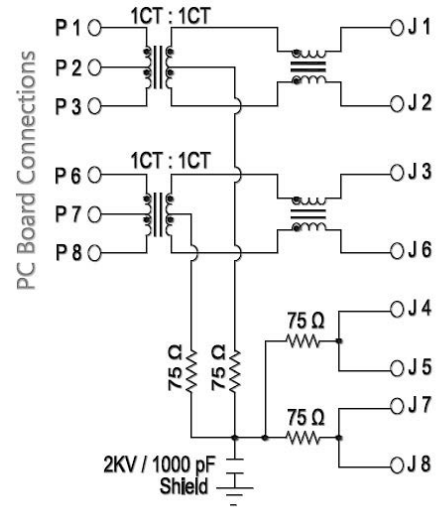
# MAGNETIC SCHEMATICS 10/100 BASE-TX TYPES

SCHEMATIC NO. 69



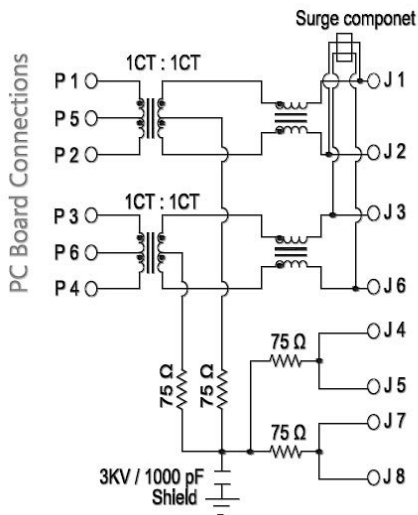
RJ45 Connections

SCHEMATIC NO. 70



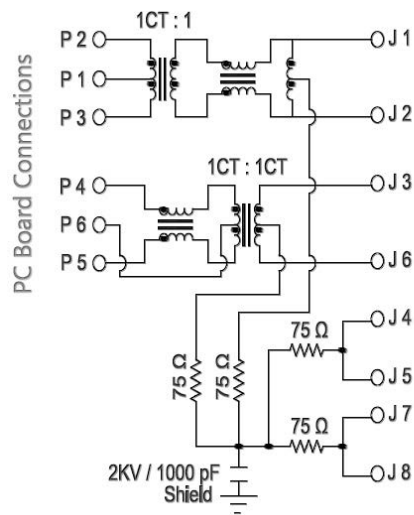
RJ45 Connections

SCHEMATIC NO. 73 (SURGE)



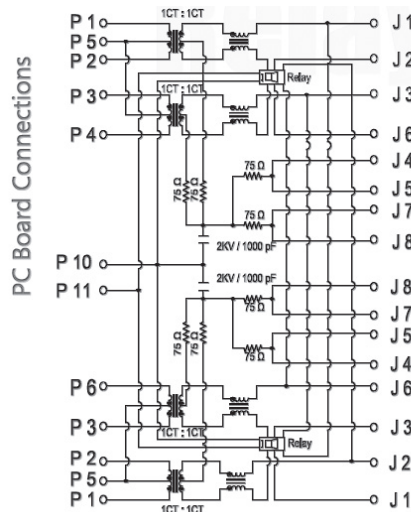
RJ45 Connections

SCHEMATIC NO. 74



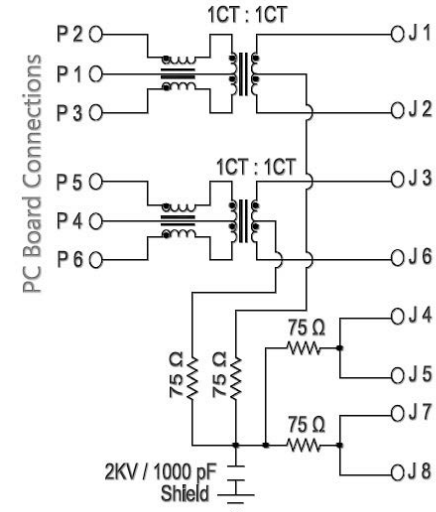
RJ45 Connections

SCHEMATIC NO. 75



RJ45 Connections

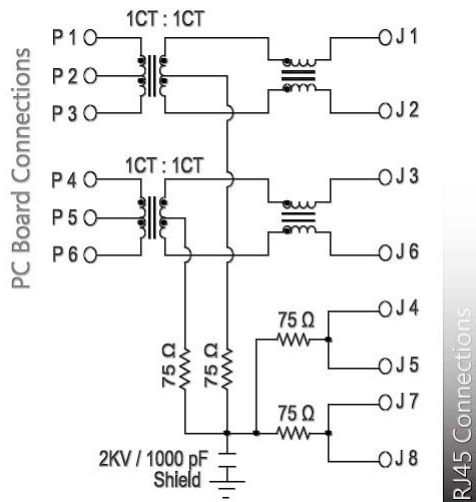
SCHEMATIC NO. 76



RJ45 Connections

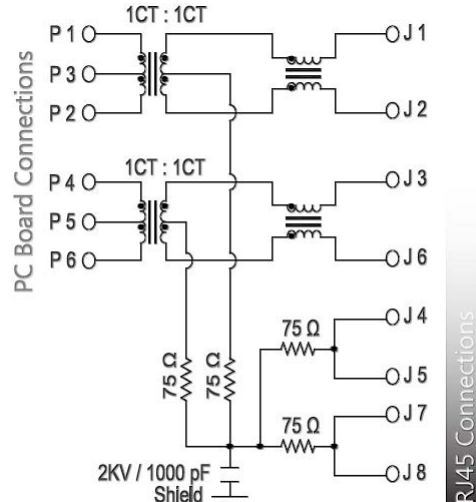
# MAGNETIC SCHEMATICS 10/100 BASE-TX TYPES

SCHEMATIC NO. 77



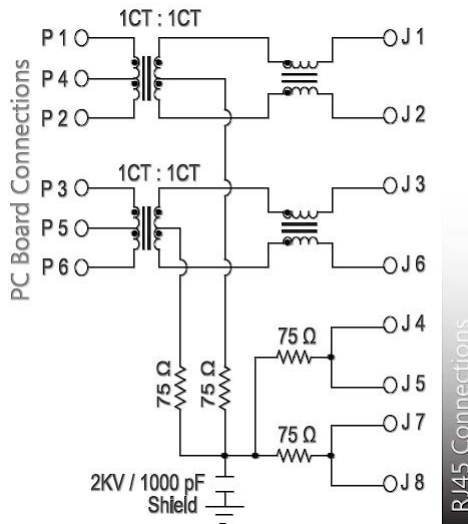
RJ45 Connections

SCHEMATIC NO. 78



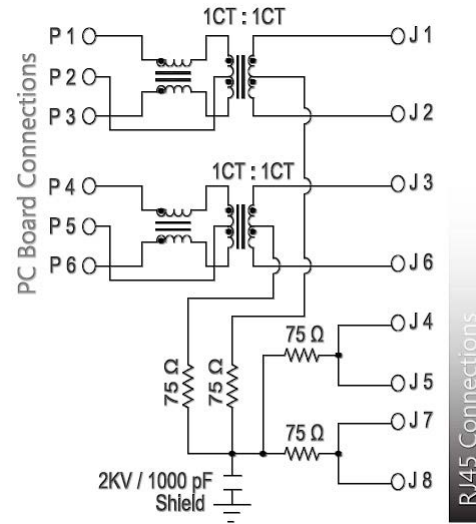
RJ45 Connections

SCHEMATIC NO. 79



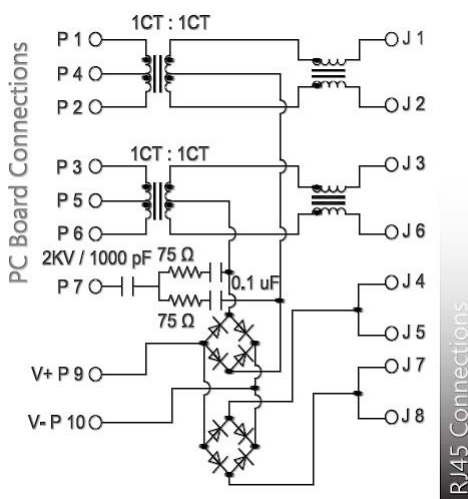
RJ45 Connections

SCHEMATIC NO. 80



RJ45 Connections

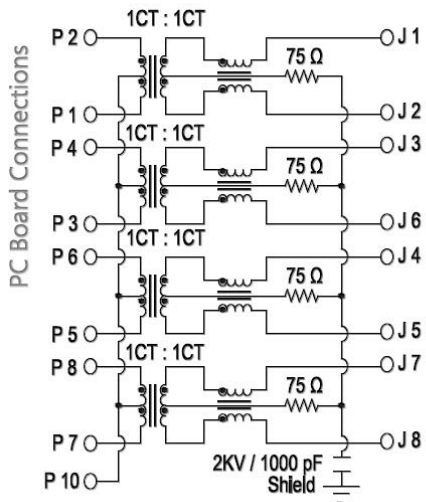
SCHEMATIC NO. 81 (POE)



RJ45 Connections

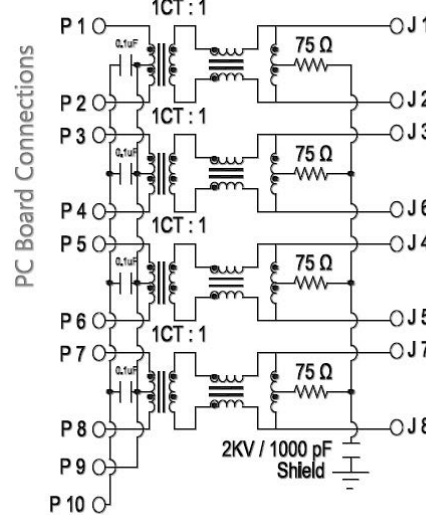
# MAGNETIC SCHEMATICS 10/100/1000 GIGABIT BASE-TX TYPES

SCHEMATIC NO. G1



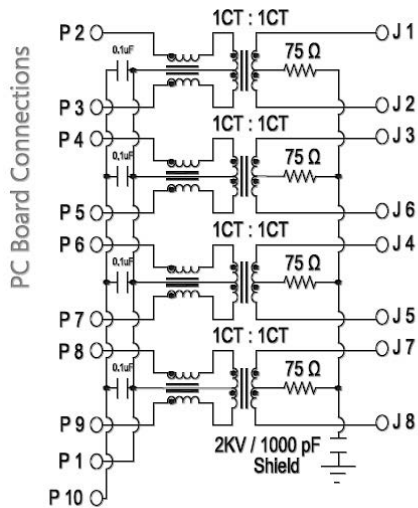
RJ45 Connections

SCHEMATIC NO. G3



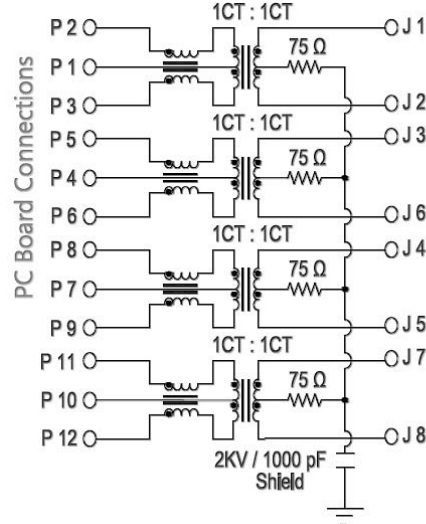
RJ45 Connections

SCHEMATIC NO. G4



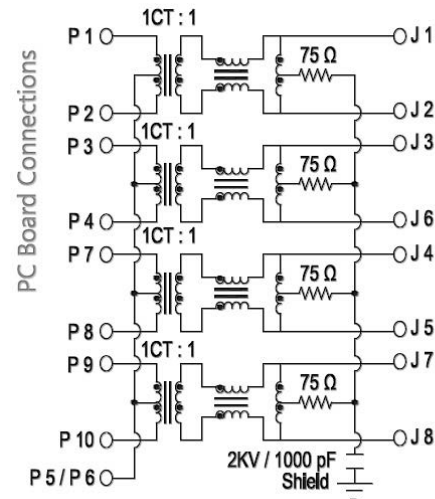
RJ45 Connections

SCHEMATIC NO. G5



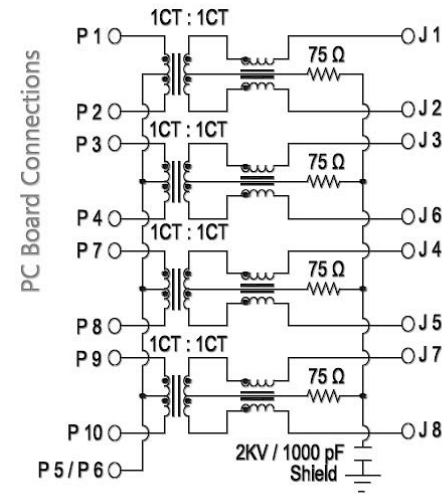
RJ45 Connections

SCHEMATIC NO. G6



RJ45 Connections

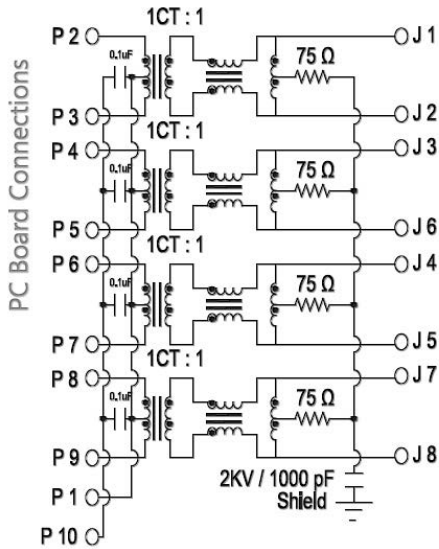
SCHEMATIC NO. G7



RJ45 Connections

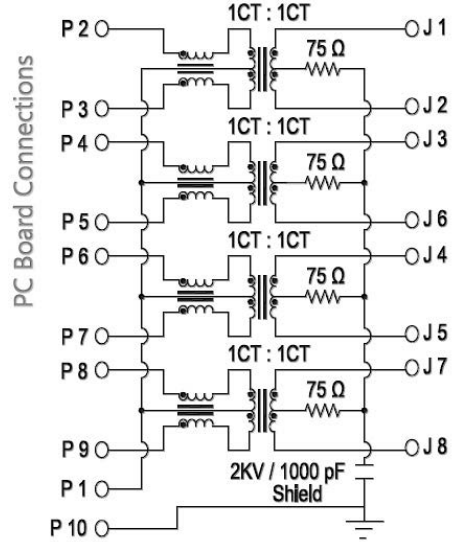
# MAGNETIC SCHEMATICS 10/100/1000 GIGABIT BASE-TX TYPES

SCHMATIC NO. G8



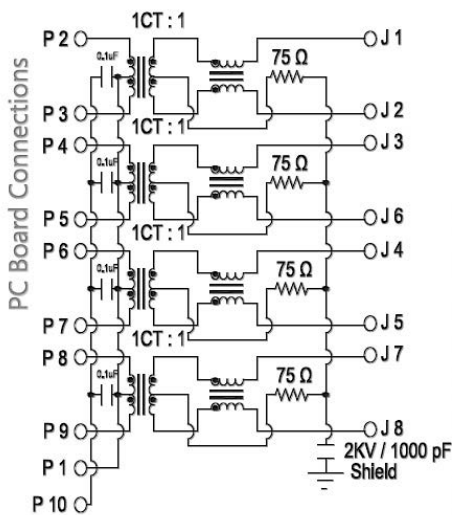
RJ45 Connections

SCHMATIC NO. G9



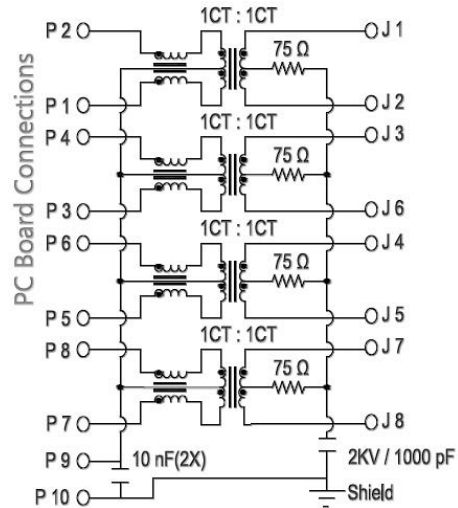
RJ45 Connections

SCHMATIC NO. H0



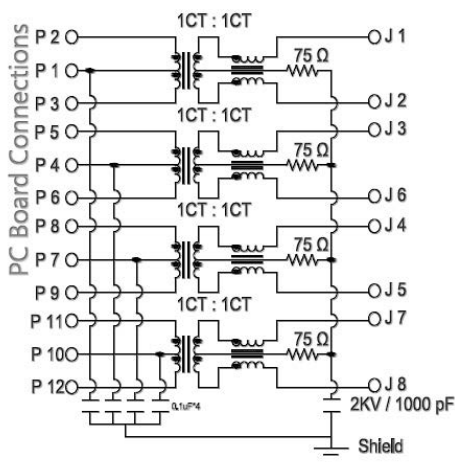
RJ45 Connections

SCHMATIC NO. H4



RJ45 Connections

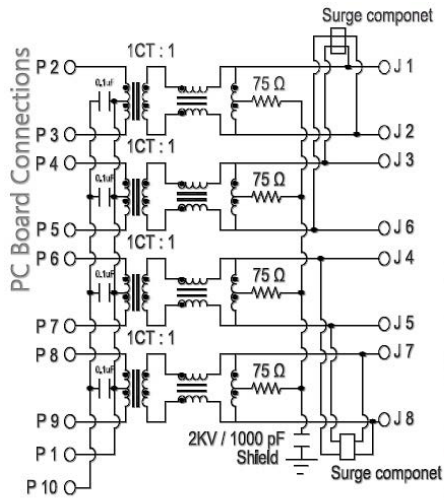
SCHMATIC NO. J0 (10GB)



RJ45 Connections

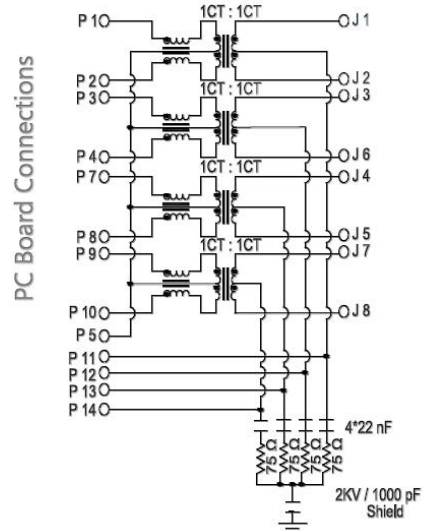
# MAGNETIC SCHEMATICS 10/100/1000 GIGABIT BASE-TX TYPES

SCHEMATIC NO. J1 (SURGE)



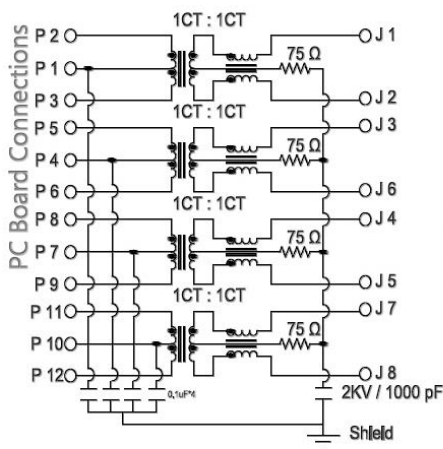
RJ45 Connections

SCHEMATIC NO. J2 (POE)



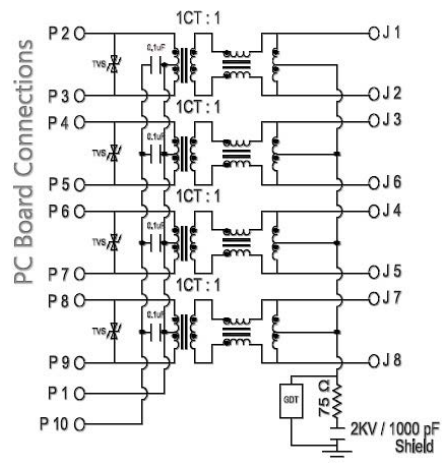
RJ45 Connections

SCHEMATIC NO. J3



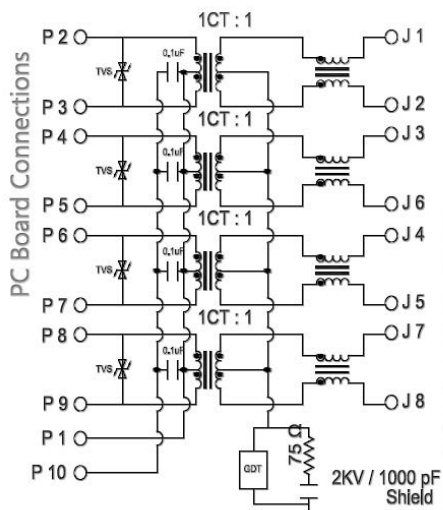
RJ45 Connections

SCHEMATIC NO. J4



RJ45 Connections

SCHEMATIC NO. J9 (SURGE)



RJ45 Connections

## TOP ENTRY MODULAR PCB JACK 8P PROFILE=13.00MM (FULLY SHIELDED)

### SPECIFICATIONS

**Insulation Resistance:** 500MΩ Min.

**Contact Resistance:** 20mΩ Max.

**Rating Current:** 1.5A Max.

**Rating Voltage:** 120V AC.

**Dielectric Voltage:** 1000 Vrms 60 Sec. Min.

**Temperature Range:** -40°C / +85°C

**Durability:** 500 Mating cycles Min.

### MATERIALS

**Housing:** PBT Glass Filled (UL 94V-0)

**Soldering Temperature:** 235°C

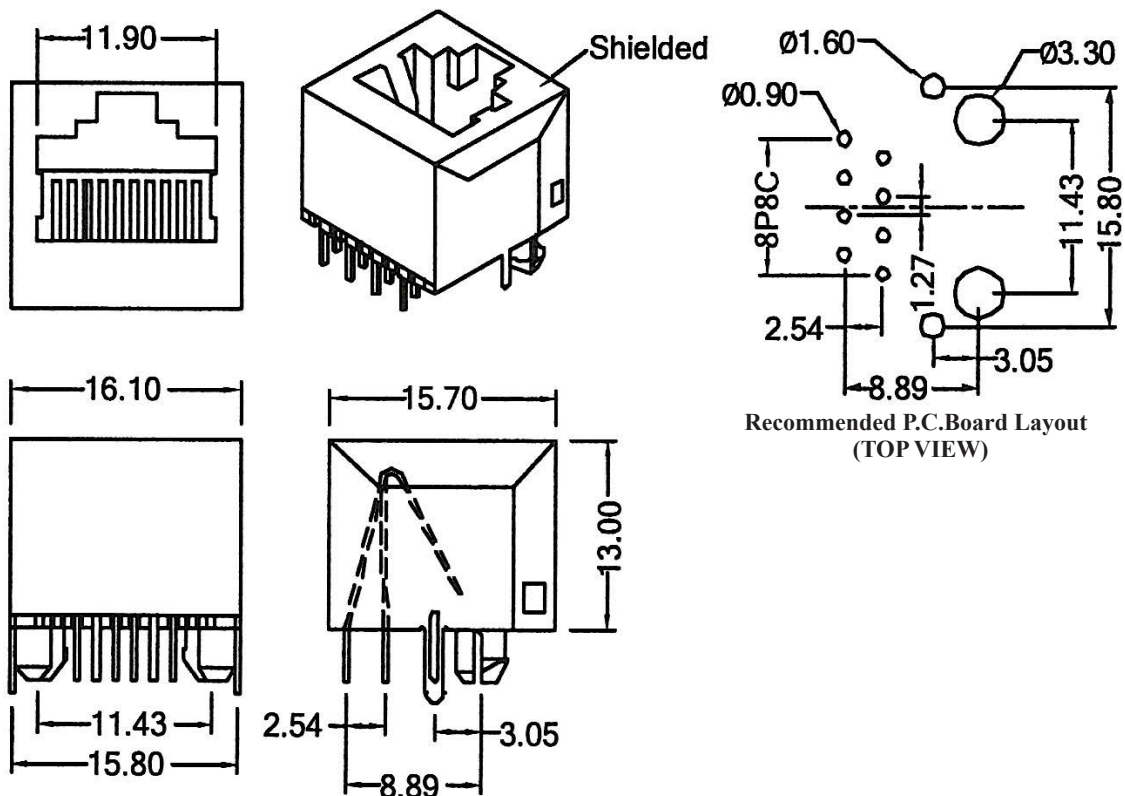
**Color:** Black

**Spring Wire:** Phosphor Bronze

Gold plating Over Nickel

**Shield:** Brass plating Nickel Alloy

\*RoHS & REACH compliant.



### ORDERING INFORMATION:

P/N M J T 9 -  $\frac{88}{1} \times \frac{B}{2}$

1. NO. OF POSITIONS & CONTACTS:

"88" 8P8C

2. CONTACT FINISH:

"A" 6 MICROINCH GOLD

"B" 15 MICROINCH GOLD

"C" 30 MICROINCH GOLD

"D" 50 MICROINCH GOLD

## TOP ENTRY CAT.5 MODULAR PCB JACK 8P PROFILE=14.00MM (FULLY SHIELDED)

### SPECIFICATIONS

**Insulation Resistance:** 500MΩ Min.

**Contact Resistance:** 20mΩ Max.

**Rating Current:** 1.5A Max.

**Rating Voltage:** 120V AC.

**Dielectric Voltage:** 1000 Vrms 60 Sec. Min.

**Temperature Range:** -40°C / +85°C

**Durability:** 500 Mating cycles Min.

### MATERIALS

**Housing:** PBT Glass Filled (UL 94V-0)

**Soldering Temperature:** 235°C

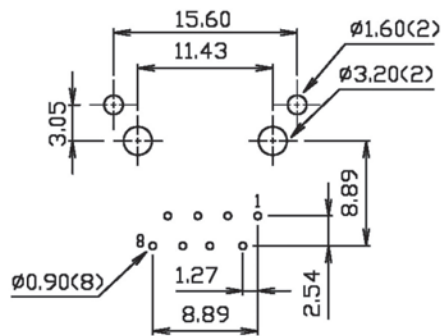
**Color:** Black

**Spring Wire:** Phosphor Bronze

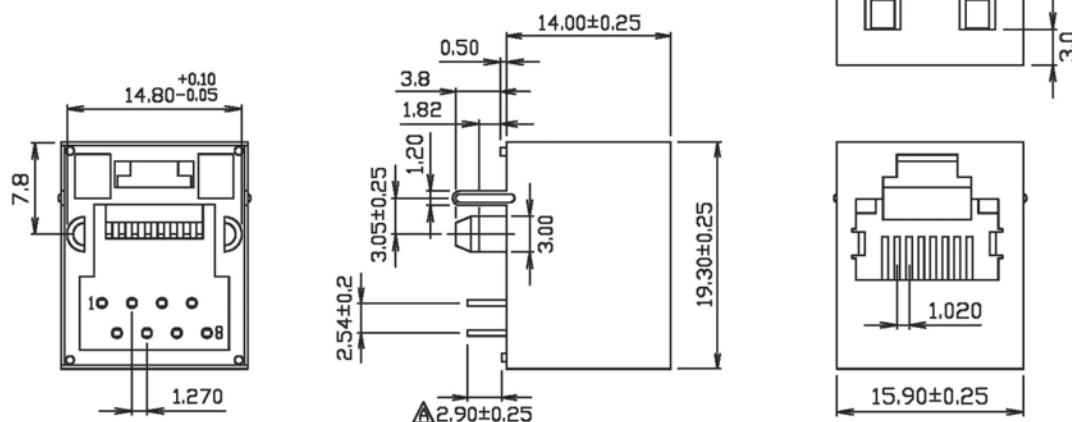
Gold plating Over Nickel

**Shield:** Brass plating Nickel Alloy

\*RoHS & REACH compliant.



Recommended P.C.Board Layout



### ORDERING INFORMATION:

**P/N M J GG - 88 x B**  
**1 2 3 4**

1. MODULAR JACK TYPE:  
"GG" CAT.5 RJ45 JACK
2. NO. OF POSITIONS & CONTACTS:  
"88" 8P8C
3. CONTACT FINISH:  
"A" 6 MICROINCH GOLD  
"B" 15 MICROINCH GOLD  
"C" 30 MICROINCH GOLD  
"D" 50 MICROINCH GOLD
4. HOUSING COLOR:  
"B" BLACK



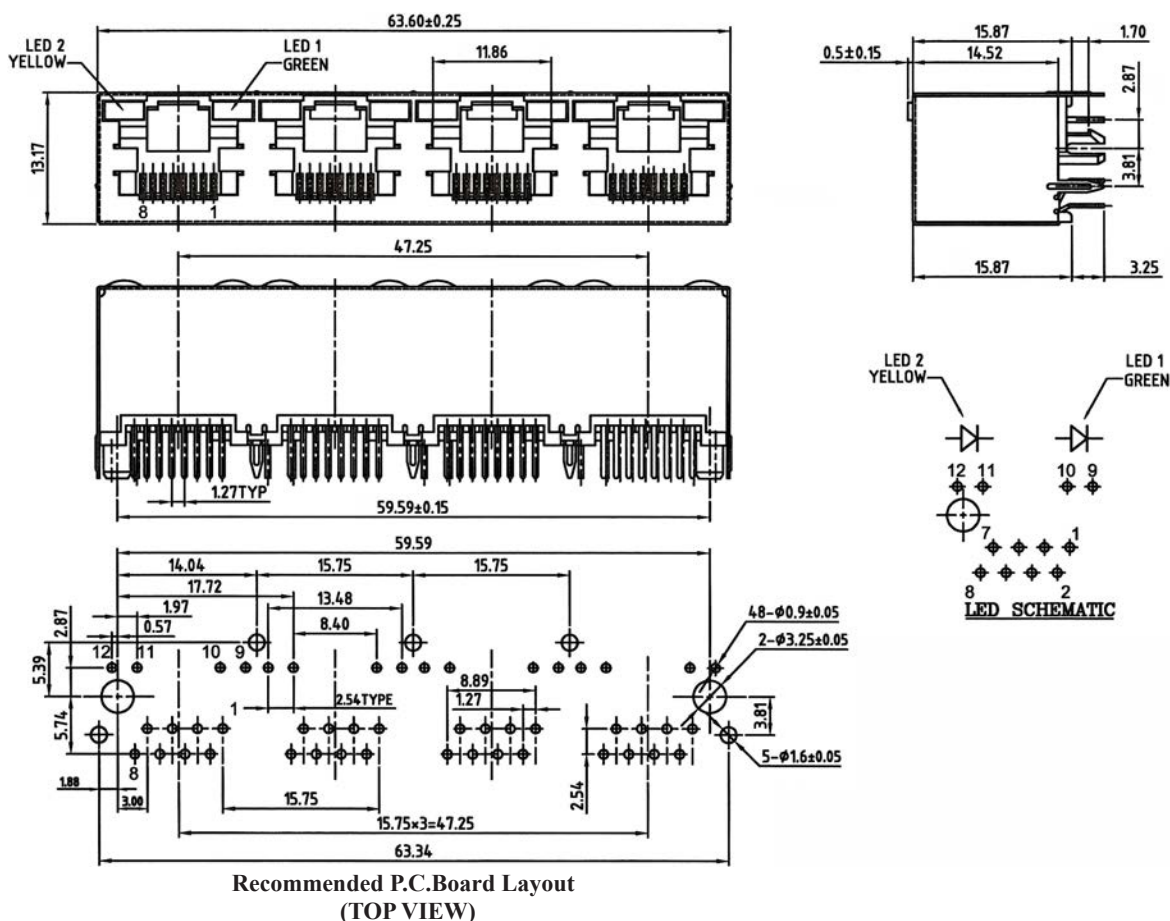
# TOP ENTRY 4-PORT MODULAR PCB JACK WITH LED 8P PROFILE=14.52MM (FULLY SHIELDED)

## SPECIFICATIONS

Insulation Resistance: 500MΩ Min.  
 Contact Resistance: 20mΩ Max.  
 Rating Current: 1.5A Max.  
 Rating Voltage: 120V AC.  
 Dielectric Voltage: 1000 Vrms 60 Sec. Min.  
 Temperature Range: -40°C / +85°C  
 Durability: 500 Mating cycles Min.

## MATERIALS

Housing: PBT Glass Filled (UL 94V-0)  
 Soldering Temperature: 235°C  
 Color: Black  
 Spring Wire: Phosphor Bronze  
 Gold plating Over Nickel  
 Shield: Brass plating Nickel Alloy  
 \*RoHS & REACH compliant.



## ORDERING INFORMATION:

**P/N MJA9 -  $\frac{88}{1} \times \frac{B}{2} \times \frac{X}{3} \times \frac{X}{4} \times \frac{04}{5}$**

1. NO. OF POSITIONS & CONTACTS:  
"88" 8P8C
2. CONTACT FINISH:  
"A" 6 MICROINCH GOLD  
"B" 15 MICROINCH GOLD  
"C" 30 MICROINCH GOLD  
"D" 50 MICROINCH GOLD
3. CODE OF LED1 DESIGNATION:  
N, M, Y, Z, 8, Q, 1, 2, 5, 6
4. CODE OF LED2 DESIGNATION:  
N, M, Y, Z, 8, Q, 1, 2, 5, 6
5. NO. OF PORTS:  
04

### LED Designation:

Code	+/-	-/+	Code	+/-	-/+
N	Green	—	M	—	Green
Y	Yellow	—	Z	—	Yellow
8	Orange	—	Q	—	Orange
1	Green	Orange	2	Orange	Green
5	Green	Yellow	6	Yellow	Green

NOTE: LED1= RIGHT LED &  
LED2= LEFT LED

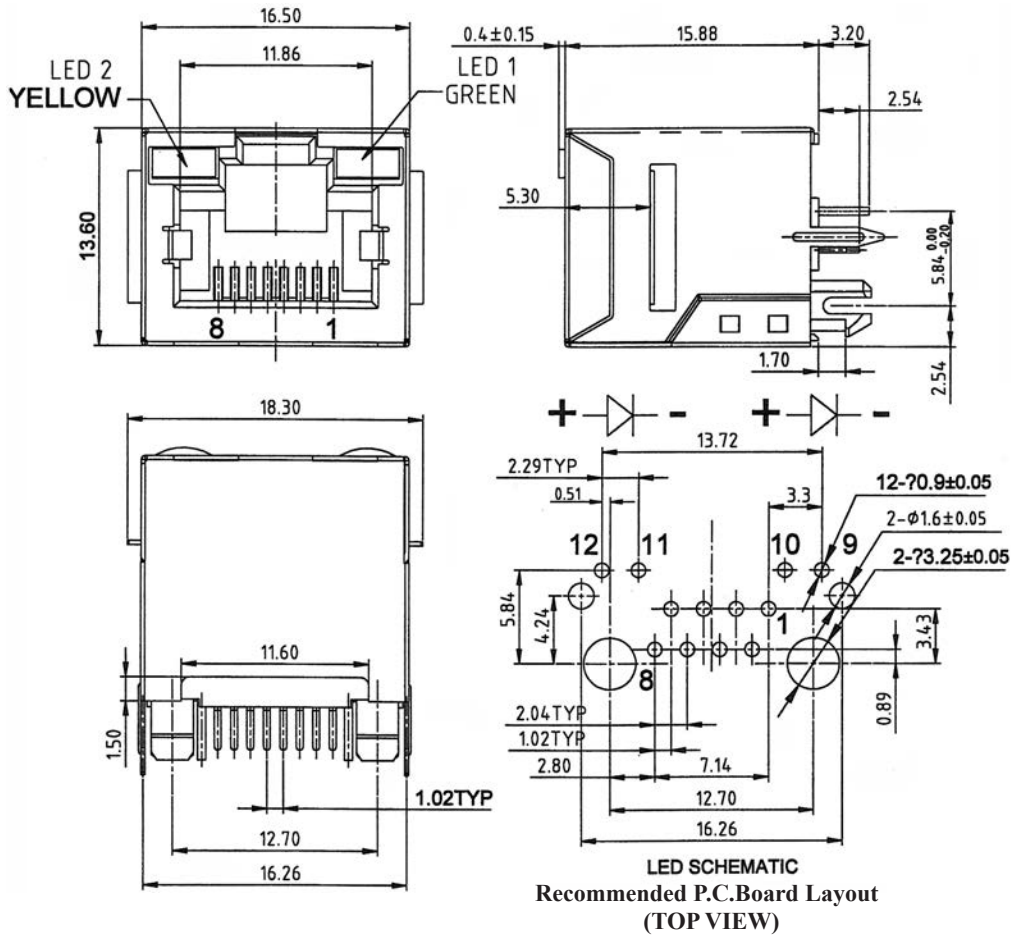
# TOP ENTRY MODULAR PCB JACK WITH LED 8P PROFILE=15.88MM (FULLY SHIELDED)

## SPECIFICATIONS

**Insulation Resistance:** 500MΩ Min.  
**Contact Resistance:** 20mΩ Max.  
**Rating Current:** 1.5A Max.  
**Rating Voltage:** 120V AC.  
**Dielectric Voltage:** 1000 Vrms 60 Sec. Min.  
**Temperature Range:** -40°C / +85°C  
**Durability:** 500 Mating cycles Min.

## MATERIALS

**Housing:** PBT Glass Filled (UL 94V-0)  
**Soldering Temperature:** 235°C  
**Color:** Black  
**Spring Wire:** Phosphor Bronze  
                     Gold plating Over Nickel  
**Shield:** Brass plating Nickel Alloy  
**\*RoHS & REACH compliant.**



## ORDERING INFORMATION:

P/N M J B 2 -  $\frac{88}{1} \times \frac{B}{2} \times \frac{X}{3} \times \frac{X}{4}$

1. NO. OF POSITIONS & CONTACTS:  
"88" 8P8C
2. CONTACT FINISH:  
"A" 6 MICROINCH GOLD  
"B" 15 MICROINCH GOLD  
"C" 30 MICROINCH GOLD  
"D" 50 MICROINCH GOLD
3. CODE OF LED1 DESIGNATION:  
N, M, Y, Z, 8, Q, 1, 2, 5, 6
4. CODE OF LED2 DESIGNATION:  
N, M, Y, Z, 8, Q, 1, 2, 5, 6

### LED Designation:

Code	+/-	-/+	Code	+/-	-/+
N	Green	—	M	—	Green
Y	Yellow	—	Z	—	Yellow
8	Orange	—	Q	—	Orange
1	Green	Orange	2	Orange	Green
5	Green	Yellow	6	Yellow	Green

NOTE: LED1= RIGHT LED &  
LED2= LEFT LED

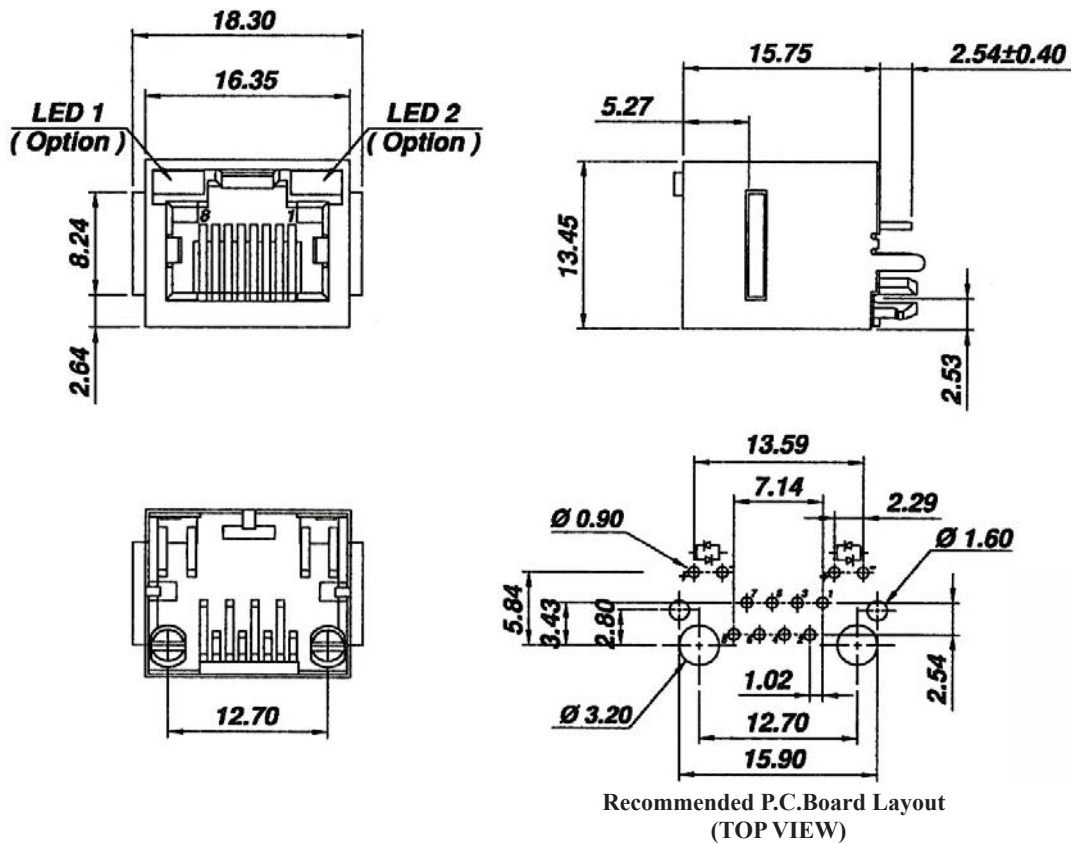
# TOP ENTRY MODULAR PCB JACK WITH LED 8P PROFILE=15.75MM (FULLY SHIELDED)

## SPECIFICATIONS

Insulation Resistance: 500MΩ Min.  
 Contact Resistance: 20mΩ Max.  
 Rating Current: 1.5A Max.  
 Rating Voltage: 120V AC.  
 Dielectric Voltage: 1000 Vrms 60 Sec. Min.  
 Temperature Range: -40°C / +85°C  
 Durability: 500 Mating cycles Min.

## MATERIALS

Housing: Nylon (UL 94V-0)  
 Soldering Temperature: 260°C  
 Color: Black  
 Spring Wire: Phosphor Bronze  
 Gold plating Over Nickel  
 Shield: Brass plating Nickel Alloy  
 \*RoHS & REACH compliant.



## ORDERING INFORMATION:

P/N M J T H -  $\frac{88}{1} \times \frac{B}{2} \times \frac{X}{3} \times \frac{X}{4}$

1. NO. OF POSITIONS & CONTACTS:  
"88" 8P8C
2. CONTACT FINISH:  
"A" 6 MICROINCH GOLD  
"B" 15 MICROINCH GOLD  
"C" 30 MICROINCH GOLD  
"D" 50 MICROINCH GOLD
3. CODE OF LED1 DESIGNATION:  
N, M, Y, Z, 8, Q, 1, 2, 5, 6
4. CODE OF LED2 DESIGNATION:  
N, M, Y, Z, 8, Q, 1, 2, 5, 6

LED Designation:					
Code	+/-	-/+	Code	+/-	-/+
N	Green	—	M	—	Green
Y	Yellow	—	Z	—	Yellow
8	Orange	—	Q	—	Orange
1	Green	Orange	2	Orange	Green
5	Green	Yellow	6	Yellow	Green

NOTE: LED1= RIGHT LED &  
LED2= LEFT LED



## TOP ENTRY MODULAR PCB JACK 8P PROFILE=16.30MM (FULLY SHIELDED)

### SPECIFICATIONS

#### Electrical:

**Voltage Rating:** 125 Vac Rms.

**Current Rating:** 1.5 Amp.

**Contact Resistance:** 40 Milliohms Max.

**Insulation Resistance:** 1000 Megohms Min @500 Vdc.

**Dielectric Strength:** 1000 Vac Rms 60Hz, 1Min.

#### Mechanical:

**Operating:** 750 Cycles Min.

#### Environmental:

**Storage:** -40°C To +85°C.

**Operation:** -40°C To +80°C.

### MATERIALS

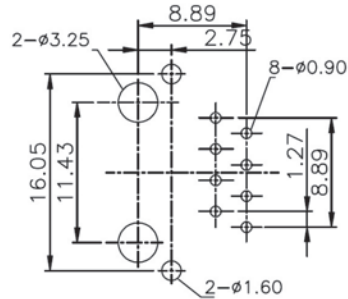
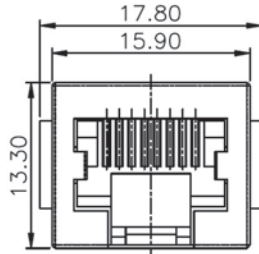
**Plastic Housing:** Engineering Thermoplastic  
Flammability Rating UL 94V-0.

**Contacts:** Phosphor Bronze

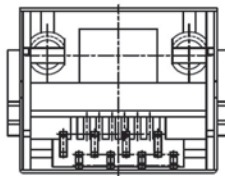
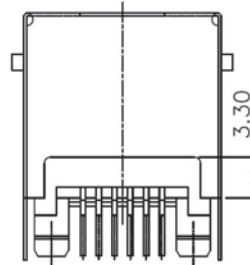
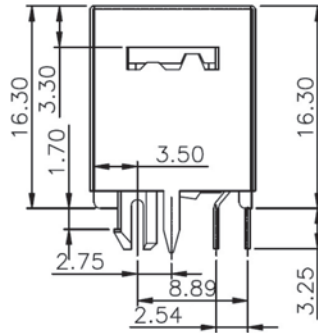
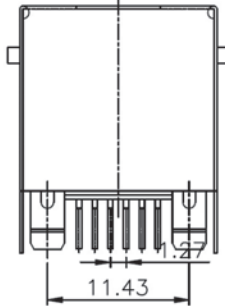
**Plating:** Gold Plating Over Nickel In Contact,  
Tin Plating Over Nickel In Solder Area.

**Solder:** Brass With Nickel Plated.

\* RoHS & REACH compliant.



Recommended P.C. Board Layout  
(TOP VIEW)



### ORDERING INFORMATION:

P/N **MJ38K-88xB**  
1 2 3

1. MODULAR JACK TYPE:  
"38K" WITH PANEL STOP W=15.90MM
2. NO. OF POSITIONS & CONTACTS:  
"88" 8P8C
3. CONTACT FINISH:  
"A" 6 MICROINCH GOLD  
"B" 15 MICROINCH GOLD  
"C" 30 MICROINCH GOLD  
"D" 50 MICROINCH GOLD

NOTE: IT CAN BE USED FOR REPLACING P/N MJ38-88xB.

## TOP ENTRY MODULAR PCB JACK 8P PROFILE=16.30MM (FULLY SHIELDED)

### SPECIFICATIONS

#### Electrical:

**Voltage Rating:** 125 Vac Rms.

**Current Rating:** 1.5 Amp.

**Contact Resistance:** 40 Milliohms Max.

**Insulation Resistance:** 1000 Megohms Min @500 Vdc.

**Dielectric Strength:** 1000 Vac Rms 60Hz, 1Min.

#### Mechanical:

**Operating:** 750 Cycles Min.

#### Environmental:

**Storage:** -40°C To +85°C.

**Operation:** -40°C To +80°C.

### MATERIALS

**Plastic Housing:** High Temp Thermoplastic

Flammability Rating UL 94V-0.

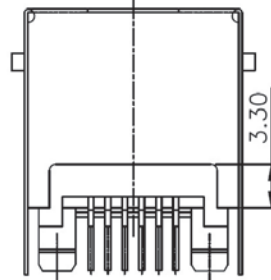
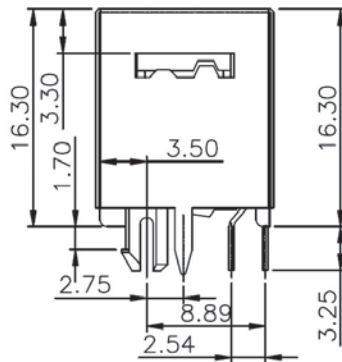
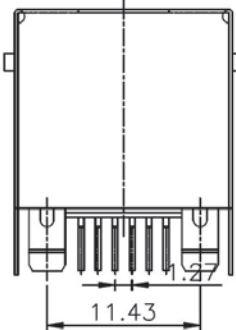
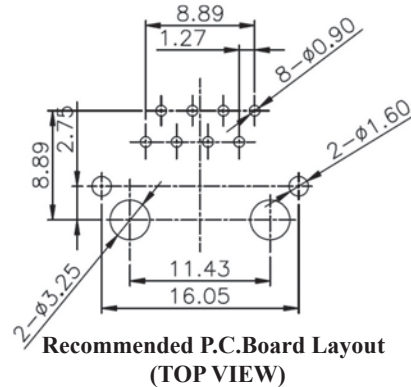
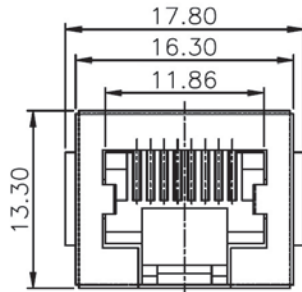
**Contacts:** Phosphor Bronze

**Plating:** Gold Plating Over Nickel In Contact,

Tin Plating Over Nickel In Solder Area.

**Solder:** Brass With Nickel Plated.

\* RoHS & REACH compliant.



### ORDERING INFORMATION:

P/N **MJ 38J - 88 x B**

1. MODULAR JACK TYPE:  
"38J" WITH PANEL STOP W=16.30MM
2. NO. OF POSITIONS & CONTACTS:  
"88" 8P8C
3. CONTACT FINISH:  
"A" 6 MICROINCH GOLD  
"B" 15 MICROINCH GOLD  
"C" 30 MICROINCH GOLD  
"D" 50 MICROINCH GOLD

NOTE: IT CAN BE USED FOR REPLACING P/N MJ38-88xB.

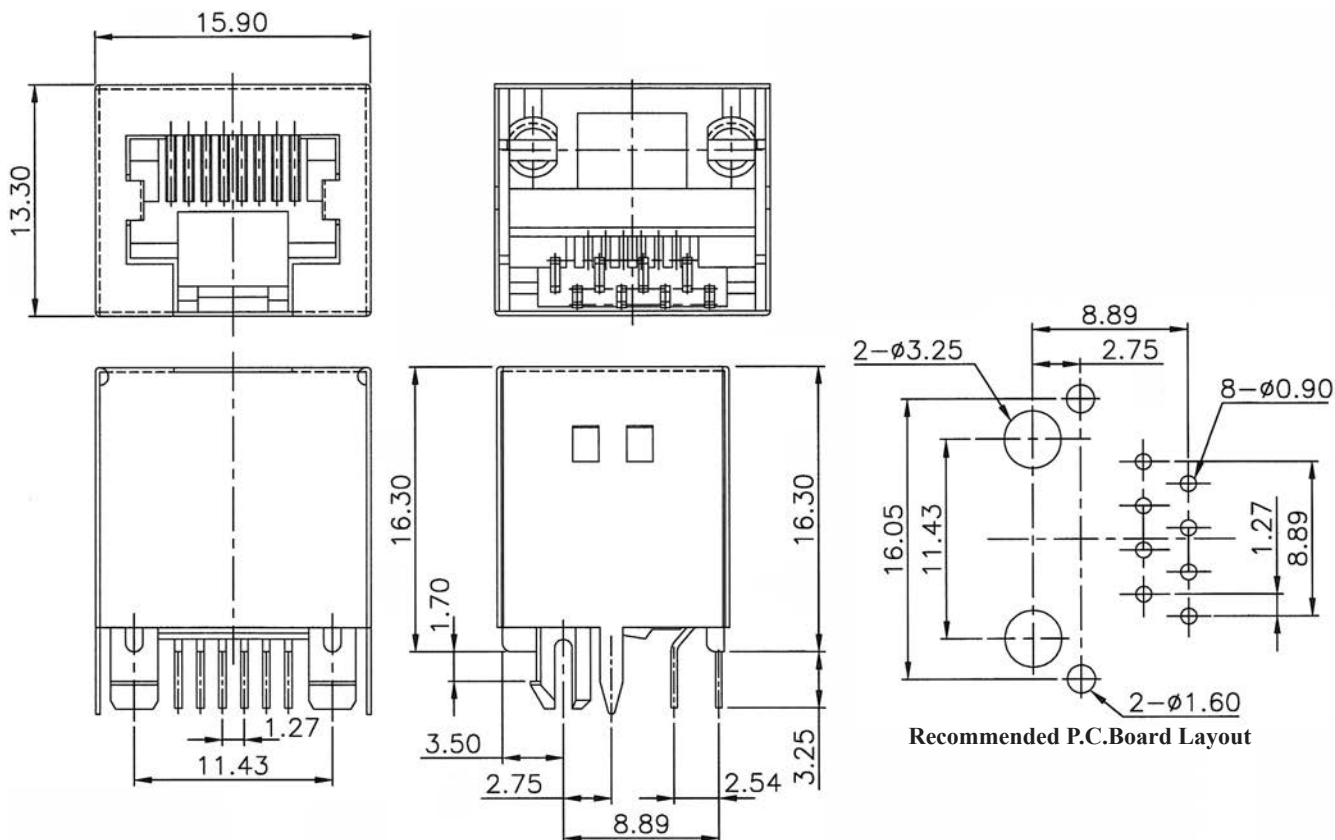
## TOP ENTRY MODULAR PCB JACK 8P PROFILE=16.30MM (FULLY SHIELDED)

### SPECIFICATIONS

**Insulation Resistance:** 500MΩ Min.  
**Contact Resistance:** 20mΩ Max.  
**Rating Current:** 1.5A Max.  
**Rating Voltage:** 120V AC.  
**Dielectric Voltage:** 1000 Vrms 60 Sec. Min.  
**Temperature Range:** -40°C / +85°C  
**Durability:** 500 Mating cycles Min.

### MATERIALS

**Housing:** PBT Glass Filled (UL 94V-0)  
**Soldering Temperature:** 235°C  
**Color:** Black  
**Spring Wire:** Phosphor Bronze  
 Gold plating Over Nickel  
**Shield:** Brass plating Nickel Alloy  
**\*RoHS & REACH compliant.**



### ORDERING INFORMATION:

**P/N MJ60 -  $\frac{88}{1} \times \frac{B}{2} \times \frac{X}{3}$**

1. NO. OF POSITIONS & CONTACTS:  
"88" 8P8C
2. CONTACT FINISH:  
"A" 6 MICROINCH GOLD  
"B" 15 MICROINCH GOLD  
"C" 30 MICROINCH GOLD  
"D" 50 MICROINCH GOLD
3. KEYWAY OPTION:  
" " W/O KEYWAY  
"K" WITH KEYWAY

NOTE: P/N MJ60HT-88xB FOR HIGH TEMP. VERSION

## TOP ENTRY MODULAR PCB JACK 8P PROFILE=16.30MM (FULLY SHIELDED)

### SPECIFICATIONS

#### Electrical:

1. **Voltage Rating:** 125 Vac Rms.
2. **Current Rating:** 1.5 Amp.
3. **Contact Resistance:** 40 Milliohms Max.
4. **Insulation Resistance:** 1000 Megohms Min @500 Vdc.
5. **Dielectric Strength:** 1000 Vac Rms 60Hz, 1Min.

#### Mechanical:

1. **Operating:** 750 Cycles Min.

#### Environmental:

1. **Storage:** -40°C To +85°C.
2. **Operation:** -40°C To +80°C.

### MATERIALS

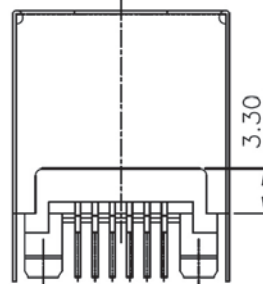
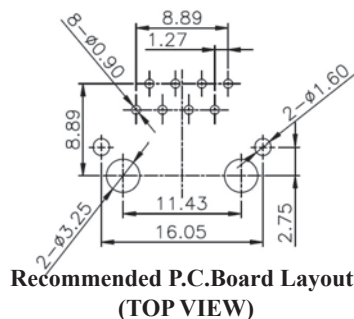
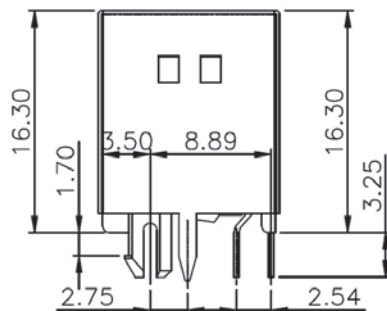
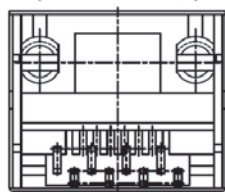
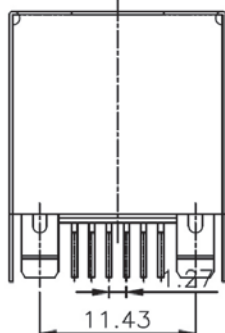
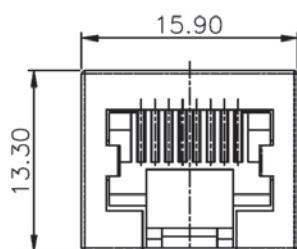
**Plastic Housing:** Engineering Thermoplastic  
Flammability Rating UL 94V-0.

**Contacts:** Phosphor Bronze

**Plating:** Gold Plating Over Nickel In Contact,  
Tin Plating Over Nickel In Solder Area.

**Shield:** Brass Plating Nickel Alloy.

\* **RoHS & REACH compliant.**



### ORDERING INFORMATION:

P/N **MJ  $\frac{60}{1}$  J -  $\frac{88}{2}$  x B  $\frac{3}{3}$**

1. MODULAR JACK TYPE:  
"60J" W/O PANEL STOP
2. NO. OF POSITIONS & CONTACTS:  
"88" 8P8C
3. CONTACT FINISH:  
"A" 6 MICROINCH GOLD  
"B" 15 MICROINCH GOLD  
"C" 30 MICROINCH GOLD  
"D" 50 MICROINCH GOLD

NOTE: IT CAN BE USED FOR REPLACING P/N MJ60-88xB.







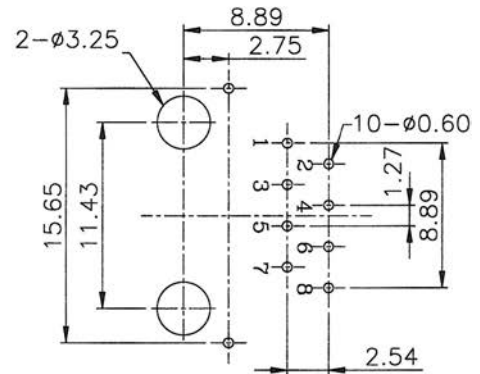
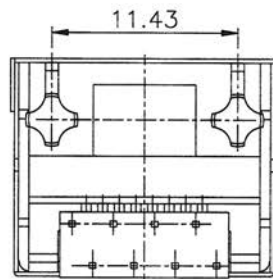
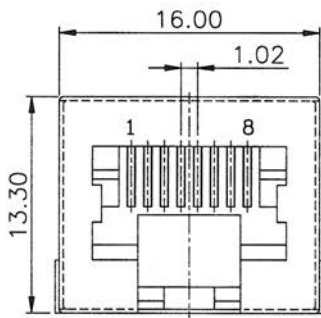
# TOP ENTRY MODULAR PCB JACK PRESS-FIT TYPE 8P PROFILE=16.30MM (FULLY SHIELDED)

## SPECIFICATIONS

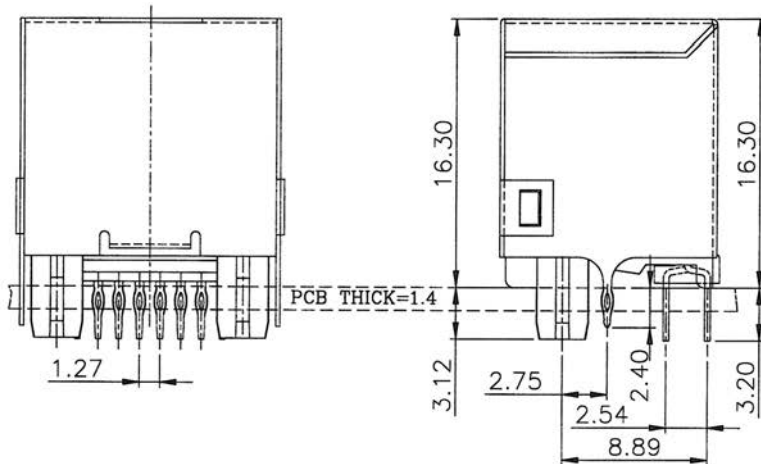
**Insulation Resistance:** 500MΩ Min.  
**Contact Resistance:** 20mΩ Max.  
**Rating Current:** 1.5A Max.  
**Rating Voltage:** 120V AC.  
**Dielectric Voltage:** 1000 Vrms 60 Sec. Min.  
**Temperature Range:** -40°C / +85°C  
**Durability:** 500 Mating cycles Min.

## MATERIALS

**Housing:** PBT Glass Filled (UL 94V-0)  
**Soldering Temperature:** 235°C  
**Color:** Black  
**Spring Wire:** Phosphor Bronze  
                     Gold plating Over Nickel  
**Shield:** Brass plating Nickel Alloy  
**\*RoHS & REACH compliant.**



Recommended P.C. Board Layout



## ORDERING INFORMATION:

P/N M J 4 V -  $\frac{x}{1} \frac{x}{2} \frac{x}{3} B \frac{x}{3}$

1. NO. OF POSITIONS & CONTACTS:  
 "88" 8P8C  
 "84" 8P4C
2. CONTACT FINISH:  
 "A" 6 MICROINCH GOLD  
 "B" 15 MICROINCH GOLD  
 "C" 30 MICROINCH GOLD  
 "D" 50 MICROINCH GOLD
3. KEYWAY OPTION:  
 " " W/O KEYWAY  
 "K" WITH KEYWAY

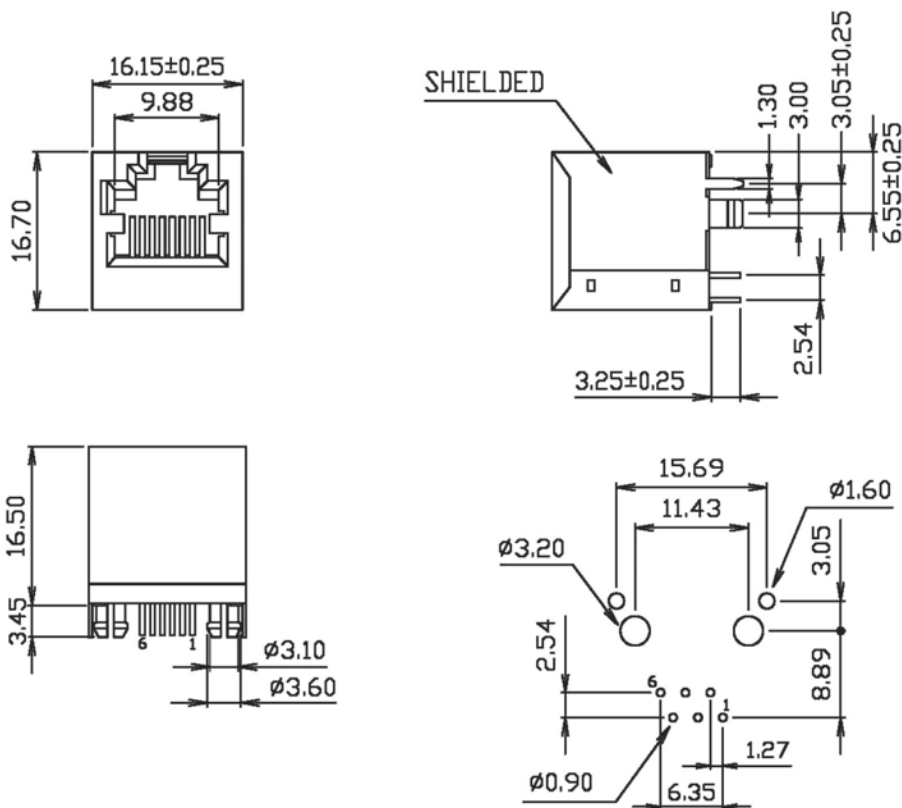
## TOP ENTRY MODULAR PCB JACK 6P PROFILE=16.50MM (FULLY SHIELDED)

### SPECIFICATIONS

**Insulation Resistance:** 500MΩ Min.  
**Contact Resistance:** 20mΩ Max.  
**Rating Current:** 1.5A Max.  
**Rating Voltage:** 120V AC.  
**Dielectric Voltage:** 1000 Vrms 60 Sec. Min.  
**Temperature Range:** -40°C / +85°C  
**Durability:** 500 Mating cycles Min.

### MATERIALS

**Housing:** PBT Glass Filled (UL 94V-0)  
**Soldering Temperature:** 235°C  
**Color:** Black  
**Spring Wire:** Phosphor Bronze  
Gold plating Over Nickel  
**Shield:** Brass plating Nickel Alloy  
**\*RoHS & REACH compliant.**



Recommended P.C.Board Layout

### ORDERING INFORMATION:

P/N M J G E - x x x B  
          1      2 3 4

1. MODULAR JACK TYPE:  
"GE" STRAIGHT DIP TYPE
2. NO. OF POSITIONS & CONTACTS:  
"66" 6P6C  
"64" 6P4C
3. CONTACT FINISH:  
"A" 6 MICROINCH GOLD  
"B" 15 MICROINCH GOLD  
"C" 30 MICROINCH GOLD  
"D" 50 MICROINCH GOLD
4. HOUSING COLOR:  
"B" BLACK

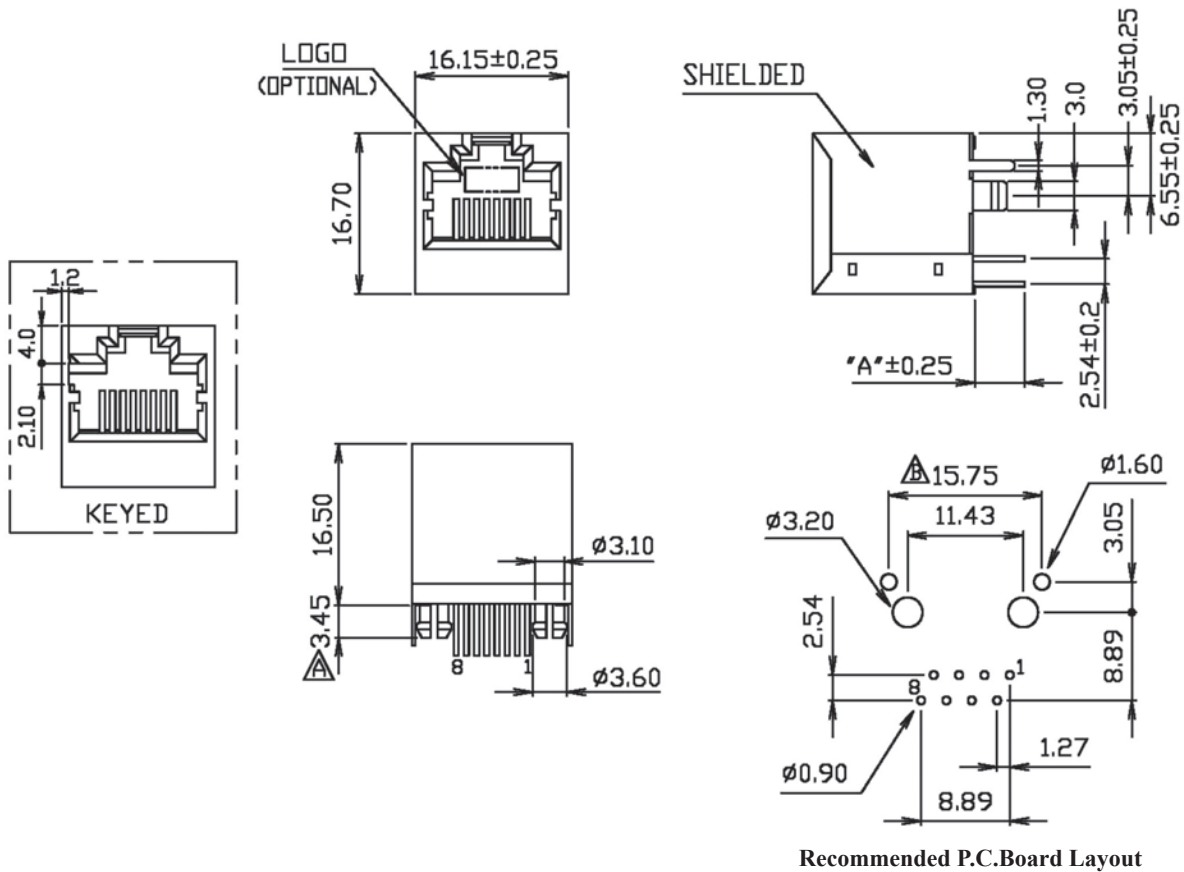
## TOP ENTRY MODULAR PCB JACK 8P PROFILE=16.50MM (FULLY SHIELDED)

### SPECIFICATIONS

**Insulation Resistance:** 500MΩ Min.  
**Contact Resistance:** 20mΩ Max.  
**Rating Current:** 1.5A Max.  
**Rating Voltage:** 120V AC.  
**Dielectric Voltage:** 1000 Vrms 60 Sec. Min.  
**Temperature Range:** -40°C / +85°C  
**Durability:** 500 Mating cycles Min.

### MATERIALS

**Housing:** PBT Glass Filled (UL 94V-0)  
**Soldering Temperature:** 235°C  
**Color:** Black  
**Spring Wire:** Phosphor Bronze  
 Gold plating Over Nickel  
**Shield:** Brass plating Nickel Alloy  
**\*RoHS & REACH compliant.**



### ORDERING INFORMATION:

P/N M J GE - 88 x B x  
 I 2 3 4 5

- |   |   |
|---|---|
| <p>1. MODULAR JACK TYPE:<br/>             "GE" STRAIGHT DIP TYPE</p> <p>2. NO. OF POSITIONS &amp; CONTACTS:<br/>             "88" 8P8C</p> <p>3. CONTACT FINISH:<br/>             "A" 6 MICROINCH GOLD<br/>             "B" 15 MICROINCH GOLD<br/>             "C" 30 MICROINCH GOLD<br/>             "D" 50 MICROINCH GOLD</p> <p>4. HOUSING COLOR:<br/>             "B" BLACK</p> | <p>5. KEY OPTION:<br/>             " " NON-KEYED<br/>             "K" KEYED</p> |
|---|---|



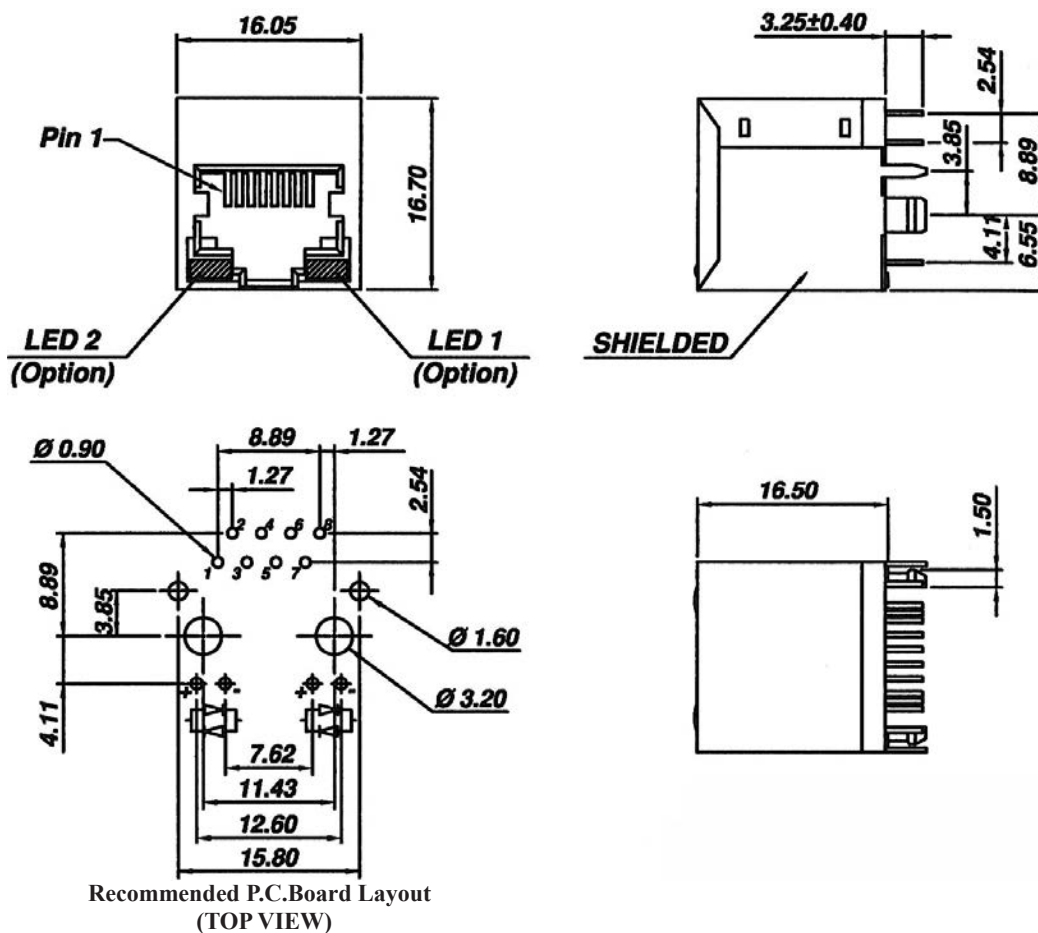
# TOP ENTRY MODULAR PCB JACK WITH LED 8P PROFILE=16.50MM (FULLY SHIELDED)

## SPECIFICATIONS

Insulation Resistance: 500MΩ Min.  
 Contact Resistance: 20mΩ Max.  
 Rating Current: 1.5A Max.  
 Rating Voltage: 120V AC.  
 Dielectric Voltage: 1000 Vrms 60 Sec. Min.  
 Temperature Range: -40°C / +85°C  
 Durability: 500 Mating cycles Min.

## MATERIALS

Housing: PBT Glass Filled (UL 94V-0)  
 Soldering Temperature: 235°C  
 Color: Black  
 Spring Wire: Phosphor Bronze  
 Gold plating Over Nickel  
 Shield: Brass plating Nickel Alloy  
 \*RoHS & REACH compliant.



## ORDERING INFORMATION:

P/N MJTD -  $\frac{88}{1} \times \frac{B}{2} \times \frac{x}{3} \times \frac{x}{4}$

1. NO. OF POSITIONS & CONTACTS:  
"88" 8P8C
2. CONTACT FINISH:  
"A" 6 MICROINCH GOLD  
"B" 15 MICROINCH GOLD  
"C" 30 MICROINCH GOLD  
"D" 50 MICROINCH GOLD
3. CODE OF LED1 DESIGNATION:  
N, M, Y, Z, 8, Q, 1, 2, 5, 6
4. CODE OF LED2 DESIGNATION:  
N, M, Y, Z, 8, Q, 1, 2, 5, 6

NOTE: P/N MJTDHT-88xBxx FOR HIGH TEMP. VERSION

### LED Designation:

Code	+/-	-/+	Code	+/-	-/+
N	Green	—	M	—	Green
Y	Yellow	—	Z	—	Yellow
8	Orange	—	Q	—	Orange
1	Green	Orange	2	Orange	Green
5	Green	Yellow	6	Yellow	Green

NOTE: LED1= RIGHT LED &  
LED2= LEFT LED





## TOP ENTRY MODULAR PCB JACK 8P PROFILE=16.50MM (FULLY SHIELDED)

### SPECIFICATIONS

Insulation Resistance: 500MΩ Min.

Contact Resistance: 20mΩ Max.

Rating Current: 1.5A Max.

Rating Voltage: 120V AC.

Dielectric Voltage: 1000 Vrms 60 Sec. Min.

Temperature Range: -40°C / +85°C

Durability: 500 Mating cycles Min.

### MATERIALS

Housing: PBT Glass Filled (UL 94V-0)

Soldering Temperature: 235°C

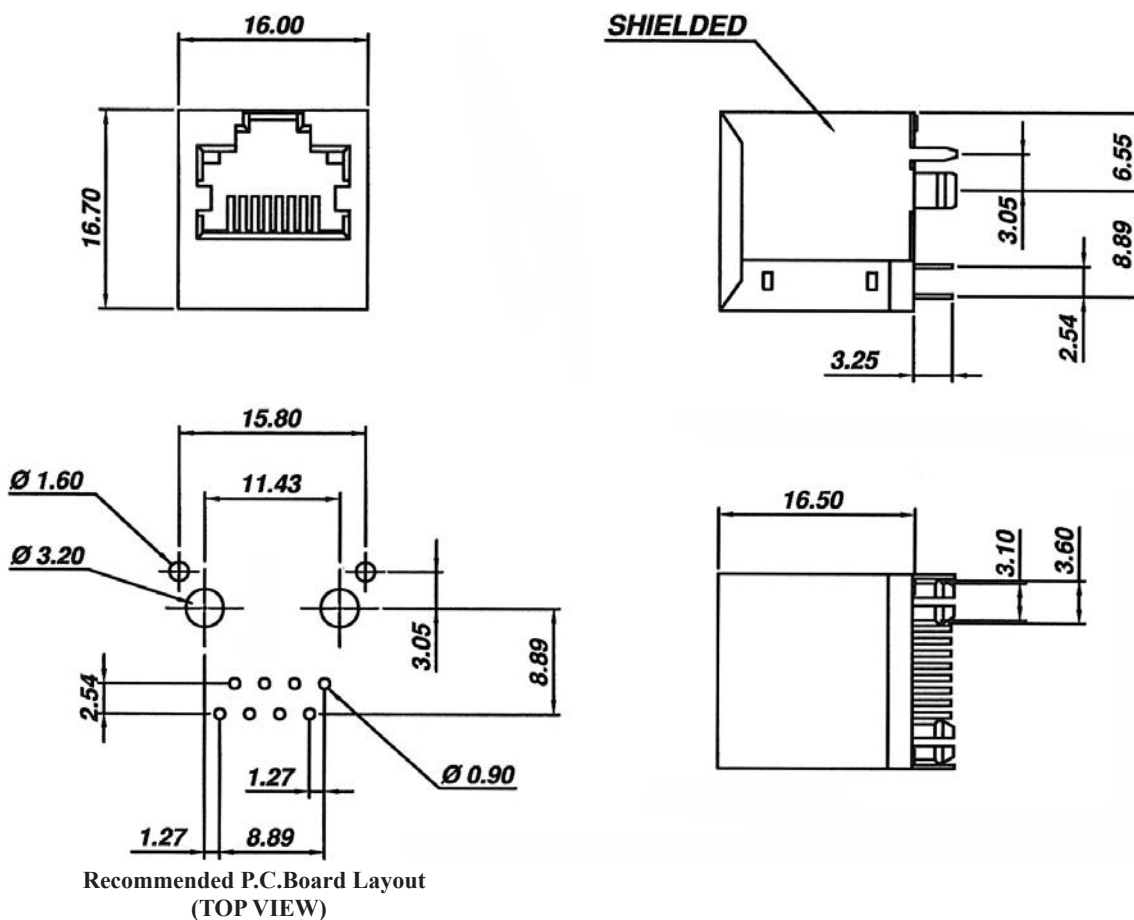
Color: Black

Spring Wire: Phosphor Bronze

Gold plating Over Nickel

Shield: Brass plating Nickel Alloy

\*RoHS & REACH compliant.



### ORDERING INFORMATION:

P/N M J 7 Y -  $\frac{x x x}{1 2}$  B

1. NO. OF POSITIONS & CONTACTS:

"88" 8P8C

2. CONTACT FINISH:

"A" 6 MICROINCH GOLD

"B" 15 MICROINCH GOLD

"C" 30 MICROINCH GOLD

"D" 50 MICROINCH GOLD

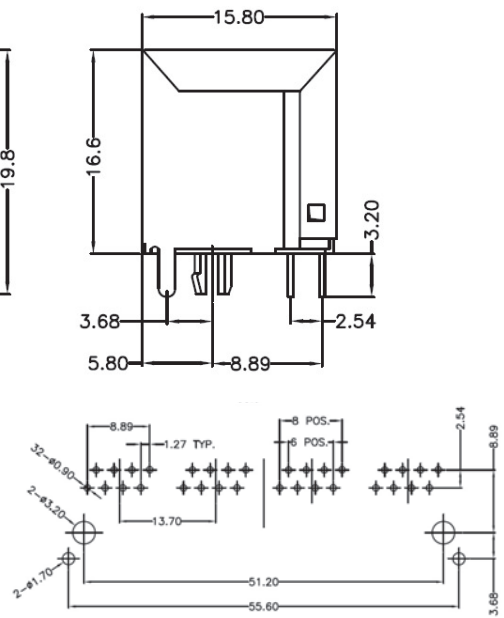
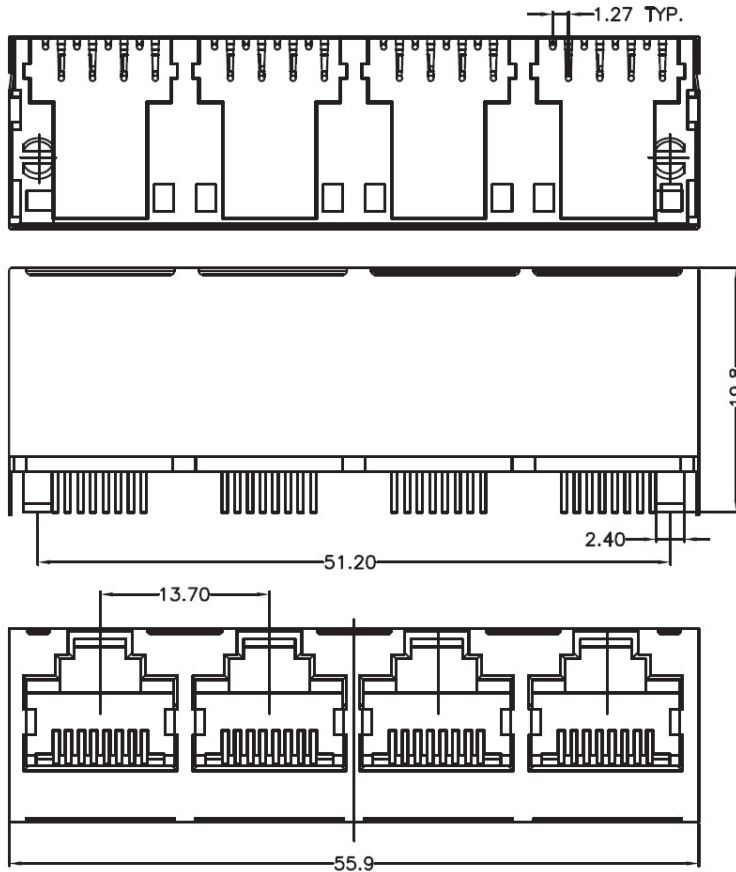
# TOP ENTRY 4-PORT MODULAR PCB JACK 8P PROFILE=16.60MM (FULLY SHIELDED)

## SPECIFICATIONS

Current Rating: 1.5 Amp Max.  
 Dielectric Withstanding: 500 Vac For 1 Min.  
 Contact Resistance: 30m Ohms Max.  
 Insulation Resistance: 1000 Megohms Min @500 Vdc..  
 Operation Temperature: -40°C To +85°C.

## MATERIALS

Housing: PBT(UL 94V-0)  
 Shell: Copper Alloy, Nickel Plating  
 Terminal: Copper Alloy,Gold Plated  
 \* RoHS & REACH compliant.



Recommended P.C.Board Layout  
(TOP VIEW)

## ORDERING INFORMATION:

P/N M J 8 W -  $\frac{88}{1} \times \frac{X}{2} \times \frac{04}{34}$

1. NO. OF POSITIONS & CONTACTS:  
"88" 8P8C
2. CONTACT FINISH:  
"A" 6 MICROINCH GOLD  
"B" 15 MICROINCH GOLD  
"C" 30 MICROINCH GOLD  
"D" 50 MICROINCH GOLD  
"E" GOLD FLASH

3. HOUSING COLOR:  
"B" BLACK  
"W" WHITE
4. NO. OF PORTS:  
04



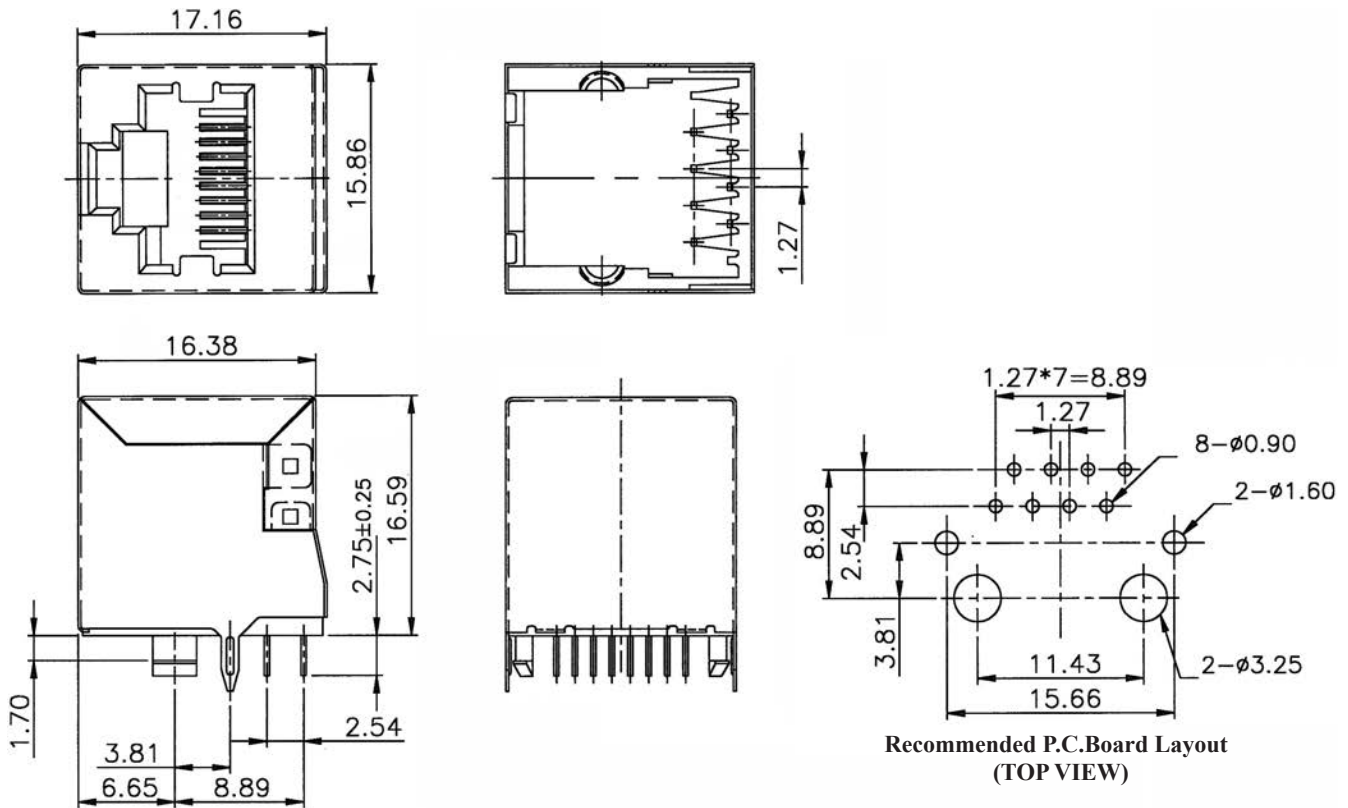
## TOP ENTRY MODULAR PCB JACK 8P PROFILE=16.59MM (FULLY SHIELDED)

### SPECIFICATIONS

**Insulation Resistance:** 500MΩ Min.  
**Contact Resistance:** 20mΩ Max.  
**Rating Current:** 1.5A Max.  
**Rating Voltage:** 120V AC.  
**Dielectric Voltage:** 1000 Vrms 60 Sec. Min.  
**Temperature Range:** -40°C / +85°C  
**Durability:** 500 Mating cycles Min.

### MATERIALS

**Housing:** PBT Glass Filled (UL 94V-0)  
**Soldering Temperature:** 235°C  
**Color:** Black  
**Spring Wire:** Phosphor Bronze  
                     Gold plating Over Nickel  
**Shield:** Brass plating Nickel Alloy  
**\*RoHS & REACH compliant.**



### ORDERING INFORMATION:

P/N MJ35 -  $\frac{x}{1} \frac{x}{2} B$

#### 1. NO. OF POSITIONS & CONTACTS:

"88" 8P8C  
 "84" 8P4C

#### 2. CONTACT FINISH:

"A" 6 MICROINCH GOLD  
 "B" 15 MICROINCH GOLD  
 "C" 30 MICROINCH GOLD  
 "D" 50 MICROINCH GOLD

NOTE: P/N MJ35HT-88xB FOR HIGH TEMP. VERSION

## TOP ENTRY MODULAR PCB JACK 10P PROFILE=16.59MM (FULLY SHIELDED)

### SPECIFICATIONS

**Insulation Resistance:** 500MΩ Min.

**Contact Resistance:** 20mΩ Max.

**Rating Current:** 1.5A Max.

**Rating Voltage:** 120V AC.

**Dielectric Voltage:** 1000 Vrms 60 Sec. Min.

**Temperature Range:** -40°C / +85°C

**Durability:** 500 Mating cycles Min.

### MATERIALS

**Housing:** PBT Glass Filled (UL 94V-0)

**Soldering Temperature:** 235°C

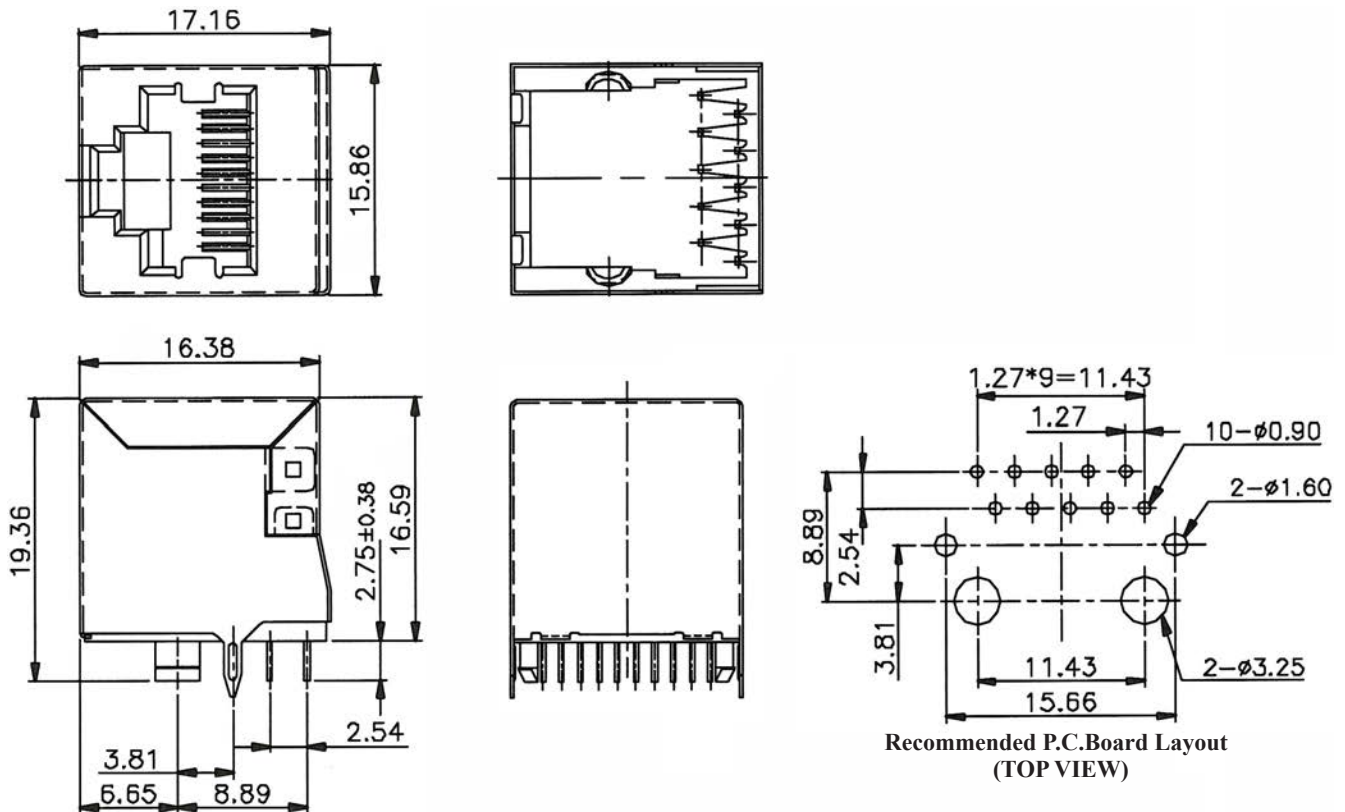
**Color:** Black

**Spring Wire:** Phosphor Bronze

Gold plating Over Nickel

**Shield:** Brass plating Nickel Alloy

\*RoHS & REACH compliant.



### ORDERING INFORMATION:

P/N MJ35 -  $\frac{x}{1} \frac{x}{2} B$

#### 1. NO. OF POSITIONS & CONTACTS:

"00" 10P10C

"08" 10P8C

#### 2. CONTACT FINISH:

"A" 6 MICROINCH GOLD

"B" 15 MICROINCH GOLD

"C" 30 MICROINCH GOLD

"D" 50 MICROINCH GOLD



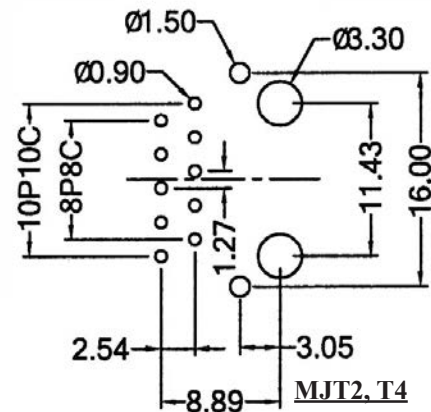
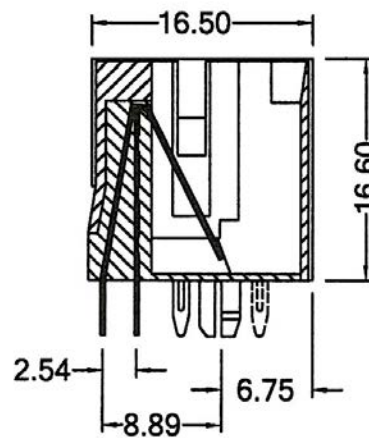
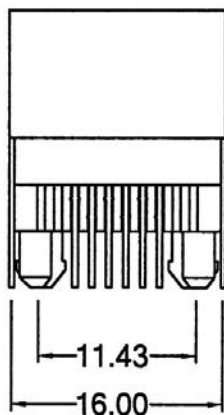
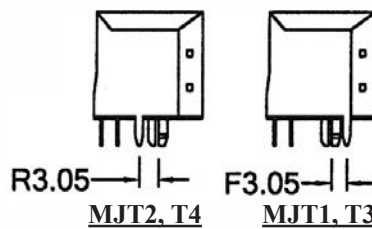
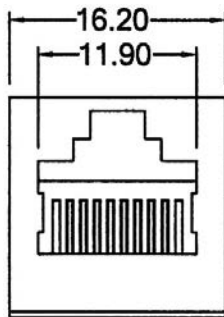
## TOP ENTRY MODULAR PCB JACK 8P+10P PROFILE=16.60MM (FULLY SHIELDED)

### SPECIFICATIONS

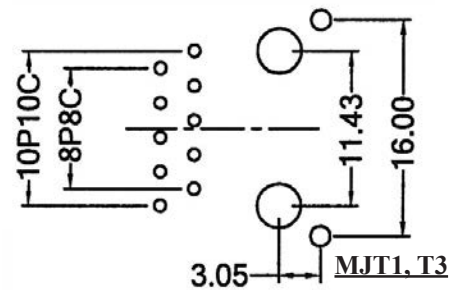
**Insulation Resistance:** 500MΩ Min.  
**Contact Resistance:** 20mΩ Max.  
**Rating Current:** 1.5A Max.  
**Rating Voltage:** 120V AC.  
**Dielectric Voltage:** 1000 Vrms 60 Sec. Min.  
**Temperature Range:** -40°C / +85°C  
**Durability:** 500 Mating cycles Min.

### MATERIALS

**Housing:** PBT Glass Filled (UL 94V-0)  
**Soldering Temperature:** 235°C  
**Color:** Black  
**Spring Wire:** Phosphor Bronze  
                     Gold plating Over Nickel  
**Shield:** Brass plating Nickel Alloy  
**\*RoHS & REACH compliant.**



Recommended P.C.Board Layout  
(TOP VIEW)



Recommended P.C.Board Layout  
(TOP VIEW)

### ORDERING INFORMATION:

P/N M J  $\frac{XX}{1}$  -  $\frac{XX}{2}$   $\frac{X}{3}$  B

- PANEL STOP & SPACING OPTION:  
 "T1" F3.05 WITH PANEL STOP  
 "T2" R3.05 WITH PANEL STOP  
 "T3" F3.05 W/O PANEL STOP  
 "T4" R3.05 W/O PANEL STOP
- NO. OF POSITIONS & CONTACTS:  
 "88" 8P8C  
 "00" 10P10C
- CONTACT FINISH:  
 "A" 6 MICROINCH GOLD  
 "B" 15 MICROINCH GOLD  
 "C" 30 MICROINCH GOLD  
 "D" 50 MICROINCH GOLD

## TOP ENTRY MODULAR PCB JACK 8P PROFILE=16.90MM (FULLY SHIELDED)

### SPECIFICATIONS

**Insulation Resistance:** 500MΩ Min.

**Contact Resistance:** 20mΩ Max.

**Rating Current:** 1.5A Max.

**Rating Voltage:** 120V AC.

**Dielectric Voltage:** 1000 Vrms 60 Sec. Min.

**Temperature Range:** -40°C / +85°C

**Durability:** 500 Mating cycles Min.

### MATERIALS

**Housing:** PBT Glass Filled (UL 94V-0)

**Soldering Temperature:** 235°C

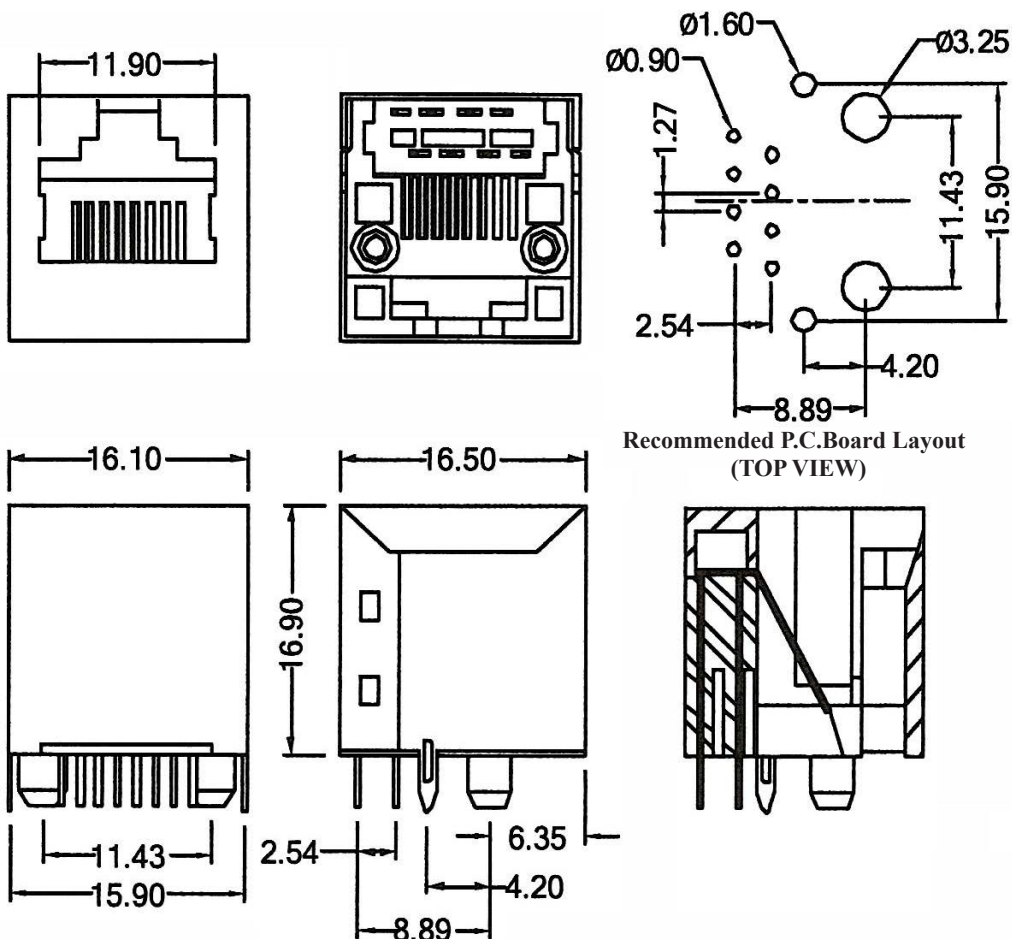
**Color:** Black

**Spring Wire:** Phosphor Bronze

Gold plating Over Nickel

**Shield:** Brass plating Nickel Alloy

\*RoHS & REACH compliant.



### ORDERING INFORMATION:

P/N M J 7 X -  $\frac{88}{1} \times \frac{B}{2}$

1. NO. OF POSITIONS & CONTACTS:

"88" 8P8C

2. CONTACT FINISH:

"A" 6 MICROINCH GOLD

"B" 15 MICROINCH GOLD

"C" 30 MICROINCH GOLD

"D" 50 MICROINCH GOLD







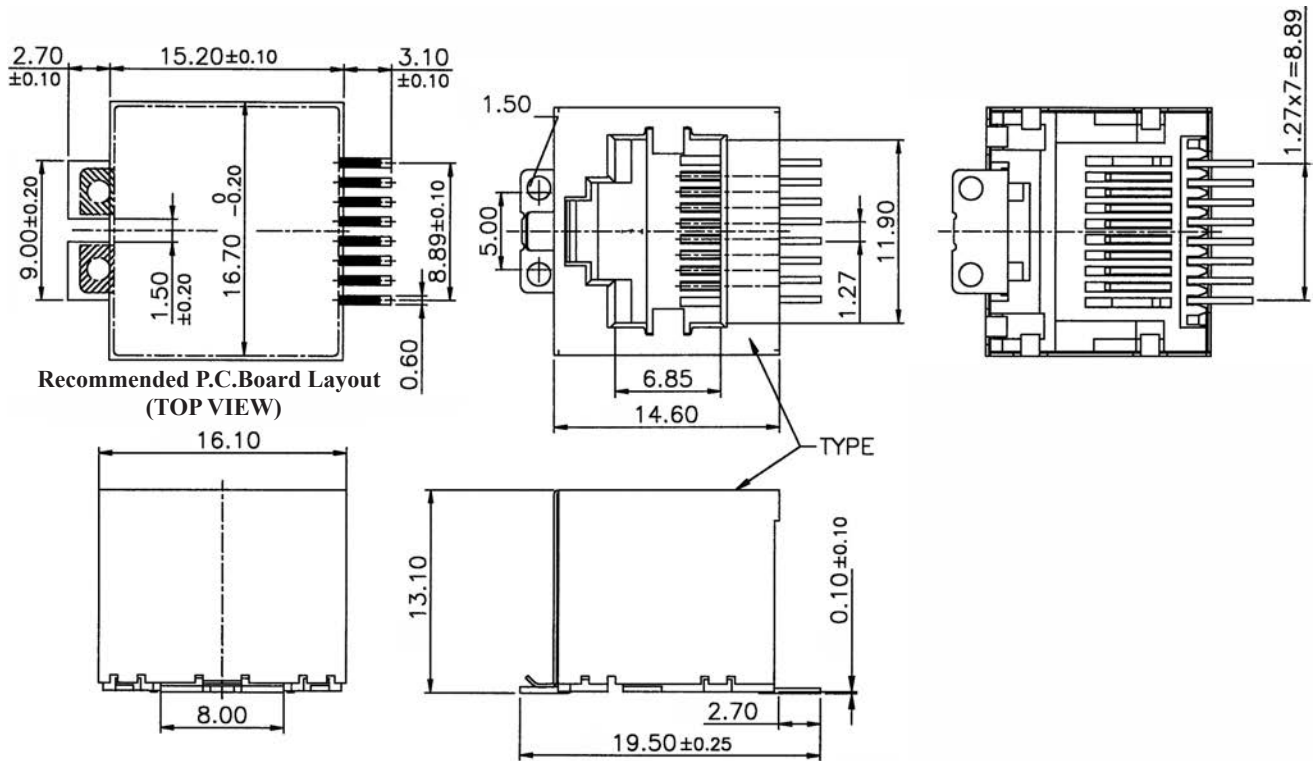
# TOP ENTRY MODULAR SMT JACK WITH SOLDER PAD 8P PROFILE=13.10MM (FULLY SHIELDED)

## SPECIFICATIONS

**Insulation Resistance:** 500MΩ Min.  
**Contact Resistance:** 20mΩ Max.  
**Rating Current:** 1.5A Max.  
**Rating Voltage:** 120V AC.  
**Dielectric Voltage:** 1000 Vrms 60 Sec. Min.  
**Temperature Range:** -40°C / +85°C  
**Durability:** 500 Mating cycles Min.

## MATERIALS

**Housing:** Nylon (UL 94V-0)  
**Soldering Temperature:** 260°C  
**Color:** Black  
**Spring Wire:** Phosphor Bronze  
 Gold plating Over Nickel  
**\*RoHS & REACH compliant.**



## ORDERING INFORMATION:

P/N M J B 6 -  $\frac{x}{1}$   $\frac{x}{2}$   $\frac{x}{3}$  B -  $\frac{x}{3}$

1. NO. OF POSITIONS & CONTACTS:
  - "88" 8P8C
  - "84" 8P4C
2. CONTACT FINISH:
  - "A" 6 MICROINCH GOLD
  - "B" 15 MICROINCH GOLD
  - "C" 30 MICROINCH GOLD
  - "D" 50 MICROINCH GOLD
3. PACKAGE OPTION:
  - " " TRAY
  - "R" TAPE & REEL

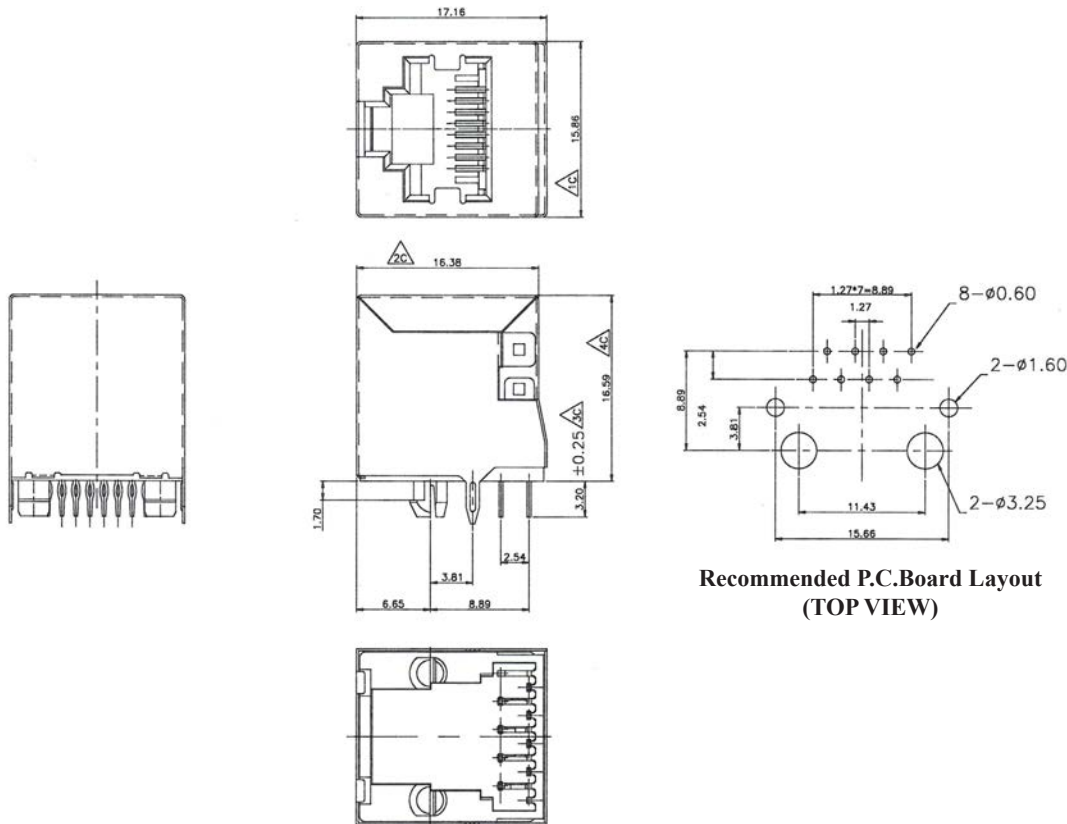
## TOP ENTRY MODULAR PCB JACK 8P PRESS FIT TYPE PROFILE=16.59MM (FULLY SHIELDED)

### SPECIFICATIONS

**Insulation Resistance:** 500MΩ Min.  
**Contact Resistance:** 20mΩ Max.  
**Rating Current:** 1.5A Max.  
**Rating Voltage:** 120V AC.  
**Dielectric Voltage:** 1000 Vrms 60 Sec. Min.  
**Temperature Range:** -40°C / +85°C  
**Durability:** 500 Mating cycles Min.

### MATERIALS

**Housing:** PBT Glass Filled (UL 94V-0)  
**Soldering Temperature:** 235°C  
**Color:** Black  
**Spring Wire:** Phosphor Bronze  
 Gold plating Over Nickel  
**Shield:** Brass plating Nickel Alloy  
**\*RoHS & REACH compliant.**



Recommended P.C.Board Layout  
(TOP VIEW)

### ORDERING INFORMATION:

P/N M J  $\frac{P}{1}$  G -  $\frac{8}{2}$   $\frac{8}{3}$  x  $\frac{B}{4}$

1. MODULAR JACK TYPE:  
"PG" PRESS FIT TYPE
2. NO. OF POSITIONS & CONTACTS:  
"88" 8P8C
3. CONTACT FINISH:  
"A" 6 MICROINCH GOLD  
"B" 15 MICROINCH GOLD  
"C" 30 MICROINCH GOLD  
"D" 50 MICROINCH GOLD
4. HOUSING COLOR:  
"B" BLACK

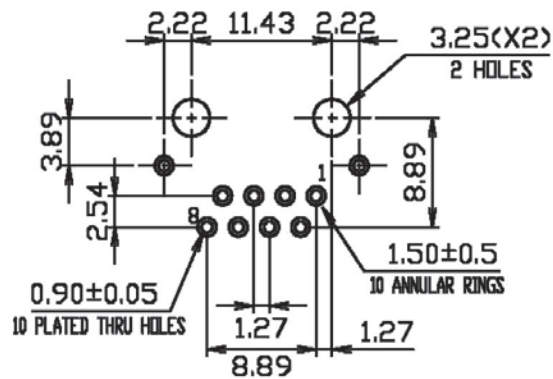
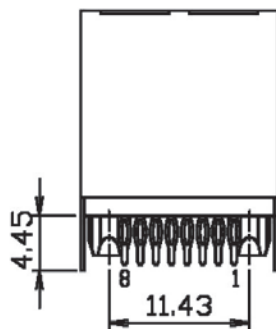
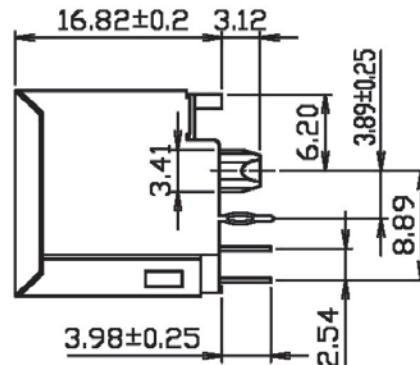
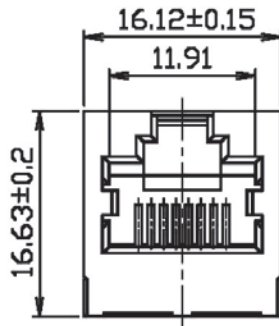
## TOP ENTRY MODULAR PCB JACK 8P PRESS FIT TYPE PROFILE=16.82MM (FULLY SHIELDED)

### SPECIFICATIONS

**Insulation Resistance:** 500MΩ Min.  
**Contact Resistance:** 20mΩ Max.  
**Rating Current:** 1.5A Max.  
**Rating Voltage:** 120V AC.  
**Dielectric Voltage:** 1000 Vrms 60 Sec. Min.  
**Temperature Range:** -40°C to +85°C  
**Durability:** 500 Mating cycles Min.

### MATERIALS

**Housing:** PBT Glass Filled (UL 94V-0)  
**Soldering Temperature:** 235°C  
**Color:** Black  
**Spring Wire:** Phosphor Bronze  
                     Gold plating Over Nickel  
**Shield:** Brass plating Nickel Alloy  
**\*RoHS & REACH compliant.**



Recommended P.C.Board Layout

### ORDERING INFORMATION:

P/N M J P J - 8 8 x B  
          1   2  3  4

1. MODULAR JACK TYPE:  
"PJ" PRESS FIT TYPE
2. NO. OF POSITIONS & CONTACTS:  
"88" 8P8C
3. CONTACT FINISH:  
"A" 6 MICROINCH GOLD  
"B" 15 MICROINCH GOLD  
"C" 30 MICROINCH GOLD  
"D" 50 MICROINCH GOLD
4. HOUSING COLOR:  
"B" BLACK

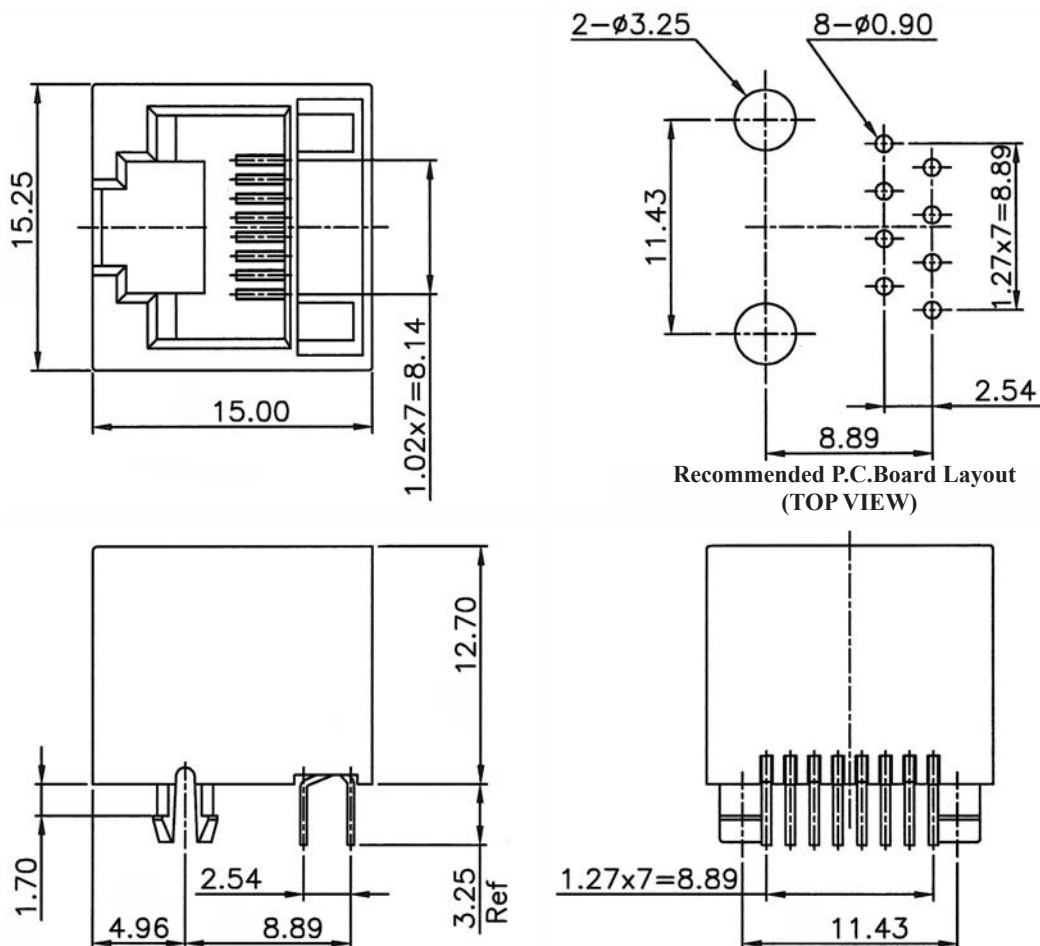
## TOP ENTRY MODULAR PCB JACK 8P PROFILE=12.70MM (UNSHIELDED)

### SPECIFICATIONS

**Insulation Resistance:** 500MΩ Min.  
**Contact Resistance:** 20mΩ Max.  
**Rating Current:** 1.5A Max.  
**Rating Voltage:** 120V AC.  
**Dielectric Voltage:** 1000 Vrms 60 Sec. Min.  
**Temperature Range:** -40°C / +85°C  
**Durability:** 500 Mating cycles Min.

### MATERIALS

**Housing:** PBT Glass Filled (UL 94V-0)  
**Soldering Temperature:** 235°C  
**Color:** Black  
**Spring Wire:** Phosphor Bronze  
 Gold plating Over Nickel  
**\*RoHS & REACH compliant.**



### ORDERING INFORMATION:

P/N M J 4 0 -  $\frac{x}{1} \frac{x}{2} B$

#### 1. NO. OF POSITIONS & CONTACTS:

"88" 8P8C  
 "84" 8P4C

#### 2. CONTACT FINISH:

"A" 6 MICROINCH GOLD  
 "B" 15 MICROINCH GOLD  
 "C" 30 MICROINCH GOLD  
 "D" 50 MICROINCH GOLD

## TOP ENTRY MODULAR PCB JACK 8P PROFILE=12.70MM (UNSHIELDED)

### SPECIFICATIONS

#### Electrical:

1. **Voltage Rating:** 125 Vac Rms.
2. **Current Rating:** 1.5 Amp.
3. **Contact Resistance:** 40 Milliohms Max.
4. **Insulation Resistance:** 1000 Megohms Min @500 Vdc.
5. **Dielectric Strength:** 1000 Vac Rms 60Hz, 1Min.

#### Mechanical:

1. **Operating:** 750 Cycles Min.

#### Environmental:

1. **Storage:** -40°C To +85°C.
2. **Operation:** -40°C To +80°C.

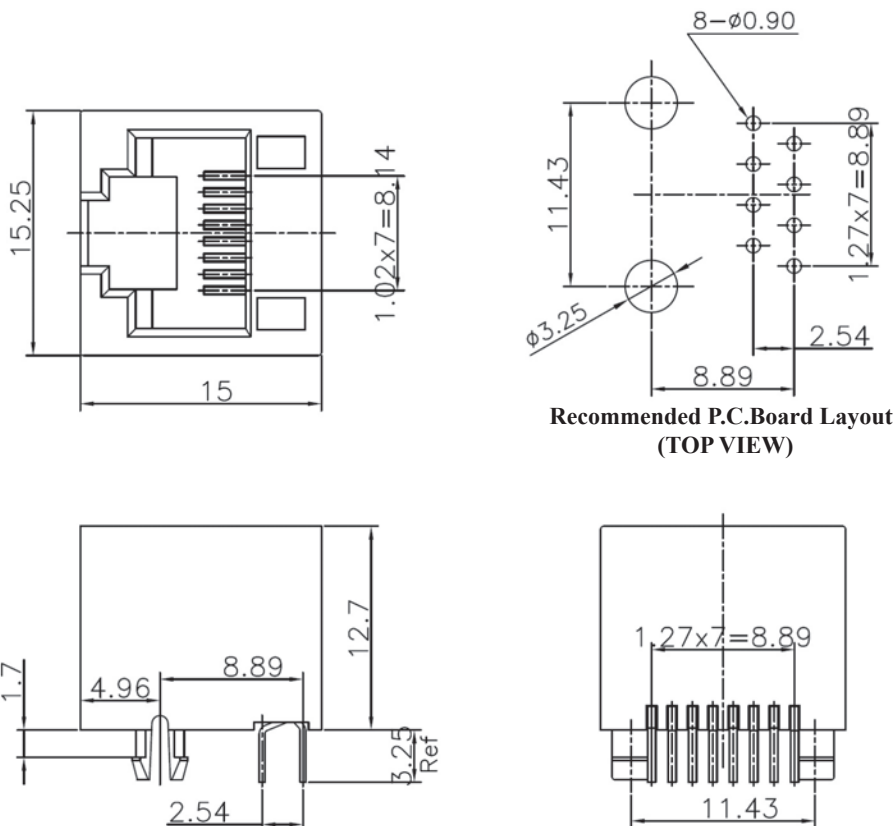
### MATERIALS

**Plastic Housing:** Engineering Thermoplastic  
Flammability Rating UL 94V-0.

**Contacts:** Phosphor Bronze

**Plating:** Gold Plating Over Nickel In Contact,  
Tin Plating Over Nickel In Solder Area.

\* RoHS & REACH compliant.



### ORDERING INFORMATION:

P/N **MJ  $\frac{40}{1}$  J -  $\frac{88}{2}$  x  $\frac{B}{3}$**

1. MODULAR JACK TYPE:  
"40J" W/O STEP
2. NO. OF POSITIONS & CONTACTS:  
"88" 8P8C
3. CONTACT FINISH:  
"A" 6 MICROINCH GOLD  
"B" 15 MICROINCH GOLD  
"C" 30 MICROINCH GOLD  
"D" 50 MICROINCH GOLD

NOTE: IT CAN BE USED FOR REPLACING P/N MJ40-88xB.

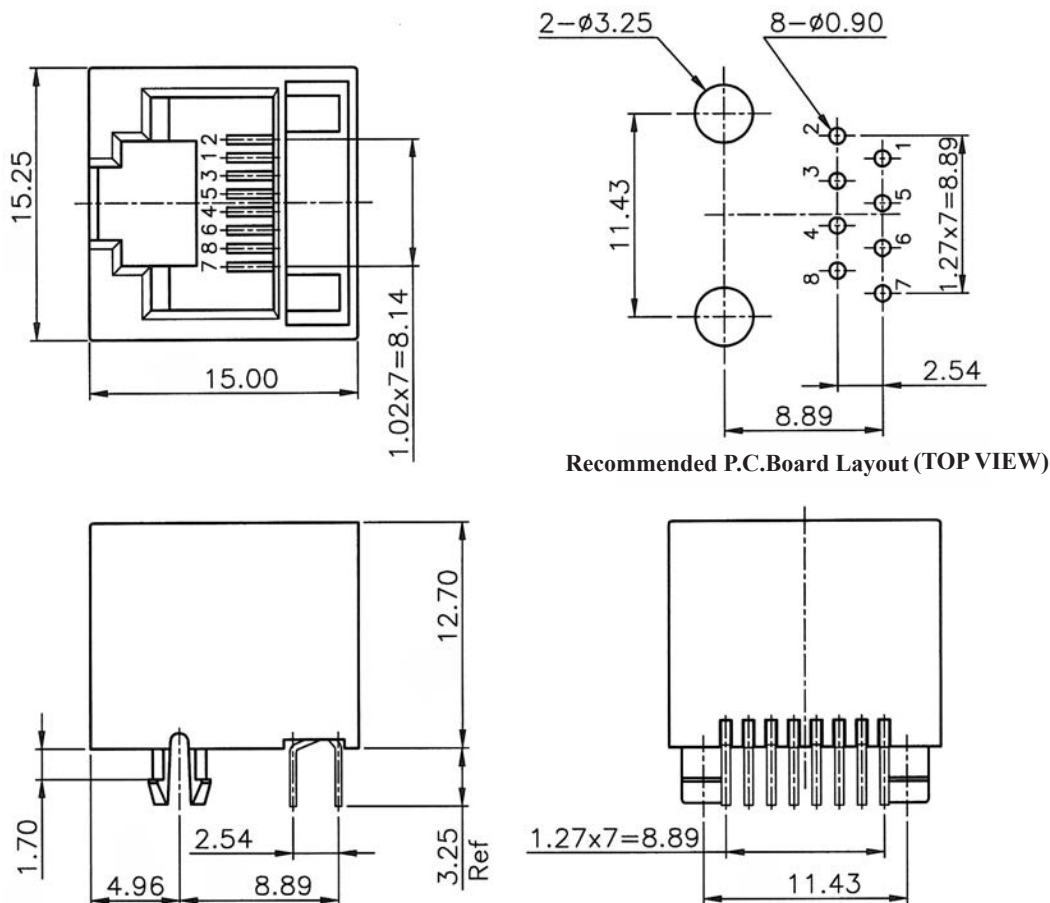
## TOP ENTRY CAT.5 MODULAR PCB JACK 8P PROFILE=12.70MM (UNSHIELDED)

### SPECIFICATIONS

**Insulation Resistance:** 500MΩ Min.  
**Contact Resistance:** 20mΩ Max.  
**Rating Current:** 1.5A Max.  
**Rating Voltage:** 120V AC.  
**Dielectric Voltage:** 1000 Vrms 60 Sec. Min.  
**Temperature Range:** -40°C / +85°C  
**Durability:** 500 Mating cycles Min.

### MATERIALS

**Housing:** PBT Glass Filled (UL 94V-0)  
**Soldering Temperature:** 235°C  
**Color:** Black  
**Spring Wire:** Phosphor Bronze  
 Gold plating Over Nickel  
**\*RoHS & REACH compliant.**



### ORDERING INFORMATION:

P/N MJ5R- $\frac{88}{1}$  $\frac{x}{2}$ B

1. NO. OF POSITIONS & CONTACTS:  
"88" 8P8C
2. CONTACT FINISH:  
"A" 6 MICROINCH GOLD  
"B" 15 MICROINCH GOLD  
"C" 30 MICROINCH GOLD  
"D" 50 MICROINCH GOLD

NOTE: CATEGORY 5 VERSION



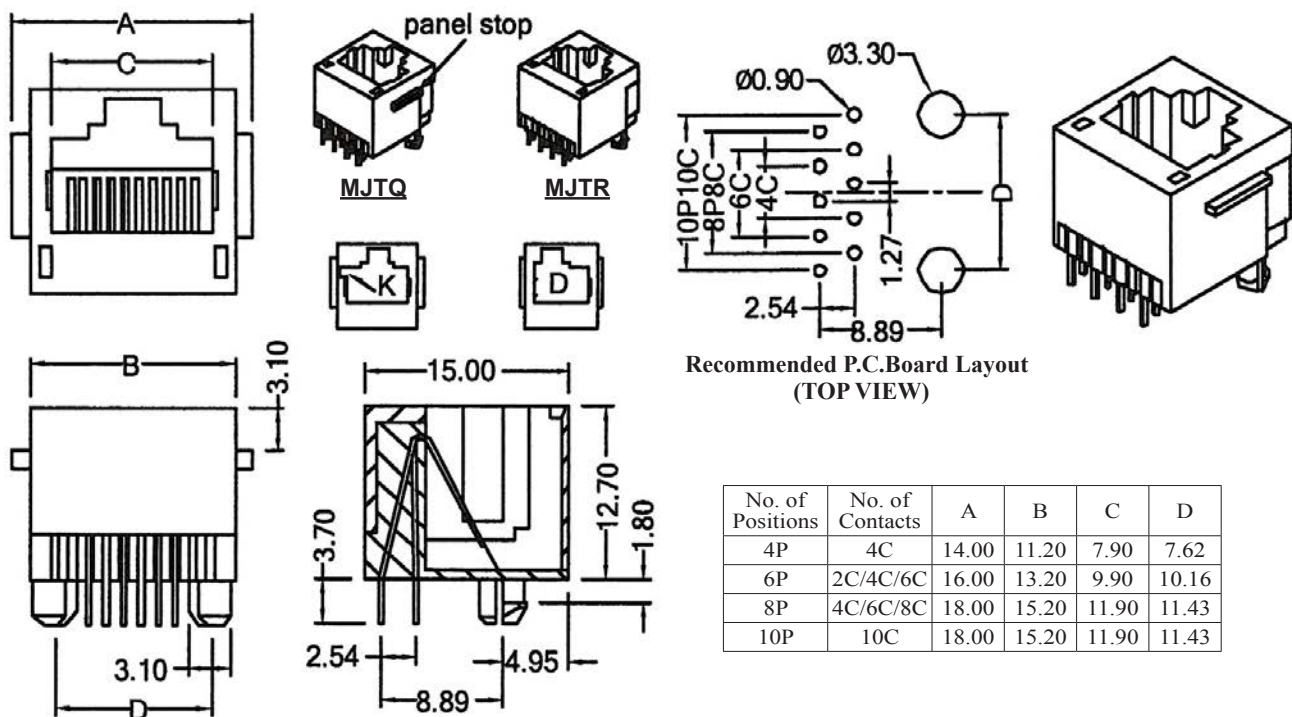
# TOP ENTRY MODULAR PCB JACK 4P+6P+8P+10P PROFILE=12.70MM (UNSHIELDED)

## SPECIFICATIONS

**Insulation Resistance:** 500MΩ Min.  
**Contact Resistance:** 20mΩ Max.  
**Rating Current:** 1.5A Max.  
**Rating Voltage:** 120V AC.  
**Dielectric Voltage:** 1000 Vrms 60 Sec. Min.  
**Temperature Range:** -40°C / +85°C  
**Durability:** 500 Mating cycles Min.

## MATERIALS

**Housing:** PBT Glass Filled (UL 94V-0)  
**Soldering Temperature:** 235°C  
**Color:** Black  
**Spring Wire:** Phosphor Bronze  
 Gold plating Over Nickel  
**\*RoHS & REACH compliant.**



Recommended P.C.Board Layout (TOP VIEW)

No. of Positions	No. of Contacts	A	B	C	D
4P	4C	14.00	11.20	7.90	7.62
6P	2C/4C/6C	16.00	13.20	9.90	10.16
8P	4C/6C/8C	18.00	15.20	11.90	11.43
10P	10C	18.00	15.20	11.90	11.43

## ORDERING INFORMATION:

P/N M J  $\frac{xx}{1} - \frac{xx}{2} \frac{x}{3} B \frac{x}{4}$

- PANEL STOP OPTION:
  - "TQ" WITH PANEL STOP
  - "TR" W/O PANEL STOP
- NO. OF POSITIONS & CONTACTS:
  - "66" 6P6C
  - "64" 6P4C
  - "88" 8P8C
  - "00" 10P10C
  - "44" 4P4C
- CONTACT FINISH:
  - "A" 6 MICROINCH GOLD
  - "B" 15 MICROINCH GOLD
  - "C" 30 MICROINCH GOLD
  - "D" 50 MICROINCH GOLD
- KEYWAY & OFFSET OPTION:
  - " " W/O KEYWAY & W/O OFFSET LATCH
  - "K" WITH KEYWAY (for 8P & 10P)
  - "D" WITH DEC (OFFSET) (for 6P ONLY)

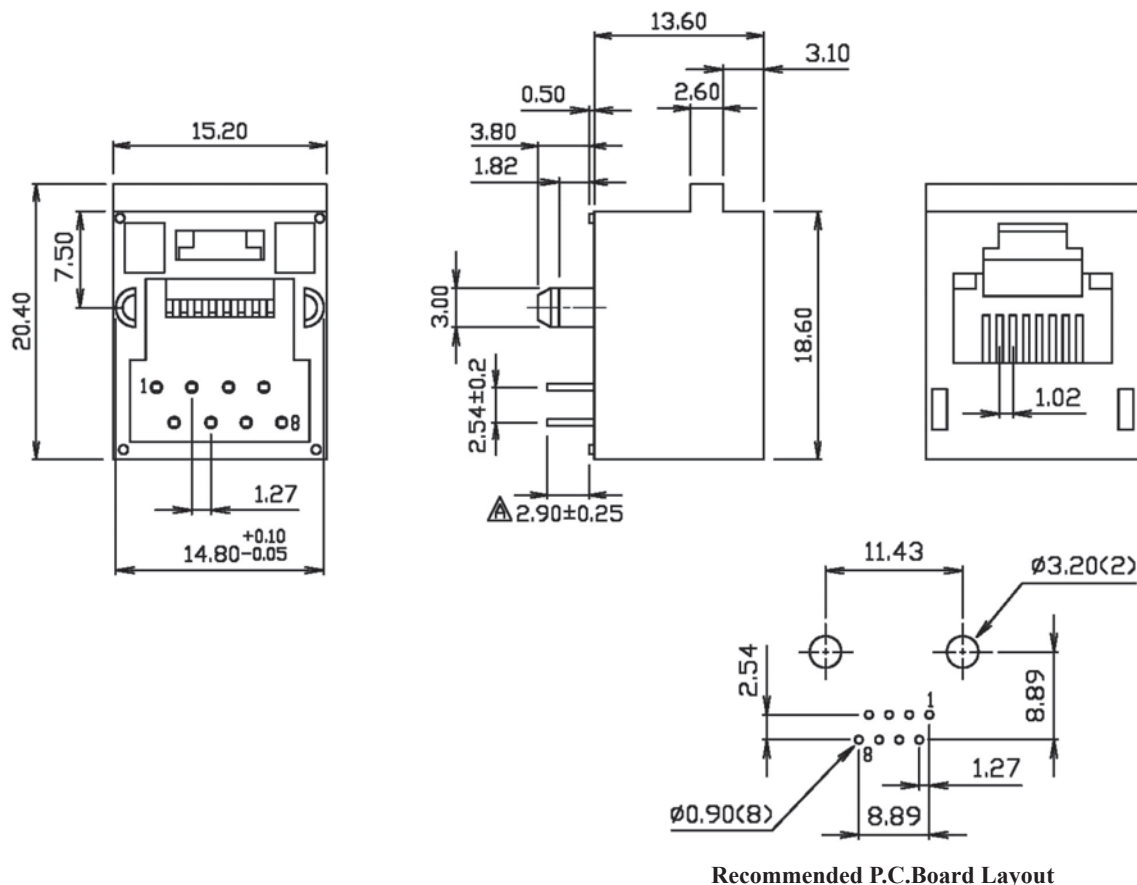
## TOP ENTRY CAT.5 MODULAR PCB JACK 8P PROFILE=13.60MM (UNSHIELDED)

### SPECIFICATIONS

**Insulation Resistance:** 500MΩ Min.  
**Contact Resistance:** 20mΩ Max.  
**Rating Current:** 1.5A Max.  
**Rating Voltage:** 120V AC.  
**Dielectric Voltage:** 1000 Vrms 60 Sec. Min.  
**Temperature Range:** -40°C / +85°C  
**Durability:** 500 Mating cycles Min.

### MATERIALS

**Housing:** PBT Glass Filled (UL 94V-0)  
**Soldering Temperature:** 235°C  
**Color:** Black  
**Spring Wire:** Phosphor Bronze  
Gold plating Over Nickel  
**\*RoHS & REACH compliant.**



Recommended P.C.Board Layout

### ORDERING INFORMATION:

**P/N M J G K - 88 x B**  
**1 2 3 4**

1. MODULAR JACK TYPE:  
"GK" CAT.5 JACK
2. NO. OF POSITIONS & CONTACTS:  
"88" 8P8C
3. CONTACT FINISH:  
"A" 6 MICROINCH GOLD  
"B" 15 MICROINCH GOLD  
"C" 30 MICROINCH GOLD  
"D" 50 MICROINCH GOLD
4. HOUSING COLOR:  
"B" BLACK

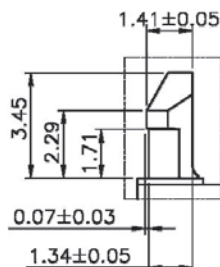
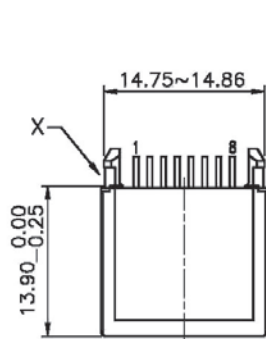
## TOP ENTRY MODULAR PCB JACK 8P PROFILE=13.90MM (UNSHIELDED)

### SPECIFICATIONS

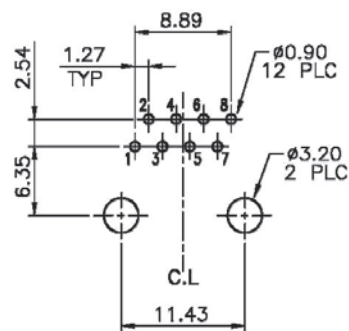
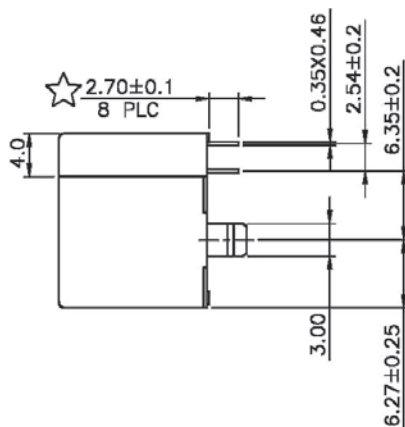
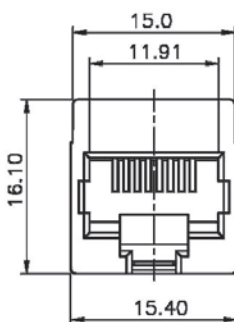
**Insulation Resistance:** 500MΩ Min.  
**Contact Resistance:** 20mΩ Max.  
**Rating Current:** 1.5A Max.  
**Rating Voltage:** 120V AC.  
**Dielectric Voltage:** 1000 Vrms 60 Sec. Min.  
**Temperature Range:** -40°C / +85°C  
**Durability:** 500 Mating cycles Min.

### MATERIALS

**Housing:** PBT Glass Filled (UL 94V-0)  
**Soldering Temperature:** 235°C  
**Color:** Black  
**Spring Wire:** Phosphor Bronze  
 Gold plating Over Nickel  
**\*RoHS & REACH compliant.**



**DETAIL X**



**Recommended P.C. Board Layout**

### ORDERING INFORMATION:

P/N **M J GL - 88 x B**  
**1 2 3 4**

- MODULAR JACK TYPE:  
"GL" STRAIGHT DIP TYPE
- NO. OF POSITIONS & CONTACTS:  
"88" 8P8C
- CONTACT FINISH:  
"A" 6 MICROINCH GOLD  
"B" 15 MICROINCH GOLD  
"C" 30 MICROINCH GOLD  
"D" 50 MICROINCH GOLD
- HOUSING COLOR:  
"B" BLACK

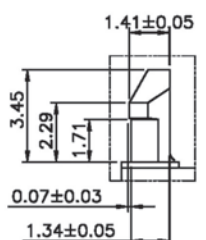
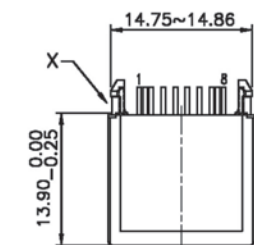
## TOP ENTRY MODULAR PCB JACK 8P WITH LED PROFILE=13.90MM (UNSHIELDED)

### SPECIFICATIONS

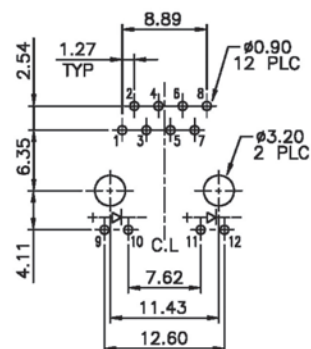
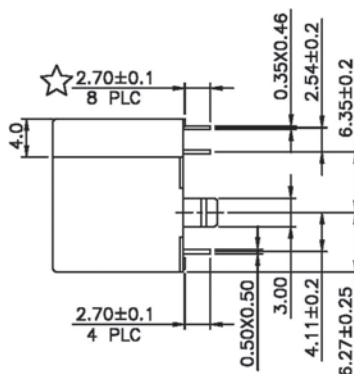
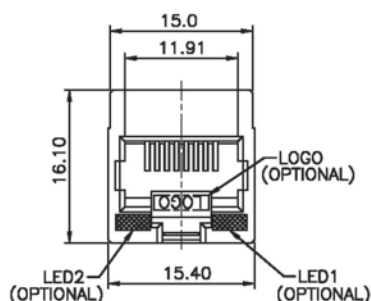
**Insulation Resistance:** 500MΩ Min.  
**Contact Resistance:** 20mΩ Max.  
**Rating Current:** 1.5A Max.  
**Rating Voltage:** 120V AC.  
**Dielectric Voltage:** 1000 Vrms 60 Sec. Min.  
**Temperature Range:** -40°C / +85°C  
**Durability:** 500 Mating cycles Min.

### MATERIALS

**Housing:** PBT Glass Filled (UL 94V-0)  
**Soldering Temperature:** 235°C  
**Color:** Black  
**Spring Wire:** Phosphor Bronze  
 Gold plating Over Nickel  
**\*RoHS & REACH compliant.**



**DETAIL X**



**Recommended P.C. Board Layout (TOP VIEW)**

### ORDERING INFORMATION:

P/N M J G T -  $\frac{88}{1} \times \frac{B}{2} \frac{X}{3} \frac{X}{4} \frac{X}{5}$

- MODULAR JACK TYPE:  
"GT" STRAIGHT DIP TYPE
- NO. OF POSITIONS & CONTACTS:  
"88" 8P8C
- CONTACT FINISH:  
"A" 6 MICROINCH GOLD  
"B" 15 MICROINCH GOLD  
"C" 30 MICROINCH GOLD  
"D" 50 MICROINCH GOLD
- HOUSING COLOR:  
"B" BLACK

- COLORS OF LED:  
"NN" LED1: GREEN & LED2: GREEN  
"NY" LED1: GREEN & LED2: YELLOW  
"YN" LED1: YELLOW & LED2: GREEN  
"YY" LED1: YELLOW & LED2: YELLOW

NOTE: OTHER LED COLORS UPON REQUEST!

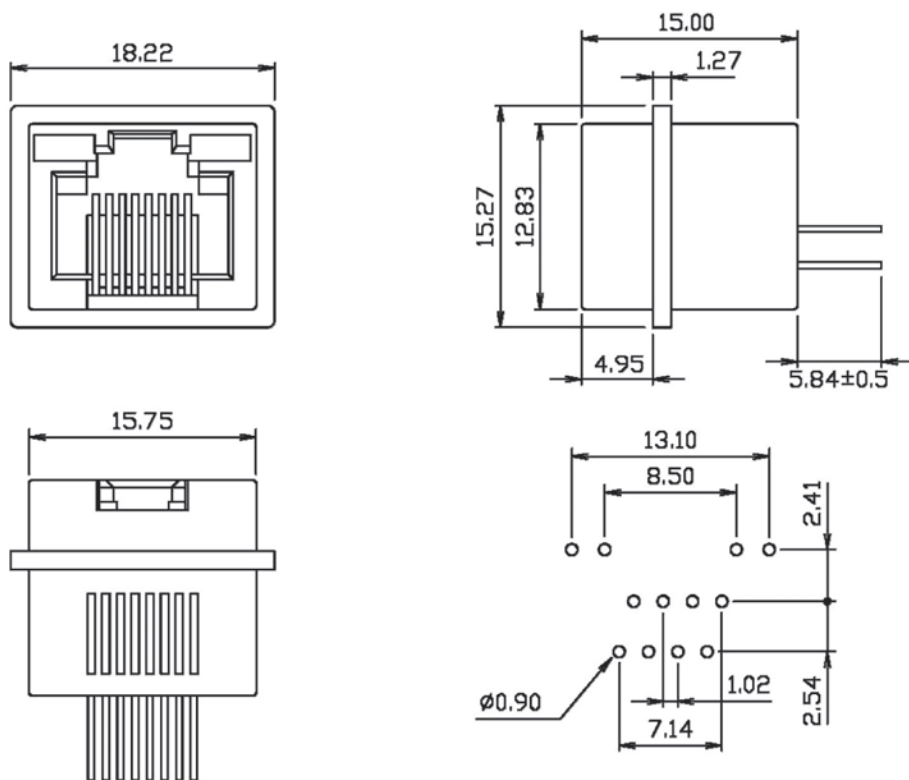
## TOP ENTRY MODULAR PCB JACK 8P PROFILE=15.00MM (UNSHIELDED)

### SPECIFICATIONS

**Insulation Resistance:** 500MΩ Min.  
**Contact Resistance:** 20mΩ Max.  
**Rating Current:** 1.5A Max.  
**Rating Voltage:** 120V AC.  
**Dielectric Voltage:** 1000 Vrms 60 Sec. Min.  
**Temperature Range:** -40°C / +85°C  
**Durability:** 500 Mating cycles Min.

### MATERIALS

**Housing:** PBT Glass Filled (UL 94V-0)  
**Soldering Temperature:** 235°C  
**Color:** Black  
**Spring Wire:** Phosphor Bronze  
Gold plating Over Nickel  
**\*RoHS & REACH compliant.**



Recommended P.C.Board Layout

### ORDERING INFORMATION:

P/N M J  $\frac{GH}{1}$  -  $\frac{88}{2}$  x  $\frac{B}{34}$

1. MODULAR JACK TYPE:  
"GH" HIGH SPEED PCB JACK
2. NO. OF POSITIONS & CONTACTS:  
"88" 8P8C
3. CONTACT FINISH:  
"A" 6 MICROINCH GOLD  
"B" 15 MICROINCH GOLD  
"C" 30 MICROINCH GOLD  
"D" 50 MICROINCH GOLD
4. HOUSING COLOR:  
"B" BLACK

## TOP ENTRY MODULAR PCB JACK 4P PROFILE=15.00MM (UNSHIELDED)

### SPECIFICATIONS

Insulation Resistance: 500MΩ Min.

Contact Resistance: 20mΩ Max.

Rating Current: 1.5A Max.

Rating Voltage: 120V AC.

Dielectric Voltage: 1000 Vrms 60 Sec. Min.

Temperature Range: -40°C / +85°C

Durability: 500 Mating cycles Min.

### MATERIALS

Housing: PBT Glass Filled (UL 94V-0)

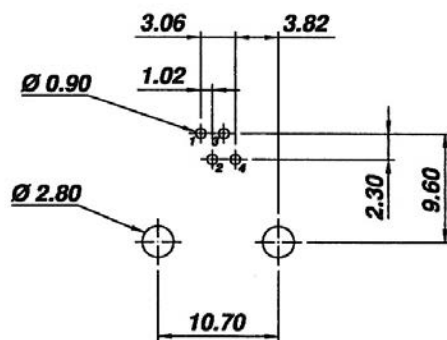
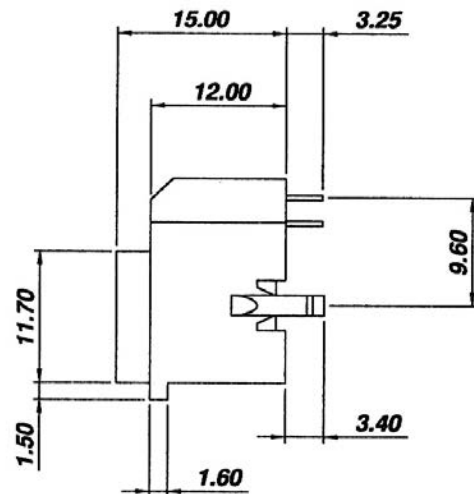
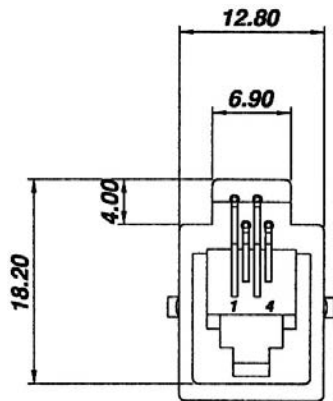
Soldering Temperature: 235°C

Color: Black

Spring Wire: Phosphor Bronze

Gold plating Over Nickel

\*RoHS & REACH compliant.



Recommended P.C.Board Layout  
(TOP VIEW)

### ORDERING INFORMATION:

P/N **MJTJ - 44  $\frac{x}{T}$  B**

1. NO. OF POSITIONS & CONTACTS:

"44" 4P4C

2. CONTACT FINISH:

"A" 6 MICROINCH GOLD

"B" 15 MICROINCH GOLD

"C" 30 MICROINCH GOLD

"D" 50 MICROINCH GOLD

NOTE: P/N MJTJHT-44xB FOR HIGH TEMP. VERSION

## TOP ENTRY MODULAR PCB JACK 4P PROFILE=15.00MM (UNSHIELDED)

### SPECIFICATIONS

Insulation Resistance: 500MΩ Min.

Contact Resistance: 20mΩ Max.

Rating Current: 1.5A Max.

Rating Voltage: 120V AC.

Dielectric Voltage: 1000 Vrms 60 Sec. Min.

Temperature Range: -40°C / +85°C

Durability: 500 Mating cycles Min.

### MATERIALS

Housing: PBT Glass Filled (UL 94V-0)

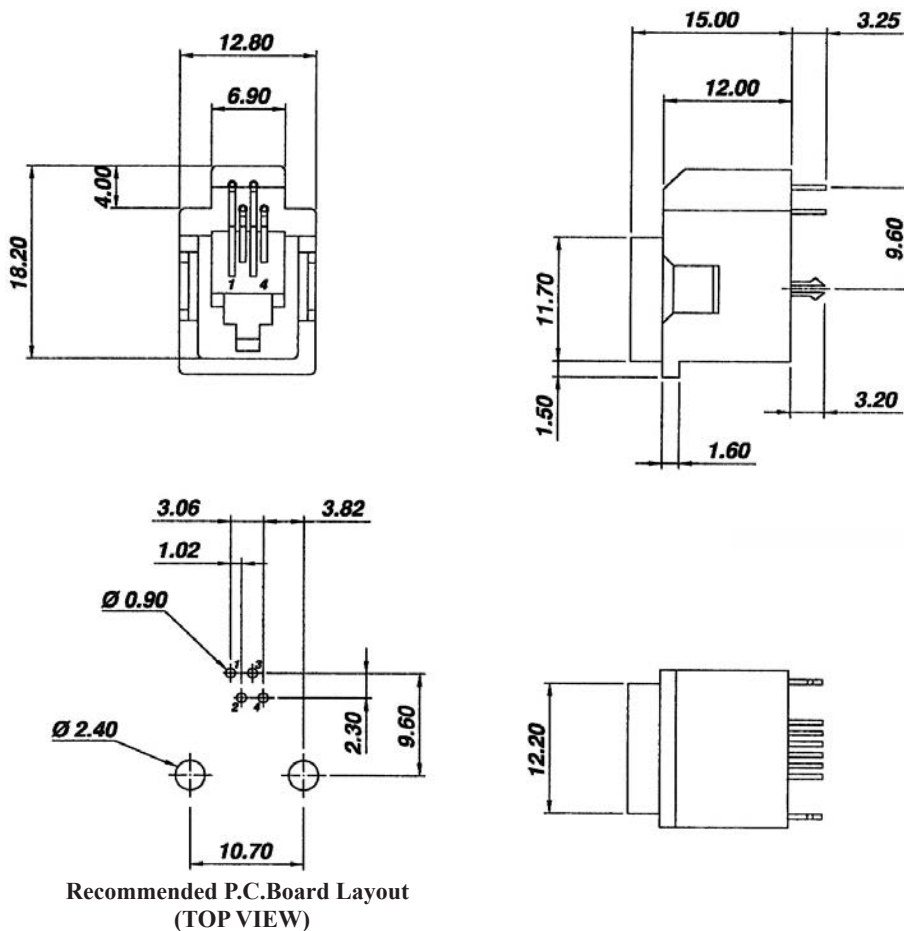
Soldering Temperature: 235°C

Color: Black

Spring Wire: Phosphor Bronze

Gold plating Over Nickel

\*RoHS & REACH compliant.



### ORDERING INFORMATION:

P/N M J T K -  $\frac{44}{1} \times \frac{B}{2}$

1. NO. OF POSITIONS & CONTACTS:

"44" 4P4C

2. CONTACT FINISH:

"A" 6 MICROINCH GOLD

"B" 15 MICROINCH GOLD

"C" 30 MICROINCH GOLD

"D" 50 MICROINCH GOLD

NOTE: P/N MJTKHT-44xB FOR HIGH TEMP. VERSION

## TOP ENTRY MODULAR PCB JACK 6P PROFILE=15.00MM (UNSHIELDED)

### SPECIFICATIONS

**Insulation Resistance:** 500MΩ Min.

**Contact Resistance:** 20mΩ Max.

**Rating Current:** 1.5A Max.

**Rating Voltage:** 120V AC.

**Dielectric Voltage:** 1000 Vrms 60 Sec. Min.

**Temperature Range:** -40°C / +85°C

**Durability:** 500 Mating cycles Min.

### MATERIALS

**Housing:** PBT Glass Filled (UL 94V-0)

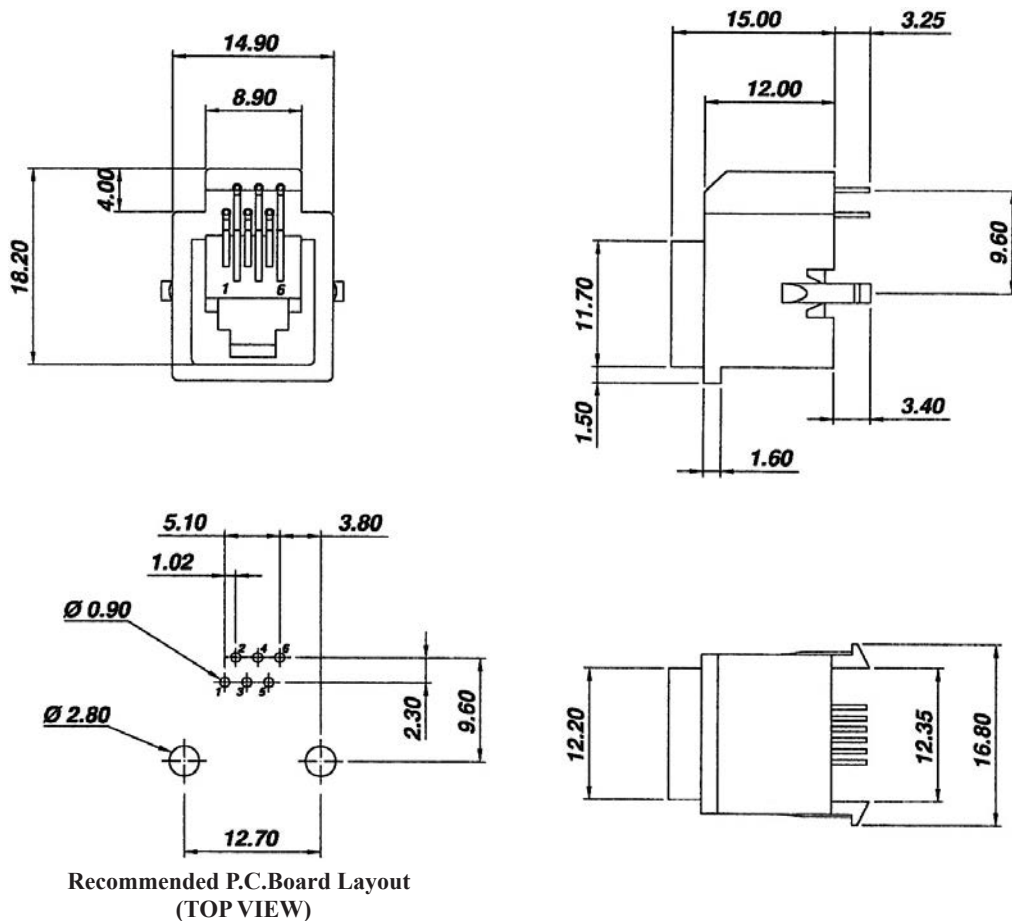
**Soldering Temperature:** 235°C

**Color:** Black

**Spring Wire:** Phosphor Bronze

Gold plating Over Nickel

\*RoHS & REACH compliant.



### ORDERING INFORMATION:

P/N M J T J -  $\frac{x x x}{1 2}$  B

1. NO. OF POSITIONS & CONTACTS:

"66" 6P6C

"64" 6P4C

2. CONTACT FINISH:

"A" 6 MICROINCH GOLD

"B" 15 MICROINCH GOLD

"C" 30 MICROINCH GOLD

"D" 50 MICROINCH GOLD

NOTE: P/N MJTJHT-xxxB FOR HIGH TEMP. VERSION



## TOP ENTRY MODULAR PCB JACK 6P PROFILE=15.00MM (UNSHIELDED)

### SPECIFICATIONS

**Insulation Resistance:** 500MΩ Min.

**Contact Resistance:** 20mΩ Max.

**Rating Current:** 1.5A Max.

**Rating Voltage:** 120V AC.

**Dielectric Voltage:** 1000 Vrms 60 Sec. Min.

**Temperature Range:** -40°C / +85°C

**Durability:** 500 Mating cycles Min.

### MATERIALS

**Housing:** PBT Glass Filled (UL 94V-0)

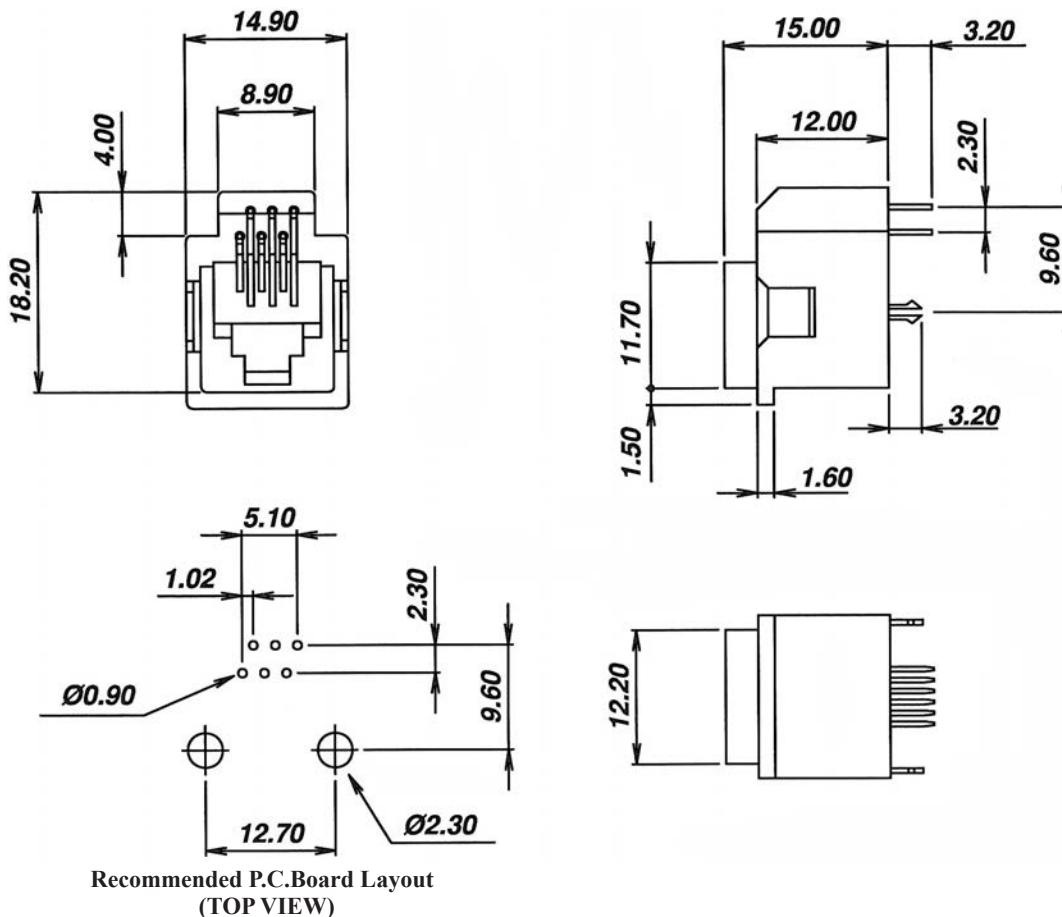
**Soldering Temperature:** 235°C

**Color:** Black

**Spring Wire:** Phosphor Bronze

Gold plating Over Nickel

\*RoHS & REACH compliant.



### ORDERING INFORMATION:

P/N M J T K -  $\frac{x}{1} \frac{x}{2} B$

#### 1. NO. OF POSITIONS & CONTACTS:

"66" 6P6C

"64" 6P4C

#### 2. CONTACT FINISH:

"A" 6 MICROINCH GOLD

"B" 15 MICROINCH GOLD

"C" 30 MICROINCH GOLD

"D" 50 MICROINCH GOLD

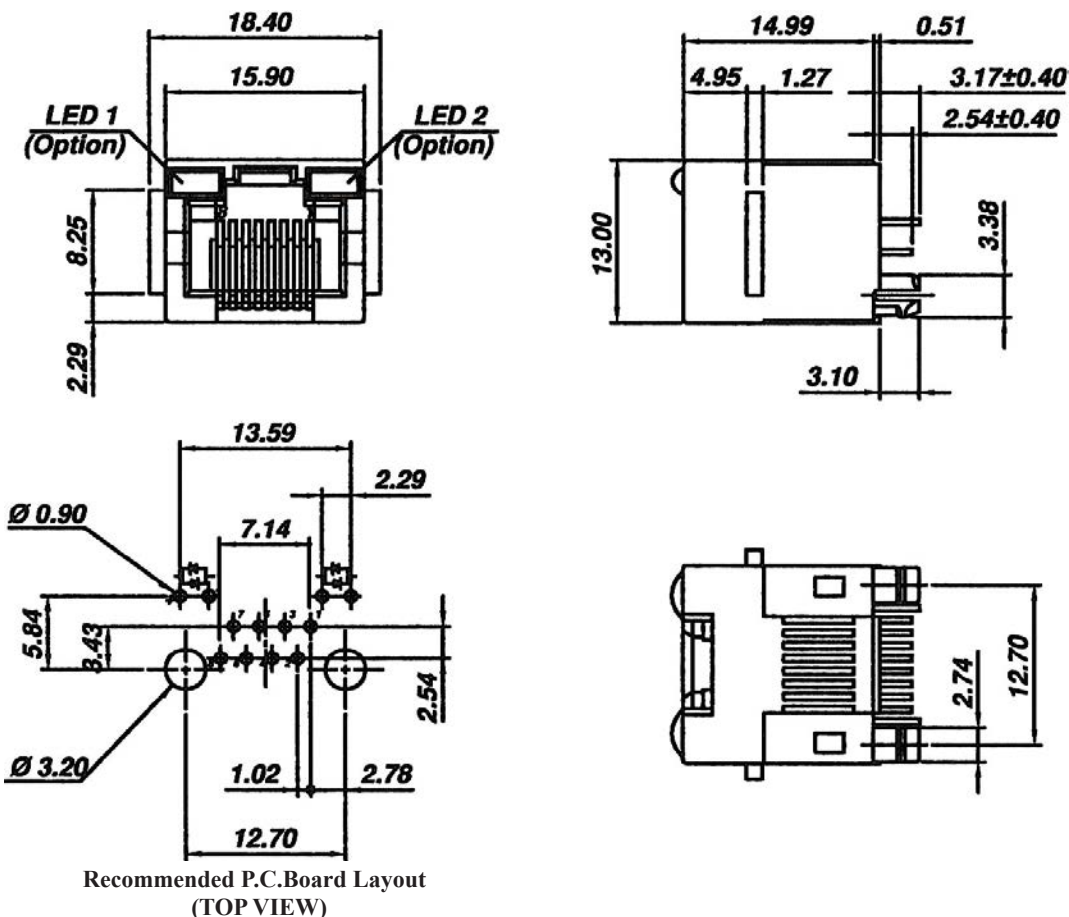
# TOP ENTRY MODULAR PCB JACK WITH LED 8P PROFILE=15.00MM (UNSHIELDED)

## SPECIFICATIONS

Insulation Resistance: 500MΩ Min.  
 Contact Resistance: 20mΩ Max.  
 Rating Current: 1.5A Max.  
 Rating Voltage: 120V AC.  
 Dielectric Voltage: 1000 Vrms 60 Sec. Min.  
 Temperature Range: -40°C / +85°C  
 Durability: 500 Mating cycles Min.

## MATERIALS

Housing: Nylon (UL 94V-0)  
 Soldering Temperature: 260°C  
 Color: Black  
 Spring Wire: Phosphor Bronze  
 Gold plating Over Nickel  
 \*RoHS & REACH compliant.



## ORDERING INFORMATION:

P/N M J T G -  $\frac{88}{1} \times \frac{B}{2} \times \frac{X}{3} \times \frac{X}{4}$

- NO. OF POSITIONS & CONTACTS:  
"88" 8P8C
- CONTACT FINISH:  
"A" 6 MICROINCH GOLD  
"B" 15 MICROINCH GOLD  
"C" 30 MICROINCH GOLD  
"D" 50 MICROINCH GOLD
- CODE OF LED1 DESIGNATION:  
N, M, Y, Z, 8, Q, 1, 2, 5, 6
- CODE OF LED2 DESIGNATION:  
N, M, Y, Z, 8, Q, 1, 2, 5, 6

### LED Designation:

Code	+/-	-/+	Code	+/-	-/+
N	Green	—	M	—	Green
Y	Yellow	—	Z	—	Yellow
8	Orange	—	Q	—	Orange
1	Green	Orange	2	Orange	Green
5	Green	Yellow	6	Yellow	Green

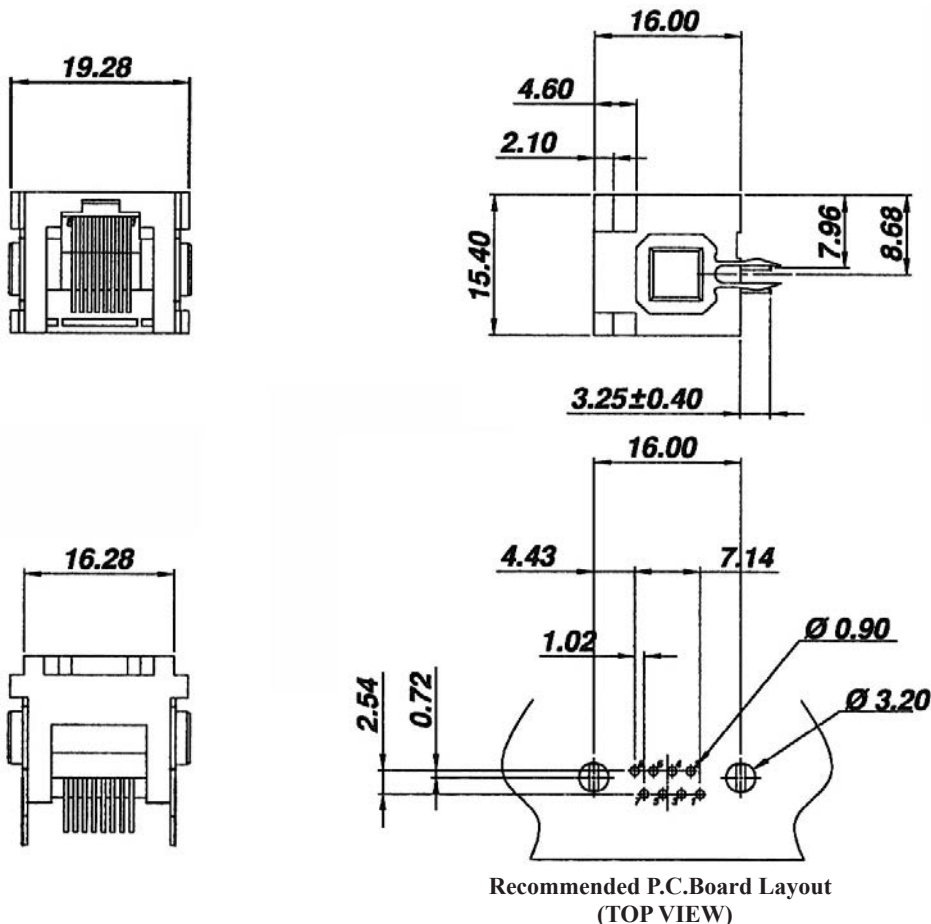
# TOP ENTRY 1-PORT MODULAR PCB JACK WITH METAL PEGS 8P PROFILE=15.40MM (UNSHIELDED)

## SPECIFICATIONS

**Insulation Resistance:** 500MΩ Min.  
**Contact Resistance:** 20mΩ Max.  
**Rating Current:** 1.5A Max.  
**Rating Voltage:** 120V AC.  
**Dielectric Voltage:** 1000 Vrms 60 Sec. Min.  
**Temperature Range:** -40°C / +85°C  
**Durability:** 500 Mating cycles Min.

## MATERIALS

**Housing:** PBT Glass Filled (UL 94V-0)  
**Soldering Temperature:** 235°C  
**Color:** Black & Gray  
**Spring Wire:** Phosphor Bronze  
 Gold plating Over Nickel  
**\*RoHS & REACH compliant.**



## ORDERING INFORMATION:

P/N MJ6M -  $\frac{88}{1} \times \frac{x}{2} \times \frac{x}{3} \frac{01}{4}$

1. NO. OF POSITIONS & CONTACTS:  
"88" 8P8C
2. CONTACT FINISH:  
"A" 6 MICROINCH GOLD  
"B" 15 MICROINCH GOLD  
"C" 30 MICROINCH GOLD  
"D" 50 MICROINCH GOLD
3. HOUSING COLOR:  
"A" GRAY  
"B" BLACK
4. NO. OF PORTS:  
01

NOTE: P/N MJ6MHT-88xx01 FOR HIGH TEMP. VERSION

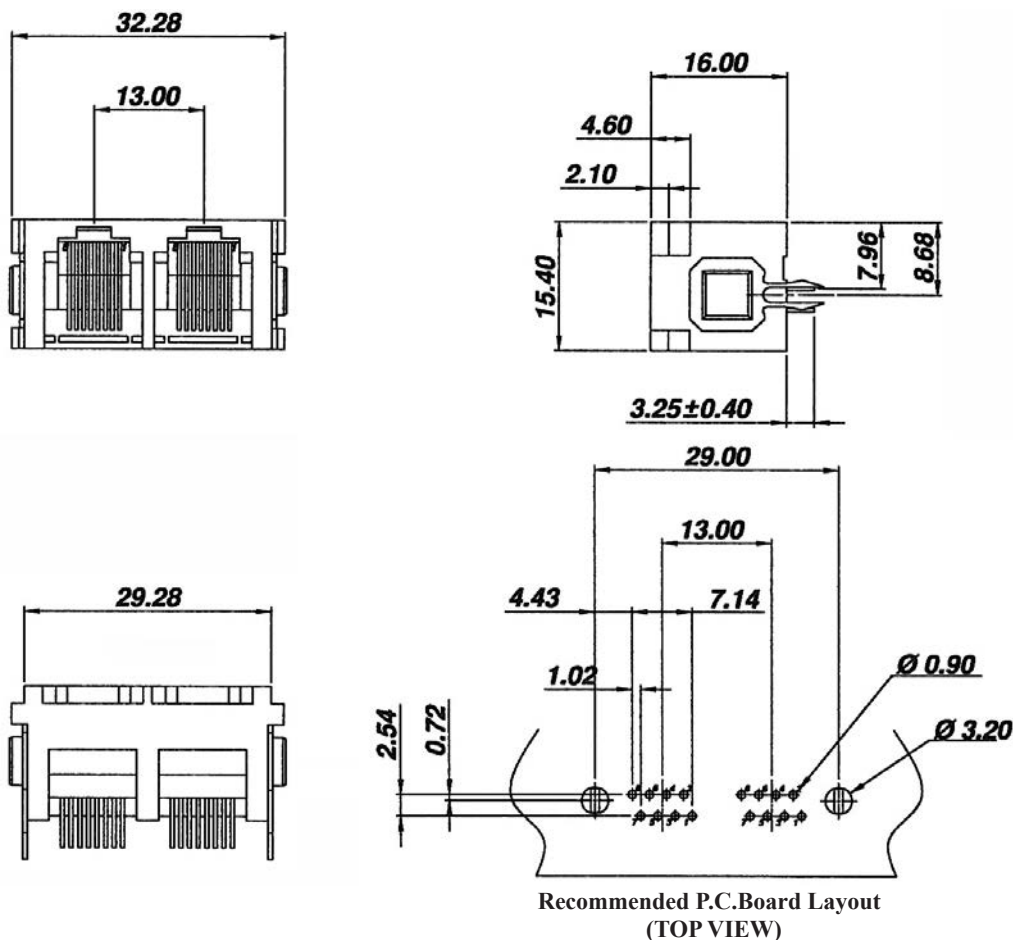
# TOP ENTRY 2-PORT MODULAR PCB JACK WITH METAL PEGS 8P PROFILE=15.40MM (UNSHIELDED)

## SPECIFICATIONS

**Insulation Resistance:** 500MΩ Min.  
**Contact Resistance:** 20mΩ Max.  
**Rating Current:** 1.5A Max.  
**Rating Voltage:** 120V AC.  
**Dielectric Voltage:** 1000 Vrms 60 Sec. Min.  
**Temperature Range:** -40°C / +85°C  
**Durability:** 500 Mating cycles Min.

## MATERIALS

**Housing:** PBT Glass Filled (UL 94V-0)  
**Soldering Temperature:** 235°C  
**Color:** Black & Gray  
**Spring Wire:** Phosphor Bronze  
 Gold plating Over Nickel  
**\*RoHS & REACH compliant.**



## ORDERING INFORMATION:

P/N MJ6M -  $\frac{88}{1} \times \frac{x}{2} \times \frac{02}{34}$

- NO. OF POSITIONS & CONTACTS:  
"88" 8P8C
- CONTACT FINISH:  
"A" 6 MICROINCH GOLD  
"B" 15 MICROINCH GOLD  
"C" 30 MICROINCH GOLD  
"D" 50 MICROINCH GOLD
- HOUSING COLOR:  
"A" GRAY  
"B" BLACK
- NO. OF PORTS:  
02

NOTE: P/N MJ6MHT-88xx02 FOR HIGH TEMP. VERSION

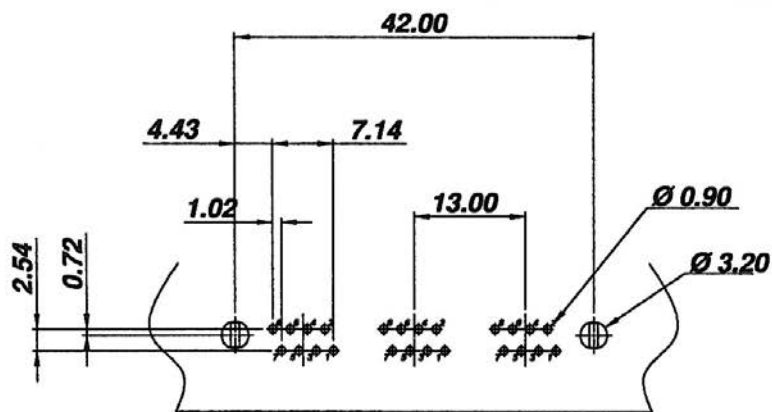
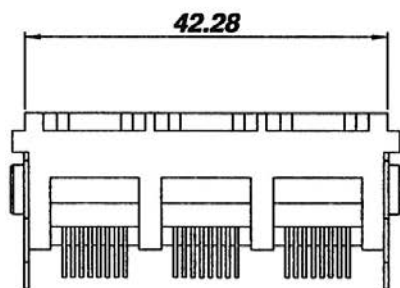
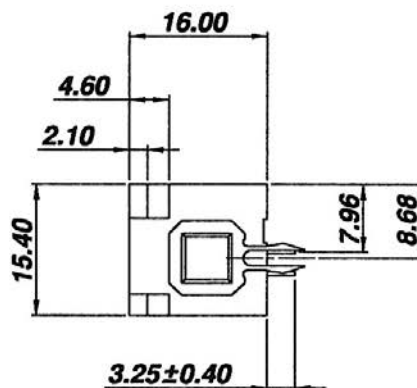
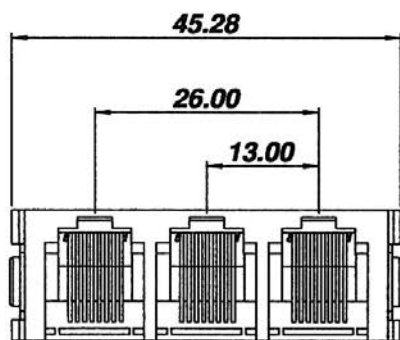
# TOP ENTRY 3-PORT MODULAR PCB JACK WITH METAL PEGS 8P PROFILE=15.40MM (UNSHIELDED)

## SPECIFICATIONS

**Insulation Resistance:** 500MΩ Min.  
**Contact Resistance:** 20mΩ Max.  
**Rating Current:** 1.5A Max.  
**Rating Voltage:** 120V AC.  
**Dielectric Voltage:** 1000 Vrms 60 Sec. Min.  
**Temperature Range:** -40°C / +85°C  
**Durability:** 500 Mating cycles Min.

## MATERIALS

**Housing:** PBT Glass Filled (UL 94V-0)  
**Soldering Temperature:** 235°C  
**Color:** Black & Gray  
**Spring Wire:** Phosphor Bronze  
 Gold plating Over Nickel  
**\*RoHS & REACH compliant.**



Recommended P.C.Board Layout (TOP VIEW)

## ORDERING INFORMATION:

P/N MJ6M -  $\frac{88}{1} \times \frac{x}{2} \times \frac{x}{3} \frac{03}{4}$

- NO. OF POSITIONS & CONTACTS:  
"88" 8P8C
- CONTACT FINISH:  
"A" 6 MICROINCH GOLD  
"B" 15 MICROINCH GOLD  
"C" 30 MICROINCH GOLD  
"D" 50 MICROINCH GOLD
- HOUSING COLOR:  
"A" GRAY  
"B" BLACK
- NO. OF PORTS:  
03

NOTE: P/N MJ6MHT-88xx03 FOR HIGH TEMP. VERSION

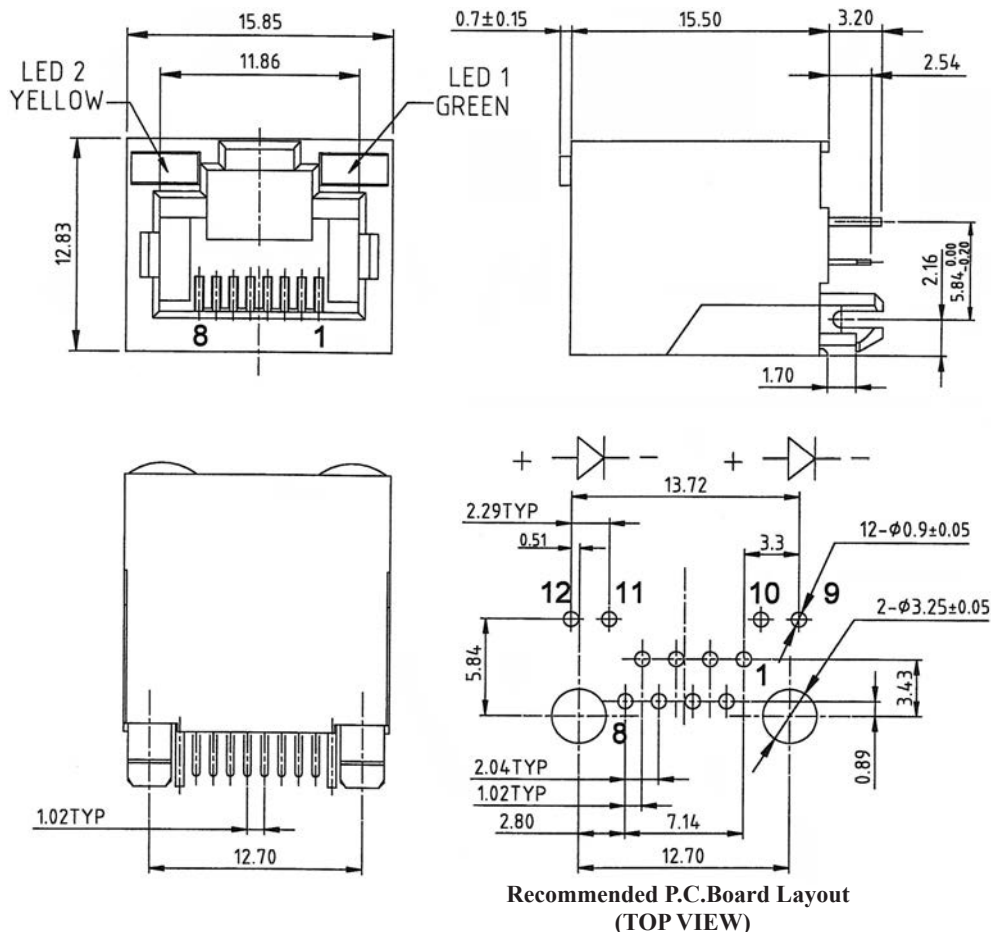
# TOP ENTRY MODULAR PCB JACK WITH LED 8P PROFILE=15.50MM (UNSHIELDED)

## SPECIFICATIONS

**Insulation Resistance:** 500MΩ Min.  
**Contact Resistance:** 20mΩ Max.  
**Rating Current:** 1.5A Max.  
**Rating Voltage:** 120V AC.  
**Dielectric Voltage:** 1000 Vrms 60 Sec. Min.  
**Temperature Range:** -40°C / +85°C  
**Durability:** 500 Mating cycles Min.

## MATERIALS

**Housing:** PBT Glass Filled (UL 94V-0)  
**Soldering Temperature:** 235°C  
**Color:** Black  
**Spring Wire:** Phosphor Bronze  
 Gold plating Over Nickel  
**\*RoHS & REACH compliant.**



## ORDERING INFORMATION:

P/N M J B 1 -  $\frac{88}{1} \times \frac{B}{2} \times \frac{X}{3} \times \frac{X}{4}$

1. NO. OF POSITIONS & CONTACTS:  
"88" 8P8C
2. CONTACT FINISH:  
"A" 6 MICROINCH GOLD  
"B" 15 MICROINCH GOLD  
"C" 30 MICROINCH GOLD  
"D" 50 MICROINCH GOLD
3. CODE OF LED1 DESIGNATION:  
N, M, Y, Z, 8, Q, 1, 2, 5, 6
4. CODE OF LED2 DESIGNATION:  
N, M, Y, Z, 8, Q, 1, 2, 5, 6

### LED Designation:

Code	+/-	-/+	Code	+/-	-/+
N	Green	—	M	—	Green
Y	Yellow	—	Z	—	Yellow
8	Orange	—	Q	—	Orange
1	Green	Orange	2	Orange	Green
5	Green	Yellow	6	Yellow	Green

NOTE: LED 1 = RIGHT LED &  
LED 2 = LEFT LED



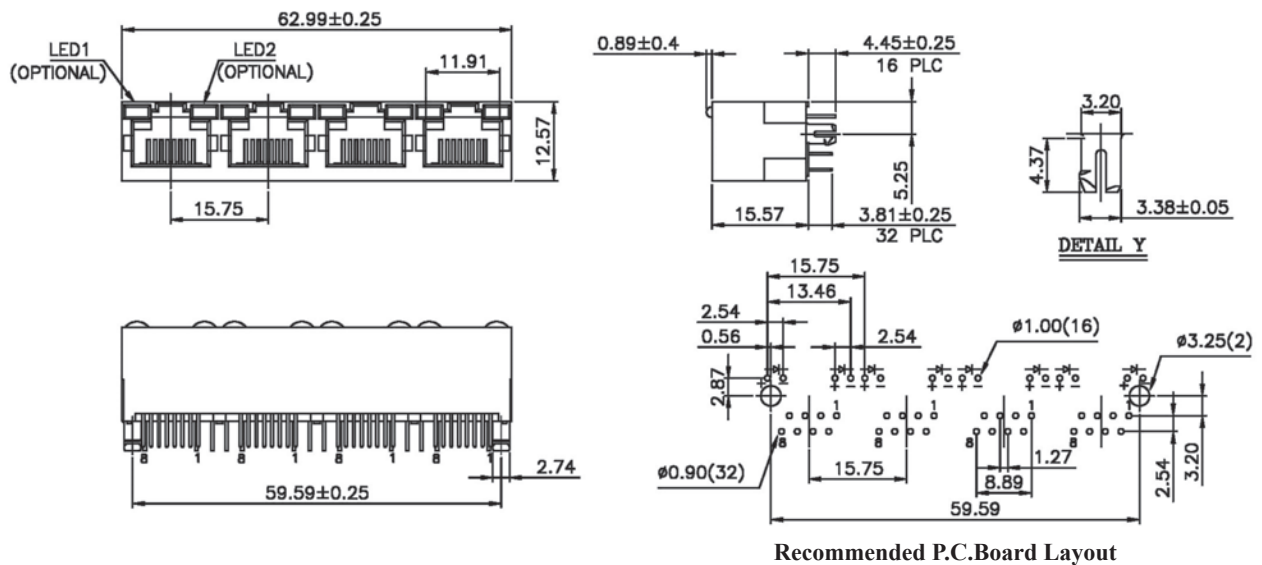
# TOP ENTRY 4-PORT MODULAR PCB JACK 8P WITH LED PROFILE=15.57MM (UNSHIELDED)

## SPECIFICATIONS

**Insulation Resistance:** 500MΩ Min.  
**Contact Resistance:** 20mΩ Max.  
**Rating Current:** 1.5A Max.  
**Rating Voltage:** 120V AC.  
**Dielectric Voltage:** 1000 Vrms 60 Sec. Min.  
**Temperature Range:** -40°C / +85°C  
**Durability:** 500 Mating cycles Min.

## MATERIALS

**Housing:** PBT Glass Filled (UL 94V-0)  
**Soldering Temperature:** 235°C  
**Color:** Black  
**Spring Wire:** Phosphor Bronze  
 Gold plating Over Nickel  
**\*RoHS & REACH compliant.**



## ORDERING INFORMATION:

P/N M J G S - 8 8 x B x x 0 4  
 1 2 3 4 5 6

- MODULAR JACK TYPE:  
"GS" STRAIGHT DIP TYPE
- NO. OF POSITIONS & CONTACTS:  
"88" 8P8C
- CONTACT FINISH:  
"A" 6 MICROINCH GOLD  
"B" 15 MICROINCH GOLD  
"C" 30 MICROINCH GOLD  
"D" 50 MICROINCH GOLD
- HOUSING COLOR:  
"B" BLACK

- COLORS OF LED:  
"NN" LED1: GREEN & LED2: GREEN  
"NY" LED1: GREEN & LED2: YELLOW  
"YN" LED1: YELLOW & LED2: GREEN  
"YY" LED1: YELLOW & LED2: YELLOW
- NO. OF PORTS:  
04

NOTE: OTHER LED COLORS UPON REQUEST!



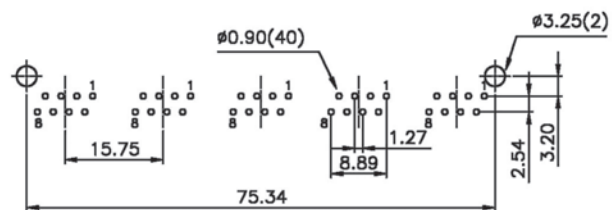
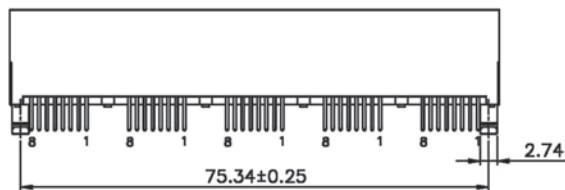
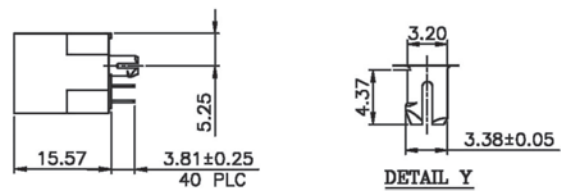
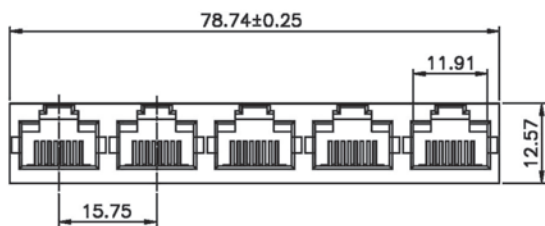
## TOP ENTRY 5-PORT MODULAR PCB JACK 8P PROFILE=15.57MM (UNSHIELDED)

### SPECIFICATIONS

**Insulation Resistance:** 500MΩ Min.  
**Contact Resistance:** 20mΩ Max.  
**Rating Current:** 1.5A Max.  
**Rating Voltage:** 120V AC.  
**Dielectric Voltage:** 1000 Vrms 60 Sec. Min.  
**Temperature Range:** -40°C / +85°C  
**Durability:** 500 Mating cycles Min.

### MATERIALS

**Housing:** PBT Glass Filled (UL 94V-0)  
**Soldering Temperature:** 235°C  
**Color:** Black  
**Spring Wire:** Phosphor Bronze  
Gold plating Over Nickel  
**\*RoHS & REACH compliant.**



Recommended P.C.Board Layout

### ORDERING INFORMATION:

P/N **M J G S - 8 8 x B 0 5**  
**1 2 3 4 5**

1. MODULAR JACK TYPE:  
"GS" STRAIGHT DIP TYPE
2. NO. OF POSITIONS & CONTACTS:  
"88" 8P8C
3. CONTACT FINISH:  
"A" 6 MICROINCH GOLD  
"B" 15 MICROINCH GOLD  
"C" 30 MICROINCH GOLD  
"D" 50 MICROINCH GOLD
4. HOUSING COLOR:  
"B" BLACK
5. NO. OF PORTS:  
04

## TOP ENTRY 4-PORT MODULAR PCB JACK 8P PROFILE=15.57MM (UNSHIELDED)

### SPECIFICATIONS

Insulation Resistance: 500MΩ Min.

Contact Resistance: 20mΩ Max.

Rating Current: 1.5A Max.

Rating Voltage: 120V AC.

Dielectric Voltage: 1000 Vrms 60 Sec. Min.

Temperature Range: -40°C / +85°C

Durability: 500 Mating cycles Min.

### MATERIALS

Housing: PBT Glass Filled (UL 94V-0)

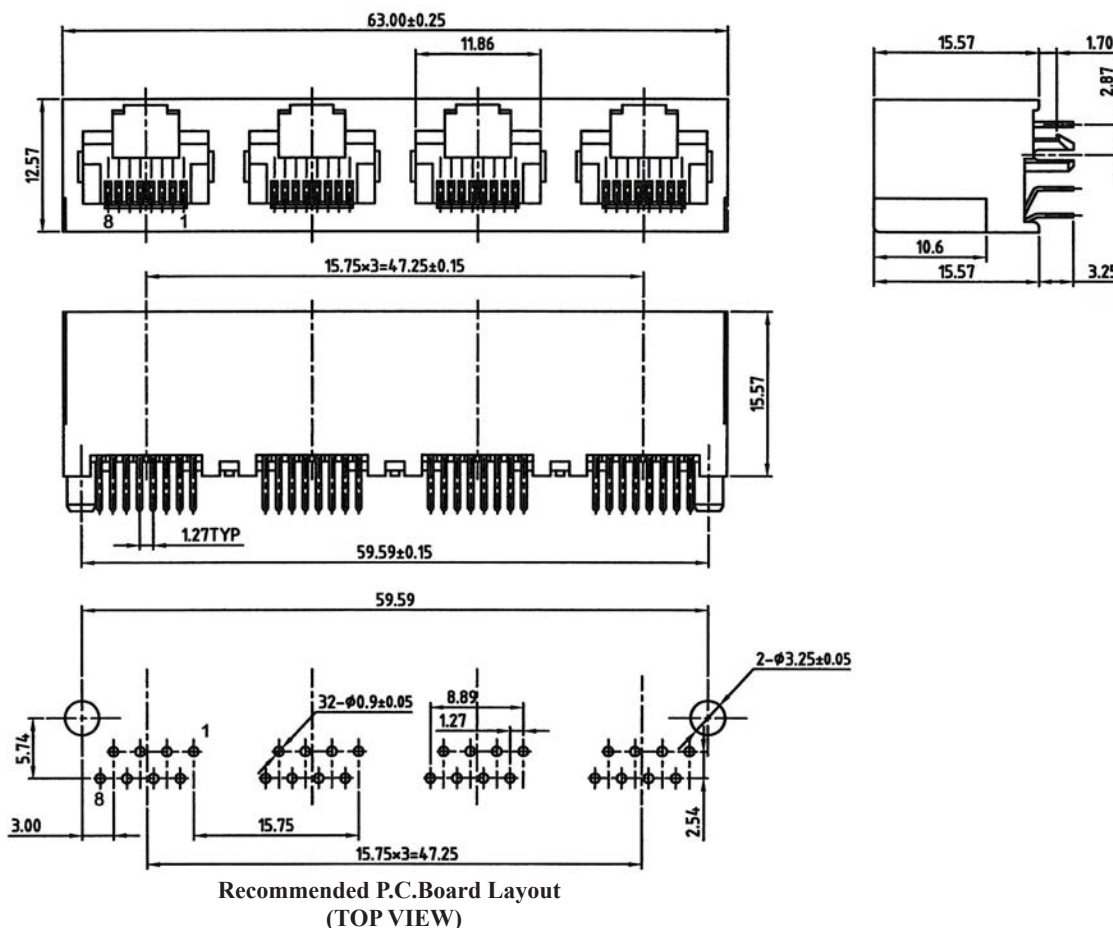
Soldering Temperature: 235°C

Color: Black

Spring Wire: Phosphor Bronze

Gold plating Over Nickel

\*RoHS & REACH compliant.



### ORDERING INFORMATION:

P/N M J A 8 -  $\frac{X}{1} \frac{X}{2} \frac{X}{3} \frac{X}{4} B \frac{X}{3} \frac{X}{4} 04$

#### 1. NO. OF POSITIONS & CONTACTS:

"88" 8P8C

"84" 8P4C

#### 2. CONTACT FINISH:

"A" 6 MICROINCH GOLD

"B" 15 MICROINCH GOLD

"C" 30 MICROINCH GOLD

"D" 50 MICROINCH GOLD

#### 3. LED OPTION:

"XX" W/O LED

#### 4. NO. OF PORTS:

04

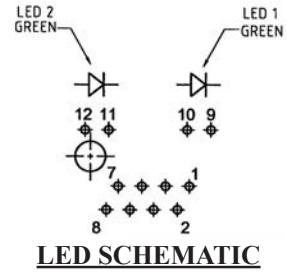
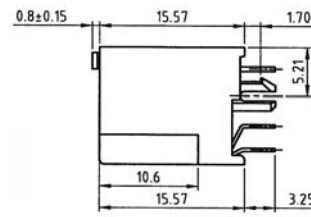
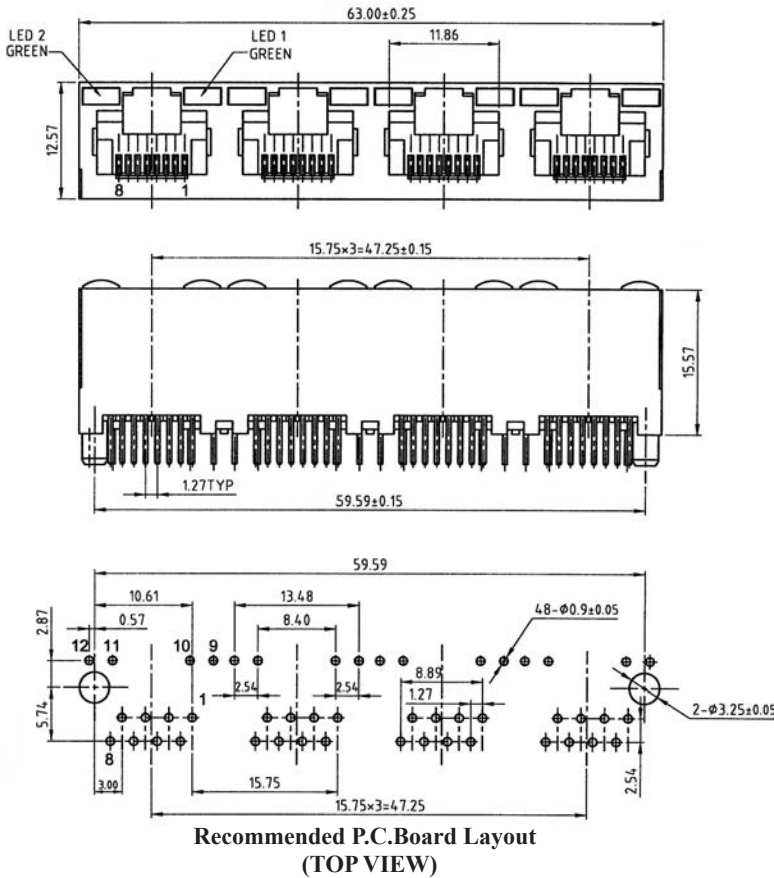
# TOP ENTRY 4-PORT MODULAR PCB JACK WITH LED 8P PROFILE=15.57MM (UNSHIELDED)

## SPECIFICATIONS

**Insulation Resistance:** 500MΩ Min.  
**Contact Resistance:** 20mΩ Max.  
**Rating Current:** 1.5A Max.  
**Rating Voltage:** 120V AC.  
**Dielectric Voltage:** 1000 Vrms 60 Sec. Min.  
**Temperature Range:** -40°C / +85°C  
**Durability:** 500 Mating cycles Min.

## MATERIALS

**Housing:** PBT Glass Filled (UL 94V-0)  
**Soldering Temperature:** 235°C  
**Color:** Black  
**Spring Wire:** Phosphor Bronze  
 Gold plating Over Nickel  
**\*RoHS & REACH compliant.**



## ORDERING INFORMATION:

P/N M J A 8 -  $\frac{x x}{1 2}$  B  $\frac{x x}{3 4}$   $\frac{0 4}{5}$

1. NO. OF POSITIONS & CONTACTS:  
"88" 8P8C
2. CONTACT FINISH:  
"A" 6 MICROINCH GOLD  
"B" 15 MICROINCH GOLD  
"C" 30 MICROINCH GOLD  
"D" 50 MICROINCH GOLD
3. CODE OF LED1 DESIGNATION:  
N, M, Y, Z, 8, Q, 1, 2, 5, 6
4. CODE OF LED2 DESIGNATION:  
N, M, Y, Z, 8, Q, 1, 2, 5, 6
5. NO. OF PORTS:  
04

### LED Designation:

Code	+/-	-/+	Code	+/-	-/+
N	Green	—	M	—	Green
Y	Yellow	—	Z	—	Yellow
8	Orange	—	Q	—	Orange
1	Green	Orange	2	Orange	Green
5	Green	Yellow	6	Yellow	Green

NOTE: LED1= RIGHT LED &  
LED2= LEFT LED

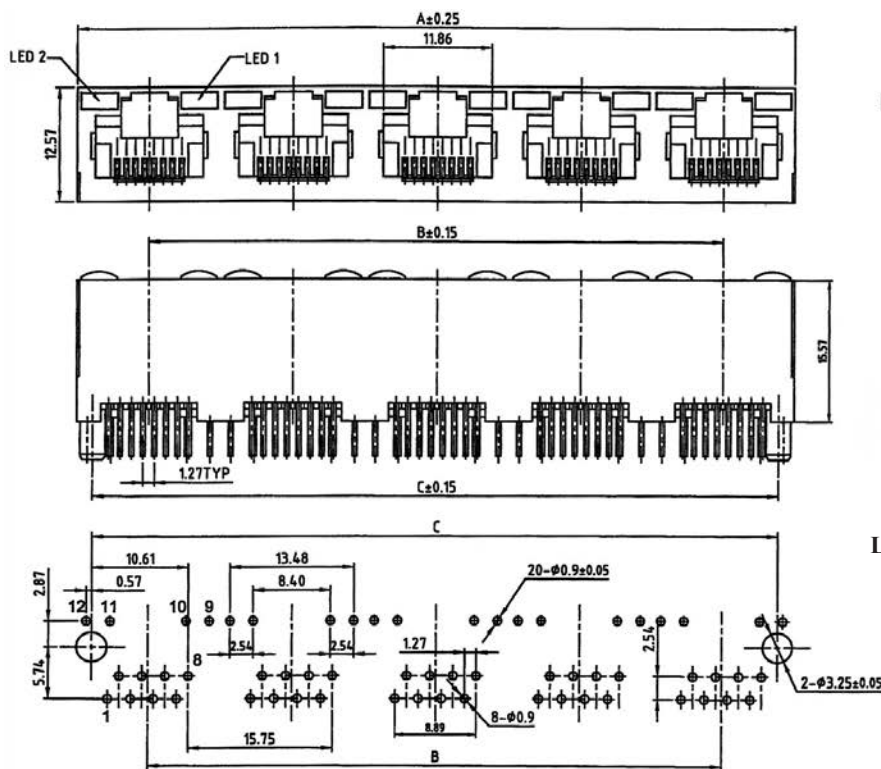
# TOP ENTRY MULTI-PORT MODULAR PCB JACK WITH LED 8P PROFILE=15.57MM (UNSHIELDED)

## SPECIFICATIONS

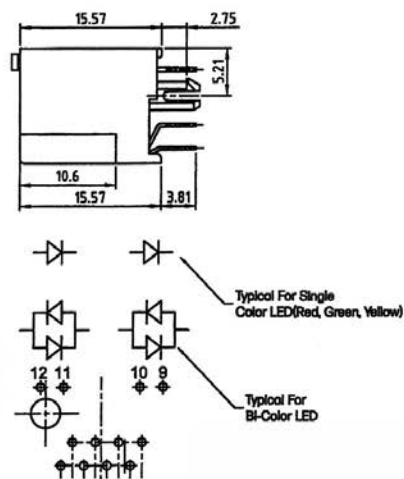
Insulation Resistance: 500MΩ Min.  
 Contact Resistance: 20mΩ Max.  
 Rating Current: 1.5A Max.  
 Rating Voltage: 120V AC.  
 Dielectric Voltage: 1000 Vrms 60 Sec. Min.  
 Temperature Range: -40°C / +85°C  
 Durability: 500 Mating cycles Min.

## MATERIALS

Housing: PBT Glass Filled (UL 94V-0)  
 Soldering Temperature: 235°C  
 Color: Black  
 Spring Wire: Phosphor Bronze  
 Gold plating Over Nickel  
 \*RoHS & REACH compliant.



Recommended P.C.Board Layout



LED SCHEMATIC

No. of Ports	Dimensions		
	A	B	C
04	63.00	47.25	59.59
05	78.75	63.00	75.34
06	94.50	78.75	91.10
08	126.00	110.25	122.60

## ORDERING INFORMATION:

P/N M J A 8 -  $\frac{88}{1} \times \frac{B}{2} \times \frac{X}{3} \times \frac{X}{4} \times \frac{X}{5}$

- NO. OF POSITIONS & CONTACTS:  
"88" 8P8C
- CONTACT FINISH:  
"A" 6 MICROINCH GOLD  
"B" 15 MICROINCH GOLD  
"C" 30 MICROINCH GOLD  
"D" 50 MICROINCH GOLD
- CODE OF LED1 DESIGNATION:  
N, M, Y, Z, 8, Q, 1, 2, 5, 6
- CODE OF LED2 DESIGNATION:  
N, M, Y, Z, 8, Q, 1, 2, 5, 6
- NO. OF PORTS:  
04, 05, 06, 08

### LED Designation:

Code	+/-	-/+	Code	+/-	-/+
N	Green	—	M	—	Green
Y	Yellow	—	Z	—	Yellow
8	Orange	—	Q	—	Orange
1	Green	Orange	2	Orange	Green
5	Green	Yellow	6	Yellow	Green

NOTE: LED1= RIGHT LED &  
LED2= LEFT LED

## TOP ENTRY MODULAR PCB JACK 4P PROFILE=15.70MM (UNSHIELDED)

### SPECIFICATIONS

**Insulation Resistance:** 500MΩ Min.

**Contact Resistance:** 20mΩ Max.

**Rating Current:** 1.5A Max.

**Rating Voltage:** 120V AC.

**Dielectric Voltage:** 1000 Vrms 60 Sec. Min.

**Temperature Range:** -40°C / +85°C

**Durability:** 500 Mating cycles Min.

### MATERIALS

**Housing:** PBT Glass Filled (UL 94V-0)

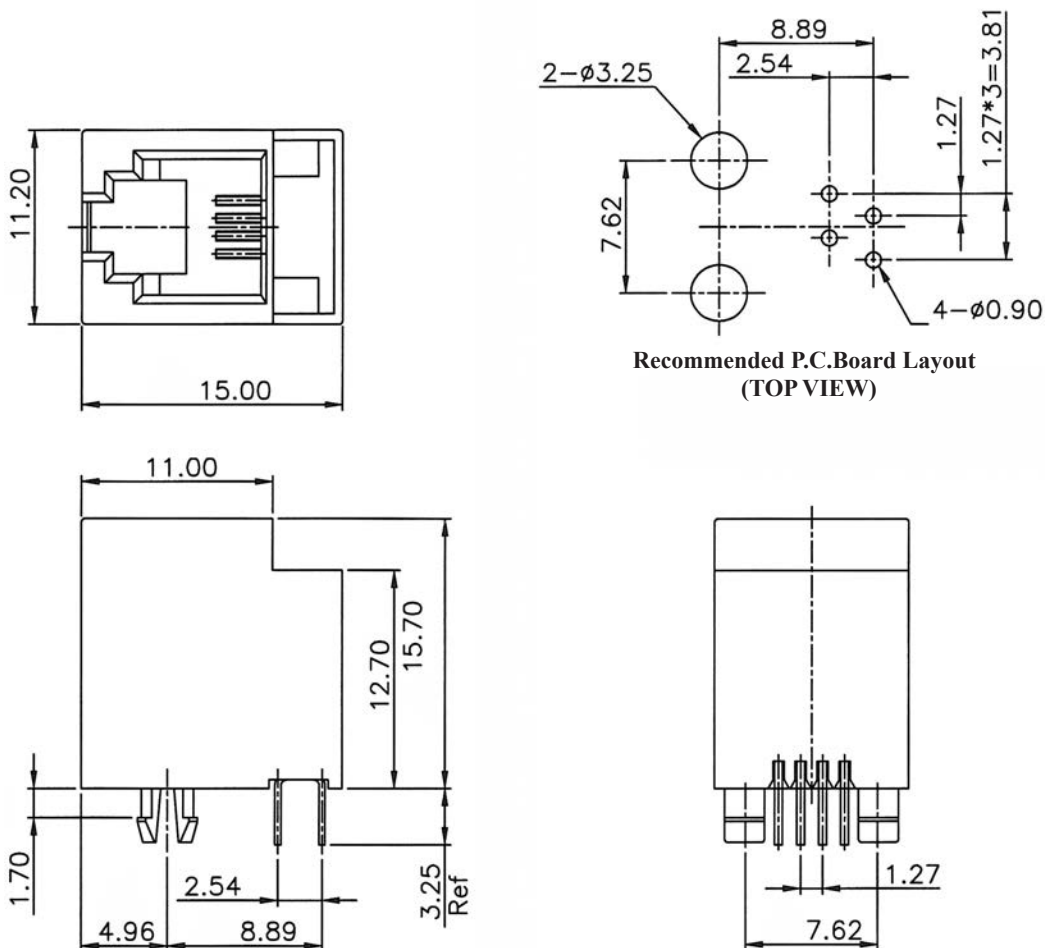
**Soldering Temperature:** 235°C

**Color:** Black

**Spring Wire:** Phosphor Bronze

Gold plating Over Nickel

\*RoHS & REACH compliant.



### ORDERING INFORMATION:

P/N **M J 8 A -  $\frac{44}{1} \times \frac{B}{2}$**

1. NO. OF POSITIONS & CONTACTS:

"44" 4P4C

2. CONTACT FINISH:

"A" 6 MICROINCH GOLD

"B" 15 MICROINCH GOLD

"C" 30 MICROINCH GOLD

"D" 50 MICROINCH GOLD

"E" GOLD FLASH

## TOP ENTRY MODULAR PCB JACK 6P PROFILE=15.70MM (UNSHIELDED)

### SPECIFICATIONS

**Insulation Resistance:** 500MΩ Min.

**Contact Resistance:** 20mΩ Max.

**Rating Current:** 1.5A Max.

**Rating Voltage:** 120V AC.

**Dielectric Voltage:** 1000 Vrms 60 Sec. Min.

**Temperature Range:** -40°C / +85°C

**Durability:** 500 Mating cycles Min.

### MATERIALS

**Housing:** PBT Glass Filled (UL 94V-0)

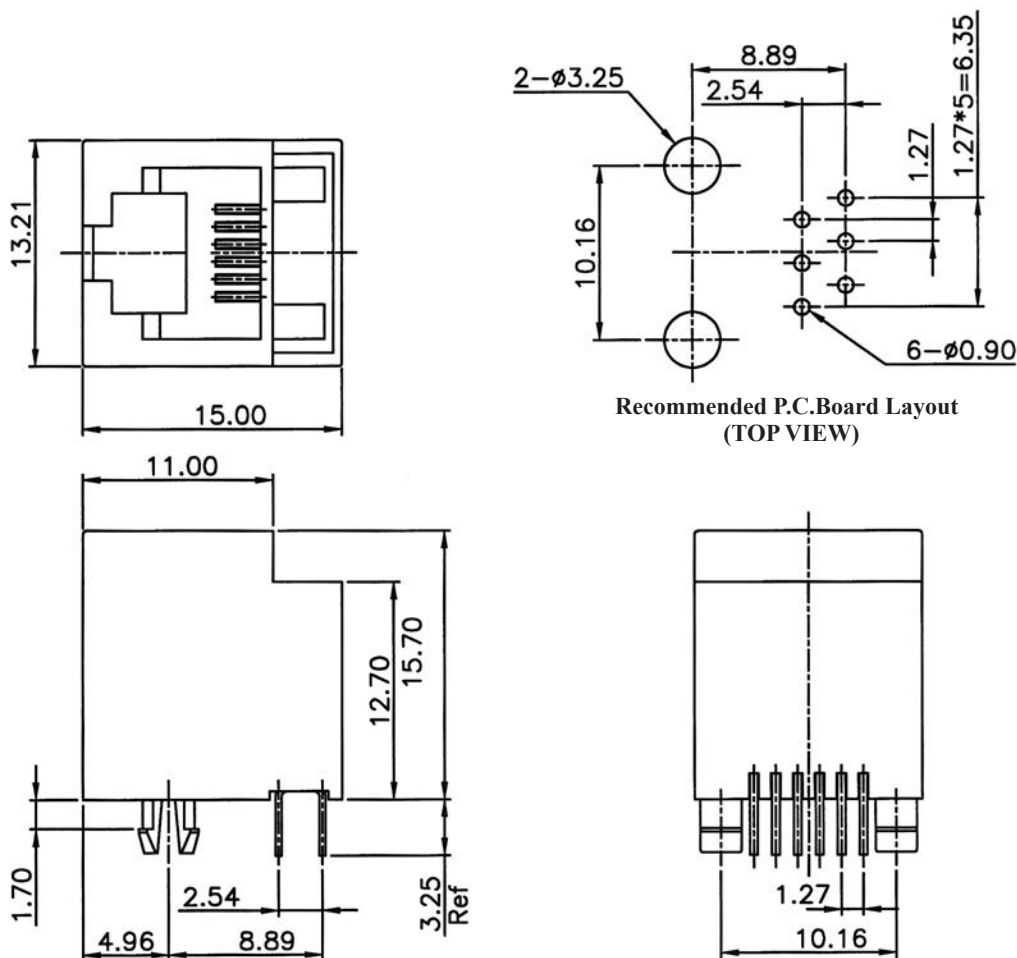
**Soldering Temperature:** 235°C

**Color:** Black

**Spring Wire:** Phosphor Bronze

Gold plating Over Nickel

\*RoHS & REACH compliant.



### ORDERING INFORMATION:

P/N MJ8A -  $\frac{x}{1} \frac{x}{2} B$

#### 1. NO. OF POSITIONS & CONTACTS:

"66" 6P6C

"64" 6P4C

#### 2. CONTACT FINISH:

"A" 6 MICROINCH GOLD

"B" 15 MICROINCH GOLD

"C" 30 MICROINCH GOLD

"D" 50 MICROINCH GOLD

## TOP ENTRY MODULAR PCB JACK 8P PROFILE=15.70MM (UNSHIELDED)

### SPECIFICATIONS

**Insulation Resistance:** 500MΩ Min.

**Contact Resistance:** 20mΩ Max.

**Rating Current:** 1.5A Max.

**Rating Voltage:** 120V AC.

**Dielectric Voltage:** 1000 Vrms 60 Sec. Min.

**Temperature Range:** -40°C / +85°C

**Durability:** 500 Mating cycles Min.

### MATERIALS

**Housing:** PBT Glass Filled (UL 94V-0)

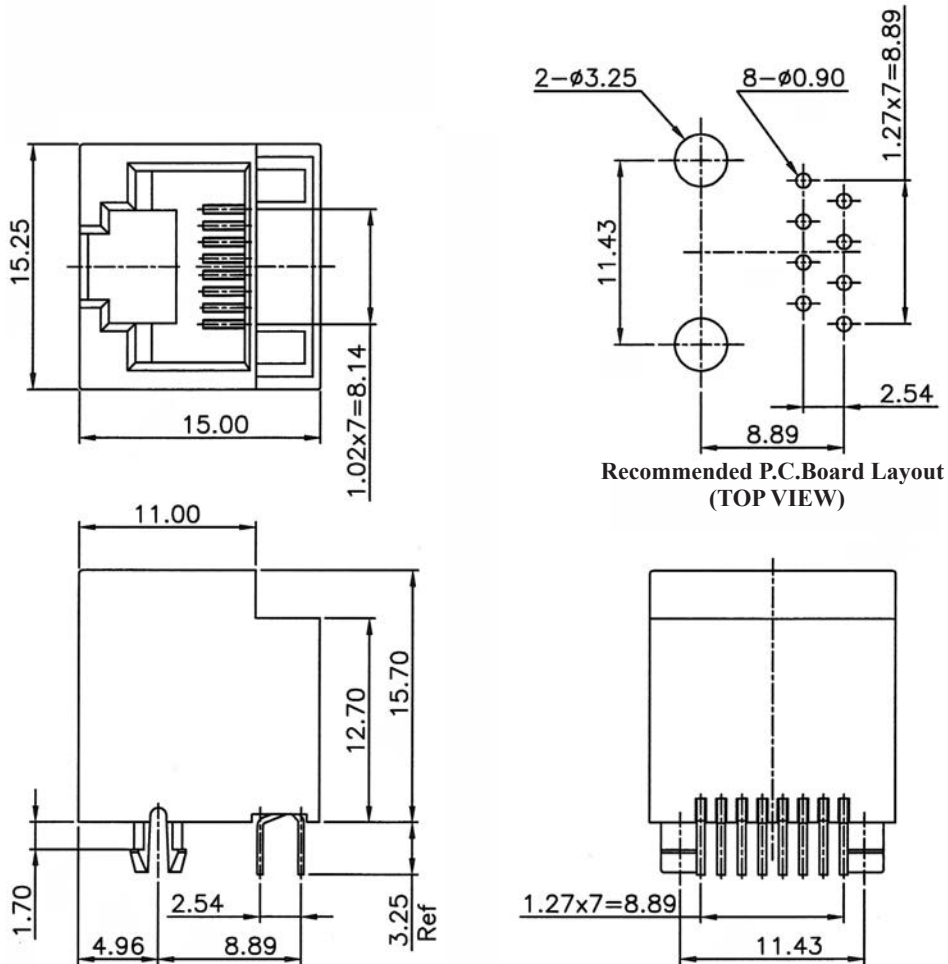
**Soldering Temperature:** 235°C

**Color:** Black

**Spring Wire:** Phosphor Bronze

Gold plating Over Nickel

\*RoHS & REACH compliant.



### ORDERING INFORMATION:

P/N MJ8A -  $\frac{x}{1} \frac{x}{2} B$

#### 1. NO. OF POSITIONS & CONTACTS:

"88" 8P8C

"84" 8P4C

#### 2. CONTACT FINISH:

"A" 6 MICROINCH GOLD

"B" 15 MICROINCH GOLD

"C" 30 MICROINCH GOLD

"D" 50 MICROINCH GOLD





## TOP ENTRY MODULAR PCB JACK 6P PROFILE=16.00MM (UNSHIELDED)

### SPECIFICATIONS

**Insulation Resistance:** 500MΩ Min.

**Contact Resistance:** 20mΩ Max.

**Rating Current:** 1.5A Max.

**Rating Voltage:** 120V AC.

**Dielectric Voltage:** 1000 Vrms 60 Sec. Min.

**Temperature Range:** -40°C / +85°C

**Durability:** 500 Mating cycles Min.

### MATERIALS

**Housing:** PBT Glass Filled (UL 94V-0)

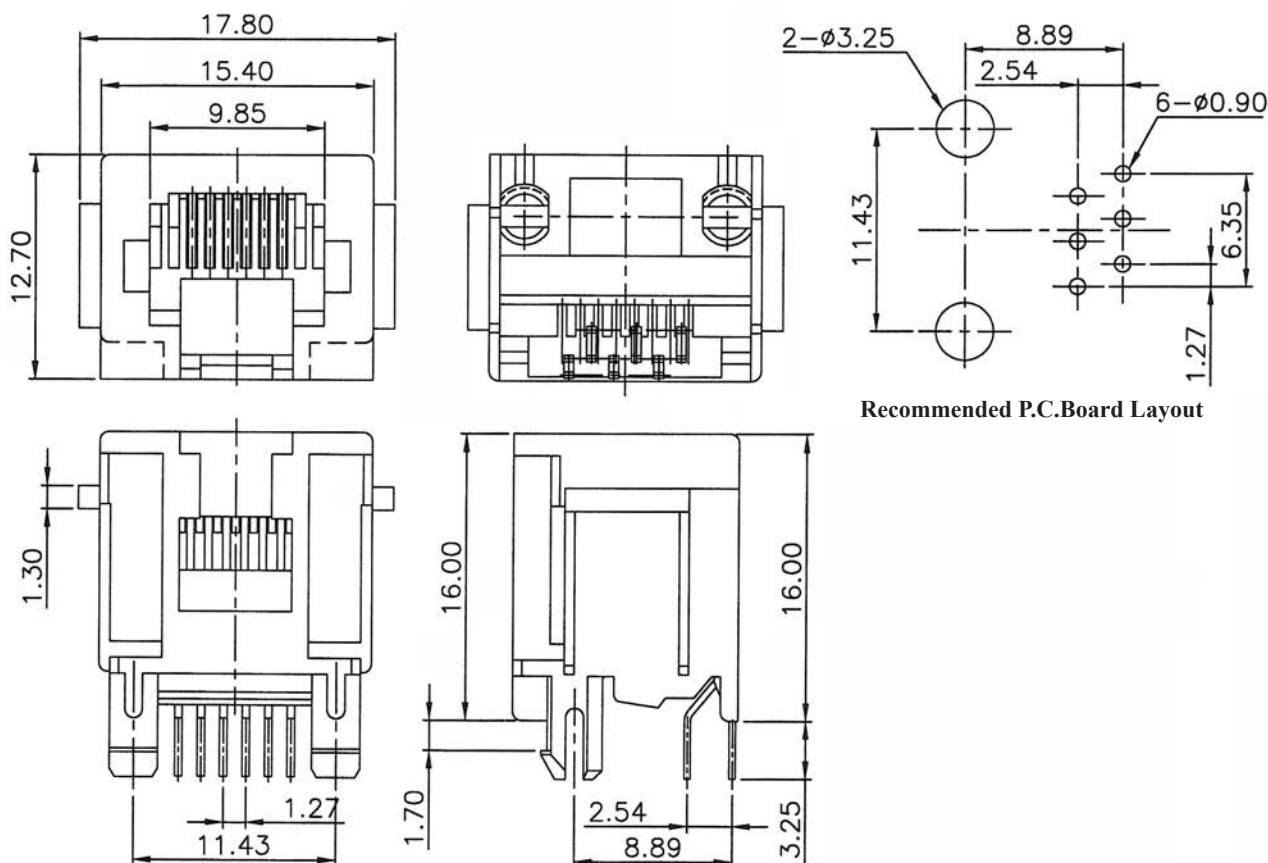
**Soldering Temperature:** 235°C

**Color:** Black

**Spring Wire:** Phosphor Bronze

Gold plating Over Nickel

**\*RoHS & REACH compliant.**



### ORDERING INFORMATION:

P/N M J 3 6 -  $\frac{x}{1} \frac{x}{2} B$

1. NO. OF POSITIONS & CONTACTS:

"66" 6P6C

"64" 6P4C

2. CONTACT FINISH:

"A" 6 MICROINCH GOLD

"B" 15 MICROINCH GOLD

"C" 30 MICROINCH GOLD

"D" 50 MICROINCH GOLD

NOTE: WITH PANEL STOP

## TOP ENTRY MODULAR PCB JACK 8P PROFILE=16.00MM (UNSHIELDED)

### SPECIFICATIONS

#### Electrical:

**Voltage Rating:** 125 Vac Rms.

**Current Rating:** 1.5 Amp.

**Contact Resistance:** 40 Milliohms Max.

**Insulation Resistance:** 1000 Megohms Min @500 Vdc.

**Dielectric Strength:** 1000 Vac Rms 60Hz, 1Min.

#### Mechanical:

**Operating:** 750 Cycles Min.

#### Environmental:

**Storage:** -40°C To +85°C.

**Operation:** -40°C To +80°C.

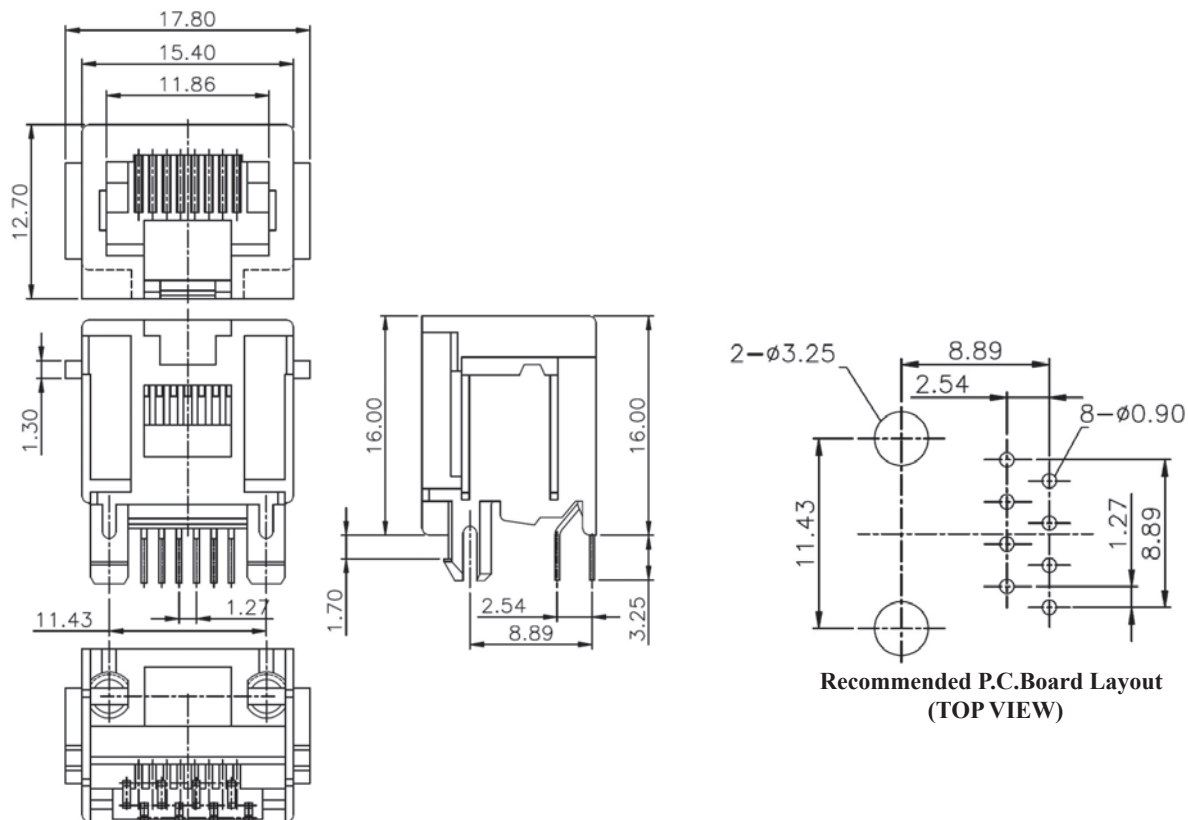
### MATERIALS

**Plastic Housing:** Engineering Thermoplastic  
Flammability Rating UL 94V-0.

**Contacts:** Phosphor Bronze

**Plating:** Gold Plating Over Nickel In Contact,  
Tin Plating Over Nickel In Solder Area.

\* RoHS & REACH compliant.



### ORDERING INFORMATION:

P/N **MJ 36J - 88 x B**  
          1      2      3

1. MODULAR JACK TYPE:  
"36J" WITH PANEL STOP
2. NO. OF POSITIONS & CONTACTS:  
"88" 8P8C
3. CONTACT FINISH:  
"A" 6 MICROINCH GOLD  
"B" 15 MICROINCH GOLD  
"C" 30 MICROINCH GOLD  
"D" 50 MICROINCH GOLD

NOTE: IT CAN BE USED FOR REPLACING P/N MJ36-88xB.

## TOP ENTRY MODULAR PCB JACK 6P PROFILE=16.00MM (UNSHIELDED)

### SPECIFICATIONS

**Insulation Resistance:** 500MΩ Min.

**Contact Resistance:** 20mΩ Max.

**Rating Current:** 1.5A Max.

**Rating Voltage:** 120V AC.

**Dielectric Voltage:** 1000 Vrms 60 Sec. Min.

**Temperature Range:** -40°C / +85°C

**Durability:** 500 Mating cycles Min.

### MATERIALS

**Housing:** PBT Glass Filled (UL 94V-0)

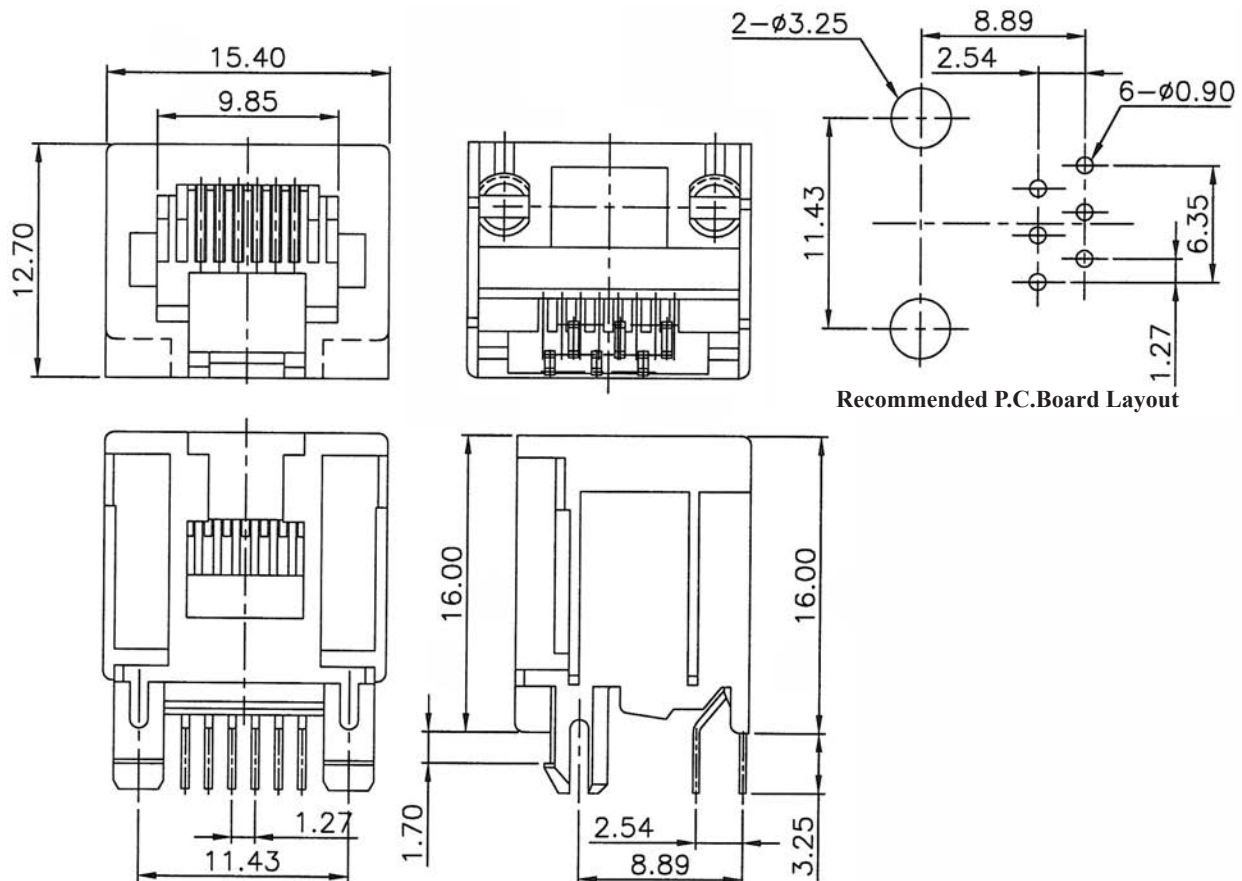
**Soldering Temperature:** 235°C

**Color:** Black

**Spring Wire:** Phosphor Bronze

Gold plating Over Nickel

**\*RoHS & REACH compliant.**



### ORDERING INFORMATION:

P/N MJ37 -  $\frac{x}{1} \frac{x}{2} B$

1. NO. OF POSITIONS & CONTACTS:

"66" 6P6C

"64" 6P4C

2. CONTACT FINISH:

"A" 6 MICROINCH GOLD

"B" 15 MICROINCH GOLD

"C" 30 MICROINCH GOLD

"D" 50 MICROINCH GOLD

NOTE: WITHOUT PANEL STOP

## TOP ENTRY MODULAR PCB JACK 8P PROFILE=16.00MM (UNSHIELDED)

### SPECIFICATIONS

#### Electrical:

**Voltage Rating:** 125 Vac Rms.

**Current Rating:** 1.5 Amp.

**Contact Resistance:** 40 Milliohms Max.

**Insulation Resistance:** 1000 Megohms Min @500 Vdc.

**Dielectric Strength:** 1000 Vac Rms 60Hz, 1Min.

#### Mechanical:

**Operating:** 750 Cycles Min.

#### Environmental:

**Storage:** -40°C To +85°C.

**Operation:** -40°C To +80°C.

### MATERIALS

**Plastic Housing:** Engineering Thermoplastic

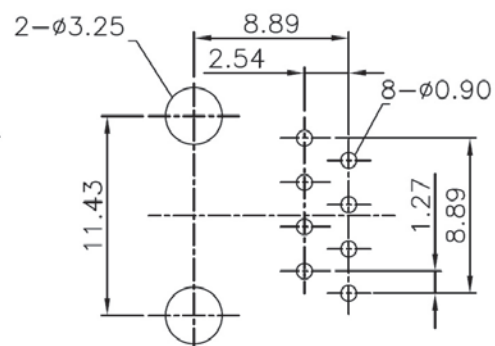
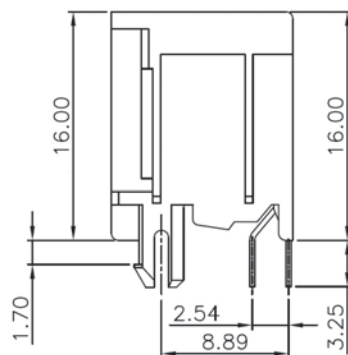
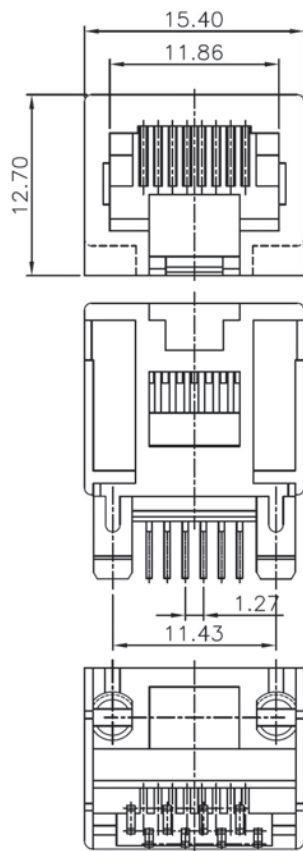
Flammability Rating UL 94V-0.

**Contacts:** Phosphor Bronze

**Plating:** Gold Plating Over Nickel In Contact,

Tin Plating Over Nickel In Solder Area.

\* RoHS & REACH compliant.



Recommended P.C. Board Layout  
(TOP VIEW)

### ORDERING INFORMATION:

P/N **MJ  $\frac{37}{1}$  J -  $\frac{88}{2}$  x B  $\frac{3}{3}$**

1. MODULAR JACK TYPE:  
"37J" W/O PANEL STOP
2. NO. OF POSITIONS & CONTACTS:  
"88" 8P8C
3. CONTACT FINISH:  
"A" 6 MICROINCH GOLD  
"B" 15 MICROINCH GOLD  
"C" 30 MICROINCH GOLD  
"D" 50 MICROINCH GOLD

NOTE: IT CAN BE USED FOR REPLACING P/N MJ37-88xB.

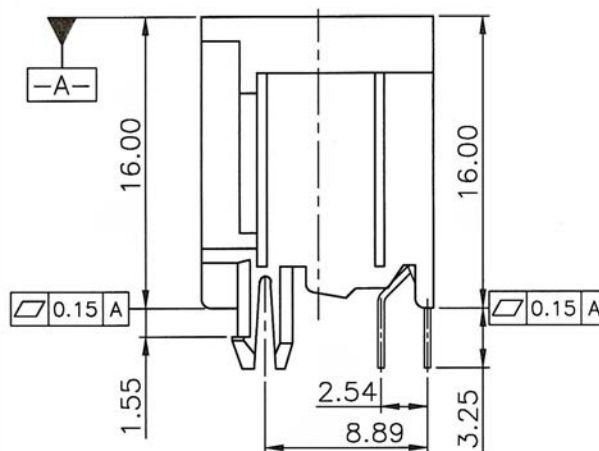
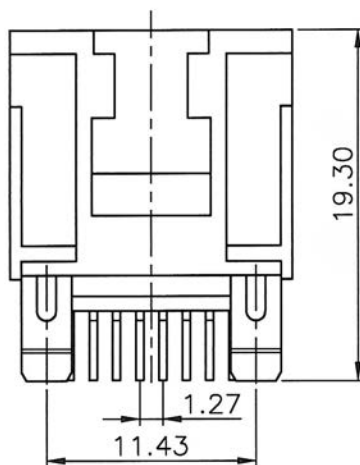
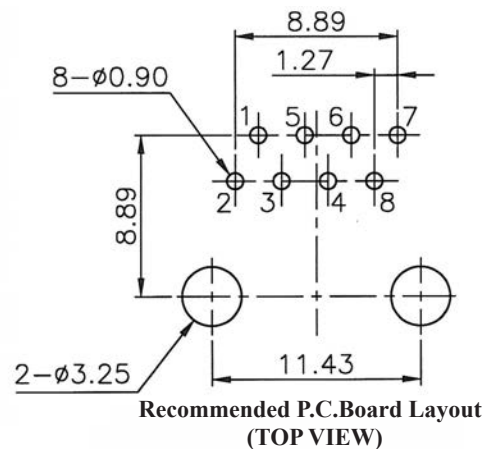
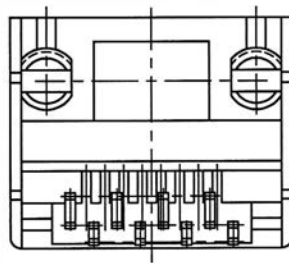
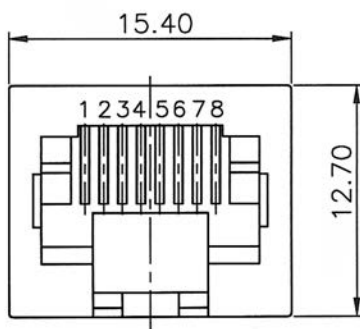
## TOP ENTRY CAT.5 MODULAR PCB JACK 8P PROFILE=16.00MM (UNSHIELDED)

### SPECIFICATIONS

**Insulation Resistance:** 500MΩ Min.  
**Contact Resistance:** 20mΩ Max.  
**Rating Current:** 1.5A Max.  
**Rating Voltage:** 120V AC.  
**Dielectric Voltage:** 1000 Vrms 60 Sec. Min.  
**Temperature Range:** -40°C / +85°C  
**Durability:** 500 Mating cycles Min.

### MATERIALS

**Housing:** PBT Glass Filled (UL 94V-0)  
**Soldering Temperature:** 235°C  
**Color:** Black  
**Spring Wire:** Phosphor Bronze  
 Gold plating Over Nickel  
**\*RoHS & REACH compliant.**



### ORDERING INFORMATION:

P/N MJ5D -  $\frac{88}{T} \times \frac{B}{23}$

1. NO. OF POSITIONS & CONTACTS:  
"88" 8P8C
2. CONTACT FINISH:  
"A" 6 MICROINCH GOLD  
"B" 15 MICROINCH GOLD  
"C" 30 MICROINCH GOLD  
"D" 50 MICROINCH GOLD
3. HOUSING COLOR:  
"B" BLACK

NOTE: CATEGORY 5 VERSION

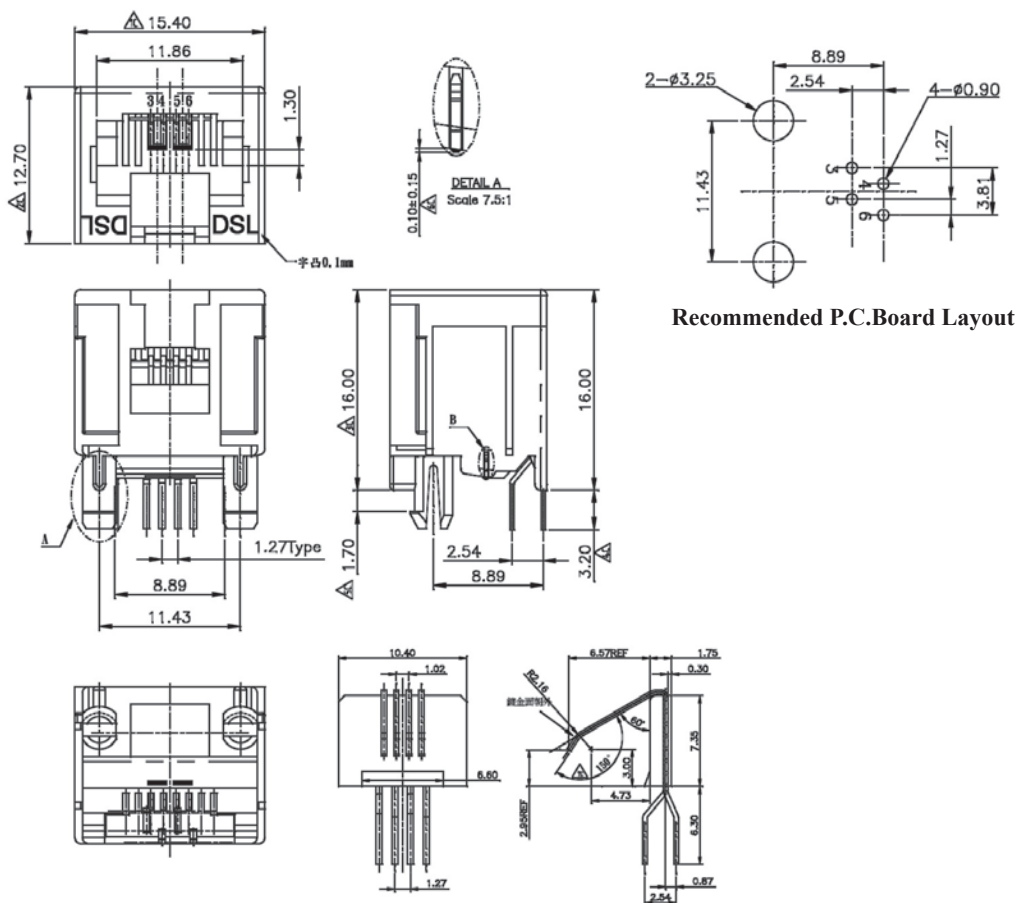
## TOP ENTRY MODULAR PCB JACK 8P4C PROFILE=16.00MM (UNSHIELDED)

### SPECIFICATIONS

**Insulation Resistance:** 500MΩ Min.  
**Contact Resistance:** 20mΩ Max.  
**Rating Current:** 1.5A Max.  
**Rating Voltage:** 120V AC.  
**Dielectric Voltage:** 1000 Vrms 60 Sec. Min.  
**Temperature Range:** -40°C / +85°C  
**Durability:** 500 Mating cycles Min.

### MATERIALS

**Housing:** PBT Glass Filled (UL 94V-0)  
**Soldering Temperature:** 235°C  
**Color:** Black  
**Spring Wire:** Phosphor Bronze  
 Gold plating Over Nickel  
**\*RoHS & REACH compliant.**



### ORDERING INFORMATION:

P/N MJ37-84 x U  
T 2 3

1. NO. OF POSITIONS & CONTACTS:  
"84" 8P4C
2. CONTACT FINISH:  
"C" 30 MICROINCH GOLD  
"D" 50 MICROINCH GOLD
3. HOUSING COLOR:  
"U" PANTONE BLUE 285C

NOTE: PIN# 3, 4 & 5, 6 SHORTED

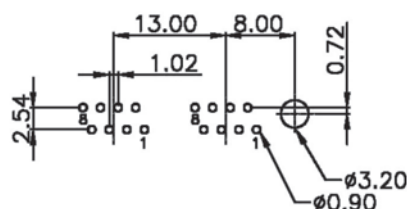
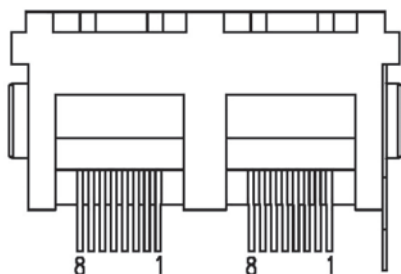
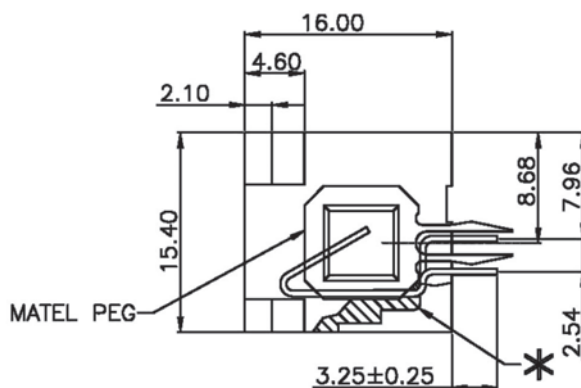
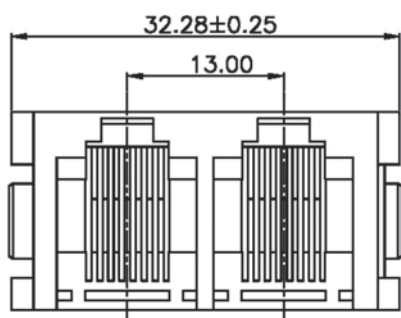
## TOP ENTRY 2-PORT MODULAR PCB JACK 8P WITH METAL PEG PROFILE=16.00MM (UNSHIELDED)

### SPECIFICATIONS

**Insulation Resistance:** 500MΩ Min.  
**Contact Resistance:** 20mΩ Max.  
**Rating Current:** 1.5A Max.  
**Rating Voltage:** 120V AC.  
**Dielectric Voltage:** 1000 Vrms 60 Sec. Min.  
**Temperature Range:** -40°C / +85°C  
**Durability:** 500 Mating cycles Min.

### MATERIALS

**Housing:** PBT Glass Filled (UL 94V-0)  
**Soldering Temperature:** 235°C  
**Color:** Black  
**Spring Wire:** Phosphor Bronze  
 Gold plating Over Nickel  
**\*RoHS & REACH compliant.**



Recommended P.C.Board Layout

### ORDERING INFORMATION:

P/N M J FY - 88 x B 02  
 1 2 3 4 5

1. MODULAR JACK TYPE:  
"FY" TOP ENTRY WITH ONE METAL PEG
2. NO. OF POSITIONS & CONTACTS:  
"88" 8P8C
3. CONTACT FINISH:  
"A" 6 MICROINCH GOLD  
"B" 15 MICROINCH GOLD  
"C" 30 MICROINCH GOLD  
"D" 50 MICROINCH GOLD
4. HOUSING COLOR:  
"B" BLACK
5. NO. OF PORTS:  
02

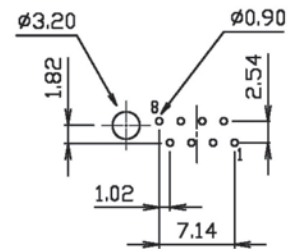
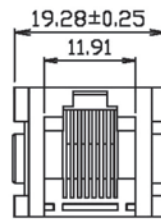
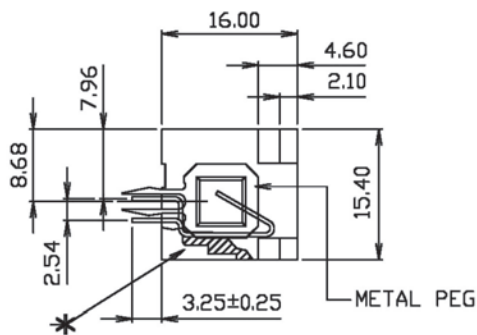
# TOP ENTRY MODULAR PCB JACK 8P WITH METAL PEG PROFILE=16.00MM (UNSHIELDED)

## SPECIFICATIONS

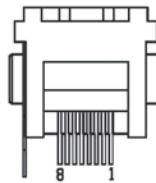
**Insulation Resistance:** 500MΩ Min.  
**Contact Resistance:** 20mΩ Max.  
**Rating Current:** 1.5A Max.  
**Rating Voltage:** 120V AC.  
**Dielectric Voltage:** 1000 Vrms 60 Sec. Min.  
**Temperature Range:** -40°C / +85°C  
**Durability:** 500 Mating cycles Min.

## MATERIALS

**Housing:** PBT Glass Filled (UL 94V-0)  
**Soldering Temperature:** 235°C  
**Color:** Black  
**Spring Wire:** Phosphor Bronze  
 Gold plating Over Nickel  
**\*RoHS & REACH compliant.**



Recommended P.C.Board Layout



## ORDERING INFORMATION:

P/N M J FY - 88 x B  
1 2 3 4

1. MODULAR JACK TYPE:  
"FY" TOP ENTRY WITH ONE METAL PEG
2. NO. OF POSITIONS & CONTACTS:  
"88" 8P8C
3. CONTACT FINISH:  
"A" 6 MICROINCH GOLD  
"B" 15 MICROINCH GOLD  
"C" 30 MICROINCH GOLD  
"D" 50 MICROINCH GOLD
4. HOUSING COLOR:  
"B" BLACK



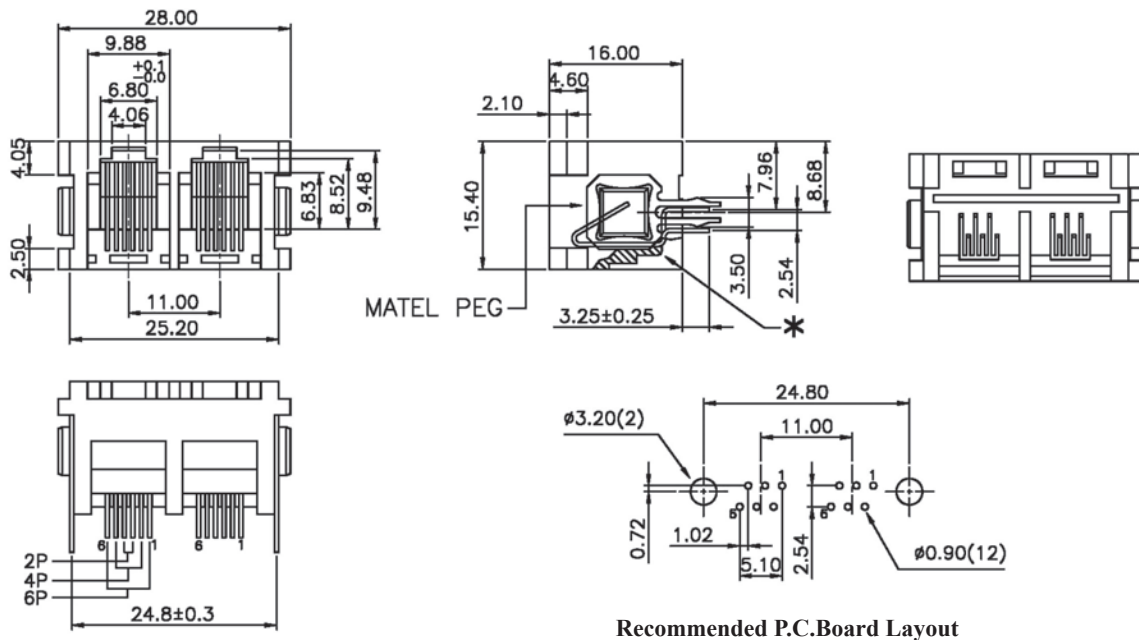
# TOP ENTRY 2-PORT MODULAR PCB JACK 6P WITH METAL PEGS PROFILE=16.00MM (UNSHIELDED)

## SPECIFICATIONS

**Insulation Resistance:** 500MΩ Min.  
**Contact Resistance:** 20mΩ Max.  
**Rating Current:** 1.5A Max.  
**Rating Voltage:** 120V AC.  
**Dielectric Voltage:** 1000 Vrms 60 Sec. Min.  
**Temperature Range:** -40°C / +85°C  
**Durability:** 500 Mating cycles Min.

## MATERIALS

**Housing:** PBT Glass Filled (UL 94V-0)  
**Soldering Temperature:** 235°C  
**Color:** Black  
**Spring Wire:** Phosphor Bronze  
 Gold plating Over Nickel  
**\*RoHS & REACH compliant.**



Recommended P.C.Board Layout

## ORDERING INFORMATION:

P/N M J F X - 6 6 x B 0 2  
1 2 3 4 5

- MODULAR JACK TYPE:  
"FX" TOP ENTRY WITH METAL PEGS
- NO. OF POSITIONS & CONTACTS:  
"66" 6P6C
- CONTACT FINISH:  
"A" 6 MICROINCH GOLD  
"B" 15 MICROINCH GOLD  
"C" 30 MICROINCH GOLD  
"D" 50 MICROINCH GOLD
- HOUSING COLOR:  
"B" BLACK
- NO. OF PORTS:  
02

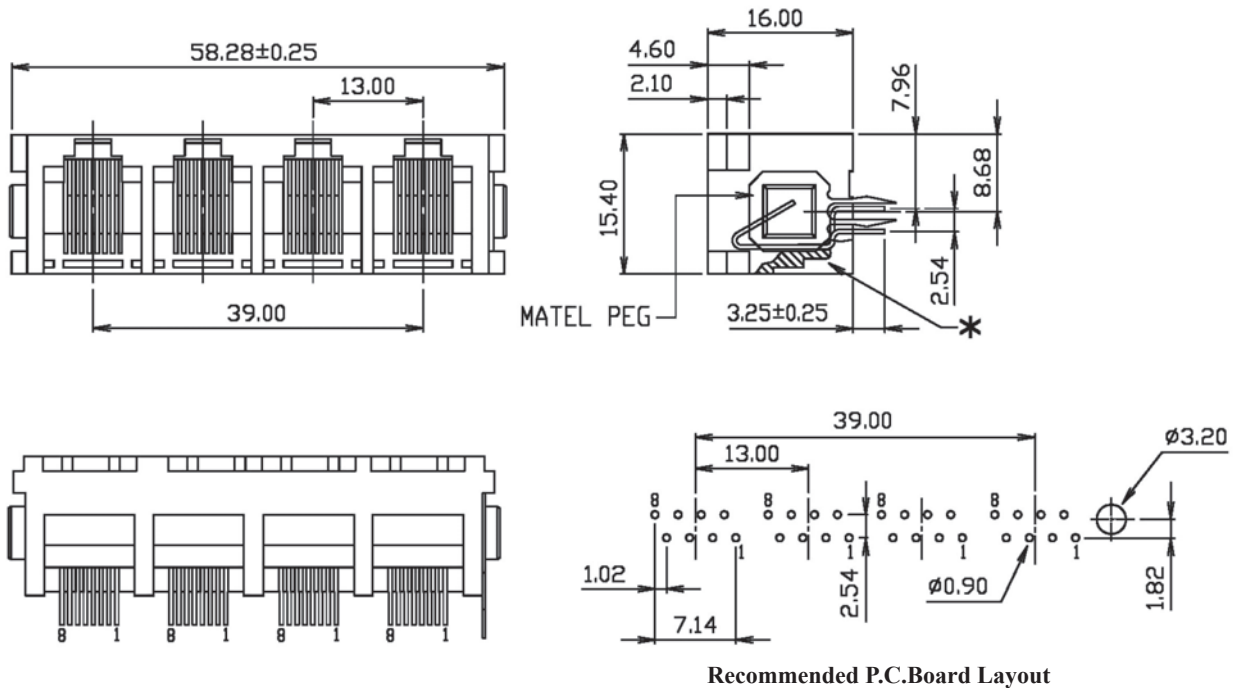
# TOP ENTRY 4-PORT MODULAR PCB JACK 8P WITH METAL PEG PROFILE=16.00MM (UNSHIELDED)

## SPECIFICATIONS

**Insulation Resistance:** 500MΩ Min.  
**Contact Resistance:** 20mΩ Max.  
**Rating Current:** 1.5A Max.  
**Rating Voltage:** 120V AC.  
**Dielectric Voltage:** 1000 Vrms 60 Sec. Min.  
**Temperature Range:** -40°C / +85°C  
**Durability:** 500 Mating cycles Min.

## MATERIALS

**Housing:** PBT Glass Filled (UL 94V-0)  
**Soldering Temperature:** 235°C  
**Color:** Black  
**Spring Wire:** Phosphor Bronze  
 Gold plating Over Nickel  
**\*RoHS & REACH compliant.**



Recommended P.C.Board Layout

## ORDERING INFORMATION:

P/N M J F Y - 8 8 x B 0 4  
 1 2 3 4 5

1. MODULAR JACK TYPE:  
"FY" TOP ENTRY WITH ONE METAL PEG
2. NO. OF POSITIONS & CONTACTS:  
"88" 8P8C
3. CONTACT FINISH:  
"A" 6 MICROINCH GOLD  
"B" 15 MICROINCH GOLD  
"C" 30 MICROINCH GOLD  
"D" 50 MICROINCH GOLD
4. HOUSING COLOR:  
"B" BLACK
5. NO. OF PORTS:  
04

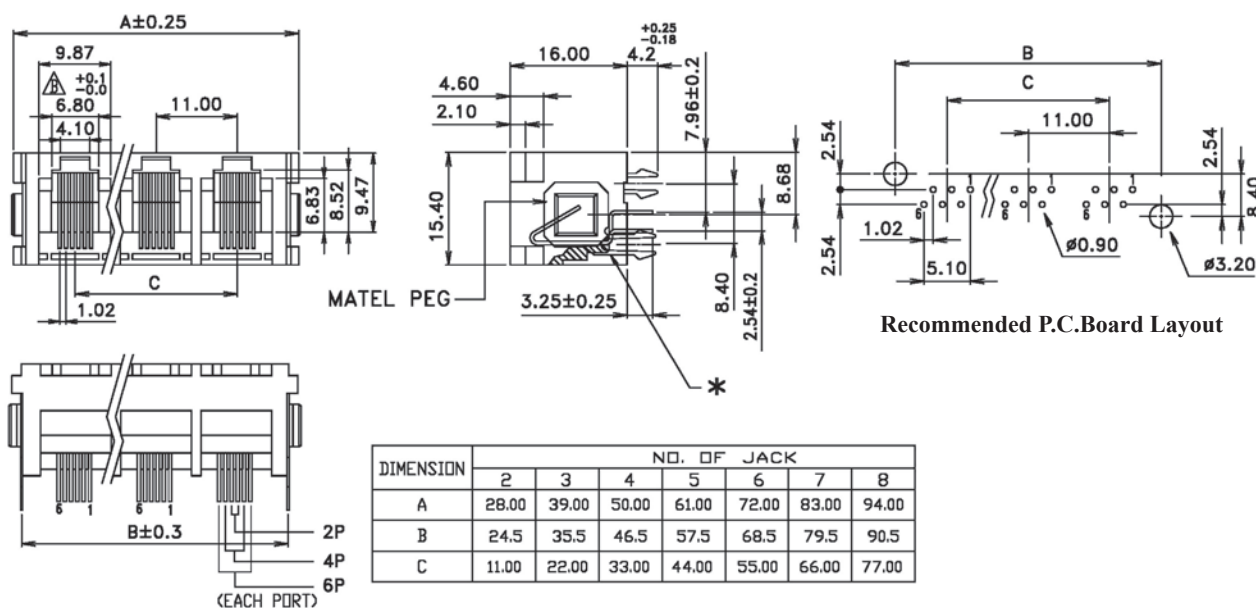
# TOP ENTRY MULTI-PORT MODULAR PCB JACK 6P WITH METAL PEGS PROFILE=16.00MM (UNSHIELDED)

## SPECIFICATIONS

**Insulation Resistance:** 500MΩ Min.  
**Contact Resistance:** 20mΩ Max.  
**Rating Current:** 1.5A Max.  
**Rating Voltage:** 120V AC.  
**Dielectric Voltage:** 1000 Vrms 60 Sec. Min.  
**Temperature Range:** -40°C / +85°C  
**Durability:** 500 Mating cycles Min.

## MATERIALS

**Housing:** PBT Glass Filled (UL 94V-0)  
**Soldering Temperature:** 235°C  
**Color:** Black  
**Spring Wire:** Phosphor Bronze  
 Gold plating Over Nickel  
**\*RoHS & REACH compliant.**



DIMENSION	NO. OF JACK							
	2	3	4	5	6	7	8	
A	28.00	39.00	50.00	61.00	72.00	83.00	94.00	
B	24.5	35.5	46.5	57.5	68.5	79.5	90.5	
C	11.00	22.00	33.00	44.00	55.00	66.00	77.00	

## ORDERING INFORMATION:

P/N M J  $\frac{G}{1}$  U -  $\frac{66}{2}$  x  $\frac{B}{34}$  x  $\frac{x}{5}$

- MODULAR JACK TYPE:  
"GU" TOP ENTRY WITH METAL PEGS
- NO. OF POSITIONS & CONTACTS:  
"66" 6P6C
- CONTACT FINISH:  
"A" 6 MICROINCH GOLD  
"B" 15 MICROINCH GOLD  
"C" 30 MICROINCH GOLD  
"D" 50 MICROINCH GOLD
- HOUSING COLOR:  
"B" BLACK
- NO. OF PORTS:  
02, 03, 04, 05, 06, 07, 08

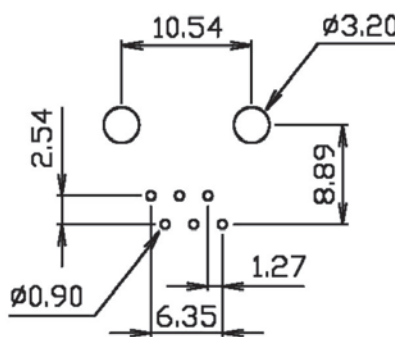
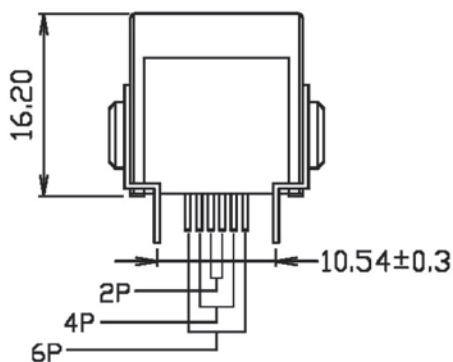
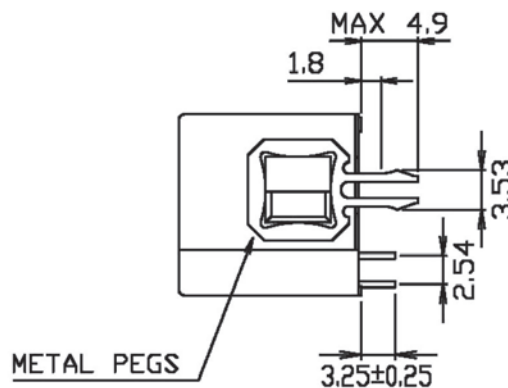
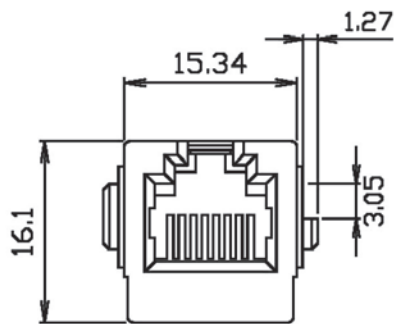
## TOP ENTRY MODULAR PCB JACK 6P WITH METAL PEGS PROFILE=16.20MM (UNSHIELDED)

### SPECIFICATIONS

**Insulation Resistance:** 500MΩ Min.  
**Contact Resistance:** 20mΩ Max.  
**Rating Current:** 1.5A Max.  
**Rating Voltage:** 120V AC.  
**Dielectric Voltage:** 1000 Vrms 60 Sec. Min.  
**Temperature Range:** -40°C / +85°C  
**Durability:** 500 Mating cycles Min.

### MATERIALS

**Housing:** PBT Glass Filled (UL 94V-0)  
**Soldering Temperature:** 235°C  
**Color:** Black  
**Spring Wire:** Phosphor Bronze  
 Gold plating Over Nickel  
**\*RoHS & REACH compliant.**



Recommended P.C. Board Layout

### ORDERING INFORMATION:

P/N M J F Z - 6 6 x B  
 1 2 3 4

- MODULAR JACK TYPE:  
"FZ" TOP ENTRY WITH METAL PEGS
- NO. OF POSITIONS & CONTACTS:  
"66" 6P6C
- CONTACT FINISH:  
"A" 6 MICROINCH GOLD  
"B" 15 MICROINCH GOLD  
"C" 30 MICROINCH GOLD  
"D" 50 MICROINCH GOLD
- HOUSING COLOR:  
"B" BLACK

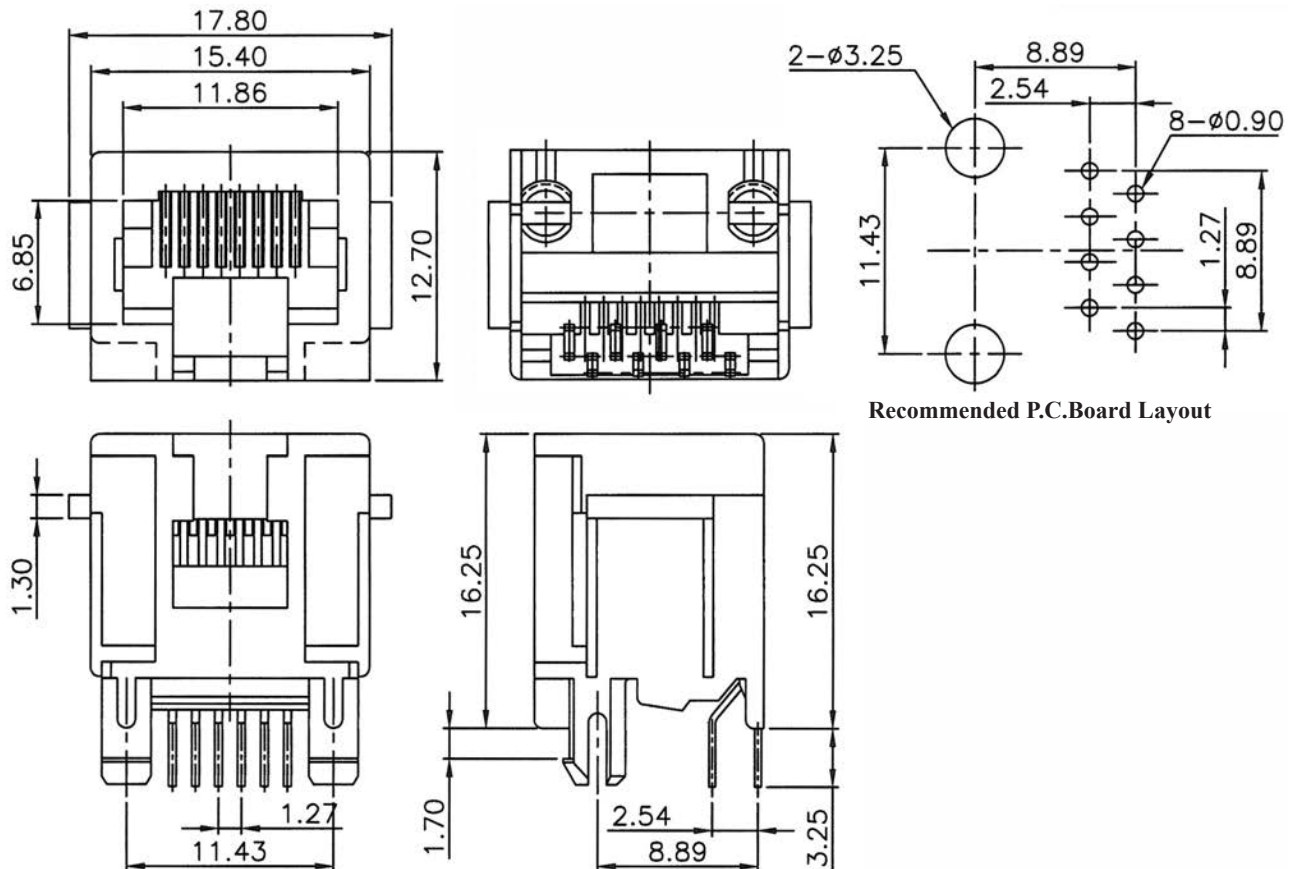
## TOP ENTRY MODULAR PCB JACK 8P PROFILE=16.25MM (UNSHIELDED)

### SPECIFICATIONS

**Insulation Resistance:** 500MΩ Min.  
**Contact Resistance:** 20mΩ Max.  
**Rating Current:** 1.5A Max.  
**Rating Voltage:** 120V AC.  
**Dielectric Voltage:** 1000 Vrms 60 Sec. Min.  
**Temperature Range:** -40°C / +85°C  
**Durability:** 500 Mating cycles Min.

### MATERIALS

**Housing:** PBT Glass Filled (UL 94V-0)  
**Soldering Temperature:** 235°C  
**Color:** Black  
**Spring Wire:** Phosphor Bronze  
 Gold plating Over Nickel  
**\*RoHS & REACH compliant.**



### ORDERING INFORMATION:

P/N MJ36 -  $\frac{x}{1} \frac{x}{2} \frac{x}{3} B \frac{x}{3}$

1. NO. OF POSITIONS & CONTACTS:  
"88" 8P8C
2. CONTACT FINISH:  
"A" 6 MICROINCH GOLD  
"B" 15 MICROINCH GOLD  
"C" 30 MICROINCH GOLD  
"D" 50 MICROINCH GOLD
3. KEY OPTION:  
" " NON-KEYED  
"K" KEYED

NOTE: WITH PANEL STOP

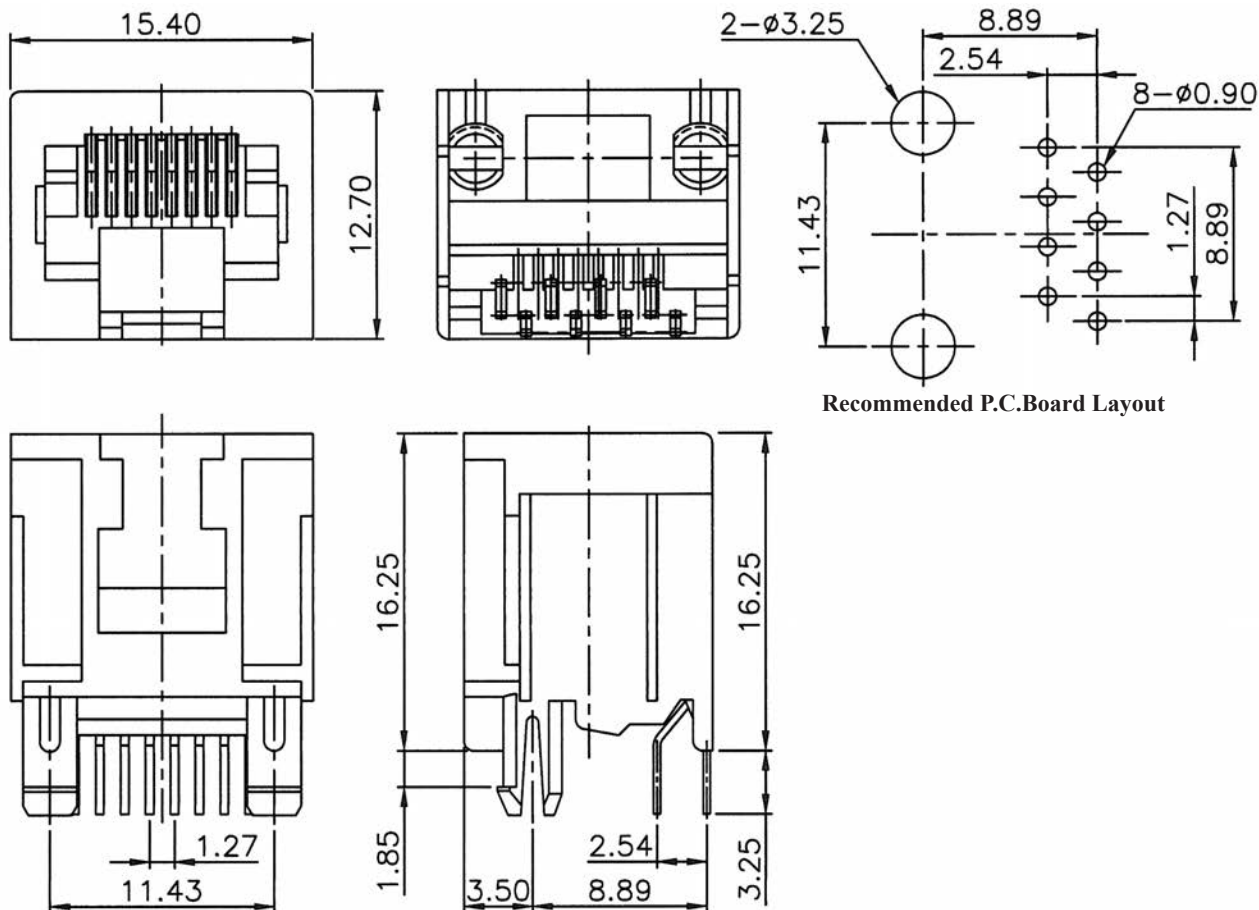
## TOP ENTRY MODULAR PCB JACK 8P PROFILE=16.25MM (UNSHIELDED)

### SPECIFICATIONS

**Insulation Resistance:** 500MΩ Min.  
**Contact Resistance:** 20mΩ Max.  
**Rating Current:** 1.5A Max.  
**Rating Voltage:** 120V AC.  
**Dielectric Voltage:** 1000 Vrms 60 Sec. Min.  
**Temperature Range:** -40°C / +85°C  
**Durability:** 500 Mating cycles Min.

### MATERIALS

**Housing:** PBT Glass Filled (UL 94V-0)  
**Soldering Temperature:** 235°C  
**Color:** Black  
**Spring Wire:** Phosphor Bronze  
 Gold plating Over Nickel  
**\*RoHS & REACH compliant.**



Recommended P.C.Board Layout

### ORDERING INFORMATION:

P/N MJ37 -  $\frac{x}{1} \frac{x}{2} \frac{x}{3} B \frac{x}{3}$

1. NO. OF POSITIONS & CONTACTS:  
"88" 8P8C
2. CONTACT FINISH:  
"A" 6 MICROINCH GOLD  
"B" 15 MICROINCH GOLD  
"C" 30 MICROINCH GOLD  
"D" 50 MICROINCH GOLD
3. KEY OPTION:  
" " NON-KEYED  
"K" KEYED

NOTE: WITHOUT PANEL STOP

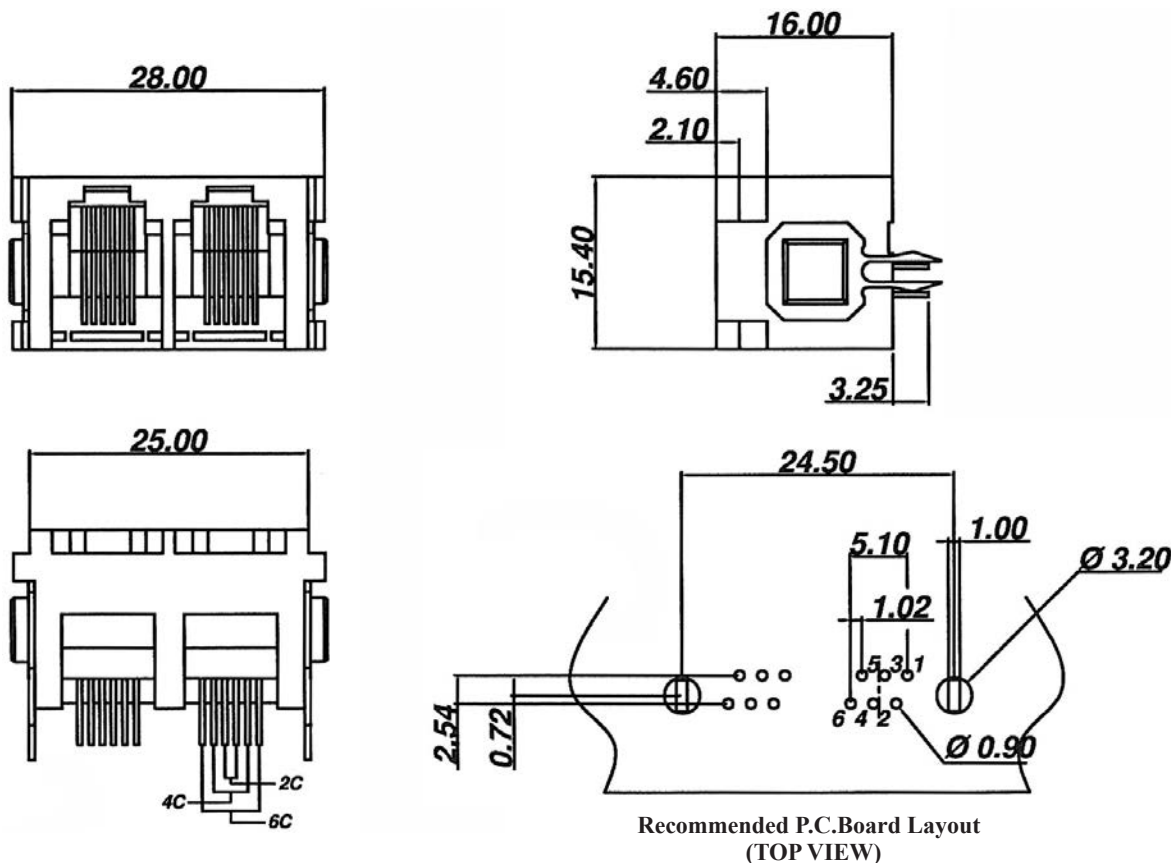
# TOP ENTRY 2-PORT MODULAR PCB JACK WITH METAL PEGS 6P PROFILE=16.00MM (UNSHIELDED)

## SPECIFICATIONS

**Insulation Resistance:** 500MΩ Min.  
**Contact Resistance:** 20mΩ Max.  
**Rating Current:** 1.5A Max.  
**Rating Voltage:** 120V AC.  
**Dielectric Voltage:** 1000 Vrms 60 Sec. Min.  
**Temperature Range:** -40°C / +85°C  
**Durability:** 500 Mating cycles Min.

## MATERIALS

**Housing:** PBT Glass Filled (UL 94V-0)  
**Soldering Temperature:** 235°C  
**Color:** Gray  
**Spring Wire:** Phosphor Bronze  
 Gold plating Over Nickel  
**\*RoHS & REACH compliant.**



## ORDERING INFORMATION:

P/N MJ62 -  $\frac{x}{1} \frac{x}{2} \frac{x}{3} \frac{x}{4} 02$

1. NO. OF POSITIONS & CONTACTS:

"66" 6P6C  
 "64" 6P4C

2. CONTACT FINISH:

"A" 6 MICROINCH GOLD  
 "B" 15 MICROINCH GOLD  
 "C" 30 MICROINCH GOLD  
 "D" 50 MICROINCH GOLD

3. COLOR OF HOUSING:

"A" GRAY  
 "B" BLACK

4. NO. OF PORTS:

02

NOTE: P/N MJ62HT-xxxx02 FOR HIGH TEMP. VERSION

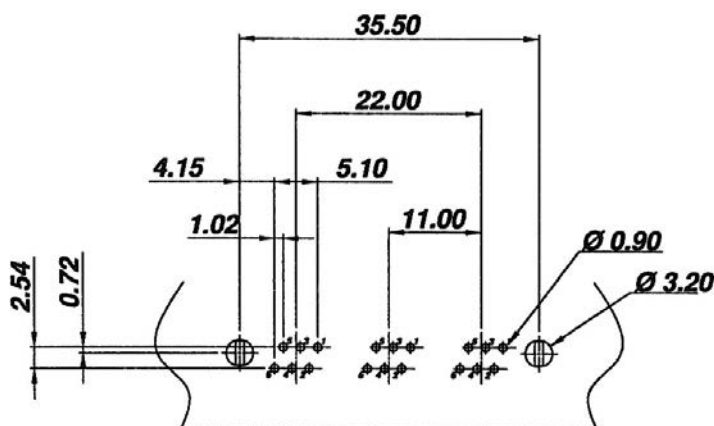
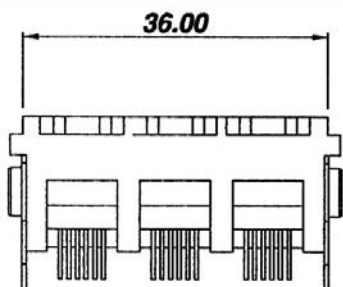
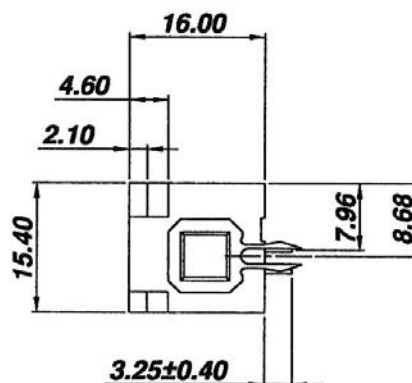
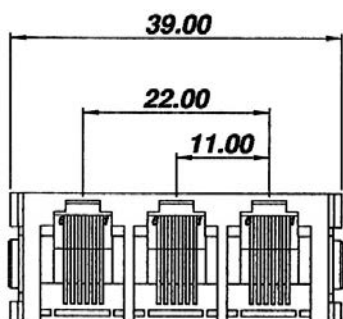
# TOP ENTRY 3-PORT MODULAR PCB JACK WITH METAL PEGS 6P PROFILE=16.00MM (UNSHIELDED)

## SPECIFICATIONS

**Insulation Resistance:** 500MΩ Min.  
**Contact Resistance:** 20mΩ Max.  
**Rating Current:** 1.5A Max.  
**Rating Voltage:** 120V AC.  
**Dielectric Voltage:** 1000 Vrms 60 Sec. Min.  
**Temperature Range:** -40°C / +85°C  
**Durability:** 500 Mating cycles Min.

## MATERIALS

**Housing:** PBT Glass Filled (UL 94V-0)  
**Soldering Temperature:** 235°C  
**Color:** Black  
**Spring Wire:** Phosphor Bronze  
 Gold plating Over Nickel  
**\*RoHS & REACH compliant.**



Recommended P.C.Board Layout (TOP VIEW)

## ORDERING INFORMATION:

P/N MJ62 -  $\frac{x}{1} \frac{x}{2} \frac{x}{3} \frac{x}{4} 03$

1. NO. OF POSITIONS & CONTACTS:

"66" 6P6C  
 "64" 6P4C

2. CONTACT FINISH:

"A" 6 MICROINCH GOLD  
 "B" 15 MICROINCH GOLD  
 "C" 30 MICROINCH GOLD  
 "D" 50 MICROINCH GOLD

3. HOUSING COLOR:

"A" GRAY  
 "B" BLACK

4. NO. OF PORTS:

03

NOTE: P/N MJ62HT-xxxx03 FOR HIGH TEMP. VERSION



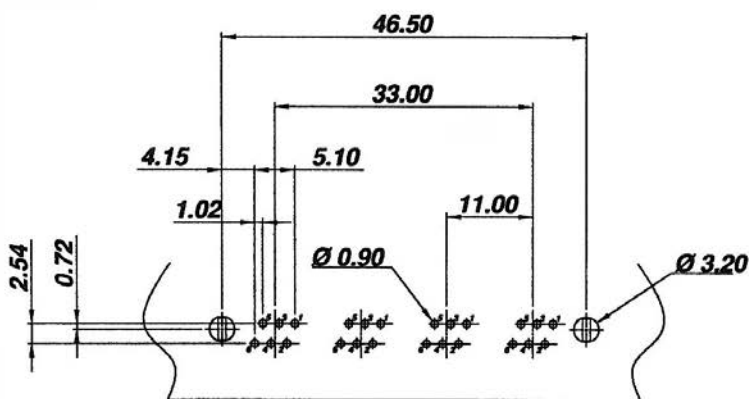
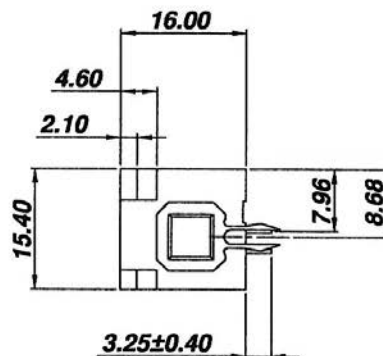
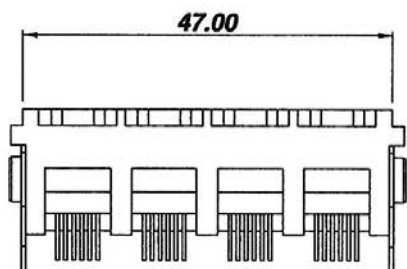
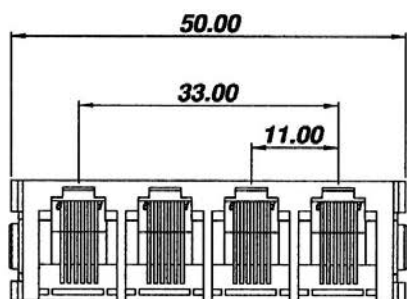
# TOP ENTRY 4-PORT MODULAR PCB JACK WITH METAL PEGS 6P PROFILE=16.00MM (UNSHIELDED)

## SPECIFICATIONS

**Insulation Resistance:** 500MΩ Min.  
**Contact Resistance:** 20mΩ Max.  
**Rating Current:** 1.5A Max.  
**Rating Voltage:** 120V AC.  
**Dielectric Voltage:** 1000 Vrms 60 Sec. Min.  
**Temperature Range:** -40°C / +85°C  
**Durability:** 500 Mating cycles Min.

## MATERIALS

**Housing:** PBT Glass Filled (UL 94V-0)  
**Soldering Temperature:** 235°C  
**Color:** Black  
**Spring Wire:** Phosphor Bronze  
 Gold plating Over Nickel  
**\*RoHS & REACH compliant.**



Recommended P.C.Board Layout (TOP VIEW)

## ORDERING INFORMATION:

P/N MJ62 -  $\frac{x}{1} \frac{x}{2} \frac{x}{3} \frac{04}{4}$

1. NO. OF POSITIONS & CONTACTS:

"66" 6P6C  
 "64" 6P4C

2. CONTACT FINISH:

"A" 6 MICROINCH GOLD  
 "B" 15 MICROINCH GOLD  
 "C" 30 MICROINCH GOLD  
 "D" 50 MICROINCH GOLD

3. HOUSING COLOR:

"A" GRAY  
 "B" BLACK

4. NO. OF PORTS:

04

NOTE: P/N MJ62HT-xxxx04 FOR HIGH TEMP. VERSION

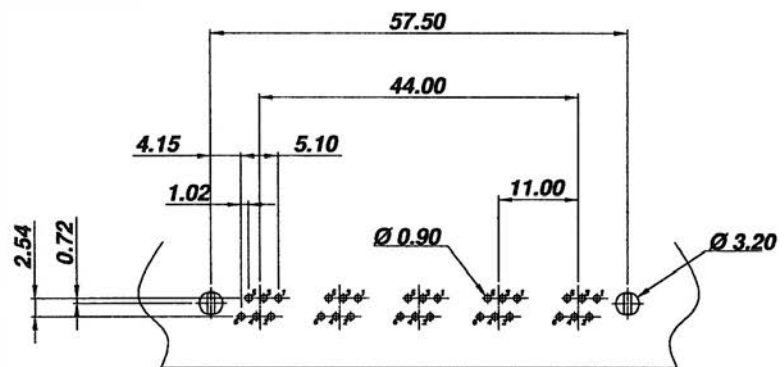
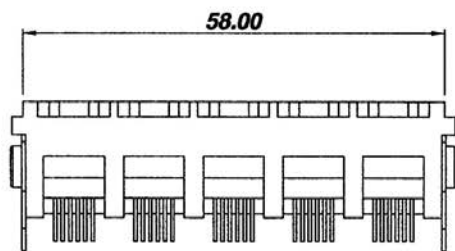
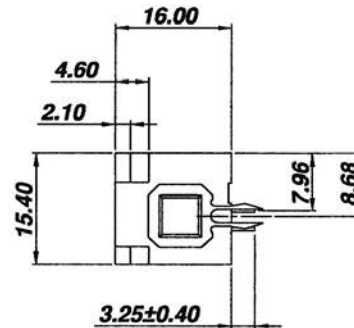
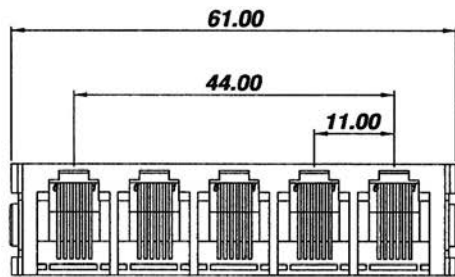
# TOP ENTRY 5-PORT MODULAR PCB JACK WITH METAL PEGS 6P PROFILE=16.00MM (UNSHIELDED)

## SPECIFICATIONS

**Insulation Resistance:** 500MΩ Min.  
**Contact Resistance:** 20mΩ Max.  
**Rating Current:** 1.5A Max.  
**Rating Voltage:** 120V AC.  
**Dielectric Voltage:** 1000 Vrms 60 Sec. Min.  
**Temperature Range:** -40°C / +85°C  
**Durability:** 500 Mating cycles Min.

## MATERIALS

**Housing:** PBT Glass Filled (UL 94V-0)  
**Soldering Temperature:** 235°C  
**Color:** Black  
**Spring Wire:** Phosphor Bronze  
 Gold plating Over Nickel  
**\*RoHS & REACH compliant.**



Recommended P.C.Board Layout (TOP VIEW)

## ORDERING INFORMATION:

P/N MJ62 -  $\frac{x}{1} \frac{x}{2} \frac{x}{3} \frac{x}{4} 05$

1. NO. OF POSITIONS & CONTACTS:

"66" 6P6C  
 "64" 6P4C

2. CONTACT FINISH:

"A" 6 MICROINCH GOLD  
 "B" 15 MICROINCH GOLD  
 "C" 30 MICROINCH GOLD  
 "D" 50 MICROINCH GOLD

3. HOUSING COLOR:

"A" GRAY  
 "B" BLACK

4. NO. OF PORTS:

05

NOTE: P/N MJ62HT-xxxx05 FOR HIGH TEMP. VERSION

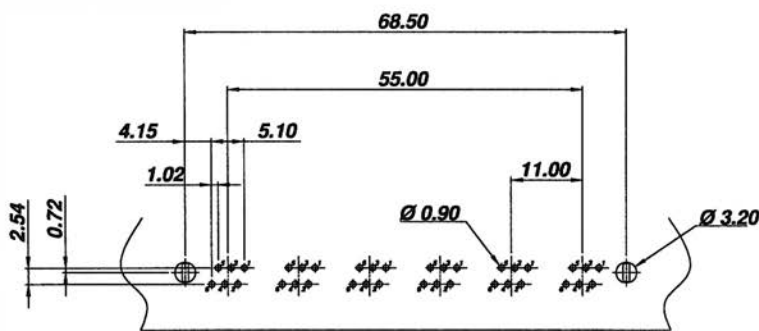
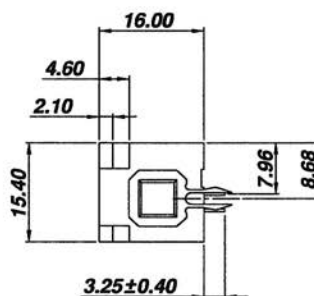
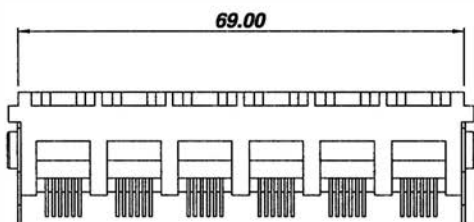
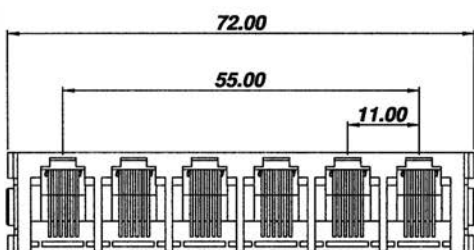
# TOP ENTRY 6-PORT MODULAR PCB JACK WITH METAL PEGS 6P PROFILE=16.00MM (UNSHIELDED)

## SPECIFICATIONS

**Insulation Resistance:** 500MΩ Min.  
**Contact Resistance:** 20mΩ Max.  
**Rating Current:** 1.5A Max.  
**Rating Voltage:** 120V AC.  
**Dielectric Voltage:** 1000 Vrms 60 Sec. Min.  
**Temperature Range:** -40°C / +85°C  
**Durability:** 500 Mating cycles Min.

## MATERIALS

**Housing:** PBT Glass Filled (UL 94V-0)  
**Soldering Temperature:** 235°C  
**Color:** Gray  
**Spring Wire:** Phosphor Bronze  
 Gold plating Over Nickel  
**\*RoHS & REACH compliant.**



Recommended P.C.Board Layout (TOP VIEW)

## ORDERING INFORMATION:

P/N MJ62 -  $\frac{x}{1} \frac{x}{2} \frac{x}{3} \frac{x}{4} 06$

1. NO. OF POSITIONS & CONTACTS:

"66" 6P6C  
 "64" 6P4C

2. CONTACT FINISH:

"A" 6 MICROINCH GOLD  
 "B" 15 MICROINCH GOLD  
 "C" 30 MICROINCH GOLD  
 "D" 50 MICROINCH GOLD

3. HOUSING COLOR:

"A" GRAY  
 "B" BLACK

4. NO. OF PORTS:

06

NOTE: P/N MJ62HT-xxxx06 FOR HIGH TEMP. VERSION

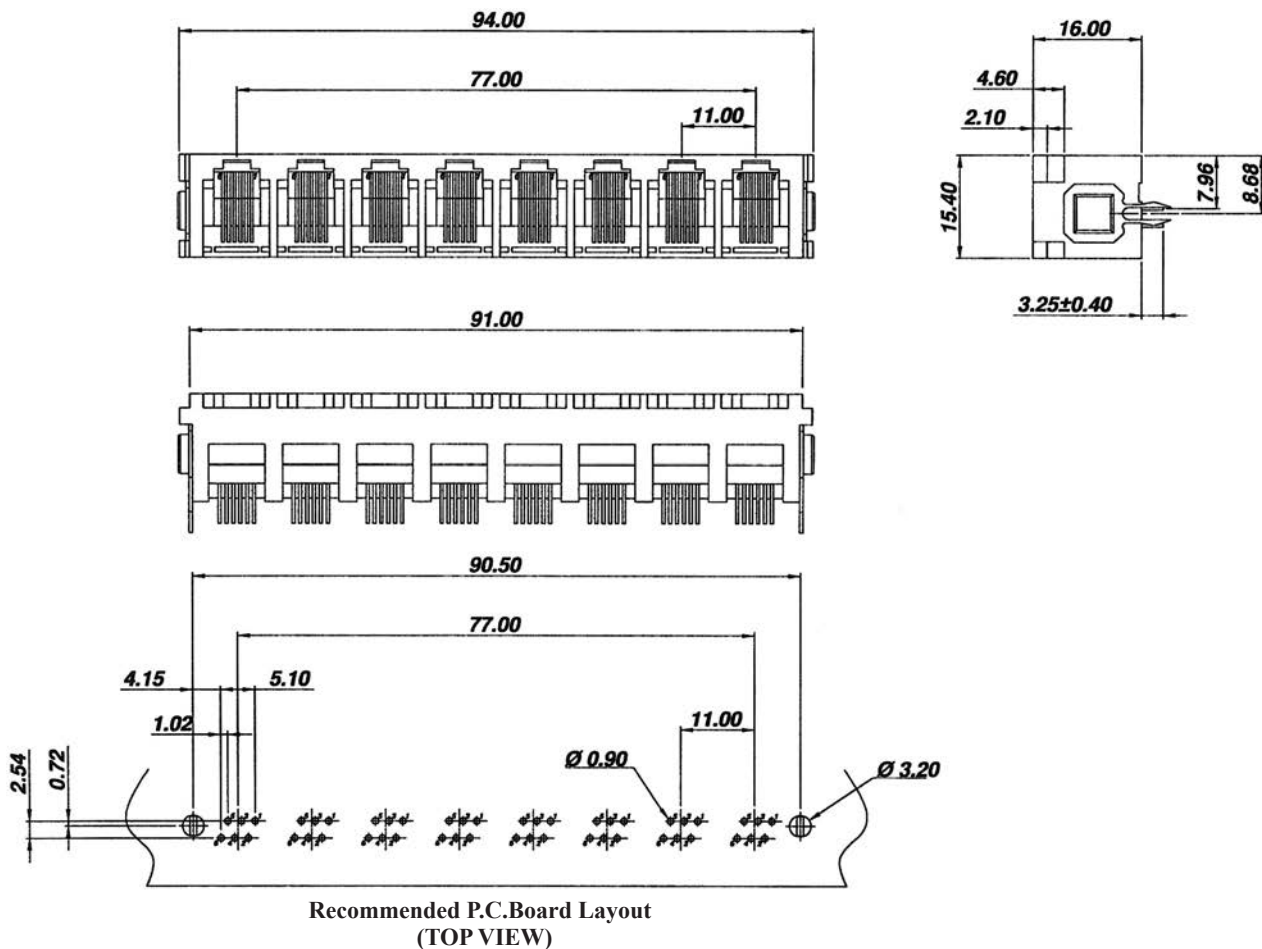
# TOP ENTRY 8-PORT MODULAR PCB JACK WITH METAL PEGS 6P PROFILE=16.00MM (UNSHIELDED)

## SPECIFICATIONS

Insulation Resistance: 500MΩ Min.  
 Contact Resistance: 20mΩ Max.  
 Rating Current: 1.5A Max.  
 Rating Voltage: 120V AC.  
 Dielectric Voltage: 1000 Vrms 60 Sec. Min.  
 Temperature Range: -40°C / +85°C  
 Durability: 500 Mating cycles Min.

## MATERIALS

Housing: PBT Glass Filled (UL 94V-0)  
 Soldering Temperature: 235°C  
 Color: Black  
 Spring Wire: Phosphor Bronze  
 Gold plating Over Nickel  
 \*RoHS & REACH compliant.



## ORDERING INFORMATION:

P/N MJ62 -  $\frac{\text{X X X X 0 8}}{\text{1 2 3 4}}$

1. NO. OF POSITIONS & CONTACTS:

"66" 6P6C  
 "64" 6P4C

2. CONTACT FINISH:

"A" 6 MICROINCH GOLD  
 "B" 15 MICROINCH GOLD  
 "C" 30 MICROINCH GOLD  
 "D" 50 MICROINCH GOLD

3. HOUSING COLOR:

"A" GRAY  
 "B" BLACK

4. NO. OF PORTS:

08

NOTE: P/N MJ62HT-xxxx08 FOR HIGH TEMP. VERSION

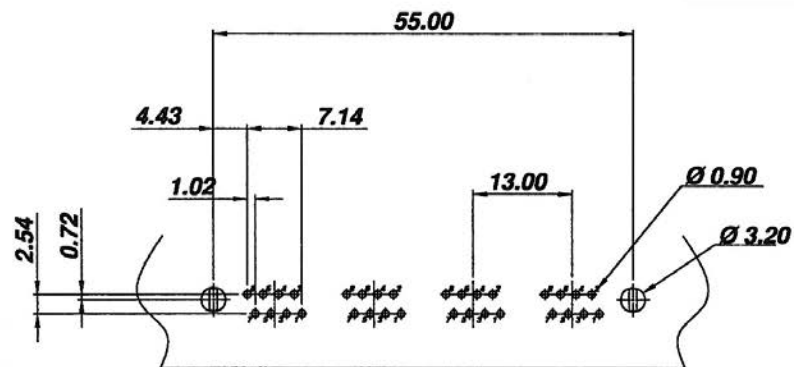
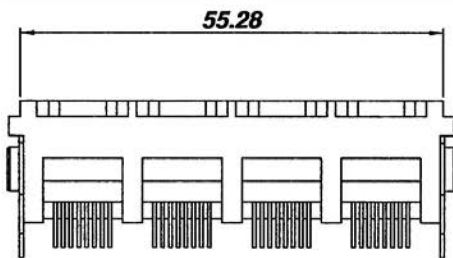
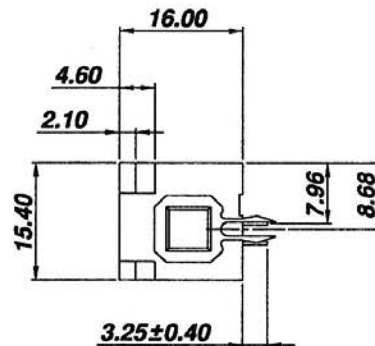
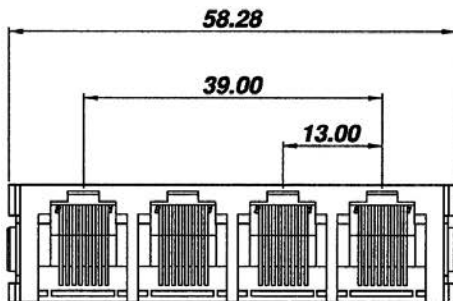
# TOP ENTRY 4-PORT MODULAR PCB JACK WITH METAL PEGS 8P PROFILE=16.00MM (UNSHIELDED)

## SPECIFICATIONS

**Insulation Resistance:** 500MΩ Min.  
**Contact Resistance:** 20mΩ Max.  
**Rating Current:** 1.5A Max.  
**Rating Voltage:** 120V AC.  
**Dielectric Voltage:** 1000 Vrms 60 Sec. Min.  
**Temperature Range:** -40°C / +85°C  
**Durability:** 500 Mating cycles Min.

## MATERIALS

**Housing:** PBT Glass Filled (UL 94V-0)  
**Soldering Temperature:** 235°C  
**Color:** Black & Gray  
**Spring Wire:** Phosphor Bronze  
 Gold plating Over Nickel  
**\*RoHS & REACH compliant.**



Recommended P.C.Board Layout (TOP VIEW)

## ORDERING INFORMATION:

P/N MJ6M -  $\frac{88}{1} \times \frac{x}{2} \times \frac{x}{3} \frac{04}{4}$

1. NO. OF POSITIONS & CONTACTS:  
"88" 8P8C
2. CONTACT FINISH:  
"A" 6 MICROINCH GOLD  
"B" 15 MICROINCH GOLD  
"C" 30 MICROINCH GOLD  
"D" 50 MICROINCH GOLD
3. HOUSING COLOR:  
"A" GRAY  
"B" BLACK
4. NO. OF PORTS:  
04

NOTE: P/N MJ6MHT-88xx04 FOR HIGH TEMP. VERSION



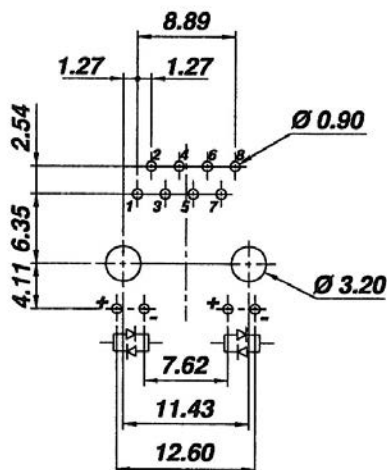
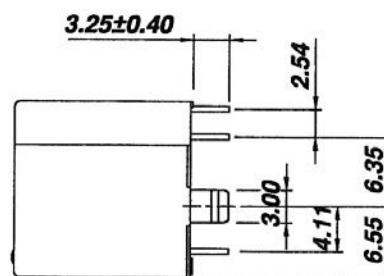
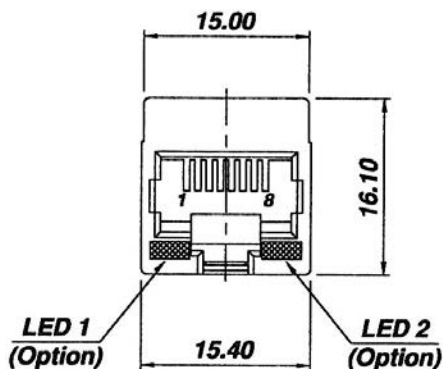
# TOP ENTRY MODULAR PCB JACK WITH LED 8P PROFILE=16.20MM (UNSHIELDED)

## SPECIFICATIONS

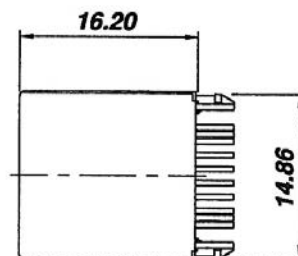
**Insulation Resistance:** 500MΩ Min.  
**Contact Resistance:** 20mΩ Max.  
**Rating Current:** 1.5A Max.  
**Rating Voltage:** 120V AC.  
**Dielectric Voltage:** 1000 Vrms 60 Sec. Min.  
**Temperature Range:** -40°C / +85°C  
**Durability:** 500 Mating cycles Min.

## MATERIALS

**Housing:** PBT Glass Filled (UL 94V-0)  
**Soldering Temperature:** 235°C  
**Color:** Black  
**Spring Wire:** Phosphor Bronze  
 Gold plating Over Nickel  
**\*RoHS & REACH compliant.**



Recommended P.C.Board Layout  
(TOP VIEW)



## ORDERING INFORMATION:

P/N M J T B -  $\frac{88}{T} \times \frac{B}{2} \times \frac{X}{3} \times \frac{X}{4}$

- NO. OF POSITIONS & CONTACTS:  
"88" 8P8C
- CONTACT FINISH:  
"A" 6 MICROINCH GOLD  
"B" 15 MICROINCH GOLD  
"C" 30 MICROINCH GOLD  
"D" 50 MICROINCH GOLD
- CODE OF LED1 DESIGNATION:  
N, M, Y, Z, 8, Q, 1, 2, 5, 6
- CODE OF LED2 DESIGNATION:  
N, M, Y, Z, 8, Q, 1, 2, 5, 6

### LED Designation:

Code	+/-	-/+	Code	+/-	-/+
N	Green	—	M	—	Green
Y	Yellow	—	Z	—	Yellow
8	Orange	—	Q	—	Orange
1	Green	Orange	2	Orange	Green
5	Green	Yellow	6	Yellow	Green

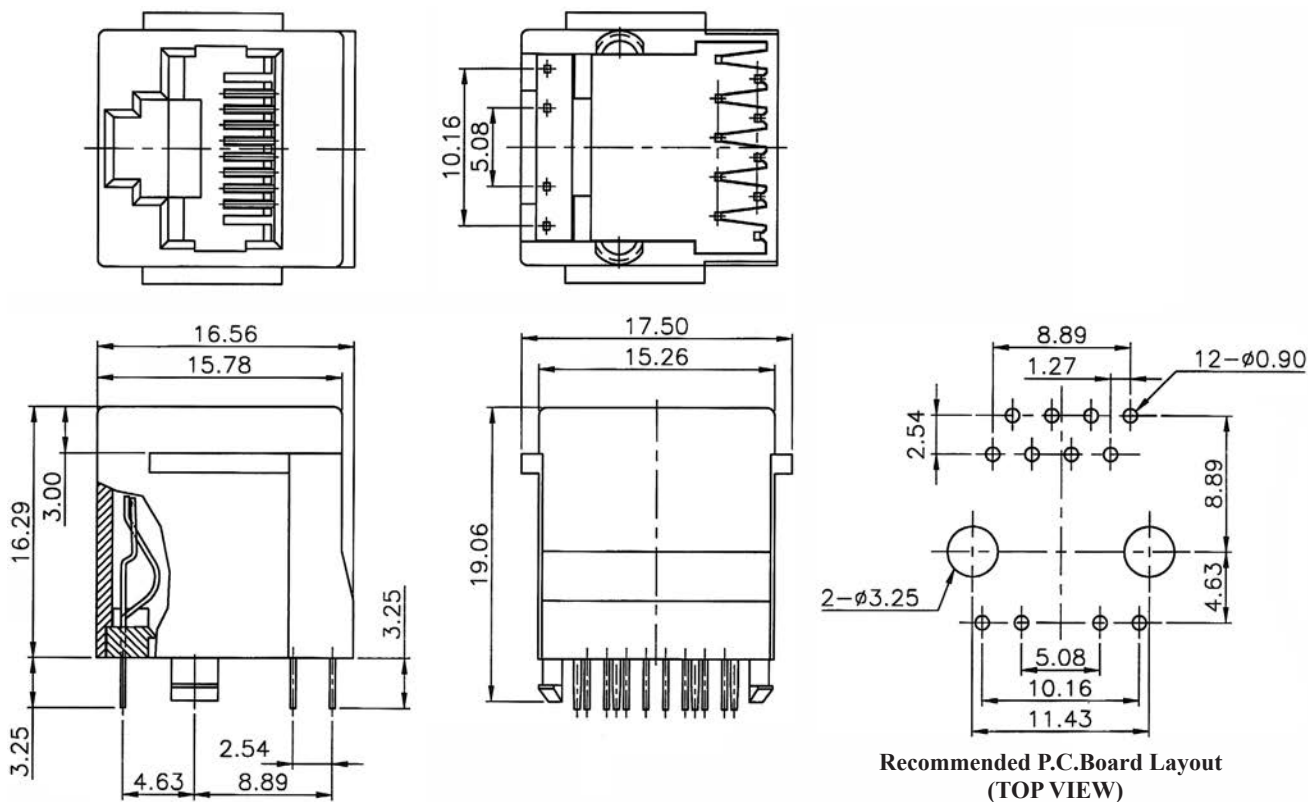
## TOP ENTRY MODULAR PCB JACK 8P PROFILE=16.29MM (UNSHIELDED)

### SPECIFICATIONS

**Insulation Resistance:** 500MΩ Min.  
**Contact Resistance:** 20mΩ Max.  
**Rating Current:** 1.5A Max.  
**Rating Voltage:** 120V AC.  
**Dielectric Voltage:** 1000 Vrms 60 Sec. Min.  
**Temperature Range:** -40°C / +85°C  
**Durability:** 500 Mating cycles Min.

### MATERIALS

**Housing:** PBT Glass Filled (UL 94V-0)  
**Soldering Temperature:** 235°C  
**Color:** Black  
**Spring Wire:** Phosphor Bronze  
 Gold plating Over Nickel  
**\*RoHS & REACH compliant.**



Recommended P.C.Board Layout (TOP VIEW)

### ORDERING INFORMATION:

P/N M J 8 P -  $\frac{x}{1} \frac{x}{2} \frac{x}{3} B \frac{x}{3}$

1. NO. OF POSITIONS & CONTACTS:  
 "88" 8P8C  
 "84" 8P4C
2. CONTACT FINISH:  
 "A" 6 MICROINCH GOLD  
 "B" 15 MICROINCH GOLD  
 "C" 30 MICROINCH GOLD  
 "D" 50 MICROINCH GOLD
3. KEYWAY OPTION:  
 " " W/O KEYWAY  
 "K" WITH KEYWAY



## TOP ENTRY CAT.5 MODULAR PCB JACK 8P PROFILE=16.29MM (UNSHIELDED)

### SPECIFICATIONS

**Insulation Resistance:** 500MΩ Min.

**Contact Resistance:** 20mΩ Max.

**Rating Current:** 1.5A Max.

**Rating Voltage:** 120V AC.

**Dielectric Voltage:** 1000 Vrms 60 Sec. Min.

**Temperature Range:** -40°C / +85°C

**Durability:** 500 Mating cycles Min.

### MATERIALS

**Housing:** PBT Glass Filled (UL 94V-0)

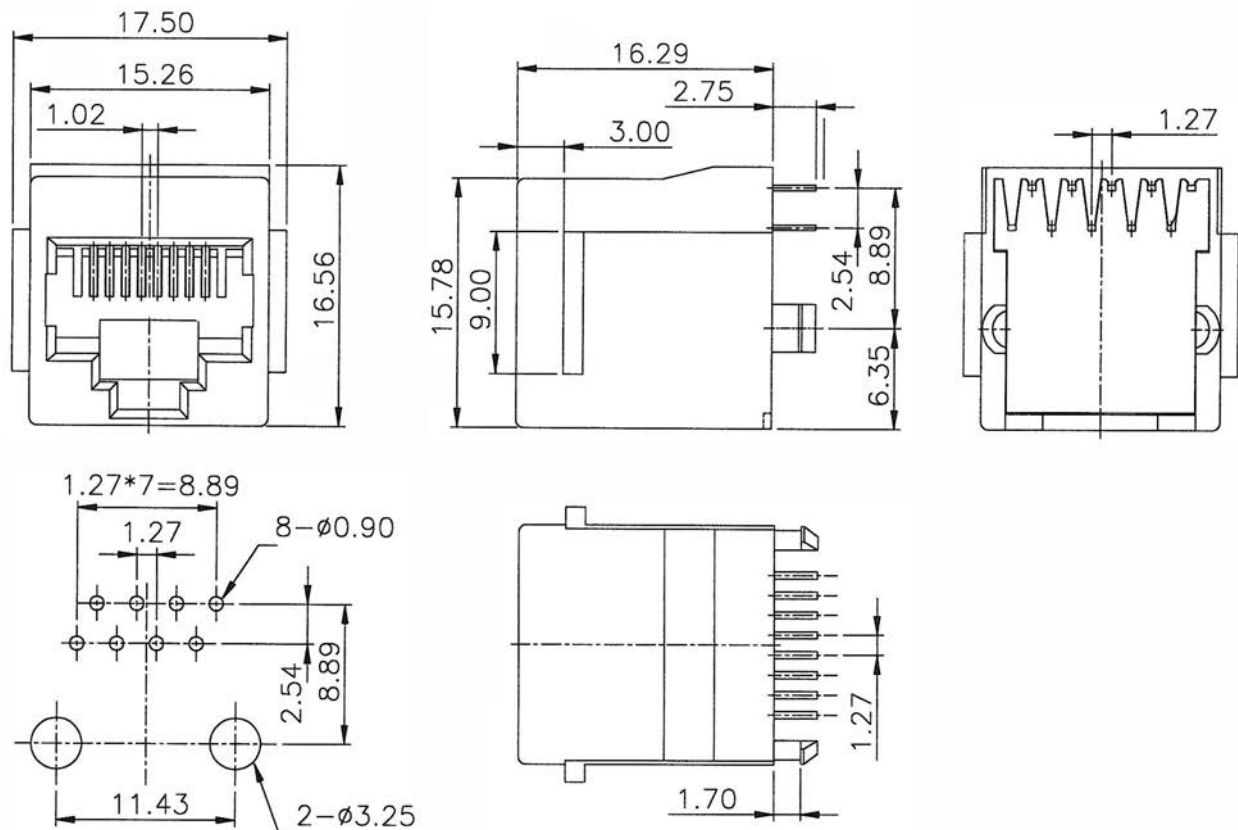
**Soldering Temperature:** 235°C

**Color:** Black

**Spring Wire:** Phosphor Bronze

Gold plating Over Nickel

**\*RoHS & REACH compliant.**



Recommended P.C.Board Layout  
(TOP VIEW)

### ORDERING INFORMATION:

P/N MJ5G -  $\frac{88}{T} \times \frac{B}{2} \times \frac{3}{3}$

1. NO. OF POSITIONS & CONTACTS:

"88" 8P8C

2. CONTACT FINISH:

"A" 6 MICROINCH GOLD

"B" 15 MICROINCH GOLD

"C" 30 MICROINCH GOLD

"D" 50 MICROINCH GOLD

3. KEYWAY OPTION:

" " W/O KEYWAY

"K" WITH KEYWAY

NOTE: CAT. 5 WITH PANEL STOP

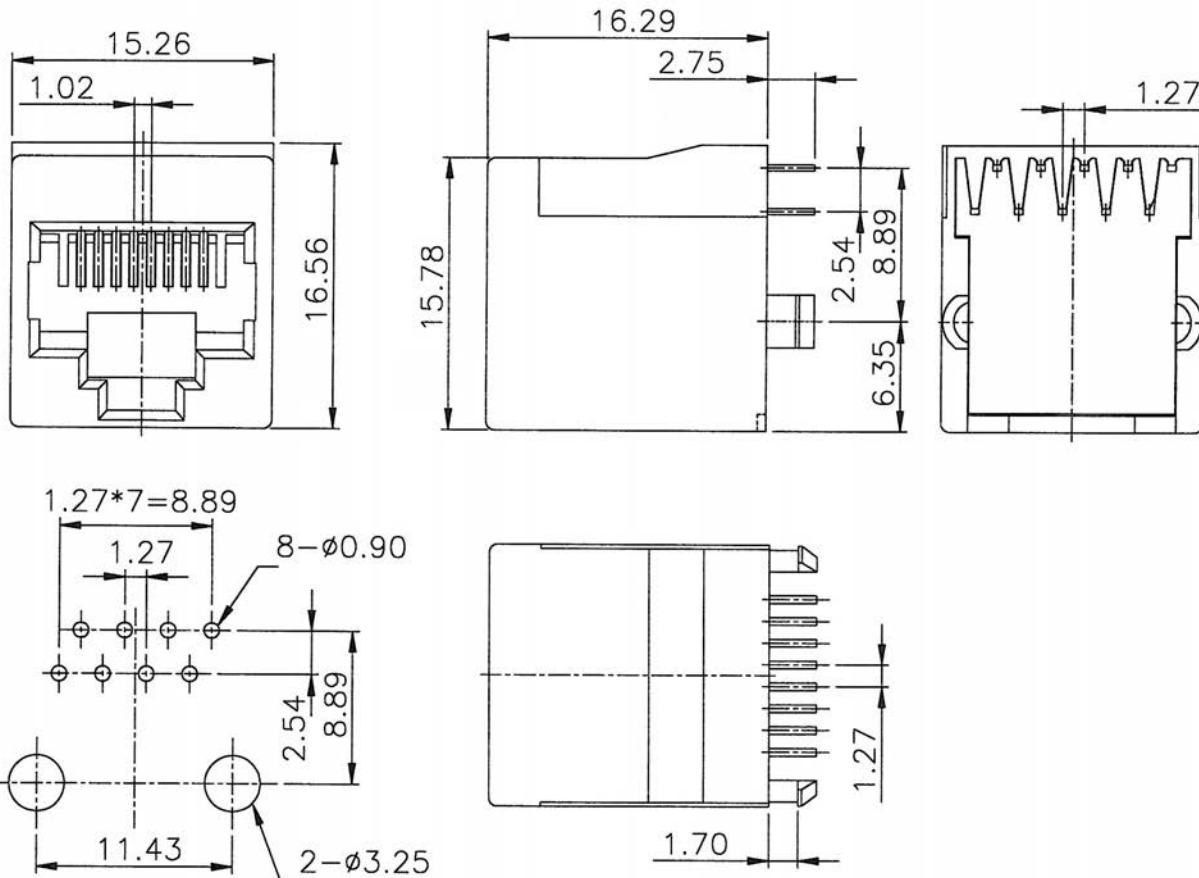
## TOP ENTRY CAT.5 MODULAR PCB JACK 8P PROFILE=16.29MM (UNSHIELDED)

### SPECIFICATIONS

**Insulation Resistance:** 500MΩ Min.  
**Contact Resistance:** 20mΩ Max.  
**Rating Current:** 1.5A Max.  
**Rating Voltage:** 120V AC.  
**Dielectric Voltage:** 1000 Vrms 60 Sec. Min.  
**Temperature Range:** -40°C / +85°C  
**Durability:** 500 Mating cycles Min.

### MATERIALS

**Housing:** PBT Glass Filled (UL 94V-0)  
**Soldering Temperature:** 235°C  
**Color:** Black  
**Spring Wire:** Phosphor Bronze  
 Gold plating Over Nickel  
**\*RoHS & REACH compliant.**



Recommended P.C.Board Layout  
(TOP VIEW)

### ORDERING INFORMATION:

P/N MJ5H -  $\frac{88}{T} \times \frac{B}{2} \times \frac{3}{3}$

1. NO. OF POSITIONS & CONTACTS:  
"88" 8P8C
2. CONTACT FINISH:  
"A" 6 MICROINCH GOLD  
"B" 15 MICROINCH GOLD  
"C" 30 MICROINCH GOLD  
"D" 50 MICROINCH GOLD
3. KEYWAY OPTION:  
" " W/O KEYWAY  
"K" WITH KEYWAY

NOTE: CAT. 5 WITHOUT PANEL STOP

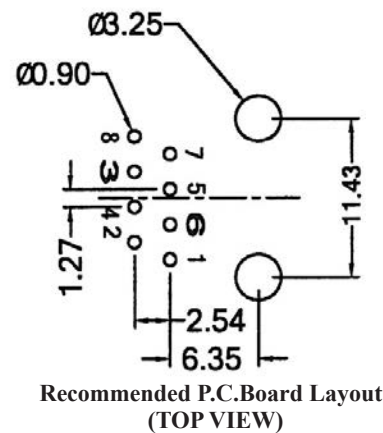
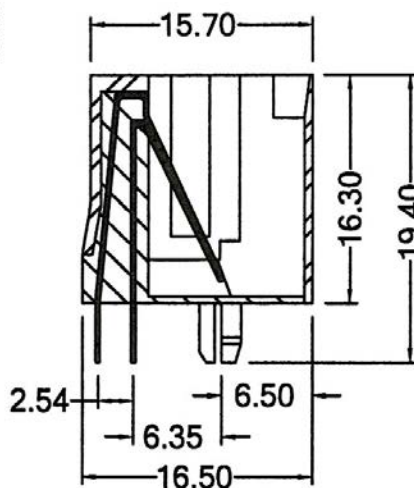
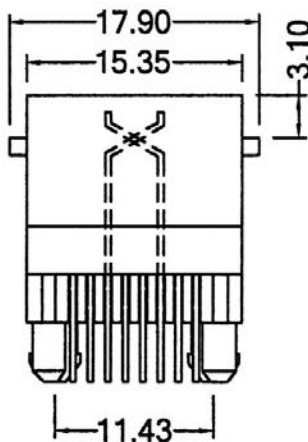
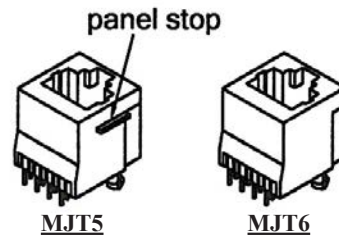
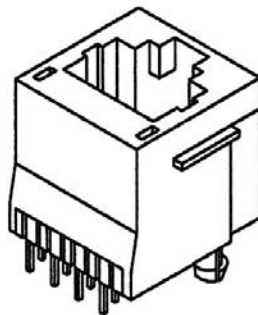
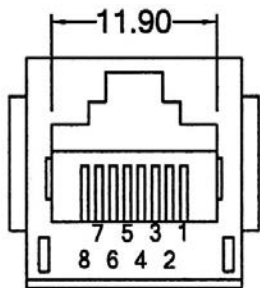
# TOP ENTRY MODULAR PCB JACK WITH PIN #3 & #6 CROSSING 8P PROFILE=16.30MM (UNSHIELDED)

## SPECIFICATIONS

**Insulation Resistance:** 500MΩ Min.  
**Contact Resistance:** 20mΩ Max.  
**Rating Current:** 1.5A Max.  
**Rating Voltage:** 120V AC.  
**Dielectric Voltage:** 1000 Vrms 60 Sec. Min.  
**Temperature Range:** -40°C / +85°C  
**Durability:** 500 Mating cycles Min.

## MATERIALS

**Housing:** PBT Glass Filled (UL 94V-0)  
**Soldering Temperature:** 235°C  
**Color:** Black  
**Spring Wire:** Phosphor Bronze  
 Gold plating Over Nickel  
**\*RoHS & REACH compliant.**



## ORDERING INFORMATION:

P/N M J  $\frac{x}{1}$   $\frac{x}{2}$  - 8 8  $\frac{x}{3}$  B

- PANEL STOP OPTION:  
"T5" WITH PANEL STOP  
"T6" W/O PANEL STOP
- NO. OF POSITIONS & CONTACTS:  
"88" 8P8C
- CONTACT FINISH:  
"A" 6 MICROINCH GOLD  
"B" 15 MICROINCH GOLD  
"C" 30 MICROINCH GOLD  
"D" 50 MICROINCH GOLD

NOTE: PIN #3 & PIN #6 CROSSING

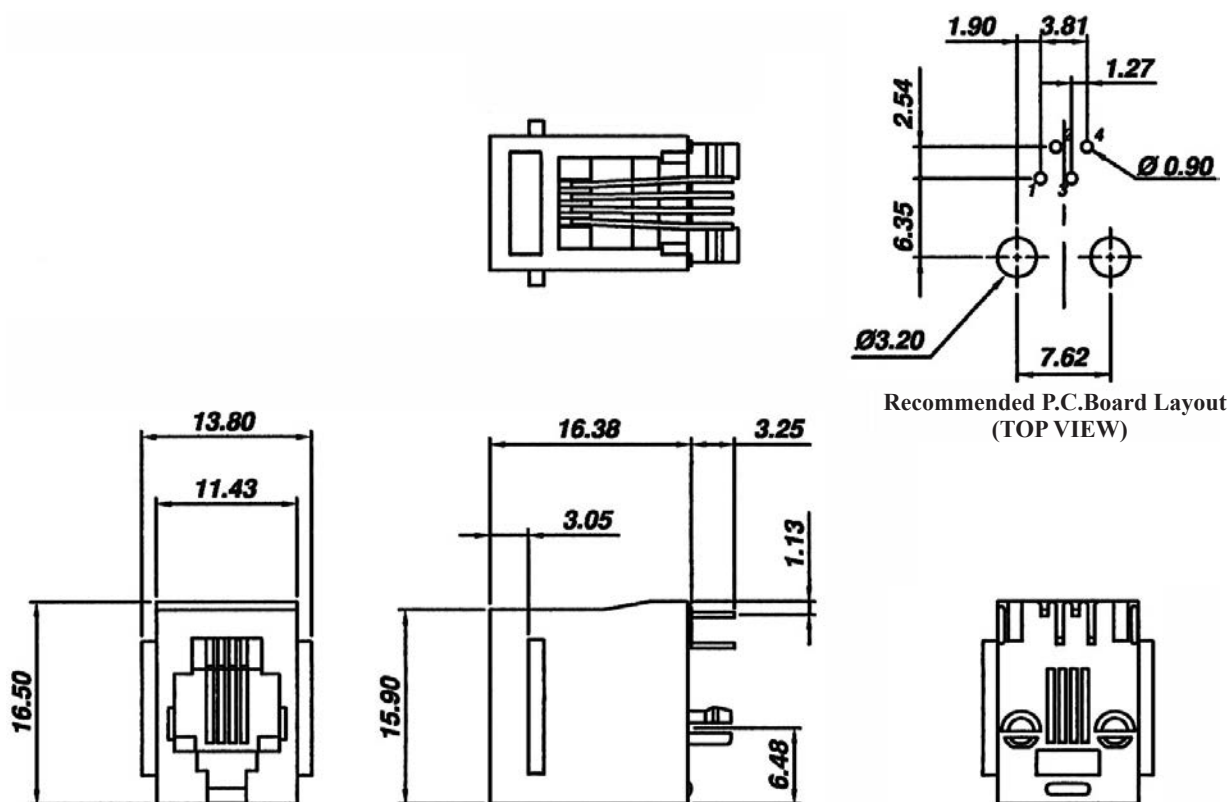
## TOP ENTRY MODULAR PCB JACK 4P PROFILE=16.38MM (UNSHIELDED)

### SPECIFICATIONS

**Insulation Resistance:** 500MΩ Min.  
**Contact Resistance:** 20mΩ Max.  
**Rating Current:** 1.5A Max.  
**Rating Voltage:** 120V AC.  
**Dielectric Voltage:** 1000 Vrms 60 Sec. Min.  
**Temperature Range:** -40°C / +85°C  
**Durability:** 500 Mating cycles Min.

### MATERIALS

**Housing:** PBT Glass Filled (UL 94V-0)  
**Soldering Temperature:** 235°C  
**Color:** Black  
**Spring Wire:** Phosphor Bronze  
 Gold plating Over Nickel  
**\*RoHS & REACH compliant.**



Recommended P.C.Board Layout (TOP VIEW)

### ORDERING INFORMATION:

P/N M J  $\frac{90}{1}$  -  $\frac{44}{2}$   $\frac{x}{3}$  B

1. TYPE OF HOUSING:  
"90" WITH PANEL STOP (FLANGED)
2. NO. OF POSITIONS & CONTACTS:  
"44" 4P4C
3. CONTACT FINISH:  
"A" 6 MICROINCH GOLD  
"B" 15 MICROINCH GOLD  
"C" 30 MICROINCH GOLD  
"D" 50 MICROINCH GOLD

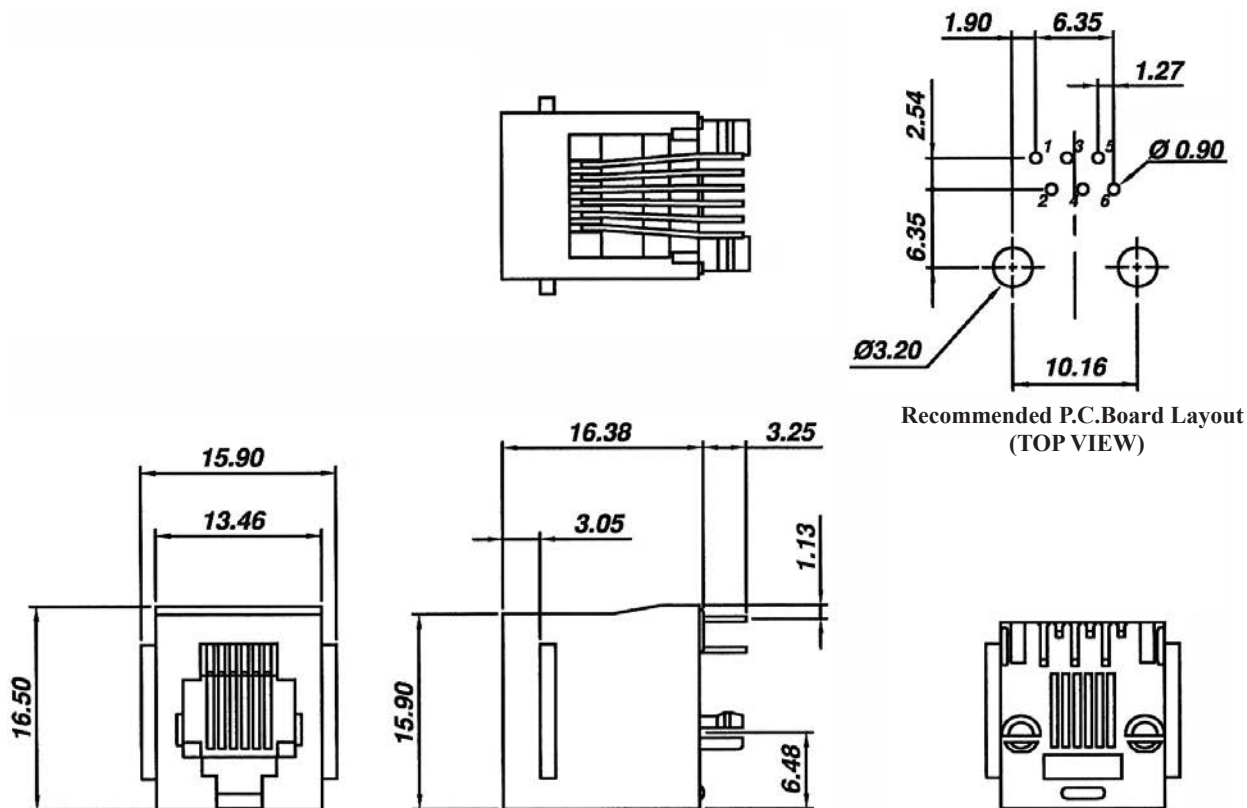
## TOP ENTRY MODULAR PCB JACK 6P PROFILE=16.38MM (UNSHIELDED)

### SPECIFICATIONS

**Insulation Resistance:** 500MΩ Min.  
**Contact Resistance:** 20mΩ Max.  
**Rating Current:** 1.5A Max.  
**Rating Voltage:** 120V AC.  
**Dielectric Voltage:** 1000 Vrms 60 Sec. Min.  
**Temperature Range:** -40°C / +85°C  
**Durability:** 500 Mating cycles Min.

### MATERIALS

**Housing:** PBT Glass Filled (UL 94V-0)  
**Soldering Temperature:** 235°C  
**Color:** Black  
**Spring Wire:** Phosphor Bronze  
 Gold plating Over Nickel  
**\*RoHS & REACH compliant.**



### ORDERING INFORMATION:

P/N M J 90 -  $\frac{x}{1}$   $\frac{x}{2}$   $\frac{x}{3}$  B

1. TYPE OF HOUSING:  
"90" WITH PANEL STOP (FLANGED)
2. NO. OF POSITIONS & CONTACTS:  
"66" 6P6C  
"64" 6P4C
3. CONTACT FINISH:  
"A" 6 MICROINCH GOLD  
"B" 15 MICROINCH GOLD  
"C" 30 MICROINCH GOLD  
"D" 50 MICROINCH GOLD

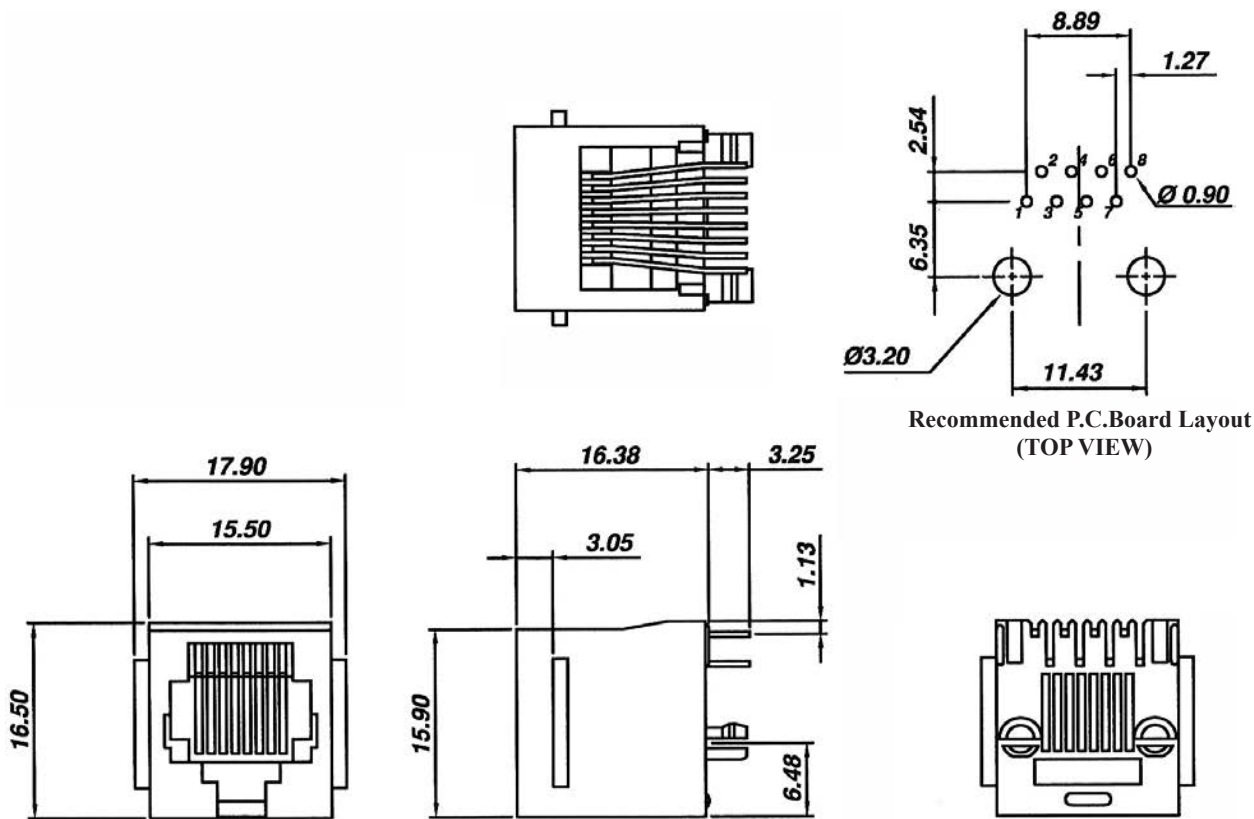
## TOP ENTRY MODULAR PCB JACK 8P PROFILE=16.38MM (UNSHIELDED)

### SPECIFICATIONS

**Insulation Resistance:** 500MΩ Min.  
**Contact Resistance:** 20mΩ Max.  
**Rating Current:** 1.5A Max.  
**Rating Voltage:** 120V AC.  
**Dielectric Voltage:** 1000 Vrms 60 Sec. Min.  
**Temperature Range:** -40°C / +85°C  
**Durability:** 500 Mating cycles Min.

### MATERIALS

**Housing:** PBT Glass Filled (UL 94V-0)  
**Soldering Temperature:** 235°C  
**Color:** Black  
**Spring Wire:** Phosphor Bronze  
 Gold plating Over Nickel  
**\*RoHS & REACH compliant.**



### ORDERING INFORMATION:

P/N M J  $\frac{90}{1}$  -  $\frac{x x x}{2 3}$  B

1. TYPE OF HOUSING:  
"90" WITH PANEL STOP (FLANGED)
2. NO. OF POSITIONS & CONTACTS:  
"88" 8P8C  
"84" 8P4C
3. CONTACT FINISH:  
"A" 6 MICROINCH GOLD  
"B" 15 MICROINCH GOLD  
"C" 30 MICROINCH GOLD  
"D" 50 MICROINCH GOLD

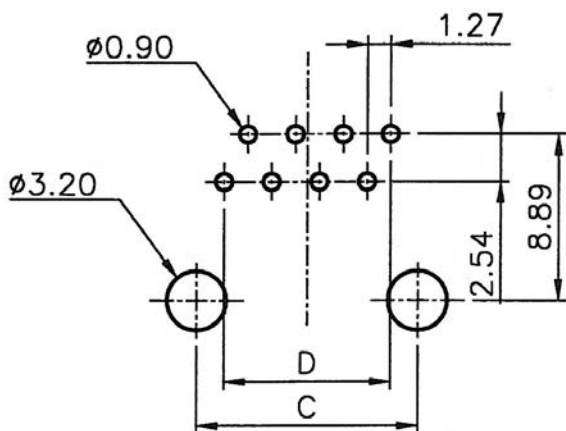
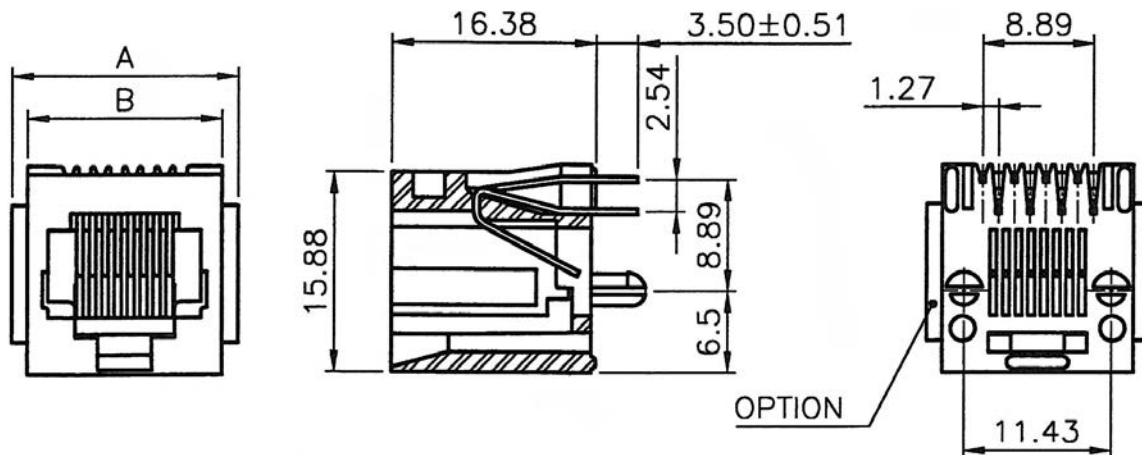
# TOP ENTRY MODULAR PCB JACK WITH SPLIT FOOT 4P+6P+8P PROFILE=16.38MM (UNSHIELDED)

## SPECIFICATIONS

**Insulation Resistance:** 500MΩ Min.  
**Contact Resistance:** 20mΩ Max.  
**Rating Current:** 1.5A Max.  
**Rating Voltage:** 120V AC.  
**Dielectric Voltage:** 1000 Vrms 60 Sec. Min.  
**Temperature Range:** -40°C / +85°C  
**Durability:** 500 Mating cycles Min.

## MATERIALS

**Housing:** PBT Glass Filled (UL 94V-0)  
**Soldering Temperature:** 235°C  
**Color:** Black  
**Spring Wire:** Phosphor Bronze  
 Gold plating Over Nickel  
**\*RoHS & REACH compliant.**



Recommended P.C. Board Layout

No. of Positions	Dimensions			
	A	B	C	D
4	13.97	11.43	7.62	3.81
6	16.00	13.46	10.16	6.35
8	17.84	15.36	11.43	8.89

## ORDERING INFORMATION:

P/N M J  $\frac{x}{1} - \frac{x}{2} \frac{x}{3} B$

- PANEL STOP OPTION:
  - "90" WITH PANEL STOP
  - "49" W/O PANEL STOP
- NO. OF POSITIONS & CONTACTS:
  - "66" 6P6C
  - "64" 6P4C
  - "88" 8P8C
  - "44" 4P4C
- CONTACT FINISH:
  - "A" 6 MICROINCH GOLD
  - "B" 15 MICROINCH GOLD
  - "C" 30 MICROINCH GOLD
  - "D" 50 MICROINCH GOLD

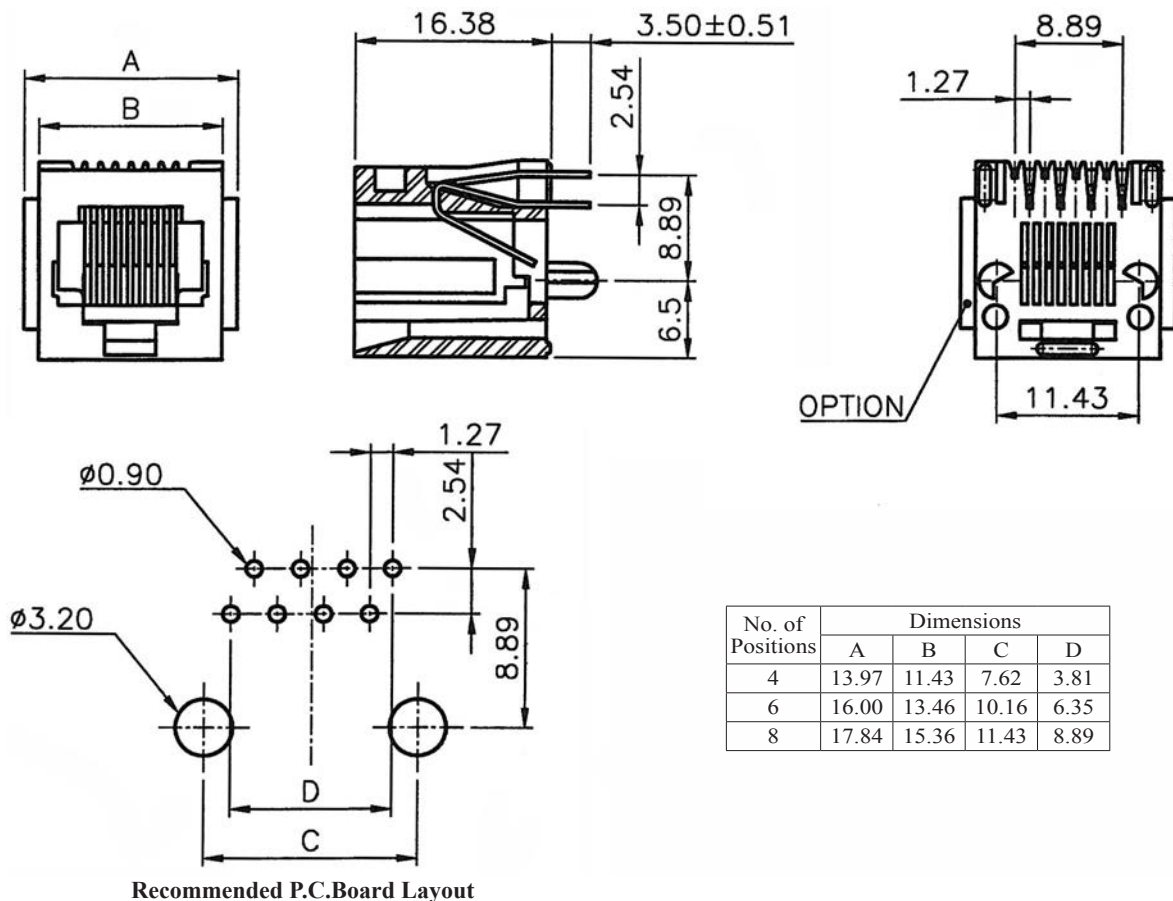
# TOP ENTRY MODULAR PCB JACK WITH HALF ROUND FOOT 4P+6P+8P PROFILE=16.38MM (UNSHIELDED)

## SPECIFICATIONS

**Insulation Resistance:** 500MΩ Min.  
**Contact Resistance:** 20mΩ Max.  
**Rating Current:** 1.5A Max.  
**Rating Voltage:** 120V AC.  
**Dielectric Voltage:** 1000 Vrms 60 Sec. Min.  
**Temperature Range:** -40°C / +85°C  
**Durability:** 500 Mating cycles Min.

## MATERIALS

**Housing:** PBT Glass Filled (UL 94V-0)  
**Soldering Temperature:** 235°C  
**Color:** Black  
**Spring Wire:** Phosphor Bronze  
 Gold plating Over Nickel  
**\*RoHS & REACH compliant.**



## ORDERING INFORMATION:

P/N M J  $\frac{XX}{1} - \frac{XX}{2} \frac{X}{3} B$

- PANEL STOP OPTION:  
 "31" WITH PANEL STOP  
 "32" W/O PANEL STOP
- NO. OF POSITIONS & CONTACTS:  
 "66" 6P6C  
 "64" 6P4C  
 "88" 8P8C  
 "44" 4P4C
- CONTACT FINISH:  
 "A" 6 MICROINCH GOLD  
 "B" 15 MICROINCH GOLD  
 "C" 30 MICROINCH GOLD  
 "D" 50 MICROINCH GOLD



## TOP ENTRY MODULAR PCB JACK 6P PROFILE=16.38MM (UNSHIELDED)

### SPECIFICATIONS

**Insulation Resistance:** 500M $\Omega$  Min.

**Contact Resistance:** 20m $\Omega$  Max.

**Rating Current:** 1.5A Max.

**Rating Voltage:** 120V AC.

**Dielectric Voltage:** 1000 Vrms 60 Sec. Min.

**Temperature Range:** -40 $^{\circ}$ c / +85 $^{\circ}$ c

**Durability:** 500 Mating cycles Min.

### MATERIALS

**Housing:** PBT Glass Filled (UL 94V-0)

**Soldering Temperature:** 235 $^{\circ}$ c

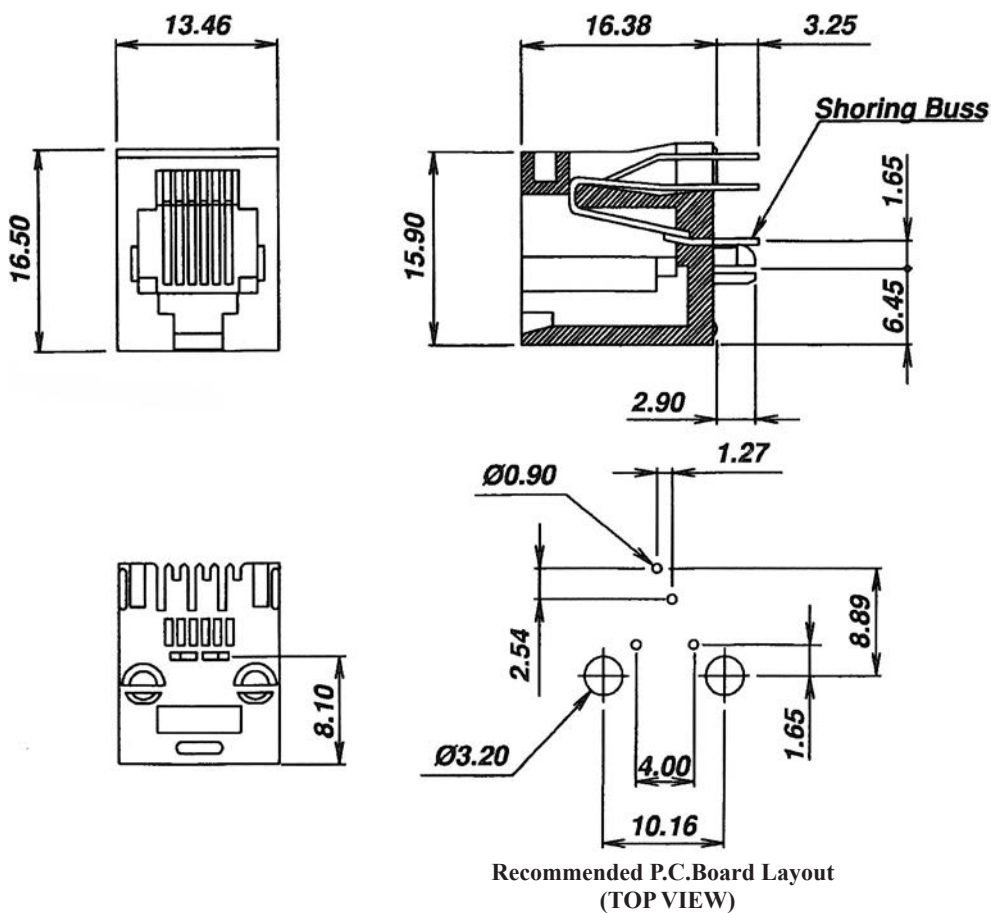
**Color:** Black

**Spring Wire:** Phosphor Bronze

Gold plating Over Nickel

**Shield:** Brass plating Nickel Alloy

\*RoHS & REACH compliant.



### ORDERING INFORMATION:

P/N MJTE -  $\frac{62 \times B}{T 2}$

1. NO. OF POSITIONS & CONTACTS:

"62" 6P2C

2. CONTACT FINISH:

"A" 6 MICROINCH GOLD

"B" 15 MICROINCH GOLD

"C" 30 MICROINCH GOLD

"D" 50 MICROINCH GOLD

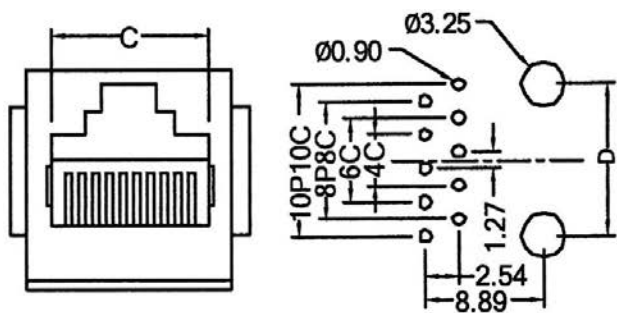
# TOP ENTRY MODULAR PCB JACK 4P+6P+8P+10P PROFILE=16.40MM (UNSHIELDED)

## SPECIFICATIONS

**Insulation Resistance:** 500MΩ Min.  
**Contact Resistance:** 20mΩ Max.  
**Rating Current:** 1.5A Max.  
**Rating Voltage:** 120V AC.  
**Dielectric Voltage:** 1000 Vrms 60 Sec. Min.  
**Temperature Range:** -40°C / +85°C  
**Durability:** 500 Mating cycles Min.

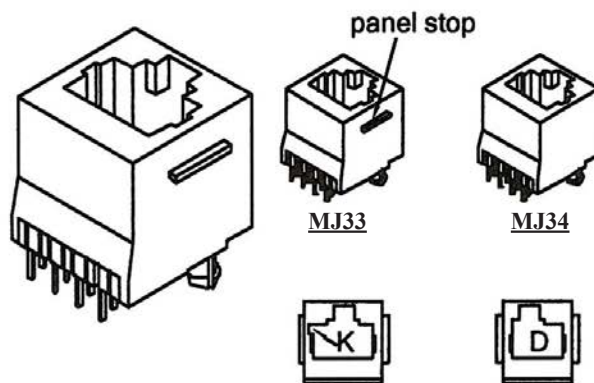
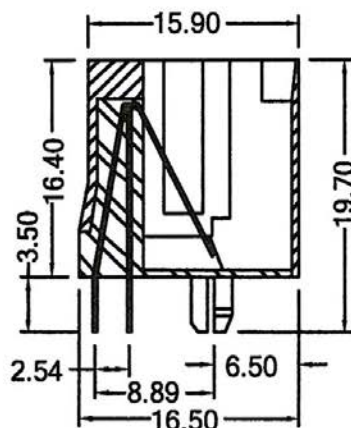
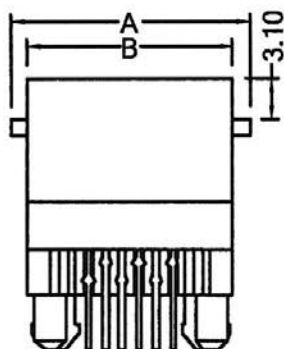
## MATERIALS

**Housing:** PBT Glass Filled (UL 94V-0)  
**Soldering Temperature:** 235°C  
**Color:** Black  
**Spring Wire:** Phosphor Bronze  
 Gold plating Over Nickel  
**\*RoHS & REACH compliant.**



Recommended P.C.Board Layout (TOP VIEW)

No. of Positions	No. of Contacts	A	B	C	D
4P	4C	13.97	11.43	7.90	7.62
6P	2C/4C/6C	16.00	13.46	10.00	10.16
8P	4C/6C/8C	18.03	15.49	11.90	11.43
10P	10C	18.03	15.49	11.90	11.43



## ORDERING INFORMATION:

P/N M J  $\frac{xx}{1}$  -  $\frac{xx}{2}$   $\frac{x}{3}$  B  $\frac{x}{4}$

### 1. PANEL STOP OPTION:

"33" WITH PANEL STOP  
 "34" W/O PANEL STOP

### 2. NO. OF POSITIONS & CONTACTS:

"66" 6P6C  
 "64" 6P4C  
 "88" 8P8C  
 "84" 8P4C  
 "00" 10P10C  
 "44" 4P4C

### 3. CONTACT FINISH:

"A" 6 MICROINCH GOLD  
 "B" 15 MICROINCH GOLD  
 "C" 30 MICROINCH GOLD  
 "D" 50 MICROINCH GOLD

### 4. KEYWAY & OFFSET OPTION:

" " W/O KEYWAY & W/O OFFSET LATCH  
 "K" WITH KEYWAY (8P & 10P ONLY)  
 "D" WITH OFFSET LATCH (6P ONLY)

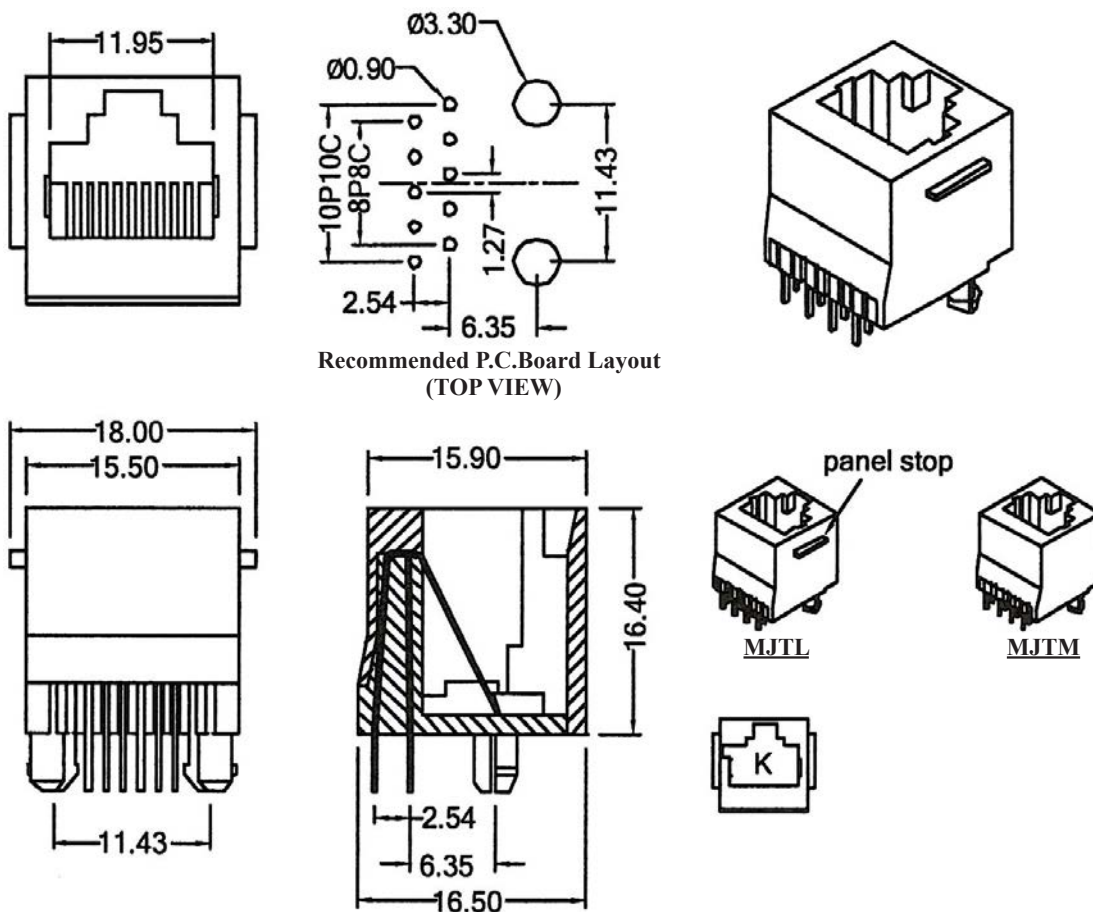
## TOP ENTRY MODULAR PCB JACK 8P+10P PROFILE=16.40MM (UNSHIELDED)

### SPECIFICATIONS

**Insulation Resistance:** 500MΩ Min.  
**Contact Resistance:** 20mΩ Max.  
**Rating Current:** 1.5A Max.  
**Rating Voltage:** 120V AC.  
**Dielectric Voltage:** 1000 Vrms 60 Sec. Min.  
**Temperature Range:** -40°C / +85°C  
**Durability:** 500 Mating cycles Min.

### MATERIALS

**Housing:** PBT Glass Filled (UL 94V-0)  
**Soldering Temperature:** 235°C  
**Color:** Black  
**Spring Wire:** Phosphor Bronze  
 Gold plating Over Nickel  
**\*RoHS & REACH compliant.**



### ORDERING INFORMATION:

P/N M J  $\frac{xx}{1}$  -  $\frac{xxx}{2}$   $\frac{B}{3}$   $\frac{x}{4}$

- |   |   |
|---|---|
| <p>1. PANEL STOP OPTION:<br/>                 "TL" WITH PANEL STOP<br/>                 "TM" W/O PANEL STOP</p> <p>2. NO. OF POSITIONS &amp; CONTACTS:<br/>                 "88" 8P8C<br/>                 "00" 10P10C</p> <p>3. CONTACT FINISH:<br/>                 "A" 6 MICROINCH GOLD<br/>                 "B" 15 MICROINCH GOLD<br/>                 "C" 30 MICROINCH GOLD<br/>                 "D" 50 MICROINCH GOLD</p> | <p>4. KEYWAY OPTION:<br/>                 " " W/O KEYWAY<br/>                 "K" WITH KEYWAY</p> |
|---|---|

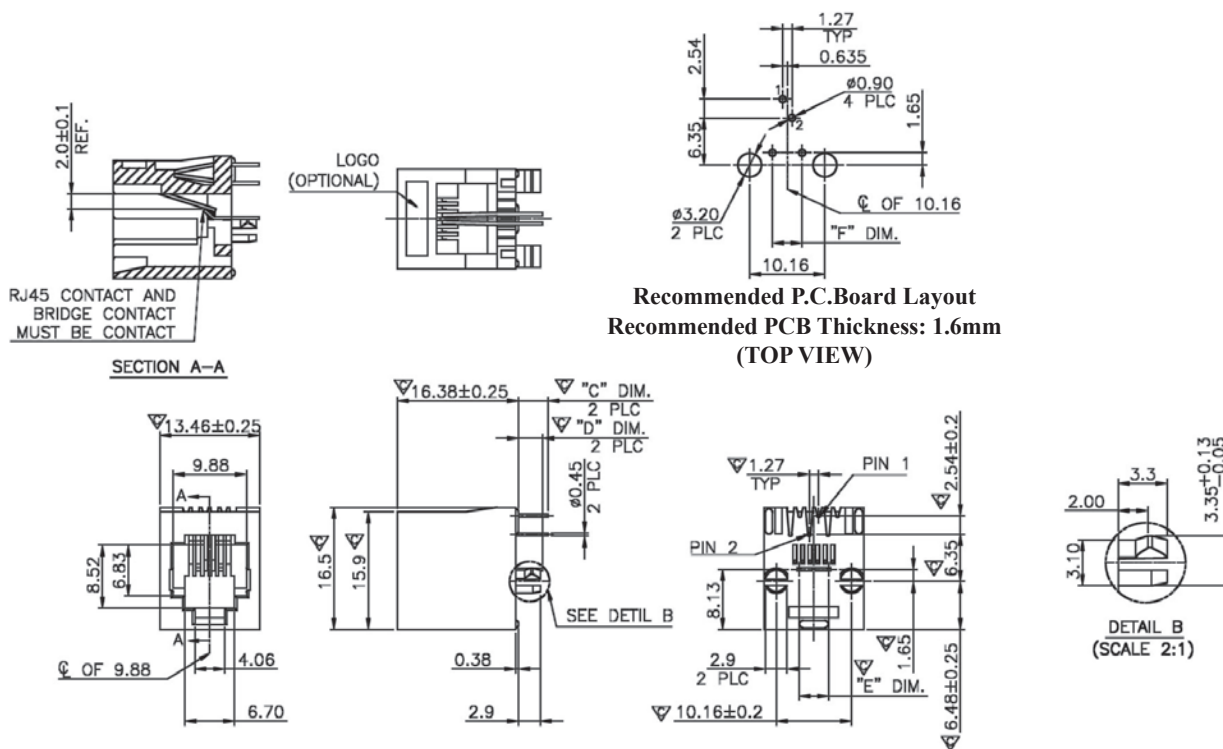
# TOP ENTRY MODULAR PCB JACK 6P WITH SHORTING BUS PROFILE=16.38MM (UNSHIELDED)

## SPECIFICATIONS

**Insulation Resistance:** 500MΩ Min.  
**Contact Resistance:** 20mΩ Max.  
**Rating Current:** 1.5A Max.  
**Rating Voltage:** 120V AC.  
**Dielectric Voltage:** 1000 Vrms 60 Sec. Min.  
**Temperature Range:** -40°C / +85°C  
**Durability:** 500 Mating cycles Min.

## MATERIALS

**Housing:** PBT Glass Filled (UL 94V-0)  
**Soldering Temperature:** 235°C  
**Color:** Black  
**Spring Wire:** Phosphor Bronze  
 Gold plating Over Nickel  
**\*RoHS & REACH compliant.**



## ORDERING INFORMATION:

P/N **M J  $\frac{G}{1} \frac{Z}{2} - \frac{6}{3} \frac{2}{4} \frac{X}{3} \frac{B}{4}$**

- MODULAR JACK TYPE:  
"GZ" TOP ENTRY JACK WITH SHORTING BUS
- NO. OF POSITIONS & CONTACTS:  
"62" 6P2C
- CONTACT FINISH:  
"A" 6 MICROINCH GOLD  
"B" 15 MICROINCH GOLD  
"C" 30 MICROINCH GOLD  
"D" 50 MICROINCH GOLD
- HOUSING COLOR:  
"B" BLACK

# TOP ENTRY MODULAR PCB JACK WITH SPLIT FOOT 10P PROFILE=16.40MM (UNSHIELDED)

## SPECIFICATIONS

### Electrical:

**Voltage Rating:** 125 Vac Rms.

**Current Rating:** 1.5 Amp.

**Contact Resistance:** 30 Milliohms Max.

**Insulation Resistance:** 500 Megohms Min.

**Dielectric Withstanding Voltage:** 1000 V.

**Durability:** 750 Cycles Min.

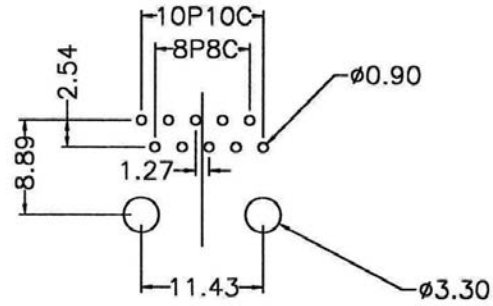
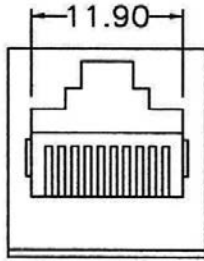
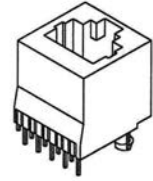
**Temperature:** -40°C To +80°C.

## MATERIALS

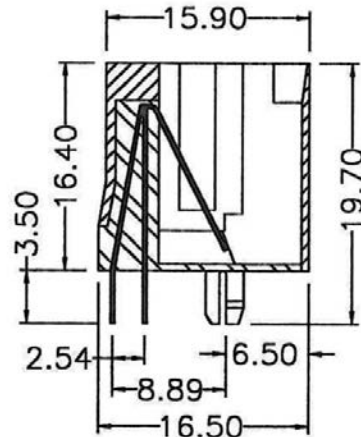
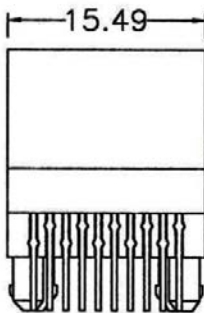
**Housing & Insert:** PBT(UL 94V-0),Black

**Conductor:** 0.35mm Thickness Phosphor Bronze,  
Gold Plated Over Nickel On Contact Area,  
Tin Plated Over Nickel On Solder Area.

\* RoHS & REACH compliant.



Recommended P.C.Board Layout  
(TOP VIEW)



## ORDERING INFORMATION:

P/N M J 49 -  $\frac{x}{1}$   $\frac{x}{2}$   $\frac{x}{3}$  B

1. MODULAR JACK TYPE:

"49" W/O PANEL STOP

2. NO. OF POSITIONS & CONTACTS:

"00" 10P10C

"08" 10P8C

2. CONTACT FINISH:

"A" 6 MICROINCH GOLD

"B" 15 MICROINCH GOLD

"C" 30 MICROINCH GOLD

"D" 50 MICROINCH GOLD

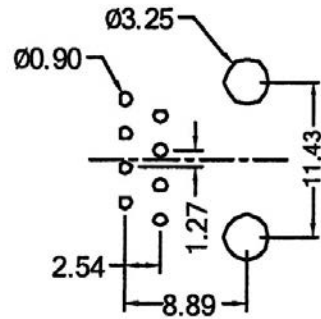
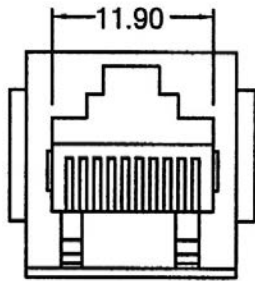
# TOP ENTRY MODULAR PCB JACK WITH DUST COVER 8P PROFILE=16.40MM (UNSHIELDED)

## SPECIFICATIONS

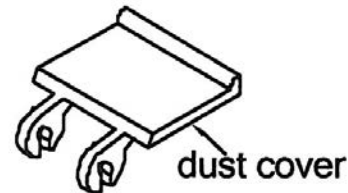
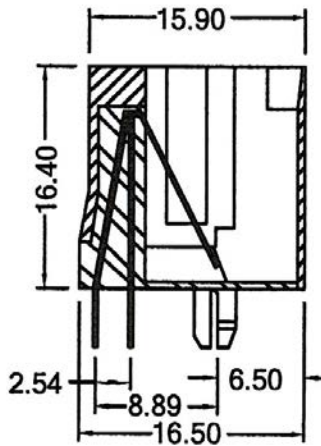
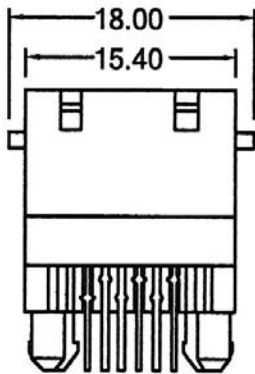
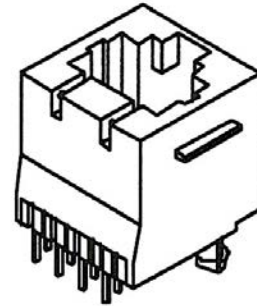
**Insulation Resistance:** 500MΩ Min.  
**Contact Resistance:** 20mΩ Max.  
**Rating Current:** 1.5A Max.  
**Rating Voltage:** 120V AC.  
**Dielectric Voltage:** 1000 Vrms 60 Sec. Min.  
**Temperature Range:** -40°C / +85°C  
**Durability:** 500 Mating cycles Min.

## MATERIALS

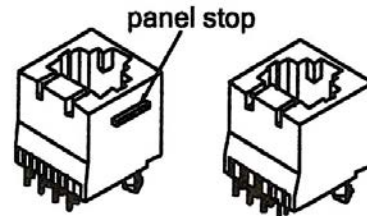
**Housing:** PBT Glass Filled (UL 94V-0)  
**Soldering Temperature:** 235°C  
**Color:** Black  
**Spring Wire:** Phosphor Bronze  
 Gold plating Over Nickel  
**\*RoHS & REACH compliant.**



Recommended P.C. Board Layout (TOP VIEW)



dust cover



panel stop

MJT7

MJT8

## ORDERING INFORMATION:

P/N M J  $\frac{x}{1}$  -  $\frac{88}{2}$   $\frac{x}{3}$  B

- PANEL STOP OPTION:  
 "T7" WITH PANEL STOP  
 "T8" W/O PANEL STOP
- NO. OF POSITIONS & CONTACTS:  
 "88" 8P8C
- CONTACT FINISH:  
 "A" 6 MICROINCH GOLD  
 "B" 15 MICROINCH GOLD  
 "C" 30 MICROINCH GOLD  
 "D" 50 MICROINCH GOLD

## TOP ENTRY MODULAR PCB JACK 8P PROFILE=16.70MM (UNSHIELDED)

### SPECIFICATIONS

**Insulation Resistance:** 500MΩ Min.

**Contact Resistance:** 20mΩ Max.

**Rating Current:** 1.5A Max.

**Rating Voltage:** 120V AC.

**Dielectric Voltage:** 1000 Vrms 60 Sec. Min.

**Temperature Range:** -40°C / +85°C

**Durability:** 500 Mating cycles Min.

### MATERIALS

**Housing:** PBT Glass Filled (UL 94V-0)

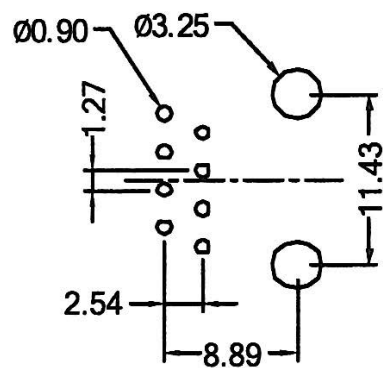
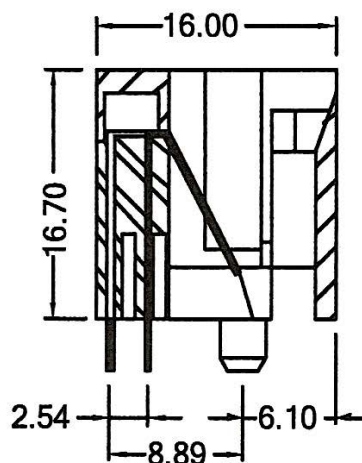
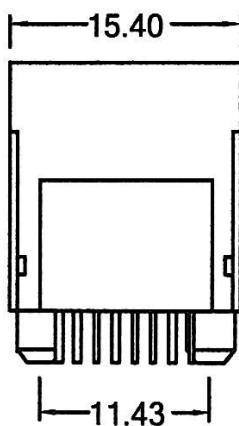
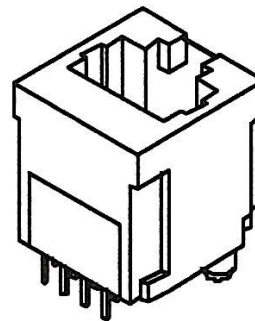
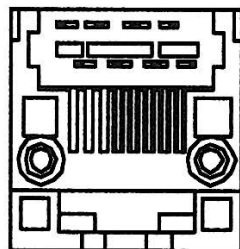
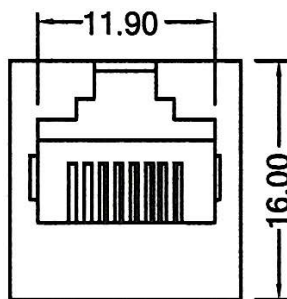
**Soldering Temperature:** 235°C

**Color:** Black

**Spring Wire:** Phosphor Bronze

Gold plating Over Nickel

\*RoHS & REACH compliant.



Recommended P.C. Board Layout  
(TOP VIEW)

### ORDERING INFORMATION:

P/N M J 7 W -  $\frac{88}{1} \times \frac{B}{2}$

1. NO. OF POSITIONS & CONTACTS:

"88" 8P8C

2. CONTACT FINISH:

"A" 6 MICROINCH GOLD

"B" 15 MICROINCH GOLD

"C" 30 MICROINCH GOLD

"D" 50 MICROINCH GOLD

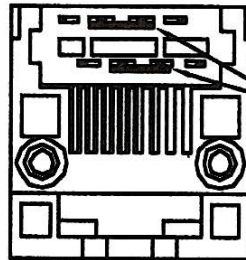
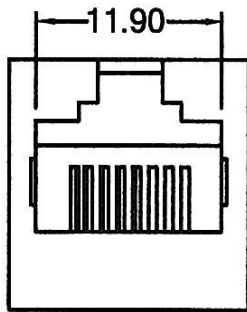
# TOP ENTRY MODULAR PCB JACK WITH COPPER PLATE & FILM (MYLAR) 8P PROFILE=16.70MM (UNSHIELDED)

## SPECIFICATIONS

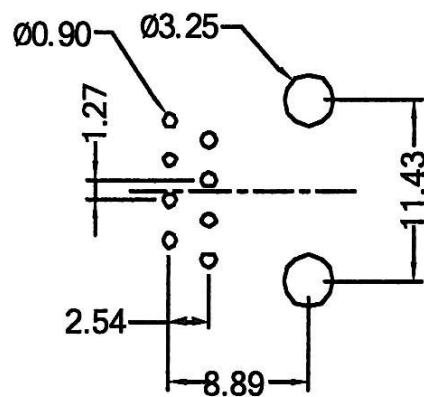
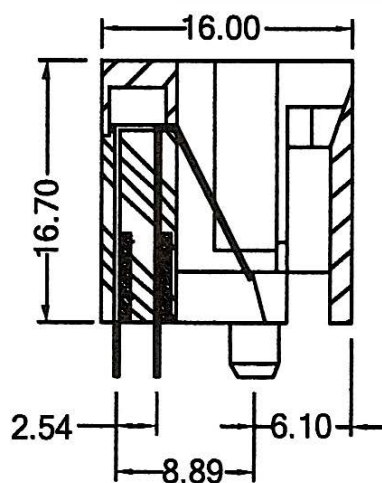
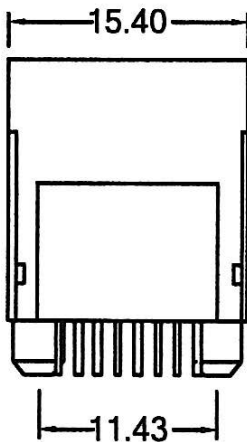
**Insulation Resistance:** 500MΩ Min.  
**Contact Resistance:** 20mΩ Max.  
**Rating Current:** 1.5A Max.  
**Rating Voltage:** 120V AC.  
**Dielectric Voltage:** 1000 Vrms 60 Sec. Min.  
**Temperature Range:** -40°C / +85°C  
**Durability:** 500 Mating cycles Min.

## MATERIALS

**Housing:** PBT Glass Filled (UL 94V-0)  
**Soldering Temperature:** 235°C  
**Color:** Black  
**Spring Wire:** Phosphor Bronze  
 Gold plating Over Nickel  
**\*RoHS & REACH compliant.**



Copper Plate With Mylar



Recommended P.C. Board Layout  
(TOP VIEW)

## ORDERING INFORMATION:

P/N MJ7U -  $\frac{88}{1} \times \frac{B}{2}$

1. NO. OF POSITIONS & CONTACTS:  
"88" 8P8C
2. CONTACT FINISH:  
"A" 6 MICROINCH GOLD  
"B" 15 MICROINCH GOLD  
"C" 30 MICROINCH GOLD  
"D" 50 MICROINCH GOLD



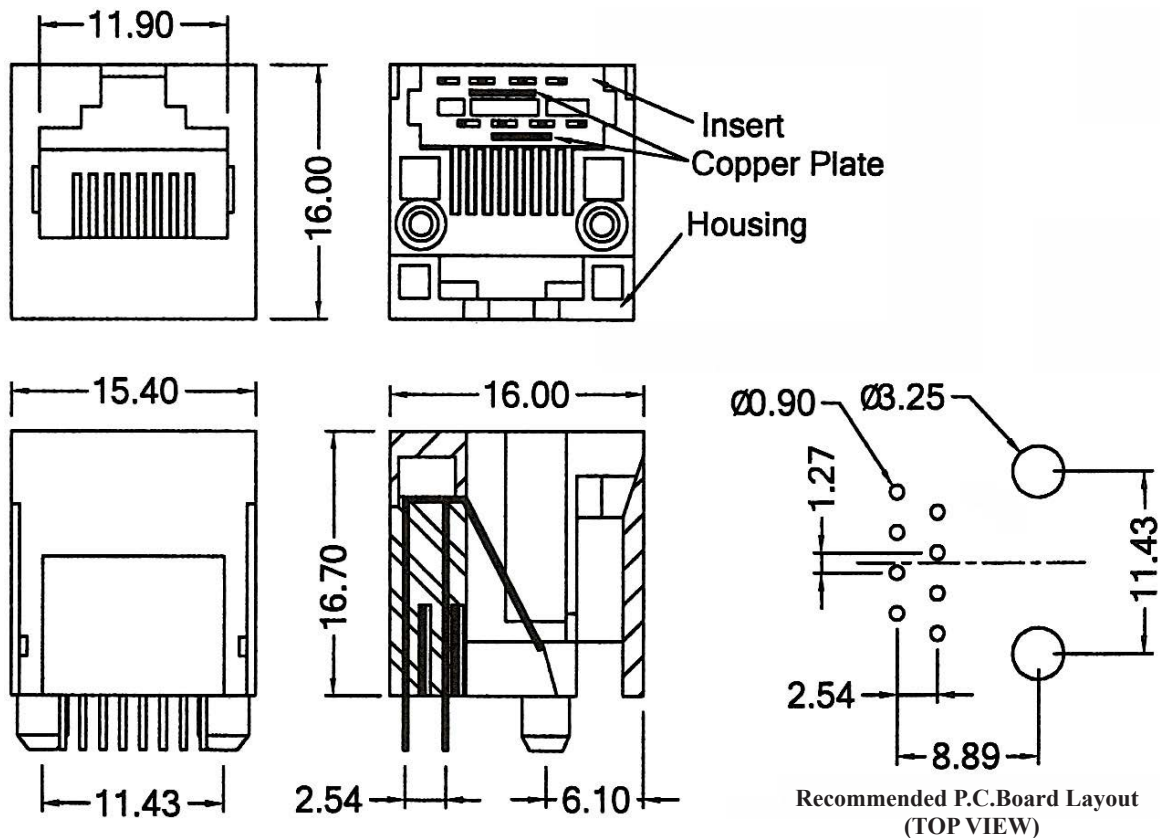
## TOP ENTRY MODULAR PCB JACK WITH COPPER PLATE 8P PROFILE=16.70MM (UNSHIELDED)

### SPECIFICATIONS

**Insulation Resistance:** 500MΩ Min.  
**Contact Resistance:** 20mΩ Max.  
**Rating Current:** 1.5A Max.  
**Rating Voltage:** 120V AC.  
**Dielectric Voltage:** 1000 Vrms 60 Sec. Min.  
**Temperature Range:** -40°C / +85°C  
**Durability:** 500 Mating cycles Min.

### MATERIALS

**Housing:** PBT Glass Filled (UL 94V-0)  
**Soldering Temperature:** 235°C  
**Color:** Black  
**Spring Wire:** Phosphor Bronze  
 Gold plating Over Nickel  
**\*RoHS & REACH compliant.**



### ORDERING INFORMATION:

P/N MJ7C -  $\frac{88}{1} \times \frac{B}{2}$

1. NO. OF POSITIONS & CONTACTS:  
"88" 8P8C
2. CONTACT FINISH:  
 "A" 6 MICROINCH GOLD  
 "B" 15 MICROINCH GOLD  
 "C" 30 MICROINCH GOLD  
 "D" 50 MICROINCH GOLD

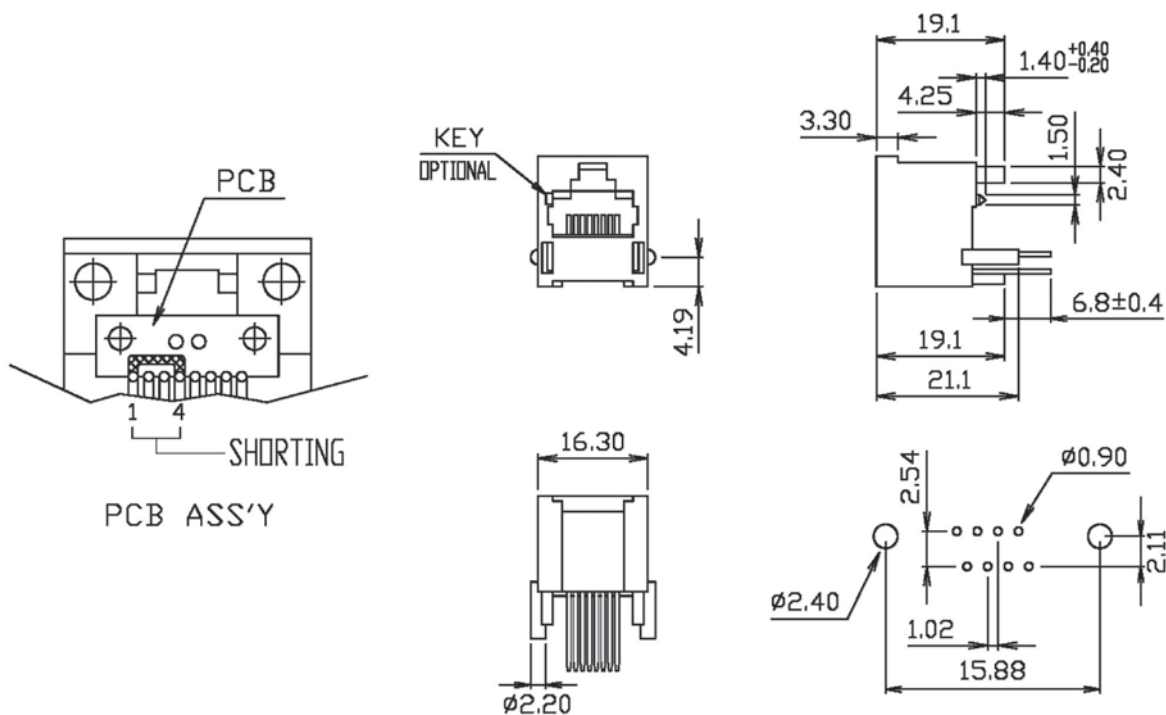
## TOP ENTRY MODULAR PCB JACK 8P PROFILE=21.10MM (UNSHIELDED)

### SPECIFICATIONS

**Insulation Resistance:** 500MΩ Min.  
**Contact Resistance:** 20mΩ Max.  
**Rating Current:** 1.5A Max.  
**Rating Voltage:** 120V AC.  
**Dielectric Voltage:** 1000 Vrms 60 Sec. Min.  
**Temperature Range:** -40°C / +85°C  
**Durability:** 500 Mating cycles Min.

### MATERIALS

**Housing:** PBT Glass Filled (UL 94V-0)  
**Soldering Temperature:** 235°C  
**Color:** Black  
**Spring Wire:** Phosphor Bronze  
 Gold plating Over Nickel  
**\*RoHS & REACH compliant.**



Recommended P.C.Board Layout

### ORDERING INFORMATION:

P/N **M J G Q - 88 x B**  
1 2 3 4

1. MODULAR JACK TYPE:  
"GQ" DIP=6.8MM FLANGELESS
2. NO. OF POSITIONS & CONTACTS:  
"88" 8P8C
3. CONTACT FINISH:  
"A" 6 MICROINCH GOLD  
"B" 15 MICROINCH GOLD  
"C" 30 MICROINCH GOLD  
"D" 50 MICROINCH GOLD
4. HOUSING COLOR:  
"B" BLACK

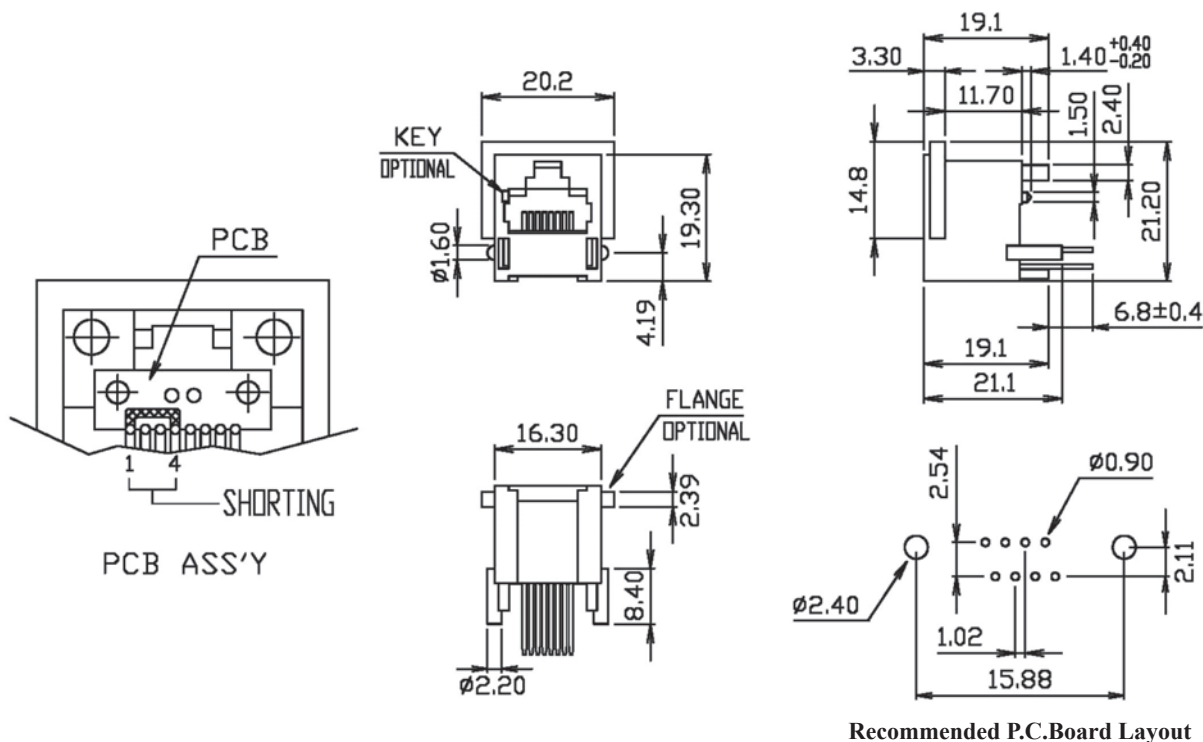
## TOP ENTRY MODULAR PCB JACK 8P PROFILE=21.10MM (UNSHIELDED)

### SPECIFICATIONS

**Insulation Resistance:** 500MΩ Min.  
**Contact Resistance:** 20mΩ Max.  
**Rating Current:** 1.5A Max.  
**Rating Voltage:** 120V AC.  
**Dielectric Voltage:** 1000 Vrms 60 Sec. Min.  
**Temperature Range:** -40°C / +85°C  
**Durability:** 500 Mating cycles Min.

### MATERIALS

**Housing:** PBT Glass Filled (UL 94V-0)  
**Soldering Temperature:** 235°C  
**Color:** Black  
**Spring Wire:** Phosphor Bronze  
 Gold plating Over Nickel  
**\*RoHS & REACH compliant.**



### ORDERING INFORMATION:

P/N M J  $\frac{GP}{1}$  -  $\frac{88}{2}$  x  $\frac{B}{3}$   $\frac{4}{4}$

- MODULAR JACK TYPE:  
"GP" DIP=6.8MM FLANGED
- NO. OF POSITIONS & CONTACTS:  
"88" 8P8C
- CONTACT FINISH:  
"A" 6 MICROINCH GOLD  
"B" 15 MICROINCH GOLD  
"C" 30 MICROINCH GOLD  
"D" 50 MICROINCH GOLD
- HOUSING COLOR:  
"B" BLACK

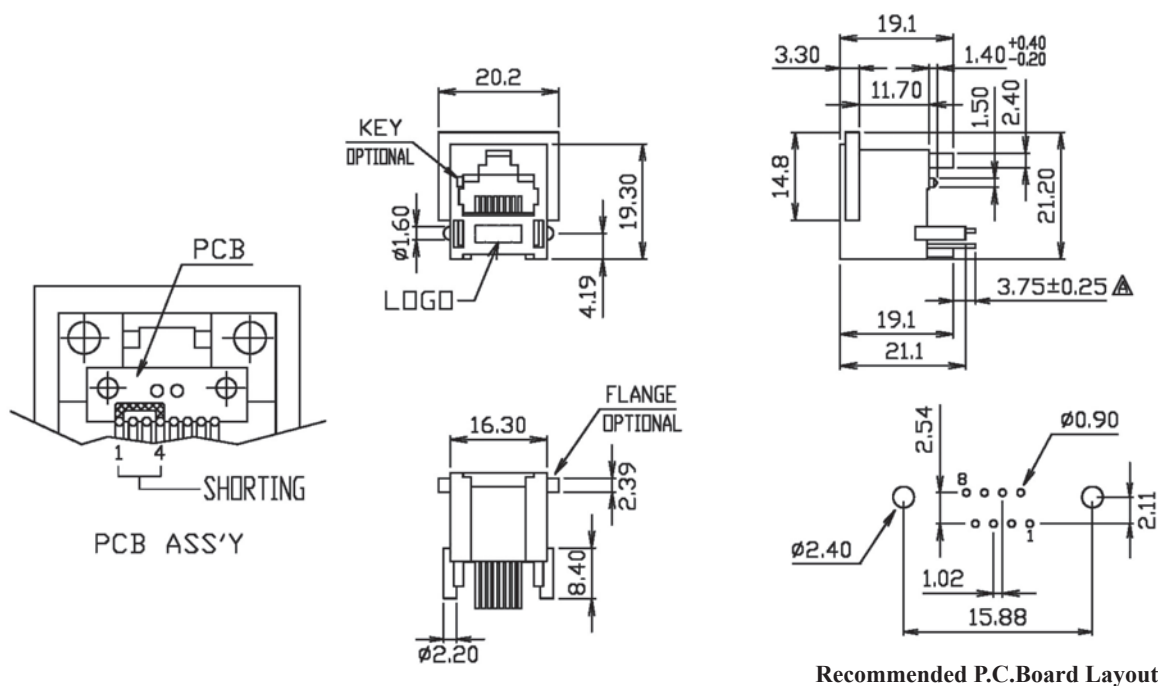
## TOP ENTRY MODULAR PCB JACK 8P PROFILE=21.10MM (UNSHIELDED)

### SPECIFICATIONS

**Insulation Resistance:** 500MΩ Min.  
**Contact Resistance:** 20mΩ Max.  
**Rating Current:** 1.5A Max.  
**Rating Voltage:** 120V AC.  
**Dielectric Voltage:** 1000 Vrms 60 Sec. Min.  
**Temperature Range:** -40°C / +85°C  
**Durability:** 500 Mating cycles Min.

### MATERIALS

**Housing:** PBT Glass Filled (UL 94V-0)  
**Soldering Temperature:** 235°C  
**Color:** Black  
**Spring Wire:** Phosphor Bronze  
 Gold plating Over Nickel  
**\*RoHS & REACH compliant.**



Recommended P.C.Board Layout

### ORDERING INFORMATION:

P/N M J G N - 8 8 x B  
 I 2 3 4

- MODULAR JACK TYPE:  
"GN" DIP=3.75MM FLANGED
- NO. OF POSITIONS & CONTACTS:  
"88" 8P8C
- CONTACT FINISH:  
"A" 6 MICROINCH GOLD  
"B" 15 MICROINCH GOLD  
"C" 30 MICROINCH GOLD  
"D" 50 MICROINCH GOLD
- HOUSING COLOR:  
"B" BLACK

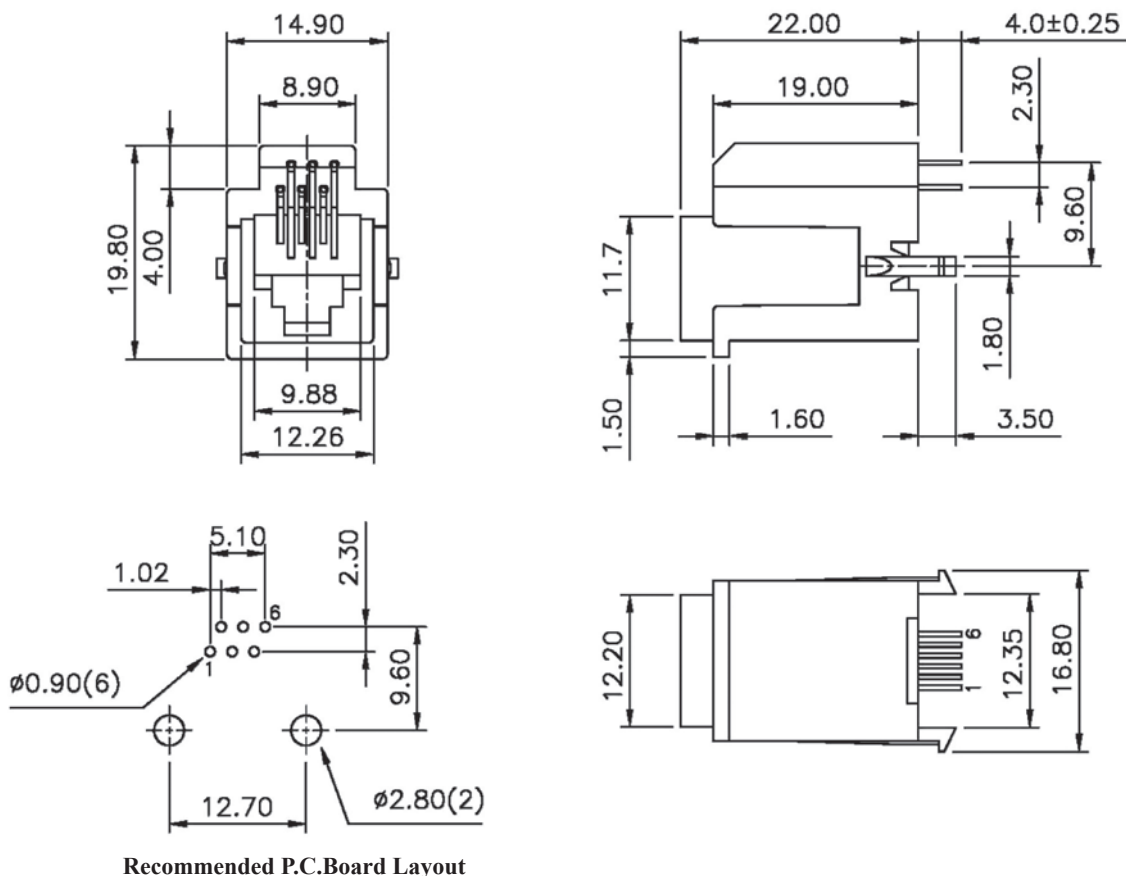
## TOP ENTRY MODULAR PCB JACK 6P PROFILE=22.00MM (UNSHIELDED)

### SPECIFICATIONS

**Insulation Resistance:** 500MΩ Min.  
**Contact Resistance:** 20mΩ Max.  
**Rating Current:** 1.5A Max.  
**Rating Voltage:** 120V AC.  
**Dielectric Voltage:** 1000 Vrms 60 Sec. Min.  
**Temperature Range:** -40°C / +85°C  
**Durability:** 500 Mating cycles Min.

### MATERIALS

**Housing:** PBT Glass Filled (UL 94V-0)  
**Soldering Temperature:** 235°C  
**Color:** Black  
**Spring Wire:** Phosphor Bronze  
 Gold plating Over Nickel  
**\*RoHS & REACH compliant.**



### ORDERING INFORMATION:

P/N M J G R - 6 6 x B  
1 2 3 4

- MODULAR JACK TYPE:  
"GR" STRAIGHT DIP TYPE
- NO. OF POSITIONS & CONTACTS:  
"64" 6P4C  
"66" 6P6C
- CONTACT FINISH:  
"A" 6 MICROINCH GOLD  
"B" 15 MICROINCH GOLD  
"C" 30 MICROINCH GOLD  
"D" 50 MICROINCH GOLD
- HOUSING COLOR:  
"B" BLACK

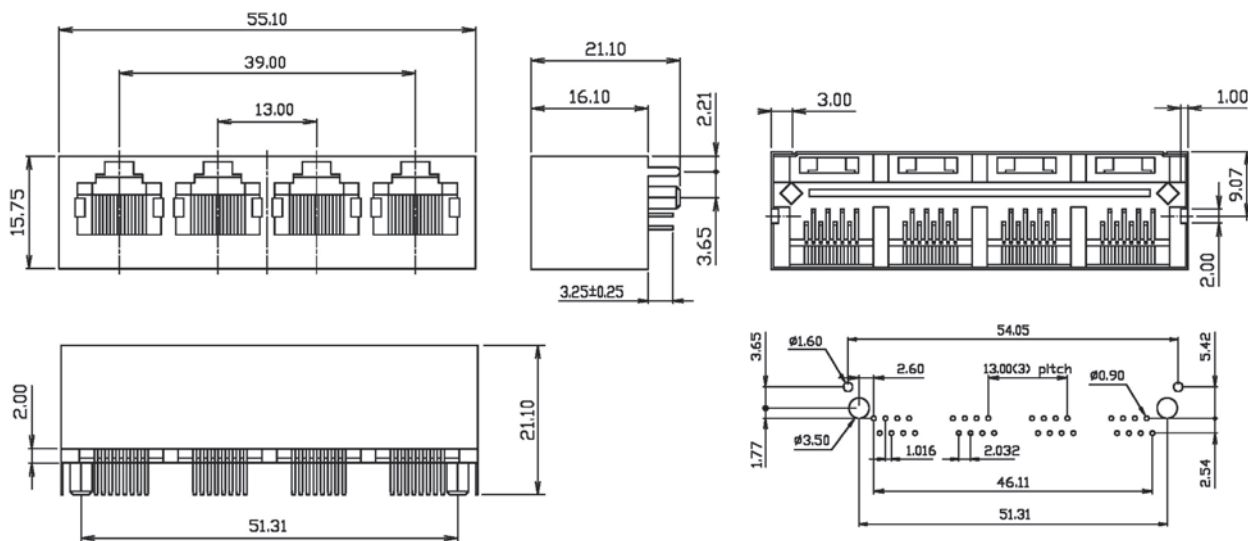
## TOP ENTRY 4-PORT MODULAR PCB JACK 8P PROFILE=16.10MM (UNSHIELDED)

### SPECIFICATIONS

**Insulation Resistance:** 500MΩ Min.  
**Contact Resistance:** 20mΩ Max.  
**Rating Current:** 1.5A Max.  
**Rating Voltage:** 120V AC.  
**Dielectric Voltage:** 1000 Vrms 60 Sec. Min.  
**Temperature Range:** -40°C / +85°C  
**Durability:** 500 Mating cycles Min.

### MATERIALS

**Housing:** PBT Glass Filled (UL 94V-0)  
**Soldering Temperature:** 235°C  
**Color:** Black  
**Spring Wire:** Phosphor Bronze  
 Gold plating Over Nickel  
**Shield:** Brass plating Nickel Alloy  
**\*RoHS & REACH compliant.**



Recommended P.C.Board Layout

### ORDERING INFORMATION:

**P/N M J G J - 8 8 x B 0 4**  
**1 2 3 4 5**

- |   |                        |
|---|------------------------|
| 1. MODULAR JACK TYPE:<br>"GJ" STRAIGHT GANGED JACK  | 5. NO. OF PORTS:<br>04 |
| 2. NO. OF POSITIONS & CONTACTS:<br>"88" 8P8C  |                        |
| 3. CONTACT FINISH:<br>"A" 6 MICROINCH GOLD<br>"B" 15 MICROINCH GOLD<br>"C" 30 MICROINCH GOLD<br>"D" 50 MICROINCH GOLD |                        |
| 4. HOUSING COLOR:<br>"B" BLACK  |                        |

## TOP ENTRY MODULAR SMT JACK 4P PROFILE=12.80MM (UNSHIELDED)

### SPECIFICATIONS

Insulation Resistance: 500MΩ Min.

Contact Resistance: 20mΩ Max.

Rating Current: 1.5A Max.

Rating Voltage: 120V AC.

Dielectric Voltage: 1000 Vrms 60 Sec. Min.

Temperature Range: -40°C / +85°C

Durability: 500 Mating cycles Min.

### MATERIALS

Housing: Nylon (UL 94V-0)

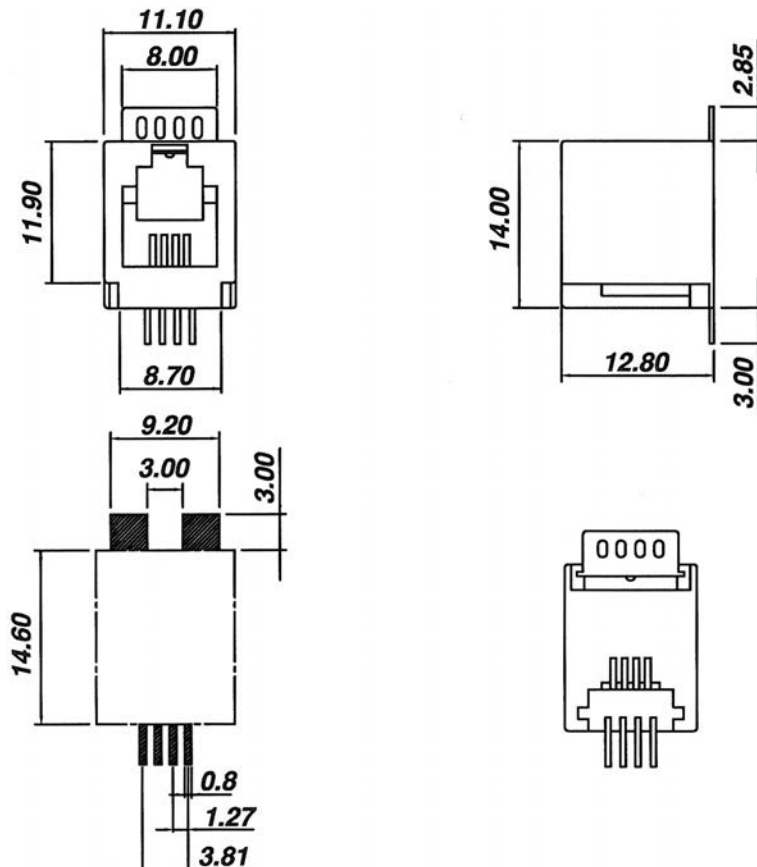
Soldering Temperature: 260°C

Color: Black

Spring Wire: Phosphor Bronze

Gold plating Over Nickel

\*RoHS & REACH compliant.



Recommended P.C.Board Layout  
(TOP VIEW)

### ORDERING INFORMATION:

P/N M J T F -  $\frac{44}{1} \times \frac{B}{2} - \frac{x}{3}$

1. NO. OF POSITIONS & CONTACTS:

"44" 4P4C

2. CONTACT FINISH:

"A" 6 MICROINCH GOLD

"B" 15 MICROINCH GOLD

"C" 30 MICROINCH GOLD

"D" 50 MICROINCH GOLD

3. PACKAGE OPTION:

" " TRAY

"R" TAPE & REEL

"G" WITH FILM IN TAPE & REEL

## TOP ENTRY MODULAR SMT JACK 6P PROFILE=12.80MM (UNSHIELDED)

### SPECIFICATIONS

Insulation Resistance: 500MΩ Min.

Contact Resistance: 20mΩ Max.

Rating Current: 1.5A Max.

Rating Voltage: 120V AC.

Dielectric Voltage: 1000 Vrms 60 Sec. Min.

Temperature Range: -40°C / +85°C

Durability: 500 Mating cycles Min.

### MATERIALS

Housing: Nylon (UL 94V-0)

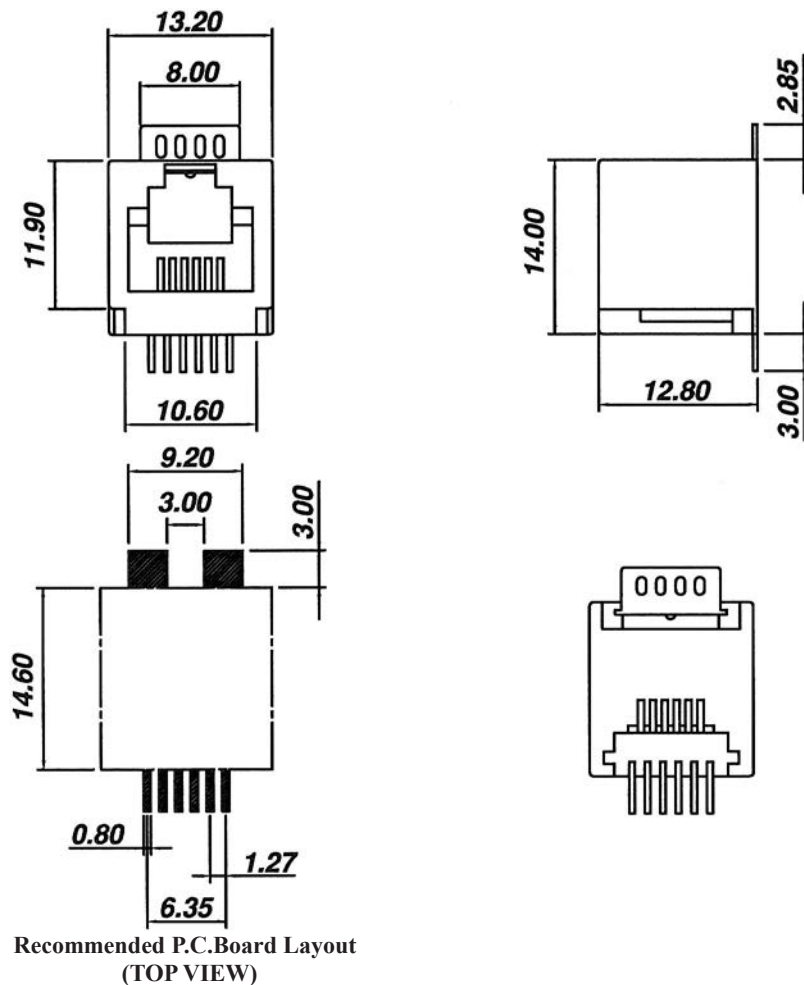
Soldering Temperature: 260°C

Color: Black

Spring Wire: Phosphor Bronze

Gold plating Over Nickel

\*RoHS & REACH compliant.



### ORDERING INFORMATION:

P/N M J T F -  $\frac{x}{1}$   $\frac{x}{2}$   $\frac{x}{3}$  B -  $\frac{x}{3}$

#### 1. NO. OF POSITIONS & CONTACTS:

"66" 6P6C

"64" 6P4C

#### 2. CONTACT FINISH:

"A" 6 MICROINCH GOLD

"B" 15 MICROINCH GOLD

"C" 30 MICROINCH GOLD

"D" 50 MICROINCH GOLD

#### 3. PACKAGE OPTION:

" " TRAY

"R" TAPE & REEL

"G" WITH FILM IN TAPE & REEL



## TOP ENTRY MODULAR SMT JACK 8P PROFILE=12.80MM (UNSHIELDED)

### SPECIFICATIONS

Insulation Resistance: 500MΩ Min.

Contact Resistance: 20mΩ Max.

Rating Current: 1.5A Max.

Rating Voltage: 120V AC.

Dielectric Voltage: 1000 Vrms 60 Sec. Min.

Temperature Range: -40°C / +85°C

Durability: 500 Mating cycles Min.

### MATERIALS

Housing: Nylon (UL 94V-0)

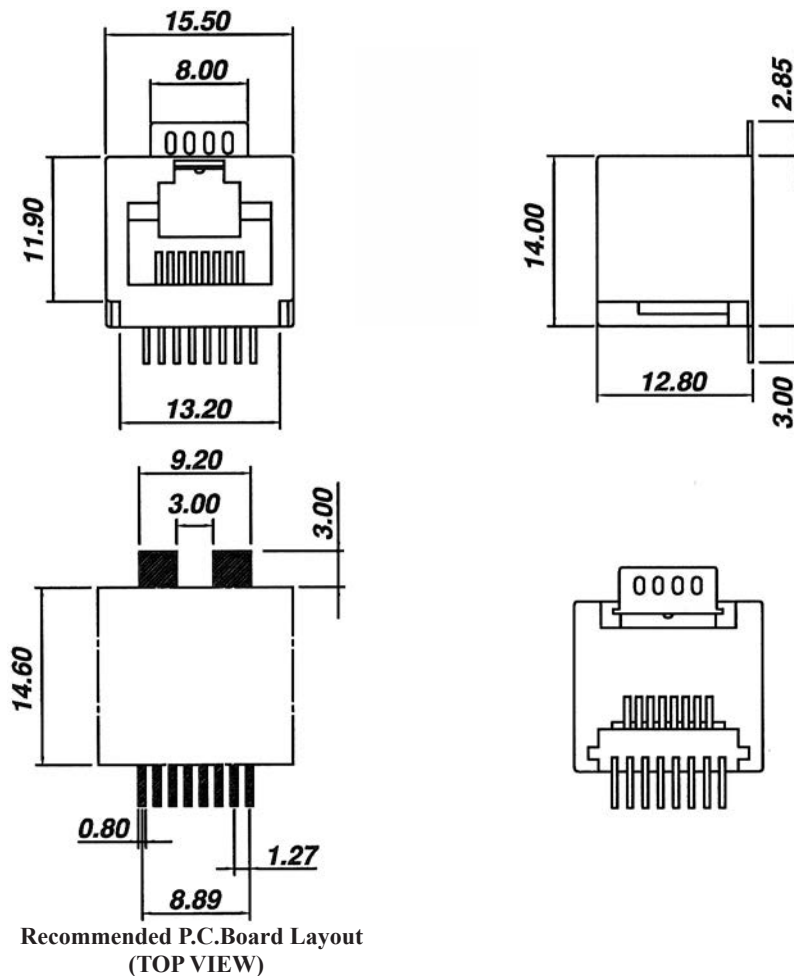
Soldering Temperature: 260°C

Color: Black

Spring Wire: Phosphor Bronze

Gold plating Over Nickel

\*RoHS & REACH compliant.



### ORDERING INFORMATION:

P/N M J T F -  $\frac{88}{1} \times \frac{B}{2} - \frac{x}{3}$

1. NO. OF POSITIONS & CONTACTS:  
"88" 8P8C
2. CONTACT FINISH:  
"A" 6 MICROINCH GOLD  
"B" 15 MICROINCH GOLD  
"C" 30 MICROINCH GOLD  
"D" 50 MICROINCH GOLD
3. PACKAGE OPTION:  
" " TRAY  
"R" TAPE & REEL  
"G" WITH FILM IN TAPE & REEL

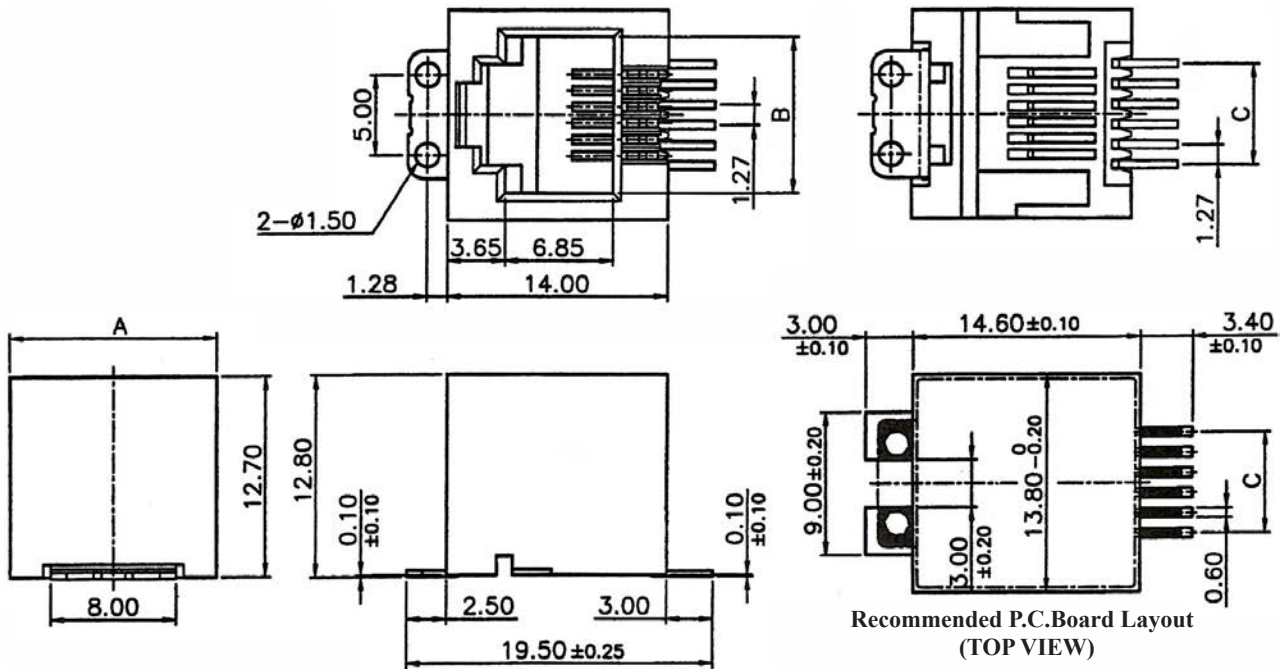
# TOP ENTRY MODULAR SMT JACK WITH SOLDER PAD 4P+6P+8P+10P PROFILE=12.80MM (UNSHIELDED)

## SPECIFICATIONS

**Insulation Resistance:** 500MΩ Min.  
**Contact Resistance:** 20mΩ Max.  
**Rating Current:** 1.5A Max.  
**Rating Voltage:** 120V AC.  
**Dielectric Voltage:** 1000 Vrms 60 Sec. Min.  
**Temperature Range:** -40°C / +85°C  
**Durability:** 500 Mating cycles Min.

## MATERIALS

**Housing:** Nylon (UL 94V-0)  
**Soldering Temperature:** 260°C  
**Color:** Black  
**Spring Wire:** Phosphor Bronze  
 Gold plating Over Nickel  
**\*RoHS & REACH compliant.**



No. of Positions	Dimensions		
	A	B	C
4	13.21	7.82	3.81
6	13.21	9.85	6.35
8/10	15.50	11.85	8.89/11.43

## ORDERING INFORMATION:

P/N M J 4 Y -  $\frac{x}{1} \frac{x}{2} \frac{x}{3} B - \frac{x}{3}$

### 1. NO. OF POSITIONS & CONTACTS:

- "66" 6P6C
- "64" 6P4C
- "88" 8P8C
- "00" 10P10C
- "44" 4P4C

### 2. CONTACT FINISH:

- "A" 6 MICROINCH GOLD
- "B" 15 MICROINCH GOLD
- "C" 30 MICROINCH GOLD
- "D" 50 MICROINCH GOLD

### 3. PACKAGE OPTION:

- " " TRAY
- "R" TAPE & REEL

## TOP ENTRY MODULAR SMT JACK 8P PROFILE=12.70MM (UNSHIELDED)

### SPECIFICATIONS

#### Electrical:

**Voltage Rating:** 125 Vac Rms.

**Current Rating:** 1.5 Amp.

**Contact Resistance:** 40 Milliohms Max.

**Insulation Resistance:** 1000 Megohms Min @500 Vdc.

**Dielectric Strength:** 1000 Vac Rms 60Hz, 1Min.

#### Mechanical:

**Operating:** 750 Cycles Min.

#### Environmental:

**Storage:** -40°C To +85°C.

**Operation:** -40°C To +80°C.

**IR Reflow Soldering Temperature:** 255°C To 265°C(5~10 Seconds)

### MATERIALS

**Plastic Housing:** High Temp Thermoplastic

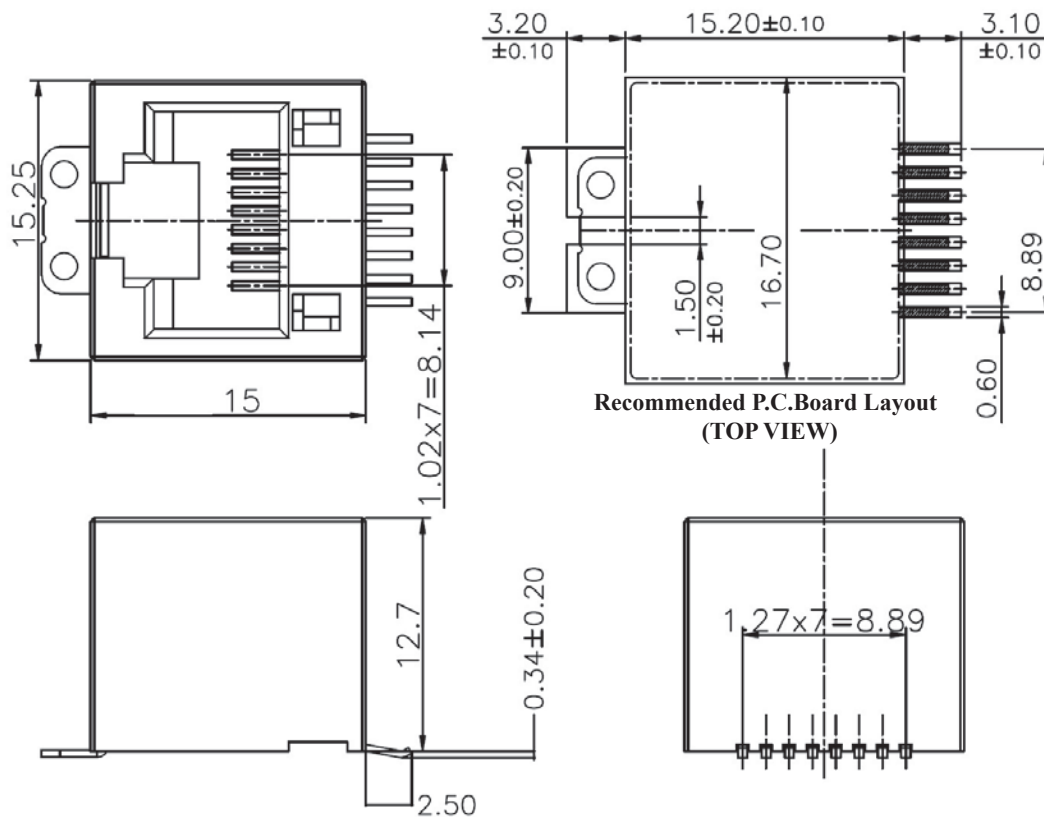
Flammability Rating UL 94V-0.

**Contacts:** Phosphor Bronze

**Plating:** Gold Plating Over Nickel In Contact,  
Tin Plating Over Nickel In Solder Area.

**Solder Pad:** Brass With Tin Plating Over Nickel.

\* RoHS & REACH compliant.



### ORDERING INFORMATION:

P/N M J  $\frac{4}{1}$  Y J -  $\frac{88}{23}$  x B -  $\frac{x}{4}$

1. MODULAR JACK TYPE:  
"4YJ" WITH SOLDER PAD
2. NO. OF POSITIONS & CONTACTS:  
"88" 8P8C
3. CONTACT FINISH:  
"A" 6 MICROINCH GOLD  
"B" 15 MICROINCH GOLD  
"C" 30 MICROINCH GOLD  
"D" 50 MICROINCH GOLD
4. PACKAGE OPTION:  
" " TRAY  
"R" TAPE & REEL

NOTE: IT CAN BE USED FOR REPLACING P/N MJ4Y-88xB-x.

## TOP ENTRY MODULAR SMT JACK 6P PROFILE=15.70MM (UNSHIELDED)

### SPECIFICATIONS

**Insulation Resistance:** 500MΩ Min.

**Contact Resistance:** 20mΩ Max.

**Rating Current:** 1.5A Max.

**Rating Voltage:** 120V AC.

**Dielectric Voltage:** 1000 Vrms 60 Sec. Min.

**Temperature Range:** -40°C / +85°C

**Durability:** 500 Mating cycles Min.

### MATERIALS

**Housing:** Nylon (UL 94V-0)

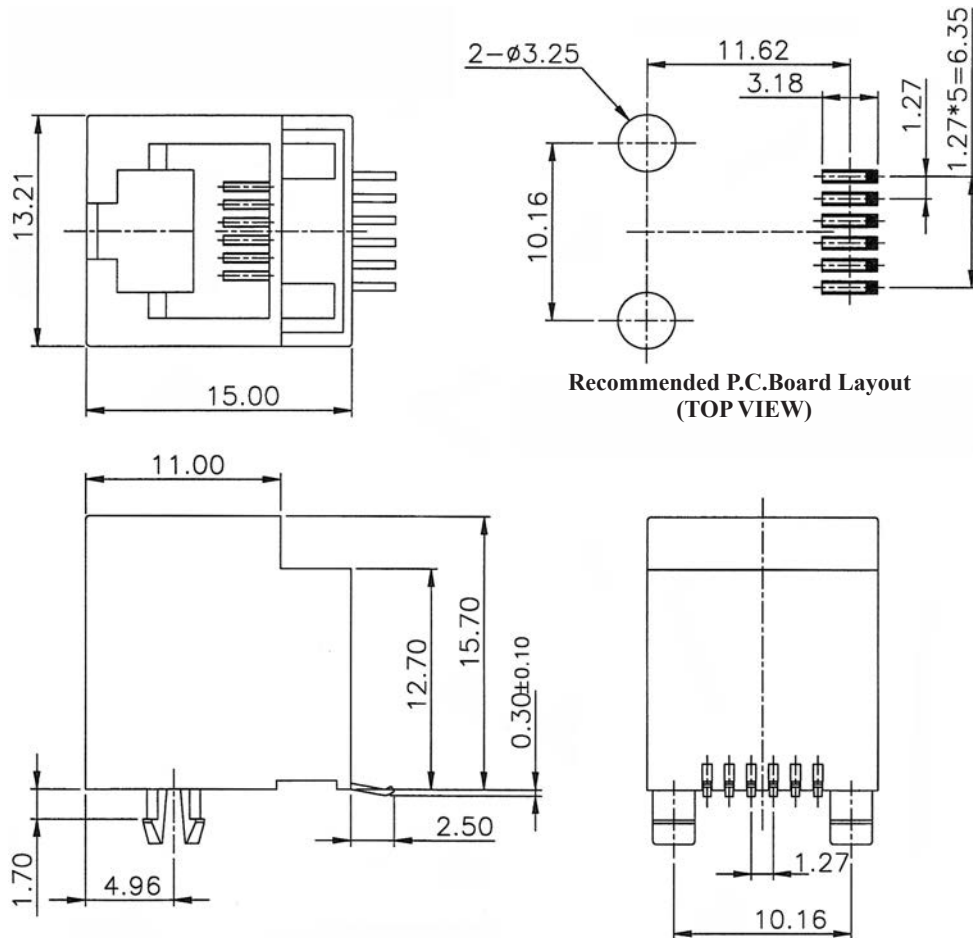
**Soldering Temperature:** 260°C

**Color:** Black

**Spring Wire:** Phosphor Bronze

Gold plating Over Nickel

**\*RoHS & REACH compliant.**



### ORDERING INFORMATION:

P/N M J 4 2 -  $\frac{x}{1} \frac{x}{2} \frac{x}{3} B - \frac{x}{3}$

1. NO. OF POSITIONS & CONTACTS:

"66" 6P6C

"64" 6P4C

2. CONTACT FINISH:

"A" 6 MICROINCH GOLD

"B" 15 MICROINCH GOLD

"C" 30 MICROINCH GOLD

"D" 50 MICROINCH GOLD

3. PACKAGE OPTION:

" " TRAY

"R" TAPE & REEL

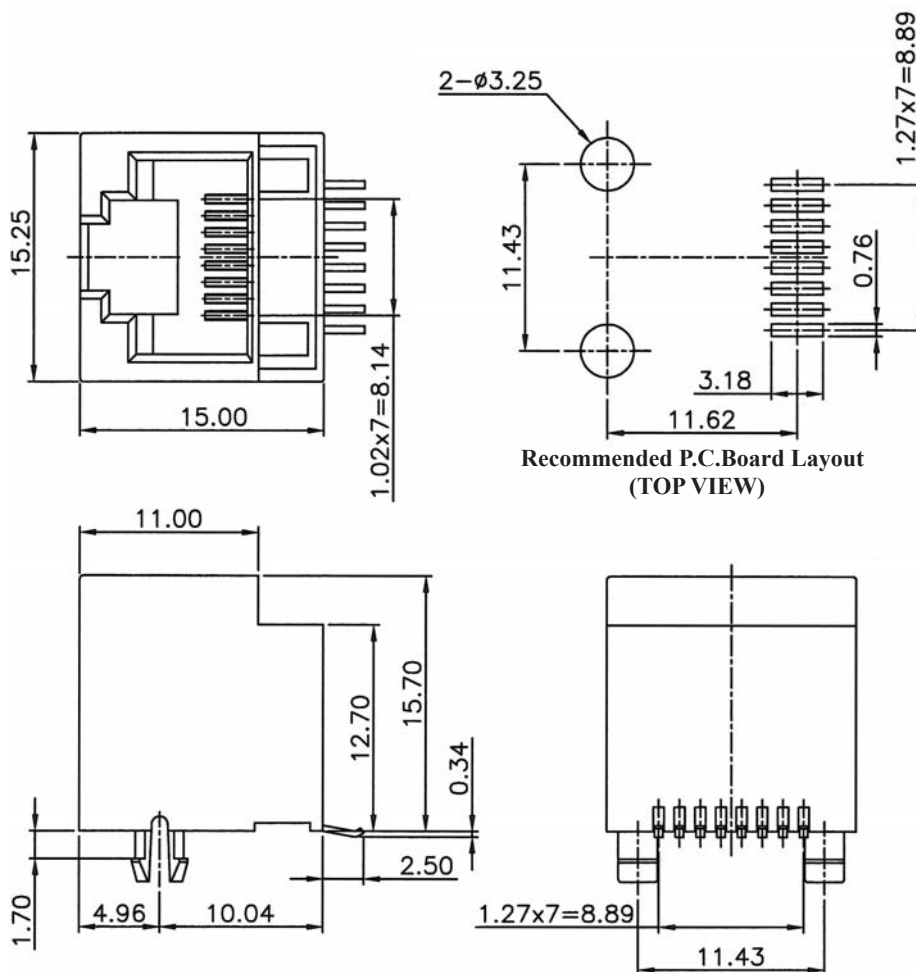
## TOP ENTRY MODULAR SMT JACK 8P PROFILE=15.70MM (UNSHIELDED)

### SPECIFICATIONS

**Insulation Resistance:** 500MΩ Min.  
**Contact Resistance:** 20mΩ Max.  
**Rating Current:** 1.5A Max.  
**Rating Voltage:** 120V AC.  
**Dielectric Voltage:** 1000 Vrms 60 Sec. Min.  
**Temperature Range:** -40°C / +85°C  
**Durability:** 500 Mating cycles Min.

### MATERIALS

**Housing:** Nylon (UL 94V-0)  
**Soldering Temperature:** 260°C  
**Color:** Black  
**Spring Wire:** Phosphor Bronze  
 Gold plating Over Nickel  
**\*RoHS & REACH compliant.**



### ORDERING INFORMATION:

P/N M J 4 2 -  $\frac{x}{1}$   $\frac{x}{2}$  B -  $\frac{x}{3}$

1. NO. OF POSITIONS & CONTACTS:

"88" 8P8C  
 "84" 8P4C

2. CONTACT FINISH:

"A" 6 MICROINCH GOLD  
 "B" 15 MICROINCH GOLD  
 "C" 30 MICROINCH GOLD  
 "D" 50 MICROINCH GOLD

3. PACKAGE OPTION:

" " TRAY  
 "R" TAPE & REEL

## TOP ENTRY MODULAR SMT JACK 8P PROFILE=15.70MM (UNSHIELDED)

### SPECIFICATIONS

#### Electrical:

**Voltage Rating:** 125 Vac Rms.

**Current Rating:** 1.5 Amp.

**Contact Resistance:** 40 Milliohms Max.

**Insulation Resistance:** 1000 Megohms Min @500 Vdc.

**Dielectric Strength:** 1000 Vac Rms 60Hz, 1Min.

#### Mechanical:

**Operating:** 750 Cycles Min.

#### Environmental:

**Storage:** -40°C To +85°C.

**Operation:** -40°C To +80°C.

**IR Reflow Soldering Temperature:** 255°C To 265°C(5~10 Seconds)

### MATERIALS

**Plastic Housing:** High Temp. Thermoplastic

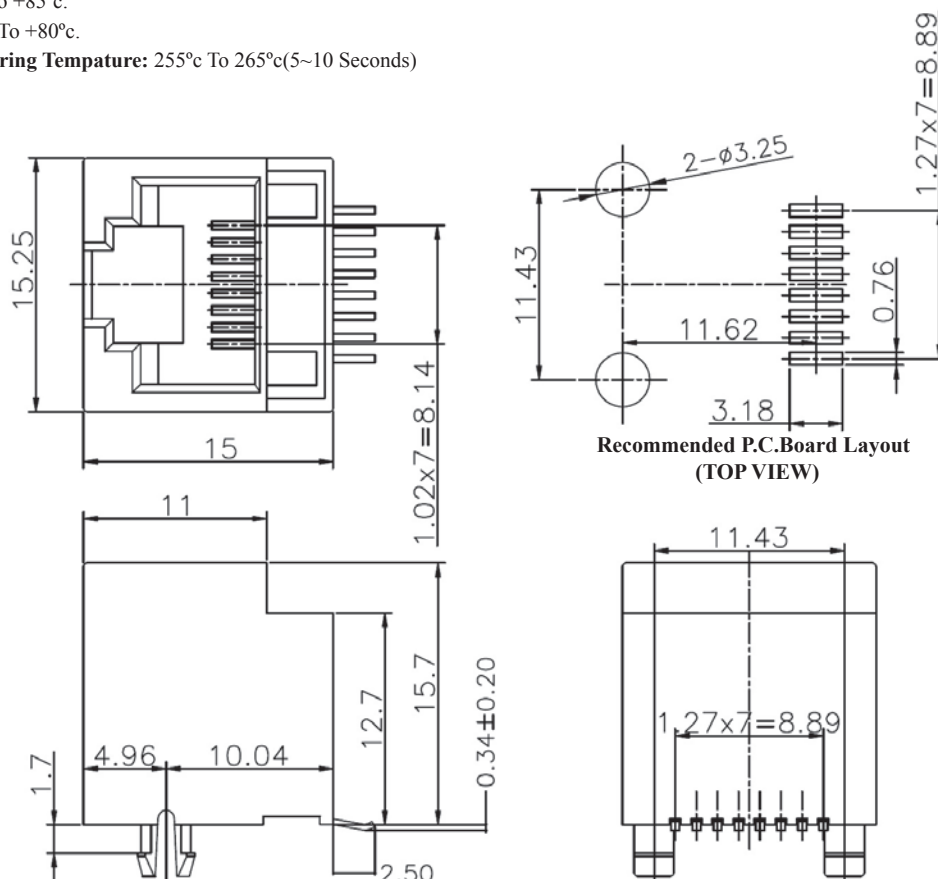
Flammability Rating UL 94V-0.

**Contacts:** Phosphor Bronze

**Plating:** Gold Plating Over Nickel In Contact,

Tin Plating Over Nickel In Solder Area.

\* RoHS & REACH compliant.



### ORDERING INFORMATION:

P/N **M J  $\frac{42}{1}$  J-  $\frac{88}{2}$  x  $\frac{B}{3}$  -  $\frac{x}{4}$**

1. MODULAR JACK TYPE:  
"42J" WITH STEP
2. NO. OF POSITIONS & CONTACTS:  
"88" 8P8C
3. CONTACT FINISH:  
"A" 6 MICROINCH GOLD  
"B" 15 MICROINCH GOLD  
"C" 30 MICROINCH GOLD  
"D" 50 MICROINCH GOLD
4. PACKAGE OPTION:  
" " TRAY  
"R" TAPE & REEL

NOTE: IT CAN BE USED FOR REPLACING P/N MJ42-88xB-x.

## TOP ENTRY MODULAR SMT JACK 4P PROFILE=15.90MM (UNSHIELDED)

### SPECIFICATIONS

Insulation Resistance: 500MΩ Min.

Contact Resistance: 20mΩ Max.

Rating Current: 1.5A Max.

Rating Voltage: 120V AC.

Dielectric Voltage: 1000 Vrms 60 Sec. Min.

Temperature Range: -40°C / +85°C

Durability: 500 Mating cycles Min.

### MATERIALS

Housing: Nylon (UL 94V-0)

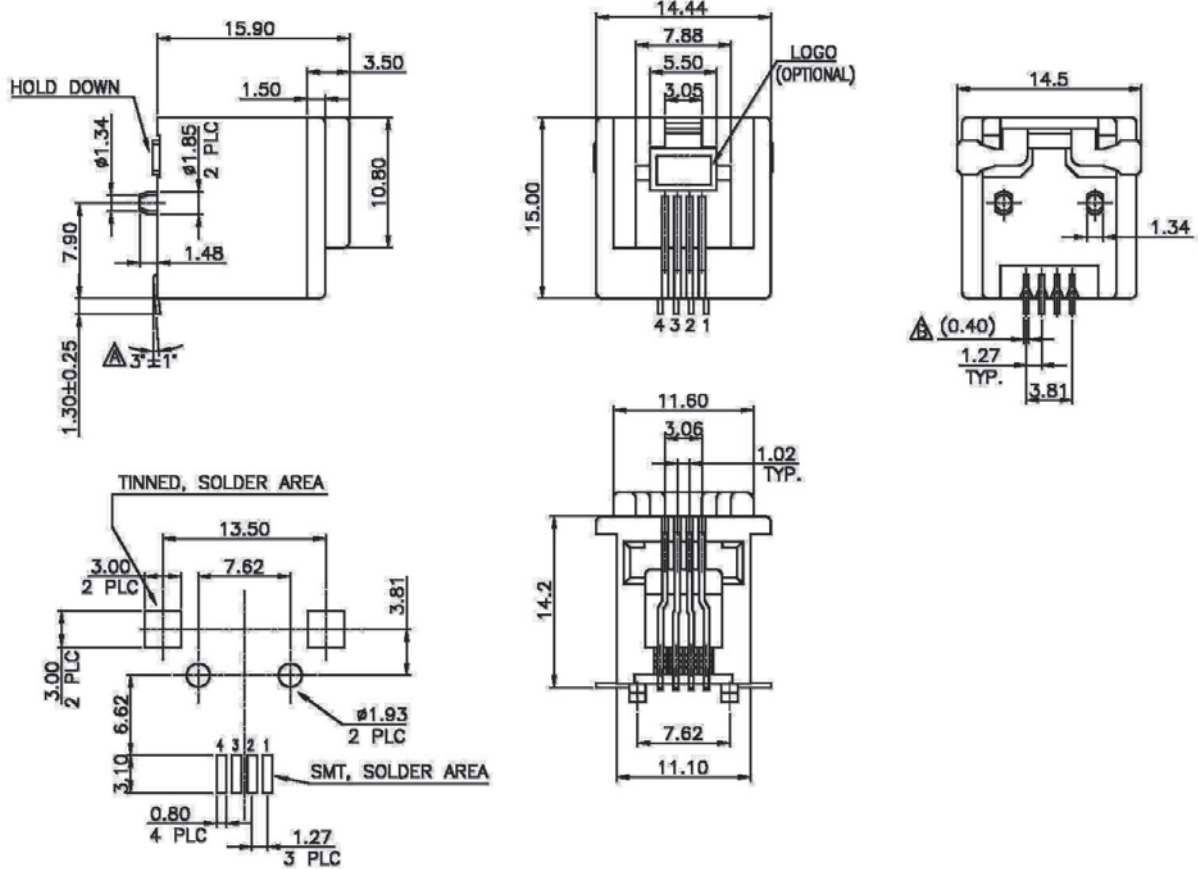
Soldering Temperature: 260°C

Color: Black

Spring Wire: Phosphor Bronze

Gold plating Over Nickel

\* RoHS & REACH compliant.



Recommended P.C.Board Layout

### ORDERING INFORMATION:

P/N M J  $\frac{GA}{1} - \frac{44}{2} \times \frac{B}{3} - \frac{x}{5}$

1. MODULAR JACK TYPE:  
"GA" SMT TYPE
2. NO. OF POSITIONS & CONTACTS:  
"44" 4P4C
3. CONTACT FINISH:  
"A" 6 MICROINCH GOLD  
"B" 15 MICROINCH GOLD  
"C" 30 MICROINCH GOLD  
"D" 50 MICROINCH GOLD
4. HOUSINH COLOR:  
"B" BLACK
5. PACKAGE TYPE:  
" " TRAY  
"R" TAPE & REEL

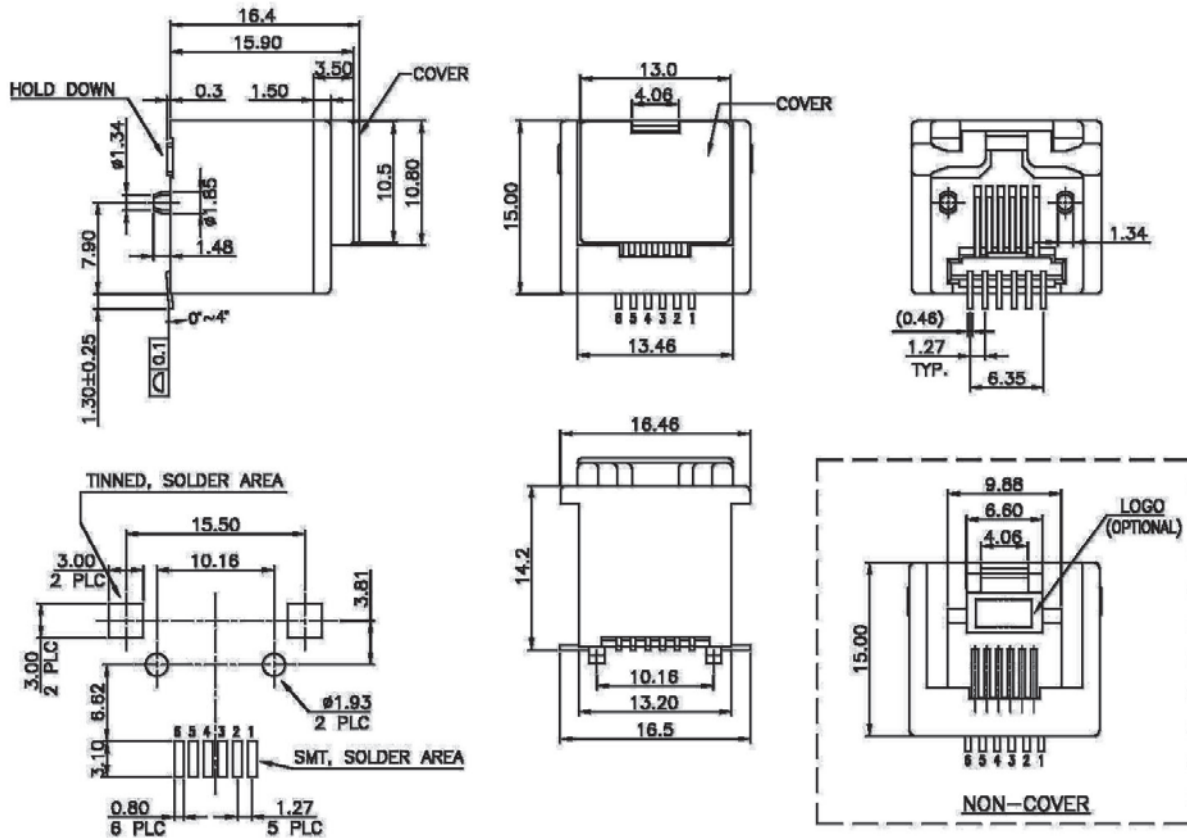
## TOP ENTRY MODULAR SMT JACK 6P PROFILE=15.90MM (UNSHIELDED)

### SPECIFICATIONS

Insulation Resistance: 500MΩ Min.  
 Contact Resistance: 20mΩ Max.  
 Rating Current: 1.5A Max.  
 Rating Voltage: 120V AC.  
 Dielectric Voltage: 1000 Vrms 60 Sec. Min.  
 Temperature Range: -40°C / +85°C  
 Durability: 500 Mating cycles Min.

### MATERIALS

Housing: Nylon (UL 94V-0)  
 Soldering Temperature: 260°C  
 Color: Black  
 Spring Wire: Phosphor Bronze  
 Gold plating Over Nickel  
 \* RoHS & REACH compliant.



Recommended P.C.Board Layout

### ORDERING INFORMATION:

P/N M J  $\frac{x}{1}$   $\frac{x}{2}$  - 6 6  $\frac{x}{3}$   $\frac{x}{4}$  B -  $\frac{x}{5}$

- MODULAR JACK TYPE:  
 "GA" SMT TYPE WITHOUT COVER  
 "GB" SMT TYPE WITH COVER
- NO. OF POSITIONS & CONTACTS:  
 "66" 6P6C
- CONTACT FINISH:  
 "A" 6 MICROINCH GOLD  
 "B" 15 MICROINCH GOLD  
 "C" 30 MICROINCH GOLD  
 "D" 50 MICROINCH GOLD
- HOUSINH COLOR:  
 "B" BLACK

- PACKAGE TYPE:  
 " " TRAY  
 "R" TAPE & REEL



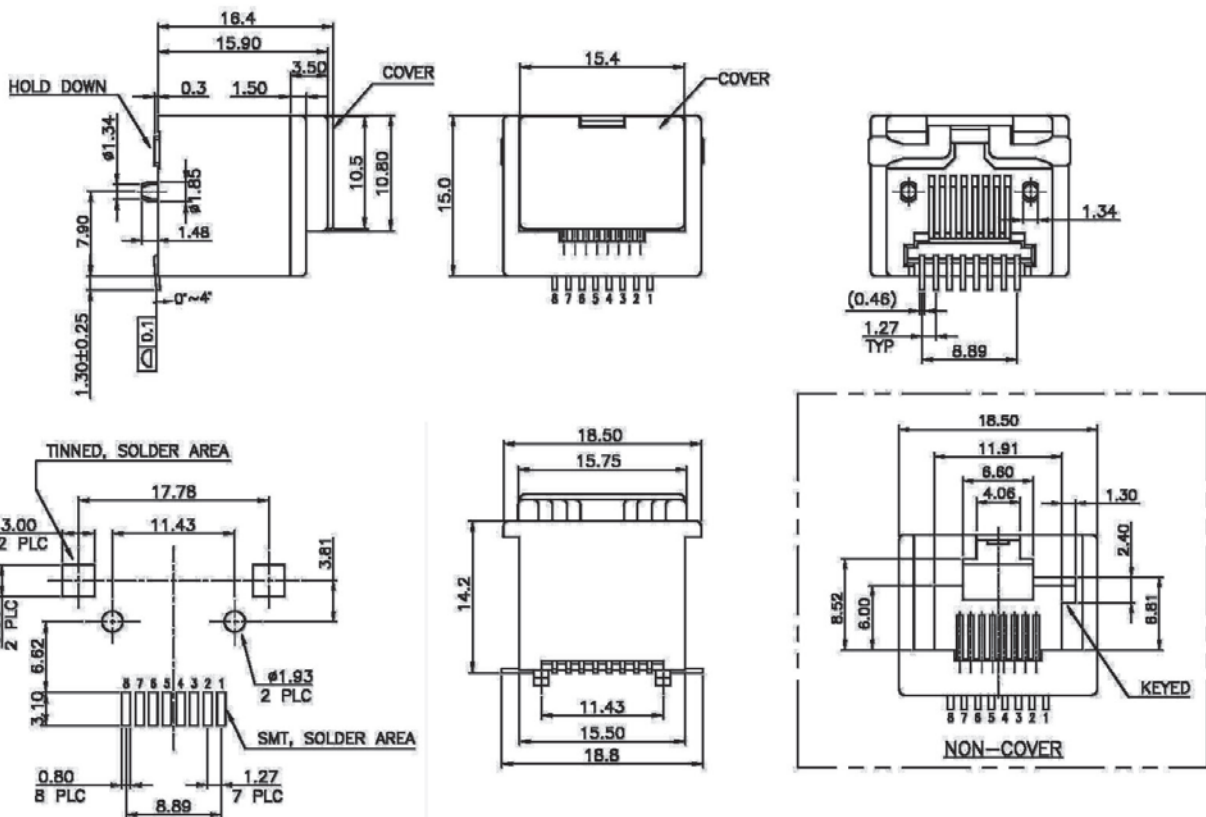
## TOP ENTRY MODULAR SMT JACK 8P KEYED PROFILE=15.90MM (UNSHIELDED)

### SPECIFICATIONS

Insulation Resistance: 500MΩ Min.  
 Contact Resistance: 20mΩ Max.  
 Rating Current: 1.5A Max.  
 Rating Voltage: 120V AC.  
 Dielectric Voltage: 1000 Vrms 60 Sec. Min.  
 Temperature Range: -40°C / +85°C  
 Durability: 500 Mating cycles Min.

### MATERIALS

Housing: Nylon (UL 94V-0)  
 Soldering Temperature: 260°C  
 Color: Black  
 Spring Wire: Phosphor Bronze  
 Gold plating Over Nickel  
 \* RoHS & REACH compliant.



Recommended P.C.Board Layout

### ORDERING INFORMATION:

P/N M J  $\frac{x}{1}$  -  $\frac{88}{2}$   $\frac{x}{34}$  B -  $\frac{x}{5}$

- MODULAR JACK TYPE:  
 "GA" SMT TYPE WITHOUT COVER  
 "GB" SMT TYPE WITH COVER
- NO. OF POSITIONS & CONTACTS:  
 "88" 8P8C
- CONTACT FINISH:  
 "A" 6 MICROINCH GOLD  
 "B" 15 MICROINCH GOLD  
 "C" 30 MICROINCH GOLD  
 "D" 50 MICROINCH GOLD
- HOUSINH COLOR:  
 "B" BLACK

- PACKAGE TYPE:  
 " " TRAY  
 "R" TAPE & REEL

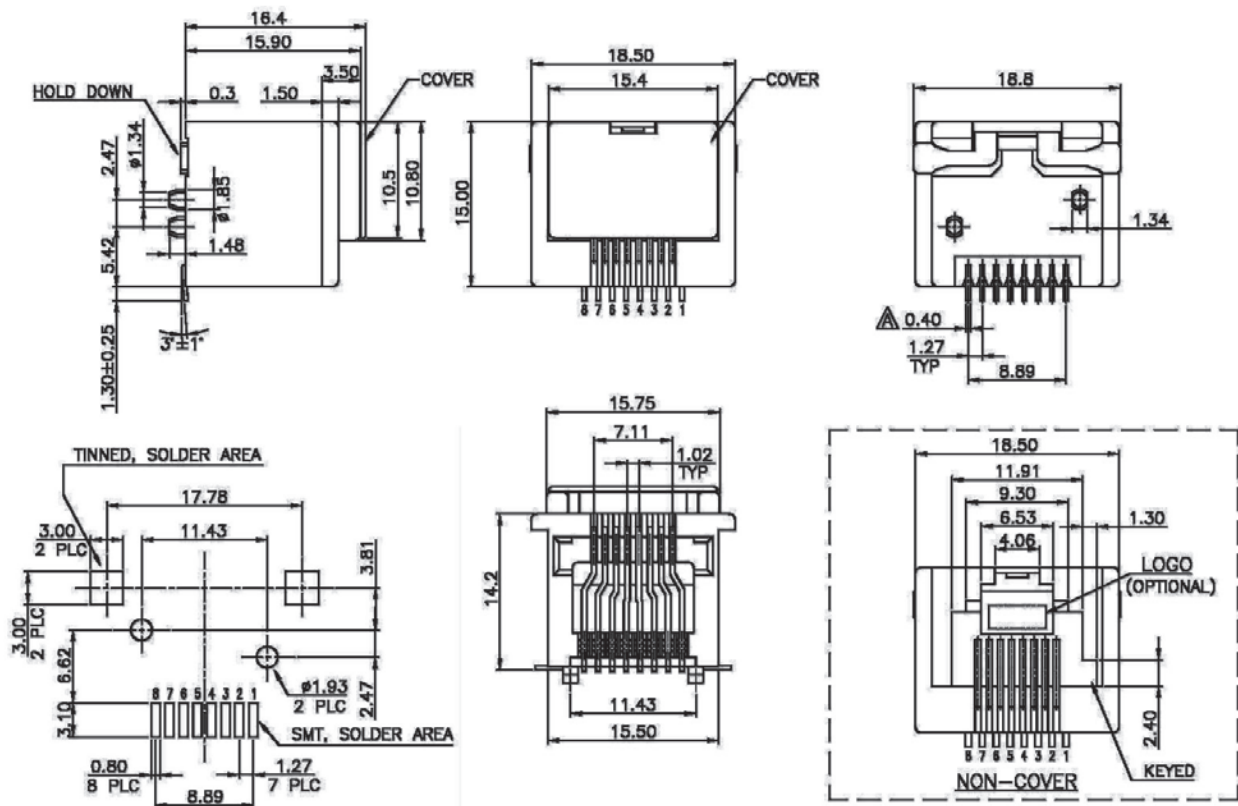
# TOP ENTRY MODULAR SMT JACK 8P KEYED PROFILE=15.90MM (UNSHIELDED)

## SPECIFICATIONS

Insulation Resistance: 500MΩ Min.  
 Contact Resistance: 20mΩ Max.  
 Rating Current: 1.5A Max.  
 Rating Voltage: 120V AC.  
 Dielectric Voltage: 1000 Vrms 60 Sec. Min.  
 Temperature Range: -40°C / +85°C  
 Durability: 500 Mating cycles Min.

## MATERIALS

Housing: Nylon (UL 94V-0)  
 Soldering Temperature: 260°C  
 Color: Black  
 Spring Wire: Phosphor Bronze  
 Gold plating Over Nickel  
 \* RoHS & REACH compliant.



Recommended P.C.Board Layout

## ORDERING INFORMATION:

P/N M J  $\frac{XX}{1}$  -  $\frac{88}{2}$   $\frac{X}{3}$   $\frac{B}{4}$   $\frac{K}{5}$  -  $\frac{X}{6}$

- MODULAR JACK TYPE:  
 "GC" SMT TYPE WITHOUT COVER  
 "GD" SMT TYPE WITH COVER
- NO. OF POSITIONS & CONTACTS:  
 "88" 8P8C
- CONTACT FINISH:  
 "A" 6 MICROINCH GOLD  
 "B" 15 MICROINCH GOLD  
 "C" 30 MICROINCH GOLD  
 "D" 50 MICROINCH GOLD
- HOUSINH COLOR:  
 "B" BLACK
- KEY CODE:  
 "K" WITH KEY
- PACKAGE TYPE:  
 " " TRAY  
 "R" TAPE & REEL

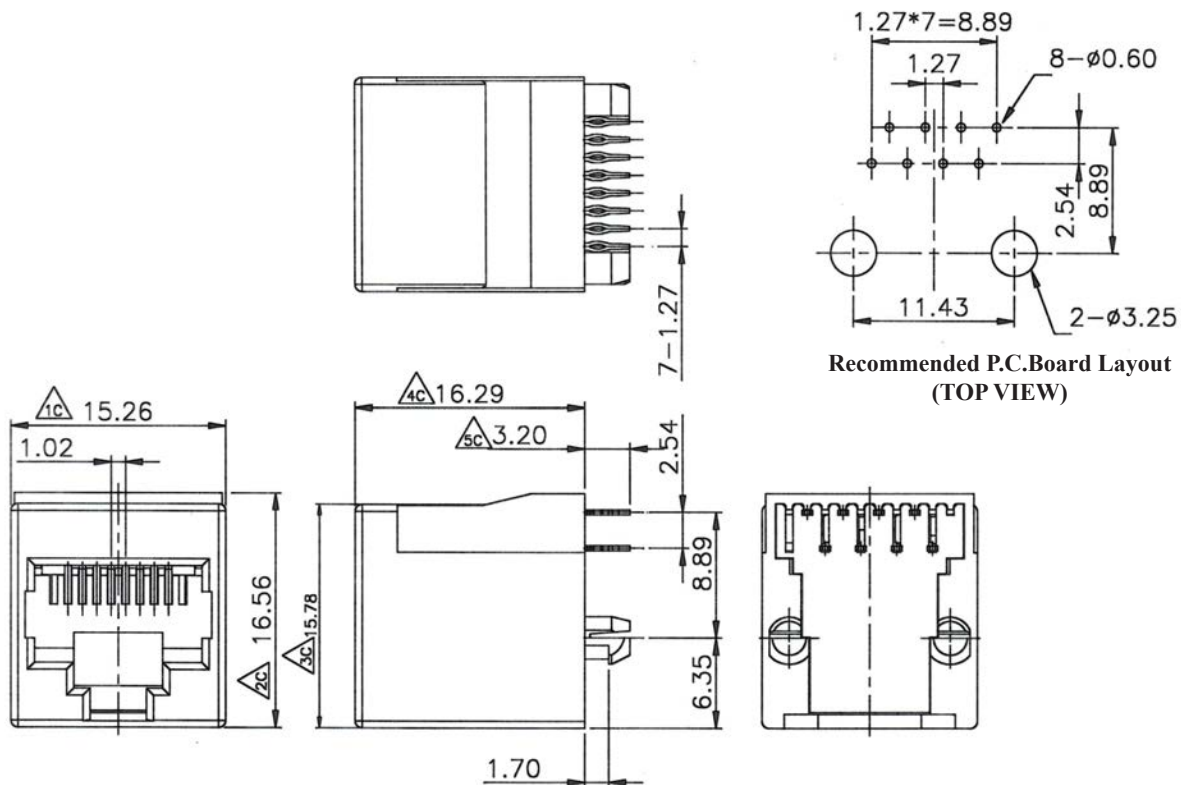
## TOP ENTRY MODULAR PCB JACK 8P PRESS FIT TYPE PROFILE=16.29MM (UNSHIELDED)

### SPECIFICATIONS

**Insulation Resistance:** 500MΩ Min.  
**Contact Resistance:** 20mΩ Max.  
**Rating Current:** 1.5A Max.  
**Rating Voltage:** 120V AC.  
**Dielectric Voltage:** 1000 Vrms 60 Sec. Min.  
**Temperature Range:** -40°C / +85°C  
**Durability:** 500 Mating cycles Min.

### MATERIALS

**Housing:** PBT Glass Filled (UL 94V-0)  
**Soldering Temperature:** 235°C  
**Color:** Black  
**Spring Wire:** Phosphor Bronze  
 Gold plating Over Nickel  
**\*RoHS & REACH compliant.**



Recommended P.C.Board Layout  
(TOP VIEW)

### ORDERING INFORMATION:

P/N M J PH - 88 x B  
          I      2 3 4

1. MODULAR JACK TYPE:  
"PH" PRESS FIT TYPE
2. NO. OF POSITIONS & CONTACTS:  
"88" 8P8C
3. CONTACT FINISH:  
"A" 6 MICROINCH GOLD  
"B" 15 MICROINCH GOLD  
"C" 30 MICROINCH GOLD  
"D" 50 MICROINCH GOLD
4. HOUSING COLOR:  
"B" BLACK

NOTE: PIN SPACING = 2 x 1.27 = 2.54MM

# TOP ENTRY MODULAR PCB JACK PRESS FIT TYPE 8P PROFILE=16.29MM (UNSHIELDED)

## SPECIFICATIONS

### Electrical:

**Voltage Rating:** 125 Vac Rms.

**Current Rating:** 1.5 Amp.

**Contact Resistance:** 40 Milliohms Max.

**Insulation Resistance:** 1000 Megohms Min @500 Vdc.

**Dielectric Strength:** 1000 Vac Rms 60Hz, 1Min.

### Mechanical:

**Operating:** 750 Cycles Min.

### Environmental:

**Storage:** -40°C To +85°C.

**Operation:** -40°C To +80°C.

**IR Reflow Soldering Temperature:** 255°C To 265°C(5~10 Seconds)

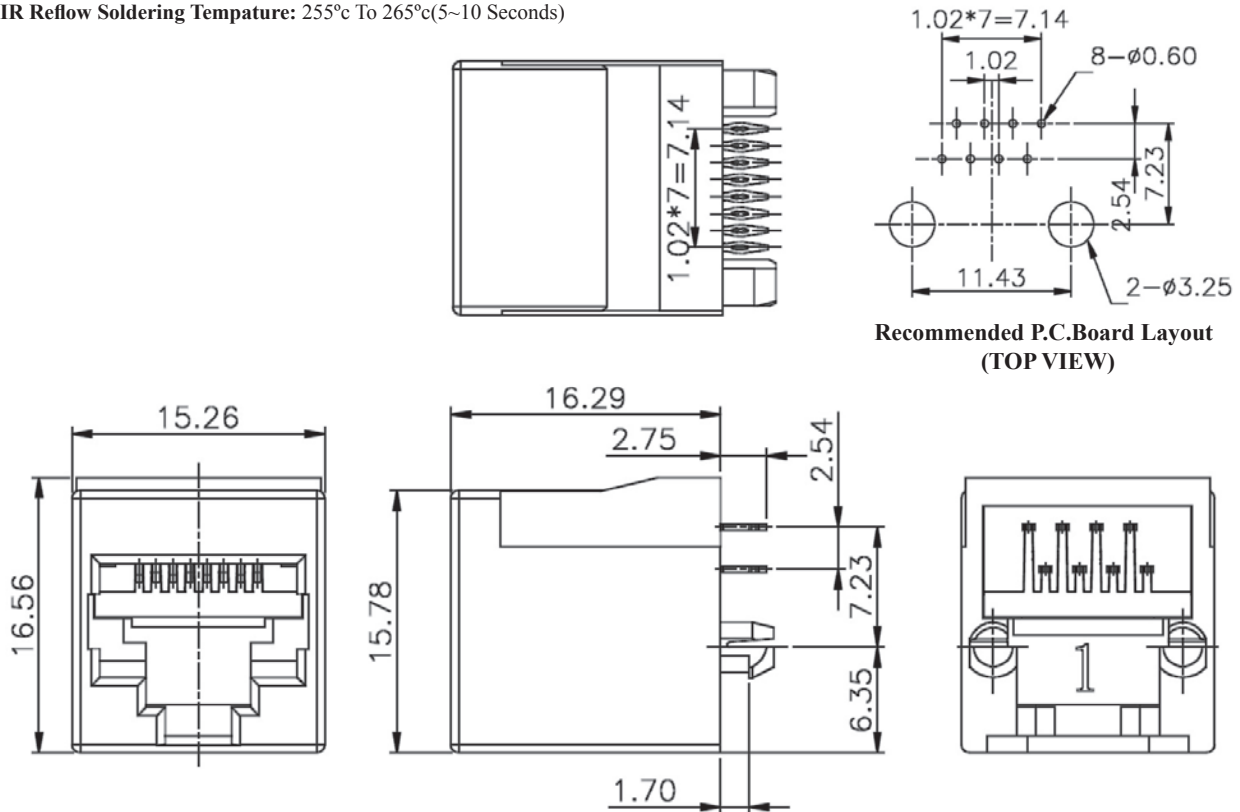
## MATERIALS

**Plastic Housing:** Engineering Thermoplastic  
Flammability Rating UL 94V-0.

**Contacts:** 0.35mm Thickness Phosphor Bronze

**Plating:** Gold Plating Over Nickel In Contact,  
Tin Plating Over Nickel In Solder Area.

\* RoHS & REACH compliant.



## ORDERING INFORMATION:

P/N M J P F - 8 8 A B  
1 2 3 4

1. MODULAR JACK TYPE:  
"PF" PRESS FIT TYPE
2. NO. OF POSITIONS & CONTACTS:  
"88" 8P8C
3. CONTACT FINISH:  
"A" 6 MICROINCH GOLD
4. HOUSING COLOR:  
"B" BLACK

NOTE: PIN SPACING = 2 x 1.02 = 2.04MM

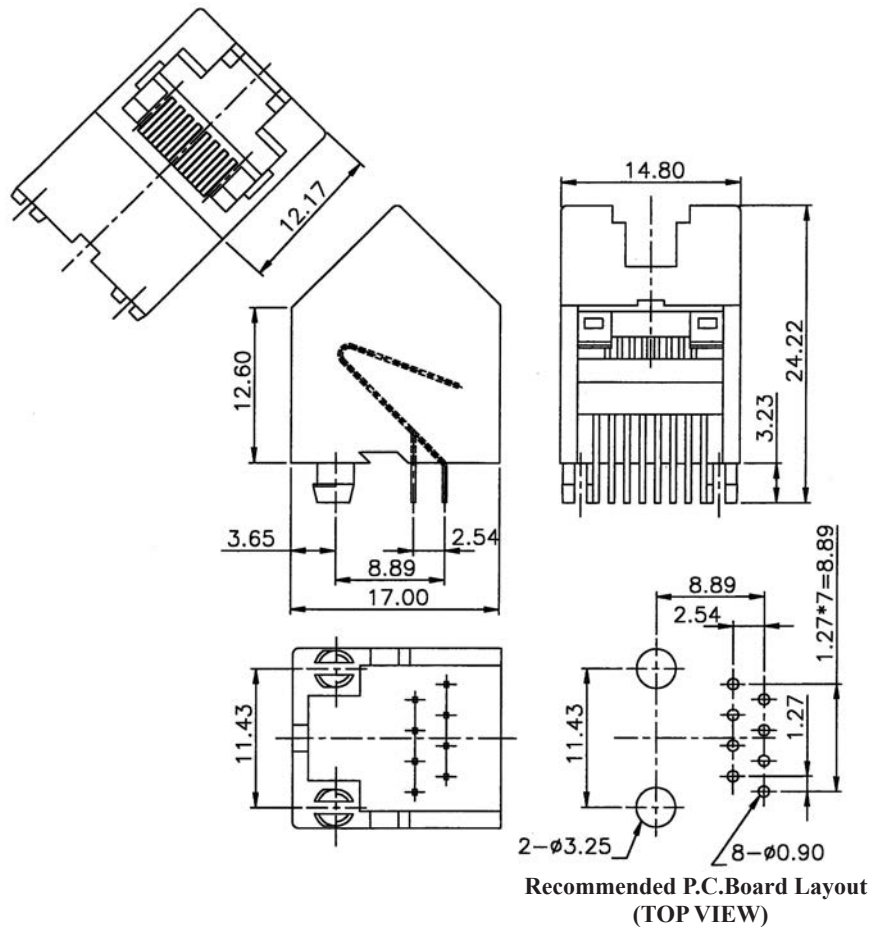
## 45 DEGREE ENTRY MODULAR PCB JACK 8P (UNSHIELDED)

### SPECIFICATIONS

**Insulation Resistance:** 500MΩ Min.  
**Contact Resistance:** 20mΩ Max.  
**Rating Current:** 1.5A Max.  
**Rating Voltage:** 120V AC.  
**Dielectric Voltage:** 1000 Vrms 60 Sec. Min.  
**Temperature Range:** -40°C / +85°C  
**Durability:** 500 Mating cycles Min.

### MATERIALS

**Housing:** PBT Glass Filled (UL 94V-0)  
**Soldering Temperature:** 235°C  
**Color:** Black & White  
**Spring Wire:** Phosphor Bronze  
 Gold plating Over Nickel  
**\*RoHS & REACH compliant.**



### ORDERING INFORMATION:

P/N MJ71 -  $\frac{XX}{T} \frac{XX}{23}$

1. NO. OF POSITIONS & CONTACTS:  
 "88" 8P8C  
 "84" 8P4C
2. CONTACT FINISH:  
 "A" 6 MICROINCH GOLD  
 "B" 15 MICROINCH GOLD  
 "C" 30 MICROINCH GOLD  
 "D" 50 MICROINCH GOLD
3. HOUSING COLOR:  
 "W" WHITE (STANDARD)  
 "B" BLACK

NOTE: P/N MJ71HT-8xxW FOR HIGH TEMP. VERSION

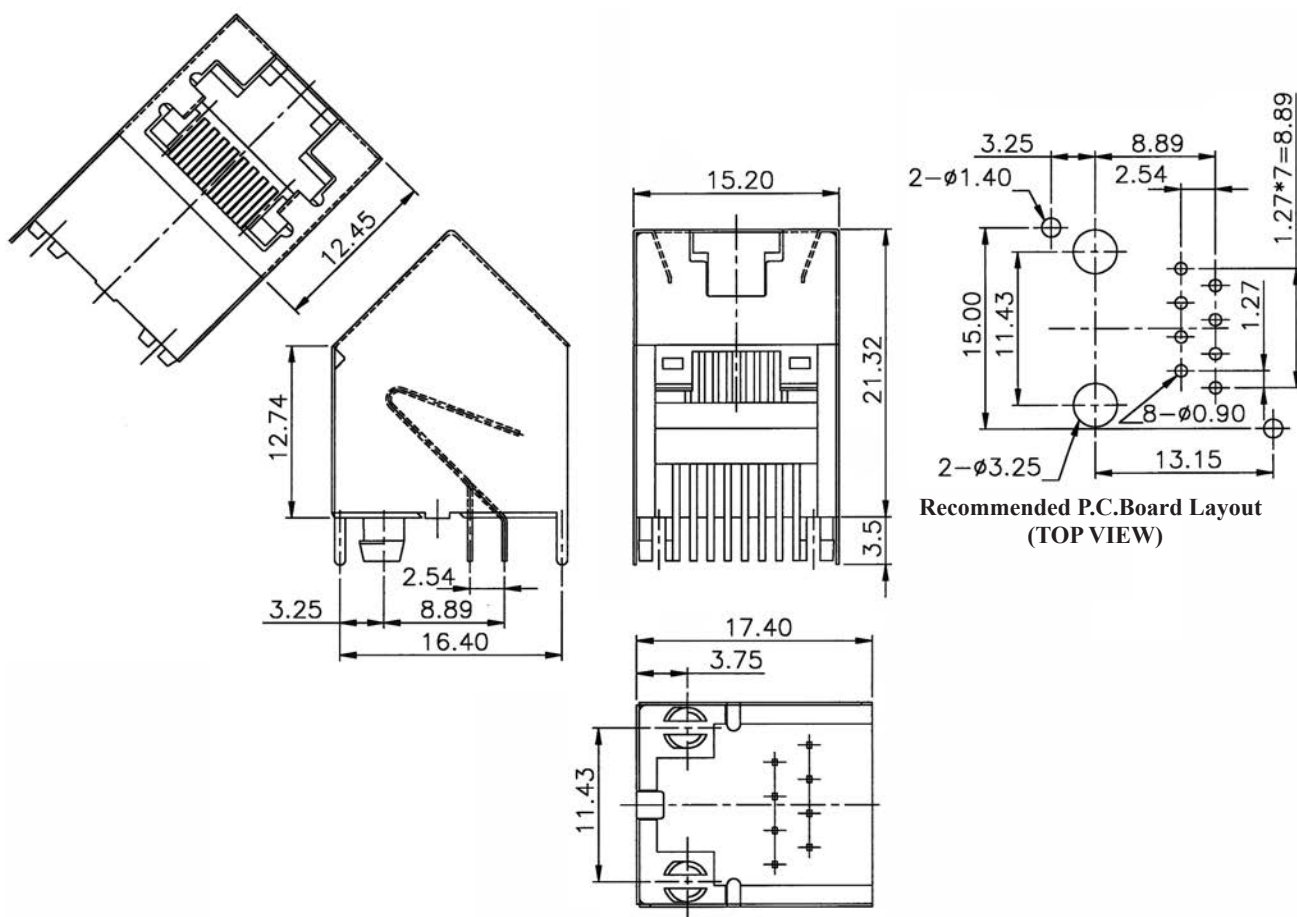
## 45 DEGREE ENTRY CAT. 3 & CAT. 5 MODULAR PCB JACK 8P (FULLY SHIELDED)

### SPECIFICATIONS

**Insulation Resistance:** 500MΩ Min.  
**Contact Resistance:** 20mΩ Max.  
**Rating Current:** 1.5A Max.  
**Rating Voltage:** 120V AC.  
**Dielectric Voltage:** 1000 Vrms 60 Sec. Min.  
**Temperature Range:** -40°C / +85°C  
**Durability:** 500 Mating cycles Min.

### MATERIALS

**Housing:** PBT Glass Filled (UL 94V-0)  
**Soldering Temperature:** 235°C  
**Color:** White  
**Spring Wire:** Phosphor Bronze  
Gold plating Over Nickel  
**Shield:** Brass plating Nickel Alloy  
**\*RoHS & REACH compliant.**



### ORDERING INFORMATION:

P/N M J  $\frac{XX}{1}$  -  $\frac{XX}{2}$   $\frac{XX}{3}$   $\frac{XX}{4}$

1. CATEGORY TYPE:

"72" CAT. 3  
"EE" CAT. 5

2. NO. OF POSITIONS & CONTACTS:

"88" 8P8C  
"84" 8P4C

3. CONTACT FINISH:

"A" 6 MICROINCH GOLD  
"B" 15 MICROINCH GOLD  
"C" 30 MICROINCH GOLD  
"D" 50 MICROINCH GOLD

4. INSULATOR COLOR:

"W" WHITE (STANDARD)  
"B" BLACK

NOTE: P/N MJ72HT-xxxW FOR HIGH TEMP. VERSION

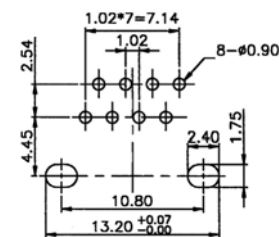
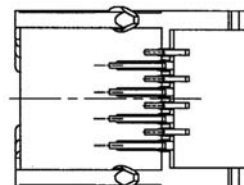
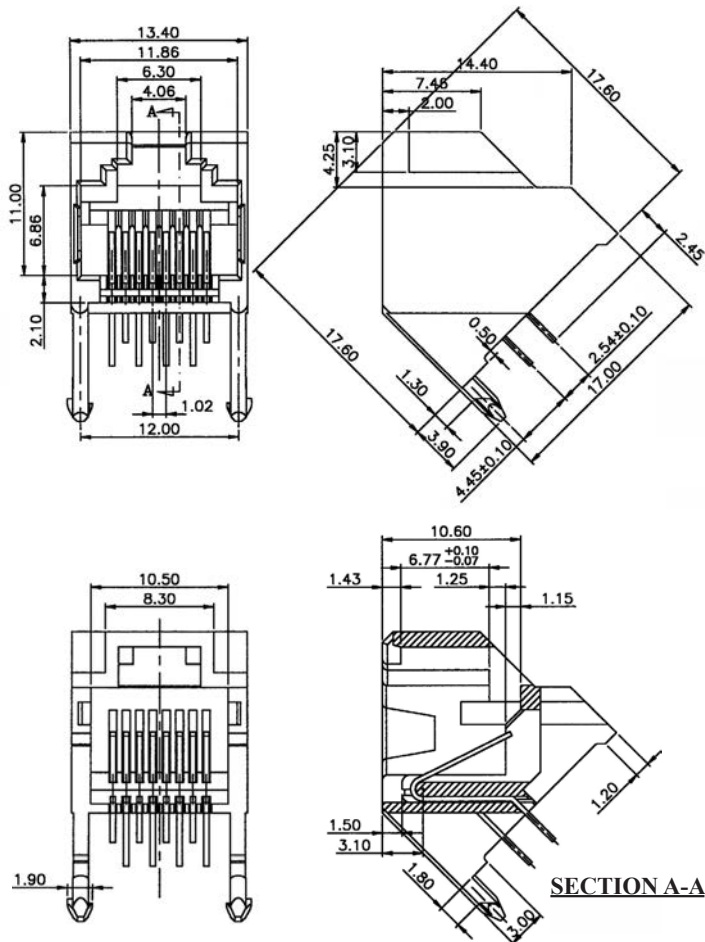
## MINI 45 DEGREE ENTRY MODULAR PCB JACK 8P (UNSHIELDED)

### SPECIFICATIONS

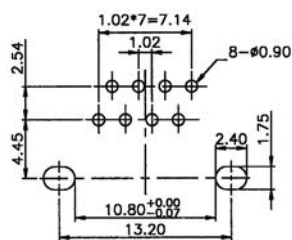
**Insulation Resistance:** 500MΩ Min.  
**Contact Resistance:** 20mΩ Max.  
**Rating Current:** 1.5A Max.  
**Rating Voltage:** 120V AC.  
**Dielectric Voltage:** 1000 Vrms 60 Sec. Min.  
**Temperature Range:** -40°C / +85°C  
**Durability:** 500 Mating cycles Min.

### MATERIALS

**Housing:** PBT Glass Filled (UL 94V-0)  
**Soldering Temperature:** 235°C  
**Color:** White  
**Spring Wire:** Phosphor Bronze  
 Gold plating Over Nickel  
**\*RoHS & REACH compliant.**



PCB THICKNESS=1.0  
Recommended P.C.Board Layout  
(TOP VIEW)



PCB THICKNESS=1.6  
Recommended P.C.Board Layout  
(TOP VIEW)

### ORDERING INFORMATION:

P/N M J 2 M -  $\frac{x}{1} \frac{x}{2} \frac{x}{3} \frac{W}{3}$

- NO. OF POSITIONS & CONTACTS:  
 "88" 8P8C  
 "84" 8P4C
- CONTACT FINISH:  
 "A" 6 MICROINCH GOLD  
 "B" 15 MICROINCH GOLD  
 "C" 30 MICROINCH GOLD  
 "D" 50 MICROINCH GOLD
- HOUSING COLOR:  
 "W" WHITE

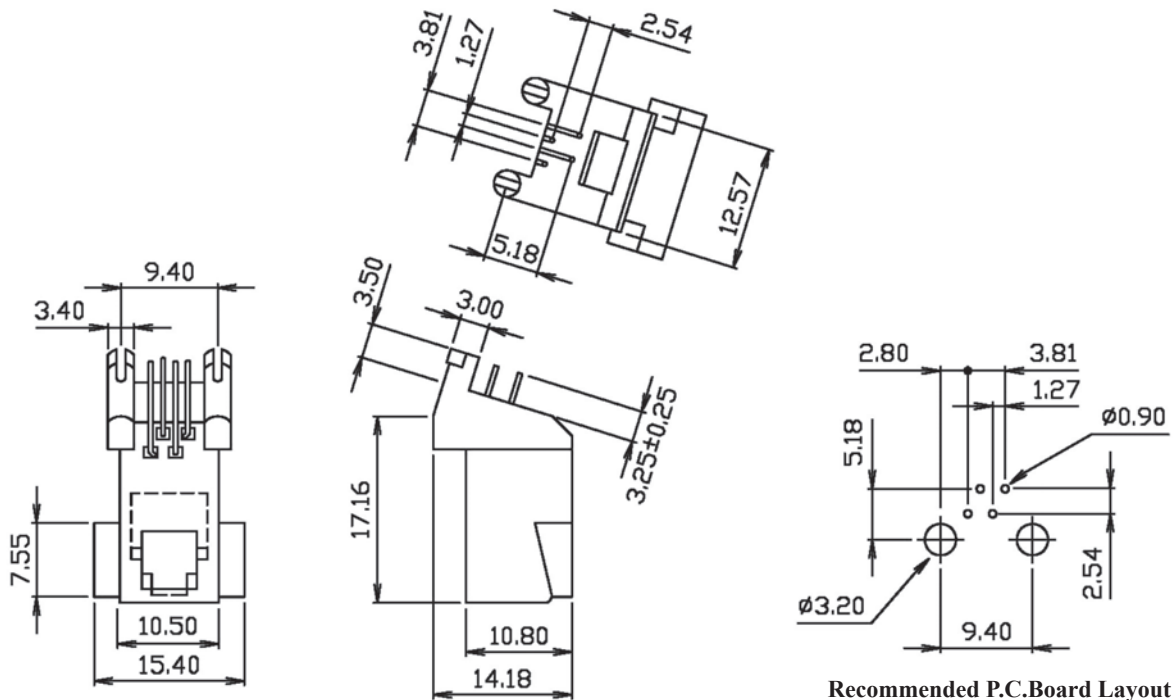
## 45 DEGREE ENTRY MODULAR PCB JACK 4P PROFILE=17.16MM (UNSHIELDED)

### SPECIFICATIONS

**Insulation Resistance:** 500MΩ Min.  
**Contact Resistance:** 20mΩ Max.  
**Rating Current:** 1.5A Max.  
**Rating Voltage:** 120V AC.  
**Dielectric Voltage:** 1000 Vrms 60 Sec. Min.  
**Temperature Range:** -40°C / +85°C  
**Durability:** 500 Mating cycles Min.

### MATERIALS

**Housing:** PBT Glass Filled (UL 94V-0)  
**Soldering Temperature:** 235°C  
**Color:** Black  
**Spring Wire:** Phosphor Bronze  
Gold plating Over Nickel  
**\*RoHS & REACH compliant.**



Recommended P.C.Board Layout

### ORDERING INFORMATION:

P/N M J G X - 44 x B  
          1      2 3 4

1. MODULAR JACK TYPE:  
"GX" 45 DEGREE ENTRY TYPE
2. NO. OF POSITIONS & CONTACTS:  
"44" 4P4C
3. CONTACT FINISH:  
"A" 6 MICROINCH GOLD  
"B" 15 MICROINCH GOLD  
"C" 30 MICROINCH GOLD  
"D" 50 MICROINCH GOLD
4. HOUSING COLOR:  
"B" BLACK



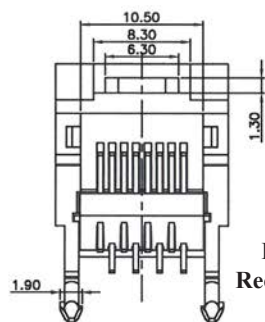
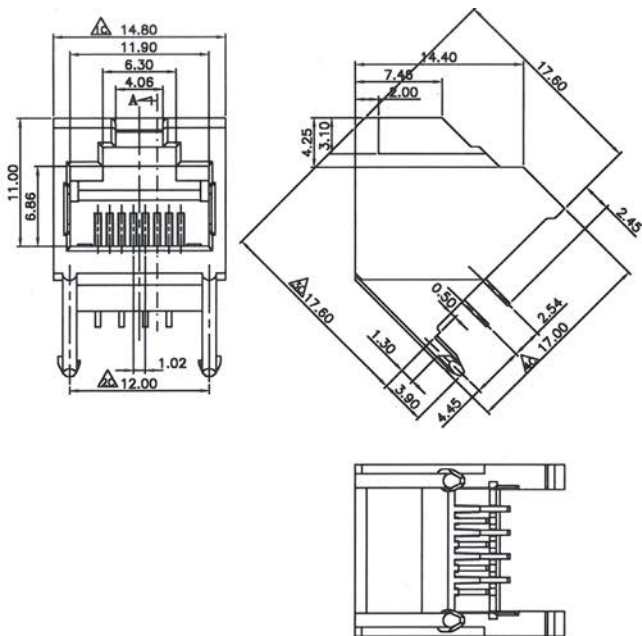
## 45 DEGREE ENTRY MODULAR PCB JACK 8P (UNSHIELDED)

### SPECIFICATIONS

**Insulation Resistance:** 500MΩ Min.  
**Contact Resistance:** 20mΩ Max.  
**Rating Current:** 1.5A Max.  
**Rating Voltage:** 120V AC.  
**Dielectric Voltage:** 1000 Vrms 60 Sec. Min.  
**Temperature Range:** -40°C / +85°C  
**Durability:** 500 Mating cycles Min.

### MATERIALS

**Housing:** PBT Glass Filled (UL 94V-0)  
**Soldering Temperature:** 235°C  
**Color:** Black  
**Spring Wire:** Phosphor Bronze  
 Gold plating Over Nickel  
**\*RoHS & REACH compliant.**



**Recommended P.C.Board Layout**  
**Recommended PCB Thickness: 1.0mm**  
**(TOP VIEW)**

**Recommended P.C.Board Layout**  
**Recommended PCB Thickness: 1.6mm**  
**(TOP VIEW)**

### ORDERING INFORMATION:

P/N M J Y H - 8 8 x B  
                  I      2 3 4

- MODULAR JACK TYPE:  
"YH" 45 DEGREE ENTRY JACK
- NO. OF POSITIONS & CONTACTS:  
"88" 8P8C
- CONTACT FINISH:  
"A" 6 MICROINCH GOLD  
"B" 15 MICROINCH GOLD  
"C" 30 MICROINCH GOLD  
"D" 50 MICROINCH GOLD
- HOUSING COLOR:  
"B" BLACK

## 70 DEGREE ENTRY MODULAR PCB JACK 8P (UNSHIELDED)

### SPECIFICATIONS

Insulation Resistance: 500MΩ Min.

Contact Resistance: 20mΩ Max.

Rating Current: 1.5A Max.

Rating Voltage: 120V AC.

Dielectric Voltage: 1000 Vrms 60 Sec. Min.

Temperature Range: -40°C / +85°C

Durability: 500 Mating cycles Min.

### MATERIALS

Housing: Nylon (UL 94V-0)

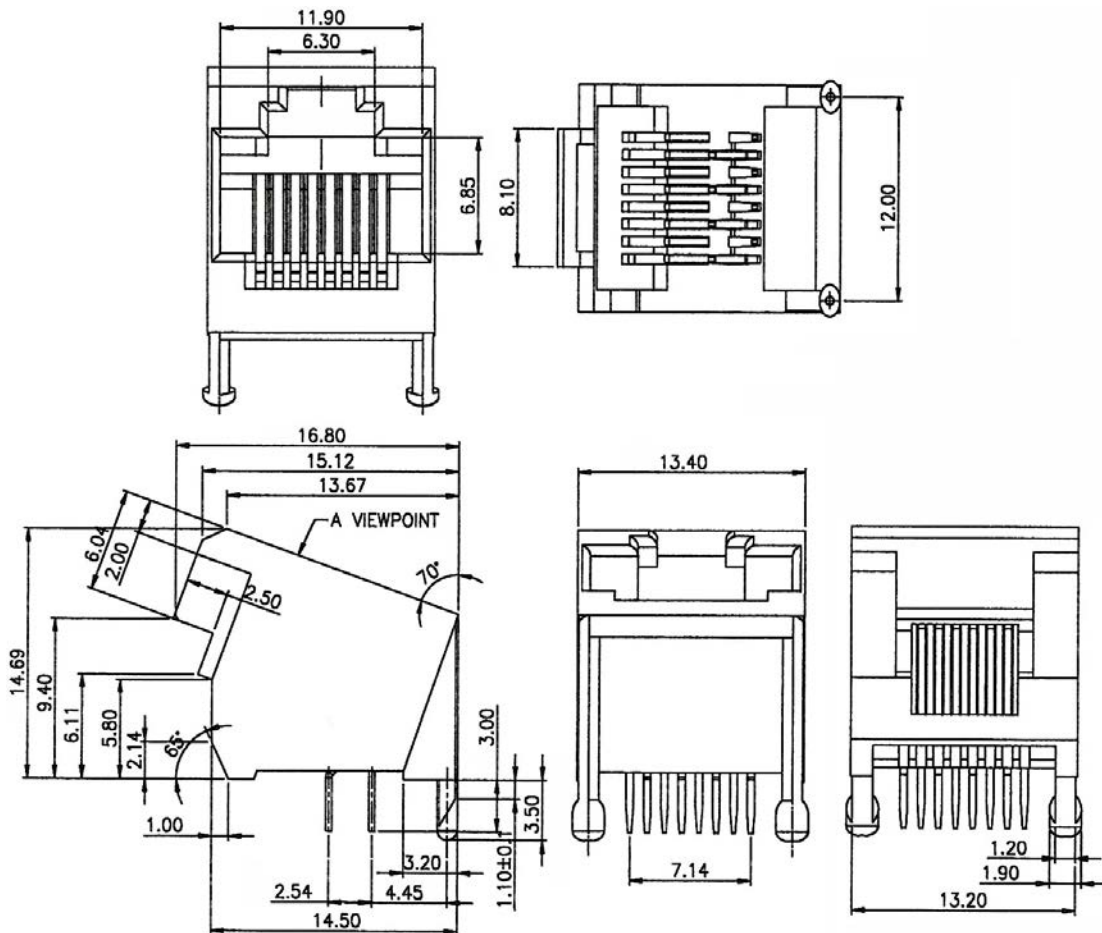
Soldering Temperature: 260°C

Color: White

Spring Wire: Phosphor Bronze

Gold plating Over Nickel

\*RoHS & REACH compliant.



### ORDERING INFORMATION:

P/N MJ70 -  $\frac{88}{1} \times \frac{W}{23}$

1. NO. OF POSITIONS & CONTACTS:

"88" 8P8C

2. CONTACT FINISH:

"A" 6 MICROINCH GOLD

"B" 15 MICROINCH GOLD

"C" 30 MICROINCH GOLD

"D" 50 MICROINCH GOLD

3. HOUSING COLOR:

"W" WHITE

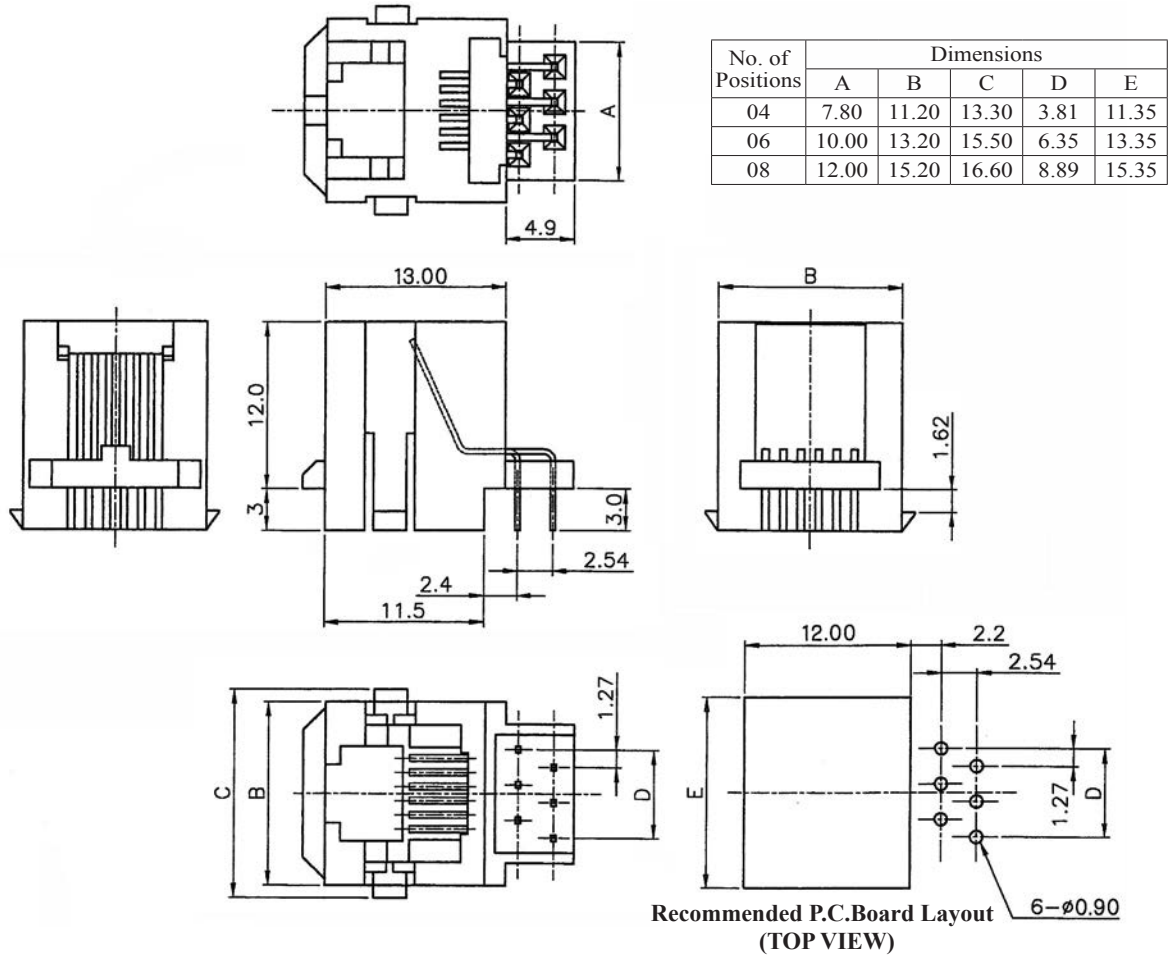
# BOTTOM ENTRY MODULAR PCB JACK 4P+6P+8P PROFILE=12.00MM (UNSHIELDED)

## SPECIFICATIONS

**Insulation Resistance:** 500MΩ Min.  
**Contact Resistance:** 20mΩ Max.  
**Rating Current:** 1.5A Max.  
**Rating Voltage:** 120V AC.  
**Dielectric Voltage:** 1000 Vrms 60 Sec. Min.  
**Temperature Range:** -40°C / +85°C  
**Durability:** 500 Mating cycles Min.

## MATERIALS

**Housing:** PBT Glass Filled (UL 94V-0)  
**Soldering Temperature:** 235°C  
**Color:** Black  
**Spring Wire:** Phosphor Bronze  
 Gold plating Over Nickel  
**\*RoHS & REACH compliant.**



## ORDERING INFORMATION:

P/N M J  $\frac{XX}{1} - \frac{XX}{2} \frac{X}{3} B$

- DUST COVER OPTION:  
 "51" W/O DUST COVER  
 "9C" WITH DUST COVER
- NO. OF POSITIONS & CONTACTS:  
 "66" 6P6C  
 "64" 6P4C  
 "88" 8P8C  
 "44" 4P4C
- CONTACT FINISH:  
 "A" 6 MICROINCH GOLD  
 "B" 15 MICROINCH GOLD  
 "C" 30 MICROINCH GOLD  
 "D" 50 MICROINCH GOLD

## BOTTOM ENTRY MODULAR PCB JACK 4P PROFILE=12.50MM (UNSHIELDED)

### SPECIFICATIONS

**Insulation Resistance:** 500MΩ Min.

**Contact Resistance:** 20mΩ Max.

**Rating Current:** 1.5A Max.

**Rating Voltage:** 120V AC.

**Dielectric Voltage:** 1000 Vrms 60 Sec. Min.

**Temperature Range:** -40°C / +85°C

**Durability:** 500 Mating cycles Min.

### MATERIALS

**Housing:** PBT Glass Filled (UL 94V-0)

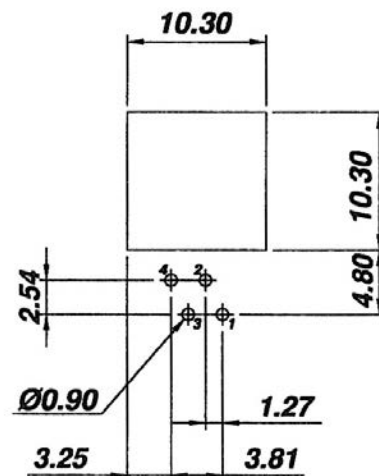
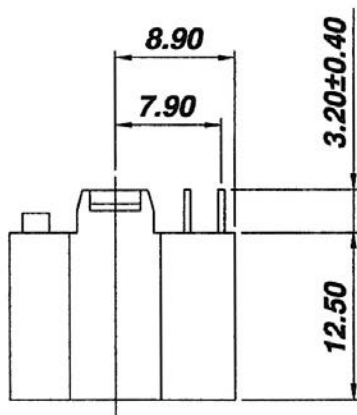
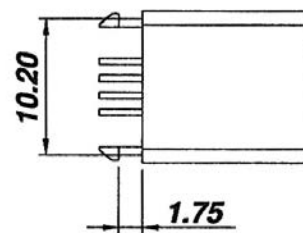
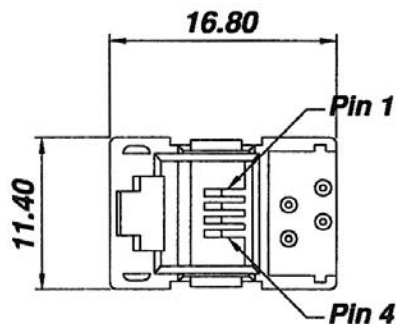
**Soldering Temperature:** 235°C

**Color:** Black

**Spring Wire:** Phosphor Bronze

Gold plating Over Nickel

\*RoHS & REACH compliant.



Recommended P.C.Board Layout  
(BOTTOM VIEW)

### ORDERING INFORMATION:

P/N MJ7Z -  $\frac{44}{1} \times \frac{B}{2}$

1. NO. OF POSITIONS & CONTACTS:

"44" 4P4C

2. CONTACT FINISH:

"A" 6 MICROINCH GOLD

"B" 15 MICROINCH GOLD

"C" 30 MICROINCH GOLD

"D" 50 MICROINCH GOLD

NOTE: P/N MJ7ZHT-44xB FOR HIGH TEMP. VERSION

## BOTTOM ENTRY MODULAR PCB JACK 6P PROFILE=12.50MM (UNSHIELDED)

### SPECIFICATIONS

**Insulation Resistance:** 500MΩ Min.

**Contact Resistance:** 20mΩ Max.

**Rating Current:** 1.5A Max.

**Rating Voltage:** 120V AC.

**Dielectric Voltage:** 1000 Vrms 60 Sec. Min.

**Temperature Range:** -40°C / +85°C

**Durability:** 500 Mating cycles Min.

### MATERIALS

**Housing:** PBT Glass Filled (UL 94V-0)

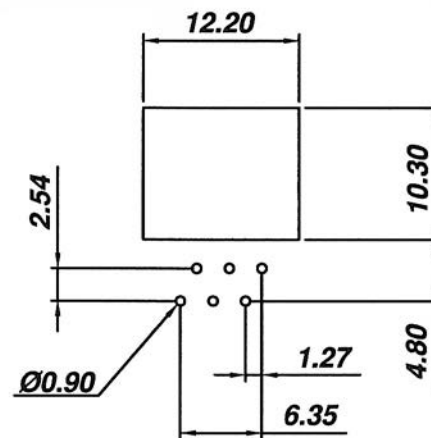
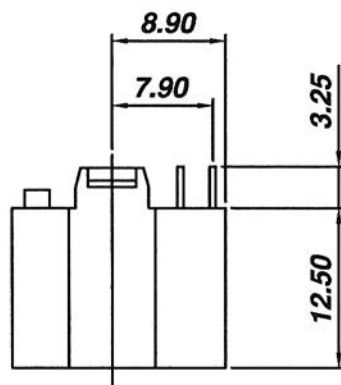
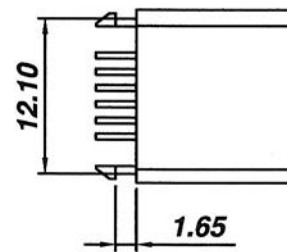
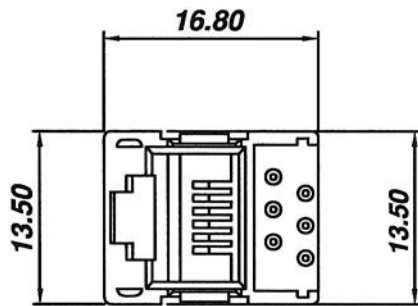
**Soldering Temperature:** 235°C

**Color:** Black

**Spring Wire:** Phosphor Bronze

Gold plating Over Nickel

\*RoHS & REACH compliant.



Recommended P.C.Board Layout  
(BOTTOM VIEW)

### ORDERING INFORMATION:

P/N M J 7 Z -  $\frac{x x x}{1 2}$  B

#### 1. NO. OF POSITIONS & CONTACTS:

"66" 6P6C

"64" 6P4C

#### 2. CONTACT FINISH:

"A" 6 MICROINCH GOLD

"B" 15 MICROINCH GOLD

"C" 30 MICROINCH GOLD

"D" 50 MICROINCH GOLD

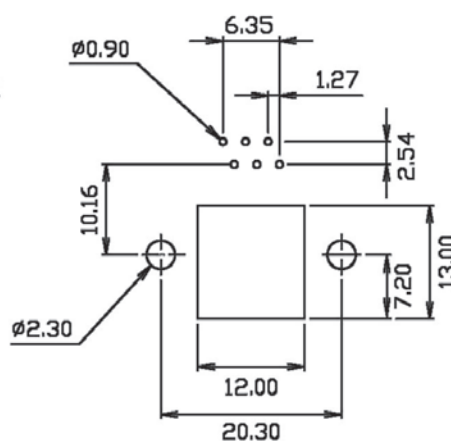
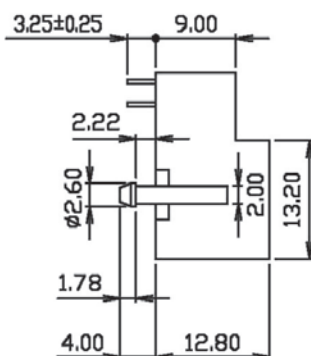
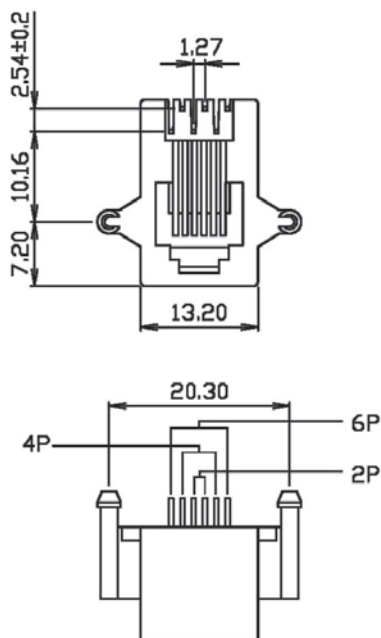
## BOTTOM ENTRY MODULAR PCB JACK 6P PROFILE=12.80MM (UNSHIELDED)

### SPECIFICATIONS

**Insulation Resistance:** 500MΩ Min.  
**Contact Resistance:** 20mΩ Max.  
**Rating Current:** 1.5A Max.  
**Rating Voltage:** 120V AC.  
**Dielectric Voltage:** 1000 Vrms 60 Sec. Min.  
**Temperature Range:** -40°C / +85°C  
**Durability:** 500 Mating cycles Min.

### MATERIALS

**Housing:** PBT Glass Filled (UL 94V-0)  
**Soldering Temperature:** 235°C  
**Color:** Black  
**Spring Wire:** Phosphor Bronze  
Gold plating Over Nickel  
**\*RoHS & REACH compliant.**



Recommended P.C.Board Layout

### ORDERING INFORMATION:

P/N M J  $\frac{G Y}{1} - \frac{6 6}{2} \times \frac{B}{3 4}$

1. MODULAR JACK TYPE:  
"GY" BOTTOM ENTRY RJ12 JACK
2. NO. OF POSITIONS & CONTACTS:  
"66" 6P6C
3. CONTACT FINISH:  
"A" 6 MICROINCH GOLD  
"B" 15 MICROINCH GOLD  
"C" 30 MICROINCH GOLD  
"D" 50 MICROINCH GOLD
4. HOUSING COLOR:  
"B" BLACK

## BOTTOM ENTRY MODULAR PCB JACK 6P PROFILE=13.20MM (UNSHIELDED)

### SPECIFICATIONS

Insulation Resistance: 500MΩ Min.

Contact Resistance: 20mΩ Max.

Rating Current: 1.5A Max.

Rating Voltage: 120V AC.

Dielectric Voltage: 1000 Vrms 60 Sec. Min.

Temperature Range: -40°C / +85°C

Durability: 500 Mating cycles Min.

### MATERIALS

Housing: PBT Glass Filled (UL 94V-0)

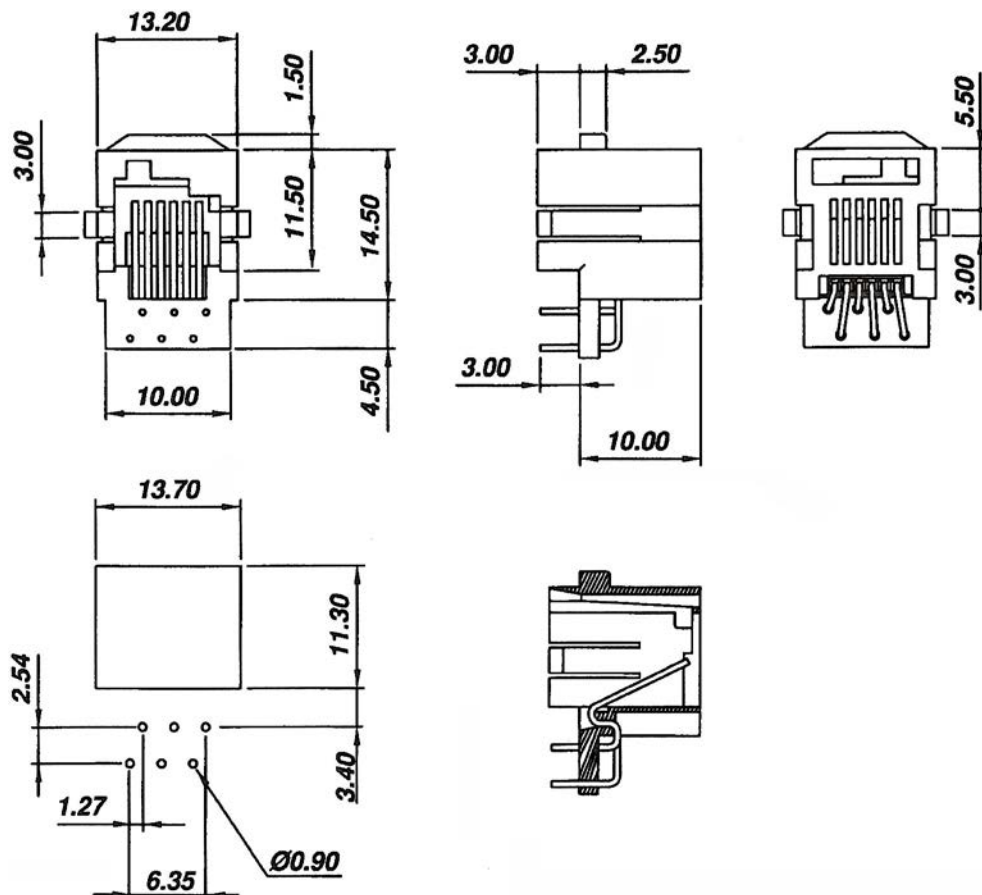
Soldering Temperature: 235°C

Color: Black

Spring Wire: Phosphor Bronze

Gold plating Over Nickel

\*RoHS & REACH compliant.



Recommended P.C.Board Layout  
(BOTTOM VIEW)

### ORDERING INFORMATION:

P/N MJ9E -  $\frac{x}{1} \frac{x}{2} B$

#### 1. NO. OF POSITIONS & CONTACTS:

"66" 6P6C

"64" 6P4C

#### 2. CONTACT FINISH:

"A" 6 MICROINCH GOLD

"B" 15 MICROINCH GOLD

"C" 30 MICROINCH GOLD

"D" 50 MICROINCH GOLD

## BOTTOM ENTRY MODULAR PCB JACK 8P PROFILE=13.10MM (UNSHIELDED)

### SPECIFICATIONS

Insulation Resistance: 500M $\Omega$  Min.

Contact Resistance: 20m $\Omega$  Max.

Rating Current: 1.5A Max.

Rating Voltage: 120V AC.

Dielectric Voltage: 1000 Vrms 60 Sec. Min.

Temperature Range: -40 $^{\circ}$ C / +85 $^{\circ}$ C

Durability: 500 Mating cycles Min.

### MATERIALS

Housing: PBT Glass Filled (UL 94V-0)

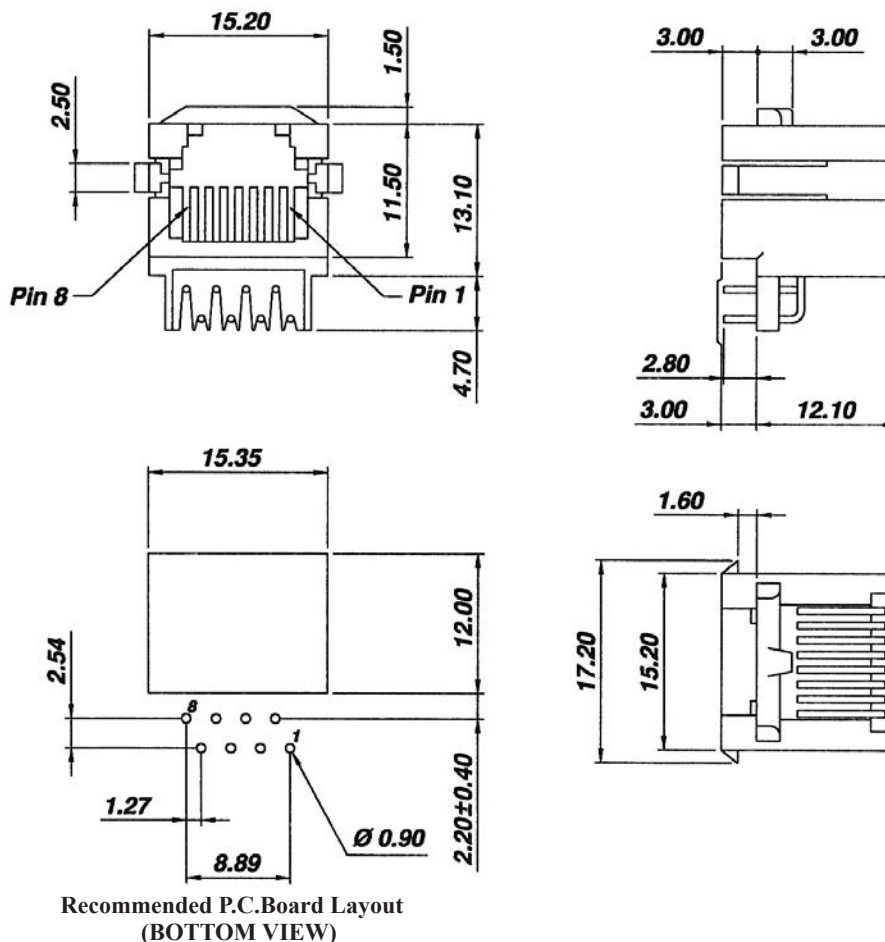
Soldering Temperature: 235 $^{\circ}$ C

Color: Black

Spring Wire: Phosphor Bronze

Gold plating Over Nickel

\*RoHS & REACH compliant.



### ORDERING INFORMATION:

P/N MJ9E -  $\frac{88}{1} \times \frac{B}{2}$

1. NO. OF POSITIONS & CONTACTS:

"88" 8P8C

2. CONTACT FINISH:

"A" 6 MICROINCH GOLD

"B" 15 MICROINCH GOLD

"C" 30 MICROINCH GOLD

"D" 50 MICROINCH GOLD

NOTE: P/N MJ9EHT-88xB FOR HIGH TEMP. VERSION